

# PARTS CATALOGUE



## SCOOTERS

SBA1CA(PT)

CV3



Release Date : 2022/12/07  
Print Date : 2023/04/20

## ABOUT THIS PARTS LIST

- This parts list is compiled all service parts for model SBA1CA(PT).
- Any difference between color chart and motorcycle will be revised according to motorcycle.
- The Mark:
  1. Marking "\*\*\*" must add color code in the end before ordering parts.
  2. Marking "#" are parts with modification, Please find the details from e-Parts system.
- When modification or additions to this parts list are made a revised edition at an appropriate time.



# CONTENTS

● ABOUT THIS PARTS LIST .....	1
● COLOR CHART OF SBA1CA(PT) .....	3
● CONTENTS-ENGINE GROUP .....	8
● CONTENTS-FRAME GROUP .....	10
● ENGINE PARTS LIST .....	13
● FRAME PARTS LIST .....	55
● PART NO. INDEX .....	149

NO	MODEL			COLOR CHART OF SBA1CA(PT)						
	PHOTO NO			NO. 1	NO. 2					
	BASIC COLOR			Flat Black	Dark Peridot					
	CODE			Flat Black	Dark Peridot					
	PARTS NAME	PARTS NO.	VERSION	NH397FA	GG353FA					
1	CARRIER R REAR	81200-AGJ5-E00	0	HJP						
2	CARRIER L REAR	81210-AGJ5-E00	0							
3	CALIPER ASSY RR	43100-LGC6-E01	7	J2A						
4	BRACKET ASSY RR	43210-LGC6-305	0							
5	CALIPER ASSY, FR R	45100-AGJ5-E00	0							
6	CALIPER ASSY, FR L	45200-AGJ5-E00	0							
7	LID R BOARD	83531-AGJ5-E00	2	JHP						
8	LID L BOARD	83631-AGJ5-E00	2							
9	COVER B METER	53214-AGJ5-E00	0	JUP						
10	HANDLE BOARD	53224-AGJ5-E00	3							
11	HANDLE BOARD	53234-AGJ5-E00	0							
12	MOLDING B R SIDE	64312-AGJ5-E00	0							
13	MOLDING B L SIDE	64313-AGJ5-E00	0							
14	COVER M	77203-AGJ5-E00	0							
15	FRONT COVER	80154-AGJ5-E00	0							
16	BRKT,MUFFLER	50189-AGJ5-E00	0				MFA			
17	COVER COMP. L COVER	1134B-LGC6-E00	9							
18	COVER COMP. R	11630-LGC6-E00	9				N1R			
19	COVERRADIATOR	19025-LGC6-E00	2							
20	COVER,METER	37209-AGJ5-E00	0							
21	COVER UP A,CHAIN	40510-AGJ5-E00	0							
22	COVER UP B	40511-AGJ5-E00	0							
23	COVER UP B,CHAIN	40520-AGJ5-E00	0							
24	COVER LOW B,CHAIN	40521-AGJ5-E00	0							
25	COVER, BATTERY	50329-AGJ5-E00	0							
DATE OF STARTING-SALES										
DATE OF END-SALES										

NO	MODEL			COLOR CHART OF SBA1CA(PT)			
	PHOTO NO			NO. 1	NO. 2		
	BASIC COLOR			Flat Black	Dark Peridot		
	CODE			Flat Black	Dark Peridot		
	PARTS NAME	PARTS NO.	VERSION	NH397FA	GG353FA		
26	CASE ASS'Y BATTERY	5032A-AGJ5-E00	0				
27	COVER ASS'Y BACK	5032B-AGJ5-E00	0				
28	MOLDING FRONT	53203-AGJ5-E00	4				
29	COVER,HANDLE UP	53205-AGJ5-E00	0				
30	COVER HANDLE RR	53206-AGJ5-E00	0				
31	STAND METER ASSY	5328A-AGJ5-E00	0				
32	FENDER COVER,R SIDE	61100-AGJ5-E00	0				
33	FR FENDER B R SIDE	61101-AGJ5-E00	1				
34	FENDER L,FR TIRE	61200-AGJ5-E00	0				
35	FR FENDER B L SIDE	61201-AGJ5-E00	1				
36	COVER B FRONT	64101-AGJ5-E00	0				
37	HOLDER ASSY.R WIND	64130-AGJ5-E00	3				
38	COVERR WIND SCREEN	64140-LGC6-E00	3				
39	HOLDER ASSY.L WIND	64230-AGJ5-E00	3				
40	COVER L WIND SCREEN	64240-LGC6-E00	3				
41	SKIRT R SIDE	64305-AGJ5-E00	0				
42	SKIRT L SIDE	64306-AGJ5-E00	0				
43	PANEL A ,R FLOOR	64310-AGJ5-E00	0				
44	LID.RESERVE TANK	64311-AGJ5-E00	0				
45	MAT ,R FLOOR	64320-AGJ5-E00	0				
46	FLOOR PANEL L	64330-AGJ5-E00	0				
47	MAT ,L FLOOR	64340-AGJ5-E00	0				
48	COVER B, R SIDE	64355-AGJ5-E00	0				
49	COVER B, L SID	64365-AGJ5-E00	0				
50	COWLUNDER	64400-AGJ5-E00	4				
DATE OF STARTING-SALES							
DATE OF END-SALES							

NO	MODEL			COLOR CHART OF SBA1CA(PT)			
	PHOTO NO			NO. 1	NO. 2		
	BASIC COLOR			Flat Black	Dark Peridot		
	CODE			Flat Black	Dark Peridot		
	PARTS NAME	PARTS NO.	VERSION	NH397FA	GG353FA		
51	FENDER,RR INNER	80101-AGJ5-E00	7	N1R			
52	COVER , LICENSE	80107-AGJ5-E00	0				
53	FENDER B,REAR	80108-AGJ5-E00	0				
54	FENDER ASSY,REAR	8010A-AGJ5-E00	0				
55	COVER,CENTER	80151-AGJ5-E00	0				
56	INNER COVER R, LEG	81141-AGJ5-E00	0				
57	INNER COVER L, LEG	81151-AGJ5-E00	0				
58	COVER A R BODY	82500-AGJ5-E00	0				
59	COVER A L BODY	82600-AGJ5-E00	0				
60	COVER B, R BODY	83500-AGJ5-E00	0				
61	INNER COVER L, LEG	83510-AGJ5-E00	0				
62	BOARD B,R SIDE	83520-AGJ5-E00	0				
63	BOARD C,R SIDE ASSY	8353A-AGJ5-E00	0				
64	COVER B, R/L BODY	83600-AGJ5-E00	0				
65	SKIRT B,L SIDE	83610-AGJ5-E00	0				
66	BOARD B,L SIDE	83620-AGJ5-E00	0				
67	BOARD C,L SIDE ASSY	8363A-AGJ5-E00	0				
68	COVER B,RR CENTER	83751-AGJ5-E00	0				
69	COVER C, R BODY	84500-AGJ5-E00	0				
70	COVER C, L BODY	84600-AGJ5-E00	0				
71	SPROCKET DRIVEN	41201-AGJ5-E00	0	NEA			
72	HOLDER, RR CALIPER	43110-AGJ5-E00	0				
73	CYLN SET RR MASTER	43530-AGJ5-305	0				
74	WHEEL SET FR	44650-AGJ5-305	0				
75	CYLINDER SET FR	45530-AGJ5-305	0				
DATE OF STARTING-SALES							
DATE OF END-SALES							

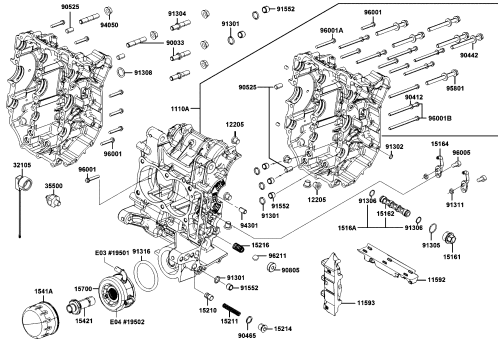
NO	MODEL			COLOR CHART OF SBA1CA(PT)						
	PHOTO NO			NO. 1	NO. 2					
	BASIC COLOR			Flat Black	Dark Peridot					
	CODE			Flat Black	Dark Peridot					
	PARTS NAME	PARTS NO.	VERSION	NH397FA	GG353FA					
76	FORK ASSY, FR R	51400-AGJ5-E00	0	NEA						
77	BOTTOM CASE RH	51420-AGJ5-E00	0							
78	BOTTOM CASE RH	51420-AGJ5-E01	0							
79	FORK B SET FR R	5145A-AGJ5-E00	0							
80	FORK ASSY, FR L	51500-AGJ5-E00	0							
81	BOTTOM CASE LH	51520-AGJ5-E00	0							
82	BOTTOM CASE LH	51520-AGJ5-E01	0							
83	FORK ASSY B, FR L	51550-AGJ5-E00	0							
84	COVER A R SIDE	64335-AGJ5-E00	0				NEP			
85	COVER A,L SIDE	64345-AGJ5-E00	0							
86	MOLDING A,R SIDE	64302-AGJ5-E00	0	JJP						
87	MOLDING A,L SIDE	64303-AGJ5-E00	0							
88	LEG SHIELD	81131-AGJ5-E00	5							
89	TOP COVER HANDLE	53215-AGJ5-E00	0							
90	COVER C FRONT	64201-AGJ5-E00	0	JUP						
91	COVER ,FRONT	64301-AGJ5-E00	0							
92	TAIL CAP MUFFLER	18306-AGJ5-E00	0	T01						
93	MUFFLER ASSY.,	1830A-AGJ5-E00	0							
94	PROTECTOR COMP	18318-AGJ5-E00	0							
95	PROTECTOR , B	18319-AGJ5-E00	0							
96	CUSHION ASSY, RR	52400-AGJ5-E00	0							
97	BACK SEAT ASSY	77210-AGJ5-E00	0							
98	SEAT RR ASSY	77220-AGJ5-E00	0							
99	EMB HANDLE COVER	86020-AGJ5-E00	0							
100	EMB SIDE MOLD	86380-LGC6-E00	2							
DATE OF STARTING-SALES										
DATE OF END-SALES										



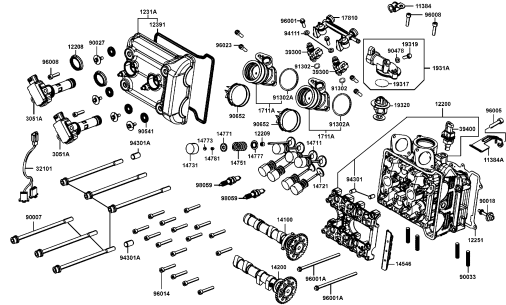


# CONTENTS - ENGINE GROUP

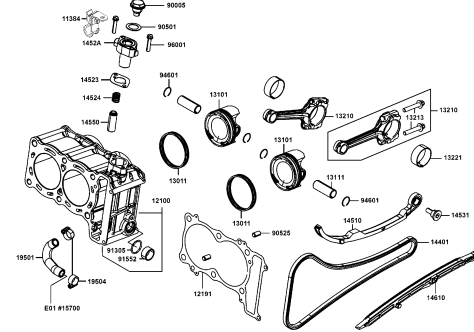
**E01 Crank Case**



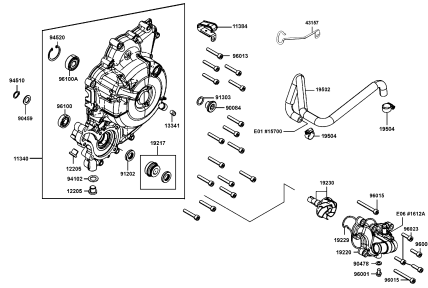
**E02 Cylinder Head Cover Cylinder**



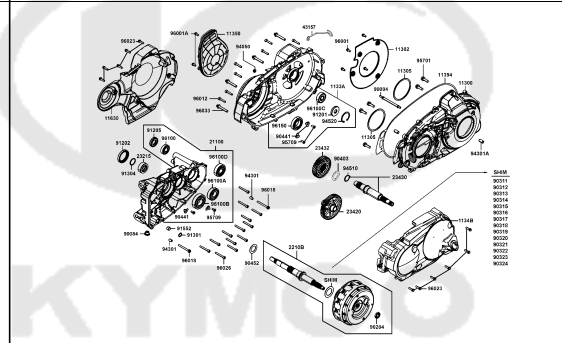
**E03 Cylinder Piston**



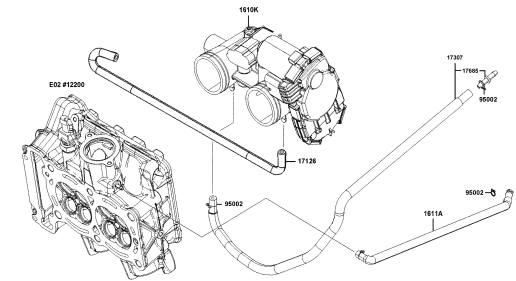
**E04 Left Side Cover Water Pump**



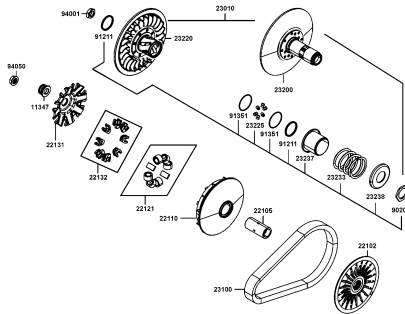
**E05 Right Crankcase Cover Shaft**



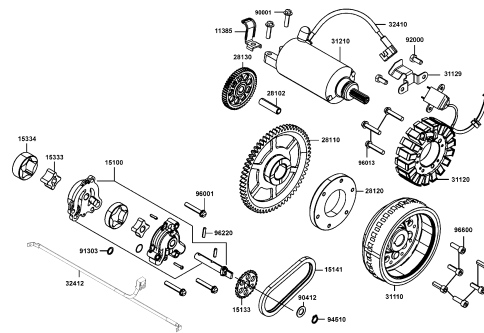
**E06 Throttle Body**



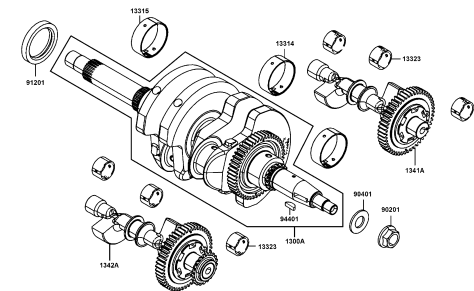
**E07 Transmission Pulley**



**E08 Starting Motor Generator**

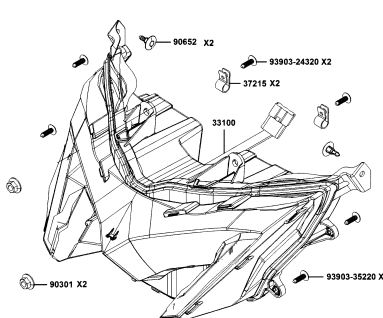
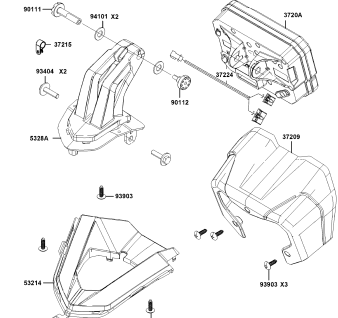
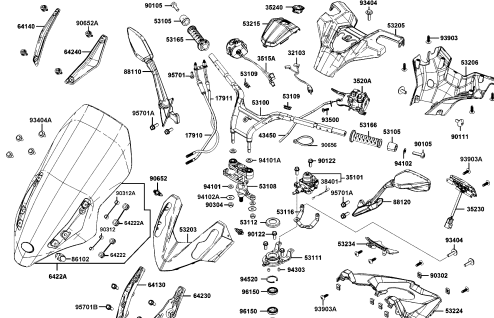
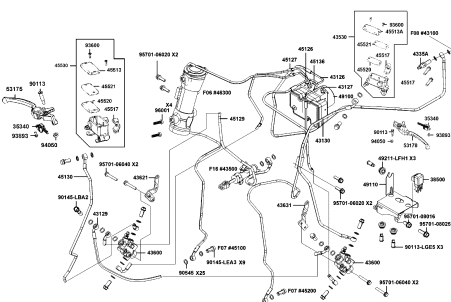
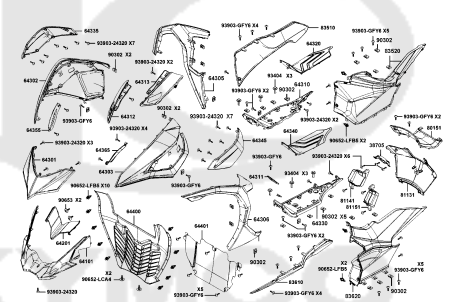
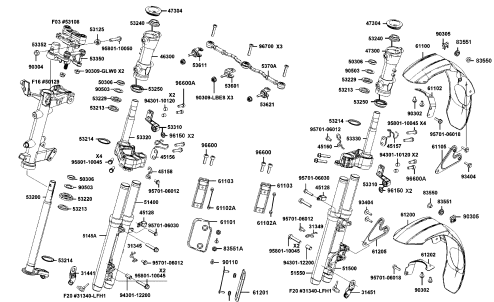
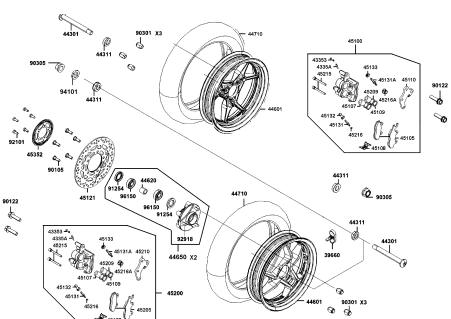
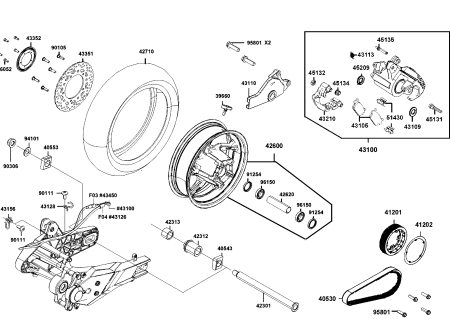
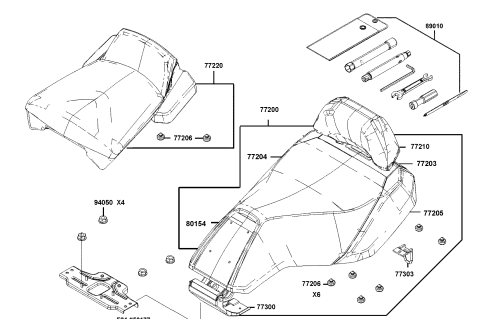


**E09 Crank Shaft Drive Procket**





# CONTENTS - FRAME GROUP

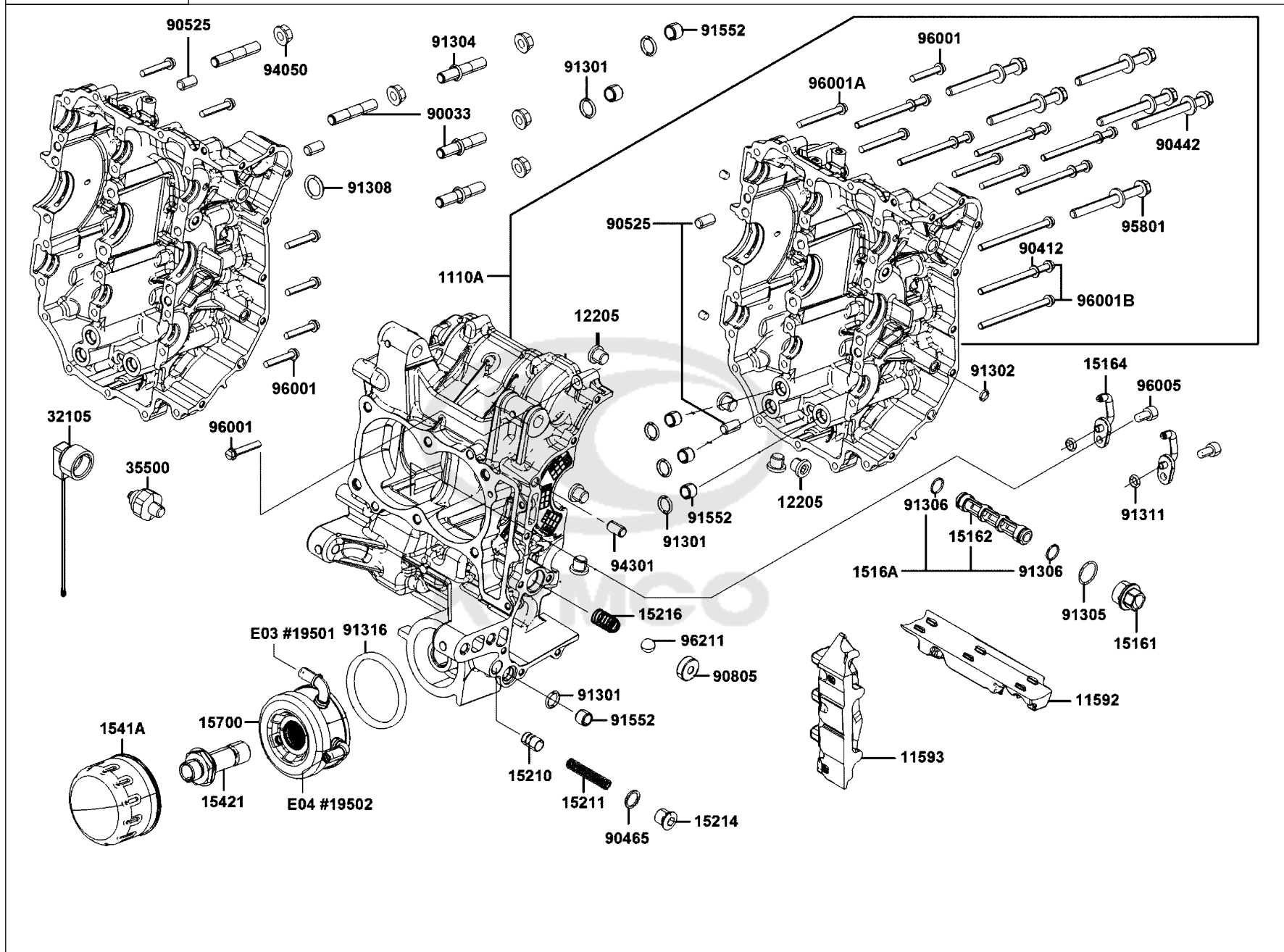
<p><b>F01</b>    Head Light</p> 	<p><b>F02</b>    Speedometer</p> 	<p><b>F03</b>    Handle Steering Handle Cover</p> 
<p><b>F04</b>    Brake Master Cylinder</p> 	<p><b>F05</b>    Front Cover Floor Panel</p> 	<p><b>F06</b>    Front Cushion</p> 
<p><b>F07</b>    Front Wheel</p> 	<p><b>F08</b>    Rear Wheel</p> 	<p><b>F09</b>    Seat</p> 





E01

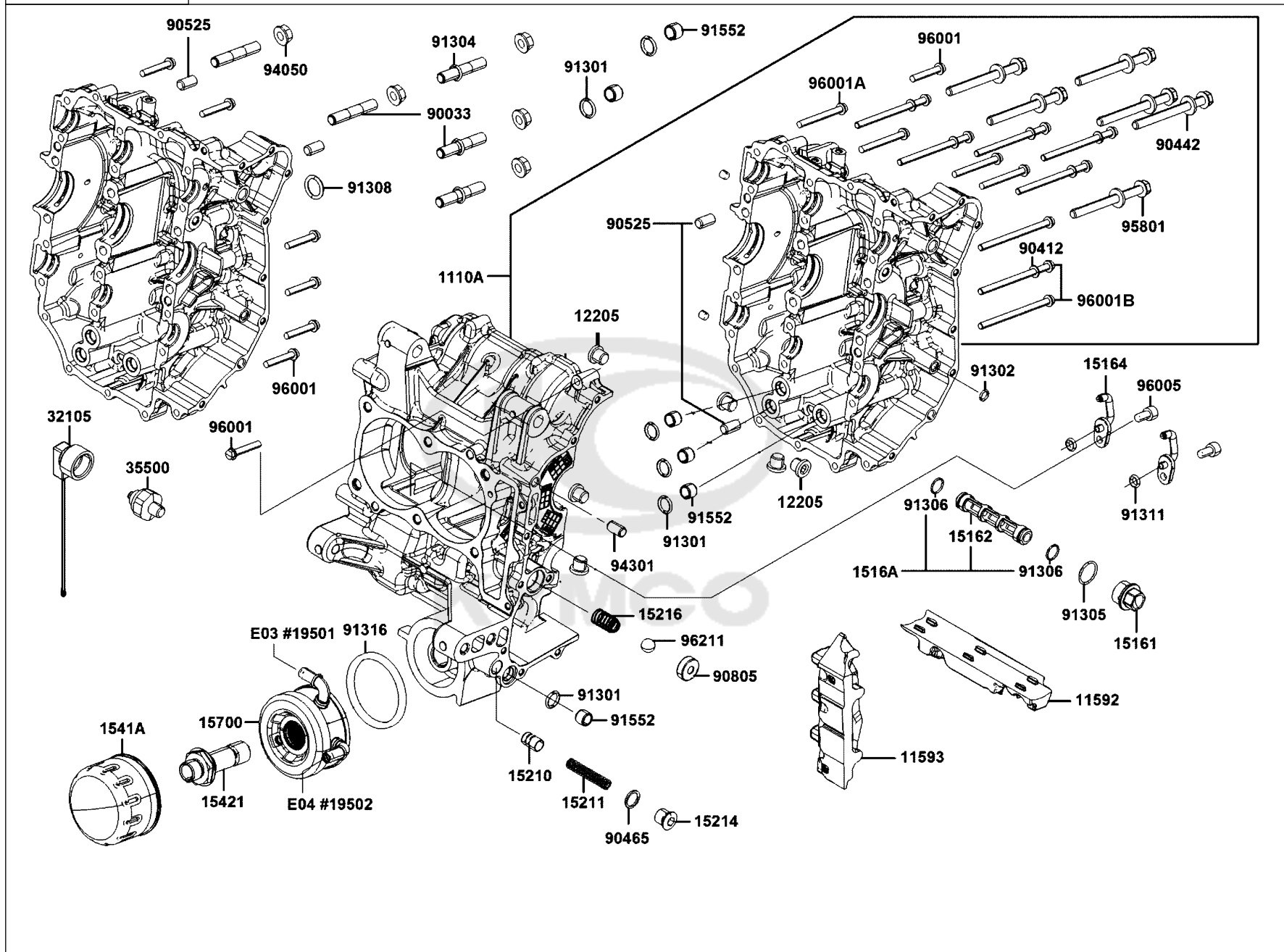
# Crank Case



Sales mark	Ref no	Part no	Description	Reg description	Regd no	E01
	1110A	1110A-LGC6-E00	CRANKCASE ASSEMBLY	CRANKCASE ASSEMBLY	1	
	11592	11592-LGC6-E00	RUBBER B INSERT CASE	RUBBER B INSERT CASE	1	
	11593	11593-LGC6-E00	RUBBER C INSERT CASE	RUBBER C INSERT CASE	1	
	12205	12205-LEA7-E00	BOLT SEALING 12MM	BOLT SEALING 12MM	6	
	15161	15161-LGC6-E00	PLUG SCREW SECTION FILTER	PLUG SCREW SECTION FILTER	1	
	15162	15162-PUA5-E00	SUCTION FILTER CRANK SIDE	SUCTION FILTER CRANK SIDE	1	
	15164	15164-LGC6-E00	PISTON COOLING JET	PISTON COOLING JET	2	
	1516A	1516A-LGC6-E00	SUCTION FILTER ASSY CRANK SIDE	SUCTION FILTER ASSY CRANK SIDE	1	
	15210	15210-PUA5-E00	PISTON PRESSURE VALVE D=12mm	PISTON PRESSURE VALVE D=12mm	1	
	15211	15211-LGC6-E00	COMPRESSION SPRING	COMPRESSION SPRING	1	
	15214	15214-PUA5-E00	PLUG SCREW COMPRESSION SPRING	PLUG SCREW COMPRESSION SPRING	1	
	15216	15216-LGC6-E00	COMPRESSION SPRING	COMPRESSION SPRING	1	
	1541A	1541A-LGC6-E00	OIL FILTER ASSY	OIL FILTER ASSY	1	
	15421	15421-PRA1-E00	OIL FILTER PIPE	OIL FILTER PIPE	1	
	15700	15700-LGC6-E00	OIL WATER HEAT EXCHANGER	OIL WATER HEAT EXCHANGER	1	
	32105	32105-LLJ3-E00	SUB HARNESS	SUB HARNESS	1	
	35500	35500-LGC6-E00	SW ASSY. OIL PRESSURE	SW ASSY. OIL PRESSURE	1	
	90033	90033-LGC6-E00	BOLT STUD 10X35	BOLT STUD 10X35	5	
	90412	90412-PUA5-E00	WASHER A6.1*11.5-A1	WASHER A6.1*11.5-A1	6	
	90442	90442-LGC6-E00	SEALING WASHER 18X8.5X2.3	SEALING WASHER 18X8.5X2.3	6	

E01

# Crank Case



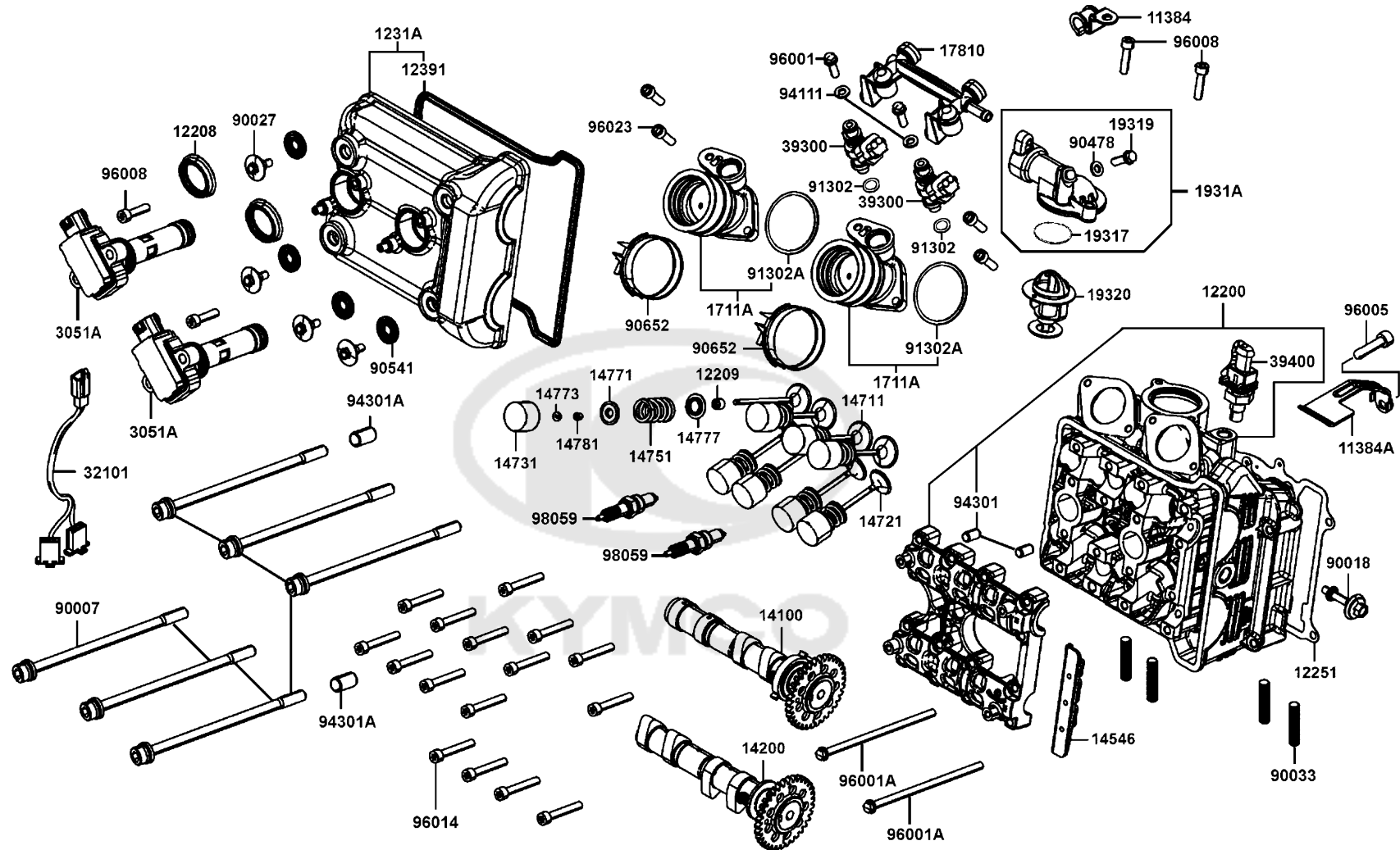


Sales mark	Ref no	Part no	Description	Reg description	Regd no	E01
90465		90465-PUA5-E00	WASHER DIN7603-A14*20-CU	WASHER DIN7603-A14*20-CU	1	
90525		90525-KED9-900	LOCK PIN OIL 8*16	LOCK PIN OIL 8*16	2	
90805		90805-LGC6-E00	CONE TYPE PLUG SPECIAL	CONE TYPE PLUG SPECIAL	1	
91301		91301-LGC6-E00	O RING	O RING	1	
91302		91302-PRA1-E00	O-RING 7X17	O-RING 7X17	1	
91304		91304-LFA7-E00	O-RING 9.4*2.4	O-RING 9.4*2.4	3	
91305		91305-LEH6-E00	O RING 19.8x1.9	O RING 19.8x1.9	1	
91306		91306-PUA5-E00	O-RING 13*1.5	O-RING 13*1.5	2	
91308		91308-LGC6-E00	O-RING 16*3.2	O-RING 16*3.2	1	
91311		91311-PRA1-E00	O-RING 5.4X2.4 (FOR OIL PIPE)	O-RING 5.4X2.4 (FOR OIL PIPE)	2	
91316		91316-PRA1-E00	O-RING 64X3	O-RING 64X3	1	
91552		91552-LGC6-E00	COLLAR 13MM	COLLAR 13MM	6	
94050		94050-10060	NUT FLANGE 10MM	NUT FLANGE 10MM	5	
94301		94301-08140	DOWEL PIN 8*14	DOWEL PIN 8*14	1	
95801		95801-08090-06	BOLT FLANGE 8*90	BOLT FLANGE 8*90	6	
96001		96001-06035-06	BOLT FLANGE SH 6*35	BOLT FLANGE SH 6*35	8	
96001A		96001-06055-06	BOLT FLANGE 6*55 **07 C.2005.07.01	BOLT FLANGE 6*55 **07 C.2005.07.01	4	
96001B		96001-06090-06	BOLT FLANGE SH 6*90	BOLT FLANGE SH 6*90	8	
96005		96005-PRA1-E00	BOLT M6*12	BOLT M6*12	2	
96211		96211-16000	BALL STEEL #16	BALL STEEL #16	1	



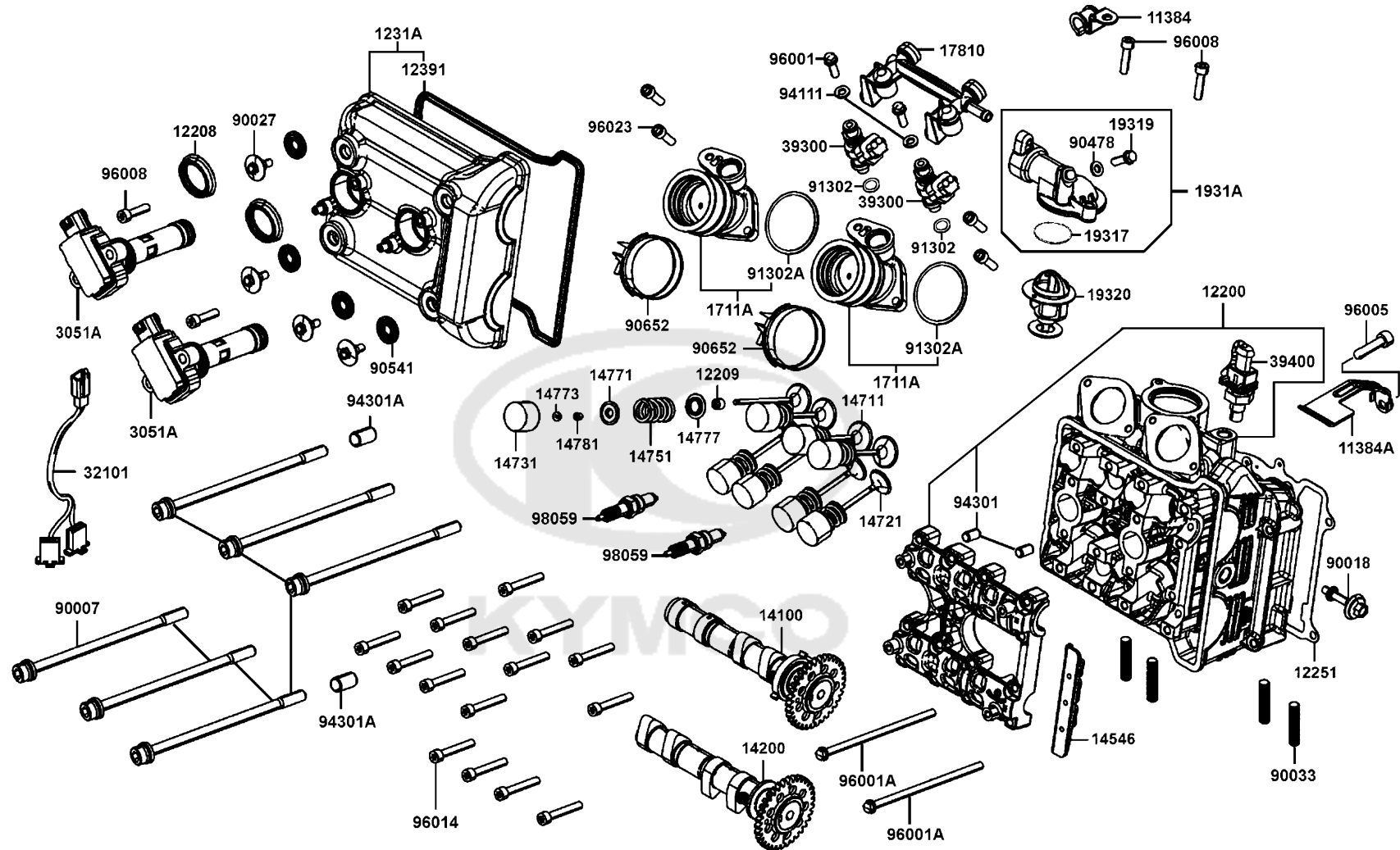
Sales mark	Ref no	Part no	Description	Reg description	Regd no	<b>E02</b>
11384		11384-LEA7-E05	CLIP WATER PIPE	CLIP WATER PIPE	1	
11384A		11384-LGC6-E02	CLAMPER HOSE STOPPER	CLAMPER HOSE STOPPER	1	
12200		12200-LGC6-305	HEAD COMP CYLINDER	HEAD COMP CYLINDER	1	
12208		12208-LGC6-E00	SEAL.TUBE SPARK	SEAL.TUBE SPARK	2	
12209		12209-LEA3-900	SEAL VALVE STEM	SEAL VALVE STEM	8	
12251		12251-LGC6-E00	GASKET CYLINDER HEAD	GASKET CYLINDER HEAD	1	
1231A		1231A-LGC6-E00	COVER ASSY CYLN HEAD	COVER ASSY CYLN HEAD	1	
12391		12391-LGC6-E00	SEAL HEAD COVER	SEAL HEAD COVER	1	
14100		14100-LGC6-E00	CAMSHAFT COMP INLET	CAMSHAFT COMP INLET	0	
14200		14200-LGC6-E00	CAMSHAFT COMP EXHAUST	CAMSHAFT COMP EXHAUST	1	
14546		14546-LGC6-E00	CHAIN GUIDE UPPER ASM	CHAIN GUIDE UPPER ASM	1	
14711		14711-LGC6-E00	VALVE. INLET	VALVE. INLET	4	
14721		14721-LGC6-E00	VALVE. EXHAUST	VALVE. EXHAUST	4	
14731		14731-LGC6-E00	LIFTER VALVE	LIFTER VALVE	8	
14751		14751-LGC6-E00	SPRING VALVE	SPRING VALVE	8	
14771		14771-LGC6-C00	RETAINER ALVE SPRING	RETAINER ALVE SPRING	8	
14773		14773-LGC6-E00-01	SHIM 1.50	SHIM 1.50	1	
14773		14773-LGC6-E00-02	SHIM 1.55	SHIM 1.55	1	
14773		14773-LGC6-E00-03	SHIM 1.575	SHIM 1.575	1	
14773		14773-LGC6-E00-04	SHIM 1.60	SHIM 1.60	1	

# Cylinder Head Cover Cylinder Head



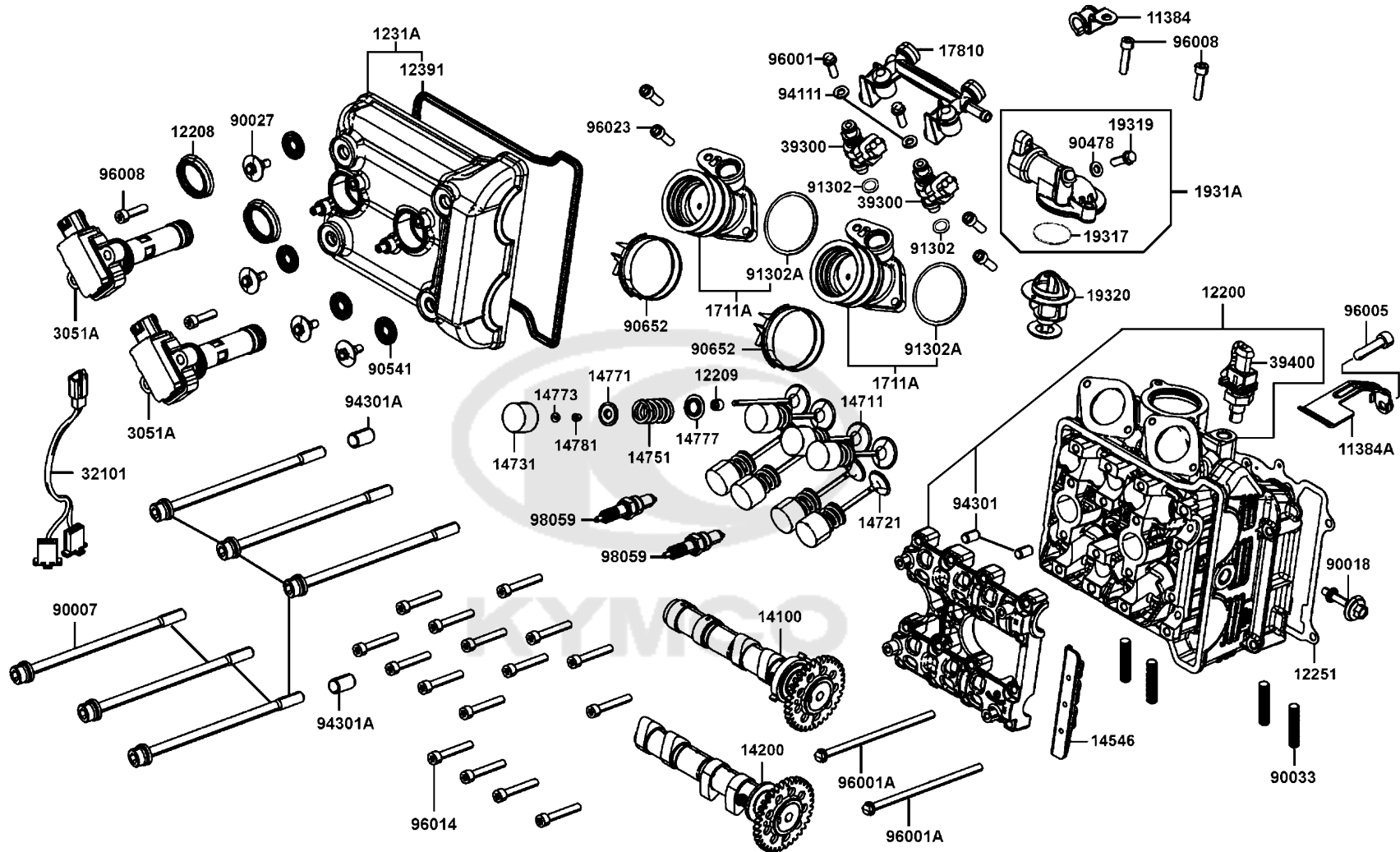
Sales mark	Ref no	Part no	Description	Reg description	Regd no	<b>E02</b>
14773		14773-LGC6-E00-05	SHIM 1.625	SHIM 1.625	1	
14773		14773-LGC6-E00-06	SHIM 1.65	SHIM 1.65	1	
14773		14773-LGC6-E00-07	SHIM 1.675	SHIM 1.675	1	
14773		14773-LGC6-E00-08	SHIM 1.70	SHIM 1.70	1	
14773		14773-LGC6-E00-09	SHIM 1.725	SHIM 1.725	1	
14773		14773-LGC6-E00-10	SHIM 1.75	SHIM 1.75	1	
14773		14773-LGC6-E00-11	SHIM 1.775	SHIM 1.775	1	
14773		14773-LGC6-E00-12	SHIM 1.80	SHIM 1.80	1	
14773		14773-LGC6-E00-13	SHIM 1.825	SHIM 1.825	1	
14773		14773-LGC6-E00-14	SHIM 1.85	SHIM 1.85	1	
14773		14773-LGC6-E00-15	SHIM 1.875	SHIM 1.875	1	
14773		14773-LGC6-E00-16	SHIM 1.90	SHIM 1.90	1	
14773		14773-LGC6-E00-17	SHIM 1.925	SHIM 1.925	1	
14773		14773-LGC6-E00-18	SHIM 1.95	SHIM 1.95	1	
14773		14773-LGC6-E00-19	SHIM 2.0	SHIM 2.0	1	
14777		14777-LGC6-E00	SEAT VALVE SPG	SEAT VALVE SPG	8	
14781		14781-LGC6-C00	COTTER VALVE	COTTER VALVE	16	
1711A		1711A-AKB8-E00	PIPE ASSY.. INLET	PIPE ASSY.. INLET	1	
17810		17810-LGC6-E00	RAIL COMP FUEL SUPPLY	RAIL COMP FUEL SUPPLY	1	
19317		19317-LBA2-E00	RING 48.3*2	RING 48.3*2	1	

# Cylinder Head Cover Cylinder Head



Sales mark	Ref no	Part no	Description	Reg description	Regd no	E02
	19319	19319-LGC6-E00	BREATHABLE SCREW_M6X12	BREATHABLE SCREW_M6X12	1	
	1931A	1931A-LGC6-E00	COVER ASSY THERMOSTAT	COVER ASSY THERMOSTAT	1	
	19320	19320-KED9-90A	THERMOSTAT	THERMOSTAT	1	
	3051A	3051A-LGC6-E00	COIL ASSY IGN	COIL ASSY IGN	1	
	32101	32101-AGJ5-E00	SUB HARNESS, COIL	SUB HARNESS, COIL	1	
	39300	39300-KKE5-800	INJECTOR UNIT FUEL	INJECTOR UNIT FUEL	1	
	39400	39400-LEA6-800	WATER TEMP SENSOR	WATER TEMP SENSOR	1	
	90007	90007-LGC6-E00	BOLT WASHER 9X160	BOLT WASHER 9X160	6	
	90018	90018-KKE5-E00	BOLT ASSY HEAD COVER	BOLT ASSY HEAD COVER	1	
	90027	90027-PUA5-E00	JACK SCREW M6 VALVE COVER 6*17	JACK SCREW M6 VALVE COVER 6*17	4	
	90033	90033-KGB4-C00	BOLT STUD M8X40 (C)	BOLT STUD M8X40 (C)	4	
	90478	90478-7L00-001	WASHER A 6MM	WASHER A 6MM	1	
	90541	90541-PUA5-E00	PROFILE SEALING WASHER	PROFILE SEALING WASHER	4	
	90652	90652-GFY6-901	BAND 49 AIR/C CONNECTING TUBE	BAND 49 AIR/C CONNECTING TUBE	2	
	91302	91302-KKE5-800	SEAL RING	SEAL RING	1	
	91302A	91302-LDB2-E00	O-RING 37*3	O-RING 37*3	1	
	94111	94111-06800	WASHER SPRING 6MM	WASHER SPRING 6MM	2	
	94301	94301-08140	DOWEL PIN 8*14	DOWEL PIN 8*14	2	
	94301A	94301-12200	DOWEL PIN 12*20	DOWEL PIN 12*20	2	
	96001	96001-06018-06	BOLT FLANGE SH 6X18	BOLT FLANGE SH 6*18	2	

# Cylinder Head Cover Cylinder Head



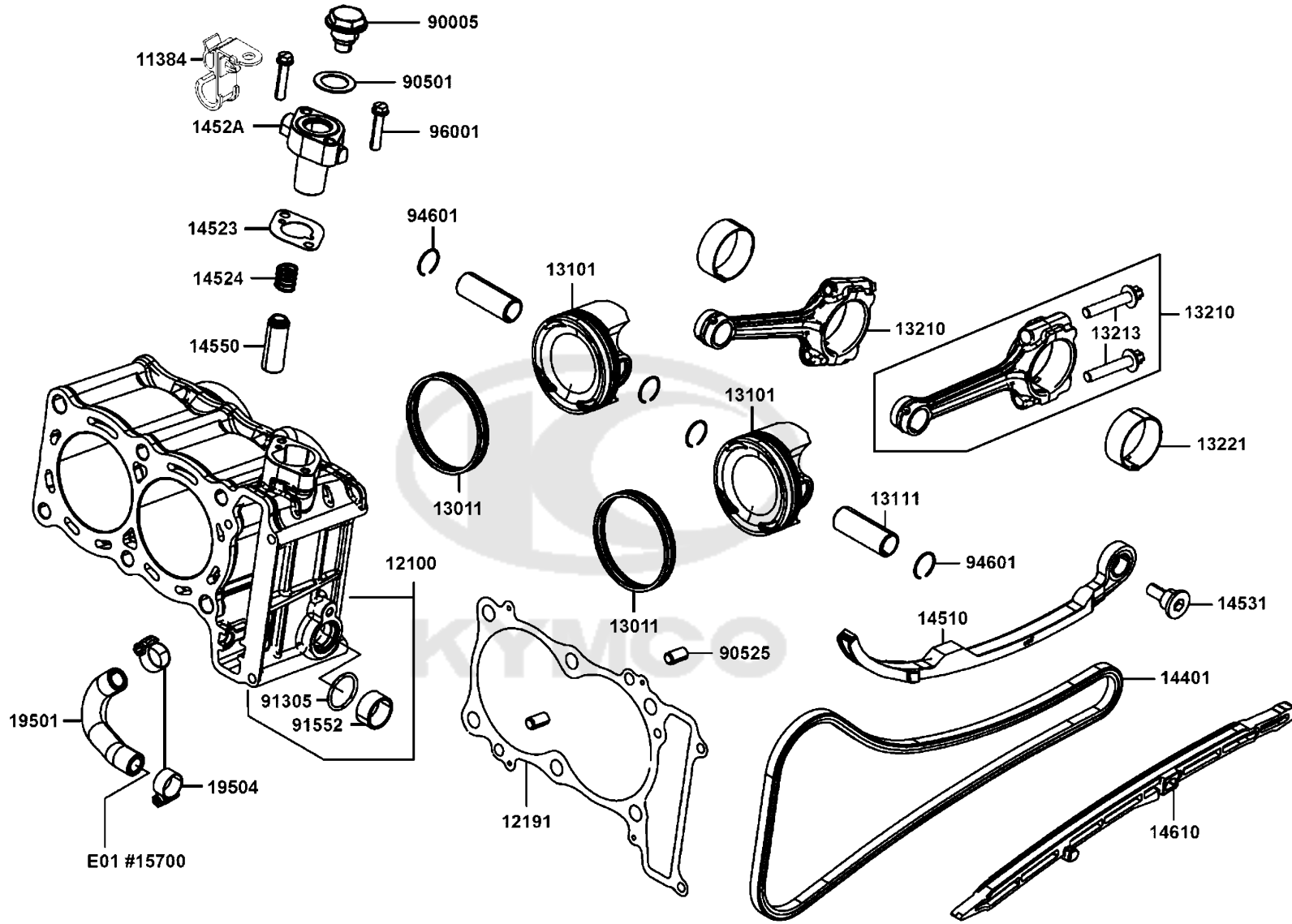


Sales mark	Ref no	Part no	Description	Reg description	Regd no	<b>E02</b>
96001A		96001-06130-06	BOLT FLANGE SH 6*130	BOLT FLANGE SH 6*130	2	
96005		96005-PRA1-E00	BOLT M6*12	BOLT M6*12	1	
96008		96008-PRA1-E00	BOLT M6*25	BOLT M6*25	1	
96014		96014-PRA1-E00	BOLT M6*40	BOLT M6*40	16	
96023		96023-PRA1-E00	BOLT M6*20	BOLT M6*20	4	
98059		98059-57916-00	SPARK PLUG (CR7E)	SPARK PLUG (CR7E)	2	



E03

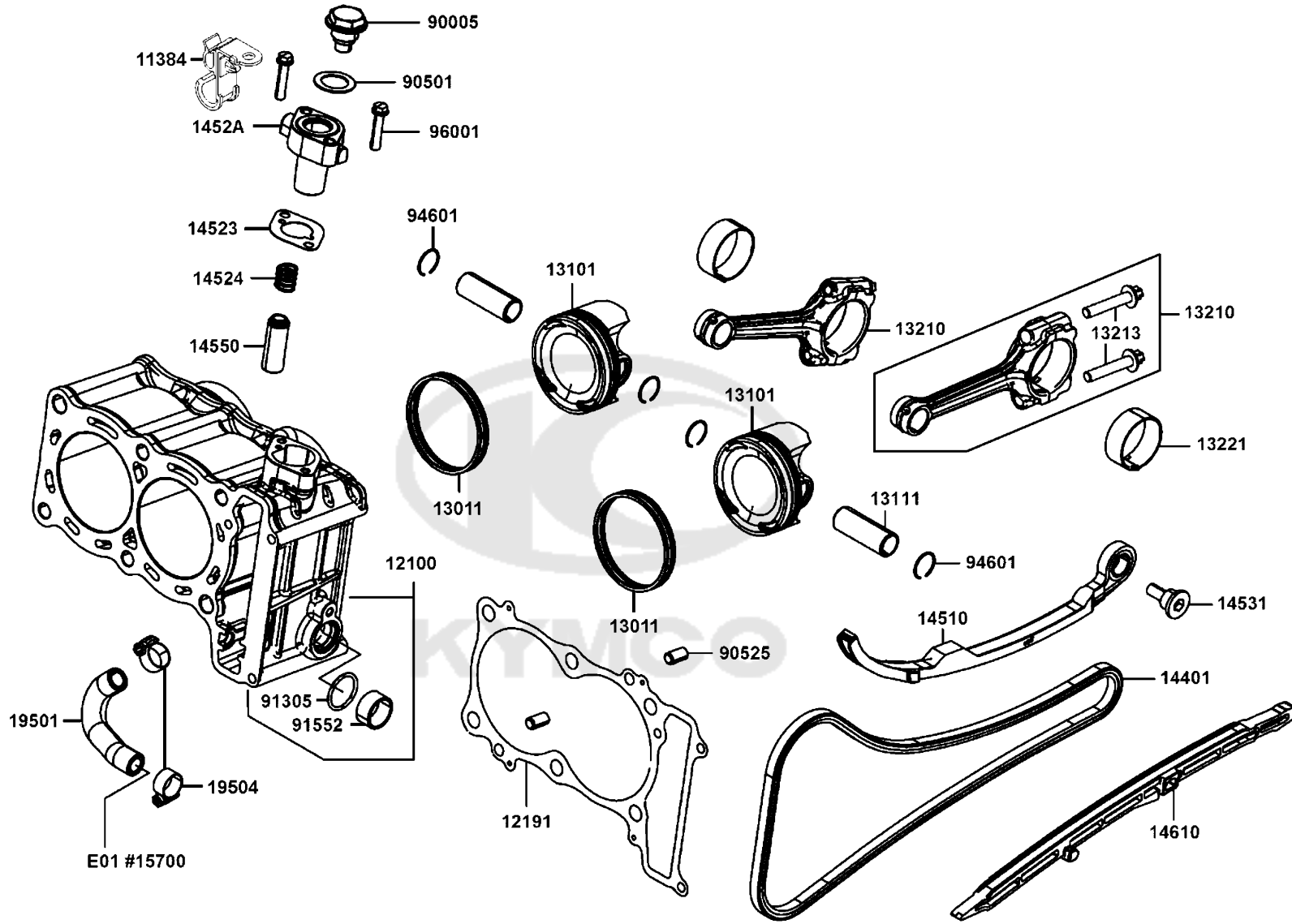
# Cylinder Piston



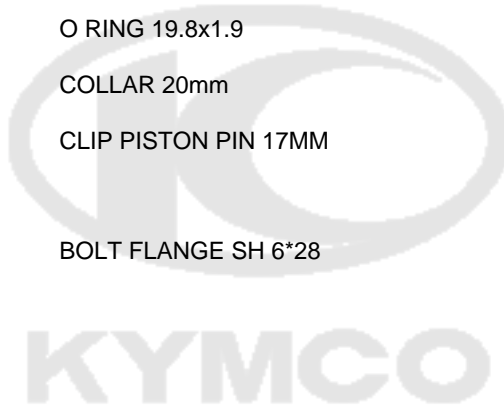
Sales mark	Ref no	Part no	Description	Reg description	Regd no	E03
	11384	11384-LGC6-E03	CLAMPER A RR BRK HOSE	CLAMPER A RR BRK HOSE	1	
	12100	12100-LGC6-E00	CYLINDER COMP (A)	CYLINDER COMP (A)	1	
	12191	12191-LGC6-E00	GASKET CYLINDER	GASKET CYLINDER	1	
	13011	13011-LGC6-E00	RING SET PISTON	RING SET PISTON	2	
	13101	13101-LGC6-E02	PISTON	PISTON	2	
	13111	13111-LGC6-E00	PIN PISTON	PIN PISTON	2	
	13210	13210-LGC6-E00-1	CONN ROD ASSY 39(0~+0.008)	CONN ROD ASSY 39(0~+0.008)	2	
	13210	13210-LGC6-E00-2	CONN ROD ASSY 39(+0.008~+0.016)	CONN ROD ASSY 39(+0.008~+0.016)	2	
	13213	13213-LGC6-E00	BOLT CONN ROD	BOLT CONN ROD	4	
	13221	13221-LGC6-E00-A	BEARING CONN. ROD/ YELLOW	BEARING CONN. ROD/ YELLOW	4	
	13221	13221-LGC6-E00-B	BEARING CONN. ROD/ BLUE	BEARING CONN. ROD/ BLUE	4	
	13221	13221-LGC6-E00-C	BEARING CONN. ROD/ RED	BEARING CONN. ROD/ RED	4	
	13221	13221-LGC6-E00-D	BEARING CONN. ROD/ GREEN	BEARING CONN. ROD/ GREEN	4	
	13221	13221-LGC6-E00-E	BEARING CONN. ROD/ BLACK	BEARING CONN. ROD/ BLACK	4	
	14401	14401-LGC6-E00	CHAIN. CAM	CHAIN. CAM	1	
	14510	14510-LGC6-E00	TENSIONER. CAM CHAIN	TENSIONER. CAM CHAIN	1	
	14523	14523-KKE5-E01	GASKET TENSIONER LIFTER	GASKET TENSIONER LIFTER	1	
	14524	14524-KKE5-E01	SPRING OIL TENSIONER	SPRING OIL TENSIONER	1	
	1452A	1452A-ZPA3-E00	CASE ASM LIFTER TENSIONER	CASE ASM LIFTER TENSIONER	1	
	14531	14531-KHE7-900	PIVOT CAM CHAIN TENSIONER	PIVOT CAM CHAIN TENSIONER	1	

E03

# Cylinder Piston

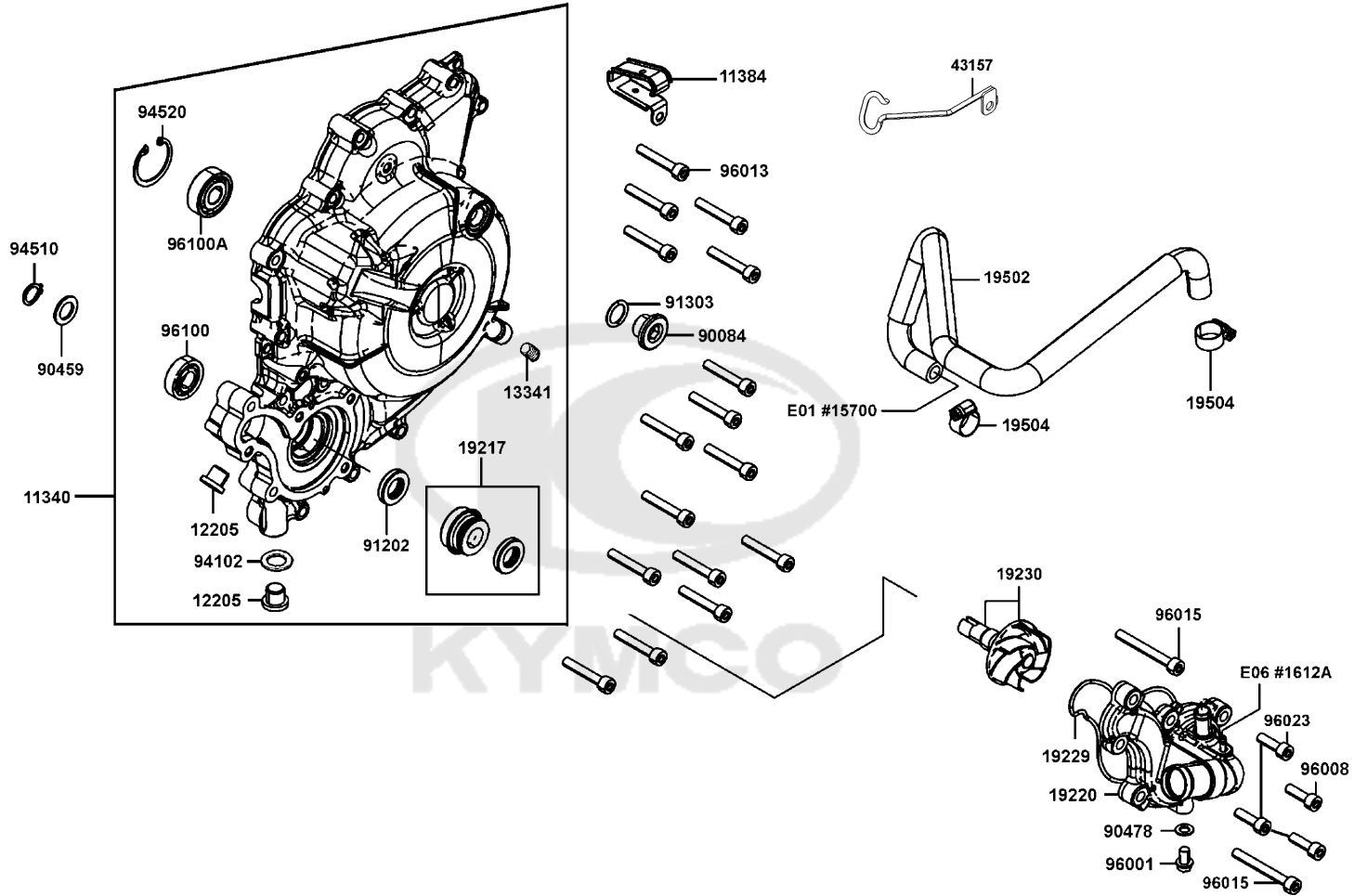


Sales mark	Ref no	Part no	Description	Reg description	Regd no	<b>E03</b>
14550		14550-KKE5-E02	CHAIN TENSIONER	CHAIN TENSIONER	1	
14610		14610-LGC6-E00	GUIDE COMP.. CAM CHAIN	GUIDE COMP.. CAM CHAIN	1	
19501		19501-LGC6-E00	HOSE. WATER A	HOSE. WATER A	1	
19504		19504-LBA2-E00	CLAMP D16.8	CLAMP D16.8	2	
90005		90005-LEH6-E00	BOLT SPECIAL M18*1.0	BOLT SPECIAL M18*1.0	1	
90501		90501-LEH6-E00	WASHER 28*18.2*1	WASHER 28*18.2*1	1	
90525		90525-KED9-900	LOCK PIN OIL 8*16	LOCK PIN OIL 8*16	2	
91305		91305-LEH6-E00	O RING 19.8x1.9	O RING 19.8x1.9	1	
91552		91552-LEH6-E00	COLLAR 20mm	COLLAR 20mm	1	
94601		94601-17000	CLIP PISTON PIN 17MM	CLIP PISTON PIN 17MM	4	
96001		96001-06028-06	BOLT FLANGE SH 6*28	BOLT FLANGE SH 6*28	1	



E04

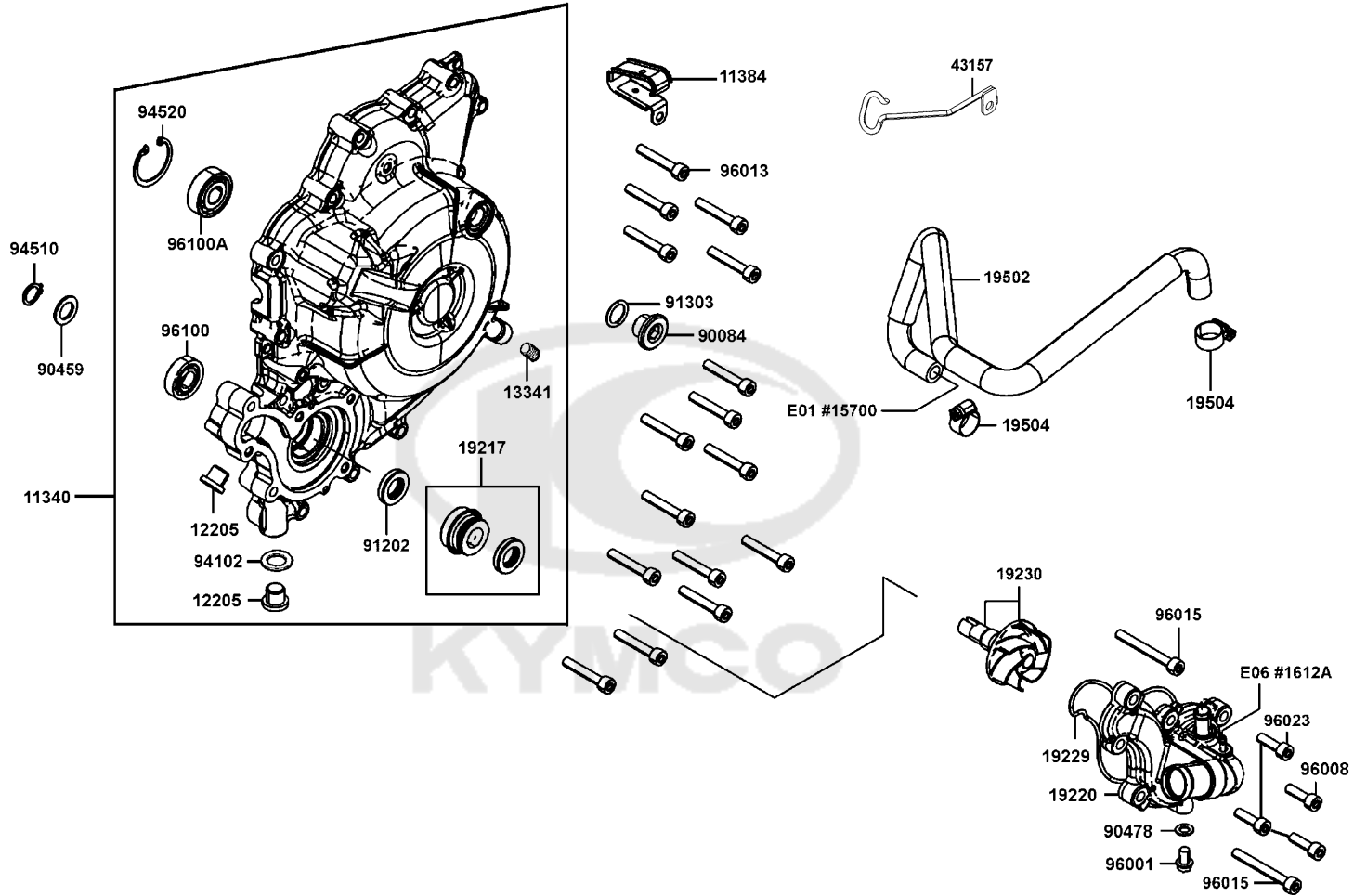
# Left Side Cover Water Pump



Sales mark	Ref no	Part no	Description	Reg description	Regd no	E04
	11340	11340-LGC6-305	COVER SET L SIDE	COVER SET L SIDE	1	
	11384	11384-LGC6-E00	CLAMPER RR BRK HOSE	CLAMPER RR BRK HOSE	1	
	12205	12205-LEA7-E00	BOLT SEALING 12MM	BOLT SEALING 12MM	2	
	13341	13341-LGC6-E00	GRUB SCREW M6X6	GRUB SCREW M6 X 7	1	
	19217	19217-PRB9-E01	SEAL MECHANICAL	SEAL MECHANICAL	1	
	19220	19220-LGC6-E00	COVER COMP WATER PUMP	COVER COMP WATER PUMP	1	
	19229	19229-LGC6-E00	O-RING W/P BODY	O-RING W/P BODY	1	
	19230	19230-LGC6-E00	SHAFT ASSY IMPELLER	SHAFT ASSY IMPELLER	1	
	19502	19502-LGC6-E00	HOSE B WATER	HOSE B WATER	1	
	19504	19504-LBA2-E00	CLAMP D16.8	CLAMP D16.8	4	
	43157	43157-AGJ5-E00	CLIP B, RR BRK HOSE	CLIP B RR BRK HOSE	1	
	90459	90459-LKF5-E00	WASHER 12MM	WASHER 12MM	1	
	90478	90478-7L00-001	WASHER A 6MM	WASHER A 6MM	1	
	91202	91202-LKG2-900	OIL SEAL 13.7*24*5	OIL SEAL 13.7*24*5	1	
	91303	91303-3G77-001	O-RING 13.8*2.5	O-RING 13.8*2.5	1	
	94102	94102-LGC6-E00	WASHER 18X12.2X1 AL	WASHER 18X12.2X1 AL	1	
	94510	94510-12000	CIR CLIP EXTERNAL 12	CIR CLIP EXTERNAL 12	1	
	94520	94520-32180	CIR CLIP IN 32	CIR CLIP IN 32	1	
	96001	96001-06010-06	BOLT FLANGE 6*10	BOLT FLANGE 6*10	1	
	96008	96008-PRA1-E00	BOLT M6*25	BOLT M6*25	1	

E04

# Left Side CoverWater Pump

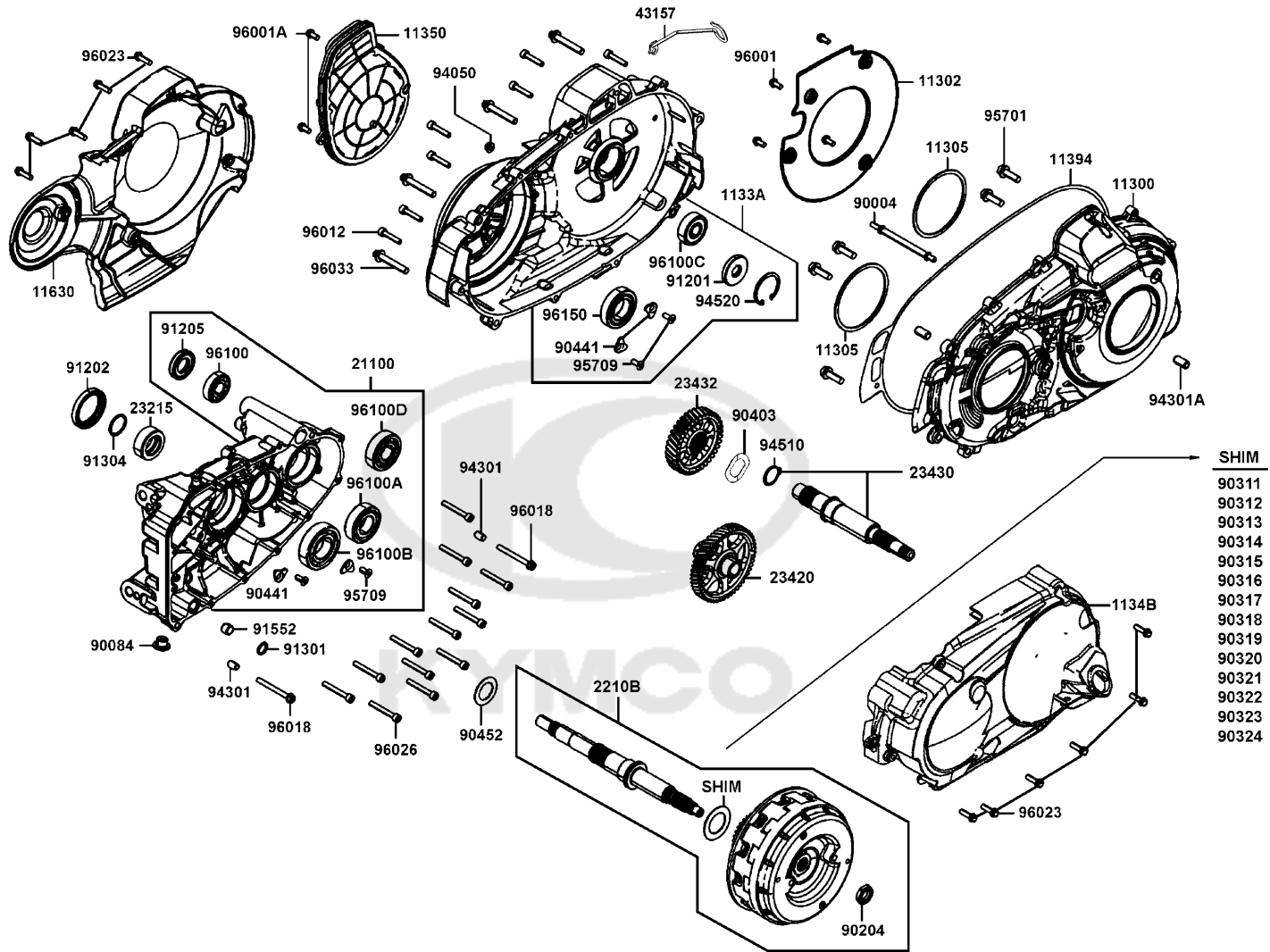




Sales mark	Ref no	Part no	Description	Reg description	Regd no	<b>E04</b>
96013	96013-LGC6-E00	96013-LGC6-E00	M6X35-8.8-ZNNIV SI	M6X35-8.8-ZNNIV SI	16	
96015	96015-PRA1-E00	96015-PRA1-E00	BOLT M6*50	BOLT M6*50	2	
96023	96023-PRB9-E00	96023-PRB9-E00	BOLT M6*20	BOLT M6*20	4	
96100	96100-60010-00	96100-60010-00	BEARING RADIAL BALL 6001	BEARING RADIAL BALL 6001	1	
96100A	96100-62010-00	96100-62010-00	BRG BALL RADIAL 6201	BRG BALL RADIAL 6201	1	

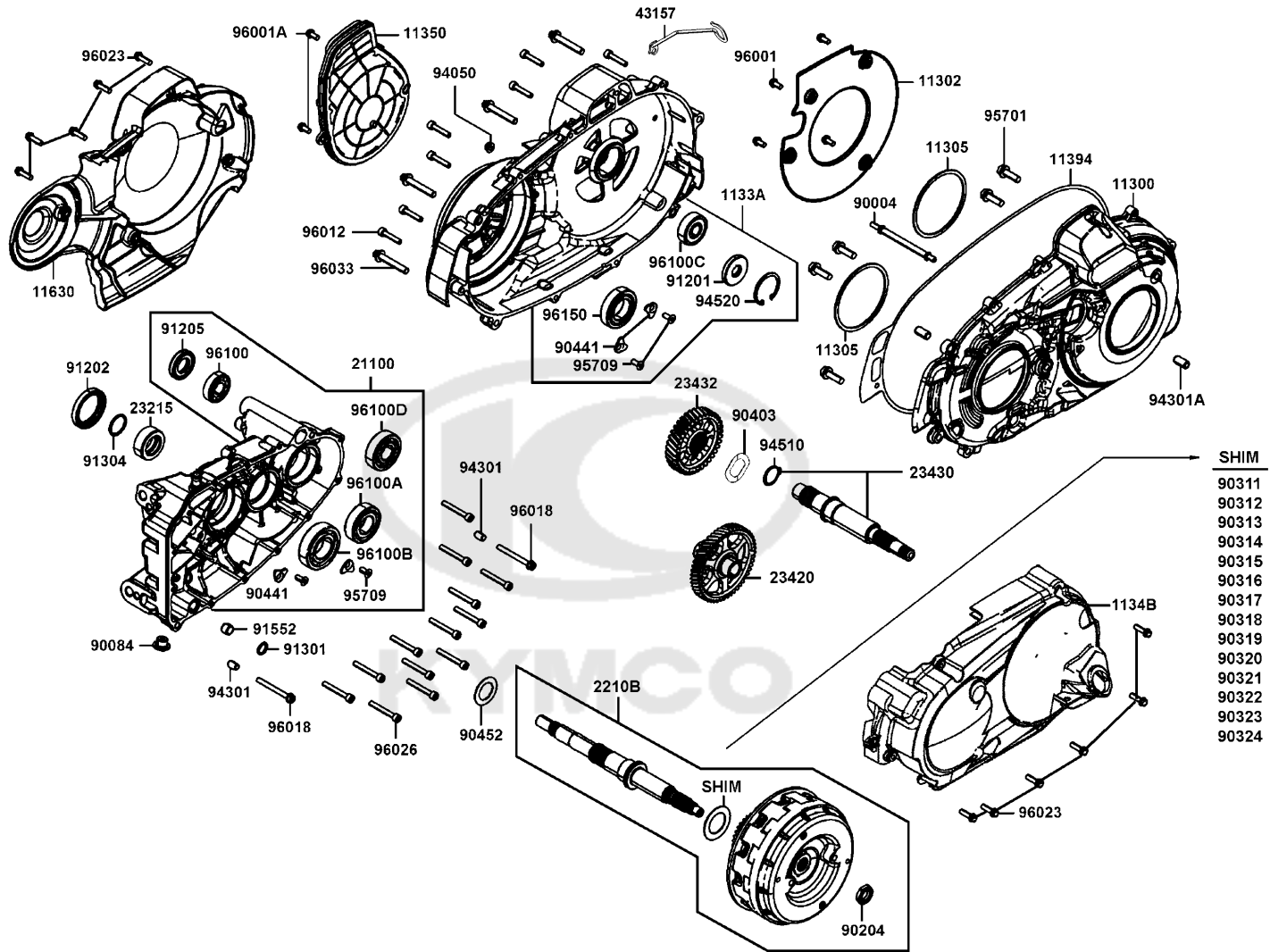


Right Crankcase Cover Shaft Main Shaft Counter



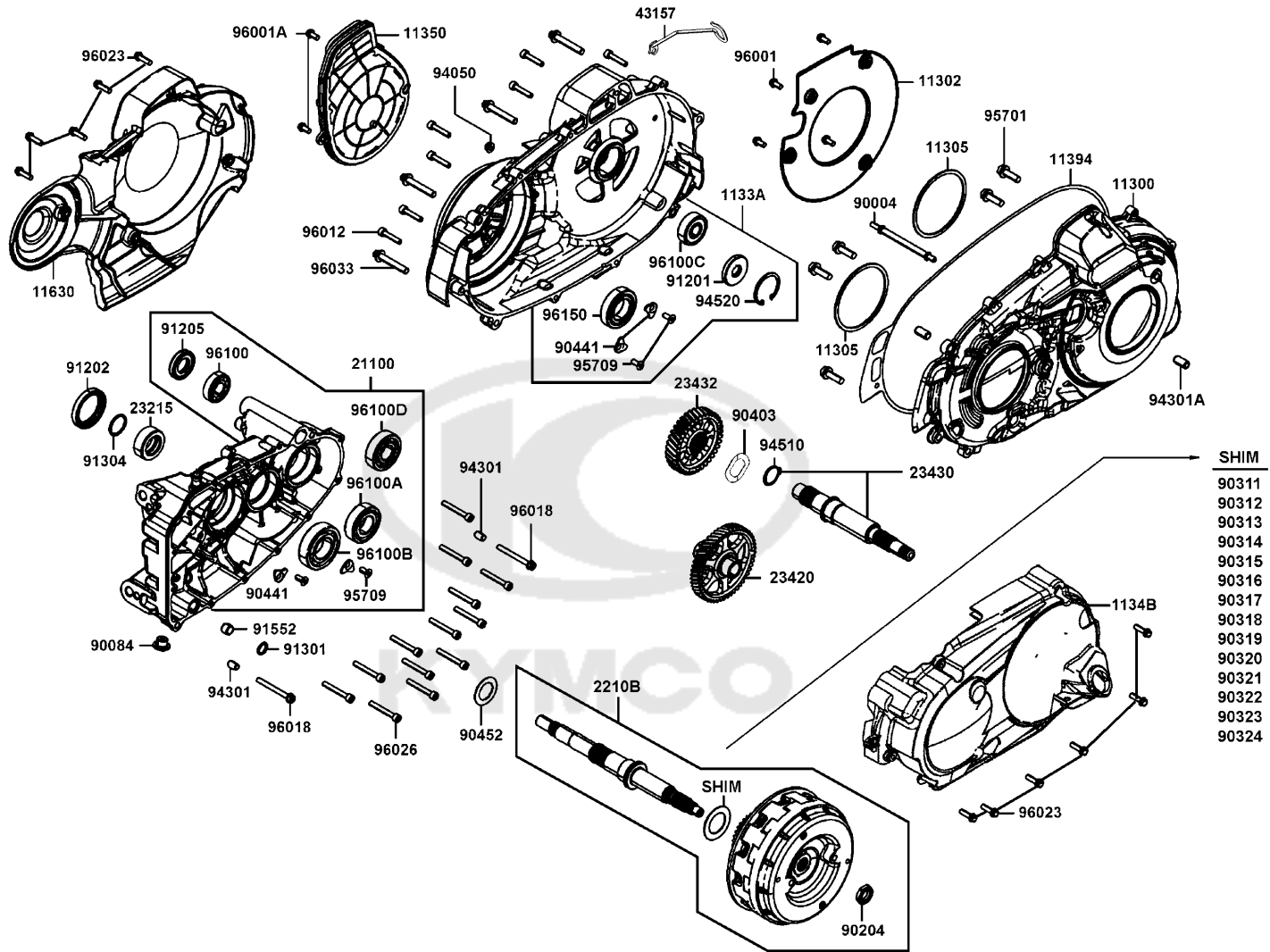
Sales mark	Ref no	Part no	Description	Reg description	Regd no	E05
	11300	11300-LGC6-E00	CASE CVT	CASE CVT	1	
	11302	11302-LGC6-E00	PLATE AIR INTAKE	PLATE AIR INTAKE	1	
	11305	11305-LGC6-E00	GASKET CVT CASE	GASKET CVT CASE	1	
	1133A	1133A-LGC6-E00	COVER COMP CVT	COVER COMP CVT	1	
**	1134B	1134B-LGC6-E00	COVER COMP L COVER	COVER COMP L COVER	1	
	11350	11350-LGC6-E00	ELEMENT COMP CVT COVER	ELEMENT COMP CVT COVER	1	
	11394	11394-LGC6-E00	GASKET. R. COVER	GASKET.CVT COVER	1	
**	11630	11630-LGC6-E00	COVER COMP R COVER (Black)	COVER COMP R COVER (Black)	1	
	21100	21100-LGC6-E00	CASE COMP R MISSION	CASE COMP.R MISSION	1	
	2210B	2210B-LGC6-E02	WET CLUTCH ASSY	WET CLUTCH ASSY	1	
	23215	23215-LGC6-E00	SPACER FIXED DRIVE	SPACER FIXED DRIVE	1	
	23420	23420-LGC6-E00	SHAFT COMP COUNTER	SHAFT COMP COUNTER	1	
	23430	23430-AGJ5-E00	SHAFT COMP FINAL	SHAFT COMP FINAL	1	
	23432	23432-LGC6-E00	GEAR FINAL	GEAR FINAL	1	
	43157	43157-AGJ5-E00	CLIP B, RR BRK HOSE	CLIP B RR BRK HOSE	1	
	90004	90004-LGC6-E00	BOLT SPECIAL	BOLT SPECIAL	1	
	90084	90084-KKE5-E00	CAPE OIL CHANNEL	CAPE OIL CHANNEL	1	
	90204	90204-LGC6-E00	NUT FLANGE M16X1.0	NUT FLANGE M16X1.0	1	
	90311	90311-PWB1-900	SHIM DRIVEN BEVEL GEAR A	SHIM DRIVEN BEVEL GEAR A (0.575~0.625)	1	
	90312	90312-PWB1-900	SHIM DRIVEN BEVEL GEAR B	SHIM DRIVEN BEVEL GEAR B (0.625~0.675)	1	

Right Crankcase Cover Shaft Main Shaft Counter



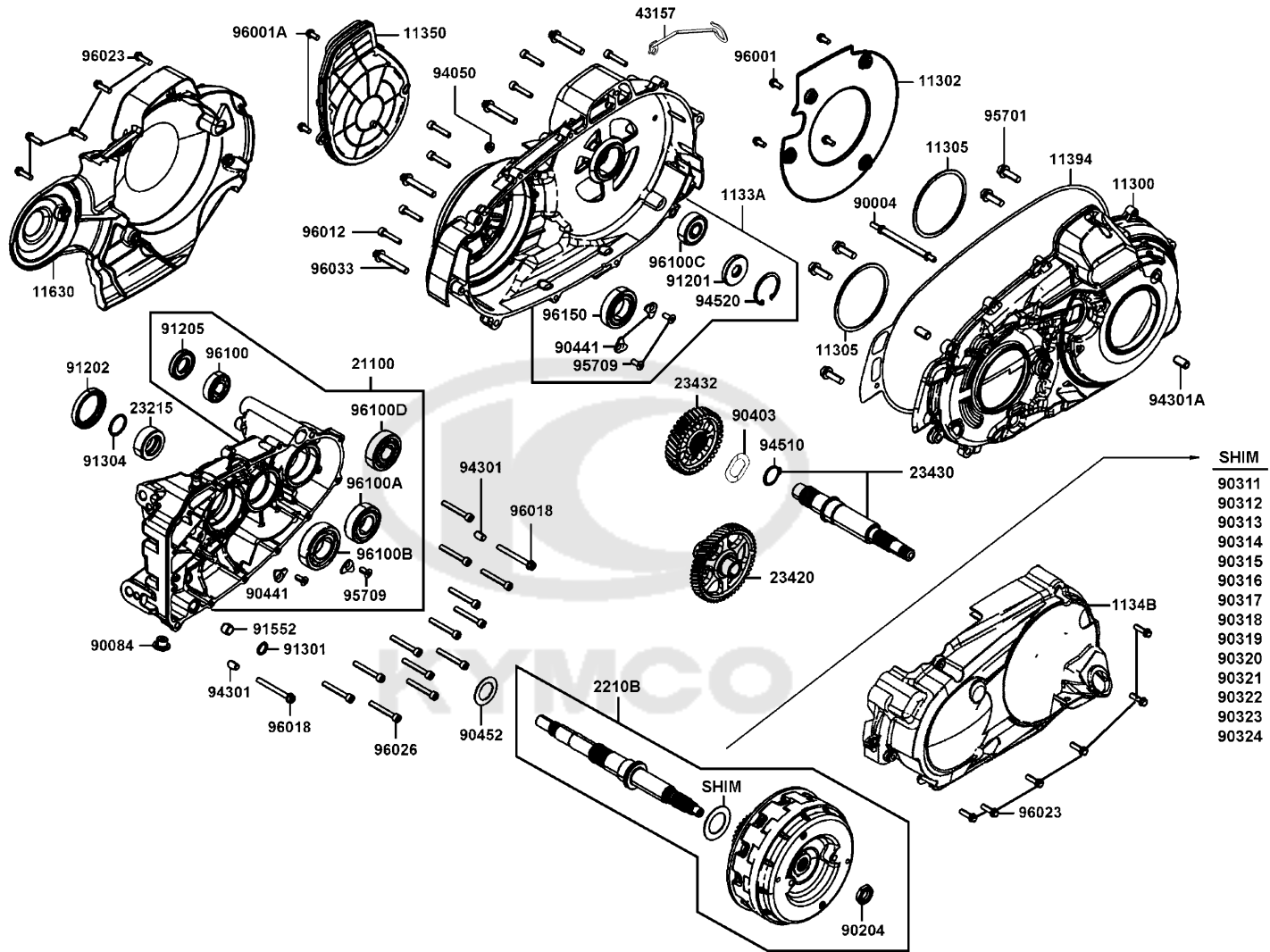
Sales mark	Ref no	Part no	Description	Reg description	Regd no	<b>E05</b>
90313		90313-PWB1-900	SHIM DRIVEN BEVEL GEAR C	SHIM DRIVEN BEVEL GEAR C (0.675~0.725)	1	
90314		90314-PWB1-900	SHIM DRIVEN BEVEL GEAR D	SHIM DRIVEN BEVEL GEAR D (0.725~0.775)	1	
90315		90315-PWB1-900	SHIM DRIVEN BEVEL GEAR E	SHIM DRIVEN BEVEL GEAR E (0.775~0.825)	1	
90316		90316-PWB1-900	SHIM DRIVEN BEVEL GEAR F	SHIM DRIVEN BEVEL GEAR F (0.825~0.875)	1	
90317		90317-PWB1-900	SHIM DRIVEN BEVEL GEAR G	SHIM DRIVEN BEVEL GEAR G (0.875~0.925)	1	
90318		90318-PWB1-900	SHIM DRIVEN BEVEL GEAR H	SHIM DRIVEN BEVEL GEAR H (0.925~0.975)	1	
90319		90319-PWB1-900	SHIM DRIVEN BEVEL GEAR I	SHIM DRIVEN BEVEL GEAR I (0.975~1.025)	1	
90320		90320-PWB1-900	SHIM DRIVEN BEVEL GEAR J	SHIM DRIVEN BEVEL GEAR J (1.025~1.075)	1	
90321		90321-PWB1-900	SHIM DRIVEN BEVEL GEAR K	SHIM DRIVEN BEVEL GEAR K (1.075~1.125)	1	
90322		90322-PWB1-900	SHIM DRIVE BEVEL GEAR T=1.15MM	SHIM DRIVE BEVEL GEAR T=1.15MM	1	
90323		90323-PWB1-900	SHIM DRIVEN BEVEL GEAR M	SHIM DRIVEN BEVEL GEAR M (1.175~1.225)	1	
90324		90324-PWB1-900	SHIM DRIVEN BEVEL GEAR N	SHIM DRIVEN BEVEL GEAR N (1.225~1.275)	1	
90403		90403-LGC6-E00	WAVE WASHER 25MM	WAVE WASHER 25MM	1	
90441		90441-LKF5-E00	PLATE BRG HOLD	PLATE BRG HOLD	4	
90452		90452-LBA7-900	WASHER THRUST 25MM	WASHER THRUST 25MM	1	
91201		91201-LGC6-E00	OIL SEAL 15X42X7	OIL SEAL 15X42X7	1	
91202		91202-LGC6-E00	OIL SEAL 42X55X8	OIL SEAL 42X55X8	1	
91205		91205-LGC6-E00	OIL SEAL 22X40X7	OIL SEAL 22X40X7	1	
91301		91301-LGC6-E00	O RING	O RING	1	
91304		91304-LGC6-E00	O RING 25.5X2.5	O RING 25.5X2.5	1	

Right Crankcase Cover Shaft Main Shaft Counter



Sales mark	Ref no	Part no	Description	Reg description	Regd no	<b>E05</b>
91552		91552-LGC6-E00	COLLAR 13MM	COLLAR 13MM	1	
94050		94050-06060	NUT FLANGE 6MM	NUT FLANGE 6MM	1	
94301		94301-08140	DOWEL PIN 8*14	DOWEL PIN 8*14	2	
94301A		94301-10200	DOWEL PIN 10*20	DOWEL PIN 10*20	2	
94510		94510-25000	CIR CLIP EXTERNAL 25	CIR CLIP EXTERNAL 25	1	
94520		94520-42000	CIR CLIP IN 42MM	CIR CLIP IN 42MM	1	
95701		95701-08025-06	BOLT FLANGE 8*25	BOLT FLANGE 8*25	5	
95709		95709-PRA1-E00	SCREW COUNTERSUNK M6*12	SCREW COUNTERSUNK M6*12	4	
96001		96001-06012-06	BOLT FLANGE SH 6*12	BOLT FLANGE SH 6*12	4	
96001A		96001-06014-06	BOLT FLANGE SH 6X14	BOLT FLANGE SH 6X14	2	
96012		96012-PRA1-E00	BOLT M6*30	BOLT M6*30	7	
96018		96018-PRA1-E00	BOLT M6*60	BOLT M6*60	2	
96023		96023-PRA1-E00	BOLT M6*20	BOLT M6*20	11	
96026		96026-PRA1-E00	BOLT M6*45	BOLT M6*45	13	
96033		96033-PRA1-E00	BOLT M8*50	BOLT M8*50	4	
96100		96100-30203-10	BEARING BALL RADIAL	BEARING BALL RADIAL	1	
96100A		96100-62050-00	BEARING BALL RADIAL 6205	BEARING BALL RADIAL 6205	1	
96100B		96100-62060-00	BRG RADIAL BALL 6206	BRG RADIAL BALL 6206	1	
96100C		96100-63020-00	BRG BALL RADIAL 6302	BRG BALL RADIAL 6302	1	
96100D		96100-63040-00	BRG BALL RADIAL 6304	BRG BALL RADIAL 6304	1	

Right Crankcase Cover Shaft Main Shaft Counter





Sales mark	Ref no	Part no	Description	Reg description	Regd no	<b>E05</b>
------------	--------	---------	-------------	-----------------	---------	------------

96150

96150-60060-10

BEARING BALL RADIAL 6006

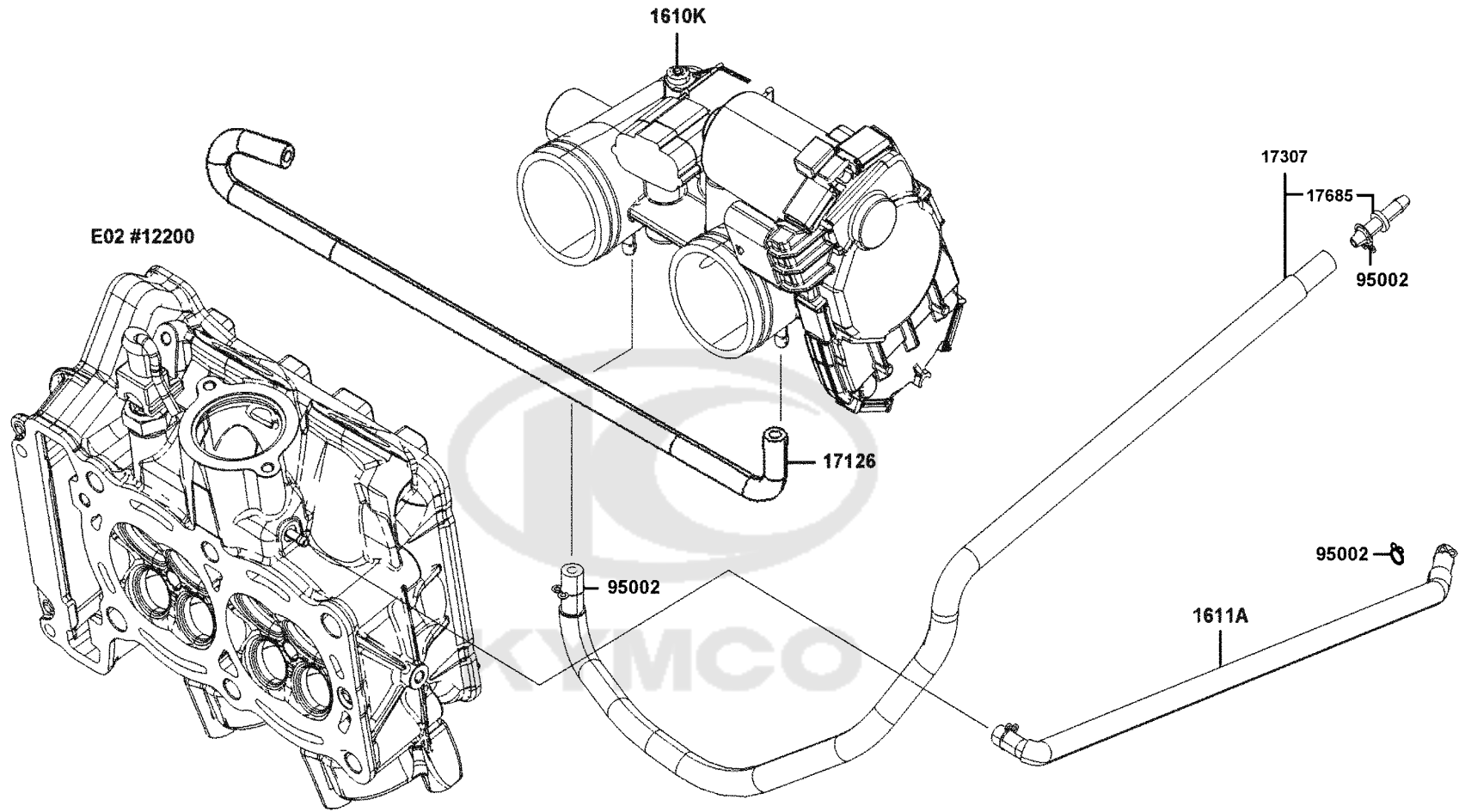
BEARING BALL RADIAL 6006

1



E06

# Throttle Body

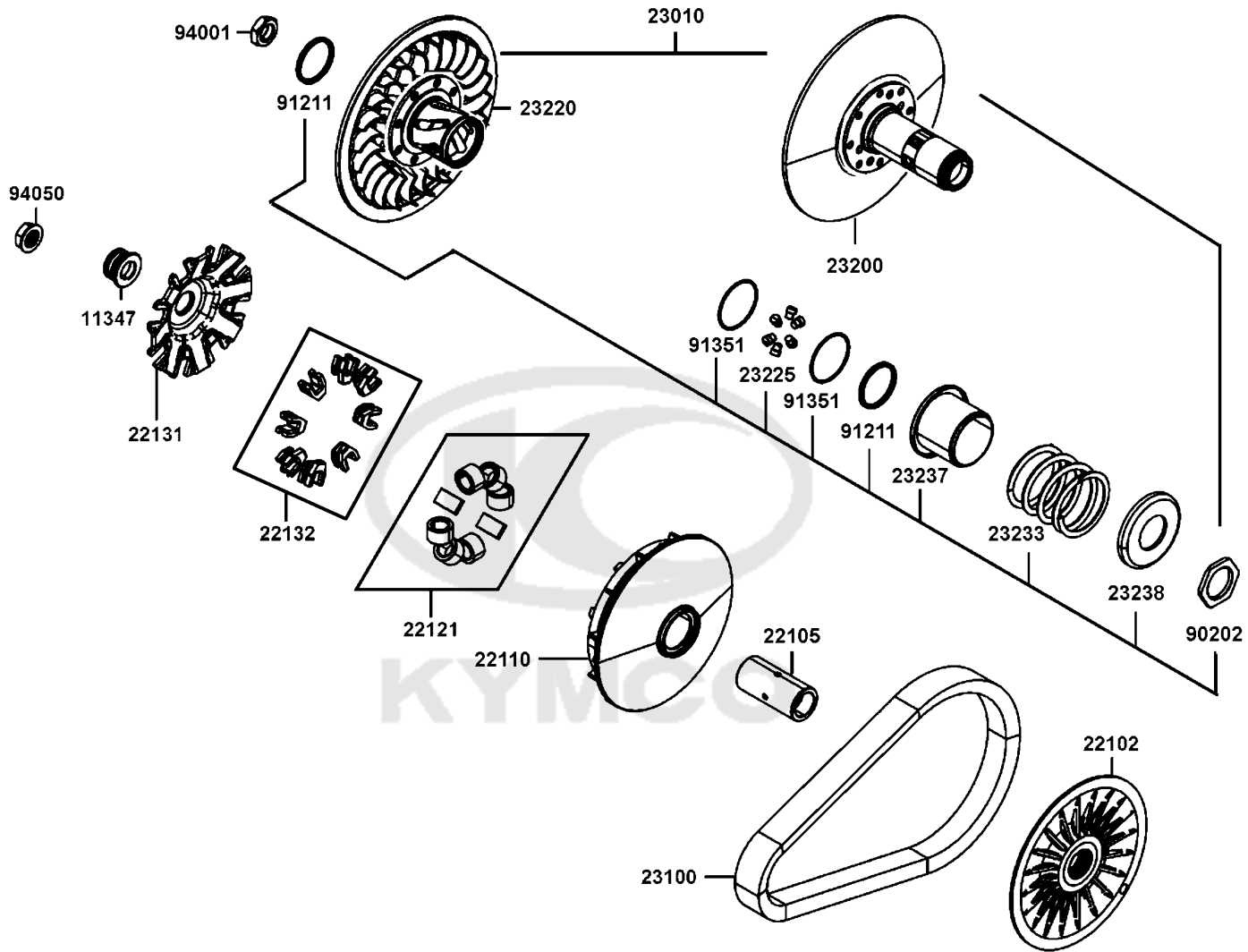


Sales mark	Ref no	Part no	Description	Reg description	Regd no	<b>E06</b>
1610K		1610K-AKB8-E00	THROTTLE BODY ASSY	THROTTLE BODY ASSY	1	
1611A		1611A-LGC6-E00	HOSE A ASSY T/H BODY	HOSE A ASSY T/H BODY	1	
17126		17126-AKB8-E00	TUBE ASSY	TUBE ASSY	1	
17307		17307-AGJ5-E00	TUBE ASSY	TUBE ASSY	1	
17685		17685-GLE0-301	JOINT COCK-CARB TUBE	JOINT COCK-CARB TUBE	1	
95002		95002-02070	CLIP B7 TUBE	CLIP B7 TUBE	5	

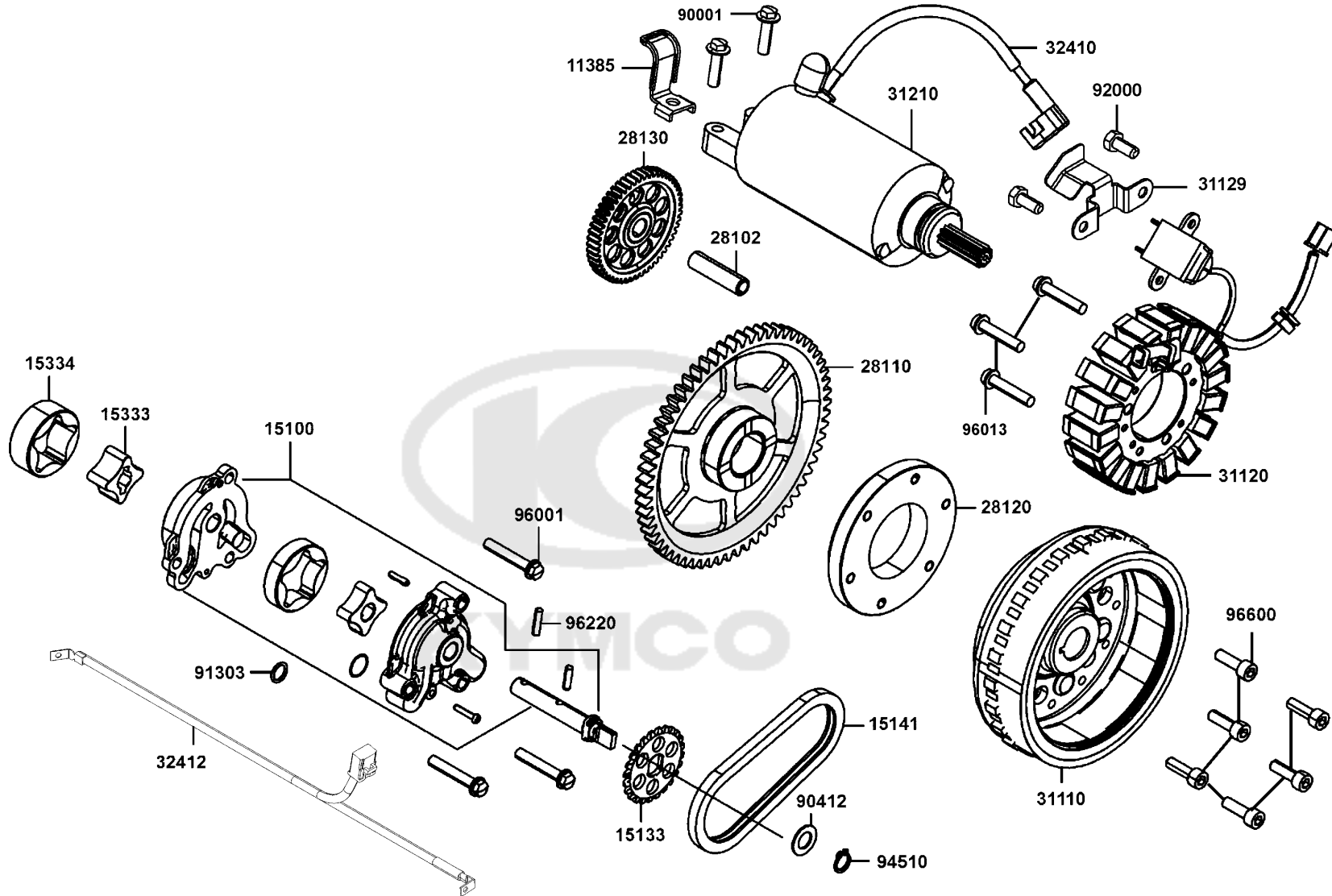


E07

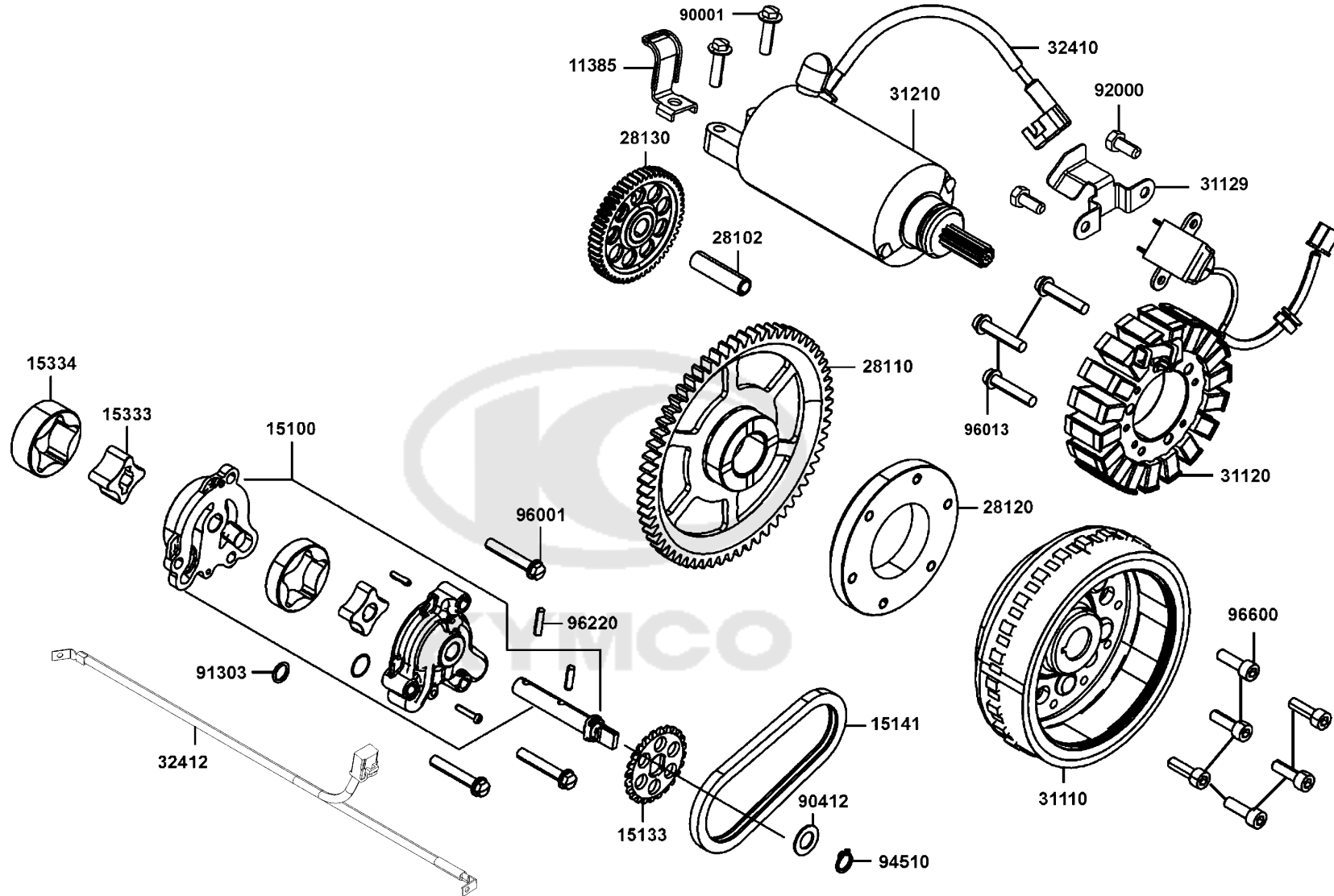
# Transmission Pulley




Sales mark	Ref no	Part no	Description	Reg description	Regd no	<b>E07</b>
11347		11347-LKF5-E00	BOSS DRIVE SHAFT	BOSS DRIVE SHAFT	1	
22102		22102-LGC6-E00	FACE DRIVE	FACE DRIVE	1	
22105		22105-LGC6-E00	BOSS DRIVE FACE	BOSS DRIVE FACE	1	
22110		22110-LGC6-E00	FACE COMP MOVABLE	FACE COMP MOVABLE	1	
22121		22121-LGC6-305	ROLLER SET WEIGHT (1SET:8 PCS)	ROLLER SET WEIGHT (1SET:8 PCS)	1	
22131		22131-LGC6-E00	PLATE RAMP	PLATE RAMP	1	
22132		22132-ADG5-305	PIECE SET SLIDE(1 SET:8 PCS)	PIECE SET SLIDE(1 SET:8 PCS)	1	
23010		23010-LGC6-E00	PULLEY ASSY DRIVEN	PULLEY ASSY DRIVEN	1	
23100		23100-LGC6-E00	BELT DRIVE (N-6N)	BELT DRIVE (N-6N)	1	
23200		23200-LGC6-E00	FACE COMP DRIVEN A	FACE COMP DRIVEN A	1	
23220		23220-LGC6-E00	FACE COMP MOVABLE DRIVEN	FACE COMP. MOVABLE DRIVEN	1	
23225		23225-LKF5-E00	PIN ROLLER GUIDE	PIN ROLLER GUIDE	6	
23233		23233-LGC6-E00	SPG DRIVEN FACE	SPG DRIVEN FACE	1	
23237		23237-LGC6-E00	COLLAR SEAL	COLLAR SEAL	1	
23238		23238-LDB5-E00	COLLAR SPG	COLLAR SPG	1	
90202		90202-LDB5-E00	NUT SPECIAL 36MM	NUT SPECIAL 36MM	1	
91211		91211-LGC6-E00	SEAL DRIVEN 41X47X4	SEAL DRIVEN 41X47X4	2	
91351		91351-LDB5-E00	O-RING PINION CAP	O-RING PINION CAP	2	
94001		94001-LGC6-E00	NUT FLANGE M18X1.0	NUT FLANGE M18X1.0	1	
94050		94050-LKF5-E00	NUT FLANGE 18MM	NUT FLANGE 18MM	1	



Sales mark	Ref no	Part no	Description	Reg description	Regd no	E08
	11385	11385-AGJ5-E00	CLAMP, BLOW BY HOSE	CLAMP, BLOW BY HOSE	1	
	15100	15100-LGC6-E00	PUMP ASSY OIL	PUMP ASSY OIL	1	
	15133	15133-LGC6-E00	SPRKT OIL PUMP DRIVEN	SPRKT OIL PUMP DRIVEN	1	
	15141	15141-GFY6-90C	CHAIN OIL PUMP	CHAIN OIL PUMP	1	
	15333	15333-LEH6-E00	ROTOR ENGINE INNER	ROTOR ENGINE INNER	1	
	15334	15334-LEH6-E00	ROTOR ENGINE OUTER	ROTOR ENGINE OUTER	1	
	28102	28102-LEA7-E00	SHAFT STARTER REDUCTION	SHAFT STARTER REDUCTION	1	
	28110	28110-LGC6-E01	GEAR COMP. STARTING CLUTCH (63T)	GEAR COMP. STARTING CLUTCH (63T)	1	
	28120	28120-LGC6-E00	ONE WAY CLUTCH	ONE WAY CLUTCH	1	
	28130	28130-LGC6-E01	GEAR STARTER REDUCTION (52T/11T)	GEAR STARTER REDUCTION (52T/11T)	1	
	31110	31110-LGC6-E00	FLYWHEEL COMP (D402)	FLYWHEEL COMP (D402)	1	
	31120	31120-LGC6-E00	STATOR COMP (D402)	STATOR COMP.	1	
	31129	31129-LGC6-E00	STAY STATOR COMP	STAY STATOR COMP	1	
	31210	31210-LGC6-E00	MOTOR UNIT STARTER	MOTOR UNIT STARTER	1	
	32410	32410-AGJ5-E00	CABLE. START MOTOR	CABLE. START MOTOR	1	
	32412	32412-AGJ5-E00	CABLE EARTH	CABLE EARTH	1	
	90001	90001-GBHB-661	BOLT FLANGE SH 6*22	BOLT FLANGE SH 6*22	2	
	90412	90412-3K29-001	WASHER THRUST 10M/M	WASHER THRUST 10M/M	1	
	91303	91303-PUA5-E00	O-RING_9X1_5	O-RING_9X1_5	1	
	92000	92000-05016-0G	BOLT HEX 5X16	BOLT HEX 5X16	2	

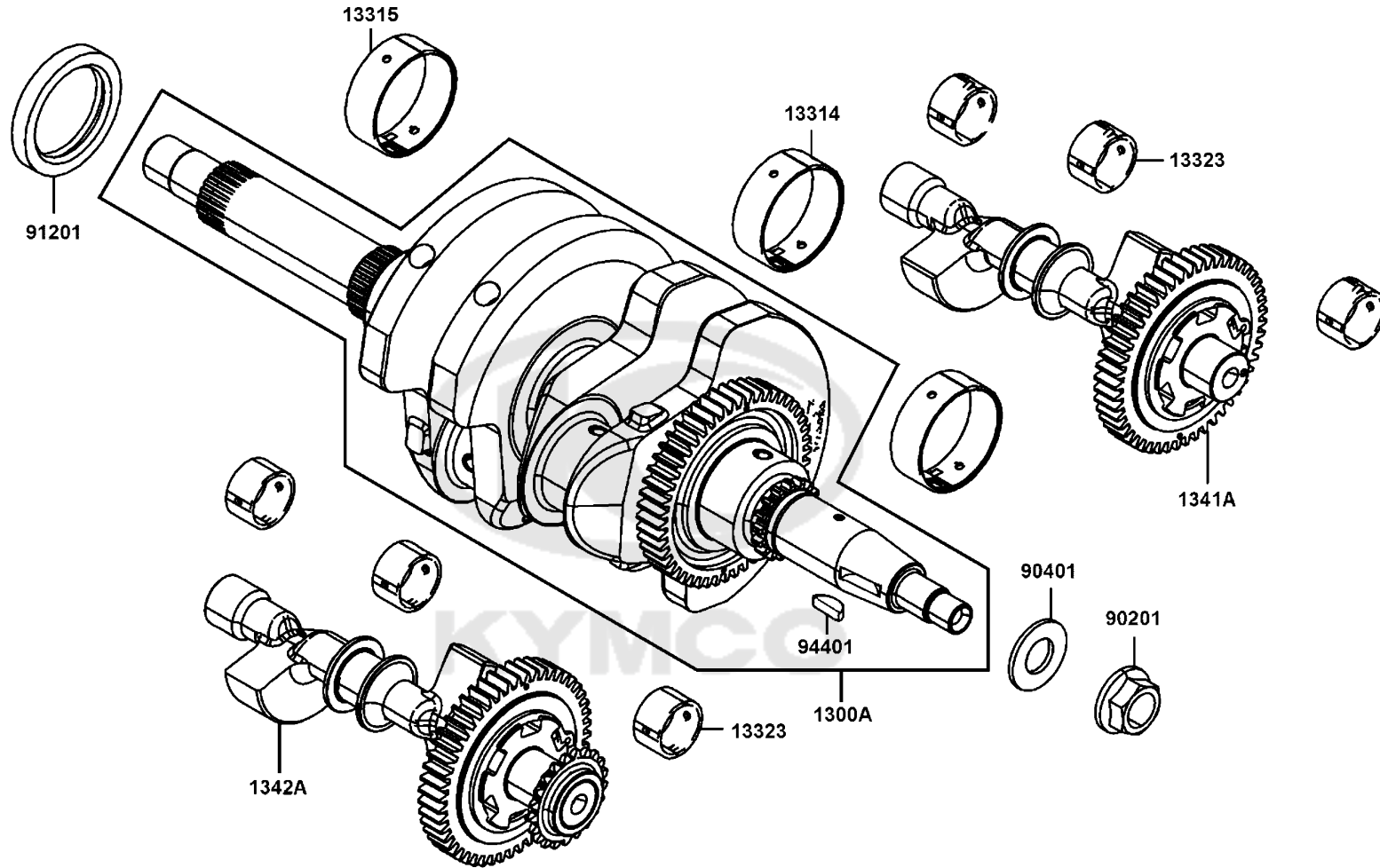




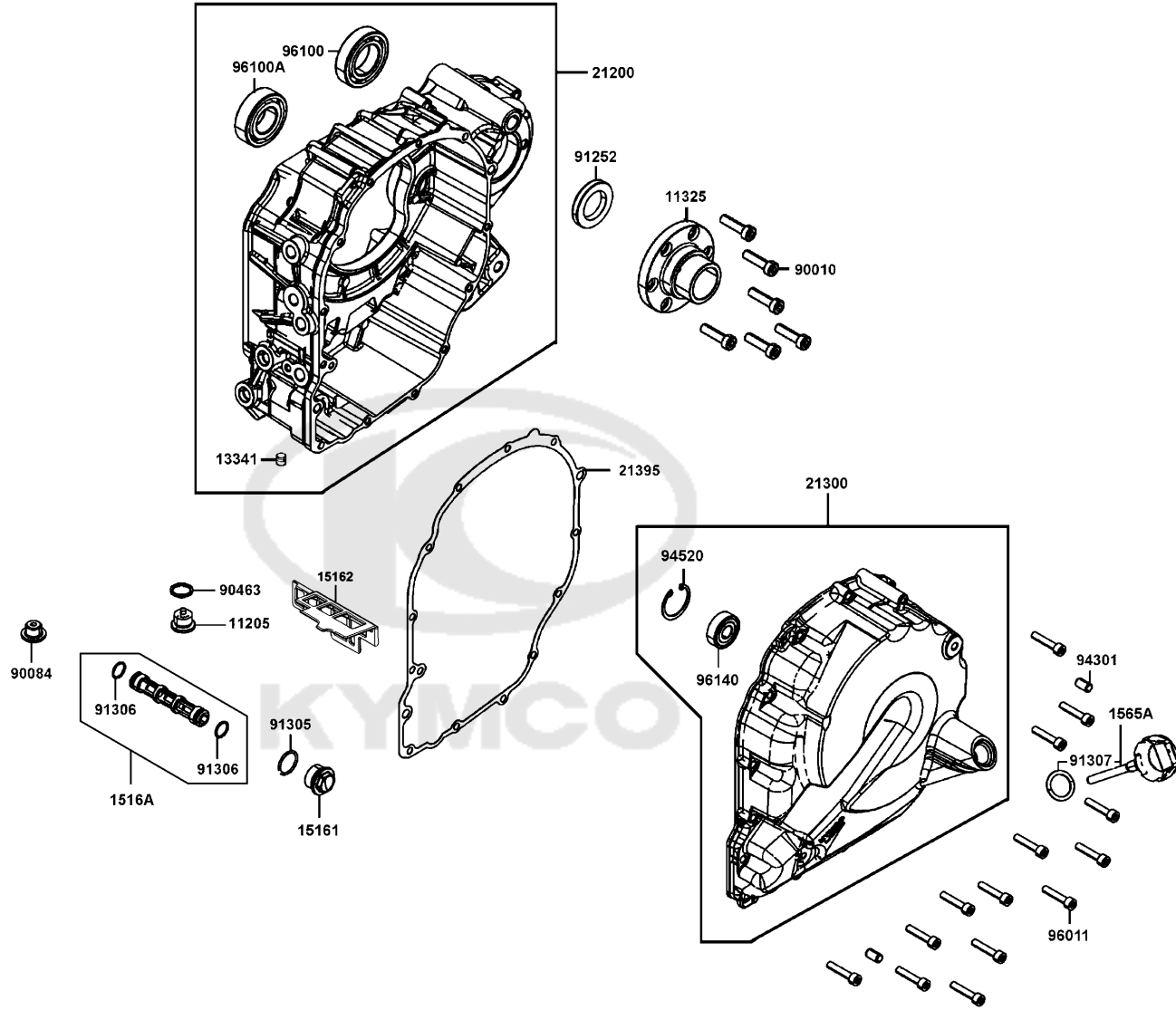
Sales mark	Ref no	Part no	Description	Reg description	Regd no	<b>E08</b>
94510		94510-10000	CIR CLIP EX 10MM	CIR CLIP EX 10MM	1	
96001		96001-06035-06	BOLT FLANGE SH 6*35	BOLT FLANGE SH 6*35	3	
96013		96013-LGC6-E00	M6X35-8.8-ZNNIV SI	M6X35-8.8-ZNNIV SI	3	
96220		96220-40158	NEEDLE PIN 4X15.8	NEEDLE PIN 4X15.8	1	
96600		96600-06015-10	SOCKET BOLT 6*15 (B)	SOCKET BOLT 6*15 (B)	6	
						

E09

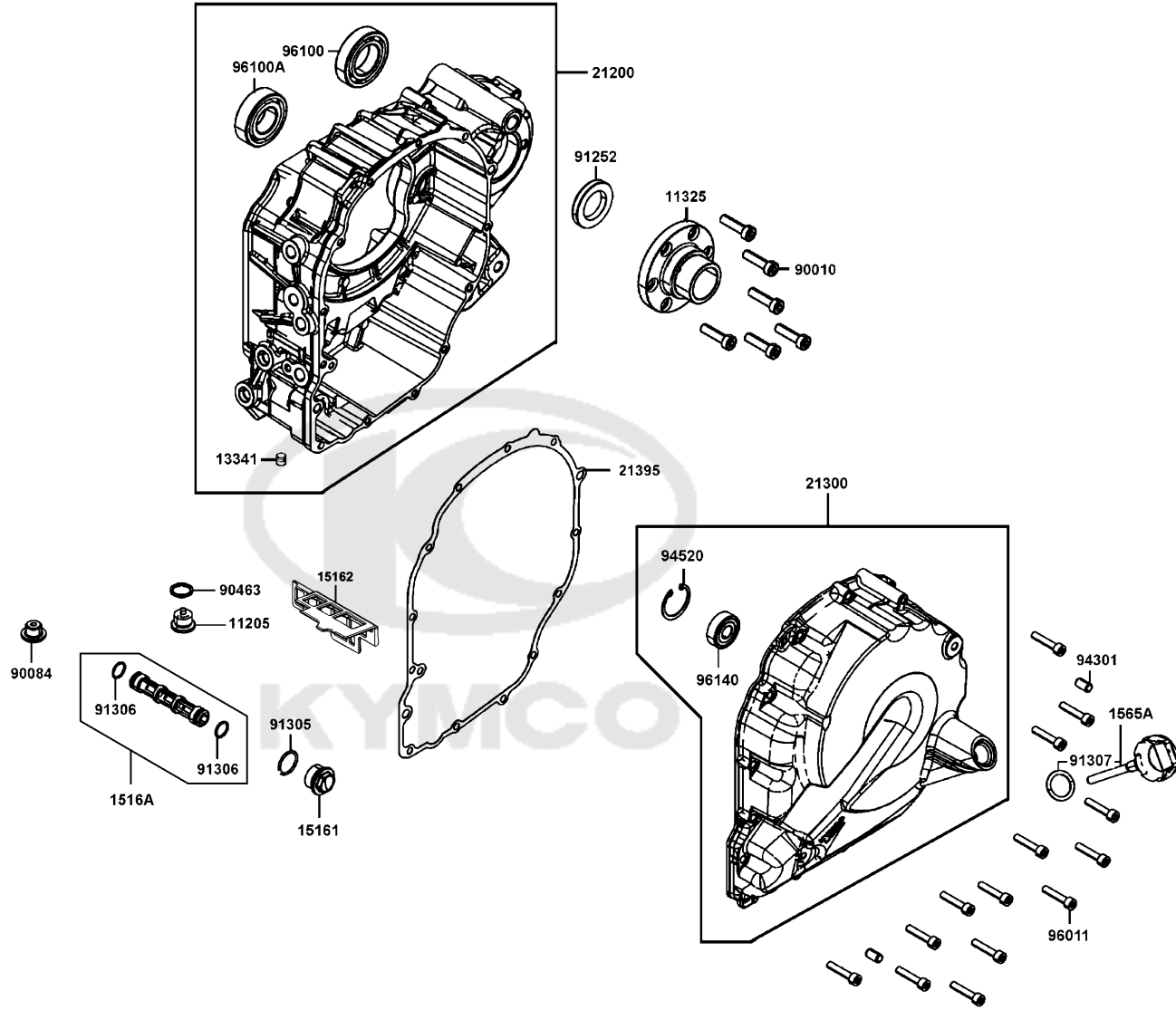
# Crank Shaft Drive Procket



Sales mark	Ref no	Part no	Description	Reg description	Regd no	E09
	1300A	1300A-LGC6-E00	CRANK SHAFT COMP	CRANK SHAFT COMP	1	
	13314	13314-LGC6-E00-A	BEARING A CRANK SHAFT/YELLOW	BEARING A CRANK SHAFT/YELLOW	3	
	13314	13314-LGC6-E00-B	BEARING A CRANK SHAFT/BLUE	BEARING A CRANK SHAFT/BLUE	3	
	13314	13314-LGC6-E00-C	BEARING A CRANK SHAFT/RED	BEARING A CRANK SHAFT/RED	3	
	13314	13314-LGC6-E00-D	BEARING A CRANK SHAFT/GREEN	BEARING A CRANK SHAFT/GREEN	3	
	13314	13314-LGC6-E00-E	BEARING A CRANK SHAFT /BLACK	BEARING A CRANK SHAFT /BLACK	3	
	13315	13315-LGC6-E00-A	BEARING B CRANK SHAFT/ YELLOW	BEARING B CRANK SHAFT/ YELLOW	3	
	13315	13315-LGC6-E00-B	BEARING B CRANK SHAFT /BLUE	BEARING B CRANK SHAFT /BLUE	3	
	13315	13315-LGC6-E00-C	BEARING B, CRANK SHAFT/ RED	BEARING B CRANK SHAFT/ RED	3	
	13315	13315-LGC6-E00-D	BEARING B CRANK SHAFT/GREEN	BEARING B CRANK SHAFT/GREEN	3	
	13315	13315-LGC6-E00-E	BEARING B CRANK SHAFT /BLACK	BEARING B CRANK SHAFT /BLACK	3	
	13323	13323-PRB9-E00-0A	BEARING SHELL BALANCER SHAFT	BEARING SHELL BALANCER SHAFT /BROWN	12	
	13323	13323-PRB9-E00-0B	BEARING SHELL BALANCER SHAFT /	BEARING SHELL BALANCER SHAFT /	12	
	1341A	1341A-LGC6-E00	SHAFT COMP BALANCER	SHAFT COMP BALANCER	1	
	1342A	1342A-LGC6-E00	SHAFT COMP BALANCER	SHAFT COMP BALANCER	1	
	90201	90201-KHR8-75A	NUT FLANGE 14MM	NUT FLANGE 14MM	1	
	90401	90401-KKJ9-001	WASHER THRUST 14*28*2	WASHER THRUST 14*28*2	1	
	91201	91201-LKF5-E00	OIL SEAL 38*50*7	OIL SEAL 38*50*7	1	
	94401	94401-25140	WOODRUFF KEY 25*14	WOODRUFF KEY 25*14	1	



Sales mark	Ref no	Part no	Description	Reg description	Regd no	E10
	11205	11205-PSA6-E00	MAGNETIC SCREW M16*1.5	MAGNETIC SCREW M16*1.5	1	
	11325	11325-LGC6-E02	PIVOT L SWING ARM	PIVOT L SWING ARM	1	
	13341	13341-LGC6-E00	GRUB SCREW M6X6	GRUB SCREW M6 X 7	1	
	15161	15161-LGC6-E00	PLUG SCREW SECTION FILTER	PLUG SCREW SECTION FILTER	1	
	15162	15162-LGC6-E01	SUCTION FILTER, CRANK SIDE	SUCTION FILTER, CRANK SIDE	1	
	1516A	1516A-LGC6-E00	SUCTION FILTER ASSY CRANK SIDE	SUCTION FILTER ASSY CRANK SIDE	1	
	1565A	1565A-AGJ5-E00	GAUGE OIL LEVEL ASSY	GAUGE OIL LEVEL ASSY	1	
	21200	21200-LGC6-306	CASE SET L MISSION	CASE SET L MISSION	1	
	21300	21300-LGC6-305	COVER SET MISSION	COVER SET MISSION	1	
	21395	21395-LGC6-E00	GASKET MISSION COVER	GASKET MISSION COVER	1	
	90010	90010-KKE5-E01	SPOCKET BOLT 8X30	SPOCKET BOLT 8X30	3	
	90084	90084-KKE5-E00	CAPE OIL CHANNEL	CAPE OIL CHANNEL	1	
	90463	90463-PUA5-E00	WASHER DIN 7603-A16*20-A1	WASHER DIN 7603-A16*20-A1	1	
	91252	91252-LGC6-E00	OIL SEAL 28X45X7	OIL SEAL 28X45X7	1	
	91305	91305-LEH6-E00	O RING 19.8x1.9	O RING 19.8x1.9	1	
	91306	91306-PUA5-E00	O-RING 13*1.5	O-RING 13*1.5	2	
	91307	91307-0E35-001	O RING 18*3	O RING 18*3	1	
	94301	94301-08140	DOWEL PIN 8*14	DOWEL PIN 8*14	2	
	94520	94520-32180	CIR CLIP IN 32	CIR CLIP IN 32	1	
	96011	96011-PRA1-E00	BOLT M6*30	BOLT M6*30	14	



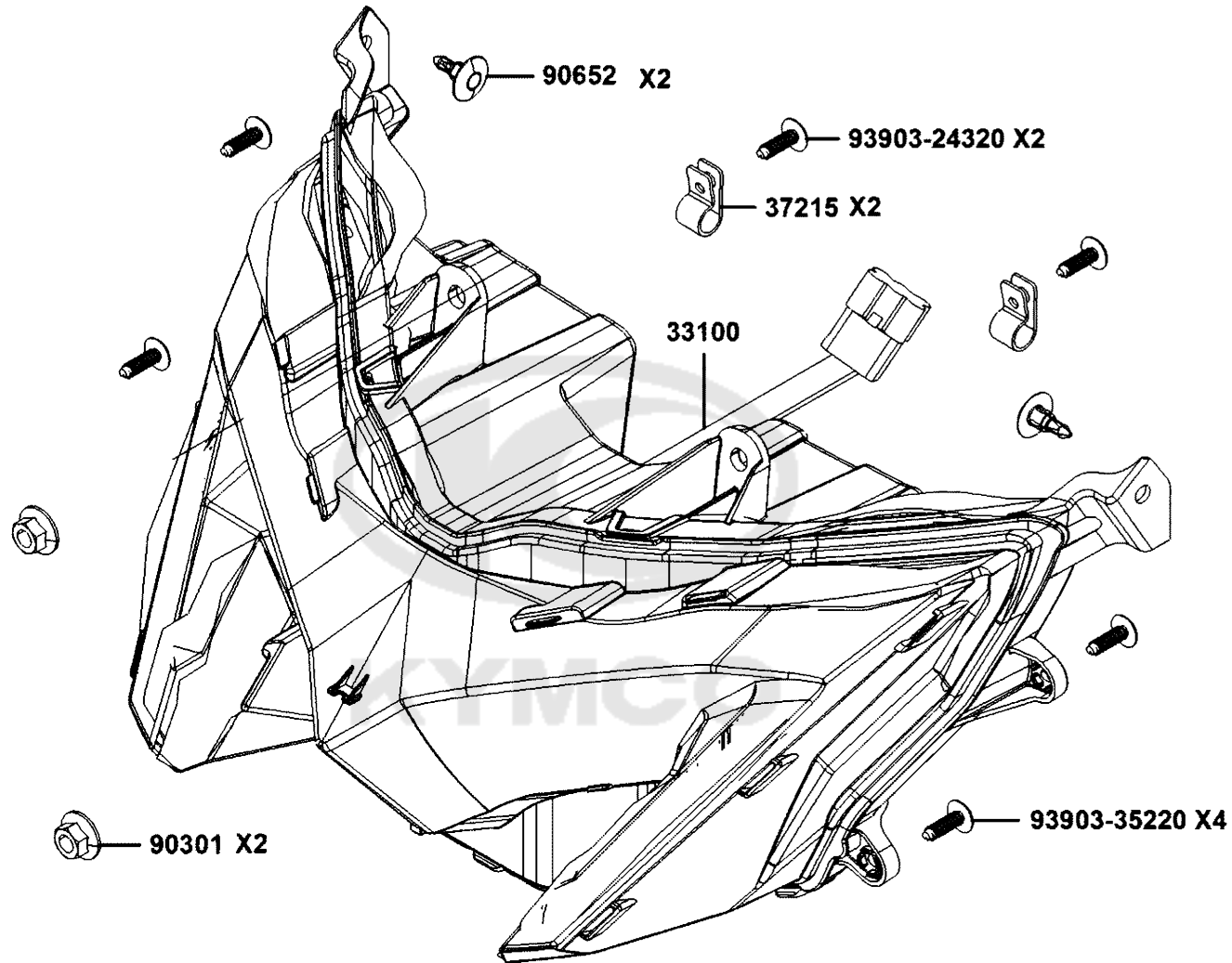
Sales mark	Ref no	Part no	Description	Reg description	Regd no	<b>E10</b>
------------	--------	---------	-------------	-----------------	---------	------------

96100		96100-60060-00	BEARING BALL RADIAL 6006	BEARING BALL RADIAL 6006	1	
96100A		96100-62050-00	BEARING BALL RADIAL 6205	BEARING BALL RADIAL 6205	1	
96140		96140-62010	BEARING BALL RADIAL 6201 LU	BEARING BALL RADIAL 6201 LU	1	



F01

Head Light



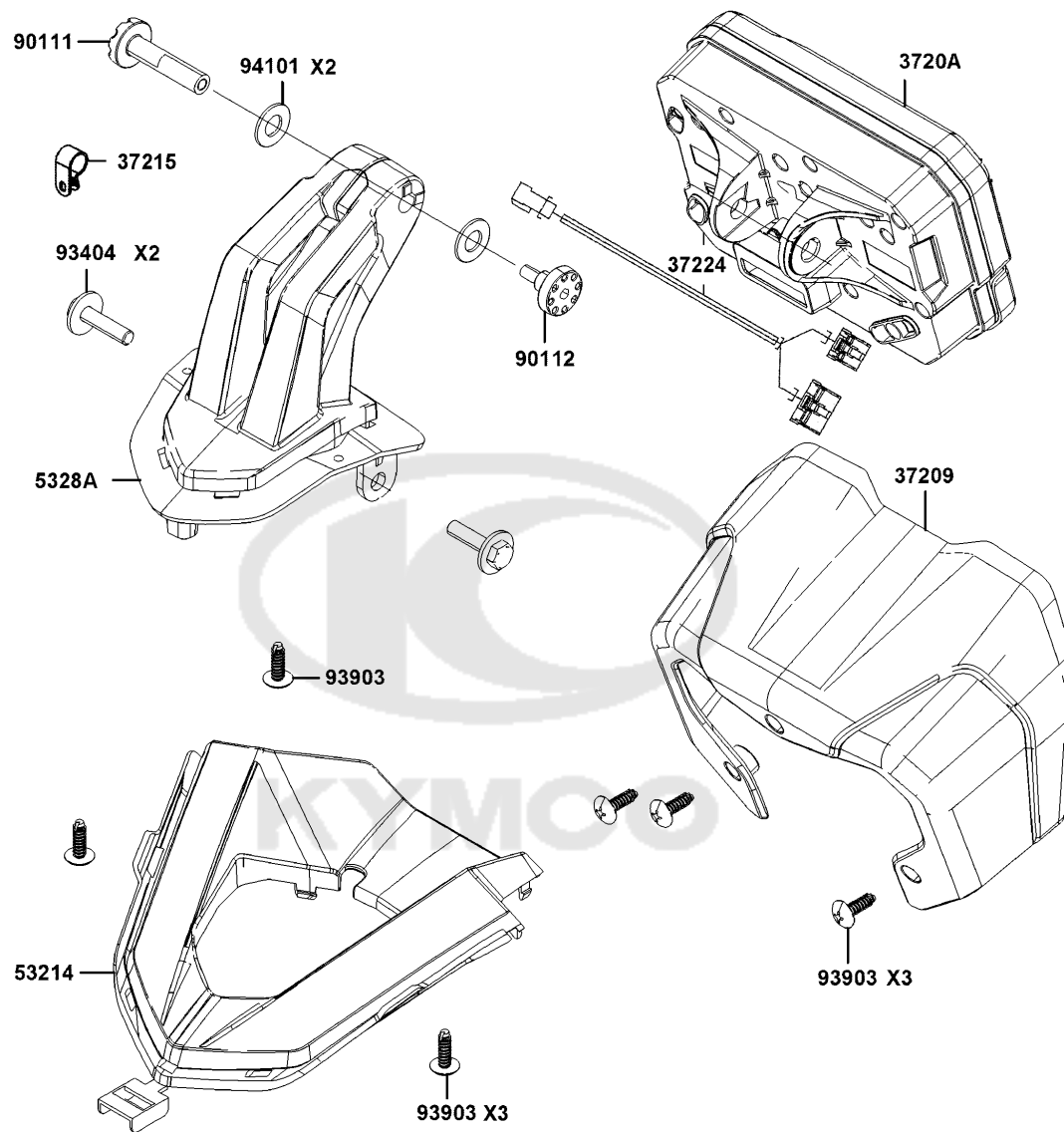


Sales mark	Ref no	Part no	Description	Reg description	Regd no	<b>F01</b>
	33100	33100-AGJ5-E00	LIGHT ASSY..HEAD	LIGHT ASSY..HEAD	1	
	37215	37215-LKG2-910	CLAMP	CLAMP	2	
	90301	90301-LAC5-671	NUT FLANGE 6MM	NUT FLANGE 6MM	2	
	90652	90652-LCA4-E00	CLIP MUDGUARD	CLIP MUDGUARD	4	
	93903-24320	93903-24320-G	SCREW TAPPING 4*12 (CG)	SCREW TAPPING 4*12 (CG)	2	
	93903-35220	93903-35220-G	SCREW TAPPING 5*12	SCREW TAPPING 5*12	4	



F02

# Speedometer



Sales mark	Ref no	Part no	Description	Reg description	Regd no	F02
**	37209	37209-AGJ5-E00	COVER,METER	COVER,METER	1	
	3720A	3720A-AGJ5-E00	METER SET SPEED	METER SET SPEED	1	
	37215	37215-LEA2-900	CLAMP	CLAMP	1	
	37224	37224-AGJ5-E00	SCOKET COMP METER	SCOKET COMP METER	1	
**	53214	53214-AGJ5-E00	COVER B METER	COVER B METER	1	
**	5328A	5328A-AGJ5-E00	STAND METER ASSY	STAND METER ASSY	1	
	90111	90111-AGJ5-E00	COLLAR NUT 6MM	COLLAR NUT 6MM	1	
	90112	90112-AGJ5-E00	SPECIAL BOLT 6MM	SPECIAL BOLT 6MM	1	
	93404	93404-06012-06	BOLT WASHER 6*12 (G)	BOLT WASHER 6*12 (G)	2	
	93903	93903-24320-G	SCREW TAPPING 4*12 (CG)	SCREW TAPPING 4*12 (CG)	6	
	94101	94101-10800	WASHER PLAIN 10*22*1.6	WASHER PLAIN 10*22*1.6	2	



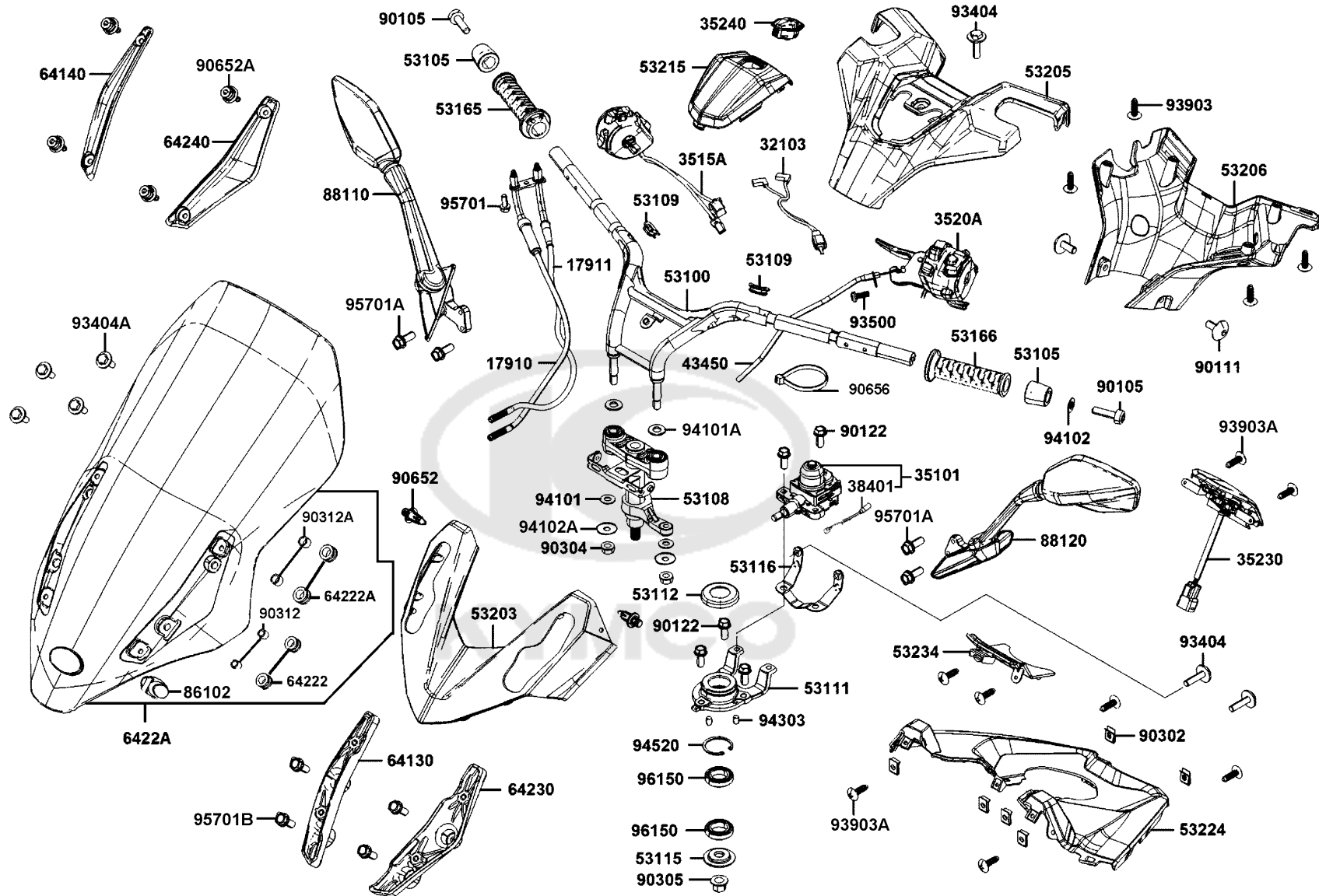
Sales mark	Ref no	Part no	Description	Reg description	Regd no	F03
17910		17910-AGJ5-E00	CABLE A COMP THROT	CABLE A COMP THROT	1	
17911		17911-AGJ5-E00	CABLE B COMP THROT	CABLE B COMP THROT	1	
32103		32103-AGJ5-E00	SUB HARNESS HANDLE	SUB HARNESS HANDLE	1	
35101		35101-AGJ5-E00	KEY COMP	KEY COMP	1	
3515A		3515A-AGJ5-E00	SW. ASSY. RH. HANDLE COMP.	SW. ASSY. RH. HANDLE COMP.	1	
3520A		3520A-AGJ5-E00	SW. ASSY.LH.HANDLE COMP.	SW. ASSY.LH.HANDLE COMP.	1	
35230		35230-AGJ5-E01	SW ASSY.,MULTI-FUNCTION	SW ASSY.,MULTI-FUNCTION	1	
35240		35240-AKB8-E01	SW UNIT.,TRIGGER	SW UNIT.,TRIGGER	1	
38401		38401-AKD3-900	BUZZER COMP	BUZZER COMP	1	
43450		43450-AGJ5-E00	CABLE COMP RR. BRK	CABLE PARKING BRAKE	1	
53100		53100-AGJ5-E00	HANDLE PIPE STRG	HANDLE PIPE STRG	1	
53105		53105-LGC6-E00	END HANDLE	END HANDLE	2	
53108		53108-AGJ5-E00	SCREW POST STRG.HANDL	SCREW POST STRG.HANDL	1	
53109		53109-LGC6-E00	GROMMET HANDLE BAR	GROMMET HANDLE BAR	2	
53111		53111-AGJ5-E00	HOUSING,HANDLE BEARING	HOUSING,HANDLE BEARING	1	
53112		53112-AGJ5-E00	RUBBER DUST-PROFF	RUBBER DUST-PROFF	1	
53115		53115-AGJ5-E00	COLLAR14.5*48*7.7	COLLAR14.5*48*7.7	1	
53116		53116-AGJ5-E00	STAY KEYLESS	STAY KEYLESS	1	
53165		53165-LGC6-E01	GRIP R HANDLE HEATED	GRIP R HANDLE HEATED	1	
53166		53166-LGC6-E01	GRIP L HANDLE HEATED	GRIP L HANDLE HEATED	1	



Sales mark	Ref no	Part no	Description	Reg description	Regd no	F03
**	53203	53203-AGJ5-E00	MOLDING FRONT	MOLDING FRONT	1	
**	53205	53205-AGJ5-E00	COVER,HANDLE UP	COVER,HANDLE UP	1	
**	53206	53206-AGJ5-E00	COVER HANDLE RR	COVER HANDLE RR	1	
**	53215	53215-AGJ5-E00	TOP COVER HANDLE COVE	TOP COVER HANDLE COVE	1	
**	53224	53224-AGJ5-E00	HANDLE BOARD	HANDLE BOARD	1	
**	53234	53234-AGJ5-E00	HANDLE BOARD	HANDLE BOARD	1	
**	64130	64130-AGJ5-E00	HOLDER ASSY R WIND SCREEN	HOLDER ASSY R WIND SCREEN	1	
**	64140	64140-LGC6-E00	COVER R WIND SCREEN	COVER R WIND SCREEN	1	
	64222	64222-KKC4-900	RUBBER WIND SCREEN	RUBBER WIND SCREEN	2	
	64222A	64222-LLJ3-E00	RUBBER WIND SCREEN	RUBBER WIND SCREEN	2	
	6422A	6422A-LGC6-S00	WIND SCRRN ASSY	WIND SCRRN ASSY	1	
**	64230	64230-AGJ5-E00	HOLDER ASSY L WIND SCREEN	HOLDER ASSY L WIND SCREEN	1	
**	64240	64240-LGC6-E00	COVER L WIND SCREEN	COVER L WIND SCREEN	1	
**	86102	86102-LGC6-E00	EMB K-LOGO	EMB K-LOGO	1	
	88110	88110-AGJ5-E00	MIRROR ASSY R BACK	MIRROR ASSY.R BACK	1	
	88120	88120-AGJ5-E00	MIRROR ASSY L BACK	MIRROR ASSY.L BACK	1	
	90105	90105-KFC2-900	BOLT WASH 8*32	BOLT WASH 8*32	2	
	90111	90111-LGC6-E01	SCREW PAN 6X14	SCREW PAN 6X14	2	
	90122	90122-AGJ5-E00	BOLT FLANGE8*20	BOLT FLANGE8*20	5	
	90302	90302-SDA4-004	NUT SPRING 4MM	NUT SPRING 4MM	6	

F03

# Handle SteeringHandle Cover

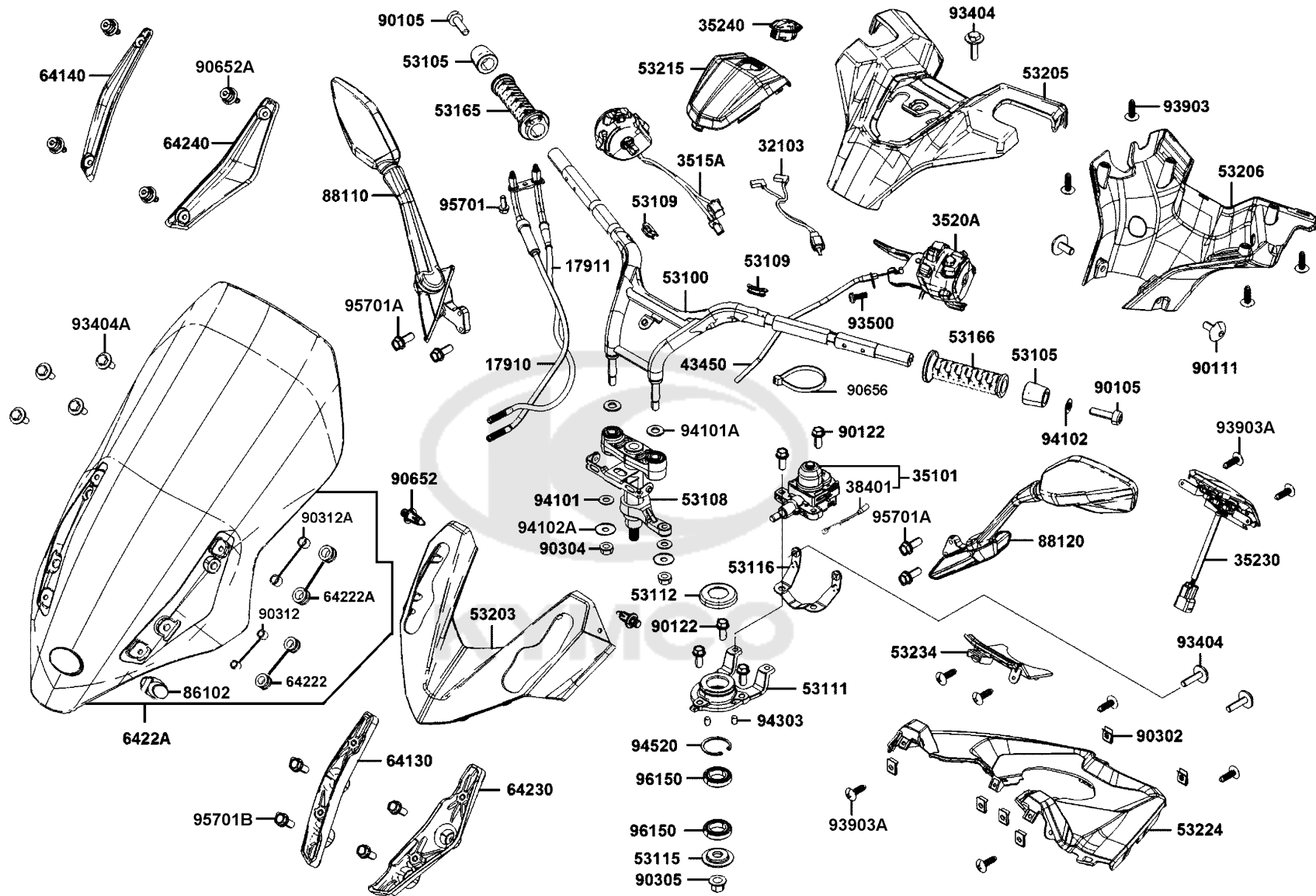




Sales mark	Ref no	Part no	Description	Reg description	Regd no	F03
	90304	90304-LEA1-900	NUT U FLANGE 10MM	NUT U 10MM	2	
	90305	90305-LBD4-900	NUT U 14MM	NUT U 14MM	1	
	90312	90312-GLF0-001	COLLAR BODY COVER	COLLAR BODY COVER	2	
	90312A	90312-LLJ3-E00	COLLAR WIND SCREEN	COLLAR WIND SCREEN	2	
	90652	90652-LFB5-900	CLIP MUDGUARD	CLIP MUDGUARD	2	
	90652A	90652-LGC6-E00	PUSH RIVET	PUSH RIVET	4	
	90656	90656-KCBC-900	BAND OIL HANDLE 8X146	BAND OIL HANDLE 8X146	1	
	93404	93404-06012-06	BOLT WASHER 6*12 (G)	BOLT WASHER 6*12 (G)	3	
	93404A	93404-06020-08G	BOLT WASHER 6*20	BOLT WASHER 6*20	4	
	93500	93500-05010-0F	SCREW PAN 5X10	SCREW PAN 5X10	1	
	93903	93903-24320-G	SCREW TAPPING 4*12 (CG)	SCREW TAPPING 4*12 (CG)	4	
	93903A	93903-GFY6-900	SCREW TAPPING 4*14	SCREW TAPPING 4*14	8	
	94101	94101-10000	WASHER PLAIN 10MM	WASHER PLAIN 10MM	2	
	94101A	94101-12000	WASHER PLAIN 12 MM	WASHER PLAIN 12 MM	2	
	94102	94102-08000	WASHER PLAIN 8MM	WASHER PLAIN 8MM	1	
#	94102A	94102-KED9-900	WASHER PLAIN 10.5*30*2	WASHER PLAIN 10.5*30*2	2	
	94303	94303-05080	DOWEL PIN 5*8	DOWEL PIN 5*8	2	
	94520	94520-42000	CIR CLIP IN 42MM	CIR CLIP IN 42MM	1	
	95701	95701-06012-06	BOLT FLANGE 6*12 **07 C.2005.07.01	BOLT FLANGE 6*12 **07 C.2005.07.01	1	
	95701A	95701-06020-06	BOLT FLANGE 6*20 ALT 95701-06020-08GBOLT FLANGE 6*20 ALT 95701-06020-08G	BOLT FLANGE 6*20 ALT 95701-06020-08G	4	

F03

# Handle SteeringHandle Cover



Sales mark	Ref no	Part no	Description	Reg description	Regd no	<b>F03</b>
------------	--------	---------	-------------	-----------------	---------	------------

95701B		95701-08016-08G	BOLT FLANGE 8*16	BOLT FLANGE 8*16	4	
96150		96150-69050-00	BALL BEARING 6905LLU	BALL BEARING 6905LLU	1	

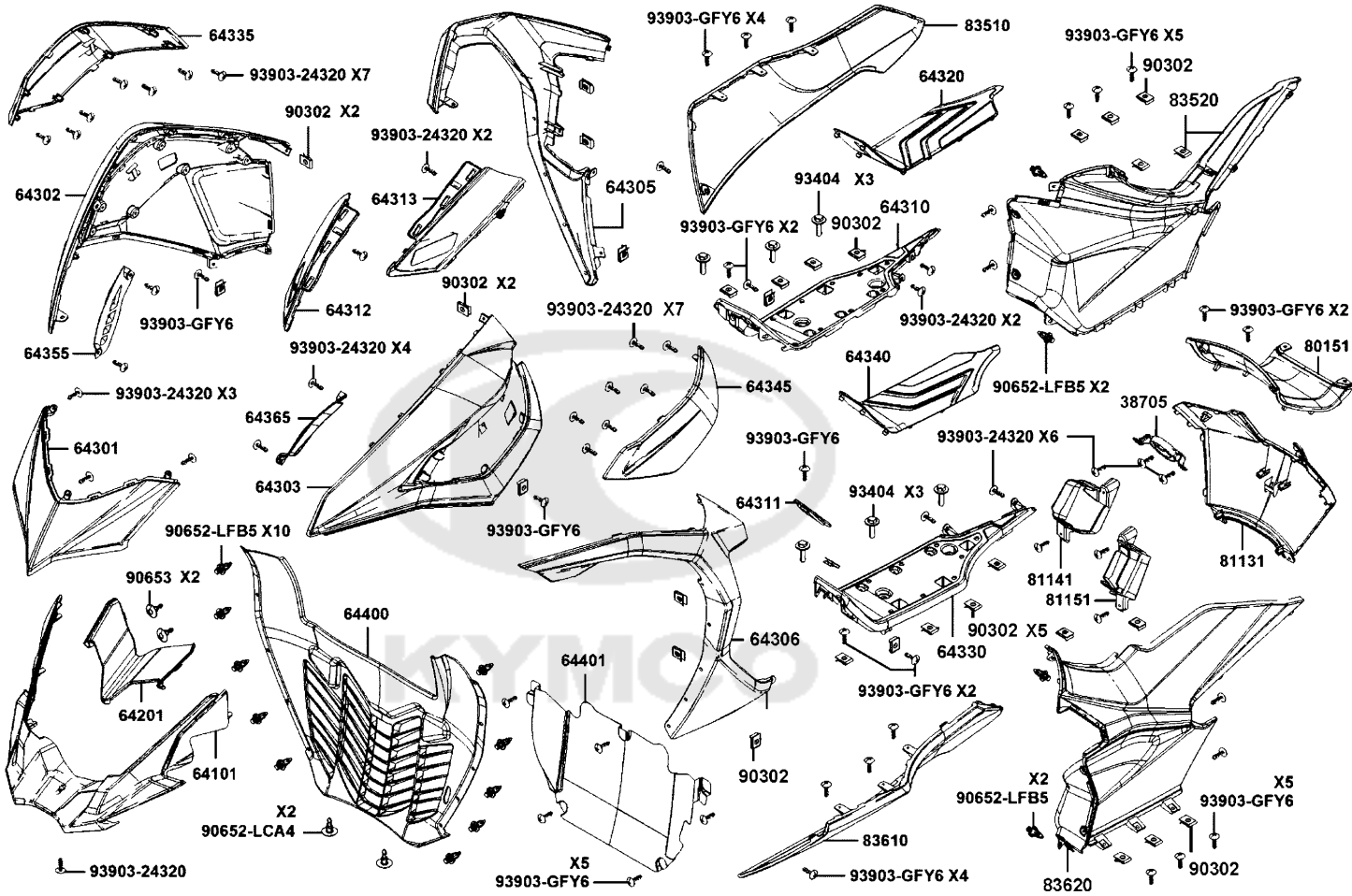




Sales mark	Ref no	Part no	Description	Reg description	Regd no	<b>F04</b>
	35340	35340-AGJ5-E00	SW ASS'Y..FR STOP	SW ASS'Y..FR STOP	2	
	38500	38500-LGL3-90A	RELAY ASSY LIGHT	RELAY ASSY LIGHT	1	
	43126	43126-AGJ5-E00	HOSE ASSY A RR BRK	HOSE ASSY A RR BRK	1	
	43127	43127-AGJ5-E00	HOSE ASSY RR BRK	HOSE ASSY RR BRK	1	
	43129	43129-AGJ5-E00	HOSE COMP E BRAKE	HOSE COMP E BRAKE	1	
	43130	43130-AGJ5-E00	HOSE COMP C RR BRK	HOSE COMP C RR BRK	1	
	4335A	4335A-LGC6-E00	BLEEDER ASSY	BLEEDER ASSY	3	
**	43530	43530-AGJ5-305	CYLN SET RR MASTER	CYLN SET RR MASTER	1	
	43600	43600-LDB5-E00	PGV ASSY	PGV ASSY	2	
	43621	43621-AGJ5-E00	STAY, RH PGV	STAY, RH PGV	1	
	43631	43631-AGJ5-E00	STAY, LH PGV	STAY, LH PGV	1	
	45126	45126-AGJ5-E00	HOSE COMP A FR BRK R	HOSE COMP A FR BRK R	1	
	45127	45127-AGJ5-E00	HOSE COMP B, FR PGV	HOSE COMP B, FR PGV	1	
	45129	45129-AGJ5-E00	HOSE COMP D, BRAKE	HOSE COMP D, BRAKE	1	
	45130	45130-AGJ5-E00	HOSE COMP C, FR BRK	HOSE COMP C, FR BRK	1	
	45136	45136-AGJ5-E00	HOSE COMP A, FR BRK L	HOSE COMP A FR BRK L	1	
	45513	45513-AGJ5-E00	CAP M/C	CAP M/C	1	
	45513A	45513-LEA7-E00	CAP MASTER CYLINDER	CAP MASTER CYLINDER	1	
	45517	45517-KFAF-900	HOLDER M/C	HOLDER M/C	2	
	45520	45520-KKA8-900	DIAPHRAGM	DIAPHRAGM	2	

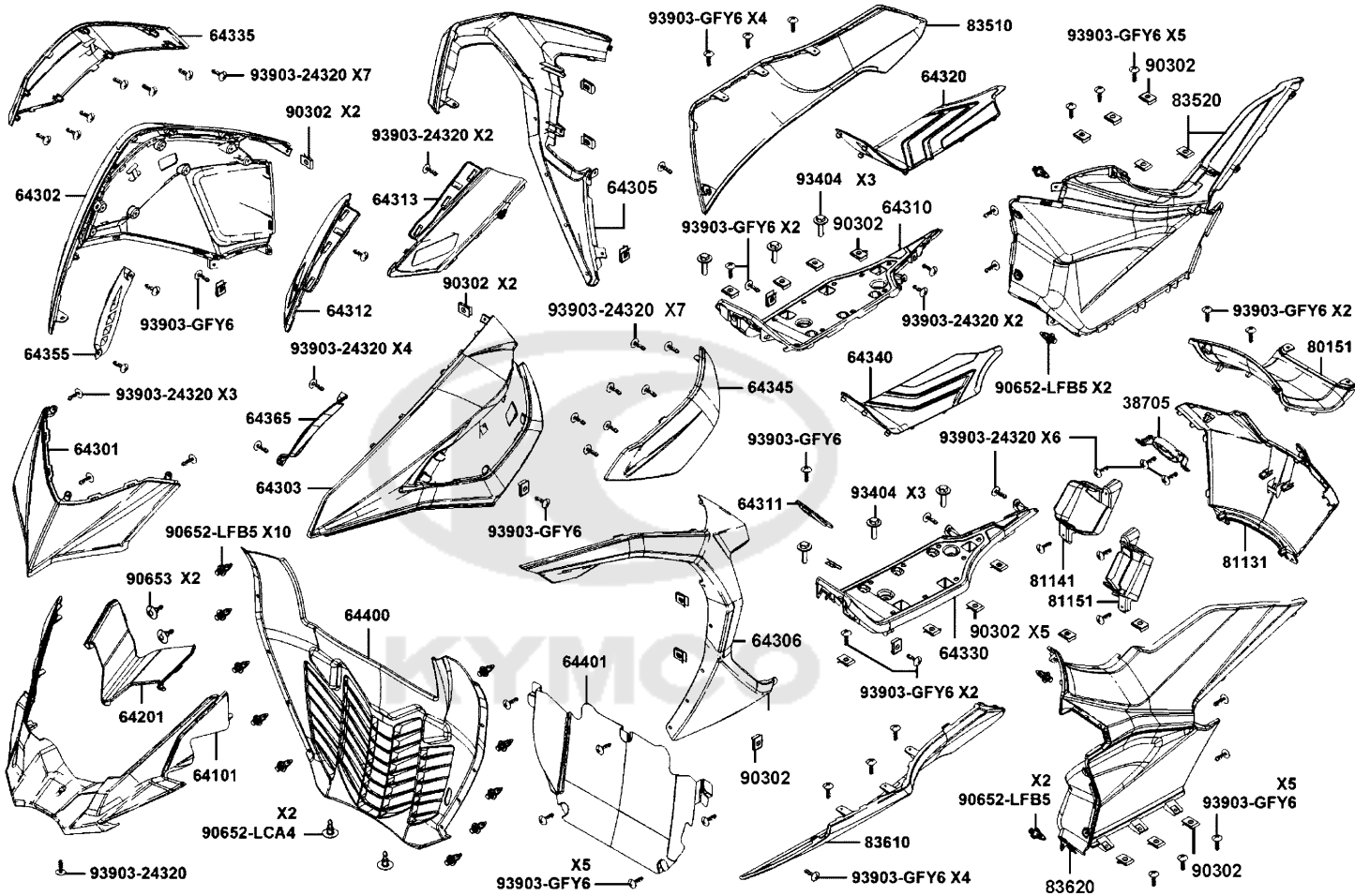


Sales mark	Ref no	Part no	Description	Reg description	Regd no	F04
	45521	45521-LEA7-E00	PLATE DIAPHRAGM	PLATE DIAPHRAGM	2	
**	45530	45530-AGJ5-305	CYLINDER SET FR	CYLINDER SET FR	1	
	49100	49100-AGJ5-305	MODULATOD ASSY ABS	MODULATOD ASSY ABS	1	
	49110	49110-AGJ5-E00	STAY COMP, ABS	STAY COMP, ABS	1	
	49211-LFH1	49211-LFH1-E00	RUBBER BUSH	RUBBER BUSH	2	
	53175	53175-AGJ5-E00	LEVER R STRG HANDLE	LEVER R STRG HANDLE	1	
	53178	53178-AGJ5-E00	LEVER L STRG HANDLE	LEVER L STRG HANDLE	1	
	90113	90113-KKA8-900	BOLT L STEERING HANDLE	BOLT L STEERING HANDLE	2	
	90113-LGE5	90113-LGE5-E02	BOLT FLANGE 6X20 ABS	BOLT FLANGE 6X20	3	
	90145-LBA2	90145-LBA2-E00	OIL BOLT 10*33	OIL BOLT 10*33	1	
	90145-LEA3	90145-LEA3-E01	OIL BOLT 10*22	OIL BOLT 10*22	10	
	90545	90545-3L00-001	WASHER OIL BOLT	WASHER OIL BOLT	31	
	93600	93600-04012-1G	SCREW FLAT 4*12	SCREW FLAT 4*12	4	
	93893	93893-04012-18	SCREW WASHER 4*12	SCREW WASHER 4*12	2	
	94050	94050-06060	NUT FLANGE 6MM	NUT FLANGE 6MM	1	
	95701-06020	95701-06020-06	BOLT FLANGE 6*20 ALT 95701-06020-08G	BOLT FLANGE 6*20 ALT 95701-06020-08G	1	
	95701-06040	95701-06040-08G	BOLT FLANGE 6*40	BOLT FLANGE 6X40(CG)	4	
	95701-08016	95701-08016-08G	BOLT FLANGE 8*16	BOLT FLANGE 8*16	1	
	95701-08025	95701-08025-08G	BOLT FLANGE	BOLT FLANGE 8*25 (Cr3+)	1	
	96001	96001-06022-08G	BOLT FLANGE 6*22	BOLT FLANGE 6*22	4	





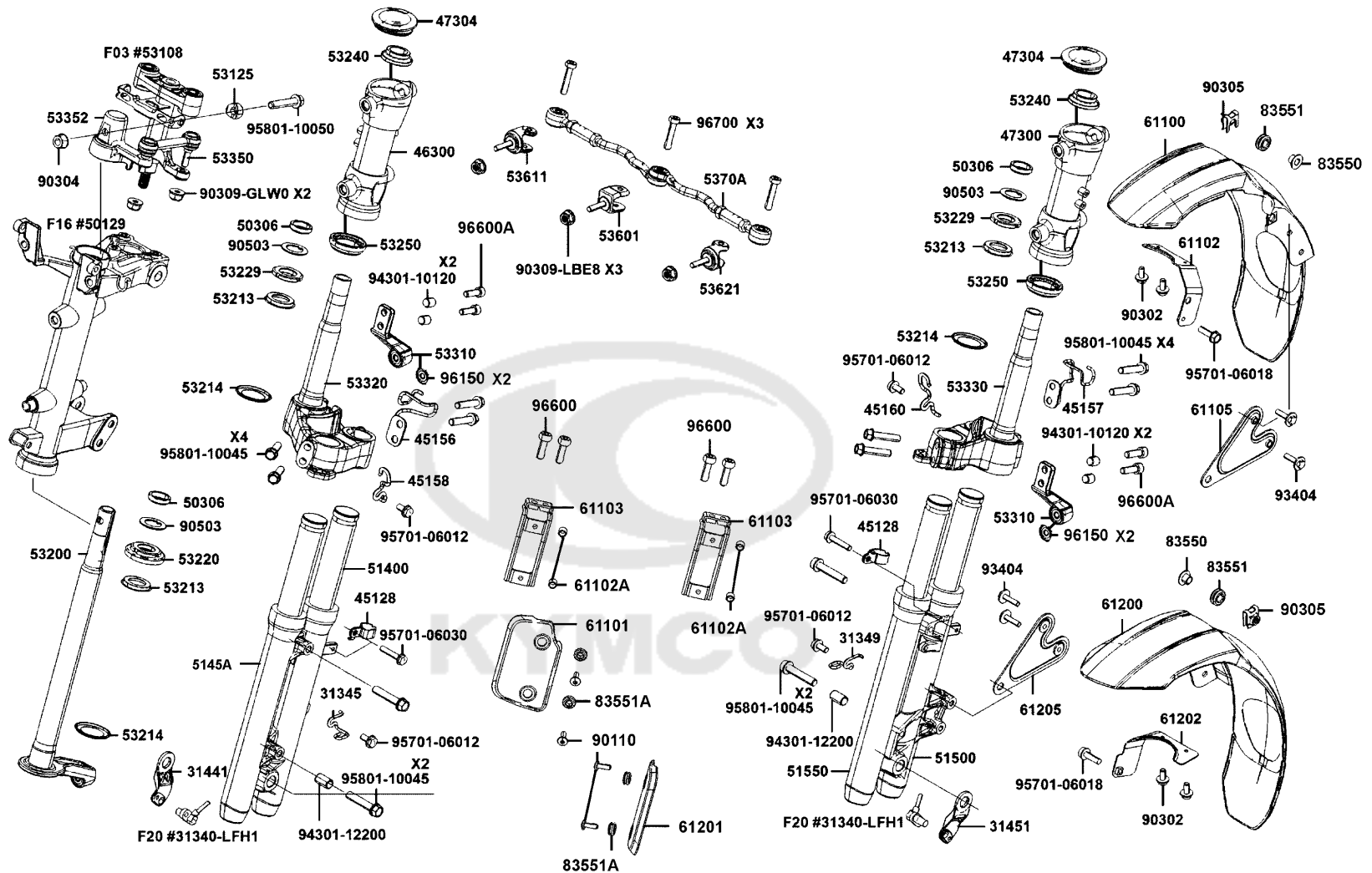
Sales mark	Ref no	Part no	Description	Reg description	Regd no	F05
	38705	38705-AGJ5-E01	ANTENNA COMP SHORT RANGE	ANTENNA COMP SHORT RANGE	1	
**	64101	64101-AGJ5-E00	COVER B FRONT	COVER B FRONT	1	
**	64201	64201-AGJ5-E00	COVER C FRONT	COVER C FRONT	1	
**	64301	64301-AGJ5-E00	COVER ,FRONT	COVER ,FRONT	1	
**	64302	64302-AGJ5-E00	MOLDING A,R SIDE	MOLDING A,R SIDE	1	
**	64303	64303-AGJ5-E00	MOLDING A,L SIDE	MOLDING A,L SIDE	1	
**	64305	64305-AGJ5-E00	SKIRT R SIDE	SKIRT R SIDE	1	
**	64306	64306-AGJ5-E00	SKIRT L SIDE	SKIRT L SIDE	1	
**	64310	64310-AGJ5-E00	PANEL A ,R FLOOR	PANEL A ,R FLOOR	1	
**	64311	64311-AGJ5-E00	LID.RESERVE TANK	LID.RESERVE TANK	1	
**	64312	64312-AGJ5-E00	MOLDING B R SIDE	MOLDING B R SIDE	1	
**	64313	64313-AGJ5-E00	MOLDING B L SIDE	MOLDING B L SIDE	1	
**	64320	64320-AGJ5-E00	MAT ,R FLOOR	MAT ,R FLOOR	1	
**	64330	64330-AGJ5-E00	FLOOR PANEL L	FLOOR PANEL L	1	
**	64335	64335-AGJ5-E00	COVER A R SIDE	COVER A R SIDE	1	
**	64340	64340-AGJ5-E00	MAT ,L FLOOR	MAT ,L FLOOR	1	
**	64345	64345-AGJ5-E00	COVER A,L SIDE	COVER A,L SIDE	1	
**	64355	64355-AGJ5-E00	COVER B, R SIDE	COVER B, R SIDE	1	
**	64365	64365-AGJ5-E00	COVER B, L SID	COVER B, L SID	1	
**	64400	64400-AGJ5-E00	COWL,UNDER	COWL,UNDER	1	



Sales mark	Ref no	Part no	Description	Reg description	Regd no	F05
	64401	64401-AGJ5-E00	MESH,UNDER COWL	MESH,UNDER COWL	1	
**	80151	80151-AGJ5-E00	COVER,CENTER	COVER,CENTER	1	
**	81131	81131-AGJ5-E00	LEG SHIELD	LEG SHIELD	1	
**	81141	81141-AGJ5-E00	INNER COVER R, LEG SHIELD	INNER COVER R, LEG SHIELD	1	
**	81151	81151-AGJ5-E00	INNER COVER L, LEG SHIELD	INNER COVER L, LEG SHIELD	1	
**	83510	83510-AGJ5-E00	INNER COVER L, LEG SHIELD	INNER COVER L, LEG SHIELD	1	
**	83520	83520-AGJ5-E00	BOARD B,R SIDE	BOARD B,R SIDE	1	
**	83610	83610-AGJ5-E00	SKIRT B,L SIDE	SKIRT B,L SIDE	1	
**	83620	83620-AGJ5-E00	BOARD B,L SIDE	BOARD B,L SIDE	1	
	90302	90302-SDA4-004	NUT SPRING 4MM	NUT SPRING 4MM	24	
	90652-LCA4	90652-LCA4-E00	CLIP MUDGUARD	CLIP MUDGUARD	6	
	90652-LFB5	90652-LFB5-900	CLIP MUDGUARD	CLIP MUDGUARD	14	
	90653	90653-LCA4-E00	CLIP MUDGUARD	CLIP MUDGUARD	2	
	93404	93404-06012-06	BOLT WASHER 6*12 (G)	BOLT WASHER 6*12 (G)	6	
	93903-24320	93903-24320-G	SCREW TAPPING 4*12 (CG)	SCREW TAPPING 4*12 (CG)	32	
	93903-GFY6	93903-GFY6-900	SCREW TAPPING 4*14	SCREW TAPPING 4*14	32	

F06

Front Cushion



Sales mark	Ref no	Part no	Description	Reg description	Regd no	F06
	31345	31345-AGJ5-E00	CLIP RH.,FR. BRAKE HOSE	CLIP RH.,FR. BRAKE HOSE	1	
	31349	31349-AGJ5-E00	CLIP LH.,FR. BRAKE HOSE	CLIP LH.,FR. BRAKE HOSE	1	
	31441	31441-AGJ5-E00	STAY,RH.,FR SPEED SENSOR	STAY,RH.,FR SPEED SENSOR	1	
	31451	31451-AGJ5-E00	STAY,LH.,FR SPEED SENSOR	STAY,LH.,FR SPEED SENSOR	1	
	45128	45128-AGJ5-E00	CLAMPER, FR BRK HOSE	CLAMPER, FR BRK HOSE	2	
	45156	45156-AGJ5-E00	CLIP, BRAKE HOSE RH	CLIP BRAKE HOSE RH	1	
	45157	45157-AGJ5-E00	CLIP, BRAKE HOSE LH	CLIP BRAKE HOSE LH	1	
	45158	45158-AGJ5-E00	CLIP, RH STEERING	CLIP, RH STEERING	1	
	45160	45160-AGJ5-E00	CLIP, LH STEERING	CLIP, LH STEERING	1	
	46300	46300-AGJ5-305	SIDE PIPE COMP. RH	SIDE PIPE COMP. RH	1	
	47300	47300-AGJ5-305	SIDE PIPE COMP. LH	SIDE PIPE COMP. LH	1	
	47304	47304-AGJ5-E00	CAP,SIDE PIPE	CAP,SIDE PIPE	2	
	50306	50306-1F96-001	NUT STRG STEM LOCK	NUT STRG STEM LOCK	3	
**	51400	51400-AGJ5-E00	FORK ASSY, FR R	FORK ASSY, FR R	1	
**	5145A	5145A-AGJ5-E00	FORK B SET FR R	FORK B SET FR R	1	
**	51500	51500-AGJ5-E00	FORK ASSY, FR L	FORK ASSY, FR L	1	
**	51550	51550-AGJ5-E00	FORK ASSY B, FR L	FORK ASSY B, FR L	1	
	53125	53125-LEA7-E00	COLLAR HANDLE SET	COLLAR	1	
	53200	53200-AGJ5-E00	STEM ASSY, CENT. STRG	STEM ASSY, CENT. STRG	1	
	53213	53213-LBA2-E00	DUST SEAL STRG HEAD TOP	DUST SEAL STRG HEAD TOP	3	



Sales mark	Ref no	Part no	Description	Reg description	Regd no	F06
	53214	53214-LBA2-E00	DUST SEAL STRG (HEAD)	DUST SEAL STRG HEAD BOT	3	
	53220	53220-LBA2-E00	THREAD COMP STRG HEAD TOP	THREAD COMP STRG HEAD TOP	1	
	53229	53229-AGJ5-E00	THREAD, STRG HEAD TOP	THREAD, STRG HEAD TOP	2	
	53240	53240-LEA7-90A	BEARING TOP STRG (mark:TP1)	BEARING TOP STRG	2	
	53250	53250-LEA7-90A	BEARING BOT STRG (mark:TP1)	BEARING BOT STRG	2	
	53310	53310-AGJ5-E00	ARM ASSY, STRG	ARM ASSY STRG	2	
	53320	53320-AGJ5-E00	STEM COMP, RH STRG	STEM COMP, RH STRG	1	
	53330	53330-AGJ5-E00	STEM COMP, LH STRG	STEM COMP, LH STRG	1	
	53350	53350-AGJ5-E00	ROD ASSY, HNDL STRG	ROD ASSY, HNDL STRG	1	
	53352	53352-AGJ5-E00	LINK A, STRG	LINK A, STRG	1	
	53601	53601-AGJ5-E00	JOINT A, STRG ROD	JOINT A, STRG ROD	1	
	53611	53611-AGJ5-E00	JOINT B, STRG ROD	JOINT B, STRG ROD	1	
	53621	53621-AGJ5-E00	JOINT C, STRG ROD	JOINT C, STRG ROD	1	
	5370A	5370A-AGJ5-E00	ROD SET, STEERING	ROD SET, STEERING	1	
**	61100	61100-AGJ5-E00	FENDER COVER,R SIDE	FENDER COVER,R SIDE	1	
**	61101	61101-AGJ5-E00	FR FENDER B R SIDE	FR FENDER B R SIDE	1	
	61102	61102-AGJ5-E00	FENDER COVER STAY, R SIDE	FENDER COVER STAY, R SIDE	1	
	61102A	61102-LGL7-E00	COLLAR	COLLAR	4	
	61103	61103-AGJ5-E00	STAY A DIDE FR FENDER B	STAY A DIDE FR FENDER B	2	
	61105	61105-AGJ5-E00	FENDER COVER STAY B, R SIDE	FENDER COVER STAY B, R SIDE	1	





Sales mark	Ref no	Part no	Description	Reg description	Regd no	F06
**	61200	61200-AGJ5-E00	FENDER L,FR TIRE	FENDER L,FR TIRE	1	
**	61201	61201-AGJ5-E00	FR FENDER B L SIDE	FR FENDER B L SIDE	1	
	61202	61202-AGJ5-E00	FENDER COVER STAY, L SIDE	FENDER COVER STAY, L SIDE	1	
	61205	61205-AGJ5-E00	FENDER COVER STAY B, L SIDE	FENDER COVER STAY B, L SIDE	1	
	83550	83550-KEC8-900	COLLAR	COLLAR	2	
	83551	83551-KEC8-900	GROMMET COVER **KEC8-9000	GROMMET COVER **KEC8-9000 C.2005.09.01	2	
	83551A	83551-KEC8-900-R1	GROMMET COVER	GROMMET COVER	4	
	90110	90110-KED9-900	SCREW PAN 6*18	SCREW PAN 6*18	4	
	90302	90302-LLB1-E02	BOLT-WASH 5X12(KG)	BOLT-WASH 5X12(KG)	4	
	90304	90304-GHE8-004	NUT U 10MM **GE8-0040 C.2005.03.01	NUT U 10MM **GE8-0040 C.2005.03.01	1	
	90305	90305-LBA2-E00	NUT CLIP 6MM	NUT CLIP 6MM	2	
	90309-GLW0	90309-GLW0-90A	NUT U FLANGE 8MM	NUT U FLANGE 8MM	1	
	90309-LBE8	90309-LBE8-900	U NUT 8MM	U NUT 8MM	3	
	90503	90503-LEA7-E00	WASHER STRG STEM NUT	WASHER STRG STEM NUT	3	
	93404	93404-06012-06	BOLT WASHER 6*12 (G)	BOLT WASHER 6*12 (G)	4	
	94301-10120	94301-10120	DOWEL PIN 10*12	DOWEL PIN 10*12	8	
	94301-12200	94301-12200	DOWEL PIN 12*20	DOWEL PIN 12*20	2	
	95701-06012	95701-06012-06	BOLT FLANGE 6*12 **07 C.2005.07.01	BOLT FLANGE 6*12 **07 C.2005.07.01	4	
	95701-06018	95701-06018-06	BOLT FLANGE 6X18	BOLT FLANGE 6X18	2	
	95701-06030	95701-06030-06	BOLT FLANGE 6X30	BOLT FLANGE 6X30	2	

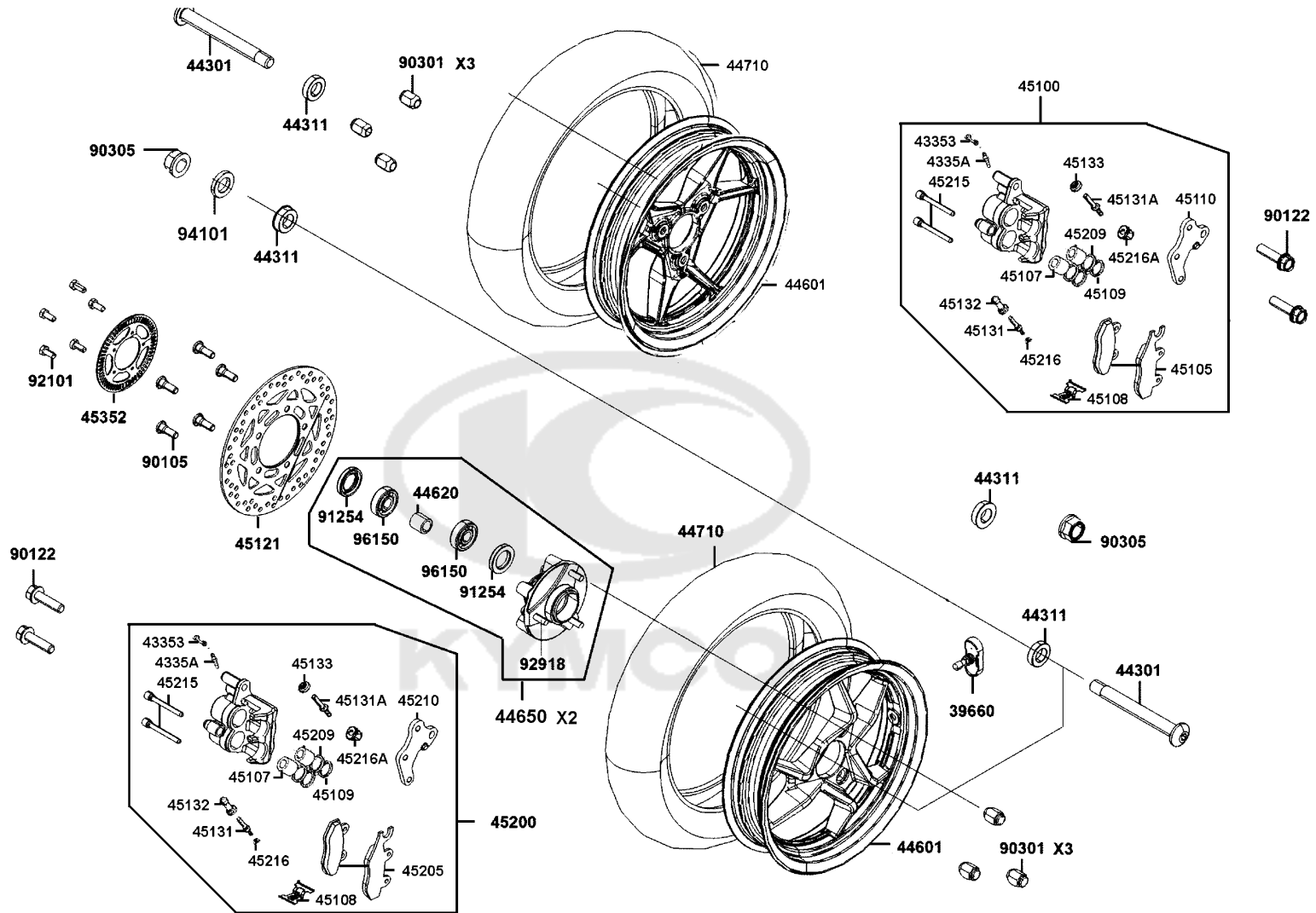


Sales mark	Ref no	Part no	Description	Reg description	Regd no	<b>F06</b>
	95801-10045	95801-10045-06	BOLT FLANGE 10*45	BOLT FLANGE 10*45	12	
	95801-10050	95801-10050-08G	BOLT FLANGE 10X50	BOLT FLANGE 10X50	1	
	96150	96150-AGJ5-E00	BALL BEARING 6900LLU	BALL BEARING 6900LLU	4	
	96600	96600-08020-18G	SOCKET BOLT 8X20	SOCKET BOLT 8X20	4	
	96600A	96600-08025-06	SOCKET BOLT 8*25	SOCKET BOLT 8*25	4	
	96700	96700-08040-08G	SOCKET BOLT, 8X40	SOCKET BOLT, 8X40	3	



F07

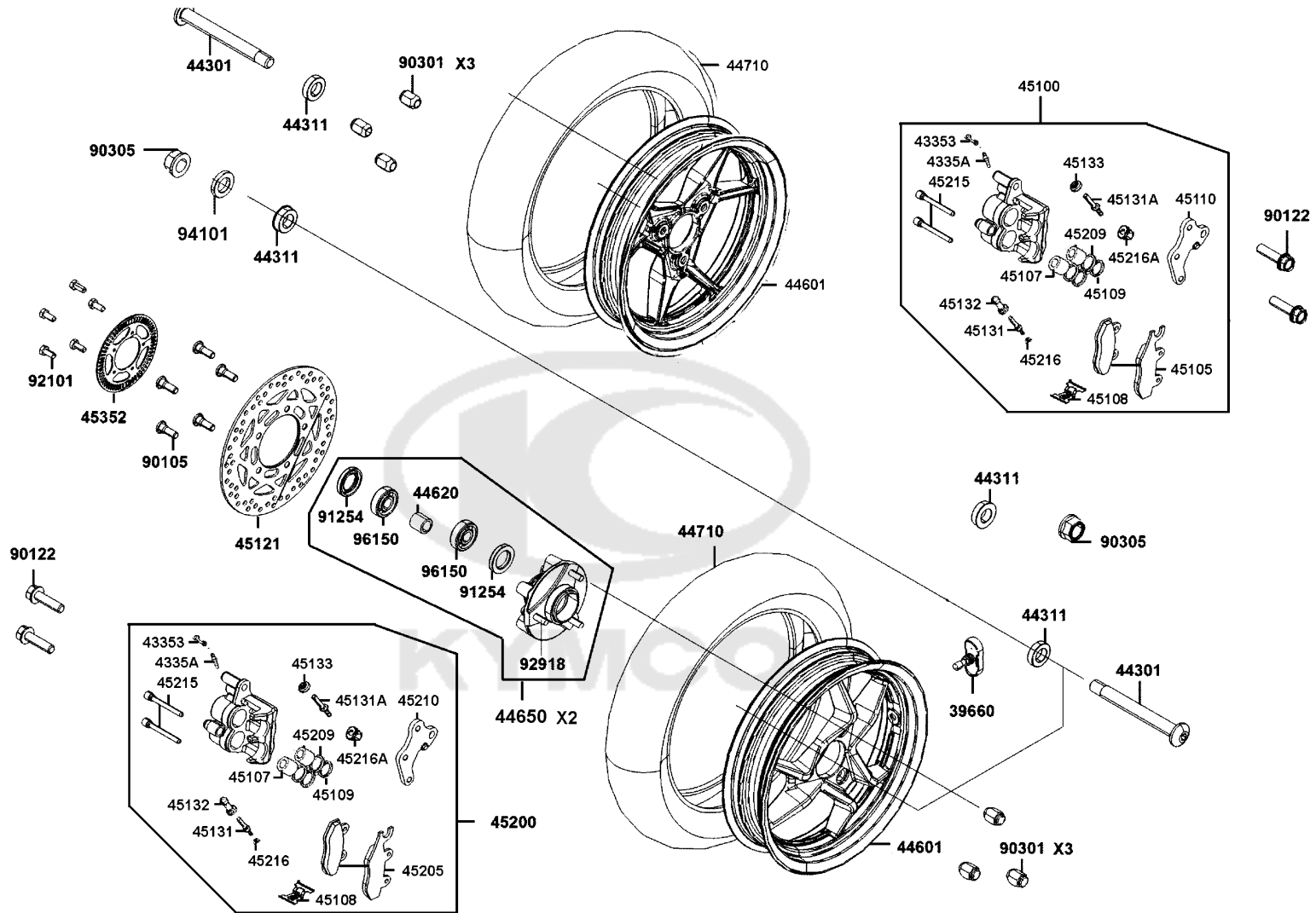
# Front Wheel



Sales mark	Ref no	Part no	Description	Reg description	Regd no	F07
	39660	39660-LGC6-E00	SENSOR. TIRE PRESURE	SENSOR. TIRE PRESURE	2	
	43353	43353-4A61-77A	CAP BLEEDER	CAP BLEEDER	2	
	4335A	4335A-LBA2-E01	BLEEDER ASSY	SCREW BLEEDER	2	
	44301	44301-AGJ5-E00	AXLE FR WHEEL	AXLE FR WHEEL	2	
	44311	44311-AGJ5-E00	COLLAR FR AXLE SIDE	COLLAR FR AXLE SIDE	4	
**	44601	44601-AGJ5-E00	WHEEL CAST, FR	WHEEL CAST, FR	1	
	44620	44620-AGJ5-E00	COLLAR FR HUB DIST.	COLLAR FR HUB DIST.	1	
**	44650	44650-AGJ5-305	WHEEL SET FR	WHEEL SET FR	1	
	44710	44710-AGJ5-E00	TIRE. FR 110/70-13 48S	TIRE. FR 110/70-13 48S	2	
**	45100	45100-AGJ5-E00	CALIPER ASSY, FR R	CALIPER ASSY, FR R	1	
	45105	45105-AGJ5-305	PAD SET	PAD SET	1	
	45107	45107-MEN5-007	PISTON	PISTON	4	
	45108	45108-MDL4-007	PAD SPG	PAD SPG	2	
	45109	45109-GBE2-007	DUST SEAL	DUST SEAL	4	
	45110	45110-AGJ5-305	BRACKET R	BRACKET R	1	
	45121	45121-AGJ5-E00	DISK FR BRAKE	DISK FR BRAKE	1	
	45131	45131-1F66-017	PIN BOLT	PIN BOLT	2	
	45131A	45131-GBE2-007	PIN BOLT A	PIN BOLT A	2	
	45132	45132-1F66-017	BUSH BOOT PIN	BUSH BOOT PIN	2	
	45133	45133-MCA3-007	BOOT B	BOOT B	2	

F07

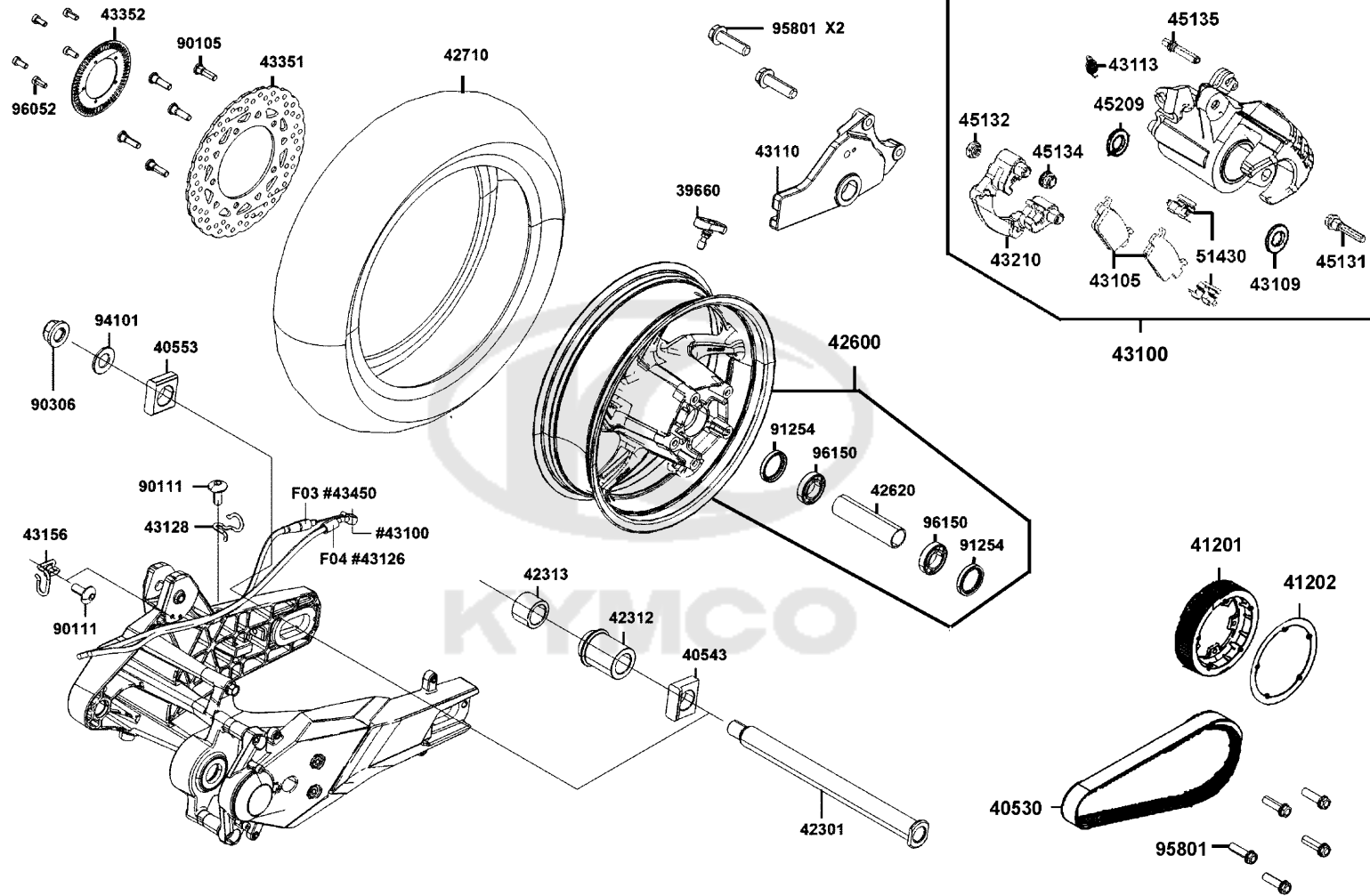
Front Wheel



Sales mark	Ref no	Part no	Description	Reg description	Regd no	<b>F07</b>
**	45200	45200-AGJ5-E00	CALIPER ASSY, FR L	CALIPER ASSY, FR L	1	
	45205	45205-AGJ5-305	PAD SET	PAD SET	1	
	45209	45209-GBE2-007	SEAL PISTON	SEAL PISTON	4	
	45210	45210-AGJ5-305	BRACKET SET L	BRACKET SET L	1	
	45215	45215-AGJ5-E00	PIN HANGER	PIN HANGER	2	
	45216	45216-1F66-007	WASHER WAVE	WASHER WAVE	2	
	45216A	45216-KFW6-90A	TORQUE NUT	TORQUE NUT	1	
	45352	45352-AGJ5-E00	TOOTHED RING, SENSOR	TOOTHED RING SENSOR	1	
	90105	90105-KCR3-001	BOLT FR DISK 8*24	BOLT FR DISK 8*24	5	
	90122	90122-KEBE-900	BOLT FLANGE 8*32	BOLT FLANGE 8*32	2	
	90301	90301-LGN5-E00	NUT WHEEL	NUT WHEEL	1	
	90305	90305-KFW6-900	NUT U FLANGE 16MM	NUT U FLANGE 16MM (B)	2	
	91254	91254-KED9-900	DUST SEAL 30*47*7.5	DUST SEAL 30*47*7.5	2	
	92101	92101-05012-0HG	BOLT HEX 5*12	BOLT HEX 5*12	5	
	92918	92918-AGJ5-E00	BOLT STUD II 10X21	BOLT STUD II 10X21	3	
	94101	94101-AGJ5-E00	WASHER, FR AXLE	WASHER, FR AXLE	2	
	96150	96150-63030-10	BEARING BALL RADIAL 6303	BEARING BALL RADIAL 6303	2	

F08

Rear Wheel

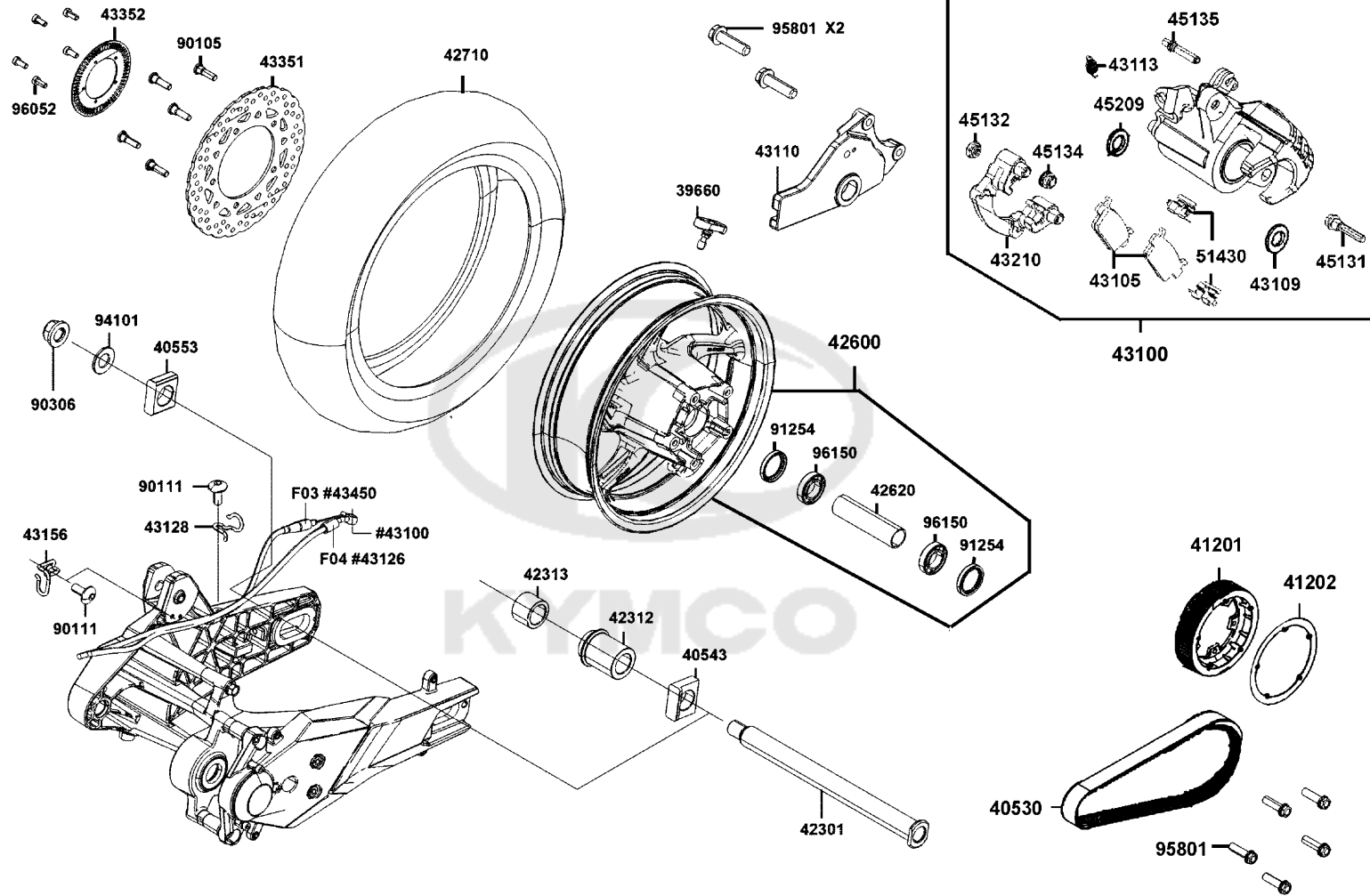




Sales mark	Ref no	Part no	Description	Reg description	Regd no	F08
	39660	39660-LGC6-E00	SENSOR. TIRE PRESURE	SENSOR. TIRE PRESURE	1	
	40530	40530-AGJ5-E00	TIMING BELT	TIMING BELT	1	
	40543	40543-LGC6-E00	ADJUSTER L/H BELT	ADJUSTER L/H BELT	1	
	40553	40553-LGC6-E00	ADJUSTER R/H BELT	ADJUSTER R/H BELT	1	
**	41201	41201-AGJ5-E00	SPROCKET DRIVEN	SPROCKET DRIVEN	1	
	41202	41202-LGC6-E00	PLATE FINAL DRIVE	PLATE FINAL DRIVE	1	
	42301	42301-AGJ5-E00	AXLE, RR WHEEL	AXLE RR WHEEL	1	
	42312	42312-AGJ5-E00	COLLAR RR WHEEL SIDE A	COLLAR RR WHEEL SIDE A	1	
	42313	42313-LGC6-E00	COLLAR RR WHEEL SIDE B	COLLAR RR WHEEL SIDE B	1	
**	42600	42600-LGC6-305	WHEEL SET RR	WHEEL SET RR	1	
	42620	42620-LGC6-E00	COLLAR RR WHEEL DIST	COLLAR RR WHEEL DIST	1	
	42710	42710-AGJ5-E00	TIRE ASSY RR (160/60 R15 67H)	TIRE ASSY RR (160/60 R15 67H)	1	
**	43100	43100-LGC6-E01	CALIPER ASSY RR	CALIPER ASSY RR	1	
	43105	43105-LGC6-305	PAD SET	PAD SET	1	
	43109	43109-LGC6-E00	DUST SEAL	DUST SEAL	1	
**	43110	43110-AGJ5-E00	HOLDER, RR CALIPER	HOLDER, RR CALIPER	1	
	43113	43113-LBA2-E00	SPRING BRAKE ARM	SPRING BRAKE ARM	1	
	43128	43128-AGJ5-E00	CLIP, RR BRK HOSE	CLIP, RR BRK HOSE	1	
	43156	43156-AGJ5-E00	CLIP A, RR BRK HOSE	CLIP A, RR BRK HOSE	1	
**	43210	43210-LGC6-305	BRACKET ASSY RR	BRACKET ASSY RR	1	

F08

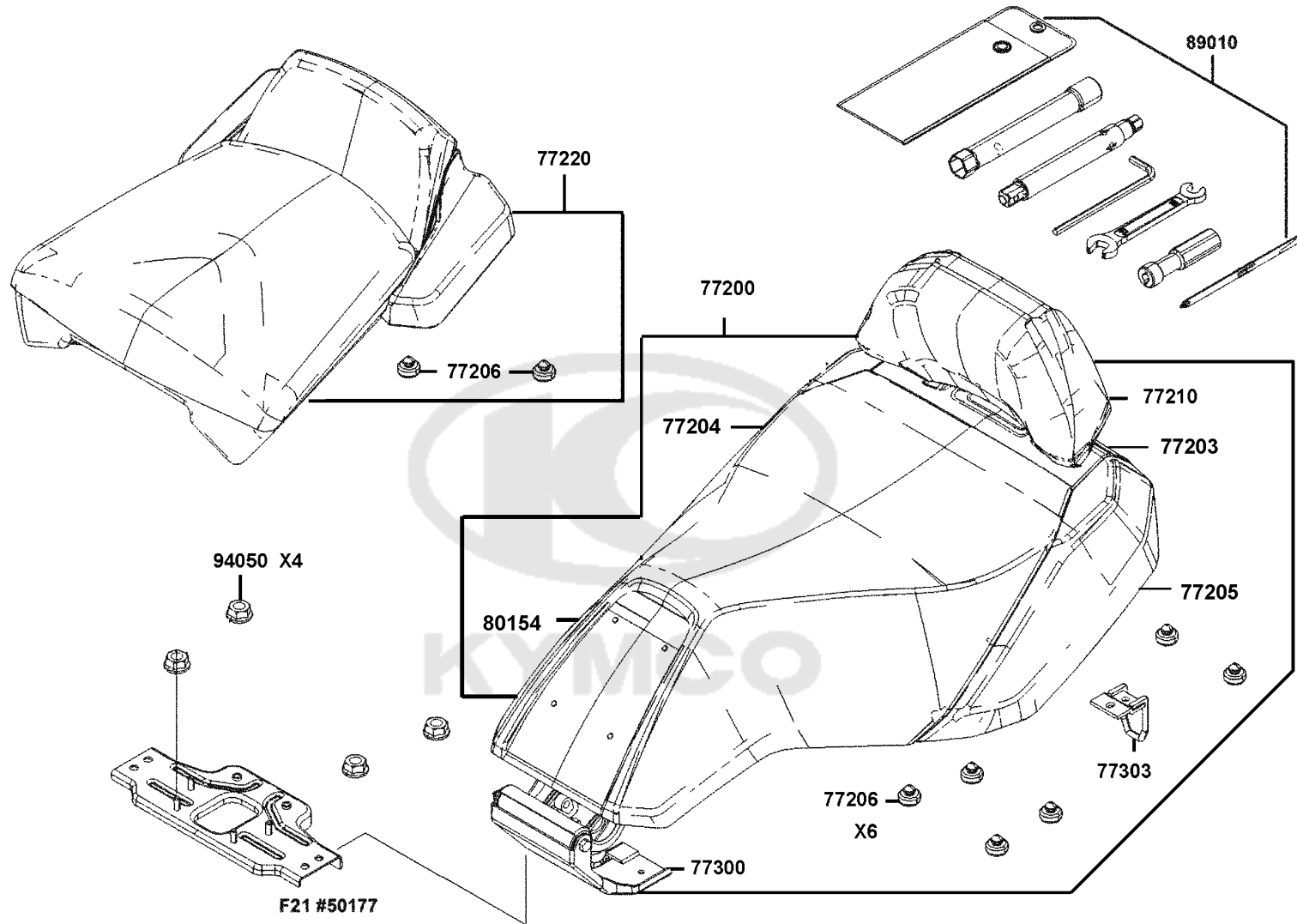
Rear Wheel



Sales mark	Ref no	Part no	Description	Reg description	Regd no	<b>F08</b>
43351		43351-LGC6-E01	DISK RR BRAKE	DISK RR BRAKE	1	
43352		43352-AGJ5-E00	TOOTHED RING, RR SENSOR	TOOTHED RING RR SENSOR	1	
45131		45131-LDH1-E00	PIN BOLT	PIN BOLT	1	
45132		45132-LDH1-E00	BUSH BOOT PIN	BUSH BOOT PIN	1	
45134		45134-KED9-900	BOOT B	BOOT B	1	
45135		45135-KED9-900	PIN BOLT A	PIN BOLT A	1	
45209		45209-LGC6-E00	SEAL PISTON	SEAL PISTON	1	
51430		51430-ACD5-E00	SPRING PAD	SPRING PAD	2	
90105		90105-KCR3-001	BOLT FR DISK 8*24	BOLT FR DISK 8*24	5	
90111		90111-LEC8-E00	SCREW PAN 6x14	SCREW PAN 6x14	2	
90306		90306-LBA2-900	NUT U 20MM	NUT U 20MM	1	
91254		91254-LGC6-E00	OIL SEAL 40X52X8	OIL SEAL 40X52X8	2	
94101		94101-LGC6-E00	WASHER PLAIN 20.5X38X3(B)	WASHER PLAIN 20.5X38X3(B)	1	
95801		95801-LEA1-900	BOLT FLANGE 10*35	BOLT FLANGE 10*35	5	
96052		96052-PRA1-E00	BOLT M5*16	BOLT M5*16	10	
96150		96150-LGC6-E00	BRG. BALL RADIAL 60/28 LLU CGMU9V8	BRG. BALL RADIAL 60/28 LLU CGMU9V8	1	

F09

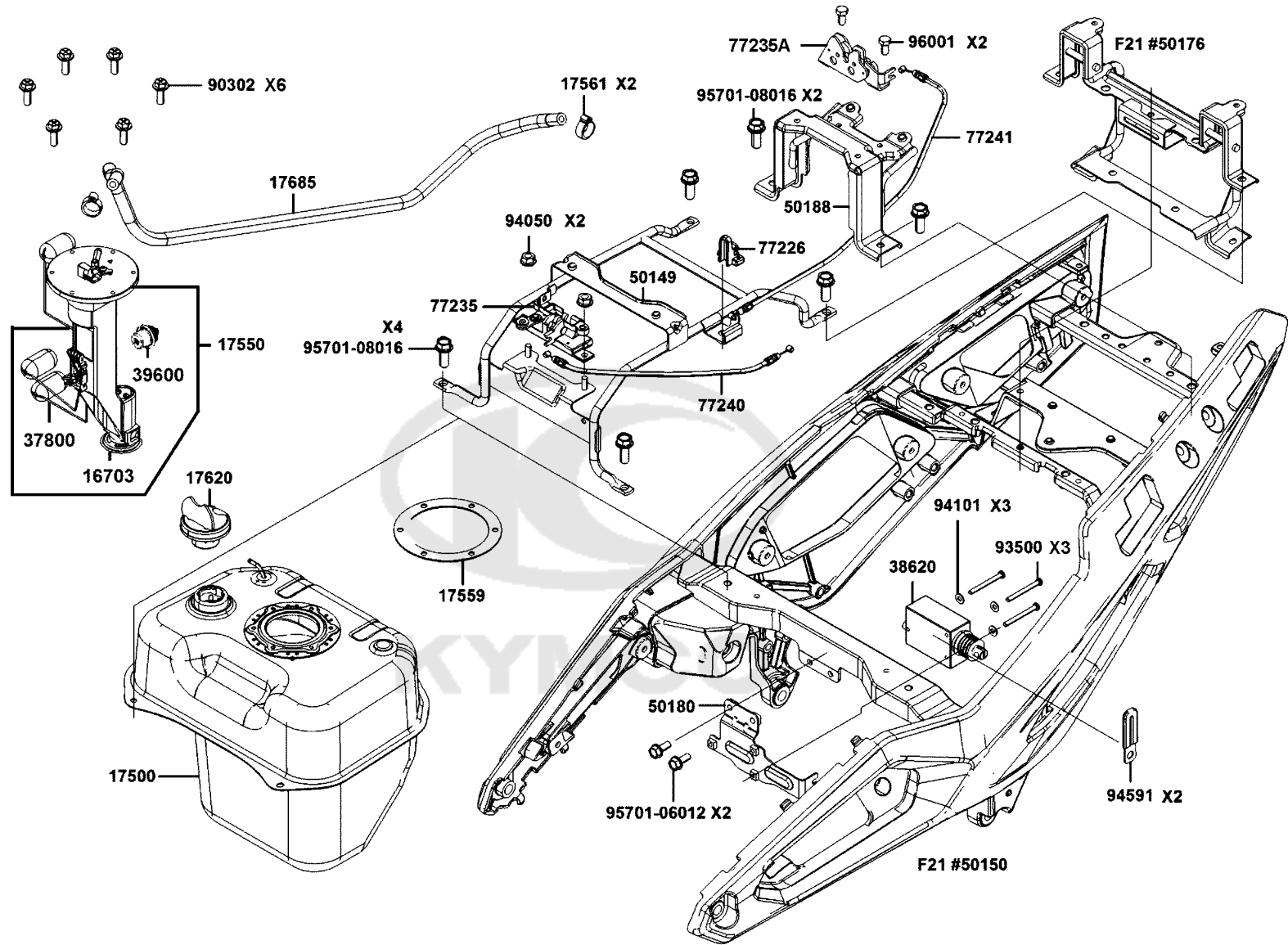
Seat



Sales mark	Ref no	Part no	Description	Reg description	Regd no	<b>F09</b>
**	77200	77200-AGJ5-E00	SEAT ASSY	SEAT ASSY	1	
**	77203	77203-AGJ5-E00	COVER M	COVER M	1	
**	77204	77204-AGJ5-E00	COVER R	COVER R	0	
**	77205	77205-AGJ5-E00	COVER L	COVER L	1	
	77206	77206-LKB9-900	RUBBER SEAT CUSH	RUBBER SEAT CUSH	8	
**	77210	77210-AGJ5-E00	BACK SEAT ASSY	BACK SEAT ASSY	1	
**	77220	77220-AGJ5-E00	SEAT RR ASSY	SEAT RR ASSY	1	
	77300	77300-AGJ5-E00	HINGE COMP B SEAT	HINGE COMP B SEAT	1	
	77303	77303-LAB4-900	HOOK SEAT LOCK	HOOK SEAT LOCK	1	
	77303	77303-LEA5-E00	HOOK SEAT LOCK	HOOK SEAT LOCK	1	
**	80154	80154-AGJ5-E00	FRONT COVER	FRONT COVER	1	
	89010	89010-LGC6-E00	TOOL SET	TOOL SET	1	
	94050	94050-06080-G	NUT FLANGE 6MM	NUT FLANGE 6MM	4	

F10

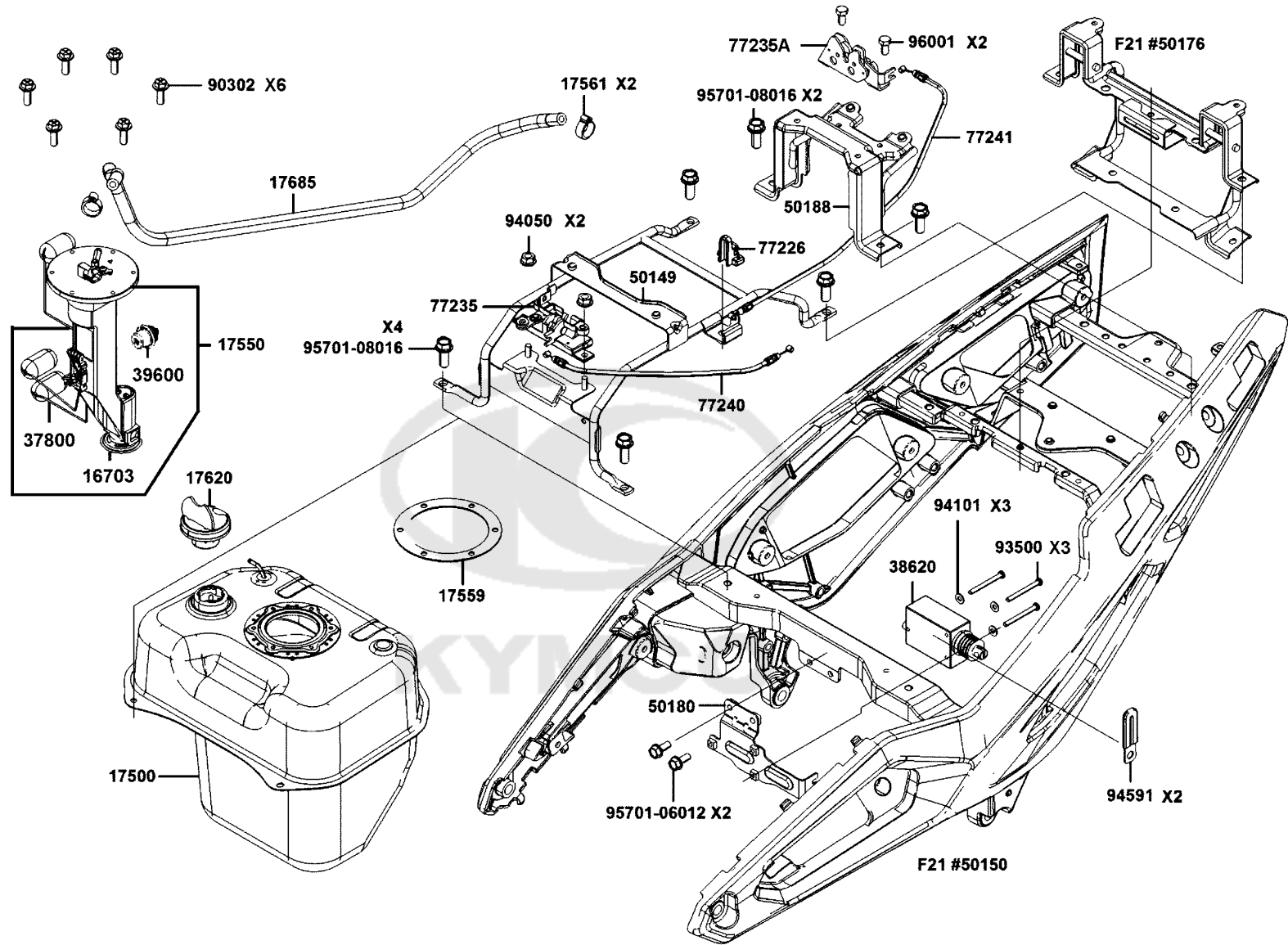
Fuel Tank



Sales mark	Ref no	Part no	Description	Reg description	Regd no	F10
	16703	16703-LHJ8-800	FUEL FILTER ASSY	FUEL FILTER ASSY	1	
	17500	17500-AGJ5-E00	TANK FUEL	TANK COMP.FUEL	1	
	17550	17550-AGJ5-E00	TANK COMP FUEL	TANK COMP FUEL	1	
	17559	17559-AGJ5-E00	FIXED STAY,FUEL PUMP	FIXED STAY,FUEL PUMP	1	
	17561	17561-LKB9-900	CLIP 12.5	CLIP 12.5	2	
	17620	17620-LGC6-E00	CAP COMP FUEL FILLER	CAP COMP FUEL FILLER	1	
	17685	17685-AGJ5-E00	TUBE,FUEL PUMP	TUBE,FUEL PUMP	1	
	37800	37800-AGJ5-E00	FUEL UNIT	FUEL UNIT	1	
	38620	38620-LGC6-E00	LINEAR MOTOR ASS'Y	LINEAR MOTOR ASSY	1	
	39600	39600-ACH6-900	REGULATOR FUEL	REGULATOR FUEL	1	
	50149	50149-AGJ5-E00	STAY,SEAT CATCH	STAYSEAT CATCH	1	
	50180	50180-AGJ5-E00	STAY LINEAR MOTOR	STAY LINEAR MOTOR	1	
	50188	50188-AGJ5-E00	BRKT., RR., CENTER COVER	BRKT., RR., CENTER COVER	1	
	77226	77226-AGJ5-E00	SLIDER , RR. SEAT	SLIDER , RR. SEAT	1	
	77235	77235-AGJ5-E00	CATCH COMP.. SEA	CATCH COMP.. SEA	1	
	77235A	77235-BLA3-900	CATCH COMP SEAT	CATCH COMP SEAT	1	
	77240	77240-AGJ5-E00	CABLE ASSY.. SEAT LOCK	CABLE ASSY.. SEAT LOCK	1	
	77241	77241-AGJ5-E00	CABLE COMP, SEAT CATCH	CABLE COMP, SEAT CATCH	1	
	90302	90302-GFY6-950	BOLT-WASH 5*16	BOLT-WASH 5X16	6	
	93500	93500-LGC6-E00	SCREW PAN 4X40	SCREW PAN 4X40	3	

F10

Fuel Tank



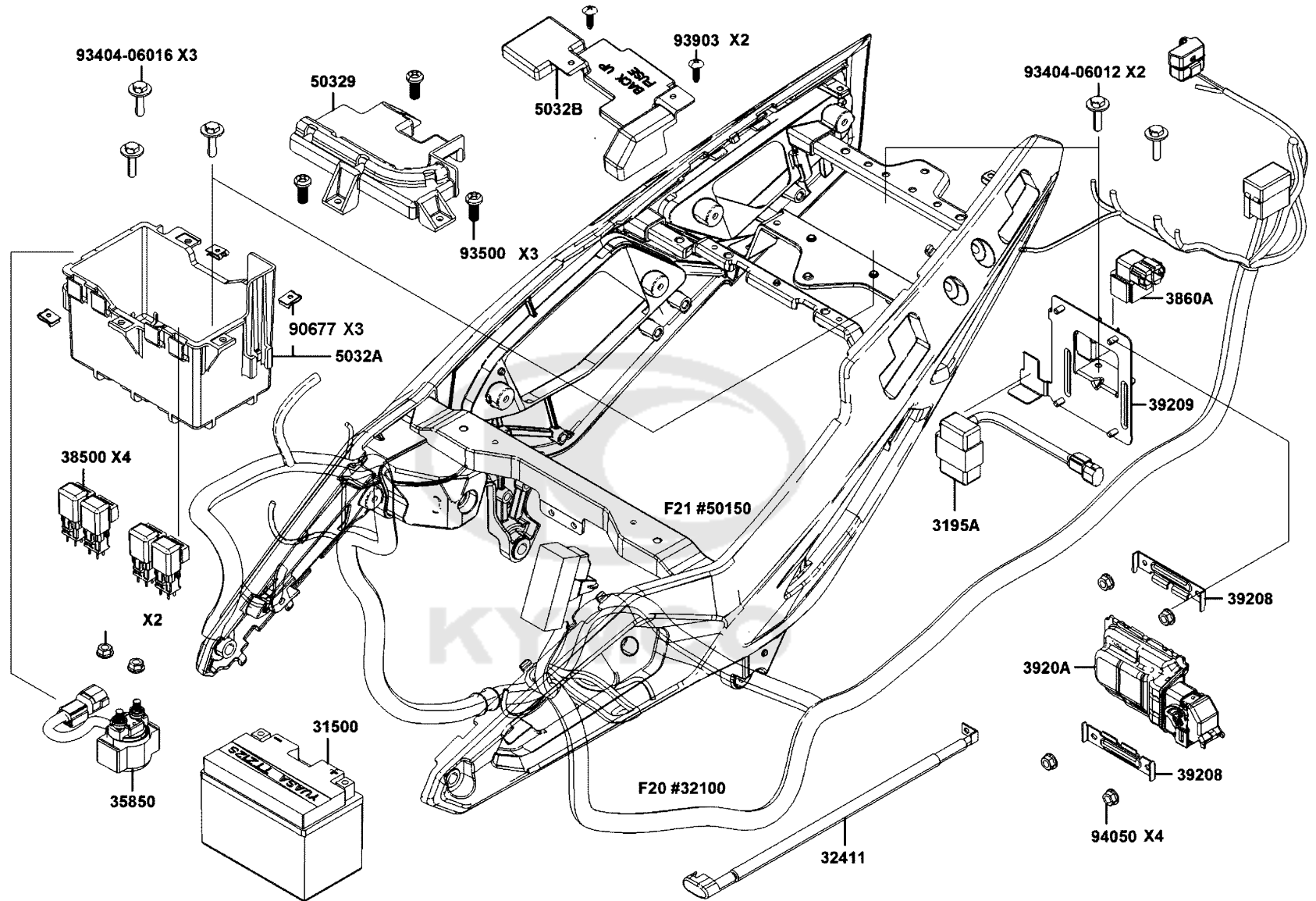


Sales mark	Ref no	Part no	Description	Reg description	Regd no	<b>F10</b>
94050		94050-06080-G	NUT FLANGE 6MM	NUT FLANGE 6MM	2	
94101		94101-04800	WASHER PLAIN 4.5*10*0.8	WASHER PLAIN 4.5*10*0.8	3	
94591		94591-25000	CLIP BIND	CLIP BIND	2	
95701-06012		95701-06012-06	BOLT FLANGE 6*12 **07 C.2005.07.01	BOLT FLANGE 6*12 **07 C.2005.07.01	2	
95701-08016		95701-08016-08G	BOLT FLANGE 8*16	BOLT FLANGE 8*16	6	
96001		96001-06012-06	BOLT FLANGE SH 6*12	BOLT FLANGE SH 6*12	2	



F11

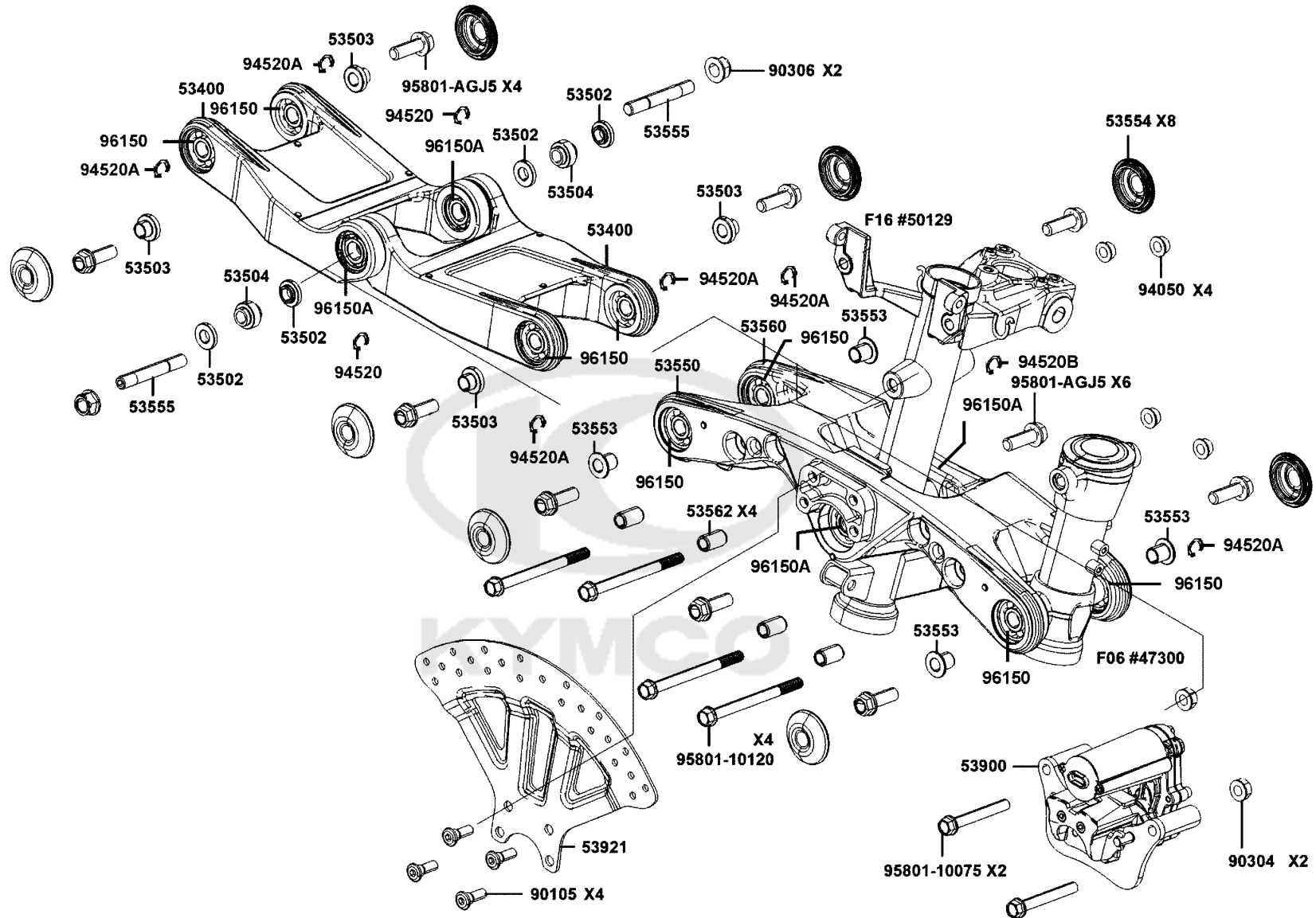
Battery



Sales mark	Ref no	Part no	Description	Reg description	Regd no	F11
	31500	31500-LGC6-E01	BATTERY TTZ14S	BATTERY TTZ14S	1	
	3195A	3195A-LBA7-E00	HAZARD CONTROL ASSY	HAZARD CONTROL ASSY	1	
	32411	32411-AGJ5-E00	CABLE. BAT.	CABLE. BAT.	1	
	35850	35850-KHB4-90A	SET START MAG (D402)	SET START MAG (D402)	1	
	38500	38500-LGL3-90A	RELAY ASSY LIGHT	RELAY ASSY LIGHT	1	
	3860A	3860A-ADG5-E00	CONTROLLER ASS'Y HEAD LIGHT	CONTROLLER ASS'Y HEAD LIGHT	1	
	39208	39208-AGJ5-E00	HOLDER M4C ECU	HOLDER M4C ECU	2	
	39209	39209-AGJ5-E00	STAY ECU	STAY ECU	1	
	3920A	3920A-AGJ5-E00	ECU ASSY	ECU. ASSY.	1	
**	50329	50329-AGJ5-E00	COVER, BATTERY	COVER, BATTERY	1	
**	5032A	5032A-AGJ5-E00	CASE ASS'Y BATTERY	CASE ASS'Y BATTERY	1	
**	5032B	5032B-AGJ5-E00	COVER ASS'Y BACK UP FUSE	COVER ASS'Y BACK UP FUSE	1	
	90677	90677-GAR1-004	NUT CLIP 5MM	NUT CLIP 5MM	1	
	93404-06012	93404-06012-06	BOLT WASHER 6*12 (G)	BOLT WASHER 6*12 (G)	2	
	93404-06016	93404-06016-08G	BOLT WASHER 6*16	BOLT WASHER 6*16	3	
	93500	93500-05012-0F	SCREW PAN 5X12	SCREW PAN 5X12	3	
	93903	93903-24320-G	SCREW TAPPING 4*12 (CG)	SCREW TAPPING 4*12 (CG)	2	
	94050	94050-06080-G	NUT FLANGE 6MM	NUT FLANGE 6MM	6	

F12

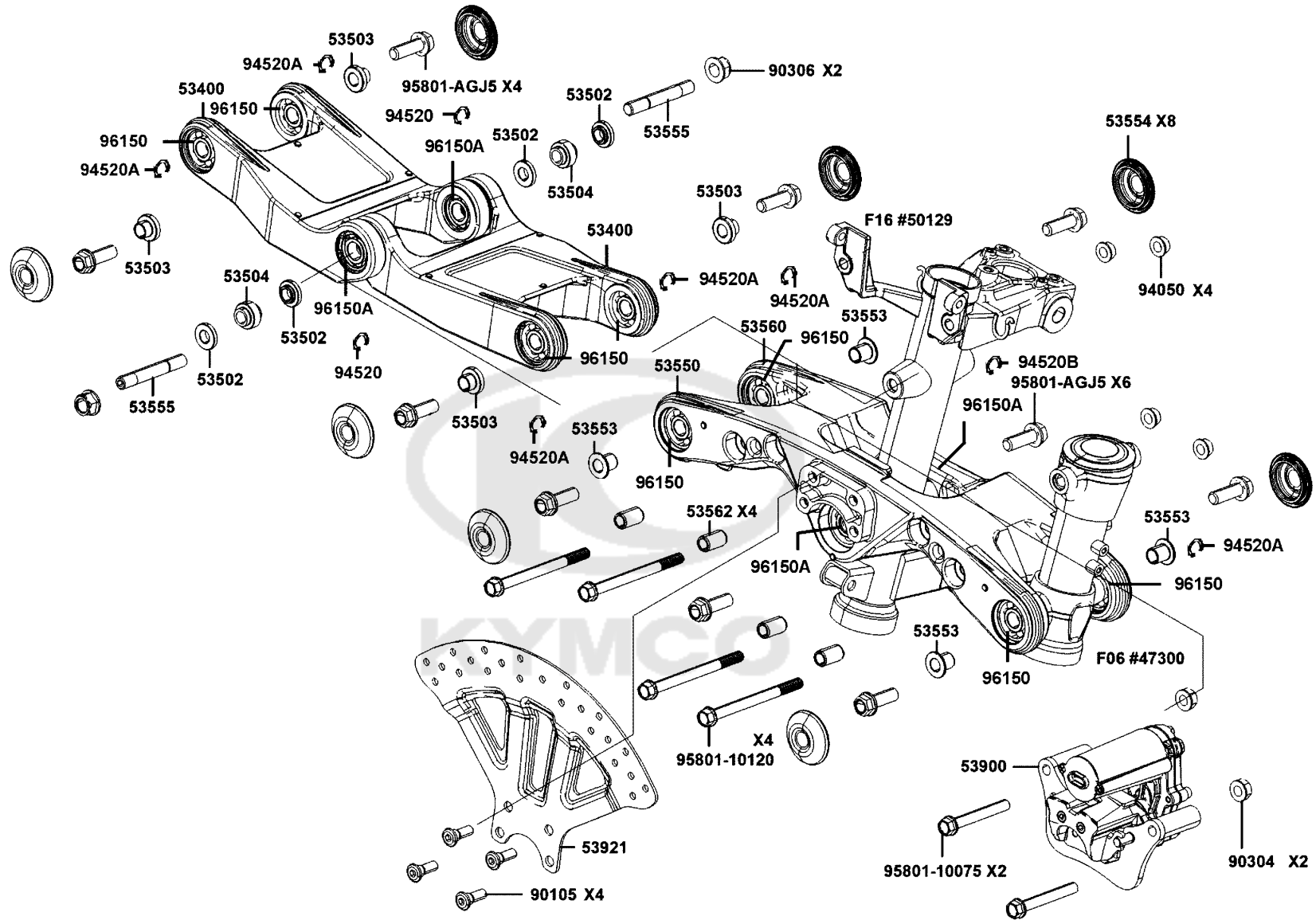
TILTING ARM ASSY LWR FR



Sales mark	Ref no	Part no	Description	Reg description	Regd no	F12
	53400	53400-AGJ5-E00	TILTING ARM ASSY UPR RH/LH	TILTING ARM ASSY UPR RH/LH	2	
	53502	53502-AGJ5-E00	COLLAR A, UPR TILTING ARM	COLLAR A, UPR TILTING ARM	4	
	53503	53503-AGJ5-E00	SIDE COLLAR,UPR TILTING ARM	SIDE COLLARUPR TILTING ARM	4	
	53504	53504-AGJ5-E00	COLLAR B,UPR TILTING ARM	COLLAR B,UPR TILTING ARM	2	
	53550	53550-AGJ5-E00	TILTING ARM ASSY,LWR FR	TILTING ARM ASSY,LWR FR	1	
	53553	53553-AGJ5-E00	SIDE COLLAR,LWR TILTING ARM	SIDE COLLAR,LWR TILTING ARM	4	
	53554	53554-AGJ5-E00	CAP,TILTING ARM	CAP,TILTING ARM	8	
	53555	53555-AGJ5-E00	SOCKET BOLT,UPR TILTING ARM	SOCKET BOLT,UPR TILTING ARM	2	
	53560	53560-AGJ5-E00	TILTING ARM ASSY,LWR RR	TILTING ARM ASSY,LWR RR	1	
	53562	53562-AGJ5-E00	LOCK PIN,LWR TILTING ARM	LOCK PIN,LWR TILTING ARM	4	
	53900	53900-AGJ5-E00	ELEC. ANTI-TILTING BRAKE ASSY	ELEC. ANTI-TILTING BRAKE ASSY	1	
	53921	53921-AGJ5-E00	DISK,ANTI-TILTING BRAKE	DISK,ANTI-TILTING BRAKE	1	
	90105	90105-KCR3-010	BOLT FR DISK 8*24	BOLT FR DISK 8X24	4	
	90304	90304-GLW0-90A	NUT U FLANGE 10MM	NUT U FLANGE 10MM	2	
	90306	90306-GLW0-90A	NUT FLANGE 12MM	NUT FLANGE 12MM	2	
	94050	94050-10080-G	NUT FLANGE 10MM (C)	NUT FLANGE 10MM (C)	4	
	94520	94520-40000	CIR CLIP IN 40	CIR CLIP IN 40	4	
	94520A	94520-42000	CIR CLIP IN 42MM	CIR CLIP IN 42MM	2	
	94520B	94520-47000	CIR CLIP IN 47	CIR CLIP IN 47	1	
	95801-10075	95801-10075-06	BOLT FLANGE 10x75 (G)	BOLT FLANGE 10x75	2	

F12

TILTING ARM ASSY LWR FR



Sales mark	Ref no	Part no	Description	Reg description	Regd no	<b>F12</b>
95801-10120	95801-10120	95801-10120-06	BOLT FLANGE 10*120	BOLT FLANGE 10*120	4	
95801-AGJ5	95801-AGJ5	95801-AGJ5-E00	BOLT FLANGE 12X35	BOLT FLANGE 12X35	10	
96150	96150	96150-63020-10	BEARING BALL RADIAL 6302	BEARING BALL RADIAL 6302	8	
96150A	96150A	96150-63030-10	BEARING BALL RADIAL 6303	BEARING BALL RADIAL 6303	6	







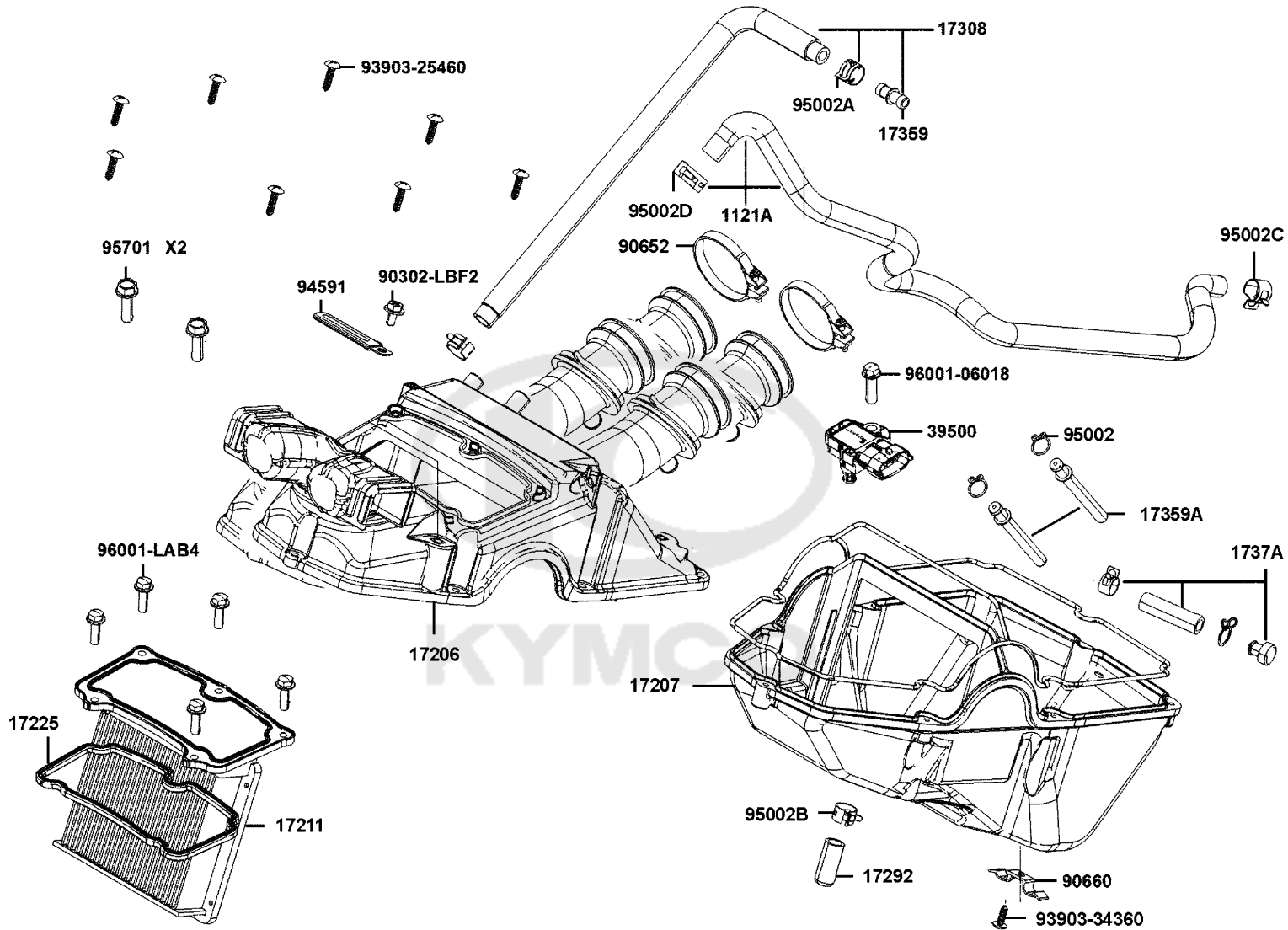
Sales mark	Ref no	Part no	Description	Reg description	Regd no	F13
	17530	17530-AGJ5-E00	TUBE ,DRAI	TUBE ,DRAI	1	
	17685	17685-KZCZ-900	JOINT TUBE	JOINT TUBE	1	
	31601	31601-AGJ5-E00	SOCKET COMP DC 12V	SOCKET COMP DC 12V	1	
	33900	33900-AGJ5-E00	LIGHT ASSY LUGGAGE BOX	LIGHT ASSY LUGGAGE BOX	1	
	80153	80153-AGJ5-E00	RUBBER FUEL CAP	RUBBER FUEL CAP	1	
	8015A	8015A-AGJ5-E00	TRAY ASSY.,FUEL CAP	TRAY ASSY.,FUEL CAP	1	
**	81200	81200-AGJ5-E00	CARRIER R REAR	CARRIER R REAR	1	
**	81210	81210-AGJ5-E00	CARRIER L REAR	CARRIER L REAR	1	
	81260	81260-AGJ5-E00	BOX,LUGGAGE	BOX,LUGGAGE	1	
**	82500	82500-AGJ5-E00	COVER A R BODY	COVER A R BODY	1	
**	82600	82600-AGJ5-E00	COVER A L BODY	COVER A L BODY	1	
**	83500	83500-AGJ5-E00	COVER B, R BODY	COVER B, R BODY	1	
**	83531	83531-AGJ5-E00	LID R, BOARD	LID R, BOARD	1	
**	8353A	8353A-AGJ5-E00	BOARD C,R SIDE ASSY	BOARD C,R SIDE ASSY	1	
**	83600	83600-AGJ5-E00	COVER B, R/L BODY	COVER B, R/L BODY	1	
**	83631	83631-AGJ5-E00	LID L, BOARD	LID L, BOARD	1	
**	8363A	8363A-AGJ5-E00	BOARD C,L SIDE ASSY	BOARD C,L SIDE ASSY	1	
**	83751	83751-AGJ5-E00	COVER B,RR CENTER	COVER B,RR CENTER	1	
	83752	83752-AGJ5-E00	PLATE A, RR. CENTER	PLATE A, RR. CENTER	1	
	83753	83753-AGJ5-E00	PLATE R, RR. CENTER	PLATE R, RR. CENTER	1	



Sales mark	Ref no	Part no	Description	Reg description	Regd no	F13
	83754	83754-AGJ5-E00	PLATE L, RR. CENTER	PLATE L, RR. CENTER	1	
	83755	83755-AGJ5-E00	COVER C, RR. CENTER	COVER C, RR. CENTER	1	
	8375A	8375A-AGJ5-E00	COVER.RR CENTER,ASSY.	COVER.RR CENTER,ASSY.	1	
**	84500	84500-AGJ5-E00	COVER C, R BODY	COVER C, R BODY	1	
**	84600	84600-AGJ5-E00	COVER C, L BODY	COVER C, L BODY	1	
	90105	90105-AGJ5-E00	BOLT WASH M8*60(KG)	BOLT WASH M8*60(KG)	1	
	90111	90111-LEB1-900	BOLT FLANGE 6MM	BOLT FLANGE 6MM	4	
	90302	90302-SDA4-004	NUT SPRING 4MM	NUT SPRING 4MM	2	
	90652	90652-LCA4-E00	CLIP MUDGUARD	CLIP MUDGUARD	1	
	90652A	90652-LFB5-900	CLIP MUDGUARD	CLIP MUDGUARD	2	
	93404	93404-06012-06	BOLT WASHER 6*12 (G)	BOLT WASHER 6*12 (G)	8	
	93903	93903-24320-G	SCREW TAPPING 4*12 (CG)	SCREW TAPPING 4*12 (CG)	21	
	93903A	93903-25260	SCREW TAPPING 5*12	SCREW TAPPING 5*12	4	
	93903B	93903-GFY6-900	SCREW TAPPING 4*14	SCREW TAPPING 4*14	2	
	95002	95002-02080	CLIP B8 TUBE	CLIP B8 TUBE	2	
	95701	95701-06012-08G	BOLT FLANGE 6*12	BOLT FLANGE 6*12	2	

F14

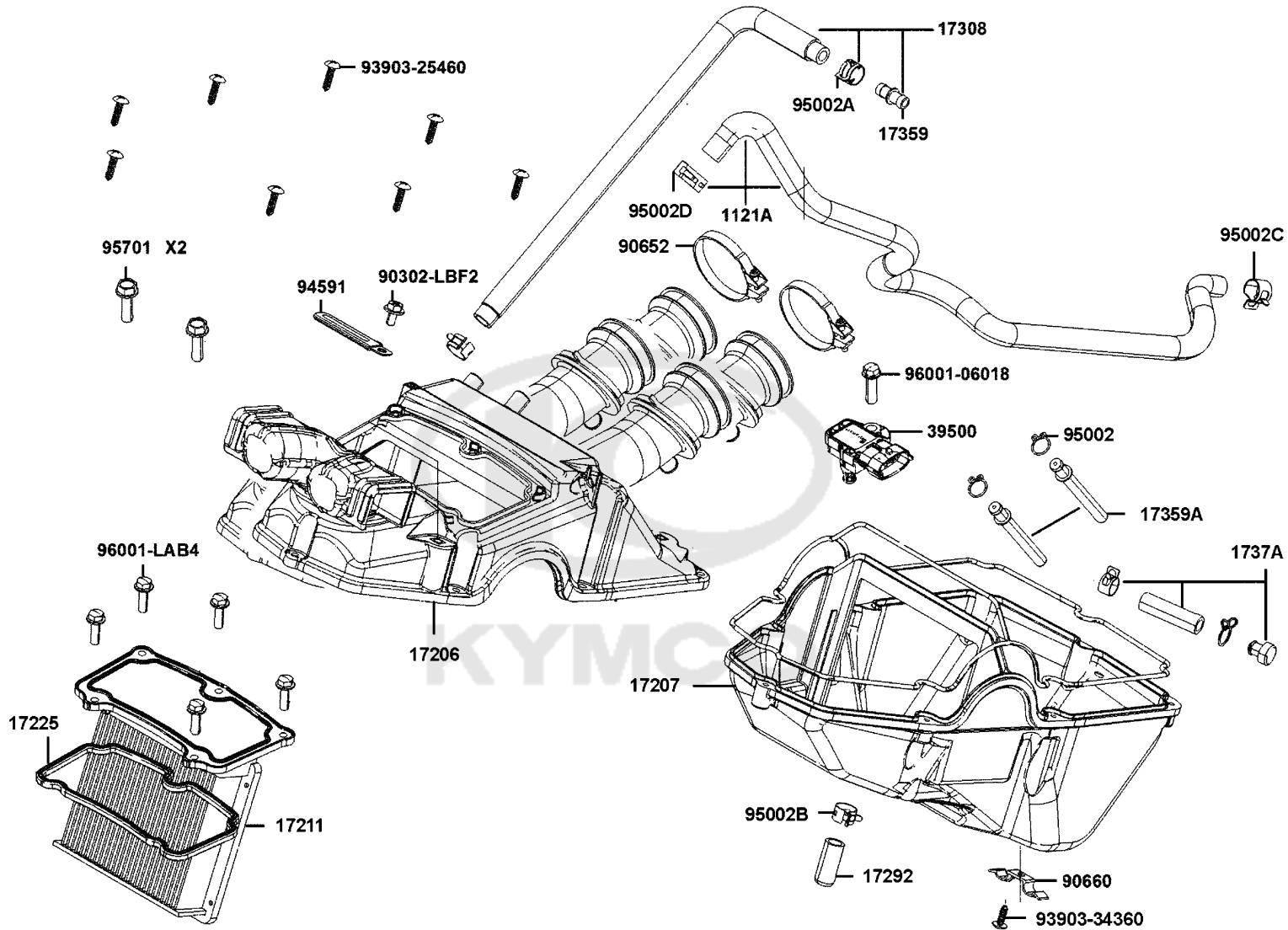
Air Cleaner




Sales mark	Ref no	Part no	Description	Reg description	Regd no	F14
1121A		1121A-LGC6-E00	TUBE ASSY BREATHER	TUBE ASSY BREATHER	1	
17206		17206-LGC6-305	CASE. AIR/C	CASE. AIR/C	1	
17207		17207-AKB8-E00	COVER. AIR/C	COVER. AIR/C	1	
17211		17211-LGC6-E00	ELEMENT COMP AIR/C	ELEMENT COMP AIR/C	1	
17225		17225-LGC6-E00	SEAL. AIR/C COVER	SEAL. AIR/C COVER	1	
17292		17292-PWB1-900	PIPE DRAIN	PIPE DRAIN	1	
17308		17308-LGC6-E00	TUBE ASSY AIR/C	TUBE ASSY AIR/C	1	
17359		17359-4K19-671	JOINT BREATHER TUBE	JOINT BREATHER TUBE	1	
17359A		17359-LGC6-E00	JOINT. PURGE TUBE	JOINT. PURGE TUBE	2	
1737A		1737A-LGC6-E00	V-TUBE ASS	V-TUBE ASS	1	
39500		39500-AAC9-900	SENSOR T-MAP	SENSOR T-MAP	1	
90302-LBF2		90302-LBF2-900	BOLT-WASH M5*10	BOLT-WASH M5*10	1	
90652		90652-KHE7-900	BAND CONNECTING TUBE	BAND CONNECTING TUBE	1	
90660		90660-LGC6-E00	CLAMP TUBE	CLAMP TUBE	1	
93903-25460		93903-25460	SCREW TAPPING 5*20 **93903-25480	SCREW TAPPING 5*20 **93903-25480 C.2005	8	
93903-34360		93903-34360	SCREW TAPPING 4X12	SCREW TAPPING 4X12	1	
94591		94591-KEBE-900	CLIP 2X71	CLIP 2X71	1	
95002		95002-02110	CLIP	CLIP	2	
95002A		95002-41250-00	CLIP D12.5 TUBE	CLIP D12.5 TUBE	1	
95002B		95002-KED9-M30	CLAMP D14.8 TUBE	CLAMP D14.8 TUBE	1	

F14

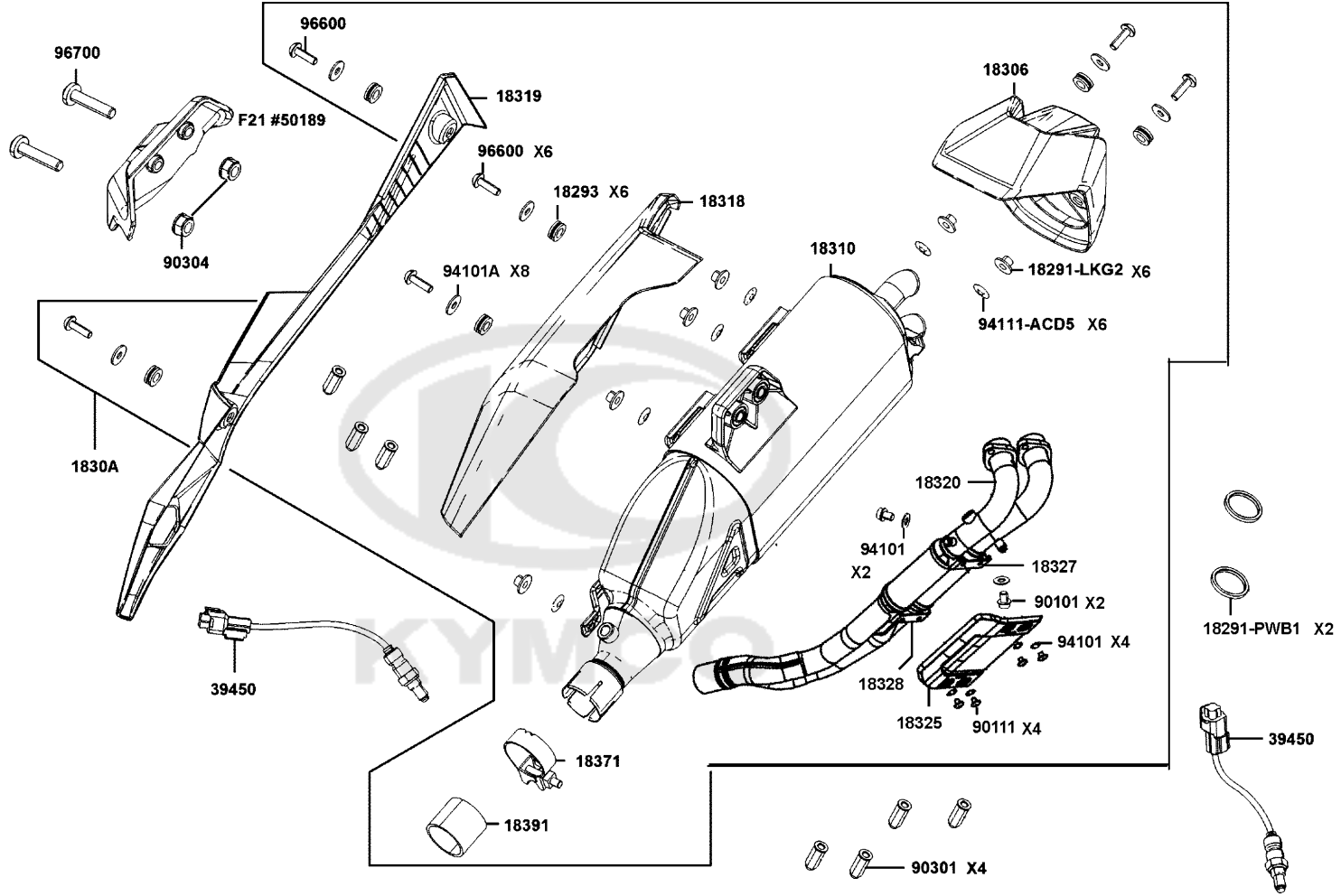
Air Cleaner



Sales mark	Ref no	Part no	Description	Reg description	Regd no	<b>F14</b>
95002C	95002-LHG8-E00	95002-LHG8-E00	CLAMP.D14 TUBE	CLAMP.D14 TUBE	1	
95002D	95002-LKF5-E00	95002-LKF5-E00	CLAMP D14.6 TUBE	CLAMP D14.6 TUBE	1	
95701	95701-06010-06	95701-06010-06	BOLT FLANGE 6*10	BOLT FLANGE 6*10	2	
96001-06018	96001-06018-08G	96001-06018-08G	BOLT FLANGE SH 6*18 (C)	BOLT FLANGE SH 6*18 (CR3+)	1	
96001-LAB4	96001-LAB4-900	96001-LAB4-900	BOLT SPECIAL M5X16	BOLT SPECIAL M5X16	5	
						

F15

Exhaust Muffler

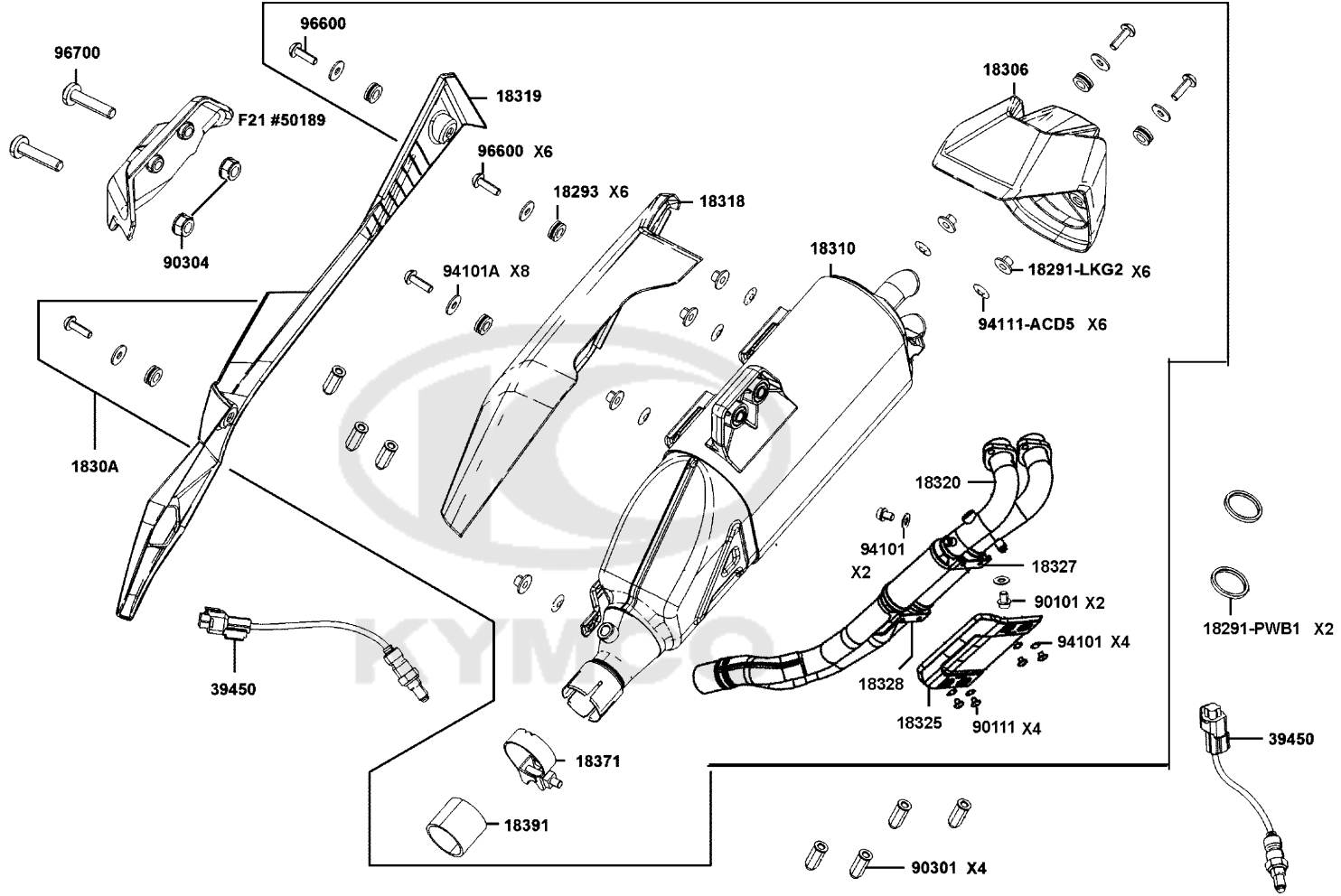





Sales mark	Ref no	Part no	Description	Reg description	Regd no	F15
	18291-LKG2	18291-LKG2-90A	COLLAR	COLLAR	6	
	18291-PWB1	18291-PWB1-900	SEAL EXHAUST PIPE	SEAL EXHAUST PIPE	1	
	18293	18293-LHJ8-900	RUBBER PKG PROTR	RUBBER PKG PROTR	6	
**	18306	18306-AGJ5-E00	TAIL CAP MUFFLER	TAIL CAP MUFFLER	1	
**	1830A	1830A-AGJ5-E00	MUFFLER ASSY., EXHAUST	MUFFLER ASSY., EXHAUST	1	
	18310	18310-AGJ5-E00	MUFFLER COMP	MUFFLER COMP	1	
**	18318	18318-AGJ5-E00	PROTECTOR COMP MUFFLER	PROTECTOR COMP MUFFLER	1	
**	18319	18319-AGJ5-E00	PROTECTOR , B MUFFLER	PROTECTOR , B MUFFLER	1	
	18320	18320-AGJ5-E00	PIPE COMP.. EXHAUST	PIPE COMP.. EXHAUST	1	
	18325	18325-AGJ5-E00	PROTECTOR, EXHAUST	PROTECTOR, EXHAUST	1	
	18327	18327-AGJ5-E00	STAY, EXH A., PIPE	STAY, EXH A., PIPE	1	
	18328	18328-AGJ5-E00	STAY, EXH B., PIPE	STAY, EXH B., PIPE	1	
	18371	18371-LBA2-E00	BAND MUFFLER	BAND MUFFLER	1	
	18391	18391-LKM5-E00	PACKING MUFFLER	PACKING MUFFLER	1	
	39450	39450-ZVA6-M00	O2 SENSOR	O2 SENSOR	1	
	90101	90101-LEA7-E00	BOLT FLANGE SH 6X8	BOLT FLANGE SH 6X8	2	
	90111	90111-LEA2-900	SCREW.PAN 6*8	SCREW.PAN 6*8	4	
	90301	90301-GFY6-901	NUT CAP 8MM **(1) C.2008.10.28	NUT CAP 8MM **(1) C.2008.10.28	4	
	90304	90304-LGC6-E00	NUT M10X1.25(C)	NUT M10X1.25(C)	1	
	94101	94101-06200	WASHER PLAIN 6MM	WASHER PLAIN 6MM	2	

F15

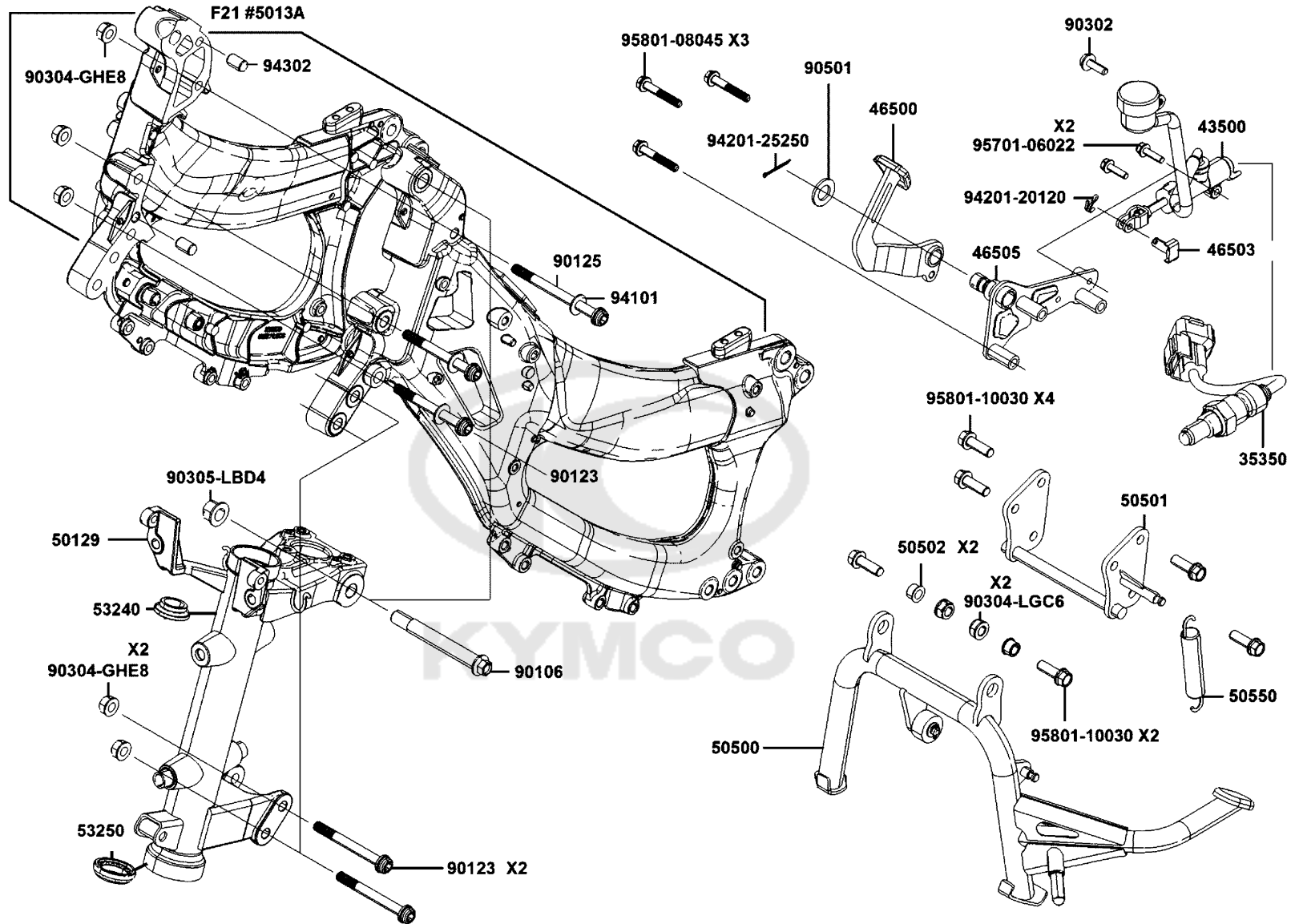
Exhaust Muffler



Sales mark	Ref no	Part no	Description	Reg description	Regd no	<b>F15</b>
	94101A	94101-LEA2-900	WASHER PLAIN 6.5*18*105	WASHER PLAIN 6MM	8	
	94111-ACD5	94111-ACD5-E00	WASHER.SPG	WASHER SPG 6MM	6	
	96600	96600-LEA7-E01	SOCKET BOLT	SOCKET BOLT	6	
	96700	96700-LDB4-900	BOLT SOCKET	BOLT SOCKET	2	
						

F16

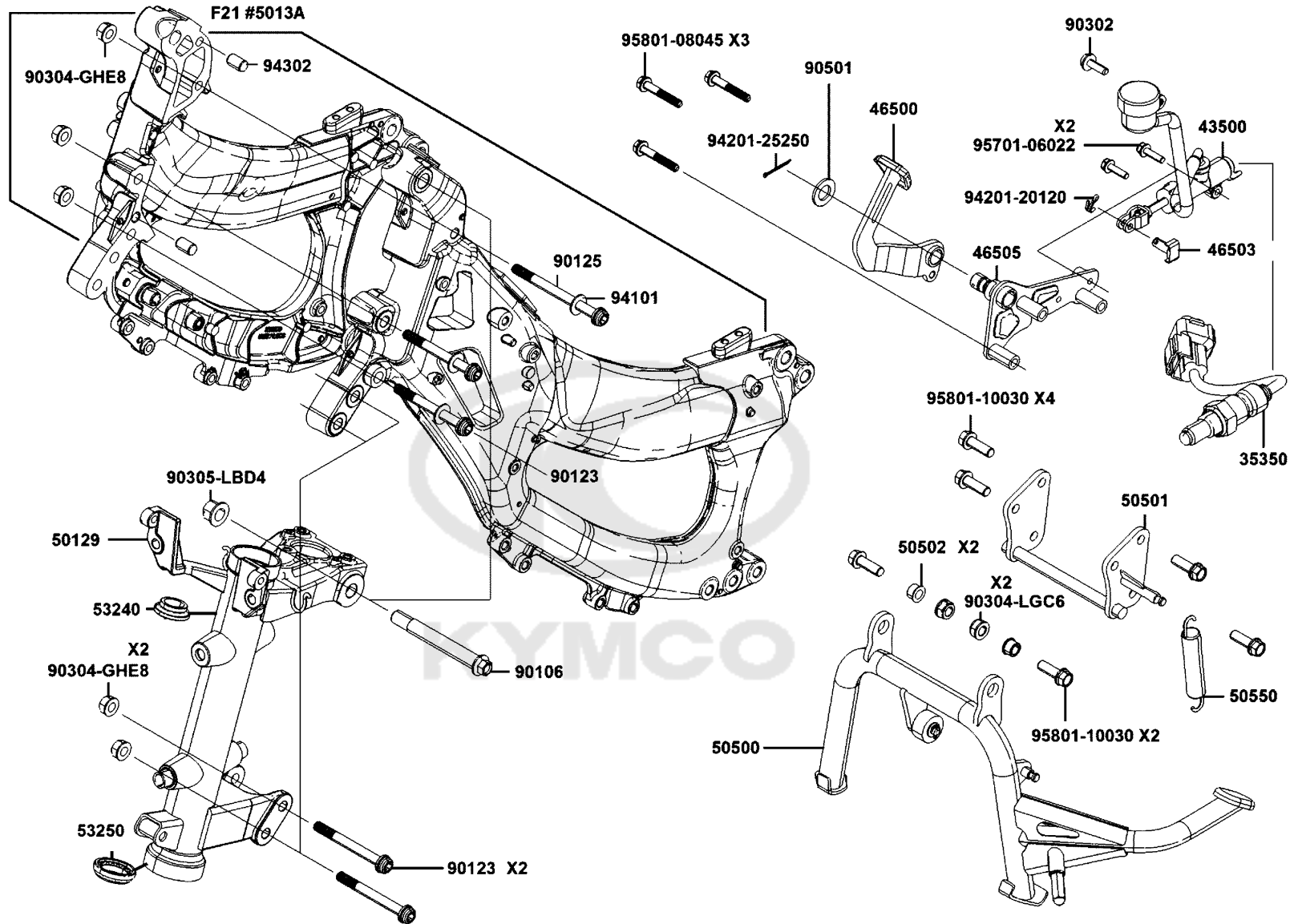
Fr Body FrameStand




Sales mark	Ref no	Part no	Description	Reg description	Regd no	F16
	35350	35350-AGJ5-E00	SWITCH-BRAKE PRESSURE-BANJO	SWITCH-BRAKE PRESSURE-BANJO	1	
	43500	43500-AGJ5-E01	M/C ASSY, PEDAL	M/C ASSY, PEDAL	1	
	46500	46500-AGJ5-E00	PEDAL COMP, BRAKE	PEDAL COMP, BRAKE	1	
	46503	46503-KCW3-001	PIN COMP BRK ROD	PIN COMP BRK ROD	1	
	46505	46505-AGJ5-E00	BRKT COMP, BRK PEDAL	BRKT COMP, BRK PEDAL	1	
	50129	50129-AGJ5-305	HEAD PIPE ASSY	HEAD PIPE ASSY	1	
	50500	50500-AGJ5-E00	STAND COMP.,MAIN	STAND COMP.,MAIN	1	
	50501	50501-LGC6-E00	BRKT MAIN STAND	BRKT MAIN STAND	1	
	50502	50502-GFY6-901	COLLAR MAIN STAND	COLLAR MAIN STAND	2	
	50550	50550-KKC2-E00	SPG ASSY MAIN STAND	SPG ASSY MAIN STAND	1	
	53240	53240-LEA7-90A	BEARING TOP STRG (mark:TP1)	BEARING TOP STRG	1	
	53250	53250-LEA7-90A	BEARING BOT STRG (mark:TP1)	BEARING BOT STRG	1	
	90106	90106-LKF5-E00	BOLT FLANGE 15X122(M14)	BOLT FLANGE 15X122(M14)	1	
	90123	90123-LGC6-E00	BOLT FLANGE 10X95	BOLT FLANGE 10X95	1	
	90125	90125-AGJ5-E00	BOLT,FLANGE 10X120.5(G)	BOLT,FLANGE 10X120.5(G)	1	
	90302	90302-GBR2-001	BOLT WASH 5*16	BOLT WASH 5*16	1	
	90304-GHE8	90304-GHE8-004	NUT U 10MM **GE8-0040 C.2005.03.01	NUT U 10MM **GE8-0040 C.2005.03.01	2	
	90304-LGC6	90304-LGC6-E00	NUT M10X1.25(C)	NUT M10X1.25(C)	2	
	90305-LBD4	90305-LBD4-900	NUT U 14MM	NUT U 14MM	1	
	90501	90501-KNBN-901	WASHER 16MM	WASHER 16MM	1	

F16

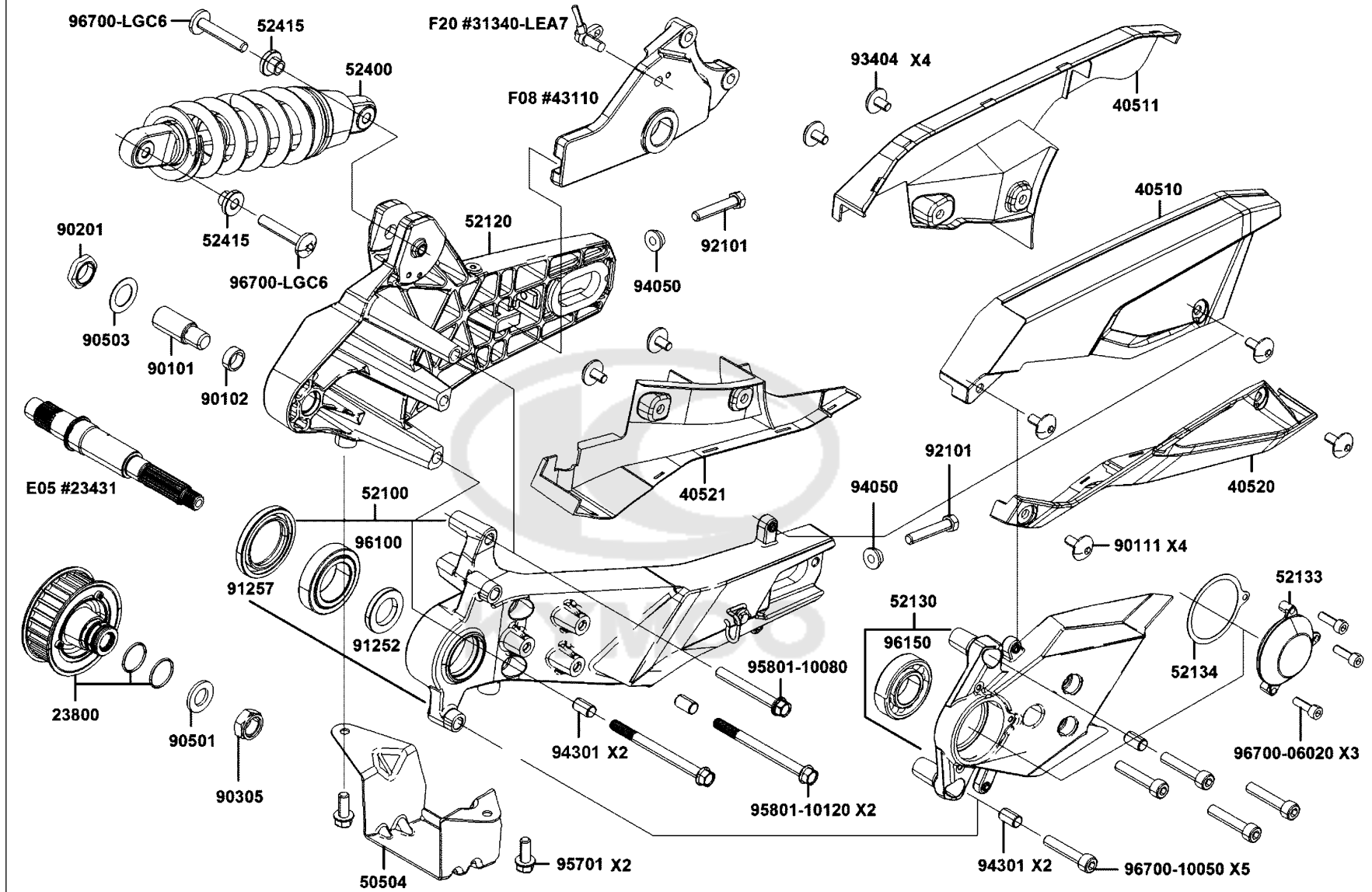
# Fr Body FrameStand



Sales mark	Ref no	Part no	Description	Reg description	Regd no	<b>F16</b>
94101	94101-10000	94101-10000	WASHER PLAIN 10MM	WASHER PLAIN 10MM	1	
94201-20120	94201-20120	94201-20120	PIN SPLIT 2*12	PIN SPLIT 2*12	1	
94201-25250	94201-25250	94201-25250	PIN SPLIT 2.5*25	PIN SPLIT 2.5*25	1	
94302	94302-10160	94302-10160	LOCK PIN	LOCK PIN	1	
95701-06022	95701-06022-08G	95701-06022-08G	BOLT FLANGE 6*22(G)	BOLT FLANGE 6*22(G)	2	
95801-08045	95801-08045-08G	95801-08045-08G	BOLT FLANGE 8*45	BOLT FLANGE 8*45	3	
95801-10030	95801-10030-06	95801-10030-06	BOLT FLANGE 10X30	BOLT FLANGE 10X30	6	
						

F17

Rear Cushion

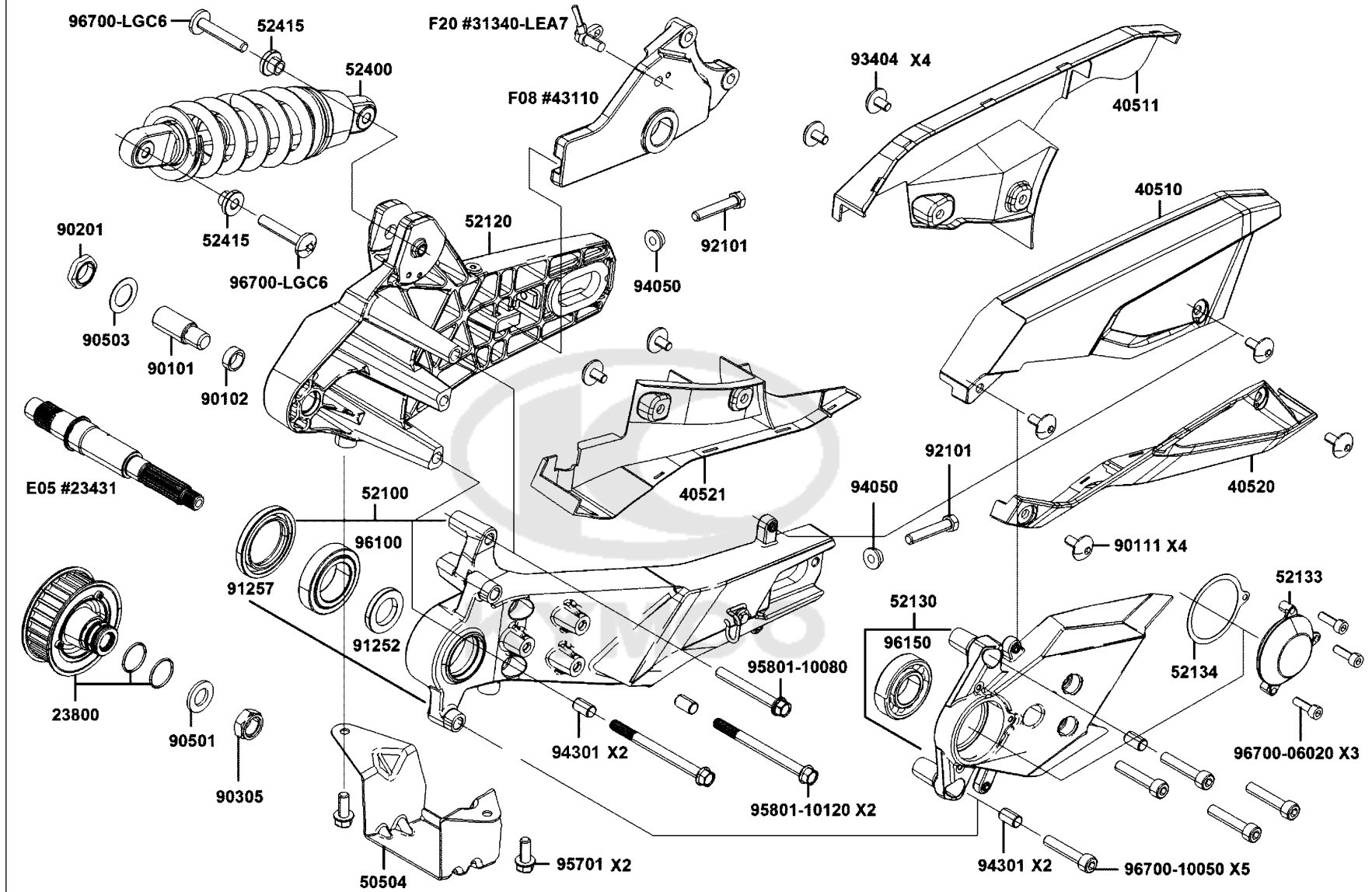




Sales mark	Ref no	Part no	Description	Reg description	Regd no	F17
	23800	23800-AGJ5-E00	DRIVE ASSY, TRANS BELT	DRIVE ASSY, TRANS BELT	1	
**	40510	40510-AGJ5-E00	COVER UP A,CHAIN	COVER UP A,CHAIN	1	
**	40511	40511-AGJ5-E00	COVER UP B	COVER UP B	1	
**	40520	40520-AGJ5-E00	COVER UP B,CHAIN	COVER UP B,CHAIN	1	
**	40521	40521-AGJ5-E00	COVER LOW B,CHAIN	COVER LOW B,CHAIN	1	
	50504	50504-AGJ5-E00	PLATE,MAIN STAND TOPPER	PLATE,MAIN STAND TOPPER	1	
**	52100	52100-AGJ5-E00	FORK ASSY, RR L/H	FORK ASSY, RR L/H	1	
**	52120	52120-AGJ5-E00	FORK CAST, RR FORK R/H	FORK CAST, RR FORK R/H	1	
**	52130	52130-AGJ5-E00	HOLDER ASSY, FINAL SHAFT	HOLDER ASSY, FINAL SHAFT	1	
**	52133	52133-LGC6-E00	CAP FINAL SHAFT HOLDER	CAP FINAL SHAFT HOLDER	1	
	52134	52134-LGC6-E00	GASKET RR FORK CAP	GASKET RR FORK CAP	1	
**	52400	52400-AGJ5-E00	CUSHION ASSY, RR	CUSHION ASSY, RR	1	
	52415	52415-LGC6-E00	COLLAR RR CUSHION	COLLAR RR CUSHION	2	
	90101	90101-LGC6-E00	AXLE RR SWING PIVOT	AXLE RR SWING PIVOT	1	
	90102	90102-LGC6-E00	COLLAR RR FORK PIVOT	COLLAR RR FORK PIVOT	1	
	90111	90111-LGC6-E01	SCREW PAN 6X14	SCREW PAN 6X14	4	
	90201	90201-LGC6-E00	NUT STRG STEM	NUT STRG STEM	1	
	90501	90501-KNBN-901	WASHER 16MM	WASHER 16MM	1	
	90503	90503-0A51-870	WASHER STEERING STEM NUT	WASHER STEERING STEM NUT	1	
	91252	91252-LGC6-E00	OIL SEAL 28X45X7	OIL SEAL 28X45X7	1	

F17

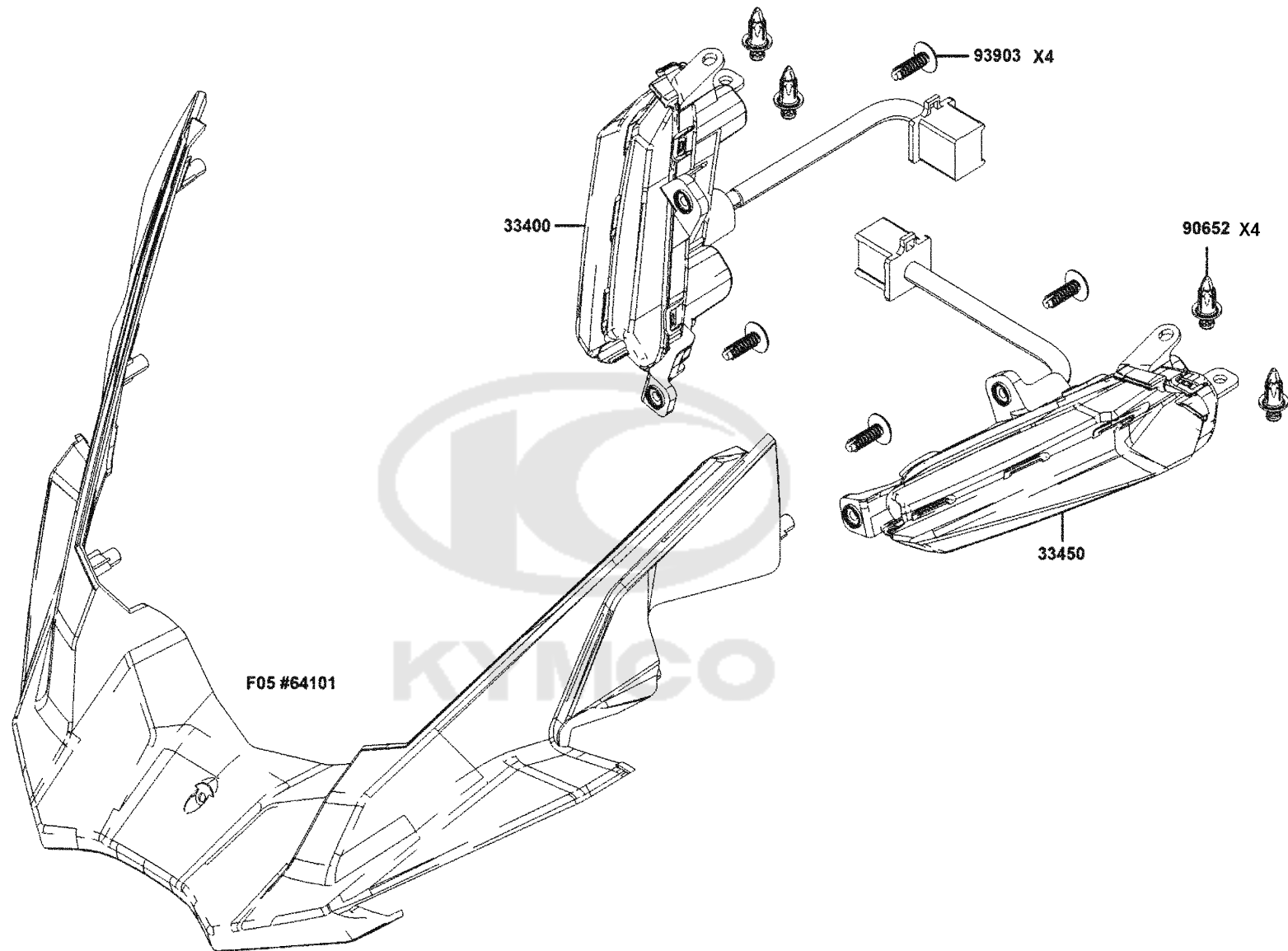
# Rear Cushion




Sales mark	Ref no	Part no	Description	Reg description	Regd no	F17
91257		91257-LGC6-E00	OIL SEAL 48X72X8	OIL SEAL 48X72X8	1	
92101		92101-LGC6-E00	BOLT FEX 8X45	BOLT FEX 8X45	2	
93404		93404-06012-06	BOLT WASHER 6*12 (G)	BOLT WASHER 6*12 (G)	4	
94050		94050-08020	NUT FLANGE 8MM	NUT FLANGE 8MM	2	
94301		94301-12200	DOWEL PIN 12*20	DOWEL PIN 12*20	4	
95701		95701-08016-08G	BOLT FLANGE 8*16	BOLT FLANGE 8*16	2	
95801-10080		95801-10080-08G	BOLT FLANGE 10X80	BOLT FLANGE 10X80	1	
95801-10120		95801-10120-06	BOLT FLANGE 10*120	BOLT FLANGE 10*120	2	
96100		96100-LGC6-E00	TAPPER BEARING 4T-32008X	TAPPER BEARING 4T-32008X	1	
96150		96150-62060-10	BEARING 6206UU	BEARING 6206UU	1	
96700-06020		96700-06020-06	SOCKET BOLT 6X20	SOCKET BOLT 6X20	3	
96700-10050		96700-10050-08G	SOCKET BOLT 10X50	SOCKET BOLT 10X50	5	
96700-LGC6		96700-LGC6-E00	SOCKET BOLT 10X58	SOCKET BOLT 10X58	2	

F18

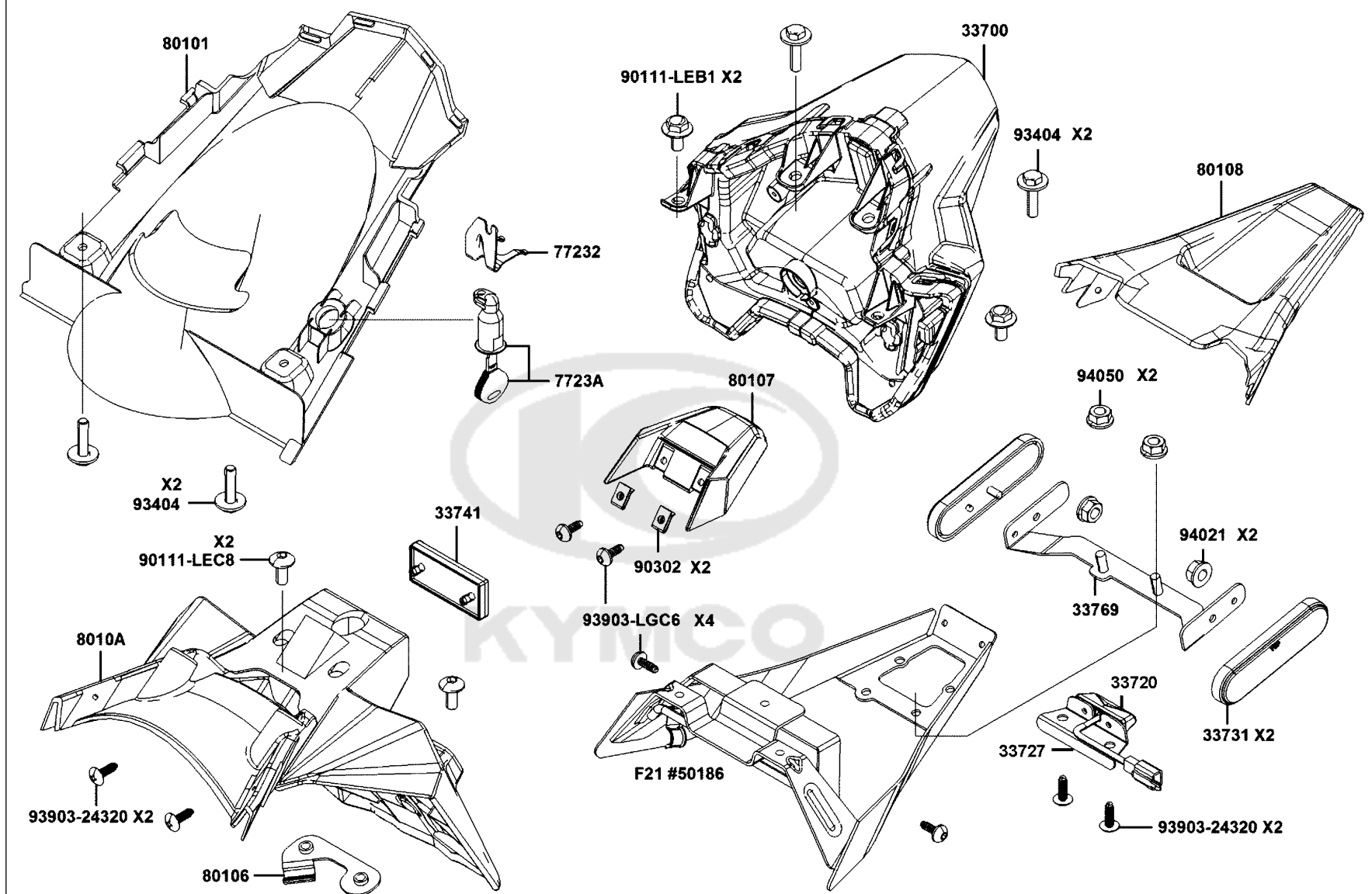
Front Winker



Sales mark	Ref no	Part no	Description	Reg description	Regd no	<b>F18</b>
33400	33400-AGJ5-E00	33400-AGJ5-E00	WINKER ASSY.. R. FR	WINKER ASSY.. R. FR	1	
33450	33450-AGJ5-E00	33450-AGJ5-E00	WINKER ASSY.. L. FR	WINKER ASSY.. L. FR	1	
90652	90652-LFB5-900	90652-LFB5-900	CLIP MUDGUARD	CLIP MUDGUARD	4	
93903	93903-35220-G	93903-35220-G	SCREW TAPPING 5*12	SCREW TAPPING 5*12	4	
						

F19

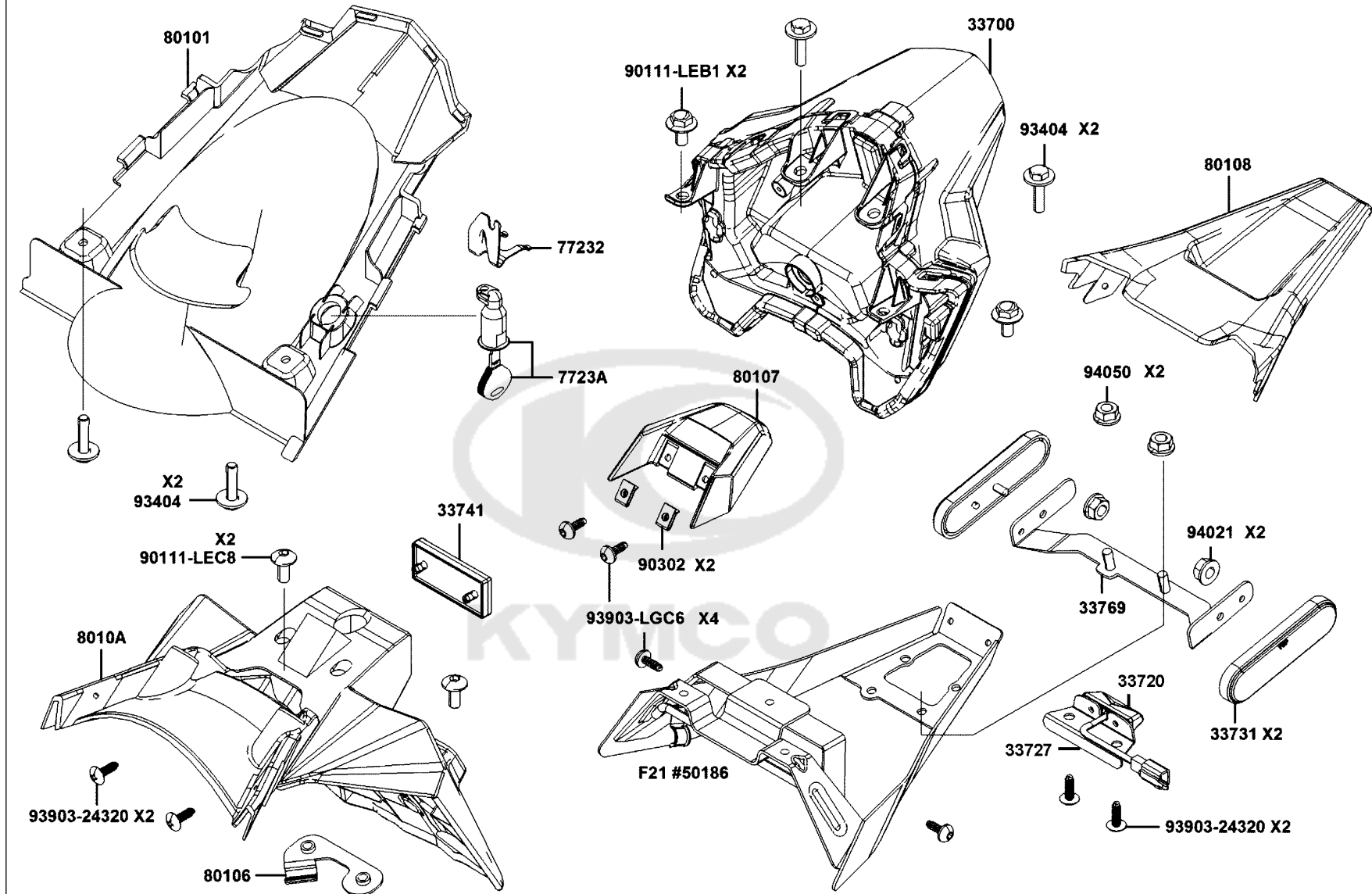
Rear LightRear Fender



Sales mark	Ref no	Part no	Description	Reg description	Regd no	F19
	33700	33700-AGJ5-E00	LIGHT ASSY.. RR. COMB	LIGHT ASSY.. RR. COMB	1	
	33720	33720-LGC6-305	LIGHT SET LICENSE	LIGHT SET LICENSE	1	
	33727	33727-LGC6-E00	STAY	STAY	1	
	33731	33731-AGJ5-E00	REFLEX REFLECTOR,SIDE(AMBER)	REFLEX REFLECTOR,SIDE(AMBER)	2	
	33741	33741-ACH7-900	REFLEX REFLECTOR	REFLEX REFLECTOR	1	
	33769	33769-AGJ5-E00	R/LH. REFLEX REFLECTOR RR	STAY R/LH. REFLEX REFLECTOR RR.	1	
	77232	77232-KCAC-901	SET SPG SEAT LOCK	SET SPG SEAT LOCK	1	
	7723A	7723A-AGJ5-E00	SEAT LOCK ASSY	SEAT LOCK ASSY	1	
**	80101	80101-AGJ5-E00	FENDER,RR INNER	FENDER,RR INNER	1	
	80106	80106-LGC6-E00	STAY RR.FENDER	STAY RR.FENDER	1	
**	80107	80107-AGJ5-E00	COVER , LICENSE LIGHT	COVER , LICENSE LIGHT	1	
**	80108	80108-AGJ5-E00	FENDER B,REAR	FENDER B,REAR	1	
**	8010A	8010A-AGJ5-E00	FENDER ASSY,REAR	FENDER ASSY,REAR	1	
	90111-LEB1	90111-LEB1-910	BOLT FLANGE 6X12	BOLT FLANGE 6X12	2	
	90111-LEC8	90111-LEC8-E01	SCREW.PAN 6X14(CG)	SCREW.PAN 6X14(CG)	2	
	90302	90302-SDA4-004	NUT SPRING 4MM	NUT SPRING 4MM	2	
	93404	93404-06012-06	BOLT WASHER 6*12 (G)	BOLT WASHER 6*12 (G)	4	
	93903-24320	93903-24320-G	SCREW TAPPING 4*12 (CG)	SCREW TAPPING 4*12 (CG)	4	
	93903-LGC6	93903-LGC6-E01	SCREW TAPPING	SCREW TAPPING	4	
	94021	94021-05070-0S	NUT,HEX CAP 5MM	NUT,HEX CAP 5MM	2	

F19

Rear Light Rear Fender





Sales mark	Ref no	Part no	Description	Reg description	Regd no	<b>F19</b>
------------	--------	---------	-------------	-----------------	---------	------------

94050

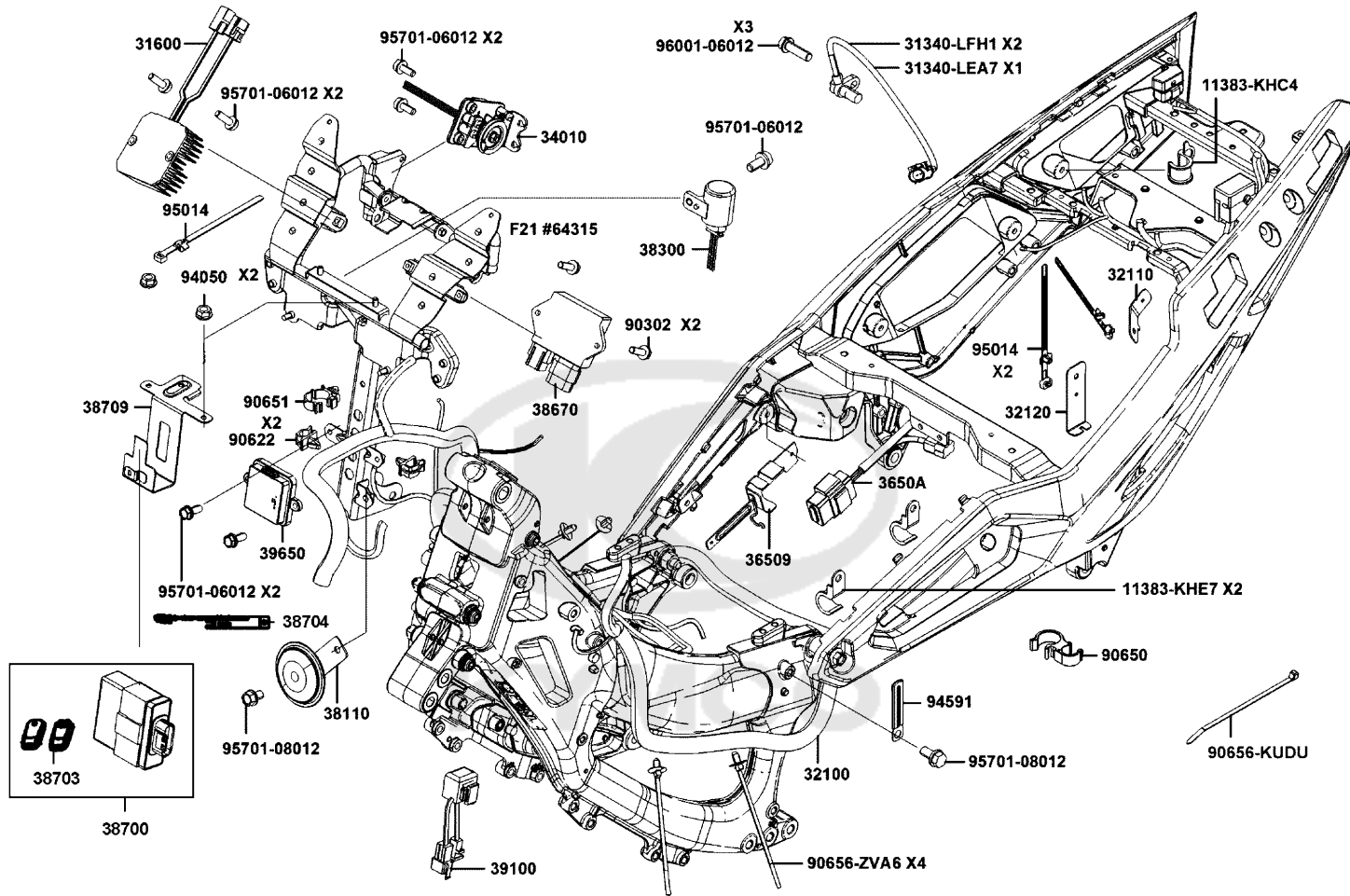
94050-06080-G

NUT FLANGE 6MM

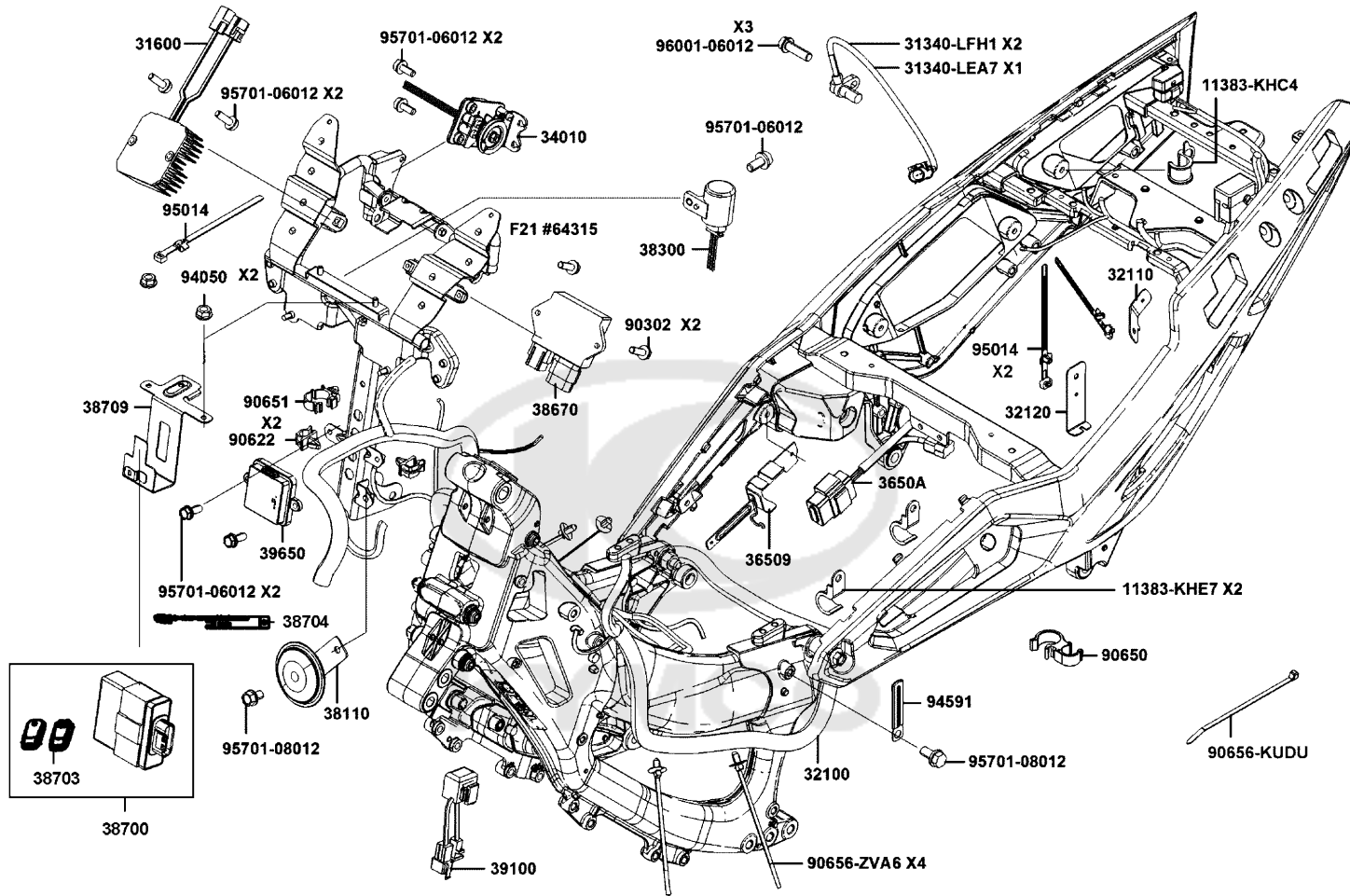
NUT FLANGE 6MM

2

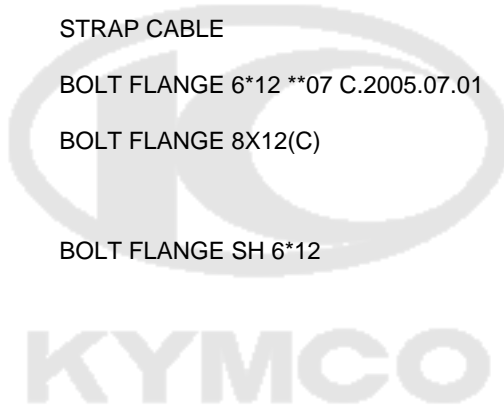




Sales mark	Ref no	Part no	Description	Reg description	Regd no	F20
	11383-KHC4	11383-KHC4-900	CLAMPER BREATHER	CLAMPER BREATHER	1	
	11383-KHE7	11383-KHE7-900	CLAMPER RR BRK HOSE	CLAMPER RR BRK HOSE	1	
	31340-LEA7	31340-LEA7-E00	SENSOR FR WHEEL SPEED	SENSOR FR WHEEL SPEED	1	
	31340-LFH1	31340-LFH1-E00	SENSOR RR WHEEL SPEED	SENSOR RR WHEEL SPEED	1	
	31600	31600-LKF5-E00	REG REC COMP	REG REC COMP	1	
	32100	32100-AGJ5-E01	HARNESS WIRE	HARNESS WIRE	1	
	32110	32110-AGJ5-E00	STAY, HARNESS WIRE	STAY, HARNESS WIRE	1	
	32120	32120-AGJ5-E00	STAY, HARNESS WIRE	STAY, HARNESS WIRE	1	
	34010	34010-AGJ5-E00	THROTTLE CONTROL	THROTTLE CONTROL	1	
	36509	36509-AGJ5-E00	STAY, HEAT GRIP CONTROLLER	STAY, HEAT GRIP CONTROLLER	1	
	3650A	3650A-LGC6-E00	DRIVER ASS Y HEATED GRIP	DRIVER ASS Y HEATED GRIP	1	
	38110	38110-AGJ5-E00	HORN COMP	HORN COMP	1	
	38300	38300-KKE5-E00	RELAY COMP WINKER	RELAY COMP. WINKER	1	
	38670	38670-AGJ5-E01	CONTROLLER.TILTING LOCK	CONTROLLER.TILTING LOCK	1	
	38700	38700-AGJ5-305	CONTROLLER SET KEYLESS	CONTROLLER SET KEYLESS	1	
	38703	38703-AGJ5-E00	REMOTE CONTROL	REMOTE CONTROL	2	
	38704	38704-AGE2-E00	ANTENNA COMP. LONG RANGE	ANTENNA COMP. LONG RANGE	1	
	38709	38709-AGJ5-E00	STAY, KEYLESS ECU	STAY, KEYLESS ECU	1	
	39100	39100-LGC6-E00	EMI FILTER. FAN MOTOR	EMI FILTER. FAN MOTOR	1	
	39650	39650-AGJ5-E00	CONTROL UNIT. TIRE PRESURE	CONTROL UNIT. TIRE PRESURE	1	

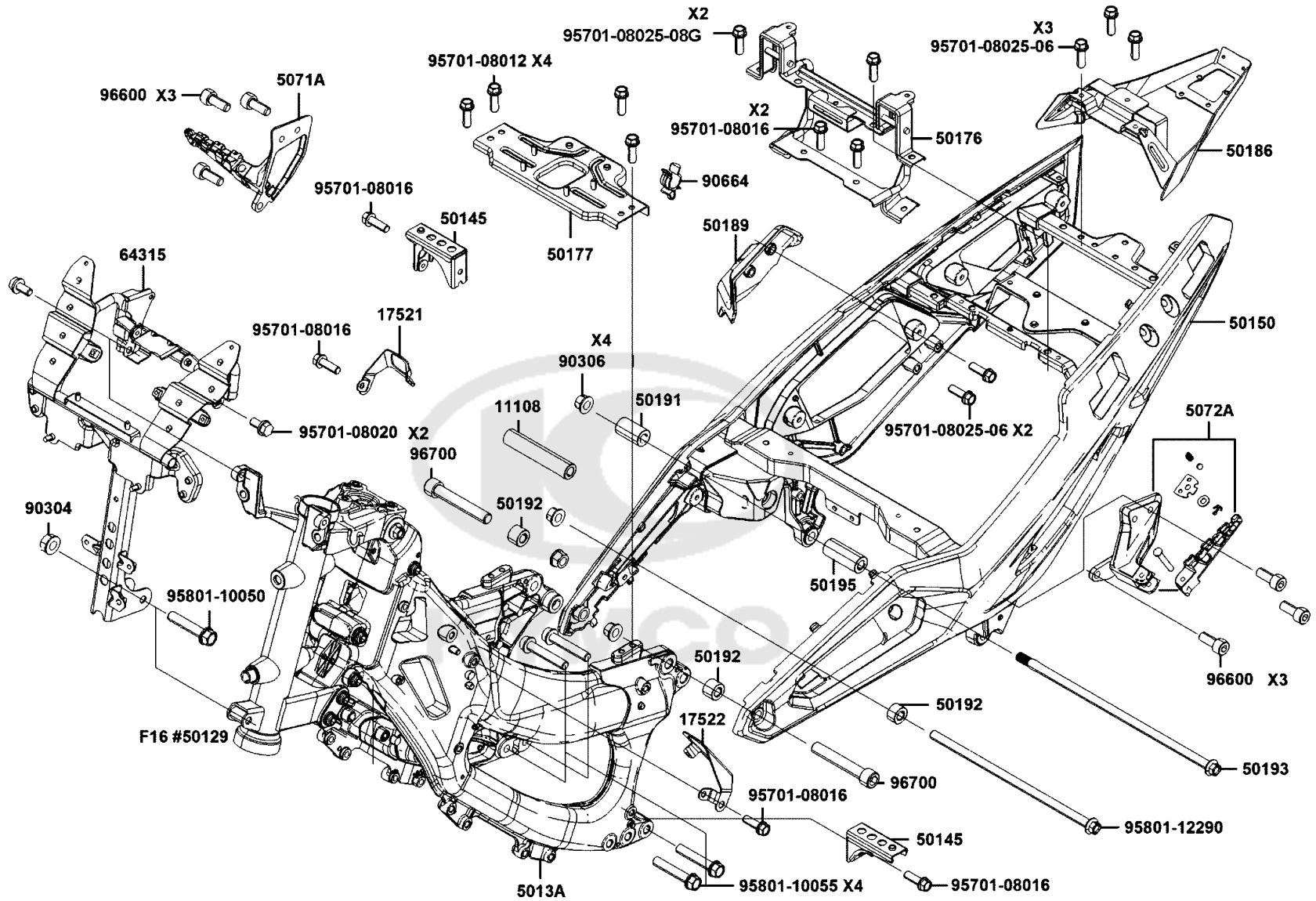


Sales mark	Ref no	Part no	Description	Reg description	Regd no	<b>F20</b>
90302		90302-GFY6-940	BOLT-WASH 5*16	BOLT-WASH 5*16	2	
90622		90622-LHJ8-900	CLAMP	CLAMP	2	
90650		90650-LHJ6-900	CLAMP TUBE	CLAMP TUBE	2	
90651		90651-LKE6-900	CLIP CABLE	CLIP CABLE	1	
90656-ZVA6		90656-ZVA6-M00	CABLE STRAP	CABLE STRAP	4	
94050		94050-06080-G	NUT FLANGE 6MM	NUT FLANGE 6MM	2	
94591		94591-LGC6-E00	CLIP 2 X 70	CLIP 2 X 70	1	
95014		95014-PRB3-900	STRAP CABLE	STRAP CABLE	3	
95701-06012		95701-06012-06	BOLT FLANGE 6*12 **07 C.2005.07.01	BOLT FLANGE 6*12 **07 C.2005.07.01	7	
95701-08012		95701-08012-08G	BOLT FLANGE 8X12(C)	BOLT FLANGE 8X12(C)	2	
96001-06012		96001-06012-06	BOLT FLANGE SH 6*12	BOLT FLANGE SH 6*12	3	



F21

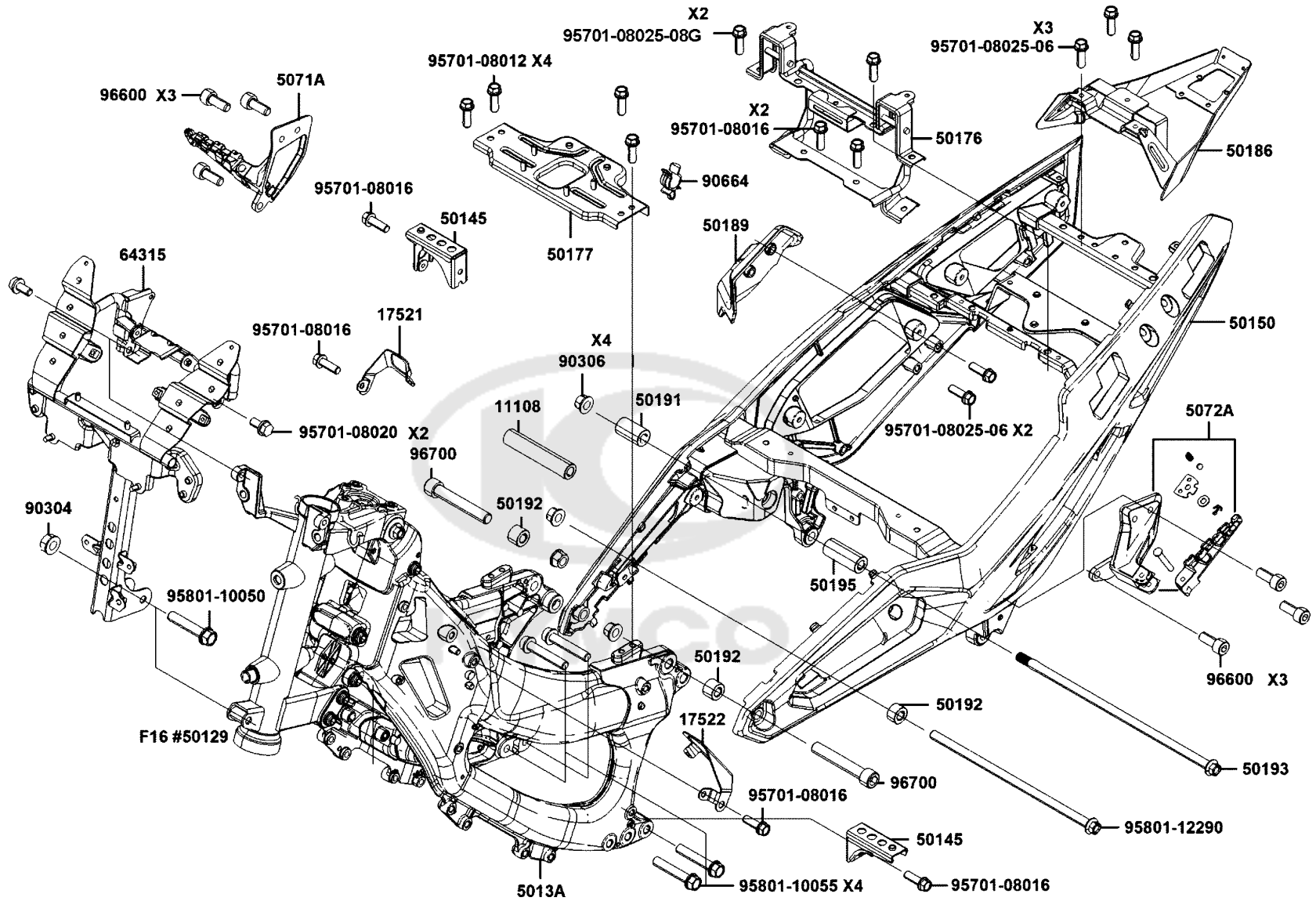
Frame Body



Sales mark	Ref no	Part no	Description	Reg description	Regd no	F21
	11108	11108-LGC6-E00	HOLDER. STATOR WIRE	HOLDER. STATOR WIRE	1	
	17521	17521-AGJ5-E00	STAY , R., ENG	STAY , R., ENG	1	
	17522	17522-AGJ5-E00	STAY L., ENG	STAY L., ENG	1	
	5013A	5013A-AGJ5-E00	BODY ASSY.. FR FRAME	BODY ASSY.. FR FRAME	1	
	50145	50145-AGJ5-E00	RR. STAY R,FLOOR PANEL	RR. STAY R,FLOOR PANEL	1	
	50150	50150-AGJ5-E00	BODY ASSY. RR FRAME	BODY ASSY. RR FRAME	1	
	50176	50176-AGJ5-E00	STAY FR.,FUEL TANK	STAY FR.,FUEL TANK	1	
	50177	50177-AGJ5-E00	BRKT., LUGGEBOX	BRKT., LUGGEBOX	1	
	50186	50186-AGJ5-E00	STAY,RR FENDER	STAY,RR FENDER	1	
**	50189	50189-AGJ5-E00	BRKT,MUFFLER	BRKT,MUFFLER	1	
	50191	50191-LGC6-E00	COLLAR R RR ENG MOUNTING	COLLAR R RR ENG MOUNTING	1	
	50192	50192-AGJ5-E00	COLLAR,ENG MOUNTING	COLLAR,ENG MOUNTING	3	
	50193	50193-AGJ5-E00	BOLT FLANGE,12*358(CG)	BOLT FLANGE,12*358(CG)	1	
	50195	50195-AGJ5-E00	COLLAR,ENG MOUNTING	COLLAR,ENG MOUNTING	1	
	5071A	5071A-AGJ5-E00	BAR ASSY. R,PILLION STEP	BAR ASSY. R,PILLION STEP	1	
	5072A	5072A-AGJ5-E00	BAR ASSY. L,PILLION STEP	BAR ASSY. L,PILLION STEP	1	
	64315	64315-AGJ5-E00	BRKT,FR COVER	BRKT,FR COVER	1	
	90304	90304-GHE8-004	NUT U 10MM **GE8-0040 C.2005.03.01	NUT U 10MM **GE8-0040 C.2005.03.01	1	
	90306	90306-LFE2-910	NUT FLANGE 12MM	NUT FLANGE 12MM	4	
	90664	90664-LKJ1-900	CLIP	CLIP	1	

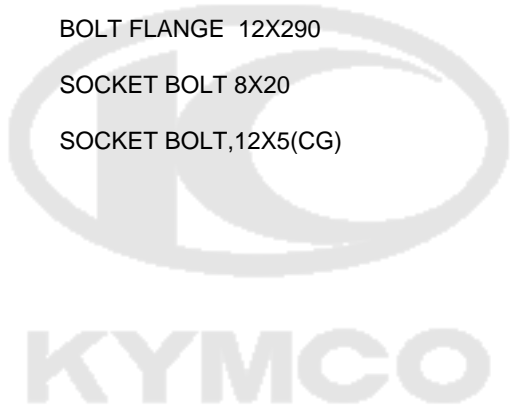
F21

Frame Body



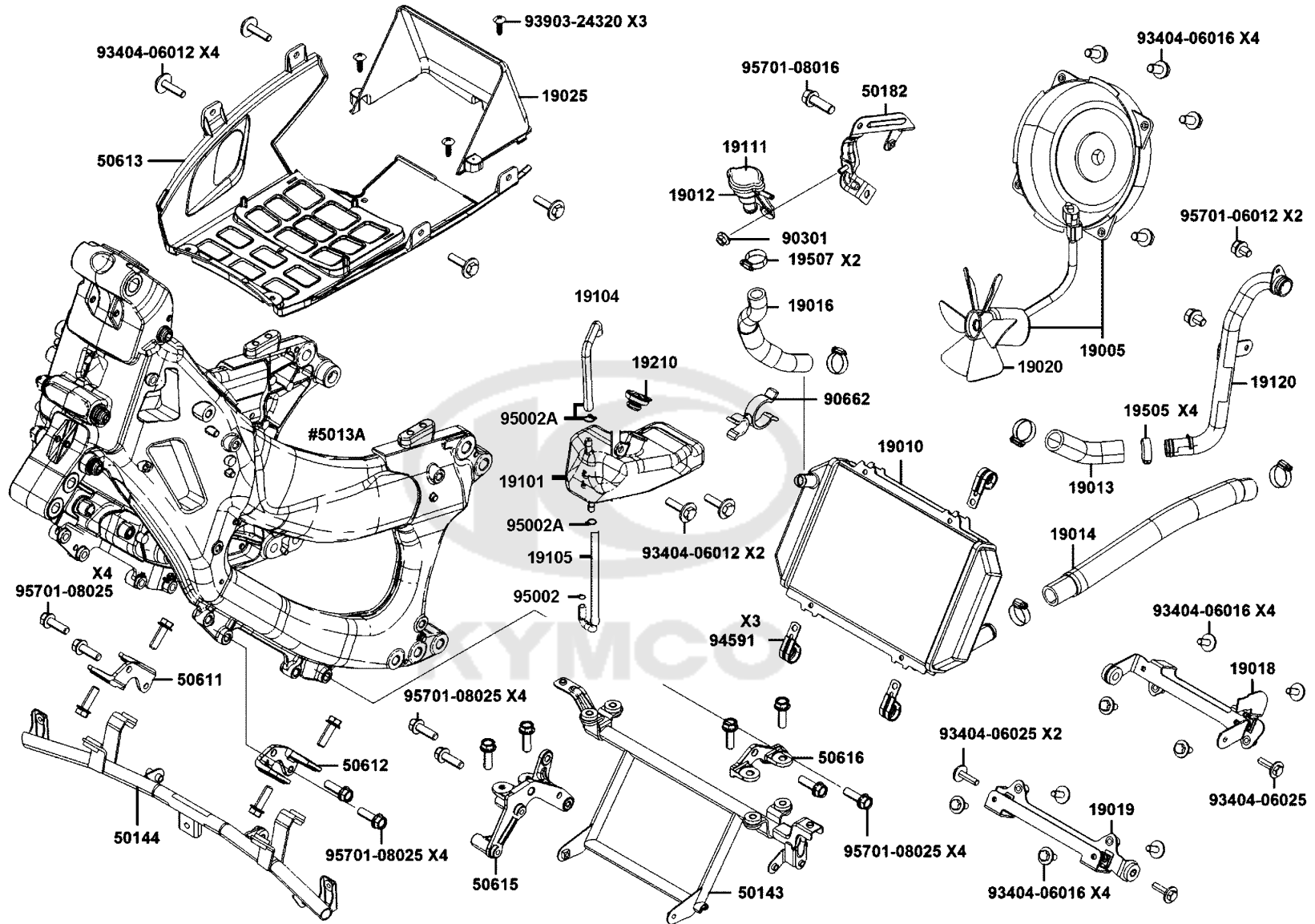


Sales mark	Ref no	Part no	Description	Reg description	Regd no	F21
	95701-08012	95701-08012-08G	BOLT FLANGE 8X12(C)	BOLT FLANGE 8X12(C)	4	
	95701-08016	95701-08016-08G	BOLT FLANGE 8*16	BOLT FLANGE 8*16	7	
	95701-08020	95701-08020-06	BOLT FLANGE 8*20MM **07 C.2005.07.01	BOLT FLANGE 8*20MM **07 C.2005.07.01	2	
	95701-08025-06	95701-08025-06	BOLT FLANGE 8*25	BOLT FLANGE 8*25	5	
	95701-08025-08G	95701-08025-08G	BOLT FLANGE	BOLT FLANGE 8*25 (Cr3+)	2	
	95801-10050	95801-10050-08G	BOLT FLANGE 10X50	BOLT FLANGE 10X50	1	
	95801-10055	95801-10055-08G	BOLT FLANGE 10X55	BOLT FLANGE 10X55	4	
	95801-12290	95801-12290-06	BOLT FLANGE 12X290	BOLT FLANGE 12X290	1	
	96600	96600-08020-16	SOCKET BOLT 8X20	SOCKET BOLT 8X20	6	
	96700	96700-AGJ5-E00	SOCKET BOLT,12X5(CG)	SOCKET BOLT,12X5(CG)	2	



F22

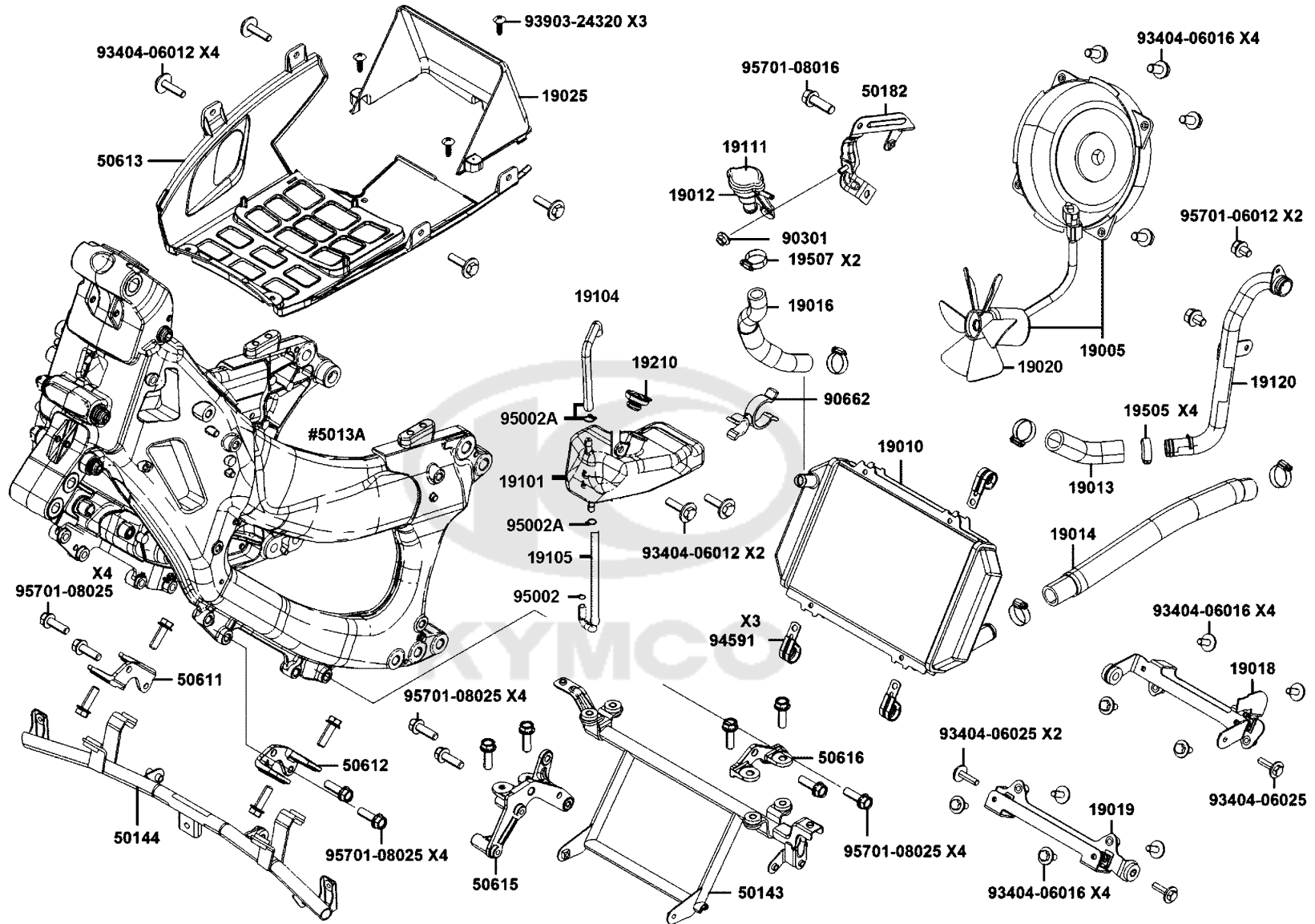
Radiator



Sales mark	Ref no	Part no	Description	Reg description	Regd no	F22
	19005	19005-AGJ5-E00	SHROUD ASSY,	SHROUD ASSY,	1	
	19010	19010-LGC6-E00	RADIATOR COMP	RADIATOR COMP	1	
	19012	19012-LEA7-E05	UNIT RADIATOR	UNIT RADIATOR	1	
	19013	19013-LGC6-E00	HOSE WATER INLET	HOSE WATER INLET	1	
	19014	19014-LGC6-E00	HOSE WATER OUTLET	HOSE WATER OUTLET	1	
	19016	19016-AGJ5-E00	HOSE,WATER-UNIT CAP	HOSE,WATER-UNIT CAP	1	
	19018	19018-LGC6-E00	HOLDER UPPER RADIATOR	HOLDER UPPER RADIATOR	1	
	19019	19019-LGC6-E00	HOLDER LOWER RADIATOR	HOLDER LOWER RADIATOR	1	
	19020	19020-LBA2-E00	FAN COOLING	FAN COOLING	1	
**	19025	19025-LGC6-E00	COVER RADIATOR	COVER RADIATOR	1	
	19101	19101-AGJ5-E00	TANK RESERVE	TANK RESERVE	1	
	19104	19104-ACD5-E00	HOSE ASSY DRAIN	HOSE ASSY DRAIN	1	
	19105	19105-LGC6-E00	HOSE ASSY RESERVE TANK-PRESSURE	HOSE ASSYRESERVE TANK-PRESSURE	1	
	19111	19111-PRB3-900	CAP COMP RADIATOR	CAP COMP RADIATOR	1	
	19120	19120-LGC6-E00	PIPE WATER INLET	PIPE WATER INLET	1	
	19210	19210-KKC4-900	CAP RESERVE TANK	CAP RESERVE TANK	1	
	19505	19505-LBA2-E00	CLAMP WATER HOSE	CLAMP WATER HOSE	4	
	19507	19507-LDB5-E00	CLAMP D 28	CLAMP D 28	2	
	50143	50143-AGJ5-E00	BRKT,RADIATOR	BRKT,RADIATOR	1	
	50144	50144-AGJ5-E00	FR. STAY, FLOOR PANEL	FR. STAY, FLOOR PANEL	1	

F22

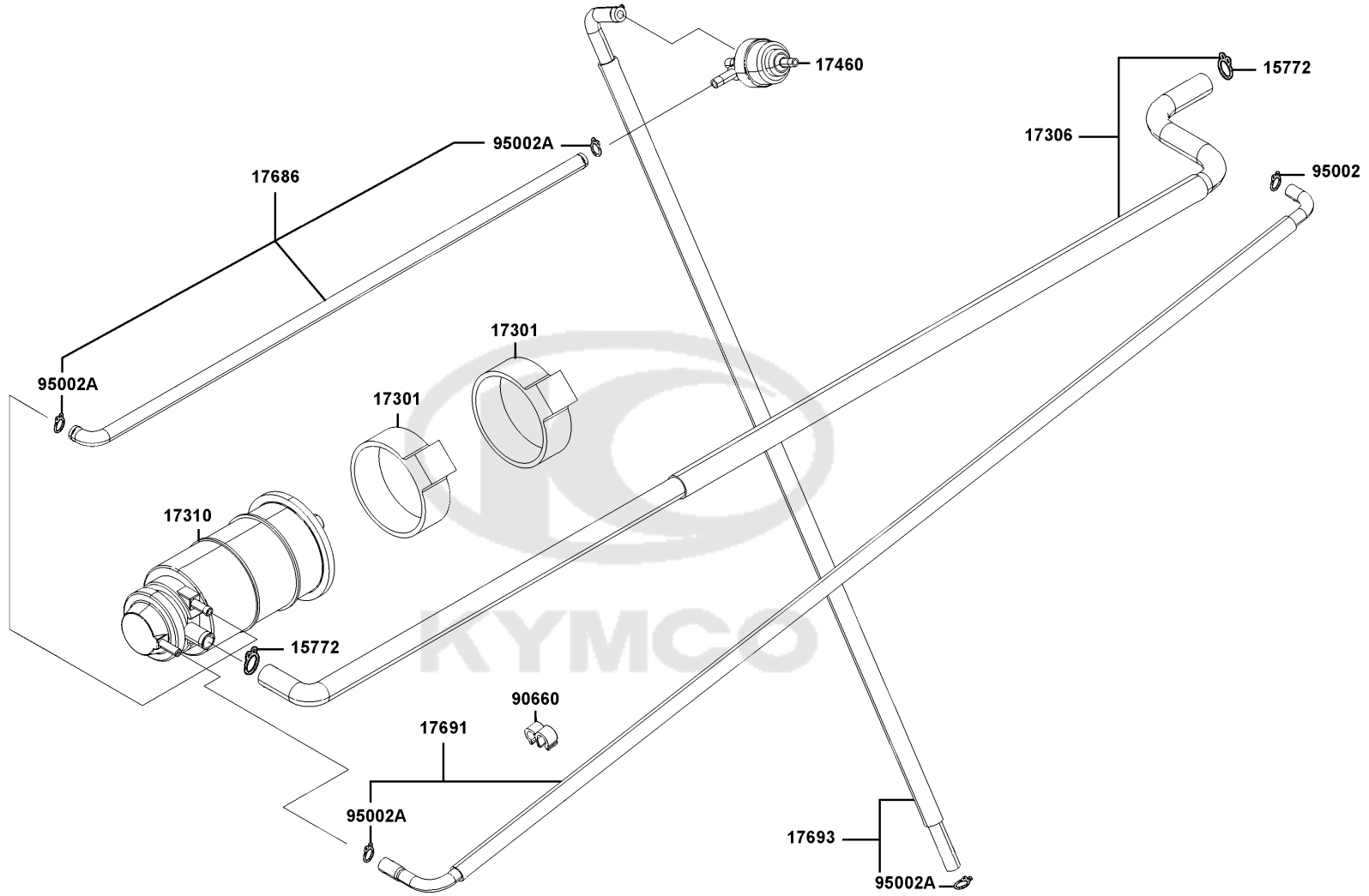
Radiator



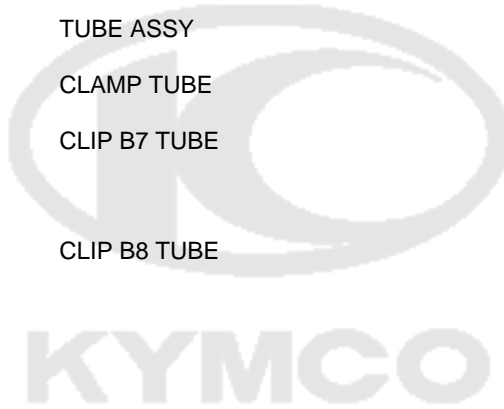
Sales mark	Ref no	Part no	Description	Reg description	Regd no	F22
	50182	50182-AGJ5-E00	STAY,SUPT. FILLER NECK	STAY,SUPT. FILLER NECK	1	
	50611	50611-AGJ5-E00	FR. BRKT R., FLOOR PANEL	FR. BRKT R., FLOOR PANEL	1	
	50612	50612-AGJ5-E00	FR. BRKT L., FLOOR PANEL	FR. BRKT L., FLOOR PANEL	1	
	50613	50613-AGJ5-E00	COVER,UNDER	COVER,UNDER	1	
	50615	50615-AGJ5-E00	CENTER BRKT R, FLOOR PANEL	CENTER BRKT R, FLOOR PANEL	1	
	50616	50616-LGC6-E00	CENTER BRKT L FLOOR PANEL	CENTER BRKT L FLOOR PANEL	1	
	90301	90301-LAC5-671	NUT FLANGE 6MM	NUT FLANGE 6MM	1	
	90662	90662-LHG7-E00	CLIP WATER HOSE	CLIP WATER HOSE	1	
	93404-06012	93404-06012-06	BOLT WASHER 6*12 (G)	BOLT WASHER 6*12 (G)	6	
	93404-06016	93404-06016-08G	BOLT WASHER 6*16	BOLT WASHER 6*16	12	
	93404-06025	93404-06025-08G	BOLT WASHER 6*25	BOLT WASH 6X25	3	
	93903-24320	93903-24320-G	SCREW TAPPING 4*12 (CG)	SCREW TAPPING 4*12 (CG)	3	
	94591	94591-KFBF-900	CLIP 2*70	CLIP 2*70	1	
	95002	95002-02100	CLIP B15 TUBE	CLIP B15 TUBE	1	
	95002A	95002-70000	CLIP C11 TUBE	CLIP C11 TUBE	2	
	95701-06012	95701-06012-06	BOLT FLANGE 6*12 **07 C.2005.07.01	BOLT FLANGE 6*12 **07 C.2005.07.01	2	
	95701-08016	95701-08016-08G	BOLT FLANGE 8*16	BOLT FLANGE 8*16	1	
	95701-08025	95701-08025-08G	BOLT FLANGE	BOLT FLANGE 8*25 (Cr3+)	16	

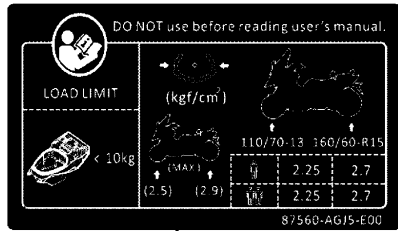
F23

Canister



Sales mark	Ref no	Part no	Description	Reg description	Regd no	<b>F23</b>
	15772	15772-5L00-013	CLIP B14.5 TUBE	CLIP B14.5 TUBE	2	
	17301	17301-GFY6-940	RUBBER CANISTER MOUNT	RUBBER CANISTER MOUNT	2	
	17306	17306-AGJ5-E00	TUBE ASSY.,CANISTER-AIR/C	TUBE ASSY.,CANISTER-AIR/C	1	
	17310	17310-LGC6-E01	CANISTER COMP	CANISTER COMP	1	
#	17460	17460-AGA6-M01	VALVE COMP VAPOR CONTROL	VALVE COMP VAPOR CONTROL	1	
	17686	17686-AGJ5-E00	TUBE,FUEL FILLER/CANISTER	TUBE,FUEL FILLER/CANISTER	1	
	17691	17691-AGJ5-E00	TUBE ASSY	TUBE ASSY	1	
	17693	17693-AGJ5-E00	TUBE ASSY	TUBE ASSY	1	
	90660	90660-PWA2-900	CLAMP TUBE	CLAMP TUBE	1	
	95002	95002-02070	CLIP B7 TUBE	CLIP B7 TUBE	2	
	95002A	95002-02080	CLIP B8 TUBE	CLIP B8 TUBE	4	

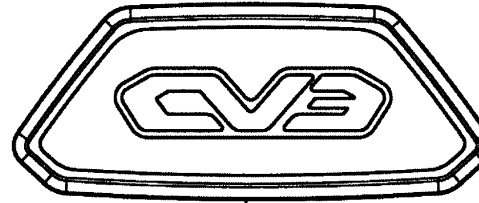




87560



87546



86020



87515



87206-LGE5



87206-AGJ5



86380



86700

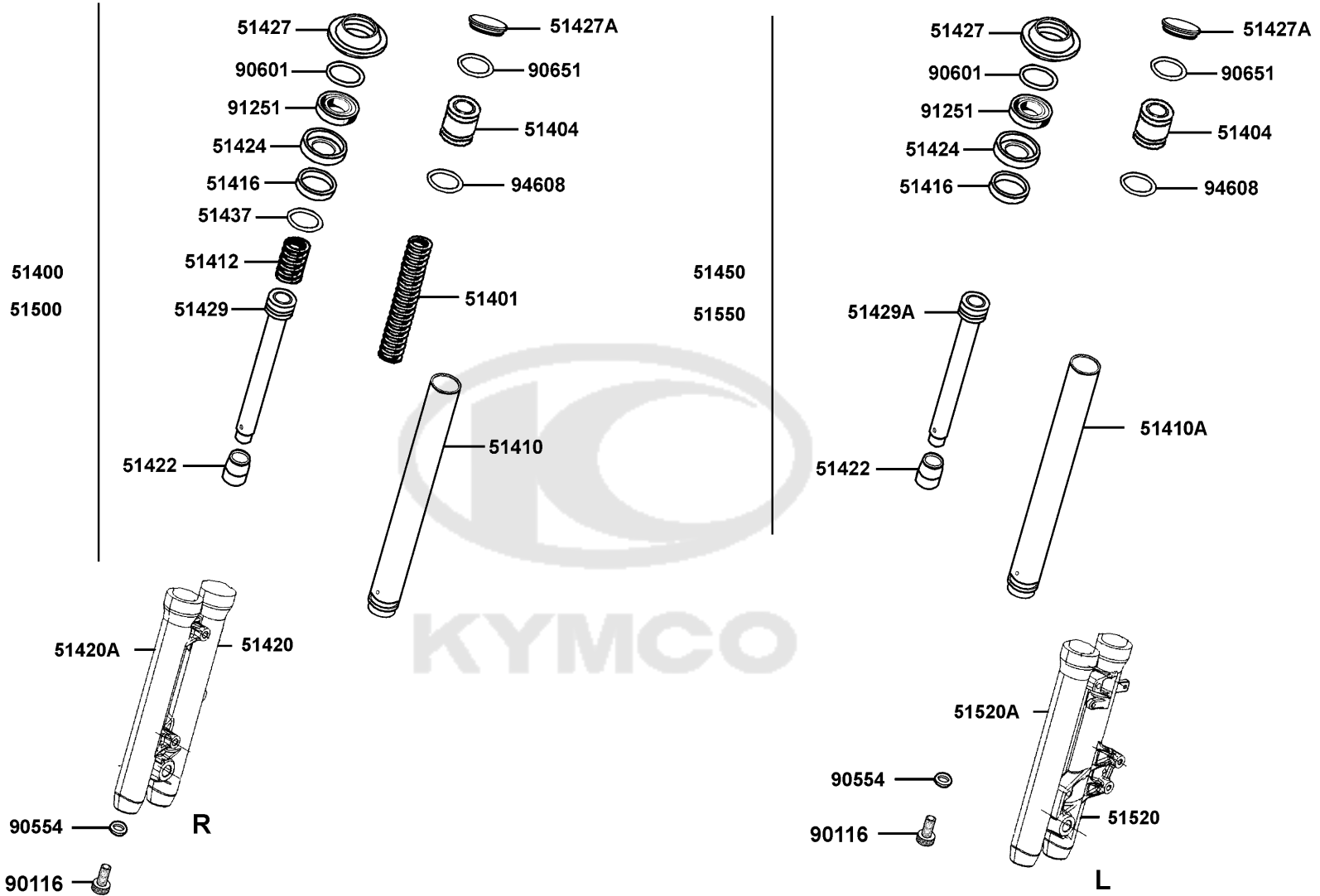


Sales mark	Ref no	Part no	Description	Reg description	Regd no	<b>F24</b>
**	86020	86020-AGJ5-E00	EMB HANDLE COVER	EMB HANDLE COVER	1	
**	86380	86380-LGC6-E00	EMB SIDE MOLD	EMB SIDE MOLD	1	
**	86700	86700-AGJ5-E00	STRIPE LOGO KLAS	STRIPE LOGO KLAS	1	
**	87206-AGJ5	87206-AGJ5-E00	EMB MARK KYMCO	EMB MARK KYMCO	1	
**	87206-LGE5	87206-LGE5-E00	EMB MARK KYMCO	EMB MARK KYMCO	1	
**	87515	87515-AGJ5-E00	CAUTION LIST	CAUTION LIST	1	
**	87546	87546-ADG5-E00	LABEL FUEL TANK	LABEL FUEL TANK	1	
**	87560	87560-AGJ5-E00	MARK DRIVER CAUTION	MARK DRIVER CAUTION	1	



F25

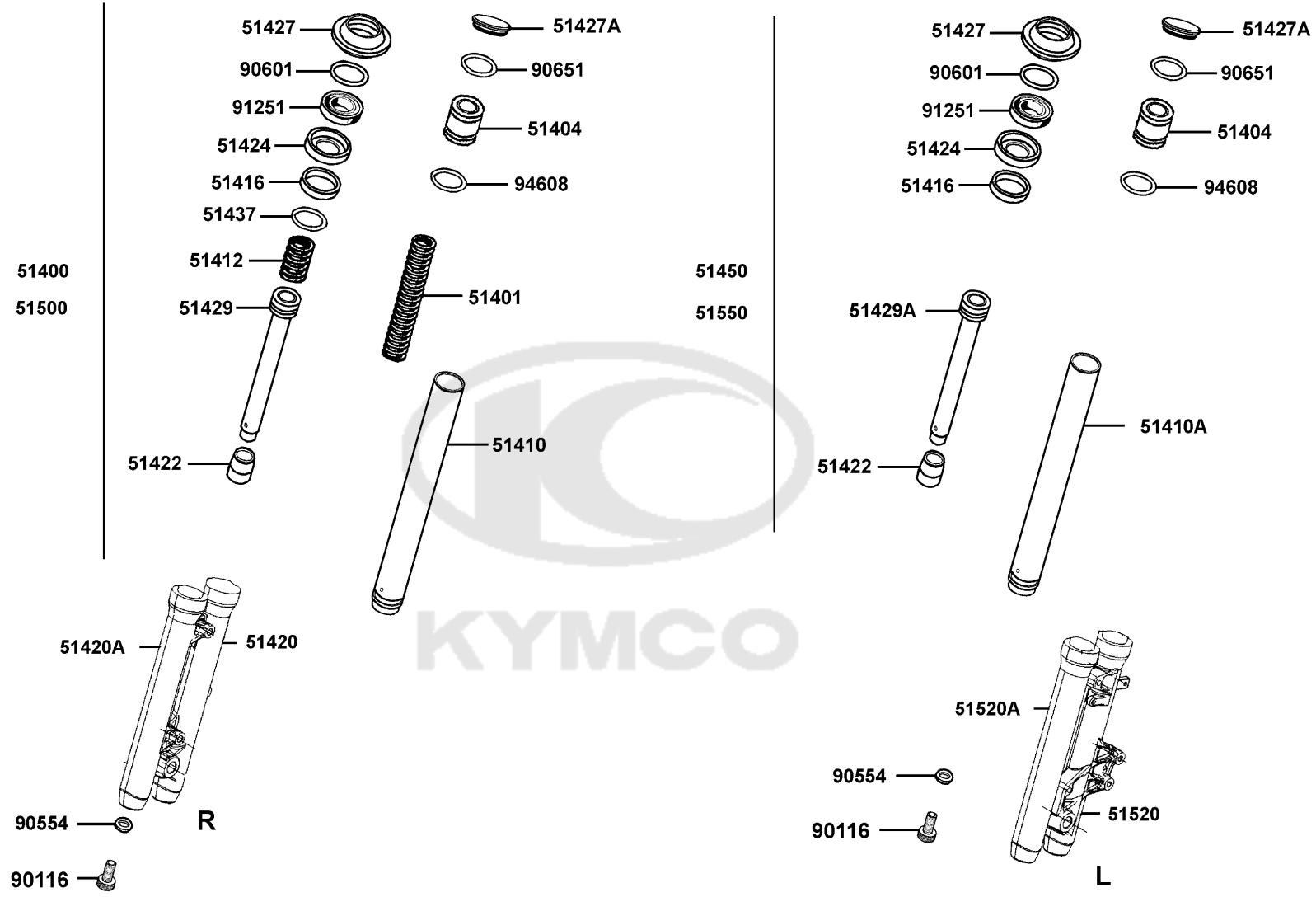
### Separated Parts Of Fr Fork



Sales mark	Ref no	Part no	Description	Reg description	Regd no	F25
	51401	51401-AGJ5-E00	SPRING	SPRING	1	
	51404	51404-LDH1-E00	SPRING COLLAR	SPRING COLLAR	1	
	51410	51410-AGJ5-E00	FORK PIPE COMP / R	FORK PIPE COMP / R	1	
	51410A	51410-AGJ5-E01	FORK PIPE COMP/L	FORK PIPE COMP/L	1	
	51412	51412-LLJ3-E00	REBOUND SPRING	REBOUND SPRING	1	
	51416	51416-LLJ3-E00	GUIDE BUSH	GUIDE BUSH	1	
**	51420	51420-AGJ5-E00	BOTTOM CASE RH	BOTTOM CASE RH	1	
**	51420A	51420-AGJ5-E01	BOTTOM CASE RH	BOTTOM CASE RH	1	
	51422	51422-KED9-900	OIL LOCK PIECE	OIL LOCK PIECE	1	
	51424	51424-LLJ3-E00	SPACER	SPACER	1	
	51427	51427-LDH1-E00	DUST SEAL	DUST SEAL	1	
	51427A	51427-LEA7-E00	FORK BOLT CAP	FORK BOLT CAP	1	
	51429	51429-AGJ5-E00	PIPE SEAT COMP	PIPE SEAT COMP	1	
	51429A	51429-AGJ5-E01	PIPE SEAT	PIPE SEAT	1	
	51437	51437-LGL7-E00	PISTON RING	PISTON RING	1	
**	51520	51520-AGJ5-E00	BOTTOM CASE LH	BOTTOM CASE LH	1	
**	51520A	51520-AGJ5-E01	BOTTOM CASE LH	BOTTOM CASE LH	1	
	90116	90116-KHD8-900	BOLT	BOLT	1	
	90554	90554-2C83-001	PACKING	PACKING	1	
	90601	90601-LLJ3-E00	OIL SEAL STOPPER RING	OIL SEAL STOPPER RING	1	

F25

### Separated Parts Of Fr Fork



Sales mark	Ref no	Part no	Description	Reg description	Regd no	<b>F25</b>
------------	--------	---------	-------------	-----------------	---------	------------

90651		90651-LLJ3-E00	STOPPER RING	STOPPER RING	1	
91251		91251-LLJ3-E00	OIL SEAL	OIL SEAL	1	
94608		94608-LLJ3-E00	O-RING	O-RING	2	



## PART NO. INDEX

PART NO.	VERSION	PAGE	PART NO.	VERSION	PAGE	PART NO.	VERSION	PAGE
<b>11000</b>			11630-LGC6-E00	9	E05	13221-LGC6-E00-C	3	E03
			<b>12000</b>			13221-LGC6-E00-D	3	E03
11108-LGC6-E00	1	F21				13221-LGC6-E00-E	3	E03
1110A-LGC6-E00	14	E01	12100-LGC6-E00	6	E03	13314-LGC6-E00-A	4	E09
11205-PSA6-E00	4	E10	12191-LGC6-E00	2	E03	13314-LGC6-E00-B	4	E09
1121A-LGC6-E00	3	F14	12200-LGC6-305	0	E02	13314-LGC6-E00-C	4	E09
11300-LGC6-E00	5	E05	12205-LEA7-E00	0	E01	13314-LGC6-E00-D	4	E09
11302-LGC6-E00	3	E05	12205-LEA7-E00	0	E04	13314-LGC6-E00-E	4	E09
11305-LGC6-E00	3	E05	12208-LGC6-E00	0	E02	13315-LGC6-E00-A	4	E09
11325-LGC6-E02	1	E10	12209-LEA3-900	0	E02	13315-LGC6-E00-B	4	E09
1133A-LGC6-E00	1	E05	12251-LGC6-E00	2	E02	13315-LGC6-E00-C	4	E09
11340-LGC6-305	0	E04	1231A-LGC6-E00	1	E02	13315-LGC6-E00-D	4	E09
11347-LKF5-E00	1	E07	12391-LGC6-E00	0	E02	13315-LGC6-E00-E	4	E09
1134B-LGC6-E00	9	E05				13323-PRB9-E00-0A	3	E09
11350-LGC6-E00	2	E05	<b>13000</b>			13323-PRB9-E00-0B	3	E09
11383-KHC4-900	0	F20				13341-LGC6-E00	3	E04
11383-KHE7-900	0	F20	1300A-LGC6-E00	9	E09	13341-LGC6-E00	3	E10
11384-LEA7-E05	2	E02	13011-LGC6-E00	0	E03	1341A-LGC6-E00	5	E09
11384-LGC6-E00	4	E04	13101-LGC6-E02	6	E03	1342A-LGC6-E00	5	E09
11384-LGC6-E02	0	E02	13111-LGC6-E00	3	E03			
11384-LGC6-E03	0	E03	13210-LGC6-E00-1	3	E03	<b>14000</b>		
11385-AGJ5-E00	0	E08	13210-LGC6-E00-2	3	E03	14100-LGC6-E00	5	E02
11394-LGC6-E00	5	E05	13213-LGC6-E00	2	E03	14200-LGC6-E00	1	E02
11592-LGC6-E00	1	E01	13221-LGC6-E00-A	3	E03	14401-LGC6-E00	0	E03
11593-LGC6-E00	2	E01	13221-LGC6-E00-B	3	E03	14510-LGC6-E00	3	E03

## PART NO. INDEX

PART NO.	VERSION	PAGE	PART NO.	VERSION	PAGE	PART NO.	VERSION	PAGE
14523-KKE5-E01	4	E03	14773-LGC6-E00-15	0	E02	1541A-LGC6-E00	0	E01
14524-KKE5-E01	1	E03	14773-LGC6-E00-16	0	E02	15421-PRA1-E00	5	E01
1452A-ZPA3-E00	0	E03	14773-LGC6-E00-17	0	E02	1565A-AGJ5-E00	0	E10
14531-KHE7-900	1	E03	14773-LGC6-E00-18	0	E02	15700-LGC6-E00	3	E01
14546-LGC6-E00	1	E02	14773-LGC6-E00-19	0	E02	15772-5L00-013	1	F23
14550-KKE5-E02	1	E03	14777-LGC6-E00	1	E02			
14610-LGC6-E00	2	E03	14781-LGC6-C00	0	E02	<b>16000</b>		
14711-LGC6-E00	1	E02						
14721-LGC6-E00	1	E02	<b>15000</b>			1610K-AKB8-E00	0	E06
14731-LGC6-E00	3	E02				1611A-LGC6-E00	1	E06
14751-LGC6-E00	4	E02	15100-LGC6-E00	5	E08	16703-LHJ8-800	1	F10
14771-LGC6-C00	0	E02	15133-LGC6-E00	1	E08			
14773-LGC6-E00-01	0	E02	15141-GFY6-90C	1	E08	<b>17000</b>		
14773-LGC6-E00-02	0	E02	15161-LGC6-E00	1	E01			
14773-LGC6-E00-03	0	E02	15161-LGC6-E00	1	E10	1711A-AKB8-E00	0	E02
14773-LGC6-E00-04	0	E02	15162-LGC6-E01	0	E10	17126-AKB8-E00	0	E06
14773-LGC6-E00-05	0	E02	15162-PUA5-E00	7	E01	17206-LGC6-305	0	F14
14773-LGC6-E00-06	0	E02	15164-LGC6-E00	2	E01	17207-AKB8-E00	0	F14
14773-LGC6-E00-07	0	E02	1516A-LGC6-E00	0	E01	17211-LGC6-E00	1	F14
14773-LGC6-E00-08	0	E02	1516A-LGC6-E00	0	E10	17225-LGC6-E00	0	F14
14773-LGC6-E00-09	0	E02	15210-PUA5-E00	8	E01	17292-PWB1-900	1	F14
14773-LGC6-E00-10	0	E02	15211-LGC6-E00	2	E01	17301-GFY6-940	3	F23
14773-LGC6-E00-11	0	E02	15214-PUA5-E00	8	E01	17306-AGJ5-E00	0	F23
14773-LGC6-E00-12	0	E02	15216-LGC6-E00	1	E01	17307-AGJ5-E00	3	E06
14773-LGC6-E00-13	0	E02	15333-LEH6-E00	2	E08	17308-LGC6-E00	1	F14
14773-LGC6-E00-14	0	E02	15334-LEH6-E00	2	E08	17310-LGC6-E01	0	F23

## PART NO. INDEX

PART NO.	VERSION	PAGE	PART NO.	VERSION	PAGE	PART NO.	VERSION	PAGE
17359-4K19-671	0	F14	18293-LHJ8-900	2	F15	19104-ACD5-E00	0	F22
17359-LGC6-E00	0	F14	18306-AGJ5-E00	0	F15	19105-LGC6-E00	3	F22
1737A-LGC6-E00	1	F14	1830A-AGJ5-E00	0	F15	19111-PRB3-900	2	F22
17460-AGA6-M01	0	F23	18310-AGJ5-E00	0	F15	19120-LGC6-E00	2	F22
17500-AGJ5-E00	9	F10	18318-AGJ5-E00	0	F15	19210-KKC4-900	0	F22
17521-AGJ5-E00	0	F21	18319-AGJ5-E00	0	F15	19217-PRB9-E01	2	E04
17522-AGJ5-E00	0	F21	18320-AGJ5-E00	0	F15	19220-LGC6-E00	5	E04
17530-AGJ5-E00	0	F13	18325-AGJ5-E00	0	F15	19229-LGC6-E00	0	E04
17550-AGJ5-E00	0	F10	18327-AGJ5-E00	0	F15	19230-LGC6-E00	4	E04
17559-AGJ5-E00	0	F10	18328-AGJ5-E00	0	F15	19317-LBA2-E00	1	E02
17561-LKB9-900	1	F10	18371-LBA2-E00	2	F15	19319-LGC6-E00	0	E02
17620-LGC6-E00	3	F10	18391-LKM5-E00	0	F15	1931A-LGC6-E00	4	E02
17685-AGJ5-E00	0	F10				19320-KED9-90A	1	E02
17685-GLE0-301	2	E06	<b>19000</b>			19501-LGC6-E00	4	E03
17685-KZCZ-900	0	F13				19502-LGC6-E00	4	E04
17686-AGJ5-E00	0	F23	19005-AGJ5-E00	0	F22	19504-LBA2-E00	3	E03
17691-AGJ5-E00	0	F23	19010-LGC6-E00	0	F22	19504-LBA2-E00	3	E04
17693-AGJ5-E00	0	F23	19012-LEA7-E05	1	F22	19505-LBA2-E00	4	F22
17810-LGC6-E00	3	E02	19013-LGC6-E00	1	F22	19507-LDB5-E00	1	F22
17910-AGJ5-E00	0	F03	19014-LGC6-E00	2	F22			
17911-AGJ5-E00	0	F03	19016-AGJ5-E00	0	F22	<b>21000</b>		
			19018-LGC6-E00	1	F22			
<b>18000</b>			19019-LGC6-E00	3	F22	21100-LGC6-E00	8	E05
			19020-LBA2-E00	0	F22	21200-LGC6-306	0	E10
18291-LKG2-90A	1	F15	19025-LGC6-E00	2	F22	21300-LGC6-305	0	E10
18291-PWB1-900	4	F15	19101-AGJ5-E00	0	F22	21395-LGC6-E00	5	E10



## PART NO. INDEX

PART NO.	VERSION	PAGE	PART NO.	VERSION	PAGE	PART NO.	VERSION	PAGE
<b>22000</b>			<b>28000</b>			31601-AGJ5-E00	0	F13
						3195A-LBA7-E00	1	F11
22102-LGC6-E00	1	E07	28102-LEA7-E00	3	E08	<b>32000</b>		
22105-LGC6-E00	4	E07	28110-LGC6-E01	4	E08			
2210B-LGC6-E02	2	E05	28120-LGC6-E00	1	E08	32100-AGJ5-E01	2	F20
22110-LGC6-E00	7	E07	28130-LGC6-E01	2	E08	32101-AGJ5-E00	0	E02
22121-LGC6-305	0	E07				32103-AGJ5-E00	0	F03
22131-LGC6-E00	5	E07	<b>30000</b>			32105-LLJ3-E00	2	E01
22132-ADG5-305	0	E07				32110-AGJ5-E00	0	F20
<b>23000</b>			3051A-LGC6-E00	3	E02	32120-AGJ5-E00	0	F20
			<b>31000</b>			32410-AGJ5-E00	0	E08
23010-LGC6-E00	9	E07				32411-AGJ5-E00	0	F11
23100-LGC6-E00	2	E07	31110-LGC6-E00	1	E08	32412-AGJ5-E00	0	E08
23200-LGC6-E00	3	E07	31120-LGC6-E00	6	E08	<b>33000</b>		
23215-LGC6-E00	5	E05	31129-LGC6-E00	3	E08			
23220-LGC6-E00	7	E07	31210-LGC6-E00	1	E08	33100-AGJ5-E00	7	F01
23225-LKF5-E00	4	E07	31340-LEA7-E00	3	F20	33400-AGJ5-E00	0	F18
23233-LGC6-E00	0	E07	31340-LFH1-E00	1	F20	33450-AGJ5-E00	0	F18
23237-LGC6-E00	0	E07	31345-AGJ5-E00	0	F06	33700-AGJ5-E00	5	F19
23238-LDB5-E00	1	E07	31349-AGJ5-E00	0	F06	33720-LGC6-305	0	F19
23420-LGC6-E00	1	E05	31441-AGJ5-E00	0	F06	33727-LGC6-E00	0	F19
23430-AGJ5-E00	0	E05	31451-AGJ5-E00	0	F06	33731-AGJ5-E00	0	F19
23432-LGC6-E00	4	E05	31500-LGC6-E01	1	F11	33741-ACH7-900	0	F19
23800-AGJ5-E00	0	F17	31600-LKF5-E00	0	F20	33769-AGJ5-E00	1	F19

## PART NO. INDEX

PART NO.	VERSION	PAGE	PART NO.	VERSION	PAGE	PART NO.	VERSION	PAGE
33900-AGJ5-E00	0	F13	3720A-AGJ5-E00	9	F02	39209-AGJ5-E00	0	F11
<b>34000</b>			37215-LEA2-900	0	F02	3920A-AGJ5-E00	5	F11
			37215-LKG2-910	1	F01	39300-KKE5-800	2	E02
			37224-AGJ5-E00	5	F02	39400-LEA6-800	2	E02
34010-AGJ5-E00	0	F20	37800-AGJ5-E00	0	F10	39450-ZVA6-M00	1	F15
<b>35000</b>			<b>38000</b>			39500-AAC9-900	1	F14
						39600-ACH6-900	0	F10
						39650-AGJ5-E00	6	F20
35101-AGJ5-E00	0	F03	38110-AGJ5-E00	0	F20	39660-LGC6-E00	0	F07
3515A-AGJ5-E00	0	F03	38300-KKE5-E00	3	F20	39660-LGC6-E00	0	F08
3520A-AGJ5-E00	9	F03	38401-AKD3-900	0	F03			
35230-AGJ5-E01	0	F03	38500-LGL3-90A	5	F04	<b>40000</b>		
35240-AKB8-E01	0	F03	38500-LGL3-90A	5	F11			
35340-AGJ5-E00	0	F04	3860A-ADG5-E00	0	F11	40510-AGJ5-E00	0	F17
35350-AGJ5-E00	0	F16	38620-LGC6-E00	3	F10	40511-AGJ5-E00	0	F17
35500-LGC6-E00	2	E01	38670-AGJ5-E01	0	F20	40520-AGJ5-E00	0	F17
35850-KHB4-90A	5	F11	38700-AGJ5-305	0	F20	40521-AGJ5-E00	0	F17
<b>36000</b>			38703-AGJ5-E00	0	F20	40530-AGJ5-E00	0	F08
			38704-AGE2-E00	4	F20	40543-LGC6-E00	2	F08
			38705-AGJ5-E01	0	F05	40553-LGC6-E00	2	F08
			38709-AGJ5-E00	0	F20			
36509-AGJ5-E00	0	F20	<b>39000</b>			<b>41000</b>		
3650A-LGC6-E00	5	F20						
<b>37000</b>								
			39100-LGC6-E00	0	F20	41201-AGJ5-E00	0	F08
			39208-AGJ5-E00	0	F11	41202-LGC6-E00	6	F08
37209-AGJ5-E00	0	F02						

## PART NO. INDEX

PART NO.	VERSION	PAGE	PART NO.	VERSION	PAGE	PART NO.	VERSION	PAGE	
<b>42000</b>			43351-LGC6-E01	3	F08	45108-MDL4-007	2	F07	
			43352-AGJ5-E00	2	F08	45109-GBE2-007	0	F07	
			43353-4A61-77A	0	F07	45110-AGJ5-305	0	F07	
	42301-AGJ5-E00	1	F08	4335A-LBA2-E01	2	F07	45121-AGJ5-E00	2	F07
	42312-AGJ5-E00	5	F08	4335A-LGC6-E00	0	F04	45126-AGJ5-E00	10	F04
	42313-LGC6-E00	3	F08	43450-AGJ5-E00	5	F03	45127-AGJ5-E00	0	F04
	42600-LGC6-305	0	F08	43500-AGJ5-E01	8	F16	45128-AGJ5-E00	0	F06
	42620-LGC6-E00	0	F08	43530-AGJ5-305	0	F04	45129-AGJ5-E00	0	F04
	42710-AGJ5-E00	0	F08	43600-LDB5-E00	5	F04	45130-AGJ5-E00	0	F04
				43621-AGJ5-E00	0	F04	45131-1F66-017	0	F07
<b>43000</b>			43631-AGJ5-E00	0	F04	45131-GBE2-007	1	F07	
						45131-LDH1-E00	0	F08	
	43100-LGC6-E01	7	F08	<b>44000</b>		45132-1F66-017	0	F07	
	43105-LGC6-305	0	F08			45132-LDH1-E00	0	F08	
	43109-LGC6-E00	3	F08	44301-AGJ5-E00	2	F07	45133-MCA3-007	0	F07
	43110-AGJ5-E00	0	F08	44311-AGJ5-E00	1	F07	45134-KED9-900	0	F08
	43113-LBA2-E00	0	F08	44601-AGJ5-E00	0	F07	45135-KED9-900	0	F08
	43126-AGJ5-E00	0	F04	44620-AGJ5-E00	2	F07	45136-AGJ5-E00	10	F04
	43127-AGJ5-E00	0	F04	44650-AGJ5-305	0	F07	45156-AGJ5-E00	6	F06
	43128-AGJ5-E00	0	F08	44710-AGJ5-E00	0	F07	45157-AGJ5-E00	5	F06
43129-AGJ5-E00	0	F04				45158-AGJ5-E00	0	F06	
43130-AGJ5-E00	0	F04	<b>45000</b>			45160-AGJ5-E00	0	F06	
43156-AGJ5-E00	0	F08				45200-AGJ5-E00	0	F07	
43157-AGJ5-E00	4	E04	45100-AGJ5-E00	0	F07	45205-AGJ5-305	0	F07	
43157-AGJ5-E00	4	E05	45105-AGJ5-305	0	F07	45209-GBE2-007	0	F07	
43210-LGC6-305	0	F08	45107-MEN5-007	0	F07	45209-LGC6-E00	3	F08	

## PART NO. INDEX

PART NO.	VERSION	PAGE	PART NO.	VERSION	PAGE	PART NO.	VERSION	PAGE
45210-AGJ5-305	0	F07				50195-AGJ5-E00	0	F21
45215-AGJ5-E00	0	F07	<b>49000</b>			50306-1F96-001	0	F06
45216-1F66-007	0	F07				50329-AGJ5-E00	0	F11
45216-KFW6-90A	0	F07	49100-AGJ5-305	0	F04	5032A-AGJ5-E00	0	F11
45352-AGJ5-E00	2	F07	49110-AGJ5-E00	0	F04	5032B-AGJ5-E00	0	F11
45513-AGJ5-E00	0	F04	49211-LFH1-E00	1	F04	50500-AGJ5-E00	0	F16
45513-LEA7-E00	1	F04				50501-LGC6-E00	0	F16
45517-KFAF-900	0	F04	<b>50000</b>			50502-GFY6-901	3	F16
45520-KKA8-900	0	F04				50504-AGJ5-E00	0	F17
45521-LEA7-E00	1	F04	50129-AGJ5-305	0	F16	50550-KKC2-E00	0	F16
45530-AGJ5-305	0	F04	5013A-AGJ5-E00	0	F21	50611-AGJ5-E00	0	F22
<b>46000</b>			50143-AGJ5-E00	0	F22	50612-AGJ5-E00	0	F22
			50144-AGJ5-E00	5	F22	50613-AGJ5-E00	0	F22
			50145-AGJ5-E00	0	F21	50615-AGJ5-E00	0	F22
46300-AGJ5-305	0	F06	50149-AGJ5-E00	7	F10	50616-LGC6-E00	1	F22
46500-AGJ5-E00	0	F16	50150-AGJ5-E00	0	F21	5071A-AGJ5-E00	0	F21
46503-KCW3-001	0	F16	50176-AGJ5-E00	7	F21	5072A-AGJ5-E00	0	F21
46505-AGJ5-E00	4	F16	50177-AGJ5-E00	0	F21	<b>51000</b>		
<b>47000</b>			50180-AGJ5-E00	0	F10			
			50182-AGJ5-E00	0	F22	51400-AGJ5-E00	0	F06
			50186-AGJ5-E00	0	F21	51401-AGJ5-E00	0	F25
47300-AGJ5-305	0	F06	50188-AGJ5-E00	0	F10	51404-LDH1-E00	0	F25
47304-AGJ5-E00	0	F06	50189-AGJ5-E00	0	F21	51410-AGJ5-E00	0	F25
			50191-LGC6-E00	0	F21	51410-AGJ5-E01	0	F25
			50192-AGJ5-E00	0	F21	51412-LLJ3-E00	0	F25
			50193-AGJ5-E00	0	F21			

## PART NO. INDEX

PART NO.	VERSION	PAGE	PART NO.	VERSION	PAGE	PART NO.	VERSION	PAGE
51416-LLJ3-E00	0	F25				53229-AGJ5-E00	0	F06
51420-AGJ5-E00	0	F25	<b>53000</b>			53234-AGJ5-E00	0	F03
51420-AGJ5-E01	0	F25				53240-LEA7-90A	2	F06
51422-KED9-900	0	F25	53100-AGJ5-E00	0	F03	53240-LEA7-90A	2	F16
51424-LLJ3-E00	0	F25	53105-LGC6-E00	2	F03	53250-LEA7-90A	2	F06
51427-LDH1-E00	0	F25	53108-AGJ5-E00	7	F03	53250-LEA7-90A	2	F16
51427-LEA7-E00	0	F25	53109-LGC6-E00	0	F03	5328A-AGJ5-E00	0	F02
51429-AGJ5-E00	0	F25	53111-AGJ5-E00	0	F03	53310-AGJ5-E00	5	F06
51429-AGJ5-E01	0	F25	53112-AGJ5-E00	0	F03	53320-AGJ5-E00	0	F06
51430-ACD5-E00	0	F08	53115-AGJ5-E00	0	F03	53330-AGJ5-E00	0	F06
51437-LGL7-E00	0	F25	53116-AGJ5-E00	0	F03	53350-AGJ5-E00	0	F06
5145A-AGJ5-E00	0	F06	53125-LEA7-E00	2	F06	53352-AGJ5-E00	0	F06
51500-AGJ5-E00	0	F06	53165-LGC6-E01	4	F03	53400-AGJ5-E00	0	F12
51520-AGJ5-E00	0	F25	53166-LGC6-E01	6	F03	53502-AGJ5-E00	0	F12
51520-AGJ5-E01	0	F25	53175-AGJ5-E00	0	F04	53503-AGJ5-E00	3	F12
51550-AGJ5-E00	0	F06	53178-AGJ5-E00	0	F04	53504-AGJ5-E00	0	F12
<b>52000</b>			53200-AGJ5-E00	0	F06	53550-AGJ5-E00	0	F12
			53203-AGJ5-E00	4	F03	53553-AGJ5-E00	0	F12
			53205-AGJ5-E00	0	F03	53554-AGJ5-E00	0	F12
52100-AGJ5-E00	0	F17	53206-AGJ5-E00	0	F03	53555-AGJ5-E00	0	F12
52120-AGJ5-E00	0	F17	53213-LBA2-E00	2	F06	53560-AGJ5-E00	0	F12
52130-AGJ5-E00	0	F17	53214-AGJ5-E00	0	F02	53562-AGJ5-E00	0	F12
52133-LGC6-E00	6	F17	53214-LBA2-E00	2	F06	53601-AGJ5-E00	0	F06
52134-LGC6-E00	3	F17	53215-AGJ5-E00	0	F03	53611-AGJ5-E00	0	F06
52400-AGJ5-E00	0	F17	53220-LBA2-E00	4	F06	53621-AGJ5-E00	0	F06
52415-LGC6-E00	0	F17	53224-AGJ5-E00	3	F03	5370A-AGJ5-E00	0	F06

## PART NO. INDEX

PART NO.	VERSION	PAGE	PART NO.	VERSION	PAGE	PART NO.	VERSION	PAGE
53900-AGJ5-E00	0	F12	64240-LGC6-E00	3	F03	77205-AGJ5-E00	0	F09
53921-AGJ5-E00	0	F12	64301-AGJ5-E00	0	F05	77206-LKB9-900	1	F09
<b>61000</b>			64302-AGJ5-E00	0	F05	77210-AGJ5-E00	0	F09
			64303-AGJ5-E00	0	F05	77220-AGJ5-E00	0	F09
			64305-AGJ5-E00	0	F05	77226-AGJ5-E00	0	F10
61100-AGJ5-E00	0	F06	64306-AGJ5-E00	0	F05	77232-KCAC-901	2	F19
61101-AGJ5-E00	1	F06	64310-AGJ5-E00	0	F05	77235-AGJ5-E00	4	F10
61102-AGJ5-E00	0	F06	64311-AGJ5-E00	0	F05	77235-BLA3-900	2	F10
61102-LGL7-E00	1	F06	64312-AGJ5-E00	0	F05	7723A-AGJ5-E00	0	F19
61103-AGJ5-E00	1	F06	64313-AGJ5-E00	0	F05	77240-AGJ5-E00	0	F10
61105-AGJ5-E00	0	F06	64315-AGJ5-E00	0	F21	77241-AGJ5-E00	0	F10
61200-AGJ5-E00	0	F06	64320-AGJ5-E00	0	F05	77300-AGJ5-E00	0	F09
61201-AGJ5-E00	1	F06	64330-AGJ5-E00	0	F05	77303-LAB4-900	1	F09
61202-AGJ5-E00	0	F06	64335-AGJ5-E00	0	F05	77303-LEA5-E00	1	F09
61205-AGJ5-E00	0	F06	64340-AGJ5-E00	0	F05			
<b>64000</b>			64345-AGJ5-E00	0	F05	<b>80000</b>		
			64355-AGJ5-E00	0	F05			
			64365-AGJ5-E00	0	F05	80101-AGJ5-E00	7	F19
64101-AGJ5-E00	0	F05	64400-AGJ5-E00	4	F05	80106-LGC6-E00	0	F19
64130-AGJ5-E00	3	F03	64401-AGJ5-E00	0	F05	80107-AGJ5-E00	0	F19
64140-LGC6-E00	3	F03				80108-AGJ5-E00	0	F19
64201-AGJ5-E00	0	F05	<b>77000</b>			8010A-AGJ5-E00	0	F19
64222-KKC4-900	3	F03				8010B-LGC6-E00	2	F18
64222-LLJ3-E00	1	F03	77200-AGJ5-E00	7	F09	80151-AGJ5-E00	0	F05
6422A-LGC6-S00	0	F03	77203-AGJ5-E00	0	F09	80153-AGJ5-E00	0	F13
64230-AGJ5-E00	3	F03	77204-AGJ5-E00	0	F09	80154-AGJ5-E00	0	F09

## PART NO. INDEX

PART NO.	VERSION	PAGE	PART NO.	VERSION	PAGE	PART NO.	VERSION	PAGE
8015A-AGJ5-E00	0	F13	83600-AGJ5-E00	0	F13	<b>87000</b>		
<b>81000</b>			83610-AGJ5-E00	0	F05			
			83620-AGJ5-E00	0	F05			
			83631-AGJ5-E00	2	F13		87206-AGJ5-E00	0
81131-AGJ5-E00	5	F05	8363A-AGJ5-E00	0	F13	87206-LGE5-E00	3	F24
81141-AGJ5-E00	0	F05	83751-AGJ5-E00	0	F13	87515-AGJ5-E00	0	F24
81151-AGJ5-E00	0	F05	83752-AGJ5-E00	0	F13	87546-ADG5-E00	2	F24
81200-AGJ5-E00	0	F13	83753-AGJ5-E00	0	F13	87560-AGJ5-E00	0	F24
81210-AGJ5-E00	0	F13	83754-AGJ5-E00	0	F13	<b>88000</b>		
81260-AGJ5-E00	0	F13	83755-AGJ5-E00	0	F13			
<b>82000</b>			8375A-AGJ5-E00	0	F13			
			<b>84000</b>				88110-AGJ5-E00	3
82500-AGJ5-E00	0	F13				88120-AGJ5-E00	3	F03
82600-AGJ5-E00	0	F13	84500-AGJ5-E00	0	F13	<b>89000</b>		
<b>83000</b>			84600-AGJ5-E00	0	F13			
			<b>86000</b>			89010-LGC6-E00	2	F09
83500-AGJ5-E00	0	F13				<b>90000</b>		
83510-AGJ5-E00	0	F05	86020-AGJ5-E00	0	F24			
83520-AGJ5-E00	0	F05	86102-LGC6-E00	5	F03	90001-GBHB-661	3	E08
83531-AGJ5-E00	2	F13	86380-LGC6-E00	2	F24	90004-LGC6-E00	1	E05
8353A-AGJ5-E00	0	F13	86700-AGJ5-E00	0	F24	90005-LEH6-E00	3	E03
83550-KEC8-900	4	F06				90007-LGC6-E00	0	E02
83551-KEC8-900	4	F06				90010-KKE5-E01	4	E10
83551-KEC8-900-R1	0	F06				90018-KKE5-E00	2	E02

## PART NO. INDEX

PART NO.	VERSION	PAGE	PART NO.	VERSION	PAGE	PART NO.	VERSION	PAGE
90027-PUA5-E00	9	E02	90113-LGE5-E02	0	F04	90304-GHE8-004	0	F16
90033-KGB4-C00	2	E02	90116-KHD8-900	0	F25	90304-GHE8-004	0	F21
90033-LGC6-E00	0	E01	90122-AGJ5-E00	0	F03	90304-GLW0-90A	1	F12
90084-4H28-001	1	E04	90122-KEBE-900	2	F07	90304-LEA1-900	1	F03
90084-KKE5-E00	5	E05	90123-LGC6-E00	0	F16	90304-LGC6-E00	1	F15
90084-KKE5-E00	5	E10	90125-AGJ5-E00	0	F16	90304-LGC6-E00	1	F16
90101-LEA7-E00	1	F15	90145-LBA2-E00	2	F04	90305-KFW6-900	1	F07
90101-LGC6-E00	1	F17	90145-LEA3-E01	1	F04	90305-LBA2-E00	1	F06
90102-LGC6-E00	0	F17	90201-KHR8-75A	1	E09	90305-LBD4-900	1	F03
90105-AGJ5-E00	0	F13	90201-LGC6-E00	2	F17	90305-LBD4-900	1	F16
90105-KCR3-001	1	F07	90202-LDB5-E00	3	E07	90306-GLW0-90A	1	F12
90105-KCR3-001	1	F08	90204-LGC6-E00	0	E05	90306-LBA2-900	1	F08
90105-KCR3-010	1	F12	90301-GFY6-901	2	F15	90306-LFE2-910	0	F21
90105-KFC2-900	0	F03	90301-LAC5-671	1	F01	90309-GLW0-90A	1	F06
90106-LKF5-E00	2	F16	90301-LAC5-671	1	F22	90309-LBE8-900	1	F06
90110-KED9-900	2	F06	90301-LGN5-E00	1	F07	90311-PWB1-900	0	E05
90111-AGJ5-E00	0	F02	90302-GBR2-001	2	F16	90312-GLF0-001	0	F03
90111-LEA2-900	1	F15	90302-GFY6-940	2	F20	90312-LLJ3-E00	1	F03
90111-LEB1-900	1	F13	90302-GFY6-950	0	F10	90312-PWB1-900	0	E05
90111-LEB1-910	0	F19	90302-LBF2-900	2	F14	90313-PWB1-900	0	E05
90111-LEC8-E00	1	F08	90302-LLB1-E02	0	F06	90314-PWB1-900	0	E05
90111-LEC8-E01	3	F19	90302-SDA4-004	3	F03	90315-PWB1-900	0	E05
90111-LGC6-E01	1	F03	90302-SDA4-004	3	F05	90316-PWB1-900	0	E05
90111-LGC6-E01	1	F17	90302-SDA4-004	3	F13	90317-PWB1-900	0	E05
90112-AGJ5-E00	0	F02	90302-SDA4-004	3	F19	90318-PWB1-900	0	E05
90113-KKA8-900	0	F04	90304-GHE8-004	0	F06	90319-PWB1-900	0	E05



## PART NO. INDEX

PART NO.	VERSION	PAGE	PART NO.	VERSION	PAGE	PART NO.	VERSION	PAGE	
90320-PWB1-900	0	E05	90554-2C83-001	0	F25	<b>91000</b>			
90321-PWB1-900	0	E05	90601-LLJ3-E00	0	F25				
90322-PWB1-900	3	E05	90622-LHJ8-900	1	F20				
90323-PWB1-900	0	E05	90650-LHJ6-900	0	F20		91201-LGC6-E00	1	E05
90324-PWB1-900	0	E05	90651-LKE6-900	1	F20		91201-LKF5-E00	1	E09
90401-KKJ9-001	0	E09	90651-LLJ3-E00	0	F25		91202-LGC6-E00	3	E05
90403-LGC6-E00	1	E05	90652-GFY6-901	1	E02		91202-LKG2-900	1	E04
90412-3K29-001	0	E08	90652-KHE7-900	0	F14		91205-LGC6-E00	1	E05
90412-PUA5-E00	4	E01	90652-LCA4-E00	6	F01		91211-LGC6-E00	0	E07
90441-LKF5-E00	0	E05	90652-LCA4-E00	6	F05		91251-LLJ3-E00	0	F25
90442-LGC6-E00	1	E01	90652-LCA4-E00	6	F13		91252-LGC6-E00	2	E10
90452-LBA7-900	1	E05	90652-LFB5-900	3	F03		91252-LGC6-E00	2	F17
90459-LKF5-E00	0	E04	90652-LFB5-900	3	F05		91254-KED9-900	2	F07
90463-PUA5-E00	4	E10	90652-LFB5-900	3	F13		91254-LGC6-E00	1	F08
90465-PUA5-E00	5	E01	90652-LFB5-900	3	F18		91257-LGC6-E00	0	F17
90478-7L00-001	0	E02	90652-LGC6-E00	0	F03		91301-LGC6-E00	2	E01
90478-7L00-001	0	E04	90653-LCA4-E00	1	F05		91301-LGC6-E00	2	E05
90501-KNBN-901	0	F16	90656-KCBC-900	0	F03		91302-KKE5-800	1	E02
90501-KNBN-901	0	F17	90656-KUDU-900	0	F20		91302-LDB2-E00	1	E02
90501-LEH6-E00	0	E03	90656-ZVA6-M00	0	F20	91302-PRA1-E00	3	E01	
90503-0A51-870	0	F17	90660-LGC6-E00	0	F14	91303-3G77-001	0	E04	
90503-LEA7-E00	2	F06	90660-PWA2-900	1	F23	91303-PUA5-E00	3	E08	
90525-KED9-900	2	E01	90662-LHG7-E00	1	F22	91304-LFA7-E00	3	E01	
90525-KED9-900	2	E03	90664-LKJ1-900	0	F21	91304-LGC6-E00	4	E05	
90541-PUA5-E00	4	E02	90677-GAR1-004	2	F11	91305-LEH6-E00	0	E01	
90545-3L00-001	2	F04	90805-LGC6-E00	3	E01	91305-LEH6-E00	0	E03	

## PART NO. INDEX

PART NO.	VERSION	PAGE	PART NO.	VERSION	PAGE	PART NO.	VERSION	PAGE
91305-LEH6-E00	0	E10	93404-06012-06	1	F13	93903-GFY6-900	1	F03
91306-PUA5-E00	3	E01	93404-06012-06	1	F17	93903-GFY6-900	1	F05
91306-PUA5-E00	3	E10	93404-06012-06	1	F19	93903-GFY6-900	1	F13
91307-0E35-001	1	E10	93404-06012-06	1	F22	93903-LGC6-E01	0	F19
91308-LGC6-E00	3	E01	93404-06016-08G	0	F11			
91311-PRA1-E00	3	E01	93404-06016-08G	0	F22	<b>94000</b>		
91316-PRA1-E00	3	E01	93404-06020-08G	0	F03			
91351-LDB5-E00	1	E07	93404-06025-08G	0	F22	94001-LGC6-E00	0	E07
91552-LEH6-E00	0	E03	93500-05010-0F	0	F03	94021-05070-0S	0	F19
91552-LGC6-E00	0	E01	93500-05012-0F	0	F11	94050-06060	1	E05
91552-LGC6-E00	0	E05	93500-LGC6-E00	0	F10	94050-06060	1	F04
			93600-04012-1G	0	F04	94050-06080-G	1	F09
<b>92000</b>			93893-04012-18	0	F04	94050-06080-G	1	F10
			93903-24320-G	0	F01	94050-06080-G	1	F11
92000-05016-0G	0	E08	93903-24320-G	0	F02	94050-06080-G	1	F19
92101-05012-0HG	1	F07	93903-24320-G	0	F03	94050-06080-G	1	F20
92101-LGC6-E00	2	F17	93903-24320-G	0	F05	94050-08020	0	F17
92918-AGJ5-E00	1	F07	93903-24320-G	0	F11	94050-10060	0	E01
			93903-24320-G	0	F13	94050-10080-G	1	F12
<b>93000</b>			93903-24320-G	0	F19	94050-LKF5-E00	1	E07
			93903-24320-G	0	F22	94101-04800	0	F10
93404-06012-06	1	F02	93903-25260	1	F13	94101-06200	1	F15
93404-06012-06	1	F03	93903-25460	0	F14	94101-10000	0	F03
93404-06012-06	1	F05	93903-34360	0	F14	94101-10000	0	F16
93404-06012-06	1	F06	93903-35220-G	0	F01	94101-10800	0	F02
93404-06012-06	1	F11	93903-35220-G	0	F18	94101-12000	0	F03

## PART NO. INDEX

PART NO.	VERSION	PAGE	PART NO.	VERSION	PAGE	PART NO.	VERSION	PAGE
94101-AGJ5-E00	0	F07	94520-32180	0	E10	95014-PRB3-900	0	F20
94101-LEA2-900	0	F15	94520-40000	0	F12	95701-06010-06	1	F14
94101-LGC6-E00	0	F08	94520-42000	2	E05	95701-06012-06	1	F03
94102-08000	5	F03	94520-42000	2	F03	95701-06012-06	1	F06
94102-KED9-900	1	F03	94520-42000	2	F12	95701-06012-06	1	F10
94102-LGC6-E00	3	E04	94520-47000	0	F12	95701-06012-06	1	F20
94111-06800	0	E02	94591-25000	0	F10	95701-06012-06	1	F22
94111-ACD5-E00	1	F15	94591-KEBE-900	0	F14	95701-06012-08G	1	F13
94201-20120	0	F16	94591-KFBF-900	2	F22	95701-06018-06	0	F06
94201-25250	0	F16	94591-LGC6-E00	0	F20	95701-06020-06	1	F03
94301-08140	4	E01	94601-17000	0	E03	95701-06020-06	1	F04
94301-08140	4	E02	94608-LLJ3-E00	0	F25	95701-06022-08G	0	F16
94301-08140	4	E05				95701-06030-06	0	F06
94301-08140	4	E10	<b>95000</b>			95701-06040-08G	0	F04
94301-10120	0	F06				95701-08012-08G	1	F20
94301-10200	2	E05	95002-02070	2	E06	95701-08012-08G	1	F21
94301-12200	1	E02	95002-02070	2	F23	95701-08016-08G	0	F03
94301-12200	1	F06	95002-02080	0	F13	95701-08016-08G	0	F04
94301-12200	1	F17	95002-02080	0	F23	95701-08016-08G	0	F10
94302-10160	0	F16	95002-02100	0	F22	95701-08016-08G	0	F17
94303-05080	0	F03	95002-02110	0	F14	95701-08016-08G	0	F21
94401-25140	4	E09	95002-41250-00	0	F14	95701-08016-08G	0	F22
94510-10000	0	E08	95002-70000	0	F22	95701-08020-06	1	F21
94510-12000	0	E04	95002-KED9-M30	1	F14	95701-08025-06	0	E05
94510-25000	0	E05	95002-LHG8-E00	1	F14	95701-08025-06	0	F21
94520-32180	0	E04	95002-LKF5-E00	2	F14	95701-08025-08G	0	F04

## PART NO. INDEX

PART NO.	VERSION	PAGE	PART NO.	VERSION	PAGE	PART NO.	VERSION	PAGE
95701-08025-08G	0	F21	96001-06018-08G	1	F14	96100-30203-10	0	E05
95701-08025-08G	0	F22	96001-06022-08G	1	F04	96100-60010-00	0	E04
95709-PRA1-E00	4	E05	96001-06028-06	0	E03	96100-60060-00	0	E10
95801-08045-08G	0	F16	96001-06035-06	0	E01	96100-62010-00	0	E04
95801-08090-06	0	E01	96001-06035-06	0	E08	96100-62050-00	2	E05
95801-10030-06	0	F16	96001-06055-06	0	E01	96100-62050-00	2	E10
95801-10045-06	2	F06	96001-06090-06	2	E01	96100-62060-00	2	E05
95801-10050-08G	0	F06	96001-06130-06	1	E02	96100-63020-00	0	E05
95801-10050-08G	0	F21	96001-LAB4-900	3	F14	96100-63040-00	1	E05
95801-10055-08G	0	F21	96005-PRA1-E00	2	E01	96100-LGC6-E00	0	F17
95801-10075-06	0	F12	96005-PRA1-E00	2	E02	96140-62010	0	E10
95801-10080-08G	0	F17	96008-PRA1-E00	2	E02	96150-60060-10	0	E05
95801-10120-06	0	F12	96008-PRA1-E00	2	E04	96150-62060-10	0	F17
95801-10120-06	0	F17	96011-PRA1-E00	2	E10	96150-63020-10	0	F12
95801-12290-06	0	F21	96012-PRA1-E00	2	E05	96150-63030-10	0	F07
95801-AGJ5-E00	0	F12	96013-LGC6-E00	0	E04	96150-63030-10	0	F12
95801-LEA1-900	1	F08	96013-LGC6-E00	0	E08	96150-69050-00	5	F03
			96014-PRA1-E00	2	E02	96150-AGJ5-E00	0	F06
			96015-PRA1-E00	2	E04	96150-LGC6-E00	0	F08
			96018-PRA1-E00	2	E05	96211-16000	2	E01
			96023-PRA1-E00	0	E02	96220-40158	1	E08
			96023-PRA1-E00	0	E05	96600-06015-10	4	E08
			96023-PRB9-E00	0	E04	96600-08020-16	2	F21
			96026-PRA1-E00	0	E05	96600-08020-18G	0	F06
			96033-PRA1-E00	2	E05	96600-08025-06	0	F06
			96052-PRA1-E00	0	F08	96600-LEA7-E01	1	F15
<b>96000</b>								

## PART NO. INDEX

PART NO.	VERSION	PAGE	PART NO.	VERSION	PAGE	PART NO.	VERSION	PAGE
96700-06020-06	0	F17						
96700-08040-08G	0	F06						
96700-10050-08G	0	F17						
96700-AGJ5-E00	0	F21						
96700-LDB4-900	0	F15						
96700-LGC6-E00	1	F17						
<b>98000</b>								
98059-57916-00	2	E02						

