

KEEWAY ARN 125 (2010)

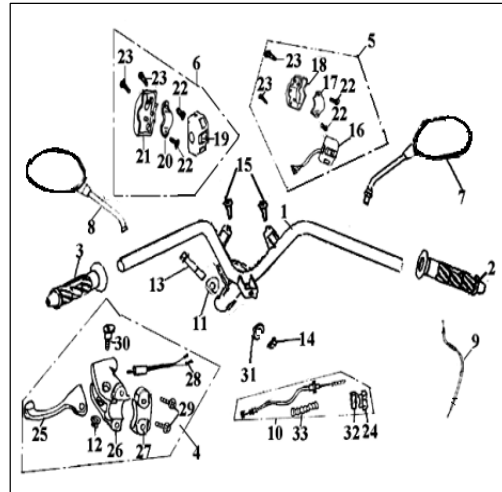


KEEWAY ARN 125 (2010)

F01 STEERING ASSY.

NO.	CODE	EN DESCRIPTION	QTY.
1	40100J4AT000	HANDLE BAR COMP.	1
2	40212J4AT000	GRIP, THROTTLE	1
3	40001J4AT000	GRIP, L.	1
4	40080J4AT000	LEVER ASSY., L.	1
5	40600J4AT002	SWITCH ASSY., HANDLE R.	1
6	40500J4AT001	SWITCH ASSY., HANDLE L.	1
7	40470BMBT000	MIRROR, RR. VIEW, R.	1
8	40460BMBT000	MIRROR, RR. VIEW, L.	1
9	40300J4AT000	CABLE ASSY., THROTTLE	1
10	40270J4AT000	CABLE, REAR BRAKE	1
11	40113J4AT000	COLLAR, STEERING STEM	1
12	B04170600055	NUT 6MM	1
13	B01071005065	BOLT 10X1.25X50MM	1
14	B04071012555	NUT 10X1.25MM	1
15	B05004801305	TAPPING SCREW 4.8X13MM	2
16	40610J4AT002	TOP, R. SWITCH	1
17	40606J4AT000	FIXING PIECE, R. SWITCH	1
18	40620J4AT000	SEAT, R. SWITCH	1
19	40510J4AT000	TOP, L. SWITCH	1
20	40506J4AT000	FIXING PIECE, L. SWITCH	1
21	40520J4AT001	SEAT, L. SWITCH	1
22	B02000501023	SCREW 5X10MM	4
23	B02000502525	SCREW 5X20MM	4
25	40084J4AT000	LEFT LEVER	1
26	40082J4AT000	BRACKET, HANDLEBAR	1
27	40081J4AT000	FIXING COVER	1
28	91700J4AT000	SWITCH, REAR BRAKE	1
29	B01070602265	BOLT 6X22MM	2
30	40083J4AT000	FIXING BOLT	1
31	B07000001003	SPRING WASHER 10MM	1

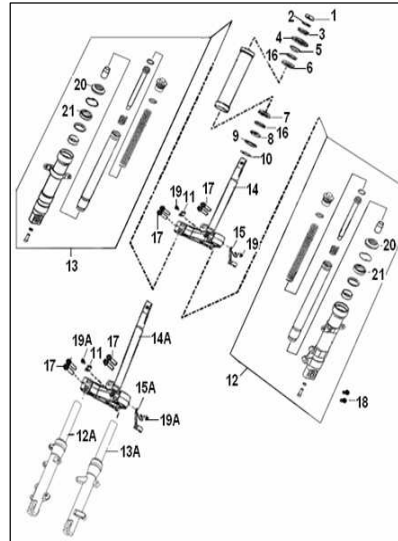
NOTES



KEEWAY ARN 125 (2010)

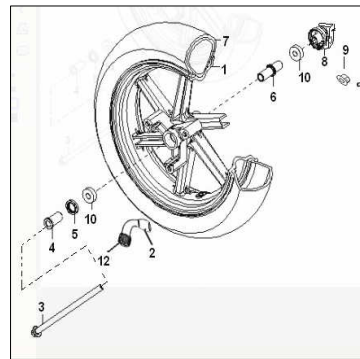
F02 FRONT FORK

NO.	CODE	EN DESCRIPTION	QTY.	NOTES
1	43008J4AT000	LOCK NUT	1	
2	43007J4AT000	STOPPER WASHER	1	
3	43017J4AT000	NUT	1	
4	43005J4AT000	DUST COVER	1	
5	43001J4AT000	RACE, STEERING OUTER, UPPER	1	
6	43002J4AT000	RACE, STEERING INNER, UPPER	1	
7	43003J4AT000	RACE, STEERING INNER, LOWER	1	
8	43004J4AT000	RACE, STEERING OUTER, LOWER	1	
9	43019J4AT000	RUBBER JOINT	1	
10	43018J4AT000	WASHER	1	
11	43035J4AT000	CLIP 1	1	
12	43200J4ATHU0	CUSHION ASSY., L.	1	
13	43300J4ATHU0	CUSHION ASSY., R.	1	
14	43100J4AT000	BRACKET ASSY., LOWER	1	
15	43150J4AT000	CLIP ASSY.	1	
16	B06010200000	BALL, STEEL 1/4	35	UNIDADE
17	B01071005065	BOLT 10X1.25X50MM	4	
18	B01070803065	BOLT 8X30MM	2	
19	B01070601065	BOLT 6X10MM	2	
20	43290K00P000	COVER, ANTI-DUST	2	
21	43260K00P000	OIL SEAL	2	



F03 FRONT WHEEL

NO.	CODE	EN DESCRIPTION	QTY.	NOTES
1	44101T09BH10	RIM,FRONT WHEEL	1	
2	B1403Z201120	RIM VALVE	1	
3	44004J4AT000	AXLE, FRONT WHEEL	1	
4	44005J4AT000	SPACER, L.	1	
5	44300J4AT000	DUST SEAL	1	
6	44600J4AT000	SPACER, MID.	1	
7	B140507D1221	TIRE	1	120/70-12
8	44200J4ATBH0	GEAR SEAT ASSY.	1	
9	B04171212554	NUT 12X1.25MM	1	
10	B12036020100	BEARING 180201	2	
11	B02020502024	SCREW 5X20MM	1	
12	B1404Z2011C0	CAP,VALVE	1	

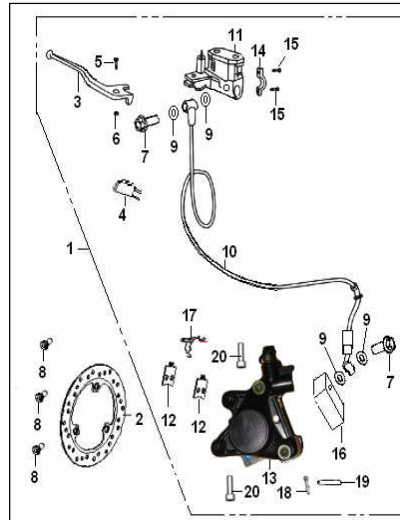


KEEWAY ARN 125 (2010)

F04 DISK BRAKE

NO.	CODE	EN DESCRIPTION	QTY.	NOTES
1	45900T09YJ01	DISC BRAKE ASSY.	1	
2	45033J4ATYJ0	BRAKE DISK	1	
3	45022J4AT000	LEVER, FR. BRAKE	1	
4	91600J4AT000	SWITCH, BRAKE	1	
5	45024J4AT000	SCREW	1	
6	B04170600055	NUT 6MM	1	
7	45037J4AT000	BOLT	2	
8	45036J4AT000	BOLT	3	
9	45029J4AT000	WASHER	4	
10	45200J4AT000	HOSE ASSY, FR. BRAKE	1	
11	45400J4AT000	MASTER CYLINDER ASSY.	1	
12	45120J4AT000	DISC BRAKE PAD ASSY	1	
13	45500J4ATYJ0	CALIPER ASSY.	1	
14	45023J4AT000	MASTER CYLINDER BRACKET	1	
15	B01070602365	BOLT 6X23MM	2	
16	45700J4AT000	A.B.S.	1	
17	45018J4AT000	SPRING CLIP	1	
18	45096J4AT000	PIN	1	
19	45014J4AT000	SHAFT	1	
20	B02050803565	SCREW 8X35MM	2	

NOTES

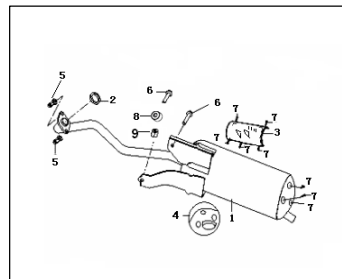


JOGO

F05 CYLINDRIC MUFFLER

NO.	CODE	EN DESCRIPTION	QTY.	NOTES
1	47100J4AT005	MUFFLER COMP.	1	
1	47100T09000J	MUFFLER COMP.	1	
2	47800J4AT000	GASKET	1	
3	47760J4AT000	DECORATION PLATE	1	
4	47780J4AT000	REAR DECORATION PLATE	1	
5	47006J4AT000	NUT	2	
6	B01591004565	BOLT M10×1.25×45	2	
7	B13040601004	SCREW W/WASHER 6X10MM	8	
8	47040T100000	MUFFLER RUBBER ASSY	1	
9	47028T100000	CUSHION RUBBER	1	

NOTES
REFORÇADO

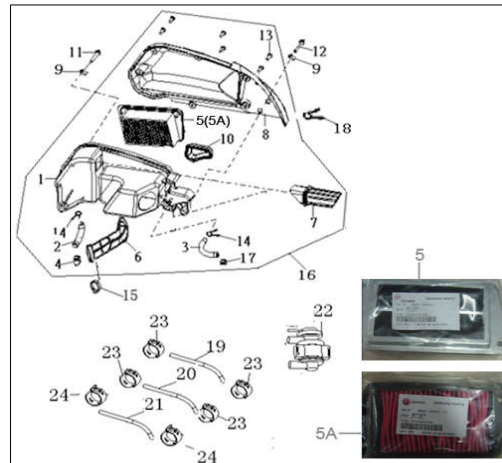


KEEWAY ARN 125 (2010)

F06 AIR CLEANER

NO.	CODE	EN DESCRIPTION	QTY.
1	49100J4AT000	BASE ASSY.,AIR CLEANER	1
2	49009J4AT000	OIL DRAIN	1
3	49330J4AT000	HOSE ASSY., OIL DRAIN	1
4	49006J4AT000	DUST COVER	1
5A	49200T090000	FILTER	1
6	49005J4AT000	PIPE, AIR OUT	1
7	49002T090001	HOSE, AIR IN	1
8	49001J4AT000	UPPER CASE, AIR CLEANER	1
9	B07020000605	WASHER 6MM	2
10	49003J4AT000	UPPER CASE, OIL GATHER	1
11	B02000603525	SCREW 6X35MM	1
12	B02000605525	SCREW 6X55MM	1
13	B05004801905	TAPPING SCREW 4.8X19MM	6
14	49016J4AT000	CLIP	5
15	49350J4AT000	CLAMP	1
16	49000J4AT001	AIR CLEANER ASSY.	1
17	49607J4AT000	PLUG	1
18	50309B20T000	CLIP φ11	1
19	49082J4AT000	HOSE II	1
20	49801J4AT000	HOSE I φ13×φ18×330MM	1
21	49803J4AT000	HOSE φ3.5×φ7.5×360MM	1
22	49800N0JP000	RETAINER VALVE	1
23	49804J00P000	SPRING □,LOCK φ17.5	4
24	49806J00P000	SPRING □,LOCK φ16.5	2

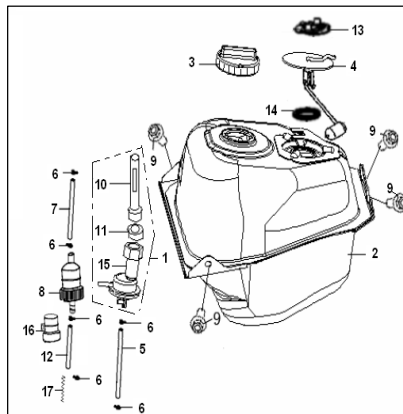
NOTES



F07 FUEL TANK

NO.	CODE	EN DESCRIPTION	QTY.
1	50300J0ET000	SHUTOFF LOCK	1
2	50100J4AT000	FUEL TANK COMP.	1
3	50200J00T000	CAP, FUEL TANK	1
4	50800J4AT000	GAUGE, OIL LEVEL	1
5	50701J4AT000	HOSE, AIR IN φ4Xφ8X470	1
6	50306J00P000	CLIP φ8	6
7	50301J4AT000	HOSE, FUEL 1φ4.5Xφ8.5X270	1
8	50340J0ET000	FUEL FILTER ASSY.	1
9	B01070601665	BOLT 6X16MM	4
10	50350J0ET000	FUEL FILTER	1
11	50312J0ET000	SEAL	1
12	50302J4AT000	HOSE, FUEL 2φ4.5Xφ8.5X190	1
13	50003J0ET000	PLATE,GAUGE MOUNTING	1
14	50004J0ET000	GASKET, GAUGE	1
15	50320J0ET000	VALVE BODY	1
16	50391J0ET000	GASKET	1
17	50316BMBT000	SPRING (BLACK)	1

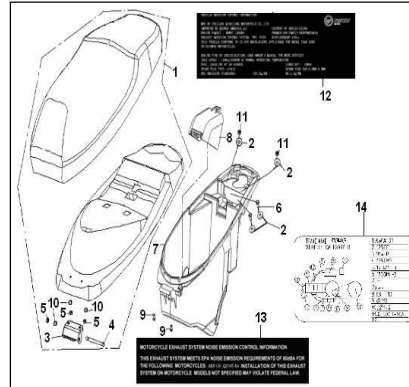
NOTES



KEEWAY ARN 125 (2010)

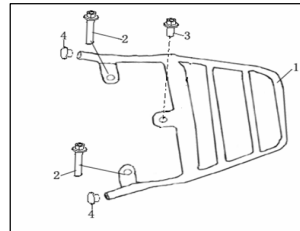
F08 SEAT

NO.	CODE	EN DESCRIPTION	QTY.	NOTES
1	51100T090008	SEAT ASSY.	1	
2	B07020000605	WASHER 6MM	4	
3	51081J4AT000	FIXING PLATE	1	
4	51001J4AT000	SHAFT, SEAT FITTING	1	
5	B04000600043	NUT 6MM	3	
6	B02000603525	SCREW 6X35MM	2	
7	51004J4AT000	REAR LUGGAGE BOX	1	
8	51005J4AT000	CAP	1	
9	B13050801605	SCREW,W/WASHER 8X16MM	2	
10	B07000000605	SPRING WASHER 6MM	3	
11	47006J0AP000	NUT 6MM	2	
13	05537K260000	NOISE NAMEPLATE	1	
14	05500T090007	ANTI-TAMPERING NAMEPLATE	1	



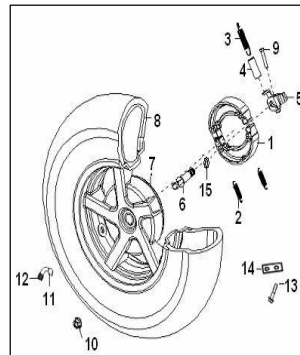
F09 REAR HANDLE

NO.	CODE	EN DESCRIPTION	QTY.	NOTES
1	52011J4AT000	REAR HANDLE	1	
2	B01070804064	BOLT 8X40MM	2	
3	B01070801664	BOLT 8X16MM	1	
4	52001J0ET000	PLUG, RR. CARRIER	2	



F10 REAR WHEEL

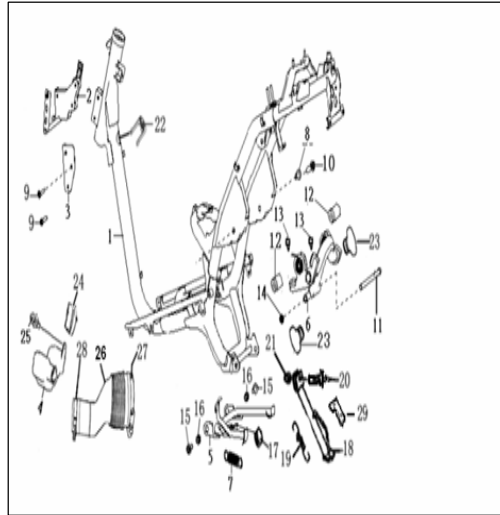
NO.	CODE	EN DESCRIPTION	QTY.	NOTES
1	54200J4AT000	BRAKE SHOE ASSY.	1	
2	54001J4AT000	SPRING, BRAKE SHOE	2	
3	54008J4AT000	SPRING, BRAKE RETURN	1	
5	54007J4AT000	ROCKER, REAR BRAKE	1	
6	54003J4AT000	CAMSHAFT, REAR BRAKE	1	
7	54100J4ATBA0	RIM ASSY. , RR. WHEEL	1	
8	B140508D1221	TIRE	1	130/70-12
9	B01020603565	BOLT 6X35MM	1	
10	B04171615054	NUT 16X1.5MM	1	
11	B1403Z201120	RIM VALVE	1	
12	B1404Z2011C0	CAP,VALVE	1	
15	54021J0ET000	O RING I	1	



KEEWAY ARN 125 (2010)

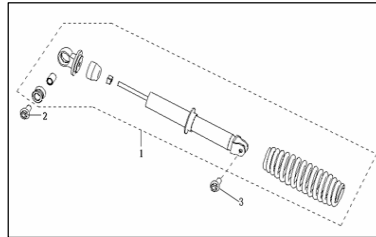
F11 FRAME

NO.	CODE	EN DESCRIPTION	QTY.	NOTES
1	57100J4AT001	FRAME BODY COMP.	1	
2	57930J4AT000	BRACKET ASSY.	1	
3	08100J4AT000	BRACKET ASSY., HORN	1	
4	59300J4AT000	CASE ASSY., AIR IN	1	
5	58500J4AT000	MAIN STAND ASSY.	1	
6	58300J4AT000	HOLDER ASSY., ENGINE	1	
7	57003J4AT001	SPRING, MAIN STAND	1	
8	58350J4AT000	COLLAR	1	
9	B01070604065	BOLT 6X40MM	2	
10	B01071005065	BOLT 10X1.25X50MM	2	
11	58301J0ET000	SHAFT, ENGINE BRACKET	1	
12	58340J4AT000	BUSH, ENGINE BRACKET	2	
13	58302J0ET000	RUBBER,ENGINE BRACKET	2	
14	B04171012555	NUT 10X1.25MM	1	
15	B01071002565	BOLT 10X1.25X25MM	2	
16	58509J0ET000	BUSH	2	
17	58507J4AT000	CUSHION GUM	1	
18	58700J4AT001	SIDE STAND COMP.	1	
19	57010BM0T000	TENSION SPRING	1	
20	57005BMBT000	BOLT, SIDE STAND	1	
21	B04060800055	NUT 8MM	1	
22	57035J4AT000	COVER, AIR INLET	1	
23	58308J4AT000	DUST COVER	2	
24	08401J4AT000	RUBBER	2	
25	B13010601605	SCREW W/WASHER 6X16MM	1	
26	08402J4AT000	PIPE, INTERLINK	1	
27	08430J0ET000	CLAMP ASSY.	1	
28	08440J4AT000	CLAMP ASSY.	1	
29	57006BM0T000	HOOK	1	



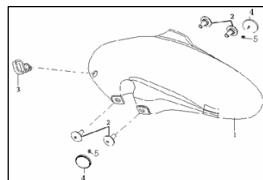
F12 REAR ABSORBER

NO.	CODE	EN DESCRIPTION	QTY.	NOTES
1	63800T09BH00	REAR SHOCK ABSORBER COMP.	1	
2	B01070803065	BOLT 8X30MM	1	
3	B01071004065	BOLT 10X1.25X40MM	1	



F13 FRONT FENDER

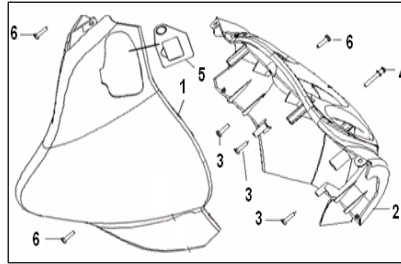
NO.	CODE	EN DESCRIPTION	QTY.	NOTES
1	65101J4ATBA0	FRONT FENDER	1	
2	08001N0GT000	SCREW	4	
3	65111N0GT000	GROMMET, RUBBER	1	



KEEWAY ARN 125 (2010)

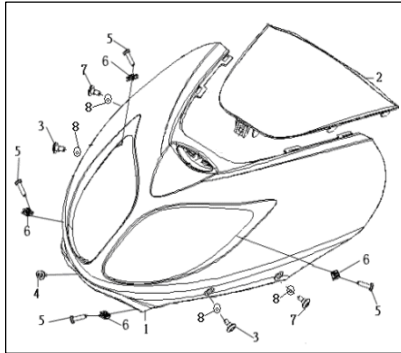
F14 HANDLE COVER

NO.	CODE	EN DESCRIPTION	QTY.	NOTES
1	65201J4ATBH0	HANDLE COVER, FRONT	1	
2	65202J4AT000	HANDLE COVER, REAR	1	
3	B05004201605	TAPPING SCREW 4.2X16MM	3	
4	B13040503505	SCREW 5X35MM	1	
5	65705T090000	RUBBER	1	
6	B05004201305	TAPPING SCREW 4.2X13MM	3	



F15 FRONT COVER

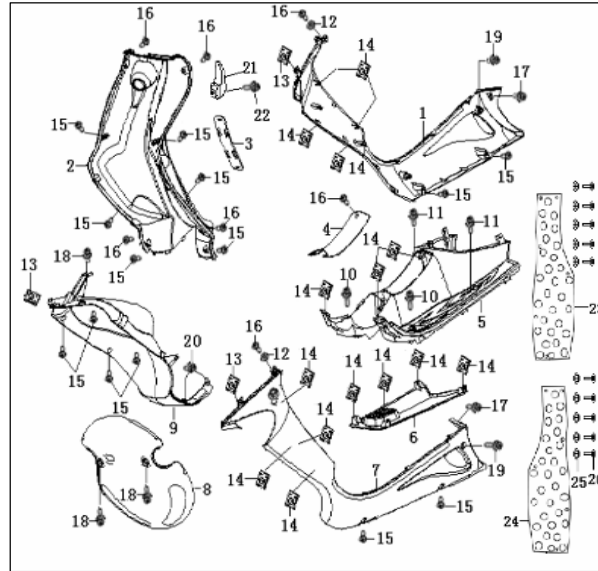
NO.	CODE	EN DESCRIPTION	QTY.	NOTES
	65302T09WF00	FRONT COVER	1	S/ AUTOCOLANTES
	65302T09BH00	FRONT COVER	1	S/ AUTOCOLANTES
1	65302T09029Z	FRONT COVER	1	BRA C/ AUTOCOLANTES
	65302T09028Z	FRONT COVER	1	PRT C/ AUTOCOLANTES
2	65301J4ATBH0	CAP, FRONT COVER	1	TODOS OS MODELOS
3	08012J4AT000	BOLT 1 6X19MM	2	
4	B13010601605	SCREW W/WASHER 6X16MM	1	
5	B05074801605	TAPPING SCREW 4.8X16MM	5	
6	65801J0ET000	CLIP,SCREW 4.2MM	5	
7	08013J4AT000	BOLT 2 6X14MM	2	
8	08027J4AT000	PLASTIC WASHER	4	



KEEWAY ARN 125 (2010)

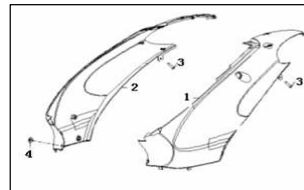
F16 LEG SHIELD

NO.	CODE	EN DESCRIPTION	QTY.	NOTES
	65602T090110	SIDE COVER, FR., R.	1	S/ AUTOCOLANTES
1	65602T090100	SIDE COVER, FR., R.	1	S/ AUTOCOLANTES
	65602T09020Z	SIDE COVER, FR., R.	1	BRA C/ AUTOCOLANTES
	65602T09019Z	SIDE COVER, FR., R.	1	PRT C/ AUTOCOLANTES
2	65402J4AT000	LEG SHIELD	1	
3	65403J4AT000	INSPECTION COVER, FRAME NO.	1	
4	65813J4AT000	PROTECTOR, BATTERY	1	
5	65401J4AT000	FOOTREST	1	
6	65406J4AT000	COVER, BOTTOM	1	
	65601T090110	SIDE COVER, FR., L.	1	S/ AUTOCOLANTES
7	65601T090100	SIDE COVER, FR., L.	1	S/ AUTOCOLANTES
	65601T09020Z	SIDE COVER, FR., L.	1	BRA C/ AUTOCOLANTES
	65601T09019Z	SIDE COVER, FR., L.	1	PRT C/ AUTOCOLANTES
8	65102J4AT000	REINFORCEMENT, FENDER	1	
9	65605J4AT000	COVER, CONNECTING	1	
10	08014J4AT000	BOLT 1,W/WASHER 6X16MM	2	
11	08015J4AT000	BOLT 2,W/WASHER 6X20MM	2	
12	B07020000505	WASHER 5MM	2	
13	65624J4AT000	NUT,CLIPPING	3	
14	65801J0ET000	CLIP,SCREW 4.2MM	15	
15	B05004201605	TAPPING SCREW 4.2X16MM	14	
16	B05004201305	TAPPING SCREW 4.2X13MM	7	
17	B13060501605	SCREW 5X16MM	2	
18	B13060601605	SCREW 6X16MM	3	
19	B13060502005	SCREW 5X20MM	2	
20	B13060501205	SCREW 5X12MM	2	
21	51011J4AT000	HOOK,HELMET	1	
22	B01070602565	BOLT 6X25MM	1	



F17 FRAME COVER

NO.	CODE	EN DESCRIPTION	QTY.	NOTES
1	65603J4ATBA0	SIDE COVER, L.	1	S/ AUTOCOLANTES
	65603J13086Z	SIDE COVER, L.	1	C/ AUTOCOLANTES
2	65604J4ATBA0	SIDE COVER, R.	1	S/ AUTOCOLANTES
	65604J13086Z	SIDE COVER, R.	1	C/ AUTOCOLANTES
3	B05004801605	TAPPING SCREW 4.8X16MM	2	
4	B13060603005	SCREW 6X30MM	1	

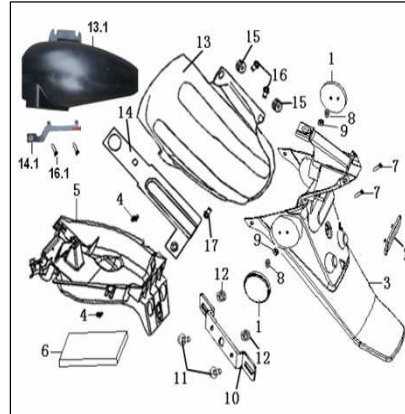


KEEWAY ARN 125 (2010)

F18 REAR FENDER

NO.	CODE	EN DESCRIPTION	QTY.
1	86300BMMT000	SIDE REFLECTOR	2
2	86500BN0T000	REAR REFLECTOR	1
3	65709J4AT000	REAR FENDER, 1	1
4	65802BM0T000	CLIP . SCREW	2
5	65701J4AT000	FENDER, UNDER FUEL TANK	1
6	65703J4AT000	MAT, FENDER	1
7	B13060602004	SCREW 6X20MM	2
8	B07030000503	WASHER 5MM	2
9	B04240500043	NUT 5MM	2
10	08250J4AT001	LICENSE BRACKET	1
11	B01070601265	BOLT 6X12MM	2
12	B04070600055	NUT 6MM	2
13	65761J4AT000	REINFORCEMENT,REAR FENDER	1
14	65770J4AT000	BRACKET, RR, FENDER	1
15	65713J4AT000	CUSHION GASKET	2
16	B13060602505	SCREW 6X25MM	2
17	B13060601205	SCREW 6X12MM	1

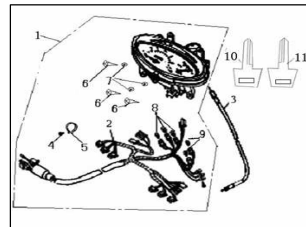
NOTES



F19 SPEEDOMETER

NO.	CODE	EN DESCRIPTION	QTY.
1	70000J4AT000	SPEEDOMETER ASSY.	1
2	75000J4AT000	WIRING,ASSY. SPEEDOMETER	1
3	72900J4AT000	CABLE,ASSY. SPEEDOMETER	1
4	B05004201603	TAPPING SCREW 4.2X16MM	1
5	75001J4AT000	CLAMP	1
6	B02000302523	SCREW 3X25MM	3
7	B07000000303	SPRING WASHER 3MM	3
8	B24012920000	BULB 12V3W	4
9	B24020221100	BULB 12V2W	1
10	88900T09000X	KEY NUT LEFT	1
11	88900T09001X	KEY NUT RIGHT	1

NOTES

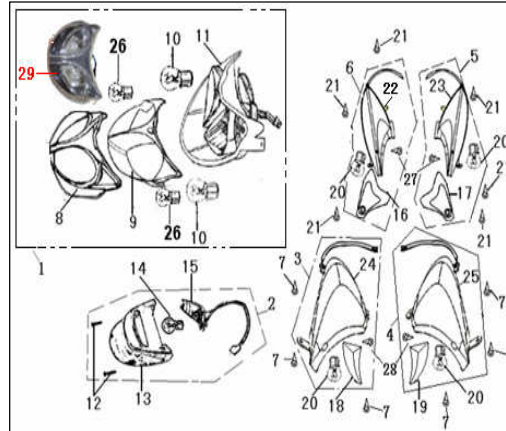


KEEWAY ARN 125 (2010)

F20 ELECTRIC I

NO.	CODE	EN DESCRIPTION	QTY.
1	8000J4AT001	HEAD LAMP ASSY.	1
2	8200J4AT000	TAIL LAMP ASSY.	1
3	81100J4AT000	LAMP ASSY.,FRONT TURN SIGNAL L.	1
4	81300J4AT000	LAMP ASSY.,FRONT TURN SIGNAL R.	1
5	81700J4AT000	LAMP ASSY.,REAR TURN SIGNAL R.	1
6	81500J4AT000	LAMP ASSY.,REAR TURN SIGNAL L.	1
7	B05074001205	TAPPING SCREW 4X12MM	6
8	8000J4AT001	COVER,HEAD LAMP	1
9	80006J4AT000	BOWL,REPERCUSSION	1
10	B24010520000	BULB,HEAD LAMP	2
11	80007J4AT000	SEAT,HEAD LAMP	1
12	B05005002503	TAPPING SCREW 4.2X25mm	2
13	82008J4AT000	COVER,TAIL LAMP	1
14	B24013820000	BULB,TAIL LAMP	1
15	82004J4AT000	SEAT,TAIL LAMP	1
16	81503J4AT000	COVER,REAR TURN SIGNAL L. LAMP	1
17	81703J4AT000	COVER,REAR TURN SIGNAL R. LAMP	1
18	81102J4AT000	COVER,FRONT TURN SIGNAL L. LAMP	1
19	81302J4AT000	COVER,FRONT TURN SIGNAL R. LAMP	1
20	B24014020002	BULB , TURN LAMP orange	4
20	81004N0JP000	BULB , TURN LAMP white	4
21	B05004201005	TAPPING SCREW 4.2X10MM	6
22	81501J4AT000	SEAT,REAR TURN SIGNAL L. LAMP	1
23	81701J4AT000	SEAT,REAR TURN SIGNAL R. LAMP	1
24	81101J4AT000	SEAT,FRONT TURN SIGNAL L. LAMP	1
25	80301J4AT000	SEAT,FRONT TURN SIGNAL R. LAMP	1
26	B24012920000	PARKING BULB 12V3W	2
27	B05004201603	TAPPING SCREW 4.2X16MM	2
28	B05004201303	TAPPING SCREW 4.2X13MM	2
29	80038J4AT000	SEPARATE COVER ,HEAD LIGHT	1

NOTES

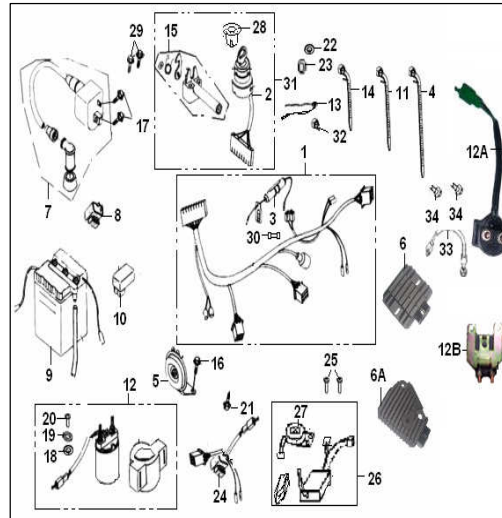


KEEWAY ARN 125 (2010)

F21 ELECTRIC II					
NO.	CODE	EN DESCRIPTION	QTY.	NOTES	
1	92000T090009	HARNES, WIRING	1		
2	88100J4AT00A	LOCK ASSY., POWER	1		
3	96800J4AT000	FUSE COMP.	1		
4	96001K00P000	BAND 8x250	5		
5	95000B50T000	HORN ASSY.	1		
6A	98801N04FN04	REGULATOR COMP.	1		
7	96200J4AT000	COIL ASSY.,IGNITION	1		
8	96400K00P001	RELAY, TURN SIGNAL MANUAL TYPE	1		
9	96100K0BP000	BATTERY	1		
10	97701BAAT000	C.D.I	1		
11	96002J00P000	BAND 8x200	2		
12B	94100J000002	RELAY, STARTER	1		
13	96900J4AT000	WIRE, EARTH	1		
14	96001J00P000	BAND 8x150	1		
15	88800J4AT000	LOCK ASSY., SEAT	1		
16	B01070601265	BOLT M6x12	1		
17	B01070601665	BOLT M6x16	2		
18	B07030000603	WASHER 6	1		
19	B07000000603	SPRING WASHER 6	1		
20	B04000600043	NUT M6	1		
21	B01070602065	BOLT M6x20	1		
22	B07000000605	SPRING WASHER 6	1		
23	B07030000605	WASHER 6	1		
24	96A20T040001	DIODE COMP.	1		
25	B02000401224	SCREW M4x12	2		
26	95700J4AT000	ANNUNCIATOR,VOICE ASSY.	1		
27	95730J4AT000	ALARM SYSTEM HORN	1		
28	88101J4AT000	DECORATION, LOCK	1		
29	08001BM0T000	SCREW M6x16	2		
30	96810J4AT000	FUSE	1		
31	88000J4AT00A	LOCK ASSY.COMP.	1		
32	94118B910000	JACKET , EARTH WIRE	1		

NOTES

YTX7A-BS

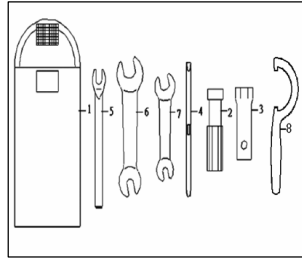


KEEWAY ARN 125 (2010)

33	92200B230002	ELECTRIC CABLE	1
34	B01090601065	BOLT M6x10	2

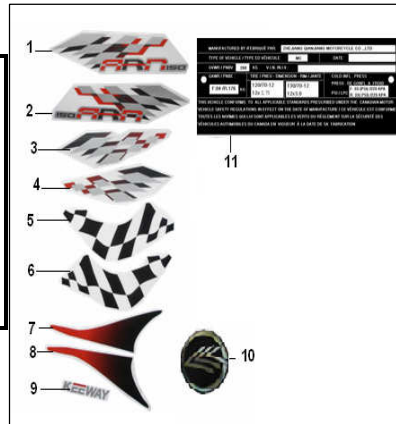
F22 TOOLS

NO.	CODE	EN DESCRIPTION	QTY.	NOTES
1	02110G00P000	TOOL BAG	1	
2	02104G00P000	HANDLE	1	
3	02101J4AT000	SOCKET, SPARK PLUG	1	
4	02103G00P000	SCREW DRIVER, DOUBLE-ENDED	1	
5	02102G00P000	SPANNER	1	
6	B20011301603	WRENCH 13-16	1	
7	B20011001203	WRENCH 10-12	1	
8	02108J4AT000	WRENCH	1	



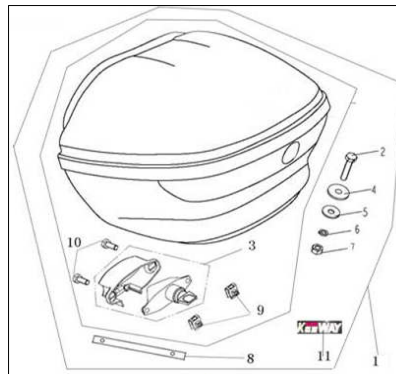
F23 STICKER

NO.	CODE	EN DESCRIPTION	QTY.	NOTES
1	05511T09BH0F	STICKER , SIDE COVER , L	1	<div style="border: 1px solid black; width: 100px; height: 100px; display: flex; align-items: center; justify-content: center;"> <p style="color: red; font-weight: bold;">TODOS OS MODELOS</p> </div>
2	05512T09BH0F	STICKER , SIDE COVER , R	1	
3	05521K26BH05	STICKER , FRONT COVER,L	1	
4	05522K26BH05	STICKER , FRONT COVER,R	1	
5	05517K26BH05	STICKER , FRONT SIDE COVER FR.L	1	
6	05518K26BH05	STICKER , FRONT SIDE COVER FR.R	1	
7	05571K26BH05	STICKER , FRONT SIDE COVER REAR L	1	
8	05572K26BH05	STICKER , FRONT SIDE COVER REAR R	1	
9	05573K26BH05	STICKER , SIDE COVER LEFT RIGHT	2	
10	05525BMBT004	STICKER	1	



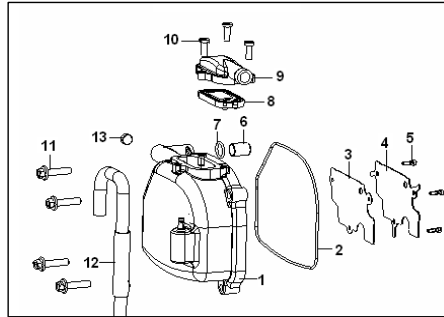
F24 BACK BOX ASSY

NO.	CODE	EN DESCRIPTION	QTY.	NOTES
1	52200J4ATWF0	BACK BOX ASSY	1	<div style="border: 1px solid black; width: 100px; height: 100px; display: flex; align-items: center; justify-content: center;"> <p style="color: red; font-weight: bold;">BRA PRT</p> </div>
1	52200J4ATBH0	BACK BOX ASSY	1	
2	B01010604023	BOLT 6X40MM	4	
3	88600BMBT000	BACK BOX LOCK	1	
4	52221BMBT000	WASHER	4	
5	B07020000603	WASHER 6MM	4	
6	B07000000603	SPRING WASHER 6MM	4	
7	B04000600043	NUT 6MM	4	
8	52181J4AT000	FIX BOARD	2	
9	52910BMBT000	NUT,CLIPPING 6MM	2	
10	B01070601663	SCREW 6X16MM	2	
11	05591BMBT000	BACK BOX COVER	1	



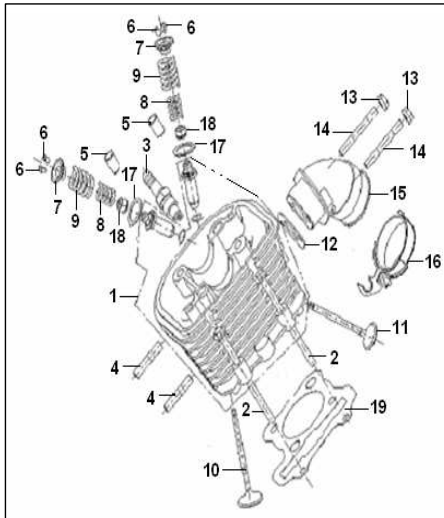
E01 CYLINDER HEAD COVER

NO.	CODE	EN DESCRIPTION	QTY.	NOTES
1	201300.046000	COVER ,cylinder head	1	
2	201329.021000	MOLD,COWLING	1	
3	201332.012000	GASKET	1	
4	201217.003000	HOLDER	1	
5	302210301062	SCREW M3X10	3	
6	26123G02F000	PIN DOWEL	1	
7	315112020062	O RING	1	
8	229108.001000	REED VALVE ASSY	1	
9	201302.006000	HOSE,BREATHER	1	
10	302270501462	SCREW M5X14	3	
11	301310602562	BOLT M6X25	4	
12	201110.004000	HOSE,breather	1	
13	201223.010000	STOPPER	1	



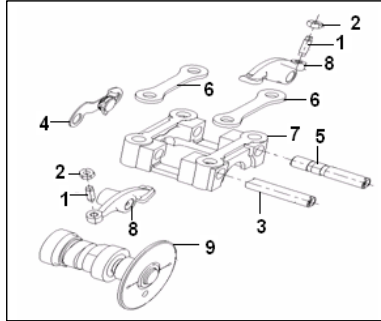
E02.CYLINDER HEAD ASSY.

NO.	CODE	EN DESCRIPTION	QTY.	NOTES
1	201100.072000	CYLINDER HEAD	1	
2	30504H03F000	BOLT	2	
3	201204.014000	SPARK PLUG	1	CR7HSA
4	201216.002472	STUD BOLT	2	
5	27105H03F000	PIN DOWEL	2	
6	30108J05F000	COTTER, valve	4	
7	30106J05F930	UPPER SEAT, valve spring	2	
8	30102J05F930	SPRING, inner	2	
9	30101J05F930	SPRING, outer	2	
10	30201J05F000	EXHAUST VALVE	1	
11	30103J05F000	INLET VALVE	1	
12	30112J05F000	GASKET, insulator	1	
13	304290600065	NUT	2	
14	201216.006472	STUD BOLT	2	
15	202100.020000	INSULATOR, carburetor	1	
16	202104.002472	CLAMP	1	
17	30208H03F930	WASHER OUT SPRING VALVE	1	
18	30205H03F000	OIL SEAL	2	
19	30503J05F000	GASKET, cylinder head	1	



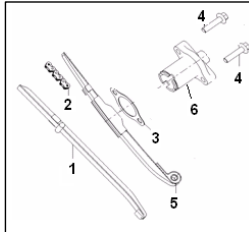
E03 AIR MIX DEVICE

NO.	CODE	EN DESCRIPTION	QTY.	NOTES
1	30303H03F000	SCREW,tappet adjusting	2	
2	30302H03F930	NUT,tappet adjusting	2	
3	203306.013063	SHAFT,EXHAUST ROCKER ARM	1	
4	30600H03F000	PLATE, stopper	1	
5	203102.002063	ARM,inlet rocker arm	1	
6	30310J05F000	GASKET,holder	2	
7	203406.003000	HOLDER,cam shaft	1	
8	30301J05F000	ARM,rocker	2	
9	203103.004000	CAMSHAFT ASSY	1	



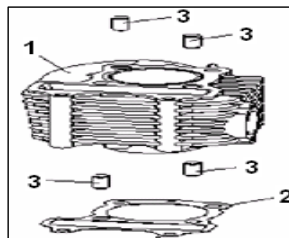
E04 CAM CHAIN & TENSIONER ASSY.

NO.	CODE	EN DESCRIPTION	QTY.	NOTES
1	27421J05F000	GUIDE CAM CHAIN(←)	1	
2	27327J05F000	CAM CHAIN	1	
3	205300.002000	GASKET,tensioner	1	
4	B01070602563	SCREW	2	
5	27200J05F000	GUIDE ASSY.	1	
6	27300J05F000	TENSIONOR COMP	1	



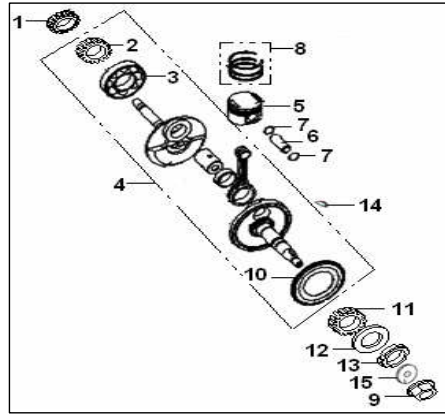
E05 CYLINDER ASSY(for 125cc)

NO.	CODE	EN DESCRIPTION	QTY.	NOTES
1	204200.019000	CYLINDER COMP	1	
2	204204.010000	GASKET,cylinder	1	
3	27105H03F000	PIN DOWEL	4	



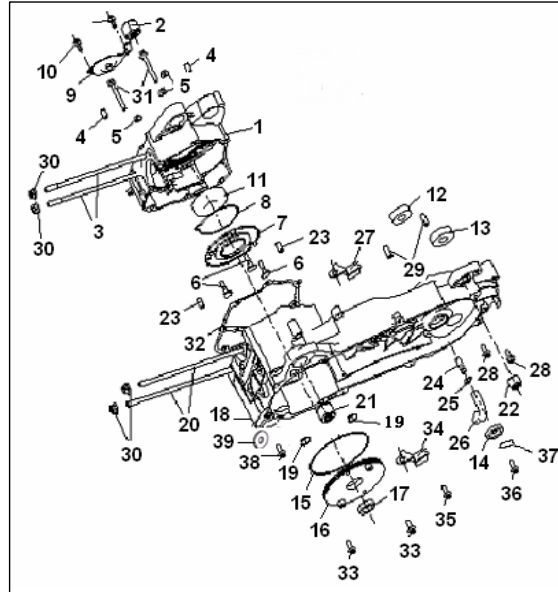
E06 CRANKSHAFT & CONNECTING ROD & PISTON ASSY

NO.	CODE	EN DESCRIPTION	QTY.	NOTES
1	15231J05F000	GEAR,starter driven	1	
2	15232J05F000	SPROCKET,cam chain	1	
3	15210J05F000	ROLLING BEARING	1	
4	179103180000	CRANKSHAFT & CONROD ASSY	1	
5	208300.021062	PISTON	1	
6	15105H03F000	PIN,piston	1	
7	208308.004161	CLIP	2	
8	17918305003Z	RING ASSY	1	JOGO
9	15206J05F000	NUT,LOCK	1	
10	15227J05F000	PLATE,OIL REVERSE	1	
11	15208J05F000	SPROCKET,	1	
12	15209J05F000	FLAT WASHER	1	
13	208224.001161	NUT	1	
14	15101J01F000	KEY	1	
15	B07030001200	WASHER	1	



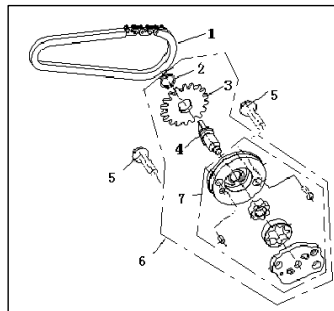
E07. CRANKCASE ASSY

NO.	CODE	EN DESCRIPTION	QTY.	NOTES
1	26210J05F000	CRANKCASE ASSY RH	1	
2	26501H03F000	BUSH	2	
3	26206J05F910	BOLT M8X200	2	
4	14206J01F000	PIN DOWEL	2	
5	B04170000653	NUT M6	3	
6	26313J05F930	SCREW	3	
7	26314J05F910	PLATE,stainer	1	
8	26209J05F000	O RING	1	
9	26311J05F000	CAP,oil pump	1	
10	B01090601583	BOLT M6X12	2	
11	26217J05F000	ROLLER BEARING	1	
12	B12016620350	ROLLER BEARING 6203/P6	1	
13	B12016620250	ROLLER BEARING 6202/P6	1	
14	26106H03F000	OIL SEAL	1	
15	26102G03F000	O RING	1	
16	26101J05F000	COVER LH,small	1	
17	26130J05F000	OIL SEAL	1	
18	26110J05F000	CRANKCASE ASSY	1	
19	B190100570A0	O RING 5.7X1.8	2	
20	26107J05F910	BOLT M8	2	
21	26501H03F000	BUSH	1	
22	26502G02F000	BUSH,ENGINE MOUNTING	1	
23	26128J05F000	PIN DOWEL 8X20	2	
24	26105J05F000	PIPE,breather	1	
25	201227.002371	CLIP	1	
26	206103.001000	HOSE,breather	1	
27	207224.003472	CLIP	1	
28	B01090801583	BOLT M8X15	2	
29	26123G02F000	PIN DOWEL 12X16	2	
30	B04070000853	NUT M8	4	
31	B01090605083	BOLT M6X50	2	
32	206210.001000	GASKET,crankcase	1	
33	301310601865	BOLT M6X18	2	
34	216216.001271	PLATE,stopper	1	
35	B01070601463	BOLT M6X14	1	
36	B01890801563	SCREW M8X15	2	
37	18105H03F000	WASHER	2	
38	206211.002472	BOLT,DRAIN PLUG	1	
39	20761K08F000	GASKET,ANTI_OIL	1	



E08 OIL PUMP ASSY

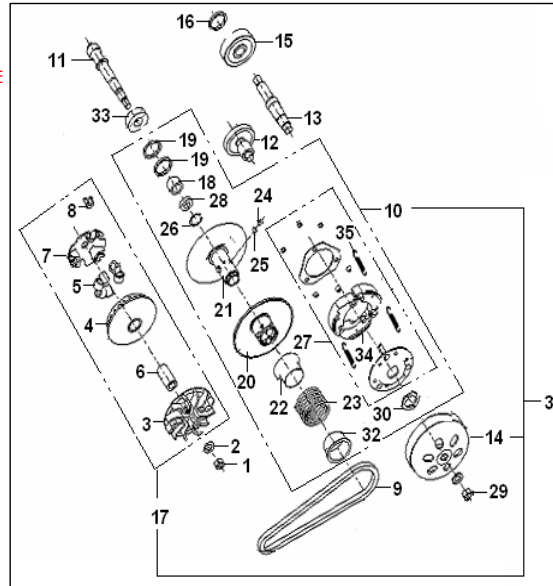
NO.	CODE	EN DESCRIPTION
1	19114J05F000	CHAIN OIL PUMP
2	B08010001000	WASHER
3	19110J05F000	SPROCKET,oil pump driven
4	19107J05F000	SHAFT,oil pump
5	301310602565	BOLT M6X25
6	19000J05F000	OLL PUMP ASSY
7	219100.029000	OLL PUMP BODY ASSY

QTY. NOTES1
1
1
1
2
1
1

E09. CLUTCH ASSY

NO.	CODE	EN DESCRIPTION	QTY.	NOTES
1	15206H03F000	NUT	1	
2	15209H03F000	WASHER	2	
3	24111J05F000	FACE, fixed drive	1	
4	220043060000	FACE COMP, fixed drive	1	
5	24120J05F000	ROLLER(11.5g)	6	
6	24140J05F000	COLLAR	1	
7	24151J05F930	PLATE, movable drive	1	
8	24130J05F000	DAMPER	3	
9	24160J05F000	V BELT, drive	1	
10	24210J05F000	DRIVEN PLATE ASSY	1	
11	229043060000	SHAFT ,drive (15 teeth)	1	
12	229063060000	SHAFT ,idle (42 teeth)	1	
13	17201J05F000	SHAFT, rear axle	1	
14	24230H03F000	HOUSING, clutch	1	
15	17217J05F000	GEAR	1	
16	B08010002000	CIRCLIP	1	
17	24100J05F000	DRIVE ASSY	1	
18	24203J05F000	BEARING	1	
19	24216H03F000	OIL SEAL	2	
20	24211H03F000	FACE, movable driven	1	
21	24212J05F000	FACE COMP, fixed driven	1	
22	24213H03F930	SEAT, spring	1	
23	24240H03F000	SPRING	1	
24	24246H03F000	AXLE	3	
25	24217H03F000	BEARING	3	
26	B08000002600	CIRCLIP	1	
27	24220H03F000	PLATE ASSY, driven	1	
28	24245H03F000	BEARING NSE NACHI JAPAN	1	
29	18330H03F930	NUT	1	
30	24242H03F000	NUT	1	
31	24001J05F000	SHIFT ASSY	1	
32	24244H03F000	SEAT, spring	1	
33	B12016620450	BEARING	1	
34	24231H03F000	SHOE, CLUTCH	3	
35	24224H03F000	SPRING, CLUTCH	3	

UNIDADE

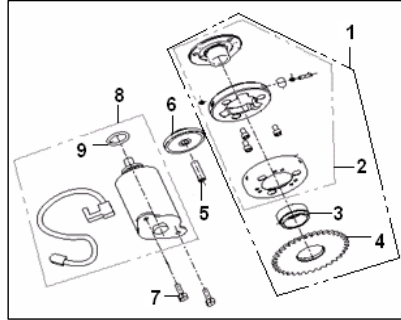


E10 ELECTRIC STARTER ASSY

NO.	CODE	EN DESCRIPTION
1	34400J05F000	CLUTCH SET,starter
2	34110J05F000	CLUTCH COMP
3	34124H03F000	BEARING,needle
4	218100.011371	GEAR COMP,starter clutch
5	34146J05F000	SHAFT,shaft starter idle gear
6	34141J05F000	GEAR,starter idle
7	301310601865	BOLT M6X18
8	249013060030	MOTOR ASSY , starting
9	34254J05F000	O RING

QTY. NOTES

1
1
1
1
1
1
2
1
1

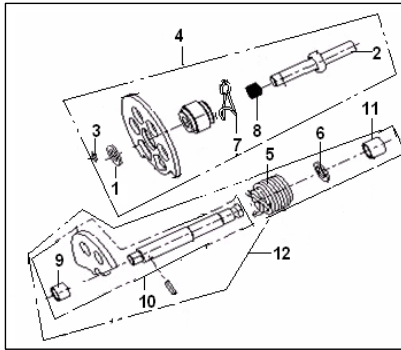


E11 KICK STARTER ASSY

NO.	CODE	EN DESCRIPTION
1	17805H03F000	WASHER
2	17811J05F000	GEAR SHAFT
3	B090103008B0	PIN
4	17806J05F000	GEAR ASSY, starter
5	17718J05F930	TWEAK SPRING
6	17402H03F000	PLATE
7	17809H03F000	SPRING
8	17412H03F000	SPRING
9	17433H03F000	BEARING COVER, starter□
10	17400J05F000	SHAFT ASSY, starter
11	17434H03F000	BEARING COVER, starter□
12	216100.023000	KICK STARTER ASSY

QTY. NOTES

1
1
1
1
1
1
1
1
1
1
1
1

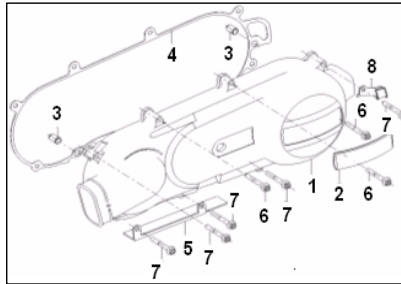


E12 LEFT COVER ASSY

NO.	CODE	EN DESCRIPTION
1	207200.018081	COVER,CLUTH
2	207236.020472	SIGN CARDS
3	27105H03F000	PIN DOWEL
4	207208.007000	GASKET,cankcase LH
5	207225.004472	PLATE,protector
6	301310604565	BOLT
7	301310603565	BOLT
8	222218.003472	CLIP

QTY. NOTES

1
1
2
1
1
3
5
1

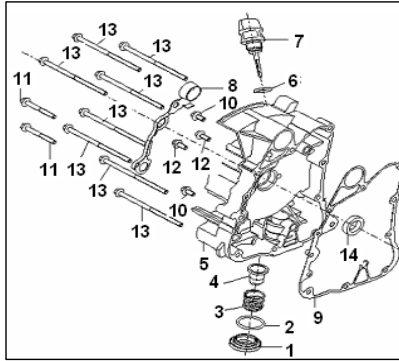


E13 COVERCASE RH ASSY

NO.	CODE	EN DESCRIPTION
1	26306H03F000	PLUG,drain
2	26307H03F000	O RING 30.8X3.2
3	26305H03F000	SPRING,stainer
4	26308J01F000	STRAINER,oil
5	14201J05F000	COVER,crankcase RH
6	14215J01F000	O RING
7	207304.008081	GAUGE,oil level
8	14220J05F910	CLIP
9	207303.008000	GASKET,crankcase cover RH
10	B01090601263	BOLT
11	B01080501263	BOLT
12	B01070602063	BOLT
13	30504H03F000	BOLT
14	26130J05F000	OIL SEAL

QTY. NOTES

1
1
1
1
1
1
1
1
1
2
2
2
8
1

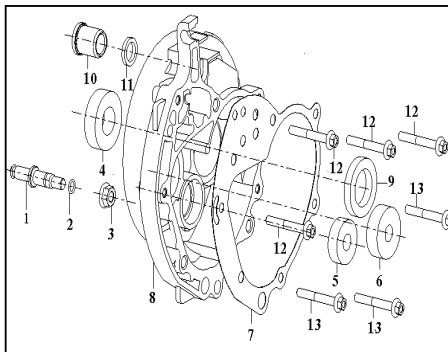


E14 COVER GEAR BOX ASSY

NO.	CODE	EN DESCRIPTION
1	18114J05F930	PIN
2	18112H03F000	O RING
3	B04170000853	NUT
4	B12016600450	ROLLER BEARING
5	B12016620150	ROLLER BEARING
6	B12016630150	ROLLER BEARING
7	214201.002000	GASKET,gear box
8	18101J05F000	COVER,gear box
9	18102H03F000	OIL SEAL
10	18103J05F000	BUSH
11	18106J05F000	OIL SEAL
12	301310604565	BOLT
13	B01070605561	BOLT

QTY. NOTES

1
1
1
1
1
1
1
1
1
1
1
4
3

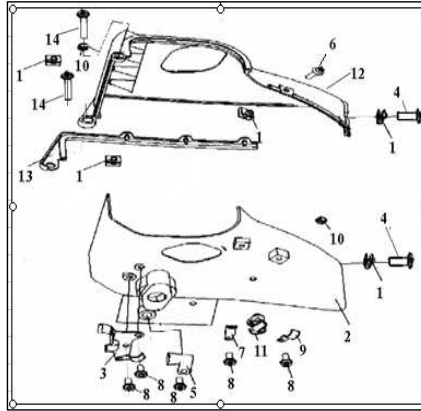


E15 SHROUD ASSY

NO.	CODE	EN DESCRIPTION
1	20312J05F910	CLIP
2	222101.005000	SHROUD,upper
3	20308J05F000	CLIP ASSY.
4	B01090601663	SCREW M6X16
5	222218.002472	CLIP
6	B01090601463	SCREW M6X14
7	222218.003472	CLIP
8	B01090602563	SCREW
9	222218.004472	CLIP
10	222223.002000	DOWEL
11	20313J05F000	NENON CLIP
12	222102.005000	SHROUD,lower
13	20306J05F000	SEAL,lower shroud
14	B01090602063	SCREW

QTY. NOTES

4
1
1
2
1
1
1
5
1
2
1
1
1
2

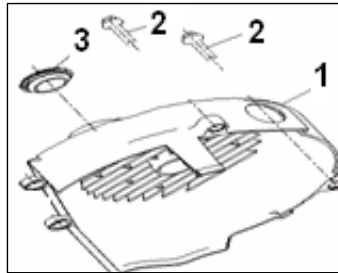


E16 COVER FAN ASSY

NO.	CODE	EN DESCRIPTION
1	20201J05FT10	COVER,fan
2	B01890602563	SCREW
3	20204J05F000	CAP,OBSERVE

QTY. NOTES

1
2
2

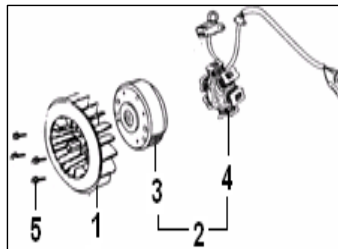


E17 MAGNETO ASSY

NO.	CODE	EN DESCRIPTION
1	20401J05F000	FAN ASSY
2	223100010000	MAGNETO ASSY
3	223101.036000	FLY WHEEL ASSY
4	223102.041000	COIL ASSY
5	B01080601863	BOLT M6X18

QTY. NOTES

1
1
1
1
4



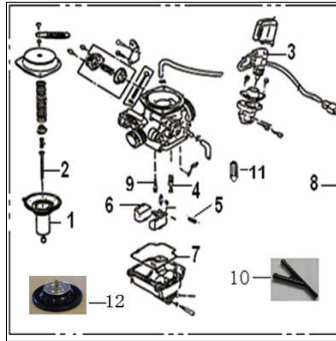
E18 CARBURETOR ASSY

NO.	CODE	EN DESCRIPTION
1	32506H03F000	VALVE,PISTON ASSY
2	224208.027000	NEEDLE Jet
3	32612H03F000	ENRICH VALVE
4	224202.045000	MAIN JET
5	32621H03F000	FLOAT PIN
6	32624H03F000	FLOAT
7	32701H03F000	GASKET,float chamber
8	224100.145000	CARBURETOR ASSY
10	3316801K0000	VALVE, LINK
11	3342001K0000	VALVE NEEDLE
12	32501J05F000	VALVE SET , AIR CUT

QTY. NOTES

1
1
1
1
1
1
1
1
1
1
1
1

147#
191#



E19 ENGINE ATTACHMENT

NO.	CODE	EN DESCRIPTION
1	B01020602065	BOLT 6X20MM
2	08350J4AT000	LEVER, STARTER

QTY. NOTES

1
1

