

# PARTS CATALOGUE



## SCOOTERS

TE25AA(PT)

NEW LIKE 125i CBS E4



Release Date : 2021/09/08  
Print Date : 2022/08/05

## ABOUT THIS PARTS LIST

- This parts list is compiled all service parts for model TE25AA(PT).
- Any difference between color chart and motorcycle will be revised according to motorcycle.
- The Mark:
  1. Marking "\*\*\*" must add color code in the end before ordering parts.
  2. Marking "#" are parts with modification, Please find the details from e-Parts system.
- When modification or additions to this parts list are made a revised edition at an appropriate time.



# CONTENTS

● ABOUT THIS PARTS LIST .....	1
● COLOR CHART OF TE25AA(PT) .....	3
● CONTENTS-ENGINE GROUP .....	6
● CONTENTS-FRAME GROUP .....	7
● ENGINE PARTS LIST .....	10
● FRAME PARTS LIST .....	38
● PART NO. INDEX .....	94

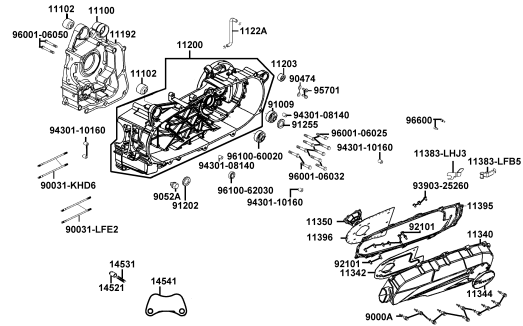
NO	MODEL			COLOR CHART OF TE25AA(PT)			
	PHOTO NO			NO. 1	NO. 2	NO. 3	
	BASIC COLOR			Bright Red	Mat Silver Crystal	Pearly White	
	CODE			Bright Red	Mat Silver Crystal	Pearly White	
	PARTS NAME	PARTS NO.	VERSION	CR613PA	NH263FA	NH193PA	
1	COVER HANDLE FR	53205-ACC1-E10	0	21P	J2P	NVP	
2	COVER HANDLE RR	53206-ACC1-E10	1				
3	COVER SWITCH	53208-ACC1-E10	1				
4	COVER L SIDE HANDLE	53209-ACC1-E10	1				
5	FENDER FR	61100-ACC1-E10	1				
6	FENDER B FR	61101-ACC1-E10	1				
7	COVER FR	64301-ACC1-E10	1				
8	SKIRT R SIDE	64305-ACC1-E10	1				
9	SKIRT L SIDE	64306-ACC1-E10	1				
10	COVER CENTER	80152-ACC1-E10	1				
11	LEG SHIELD	81131-ACC1-E10	1				
12	LID INNER BOX	81141-ACC1-E10	1				
13	BODY COVER R	83500-ACC1-E10	1				
14	BODY COVER L	83600-ACC1-E10	1				
15	COVER ASSESSORY	11344-ACC1-E10	0	F1P			
16	COVER HEAD LIGHT	53207-ACC1-E10	0				
17	LID FR.COVER LOW	64304-ACC1-E10	0				
18	COVER FR DEC TOP	64307-ACC1-E10	0				
19	COVER FR DEC R	64313-ACC1-E10	0				
20	COVER FR DEC L	64314-ACC1-E10	0				
21	COVER FLOOR DEC R	64317-ACC1-E10	0				
22	COVER FLOOR DEC L	64318-ACC1-E10	0				
23	FENDER REAR UP	80105-ACC1-E10	0				
24	"LID, COVER LEG	81142-ACC1-E11	0				
25	COVER BATTERY	81201-AKB7-C00	0				
DATE OF STARTING-SALES							
DATE OF END-SALES							

NO	MODEL			COLOR CHART OF TE25AA(PT)			
	PHOTO NO			NO. 1	NO. 2	NO. 3	
	BASIC COLOR			Bright Red	Mat Silver Crystal	Pearly White	
	CODE			Bright Red	Mat Silver Crystal	Pearly White	
	PARTS NAME	PARTS NO.	VERSION	CR613PA	NH263FA	NH193PA	
26	MIRROR ASSY R BACK	88110-ACC1-E10	1	F1P			
27	MIRROR ASSY L BACK	88120-ACC1-E10	1				
28	MUFFLER ASSY EXH	1830A-ACC1-E10	1				
29	PTOTECTOR MUFFLER	18318-ACC1-E10	0	J1P			
30	COVER METER	53204-ACC1-E10	0				
31	LEVER L STRG HANDLE	53178-KNBN-C00	0	M3A			
32	"HEAT GUARD, FUEL	17582-ACC1-E10	1				
33	LID R RR COMB	33718-ACC1-E10	1				
34	LID L RR COMB	33719-ACC1-E10	1				
35	COVER BATTERY	50326-ACC1-E10	1				
36	COVER ASSY BATTERY	50329-ACC1-E11	0				
37	UNDER COVER	50613-ACC1-E10	1				
38	STAND COVER	50623-ACC1-E10	1				
39	FENDER FR INNER	61110-ACC1-E10	1				
40	COVER PUMP	64311-ACC1-E10	1				
41	PLUG FLOOR	64316-LCB9-C10	5	N1R			
42	"ASSY., PANEL FLOOR"	6431A-ACC1-E10	1				
43	FLOOR PANEL UP	64320-ACC1-E10	1				
44	UNDER COWL	64400-ACC1-E10	1				
45	FENDER RR TIRE	80100-ACC1-E10	1				
46	FENDER RR INNER	80101-ACC1-E10	1				
47	FENDER RR LOW	80106-ACC1-E10	1				
48	"COVER, CENTER"	80151-ACC1-E10	1				
49	BOX ASSY LUGGAGE	81260-ACC1-E10	1				
50	REAR CENTER COVER	83750-ACC1-E10	1				
DATE OF STARTING-SALES							
DATE OF END-SALES							

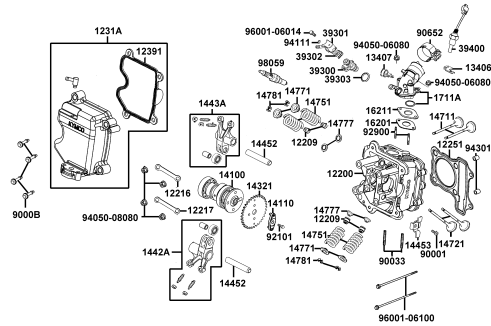


# CONTENTS - ENGINE GROUP

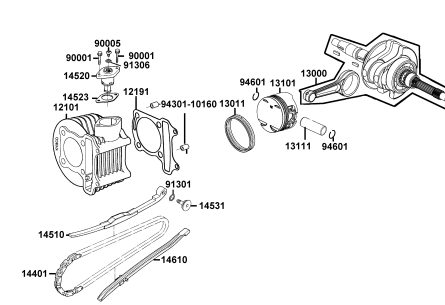
## E01 Crank Case



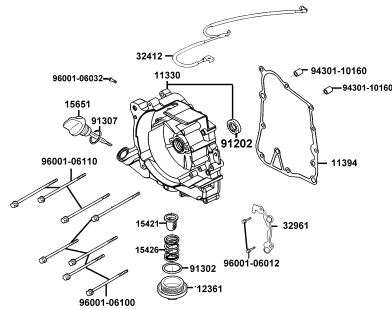
## E02 Cylinder Head



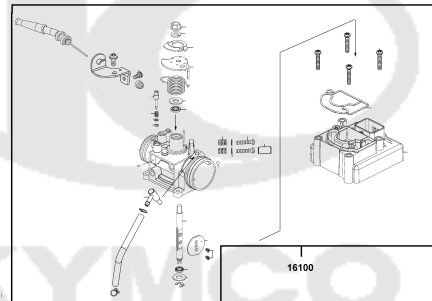
## E03 Cylinder Piston Crankshaft



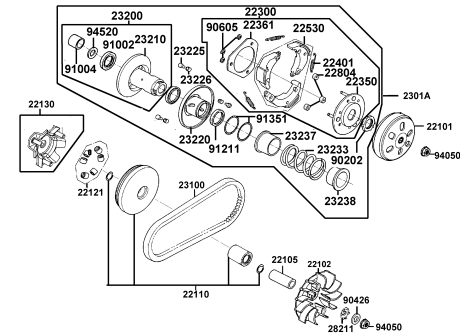
## E04 Right Crankcase Cover



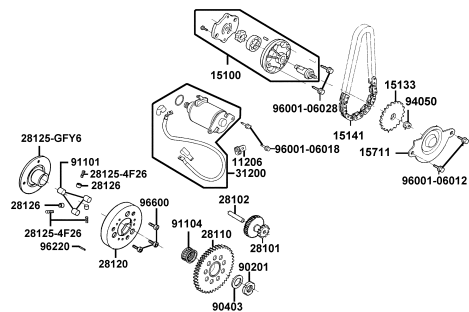
## E05 Carburetor



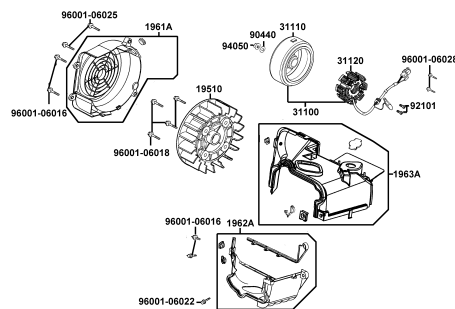
## E06 Driven Pulley



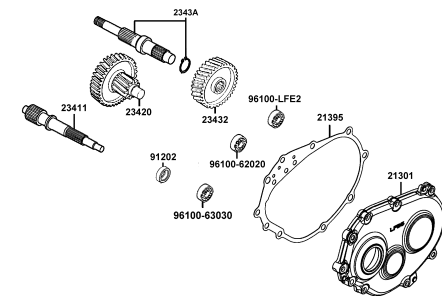
## E07 Starting Motor Oil Pump



## E08 Fan Cover Generator



## E09 Transmission

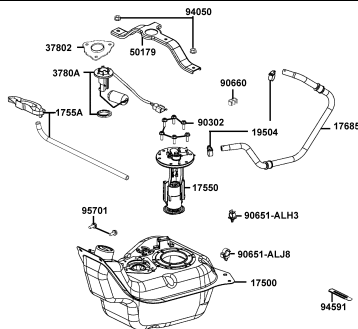




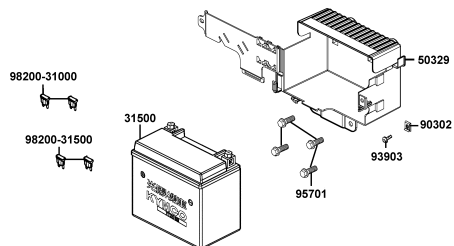


## CONTENTS - FRAME GROUP

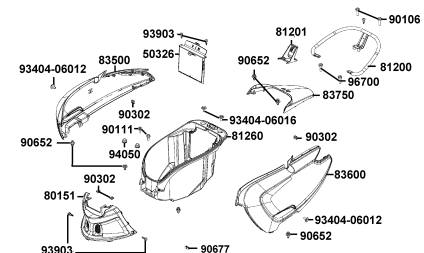
**F10 Fuel Tank**



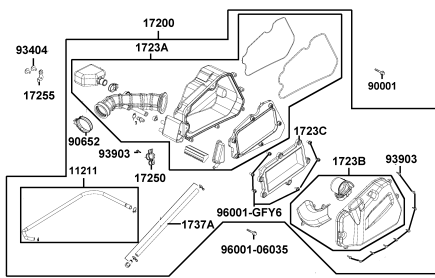
**F11 Battery**



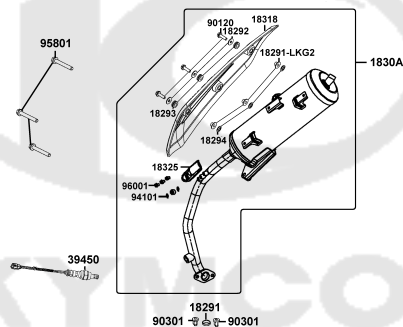
**F12 Body Cover Luggage Box**



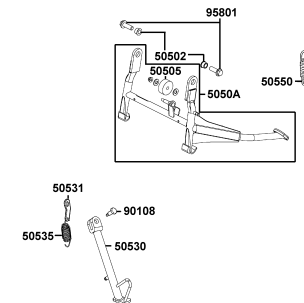
**F13 Air Cleaner**



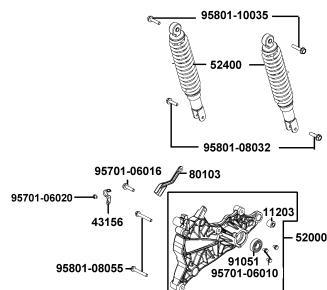
**F14 Exhaust Muffler**



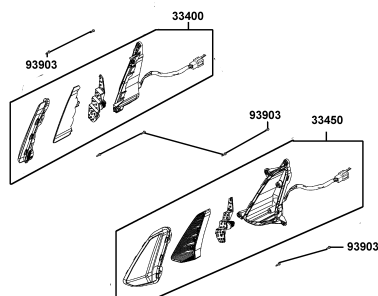
**F15 Stand Kick Starter Arm**



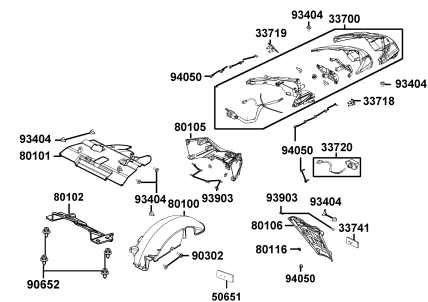
**F16 Rear Cushion**



**F17 Front Winker**

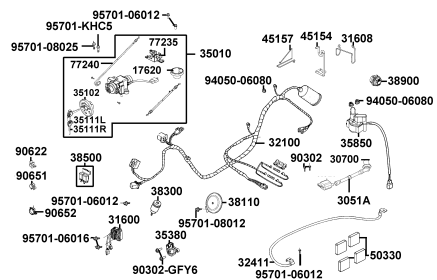


**F18 Tail Light**

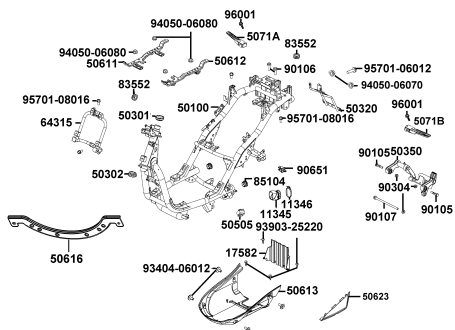


## CONTENTS - FRAME GROUP

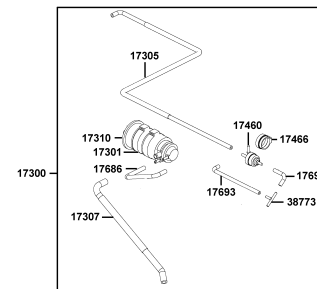
### F19 Wire Harness



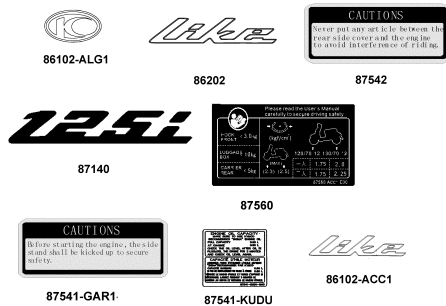
### F20 Frame Body



### F21 Air Cleaner Two

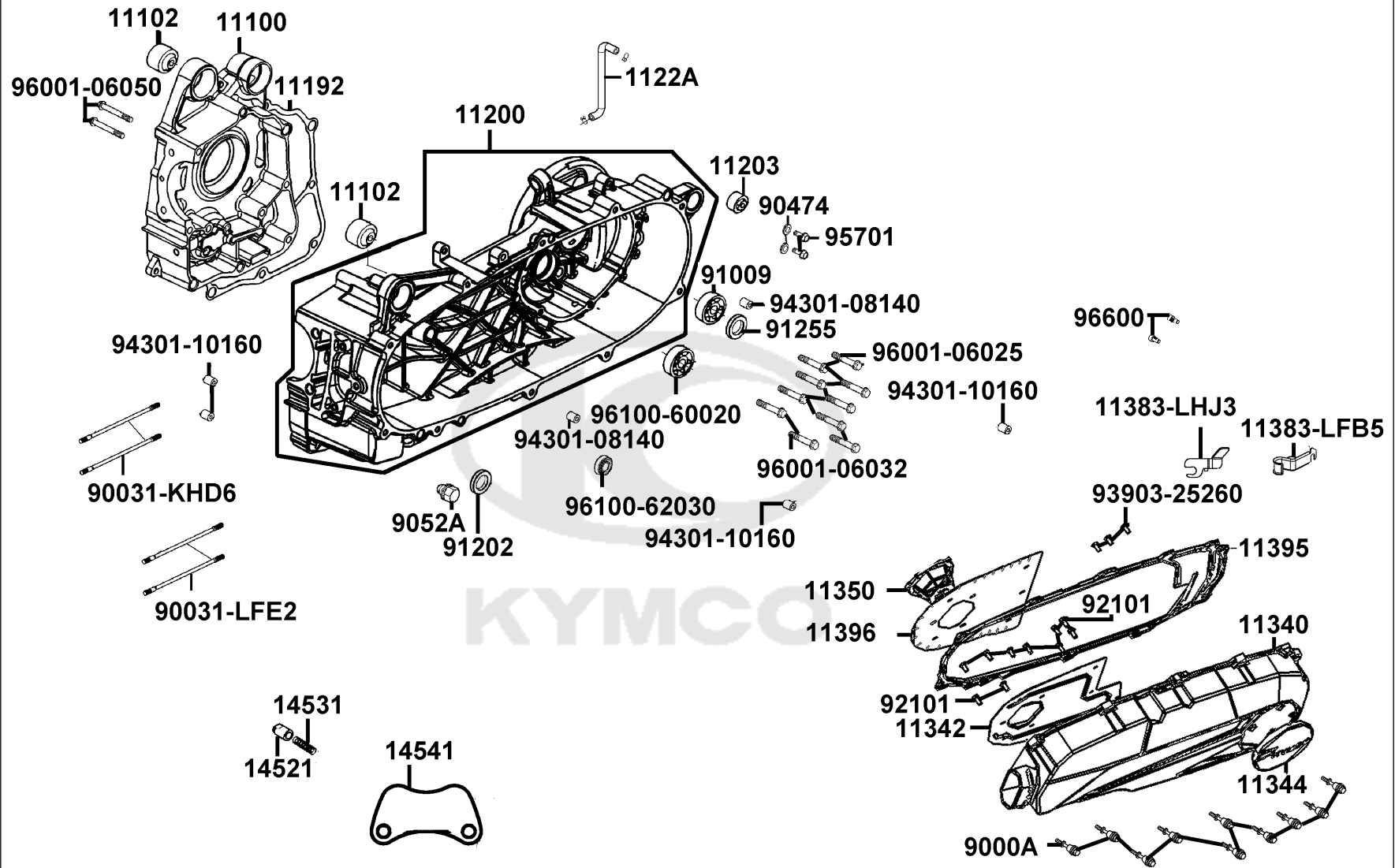


### F22 Emblem Stripe



E01

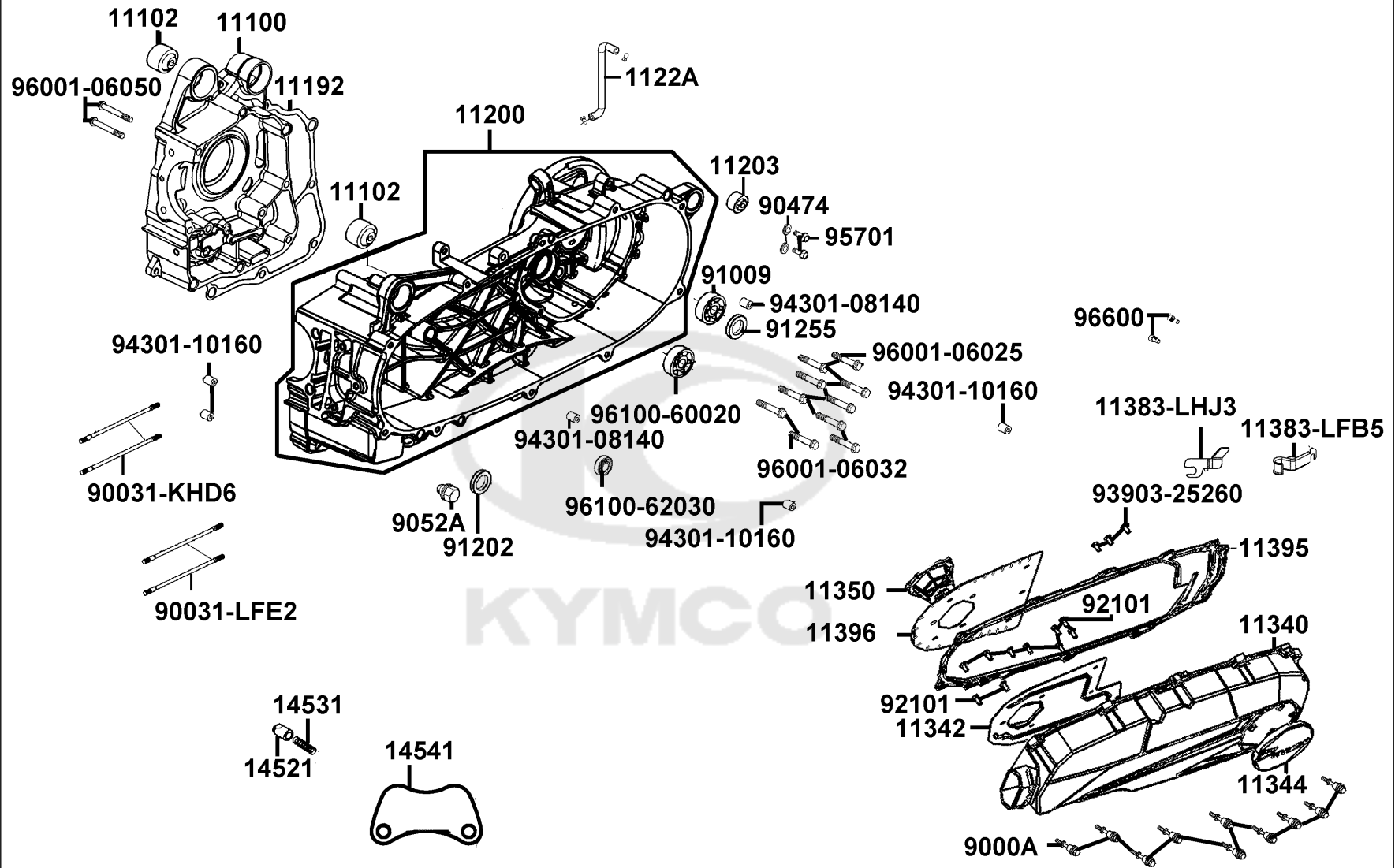
Crank Case



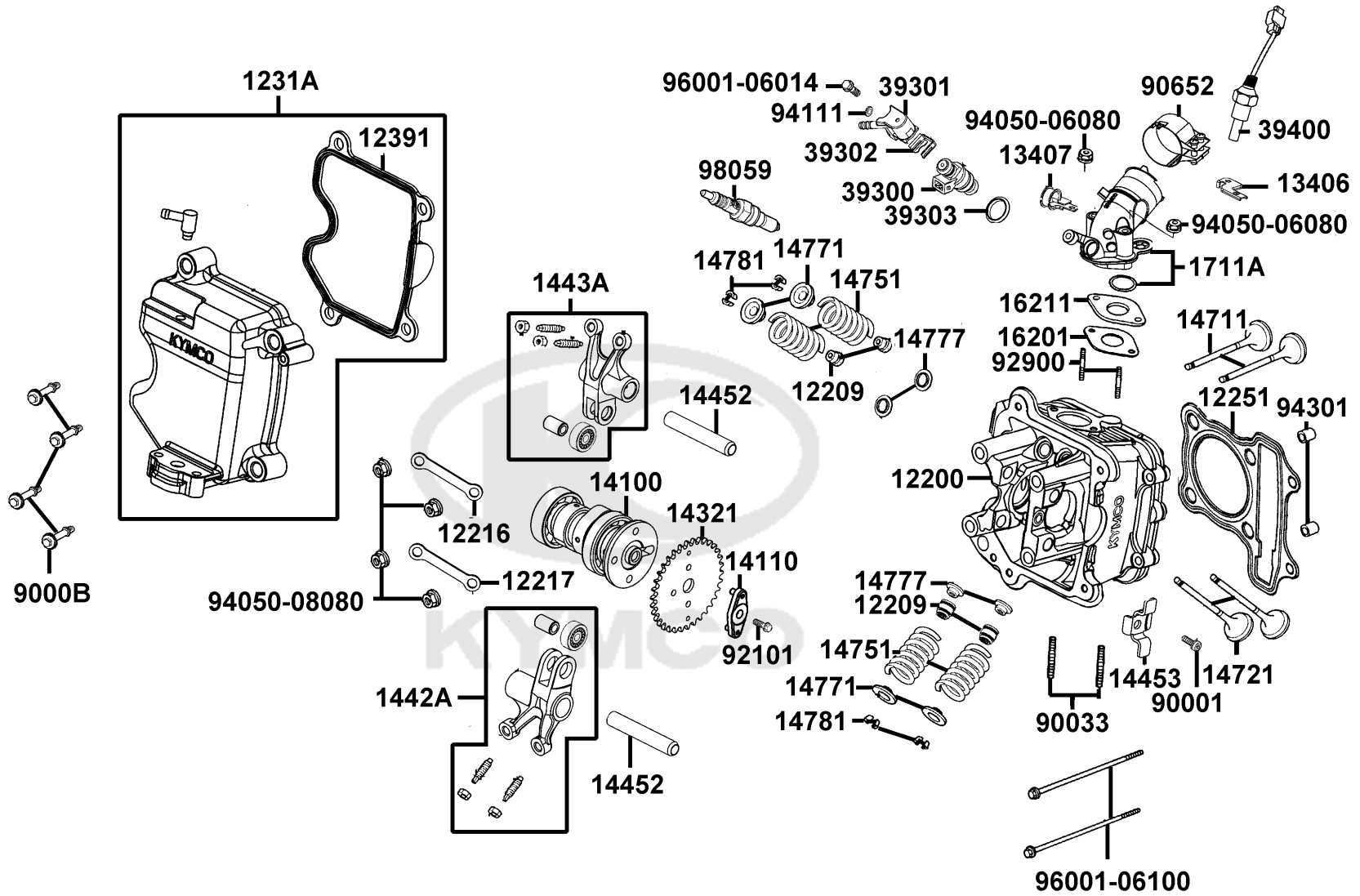
Sales mark	Ref no	Part no	Description	Reg description	Regd no	E01
	11100	11100-ACC1-E10	CRANK CASE COMP RIGHT	CRANK CASE COMP RIGHT	1	
	11102	11102-1G87-C00	RUB BUSH ENG HANGER	RUB BUSH ENG HANGER	1	
	11192	11192-LEB1-C00	GASKET CRANK CASE @ A	GASKET CRANK CASE @ A	1	
	11200	11200-LFB5-C00	CRANK CASE COMP LEFT	CRANK CASE COMP LEFT	1	
	11203	11203-GGC7-W10	UNDER RUBBER BUSH REAR CUSHION	UNDER RUBBER BUSH REAR CUSHION	1	
	1122A	1122A-ACC1-E10	TUBE ASSY MISSION BREATHER	TUBE ASSY MISSION BREATHER	1	
**	11340	11340-ACC1-E10	COVER COMP L SIDE	COVER COMP L SIDE	1	
	11342	11342-ACC1-E10	PLATE L COVER	PLATE L COVER	1	
**	11344	11344-ACC1-E10	PLATE L COVER	PLATE L COVER	1	
	11350	11350-LFB5-C00	"ELEMENT COMP., L COVER"	"ELEMENT COMP., L COVER"	1	
	11383-LFB5	11383-LFB5-C00	CLAMP(C)	CLAMP(C)	1	
	11383-LHJ3	11383-LHJ3-C00	CLAMPER DRAIN TUBE	CLAMPER DRAIN TUBE	1	
	11395	11395-LFB5-C00	GASKET L COVER @A	GASKET L COVER @A	1	
	11396	11396-ACC1-E10	GASKET L COVER PLATE	GASKET L COVER PLATE	1	
	14521	14521-AAG1-C00	"PLUG,BEARING PUSH"	"PLUG,BEARING PUSH"	1	
	14531	14531-AAG1-C00	PIVOT CAM CHIAN TENSIONER	PIVOT CAM CHIAN TENSIONER	1	
	14541	14541-ALH4-C00	"PLATE, BEARING PUSH"	"PLATE, BEARING PUSH"	1	
	9000A	9000A-ADG1-C01	BOLT ASSY SPECIAL	BOLT ASSY SPECIAL	10	
	90031-KHD6	90031-KHD6-C01	BOLT A STUD 8*218	BOLT A STUD 8*218	1	
	90031-LFE2	90031-LFE2-C01	BOLT A STUD 8*225	BOLT A STUD 8*225	2	

E01

Crank Case

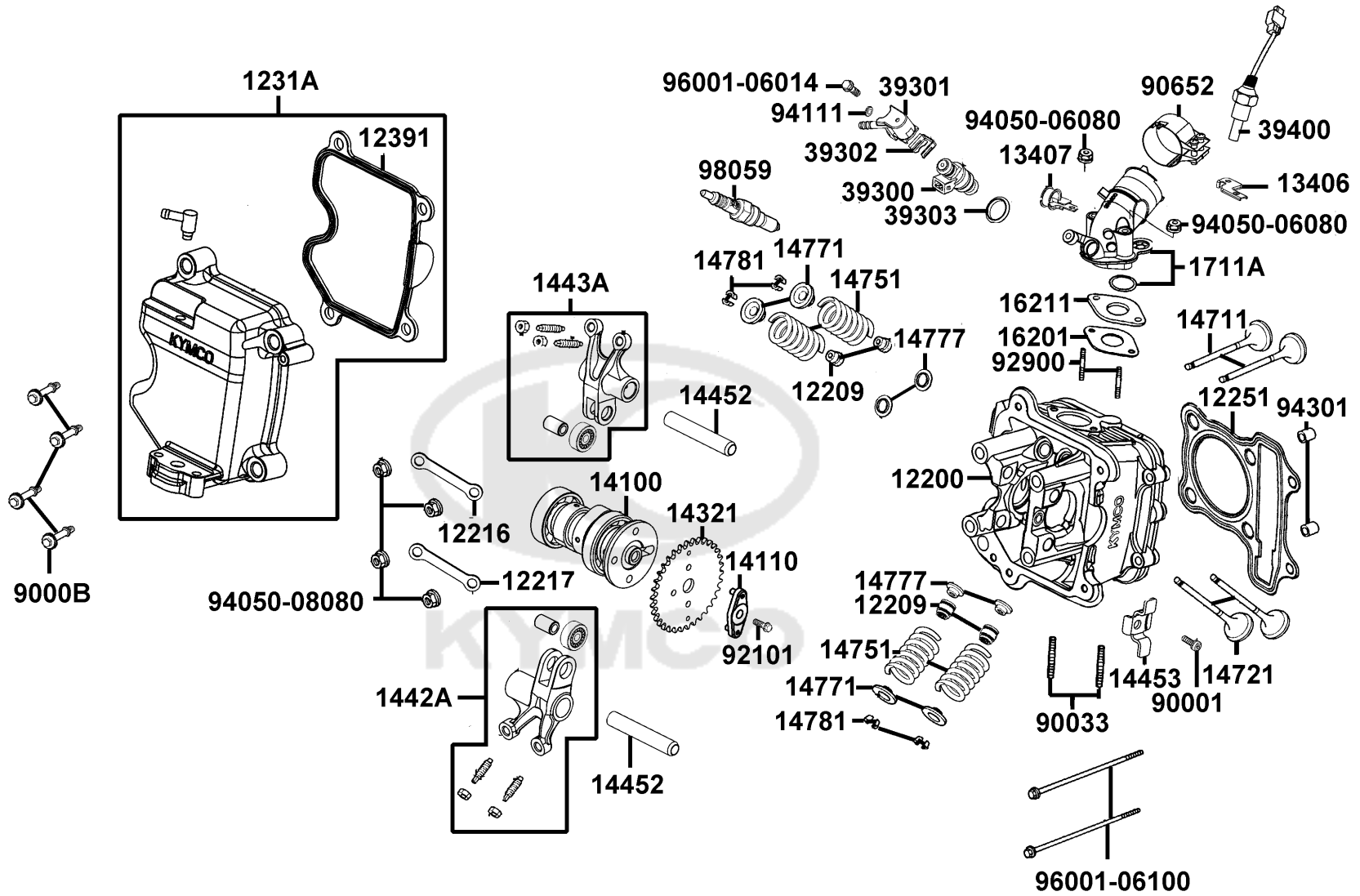


Sales mark	Ref no	Part no	Description	Reg description	Regd no	<b>E01</b>
90474		90474-3C33-C00	WASHER 8MM (T*2)	WASHER 8MM (T*2)	2	
9052A		9052A-LEB1-C01	BOLT ASSY DRAIN PLUG12*15(C)	BOLT ASSY DRAIN PLUG12*15(C)	1	
91009		91009-GLE0-C00	BRG BALL RADIAL 6004 UU	BRG BALL RADIAL 6004 UU	1	
91202		91202-LEB1-900	OIL SEAL 25*35*5	OIL SEAL 25*35*5	1	
91255		91255-LDC8-E10	OIL SEAL 27*42*7(C?)	OIL SEAL 27*42*7(C?)	1	
92101		92101-05012-0HG	BOLT HEX 5*12	BOLT HEX 5*12	1	
93903-25260		93903-25260-G	SCREW TAPPING 5*12(G)	SCREW TAPPING 5*12(G)	1	
94301-08140		94301-08140	DOWEL PIN 8*14	DOWEL PIN 8*14	1	
94301-10160		94301-10160	DOWEL PIN 10*16	DOWEL PIN 10*16	2	
95701		95701-08012-07G	BOLT FLANGE 8*12 (G)	BOLT FLANGE 8*12 (G)	1	
96001-06025		96001-06025-07G	BOLT FLANGE SH 6*25 (K)	BOLT FLANGE SH 6*25 (G)	1	
96001-06032		96001-06032-07G	BOLT FLANGE SH6*32	BOLT FLANGE 6*32(G)	1	
96001-06050		96001-06050-07G	BOLT FLANGE SH 6*50 (K)	BOLT FLANGE SH 6*50 (K)	1	
96100-60020		96100-60020-00	BRG BALL RADIAL 6002	BRG BALL RADIAL 6002	1	
96100-62030		96100-62030-00	BRG BALL RADIAL 6203	BRG BALL RADIAL 6203	1	
96600		96600-06016-08G	SOCKET BOLT 6*16(B)	SOCKET BOLT 6*16(B)	1	

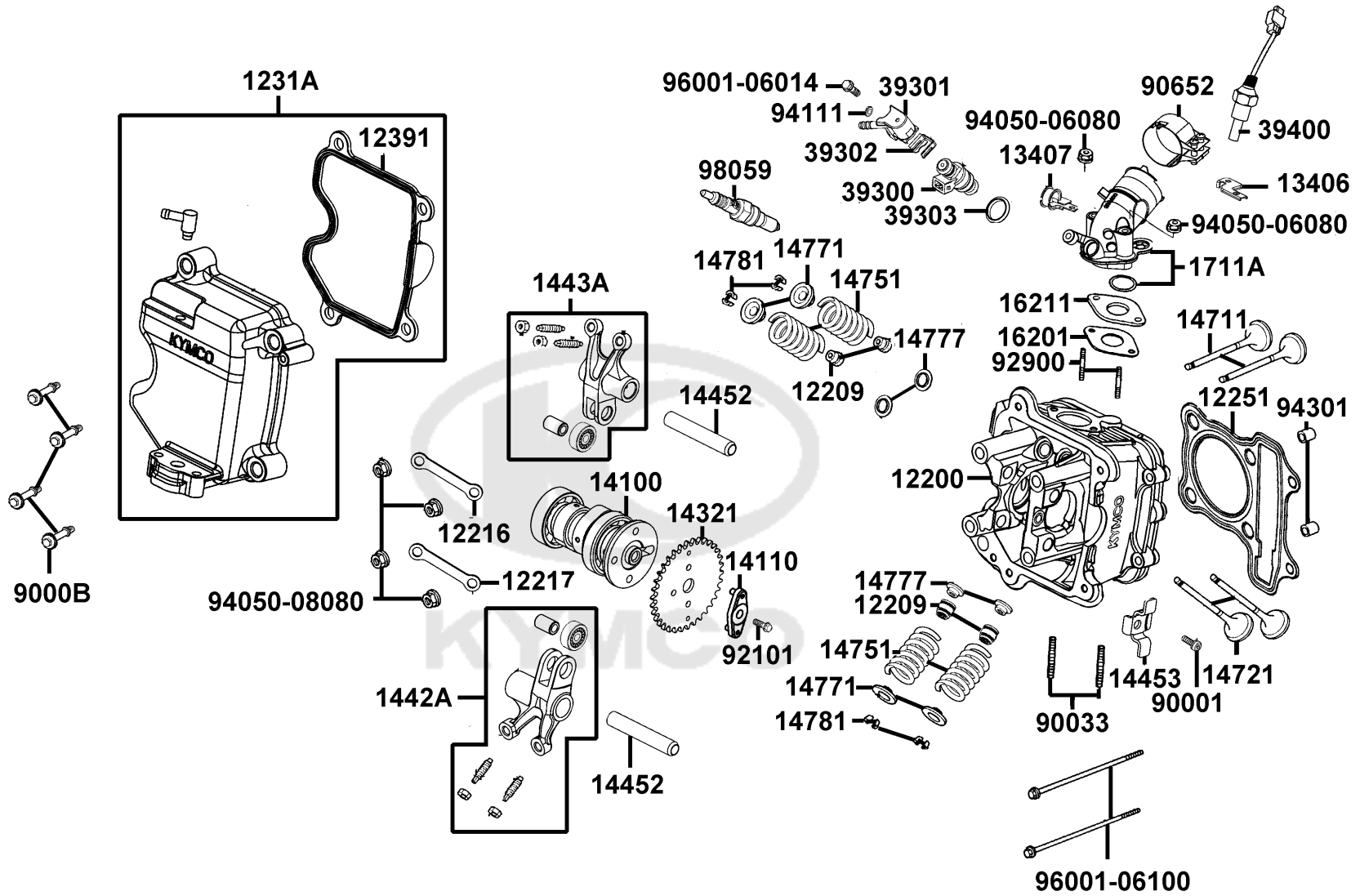


Sales mark	Ref no	Part no	Description	Reg description	Regd no	E02
	12200	12200-LKE6-C00	HEAD COMP CYLN	HEAD COMP CYLN	1	
	12209	12209-LEA2-C00	SEAL VALVE STEM	SEAL VALVE STEM	4	
	12216	12216-LEB1-C00	"FORK A, HOLDER"	"FORK A, HOLDER"	1	
	12217	12217-LEB1-C00	"FORK B, HOLDER"	"FORK B, HOLDER"	1	
	12251	12251-LKE6-C00	GASKET CYLINDER HEAD	GASKET CYLINDER HEAD	1	
	1231A	1231A-LHJ3-C00	HEAD COVER SET	HEAD COVER SET	1	
	12391	12391-LEB1-C00	GASEKT HEAD COVER	GASEKT HEAD COVER	1	
	13406	13406-LHJ8-900	CLAMPER FUEL TUBE	CLAMPER FUEL TUBE	1	
	13407	13407-LKC6-C00	PLATE A ECU MODULE	PLATE A ECU MODULE	1	
	14100	14100-LKE6-C00	CAM SHAFT COMP	CAM SHAFT COMP	1	
	14110	14110-LEB1-C00	"FIXTURE,CAMSHAFT"	"FIXTURE,CAMSHAFT"	1	
	14321	14321-LEB1-C00	SPROCKET CAM	SPROCKET CAM	1	
	1442A	1442A-LEB1-C00	"ARM ASSY, VALVE ROCKER"	"ARM ASSY, VALVE ROCKER"	1	
	1443A	1443A-LEB1-C00	"ARM ASSY.,VALVE ROCKER"	"ARM ASSY.,VALVE ROCKER"	1	
	14452	14452-LFA7-C00	SHAFT EXH ROCKER ARM	SHAFT EXH ROCKER ARM	1	
	14453	14453-LKE6-C00	SET PLATE ROCKER ARM SHAFT	SET PLATE ROCKER ARM SHAFT	1	
	14711	14711-LKE6-C00	VALVE INLET	VALVE INLET	2	
	14721	14721-LKE6-C00	VALVE EXHAUST	VALVE EXHAUST	2	
	14751	14751-KHD6-C00	SPG VALVE OUTER	SPG VALVE OUTER	4	
	14771	14771-LEA2-900	RETAINER UPPER SPRING	RETAINER UPPER SPRING	1	





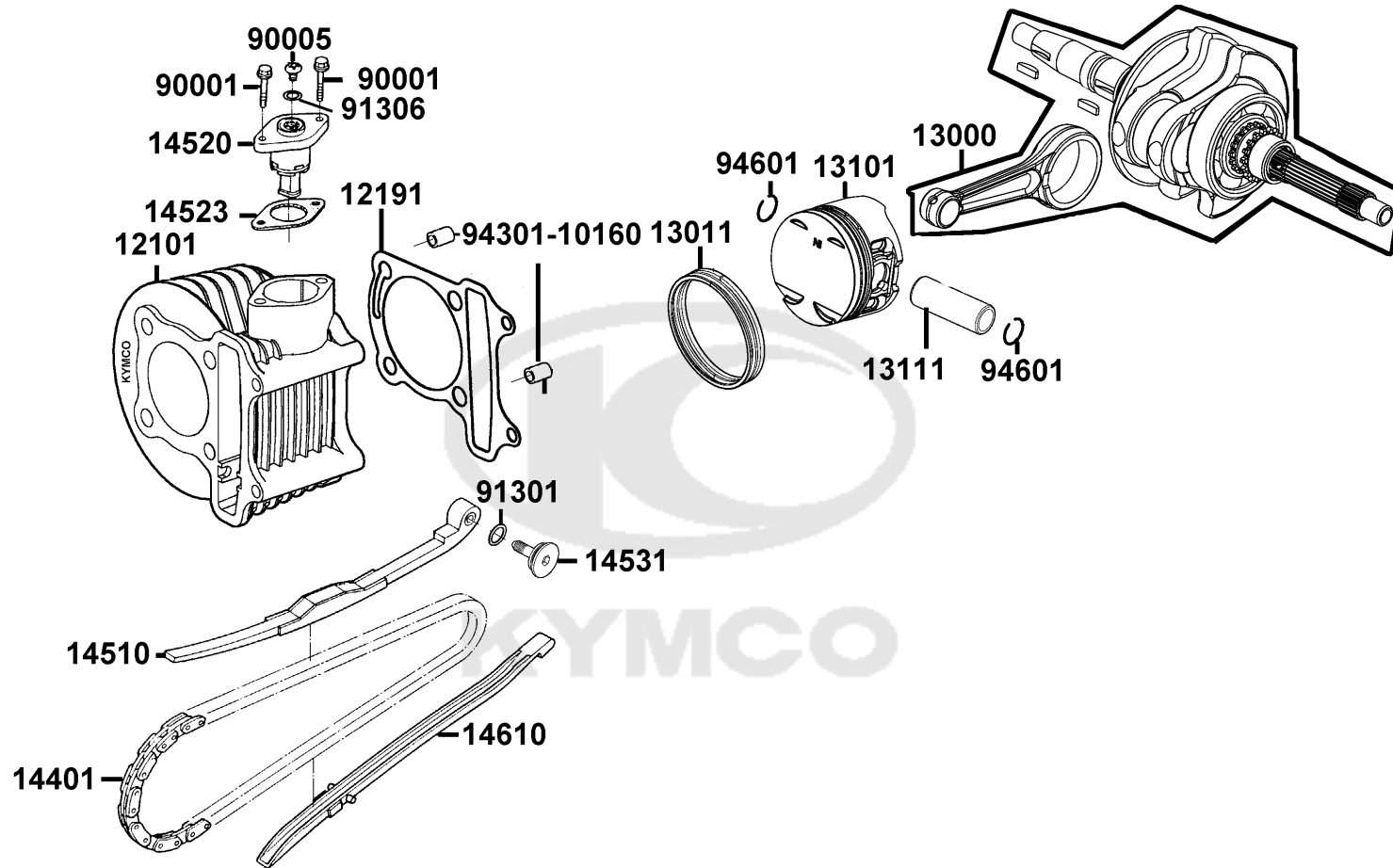
Sales mark	Ref no	Part no	Description	Reg description	Regd no	E02
	14777	14777-LFA7-C00	SEAT VALVE SPG	SEAT VALVE SPG	1	
	14781	14781-KKE5-C00	COTTER VALVE	COTTER VALVE	8	
	16201	16201-LEB1-C00	GASKET CARB INSULATOR	GASKET CARB INSULATOR	1	
	16211	16211-LEB1-C00	INSULATOR CARB	INSULATOR CARB	1	
	1711A	1711A-LGH6-C00	PIPE ASSY INLET	PIPE ASSY INLET	1	
	39300	39300-LEB2-800	FUEL INJECTOR	FUEL INJECTOR	1	
	39301	39301-LHJ3-C00	HOLDER ASSY FUEL	HOLDER ASSY FUEL	1	
	39302	39302-KKE3-C00	CLIP SPRING FUEL INJECTOR	CLIP SPRING FUEL INJECTOR	1	
	39303	39303-LEB2-C00	SEAL,HIGH TENSION FUEL INJECT	SEAL,HIGH TENSION FUEL INJECT	1	
	39400	39400-LHJ3-900	SENSOR. HEAD TEMPERATURE	SENSOR. HEAD TEMPERATURE	1	
	90001	90001-GFY6-C01	SOCKET BOLT 6*10	SOCKET BOLT 6*10	1	
	9000B	9000B-KHD6-C02	BOLT ASSY SPECIAL 6X41.5(G)	BOLT ASSY SPECIAL 6X41.5(G)	1	
	90033	90033-KGB4-C11	BOLT STUD 8*40	BOLT STUD 8*40	1	
	90652	90652-LHJ3-C00	BAND 48 INLET-PIPE	BAND 48 INLET-PIPE	1	
	92101	92101-06014-07G	BOLT HEX 6*14	BOLT HEX 6*14	1	
	92900	92900-06060-0BG	BOLT STUD 6*60	BOLT STUD 6*60	1	
	94050-06080	94050-06080	NUT FLANGE 6MM	NUT FLANGE 6MM	1	
	94050-08080	94050-08080-G	NUT FLANGE 8MM	FLANGE NUT 8MM(C)	1	
	94111	94111-06800-G	WASHER SPG 6MM(C)	WASHER SPG 6MM(C)	1	
	94301	94301-10160	DOWEL PIN 10*16	DOWEL PIN 10*16	1	



Sales mark	Ref no	Part no	Description	Reg description	Regd no	<b>E02</b>
------------	--------	---------	-------------	-----------------	---------	------------

96001-06014		96001-06014-08G	BOLT FLANGE SH 6*14 (C)	BOLT FLANGE SH 6*14 (C)	1	
96001-06100		96001-06100-07G	BOLT FLANGE 6*100	BOLT FLANGE 6*100	1	
98059		98059-58916-00	PLUG SPARK(CR8E)	PLUG SPARK(CR8E)	1	

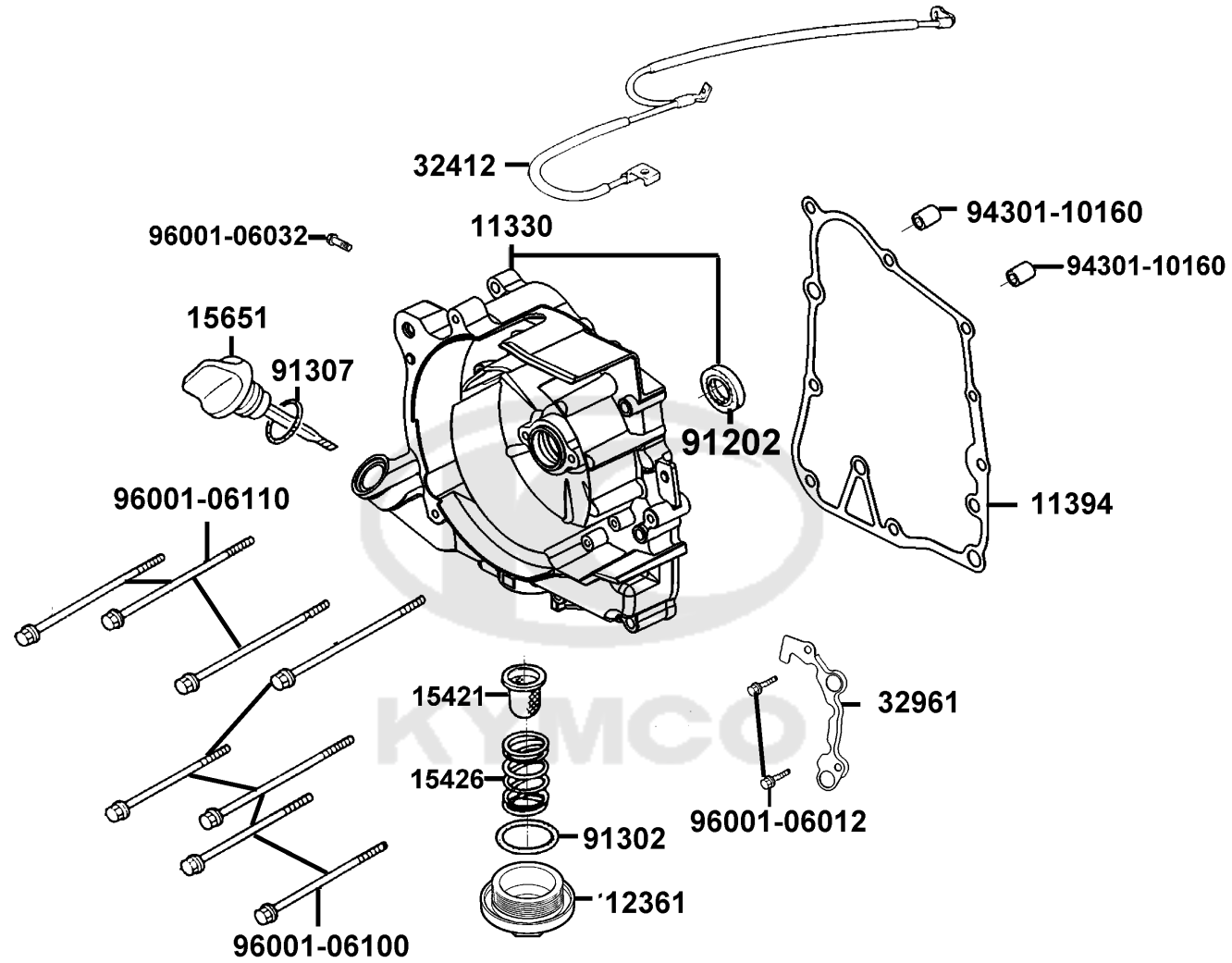




Sales mark	Ref no	Part no	Description	Reg description	Regd no	E03
	12101	12101-LEB1-90B	CYLINDER COMP	CYLINDER COMP	1	
	12191	12191-LEB1-C00	GASKET CYLINDER @A	GASKET CYLINDER @A	1	
	13000	13000-LKE6-C00	CRANK SHAFT COMP	CRANK SHAFT COMP	1	
	13011	13011-LKE6-C00	RING ASSY PISTON	RING ASSY PISTON	1	
#	13101	13101-LKE6-C00	PISTON	PISTON	1	
	13111	13111-LFA7-C00	PIN PISTON	PIN PISTON	1	
	14401	14401-KUDU-C00	CHAIN CAM	CHAIN CAM	1	
	14510	14510-LEB1-C00	TENSIONER CAM CHAIN	TENSIONER CAM CHAIN	1	
	14520	14520-LFA7-C00	LIFTER ASSY TENSIONER	LIFTER ASSY TENSIONER	1	
	14523	14523-KED9-C00	GASKET TENSIONER LIFTER @A	GASKET TENSIONER LIFTER @A	1	
	14531	14531-GLR0-W11	PIVOT CAM CHAIN TENSIONER	PIVOT CAM CHAIN TENSIONER	1	
#	14610	14610-LEB1-90B	GUIDE CAM CHAIN	GUIDE CAM CHAIN	1	
	90001	90001-GBHB-C06	BOLT FLANGE SHF 6*22	BOLT	1	
	90005	90005-KAW1-C00	SCREW PAN 6*6(G)	SCREW PAN 6*6(G)	1	
	91301	91301-GLR0-W10	O-RING 15.2*1.5	O-RING 15.2*1.5	1	
	91306	91306-1E05-C00	O-RING 1.5*9.5	O-RING 1.5*9.5	1	
	94301-10160	94301-10160	DOWEL PIN 10*16	DOWEL PIN 10*16	2	
	94601	94601-14000	CLIP PISTON PIN 12MM	CLIP PISTON PIN 12MM	2	

E04

# Right Crankcase Cover

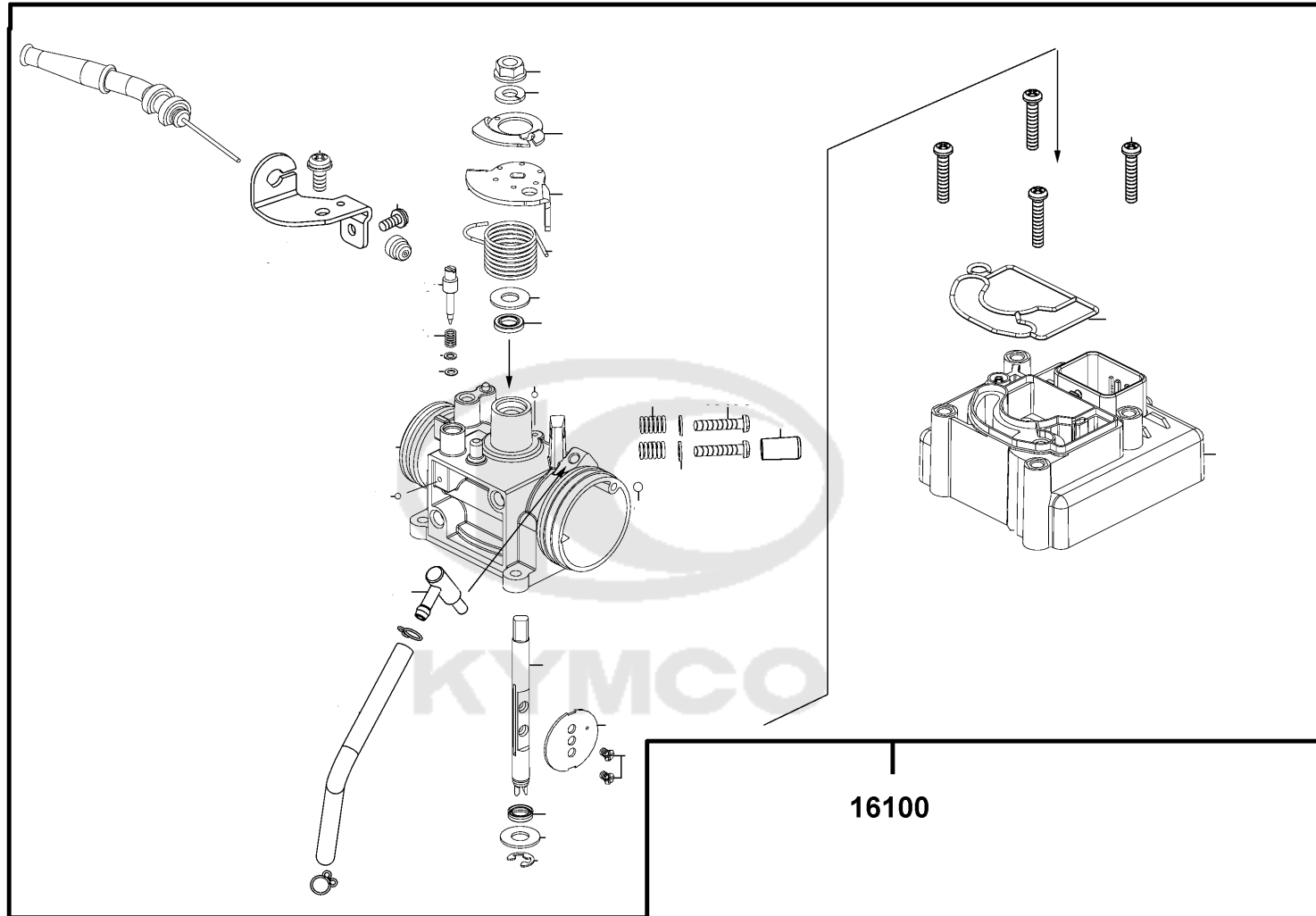


Sales mark	Ref no	Part no	Description	Reg description	Regd no	<b>E04</b>
	11330	11330-LHJ3-C00	COVER COMP R CRANK CASE	COVER COMP R CRANK CASE	1	
	11394	11394-LEB1-C00	GASKET R COVER @A	GASKET R COVER @A	1	
	12361	12361-GFY6-C00	HOLE CAP TAPPET ADJUSTING	HOLE CAP TAPPET ADJUSTING	1	
	15421	15421-1G07-C00	SCREEN OIL FILTER	SCREEN OIL FILTER	1	
	15426	15426-GAE1-C00	SPG OIL FILTER SCREEN	SPG OIL FILTER SCREEN	1	
	15651	15651-KUDU-W10	GUAGE OIL LEVEL	GUAGE OIL LEVEL	1	
	32412	32412-ACC1-E10	CABLE EARTH	CABLE EARTH	1	
	32961	32961-LEB1-C00	CLAMPER ACG CORD	CLAMPER ACG CORD	1	
#	91202	91202-GFY6-90C	OIL SEAL 19.8*30*5	OIL SEAL 19.8*30*5	4	
	91302	91302-0A01-C00	O-RING 30.8MM	O-RING 30.8MM	1	
	91307	91307-0E35-W10	O-RING 18*3	O-RING 18*3	1	
	94301-10160	94301-10160	DOWEL PIN 10*16	DOWEL PIN 10*16	1	
	96001-06012	96001-06012-07G	BOLT FLANGE 6*12(G)	BOLT FLANGE SH 6*12 (KG)	1	
	96001-06032	96001-06032-07G	BOLT FLANGE SH6*32	BOLT FLANGE 6*32(G)	1	
	96001-06100	96001-06100-07G	BOLT FLANGE 6*100	BOLT FLANGE 6*100	1	
	96001-06110	96001-06110-07G	BOLT FLANGE SH 6*110 (G)	BOLT FLANGE SH 6*110 (G)	1	



E05

Carburetor



Sales mark	Ref no	Part no	Description	Reg description	Regd no	<b>E05</b>
------------	--------	---------	-------------	-----------------	---------	------------

16100

16100-ACC1-E10

THROTTLE BODY ASSY

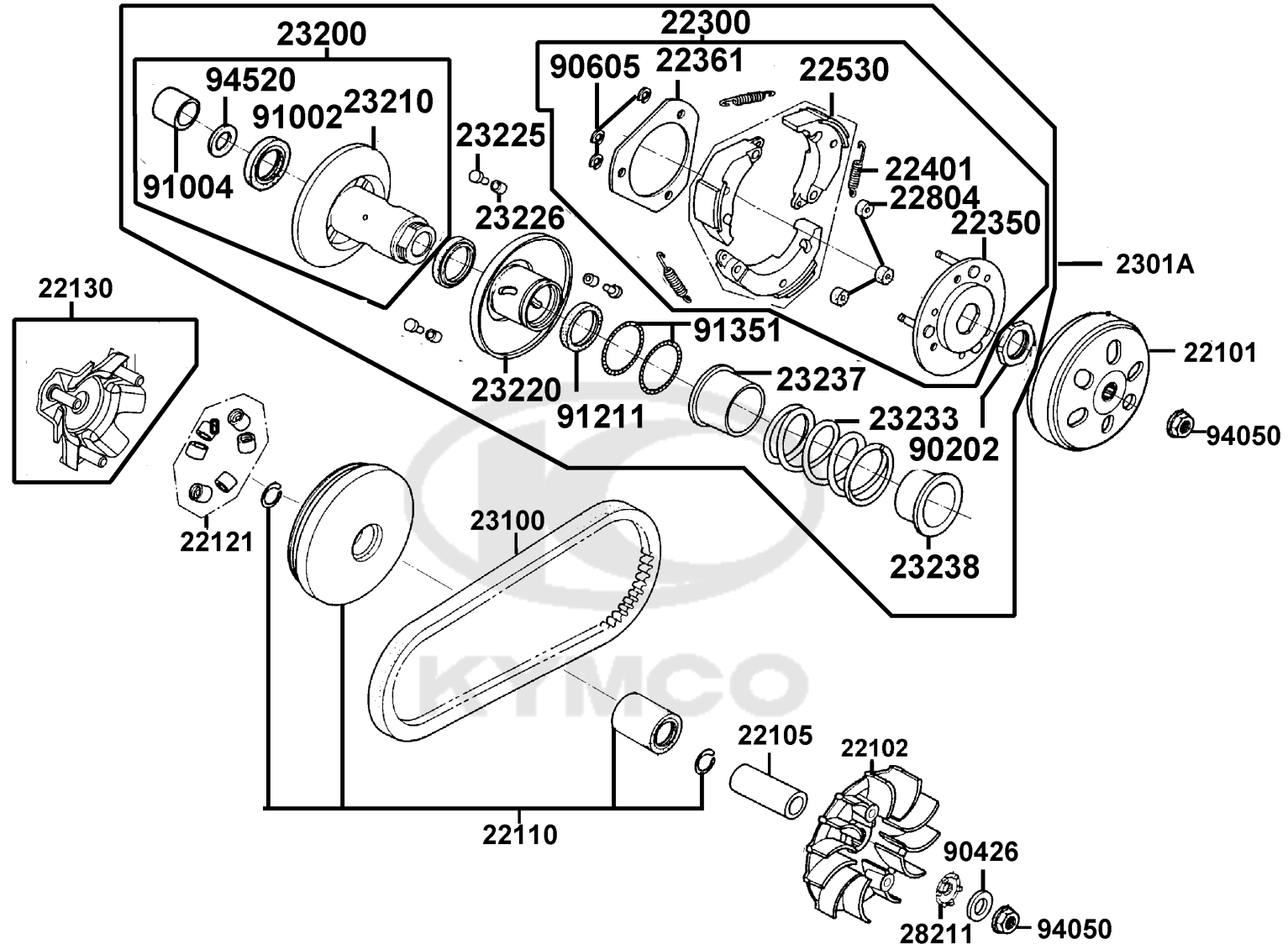
THROTTLE BODY ASSY

1



E06

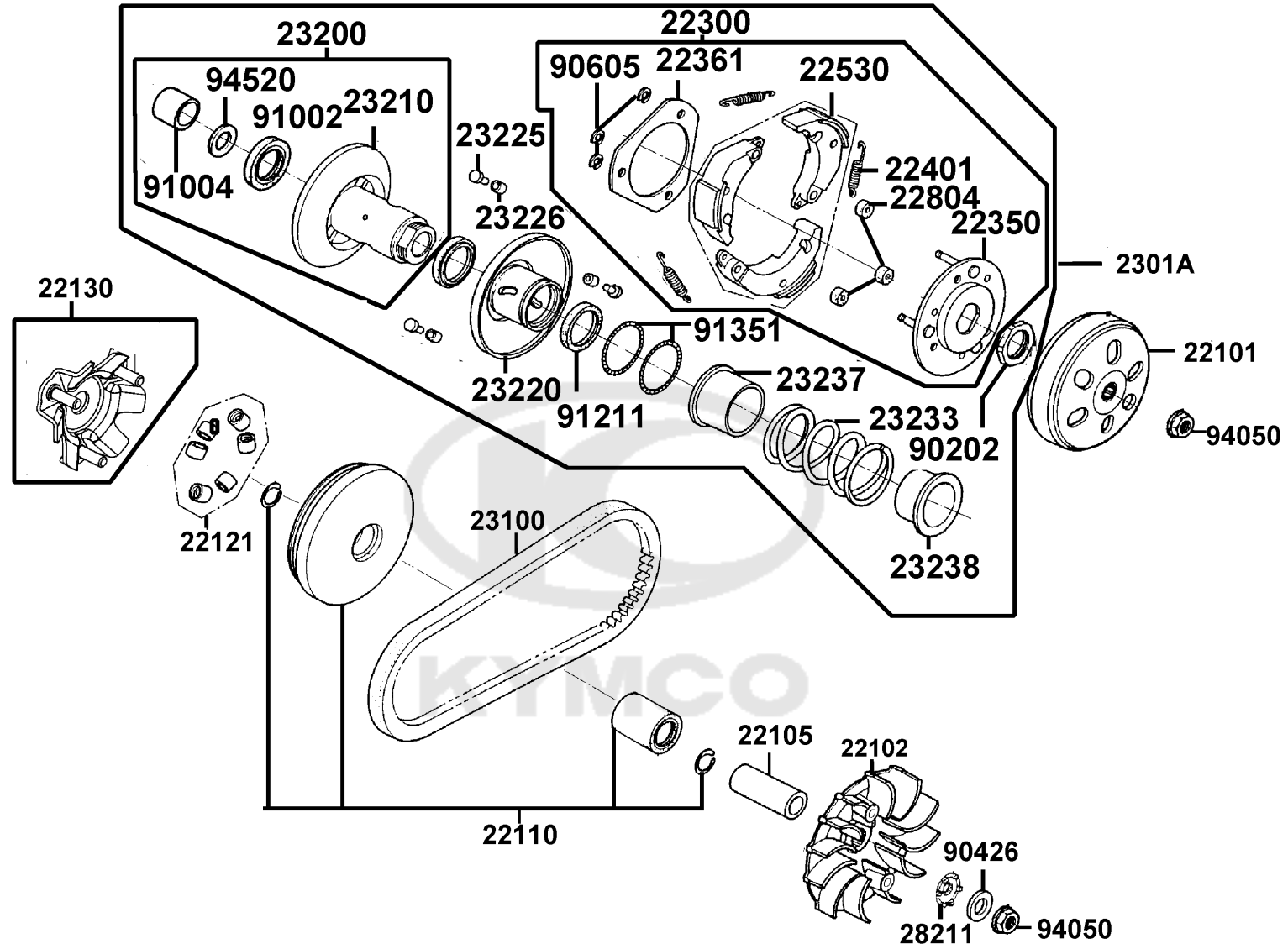
### Driven Pulley



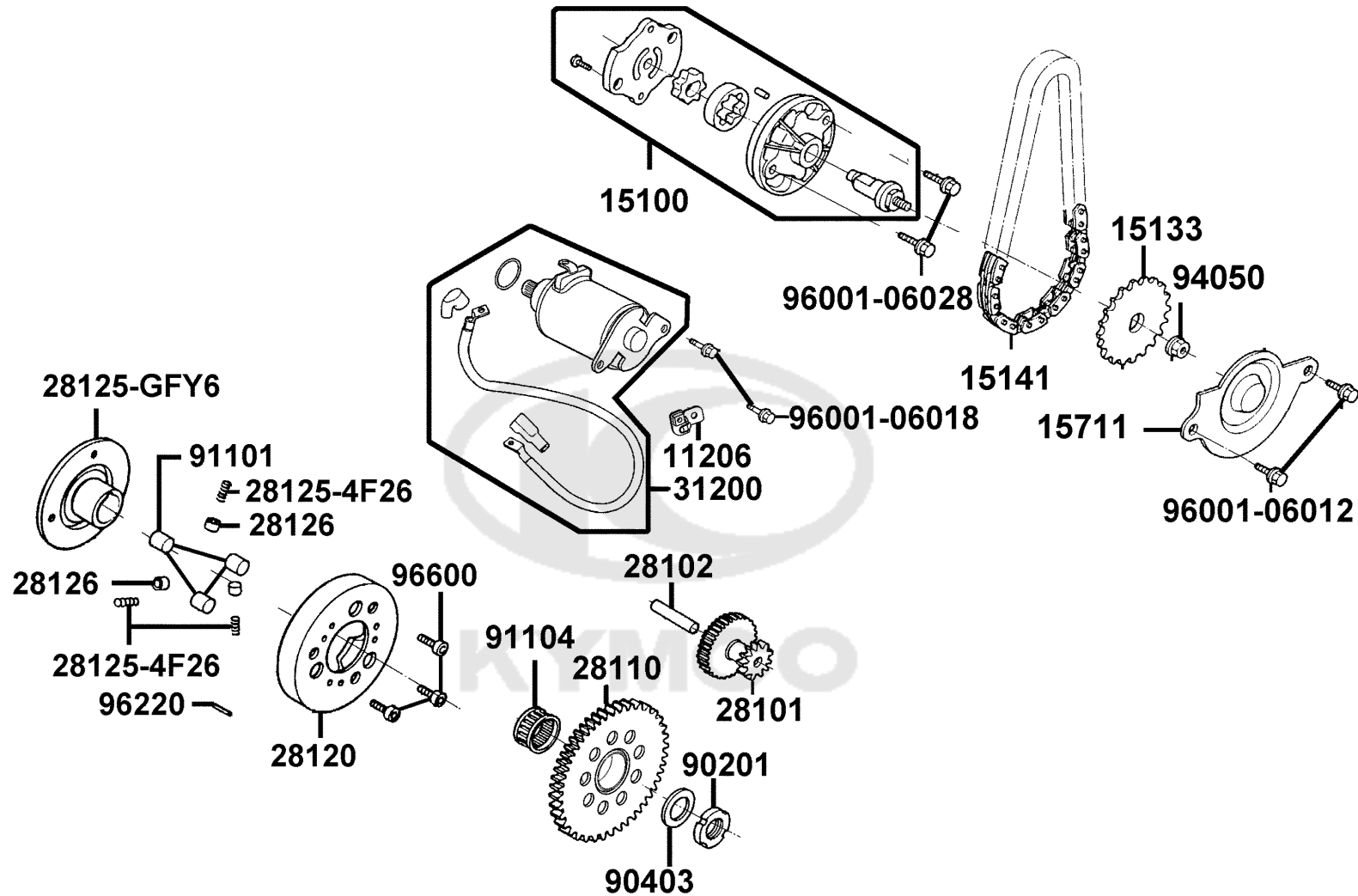
Sales mark	Ref no	Part no	Description	Reg description	Regd no	<b>E06</b>
22101		22101-LCD3-C00	OUTER CLUTCH	OUTER CLUTCH	1	
22102		22102-LEB1-C00	FACE DRIVE	FACE DRIVE	1	
22105		22105-LFE2-C00	BOSS DRIVE FACE	BOSS DRIVE FACE	1	
22110		22110-LEB1-C00	FACE COMP MOVABLE DRIVE	FACE COMP MOVABLE DRIVE	1	
22121		22121-GFY6-325	ROLLER SET WEIGHT (1SET:6PCS)	ROLLER SET WEIGHT (1SET:6PCS)	1	
22130		22130-LEB1-C00	RAMP PLATE COMP.	RAMP PLATE COMP.	1	
22300		22300-LHJ3-C00	PLATE ASSY. DRIVE	PLATE ASSY. DRIVE	1	
22350		22350-LHJ3-C00	PLATE COMP.DRIVE	PLATE COMP. DRIVE	1	
22361		22361-LHJ3-C00	PLATE CLUTCH SIDE	PLATE CLUTCH SIDE	1	
22401		22401-LHJ3-C00	SPRIMH GLUTCH	SPRING CLUTCH	1	
22530		22530-LHJ3-C00	WEIGHT CLUTCH	WEIGHT CLUTCH	1	
22804		22804-GBB2-C00	RUBBER CLUTCH DAMPER	RUBBER CLUTCH DAMPER	1	
2301A		2301A-LKE6-C00	PULLEY SUB ASSY	PULLEY SUB ASSY	1	
23100		23100-LFB6-900	BELT DRIVE(Maker:MITSUBOSHI)	BELT DRIVE(Maker:MITSUBOSHI)	1	
23200		23200-LFE2-C00	"FACE ASSY., DRIVEN"	"FACE ASSY., DRIVEN"	1	
23210		23210-GFY6-C00	FACE COMP DRIVEN A	FACE COMP DRIVEN A	1	
23220		23220-GFY6-C00	FACE COMP DRIVEN H1	FACE COMP DRIVEN H1	1	
23225		23225-GHC8-C00	PIN ROLLER GUIDE	PIN ROLLER GUIDE	1	
23226		23226-GHC8-C00	ROLLER GUIDE	"ROLLER,GUIDE"	1	
23233		23233-LFB6-C00	SPG DRIVEN FACE	SPG DRIVEN FACE	1	

E06

### Driven Pulley

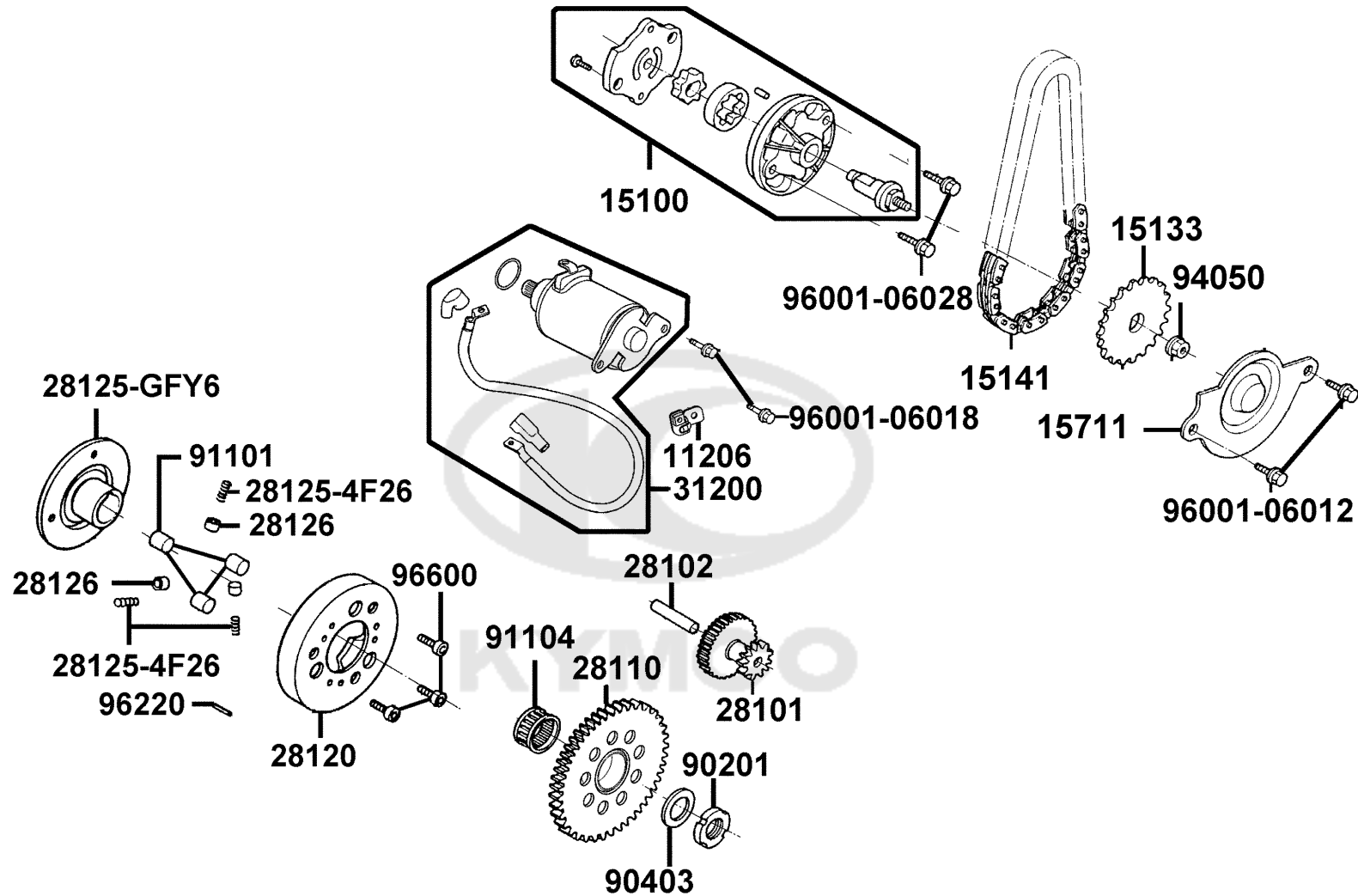


Sales mark	Ref no	Part no	Description	Reg description	Regd no	<b>E06</b>
23237		23237-GFY6-C00	COLLAR SEAL	COLLAR SEAL	1	
23238		23238-LEB1-C00	COLLAR SPG	COLLAR SPG	1	
28211		28211-ADG1-C00	RATCHET KICK STARTER	RATCHET KICK STARTER	1	
90202		90202-1G87-C00	NUT SPECIAL 28MM	NUT SPECIAL 28MM	1	
90426		90426-KNBN-C01	WASHER SPECIAL 12MM	WASHER SPECIAL 12MM	1	
90605		90605-1F66-C00	CIR CLIP 7MM	CIR CLIP 7MM	1	
91002		91002-GGA7-C00	BRG BALL RADIAL 6902U	BRG BALL RADIAL 6902U	1	
91004		91004-KHE7-C00	BRG NDL 22*29*18	BRG NDL 22*29*18	1	
91211		91211-KEBE-C00	SEAL DRIVEN FACE 34*41*4	SEAL DRIVEN FACE 34*41*4	1	
91351		91351-6B42-C00	O-RING PINION CAP	O-RING PINION CAP	1	
94050		94050-12080-G	NUT FLANGE 12MM (C)	NUT FLANGE 12MM (C)	1	
94520		94520-28000	CIR CLIP IN 28	CIR CLIP IN 28	1	



Sales mark	Ref no	Part no	Description	Reg description	Regd no	E07
11206		11206-LFB5-C00	STAY A RR FENDER	STAY A RR FENDER	1	
15100		15100-KFB7-C00	OIL PUMP ASSY	PUMP ASSY OIL	1	
15133		15133-GFY6-W10	SPROCKET OIL PUMP DRIVE	SPROCKET OIL PUMP DRIVE	1	
15141		15141-GFY6-C00	CHAIN OIL PUMP	CHAIN OIL PUMP	1	
15711		15711-GFY6-C00	SEPARATER OIL	SEPARATER OIL	1	
28101		28101-ADG1-C00	GEAR STARTER REDUCTION	GEAR STARTER REDUCTION	1	
28102		28102-GFY6-C00	SHAFT STARTER REDUCTION GEAR	SHAFT STARTER REDUCTION GEAR	1	
28110		28110-LEB1-900	GEAR COMP STARTING CLUTCH	GEAR COMP STARTING CLUTCH	1	
28120		28120-GFY6-315	OUTER COMP STARTING CLUTCH	OUTER COMP STARTING CLUTCH	1	
28125-4F26		28125-4F26-001	SPRING ROLLER STARTER CLUTCH	SPRING ROLLER STARTER CLUTCH	3	
28125-GFY6		28125-GFY6-960	FLANGE STARTING CLUTCH	FLANGE STARTING CLUTCH	1	
28126		28126-KUDU-900	CAP STARTING ROLLER SPRING	CAP STARTING ROLLER SPRING	3	
31200		31200-ACC1-E10	MOTOR ASSY START	MOTOR ASSY START	1	
90201		90201-GFY6-901	NUT LOCK 22MM	NUT LOCK 22MM	1	
90403		90403-GFY6-C00	WASHER THRUST 22.2*31*2.5	WASHER THRUST 22.2*31*2.5	1	
91101		91101-1K79-711	ROLLER 10*10	ROLLER 10*10	3	
91104		91104-GFY6-90A	BRG NEEDLE 28*32*17	BRG NEEDLE 28*32*17	1	
94050		94050-12080-G	NUT FLANGE 12MM (C)	NUT FLANGE 12MM (C)	1	
96001-06012		96001-06012-07G	BOLT FLANGE 6*12(G)	BOLT FLANGE SH 6*12 (KG)	1	
96001-06018		96001-06018-07G	BOLT FLANGE 6*18	BOLT FLANGE 6*18	1	

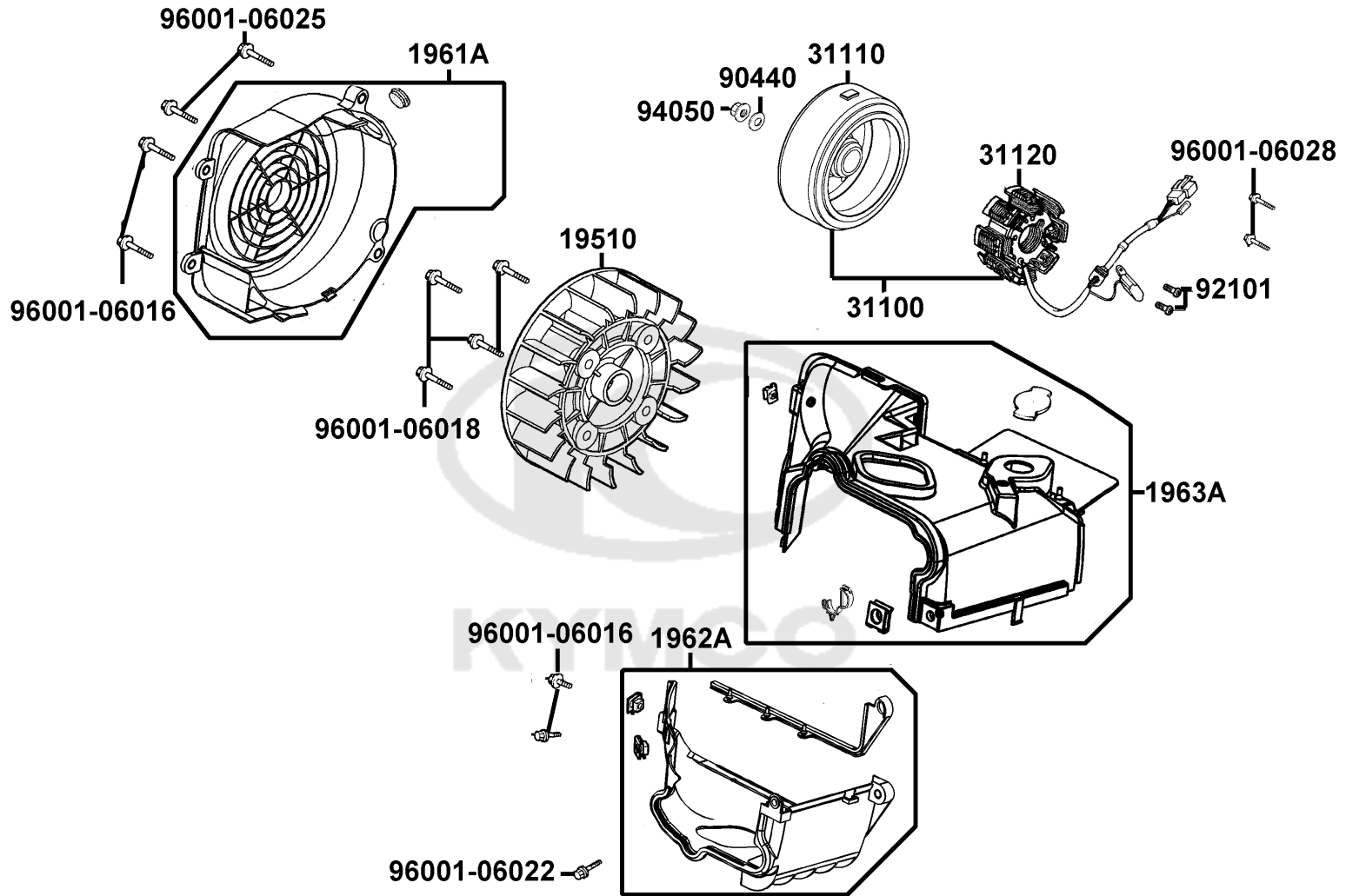




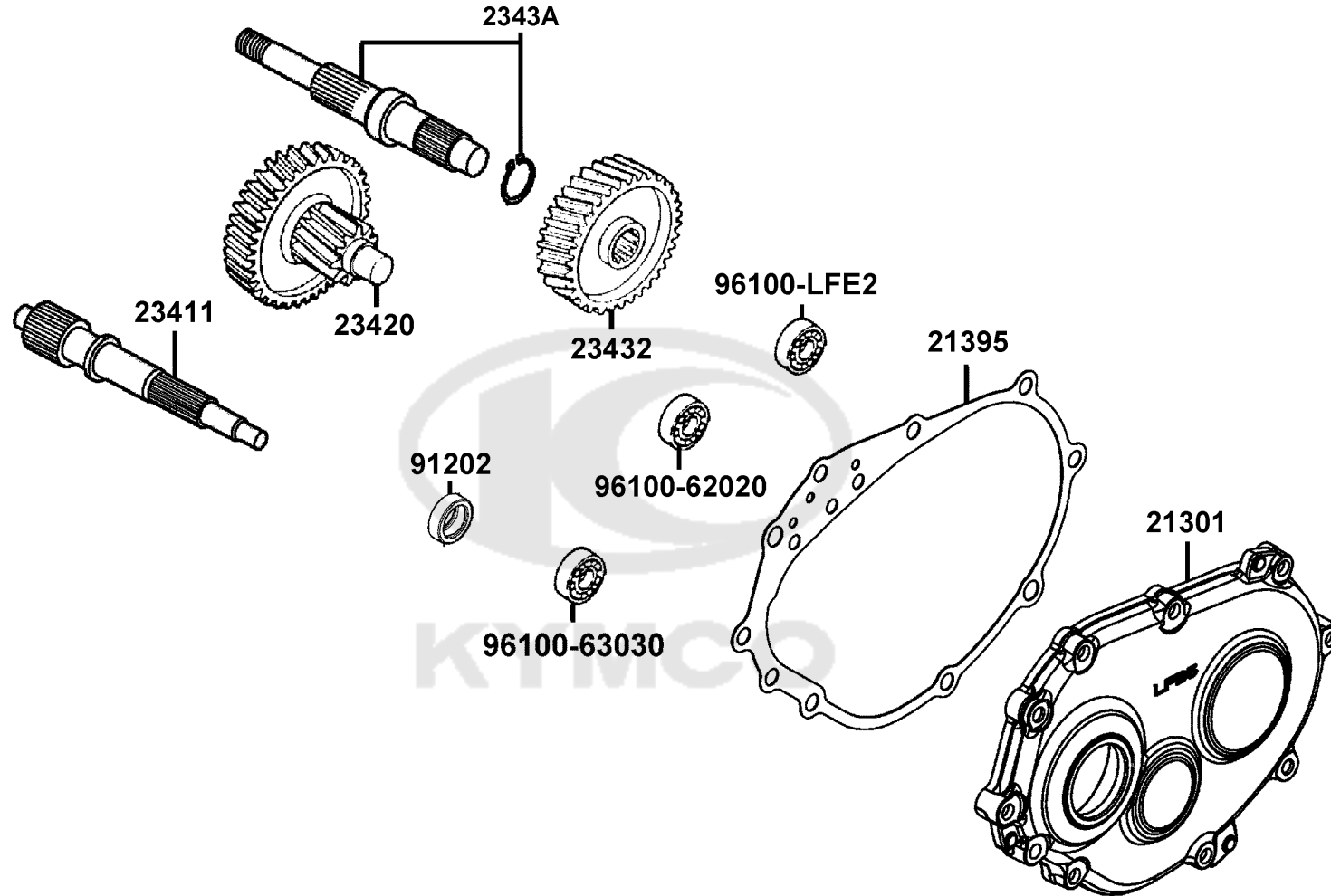
Sales mark	Ref no	Part no	Description	Reg description	Regd no	<b>E07</b>
------------	--------	---------	-------------	-----------------	---------	------------

96001-06028		96001-06028-07G	BOLT FLANGE SH 6*28 (G)	BOLT FLANGE SH 6*28 (G)	1	
96220		96220-60100	ROLLER 6X10	ROLLER 6X10	1	
96600		96600-08010-10	SOCKET BOLT 8*10	SOCKET BOLT 8*10	1	





Sales mark	Ref no	Part no	Description	Reg description	Regd no	<b>E08</b>
19510		19510-LEB1-C01	FAN COMP COOLING	FAN COMP COOLING	1	
1961A		1961A-LEB1-C00	COVER ASSY FAN	COVER ASSY FAN	1	
1962A		1962A-LKE6-C00	SHROUD ASSY A	SHROUD ASSY A	1	
1963A		1963A-ACC1-E10	SHROUD ASSY B	SHROUD ASSY B	1	
31100		31100-ACC1-E10	AC GEN ASS'Y	AC GEN ASS'Y	1	
31110		31110-ACC1-E10	FLYWHEEL COMP	FLYWHEEL COMP.	1	
31120		31120-ACC1-E10	STATOR COMP.	STATOR COMP.	1	
90440		90440-1F66-C00	WASHER PLAIN 12MM	WASHER PLAIN 12MM	1	
92101		92101-05012-0HG	BOLT HEX 5*12	BOLT HEX 5*12	2	
94050		94050-12080-G	NUT FLANGE 12MM (C)	NUT FLANGE 12MM (C)	1	
96001-06016		96001-06016-07G	BOLT FLANGE SH 6*16 (KG)	BOLT FLANGE SH 6*16 (KG)	4	
96001-06018		96001-06018-07G	BOLT FLANGE 6*18	BOLT FLANGE 6*18	4	
96001-06022		96001-06022-06	BOLT FLANGE SH 6*22 (G)	BOLT FLANGE SH 6*22 (G)	1	
96001-06025		96001-06025-07G	BOLT FLANGE SH 6*25 (K)	BOLT FLANGE SH 6*25 (G)	2	
96001-06028		96001-06028-07G	BOLT FLANGE SH 6*28 (G)	BOLT FLANGE SH 6*28 (G)	2	

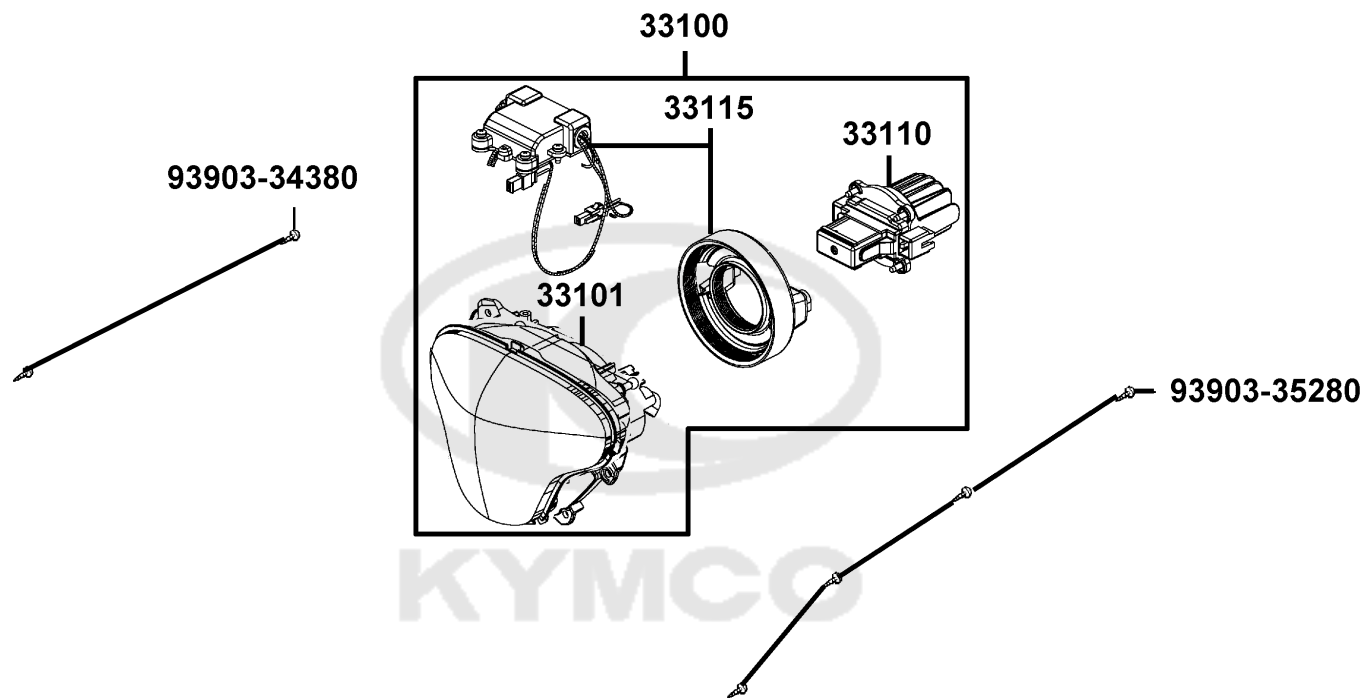


Sales mark	Ref no	Part no	Description	Reg description	Regd no	<b>E09</b>
	21301	21301-LFB5-C00	COVER MISSION	COVER MISSION	1	
	21395	21395-LFB5-C00	GASKET MISSION CASE	GASKET MISSION CASE	1	
	23411	23411-LFB5-C00	SHAFT DRIVE	SHAFT DRIVE	1	
	23420	23420-LGH5-C00	SHAFT COMP COUNTER	SHAFT COMP COUNTER	1	
	23432	23432-LGH5-C00	SHAFT COMP COUNTER	SHAFT COMP COUNTER	1	
	2343A	2343A-LFB5-C00	SHAFT FINAL	SHAFT FINAL	1	
	91202	91202-LFE2-C00	OIL SEAL 22X32X6	OIL SEAL 22X32X6	1	
	96100-62020	96100-62020-00	BEARING BALL RADIAL 6202	BEARING BALL RADIAL 6202	1	
	96100-63030	96100-63030-00	BEARING BALL RADIAL 6303	BEARING BALL RADIAL 6303	1	
	96100-LFE2	96100-LFE2-C00	BEARING BALL RADIAL TMB2/22CC4	BEARING BALL RADIAL TMB2/22CC4	1	



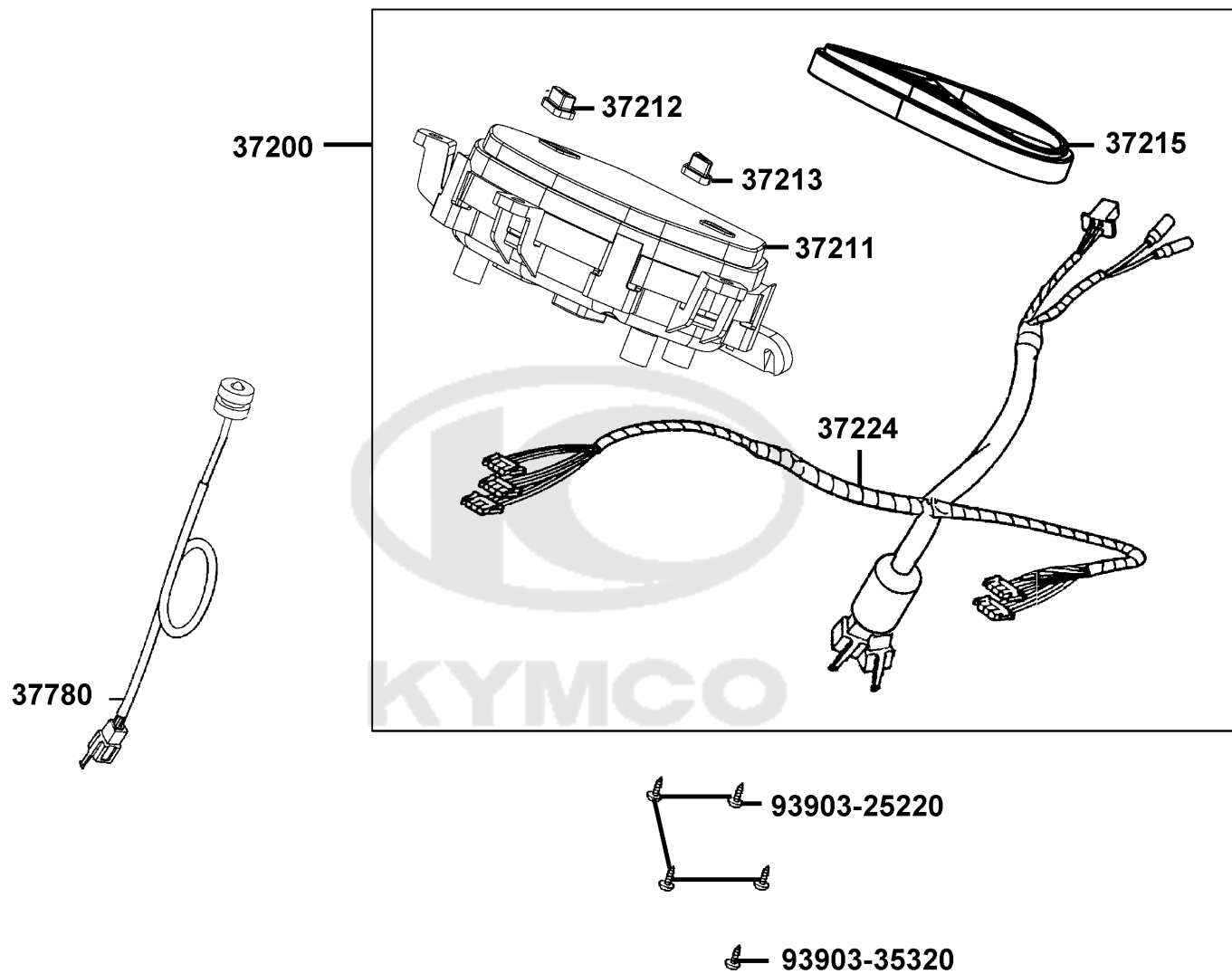
F01

Head Light



Sales mark	Ref no	Part no	Description	Reg description	Regd no	F01
	33100	33100-ACC1-E10	LIGHT ASSY HEAD	LIGHT ASSY HEAD	1	
	33101	33101-ACC1-E10	UNIT HEAD LIGHT	UNIT HEAD LIGHT	1	
	33110	33110-ACC1-E10	LIGHT SOURCE COMP HEAD LIGHT(LED)	LIGHT SOURCE COMP HEAD LIGHT	1	
	33115	33115-ACC1-E10	DRIVER COMP HEAD LIGHT(LED)	DRIVER COMP HEAD LIGHT(LED)	1	
	93903-34380	93903-34380	SCREW TAPPING 4*12	SCREW TAPPING 4*12 (K)	3	
	93903-35280	93903-35280-G	SCREW TAPPING 5*12 (K)	SCREW TAPPING 5*12 (KG)	1	
						



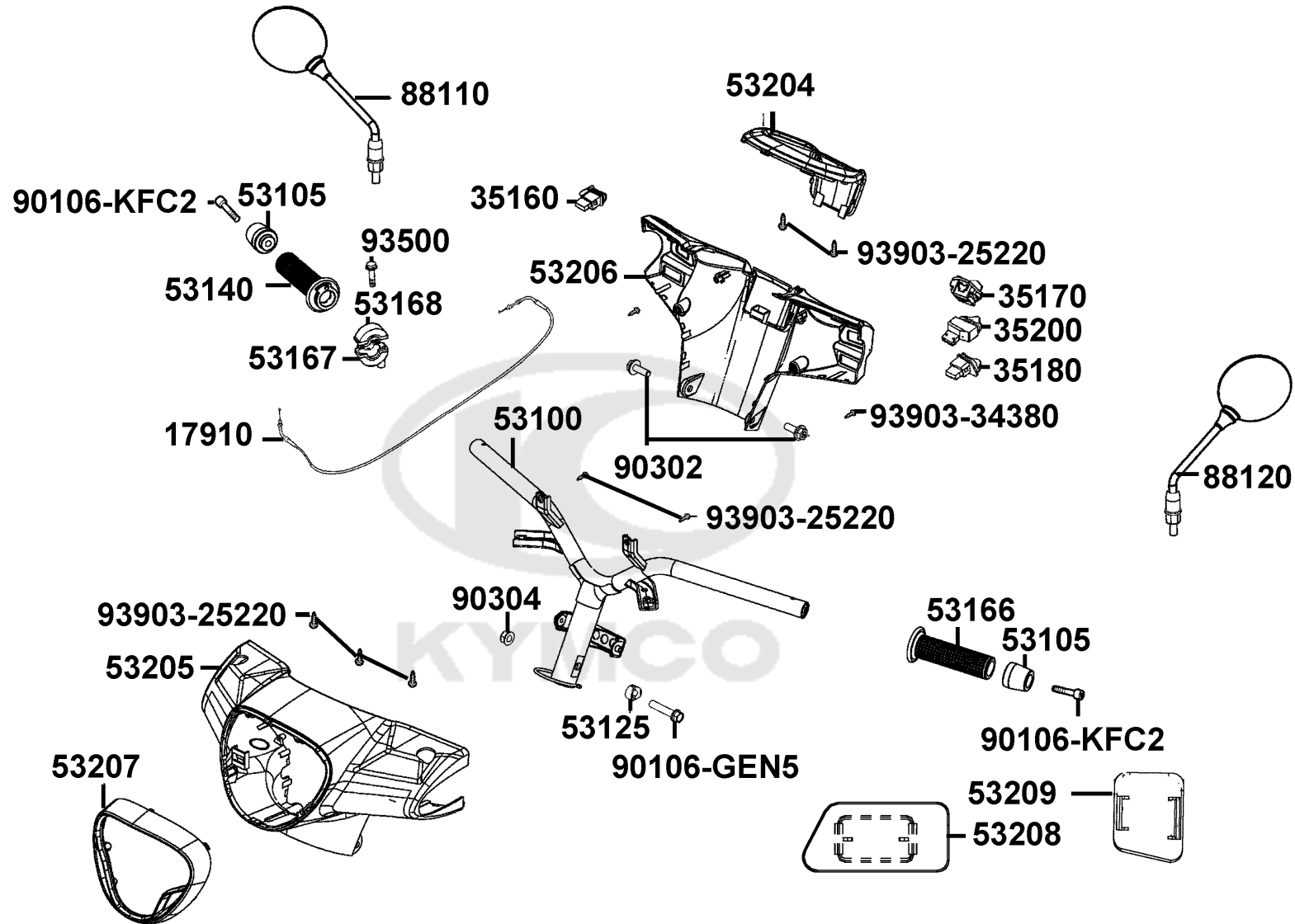


Sales mark	Ref no	Part no	Description	Reg description	Regd no	F02
	37200	37200-ACC1-E10	METER ASS'Y, SPEED	METER ASS'Y, SPEED	1	
	37211	37211-ACC1-E10	LENS	LENS	1	
	37212	37212-ACC1-E10	BUTTON MODE	BUTTON MODE	1	
	37213	37213-ACC1-E10	BUTTON ADJ	BUTTON ADJ	1	
	37215	37215-ACC1-E10	PLATE,COSMETIC	"PLATE,COSMETIC"	1	
	37224	37224-ACC1-E10	"METER COMP.,METER"	"METER COMP.,METER"	1	
	37780	37780-ACD5-E00	SENSOR ASSY. ROOM TEMP	SENSOR ASSY. ROOM TEMP	1	
	93903-25220	93903-25220-G	SCREW TAPPING 5*12	SCREW TAPPING 5*12	4	
	93903-35320	93903-35320-G	SCREW TAPPING 5*16	SCREW TAPPING 5*16	1	




F03

# Handle Steering Handle Cover



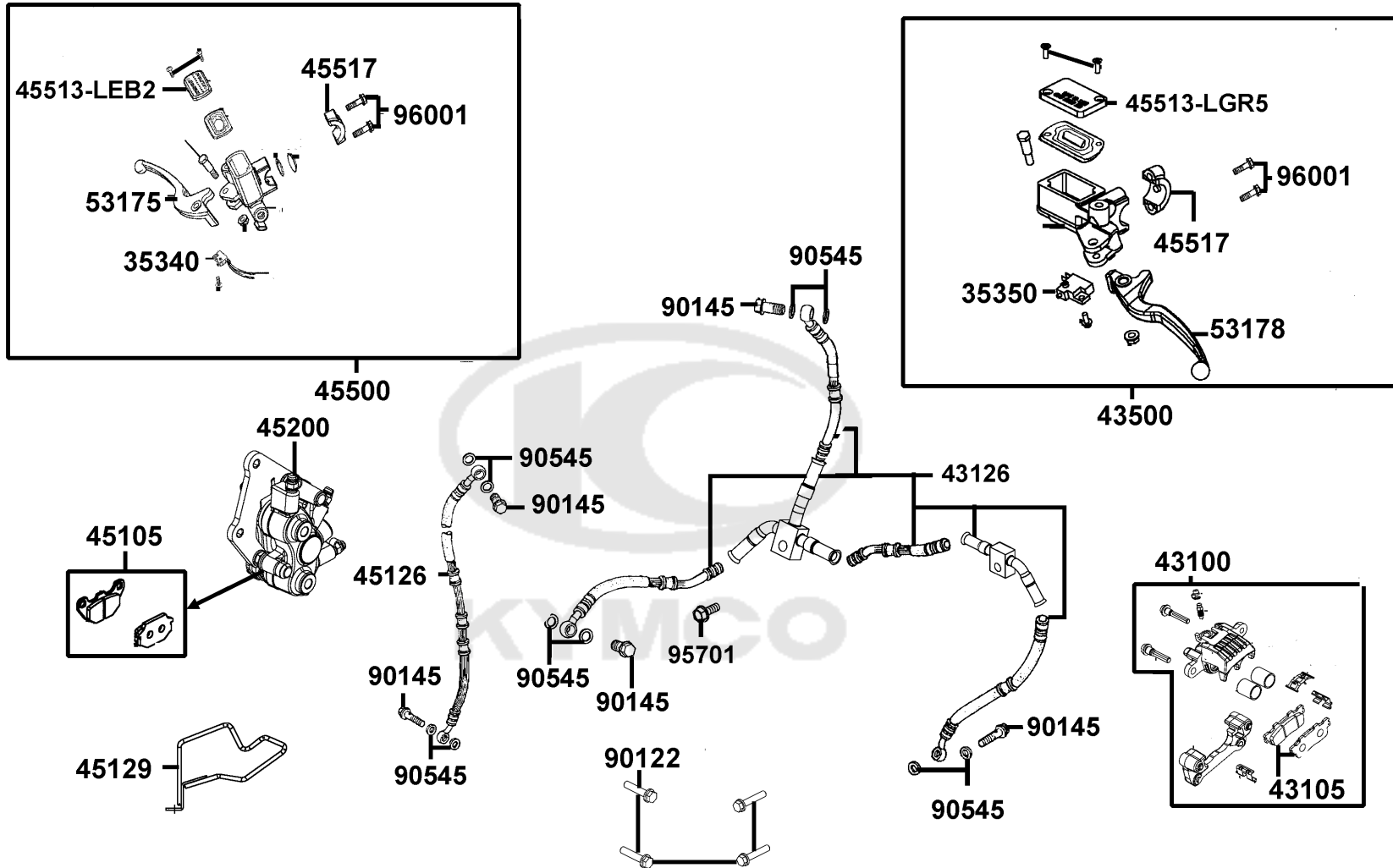
Sales mark	Ref no	Part no	Description	Reg description	Regd no	<b>F03</b>
	17910	17910-ACC1-E10	CABLE COMP THROT	CABLE COMP THROT	1	
	35160	35160-GFY6-C00	SW UNIT START	SW UNIT START	1	
	35170	35170-KNBN-C00	SW UNIT DIMMER	SW UNIT DIMMER	1	
	35180	35180-GFY6-C00	SW UNIT HORN	SW UNIT HORN	1	
	35200	35200-GFY6-C00	SW. ASSY. LH HNDL COMP.	SW. ASSY. LH HNDL COMP.	1	
	53100	53100-ACC1-E10	HANDLE COMP STRG	HANDLE COMP STRG	1	
	53105	53105-LGR5-E10	END, R HANDLE	END R HANDLE	1	
	53125	53125-GEN5-C00	COLLAR HANDLE SET	COLLAR HANDLE SET	1	
	53140	53140-ACC1-E10	GRIP COMP THROT	GRIP COMP THROT	1	
	53166	53166-ACC1-E10	GRIP L HANDLE	GRIP L HANDLE	1	
	53167	53167-GBN2-C00	HOUSING UND THROT	HOUSING UND THROT	1	
	53168	53168-GBN2-C00	HOUSING UP THROT	HOUSING UP THROT	1	
**	53204	53204-ACC1-E10	COVER METER	COVER METER	1	
**	53205	53205-ACC1-E10	COVER HANDLE FR (Bright Red)	COVER HANDLE FR (Bright Red)	1	
**	53206	53206-ACC1-E10	COVER HANDLE RR (Bright Red)	COVER HANDLE RR (Bright Red)	1	
**	53207	53207-ACC1-E10	COVER HEAD LIGHT	COVER HEAD LIGHT	1	
**	53208	53208-ACC1-E10	COVER SWITCH (Bright Red)	COVER SWITCH (Bright Red)	1	
**	53209	53209-ACC1-E10	COVER L SIDE HANDLE (Bright Red)	COVER L SIDE HANDLE (Bright Red)	1	
**	88110	88110-ACC1-E10	MIRROR ASSY R BACK	MIRROR ASSY R BACK	1	
**	88120	88120-ACC1-E10	MIRROR ASSY L BACK	MIRROR ASSY L BACK	1	



Sales mark	Ref no	Part no	Description	Reg description	Regd no	<b>F03</b>
	90106-GEN5	90106-GEN5-901	BOLT FLANGE 10*50	BOLT FLANGE 10*50	1	
	90106-KFC2	90106-KFC2-900	BOLT SPECIAL 8MM	BOLT SPECIAL 8MM	1	
	90302	90302-PUA3-B51	BOLT-WASH 5*12	BOLT-WASH 5*12	1	
	90304	90304-GHE8-C00	NUT U 10MM (C)	NUT U 10MM (C)	1	
	93500	93500-05022-07G	SCREW PAN 5*22	SCREW PAN 5*22	1	
	93903-25220	93903-25220-G	SCREW TAPPING 5*12	SCREW TAPPING 5*12	7	
	93903-34380	93903-34380	SCREW TAPPING 4*12	SCREW TAPPING 4*12 (K)	1	
						

F04

# Brake Master Cylinder

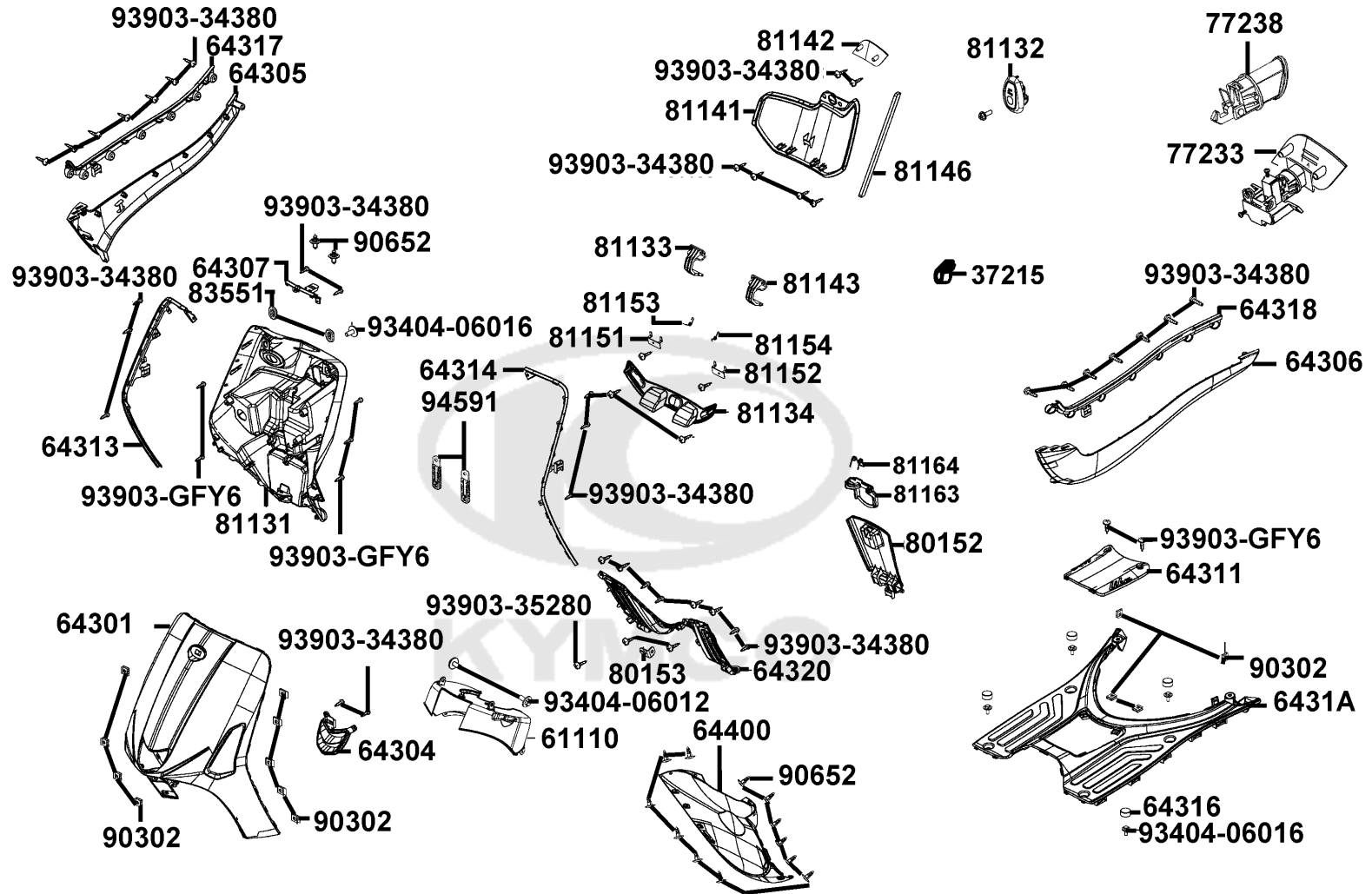


Sales mark	Ref no	Part no	Description	Reg description	Regd no	<b>F04</b>
	35340	35340-KNBN-C00	SW ASSY FR STOP	SW ASSY FR STOP	1	
	35350	35350-KNBN-C00	SW ASSY RR STOP	SW ASSY RR STOP	1	
	43100	43100-ACC1-E10	CALIPER ASSY RR (RH)	CALIPER ASSY RR	1	
	43105	43105-ACC1-305	PAD SET (A+B)	PAD SET	1	
	43126	43126-ACC1-E10	HOSE ASSY RR BRK	HOSE ASSY RR BRK	1	
	43500	43500-ACC1-E10	M/C ASY FR BRK	M/C ASY FR BRK	1	
	45105	45105-ACC1-305	PAD COMP A+B	PAD COMP A&B	1	
	45126	45126-ACC1-E10	HOSE ASSY FR BRK	HOSE ASSY FR BRK	1	
	45129	45129-ACC1-E10	CLAMPER FR BRAKE	CLAMPER FR BRK HOSE	1	
	45200	45200-ACC1-E10	CALIPER ASSY FR BRK	CALIPER ASSY FR BRK	1	
	45500	45500-LGR5-E10	M/C ASSY FR	M/C ASSY FR	1	
	45513-LEB2	45513-LEB2-C00	CAP M/C	CAP M/C	1	
	45513-LGR5	45513-LGR5-E10	CAP M/C	CAP M/C	1	
	45517	45517-KFAF-910	HOLDER M/C	HOLDER M/C	1	
**	53178	53178-KNBN-C00	LEVER L STRG HANDLE	LEVER L STRG HANDLE	1	
	90122	90122-KHC7-C01	BOLT FLANGE 8*38	BOLT FLANGE 8*38	1	
	90145	90145-9A61-C00	OIL BOLT 10*22	OIL BOLT 10*22	2	
	90545	90545-3L00-C00	WASHER OIL BOLT	WASHER OIL BOLT	4	
	95701	95701-06020-08G	BOLT FLANGE 6*20	BOLT FLANGE 6*20 (C)	1	
	96001	96001-06025-02	BOLT FLANGE SH 6*25	BOLT FLANGE SH 6*25	4	

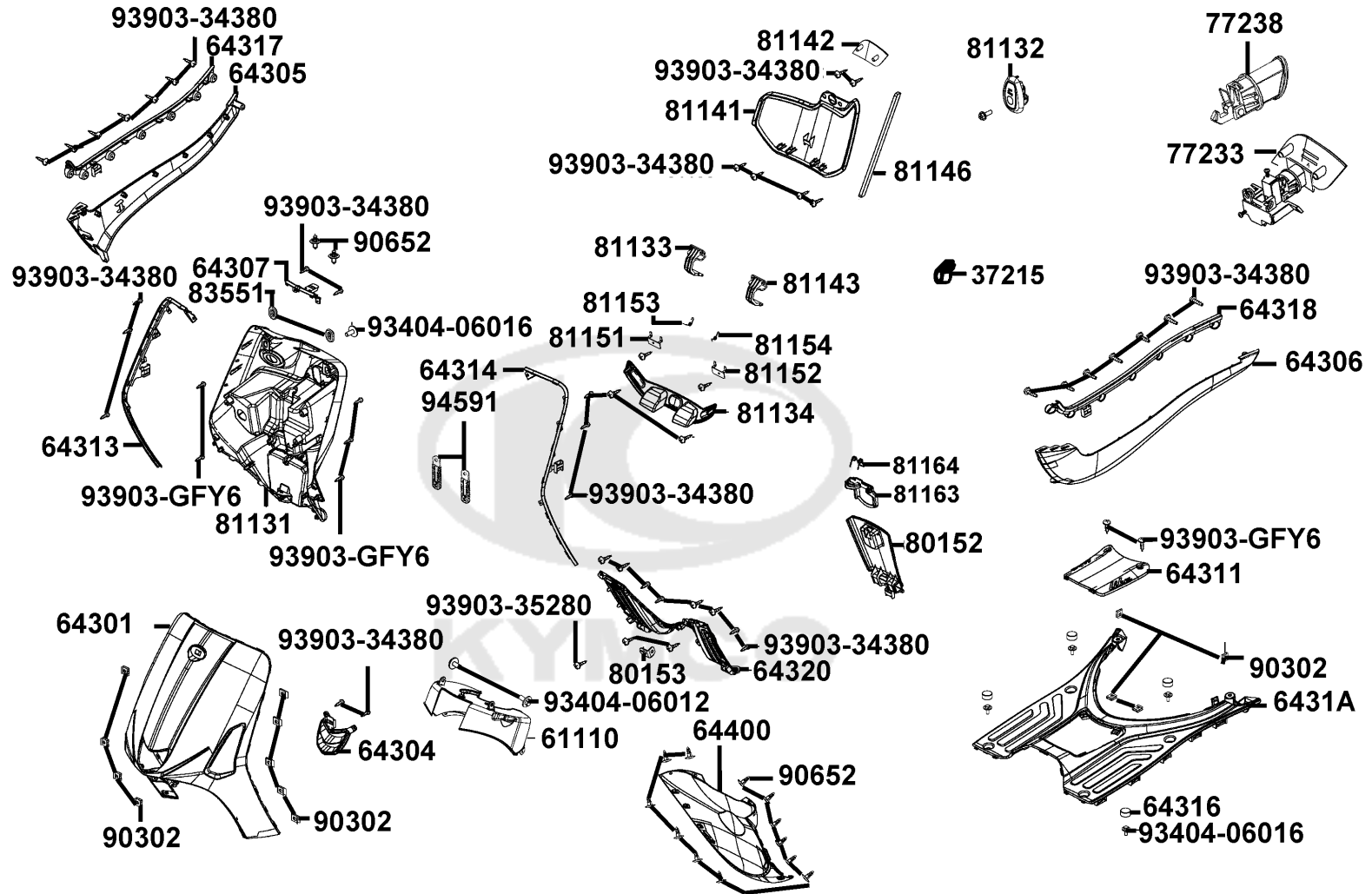




Sales mark	Ref no	Part no	Description	Reg description	Regd no	F05
	37215	37215-LGM9-C00	CLAMP	CLAMP	1	
**	61110	61110-ACC1-E10	FENDER FR INNER	FENDER FR INNER	1	
**	64301	64301-ACC1-E10	COVER FR(Bright Red)	COVER FR(Bright Red)	1	
**	64304	64304-ACC1-E10	LID FR.COVER LOW	LID FR.COVER LOW	1	
**	64305	64305-ACC1-E10	SKIRT R SIDE	SKIRT R SIDE	1	
**	64306	64306-ACC1-E10	SKIRT L SIDE(Bright Red)	SKIRT L SIDE(Bright Red)	1	
**	64307	64307-ACC1-E10	COVER FR DEC TOP	COVER FR DEC TOP	1	
**	64311	64311-ACC1-E10	COVER PUMP	COVER PUMP	1	
**	64313	64313-ACC1-E10	COVER FR DEC R	COVER FR DEC R	1	
**	64314	64314-ACC1-E10	COVER FR DEC L	COVER FR DEC L	1	
**	64316	64316-LCB9-C10	PLUG FLOOR	PLUG FLOOR	4	
**	64317	64317-ACC1-E10	COVER FLOOR DEC R	COVER FLOOR DEC R	1	
**	64318	64318-ACC1-E10	COVER FLOOR DEC L	COVER FLOOR DEC L	1	
**	6431A	6431A-ACC1-E10	"ASSY., PANEL FLOOR"	FLOOR PANEL	1	
**	64320	64320-ACC1-E10	FLOOR PANEL UP	FLOOR PANEL UP	1	
**	64400	64400-ACC1-E10	COWL UNDER	COWL UNDER	1	
	77233	77233-ACC1-E10	INNER BOX KEY	INNER BOX KEY	1	
	77238	77238-ACC1-E11	HOOK COMP PUSH	HOOK COMP PUSH LOCK	1	
**	80152	80152-ACC1-E10	COVER CENTER (Flat Orange)	COVER CENTER (Flat Orange)	1	
	80153	80153-ACC1-E10	"STAY , FUEL COVER"	"STAY , FUEL COVER"	1	



Sales mark	Ref no	Part no	Description	Reg description	Regd no	F05
**	81131	81131-ACC1-E10	LEG SHIELD	LEG SHIELD	1	
	81132	81132-ACC1-E10	HOOK LUGAGGE	HOOK LUGAGGE	1	
	81133	81133-ACC1-E10	HINDE R COVER LEG SHIE	HINDE R COVER LEG SHIE	1	
	81134	81134-ACC1-E10	PLATE INNER BOX	PLATE INNER BOX	1	
**	81141	81141-ACC1-E10	LID INNER BOX (Bright Red)	LID INNER BOX (Bright Red)	1	
**	81142	81142-ACC1-E11	LID PUSH PRESS	LID PUSH PRESS	1	
	81143	81143-ACC1-E10	HINGE L COVER LEGSHIE	HINGE L COVER LEGSHIE	1	
	81146	81146-ACC1-E10	FOAM STRIP	FOAM STRIP	1	
	81151	81151-ACC1-E10	STAY R LID INNER BOX	STAY R LID INNER BOX	1	
	81152	81152-ACC1-E10	STAY L LID INNER BOX	STAY L LID INNER BOX	1	
	81153	81153-ACC1-E10	SPRING R COVER LEG SHIE	SPRING R COVER LEG SHIE	1	
	81154	81154-ACC1-E10	SPRING L COVER LEG SHIE	SPRING L COVER LEG SHIE	1	
	81163	81163-LKJ1-900	LID LATCH LEG SHIELD	LID LATCH LEG SHIELD	1	
	81164	81164-LKJ1-900	LID SPRING LEG SHIELD	LID SPRING LEG SHIELD	1	
	83551	83551-ACC1-E10	GROMMET COVER	GROMMET COVER	1	
#	90302	90302-SDA4-C01	"NUT,SPPING 4MM"	"NUT,SPPING 4MM"	13	
	90652	90652-LFB5-C00	"CLIP,MUDGUARD"	"CLIP,MUDGUARD"	12	
	93404-06012	93404-06012-07	BOLT WASH 6*12	BOLT WASH 6*12	4	
	93404-06016	93404-06016-07	BOTL WASHER 6*16	BOTL WASHER 6*16	1	
	93903-34380	93903-34380	SCREW TAPPING 4*12	SCREW TAPPING 4*12 (K)	1	



Sales mark	Ref no	Part no	Description	Reg description	Regd no	<b>F05</b>
------------	--------	---------	-------------	-----------------	---------	------------

93903-35280		93903-35280-G	SCREW TAPPING 5*12 (K)	SCREW TAPPING 5*12 (KG)	1	
93903-GFY6		93903-GFY6-C01	SCREW TAPPING 4*14(K)	"SCREW,TAPPING4*14"	1	
94591		94591-LGR5-E10	CLIP 1*100	CLIP 1*100	1	



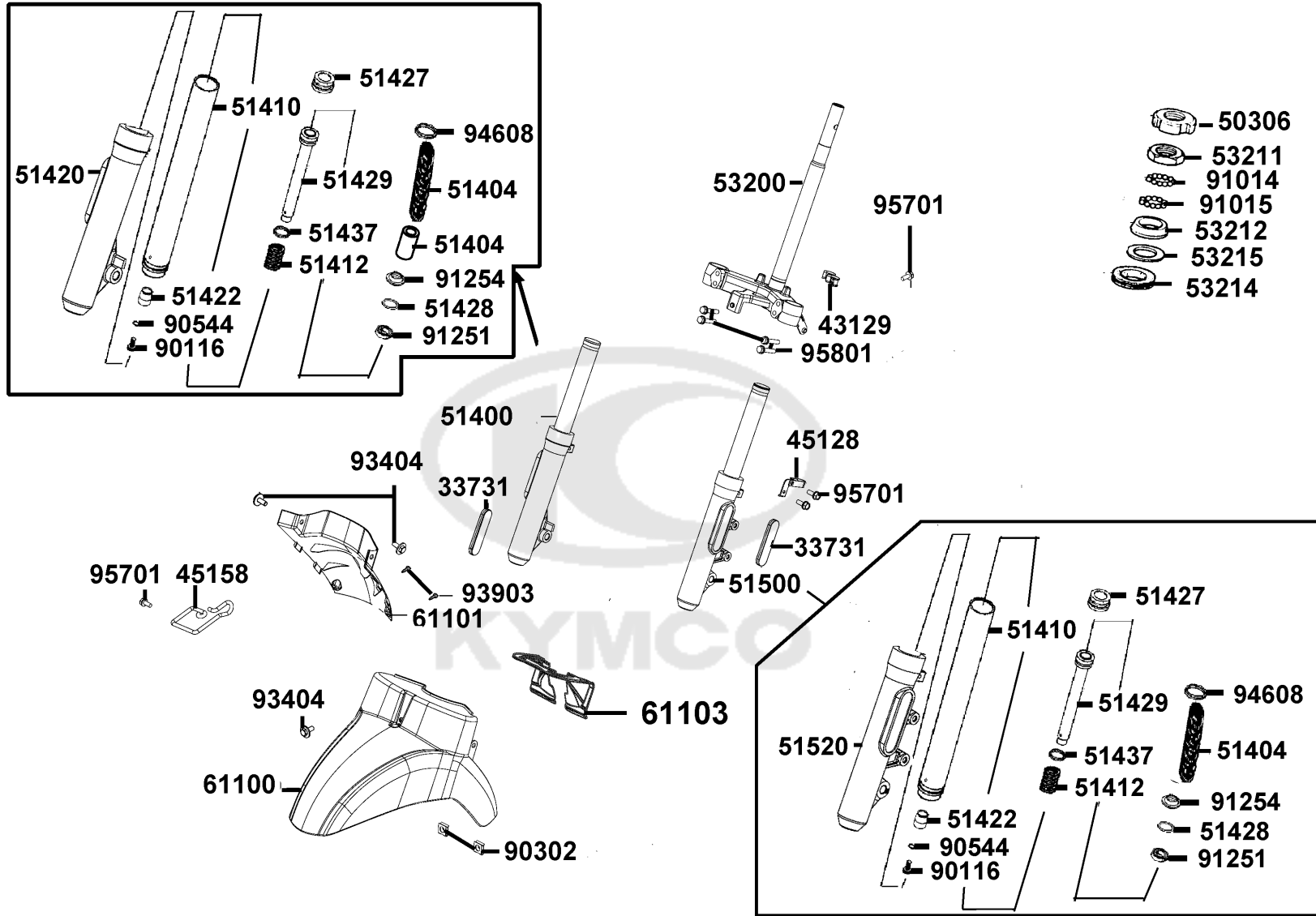


Sales mark	Ref no	Part no	Description	Reg description	Regd no	F06
#	33731	33731-ALH3-EZ0	REFLEX REFLECTOR SIDE	REFLEX REFLECTOR SIDE	2	
	43129	43129-ALD9-E14	CLAMPER BRK HOSE	CLAMPER BRK HOSE	1	
	45128	45128-ACC1-E10	CLAMPER FR BRK HOSE	CLAMPER FR BRK HOSE	1	
	45158	45158-ACC1-E10	CLIP WIRE	CLIP WIRE	1	
	50306	50306-1F96-C00	NUT STRG STEM LOCK	NUT STRG STEM LOCK	1	
**	51400	51400-ACC1-E10	FORK ASSY FR R	FORK ASSY FR R	1	
	51404	51404-ACC1-E10	SPRING COLLAR	SPRING	2	
	51410	51410-ACC1-E10	FORK PIPE COMP	FORK PIPE COMP	2	
	51412	51412-LEJ2-E10	REBOUND SPRING	REBOUND SPRING	2	
**	51420	51420-ACC1-E10	BOTTOM CASE RH	BOTTOM CASE RH	1	
	51422	51422-LEJ2-E10	OIL LOCK PIECE	OIL LOCK PIECE	2	
	51427	51427-LEJ2-E10	FORK BOLT	FORK BOLT	2	
	51428	51428-LEJ2-E10	OIL SEAL STOP RING	OIL SEAL STOP RING	2	
	51429	51429-ACC1-E10	PIPE SEAT COMP	PIPE SEAT	1	
	51437	51437-LEJ2-E10	PISTON RING	PISTON RING	2	
**	51500	51500-ACC1-E10	FORK ASSY FR L	FORK ASSY FR L	1	
**	51520	51520-ACC1-E10	BOTTOM CASE RH	BOTTOM CASE RH	1	
	53200	53200-ACC1-E10	STEM COMP STRG	STEM COMP STRG	1	
	53211	53211-GFY6-C00	RACE STRG. CONE TOP	RACE STRG. CONE TOP	1	
	53212	53212-2L50-C00	RACE STRG. BOTTOM CONE	RACE STRG. BOTTOM CONE	1	



F06

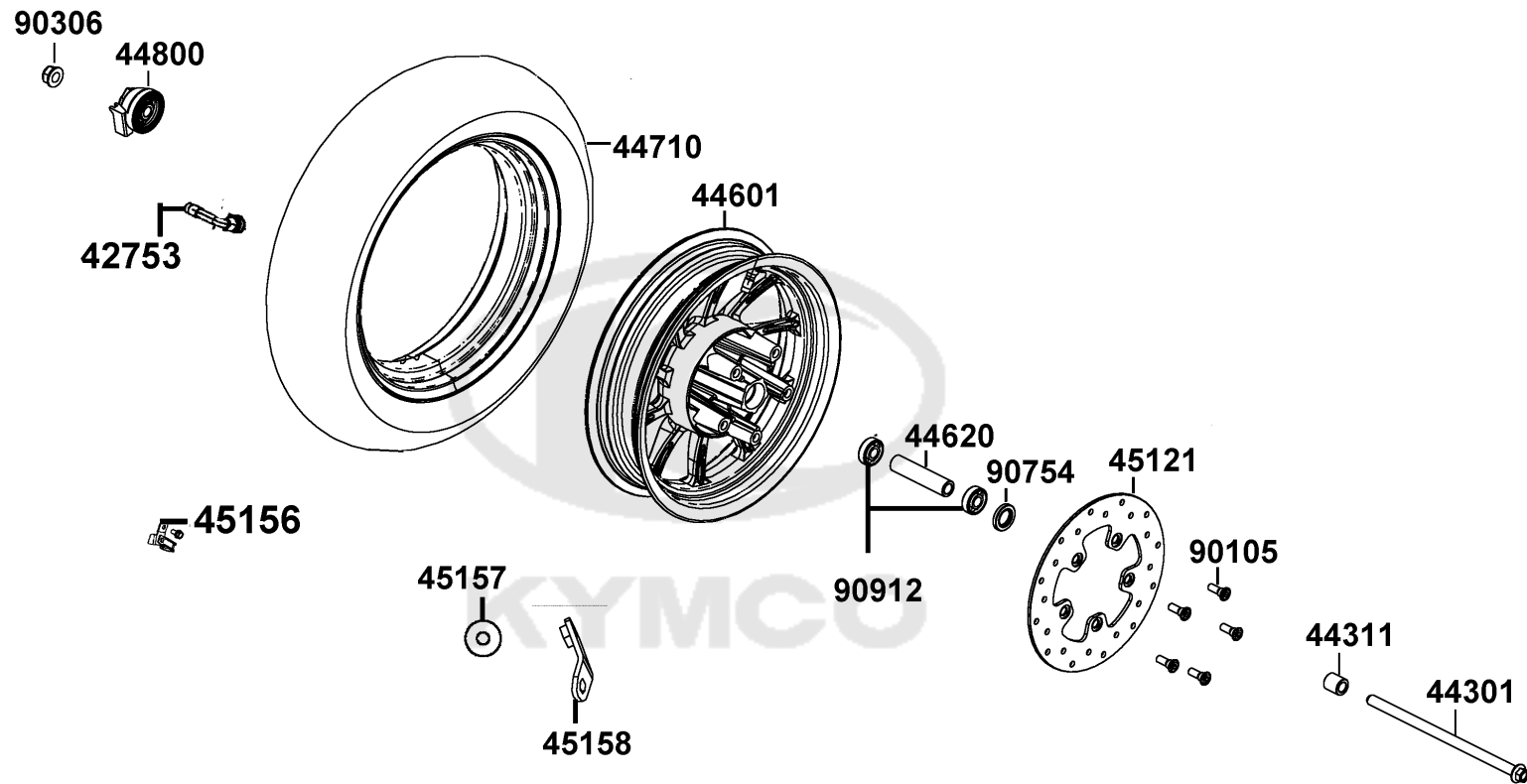
# Stem Steering Front Cushion



Sales mark	Ref no	Part no	Description	Reg description	Regd no	F06
	53214	53214-2L50-C00	DUST SEAL STRG HEAD	DUST SEAL STRG. HEAD BOT	1	
	53215	53215-2L50-C00	WASHER STRG HDL DUST-SEAL	"WASHER,STRG. HEAD DUST SEAL"	1	
**	61100	61100-ACC1-E10	FENDER FR (Bright Red)	FENDER FR (Bright Red)	1	
**	61101	61101-ACC1-E10	FENDER B FR (Flat Orange)	FENDER B FR (Flat Orange)	1	
	61103	61103-ACC1-E10	PLATE SPLASH BOARD	PLATE SPLASH BOARD	1	
	90116	90116-LEJ2-E10	BOLT	BOLT	2	
#	90302	90302-SDA4-C01	"NUT,SPPING 4MM"	"NUT,SPPING 4MM"	1	
	90544	90544-LEJ2-E10	PACKINGCUB	PACKINGCUB	2	
	91014	91014-LLJ3-C00	CAGE STRG TOPP	CAGE STRG TOPP	1	
	91015	91015-LLJ3-C00	CAGE STRG BOT	CAGE STRG BOT	1	
	91251	91251-LEJ2-E10	OIL SEAL	OIL SEAL	2	
	91254	91254-LEJ2-E10	DUST SEAL	DUST SEAL	2	
	93404	93404-06012-07	BOLT WASH 6*12	BOLT WASH 6*12	3	
	93903	93903-GFY6-C01	SCREW TAPPING 4*14(K)	"SCREW,TAPPING4*14"	1	
	94608	94608-LEJ2-E10	O-RING 23X2.4	O-RING 23X2.4	2	
	95701	95701-06012-07G	BOLT FLANGE 6X12(KG)	BOLT FLANGE 6X12(KG)	1	
	95801	95801-08040-08G	BOLT FLANGE 8*40	BOLT FLANGE 8*40	1	

F07

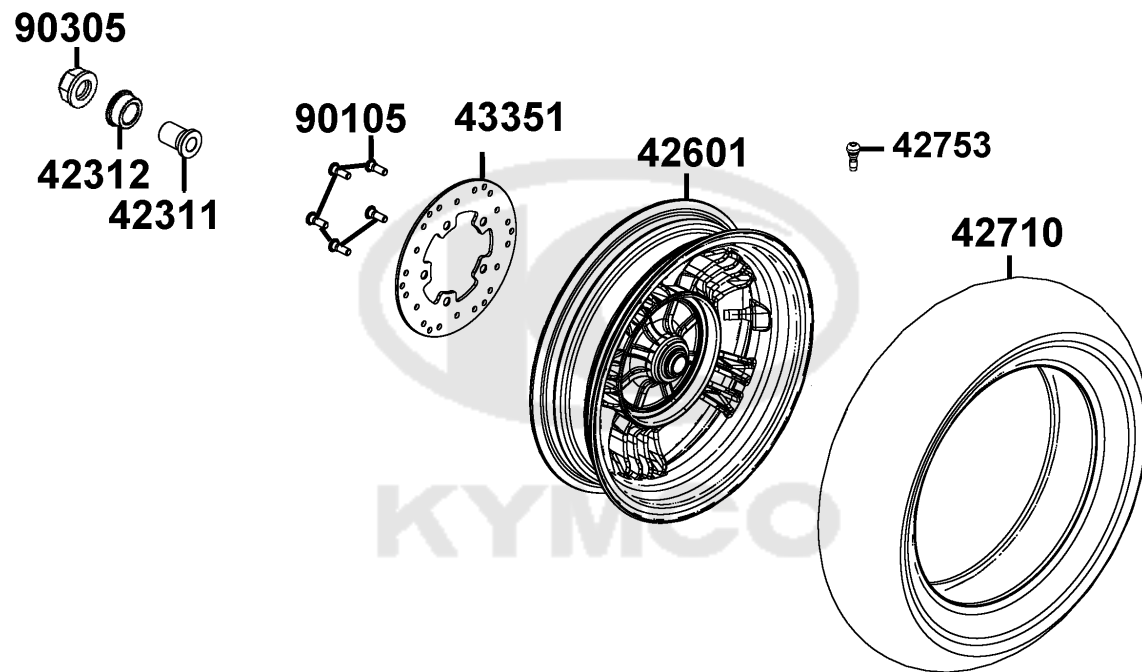
Front Wheel



Sales mark	Ref no	Part no	Description	Reg description	Regd no	<b>F07</b>
	42753	42753-0F06-C00	VALAE RIM	VALAE RIM	1	
	44301	44301-LEJ2-E13	AXLE FR WHEEL 12*243(K)	AXLE FR WHEEL 12*243(K)	1	
	44311	44311-KEBE-C00	COLLAR FR WHEEL SIDE	COLLAR FR WHEEL SIDE	1	
**	44601	44601-ACC1-E11	WHEEL FR CAST	WHEEL FR CAST	1	
	44620	44620-KHD8-C00	COLLAR FR AXLE DISTANCE	COLLAR FR AXLE DISTANCE	1	
	44710	44710-ACC1-E10	TIRE ASSY FR(110/70-12 )	TIRE ASSY FR(110/70-12 )	1	
	44800	44800-ACC1-E10	GEAR BOX ASSY	GEAR BOX ASSY	1	
	45121	45121-LGR5-E80	DISK FR BRK	"DISK , FR BRAKE"	1	
	45156	45156-ALK6-E15	CLAMPER FR. BRK. HOSE	CLAMPER BRAKE HOSE	1	
	45157	45157-ALK6-E15	COLLAR	COLLAR	1	
	45158	45158-ALK6-E15	CONNECT PLATE	CONNECT PLATE	1	
	90105	90105-KCR3-C02	BOLT FR DISK 8*24	BOLT FR DISK 8*24	1	
	90306	90306-LKL5-E31	NUT U FLANGE 12MM(K)	NUT U FLANGE 12MM(K)	1	
	90754	90754-GHC8-C00	DUST SEAL 20*32*5	DUST SEAL 20*32*5	1	
	90912	90912-KFLF-C00	BEARING 6201 LLU	BEARING 6201 LLU	1	

F08

Rear Wheel

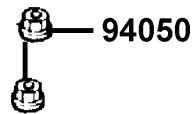
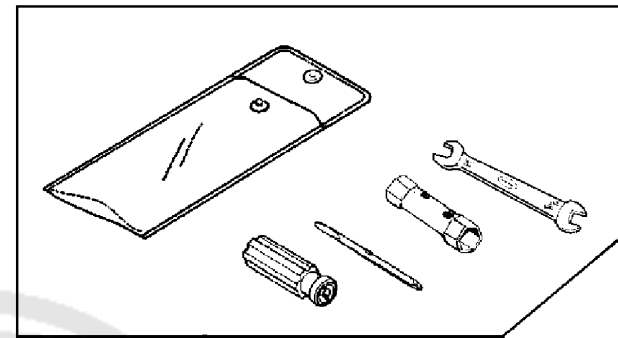
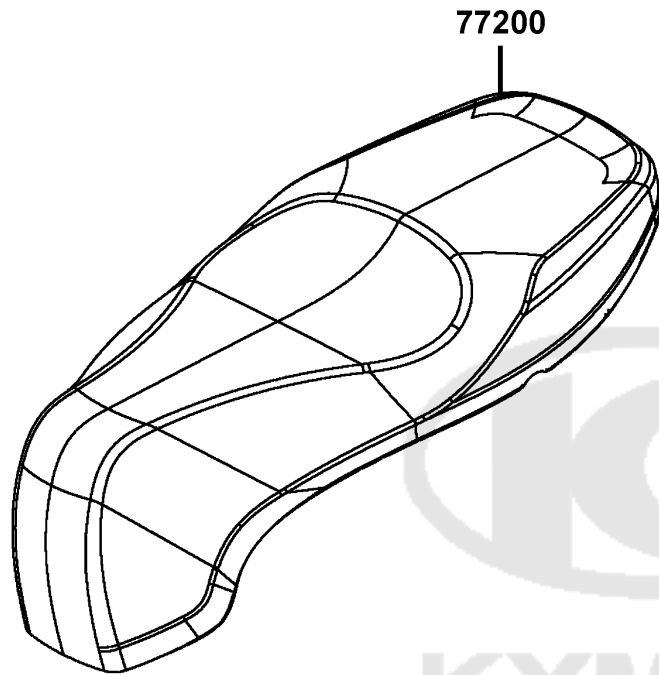


Sales mark	Ref no	Part no	Description	Reg description	Regd no	<b>F08</b>
	42311	42311-LFB5-C00	COLLAR REAR HUB SIDE	COLLAR REAR HUB SIDE	1	
	42312	42312-KHB4-C00	CLOLLAR RR AXLE SIDE	CLOLLAR RR AXLE SIDE	1	
**	42601	42601-ACC1-E11	WHEEL COMP RR CAST	WHEEL COMP RR CAST	1	
	42710	42710-LGS6-C1B	TIRE ASSY RR	TIRE ASSY RR	1	
	42753	42753-0A01-C00	VALVE (TR 412) & CAP (C)	VALVE (TR 412) & CAP (C)	1	
	43351	43351-LFB5-E80	DISK BRAKE RR	DISK FR BRK	1	
	90105	90105-KCR3-C02	BOLT FR DISK 8*24	BOLT FR DISK 8*24	1	
	90305	90305-KFW6-C00	NUT U FLANGE 16MM(C)	NUT U FLANGE 16MM(C)	1	



F09

Seat



Sales mark	Ref no	Part no	Description	Reg description	Regd no	<b>F09</b>
------------	--------	---------	-------------	-----------------	---------	------------

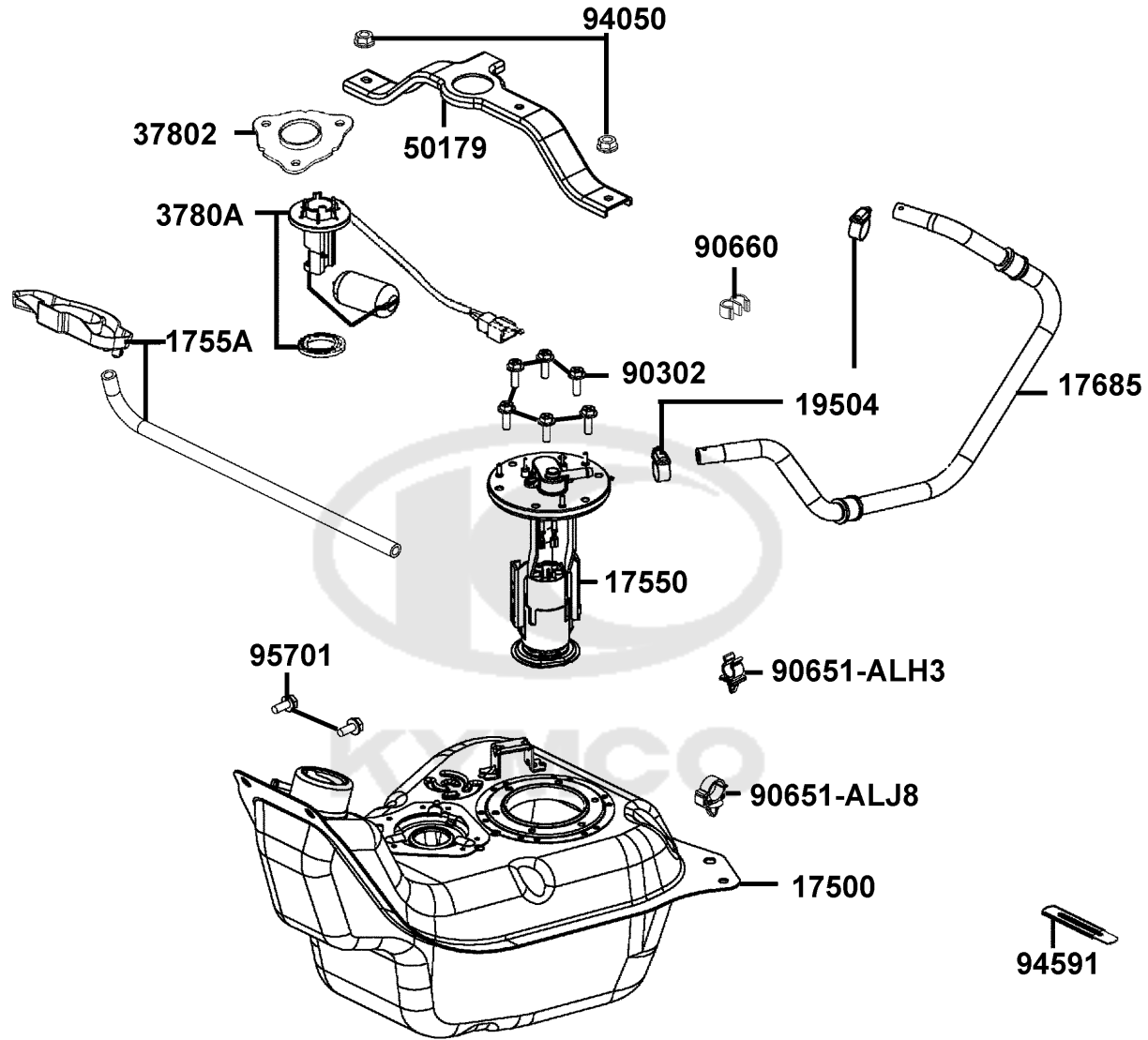
**	77200	77200-ACC1-E10	SEAT ASSY	SEAT ASSY	1	
	89010	89010-KGBG-C00	TOOL SET	TOOL SET	1	
	94050	94050-06080	NUT FLANGE 6MM	NUT FLANGE 6MM	2	



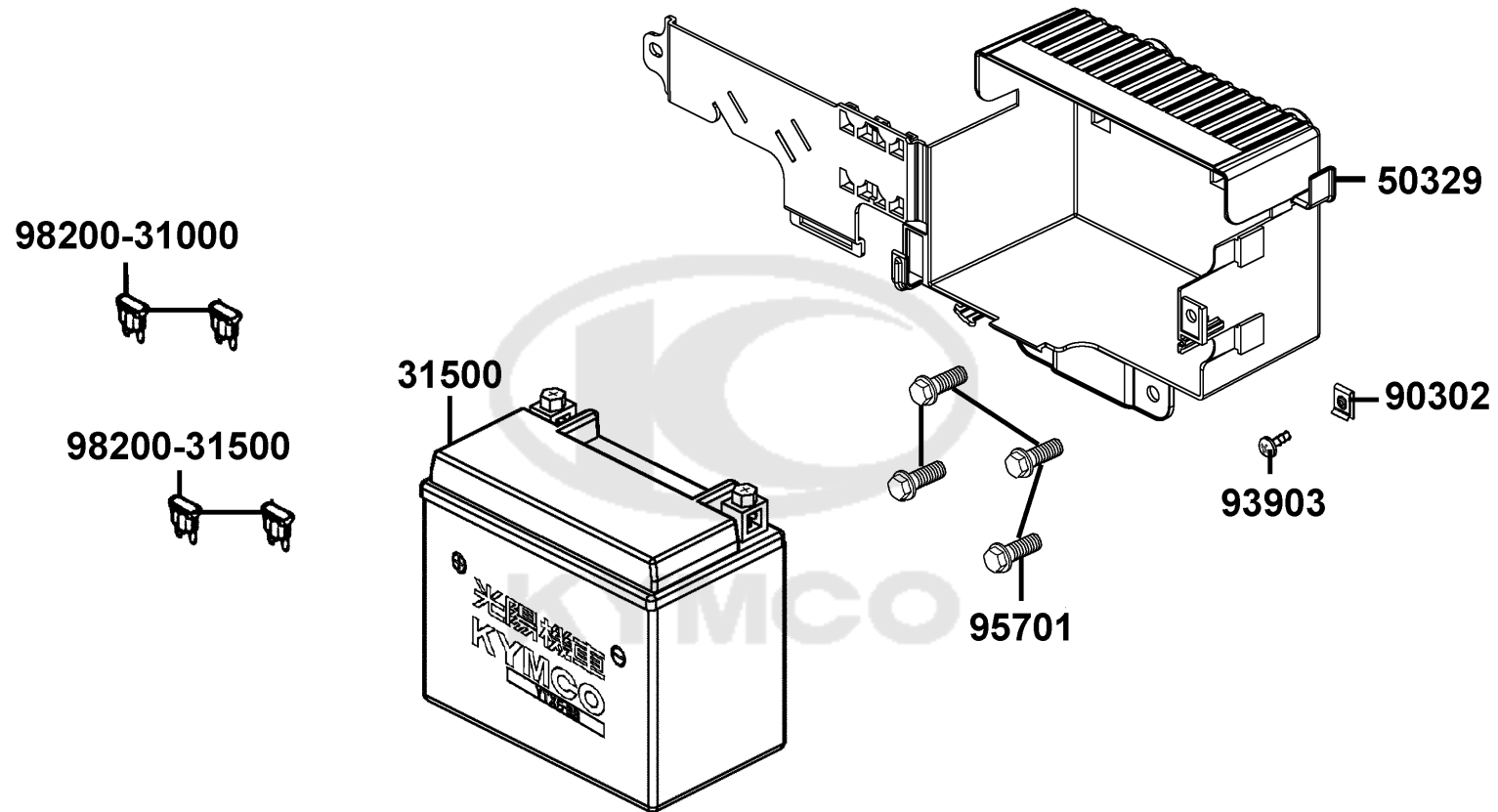


F10

Fuel Tank

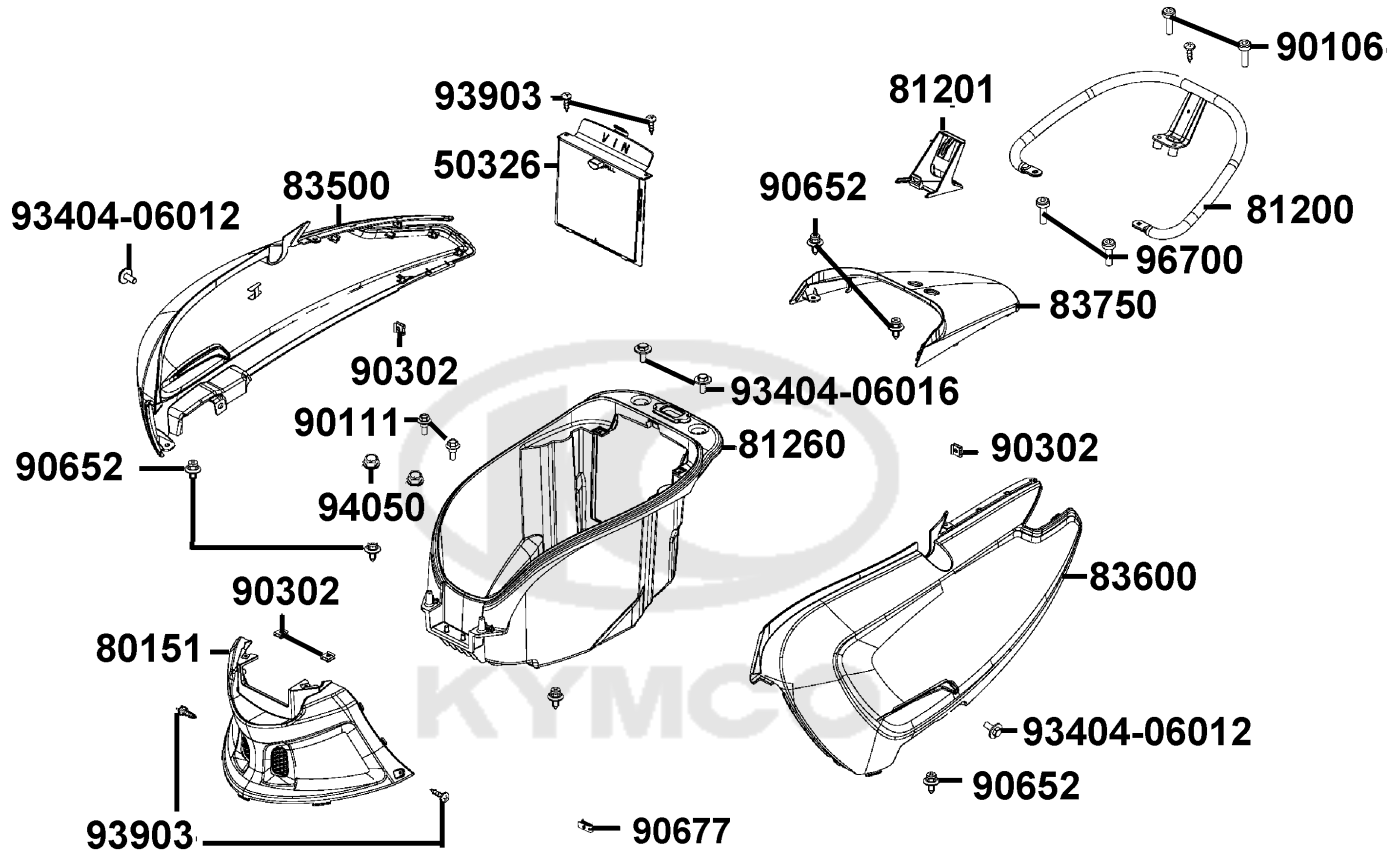


Sales mark	Ref no	Part no	Description	Reg description	Regd no	<b>F10</b>
17500		17500-ACC1-E10	TANK COMP FUEL	TANK COMP FUEL	1	
17550		17550-ACC1-E10	FUEL PUMP ASSY	FUEL PUMP ASSY	1	
1755A		1755A-ACC1-E10	FUEL PUMP ASSY	FUEL PUMP ASSY	1	
17685		17685-ACC1-E10	TUBE FUEL	TUBE FUEL	1	
19504		19504-LBA2-C00	CLAMP D16.8	CLAMP D16.8	1	
37802		37802-GGA7-C00	RET FUEL UNIT	RET FUEL UNIT	1	
3780A		3780A-ACC1-E10	FUEL UNIT ASSY	FUEL UNIT ASSY	1	
50179		50179-ACC1-E10	BRKT FLOOR PANEL	BRKT FLOOR PANEL	1	
90302		90302-PUA3-B51	BOLT-WASH 5*12	BOLT-WASH 5*12	1	
90651-ALH3		90651-ALH3-700	CLIP WIRE HARN	CLIP WIREE HARN	1	
90651-ALJ8		90651-ALJ8-E10	CLIP CABLE	CLIP CABLE	1	
90660		90660-PWA2-900	CLAMP TUBE	CLAMP TUBE	1	
94050		94050-06080	NUT FLANGE 6MM	NUT FLANGE 6MM	2	
94591		94591-KFBF-C00	CLIP 2*71	CLIP 2*70	1	
95701		95701-06012-08	BOLT FLANGE 6*12	BOLT FLANGE 6*12	2	

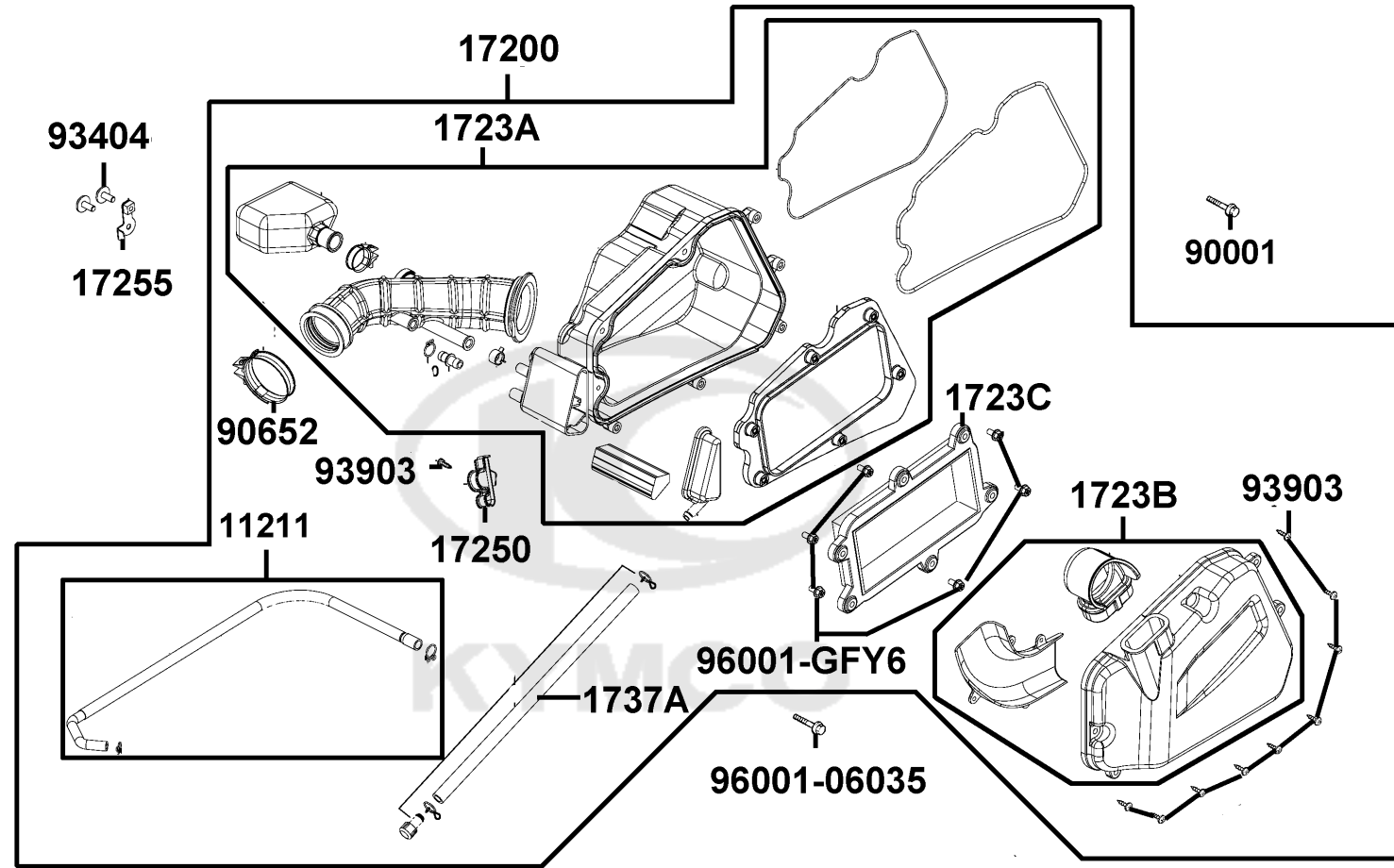


Sales mark	Ref no	Part no	Description	Reg description	Regd no	F11
#	31500	31500-KFAF-EZ0	BATTERY EB9-4	BATTERY YTX9-BS	1	
**	50329	50329-ACC1-E11	COVER ASSY BATTERY	COVER ASSY BATTERY	1	
#	90302	90302-SDA4-C01	"NUT,SPPING 4MM"	"NUT,SPPING 4MM"	1	
	93903	93903-GFY6-C01	SCREW TAPPING 4*14(K)	"SCREW,TAPPING4*14"	1	
	95701	95701-06012-08	BOLT FLANGE 6*12	BOLT FLANGE 6*12	4	
	98200-31000	98200-31000	BLADE FUSE 10A **(0) C.2005.03.01	BLADE FUSE 10A **(0) C.2005.03.01	2	
	98200-31500	98200-31500	FUSE A15	FUSE A15	2	





Sales mark	Ref no	Part no	Description	Reg description	Regd no	F12
**	50326	50326-ACC1-E10	COVER BATTERY	COVER BATTERY	1	
**	80151	80151-ACC1-E10	COVER CENTER	COVER CENTER	1	
	81200	81200-ACC1-E10	CARRIER RR ASSY	CARRIER RR ASSY	1	
# **	81201	81201-AKB7-C00	CARRIER COVER	CARRIER COVER	1	
**	81260	81260-ACC1-E10	BOX ASSY LUGGAGE	BOX ASSY LUGGAGE	1	
**	83500	83500-ACC1-E10	COVER R BODY (TOMATO RED)	COVER R BODY (TOMATO RED)	1	
**	83600	83600-ACC1-E10	COVER L BODY (TOMATO RED)	COVER L BODY (TOMATO RED)	1	
**	83750	83750-ACC1-E10	REAR CENTER COVER	REAR CENTER COVER	1	
	90106	90106-KFAF-C10	BOLT SPECIAL 8MM	BOLT SPECIAL 8MM	2	
	90111	90111-1G87-C01	BOLT FLANGE 6MM	BOLT FLANGE 6MM	1	
#	90302	90302-SDA4-C01	"NUT,SPPING 4MM"	"NUT,SPPING 4MM"	4	
	90652	90652-LCA4-C10	CLIP MUDGUARD	CLIP MUDGUARD	2	
	90677	90677-GAR1-C01	NUT CLIP 5MM	NUT CLIP 5MM	1	
	93404-06012	93404-06012-07	BOLT WASH 6*12	BOLT WASH 6*12	1	
	93404-06016	93404-06016-07	BOTL WASHER 6*16	BOTL WASHER 6*16	1	
	93903	93903-GFY6-C01	SCREW TAPPING 4*14(K)	"SCREW,TAPPING4*14"	2	
	94050	94050-06080	NUT FLANGE 6MM	NUT FLANGE 6MM	2	
	96700	96700-08016-02	SOCKET BOLT 8*16(G)	BOLT FLANGE SH 8*16(CR)	2	

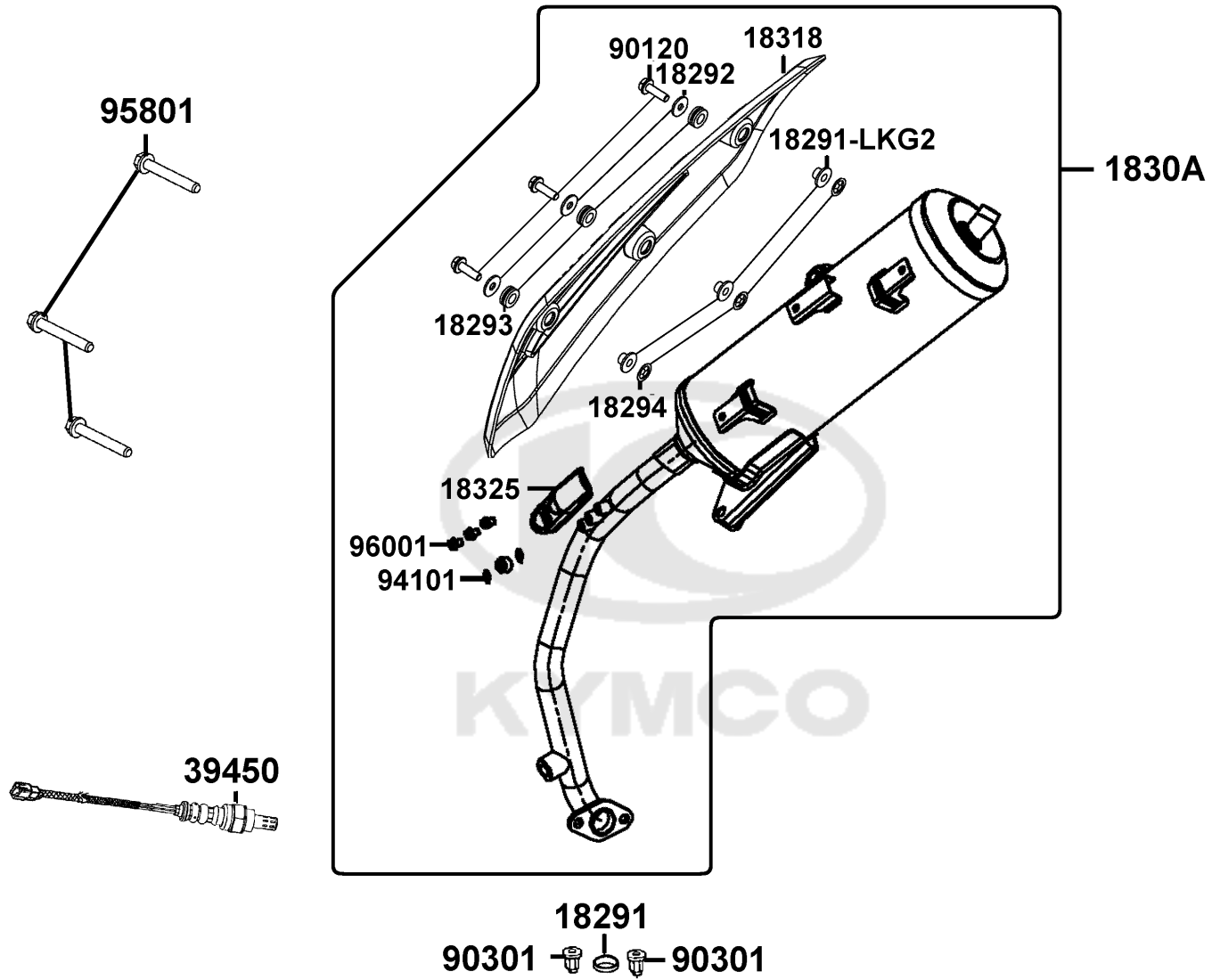


Sales mark	Ref no	Part no	Description	Reg description	Regd no	F13
11211		11211-ACC1-E10	TUBE BREATHER	TUBE BREATHER	1	
17200		17200-ACC1-E10	AIR/C ASSY	AIR/C ASSY	1	
1723A		1723A-ACC1-E10	CASE ASSY AIR/C	CASE ASSY AIR/C	1	
1723B		1723B-ACC1-E10	COVER ASSY AIR/C	COVER ASSY AIR/C	1	
1723C		1723C-ACC1-E10	ELEMENT ASSY AIR/C	ELEMENT ASSY AIR/C	1	
17250		17250-ACC1-E10	"STAY, AIR/C CASE"	"STAY, AIR/C CASE"	1	
17255		17255-ACC1-E10	BAND CONNECT TUBE	BAND CONNECT TUBE	1	
1737A		1737A-LCD3-E00	V TUBE ASSY	V TUBE ASSY	1	
90001		90001-GBHB-C13	BOLT FLANGE SHF 6*40	BOLT FLANGE SHF 6*40	1	
90652		90652-LKH3-C00	BAND AIR/C CONN TUBE	BAND AIR/C CONN TUBE	1	
93404		93404-06016-07	BOTL WASHER 6*16	BOTL WASHER 6*16	1	
93903		93903-25480	SCREW TAPPING 5*20 (K)	SCREW TAPPING 5*20 (K)	1	
96001-06035		96001-06035-08G	BOLT FLANGE SH 6*35	BOLT M6x35	1	
96001-GFY6		96001-GFY6-C00	BOLT SPECIAL 5*10	BOLT SPECIAL 5X10	6	



F14

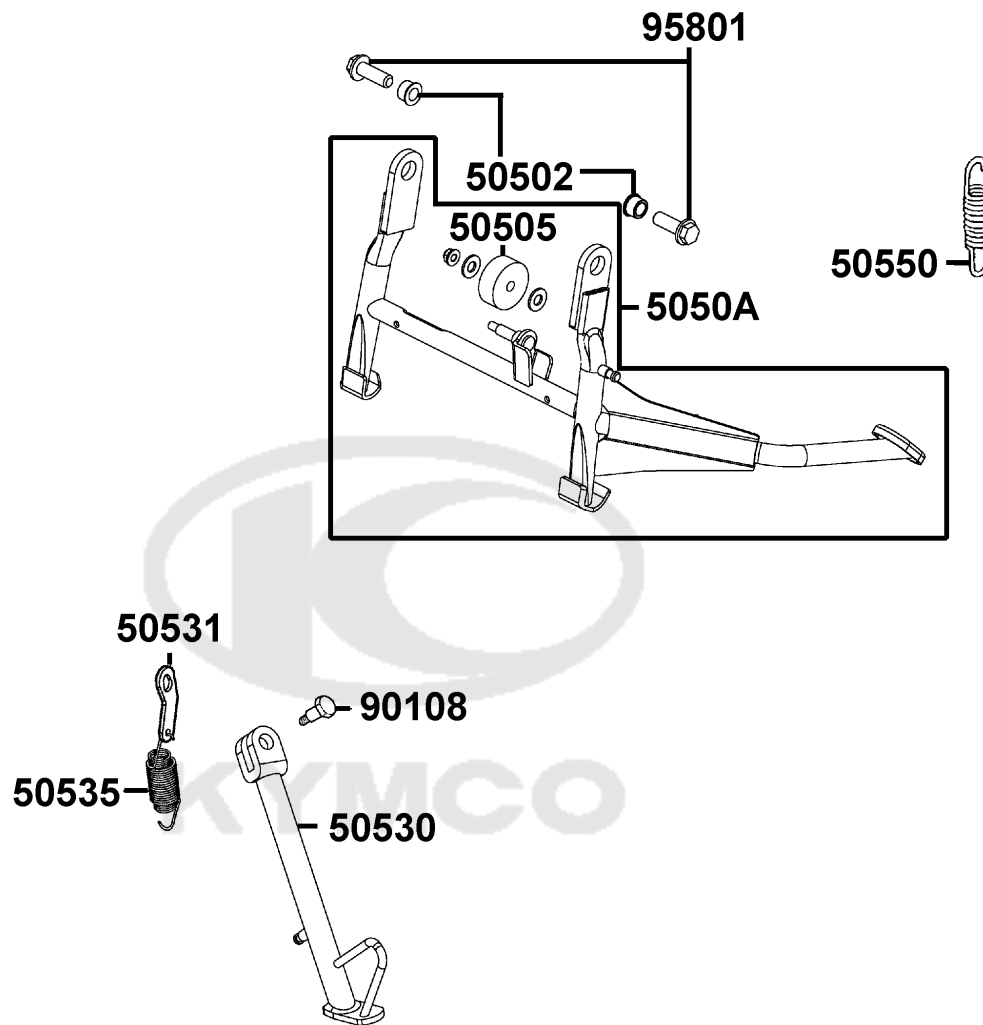
Exhaust Muffler



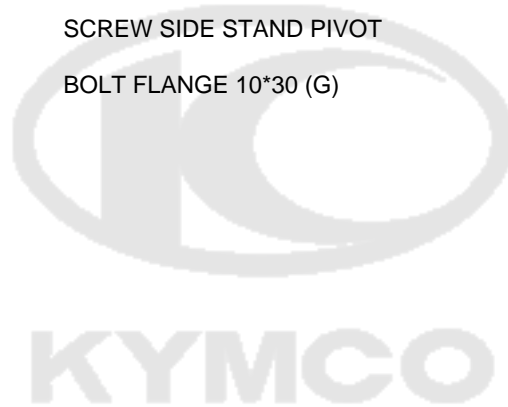
Sales mark	Ref no	Part no	Description	Reg description	Regd no	<b>F14</b>
	18291	18291-LEA5-C00	GASKET EXH PIPE	GASKET EXH PIPE	3	
	18291-LKG2	18291-LKG2-C00	COLLAR	COLLAR	1	
	18292	18292-KEBE-C00	PACKING PROTECTOR	PACKING PROTECTOR	1	
	18293	18293-KEBE-C00	RUBBER PKG PROTR	RUBBER PRK PROTR	1	
	18294	18294-PUA3-B50	PACKING PTOTECTOR	PACKING PROTECTOR	1	
**	1830A	1830A-ACC1-E10	MUFFLER ASSY EXH	MUFFLER ASSY EXH	1	
**	18318	18318-ACC1-E10	PROTECTOR MUFF	PROTECTOR MUFF	1	
	18325	18325-ACC1-E10	PROTECTOR EXH PIPE	PROTECTOR EXH PIPE	1	
	39450	39450-LEA6-800	O2 SENSOR	O2 SENSOR	1	
	90120	90120-LFC8-C00	SOCKET BOLT SPECIAL 6*28	SOCKET BOLT SPECIAL 6*28	1	
	90301	90301-GFY6-C01	NUT (HEX) CAP 8MM	NUT (HEX) CAP 8MM	1	
	94101	94101-06700	WASHER PLAIN 6MM	WASHER PLAIN 6MM	1	
	95801	95801-08042-07G	BOLT FLANGE 8*42 (G)	BOLT FLANGE 8*42 (K)	1	
	96001	96001-06010-06	BOLT FLANGE 6*10	BOLT FLANGE 6*10	1	

F15

Stand Kick Starter Arm

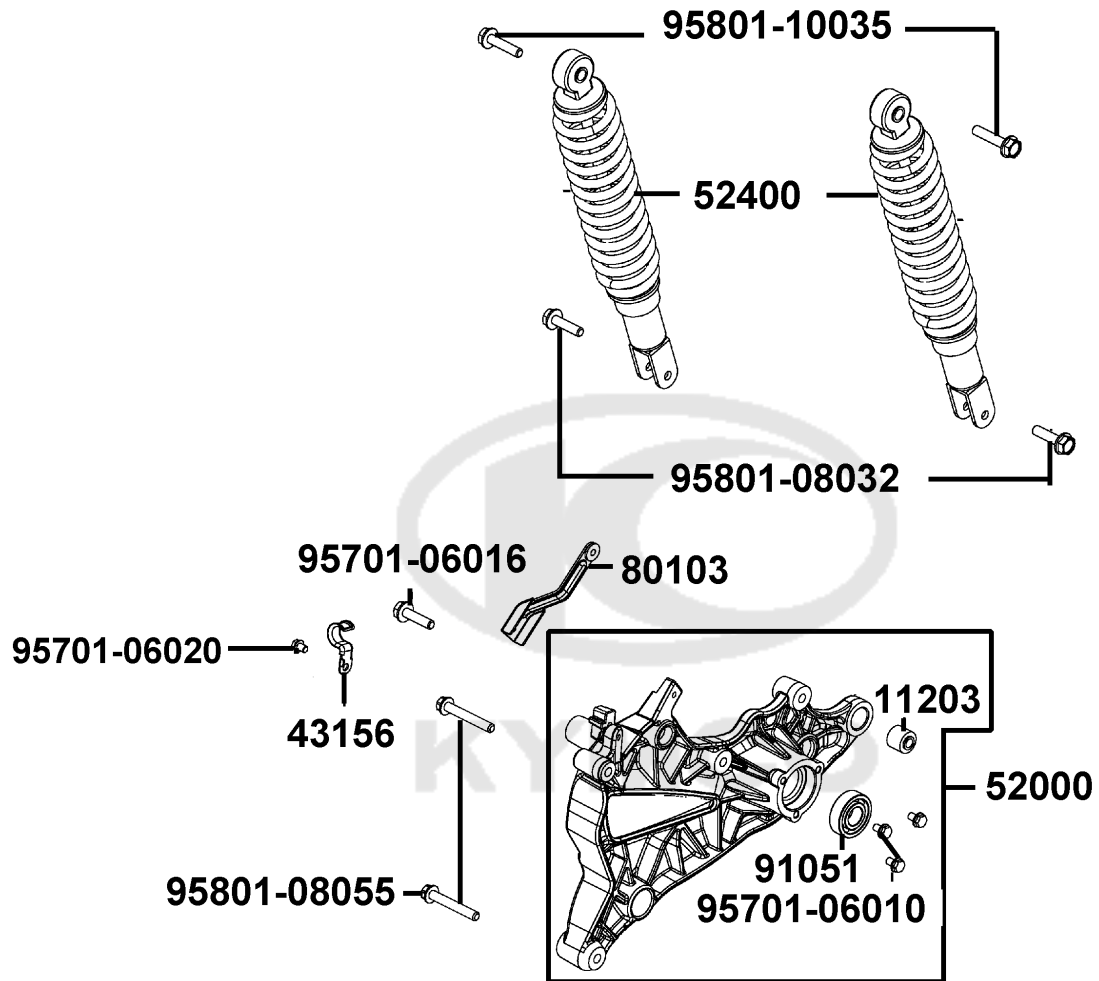


Sales mark	Ref no	Part no	Description	Reg description	Regd no	<b>F15</b>
50502		50502-GFY6-C00	COLLAR MAIN STAND	COLLAR MAIN STAND	2	
50505		50505-LCB9-C00	STOPPER RUBBER	STOPPER RUBBER	1	
5050A		5050A-ACC1-E10	STAND COMP MAIN	STAND COMP MAIN	1	
50530		50530-ACC1-E10	SIDE STAND COMP	SIDE STAND COMP	1	
50531		50531-KEB7-C00	PLATE SPRING STOPPER	PLATE SPRING STOPPER	1	
50535		50535-KEB7-W10	SPRING COMP SIDE STAND	SPRING COMP SIDE STAND	1	
50550		50550-KFA6-C00	SPG ASSY MAIN STAND	SPG ASSY MAIN STAND	1	
90108		90108-KUDU-E00	SCREW SIDE STAND PIVOT	SCREW SIDE STAND PIVOT	1	
95801		95801-10030-07G	BOLT FLANGE 10*30 (G)	BOLT FLANGE 10*30 (G)	1	



F16

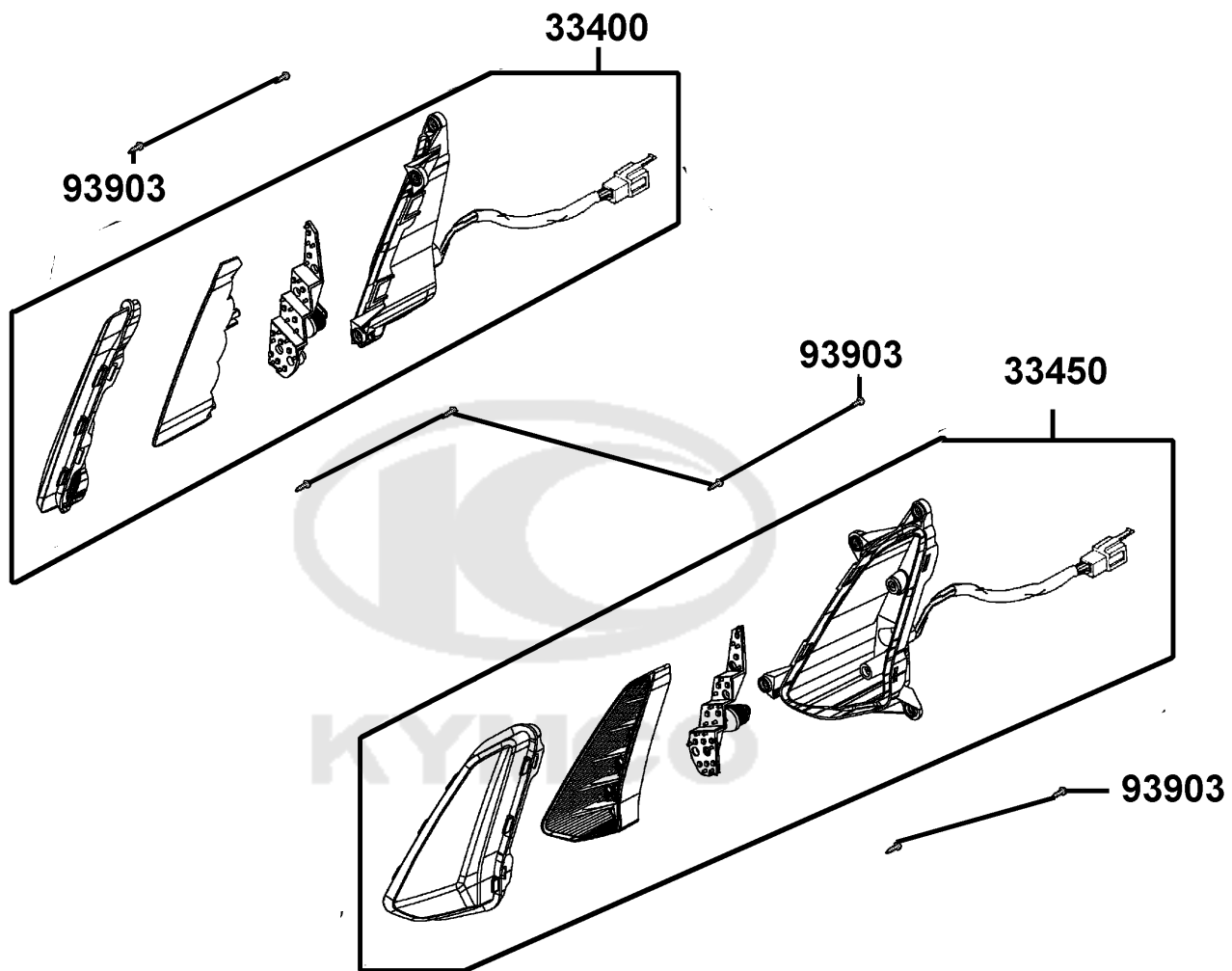
Rear Cushion



Sales mark	Ref no	Part no	Description	Reg description	Regd no	<b>F16</b>
	11203	11203-GGC7-W10	UNDER RUBBER BUSH REAR CUSHION	UNDER RUBBER BUSH REAR CUSHION	1	
	43156	43156-KKC4-900	CLAMPER HOSE RR	CLAMPER HOSE RR	1	
**	52000	52000-ACC1-E10	FORK ASSY RR	FORK ASSY RR	1	
	52400	52400-ACC1-E10	CUSHION ASSY REAR	CUSHION ASSY REAR	2	
	80103	80103-LKG2-C00	PLATE SPLASH BOARD	PLATE SPLASH BOARD	1	
	91051	91051-KFBF-C00	BRG BALL RADIAL 6203 LLU	BRG BALL RADIAL 6203 LLU	1	
	95701-06010	95701-06010-07G	BOLT FLANGE 6*10 (K)	BOLT FLANGE 6*10 (K)	3	
	95701-06016	95701-06016-07G	BOLT FLANGE SH 6*16 (KG)	BOLT FLANGE SH 6*16 (KG)	1	
	95701-06020	95701-06020-07G	BOLT FLANGE 6*20 (C)	BOLT FLANGE 6*20 (K)	1	
	95801-08032	95801-08032-07G	BOLT FLANGE 8*32(K)	BOLT FLANGE 8*32(K)	1	
	95801-08055	95801-08055-07G	BOLT FLANGE 8*55	BOLT FLANGE 8*55	1	
	95801-10035	95801-10035-08G	BOLT FLANGE 10X35	BOLT FLANGE 10X35	1	

F17

Front Winker

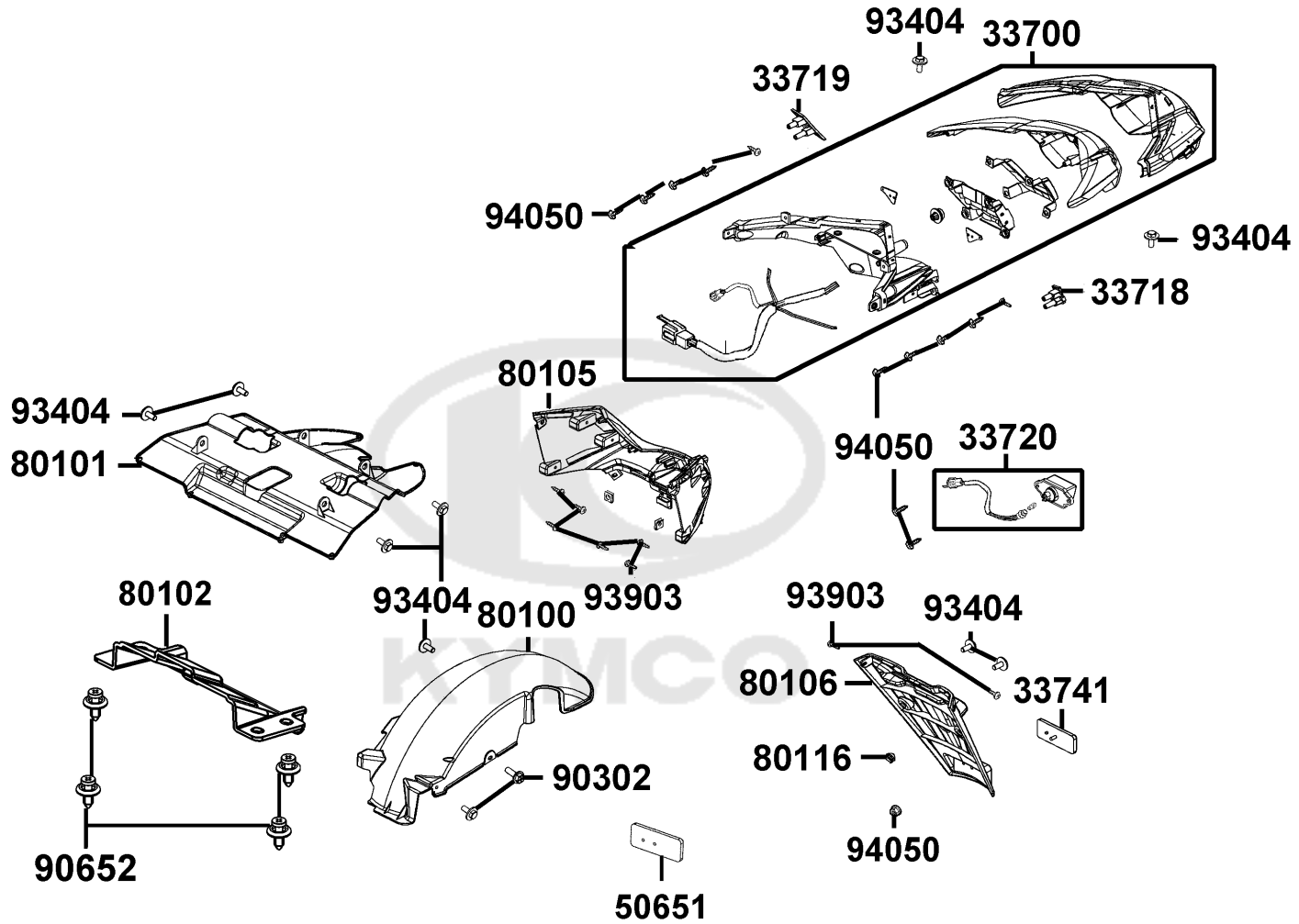


Sales mark	Ref no	Part no	Description	Reg description	Regd no	<b>F17</b>
------------	--------	---------	-------------	-----------------	---------	------------

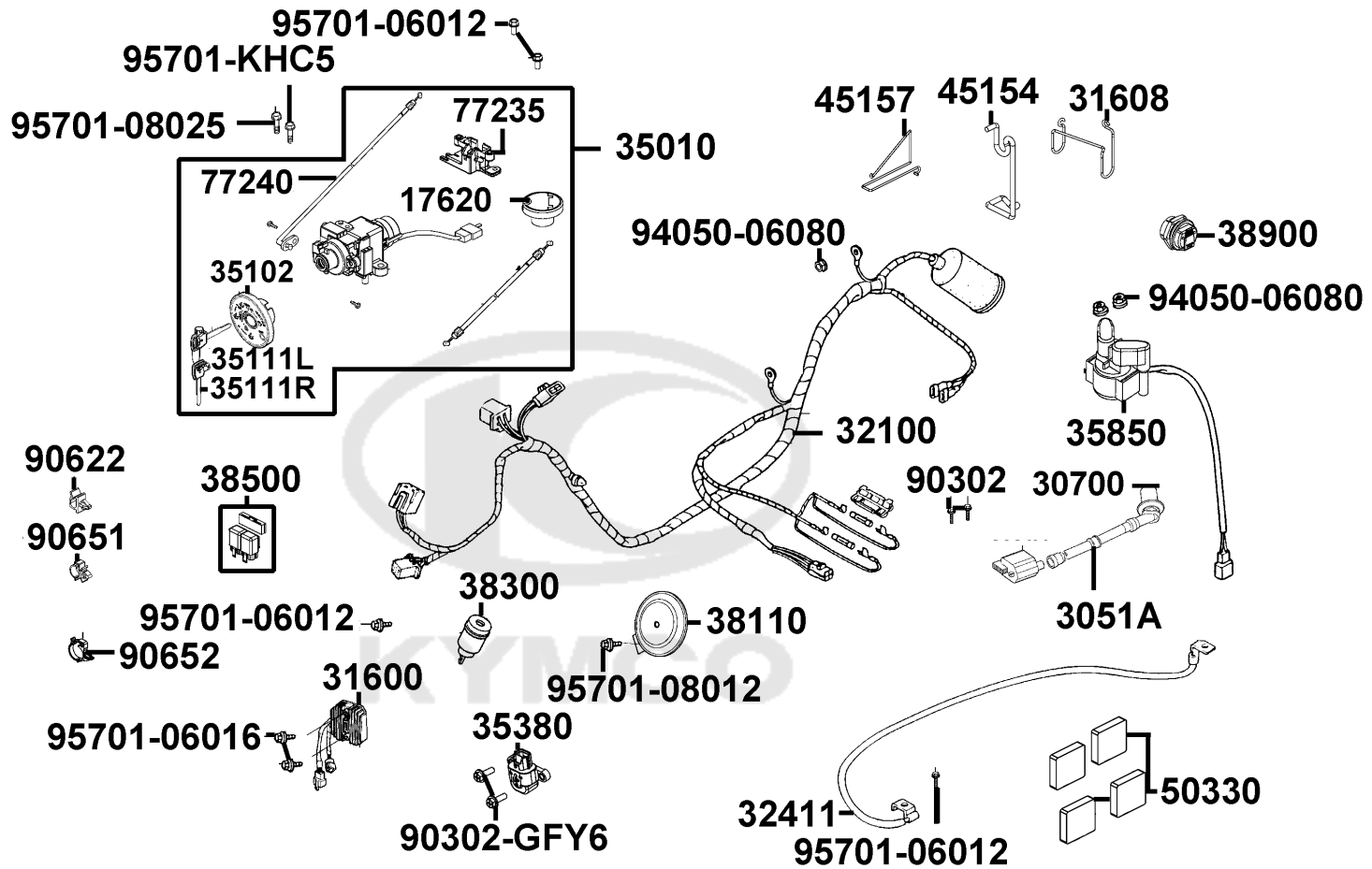
33400		33400-ACC1-E10	WINKER ASSY R FR	WINKER ASSY R FR	1	
33450		33450-ACC1-E10	WINKER ASSY L FR	WINKER ASSY L FR	1	
93903		93903-34380	SCREW TAPPING 4*12	SCREW TAPPING 4*12 (K)	1	



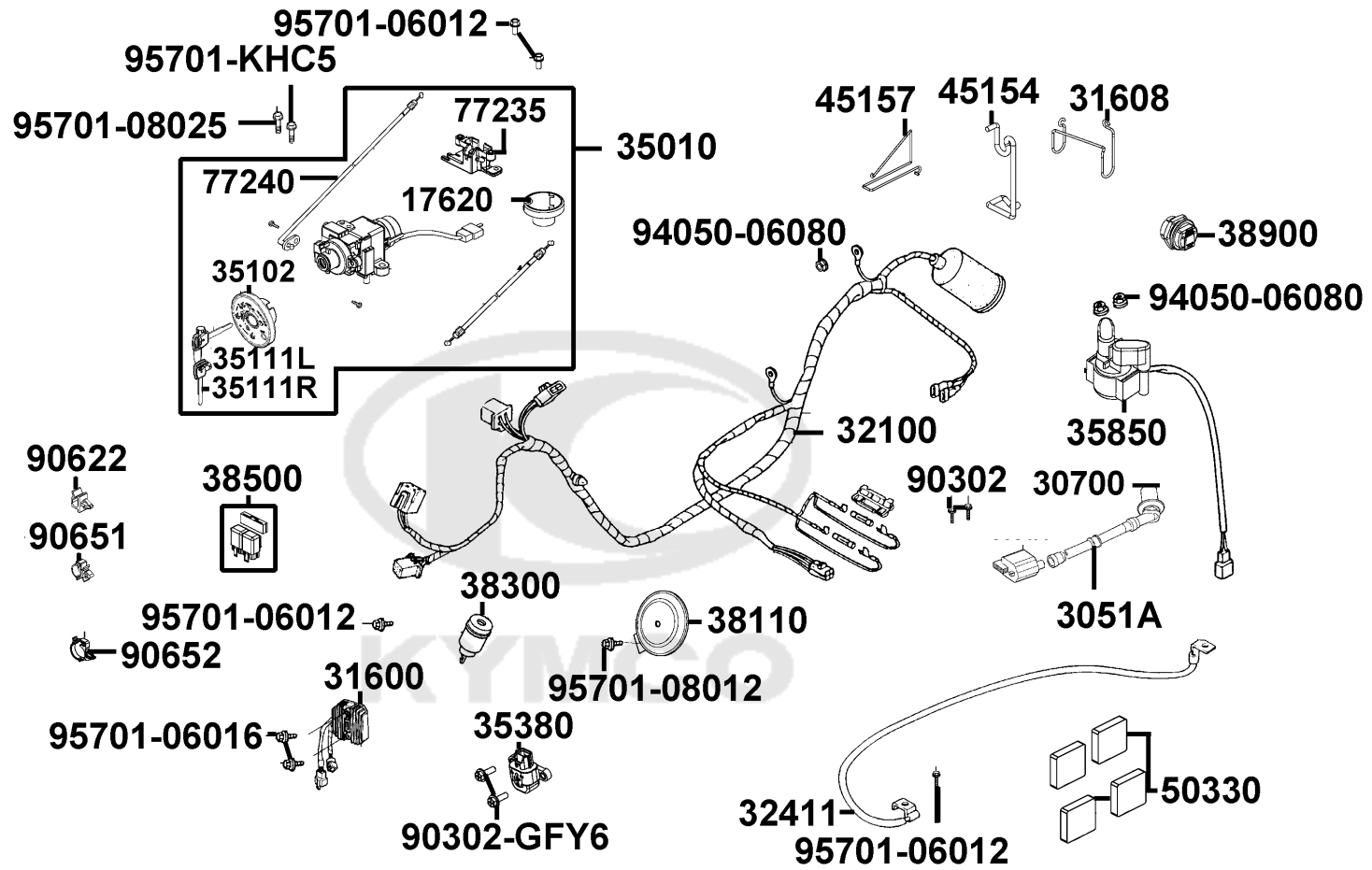




Sales mark	Ref no	Part no	Description	Reg description	Regd no	F18
	33700	33700-ACC1-E10	LIGHT ASSY RR COMB	LIGHT ASSY RR COMB	1	
**	33718	33718-ACC1-E10	LID R RR	LID R RR	1	
**	33719	33719-ACC1-E10	LID L RR	LID L RR	1	
	33720	33720-LGB5-E10	LIGHT ASSY LICENSE	LIGHT ASSY LICENSE	1	
#	33741	33741-LEH3-EZ0	REFLEX REFLECTOR	REFLEX REFLECTOR	1	
	50651	50651-LFC4-E10	STAY RR FENDER BALANCE	STAY RR FENDER BALANCE	1	
**	80100	80100-ACC1-E10	FENDER RR TIRE	FENDER RR TIRE	1	
**	80101	80101-ACC1-E10	FENDER RR INNER	FENDER RR INNER	1	
	80102	80102-ACC1-E10	PLATE SPLASH BOARD	PLATE SPLASH BOARD	1	
**	80105	80105-ACC1-E10	FENDER REAR UP	FENDER REAR UP	1	
**	80106	80106-ACC1-E10	FENDER RR LOW	FENDER RR LOW	1	
	80116	80116-ACC1-E10	"RUBBER,LICENSE PLATE STOP"	"RUBBER,LICENSE PLATE STOP"	1	
	90302	90302-GFY6-C11	BOLT-WASH 5*16	BOLT-WASH 5*16	1	
	90652	90652-LCA4-C10	CLIP MUDGUARD	CLIP MUDGUARD	4	
	93404	93404-06012-07	BOLT WASH 6*12	BOLT WASH 6*12	1	
	93903	93903-34380	SCREW TAPPING 4*12	SCREW TAPPING 4*12 (K)	1	
	93903	93903-GFY6-C01	SCREW TAPPING 4*14(K)	"SCREW,TAPPING4*14"	1	
	94050	94050-05080-G	NUT FLANGE 5MM	NUT FLANGE 5MM	1	



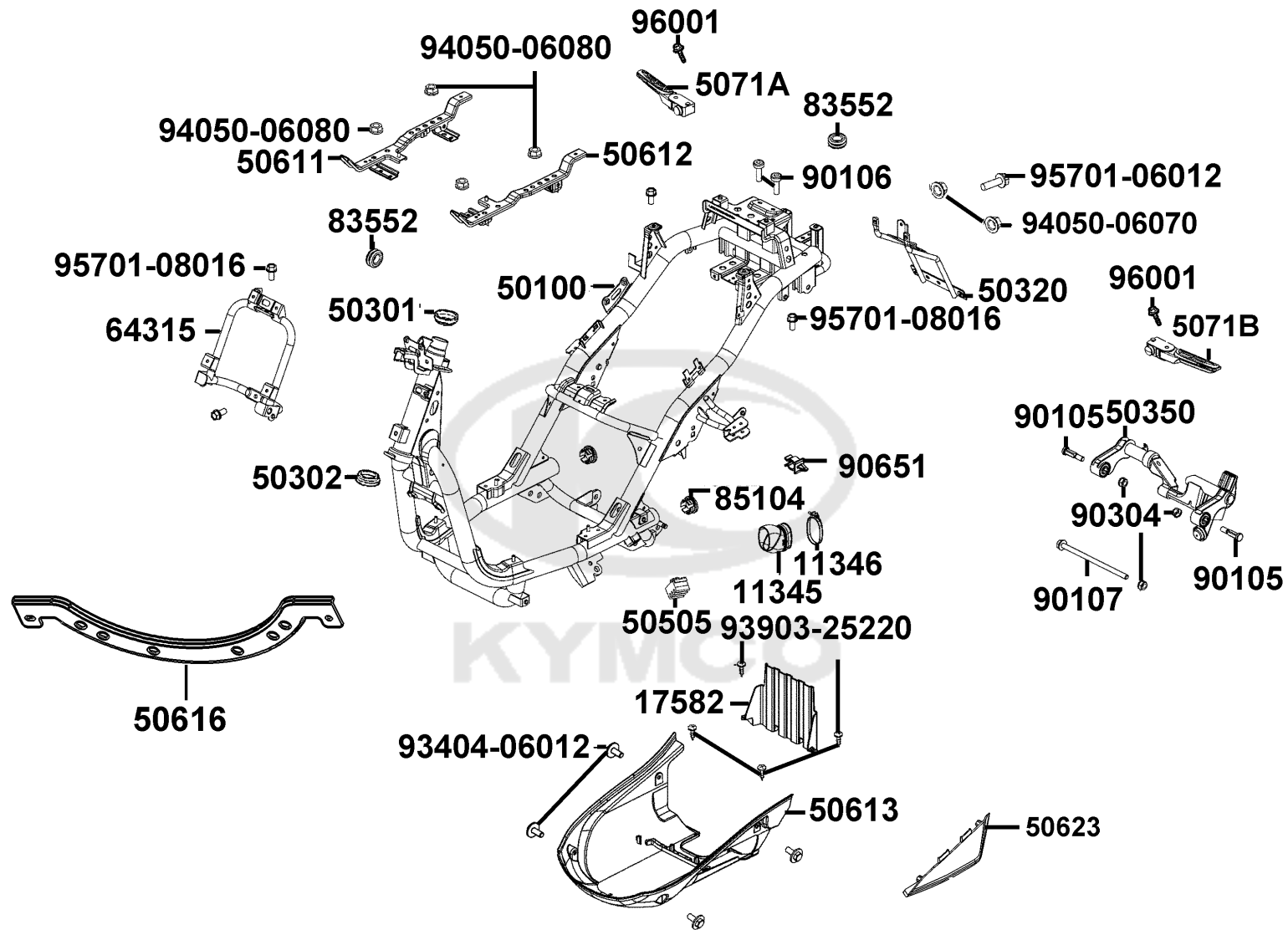
Sales mark	Ref no	Part no	Description	Reg description	Regd no	<b>F19</b>
	17620	17620-ALJ9-E15	CAP COMP FUEL FILLER	CAP COMP FUEL FILLER	1	
	3051A	3051A-ACC1-E10	COIL ASSY IGN	COIL ASSY IGN	1	
	30700	30700-AEB9-E01	CAP ASSY NOISE SUPPRESOR	CAP ASSY NOISE SUPPRESOR	1	
	31600	31600-ACC1-E10	REG REC COMP	REG REC COMP	1	
	31608	31608-ACC1-E10	CLIP WIRE	CLIP WIRE	1	
	32100	32100-ACC1-E10	HARNESS WIRE	HARNESS WIRE	1	
	32411	32411-ACC1-E10	CABLE BAT	CABLE BAT	1	
	35010	35010-ACC1-E10	KEY SET	KEY SET	1	
	35102	35102-ACC1-E10	SHUTTER MAGNETIC LOCK	SHUTTER MAGNETIC LOCK	1	
#	35111R	35111-LDC1-305	KEY COMP (R TANGENT PLANE/SD)	KEY COMP (R TANGENT PLANE/SD)	1	
#	35111L	35111-LDC1-306	KEY COMP (L TANGENT PLANE/SD)	KEY COMP (L TANGENT PLANE/SD)	1	
#	35380	35380-ABE1-C00	SENSOR ANGLE	SENSOR ANGLE	1	
	35850	35850-ALL1-C00	SET START MAG	SET START MAG	1	
	38110	38110-KKC3-90A	HORN COMP **90B C.P.N.	HORN COMP **90B C.P.N.	4	
	38300	38300-ACC1-E10	RELAY ASS'Y WINKER	RELAY ASS'Y WINKER	1	
	38500	38500-AAD2-C00	RELAY ASSY LIGHT	RELAY ASSY START	1	
	38900	38900-ACC1-E10	CONTROLLER USB CHARGER	CONTROLLER USB CHARGER	1	
	45154	45154-ACC1-E10	CLIP WIRE	CLIP WIRE	1	
	45157	45157-ACC1-E10	CLIP WIRE	CLIP WIRE	1	
	50330	50330-ALK5-C00	SEAL BATTER FRONT	SEAL BATTER FRONT	1	



Sales mark	Ref no	Part no	Description	Reg description	Regd no	<b>F19</b>
77235		77235-KGC4-C00	SEAT CATCH	SEAT CATCH	1	
77240		77240-ACC1-E10	CABLE SEAT LOCK	CABLE SEAT LOCK	1	
90302	GFY6	90302-GFY6-C11	BOLT-WASH 5*16	BOLT-WASH 5*16	1	
90302		90302-LLB1-C01	BOLT-WASH 5*12	"BOLT-WASHER,5*12"	1	
90622		90622-LHJ8-900	CLAMP	CLAMP	1	
90651		90651-LKE6-900	CLIP CABLE	CLIP CABLE	1	
90652		90652-LHJ6-900	CLIP CABLE	CLIP CABLE	1	
94050	06080	94050-06080	NUT FLANGE 6MM	NUT FLANGE 6MM	1	
95701	06012	95701-06012-08	BOLT FLANGE 6*12	BOLT FLANGE 6*12	1	
95701	06016	95701-06016-08G	BOLT FLANGE 6*16 (C)	BOLT FLANGE 6*16 (C)	1	
95701	08012	95701-08012-08G	BOLT FLANGE 8X12(C)	BOLT FLANGE 8X12(C)	1	
95701	08025	95701-08025-08G	BOLT FLANGE	BOLT FLANGE 8*25 (C)	1	
95701	KHC5	95701-KHC5-C00	BOLT TORQUE 8*20	BOLT TORQUE 8*20	1	

F20

Frame Body

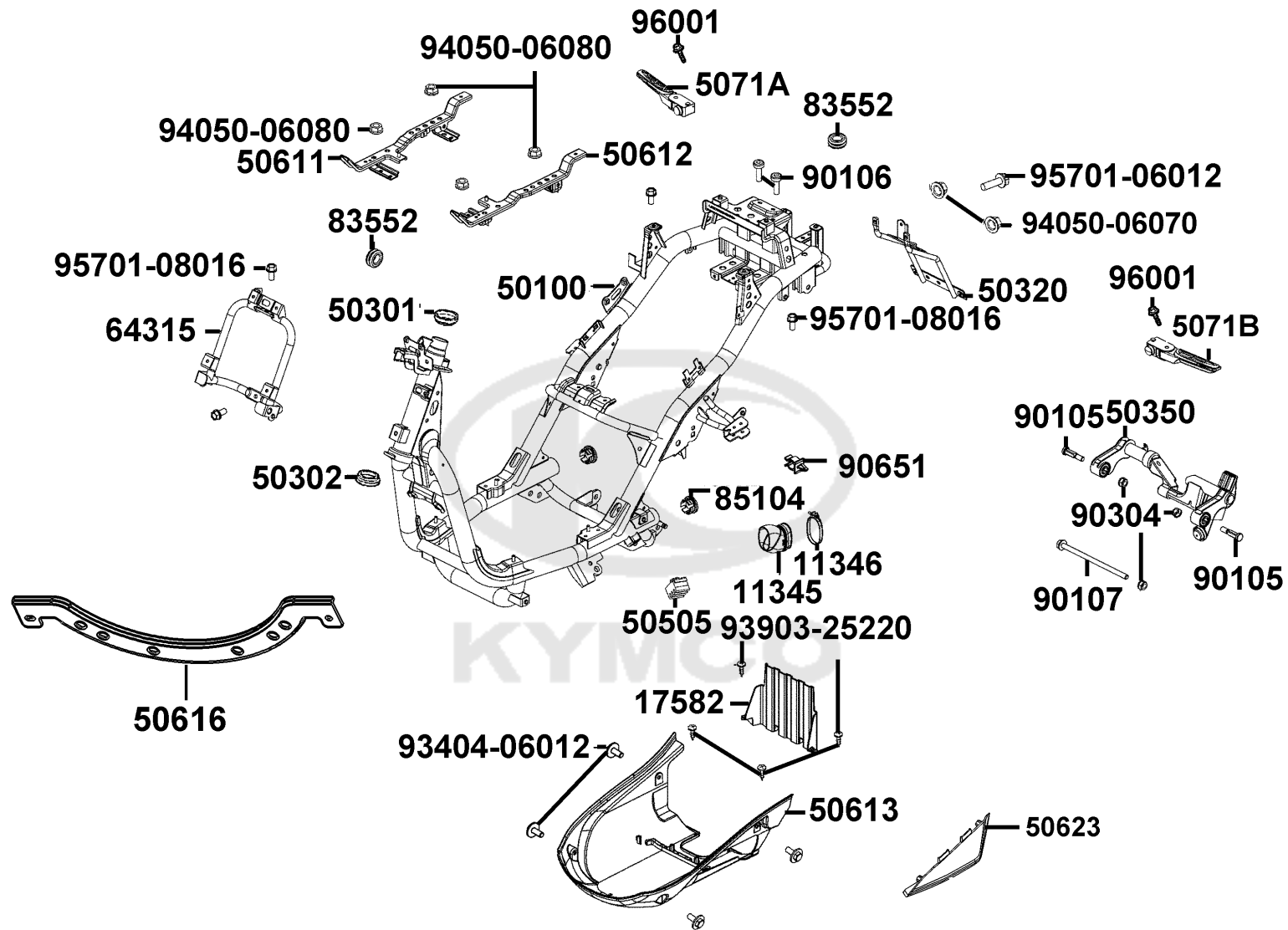


Sales mark	Ref no	Part no	Description	Reg description	Regd no	F20
	11345	11345-LEA7-C00	DUCT L COVER	DUCT L COVER	1	
	11346	11346-GFY6-C00	BAND L COVER DUCT	BAND L COVER DUCT	1	
**	17582	17582-ACC1-E10	HEAT GUARD FUEL TANKE	HEAT GUARD FUEL TANKE	1	
	50100	50100-ACC1-E10	BODY COMP FRAME	BODY COMP FRAME	1	
	50301	50301-KGN7-C00	RACE UPPER STRG BALL	RACE UP STRG BALL	1	
	50302	50302-2H68-C00	RACE (STRG BOT) BALL	RACE (STRG BOT) BALL	1	
	50320	50320-ACC1-E10	STAY REAR FENDER	STAY REAR FENDER	1	
	50350	50350-LKE6-C00	ENG HANGER COMP	ENG HANGER COMP	1	
	50505	50505-LDC8-E10	STOPPER RUBBER	STOPPER RUBBER	1	
	50611	50611-ACC1-E10	RNFCT R FLOOR	RNFCT R FLOOR	1	
	50612	50612-ACC1-E10	RNFCT L FLOOR	RNFCT L FLOOR	1	
**	50613	50613-ACC1-E10	COVER UNDER	COVER UNDER	1	
	50616	50616-ACC1-E10	STAY C,FLOOR PANEL	"STAY C,FLOOR PANEL"	1	
**	50623	50623-ACC1-E10	COVER UNDER	COVER UNDER	1	
	5071A	5071A-ACC1-E10	BAR STEP R ASSY	BAR STEP R ASSY	1	
	5071B	5071B-ACC1-E10	BAR STEP L ASSY	BAR STEP L ASSY	1	
	64315	64315-ACC1-E10	"CARRIER FR,CONNECT"	"CARRIER FR,CONNECT"	1	
	83552	83552-ACC1-E10	GROMMET COVER	GROMMET COVER	1	
	85104	85104-ALJ8-E10	STOPPER	STOPPER	1	
	90105	90105-LDC8-E11	SQUARE BOLT M10*50(K)	SQUARE BOLT M10*50(K)	1	

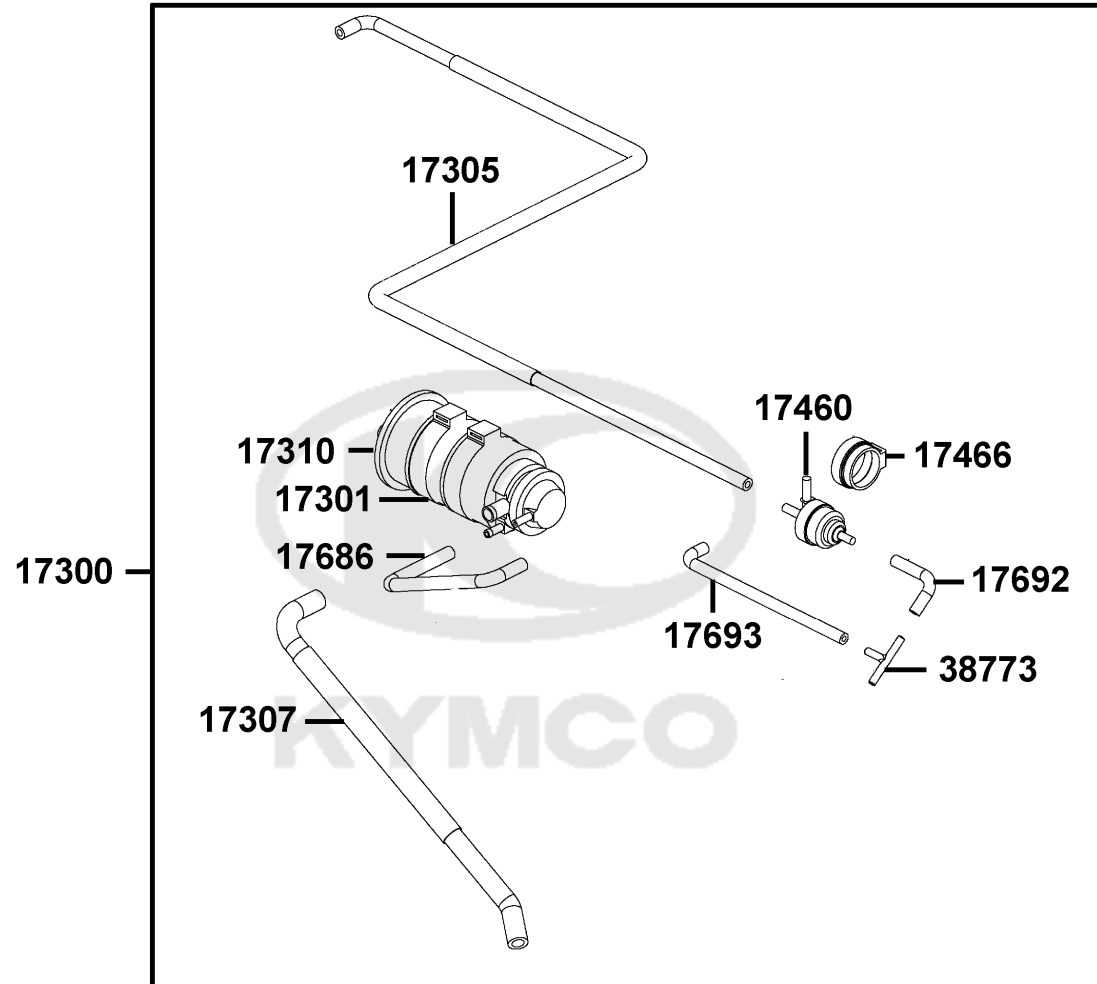


F20

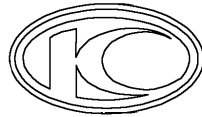
Frame Body



Sales mark	Ref no	Part no	Description	Reg description	Regd no	<b>F20</b>
90106		90106-KFAF-C10	BOLT SPECIAL 8MM	BOLT SPECIAL 8MM	1	
90107		90107-KUDU-C01	BOLT FLANGE 10*188	BOLT FLANGE 10*188	1	
90304		90304-PUA3-B50	NUT U 10MM (C)	NUT U 10MM (C)	1	
90651		90651-ALH3-700	CLIP WIRE HARN	CLIP WIREE HARN	1	
93404-06012		93404-06016-07	BOTL WASHER 6*16	BOTL WASHER 6*16	1	
93903-25220		93903-25220-G	SCREW TAPPING 5*12	SCREW TAPPING 5*12	4	
94050-06070		94050-06070-G	NUT FLANGE 6MM (KG)	NUT FLANGE 6MM (G)	2	
94050-06080		94050-06080	NUT FLANGE 6MM	NUT FLANGE 6MM	1	
95701-06012		95701-06012-07G	BOLT FLANGE 6X12(KG)	BOLT FLANGE 6X12(KG)	1	
95701-08016		95701-08016-07G	BOLT FLANGE 8*16 (K)	BOLT FLANGE 8*16 (K)	1	
96001		96001-06032-07G	BOLT FLANGE SH6*32	BOLT FLANGE 6*32(G)	1	



Sales mark	Ref no	Part no	Description	Reg description	Regd no	F21
	17300	17300-ACC1-E10	CANISTER-PCV ASSY	CANISTER-PCV ASSY	1	
#	17301	17301-LGS6-M31	RUBBER CANISTER MOUNT	RUBBER CANISTER MOUNT	2	
	17305	17305-ACC1-E10	TUBE ASSY JONT-TANK	TUBE ASSY JONT-TANK	1	
	17307	17307-ACC1-E10	TUBE ASSY CANISTER-AIR/C	TUBE ASSY CANISTER-AIR/C	1	
	17310	17310-LHA2-M30	CANISTER COMP	CANISTER COMP	1	
	17460	17460-KED9-M31	VALVE COMP VAPOR CONTROL	VALVE COMP VAPOR CONTROL	1	
	17466	17466-LGS6-M30	RUBBER VAPOR CONTROL MOUNT	RUBBER VAPOR CONTROL MOUNT	1	
	17686	17686-ACC1-E10	TUBE ASSY CANISTER-TANK	TUBE ASSY CANISTER-TANK	1	
	17692	17692-ACC1-E10	TUBE ASSY VALVE-JOINT	TUBE ASSY VALVE-JOINT	1	
	17693	17693-ACC1-E10	TUBE ASSY CANITER JOINT	TUBE ASSY CANITER JOINT	1	
#	38773	38773-ABD6-C00	JOINT 3 WAY 3.5	JOINT 3 WAY 3.5	1	



86102-ALG1



86202

**CAUTIONS**

Never put any article between the rear side cover and the engine to avoid interference of riding.

87542



87140

Please read the User's Manual carefully to secure driving safety

 HOCK FRONT < 3.0 kg LUGGAGE BOX < 10 kg CARRIER REAR < 5 kg	 (kgf/cm <sup>2</sup> ) (MAX) (2.3) (2.5)	 120/70 12 130/70 *2	—人 1.75 2.0
			—人 1.75 2.25

87560 ACC\* E96

87560

**CAUTIONS**

Before starting the engine, the side stand shall be kicked up to secure safety.

87541-GAR1

**ENGINE OIL CAPACITY**  
 MAKE SURE TO USE KYMCO RECOMMENDED "MOMA" ENGINE OIL.  
 FULL CAPACITY 0.50 L  
 AT CHANGE 0.50 L  
 CHECK THE OIL LEVEL AFTER OIL IS FILLED IN. THE ENGINE FOR 3 MINUTES AND CHECK OIL LEVEL AGAIN.

**CAPACITE D'HUILE MOTEUR**  
 ASSURER-VOUS D'UTILISER L'HUILE MOTEUR RECOMMENDEE PAR KYMCO.  
 CAPACITE MAXIMALE 0.50 L  
 A CHANGER 0.50 L  
 VERIFIER LE NIVEAU D'HUILE 3 MINUTES APRES LE MOTO D'AVOIR FONCTIONNE ET REVERSER LE NIVEAU D'HUILE.

87541-KUDU-100

87541-KUDU



86102-ACC1

Sales mark	Ref no	Part no	Description	Reg description	Regd no	<b>F22</b>
**	86102-ACC1	86102-ACC1-E10	EMB K-LOGO 28.5MM	EMB K-LOGO 28.5MM	1	
**	86102-ALG1	86102-ALG1-E00	EMB K-LOGO	EMB K-LOGO	1	
**	86202	86202-ACC1-E10	EMB BODY COVER	EMB BODY COVER	1	
**	87140	87140-ACC1-E00	EMB MARK 125 TAPE A	EMB MARK 125 TAPE A	1	
**	87541-GAR1	87541-GAR1-C01	CAUTION SIDE STAND	CAUTION SIDE STAND	1	
**	87541-KUDU	87541-KUDU-E00	LABEL OIL CAP	LABEL OIL CAP	1	
**	87542	87542-GAR1-C01	MARK MAINT CAUTION R	MARK MAINT CAUTION R	1	
**	87560	87560-ACC1-E00	MARK DRIVE CAUTION	MARK DRIVE CAUTION	1	



## PART NO. INDEX

PART NO.	VERSION	PAGE	PART NO.	VERSION	PAGE	PART NO.	VERSION	PAGE
<b>11000</b>			<b>12000</b>			14110-LEB1-C00	1	E02
11100-ACC1-E10	1	E01	12101-LEB1-90B	1	E03	14321-LEB1-C00	1	E02
11102-1G87-C00	3	E01	12191-LEB1-C00	1	E03	14401-KUDU-C00	1	E03
11192-LEB1-C00	1	E01	12200-LKE6-C00	0	E02	1442A-LEB1-C00	1	E02
11200-LFB5-C00	1	E01	12209-LEA2-C00	0	E02	1443A-LEB1-C00	1	E02
11203-GGC7-W10	2	E01	12216-LEB1-C00	1	E02	14452-LFA7-C00	1	E02
11203-GGC7-W10	2	F16	12217-LEB1-C00	1	E02	14453-LKE6-C00	1	E02
11206-LFB5-C00	1	E07	12251-LKE6-C00	1	E02	14510-LEB1-C00	1	E03
11211-ACC1-E10	0	F13	1231A-LHJ3-C00	1	E02	14520-LFA7-C00	1	E03
1122A-ACC1-E10	1	E01	12361-GFY6-C00	5	E04	14521-AAG1-C00	1	E01
11330-LHJ3-C00	1	E04	12391-LEB1-C00	1	E02	14523-KED9-C00	1	E03
11340-ACC1-E10	0	E01				14531-AAG1-C00	1	E01
11342-ACC1-E10	1	E01	<b>13000</b>			14531-GLR0-W11	1	E03
11344-ACC1-E10	0	E01				14541-ALH4-C00	1	E01
11345-LEA7-C00	1	F20	13000-LKE6-C00	1	E03	14610-LEB1-90B	0	E03
11346-GFY6-C00	1	F20	13011-LKE6-C00	1	E03	14711-LKE6-C00	0	E02
11350-LFB5-C00	1	E01	13101-LKE6-C00	0	E03	14721-LKE6-C00	0	E02
11383-LFB5-C00	1	E01	13111-LFA7-C00	1	E03	14751-KHD6-C00	0	E02
11383-LHJ3-C00	1	E01	13406-LHJ8-900	1	E02	14771-LEA2-900	2	E02
11394-LEB1-C00	1	E04	13407-LKC6-C00	1	E02	14777-LFA7-C00	0	E02
11395-LFB5-C00	1	E01				14781-KKE5-C00	0	E02
11396-ACC1-E10	1	E01	<b>14000</b>			<b>15000</b>		
			14100-LKE6-C00	1	E02	15100-KFB7-C00	1	E07
						15133-GFY6-W10	1	E07

## PART NO. INDEX

PART NO.	VERSION	PAGE	PART NO.	VERSION	PAGE	PART NO.	VERSION	PAGE
15141-GFY6-C00	1	E07	1737A-LCD3-E00	0	F13			
15421-1G07-C00	1	E04	17460-KED9-M31	0	F21	<b>19000</b>		
15426-GAE1-C00	1	E04	17466-LGS6-M30	0	F21			
15651-KUDU-W10	5	E04	17500-ACC1-E10	1	F10	19504-LBA2-C00	1	F10
15711-GFY6-C00	1	E07	17550-ACC1-E10	1	F10	19510-LEB1-C01	0	E08
<b>16000</b>			1755A-ACC1-E10	1	F10	1961A-LEB1-C00	1	E08
			17582-ACC1-E10	1	F20	1962A-LKE6-C00	1	E08
			17620-ALJ9-E15	0	F19	1963A-ACC1-E10	1	E08
16100-ACC1-E10	1	E05	17685-ACC1-E10	1	F10			
16201-LEB1-C00	1	E02	17686-ACC1-E10	0	F21	<b>21000</b>		
16211-LEB1-C00	1	E02	17692-ACC1-E10	0	F21			
<b>17000</b>			17693-ACC1-E10	0	F21	21301-LFB5-C00	1	E09
			17910-ACC1-E10	1	F03	21395-LFB5-C00	1	E09
			<b>18000</b>			<b>22000</b>		
1711A-LGH6-C00	1	E02						
17200-ACC1-E10	1	F13						
1723A-ACC1-E10	1	F13	18291-LEA5-C00	1	F14	22101-LCD3-C00	3	E06
1723B-ACC1-E10	1	F13	18291-LKG2-C00	0	F14	22102-LEB1-C00	1	E06
1723C-ACC1-E10	1	F13	18292-KEBE-C00	0	F14	22105-LFE2-C00	1	E06
17250-ACC1-E10	1	F13	18293-KEBE-C00	1	F14	22110-LEB1-C00	1	E06
17255-ACC1-E10	1	F13	18294-PUA3-B50	1	F14	22121-GFY6-325	20	E06
17300-ACC1-E10	1	F21	1830A-ACC1-E10	1	F14	22130-LEB1-C00	1	E06
17301-LGS6-M31	0	F21	18318-ACC1-E10	0	F14	22300-LHJ3-C00	0	E06
17305-ACC1-E10	0	F21	18325-ACC1-E10	1	F14	22350-LHJ3-C00	0	E06
17307-ACC1-E10	0	F21				22361-LHJ3-C00	0	E06
17310-LHA2-M30	0	F21				22401-LHJ3-C00	0	E06



## PART NO. INDEX

PART NO.	VERSION	PAGE	PART NO.	VERSION	PAGE	PART NO.	VERSION	PAGE
22530-LHJ3-C00	0	E06	28125-4F26-001	1	E07	<b>33000</b>		
22804-GBB2-C00	0	E06	28125-GFY6-960	1	E07			
<b>23000</b>			28126-KUDU-900	0	E07			
			28211-ADG1-C00	1	E06		33100-ACC1-E10	1
2301A-LKE6-C00	1	E06	<b>30000</b>			33101-ACC1-E10	0	F01
23100-LFB6-900	1	E06				33110-ACC1-E10	0	F01
23200-LFE2-C00	0	E06	3051A-ACC1-E10	1	F19	33115-ACC1-E10	0	F01
23210-GFY6-C00	1	E06	30700-AEB9-E01	0	F19	33400-ACC1-E10	1	F17
23220-GFY6-C00	0	E06	<b>31000</b>			33450-ACC1-E10	1	F17
23225-GHC8-C00	1	E06				33700-ACC1-E10	1	F18
23226-GHC8-C00	1	E06			33718-ACC1-E10	1	F18	
23233-LFB6-C00	0	E06	31100-ACC1-E10	1	E08	33719-ACC1-E10	1	F18
23237-GFY6-C00	1	E06	31110-ACC1-E10	0	E08	33720-LGB5-E10	1	F18
23238-LEB1-C00	0	E06	31120-ACC1-E10	0	E08	33731-ALH3-EZ0	0	F06
23411-LFB5-C00	1	E09	31200-ACC1-E10	1	E07	33741-LEH3-EZ0	1	F18
23420-LGH5-C00	1	E09	31500-KFAF-EZ0	0	F11	<b>35000</b>		
23432-LGH5-C00	1	E09	31600-ACC1-E10	1	F19			
2343A-LFB5-C00	0	E09	31608-ACC1-E10	1	F19	35010-ACC1-E10	1	F19
<b>28000</b>			<b>32000</b>			35102-ACC1-E10	1	F19
						35111-LDC1-305	0	F19
						35111-LDC1-306	0	F19
						35160-GFY6-C00	5	F03
28101-ADG1-C00	1	E07	32100-ACC1-E10	1	F19	35170-KNBN-C00	5	F03
28102-GFY6-C00	1	E07	32411-ACC1-E10	1	F19	35180-GFY6-C00	2	F03
28110-LEB1-900	1	E07	32412-ACC1-E10	1	E04	35200-GFY6-C00	5	F03
28120-GFY6-315	0	E07	32961-LEB1-C00	1	E04			

## PART NO. INDEX

PART NO.	VERSION	PAGE	PART NO.	VERSION	PAGE	PART NO.	VERSION	PAGE
35340-KNBN-C00	1	F04				43351-LFB5-E80	2	F08
35350-KNBN-C00	1	F04	<b>39000</b>			43500-ACC1-E10	1	F04
35380-ABE1-C00	0	F19						
35850-ALL1-C00	1	F19	39300-LEB2-800	1	E02	<b>44000</b>		
			39301-LHJ3-C00	1	E02			
<b>37000</b>			39302-KKE3-C00	1	E02	44301-LEJ2-E13	1	F07
			39303-LEB2-C00	1	E02	44311-KEBE-C00	1	F07
37200-ACC1-E10	1	F02	39400-LHJ3-900	1	E02	44601-ACC1-E11	0	F07
37211-ACC1-E10	0	F02	39450-LEA6-800	2	F14	44620-KHD8-C00	1	F07
37212-ACC1-E10	1	F02				44710-ACC1-E10	1	F07
37213-ACC1-E10	0	F02	<b>42000</b>			44800-ACC1-E10	1	F07
37215-ACC1-E10	0	F02						
37215-LGM9-C00	1	F05	42311-LFB5-C00	1	F08	<b>45000</b>		
37224-ACC1-E10	0	F02	42312-KHB4-C00	1	F08			
37780-ACD5-E00	1	F02	42601-ACC1-E11	1	F08	45105-ACC1-305	0	F04
37802-GGA7-C00	1	F10	42710-LGS6-C1B	0	F08	45121-LGR5-E80	1	F07
3780A-ACC1-E10	1	F10	42753-0A01-C00	1	F08	45126-ACC1-E10	1	F04
			42753-0F06-C00	0	F07	45128-ACC1-E10	1	F06
<b>38000</b>						45129-ACC1-E10	1	F04
			<b>43000</b>			45154-ACC1-E10	1	F19
38110-KKC3-90A	1	F19				45156-ALK6-E15	0	F07
38300-ACC1-E10	1	F19	43100-ACC1-E10	0	F04	45157-ACC1-E10	1	F19
38500-AAD2-C00	5	F19	43105-ACC1-305	0	F04	45157-ALK6-E15	0	F07
38773-ABD6-C00	0	F21	43126-ACC1-E10	1	F04	45158-ACC1-E10	1	F06
38900-ACC1-E10	1	F19	43129-ALD9-E14	1	F06	45158-ALK6-E15	0	F07
			43156-KKC4-900	1	F16	45200-ACC1-E10	1	F04

## PART NO. INDEX

PART NO.	VERSION	PAGE	PART NO.	VERSION	PAGE	PART NO.	VERSION	PAGE
45500-LGR5-E10	1	F04	50612-ACC1-E10	1	F20			
45513-LEB2-C00	0	F04	50613-ACC1-E10	1	F20	<b>52000</b>		
45513-LGR5-E10	0	F04	50616-ACC1-E10	1	F20			
45517-KFAF-910	1	F04	50623-ACC1-E10	0	F20	52000-ACC1-E10	0	F16
<b>50000</b>			50623-ACC1-E10	1	F20	52400-ACC1-E10	0	F16
			50651-LFC4-E10	1	F18	<b>53000</b>		
			5071A-ACC1-E10	1	F20			
50100-ACC1-E10	1	F20	5071B-ACC1-E10	1	F20			
50179-ACC1-E10	1	F10				53100-ACC1-E10	1	F03
50301-KGN7-C00	2	F20	<b>51000</b>			53105-LGR5-E10	1	F03
50302-2H68-C00	2	F20				53125-GEN5-C00	1	F03
50306-1F96-C00	1	F06	51400-ACC1-E10	1	F06	53140-ACC1-E10	1	F03
50320-ACC1-E10	1	F20	51404-ACC1-E10	0	F06	53166-ACC1-E10	1	F03
50326-ACC1-E10	1	F12	51410-ACC1-E10	0	F06	53167-GBN2-C00	1	F03
50329-ACC1-E11	0	F11	51412-LEJ2-E10	0	F06	53168-GBN2-C00	1	F03
50330-ALK5-C00	1	F19	51420-ACC1-E10	0	F06	53175-KXBX-E00	1	F04
50350-LKE6-C00	1	F20	51422-LEJ2-E10	0	F06	53178-KNBN-C00	0	F04
50502-GFY6-C00	5	F15	51427-LEJ2-E10	0	F06	53200-ACC1-E10	0	F06
50505-LCB9-C00	1	F15	51428-LEJ2-E10	0	F06	53204-ACC1-E10	0	F03
50505-LDC8-E10	2	F20	51429-ACC1-E10	0	F06	53205-ACC1-E10	0	F03
5050A-ACC1-E10	0	F15	51437-LEJ2-E10	0	F06	53206-ACC1-E10	1	F03
50530-ACC1-E10	1	F15	51500-ACC1-E10	1	F06	53207-ACC1-E10	0	F03
50531-KEB7-C00	1	F15	51520-ACC1-E10	0	F06	53208-ACC1-E10	1	F03
50535-KEB7-W10	3	F15				53209-ACC1-E10	1	F03
50550-KFA6-C00	1	F15				53211-GFY6-C00	1	F06
50611-ACC1-E10	1	F20				53212-2L50-C00	1	F06

## PART NO. INDEX

PART NO.	VERSION	PAGE	PART NO.	VERSION	PAGE	PART NO.	VERSION	PAGE
53214-2L50-C00	5	F06	64400-ACC1-E10	1	F05	81132-ACC1-E10	2	F05
53215-2L50-C00	1	F06				81133-ACC1-E10	1	F05
			<b>77000</b>			81134-ACC1-E10	1	F05
<b>61000</b>			77200-ACC1-E10	1	F09	81141-ACC1-E10	1	F05
61100-ACC1-E10	1	F06	77233-ACC1-E10	1	F05	81142-ACC1-E11	0	F05
61101-ACC1-E10	1	F06	77235-KGC4-C00	2	F19	81143-ACC1-E10	1	F05
61103-ACC1-E10	1	F06	77238-ACC1-E11	1	F05	81146-ACC1-E10	1	F05
61110-ACC1-E10	1	F05	77240-ACC1-E10	0	F19	81151-ACC1-E10	1	F05
			<b>80000</b>			81152-ACC1-E10	1	F05
<b>64000</b>			80100-ACC1-E10	1	F18	81153-ACC1-E10	1	F05
64301-ACC1-E10	1	F05	80101-ACC1-E10	1	F18	81154-ACC1-E10	1	F05
64304-ACC1-E10	0	F05	80102-ACC1-E10	1	F18	81163-LKJ1-900	1	F05
64305-ACC1-E10	1	F05	80103-LKG2-C00	1	F16	81164-LKJ1-900	1	F05
64306-ACC1-E10	1	F05	80105-ACC1-E10	0	F18	81200-ACC1-E10	1	F12
64307-ACC1-E10	0	F05	80106-ACC1-E10	1	F18	81201-AKB7-C00	0	F12
64311-ACC1-E10	1	F05	80116-ACC1-E10	1	F18	81260-ACC1-E10	1	F12
64313-ACC1-E10	0	F05	80151-ACC1-E10	1	F12	<b>83000</b>		
64314-ACC1-E10	0	F05	80152-ACC1-E10	1	F05	83500-ACC1-E10	1	F12
64315-ACC1-E10	1	F20	80153-ACC1-E10	1	F05	83551-ACC1-E10	1	F05
64316-LCB9-C10	5	F05				83552-ACC1-E10	1	F20
64317-ACC1-E10	0	F05	<b>81000</b>			83600-ACC1-E10	1	F12
64318-ACC1-E10	0	F05				83750-ACC1-E10	1	F12
6431A-ACC1-E10	1	F05						
64320-ACC1-E10	1	F05	81131-ACC1-E10	1	F05			

## PART NO. INDEX

PART NO.	VERSION	PAGE	PART NO.	VERSION	PAGE	PART NO.	VERSION	PAGE
<b>85000</b>			<b>89000</b>			90116-LEJ2-E10	0	F06
85104-ALJ8-E10	1	F20	89010-KGBG-C00	1	F09	90120-LFC8-C00	1	F14
<b>86000</b>			<b>90000</b>			90122-KHC7-C01	1	F04
86102-ACC1-E10	0	F22	90001-GBHB-C06	1	E03	90145-9A61-C00	1	F04
86102-ALG1-E00	2	F22	90001-GBHB-C13	1	F13	90201-GFY6-901	1	E07
86202-ACC1-E10	0	F22	90001-GFY6-C01	0	E02	90202-1G87-C00	1	E06
<b>87000</b>			90005-KAW1-C00	0	E03	90301-GFY6-C01	0	F14
87140-ACC1-E00	0	F22	9000A-ADG1-C01	0	E01	90302-GFY6-C11	1	F18
87541-GAR1-C01	1	F22	9000B-KHD6-C02	1	E02	90302-GFY6-C11	1	F19
87541-KUDU-E00	1	F22	90031-KHD6-C01	0	E01	90302-LLB1-C01	1	F19
87542-GAR1-C01	2	F22	90031-LFE2-C01	0	E01	90302-PUA3-B51	1	F03
87560-ACC1-E00	1	F22	90033-KGB4-C11	0	E02	90302-PUA3-B51	1	F10
<b>88000</b>			90105-KCR3-C02	1	F07	90302-SDA4-C01	0	F05
88110-ACC1-E10	1	F03	90105-KCR3-C02	1	F08	90302-SDA4-C01	0	F06
88120-ACC1-E10	1	F03	90105-LDC8-E11	0	F20	90302-SDA4-C01	0	F11
			90106-GEN5-901	1	F03	90302-SDA4-C01	0	F12
			90106-KFAF-C10	4	F12	90304-GHE8-C00	1	F03
			90106-KFAF-C10	4	F20	90304-PUA3-B50	0	F20
			90106-KFC2-900	2	F03	90305-KFW6-C00	1	F08
			90107-KUDU-C01	1	F20	90306-LKL5-E31	0	F07
			90108-KUDU-E00	1	F15	90403-GFY6-C00	1	E07
			90111-1G87-C01	1	F12	90426-KNBN-C01	1	E06
						90440-1F66-C00	1	E08
						90474-3C33-C00	1	E01
						9052A-LEB1-C01	0	E01
						90544-LEJ2-E10	0	F06

## PART NO. INDEX

PART NO.	VERSION	PAGE	PART NO.	VERSION	PAGE	PART NO.	VERSION	PAGE
90545-3L00-C00	2	F04	91101-1K79-711	1	E07	93404-06012-07	5	F12
90605-1F66-C00	0	E06	91104-GFY6-90A	0	E07	93404-06012-07	5	F18
90622-LHJ8-900	1	F19	91202-GFY6-90C	1	E04	93404-06016-07	1	F05
90651-ALH3-700	1	F10	91202-LEB1-900	1	E01	93404-06016-07	1	F12
90651-ALH3-700	1	F20	91202-LFE2-C00	1	E09	93404-06016-07	1	F13
90651-ALJ8-E10	1	F10	91211-KEBE-C00	1	E06	93404-06016-07	1	F20
90651-LKE6-900	1	F19	91251-LEJ2-E10	0	F06	93500-05022-07G	0	F03
90652-LCA4-C10	6	F12	91254-LEJ2-E10	0	F06	93903-25220-G	0	F02
90652-LCA4-C10	6	F18	91255-LDC8-E10	5	E01	93903-25220-G	0	F03
90652-LFB5-C00	1	F05	91301-GLR0-W10	1	E03	93903-25220-G	0	F20
90652-LHJ3-C00	1	E02	91302-0A01-C00	10	E04	93903-25260-G	0	E01
90652-LHJ6-900	1	F19	91306-1E05-C00	1	E03	93903-25480	1	F13
90652-LKH3-C00	1	F13	91307-0E35-W10	1	E04	93903-34380	6	F01
90660-PWA2-900	1	F10	91351-6B42-C00	1	E06	93903-34380	6	F03
90677-GAR1-C01	1	F12				93903-34380	6	F05
90754-GHC8-C00	1	F07	<b>92000</b>			93903-34380	6	F17
90912-KFLF-C00	1	F07				93903-34380	6	F18
<b>91000</b>			92101-05012-0HG	1	E01	93903-35280-G	1	F01
			92101-05012-0HG	1	E08	93903-35280-G	1	F05
			92101-06014-07G	0	E02	93903-35320-G	1	F02
91002-GGA7-C00	0	E06	92900-06060-0BG	0	E02	93903-GFY6-C01	1	F05
91004-KHE7-C00	0	E06				93903-GFY6-C01	1	F06
91009-GLE0-C00	1	E01	<b>93000</b>			93903-GFY6-C01	1	F11
91014-LLJ3-C00	1	F06				93903-GFY6-C01	1	F12
91015-LLJ3-C00	1	F06	93404-06012-07	5	F05	93903-GFY6-C01	1	F18
91051-KFBF-C00	1	F16	93404-06012-07	5	F06			

## PART NO. INDEX

PART NO.	VERSION	PAGE	PART NO.	VERSION	PAGE	PART NO.	VERSION	PAGE
<b>94000</b>			94608-LEJ2-E10	0	F06	<b>96000</b>		
94050-05080-G	1	F18	<b>95000</b>			96001-06010-06	0	F14
94050-06070-G	0	F20	95701-06010-07G	0	F16	96001-06012-07G	1	E04
94050-06080	2	E02	95701-06012-07G	1	F06	96001-06012-07G	1	E07
94050-06080	2	F09	95701-06012-07G	1	F20	96001-06014-08G	0	E02
94050-06080	2	F10	95701-06012-08	3	F10	96001-06016-07G	0	E08
94050-06080	2	F12	95701-06012-08	3	F11	96001-06018-07G	0	E07
94050-06080	2	F19	95701-06012-08	3	F19	96001-06018-07G	0	E08
94050-06080	2	F20	95701-06016-07G	1	F16	96001-06022-06	1	E08
94050-08080-G	1	E02	95701-06016-08G	1	F19	96001-06025-02	4	F04
94050-12080-G	0	E06	95701-06020-07G	1	F16	96001-06025-07G	0	E01
94050-12080-G	0	E07	95701-06020-08G	1	F04	96001-06025-07G	0	E08
94050-12080-G	0	E08	95701-08012-07G	0	E01	96001-06028-07G	1	E07
94101-06700	1	F14	95701-08012-08G	1	F19	96001-06028-07G	1	E08
94111-06800-G	0	E02	95701-08016-07G	1	F20	96001-06032-07G	1	E01
94301-08140	4	E01	95701-08025-08G	1	F19	96001-06032-07G	1	E04
94301-10160	4	E01	95701-KHC5-C00	1	F19	96001-06032-07G	1	F20
94301-10160	4	E02	95801-08032-07G	1	F16	96001-06035-08G	1	F13
94301-10160	4	E03	95801-08040-08G	1	F06	96001-06050-07G	1	E01
94301-10160	4	E04	95801-08042-07G	1	F14	96001-06100-07G	0	E02
94520-28000	1	E06	95801-08055-07G	1	F16	96001-06100-07G	0	E04
94591-KFBF-C00	1	F10	95801-10030-07G	1	F15	96001-06110-07G	0	E04
94591-LGR5-E10	1	F05	95801-10035-08G	0	F16	96001-GFY6-C00	3	F13
94601-14000	1	E03				96100-60020-00	1	E01

## PART NO. INDEX

PART NO.	VERSION	PAGE	PART NO.	VERSION	PAGE	PART NO.	VERSION	PAGE
96100-62020-00	1	E09						
96100-62030-00	1	E01						
96100-63030-00	1	E09						
96100-LFE2-C00	1	E09						
96220-60100	1	E07						
96600-06016-08G	0	E01						
96600-08010-10	1	E07						
96700-08016-02	0	F12						
<b>98000</b>								
98059-58916-00	2	E02						
98200-31000	1	F11						
98200-31500	1	F11						

