

# LH1100U-D T1b



# LH1100 PRO MAX 4X4

## ÍNDICE

ESQ	QUADRO	PAG
F01	STEERING ASSY	6
F02	FUEL TANK	7
F03	INTEGRAL SEAT AND BACKREST ASSEMBLY	8
F04	FRAME	9
F05	FRONT BODY	10
F06	FLOOR FENDER	12
F07	HOOD LATCH	14
F08	SHOCK ABSORBER FRONT	15
F09	SHOCK ABSORBER REAR	16
F10	SHIFT ROD	17
F11	FRAME ROOF	18
F12	SHAFT HALF B (TWO SPLIEN)	19
F13	MANGER ASSY	20
F14	SHAFT HALF A (ONE SPLIEN)	21
F15	PLATE	22
F16	FRONT AND REAR KNUCKLE ASSY	23
F17	BOX ASSY (REMOVABLE IRON)	24
F18	ELECTRICAL SYSTEM	26
F19	BRAKING SYSTEM	28
F20	AUXILIARY BRAKE	29
F21	PEDAL	30
F22	FRONT BUMPER	31
F23	SEAT BELT (THREE POINTS)	32
F24	ENGINE AND TRANSMISSION	33
F25	FRONT GEAR-BOX	34
F26	REAR DIFF GEAR-BOX	36
F27	TRANSMISSION	38
F28	WHEEL FRONT LH SIDE	41
F29	WHEEL FRONT RH SIDE	42
F30	WHEEL REAR LH SIDE	43
F31	WHEEL REAR RH SIDE	44
F32	BRAKE, MASTER CYLINDER MOUNTING	45
F33	HOOK	46
F34	REAR VIEW MIRROR ASSY	47

# LH1100 PRO MAX 4X4

## ÍNDICE

<b>ESQ</b>	<b>EQUIPAMENTO OPCIONAL</b>	<b>PAG</b>
<b>F35.A</b>	<b>ROOF PANEL ASSY (OPTIONAL)</b>	<b>49</b>
<b>F35.B</b>	<b>FRONT WINDSHIELD ASSY/DOOR AND FELT (OPTIONAL)</b>	<b>50</b>
<b>F35.C</b>	<b>OPTIONS (D.TRACTOR ASSY)</b>	<b>51</b>
<b>F35.D</b>	<b>STEREO ASSY AND WORKING LIGHT (OPTIONAL)</b>	<b>52</b>
<b>F35.E</b>	<b>EPS ASSEMBLY WATERPROOF (OPTIONAL)</b>	<b>53</b>
<b>F35.F</b>	<b>CUSHION SUPPORT COMPONENT (OPTIONAL)</b>	<b>54</b>
<b>F35.G</b>	<b>ELECTRIC PUSH ROD ASSEMBLY (OPTIONAL)</b>	<b>55</b>
<b>F35.H</b>	<b>REAR TOWING HITCH BALL (OPTIONAL)</b>	<b>56</b>
<b>F35.I</b>	<b>PASSENGER HANDLE, SOFT (OPTIONAL)</b>	<b>57</b>

# LH1100 PRO MAX 4X4

## ÍNDICE

<b>ESQ</b>	<b>MOTOR</b>	<b>PAG</b>
E01	CVT ASSY	58
E02	CVT COVER ASSY	59
E03	AIR INTAKE EXPLODED VIEW	60
E04	EXHAUST ASSEMBLY	61
E05	COOLING SYSTEM	62
E06	TOOLKIT	64
E07	CRANKCASE	65
E08	OIL PAN	66
E09	CYLINDER HEAD	67
E10	GEAR CASE	68
E11	HEAD COVER	69
E12	OIL FILTER	70
E13	DIPSTICK	71
E14	MAIN BEARING CASE	72
E15	CAMSHAFT AND IDLE GEAR SHAFT	73
E16	PISTON AND CRANKSHAFT	74
E17	FLYWHEEL	75
E18	FUEL CAMSHAFT AND GOVERNOR SHAFT	76
E19	IDLE APPARATUS	77
E20	STOP SOLENOID	78
E21	INJECTION PUMP	79
E22	GOVERNOR	80
E23	SPEED CONTROL PLATE	81
E24	NOZZLE HOLDER AND GLOW PLUG	82
E25	NOZZLE HOLDER (COMPONENT PARTS)	83
E26	FUEL FILTER	84
E27	FUEL PUMP/FUEL PUMP COVER	85
E28	SEPARATOR (COMPONENTS PARTS)	86
E29	ALTERNATOR AND PULLEY	87
E30	ALTERNATOR (COMPONENT PARTS)	88
E31	STARTER	89
E32	STARTER (COMPONENT PARTS)	90
E33	SWITCH AND PLUG	91
E34	WATER FLANGE AND THERMOSTAT	92
E35	WATER PUMP	93
E36	WATER PIPE	94
E37	FAN PULLEY	95
E38	VALVE AND ROCKER ARM	96
E39	INLET MANIFOLD	97
E40	EXHAUST MANIFOLD	98
E41	ACESSORIES AND SERVICE PARTS	99

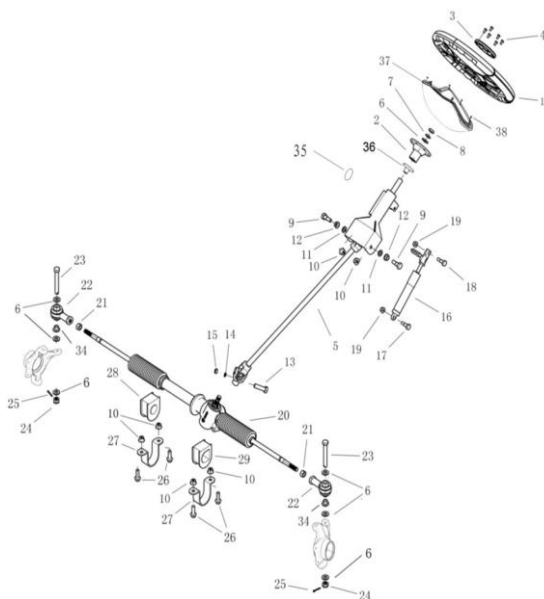
# LH1100 PRO MAX 4X4

## ÍNDICE

<b>ESQ</b>	<b>MOTOR</b>	<b>PAG</b>
<b>E42</b>	<b>LABEL AND OPERATOR'S MANUAL</b>	<b>100</b>
<b>E43</b>	<b>UPPER GASKET KIT</b>	<b>101</b>
<b>E44</b>	<b>LOWER GASKET KIT</b>	<b>102</b>

## LH1100 PRO MAX 4X4

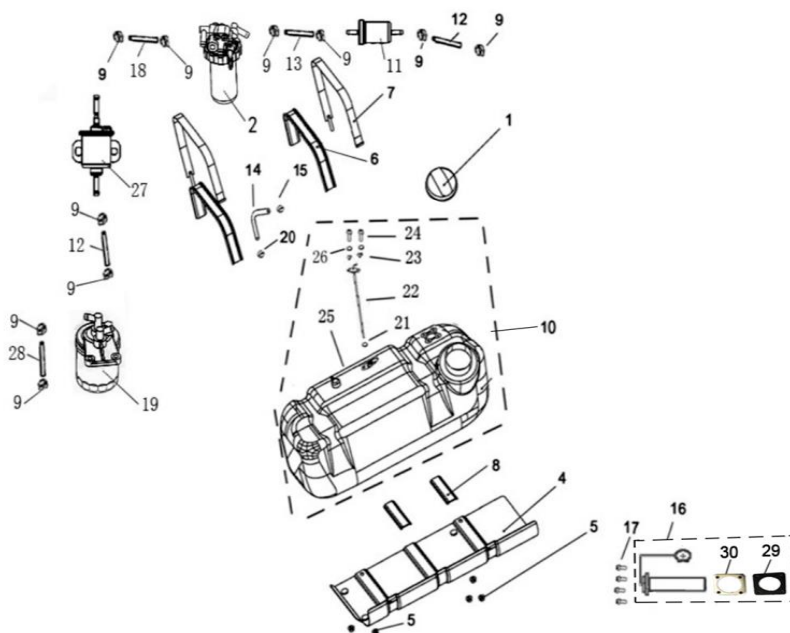
### F01 STEERING ASSY



Nº	CÓDIGO	DESCRIÇÃO	Qt.	OBSERVAÇÕES
1	LH00026925	Steering Wheel	1	
2	LH00026932	Steering Wheel Holder	1	
3	LH00026934	Steering Cover	1	
4	LH00073072	Cross Recessed Pan Head Screw M5×10	6	
5	LH00073142	Steering Column	1	
6	LH00011488	Washer 12	7	
7	LH00010054	Spring Lock Washer 12	1	
8	LH00026257	Hexagon Thin Nut M12×1.25	1	
9	LH00073143	Shoulder Bolt M10×1.25×30	2	
10	LH00010795	Hexagon Nut Fine Pitch M10×1.25	6	
11	LH00010803	Washer 12	2	
12	LH00073125	Bushing For Adjustable Steering Wheel	2	
13	LH00026255	Hexagon Head Bolt M8×1.25×40	1	
14	LH00011490	Spring Lock Washer 8	1	
15	LH00010099	Hexagon Nut M8×1.25	1	
16	LH00073118	Adjustment Cylinder	1	
17	LH00073120	Shoulder Bolt M8×1.25×26	1	
18	LH00073119	Shoulder Bolt M8×1.25×30	1	
19	LH00010776	Hexagon Nut M8×1.25	2	
20	LH00073123	Steering Assy	1	
21	LH00010799	Hexagon Nut Fine Pitch M12×1.25	2	
22	LH00073050	Tie Rod End	2	
23	LH00073124	Hex Bolts With Split Pin Hole M12×1.25×87	2	
24	LH00070679	Slotted Castle Nut M12×1.25	2	
25	LH00010772	Cotter Pin 3.2×22	2	
26	LH00010784	Hexagon Flange Bolt M10×1.25×30 8.8	4	
27	LH00026935	Bracket For Steering Gear	2	
28	LH00026936	Rubber Bush A For Steering Gear	1	
29	LH00026937	Rubber Bush B For Steering Gear	1	
34	LH00073121	Bushing	2	
35	LH00084427	Circular sticker	1	
36	LH00084523	Rubber cover	1	
37	LH00084524	Wind holster	1	
38	LH00011468	Cross Recessed Pan Head Tapping Screw ST4.8×16	6	

## LH1100 PRO MAX 4X4

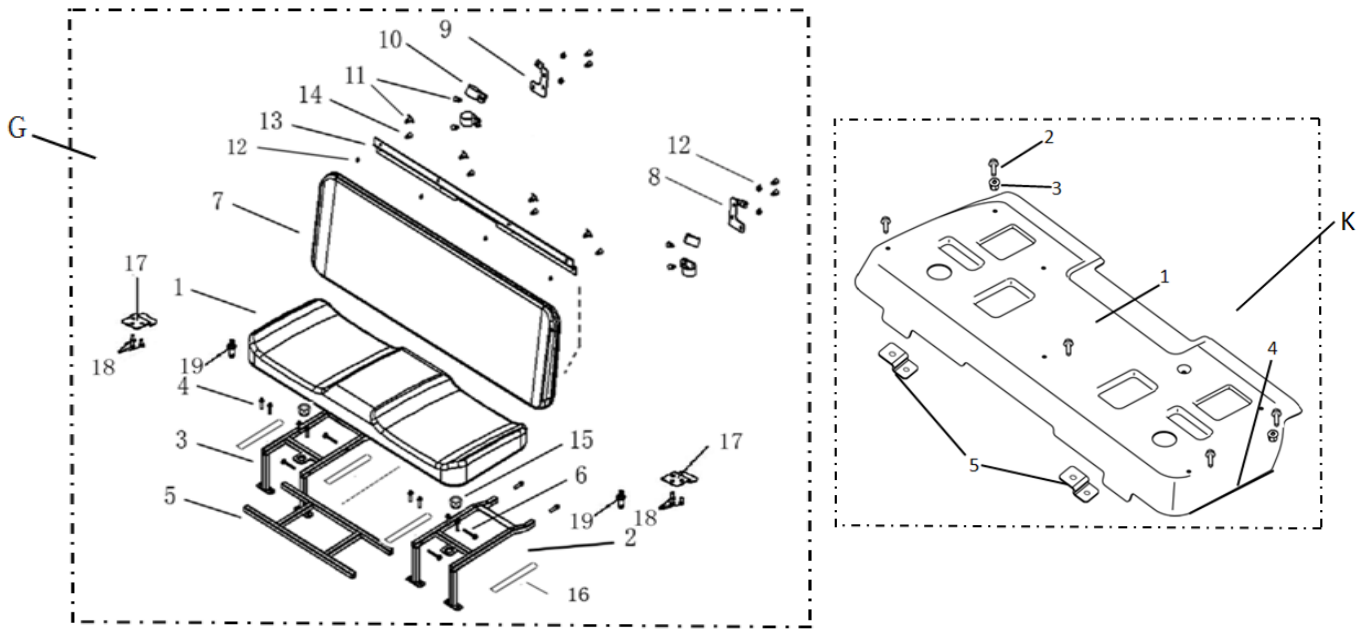
### F02 FUEL TANK



Nº	CÓDIGO	DESCRIÇÃO	Qt.	OBSERVAÇÕES
1	LH00084092	Fuel Cap	1	
2	LH00086313	Oil Water Separator	1	
3	LH00010084	Bolt M8X1.25X70	1	
4	LH00084169	Bracket, Fuel Tank	1	
5	LH00010776	Nut M8	6	
6	LH00073052	Damper, Plate	2	
7	LH00084090	Stay, Fuel Tank	2	
8	LH00073051	Cushion, Fuel Tank Bracket	2	
9	LH00070851	Clamp	10	
10	LH0084089A	Fuel Tank Assy	1	
11	LH00086314	Coarse filtration	1	
12	LH00086315	Pipe 1	2	
13	LH00086316	Pipe 2	1	
14	LH00084168	Return Tube	1	
15	LH00043522	Clamp 2	1	
16	LH00084115	Fuel Sensor	1	
17	LH00011497	Bolt M5X12	4	
18	LH00086317	Pipe 3	1	
19	LH00086318	Diesel filter	1	
20	LH00043521	Clamp 3	1	
21	LH00070729	O-RING	1	
22	LH00084307	OUTLER	1	
23	LH00070742	COLLAR, FUEL TANK SETTING	2	
24	LH00011463	Hexagon Flange Bolt M6×16	2	
25	LH00084308	Fuel Tank 2	1	
26	LH00010801	Washer 6.4×11×1.6	2	
27	LH00086319	Fuel electronic pump	1	
28	LH00086320	Pipe 4	1	
29	LH00084567	Gasket-fuel sensor	1	
30	LH00084568	Bracket-fuel sensor	1	

# LH1100 PRO MAX 4X4

## F03 INTEGRAL SEAT AND BACKREST ASSEMBLY

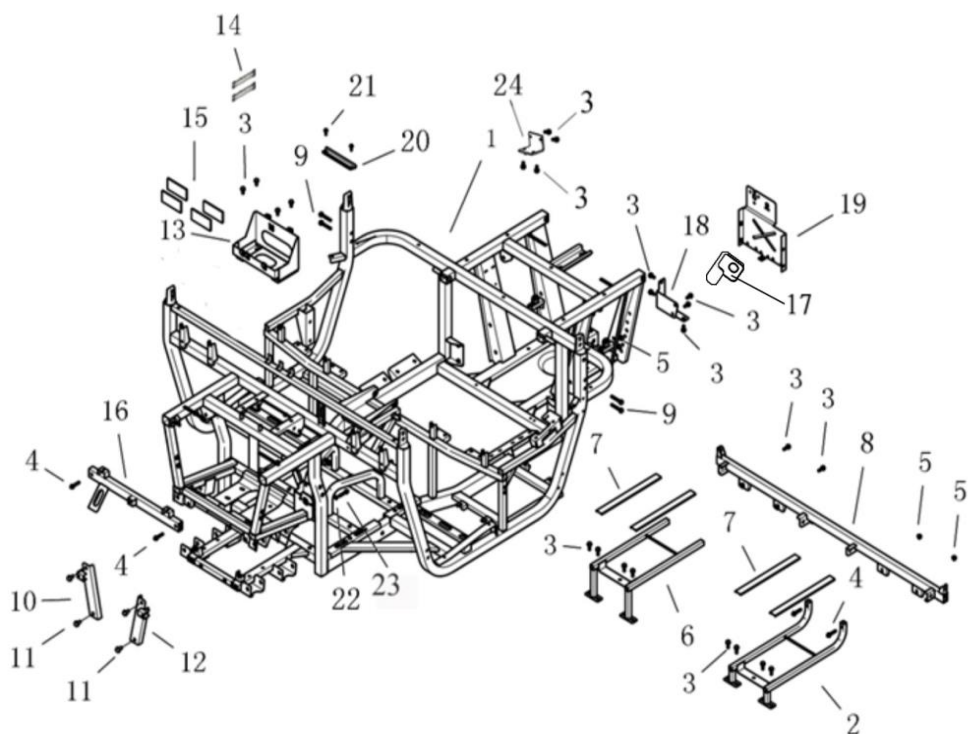


Nº	CÓDIGO	DESCRIÇÃO	Qt.	OBSERVAÇÕES
G	LH00084279	Integral seat and backrest assembly	1	
1	LH0084280A	Integral seat assembly	1	
2	LH00084281	Assembly welding of long cushion (left)	1	
3	LH00084282	Assembly welding of long cushion (right)	1	
4	LH00010081	Bolt	12	
5	LH00084283	Long seat bracket is connected with the welding assembly	1	
6	LH00010124	Bolt	4	
7	LH00084284	The integral type backrest assembly	1	
8	LH00084285	Long backrest on the mounting plate (left)	1	
9	LH00084286	Long backrest on the mounting plate (right)	1	
10	LH00084256	Ceiling fixing clip	4	
11	LH00073056	Bolt	12	
12	LH00010793	Nut	8	
13	LH00084287	Long back mounting plate welding assembly	1	
14	LH0010186B	Bolt	4	
15	LH00026721	Fixed rubber	2	
16	LH00073106	Rubber Damper	4	
17	LH00084313	Bracket, Bench Seat	2	
18	LH00073054	Bolt M6X16	6	
19	LH00026968	Pin, Fix	2	
K	LH00086489	Under the seat cushion cover Assy	1	
1	LH00086337	Under the seat cushion cover	1	
2	LH00073473	Bolt M6X25	5	
3	LH00010004	NUT M6	2	
4	LH00086338	Package edge fillet	1	
5	LH00086339	Bracket, Seat	2	



## LH1100 PRO MAX 4X4

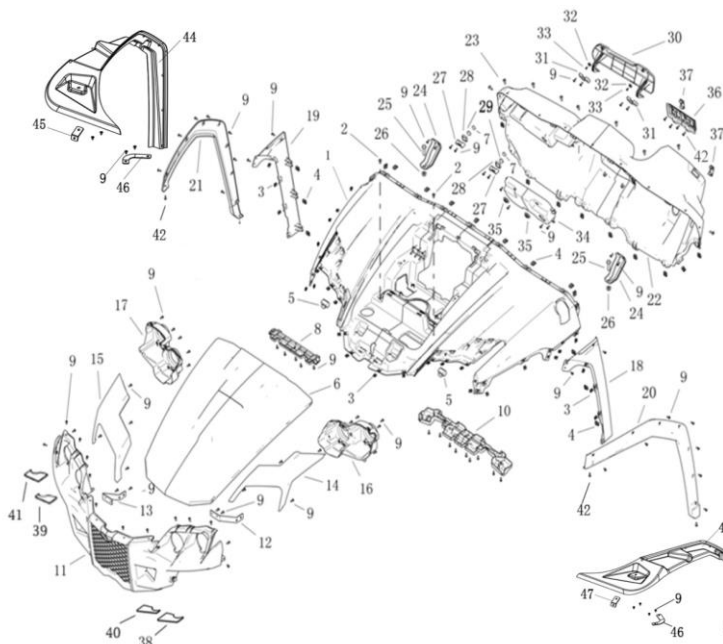
### F04 FRAME



Nº	CÓDIGO	DESCRIÇÃO	Qt.	OBSERVAÇÕES
1	LH00086300	Frame	1	
2	LH00084227	Bracket, L	1	
3	LH00010081	Hexagon Flange Bolt M8x1.25x20	23	
4	LH00011465	Hexagon Flange Bolt M8x1.25x40	4	
5	LH00010794	Hexagon Nut M8x1.25	4	
6	LH00084228	Bracket, R	1	
7	LH00073106	Rubber Damper	4	
8	LH00086301	Bracket	1	
9	LH00010780	Hexagon Flange Bolt M8x1.25x55	4	
10	LH00073107	Bracket, Support, RH	1	
11	LH00010785	Hexagon Flange Bolt M10x1.25x20	4	
12	LH00073108	Bracket, Support, LH	1	
13	LH00086419	Battery Box	1	
14	LH00073396	Battery Belt	2	
15	LH00073395	Sponge	4	
16	LH00073110	Bracket, Support, Upper	1	
17	LH00086449	Licence Bracket 3	1	
18	LH00084151	Licence Bracket 1	1	
19	LH00084152	Licence Bracket 2	1	
20	LH00084226	Bracket	1	
21	LH00011492	Hexagon Flange Bolt M8x20	2	
22	LH00011483	Hexagon Nut M8x1.25	1	
23	LH00026255	Hexagon Flange Bolt M8x1.25x28	1	
24	LH00086306	Bracket , Rear Gearbox	1	

# LH1100 PRO MAX 4X4

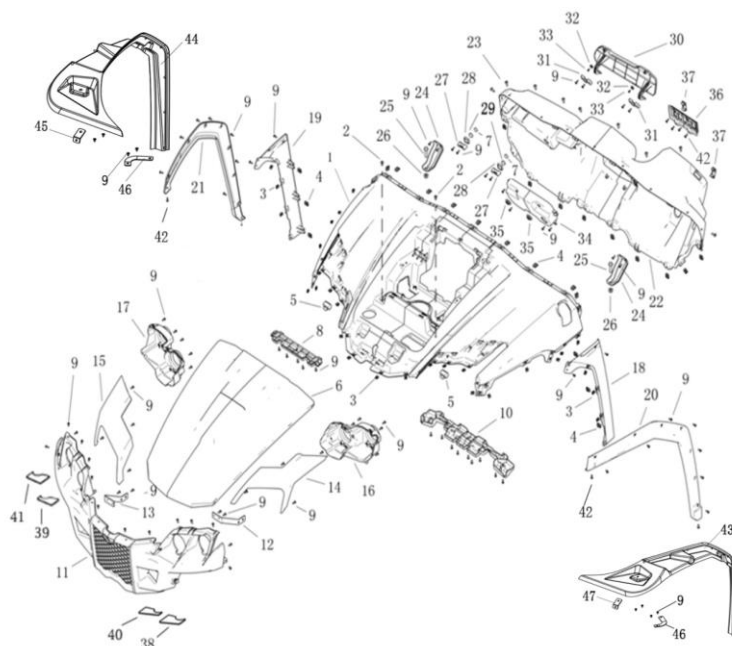
## F05 FRONT BODY



Nº	CÓDIGO	DESCRIÇÃO	Qt.	OBSERVAÇÕES
1	LH0073209w	Fixed Hood, White	1	
1	LH073209ga	Fixed Hood, Army Green 2	1	
1	LH0073209r	Fixed Hood, Red	1	
2	LH00073054	Screw M6×16	2	
3	LH00022346	Spring Nut ST4.8	29	
4	LH00070960	Spring Nut M6	26	
5	LH00073210	Rubber, Hood	2	
6	LH0073211w	Removable Hood, White	1	
6	LH073211ga	Removable Hood, Army Green 2	1	
6	LH0073211r	Removable Hood, Red	1	
7	LH00073407	Sticker, Magnet	2	
8	LH00073212	Retainer, Removable Hood	1	
9	LH00011468	Cross Recessed Pan Head Tapping Screw ST4.8×16	90	
10	LH00073213	Stronger, Fixed Hood	1	
11	LH00073214	Grill, Front	1	
12	LH00073215	LH Bracket, Grill	1	
13	LH00073216	RH Bracket, Grill	1	
14	LH00073217	LH Front Cover	1	
15	LH00073218	RH Front Cover	1	
16	LH00073219	LH Headlight Cover	1	
17	LH00073220	RH Headlight Cover	1	
18	LH0732216F	LH Lower Front Mudguards, White	1	
18	LH073221ga	LH Lower Front Mudguards, Army Green 2	1	
18	LH0073221r	LH Lower Front Mudguards, Red	1	

## LH1100 PRO MAX 4X4

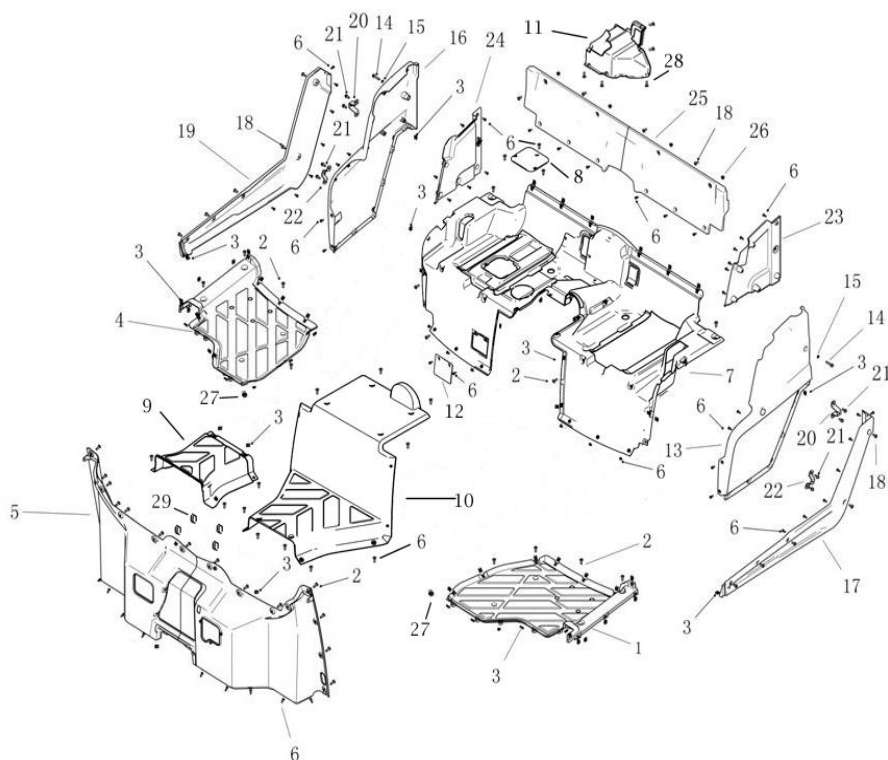
### F05 FRONT BODY



Nº	CÓDIGO	DESCRIÇÃO	Qt.	OBSERVAÇÕES
19	LH0073222w	RH Lower Front Mudguards, White	1	
19	LH073222ga	RH Lower Front Mudguards, Army Green 2	1	
19	LH0073222r	RH Lower Front Mudguards, Red	1	
20	LH00073223	LH Upper Front Mudguards	1	
21	LH00073224	RH Upper Front Mudguards	1	
22	LH00084188	Panel, Instrument	1	
23	LH00073056	Screw M6×20	9	
24	LH00073226	Bracket, Instrument Panel	2	
25	LH00010786	Hexagon Flange Bolt M10×1.25×40 8.8	2	
26	LH00010795	Hexagon Nut Fine Pitch M10×1.25	2	
27	LH00073227	Cover, Magnet	2	
28	LH00073228	Holder, Magnet	2	
29	LH00073229	Magnet	2	
30	LH00073230	Cover, Glovebox	1	
31	LH00073231	Retainer, Glovebox Cover	2	
32	LH00073232	Steel Block	2	
33	LH00010787	Cross Recessed Countersunk Head Screw M4×10	2	
34	LH00073233	Cover, Meter	1	
35	LH00022351	Rubber, Meter	2	
36	LH00073234	Panel, Switch Mounting	1	
37	LH00073048	Cap, Electrical Switch	6	
38	LH00073406	Aluminum Film2, LH	1	
39	LH00073403	Aluminum Film1, RH	1	
40	LH00073404	Aluminum Film1, LH	1	
41	LH00073405	Aluminum Film2, RH	1	
42	LH00010178	Cross Recessed Pan Head Tapping Screw ST4.2×13	6	
43	LH00086462	LEFT FRONT MUDGUARD	1	
44	LH00086463	RIGHT FRONT MUDGUARD	1	
45	LH00086464	RIGHT FRONT FENDER BRACKET	1	
46	LH00086465	FRONT FENDER MOUTING PLATE	2	
47	LH00086466	LEFT FRONT FENDER BRACKET	1	

## LH1100 PRO MAX 4X4

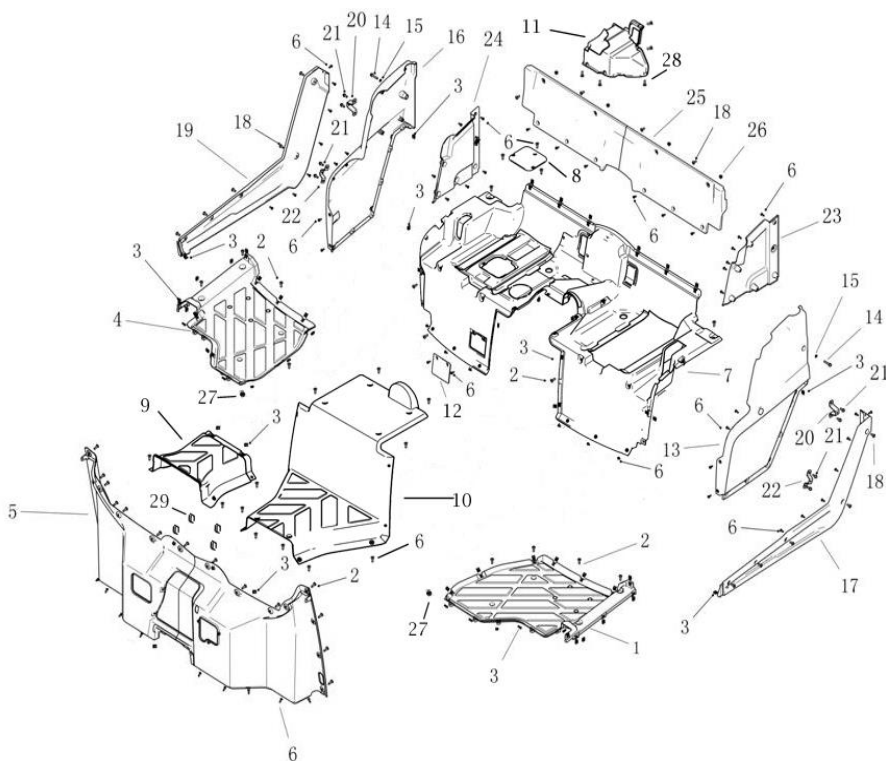
### F06 FLOOR FENDER



Nº	CÓDIGO	DESCRIÇÃO	Qt.	OBSERVAÇÕES
1	LH00073240	LH Lower Floor	1	
2	LH00073056	Screw M6×20	31	
3	LH00022346	Spring Nut ST4.8	57	
4	LH00073241	RH Lower Floor	1	
5	LH00084204	Upper Floor	1	
6	LH00011468	Cross Recessed Pan Head Tapping Screw ST4.8×16	83	
7	LH00084203	Rear Floor	1	
8	LH00084121	Cover, Brake	1	
9	LH00084189	Front Cover, Footrest	1	
10	LH00084190	Rear Cover, Footrest	1	
11	LH00084191	Cover, Engine	1	
12	LH00073260	Cap, Rear Floor	1	
13	LH0073248w	LH Fender, White	1	
13	LH073248ga	LH Fender, Army Green 2	1	
13	LH00073248r	LH Fender, Red	1	
14	LH0010186B	Hexagon Head Bolt M6×35	2	
15	LH00010801	Washer 6.4×11×1.6	2	
16	LH0073249w	RH Fender, White	1	
16	LH073249ga	RH Fender, Army Green 2	1	
16	LH0073249r	RH Fender, Red	1	

## LH1100 PRO MAX 4X4

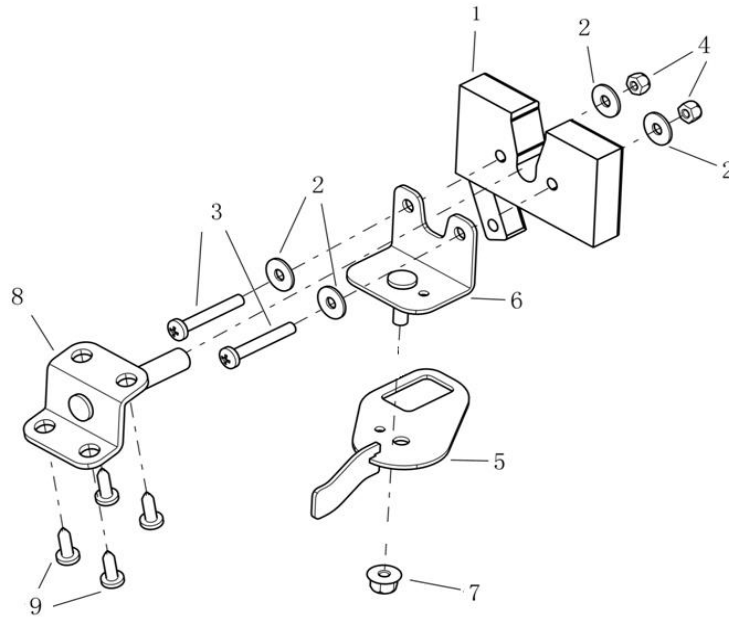
### F06 FLOOR FENDER



N°	CÓDIGO	DESCRIÇÃO	Qt.	OBSERVAÇÕES
17	LH00084206	LH Side Cover	1	
18	LH00073054	Screw M6×16	14	
19	LH00084207	RH Side Cover	1	
20	LH00073252	Bracket 1, Side Cover	2	
21	LH00020227	Hexagon Flange Bolt M6×12 8.8	8	
22	LH00073253	Bracket 2, Side Cover	2	
23	LH00073254	Inner, LH Fender	1	
24	LH00073255	Inner, RH Fender	1	
25	LH00073256	Rear Cover	1	
26	LH00010793	Hexagon Nut M6	4	
27	LH00022349	Rubber	2	
28	LH00010178	Cross Recessed Pan Head Tapping Screw ST4.2×13	6	
29	LH00084262	Rubber 2	4	

## LH1100 PRO MAX 4X4

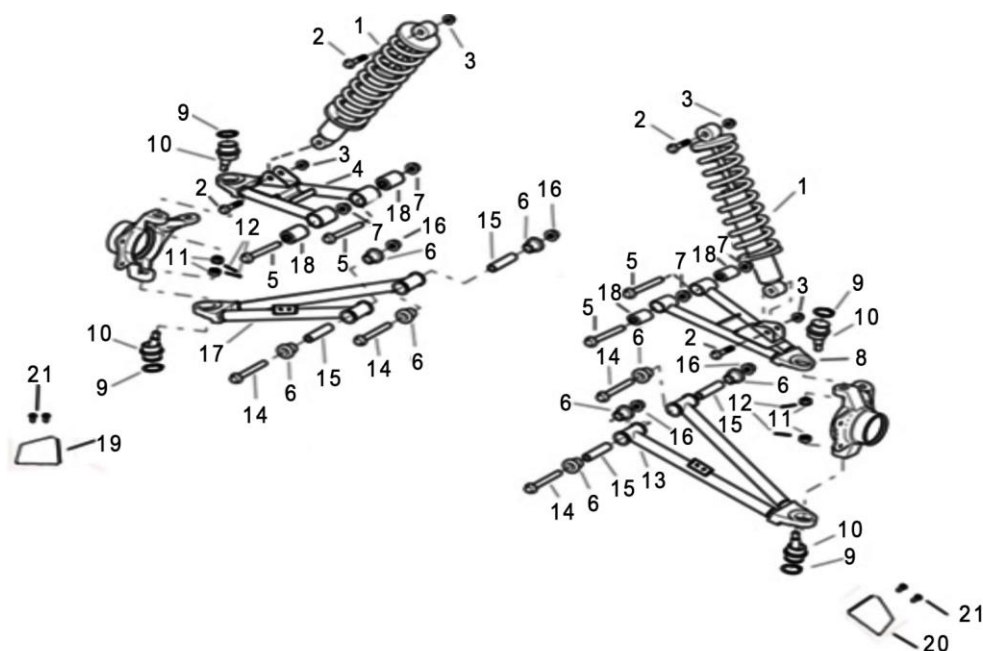
### F07 HOOD LATCH



Nº	CÓDIGO	DESCRIÇÃO	Qt.	OBSERVAÇÕES
1	LH00073053	Lock, Removable Hood	1	
2	LH00010207	Washer 5 (5.3x15x1.2)	4	
3	LH00010427	Cross Recessed Pan Head Screw M5x35	2	
4	LH00010797	Prevailing Torque All-metal Nut M5	2	
5	LH00073236	Lever, Removalbe Hood Lock	1	
6	LH00073237	Bracket, Lever	1	
7	LH00011477	Hexagon Nut M6 -	1	
8	LH00073239	Latch, Removable Hood	1	
9	LH00011468	Cross Recessed Pan Head Tapping Screw ST4.8x16	4	

## LH1100 PRO MAX 4X4

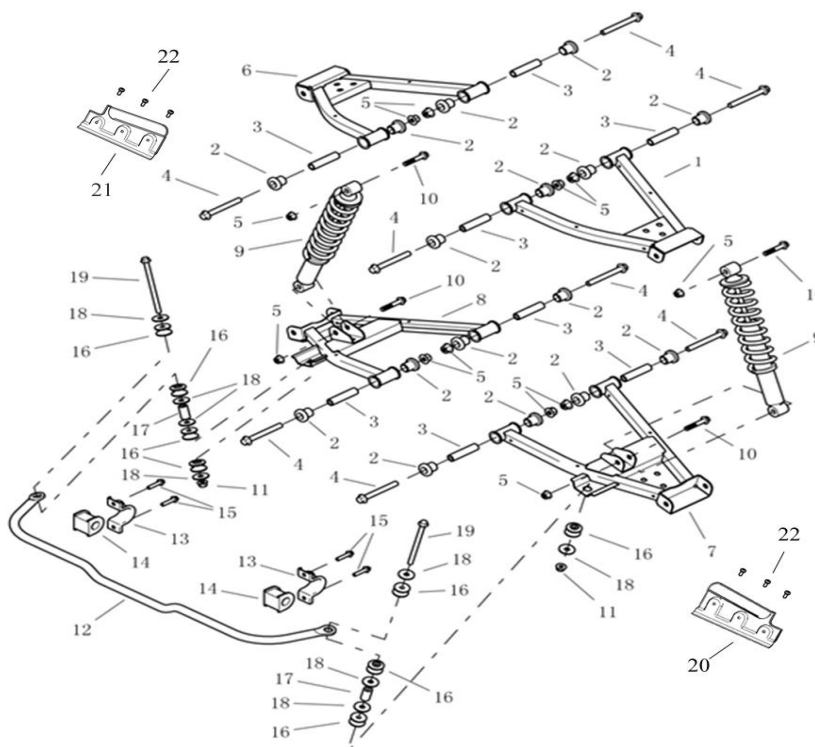
### F08 SHOCK ABSORBER FRONT



Nº	CÓDIGO	DESCRIÇÃO	Qt.	OBSERVAÇÕES
1	LH00086310	Front Shock Absorber Assy	2	
2	LH00010513	Hexagon Flange Bolt M10×1.25×55 10.9	4	
3	LH00011343	Hexagon Nut Fine Pitch M10×1.25 -	4	
4	LH00073129	Arm Upper Frt Rh	1	
5	LH0020522f	Shaft	4	
6	LH00073063	Bushing Arm	8	
7	LH00011480	Hexagon Nut Fine Pitch M12×1.25 -	4	
8	LH00073126	Arm Upper Frt Lh	1	
9	LH00070046	Circlip 34	4	
10	LH00071403	Ball Joint	4	
11	LH00070679	Slotted Castle Nut M12×1.25	4	
12	LH00010792	Cotter Pin 2.5×25	4	
13	LH00073131	Arm Lwr Frt Lh	1	
14	LH00073333	Hexagon Flange Bolt M12×1.25×100 10.9	4	
15	LH00073133	Shaft Pivot 75mm	4	
16	LH00010796	Hexagon Nut Fine Pitch M12×1.25 -	4	
17	LH00073132	Arm Lwr Frt Rh	1	
18	LH00020524F	Bushing Arm, H	4	
23	LH00084249	Cover, Arm Lwr Frt Rh	1	
24	LH00084250	Cover, Arm Lwr Frt Lh	1	
25	LH00011471	Cross Recessed Pan Head Screw M5×12	4	

## LH1100 PRO MAX 4X4

### F09 SHOCK ABSORBER REAR

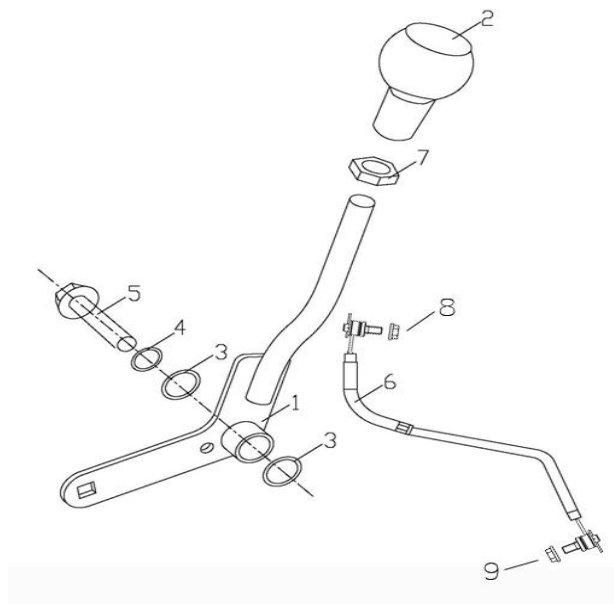


Nº	CÓDIGO	DESCRIÇÃO	Qt.	OBSERVAÇÕES
1	LH00073113	Arm Upper Rear Lh	1	
2	LH00073063	Bushing Arm	16	
3	LH00073133	Shaft Pivot 75mm	8	
4	LH00073333	Hexagon Flange Bolt M12×1.25×100 10.9	8	
5	LH00010796	Hexagon Nut Fine Pitch M12×1.25 -	12	
6	LH00073114	Arm Upper Rear Rh	1	
7	LH00084158	Arm Lwr Rear Lh	1	
8	LH00084159	Arm Lwr Rear Rh	1	
9	LH00086311	Rear Shock Absorber Assy	2	
10	LH00084088	Bolt M12×1.25×65	4	
11	LH00010796	Hexagon Nut Fine Pitch M12×1.25 -	2	
12	LH00073297	Stabilizer Bar	1	
13	LH00027090	Bracket Stabilizer	2	
14	LH00027091	Bushing Stabilizer	2	
15	LH00011461	Hexagon Flange Bolt M8×1.25×20 9.8	4	
16	LH00073061	Bush Collar Stabilizer	8	
17	LH00073185	Sleeve 35mm	2	
18	LH00010806	Washer 10 (11×34×3)	8	
19	LH00073186	Hexagon Flange Bolt M10×1.25×153 10.9	2	
20	LH00084251	Cover, Arm Lwr Frt Rh	1	
21	LH00084252	Cover, Arm Lwr Frt Lh	1	
22	LH00011500	Cross Recessed Pan Head Screw M5×16	6	



## LH1100 PRO MAX 4X4

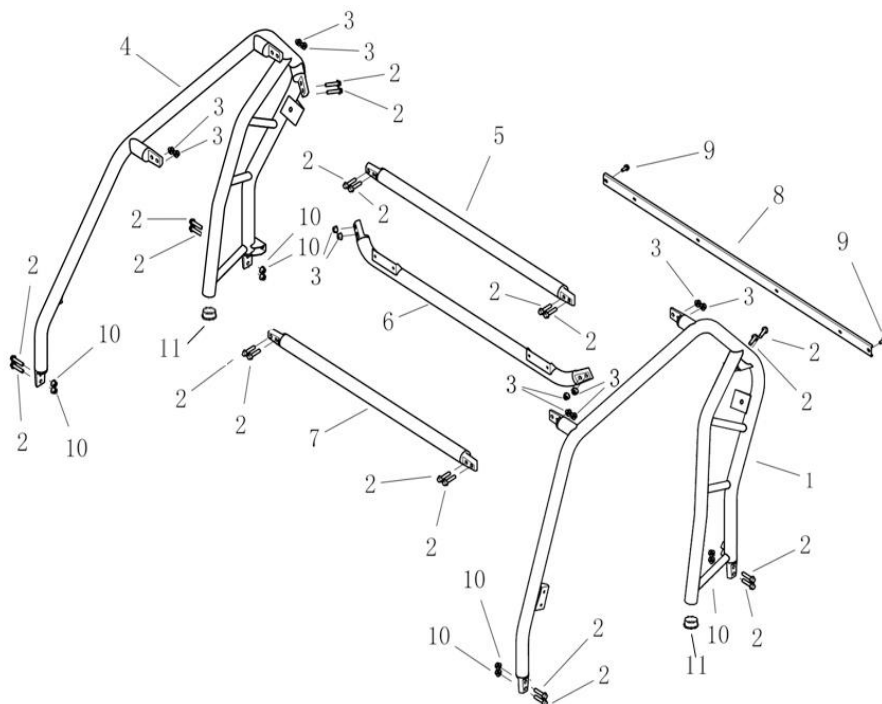
### F10 SHIFT ROD



Nº	CÓDIGO	DESCRIÇÃO	Qt.	OBSERVAÇÕES
1	LH00084562	Shifter Lever Assy	1	
2	LH00084080	Knob	1	
3	LH00084081	Washer	2	
4	LH00010863	Washer 6 (6.6X22X2)	1	
5	LH0010716W	Bolt M6X10	1	
6	LH00084149	Cable, Shifter	1	
7	LH00010876	Nut M12	1	
8	LH00011442	Nut M8	1	
9	LH00010794	Hexagon Nut M8 -	1	

## LH1100 PRO MAX 4X4

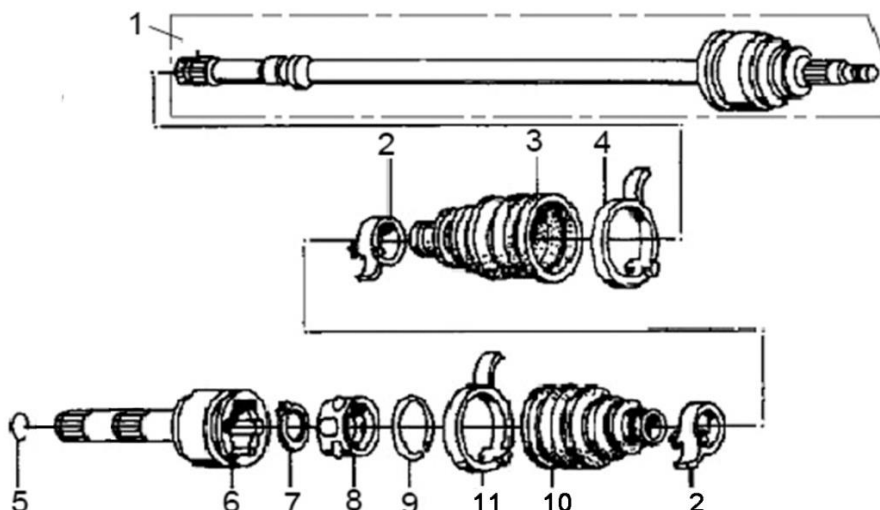
### F11 FRAME ROOF



Nº	CÓDIGO	DESCRIÇÃO	Qt.	OBSERVAÇÕES
1	LH0084215a	Member, Roof Frame 1 (SERIAL PLATE INSIDE)	1	
2	LH00011147	Hexagon Flange Bolt M10×1.25×45	20	
3	LH00010795	Prevailing Torque Hexagon Nut With Flange M10×1.25	12	
4	LH0084216A	Member, Roof Frame 2, French Special (WITH PASSENGER ARMREST)	1	
5	LH00073300	Member, Roof Frame 3	1	
6	LH00073301	Member, Roof Frame 4	1	
7	LH00073303	Member, Roof Frame 5	1	
8	LH00073302	Bracket, Seat	1	
9	LH00011461	Hexagon Flange Bolt M8×1.25×20	2	
10	LH00010800	Hexagon Nut M10×1.25 - Prevailing Torque	8	
11	LH00026763	Plug	2	

## LH1100 PRO MAX 4X4

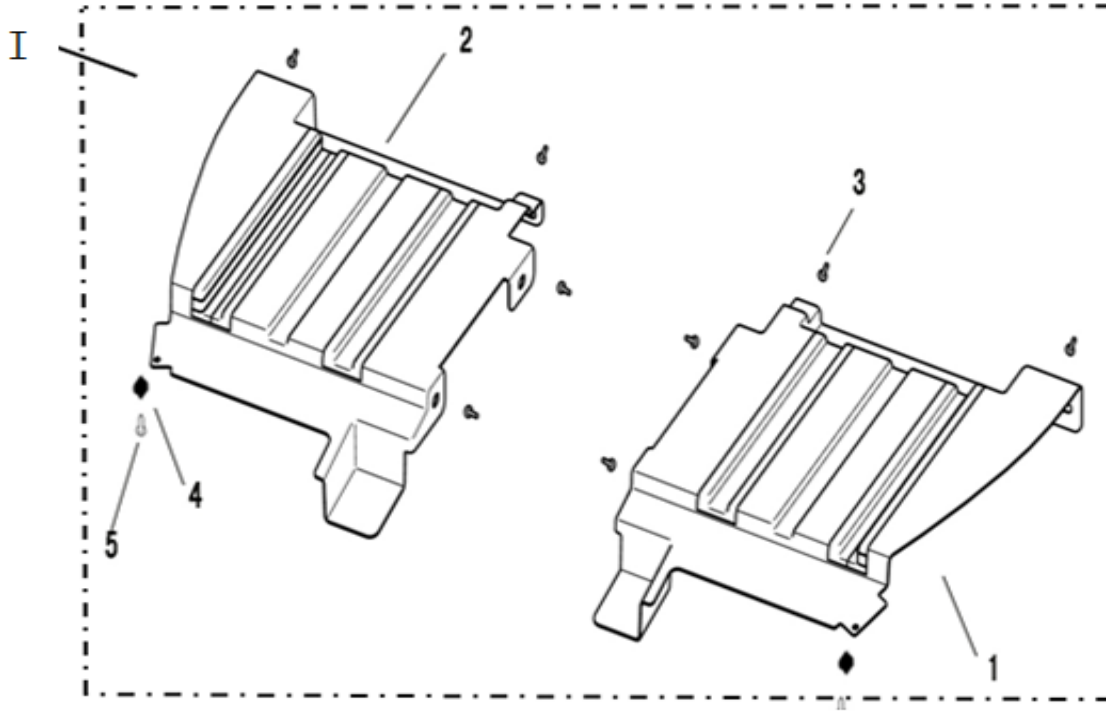
### F12 SHAFT HALF B (TWO SPLIEN)



N°	CÓDIGO	DESCRIÇÃO	Qt.	OBSERVAÇÕES
			2	outer cage shaft
			2	star set
1	LH00084367	DRIVE AXLE/OUTER CV JOINT ASSEMBLY	12	steel ball
			2	transmission shaft
			2	snap ring
			2	cage
2	LH00084368	BOOT BAND	4	
3	LH00084369	OUTER BOARD BOOT	2	
4	LH00084370	BOOT BAND	2	
5	LH00084371	STOPPER RING C	2	
6	LH00084372	OUTER CV JOINT	2	
7	LH00084373	CIRCLIP	2	
			2	cage
8	LH00084374	STEEL BALL BRACKET STEEL BALL AND GEAR WHEEL	2	inner ring
			2	steel ball
9	LH00084375	STOPPER RING	2	
10	LH00084376	OUTER BOARD BOOT	2	
11	LH00084377	BOOT BAND	2	

# LH1100 PRO MAX 4X4

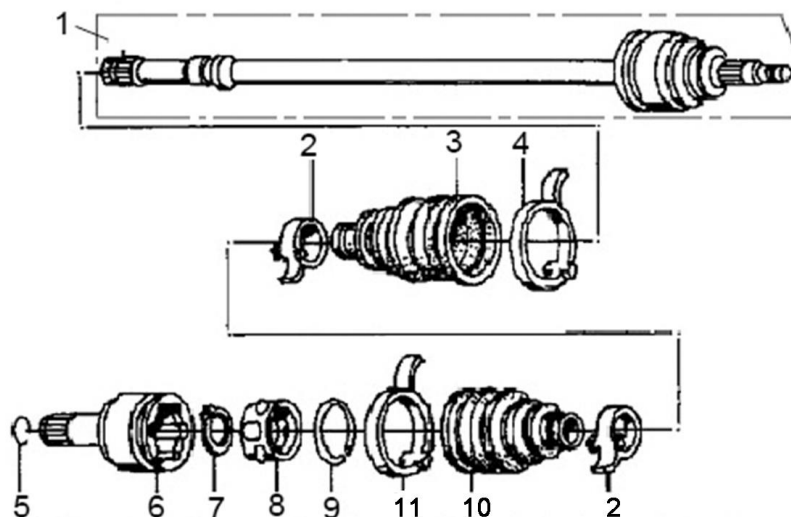
## F13 MANGER ASSY



Nº	CÓDIGO	DESCRIÇÃO	Qt.	OBSERVAÇÕES
I	LH00073567	Manger Assy	1	
1	LH00073568	Manger, LH	1	
2	LH00086344	Manger, RH	1	
3	LH00073056	Screw M6×20	8	
4	LH00022346	Spring Nut ST4.8	2	
5	LH00011468	Cross Recessed Pan Head Tapping Screw ST4.8×16	2	

## LH1100 PRO MAX 4X4

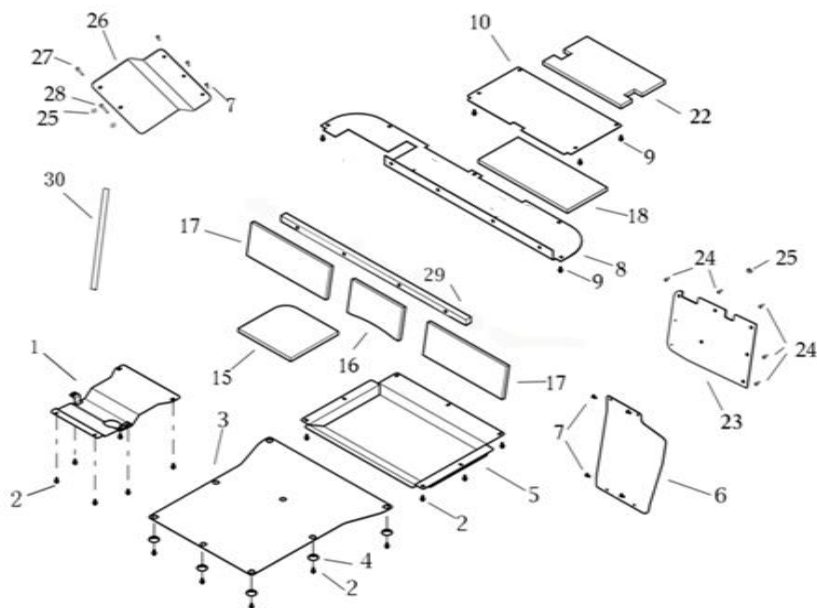
### F14 SHAFT HALF A (ONE SPLIEN)



N°	CÓDIGO	DESCRIÇÃO	Qt.	OBSERVAÇÕES
1	LH00084367	DRIVE AXLE/OUTER CV JOINT ASSEMBLY	2	outer cage shaft
			2	star set
			12	steel ball
			2	transmission shaft
			2	snap ring
2	LH00084368	BOOT BAND	2	cage
			4	
3	LH00084369	OUTER BOARD BOOT	4	
4	LH00084370	BOOT BAND	2	
5	LH00084371	STOPPER RING C	2	
6	LH00084379	OUTER CV JOINT	2	
7	LH00084373	CIRCLIP	2	
8	LH00084374	STEEL BALL BRACKET STEEL BALL AND GEAR WHEEL	2	cage
			2	inner ring
9	LH00084375	STOPPER RING	12	steel ball
10	LH00084376	OUTER BOARD BOOT	2	
11	LH00084377	BOOT BAND	2	

## LH1100 PRO MAX 4X4

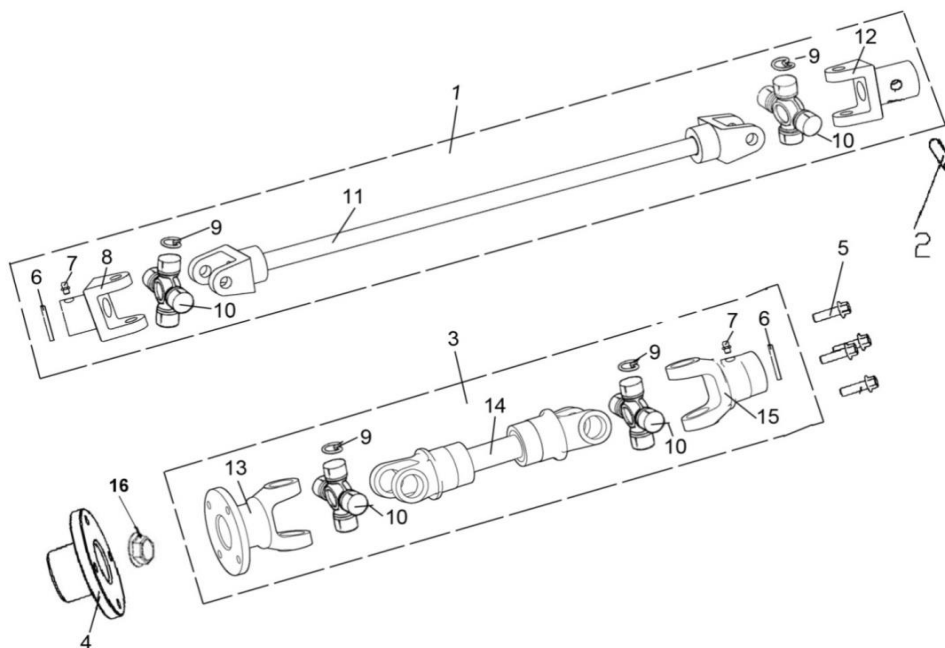
### F15 PLATE



Nº	CÓDIGO	DESCRIÇÃO	Qt.	OBSERVAÇÕES
1	LH00073268	Plate, Front	1	
2	LH00020227	Hexagon Flange Bolt M6×12 8.8	21	
3	LH00084192	Plate, Middle	1	
4	LH00020331	Mounting Washer	8	
5	LH00086307	Plate, Rear	1	
6	LH00084194	Plate, Fuel Tank	1	
7	LH00073054	Screw M6×16	7	
8	LH00086308	Insulating Panels 1	1	
9	LH00026760	Plastic Screw	13	
10	LH00084196	Insulating Panels 2	1	
15	LH00084186	Sound-absorbing sponge 5	1	
16	LH00073416	Sound-absorbing sponge 6	1	
17	LH00073412	Sound-absorbing sponge 7	2	
18	LH00084201	Sound-absorbing sponge 8	1	
19	LH00073413	Sound-absorbing sponge 9	2	
20	LH00073414	Sound-absorbing sponge 10	2	
21	LH00073415	Sound-absorbing sponge 11	1	
22	LH00084202	Sound-absorbing sponge 12	1	
23	LH00084247	Plate	1	
24	LH00073056	Screw M6×20	5	
25	LH00011477	Hexagon Nut M6	3	
26	LH00086309	Plate, Engine	1	
27	LH0010177B	Hexagon Flange Bolt M6×40	1	
28	LH00010918	Hexagon Flange Bolt M6×55	1	
29	LH00073487	Sound-absorbing sponge 13	1	
30	LH00084261	Heat Insulation Membrane	1	

## LH1100 PRO MAX 4X4

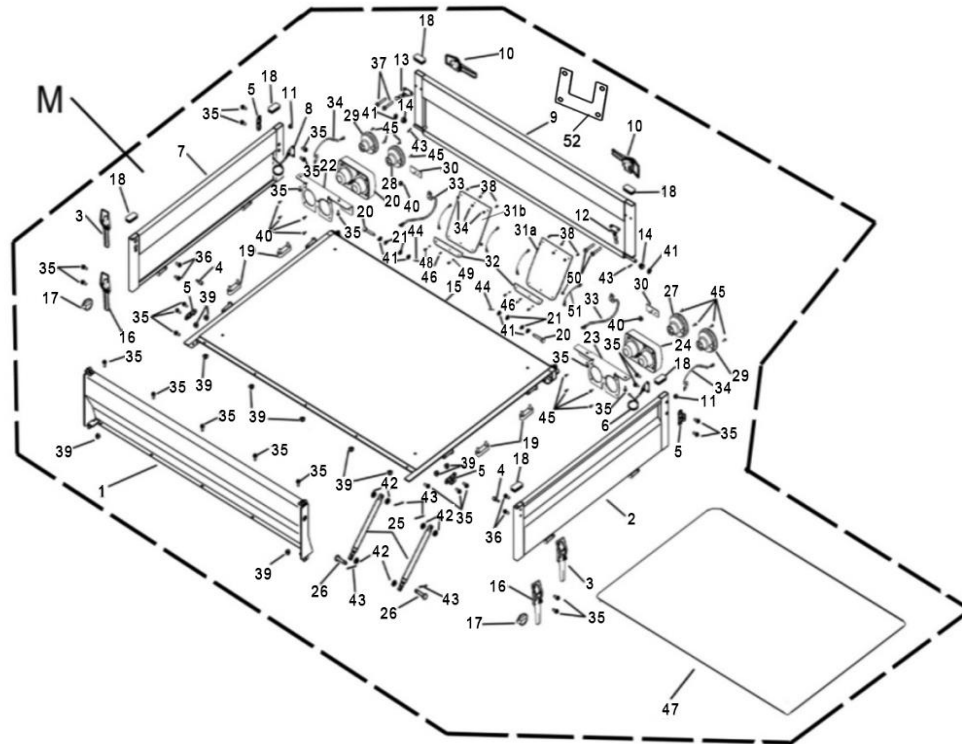
### F16 FRONT AND REAR KNUCKLE ASSY



Nº	CÓDIGO	DESCRIÇÃO	Qt.	OBSERVAÇÕES
1	LH00084213	Front Prop Shaft	1	
2	LH00020716	Pin 8	1	
3	LH00084109	Rear Prop Shaft	1	
4	LH00084111	Spline Coupling	1	
5	LH00073331	Bolt	1	
6	LH00010861	Seal	4	
7	LH00027074	Grease Fitting M6	1	
8	LH00084104	Sliding Fork 1	1	
9	LH00010884	Circlip $\phi 24$	4	
10	LH00084110	Spider Kits (Include Spider Body, Spider Bearing, Grease Nipple)	4	
11	LH00084212	Front Fork Weldments	4	
12	LH00084105	Spline Connection Fork	1	
13	LH00084106	Flange Fork	1	
14	LH00084107	Rear Fork Weldments	1	
15	LH00084108	Sliding Fork2	1	
16	LH00070296	Nut M16X1.5	1	

## LH1100 PRO MAX 4X4

### F17 BOX ASSY (REMOVABLE IRON)

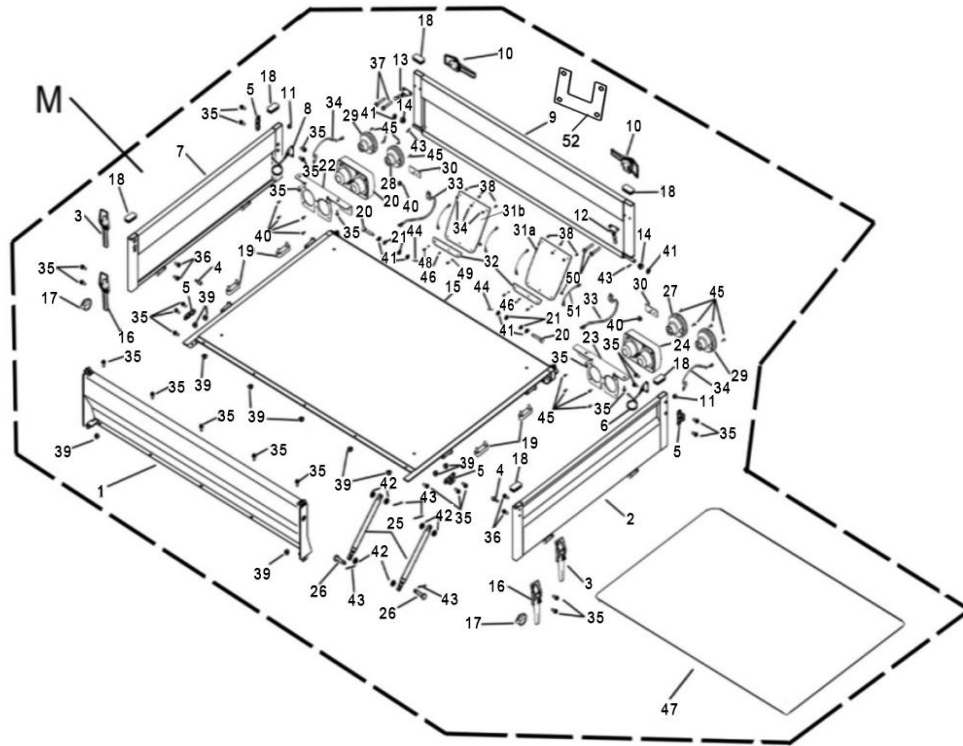


N°	CÓDIGO	DESCRIÇÃO	Qt.	OBSERVAÇÕES
M	LH00086345	Removable iron cargo tank assembly	1	
1	LH00084398	Front cover welded assembly III	1	
2	LH00084399	The left side plate welded assembly III	1	
3	LH00084400	Rail cargo box handle assembly	2	
4	LH00084401	Side rubber stopper	2	
5	LH00055043	hook	4	
6	LH00084403	Box Gaila Suo (left)	1	
7	LH00084404	The right side plate welded assembly III	1	
8	LH00084405	Box Gaila Suo (right)	1	
9	LH00084406	Rear cover assembly III	1	
10	LH00055046	Handle 1	2	
11	LH00055048	Rear cover rubber stopper	2	
12	LH00084409	Lasso plate (left)	1	
13	LH00084410	Lasso plate (right)	1	
14	LH00073058	Nylon Sheath	2	
15	LH00086346	Box Floor Cover II	1	
16	LH00084412	Handle	2	
17	LH00084103	Pin Lock	2	
18	LH00084414	The closure	6	
19	LH00073059	Rubber Stopper	4	
20	LH00073489	Pin	2	
21	LH00073492	Rubber Damper	4	
22	LH00084417	Bracket, taillight, RH	1	
23	LH00084418	Bracket, taillight, LH	1	
24	LH00083378	Taillight cover	2	
25	LH00026784	Gas Spring	2	



## LH1100 PRO MAX 4X4

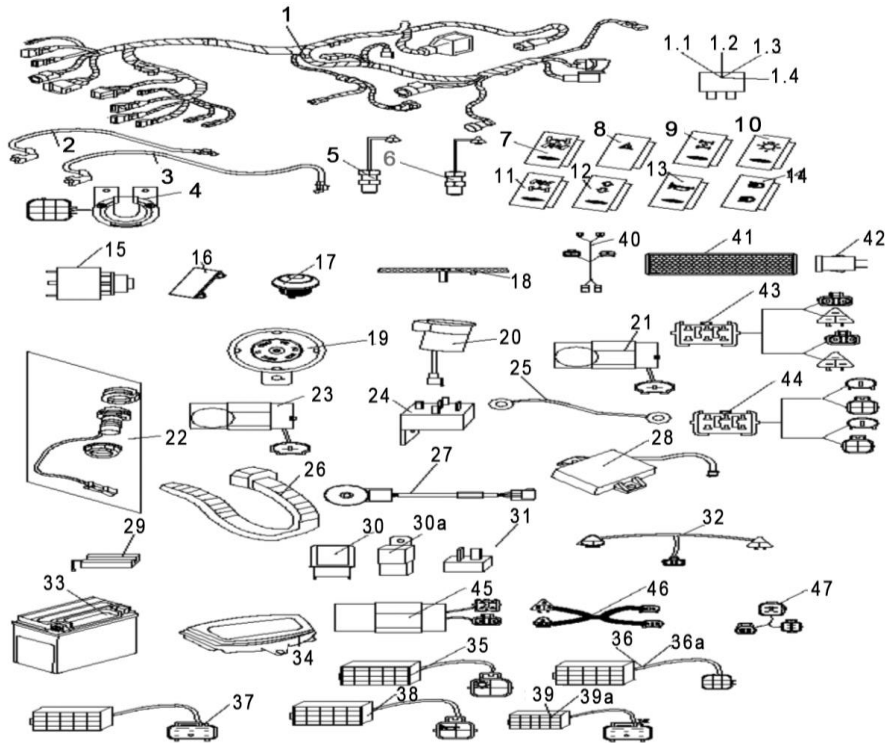
### F17 BOX ASSY (REMOVABLE IRON)



N°	CÓDIGO	DESCRIÇÃO	Qt.	OBSERVAÇÕES
26	LH00073161	Pin	2	
27	LH00084302	Indicator libght, LH	1	
28	LH00084303	Indicator libght, RH	1	
29	LH00084419	Taillight	2	
30	LH00040319	Rear, reflector	2	
31a	LH00086446	Rubber mudguard LEFT	1	
31b	LH00086447	Rubber mudguard RIGHT	1	
32	LH00086512	Bracket, Rubber mudguard	2	
33	LH00084422	Wire, after Indicator libght,	2	
34	LH00086511	Tail light transition line (with removable iron rear box)	1	
35	LH00011463	Hexagon Flange Bolt M6×16	27	
36	LH0010140W	Hexagon Flange Bolt M6×12	4	
37	LH0010186B	Hexagon Head Bolt M6×35	4	
38	LH00011459	Hexagon Flange Bolt M6×20	6	
39	LH00011475	Hexagon Nut M6 -	17	
40	LH00010797	Hexagon Nut M5 -	2	
41	LH00011487	Plain washers 12	6	
42	LH00010019	Plain washers 10	6	
43	LH00010772	Cotter Pin 3.2X22	6	
44	LH00011009	Cotter Pin 4X30	2	
45	LH00011468	Cross Recessed Pan Head Tapping Screw ST4.8×16	16	
46	LH00010966	Core pulling rivets	6	
47	LH00084430	Mat	1	
48	LH00010753	SCREW M4X16	4	
49	LH00010071	Plain washers 4	4	
50	LH00011044	NUT M4	4	
51	LH00084435	Rubber mudguard Line	4	

# LH1100 PRO MAX 4X4

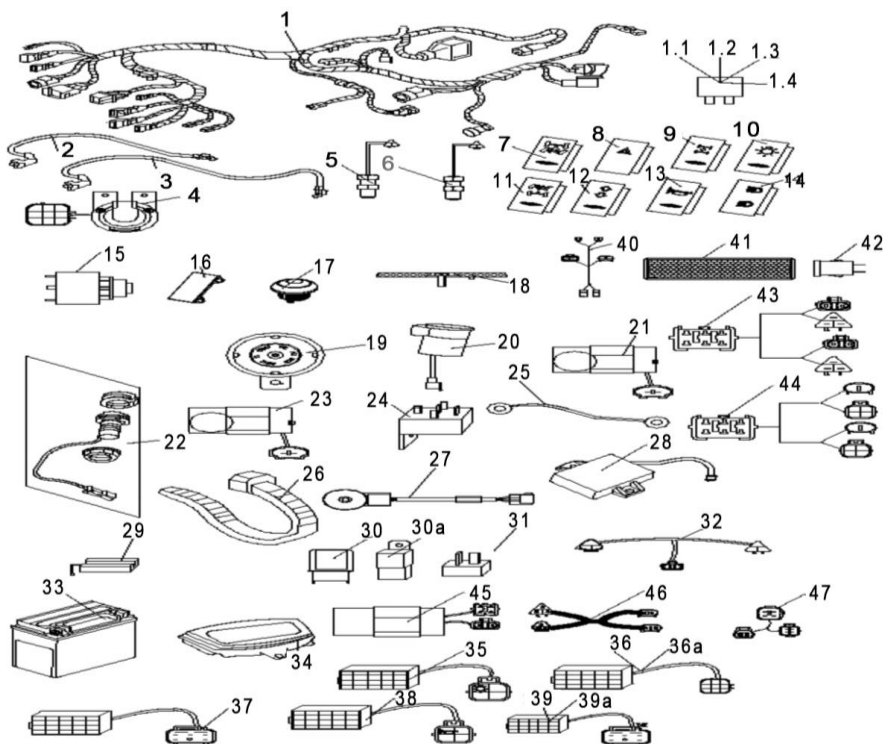
## F18 ELECTRICAL SYSTEM



Nº	CÓDIGO	DESCRIÇÃO	Qt.	OBSERVAÇÕES
1	LH00086405	WIRING HARNESS (EFI FOR EUROPE)	1	
1,1	LH00084273	FUSE WIRE	6	
1,2	LH00084274	FUSE WIRE	4	
1,3	LH00084275	FUSE WIRE	2	
1,4	LH00086439	FUSE WIRE	1	
2	LH00084521	STARTER POSITIVE WIRE 1	1	
3	LH00084220	STARTER POSITIVE WIRE 2	1	
4	LH00083363	trailer cable socket	1	
5	LH00084387	SENSOR CABLE	1	
6	LH00073435	SPEED SENSOR	1	
7	LH00073306	rear Differential Lock Switch	1	
8	LH0073075C	EMERGENCY SWITCH	1	
9	LH0073078C	2WD/4WD SWITCH	1	
10	LH0073081C	LIGHT SWITCH	1	
11	LH00073305	FRONT Differential Lock Switch	1	
12	LH00086440	TURNING LIGHTS SWITCH	1	
13a	LH0073076C	HORN SWITCH	1	
14	LH00073436	HI/ LO BEAM SWITCH	1	
15	LH00083375	POWER DOOR LOCKS	1	
16	LH00073048	SWITCH COVER	1	
17	LH00073329	Button	2	
18	LH00040319	REAR REFLECTOR	2	
19	LH00070404	HORN	1	
20	LH00084221	FLASHER RELAY ASSY	1	
21	LH00071976	REVERSE GEAR WARNING	1	
22	LH00070400	ACCESSORY SOCKET ASSY	1	
23	LH00073327	rear Differential Lock WARNING	1	
24	LH00073442	fan realy	1	
25	LH00084217	Start motor ground wire	1	

# LH1100 PRO MAX 4X4

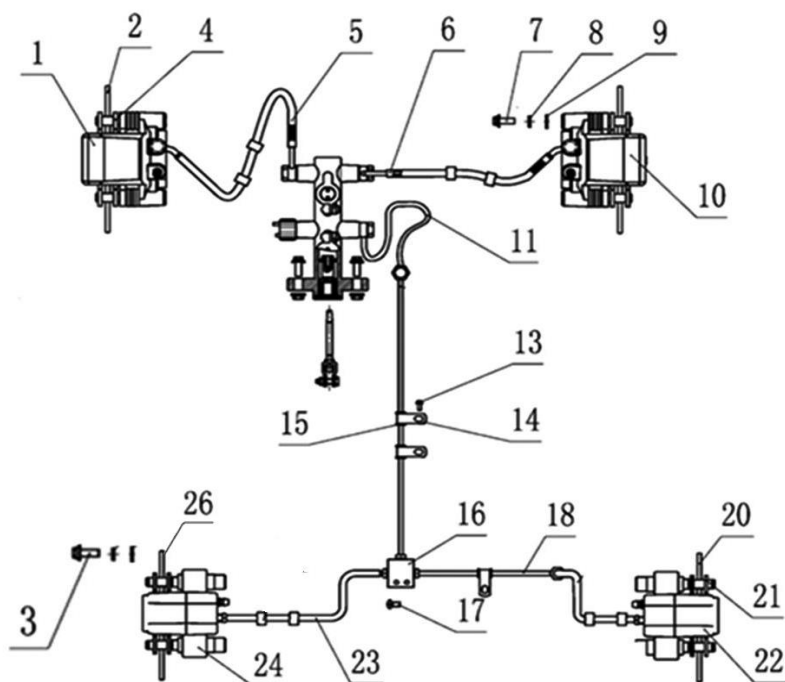
## F18 ELECTRICAL SYSTEM



Nº	CÓDIGO	DESCRIÇÃO	Qt.	OBSERVAÇÕES
26	LH00025530	TIE	20	
27	LH00084522	FILE DISPLAY SWITCH	1	
28	LH00071934	ELECTROMAGNETIC VALVE SWITCH	3	
29	LH00073077	Dual function switch	1	
30	LH00050280	RELAY	4	
30a	LH00035656	RELAY (domestic)	2	
31	LH00073330	DIODE PROTECTOR	2	
32	LH00073437	SENSOR CABLE	1	
34	LH00086385	LCD METER	1	
35	LH00073304	LIGHT SWITCH transition wire	1	
36a	LH0073438c	EMERGENCY SWITCH transition wire	1	
37	LH00073439	Turning Lights Switch Transition Wire	1	
38	LH00073440	HORN SWITCH transition wire	1	
39	LH00084218	2WD/4WD SWITCH transition wire	1	
44	LH00086511	Tail light transition line (with removable iron rear box)	1	
45	LH00086436	Differential lock protector	2	
46	LH00086437	Speed signal connection line	1	
47	LH00086503	Differential lock protector connection line	2	

## LH1100 PRO MAX 4X4

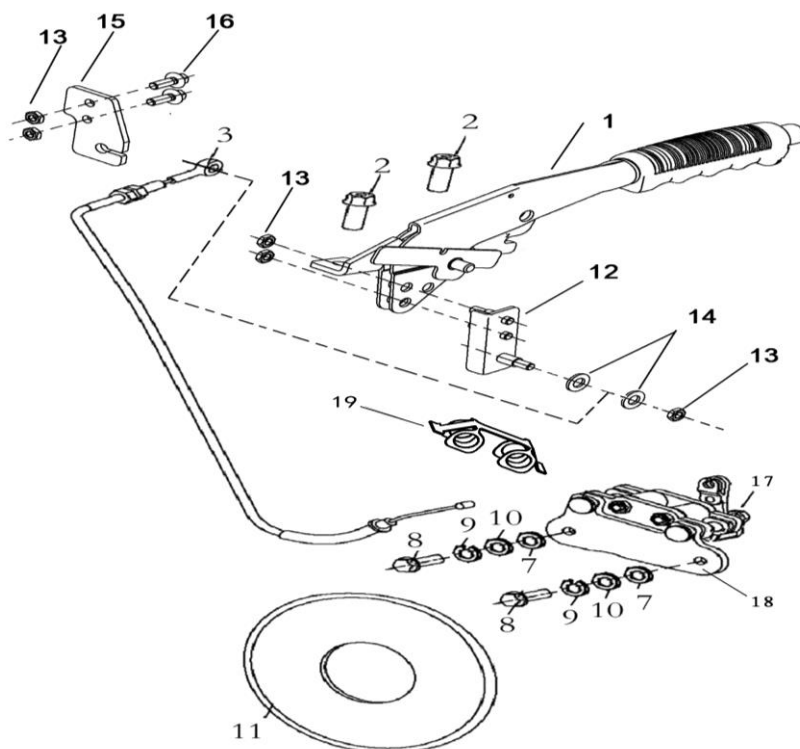
### F19 BRAKING SYSTEM



Nº	CÓDIGO	DESCRIÇÃO	Qt.	OBSERVAÇÕES
1	LH00086323	Front Brake Caliper, LH	1	
2	LH00086324	Front Disk	2	
3	LH00086325	Hexagon Flange Bolt M10×1.25×22 8.8	4	
4	LH00086326	Front Brake Pad (SINTERING)	4	
5	LH00086327	Front Brake Line, LH	1	
6	LH00086328	Front Brake Line, RH	1	
7	LH00011346	Hexagon Bolt M10×1.25×25 10.9	8	
8	LH00010027	Spring Lock Washer 10	8	
9	LH00010019	Washer 10.4	4	
10	LH00086329	Front Brake Caliper, RH	1	
11	LH00086330	Master Cylinder Line 1, Rear	1	
12	LH00084179	Master Cylinder Line 2, Rear	1	
13	LH00011463	Hexagon Flange Bolt M6×16 8.8	5	
14	LH00021811	Clamp, Mounting Brake Line	10	
15	LH00032105	Rubber Tube, Mounting Brake Line	10	
16	LH00070546	Fitting, Tee	1	
17	LH00011472	Cross Recessed Pan Head Screw M5×35	2	
18	LH00086331	Rear Brake Line 1, RH	1	
20	LH00086332	Rear Disc	2	
21	LH00086333	Rear Brake Pad, RH (SINTERING)	2	
22	LH00086334	Rear Brake Caliper, RH	1	
23	LH00073196	Rear Brake Line, LH	1	
24	LH00086335	Rear Brake Caliper, LH	1	
26	LH00086454	Rear Brake Pad, LH (SINTERING)	2	

## LH1100 PRO MAX 4X4

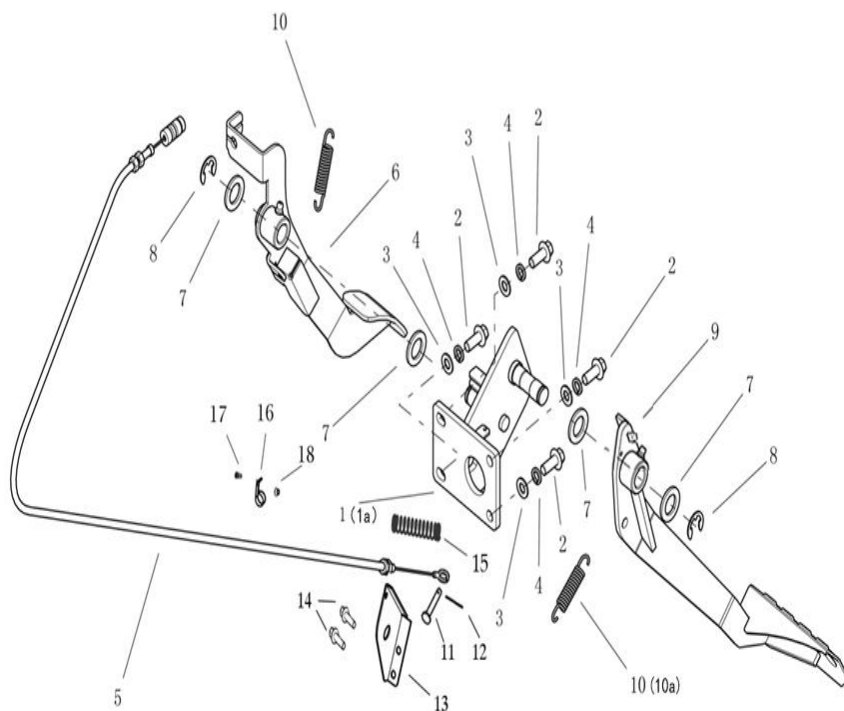
### F20 AUXILIARY BRAKE



Nº	CÓDIGO	DESCRIÇÃO	Qt.	OBSERVAÇÕES
1	LH00084119	Park Brake Lever	1	
2	LH00010059	Hexagon Flange Bolt M8×1.25X20 8.8	2	
3	LH00073202	Park Brake Cable	1	
7	LH00024210	Washer	2	
8	LH00011499	Hexagon Flange Bolt M8X25	2	
9	LH00011490	Spring Washer	2	
10	LH00010068	Washer	2	
11	LH00084096	Park Brake Disc	1	
12	LH00073578	Parking cable transition support components (port)	1	
13	LH00011528	Hexagon Nut M6 -	5	
14	LH00011489	Plain Washer 8	2	
15	LH00073579	Parking cable fixed plate	1	
16	LH0010183W	Hexagon Flange Bolt M6×16	2	
17	LH00084424	Brake (ALIPER)	1	
18	LH00026292	Brake (PAD)	2	
19	LH00071113	LIMIT SPRING PLATE	1	

## LH1100 PRO MAX 4X4

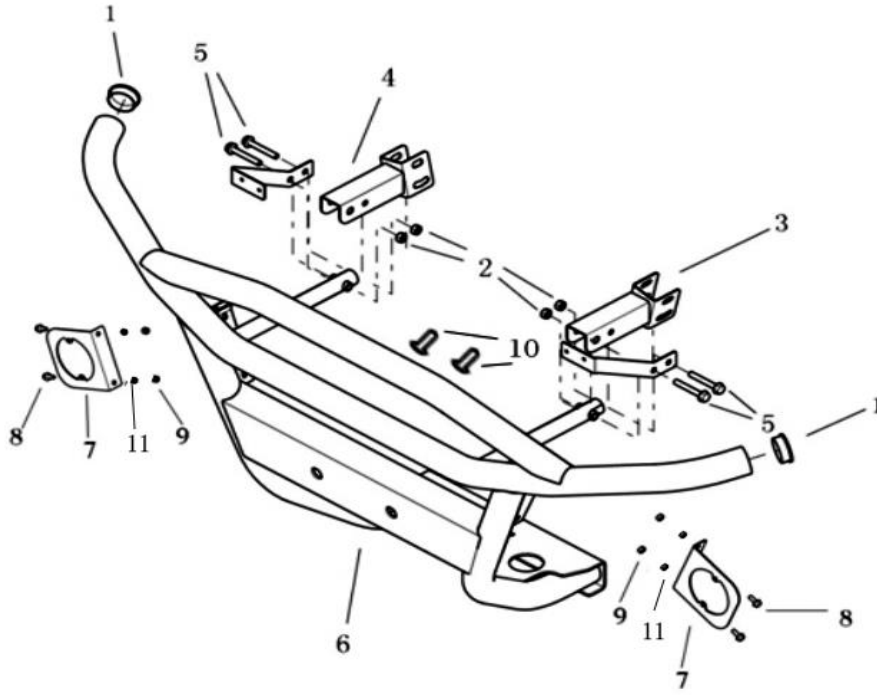
### F21 PEDAL



N°	CÓDIGO	DESCRIÇÃO	Qt.	OBSERVAÇÕES
1	LH00073207	Pedal Mount Bracket	1	
2	LH00011461	Hexagon Flange Bolt M8×1.25×20 9.8	4	
3	LH00010068	Washer 8.4×16×1.6	4	
4	LH00011490	Spring lock washer 8	4	
5	LH00084180	Throttle Cable	1	
6	LH00073206	Accelerate Pedal Assy	1	
7	LH00010037	Washer 16	4	
8	LH00010811	Lock Washer 12 For Shafts	2	
9	LH00073418	Brake Pedal Assy	1	
10	LH00073204	Pedal Spring	2 (1)	
11	LH00084230	Pin	1	
12	LH00011474	Cotter Pin 2×20	1	
13	LH00086392	Bracket, Throttle Cable	1	
14	LH00010873	Bolt M10X1.5X20	2	
15	LH00084253	Spring, Throttle Cable	1	
16	LH00084263	Clip	1	
17	LH00073054	Screw M6×16	1	
18	LH00011477	Hexagon Nut M6 -	1	

# LH1100 PRO MAX 4X4

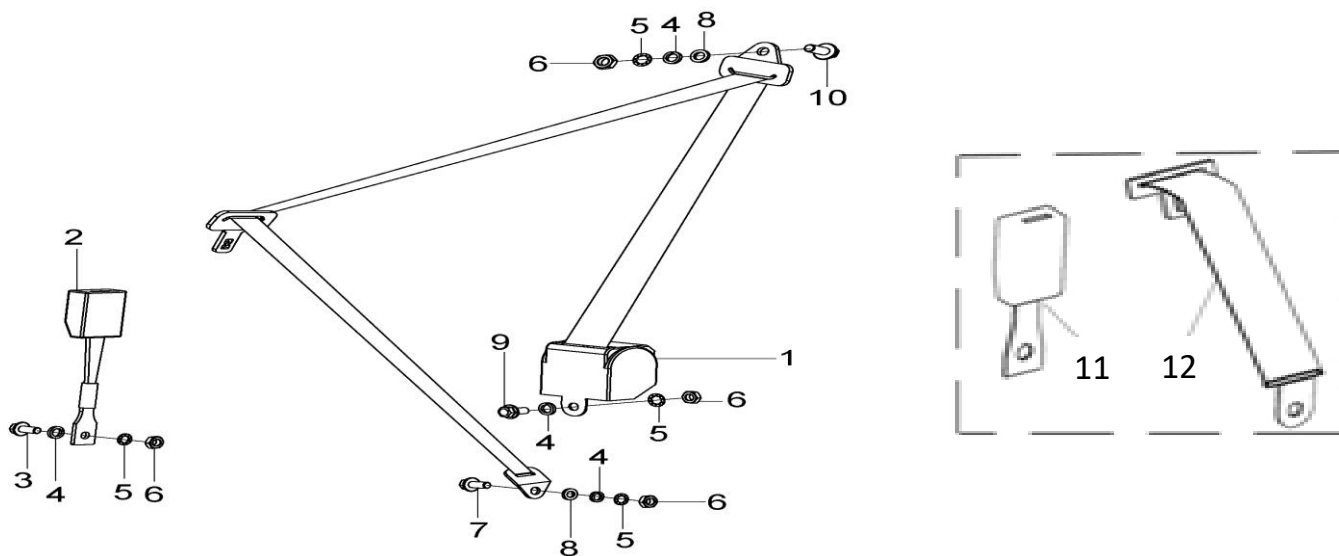
## F22 FRONT BUMPER



Nº	CÓDIGO	DESCRIÇÃO	Qt.	OBSERVAÇÕES
1	LH00026763	Plug	2	
2	LH00011476	Hexagon Nut M8 -	4	
3	LH00086303	Bracket, L	1	
4	LH00086322	Bracket, R	1	
5	LH00011462	Hexagon Flange Bolt M8x55	4	
6	LH00073286	Front Bumper	1	
7	LH00084208	Bracket, Turn Indicate Light	2	
8	LH00011463	Hexagon Flange Bolt M6x16	4	
9	LH00010004	Hexagon Nut M6 -	4	
10	LH00010922	Bolt M10X1.5X30	2	
11	LH00071576	Sleeve	4	

# LH1100 PRO MAX 4X4

## F23 SEAT BELT (THREE POINTS)

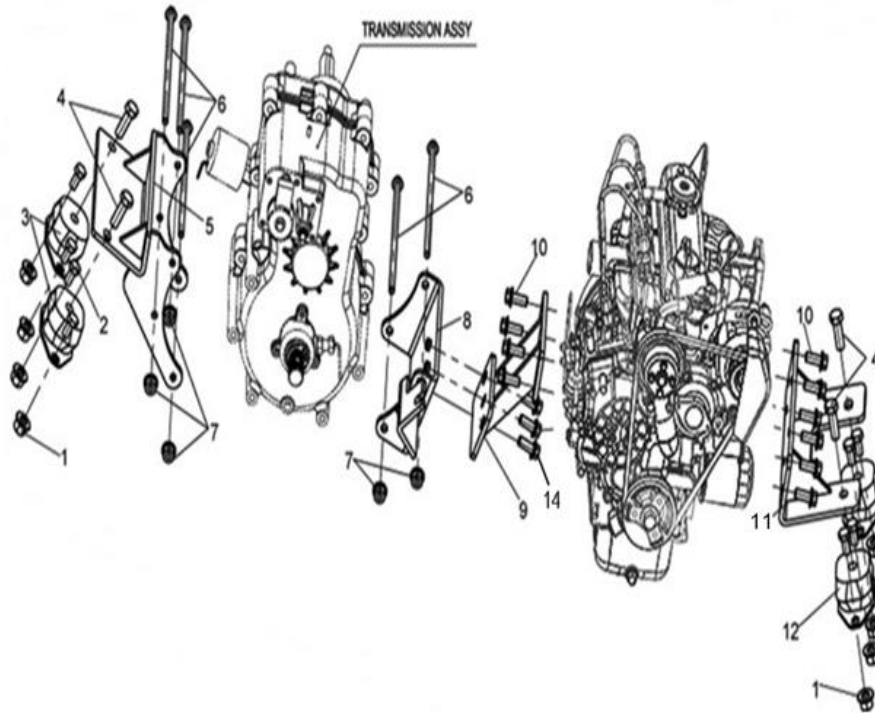


N°	CÓDIGO	DESCRIÇÃO	Qt.	OBSERVAÇÕES
1	LH00026914	BELT (THREE POINTS)	2	
2	LH00026915	BELT 2	2	
3	LH00026916	BOLT	2	
4	LH00026917	SPRING WASHER	8	
5	LH00026918	WASHER	8	
6	LH00026919	NUT	8	
7	LH00026920	BOLT A	2	
8	LH00026921	WASHER	4	
9	LH00026922	BOLT	2	
10	LH00026923	BOLT B	2	
11	LH00084381	INTERMEDIATE LOCK ASSEMBLY	1	
12	LH00084382	INTERMEDIATE SEAT BELT COMBINATION	1	



## LH1100 PRO MAX 4X4

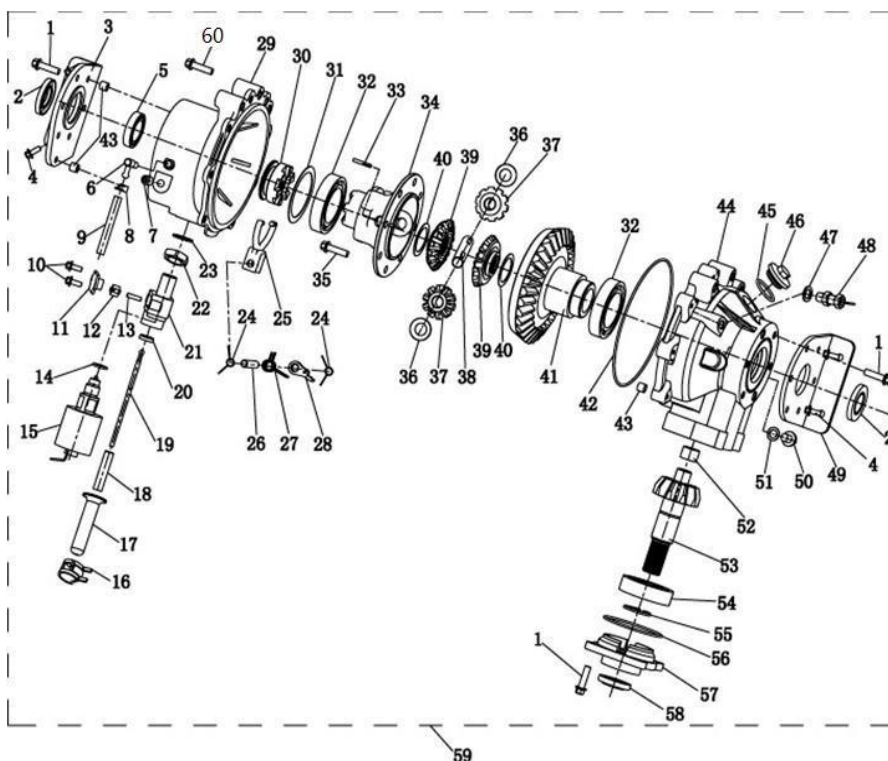
### F24 ENGINE AND TRANSMISSION



N°	CÓDIGO	DESCRIÇÃO	Qt.	OBSERVAÇÕES
1	LH00010883	Nut M10X1.5	8	
2	LH00011118	Bolt M10X1.5X20	8	
3	LH00084083	Damper, Transmission Assy	2	
4	LH00010870	Bolt M12X1.75X35	4	
5	LH00084154	Transmission Mounting Bracket	1	
6	LH00084082	Axle, Transmission Mounting Bracket	5	
7	LH00010882	Nut M8	5	
8	LH00084157	Fitting Board Comp.2	1	
9	LH00084156A	Fitting Board Comp.1	1	
10	LH00011394	Bolt M10X1.25X20	15	
11	LH00086352	Engine Mounting Bracket	1	
12	LH00084084	Damper, Engine Assy	3	
14	LH00011395	Bolt M10X1.5X25	3	

# LH1100 PRO MAX 4X4

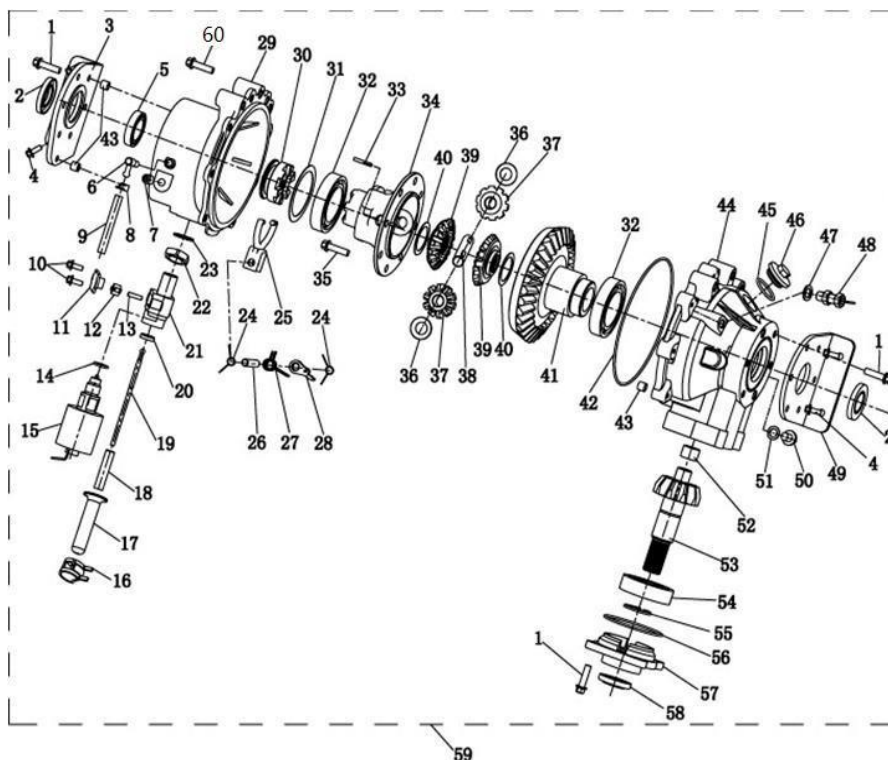
## F25 FRONT GEAR-BOX



Nº	CÓDIGO	DESCRIÇÃO	Qt.	OBSERVAÇÕES
1	LH00010059	Hexagon Flange Bolt M8×25	17	
2	LH00073016	Oil Seal 30X50X6.5	2	
3	LH00084210	Fitting Holder-With Bearing	1	
4	LH00010124	Hexagon Flange Bolt M8×1.25×35	4	
5	LH00010808	Bearing 6206	1	
6	LH00021112	Hose Fitting	1	
7	LH00073037	Inner Six Angle Plug	2	
8	LH00025107	Clip	1	
9	LH00021111	Vent Tube	1	
10	LH00010010	Hexagon Flange Bolt M6×15	2	
11	LH00073023	Cover, Converter	1	
12	LH00073026	Rock Arm	1	
13	LH00010789	Parallel Pin	1	
14	LH00073013	O-Ring	1	
15	LH00071978	Diff Solenoid	1	
16	LH00071358	Clip	1	
17	LH00073292	Rubber protective sleeve	1	
18	LH00073025	Thread Adjusting Sleeve	1	
19	LH00073028	Rod, Converter	1	
20	LH00073024	OIL SEAL 12X20X5	1	
21	LH00073022	Case, Converter	1	
22	LH00073019	Nut M20×1.5	1	
23	LH00073027	Washer	1	
24	LH00073040	Shift Return Spring	2	
25	LH00073041	Shift Yoke	1	
26	LH00073039	Shift Bar	1	
27	LH00073038	Shift Lever Spring	1	
28	LH00073029	Shift Lever	1	
29	LH00084056	Carrier Cover Half	1	
30	LH00073030	Clutch Gear	1	
31	LH00021106	Diff Case Thrust-Washer	as needed	

## LH1100 PRO MAX 4X4

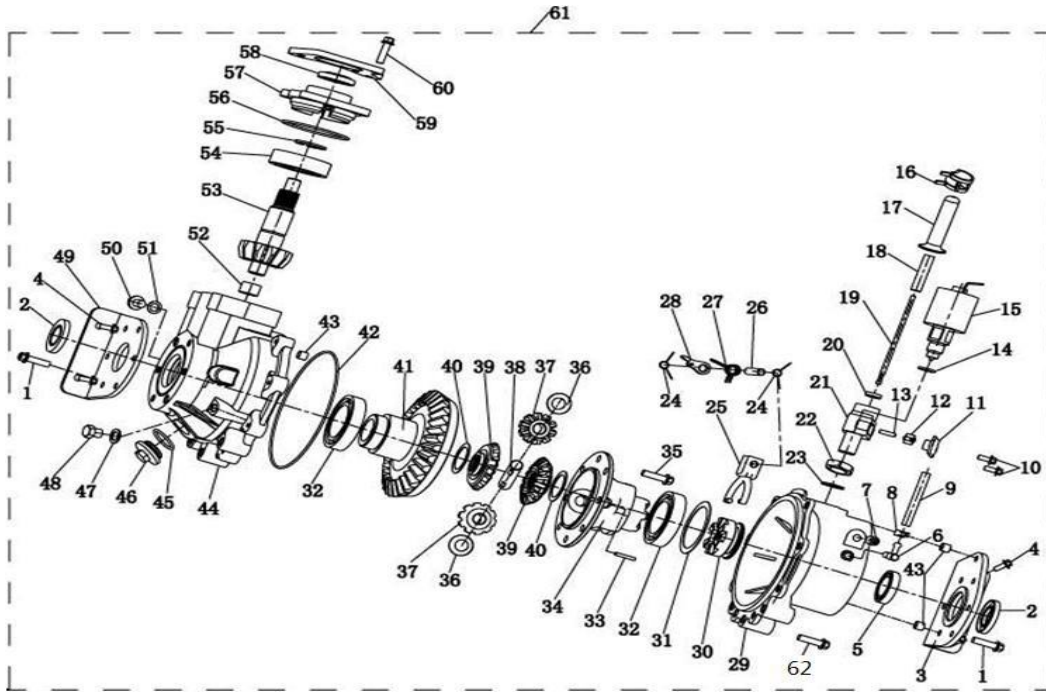
### F25 FRONT GEAR-BOX



Nº	CÓDIGO	DESCRIÇÃO	Qt.	OBSERVAÇÕES
32	LH00010056	Bearing 110	2	
33	LH00010788	Diff Roll Pin	1	
34	LH00084551	Diff Case (20CrMnTi)	1	
35	LH00084059	Hexagon Flange Bolt M10×20	8	
36	LH00073036	Pinion Mate Thrust-Washer	2	
37	LH00073035	Diff Pinion Mate Gear	2	
38	LH00073032	Diff Cross Pin	1	
39	LH00073031	Diff Side Gear	2	
40	LH00073034	Side Gear Thrust-Washer	2	
41	LH00073018	Bevel Gear -Driven	1	
42	LH00021105	O-Ring 176X2.65-Housing Halves	1	
43	LH00021104	Locating Pin	3	
44	LH00084054	Carrier Housing Half	1	
45	LH00050082	O-Ring	1	
46	LH00024305	Fill Plug	1	
47	LH00029613	Plain Washer	1	
48	LH00073435	Gear Sensor	1	
49	LH00084209	Fitting Holder	1	
50	LH00073020	Drain Plug	1	
51	LH00073021	Aluminium Washer	1	
52	LH00010810	Liner Bushing	1	
53	LH00084211	Bevel Gear -Driving	1	
54	LH00010809	Bearing 6306ST	1	
55	LH00021120	circlip For Shaft	1	
56	LH0020901A	O-Ring 79X2.65	1	
57	LH00073017	Cover-Carrier Housing Half	1	
58	LH00073015	Oil Seal 30X45X7	1	
59	LH00084553	Front Gearcase ASSY. (Diff Case (20CrMnTi) )	1	
60	LH00010060	Hexagon Flange Bolt M8×28	8	

# LH1100 PRO MAX 4X4

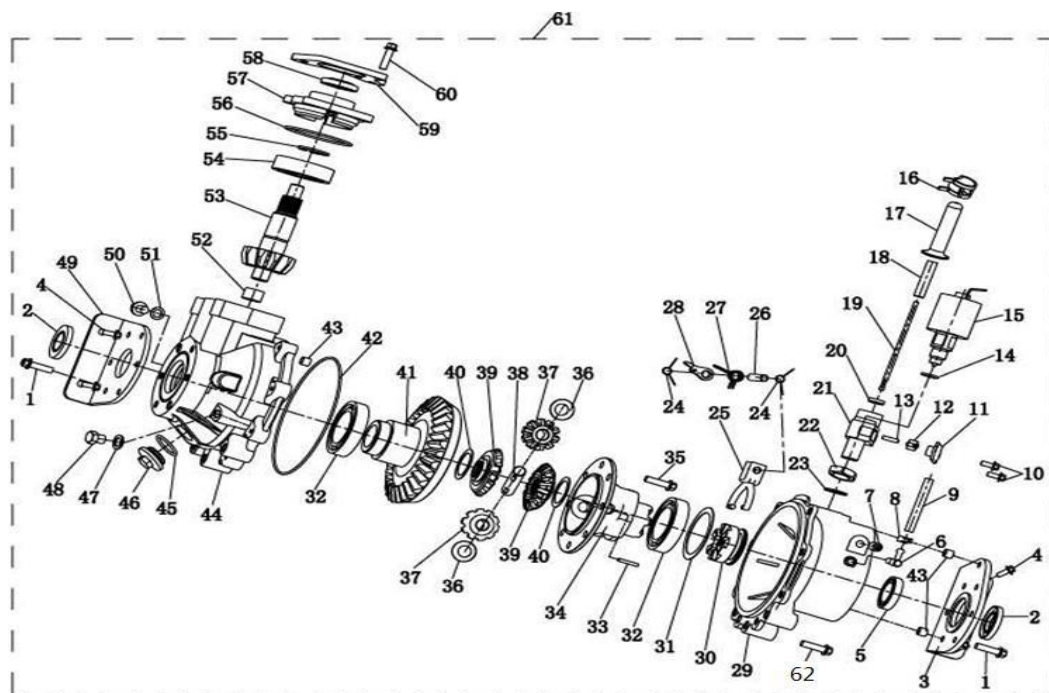
## F26 REAR DIFF GEAR-BOX



Nº	CÓDIGO	DESCRIÇÃO	Qt.	OBSERVAÇÕES
1	LH00010059	Hexagon Flange Bolt M8x25	13	
2	LH00073016	Oil Seal 30X50X6.5	2	
3	LH00084057	Fitting Holder-With Bearing	1	
4	LH00010124	Hexagon Flange Bolt M8x1.25x35	4	
5	LH00010808	Bearing 6206	1	
6	LH00021112	Hose Fitting	1	
7	LH00073037	Inner Six Angle Plug	2	
8	LH00025107	Clip	1	
9	LH00021111	Vent Tube	1	
10	LH00010010	Hexagon Flange Bolt M6x15	2	
11	LH00073023	Cover, Converter	1	
12	LH00073026	Rock Arm	1	
13	LH00010789	Parallel Pin	1	
14	LH00073013	O-Ring	1	
15	LH00071978	Diff Solenoid	1	
16	LH00071358	Clip	1	
17	LH00073292	Rubber protective sleeve	1	
18	LH00073025	Thread Adjusting Sleeve	1	
19	LH00073028	Rod, Converter	1	
20	LH00073024	OIL SEAL 12X20X5	1	
21	LH00073022	Case, Converter	1	
22	LH00073019	Nut M20x1.5	1	
23	LH00073027	Washer	1	
24	LH00073040	Shift Return Spring	2	
25	LH00073041	Shift Yoke	1	
26	LH00073039	Shift Bar	1	
27	LH00073038	Shift Lever Spring	1	
28	LH00073029	Shift Lever	1	
29	LH00084056	Carrier Cover Half	1	
30	LH00073030	Clutch Gear	1	
31	LH00021106	Diff Case Thrust-Washer	as needed	
32	LH00010056	Bearing 110	2	
33	LH00010788	Diff Roll Pin	1	
34	LH00084551	Diff Case (20CrMnTi)	1	

# LH1100 PRO MAX 4X4

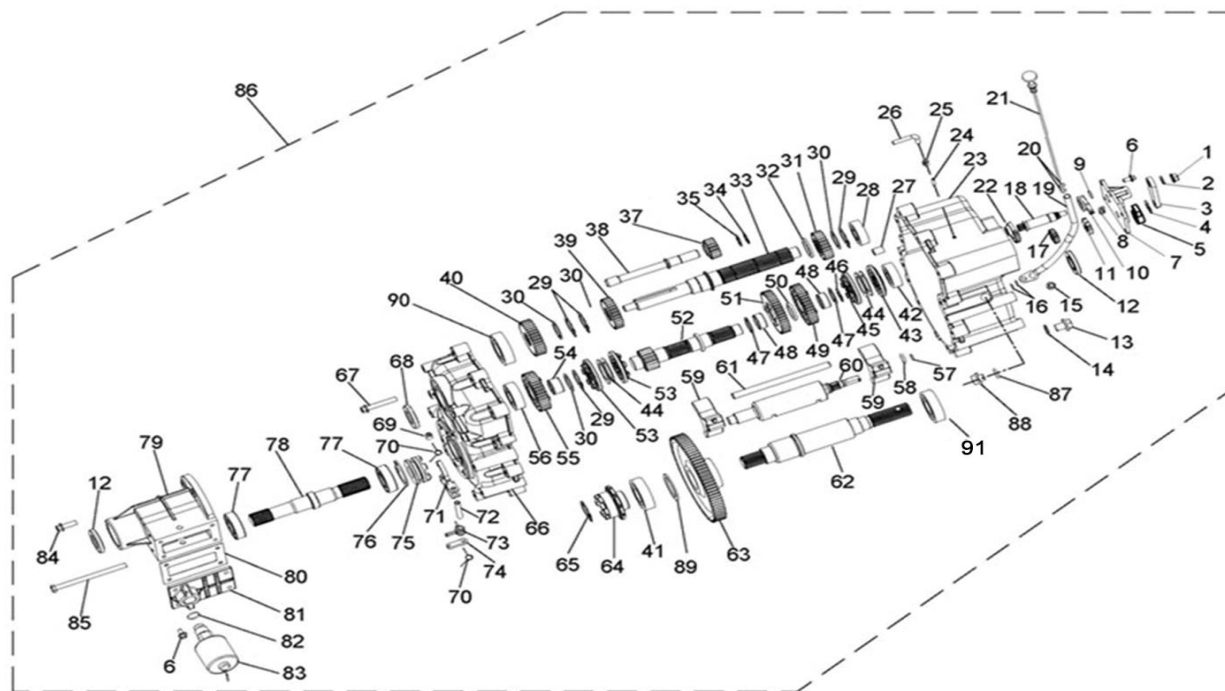
## F26 REAR DIFF GEAR-BOX



Nº	CÓDIGO	DESCRIÇÃO	Qt.	OBSERVAÇÕES
35	LH00084059	Hexagon Flange Bolt M10x20	8	
36	LH00073036	Pinion Mate Thrust-Washer	2	
37	LH00073035	Diff Pinion Mate Gear	2	
38	LH00073032	Diff Cross Pin	1	
39	LH00073031	Diff Side Gear	2	
40	LH00073034	Side Gear Thrust-Washer	2	
41	LH00073018	Bevel Gear -Driven	1	
42	LH00021105	O-Ring 176X2.65-Housing Halves	1	
43	LH00021104	Locating Pin	3	
44	LH00084054	Carrier Housing Half	1	
45	LH00050082	O-Ring	1	
46	LH00024305	Fill Plug	1	
47	LH00029613	Plain Washer	1	
48	LH00073138	Six Hexagon Bolt M12X1.25X12	1	
49	LH00084055	Fitting Holder	1	
50	LH00073020	Drain Plug	1	
51	LH00073021	Aluminium Washer	1	
52	LH00010810	Liner Bushing	1	
53	LH00073014	Bevel Gear -Driving	1	
54	LH00010809	Bearing 6306ST	1	
55	LH00021120	circlip For Shaft	1	
56	LH0020901A	O-Ring 79X2.65	1	
57	LH00073017	Input Cover-Carrier Housing Half	1	
58	LH00073015	Oil Seal 30X45X7	1	
59	LH00084265	Mount Bracket-Parking Braking	1	
60	LH00011453	Hexagon Flange Bolt M8x30	4	
61	LH00084552	Rear Gearcase ASSY. (Diff Case (20CrMnTi) )	1	
62	LH00010060	Hexagon Flange Bolt M8x28	8	

# LH1100 PRO MAX 4X4

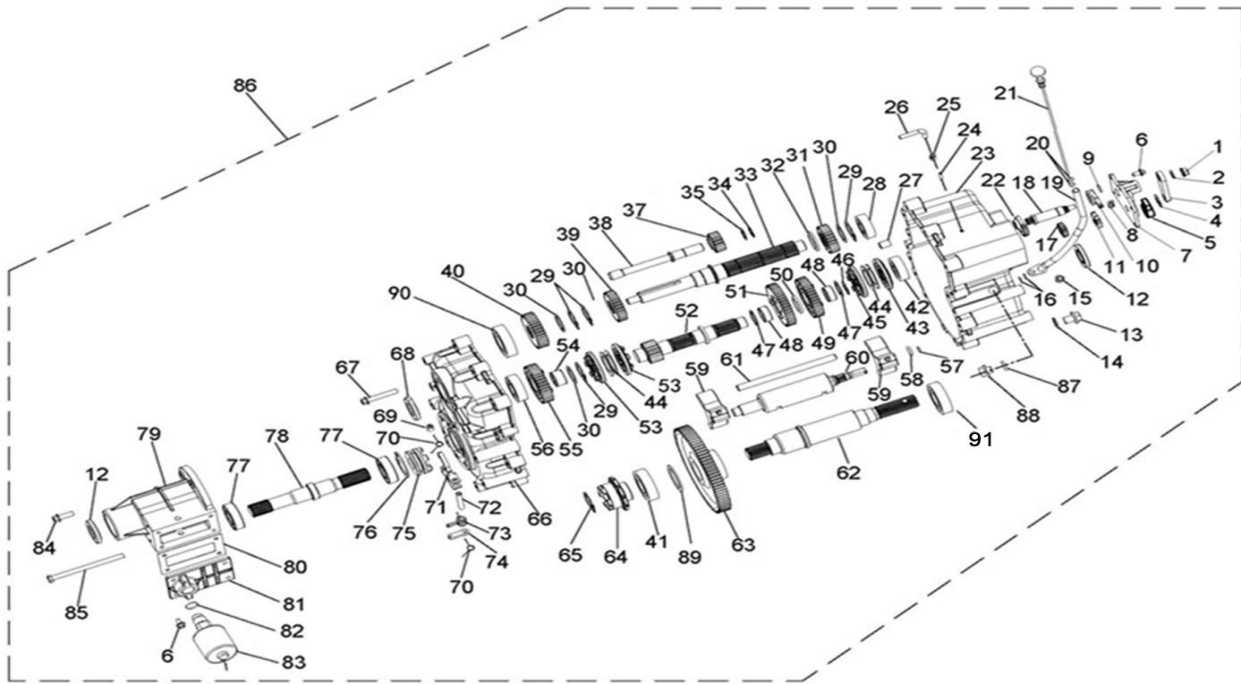
## F27 TRANSMISSION



Nº	CÓDIGO	DESCRIÇÃO	Qt.	OBSERVAÇÕES
1	LH00011502	Nut M8	1	
2	LH00011489	Washer 8	1	
3	LH00084001	Shift Bracket	1	
4	LH00010767	Circlip 11	1	
5	LH00084050	Gear Shift Component	1	
6	LH0010183W	Bolt M6X16	9	
7	LH00084002	Cover	1	
8	LH00084003	Spring	1	
9	LH00010887	O-Ring 13.2X1.8	1	
10	LH00084004	Stop Swing Lever, Gear Shift	1	
11	LH00084005	Camshaft, Gear Shift	1	
12	LH00021201	Oil Seal 25x47x8	1	
13	LH00050105	Bolt	1	
14	LH01309283	Washer	1	
15	LH00011448	Bolt M6x12	1	
16	LH00010291	O-Ring 10x1.8	2	
17	LH00084006	Driven Gear, Gear Shift	1	
18	LH00084007	Shaft, Gear Shift	1	
19	LH00046089	Guide Tube, Oil Dip-Stick	1	
20	LH00084019	O-Ring 6.4x1.8	2	
21	LH00046090	Oil Dip-Stick Component	1	
22	LH00084008	Drive Gear, Gear Shift	1	
23	LH00084042	Case, Gear Box	1	
24	LH00021340	Vent Tube Fitting	1	
25	LH00029530	Spring Clip	1	
26	LH00021339	Vent Tube	1	
27	LH00021104	Pin Dowel	2	
28	LH00010062	Bearing 6204	1	
29	LH00010769	Circlip 28	4	
30	LH00084023	Washer 28.5A	4	
31	LH00084026	Drive Gear, Reverse	1	
32	LH00084025	Washer 28.5B	1	

# LH1100 PRO MAX 4X4

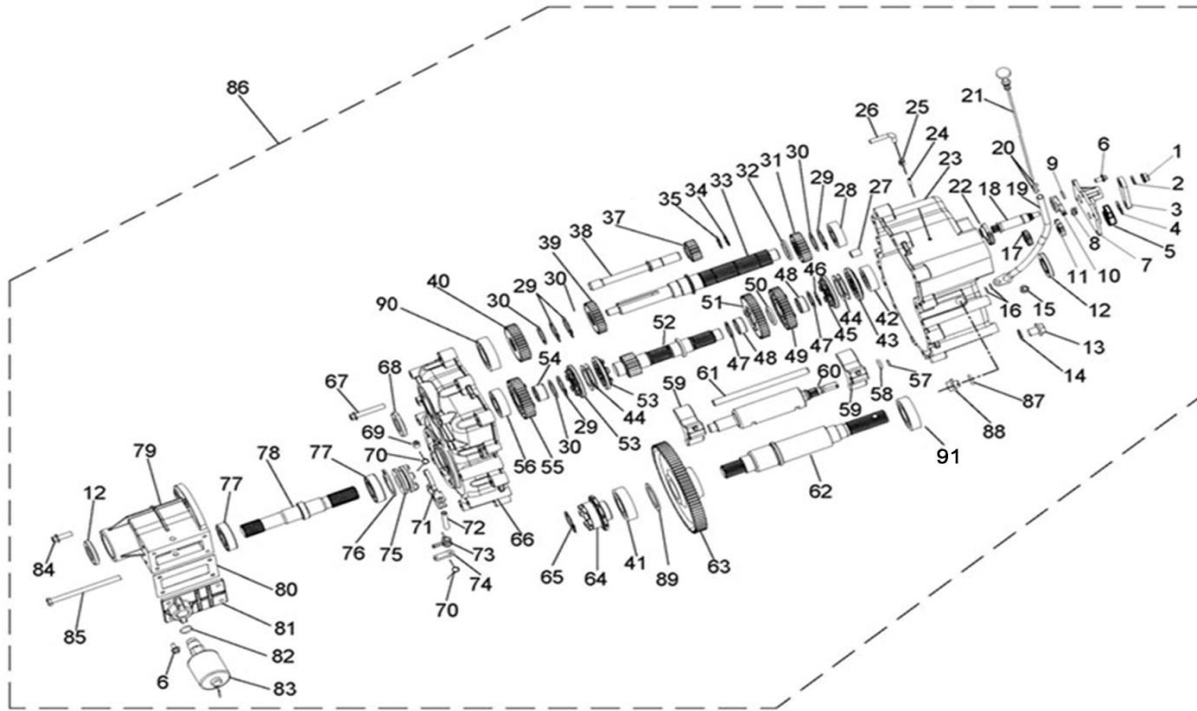
## F27 TRANSMISSION



Nº	CÓDIGO	DESCRIÇÃO	Qt.	OBSERVAÇÕES
33	LH00086347	Shaft	1	
34	LH00010768	Circlip 15	1	
35	LH00084028	Washer 15.5	1	
37	LH00084525	Gear Counter Assy, Reverse	1	
38	LH00084029	Shaft Counter, Reverse	1	
39	LH00084024	Drive Gear, Low Speed	1	
40	LH00084022	Drive Gear, High Speed	1	
41	LH00010808	Bearing 6206	1	
42	LH00026013	Bearing 6303	1	
43	LH00084031	Engagement B	1	
44	LH00084027	Spring Washer	2	
45	LH00084030	Engagement A	1	
46	LH00011505	Circlip 25	1	
47	LH00021219	Washer 25.5B	2	
48	LH00084038	Bearing 25X29X13	2	
49	LH00084039	Driven Gear, Reverse	1	
50	LH00084034	Washer 25.5A	1	
51	LH00084037	Driven Gear, Low Speed	1	
52	LH00086348	Side Shaft	1	
53	LH00084032	Engagement C	2	
54	LH00084036	Bearing 28X33X17	1	
55	LH00084035	Driven Gear, High Speed	1	
56	LH00010061	Bearing 6205	1	
57	LH00021615	O-Ring 9.5X1.8	1	
58	LH00084052	O-Ring 14.5X3	1	
59	LH00084020	Shift Fork	2	
60	LH00084051	Drum, Fork Shift	1	
61	LH00084053	Guide Shaft, Shift Fork	1	
62	LH00084040	Output Shaft	1	
63	LH00086349	Gear, Output	1	
64	LH00084009	Engagement B, Front Drive	1	

# LH1100 PRO MAX 4X4

## F27 TRANSMISSION

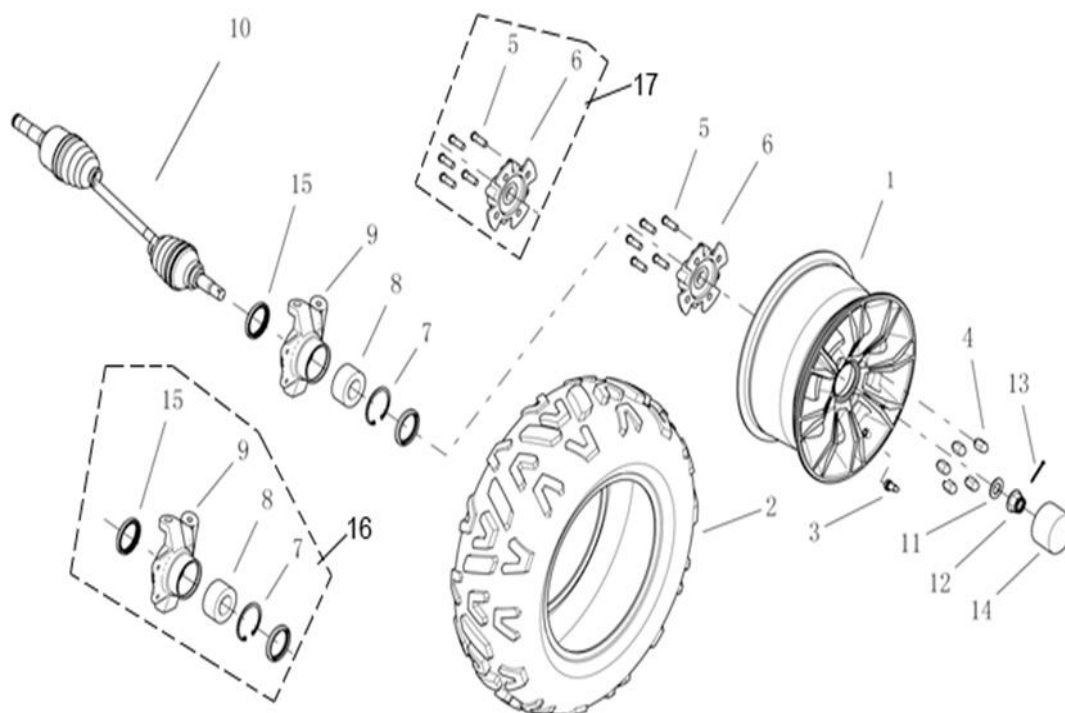


Nº	CÓDIGO	DESCRIÇÃO	Qt.	OBSERVAÇÕES
65	LH00010164	Circlip 24	1	
66	LH00086350	Cover, Gear Box Case	1	
67	LH00011464	Bolt M8X50	12	
68	LH00073508	Oil Seal30X50X8	1	
69	LH00084010	Plug Pin, Fork Shift Shaft	1	
70	LH00084011	Spring	2	
71	LH00084012	Fork Shift Comp.	1	
72	LH00084013	Shaft, Fork Shift	1	
73	LH00084014	Srping, Lever Of Fork Shift	1	
74	LH00084015	Lever, Fork Shift	1	
75	LH00084016	Engagement A, Front Drive	1	
76	LH00010885	Circlip 52	1	
77	LH00010778	Bearing 6205	2	
78	LH00084021	Shaft, Front Drive	1	
79	LH00084044	Case, Front Drive	1	
80	LH00084047	Gasket	1	
81	LH00084046	Cover	1	
82	LH00073013	Seal	1	
83	LH00071978	Solenoid	1	
84	LH00010739	Bolt M8X25	4	
85	LH00010871	Bolt M8X120	1	
86	LH00086351	Transmission Assy	1	
87	LH00010122	O-Ring 18x2.65	1	
88	LH00070235	Cover, Oil	1	
89	LH00084314	Washer 40	1	
90	LH00010731	Bearing 5206 C3	1	
91	LH00010808	Bearing 6206	1	



## LH1100 PRO MAX 4X4

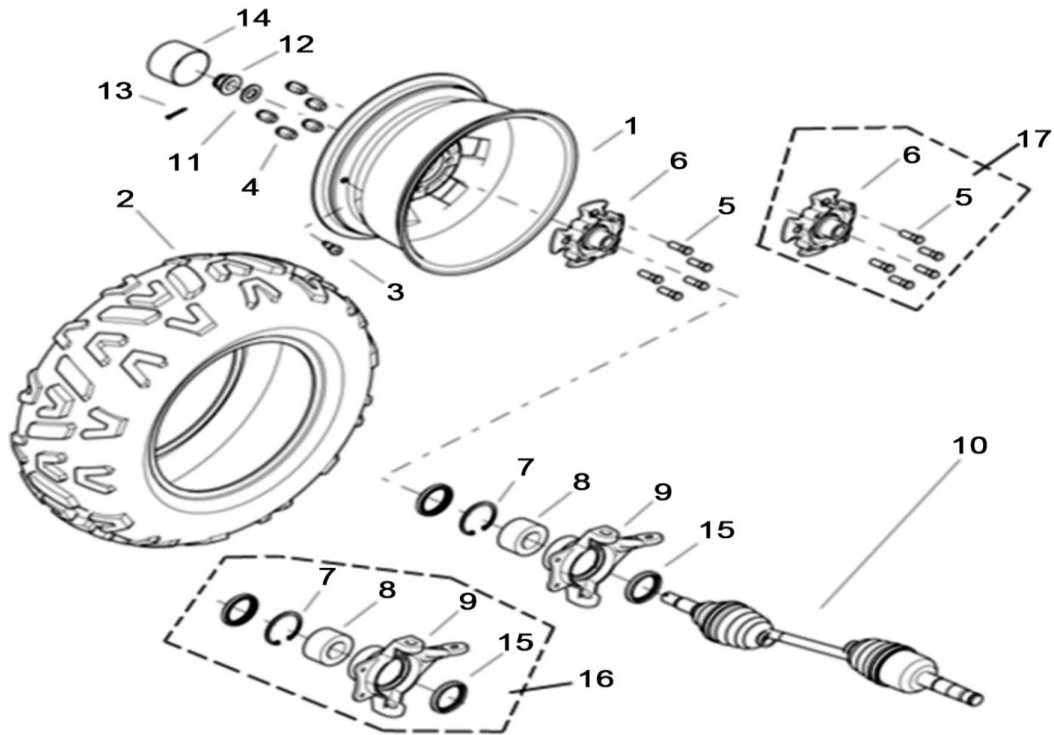
### F28 WHEEL FRONT LH SIDE



Nº	CÓDIGO	DESCRIÇÃO	Qt.	OBSERVAÇÕES
1	LH0084176A	Rim Front 14x7.5 Steel, Black	1	
2	LH00086504	Tire Front 26x9-14 (DURO)	1	
3	LH0020807A	Valve Rim	1	
4	LH00073337	Nut M12x1.25 For Rim	5	
5	LH00073335	Stud M12x1.25x25	5	
6	LH00084095	Hub For Steel Wheel	1	
7	LH00010807	Ring Retainer 72	1	
8	LH00073339	Bearing 39x72x37	1	
9	LH00084441	Carrier Bearing Wheel Lh	1	
10	LH00073184	Shaft Half B (Two Spline)	1	
11	LH00073060	Washer 23x40x3	1	
12	LH00073336	Nut M22x1.5	1	
13	LH00010791	Cotter Pin 4x35	1	
14	LH00070717	Cap For Steel Wheel	1	
15	LH00073182	Oil Seal 54x72x6.5_10	2	
16	LH00086505	Carrier Bearing Wheel LH ASSY	1	
17	LH00086506	Hub For Steel Wheel ASSY	1	

## LH1100 PRO MAX 4X4

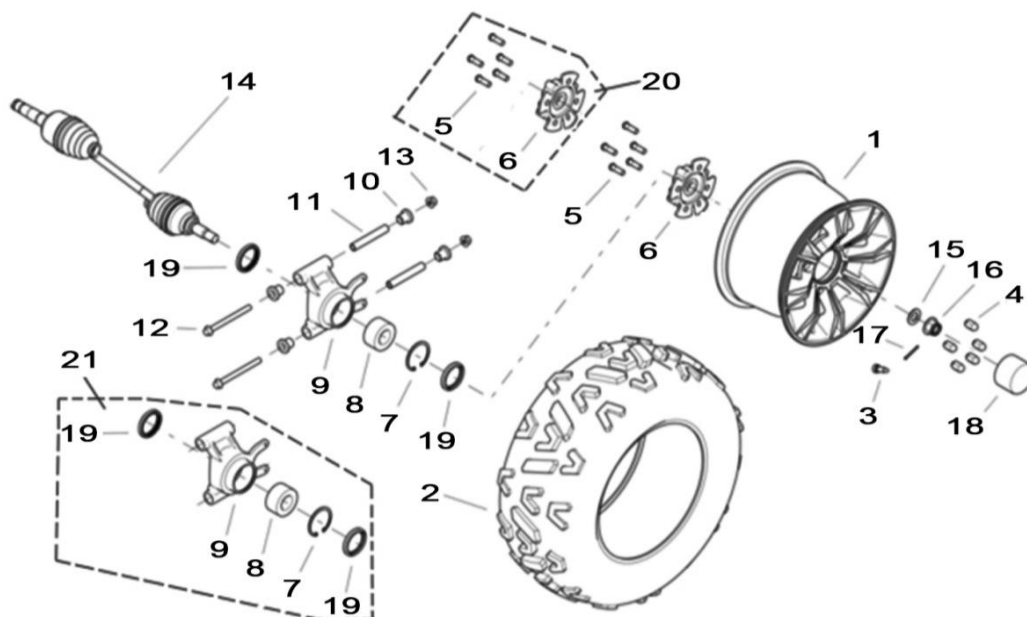
### F29 WHEEL FRONT RH SIDE



Nº	CÓDIGO	DESCRIÇÃO	Qt.	OBSERVAÇÕES
1	LH0084176A	Rim Front 14x7.5 Steel , Black	1	
2	LH00086504	Tire Front 26x9-14 (DURO)	1	
3	LH0020807A	Valve Rim	1	
4	LH00073337	Nut M12x1.25 For Rim	5	
5	LH00073335	Stud M12x1.25x25	5	
6	LH00084095	Hub For Steel Wheel	1	
7	LH00010807	Ring Retainer 72	1	
8	LH00073339	Bearing 39x72x37	1	
9	LH00084442	Carrier Bearing Wheel Rh	1	
10	LH00073179	Shaft Half A (One Splien)	1	
11	LH00073060	Washer 23x40x3	1	
12	LH00073336	Nut M22x1.5	1	
13	LH00010791	Cotter Pin 4x35	1	
14	LH00070717	Cap For Steel Wheel	1	
15	LH00073182	Oil Seal 54x72x6.5_10	2	
16	LH00086507	Carrier Bearing Wheel Rh ASSY	1	
17	LH00086506	Hub For Steel Wheel ASSY	1	

## LH1100 PRO MAX 4X4

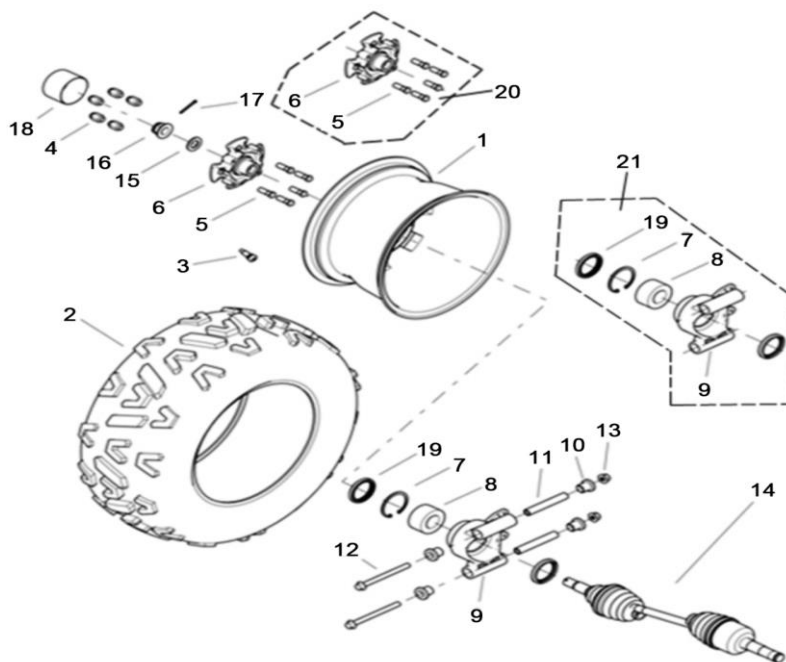
### F30 WHEEL REAR LH SIDE



Nº	CÓDIGO	DESCRIÇÃO	Qt.	OBSERVAÇÕES
1	LH0084177A	Rim Rear 14x8 Steel, Black	1	
2	LH00086508	Tire Rear 26x11-14 (DURO)	1	
3	LH0020807A	Valve Rim	1	
4	LH00073337	Nut M12x1.25 For Rim	5	
5	LH00073335	Stud M12x1.25x25	5	
6	LH00084095	Hub For Steel Wheel	1	
7	LH00010807	Ring Retainer 72	1	
8	LH00073339	Bearing 39x72x37	1	
9	LH00084443	Carrier Bearing Wheel Rear Lh	1	
10	LH00073063	Bushing Arm	4	
11	LH00073049	Shaft Pivot 114.5mm	2	
12	LH00073334	Hexagon Flange Bolt M12x1.25x140 10.9	2	
13	LH00011480	Hexagon Nut Fine Pitch M12x1.25 -	2	
14	LH00073179	Shaft Half A (One Splien)	1	
15	LH00073060	Washer 23x40x3	1	
16	LH00073336	Nut M22x1.5	1	
17	LH00010791	Cotter Pin 4x35	1	
18	LH00070717	Cap For Steel Wheel (Cap For Cast Wheel)	1	
19	LH00073182	Oil Seal 54x72x6.5_10	2	
20	LH00086506	Hub For Steel Wheel ASSY	1	
21	LH00086509	Carrier Bearing Wheel Rear LH ASSY	1	

## LH1100 PRO MAX 4X4

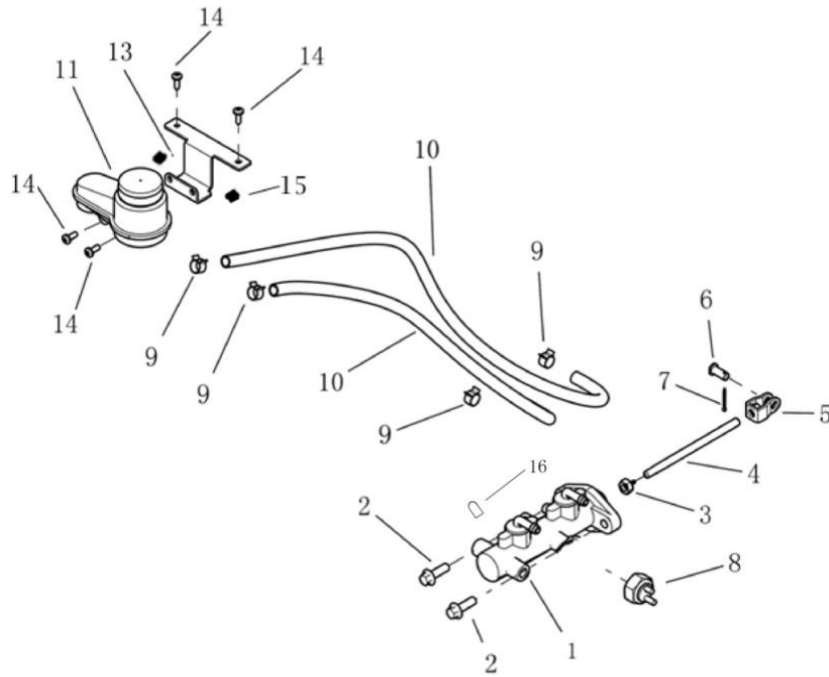
### F31 WHEEL REAR RH SIDE



Nº	CÓDIGO	DESCRIÇÃO	Qt.	OBSERVAÇÕES
1	LH0084177A	Rim Rear 14x8 Steel, Black	1	
2	LH00086508	Tire Rear 26x11-14 (DURO)	1	
3	LH0020807A	Valve Rim	1	
4	LH00073337	Nut M12x1.25 For Rim	5	
5	LH00073335	Stud M12x1.25x25	5	
6	LH00084095	Hub For Steel Wheel	1	
7	LH00010807	Ring Retainer 72	1	
8	LH00073339	Bearing 39x72x37	1	
9	LH00086312	Carrier Bearing Wheel Rear Rh	1	
10	LH00073063	Bushing Arm	4	
11	LH00073049	Shaft Pivot 114.5mm	2	
12	LH00073334	Hexagon Flange Bolt M12x1.25x140 10.9	2	
13	LH00011480	Hexagon Nut Fine Pitch M12x1.25 -	2	
14	LH00073184	Shaft Half B (Two Spline)	1	
15	LH00073060	Washer 23x40x3	1	
16	LH00073336	Nut M22x1.5	1	
17	LH00010791	Cotter Pin 4x35	1	
18	LH00070717	Cap For Steel Wheel (Cap For Cast Wheel)	1	
19	LH00073182	Oil Seal 54x72x6.5_10	2	
20	LH00086506	Hub For Steel Wheel ASSY	1	
21	LH00086510	Carrier Bearing Wheel Rear Rh ASSY	1	

## LH1100 PRO MAX 4X4

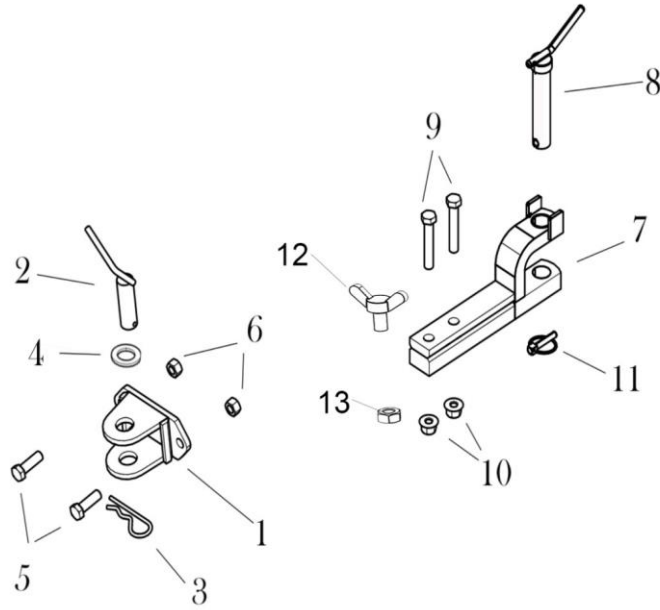
### F32 BRAKE, MASTER CYLINDER MOUNTING



Nº	CÓDIGO	DESCRIÇÃO	Qt.	OBSERVAÇÕES
1	LH00073197	Master Cylinder	1	
2	LH00011498	Hexagon Flange Bolt M8×1.25×25 8.8	2	
3	LH00011484	Hex Nut M8×1.25	1	
4	LH00073205	Push Rod	1	
5	LH00073090	Clevis	1	
6	LH00073091	Clevis Pin	1	
7	LH00010094	Cotter Pin 2×20	1	
8	LH00073068	Sensor, Brake	1	
9	LH00073069	Clamp, Line	4	
10	LH00073070	Line, Reservoir	1	
11	LH00084447	Brake Reservoir (WITH SENSOR)	1	
13	LH00073189	Braket, Reservoir	1	
14	LH00011468	Cross Recessed Pan Head Tapping Screw ST4.8×16	4	
15	LH00022346	Spring Nut ST4.8	2	
16	LH00084295	Rubber protective sleeve	1	

## LH1100 PRO MAX 4X4

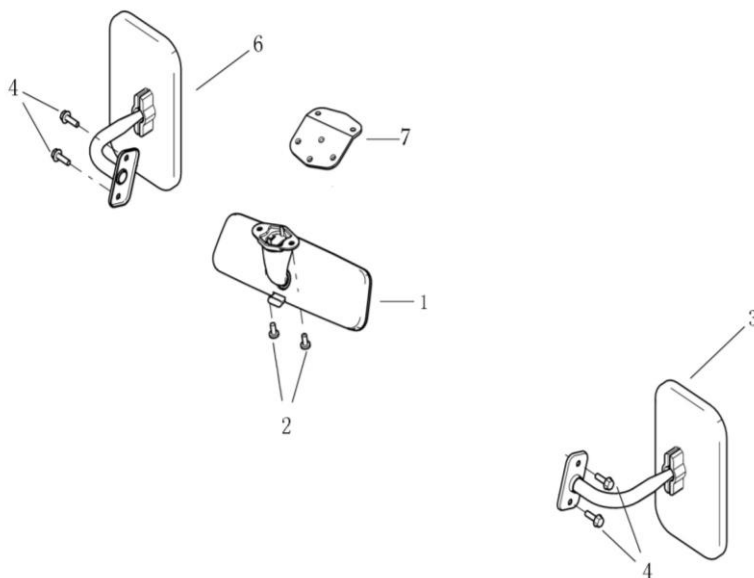
### F33 HOOK



Nº	CÓDIGO	DESCRIÇÃO	Qt.	OBSERVAÇÕES
1	LH00084234	Front Hook	1	
2	LH00084235	Pin Front Hook	1	
3	LH00010862	"R" Pin 6X115	1	
4	LH00084231	Rubber Damper	1	
5	LH00010868	Hexagon Head Bolt M16x50	2	
6	LH00010874	Hex Nut M16	2	
7	LH00084101	Rear Hook	1	
8	LH00084102	Pin Rear Hook	1	
9	LH00010865	Hexagon Flange Bolt M16x85	2	
10	LH00010518	Hexagon Nut M16	2	
11	LH00084103	Pin Lock	1	
12	LH00086441	Butterfly Type Bolt M8x25	1	
13	LH00010099	Hex Nut M8x1.25	1	

# LH1100 PRO MAX 4X4

## F34 REAR VIEW MIRROR ASSY



Nº	CÓDIGO	DESCRIÇÃO	Qt.	OBSERVAÇÕES
1	LH00026890	Center Mirror Kit	1	
2	LH00011501	Cross Recessed Pan Head Screw M6×12	2	
3	LH00084099	Left Mirror Kit (OPTIONAL, SMALLER)	1	
4	LH00011459	Hexagon Flange Bolt M6×20	4	
6	LH00084100	Right Mirror Kit (OPTIONAL, SMALLER)	1	
7	LH00073444	Bracket, Center Mirror Kit	1	

# LH1100U-D T1b

## EQUIPAMENTO OPCIONAL





## LH1100 PRO MAX 4X4

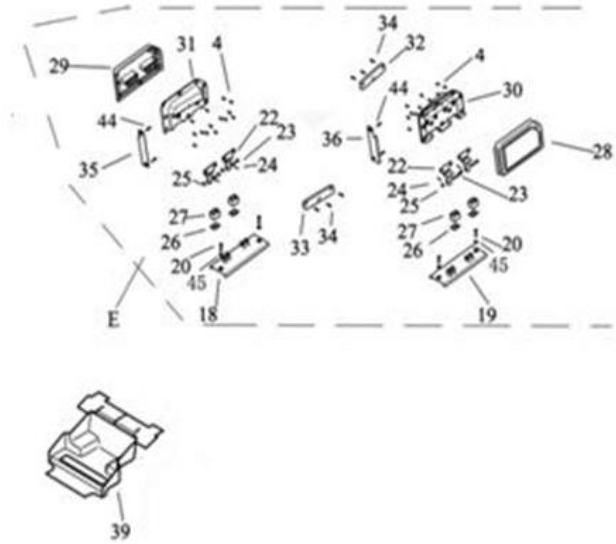
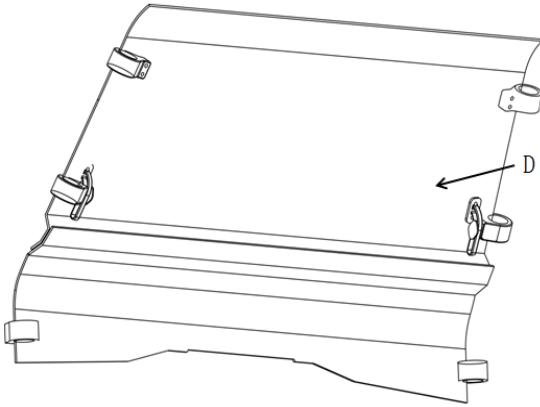
### F35.A ROOF PANEL ASSY (OPTIONAL)



N°	CÓDIGO	DESCRIÇÃO	Qt.	OBSERVAÇÕES
A	LH00073501	Roof Panel Assy	1	
1	LH00073446	Upper Roof Panel	1	
2	LH00070960	Spring Nut M6	16	
3	LH00073447	Lwr Roof Panel	1	
4	LH00011468	Cross Recessed Pan Head Tapping Screw ST4.8×16	25	
5	LH00022346	Spring Nut ST4.8	3	
6	LH00073448	Cover, Ceiling Lamp	1	
7	LH00073449	Cover, Loudspeaker	2	
8	LH00073450	Shifter Holder	6	
9	LH00073054	Screw M6×16	4	
10	LH00073055	Screw M6×30	12	
11	LH00073451	Rubber, Frame Roof	8	

## LH1100 PRO MAX 4X4

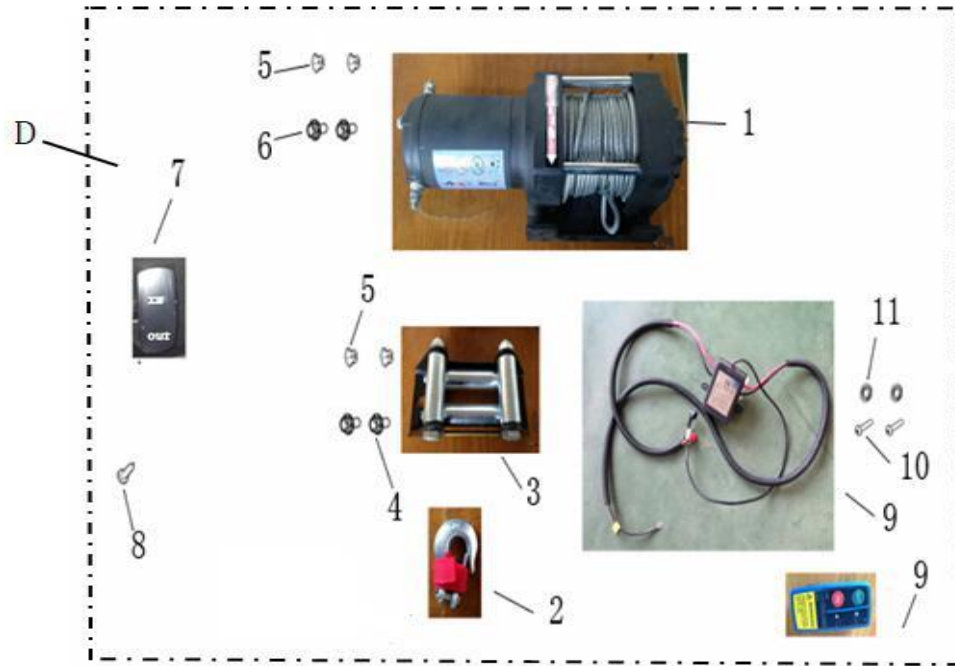
### F35.B FRONT WINDSHIELD ASSY (OPTIONAL) / DOOR AND FELT (OPTIONAL)



N°	CÓDIGO	DESCRIÇÃO	Qt.	OBSERVAÇÕES
D	LH00086453	Separate Windshield Assy incl. mounting parts	1	
E	LH00073505	Small Fender Assy	1	
18	LH00073455	Bracket 1, RH Small Fender	1	
19	LH00073456	Bracket 1, LH Small Fender	1	
20	LH00010817	Cross Recessed Pan Head Screw M6x40	4	
45	LH00011503	Washer 6 (6.4x18x1.6)	4	
22	LH00073457	Hinge	4	
23	LH00073458	Pin	4	
24	LH00011474	Cotter Pin 2x20	4	
25	LH00010068	Washer 8	4	
26	LH00073459	Bracket, Small Fender	4	
27	LH00073460	Rubber, Small Fender	4	
28	LH00073461	Small Fender, LH	1	
29	LH00073462	Small Fender, RH	1	
30	LH00073463	Inner, LH Small Fender	1	
31	LH00073464	Inner, RH Small Fender	1	
4	LH00011468	Cross Recessed Pan Head Tapping Screw ST4.8x16	28	
32	LH00073465	Rubber, LH Small Fender	1	
33	LH00073466	Rubber, RH Small Fender	1	
34	LH00010534	Cross Recessed Pan Head Tapping Screw ST4.8x25	6	
35	LH00073467	Bracket 2, RH Small Fender	1	
36	LH00073468	Bracket 2, LH Small Fender	1	
44	LH00073473	Screw M6x25	4	
39		Felt, Fixed Hood	1	

## LH1100 PRO MAX 4X4

### F35.C OPTIONS (D. TRACTOR ASSY)



Nº	CÓDIGO	DESCRIÇÃO	Qt.	OBSERVAÇÕES
D	LH00086340	Tractor Assy (4500LBS)	1	
1	LH00086402	Tractor (4500LBS)	1	
2	LH00073545	Tow Hook	1	
3	LH00073546	Slideway	1	
4	LH00011492	Hexagon Flange Bolt M8×20	2	
5	LH00010794	Hexagon Nut M8	4	
6	LH00011466	Hexagon Flange Bolt M8×25	2	
7	LH00073547	Switch	1	
8	LH00011468	Cross Recessed Pan Head Tapping Screw ST4.8×16	1	
9	LH00086403	Controller (INCL. REMOTE CONTROL) (4500LBS)	1	
10	LH00011529	Cross Recessed Pan Head Screw M5×16	2	
11	LH00011530	Washer 8	2	

## LH1100 PRO MAX 4X4

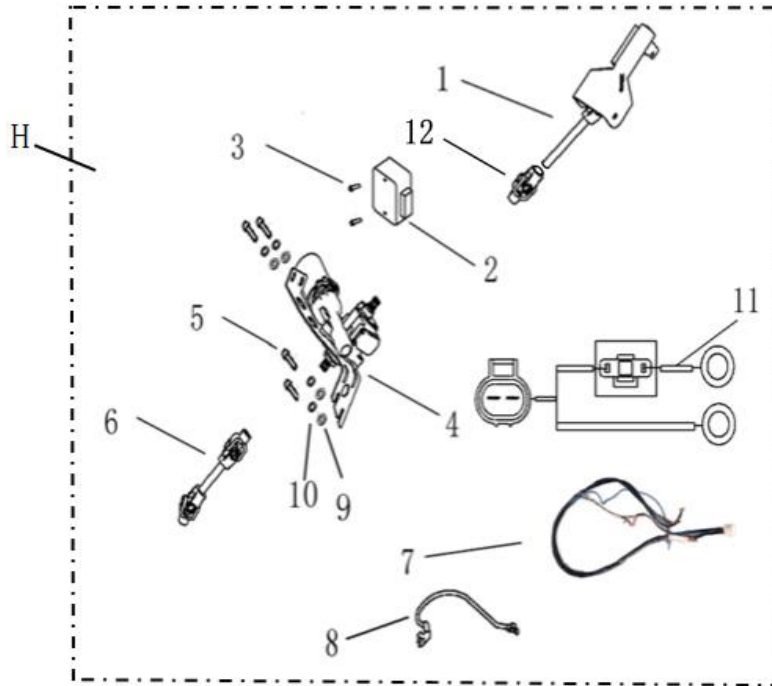
### F35.D STEREO ASSY AND WORKING LIGHT (OPTIONAL)



N°	CÓDIGO	DESCRIÇÃO	Qt.	OBSERVAÇÕES
A	LH00086529	STEREO ASSY	1	
1	LH00073469	Holder, Loudspeaker	2	
2	LH00011468	Cross Recessed Pan Head Tapping Screw ST4.8x16	7	
3	LH00073550	Car Player	1	
4	LH00073551	Wiring Harness 2, Player	1	
5	LH00073552	Wiring Harness 2, Roof Panel	1	
6	LH00073593	Antenna	1	
7	LH00073553	Upper Holder, Car Player	1	
8	LH00073554	Lwr Holder, Car Player	1	
9	LH00073555	Holder	1	
10	LH00010178	Cross Recessed Pan Head Tapping Screw ST4.2x13	18	
11	LH00022346	Spring Nut ST4.8	1	
12	LH00073054	Screw M6x16	6	
13	LH00011477	Hexagon Nut M6	6	
14	LH00073556	Sound the horn	2	
B	LH00073557	work Light	1	
15	LH00073558	work Light	1	
16	LH00073081	Switch Assy	1	

## LH1100 PRO MAX 4X4

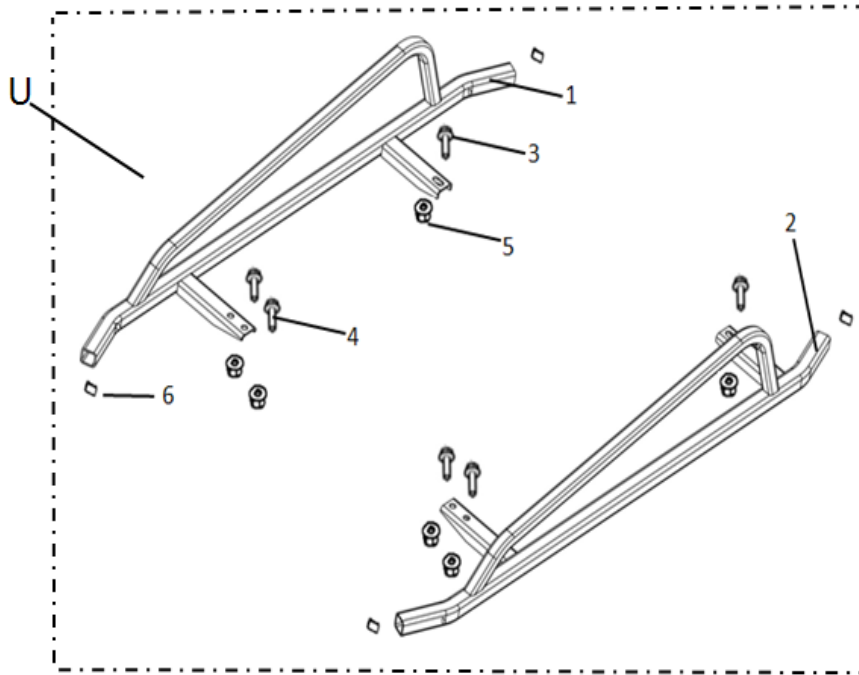
### F35.E EPS ASSEMBLY WATERPROOF (OPTIONAL)



Nº	CÓDIGO	DESCRIÇÃO	Qt.	OBSERVAÇÕES
H	LH00086418	EPS assembly (Waterproof)	1	
1	LH00073561	Steering transmission device (EPS version)	1	
2	LH00084554	EPS controller assembly (Waterproof )	1	
3	LH00020227	Bolt M6x12	2	
4	LH00080487	Control motor assembly	1	
5	LH00011492	Bolt M8x20	4	
6	LH00073564	EPS drive shaft assembly	1	
7	LH00084555	EPS controller for vehicle cable (Waterproof )	1	
8	LH00084556	Wire, EPS Sensor (Waterproof )	1	
9	LH00011515	Washer 8	4	
10	LH00010944	Spring Washer 8	4	
11	LH00084557	Wire, controller assembly (Waterproof )	1	
12	LH00086467	Connecting Shaft assembly	1	

## LH1100 PRO MAX 4X4

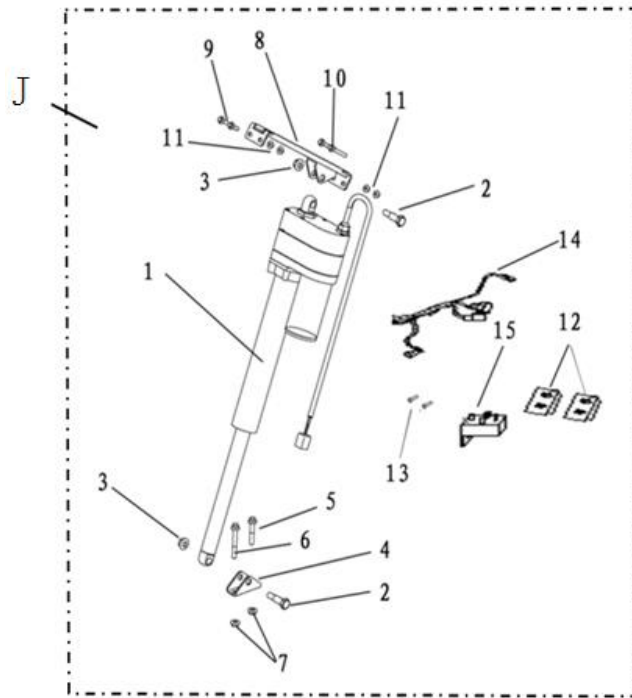
### F35.F CUSHION SUPPORT COMPONENT (OPTIONAL)



Nº	CÓDIGO	DESCRIÇÃO	Qt.	OBSERVAÇÕES
U	LH00080398	Side protection assembly	1	
1	LH00086342	LEFT GUARD	1	
2	LH00086343	RIGHT GUARD	1	
3	LH00010779	BOLT M8×40	2	
4	LH00010780	BOLT M8×55	4	
5	LH00010776	NUT M8	6	
6	LH00025608	THE PLUG	4	

## LH1100 PRO MAX 4X4

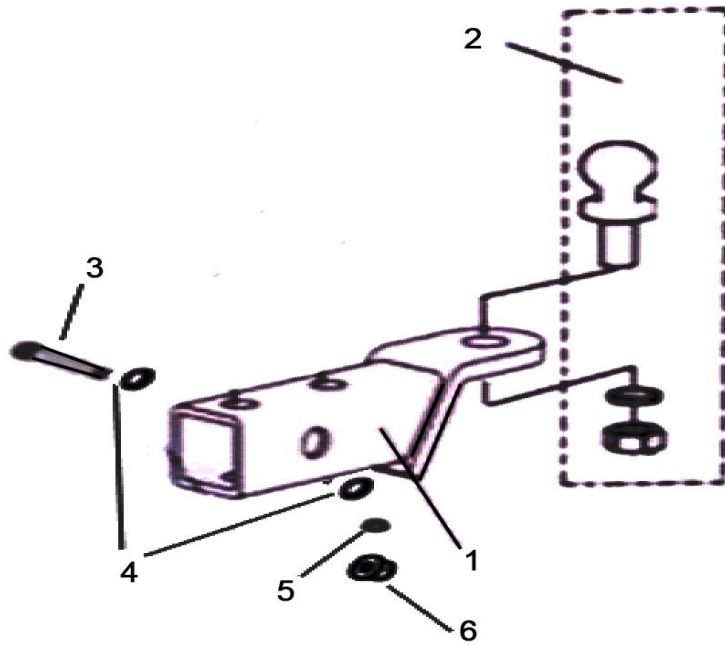
### F35.G ELECTRIC PUSH ROD ASSEMBLY (OPTIONAL)



Nº	CÓDIGO	DESCRIÇÃO	Qt.	OBSERVAÇÕES
J	LH00084390	The electric push rod parts (5000N)	1	
J	LH00086444	The electric push rod parts (7500N)	1	
1	LH00084391	After the container electric push rod assembly (5000N)	1	
1	LH00086396	After the container electric push rod assembly (7500N)	1	
2	LH00084392	Shoulder Bolt M10×1.25×45	2	
3	LH00011480	Nut M10	2	
4	LH00084393	The supporting seat is arranged under the electric putter	1	
5	LH00011521	Hexagon Flange Bolt M8×45	1	
6	LH00010961	Hexagon Flange Bolt M8×60	1	
7	LH00011479	Hexagon Nut Fine Pitch M8	2	
8	LH00084394	The supporting seat assembly is mounted on the electric push rod	1	
9	LH00011234	Hexagon Flange Bolt M6×45	2	
10	LH00011459	Hexagon Flange Bolt M6×20	2	
11	LH00011477	Hexagon Nut Fine Pitch M6	4	
12	LH00084395	Lift switch	1	
13	LH00011529	Cross Recessed Pan Head Screw M5×16	2	
14	LH00084396	Lift control cable	1	
15	LH00084519	fan realy	2	

## LH1100 PRO MAX 4X4

### F35.H REAR TOWING HITCH BALL (OPTIONAL)



Nº	CÓDIGO	DESCRIÇÃO	Qt.	OBSERVAÇÕES
1	LH00025295	TRACTION BALL WELDING COMPONENTS, SHORT (E13 55R-014154)	1	
1	LH00048556	BRACKET, TRACTOR (E13 55R-01 4568) , LONG	1	
2	LH00025294	TOWING HITCH BALL (E13 55R-014154)	1	
2	LH00048557	BALL, TRACTOR (E13 55R-01 4568)	1	
3	LH00010964	BOLT M16X95	1	
4	LH00010037	WASHER1 6	2	
5	LH00027050	WASHER SPRING 16	1	
6	LH00010658	NUT M16	1	



## LH1100 PRO MAX 4X4

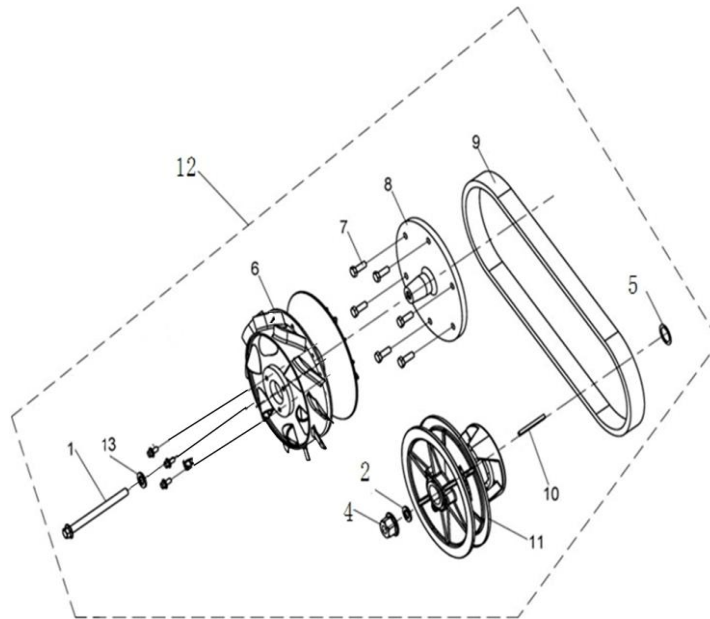
F35.I PASSENGER HANDLE, SOFT (OPTIONAL)



N°	CÓDIGO	DESCRIÇÃO	Qt.	OBSERVAÇÕES
1	LH00073559	The soft passengers handle	1	

## LH1100 PRO MAX 4X4

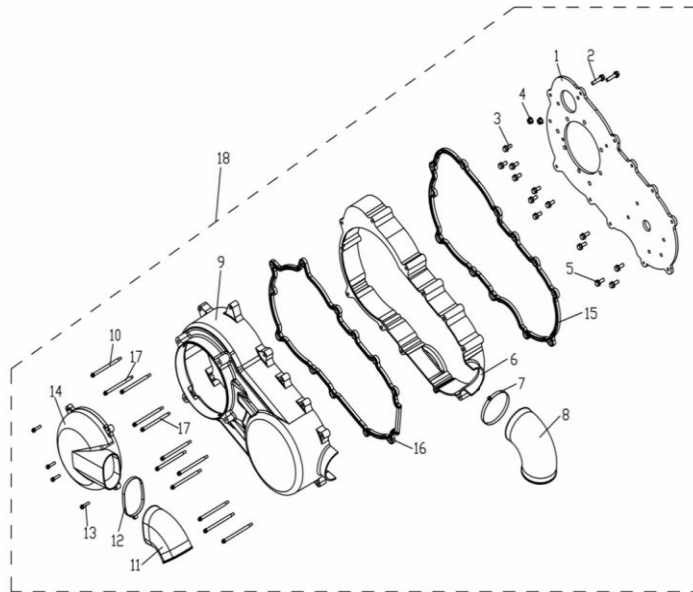
### E01 CVT ASSY



N°	CÓDIGO	DESCRIÇÃO	Qt.	OBSERVAÇÕES
1	LH00086361	Bolt M10X166	1	
2	LH00028053	Washer 12	1	
4	LH00028054	Nut M12X1.25	1	
5	LH00084384	adjusting shim 2	as needed	
6	LH00086355	Drive Pulley	1	
7	LH00011398	Bolt M10X1.25X25	6	
8	LH00086356	Shaft	1	
9	LH00086357	Belt	1	
10	LH00084070	Key, B4.7X55	1	
11	LH00086358	Driven Pulley Comp.	1	
12	LH00086412	CVT Assy		
13	LH00026324	WASHER	1	

## LH1100 PRO MAX 4X4

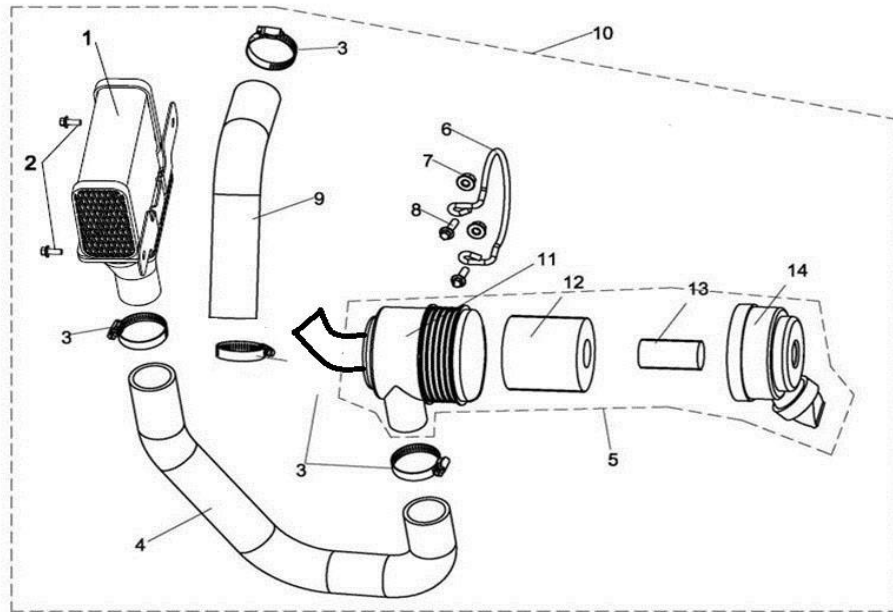
### E02 CVT COVER ASSY



N°	CÓDIGO	DESCRIÇÃO	Qt.	OBSERVAÇÕES
1	LH00086420	Fitting Board	1	
2	LH00011396	Bolt M8X35	2	
3	LH00011627	Bolt M10X1.25X20	8	
4	LH00010794	NUT M8	2	
5	LH00011397	Bolt M8X20	5	
6	LH00086421	Down Cover .CVT	1	
7	LH00084078	Clamp B	1	
8	LH00084077	Outlet Plastic Pipe	1	
9	LH00086422	Upper Cover Comp. CVT	1	
10	LH00086423	CVT cover mounting step bolt 1	10	
11	LH00084075	Intake Plastic Pipe	1	
12	LH00084076	Clamp A	1	
13	LH00011539	Bolt M6X25	4	
14	LH00084074	Top Cover, CVT	1	
15	LH00086424	CVT cover gasket 1	1	
16	LH00086425	CVT cover gasket 2	1	
17	LH00086426	CVT cover mounting step bolt 1	2	
18	LH00086427	CVT Cover Assy	1	

## LH1100 PRO MAX 4X4

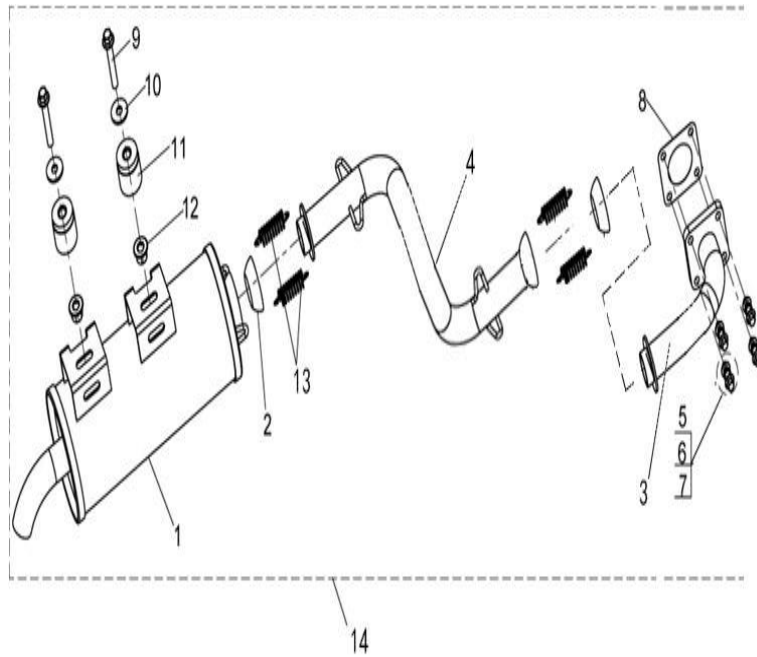
### E03 AIR INTAKE EXPLODED VIEW



N°	CÓDIGO	DESCRIÇÃO	Qt.	OBSERVAÇÕES
1	LH00084296	Air Intake Baffling Box	1	
2	LH00010010	Bolt M6X15	2	
3	LH00084063	Clamp (Φ40-Φ60)	4	
4	LH00086401	Inlet Hose	1	
5	LH00086364	Air Cleaner Compnents (With Filter Element)	1	
6	LH00086365	Clamp	1	
7	LH00010880	Nut M8	2	
8	LH00010078	Bolt M8X30	2	
9	LH00086366	Outlet Hose	1	
10	LH00086367	Air Intake Assy	1	
11	LH00086368	The Air Filter Housing	1	
12	LH00086369	Air Filter Element	1	
13	LH00086370	The Security Air Filter Element	1	
14	LH00086371	The Air Filter Housing	1	

# LH1100 PRO MAX 4X4

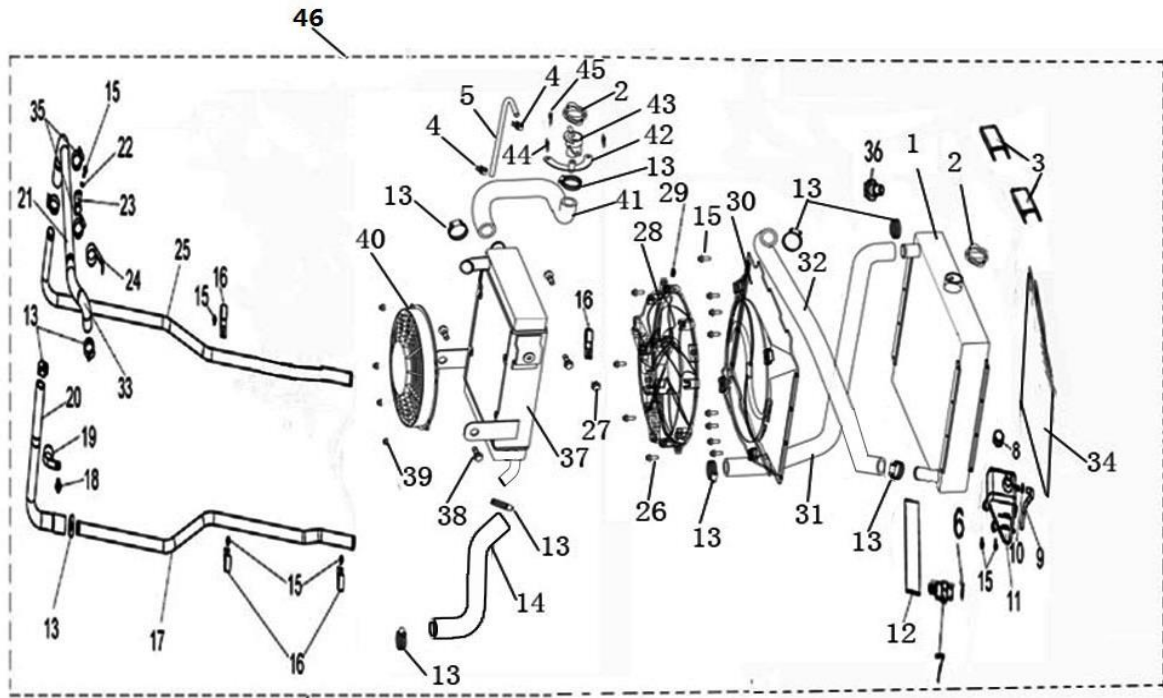
## E04 EXHAUST ASSEMBLY



N°	CÓDIGO	DESCRIÇÃO	Qt.	OBSERVAÇÕES
1	LH00084141	Muffler	1	
2	LH00084066	Spherical Washer	2	
3	LH00086372	Exhaust Pipe 1	1	
4	LH00086373	Exhaust Pipe 2	1	
5	LH00010425	Bolt M8X22	4	
6	LH00011504	Spring Washer 8	4	
7	LH00010068	Washer 8	4	
8	LH00086374	Gasket, Muffler	1	
9	LH00010813	Bolt M10X1.25X62	2	
10	LH00010117	Washer 10 (11x30x2.5)	2	
11	LH00035344	Silence Bumper Components	2	
12	LH00011482	Nut M10X1.25	2	
13	LH00023408	Spring	4	
14	LH00084138	Exhaust Assy	1	

# LH1100 PRO MAX 4X4

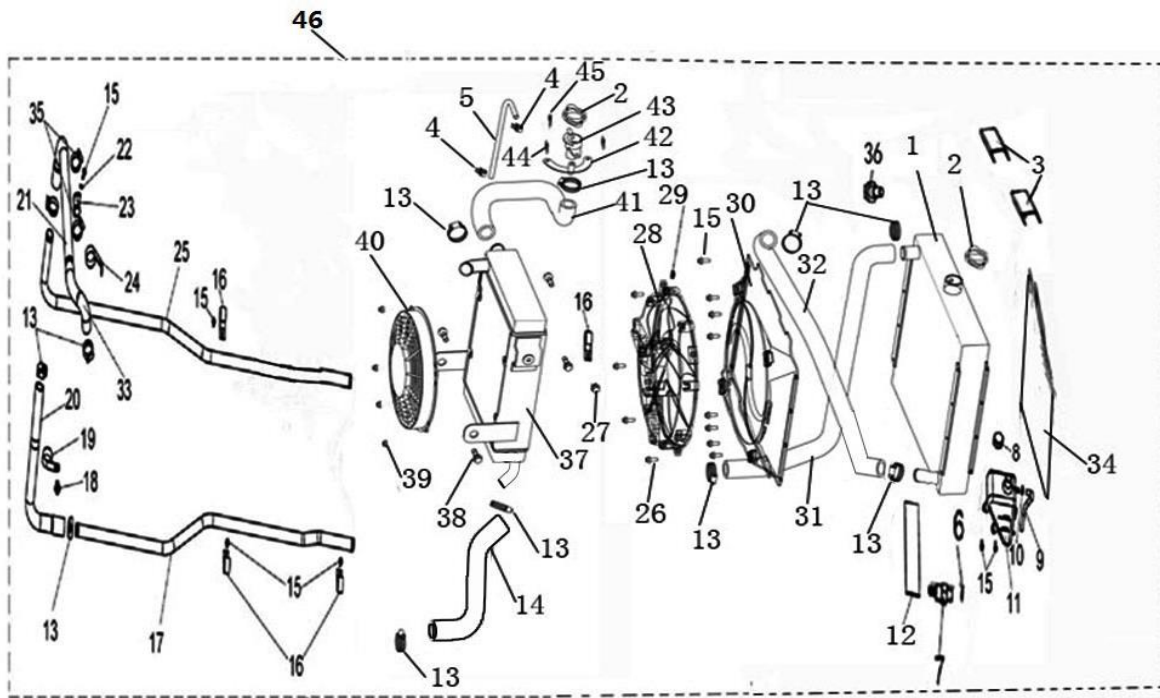
## E05 COOLING SYSTEM



N°	CÓDIGO	DESCRIÇÃO	Qt.	OBSERVAÇÕES
1	LH00086456	Radiator A	1	
2	LH00022907	Safety Valve	2	
3	LH00073395	Spong 1	2	
4	LH00071952	Clip $\phi$ 9.8	2	
5	LH00071819	Pipe, Safety Valve	1	
6	LH00010737	O-Ring 13.2X1.8	1	
7	LH00084297	Temperature Thermo Switch	1	
8	LH00070338	Cover, Recovery Tank	1	
9	LH00070342	Pipe, Recovery Tank	1	
10	LH00022924	Clip $\phi$ 8.6	1	
11	LH00070340	Recovery Tank	1	
12	LH00084086	Spong 2	1	
13	LH00072027	Clamp 21/44	8	
14	LH00086457	Outlet Hose, Radiator	1	
15	LH00011495	Bolt M6X16	13	
16	LH00084133	R-Clip, Aluminum Pipe 1&2 Fitting	6	
17	LH00086379	Aluminum Pipe 1	1	
18	LH00010783	Bolt M8X20	1	
19	LH00084131	R-Clip, Engine Inlet Hose Fitting	1	
20	LH00086376	Engine Inlet Hose	1	
21	LH00086377	Engine Outlet Hose	1	
22	LH01309254	Washer	1	
23	LH00084565	Overflow Pipe	1	
24	LH00084132	R-Clip, Engine Outlet Hose Fitting	1	
25	LH00084128	Aluminum Pipe 2	1	
26	LH00011459	Bolt M6X20	4	

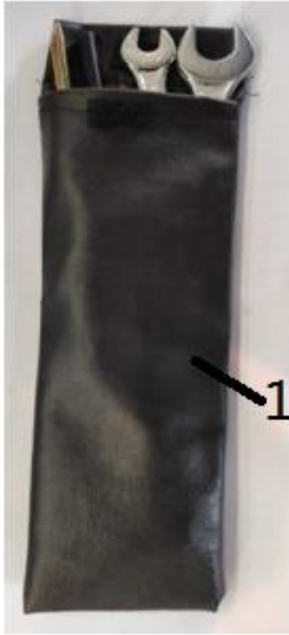
# LH1100 PRO MAX 4X4

## E05 COOLING SYSTEM



N°	CÓDIGO	DESCRIÇÃO	Qt.	OBSERVAÇÕES
28	LH00084087	Fan Moter	1	
29	LH00070960	Plastic Flexible Installation Nut	4	
30	LH00073004	Fan Moter Shroud	1	
31	LH00084126	Inlet Hose, Radiator	1	
32	LH00086458	Intermediate connecting pipe	1	
33	LH00086380	Engine Outlet Hose 2	1	
34	LH00086381	Protective net	Optional	
35	LH00010764	Clamp 21/32	2	
36	LH00070811	THE COOLING FLUID TEMPERATURE SENSOR	1	
37	LH00086459	Radiator B	1	
38	LH00011459	Bolt M6X20	1	
39	LH00010103	NUT M6	4	
40	LH00035354	Fan Moter 500	1	
41	LH00086459	Water mains	1	
42	LH00086384	Add pipe bracket	1	
43	LH00022908	Safety pressure seat	1	
44	LH00010178	Cross Recessed Pan Head Tapping Screw ST4.2x13	2	
45	LH00010001	SCrew M5X12	1	
46	LH00086461	Cooling System Assy	1	

E06 TOOLKIT

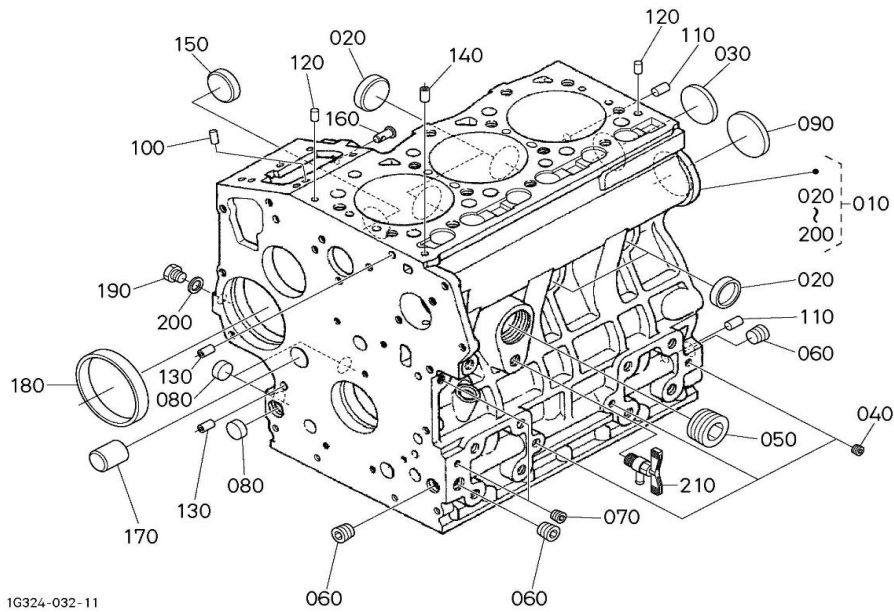


N°	CÓDIGO	DESCRIÇÃO	Qt.	OBSERVAÇÕES
1	LH00085005	Tool Assy.	1	
2	LH00084327	Driving Wheel Puller	1	



## LH1100 PRO MAX 4X4

### E07 CRANKCASE

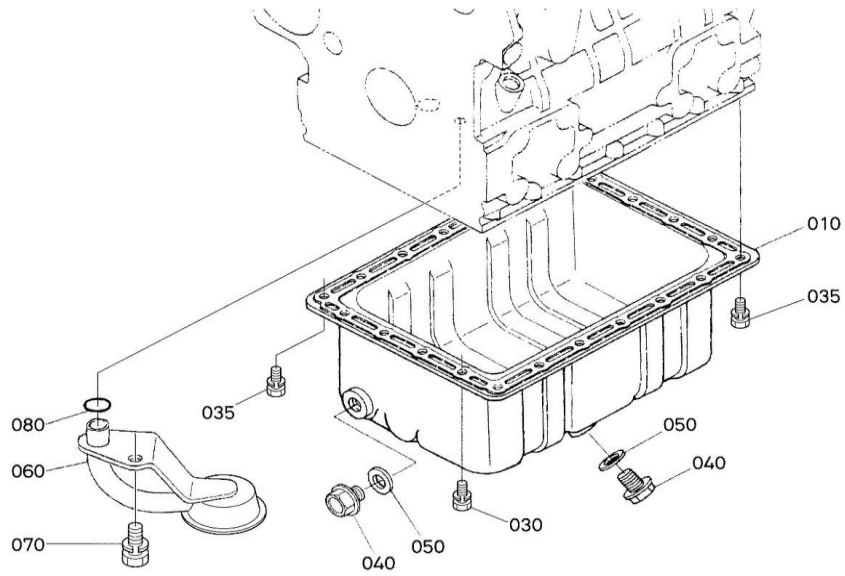


1G324-032-11

N°	CÓDIGO	DESCRIÇÃO	Qt.	OBSERVAÇÕES
010	LH1G69401012	COMP. CRANKCASE	1	
020	LH1545196270	CAP, SEALING	4	
030	LH1522103490	CAP, SEALING	1	
040	LH1526196010	PLUG	3	
050	LH1668396020	PLUG	1	
060	LH1624196010	PLUG	3	
070	LH1552196020	PLUG	2	
080	LH1739196160	PLUG, EXPANSION	3	
090	LH1627196160	PLUG, EXPANSION	1	
100	LH0501200508	PIN, STRAIGHT	2	
110	LH0501200814	PIN, STRAIGHT	2	
120	LH0501200610	PIN, STRAIGHT	2	
130	LH1523133960	PIN, PIPE	2	
140	LH1624133650	PIN, PIPE	1	
150	LH1624196262	PLUG, FUEL CAMSHAFT	1	
160	LH1626156280	PIN(START SPRING)	1	
170	LH1628296010	PLUG	1	
180	LH1627155350	BUSHING (GEAR, GOBERNOR)	1	
190	LH1G89633610	PLUG	1	
200	LH1502133660	PACKING	1	
210	LH1687173020	COCK,ASSY (DRAIN)	1	

## LH1100 PRO MAX 4X4

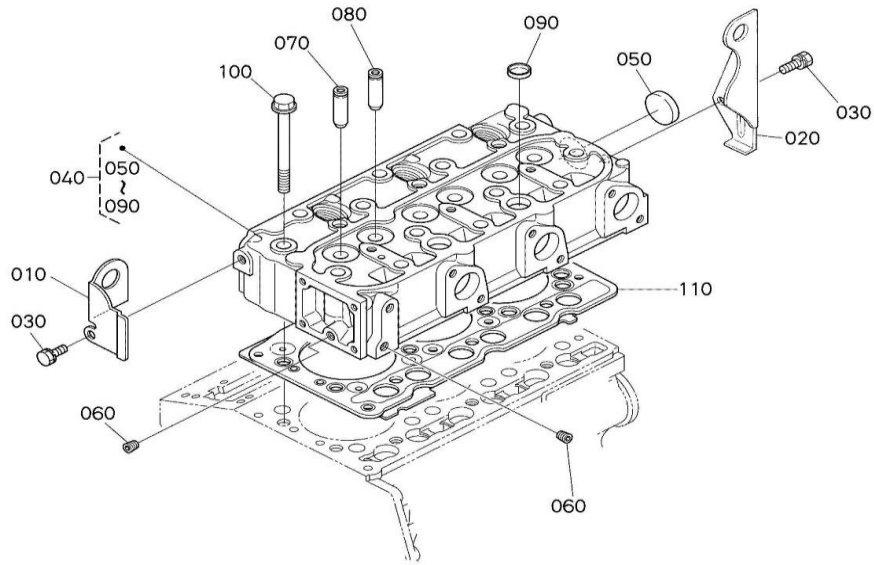
### E08 OIL PAN



N°	CÓDIGO	DESCRIÇÃO	Qt.	OBSERVAÇÕES
010	LH1961001500	COMP. OIL PAN	1	
030	LH0102350614	BOLT, SEMS	20	
035	LH0102350614	BOLT,SEMS	2	
040	LH1390133750	PLUG,DRAIN	2	
050	LH6C09058960	GASKET	2	
060	LH1626132117	FILTER, OIL	1	
070	LH0112350861	BOLT,SEMS	1	
080	LH0481400160	O-RING	1	

## LH1100 PRO MAX 4X4

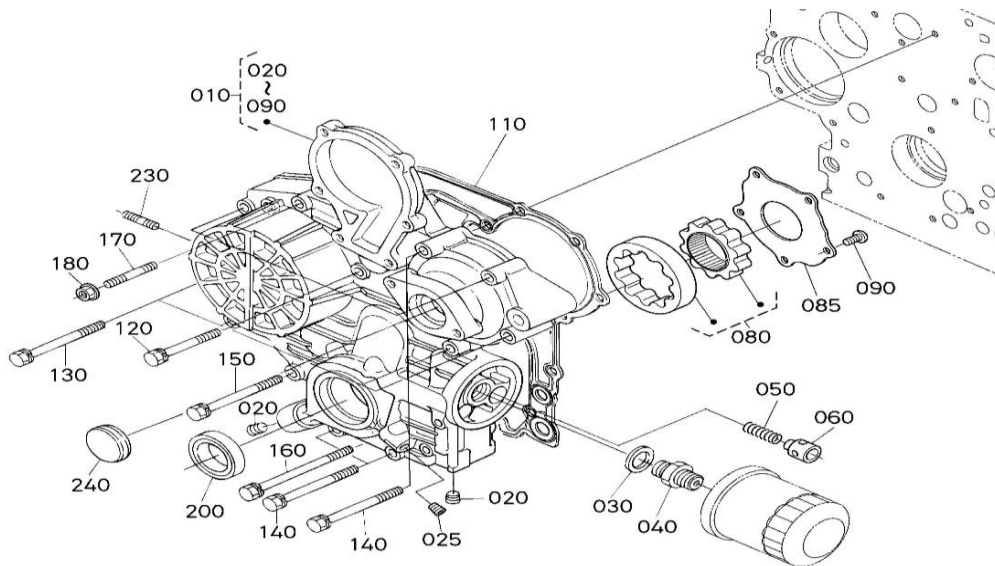
### E09 CYLINDER HEAD



Nº	CÓDIGO	DESCRIÇÃO	Qt.	OBSERVAÇÕES
010	LH1624101753	HOOK, ENGINE	1	
020	LH1624101770	HOOK, ENGINE	1	
030	LH0112350814	BOLT, SEMS	2	
040	LH1J09603040	HEAD, CYLINDER, COMP.	1	
050	LH1532196260	CAP,SEALING	1	
060	LH1526103370	CAP,SEALING	2	
070	LH1626113540	GUIDE,INLET VALVE	3	
080	LH1626113560	GUIDE, EXHAUST VALVE	3	
090	LH1526196010	PLUG	2	
100	LH1624103450	BOLT, HEAD(CYLINDER)	14	
110	LH1G06303310	GASKET(HEAD,CYLINDER)	1	

# LH1100 PRO MAX 4X4

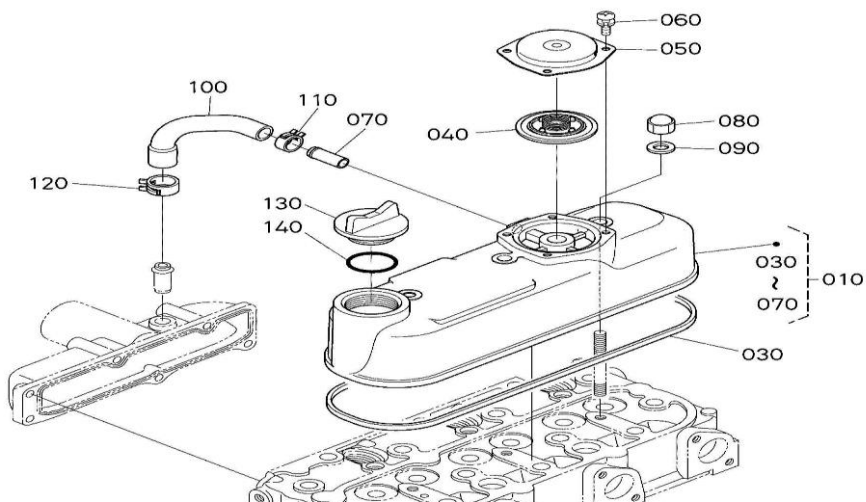
## E10 GEAR CASE



Nº	CÓDIGO	DESCRIÇÃO	Qt.	OBSERVAÇÕES
010	LH1625204024	COMP. CASE, GEAR	1	
020	LH1624196020	PLUG	2	
025	LH1626196010	PLUG	1	
030	LH0401150180	WASHER,PLAIN	1	
040	LH1524132290	JOINT,PIPE	1	
050	LH1J05036950	SPRING	1	
060	LH1J05036930	VALVE (RELIEF)	1	
080	LH1J05035070	ROTOE,ASSY (OIL PUMP)	1	
085	LH1J05035132	COVER (OIL PUMP)	1	
090	LH0301750614	SCREW, BINDING (PHILLIPS)	5	
110	LH1626404132	GASKET, GEAR CASE	1	
120	LH0102350645	BOLT,SEMS	3	
130	LH0102350650	BOLT, SEMS	4	
140	LH0102350655	BOLT,SEMS	4	
150	LH0102350665	BOLT, SEMS	1	
160	LH1624191040	BOLT	1	
170	LH1624591530	STUD	1	
180	LH0275150060	NUT, FLANGE	1	
200	LH1624104212	SEAL, OIL	1	
230	LH1624591540	STUD	2	
240	LH1626483342	COVER, GEAR CASE	1	

## LH1100 PRO MAX 4X4

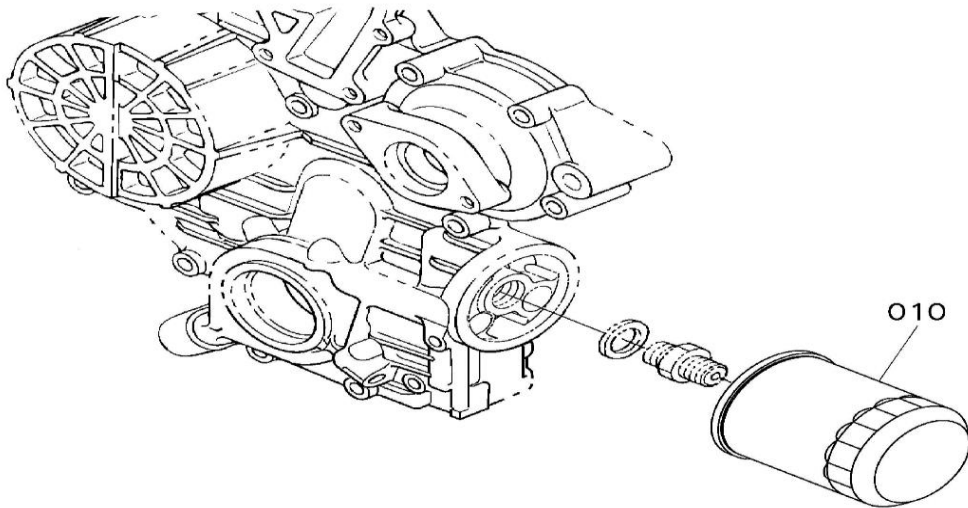
### E11 HEAD COVER



Nº	CÓDIGO	DESCRIÇÃO	Qt.	OBSERVAÇÕES
010	LH1G03214580	COVER,HEAD,ASSY	1	
030	LH1626114524	GASKET, HEAD COVER	1	
040	LH1G91105203	COMP. VANVE BREATHER	1	
050	LH1G80105120	COVER BREATHER	1	
060	LH0302450510	SCREW, SEMS(PAN HEAD)	4	
070	LH1733173342	PIPE, WATER RETURN	1	
080	LH1595292330	NUT, CAP	3	
090	LH1595196660	PACKING	3	
100	LH1G31888150	TUBE, BREATHER	1	
110	LH0931888150	CLAMPHOSE	1	
120	LH1625905580	BAND, PIPE	1	
130	LHE915133140	PLUG(OIL FILTER)	1	
140	LH1J00196770	O-RING	1	

# LH1100 PRO MAX 4X4

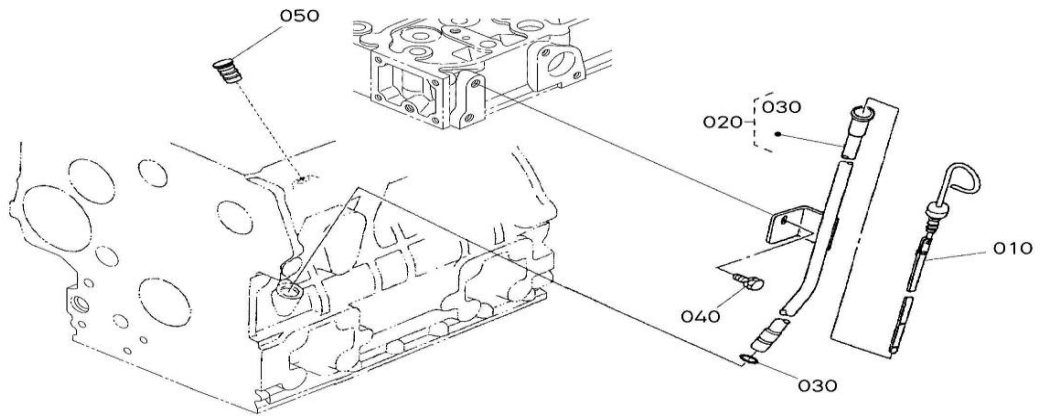
## E12 OIL FILTER



N°	CÓDIGO	DESCRIÇÃO	Qt.	OBSERVAÇÕES
10	LH16032093	OIL FILTER	1	

# LH1100 PRO MAX 4X4

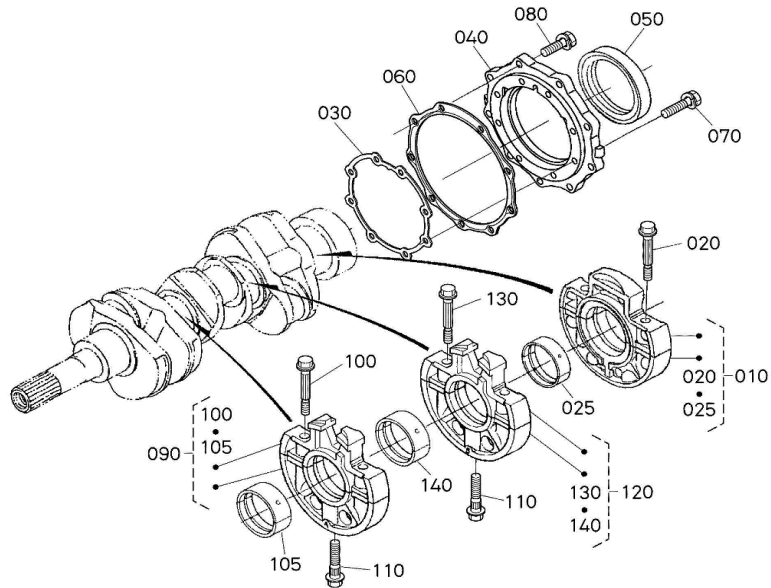
## E13 DIPSTICK



N°	CÓDIGO	DESCRIÇÃO	Qt.	OBSERVAÇÕES
010	LH1628236413	GAUGE, OIL	1	
020	LH1628236500	ASSY GUIDE, OIL GAUGE	1	
030	LH0481400090	O-RING	1	
040	LH0112350814	BOLT,SEMS	1	
050	LH1G51336550	PLUG,OIL GAUGE	1	

## LH1100 PRO MAX 4X4

### E14 MAIN BEARING CASE

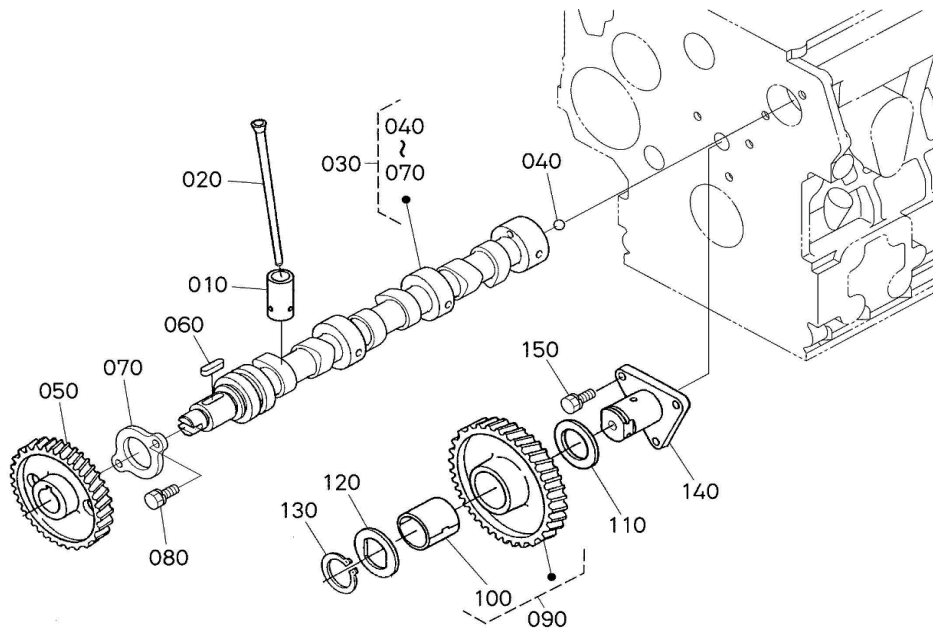


Nº	CÓDIGO	DESCRIÇÃO	Qt.	OBSERVAÇÕES
010	LH1629207097	ASSY BEARING CASE	1	
020	LH1624104540	BOLT, BEARING CASE	2	
025	LH1629223494	METAL, CRANKSHAFT	1	STD ST
025	LH1629226864	METAL, CRANKSHAFT	1	0.20mm SET
025	LH1629223874	METAL, CRANKSHAFT	1	0.40mm SET
030	LH1J09504360	GASKET	1	
040	LH1624104815	COVER(CASE,BEARING)	1	
050	LH1628504460	SEAL, OIL	1	
060	LH1626404822	GASKET	1	
070	LH1G67991012	BOLT	8	
080	LH1G67991022	BOLT	9	
090	LH1626107047	ASSY BEARING CASE, MAIN	1	
100	LH1624104540	BOLT, BEARING CASE	2	
105	LH1629223483	METAL, CRANKSHAFT	1	STD ST
105	LH1629223933	METAL, CRANKSHAFT	1	0.20mm SET
105	LH1629223943	METAL, CRANKSHAFT	1	0.40mm SET
110	LH1624104560	BOLT(CASE,BEARING)	2	
120	LH1626107057	ASSY BEARING CASE, MAIN	1	
130	LH1624104540	BOLT, BEARING CASE	2	
140	LH1629223933	METAL, CRANKSHAFT	1	0.20mm SET
140	LH1629223943	METAL, CRANKSHAFT	1	0.40mm SET
140	LH1629223483	METAL, CRANKSHAFT	1	STD ST



## LH1100 PRO MAX 4X4

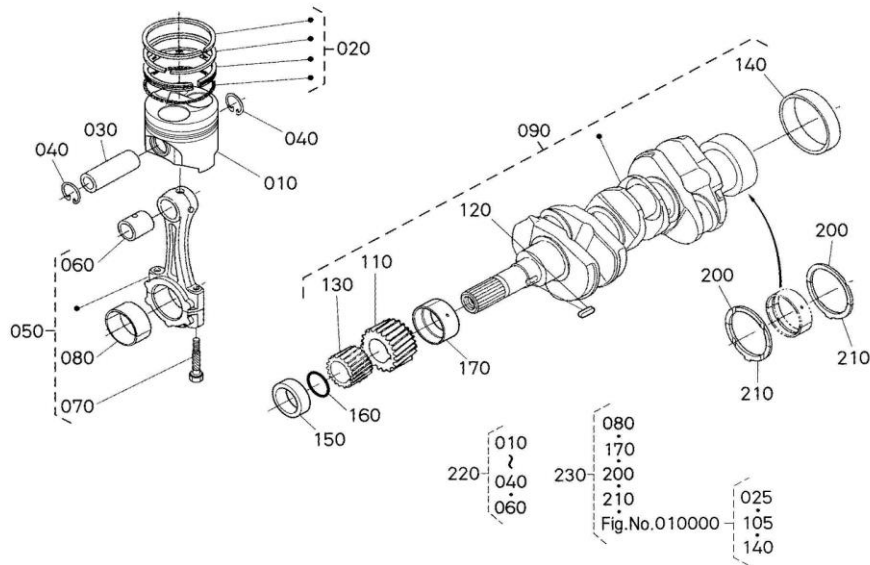
### E15 CAMSHAFT AND IDLE GEAR SHAFT



Nº	CÓDIGO	DESCRIÇÃO	Qt.	OBSERVAÇÕES
010	LH1G67315550	TAPPED	6	
020	LH1624115114	PUSH ROD	6	
030	LH1J09616010	CAMSHAFT, ASSY	1	
040	LH0771500401	BALL 1/4	1	
050	LH1624116510	GEAR, CAM	1	
060	LH0571200518	FEATHER KEY	1	
070	LH1J09716270	STOOPER(CAMSHAFT)	1	
080	LH0102350616	BOLT,SEMS	2	
090	LH1627124012	COMP. GEAR, IDLE	1	
100	LH1627124982	BUSH, IDLE GEAR	1	
110	LH1624124360	COLLAR, IDLE GEAR	1	
120	LH1624124370	COLLAR, IDLE GEAR	1	
130	LH1624124320	CIR CLIP, IDLE GEAR	1	
140	LH1624124250	SHAFT, IDLE GEAR	1	
150	LH0102350616	BOLT,SEMS	3	

# LH1100 PRO MAX 4X4

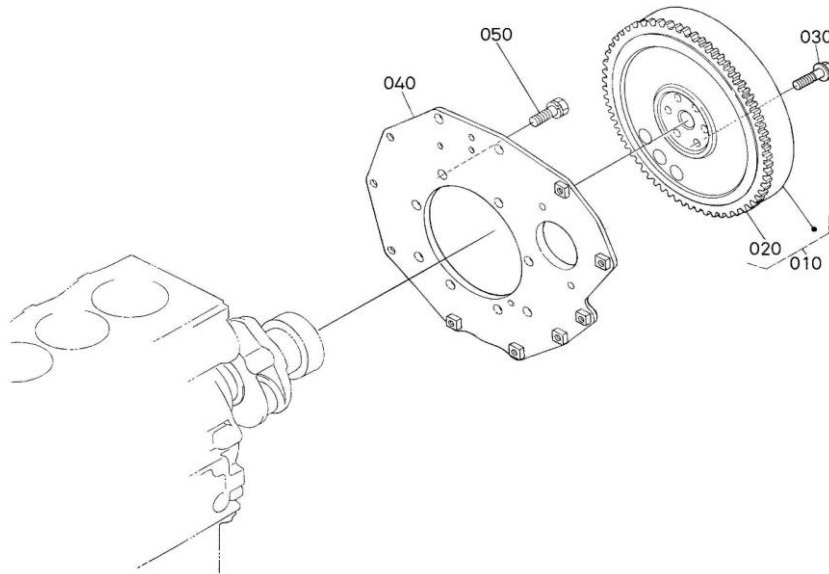
## E16 PISTON AND CRANKSHAFT



N°	CÓDIGO	DESCRIÇÃO	Qt.	OBSERVAÇÕES
010	LH1J09721110	PISTON	3	STD
010	LH1J09721910	PISTON(05)	3	0,50mm
020	LH1J05021050	RING, PISTON, ASSY	3	STD
020	LH1J05021090	RING, PISTON, ASSY 05	3	0,50mm
030	LH1624121310	PIN, PISTON	3	
040	LH1624121330	CIRCLIP(PIN, PISTON)	6	
050	LH1629222016	ROD, CONNECTING, ASSY	3	
060	LH1G70021980	BUSH, PISTON PIN	3	
070	LH1624122142	BOLT(CONNECTING ROD)	6	
080	LH1629222310	METAL(PIN,CRANK)	3	STD SET
080	LH1629222972	METAL, CRANKPIN	3	0,20mm SET
080	LH1629222982	METAL, CRANKPIN	3	0,40mm SET
090	LH1G06523013	COMP. CRANKSHAFT	3	
110	LH1A05524110	GEAR(CRANKSHAFT)	1	
120	LH1627195230	KEY	1	
130	LH1J05035630	GEAR(OIL PUMP DRIVE)	1	
140	LH1624123280	SLEEVE, CRANKSHAFT	1	
150	LH1J05023250	COLLAR(CRANKSHAFT)	1	
160	LH0481410280	RING	1	
170	LH1629223473	METAL(CRANKSHAFT)	1	STD
170	LH1629223913	METAL(CRANKSHAFT)	1	0,20mm
170	LH1629223923	METAL(CRANKSHAFT)	1	0,40mm
200	LH1552123533	METAL, SIDE	2	STD
200	LH1552123953	METAL, SIDE	2	0,20mm
200	LH1552123963	METAL, SIDE	2	0,40mm
210	LH1920223543	METAL, SIDE	2	STD
210	LH1920223973	METAL, SIDE	2	0,20mm
210	LH1920223983	METAL, SIDE	2	0,40mm
220	LH1J09721770	PISTON, KIT(STD)	3	STD
220	LH1J09721790	PISTON KIT(050)	3	0,50mm
230	LH1G99323765	METAL, KIT(ENGINE)	1	
230	LH1G99323775	METAL, KIT(ENGINE)	1	
230	LH1G99523755	METAL, KIT(ENGINE)	1	STD

# LH1100 PRO MAX 4X4

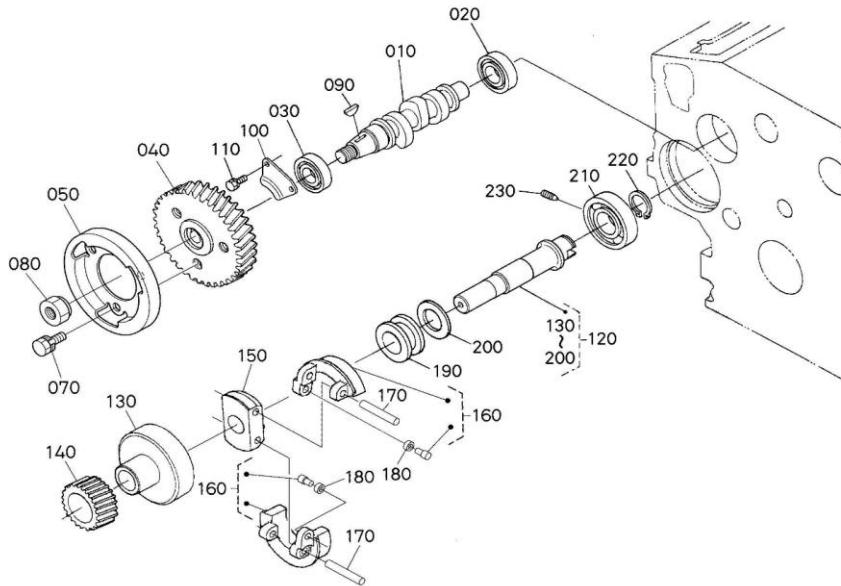
## E17 FLYWHEEL



N°	CÓDIGO	DESCRIÇÃO	Qt.	OBSERVAÇÕES
010	LH1669225013	COMP. FLYWHEEL	1	
020	LH1G08163820	GEAR,RING	1	
030	LH1624125160	BOLT, FLYWHEEL	6	
040	LH1624184620	PLATE, REAR END	1	
050	LH1526191190	BOLT	8	

## LH1100 PRO MAX 4X4

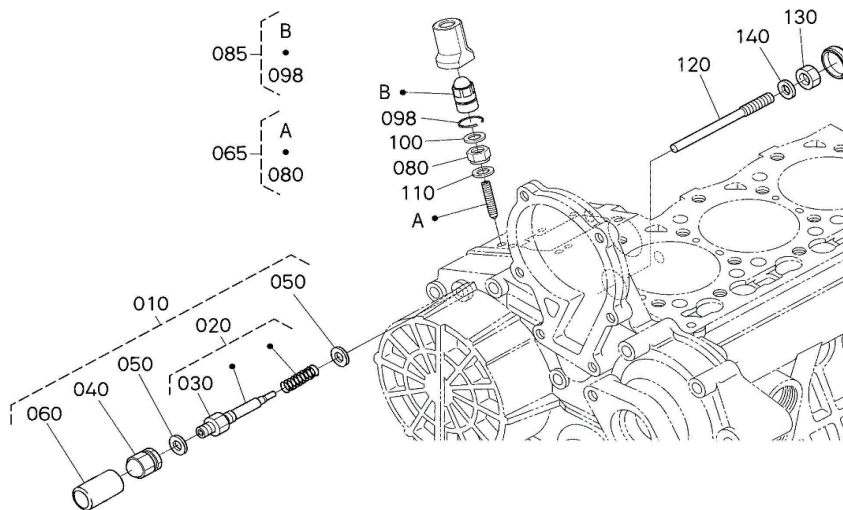
### E18 FUEL CAMSHAFT AND GOVERNOR SHAFT



Nº	CÓDIGO	DESCRIÇÃO	Qt.	OBSERVAÇÕES
010	LH1602016172	CAMSHAFT, FUEL	1	
020	LH1626197300	BEARING, BALL	1	
030	LH1626197310	BEARING, BALL	1	
040	LH1627251150	GEAR, INJECTION PUMP	1	
050	LH1624151114	CAM, FUEL	1	
070	LH0102350612	BOLT, SEMS	3	
080	LH1J05092330	NUT	1	
090	LH1624195230	KEY, WOODRUFF	1	
100	LH1624116320	STOPPER, FUEL CAMSHAFT	1	
110	LH0102350616	BOLT, SEMS	2	
120	LH1626555019	ASSY SHAFT, GOVERNOR	1	
130	LH1624155392	HOLDER, GOVERNOR GEAR	1	
140	LH1628255320	GEAR, GOVERNOR	1	
150	LH1624155270	HOLDER, GOVERNOR WEIGHT	1	
160	LH1624155064	COMP. WEIGHT, GOVERNOR	2	
170	LH1624155260	SHAFT, GOVERNOR WEIGHT	2	
180	LH1948455440	ROLLER	2	
190	LH1624155450	SLEEVE, GOVERNOR	1	
200	LH1624155463	WASHER, THRUST	1	
210	LH1626197320	BALL BEARING	1	
220	LH1627155410	CIRCLIP, GOVERNOR SHAFT	1	
230	LH1624155554	SCREW, SET	1	

# LH1100 PRO MAX 4X4

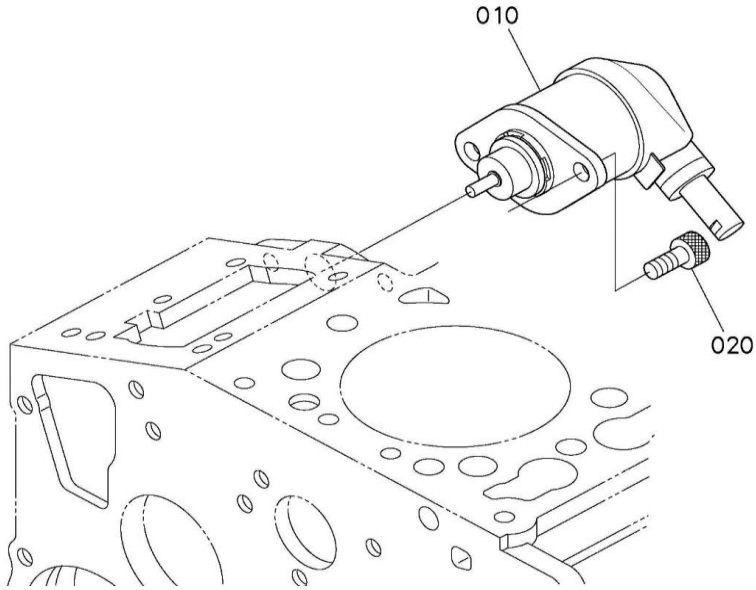
## E19 IDLE APPARATUS



Nº	CÓDIGO	DESCRIÇÃO	Qt.	OBSERVAÇÕES
010	LH1628554093	ASSY APPARATUS, IDLE	1	
020	LH1628554103	ASSY BOLT, ADJUSTING	1	
030	LH1584192020	NUT	1	
040	LH1585292330	NUT	1	
050	LH1560196650	PACKING	2	
060	LH1622154420	CAP	1	
065	LH1J09754350	BOLT, ASSY(ADJUSTING)	1	
080	LH1J09454210	NUT(LOCK)	1	
085	LH1J09754380	NUT, CAP, ASSY	1	
098	LH1J09454280	CIRCLIP, INT	1	
100	LH1560196650	PACKING	1	
110	LH1560196650	PACKING	1	
120	LH1G05354150	BOLT	1	
130	LH0205650060	HEX. NUT	1	
140	LH1560196650	PACKING	1	

# LH1100 PRO MAX 4X4

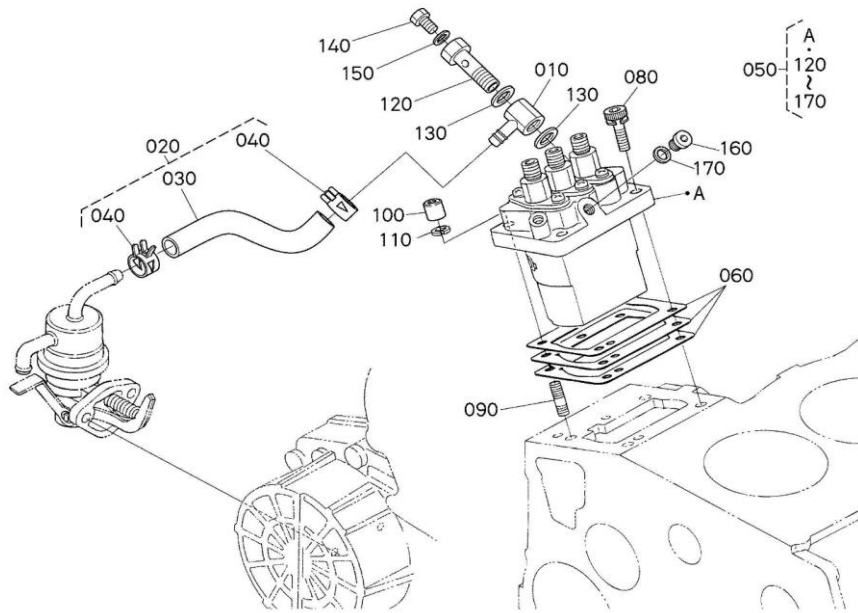
## E20 STOP SOLENOID



N°	CÓDIGO	DESCRIÇÃO	Qt.	OBSERVAÇÕES
010	LH1720860016	ASSY SOLENOID, STOP	1	
020	LH0131110612	BOLT, SOCKET HEAD	2	

# LH1100 PRO MAX 4X4

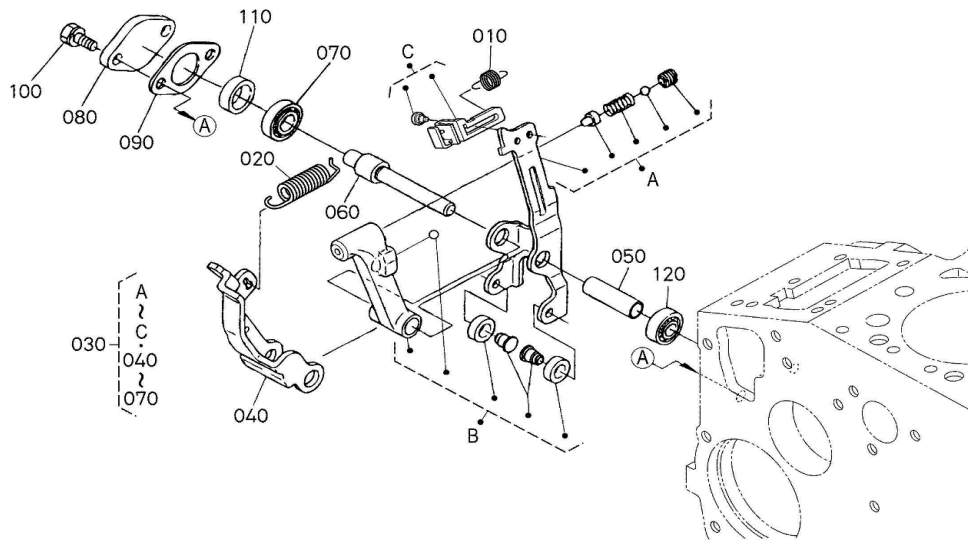
## E21 INJECTION PUMP



Nº	CÓDIGO	DESCRIÇÃO	Qt.	OBSERVAÇÕES
010	LH1624195694	JOINT, EYE	1	
020	LH1603242010	TUBE, FUEL, ASSY	1	
030	LH0966180075	TUBE, FUEL	1	
040	LH1497142750	CLIP, PIPE	2	
050	LH1603051013	ASSY PUMP, INJECTION	1	
060	LH1600652092	SHIM(INJECTION PUMP)	1	0.200mm
060	LH1600652112	SHIM(INJECTION PUMP)	1	0.250mm
060	LH1600652122	SHIM(INJECTION PUMP)	1	0.300mm
060	LH1G70052160	SHIM, INJECTION PUMP	1	0.350mm
060	LH1G70052200	SHIM, INJECTION	1	0.175mm
080	LH1687191060	BOLT, SOCKET HEAD	2	
090	LH1584191500	STUD	2	
100	LH1584192320	NUT, CAP	2	
110	LH0451250060	WASHER, SPRING LOCK	2	
120	LH1603051320	BOLT, JOINT	1	
130	LH1584196650	GASKET	2	
140	LH1584151350	SCREW	1	
150	LH1584196660	GASKET	1	
160	LH1603096010	PLUG	1	
170	LH1586196650	GASKET	1	

# LH1100 PRO MAX 4X4

## E22 GOVERNOR

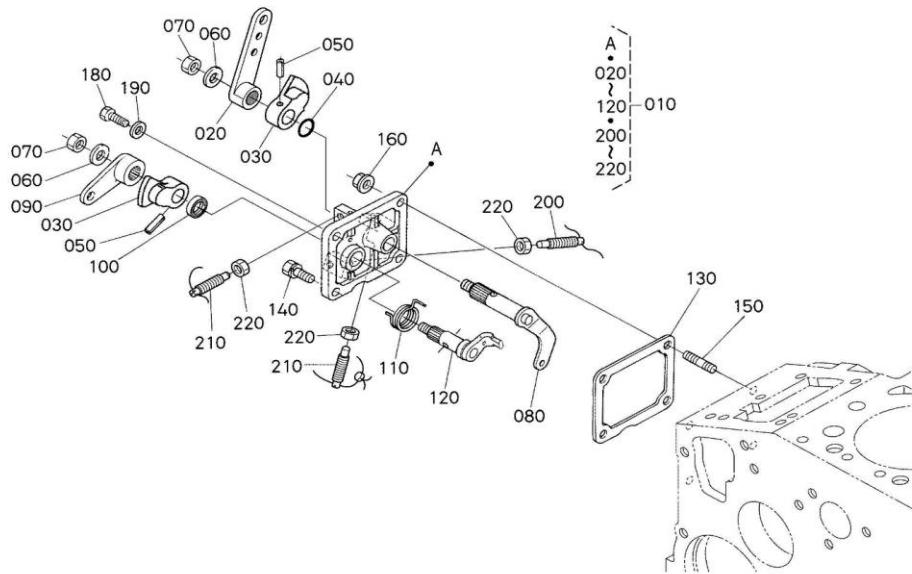


Nº	CÓDIGO	DESCRIÇÃO	Qt.	OBSERVAÇÕES
010	LH1626156480	SPRING, START	1	
020	LH1628556412	SPRING, GOVERNOR	1	
030	LH1G67356010	ASSY LEVER, FORK	1	
040	LH1G03256130	LEVER, FORK	1	
050	LH1G03256150	SHAFT, FORK LEVER	1	
060	LH1G03256470	SHAFT, FORK LEVER	1	
070	LH1624156330	BEARING, MINIATURIZE	1	
080	LH1624156253	COVER, FORK LEV. SHAFT	1	
090	LH1629956260	GASKET	1	
100	LH0102350612	BOLT, SEMS	2	
110	LH1624156340	COLLAR	1	
120	LH1624156340	BEARING, MINIATURIZE	1	



# LH1100 PRO MAX 4X4

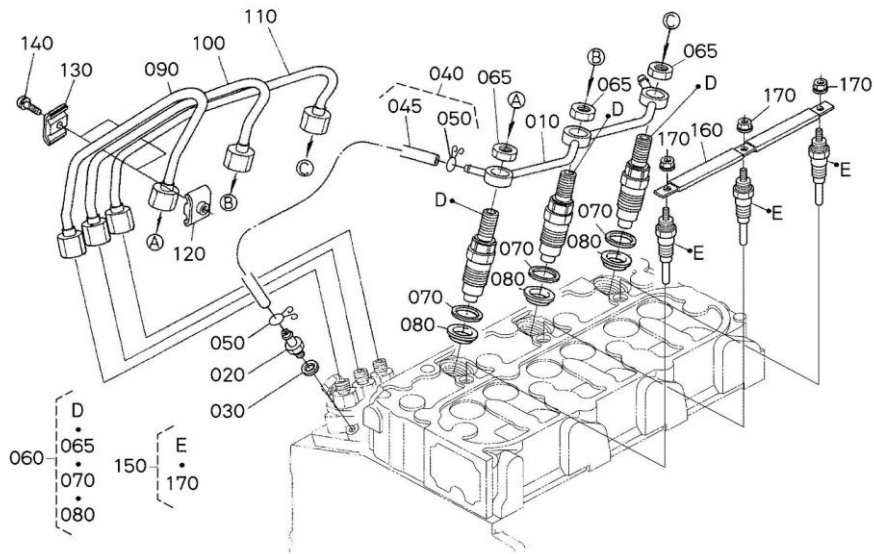
## E23 SPEED CONTROL PLATE



Nº	CÓDIGO	DESCRIÇÃO	Qt.	OBSERVAÇÕES
010	LH1629957015	PLATE, ASSY(CONTROL)	1	
020	LH1627157150	LEVER, SPEED CONTROL	1	
030	LH1624157160	LEVER, SPEED CONTROL	2	
040	LH0481400100	O-RING	1	
050	LH0541100420	PIN, SPRING	2	
060	LH1624194020	WASHER, PLAN	2	
070	LH1624192020	NUT	2	
080	LH1627156023	COMP. LEVER, GOVERNOR	1	
090	LH1627157720	LEVER, ENGINE STOP	1	
100	LH1547157980	SEAL, OIL	1	
110	LH1622257510	SPRING, RETURN	1	
120	LH1627157740	SHAFT, STOP LEVER	1	
130	LH1626457210	GASKET	1	
140	LH0102350616	BOLT, SEMS	1	
150	LH1624591540	STUD	2	
160	LH0275150060	NUT, FLANGE	2	
180	LH0105350616	HEX. BOLT	1	
190	LH1560196650	PACKING	1	
200	LH1G26357632	BOLT, ADJUSTING	1	
210	LH1624157632	BOLT(ADJUSTING)	2	
220	LH0205650060	HEX. BOLT	3	

## LH1100 PRO MAX 4X4

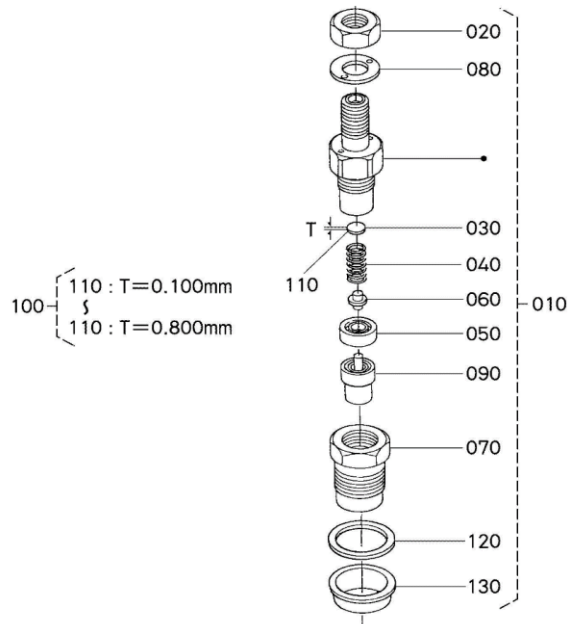
### E24 NOZZLE HOLDER AND GLOW PLUG



Nº	CÓDIGO	DESCRIÇÃO	Qt.	OBSERVAÇÕES
010	LH1626142502	ASSY PIPE, OVER FLOW	1	
020	LH1584151360	SCREW, BLEATHER	1	
030	LH1560196650	PACKING	1	
040	LH1584142502	ASSY PIPE, OVER FLOW	1	
045	LH1584142522	ASSY PIPE, OVER FLOW	1	
050	LH1491142750	CLIP, PIPE	2	
060	LH1G67753903	KIT HOLDER, NOZZLE	3	
065	LH1G82692032	NUT	3	
070	LH1584153622	GASKET	3	
080	LH1907753650	SEAL HEAT	3	
090	LH1627153712	PIPE, INJECTION	1	
100	LH1627153722	PIPE, INJECTION	1	
110	LH1627153732	PIPE, INJECTION	1	
120	LH1584153850	CLAMP, PIPE	2	
130	LH1584153860	CLAMP, PIPE	2	
140	LH0302450520	SCREW, SEMS(PAN HEAD)	2	
150	LH1G67965512	PLUG, GLOW	3	
160	LH1626165560	CORD, GLOW PLUG	1	
170	LH0276150040	NUT, FLANGE	3	

## LH1100 PRO MAX 4X4

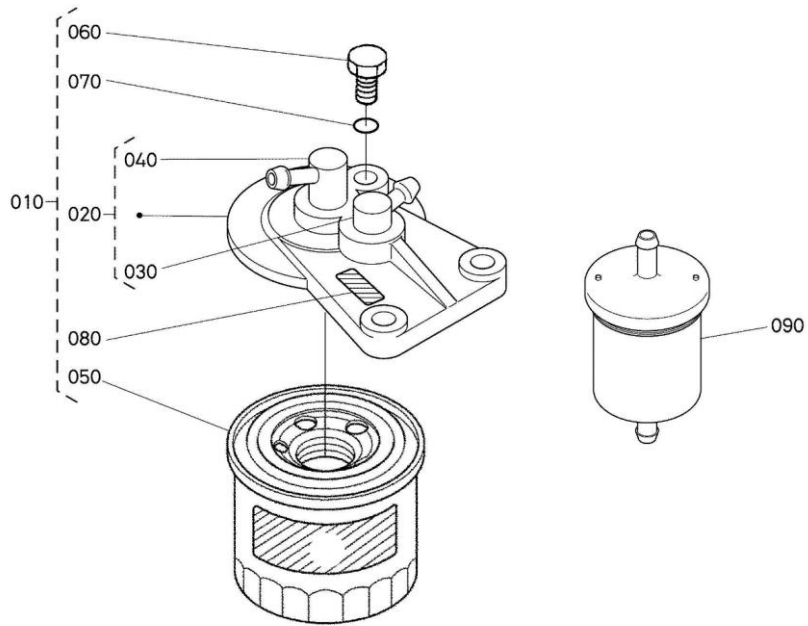
### E25 NOZZLE HOLDER(COMPONENT PARTS)



Nº	CÓDIGO	DESCRIÇÃO	Qt.	OBSERVAÇÕES
010	LH1G67753903	KIT HOLDER NOZZLE	3	
020	LH1G82692032	NUT	3	
030	LH1603253230	WASHER, ADJUSTING	3	
040	LH1603253170	SPRING, NOZZLE	3	
050	LH1603253350	SPACER, DISTANCE	3	
060	LH1603253160	PUSH ROD	3	
070	LH1603253280	NUT, NOZZLE	3	
080	LH1603294040	WHASER, PLAIN	3	
090	LH1G67753612	PIECE, NOZZLE	3	
100	LH1603298100	ASSY WASHER, ADJUST	3	
110	LH1603298500	WASHER, ADJUSTING	3	0.100mm
110	LH1603298510	WASHER, ADJUSTING	3	0.200mm
110	LH1603298520	WASHER, ADJUSTING	3	0.300mm
110	LH1603298530	WASHER, ADJUSTING	3	0.400mm
110	LH1603298540	WASHER, ADJUSTING	3	0.500mm
110	LH1603298550	WASHER, ADJUSTING	3	0.520mm
110	LH1603298560	WASHER, ADJUSTING	3	0.540mm
110	LH1603298570	WASHER, ADJUSTING	3	0.560mm
110	LH1603298580	WASHER, ADJUSTING	3	0.580mm
110	LH1603298590	WASHER, ADJUSTING	3	0.800mm
120	LH1584153622	GASKET	3	
130	LH1907753650	SEAL HEAT	3	

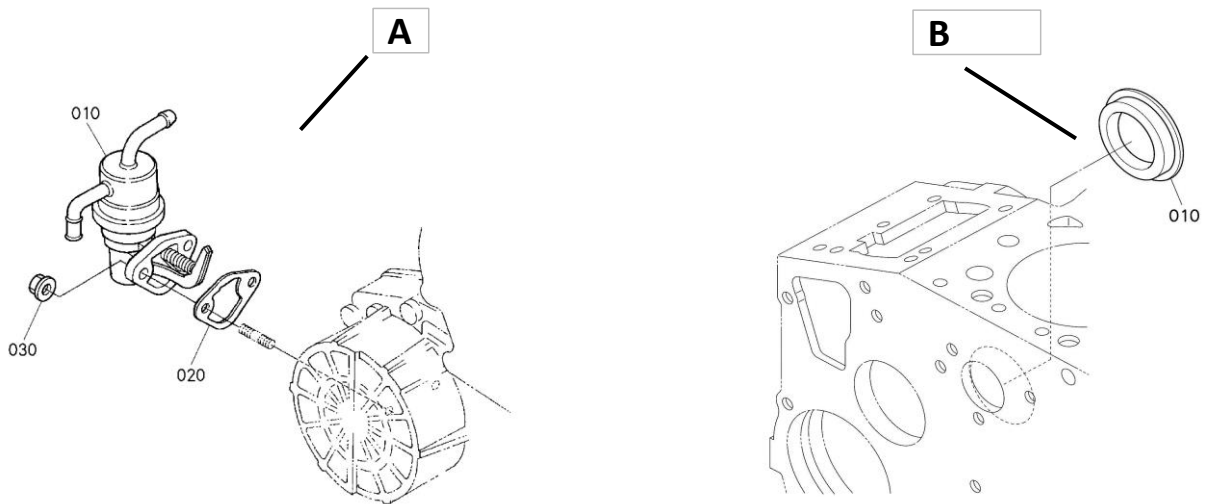
# LH1100 PRO MAX 4X4

## E26 FUEL FILTER



N°	CÓDIGO	DESCRIÇÃO	Qt.	OBSERVAÇÕES
010	LH1522443010	FILTER, ASSY(FUEL)	1	
020	LH1522443200	ASSY, COVER, FILTER	1	
030	LH1510843610	JOINT, PIPE	1	
040	LH1510843780	JOINT, PIPE	1	
050	LH1522143170	ELEMENT, FILTER	1	
060	LH1922243290	PLUG, ELEMENT FILTER	1	
070	LH1510843290	RING	1	
080	LH1522487760	MARK, FORM	1	
090	LH1258143012	ASSY FILTER, FUEL	1	

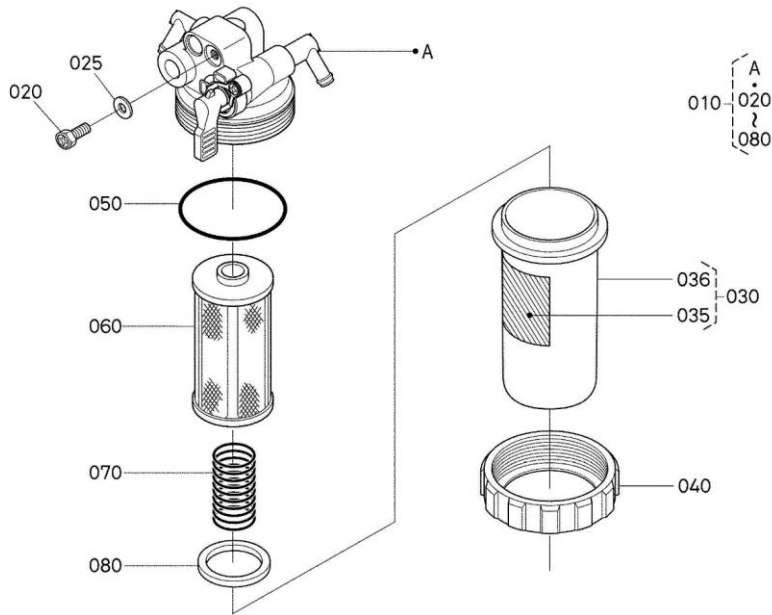
E27 FUEL PUMP/FUEL PUMP COVER



Nº	CÓDIGO	DESCRIÇÃO	Qt.	OBSERVAÇÕES
<b>A</b>				
010	LH2628552033	ASSY PUMP, FUEL	1	
020	LH1626152140	GASKET, FUEL PUMP	1	
030	LH0275150060	NUT, FLANGE	2	
<b>B</b>				
010	LH1646483153	COVER, HYDRAULIC PUMP	1	

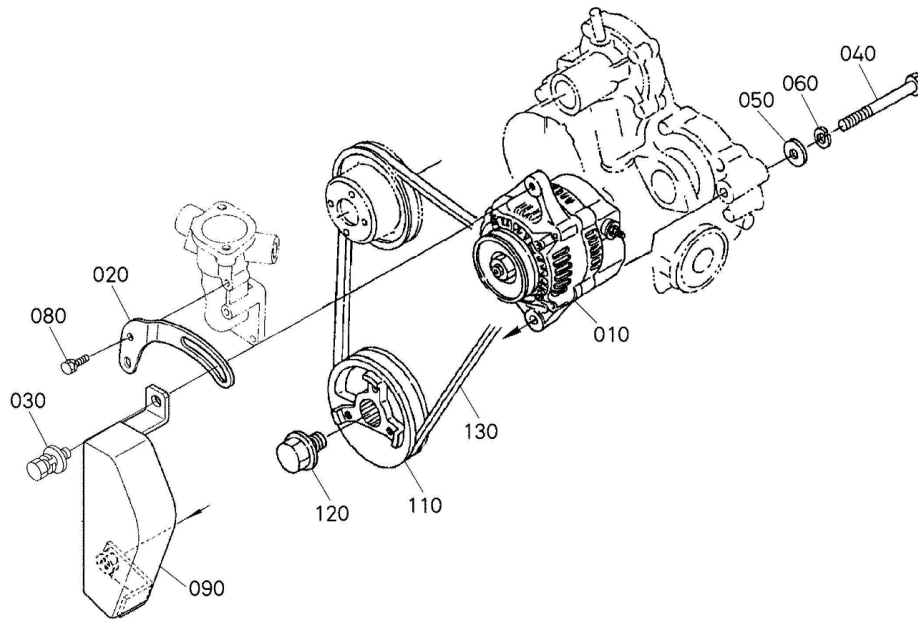
# LH1100 PRO MAX 4X4

## E28 SEPARATOR (COMPONENTS PARTS)



Nº	CÓDIGO	DESCRIÇÃO	Qt.	OBSERVAÇÕES
010	LH1G31143350	ASSY SEPARATOR	1	
020	LH1G31143280	PLUG	1	
025	LH1G31143340	GASKET	1	
030	LH1G31143100	ASSY CUP, FILTER	1	
035	LH1G31187460	LABEL(SEPARATOR)	1	
036	LH1G31143580	CUP, FITER	1	
040	LH1G31143590	RING, RETAINING	1	
050	LH1G31143570	O-RING	1	
060	LH2G31143380	ELEMENT	1	
070	LH1G31143930	SPRING	1	
080	LH1G31143250	FLOAT	1	

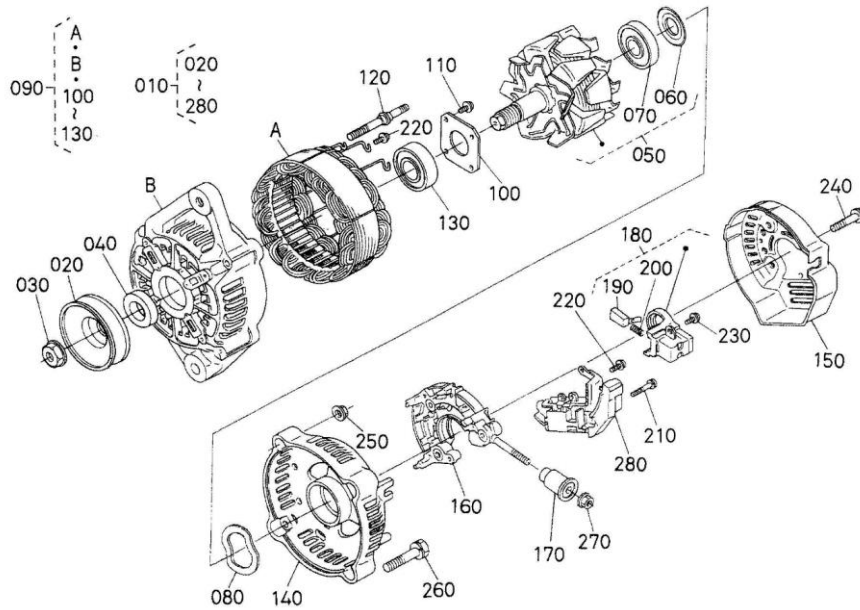
E29 ALTERNATOR AND PULLEY



Nº	CÓDIGO	DESCRIÇÃO	Qt.	OBSERVAÇÕES
010	LH1667864014	ASSY ALTERNATOR	1	
020	LH1624164422	STAY DYNAMO	1	
030	LH0112750830	BOLT,SEMS(LARGE WASHER)	1	
040	LH0117351085	HEX. BOLT	1	
050	LH0401150100	WASHER, PLAIN	1	
060	LH0451250100	WASHER, SPRING LOCK	1	
080	LH0102350616	BOLT, SEMS	1	
090	LH1661613860	COVER, BELT	1	
110	LH1622974280	PULLEY, FAN DRIVE	1	
120	LH1624191020	BOLT(FAN DRIVE)	1	
130	LH1624197013	V BELT	1	

## LH1100 PRO MAX 4X4

### E30 ALTERNATOR(COMPONENT PARTS)

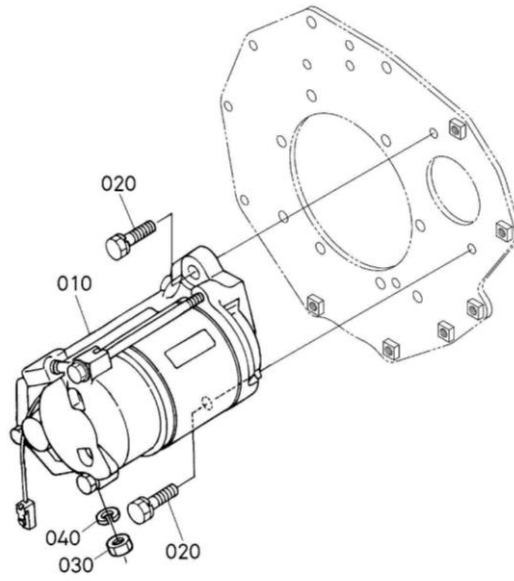


Nº	CÓDIGO	DESCRIÇÃO	Qt.	OBSERVAÇÕES
010	LH1667864014	ASSY ALTERNATOR	1	
020	LH1588164110	PULLEY DYNAMO	1	
030	LH1588192010	NUT	1	
040	LH1588164150	COLLAR	1	
050	LH6643664040	ROTOR	1	
060	LH1588164800	COVER, BEARING	1	
070	LH1665264770	BEARING BALL	1	
080	LH1588164810	WASHER, THRUST	1	
090	LH6643664022	FRAME, DRIVE END	1	
100	LH1588164710	PLATE, RETAINER	1	
110	LH1588193010	SCREW, ROUND HEAD	4	
120	LH1588164260	BOLT, THROUGH	2	
130	LH1665264782	BEARING BALL	1	
140	LH1667864060	FRAME, END	1	
150	LH1667864230	COVER, END	1	
160	LH1588164310	ASSY RECTIFIER	1	
170	LH1588164900	BUSH. INSULATION	1	
180	LH1665264310	HOLDER BRUSH	1	
190	LH1588164090	BRUSH	2	
200	LH1588164330	SPRING, BRUSH	2	
210	LH1588193020	SCREW, ROUND HEAD	2	
220	LH1588193030	SCREW, ROUND HEAD	6	
230	LH1588193040	SCREW, ROUND HEAD	1	
240	LH1588191040	BOLT	3	
250	LH1588192020	NUT	2	
260	LH1588191050	BOLT	2	
270	LH1418292030	NUT	1	
280	LH1665264602	ASSY REGULATOR	1	



# LH1100 PRO MAX 4X4

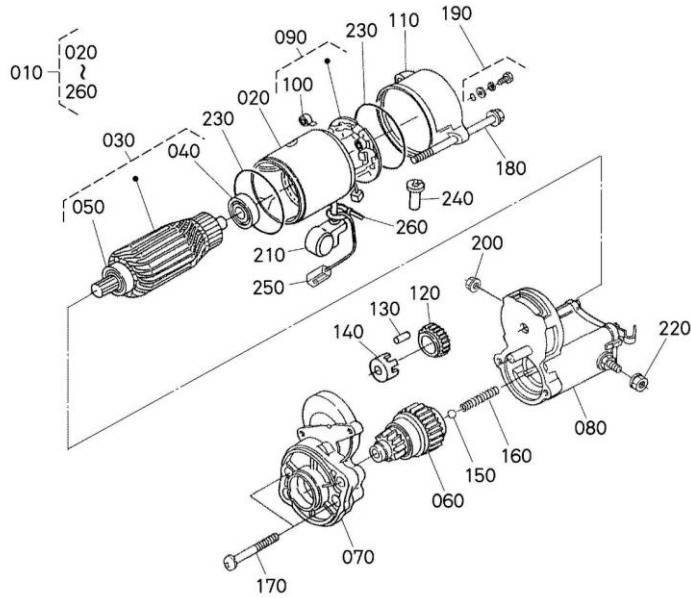
## E31 STARTER



N°	CÓDIGO	DESCRIÇÃO	Qt.	OBSERVAÇÕES
010	LH3756063010	ASSY STARTER	1	
020	LH0112350830	BOLT, SEMS	2	
030	LH0215650080	HEX. NUT	1	
040	LH0451250080	WASHER, SPRING LOCK	1	

## LH1100 PRO MAX 4X4

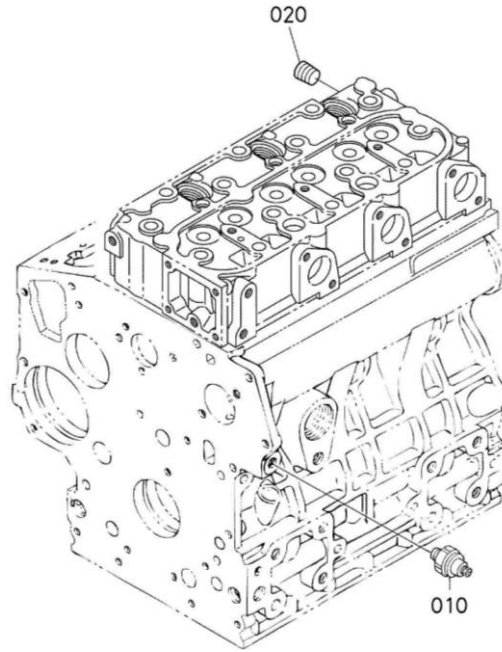
### E32 STARTER(COMPONENT PARTS)



Nº	CÓDIGO	DESCRIÇÃO	Qt.	OBSERVAÇÕES
010	LH3756063010	ASSY STARTER	1	
020	LH3756063080	YOKE	1	
030	LH1146062070	ARMATURE	1	
040	LH1146063530	BEARING	1	
050	LH1146063500	BEARING	1	
060	LH1628563040	ASSY CLUTCH	1	
070	LH1628563030	ASSY HOUSING	1	
080	LH1661163020	ASSY SWITCH, MAGNETIC	1	
090	LH1147063380	ASSY HOLDER, BRUSH	1	
100	LH1146063390	SPRING, BRUSH	4	
110	LH1628563200	ASSY FRAME, END	1	
120	LH1146063270	GEAR	1	
130	LH1921263100	ROLLER	5	
140	LH1146063110	RETAINER	1	
150	LH1921297130	BALL	1	
160	LH1146063120	SPRING	1	
170	LH1146093310	BOLT	2	
180	LH1146063320	BOLT, THROUGH	2	
190	LH1551163760	ASSY BOLT	2	
200	LH1628592010	NUT, HEXAGON	1	
210	LH1661163450	COVER	1	
220	LH1661192020	NUT, HEXAGON	1	
230	LH1551196660	O-RING	2	
240	LH1628563570	PIPE, DRAIN	1	
250	LH1661163660	CORD, STOP SOLENOID	1	
260	LH1661263100	BAND, COVER	1	

## LH1100 PRO MAX 4X4

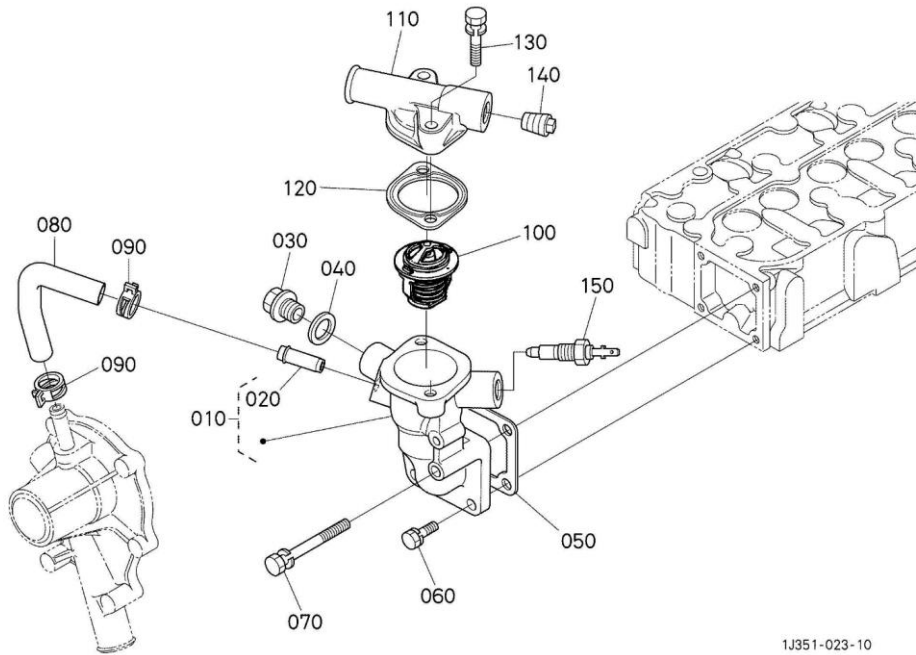
### E33 SWITCH AND PLUG



N°	CÓDIGO	DESCRIÇÃO	Qt.	OBSERVAÇÕES
010	LH1584139013	SWITCH, OIL	1	
020	LH1584196020	PLUG	1	

## LH1100 PRO MAX 4X4

### E34 WATER FLANGE AND THERMOSTAT

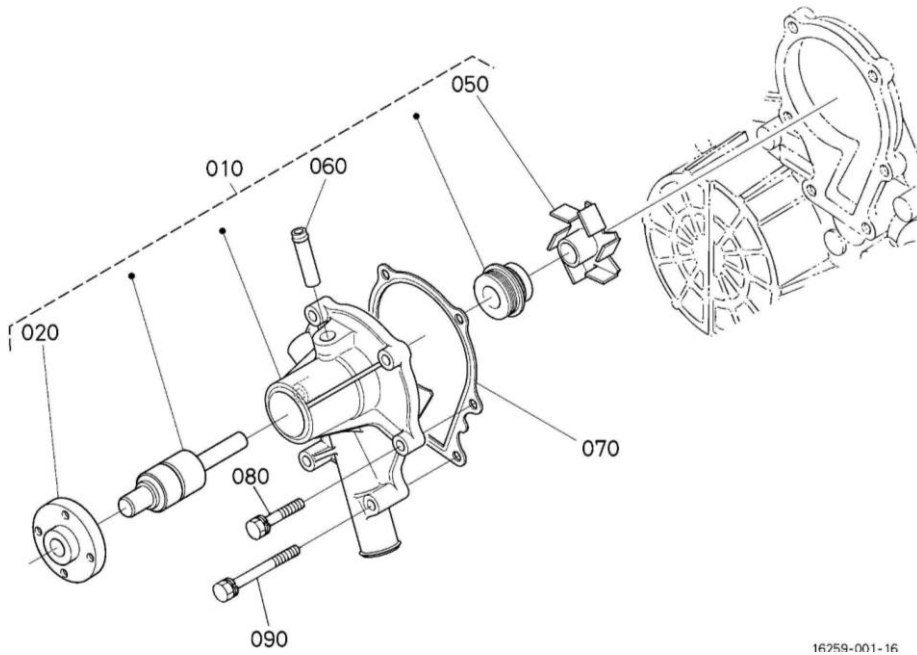


1J351-023-10

Nº	CÓDIGO	DESCRIÇÃO	Qt.	OBSERVAÇÕES
010	LH1900872700	COMP. FLANGE, WATER	1	
020	LH1624173370	PIPE, WATER RETURN	1	
030	LH0631155030	PLUG	1	
040	LH1626196710	GASKET	1	
050	LH1626472920	GASKET, WATER FLANGE	1	
060	LH0102350616	BOLT, SEMS	3	
070	LH0102350655	BOLT, SEMS	1	
080	LH1624173350	PIPE, WATER RETURN	1	
090	LH1G68773362	CLAMP HOSE	2	
100	LH1943473015	ASSY THERMOSTAT	1	
110	LH1G28473260	COVER, THERMOSTAT	1	
120	LH1622173270	GASKET, THERMOSTAT	1	
130	LH0112350835	BOLT, SEMS	2	
140	LH5160137670	PLUG	1	
150	LH1G37783042	SWITCH	1	

# LH1100 PRO MAX 4X4

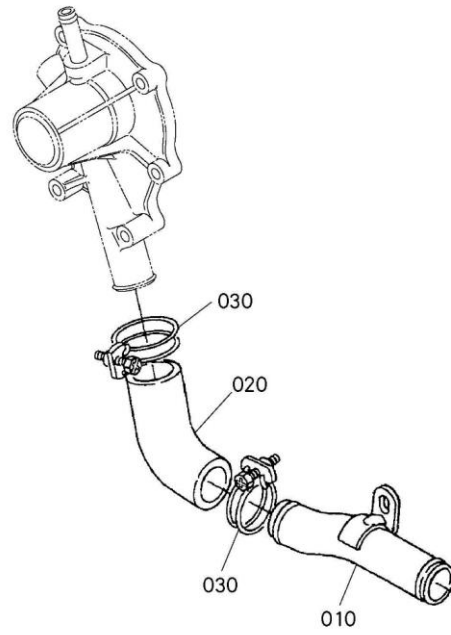
## E35 WATER PUMP



16259-001-16

N°	CÓDIGO	DESCRIÇÃO	Qt.	OBSERVAÇÕES
010	LH1625173034	PUMP, WATER, ASSY	1	
020	LH1625973520	FLANGE WATER	1	
050	LH1625973512	IMPELLER, WATER PUMP	1	
060	LH1585273340	PIPE, WATER RETURN	1	
070	LH1623973430	GASKET, WATER PUMP	1	
080	LH0102350630	BOLT, SEMS	4	
090	LH0102350685	BOLT, SEMS	2	

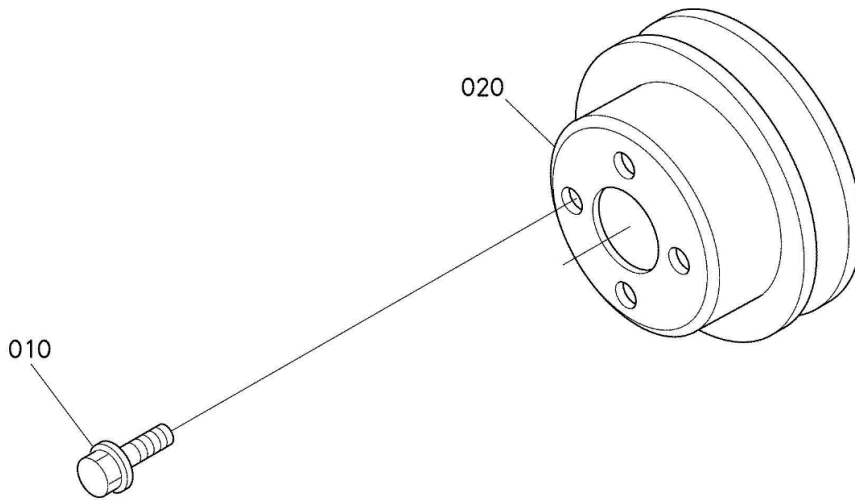
E36 WATER PIPE



N°	CÓDIGO	DESCRIÇÃO	Qt.	OBSERVAÇÕES
010	LH1720372860	PIPE, WATER	1	
020	LH1G68072870	PIPE, WATER	1	
030	LH1G6772960	CLAMP, HOSE	2	

# LH1100 PRO MAX 4X4

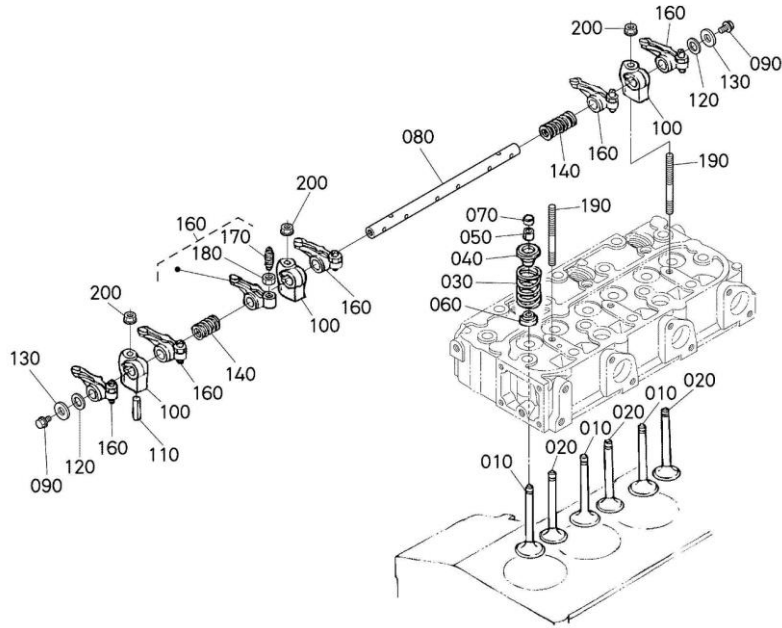
## E37 FAN PULLEY



N°	CÓDIGO	DESCRIÇÃO	Qt.	OBSERVAÇÕES
010	LH0175450610	BOLT, FLANGE	4	
020	LH1624174250	PULLEY, FAN	1	

## LH1100 PRO MAX 4X4

### E38 VALVE AND ROCKER ARM

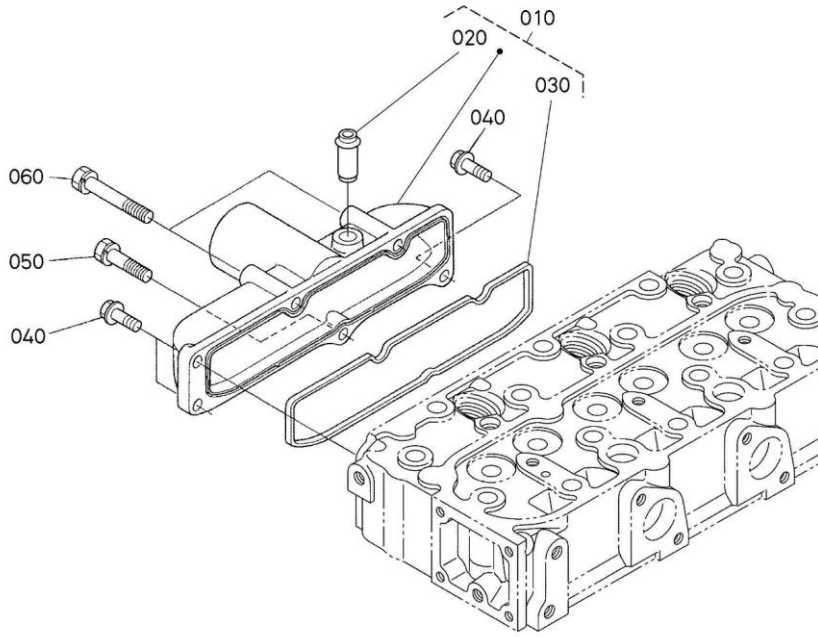


N°	CÓDIGO	DESCRIÇÃO	Qt.	OBSERVAÇÕES
010	LH1G67313112	VALVE, INLET	3	
020	LH1G67313122	VALVE, EXHAUST	3	
030	LH1627113240	SPRING, VALVE	6	
040	LH1626113330	RETAINER, VALVE SP.	6	
050	LH1526113980	COLLET(VALVE SPRING)	6	
060	LH1C01013150	SEAL, VALVE STEM	6	
070	LH1624113280	CAP, VALVE	6	
080	LH1626114266	SHAFT, ROCKER ARM	1	
090	LH0175450610	BOLT, FLANGE	2	
100	LH1624114350	BRACKET(ARM, ROCKER)	3	
110	LH0541100428	PIN, SPRING	1	
120	LH1624114430	WASHER, R-ARM. SHAFT	2	
130	LH1584194022	WASHER, PLAIN	2	
140	LH1624114310	SPRING, ROCKER ARM	2	
160	LH1624114032	ARM, ROCKER, ASSY	6	
170	LH1624114230	SCREW, ADJUSTING	6	
180	LH1624114240	NUT, FLANGE	6	
190	LH1624114410	STUD	3	
200	LH1J09592010	NUT, FLANGE	3	



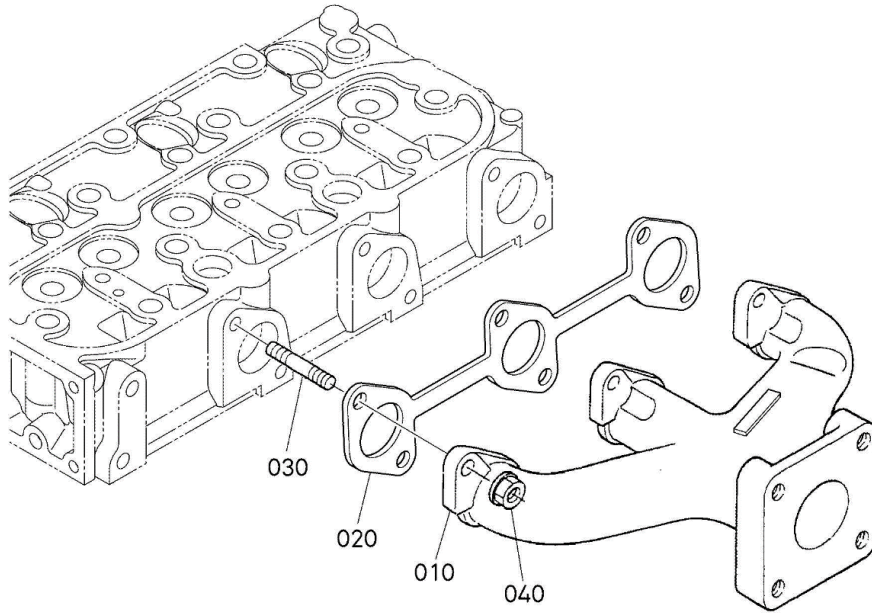
## LH1100 PRO MAX 4X4

### E39 INLET MANIFOLD



Nº	CÓDIGO	DESCRIÇÃO	Qt.	OBSERVAÇÕES
010	LH1740711773	ASSY MANIFOLD, INLET	1	
020	LH1624105550	JOINT, BREATHER PIPE	1	
030	LH1626111822	GASKET(IN-MANIFOLD)	1	
040	LH0175450616	BOLT, FLANGE	3	
050	LH0102350630	BOLT, SEMS	1	
060	LH0102350650	BOLT, SEMS	2	

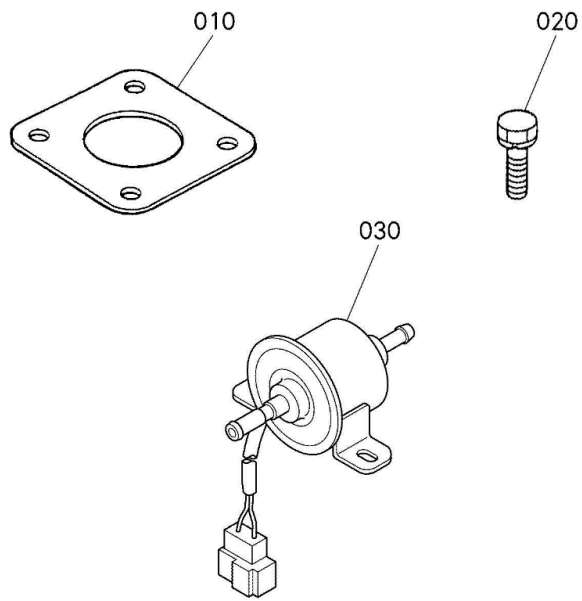
E40 EXHAUST MANIFOLD



Nº	CÓDIGO	DESCRIÇÃO	Qt.	OBSERVAÇÕES
010	LH1721312312	MANIFOLD, EXHAUST	1	
020	LH1626112350	GASKET, EX-MANIFOLD	1	
030	LH1624191490	STUD	6	
040	LH1627192010	NUT	6	

# LH1100 PRO MAX 4X4

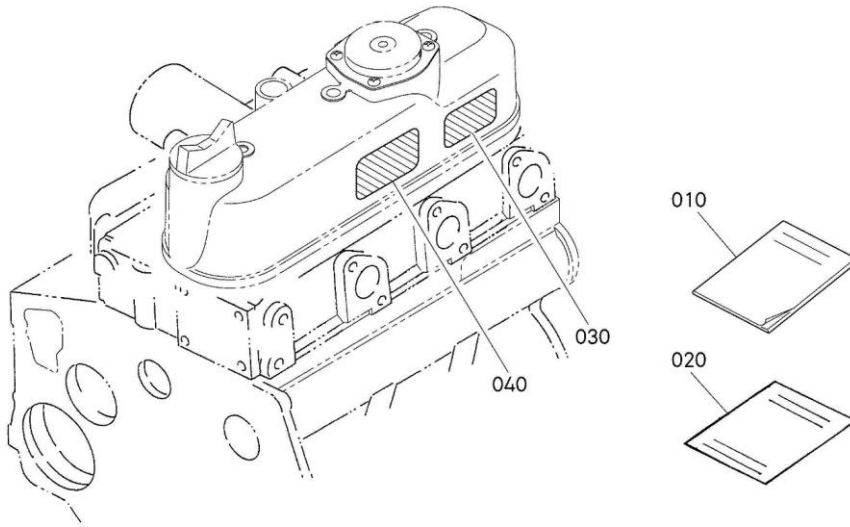
## E41 ACESSORIES AND SERVICE PARTS



N°	CÓDIGO	DESCRIÇÃO	Qt.	OBSERVAÇÕES
010	LH1526312370	PACKING, MUFFLER	1	
020	LH0112350822	BOLT,SEMS	4	
030	LH1G3775230	ASSY PUMP, FUEL	1	

# LH1100 PRO MAX 4X4

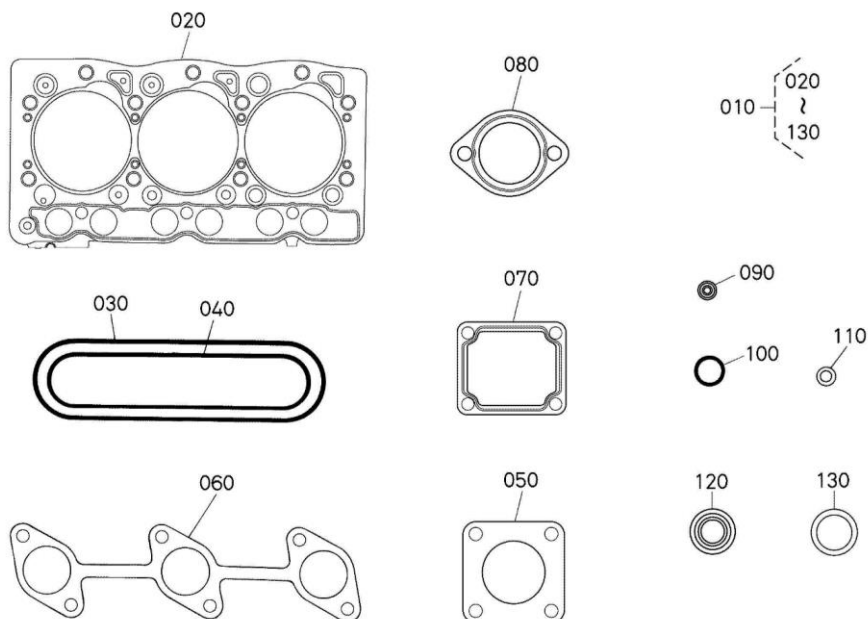
## E42 LABEL AND OPERATOR'S MANUAL



Nº	CÓDIGO	DESCRIÇÃO	Qt.	OBSERVAÇÕES
010	LH1J09589164	MANUAL, OP	1	
020	LH1J01889810	MANUAL, LIST	1	
030	LH1942687903	LABEL	1	
040	LH1942687880	LABEL, INSTRUCTION	1	

## LH1100 PRO MAX 4X4

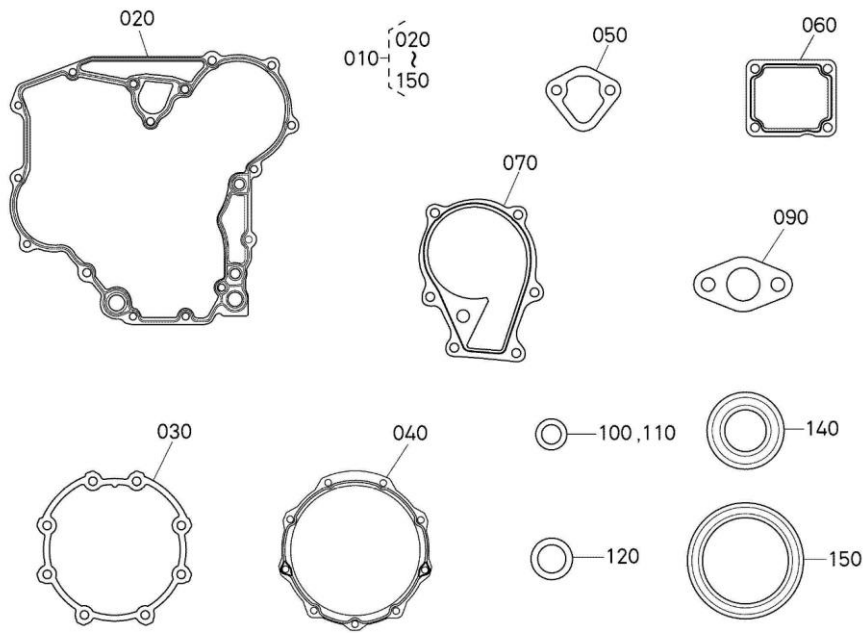
### E43 UPPER GASKET KIT



Nº	CÓDIGO	DESCRIÇÃO	Qt.	OBSERVAÇÕES
010	LH1G99599354	KIT GASKET UPPER	1	
020	LH1G06303310	GASKET(HEAD, CYLINDER)	1	
030	LH1626114524	GASKET, HEAD COVER	1	
040	LH1626111822	GASKET, IN-MANIFOLD	1	
050	LH1526312370	PQCKING, MUFFLER	1	
060	LH1626112350	GASKET, EX-MANIFOLD	1	
070	LH1626472920	GASKET, WATER FLANGE	1	
080	LH1622173270	GASKET, THERMOSTAT	1	
090	LH1907753650	SEAL HEAT	3	
100	LH0481450300	O-RING	1	
110	LH1595196660	PACKING	3	
120	LH1C01013150	SEAL, VALVE STEM	6	
130	LH1584153622	GASKET	3	

# LH1100 PRO MAX 4X4

## E44 LOWER GASKET KIT



Nº	CÓDIGO	DESCRIÇÃO	Qt.	OBSERVAÇÕES
010	LH1G99599368	KIT GASKET LOWER	1	
020	LH1626404132	GASKET, GEAR CASE	1	
030	LH1J09504360	GASKET(BRG. CASE)	1	
040	LH1626404822	GASKET	1	
050	LH1626152140	GASKET, FUEL PUMP	1	
060	LH1626457210	GASKET	1	
070	LH1623973430	GASKET. WATER PUMP	1	
090	LH1629956260	GASKET	1	
100	LH1560196650	PACKING	6	
110	LH6C09058960	GASKET	1	
120	LH1626596670	PACKING	1	
140	LH1624104212	SEAL, OIL	1	
150	LH1628504460	SEAL, OIL	1	