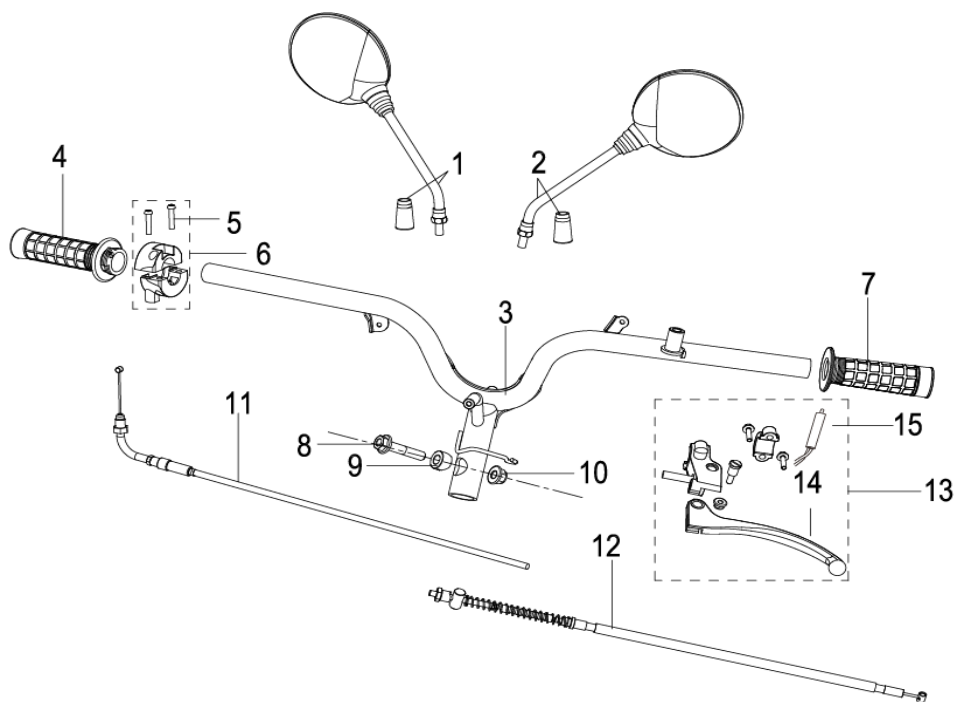


## ZAHARA 50 E4 2020



## ZAHARA 50 E4

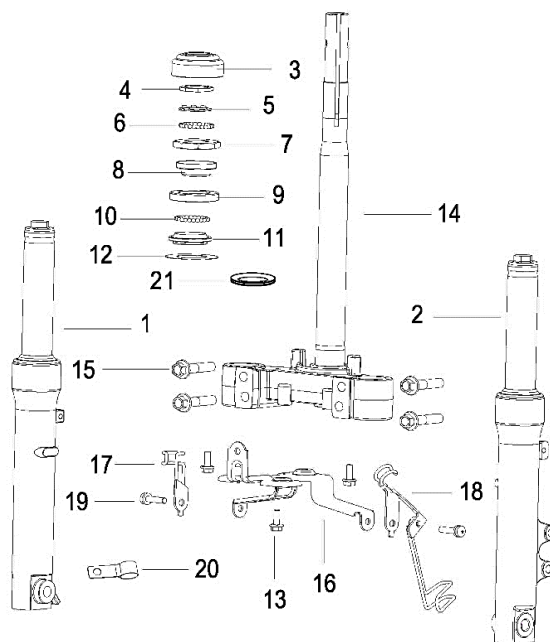
### F01 GUIADOR



Nº	CÓDIGO	DESCRIÇÃO	Qt.	OBSERVAÇÕES
1	40480T820000	ESPELHO DIREITO	1	
2	40450T820000	ESPELHO ESQUERDO	1	
3	40100T820000	GUIADOR	1	
4	40210T750001	PUNHO DE ACELERADOR	1	
5	B02040502526	PARAFUSO M5X25	2	
6	40320G360000	SUPORTE CABO DE ACELERADOR	1	
7	40001T750001	PUNHO ESQUERDO	1	
8	40131G510100	PARAFUSO	1	
9	40031T030000	CASQUILHO	1	
10	B0417101254H	PORCA M10X1.25	1	
11	40300B760002	CABO DE ACELERADOR	1	
12	40270B760000	CABO DE TRAVÃO TRASEIRO	1	
13	40080T620102	MANETE DE EMBRAIAGEM COMPLETA	1	
14	40084T620001	MANETE DE EMBRAIAGEM	1	
15	91700T090000	INTERRUPTOR DE TRAVÃO	1	

## ZAHARA 50 E4

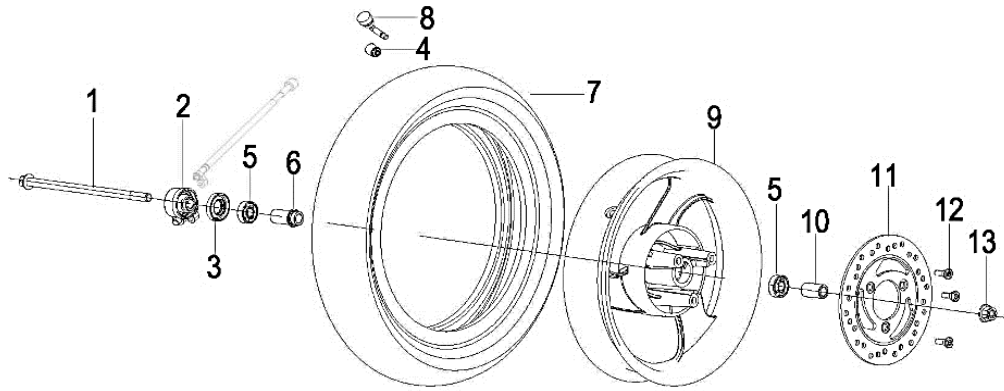
### F02 SUSPENSÃO DIANTEIRA



Nº	CÓDIGO	DESCRIÇÃO	Qt.	OBSERVAÇÕES
1	43300B76HT00	BAINHA DIREITA, CINZA HT	1	
2	43200B76HT00	BAINHA ESQUERDA, CINZA HT	1	
3	43005T750000	GUARDA-PÓ	1	
4	08051T020000	PORCA	1	
5	96800B030001	ANILHA	1	
6	B06010200000	ESFERA 1/4'	19	
7	43001T020000	CAIXA DIREÇÃO SUPERIOR, ROLAMENTO SUPERIOR	1	
8	43002T020000	CAIXA DIREÇÃO INFERIOR, ROLAMENTO SUPERIOR	1	
9	43003T020000	CAIXA DIREÇÃO SUPERIOR, ROLAMENTO INFERIOR	1	
10	B06010110000	ESFERA 5/32'	25	
11	43004T020000	CAIXA DIREÇÃO INFERIOR, ROLAMENTO INFERIOR	1	
12	43057T750010	GUARDA-PÓ	1	
13	B0109060126H	PARAFUSO M6X12	3	
14	43100T820000	COLUNA DE DIREÇÃO	1	
15	B0159100456H	PARAFUSO M10X1.25X45	4	
16	65120T820000	SUPORTE DE GUARDA-LAMAS FRONTAL	1	
17	43150T820000	GUIA DE CABO DE CONTA-QUILÓMETROS	1	
18	45350T820000	GUIA DE TUBO DE TRAVÃO	1	
19	B0109060206H	PARAFUSO M6x20	2	
20	45052T820000	GUIA	1	
21	43006T820000	ANILHA	1	

### F03 FRONT WHEEL ASSY.

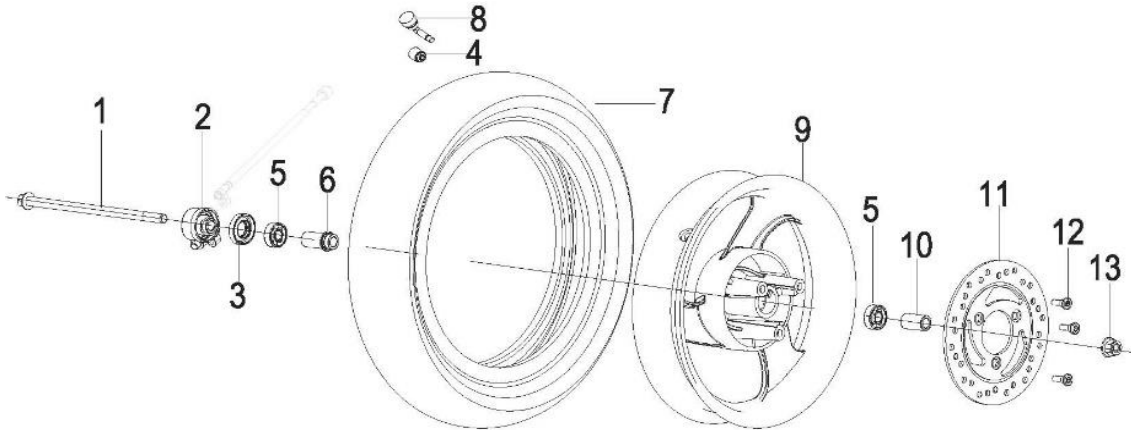
## ZAHARA 50 E4



Nº	CÓDIGO	DESCRIÇÃO	Qt.	OBSERVAÇÕES
1	44004T620200	FRONT WHEEL SHAFT M12x1.25x217	1	
2	44200T620000	SEAT ASSY,GEAR	1	
3	54027T030000	COVER, ANTI-DUST	1	
4	B1404Z2011A0	VALVE CAP Z2-01-1	1	
5	B12016020100	BEARING 6201-2RS	2	
6	44006G360000	INTERMEDIATE SHAFT SLEEVE, FRONT WHEEL	1	
7		AIR TIRE 90/90-12	1	
8	B1403Z201120	VALVE	1	
9	44101G36HT00	FRONT RIM ASSY,GREY HT	1	
10	44005G360000	LEFT SHAFT SLEEVE, FRONT WHEEL	1	
11	45033B920000	FRONT BRAKE DISC	1	
12	08001B030200	BOLT M8X20	3	
13	B0417121254H	NUT M12X1.25	1	

# ZAHARA 50 E4

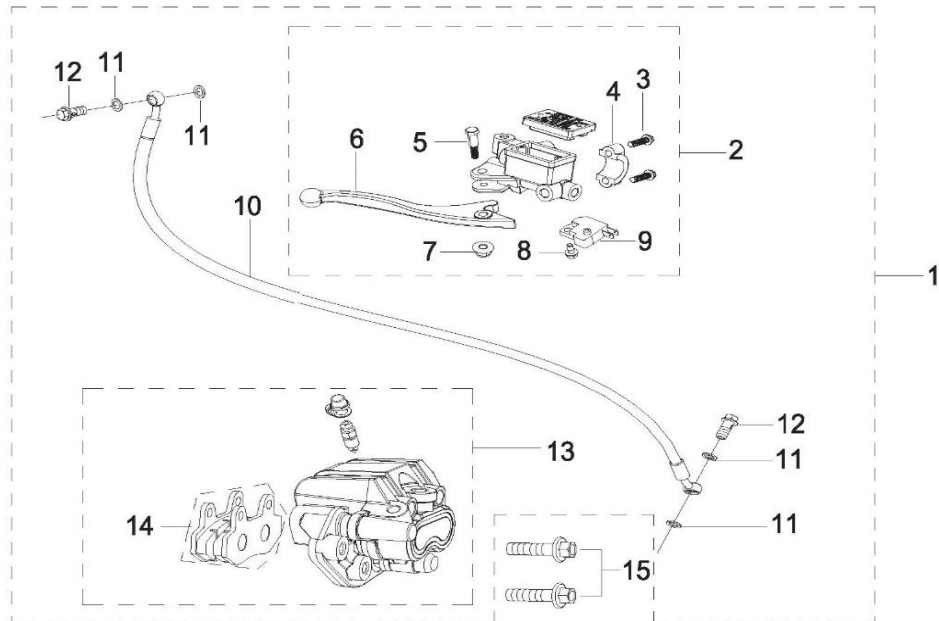
## F03 FRONT WHEEL ASSY.



Nº	CÓDIGO	DESCRIÇÃO	Qt.	OBSERVAÇÕES
1	44004T620200	FRONT WHEEL SHAFT M12x1.25x217	1	
2	44200T620000	SEAT ASSY,GEAR	1	
3	54027T030000	COVER, ANTI-DUST	1	
4	B1404Z2011A0	VALVE CAP Z2-01-1	1	
5	B12016020100	BEARING 6201-2RS	2	
6	44006G360000	INTERMEDIATE SHAFT SLEEVE, FRONT WHEEL	1	
7		AIR TIRE 90/90-12	1	
8	B1403Z201120	VALVE	1	
9	44101G36HT00	FRONT RIM ASSY,GREY HT	1	
10	44005G360000	LEFT SHAFT SLEEVE, FRONT WHEEL	1	
11	45033B920000	FRONT BRAKE DISC	1	
12	08001B030200	BOLT M8X20	3	
13	B0417121254H	NUT M12X1.25	1	

# ZAHARA 50 E4

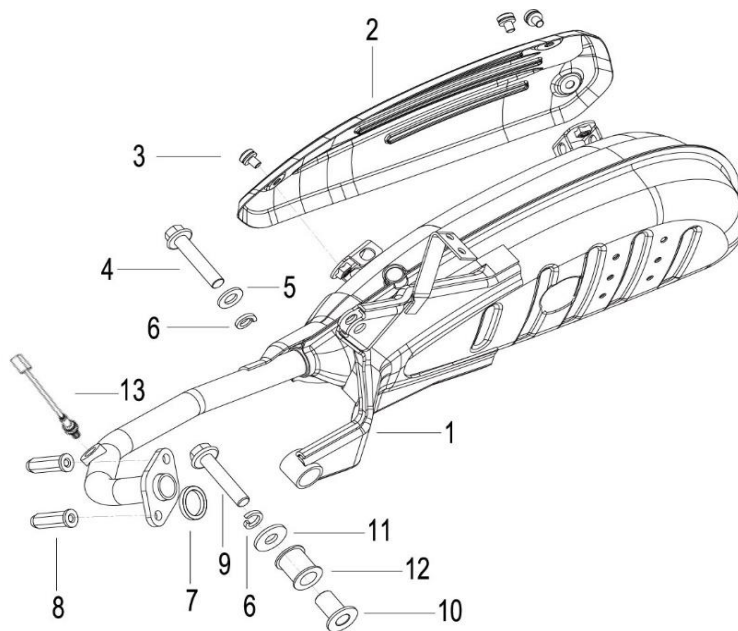
## F04 FRONT DISK BRAKE



N°	CÓDIGO	DESCRIÇÃO	Qt.	OBSERVAÇÕES
1	45900T820001	FRONT DISK BRAKE ASSY.	1	
2	45400T820000	OIL PUMP ASSY	1	
3	B01070602365	BOLT M6x23	2	
4	45023T010000	MASTER CYLINDER BRACKET	1	
5	45024T400000	LEVER MOUNTING BOLT	1	
6	45022T820000	DISC BRAKE LEVER	1	
7	B04170600055	NUT M6	1	
8	B02000401225	SCREW M4x12	1	
9	45300T430000	STOP SWITCH ASSY.	1	
10	45200T820000	BRAKE HOSE ASSY	1	
11	45180J000000	SEAL GASKET	2	
12	45037J000000	BOLT	1	
13	45500T620000	HYDROCHECK ASSY	1	
14	45110T620000	BRAKE PAD KIT	1	
15	B0109080356H	BOLT M8x35	2	

# ZAHARA 50 E4

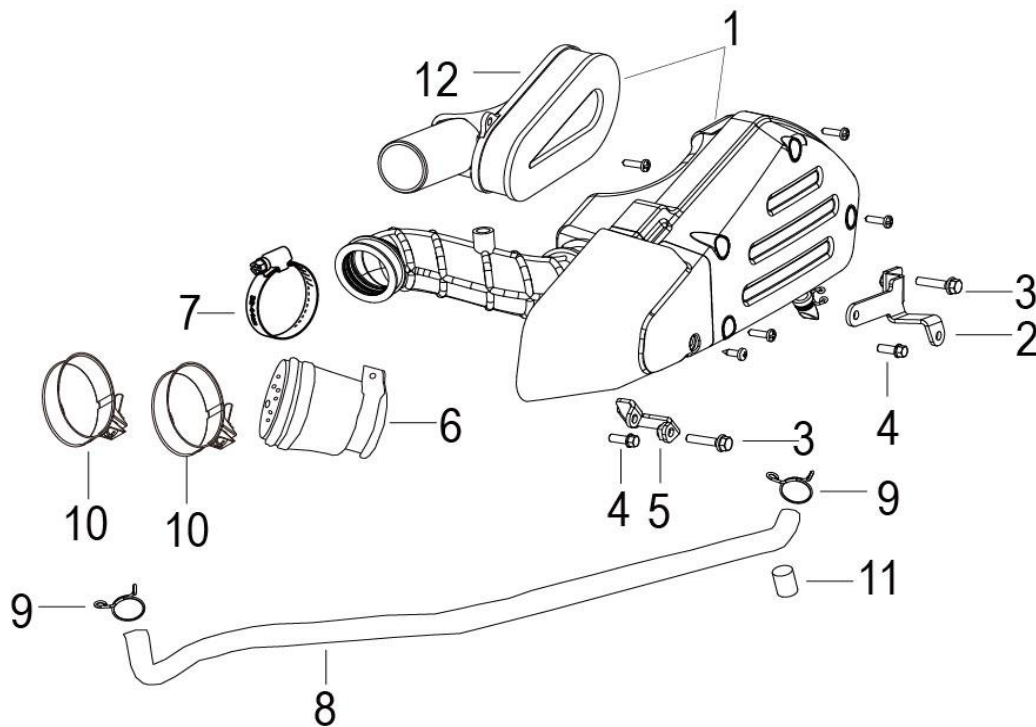
## F05 MUFFLER ASSY.



N°	CÓDIGO	DESCRIÇÃO	Qt.	OBSERVAÇÕES
1	47100B760030	MUFFLER ASSY. WELDING	1	
2	47023T820000	DECORATED COVER	1	
3	B1304060120A	SCREW M6X12	3	
4	B0159100506H	BOLT M10X1.25X50	1	
5	B0703000100H	WASHER 10	1	
6	B0700000100H	THE SPRING WASHER 10	2	
7	47800T090000	GASKET ASSY, EXHAUST PIPE	1	
8	47006T090100	NUT M6x30	2	
9	B0159100556H	BOLT M10X1.25X55	1	
10	47730T620000	BUSH,ASSY	1	
11	63013J000050	REAR SHOCK ABSORBER MOUNTING PAD	1	
12	47028T620000	RUBBER SLEEVE	1	
13	280023320000	OXYGEN SENSOR	1	

# ZAHARA 50 E4

## F06 AIR CLEANER ASSY.

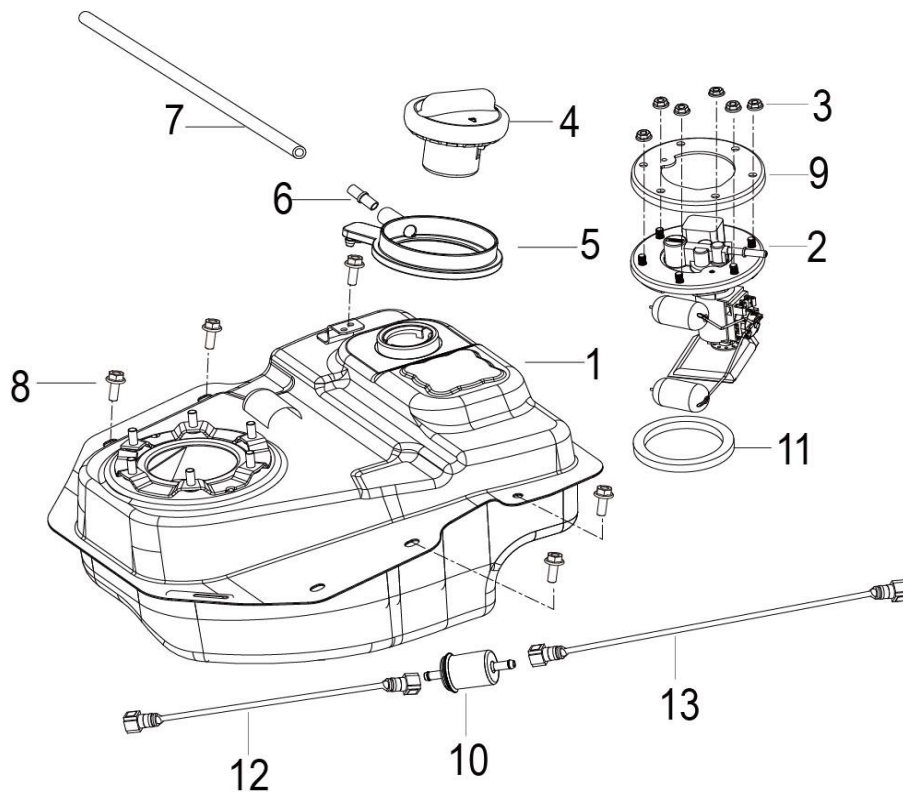


Nº	CÓDIGO	DESCRIÇÃO	Qt.	OBSERVAÇÕES
1	49100B760002	AIR CLEANER ASSY	1	
2	49390B760000	AIR FILTER INSTALLATION SEAT II	1	
3	B01070602864	BOLT M6x28	2	
4	B01070601664	BOLT M6X16	2	
5	49360B760000	AIR FILTER INSTALLATION SEAT I	1	
6	08400A010000	PIPE ASSY,ENGINE INTAKE AIR	1	
7	49350T800000	CLAMP 32-44	1	
8	49025N120000	VAT AIR BACK	1	
9	B17010150003	CLIP 15	2	
10	49350J890000	CLAMP ASSY	2	
11	49613B720000	THE INTAKE PIPE SPONGE	1	
12	49200B760000	FILTTER,AIR CLEANER	1	



# ZAHARA 50 E4

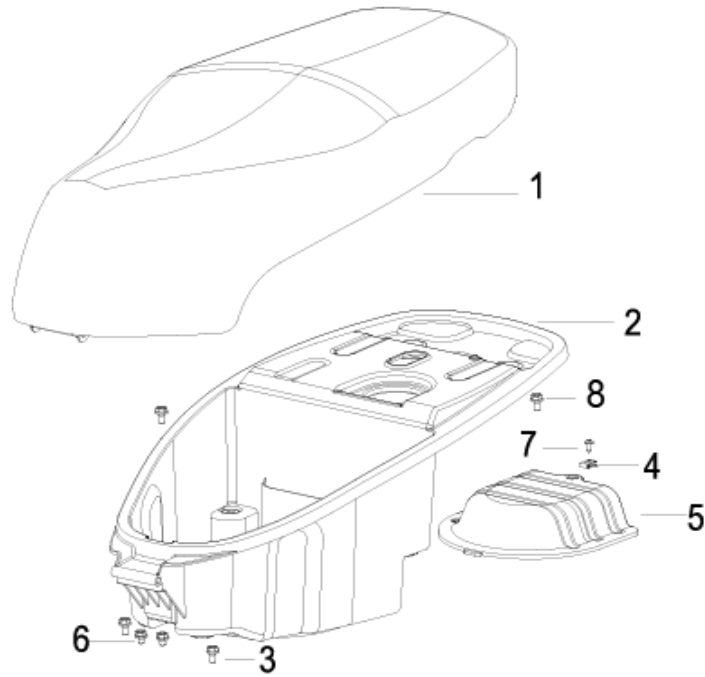
## F07 FUEL TANK



Nº	CÓDIGO	DESCRIÇÃO	Qt.	OBSERVAÇÕES
1	50100T820005	BODY ASSY,FUEL TANK	1	
2	50400T820000	FUEL PUMP ASSY	1	
3	B0407060005H	NUT M6	6	
4	50200T850000	COVER, FUEL TANK	1	
5	50011T820000	WATERPROOF GASKET	1	
6	64008G220000	FITTING	1	
7	50012T750000	WATERPROOF	1	
8	B0109060166H	BOLT M6X16	6	
9	50411T820000	FUEL PUMP PRESURE PLATE	1	
10	50391N070010	FUEL FILTER JACKET	1	
11	50412T820000	FUEL PUMP SEAL	1	
12	50070T820000	PIPE I	1	
13	50080T820000	PIPE II	1	

# ZAHARA 50 E4

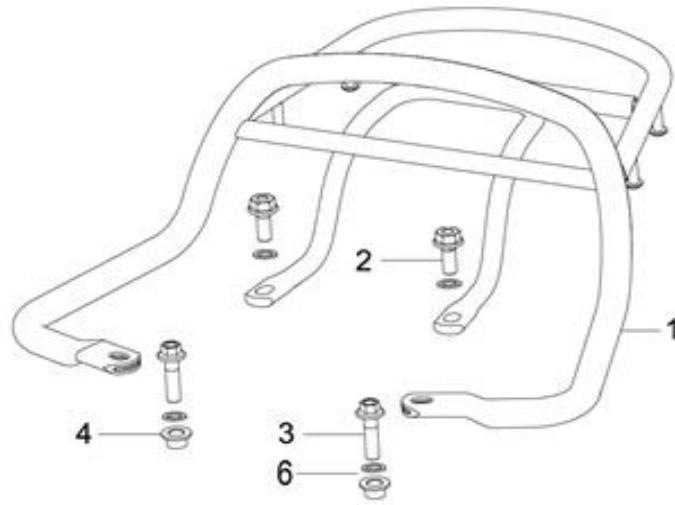
## F08 SEAT ASSY.



Nº	CÓDIGO	DESCRIÇÃO	Qt.	OBSERVAÇÕES
1	51100T820034	SEAT CUSHION ASSY,red	1	
	51100T820014	SEAT CUSHION ASSY,black	1	
	51100T820024	SEAT CUSHION ASSY,brown	1	
2	51004T820001	HELMET BOX	1	
3	B0109060126H	BOLT M6x12	2	
4	65801T020201	INSERT ST4.2	1	
5	51005T820000	BOTTOM COVER	1	
6	B0109060126H	BOLT M6x12	2	
7	B0507420130H	SELF-TAPPING SCREW ST4.2x13	1	
8	08011H010200	LUG BOLT M6x14	2	

# ZAHARA 50 E4

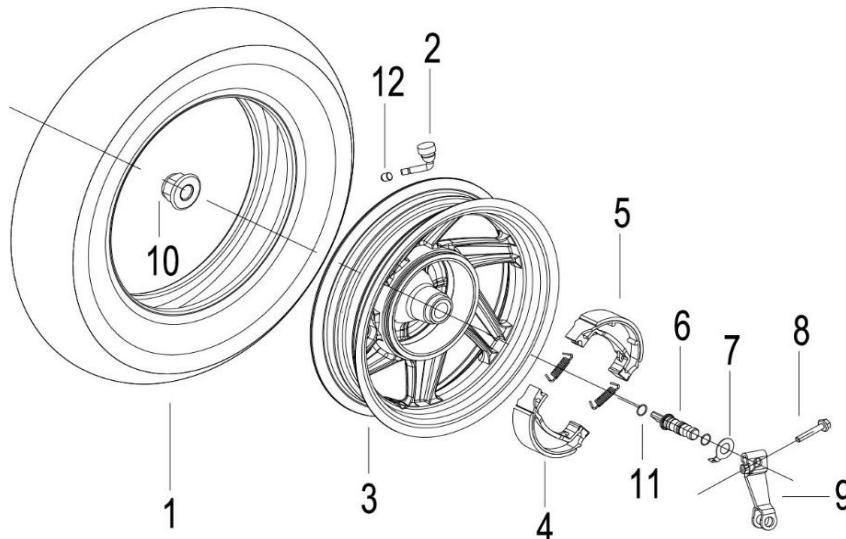
## F09 REAR HANDLE ASSY



Nº	CÓDIGO	DESCRIÇÃO	Qt.	OBSERVAÇÕES
1	52100T820201	BRACKET, RR.WELDED, ASSY	1	
2	B0109080206H	BOLT M8X20	2	
3	B0109080306H	BOLT M8X30	2	
4	57206D010000	SILENCER HANGING PLATE SPACER SLEEVE	2	

# ZAHARA 50 E4

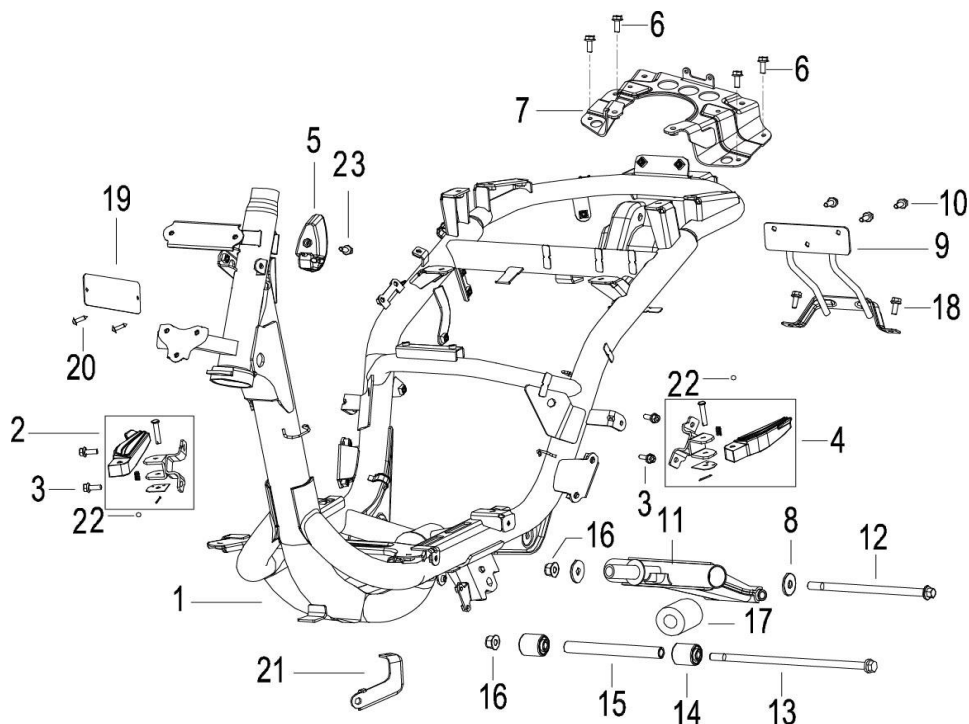
## F10 REAR WHEEL ASSY.



Nº	CÓDIGO	DESCRIÇÃO	Qt.	OBSERVAÇÕES
1	551716	AIR TIRE 3,50-10	1	MITAS
2	B1403Z201120	VALVE	1	
3	54100B72HT01	REAR RIM ASSY.GREY HT	1	
4	54001T020000	SPRING, BRAKE SHOE	2	
5	54200T020010	BRAKE SHOE	2	
6	54003B760000	CAMSHAFT, BRAKE, REAR	1	
7	44002J040030	BRAKE WEAR INDICATOR	1	
8	B0109060356H	BOLT M6X35	1	
9	54250B700000	SWING ARM, BRAKE, REAR ASSY	1	
10	B0417161504H	NUT M16X1.5	1	
11	54640T030001	SEALING RING	2	
12	B1404Z2011A0	VALVE CAP Z2-01-1	1	

# ZAHARA 50 E4

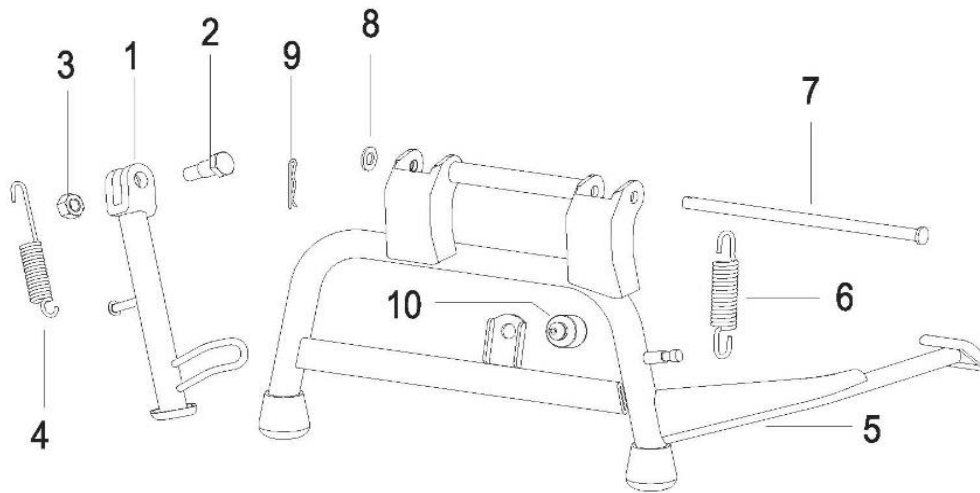
## F11 FRAME BODY



N°	CÓDIGO	DESCRIÇÃO	Qt.	OBSERVAÇÕES
1	57100B760002	WELDING ASSY, FRAME	1	
2	58280T82HT00	KICK-PEDAL ASSY., R.H., RR,GREY HT	1	
3	B0109080166H	BOLT M8x16	4	
4	58260T82HT00	KICK-PEDAL ASSY., L.H., RR.,GREY HT	1	
5	03310T820000	HELMET HOOK ASSEMBLY	1	
6	B0109060166H	BOLT M6X16	4	
7	57080T820001	PRESS PLATE ASSY., FUEL TANK	1	
8	08022K020010	BOLT M6X16	2	
9	58390T820000	BRACKET, REAR FENDER	1	
10	B0109060126H	BOLT M6X12	3	
11	58320B590000	ENGINE HOLDER	1	
12	58303B590100	SHAFT, FIXING ENGINE M10x1.25x176	1	
13	53001B230100	SWING ARM SHAFT M10x1.25x232	1	
14	58340T030000	CUSHION BUSHING	2	
15	58350B700000	HANGER INTERMEDIATE SPACER SLEEVE	1	
16	B0417101254H	NUT M10X1.25	2	
17	58342B990000	DYNAMIC BUFFER LINER HANGER	1	
18	08011T090200	BOLT M6x20	2	
19	57001B760009	FRAME SIGNS	1	
20	B100432007P0	SELF-PLUGGING RIVET 3.2x7	1	
21	08451B590000	FIXING PLATE	1	
22	B06010200000	STEEL BALL 1/4'	2	
23	B0200060162H	SCREW M6x16	1	

# ZAHARA 50 E4

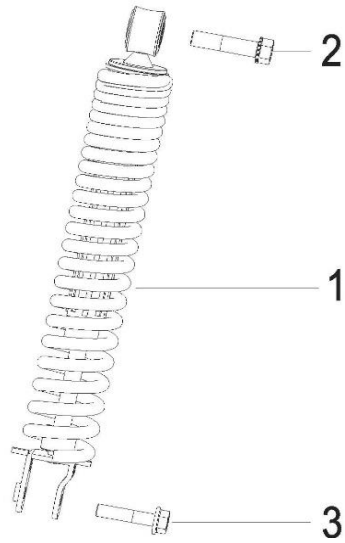
## F12 MAIN STAND ASSY



N°	CÓDIGO	DESCRIÇÃO	Qt.	OBSERVAÇÕES
1	58700B760000	SIDE STAND WELDING ASSY	1	
2	57005J410200	BOLT M10x1.25x32	1	
3	B0401101255H	NUT M10x1.25	1	
4	57010N100100	SPRING, SIDE STAND,RETURN	1	
5	58520B760000	WELDING ASSY., MAIN STAND	1	
6	58510K020000	SPRING, MAIN STAND	1	
7	58501A010100	AXILE, MAIN STAND	1	
8	B0703000080H	WASHER $\Phi$ 8	2	
9	B090002018AH	THE COTTER PIN 2 X 18	1	
10	47026J000000	SILENCER RUBBER BUFFER	1	

# ZAHARA 50 E4

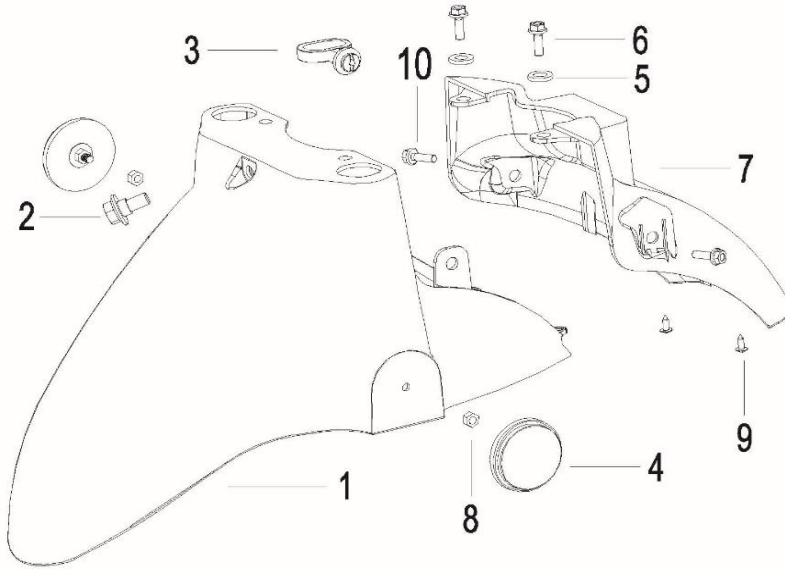
## F13 REAR ABSORBER



Nº	CÓDIGO	DESCRIÇÃO	Qt.	OBSERVAÇÕES
1	63800B760000	REAR.SHOCK ABSORBER ASSY	1	
2	08003T020200	BOLT M10X1.25X40	1	
3	08002T020100	BOLT M8X31	1	

# ZAHARA 50 E4

## F14 FRONT FENDER ASSY.

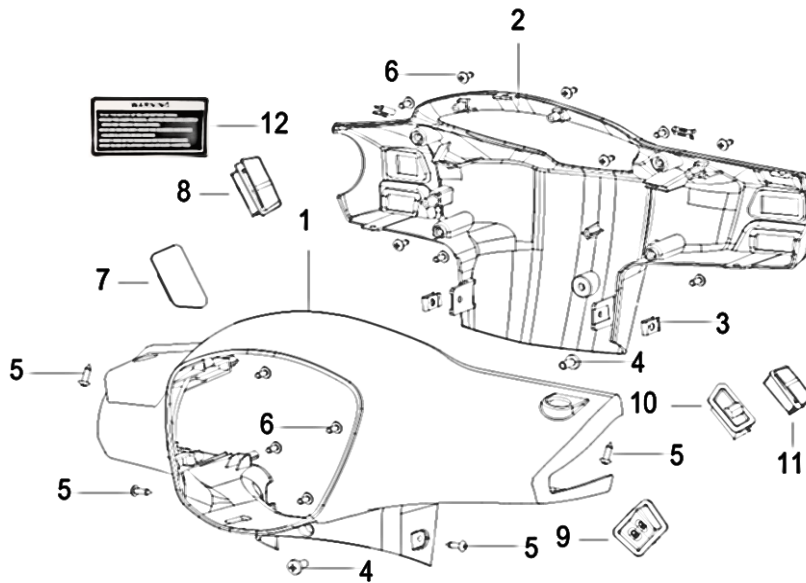


N°	CÓDIGO	DESCRIÇÃO	Qt.	OBSERVAÇÕES
1	65101T82JS00	FRONT FENDER I ,GREY JS	1	
1	65101T82LO00	FRONT FENDER I ,BLUE LO	1	
1	65101T82WS00	FRONT FENDER I ,WHITE WS	1	
2	08011H010200	LUG BOLT M6x14	1	
3	65113J000000	RING,	1	
4	86300J000002	SIDE REFLECTOR ASSY	2	
5	65618H070000	RUBBER WASHER	2	
6	08011T090200	BOLT M6x20	2	
7	65106T82JS00	FRONT FENDER II,GREY JS	1	
7	65106T82LO00	FRONT FENDER II,BLUE LO	1	
7	65106T82WS00	FRONT FENDER II,WHITE WS	1	
8	B0407050005H	NUT M5	2	
9	B0507420130H	SCREW ST4.2X13	2	
10	B0109060206H	BOLT M6x20	2	



# ZAHARA 50 E4

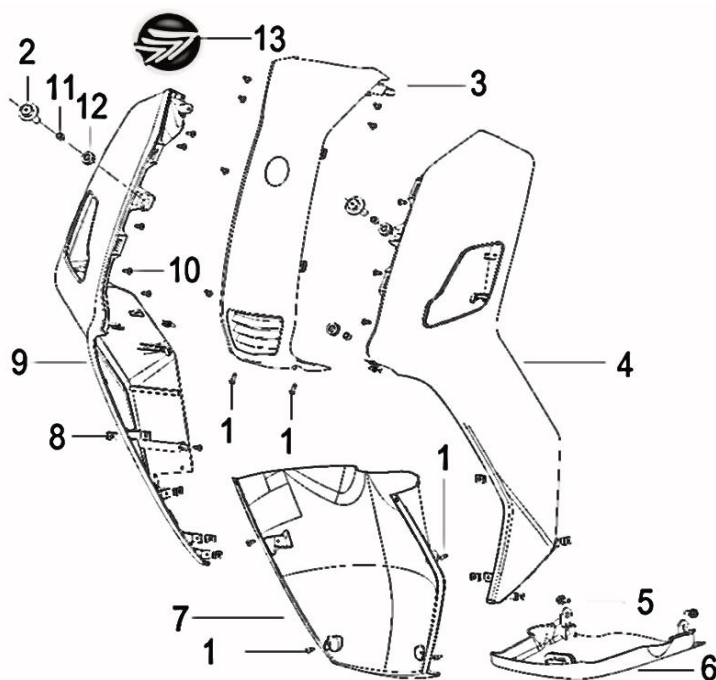
## F15 HANDLE COVER ASSY.



N°	CÓDIGO	DESCRIÇÃO	Qt.	OBSERVAÇÕES
1	65201T82JS00	FRONT SHIELD,GREY JS	1	
1	65201T82LO00	FRONT SHIELD,BLUE LO	1	
1	65201T82WS00	FRONT SHIELD,WHITE WS	1	
2	65202T820010	REAR SHIELD,BLACK	1	
3	65801T020201	INSERT ST4.2	4	
4	B0200060102H	SCREW M6X10	2	
5	B0507420160H	SCREW ST4.2X16	4	
6	B0507420130H	SCREW ST4.2X13	13	
7	65215B760000	PLUG,HEADLIGHT SWITCH	1	
8	91140G240000	START SWITCH	1	
9	91130G360000	DIMMER SWITCH	1	
10	91120T620000	TURN SWITCH	1	
11	91110G240000	SWITCH,HORN	1	
12	05531H290003	WARNING LABELS	1	

# ZAHARA 50 E4

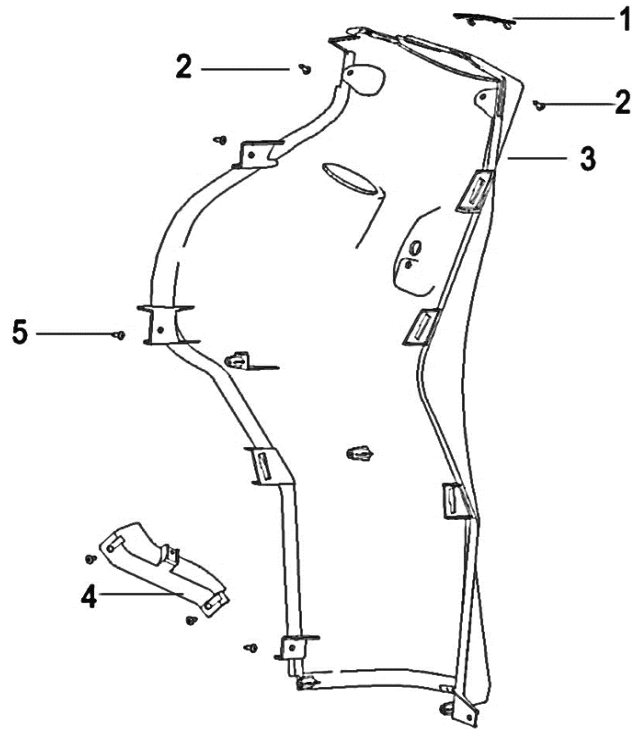
## F16 FACEPLATE ASSY.



Nº	CÓDIGO	DESCRIÇÃO	Qt.	OBSERVAÇÕES
1	B0507420160H	SELF-TAPPING SCREW ST4.2x16	6	
2	08012T090100	BOLT M6x20	2	
3	65301T82JS02	FACEPLATE,FRONT COVER,GREY JS	1	
3	65301T82LO02	FACEPLATE,FRONT COVER,BLUE LO	1	
3	65301T82WS02	FACEPLATE,FRONT COVER,WHITE WS	1	
4	65316T82JS00	LH.CONNCT BOARD,GREY JS	1	
4	65316T82LO00	LH.CONNCT BOARD,BLUE LO	1	
4	65316T82WS00	LH.CONNCT BOARD,WHITE WS	1	
5	B13010601205	SCREW W/WASHER M6x12	2	
6	65406T820000	LOWER CONNECTING BOARD	1	
7	65304T820000	PLATE,PROTECTIVE,INNER,PLATE,BOTTOM	1	
8	65801T020201	INSERT ST4.2	10	
9	65317T82JS00	RH.CONNCT BOARD,GREY JS	1	
9	65317T82LO00	RH.CONNCT BOARD,BLUE LO	1	
9	65317T82WS00	RH.CONNCT BOARD,WHITE WS	1	
10	B0507420130H	SELF-TAPPING SCREW ST4.2x13	15	
11	08061K670000	BUSH	3	
12	47028G220000	RUBBER SLEEVE	3	
13	05521K690000	KEEWAY LABEL	1	

# ZAHARA 50 E4

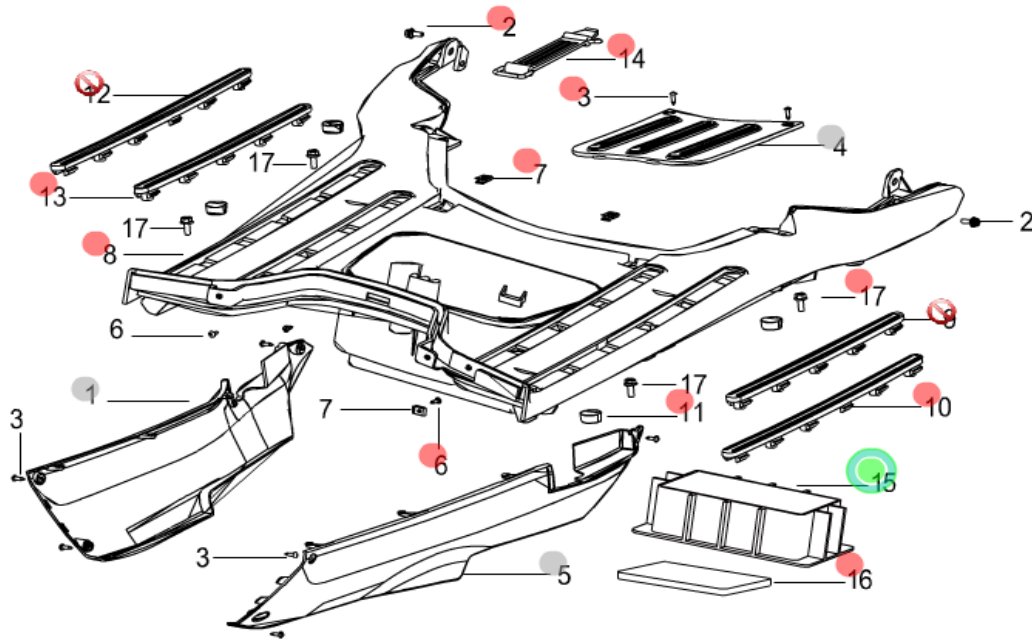
## F17 FOOT SHIELD ASSY.



N°	CÓDIGO	DESCRIÇÃO	Qt.	OBSERVAÇÕES
1	65319T820010	UPPER COVER BORAD,BLACK	1	
2	B0507420160H	SCREW ST4.2X16	2	
3	65402T820010	FOOT PROTECTIVE SHIELD,BLACK	1	
4	65315T820000	JACKET	1	
5	B0507420130H	SCREW ST4.2X13	5	

# ZAHARA 50 E4

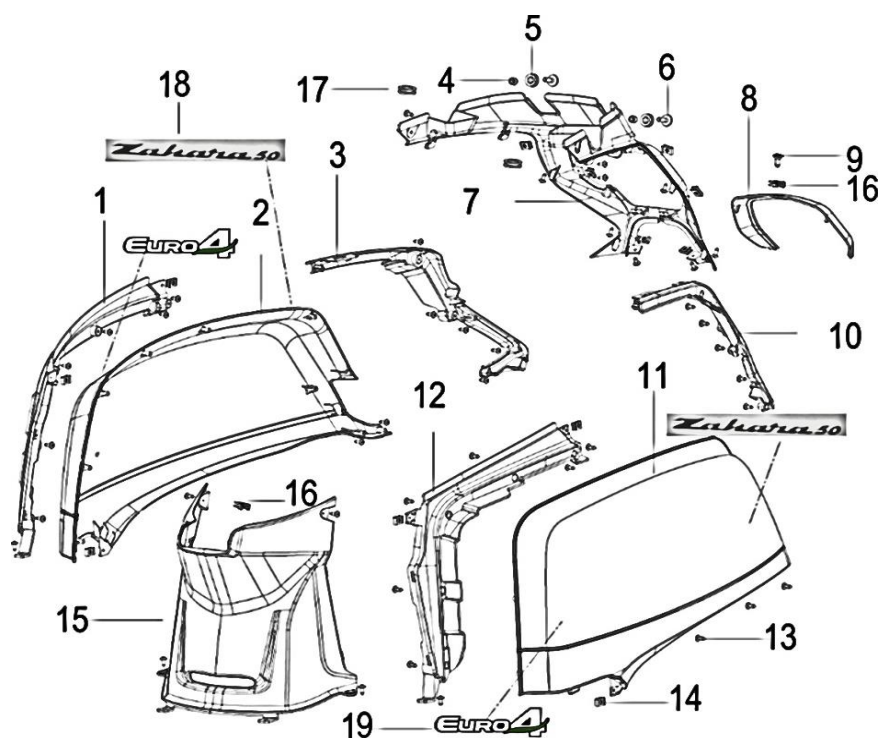
## F18 FOOTREST STRETCHER ASSY.



N°	CÓDIGO	DESCRIÇÃO	Qt.	OBSERVAÇÕES
1	65409T82JS00	GUARD STRIP,R,GREY JS	1	
1	65409T82LO00	GUARD STRIP,R,BLUE LO	1	
1	65409T82WS00	GUARD STRIP,R,WHITE WS	1	
2	B0109060126H	BOLT M6x12	2	
3	B0507420160H	SELF-TAPPING SCREW ST4.2x16	8	
4	65813T820010	BATTERY BOX COVER,BLACK	1	
5	65408T82JS00	GUARD STRIP,L,GREY JS	1	
5	65408T82LO00	GUARD STRIP,L,BLUE LO	1	
5	65408T82WS00	GUARD STRIP,L,WHITE WS	1	
6	B0507420130H	SELF-TAPPING SCREW ST4.2x13	5	
7	65801T020201	INSERT ST4.2	3	
8	65401T820010	FOOTREST,BLACK	1	
10	65413T820000	RUBBER GASKET I ,LH	1	
11	65436T820000	PLUG	4	
13	65423T820000	RUBBER GASKET II ,RH	1	
14	96020T750000	BATTERY BELT	1	
15	65816B070000	THE BATTERY BOX	1	
16	65811B920000	BATTERY CUSHION 1	1	
17	08011H010200	LUG BOLT M6x14	4	

# ZAHARA 50 E4

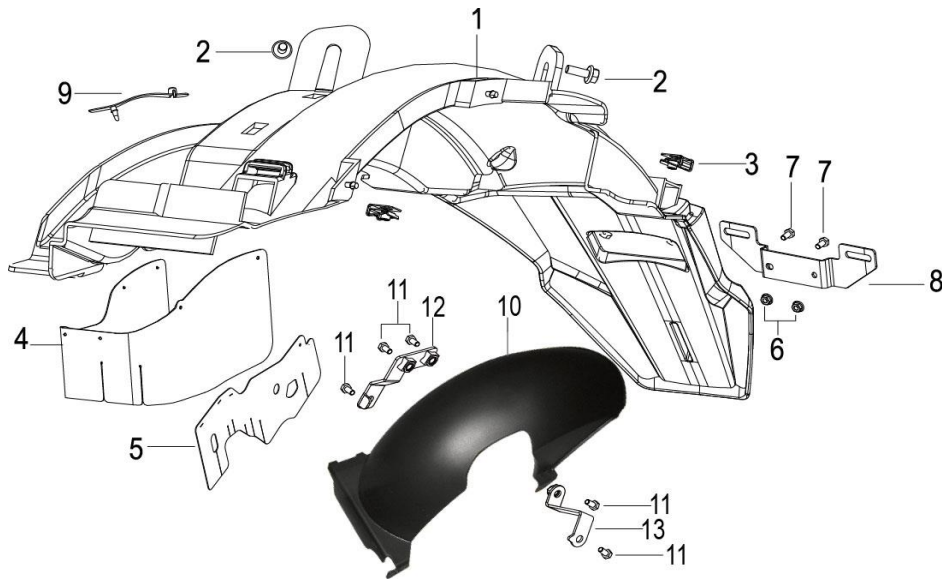
## F19 SIDE COVER ASSY.



N°	CÓDIGO	DESCRIÇÃO	Qt.	OBSERVAÇÕES
1	65661T82C100	DECORATING STRIP FRONT,RIGHT, SILVER C1	1	
2	65602T82JS00	RIGHT GUARD PLATE,GREY JS	1	
2	65602T82LO00	RIGHT GUARD PLATE,BLUE LO	1	
2	65602T82WS00	RIGHT GUARD PLATE,WHITE WS	1	
3	65662T82C100	DECORATING STRIP REAR,RIGHT,SILVER C1	1	
4	08061K670000	BUSH	2	
5	47028G220000	RUBBER SLEEVE	2	
6	08011T090200	SCREW M6x20	2	
7	65606T82B400	CONNECTING PLATE,REAR,MATTE BLACK B4	1	
8	65621T820010	DECORATE BOARD	1	
9	B0284060150A	SCREW M6X15.2	1	
10	65652T82C100	DECORATING STRIP REAR,LEFT,SILVER C1	1	
11	65601T82JS00	LEFT GUARD PLATE,GREY JS	1	
11	65601T82LO00	LEFT GUARD PLATE,BLUE LO	1	
11	65601T82WS00	LEFT GUARD PLATE,WHITE WS	1	
12	65651T82C100	DECORATING STRIP FRONT,LEFT,SILVER C1	1	
13	B0507420130H	SCREW ST4.2X13	46	
14	65801T020201	INSERT ST4.2	12	
15	65605T820010	CONNECTING PLATE,FRONT,black	1	
16	65625J560100	NUT M6	2	
17	49107T820000	RUBBER SLEEVE	2	
18	05515B760000	ZAHARA 50 LABEL	2	
19	05568U190001	EURO4 STICKER	2	

# ZAHARA 50 E4

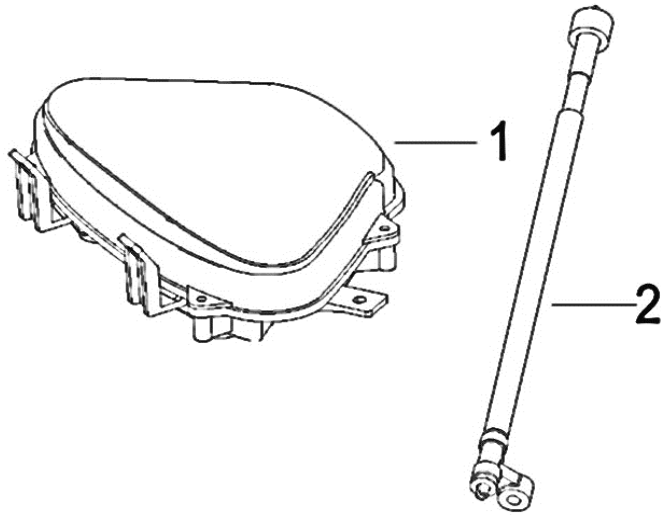
## F20 REAR FENDER



Nº	CÓDIGO	DESCRIÇÃO	Qt.	OBSERVAÇÕES
1	65701T820000	REAR FENDER	1	
2	B0109060166H	BOLT M6x16	2	
3	65625J560100	NUT M6	2	
4	65703T820000	RUBBER	1	
5	65722T750001	RUBBER II	1	
6	B0407060005H	NUT M6	2	
7	B0109060166H	BOLT M6x16	2	
8	08252T820000	AFTER THE LICENSE PLATE BRACKET	1	
9	65708J000000	CLIP	1	
10	65761T750000	SMALL REAR FENDER	1	
11	B0109060126H	BOLT M6x12	5	
12	57870B990000	RIGHT BRACKET	1	
13	57860B990000	LEFT BRACKET	1	

# ZAHARA 50 E4

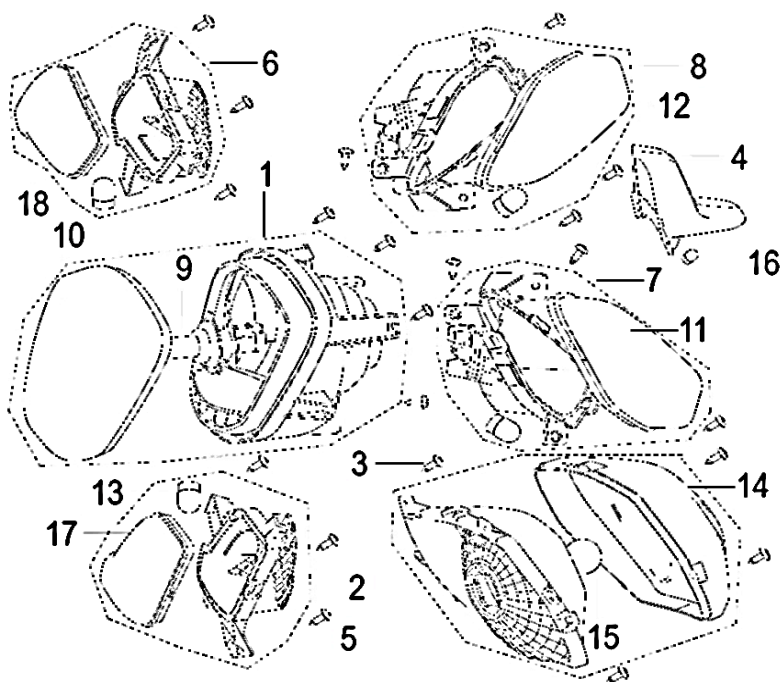
## F21 SPEEDOMETER ASSY



N°	CÓDIGO	DESCRIÇÃO	Qt.	OBSERVAÇÕES
1	70000B760008	SPEEDOMETER ASSY,AHO,WITH OBD	1	
2	72900T820000	SPEED LINE,SPEEDOMETER	1	

# ZAHARA 50 E4

## F22 LIGHT ASSY.

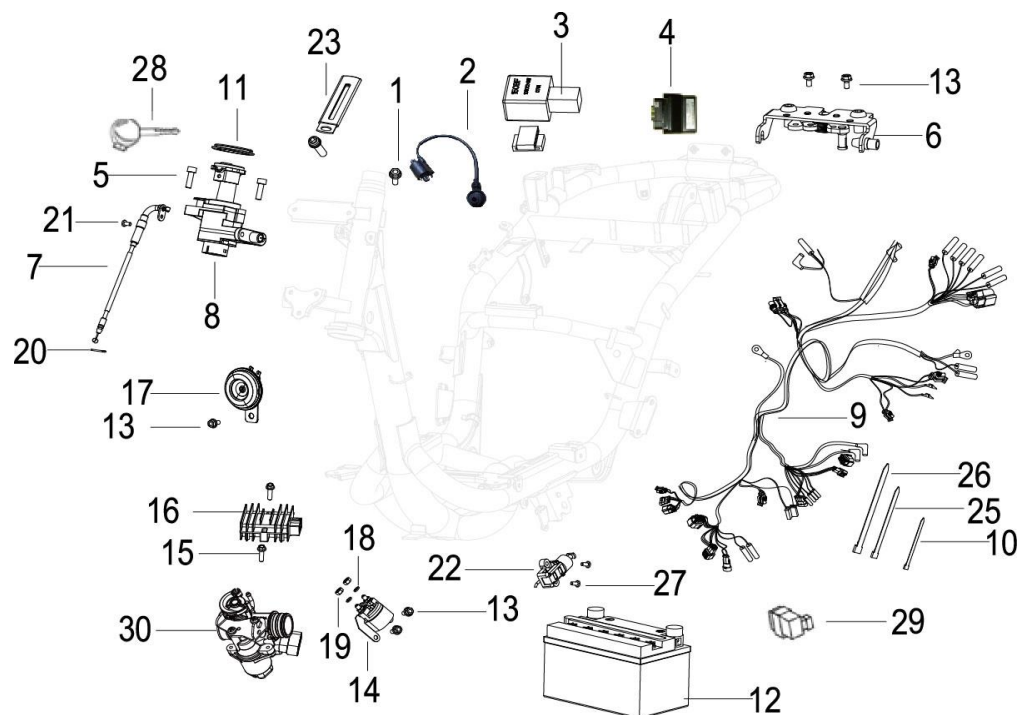


N°	CÓDIGO	DESCRIÇÃO	Qt.	OBSERVAÇÕES
1	8000T820000	HEAD LIGHT	1	
2	82000T820000	TAIL LAMP	1	
3	B0507420130H	SELF-TAPPING SCREW ST4.2x13	21	
4	82900T820011	LICENSE PLATE LAMP,black	1	
5	81100T820000	TURN SIGNAL,FRONT LEFT	1	
6	81300T820000	TURN SIGNAL,FRONT RIGHT	1	
7	81500T820000	TURN SIGNAL,REAR LEFT	1	
8	81700T820000	TURN SIGNAL,REAR RIGHT	1	
9	B240103200F0	BULB 12V35/35W	1	
10	80002T820000	LENS,HEAD LIGHT	1	
11	81502T820000	LENS,TURN SIGNAL,REAR LEFT	1	
12	81702T820000	LENS,TURN SIGNAL,REAR RIGHT	1	
13	B240140200F2	BULB 12V10W	4	
14	82040T820000	LENS,TAIL LAMP	1	
15	B24013820000	BULB 12V21/5W	1	
16	B24013120000	BULB 12V5W	1	
17	81102T820000	LENS,TURN SIGNAL,FRONT LEFT	1	
18	81302T820000	LENS,TURN SIGNAL,FRONT RIGHT	1	



# ZAHARA 50 E4

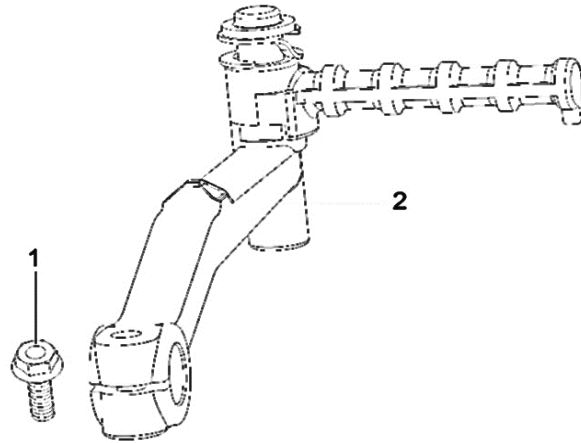
## F23 ELECTRICAL EQUIPMENT ASSY.



Nº	CÓDIGO	DESCRIÇÃO	Qt.	OBSERVAÇÕES
1	08013P100000	BOLT M6x16	1	
2	96200T960000	HIGH PRESSURE BAG	1	
3	96400K010001	FLASH APPARATUS	1	
4	96C00N120J02	ECU	1	
5	B0207060202H	BOLT M6X20	2	
6	58800B410000	SEAT LOCK ASSY	1	
7	40680T820001	STEEL CABLE ASSY., SEAT	1	
8	88000T750001	SOCKET	1	
9	92000B760004	CABLE ASSY	1	
10	96001T750000	BELT 150MM	1	
11	88107T750000	RING, ANTI-DUST	1	
12	BCTX4L-BS	BATTERY	1	
13	B0109060126H	BOLT M6X12	3	
14	94100J000002	RELAY START	1	
15	B0109060166H	BOLT M6X16	2	
16	299064010000	RECTIFIER.	1	
17	95100T750000	HORN	1	
18	B0700000060H	THE SPRING WASHER 6	2	
19	B0400060005H	NUT M6	2	
20	B090002018AH	THE COTTER PIN 2 X 18	1	
21	B0200050102H	SCREW M5X10	1	
22	91170N070000	THE SINGLE FLAMEOUT SWITCH	1	
23	58430J000000	THE CLAMP ASSEMBLY	1	
25	96002J000000	BELT 200MM	1	
26	96003J000000	BELT 250MM	1	
27	B0200050162H	SCREW M5X16	2	
28	88900T75091X	KEY NUT,RIGHT	1	
29	94400N140000	HEADLIGHT RELAY CONTROLLER,MARK:250T-4	1	
30	289006320000	THROTTLE ASSY	1	

# ZAHARA 50 E4

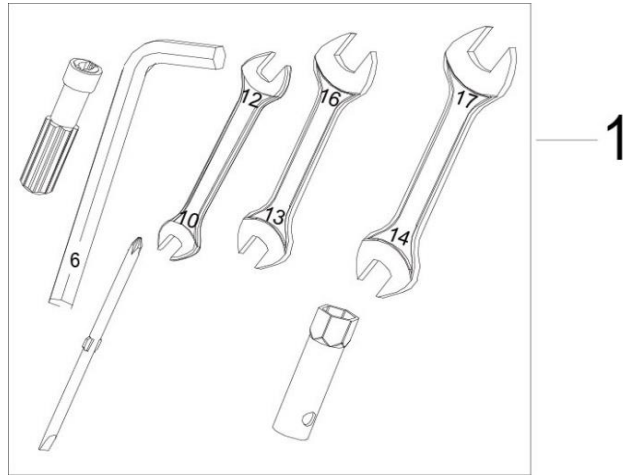
## F24 ENGINE ATTACHMENT



N°	CÓDIGO	DESCRIÇÃO	Qt.	OBSERVAÇÕES
1	B0109080256H	BOLT M8x25	1	
2	08350T820000	KICK STARTER ASSY.	1	

# ZAHARA 50 E4

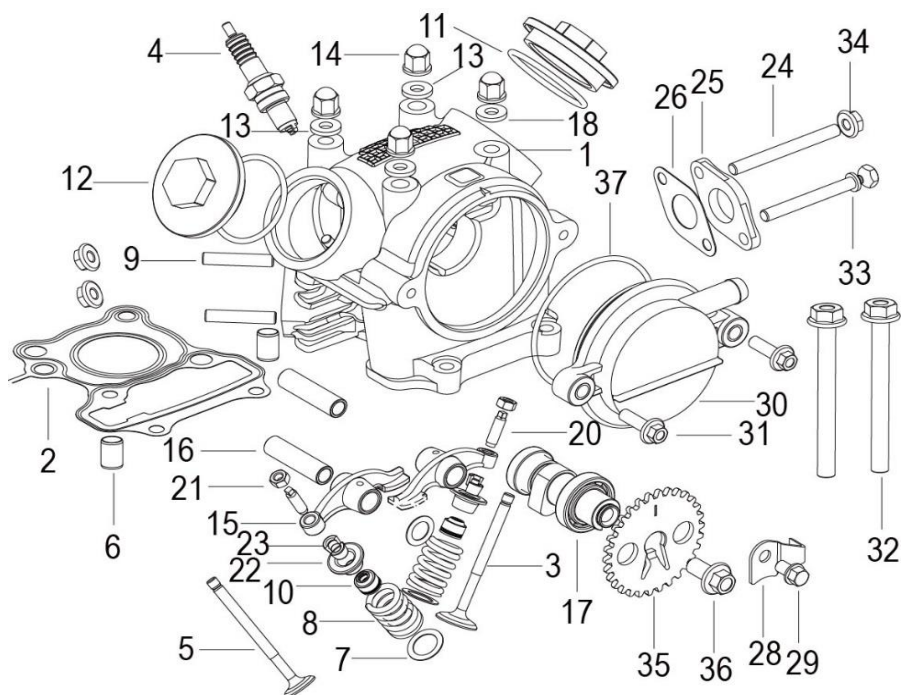
F25 TOOL KIT ASSY.



N°	CÓDIGO	DESCRIÇÃO	Qt.	OBSERVAÇÕES
1	02100T820010	TOOL KIT	1	

# ZAHARA 50 E4

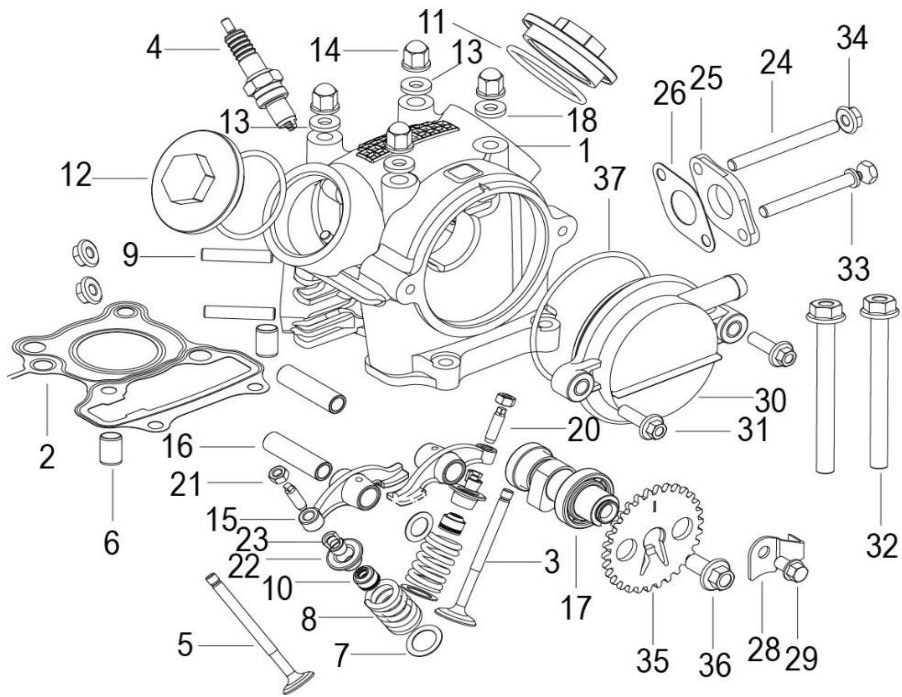
## E01 CYLINDER COVER ASSY



N°	CÓDIGO	DESCRIÇÃO	Qt.	OBSERVAÇÕES
1	100031270000	CYLINDER HEAD	1	
2	109071270000	GASKET, CYLINDER HEAD	1	
3	129181270000	INLET VALVE	1	
4	CR6HSA	SPARK PLUG (NGK)	1	
5	129191270000	EXHAUST VALVE	1	
6	150083070000	PINA,DOWEL (Φ10×14)	2	
7	129211270000	SEAT,VALESPRING	2	
8	129252270010	SPRING,VALVE Φ2.7	2	
9	120131270000	DOUBLE END STUD,EXHAUST	2	
10	120013050000	SEAL RING,VALVE STEM	2	
11	120031270000	O-RING(40X2.65)	2	
12	120021270000	VALVE COVER	2	
13	100071270000	WASHER,CUPREOUS	2	
14	120111270000	ACORN NUT	4	
15	129131270000	ROCKER ARM, EXHAUST VALVE	2	
16	120011270000	SHAFT, ROCKER ARM	2	
17	129091270000	SHAFT,ROCKET VALVE	1	
18	120101270000	GASKET	2	
20	129231270000	SCREW, TAPPET ADJUSTING	2	
21	129241270000	NUT, TAPPET ADJUSTING	2	
22	129331270000	UPPER SEAT,VALVE SPRING	2	
23	129221270000	COTTER,VALVE	4	
24	100075040010	DOUBLE END STUD,INLET	1	
25	110011270001	INSULATOR CARBURETOR	1	
26	119071270020	PAPER PAD, INSULATOR CARBURETOR	1	
28	120041270000	PLATE	1	
29	B0107060106H	BOLT M6×10	1	
30	100012270000	SPROCKET COVER ASSEMBLY	1	
31	B0107060256H	BOLT M6×25	2	

# ZAHARA 50 E4

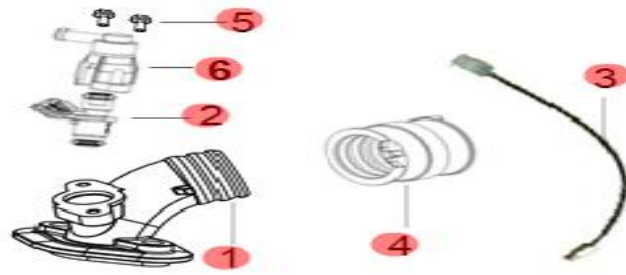
## E01 CYLINDER COVER ASSY



N°	CÓDIGO	DESCRIÇÃO	Qt.	OBSERVAÇÕES
32	B0107060806H	BOLT M6x80	2	
33	110011290000	BOLT	1	
34	B0407060005H	NUT,FLANGE(M6)	3	
35	120071270000	CAMSHAFT SPROCKET	1	
36	109002270110	BOLT M8x16	1	
37	100061270000	O-RING(68X2.5)	1	

# ZAHARA 50 E4

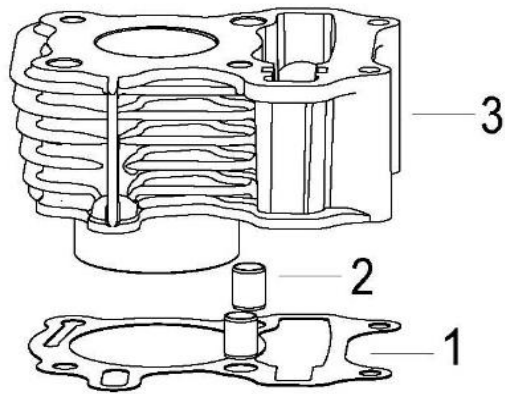
## E02 AIR INTAKE SYSTEM



N°	CÓDIGO	DESCRIÇÃO	Qt.	OBSERVAÇÕES
1	119121290010	PIPE, INTAKE	1	
2	289031290000	FUEL INJECTOR	1	
3	280013320000	TEMPRETURE SENSOR	1	
4	110013600000	CONNECT PIPE	1	
5	B1308040160H	SCREW WASHER M4x16	2	
6	289043540000	FUEL INJECTOR SEAT	1	

# ZAHARA 50 E4

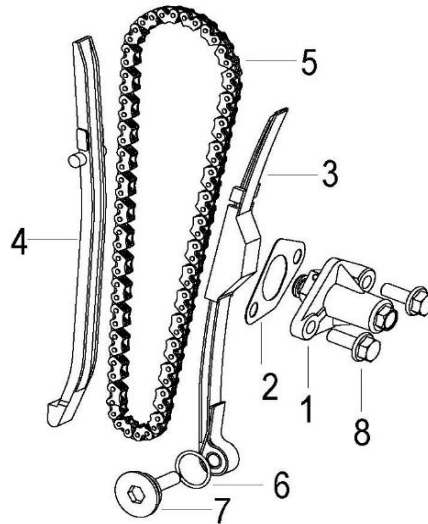
## E03 CYLINDER ASSY



N°	CÓDIGO	DESCRIÇÃO	Qt.	OBSERVAÇÕES
1	139021270020	GASKET,CYLINDER	1	
2	150083070000	DOWEL PIN	2	
3	13903127005X	CYLINDER	1	

# ZAHARA 50 E4

## E04 TENSIONER ASSY

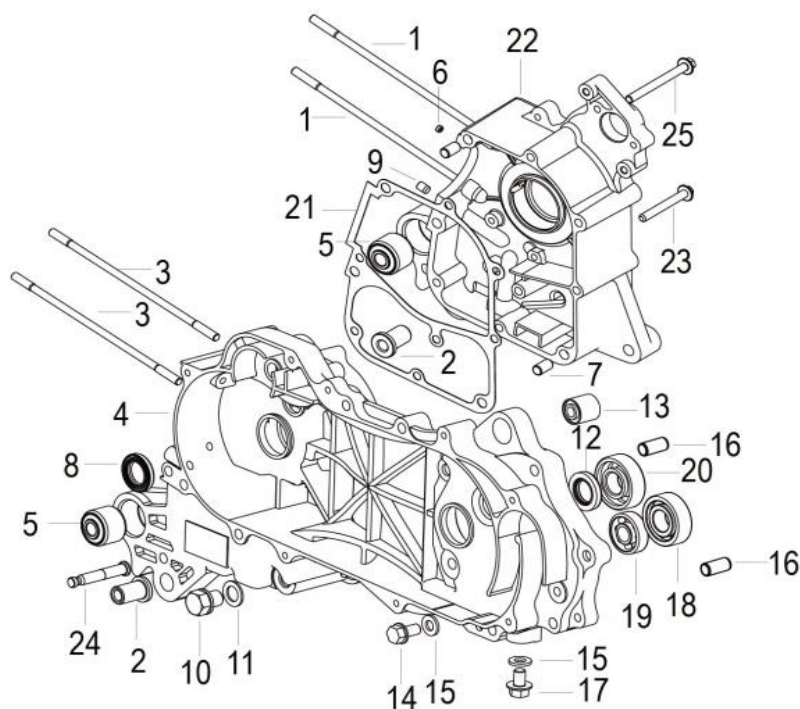


N°	CÓDIGO	DESCRIÇÃO	Qt.	OBSERVAÇÕES
1	149035040010	TENSIONER	1	
2	140035090010	WASHER	1	
3	140011270000	GUAID CHAIN PLATE	1	
4	140021270000	SUB-GUAID CHAIN PLATE	1	
5	140041270000	CHAIN 78	1	
6	140023050000	O RING	1	
7	14004305011X	SCREW	1	
8	B0107060186H	BOLT M6x18	2	



# ZAHARA 50 E4

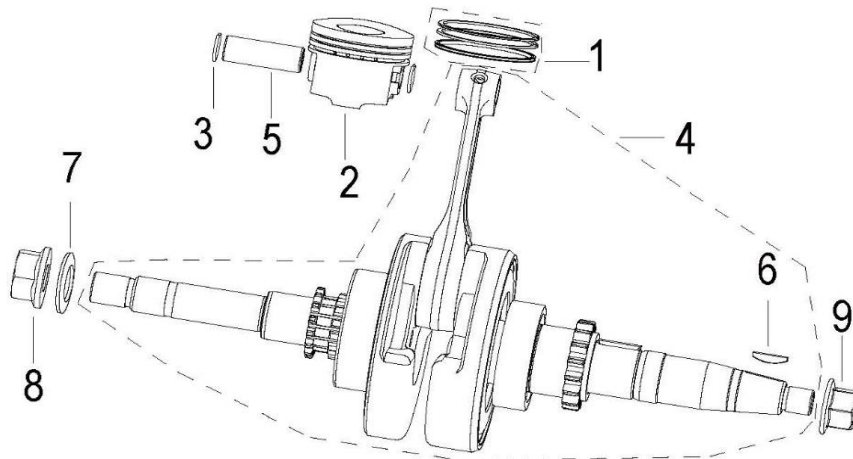
## E05 CRANKCASE ASSY,LEFT & RIGHT



N°	CÓDIGO	DESCRIÇÃO	Qt.	OBSERVAÇÕES
1	159111270000	STUD BOLT (B)	2	
2	270121140000	COLLOR	2	
3	159101270000	STUD BOLT (A)	2	
4	15904127057X	CRANKCASE,LEFT	1	
5	150123050000	BUSH, ENGINE HANGER	2	
6	150011290000	PLUG	1	
7	150043050000	PIN,DOWEL	6	
8	240052140000	OIL SEAL 18.9X30X5	1	
9	150103070000	PLUG	1	
10	15006305002X	DRAIN PLUG SCREW	1	
11	210382140030	WASHER	1	
12	150011210000	OIL SEAL 17x30x5	1	
13	150012080000	BUSH	1	
14	B0107080126H	BOLT M8x12	1	
15	210013050000	WASHER	2	
16	130023070000	DOWEL PIN 10x20	2	
17	B0107080126H	FLANGE BOLT M8x12	1	
18	B12016020303	BEATRING 6203/P53	1	
19	B12016020101	BEARING 6201/P6	1	
20	150031140000	BEARING	1	
21	150071270000	GASKET	1	
22	15903127003X	CRANKCASE ASSY,RIGHT	1	
23	B0107060506H	FLANGE BOLT M6x50	1	
24	150051270000	HOLD THE SPRING IN A FIXED AXIS.	1	
25	B0107060656H	FLANGE BOLT M6x65	1	

# ZAHARA 50 E4

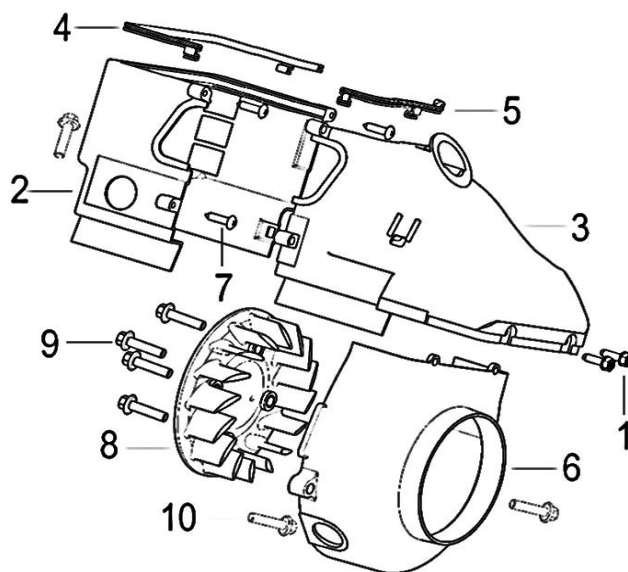
## E06 CONNECTING ROD & PISTON ASSY



N°	CÓDIGO	DESCRIÇÃO	Qt.	OBSERVAÇÕES
1	170021290000	PISION RING SET.	1	
2	179131270000	PISTON	1	
3	170011160000	CLIP,PISTON PIN	2	
4	179011290000	PISTON ROD SET	1	
5	179141270000	PIN,PISTON	1	
6	110029990000	PIN	1	
7	200152140000	WASHER	1	
8	27002305011X	FLANGE NUT M12x1.25	1	
9	260092140100	NUT	1	

# ZAHARA 50 E4

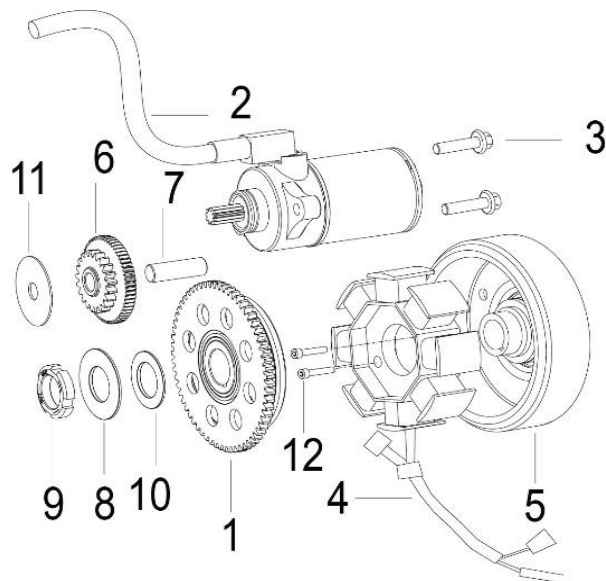
## E07 WIND SCOOPER



Nº	CÓDIGO	DESCRIÇÃO	Qt.	OBSERVAÇÕES
1	B05144801605	SCREW ST4.8x16	2	
2	270011270010	SHROUD, UPPER	1	
3	279041270010	SHROUD, LOWER	1	
4	270041270000	SEAL SHROUD, UPPER	1	
5	270051270000	SEAL SHROUD, LOWER	1	
6	279071140000	COVER, FAN ASSY	1	
7	B05074802005	SCREW ST4.8X20	3	
8	270141140010	FAN ASSEMBLY	1	
9	B0107060166H	BOLT M6x16	4	
10	B0107060256H	BOLT M6x25	3	

## ZAHARA 50 E4

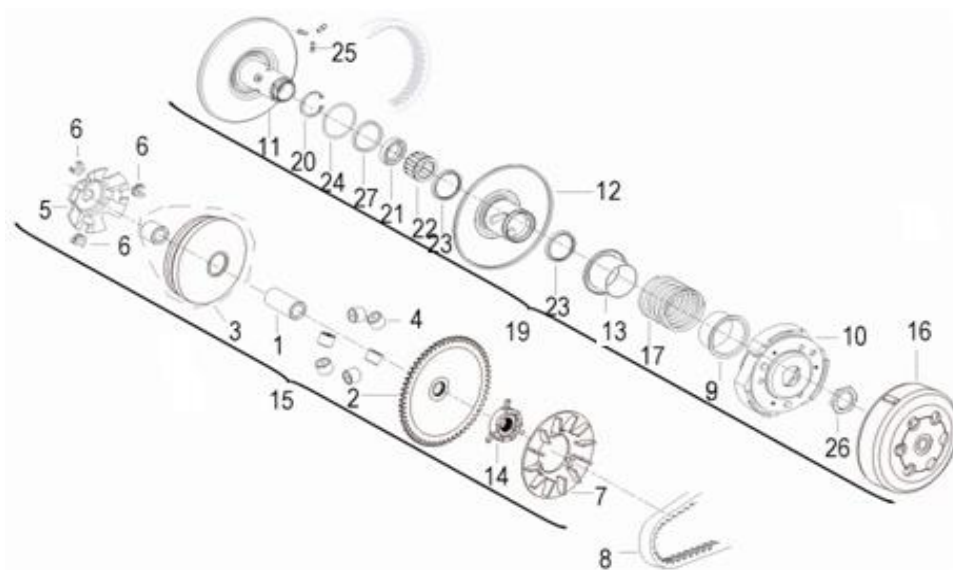
### E08 STARTER MOTOR ASSY.



Nº	CÓDIGO	DESCRIÇÃO	Qt.	OBSERVAÇÕES
1	249101270010	STARTER ADAPTER ASSEMBLY	1	
2	249011240000	STARTER MOTOR ASSEMBLY,wire length:470mm	1	
3	B0107060256H	BOLT M6×25	2	
4	299031290000	COIL ASSEMBLY	1	
5	299021290030	FLY WHEEL ASSY	1	
6	249041240000	IDLE GEAR	1	
7	249051240000	SHAFT,IDLE	1	
8	170021240000	WASHER φ20×40	1	
9	170051240000	NUT M20×1	1	
10	200101290000	WASHER φ20×30	1	
11	240011290000	WASHER φ10×49	1	
12	B0205060286H	SCREW M6×28	2	

# ZAHARA 50 E4

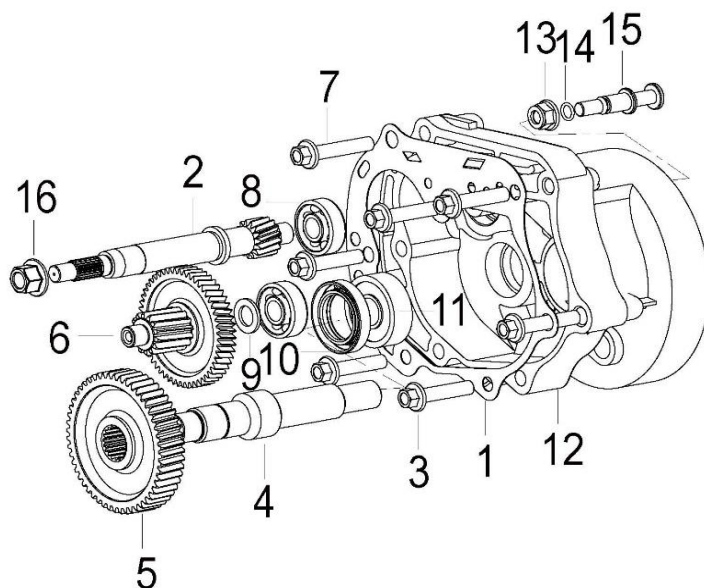
## E09 CLUTCH ASSY



Nº	CÓDIGO	DESCRIÇÃO	Qt.	OBSERVAÇÕES
1	200081140000	COLLAR	1	
2	200071140000	MAIN FIXED-GEAR	1	
3	200121140000	FACE, MOVABLE DRIVE	1	
4	200141140000	ROLLER	6	
5	220031210000	CHUCK	1	
6	220041210000	SLIDER	3	
7	200061140000	FAN ASSY	1	
8	229011140010	V BELT, DRIVE	1	
9	220151210000	LEFT SPRING SEAT	1	
10	220111210000	SHOE COMPONENTS	1	
11	220141210000	DRIVEN WHEEL FIXED HALF ASSEMBLY	1	
12	220121210000	DRIVEN WHEELS MOVE HALF COMPONENTS	1	
13	220161210000	RIGHT SPRING SEAT	1	
14	200051140000	STARTER SEAT	1	
15	20003114000Z	BEFORE THE CLUTCH ASSEMBLY	1	
16	220041140010	CLUTCH OUTER	1	
17	220191210000	SPRING	1	
19	209001140000	AFTER THE CLUTCH ASSEMBLY	1	
20	B08000002402	CIRCLIP 24	1	
21	B12016190101	ROLLER, GUIDE	1	
22	B1212K171801	BEARING	1	
23	220181210000	OIL SEAL	2	
24	200111140000	O-RING	1	
25	220211210000	PIN, ROLLER GUIDE	3	
26	220201210000	NUT, SPECIAL	1	
27	220131210000	O-RING	1	

# ZAHARA 50 E4

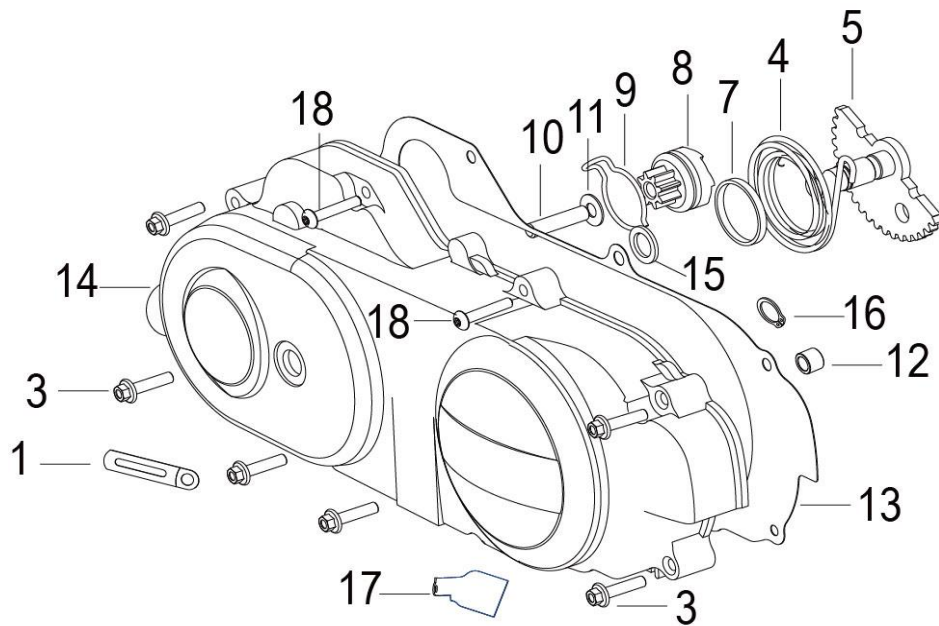
## E10 GEAR CHAMBER CAP



Nº	CÓDIGO	DESCRIÇÃO	Qt.	OBSERVAÇÕES
1	240011270000	GASKET, GEAR CHAMBER COVER	1	
2	229041290000	INPUT DRIVE SHAFT	1	
3	B0107080356H	FLANGE BOLT M8x35	5	
4	229081140000	OUTPUT DRIVE SHAFT	1	
5	229091270000	GEAR, OUTPUT DRIVE SHAFT	1	
6	220061270000	GEAR ASSY MIDDLE (42 TOOTH)	1	
7	B0107080406H	FLANGE BOLT M8x40	2	
8	B12016020101	BEARING 6201/P6	2	
9	220031140000	WASHER 12	1	
10	150113050000	SEAL RING	1	
11	B12016000400	BEARING	1	
12	22910114002X	GEAR CHAMBER COVER	1	
13	B0417080005H	FLANGE NUT, LOCK	1	
14	150073050000	O RING	1	
15	240031140000	PIN	1	
16	260092140100	NUT	1	

# ZAHARA 50 E4

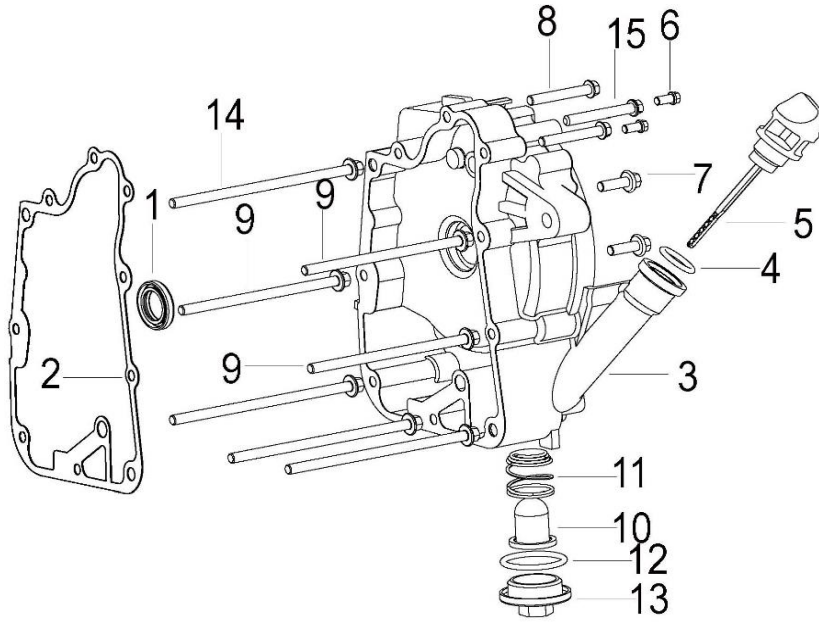
## E11 CLUTCH COVER ASSY



Nº	CÓDIGO	DESCRIÇÃO	Qt.	OBSERVAÇÕES
1	160121170000	CLIP	1	
3	B0107060356H	FLANGE BOLT M6x35	6	
4	160121140010	SPRING	1	
5	160161140000	FAN GEAR COMPONENTS	1	
7	160131140000	FRICITION PAD	1	
8	160151140000	STARTER RATCHET WELDING COMPONENTS	1	
9	160111140000	CLIP	1	
10	160091140000	PIN	1	
11	160101140000	CIRCLIP	1	
12	160021210000	STARTER BEARINGS.	1	
13	169071270040	GASKET,CLUTCH COVER,LH	1	
14	16902114HT01	COVER,CLUTCH,LH,GREY HT	1	
15	160171140000	CIRCLIP 14	1	
16	B080100014A1	CIRCLIP	1	
17	16003305002X	CLAMP,BRAKE CABLE	1	
18	160011290000	BOLT M6x35	2	

# ZAHARA 50 E4

## E12 COVER,RIGHT CRANKCASE

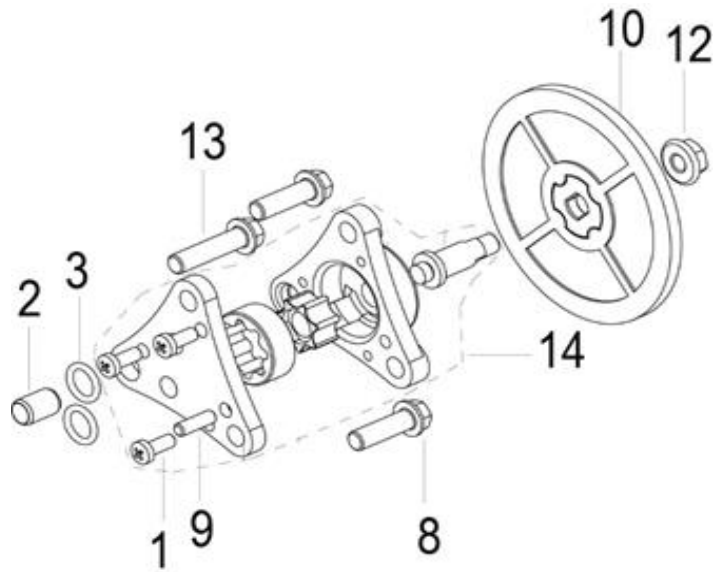


Nº	CÓDIGO	DESCRIÇÃO	Qt.	OBSERVAÇÕES
1	240052140000	OIL SEAL 18.9X30X5	1	
2	169111270010	PAD, COVER, R.CRANKCASE	1	
3	16910127056X	COVER, R.CRANKCASE	1	
4	160063070000	O RING 18X3.5	1	
5	169183050000	GAUGE,OIL LEVEL	1	
6	B0107050106H	FLANGE BOLT M5x10	2	
7	B0107060186H	FLANGE BOLT M6x18	2	
8	B0107060406H	BOLT M6x40	2	
9	B0107061056H	FLANGE BOLT M6x105	3	
10	150093070000	STRAINER,OIL	1	
11	160013050000	SPRING,STAINER	1	
12	160023050000	O RING	1	
13	16004305001X	PLUG,DRAIN	1	
14	B0107061206H	FLANGE BOLT M6x120	4	
15	B0107060406H	BOLT M6x40	1	



# ZAHARA 50 E4

## E13 OIL PUMP ASSY



N°	CÓDIGO	DESCRIÇÃO	Qt.	OBSERVAÇÕES
1	B02040400963	SCREW M4x9	3	
2	150022140000	PIN,DOWEL,ø7Xø8X12	1	
3	B190100860A0	O RING 8.6x1.9	2	
8	B0107060256H	FLANGE BOLT M6x25	2	
9	260041140000	PIN 4x13	1	
10	260011140000	GEAR,OIL PUMP DRIVEN	1	
12	B0407060005H	FLANGE NUT M6	1	
13	B0107060256H	FLANGE BOLT M6x25	1	
14	26900114001Z	OIL PUMP ASSY	1	