

# PARTS CATALOGUE



## SCOOTERS

SK64HA(PT)

NEW DOWNTOWN 350



Release Date : 2023/03/12  
Print Date : 2023/04/20

## ABOUT THIS PARTS LIST

- This parts list is compiled all service parts for model SK64HA(PT).
- Any difference between color chart and motorcycle will be revised according to motorcycle.
- The Mark:
  1. Marking "\*\*\*" must add color code in the end before ordering parts.
  2. Marking "#" are parts with modification, Please find the details from e-Parts system.
- When modification or additions to this parts list are made a revised edition at an appropriate time.



# CONTENTS

|                                   |     |
|-----------------------------------|-----|
| ● ABOUT THIS PARTS LIST .....     | 1   |
| ● COLOR CHART OF SK64HA(PT) ..... | 3   |
| ● CONTENTS-ENGINE GROUP .....     | 8   |
| ● CONTENTS-FRAME GROUP .....      | 9   |
| ● ENGINE PARTS LIST .....         | 12  |
| ● FRAME PARTS LIST .....          | 42  |
| ● PART NO. INDEX .....            | 126 |

| NO                     | MODEL               |                |         | COLOR CHART OF SK64HA(PT) |                    |  |  |
|------------------------|---------------------|----------------|---------|---------------------------|--------------------|--|--|
|                        | PHOTO NO            |                |         | NO. 1                     | NO. 2              |  |  |
|                        | BASIC COLOR         |                |         | Mat Deep Blue             | Dark Gray Metallic |  |  |
|                        | CODE                |                |         | Mat Deep Blue             | Dark Gray Metallic |  |  |
|                        | PARTS NAME          | PARTS NO.      | VERSION | PB244FA                   | NH124FA            |  |  |
| 1                      | MUFFLER ASSY.       | 1830A-ACD5-EZ5 | 5       | D02                       |                    |  |  |
| 2                      | PROTECTOR.MUFFLER   | 18318-ACD5-E00 | 4       |                           |                    |  |  |
| 3                      | FENDER FRONT        | 61100-ACD5-E00 | 0       | DHQ                       | D3R                |  |  |
| 4                      | TOP COVER FRONT     | 64313-ACD5-E00 | 1       | J1P                       |                    |  |  |
| 5                      | LEG SHIELD UP       | 81141-ACD5-E00 | 0       |                           |                    |  |  |
| 6                      | BOARD A R SIDE (Met | 83530-ACD5-E00 | 0       |                           |                    |  |  |
| 7                      | BOARD A L SIDE (Met | 83630-ACD5-E00 | 0       |                           |                    |  |  |
| 8                      | CENTER COVER FRONT  | 64203-ACD5-E00 | 0       |                           |                    |  |  |
| 9                      | MOLDING A R SIDE    | 64302-ACD5-E00 | 1       |                           |                    |  |  |
| 10                     | MOLDING A L SIDE    | 64303-ACD5-E00 | 1       |                           |                    |  |  |
| 11                     | SKIRT R SIDE        | 64305-ACD5-E00 | 1       | CVP                       |                    |  |  |
| 12                     | SKIRT L SIDE        | 64306-ACD5-E00 | 1       |                           |                    |  |  |
| 13                     | CARRIER REAR        | 81200-ACD5-E00 | 3       |                           |                    |  |  |
| 14                     | CAP RR GRIP         | 81220-LKG7-E00 | 0       |                           |                    |  |  |
| 15                     | COVER R BODY        | 83500-ACD5-E00 | 1       |                           |                    |  |  |
| 16                     | COVER L BODY        | 83600-ACD5-E00 | 1       |                           |                    |  |  |
| 17                     | COVER A RR CENTER   | 83750-ACD5-E00 | 1       |                           |                    |  |  |
| 18                     | CALIPER ASSY RR     | 43100-LGE5-E01 | 3       | JBA                       |                    |  |  |
| 19                     | BRACKET FR CALIPER  | 43210-LGE5-E00 | 0       |                           |                    |  |  |
| 20                     | CALIPER ASSY FR     | 45200-LKG7-E00 | 5       |                           |                    |  |  |
| 21                     | SIDE COVER L COVER  | 11345-ACD5-E00 | 0       | JBP                       |                    |  |  |
| 22                     | L COVER COVER COMP  | 1134A-ACD5-E00 | 0       |                           |                    |  |  |
| 23                     | L COVER COVER COMP  | 1134B-ACD5-E00 | 0       |                           |                    |  |  |
| 24                     | FENDER COVER R SIDE | 61111-ACD5-E00 | 0       |                           |                    |  |  |
| 25                     | FENDER COVER L SIDE | 61112-ACD5-E00 | 0       |                           |                    |  |  |
| DATE OF STARTING-SALES |                     |                |         |                           |                    |  |  |
| DATE OF END-SALES      |                     |                |         |                           |                    |  |  |

| NO                     | MODEL               |                |         | COLOR CHART OF SK64HA(PT) |                    |  |  |
|------------------------|---------------------|----------------|---------|---------------------------|--------------------|--|--|
|                        | PHOTO NO            |                |         | NO. 1                     | NO. 2              |  |  |
|                        | BASIC COLOR         |                |         | Mat Deep Blue             | Dark Gray Metallic |  |  |
|                        | CODE                |                |         | Mat Deep Blue             | Dark Gray Metallic |  |  |
|                        | PARTS NAME          | PARTS NO.      | VERSION | PB244FA                   | NH124FA            |  |  |
| 26                     | BAR ASSY R RR STEP  | 5070A-ACD5-E00 | 3       | JHA                       |                    |  |  |
| 27                     | BAR ASSY L RR STEP  | 5070B-ACD5-E00 | 3       |                           |                    |  |  |
| 28                     | BAR R RR STEP       | 50710-ACD5-E00 | 3       |                           |                    |  |  |
| 29                     | BAR L RR STEP       | 50720-ACD5-E00 | 3       |                           |                    |  |  |
| 30                     | LEVER R STRG HANDLE | 53175-LKF5-E00 | 0       | M3A                       |                    |  |  |
| 31                     | LEVER L STRG HANDLE | 53178-LKF5-E00 | 0       |                           |                    |  |  |
| 32                     | COVER COMP RIGHT    | 11330-LEA7-E00 | 19      | MLA                       |                    |  |  |
| 33                     | WHEEL COMP RR       | 42601-LEA7-E00 | 7       | N1A                       |                    |  |  |
| 34                     | WHEEL ASSY FR       | 44600-LEA7-305 | 0       |                           |                    |  |  |
| 35                     | COVER FRONT         | 64301-ACD5-E00 | 1       | N1P                       |                    |  |  |
| 36                     | MOLDING B R SIDE    | 64308-ACD5-E00 | 0       |                           |                    |  |  |
| 37                     | MOLDING B L SIDE    | 64309-ACD5-E00 | 0       |                           |                    |  |  |
| 38                     | COVER R SIDE SKIRT  | 64335-ACD5-E00 | 1       |                           |                    |  |  |
| 39                     | COVER L SIDE SKIRT  | 64345-ACD5-E00 | 0       |                           |                    |  |  |
| 40                     | COVER R SIDE        | 83510-ACD5-E00 | 0       |                           |                    |  |  |
| 41                     | COVER L SIDE        | 83610-ACD5-E00 | 0       |                           |                    |  |  |
| 42                     | COVER.BATTERY       | 50326-LGJ8-900 | 5       |                           |                    |  |  |
| 43                     | COVER UNDER         | 50613-ACD5-E00 | 0       |                           |                    |  |  |
| 44                     | GRIP COMP.THROT     | 53140-ACD5-E01 | 3       |                           |                    |  |  |
| 45                     | GRIP COMP.L HANDLE  | 53150-ACD5-E01 | 3       | N1R                       |                    |  |  |
| 46                     | COVER METER FR      | 53202-ACD5-E00 | 4       |                           |                    |  |  |
| 47                     | COVER HANDLE UP     | 53205-ACD5-E00 | 1       |                           |                    |  |  |
| 48                     | COVER HANDLE LOW    | 53206-ACD5-E00 | 1       |                           |                    |  |  |
| 49                     | COVER METER         | 53214-ACD5-E01 | 0       |                           |                    |  |  |
| 50                     | INNER FENDER FRONT  | 61110-ACD5-E00 | 1       |                           |                    |  |  |
| DATE OF STARTING-SALES |                     |                |         |                           |                    |  |  |
| DATE OF END-SALES      |                     |                |         |                           |                    |  |  |

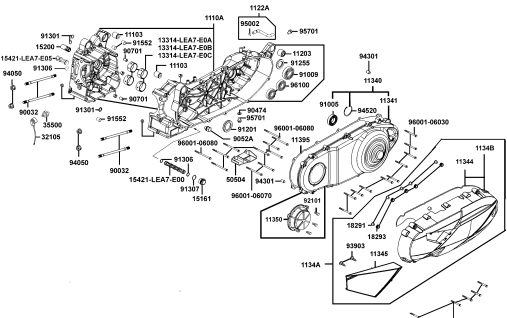
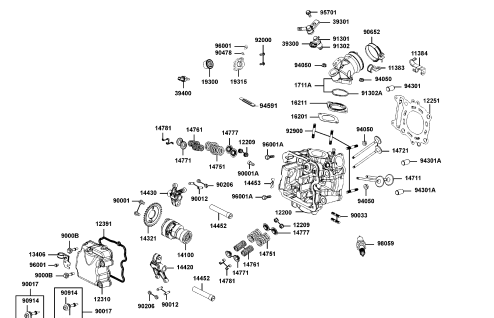
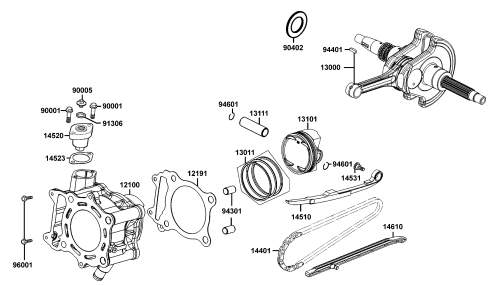
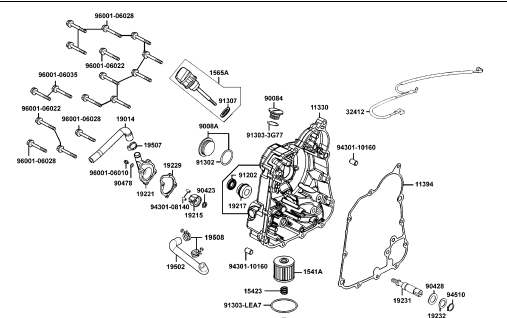
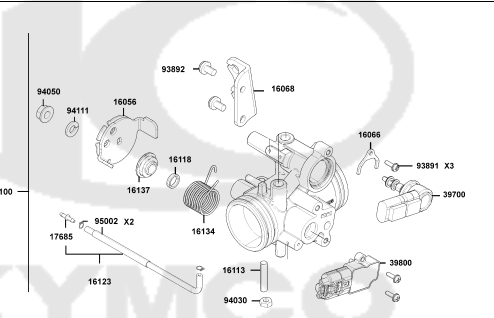
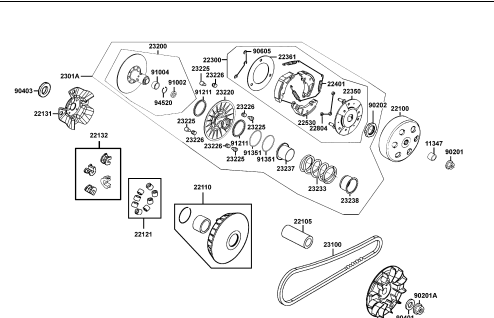
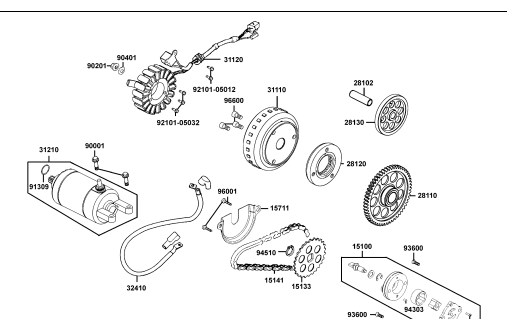
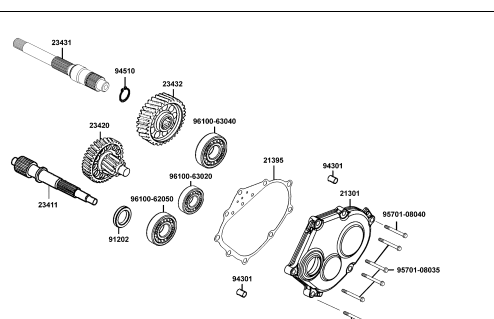
| NO                     | MODEL               |                |         | COLOR CHART OF SK64HA(PT) |                    |  |  |
|------------------------|---------------------|----------------|---------|---------------------------|--------------------|--|--|
|                        | PHOTO NO            |                |         | NO. 1                     | NO. 2              |  |  |
|                        | BASIC COLOR         |                |         | Mat Deep Blue             | Dark Gray Metallic |  |  |
|                        | CODE                |                |         | Mat Deep Blue             | Dark Gray Metallic |  |  |
|                        | PARTS NAME          | PARTS NO.      | VERSION | PB244FA                   | NH124FA            |  |  |
| 51                     | PLUG WIND SCREEN    | 64223-LEA7-E00 | 5       |                           |                    |  |  |
| 52                     | PANEL R FLOOR       | 64310-ACD5-E00 | 0       |                           |                    |  |  |
| 53                     | LID RESERVE TANK    | 64311-ACD5-E00 | 0       |                           |                    |  |  |
| 54                     | MAT R FLOOR         | 64320-ACD5-E00 | 0       |                           |                    |  |  |
| 55                     | PANEL L FLOOR       | 64330-ACD5-E00 | 0       |                           |                    |  |  |
| 56                     | MAT L FLOOR         | 64340-ACD5-E00 | 0       |                           |                    |  |  |
| 57                     | MAT R LEG SHIELD    | 64350-ACD5-E00 | 0       |                           |                    |  |  |
| 58                     | MAT L LEG SHIELD    | 64360-ACD5-E00 | 0       |                           |                    |  |  |
| 59                     | COWL UNDER          | 64400-ACD5-E00 | 1       |                           |                    |  |  |
| 60                     | FENDER RR TIRE      | 80100-ACD5-E01 | 0       |                           |                    |  |  |
| 61                     | FENDER A RR         | 80101-ACD5-E00 | 0       |                           |                    |  |  |
| 62                     | FENDER REAR         | 80105-ACD5-E00 | 0       |                           |                    |  |  |
| 63                     | RR FENDER LOW       | 80106-LKF5-E00 | 0       |                           |                    |  |  |
| 64                     | COVER LICENSE LIGHT | 80107-LKF5-E00 | 0       |                           |                    |  |  |
| 65                     | COVER CENTER        | 80151-ACD5-E00 | 0       |                           |                    |  |  |
| 66                     | LID FUEL CAP MAINT  | 80152-ACD5-E00 | 0       |                           |                    |  |  |
| 67                     | LID ASSY FUEL CAP   | 8015A-ACD5-E00 | 0       |                           |                    |  |  |
| 68                     | LIDR FR INNER BOX   | 81122-ACD5-E00 | 0       |                           |                    |  |  |
| 69                     | COVER R INNER LID   | 81123-ACD5-E00 | 1       |                           |                    |  |  |
| 70                     | BOX R FR INNER BOX  | 81124-ACD5-E00 | 0       |                           |                    |  |  |
| 71                     | LEG SHIELD          | 81131-ACD5-E00 | 0       |                           |                    |  |  |
| 72                     | LID L FR INNER BOX  | 81132-ACD5-E00 | 0       |                           |                    |  |  |
| 73                     | COVER L INNER LID   | 81133-ACD5-E00 | 1       |                           |                    |  |  |
| 74                     | BOX L FR INNER BOX  | 81134-ACD5-E00 | 0       |                           |                    |  |  |
| 75                     | BOX ASSY. R FRONT   | 8113A-ACD5-E00 | 7       |                           |                    |  |  |
| DATE OF STARTING-SALES |                     |                |         |                           |                    |  |  |
| DATE OF END-SALES      |                     |                |         |                           |                    |  |  |

| NO                     | MODEL               |                |         | COLOR CHART OF SK64HA(PT) |                    |  |     |
|------------------------|---------------------|----------------|---------|---------------------------|--------------------|--|-----|
|                        | PHOTO NO            |                |         | NO. 1                     | NO. 2              |  |     |
|                        | BASIC COLOR         |                |         | Mat Deep Blue             | Dark Gray Metallic |  |     |
|                        | CODE                |                |         | Mat Deep Blue             | Dark Gray Metallic |  |     |
|                        | PARTS NAME          | PARTS NO.      | VERSION | PB244FA                   | NH124FA            |  |     |
| 76                     | BOX ASSY. L FRONT   | 8113B-ACD5-E00 | 7       | N1R                       |                    |  |     |
| 77                     | LEG SHIELD UP A     | 81142-ACD5-E00 | 0       |                           |                    |  |     |
| 78                     | COVER KEY           | 81151-ACD5-E00 | 1       |                           |                    |  |     |
| 79                     | COVER R LOCKLESS    | 81153-ACD5-E00 | 1       |                           |                    |  |     |
| 80                     | COVER L LOCKLESS    | 81163-ACD5-E00 | 1       |                           |                    |  |     |
| 81                     | RR MOLDING R SIDE   | 83520-ACD5-E00 | 0       |                           |                    |  |     |
| 82                     | BOARD B R SIDE      | 83532-ACD5-E00 | 1       |                           |                    |  |     |
| 83                     | BOARD B L SIDE      | 83534-ACD5-E00 | 1       |                           |                    |  |     |
| 84                     | RR MOLDING L SIDE   | 83620-ACD5-E00 | 0       |                           |                    |  |     |
| 85                     | BAND HARNESS WIRE   | 90656-KUDU-900 | 0       |                           |                    |  |     |
| 86                     | END R HANDLE        | 53105-LEA7-E00 | 4       | N1S                       |                    |  |     |
| 87                     | END L HANDLE        | 53106-LEA7-E00 | 4       |                           |                    |  |     |
| 88                     | COVER WATER PUMP    | 19221-LGE5-E00 | 1       | NEA                       |                    |  |     |
| 89                     | BRACKET COMP FR     | 45210-LKG7-305 | 0       |                           |                    |  |     |
| 90                     | FORK ASSY FR R      | 51400-ACD5-E00 | 1       |                           |                    |  |     |
| 91                     | BOTTOM CASE R       | 51420-ACD5-E00 | 0       |                           |                    |  |     |
| 92                     | FORK ASSY FR L      | 51500-ACD5-E00 | 1       |                           |                    |  |     |
| 93                     | BOTTOM CASE L       | 51520-ACD5-E00 | 0       |                           |                    |  |     |
| 94                     | CAP ACG             | 90084-KKF9-901 | 0       |                           |                    |  |     |
| 95                     | CAP ASSY            | 9008A-PTA1-900 | 3       |                           |                    |  |     |
| 96                     | PROTECTOR EXHAUST   | 18325-ACD5-E00 | 1       |                           |                    |  |     |
| 97                     | CUSHION ASSY RR R/H | 52400-ACD5-E00 | 1       |                           |                    |  | NES |
| 98                     | CUSHION ASSY RR L/H | 52500-ACD5-E00 | 1       |                           |                    |  |     |
| 99                     | FORK ASSY RR        | 52000-ACD5-E00 | 5       | NHA                       |                    |  |     |
| 100                    | WIND SCREEN         | 64220-ACD5-E01 | 1       | T01                       |                    |  |     |
| DATE OF STARTING-SALES |                     |                |         |                           |                    |  |     |
| DATE OF END-SALES      |                     |                |         |                           |                    |  |     |





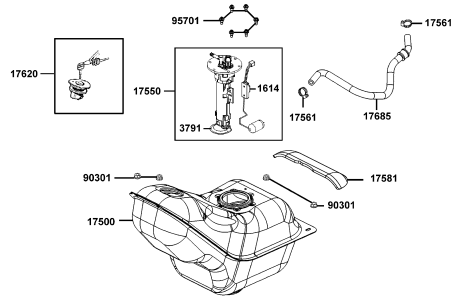
# CONTENTS - ENGINE GROUP

|  |   |  |
|--|---|--|
| <p><b>E01 Crank Case</b></p>                    | <p><b>E02 Cylinder Head Cover Cylinder</b></p>  | <p><b>E03 Cylinder Piston Crankshaft</b></p>  |
| <p><b>E04 Right Crankcase Cover Water</b></p>  | <p><b>E05 Throttle Body Assy</b></p>           | <p><b>E06 Drive Pulley</b></p>               |
| <p><b>E07 Starting Motor Generator</b></p>    | <p><b>E08 Shaft Reduction</b></p>             |  |

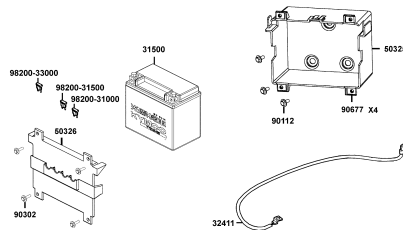


# CONTENTS - FRAME GROUP

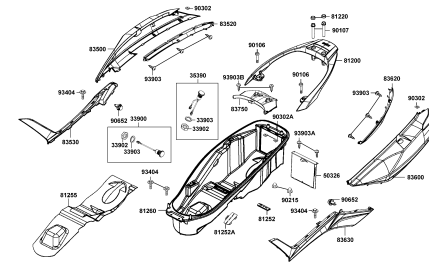
## F10 Fuel Tank



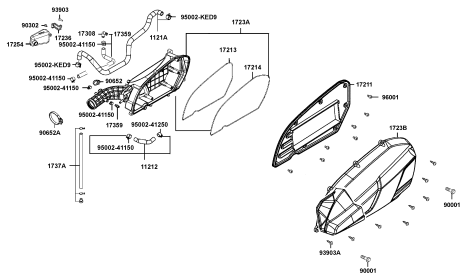
## F11 Battery



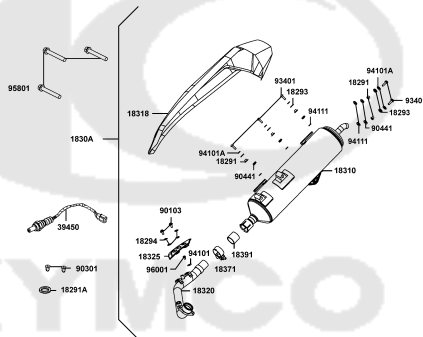
## F12 Body Cover Luggage Box



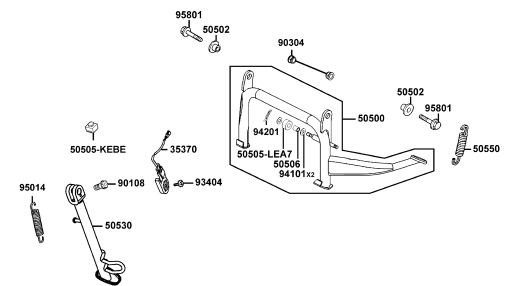
## F13 Air Cleaner



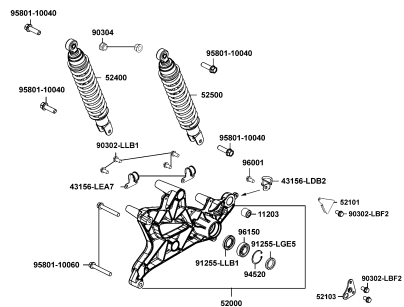
## F14 Exhaust Muffler



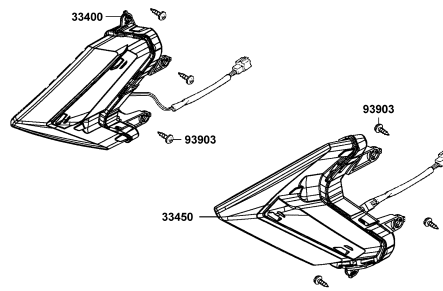
## F15 Stand



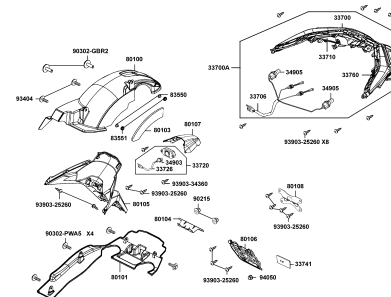
## F16 Rr Cushion



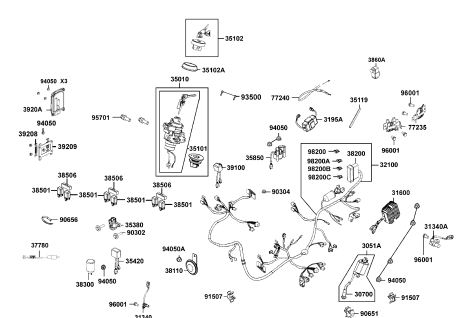
## F17 Front Winker



## F18 Light Tail

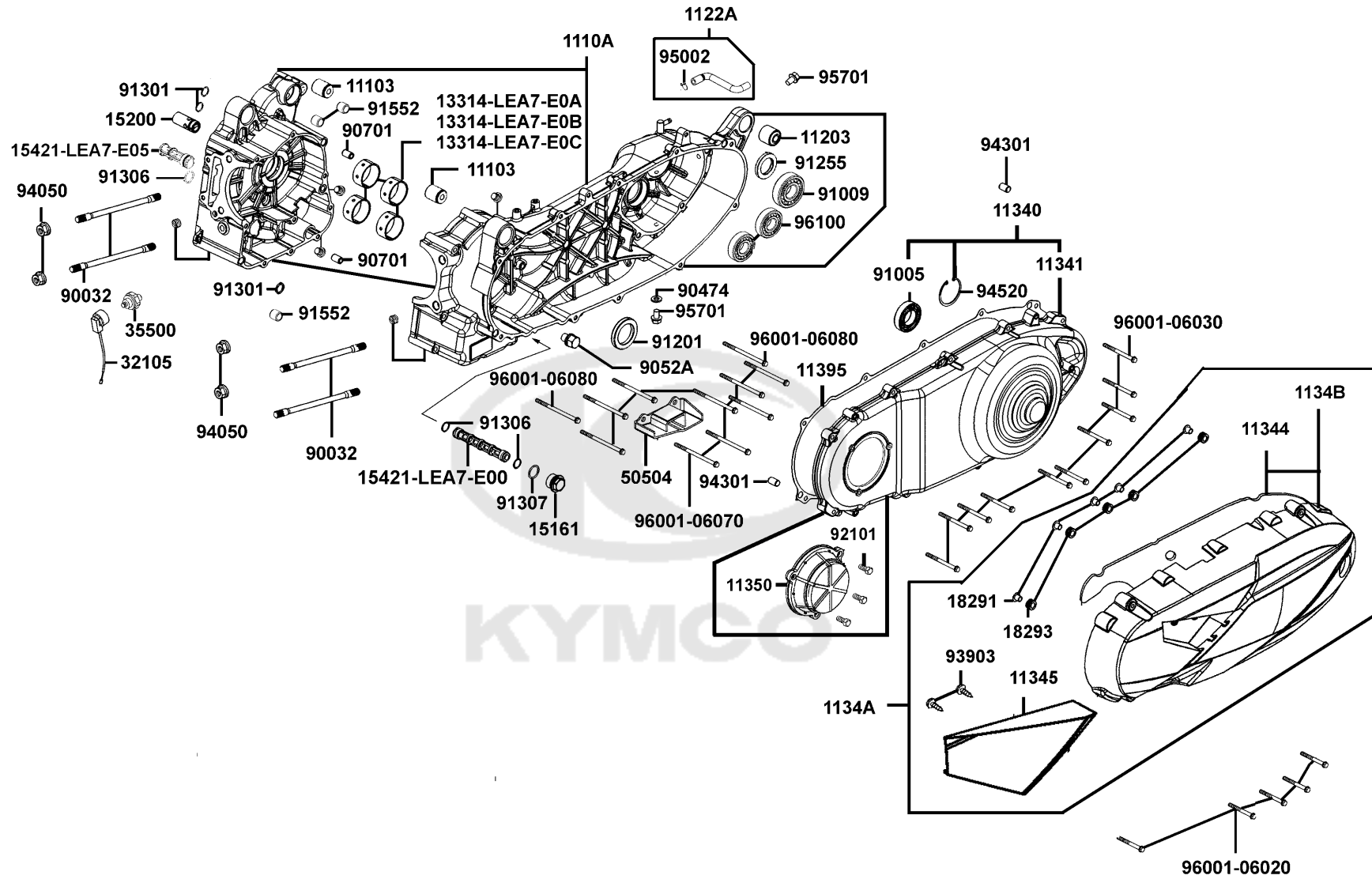


# CONTENTS - FRAME GROUP

|  |  |
|--|--|
| <p><b>F19</b>    <b>Harness Wire</b></p>  | <p><b>F20</b>    <b>Frame Body</b></p> |
|--|--|

E01

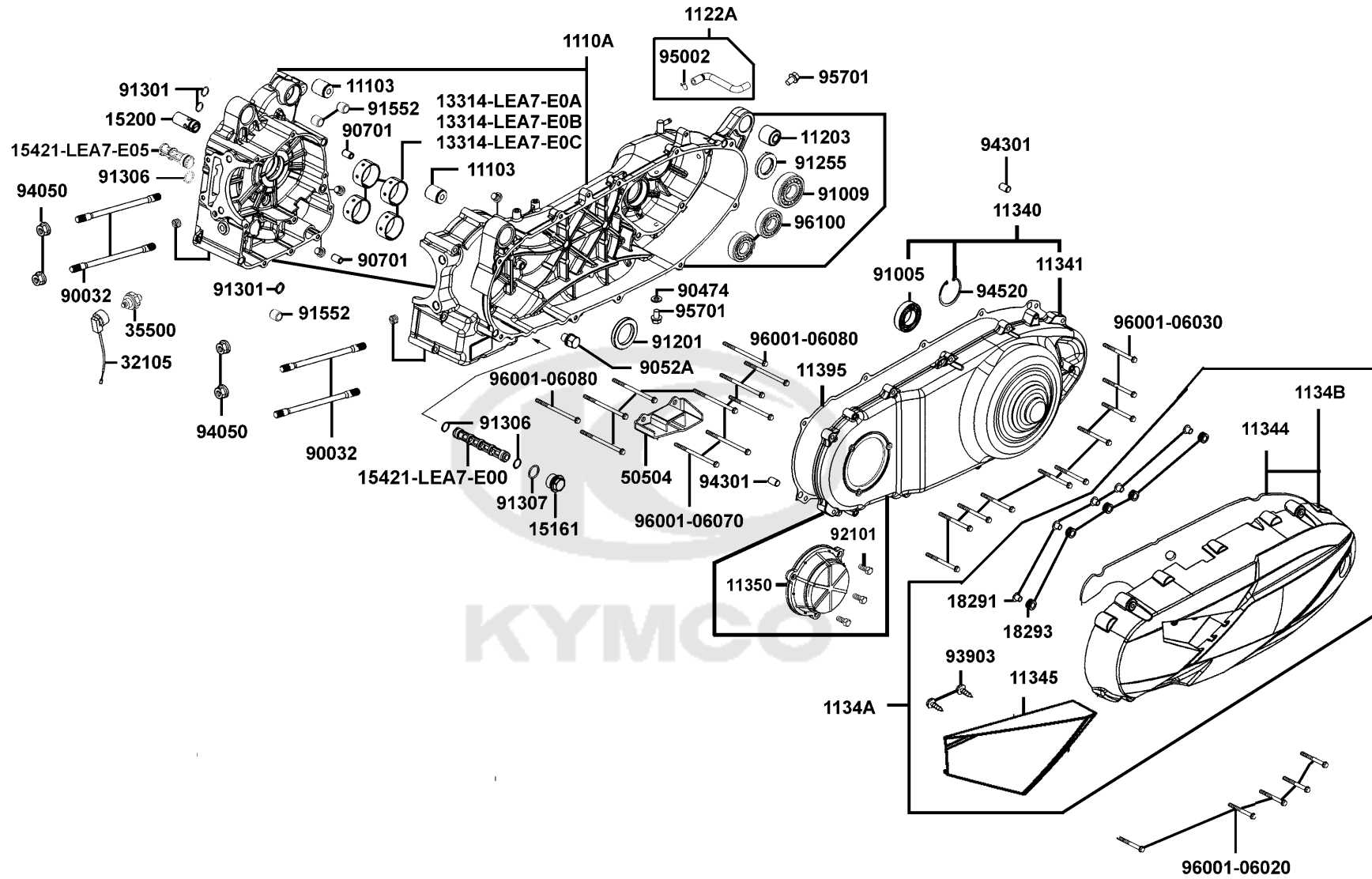
# Crank Case



| Sales mark | Ref no         | Part no        | Description                    | Reg description                         | Regd no | E01 |
|------------|----------------|----------------|--------------------------------|---|---------|-----|
|            | 1110A          | 1110A-ACD5-305 | CRANKCASE ASSEMBLY             | CRANKCASE ASSEMBLY                      | 1       |     |
|            | 11203          | 11203-LBA2-E00 | RUB BUSH L CASE                | RUB BUSH L CASE                         | 1       |     |
|            | 1122A          | 1122A-LEA7-E00 | TUBE ASSY BREATHER             | TUBE ASSY BREATHER                      | 1       |     |
|            | 11340          | 11340-ACD5-E03 | COVER COMP L.CRANK CASE        | COVER COMP L.CRANK CASE                 | 1       |     |
|            | 11341          | 11341-LEA7-E01 | COVER L CRANK CASE             | COVER. L. CRANK CASE                    | 1       |     |
|            | 11344          | 11344-ACD5-E00 | FOAM TEXTURE                   | FOAM TEXTURE                            | 1       |     |
| **         | 11345          | 11345-ACD5-E00 | SIDE COVER L COVER (Mat Black) | SIDE COVER L COVER (Mat Black)          | 1       |     |
| **         | 1134A          | 1134A-ACD5-E00 | L COVER COVER COMP (Mat Black) | L COVER COVER COMP (Mat Black)          | 1       |     |
| **         | 1134B          | 1134B-ACD5-E00 | L COVER COVER COMP (Mat Black) | L COVER COVER COMP (Mat Black)          | 1       |     |
|            | 11350          | 11350-ACD5-E03 | ELEMENT ASSY L COVER           | ELEMENT ASSY L COVER                    | 1       |     |
|            | 11395          | 11395-LEA7-E00 | GASKET L COVER @A              | GASKETL COVER                           | 1       |     |
|            | 13314-LEA7-E0A | 13314-LEA7-E0A | BEARING CRANK SHAFT A          | BEARING CRANK SHAFT A (RED/1.995~1.998) | 1       |     |
|            | 13314-LEA7-E0B | 13314-LEA7-E0B | BEARING CRANK SHAFT A          | BEARING CRANK SHAFT A                   | 1       |     |
|            | 13314-LEA7-E0C | 13314-LEA7-E0C | BEARING CRANK SHAFT A          | BEARING CRANK SHAFT A                   | 1       |     |
|            | 15161          | 15161-PUA5-E00 | PLUG SCREW SECTION FILTER      | PLUG SCREW SECTION FILTER               | 1       |     |
|            | 15200          | 15200-KED9-900 | OIL RELIEF VALVE ASSY          | OIL RELIEF VALVE ASSY                   | 1       |     |
|            | 15421-LEA7-E00 | 15421-LEA7-E00 | SCREEN OIL FILTER              | SCREEN OIL FILTER                       | 1       |     |
|            | 15421-LEA7-E05 | 15421-LEA7-E05 | SCREEN OIL FILTER              | SCREEN OIL FILTER                       | 1       |     |
|            | 18291          | 18291-KKC4-900 | COLLAR                         | COLLAR                                  | 5       |     |
|            | 18293          | 18293-KKC4-900 | RUBBER                         | RUBBER                                  | 5       |     |

E01

# Crank Case

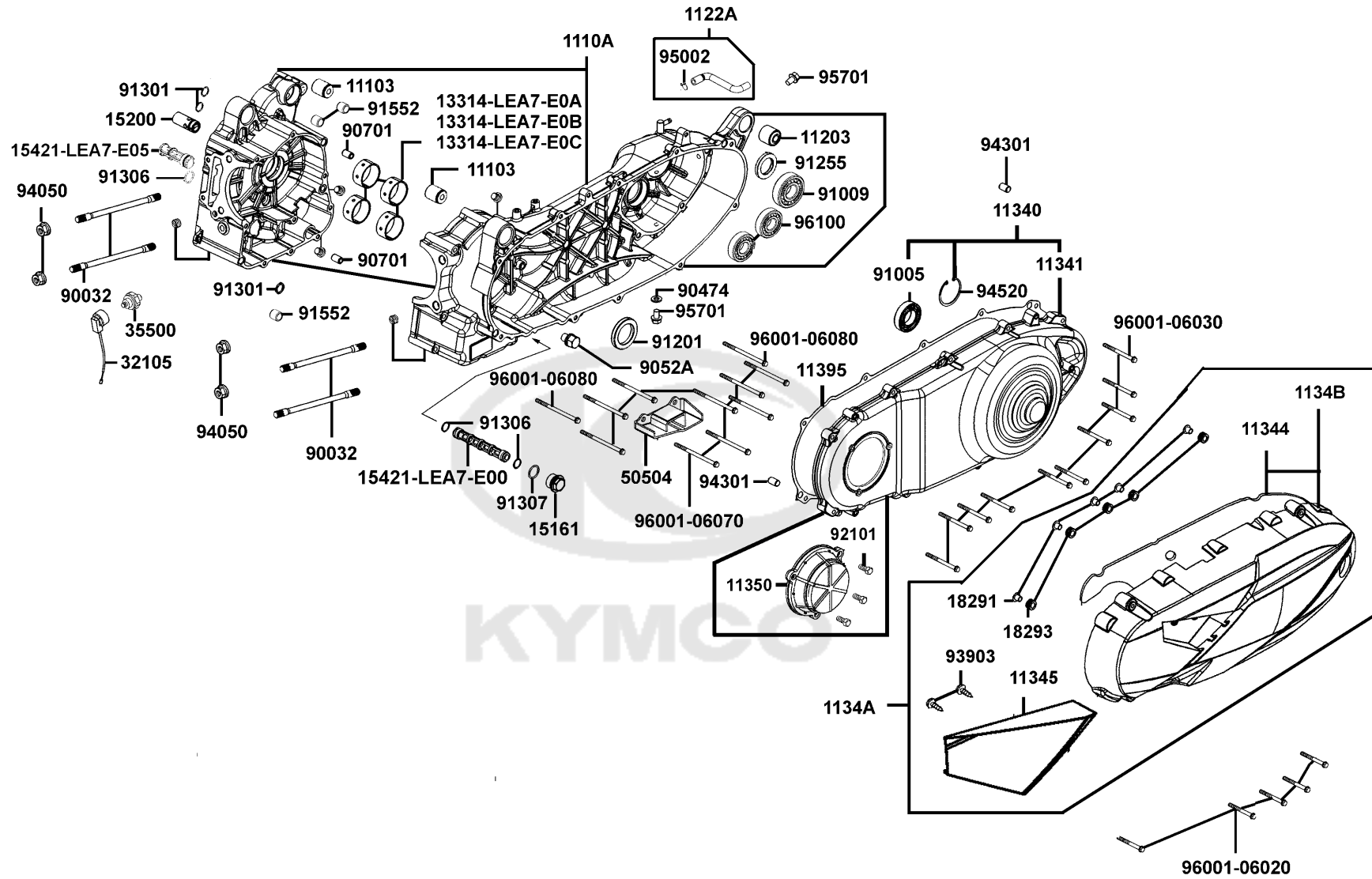


| Sales mark | Ref no | Part no        | Description              | Reg description          | Regd no | E01 |
|------------|--------|----------------|--------------------------|--------------------------|---------|-----|
|            | 32105  | 32105-LLJ3-E00 | SUB HARNESS              | SUB HARNESS              | 1       |     |
|            | 35500  | 35500-KED9-900 | SW ASSY OIL PRESSURE     | SW ASSY OIL PRESSURE     | 1       |     |
|            | 50504  | 50504-ACD5-E00 | STOPPER PLATE MAIN STAND | STOPPER PLATE MAIN STAND | 1       |     |
|            | 90032  | 90032-LEA7-E00 | BOLT B STUD 10*180       | BOLT B STUD 10*180       | 4       |     |
|            | 90474  | 90474-3C33-001 | WASHER 8MM               | WASHER 8MM               | 1       |     |
|            | 9052A  | 9052A-LEB1-900 | BOLT ASSY DRAIN PLUG     | BOLT ASSY DRAIN PLUG     | 1       |     |
|            | 90701  | 90701-9E65-001 | PIN DOWEL 10*16          | PIN DOWEL 10*16          | 2       |     |
|            | 91005  | 91005-LBA7-900 | BRG BALL RADIAL 6005LLU  | BRG BALL RADIAL 6005LLU  | 1       |     |
|            | 91009  | 91009-KHE7-900 | BRG BALL RADIAL 6205LLU  | BRG BALL RADIAL 6205LLU  | 1       |     |
|            | 91201  | 91201-LEA7-E00 | OIL SEAL 35*50*7         | OIL SEAL 35*50*7         | 1       |     |
|            | 91255  | 91255-LKG7-E00 | OIL SEAL 34*54*8         | OIL SEAL 34*54*8         | 1       |     |
|            | 91301  | 91301-2L00-001 | O-RING 10*1.6            | O-RING 10*1.6            | 3       |     |
|            | 91306  | 91306-PUA5-E00 | O-RING 13*1.5            | O-RING 13*1.5            | 2       |     |
|            | 91307  | 91307-PUA5-E00 | O-RING 18*2              | O-RING 18*2              | 1       |     |
|            | 91552  | 91552-LEA7-E00 | COLLAR.10.5MM            | COLLAR.10.5MM            | 3       |     |
|            | 92101  | 92101-05012-0G | BOLT HEX 5X12            | BOLT HEX 5*12            | 3       |     |
|            | 93903  | 93903-25360    | SCREW TAPPING 5*16       | SCREW TAPPING 5*16       | 2       |     |
|            | 94050  | 94050-10060    | NUT FLANGE 10MM          | NUT FLANGE 10MM          | 4       |     |
|            | 94301  | 94301-10160    | DOWEL PIN 10*16          | DOWEL PIN 10*16          | 2       |     |
|            | 94520  | 94520-47000    | CIR CLIP IN 47           | CIR CLIP IN 47           | 1       |     |



E01

# Crank Case



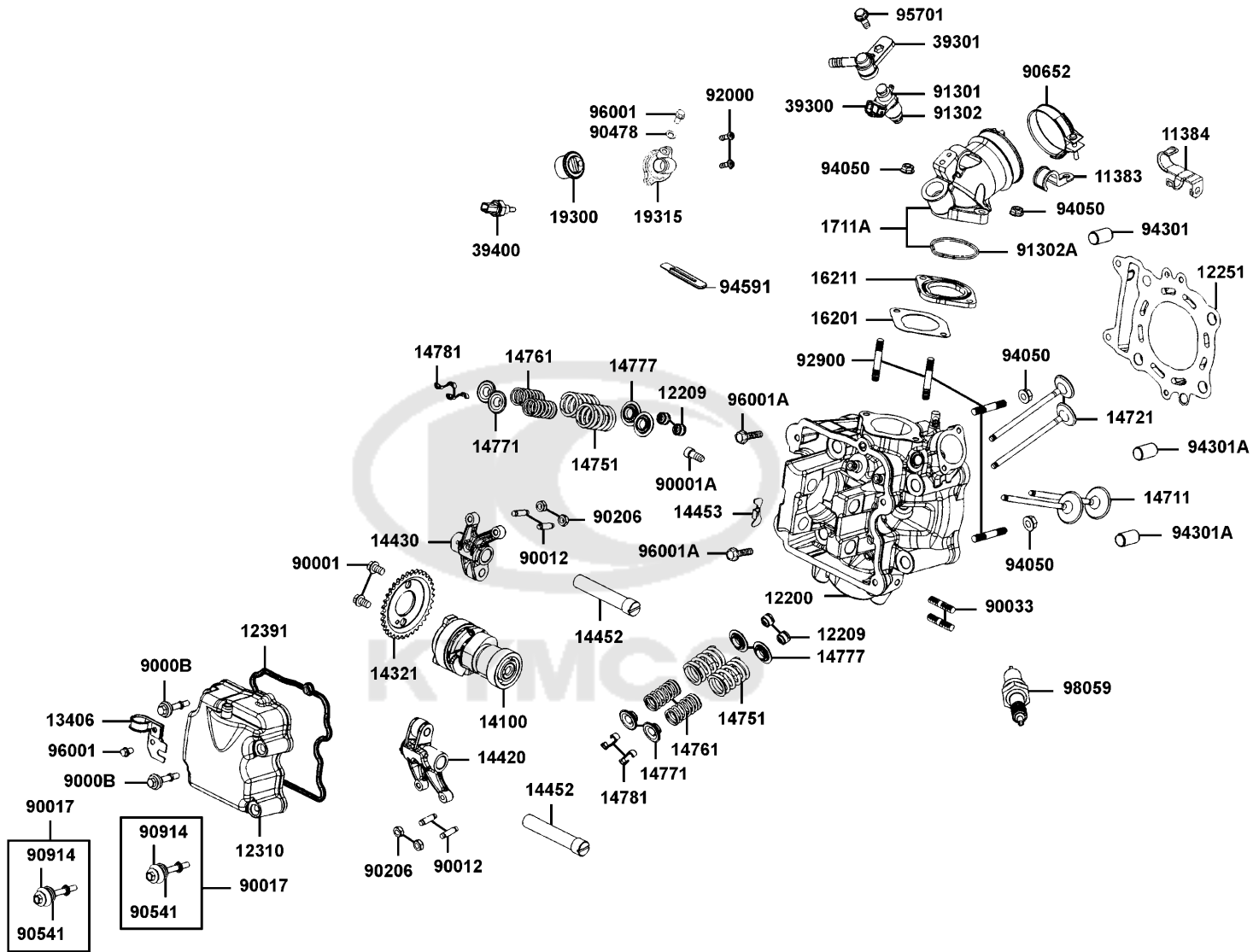
| Sales mark  | Ref no | Part no        | Description          | Reg description      | Regd no | <b>E01</b> |
|-------------|--------|----------------|----------------------|----------------------|---------|------------|
| 95002       |        | 95002-50000    | CLIP C9 TUBE         | CLIP C9 TUBE         | 1       |            |
| 95701       |        | 95701-08012-06 | BOLT FLANGE 8*12     | BOLT FLANGE 8*12     | 2       |            |
| 96001-06020 |        | 96001-06020-06 | BOLT FLANGE SH 6*20  | BOLT FLANGE SH 6*20  | 5       |            |
| 96001-06030 |        | 96001-06030-06 | BOLT FLANGE SH 6X30  | BOLT FLANGE SH 6X30  | 10      |            |
| 96001-06070 |        | 96001-06070-06 | BOLT FLANGE SH 6*70  | BOLT FLANGE SH 6*70  | 9       |            |
| 96001-06080 |        | 96001-06080-06 | BOLT FLANGE SH 6X80  | BOLT FLANGE SH 6X80  | 2       |            |
| 96100       |        | 96100-63020-00 | BRG BALL RADIAL 6302 | BRG BALL RADIAL 6302 | 2       |            |





| Sales mark | Ref no | Part no        | Description                | Reg description            | Regd no | <b>E02</b> |
|------------|--------|----------------|----------------------------|----------------------------|---------|------------|
| 11383      |        | 11383-KHE7-900 | CLAMPER RR BRK HOSE        | CLAMPER RR BRK HOSE        | 1       |            |
| 11384      |        | 11384-LKG2-900 | CLAMPER A RR BRK HOSE      | CLAMPER A RR BRK HOSE      | 1       |            |
| 12200      |        | 12200-ACD5-E00 | HEAD COMP CYLINDER         | HEAD COMP.. CYLINDER       | 1       |            |
| 12209      |        | 12209-GDB4-68B | SEAL VALVE STEM            | SEAL VALVE STEM            | 1       |            |
| 12251      |        | 12251-ACD5-E00 | GASKET CYLINDER HEAD       | GASKET CYLINDER HEAD       | 1       |            |
| 12310      |        | 12310-LEA7-E00 | COVER COMP CYLN HEAD       | COVER COMP CYLN HEAD       | 1       |            |
| 12391      |        | 12391-LEA7-E00 | GASKET HEAD COVER          | GASKET HEAD COVER          | 1       |            |
| 13406      |        | 13406-LEA7-E00 | PLATE FUEL INJECTOR        | PLATE FUEL INJECTOR        | 1       |            |
| 14100      |        | 14100-ACD5-E00 | SHAFT COMP CAM             | SHAFT COMP CAM             | 1       |            |
| 14321      |        | 14321-LEA7-E00 | SPROCKET CAMSHAFT          | SPROCKET CAMSHAFT          | 1       |            |
| 14420      |        | 14420-ACD5-E00 | ARM COMP. EXH VALVE ROCKER | ARM COMP. EXH VALVE ROCKER | 1       |            |
| 14430      |        | 14430-ACD5-E00 | ARM COMP. IN VALVE ROCKER  | ARM COMP. IN VALVE ROCKER  | 1       |            |
| 14452      |        | 14452-LEA7-E00 | SHAFT EX ROCKER ARM        | SHAFT EX ROCKER ARM        | 2       |            |
| 14453      |        | 14453-LEA7-E00 | SET PLATE ROCKER ARM SHAFT | SET PLATE ROCKER ARM SHAFT | 1       |            |
| 14711      |        | 14711-LGE5-E00 | VALVE.IN                   | VALVE.IN                   | 1       |            |
| 14721      |        | 14721-LEA7-E00 | VALVE EXHAUST              | VALVE EXHAUST              | 2       |            |
| 14751      |        | 14751-LEA7-E00 | SPRING VALVE OUTER         | SPRING VALVE OUTER         | 4       |            |
| 14761      |        | 14761-LEA7-E00 | SPRING VALVE INNER         | SPRING VALVE INNER         | 4       |            |
| 14771      |        | 14771-GDB4-680 | RETAINER VALVE SPRING      | RETAINER VALVE SPRING      | 4       |            |
| 14777      |        | 14777-LBA2-E00 | SEAT VALVE SPG             | SEAT VALVE SPG             | 4       |            |

# Cylinder Head Cover Cylinder Head



| Sales mark | Ref no | Part no        | Description              | Reg description          | Regd no | E02 |
|------------|--------|----------------|--------------------------|--------------------------|---------|-----|
|            | 14781  | 14781-MFA6-001 | COTTER VALVE             | COTTER VALVE             | 8       |     |
|            | 16201  | 16201-LEA7-E00 | GASKET CARB INSULATOR @A | GASKETCARB INSULATOR A   | 1       |     |
|            | 16211  | 16211-LEA7-E00 | INSULATOR CARB           | INSULATOR CARB           | 1       |     |
|            | 1711A  | 1711A-LEA7-E05 | PIPE ASSY INLET          | PIPE ASSY INLET          | 1       |     |
|            | 19300  | 19300-LFA7-E0A | THERMOSTAT ASSY.         | THERMOSTAT ASSY.         | 1       |     |
|            | 19315  | 19315-LFA7-E00 | COVER THERMOSTAT         | COVER THERMOSTAT         | 1       |     |
|            | 39300  | 39300-LDF2-M90 | INJECTOR UNIT FUEL       | INJECTOR UNIT FUEL       | 1       |     |
|            | 39301  | 39301-LDF2-M91 | CUP COMP FUEL INJECTOR   | CUP COMP FUEL INJECTOR   | 1       |     |
|            | 39400  | 39400-LDF2-800 | WATER TEMP SENSOR        | WATER TEMP SENSOR        | 1       |     |
|            | 90001  | 90001-GFY6-901 | SOCKET BOLT 6*10 (B)     | SOCKET BOLT 6*10 (B)     | 1       |     |
|            | 90001A | 90001-LEA7-E00 | SOCKET BOLT              | SOCKET BOLT              | 1       |     |
|            | 9000B  | 9000B-KHD6-900 | BOLT ASSY SPECIAL 6*41.5 | BOLT ASSY SPECIAL 6*41.5 | 2       |     |
|            | 90012  | 90012-3C33-001 | SCREW TAPPET ADJUSTING   | SCREW TAPPET ADJUSTING   | 4       |     |
|            | 90017  | 90017-KKE5-E00 | BOLT ASSY HEAD COVER     | BOLT ASSY HEAD COVER     | 2       |     |
|            | 90033  | 90033-KGB4-C00 | BOLT STUD M8X40 (C)      | BOLT STUD M8X40 (C)      | 2       |     |
|            | 90206  | 90206-0A01-001 | NUT TAPPET ADJG          | NUT TAPPET ADJG          | 4       |     |
|            | 90478  | 90478-7L00-001 | WASHER A 6MM             | WASHER A 6MM             | 1       |     |
|            | 90541  | 90541-KED9-900 | RUBBER MOUNTING          | RUBBER MOUNTING          | 2       |     |
|            | 90652  | 90652-LDG7-900 | C-HOPE 50~70             | C-HOPE 50~70             | 1       |     |
|            | 90914  | 90914-KED9-900 | WASHER HEAD COVER BOLT   | WASHER HEAD COVER BOLT   | 2       |     |

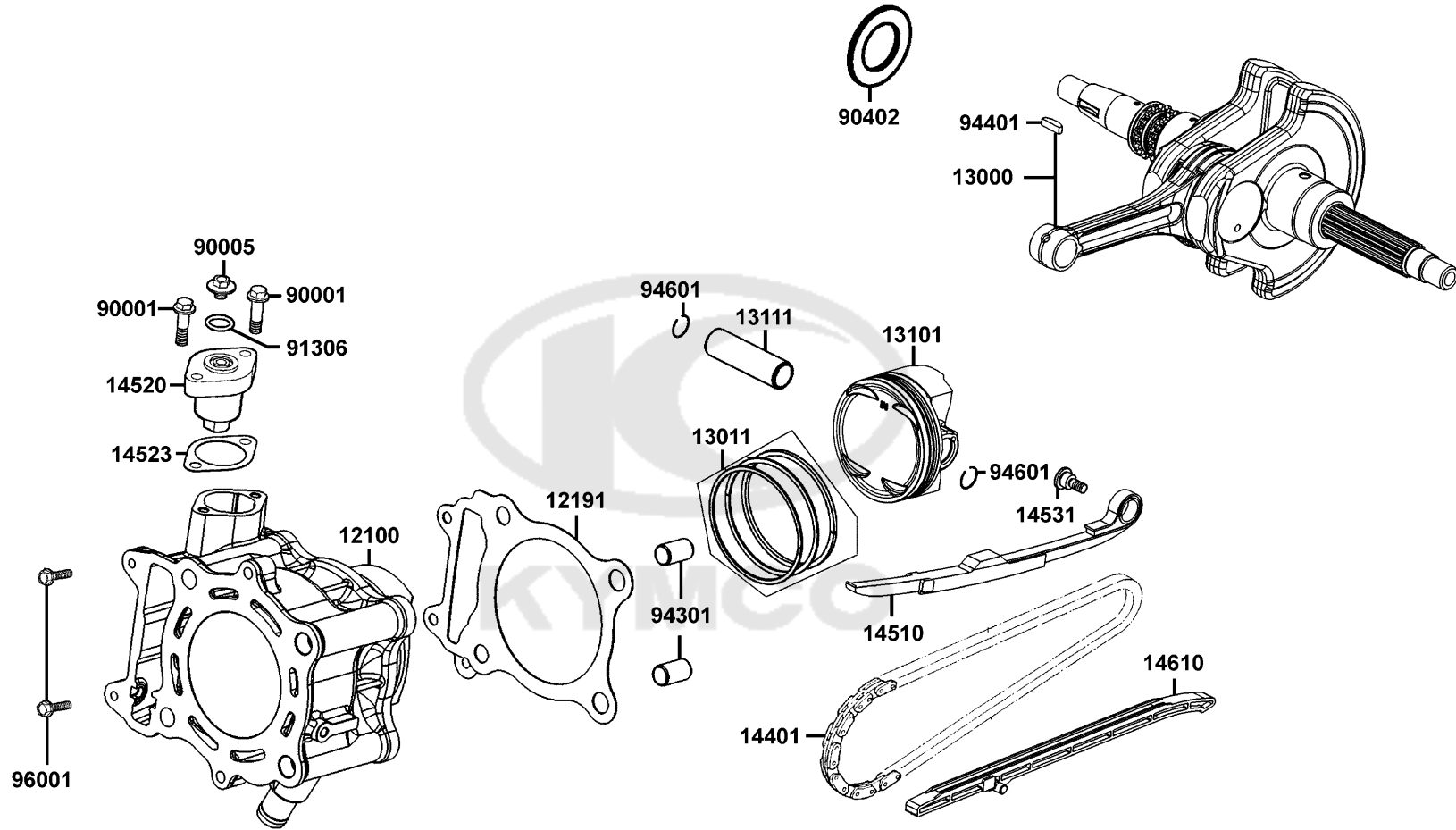


| Sales mark | Ref no | Part no        | Description            | Reg description      | Regd no | E02 |
|------------|--------|----------------|------------------------|----------------------|---------|-----|
|            | 91301  | 91301-LDF2-M90 | O-RING 7.3*2.2 (BLACK) | O-RING 7.3X2.2       | 1       |     |
|            | 91302  | 91302-LDF2-M90 | SEAL RING              | SEAL RING            | 1       |     |
|            | 91302A | 91302-LEA7-E00 | O-RING                 | O-RING               | 1       |     |
|            | 92000  | 92000-05016-0G | BOLT HEX 5X16          | BOLT HEX 5X16        | 2       |     |
|            | 92900  | 92900-06040-0E | BOLT STUD 6*40         | BOLT STUD 6*40       | 4       |     |
|            | 94050  | 94050-06080    | NUT FLANGE 6MM         | NUT FLANGE 6MM       | 4       |     |
|            | 94301  | 94301-08100    | DOWEL PIN 8*10         | DOWEL PIN 8*10       | 1       |     |
|            | 94301A | 94301-12200    | DOWEL PIN 12*20        | DOWEL PIN 12*20      | 2       |     |
|            | 94591  | 94591-KFBF-900 | CLIP 2*70              | CLIP 2*70            | 1       |     |
|            | 95701  | 95701-06016-06 | BOLT FLANGE 6*16 (K)   | BOLT FLANGE 6*16 (K) | 1       |     |
|            | 96001  | 96001-06010-06 | BOLT FLANGE 6*10       | BOLT FLANGE 6*10     | 3       |     |
|            | 96001A | 96001-06025-06 | BOLT FLANGE SH 6*25    | BOLT FLANGE SH 6*25  | 2       |     |
|            | 98059  | 98059-57916-00 | SPARK PLUG (CR7E)      | SPARK PLUG (CR7E)    | 1       |     |



E03

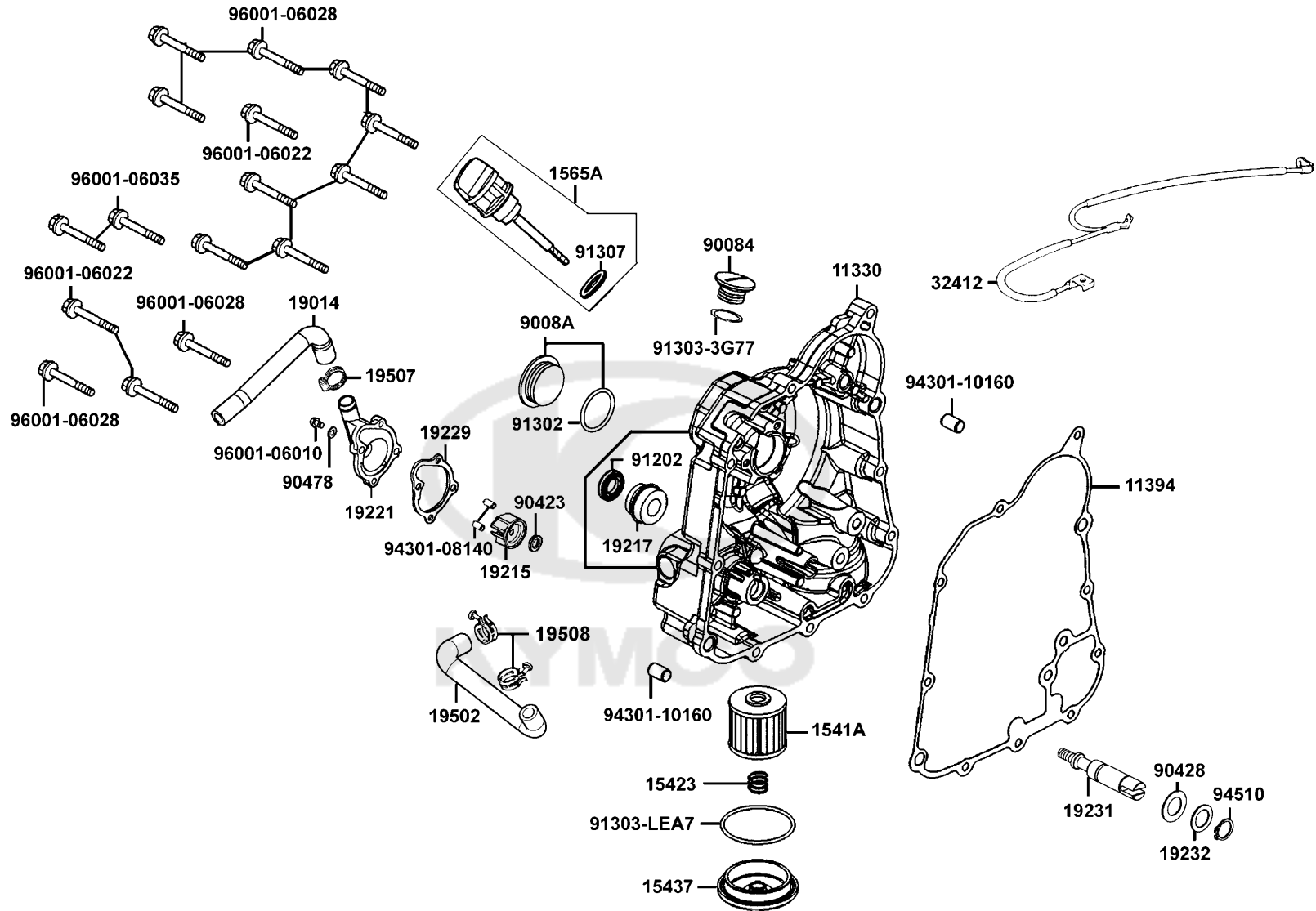
# Cylinder Piston Crankshaft



| Sales mark | Ref no | Part no        | Description                | Reg description            | Regd no | E03 |
|------------|--------|----------------|----------------------------|----------------------------|---------|-----|
|            | 12100  | 12100-ACD5-E00 | CYLINDER COMP (A)          | CYLINDER COMP.             | 1       |     |
|            | 12191  | 12191-ACD5-E00 | GASKET CYLINDER            | GASKET CYLINDER            | 1       |     |
|            | 13000  | 13000-ACD5-E00 | CRANK SHAFT COMP           | CRANK SHAFT COMP           | 1       |     |
|            | 13011  | 13011-ACD5-E00 | RING ASSY PISTON           | RING ASSY PISTON           | 1       |     |
|            | 13101  | 13101-ACD5-E00 | PISTON                     | PISTON                     | 1       |     |
|            | 13111  | 13111-KKE5-E01 | PIN PISTON                 | PIN PISTON                 | 1       |     |
|            | 14401  | 14401-PWB1-900 | CHAIN CAM                  | CHAIN CAM                  | 1       |     |
|            | 14510  | 14510-LEA7-E00 | TENSIONER CAM CHAIN        | TENSIONER CAM CHAIN        | 1       |     |
|            | 14520  | 14520-KED9-900 | LIFTER ASSY TENSIONER      | LIFTER ASSY TENSIONER      | 1       |     |
|            | 14523  | 14523-KED9-920 | GASKET TENSIONER LIFTER @A | GASKET TENSIONER LIFTER @A | 1       |     |
|            | 14531  | 14531-KHE7-900 | PIVOT CAM CHAIN TENSIONER  | PIVOT CAM CHAIN TENSIONER  | 1       |     |
|            | 14610  | 14610-LEA7-E00 | GUIDE COMP CAM CHAIN       | GUIDE COMP CAM CHAIN       | 1       |     |
|            | 90001  | 90001-GBHB-661 | BOLT FLANGE SH 6*22        | BOLT FLANGE SH 6*22        | 2       |     |
|            | 90005  | 90005-KED9-900 | BOLT SPECIAL 6*6           | BOLT SPECIAL 6*6           | 1       |     |
|            | 90402  | 90402-LEA7-E00 | THRUST WASHER 36X60X3      | THRUST WASHER 36X60X3      | 1       |     |
|            | 91306  | 91306-1E05-691 | O-RING 1.5*9.5             | O-RING 1.5*9.5             | 1       |     |
|            | 94301  | 94301-12200    | DOWEL PIN 12*20            | DOWEL PIN 12*20            | 2       |     |
|            | 94401  | 94401-25140    | WOODRUFF KEY 25*14         | WOODRUFF KEY 25*14         | 1       |     |
|            | 94601  | 94601-KKE5-E01 | CLIP PISTON PIN            | CLIP PISTON PIN            | 2       |     |
|            | 96001  | 96001-06025-06 | BOLT FLANGE SH 6*25        | BOLT FLANGE SH 6*25        | 2       |     |

E04

# Right Crankcase Cover Water Pump



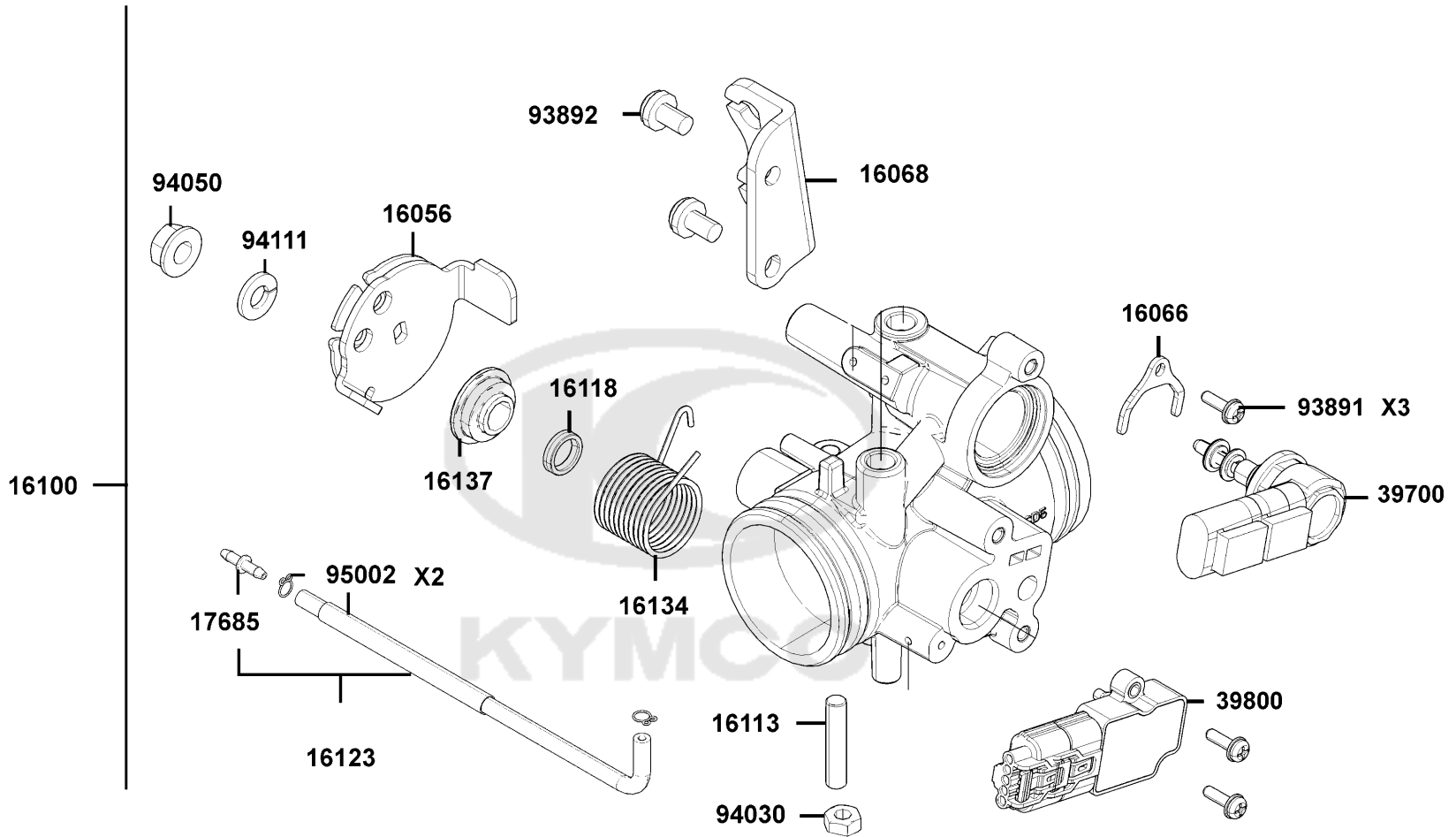
| Sales mark | Ref no | Part no        | Description                  | Reg description              | Regd no | E04 |
|------------|--------|----------------|------------------------------|------------------------------|---------|-----|
| **         | 11330  | 11330-LEA7-E00 | COVER COMP RIGHT CRANK CASE  | COVER COMP RIGHT CRANK CASE  | 1       |     |
|            | 11394  | 11394-LEA7-E00 | GASKET R COVER @A            | GASKET R COVER @A            | 1       |     |
|            | 1541A  | 1541A-LEA7-E00 | ELEMENT ASSY OIL FILTER      | ELEMENT ASSY OIL FILTER      | 1       |     |
|            | 15423  | 15423-KKC3-900 | SPRING CAP OIL               | SPRING CAP OIL               | 1       |     |
|            | 15437  | 15437-LEA7-E00 | CAP OIL FILTER               | CAP OIL FILTER               | 1       |     |
|            | 1565A  | 1565A-GFY6-900 | GAUGE OIL LEVEL ASSY         | GAUGE OIL LEVEL ASSY         | 1       |     |
|            | 19014  | 19014-ACD5-E00 | HOSE WATER OUTLET            | HOSE WATER OUT               | 1       |     |
|            | 19215  | 19215-LEA7-E00 | IMPELLER WATER PUMP          | IMPELLER WATER PUMP          | 1       |     |
|            | 19217  | 19217-ZPA3-E00 | SEAL MECHANICAL              | SEAL MECHANICAL              | 1       |     |
| **         | 19221  | 19221-LGE5-E00 | COVER WATER PUMP             | COVER WATER PUMP             | 1       |     |
|            | 19229  | 19229-LEA7-E00 | GASKET WATER PUMP            | GASKET WATER PUMP            | 1       |     |
|            | 19231  | 19231-LEA7-E00 | SHAFT WATER PUMP             | SHAFT WATER PUMP             | 1       |     |
|            | 19232  | 19232-LBA2-E00 | WASHER 21*13.8*1.5           | WASHER 21*13.8*1.5           | 1       |     |
|            | 19502  | 19502-LEA7-E00 | HOSE B WATER                 | HOSE B WATER                 | 1       |     |
|            | 19507  | 19507-LDB5-E00 | CLAMP D 28                   | CLAMP D 28                   | 1       |     |
|            | 19508  | 19508-LBA2-E00 | CLAMP WATER HOSE             | CLAMP WATER HOSE             | 2       |     |
|            | 32412  | 32412-ACD5-E00 | CABLE. EARTH                 | CABLE. EARTH                 | 1       |     |
| **         | 90084  | 90084-KKF9-901 | CAP AC GENERATOR (Mat Black) | CAP AC GENERATOR (Mat Black) | 1       |     |
| **         | 9008A  | 9008A-PTA1-900 | CAP ASSY                     | CAP ASSY                     | 1       |     |
|            | 90423  | 90423-KKJ9-001 | WASHER 7.2*13*1.2            | WASHER 7.2*13*1.2            | 1       |     |



| Sales mark  | Ref no | Part no        | Description             | Reg description         | Regd no | <b>E04</b> |
|-------------|--------|----------------|-------------------------|-------------------------|---------|------------|
| 90428       |        | 90428-9H58-001 | WASHER THRUST 14MM B    | WASHER THRUST 14MM B    | 1       |            |
| 90478       |        | 90478-7L00-001 | WASHER A 6MM            | WASHER A 6MM            | 1       |            |
| 91202       |        | 91202-LKG2-900 | OIL SEAL 13.7*24*5      | OIL SEAL 13.7*24*5      | 1       |            |
| 91302       |        | 91302-5G67-004 | O-RING 27.4*2.4         | O-RING 27.4*2.4         | 1       |            |
| 91303-3G77  |        | 91303-3G77-001 | O-RING 13.8*2.5         | O-RING 13.8*2.5         | 1       |            |
| 91303-LEA7  |        | 91303-LEA7-E00 | O-RING 52.5x2.5         | O-RING 52.5x2.5         | 1       |            |
| 91307       |        | 91307-0E35-001 | O RING 18*3             | O RING 18*3             | 1       |            |
| 94301-08140 |        | 94301-08140    | DOWEL PIN 8*14          | DOWEL PIN 8*14          | 2       |            |
| 94301-10160 |        | 94301-10160    | DOWEL PIN 10*16         | DOWEL PIN 10*16         | 2       |            |
| 94510       |        | 94510-14000    | CIR CLIP EXTERNAL 14    | CIR CLIP EXTERNAL 14    | 1       |            |
| 96001-06010 |        | 96001-06010-00 | BOLT FLANGE SH 6X10     | BOLT FLANGE SH 6X10     | 1       |            |
| 96001-06022 |        | 96001-06022-06 | BOLT FLANGE SH 6*22 (G) | BOLT FLANGE SH 6*22 (G) | 3       |            |
| 96001-06028 |        | 96001-06028-06 | BOLT FLANGE SH 6*28     | BOLT FLANGE SH 6*28     | 11      |            |
| 96001-06035 |        | 96001-06035-06 | BOLT FLANGE SH 6*35     | BOLT FLANGE SH 6*35     | 2       |            |

E05

# Throttle Body Assy

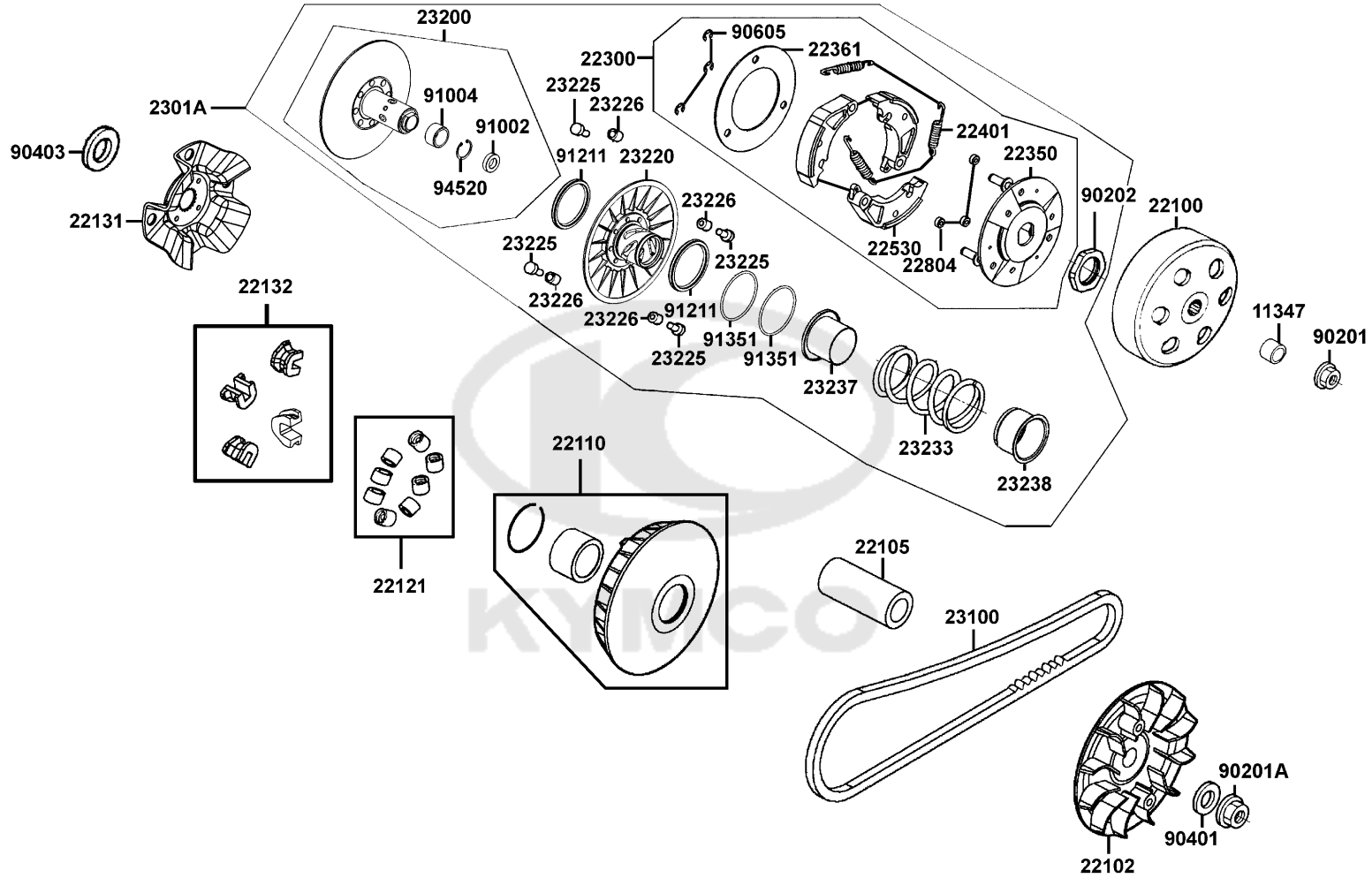


| Sales mark | Ref no | Part no        | Description                  | Reg description              | Regd no | <b>E05</b> |
|------------|--------|----------------|------------------------------|------------------------------|---------|------------|
| 16056      |        | 16056-ACD5-E00 | LEVER ASSY THROTTLE          | LEVER ASSY THROTTLE          | 1       |            |
| 16066      |        | 16066-ACD5-E00 | PLATE ISC                    | PLATE ISC                    | 1       |            |
| 16068      |        | 16068-ACD5-E00 | PLATE                        | PLATE                        | 1       |            |
| 16100      |        | 16100-ACD5-E00 | THROTTLE BODY ASSY           | THROTTLE BODY ASSY           | 1       |            |
| 16113      |        | 16113-PTA1-800 | PILOT SCREW                  | PILOT SCREW                  | 1       |            |
| 16118      |        | 16118-LBF2-900 | SEAL THROTTLE SHAFT          | SEAL THROTTLE SHAFT          | 1       |            |
| 16123      |        | 16123-ACD5-E03 | TUBE COMP L                  | TUBE COMP L                  | 1       |            |
| 16134      |        | 16134-ACD5-E00 | SPG THROTTLE SHAFT           | SPG THROTTLE SHAFT           | 1       |            |
| 16137      |        | 16137-ACD5-E00 | COLLAR LEVER                 | COLLAR LEVER                 | 1       |            |
| 17685      |        | 17685-GFY6-940 | JOINT COCK CARB TUBE         | JOINT COCK CARB TUBE         | 1       |            |
| 39700      |        | 39700-ACD5-E03 | VALVE ISC                    | VALVE ISC                    | 1       |            |
| 39800      |        | 39800-ACD5-E00 | PPTS (Pedal Position Sensor) | PPTS (Pedal Position Sensor) | 1       |            |
| 93891      |        | 93891-04014-06 | SCREW WASHER 4X14            | SCREW WASHER 4X14            | 3       |            |
| 94030      |        | 94030-PTA1-800 | NUT HEX 5mm                  | NUT HEX 5mm                  | 1       |            |
| 94050      |        | 94050-06080    | NUT FLANGE 6MM               | NUT FLANGE 6MM               | 1       |            |
| 94111      |        | 94111-06800    | WASHER SPRING 6MM            | WASHER SPRING 6MM            | 1       |            |
| 95002      |        | 95002-02070    | CLIP B7 TUBE                 | CLIP B7 TUBE                 | 2       |            |



E06

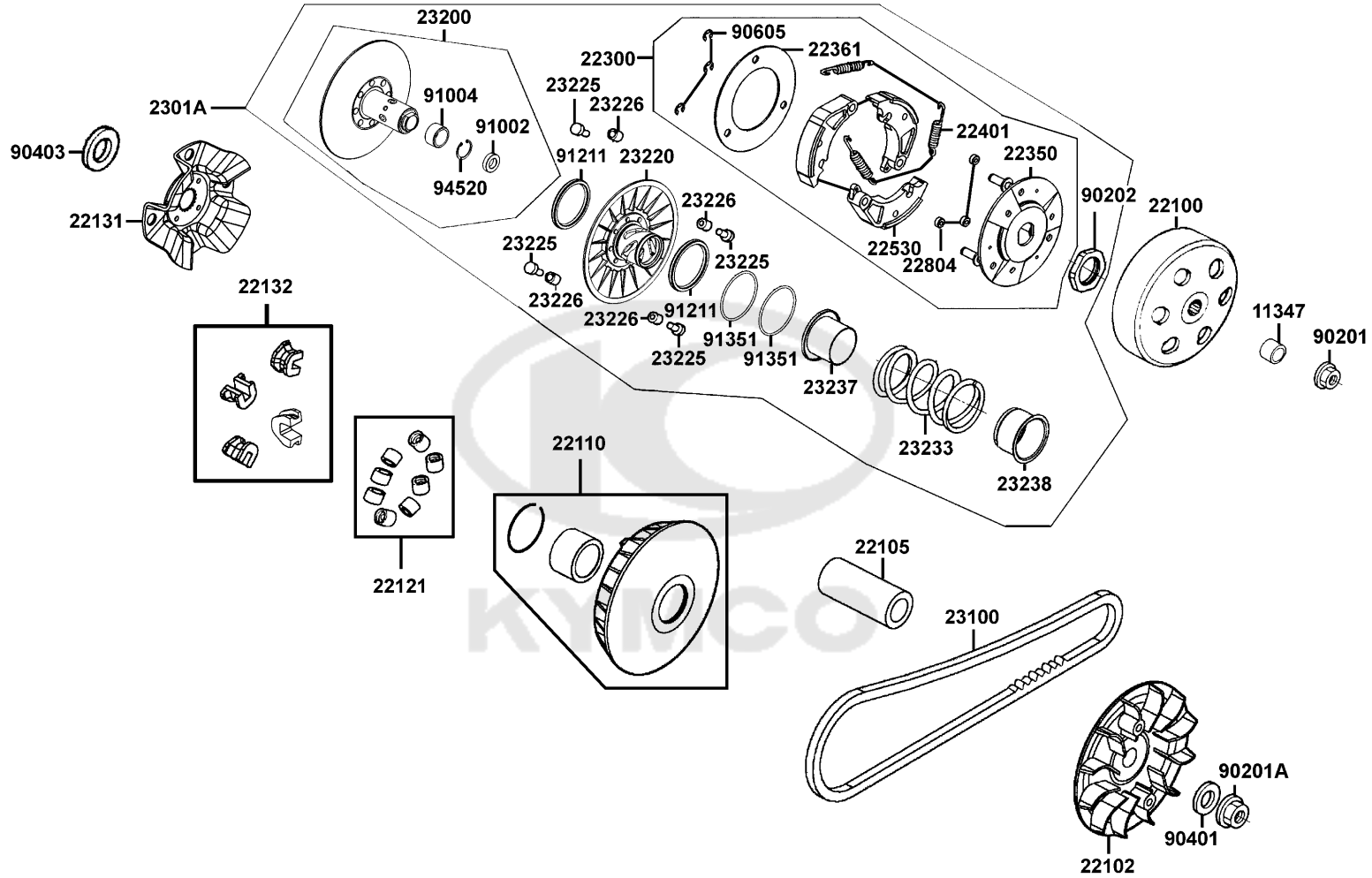
# Drive Pulley



| Sales mark | Ref no | Part no        | Description                   | Reg description               | Regd no | <b>E06</b> |
|------------|--------|----------------|-------------------------------|-------------------------------|---------|------------|
| 11347      |        | 11347-LEA7-E00 | BOSS DRIVE SHAFT              | BOSS DRIVE SHAFT              | 1       |            |
| 22100      |        | 22100-AFB1-E00 | OUTER COMP CLUTCH             | OUTER COMP CLUTCH             | 1       |            |
| 22102      |        | 22102-LEA7-E00 | FACE DRIVE                    | FACE DRIVE                    | 1       |            |
| 22105      |        | 22105-LGF9-E00 | BOSS DRIVE FACE               | BOSS DRIVE FACE               | 1       |            |
| 22110      |        | 22110-ACD5-E00 | FACE COMP MOVABLE DRIVE       | FACE COMP MOVABLE DRIVE       | 1       |            |
| 22121      |        | 22121-ACD5-305 | ROLLER SET WEIGHT(1SET:8 PCS) | ROLLER SET WEIGHT(1SET:8 PCS) | 1       |            |
| 22131      |        | 22131-LGE5-E00 | PLATE RAMP                    | PLATE RAMP                    | 1       |            |
| 22132      |        | 22132-PWB1-305 | PIECE SLIDE SET (1SET:4PCS)   | PIECE SLIDE SET (1SET:4PCS)   | 4       |            |
| 22300      |        | 22300-ACD5-E00 | PLATE ASSY DRIVE              | PLATE ASSY DRIVE              | 1       |            |
| 22350      |        | 22350-ACD5-E00 | PLATE COMP DRIVE              | PLATE COMP DRIVE              | 1       |            |
| 22361      |        | 22361-LEA7-E00 | PLATE CLUTCH SIDE             | PLATE CLUTCH SIDE             | 1       |            |
| 22401      |        | 22401-LFG2-E80 | SPRING CLUTCH                 | SPRING CLUTCH                 | 3       |            |
| 22530      |        | 22530-LKG7-E00 | WEIGHT CLUTCH                 | WEIGHT CLUTCH                 | 3       |            |
| 22804      |        | 22804-GBB2-001 | RUBBER CLUTCH DAMPER          | RUBBER CLUTCH DAMPER          | 3       |            |
| 2301A      |        | 2301A-ACD5-E00 | PULLEY SUB ASSY DRIVEN        | PULLEY SUB ASSY DRIVEN        | 1       |            |
| 23100      |        | 23100-LEA7-E00 | BELT DRIVE (N-6M)             | BELT DRIVE (N-6M)             | 1       |            |
| 23200      |        | 23200-LGE5-E00 | FACE ASSY DRIVEN              | FACE ASSY DRIVEN              | 1       |            |
| 23220      |        | 23220-ACD5-E00 | FACE COMP MOVABLE DRIVEN      | FACE COMP. MOVABLE DRIVEN     | 1       |            |
| 23225      |        | 23225-LEA7-E00 | PIN. ROLLER GUIDE             | PIN. ROLLER GUIDE             | 4       |            |
| 23226      |        | 23226-LEA7-E00 | ROLLER GUIDE                  | ROLLER GUIDE                  | 4       |            |

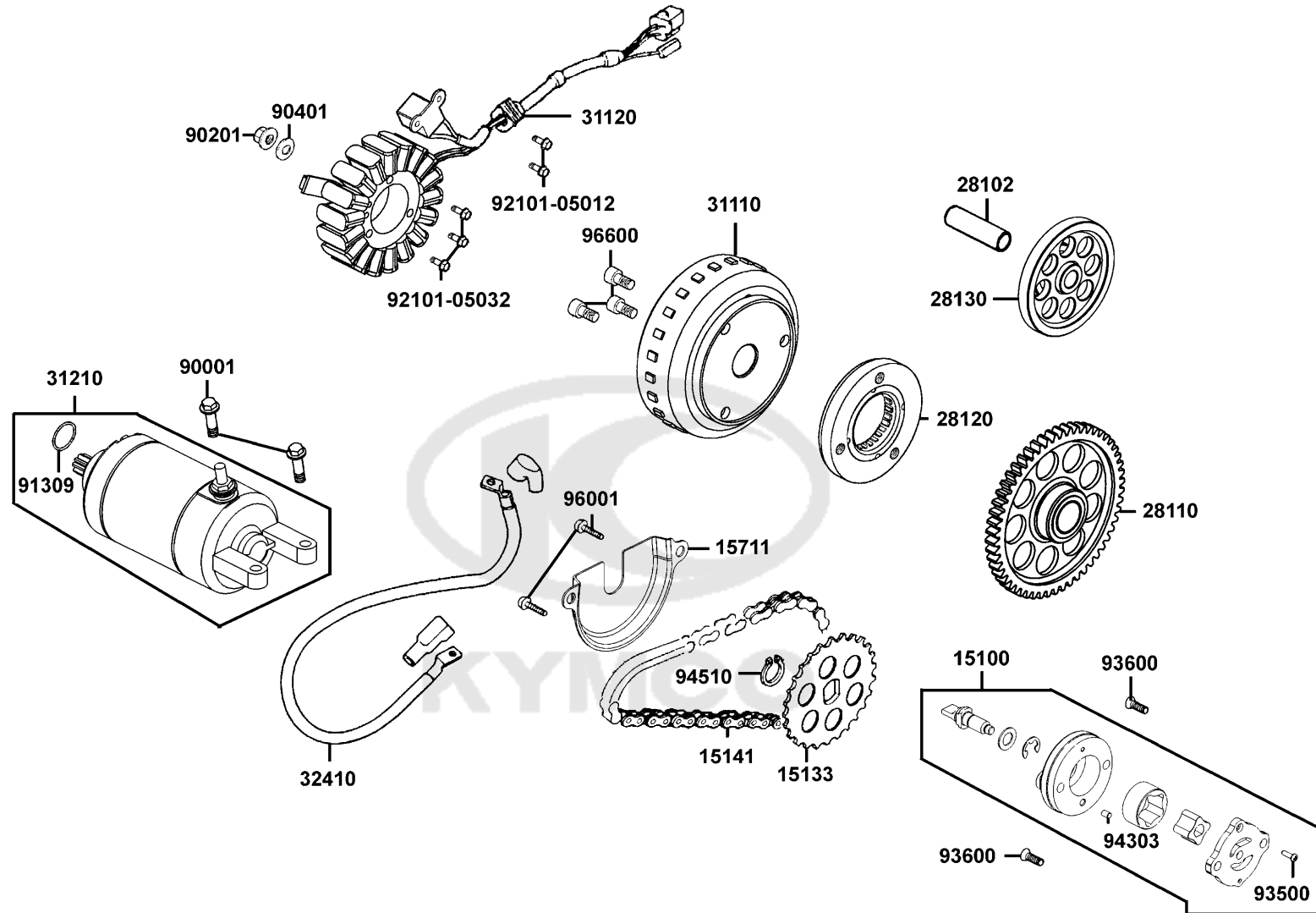
E06

# Drive Pulley



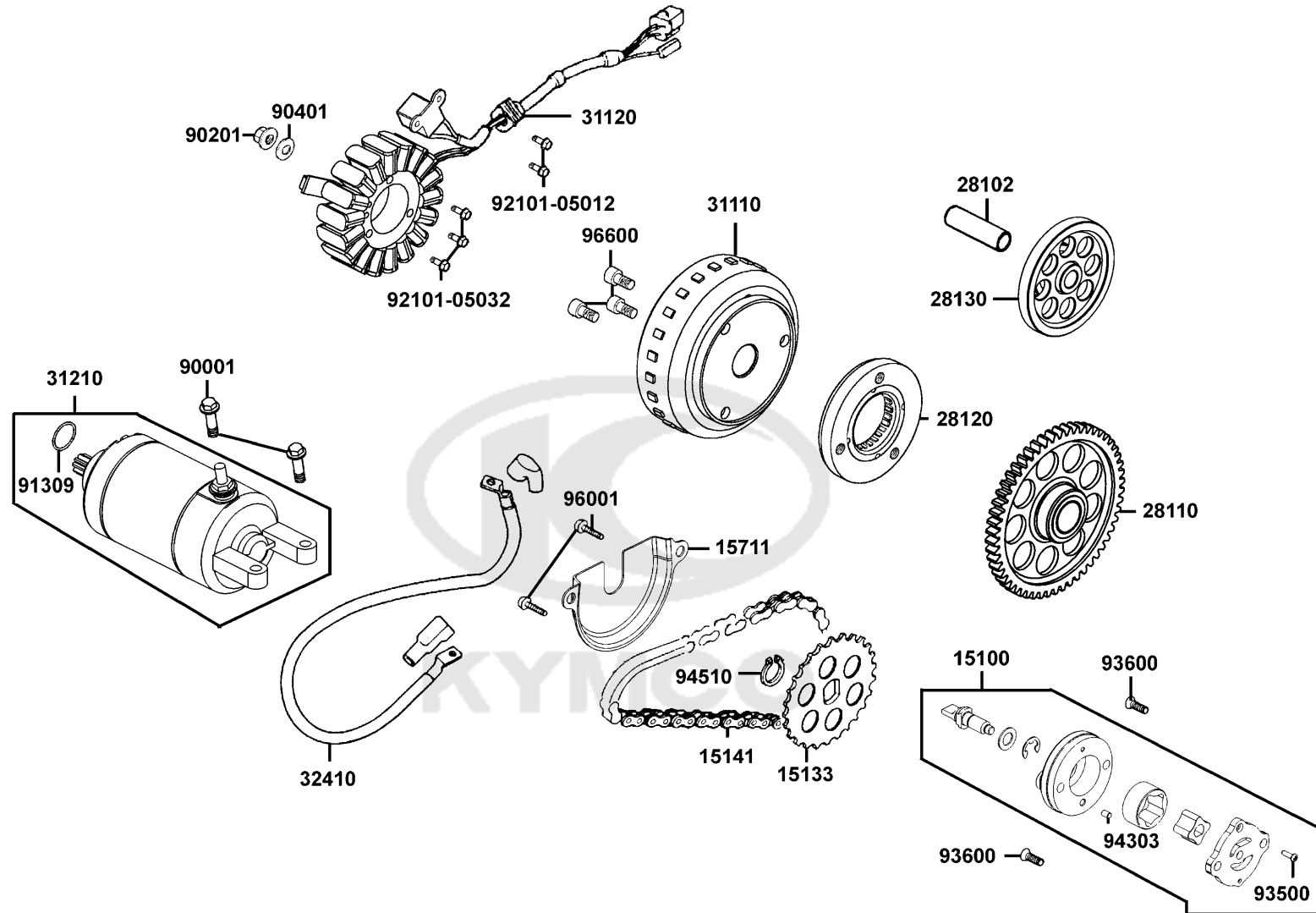
| Sales mark | Ref no | Part no        | Description                | Reg description            | Regd no | <b>E06</b> |
|------------|--------|----------------|----------------------------|----------------------------|---------|------------|
| 23233      |        | 23233-LEA7-E00 | SPG DRIVEN FACE            | SPG DRIVEN FACE            | 1       |            |
| 23237      |        | 23237-KHE7-900 | COLLAR SEAL                | COLLAR SEAL                | 1       |            |
| 23238      |        | 23238-KHE7-900 | COLLAR SPG                 | COLLAR SPG                 | 1       |            |
| 90201      |        | 90201-KHE7-900 | NUT C FLANGE M12           | NUT C FLANGE M12           | 1       |            |
| 90201A     |        | 90201-KHR8-75A | NUT FLANGE 14MM            | NUT FLANGE 14MM            | 1       |            |
| 90202      |        | 90202-LEA7-E00 | NUT SPECIAL 28mm           | NUT SPECIAL 28mm           | 1       |            |
| 90401      |        | 90401-LEA7-E00 | WASHER THRUST 14*28*2      | WASHER THRUST 14*28*2      | 1       |            |
| 90403      |        | 90403-LEA7-E00 | THRUST WASHER 20.2X35X2.35 | THRUST WASHER 20.2X35X2.35 | 1       |            |
| 90605      |        | 90605-1F66-721 | CIR CLIP 7MM               | CIR CLIP 7MM               | 3       |            |
| 91002      |        | 91002-GGA7-70A | BRG BALL RADIAL 6902U      | BRG BALL RADIAL 6902U      | 1       |            |
| 91004      |        | 91004-LEA7-E00 | BRG.NEEDLE 25X32X14        | BRG.NEEDLE 25X32X14        | 1       |            |
| 91211      |        | 91211-KHE7-900 | SEAL DRIVEN FACE           | SEAL DRIVEN FACE           | 2       |            |
| 91351      |        | 91351-KHE7-900 | O-RING PINION CAP          | O-RING PINION CAP          | 2       |            |
| 94520      |        | 94520-28000    | CIR CLIP IN 28             | CIR CLIP IN 28             | 1       |            |

Starting Motor Generator



| Sales mark | Ref no      | Part no        | Description               | Reg description           | Regd no | E07 |
|------------|-------------|----------------|---------------------------|---------------------------|---------|-----|
|            | 15100       | 15100-LEA7-E00 | PUMP ASSY OIL             | PUMP ASSY OIL             | 1       |     |
|            | 15133       | 15133-LGF9-E00 | SPROCKET OIL PUMP         | SPROCKET OIL PUMP         | 1       |     |
|            | 15141       | 15141-LGF9-E00 | CHAIN OIL PUMP            | CHAIN OIL PUMP            | 1       |     |
|            | 15711       | 15711-LEA7-E00 | SEPARATOR OIL             | SEPARATOR OIL             | 1       |     |
|            | 28102       | 28102-LEA7-E00 | SHAFT STARTER REDUCTION   | SHAFT STARTER REDUCTION   | 1       |     |
|            | 28110       | 28110-LEA7-E00 | GEAR COMP STARTING CLUTCH | GEAR COMP STARTING CLUTCH | 1       |     |
|            | 28120       | 28120-LDB2-C00 | ONE WAY CLUTCH            | ONE WAY CLUTCH            | 1       |     |
|            | 28130       | 28130-LEA7-E00 | GEAR STARTER REDUCTION    | GEAR STARTER REDUCTION    | 1       |     |
|            | 31110       | 31110-ACD5-E01 | FLYWHEEL COMP (D406)      | FLYWHEEL COMP (D406)      | 1       |     |
|            | 31120       | 31120-ACD5-E0A | STATOR COMP (D406)        | STATOR COMP (D406)        | 1       |     |
|            | 31210       | 31210-LEA7-E00 | MOTOR UNIT..STARTER       | MOTOR UNIT..STARTER       | 1       |     |
|            | 32410       | 32410-ACD5-E00 | CABLE. START MOTOR        | CABLE. START MOTOR        | 1       |     |
|            | 90001       | 90001-GBHB-661 | BOLT FLANGE SH 6*22       | BOLT FLANGE SH 6*22       | 2       |     |
|            | 90201       | 90201-KHR8-75A | NUT FLANGE 14MM           | NUT FLANGE 14MM           | 1       |     |
|            | 90401       | 90401-KKJ9-001 | WASHER THRUST 14*28*2     | WASHER THRUST 14*28*2     | 1       |     |
|            | 91309       | 91309-4E25-004 | O-RING 24.4*3.1           | O-RING 24.4*3.1           | 1       |     |
|            | 92101-05012 | 92101-05012-0G | BOLT HEX 5X12             | BOLT HEX 5*12             | 2       |     |
|            | 92101-05032 | 92101-05032-0G | BOLT HEX 5*32             | BOLT HEX 5*32             | 1       |     |
|            | 93500       | 93500-03010-0F | SCREW PAN 3X10            | SCREW PAN 3X10            | 1       |     |
|            | 93600       | 93600-06032-0F | SCREW FLAT 6*32           | SCREW FLAT 6*32           | 2       |     |

Starting Motor Generator

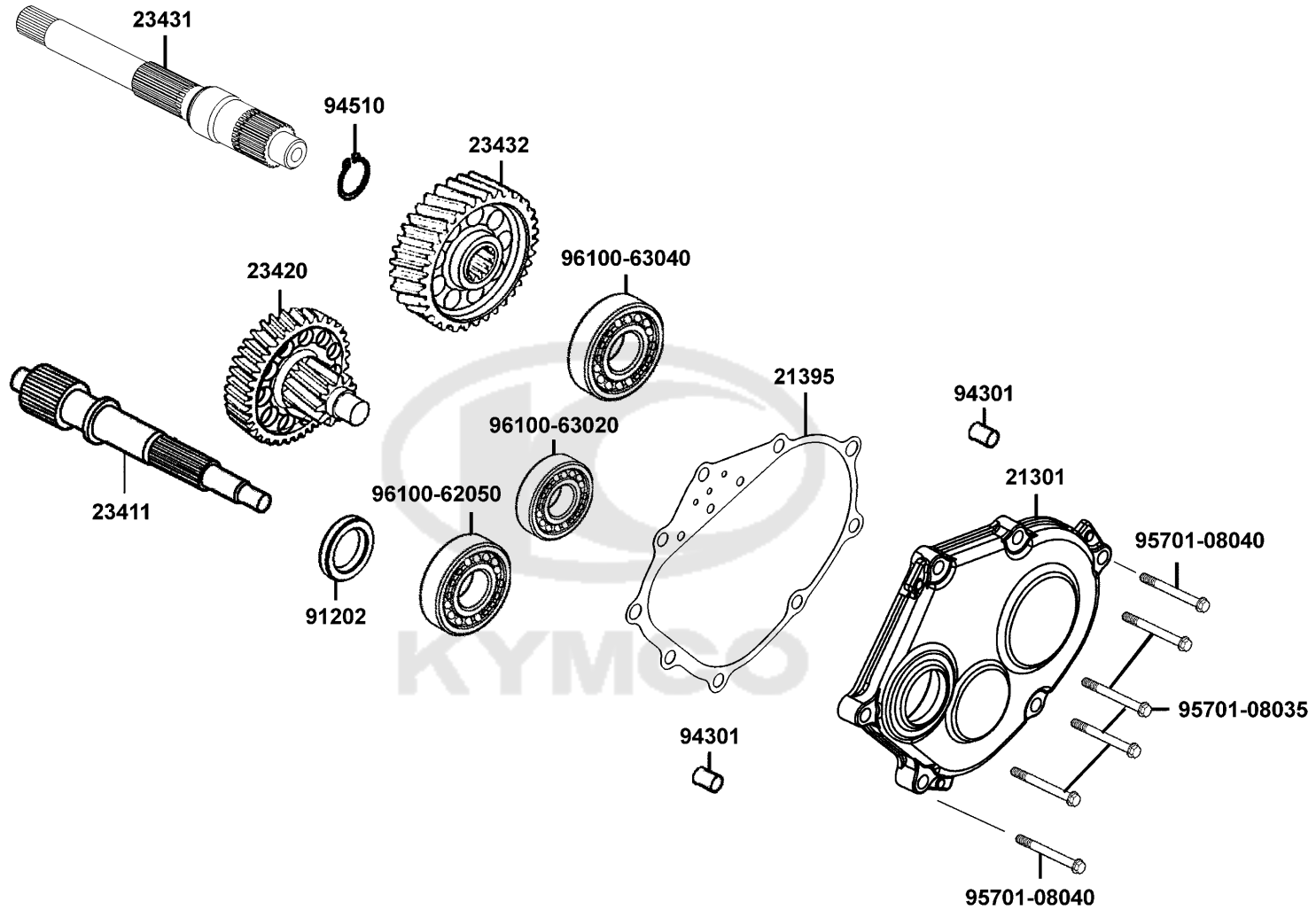


| Sales mark | Ref no | Part no | Description | Reg description | Regd no | <b>E07</b> |
|------------|--------|---------|-------------|-----------------|---------|------------|
|------------|--------|---------|-------------|-----------------|---------|------------|

|       |  |                |                     |                     |   |  |
|-------|--|----------------|---------------------|---------------------|---|--|
| 94303 |  | 94303-04065    | DOWEL PIN 4*6.5     | DOWEL PIN 4*6.5     | 1 |  |
| 94510 |  | 94510-10000    | CIR CLIP EX 10MM    | CIR CLIP EX 10MM    | 1 |  |
| 96001 |  | 96001-06012-06 | BOLT FLANGE SH 6*12 | BOLT FLANGE SH 6*12 | 2 |  |
| 96600 |  | 96600-08015-16 | SOCKET BOLT 8X15    | SOCKET BOLT 8*15    | 4 |  |



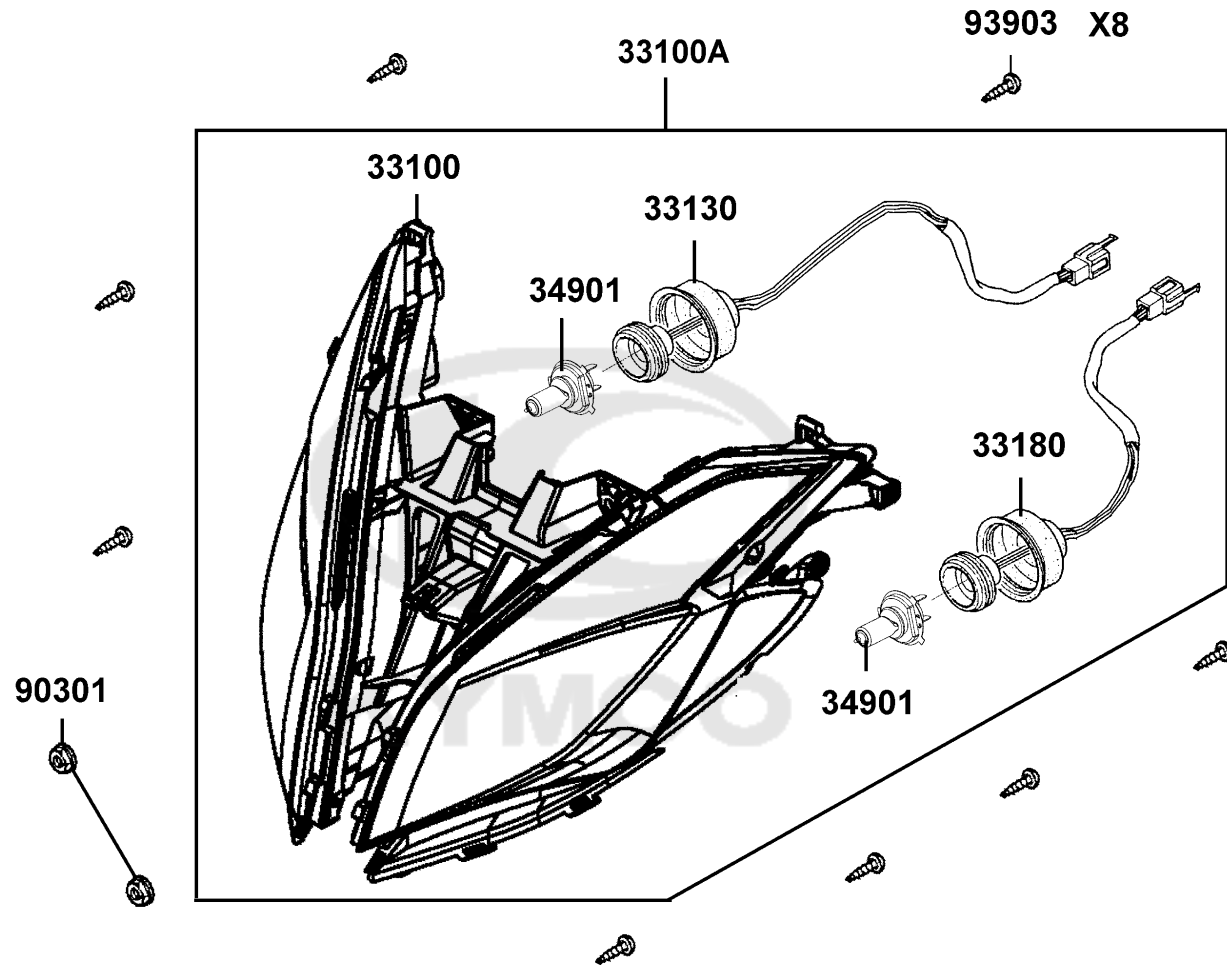





| Sales mark  | Ref no | Part no        | Description              | Reg description          | Regd no | <b>E08</b> |
|-------------|--------|----------------|--------------------------|--------------------------|---------|------------|
| 21301       |        | 21301-LEA7-E00 | COVER MISSION            | COVER MISSION            | 1       |            |
| 21395       |        | 21395-LEA7-E00 | GASKET MISSION COVER     | GASKET MISSION COVER     | 1       |            |
| 23411       |        | 23411-LEA7-E00 | SHAFT DRIVE              | SHAFT DRIVE              | 1       |            |
| 23420       |        | 23420-LEA7-E00 | SHAFT COMP COUNTER       | SHAFT COMPCOUNTER        | 1       |            |
| 23431       |        | 23431-LEA7-E00 | SHAFT FINAL              | SHAFT FINAL              | 1       |            |
| 23432       |        | 23432-LEA7-E00 | GEAR FINAL               | GEAR FINAL               | 1       |            |
| 91202       |        | 91202-LEA7-E0A | OIL SEAL 25*35*6         | OIL SEAL 25*35*6         | 1       |            |
| 94301       |        | 94301-10160    | DOWEL PIN 10*16          | DOWEL PIN 10*16          | 2       |            |
| 94510       |        | 94510-25000    | CIR CLIP EXTERNAL 25     | CIR CLIP EXTERNAL 25     | 1       |            |
| 95701-08035 |        | 95701-08035-06 | BOLT FLANGE 8*35         | BOLT FLANGE 8*35         | 7       |            |
| 95701-08040 |        | 95701-08040-06 | BOLT FLANGE 8x40 (G)     | BOLT FLANGE 8x40 (G)     | 2       |            |
| 96100-62050 |        | 96100-62050-00 | BEARING BALL RADIAL 6205 | BEARING BALL RADIAL 6205 | 1       |            |
| 96100-63020 |        | 96100-63020-00 | BRG BALL RADIAL 6302     | BRG BALL RADIAL 6302     | 1       |            |
| 96100-63040 |        | 96100-63040-00 | BRG BALL RADIAL 6304     | BRG BALL RADIAL 6304     | 1       |            |

F01

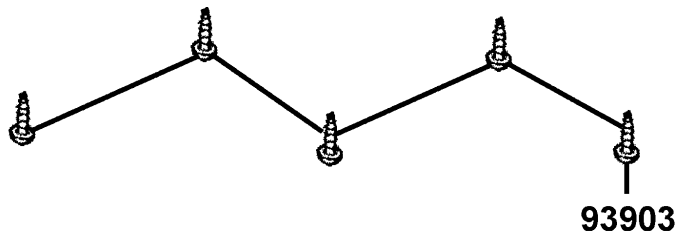
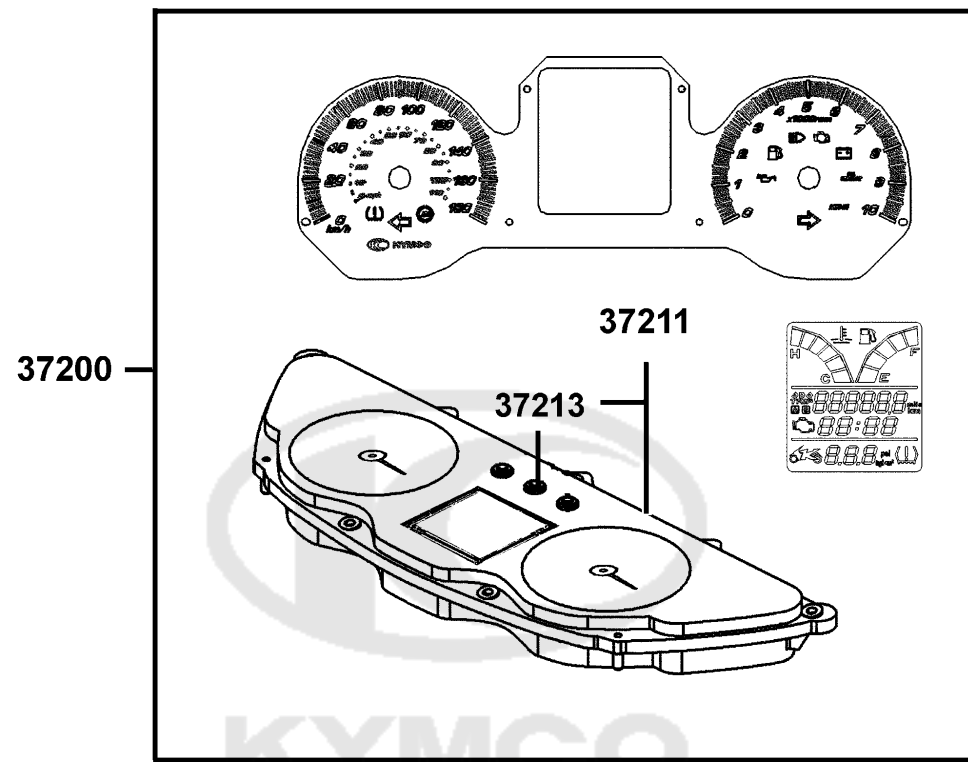
Head Light



| Sales mark  | Ref no | Part no        | Description               | Reg description           | Regd no | F01 |
|---|--------|----------------|---------------------------|---------------------------|---------|-----|
|   | 33100  | 33100-ACD5-316 | LIGHT UNIT HEAD           | LIGHT UNIT HEAD           | 1       |     |
|   | 33100A | 33100-ACD5-E01 | LIGHT ASSY HEAD           | LIGHT ASSY HEAD           | 1       |     |
|   | 33130  | 33130-LKG7-E00 | SOCKET COMP R RUBBER      | SOCKET COMP R RUBBER      | 1       |     |
|   | 33180  | 33180-LKG7-E00 | SOCKET COMP L RUBBER      | SOCKET COMP L RUBBER      | 1       |     |
|   | 34901  | 34901-LEC8-E00 | BULB HEAD LIGHT (12V 55W) | BULB HEAD LIGHT (12V 55W) | 1       |     |
|   | 90301  | 90301-6D34-671 | NUT FLANGE 6MM            | NUT FLANGE 6MM            | 2       |     |
|   | 93903  | 93903-35360    | SCREW TAPPING 5*16        | SCREW TAPPING 5*16        | 8       |     |
|  |        |                |                           |                           |         |     |

F02

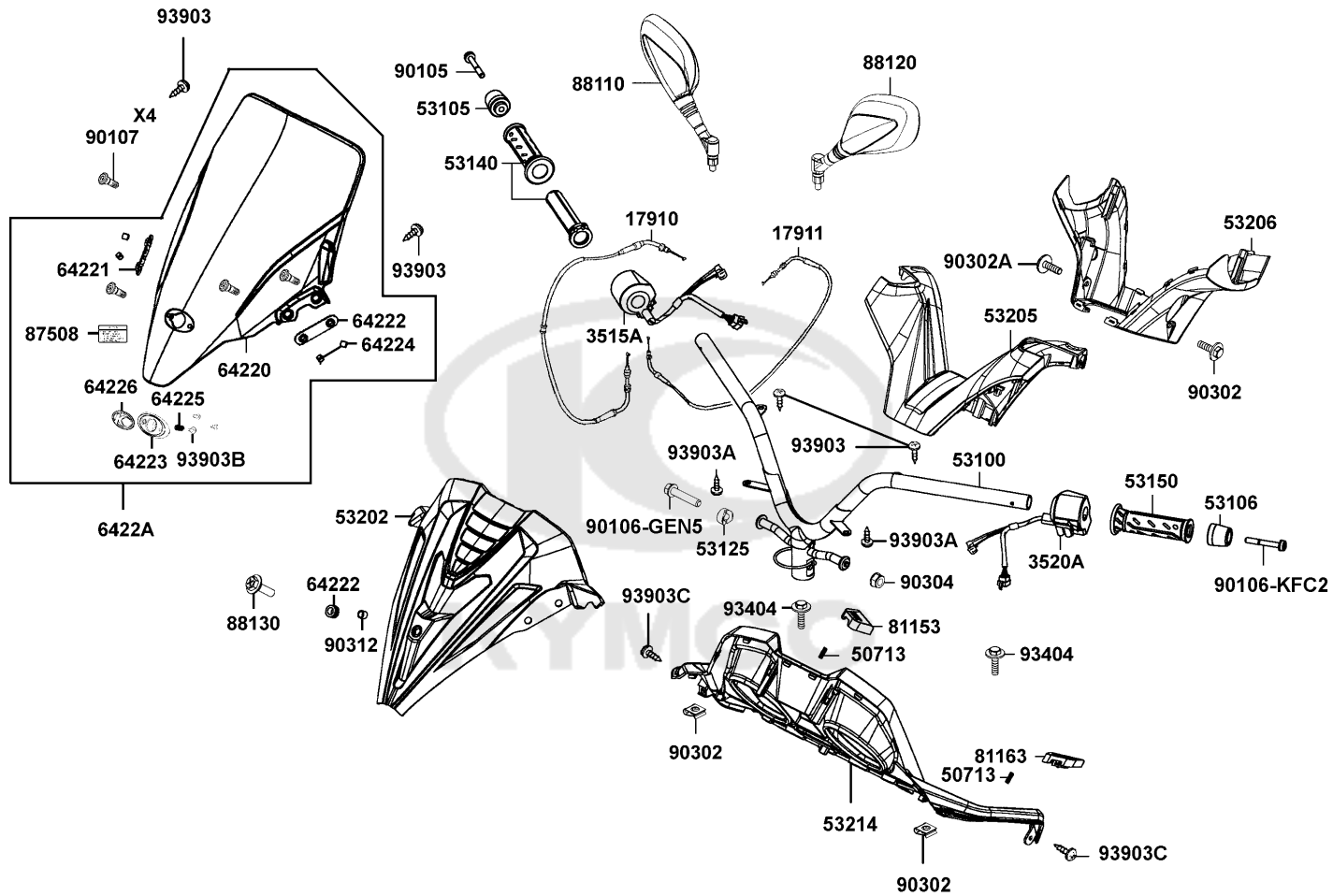
Speed meter



| Sales mark | Ref no | Part no | Description | Reg description | Regd no | <b>F02</b> |
|------------|--------|---------|-------------|-----------------|---------|------------|
|------------|--------|---------|-------------|-----------------|---------|------------|

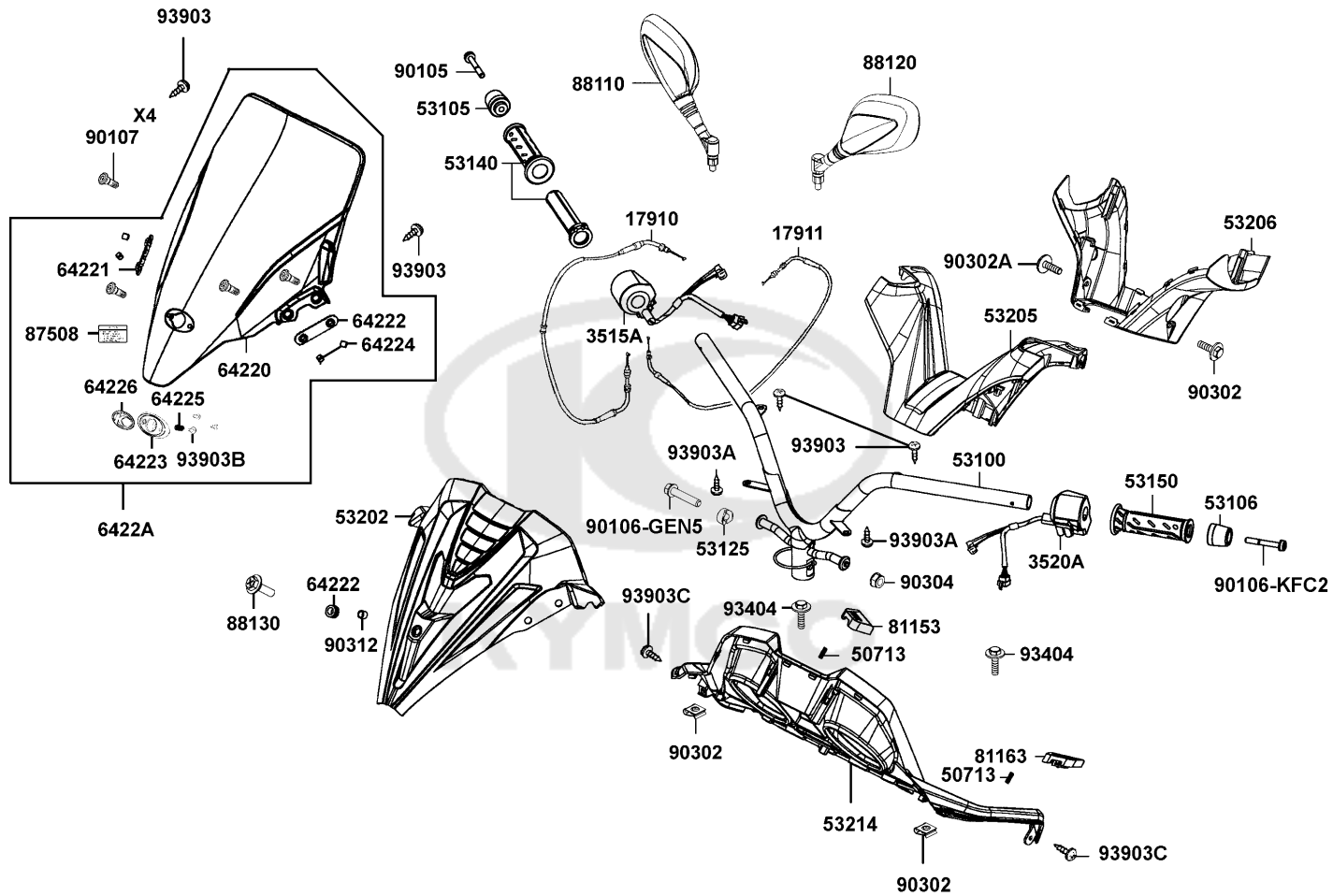
|       |  |                |                    |                    |   |  |
|-------|--|----------------|--------------------|--------------------|---|--|
| 37200 |  | 37200-ACD5-E12 | METER ASSY SPEED   | METER ASSY SPEED   | 1 |  |
| 37211 |  | 37211-LEA7-E00 | LENS ASSY          | LENS ASSY          | 1 |  |
| 93903 |  | 93903-35360    | SCREW TAPPING 5*16 | SCREW TAPPING 5*16 | 5 |  |



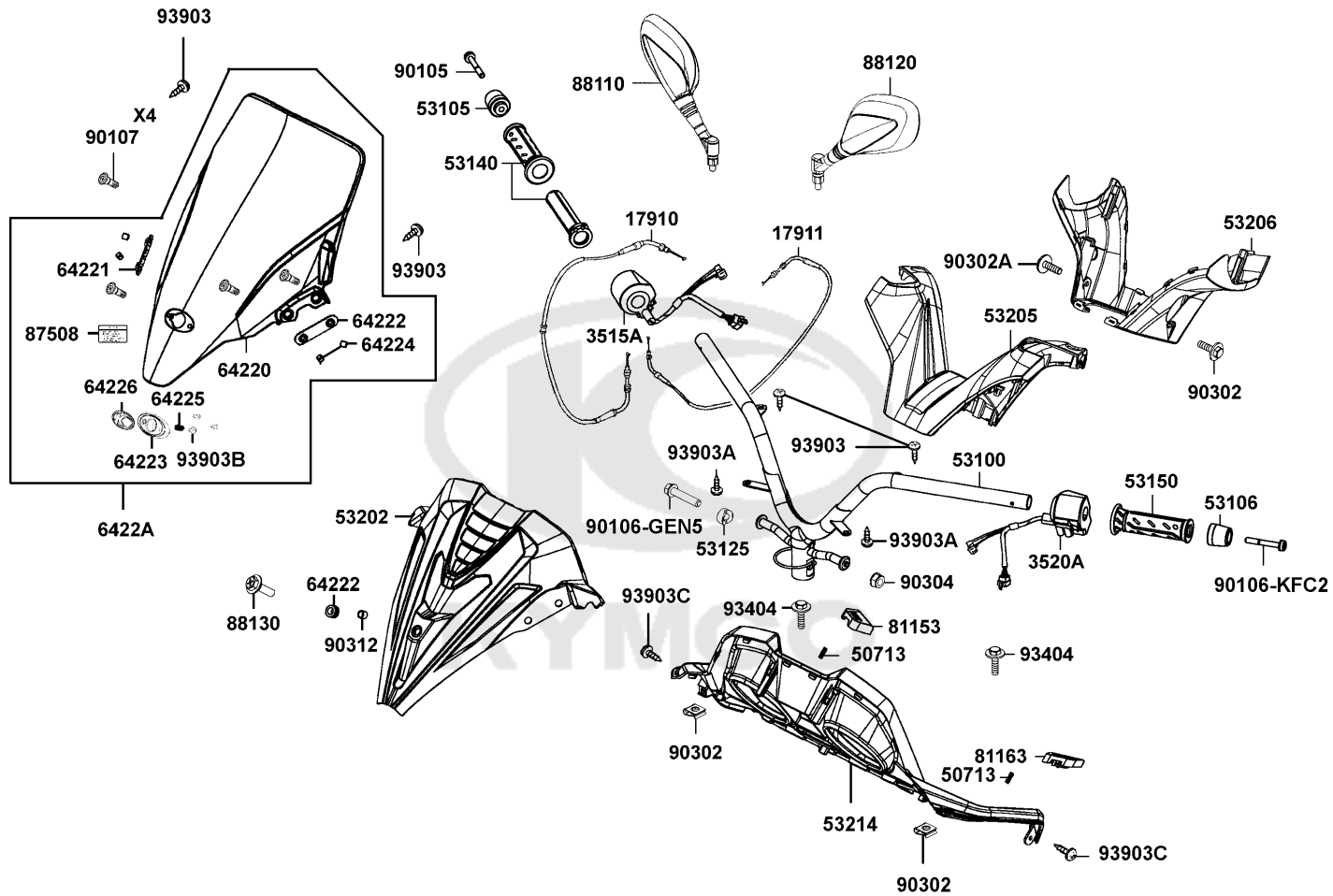


| Sales mark | Ref no | Part no        | Description                | Reg description            | Regd no | F03 |
|------------|--------|----------------|----------------------------|----------------------------|---------|-----|
|            | 17910  | 17910-ACD5-E10 | CABLE A COMP THROT         | CABLE A COMP THROT         | 1       |     |
|            | 17911  | 17911-ACD5-E10 | CABLE B COMP THROT         | CABLE B COMP THROT         | 1       |     |
|            | 3515A  | 3515A-ACD5-E01 | SW ASSY RH HANDLE COMP     | SW ASSY RH HANDLE COMP     | 1       |     |
|            | 3520A  | 3520A-ACD5-E01 | SW ASSY LH HANDLE COMP     | SW ASSY LH HANDEL COMP     | 1       |     |
|            | 50713  | 50713-KEB7-900 | SPRING                     | SPRING                     | 2       |     |
|            | 53100  | 53100-ACD5-E00 | HANDLE COMP STRG           | HANDLE COMP STRG           | 1       |     |
| **         | 53105  | 53105-LEA7-E00 | END R HANDLE               | END R HANDLE               | 1       |     |
| **         | 53106  | 53106-LEA7-E00 | END L HANDLE (Black)       | END L HANDLE (Black)       | 1       |     |
|            | 53125  | 53125-LEA7-E00 | COLLAR HANDLE SET          | COLLAR                     | 1       |     |
| **         | 53140  | 53140-ACD5-E01 | GRIP COMP THROT (Black)    | GRIP COMP THROT (Black)    | 1       |     |
| **         | 53150  | 53150-ACD5-E01 | GRIP COMP L HANDLE (Black) | GRIP COMP L HANDLE (Black) | 1       |     |
| **         | 53202  | 53202-ACD5-E00 | COVER METER FR (Black)     | COVER METER FR (Black)     | 1       |     |
| **         | 53205  | 53205-ACD5-E00 | COVER HANDLE UP (Black)    | COVER HANDLE UP (Black)    | 1       |     |
| **         | 53206  | 53206-ACD5-E00 | COVER HANDLE LOW (Black)   | COVER HANDLE LOW (Black)   | 1       |     |
| **         | 53214  | 53214-ACD5-E01 | COVER METER                | COVER METER                | 1       |     |
| **         | 64220  | 64220-ACD5-E01 | WIND SCREEN                | WIND SCREEN                | 1       |     |
|            | 64221  | 64221-LEA7-E00 | RUBBER R WIND SCREEN       | RUBBER R WIND SCREEN       | 1       |     |
|            | 64222  | 64222-LEA7-E00 | RUBBER L WIND SCREEN       | RUBBER L WIND SCREEN       | 2       |     |
| **         | 64223  | 64223-LEA7-E00 | PLUG WIND SCREEN           | PLUG WIND SCREEN           | 1       |     |
|            | 64224  | 64224-LEA7-E00 | COLLAR WIND SCREEN         | COLLAR WIND SCREEN         | 4       |     |





| Sales mark | Ref no     | Part no        | Description             | Reg description         | Regd no | F03 |
|------------|------------|----------------|-------------------------|-------------------------|---------|-----|
|            | 64225      | 64225-LEA7-E00 | SPRING COSMETIC K-LOGO  | SPRING COSMETIC K-LOGO  | 1       |     |
|            | 64226      | 64226-LEA7-E00 | COSMETIC K-LOGO         | COSMETIC K-LOGO         | 1       |     |
| **         | 6422A      | 6422A-ACD5-E01 | WIND SCREEN ASSY        | WIND SCREEN ASSY        | 1       |     |
| **         | 81153      | 81153-ACD5-E00 | COVER R LOCKLESS        | COVER R LOCKLESS        | 1       |     |
| **         | 81163      | 81163-ACD5-E00 | COVER L LOCKLESS        | COVER L LOCKLESS        | 1       |     |
| **         | 87508      | 87508-KKC4-E00 | LABEL CLEANNESS CAUTION | LABEL CLEANNESS CAUTION | 1       |     |
|            | 88110      | 88110-ACD5-E01 | MIRROR ASSY R BACK      | MIRROR ASSY. R BACK     | 1       |     |
|            | 88120      | 88120-ACD5-E01 | MIRROR ASSY.L BACK      | MIRROR ASSY.L BACK      | 1       |     |
|            | 88130      | 88130-KEBE-900 | BOLT SPECIAL            | BOLT SPECIAL            | 1       |     |
|            | 90105      | 90105-KHB4-900 | BOLT WASH M8*60         | BOLT WASH M8*60         | 1       |     |
|            | 90106-GEN5 | 90106-GEN5-901 | BOLT FLANGE 10*50       | BOLT FLANGE 10*50       | 1       |     |
|            | 90106-KFC2 | 90106-KFC2-900 | BOLT SPECIAL 8MM        | BOLT SPECIAL 8MM        | 1       |     |
|            | 90107      | 90107-LEA7-E00 | BOLT SPECIAL 8MM        | BOLT SPECIAL 8MM        | 4       |     |
|            | 90302      | 90302-LKB9-900 | NUT SPRING 5MM          | NUT SPRING 5MM          | 2       |     |
|            | 90302A     | 90302-LLB1-E00 | BOLT-WASHER 5*12        | BOLT-WASHER 5*12        | 2       |     |
|            | 90304      | 90304-LEA1-900 | NUT U FLANGE 10MM       | NUT U 10MM              | 1       |     |
|            | 90312      | 90312-LLJ3-E00 | COLLAR WIND SCREEN      | COLLAR WIND SCREEN      | 1       |     |
|            | 93404      | 93404-06016-06 | BOLT WASHER 6*16        | BOLT WASHER 6*16        | 2       |     |
|            | 93903      | 93903-25260    | SCREW TAPPING 5*12      | SCREW TAPPING 5*12      | 4       |     |
|            | 93903A     | 93903-35360    | SCREW TAPPING 5*16      | SCREW TAPPING 5*16      | 2       |     |

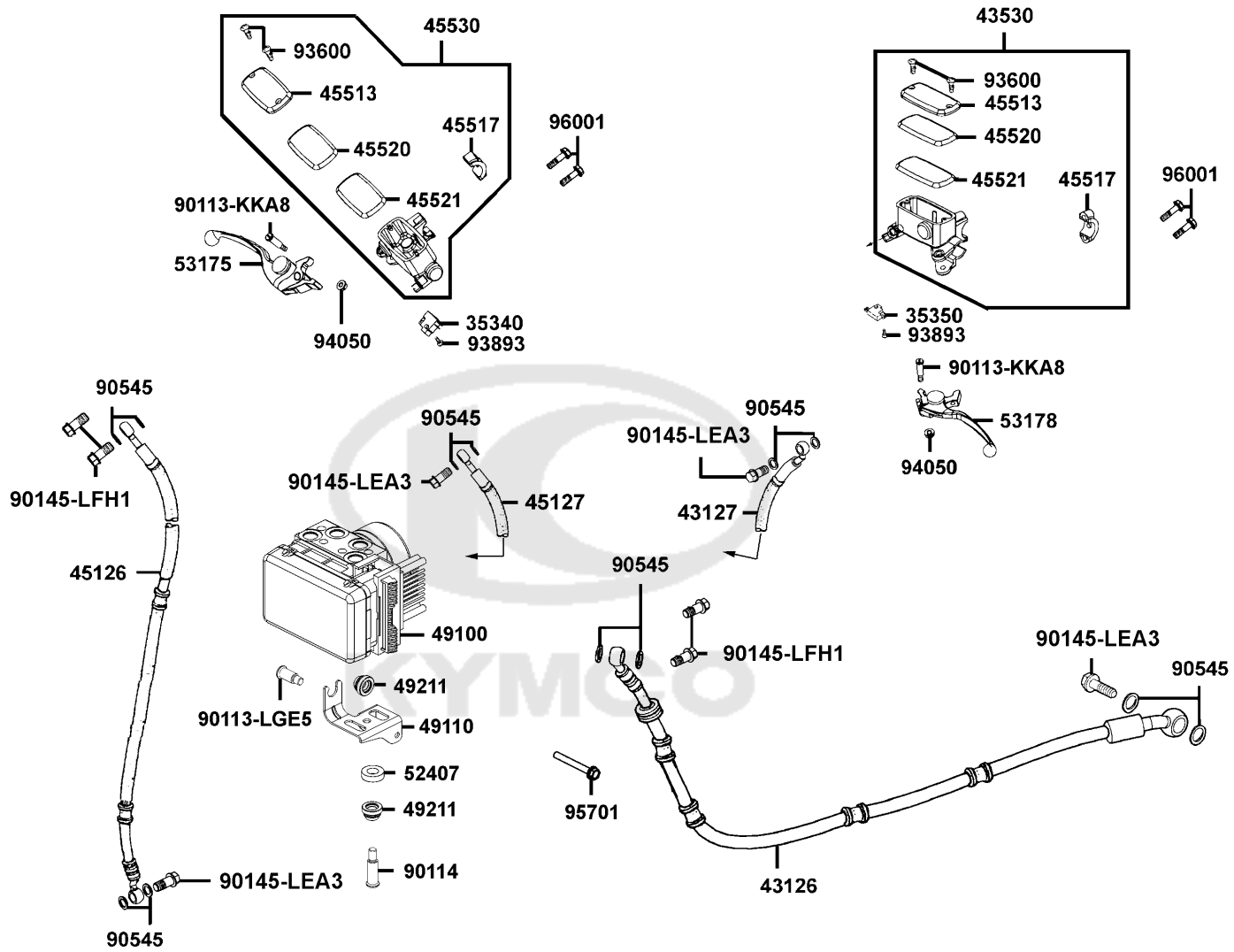


| Sales mark | Ref no | Part no | Description | Reg description | Regd no | <b>F03</b> |
|------------|--------|---------|-------------|-----------------|---------|------------|
|------------|--------|---------|-------------|-----------------|---------|------------|

|        |  |                |                    |                    |   |  |
|--------|--|----------------|--------------------|--------------------|---|--|
| 93903B |  | 93903-KEB7-900 | SCREW WASHER 4*12  | SCREW WASHER 4*12  | 3 |  |
| 93903C |  | 93903-LHJ8-910 | SCREW TAPPING 5*14 | SCREW TAPPING 5*14 | 2 |  |

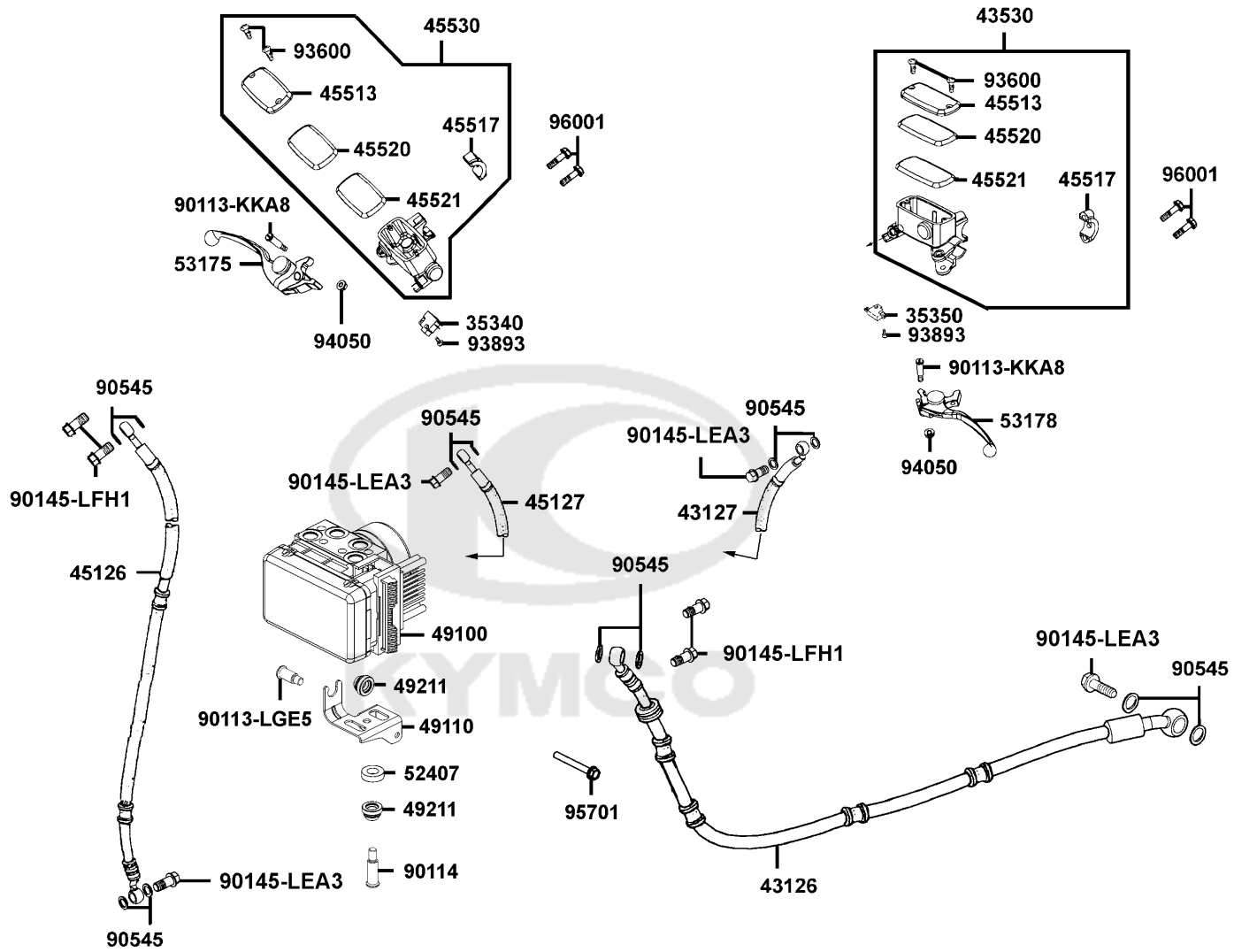


# Master Cylinder

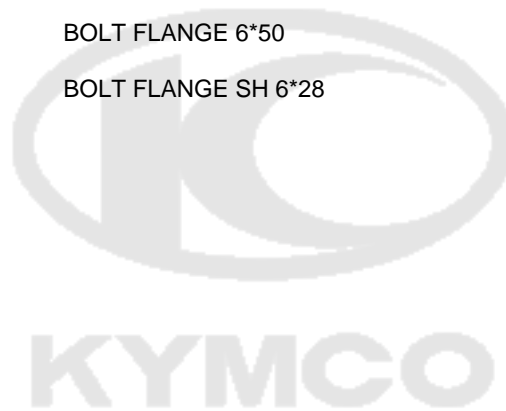


| Sales mark | Ref no     | Part no        | Description                  | Reg description        | Regd no | F04 |
|------------|------------|----------------|------------------------------|------------------------|---------|-----|
|            | 35340      | 35340-LKF5-E01 | SW ASSY FR STOP              | SW ASSY FR STOP        | 1       |     |
|            | 35350      | 35350-LKF5-E01 | SW ASSY RR STOP              | SW ASSY RR STOP        | 1       |     |
|            | 43126      | 43126-ACD5-E01 | HOSE ASSY RR BRK(ABS)        | HOSE ASSY RR BRK       | 1       |     |
|            | 43127      | 43127-ACD5-E01 | HOSE ASSY M/C RR BRK(585MM)  | HOSE ASSYM/C RR BRK    | 1       |     |
|            | 43530      | 43530-LEA7-305 | CYLINDER SET MASTER          | CYLINDER SET RR MASTER | 1       |     |
|            | 45126      | 45126-ACD5-E01 | HOSE ASSY FR BRK(ABS) 620MM  | HOSE ASSY FR BRK(ABS)  | 1       |     |
|            | 45127      | 45127-ACD5-E01 | HOSE ASSY M/C FR BRK (575MM) | HOSE ASSYM/C FR BRK    | 1       |     |
|            | 45513      | 45513-LEA7-E00 | CAP MASTER CYLINDER          | CAP MASTER CYLINDER    | 2       |     |
|            | 45517      | 45517-LBA2-E00 | HOLDER M/C                   | HOLDER M/C             | 2       |     |
|            | 45520      | 45520-KKA8-900 | DIAPHRAGM                    | DIAPHRAGM              | 2       |     |
|            | 45521      | 45521-LEA7-E00 | PLATE DIAPHRAGM              | PLATE DIAPHRAGM        | 2       |     |
|            | 45530      | 45530-LBA2-309 | CYLINDER SET FR MASTER       | CYLINDER SET FR MASTER | 1       |     |
|            | 49100      | 49100-ACD5-E03 | MODULATOR ASSY ABS           | MODULATOR ASSY ABS     | 1       |     |
|            | 49110      | 49110-LGE5-E01 | STAY ABS                     | STAY ABS               | 1       |     |
|            | 49211      | 49211-LFH1-E00 | RUBBER BUSH                  | RUBBER BUSH            | 1       |     |
|            | 52407      | 52407-LLB1-900 | RUBBER RR CUSH               | RUBBER RR CUSH         | 1       |     |
| **         | 53175      | 53175-LKF5-E00 | LEVER R STRG HANDLE          | LEVER R STRG HANDLE    | 1       |     |
| **         | 53178      | 53178-LKF5-E00 | LEVER L STRG HANDLE          | LEVER L STRG HANDLE    | 1       |     |
|            | 90113-KKA8 | 90113-KKA8-900 | BOLT L STEERING HANDLE       | BOLT L STEERING HANDLE | 2       |     |
|            | 90113-LGE5 | 90113-LGE5-E01 | BOLT FLANGE 6*20 ABS         | BOLT FLANGE 6X20 ABS   | 1       |     |

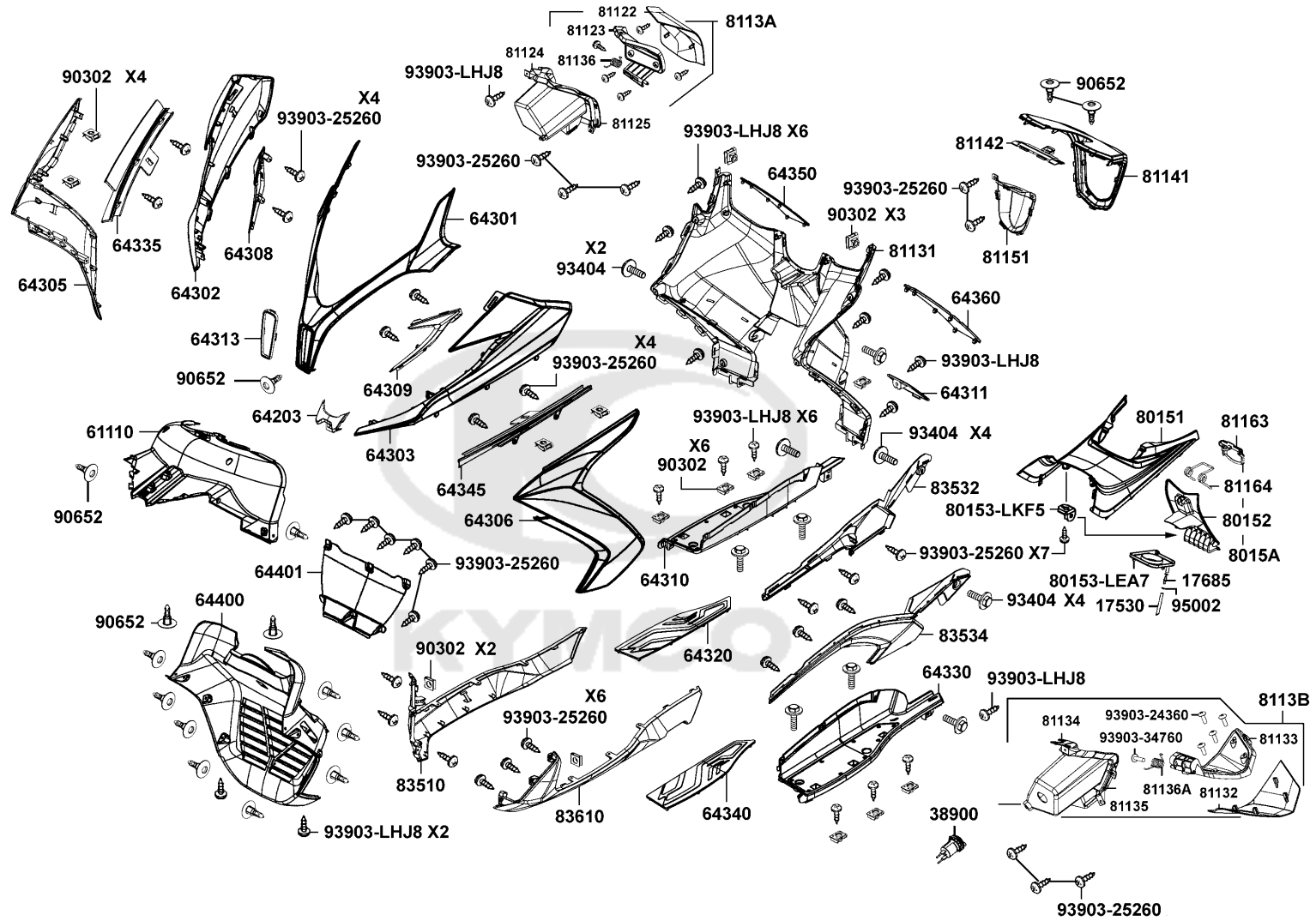
Master Cylinder



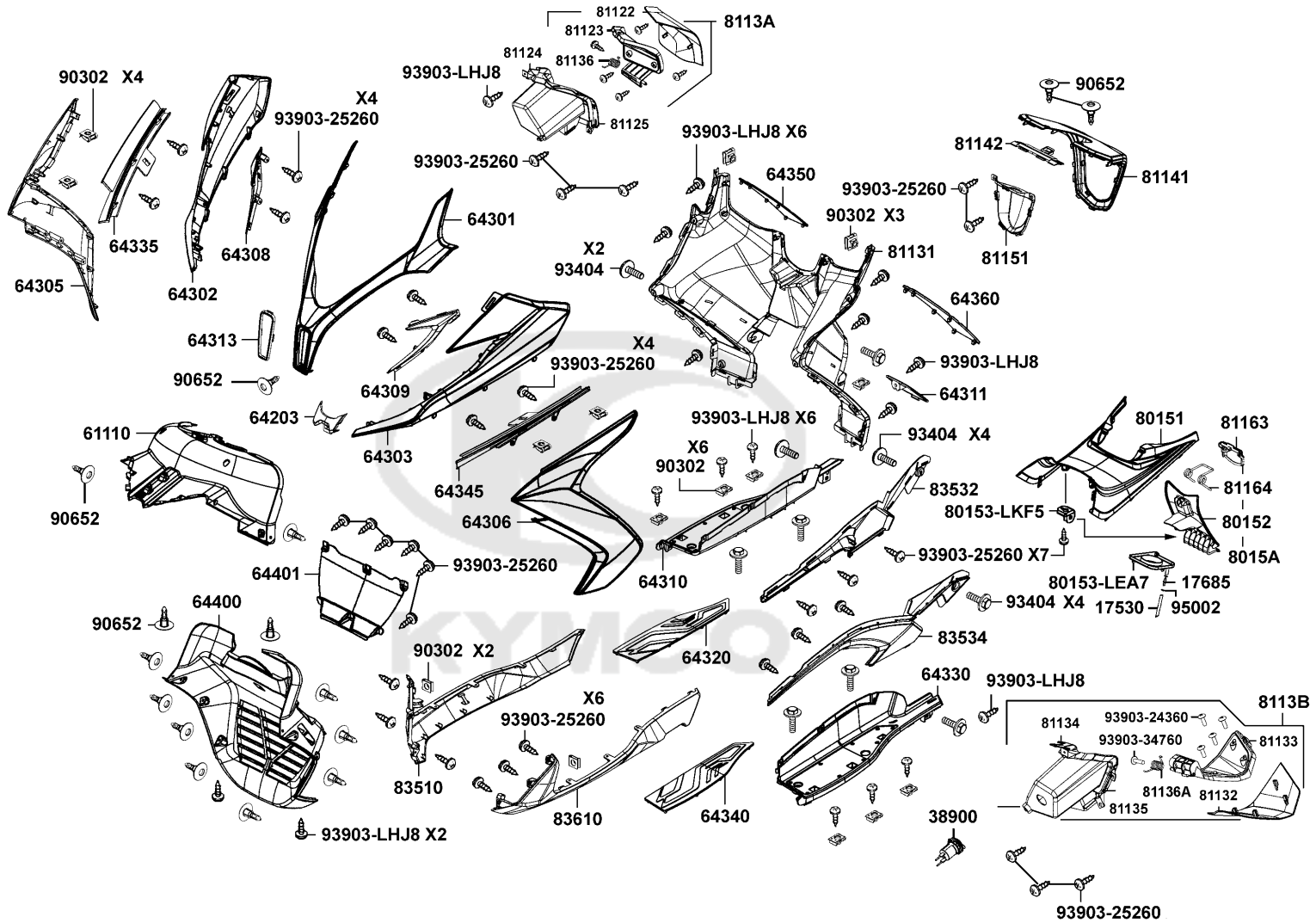
| Sales mark | Ref no | Part no        | Description            | Reg description        | Regd no | F04 |
|------------|--------|----------------|------------------------|------------------------|---------|-----|
| 90114      |        | 90114-LGE5-E01 | BOLT FLANGE 6X30.5 ABS | BOLT FLANGE 6X30.5 ABS | 1       |     |
| 90145-LEA3 |        | 90145-LEA3-E00 | OIL BOLT 10*22         | OIL BOLT 10*22         | 4       |     |
| 90145-LFH1 |        | 90145-LFH1-E00 | OIL BOLT 10x22         | OIL BOLT 10X22         | 4       |     |
| 90545      |        | 90545-3L00-001 | WASHER OIL BOLT        | WASHER OIL BOLT        | 16      |     |
| 93600      |        | 93600-04012-1G | SCREW FLAT 4*12        | SCREW FLAT 4*12        | 4       |     |
| 93893      |        | 93893-04012-18 | SCREW WASHER 4*12      | SCREW WASHER 4*12      | 2       |     |
| 94050      |        | 94050-06060    | NUT FLANGE 6MM         | NUT FLANGE 6MM         | 2       |     |
| 95701      |        | 95701-06050-06 | BOLT FLANGE 6*50       | BOLT FLANGE 6*50       | 1       |     |
| 96001      |        | 96001-06028-06 | BOLT FLANGE SH 6*28    | BOLT FLANGE SH 6*28    | 4       |     |



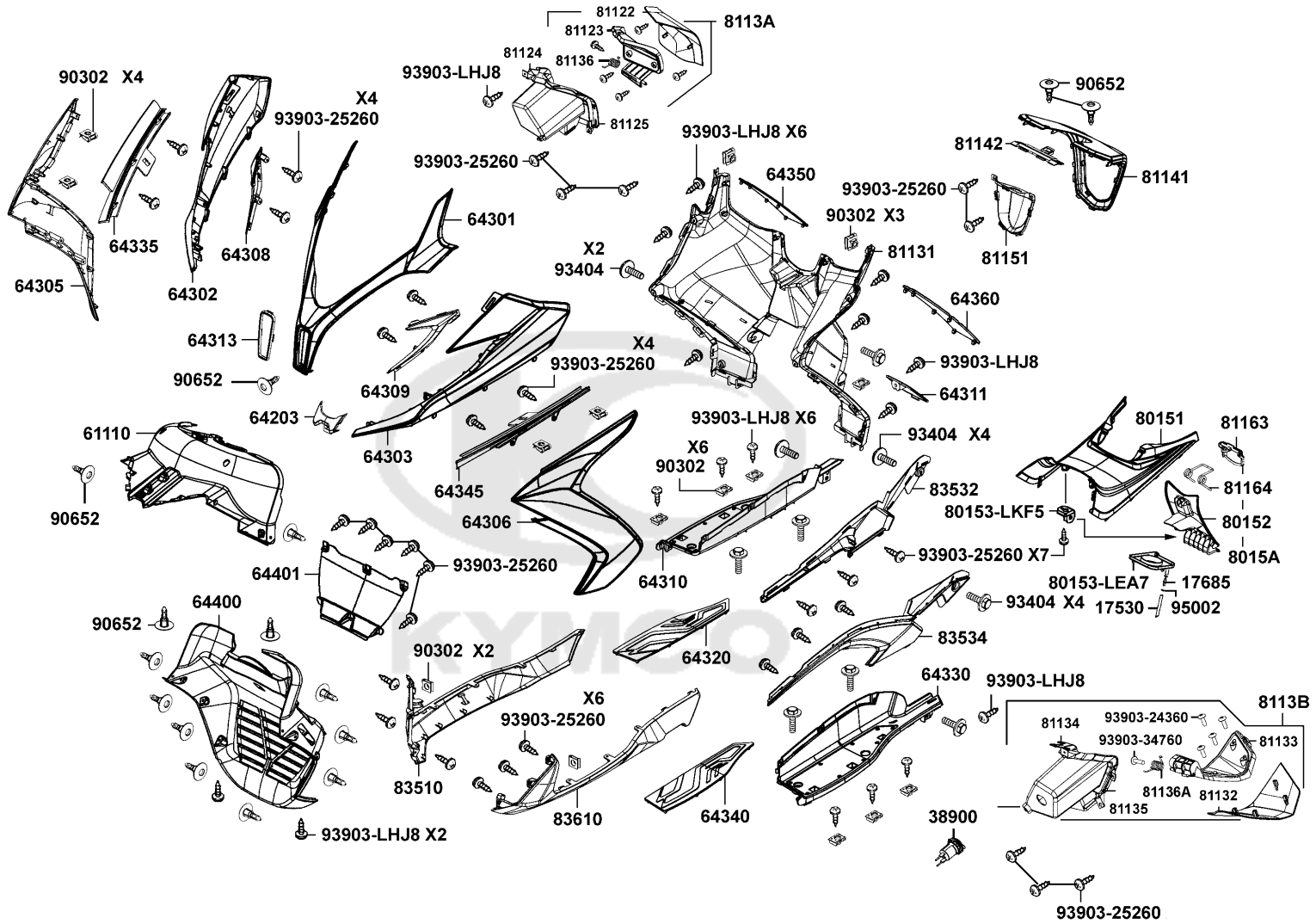




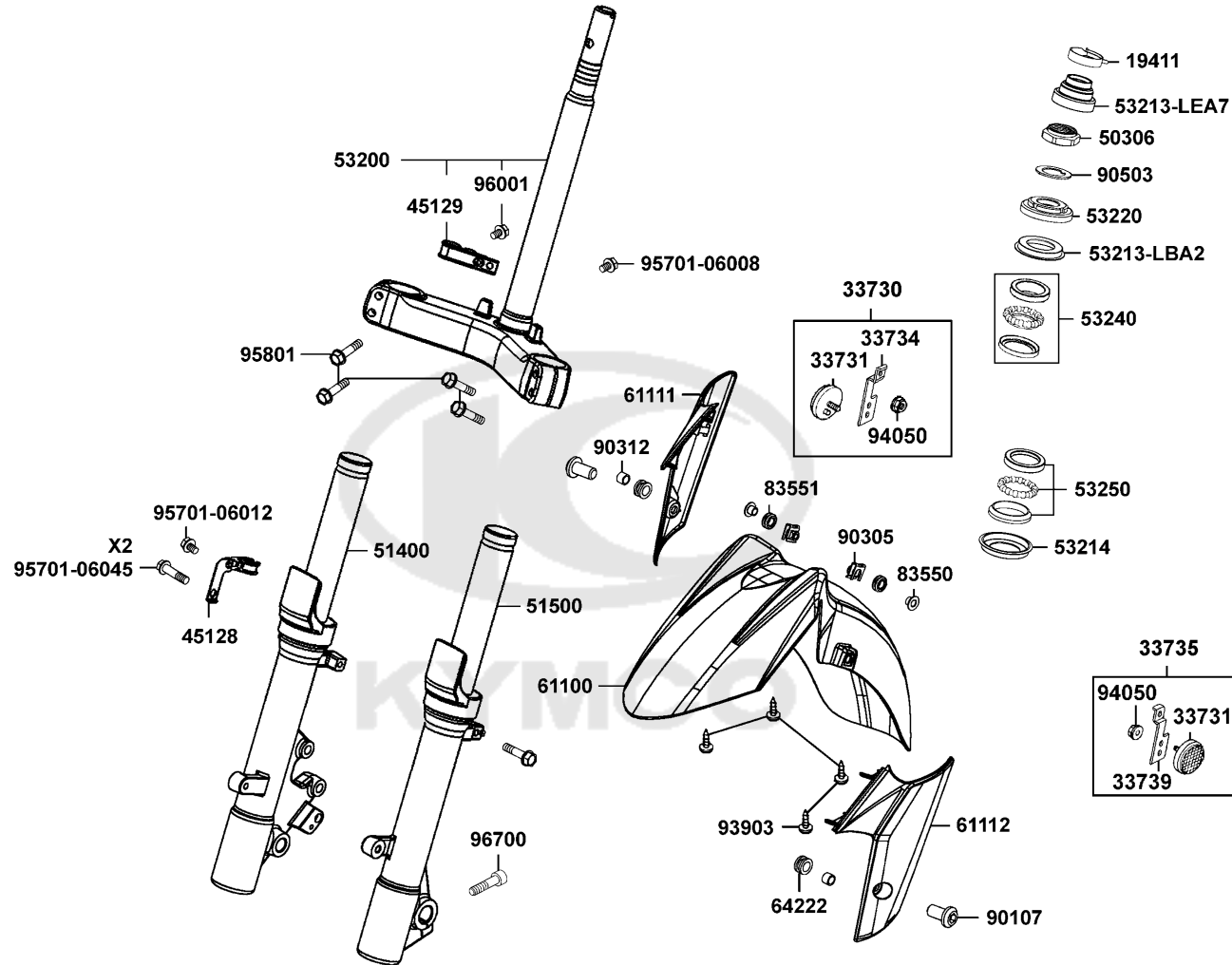
| Sales mark | Ref no | Part no        | Description                        | Reg description                    | Regd no | F05 |
|------------|--------|----------------|------------------------------------|------------------------------------|---------|-----|
|            | 17530  | 17530-KGB5-900 | TUBE ASSY DRAIN                    | TUBE ASSY DRAIN                    | 1       |     |
|            | 17685  | 17685-KZCZ-900 | JOINT TUBE                         | JOINT TUBE                         | 1       |     |
|            | 38900  | 38900-ACD5-E00 | CONTROLLER USB CHARGER             | CONTROLLER USB CHARGER             | 1       |     |
| **         | 61110  | 61110-ACD5-E00 | INNER FENDER FRONT (Black)         | INNER FENDER FRONT (Black)         | 1       |     |
| **         | 64203  | 64203-ACD5-E00 | CENTER COVER FRONT (Mat Deep Blue) | CENTER COVER FRONT (Mat Deep Blue) | 1       |     |
| **         | 64301  | 64301-ACD5-E00 | COVER FRONT (Black)                | COVER FRONT (Black)                | 1       |     |
| **         | 64302  | 64302-ACD5-E00 | MOLDING A R SIDE (Mat Deep Blue)   | MOLDING A R SIDE (Mat Deep Blue)   | 1       |     |
| **         | 64303  | 64303-ACD5-E00 | MOLDING A L SIDE (Mat Deep Blue)   | MOLDING A L SIDE (Mat Deep Blue)   | 1       |     |
| **         | 64305  | 64305-ACD5-E00 | SKIRT R SIDE (Mat Deep Blue)       | SKIRT R SIDE (Mat Deep Blue)       | 1       |     |
| **         | 64306  | 64306-ACD5-E00 | SKIRT L SIDE (Mat Deep Blue)       | SKIRT L SIDE (Mat Deep Blue)       | 1       |     |
| **         | 64308  | 64308-ACD5-E00 | MOLDING B R SIDE (Black)           | MOLDING B R SIDE (Black)           | 1       |     |
| **         | 64309  | 64309-ACD5-E00 | MOLDING B L SIDE (Black)           | MOLDING B L SIDE (Black)           | 1       |     |
| **         | 64310  | 64310-ACD5-E00 | PANEL R FLOOR (Black)              | PANEL R FLOOR (Black)              | 1       |     |
| **         | 64311  | 64311-ACD5-E00 | LID RESERVE TANK (Black)           | LID RESERVE TANK (Black)           | 1       |     |
| **         | 64313  | 64313-ACD5-E00 | TOP COVER FRONT                    | TOP COVER FRONT                    | 1       |     |
| **         | 64320  | 64320-ACD5-E00 | MAT R FLOOR (Black)                | MAT R FLOOR (Black)                | 1       |     |
| **         | 64330  | 64330-ACD5-E00 | PANEL L FLOOR (Black)              | PANEL L FLOOR (Black)              | 1       |     |
| **         | 64335  | 64335-ACD5-E00 | COVER R SIDE SKIRT (Black)         | COVER R SIDE SKIRT (Black)         | 1       |     |
| **         | 64340  | 64340-ACD5-E00 | MAT L FLOOR (Black)                | MAT L FLOOR (Black)                | 1       |     |
| **         | 64345  | 64345-ACD5-E00 | COVER L SIDE SKIRT (Black)         | COVER L SIDE SKIRT (Black)         | 1       |     |



| Sales mark | Ref no     | Part no        | Description                     | Reg description                 | Regd no | F05 |
|------------|------------|----------------|---------------------------------|---------------------------------|---------|-----|
| **         | 64350      | 64350-ACD5-E00 | MAT R LEG SHIELD (Black)        | MAT R LEG SHIELD (Black)        | 1       |     |
| **         | 64360      | 64360-ACD5-E00 | MAT L LEG SHIELD (Black)        | MAT L LEG SHIELD (Black)        | 1       |     |
| **         | 64400      | 64400-ACD5-E00 | COWL UNDER (Black)              | COWL UNDER (Black)              | 1       |     |
|            | 64401      | 64401-ZZA6-E00 | MESH UNDER COWL                 | MESH UNDER COWL                 | 1       |     |
| **         | 80151      | 80151-ACD5-E00 | COVER CENTER (Black)            | COVER CENTER (Black)            | 1       |     |
| **         | 80152      | 80152-ACD5-E00 | LID FUEL CAP MAINT (Black)      | LID FUEL CAP MAINT (Black)      | 1       |     |
|            | 80153-LEA7 | 80153-LEA7-E00 | RUBBER FUEL CAP                 | RUBBER FUEL CAP                 | 1       |     |
|            | 80153-LKF5 | 80153-LKF5-E00 | STAY FUEL COVER                 | STAY FUEL COVER                 | 1       |     |
| **         | 8015A      | 8015A-ACD5-E00 | LID ASSY FUEL CAP MAINT (Black) | LID ASSY FUEL CAP MAINT (Black) | 1       |     |
| **         | 81122      | 81122-ACD5-E00 | LIDR FR INNER BOX (Black)       | LIDR FR INNER BOX (Black)       | 1       |     |
| **         | 81123      | 81123-ACD5-E00 | COVER R INNER LID (Black)       | COVER R INNER LID (Black)       | 1       |     |
| **         | 81124      | 81124-ACD5-E00 | BOX R FR INNER BOX (Black)      | BOX R FR INNER BOX (Black)      | 1       |     |
|            | 81125      | 81125-ACD5-E00 | SEAL R FR INNER BOX             | SEAL R FR INNER BOX             | 1       |     |
| **         | 81131      | 81131-ACD5-E00 | LEG SHIELD (Black)              | LEG SHIELD (Black)              | 1       |     |
| **         | 81132      | 81132-ACD5-E00 | LID L FR INNER BOX (Black)      | LID L FR INNER BOX (Black)      | 1       |     |
| **         | 81133      | 81133-ACD5-E00 | COVER L INNER LID (Black)       | COVER L INNER LID (Black)       | 1       |     |
| **         | 81134      | 81134-ACD5-E00 | BOX L FR INNER BOX (Black)      | BOX L FR INNER BOX (Black)      | 1       |     |
|            | 81135      | 81135-ACD5-E00 | SEAL L FR INNER BOX             | SEAL L FR INNER BOX             | 1       |     |
|            | 81136      | 81136-ACD5-E00 | SPRING FR INNER BOX / R         | SPRING FR INNER BOX / R         | 1       |     |
|            | 81136A     | 81136-LEA7-E00 | SPRING FR INNER BOX L           | SPRING FR INNER BOX L           | 1       |     |

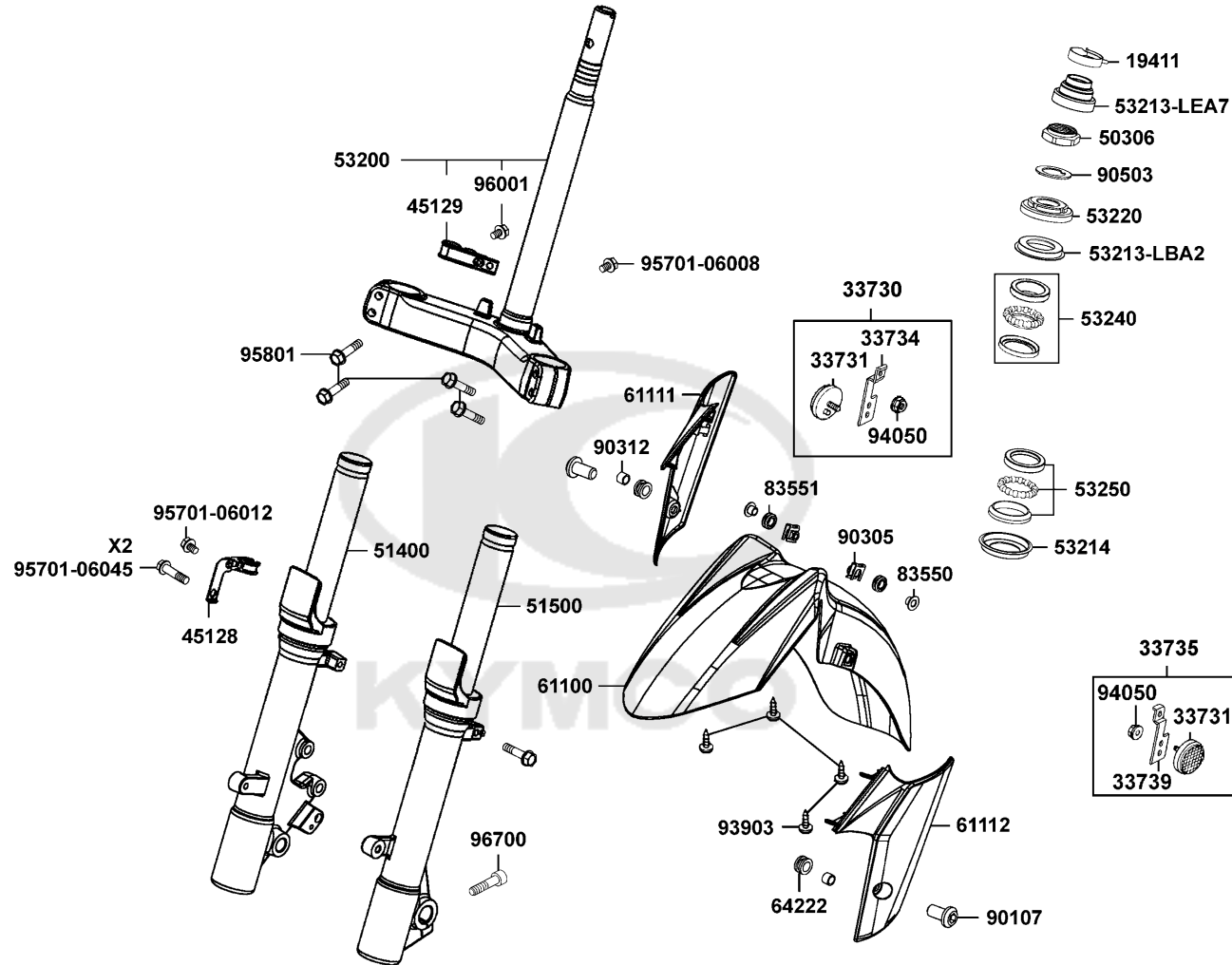


| Sales mark | Ref no      | Part no        | Description            | Reg description        | Regd no | F05 |
|------------|-------------|----------------|------------------------|------------------------|---------|-----|
| **         | 8113A       | 8113A-ACD5-E00 | BOX ASSY. R FRONT      | BOX ASSY. R FRONT      | 1       |     |
| **         | 8113B       | 8113B-ACD5-E00 | BOX ASSY. L FRONT      | BOX ASSY. L FRONT      | 1       |     |
| **         | 81141       | 81141-ACD5-E00 | LEG SHIELD UP          | LEG SHIELD UP          | 14      |     |
| **         | 81142       | 81142-ACD5-E00 | LEG SHIELD UP A        | LEG SHIELD UP A        | 1       |     |
| **         | 81151       | 81151-ACD5-E00 | COVER KEY (Black)      | COVER KEY (Black)      | 1       |     |
|            | 81163       | 81163-LKJ1-900 | LID LATCH LEG SHIELD   | LID LATCH LEG SHIELD   | 1       |     |
|            | 81164       | 81164-LKJ1-900 | LID SPRING LEG SHIELD  | LID SPRING LEG SHIELD  | 1       |     |
| **         | 83510       | 83510-ACD5-E00 | COVER R SIDE (Black)   | COVER R SIDE (Black)   | 1       |     |
| **         | 83532       | 83532-ACD5-E00 | BOARD B R SIDE (Black) | BOARD B R SIDE (Black) | 1       |     |
| **         | 83534       | 83534-ACD5-E00 | BOARD B L SIDE (Black) | BOARD B L SIDE (Black) | 1       |     |
| **         | 83610       | 83610-ACD5-E00 | COVER L SIDE (Black)   | COVER L SIDE (Black)   | 1       |     |
|            | 90302       | 90302-LKB9-900 | NUT SPRING 5MM         | NUT SPRING 5MM         | 16      |     |
|            | 90652       | 90652-LFB5-900 | CLIP MUDGUARD          | CLIP MUDGUARD          | 14      |     |
|            | 93404       | 93404-06016-06 | BOLT WASHER 6*16       | BOLT WASHER 6*16       | 10      |     |
|            | 93903-24360 | 93903-24360    | SCREW TAPPING 4*12     | SCREW TAPPING 4*12     | 8       |     |
|            | 93903-25260 | 93903-25260    | SCREW TAPPING 5*12     | SCREW TAPPING 5*12     | 35      |     |
|            | 93903-34760 | 93903-34760    | SCREW TAPPING 4*30     | SCREW TAPPING 4*30     | 2       |     |
|            | 93903-LHJ8  | 93903-LHJ8-910 | SCREW TAPPING 5*14     | SCREW TAPPING 5*14     | 18      |     |
|            | 95002       | 95002-02080    | CLIP B8 TUBE           | CLIP B8 TUBE           | 2       |     |



| Sales mark | Ref no     | Part no        | Description                     | Reg description                 | Regd no | F06 |
|------------|------------|----------------|---------------------------------|---------------------------------|---------|-----|
|            | 19411      | 19411-LFG2-E00 | CLIP ASSY AIR/C DUCT            | CLIP ASSY AIR/C DUCT            | 1       |     |
|            | 33730      | 33730-LEA7-M30 | REFLEX REFLECTOR..RH. FR.       | REFLEX REFLECTOR.RH. FR.        | 1       |     |
|            | 33734      | 33734-LEA7-M30 | STAY R REFLEX REFLECTOR         | STAY R REFLEX REFLECTOR         | 1       |     |
|            | 33735      | 33735-LEA7-M30 | REFLEX REFLECTOR..LH.FR.        | REFLEX REFLECTOR.LH.FR.         | 1       |     |
|            | 33739      | 33739-LEA7-M30 | STAY L REFLEX REFLECTOR         | STAY L REFLEX REFLECTOR         | 1       |     |
|            | 45128      | 45128-LBA2-920 | CLAMPER FR BRK HOSE             | CLAMPER FR BRK HOSE             | 1       |     |
|            | 45129      | 45129-LBA2-900 | CLAMPER FR BRK HOSE             | CLAMPER FR BRK HOSE             | 1       |     |
|            | 50306      | 50306-1F96-001 | NUT STRG STEM LOCK              | NUT STRG STEM LOCK              | 1       |     |
| **         | 51400      | 51400-ACD5-E00 | FORK ASSY FR R (Mat Black)      | FORK ASSY FR R (Mat Black)      | 1       |     |
| **         | 51500      | 51500-ACD5-E00 | FORK ASSY FR L (Mat Black)      | FORK ASSY FR L (Mat Black)      | 1       |     |
|            | 53200      | 53200-ACD5-E00 | STEM COMP STRG                  | STEM COMP STRG                  | 1       |     |
|            | 53213-LBA2 | 53213-LBA2-E00 | DUST SEAL STRG HEAD TOP         | DUST SEAL STRG HEAD TOP         | 1       |     |
|            | 53213-LEA7 | 53213-LEA7-E00 | DUST SEAL. STRG                 | DUST SEAL. STRG                 | 1       |     |
|            | 53214      | 53214-LBA2-E00 | DUST SEAL STRG (HEAD)           | DUST SEAL STRG HEAD BOT         | 1       |     |
|            | 53220      | 53220-LBA2-E00 | THREAD COMP STRG HEAD TOP       | THREAD COMP STRG HEAD TOP       | 1       |     |
|            | 53240      | 53240-LEA7-90A | BEARING TOP STRG (mark:TP1)     | BEARING TOP STRG                | 1       |     |
|            | 53250      | 53250-LEA7-90A | BEARING BOT STRG (mark:TP1)     | BEARING BOT STRG                | 1       |     |
| **         | 61100      | 61100-ACD5-E00 | FENDER FRONT                    | FENDER FRONT                    | 1       |     |
| **         | 61111      | 61111-ACD5-E00 | FENDER COVER R SIDE (Mat Black) | FENDER COVER R SIDE (Mat Black) | 1       |     |
| **         | 61112      | 61112-ACD5-E00 | FENDER COVER L SIDE (Mat Black) | FENDER COVER L SIDE (Mat Black) | 1       |     |

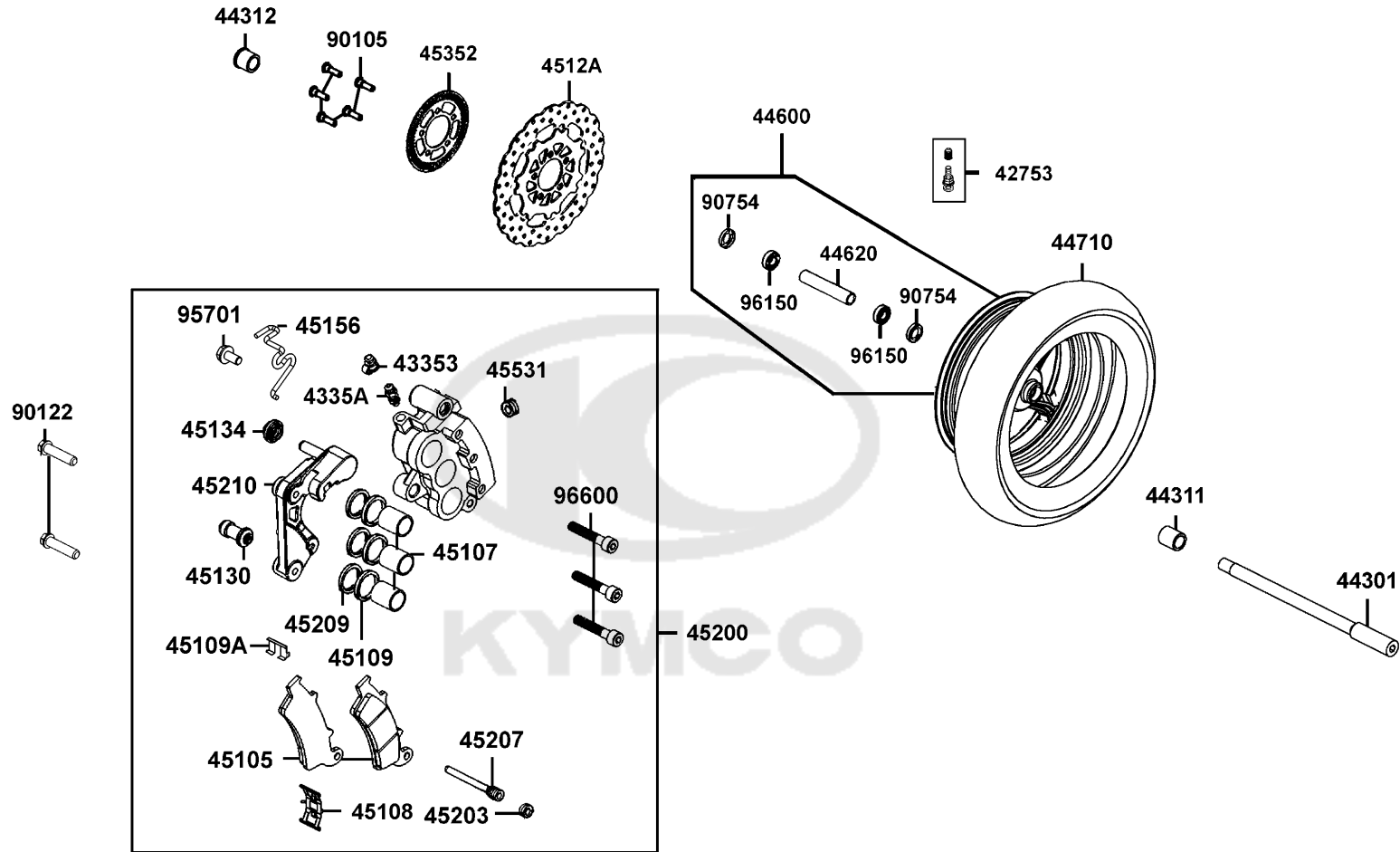




| Sales mark  | Ref no | Part no        | Description                        | Reg description                        | Regd no | F06 |
|-------------|--------|----------------|------------------------------------|--|---------|-----|
| 64222       |        | 64222-LLJ3-E00 | RUBBER WIND SCREEN                 | RUBBER WIND SCREEN                     | 2       |     |
| 83550       |        | 83550-KEC8-900 | COLLAR                             | COLLAR                                 | 2       |     |
| 83551       |        | 83551-KEC8-900 | GROMMET COVER **KEC8-9000          | GROMMET COVER **KEC8-9000 C.2005.09.01 | 2       |     |
| 90107       |        | 90107-LEA7-E00 | BOLT SPECIAL 8MM                   | BOLT SPECIAL 8MM                       | 2       |     |
| 90305       |        | 90305-LBA2-E00 | NUT CLIP 6MM                       | NUT CLIP 6MM                           | 2       |     |
| 90312       |        | 90312-LLJ3-E01 | COLLAR WIND SCREEN                 | COLLAR WIND SCREEN                     | 2       |     |
| 90503       |        | 90503-LEA7-E00 | WASHER STRG STEM NUT               | WASHER STRG STEM NUT                   | 1       |     |
| 93903       |        | 93903-25260    | SCREW TAPPING 5*12                 | SCREW TAPPING 5*12                     | 4       |     |
| 94050       |        | 94050-06080    | NUT FLANGE 6MM                     | NUT FLANGE 6MM                         | 2       |     |
| 95701-06008 |        | 95701-06008-06 | BOLT FLANGE 6*8                    | BOLT FLANGE 6*8                        | 1       |     |
| 95701-06012 |        | 95701-06012-06 | BOLT FLANGE 6*12 **07 C.2005.07.01 | BOLT FLANGE 6*12 **07 C.2005.07.01     | 1       |     |
| 95701-06045 |        | 95701-06045-06 | BOLT FLANGE 6*45                   | BOLT FLANGE 6*45                       | 2       |     |
| 95801       |        | 95801-08040-06 | BOLT FLANGE 8*40                   | BOLT FLANGE 8*40                       | 1       |     |
| 96001       |        | 96001-06012-06 | BOLT FLANGE SH 6*12                | BOLT FLANGE SH 6*12                    | 1       |     |
| 96700       |        | 96700-KED9-900 | BOLT SOCKET 8*30                   | BOLT SOCKET 8*30                       | 1       |     |

F07

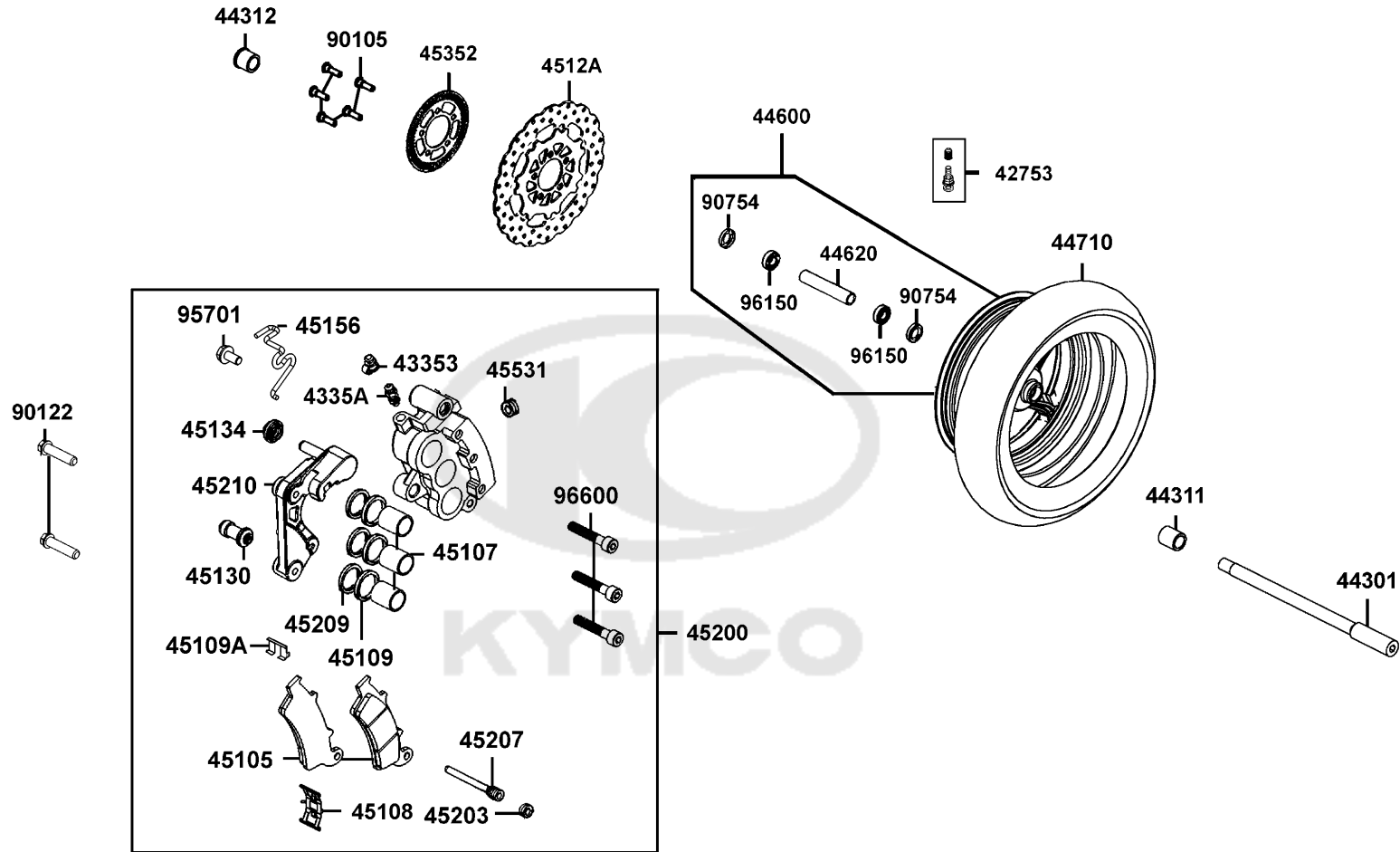
Front Wheel



| Sales mark | Ref no | Part no        | Description                  | Reg description              | Regd no | F07 |
|------------|--------|----------------|------------------------------|------------------------------|---------|-----|
|            | 42753  | 42753-KNBN-90B | VALAE RIM (TR412)            | VALAE RIM (TR412)            | 1       |     |
|            | 43353  | 43353-KED9-900 | CAP BLEEDER                  | CAP BLEEDER                  | 1       |     |
|            | 4335A  | 4335A-LBA2-E01 | BLEEDER ASSY                 | SCREW BLEEDER                | 1       |     |
|            | 44301  | 44301-LEA7-E00 | AXLE FR WHEEL M14*282MM      | AXLE FR WHEEL 14*282         | 1       |     |
|            | 44311  | 44311-LEA7-E00 | COLLAR FR WHEEL SIDE         | COLLAR FR WHEEL SIDE         | 1       |     |
|            | 44312  | 44312-LEA7-E00 | COLLAR FR WHEEL SIDE         | COLLAR FR WHEEL SIDE         | 1       |     |
| **         | 44600  | 44600-LEA7-305 | WHEEL ASSY FR (Black)        | WHEEL ASSY FR (Black)        | 1       |     |
|            | 44620  | 44620-LEA7-E00 | COLLAR FR WHEEL DISTANCE     | COLLAR FR WHEEL DIST         | 1       |     |
|            | 44710  | 44710-ACD5-E00 | TIRE ASSY FR                 | TIRE ASSY FR                 | 1       |     |
|            | 45105  | 45105-LGE5-305 | PAD SET                      | PAD SET                      | 1       |     |
|            | 45107  | 45107-LGE5-E00 | PISTON C/P (Ø25.4MM)         | PISTON C/P (Ø25.4MM)         | 3       |     |
|            | 45108  | 45108-LGE5-E00 | SPRING PAD                   | SPRING PAD                   | 1       |     |
|            | 45109  | 45109-GBE2-007 | DUST SEAL                    | DUST SEAL                    | 3       |     |
|            | 45109A | 45109-LGE5-E00 | SLIDE PAD                    | SLIDE PAD                    | 1       |     |
|            | 4512A  | 4512A-LEA7-E00 | DISK COMP FR BRAKE           | DISK COMP FR BRAKE           | 1       |     |
|            | 45130  | 45130-LGE5-E00 | PUSH BOOT PIN                | BUSH PIN                     | 1       |     |
|            | 45134  | 45134-KED9-900 | BOOT B                       | BOOT B                       | 1       |     |
|            | 45156  | 45156-LKG7-E00 | CLIP SENSOR WIRE             | CLIP SENSOR WIRE             | 1       |     |
| **         | 45200  | 45200-LKG7-E00 | CALIPER ASSY FR (Met Silver) | CALIPER ASSY FR (Met Silver) | 1       |     |
|            | 45203  | 45203-KED9-900 | PLUG PIN                     | PLUG PIN                     | 1       |     |

F07

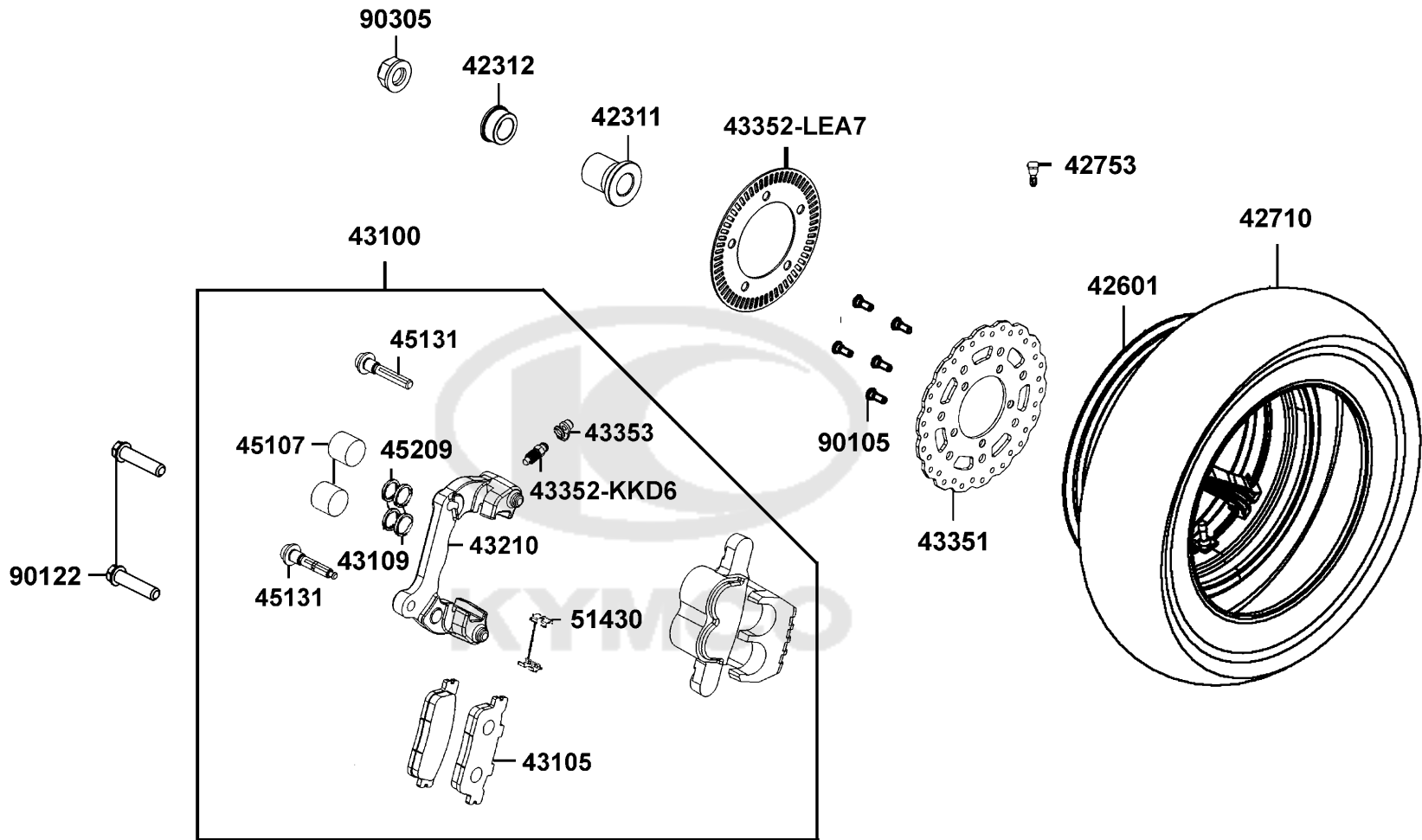
Front Wheel



| Sales mark | Ref no | Part no        | Description                        | Reg description                    | Regd no | F07 |
|------------|--------|----------------|------------------------------------|------------------------------------|---------|-----|
|            | 45207  | 45207-LGE5-E00 | PIN HANGER                         | PIN HANGE                          | 1       |     |
|            | 45209  | 45209-GBE2-007 | SEAL PISTON                        | SEAL PISTON                        | 1       |     |
| **         | 45210  | 45210-LKG7-305 | BRACKET ASSY FR                    | BRACKET ASSY FR                    | 1       |     |
|            | 45352  | 45352-LEA7-E00 | TOOTHED RING SENSOR                | TOOTHED RING SENSOR                | 1       |     |
|            | 45531  | 45531-KED9-900 | PLUG                               | PLUG                               | 1       |     |
|            | 90105  | 90105-LEA7-E00 | BOLT FR DISK 8x30                  | BOLT FR DISK 8X30                  | 5       |     |
|            | 90122  | 90122-LEA7-E00 | BOLT FLANGE 10X42                  | BOLT FLANGE 10X42                  | 2       |     |
|            | 90754  | 90754-LLJ3-E00 | DUST SEAL                          | DUST SEAL                          | 2       |     |
|            | 95701  | 95701-06012-06 | BOLT FLANGE 6*12 **07 C.2005.07.01 | BOLT FLANGE 6*12 **07 C.2005.07.01 | 1       |     |
|            | 96150  | 96150-60020-10 | BEARING BALL RADIAL 6002           | BEARING BALL RADIAL 6002           | 2       |     |
|            | 96600  | 96600-LGE5-E00 | SOCKET BOLT                        | SOCKET BOLT                        | 3       |     |

F08

Rear Wheel

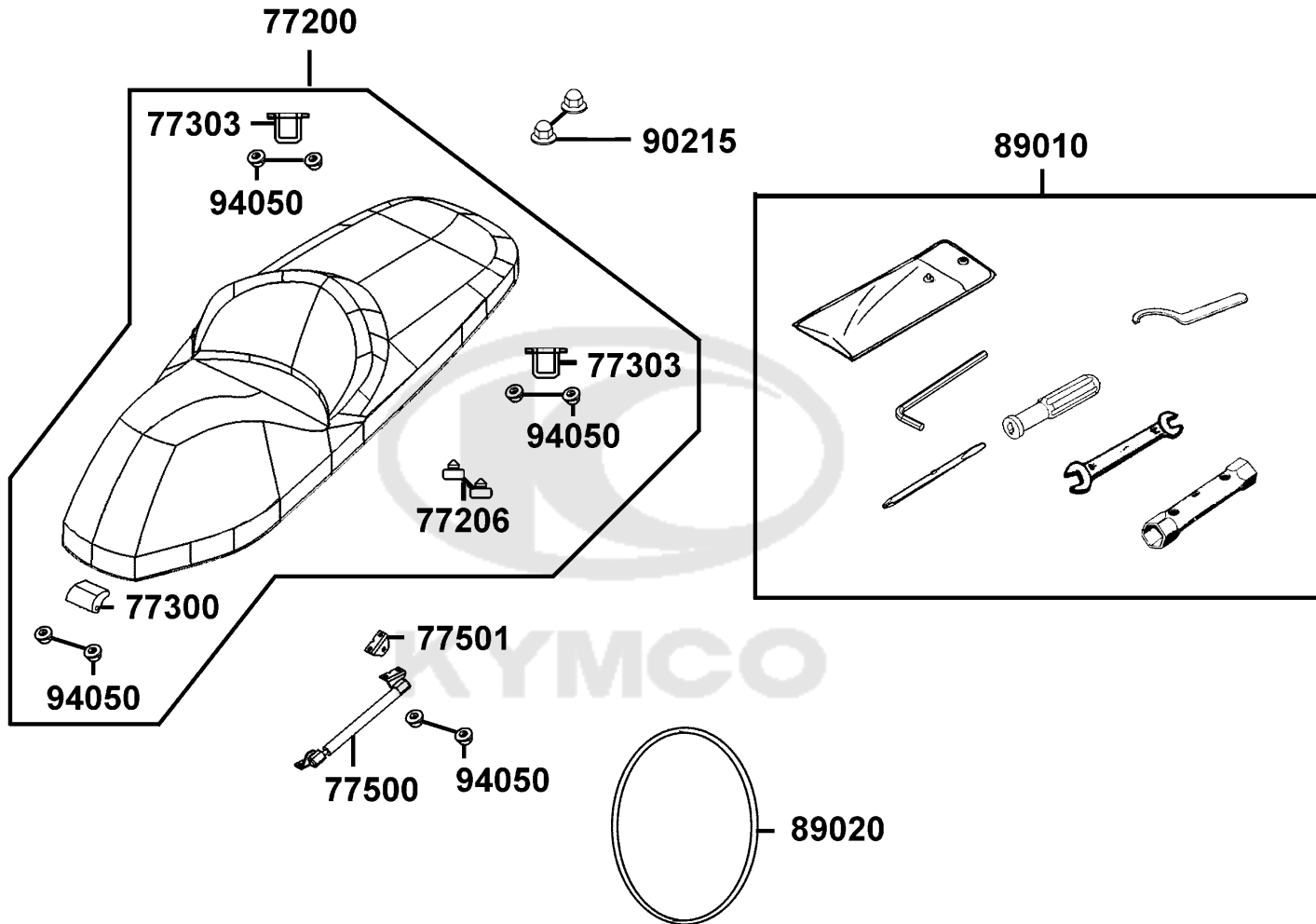


| Sales mark | Ref no     | Part no        | Description                       | Reg description                   | Regd no | F08 |
|------------|------------|----------------|-----------------------------------|-----------------------------------|---------|-----|
|            | 42311      | 42311-LEA7-E00 | COLLAR RR AXLE SIDE A             | COLLAR RR AXLE SIDE A             | 1       |     |
|            | 42312      | 42312-LEA7-E00 | COLLAR RR AXLE SIDE               | COLLAR RR AXLE SIDE               | 1       |     |
| **         | 42601      | 42601-LEA7-E00 | WHEEL COMP RR (Black)             | WHEEL COMP RR (Black)             | 1       |     |
|            | 42710      | 42710-ACD5-E00 | TIRE ASSY RR 150/70-13 TL (KENDA) | TIRE ASSY RR 150/70-13 TL (KENDA) | 1       |     |
|            | 42753      | 42753-KNBN-90B | VALAE RIM (TR412)                 | VALAE RIM (TR412)                 | 1       |     |
| **         | 43100      | 43100-LGE5-E01 | CALIPER ASSY RR (Met Silver)      | CALIPER ASSY RR (Met Silver)      | 1       |     |
|            | 43105      | 43105-LGE5-306 | PAD SET                           | PAD SET                           | 1       |     |
|            | 43109      | 43109-MCA3-007 | DUST SEAL                         | DUST SEAL                         | 2       |     |
| **         | 43210      | 43210-LGE5-E00 | BRACKET FR CALIPER (Met Silver)   | BRACKET FR CALIPER (Met Silver)   | 1       |     |
|            | 43351      | 43351-LKG7-E00 | DISK RR BRAKE                     | DISK RR BRAKE                     | 1       |     |
|            | 43352-KKD6 | 43352-KKD6-E90 | SCREW BLEEDER                     | SCREW BLEEDER                     | 1       |     |
|            | 43352-LEA7 | 43352-LEA7-E01 | TOOTHED RING SENSOR               | READ PLATE RR                     | 1       |     |
|            | 43353      | 43353-4A61-77A | CAP BLEEDER                       | CAP BLEEDER                       | 1       |     |
|            | 45107      | 45107-KED9-E00 | PISTON C/P (Ø27MM)                | PISTON C/P (Ø27MM)                | 2       |     |
|            | 45131      | 45131-LGE5-E00 | PIN BOLT                          | PIN BOLT                          | 2       |     |
|            | 45209      | 45209-KED9-900 | SEAL PISTON                       | SEAL PISTON                       | 2       |     |
|            | 51430      | 51430-LGE5-E00 | SLIDE PAD                         | SLIDE PAD                         | 2       |     |
|            | 90105      | 90105-LEA7-E00 | BOLT FR DISK 8x30                 | BOLT FR DISK 8X30                 | 5       |     |
|            | 90122      | 90122-LEA7-E00 | BOLT FLANGE 10X42                 | BOLT FLANGE 10X42                 | 2       |     |
|            | 90305      | 90305-KKAK-900 | NUT U 16MM                        | NUT U 16MM                        | 1       |     |



F09

Seat

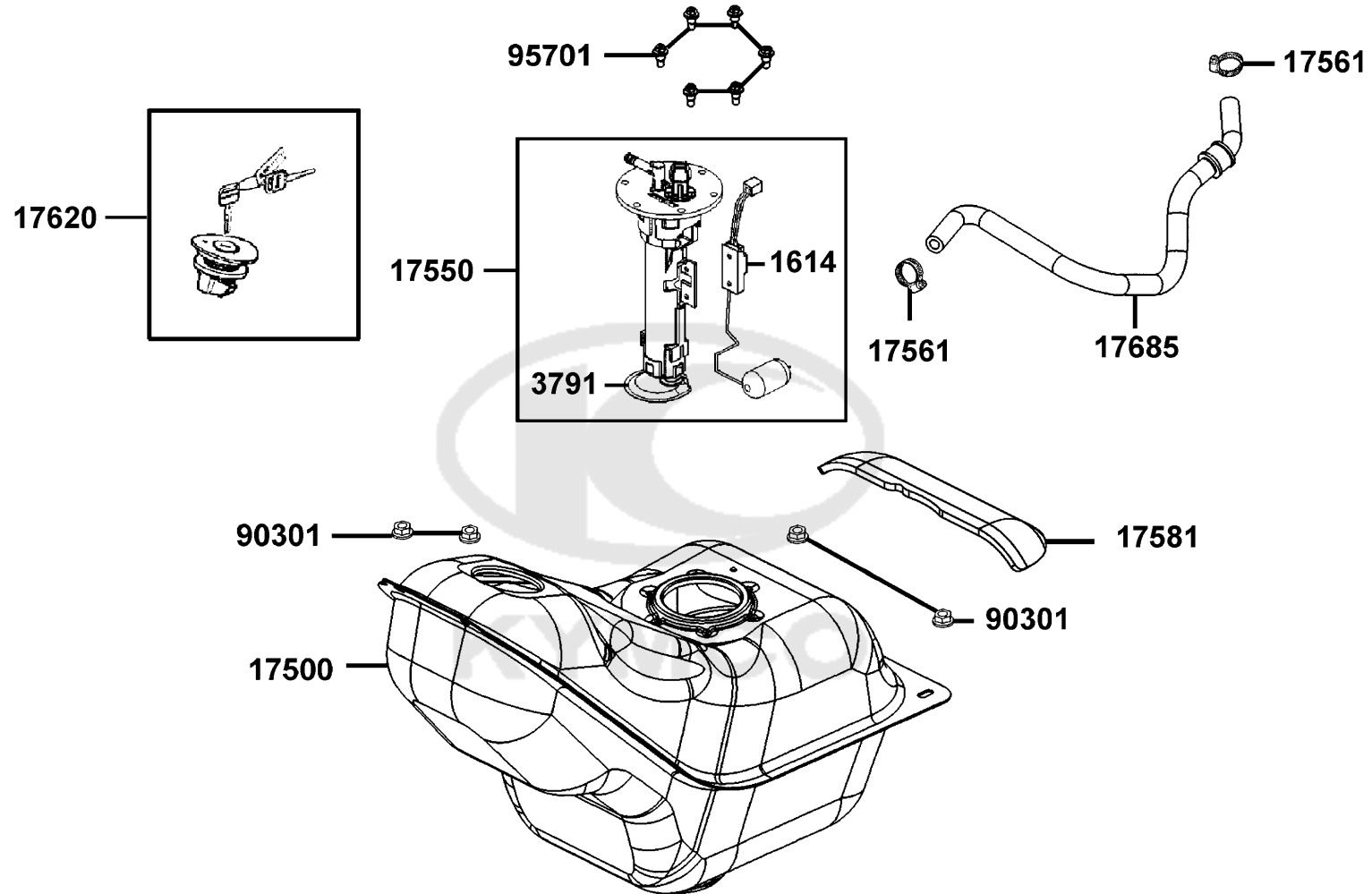


| Sales mark | Ref no | Part no        | Description       | Reg description   | Regd no | <b>F09</b> |
|------------|--------|----------------|-------------------|-------------------|---------|------------|
| **         | 77200  | 77200-ACD5-349 | SEAT ASSY (REACH) | SEAT ASSY (REACH) | 1       |            |
|            | 77206  | 77206-KEB7-900 | RUBBER SEAT CUSH  | RUBBER SEAT CUSH  | 2       |            |
|            | 77300  | 77300-ACD5-E00 | HINGE COMP SEAT   | HINGE COMP SEAT   | 1       |            |
|            | 77303  | 77303-ZZA6-E00 | HOOK SEAT LOCK    | HOOKSEAT LOCK     | 1       |            |
|            | 77500  | 77500-LEA7-E00 | DAMPER CAS        | DAMPER CAS        | 1       |            |
|            | 77501  | 77501-LBA2-E00 | STAY GAS DAMPER   | STAY GAS DAMPER   | 2       |            |
|            | 89010  | 89010-ACD5-E00 | TOOL SET          | TOOL SET          | 1       |            |
|            | 89020  | 89020-KKC4-900 | BAND TOOL SET     | BAND TOOL SET     | 1       |            |
|            | 90215  | 90215-KKC4-900 | NUT CAP 6MM       | NUT CAP 6MM       | 2       |            |
|            | 94050  | 94050-06080    | NUT FLANGE 6MM    | NUT FLANGE 6MM    | 8       |            |

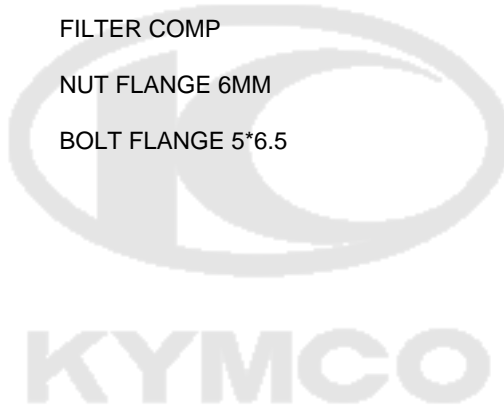


F10

Fuel Tank

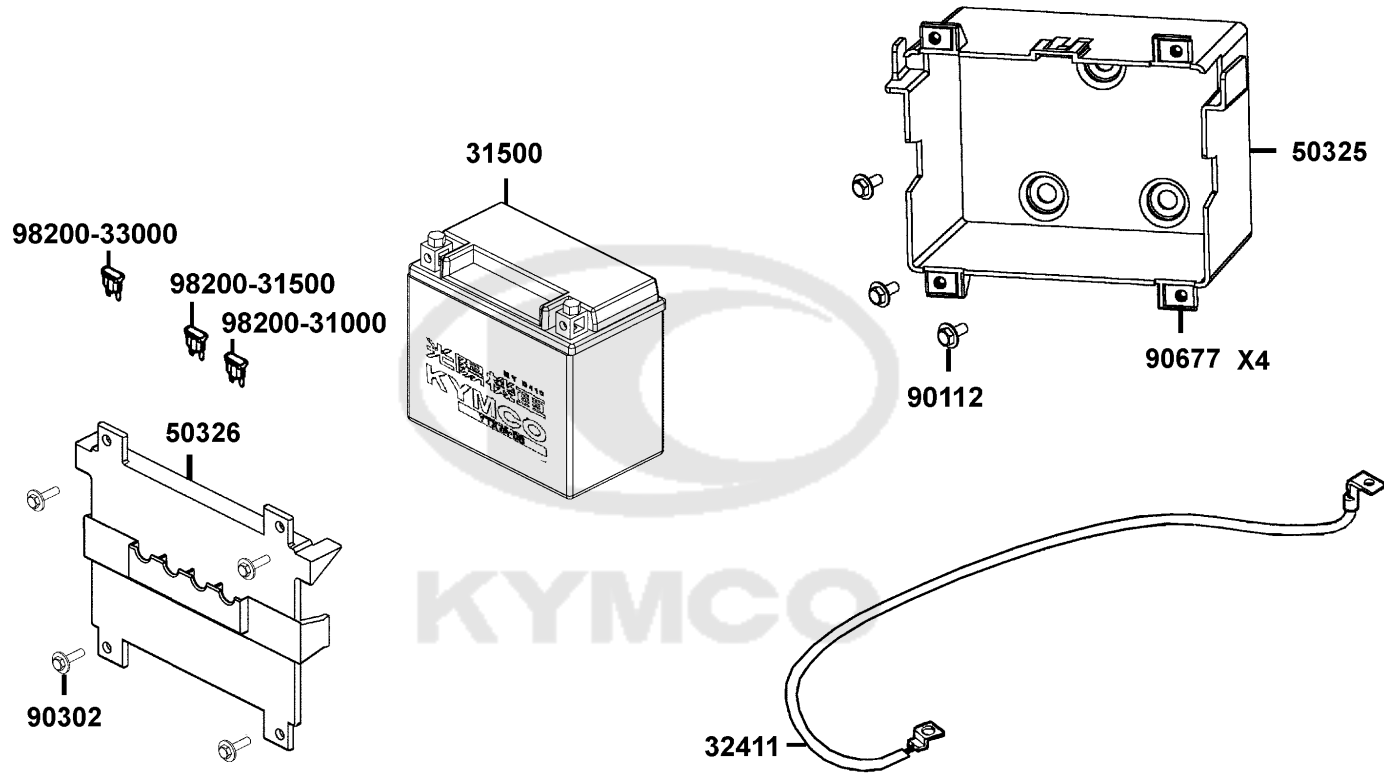


| Sales mark | Ref no | Part no           | Description            | Reg description        | Regd no | <b>F10</b> |
|------------|--------|-------------------|------------------------|------------------------|---------|------------|
| 1614       |        | 1614-A22C-0000-Y  | FUEL LEVER SENSOR COMP | FUEL LEVER SENSOR COMP | 1       |            |
| 17500      |        | 17500-LEA7-900    | TANK COMP. FUEL        | TANK COMP. FUEL        | 1       |            |
| 17550      |        | 17550-LEA7-800    | FUEL PUMP MODULE ASSY  | FUEL PUMP ASSY         | 1       |            |
| 17561      |        | 17561-LHG8-E00    | CLIP 13.0              | CLIP 13                | 2       |            |
| 17581      |        | 17581-LEA7-E00    | SPONGE FUEL TANK       | SPONGE FUEL TANK       | 1       |            |
| 17620      |        | 17620-LEA7-315-M2 | CAP COMP FUEL FILLER   | CAP COMP FUEL FILLER   | 1       |            |
| 17685      |        | 17685-LEA7-E00    | TUBE FUEL PUMP         | TUBE FUEL PUMP         | 1       |            |
| 3791       |        | 3791-HN80-0000    | FILTER COMP            | FILTER COMP            | 1       |            |
| 90301      |        | 90301-6D34-671    | NUT FLANGE 6MM         | NUT FLANGE 6MM         | 4       |            |
| 95701      |        | 95701-LDF2-800    | BOLT FLANGE 5*6.5      | BOLT FLANGE 5*6.5      | 6       |            |

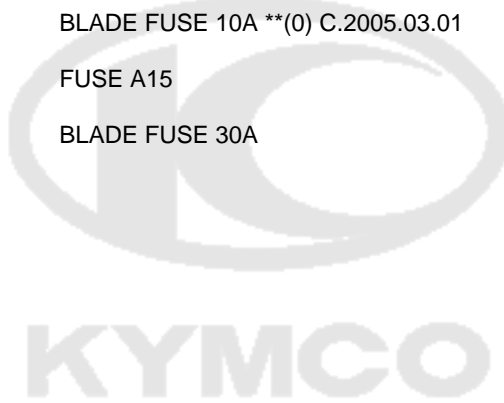


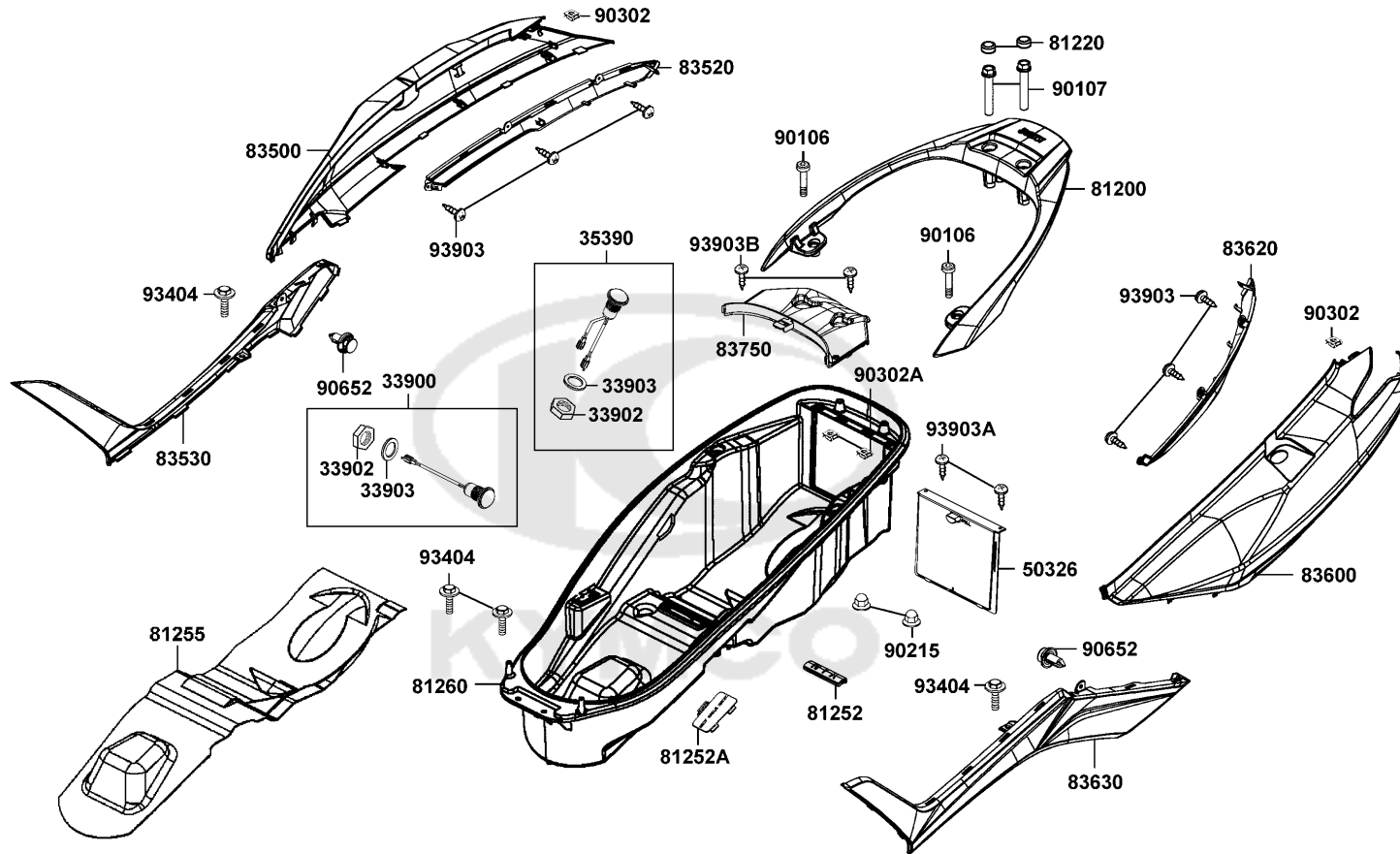
F11

Battery



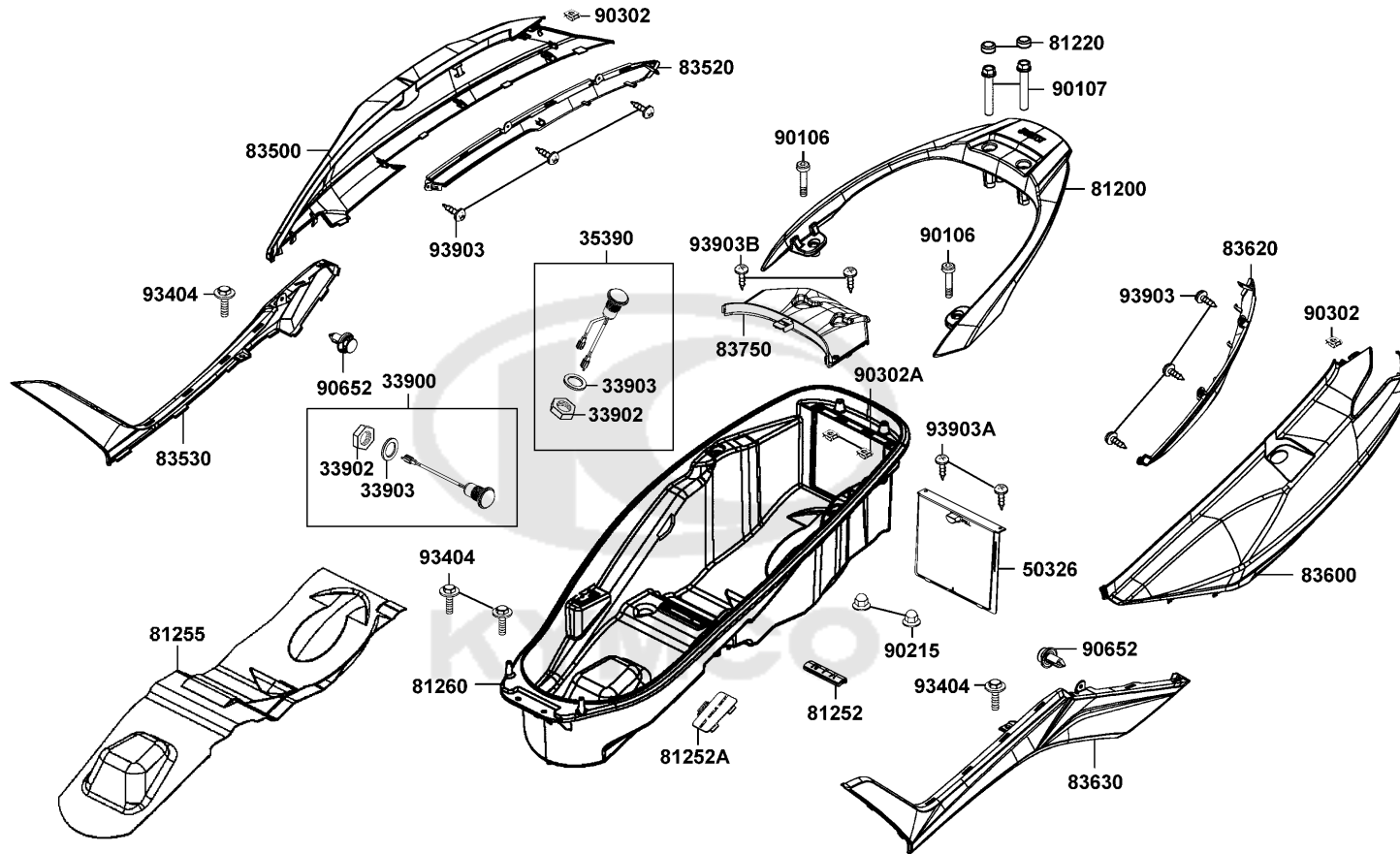
| Sales mark  | Ref no | Part no        | Description                       | Reg description                   | Regd no | F11 |
|-------------|--------|----------------|-----------------------------------|-----------------------------------|---------|-----|
| 31500       |        | 31500-LGC6-E01 | BATTERY TTZ14S                    | BATTERY TTZ14S                    | 1       |     |
| 32411       |        | 32411-ACD5-E00 | CABLE BAT                         | CABLE BAT                         | 1       |     |
| 50325       |        | 50325-ACD5-E03 | CASE ASSY BATTERY                 | CASE ASSY BATTERY                 | 1       |     |
| 50326       |        | 50326-ACD5-E03 | COVER ASSY BATTERY                | COVER ASSY BATTERY                | 1       |     |
| 90112       |        | 90112-KNBN-901 | BOLT FLANGE 6MM                   | BOLT FLANGE 6MM                   | 3       |     |
| 90302       |        | 90302-GFY6-940 | BOLT-WASH 5*16                    | BOLT-WASH 5*16                    | 4       |     |
| 90677       |        | 90677-GAR1-004 | NUT CLIP 5MM                      | NUT CLIP 5MM                      | 1       |     |
| 98200-31000 |        | 98200-31000    | BLADE FUSE 10A **(0) C.2005.03.01 | BLADE FUSE 10A **(0) C.2005.03.01 | 1       |     |
| 98200-31500 |        | 98200-31500    | FUSE A15                          | FUSE A15                          | 1       |     |
| 98200-33000 |        | 98200-33000    | BLADE FUSE 30A                    | BLADE FUSE 30A                    | 1       |     |






| Sales mark | Ref no | Part no        | Description                       | Reg description                   | Regd no | F12 |
|------------|--------|----------------|-----------------------------------|-----------------------------------|---------|-----|
|            | 33900  | 33900-LKF5-E00 | LIGHT ASSY LUGGAGE BOX            | LIGHT ASSY LUGGAGE BOX            | 1       |     |
|            | 33902  | 33902-LHG7-E00 | NUT SCREW                         | NUT SCREW                         | 1       |     |
|            | 33903  | 33903-LHG7-E00 | PACKING                           | PACKING                           | 1       |     |
|            | 35390  | 35390-LKF5-E00 | SENSOR LUGGAGE BOX LIGHT          | SENSOR LUGGAGE BOX LIGHT          | 1       |     |
| **         | 50326  | 50326-LGJ8-900 | COVER BATTERY LUGGAGE             | COVER BATTERY LUGGAGE             | 1       |     |
| **         | 81200  | 81200-ACD5-E00 | CARRIER REAR (Mat Deep Blue)      | CARRIER REAR (Mat Deep Blue)      | 1       |     |
| **         | 81220  | 81220-LKG7-E00 | CAP RR GRIP (Mat Deep Blue)       | CAP RR GRIP (Mat Deep Blue)       | 1       |     |
|            | 81252  | 81252-KKE5-E00 | PLUG LUGGAGE BOX                  | PLUG LUGGAGE BOX                  | 1       |     |
|            | 81252A | 81252-LEA7-E00 | COVER P.D.A. MAINT                | COVER P.D.A. MAINT                | 1       |     |
|            | 81255  | 81255-ACD5-E01 | BAG LUGGAGE                       | BAG LUGGAGE                       | 1       |     |
| **         | 83500  | 83500-ACD5-E00 | COVER R BODY (Mat Deep Blue)      | COVER R BODY (Mat Deep Blue)      | 1       |     |
| **         | 83520  | 83520-ACD5-E00 | RR MOLDING R SIDE (Black)         | RR MOLDING R SIDE (Black)         | 1       |     |
| **         | 83530  | 83530-ACD5-E00 | BOARD A R SIDE (Met Silver)       | BOARD A R SIDE (Met Silver)       | 1       |     |
| **         | 83600  | 83600-ACD5-E00 | COVER L BODY (Mat Deep Blue)      | COVER L BODY (Mat Deep Blue)      | 1       |     |
| **         | 83620  | 83620-ACD5-E00 | RR MOLDING L SIDE (Black)         | RR MOLDING L SIDE (Black)         | 1       |     |
| **         | 83630  | 83630-ACD5-E00 | BOARD A L SIDE (Met Silver)       | BOARD A L SIDE (Met Silver)       | 1       |     |
| **         | 83750  | 83750-ACD5-E00 | COVER A RR CENTER (Mat Deep Blue) | COVER A RR CENTER (Mat Deep Blue) | 1       |     |
|            | 90106  | 90106-KFAF-900 | BOLT SPECIAL                      | BOLT SPECIAL                      | 4       |     |
|            | 90107  | 90107-ACD5-E00 | BOLT SPECIAL 8MM                  | BOLT SPECIAL 8MM                  | 2       |     |
|            | 90215  | 90215-KKC4-900 | NUT CAP 6MM                       | NUT CAP 6MM                       | 2       |     |

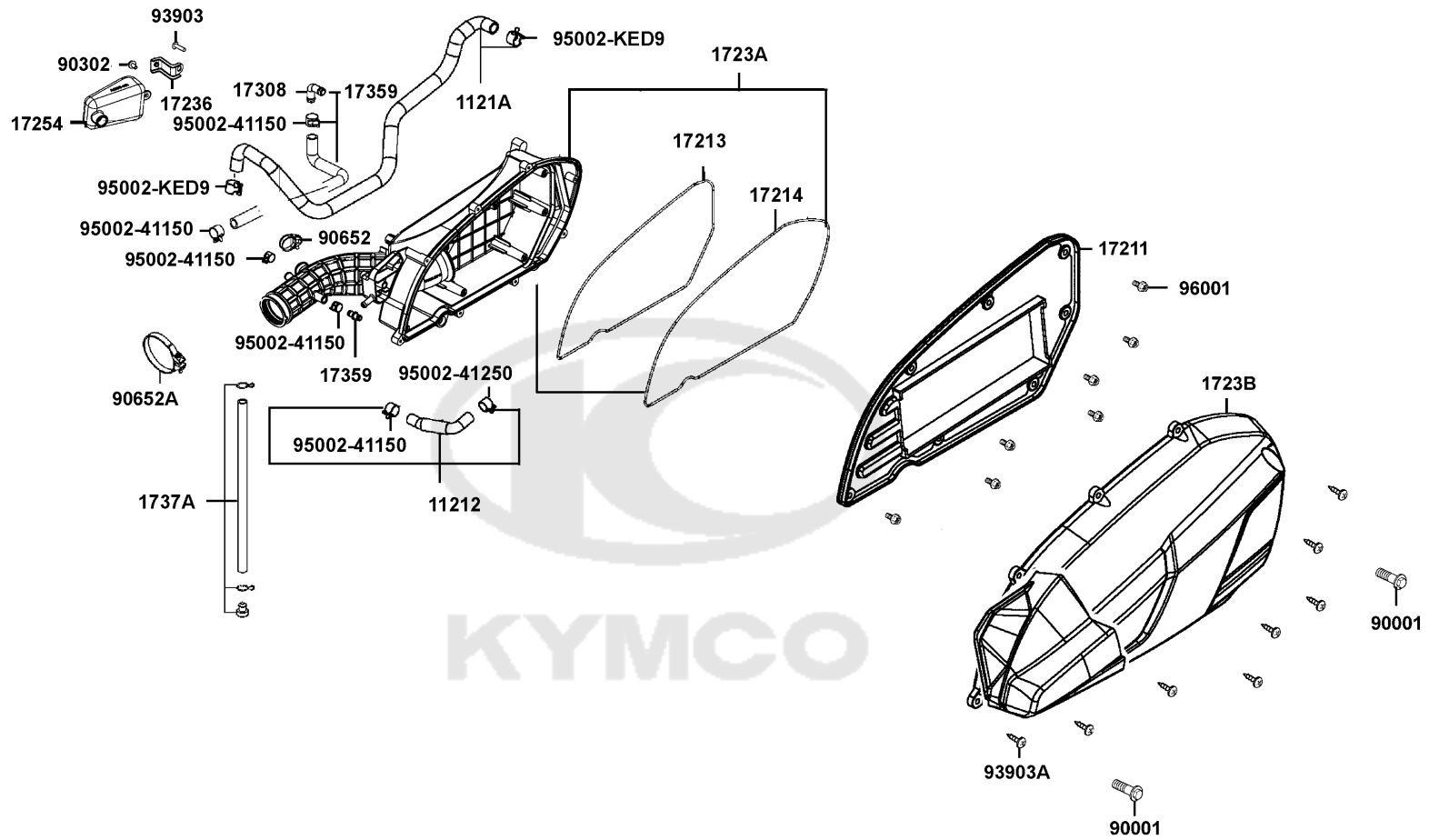




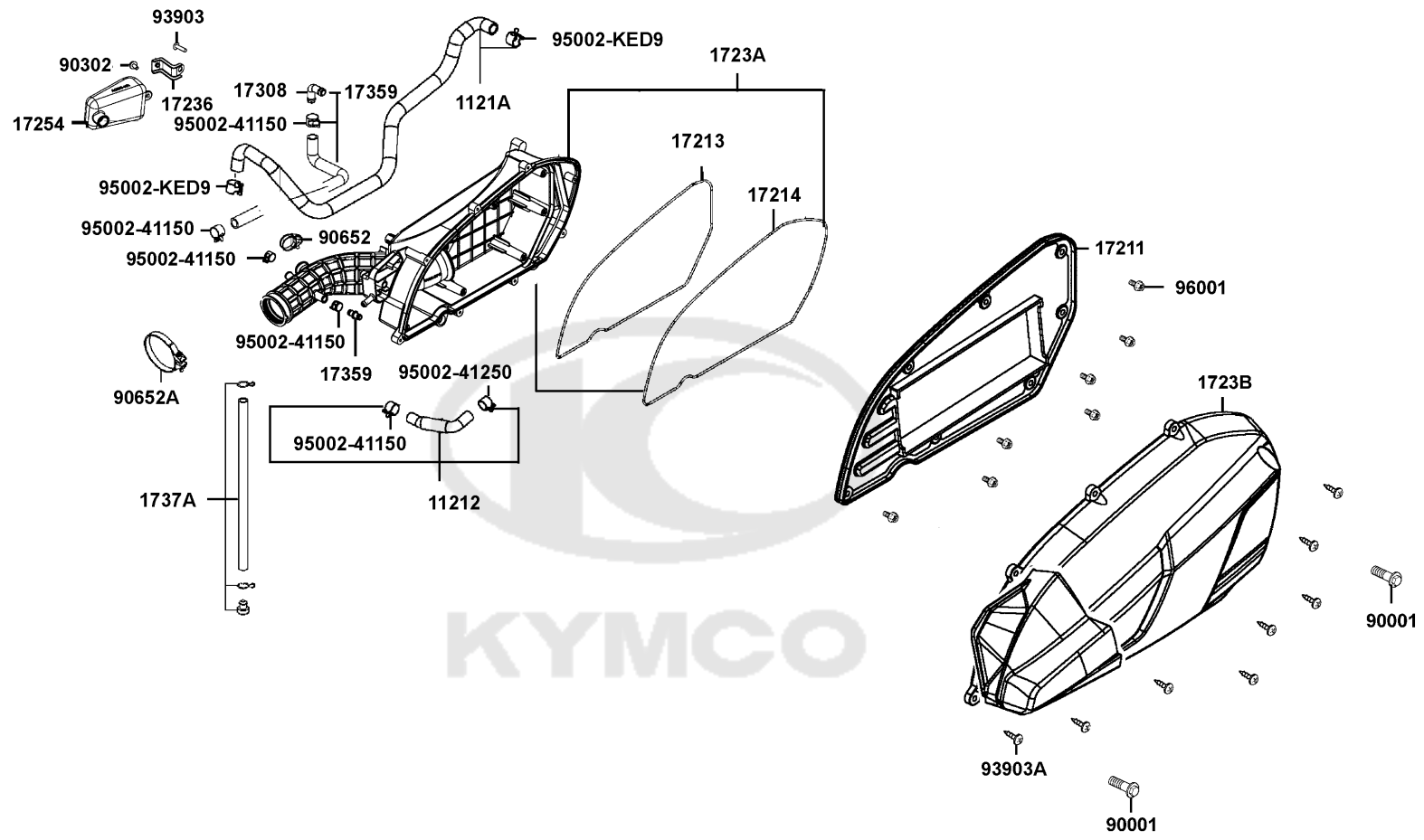
| Sales mark  | Ref no | Part no        | Description        | Reg description    | Regd no | <b>F12</b> |
|---|--------|----------------|--------------------|--------------------|---------|------------|
| 90302   |        | 90302-LKB9-900 | NUT SPRING 5MM     | NUT SPRING 5MM     | 2       |            |
| 90302A  |        | 90302-SDA4-004 | NUT SPRING 4MM     | NUT SPRING 4MM     | 2       |            |
| 90652   |        | 90652-LCA4-E00 | CLIP MUDGUARD      | CLIP MUDGUARD      | 2       |            |
| 93404   |        | 93404-06016-06 | BOLT WASHER 6*16   | BOLT WASHER 6*16   | 4       |            |
| 93903   |        | 93903-25260    | SCREW TAPPING 5*12 | SCREW TAPPING 5*12 | 6       |            |
| 93903A  |        | 93903-34360    | SCREW TAPPING 4X12 | SCREW TAPPING 4X12 | 2       |            |
| 93903B  |        | 93903-45260    | SCREW TAPPING 5*12 | SCREW TAPPING 5*12 | 2       |            |
|  |        |                |                    |                    |         |            |

F13

Air Cleaner



| Sales mark | Ref no      | Part no        | Description                      | Reg description                         | Regd no | F13 |
|------------|-------------|----------------|----------------------------------|---|---------|-----|
|            | 11212       | 11212-LEA7-E00 | TUBE AIR/C BLOW BY               | TUBE AIR/C BLOW BY                      | 1       |     |
|            | 1121A       | 1121A-LEA7-E00 | TUBE BREATHER                    | TUBE BREATHER                           | 1       |     |
|            | 17211       | 17211-LEA7-E00 | ELEMENT AIR/C                    | ELEMENT AIR/C                           | 1       |     |
|            | 17213       | 17213-LEA7-E01 | SEAL ELEMENT AIR/C               | SEAL ELEMENT AIR/C                      | 1       |     |
|            | 17214       | 17214-LEA7-E00 | SEAL CASE AIR/C                  | SEAL CASE AIR/C                         | 1       |     |
|            | 17236       | 17236-ACD5-B80 | PLATE. CHAMBER FIX               | PLATE. CHAMBER FIX                      | 1       |     |
|            | 1723A       | 1723A-ACD5-E03 | CASE COMP AIR/C                  | CASE COMP AIR/C                         | 1       |     |
|            | 1723B       | 1723B-ACD5-E00 | COVER COMP AIR/C                 | COVER COMP AIR/C                        | 1       |     |
|            | 17254       | 17254-ACD5-B80 | CHAMBER NOICE SILENCE            | CHAMBER NOICE SILENCE                   | 1       |     |
|            | 17308       | 17308-ACD5-900 | TUBE ASSY CANISTER-AIR/C         | TUBE ASSY CANISTER-AIR/C                | 1       |     |
|            | 17359       | 17359-4K19-671 | JOINT BREATHER TUBE              | JOINT BREATHER TUBE                     | 1       |     |
|            | 1737A       | 1737A-KUDU-900 | V TUBE ASSY                      | V TUBE ASSY                             | 1       |     |
|            | 90001       | 90001-GBHB-681 | BOLT FLANGE SHF 6*28             | BOLT FLANGE SHF 6*28                    | 2       |     |
|            | 90302       | 90302-LLB1-E00 | BOLT-WASHER 5*12                 | BOLT-WASHER 5*12                        | 1       |     |
|            | 90652       | 90652-ACD5-B80 | BAND D21.5 CHAMBER               | BAND D21.5 CHAMBER                      | 1       |     |
|            | 90652A      | 90652-KHE7-900 | BAND CONNECTING TUBE             | BAND CONNECTING TUBE                    | 1       |     |
|            | 93903       | 93903-25360    | SCREW TAPPING 5*16               | SCREW TAPPING 5*16                      | 1       |     |
|            | 93903A      | 93903-25460    | SCREW TAPPING 5*20 **93903-25480 | SCREW TAPPING 5*20 **93903-25480 C.2005 | 8       |     |
|            | 95002-41150 | 95002-41150-00 | CLIP D11.5 TUBE                  | CLIP D11.5 TUBE                         | 3       |     |
|            | 95002-41250 | 95002-41250-00 | CLIP D12.5 TUBE                  | CLIP D12.5 TUBE                         | 1       |     |



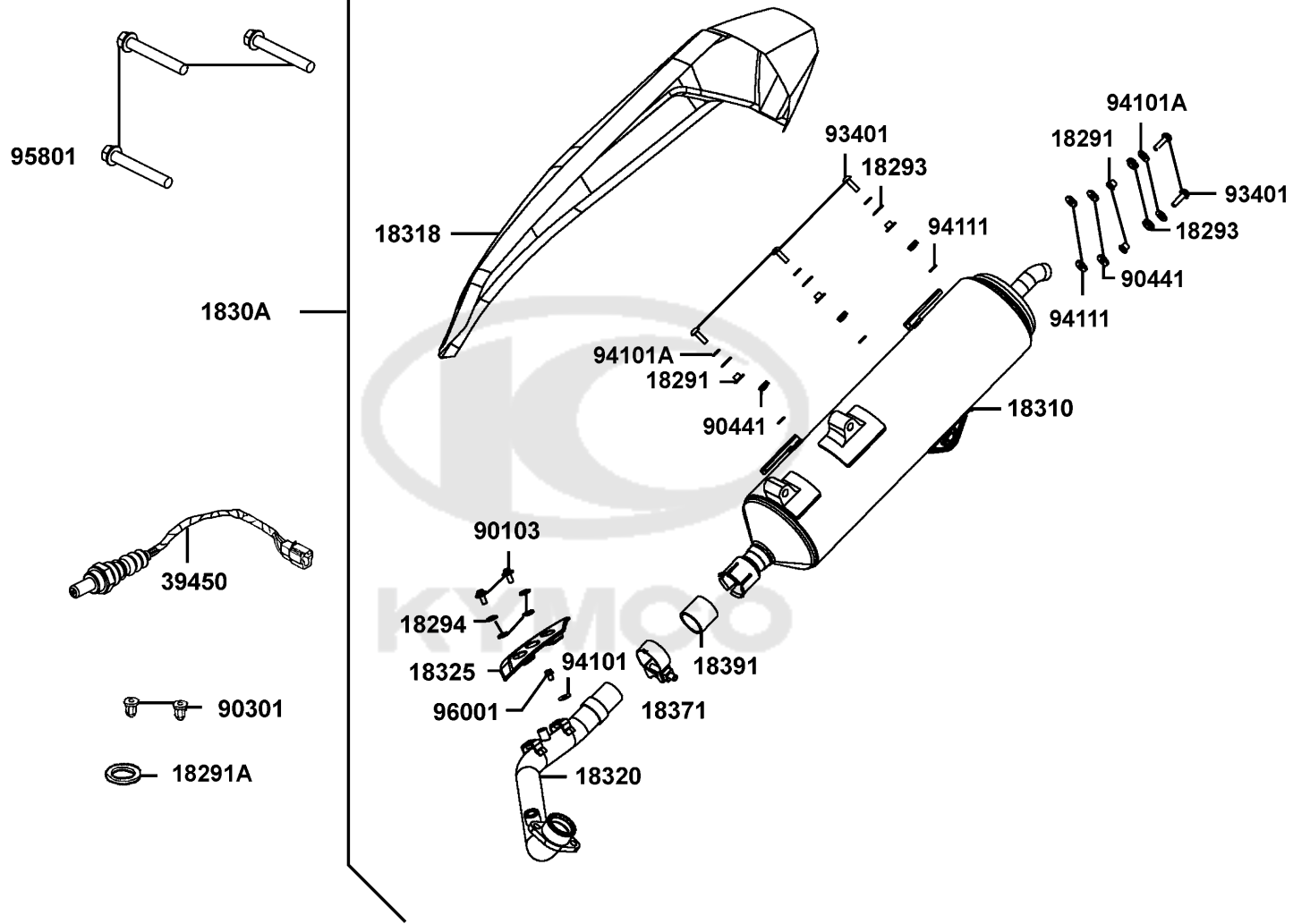
| Sales mark | Ref no | Part no | Description | Reg description | Regd no | <b>F13</b> |
|------------|--------|---------|-------------|-----------------|---------|------------|
|------------|--------|---------|-------------|-----------------|---------|------------|

|            |  |                |                   |                   |   |  |
|------------|--|----------------|-------------------|-------------------|---|--|
| 95002-KED9 |  | 95002-KED9-M31 | CLAMP D14.8 TUBE  | CLAMP D14.8 TUBE  | 1 |  |
| 96001      |  | 96001-GFY6-900 | BOLT SPECIAL 5X10 | BOLT SPECIAL 5X10 | 7 |  |



F14

Exhaust Muffler

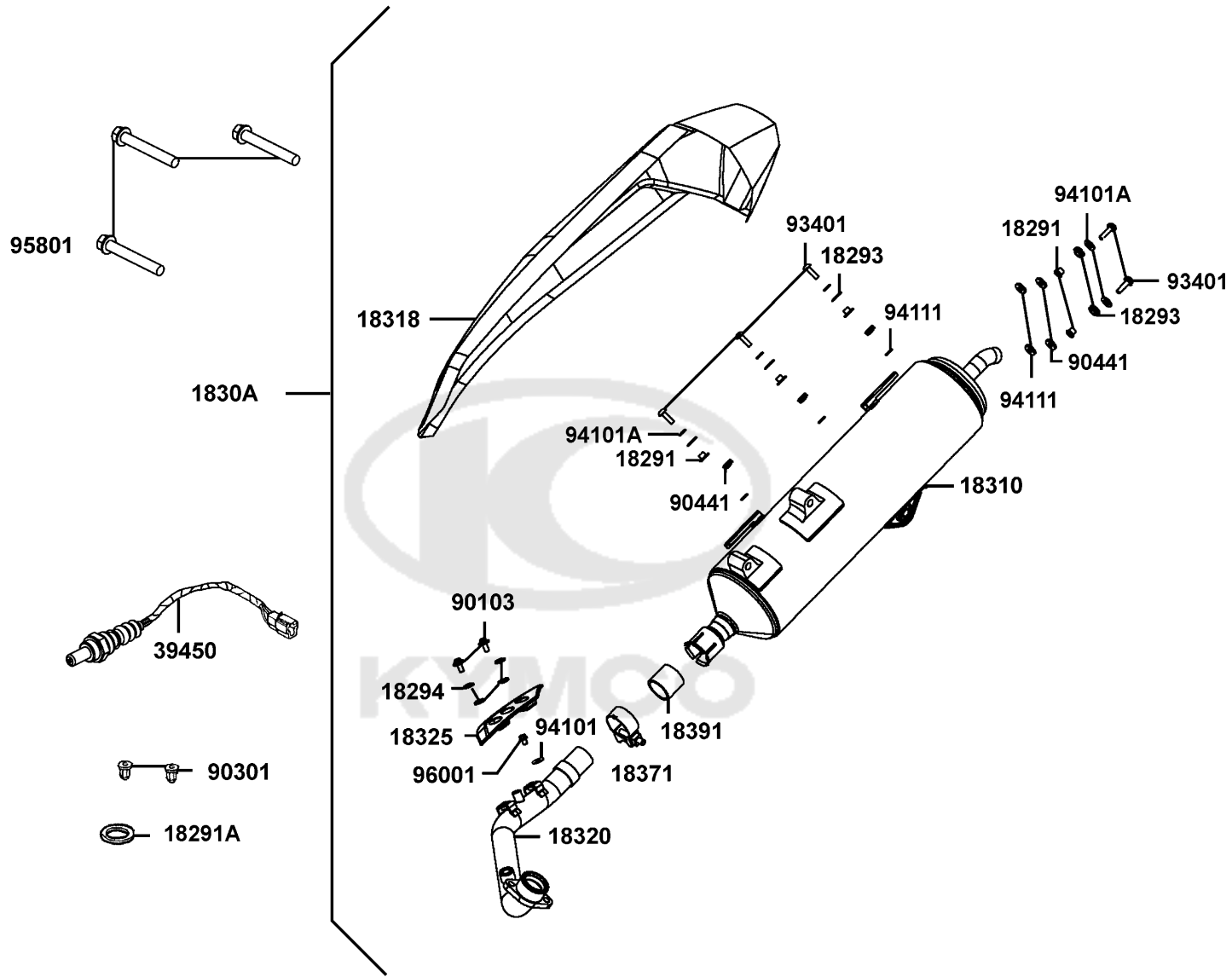


| Sales mark | Ref no | Part no        | Description                         | Reg description                     | Regd no | F14 |
|------------|--------|----------------|-------------------------------------|-------------------------------------|---------|-----|
|            | 18291  | 18291-LKG2-90A | COLLAR                              | COLLAR                              | 5       |     |
|            | 18291A | 18291-PWB1-900 | SEAL EXHAUST PIPE                   | SEAL EXHAUST PIPE                   | 1       |     |
|            | 18293  | 18293-LHJ8-900 | RUBBER PKG PROTR                    | RUBBER PKG PROTR                    | 5       |     |
|            | 18294  | 18294-KTCT-900 | PACKING PROTECTOR                   | PACKING PROTECTOR                   | 4       |     |
| **         | 1830A  | 1830A-ACD5-EZ5 | MUFFLER ASSY EXHAUST                | MUFFLER ASSY EXHAUST                | 1       |     |
|            | 18310  | 18310-ACD5-EZ5 | MUFFLER COMP                        | MUFFLER COMP                        | 1       |     |
| **         | 18318  | 18318-ACD5-E00 | PROTECTOR.MUFFLER (Black-Mat Black) | PROTECTOR.MUFFLER (Black-Mat Black) | 1       |     |
|            | 18320  | 18320-ACD5-EZ5 | PIPE EXHAUST                        | PIPE EXHAUST                        | 1       |     |
| **         | 18325  | 18325-ACD5-E00 | PROTECTOR EXHAUST (Mat Black)       | PROTECTOR EXHAUST (Mat Black)       | 1       |     |
|            | 18371  | 18371-ACD5-EZ5 | BAND MUFFLER                        | BAND MUFFLER                        | 1       |     |
|            | 18391  | 18391-ACD5-EZ5 | GASKET                              | GASKET                              | 1       |     |
|            | 39450  | 39450-ZVA6-M00 | O2 SENSOR                           | O2 SENSOR                           | 1       |     |
|            | 90103  | 90103-LGE5-E00 | BOLT WASHER 6X14                    | BOLT WASHER 6X14                    | 2       |     |
|            | 90301  | 90301-GFY6-901 | NUT CAP 8MM *(1) C.2008.10.28       | NUT CAP 8MM *(1) C.2008.10.28       | 2       |     |
|            | 90441  | 90441-ACD5-E00 | WASHER PLATE                        | WASHER PLATE                        | 5       |     |
|            | 93401  | 93401-LEA7-900 | BOLT WASHER 6X22                    | BOLT WASHER 6X22                    | 5       |     |
|            | 94101  | 94101-06700    | WASHER PLAIN 6MM                    | WASHER PLAIN 6MM                    | 1       |     |
|            | 94101A | 94101-LEA2-900 | WASHER PLAIN 6.5*18*105             | WASHER PLAIN 6MM                    | 5       |     |
|            | 94111  | 94111-06700    | WASHER SPG 6MM                      | WASHER SPG 6MM                      | 5       |     |
|            | 95801  | 95801-10060-06 | BOLT FLANGE 10*60                   | BOLT FLANGE 10*60                   | 3       |     |



F14

Exhaust Muffler



| Sales mark | Ref no | Part no | Description | Reg description | Regd no | <b>F14</b> |
|------------|--------|---------|-------------|-----------------|---------|------------|
|------------|--------|---------|-------------|-----------------|---------|------------|

96001

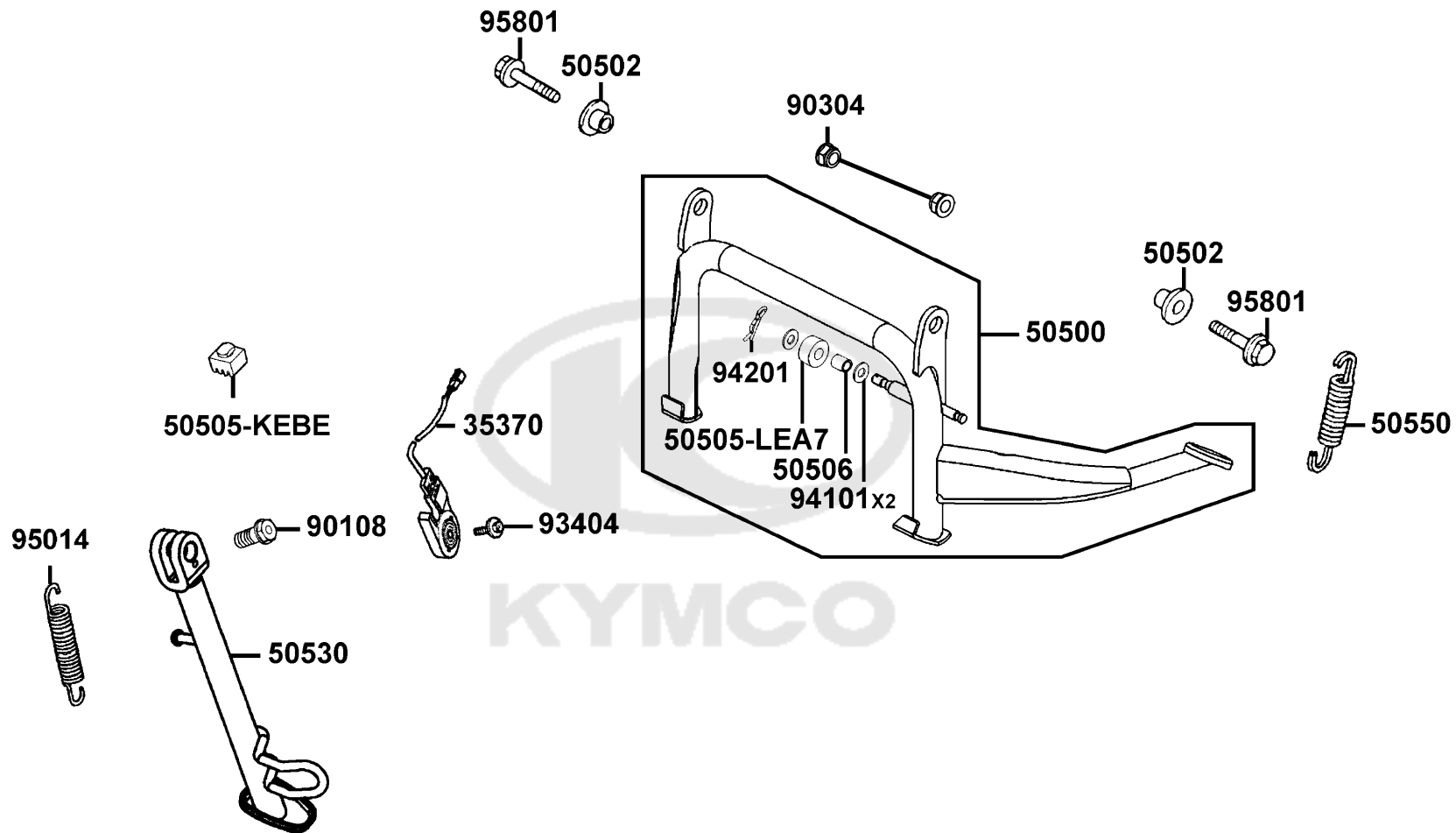
96001-06008-07

BOLT FLANGE SH 6\*8

BOLT FLANGE SH 6\*8

1

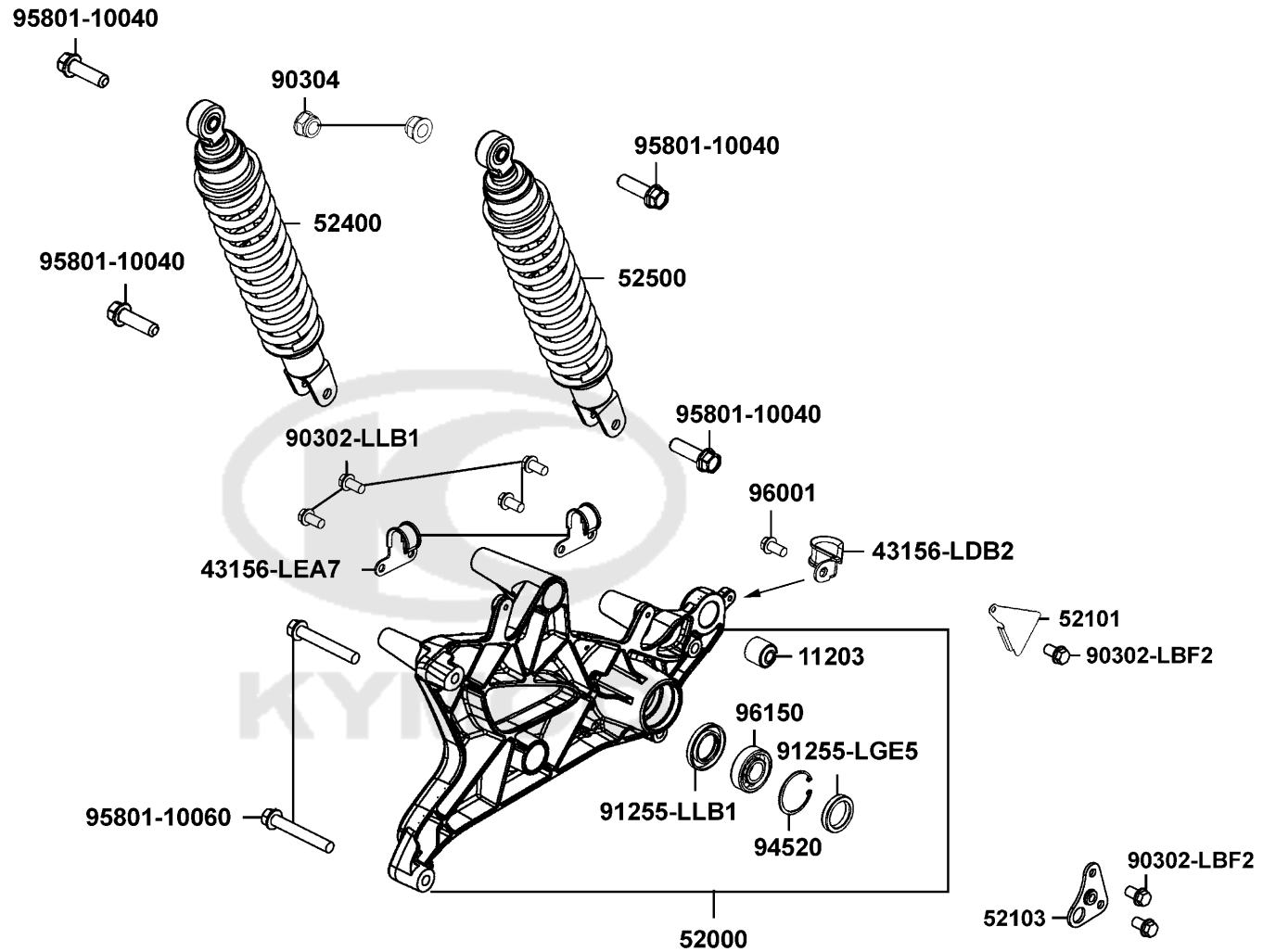




| Sales mark | Ref no | Part no        | Description            | Reg description        | Regd no | <b>F15</b> |
|------------|--------|----------------|------------------------|------------------------|---------|------------|
| 35370      |        | 35370-LLJ3-E00 | SW UNIT SIDE STAND     | SW UNIT SIDE STAND     | 1       |            |
| 50500      |        | 50500-ACD5-E00 | STAND COMP MAIN        | STAND COMP MAIN        | 1       |            |
| 50502      |        | 50502-LDF7-E10 | COLLAR MAIN STAND      | COLLAR MAIN STAND      | 2       |            |
| 50505-KEBE |        | 50505-KEBE-900 | STOPPER RUBBER         | STOPPER RUBBER         | 1       |            |
| 50505-LEA7 |        | 50505-LEA7-E00 | STOPPER RUBBER         | STOPPER RUBBER         | 1       |            |
| 50506      |        | 50506-KHE7-E00 | COLLAR STOPPER RUBBER  | COLLAR STOPPER RUBBER  | 1       |            |
| 50530      |        | 50530-ZZA6-E00 | BAR SIDE STAND         | BAR SIDE STAND         | 1       |            |
| 50550      |        | 50550-KKC2-E00 | SPG ASSY MAIN STAND    | SPG ASSY MAIN STAND    | 1       |            |
| 90108      |        | 90108-KKC4-900 | SCREW SIDE STAND PIVOT | SCREW SIDE STAND PIVOT | 1       |            |
| 90304      |        | 90304-LEA1-900 | NUT U FLANGE 10MM      | NUT U 10MM             | 2       |            |
| 93404      |        | 93404-06016-06 | BOLT WASHER 6*16       | BOLT WASHER 6*16       | 1       |            |
| 94101      |        | 94101-08600    | WASH PLAIN 8MM         | WASH PLAIN 8MM         | 2       |            |
| 94201      |        | 94201-20180    | PIN SPLIT 2.0*18       | PIN SPLIT 2.0*18       | 1       |            |
| 95014      |        | 95014-72204    | SPG B1 SIDE STAND      | SPG B1 SIDE STAND      | 1       |            |
| 95801      |        | 95801-10030-06 | BOLT FLANGE 10X30      | BOLT FLANGE 10X30      | 2       |            |

F16

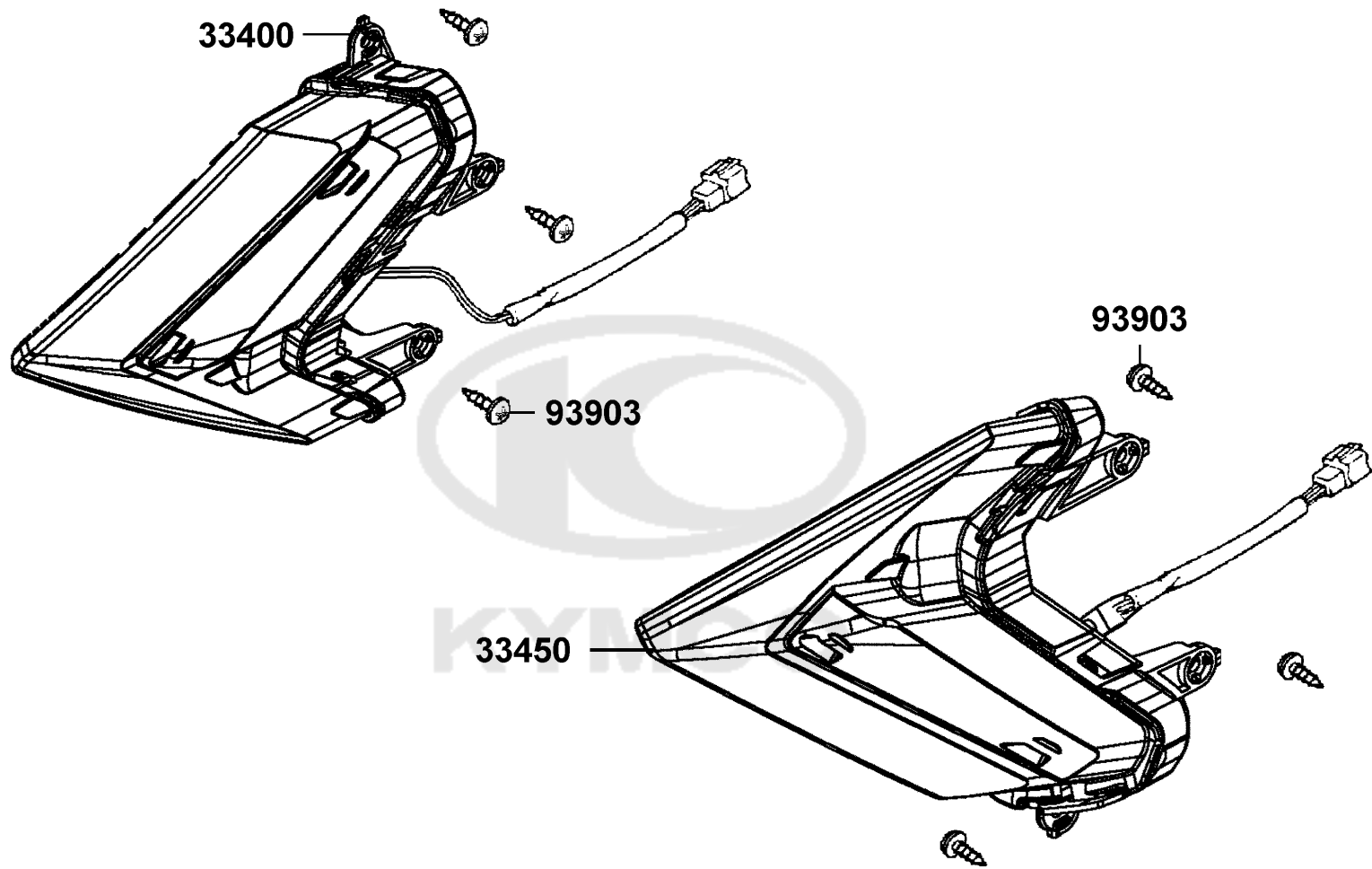
Rr Cushion



| Sales mark | Ref no      | Part no        | Description                       | Reg description                   | Regd no | F16 |
|------------|-------------|----------------|-----------------------------------|-----------------------------------|---------|-----|
|            | 11203       | 11203-LBA2-E00 | RUB BUSH L CASE                   | RUB BUSH L CASE                   | 1       |     |
|            | 43156-LDB2  | 43156-LDB2-900 | CLAMPER HOSE RR                   | CLAMPER HOSE RR                   | 1       |     |
|            | 43156-LEA7  | 43156-LEA7-E00 | CLAMPER HOSE RR                   | CLAMPER HOSE RR                   | 2       |     |
| **         | 52000       | 52000-ACD5-E00 | FORK ASSY RR (Deep Gray Metallic) | FORK ASSY RR (Deep Gray Metallic) | 1       |     |
|            | 52101       | 52101-LGE5-E01 | STAY RR SPEED SENSOR              | STAY RR SPEED SENSOR              | 1       |     |
|            | 52103       | 52103-ACD5-E01 | STAY ABS SENSOR                   | STAY ABS SENSOR                   | 1       |     |
| **         | 52400       | 52400-ACD5-E00 | CUSHION ASSY RR R/H (Mat Black)   | CUSHION ASSY RR R/H (Mat Black)   | 1       |     |
| **         | 52500       | 52500-ACD5-E00 | CUSHION ASSY RR L/H (Mat Black)   | CUSHION ASSY RR L/H (Mat Black)   | 1       |     |
|            | 90302-LBF2  | 90302-LBF2-900 | BOLT-WASH M5*10                   | BOLT-WASH M5*10                   | 3       |     |
|            | 90302-LLB1  | 90302-LLB1-E00 | BOLT-WASHER 5*12                  | BOLT-WASHER 5*12                  | 2       |     |
|            | 90304       | 90304-LEA1-900 | NUT U FLANGE 10MM                 | NUT U 10MM                        | 2       |     |
|            | 91255-LGE5  | 91255-LGE5-E00 | OIL SEAL 30*48*7                  | OIL SEAL 30*48*7                  | 1       |     |
|            | 91255-LLB1  | 91255-LLB1-900 | OIL SEAL 30*40*7                  | OIL SEAL 30*40*7                  | 1       |     |
|            | 94520       | 94520-47000    | CIR CLIP IN 47                    | CIR CLIP IN 47                    | 1       |     |
|            | 95801-10040 | 95801-10040-06 | BOLT FLANGE 10X40                 | BOLT FLANGE 10X40                 | 4       |     |
|            | 95801-10060 | 95801-10060-06 | BOLT FLANGE 10*60                 | BOLT FLANGE 10*60                 | 2       |     |
|            | 96001       | 96001-06012-06 | BOLT FLANGE SH 6*12               | BOLT FLANGE SH 6*12               | 1       |     |
|            | 96150       | 96150-62040-10 | BEARING BALL RADIAL 6204          | BEARING BALL RADIAL 6204          | 1       |     |

F17

Front Winker

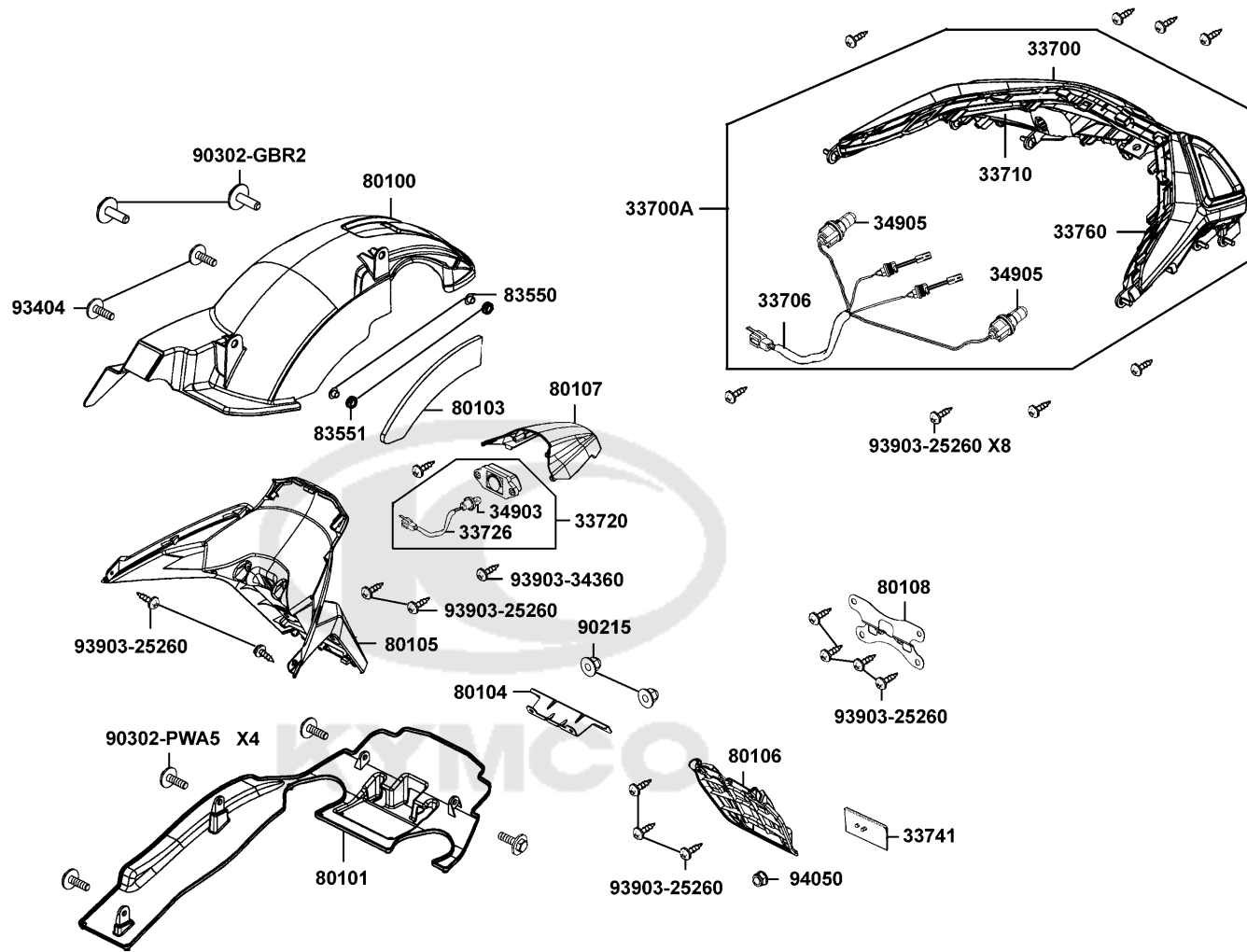


| Sales mark | Ref no | Part no | Description | Reg description | Regd no | <b>F17</b> |
|------------|--------|---------|-------------|-----------------|---------|------------|
|------------|--------|---------|-------------|-----------------|---------|------------|

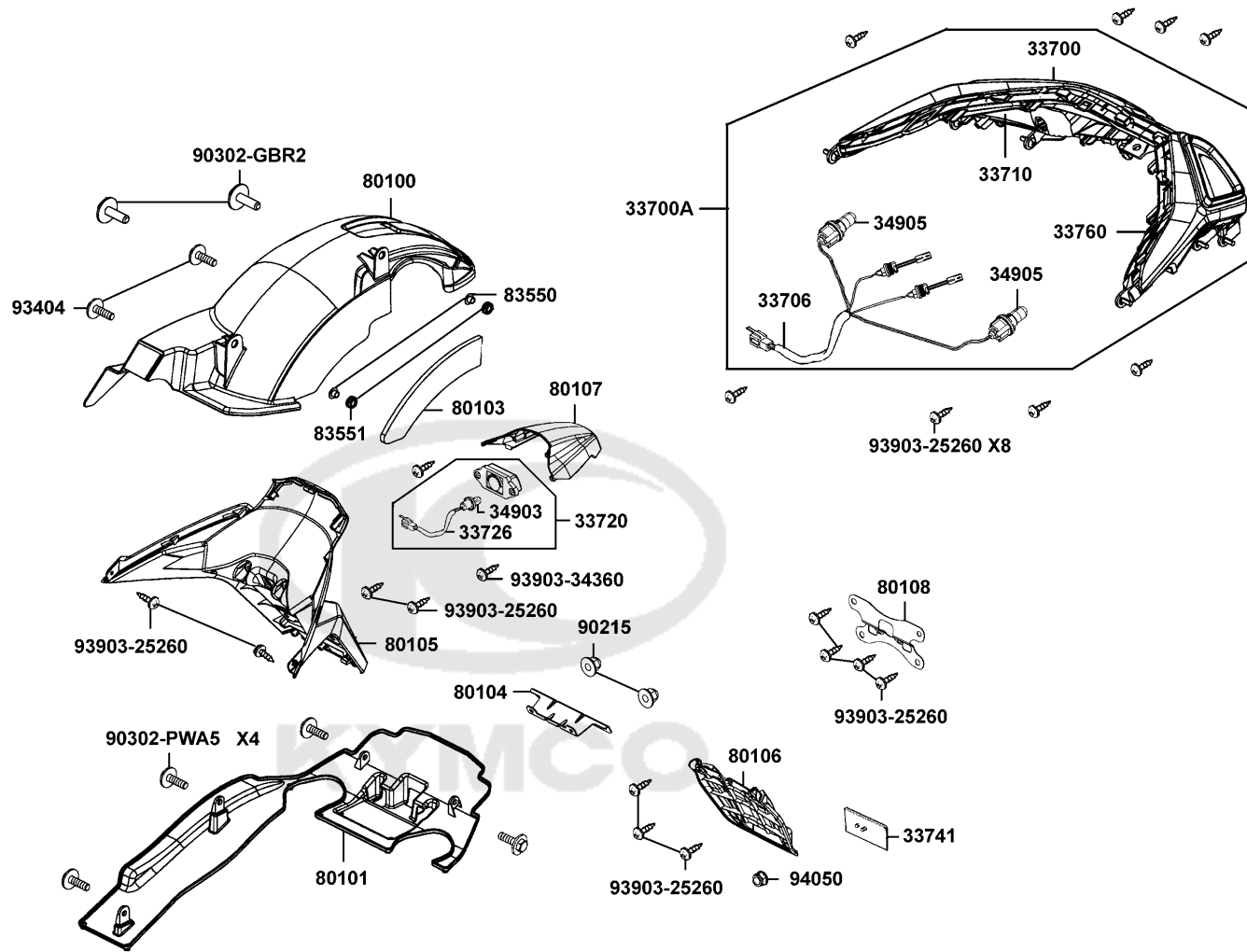
|       |  |                |                    |                    |   |  |
|-------|--|----------------|--------------------|--------------------|---|--|
| 33400 |  | 33400-ACD5-E00 | WINKER ASSY R FR   | WINKER ASSY R FR   | 1 |  |
| 33450 |  | 33450-ACD5-E00 | WINKER ASSY L FR   | WINKER ASSY L FR   | 1 |  |
| 93903 |  | 93903-25260    | SCREW TAPPING 5*12 | SCREW TAPPING 5*12 | 6 |  |





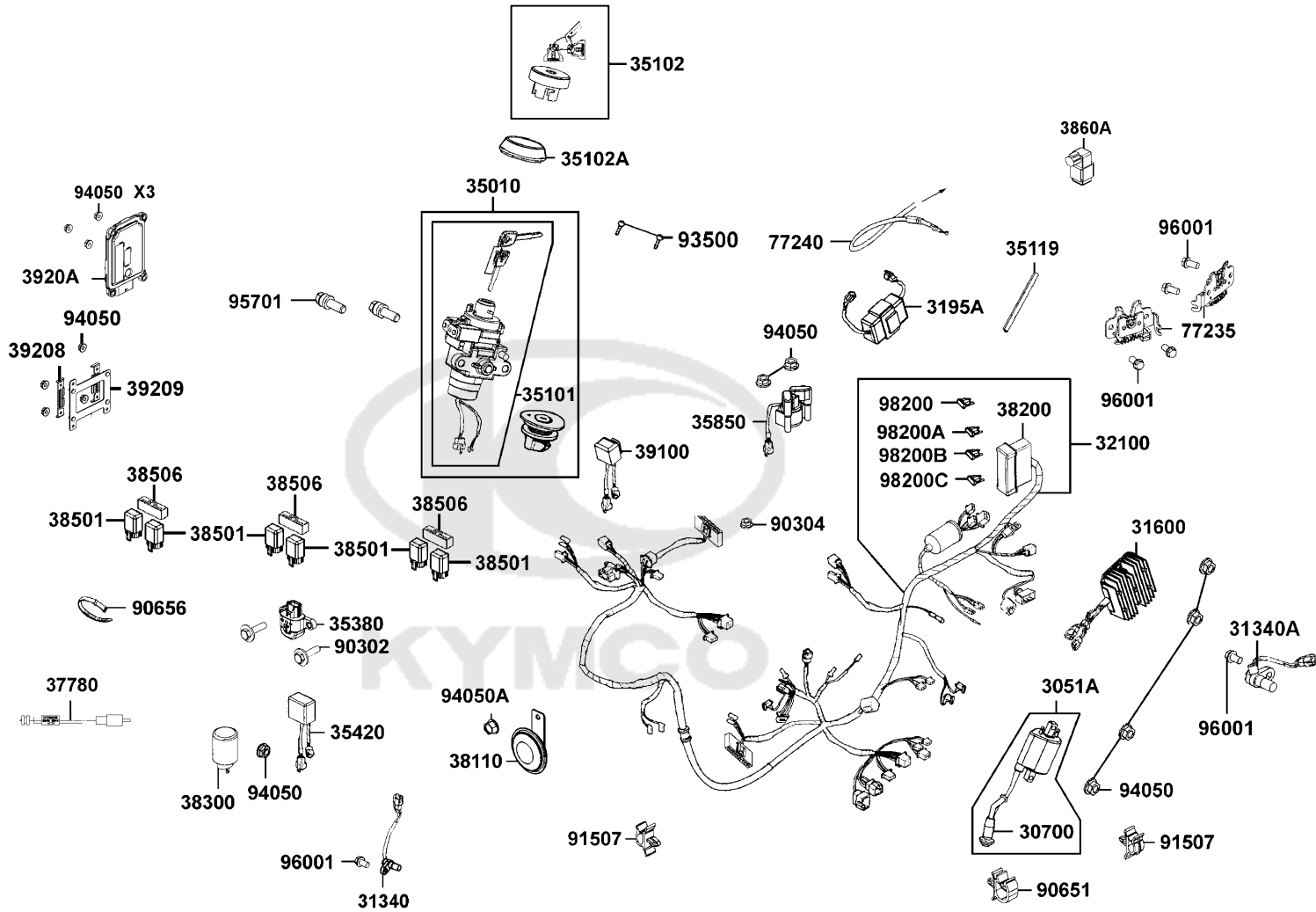


| Sales mark | Ref no | Part no        | Description                      | Reg description                        | Regd no | F18 |
|------------|--------|----------------|----------------------------------|--|---------|-----|
|            | 33700  | 33700-ACD5-336 | LIGHT UNIT                       | LIGHT UNIT                             | 1       |     |
|            | 33700A | 33700-ACD5-E02 | LIGHT ASSY RR. COMB.             | LIGHT ASSY RR. COMB.                   | 1       |     |
|            | 33706  | 33706-ACD5-E00 | SOCKET COMP                      | SOCKET COMP                            | 1       |     |
|            | 33710  | 33710-ACD5-315 | LIGHT ASSY R TAIL                | LIGHT ASSY R TAIL                      | 1       |     |
|            | 33720  | 33720-LBB5-E00 | LIGHT ASSY LICENSE               | LIGHT ASSY LICENSE                     | 1       |     |
|            | 33726  | 33726-LBB5-E00 | SCOKET COMP                      | SCOKET COMP                            | 1       |     |
|            | 33741  | 33741-KHC5-M00 | REFLEX REFLECTOR                 | REFLEX REFLECTOR                       | 1       |     |
|            | 33760  | 33760-ACD5-315 | LIGHT ASSY L TAIL                | LIGHT ASSY L TAIL                      | 1       |     |
|            | 34903  | 34903-KPCP-900 | BULB POSITION LIGHT 12V5W **KCP- | BULB POSITION LIGHT 12V5W **KCP-9000   | 1       |     |
|            | 34905  | 34905-LCA5-E00 | BULB WINKER (12V 10W)            | BULB WINKER (12V 10W)                  | 2       |     |
| **         | 80100  | 80100-ACD5-E01 | FENDER FR TIRE                   | FENDER FR TIRE                         | 1       |     |
| **         | 80101  | 80101-ACD5-E00 | FENDER A RR (Black)              | FENDER A RR (Black)                    | 1       |     |
|            | 80103  | 80103-LEA7-E00 | SPONGE TAPE FENDER               | SPONGE TAPE FENDER                     | 1       |     |
|            | 80104  | 80104-LKG7-E00 | STAY NO. PLATE                   | STAY NO. PLATE                         | 1       |     |
| **         | 80105  | 80105-ACD5-E00 | FENDER REAR (Black)              | FENDER REAR (Black)                    | 1       |     |
| **         | 80106  | 80106-LKF5-E00 | RR FENDER LOW                    | RR FENDER LOW                          | 1       |     |
| **         | 80107  | 80107-LKF5-E00 | COVER LICENSE LIGHT              | COVER LICENSE LIGHT                    | 1       |     |
|            | 80108  | 80108-LKG7-E00 | STAY RR FENDER                   | STAY RR FENDER                         | 1       |     |
|            | 83550  | 83550-KEC8-900 | COLLAR                           | COLLAR                                 | 2       |     |
|            | 83551  | 83551-KEC8-900 | GROMMET COVER **KEC8-9000        | GROMMET COVER **KEC8-9000 C.2005.09.01 | 2       |     |

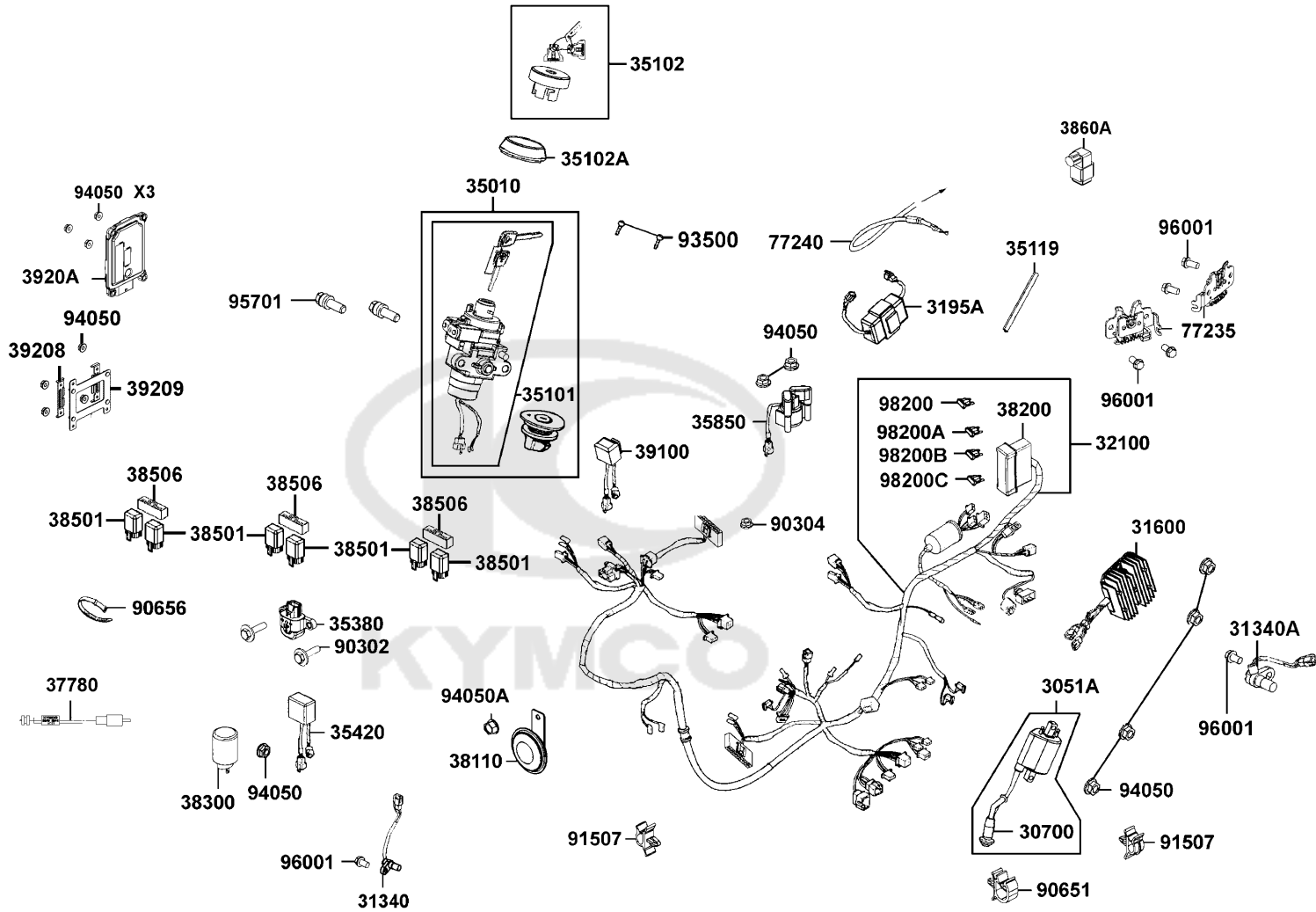


| Sales mark  | Ref no | Part no        | Description        | Reg description    | Regd no | <b>F18</b> |
|-------------|--------|----------------|--------------------|--------------------|---------|------------|
| 90215       |        | 90215-KKC4-900 | NUT CAP 6MM        | NUT CAP 6MM        | 2       |            |
| 90302-GBR2  |        | 90302-GBR2-001 | BOLT WASH 5*16     | BOLT WASH 5*16     | 2       |            |
| 90302-PWA5  |        | 90302-PWA5-900 | BOLT-WASH 5*12     | BOLT-WASH 5*12     | 4       |            |
| 93404       |        | 93404-06016-06 | BOLT WASHER 6*16   | BOLT WASHER 6*16   | 2       |            |
| 93903-25260 |        | 93903-25260    | SCREW TAPPING 5*12 | SCREW TAPPING 5*12 | 19      |            |
| 93903-34360 |        | 93903-34360    | SCREW TAPPING 4X12 | SCREW TAPPING 4X12 | 2       |            |
| 94050       |        | 94050-05080    | NUT FLANGE 5MM     | NUT FLANGE 5MM     | 1       |            |



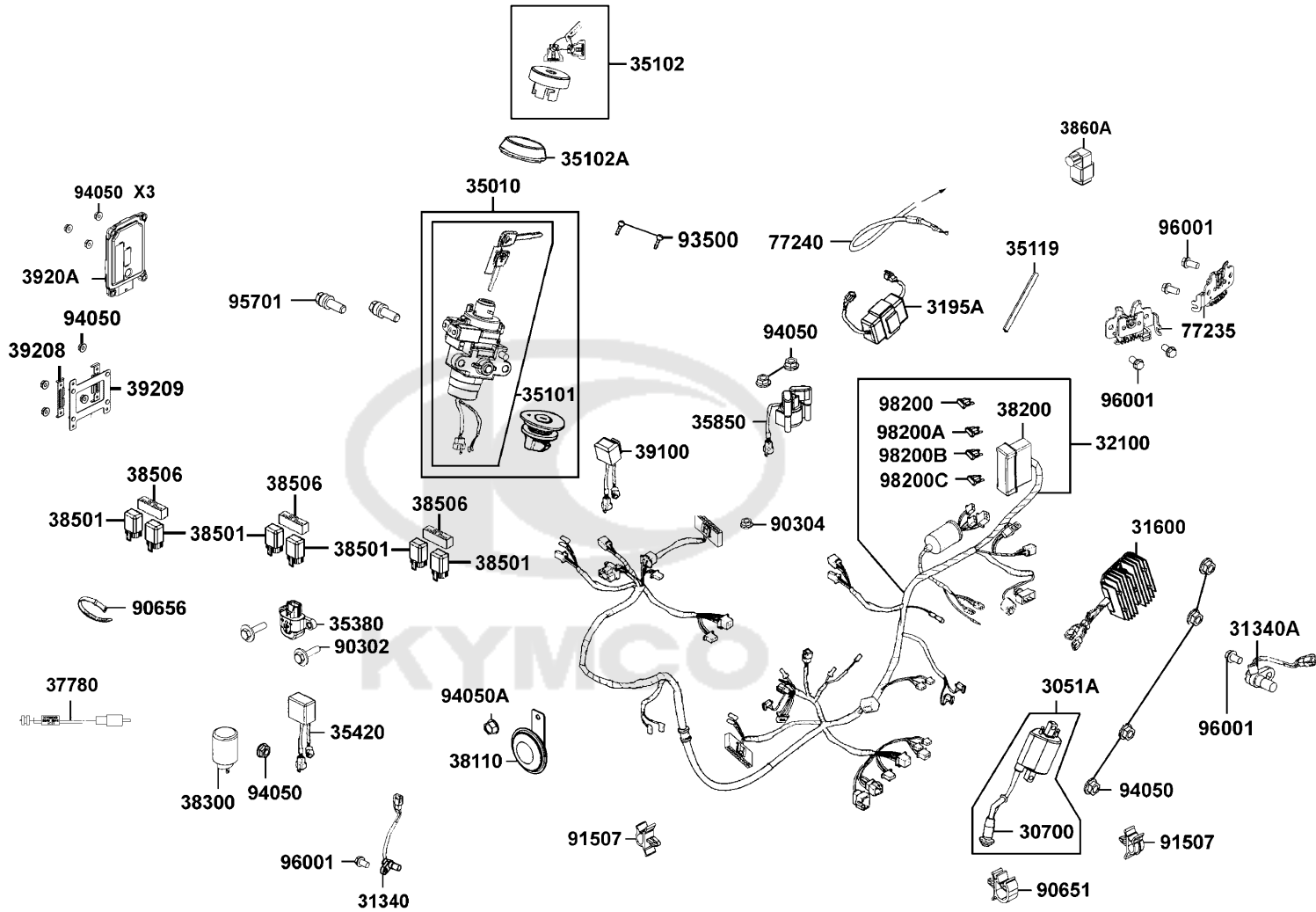


| Sales mark | Ref no | Part no        | Description                | Reg description           | Regd no | <b>F19</b> |
|------------|--------|----------------|----------------------------|---------------------------|---------|------------|
| 3051A      |        | 3051A-LKF5-E00 | COIL ASSY IGN              | COIL ASSY IGN             | 1       |            |
| 30700      |        | 30700-KKE3-900 | CAP ASSY NOISE SUPPRESOR   | CAP ASSY NOISE SUPPRESOR  | 1       |            |
| 31340      |        | 31340-LEA7-E00 | SENSOR FR WHEEL SPEED      | SENSOR FR WHEEL SPEED     | 1       |            |
| 31340A     |        | 31340-LFH1-E00 | SENSOR RR WHEEL SPEED      | SENSOR RR WHEEL SPEED     | 1       |            |
| 31600      |        | 31600-PRB8-900 | REG RECT COMP              | REG RECT COMP             | 1       |            |
| 3195A      |        | 3195A-ACD5-E00 | CONTROL ASSY..HAZARD       | CONTROL ASSY..HAZARD      | 1       |            |
| 32100      |        | 32100-ACD5-EZ5 | HARNES WIRE                | HARNES WIRE               | 1       |            |
| 35010      |        | 35010-ACD5-325 | KEY SET COMB               | KEY SET COMB              | 1       |            |
| 35101      |        | 35101-ACD5-315 | KEY SET LOCK& COMB         | KEY SET LOCK& COMB        | 1       |            |
| 35102      |        | 35102-ACD5-316 | SHUTTER SET MAGENTIC LOCK  | SHUTTER SET MAGENTIC LOCK | 1       |            |
| 35102A     |        | 35102-ACD5-E00 | COLLAR MAIN SW             | COLLAR MAIN SW            | 1       |            |
| 35119      |        | 35119-KHC4-90B | COVER SEAT CABLE           | COVER SEAT CABLE          | 1       |            |
| 35380      |        | 35380-ABE1-E00 | SENSOR ANGLE DETECT (D106) | SENSOR ANGLE DETECT       | 1       |            |
| 35420      |        | 35420-LEA7-E00 | CONTROLLER,OIL LAMP        | CONTROLLER OIL LAMP       | 1       |            |
| 35850      |        | 35850-KHB4-90A | SET START MAG (D402)       | SET START MAG (D402)      | 1       |            |
| 37780      |        | 37780-ACD5-E00 | SENSOR ASSY. ROOM TEMP     | SENSOR ASSY. ROOM TEMP    | 1       |            |
| 38110      |        | 38110-KHB4-E0A | HORN COMP (D405)           | HORN COMP (D405)          | 1       |            |
| 38200      |        | 38200-KHE7-900 | BOX COMP FUSE              | BOX COMP FUSE             | 1       |            |
| 38300      |        | 38300-LFB6-700 | RELAY ASSY WINKER          | RELAY ASSY.. WINKER       | 1       |            |
| 38501      |        | 38501-LGL3-90A | RELAY COMP LIGHT           | RELAY COMP LIGHT          | 6       |            |



| Sales mark | Ref no | Part no        | Description                         | Reg description                     | Regd no | F19 |
|------------|--------|----------------|-------------------------------------|-------------------------------------|---------|-----|
|            | 38506  | 38506-LFB6-900 | CUSHION.RELAY                       | CUSHION.RELAY                       | 3       |     |
|            | 3860A  | 3860A-AFB6-600 | CONTROLLER ASSY HEAD LIGHTING       | CONTROL ASSY AUTO LIGHTING          | 1       |     |
|            | 39100  | 39100-ACD5-E00 | EMI FILTER FAN MOTOR                | EMI FILTER FAN MOTOR                | 1       |     |
|            | 39208  | 39208-AKC3-EZ5 | HOLDER M4C ECU                      | HOLDER M4C ECU                      | 2       |     |
|            | 39209  | 39209-AKC3-EZ5 | STAY ECU                            | STAY ECU                            | 1       |     |
|            | 3920A  | 3920A-ACD5-EZ5 | ASSY ECU                            | ASSY. ECU.                          | 1       |     |
|            | 77235  | 77235-ZZA6-E00 | SEAT CATCH COMP                     | SEAT CATCH COMP                     | 2       |     |
|            | 77240  | 77240-ACD5-E30 | CABLE ASSY SEAT LOCK                | CABLE ASSY SEAT LOCK                | 1       |     |
|            | 90302  | 90302-GFY6-940 | BOLT-WASH 5*16                      | BOLT-WASH 5*16                      | 2       |     |
|            | 90304  | 90304-ZZA6-E00 | NUT CAP 6MM                         | NUT CAP 6MM                         | 1       |     |
|            | 90651  | 90651-LEA2-900 | CLIP TUBE                           | CLIP TUBE                           | 1       |     |
| **         | 90656  | 90656-KUDU-900 | BAND HARNESS WIRE                   | BAND HARNESS WIRE                   | 8       |     |
|            | 91507  | 91507-LEA7-E00 | CLIP                                | CLIP                                | 1       |     |
|            | 93500  | 93500-KHC4-90A | SCREW PAN 5*10                      | SCREW PAN 5*10                      | 2       |     |
|            | 94050  | 94050-06060    | NUT FLANGE 6MM                      | NUT FLANGE 6MM                      | 11      |     |
|            | 94050A | 94050-08060    | NUT FLANGE 8MM                      | NUT FLANGE 8MM                      | 1       |     |
|            | 95701  | 95701-LEA5-E00 | BOLT TORQUE 8*25 **(0) C.2007.01.22 | BOLT TORQUE 8*25 **(0) C.2007.01.22 | 2       |     |
|            | 96001  | 96001-06012-06 | BOLT FLANGE SH 6*12                 | BOLT FLANGE SH 6*12                 | 2       |     |
|            | 98200  | 98200-31000    | BLADE FUSE 10A **(0) C.2005.03.01   | BLADE FUSE 10A **(0) C.2005.03.01   | 3       |     |
|            | 98200A | 98200-31500    | FUSE A15                            | FUSE A15                            | 2       |     |

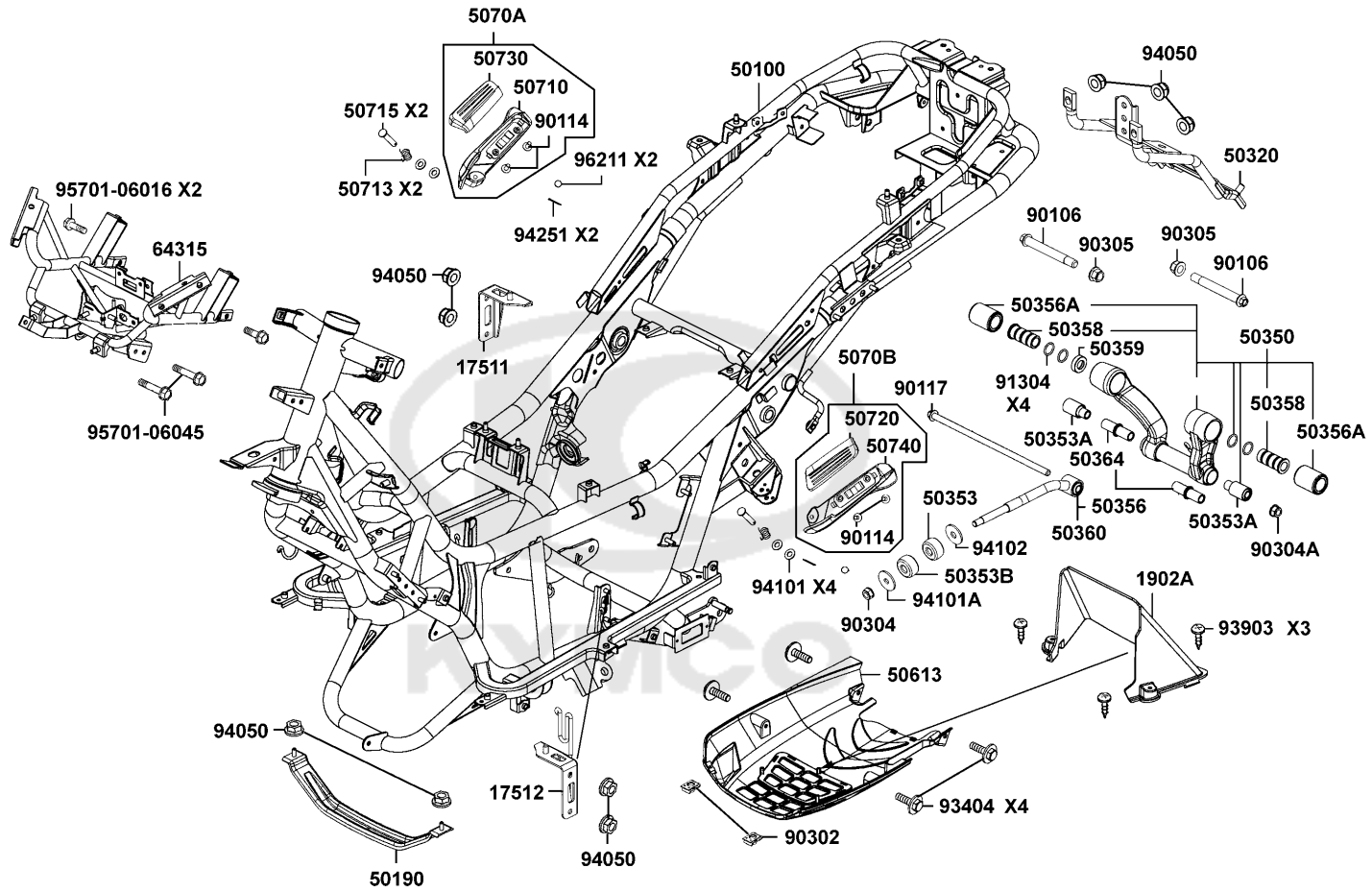




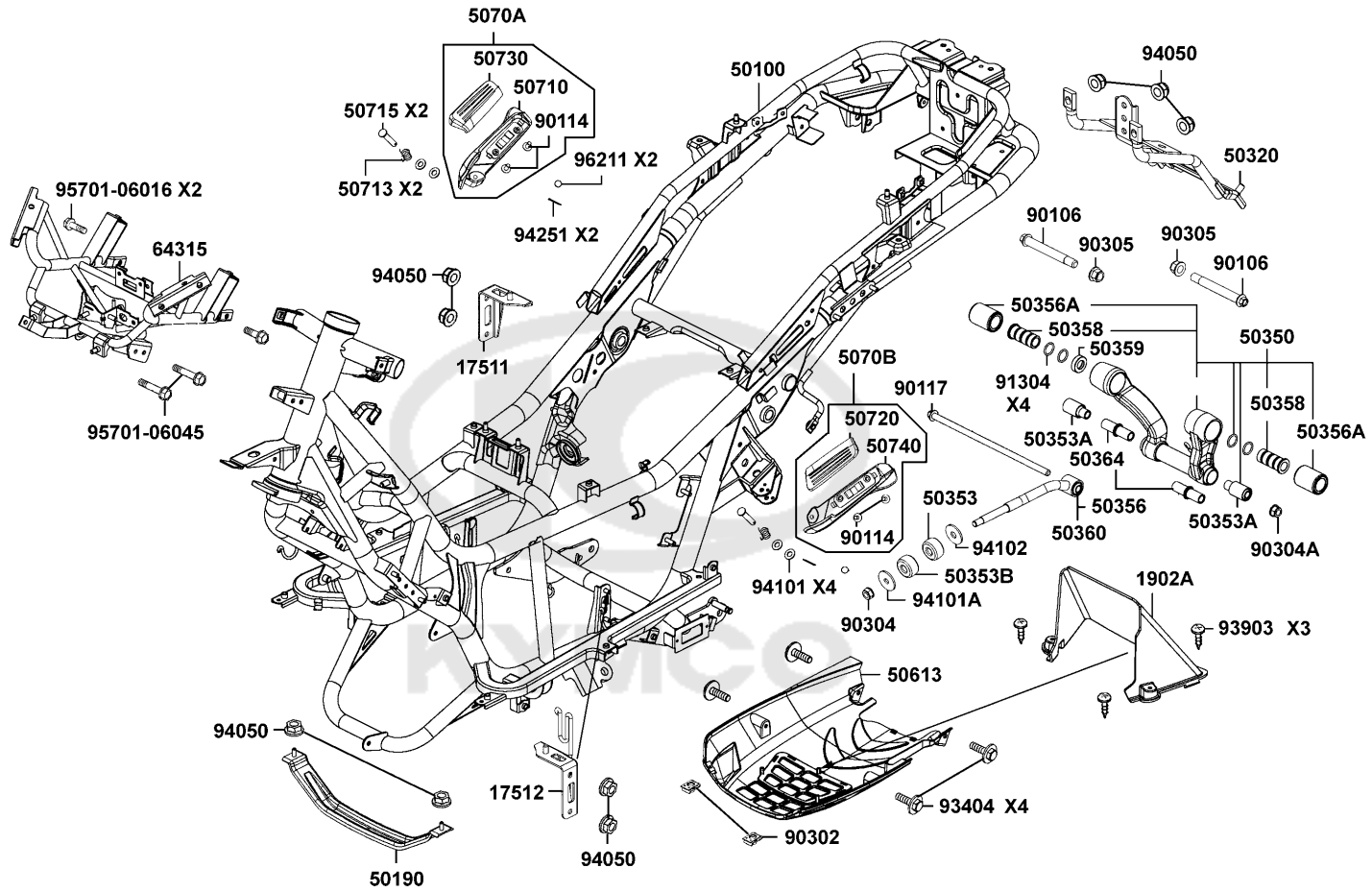
| Sales mark | Ref no | Part no | Description | Reg description | Regd no | <b>F19</b> |
|------------|--------|---------|-------------|-----------------|---------|------------|
|------------|--------|---------|-------------|-----------------|---------|------------|

|  |        |             |                |                |   |  |
|--|--------|-------------|----------------|----------------|---|--|
|  | 98200B | 98200-32500 | BLADE FUSE 25A | BLADE FUSE 25A | 2 |  |
|  | 98200C | 98200-33000 | BLADE FUSE 30A | BLADE FUSE 30A | 1 |  |

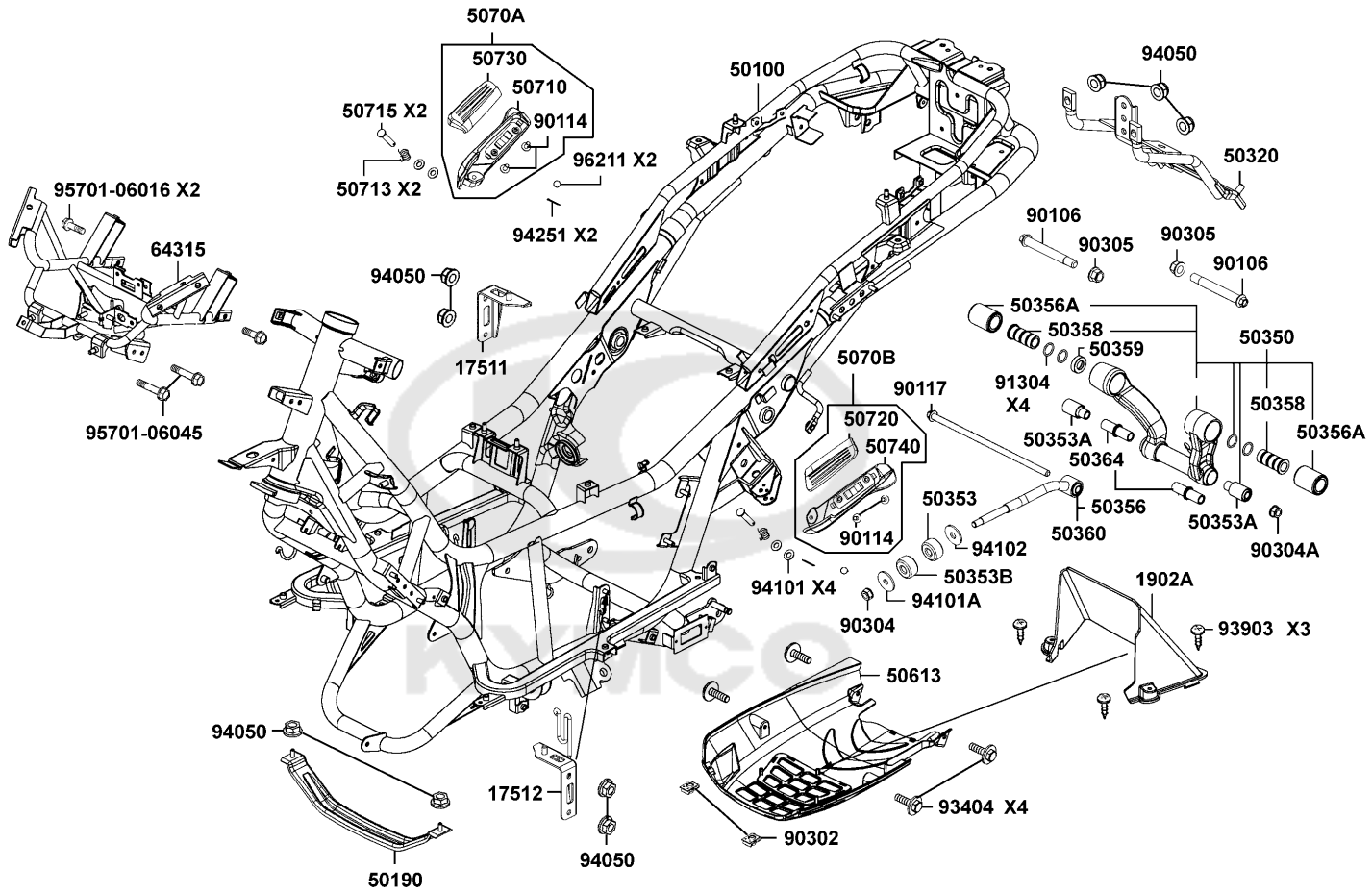





| Sales mark | Ref no | Part no        | Description                      | Reg description                  | Regd no | F20 |
|------------|--------|----------------|----------------------------------|----------------------------------|---------|-----|
|            | 17511  | 17511-ACD5-E00 | STAY R FUEL TANK                 | STAY R FUEL TANK                 | 1       |     |
|            | 17512  | 17512-ACD5-E00 | STAY L FUEL TANK                 | STAY L FUEL TANK                 | 1       |     |
|            | 1902A  | 1902A-ACD5-E00 | COVER ASSY RADIATOR              | COVER ASSY RADIATOR              | 1       |     |
|            | 50100  | 50100-ACD5-305 | BODY ASSY FRAME (900)            | BODY ASSY FRAME (900)            | 1       |     |
|            | 50190  | 50190-LEA7-E00 | PROTECTOR UNDER COVER            | PROTECTOR UNDER COVER            | 1       |     |
|            | 50320  | 50320-ACD5-E00 | STAY REAR FENDER                 | STAY REAR FENDER                 | 1       |     |
|            | 50350  | 50350-ACD5-E00 | HANGER ASSY ENG                  | HANGER ASSY ENG                  | 1       |     |
|            | 50353  | 50353-ACD5-E00 | RUBBER STOPPER                   | RUBBER STOPPER                   | 1       |     |
|            | 50353A | 50353-KGN7-901 | BUSH A ENG HANGER                | BUSH A ENG HANGER                | 2       |     |
|            | 50353B | 50353-LEA7-E00 | RUBBER STOPPER                   | RUBBER STOPPER                   | 1       |     |
|            | 50356  | 50356-LEA7-E01 | RUB BUSH ENG HANGER              | RUB BUSH ENG HANGER              | 1       |     |
|            | 50356A | 50356-LHG7-E00 | RUBBER BUSH ENG HANGER           | RUBBER BUSH ENG HANGER           | 2       |     |
|            | 50358  | 50358-LKF5-E01 | BUSH INNER SWING LOCK            | BUSH INNER SWING LOCK            | 1       |     |
|            | 50359  | 50359-LKF5-E01 | COLLAR                           | COLLAR                           | 1       |     |
|            | 50360  | 50360-ACD5-E00 | TIE ROD ASSY ENG                 | TIE ROD ASSY ENG                 | 1       |     |
|            | 50364  | 50364-KHE7-E00 | COLLAR B ENG HANGER              | COLLAR B ENG HANGER              | 2       |     |
| **         | 50613  | 50613-ACD5-E00 | COVER UNDER (Black)              | COVER UNDER (Black)              | 1       |     |
| **         | 5070A  | 5070A-ACD5-E00 | BAR ASSY R RR STEP (Flat Silver) | BAR ASSY R RR STEP (Flat Silver) | 1       |     |
| **         | 5070B  | 5070B-ACD5-E00 | BAR ASSY L RR STEP (Flat Silver) | BAR ASSY L RR STEP (Flat Silver) | 1       |     |
| **         | 50710  | 50710-ACD5-E00 | BAR R RR STEP (Flat Silver)      | BAR R RR STEP (Flat Silver)      | 1       |     |

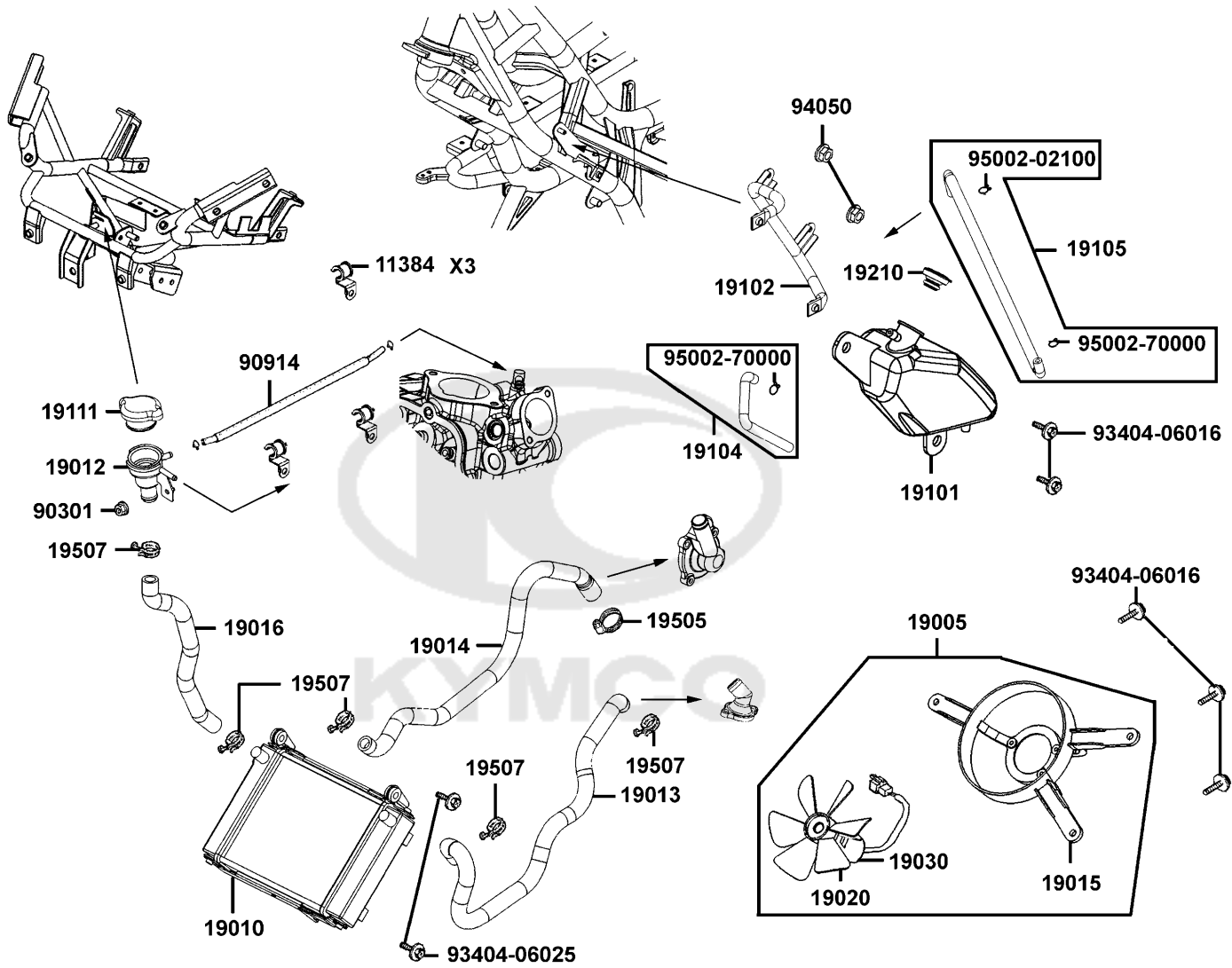


| Sales mark | Ref no | Part no        | Description                 | Reg description             | Regd no | <b>F20</b> |
|------------|--------|----------------|-----------------------------|-----------------------------|---------|------------|
|            | 50713  | 50713-KEB7-900 | SPRING                      | SPRING                      | 2       |            |
|            | 50715  | 50715-KEB7-900 | PIN RR STEP                 | PIN RR STEP                 | 2       |            |
| **         | 50720  | 50720-ACD5-E00 | BAR L RR STEP (Flat Silver) | BAR L RR STEP (Flat Silver) | 1       |            |
|            | 50730  | 50730-LKG7-E00 | RUEEER COMP R RR STEP       | RUEEER COMP R RR STEP       | 1       |            |
|            | 50740  | 50740-LKG7-E00 | RUBBER COMP L RR STEP       | RUBBER COMP L RR STEP       | 1       |            |
|            | 64315  | 64315-ACD5-EZ5 | BRKT FR COVER               | BRKT FR COVER               | 1       |            |
|            | 90106  | 90106-LKF5-E00 | BOLT FLANGE 15X122(M14)     | BOLT FLANGE 15X122(M14)     | 2       |            |
|            | 90114  | 90114-KED9-900 | SCREW PAN 6*12              | SCREW PAN 6*12              | 4       |            |
|            | 90117  | 90117-KED9-950 | BOLT FLANGER 10*265         | BOLT FLANGER 10X265         | 1       |            |
|            | 90302  | 90302-LKB9-900 | NUT SPRING 5MM              | NUT SPRING 5MM              | 2       |            |
|            | 90304  | 90304-LBD4-900 | NUT U FLANGE 10MM           | NUT U FLANGE 10MM           | 1       |            |
|            | 90304A | 90304-LEA1-900 | NUT U FLANGE 10MM           | NUT U 10MM                  | 1       |            |
|            | 90305  | 90305-LBD4-900 | NUT U 14MM                  | NUT U 14MM                  | 2       |            |
|            | 91304  | 91304-LGE5-E00 | O-RING 17.8*2.4             | O-RING 17.8x2.4             | 4       |            |
|            | 93404  | 93404-06016-06 | BOLT WASHER 6*16            | BOLT WASHER 6*16            | 4       |            |
|            | 93903  | 93903-25260    | SCREW TAPPING 5*12          | SCREW TAPPING 5*12          | 3       |            |
|            | 94050  | 94050-06060    | NUT FLANGE 6MM              | NUT FLANGE 6MM              | 9       |            |
|            | 94101  | 94101-06000    | WASHER PLAIN 6MM            | WASHER PLAIN 6MM            | 4       |            |
|            | 94101A | 94101-LBA2-E00 | WASHER PLATE 10.5*38*3.0    | WASHER PLATE 10.5*38*3.0    | 1       |            |
|            | 94102  | 94102-LBA2-E00 | WASHER PLAIN 38*12.5*3      | WASHER PLAIN 38*12.5*3      | 1       |            |

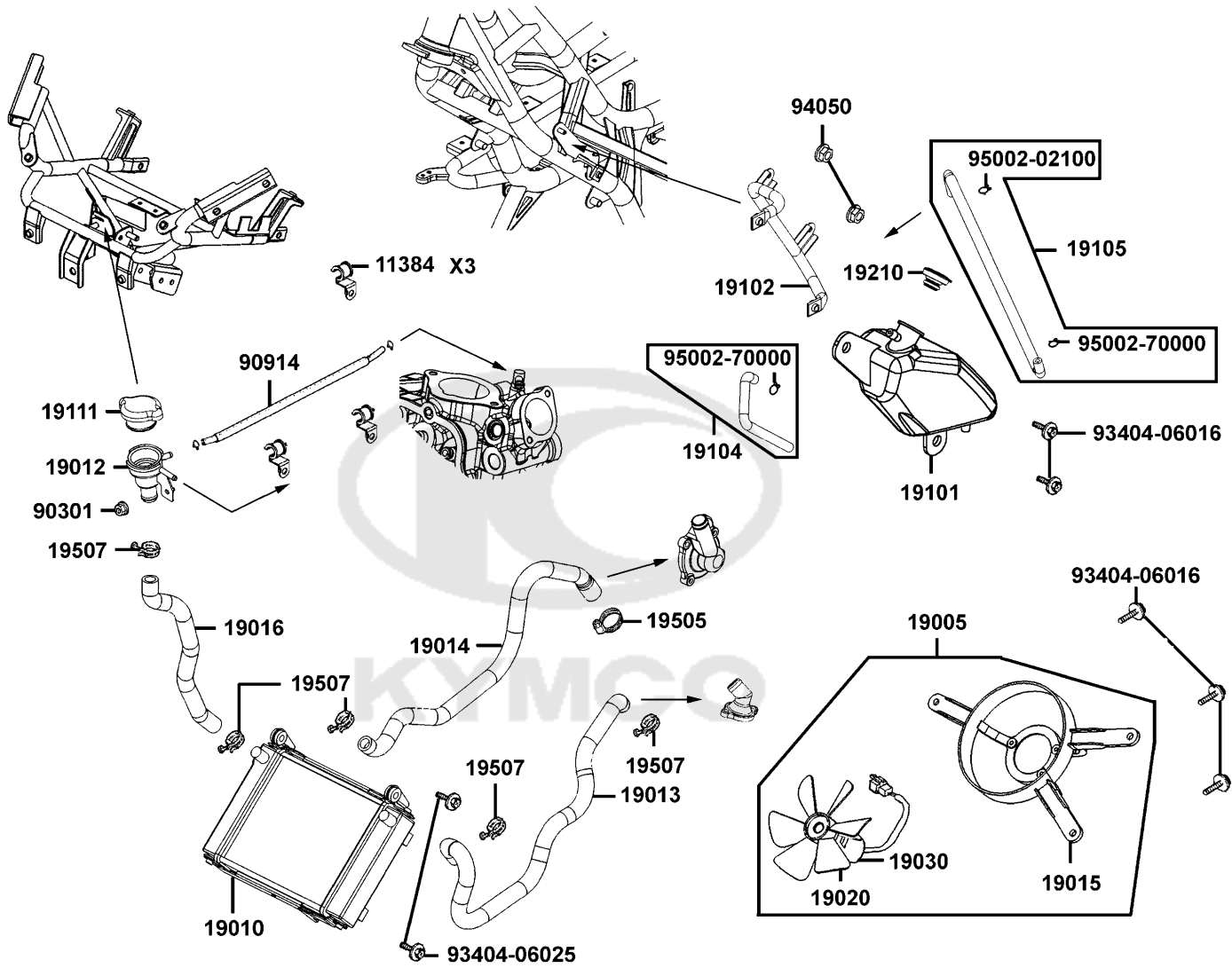



| Sales mark  | Ref no      | Part no        | Description          | Reg description      | Regd no | <b>F20</b> |
|---|-------------|----------------|----------------------|----------------------|---------|------------|
|   | 94251       | 94251-08400    | PIN LOCK 8MM         | PIN LOCK 8MM         | 2       |            |
|   | 95701-06016 | 95701-06016-06 | BOLT FLANGE 6*16 (K) | BOLT FLANGE 6*16 (K) | 2       |            |
|   | 95701-06045 | 95701-06045-06 | BOLT FLANGE 6*45     | BOLT FLANGE 6*45     | 2       |            |
|   | 96211       | 96211-08000    | BALL STEEL #8        | BALL STEEL #8        | 2       |            |
|  |             |                |                      |                      |         |            |





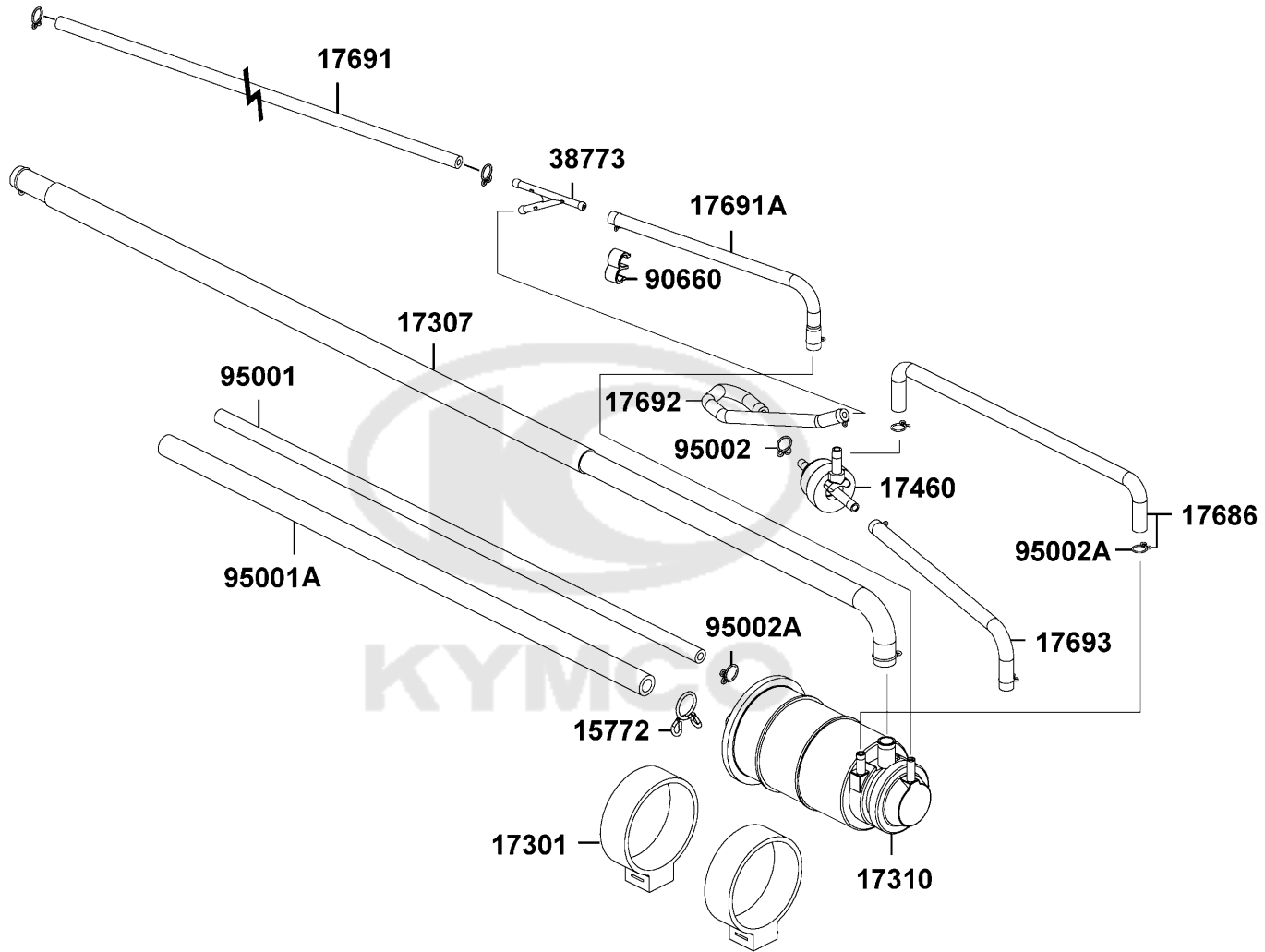
| Sales mark | Ref no | Part no        | Description        | Reg description     | Regd no | F21 |
|------------|--------|----------------|--------------------|---------------------|---------|-----|
|            | 11384  | 11384-LEA7-E05 | CLIP WATER PIPE    | CLIP WATER PIPE     | 3       |     |
|            | 19005  | 19005-KKC4-900 | SHROUD ASSY        | SHROUD ASSY         | 1       |     |
|            | 19010  | 19010-ACD5-E00 | RADIATOR COMP.     | RADIATOR COMP       | 1       |     |
|            | 19012  | 19012-LEA7-E05 | UNIT RADIATOR      | UNIT RADIATOR       | 1       |     |
|            | 19013  | 19013-ACD5-E00 | HOSEWATER INLET    | HOSE WATER INLET    | 1       |     |
|            | 19014  | 19014-ACD5-E00 | HOSE WATER OUTLET  | HOSE WATER OUT      | 1       |     |
|            | 19015  | 19015-KKC4-900 | SHROUD COMP        | SHROUD COMP         | 1       |     |
|            | 19016  | 19016-LEA7-E01 | HOSEWATER-UNIT CAP | HOSE WATER-UNIT CAP | 1       |     |
|            | 19020  | 19020-KED9-900 | FAN COOLING        | FAN COOLING         | 1       |     |
|            | 19030  | 19030-KHD8-900 | MOTOR              | MOTOR               | 1       |     |
|            | 19101  | 19101-ACD5-E00 | TANK RESERVE       | TANK RESERVE        | 1       |     |
|            | 19102  | 19102-ACD5-E00 | STAY.RES TANK      | STAY.RES TANK       | 1       |     |
|            | 19104  | 19104-ACD5-E00 | HOSE ASSY DRAIN    | HOSE ASSY DRAIN     | 1       |     |
|            | 19105  | 19105-LEA7-E00 | HOSE ASSY RESERVE  | HOSE ASSY RESERVE   | 1       |     |
|            | 19111  | 19111-PRB3-900 | CAP COMP RADIATOR  | CAP COMP RADIATOR   | 1       |     |
|            | 19210  | 19210-KKC4-900 | CAP RESERVE TANK   | CAP RESERVE TANK    | 1       |     |
|            | 19505  | 19505-LBA2-E00 | CLAMP WATER HOSE   | CLAMP WATER HOSE    | 1       |     |
|            | 19507  | 19507-LDB5-E00 | CLAMP D 28         | CLAMP D 28          | 5       |     |
|            | 90301  | 90301-6D34-671 | NUT FLANGE 6MM     | NUT FLANGE 6MM      | 1       |     |
|            | 90914  | 90914-LEA7-E05 | TUBE ASSY WATER    | TUBE ASSY WATER     | 1       |     |



| Sales mark  | Ref no      | Part no        | Description      | Reg description  | Regd no | <b>F21</b> |
|---|-------------|----------------|------------------|------------------|---------|------------|
|   | 93404-06016 | 93404-06016-06 | BOLT WASHER 6*16 | BOLT WASHER 6*16 | 5       |            |
|   | 93404-06025 | 93404-06025-06 | BOLT WASHER 6*25 | BOLT WASHER 6*25 | 2       |            |
|   | 94050       | 94050-06080    | NUT FLANGE 6MM   | NUT FLANGE 6MM   | 2       |            |
|   | 95002-02100 | 95002-02100    | CLIP B15 TUBE    | CLIP B15 TUBE    | 1       |            |
|   | 95002-70000 | 95002-70000    | CLIP C11 TUBE    | CLIP C11 TUBE    | 2       |            |
|  |             |                |                  |                  |         |            |

F22

Air Cleaner Two

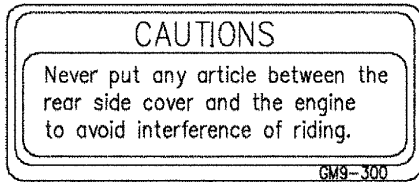


| Sales mark | Ref no | Part no        | Description                  | Reg description              | Regd no | F22 |
|------------|--------|----------------|------------------------------|------------------------------|---------|-----|
| 15772      |        | 15772-5L00-013 | CLIP B14.5 TUBE              | CLIP B14.5 TUBE              | 1       |     |
| 17301      |        | 17301-GFY6-940 | RUBBER CANISTER MOUNT        | RUBBER CANISTER MOUNT        | 1       |     |
| 17307      |        | 17307-LEA7-900 | TUBE A ASSY CANISTER - AIR/C | TUBE A ASSY CANISTER - AIR/C | 1       |     |
| 17310      |        | 17310-KED9-90A | CANISTER COMP                | CANISTER COMP                | 1       |     |
| 17460      |        | 17460-AGA6-M01 | VALVE COMP VAPOR CONTROL     | VALVE COMP VAPOR CONTROL     | 1       |     |
| 17686      |        | 17686-ACD5-900 | TUBE FUEL FILLER/CANISTER    | TUBE FUEL FILLER/CANISTER    | 1       |     |
| 17691      |        | 17691-ACD5-900 | TUBE ASSY                    | TUBE ASSY                    | 1       |     |
| 17691A     |        | 17691-LEA7-M31 | TUBE ASSY                    | TUBE ASSY                    | 1       |     |
| 17692      |        | 17692-LEA7-M31 | TUBE ASSY                    | TUBE ASSY                    | 1       |     |
| 17693      |        | 17693-LEA7-M31 | TUBE ASSY                    | TUBE ASSY                    | 1       |     |
| 38773      |        | 38773-KEC3-900 | JOINT ASSY TANK CAP          | JOINT ASSY TANK CAP          | 1       |     |
| 90660      |        | 90660-PWA2-900 | CLAMP TUBE                   | CLAMP TUBE                   | 1       |     |
| 95001      |        | 95001-45330-40 | TUBE FUEL 4.5*330            | TUBE FUEL 4.5*330            | 1       |     |
| 95001A     |        | 95001-80330-40 | TUBE FUEL 8.0*330            | TUBE FUEL 8.0*330            | 1       |     |
| 95002      |        | 95002-02070    | CLIP B7 TUBE                 | CLIP B7 TUBE                 | 1       |     |
| 95002A     |        | 95002-02080    | CLIP B8 TUBE                 | CLIP B8 TUBE                 | 1       |     |



| Sales mark | Ref no | Part no        | Description           | Reg description       | Regd no | F23 |
|------------|--------|----------------|-----------------------|-----------------------|---------|-----|
|            | 51401  | 51401-LDH1-E00 | SPRING                | SPRING                | 1       |     |
|            | 51404  | 51404-LDH1-E00 | SPRING COLLAR         | SPRING COLLAR         | 1       |     |
|            | 51410  | 51410-LEA7-E00 | FORK PIPE COMP        | FORK PIPE COMP        | 1       |     |
|            | 51412  | 51412-LLJ3-E00 | REBOUND SPRING        | REBOUND SPRING        | 1       |     |
|            | 51416  | 51416-LDH1-E00 | GUIDE BUSH            | GUIDE BUSH            | 1       |     |
| **         | 51420  | 51420-ACD5-E00 | BOTTOM CASE R         | BOTTOM CASE R         | 1       |     |
|            | 51422  | 51422-KED9-900 | OIL LOCK PIECE        | OIL LOCK PIECE        | 1       |     |
|            | 51424  | 51424-LDH1-E00 | SPACER                | SPACER                | 1       |     |
|            | 51425  | 51425-LEA7-E00 | FORK FENDER           | FORK FENDER           | 1       |     |
|            | 51427  | 51427-LDH1-E00 | DUST SEAL             | DUST SEAL             | 1       |     |
|            | 51427A | 51427-LLJ3-E00 | FORK BOLT CAP         | FORK BOLT CAP         | 1       |     |
|            | 51429  | 51429-LEA7-E00 | PIPE SEAT COMP        | PIPE SEAT COMP        | 1       |     |
|            | 51437  | 51437-LDH1-E00 | PISTON RING           | PISTON RING           | 1       |     |
| **         | 51520  | 51520-ACD5-E00 | BOTTOM CASE L         | BOTTOM CASE L         | 1       |     |
|            | 90544  | 90544-KEC8-900 | PACKING               | PACKING               | 1       |     |
|            | 90601  | 90601-LLJ3-E00 | OIL SEAL STOPPER RING | OIL SEAL STOPPER RING | 1       |     |
|            | 90651  | 90651-LLJ3-E00 | STOPPER RING          | STOPPER RING          | 1       |     |
|            | 91251  | 91251-LLJ3-E00 | OIL SEAL              | OIL SEAL              | 1       |     |
|            | 94608  | 94608-LLJ3-E00 | O-RING                | O-RING                | 1       |     |
|            | 96600  | 96600-LBA2-E00 | SOCKET BOLT           | SOCKET BOLT           | 1       |     |





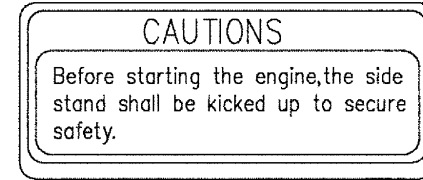
87542



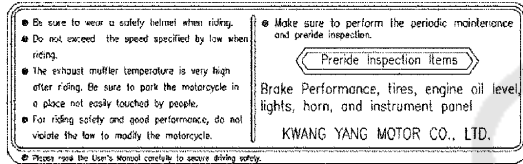
86730



87546



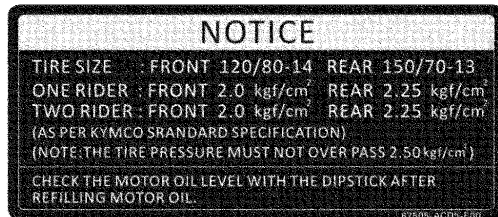
87541-GAR1



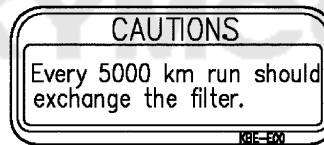
87560



87206



87505



87512



87541-KKC2

| Sales mark | Ref no     | Part no        | Description          | Reg description      | Regd no | <b>F24</b> |
|------------|------------|----------------|----------------------|----------------------|---------|------------|
| **         | 86730      | 86730-ACD5-E00 | STRIPE LEG SHIELD UP | STRIPE LEG SHIELD UP | 1       |            |
| **         | 87206      | 87206-ACD5-E00 | EMB MARK KYMCO       | EMB MARK KYMCO       | 1       |            |
| **         | 87505      | 87505-ACD5-E00 | LABEL TIRE           | LABEL TIRE           | 1       |            |
| **         | 87512      | 87512-KEBE-E00 | CAUTION FILTER       | CAUTION FILTER       | 1       |            |
| **         | 87541-GAR1 | 87541-GAR1-E00 | CAUTION SIDE STAND   | CAUTION SIDE STAND   | 1       |            |
| **         | 87541-KKC2 | 87541-KKC2-E00 | CAUTION MOBILE PHONE | CAUTION MOBILE PHONE | 1       |            |
| **         | 87542      | 87542-GAR1-E00 | MARK MAINT CAUTION   | MARK MAINT CAUTION   | 1       |            |
| **         | 87546      | 87546-ADG5-E00 | LABEL FUEL TANK      | LABEL FUEL TANK      | 1       |            |
| **         | 87560      | 87560-GFY6-E00 | MARK DRIVE CAUTION   | MARK DRIVE CAUTION   | 1       |            |



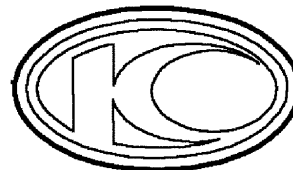
**DOWNTOWN 350**

|  
86202



|  
86408

|  
86332



|  
86102

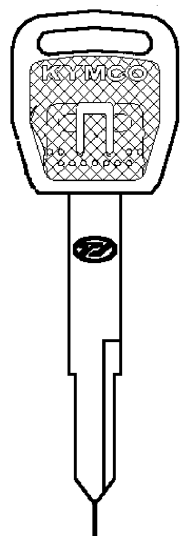
| Sales mark | Ref no | Part no | Description | Reg description | Regd no | <b>F25</b> |
|------------|--------|---------|-------------|-----------------|---------|------------|
|------------|--------|---------|-------------|-----------------|---------|------------|

|    |       |                |                           |                           |   |  |
|----|-------|----------------|---------------------------|---------------------------|---|--|
| ** | 86202 | 86202-ACD5-E01 | EMB BODY COVER (DOWNTOWN) | EMB BODY COVER (DOWNTOWN) | 1 |  |
| ** | 86332 | 86332-ACD5-E01 | EMB SKIRT (350)           | EMB SKIRT (350)           | 2 |  |
| ** | 86408 | 86408-ACD5-E00 | STRIPE FR FENDER          | STRIPE FR FENDER          | 2 |  |

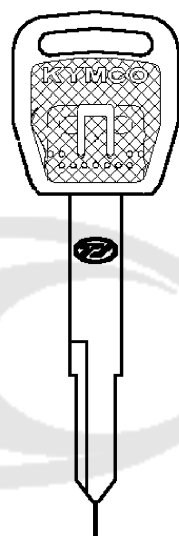


F26

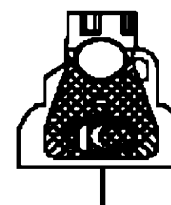
KEY



35111



35111A



35111B

| Sales mark | Ref no | Part no | Description | Reg description | Regd no | <b>F26</b> |
|------------|--------|---------|-------------|-----------------|---------|------------|
|------------|--------|---------|-------------|-----------------|---------|------------|

|        |  |                   |                                |                                |   |  |
|--------|--|-------------------|--------------------------------|--------------------------------|---|--|
| 35111  |  | 35111-LDC1-305-M2 | KEY COMP (R TANGENT PLANE/TJ)  | KEY COMP (R TANGENT PLANE/TJ)  | 1 |  |
| 35111A |  | 35111-LDC1-306-M2 | KEY COMP (L TANGENT PLANE/TJ)  | KEY COMP (L TANGENT PLANE/TJ)  | 1 |  |
| 35111B |  | 35111-LEA1-307-M2 | KEY COMP SHOTTER MAGNETIC (TJ) | KEY COMP SHOTTER MAGNETIC (TJ) | 1 |  |



## PART NO. INDEX

| PART NO.         | VERSION | PAGE | PART NO.       | VERSION | PAGE | PART NO.       | VERSION | PAGE |
|------------------|---------|------|----------------|---------|------|----------------|---------|------|
| <b>1000</b>      |         |      | 11383-KHE7-900 | 0       | E02  | <b>14000</b>   |         |      |
|                  |         |      | 11384-LEA7-E05 | 2       | F21  |                |         |      |
|                  |         |      | 11384-LKG2-900 | 6       | E02  |                |         |      |
| 1614-A22C-0000-Y | 0       | F10  | 11394-LEA7-E00 | 9       | E04  | 14100-ACD5-E00 | 1       | E02  |
|                  |         |      | 11395-LEA7-E00 | 3       | E01  | 14321-LEA7-E00 | 8       | E02  |
| <b>3000</b>      |         |      | <b>12000</b>   |         |      | 14401-PWB1-900 | 2       | E03  |
|                  |         |      |                |         |      | 14420-ACD5-E00 | 2       | E02  |
| 3791-HN80-0000   | 0       | F10  |                |         |      | 14430-ACD5-E00 | 2       | E02  |
| <b>11000</b>     |         |      | 12100-ACD5-E00 | 9       | E03  | 14452-LEA7-E00 | 4       | E02  |
|                  |         |      | 12191-ACD5-E00 | 1       | E03  | 14453-LEA7-E00 | 5       | E02  |
|                  |         |      | 12200-ACD5-E00 | 9       | E02  | 14510-LEA7-E00 | 5       | E03  |
| 1110A-ACD5-305   | 0       | E01  | 12209-GDB4-68B | 0       | E02  | 14520-KED9-900 | 1       | E03  |
| 11203-LBA2-E00   | 2       | E01  | 12251-ACD5-E00 | 1       | E02  | 14523-KED9-920 | 1       | E03  |
| 11203-LBA2-E00   | 2       | F16  | 12310-LEA7-E00 | 7       | E02  | 14531-KHE7-900 | 1       | E03  |
| 11212-LEA7-E00   | 5       | F13  | 12391-LEA7-E00 | 5       | E02  | 14610-LEA7-E00 | 2       | E03  |
| 1121A-LEA7-E00   | 8       | F13  | <b>13000</b>   |         |      | 14711-LGE5-E00 | 2       | E02  |
| 1122A-LEA7-E00   | 2       | E01  |                |         |      | 14721-LEA7-E00 | 5       | E02  |
| 11330-LEA7-E00   | 19      | E04  |                |         |      | 14751-LEA7-E00 | 6       | E02  |
| 11340-ACD5-E03   | 0       | E01  | 13000-ACD5-E00 | 4       | E03  | 14761-LEA7-E00 | 3       | E02  |
| 11341-LEA7-E01   | 3       | E01  | 13011-ACD5-E00 | 0       | E03  | 14771-GDB4-680 | 0       | E02  |
| 11344-ACD5-E00   | 0       | E01  | 13101-ACD5-E00 | 0       | E03  | 14777-LBA2-E00 | 4       | E02  |
| 11345-ACD5-E00   | 0       | E01  | 13111-KKE5-E01 | 3       | E03  | 14781-MFA6-001 | 0       | E02  |
| 11347-LEA7-E00   | 3       | E06  | 13314-LEA7-E0A | 3       | E01  |                |         |      |
| 1134A-ACD5-E00   | 0       | E01  | 13314-LEA7-E0B | 3       | E01  | <b>15000</b>   |         |      |
| 1134B-ACD5-E00   | 0       | E01  | 13314-LEA7-E0C | 3       | E01  |                |         |      |
| 11350-ACD5-E03   | 0       | E01  | 13406-LEA7-E00 | 2       | E02  | 15100-LEA7-E00 | 7       | E07  |

## PART NO. INDEX

| PART NO.       | VERSION | PAGE | PART NO.          | VERSION | PAGE | PART NO.       | VERSION | PAGE |
|----------------|---------|------|-------------------|---------|------|----------------|---------|------|
| 15133-LGF9-E00 | 1       | E07  |                   |         |      | 17685-GFY6-940 | 6       | E05  |
| 15141-LGF9-E00 | 1       | E07  | <b>17000</b>      |         |      | 17685-KZCZ-900 | 0       | F05  |
| 15161-PUA5-E00 | 5       | E01  |                   |         |      | 17685-LEA7-E00 | 6       | F10  |
| 15200-KED9-900 | 7       | E01  | 1711A-LEA7-E05    | 2       | E02  | 17686-ACD5-900 | 1       | F22  |
| 1541A-LEA7-E00 | 6       | E04  | 17211-LEA7-E00    | 1       | F13  | 17691-ACD5-900 | 4       | F22  |
| 15421-LEA7-E00 | 0       | E01  | 17213-LEA7-E01    | 2       | F13  | 17691-LEA7-M31 | 0       | F22  |
| 15421-LEA7-E05 | 5       | E01  | 17214-LEA7-E00    | 2       | F13  | 17692-LEA7-M31 | 0       | F22  |
| 15423-KKC3-900 | 1       | E04  | 17236-ACD5-B80    | 0       | F13  | 17693-LEA7-M31 | 1       | F22  |
| 15437-LEA7-E00 | 1       | E04  | 1723A-ACD5-E03    | 1       | F13  | 17910-ACD5-E10 | 0       | F03  |
| 1565A-GFY6-900 | 0       | E04  | 1723B-ACD5-E00    | 0       | F13  | 17911-ACD5-E10 | 0       | F03  |
| 15711-LEA7-E00 | 1       | E07  | 17254-ACD5-B80    | 0       | F13  |                |         |      |
| 15772-5L00-013 | 1       | F22  | 17301-GFY6-940    | 3       | F22  | <b>18000</b>   |         |      |
|                |         |      | 17307-LEA7-900    | 3       | F22  |                |         |      |
| <b>16000</b>   |         |      | 17308-ACD5-900    | 0       | F13  | 18291-KKC4-900 | 1       | E01  |
|                |         |      | 17310-KED9-90A    | 3       | F22  | 18291-LKG2-90A | 1       | F14  |
| 16056-ACD5-E00 | 0       | E05  | 17359-4K19-671    | 0       | F13  | 18291-PWB1-900 | 4       | F14  |
| 16066-ACD5-E00 | 0       | E05  | 1737A-KUDU-900    | 0       | F13  | 18293-KKC4-900 | 0       | E01  |
| 16068-ACD5-E00 | 0       | E05  | 17460-AGA6-M01    | 0       | F22  | 18293-LHJ8-900 | 2       | F14  |
| 16100-ACD5-E00 | 0       | E05  | 17500-LEA7-900    | 7       | F10  | 18294-KTCT-900 | 1       | F14  |
| 16113-PTA1-800 | 4       | E05  | 17511-ACD5-E00    | 1       | F20  | 1830A-ACD5-EZ5 | 5       | F14  |
| 16118-LBF2-900 | 2       | E05  | 17512-ACD5-E00    | 1       | F20  | 18310-ACD5-EZ5 | 0       | F14  |
| 16123-ACD5-E03 | 0       | E05  | 17530-KGB5-900    | 1       | F05  | 18318-ACD5-E00 | 4       | F14  |
| 16134-ACD5-E00 | 0       | E05  | 17550-LEA7-800    | 5       | F10  | 18320-ACD5-EZ5 | 0       | F14  |
| 16137-ACD5-E00 | 0       | E05  | 17561-LHG8-E00    | 1       | F10  | 18325-ACD5-E00 | 1       | F14  |
| 16201-LEA7-E00 | 2       | E02  | 17581-LEA7-E00    | 1       | F10  | 18371-ACD5-EZ5 | 2       | F14  |
| 16211-LEA7-E00 | 4       | E02  | 17620-LEA7-315-M2 | 0       | F10  | 18391-ACD5-EZ5 | 0       | F14  |



## PART NO. INDEX

| PART NO.       | VERSION        | PAGE | PART NO.       | VERSION        | PAGE | PART NO.       | VERSION        | PAGE |     |
|----------------|----------------|------|----------------|----------------|------|----------------|----------------|------|-----|
| <b>19000</b>   |                |      | 19300-LFA7-E0A | 1              | E02  | 22401-LFG2-E80 | 1              | E06  |     |
|                |                |      | 19315-LFA7-E00 | 6              | E02  | 22530-LKG7-E00 | 0              | E06  |     |
|                |                |      | 19411-LFG2-E00 | 1              | F06  | 22804-GBB2-001 | 0              | E06  |     |
|                | 19005-KKC4-900 | 2    | F21            | 19502-LEA7-E00 | 3    | E04            |                |      |     |
|                | 19010-ACD5-E00 | 0    | F21            | 19505-LBA2-E00 | 4    | F21            | <b>23000</b>   |      |     |
|                | 19012-LEA7-E05 | 1    | F21            | 19507-LDB5-E00 | 1    | E04            |                |      |     |
|                | 19013-ACD5-E00 | 3    | F21            | 19507-LDB5-E00 | 1    | F21            | 2301A-ACD5-E00 | 8    | E06 |
|                | 19014-ACD5-E00 | 0    | E04            | 19508-LBA2-E00 | 0    | E04            | 23100-LEA7-E00 | 5    | E06 |
|                | 19014-ACD5-E00 | 0    | F21            |                |      |                | 23200-LGE5-E00 | 2    | E06 |
|                | 19015-KKC4-900 | 2    | F21            | <b>21000</b>   |      |                | 23220-ACD5-E00 | 3    | E06 |
|                | 19016-LEA7-E01 | 4    | F21            |                |      |                | 23225-LEA7-E00 | 1    | E06 |
|                | 19020-KED9-900 | 1    | F21            | 21301-LEA7-E00 | 3    | E08            | 23226-LEA7-E00 | 1    | E06 |
|                | 1902A-ACD5-E00 | 0    | F20            | 21395-LEA7-E00 | 2    | E08            | 23233-LEA7-E00 | 5    | E06 |
|                | 19030-KHD8-900 | 2    | F21            |                |      |                | 23237-KHE7-900 | 0    | E06 |
|                | 19101-ACD5-E00 | 0    | F21            | <b>22000</b>   |      |                | 23238-KHE7-900 | 0    | E06 |
|                | 19102-ACD5-E00 | 2    | F21            |                |      |                | 23411-LEA7-E00 | 9    | E08 |
|                | 19104-ACD5-E00 | 0    | F21            | 22100-AFB1-E00 | 2    | E06            | 23420-LEA7-E00 | 5    | E08 |
|                | 19105-LEA7-E00 | 2    | F21            | 22102-LEA7-E00 | 4    | E06            | 23431-LEA7-E00 | 5    | E08 |
|                | 19111-PRB3-900 | 2    | F21            | 22105-LGF9-E00 | 2    | E06            | 23432-LEA7-E00 | 2    | E08 |
|                | 19210-KKC4-900 | 0    | F21            | 22110-ACD5-E00 | 0    | E06            |                |      |     |
| 19215-LEA7-E00 | 1              | E04  | 22121-ACD5-305 | 0              | E06  | <b>28000</b>   |                |      |     |
| 19217-ZPA3-E00 | 2              | E04  | 22131-LGE5-E00 | 1              | E06  |                |                |      |     |
| 19221-LGE5-E00 | 1              | E04  | 22132-PWB1-305 | 0              | E06  | 28102-LEA7-E00 | 3              | E07  |     |
| 19229-LEA7-E00 | 3              | E04  | 22300-ACD5-E00 | 0              | E06  | 28110-LEA7-E00 | 3              | E07  |     |
| 19231-LEA7-E00 | 5              | E04  | 22350-ACD5-E00 | 0              | E06  | 28120-LDB2-C00 | 0              | E07  |     |
| 19232-LBA2-E00 | 2              | E04  | 22361-LEA7-E00 | 1              | E06  | 28130-LEA7-E00 | 4              | E07  |     |

## PART NO. INDEX

| PART NO.       | VERSION | PAGE | PART NO.       | VERSION | PAGE | PART NO.          | VERSION | PAGE |
|----------------|---------|------|----------------|---------|------|-------------------|---------|------|
| <b>30000</b>   |         |      | <b>33000</b>   |         |      | <b>34000</b>      |         |      |
| 3051A-LKF5-E00 | 4       | F19  | 33100-ACD5-316 | 0       | F01  | 34901-LEC8-E00    | 0       | F01  |
| 30700-KKE3-900 | 2       | F19  | 33100-ACD5-E01 | 0       | F01  | 34903-KPCP-900    | 0       | F18  |
|                |         |      | 33130-LKG7-E00 | 0       | F01  | 34905-LCA5-E00    | 0       | F18  |
| <b>31000</b>   |         |      | 33180-LKG7-E00 | 0       | F01  |                   |         |      |
|                |         |      | 33400-ACD5-E00 | 4       | F17  | <b>35000</b>      |         |      |
| 31110-ACD5-E01 | 0       | E07  | 33450-ACD5-E00 | 4       | F17  |                   |         |      |
| 31120-ACD5-E0A | 4       | E07  | 33700-ACD5-336 | 0       | F18  | 35010-ACD5-325    | 0       | F19  |
| 31210-LEA7-E00 | 3       | E07  | 33700-ACD5-E02 | 0       | F18  | 35101-ACD5-315    | 0       | F19  |
| 31340-LEA7-E00 | 3       | F19  | 33706-ACD5-E00 | 0       | F18  | 35102-ACD5-316    | 0       | F19  |
| 31340-LFH1-E00 | 1       | F19  | 33710-ACD5-315 | 0       | F18  | 35102-ACD5-E00    | 0       | F19  |
| 31500-LGC6-E01 | 1       | F11  | 33720-LBB5-E00 | 4       | F18  | 35111-LDC1-305-M2 | 0       | F26  |
| 31600-PRB8-900 | 2       | F19  | 33726-LBB5-E00 | 1       | F18  | 35111-LDC1-306-M2 | 0       | F26  |
| 3195A-ACD5-E00 | 1       | F19  | 33730-LEA7-M30 | 1       | F06  | 35111-LEA1-307-M2 | 0       | F26  |
|                |         |      | 33734-LEA7-M30 | 0       | F06  | 35119-KHC4-90B    | 0       | F19  |
| <b>32000</b>   |         |      | 33735-LEA7-M30 | 1       | F06  | 3515A-ACD5-E01    | 0       | F03  |
|                |         |      | 33739-LEA7-M30 | 0       | F06  | 3520A-ACD5-E01    | 3       | F03  |
| 32100-ACD5-EZ5 | 0       | F19  | 33741-KHC5-M00 | 1       | F18  | 35340-LKF5-E01    | 2       | F04  |
| 32105-LLJ3-E00 | 2       | E01  | 33760-ACD5-315 | 0       | F18  | 35350-LKF5-E01    | 1       | F04  |
| 32410-ACD5-E00 | 0       | E07  | 33900-LKF5-E00 | 3       | F12  | 35370-LLJ3-E00    | 5       | F15  |
| 32411-ACD5-E00 | 1       | F11  | 33902-LHG7-E00 | 0       | F12  | 35380-ABE1-E00    | 2       | F19  |
| 32412-ACD5-E00 | 1       | E04  | 33903-LHG7-E00 | 0       | F12  | 35390-LKF5-E00    | 4       | F12  |
|                |         |      |                |         |      | 35420-LEA7-E00    | 5       | F19  |
|                |         |      |                |         |      | 35500-KED9-900    | 7       | E01  |

## PART NO. INDEX

| PART NO.       | VERSION | PAGE | PART NO.       | VERSION | PAGE           | PART NO.       | VERSION | PAGE |
|----------------|---------|------|----------------|---------|----------------|----------------|---------|------|
| 35850-KHB4-90A | 5       | F19  | 39301-LDF2-M91 | 1       | E02            | 43352-KKD6-E90 | 1       | F08  |
| <b>37000</b>   |         |      | 39400-LDF2-800 | 3       | E02            | 43352-LEA7-E01 | 4       | F08  |
|                |         |      | 39450-ZVA6-M00 | 1       | F14            | 43353-4A61-77A | 0       | F08  |
|                |         |      | 39700-ACD5-E03 | 0       | E05            | 43353-KED9-900 | 0       | F07  |
|                |         |      | 39800-ACD5-E00 | 0       | E05            | 4335A-LBA2-E01 | 2       | F07  |
| 37200-ACD5-E12 | 0       | F02  |                |         | 43530-LEA7-305 | 1              | F04     |      |
| 37211-LEA7-E00 | 0       | F02  |                |         |                |                |         |      |
| 37780-ACD5-E00 | 1       | F19  | <b>42000</b>   |         |                |                |         |      |
| <b>38000</b>   |         |      |                |         |                | <b>44000</b>   |         |      |
|                |         |      | 42311-LEA7-E00 | 3       | F08            |                |         |      |
|                |         |      | 42312-LEA7-E00 | 1       | F08            | 44301-LEA7-E00 | 3       | F07  |
|                |         |      | 42601-LEA7-E00 | 7       | F08            | 44311-LEA7-E00 | 2       | F07  |
| 38110-KHB4-E0A | 2       | F19  | 42710-ACD5-E00 | 4       | F08            | 44312-LEA7-E00 | 4       | F07  |
| 38200-KHE7-900 | 0       | F19  | 42753-KNBN-90B | 1       | F07            | 44600-LEA7-305 | 0       | F07  |
| 38300-LFB6-700 | 2       | F19  | 42753-KNBN-90B | 1       | F08            | 44620-LEA7-E00 | 3       | F07  |
| 38501-LGL3-90A | 4       | F19  |                |         |                | 44710-ACD5-E00 | 4       | F07  |
| 38506-LFB6-900 | 0       | F19  | <b>43000</b>   |         |                |                |         |      |
| 3860A-AFB6-600 | 5       | F19  |                |         |                | <b>45000</b>   |         |      |
| 38773-KEC3-900 | 0       | F22  |                |         |                |                |         |      |
| 38900-ACD5-E00 | 7       | F05  | 43100-LGE5-E01 | 3       | F08            |                |         |      |
| <b>39000</b>   |         |      | 43105-LGE5-306 | 0       | F08            | 45105-LGE5-305 | 0       | F07  |
|                |         |      | 43109-MCA3-007 | 0       | F08            | 45107-KED9-E00 | 0       | F08  |
|                |         |      | 43126-ACD5-E01 | 9       | F04            | 45107-LGE5-E00 | 0       | F07  |
|                |         |      | 43127-ACD5-E01 | 4       | F04            | 45108-LGE5-E00 | 0       | F07  |
| 39100-ACD5-E00 | 0       | F19  | 43156-LDB2-900 | 2       | F16            | 45109-GBE2-007 | 0       | F07  |
| 39208-AKC3-EZ5 | 0       | F19  | 43156-LEA7-E00 | 2       | F16            | 45109-LGE5-E00 | 0       | F07  |
| 39209-AKC3-EZ5 | 1       | F19  | 43210-LGE5-E00 | 0       | F08            | 45126-ACD5-E01 | 3       | F04  |
| 3920A-ACD5-EZ5 | 3       | F19  | 43351-LKG7-E00 | 0       | F08            |                |         |      |
| 39300-LDF2-M90 | 2       | E02  |                |         |                | 45127-ACD5-E01 | 3       | F04  |

## PART NO. INDEX

| PART NO.       | VERSION | PAGE | PART NO.       | VERSION | PAGE | PART NO.       | VERSION | PAGE |
|----------------|---------|------|----------------|---------|------|----------------|---------|------|
| 45128-LBA2-920 | 3       | F06  |                |         |      | 50530-ZZA6-E00 | 2       | F15  |
| 45129-LBA2-900 | 2       | F06  | <b>50000</b>   |         |      | 50550-KKC2-E00 | 0       | F15  |
| 4512A-LEA7-E00 | 7       | F07  |                |         |      | 50613-ACD5-E00 | 0       | F20  |
| 45130-LGE5-E00 | 0       | F07  | 50100-ACD5-305 | 0       | F20  | 5070A-ACD5-E00 | 0       | F20  |
| 45131-LGE5-E00 | 0       | F08  | 50190-LEA7-E00 | 2       | F20  | 5070A-ACD5-E00 | 3       | F20  |
| 45134-KED9-900 | 0       | F07  | 50306-1F96-001 | 0       | F06  | 5070B-ACD5-E00 | 0       | F20  |
| 45156-LKG7-E00 | 0       | F07  | 50320-ACD5-E00 | 0       | F20  | 5070B-ACD5-E00 | 3       | F20  |
| 45200-LKG7-E00 | 5       | F07  | 50325-ACD5-E03 | 0       | F11  | 50710-ACD5-E00 | 3       | F20  |
| 45203-KED9-900 | 0       | F07  | 50326-ACD5-E03 | 0       | F11  | 50713-KEB7-900 | 0       | F03  |
| 45207-LGE5-E00 | 0       | F07  | 50326-LGJ8-900 | 5       | F12  | 50713-KEB7-900 | 0       | F20  |
| 45209-GBE2-007 | 0       | F07  | 50350-ACD5-E00 | 5       | F20  | 50715-KEB7-900 | 0       | F20  |
| 45209-KED9-900 | 0       | F08  | 50353-ACD5-E00 | 0       | F20  | 50720-ACD5-E00 | 3       | F20  |
| 45210-LKG7-305 | 0       | F07  | 50353-KGN7-901 | 0       | F20  | 50730-LKG7-E00 | 0       | F20  |
| 45352-LEA7-E00 | 4       | F07  | 50353-LEA7-E00 | 1       | F20  | 50740-LKG7-E00 | 0       | F20  |
| 45513-LEA7-E00 | 1       | F04  | 50356-LEA7-E01 | 1       | F20  |                |         |      |
| 45517-LBA2-E00 | 2       | F04  | 50356-LHG7-E00 | 2       | F20  | <b>51000</b>   |         |      |
| 45520-KKA8-900 | 0       | F04  | 50358-LKF5-E01 | 4       | F20  |                |         |      |
| 45521-LEA7-E00 | 1       | F04  | 50359-LKF5-E01 | 1       | F20  | 51400-ACD5-E00 | 1       | F06  |
| 45530-LBA2-309 | 0       | F04  | 50360-ACD5-E00 | 0       | F20  | 51401-LDH1-E00 | 0       | F23  |
| 45531-KED9-900 | 0       | F07  | 50364-KHE7-E00 | 4       | F20  | 51404-LDH1-E00 | 0       | F23  |
| <b>49000</b>   |         |      | 50500-ACD5-E00 | 0       | F15  | 51410-LEA7-E00 | 0       | F23  |
|                |         |      | 50502-LDF7-E10 | 0       | F15  | 51412-LLJ3-E00 | 0       | F23  |
|                |         |      | 50504-ACD5-E00 | 0       | E01  | 51416-LDH1-E00 | 0       | F23  |
| 49100-ACD5-E03 | 1       | F04  | 50505-KEBE-900 | 0       | F15  | 51420-ACD5-E00 | 0       | F23  |
| 49110-LGE5-E01 | 0       | F04  | 50505-LEA7-E00 | 1       | F15  | 51422-KED9-900 | 0       | F23  |
| 49211-LFH1-E00 | 1       | F04  | 50506-KHE7-E00 | 0       | F15  | 51424-LDH1-E00 | 0       | F23  |

## PART NO. INDEX

| PART NO.       | VERSION | PAGE | PART NO.       | VERSION | PAGE | PART NO.       | VERSION | PAGE |
|----------------|---------|------|----------------|---------|------|----------------|---------|------|
| 51425-LEA7-E00 | 2       | F23  | 53175-LKF5-E00 | 0       | F04  | 64222-LEA7-E00 | 2       | F03  |
| 51427-LDH1-E00 | 0       | F23  | 53178-LKF5-E00 | 0       | F04  | 64222-LLJ3-E00 | 1       | F06  |
| 51427-LLJ3-E00 | 0       | F23  | 53200-ACD5-E00 | 3       | F06  | 64223-LEA7-E00 | 5       | F03  |
| 51429-LEA7-E00 | 0       | F23  | 53202-ACD5-E00 | 4       | F03  | 64224-LEA7-E00 | 1       | F03  |
| 51430-LGE5-E00 | 0       | F08  | 53205-ACD5-E00 | 1       | F03  | 64225-LEA7-E00 | 2       | F03  |
| 51437-LDH1-E00 | 0       | F23  | 53206-ACD5-E00 | 1       | F03  | 64226-LEA7-E00 | 2       | F03  |
| 51500-ACD5-E00 | 1       | F06  | 53213-LBA2-E00 | 2       | F06  | 6422A-ACD5-E01 | 0       | F03  |
| 51520-ACD5-E00 | 0       | F23  | 53213-LEA7-E00 | 1       | F06  | 64301-ACD5-E00 | 1       | F05  |
|                |         |      | 53214-ACD5-E01 | 0       | F03  | 64302-ACD5-E00 | 1       | F05  |
| <b>52000</b>   |         |      | 53214-LBA2-E00 | 2       | F06  | 64303-ACD5-E00 | 1       | F05  |
|                |         |      | 53220-LBA2-E00 | 4       | F06  | 64305-ACD5-E00 | 1       | F05  |
| 52000-ACD5-E00 | 5       | F16  | 53240-LEA7-90A | 2       | F06  | 64306-ACD5-E00 | 1       | F05  |
| 52101-LGE5-E01 | 0       | F16  | 53250-LEA7-90A | 2       | F06  | 64308-ACD5-E00 | 0       | F05  |
| 52103-ACD5-E01 | 0       | F16  |                |         |      | 64309-ACD5-E00 | 0       | F05  |
| 52400-ACD5-E00 | 1       | F16  | <b>61000</b>   |         |      | 64310-ACD5-E00 | 0       | F05  |
| 52407-LLB1-900 | 1       | F04  |                |         |      | 64311-ACD5-E00 | 0       | F05  |
| 52500-ACD5-E00 | 1       | F16  | 61100-ACD5-E00 | 0       | F06  | 64313-ACD5-E00 | 1       | F05  |
|                |         |      | 61110-ACD5-E00 | 1       | F05  | 64315-ACD5-EZ5 | 0       | F20  |
| <b>53000</b>   |         |      | 61111-ACD5-E00 | 0       | F06  | 64320-ACD5-E00 | 0       | F05  |
|                |         |      | 61112-ACD5-E00 | 0       | F06  | 64330-ACD5-E00 | 0       | F05  |
| 53100-ACD5-E00 | 1       | F03  |                |         |      | 64335-ACD5-E00 | 1       | F05  |
| 53105-LEA7-E00 | 4       | F03  | <b>64000</b>   |         |      | 64340-ACD5-E00 | 0       | F05  |
| 53106-LEA7-E00 | 4       | F03  |                |         |      | 64345-ACD5-E00 | 0       | F05  |
| 53125-LEA7-E00 | 2       | F03  | 64203-ACD5-E00 | 0       | F05  | 64350-ACD5-E00 | 0       | F05  |
| 53140-ACD5-E01 | 3       | F03  | 64220-ACD5-E01 | 1       | F03  | 64360-ACD5-E00 | 0       | F05  |
| 53150-ACD5-E01 | 3       | F03  | 64221-LEA7-E00 | 2       | F03  | 64400-ACD5-E00 | 1       | F05  |

## PART NO. INDEX

| PART NO.       | VERSION | PAGE | PART NO.       | VERSION | PAGE | PART NO.       | VERSION | PAGE |
|----------------|---------|------|----------------|---------|------|----------------|---------|------|
| 64401-ZZA6-E00 | 0       | F05  | 80153-LKF5-E00 | 1       | F05  | 81220-LKG7-E00 | 0       | F12  |
|                |         |      | 8015A-ACD5-E00 | 0       | F05  | 81252-KKE5-E00 | 2       | F12  |
| <b>77000</b>   |         |      | <b>81000</b>   |         |      | 81252-LEA7-E00 | 1       | F12  |
| 77200-ACD5-349 | 0       | F09  |                |         |      | 81255-ACD5-E01 | 0       | F12  |
| 77206-KEB7-900 | 0       | F09  | 81122-ACD5-E00 | 0       | F05  | 81260-ACD5-E01 | 0       | F12  |
| 77235-ZZA6-E00 | 1       | F19  | 81123-ACD5-E00 | 1       | F05  | <b>83000</b>   |         |      |
| 77240-ACD5-E30 | 2       | F19  | 81124-ACD5-E00 | 0       | F05  |                |         |      |
| 77300-ACD5-E00 | 1       | F09  | 81125-ACD5-E00 | 0       | F05  | 83500-ACD5-E00 | 1       | F12  |
| 77303-ZZA6-E00 | 4       | F09  | 81131-ACD5-E00 | 0       | F05  | 83510-ACD5-E00 | 0       | F05  |
| 77500-LEA7-E00 | 2       | F09  | 81132-ACD5-E00 | 0       | F05  | 83520-ACD5-E00 | 0       | F12  |
| 77501-LBA2-E00 | 1       | F09  | 81133-ACD5-E00 | 1       | F05  | 83530-ACD5-E00 | 0       | F12  |
| <b>80000</b>   |         |      | 81134-ACD5-E00 | 0       | F05  | 83532-ACD5-E00 | 1       | F05  |
|                |         |      | 81135-ACD5-E00 | 0       | F05  | 83534-ACD5-E00 | 1       | F05  |
| 80100-ACD5-E01 | 0       | F18  | 81136-ACD5-E00 | 1       | F05  | 83550-KEC8-900 | 4       | F06  |
| 80101-ACD5-E00 | 0       | F18  | 81136-LEA7-E00 | 2       | F05  | 83550-KEC8-900 | 4       | F18  |
| 80103-LEA7-E00 | 2       | F18  | 8113A-ACD5-E00 | 7       | F05  | 83551-KEC8-900 | 4       | F06  |
| 80104-LKG7-E00 | 0       | F18  | 8113B-ACD5-E00 | 7       | F05  | 83551-KEC8-900 | 4       | F18  |
| 80105-ACD5-E00 | 0       | F18  | 81141-ACD5-E00 | 0       | F05  | 83600-ACD5-E00 | 1       | F12  |
| 80106-LKF5-E00 | 0       | F18  | 81142-ACD5-E00 | 0       | F05  | 83610-ACD5-E00 | 0       | F05  |
| 80107-LKF5-E00 | 0       | F18  | 81151-ACD5-E00 | 1       | F05  | 83620-ACD5-E00 | 0       | F12  |
| 80108-LKG7-E00 | 0       | F18  | 81153-ACD5-E00 | 1       | F03  | 83630-ACD5-E00 | 0       | F12  |
| 80151-ACD5-E00 | 0       | F05  | 81163-ACD5-E00 | 1       | F03  | 83750-ACD5-E00 | 1       | F12  |
| 80152-ACD5-E00 | 0       | F05  | 81163-LKJ1-900 | 3       | F05  |                |         |      |
| 80153-LEA7-E00 | 3       | F05  | 81164-LKJ1-900 | 0       | F05  |                |         |      |
|                |         |      | 81200-ACD5-E00 | 3       | F12  |                |         |      |

## PART NO. INDEX

| PART NO.       | VERSION | PAGE | PART NO.       | VERSION | PAGE | PART NO.       | VERSION | PAGE |
|----------------|---------|------|----------------|---------|------|----------------|---------|------|
| <b>86000</b>   |         |      | 88130-KEBE-900 | 1       | F03  | 90106-GEN5-901 | 1       | F03  |
|                |         |      | <b>89000</b>   |         |      | 90106-KFAF-900 | 2       | F12  |
| 86102-ALG1-E00 | 2       | F25  |                |         |      | 90106-KFC2-900 | 2       | F03  |
| 86102-ALG1-E00 | 5       | F25  | 89010-ACD5-E00 | 3       | F09  | 90106-LKF5-E00 | 2       | F20  |
| 86202-ACD5-E01 | 4       | F25  | 89020-KKC4-900 | 1       | F09  | 90107-ACD5-E00 | 0       | F12  |
| 86332-ACD5-E01 | 5       | F25  |                |         |      | 90107-LEA7-E00 | 4       | F03  |
| 86408-ACD5-E00 | 2       | F25  | <b>90000</b>   |         |      | 90107-LEA7-E00 | 4       | F06  |
| 86730-ACD5-E00 | 3       | F24  |                |         |      | 90108-KKC4-900 | 1       | F15  |
| <b>87000</b>   |         |      | 90001-GBHB-661 | 3       | E03  | 90112-KNBN-901 | 1       | F11  |
|                |         |      | 90001-GBHB-661 | 3       | E07  | 90113-KKA8-900 | 0       | F04  |
|                |         |      | 90001-GBHB-681 | 3       | F13  | 90113-LGE5-E01 | 0       | F04  |
| 87206-ACD5-E00 | 2       | F24  | 90001-GFY6-901 | 5       | E02  | 90114-KED9-900 | 3       | F20  |
| 87505-ACD5-E00 | 2       | F24  | 90001-LEA7-E00 | 2       | E02  | 90114-LGE5-E01 | 0       | F04  |
| 87508-KKC4-E00 | 2       | F03  | 90005-KED9-900 | 2       | E03  | 90117-KED9-950 | 1       | F20  |
| 87512-KEBE-E00 | 1       | F24  | 9000B-KHD6-900 | 2       | E02  | 90122-LEA7-E00 | 2       | F07  |
| 87541-GAR1-E00 | 2       | F24  | 90012-3C33-001 | 1       | E02  | 90122-LEA7-E00 | 2       | F08  |
| 87541-KKC2-E00 | 2       | F24  | 90017-KKE5-E00 | 4       | E02  | 90145-LEA3-E00 | 1       | F04  |
| 87542-GAR1-E00 | 3       | F24  | 90032-LEA7-E00 | 2       | E01  | 90145-LFH1-E00 | 1       | F04  |
| 87546-ADG5-E00 | 2       | F24  | 90033-KGB4-C00 | 2       | E02  | 90201-KHE7-900 | 1       | E06  |
| 87560-GFY6-E00 | 5       | F24  | 90084-KKF9-901 | 0       | E04  | 90201-KHR8-75A | 1       | E06  |
| <b>88000</b>   |         |      | 9008A-PTA1-900 | 3       | E04  | 90201-KHR8-75A | 1       | E07  |
|                |         |      | 90103-LGE5-E00 | 1       | F14  | 90202-LEA7-E00 | 3       | E06  |
|                |         |      | 90105-KHB4-900 | 0       | F03  | 90206-0A01-001 | 4       | E02  |
| 88110-ACD5-E01 | 2       | F03  | 90105-LEA7-E00 | 1       | F07  | 90215-KKC4-900 | 2       | F09  |
| 88120-ACD5-E01 | 2       | F03  | 90105-LEA7-E00 | 1       | F08  | 90215-KKC4-900 | 2       | F12  |
|                |         |      |                |         |      | 90215-KKC4-900 | 2       | F18  |

## PART NO. INDEX

| PART NO.       | VERSION | PAGE | PART NO.       | VERSION | PAGE | PART NO.       | VERSION | PAGE |
|----------------|---------|------|----------------|---------|------|----------------|---------|------|
| 90301-6D34-671 | 1       | F01  | 90312-LLJ3-E00 | 1       | F03  | 90656-KUDU-900 | 0       | F19  |
| 90301-6D34-671 | 1       | F10  | 90312-LLJ3-E01 | 0       | F06  | 90660-PWA2-900 | 1       | F22  |
| 90301-6D34-671 | 1       | F21  | 90401-KKJ9-001 | 0       | E07  | 90677-GAR1-004 | 2       | F11  |
| 90301-GFY6-901 | 2       | F14  | 90401-LEA7-E00 | 1       | E06  | 90701-9E65-001 | 0       | E01  |
| 90302-GBR2-001 | 2       | F18  | 90402-LEA7-E00 | 4       | E03  | 90754-LLJ3-E00 | 1       | F07  |
| 90302-GFY6-940 | 2       | F11  | 90403-LEA7-E00 | 1       | E06  | 90914-KED9-900 | 3       | E02  |
| 90302-GFY6-940 | 2       | F19  | 90423-KKJ9-001 | 0       | E04  | 90914-LEA7-E05 | 2       | F21  |
| 90302-LBF2-900 | 2       | F16  | 90428-9H58-001 | 0       | E04  |                |         |      |
| 90302-LKB9-900 | 4       | F03  | 90441-ACD5-E00 | 0       | F14  | <b>91000</b>   |         |      |
| 90302-LKB9-900 | 4       | F05  | 90474-3C33-001 | 1       | E01  |                |         |      |
| 90302-LKB9-900 | 4       | F12  | 90478-7L00-001 | 0       | E02  | 91002-GGA7-70A | 0       | E06  |
| 90302-LKB9-900 | 4       | F20  | 90478-7L00-001 | 0       | E04  | 91004-LEA7-E00 | 1       | E06  |
| 90302-LLB1-E00 | 2       | F03  | 90503-LEA7-E00 | 2       | F06  | 91005-LBA7-900 | 1       | E01  |
| 90302-LLB1-E00 | 2       | F13  | 9052A-LEB1-900 | 2       | E01  | 91009-KHE7-900 | 0       | E01  |
| 90302-LLB1-E00 | 2       | F16  | 90541-KED9-900 | 1       | E02  | 91201-LEA7-E00 | 1       | E01  |
| 90302-PWA5-900 | 1       | F18  | 90544-KEC8-900 | 0       | F23  | 91202-LEA7-E0A | 4       | E08  |
| 90302-SDA4-004 | 3       | F12  | 90545-3L00-001 | 2       | F04  | 91202-LKG2-900 | 1       | E04  |
| 90304-LBD4-900 | 2       | F20  | 90601-LLJ3-E00 | 0       | F23  | 91211-KHE7-900 | 0       | E06  |
| 90304-LEA1-900 | 1       | F03  | 90605-1F66-721 | 0       | E06  | 91251-LLJ3-E00 | 0       | F23  |
| 90304-LEA1-900 | 1       | F15  | 90651-LEA2-900 | 0       | F19  | 91255-LGE5-E00 | 1       | F16  |
| 90304-LEA1-900 | 1       | F16  | 90651-LLJ3-E00 | 0       | F23  | 91255-LKG7-E00 | 1       | E01  |
| 90304-LEA1-900 | 1       | F20  | 90652-ACD5-B80 | 0       | F13  | 91255-LLB1-900 | 2       | F16  |
| 90304-ZZA6-E00 | 0       | F19  | 90652-KHE7-900 | 0       | F13  | 91301-2L00-001 | 0       | E01  |
| 90305-KKAK-900 | 0       | F08  | 90652-LCA4-E00 | 6       | F12  | 91301-LDF2-M90 | 2       | E02  |
| 90305-LBA2-E00 | 1       | F06  | 90652-LDG7-900 | 1       | E02  | 91302-5G67-004 | 0       | E04  |
| 90305-LBD4-900 | 1       | F20  | 90652-LFB5-900 | 3       | F05  | 91302-LDF2-M90 | 2       | E02  |



## PART NO. INDEX

| PART NO.       | VERSION | PAGE | PART NO.       | VERSION | PAGE | PART NO.       | VERSION | PAGE |
|----------------|---------|------|----------------|---------|------|----------------|---------|------|
| 91302-LEA7-E00 | 1       | E02  | 93404-06016-06 | 1       | F12  | 93903-35360    | 0       | F01  |
| 91303-3G77-001 | 0       | E04  | 93404-06016-06 | 1       | F15  | 93903-35360    | 0       | F02  |
| 91303-LEA7-E00 | 1       | E04  | 93404-06016-06 | 1       | F18  | 93903-35360    | 0       | F03  |
| 91304-LGE5-E00 | 1       | F20  | 93404-06016-06 | 1       | F20  | 93903-45260    | 0       | F12  |
| 91306-1E05-691 | 0       | E03  | 93404-06016-06 | 1       | F21  | 93903-KEB7-900 | 1       | F03  |
| 91306-PUA5-E00 | 3       | E01  | 93404-06025-06 | 0       | F21  | 93903-LHJ8-910 | 1       | F03  |
| 91307-0E35-001 | 1       | E04  | 93500-03010-0F | 0       | E07  | 93903-LHJ8-910 | 1       | F05  |
| 91307-PUA5-E00 | 3       | E01  | 93500-KHC4-90A | 0       | F19  |                |         |      |
| 91309-4E25-004 | 0       | E07  | 93600-04012-1G | 0       | F04  | <b>94000</b>   |         |      |
| 91351-KHE7-900 | 0       | E06  | 93600-06032-0F | 0       | E07  |                |         |      |
| 91507-LEA7-E00 | 1       | F19  | 93891-04014-06 | 0       | E05  | 94030-PTA1-800 | 2       | E05  |
| 91552-LEA7-E00 | 1       | E01  | 93893-04012-18 | 0       | F04  | 94050-05080    | 0       | F18  |
|                |         |      | 93903-24360    | 0       | F05  | 94050-06060    | 1       | F04  |
| <b>92000</b>   |         |      | 93903-25260    | 1       | F03  | 94050-06060    | 1       | F19  |
|                |         |      | 93903-25260    | 1       | F05  | 94050-06060    | 1       | F20  |
| 92000-05016-0G | 0       | E02  | 93903-25260    | 1       | F06  | 94050-06080    | 2       | E02  |
| 92101-05012-0G | 0       | E01  | 93903-25260    | 1       | F12  | 94050-06080    | 2       | E05  |
| 92101-05012-0G | 0       | E07  | 93903-25260    | 1       | F17  | 94050-06080    | 2       | F06  |
| 92101-05032-0G | 0       | E07  | 93903-25260    | 1       | F18  | 94050-06080    | 2       | F09  |
| 92900-06040-0E | 2       | E02  | 93903-25260    | 1       | F20  | 94050-06080    | 2       | F21  |
|                |         |      | 93903-25360    | 0       | E01  | 94050-08060    | 0       | F19  |
| <b>93000</b>   |         |      | 93903-25360    | 0       | F13  | 94050-10060    | 0       | E01  |
|                |         |      | 93903-25460    | 0       | F13  | 94101-06000    | 0       | F20  |
| 93401-LEA7-900 | 1       | F14  | 93903-34360    | 0       | F12  | 94101-06700    | 0       | F14  |
| 93404-06016-06 | 1       | F03  | 93903-34360    | 0       | F18  | 94101-08600    | 0       | F15  |
| 93404-06016-06 | 1       | F05  | 93903-34760    | 0       | F05  | 94101-LBA2-E00 | 1       | F20  |

## PART NO. INDEX

| PART NO.       | VERSION | PAGE | PART NO.       | VERSION | PAGE | PART NO.       | VERSION | PAGE |
|----------------|---------|------|----------------|---------|------|----------------|---------|------|
| 94101-LEA2-900 | 0       | F14  |                |         |      | 95701-08040-06 | 0       | E08  |
| 94102-LBA2-E00 | 1       | F20  | <b>95000</b>   |         |      | 95701-LDF2-800 | 2       | F10  |
| 94111-06700    | 0       | F14  |                |         |      | 95701-LEA5-E00 | 1       | F19  |
| 94111-06800    | 0       | E05  | 95001-45330-40 | 0       | F22  | 95801-08040-06 | 0       | F06  |
| 94201-20180    | 0       | F15  | 95001-80330-40 | 0       | F22  | 95801-10030-06 | 0       | F15  |
| 94251-08400    | 0       | F20  | 95002-02070    | 2       | E05  | 95801-10040-06 | 0       | F16  |
| 94301-08100    | 1       | E02  | 95002-02070    | 2       | F22  | 95801-10060-06 | 0       | F14  |
| 94301-08140    | 4       | E04  | 95002-02080    | 0       | F05  | 95801-10060-06 | 0       | F16  |
| 94301-10160    | 0       | E01  | 95002-02080    | 0       | F22  |                |         |      |
| 94301-10160    | 0       | E04  | 95002-02100    | 0       | F21  | <b>96000</b>   |         |      |
| 94301-10160    | 0       | E08  | 95002-41150-00 | 0       | F13  |                |         |      |
| 94301-12200    | 1       | E02  | 95002-41250-00 | 0       | F13  | 96001-06008-07 | 0       | F14  |
| 94301-12200    | 1       | E03  | 95002-50000    | 0       | E01  | 96001-06010-00 | 0       | E04  |
| 94303-04065    | 0       | E07  | 95002-70000    | 0       | F21  | 96001-06010-06 | 0       | E02  |
| 94401-25140    | 4       | E03  | 95002-KED9-M31 | 4       | F13  | 96001-06012-06 | 0       | E07  |
| 94510-10000    | 0       | E07  | 95014-72204    | 0       | F15  | 96001-06012-06 | 0       | F06  |
| 94510-14000    | 0       | E04  | 95701-06008-06 | 1       | F06  | 96001-06012-06 | 0       | F16  |
| 94510-25000    | 0       | E08  | 95701-06012-06 | 1       | F06  | 96001-06012-06 | 0       | F19  |
| 94520-28000    | 0       | E06  | 95701-06012-06 | 1       | F07  | 96001-06020-06 | 0       | E01  |
| 94520-47000    | 0       | E01  | 95701-06016-06 | 1       | E02  | 96001-06022-06 | 1       | E04  |
| 94520-47000    | 0       | F16  | 95701-06016-06 | 1       | F20  | 96001-06025-06 | 0       | E02  |
| 94591-KFBF-900 | 2       | E02  | 95701-06045-06 | 0       | F06  | 96001-06025-06 | 0       | E03  |
| 94601-KKE5-E01 | 5       | E03  | 95701-06045-06 | 0       | F20  | 96001-06028-06 | 0       | E04  |
| 94608-LLJ3-E00 | 0       | F23  | 95701-06050-06 | 0       | F04  | 96001-06028-06 | 0       | F04  |
|                |         |      | 95701-08012-06 | 0       | E01  | 96001-06030-06 | 0       | E01  |
|                |         |      | 95701-08035-06 | 1       | E08  | 96001-06035-06 | 0       | E04  |

## PART NO. INDEX

| PART NO.       | VERSION | PAGE | PART NO. | VERSION | PAGE | PART NO. | VERSION | PAGE |
|----------------|---------|------|----------|---------|------|----------|---------|------|
| 96001-06070-06 | 0       | E01  |          |         |      |          |         |      |
| 96001-06080-06 | 1       | E01  |          |         |      |          |         |      |
| 96001-GFY6-900 | 2       | F13  |          |         |      |          |         |      |
| 96100-62050-00 | 2       | E08  |          |         |      |          |         |      |
| 96100-63020-00 | 0       | E01  |          |         |      |          |         |      |
| 96100-63020-00 | 0       | E08  |          |         |      |          |         |      |
| 96100-63040-00 | 1       | E08  |          |         |      |          |         |      |
| 96150-60020-10 | 0       | F07  |          |         |      |          |         |      |
| 96150-62040-10 | 0       | F16  |          |         |      |          |         |      |
| 96211-08000    | 19      | F20  |          |         |      |          |         |      |
| 96600-08015-16 | 0       | E07  |          |         |      |          |         |      |
| 96600-LBA2-E00 | 0       | F23  |          |         |      |          |         |      |
| 96600-LGE5-E00 | 0       | F07  |          |         |      |          |         |      |
| 96700-KED9-900 | 3       | F06  |          |         |      |          |         |      |
| <b>98000</b>   |         |      |          |         |      |          |         |      |
| 98059-57916-00 | 2       | E02  |          |         |      |          |         |      |
| 98200-31000    | 1       | F11  |          |         |      |          |         |      |
| 98200-31000    | 1       | F19  |          |         |      |          |         |      |
| 98200-31500    | 1       | F11  |          |         |      |          |         |      |
| 98200-31500    | 1       | F19  |          |         |      |          |         |      |
| 98200-32500    | 0       | F19  |          |         |      |          |         |      |
| 98200-33000    | 0       | F11  |          |         |      |          |         |      |
| 98200-33000    | 0       | F19  |          |         |      |          |         |      |