

PARTS CATALOGUE



SCOOTERS

SK64GC(PT)

New Super Dink 350



Release Date : 2018/10/28
Print Date : 2022/08/03

ABOUT THIS PARTS LIST

- This parts list is compiled all service parts for model SK64GC(PT).
- Any difference between color chart and motorcycle will be revised according to motorcycle.
- The Mark:
 1. Marking "***" must add color code in the end before ordering parts.
 2. Marking "#" are parts with modification, Please find the details from e-Parts system.
- When modification or additions to this parts list are made a revised edition at an appropriate time.



CONTENTS

● ABOUT THIS PARTS LIST	1
● COLOR CHART OF SK64GC(PT)	3
● CONTENTS-ENGINE GROUP	8
● CONTENTS-FRAME GROUP	9
● ENGINE PARTS LIST	12
● FRAME PARTS LIST	42
● PART NO. INDEX	126

NO	MODEL			COLOR CHART OF SK64GC(PT)			
	PHOTO NO			NO. 1	NO. 2	NO. 3	NO. 4
	BASIC COLOR			Mat White	Pearly Black	Mat Silver Crystal	Shiny Red
	CODE			Mat White	Pearly Black	Mat Silver Crystal	Shiny Red
	PARTS NAME	PARTS NO.	VERSION	NH265FA	NH359PA	NH263FA	RR344FA
1	FENDER FRONT	61100-ACD5-E00	0	D2V	D39	D3F	DE9
2	MOLDING B R SIDE	64308-ACD5-E00	0	J1P			
3	MOLDING B L SIDE	64309-ACD5-E00	0				
4	TOP COVER FRONT	64313-ACD5-E00	1	J2P			
5	CENTER COVER FRONT	64203-ACD5-E00	0	J8P			
6	MOLDING A R SIDE	64302-ACD5-E00	1				
7	MOLDING A L SIDE	64303-ACD5-E00	1				
8	SKIRT R SIDE	64305-ACD5-E00	1				
9	SKIRT L SIDE	64306-ACD5-E00	1				
10	COVER R BODY	83500-ACD5-E00	1				
11	COVER L BODY	83600-ACD5-E00	1				
12	COVER A RR CENTER	83750-ACD5-E00	1				
13	CALIPER ASSY RR	43100-LGE5-E01	3	JBA			
14	BRACKET FR CALIPER	43210-LGE5-E00	0				
15	CALIPER ASSY FR	45200-LKG7-E00	5				
16	SIDE COVER L COVER	11345-ACD5-E00	0	JBP			
17	L COVER COVER COMP	1134A-ACD5-E00	0				
18	L COVER COVER COMP	1134B-ACD5-E00	0				
19	FENDER COVER R SIDE	61111-ACD5-E00	0				
20	FENDER COVER L SIDE	61112-ACD5-E00	0				
21	BAR ASSY R RR STEP	5070A-ACD5-E00	3	JHA			
22	BAR ASSY L RR STEP	5070B-ACD5-E00	3				
23	BAR R RR STEP	50710-ACD5-E00	3				
24	BAR L RR STEP	50720-ACD5-E00	3				
25	END R STRG HANDLE	53105-ACD5-E00	3	JHS			
DATE OF STARTING-SALES							
DATE OF END-SALES							

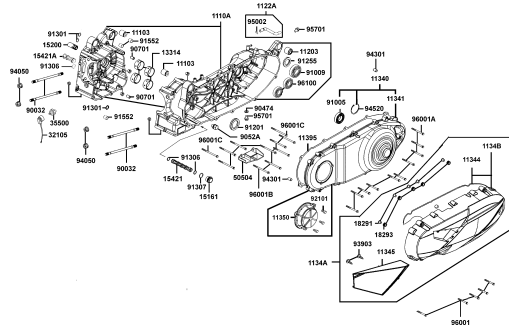
NO	MODEL			COLOR CHART OF SK64GC(PT)			
	PHOTO NO			NO. 1	NO. 2	NO. 3	NO. 4
	BASIC COLOR			Mat White	Pearly Black	Mat Silver Crystal	Shiny Red
	CODE			Mat White	Pearly Black	Mat Silver Crystal	Shiny Red
	PARTS NAME	PARTS NO.	VERSION	NH265FA	NH359PA	NH263FA	RR344FA
26	END L STRG HANDLE	53106-ACD5-E00	3	JHS			
27	LEVER R STRG HANDLE	53175-LKF5-E00	0	M3A			
28	LEVER L STRG HANDLE	53178-LKF5-E00	0				
29	COVER COMP RIGHT	11330-LEA7-E00	19	MLA			
30	COVER R SIDE	83510-ACD5-E00	0	N1P	JSP	N1P	
31	COVER L SIDE	83610-ACD5-E00	0				
32	COVER FRONT	64301-ACD5-E00	1	N1P			
33	COVER R SIDE SKIRT	64335-ACD5-E00	1				
34	COVER L SIDE SKIRT	64345-ACD5-E00	0	N1P			
35	LEG SHIELD UP	81141-ACD5-E00	0				
36	COVER.BATTERY	50326-LGJ8-900	5	N1P	NHP	N1P	
37	COVER UNDER	50613-ACD5-E00	0				
38	GRIP R HANDLE	53140-LHJ3-900	3	N1R			
39	GRIP L HANDLE	53150-LEA6-900	6				
40	COVER METER FR	53202-ACD5-E00	4				
41	COVER HANDLE UP	53205-ACD5-E00	1				
42	COVER HANDLE LOW	53206-ACD5-E00	1				
43	COVER METER	53214-ACD5-E00	6				
44	INNER FENDER FRONT	61110-ACD5-E00	1				
45	PLUG WIND SCREEN	64223-LEA7-E00	5				
46	PANEL R FLOOR	64310-ACD5-E00	0				
47	LID RESERVE TANK	64311-ACD5-E00	0				
48	MAT R FLOOR	64320-ACD5-E00	0				
49	PANEL L FLOOR	64330-ACD5-E00	0				
50	MAT L FLOOR	64340-ACD5-E00	0				
DATE OF STARTING-SALES							
DATE OF END-SALES							

NO	MODEL			COLOR CHART OF SK64GC(PT)			
	PHOTO NO			NO. 1	NO. 2	NO. 3	NO. 4
	BASIC COLOR			Mat White	Pearly Black	Mat Silver Crystal	Shiny Red
	CODE			Mat White	Pearly Black	Mat Silver Crystal	Shiny Red
	PARTS NAME	PARTS NO.	VERSION	NH265FA	NH359PA	NH263FA	RR344FA
51	MAT R LEG SHIELD	64350-ACD5-E00	0	N1R			
52	MAT L LEG SHIELD	64360-ACD5-E00	0				
53	COWL UNDER	64400-ACD5-E00	1				
54	FENDER A RR	80101-ACD5-E00	0				
55	FENDER REAR	80105-ACD5-E00	0				
56	RR FENDER LOW	80106-LKF5-E00	0				
57	COVER LICENSE LIGHT	80107-LKF5-E00	0				
58	COVER CENTER	80151-ACD5-E00	0				
59	LID FUEL CAP MAINT	80152-ACD5-E00	0				
60	LID ASSY FUEL CAP	8015A-ACD5-E00	0				
61	LIDR FR INNER BOX	81122-ACD5-E00	0				
62	COVER R INNER LID	81123-ACD5-E00	1				
63	BOX R FR INNER BOX	81124-ACD5-E00	0				
64	LEG SHIELD	81131-ACD5-E00	0				
65	LID L FR INNER BOX	81132-ACD5-E00	0				
66	COVER L INNER LID	81133-ACD5-E00	1				
67	BOX L FR INNER BOX	81134-ACD5-E00	0				
68	BOX ASSY. R FRONT	8113A-ACD5-E00	7				
69	BOX ASSY. L FRONT	8113B-ACD5-E00	7				
70	LEG SHIELD UP A	81142-ACD5-E00	0				
71	COVER KEY	81151-ACD5-E00	1				
72	COVER R LOCKLESS	81153-ACD5-E00	1				
73	COVER L LOCKLESS	81163-ACD5-E00	1				
74	BOX ASSY LUGGAGE	81260-ACD5-E01	0				
75	RR MOLDING R SIDE	83520-ACD5-E00	0				
DATE OF STARTING-SALES							
DATE OF END-SALES							

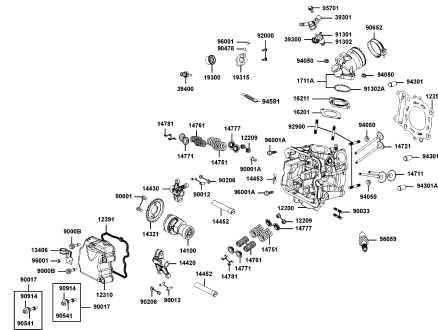
NO	MODEL			COLOR CHART OF SK64GC(PT)			
	PHOTO NO			NO. 1	NO. 2	NO. 3	NO. 4
	BASIC COLOR			Mat White	Pearly Black	Mat Silver Crystal	Shiny Red
	CODE			Mat White	Pearly Black	Mat Silver Crystal	Shiny Red
	PARTS NAME	PARTS NO.	VERSION	NH265FA	NH359PA	NH263FA	RR344FA
76	BOARD B R SIDE	83532-ACD5-E00	1	N1R			
77	BOARD B L SIDE	83534-ACD5-E00	1				
78	RR MOLDING L SIDE	83620-ACD5-E00	0				
79	BAND HARNESS WIRE	90656-KUDU-900	0				
80	COVER WATER PUMP	19221-LGE5-E00	1	NEA			
81	BRACKET COMP FR	45210-LKG7-305	0				
82	FORK ASSY FR RH	51400-ACD5-E30	2				
83	BOTTOM CASE R	51420-ACD5-E00	0				
84	FORK ASSY FR LH	51500-ACD5-E30	2				
85	BOTTOM CASE L	51520-ACD5-E00	0				
86	CAP ACG	90084-KKF9-901	0				
87	CAP ASSY	9008A-PTA1-900	3	NEP			
88	CARRIER REAR	81200-ACD5-E00	3				
89	CAP RR GRIP	81220-LKG7-E00	0				
90	PROTECTOR EXHAUST	18325-ACD5-E00	1	NES			
91	CUSHION ASSY RR R/H	52400-ACD5-E30	0				
92	CUSHION ASSY RR L/H	52500-ACD5-E30	0	NHA			
93	WHEEL COMP RR	42601-LEA7-E00	7				
94	WHEEL ASSY FR	44600-LEA7-305	0				
95	FORK ASSY RR	52000-ACD5-E00	5	NHP			
96	BOARD A R SIDE (Met	83530-ACD5-E00	0				
97	BOARD A L SIDE (Met	83630-ACD5-E00	0	T01			
98	WIND SCREEN	64220-ACD5-E63	1				
99	WIND SCREEN ASSY	6422A-ACD5-E63	1				
100	SEAT ASSY (REACH)	77200-ACD5-339	0				
DATE OF STARTING-SALES							
DATE OF END-SALES							

CONTENTS - ENGINE GROUP

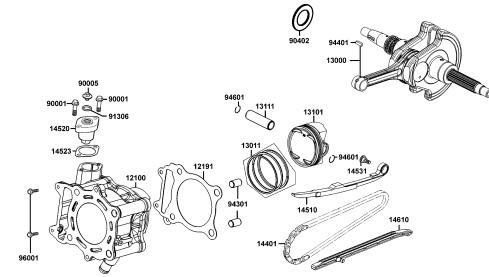
E01 Crank Case



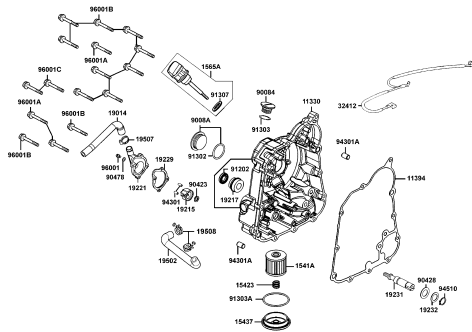
E02 Cylinder Head Cover Cylinder



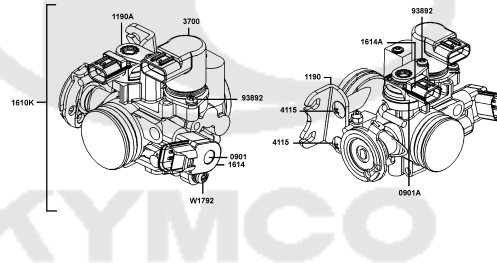
E03 Cylinder Piston Crankshaft



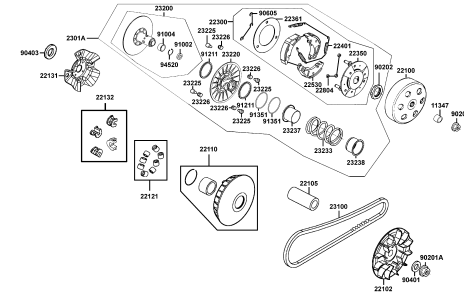
E04 Right Crankcase Cover Water



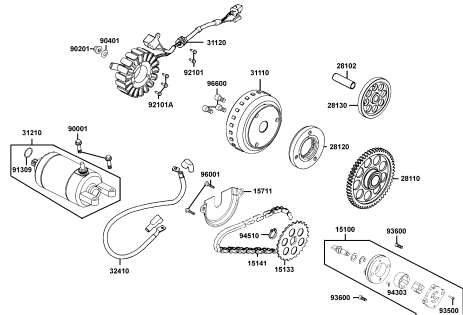
E05 Throttle Body Assy



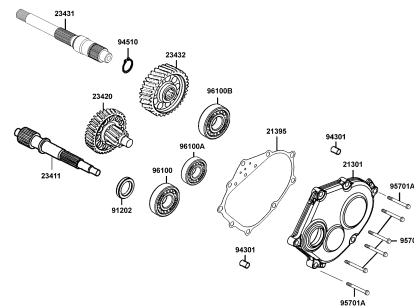
E06 Drive Pulley



E07 Starting Motor Generator

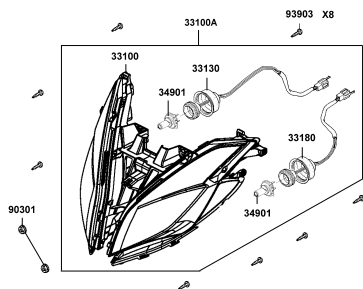


E08 Shaft Reduction

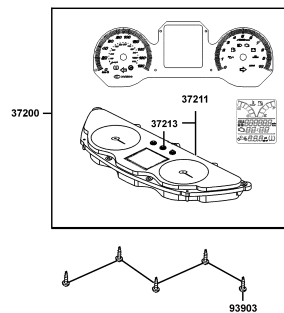


CONTENTS - FRAME GROUP

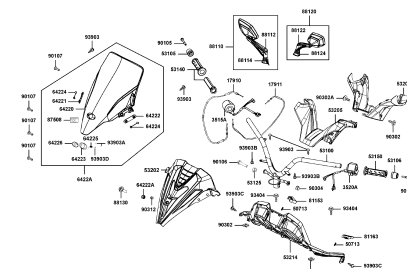
F01 Head Light



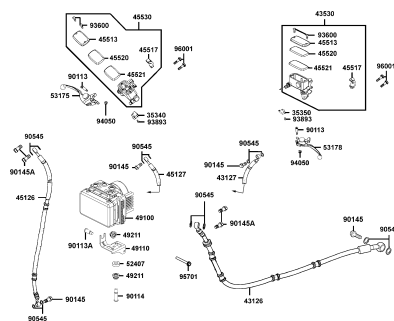
F02 Speed meter



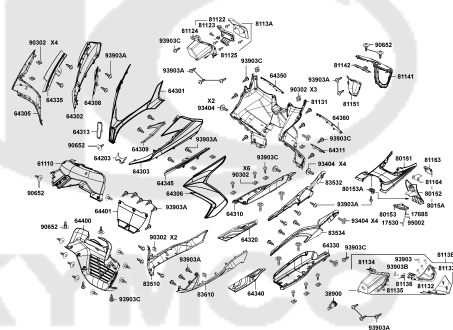
F03 Handle Steering



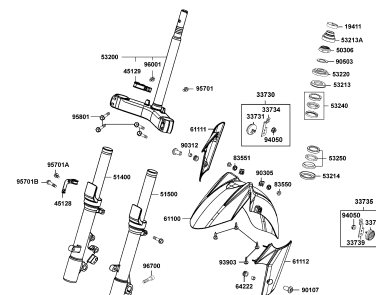
F04 Master Cylinder



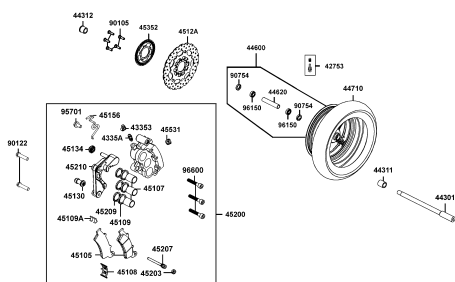
F05 Fender Front



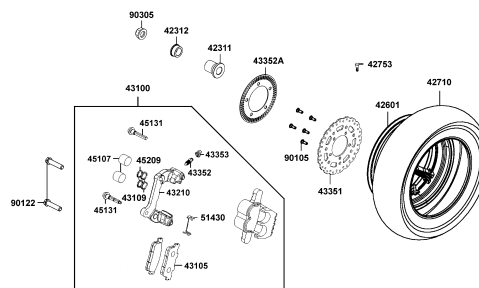
F06 Stem Steering



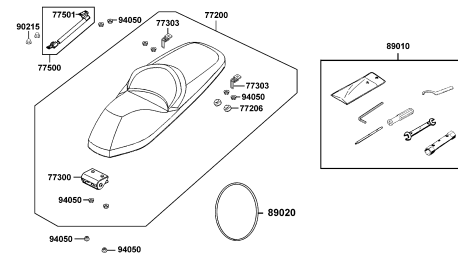
F07 Front Wheel



F08 Rear Wheel

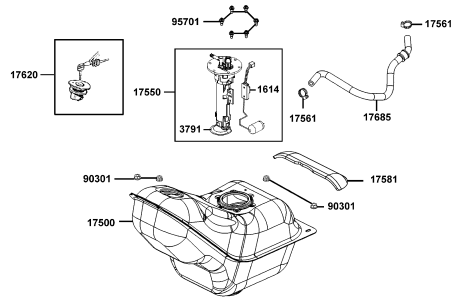


F09 Seat

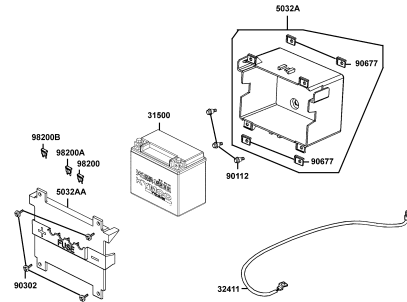


CONTENTS - FRAME GROUP

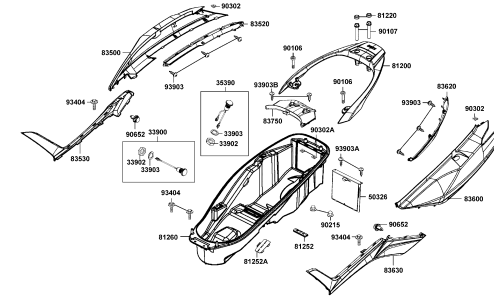
F10 Fuel Tank



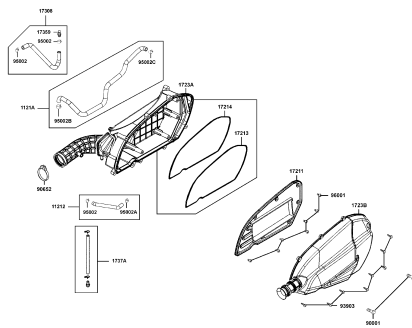
F11 Battery



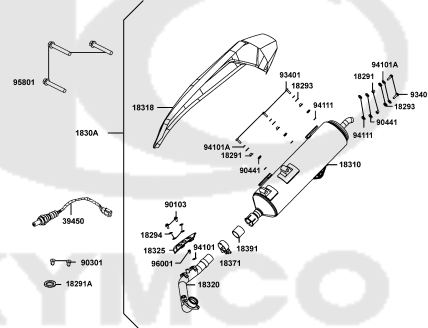
F12 Body Cover Luggage Box



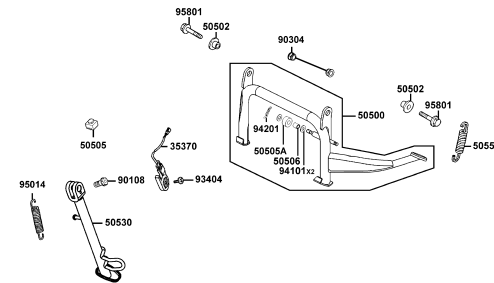
F13 Air Cleaner



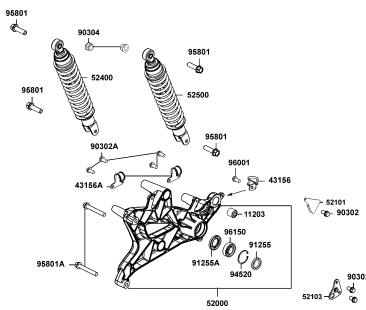
F14 Exhaust Muffler



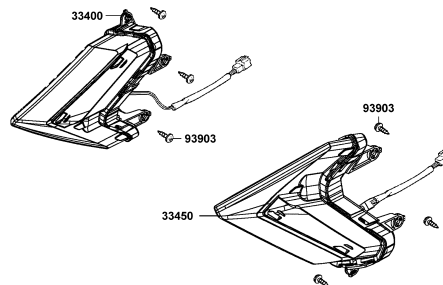
F15 Stand



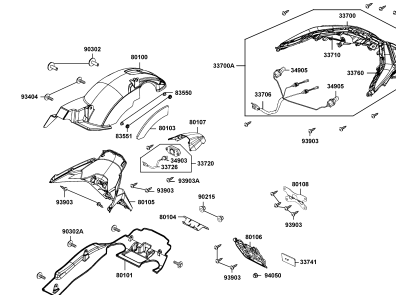
F16 Rr Cushion



F17 Front Winker

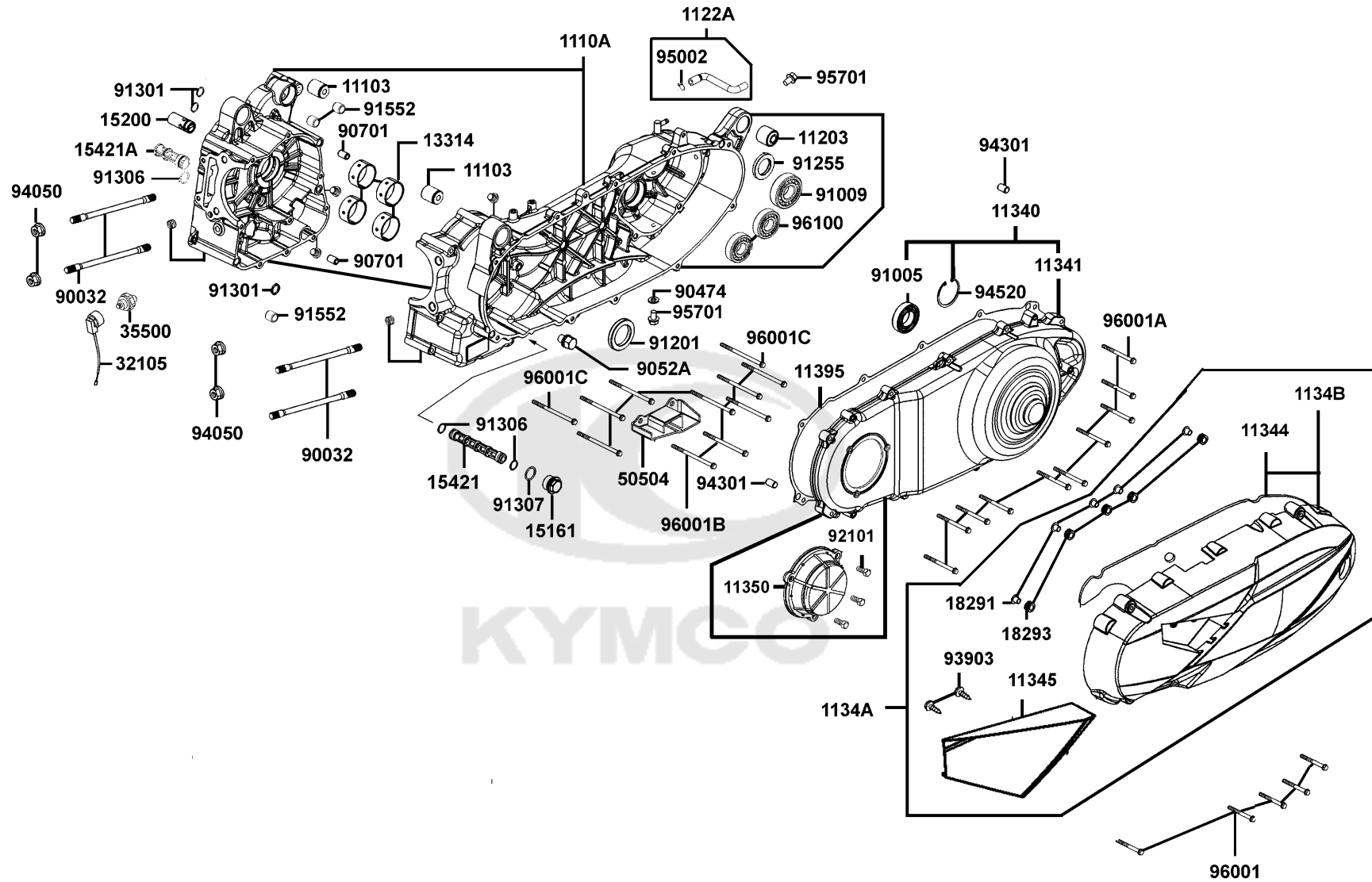


F18 Light Tail



E01

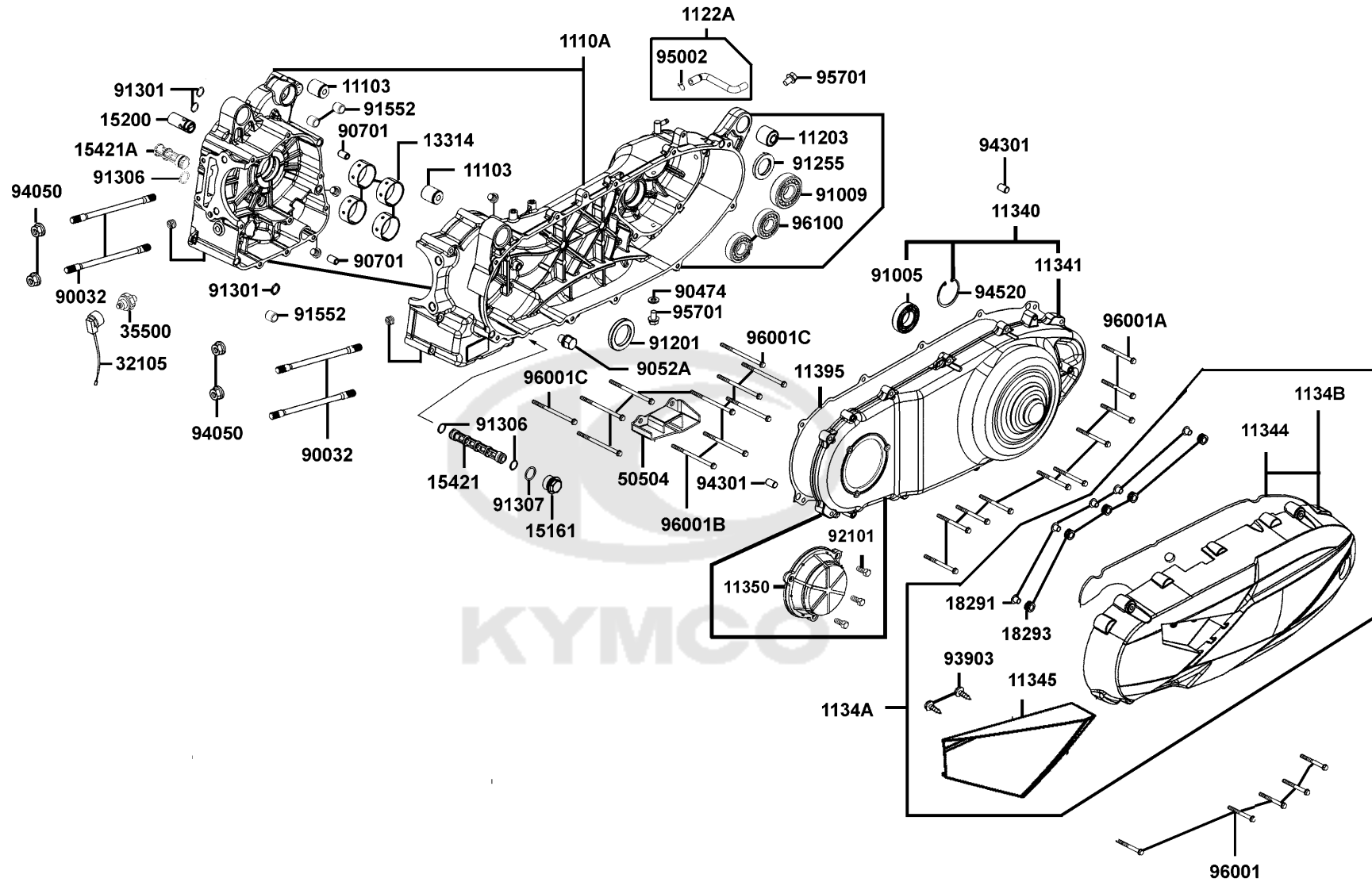
Crank Case



Sales mark	Ref no	Part no	Description	Reg description	Regd no	E01
#	11103	11103-KHE7-90A	RUB BUSH ENG HANGER	RUB BUSH ENG HANGER	2	
	1110A	1110A-ACD5-305	CRANKCASE ASSEMBLY	CRANKCASE ASSEMBLY	1	
	11203	11203-LBA2-E00	RUB BUSH L CASE	RUB BUSH L CASE	1	
	1122A	1122A-LEA7-E00	TUBE ASSY BREATHER	TUBE ASSY BREATHER	1	
	11340	11340-LEA7-E02	COVER COMP L SIDE	COVER COMP., L SIDE	1	
	11341	11341-LEA7-E01	COVER L CRANK CASE	COVER. L. CRANK CASE	1	
	11344	11344-ACD5-E00	FOAM TEXTURE	FOAM TEXTURE	1	
**	11345	11345-ACD5-E00	SIDE COVER L COVER (Mat Black)	SIDE COVER L COVER (Mat Black)	1	
**	1134A	1134A-ACD5-E00	L COVER COVER COMP (Mat Black)	L COVER COVER COMP (Mat Black)	1	
**	1134B	1134B-ACD5-E00	L COVER COVER COMP (Mat Black)	L COVER COVER COMP (Mat Black)	1	
	11350	11350-LEA7-E02	ELEMENT ASSY L COVER	ELEMENT ASSY L COVER	1	
	11395	11395-LEA7-E00	GASKET L COVER @A	GASKETL COVER	1	
	13314	13314-LEA7-E0A	BEARING CRANK SHAFT A	BEARING CRANK SHAFT A (RED/1.995~1.998)	1	
	13314	13314-LEA7-E0B	BEARING CRANK SHAFT A	BEARING CRANK SHAFT A	1	
	13314	13314-LEA7-E0C	BEARING CRANK SHAFT A	BEARING CRANK SHAFT A	1	
	15161	15161-PUA5-E00	PLUG SCREW SECTION FILTER	PLUG SCREW SECTION FILTER	1	
	15200	15200-KED9-900	OIL RELIEF VALVE ASSY	OIL RELIEF VALVE ASSY	1	
	15421	15421-LEA7-E00	SCREEN OIL FILTER	SCREEN OIL FILTER	1	
	15421A	15421-LEA7-E05	SCREEN OIL FILTER	SCREEN OIL FILTER	1	
	18291	18291-KKC4-900	COLLAR	COLLAR	5	

E01

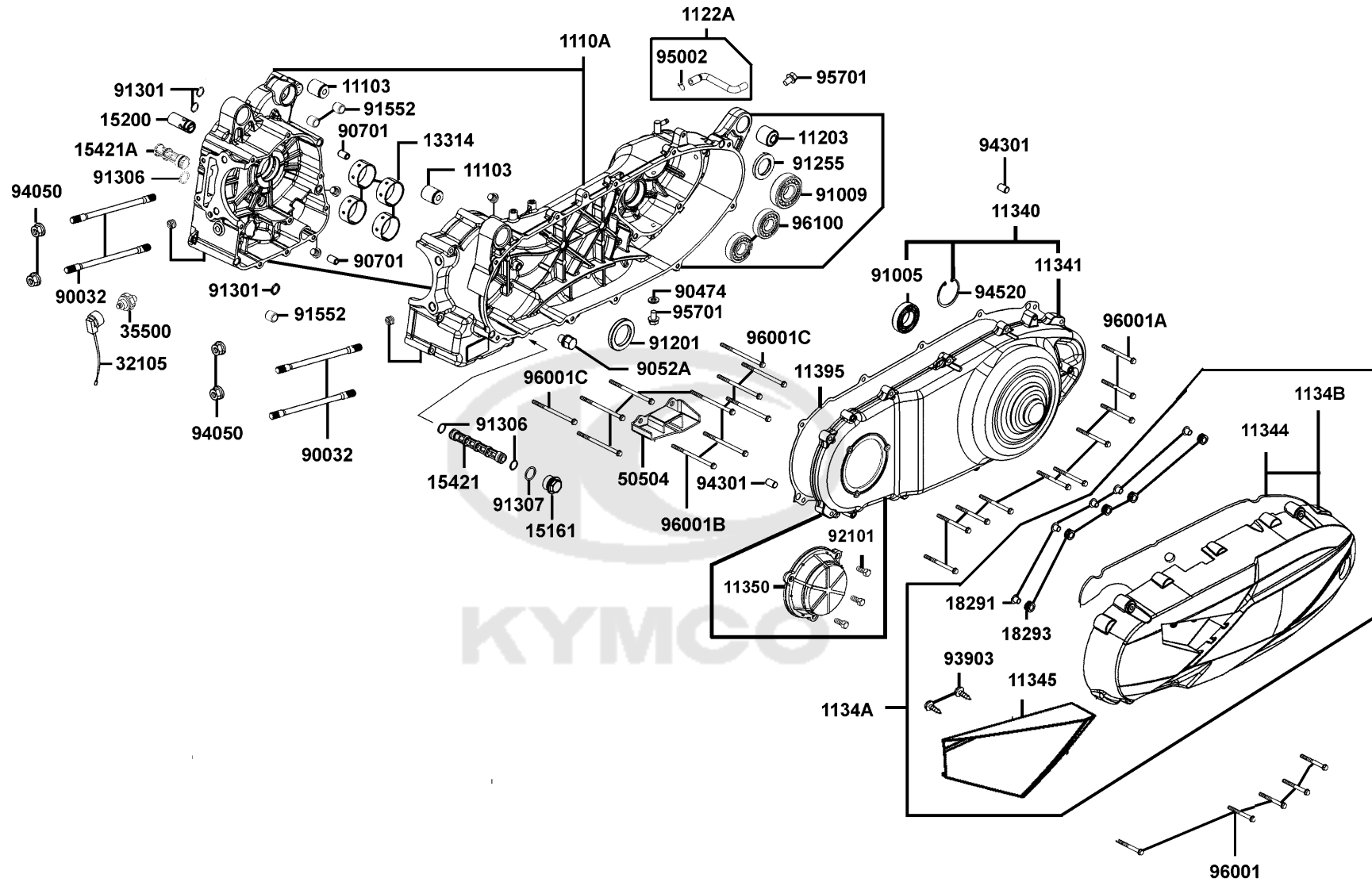
Crank Case



Sales mark	Ref no	Part no	Description	Reg description	Regd no	E01
	18293	18293-KKC4-900	RUBBER	RUBBER	5	
	32105	32105-LLJ3-E00	SUB HARNESS	SUB HARNESS	1	
	35500	35500-KED9-900	SW ASSY OIL PRESSURE	SW ASSY OIL PRESSURE	1	
	50504	50504-ACD5-E00	STOPPER PLATE MAIN STAND	STOPPER PLATE MAIN STAND	1	
	90032	90032-LEA7-E00	BOLT B STUD 10*180	BOLT B STUD 10*180	4	
	90474	90474-3C33-001	WASHER 8MM	WASHER 8MM	1	
	9052A	9052A-LEB1-900	BOLT ASSY DRAIN PLUG	BOLT ASSY DRAIN PLUG	1	
	90701	90701-9E65-001	PIN DOWEL 10*16	PIN DOWEL 10*16	2	
	91005	91005-LBA7-900	BRG BALL RADIAL 6005LLU	BRG BALL RADIAL 6005LLU	1	
	91009	91009-KHE7-900	BRG BALL RADIAL 6205LLU	BRG BALL RADIAL 6205LLU	1	
	91201	91201-LEA7-E00	OIL SEAL 35*50*7	OIL SEAL 35*50*7	1	
	91255	91255-LKG7-E00	OIL SEAL 34*54*8	OIL SEAL 34*54*8	1	
	91301	91301-2L00-001	O-RING 10*1.6	O-RING 10*1.6	3	
	91306	91306-PUA5-E00	O-RING 13*1.5	O-RING 13*1.5	2	
	91307	91307-PUA5-E00	O-RING 18*2	O-RING 18*2	1	
	91552	91552-LEA7-E00	COLLAR.10.5MM	COLLAR.10.5MM	3	
	92101	92101-05012-0G	BOLT HEX 5X12	BOLT HEX 5*12	3	
	93903	93903-25360	SCREW TAPPING 5*16	SCREW TAPPING 5*16	2	
	94050	94050-10060	NUT FLANGE 10MM	NUT FLANGE 10MM	4	
	94301	94301-10160	DOWEL PIN 10*16	DOWEL PIN 10*16	2	

E01

Crank Case



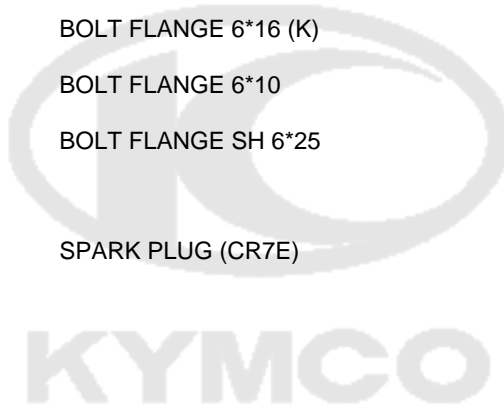
Sales mark	Ref no	Part no	Description	Reg description	Regd no	E01
94520		94520-47000	CIR CLIP IN 47	CIR CLIP IN 47	1	
95002		95002-50000	CLIP C9 TUBE	CLIP C9 TUBE	1	
95701		95701-08012-06	BOLT FLANGE 8*12	BOLT FLANGE 8*12	2	
96001		96001-06020-06	BOLT FLANGE SH 6*20	BOLT FLANGE SH 6*20	5	
96001A		96001-06030-06	BOLT FLANGE SH 6X30	BOLT FLANGE SH 6X30	10	
96001B		96001-06070-06	BOLT FLANGE SH 6*70	BOLT FLANGE SH 6*70	9	
96001C		96001-06080-06	BOLT FLANGE SH 6X80	BOLT FLANGE SH 6X80	2	
96100		96100-63020-00	BRG BALL RADIAL 6302	BRG BALL RADIAL 6302	2	



Sales mark	Ref no	Part no	Description	Reg description	Regd no	E02
	12200	12200-ACD5-E00	HEAD COMP CYLINDER	HEAD COMP.. CYLINDER	1	
	12209	12209-GDB4-68B	SEAL VALVE STEM	SEAL VALVE STEM	1	
	12251	12251-ACD5-E00	GASKET CYLINDER HEAD	GASKET CYLINDER HEAD	1	
	12310	12310-LEA7-E00	COVER COMP CYLN HEAD	COVER COMP CYLN HEAD	1	
	12391	12391-LEA7-E00	GASKET HEAD COVER	GASKET HEAD COVER	1	
	13406	13406-LEA7-E00	PLATE FUEL INJECTOR	PLATE FUEL INJECTOR	1	
	14100	14100-ACD5-E00	SHAFT COMP CAM	SHAFT COMP CAM	1	
	14321	14321-LEA7-E00	SPROCKET CAMSHAFT	SPROCKET CAMSHAFT	1	
	14420	14420-ACD5-E00	ARM COMP. EXH VALVE ROCKER	ARM COMP. EXH VALVE ROCKER	1	
	14430	14430-ACD5-E00	ARM COMP. IN VALVE ROCKER	ARM COMP. IN VALVE ROCKER	1	
	14452	14452-LEA7-E00	SHAFT EX ROCKER ARM	SHAFT EX ROCKER ARM	2	
	14453	14453-LEA7-E00	SET PLATE ROCKER ARM SHAFT	SET PLATE ROCKER ARM SHAFT	1	
	14711	14711-LGE5-E00	VALVE.IN	VALVE.IN	1	
	14721	14721-LEA7-E00	VALVE EXHAUST	VALVE EXHAUST	2	
	14751	14751-LEA7-E00	SPRING VALVE OUTER	SPRING VALVE OUTER	4	
	14761	14761-LEA7-E00	SPRING VALVE INNER	SPRING VALVE INNER	4	
	14771	14771-GDB4-680	RETAINER VALVE SPRING	RETAINER VALVE SPRING	4	
	14777	14777-LBA2-E00	SEAT VALVE SPG	SEAT VALVE SPG	4	
	14781	14781-MFA6-001	COTTER VALVE	COTTER VALVE	8	
	16201	16201-LEA7-E00	GASKET CARB INSULATOR @A	GASKETCARB INSULATOR A	1	

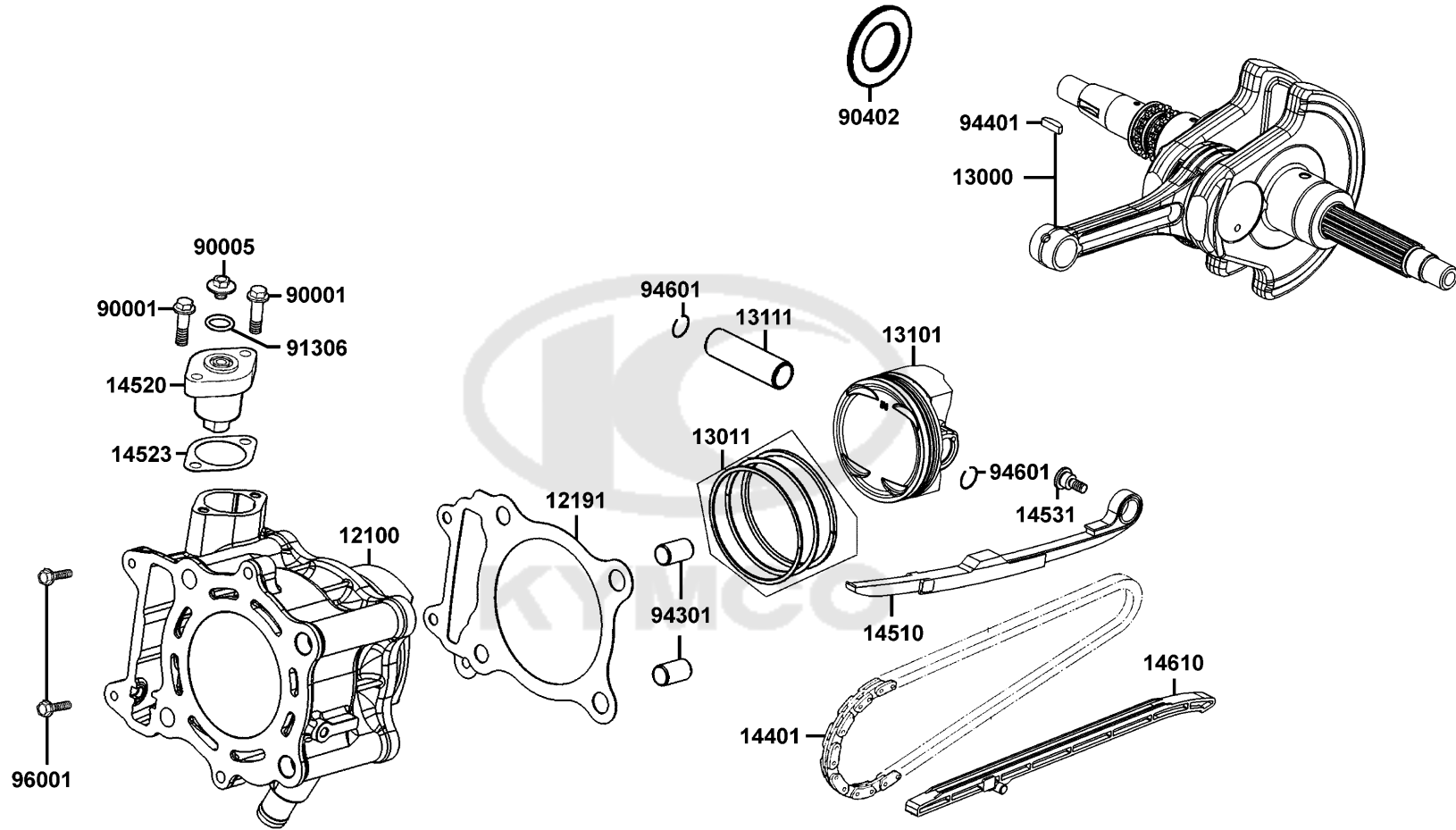
Sales mark	Ref no	Part no	Description	Reg description	Regd no	E02
16211		16211-LEA7-E00	INSULATOR CARB	INSULATOR CARB	1	
1711A		1711A-LEA7-E05	PIPE ASSY INLET	PIPE ASSY INLET	1	
19300		19300-LFA7-E0A	THERMOSTAT ASSY.	THERMOSTAT ASSY.	1	
19315		19315-LFA7-E00	COVER THERMOSTAT	COVER THERMOSTAT	1	
39300		39300-LDF2-M90	INJECTOR UNIT FUEL	INJECTOR UNIT FUEL	1	
39301		39301-LDF2-M91	CUP COMP FUEL INJECTOR	CUP COMP FUEL INJECTOR	1	
39400		39400-LDF2-800	WATER TEMP SENSOR	WATER TEMP SENSOR	1	
90001		90001-GFY6-901	SOCKET BOLT 6*10 (B)	SOCKET BOLT 6*10 (B)	1	
90001A		90001-LEA7-E00	SOCKET BOLT	SOCKET BOLT	1	
9000B		9000B-KHD6-900	BOLT ASSY SPECIAL 6*41.5	BOLT ASSY SPECIAL 6*41.5	2	
90012		90012-3C33-001	SCREW TAPPET ADJUSTING	SCREW TAPPET ADJUSTING	4	
90017		90017-KKE5-E00	BOLT ASSY HEAD COVER	BOLT ASSY HEAD COVER	2	
90033		90033-KGB4-C00	BOLT STUD M8X40 (C)	BOLT STUD M8X40 (C)	2	
90206		90206-0A01-001	NUT TAPPET ADJG	NUT TAPPET ADJG	4	
90478		90478-7L00-001	WASHER A 6MM	WASHER A 6MM	1	
90541		90541-KED9-900	RUBBER MOUNTING	RUBBER MOUNTING	2	
90652		90652-LDG7-900	C-HOPE 50~70	C-HOPE 50~70	1	
90914		90914-KED9-900	WASHER HEAD COVER BOLT	WASHER HEAD COVER BOLT	2	
91301		91301-LDF2-M90	O-RING 7.3*2.2 (BLACK)	O-RING 7.3X2.2	1	
91302		91302-LDF2-M90	SEAL RING	SEAL RING	1	

Sales mark	Ref no	Part no	Description	Reg description	Regd no	E02
91302A		91302-LEA7-E00	O-RING	O-RING	1	
92000		92000-05016-0G	BOLT HEX 5X16	BOLT HEX 5X16	2	
92900		92900-06040-0E	BOLT STUD 6*40	BOLT STUD 6*40	4	
94050		94050-06060	NUT FLANGE 6MM	NUT FLANGE 6MM	4	
94301		94301-08100	DOWEL PIN 8*10	DOWEL PIN 8*10	1	
94301A		94301-12200	DOWEL PIN 12*20	DOWEL PIN 12*20	2	
94591		94591-KFBF-900	CLIP 2*70	CLIP 2*70	1	
95701		95701-06016-06	BOLT FLANGE 6*16 (K)	BOLT FLANGE 6*16 (K)	1	
96001		96001-06010-06	BOLT FLANGE 6*10	BOLT FLANGE 6*10	3	
96001A		96001-06025-06	BOLT FLANGE SH 6*25	BOLT FLANGE SH 6*25	2	
98059		98059-57916-00	SPARK PLUG (CR7E)	SPARK PLUG (CR7E)	1	



E03

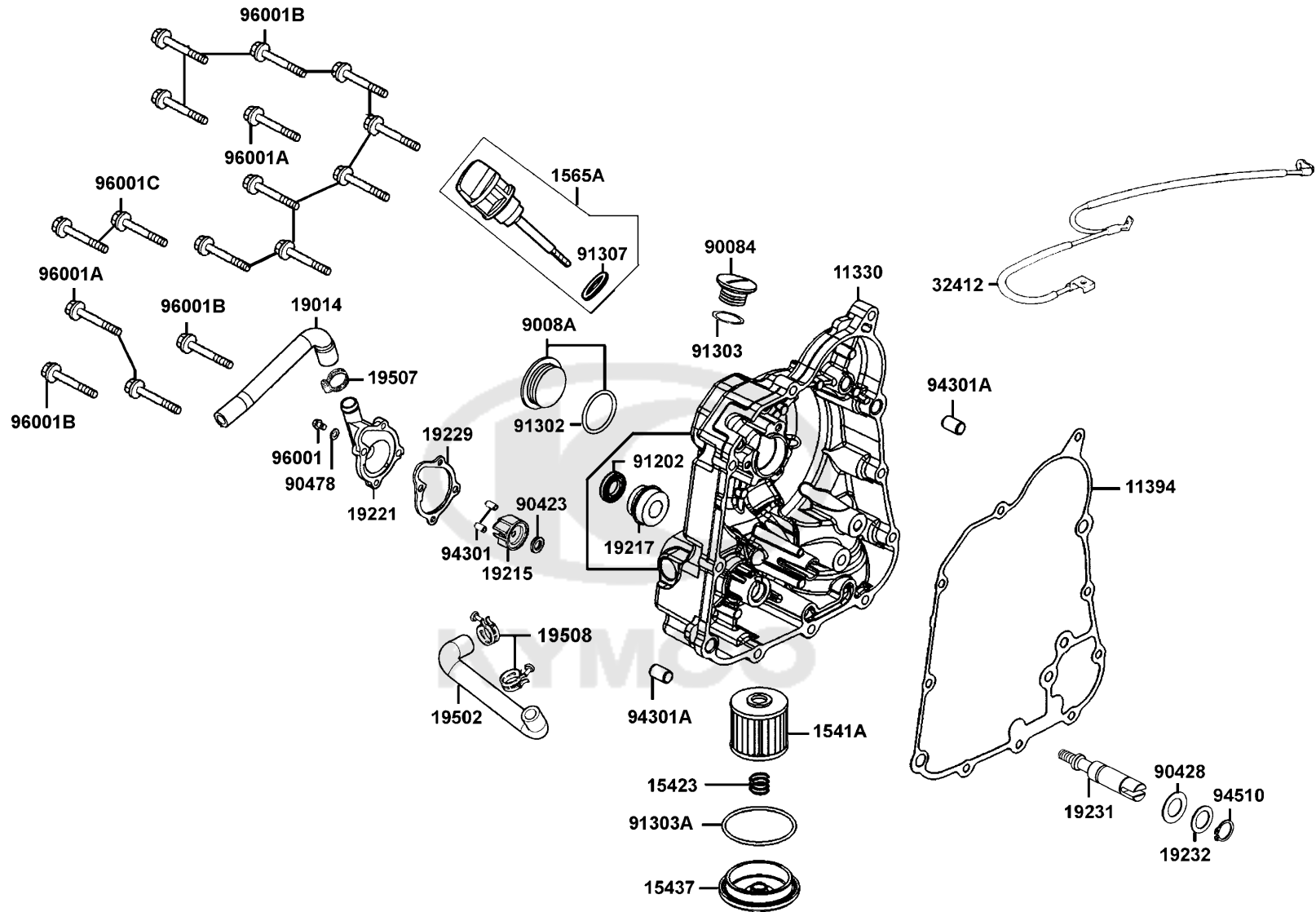
Cylinder Piston Crankshaft



Sales mark	Ref no	Part no	Description	Reg description	Regd no	E03
	12100	12100-ACD5-E00	CYLINDER COMP (A)	CYLINDER COMP.	1	
	12191	12191-ACD5-E00	GASKET CYLINDER	GASKET CYLINDER	1	
	13000	13000-ACD5-E00	CRANK SHAFT COMP	CRANK SHAFT COMP	1	
	13011	13011-ACD5-E00	RING ASSY PISTON	RING ASSY PISTON	1	
	13101	13101-ACD5-E00	PISTON	PISTON	1	
	13111	13111-KKE5-E01	PIN PISTON	PIN PISTON	1	
	14401	14401-PWB1-900	CHAIN CAM	CHAIN CAM	1	
	14510	14510-LEA7-E00	TENSIONER CAM CHAIN	TENSIONER CAM CHAIN	1	
	14520	14520-KED9-900	LIFTER ASSY TENSIONER	LIFTER ASSY TENSIONER	1	
#	14523	14523-KED9-920	GASKET TENSIONER LIFTER @A	GASKET TENSIONER LIFTER @A	1	
	14531	14531-KHE7-900	PIVOT CAM CHAIN TENSIONER	PIVOT CAM CHAIN TENSIONER	1	
	14610	14610-LEA7-E00	GUIDE COMP CAM CHAIN	GUIDE COMP CAM CHAIN	1	
	90001	90001-GBHB-661	BOLT FLANGE SH 6*22	BOLT FLANGE SH 6*22	2	
	90005	90005-KED9-900	BOLT SPECIAL 6*6	BOLT SPECIAL 6*6	1	
	90402	90402-LEA7-E00	THRUST WASHER 36X60X3	THRUST WASHER 36X60X3	1	
	91306	91306-1E05-691	O-RING 1.5*9.5	O-RING 1.5*9.5	1	
	94301	94301-12200	DOWEL PIN 12*20	DOWEL PIN 12*20	2	
	94401	94401-25140	WOODRUFF KEY 25*14	WOODRUFF KEY 25*14	1	
	94601	94601-KKE5-E01	CLIP PISTON PIN	CLIP PISTON PIN	2	
	96001	96001-06025-06	BOLT FLANGE SH 6*25	BOLT FLANGE SH 6*25	2	

E04

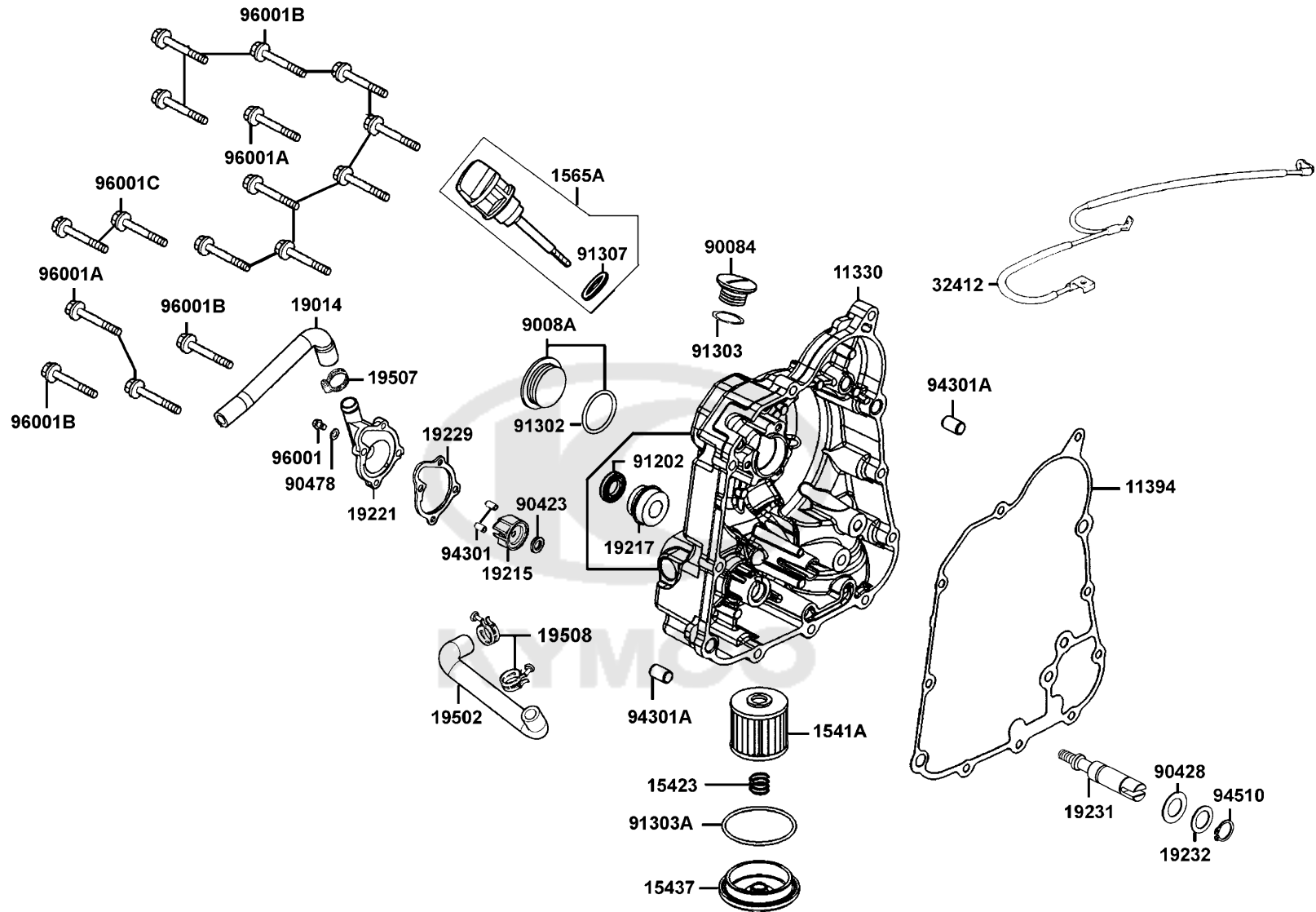
Right Crankcase Cover Water Pump



Sales mark	Ref no	Part no	Description	Reg description	Regd no	E04
**	11330	11330-LEA7-E00	COVER COMP RIGHT CRANK CASE	COVER COMP RIGHT CRANK CASE	1	
	11394	11394-LEA7-E00	GASKET R COVER @A	GASKET R COVER @A	1	
	1541A	1541A-LEA7-E00	ELEMENT ASSY OIL FILTER	ELEMENT ASSY OIL FILTER	1	
	15423	15423-KKC3-900	SPRING CAP OIL	SPRING CAP OIL	1	
	15437	15437-LEA7-E00	CAP OIL FILTER	CAP OIL FILTER	1	
	1565A	1565A-GFY6-900	GAUGE OIL LEVEL ASSY	GAUGE OIL LEVEL ASSY	1	
	19014	19014-ACD5-E00	HOSE WATER OUTLET	HOSE WATER OUT	1	
	19215	19215-LEA7-E00	IMPELLER WATER PUMP	IMPELLER WATER PUMP	1	
	19217	19217-ZPA3-E00	SEAL MECHANICAL	SEAL MECHANICAL	1	
**	19221	19221-LGE5-E00	COVER WATER PUMP	COVER WATER PUMP	1	
	19229	19229-LEA7-E00	GASKET WATER PUMP	GASKET WATER PUMP	1	
	19231	19231-LEA7-E00	SHAFT WATER PUMP	SHAFT WATER PUMP	1	
	19232	19232-LBA2-E00	WASHER 21*13.8*1.5	WASHER 21*13.8*1.5	1	
	19502	19502-LEA7-E00	HOSE B WATER	HOSE B WATER	1	
#	19507	19507-LDB5-E00	CLAMP D 28	CLAMP D 28	1	
	19508	19508-LBA2-E00	CLAMP WATER HOSE	CLAMP WATER HOSE	2	
	32412	32412-ACD5-E00	CABLE. EARTH	CABLE. EARTH	1	
**	90084	90084-KKF9-901	CAP AC GENERATOR (Mat Black)	CAP AC GENERATOR (Mat Black)	1	
**	9008A	9008A-PTA1-900	CAP ASSY	CAP ASSY	1	
	90423	90423-KKJ9-001	WASHER 7.2*13*1.2	WASHER 7.2*13*1.2	1	

E04

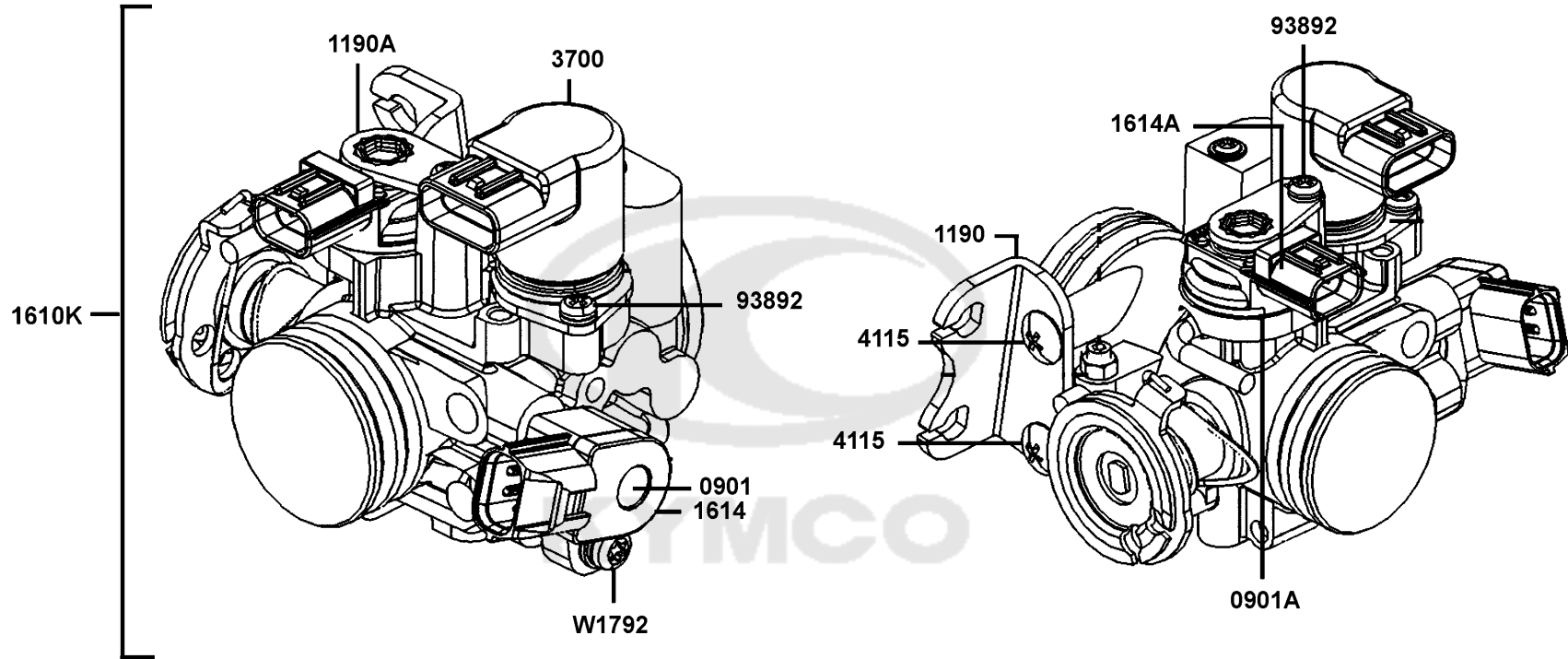
Right Crankcase Cover Water Pump



Sales mark	Ref no	Part no	Description	Reg description	Regd no	E04
90428		90428-9H58-001	WASHER THRUST 14MM B	WASHER THRUST 14MM B	1	
90478		90478-7L00-001	WASHER A 6MM	WASHER A 6MM	1	
91202		91202-LKG2-900	OIL SEAL 13.7*24*5	OIL SEAL 13.7*24*5	1	
91302		91302-5G67-004	O-RING 27.4*2.4	O-RING 27.4*2.4	1	
91303		91303-3G77-001	O-RING 13.8*2.5	O-RING 13.8*2.5	1	
91303A		91303-LEA7-E00	O-RING 52.5x2.5	O-RING 52.5x2.5	1	
91307		91307-0E35-001	O RING 18*3	O RING 18*3	1	
94301		94301-08140	DOWEL PIN 8*14	DOWEL PIN 8*14	2	
94301A		94301-10160	DOWEL PIN 10*16	DOWEL PIN 10*16	2	
94510		94510-14000	CIR CLIP EXTERNAL 14	CIR CLIP EXTERNAL 14	1	
96001		96001-06010-00	BOLT FLANGE SH 6X10	BOLT FLANGE SH 6X10	1	
96001A		96001-06022-06	BOLT FLANGE SH 6*22 (G)	BOLT FLANGE SH 6*22 (G)	3	
96001B		96001-06028-06	BOLT FLANGE SH 6*28	BOLT FLANGE SH 6*28	11	
96001C		96001-06035-06	BOLT FLANGE SH 6*35	BOLT FLANGE SH 6*35	2	

E05

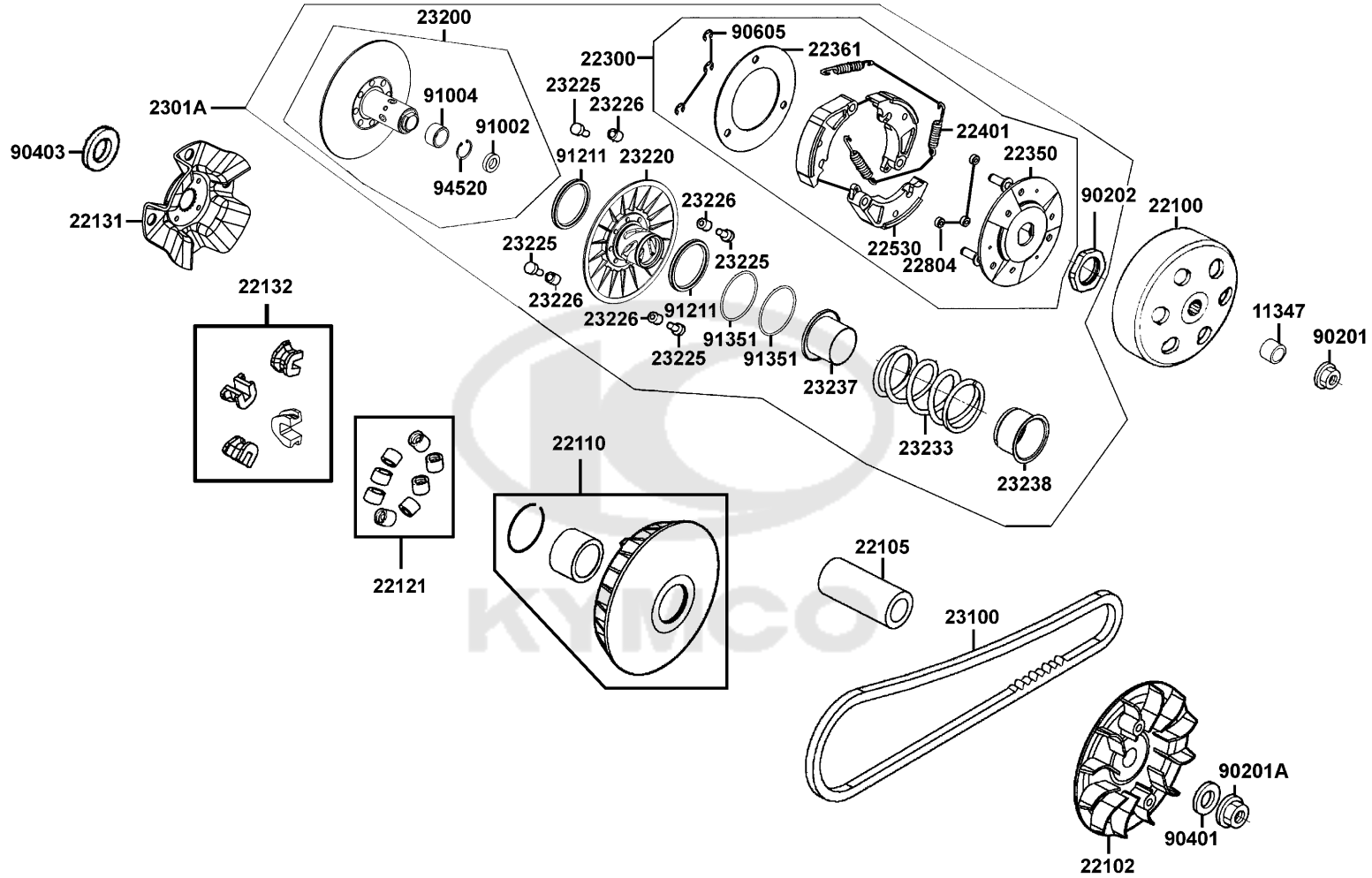
Throttle Body Assy



Sales mark	Ref no	Part no	Description	Reg description	Regd no	E05
0901		0901-880-6000	O-RING/TPS	O-RING/TPS	1	
0901A		0901-911-6000	O-RING	O-RING	1	
1190		1190-0017-0000	BRACKET/THROTTLE CABLE	BRACKET/THROTTLE CABLE	1	
1190A		1190-C74-2000	STAY PLATE	STAY PLATE	1	
1610K		1610K-ACD5-900	THROTTLE BODY ASSY	THROTTLE BODY ASSY	1	
1614		1614-868-0000-S	THROTTLE POSITION SENSER	THROTTLE POSITION SENSER	1	
1614A		1614-906-0002	MAP SENSOR	MAP SENSOR	1	
3700		3700-A35B-0110	ISC VALVE	ISC VALVE	1	
4115		4115-803-1100-3	SCREW PAN	SCREW PAN	2	
93892		93892-04008-16	SCREW WASHER 4X8	SCREW WASHER 4X8	1	
W1792		W1792-048-9901	SCREW TORX M5*0.8/TPS	SCREW TORX M5*0.8/TPS	1	

E06

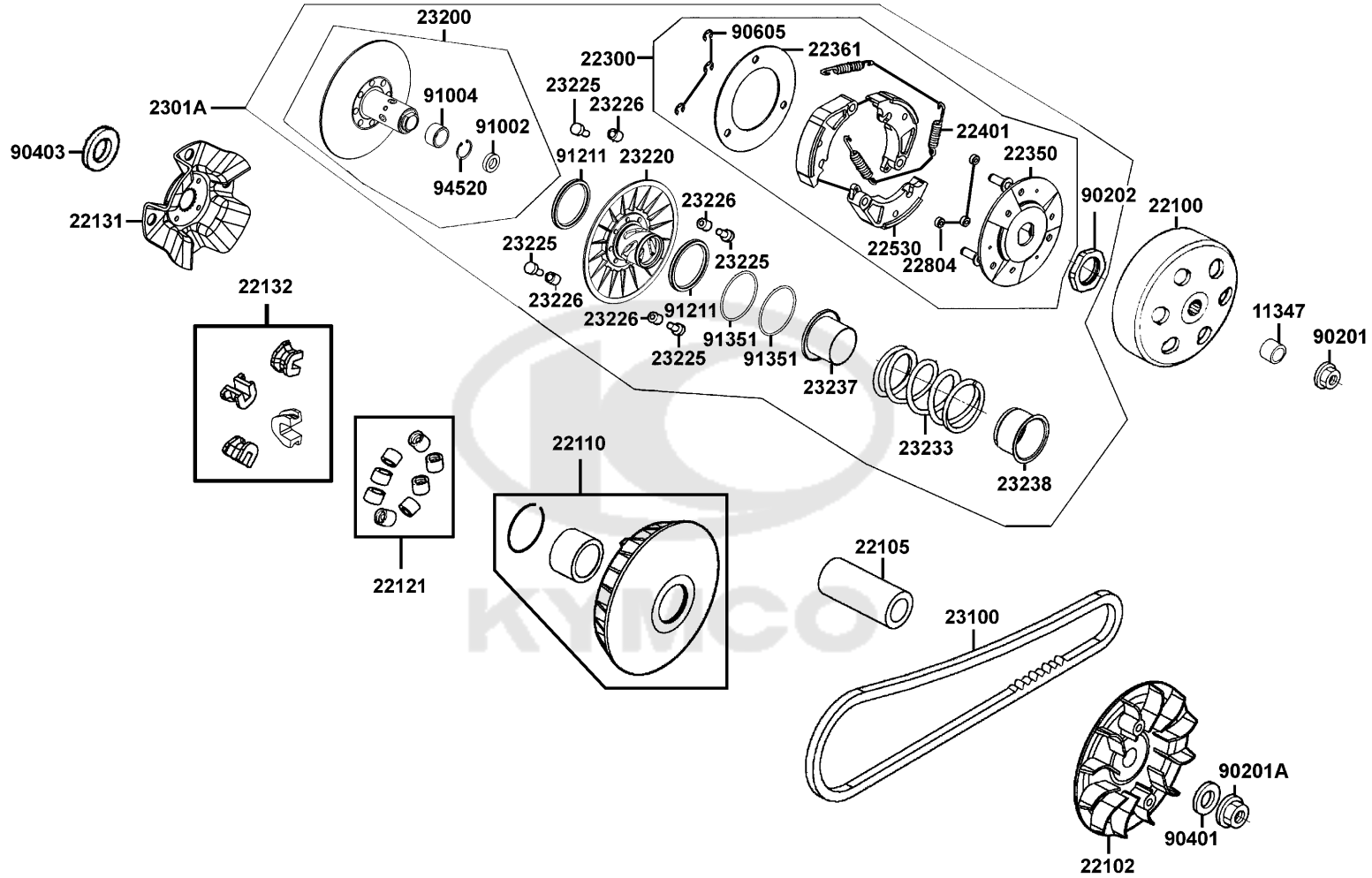
Drive Pulley



Sales mark	Ref no	Part no	Description	Reg description	Regd no	E06
	11347	11347-LEA7-E00	BOSS DRIVE SHAFT	BOSS DRIVE SHAFT	1	
	22100	22100-LKG7-E00	OUTER COMP CLUTCH	OUTER COMP CLUTCH	1	
	22102	22102-LEA7-E00	FACE DRIVE	FACE DRIVE	1	
	22105	22105-LGF9-E00	BOSS DRIVE FACE	BOSS DRIVE FACE	1	
	22110	22110-ACD5-E00	FACE COMP MOVABLE DRIVE	FACE COMP MOVABLE DRIVE	1	
	22121	22121-LEA7-305	ROLLER SET WEIGHT (1SET:8PCS)	ROLLER SET WEIGHT (1SET:8PCS)	1	
	22131	22131-LGE5-E00	PLATE RAMP	PLATE RAMP	1	
	22132	22132-PWB1-305	PIECE SLIDE SET (1SET:4PCS)	PIECE SLIDE SET (1SET:4PCS)	4	
	22300	22300-ACD5-E00	PLATE ASSY DRIVE	PLATE ASSY DRIVE	1	
	22350	22350-ACD5-E00	PLATE COMP DRIVE	PLATE COMP DRIVE	1	
	22361	22361-LEA7-E00	PLATE CLUTCH SIDE	PLATE CLUTCH SIDE	1	
	22401	22401-LFG2-E80	SPRING CLUTCH	SPRING CLUTCH	3	
	22530	22530-LKG7-E00	WEIGHT CLUTCH	WEIGHT CLUTCH	3	
	22804	22804-GBB2-001	RUBBER CLUTCH DAMPER	RUBBER CLUTCH DAMPER	3	
	2301A	2301A-ACD5-E00	PULLEY SUB ASSY DRIVEN	PULLEY SUB ASSY DRIVEN	1	
	23100	23100-LEA7-E00	BELT DRIVE (N-6M)	BELT DRIVE (N-6M)	1	
	23200	23200-LGE5-E00	FACE ASSY DRIVEN	FACE ASSY DRIVEN	1	
	23220	23220-ACD5-E00	FACE COMP MOVABLE DRIVEN	FACE COMP. MOVABLE DRIVEN	1	
	23225	23225-LEA7-E00	PIN. ROLLER GUIDE	PIN. ROLLER GUIDE	4	
	23226	23226-LEA7-E00	ROLLER GUIDE	ROLLER GUIDE	4	

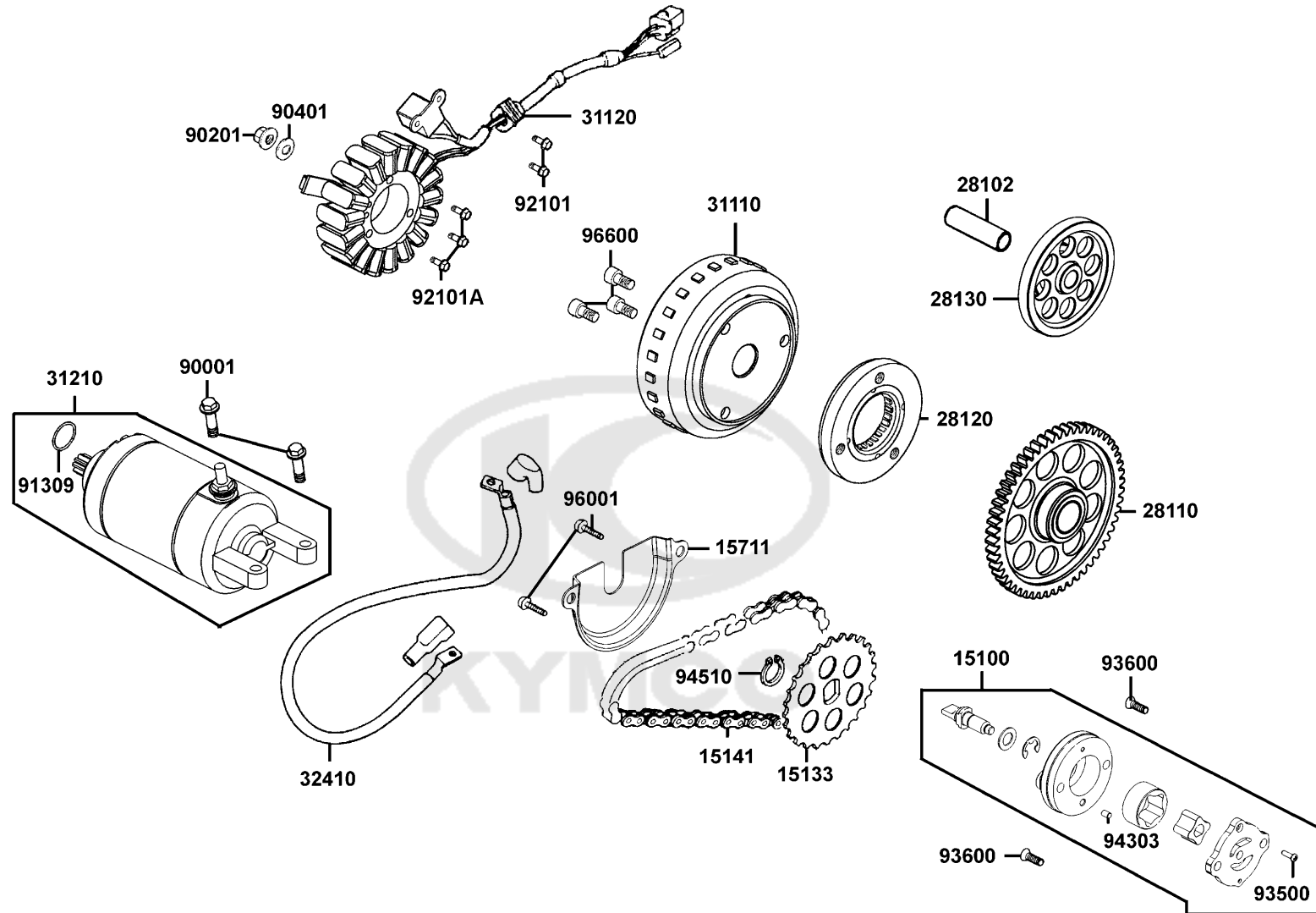
E06

Drive Pulley



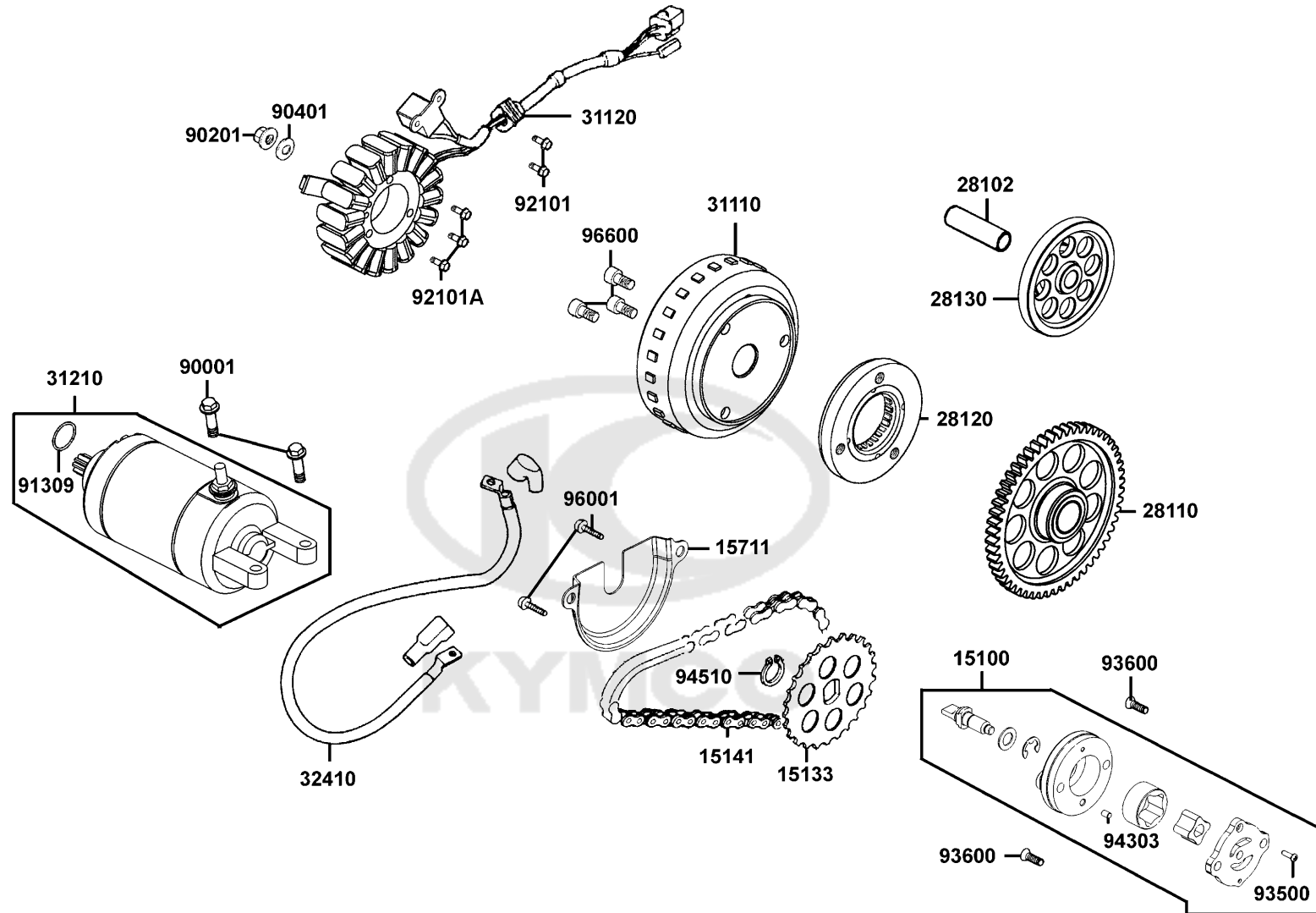
Sales mark	Ref no	Part no	Description	Reg description	Regd no	E06
23233		23233-LEA7-E00	SPG DRIVEN FACE	SPG DRIVEN FACE	1	
23237		23237-KHE7-900	COLLAR SEAL	COLLAR SEAL	1	
23238		23238-KHE7-900	COLLAR SPG	COLLAR SPG	1	
90201		90201-KHE7-900	NUT C FLANGE M12	NUT C FLANGE M12	1	
90201A		90201-KHR8-75A	NUT FLANGE 14MM	NUT FLANGE 14MM	1	
90202		90202-LEA7-E00	NUT SPECIAL 28mm	NUT SPECIAL 28mm	1	
90401		90401-LEA7-E00	WASHER THRUST 14*28*2	WASHER THRUST 14*28*2	1	
90403		90403-LEA7-E00	THRUST WASHER 20.2X35X2.35	THRUST WASHER 20.2X35X2.35	1	
90605		90605-1F66-721	CIR CLIP 7MM	CIR CLIP 7MM	3	
91002		91002-GGA7-70A	BRG BALL RADIAL 6902U	BRG BALL RADIAL 6902U	1	
91004		91004-LEA7-E00	BRG.NEEDLE 25X32X14	BRG.NEEDLE 25X32X14	1	
91211		91211-KHE7-900	SEAL DRIVEN FACE	SEAL DRIVEN FACE	2	
91351		91351-KHE7-900	O-RING PINION CAP	O-RING PINION CAP	2	
94520		94520-28000	CIR CLIP IN 28	CIR CLIP IN 28	1	

Starting Motor Generator



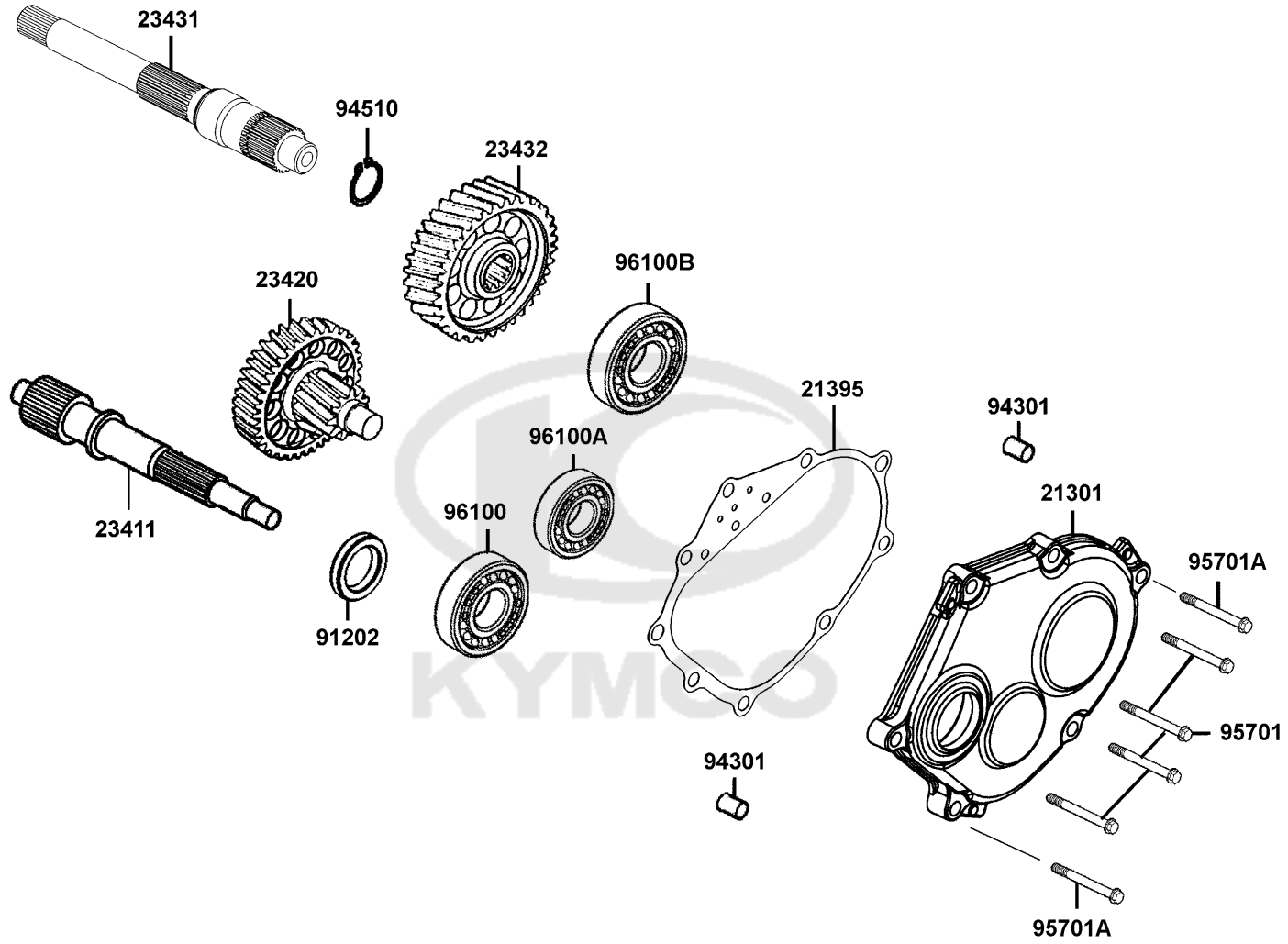
Sales mark	Ref no	Part no	Description	Reg description	Regd no	E07
	15100	15100-LEA7-E00	PUMP ASSY OIL	PUMP ASSY OIL	1	
	15133	15133-LGF9-E00	SPROCKET OIL PUMP	SPROCKET OIL PUMP	1	
	15141	15141-LGF9-E00	CHAIN OIL PUMP	CHAIN OIL PUMP	1	
	15711	15711-LEA7-E00	SEPARATOR OIL	SEPARATOR OIL	1	
	28102	28102-LEA7-E00	SHAFT STARTER REDUCTION	SHAFT STARTER REDUCTION	1	
	28110	28110-LEA7-E00	GEAR COMP STARTING CLUTCH	GEAR COMP STARTING CLUTCH	1	
	28120	28120-LDB2-E00	ONE WAY CLUTCH	ONE WAY CLUTCH	1	
	28130	28130-LEA7-E00	GEAR STARTER REDUCTION	GEAR STARTER REDUCTION	1	
	31110	31110-ACD5-E00	FLYWHEEL COMP (D402)	FLYWHEEL COMP (D402)	1	
	31110	31110-ACD5-E0A	FLYWHEEL COMP (D406)	FLYWHEEL COMP (D406)	1	
	31120	31120-ACD5-E00	STATOR COMP (D402)	STATOR COMP (D402)	1	
	31120	31120-ACD5-E0A	STATOR COMP (D406)	STATOR COMP (D406)	1	
	31210	31210-LEA7-E00	MOTOR UNIT..STARTER	MOTOR UNIT..STARTER	1	
	32410	32410-ACD5-E00	CABLE. START MOTOR	CABLE. START MOTOR	1	
	90001	90001-GBHB-661	BOLT FLANGE SH 6*22	BOLT FLANGE SH 6*22	2	
	90201	90201-KHR8-75A	NUT FLANGE 14MM	NUT FLANGE 14MM	1	
	90401	90401-KKJ9-001	WASHER THRUST 14*28*2	WASHER THRUST 14*28*2	1	
	91309	91309-4E25-004	O-RING 24.4*3.1	O-RING 24.4*3.1	1	
	92101	92101-05012-0G	BOLT HEX 5X12	BOLT HEX 5*12	2	
	92101A	92101-05032-0G	BOLT HEX 5*32	BOLT HEX 5*32	1	

Starting Motor Generator



Sales mark	Ref no	Part no	Description	Reg description	Regd no	E07
93500		93500-03010-0F	SCREW PAN 3X10	SCREW PAN 3X10	1	
93600		93600-06032-0F	SCREW FLAT 6*32	SCREW FLAT 6*32	2	
94303		94303-04065	DOWEL PIN 4*6.5	DOWEL PIN 4*6.5	1	
94510		94510-10000	CIR CLIP EX 10MM	CIR CLIP EX 10MM	1	
96001		96001-06012-06	BOLT FLANGE SH 6*12	BOLT FLANGE SH 6*12	2	
96600		96600-08015-16	SOCKET BOLT 8X15	SOCKET BOLT 8*15	4	

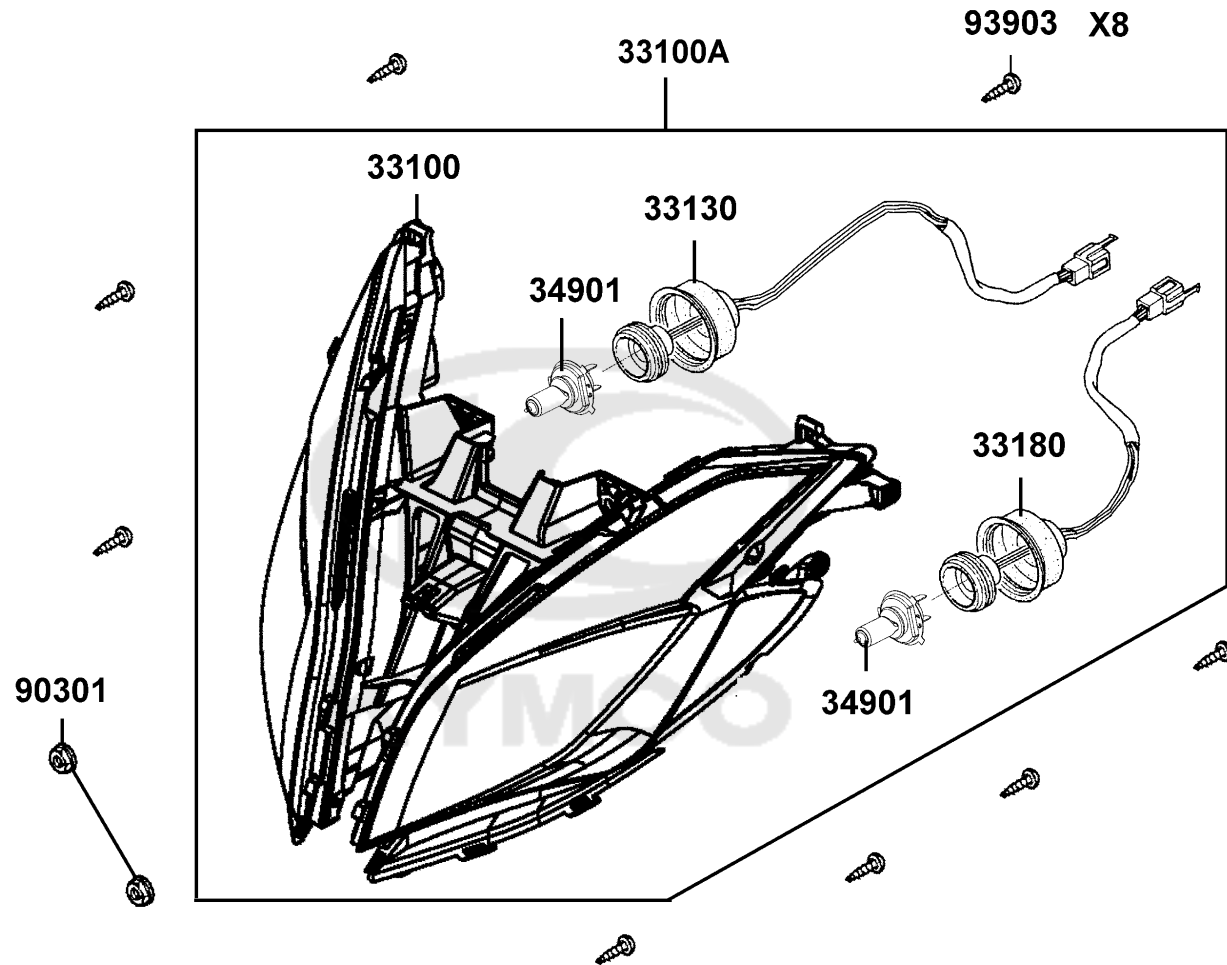




Sales mark	Ref no	Part no	Description	Reg description	Regd no	E08
21301		21301-LEA7-E00	COVER MISSION	COVER MISSION	1	
21395		21395-LEA7-E00	GASKET MISSION COVER	GASKET MISSION COVER	1	
23411		23411-LEA7-E00	SHAFT DRIVE	SHAFT DRIVE	1	
23420		23420-LEA7-E00	SHAFT COMP COUNTER	SHAFT COMPCOUNTER	1	
23431		23431-LEA7-E00	SHAFT FINAL	SHAFT FINAL	1	
23432		23432-LEA7-E00	GEAR FINAL	GEAR FINAL	1	
91202		91202-LEA7-E00	OIL SEAL 25*35*6	OIL SEAL 25X35X6	1	
91202		91202-LEA7-E0A	OIL SEAL 25*35*6	OIL SEAL 25*35*6	1	
94301		94301-10160	DOWEL PIN 10*16	DOWEL PIN 10*16	2	
94510		94510-25000	CIR CLIP EXTERNAL 25	CIR CLIP EXTERNAL 25	1	
95701		95701-08035-06	BOLT FLANGE 8*28	BOLT FLANGE 8*28	7	
95701A		95701-08040-06	BOLT FLANGE 8x40 (G)	BOLT FLANGE 8x40 (G)	2	
96100		96100-62050-00	BEARING BALL RADIAL 6205	BEARING BALL RADIAL 6205	1	
96100A		96100-63020-00	BRG BALL RADIAL 6302	BRG BALL RADIAL 6302	1	
96100B		96100-63040-00	BRG BALL RADIAL 6304	BRG BALL RADIAL 6304	1	

F01

Head Light

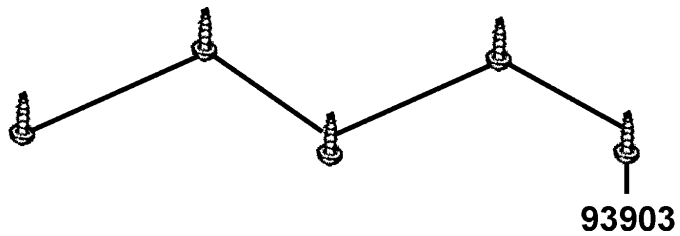
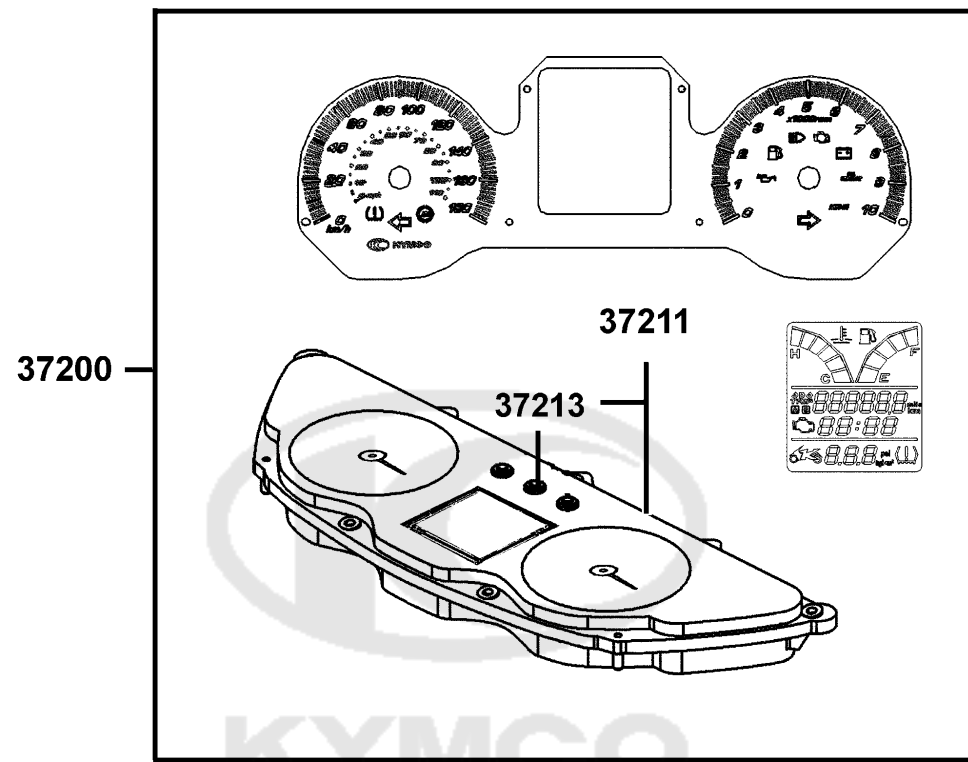


Sales mark	Ref no	Part no	Description	Reg description	Regd no	F01
	33100	33100-ACD5-315	LIGHT UNIT HEAD	LIGHT UNIT HEAD	1	
	33100A	33100-ACD5-E00	LIGHT ASSY HEAD	LIGHT ASSY HEAD	1	
	33130	33130-LKG7-E00	SOCKET COMP R RUBBER	SOCKET COMP R RUBBER	1	
	33180	33180-LKG7-E00	SOCKET COMP L RUBBER	SOCKET COMP L RUBBER	1	
	34901	34901-LEC8-E00	BULB HEAD LIGHT (12V 55W)	BULB HEAD LIGHT (12V 55W)	1	
	90301	90301-6D34-671	NUT FLANGE 6MM	NUT FLANGE 6MM	2	
	93903	93903-35360	SCREW TAPPING 5*16	SCREW TAPPING 5*16	8	



F02

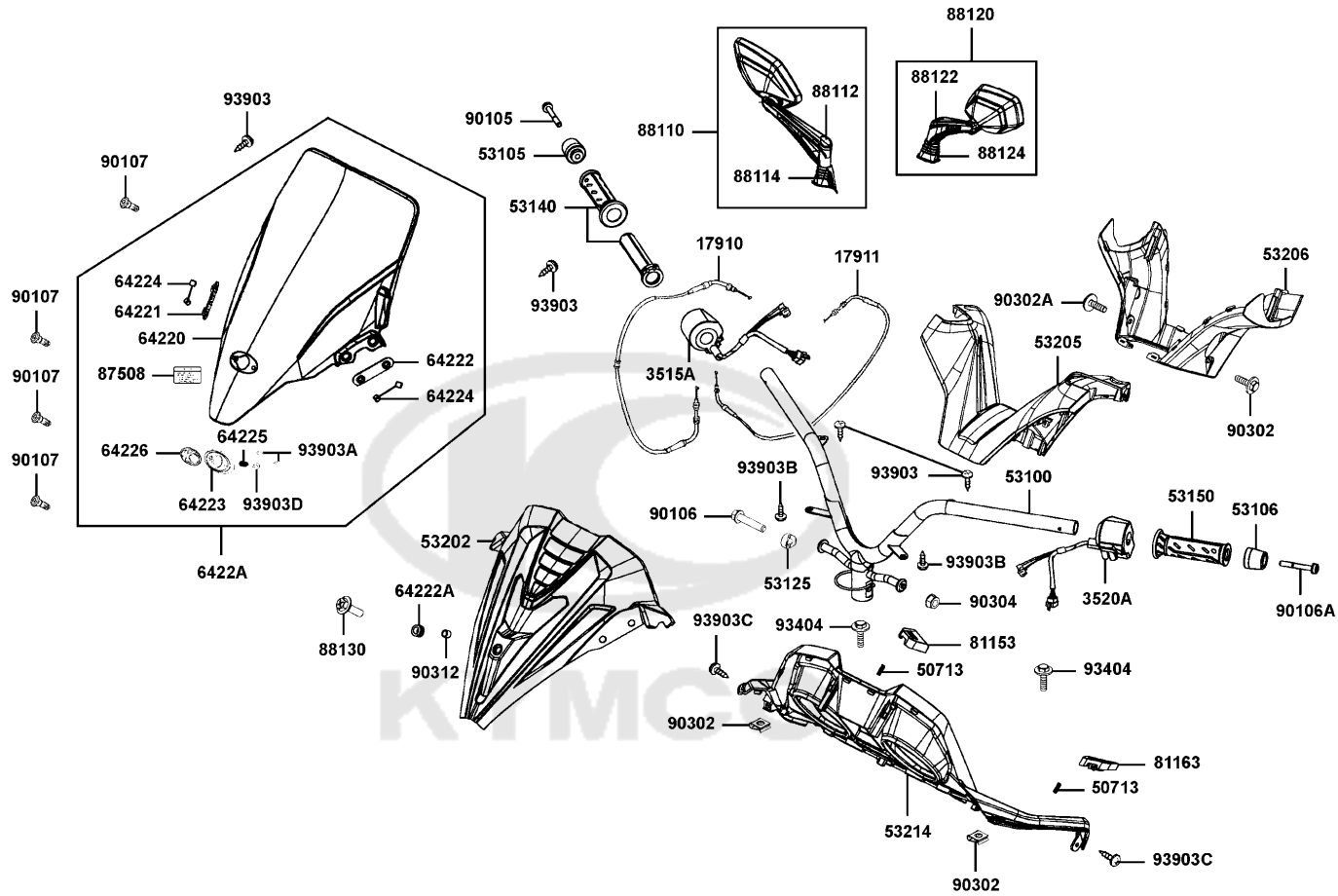
Speed meter



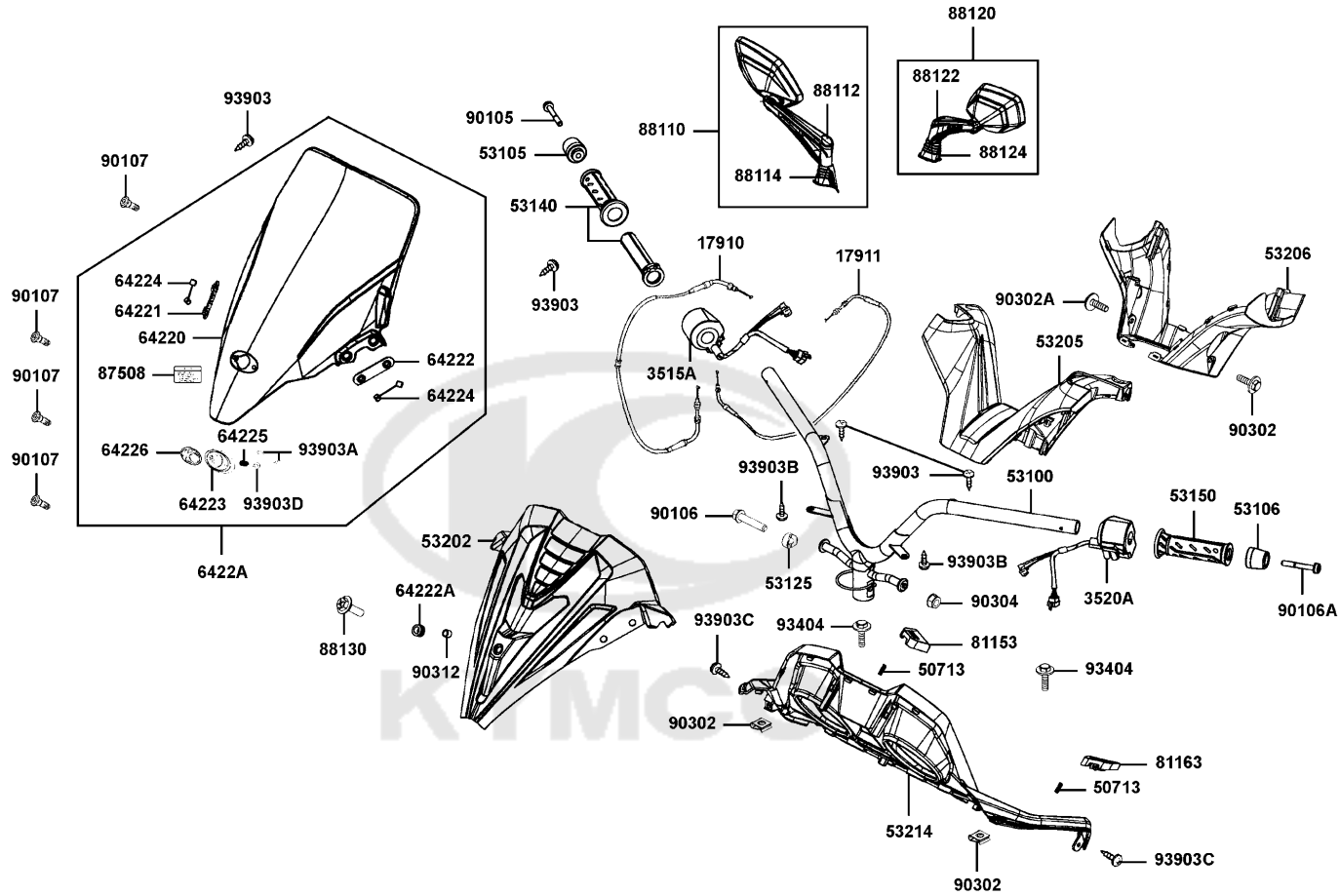
Sales mark	Ref no	Part no	Description	Reg description	Regd no	F02
------------	--------	---------	-------------	-----------------	---------	------------

37200		37200-ACD5-E30	METER ASSY SPEED	METER ASSY SPEED	1	
37211		37211-LEA7-E00	LENS ASSY	LENS ASSY	1	
37213		37213-KKE5-E00	BUTTON	BUTTON	3	
93903		93903-35360	SCREW TAPPING 5*16	SCREW TAPPING 5*16	5	

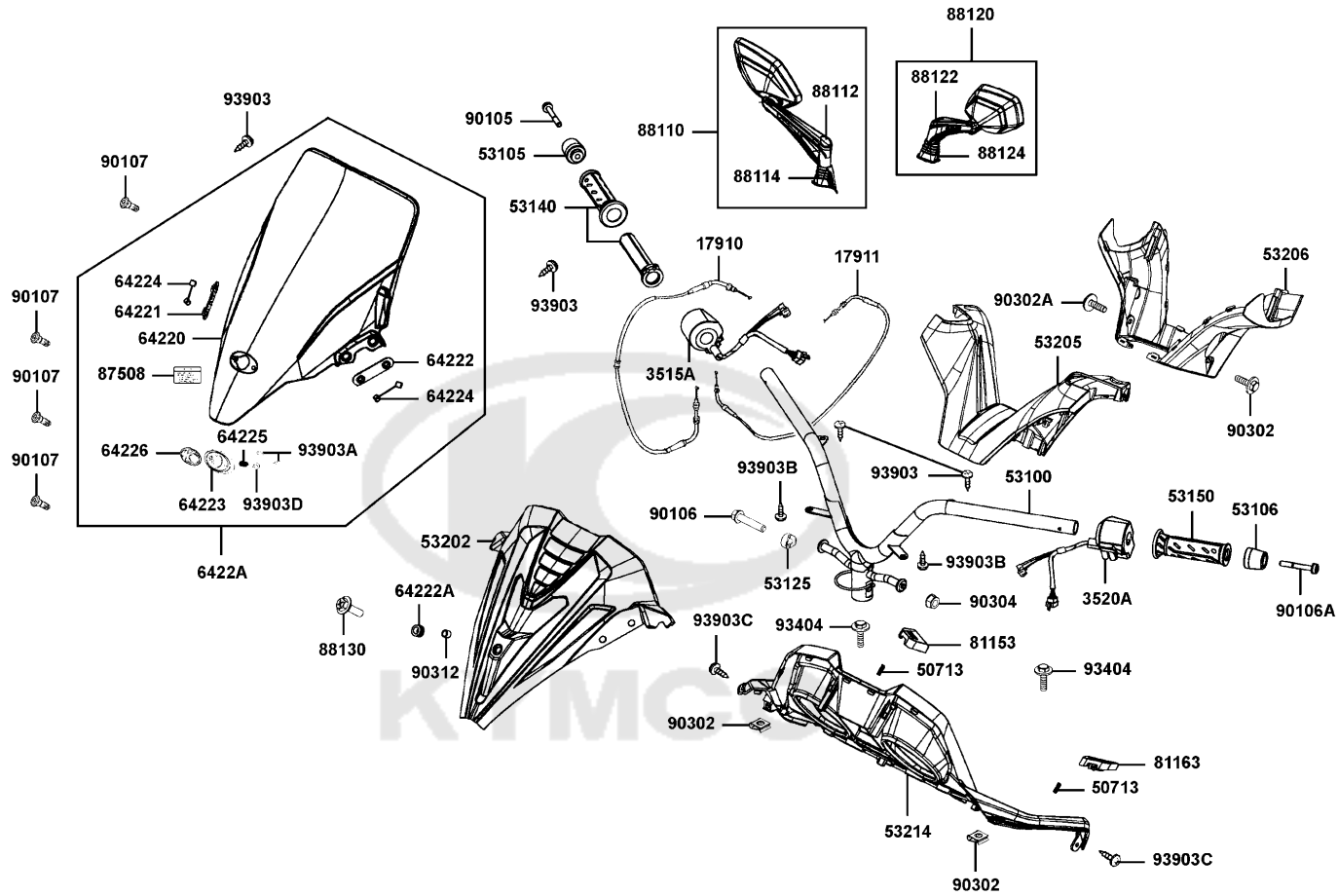




Sales mark	Ref no	Part no	Description	Reg description	Regd no	F03
	17910	17910-ACD5-E00	CABLE A COMP THROT	CABLE A COMP THROT	1	
	17911	17911-ACD5-E00	CABLE B COMP THROT	CABLE B COMP THROT	1	
	3515A	3515A-LDB2-B80	SW ASSY RH HNDL COM(A.H.C.)	SW ASSY RH HNDL COM(A.H.C.)	1	
	3520A	3520A-KEBE-900	SW ASSY L HNDL COMP	SW ASSY L HNDL COMP	1	
	50713	50713-KEB7-900	SPRING	SPRING	2	
	53100	53100-ACD5-E00	HANDLE COMP STRG	HANDLE COMP STRG	1	
**	53105	53105-ACD5-E00	END R HANDLE	END R HANDLE	1	
**	53106	53106-ACD5-E00	END L HANDLE	END L HANDLE	1	
	53125	53125-LEA7-E00	COLLAR HANDLE SET	COLLAR	1	
**	53150	53150-LEA6-900	GRIP COMP L HANDLE	GRIP L HANDLE	1	
**	53202	53202-ACD5-E00	COVER METER FR (Black)	COVER METER FR (Black)	1	
**	53205	53205-ACD5-E00	COVER HANDLE UP (Black)	COVER HANDLE UP (Black)	1	
**	53206	53206-ACD5-E00	COVER HANDLE LOW (Black)	COVER HANDLE LOW (Black)	1	
**	53214	53214-ACD5-E00	COVER METER	COVER METER	1	
**	64220	64220-ACD5-E63	WIND SCREEN	WIND SCREEN	1	
	64221	64221-LEA7-E00	RUBBER R WIND SCREEN	RUBBER R WIND SCREEN	1	
	64222	64222-LEA7-E00	RUBBER L WIND SCREEN	RUBBER L WIND SCREEN	1	
	64222A	64222-LLJ3-E00	RUBBER WIND SCREEN	RUBBER WIND SCREEN	1	
**	64223	64223-LEA7-E00	PLUG WIND SCREEN	PLUG WIND SCREEN	1	
	64224	64224-LEA7-E00	COLLAR WIND SCREEN	COLLAR WIND SCREEN	4	



Sales mark	Ref no	Part no	Description	Reg description	Regd no	F03
	64225	64225-LEA7-E00	SPRING COSMETIC K-LOGO	SPRING COSMETIC K-LOGO	1	
	64226	64226-LEA7-E00	COSMETIC K-LOGO	COSMETIC K-LOGO	1	
**	6422A	6422A-ACD5-E63	WIND SCREEN ASSY	WIND SCREEN ASSY	1	
**	81153	81153-ACD5-E00	COVER R LOCKLESS	COVER R LOCKLESS	1	
**	81163	81163-ACD5-E00	COVER L LOCKLESS	COVER L LOCKLESS	1	
**	87508	87508-KKC4-E00	LABEL CLEANNESS CAUTION	LABEL CLEANNESS CAUTION	1	
	88110	88110-ACD5-E30	MIRROR ASSY R BACK	MIRROR ASSY R BACK	1	
	88112	88112-ACD5-E00	STAY COVER R	STAY COVER R	1	
	88114	88114-ACD5-E00	BOOT R MIRROR STAY	BOOT R MIRROR STAY	1	
	88120	88120-ACD5-E30	MIRROR ASSY L BACK	MIRROR ASSY L BACK	1	
	88122	88122-ACD5-E00	STAY COVER L	STAY COVER L	1	
	88124	88124-ACD5-E00	BOOT L MIRROR STAY	BOOT L MIRROR STAY	1	
	88130	88130-KEBE-900	BOLT SPECIAL	BOLT SPECIAL	1	
	90105	90105-KHB4-900	BOLT WASH M8*60	BOLT WASH M8*60	1	
	90106	90106-GEN5-901	BOLT FLANGE 10*50	BOLT FLANGE 10*50	1	
	90106A	90106-KFC2-900	BOLT SPECIAL 8MM	BOLT SPECIAL 8MM	1	
	90107	90107-LEA7-E00	BOLT SPECIAL 8MM	BOLT SPECIAL 8MM	4	
	90302	90302-LKB9-900	NUT SPRING 5MM	NUT SPRING 5MM	2	
	90302A	90302-LLB1-E00	BOLT-WASHER 5*12	BOLT-WASHER 5*12	2	
	90304	90304-LEA1-900	NUT U FLANGE 10MM	NUT U 10MM	1	

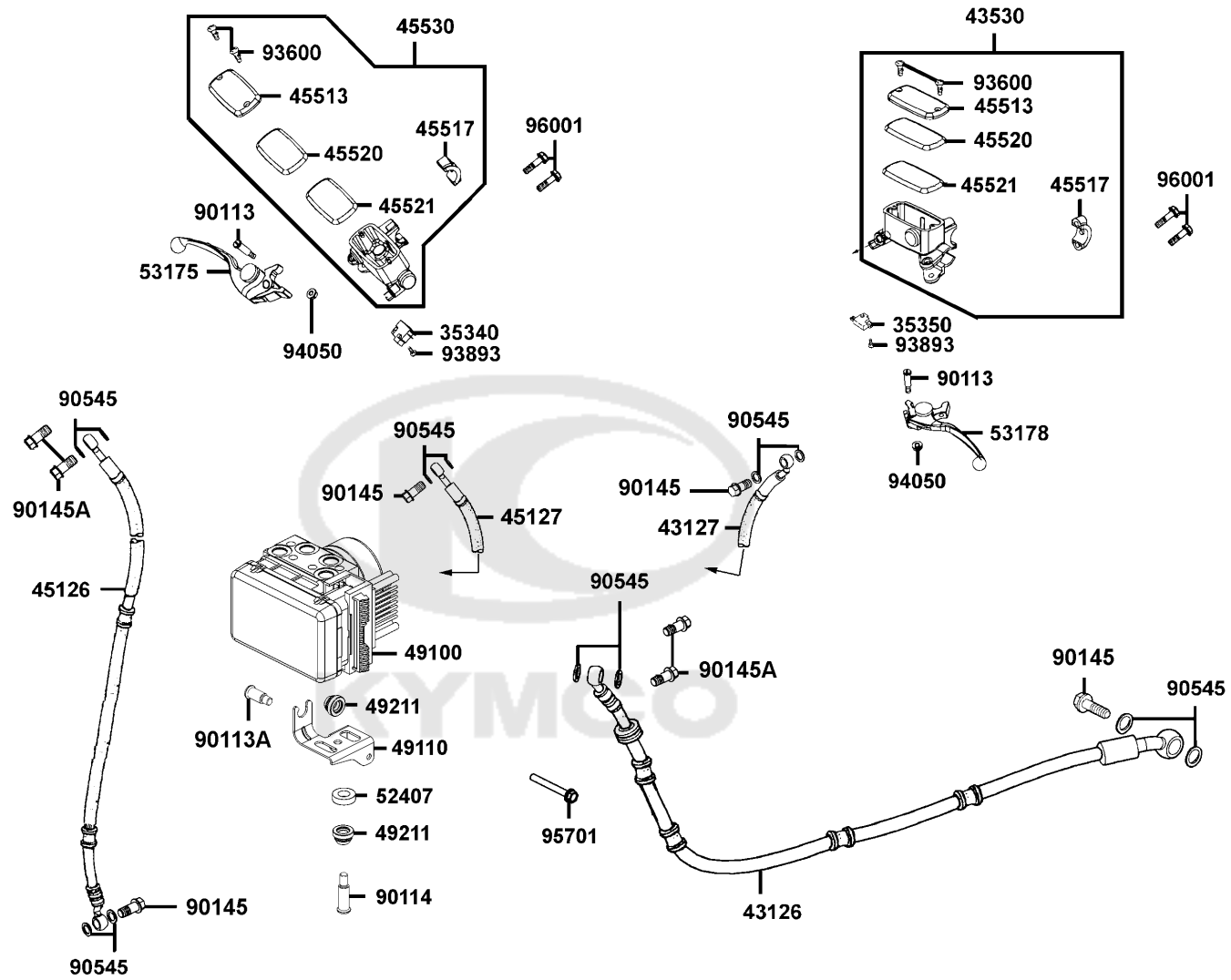


Sales mark	Ref no	Part no	Description	Reg description	Regd no	F03
90312		90312-LLJ3-E00	COLLAR WIND SCREEN	COLLAR WIND SCREEN	1	
93404		93404-06016-06	BOLT WASHER 6*16	BOLT WASHER 6*16	2	
93903		93903-25260	SCREW TAPPING 5X12	SCREW TAPPING 5X12	4	
93903A		93903-34260	SCREW TAPPING 4*10	SCREW TAPPING 4*10	2	
93903B		93903-35360	SCREW TAPPING 5*16	SCREW TAPPING 5*16	2	
93903C		93903-45360	SCREW TAPPING 5*16	SCREW TAPPING 5*16	2	
93903D		93903-KEB7-900	SCREW WASHER 4*12	SCREW WASHER 4*12	3	

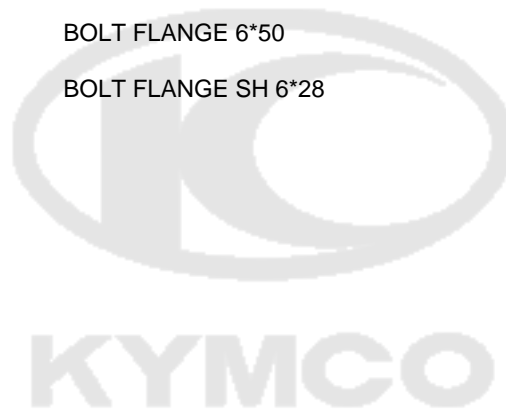


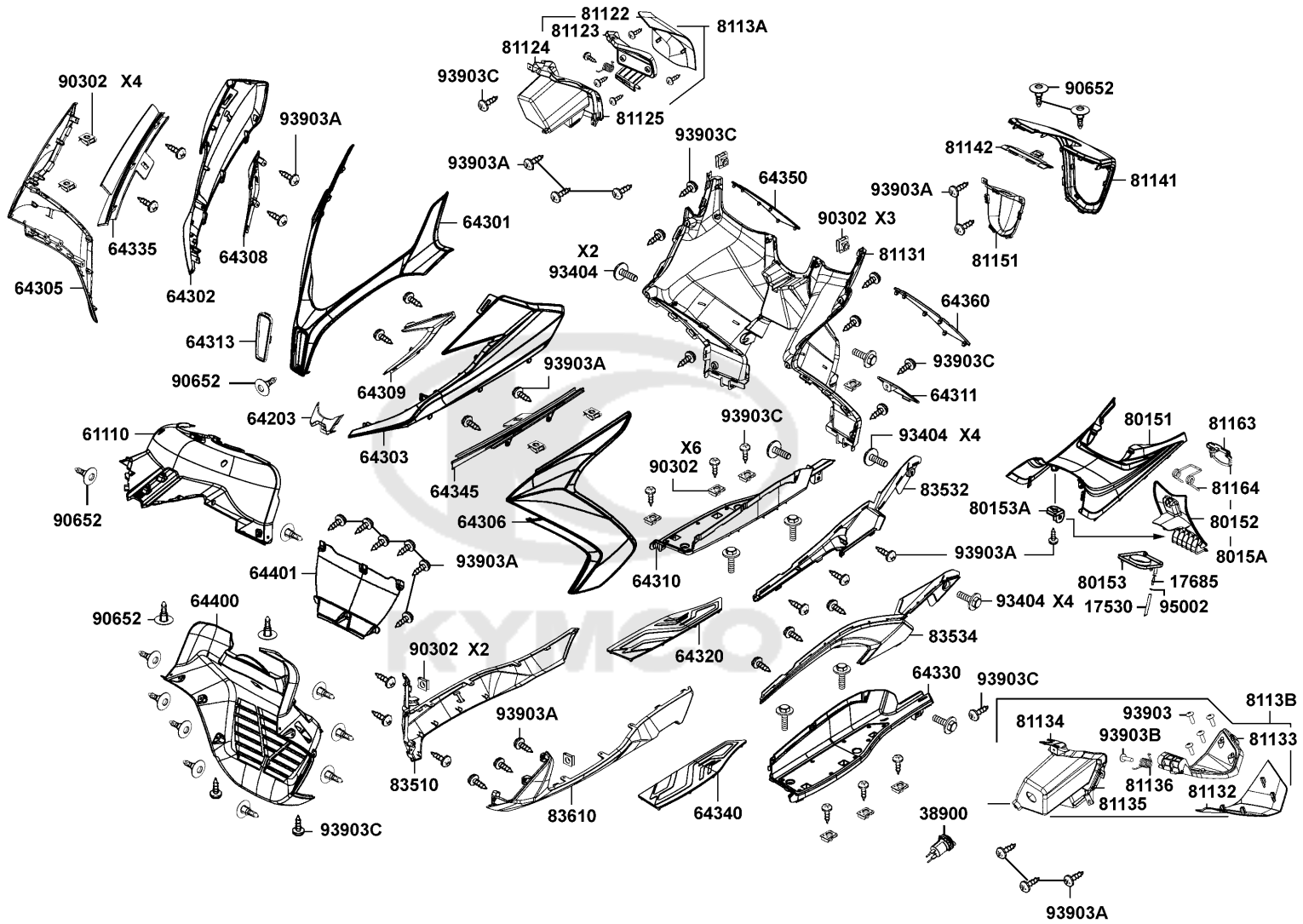
Sales mark	Ref no	Part no	Description	Reg description	Regd no	F04
	35340	35340-LKF5-E01	SW ASSY FR STOP	SW ASSY FR STOP	1	
	35350	35350-LKF5-E01	SW ASSY RR STOP	SW ASSY RR STOP	1	
	43126	43126-ACD5-E01	HOSE ASSY RR BRK(ABS)	HOSE ASSY RR BRK	1	
	43127	43127-ACD5-E01	HOSE ASSY M/C RR BRK(585MM)	HOSE ASSYM/C RR BRK	1	
	43530	43530-LEA7-305	CYLINDER SET MASTER	CYLINDER SET RR MASTER	1	
	45126	45126-ACD5-E01	HOSE ASSY FR BRK(ABS) 620MM	HOSE ASSY FR BRK(ABS)	1	
	45127	45127-ACD5-E01	HOSE ASSY M/C FR BRK (575MM)	HOSE ASSYM/C FR BRK	1	
	45513	45513-LEA7-E00	CAP MASTER CYLINDER	CAP MASTER CYLINDER	2	
	45517	45517-LBA2-E00	HOLDER M/C	HOLDER M/C	2	
	45520	45520-KKA8-900	DIAPHRAGM	DIAPHRAGM	2	
	45521	45521-LEA7-E00	PLATE DIAPHRAGM	PLATE DIAPHRAGM	2	
	45530	45530-LBA2-309	CYLINDER SET FR MASTER	CYLINDER SET FR MASTER	1	
	49100	49100-ACD5-E01	MODULATOR ASSY ABS	MODULATOR ASSY ABS	1	
	49110	49110-LGE5-E01	STAY ABS	STAY ABS	1	
	49211	49211-LFH1-E00	RUBBER BUSH	RUBBER BUSH	1	
	52407	52407-LLB1-900	RUBBER RR CUSH	RUBBER RR CUSH	1	
**	53175	53175-LKF5-E00	LEVER R STRG HANDLE	LEVER R STRG HANDLE	1	
**	53178	53178-LKF5-E00	LEVER L STRG HANDLE	LEVER L STRG HANDLE	1	
	90113	90113-KKA8-900	BOLT L STEERING HANDLE	BOLT L STEERING HANDLE	2	
	90113A	90113-LGE5-E01	BOLT FLANGE 6*20 ABS	BOLT FLANGE 6X20 ABS	1	

Master Cylinder

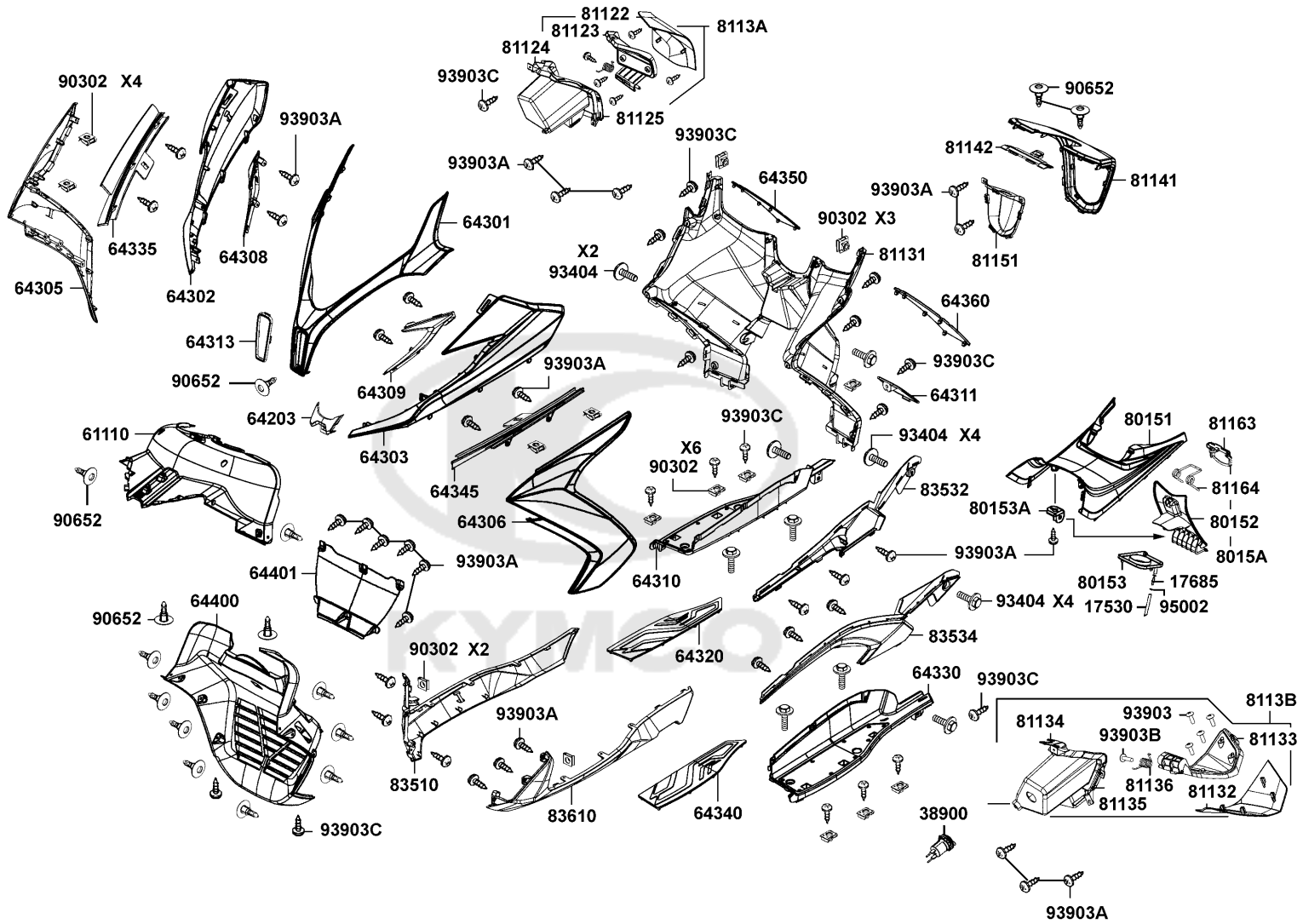


Sales mark	Ref no	Part no	Description	Reg description	Regd no	F04
90114		90114-LGE5-E01	BOLT FLANGE 6X30.5 ABS	BOLT FLANGE 6X30.5 ABS	1	
90145		90145-LEA3-E00	OIL BOLT 10*22	OIL BOLT 10*22	4	
90145A		90145-LFH1-E00	OIL BOLT 10x22	OIL BOLT 10X22	4	
90545		90545-3L00-001	WASHER OIL BOLT	WASHER OIL BOLT	16	
93600		93600-04012-1G	SCREW FLAT 4X12	SCREW FLAT 4X12	4	
93893		93893-04012-18	SCREW WASHER 4*12	SCREW WASHER 4*12	2	
94050		94050-06060	NUT FLANGE 6MM	NUT FLANGE 6MM	2	
95701		95701-06050-06	BOLT FLANGE 6*50	BOLT FLANGE 6*50	1	
96001		96001-06028-06	BOLT FLANGE SH 6*28	BOLT FLANGE SH 6*28	4	

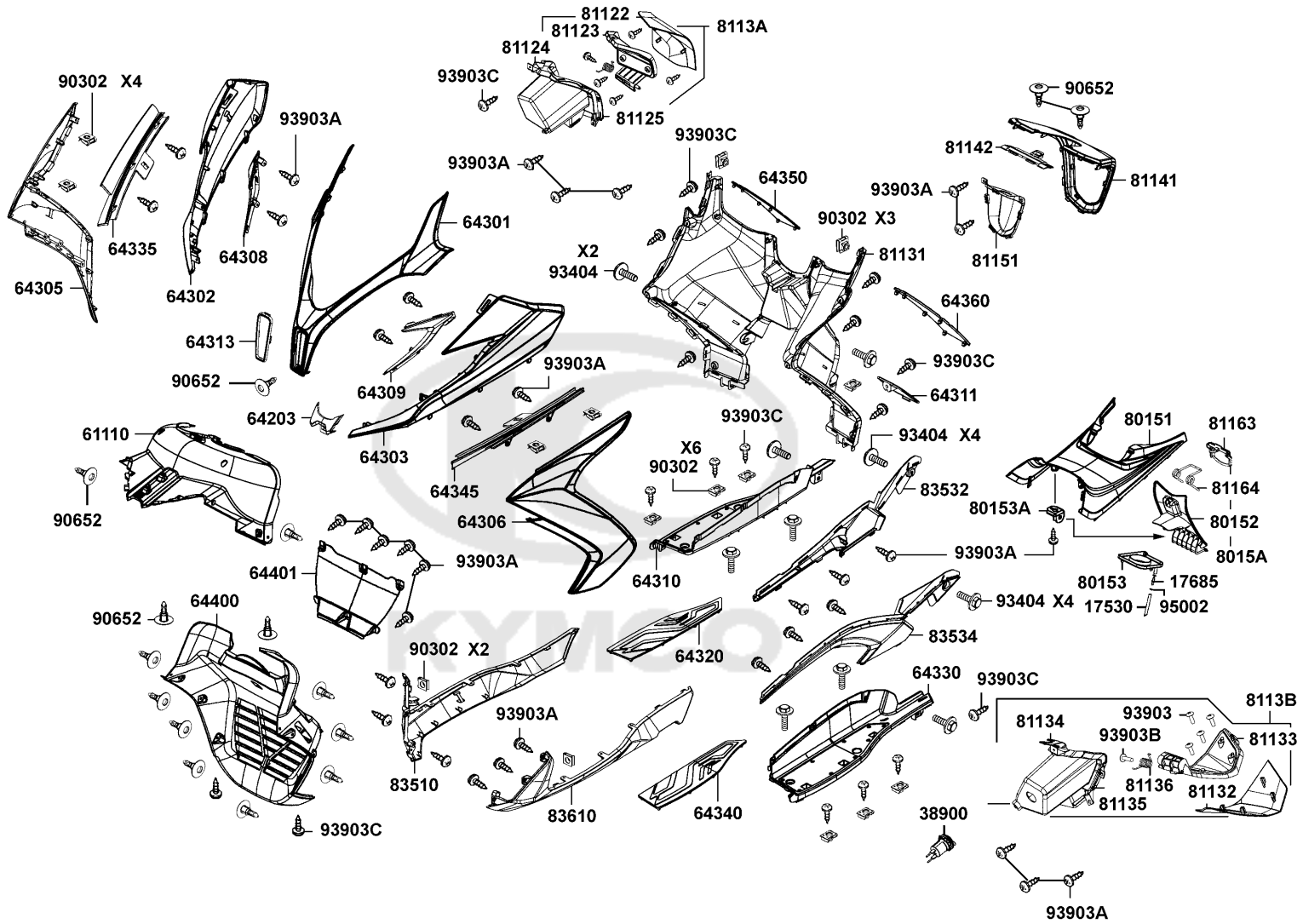




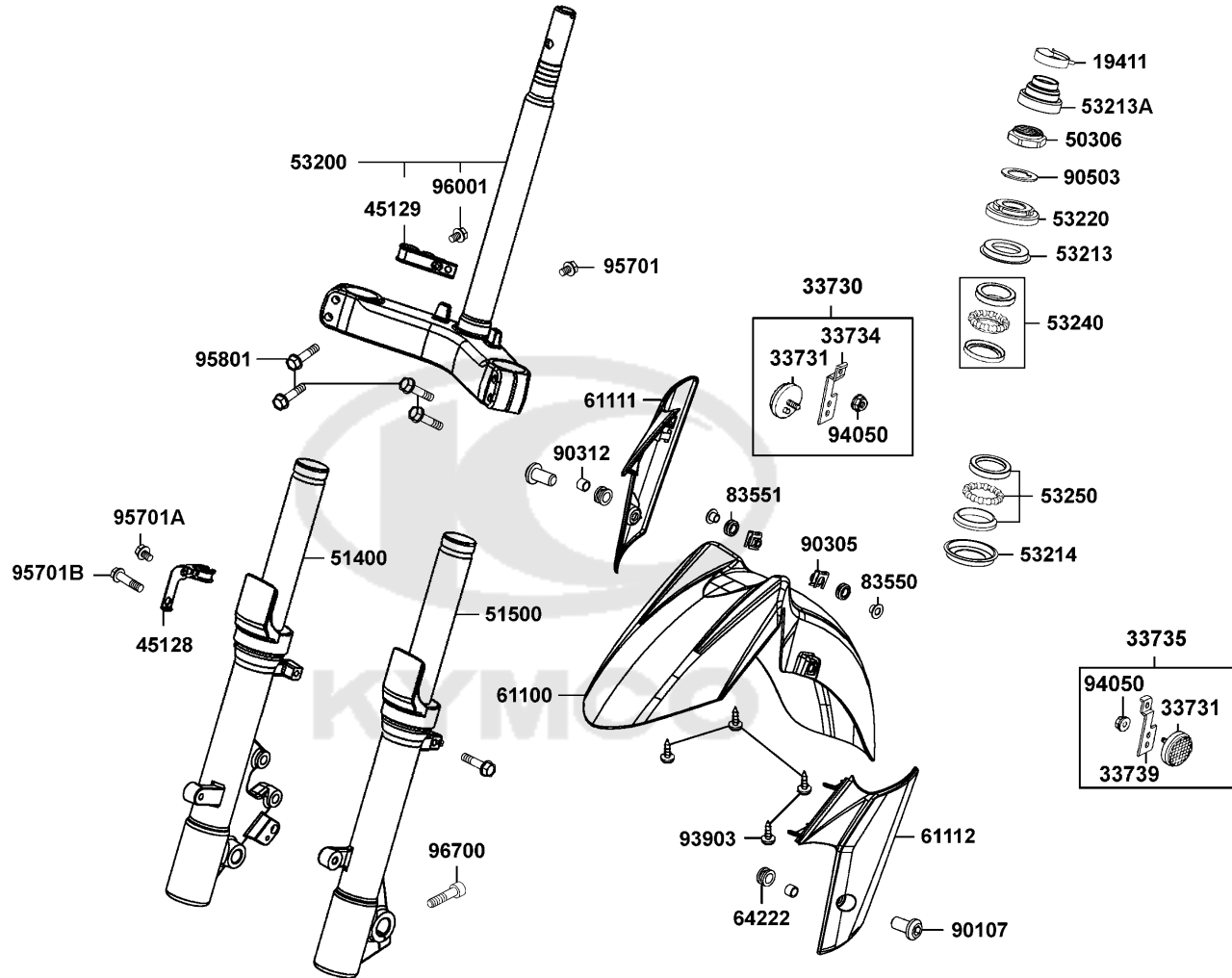
Sales mark	Ref no	Part no	Description	Reg description	Regd no	F05
	17530	17530-KGB5-900	TUBE ASSY DRAIN	TUBE ASSY DRAIN	1	
	17685	17685-KZCZ-900	JOINT TUBE	JOINT TUBE	1	
	38900	38900-ACD5-E00	CONTROLLER USB CHARGER	CONTROLLER USB CHARGER	1	
**	61110	61110-ACD5-E00	INNER FENDER FRONT (Black)	INNER FENDER FRONT (Black)	1	
**	64203	64203-ACD5-E00	CENTER COVER FRONT (Mat Silver	CENTER COVER FRONT (Mat Silver Crystal)	1	
**	64301	64301-ACD5-E00	COVER FRONT (Black)	COVER FRONT (Black)	1	
**	64302	64302-ACD5-E00	MOLDING A R SIDE (Mat Silver Crystal)	MOLDING A R SIDE (Mat Silver Crystal)	1	
**	64303	64303-ACD5-E00	MOLDING A L SIDE (Mat Silver Crystal)	MOLDING A L SIDE (Mat Silver Crystal)	1	
**	64305	64305-ACD5-E00	SKIRT R SIDE (Mat Silver Crystal)	SKIRT R SIDE (Mat Silver Crystal)	1	
**	64306	64306-ACD5-E00	SKIRT L SIDE (Mat Silver Crystal)	SKIRT L SIDE (Mat Silver Crystal)	1	
**	64308	64308-ACD5-E00	MOLDING B R SIDE	MOLDING B R SIDE	1	
**	64309	64309-ACD5-E00	MOLDING B L SIDE	MOLDING B L SIDE	1	
**	64310	64310-ACD5-E00	PANEL R FLOOR (Black)	PANEL R FLOOR (Black)	1	
**	64311	64311-ACD5-E00	LID RESERVE TANK (Black)	LID RESERVE TANK (Black)	1	
**	64313	64313-ACD5-E00	TOP COVER FRONT	TOP COVER FRONT	1	
**	64320	64320-ACD5-E00	MAT R FLOOR (Black)	MAT R FLOOR (Black)	1	
**	64330	64330-ACD5-E00	PANEL L FLOOR (Black)	PANEL L FLOOR (Black)	1	
**	64335	64335-ACD5-E00	COVER R SIDE SKIRT (Black)	COVER R SIDE SKIRT (Black)	1	
**	64340	64340-ACD5-E00	MAT L FLOOR (Black)	MAT L FLOOR (Black)	1	
**	64345	64345-ACD5-E00	COVER L SIDE SKIRT (Black)	COVER L SIDE SKIRT (Black)	1	



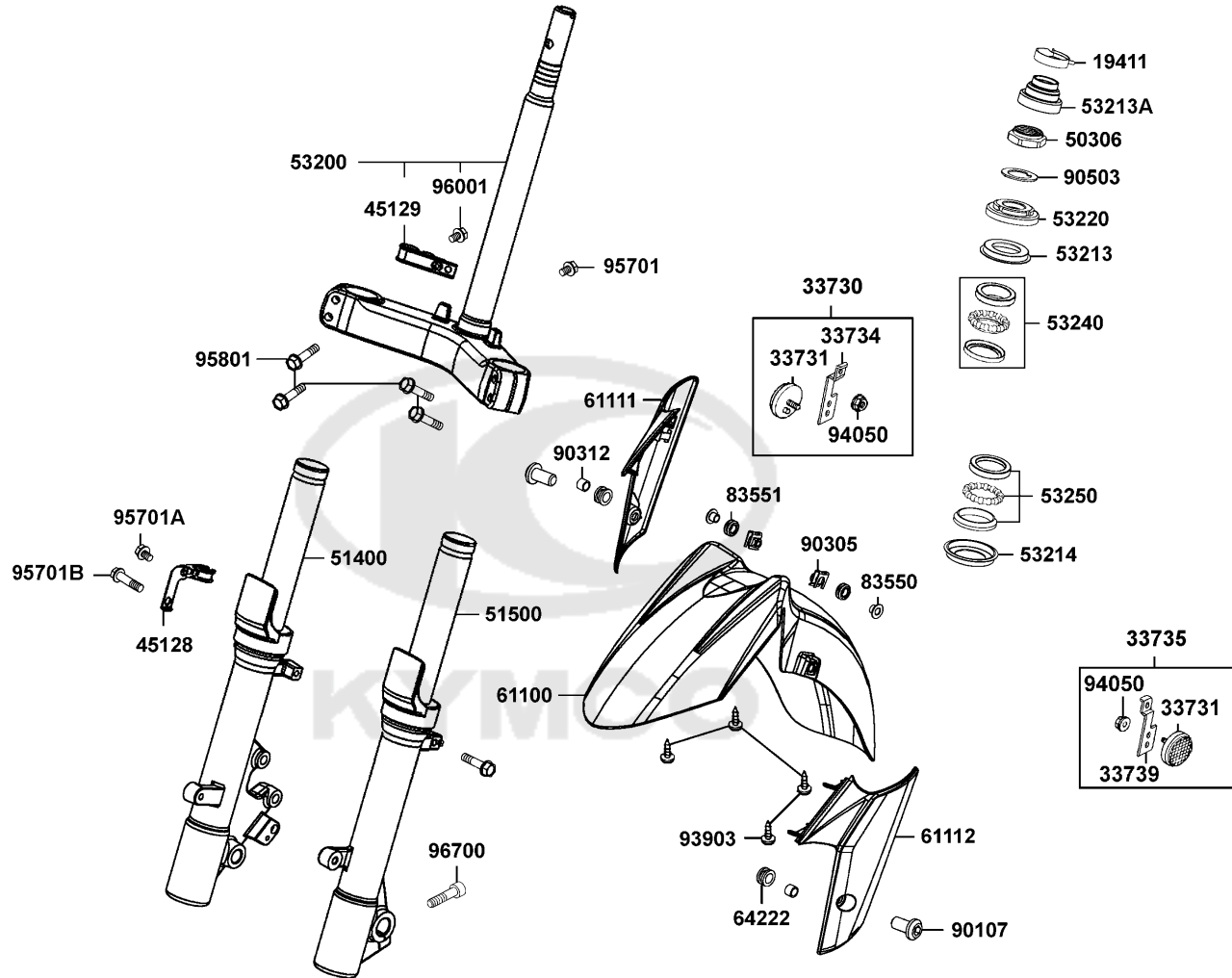
Sales mark	Ref no	Part no	Description	Reg description	Regd no	F05
**	64350	64350-ACD5-E00	MAT R LEG SHIELD (Black)	MAT R LEG SHIELD (Black)	1	
**	64360	64360-ACD5-E00	MAT L LEG SHIELD (Black)	MAT L LEG SHIELD (Black)	1	
**	64400	64400-ACD5-E00	COWL UNDER (Black)	COWL UNDER (Black)	1	
	64401	64401-ZZA6-E00	MESH UNDER COWL	MESH UNDER COWL	1	
**	80151	80151-ACD5-E00	COVER CENTER (Black)	COVER CENTER (Black)	1	
**	80152	80152-ACD5-E00	LID FUEL CAP MAINT (Black)	LID FUEL CAP MAINT (Black)	1	
	80153	80153-LEA7-E00	RUBBER FUEL CAP	RUBBER FUEL CAP	1	
	80153A	80153-LKF5-E00	STAY FUEL COVER	STAY FUEL COVER	1	
**	8015A	8015A-ACD5-E00	LID ASSY FUEL CAP MAINT (Black)	LID ASSY FUEL CAP MAINT (Black)	1	
**	81122	81122-ACD5-E00	LIDR FR INNER BOX (Black)	LIDR FR INNER BOX (Black)	1	
**	81123	81123-ACD5-E00	COVER R INNER LID (Black)	COVER R INNER LID (Black)	1	
**	81124	81124-ACD5-E00	BOX R FR INNER BOX (Black)	BOX R FR INNER BOX (Black)	1	
	81125	81125-ACD5-E00	SEAL R FR INNER BOX	SEAL R FR INNER BOX	1	
**	81131	81131-ACD5-E00	LEG SHIELD (Black)	LEG SHIELD (Black)	1	
**	81132	81132-ACD5-E00	LID L FR INNER BOX (Black)	LID L FR INNER BOX (Black)	1	
**	81133	81133-ACD5-E00	COVER L INNER LID (Black)	COVER L INNER LID (Black)	1	
**	81134	81134-ACD5-E00	BOX L FR INNER BOX (Black)	BOX L FR INNER BOX (Black)	1	
	81135	81135-ACD5-E00	SEAL L FR INNER BOX	SEAL L FR INNER BOX	1	
	81136	81136-LEA7-E00	SPRING FR INNER BOX L	SPRING FR INNER BOX L	1	
**	8113A	8113A-ACD5-E00	BOX ASSY. R FRONT	BOX ASSY. R FRONT	1	



Sales mark	Ref no	Part no	Description	Reg description	Regd no	F05
**	8113B	8113B-ACD5-E00	BOX ASSY. L FRONT	BOX ASSY. L FRONT	1	
**	81141	81141-ACD5-E00	LEG SHIELD UP	LEG SHIELD UP	14	
**	81142	81142-ACD5-E00	LEG SHIELD UP A	LEG SHIELD UP A	1	
**	81151	81151-ACD5-E00	COVER KEY (Black)	COVER KEY (Black)	1	
	81163	81163-LKJ1-900	LID LATCH LEG SHIELD	LID LATCH LEG SHIELD	1	
	81164	81164-LKJ1-900	LID SPRING LEG SHIELD	LID SPRING LEG SHIELD	1	
**	83510	83510-ACD5-E00	COVER R SIDE (Black)	COVER R SIDE (Black)	1	
**	83532	83532-ACD5-E00	BOARD B R SIDE (Black)	BOARD B R SIDE (Black)	1	
**	83534	83534-ACD5-E00	BOARD B L SIDE (Black)	BOARD B L SIDE (Black)	1	
**	83610	83610-ACD5-E00	COVER L SIDE (Black)	COVER L SIDE (Black)	1	
	90302	90302-LKB9-900	NUT SPRING 5MM	NUT SPRING 5MM	16	
	90652	90652-LFB5-900	CLIP MUDGUARD	CLIP MUDGUARD	14	
	93404	93404-06016-06	BOLT WASHER 6*16	BOLT WASHER 6*16	10	
	93903	93903-24360	SCREW TAPPING 4*12	SCREW TAPPING 4*12	8	
	93903A	93903-25260	SCREW TAPPING 5X12	SCREW TAPPING 5X12	35	
	93903B	93903-34760	SCREW TAPPING 4*30	SCREW TAPPING 4*30	2	
#	93903C	93903-LHJ8-910	SCREW TAPPING 5*14	SCREW TAPPING 5*14	18	
	95002	95002-02080	CLIP B8 TUBE	CLIP B8 TUBE	2	



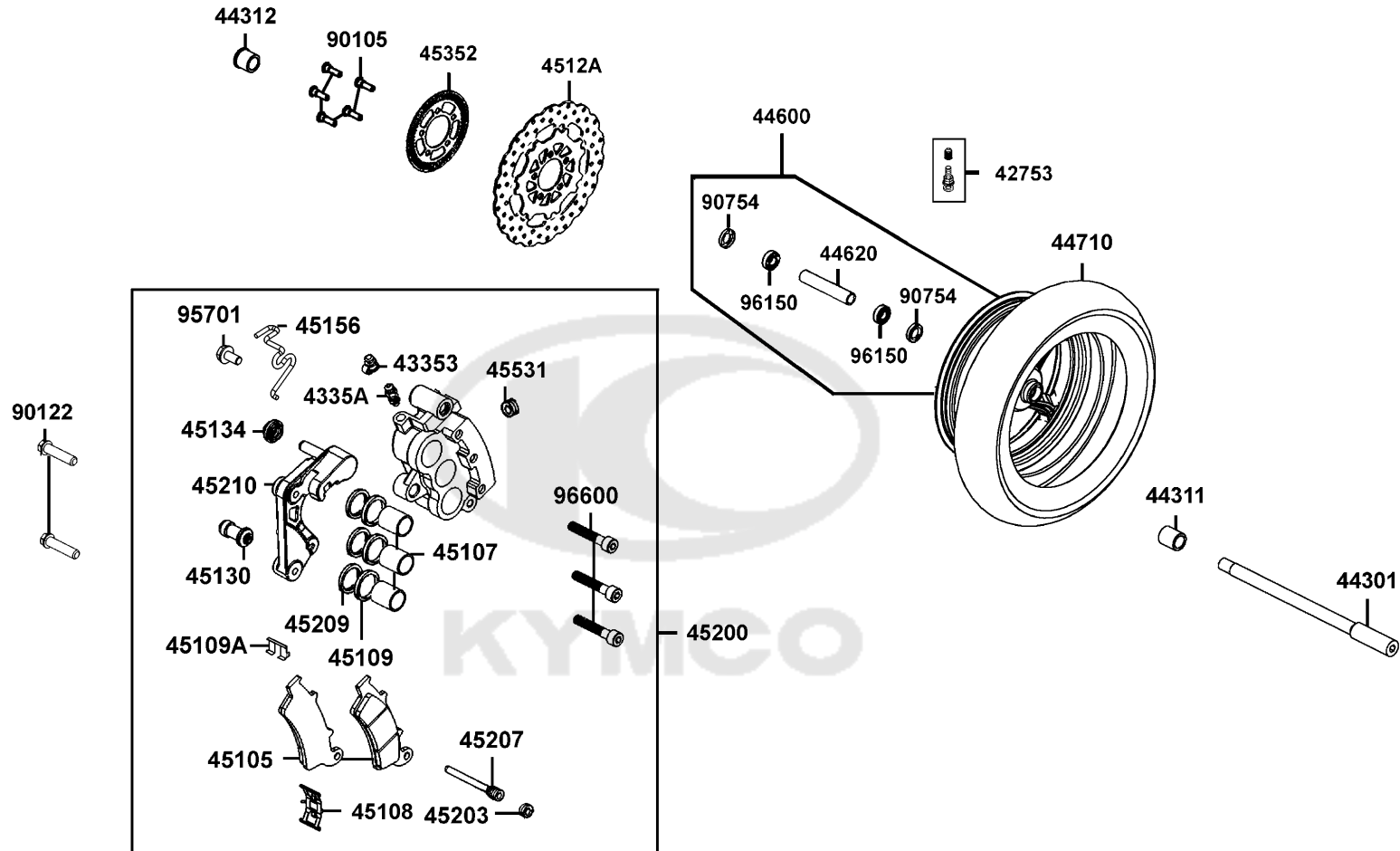
Sales mark	Ref no	Part no	Description	Reg description	Regd no	F06
	19411	19411-LFG2-E00	CLIP ASSY AIR/C DUCT	CLIP ASSY AIR/C DUCT	1	
	33730	33730-LEA7-M30	REFLEX REFLECTOR..RH. FR.	REFLEX REFLECTOR.RH. FR.	1	
	33731	33731-KHC5-M00	REFLEX REFLECTOR SIDE	REFLEX REFLECTOR SIDE	2	
	33734	33734-LEA7-M30	STAY R REFLEX REFLECTOR	STAY R REFLEX REFLECTOR	1	
	33735	33735-LEA7-M30	REFLEX REFLECTOR..LH.FR.	REFLEX REFLECTOR.LH.FR.	1	
	33739	33739-LEA7-M30	STAY L REFLEX REFLECTOR	STAY L REFLEX REFLECTOR	1	
	45128	45128-LBA2-920	CLAMPER FR BRK HOSE	CLAMPER FR BRK HOSE	1	
	45129	45129-LBA2-900	CLAMPER FR BRK HOSE	CLAMPER FR BRK HOSE	1	
	50306	50306-1F96-001	NUT STRG STEM LOCK	NUT STRG STEM LOCK	1	
**	51400	51400-ACD5-E30	FORK ASSY FR R	FORK ASSY FR R	1	
**	51500	51500-ACD5-E30	FORK ASSY FR L	FORK ASSY FR L	1	
	53200	53200-ACD5-E00	STEM COMP STRG	STEM COMP STRG	1	
	53213	53213-LBA2-E00	DUST SEAL STRG HEAD TOP	DUST SEAL STRG HEAD TOP	1	
	53213A	53213-LEA7-E00	DUST SEAL. STRG	DUST SEAL STRG	1	
	53214	53214-LBA2-E00	DUST SEAL STRG (HEAD)	DUST SEAL STRG HEAD BOT	1	
	53220	53220-LBA2-E00	THREAD COMP STRG HEAD TOP	THREAD COMP STRG HEAD TOP	1	
	53240	53240-LEA7-90A	BEARING TOP STRG (mark:TP1)	BEARING TOP STRG	1	
	53250	53250-LEA7-90A	BEARING BOT STRG (mark:TP1)	BEARING BOT STRG	1	
**	61100	61100-ACD5-E00	FENDER FRONT (A:J2/B:NE) (Mat Silver	FENDER FRONT (A:J2/B:NE) (Mat Silver Crystal	1	
**	61111	61111-ACD5-E00	FENDER COVER R SIDE (Mat Black)	FENDER COVER R SIDE (Mat Black)	1	



Sales mark	Ref no	Part no	Description	Reg description	Regd no	F06
**	61112	61112-ACD5-E00	FENDER COVER L SIDE (Mat Black)	FENDER COVER L SIDE (Mat Black)	1	
	64222	64222-LLJ3-E00	RUBBER WIND SCREEN	RUBBER WIND SCREEN	2	
	83550	83550-KEC8-900	COLLAR	COLLAR	2	
	83551	83551-KEC8-900	GROMMET COVER **KEC8-9000	GROMMET COVER **KEC8-9000 C.2005.09.01	2	
	90107	90107-LEA7-E00	BOLT SPECIAL 8MM	BOLT SPECIAL 8MM	2	
	90305	90305-LBA2-E00	NUT CLIP 6MM	NUT CLIP 6MM	2	
	90312	90312-LLJ3-E00	COLLAR WIND SCREEN	COLLAR WIND SCREEN	2	
	90503	90503-LEA7-E00	WASHER STRG STEM NUT	WASHER STRG STEM NUT	1	
	93903	93903-25260	SCREW TAPPING 5X12	SCREW TAPPING 5X12	4	
	94050	94050-06080	NUT FLANGE 6MM	NUT FLANGE 6MM	2	
	95701	95701-06008-06	BOLT FLANGE 6*8	BOLT FLANGE 6*8	1	
	95701A	95701-06012-06	BOLT FLANGE 6*12 **07 C.2005.07.01	BOLT FLANGE 6*12 **07 C.2005.07.01	1	
	95701B	95701-06045-06	BOLT FLANGE 6*45	BOLT FLANGE 6*45	2	
	95801	95801-08040-06	BOLT FLANGE 8*40	BOLT FLANGE 8*40	1	
	96001	96001-06012-06	BOLT FLANGE SH 6*12	BOLT FLANGE SH 6*12	1	
	96700	96700-KED9-900	BOLT SOCKET 8*30	BOLT SOCKET 8*30	1	

F07

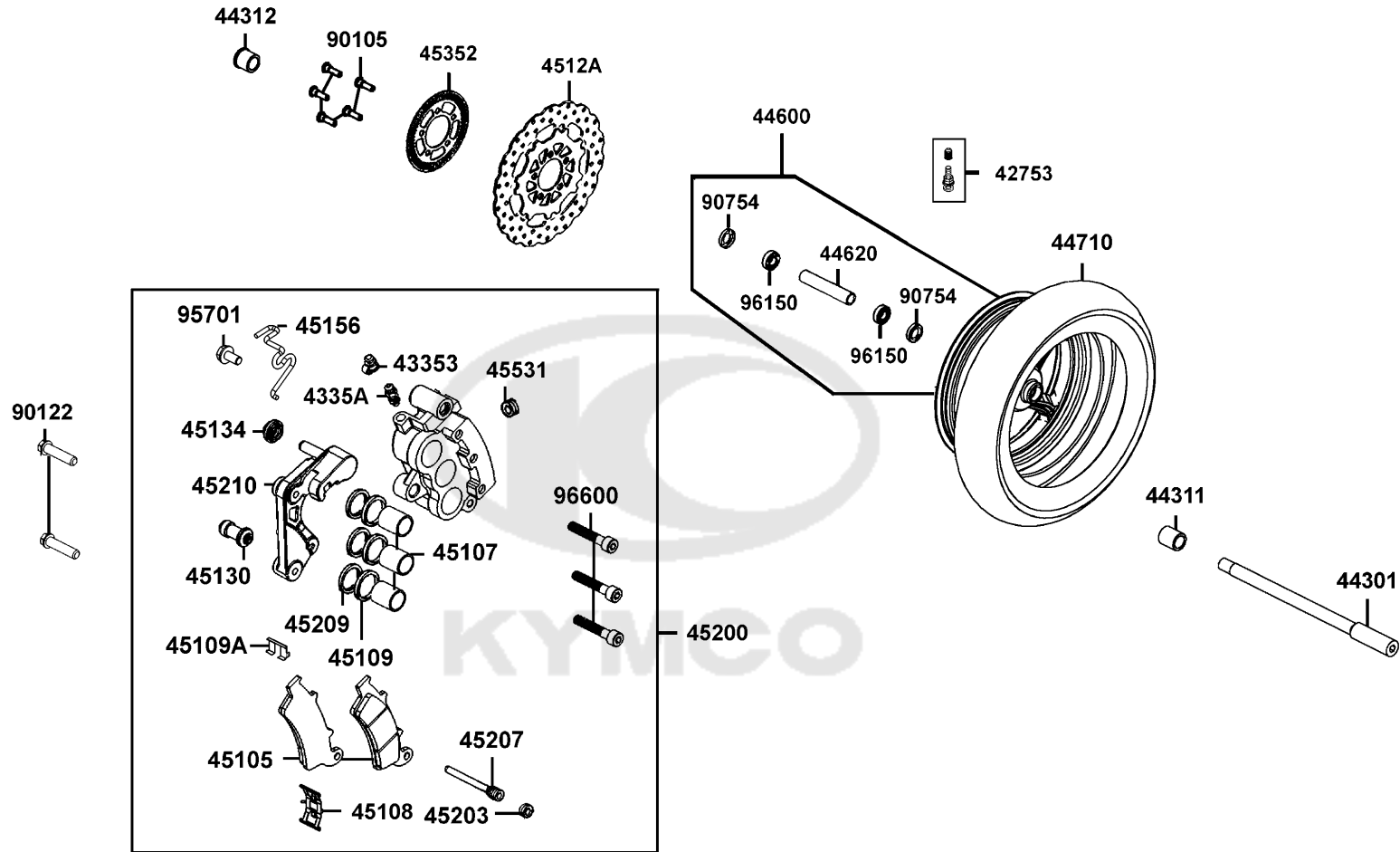
Front Wheel



Sales mark	Ref no	Part no	Description	Reg description	Regd no	F07
	42753	42753-KNBN-90B	VALAE RIM (TR412)	VALAE RIM (TR412)	1	
	43353	43353-KED9-900	CAP BLEEDER	CAP BLEEDER	1	
	4335A	4335A-LBA2-E01	BLEEDER ASSY	SCREW BLEEDER	1	
	44301	44301-LEA7-950	AXLE FR WHEEL	AXLE FR WHEEL	1	
	44311	44311-LEA7-E00	COLLAR FR WHEEL SIDE	COLLAR FR WHEEL SIDE	1	
	44312	44312-LEA7-E00	COLLAR FR WHEEL SIDE	COLLAR FR WHEEL SIDE	1	
**	44600	44600-LEA7-305	WHEEL ASSY FR	WHEEL ASSY FR	1	
	44620	44620-LEA7-E00	COLLAR FR WHEEL DISTANCE	COLLAR FR WHEEL DIST	1	
	44710	44710-ACD5-E30	TIRE ASSY FR	TIRE ASSY FR	1	
	45105	45105-LGE5-305	PAD SET	PAD ASSY	1	
	45107	45107-LGE5-E00	PISTON C/P	PISTON C/P	3	
	45108	45108-LGE5-E00	SPRING PAD	SPRING PAD	1	
	45109	45109-GBE2-007	DUST SEAL	DUST SEAL	3	
	45109A	45109-LGE5-E00	SLIDE PAD	SLIDE PAD	1	
	4512A	4512A-LEA7-E00	DISK COMP FR BRAKE	DISK COMP FR BRAKE	1	
	45130	45130-LGE5-E00	PUSH BOOT PIN	BUSH PIN	1	
	45134	45134-KED9-900	BOOT B	BOOT B	1	
	45156	45156-LKG7-E00	CLIP SENSOR WIRE	CLIP SENSOR WIRE	1	
**	45200	45200-LKG7-E00	CALIPER ASSY FR (Met Silver)	CALIPER ASSY FR (Met Silver)	1	
	45203	45203-KED9-900	PLUG PIN	PLUG PIN	1	

F07

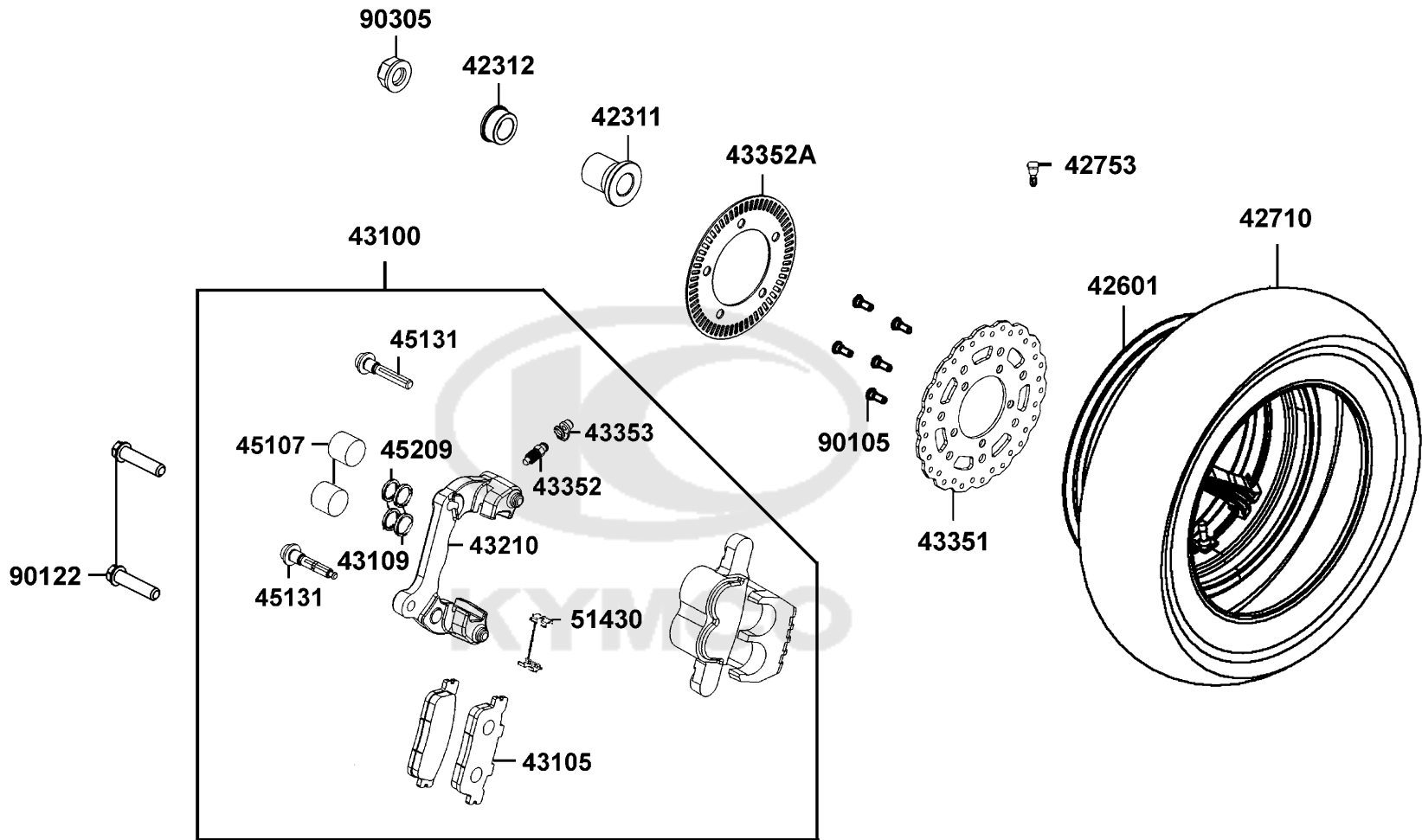
Front Wheel



Sales mark	Ref no	Part no	Description	Reg description	Regd no	F07
	45207	45207-LGE5-E00	PIN HANGER	PIN HANGE	1	
	45209	45209-GBE2-007	SEAL PISTON	SEAL PISTON	1	
**	45210	45210-LKG7-305	BRACKET ASSY FR	BRACKET ASSY FR	1	
	45352	45352-LEA7-E00	TOOTHED RING SENSOR	TOOTHED RING SENSOR	1	
	45531	45531-KED9-900	PLUG	PLUG	1	
	90105	90105-LEA7-E00	BOLT FR DISK 8x30	BOLT FR DISK 8X30	5	
	90122	90122-LEA7-E00	BOLT FLANGE 10X42	BOLT FLANGE 10X42	2	
	90754	90754-LLJ3-E00	DUST SEAL	DUST SEAL	2	
	95701	95701-06012-06	BOLT FLANGE 6*12 **07 C.2005.07.01	BOLT FLANGE 6*12 **07 C.2005.07.01	1	
	96150	96150-60020-10	BEARING BALL RADIAL 6002	BEARING BALL RADIAL 6002	2	
	96600	96600-LGE5-E00	SOCKET BOLT	SOCKET BOLT	3	

F08

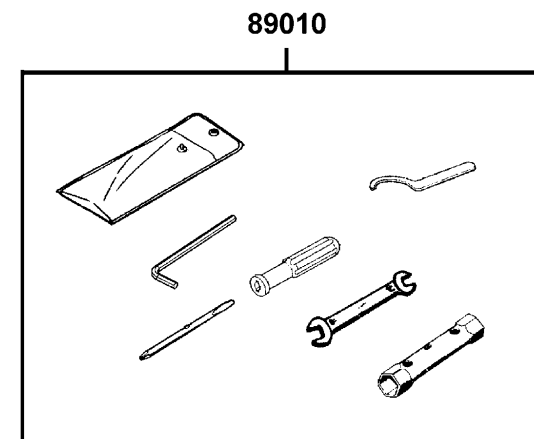
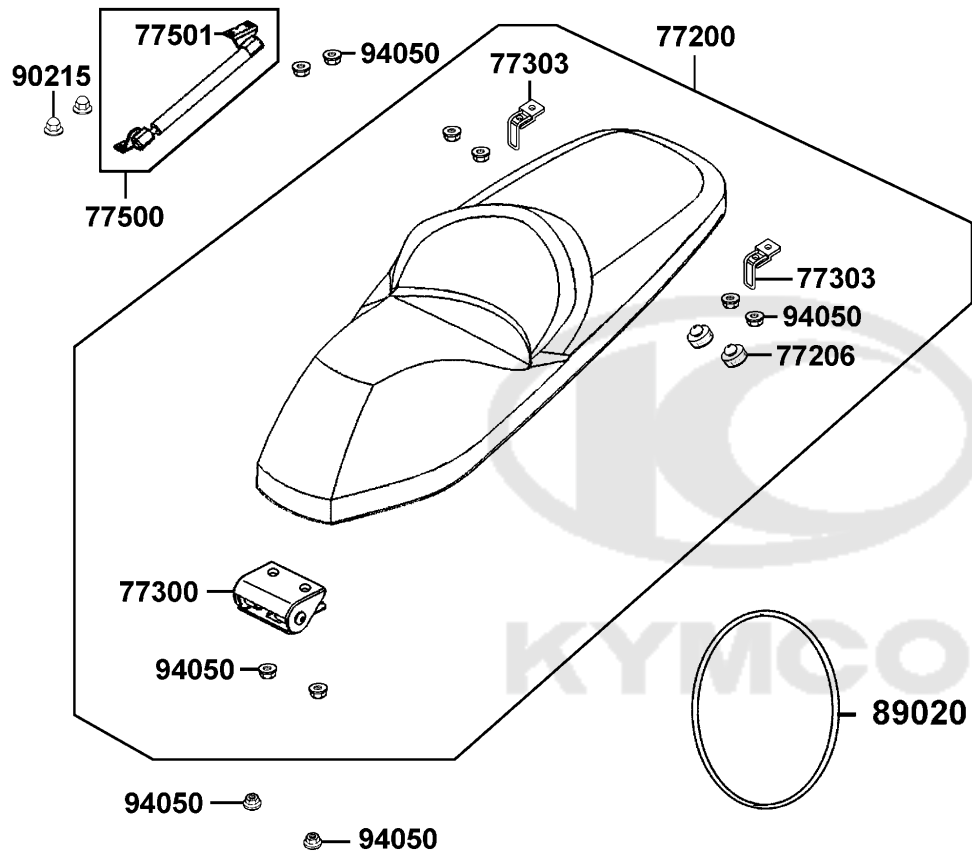
Rear Wheel



Sales mark	Ref no	Part no	Description	Reg description	Regd no	F08
	42311	42311-LEA7-E00	COLLAR RR AXLE SIDE A	COLLAR RR AXLE SIDE A	1	
	42312	42312-LEA7-E00	COLLAR RR AXLE SIDE	COLLAR RR AXLE SIDE	1	
**	42601	42601-LEA7-E00	WHEEL COMP RR	WHEEL COMP RR	1	
	42710	42710-ACD5-E30	TIRE ASSY RR(150/70-13 TL)	TIRE ASSY RR	1	
	42753	42753-KNBN-90B	VALAE RIM (TR412)	VALAE RIM (TR412)	1	
**	43100	43100-LGE5-E01	CALIPER ASSY RR (Met Silver)	CALIPER ASSY RR (Met Silver)	1	
	43105	43105-LGE5-306	PAD SET	PAD SET	1	
	43109	43109-MCA3-007	DUST SEAL	DUST SEAL	2	
**	43210	43210-LGE5-E00	BRACKET FR CALIPER (Met Silver)	BRACKET FR CALIPER (Met Silver)	1	
	43351	43351-LKG7-E00	DISK RR BRAKE	DISK RR BRAKE	1	
	43352	43352-KKD6-E90	SCREW BLEEDER	SCREW BLEEDER	1	
	43352A	43352-LEA7-E01	TOOTHED RING SENSOR	READ PLATE RR	1	
	43353	43353-4A61-77A	CAP BLEEDER	CAP BLEEDER	1	
	45107	45107-KED9-E00	PISTON	PISTON	2	
	45131	45131-LGE5-E00	PIN BOLT	PIN BOLT	2	
	45209	45209-KED9-900	SEAL PISTON	SEAL PISTON	2	
	51430	51430-LGE5-E00	SLIDE PAD	SLIDE PAD	2	
	90105	90105-LEA7-E00	BOLT FR DISK 8x30	BOLT FR DISK 8X30	5	
	90122	90122-LEA7-E00	BOLT FLANGE 10X42	BOLT FLANGE 10X42	2	
	90305	90305-KKAK-900	NUT U 16MM	NUT U 16MM	1	

F09

Seat

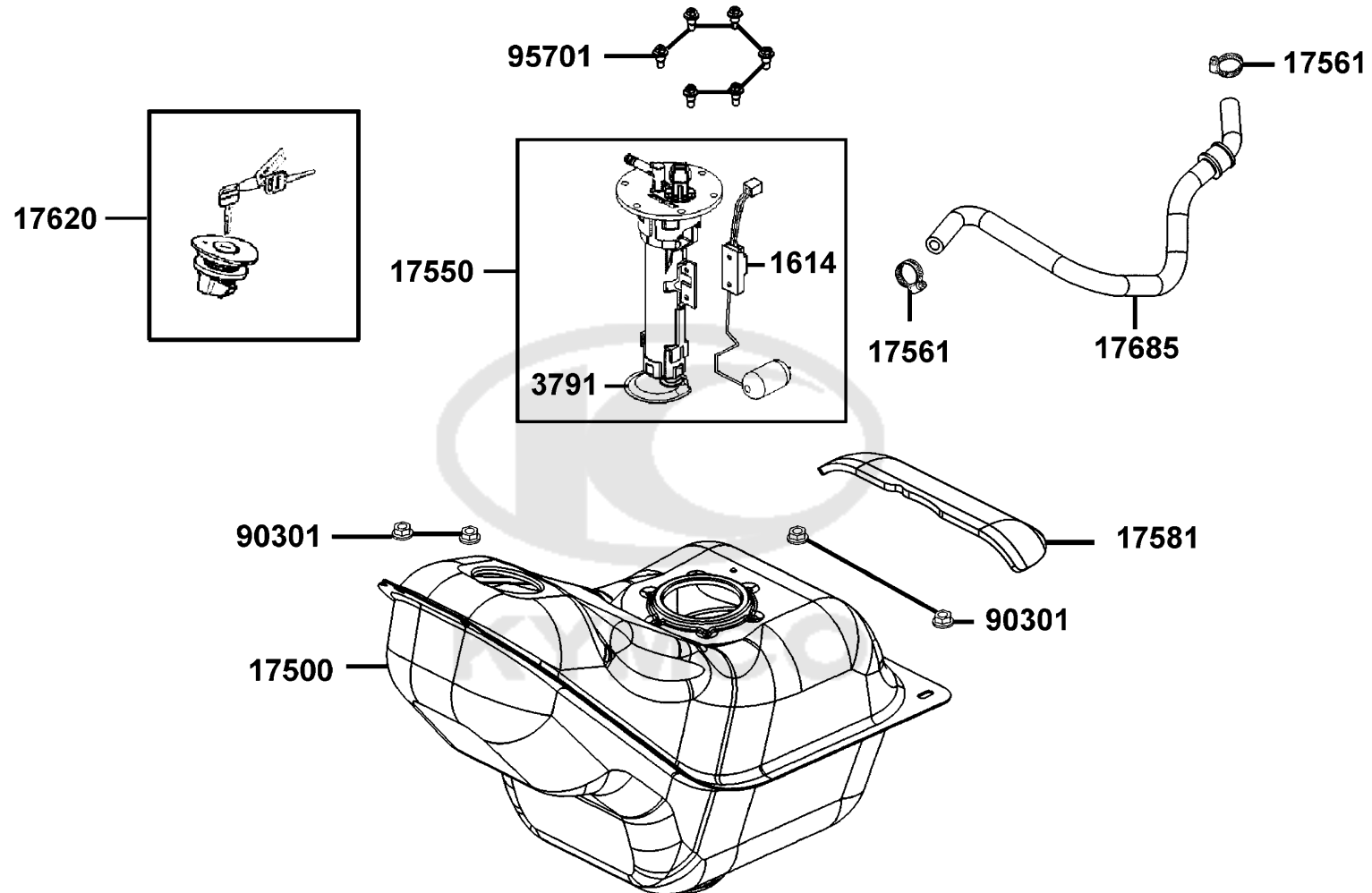


Sales mark	Ref no	Part no	Description	Reg description	Regd no	F09
**	77200	77200-ACD5-339	SEAT ASSY (REACH)	SEAT ASSY (REACH)	1	
	77206	77206-KEB7-900	RUBBER SEAT CUSH	RUBBER SEAT CUSH	2	
	77300	77300-ACD5-E00	HINGE COMP SEAT	HINGE COMP SEAT	1	
	77303	77303-ZZA6-E00	HOOK SEAT LOCK	HOOKSEAT LOCK	1	
	77500	77500-LEA7-E00	DAMPER CAS	DAMPER CAS	1	
	77501	77501-LBA2-E00	STAY GAS DAMPER	STAY GAS DAMPER	2	
	89010	89010-ACD5-E00	TOOL SET	TOOL SET	1	
	89020	89020-KKC4-900	BAND TOOL SET	BAND TOOL SET	1	
	90215	90215-KKC4-900	NUT CAP 6MM	NUT CAP 6MM	2	
	94050	94050-06060	NUT FLANGE 6MM	NUT FLANGE 6MM	2	

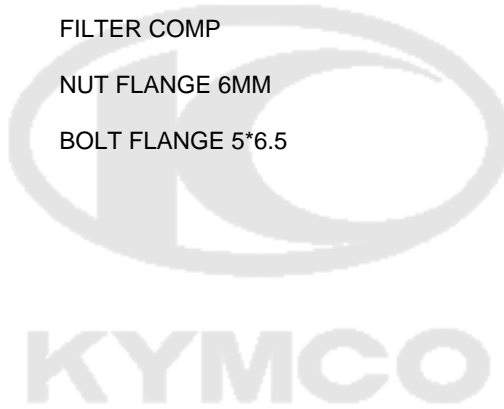


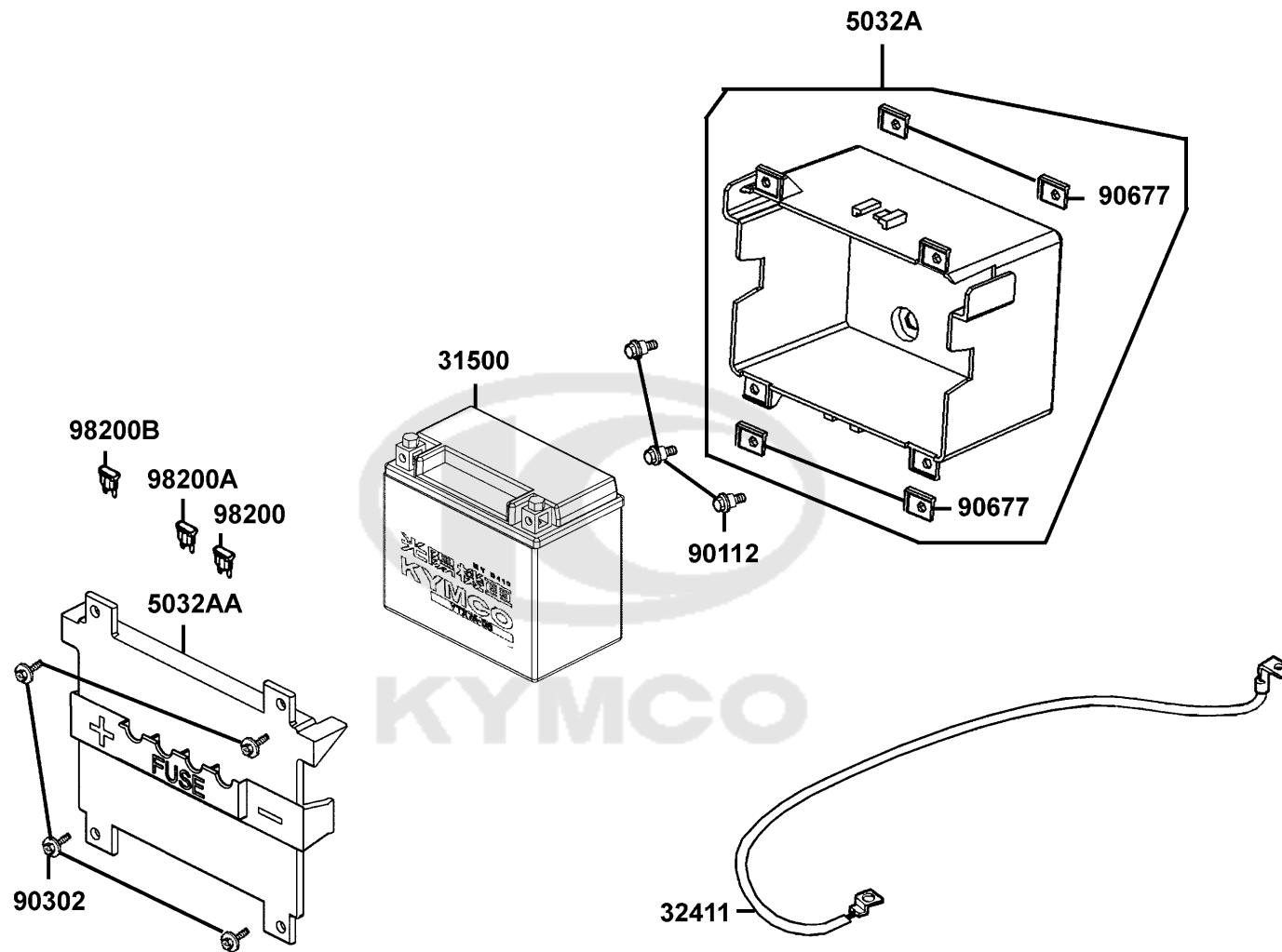
F10

Fuel Tank

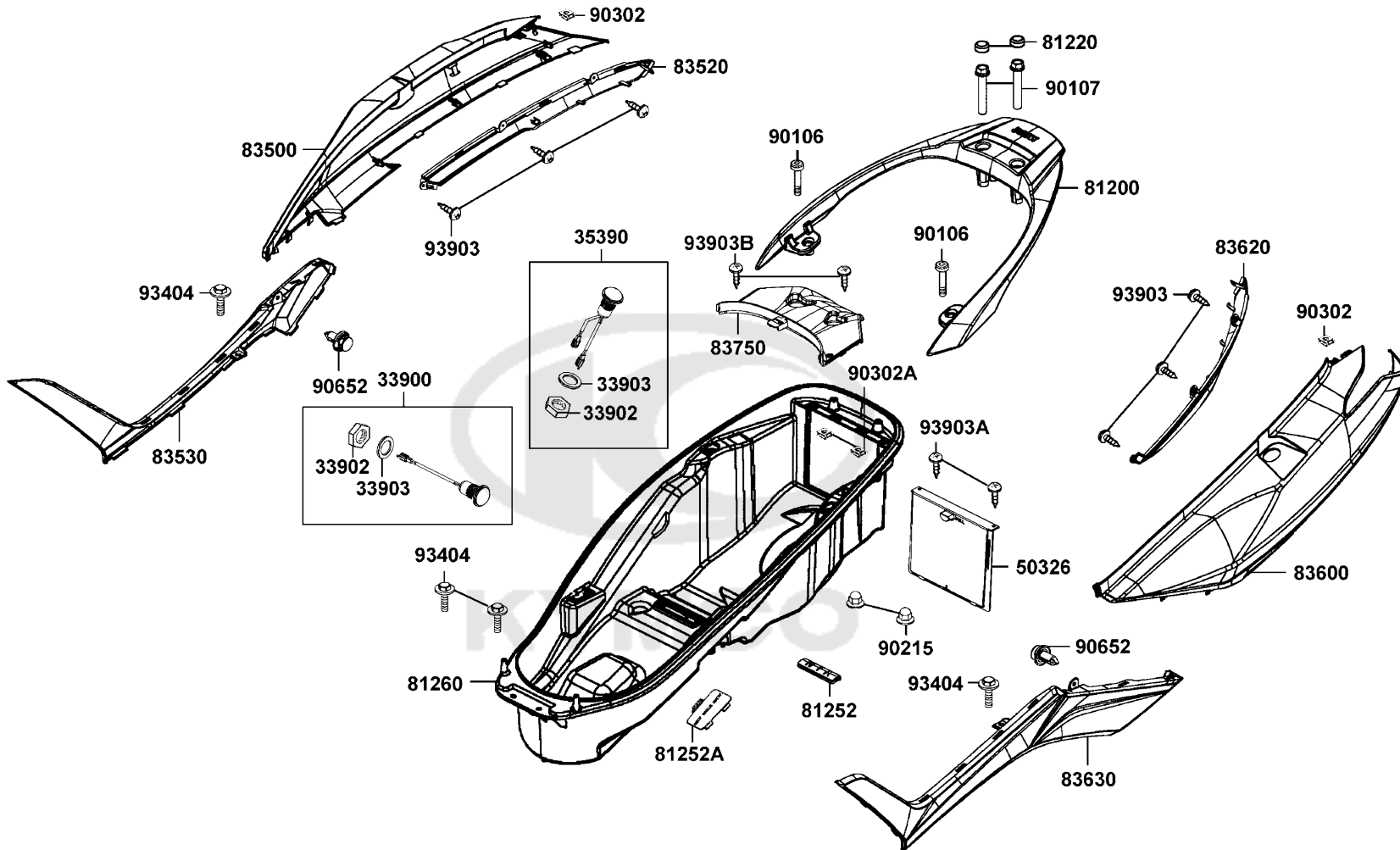


Sales mark	Ref no	Part no	Description	Reg description	Regd no	F10
1614		1614-A22C-0000-Y	FUEL LEVER SENSOR COMP	FUEL LEVER SENSOR COMP	1	
17500		17500-LEA7-900	TANK COMP. FUEL	TANK COMP. FUEL	1	
17550		17550-LEA7-800	FUEL PUMP MODULE ASSY	FUEL PUMP ASSY	1	
17561		17561-LHG8-E00	CLIP 13.0	CLIP 13	2	
17581		17581-LEA7-E00	SPONGE FUEL TANK	SPONGE FUEL TANK	1	
17620		17620-LEA7-315-M2	CAP COMP FUEL FILLER	CAP COMP FUEL FILLER	1	
17685		17685-LEA7-E00	TUBE FUEL PUMP	TUBE FUEL PUMP	1	
3791		3791-HN80-0000	FILTER COMP	FILTER COMP	1	
90301		90301-6D34-671	NUT FLANGE 6MM	NUT FLANGE 6MM	4	
95701		95701-LDF2-800	BOLT FLANGE 5*6.5	BOLT FLANGE 5*6.5	6	





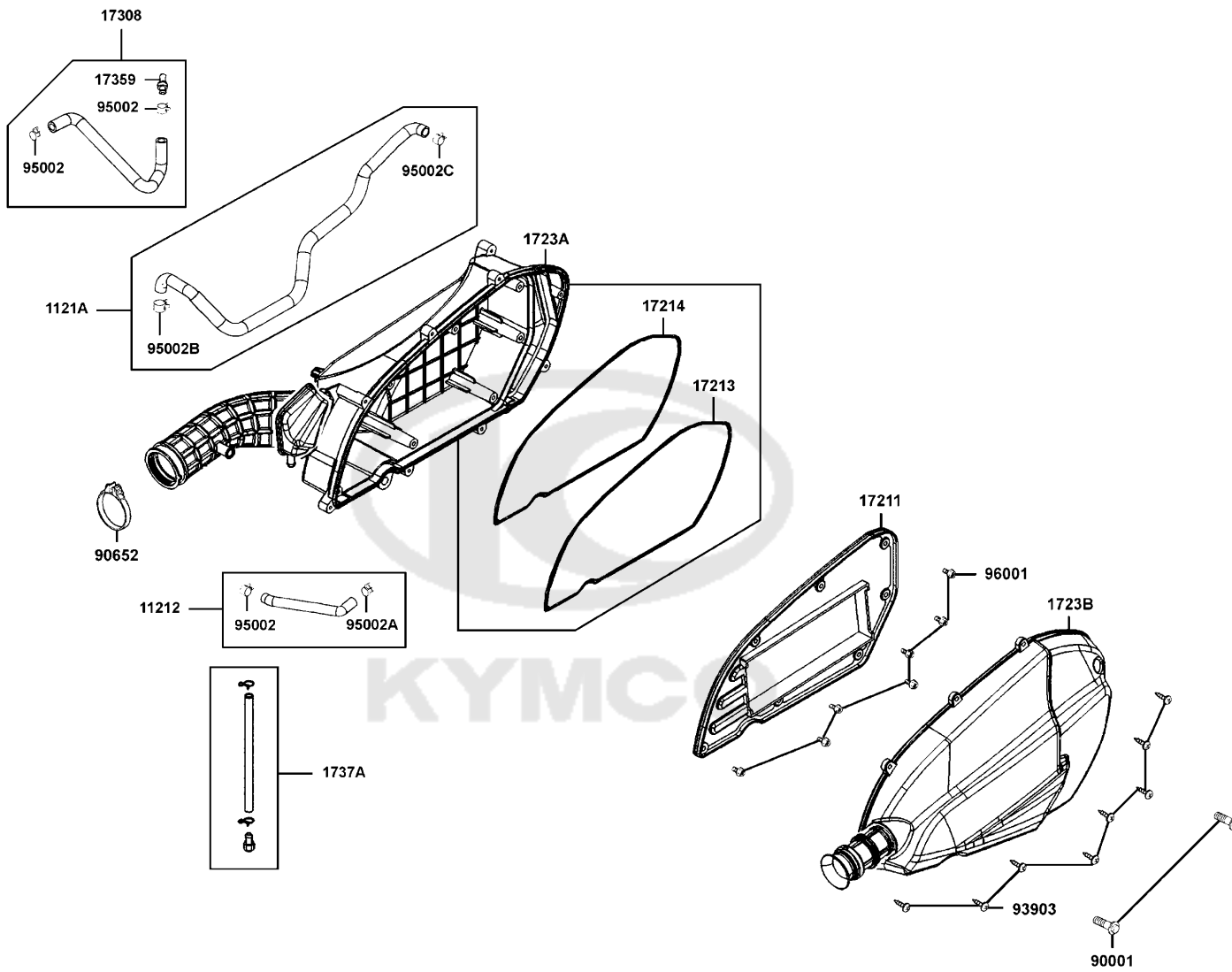
Sales mark	Ref no	Part no	Description	Reg description	Regd no	F11
31500		31500-LEA6-900	BATTERY YT12A-BS	BATTERY YT12A-BS	1	
31500		31500-LEA6-90B	BATTERY GT12A-BS	BATTERY GT12A-BS	1	
32411		32411-ACD5-E00	CABLE BAT	CABLE BAT	1	
5032A		5032A-LEA5-E00	CASE ASSY BATTERY	CASE ASSY BATTERY	1	
5032AA		5032A-LEA7-E00	COVER ASSY BATTERY	COVER ASSY BATTERY	1	
90112		90112-KNBN-901	BOLT FLANGE 6MM	BOLT FLANGE 6MM	3	
90302		90302-GFY6-940	BOLT-WASH 5*16	BOLT-WASH 5*16	4	
90677		90677-GAR1-004	NUT CLIP 5MM	NUT CLIP 5MM	1	
98200		98200-31000	BLADE FUSE 10A **(0) C.2005.03.01	BLADE FUSE 10A **(0) C.2005.03.01	1	
98200A		98200-31500	FUSE A15	FUSE A15	1	
98200B		98200-33000	BLADE FUSE 30A	BLADE FUSE 30A	1	



Sales mark	Ref no	Part no	Description	Reg description	Regd no	F12
	33900	33900-LKF5-E00	LIGHT ASSY LUGGAGE BOX	LIGHT ASSY LUGGAGE BOX	1	
	33902	33902-LHG7-E00	NUT SCREW	NUT SCREW	1	
	33903	33903-LHG7-E00	PACKING	PACKING	1	
	35390	35390-LKF5-E00	SENSOR LUGGAGE BOX LIGHT	SENSOR LUGGAGE BOX LIGHT	1	
**	50326	50326-LGJ8-900	COVER BATTERY LUGGAGE	COVER BATTERY LUGGAGE	1	
**	81200	81200-ACD5-E00	CARRIER REAR	CARRIER REAR	1	
**	81220	81220-LKG7-E00	CAP RR GRIP	CAP RR GRIP	1	
	81252	81252-KKE5-E00	PLUG LUGGAGE BOX	PLUG LUGGAGE BOX	1	
	81252A	81252-LEA7-E00	COVER P.D.A. MAINT	COVER P.D.A. MAINT	1	
**	81260	81260-ACD5-E01	BOX ASSY LUGGAGE	BOX ASSY LUGGAGE	1	
**	83500	83500-ACD5-E00	COVER R BODY (Mat Silver Crystal)	COVER R BODY (Mat Silver Crystal)	1	
**	83520	83520-ACD5-E00	RR MOLDING R SIDE (Black)	RR MOLDING R SIDE (Black)	1	
**	83530	83530-ACD5-E00	BOARD A R SIDE	BOARD A R SIDE	1	
**	83600	83600-ACD5-E00	COVER L BODY (Mat Silver Crystal)	COVER L BODY (Mat Silver Crystal)	1	
**	83620	83620-ACD5-E00	RR MOLDING L SIDE (Black)	RR MOLDING L SIDE (Black)	1	
**	83630	83630-ACD5-E00	BOARD A L SIDE	BOARD A L SIDE	1	
**	83750	83750-ACD5-E00	COVER A RR CENTER SILVER MAT (Mat Silver)	COVER A RR CENTER SILVER MAT (Mat Silver)	1	
	90106	90106-KFAF-900	BOLT SPECIAL	BOLT SPECIAL	4	
	90107	90107-ACD5-E00	BOLT SPECIAL 8MM	BOLT SPECIAL 8MM	2	
	90215	90215-KKC4-900	NUT CAP 6MM	NUT CAP 6MM	2	

Sales mark	Ref no	Part no	Description	Reg description	Regd no	F12
90302		90302-LKB9-900	NUT SPRING 5MM	NUT SPRING 5MM	2	
90302A		90302-SDA4-004	NUT SPRING 4MM	NUT SPRING 4MM	2	
90652		90652-LCA4-E00	CLIP MUDGUARD	CLIP MUDGUARD	2	
93404		93404-06016-06	BOLT WASHER 6*16	BOLT WASHER 6*16	4	
93903		93903-25260	SCREW TAPPING 5X12	SCREW TAPPING 5X12	6	
93903A		93903-34360	SCREW TAPPING 4X12	SCREW TAPPING 4X12	2	
93903B		93903-45360	SCREW TAPPING 5*16	SCREW TAPPING 5*16	2	

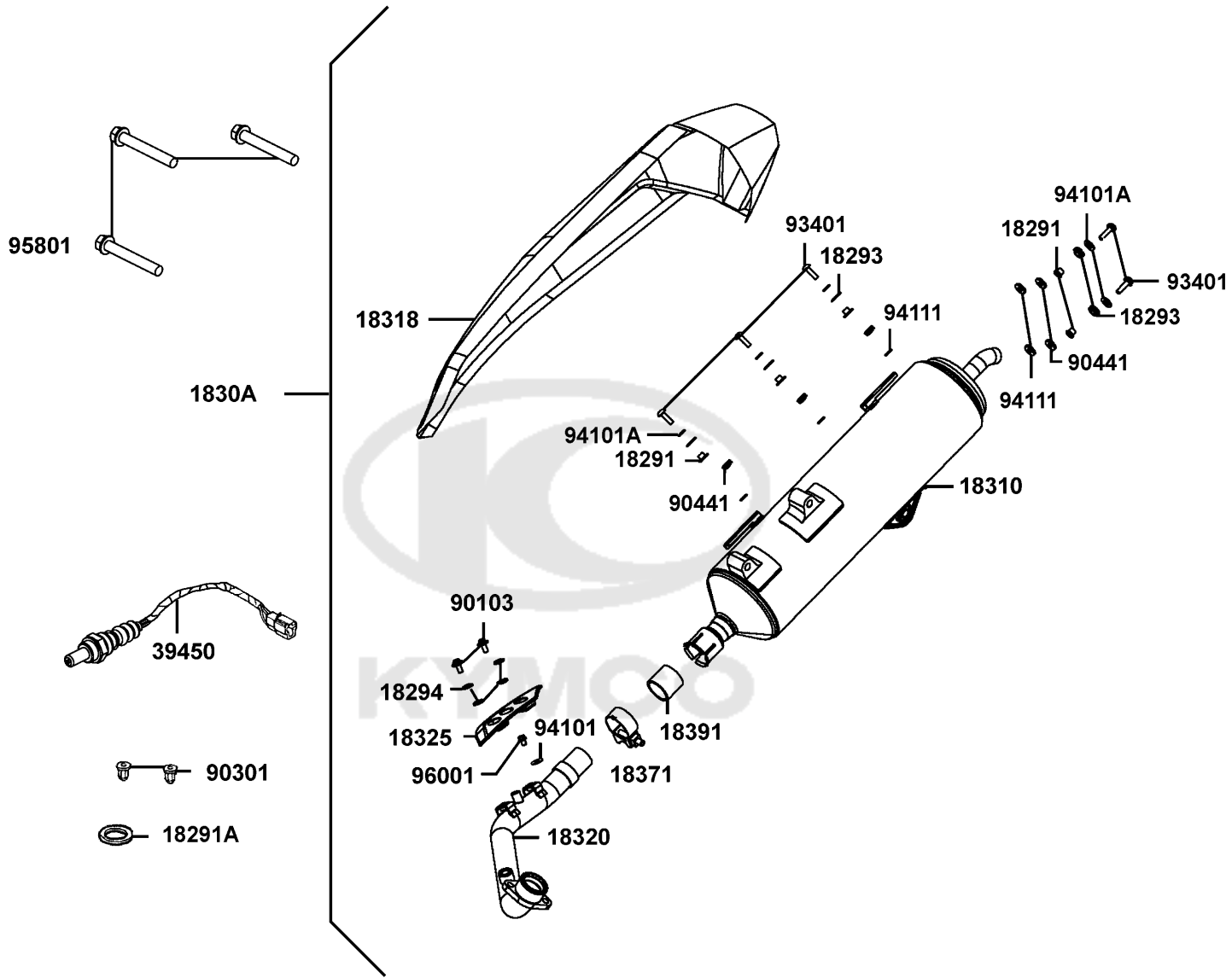




Sales mark	Ref no	Part no	Description	Reg description	Regd no	F13
	11212	11212-LEA7-E00	TUBE AIR/C BLOW BY	TUBE AIR/C BLOW BY	1	
	1121A	1121A-LEA7-E00	TUBE BREATHER	TUBE BREATHER	1	
	17211	17211-LEA7-E00	ELEMENT AIR/C	ELEMENT AIR/C	1	
	17213	17213-LEA7-E01	SEAL ELEMENT AIR/C	SEAL ELEMENT AIR/C	1	
	17214	17214-LEA7-E00	SEAL CASE AIR/C	SEAL CASE AIR/C	1	
	1723A	1723A-ACD5-900	CASE ASSY AIR/C	CASE ASSY AIR/C	1	
	1723B	1723B-ACD5-E00	COVER COMP AIR/C	COVER COMP AIR/C	1	
	17308	17308-ACD5-900	TUBE ASSY CANISTER-AIR/C	TUBE ASSY CANISTER-AIR/C	1	
	17359	17359-4K19-671	JOINT BREATHER TUBE	JOINT BREATHER TUBE	1	
	1737A	1737A-KUDU-900	V TUBE ASSY	V TUBE ASSY	1	
	90001	90001-GBHB-681	BOLT FLANGE SHF 6*28	BOLT FLANGE SHF 6*28	2	
	90652	90652-KHE7-900	BAND CONNECTING TUBE	BAND CONNECTING TUBE	1	
	93903	93903-25460	SCREW TAPPING 5*20 **93903-25480	SCREW TAPPING 5*20 **93903-25480 C.2005	8	
	95002	95002-41150-00	CLIP D11.5 TUBE	CLIP D11.5 TUBE	3	
	95002A	95002-41250-00	CLIP D12.5 TUBE	CLIP D12.5 TUBE	1	
	95002B	95002-KED9-M30	CLAMP D14.8 TUBE	CLAMP D14.8 TUBE	1	
	95002C	95002-LKF5-E00	CLAMP D14.6 TUBE	CLAMP D14.6 TUBE	1	
	96001	96001-GFY6-900	BOLT SPECIAL 5X10	BOLT SPECIAL 5X10	7	

F14

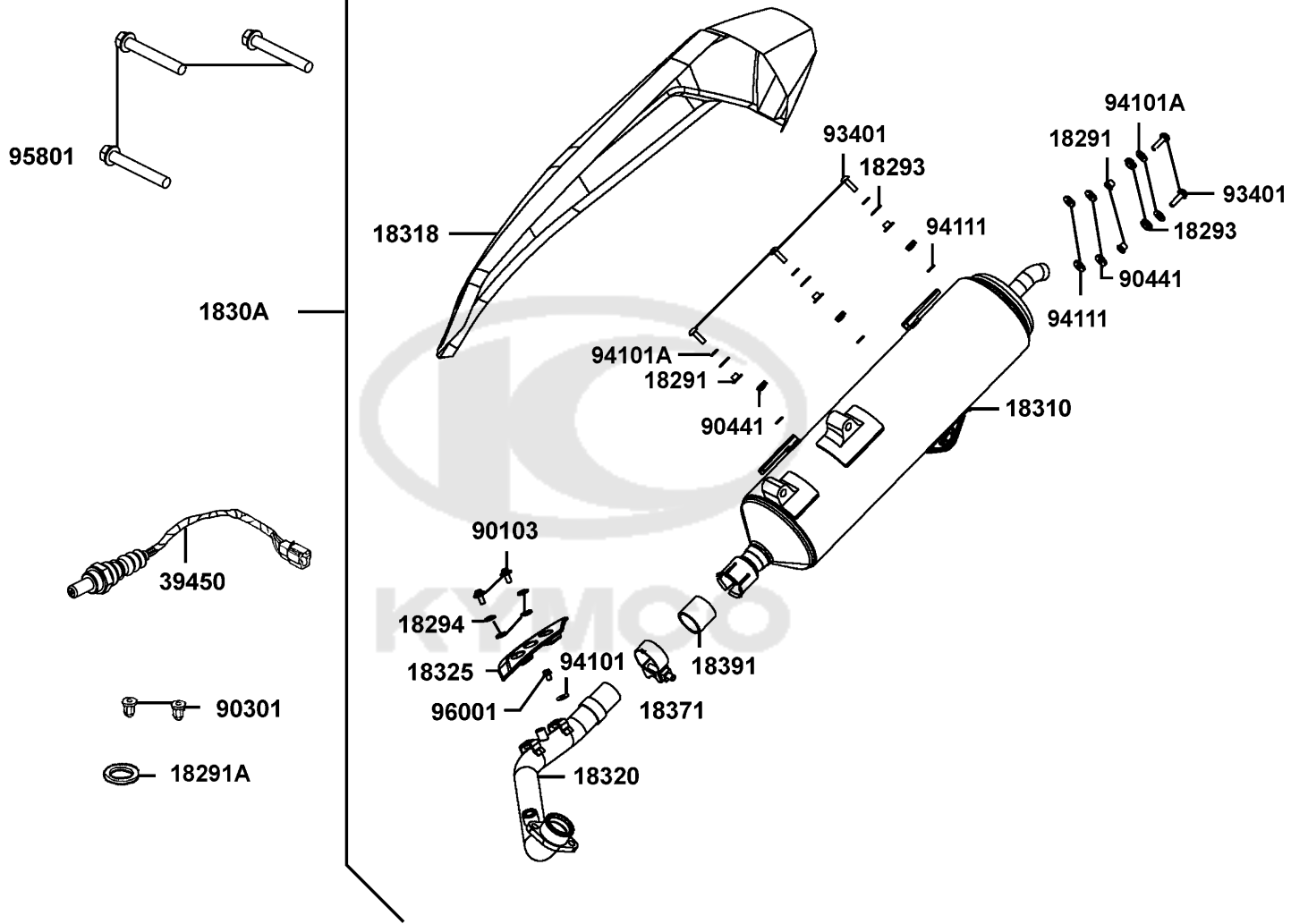
Exhaust Muffler



Sales mark	Ref no	Part no	Description	Reg description	Regd no	F14
	18291	18291-LKG2-90A	COLLAR	COLLAR	5	
	18291A	18291-PWB1-900	SEAL EXHAUST PIPE	SEAL EXHAUST PIPE	1	
	18293	18293-LHJ8-900	RUBBER PKG PROTR	RUBBER PKG PROTR	5	
	18294	18294-KTCT-900	PACKING PROTECTOR	PACKING PROTECTOR	4	
**	1830A	1830A-ACD5-E01	MUFFLER ASSY.. EXHAUST	MUFFLER ASSY.. EXHAUST	1	
	18310	18310-ACD5-E01	MUFFLER COMP	MUFFLER COMP	1	
**	18318	18318-ACD5-E00	PROTECTOR MUFFLER	PROTECTOR MUFFLER	1	
	18320	18320-ACD5-E00	PIPE EXHAUST	PIPE EXHAUST	1	
**	18325	18325-ACD5-E00	PROTECTOR EXHAUST (Mat Black)	PROTECTOR EXHAUST (Mat Black)	1	
	18371	18371-ACD5-E00	BAND MUFFLER	BAND MUFFLER	1	
	18391	18391-ACD5-E00	GASKET	GASKET	1	
	39450	39450-LEA6-800	O2 SENSOR	O2 SENSOR	1	
	90103	90103-LGE5-E00	BOLT WASHER 6X14	BOLT WASHER 6X14	2	
	90301	90301-GFY6-901	NUT CAP 8MM *(1) C.2008.10.28	NUT CAP 8MM *(1) C.2008.10.28	2	
	90441	90441-ACD5-E00	WASHER PLATE	WASHER PLATE	5	
	93401	93401-LEA7-900	BOLT WASHER 6X22	BOLT WASHER 6X22	5	
	94101	94101-06700	WASHER PLAIN 6MM	WASHER PLAIN 6MM	1	
	94101A	94101-ACD5-E00	WASHER PLAIN 6.5*18*1.5	WASHER PLAIN 6.5*18*1.5	5	
	94111	94111-ACD5-E00	WASHER.SPG	WASHER SPG 6MM	5	
	95801	95801-10060-06	BOLT FLANGE 10*60	BOLT FLANGE 10*60	3	

F14

Exhaust Muffler



Sales mark	Ref no	Part no	Description	Reg description	Regd no	F14
------------	--------	---------	-------------	-----------------	---------	------------

96001

96001-06008-07

BOLT FLANGE SH 6*8

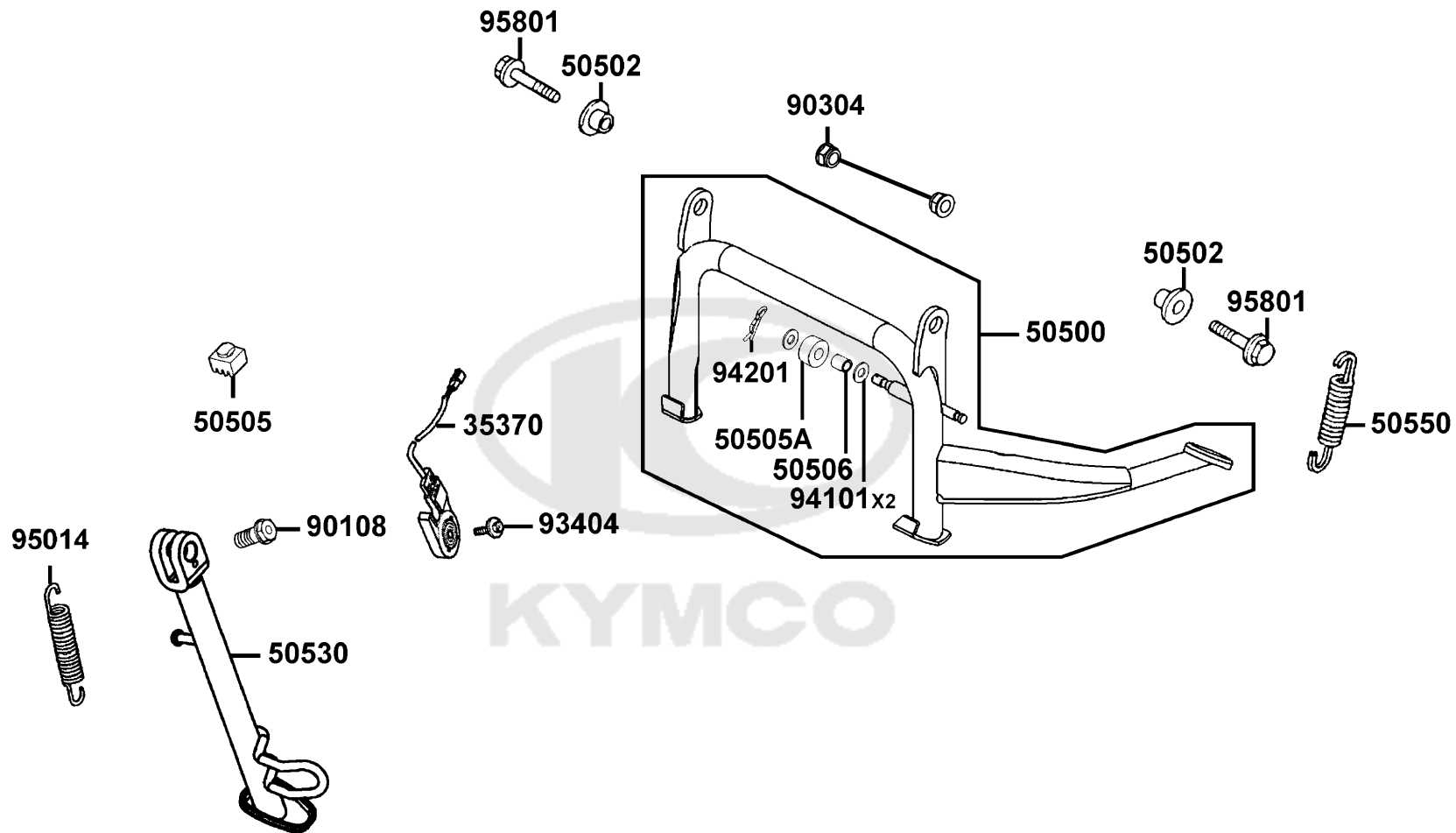
BOLT FLANGE SH 6*8

1



F15

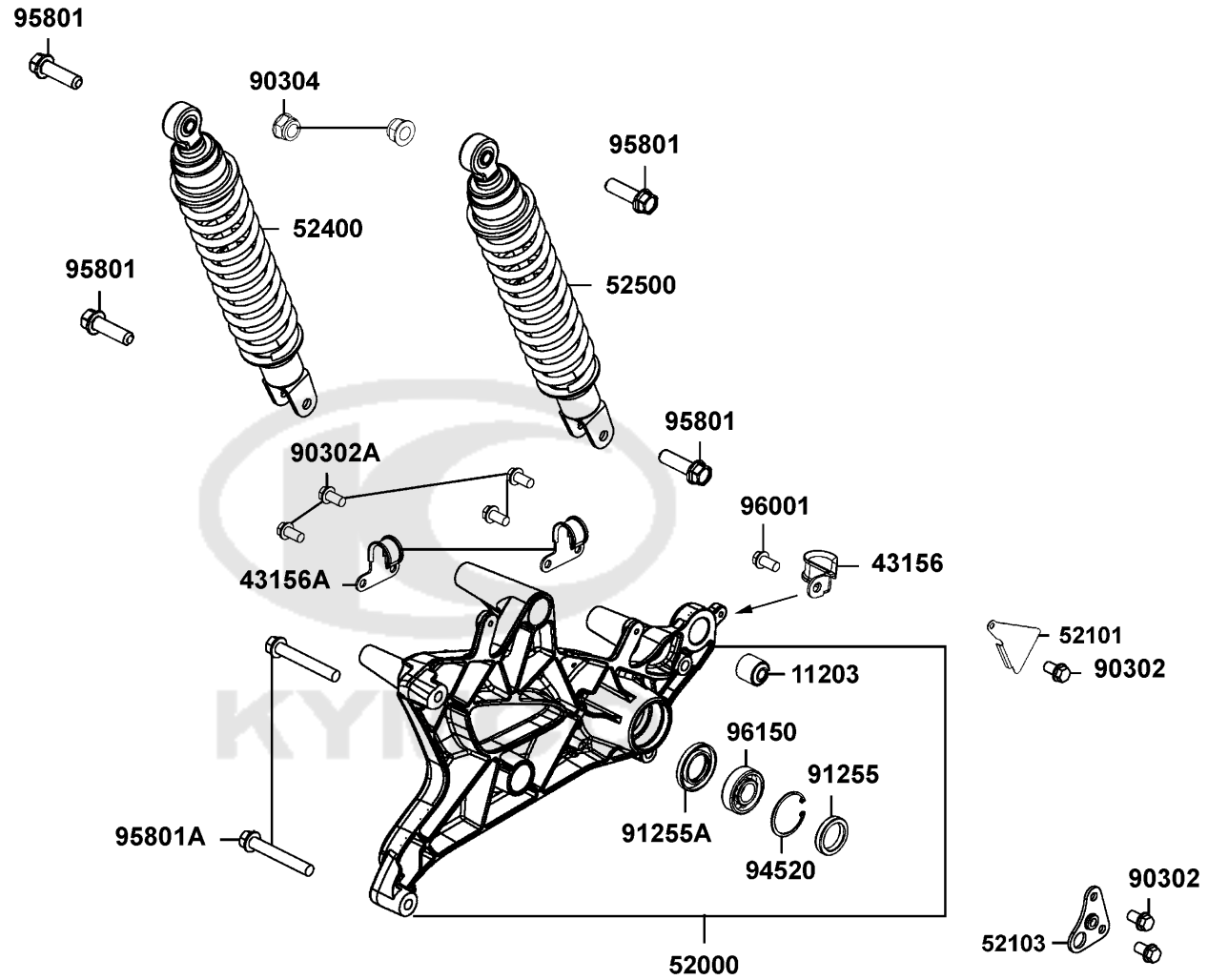
Stand



Sales mark	Ref no	Part no	Description	Reg description	Regd no	F15
	35370	35370-LLJ3-E00	SW UNIT SIDE STAND	SW UNIT SIDE STAND	1	
	50500	50500-ACD5-E00	STAND COMP MAIN	STAND COMP MAIN	1	
	50502	50502-LDF7-E10	COLLAR MAIN STAND	COLLAR MAIN STAND	2	
	50505	50505-KEBE-900	STOPPER RUBBER	STOPPER RUBBER	1	
	50505A	50505-LEA7-E00	STOPPER RUBBER	STOPPER RUBBER	1	
	50506	50506-KHE7-E00	COLLAR STOPPER RUBBER	COLLAR STOPPER RUBBER	1	
	50530	50530-ZZA6-E00	BAR SIDE STAND	BAR SIDE STAND	1	
	50550	50550-KKC2-E00	SPG ASSY MAIN STAND	SPG ASSY MAIN STAND	1	
	90108	90108-KKC4-900	SCREW SIDE STAND PIVOT	SCREW SIDE STAND PIVOT	1	
	90304	90304-LEA1-900	NUT U FLANGE 10MM	NUT U 10MM	2	
	93404	93404-06016-06	BOLT WASHER 6*16	BOLT WASHER 6*16	1	
	94101	94101-08600	WASH PLAIN 8MM	WASH PLAIN 8MM	2	
	94201	94201-20180	PIN SPLIT 2.0*18	PIN SPLIT 2.0*18	1	
	95014	95014-72204	SPG B1 SIDE STAND	SPG B1 SIDE STAND	1	
	95801	95801-10030-06	BOLT FLANGE 10X30	BOLT FLANGE 10X30	2	

F16

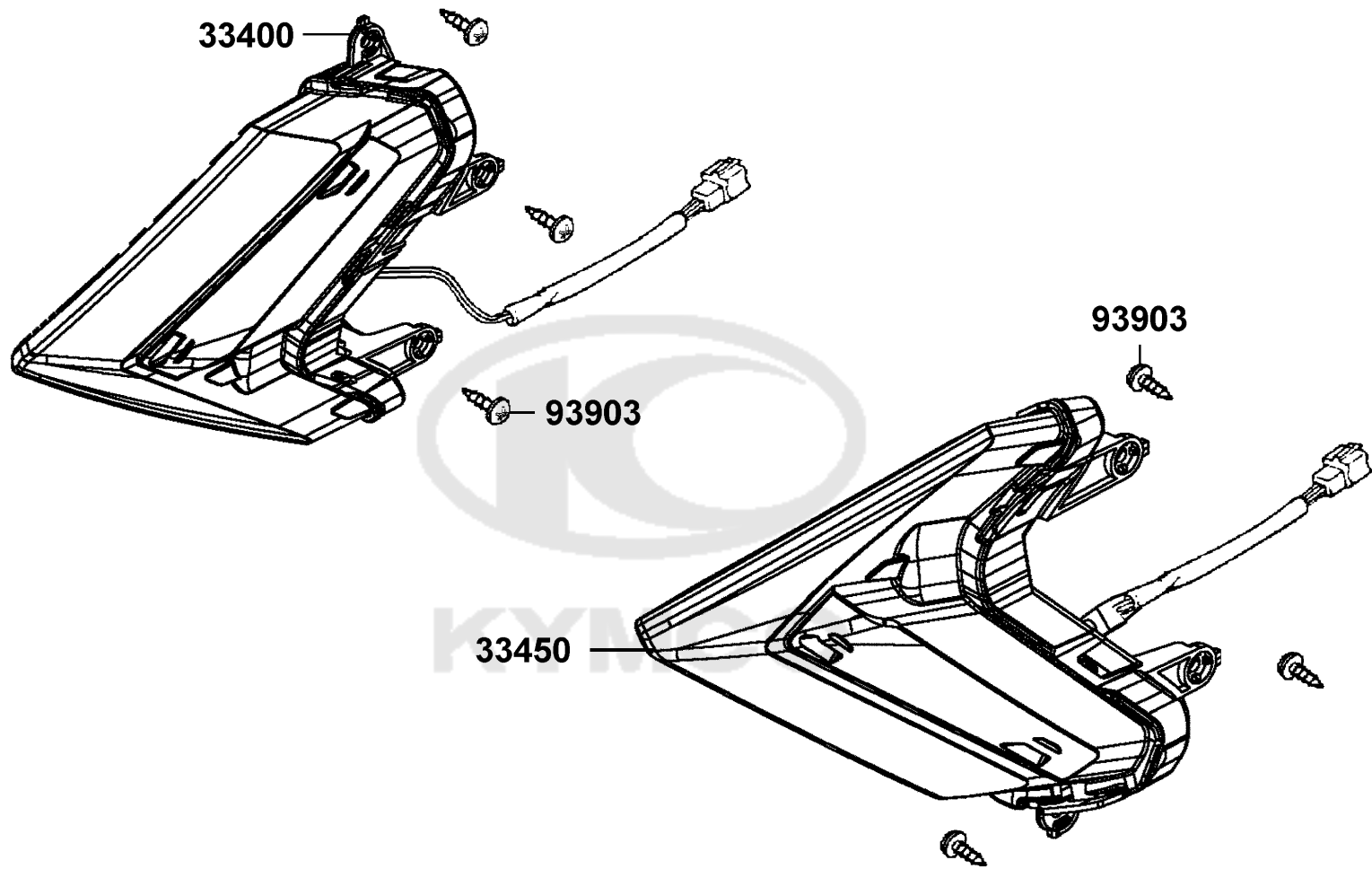
Rr Cushion



Sales mark	Ref no	Part no	Description	Reg description	Regd no	F16
	11203	11203-LBA2-E00	RUB BUSH L CASE	RUB BUSH L CASE	1	
	43156	43156-LDB2-900	CLAMPER HOSE RR	CLAMPER HOSE RR	1	
	43156A	43156-LEA7-E00	CLAMPER HOSE RR	CLAMPER HOSE RR	2	
**	52000	52000-ACD5-E00	FORK ASSY RR (Deep Gray Metallic)	FORK ASSY RR (Deep Gray Metallic)	1	
	52101	52101-LGE5-E01	STAY RR SPEED SENSOR	STAY RR SPEED SENSOR	1	
	52103	52103-ACD5-E01	STAY ABS SENSOR	STAY ABS SENSOR	1	
**	52400	52400-ACD5-E30	CUSHION ASSY RR R/H	CUSHION ASSY RR R/H	1	
**	52500	52500-ACD5-E30	CUSHION ASSY RR L/H	CUSHION ASSY RR L/H	1	
	90302	90302-LBF2-900	BOLT-WASH M5X10	BOLT-WASH M5X10	3	
	90302A	90302-LLB1-E00	BOLT-WASHER 5*12	BOLT-WASHER 5*12	2	
	90304	90304-LEA1-900	NUT U FLANGE 10MM	NUT U 10MM	2	
	91255	91255-LGE5-E00	OIL SEAL 30*48*7	OIL SEAL 30*48*7	1	
	91255A	91255-LLB1-900	OIL SEAL 30*40*7	OIL SEAL 30*40*7	1	
	94520	94520-47000	CIR CLIP IN 47	CIR CLIP IN 47	1	
	95801	95801-10040-06	BOLT FLANGE 10X40	BOLT FLANGE 10*40	4	
	95801A	95801-10060-06	BOLT FLANGE 10*60	BOLT FLANGE 10*60	2	
	96001	96001-06012-06	BOLT FLANGE SH 6*12	BOLT FLANGE SH 6*12	1	
	96150	96150-62040-10	BEARING BALL RADIAL 6204	BEARING BALL RADIAL 6204	1	

F17

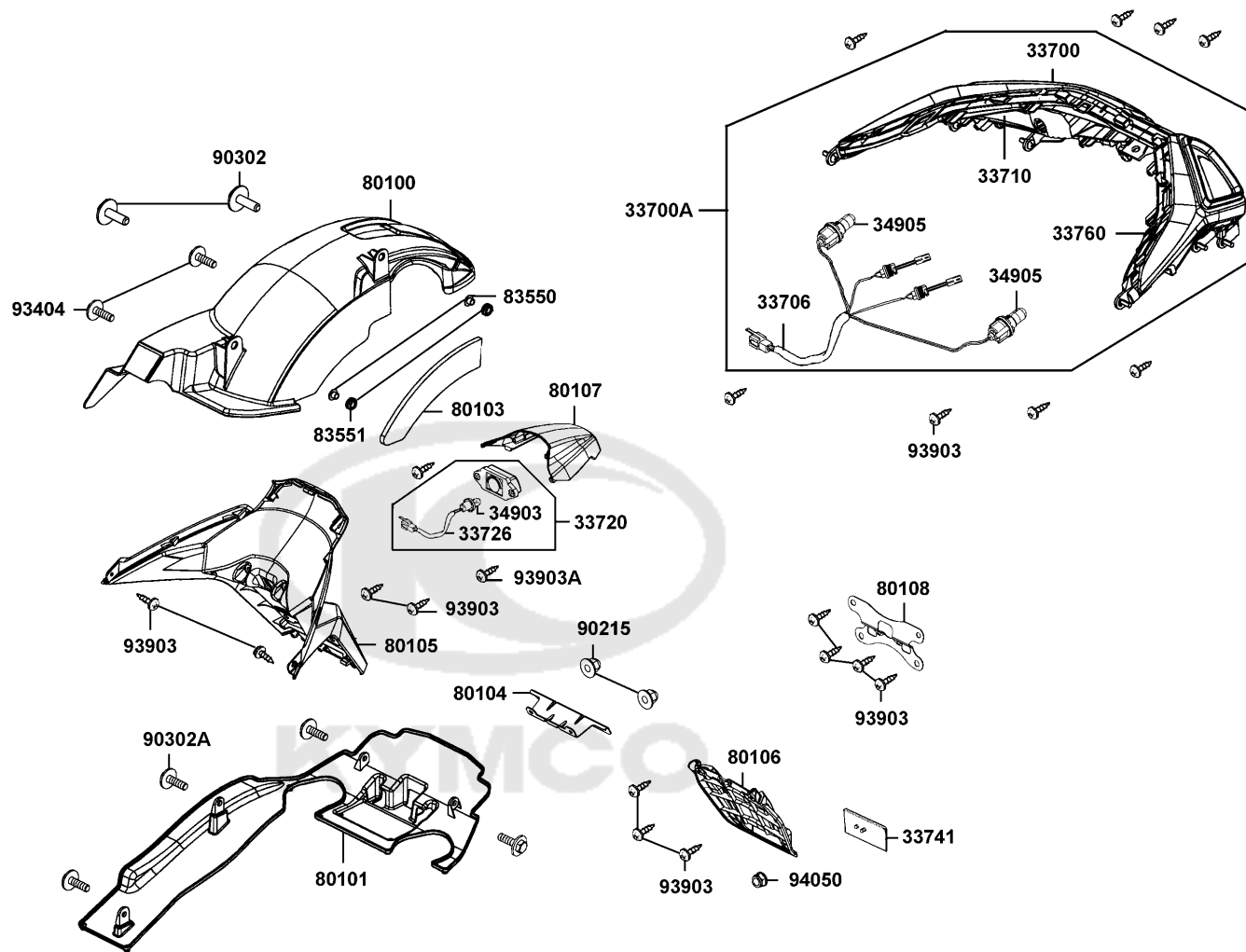
Front Winker



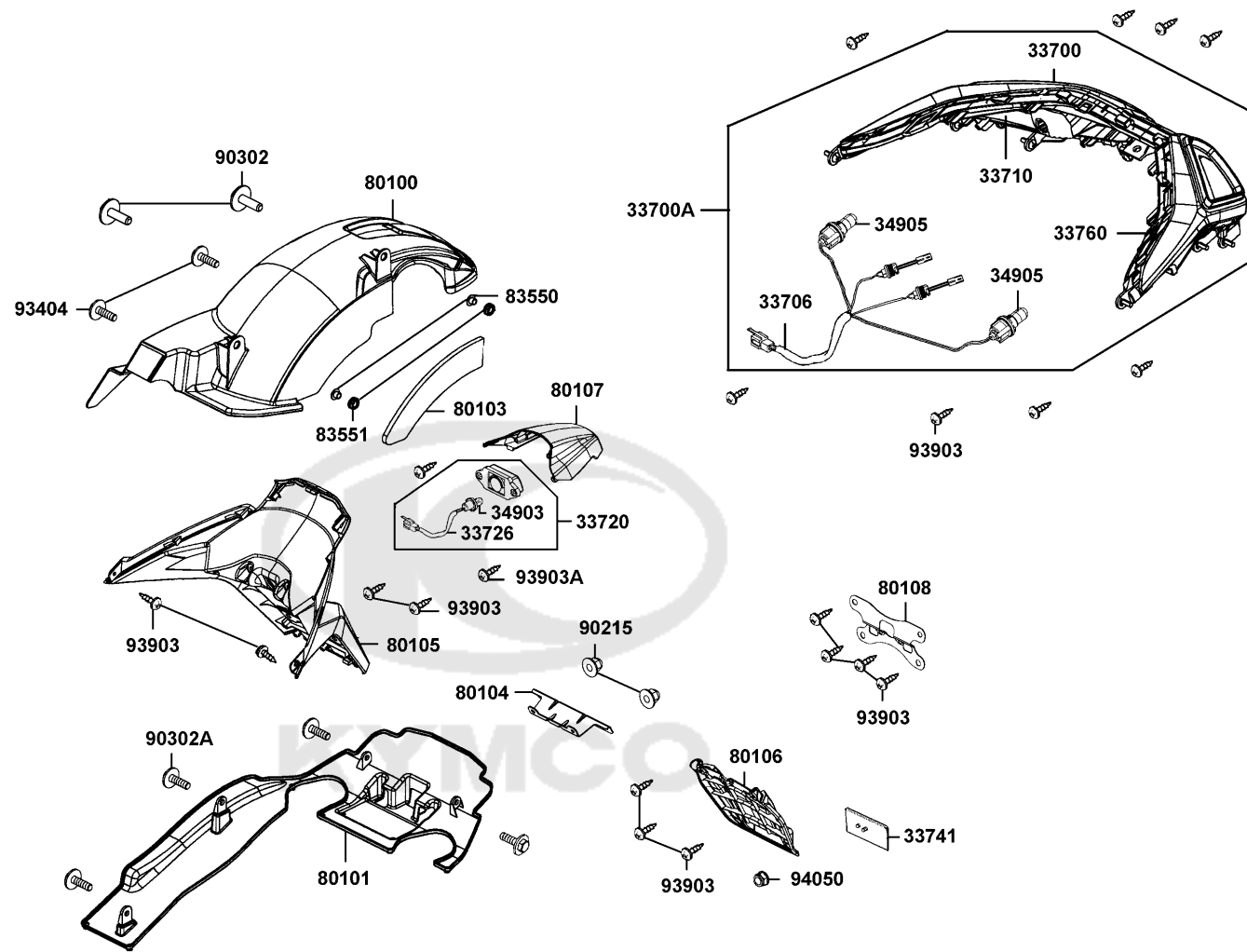
Sales mark	Ref no	Part no	Description	Reg description	Regd no	F17
------------	--------	---------	-------------	-----------------	---------	------------

33400		33400-ACD5-E00	WINKER ASSY R FR	WINKER ASSY R FR	1	
33450		33450-ACD5-E00	WINKER ASSY L FR	WINKER ASSY L FR	1	
93903		93903-25260	SCREW TAPPING 5X12	SCREW TAPPING 5X12	6	



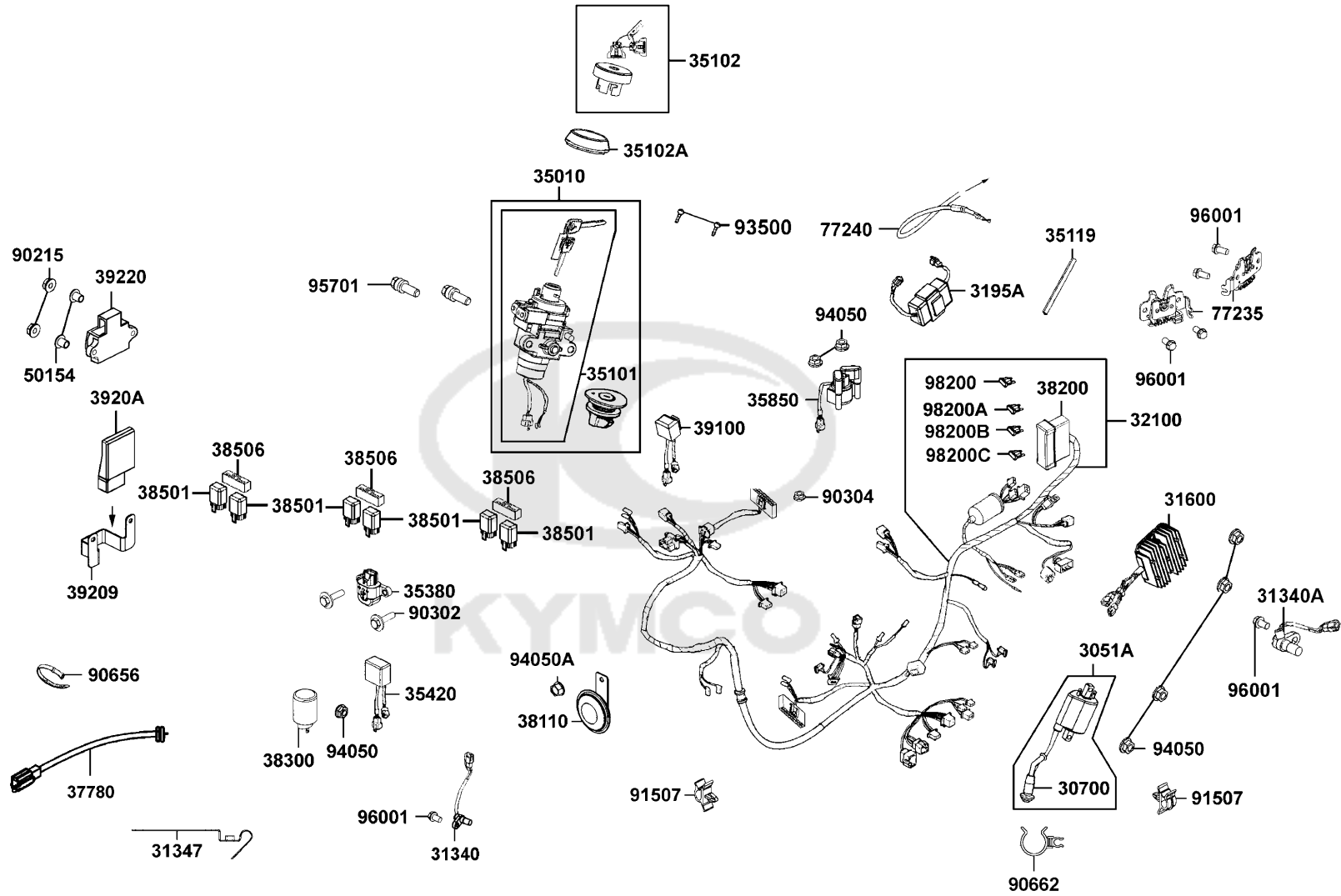


Sales mark	Ref no	Part no	Description	Reg description	Regd no	F18
	33700	33700-ACD5-316	LIGHT UNIT	LIGHT UNIT	1	
	33700A	33700-ACD5-E30	LIGHT ASSY RR COMB	LIGHT ASSY RR COMB	1	
	33706	33706-ACD5-E00	SOCKET COMP	SOCKET COMP	1	
	33710	33710-ACD5-315	LIGHT ASSY R TAIL	LIGHT ASSY R TAIL	1	
	33720	33720-LBB5-E00	LIGHT ASSY LICENSE	LIGHT ASSY LICENSE	1	
	33726	33726-LBB5-E00	SCOKET COMP	SCOKET COMP	1	
	33741	33741-KHC5-M00	REFLEX REFLECTOR	REFLEX REFLECTOR	1	
	33760	33760-ACD5-315	LIGHT ASSY L TAIL	LIGHT ASSY L TAIL	1	
	34903	34903-KPCP-900	BULB POSITION LIGHT 12V5W **KCP-	BULB POSITION LIGHT 12V5W **KCP-9000	1	
	34905	34905-LCA5-E00	BULB WINKER (12V 10W)	BULB WINKER (12V 10W)	2	
**	80101	80101-ACD5-E00	FENDER A RR (Black)	FENDER A RR (Black)	1	
	80103	80103-LEA7-E00	SPONGE TAPE FENDER	SPONGE TAPE FENDER	1	
	80104	80104-LKG7-E00	STAY NO. PLATE	STAY NO. PLATE	1	
**	80105	80105-ACD5-E00	FENDER REAR (Black)	FENDER REAR (Black)	1	
**	80106	80106-LKF5-E00	RR FENDER LOW	RR FENDER LOW	1	
**	80107	80107-LKF5-E00	COVER LICENSE LIGHT	COVER LICENSE LIGHT	1	
	80108	80108-LKG7-E00	STAY RR FENDER	STAY RR FENDER	1	
	83550	83550-KEC8-900	COLLAR	COLLAR	2	
	83551	83551-KEC8-900	GROMMET COVER **KEC8-9000	GROMMET COVER **KEC8-9000 C.2005.09.01	2	
	90215	90215-KKC4-900	NUT CAP 6MM	NUT CAP 6MM	2	

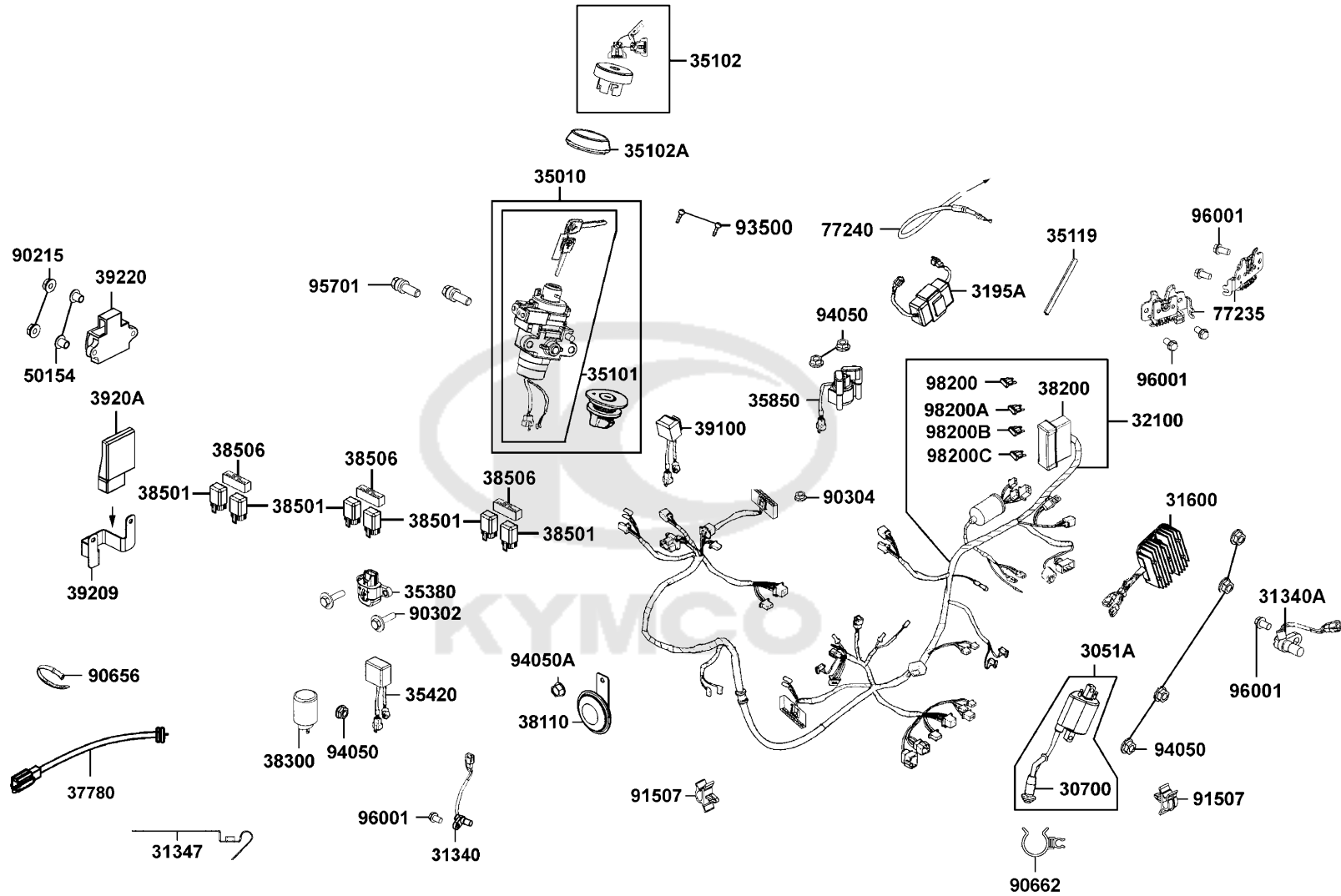


Sales mark	Ref no	Part no	Description	Reg description	Regd no	F18
90302		90302-GBR2-001	BOLT WASH 5*16	BOLT WASH 5*16	2	
90302A		90302-PWA5-900	BOLT-WASH 5*12	BOLT-WASH 5*12	4	
93404		93404-06016-06	BOLT WASHER 6*16	BOLT WASHER 6*16	2	
93903		93903-25260	SCREW TAPPING 5X12	SCREW TAPPING 5X12	19	
93903A		93903-34360	SCREW TAPPING 4X12	SCREW TAPPING 4X12	2	
94050		94050-05080	NUT FLANGE 5MM	NUT FLANGE 5MM	1	

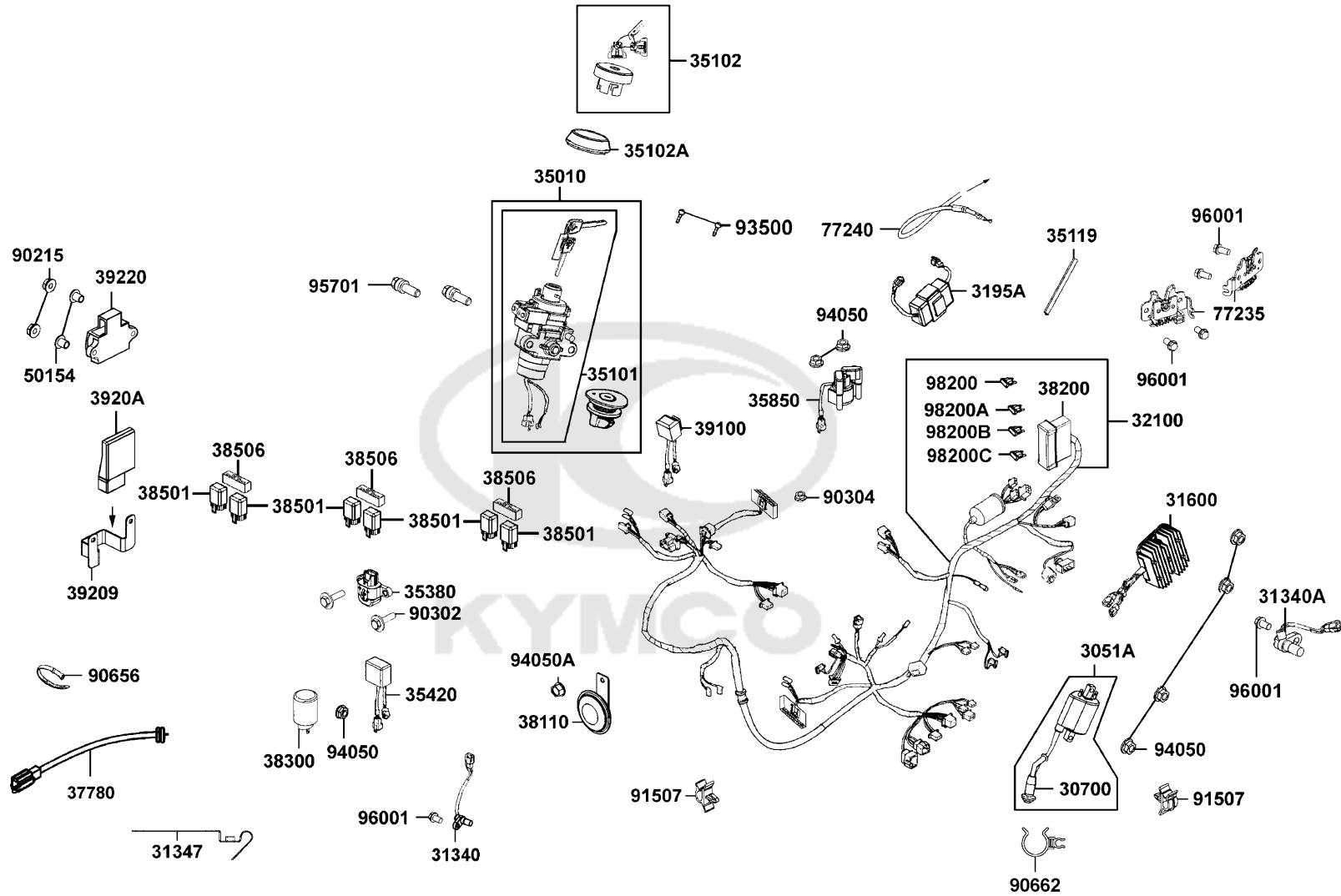




Sales mark	Ref no	Part no	Description	Reg description	Regd no	F19
3051A		3051A-LKF5-E00	COIL ASSY IGN	COIL ASSY IGN	1	
30700		30700-KKE3-900	CAP ASSY NOISE SUPPRESOR	CAP ASSY NOISE SUPPRESOR	1	
31340		31340-LEA7-E00	SENSOR FR WHEEL SPEED	SENSOR FR WHEEL SPEED	1	
31340A		31340-LFH1-E00	SENSOR RR WHEEL SPEED	SENSOR RR WHEEL SPEED	1	
31347		31347-ACD5-E00	CLAMPER SPEED SENSOR	CLAMPER SPEED SENSOR	1	
31600		31600-PRB8-900	REG RECT COMP	REG RECT COMP	1	
3195A		3195A-ACD5-E00	CONTROL ASSY..HAZARD	CONTROL ASSY..HAZARD	1	
32100		32100-ACD5-E02	HARNES WIRE	HARNES WIRE	2	
35010		35010-ACD5-325	KEY SET COMB	KEY SET COMB	1	
35101		35101-ACD5-315	KEY SET LOCK& COMB	KEY SET LOCK& COMB	1	
35102		35102-ACD5-315	SHUTTER SET MAGNETIC LOCK	SHUTTER SET MAGNETIC LOCK	1	
35102A		35102-ACD5-E00	COLLAR MAIN SW	COLLAR MAIN SW	1	
35119		35119-KHC4-90B	COVER SEAT CABLE	COVER SEAT CABLE	1	
35380		35380-ABE1-E00	SENSOR ANGLE DETECT (D106)	SENSOR ANGLE DETECT	1	
35420		35420-LEA7-E00	CONTROLLER,OIL LAMP	CONTROLLER OIL LAMP	1	
35850		35850-KHB4-90A	SET START MAG (D402)	SET START MAG (D402)	1	
35850		35850-KHB4-90B	SET START MAG (D406)	SET START MAG (D406)	1	
37780		37780-ACD5-E00	SENSOR ASSY. ROOM TEMP	SENSOR ASSY. ROOM TEMP	1	
38110		38110-KHB4-E0A	HORN COMP (D405)	HORN COMP (D405)	1	
38200		38200-KHE7-900	BOX COMP FUSE	BOX COMP FUSE	1	

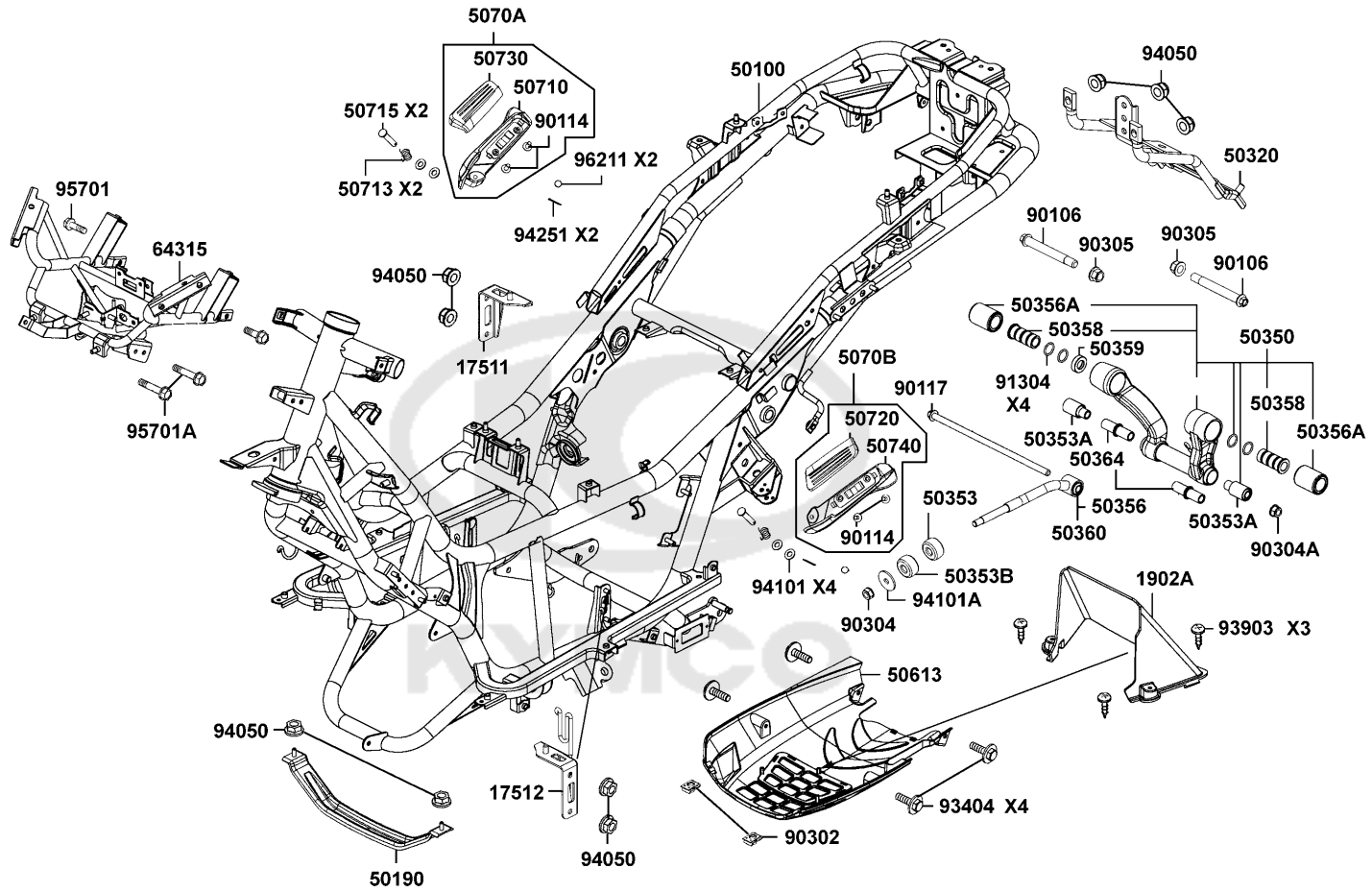


Sales mark	Ref no	Part no	Description	Reg description	Regd no	F19
	38300	38300-LFB6-700	RELAY ASSY WINKER	RELAY ASSY.. WINKER	1	
	38501	38501-LGL3-90A	RELAY COMP LIGHT	RELAY COMP LIGHT	6	
	38506	38506-LFB6-900	CUSHION.RELAY	CUSHION.RELAY	3	
	39100	39100-ACD5-E00	EMI FILTER FAN MOTOR	EMI FILTER FAN MOTOR	1	
	39209	39209-ZZA6-E00	STAY ECU	STAY ECU	1	
	3920A	3920A-ACD5-E01	ASSY ECU	ASSY ECU	1	
	39220	39220-ACD5-E00	CUSHION CASE ECU	CUSHION CASE ECU	1	
	50154	50154-KKE3-900	COLLAR ECU *(0) C.2005.08.25	COLLAR ECU *(0) C.2005.08.25	2	
	77235	77235-ZZA6-E00	SEAT CATCH COMP	SEAT CATCH COMP	2	
	77240	77240-ACD5-E30	CABLE ASSY SEAT LOCK	CABLE ASSY SEAT LOCK	1	
	90215	90215-ALK5-900	NUT CAP 6MM	NUT CAP 6MM	2	
	90302	90302-GFY6-940	BOLT-WASH 5*16	BOLT-WASH 5*16	2	
	90304	90304-ZZA6-E00	NUT CAP 6MM	NUT CAP 6MM	1	
**	90656	90656-KUDU-900	BAND HARNESS WIRE **KUDU-900	BAND HARNESS WIRE **KUDU-900 C.2005.05.	8	
	90662	90662-ACD5-E00	HARNESS CLAMP D27-D8	HARNESS CLAMP D27-D8	1	
	91507	91507-LEA7-E00	CLIP	CLIP	1	
	93500	93500-KHC4-90A	SCREW PAN 5*10	SCREW PAN 5*10	2	
	94050	94050-06060	NUT FLANGE 6MM	NUT FLANGE 6MM	7	
	94050A	94050-08060	NUT FLANGE 8MM	NUT FLANGE 8MM	1	
	95701	95701-LEA5-E00	BOLT TORQUE 8*25 *(0) C.2007.01.22	BOLT TORQUE 8*25 *(0) C.2007.01.22	2	

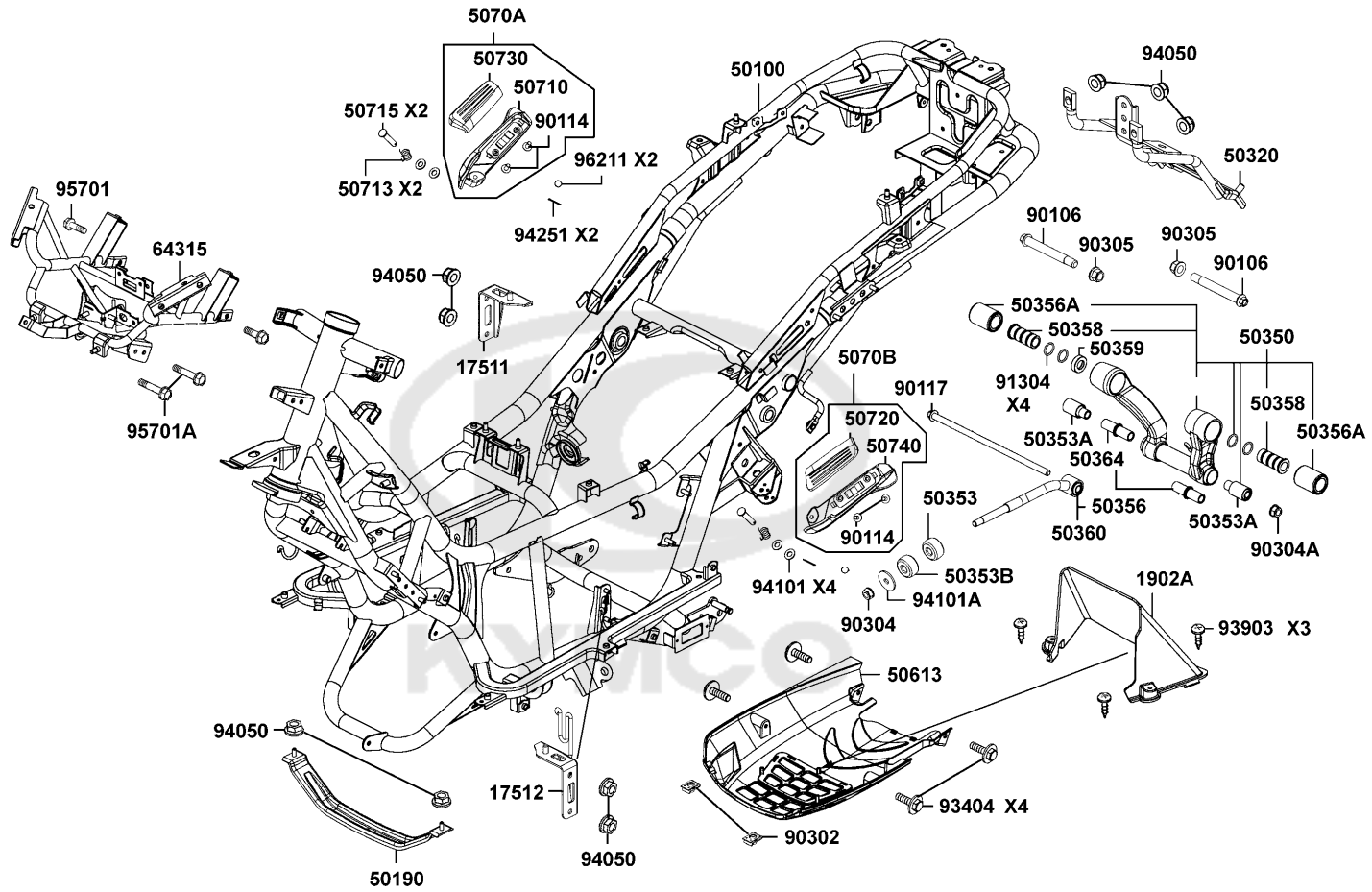


Sales mark	Ref no	Part no	Description	Reg description	Regd no	F19
96001		96001-06012-06	BOLT FLANGE SH 6*12	BOLT FLANGE SH 6*12	2	
98200		98200-31000	BLADE FUSE 10A **(0) C.2005.03.01	BLADE FUSE 10A **(0) C.2005.03.01	3	
98200A		98200-31500	FUSE A15	FUSE A15	2	
98200B		98200-32500	BLADE FUSE 25A	BLADE FUSE 25A	2	
98200C		98200-33000	BLADE FUSE 30A	BLADE FUSE 30A	1	





Sales mark	Ref no	Part no	Description	Reg description	Regd no	F20
	17511	17511-ACD5-E00	STAY R FUEL TANK	STAY R FUEL TANK	1	
	17512	17512-ACD5-E00	STAY L FUEL TANK	STAY L FUEL TANK	1	
	1902A	1902A-ACD5-E00	COVER ASSY RADIATOR	COVER ASSY RADIATOR	1	
#	50100	50100-ACD5-305	BODY ASSY FRAME (900)	BODY ASSY FRAME (900)	1	
	50190	50190-LEA7-E00	PROTECTOR UNDER COVER	PROTECTOR UNDER COVER	1	
	50320	50320-ACD5-E00	STAY REAR FENDER	STAY REAR FENDER	1	
	50350	50350-ACD5-E00	HANGER ASSY ENG	HANGER ASSY ENG	1	
	50353	50353-ACD5-E00	RUBBER STOPPER	RUBBER STOPPER	1	
	50353A	50353-KGN7-901	BUSH A ENG HANGER	BUSH A ENG HANGER	2	
	50353B	50353-LEA7-E00	RUBBER STOPPER	RUBBER STOPPER	1	
	50356	50356-LEA7-E01	RUB BUSH ENG HANGER	RUB BUSH ENG HANGER	1	
	50356A	50356-LHG7-E00	RUBBER BUSH ENG HANGER	RUBBER BUSH ENG HANGER	2	
	50358	50358-LKF5-E01	BUSH INNER SWING LOCK	BUSH INNER SWING LOCK	1	
	50359	50359-LKF5-E01	COLLAR	COLLAR	1	
	50360	50360-ACD5-E00	TIE ROD ASSY ENG	TIE ROD ASSY ENG	1	
	50364	50364-KHE7-E00	COLLAR B ENG HANGER	COLLAR B ENG HANGER	2	
**	50613	50613-ACD5-E00	COVER UNDER (Black)	COVER UNDER (Black)	1	
**	5070A	5070A-ACD5-E00	BAR ASSY R RR STEP (Flat Silver)	BAR ASSY R RR STEP (Flat Silver)	1	
**	5070B	5070B-ACD5-E00	BAR ASSY L RR STEP (Flat Silver)	BAR ASSY L RR STEP (Flat Silver)	1	
**	50710	50710-ACD5-E00	BAR R RR STEP (Flat Silver)	BAR R RR STEP (Flat Silver)	1	




Sales mark	Ref no	Part no	Description	Reg description	Regd no	F20
	50713	50713-KEB7-900	SPRING	SPRING	2	
	50715	50715-KEB7-900	PIN RR STEP	PIN RR STEP	2	
**	50720	50720-ACD5-E00	BAR L RR STEP (Flat Silver)	BAR L RR STEP (Flat Silver)	1	
	50730	50730-LKG7-E00	RUEEER COMP R RR STEP	RUEEER COMP R RR STEP	1	
	50740	50740-LKG7-E00	RUBBER COMP L RR STEP	RUBBER COMP L RR STEP	1	
	64315	64315-ACD5-E00	BRKT FR COVER	BRKT FR COVER	1	
	90106	90106-LKF5-E00	BOLT FLANGE 15X122(M14)	BOLT FLANGE 15X122(M14)	2	
	90114	90114-KED9-900	SCREW PAN 6*12	SCREW PAN 6*12	4	
	90117	90117-KED9-950	BOLT FLANGER 10*265	BOLT FLANGER 10X265	1	
	90302	90302-LKB9-900	NUT SPRING 5MM	NUT SPRING 5MM	2	
	90304	90304-LBD4-900	NUT U FLANGE 10MM	NUT U FLANGE 10MM	1	
	90304A	90304-LEA1-900	NUT U FLANGE 10MM	NUT U 10MM	1	
	90305	90305-LBD4-900	NUT U 14MM	NUT U 14MM	2	
	91304	91304-LGE5-E00	O-RING 17.8*2.4	O-RING 17.8x2.4	4	
	93404	93404-06016-06	BOLT WASHER 6*16	BOLT WASHER 6*16	4	
	93903	93903-25260	SCREW TAPPING 5X12	SCREW TAPPING 5X12	3	
	94050	94050-06060	NUT FLANGE 6MM	NUT FLANGE 6MM	9	
	94101	94101-06000	WASHER PLAIN 6MM	WASHER PLAIN 6MM	4	
	94101A	94101-LBA2-E00	WASHER PLATE 10.5*38*3.0	WASHER PLATE 10.5*38*3.0	1	
	94251	94251-08400	PIN LOCK 8MM	PIN LOCK 8MM	2	

Sales mark	Ref no	Part no	Description	Reg description	Regd no	F20
95701	95701-06016-06	95701-06016-06	BOLT FLANGE 6*16 (K)	BOLT FLANGE 6*16 (K)	2	
95701A	95701-06045-06	95701-06045-06	BOLT FLANGE 6*45	BOLT FLANGE 6*45	2	
96211	96211-08000	96211-08000	BALL STEEL #8	BALL STEEL #8	2	

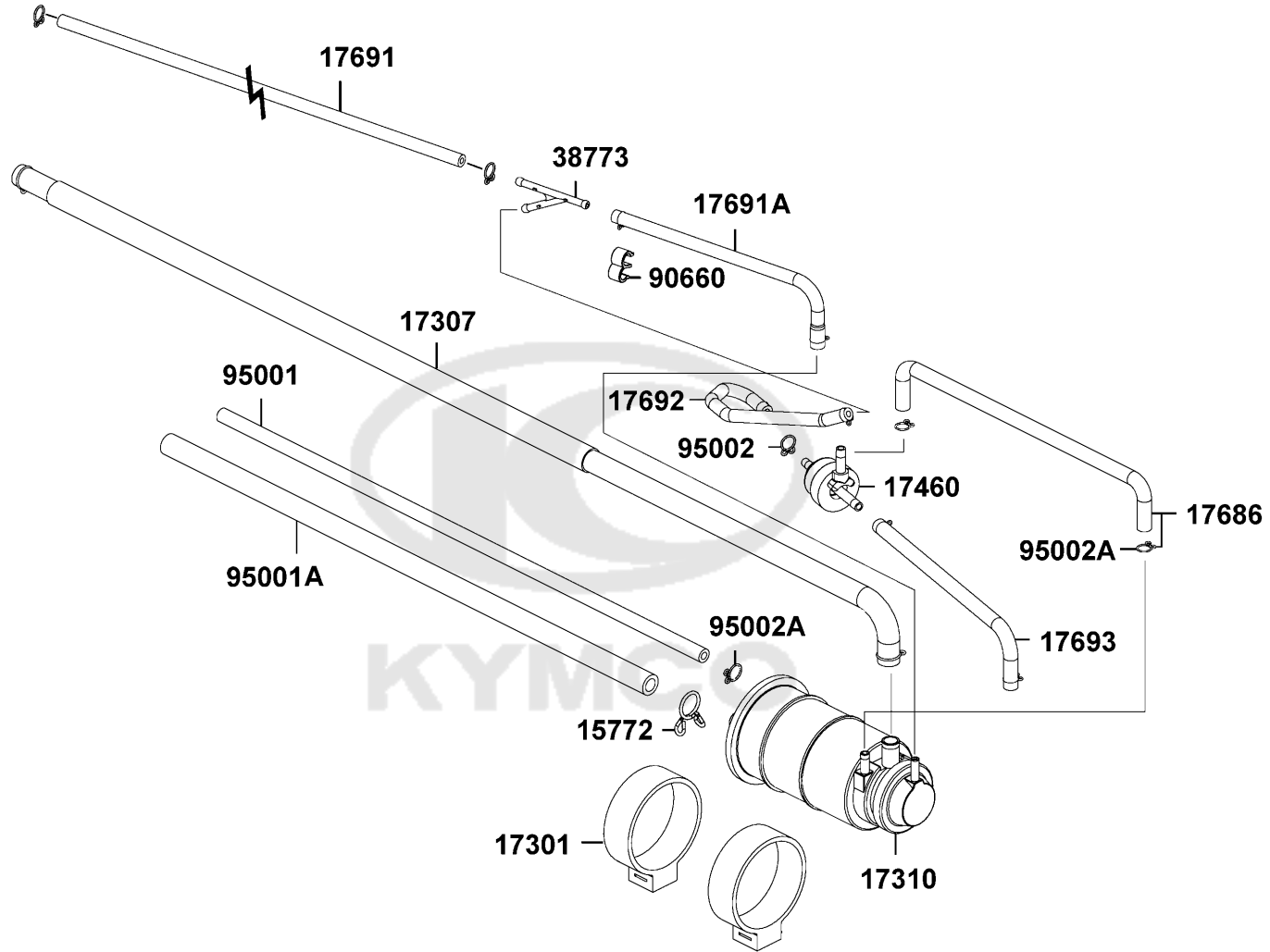


Sales mark	Ref no	Part no	Description	Reg description	Regd no	F21
	11384	11384-LEA7-E05	CLIP WATER PIPE	CLIP WATER PIPE	3	
	19005	19005-KKC4-900	SHROUD ASSY	SHROUD ASSY	1	
	19010	19010-ACD5-E00	RADIATOR COMP.	RADIATOR COMP	1	
	19012	19012-LEA7-E05	UNIT RADIATOR	UNIT RADIATOR	1	
	19013	19013-ACD5-E00	HOSEWATER INLET	HOSE WATER INLET	1	
	19014	19014-ACD5-E00	HOSE WATER OUTLET	HOSE WATER OUT	1	
	19015	19015-KKC4-900	SHROUD COMP	SHROUD COMP	1	
	19016	19016-LEA7-E01	HOSEWATER-UNIT CAP	HOSE WATER-UNIT CAP	1	
	19020	19020-KED9-900	FAN COOLING	FAN COOLING	1	
	19030	19030-KHD8-900	MOTOR	MOTOR	1	
	19101	19101-ACD5-E00	TANK RESERVE	TANK RESERVE	1	
	19102	19102-ACD5-E00	STAY.RES TANK	STAY.RES TANK	1	
	19104	19104-ACD5-E00	HOSE ASSY DRAIN	HOSE ASSY DRAIN	1	
	19105	19105-LEA7-E00	HOSE ASSY RESERVE	HOSE ASSY RESERVE	1	
	19111	19111-PRB3-900	CAP COMP RADIATOR	CAP COMP RADIATOR	1	
	19210	19210-KKC4-900	CAP RESERVE TANK	CAP RESERVE TANK	1	
	19505	19505-LBA2-E00	CLAMP WATER HOSE	CLAMP WATER HOSE	1	
#	19507	19507-LDB5-E00	CLAMP D 28	CLAMP D 28	5	
	90301	90301-6D34-671	NUT FLANGE 6MM	NUT FLANGE 6MM	1	
	90914	90914-LEA7-E05	TUBE ASSY WATER	TUBE ASSY WATER	1	

Sales mark	Ref no	Part no	Description	Reg description	Regd no	F21
93404		93404-06016-06	BOLT WASHER 6*16	BOLT WASHER 6*16	5	
93404A		93404-06025-06	BOLT WASHER 6*25	BOLT WASHER 6*25	2	
94050		94050-06060	NUT FLANGE 6MM	NUT FLANGE 6MM	2	
95002		95002-02100	CLIP B15 TUBE	CLIP B15 TUBE	1	
95002A		95002-70000	CLIP C11 TUBE	CLIP C11 TUBE	2	
						

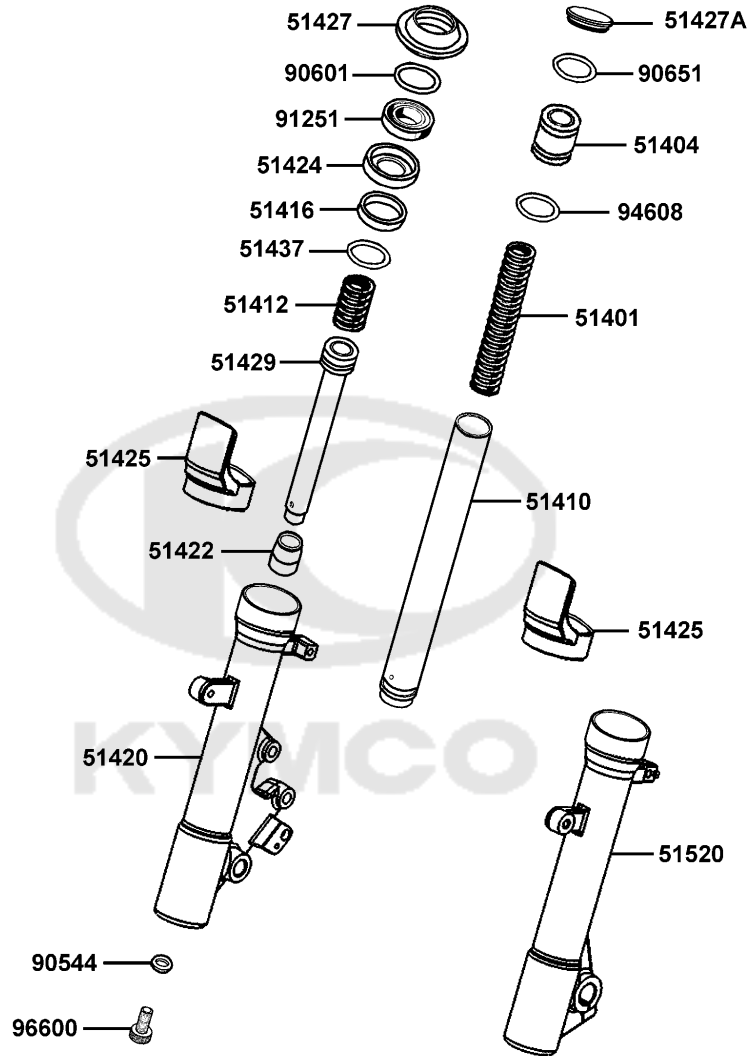
F22

Air Cleaner Two



Sales mark	Ref no	Part no	Description	Reg description	Regd no	F22
	15772	15772-5L00-013	CLIP B14.5 TUBE	CLIP B14.5 TUBE	1	
#	17301	17301-GFY6-940	RUBBER CANISTER MOUNT	RUBBER CANISTER MOUNT	1	
	17307	17307-LEA7-900	TUBE A ASSY CANISTER - AIR/C	TUBE A ASSY CANISTER - AIR/C	1	
#	17310	17310-KED9-90A	CANISTER COMP	CANISTER COMP	1	
	17460	17460-KED9-M31	VALVE COMP VAPOR CONTROL	VALVE COMP VAPOR CONTROL	1	
	17686	17686-ACD5-900	TUBE FUEL FILLER/CANISTER	TUBE FUEL FILLER/CANISTER	1	
	17691	17691-ACD5-900	TUBE ASSY	TUBE ASSY	1	
	17691A	17691-LEA7-M31	TUBE ASSY	TUBE ASSY	1	
	17692	17692-LEA7-M31	TUBE ASSY	TUBE ASSY	1	
	17693	17693-LEA7-M31	TUBE ASSY	TUBE ASSY	1	
	38773	38773-KEC3-900	JOINT ASSY TANK CAP	JOINT ASSY TANK CAP	1	
	90660	90660-PWA2-900	CLAMP TUBE	CLAMP TUBE	1	
	95001	95001-45330-40	TUBE FUEL 4.5*330	TUBE FUEL 4.5*330	1	
	95001A	95001-80330-40	TUBE FUEL 8.0*330	TUBE FUEL 8.0*330	1	
	95002	95002-02070	CLIP B7 TUBE	CLIP B7 TUBE	1	
	95002A	95002-02080	CLIP B8 TUBE	CLIP B8 TUBE	3	

Separated Parts Of Fr Fork



Sales mark	Ref no	Part no	Description	Reg description	Regd no	F23
	51401	51401-LDH1-E00	SPRING	SPRING	1	
	51404	51404-LDH1-E00	SPRING COLLAR	SPRING COLLAR	1	
	51410	51410-LEA7-E00	FORK PIPE COMP	FORK PIPE COMP	1	
	51412	51412-LLJ3-E00	REBOUND SPRING	REBOUND SPRING	1	
	51416	51416-LDH1-E00	GUIDE BUSH	GUIDE BUSH	1	
**	51420	51420-ACD5-E00	BOTTOM CASE R	BOTTOM CASE R	1	
	51422	51422-KED9-900	OIL LOCK PIECE	OIL LOCK PIECE	1	
	51424	51424-LDH1-E00	SPACER	SPACER	1	
	51425	51425-LEA7-E00	FORK FENDER	FORK FENDER	1	
	51427	51427-LDH1-E00	DUST SEAL	DUST SEAL	1	
	51427A	51427-LLJ3-E00	FORK BOLT CAP	FORK BOLT CAP	1	
	51429	51429-LEA7-E00	PIPE SEAT COMP	PIPE SEAT COMP	1	
	51437	51437-LDH1-E00	PISTON RING	PISTON RING	1	
**	51520	51520-ACD5-E00	BOTTOM CASE L	BOTTOM CASE L	1	
	90544	90544-KEC8-900	PACKING	PACKING	1	
	90601	90601-LLJ3-E00	OIL SEAL STOPPER RING	OIL SEAL STOPPER RING	1	
	90651	90651-LLJ3-E00	STOPPER RING	STOPPER RING	1	
	91251	91251-LLJ3-E00	OIL SEAL	OIL SEAL	1	
	94608	94608-LLJ3-E00	O-RING	O-RING	1	
	96600	96600-LBA2-E00	SOCKET BOLT	SOCKET BOLT	1	

CAUTIONS
 Never put any article between the rear side cover and the engine to avoid interference of riding.
GM9-300

87542



86730

CAUTIONS
 Before starting the engine, the side stand shall be kicked up to secure safety.

87541

- Be sure to wear a safety helmet when riding.
- Do not exceed the speed specified by law when riding.
- The exhaust muffler temperature is very high after riding. Be sure to park the motorcycle in a place not easily touched by people.
- For riding safety and good performance, do not violate the law to modify the motorcycle.

• Make sure to perform the periodic maintenance and provide inspection.

Pre-ride inspection items

Brake Performance, tires, engine oil level, lights, horn, and instrument panel

KWANG YANG MOTOR CO., LTD.

• Please read the User's Manual carefully to ensure driving safety.

87560



87206

NOTICE

TIRE SIZE : FRONT 120/80-14 REAR 150/70-13
 ONE RIDER : FRONT 2.0 kgf/cm² REAR 2.25 kgf/cm²
 TWO RIDER : FRONT 2.0 kgf/cm² REAR 2.25 kgf/cm²
 (AS PER KYMCO STANDARD SPECIFICATION)
 (NOTE: THE TIRE PRESSURE MUST NOT OVER PASS 2.50kgf/cm²)

CHECK THE MOTOR OIL LEVEL WITH THE DIPSTICK AFTER REFILLING MOTOR OIL.
87505-AC02-1.0V

87505

CAUTIONS
 Every 5000 km run should exchange the filter.
K91E-500

87512

CAUTION
 Mobile phone charge only, Use other appliance may cause damage.
KKC2-0000

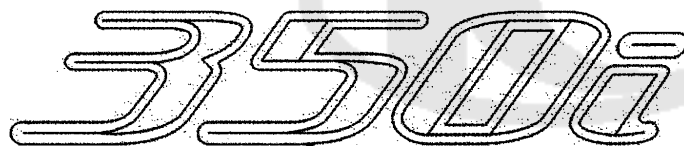
87541A

Sales mark	Ref no	Part no	Description	Reg description	Regd no	F24
**	86730	86730-ACD5-E00	STRIPE LEG SHIELD UP	STRIPE LEG SHIELD UP	1	
**	87206	87206-ACD5-E00	EMB MARK KYMCO	EMB MARK KYMCO	1	
**	87505	87505-ACD5-E00	LABEL TIRE	LABEL TIRE	1	
**	87512	87512-KEBE-E00	CAUTION FILTER	CAUTION FILTER	1	
**	87541	87541-GAR1-E00	CAUTION SIDE STAND	CAUTION SIDE STAND	1	
**	87541A	87541-KKC2-E00	CAUTION MOBILE PHONE	CAUTION MOBILE PHONE	1	
**	87542	87542-GAR1-E00	MARK MAINT CAUTION	MARK MAINT CAUTION	1	
**	87560	87560-GFY6-E00	MARK DRIVE CAUTION	MARK DRIVE CAUTION	1	

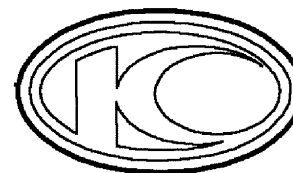




86202



86332



86102

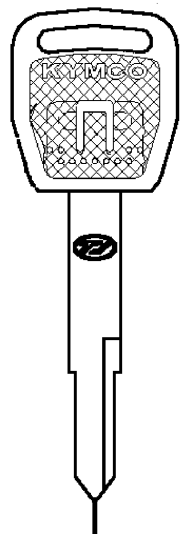
Sales mark	Ref no	Part no	Description	Reg description	Regd no	F25
------------	--------	---------	-------------	-----------------	---------	------------

**	86102	86102-ALG1-E00	EMB K-LOGO	EMB K-LOGO	1	
**	86202	86202-LFA7-E30	EMB BODY COVER	EMB BODY COVER	1	
**	86332	86332-ACD5-E00	EMB SKIRT	EMB SKIRT	1	

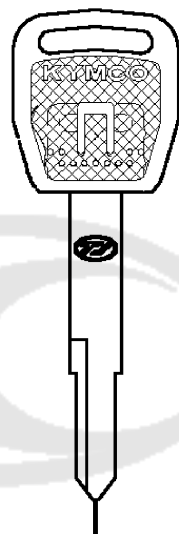


F26

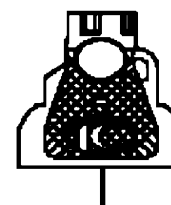
KEY



35111



35111A



35111B

Sales mark	Ref no	Part no	Description	Reg description	Regd no	F26
------------	--------	---------	-------------	-----------------	---------	------------

35111		35111-LDC1-305-M2	KEY COMP (R TANGENT PLANE/TJ)	KEY COMP (R TANGENT PLANE/TJ)	1	
35111A		35111-LDC1-306-M2	KEY COMP (L TANGENT PLANE/TJ)	KEY COMP (L TANGENT PLANE/TJ)	1	
35111B		35111-LEA1-307-M2	KEY COMP SHOTTER MAGNETIC (TJ)	KEY COMP SHOTTER MAGNETIC (TJ)	1	





87546

KYMCO

Sales mark	Ref no	Part no	Description	Reg description	Regd no	F27
------------	--------	---------	-------------	-----------------	---------	------------

# **	87546	87546-ADG5-E00	LABEL FUEL TANK	LABEL FUEL TANK	1	
------	-------	----------------	-----------------	-----------------	---	--



PART NO. INDEX

PART NO.	VERSION	PAGE	PART NO.	VERSION	PAGE	PART NO.	VERSION	PAGE
0000			1110A-ACD5-305	0	E01	12310-LEA7-E00	7	E02
			11203-LBA2-E00	2	E01	12391-LEA7-E00	5	E02
			11203-LBA2-E00	2	F16			
0901-880-6000	0	E05	11212-LEA7-E00	5	F13	13000		
0901-911-6000	0	E05	1121A-LEA7-E00	8	F13			
			1122A-LEA7-E00	2	E01		13000-ACD5-E00	4
1000			11330-LEA7-E00	19	E04	13011-ACD5-E00	0	E03
			11340-LEA7-E02	7	E01	13101-ACD5-E00	0	E03
1190-0017-0000	0	E05	11341-LEA7-E01	3	E01	13111-KKE5-E01	3	E03
1190-C74-2000	0	E05	11344-ACD5-E00	0	E01	13314-LEA7-E0A	3	E01
1614-868-0000-S	0	E05	11345-ACD5-E00	0	E01	13314-LEA7-E0B	3	E01
1614-906-0002	0	E05	11347-LEA7-E00	3	E06	13314-LEA7-E0C	3	E01
1614-A22C-0000-Y	0	F10	1134A-ACD5-E00	0	E01	13406-LEA7-E00	2	E02
			1134B-ACD5-E00	0	E01			
3000			11350-LEA7-E02	4	E01	14000		
			11384-LEA7-E05	2	F21			
			11394-LEA7-E00	9	E04		14100-ACD5-E00	1
3700-A35B-0110	0	E05	11395-LEA7-E00	3	E01	14321-LEA7-E00	8	E02
3791-HN80-0000	0	F10				14401-PWB1-900	2	E03
4000			12000			14420-ACD5-E00	2	E02
						14430-ACD5-E00	2	E02
4115-803-1100-3	0	E05	12100-ACD5-E00	9	E03	14452-LEA7-E00	4	E02
			12191-ACD5-E00	1	E03	14453-LEA7-E00	5	E02
11000			12200-ACD5-E00	9	E02	14510-LEA7-E00	5	E03
			12209-GDB4-68B	0	E02	14520-KED9-900	1	E03
11103-KHE7-90A	1	E01	12251-ACD5-E00	1	E02	14523-KED9-920	1	E03

PART NO. INDEX

PART NO.	VERSION	PAGE	PART NO.	VERSION	PAGE	PART NO.	VERSION	PAGE
14531-KHE7-900	1	E03				17550-LEA7-800	5	F10
14610-LEA7-E00	2	E03	16000			17561-LHG8-E00	1	F10
14711-LGE5-E00	2	E02				17581-LEA7-E00	1	F10
14721-LEA7-E00	5	E02	1610K-ACD5-900	1	E05	17620-LEA7-315-M2	0	F10
14751-LEA7-E00	6	E02	16201-LEA7-E00	2	E02	17685-KZCZ-900	0	F05
14761-LEA7-E00	3	E02	16211-LEA7-E00	4	E02	17685-LEA7-E00	6	F10
14771-GDB4-680	0	E02				17686-ACD5-900	1	F22
14777-LBA2-E00	4	E02	17000			17691-ACD5-900	4	F22
14781-MFA6-001	0	E02				17691-LEA7-M31	0	F22
15000			1711A-LEA7-E05	2	E02	17692-LEA7-M31	0	F22
			17211-LEA7-E00	1	F13	17693-LEA7-M31	1	F22
			17213-LEA7-E01	2	F13	17910-ACD5-E00	0	F03
15100-LEA7-E00	7	E07	17214-LEA7-E00	2	F13	17911-ACD5-E00	0	F03
15133-LGF9-E00	1	E07	1723A-ACD5-900	0	F13			
15141-LGF9-E00	1	E07	1723B-ACD5-E00	0	F13	18000		
15161-PUA5-E00	5	E01	17301-GFY6-940	3	F22			
15200-KED9-900	7	E01	17307-LEA7-900	3	F22	18291-KKC4-900	1	E01
1541A-LEA7-E00	6	E04	17308-ACD5-900	0	F13	18291-LKG2-90A	1	F14
15421-LEA7-E00	0	E01	17310-KED9-90A	3	F22	18291-PWB1-900	4	F14
15421-LEA7-E05	5	E01	17359-4K19-671	0	F13	18293-KKC4-900	0	E01
15423-KKC3-900	1	E04	1737A-KUDU-900	0	F13	18293-LHJ8-900	2	F14
15437-LEA7-E00	1	E04	17460-KED9-M31	0	F22	18294-KTCT-900	1	F14
1565A-GFY6-900	0	E04	17500-LEA7-900	7	F10	1830A-ACD5-E01	4	F14
15711-LEA7-E00	1	E07	17511-ACD5-E00	1	F20	18310-ACD5-E01	2	F14
15772-5L00-013	1	F22	17512-ACD5-E00	1	F20	18318-ACD5-E00	4	F14
			17530-KGB5-900	1	F05	18320-ACD5-E00	0	F14

PART NO. INDEX

PART NO.	VERSION	PAGE	PART NO.	VERSION	PAGE	PART NO.	VERSION	PAGE	
18325-ACD5-E00	1	F14	19229-LEA7-E00	3	E04	22300-ACD5-E00	0	E06	
18371-ACD5-E00	0	F14	19231-LEA7-E00	5	E04	22350-ACD5-E00	0	E06	
18391-ACD5-E00	2	F14	19232-LBA2-E00	2	E04	22361-LEA7-E00	1	E06	
19000			19300-LFA7-E0A	1	E02	22401-LFG2-E80	1	E06	
			19315-LFA7-E00	6	E02	22530-LKG7-E00	0	E06	
			19411-LFG2-E00	1	F06	22804-GBB2-001	0	E06	
			19502-LEA7-E00	3	E04	23000			
	19005-KKC4-900	2	F21	19505-LBA2-E00	4		F21		
19010-ACD5-E00	0	F21	19507-LDB5-E00	1	E04				
19012-LEA7-E05	1	F21	19507-LDB5-E00	1	F21		2301A-ACD5-E00	8	E06
19013-ACD5-E00	3	F21	19508-LBA2-E00	0	E04		23100-LEA7-E00	5	E06
19014-ACD5-E00	0	E04	21000			23200-LGE5-E00	2	E06	
19014-ACD5-E00	0	F21				23220-ACD5-E00	3	E06	
19015-KKC4-900	2	F21				23225-LEA7-E00	1	E06	
19016-LEA7-E01	4	F21		21301-LEA7-E00	3	E08	23226-LEA7-E00	1	E06
19020-KED9-900	1	F21		21395-LEA7-E00	2	E08	23233-LEA7-E00	5	E06
1902A-ACD5-E00	0	F20	22000			23237-KHE7-900	0	E06	
19030-KHD8-900	2	F21				23238-KHE7-900	0	E06	
19101-ACD5-E00	0	F21				23411-LEA7-E00	9	E08	
19102-ACD5-E00	2	F21		22100-LKG7-E00	1	E06	23420-LEA7-E00	5	E08
19104-ACD5-E00	0	F21		22102-LEA7-E00	4	E06	23431-LEA7-E00	5	E08
19105-LEA7-E00	2	F21	22105-LGF9-E00	2	E06	23432-LEA7-E00	2	E08	
19111-PRB3-900	2	F21	22110-ACD5-E00	0	E06	28000			
19210-KKC4-900	0	F21	22121-LEA7-305	0	E06				
19215-LEA7-E00	1	E04	22131-LGE5-E00	1	E06				
19217-ZPA3-E00	2	E04	22132-PWB1-305	0	E06		28102-LEA7-E00	3	E07
19221-LGE5-E00	1	E04							

PART NO. INDEX

PART NO.	VERSION	PAGE	PART NO.	VERSION	PAGE	PART NO.	VERSION	PAGE
28110-LEA7-E00	3	E07				33735-LEA7-M30	1	F06
28120-LDB2-E00	0	E07	32000			33739-LEA7-M30	0	F06
28130-LEA7-E00	4	E07				33741-KHC5-M00	1	F18
30000			32100-ACD5-E02	1	F19	33760-ACD5-315	0	F18
			32105-LLJ3-E00	2	E01	33900-LKF5-E00	3	F12
			32410-ACD5-E00	0	E07	33902-LHG7-E00	0	F12
3051A-LKF5-E00	4	F19	32411-ACD5-E00	1	F11	33903-LHG7-E00	0	F12
30700-KKE3-900	2	F19	32412-ACD5-E00	1	E04			
31000			33000			34000		
						34901-LEC8-E00	0	F01
31110-ACD5-E00	2	E07	33100-ACD5-315	0	F01	34903-KPCP-900	0	F18
31110-ACD5-E0A	2	E07	33100-ACD5-E00	4	F01	34905-LCA5-E00	0	F18
31120-ACD5-E00	5	E07	33130-LKG7-E00	0	F01			
31120-ACD5-E0A	4	E07	33180-LKG7-E00	0	F01	35000		
31210-LEA7-E00	3	E07	33400-ACD5-E00	4	F17			
31340-LEA7-E00	3	F19	33450-ACD5-E00	4	F17	35010-ACD5-325	0	F19
31340-LFH1-E00	1	F19	33700-ACD5-316	0	F18	35101-ACD5-315	0	F19
31347-ACD5-E00	0	F19	33700-ACD5-E30	0	F18	35102-ACD5-315	0	F19
31500-LEA6-900	7	F11	33706-ACD5-E00	0	F18	35102-ACD5-E00	0	F19
31500-LEA6-90B	4	F11	33710-ACD5-315	0	F18	35111-LDC1-305-M2	0	F26
31600-PRB8-900	2	F19	33720-LBB5-E00	3	F18	35111-LDC1-306-M2	0	F26
3195A-ACD5-E00	1	F19	33726-LBB5-E00	1	F18	35111-LEA1-307-M2	0	F26
			33730-LEA7-M30	1	F06	35119-KHC4-90B	0	F19
			33731-KHC5-M00	2	F06	3515A-LDB2-B80	0	F03
			33734-LEA7-M30	0	F06	3520A-KEBE-900	3	F03

PART NO. INDEX

PART NO.	VERSION	PAGE	PART NO.	VERSION	PAGE	PART NO.	VERSION	PAGE
35340-LKF5-E01	2	F04				43126-ACD5-E01	9	F04
35350-LKF5-E01	1	F04	39000			43127-ACD5-E01	4	F04
35370-LLJ3-E00	5	F15				43156-LDB2-900	2	F16
35380-ABE1-E00	2	F19	39100-ACD5-E00	0	F19	43156-LEA7-E00	2	F16
35390-LKF5-E00	4	F12	39209-ZZA6-E00	0	F19	43210-LGE5-E00	0	F08
35420-LEA7-E00	5	F19	3920A-ACD5-E01	6	F19	43351-LKG7-E00	0	F08
35500-KED9-900	7	E01	39220-ACD5-E00	1	F19	43352-KKD6-E90	1	F08
35850-KHB4-90A	5	F19	39300-LDF2-M90	2	E02	43352-LEA7-E01	4	F08
35850-KHB4-90B	4	F19	39301-LDF2-M91	1	E02	43353-4A61-77A	0	F08
			39400-LDF2-800	3	E02	43353-KED9-900	0	F07
37000			39450-LEA6-800	5	F14	4335A-LBA2-E01	2	F07
						43530-LEA7-305	1	F04
37200-ACD5-E30	0	F02	42000					
37211-LEA7-E00	0	F02				44000		
37213-KKE5-E00	0	F02	42311-LEA7-E00	3	F08			
37780-ACD5-E00	1	F19	42312-LEA7-E00	1	F08	44301-LEA7-950	0	F07
			42601-LEA7-E00	7	F08	44311-LEA7-E00	2	F07
38000			42710-ACD5-E30	3	F08	44312-LEA7-E00	4	F07
			42753-KNBN-90B	1	F07	44600-LEA7-305	0	F07
38110-KHB4-E0A	2	F19	42753-KNBN-90B	1	F08	44620-LEA7-E00	3	F07
38200-KHE7-900	0	F19				44710-ACD5-E30	4	F07
38300-LFB6-700	2	F19	43000					
38501-LGL3-90A	4	F19				45000		
38506-LFB6-900	0	F19	43100-LGE5-E01	3	F08			
38773-KEC3-900	0	F22	43105-LGE5-306	0	F08	45105-LGE5-305	0	F07
38900-ACD5-E00	7	F05	43109-MCA3-007	0	F08	45107-KED9-E00	0	F08

PART NO. INDEX

PART NO.	VERSION	PAGE	PART NO.	VERSION	PAGE	PART NO.	VERSION	PAGE
45107-LGE5-E00	0	F07				50364-KHE7-E00	4	F20
45108-LGE5-E00	0	F07	49000			50500-ACD5-E00	0	F15
45109-GBE2-007	0	F07				50502-LDF7-E10	0	F15
45109-LGE5-E00	0	F07	49100-ACD5-E01	0	F04	50504-ACD5-E00	0	E01
45126-ACD5-E01	3	F04	49110-LGE5-E01	0	F04	50505-KEBE-900	0	F15
45127-ACD5-E01	3	F04	49211-LFH1-E00	1	F04	50505-LEA7-E00	1	F15
45128-LBA2-920	3	F06				50506-KHE7-E00	0	F15
45129-LBA2-900	2	F06	50000			50530-ZZA6-E00	2	F15
4512A-LEA7-E00	7	F07				50550-KKC2-E00	0	F15
45130-LGE5-E00	0	F07	50100-ACD5-305	0	F20	50613-ACD5-E00	0	F20
45131-LGE5-E00	0	F08	50154-KKE3-900	3	F19	5070A-ACD5-E00	0	F20
45134-KED9-900	0	F07	50190-LEA7-E00	2	F20	5070A-ACD5-E00	3	F20
45156-LKG7-E00	0	F07	50306-1F96-001	0	F06	5070B-ACD5-E00	0	F20
45200-LKG7-E00	5	F07	50320-ACD5-E00	0	F20	5070B-ACD5-E00	3	F20
45203-KED9-900	0	F07	50326-LGJ8-900	5	F12	50710-ACD5-E00	3	F20
45207-LGE5-E00	0	F07	5032A-LEA5-E00	3	F11	50713-KEB7-900	0	F03
45209-GBE2-007	0	F07	5032A-LEA7-E00	2	F11	50713-KEB7-900	0	F20
45209-KED9-900	0	F08	50350-ACD5-E00	5	F20	50715-KEB7-900	0	F20
45210-LKG7-305	0	F07	50353-ACD5-E00	0	F20	50720-ACD5-E00	3	F20
45352-LEA7-E00	4	F07	50353-KGN7-901	0	F20	50730-LKG7-E00	0	F20
45513-LEA7-E00	1	F04	50353-LEA7-E00	1	F20	50740-LKG7-E00	0	F20
45517-LBA2-E00	2	F04	50356-LEA7-E01	1	F20			
45520-KKA8-900	0	F04	50356-LHG7-E00	2	F20	51000		
45521-LEA7-E00	1	F04	50358-LKF5-E01	4	F20			
45530-LBA2-309	0	F04	50359-LKF5-E01	1	F20	51400-ACD5-E30	2	F06
45531-KED9-900	0	F07	50360-ACD5-E00	0	F20	51401-LDH1-E00	0	F23

PART NO. INDEX

PART NO.	VERSION	PAGE	PART NO.	VERSION	PAGE	PART NO.	VERSION	PAGE
51404-LDH1-E00	0	F23				61110-ACD5-E00	1	F05
51410-LEA7-E00	0	F23	53000			61111-ACD5-E00	0	F06
51412-LLJ3-E00	0	F23				61112-ACD5-E00	0	F06
51416-LDH1-E00	0	F23	53100-ACD5-E00	1	F03			
51420-ACD5-E00	0	F23	53105-ACD5-E00	3	F03	64000		
51422-KED9-900	0	F23	53106-ACD5-E00	3	F03			
51424-LDH1-E00	0	F23	53125-LEA7-E00	2	F03	64203-ACD5-E00	0	F05
51425-LEA7-E00	2	F23	53140-LHJ3-900	3	F03	64220-ACD5-E63	1	F03
51427-LDH1-E00	0	F23	53150-LEA6-900	6	F03	64221-LEA7-E00	2	F03
51427-LLJ3-E00	0	F23	53175-LKF5-E00	0	F04	64222-LEA7-E00	2	F03
51429-LEA7-E00	0	F23	53178-LKF5-E00	0	F04	64222-LLJ3-E00	1	F03
51430-LGE5-E00	0	F08	53200-ACD5-E00	3	F06	64222-LLJ3-E00	1	F06
51437-LDH1-E00	0	F23	53202-ACD5-E00	4	F03	64223-LEA7-E00	5	F03
51500-ACD5-E30	2	F06	53205-ACD5-E00	1	F03	64224-LEA7-E00	1	F03
51520-ACD5-E00	0	F23	53206-ACD5-E00	1	F03	64225-LEA7-E00	2	F03
			53213-LBA2-E00	2	F06	64226-LEA7-E00	2	F03
52000			53213-LEA7-E00	1	F06	6422A-ACD5-E63	1	F03
			53214-ACD5-E00	6	F03	64301-ACD5-E00	1	F05
52000-ACD5-E00	5	F16	53214-LBA2-E00	2	F06	64302-ACD5-E00	1	F05
52101-LGE5-E01	0	F16	53220-LBA2-E00	4	F06	64303-ACD5-E00	1	F05
52103-ACD5-E01	0	F16	53240-LEA7-90A	2	F06	64305-ACD5-E00	1	F05
52400-ACD5-E30	0	F16	53250-LEA7-90A	2	F06	64306-ACD5-E00	1	F05
52407-LLB1-900	1	F04				64308-ACD5-E00	0	F05
52500-ACD5-E30	0	F16	61000			64309-ACD5-E00	0	F05
						64310-ACD5-E00	0	F05
			61100-ACD5-E00	0	F06	64311-ACD5-E00	0	F05

PART NO. INDEX

PART NO.	VERSION	PAGE	PART NO.	VERSION	PAGE	PART NO.	VERSION	PAGE
64313-ACD5-E00	1	F05	80101-ACD5-E00	0	F18	8113B-ACD5-E00	7	F05
64315-ACD5-E00	4	F20	80103-LEA7-E00	2	F18	81141-ACD5-E00	0	F05
64320-ACD5-E00	0	F05	80104-LKG7-E00	0	F18	81142-ACD5-E00	0	F05
64330-ACD5-E00	0	F05	80105-ACD5-E00	0	F18	81151-ACD5-E00	1	F05
64335-ACD5-E00	1	F05	80106-LKF5-E00	0	F18	81153-ACD5-E00	1	F03
64340-ACD5-E00	0	F05	80107-LKF5-E00	0	F18	81163-ACD5-E00	1	F03
64345-ACD5-E00	0	F05	80108-LKG7-E00	0	F18	81163-LKJ1-900	3	F05
64350-ACD5-E00	0	F05	80151-ACD5-E00	0	F05	81164-LKJ1-900	0	F05
64360-ACD5-E00	0	F05	80152-ACD5-E00	0	F05	81200-ACD5-E00	3	F12
64400-ACD5-E00	1	F05	80153-LEA7-E00	3	F05	81220-LKG7-E00	0	F12
64401-ZZA6-E00	0	F05	80153-LKF5-E00	1	F05	81252-KKE5-E00	2	F12
			8015A-ACD5-E00	0	F05	81252-LEA7-E00	1	F12
77000			81000			83000		
77200-ACD5-339	0	F09						
77206-KEB7-900	0	F09	81122-ACD5-E00	0	F05			
77235-ZZA6-E00	1	F19	81123-ACD5-E00	1	F05	83500-ACD5-E00	1	F12
77240-ACD5-E30	2	F19	81124-ACD5-E00	0	F05	83510-ACD5-E00	0	F05
77300-ACD5-E00	1	F09	81125-ACD5-E00	0	F05	83520-ACD5-E00	0	F12
77303-ZZA6-E00	4	F09	81131-ACD5-E00	0	F05	83530-ACD5-E00	0	F12
77500-LEA7-E00	2	F09	81132-ACD5-E00	0	F05	83532-ACD5-E00	1	F05
77501-LBA2-E00	1	F09	81133-ACD5-E00	1	F05	83534-ACD5-E00	1	F05
			81134-ACD5-E00	0	F05	83550-KEC8-900	4	F06
80000			81135-ACD5-E00	0	F05	83550-KEC8-900	4	F18
			81136-LEA7-E00	2	F05	83551-KEC8-900	4	F06
80100-ACD5-E01	0	F18	8113A-ACD5-E00	7	F05	83551-KEC8-900	4	F18

PART NO. INDEX

PART NO.	VERSION	PAGE	PART NO.	VERSION	PAGE	PART NO.	VERSION	PAGE
83600-ACD5-E00	1	F12				90017-KKE5-E00	4	E02
83610-ACD5-E00	0	F05	88000			90032-LEA7-E00	2	E01
83620-ACD5-E00	0	F12				90033-KGB4-C00	2	E02
83630-ACD5-E00	0	F12	88110-ACD5-E30	0	F03	90084-KKF9-901	0	E04
83750-ACD5-E00	1	F12	88112-ACD5-E00	0	F03	9008A-PTA1-900	3	E04
86000			88114-ACD5-E00	0	F03	90103-LGE5-E00	1	F14
			88120-ACD5-E30	0	F03	90105-KHB4-900	0	F03
			88122-ACD5-E00	0	F03	90105-LEA7-E00	1	F07
86102-ALG1-E00	2	F25	88124-ACD5-E00	0	F03	90105-LEA7-E00	1	F08
86102-ALG1-E00	5	F25	88130-KEBE-900	1	F03	90106-GEN5-901	1	F03
86202-LFA7-E30	3	F25	89000			90106-KFAF-900	2	F12
86332-ACD5-E00	4	F25				90106-KFC2-900	2	F03
86730-ACD5-E00	3	F24				90106-LKF5-E00	2	F20
87000			89010-ACD5-E00	3	F09	90107-ACD5-E00	0	F12
			89020-KKC4-900	1	F09	90107-LEA7-E00	4	F03
			90000			90107-LEA7-E00	4	F06
87206-ACD5-E00	2	F24				90108-KKC4-900	1	F15
87505-ACD5-E00	2	F24				90112-KNBN-901	1	F11
87508-KKC4-E00	2	F03	90001-GBHB-661	3	E03	90113-KKA8-900	0	F04
87512-KEBE-E00	1	F24	90001-GBHB-661	3	E07	90113-LGE5-E01	0	F04
87541-GAR1-E00	2	F24	90001-GBHB-681	3	F13	90114-KED9-900	3	F20
87541-KKC2-E00	2	F24	90001-GFY6-901	5	E02	90114-LGE5-E01	0	F04
87542-GAR1-E00	3	F24	90001-LEA7-E00	2	E02	90117-KED9-950	1	F20
87546-ADG5-E00	2	F27	90005-KED9-900	2	E03	90122-LEA7-E00	2	F07
87560-GFY6-E00	5	F24	9000B-KHD6-900	2	E02	90122-LEA7-E00	2	F08
			90012-3C33-001	1	E02	90145-LEA3-E00	1	F04

PART NO. INDEX

PART NO.	VERSION	PAGE	PART NO.	VERSION	PAGE	PART NO.	VERSION	PAGE
90145-LFH1-E00	1	F04	90304-LBD4-900	2	F20	90601-LLJ3-E00	0	F23
90201-KHE7-900	1	E06	90304-LEA1-900	1	F03	90605-1F66-721	0	E06
90201-KHR8-75A	1	E06	90304-LEA1-900	1	F15	90651-LLJ3-E00	0	F23
90201-KHR8-75A	1	E07	90304-LEA1-900	1	F16	90652-KHE7-900	0	F13
90202-LEA7-E00	3	E06	90304-LEA1-900	1	F20	90652-LCA4-E00	6	F12
90206-0A01-001	4	E02	90304-ZZA6-E00	0	F19	90652-LDG7-900	1	E02
90215-ALK5-900	0	F19	90305-KKAK-900	0	F08	90652-LFB5-900	3	F05
90215-KKC4-900	2	F09	90305-LBA2-E00	1	F06	90656-KUDU-900	0	F19
90215-KKC4-900	2	F12	90305-LBD4-900	1	F20	90660-PWA2-900	1	F22
90215-KKC4-900	2	F18	90312-LLJ3-E00	1	F03	90662-ACD5-E00	1	F19
90301-6D34-671	1	F01	90312-LLJ3-E00	1	F06	90677-GAR1-004	2	F11
90301-6D34-671	1	F10	90401-KKJ9-001	0	E07	90701-9E65-001	0	E01
90301-6D34-671	1	F21	90401-LEA7-E00	1	E06	90754-LLJ3-E00	1	F07
90301-GFY6-901	2	F14	90402-LEA7-E00	4	E03	90914-KED9-900	3	E02
90302-GBR2-001	2	F18	90403-LEA7-E00	1	E06	90914-LEA7-E05	2	F21
90302-GFY6-940	2	F11	90423-KKJ9-001	0	E04			
90302-GFY6-940	2	F19	90428-9H58-001	0	E04	91000		
90302-LBF2-900	2	F16	90441-ACD5-E00	0	F14			
90302-LKB9-900	4	F03	90474-3C33-001	1	E01	91002-GGA7-70A	0	E06
90302-LKB9-900	4	F05	90478-7L00-001	0	E02	91004-LEA7-E00	1	E06
90302-LKB9-900	4	F12	90478-7L00-001	0	E04	91005-LBA7-900	1	E01
90302-LKB9-900	4	F20	90503-LEA7-E00	2	F06	91009-KHE7-900	0	E01
90302-LLB1-E00	2	F03	9052A-LEB1-900	2	E01	91201-LEA7-E00	1	E01
90302-LLB1-E00	2	F16	90541-KED9-900	1	E02	91202-LEA7-E00	4	E08
90302-PWA5-900	1	F18	90544-KEC8-900	0	F23	91202-LEA7-E0A	4	E08
90302-SDA4-004	3	F12	90545-3L00-001	2	F04	91202-LKG2-900	1	E04

PART NO. INDEX

PART NO.	VERSION	PAGE	PART NO.	VERSION	PAGE	PART NO.	VERSION	PAGE
91211-KHE7-900	0	E06	92101-05012-0G	0	E07	93903-25260	1	F17
91251-LLJ3-E00	0	F23	92101-05032-0G	0	E07	93903-25260	1	F18
91255-LGE5-E00	1	F16	92900-06040-0E	2	E02	93903-25260	1	F20
91255-LKG7-E00	1	E01				93903-25360	0	E01
91255-LLB1-900	2	F16	93000			93903-25460	0	F13
91301-2L00-001	0	E01				93903-34260	0	F03
91301-LDF2-M90	2	E02	93401-LEA7-900	1	F14	93903-34360	0	F12
91302-5G67-004	0	E04	93404-06016-06	1	F03	93903-34360	0	F18
91302-LDF2-M90	2	E02	93404-06016-06	1	F05	93903-34760	0	F05
91302-LEA7-E00	1	E02	93404-06016-06	1	F12	93903-35360	0	F01
91303-3G77-001	0	E04	93404-06016-06	1	F15	93903-35360	0	F02
91303-LEA7-E00	1	E04	93404-06016-06	1	F18	93903-35360	0	F03
91304-LGE5-E00	1	F20	93404-06016-06	1	F20	93903-45360	0	F03
91306-1E05-691	0	E03	93404-06016-06	1	F21	93903-45360	0	F12
91306-PUA5-E00	3	E01	93404-06025-06	0	F21	93903-KEB7-900	1	F03
91307-0E35-001	1	E04	93500-03010-0F	0	E07	93903-LHJ8-910	1	F05
91307-PUA5-E00	3	E01	93500-KHC4-90A	0	F19			
91309-4E25-004	0	E07	93600-04012-1G	0	F04	94000		
91351-KHE7-900	0	E06	93600-06032-0F	0	E07			
91507-LEA7-E00	1	F19	93892-04008-16	0	E05	94050-05080	0	F18
91552-LEA7-E00	1	E01	93893-04012-18	0	F04	94050-06060	1	E02
			93903-24360	0	F05	94050-06060	1	F04
92000			93903-25260	1	F03	94050-06060	1	F09
			93903-25260	1	F05	94050-06060	1	F19
92000-05016-0G	0	E02	93903-25260	1	F06	94050-06060	1	F20
92101-05012-0G	0	E01	93903-25260	1	F12	94050-06060	1	F21

PART NO. INDEX

PART NO.	VERSION	PAGE	PART NO.	VERSION	PAGE	PART NO.	VERSION	PAGE
94050-06080	2	F06	94591-KFBF-900	2	E02	95701-06050-06	0	F04
94050-08060	0	F19	94601-KKE5-E01	5	E03	95701-08012-06	0	E01
94050-10060	0	E01	94608-LLJ3-E00	0	F23	95701-08035-06	1	E08
94101-06000	0	F20				95701-08040-06	0	E08
94101-06700	0	F14	95000			95701-LDF2-800	2	F10
94101-08600	0	F15				95701-LEA5-E00	1	F19
94101-ACD5-E00	0	F14	95001-45330-40	0	F22	95801-08040-06	0	F06
94101-LBA2-E00	1	F20	95001-80330-40	0	F22	95801-10030-06	0	F15
94111-ACD5-E00	1	F14	95002-02070	2	F22	95801-10040-06	0	F16
94201-20180	0	F15	95002-02080	0	F05	95801-10060-06	0	F14
94251-08400	0	F20	95002-02080	0	F22	95801-10060-06	0	F16
94301-08100	1	E02	95002-02100	0	F21			
94301-08140	4	E04	95002-41150-00	0	F13	96000		
94301-10160	0	E01	95002-41250-00	0	F13			
94301-10160	0	E04	95002-50000	0	E01	96001-06008-07	0	F14
94301-10160	0	E08	95002-70000	0	F21	96001-06010-00	0	E04
94301-12200	1	E02	95002-KED9-M30	1	F13	96001-06010-06	0	E02
94301-12200	1	E03	95002-LKF5-E00	2	F13	96001-06012-06	0	E07
94303-04065	0	E07	95014-72204	0	F15	96001-06012-06	0	F06
94401-25140	4	E03	95701-06008-06	1	F06	96001-06012-06	0	F16
94510-10000	0	E07	95701-06012-06	1	F06	96001-06012-06	0	F19
94510-14000	0	E04	95701-06012-06	1	F07	96001-06020-06	0	E01
94510-25000	0	E08	95701-06016-06	1	E02	96001-06022-06	1	E04
94520-28000	0	E06	95701-06016-06	1	F20	96001-06025-06	0	E02
94520-47000	0	E01	95701-06045-06	0	F06	96001-06025-06	0	E03
94520-47000	0	F16	95701-06045-06	0	F20	96001-06028-06	0	E04

PART NO. INDEX

PART NO.	VERSION	PAGE	PART NO.	VERSION	PAGE	PART NO.	VERSION	PAGE
96001-06028-06	0	F04	98200-33000	0	F11			
96001-06030-06	0	E01	98200-33000	0	F19			
96001-06035-06	0	E04						
96001-06070-06	0	E01	W					
96001-06080-06	1	E01						
96001-GFY6-900	2	F13	W1792-048-9901	0	E05			
96100-62050-00	2	E08						
96100-63020-00	0	E01						
96100-63020-00	0	E08						
96100-63040-00	1	E08						
96150-60020-10	0	F07						
96150-62040-10	0	F16						
96211-08000	19	F20						
96600-08015-16	0	E07						
96600-LBA2-E00	0	F23						
96600-LGE5-E00	0	F07						
96700-KED9-900	3	F06						
98000								
98059-57916-00	2	E02						
98200-31000	1	F11						
98200-31000	1	F19						
98200-31500	1	F11						
98200-31500	1	F19						
98200-32500	0	F19						