

PARTS CATALOGUE



SCOOTERS

SAA0AE(PT)

XCITING 500



Release Date : 2018/06/24
Print Date : 2022/08/03

ABOUT THIS PARTS LIST

- This parts list is compiled all service parts for model SAA0AE(PT).
- Any difference between color chart and motorcycle will be revised according to motorcycle.
- The Mark:
 1. Marking "***" must add color code in the end before ordering parts.
 2. Marking "#" are parts with modification, Please find the details from e-Parts system.
- When modification or additions to this parts list are made a revised edition at an appropriate time.



CONTENTS

● ABOUT THIS PARTS LIST	1
● COLOR CHART OF SAA0AE(PT)	3
● CONTENTS-ENGINE GROUP	9
● CONTENTS-FRAME GROUP	10
● ENGINE PARTS LIST	13
● FRAME PARTS LIST	57
● PART NO. INDEX	145

NO	MODEL			COLOR CHART OF SAA0AE(PT)			
	PHOTO NO			NO. 1	NO. 2	NO. 3	NO. 4
	BASIC COLOR			Bright Blue	Deep Blue	Bright Silver	Orange
	CODE			Bright Blue	Deep Blue	Bright Silver	Orange
	PARTS NAME	PARTS NO.	VERSION	PB107MA	PB244MA	NH045MA	YR168PA
1	SKIRT R	64305-LBA2-E00	2	DG2	DGA	D0C	
2	SKIRT L SIDE	64306-LBA2-E00	2				
3	END HANDLE	53102-KEC8-900	0	F1S			
4	END R STRG HANDLE	53105-LBB5-E00	2				
5	TAIL CAP COMP	18307-LBA2-900	4	HLP			
6	CALIPER ASSY RR /MAT	43100-LBA2-E00	4	HQA			
7	BRACKET	43110-LBA2-E00	0				
8	BRACKET CABLE	43146-LBA2-E00	0				
9	CALIPER ASSY FR L	45100-LBA2-E01	6				
10	BRACKET COMP FR	45110-LBA2-305	0				
11	CALIPER ASSY FR R	45200-LBA2-E00	6				
12	BRACKET COMP FR	45210-LBA2-305	0				
13	FORK ASSY REAR	52000-LFH1-E00	2				
14	REAR COVER L COVER	11343-LBA2-E00	3	HQP			
15	RR COVER L COVER	11343-LDG7-E00	2				
16	FRONT COVER COMP L	1134B-LBA2-E00	3				
17	FRONT COVER COMP L	1134B-LDG7-E00	3				
18	PROTECTOR	18318-LBA2-E00	5				
19	COVER R SIDE	83520-LBA2-E00	2				
20	COVER L SIDE	83620-LBA2-E00	2	M3A			
21	LEVER R STRG HANDLE	53175-LBA2-E03	0				
22	LEVER L STRG HANDLE	53178-LBA2-E03	0				
23	CAP MC	45513-KKA8-900	0	N1A			
24	GRIP COMP THROT	53140-KKC4-900	1	N1R			
25	GRIP L HANDLE	53166-KGB5-900	1				
DATE OF STARTING-SALES							
DATE OF END-SALES							

NO	MODEL			COLOR CHART OF SAA0AE(PT)			
	PHOTO NO			NO. 5			
	BASIC COLOR			Dark Gray Metallic			
	CODE			Dark Gray Metallic			
	PARTS NAME	PARTS NO.	VERSION	NH124MA			
1	SKIRT R	64305-LBA2-E00	2	D0M			
2	SKIRT L SIDE	64306-LBA2-E00	2				
3	END HANDLE	53102-KEC8-900	0	F1S			
4	END R STRG HANDLE	53105-LBB5-E00	2				
5	TAIL CAP COMP	18307-LBA2-900	4	HLP			
6	CALIPER ASSY RR /MAT	43100-LBA2-E00	4	HQA			
7	BRACKET	43110-LBA2-E00	0				
8	BRACKET CABLE	43146-LBA2-E00	0				
9	CALIPER ASSY FR L	45100-LBA2-E01	6				
10	BRACKET COMP FR	45110-LBA2-305	0				
11	CALIPER ASSY FR R	45200-LBA2-E00	6				
12	BRACKET COMP FR	45210-LBA2-305	0				
13	FORK ASSY REAR	52000-LFH1-E00	2				
14	REAR COVER L COVER	11343-LBA2-E00	3				
15	RR COVER L COVER	11343-LDG7-E00	2				
16	FRONT COVER COMP L	1134B-LBA2-E00	3	HQP			
17	FRONT COVER COMP L	1134B-LDG7-E00	3				
18	PROTECTOR	18318-LBA2-E00	5				
19	COVER R SIDE	83520-LBA2-E00	2				
20	COVER L SIDE	83620-LBA2-E00	2				
21	LEVER R STRG HANDLE	53175-LBA2-E03	0	M3A			
22	LEVER L STRG HANDLE	53178-LBA2-E03	0				
23	CAP MC	45513-KKA8-900	0	N1A			
24	GRIP COMP THROT	53140-KKC4-900	1	N1R			
25	GRIP L HANDLE	53166-KGB5-900	1				
DATE OF STARTING-SALES							
DATE OF END-SALES							

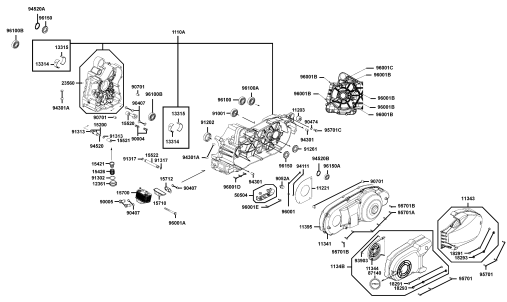
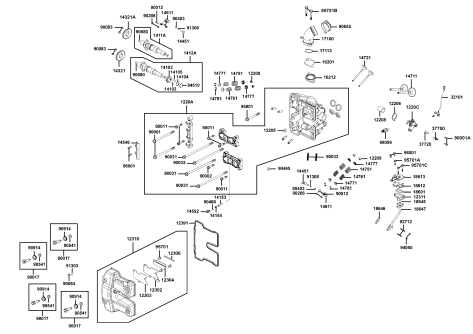
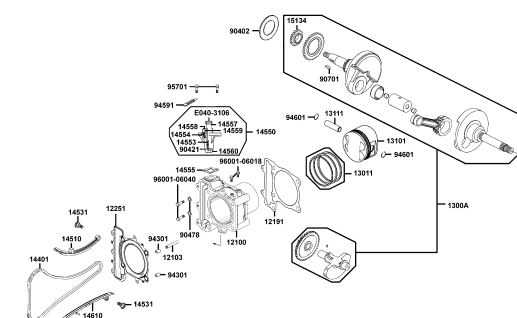
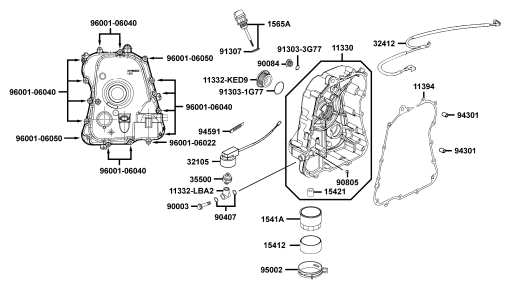
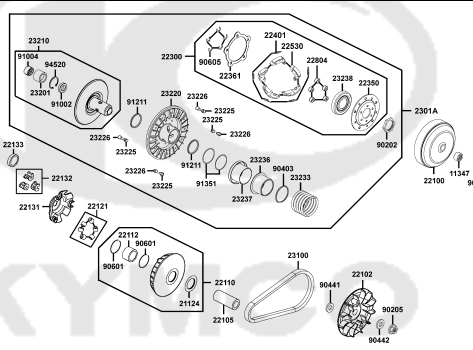
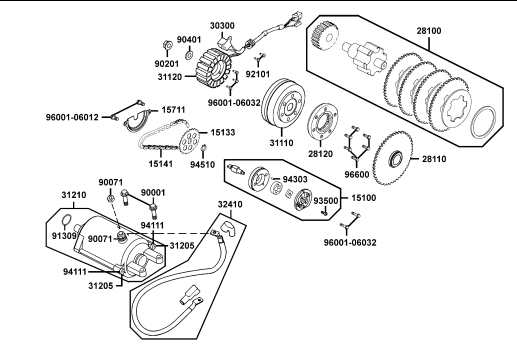
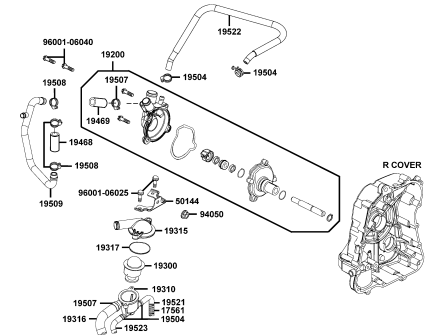
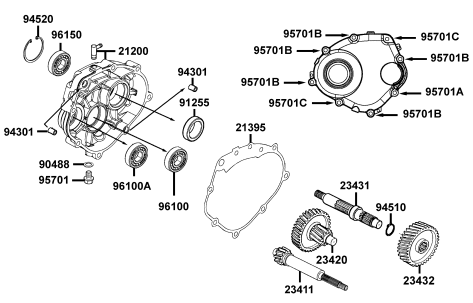
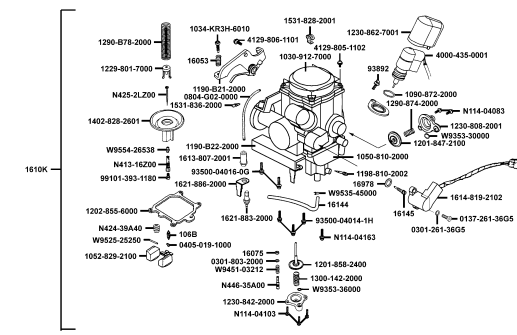
NO	MODEL			COLOR CHART OF SAA0AE(PT)							
	PHOTO NO			NO. 1	NO. 2	NO. 3	NO. 4				
	BASIC COLOR			Bright Blue	Deep Blue	Bright Silver	Orange				
	CODE			Bright Blue	Deep Blue	Bright Silver	Orange				
	PARTS NAME	PARTS NO.	VERSION	PB107MA	PB244MA	NH045MA	YR168PA				
26	COVER METER FR	53203-LBA2-E00	3	N1R							
27	COVER METER RR	53204-LBA2-E00	3								
28	COVER HNDL UP	53205-LBA2-E02	1								
29	COVER R HANDLE LOW	53206-LBA2-E00	1								
30	HOLDER ASSY WIND	6423A-LBA2-E00	1								
31	COVER WIND SCREEN	64250-LBA2-E00	2								
32	GRID R FR MOLDING	64303-LBA2-E00	2								
33	GRID L FR MOLDING	64304-LBA2-E00	2								
34	FLOOR PANEL	64310-LBA2-E00	4								
35	COVER R PILLION STEP	64311-LBA2-E00	1								
36	MAT R FLOOR	64320-LBA2-E00	2								
37	MAT L FLOOR	64330-LBA2-E00	2								
38	COWL UNDER	64400-LBA2-E00	2								
39	FENDER RR	80105-LBA2-E00	1								
40	COVER CENTER	80151-LBA2-E00	1								
41	LEG SHIELD	81131-LBA2-E01	2								
42	LID ASSY INNER BOX	8114A-LBA2-E00	1								
43	BAND HARNESS WIRE	90656-KUDU-900	0								
44	FENDER FR	61100-LBA2-E00	4					BAP	C6P	N8P	YFP
45	MOLDING FR	64302-LBA2-E00	2								
46	MOLDING FR	64302-LBA2-E02	1								
47	COVER R BODY	83500-LBA2-E00	3								
48	COVER L BODY	83600-LBA2-E00	3								
49	COVER RR CENTER	83750-LBA2-E00	2								
50	CUSHION ASSY R RR	52400-LBA2-E00	5								
DATE OF STARTING-SALES											
DATE OF END-SALES											

NO	MODEL			COLOR CHART OF SAA0AE(PT)							
	PHOTO NO			NO. 5							
	BASIC COLOR			Dark Gray Metallic							
	CODE			Dark Gray Metallic							
	PARTS NAME	PARTS NO.	VERSION	NH124MA							
26	COVER METER FR	53203-LBA2-E00	3	N1R							
27	COVER METER RR	53204-LBA2-E00	3								
28	COVER HNDL UP	53205-LBA2-E02	1								
29	COVER R HANDLE LOW	53206-LBA2-E00	1								
30	HOLDER ASSY WIND	6423A-LBA2-E00	1								
31	COVER WIND SCREEN	64250-LBA2-E00	2								
32	GRID R FR MOLDING	64303-LBA2-E00	2								
33	GRID L FR MOLDING	64304-LBA2-E00	2								
34	FLOOR PANEL	64310-LBA2-E00	4								
35	COVER R PILLION STEP	64311-LBA2-E00	1								
36	MAT R FLOOR	64320-LBA2-E00	2								
37	MAT L FLOOR	64330-LBA2-E00	2								
38	COWL UNDER	64400-LBA2-E00	2								
39	FENDER RR	80105-LBA2-E00	1								
40	COVER CENTER	80151-LBA2-E00	1								
41	LEG SHIELD	81131-LBA2-E01	2								
42	LID ASSY INNER BOX	8114A-LBA2-E00	1								
43	BAND HARNESS WIRE	90656-KUDU-900	0								
44	FENDER FR	61100-LBA2-E00	4					NFP			
45	MOLDING FR	64302-LBA2-E00	2								
46	MOLDING FR	64302-LBA2-E02	1								
47	COVER R BODY	83500-LBA2-E00	3								
48	COVER L BODY	83600-LBA2-E00	3								
49	COVER RR CENTER	83750-LBA2-E00	2								
50	CUSHION ASSY R RR	52400-LBA2-E00	5	N8S							
DATE OF STARTING-SALES											
DATE OF END-SALES											

NO	MODEL			COLOR CHART OF SAA0AE(PT)							
	PHOTO NO			NO. 1	NO. 2	NO. 3	NO. 4				
	BASIC COLOR			Bright Blue	Deep Blue	Bright Silver	Orange				
	CODE			Bright Blue	Deep Blue	Bright Silver	Orange				
	PARTS NAME	PARTS NO.	VERSION	PB107MA	PB244MA	NH045MA	YR168PA				
51	MIRROR ASSY R BACK	88110-LBA2-E02	2	NEP							
52	MIRROR ASSY L BACK	88120-LBA2-E02	2								
53	WHEEL CAST	42601-LFH1-E00	4	NJA							
54	WHEEL SET FR	44650-LBA2-305	0								
55	FORK ASSY R FR	51400-LBA2-E00	10								
56	BOTTOM CASE R	51421-LBA2-E00	0								
57	FORK ASSY L FR	51500-LBA2-E00	10								
58	BOTTOM CASE L	51521-LBA2-E00	0								
59	CARRIER RR	81200-LBA2-E00	2					NJP			
60	CAP COMP FUEL FILLER	17620-LLJ3-E0A	3					NYA			
61	CAP COMP FUEL FILLER	17620-LLJ3-E0B	3								
62	SEAT ASSY (REACH)	77200-LBA2-E00	4	T01							
63	SEAT ASSY PAD	77220-LBA2-E00	2								
64	EMB BODY COVER	86202-LBA2-900	1								
65	EMB ENG COVER	87140-LBA2-E00	2								
66	EMB MARK KYMCO	87206-LBA2-E00	3								
67	LABEL TIRE	87505-LBA2-E00	1								
68	CAUTION FILTER	87512-LBA2-E00	3								
69	CAUTION SIDE STAND	87541-GAR1-E00	2								
70	CAUTION MOBILE	87541-KKC2-E00	2								
71	MARK MAINT CAUTION	87542-GAR1-E00	3								
72	MARK DRIVE CAUTION	87560-GFY6-E00	5								
73	LABEL CLEANNESS	87508-KKC4-E00	2					T02			
DATE OF STARTING-SALES											
DATE OF END-SALES											

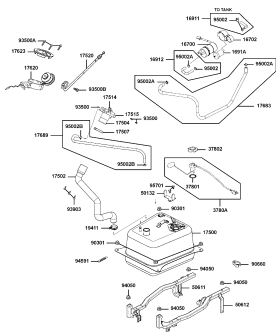
NO	MODEL			COLOR CHART OF SAA0AE(PT)				
	PHOTO NO			NO. 5				
	BASIC COLOR			Dark Gray Metallic				
	CODE			Dark Gray Metallic				
	PARTS NAME	PARTS NO.	VERSION	NH124MA				
51	MIRROR ASSY R BACK	88110-LBA2-E02	2	NEP				
52	MIRROR ASSY L BACK	88120-LBA2-E02	2					
53	WHEEL CAST	42601-LFH1-E00	4	NJA				
54	WHEEL SET FR	44650-LBA2-305	0					
55	FORK ASSY R FR	51400-LBA2-E00	10					
56	BOTTOM CASE R	51421-LBA2-E00	0					
57	FORK ASSY L FR	51500-LBA2-E00	10					
58	BOTTOM CASE L	51521-LBA2-E00	0					
59	CARRIER RR	81200-LBA2-E00	2		NJP			
60	CAP COMP FUEL FILLER	17620-LLJ3-E0A	3	NYA				
61	CAP COMP FUEL FILLER	17620-LLJ3-E0B	3					
62	SEAT ASSY (REACH)	77200-LBA2-E00	4	T01				
63	SEAT ASSY PAD	77220-LBA2-E00	2					
64	EMB BODY COVER	86202-LBA2-900	1					
65	EMB ENG COVER	87140-LBA2-E00	2					
66	EMB MARK KYMCO	87206-LBA2-E00	3					
67	LABEL TIRE	87505-LBA2-E00	1					
68	CAUTION FILTER	87512-LBA2-E00	3					
69	CAUTION SIDE STAND	87541-GAR1-E00	2					
70	CAUTION MOBILE	87541-KKC2-E00	2					
71	MARK MAINT CAUTION	87542-GAR1-E00	3					
72	MARK DRIVE CAUTION	87560-GFY6-E00	5					
73	LABEL CLEANNESS	87508-KKC4-E00	2		T02			
DATE OF STARTING-SALES								
DATE OF END-SALES								

CONTENTS - ENGINE GROUP

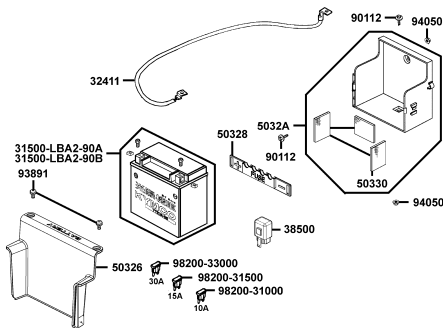
E01 Crank Case 	E02 Cylinder Head Cover Cylinder 	E03 Cylinder Piston Crankshaft 
E04 Right Crankcase CoverWater 	E05 Transmission Pulley 	E06 Starting MotorOil Pump 
E07 GeneratorWater Pump 	E08 Transmission 	E09 Carburetor 

CONTENTS - FRAME GROUP

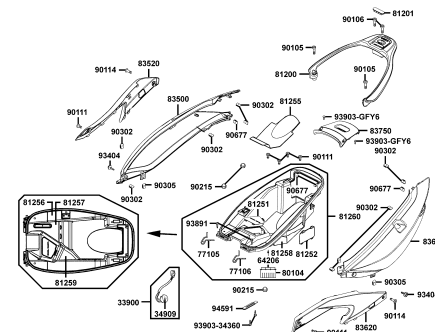
F10 Fuel Tank



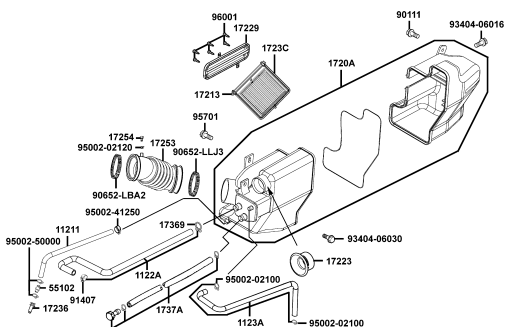
F11 Battery



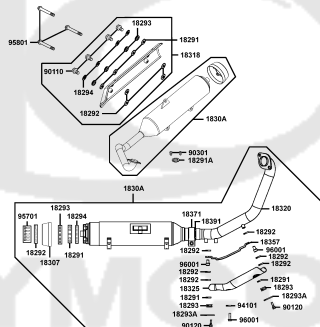
F12 Body Cover Luggage Box



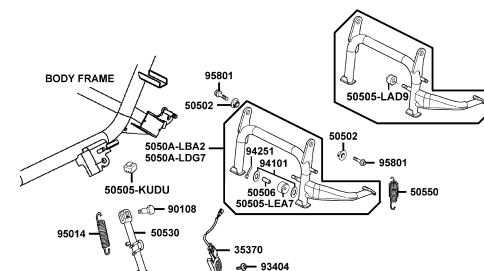
F13 Air Cleaner



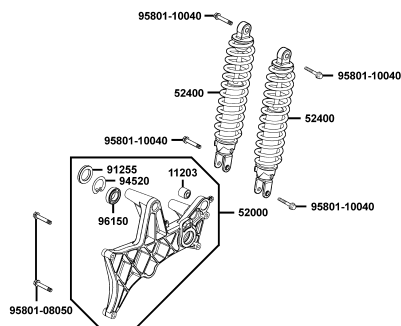
F14 Exhaust Muffler



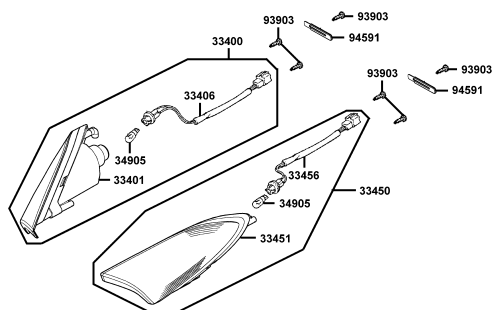
F15 Stand Kick Starter Arm



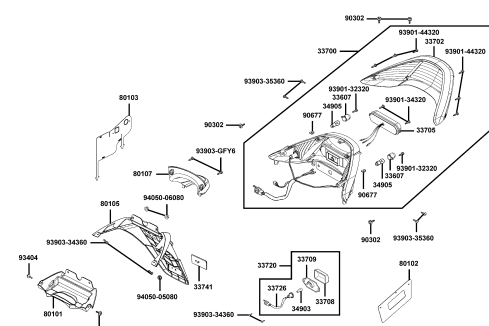
F16 Rear Cushion



F17 Front Winker RR WINKER

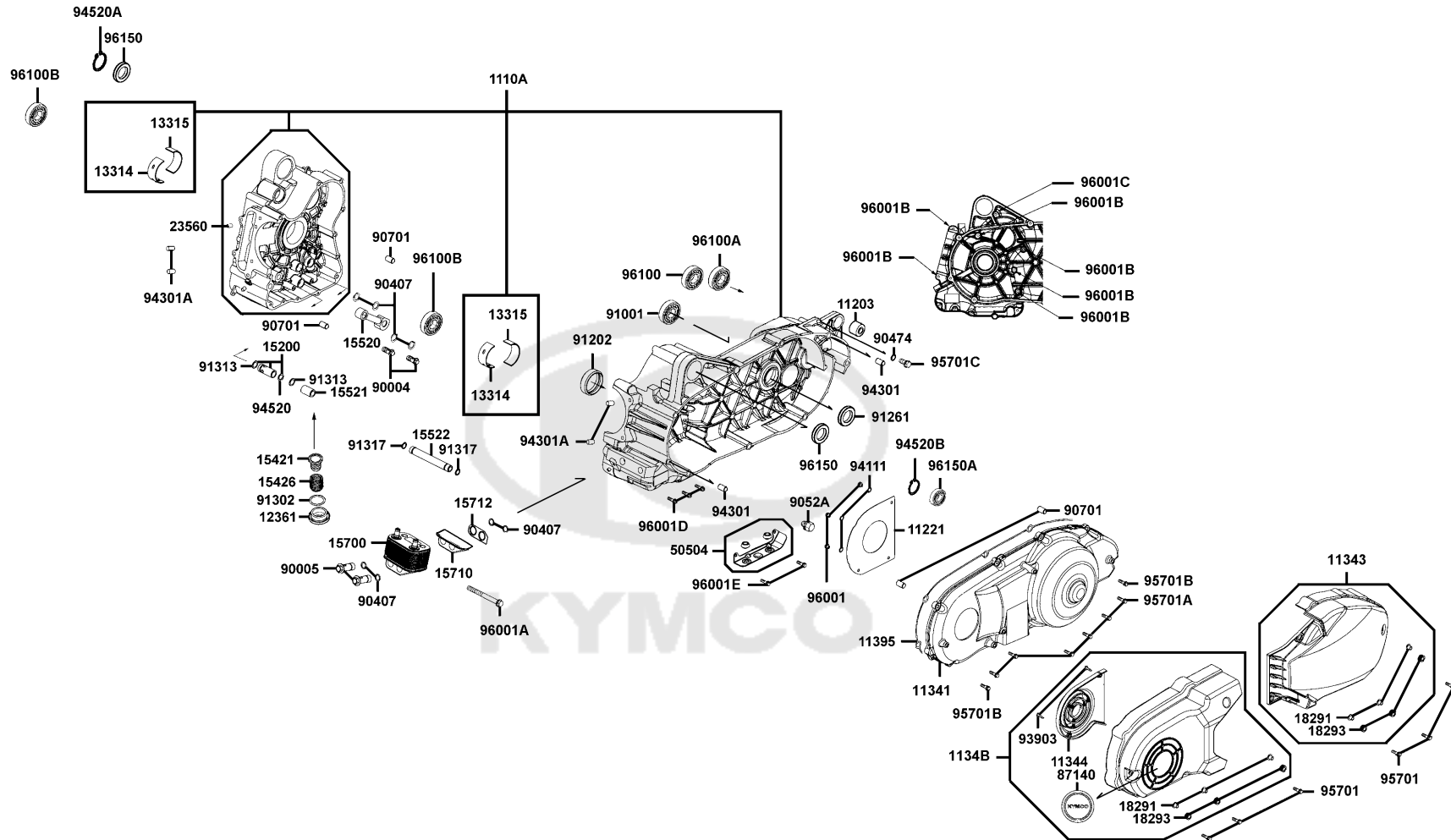


F18 Rear Light Rear Fender



E01

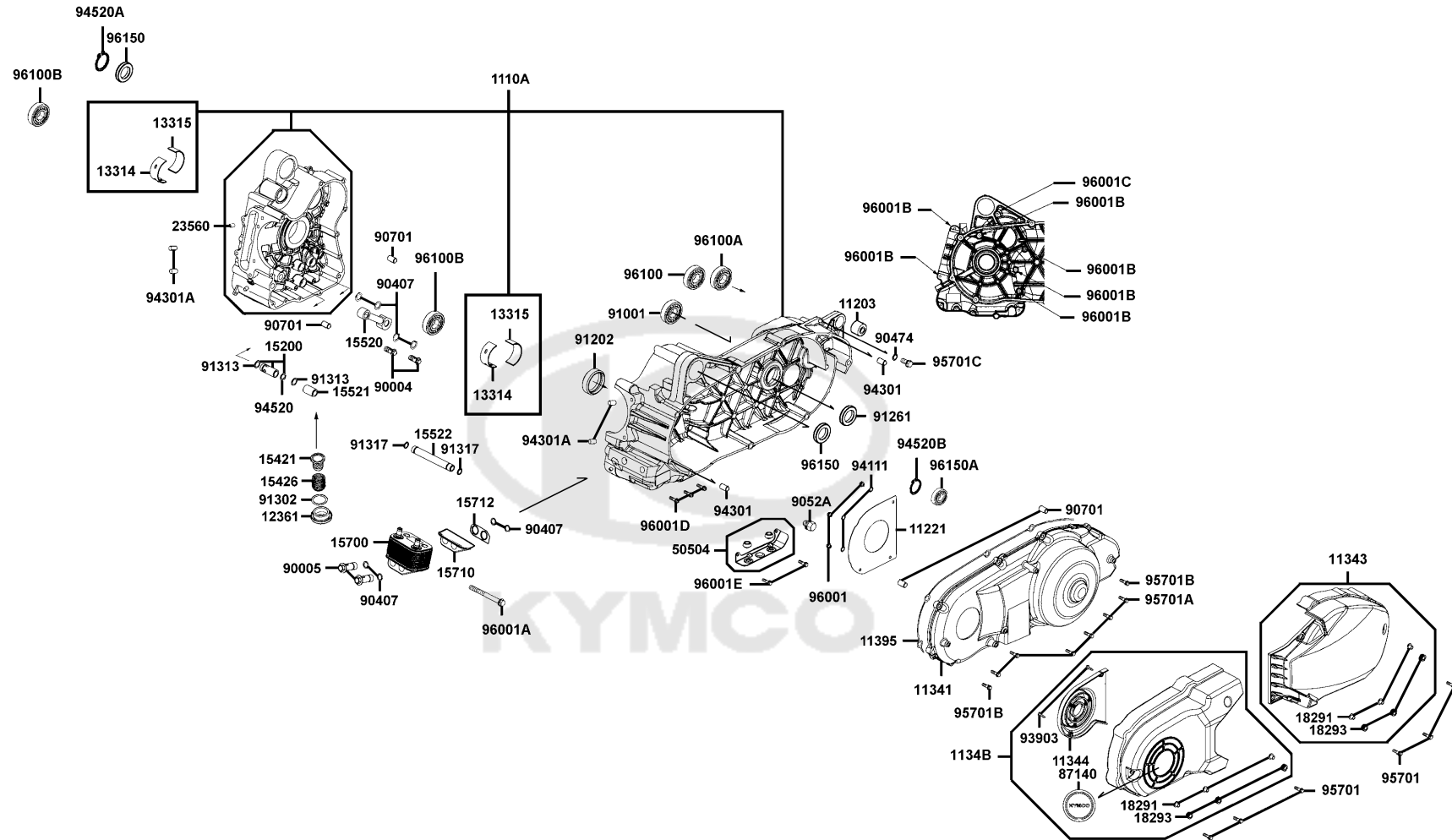
Crank Case



Sales mark	Ref no	Part no	Description	Reg description	Regd no	E01
	1110A	1110A-LBA2-E00	CRANK CASE R/L ASSY	CRANK CASE R/L ASSY	1	
	11203	11203-LBA2-E00	RUB BUSH L CASE	RUB BUSH L CASE	1	
	11221	11221-LBA2-E00	PLATE INSULATOR	PLATE INSULATOR	1	
	11341	11341-LBA2-E00	COVER LEFT	COVER LEFT	1	
#	11341	11341-LBA2-E01	COVER LEFT	COVER LEFT	1	
**	11343	11343-LBA2-E00	REAR COVER L COVER	REAR COVER L COVER	1	
# **	11343	11343-LDG7-E00	RR COVER L COVER	RR COVER L COVER	1	
	11344	11344-LBA2-E00	INNER COVER L COVER	INNER COVER L COVER	1	
**	1134B	1134B-LBA2-E00	FRONT COVER COMP L COVER	FRONT COVER COMP L COVER	1	
# **	1134B	1134B-LDG7-E00	FRONT COVER COMP L COVER	FRONT COVER COMP L COVER	1	
	11395	11395-LBA2-E00	GASKET L COVER @ A	GASKET L COVER @ A	1	
	12361	12361-GFY6-901	HOLE CAP TAPPET ADJUSTING	HOLE CAP TAPPET ADJUSTING	1	
	13314	13314-LBA2-E0A	BRG CRANK SHAFT A(BROWN)	BRG CRANK SHAFT A(BROWN)	2	
	13314	13314-LBA2-E0B	BRG CRANK SHAFT B(GREEN)	BRG CRANK SHAFT B(GREEN)	2	
	13314	13314-LBA2-E0C	BRG CRANK SHAFT C(YELLOW)	BRG CRANK SHAFT C(YELLOW)	2	
	13315	13315-LBA2-E0A	BRG CRANK SHAFT A(BROWN)	BRG CRANK SHAFT A(BROWN)	2	
	13315	13315-LBA2-E0B	BRG CRANK SHAFT B(GREEN)	BRG CRANK SHAFT B(GREEN)	2	
	13315	13315-LBA2-E0C	BRG CRANK SHAFT C(YELLOW)	BRG CRANK SHAFT C(YELLOW)	2	
	15200	15200-LBA2-E00	OIL RELIEF VALVE ASSY	OIL RELIEF VALVE ASSY	1	
	15421	15421-1G07-001	SCREEN OIL FILTER	SCREEN OIL FILTER	1	

E01

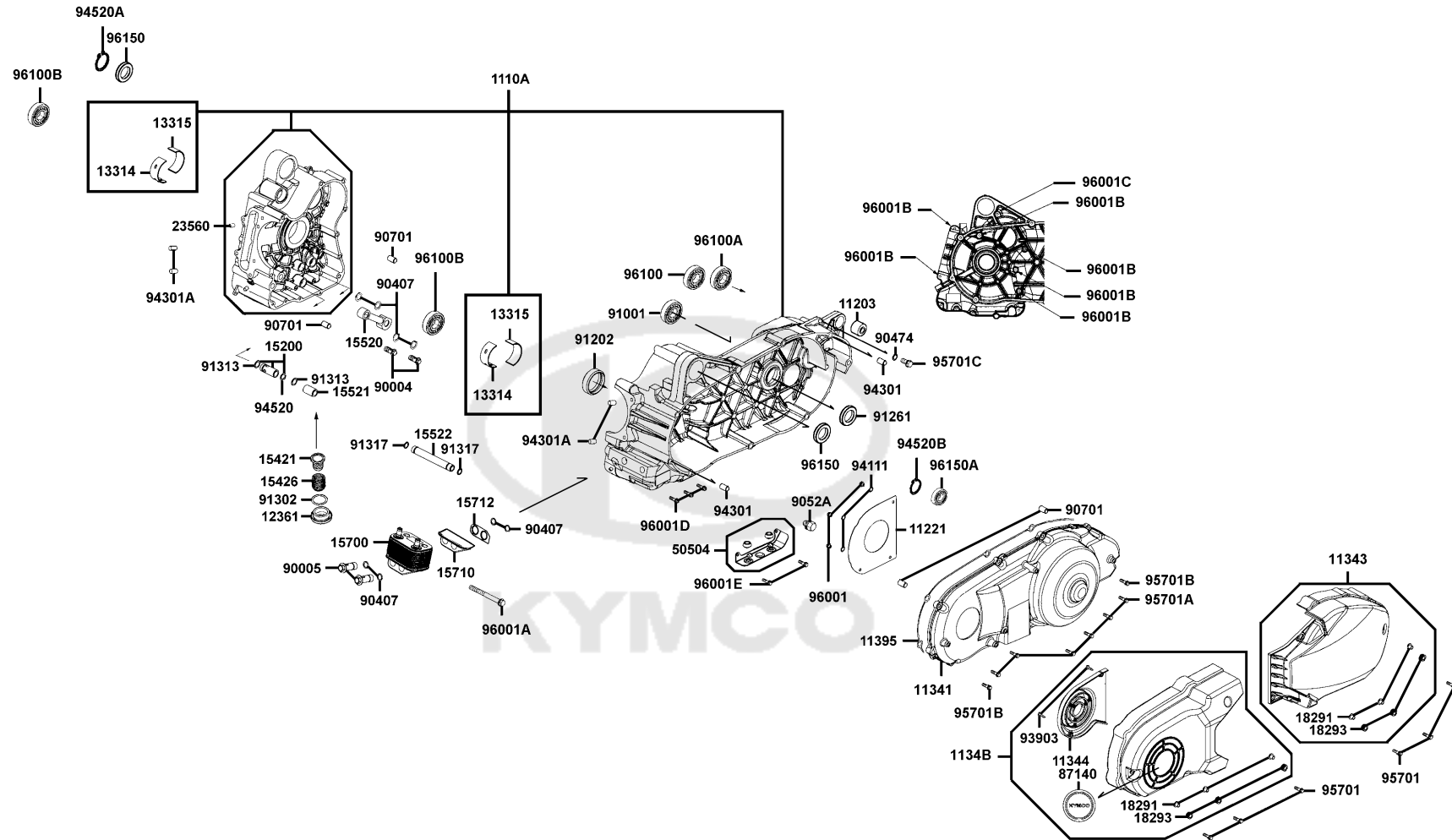
Crank Case



Sales mark	Ref no	Part no	Description	Reg description	Regd no	E01
	15426	15426-GAE1-921	SPG OIL FILTER SCREEN	SPG OIL FILTER SCREEN	1	
	15520	15520-LBA2-E00	PIPE COMP OIL	PIPE COMP OIL	1	
	15521	15521-LBA2-E00	COLLAR OIL	COLLAR OIL	1	
	15522	15522-LBA2-E00	PIPE OIL R/L CASE	PIPE OIL R/L CASE	1	
	15700	15700-LBA2-E00	OIL WATER HEAT EXCHANGER	OIL WATER HEAT EXCHANGER	1	
#	15700	15700-LBA2-E0A	OIL WATER HEAT EXCHANGER	OIL WATER HEAT EXCHANGER	1	
	15710	15710-LBA2-E00	BOTTOM OIL WATER	BOTTOM OIL WATER	1	
	15712	15712-LBA2-E00	GASKET OIL WATER HEAT EXCHANGER	GASKET OIL WATER HEAT EXCHANGER	1	
	18291	18291-KKC4-900	COLLAR	COLLAR	6	
	18293	18293-KKC4-900	RUBBER	RUBBER	6	
	23560	23560-LBA2-E00	ORIFICE R CASE	ORIFICE R CASE	1	
	50504	50504-LBA2-E00	STAND MAIN STOPPER	STAND MAIN STOPPER	1	
**	87140	87140-LBA2-E00	EMB ENG COVER	EMB ENG COVER	1	
	90004	90004-LBA2-E00	BOLT B OIL PASS	BOLT B OIL PASS	2	
	90005	90005-LBA2-E00	BOLT C OIL PASS	BOLT C OIL PASS	2	
	90407	90407-LBA2-E00	SEALING WASHER OIL PIPE	SEALING WASHER OIL PIPE	8	
	90474	90474-3C33-001	WASHER 8MM	WASHER 8MM	1	
	9052A	9052A-GFY6-950	BOLT ASSY DRAIN PLUG	BOLT ASSY DRAIN PLUG	1	
	90701	90701-9E65-001	PIN DOWEL 10*16	PIN DOWEL 10*16	4	
	91001	91001-KHV8-004	BRG BALL RADIAL 6305	BRG BALL RADIAL 6305	1	

E01

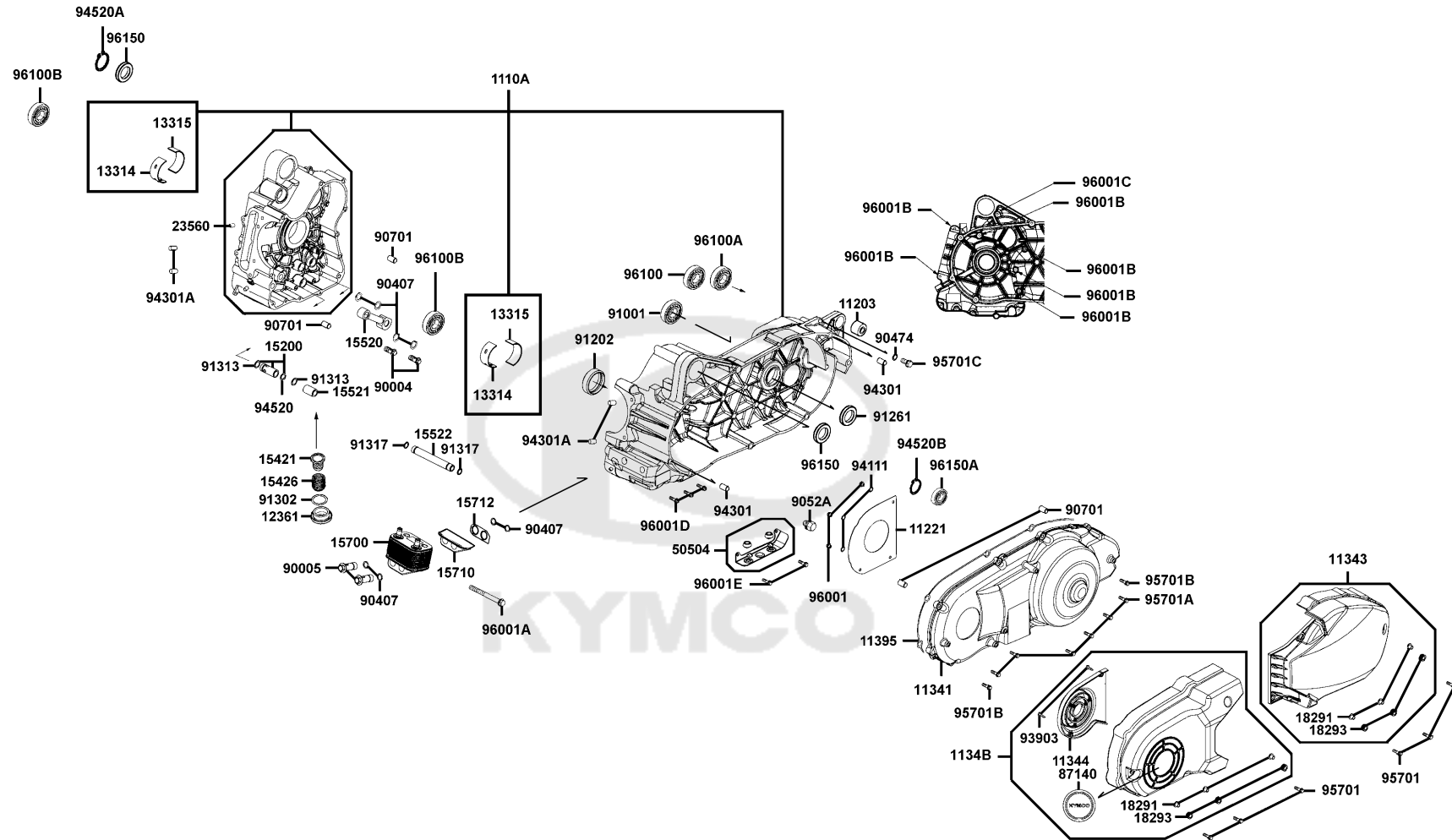
Crank Case



Sales mark	Ref no	Part no	Description	Reg description	Regd no	E01
	91202	91202-LBA2-E00	OIL SEAL 35*47*7	OIL SEAL 35*47*7	1	
	91261	91261-4E15-004	OIL SEAL 25*40*8	OIL SEAL 25*40*8	1	
	91302	91302-0A01-021	O-RING 30.8M/M	O-RING 30.8M/M	1	
	91313	91313-KED9-900	O-RING 15.5*1.5	O-RING 15.5*1.5	2	
	91317	91317-LBA2-E00	O RING 13.5*1.5	O RING 13.5*1.5	2	
	93903	93903-34580	SCREW TAPPING 4*20	SCREW TAPPING 4*20	2	
	94111	94111-06800	WASHER SPRING 6MM	WASHER SPRING 6MM	3	
	94301	94301-10160	DOWEL PIN 10*16	DOWEL PIN 10*16	2	
	94301A	94301-12200	DOWEL PIN 12*20	DOWEL PIN 12*20	4	
	94520	94520-12100	CIR CLIP IN 12	CIR CLIP IN 12	1	
	94520A	94520-52000	CIR CLIP IN 52	CIR CLIP IN 52	1	
	94520B	94520-55000	CIR CLIP IN 55	CIR CLIP IN 55	1	
	95701	95701-06016-02	BOLT FLANGE 6*16	BOLT FLANGE 6*16	6	
#	95701A	95701-06022-06	BOLT FLANGE 6*22	BOLT FLANGE 6*22	1	
#	95701B	95701-06032-06	BOLT FLANGE 6*32	BOLT FLANGE 6*32	1	
#	95701C	95701-08012-06	BOLT FLANGE 8*12	BOLT FLANGE 8*12	1	
#	96001	96001-06012-06	BOLT FLANGE SH 6*12	BOLT FLANGE SH 6*12	1	
#	96001A	96001-06060-06	BOLT FLANE 6*60	BOLT FLANE 6*60	1	
#	96001B	96001-06065-06	BOLT FLANGE SH 6X65	BOLT FLANGE SH 6X65	1	
#	96001C	96001-06075-06	BOLT FLANGE SH 6X75	BOLT FLANGE SH 6X75	1	

E01

Crank Case

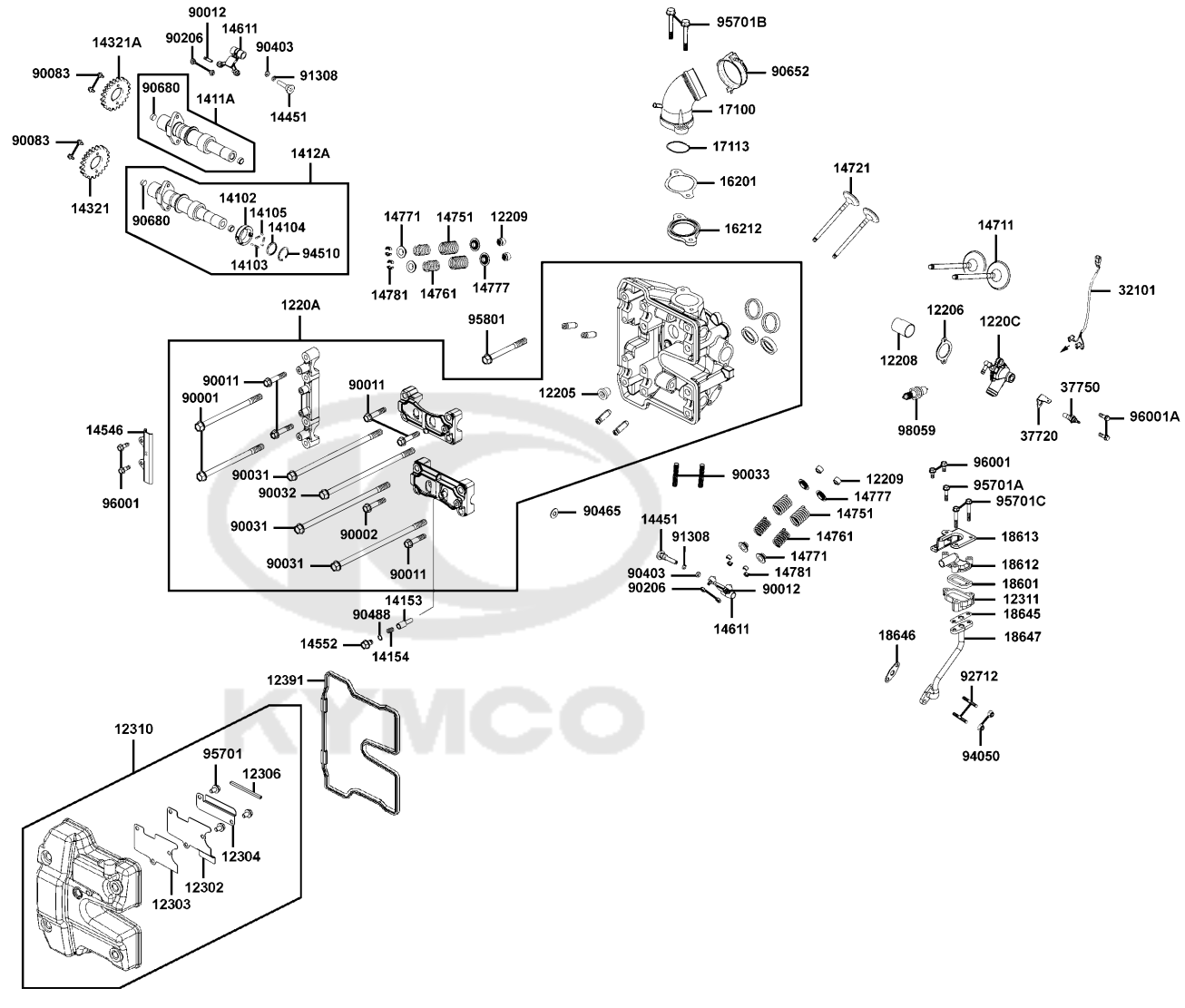


Sales mark	Ref no	Part no	Description	Reg description	Regd no	E01
#	96001D	96001-06095-06	BOLT FLANGE SH 6*95 **07 C.2005.07.01	BOLT FLANGE SH 6*95 **07 C.2005.07.01	1	
#	96001E	96001-06100-06	BOLT FLANGE SH 6*100	BOLT FLANGE SH 6*100	1	
	96100	96100-62040-00	BEARING BALL RADIAL 6204	BEARING BALL RADIAL 6204	1	
	96100A	96100-63040-00	BRG BALL RADIAL 6304	BRG BALL RADIAL 6304	1	
	96100B	96100-LBA2-E00	BRG BALL RADIAL 6304	BRG BALL RADIAL 6304	2	
	96150	96150-60050-00	BEARING BALL RADIAL 6005	BEARING BALL RADIAL 6005	2	
#	96150A	96150-60060-10	BEARING BALL RADIAL 6006	BEARING BALL RADIAL 6006	1	



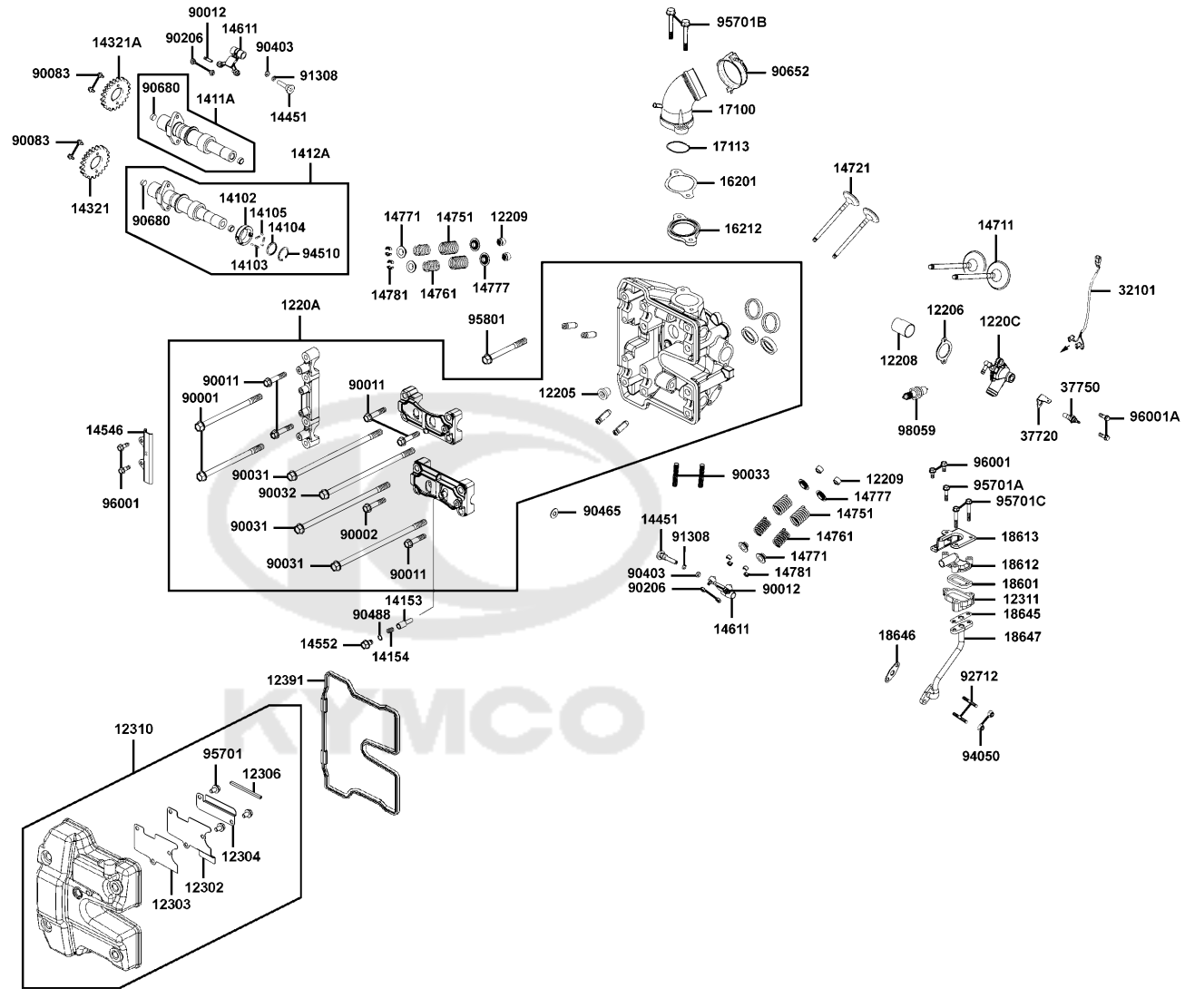
E02

Cylinder Head Cover Cylinder Head



Sales mark	Ref no	Part no	Description	Reg description	Regd no	E02
	12205	12205-KHE8-301	BOLT SEALING 12MM	BOLT SEALING 12MM	2	
	12206	12206-LBA2-E00	GASKET WATER COVER	GASKET WATER COVER	1	
	12208	12208-LBA2-E00	STOPPER HEAD WATER	STOPPER HEAD WATER	1	
	12209	12209-GDB4-68B	SEAL VALVE STEM	SEAL VALVE STEM	5	
	1220A	1220A-LDG7-900	HEAD ASSY CYLNDER	HEAD ASSY CYLNDER	1	
	1220C	1220C-LBA2-E00	WATER COVER HEAD	WATER COVER HEAD	1	
	12302	12302-LBA2-E00	PLATE BREATHER SEPARATER	PLATE BREATHER SEPARATER	1	
	12303	12303-LBA2-E00	GASKET PLATE	GASKET PLATE	1	
	12304	12304-LBA2-E00	PLATE BREATHER SEPARATOR @A	PLATE BREATHER SEPARATOR @A	1	
	12306	12306-LBA2-E00	RUBBER SEPARATOR	RUBBER SEPARATOR	1	
	12310	12310-LBA2-E00	COVER COMP CYLN HEAD	COVER COMP CYLN HEAD	1	
	12311	12311-KBE2-900	BODY REED VALVE	BODY REED VALVE	1	
	12391	12391-LBA2-E00	SEAL HEAD COVER	SEAL HEAD COVER	1	
#	14102	14102-LDG7-E00	CAM	CAM	1	
	14103	14103-GEN5-912	SPG ROLLER	SPG ROLLER	3	
	14104	14104-LBA2-E00	WASHER THRUST	WASHER THRUST	1	
	14105	14105-GEN5-910	ROLLER 3*5	ROLLER 3*5	3	
	1411A	1411A-LBA2-E00	CAMSHAFT INLET COMP	CAMSHAFT INLET COMP	1	
#	1412A	1412A-LDG7-E00	CAMSHAFT EXH COMP	CAMSHAFT EXH COMP	1	
	14153	14153-LBA2-E00	STOPPER	STOPPER	1	

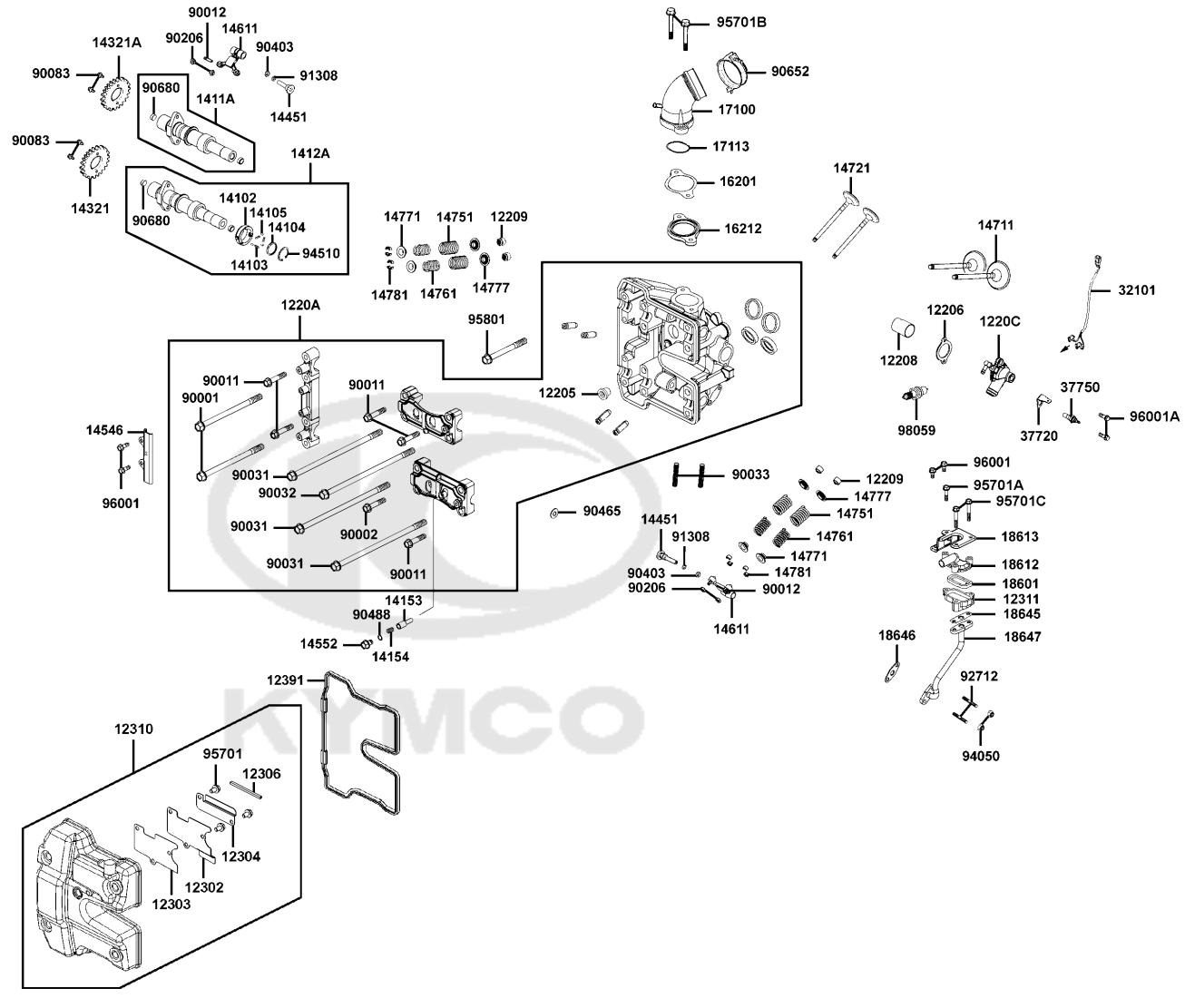
Cylinder Head Cover Cylinder Head



Sales mark	Ref no	Part no	Description	Reg description	Regd no	E02
	14154	14154-LBA2-E00	SPRING STOPPER	SPRING STOPPER	1	
	14321	14321-KED9-900	SPROCKET CAMSHAFT	SPROCKET CAMSHAFT	1	
	14321A	14321-LBA2-E00	SPROCKET CAMSHAFT	SPROCKET CAMSHAFT	1	
	14451	14451-LBA2-E00	SHAFT ROCKER ARM	SHAFT ROCKER ARM	2	
	14546	14546-LBA2-E00	GUIDE UPPER TENSIONER	GUIDE UPPER TENSIONER	1	
	14552	14552-KGBG-900	PLUG ADJUSTER	PLUG ADJUSTER	1	
	14611	14611-LBA2-E00	ARM VALVE ROCKER	ARM VALVE ROCKER	2	
#	14711	14711-LDG7-900	VALVE INLET	VALVE INLET	1	
	14721	14721-LBA2-E00	VALVE EXHAUST	VALVE EXHAUST	2	
	14751	14751-LBA2-E00	SPG VALVE OUTER	SPG VALVE OUTER	4	
	14761	14761-LDG7-900	SPG VALVE INNER	SPG VALVE INNER	4	
	14771	14771-GDB4-680	RETAINER VALVE SPRING	RETAINER VALVE SPRING	4	
	14777	14777-LBA2-E00	SEAT VALVE SPG	SEAT VALVE SPG	4	
	14781	14781-MFA6-001	COTTER VALVE	COTTER VALVE	8	
	16201	16201-LBA2-E00	GASKET CARB INSULATOR	GASKET CARB INSULATOR	1	
	16212	16212-LBA2-E00	INSULATOR INLET PIPE	INSULATOR INLET PIPE	1	
	17100	17100-LBA2-E00	PIPE COMP INLET	PIPE COMP INLET	1	
	17113	17113-LBA2-E00	O-RING INLET PIPE	O-RING INLET PIPE	1	
	18601	18601-KBE2-900	REED VALVE COMP LDV 52*27*6.0	REED VALVE COMP LDV 52*27*6.0	1	
	18612	18612-KFB5-900	COVER REED VALVE	COVER REED VALVE	1	

E02

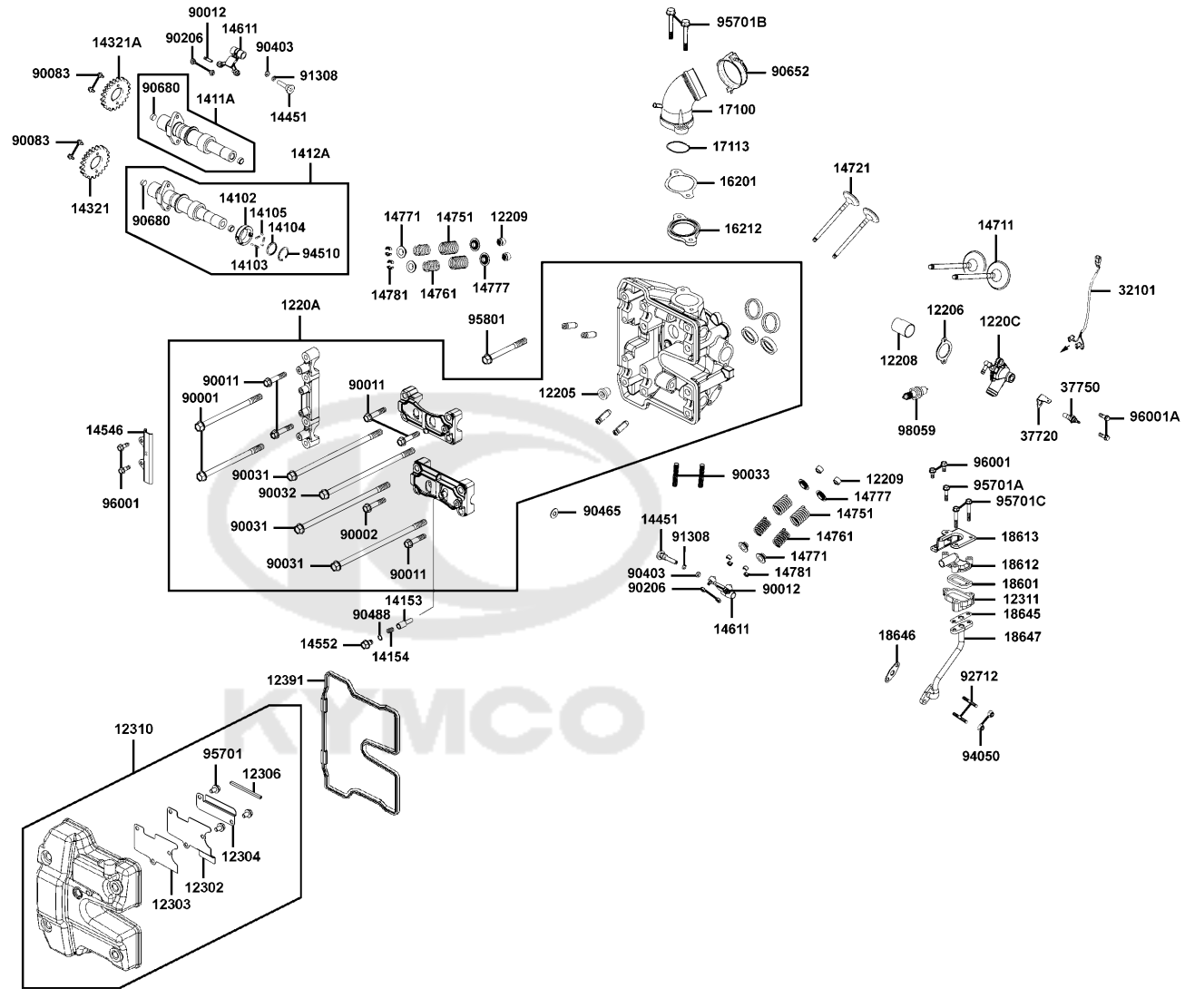
Cylinder Head Cover Cylinder Head



Sales mark	Ref no	Part no	Description	Reg description	Regd no	E02
	18613	18613-LDB5-E00	STAY REED VALVE ASSY	STAY REED VALVE ASSY	1	
	18645	18645-LBA2-E00	GASKET A/I PIPE	GASKET A/I PIPE	1	
	18646	18646-LBA2-E00	GASKET A/I PIPE	GASKET A/I PIPE	1	
	18647	18647-LBA2-E00	PIPE COMP AIR	PIPE COMP AIR	1	
	32101	32101-LBA2-E00	SUB HARNESS THERMO UNIT	SUB HARNESS THERMO UNIT	1	
	37720	37720-KGB5-900	EARTH TERMINAL THERMO	EARTH TERMINAL THERMO	1	
	37750	37750-PAC1-005	THERMO UNIT ASSY	THERMO UNIT ASSY	1	
	90001	90001-LBA2-E00	BOLT UBS 8X137	BOLT UBS 8X137	2	
	90002	90002-LBA2-E00	BOLT UBS M8X201(C)	BOLT UBS M8X201(C)	1	
	90011	90011-KED9-900	BOLT UBS 8X48(C)	BOLT UBS 8X48(C)	5	
	90012	90012-3C33-001	SCREW TAPPET ADJUSTING	SCREW TAPPET ADJUSTING	4	
	90017	90017-KED9-900	BOLT ASSY HEAD COVER	BOLT ASSY HEAD COVER	4	
	90031	90031-LBA2-E00	BOLT UBS 10*220	BOLT UBS 10*220	2	
	90032	90032-LBA2-E00	BOLT UBS 10*210	BOLT UBS 10*210	2	
	90033	90033-GFY6-900	BOLT STUD 8*32	BOLT STUD 8*32	2	
	90083	90083-KED9-900	BOLT KNOCK 6X12 (C) +NYLON	BOLT KNOCK 6X12 (C) +NYLON	4	
	90206	90206-0A01-001	NUT TAPPET ADJG	NUT TAPPET ADJG	4	
	90403	90403-KED9-900	WASHER WAVE 10MM	WASHER WAVE 10MM	2	
	90465	90465-LBA2-E00	WASHER 10.2 MM	WASHER 10.2 MM	4	
	90488	90488-7L00-001	WASHER 8MM	WASHER 8MM	1	

E02

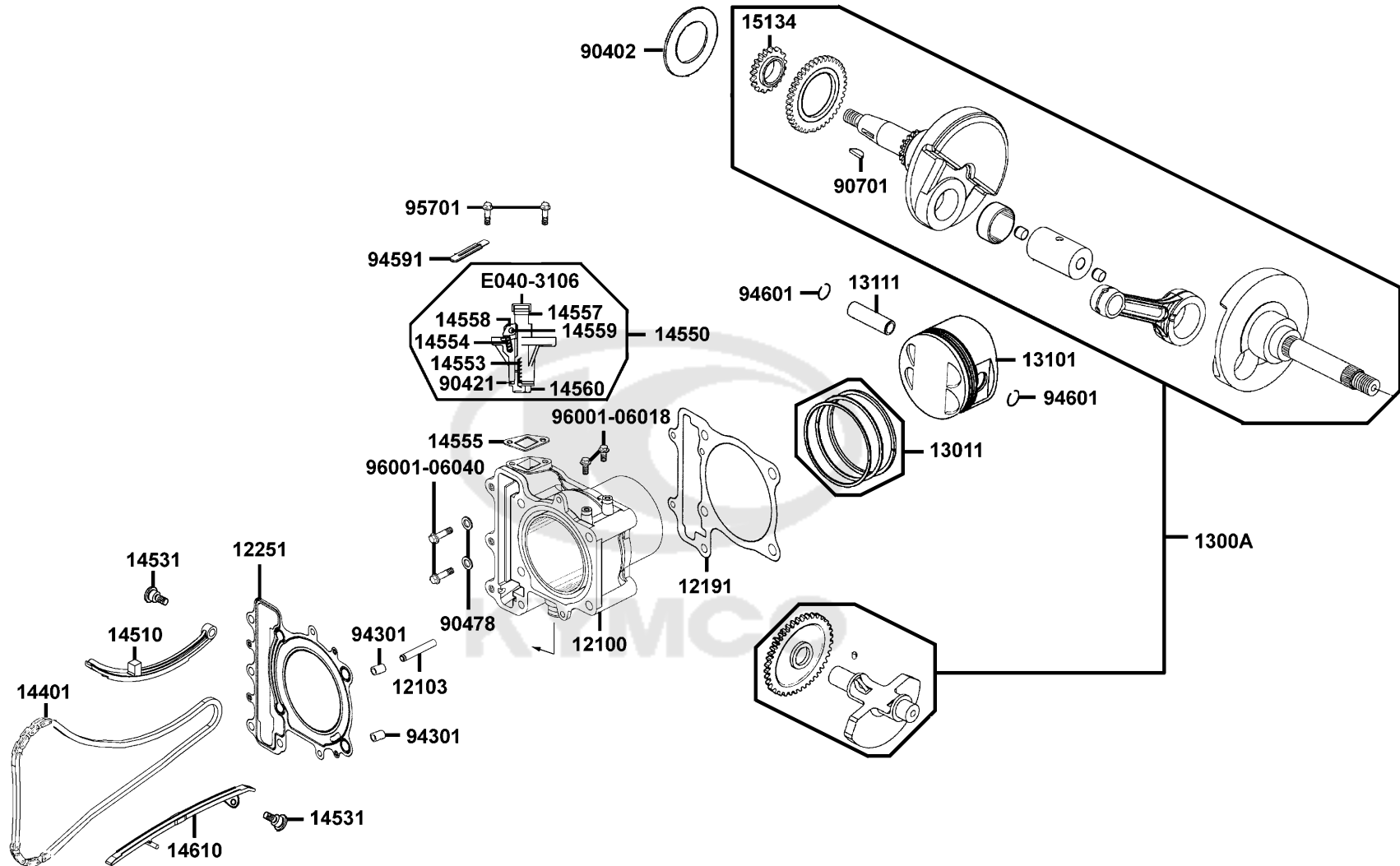
Cylinder Head Cover Cylinder Head



Sales mark	Ref no	Part no	Description	Reg description	Regd no	E02
	90541	90541-KED9-900	RUBBER MOUNTING	RUBBER MOUNTING	4	
	90652	90652-LBA2-E00	C-HOPE 40-59	C-HOPE 40-59	1	
	90680	90680-LBA2-E00	CONE TYPE PLUG 12*7	CONE TYPE PLUG 12*7	2	
	90914	90914-KED9-900	WASHER HEAD COVER BOLT	WASHER HEAD COVER BOLT	4	
	91303	91303-3G77-001	O-RING 13.8*2.5	O-RING 13.8*2.5	1	
	91308	91308-KED9-900	O-RING 17.5*1.5	O-RING 17.5*1.5	2	
#	92712	92712-06028-0B	BOLT STUD 6*28	BOLT STUD 6*28	1	
	94050	94050-06080	NUT FLANGE 6MM	NUT FLANGE 6MM	2	
	94510	94510-20000	CIR CLIP EX 20	CIR CLIP EX 20	1	
#	95701	95701-06010-06	BOLT FLANGE 6*10	BOLT FLANGE 6*10	1	
#	95701A	95701-06025-06	BOLT FLANGE 6*25	BOLT FLANGE 6*25	1	
#	95701B	95701-06035-06	BOLT FLANGE 6*35	BOLT FLANGE 6*35	1	
#	95701C	95701-06040-06	BOLT FLANGE 6*40	BOLT FLANGE 6*40	1	
	95801	95801-KED9-900	BOLT UBS 8x71 (C)	BOLT UBS 8x71 (C)	1	
#	96001	96001-06014-06	BOLT FLANGE SH 6X14	BOLT FLANGE SH 6X14	1	
#	96001A	96001-06018-06	BOLT FLANGE SH 6X18	BOLT FLANGE SH 6*18	1	
	98059	98059-58916-00	PLUG SPARK(CR8E)	PLUG SPARK(CR8E)	1	

E03

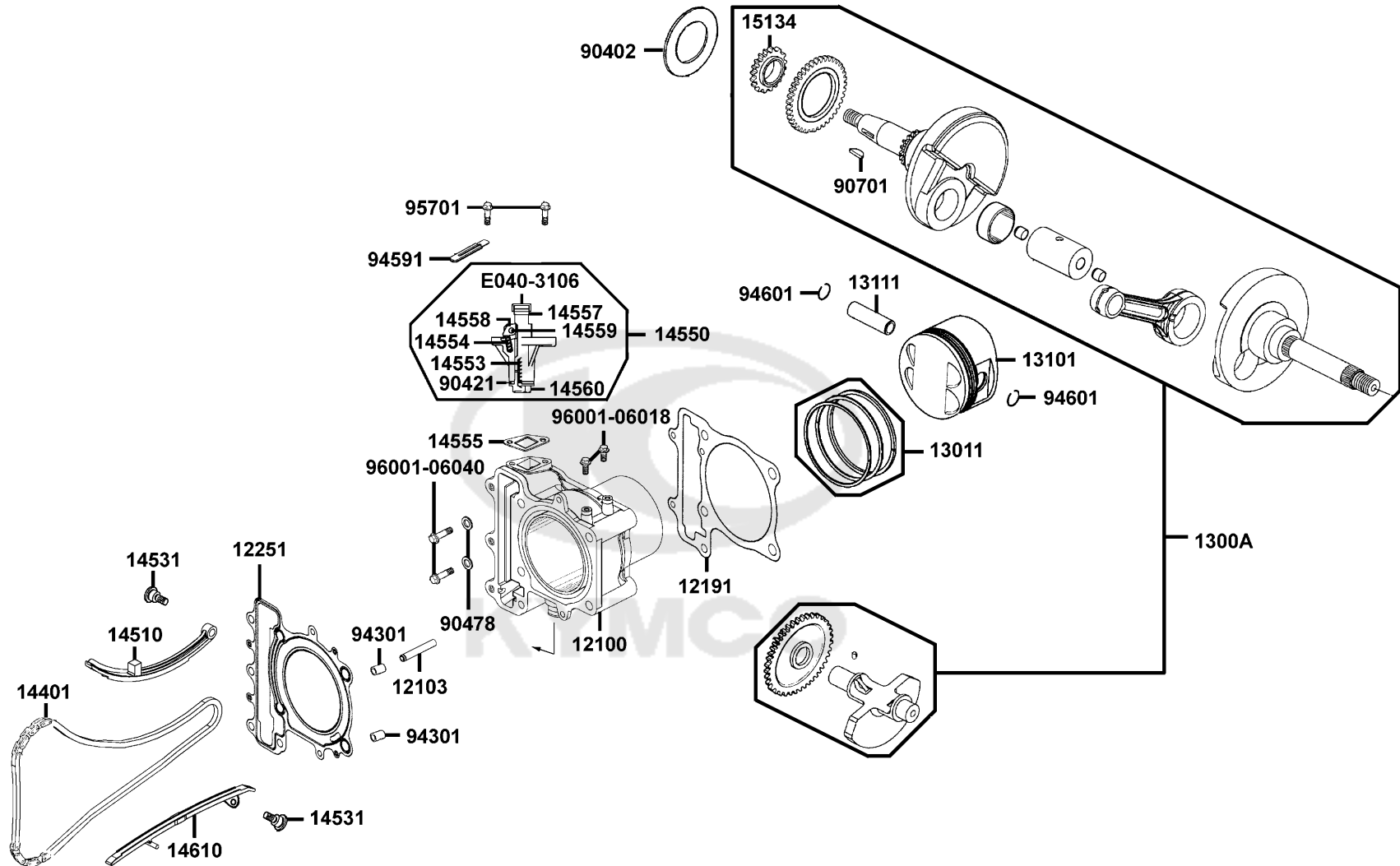
Cylinder Piston Crankshaft



Sales mark	Ref no	Part no	Description	Reg description	Regd no	E03
	12100	12100-LBA2-E00	CYLINDER COMP	CYLINDER COMP	1	
	12103	12103-LBA2-E00	STOPPER CYLN WATER	STOPPER CYLN WATER	1	
	12191	12191-LBA2-E00	GASKET CYLINDER @A	GASKET CYLINDER @A	1	
	12251	12251-LBA2-E00	GASKET CYLINDER HEAD	GASKET CYLINDER HEAD	1	
	1300A	1300A-LBA2-308	CRANK BLANCER COMP	CRANK BLANCER COMP	1	
	13011	13011-LBA2-E0A	RING SET PISTON	RING SET PISTON	1	
#	13011	13011-LBA2-E0B	RING SET PISTON/E901	RING SET PISTON/E901	1	
#	13101	13101-LDG7-E00	PISTON	PISTON	1	
	13111	13111-LBA2-E00	PIN PISTON	PIN PISTON	1	
	14401	14401-LBA2-E00	CHAIN CAM	CHAIN CAM	1	
	14510	14510-LBA2-E00	TENSIONER CAM CHAIN	TENSIONER CAM CHAIN	1	
	14531	14531-KED9-900	PIVOT TENSION GUIDE	PIVOT TENSION GUIDE	2	
	14550	14550-LBA2-E00	ADJUSTER CAM CHAIN	ADJUSTER CAM CHAIN	1	
	14553	14553-LBA2-E00	SPRING CAM CHAIN ADJUSTER	SPRING CAM CHAIN ADJUSTER	1	
	14554	14554-KAM1-004	SPRING RATCHET	SPRING RATCHET	1	
	14555	14555-LBA2-E00	GASKET CAM CHAIN ADJUSTER	GASKET CAM CHAIN ADJUSTER	1	
	14557	14557-LBA2-E00	PLUNGER ADJUSTER	PLUNGER ADJUSTER	1	
	14558	14558-LBA2-E00	CAM ADJUSTER	CAM ADJUSTER	1	
	14559	14559-LBA2-E00	PIN ADJUSTER	PIN ADJUSTER	1	
	14560	14560-LBA2-E00	PLUG COMP ADJUSTER	PLUG COMP ADJUSTER	1	

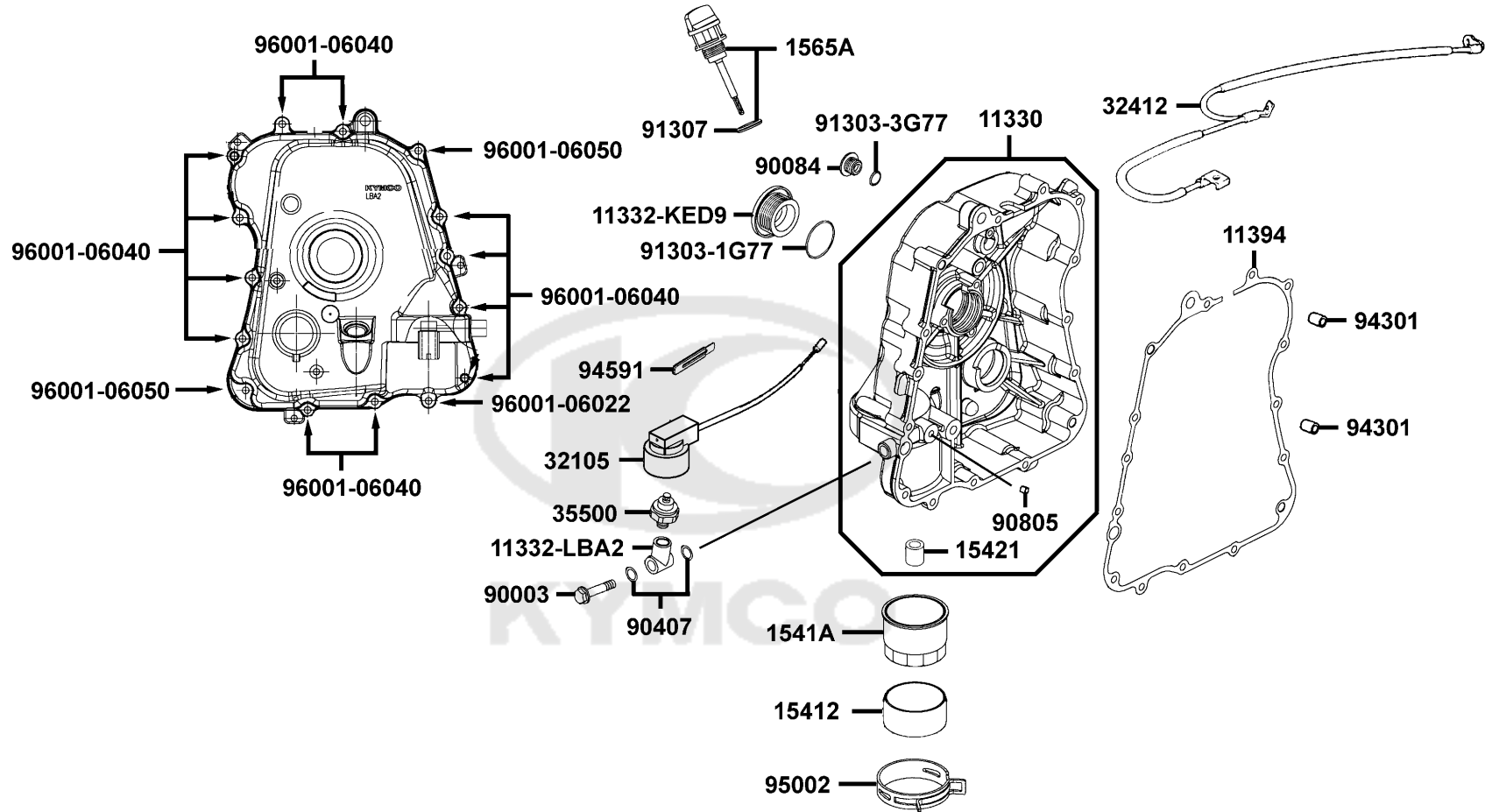
E03

Cylinder Piston Crankshaft



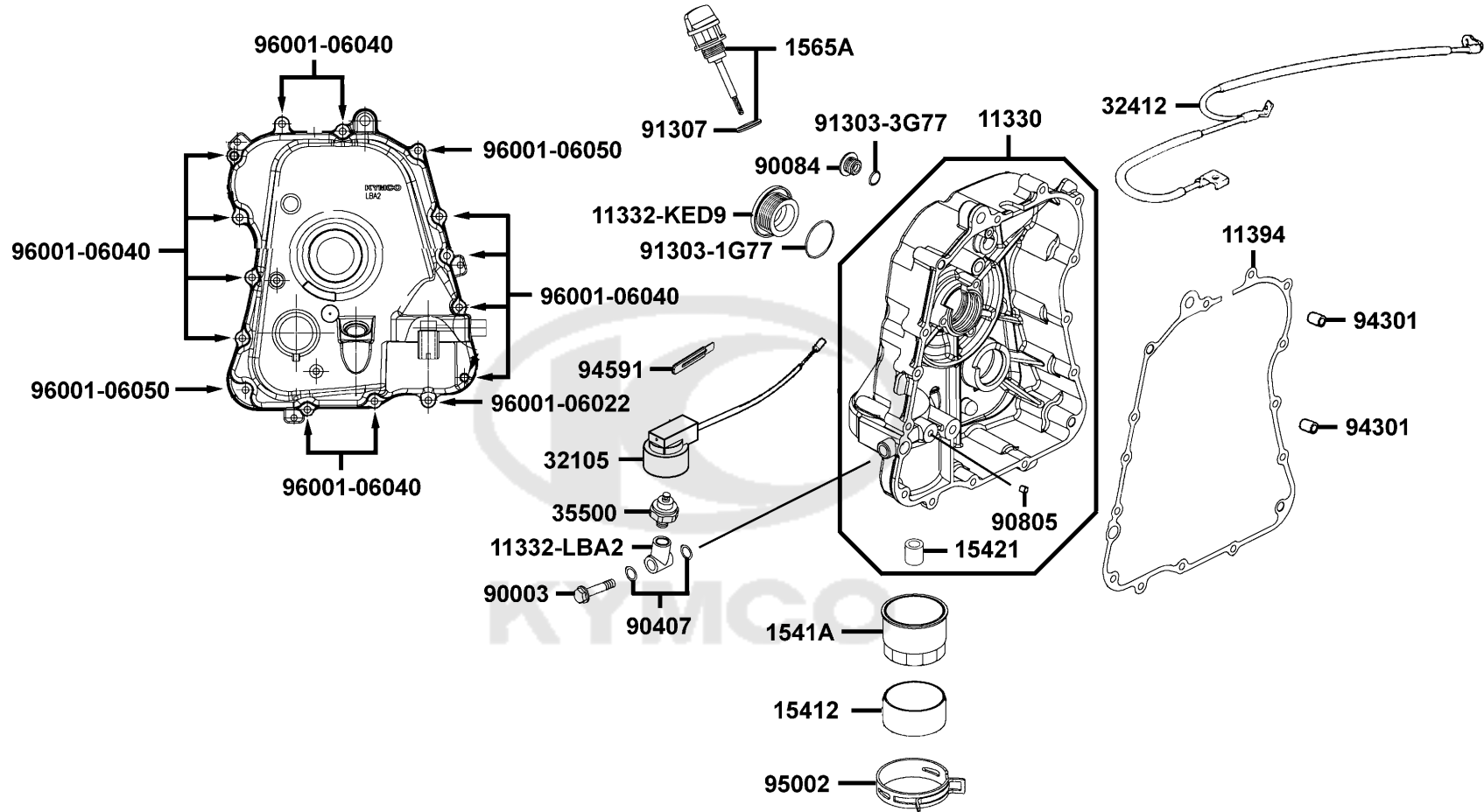
Sales mark	Ref no	Part no	Description	Reg description	Regd no	E03
	14610	14610-LBA2-E00	GUIDE COMP CAM CHAIN	GUIDE COMP CAM CHAIN	1	
	15134	15134-LBA2-E00	SPROCKET OIL PUMP DRIVE	SPROCKET OIL PUMP DRIVE	1	
	90402	90402-LBA2-E00	THRUST WASHER 46*80*1.5	THRUST WASHER 46*80*1.5	1	
	90421	90421-LBA2-E00	WASHER SEALING 10*16*1	WASHER SEALING 10*16*1	1	
	90478	90478-7L00-001	WASHER A 6MM	WASHER A 6MM	2	
	90701	90701-KED9-900	KEY WAY ACG	KEY WAY ACG	1	
	94301	94301-12200	DOWEL PIN 12*20	DOWEL PIN 12*20	2	
	94591	94591-KFBF-900	CLIP 2*70	CLIP 2*70	1	
	94601	94601-22000	CLIP PISTON PIN 22MM	CLIP PISTON PIN 22MM	2	
#	95701	95701-06025-06	BOLT FLANGE 6*25	BOLT FLANGE 6*25	1	
#	96001-06018	96001-06018-06	BOLT FLANGE SH 6X18	BOLT FLANGE SH 6*18	1	
#	96001-06040	96001-06040-06	BOLT FLANGE SH 6*40	BOLT FLANGE SH 6*40	1	
	E040-3106	E040-3106	CAP	CAP	1	

Right Crankcase Cover Water Pump



Sales mark	Ref no	Part no	Description	Reg description	Regd no	E04
	11330	11330-LBA2-E00	COVER ASSY R CRANK CASE	COVER ASSY R CRANK CASE	1	
	11332-KED9	11332-KED9-900	CAP 45MM	CAP 45MM	1	
	11332-LBA2	11332-LBA2-E00	JOINT COMP PRESSURE GAUGE	JOINT COMP PRESSURE GAUGE	1	
	11394	11394-LBA2-E00	GASKET R COVER @A	GASKET R COVER @A	1	
	15412	15412-LBA2-E00	RUBBER OIL FILTER	RUBBER OIL FILTER	1	
	1541A	1541A-LBA2-E00	ELEMENT COMP OIL FILTER	ELEMENT COMP OIL FILTER	1	
	15421	15421-LBA2-E00	BOLT OIL FILTER	BOLT OIL FILTER	1	
	1565A	1565A-LBA2-E00	GAUGE OIL LEVEL ASSY	GAUGE OIL LEVEL ASSY	1	
	32105	32105-LLJ3-E00	SUB HARNESS	SUB HARNESS	1	
	32412	32412-LBA2-E00	CABLE EARTH	CABLE EARTH	1	
	35500	35500-KED9-900	SW ASSY OIL PRESSURE	SW ASSY OIL PRESSURE	1	
	90003	90003-LBA2-E00	BOLT A OIL PASS 12X34(C)	BOLT A OIL PASS 12X34(C)	1	
	90407	90407-KAM1-001	SEALING WASHER B OIL PIPE JOIN	SEALING WASHER B OIL PIPE JOIN	2	
	90805	90805-LBA2-E00	CONE TYPE PLUG 10*5	CONE TYPE PLUG 10*5	1	
	91303-1G07	91303-1G07-001	O-RING 35*3.0	O-RING 35*3.0	1	
	91303-3G77	91303-3G77-001	O-RING 13.8*2.5	O-RING 13.8*2.5	1	
	91307	91307-0E35-001	O RING 18*3	O RING 18*3	1	
	94301	94301-10160	DOWEL PIN 10*16	DOWEL PIN 10*16	2	
	94591	94591-KFBF-900	CLIP 2*70	CLIP 2*70	1	
	95002	95002-LBA2-E00	CLAMP D72	CLAMP D72	1	

Right Crankcase Cover Water Pump



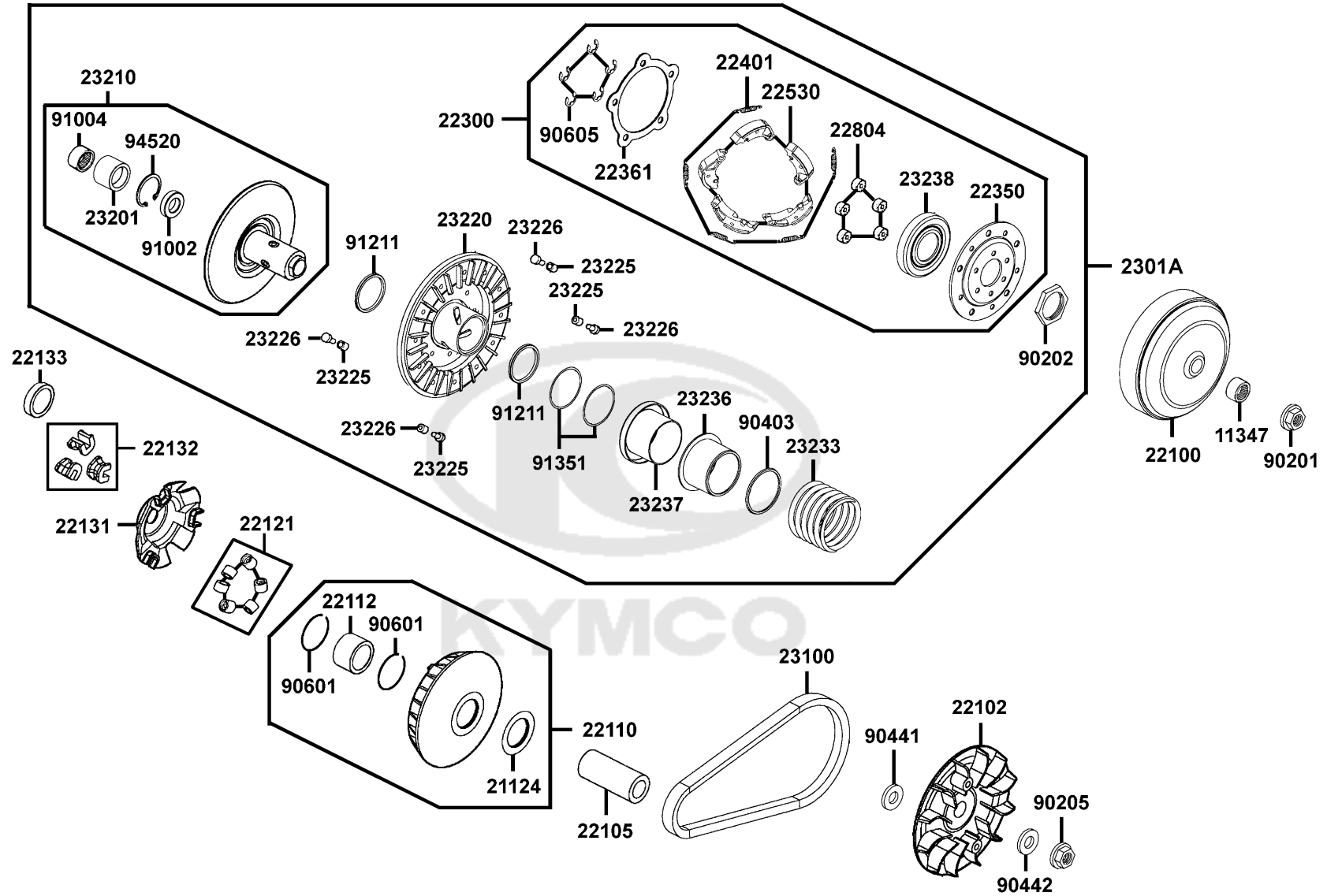
Sales mark	Ref no	Part no	Description	Reg description	Regd no	E04
------------	--------	---------	-------------	-----------------	---------	------------

#	96001-06022	96001-06022-06	BOLT FLANGE SH 6*22 (G)	BOLT FLANGE SH 6*22 (G)	1	
#	96001-06040	96001-06040-06	BOLT FLANGE SH 6*40	BOLT FLANGE SH 6*40	1	
#	96001-06050	96001-06050-06	BOLT FLANGE SH 6*50	BOLT FLANGE SH 6*50	1	



E05

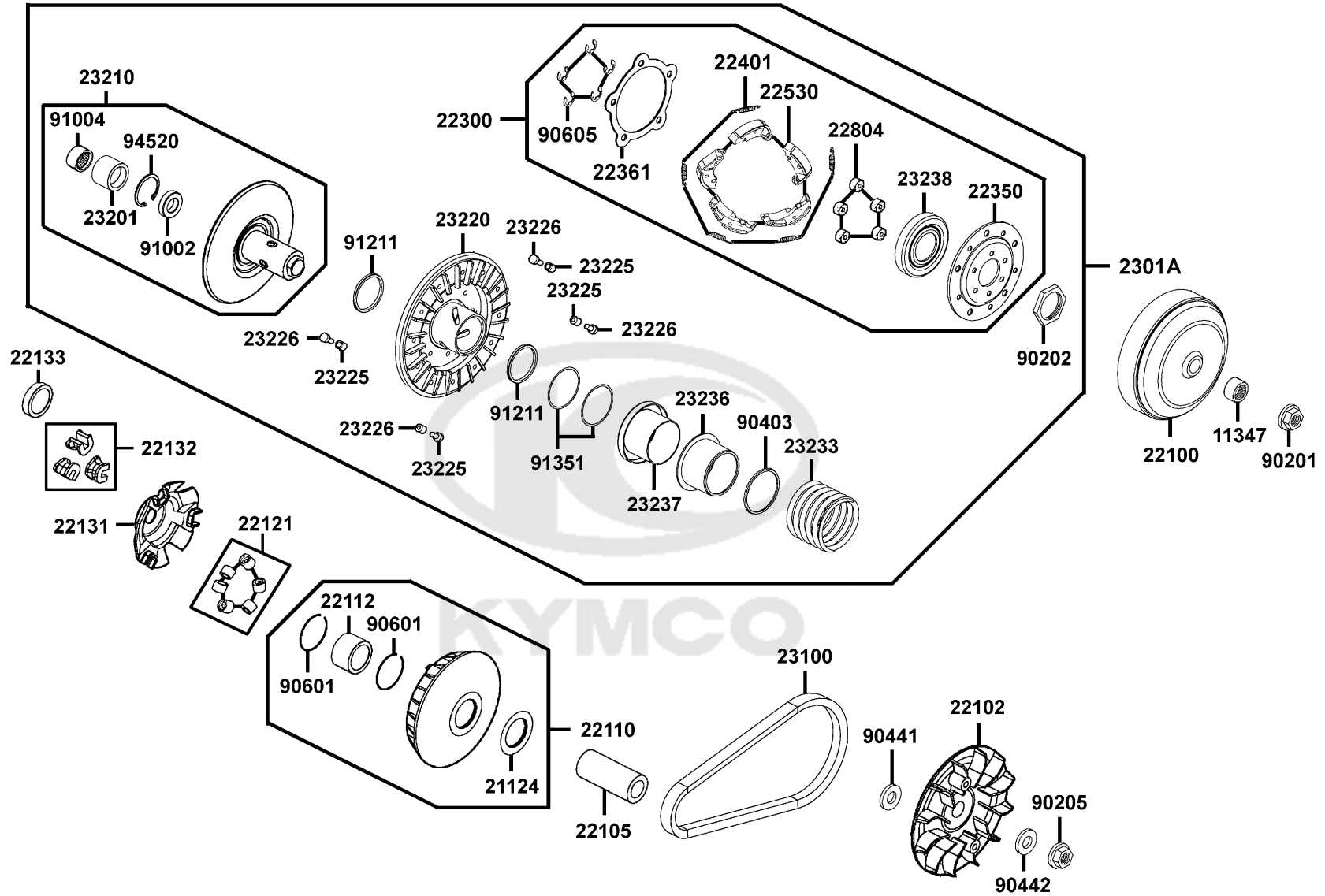
Transmission Pulley



Sales mark	Ref no	Part no	Description	Reg description	Regd no	E05
	11347	11347-LBA2-E00	BOSS DRIVE SHAFT	BOSS DRIVE SHAFT	1	
	21124	21124-LBA2-E00	OIL SEAL 29*42*6	OIL SEAL 29*42*6	1	
	22100	22100-LBA2-E00	OUTER CLUTCH	OUTER CLUTCH	1	
	22102	22102-LBA2-E00	FACE DRIVE	FACE DRIVE	1	
	22105	22105-LBA2-E00	BOSS DRIVE FACE	BOSS DRIVE FACE	1	
	22110	22110-LBA2-E00	FACE COMP MOVABLE DRIVE	FACE COMP MOVABLE DRIVE	1	
	22112	22112-LBA2-E00	BUSH 29.5*34*35.5	BUSH 29.5*34*35.5	1	
#	22121	22121-LDG7-305	ROLLER SET WEIGHT (1SET:6PCS)	ROLLER SET WEIGHT (1SET:6PCS)	1	
	22131	22131-LBA2-E00	PLATE RAMP	PLATE RAMP	1	
#	22132	22132-LBA2-305	PIECE SLIDE SET (1SET:3PCS)	PIECE SLIDE SET (1SET:3PCS)	1	
	22133	22133-LBA2-E00	STOPPER RAMP PLATE	STOPPER RAMP PLATE	1	
	22300	22300-LBA2-E00	PLATE ASSY DRIVE	PLATE ASSY DRIVE	1	
	22350	22350-LBA2-E00	PLATE COMP DRIVE	PLATE COMP DRIVE	1	
	22361	22361-LBA2-E00	PLATE CLUTCH SIDE	PLATE CLUTCH SIDE	1	
	22401	22401-LBA2-E00	SPRING CLUTCH	SPRING CLUTCH	5	
	22530	22530-LBA2-E00	WEIGHT CLUTCH	WEIGHT CLUTCH	5	
	22804	22804-GBB2-001	RUBBER CLUTCH DAMPER	RUBBER CLUTCH DAMPER	3	
	2301A	2301A-LBA2-E00	PULLEY SUB ASSY	PULLEY SUB ASSY	1	
#	23100	23100-LBA2-305	BELT DRIVE (N-5U)	BELT DRIVE (N-5U)	1	
	23100	23100-LBA2-E00	BELT DRIVE	BELT DRIVE	1	

E05

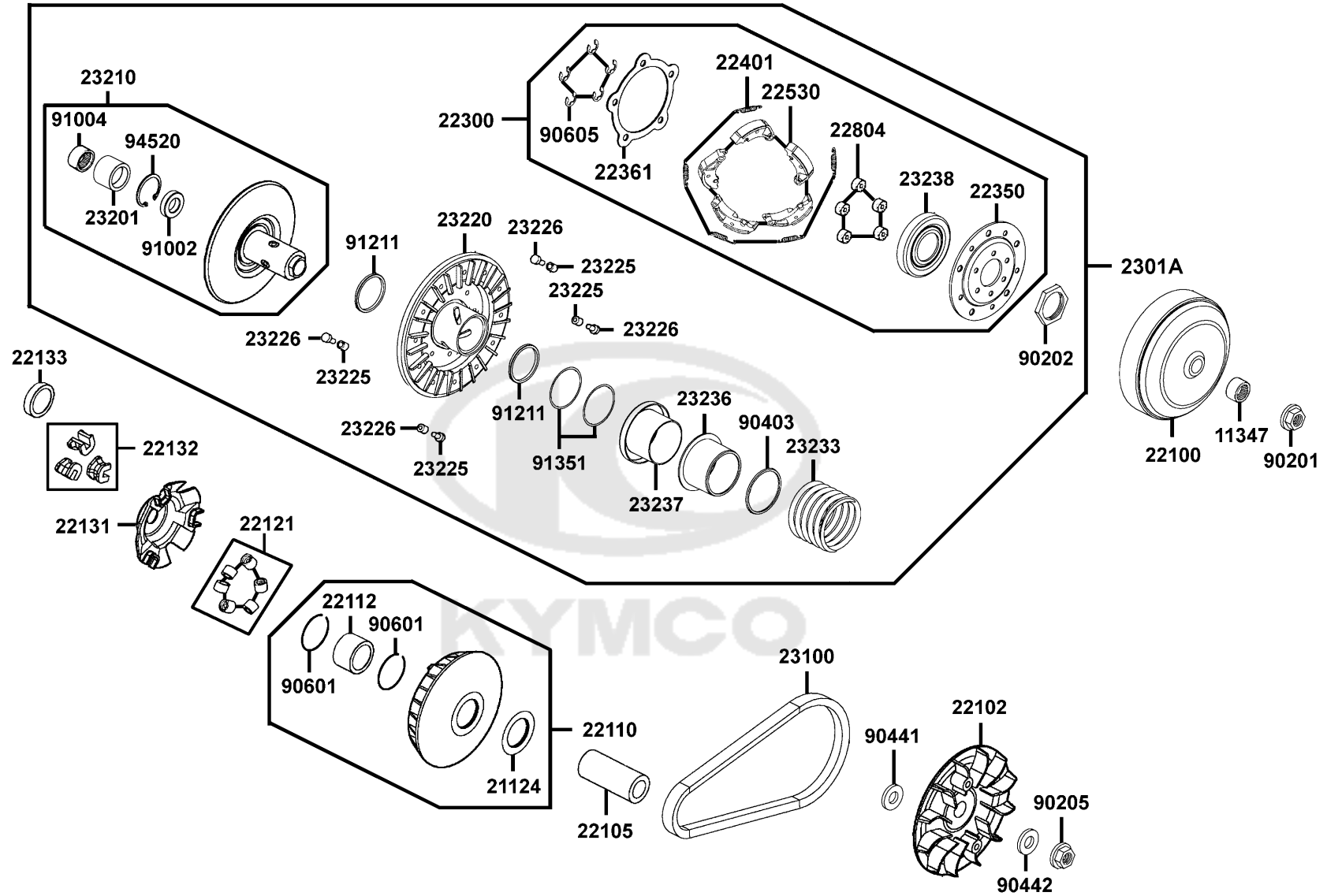
Transmission Pulley



Sales mark	Ref no	Part no	Description	Reg description	Regd no	E05
23201		23201-LBA2-E00	COLLAR BRG	COLLAR BRG	1	
23210		23210-LBA2-E00	FACE COMP DRIVEN A	FACE COMP DRIVEN A	1	
23220		23220-LBA2-E00	FACE RR MOVABLE DRIVEN B	FACE RR MOVABLE DRIVEN B	1	
23225		23225-LBA2-E00	PIN ROLLER GUIDE	PIN ROLLER GUIDE	4	
23226		23226-GHC8-004	ROLLER GUIDE	ROLLER GUIDE	4	
23233		23233-LBA2-E00	SPG DRIVEN FACE	SPG DRIVEN FACE	1	
23236		23236-LBA2-E00	COLLAE CLUTCH	COLLAE CLUTCH	1	
23237		23237-LBA2-E00	COLLAR SEAL	COLLAR SEAL	1	
23238		23238-LBA2-E00	COLLAR SPG	COLLAR SPG	1	
90201		90201-KHR8-75A	NUT FLANGE 14MM	NUT FLANGE 14MM	1	
90202		90202-LBA2-E00	NUT SPECIAL 40MM	NUT SPECIAL 40MM	1	
90205		90205-LBA2-E00	NUT FLANGE 18MM	NUT FLANGE 18MM	1	
90403		90403-LBA2-E00	WASHER 68*81*4	WASHER 68*81*4	1	
90441		90441-LBA2-E00	WASHER 22*34*2.5	WASHER 22*34*2.5	1	
90442		90442-LBA2-E00	WASHER 38*18.5*1.5	WASHER 38*18.5*1.5	1	
90601		90601-LBA2-E00	CIR CLIP 34MM	CIR CLIP 34MM	2	
90605		90605-1F66-721	CIR CLIP 7MM	CIR CLIP 7MM	5	
91002		91002-LBA2-E00	BRG BALL RADIAL 6904	BRG BALL RADIAL 6904	1	
91004		91004-LBA2-E00	BRG NDL 25*33*18	BRG NDL 25*33*18	1	
91211		91211-LBA2-E00	SEAL DRIVEN FACE 48*55*4	SEAL DRIVEN FACE 48*55*4	2	

E05

Transmission Pulley

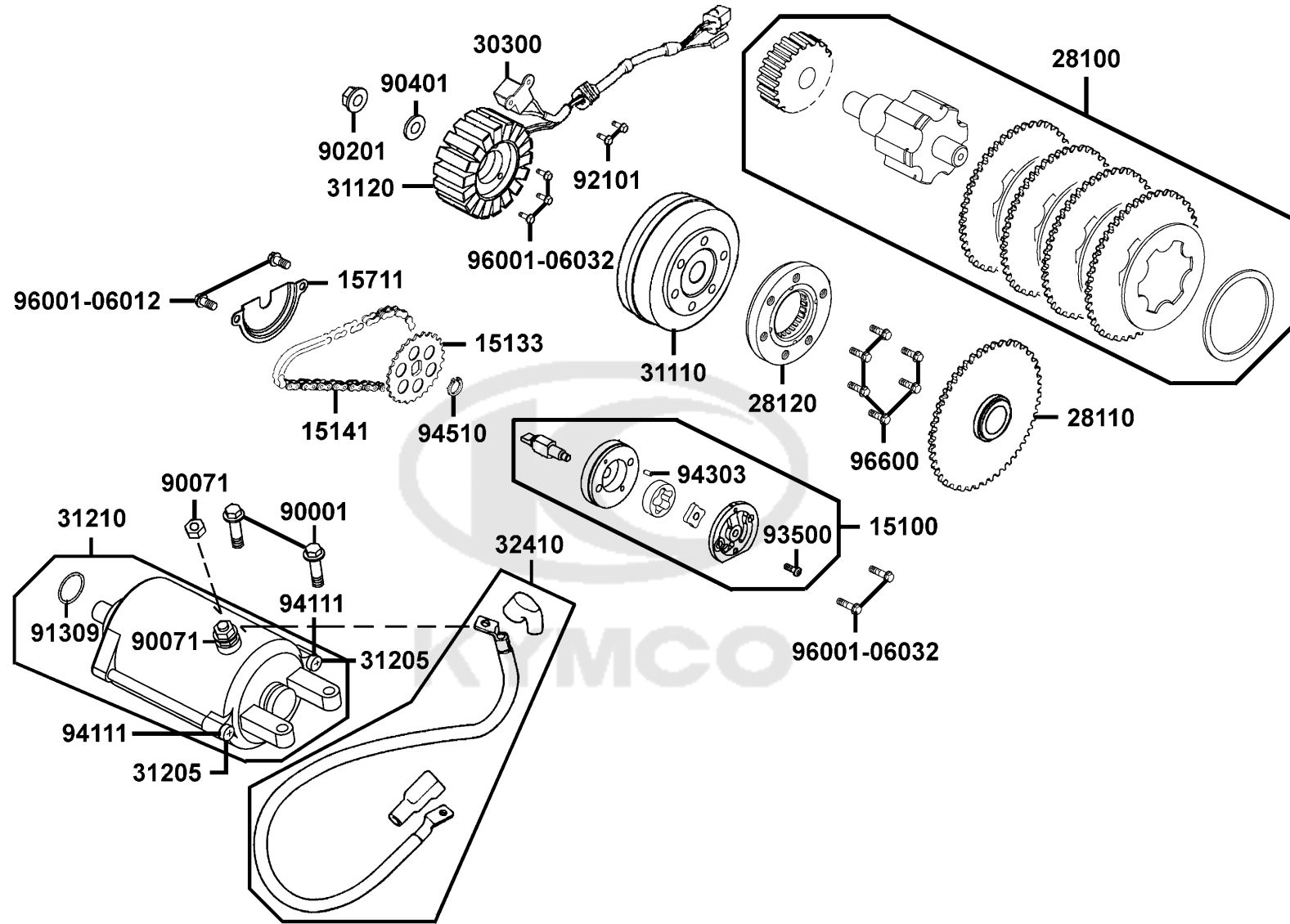


Sales mark	Ref no	Part no	Description	Reg description	Regd no	E05
------------	--------	---------	-------------	-----------------	---------	------------

91351		91351-LBA2-E00	O-RING PINION CAP 55*2	O-RING PINION CAP 55*2	2	
94520		94520-LBA2-E00	CIR CLIP IN 37MM	CIR CLIP IN 37MM	1	



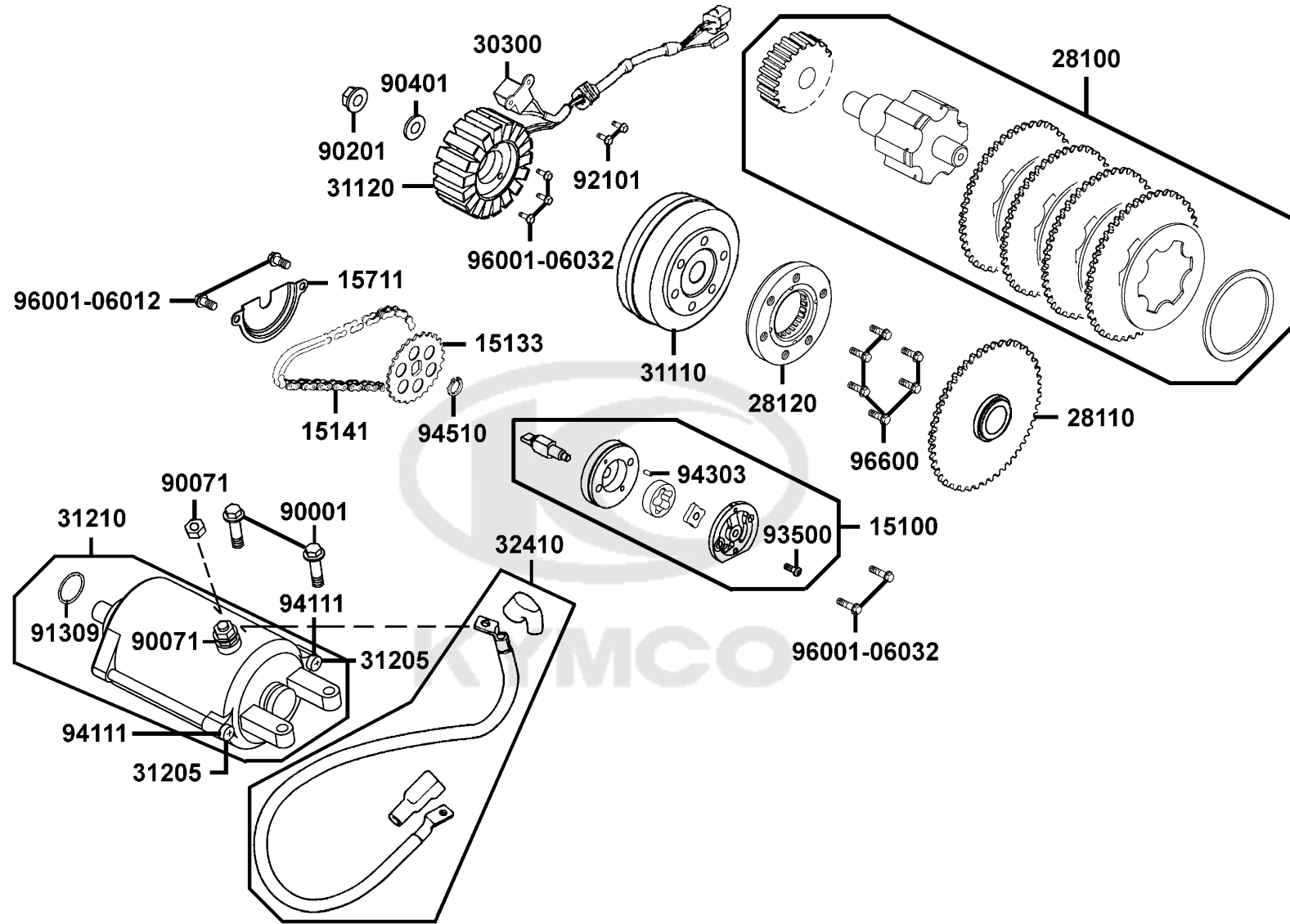
Starting Motor Oil Pump



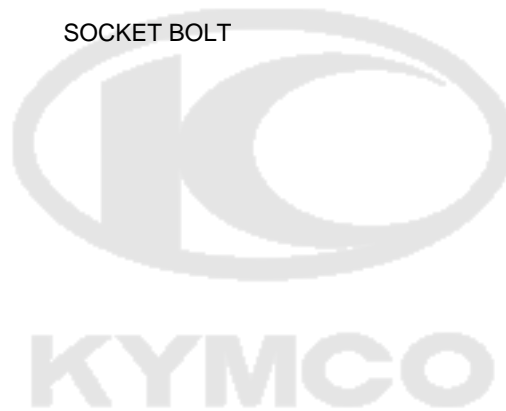
Sales mark	Ref no	Part no	Description	Reg description	Regd no	E06
#	15100	15100-LDG7-E01	PUMP ASSY OIL	PUMP ASSY OIL	1	
	15133	15133-LBA2-E00	SPROCKET OIL PUMP DRIVE	SPROCKET OIL PUMP DRIVE	1	
	15141	15141-LBA2-E00	CHAIN OIL PUMP	CHAIN OIL PUMP	1	
	15711	15711-LBA2-E00	SEPARATER OIL	SEPARATER OIL	1	
	28100	28100-LBA2-E00	SHAFT COMP REDUCTION	SHAFT COMP REDUCTION	1	
#	28100	28100-LDG7-E00	SHAFT COMP REDUCTION	SHAFT COMP REDUCTION	1	
	28110	28110-LBA2-E00	GEAR COMP STARTING CLUTCH	GEAR COMP STARTING CLUTCH	1	
#	28110	28110-LDG7-E00	GEAR COMP STARTING CLUTCH	GEAR COMP STARTING CLUTCH	1	
	28120	28120-LBA2-E00	ONE WAY CLUTCH	ONE WAY CLUTCH	1	
#	30300	30300-LDG7-900	PULSER GEN COMP	PULSER GEN COMP	1	
	31110	31110-LBA2-E00	FLYWHEEL COMP (D402)	FLYWHEEL COMP (D402)	1	
	31120	31120-LBA2-E00	STATOR COMP (D402)	STATOR COMP (D402)	1	
	31205	31205-KKJ9-000	BOLT SET	BOLT SET	2	
	31210	31210-LBA2-E00	MOTOR UNIT STARTER	MOTOR UNIT STARTER	1	
	32410	32410-LBA2-E00	CABLE STARTER MOTOR	CABLE STARTER MOTOR	1	
	90001	90001-GBHB-661	BOLT FLANGE SH 6*22	BOLT FLANGE SH 6*22	2	
	90071	90071-MLB0-001	NUT WASH 6MM	NUT WASH 6MM	2	
	90201	90201-KHR8-75A	NUT FLANGE 14MM	NUT FLANGE 14MM	1	
	90401	90401-KKJ9-001	WASHER THRUST 14*28*2	WASHER THRUST 14*28*2	1	
	91309	91309-4E25-004	O-RING 24.4*3.1	O-RING 24.4*3.1	1	

E06

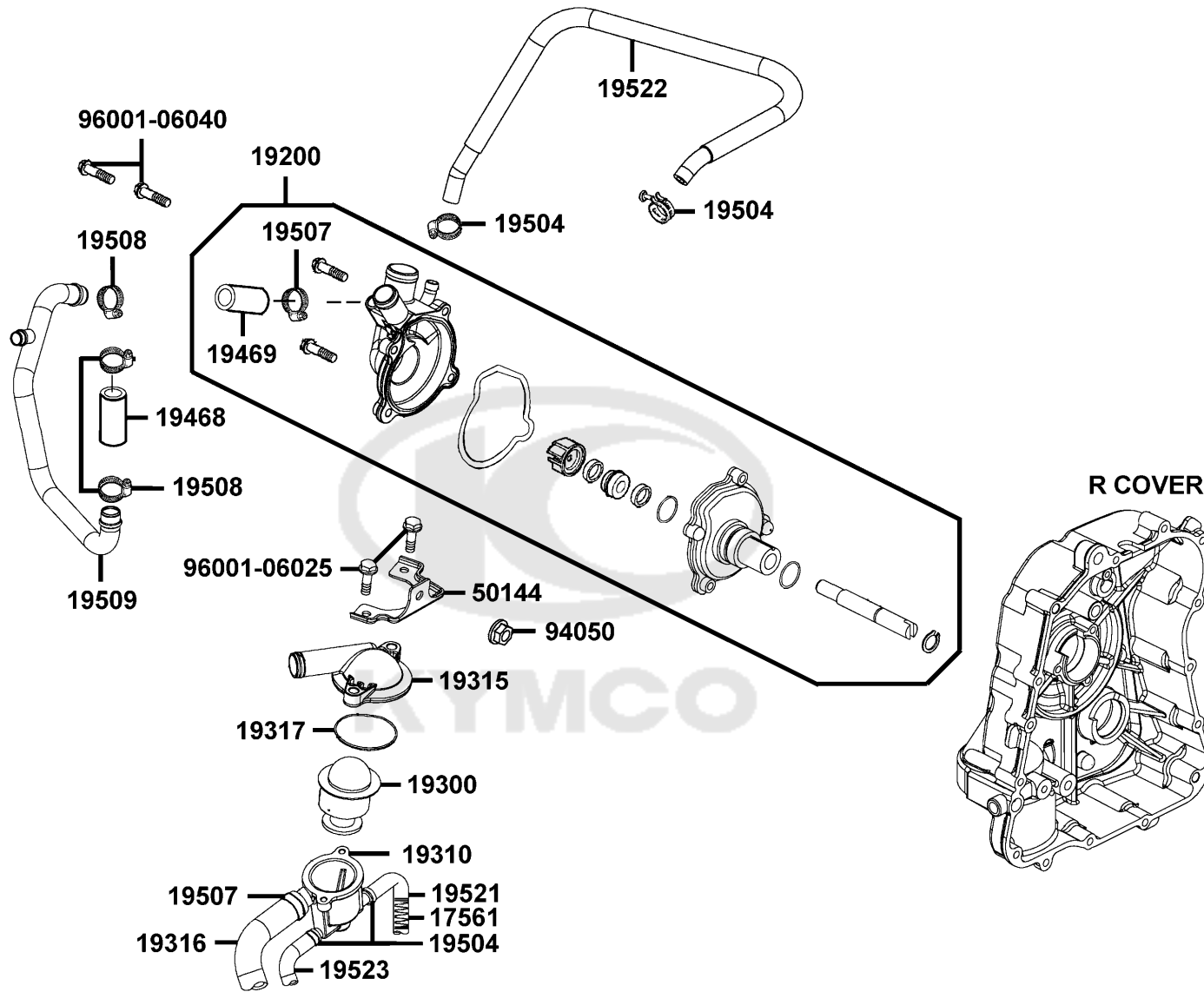
Starting Motor Oil Pump



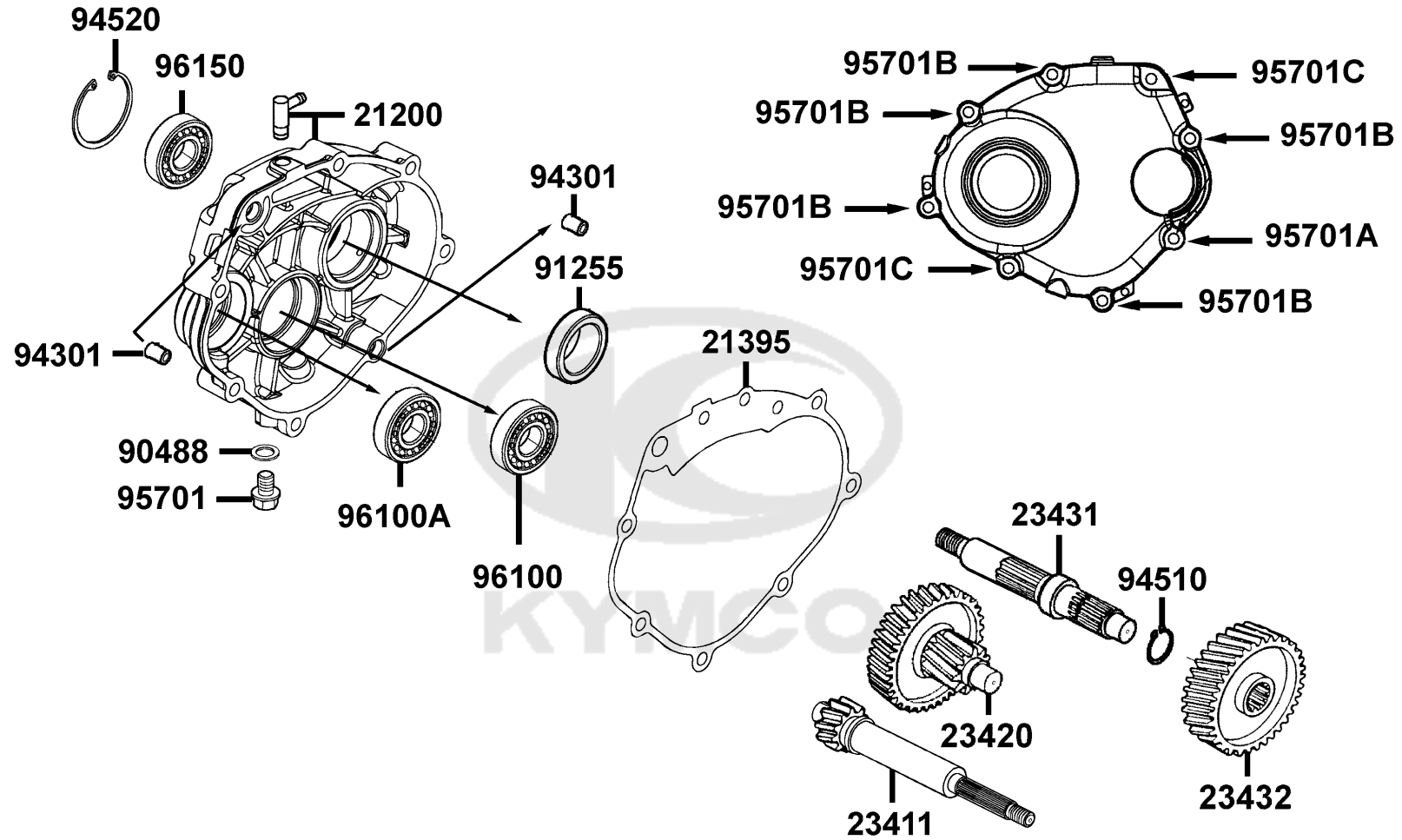
Sales mark	Ref no	Part no	Description	Reg description	Regd no	E06
#	92101	92101-05012-0G	BOLT HEX 5X12	BOLT HEX 5*12	1	
#	93500	93500-03010-0F	SCREW PAN 3X10	SCREW PAN 3X10	1	
	94111	94111-05800	WASHER SPRING 5MM	WASHER SPRING 5MM	2	
	94303	94303-04065	DOWEL PIN 4*6.5	DOWEL PIN 4*6.5	1	
	94510	94510-10000	CIR CLIP EX 10MM	CIR CLIP EX 10MM	1	
#	96001-06012	96001-06012-06	BOLT FLANGE SH 6*12	BOLT FLANGE SH 6*12	1	
#	96001-06032	96001-06032-06	BOLT FLANGE 6*32	BOLT FLANGE 6*32	1	
#	96600	96600-LDG7-900	SOCKET BOLT	SOCKET BOLT	1	



Generator Water Pump



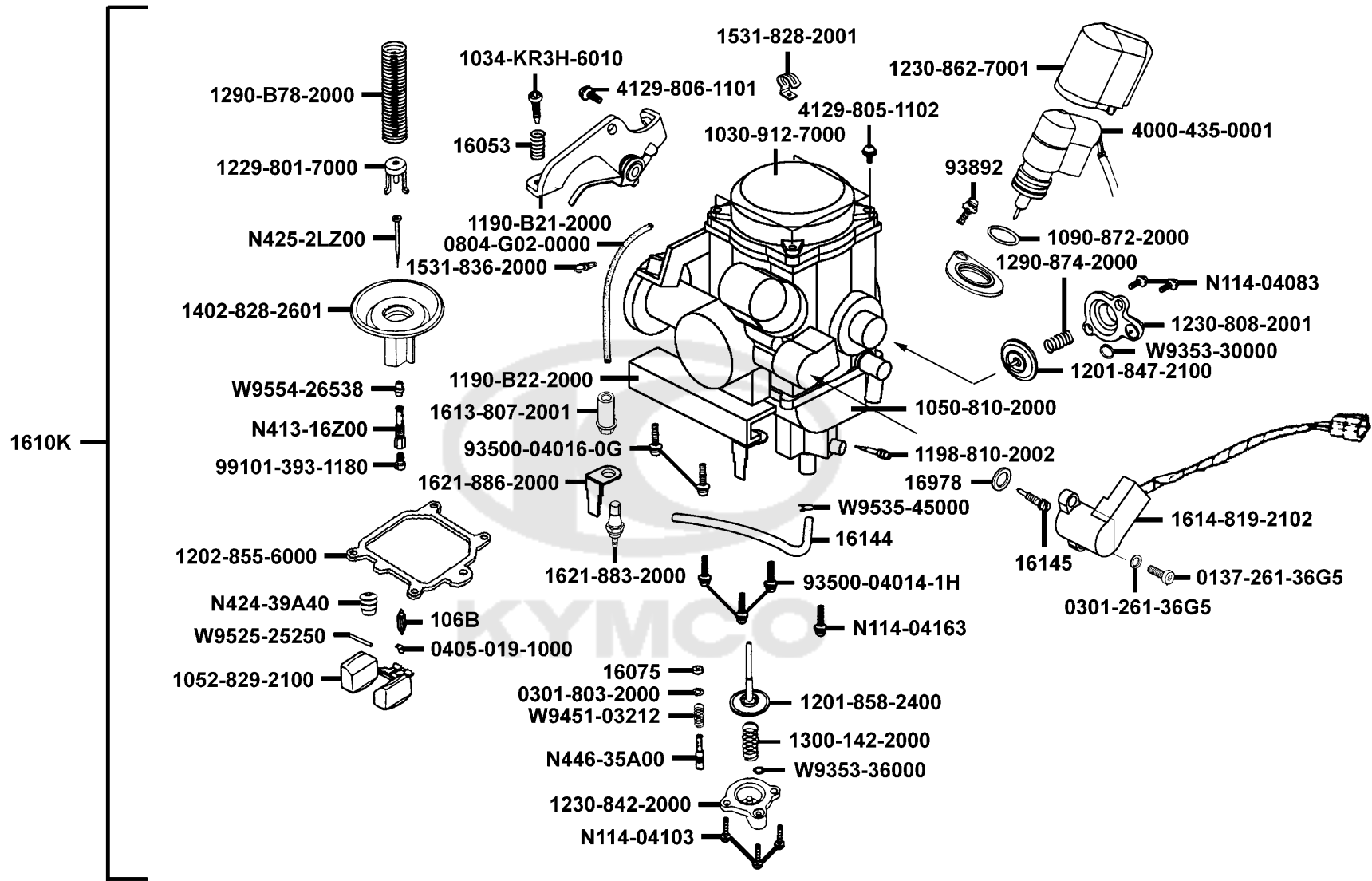
Sales mark	Ref no	Part no	Description	Reg description	Regd no	E07
	17561	17561-LDG7-900	SPG PROTECTOR WATER HOSE	SPG PROTECTOR WATER HOSE	1	
	19200	19200-LBA2-E00	WATER PUMP ASSY	WATER PUMP ASSY	1	
	19300	19300-LBA2-E00	THERMOSTAT ASSY	THERMOSTAT ASSY	1	
	19310	19310-LBA2-E00	CASE COMP THERMOSTAT	CASE COMP THERMOSTAT	1	
	19315	19315-LBA2-E00	COVER THERMOSTAT	COVER THERMOSTAT	1	
	19316	19316-LBA2-E00	HOSE THERMOSTAT	HOSE THERMOSTAT	1	
	19317	19317-LBA2-E00	RING 48.3*2	RING 48.3*2	1	
	19468	19468-LBA2-E00	RUBBER MOUNTING	RUBBER MOUNTING	1	
	19469	19469-LBA2-E00	RUBBER MOUNTING	RUBBER MOUNTING	1	
	19504	19504-LBA2-E00	CLAMP D16.8	CLAMP D16.8	4	
	19507	19507-LBA2-E00	CLAMP D 27.5	CLAMP D 27.5	2	
	19508	19508-LBA2-E00	CLAMP WATER HOSE	CLAMP WATER HOSE	3	
	19509	19509-LBA2-E00	TUBE COOLANT	TUBE COOLANT	1	
	19521	19521-LDG7-900	WATER HOSE	WATER HOSE	1	
	19522	19522-LBA2-E00	WATER HOSE A COOLER	WATER HOSE A COOLER	1	
	19523	19523-LBA2-E00	WATER HOSE B COOLER	WATER HOSE B COOLER	1	
	50144	50144-LBA2-E00	BRKT THERMOSTAT	BRKT THERMOSTAT	1	
	94050	94050-06080	NUT FLANGE 6MM	NUT FLANGE 6MM	1	
#	96001-06025	96001-06025-06	BOLT FLANGE SH 6*25	BOLT FLANGE SH 6*25	1	
#	96001-06040	96001-06040-06	BOLT FLANGE SH 6*40	BOLT FLANGE SH 6*40	1	



Sales mark	Ref no	Part no	Description	Reg description	Regd no	E08
	21200	21200-LBA2-E00	CASE COMP MISSION	CASE COMP MISSION	1	
	21395	21395-LBA2-E00	GASKET MISSION COVER @ A	GASKET MISSION COVER @ A	1	
	23411	23411-LBA2-E00	SHAFT DRIVE	SHAFT DRIVE	1	
	23420	23420-LBA2-E00	SHAFT COMP COUNTER	SHAFT COMP COUNTER	1	
	23431	23431-LBA2-E00	SHAFT FINAL	SHAFT FINAL	1	
	23432	23432-LBA2-E00	GEAR FINAL	GEAR FINAL	1	
	90488	90488-7L00-001	WASHER 8MM	WASHER 8MM	1	
	91255	91255-LBA2-E00	OIL SEAL 38*50*7	OIL SEAL 38*50*7	1	
	94301	94301-10160	DOWEL PIN 10*16	DOWEL PIN 10*16	2	
	94510	94510-25000	CIR CLIP EXTERNAL 25	CIR CLIP EXTERNAL 25	1	
	94520	94520-55000	CIR CLIP IN 55	CIR CLIP IN 55	1	
#	95701	95701-08012-06	BOLT FLANGE 8*12	BOLT FLANGE 8*12	1	
#	95701A	95701-08025-06	BOLT FLANGE 8*25	BOLT FLANGE 8*25	1	
#	95701B	95701-08040-06	BOLT FLANGE 8x40 (G)	BOLT FLANGE 8x40 (G)	1	
#	95701C	95701-08045-06	BOLT FLANGE 6*45	BOLT FLANGE 6*45	1	
	96100	96100-62040-00	BEARING BALL RADIAL 6204	BEARING BALL RADIAL 6204	1	
	96100A	96100-63040-00	BRG BALL RADIAL 6304	BRG BALL RADIAL 6304	1	
#	96150	96150-60060-10	BEARING BALL RADIAL 6006	BEARING BALL RADIAL 6006	1	

E09

Carburetor

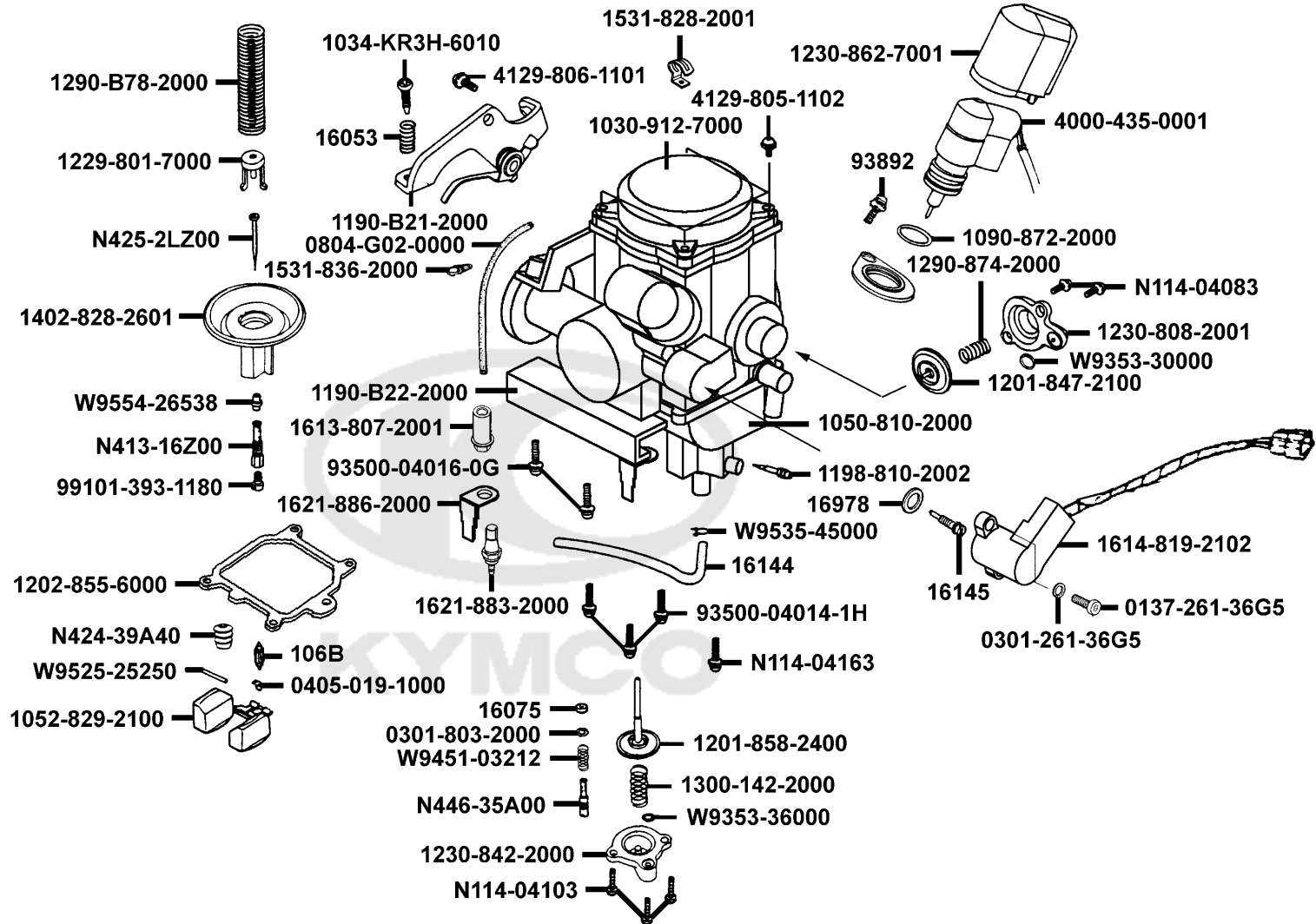


Sales mark	Ref no	Part no	Description	Reg description	Regd no	E09
	0137-261-36G5	0137-261-36G5	SCREW PAN	SCREW PAN	2	
	0301-261-36G5	0301-261-36G5	PLAIN WASHER	PLAIN WASHER	2	
	0301-803-2000	0301-803-2000	PLAIN WASHER	PLAIN WASHER	1	
	0405-019-1000	0405-019-1000	CLIP	CLIP	1	
	0804-G02-0000	0804-G02-0000	TUBE RUBBER(AV)	TUBE RUBBER(AV)	1	
	1030-912-7000	1030-912-7000	TOP	TOP	1	
	1034-KR3H-6010	1034-KR3H-6011	SCREW (S.S)	SCREW (S.S)	1	
	1050-810-2000	1050-810-2000	FLOAT CHAMBER COMP	FLOAT CHAMBER COMP	1	
	1052-829-2100	1052-829-2100	FLOAT COMP	FLOAT COMP	1	
#	106B	106B-KPS0-0003	FLOAT VALVE COMP	FLOAT VALVE COMP	1	
	1090-872-2000	1090-872-2000	SET PLATE	SET PLATE	1	
	1190-B21-2000	1190-B21-2000	STAY PLATE (IDL. ADJ)	STAY PLATE (IDL. ADJ)	1	
	1190-B22-2000	1190-B22-2000	STAY PLATE (TH. W)	STAY PLATE (TH. W)	1	
#	1198-810-2002	1198-810-2002-3	SCREW (D.S)	SCREW (D.S)	1	
	1201-847-2100	1201-847-2100	DIAPHRAGM COMP	DIAPHRAGM COMP	1	
	1201-858-2400	1201-858-2400	DIAPHRAGM COMP	DIAPHRAGM COMP	1	
	1202-855-6000	1202-855-6000	CHAMBER GASKET	CHAMBER GASKET	1	
	1229-801-7000	1229-801-7000	SPG SEAT	SPG SEAT	1	
	1230-808-2001	1230-808-2001	COVER	COVER	1	
	1230-842-2000	1230-842-2000	COVER	COVER	1	

E09

Carburetor

1610K

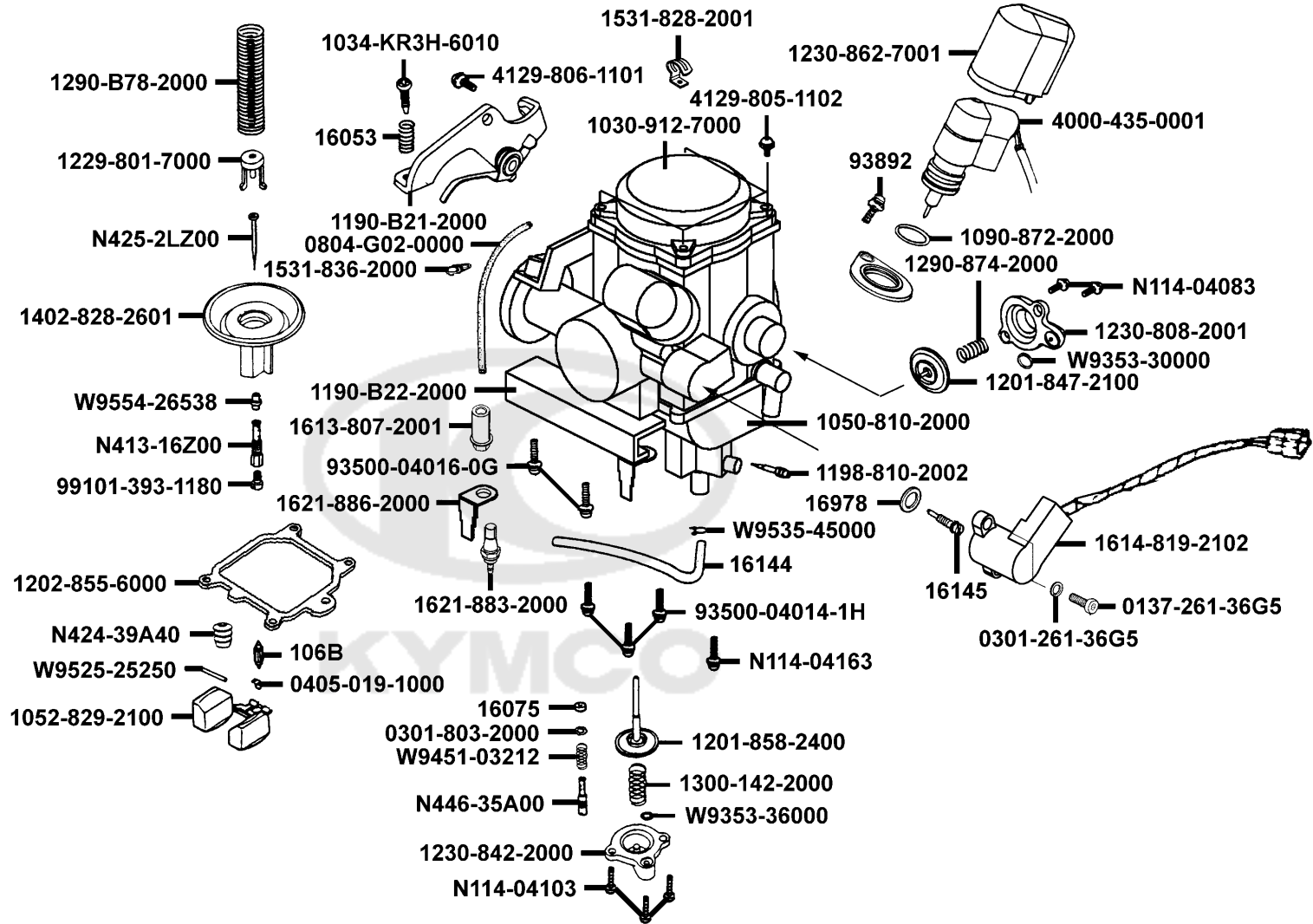


Sales mark	Ref no	Part no	Description	Reg description	Regd no	E09
	1230-862-7001	1230-862-7001	COVER	COVER	1	
	1290-874-2000	1290-874-2000	COIL SPG	COIL SPG	1	
	1290-B78-2000	1290-B78-2000	COIL SPRING	COIL SPRING	1	
	1300-142-2000	1300-142-2000	SPG COMPR	SPG COMPR	1	
	1402-828-2601	1402-828-2601	VACUUM PISTON COMP	VACUUM PISTON COMP	1	
	1531-828-2001	1531-828-2001	BINDER	BINDER	1	
	1531-836-2000	1531-836-2000	BINDER	BINDER	1	
	16053	16053-KT7-0030	SPG	SPG	1	
	16075	16075-KG8-9010-M1	O-RING	O-RING	1	
	1610K	1610K-LBA2-E00	CARBURETOR ASSY	CARBURETOR ASSY	1	
	1613-807-2001	1613-807-2001	ADAPTER	ADAPTER	1	
	1614-819-2102	1614-819-2102	TH SENSOR ASSY	TH SENSOR ASSY	1	
	16144	16144-KG0-8910-M1	TUBE RUBBER	TUBE RUBBER	1	
	16145	16145-MZ2-7800	JOINT COLLAR	JOINT COLLAR	1	
	1621-883-2000	1621-883-2000	HEATER	HEATER	1	
	1621-886-2000	1621-886-2000	TERMINAL	TERMINAL	1	
	16978	16978-ZB9-0050	O-RING	O-RING	1	
	4000-435-0001	4000-435-0001	AUTO BYSTARTER ASSY	AUTO BYSTARTER ASSY	1	
	4129-805-1102	4129-805-1102	SCREW PAN	SCREW PAN	4	
	4129-806-1101	4129-806-1101	WASHER SCREW	WASHER SCREW	1	

E09

Carburetor

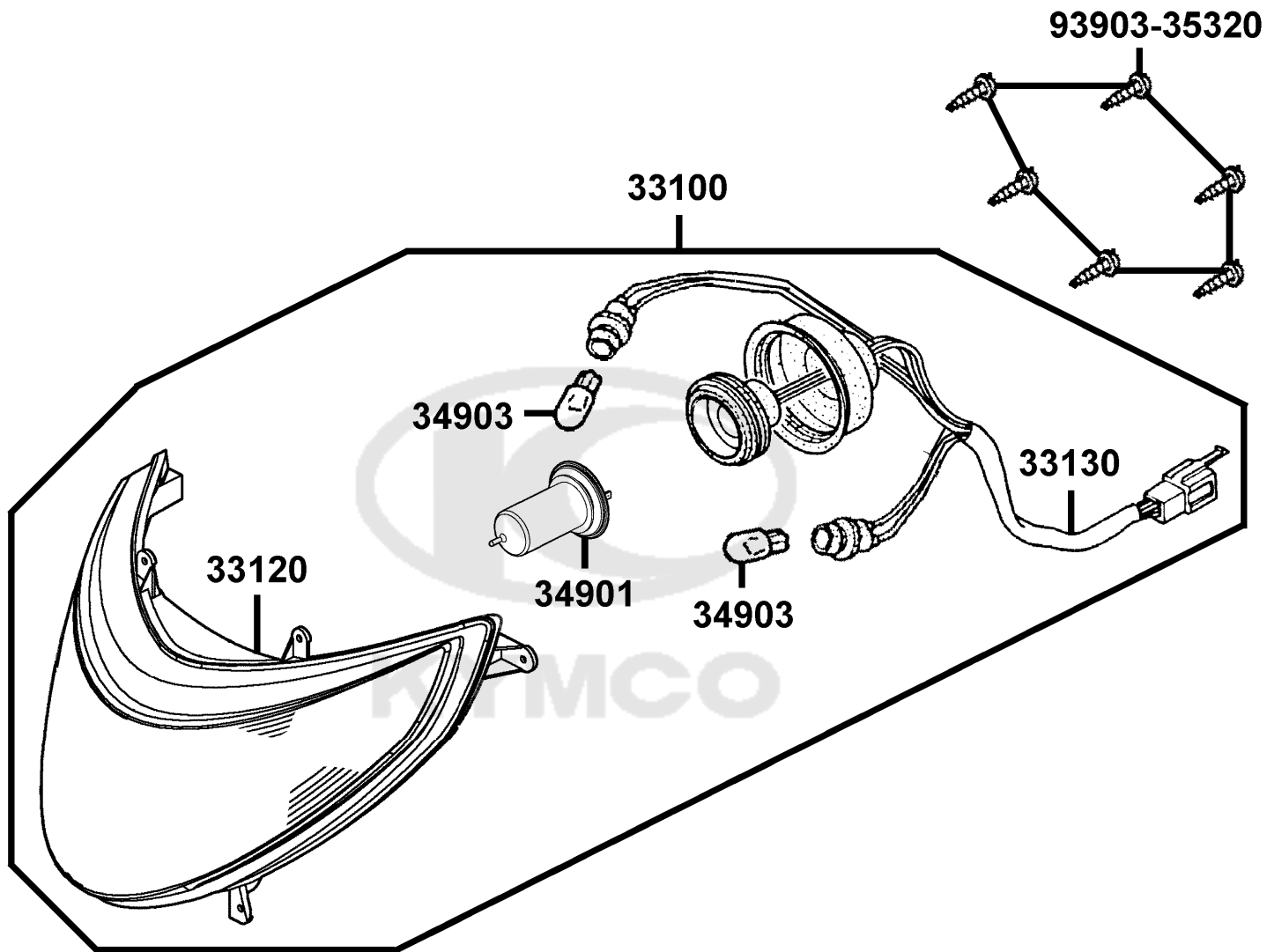
1610K



Sales mark	Ref no	Part no	Description	Reg description	Regd no	E09
	93500-04014-1H	93500-04014-1H-3	SCREW PAN	SCREW PAN	1	
	93500-04016-0G	93500-04016-0G	SCREW PAN 4*16	SCREW PAN 4*16	2	
#	93892	93892-04008-16	SCREW WASHER 4X8	SCREW WASHER 4X8	1	
	99101-393-1180	99101-393-1180	MAIN JET	MAIN JET	1	
	N114-04083	N114-04083	WASHER SCREW	WASHER SCREW	2	
	N114-04103	N114-04103	WASHER SCREW	WASHER SCREW	3	
	N114-04163	N114-04163	WASHER SCREW	WASHER SCREW	1	
	N413-16Z00	N413-16Z00	NEEDLE JET HOLDER	NEEDLE JET HOLDER	1	
	N424-39A40	N424-39A40	SLOW JET	SLOW JET	1	
	N425-2LZ00	N425-2LZ00	NEEDLE COMP JET	NEEDLE COMP JET	1	
	N446-35A00	N446-35A00	SCREW	SCREW	1	
	W9353-30000	W9353-30000	U-RING	U-RING	1	
	W9353-36000	W9353-36000	U RING	U RING	1	
	W9451-03212	W9451-03212	COIL SPG	COIL SPG	1	
	W9525-25250	W9525-25250	ARM PIN	ARM PIN	1	
	W9535-45000	W9535-45000	TUBE CLIP	TUBE CLIP	1	
	W9554-26538	W9554-26538	NEEDLE JET	NEEDLE JET	1	

F01

Head Light

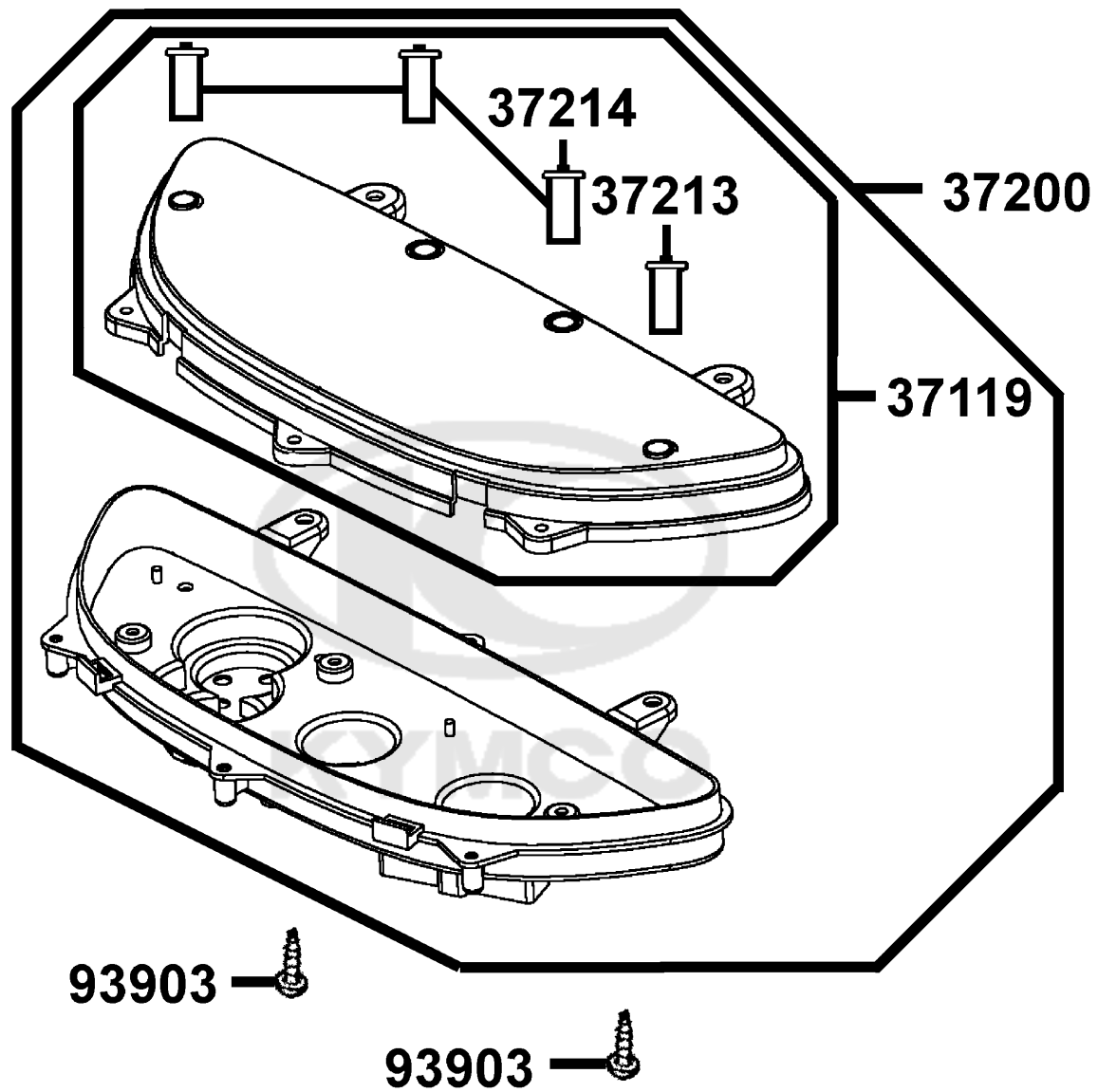


Sales mark	Ref no	Part no	Description	Reg description	Regd no	F01
	33100	33100-LBA2-E00	LIGHT ASSY HEAD	LIGHT ASSY HEAD	1	
	33120	33120-LBA2-E00	UNIT HEAD LIGHT	UNIT HEAD LIGHT	1	
	33130	33130-LBA2-E00	SOCKET COMP	SOCKET COMP	1	
	34901	34901-KED9-900	BULB HEAD LIGHT (12V 60/55W12342)	BULB HEAD LIGHT (12V 60/55W12342)	1	
	34903	34903-KPCP-900	BULB POSITION LIGHT 12V5W **KCP-	BULB POSITION LIGHT 12V5W **KCP-9000	2	
#	93903	93903-35360	SCREW TAPPING 5*16	SCREW TAPPING 5*16	1	



F02

Speedometer



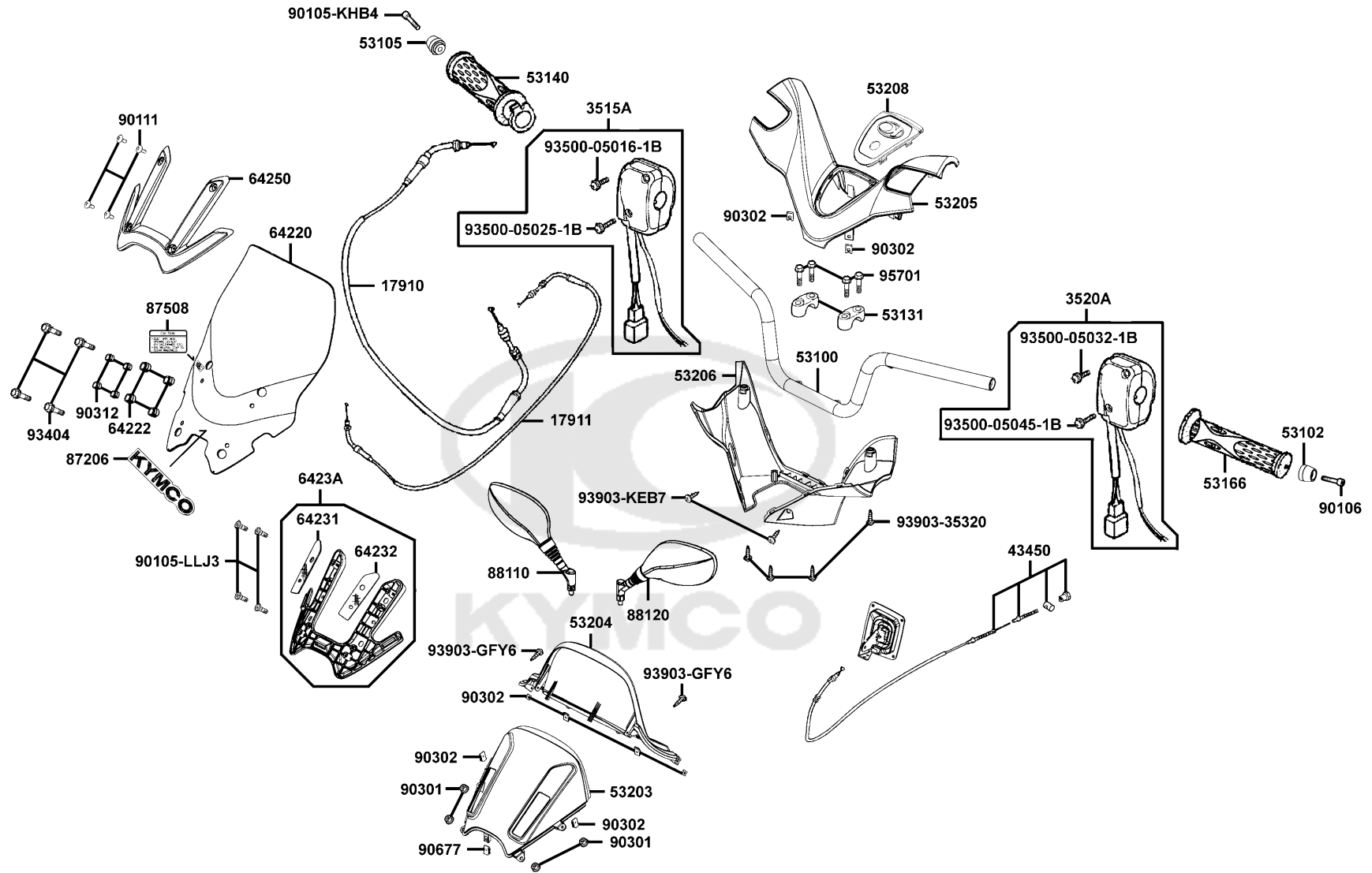
Sales mark	Ref no	Part no	Description	Reg description	Regd no	F02
------------	--------	---------	-------------	-----------------	---------	------------

	37119	37119-LBA2-E00	LENS	LENS	1	
	37200	37200-LBA2-900	METER ASSY SPEED	METER ASSY SPEED	1	
	37213	37213-LBA2-E00	BUTTON A	BUTTON A	1	
	37214	37214-LBA2-E00	BUTTON B	BUTTON B	3	
#	93903	93903-35360	SCREW TAPPING 5*16	SCREW TAPPING 5*16	1	



F03

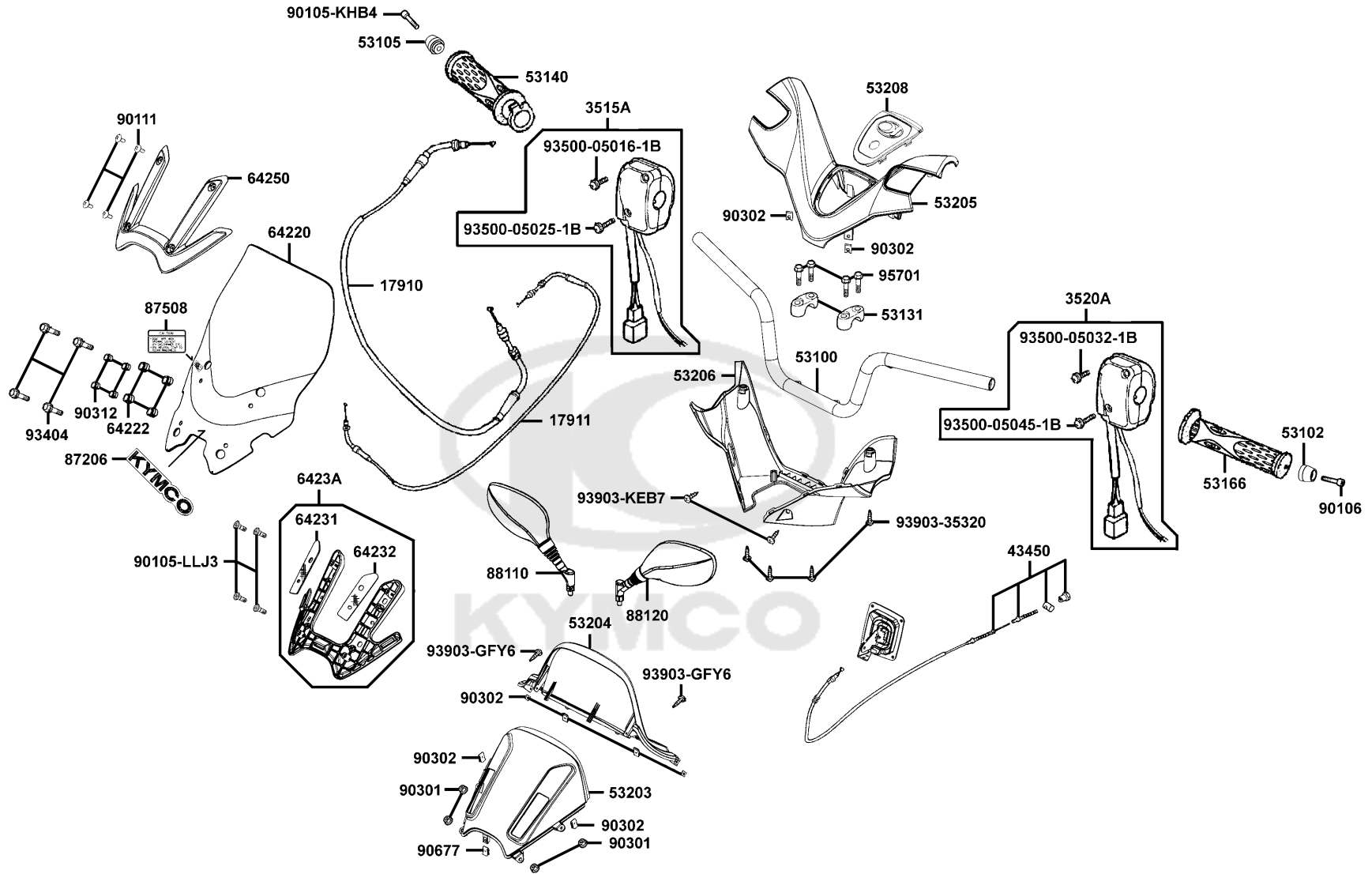
Handle SteeringHandle Cover



Sales mark	Ref no	Part no	Description	Reg description	Regd no	F03
	17910	17910-LBA2-E00	CABLE A COMP THROT	CABLE A COMP THROT	1	
	17911	17911-LBA2-E00	CABLE B COMP THROT	CABLE B COMP THROT	1	
	3515A	3515A-LBA2-E01	SW ASSY RH HNDL COMP	SW ASSY RH HNDL COMP	1	
	3520A	3520A-KEBE-900	SW ASSY L HNDL COMP	SW ASSY L HNDL COMP	1	
	43450	43450-LBA2-E00	CABLE RR HAND BRAKE	CABLE RR HAND BRAKE	1	
	53100	53100-LBA2-E00	HANDLE COMP STRG	HANDLE COMP STRG	1	
**	53102	53102-KEC8-900	END R STRG HANDLE	END R STRG HANDLE	1	
**	53105	53105-LBB5-E00	END R STRG HANDLE	END R STRG HANDLE	1	
	53131	53131-3H98-941	HOLDER HANDLE PIPE	HOLDER HANDLE PIPE	2	
**	53140	53140-KKC4-900	GRIP COMP THROT	GRIP COMP THROT	1	
**	53166	53166-KGB5-900	GRIP L HANDLE	GRIP L HANDLE	1	
**	53203	53203-LBA2-E00	COVER METER FR	COVER METER FR	1	
**	53204	53204-LBA2-E00	COVER METER RR	COVER METER RR	1	
**	53205	53205-LBA2-E02	COVER HNDL UP	COVER HNDL UP	1	
**	53206	53206-LBA2-E00	COVER R HANDLE LOW	COVER R HANDLE LOW	1	
	53208	53208-LBA2-E00	GRILL HANDLE UP	GRILL HANDLE UP	1	
	64220	64220-LBA2-E00	WIND SCREEN	WIND SCREEN	1	
	64222	64222-KKC4-900	RUBBER WIND SCREEN	RUBBER WIND SCREEN	4	
	64231	64231-LBA2-E00	SPONGE TAPE R HOLDER	SPONGE TAPE R HOLDER	1	
	64232	64232-LBA2-E00	SPONGE TAPE L HOLDER	SPONGE TAPE L HOLDER	1	

F03

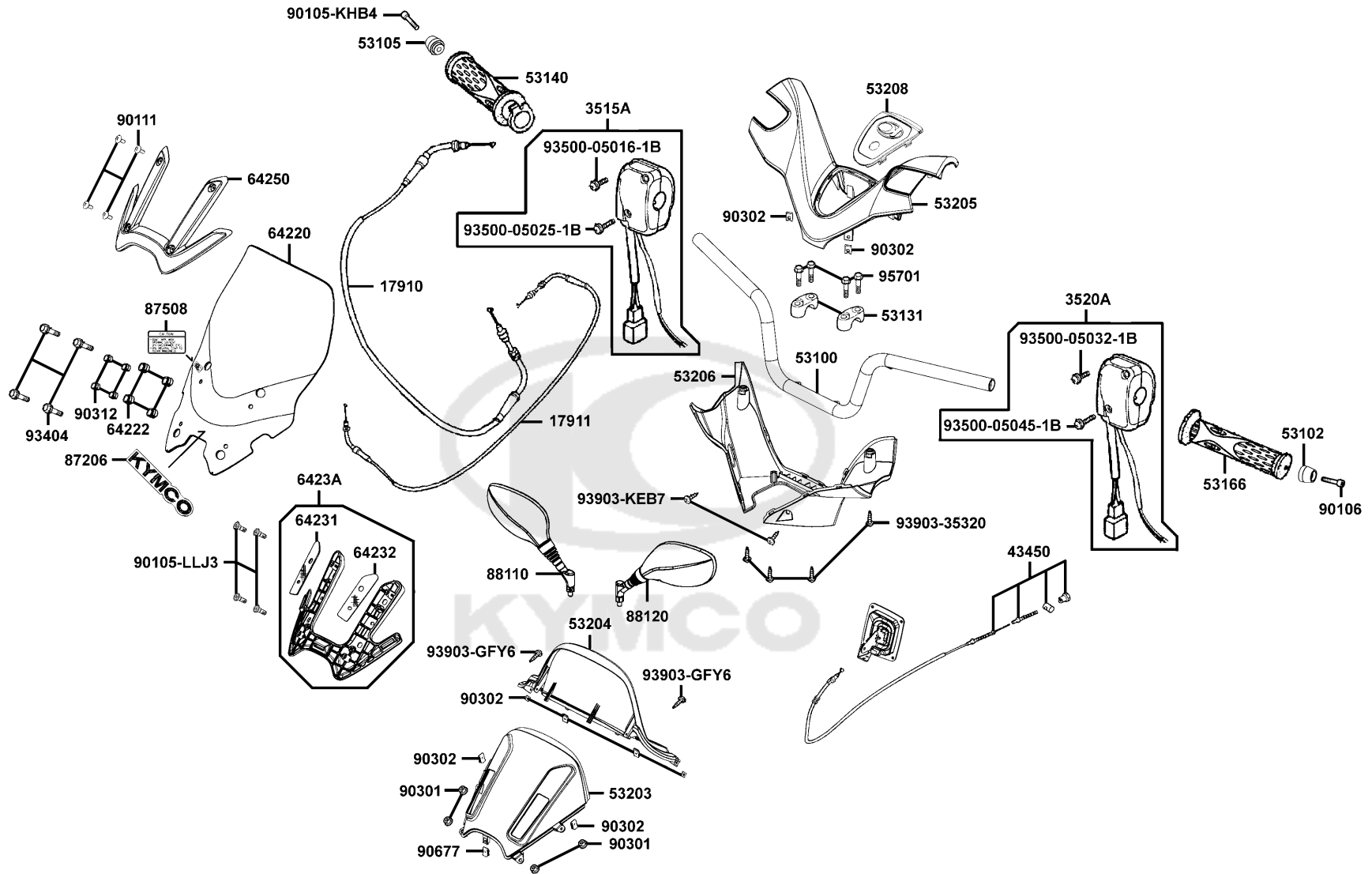
Handle SteeringHandle Cover



Sales mark	Ref no	Part no	Description	Reg description	Regd no	F03
**	6423A	6423A-LBA2-E00	HOLDER ASSY WIND SCREEN	HOLDER ASSY WIND SCREEN	1	
**	64250	64250-LBA2-E00	COVER WIND SCREEN	COVER WIND SCREEN	1	
**	87206	87206-LBA2-E00	EMB MARK KYMCO	EMB MARK KYMCO	1	
**	87508	87508-KKC4-E00	LABEL CLEANNESS CAUTION	LABEL CLEANNESS CAUTION	1	
**	88110	88110-LBA2-E02	MIRROR ASSY R BACK	MIRROR ASSY R BACK	1	
**	88120	88120-LBA2-E02	MIRROR ASSY L BACK	MIRROR ASSY L BACK	1	
	90105-KHB4	90105-KHB4-900	BOLT WASH M8*60	BOLT WASH M8*60	1	
	90105-LLJ3	90105-LLJ3-E00	BOLT SPECIAL 8MM	BOLT SPECIAL 8MM	4	
	90106	90106-KFC2-900	BOLT SPECIAL 8MM	BOLT SPECIAL 8MM	1	
#	90111	90111-LEC8-E01	SCREW.PAN 6X14(CG)	SCREW.PAN 6X14(CG)	4	
	90301	90301-6D34-671	NUT FLANGE 6MM	NUT FLANGE 6MM	4	
	90302	90302-SDA4-004	NUT SPRING 4MM	NUT SPRING 4MM	8	
	90312	90312-GLF0-001	COLLAR BODY COVER	COLLAR BODY COVER	4	
	90677	90677-GAR1-004	NUT CLIP 5MM	NUT CLIP 5MM	1	
	93404	93404-06020-06	BOLT WASHER 6*20 (G)	BOLT WASHER 6*20 (G)	4	
	93500-05016-1B	93500-05016-1B	SCREW PAN 5*16	SCREW PAN 5*16	1	
	93500-05025-1B	93500-05025-1B	SCREW PAN 5*25	SCREW PAN 5*25	1	
	93500-05032-1B	93500-05032-1B	SCREW PAN 5*32	SCREW PAN 5*32	1	
	93500-05045-1B	93500-05045-1B	SCREW PAN 5*45	SCREW PAN 5*45	1	
#	93903-35320	93903-35360	SCREW TAPPING 5*16	SCREW TAPPING 5*16	1	

F03

Handle SteeringHandle Cover

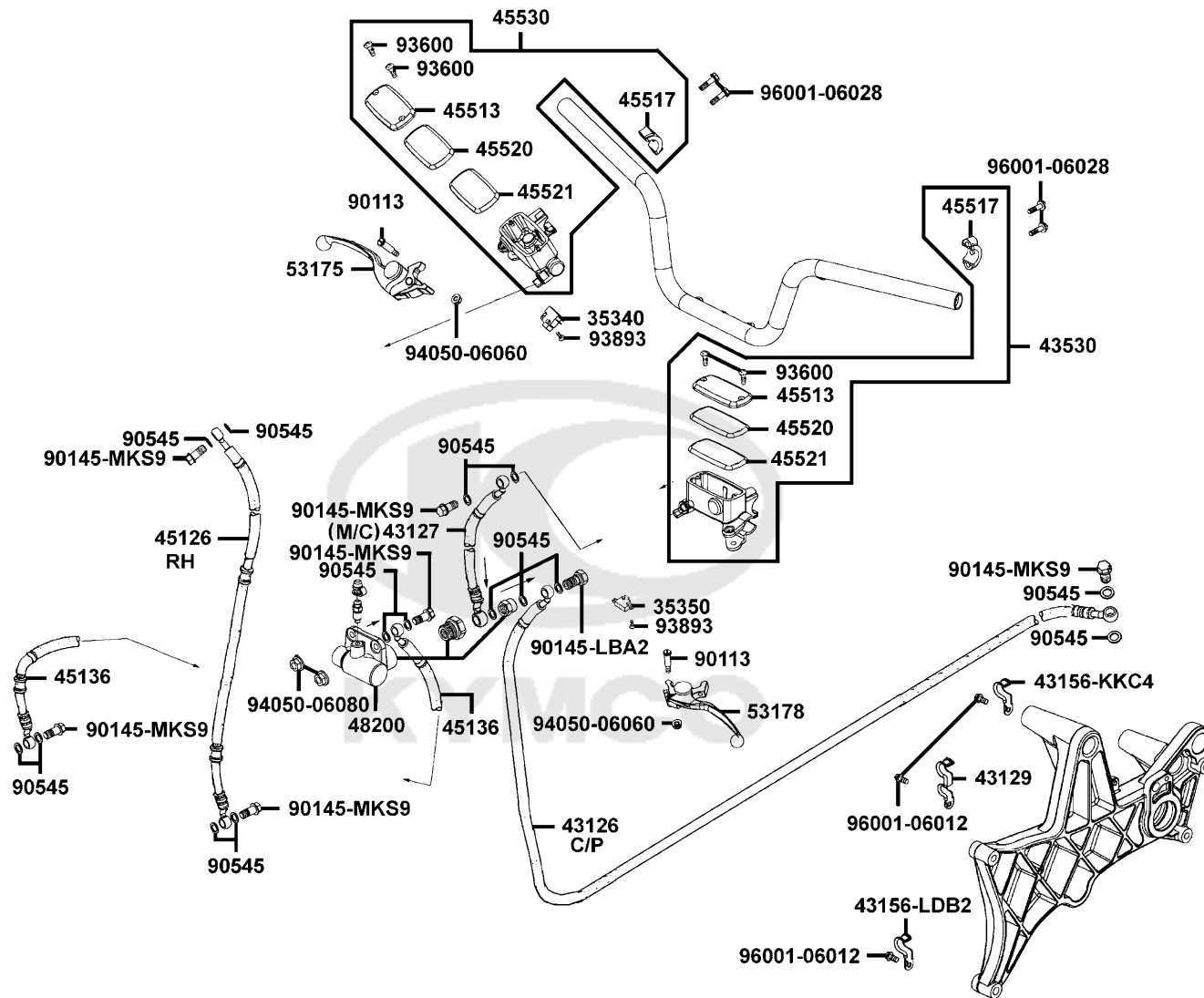


Sales mark	Ref no	Part no	Description	Reg description	Regd no	F03
------------	--------	---------	-------------	-----------------	---------	------------

93903-GFY6		93903-GFY6-900	SCREW TAPPING 4*14	SCREW TAPPING 4*14	2	
93903-KEB7		93903-KEB7-900-06	SCREW WASHER 4*12 (G)	SCREW WASHER 4*12 (G)	2	
95701		95701-08035-06	BOLT FLANGE 8*28	BOLT FLANGE 8*28	4	

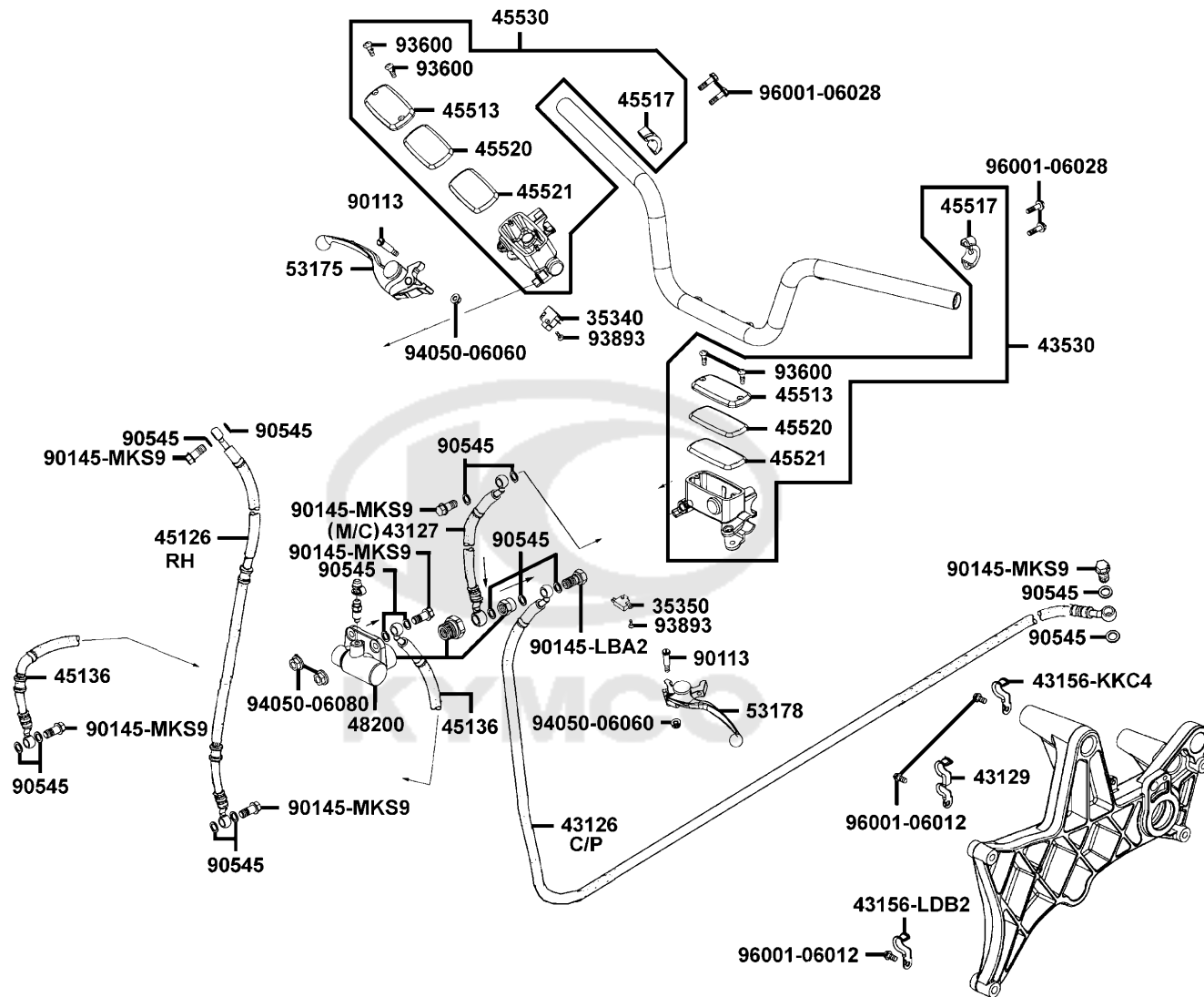


Brake Master Cylinder

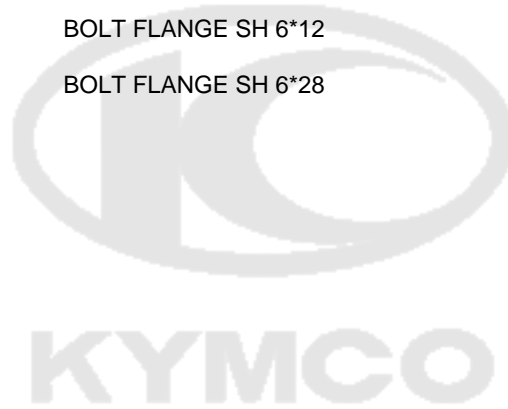


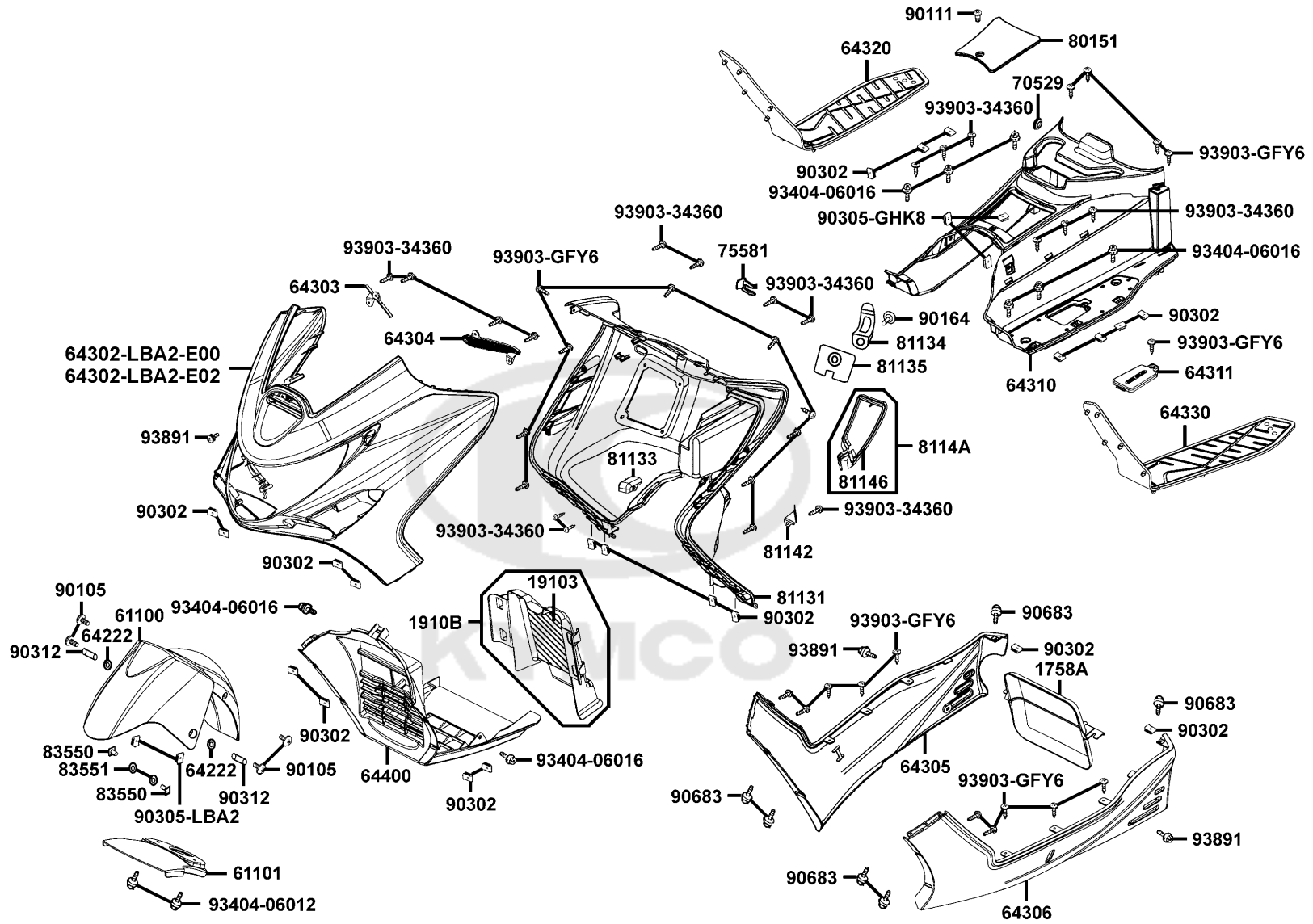
Sales mark	Ref no	Part no	Description	Reg description	Regd no	F04
	35340	35340-KNBN-901	SW ASSY FR STOP	SW ASSY FR STOP	1	
	35350	35350-KNBN-901	SW ASSY RR STOP	SW ASSY RR STOP	1	
	43126	43126-LBA2-E01	HOSE ASSY C/P RR BRAKE	HOSE ASSY C/P RR BRAKE	1	
	43127	43127-LBA2-E01	HOSE ASSY M/C RR BRAKE	HOSE ASSY M/C RR BRAKE	1	
	43129	43129-LBA2-E00	CLAMPER RR BRK HOSE & CABLE	CLAMPER RR BRK HOSE & CABLE	1	
	43156-KKC4	43156-KKC4-900	CLAMPER HOSE RR	CLAMPER HOSE RR	1	
	43156-LDB2	43156-LDB2-900	CLAMPER HOSE RR	CLAMPER HOSE RR	1	
	43530	43530-LBA2-308	CYLINDER SET RR MASTER	CYLINDER SET RR MASTER	1	
	45126	45126-LBA2-E01	HOSE ASSY FR BRAKE (RH)	HOSE ASSY FR BRAKE (RH)	1	
	45136	45136-LBA2-E01	HOSE ASSY FR BRK (RH)	HOSE ASSY FR BRK (RH)	1	
**	45513	45513-KKA8-900	CAP M/C	CAP M/C	2	
#	45513	45513-LEA7-E00	CAP MASTER CYLINDER	CAP MASTER CYLINDER	1	
	45517	45517-LBA2-E00	HOLDER M/C	HOLDER M/C	2	
	45520	45520-KKA8-900	DIAPHRAGM	DIAPHRAGM	2	
	45521	45521-LEA7-E00	PLATE DIAPHRAGM	PLATE DIAPHRAGM	2	
	45530	45530-LBA2-308	CYLINDER SET FR MASTER	CYLINDER SET FR MASTER	1	
	48200	48200-LBA2-E01	LIMIT VALVE ASSY UBS	LIMIT VALVE ASSY UBS	1	
**	53175	53175-LBA2-E03	LEVER R STRG HANDLE	LEVER R STRG HANDLE	1	
**	53178	53178-LBA2-E03	LEVER L STRG HANDLE	LEVER L STRG HANDLE	1	
	90113	90113-KKA8-900	BOLT L STEERING HANDLE	BOLT L STEERING HANDLE	2	

Brake Master Cylinder

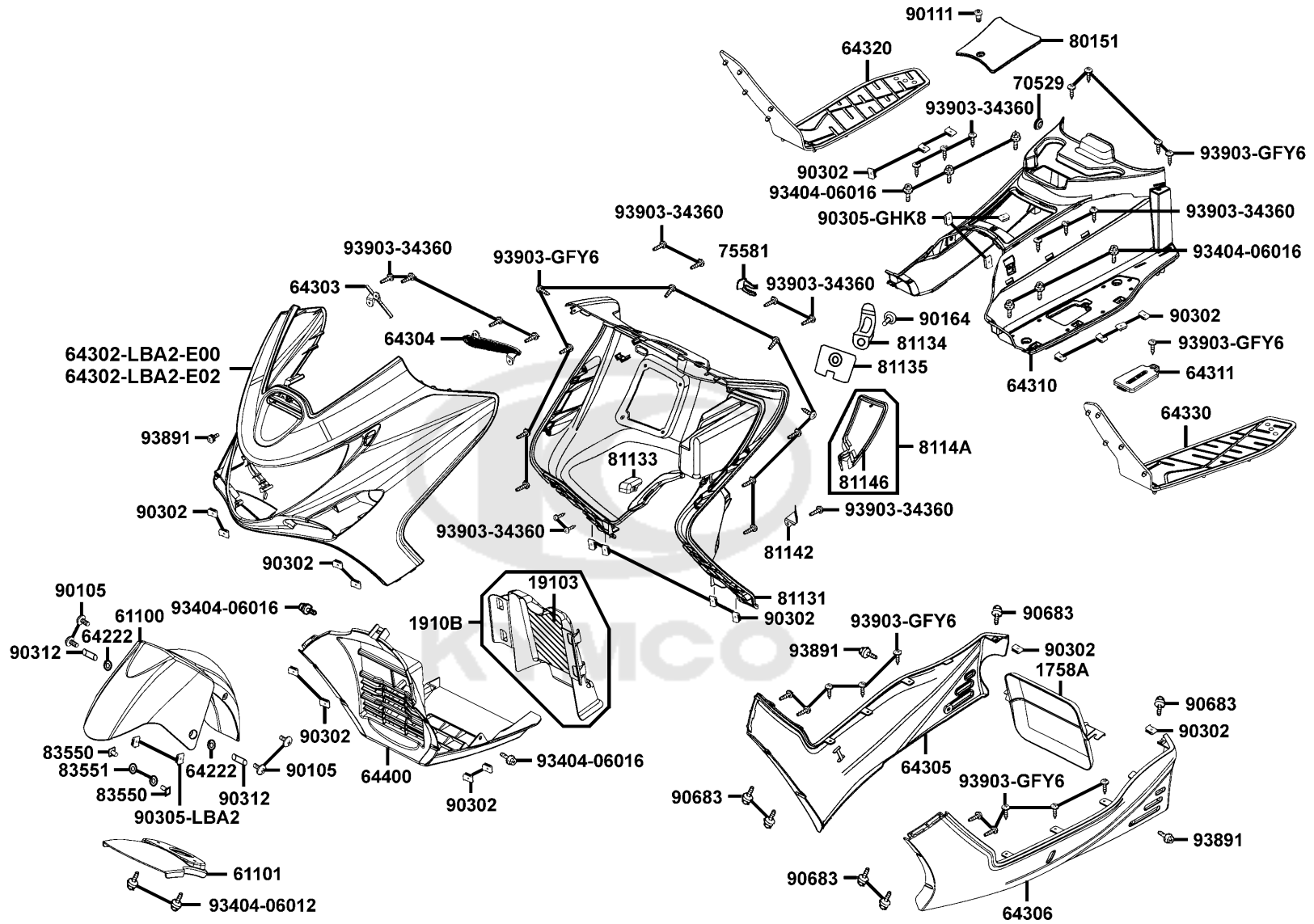


Sales mark	Ref no	Part no	Description	Reg description	Regd no	F04
	90145-LBA2	90145-LBA2-E00	OIL BOLT 10*33	OIL BOLT 10*33	1	
#	90145-MKS9	90145-LEA3-E00	OIL BOLT 10*22	OIL BOLT 10*22	1	
	90545	90545-3L00-001	WASHER OIL BOLT	WASHER OIL BOLT	15	
	93600	93600-04012-1A	SCREW FLAT 4*12	SCREW FLAT 4*12	4	
	93893	93893-04012-18	SCREW WASHER 4*12	SCREW WASHER 4*12	2	
	94050-06060	94050-06060	NUT FLANGE 6MM	NUT FLANGE 6MM	2	
	94050-06080	94050-06080	NUT FLANGE 6MM	NUT FLANGE 6MM	2	
#	96001-06012	96001-06012-06	BOLT FLANGE SH 6*12	BOLT FLANGE SH 6*12	1	
	96001-06028	96001-06028-06	BOLT FLANGE SH 6*28	BOLT FLANGE SH 6*28	4	



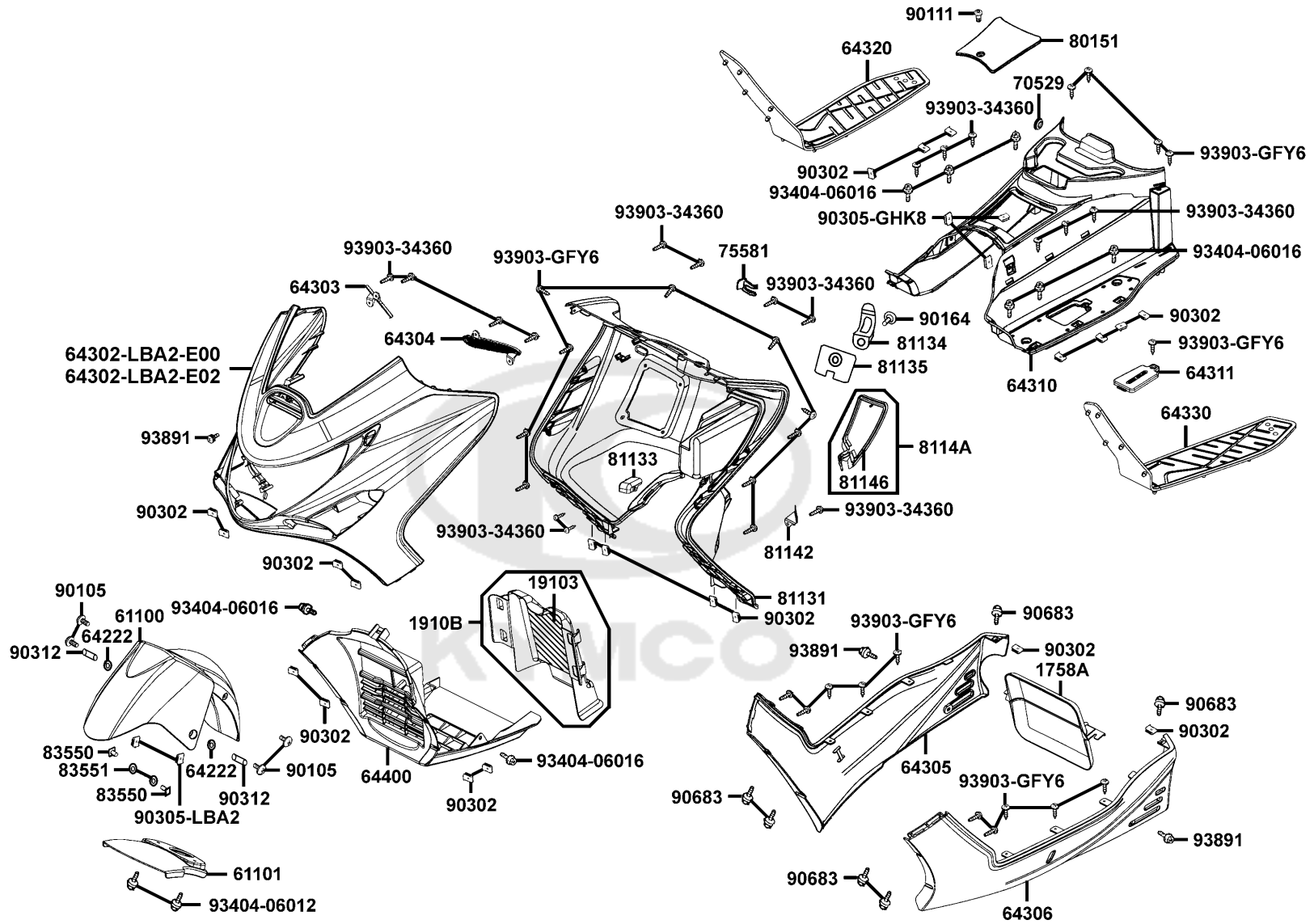


Sales mark	Ref no	Part no	Description	Reg description	Regd no	F05
	1758A	1758A-LBA2-E00	GUARD ASSY TANK	GUARD ASSY TANK	1	
	19103	19103-LBA2-E00	HRAT GUARD COOLING AIR	HRAT GUARD COOLING AIR	1	
	1910B	1910B-LBA2-E00	DUCT ASSY COOLING TANK	DUCT ASSY COOLING TANK	1	
**	61100	61100-LBA2-E00	FENDER FR	FENDER FR	1	
	61101	61101-LBA2-E00	FENDER FR INNER	FENDER FR INNER	1	
	64222	64222-LLJ3-E00	RUBBER WIND SCREEN	RUBBER WIND SCREEN	2	
**	64302-LBA2-E00	64302-LBA2-E00	MOLDING FR	MOLDING FR	1	
**	64302-LBA2-E02	64302-LBA2-E02	MOLDING FR	MOLDING FR	1	
**	64303	64303-LBA2-E00	GRID R FR MOLDING	GRID R FR MOLDING	1	
**	64304	64304-LBA2-E00	GRID L FR MOLDING	GRID L FR MOLDING	1	
**	64305	64305-LBA2-E00	SKIRT R SID	SKIRT R SID	1	
**	64306	64306-LBA2-E00	SKIRT L SIDE	SKIRT L SIDE	1	
**	64310	64310-LBA2-E00	FLOOR PANEL	FLOOR PANEL	1	
**	64311	64311-LBA2-E00	COVER R PILLION STEP	COVER R PILLION STEP	1	
**	64320	64320-LBA2-E00	MAT R FLOOR	MAT R FLOOR	1	
**	64330	64330-LBA2-E00	MAT L FLOOR	MAT L FLOOR	1	
**	64400	64400-LBA2-E00	COWL UNDER	COWL UNDER	1	
	70529	70529-6G57-671	GROM B SIDE PNL	GROM B SIDE PNL	1	
	75581	75581-6C73-001	SET SPG LOCK KEY	SET SPG LOCK KEY	1	
**	80151	80151-LBA2-E00	COVER CENTER	COVER CENTER	1	



Sales mark	Ref no	Part no	Description	Reg description	Regd no	F05
**	81131	81131-LBA2-E01	LEG SHIELD	LEG SHIELD	1	
	81133	81133-LBA2-E00	CAP LEG SHIELD	CAP LEG SHIELD	1	
	81134	81134-KGBG-900	HOOK LUGGAGE	HOOK LUGGAGE	1	
	81135	81135-KGBG-900	STAY LUGGAGE HOOK	STAY LUGGAGE HOOK	1	
	81142	81142-LBA2-E00	STAY LID INNER BOX	STAY LID INNER BOX	1	
	81146	81146-LBA2-E00	SEAL LID INNER BOX	SEAL LID INNER BOX	1	
**	8114A	8114A-LBA2-E00	LID ASSY INNER BOX	LID ASSY INNER BOX	1	
	83550	83550-KEC8-900	COLLAR	COLLAR	2	
	83551	83551-KEC8-900	GROMMET COVER **KEC8-9000	GROMMET COVER **KEC8-9000 C.2005.09.01	2	
#	90105	90107-LEA7-E00	BOLT SPECIAL 8MM	BOLT SPECIAL 8MM	2	
#	90111	90111-LEC8-E01	SCREW.PAN 6X14(CG)	SCREW.PAN 6X14(CG)	1	
	90164	90164-KGBG-900	SCREW SPECIAL 6MM	SCREW SPECIAL 6MM	1	
	90302	90302-SDA4-004	NUT SPRING 4MM	NUT SPRING 4MM	21	
	90305-GHK8	90305-GHK8-001	NUT CLIP 6MM	NUT CLIP 6MM	3	
	90305-LBA2	90305-LBA2-E00	NUT CLIP 6MM	NUT CLIP 6MM	2	
	90312	90312-LLJ3-E01	COLLAR WIND SCREEN	COLLAR WIND SCREEN	2	
	90683	90683-GAR1-004	CLIP BODY COVER	CLIP BODY COVER	6	
	93404-06012	93404-06012-06	BOLT WASHER 6X12	BOLT WASHER 6X12	2	
	93404-06016	93404-06016-06	BOLT WASHER 6*16	BOLT WASHER 6*16	8	
	93891	93891-05016-06	SCREW WASHER 5* 16	SCREW WASHER 5* 16	3	

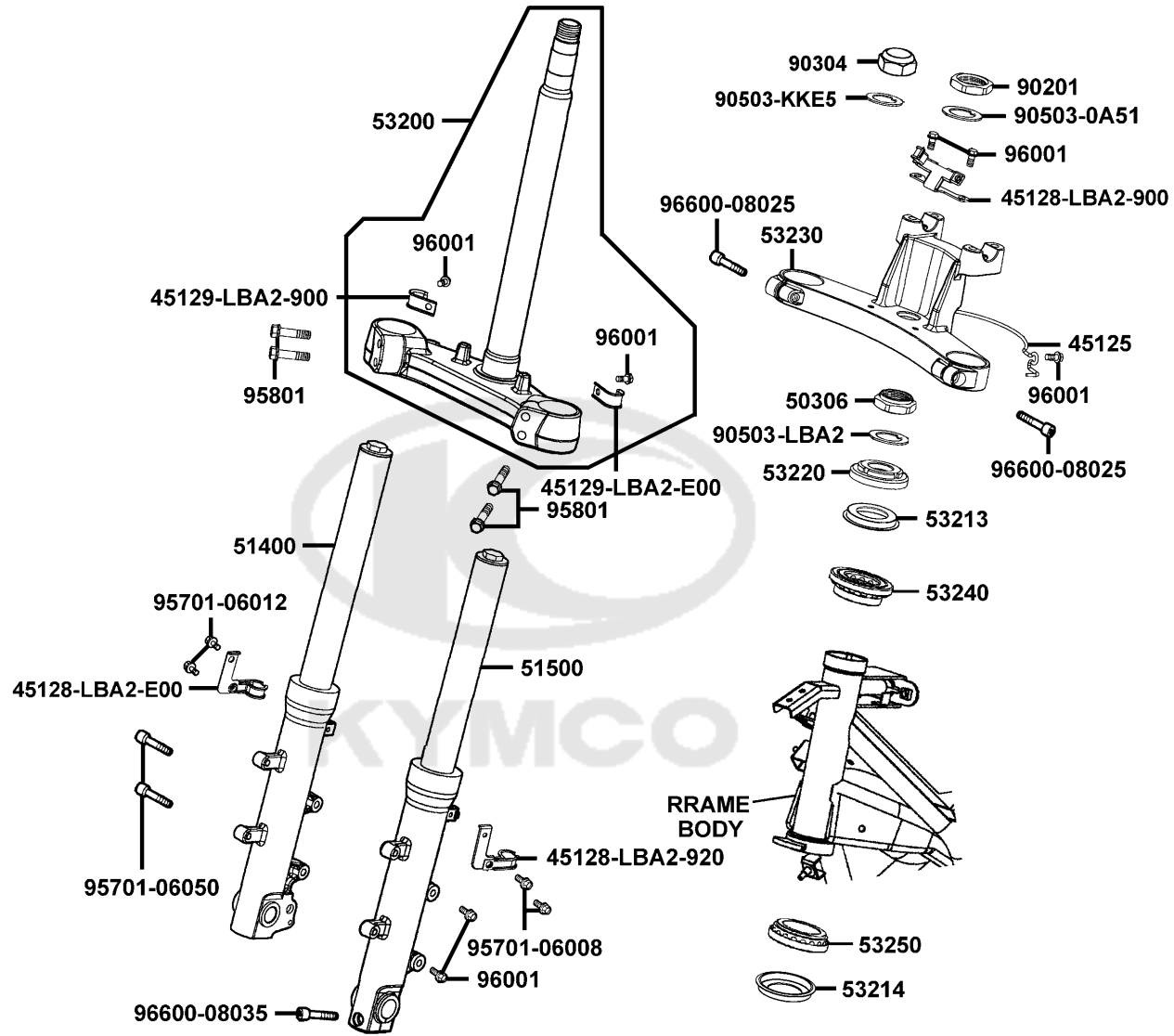
Front CoverFloor Panel



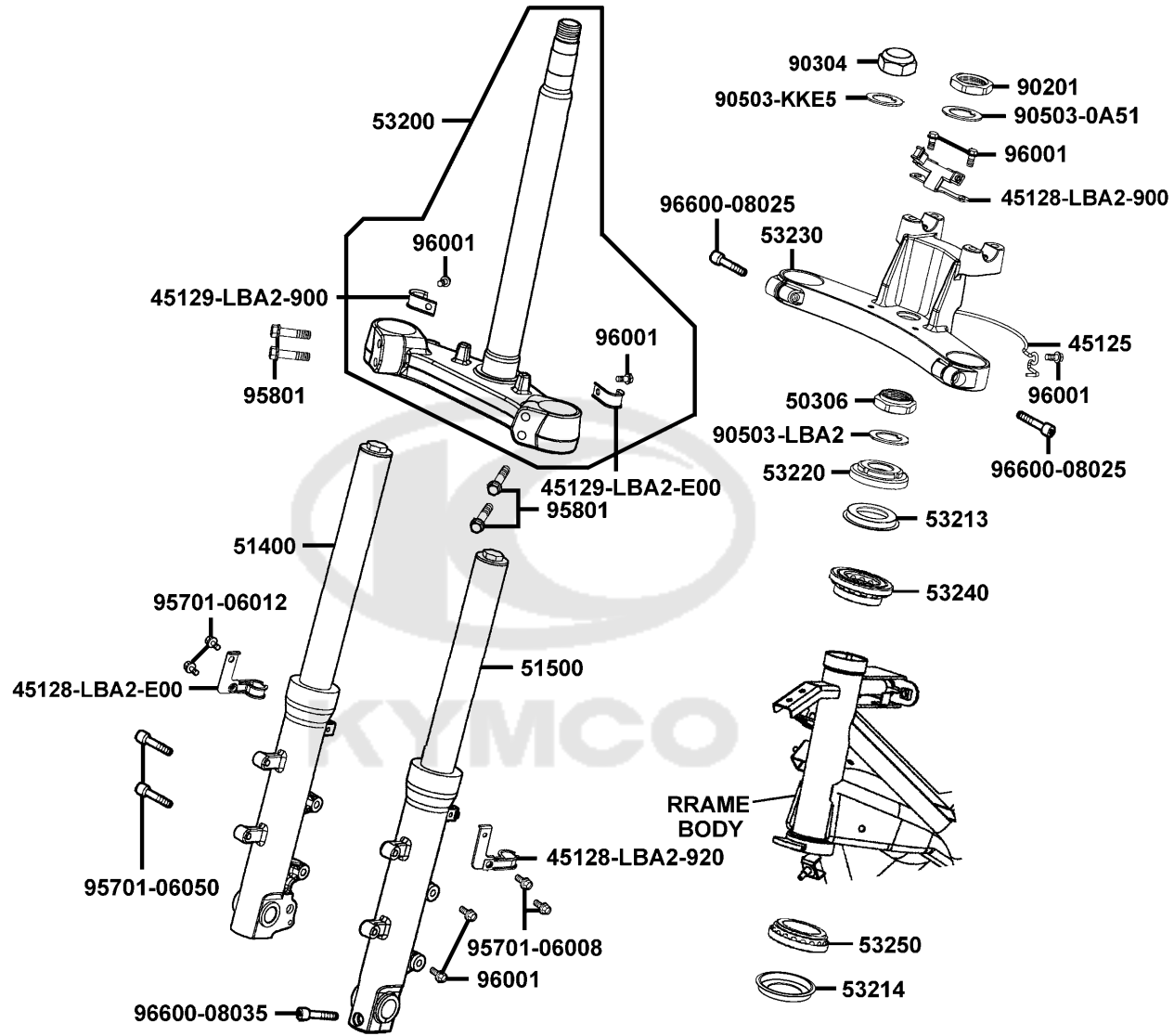
Sales mark	Ref no	Part no	Description	Reg description	Regd no	F05
------------	--------	---------	-------------	-----------------	---------	------------

93903-34360		93903-34360	SCREW TAPPING 4X12	SCREW TAPPING 4X12	17	
93903-GFY6		93903-GFY6-900	SCREW TAPPING 4*14	SCREW TAPPING 4*14	25	





Sales mark	Ref no	Part no	Description	Reg description	Regd no	F06
	45125	45125-LBA2-E00	CLIP BRK HOSE(TOP BRIDGE)	CLIP BRK HOSE(TOP BRIDGE)	1	
	45128-LBA2-900	45128-LBA2-900	CLAMPER FR BRK (TOP BRIDGE)	CLAMPER FR BRK (TOP BRIDGE)	1	
	45128-LBA2-920	45128-LBA2-920	CLAMPER FR BRK HOSE	CLAMPER FR BRK HOSE	1	
	45128-LBA2-E00	45128-LBA2-E00	CLAMPER FR BRK HOSE	CLAMPER FR BRK HOSE	1	
	45129-LBA2-900	45129-LBA2-900	CLAMPER FR BRK HOSE	CLAMPER FR BRK HOSE	1	
	45129-LBA2-E00	45129-LBA2-E00	CLAMPER FR BRK HOSE	CLAMPER FR BRK HOSE	1	
	50306	50306-1F96-001	NUT STRG STEM LOCK	NUT STRG STEM LOCK	1	
**	51400	51400-LBA2-E00	FORK ASSY R FR	FORK ASSY R FR	1	
**	51500	51500-LBA2-E00	FORK ASSY L FR	FORK ASSY L FR	1	
	53200	53200-LBA2-E00	STEM COMP STRG	STEM COMP STRG	1	
	53213	53213-LBA2-E00	DUST SEAL STRG HEAD TOP	DUST SEAL STRG HEAD TOP	1	
	53214	53214-LBA2-E00	DUST SEAL STRG (HEAD)	DUST SEAL STRG HEAD BOT	1	
	53220	53220-LBA2-E00	THREAD COMP STRG HEAD TOP	THREAD COMP STRG HEAD TOP	1	
	53230	53230-LBA2-E00	BRIDGE FORK TOP	BRIDGE FORK TOP	1	
	53240	53240-LBA2-E00	BEARING TOT STRG (mark:PX1)	BEARING TOT STRG (mark:PX1)	1	
	53250	53250-LBA2-E00	BEARING BOT STRG (mark:PX1)	BEARING BOT STRG (mark:PX1)	1	
	90201	90201-LBA2-E00	NUT STRG STEM	NUT STRG STEM	1	
#	90304	90304-KKE5-E00	NUT. STRG. STEM	NUT. STRG. STEM	1	
	90503-0A51	90503-0A51-870	WASHER STEERING STEM NUT	WASHER STEERING STEM NUT	1	
#	90503-KKE5	90503-KKE5-E00	WASHER STEERING STEM NUT	WASHER STEERING STEM NUT	1	

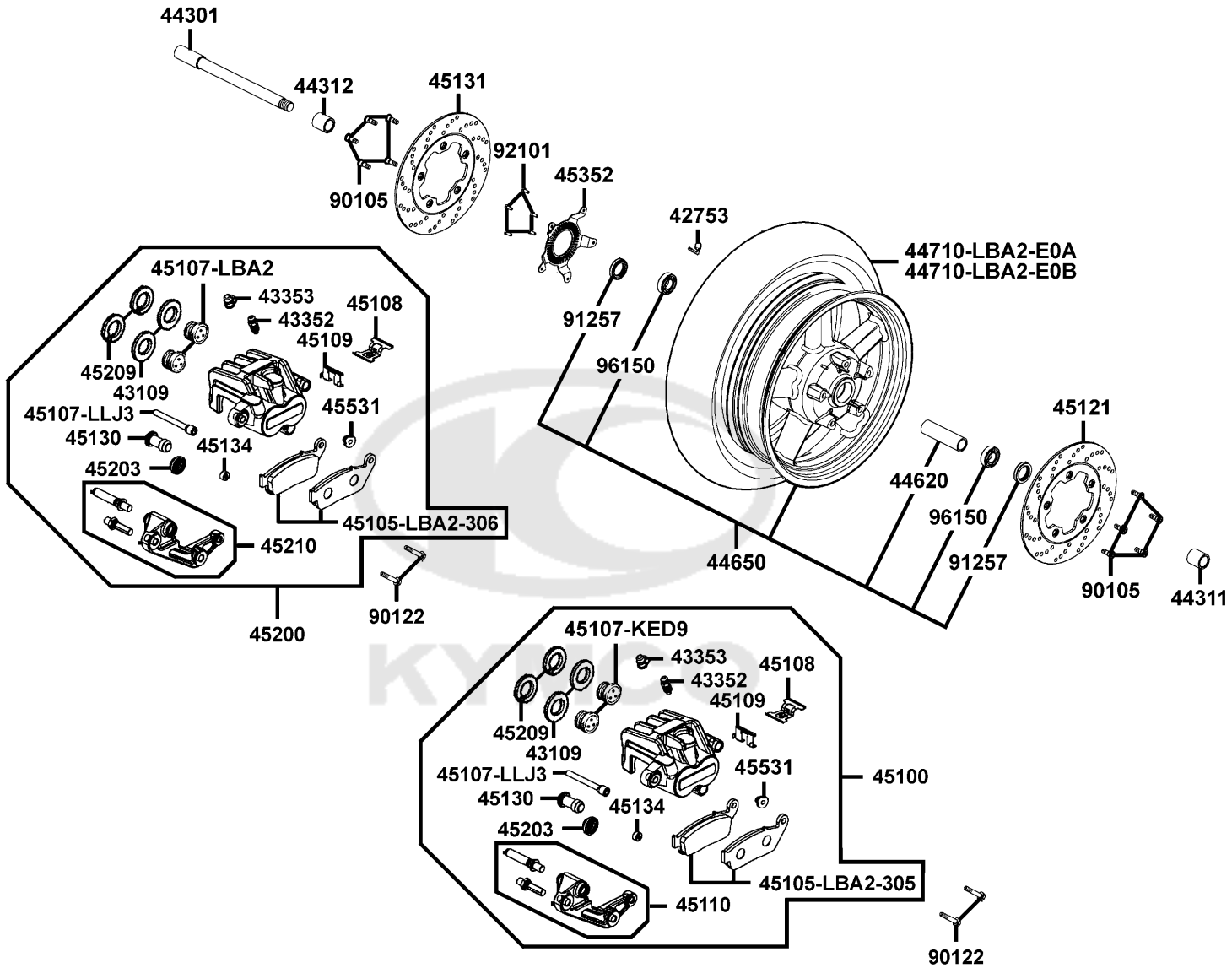


Sales mark	Ref no	Part no	Description	Reg description	Regd no	F06
	90503-LBA2	90503-LBA2-E00	WASHER STRG STEM NUT	WASHER STRG STEM NUT	1	
	95701-06008	95701-06008-06	BOLT FLANGE 6*8	BOLT FLANGE 6*8	2	
#	95701-06012	95701-06012-06	BOLT FLANGE 6*12 **07 C.2005.07.01	BOLT FLANGE 6*12 **07 C.2005.07.01	1	
#	95701-06050	95701-06050-06	BOLT FLANGE 6*50	BOLT FLANGE 6*50	1	
#	95801	95801-08040-06	BOLT FLANGE 8*40	BOLT FLANGE 8*40	1	
#	96001	96001-06012-06	BOLT FLANGE SH 6*12	BOLT FLANGE SH 6*12	1	
	96600-08025	96600-08025-06	SOCKET BOLT 8X25	SOCKET BOLT 8X25	2	
	96600-08035	96600-08035-06	SOCKET BOLT 8X35	SOCKET BOLT 8X35	1	



F07

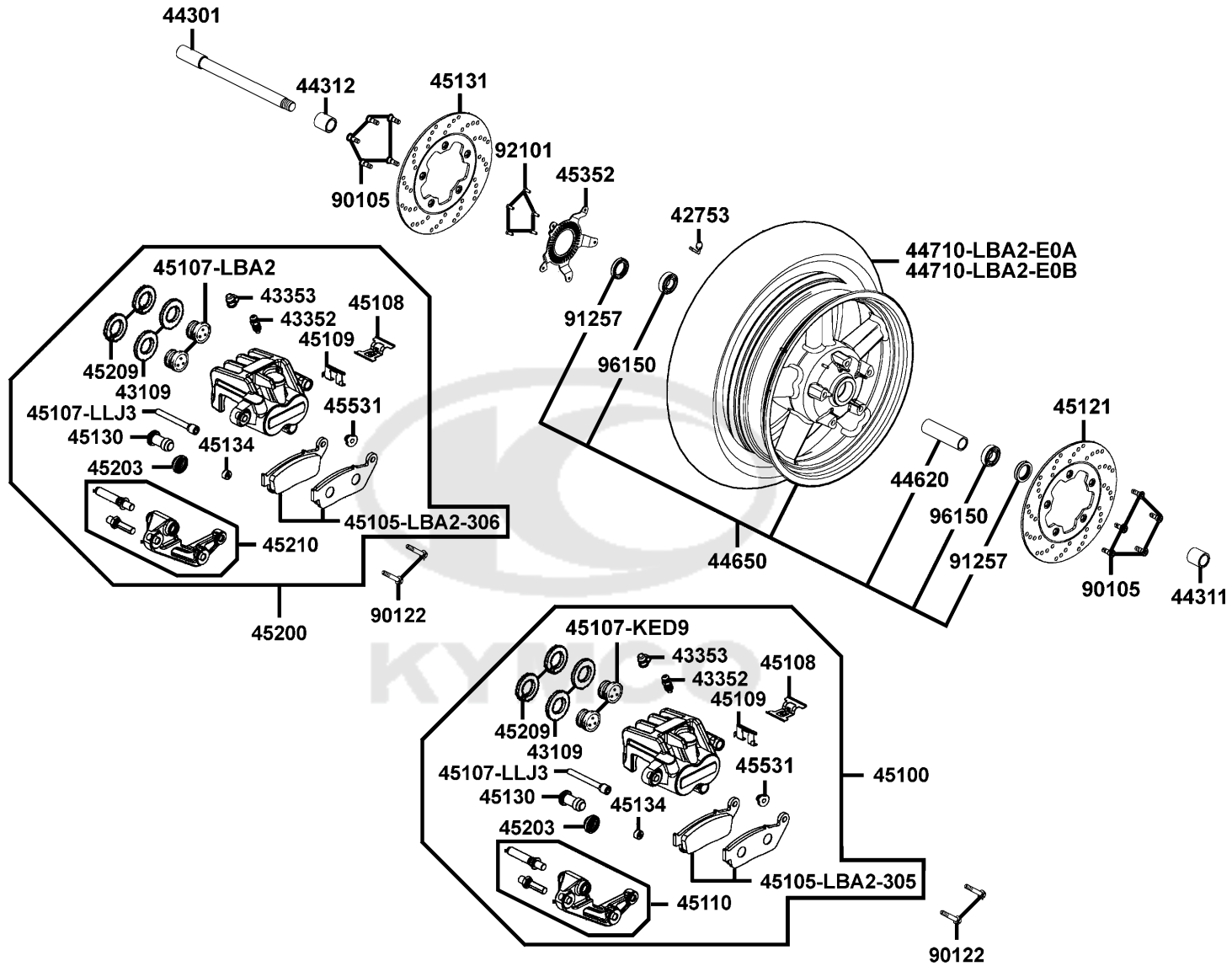
Front Wheel



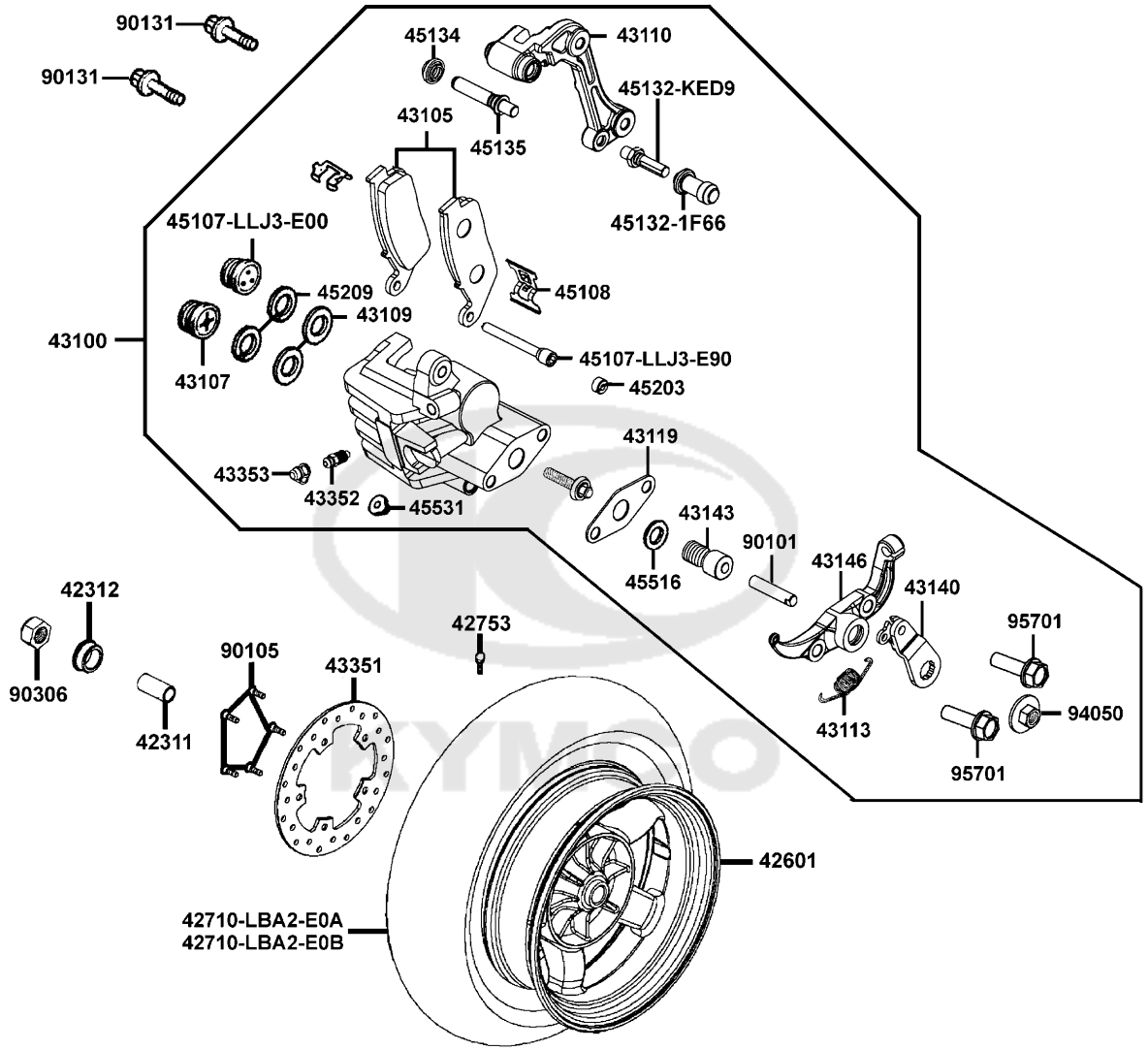
Sales mark	Ref no	Part no	Description	Reg description	Regd no	F07
	42753	42753-KNBN-90B	VALAE RIM (TR412)	VALAE RIM (TR412)	1	
	43109	43109-LBA2-E00	DUST SEAL	DUST SEAL	4	
	43353	43353-KED9-900	CAP BLEEDER	CAP BLEEDER	2	
#	43352	4335A-LBA2-E01	BLEEDER ASSY	SCREW BLEEDER	1	
	44301	44301-LBA2-E00	AXLE FR WHEEL M20*287MM	AXLE FR WHEEL M20*287MM	1	
	44311	44311-KED9-900	COLLAR FR WHEEL SIDE	COLLAR FR WHEEL SIDE	1	
	44312	44312-LBA2-E00	COLLAR FR WHEEL SIDE L	COLLAR FR WHEEL SIDE L	1	
	44620	44620-LBA2-E00	COLLAR FR AXLE DISTANCE	COLLAR FR AXLE DISTANCE	1	
**	44650	44650-LBA2-305	WHEEL SET FR	WHEEL SET FR	1	
	44710-LBA2-E0A	44710-LBA2-E0A	TIRE ASSY FR 120/70-15 56S /MAXXIS	TIRE ASSY FR 120/70-15 56S /MAXXIS	1	
	44710-LBA2-E0B	44710-LBA2-E0B	TIRE ASSY FR 120/70-15 4P TL /KENDA	TIRE ASSY FR 120/70-15 4P TL /KENDA	1	
**	45100	45100-LBA2-E01	CALIPER ASSY FR L	CALIPER ASSY FR L	1	
	45105-LBA2-305	45105-LBA2-305	PAD ASSY	PAD ASSY	1	
	45105-LBA2-306	45105-LBA2-306	PAD ASSY	PAD ASSY	1	
	45107-KED9	45107-KED9-900	PISTON	PISTON	2	
	45107-LBA2	45107-LBA2-E00	PISTON	PISTON	2	
	45107-LLJ3	45107-LLJ3-E90	PIN HANGE	PIN HANGE	2	
	45108	45108-KED9-900	SPRING PAD	SPRING PAD	2	
	45109	45109-KED9-900	SLIDE PAD	SLIDE PAD	2	
**	45110	45110-LBA2-305	BRACKET COMP FR	BRACKET COMP FR	1	

F07

Front Wheel



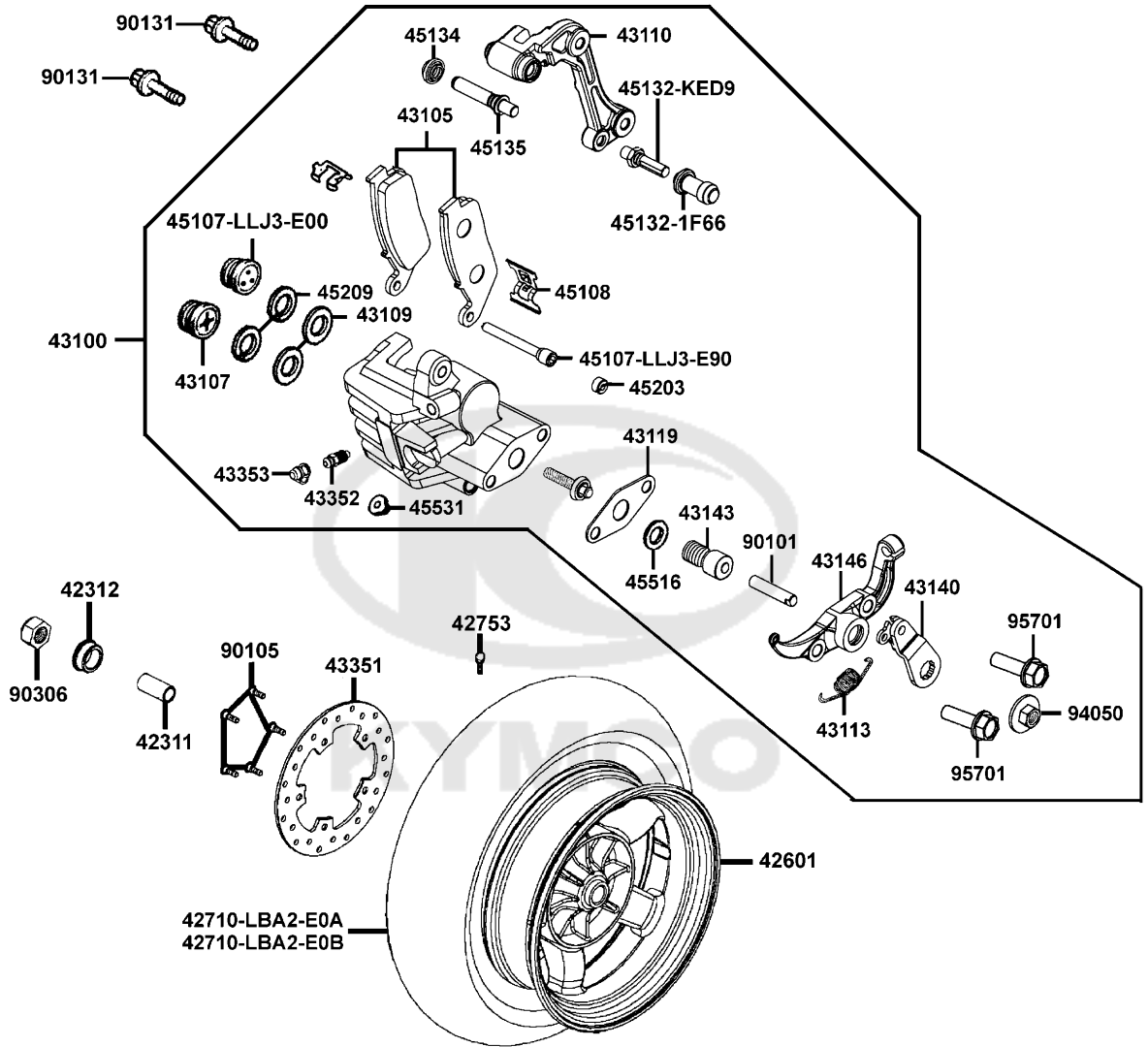
Sales mark	Ref no	Part no	Description	Reg description	Regd no	F07
	45121	45121-LDB2-E00	DISK FR BRK R	DISK FR BRK R	1	
	45130	45130-KED9-900	BUSH PIN	BUSH PIN	2	
	45131	45131-LDB2-E00	DISK FR BRK L	DISK FR BRK L	1	
	45134	45134-KED9-900	BOOT B	BOOT B	2	
**	45200	45200-LBA2-E00	CALIPER ASSY FR R	CALIPER ASSY FR R	1	
	45203	45203-KED9-900	PLUG PIN	PLUG PIN	2	
	45209	45209-LBA2-E00	SEAL PISTON	SEAL PISTON	4	
**	45210	45210-LBA2-305	BRACKET COMP FR	BRACKET COMP FR	1	
	45352	45352-LBA2-E00	READ PLATE ABS	READ PLATE ABS	1	
	45531	45531-KED9-900	PLUG	PLUG	2	
	90105	90105-KCR3-001	BOLT FR DISK 8*24	BOLT FR DISK 8*24	10	
	90122	90122-LBA2-E00	BOLT FLANGE 8*38	BOLT FLANGE 8*38	4	
	91257	91257-KED9-900	DUST SEAL 28*42*8	DUST SEAL 28*42*8	2	
#	92101	92101-05012-0G	BOLT HEX 5X12	BOLT HEX 5*12	1	
	96150	96150-60040-10	BEARING BALL RADIAL 6004	BEARING BALL RADIAL 6004	2	



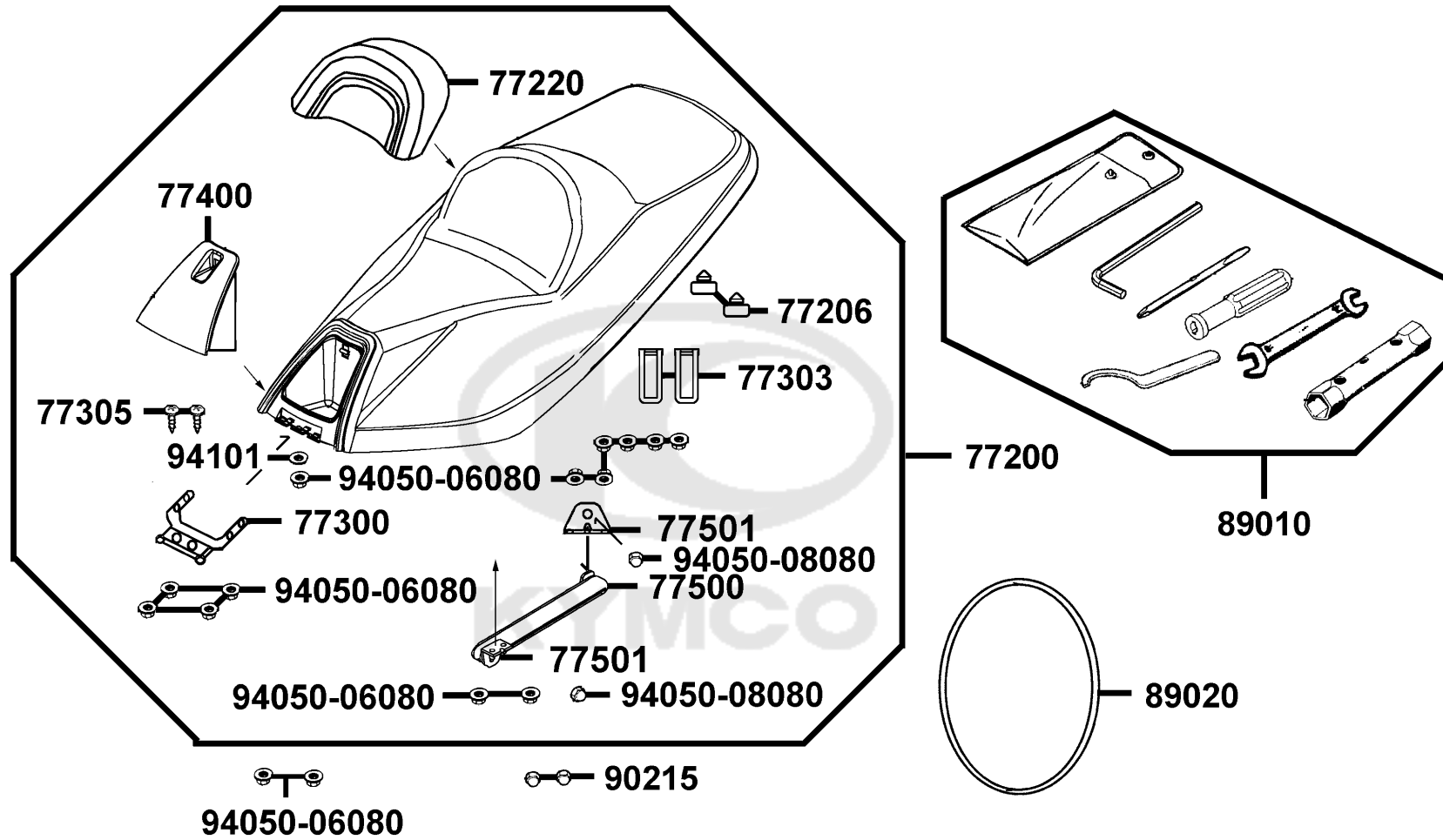
Sales mark	Ref no	Part no	Description	Reg description	Regd no	F08
	42311	42311-LBA2-E00	COLLAR RR AXLE A	COLLAR RR AXLE A	1	
	42312	42312-LBA2-E00	COLLAR RR AXLE SIDE	COLLAR RR AXLE SIDE	1	
**	42601	42601-LFH1-E00	WHEEL CAST	WHEEL CAST	1	
	42710-LBA2-E0A	42710-LBA2-E0A	TIRE ASSY RR 150/70-14 66S /MAXXIS	TIRE ASSY RR 150/70-14 66S /MAXXIS	1	
	42710-LBA2-E0B	42710-LBA2-E0B	TIRE ASSY RR 150/70-14 4P TL /KENDA	TIRE ASSY RR 150/70-14 4P TL /KENDA	1	
	42753	42753-KNBN-90B	VALAE RIM (TR412)	VALAE RIM (TR412)	1	
**	43100	43100-LBA2-E00	CALIPER ASSY RR /MAT BLACK	CALIPER ASSY RR /MAT BLACK	1	
	43105	43105-LBA2-305	PAD ASSY	PAD ASSY	1	
	43107	43107-LBA2-E00	PISTON ASSY	PISTON ASSY	1	
	43109	43109-MCA3-007	DUST SEAL	DUST SEAL	2	
**	43110	43110-LBA2-E00	BRACKET (Mat Titanium)	BRACKET (Mat Titanium)	1	
	43113	43113-LBA2-E00	SPRING BRAKE ARM	SPRING BRAKE ARM	1	
	43119	43119-LBA2-E00	GASKET WATER PROOF	GASKET WATER PROOF	1	
	43140	43140-LBA2-E00	ARM BRAKE ASSY	ARM BRAKE ASSY	1	
	43143	43143-LBA2-E00	BOLT DRIVE	BOLT DRIVE	1	
**	43146	43146-LBA2-E00	BRACKET CABLE	BRACKET CABLE	2	
	43351	43351-LBA2-E00	DISK RR BRAKE	DISK RR BRAKE	1	
	43352	43352-KKD6-E90	SCREW BLEEDER	SCREW BLEEDER	1	
	43353	43353-KED9-900	CAP BLEEDER	CAP BLEEDER	1	
	45107-LLJ3-E00	45107-LLJ3-E00	PISTON	PISTON	1	

F08

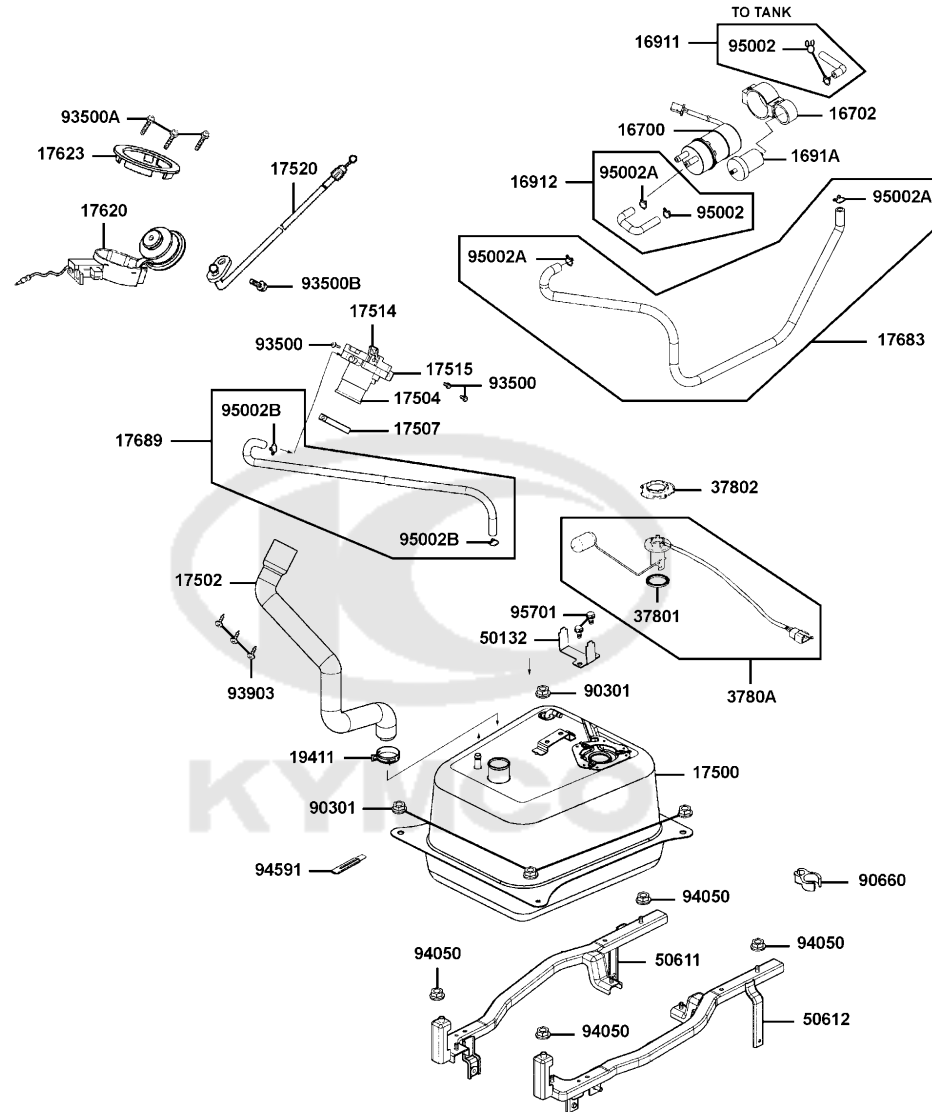
Rear Wheel



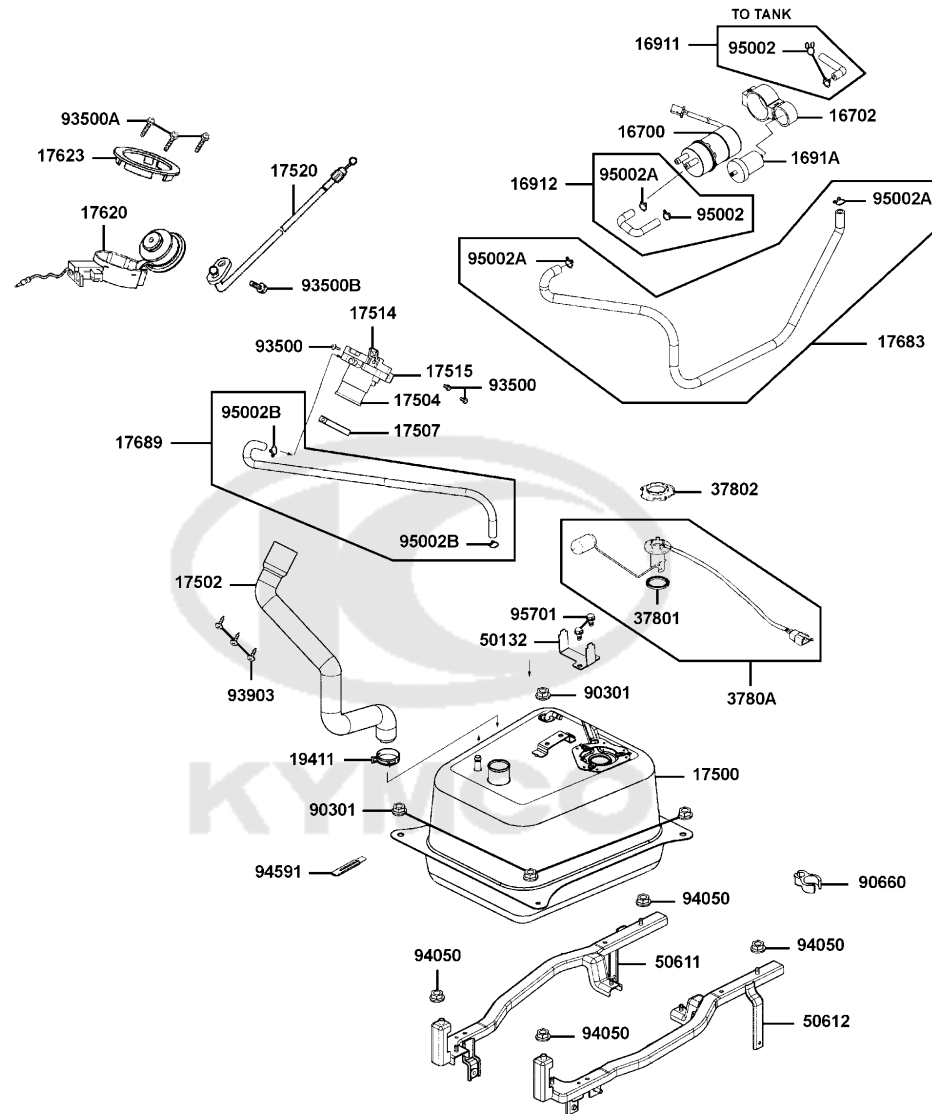
Sales mark	Ref no	Part no	Description	Reg description	Regd no	F08
	45107-LLJ3-E90	45107-LLJ3-E90	PIN HANGE	PIN HANGE	1	
	45108	45108-KED9-900	SPRING PAD	SPRING PAD	1	
	45132-1F66	45132-1F66-017	BUSH BOOT PIN	BUSH BOOT PIN	1	
	45132-KED9	45132-KED9-900	PIN BOLT	PIN BOLT	1	
	45134	45134-KED9-900	BOOT B	BOOT B	1	
	45135	45135-KED9-900	PIN BOLT A	PIN BOLT A	1	
	45203	45203-KED9-900	PLUG PIN	PLUG PIN	1	
	45209	45209-KED9-900	SEAL PISTON	SEAL PISTON	2	
	45516	45516-LBA2-E00	O RING	O RING	1	
	45531	45531-KED9-900	PLUG	PLUG	1	
	90101	90101-LBA2-E00	BOLT BUSH ROD	BOLT BUSH ROD	1	
	90105	90105-KCR3-001	BOLT FR DISK 8*24	BOLT FR DISK 8*24	5	
	90131	90131-LDB2-E00	BOLT FLANGE 8X45	BOLT FLANGE 8X45	2	
	90306	90306-LBA2-900	NUT U 20MM	NUT U 20MM	1	
	94050	94050-86000	FLANGE NUT M6*1.0	FLANGE NUT M6*1.0	1	
	95701	95701-LBA2-E00	BOLT FLANGE	BOLT FLANGE	1	



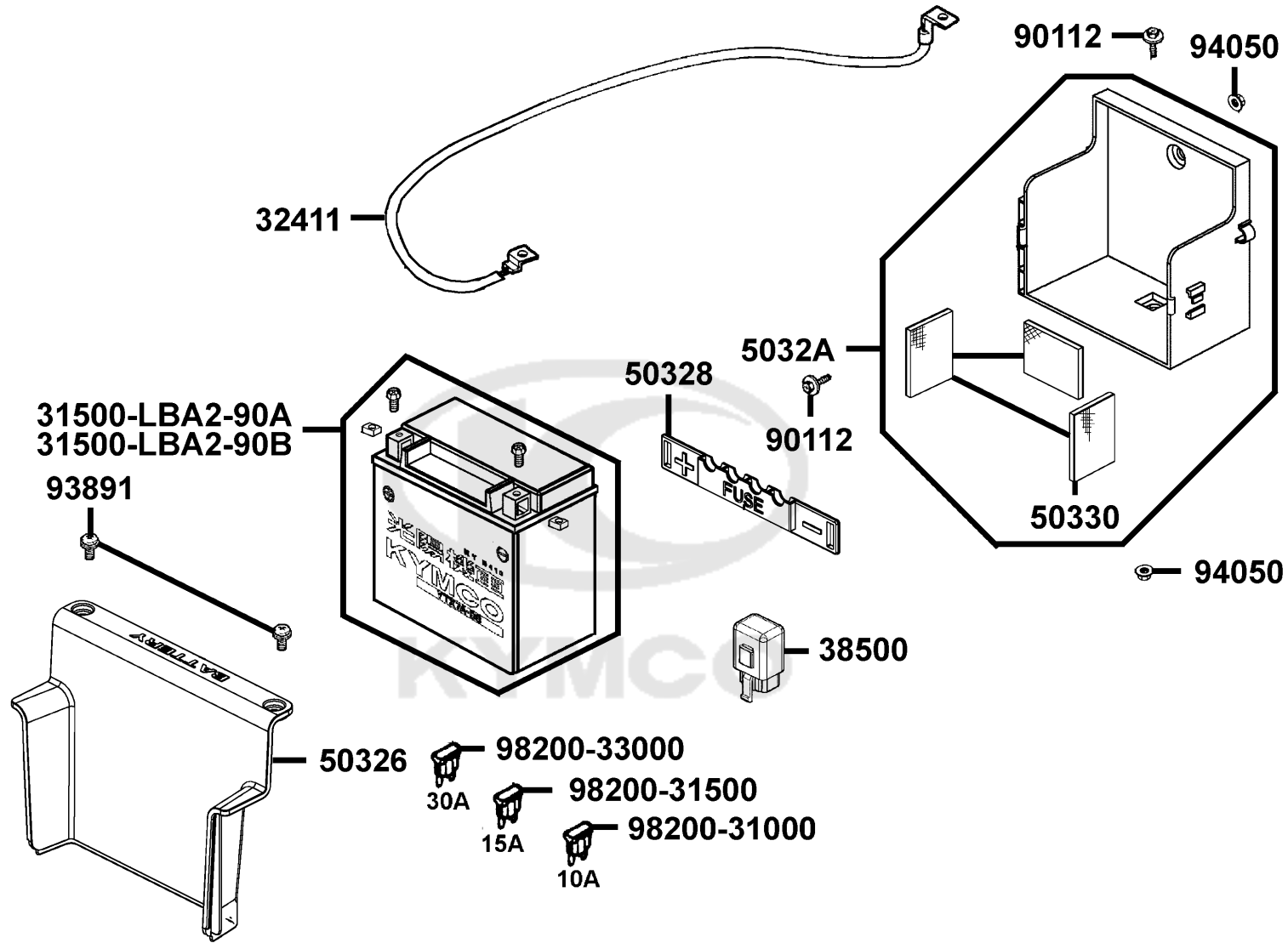
Sales mark	Ref no	Part no	Description	Reg description	Regd no	F09
**	77200	77200-LBA2-E00	SEAT ASSY (REACH)	SEAT ASSY (REACH)	1	
	77206	77206-KEB7-900	RUBBER SEAT CUSH	RUBBER SEAT CUSH	2	
**	77220	77220-LBA2-E00	SEAT ASSY PAD (REACH)	SEAT ASSY PAD (REACH)	1	
	77300	77300-LBA2-E00	HINGE ASSY SEAT	HINGE ASSY SEAT	1	
	77303	77303-LLJ3-E00	HOOK SEAT LOCK	HOOK SEAT LOCK	2	
	77305	77305-LBA2-E00	SCREW RIVENT	SCREW RIVENT	2	
	77400	77400-LBA2-E00	BOX ASSY SEAT	BOX ASSY SEAT	1	
	77500	77500-LBA2-E00	DAMPER GAS	DAMPER GAS	1	
	77501	77501-LBA2-E00	STAY GAS DAMPER	STAY GAS DAMPER	2	
	89010	89010-LBA2-E00	TOOL SET	TOOL SET	1	
	89020	89020-KKC4-900	BAND TOOL SET	BAND TOOL SET	1	
	90215	90215-KKC4-900	NUT CAP 6MM	NUT CAP 6MM	2	
	94050-06080	94050-06080	NUT FLANGE 6MM	NUT FLANGE 6MM	15	
	94050-08080	94050-08080	NUT FLANGE 8MM	NUT FLANGE 8MM	2	
	94101	94101-06800	WASHER PLAIN 6MM	WASHER PLAIN 6MM	1	



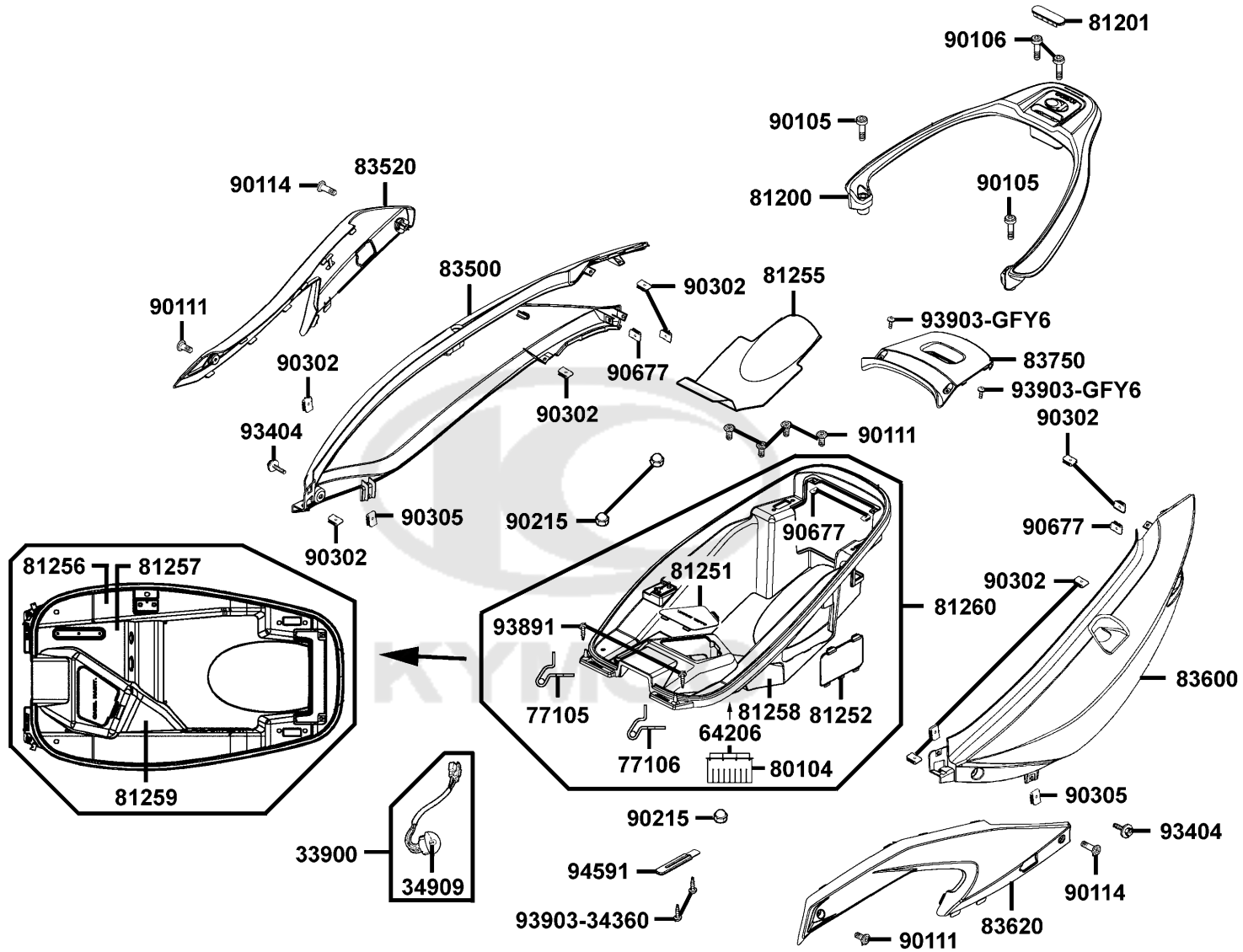
Sales mark	Ref no	Part no	Description	Reg description	Regd no	F10
	16700	16700-LBA2-E00	PUMP FUEL	PUMP FUEL	1	
	16702	16702-LBA2-E00	BAND FUEL HOSE	BAND FUEL HOSE	1	
	16911	16911-LBA2-E00	TUBE ASSY TANK - STRAINER	TUBE ASSY TANK - STRAINER	1	
	16912	16912-LBA2-E00	TUBE ASSY STRAINER TO FUEL PUMP	TUBE ASSY STRAINER TO FUEL PUMP	1	
	1691A	1691A-KEC2-E00	STRAINER ASSY FUEL	STRAINER ASSY FUEL	1	
	17500	17500-LBA2-E00	TANK COMP FUEL	TANK COMP FUEL	1	
	17502	17502-LBA2-E00	TUBE FUEL	TUBE FUEL	1	
	17504	17504-LAB4-900	FUEL FILLER	FUEL FILLER	1	
	17507	17507-LAB4-900	BAND 50 FUEL HOSE	BAND 50 FUEL HOSE	1	
	17514	17514-LBA2-E00	STAY A FUEL FILLER	STAY A FUEL FILLER	1	
	17515	17515-LBA2-E00	STAY B FUEL FILLER	STAY B FUEL FILLER	1	
	17520	17520-LBA2-E00	CABLE COMP FUEL CAP	CABLE COMP FUEL CAP	1	
**	17620	17620-LLJ3-E0A	CAP COMP FUEL FILLER	CAP COMP FUEL FILLER	1	
**	17620	17620-LLJ3-E0B	CAP COMP FUEL FILLER	CAP COMP FUEL FILLER	1	
#	17623	17623-LAB4-900	COLLAR FUEL FILLER	COLLAR FUEL FILLER	1	
	17623	17623-LAB4-90A	COLLAR FUEL CAP	COLLAR FUEL CAP	1	
	17683	17683-LBA2-E00	TUBE ASSY FUEL	TUBE ASSY FUEL	1	
	17689	17689-KEBE-900	TUBE ASSY TANK TO 3 WJT	TUBE ASSY TANK TO 3 WJT	1	
	19411	19411-KBCB-900	CLIP HOSE	CLIP HOSE	1	
	37801	37801-GGA7-701	PACKING BASE	PACKING BASE	1	



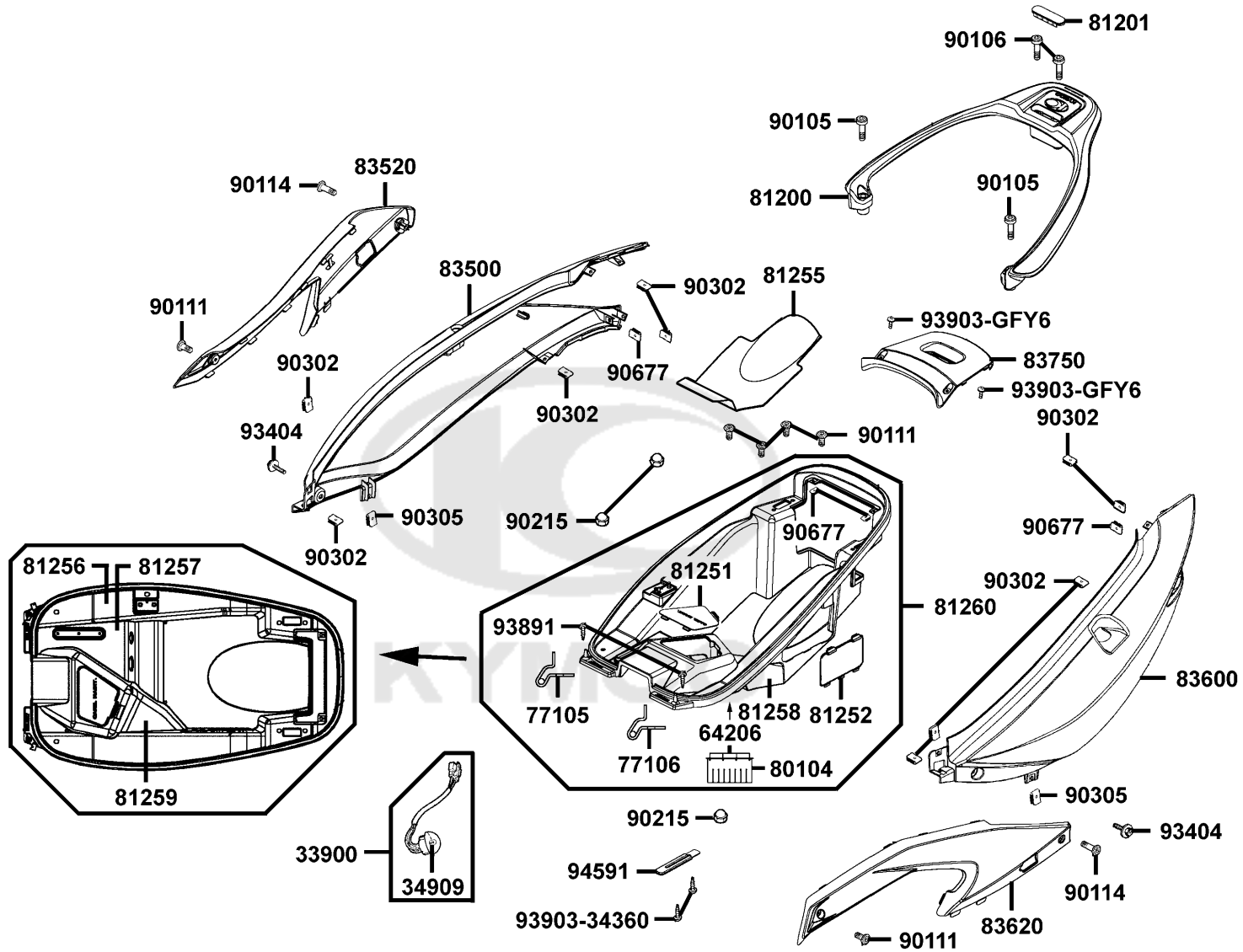
Sales mark	Ref no	Part no	Description	Reg description	Regd no	F10
	37802	37802-GGA7-701	RET FUEL UNIT	RET FUEL UNIT	1	
	3780A	3780A-LBA2-E00	FUEL UNIT ASSY	FUEL UNIT ASSY	1	
	50132	50132-LBA2-E00	STAY FUEL ASSY	STAY FUEL ASSY	1	
	50611	50611-LBA2-E00	RNFCT R COMP FLOOR	RNFCT R COMP FLOOR	1	
	50612	50612-LBA2-E00	RNFCT L COMP FLOOR	RNFCT L COMP FLOOR	1	
	90301	90301-6D34-671	NUT FLANGE 6MM	NUT FLANGE 6MM	4	
	90660	90660-KNBN-921	CLAMP TUBE	CLAMP TUBE	1	
#	93500	93500-04008-0F	SCREW PAN 4X8	SCREW PAN 4X8	1	
	93500A	93500-04020-0G	SCREW PAN 4*20	SCREW PAN 4*20	3	
	93500B	93500-KHC4-90A	SCREW PAN 5*10	SCREW PAN 5*10	1	
	93903	93903-35260	SCREW TAPPING 5*12	SCREW TAPPING 5*12	3	
	94050	94050-06080	NUT FLANGE 6MM	NUT FLANGE 6MM	4	
	94591	94591-KFBF-900	CLIP 2*70	CLIP 2*70	1	
	95002	95002-02100	CLIP B15 TUBE	CLIP B15 TUBE	3	
	95002A	95002-02120	CLIP B12 TUBE	CLIP B12 TUBE	3	
	95002B	95002-02130	CLIP B12.5 TUBE	CLIP B12.5 TUBE	2	
#	95701	95701-06012-06	BOLT FLANGE 6*12 **07 C.2005.07.01	BOLT FLANGE 6*12 **07 C.2005.07.01	1	



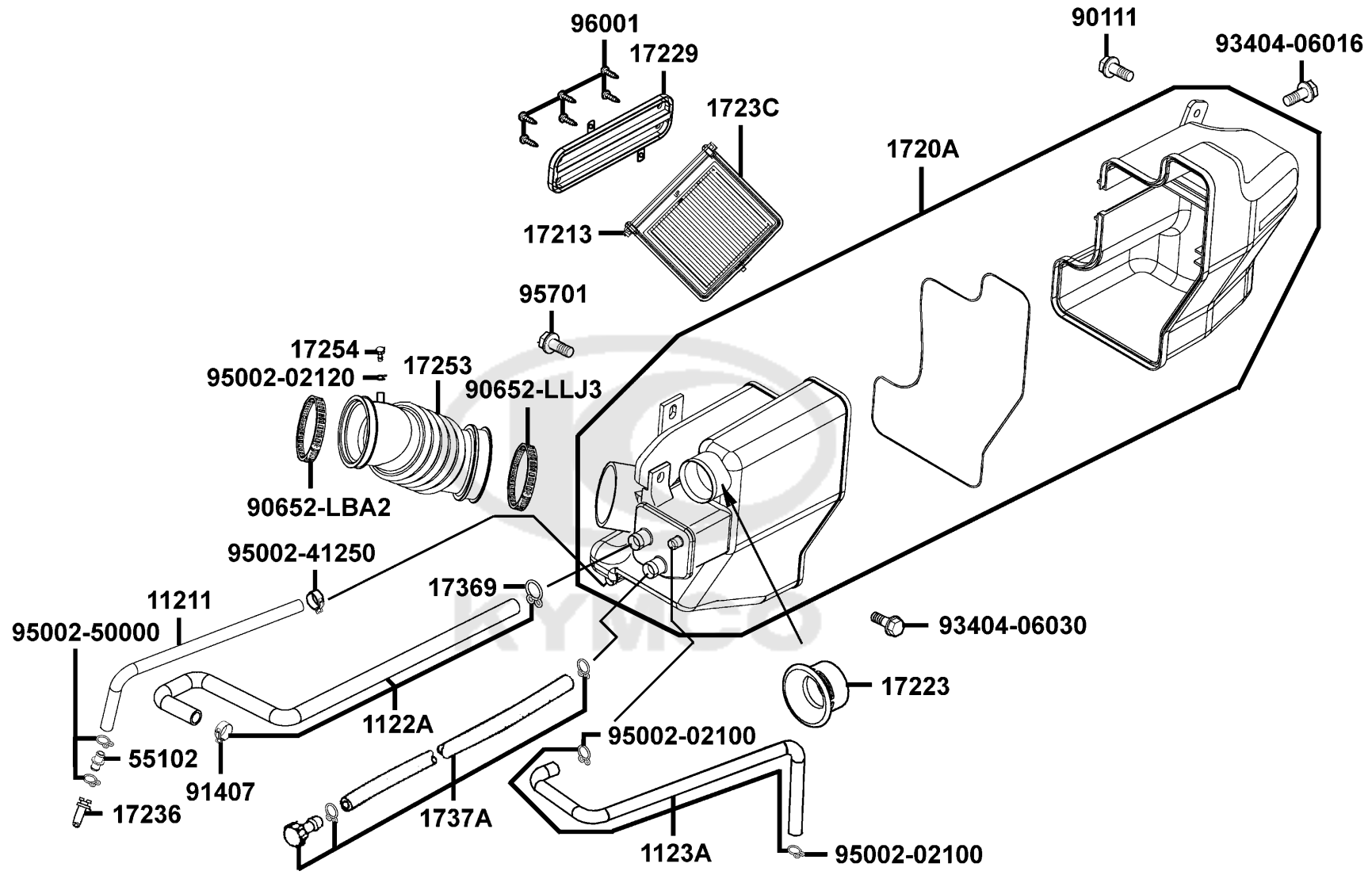
Sales mark	Ref no	Part no	Description	Reg description	Regd no	F11
	31500-LBA2-90A	31500-LBA2-90A	BATTERY YTX14-BS	BATTERY YTX14-BS	1	
	31500-LBA2-90B	31500-LBA2-90B	BATTERY GTX14-BS	BATTERY GTX14-BS	1	
	32411	32411-LBA2-E00	CABLE BATTERY	CABLE BATTERY	1	
#	38500	38500-LGL3-90A	RELAY ASSY LIGHT	RELAY ASSY LIGHT	2	
	50326	50326-LBA2-E00	COVER BATTERY	COVER BATTERY	1	
	50328	50328-LBA2-E00	BAND BATTERY	BAND BATTERY	1	
	5032A	5032A-LBA2-E00	CASE ASSY BATTERY	CASE ASSY BATTERY	1	
	50330	50330-LBA2-E00	SPONGE BATTERY	SPONGE BATTERY	3	
	90112	90112-KNBN-901	BOLT FLANGE 6MM	BOLT FLANGE 6MM	2	
	93891	93891-05016-06	SCREW WASHER 5* 16	SCREW WASHER 5* 16	2	
	94050	94050-06080	NUT FLANGE 6MM	NUT FLANGE 6MM	2	
	98200-31000	98200-31000	BLADE FUSE 10A **(0) C.2005.03.01	BLADE FUSE 10A **(0) C.2005.03.01	1	
	98200-31500	98200-31500	FUSE A15	FUSE A15	1	
	98200-33000	98200-33000	BLADE FUSE 30A	BLADE FUSE 30A	1	



Sales mark	Ref no	Part no	Description	Reg description	Regd no	F12
	33900	33900-KFBF-900	LIGHT ASSY LUGGAGE BOX	LIGHT ASSY LUGGAGE BOX	1	
	34909	34909-KFBF-900	BULB WEDGE BASE	BULB WEDGE BASE	1	
	64206	64206-MLJ0-001	NUT SPEED 4MM	NUT SPEED 4MM	4	
	77105	77105-GFS6-001	HOOK R HELMET	HOOK R HELMET	1	
	77106	77106-GFS6-001	HOOK L HELMET	HOOK L HELMET	1	
	80104	80104-LBA2-E00	PLATE C SPLASH GUARD	PLATE C SPLASH GUARD	1	
**	81200	81200-LBA2-E00	CARRIER RR	CARRIER RR	1	
	81201	81201-LBA2-E00	PLUG BAR RR CARRIER	PLUG BAR RR CARRIER	1	
	81251	81251-LBA2-E00	COVER CARB MAINT	COVER CARB MAINT	1	
	81252	81252-LBA2-E00	COVER A/C MAINT	COVER A/C MAINT	1	
	81255	81255-LBA2-E00	BAG LUGGAGE	BAG LUGGAGE	1	
	81256	81256-LBA2-E00	HEAT GUARD A LUGGAGE BOX	HEAT GUARD A LUGGAGE BOX	1	
	81257	81257-LBA2-E00	HEAT GUARD B LUGGAGE BOX	HEAT GUARD B LUGGAGE BOX	1	
	81258	81258-LBA2-E00	HEAT GUARD C LUGGAGE BOX	HEAT GUARD C LUGGAGE BOX	1	
	81259	81259-LBA2-E00	HEAT GUARD D LUGGAGE BOX	HEAT GUARD D LUGGAGE BOX	1	
	81260	81260-LBA2-E00	BOX ASSY LUGGAGE	BOX ASSY LUGGAGE	1	
**	83500	83500-LBA2-E00	COVER R BODY	COVER R BODY	1	
**	83520	83520-LBA2-E00	COVER R SIDE	COVER R SIDE	1	
**	83600	83600-LBA2-E00	COVER L BODY	COVER L BODY	1	
**	83620	83620-LBA2-E00	COVER L SIDE	COVER L SIDE	1	



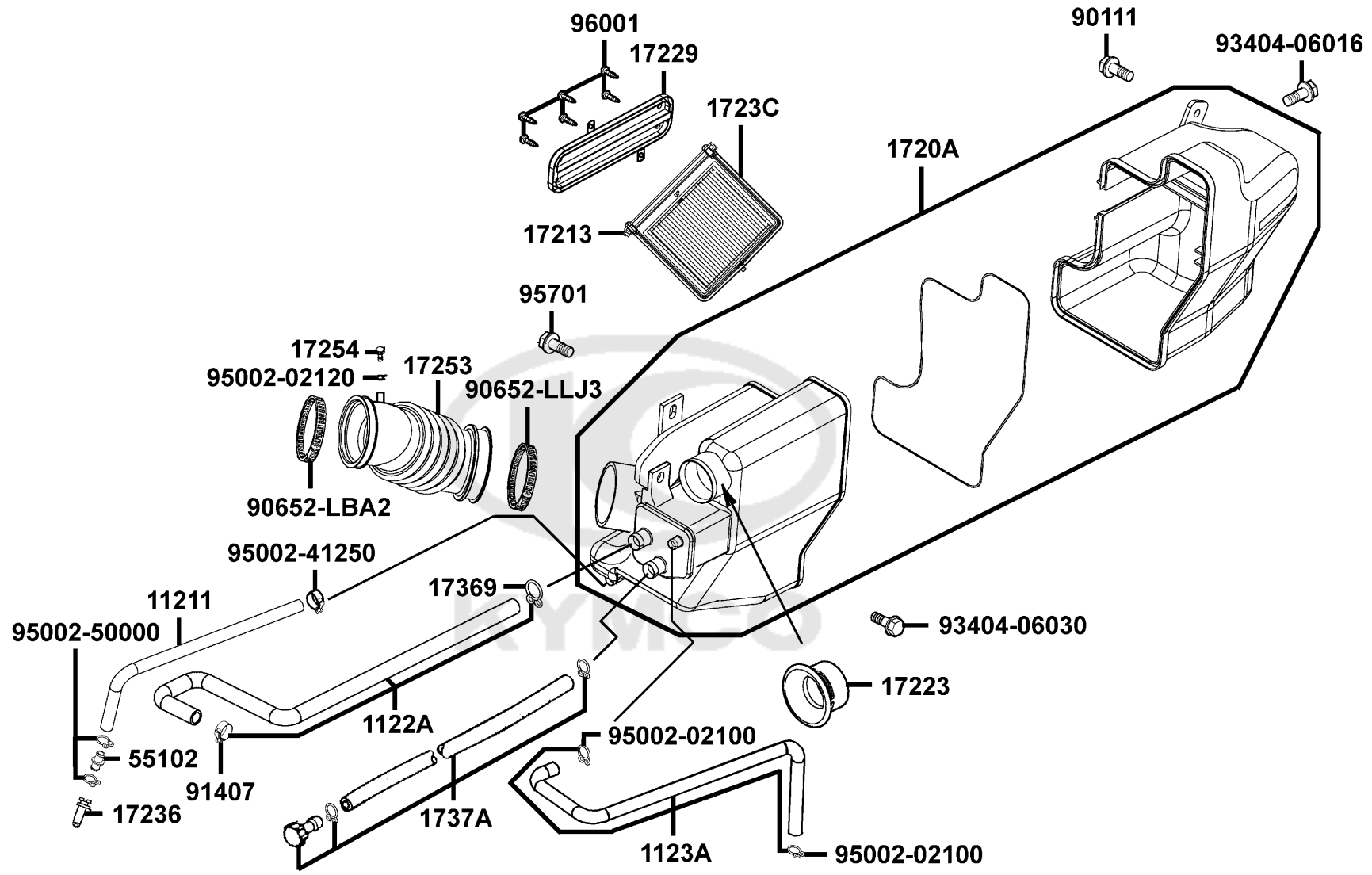
Sales mark	Ref no	Part no	Description	Reg description	Regd no	F12
**	83750	83750-LBA2-E00	COVER RR CENTER	COVER RR CENTER	1	
	90105	90105-KHB4-900	BOLT WASH M8*60	BOLT WASH M8*60	2	
	90106	90106-KFA6-900	BOLT WASH 8MM	BOLT WASH 8MM	2	
#	90111	90111-LEC8-E01	SCREW.PAN 6X14(CG)	SCREW.PAN 6X14(CG)	6	
	90114	90114-LBA2-E00	SCREW PAN 6*30	SCREW PAN 6*30	2	
	90215	90215-KKC4-900	NUT CAP 6MM	NUT CAP 6MM	3	
	90302	90302-SDA4-004	NUT SPRING 4MM	NUT SPRING 4MM	10	
	90305	90305-GHK8-001	NUT CLIP 6MM	NUT CLIP 6MM	2	
	90677	90677-GAR1-004	NUT CLIP 5MM	NUT CLIP 5MM	4	
	93404	93404-06016-06	BOLT WASHER 6*16	BOLT WASHER 6*16	2	
	93891	93891-06010-07	SCREW WASHER 6*10	SCREW WASHER 6*10	2	
	93903-34360	93903-34360	SCREW TAPPING 4X12	SCREW TAPPING 4X12	2	
	93903-GFY6	93903-GFY6-900	SCREW TAPPING 4*14	SCREW TAPPING 4*14	2	
	94591	94591-27000	CLIP 2*70	CLIP 2*70	1	



Sales mark	Ref no	Part no	Description	Reg description	Regd no	F13
	11211	11211-LBA2-E00	TUBE AIR/C	TUBE AIR/C	1	
	1122A	1122A-LBA2-E00	TUBE ASSY	TUBE ASSY	1	
	1123A	1123A-LBA2-E00	TUBE BREATHER ASSY	TUBE BREATHER ASSY	1	
	1720A	1720A-LBA2-E00	CASE COMP AIR/C	CASE COMP AIR/C	1	
	17213	17213-LBA2-E00	SEAL ELEMENT	SEAL ELEMENT	1	
	17223	17223-LBA2-E00	DUCT ELEMENT	DUCT ELEMENT	1	
	17229	17229-LBA2-E00	COVER B AIR/C	COVER B AIR/C	1	
	17236	17236-CA01-900	DRAINER	DRAINER	1	
	1723C	1723C-LBA2-E00	ELEMENT ASSY AIR/C	ELEMENT ASSY AIR/C	1	
	17253	17253-LBA2-E00	TUBE AIR/C CONN	TUBE AIR/C CONN	1	
	17254	17254-KACA-P00	PLUG AIR/C CONN TUBE	PLUG AIR/C CONN TUBE	1	
	17369	17369-KDB4-671	CLIP BREATHER TUBE	CLIP BREATHER TUBE	1	
	1737A	1737A-KKC3-E00	V TUBE ASSY	V TUBE ASSY	1	
	55102	55102-1F66-001	JOINT OIL TUBE	JOINT OIL TUBE	1	
	90111	90111-1G87-001	BOLT FLANGE 6MM	BOLT FLANGE 6MM	1	
	90652-LBA2	90652-LBA2-E00	C-HOPE 40-59	C-HOPE 40-59	1	
	90652-LLJ3	90652-LLJ3-E00	BAND CONNECTING TUBE	BAND CONNECTING TUBE	1	
	91407	91407-SGA7-004	CLAMP 17 FUSE HOSE	CLAMP 17 FUSE HOSE	1	
	93404-06016	93404-06016-06	BOLT WASHER 6*16	BOLT WASHER 6*16	1	
	93404-06030	93404-06030-06	BOLT WASHER 6*30	BOLT WASHER 6*30	1	

F13

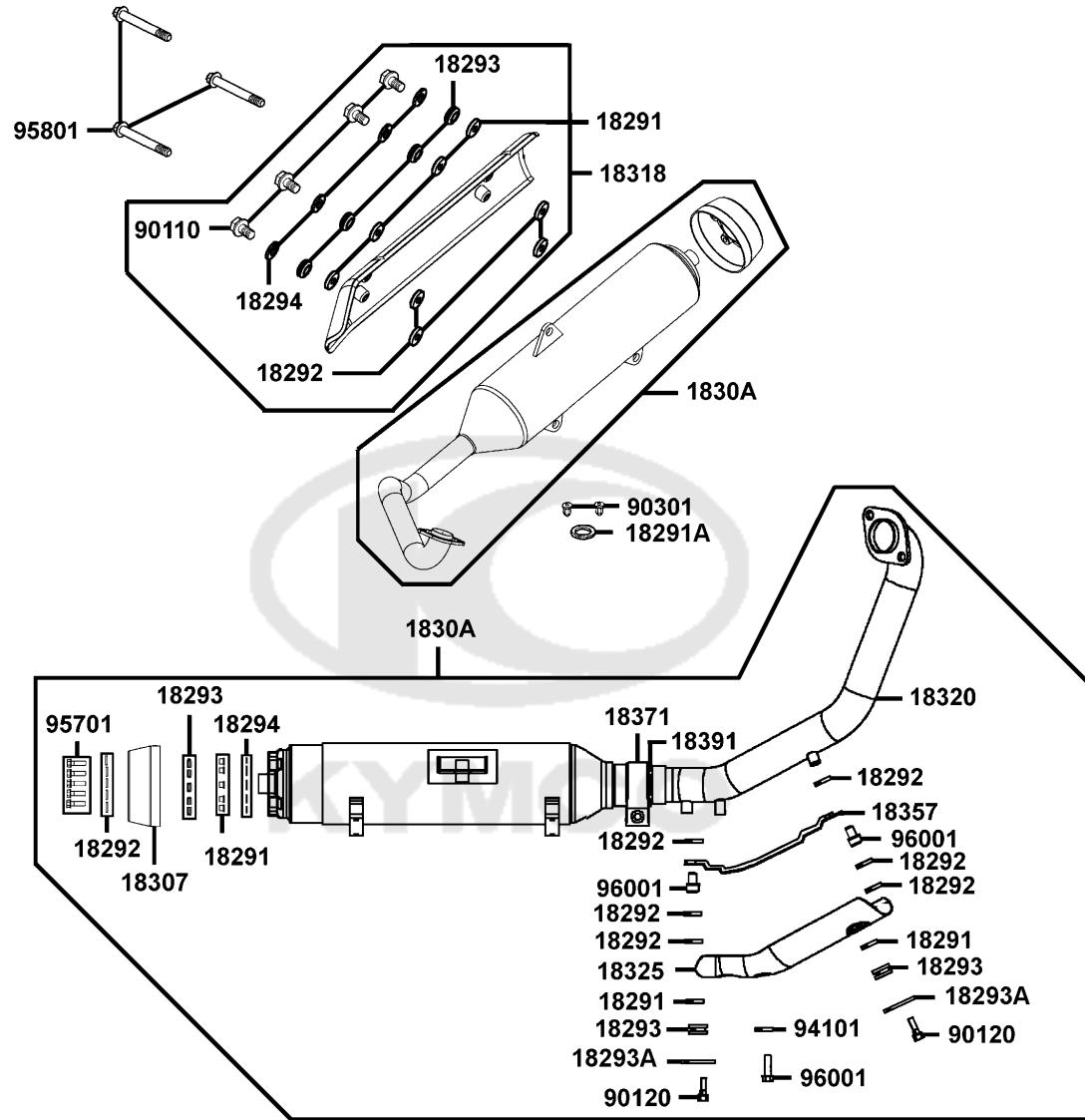
Air Cleaner



Sales mark	Ref no	Part no	Description	Reg description	Regd no	F13
	95002-02100	95002-02100	CLIP B15 TUBE	CLIP B15 TUBE	2	
	95002-02120	95002-02120	CLIP B12 TUBE	CLIP B12 TUBE	1	
	95002-41250	95002-41250-00	CLIP D12.5 TUBE	CLIP D12.5 TUBE	1	
	95002-50000	95002-50000	CLIP C9 TUBE	CLIP C9 TUBE	2	
#	95701	95701-06018-06	BOLT FLANGE 6X18	BOLT FLANGE 6X18	1	
	96001	96001-GFY6-900	BOLT SPECIAL 5X10	BOLT SPECIAL 5X10	6	

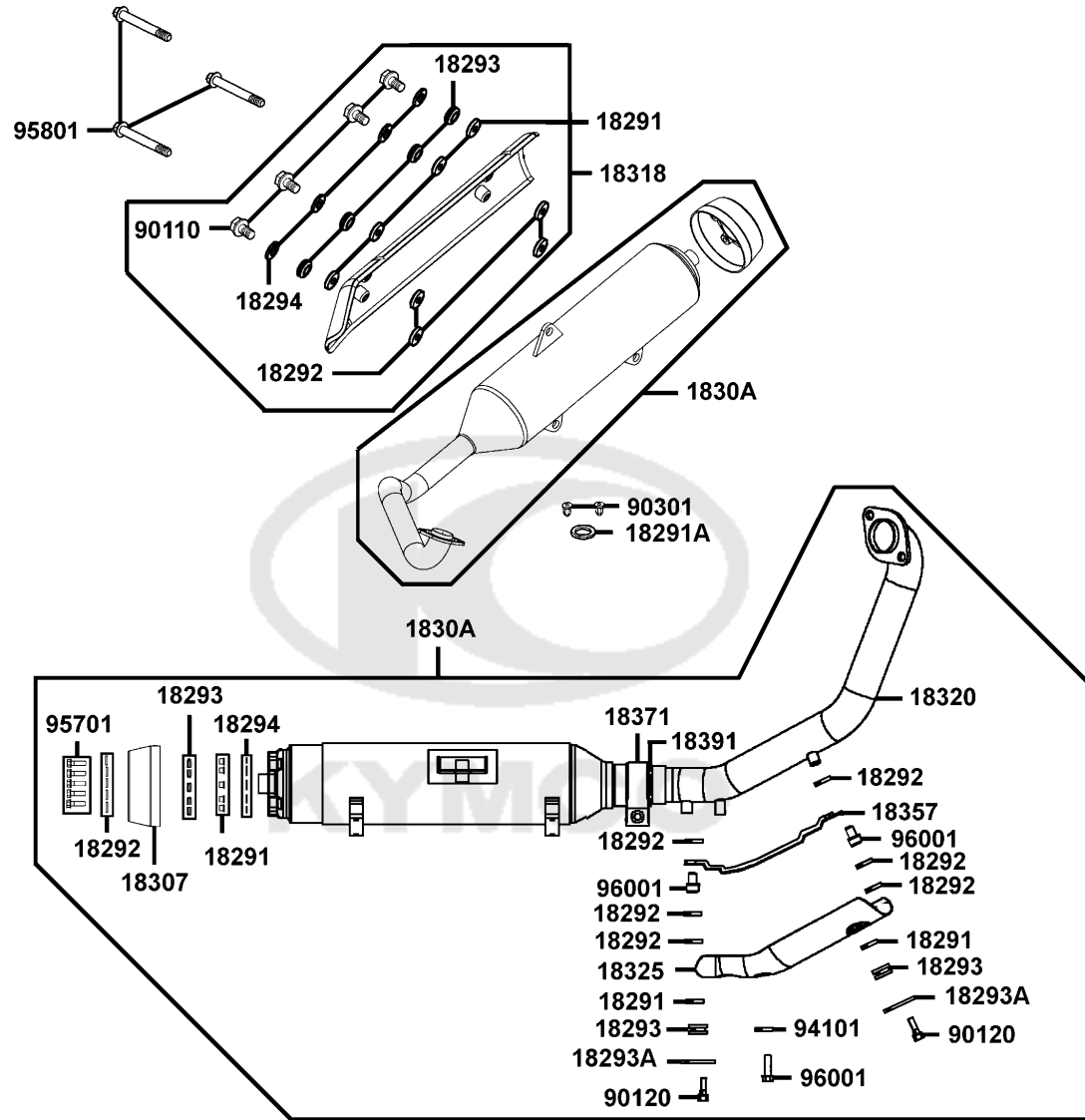


Exhaust Muffler



Sales mark	Ref no	Part no	Description	Reg description	Regd no	F14
	18291	18291-KEBE-900	COLLAR	COLLAR	11	
	18291A	18291-LBA2-E00	GASKET EXH PIPE	GASKET EXH PIPE	1	
	18292	18292-KEBE-900	PACKING PROTECTOR	PACKING PROTECTOR	15	
	18293	18293-KEBE-900	RUBBER PKG PROTR	RUBBER PKG PROTR	11	
	18293A	18293-KGAG-520	PACKING PROTECTOR	PACKING PROTECTOR	2	
	18294	18294-KEBE-900	PACKING PROTECTOR	PACKING PROTECTOR	9	
# **	18307	18307-LBA2-900	TAIL CAP COMP MUFFLER	TAIL CAP COMP MUFFLER	1	
	1830A	1830A-LBA2-E00	MUFFLER ASSY EXH	MUFFLER ASSY EXH	1	
**	18318	18318-LBA2-E00	PROTECTOR MUFFLER/MAT BROWN	PROTECTOR MUFFLER/MAT BROWN	1	
	18320	18320-LBA2-E00	PIPE EXHAUST	PIPE EXHAUST	1	
	18325	18325-LBA2-E00	PROTECTOR EXH PIPE	PROTECTOR EXH PIPE	1	
	18357	18357-LBA2-E00	PROTECTOR INNER EXH PIPE	PROTECTOR INNER EXH PIPE	1	
	18371	18371-LBA2-E00	BAND MUFFLER	BAND MUFFLER	1	
	18391	18391-LBA2-E00	GASKET	GASKET	1	
	90110	90110-KEBE-900	SCREW SPECIAL 6*22	SCREW SPECIAL 6*22	4	
	90120	90120-KGAG-520	SOCKET BOT SPECIAL 6*22	SOCKET BOT SPECIAL 6*22	2	
	90301	90301-GFY6-901	NUT CAP 8MM **(1) C.2008.10.28	NUT CAP 8MM **(1) C.2008.10.28	2	
	94101	94101-06700	WASHER PLAIN 6MM	WASHER PLAIN 6MM	1	
#	95701	95701-06025-06	BOLT FLANGE 6*25	BOLT FLANGE 6*25	5	
	95801	95801-10050-06	BOLT FLANGE 10*50	BOLT FLANGE 10*50	3	

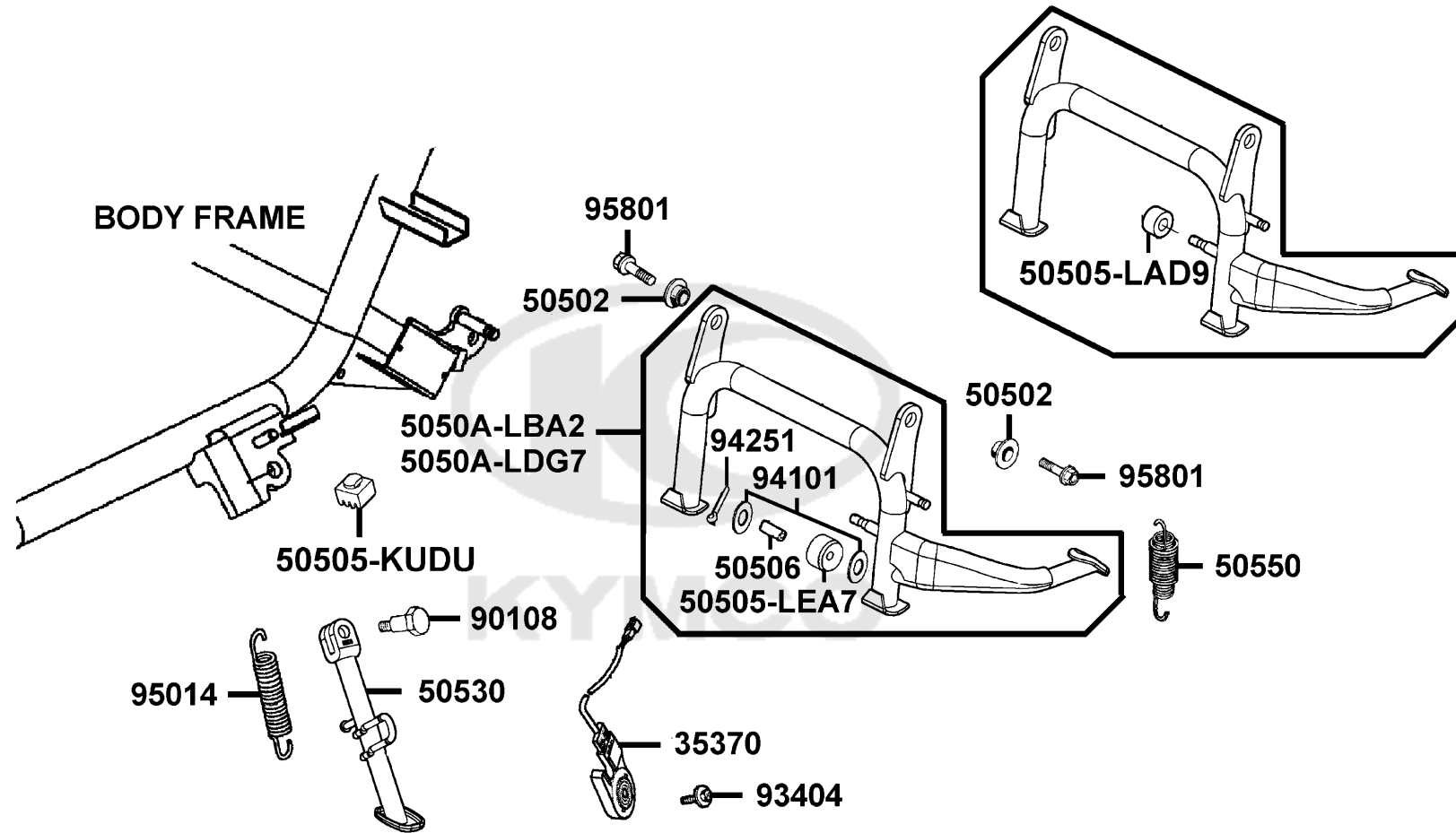
Exhaust Muffler



Sales mark	Ref no	Part no	Description	Reg description	Regd no	F14
------------	--------	---------	-------------	-----------------	---------	------------

#	96001	96001-06014-06	BOLT FLANGE SH 6X14	BOLT FLANGE SH 6X14	1	
---	-------	----------------	---------------------	---------------------	---	--

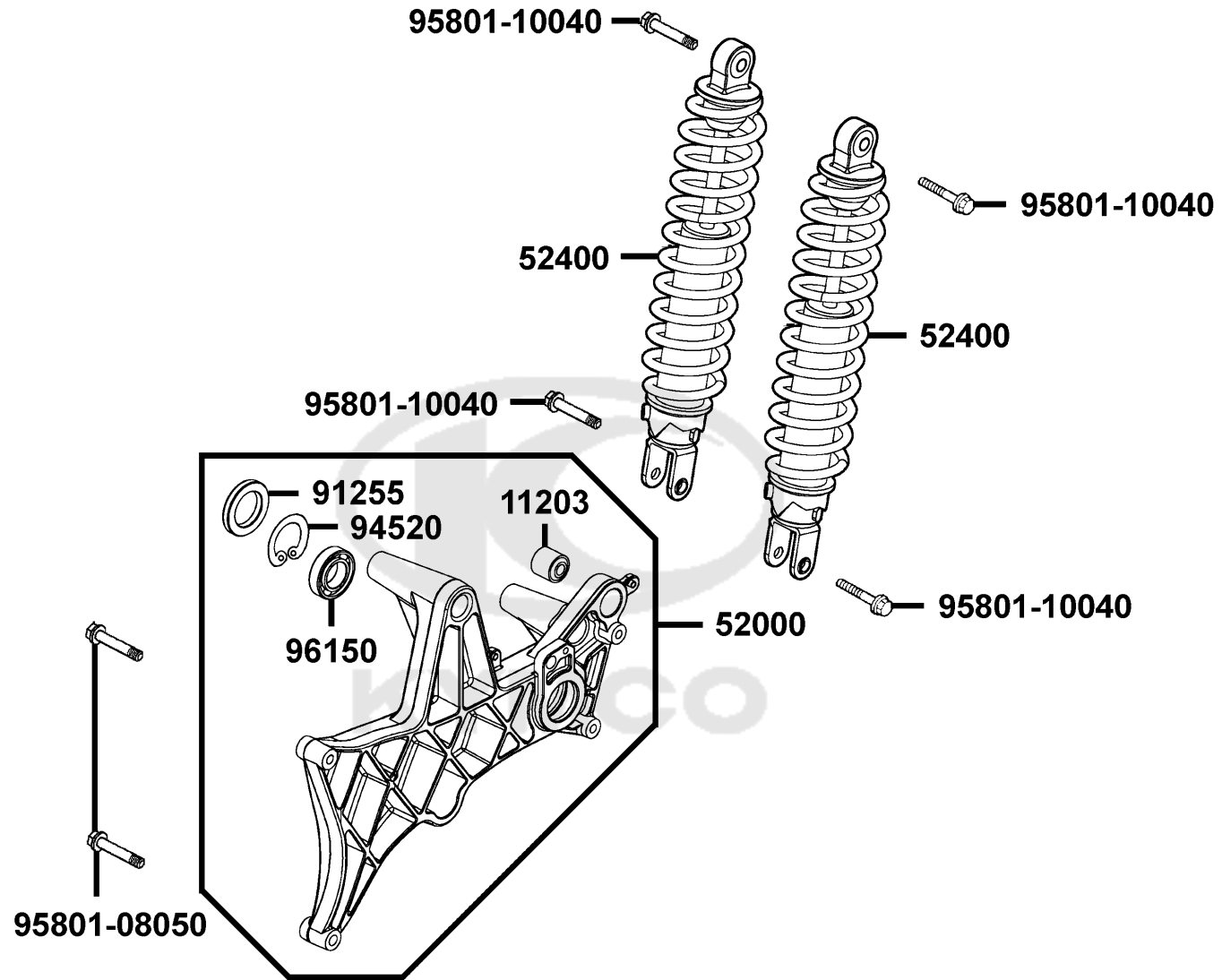




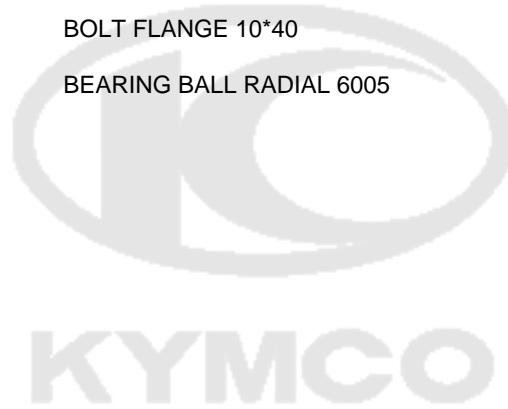
Sales mark	Ref no	Part no	Description	Reg description	Regd no	F15
	35370	35370-KEC8-E00	SW UNIT SIDE STAND	SW UNIT SIDE STAND	1	
	50502	50502-GFY6-901	COLLAR MAIN STAND	COLLAR MAIN STAND	2	
	50505-KUDU	50505-KUDU-900	STOPPER RUBBER STAND	STOPPER RUBBER STAND	1	
	50505-LAD9	50505-LAD9-900	STOPPER RUBBER	STOPPER RUBBER	1	
#	50505-LEA7	50505-LEA7-E00	STOPPER RUBBER	STOPPER RUBBER	1	
	50506	50506-KHE7-E00	COLLAR STOPPER RUBBER	COLLAR STOPPER RUBBER	1	
	5050A-LBA2	5050A-LBA2-E01	STAND ASSY MAIN	STAND ASSY MAIN	1	
#	5050A-LDG7	5050A-LDG7-900	STAND ASSY MAIN	STAND ASSY MAIN	1	
	50530	50530-LDB2-E00	BAR SIDE STAND	BAR SIDE STAND	1	
	50550	50550-KKC2-E00	SPG ASSY MAIN STAND	SPG ASSY MAIN STAND	1	
	90108	90108-KKC4-900	SCREW SIDE STAND PIVOT	SCREW SIDE STAND PIVOT	1	
	93404	93404-06016-06	BOLT WASHER 6*16	BOLT WASHER 6*16	1	
	94101	94101-08700	WASHER PLAIN 8MM	WASHER PLAIN 8MM	2	
	94251	94251-08400	PIN LOCK 8MM	PIN LOCK 8MM	1	
	95014	95014-72204	SPG B1 SIDE STAND	SPG B1 SIDE STAND	1	
#	95801	95801-10025-06	BOLT FLANGE 10*25	BOLT FLANGE 10*25	1	

F16

Rear Cushion

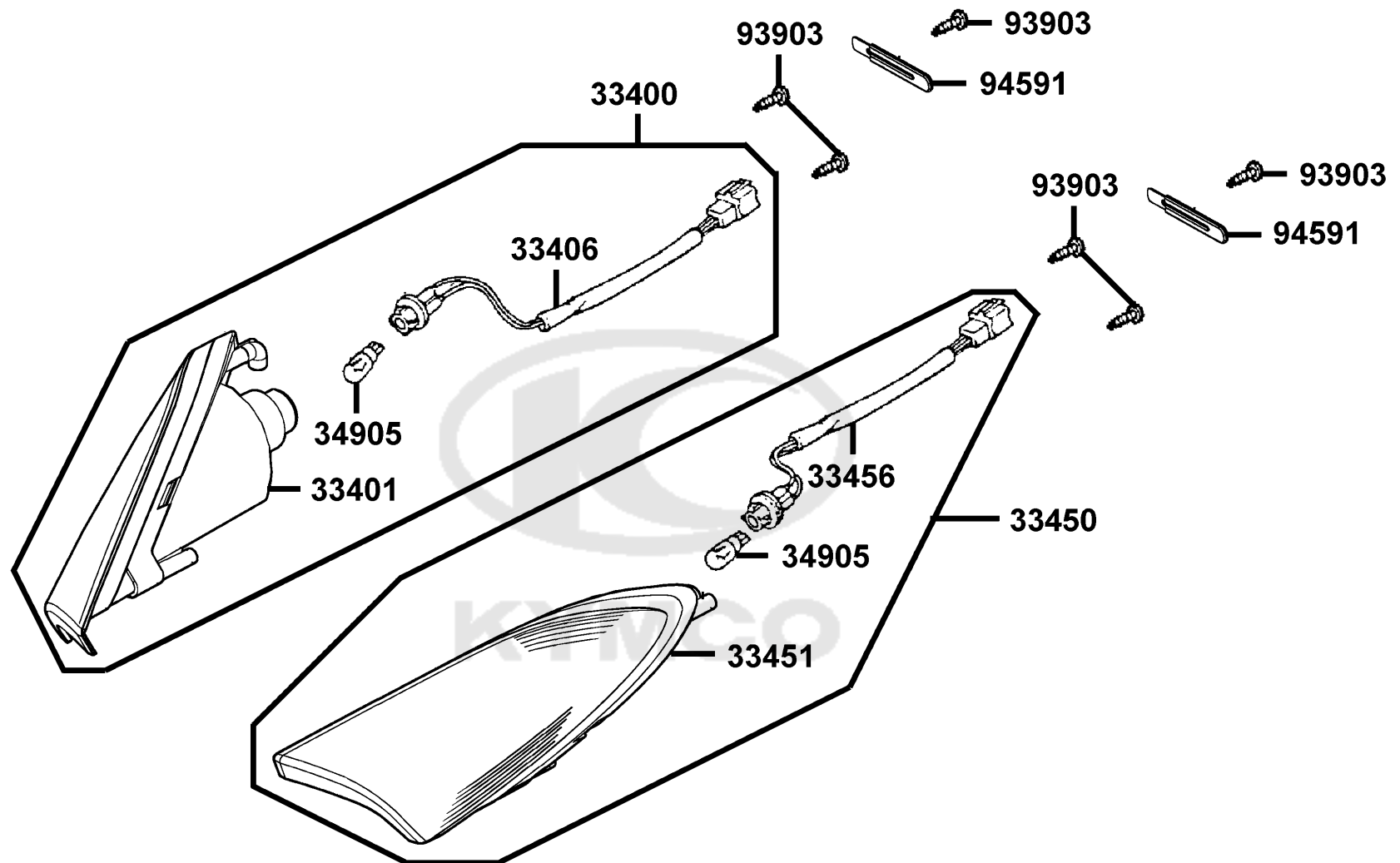


Sales mark	Ref no	Part no	Description	Reg description	Regd no	F16
	11203	11203-LBA2-E00	RUB BUSH L CASE	RUB BUSH L CASE	1	
**	52000	52000-LFH1-E00	FORK ASSY RR	FORK ASSY RR	1	
**	52400	52400-LBA2-E00	CUSHION ASSY R RR	CUSHION ASSY R RR	2	
	91255	91255-KHE7-900	OIL SEAL 34*52*7	OIL SEAL 34*52*7	1	
#	91255	91255-KHE7-90A	OIL SEAL 34*52*7	OIL SEAL 34*52*7	1	
	94520	94520-47000	CIR CLIP IN 47	CIR CLIP IN 47	1	
	95801-08050	95801-08050-06	BOLT FLANGE 8*50	BOLT FLANGE 8*50	2	
	95801-10040	95801-10040-02	BOLT FLANGE 10*40	BOLT FLANGE 10*40	4	
	96150	96150-60050-00	BEARING BALL RADIAL 6005	BEARING BALL RADIAL 6005	1	

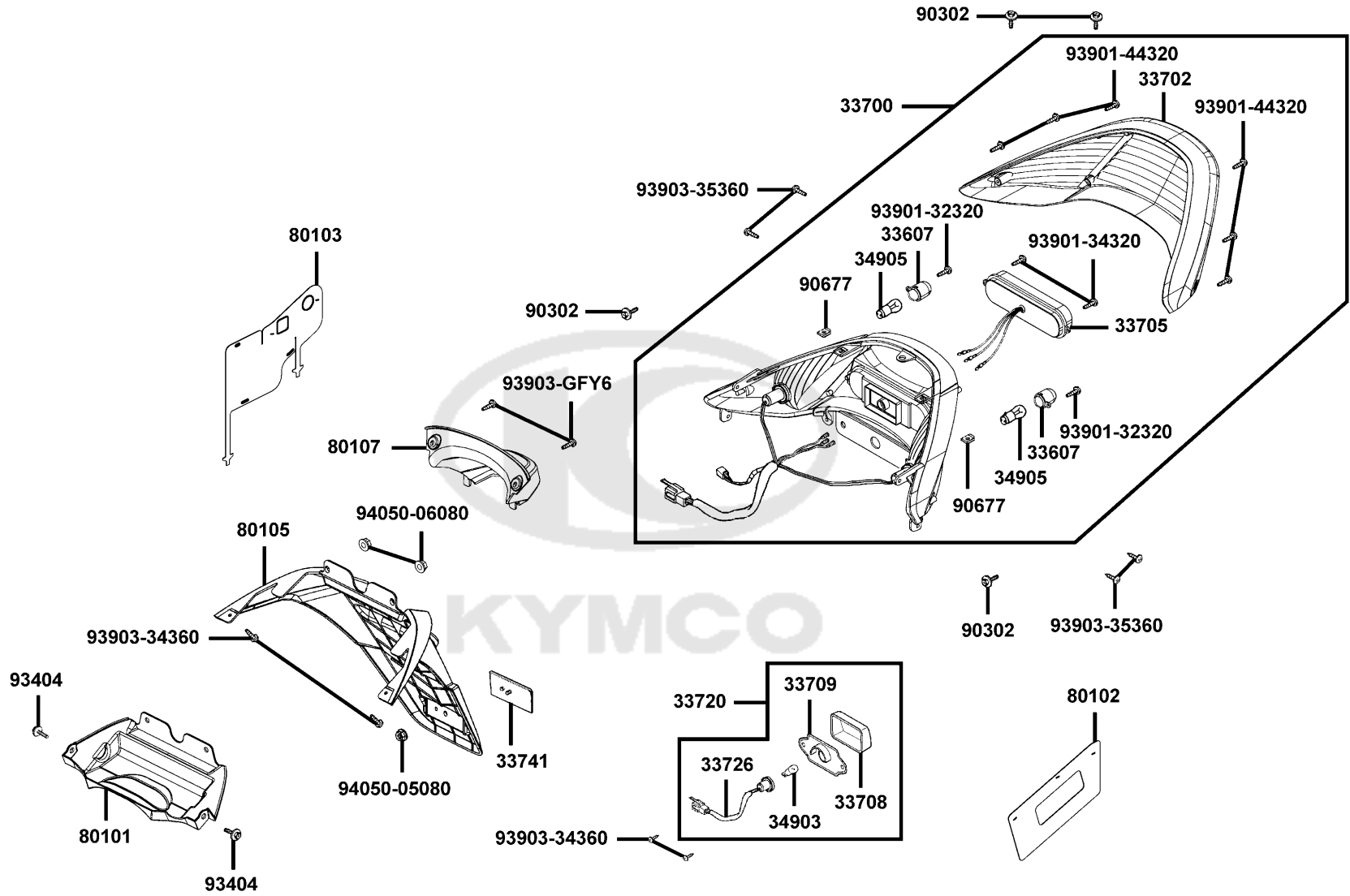


F17

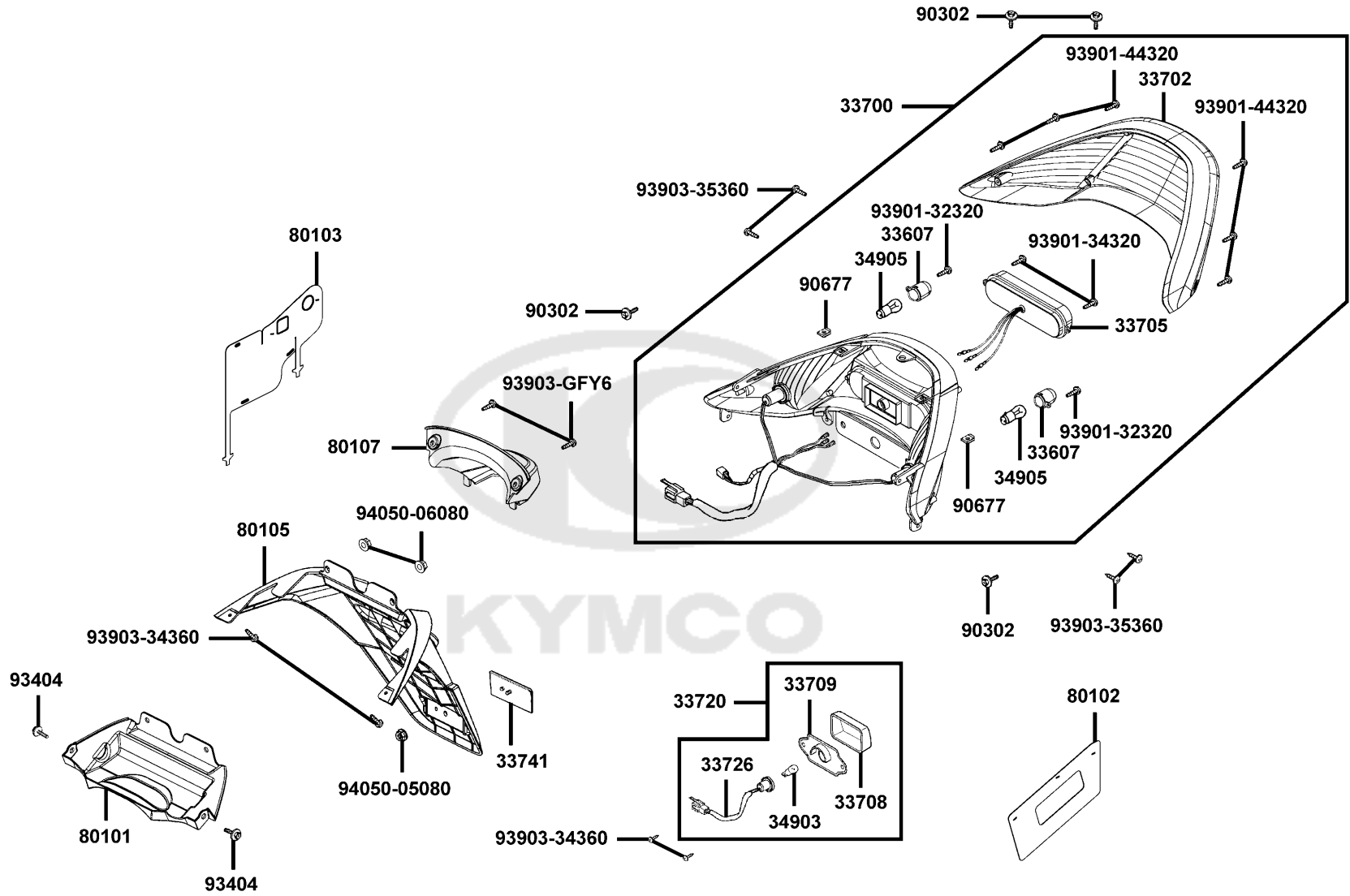
Front Winker RR WINKER




Sales mark	Ref no	Part no	Description	Reg description	Regd no	F17
#	33400	33400-LBA2-E01	WINKER ASSY R FR	WINKER ASSY R FR	1	
	33401	33401-LBA2-E00	UNIT WINKER R FR	UNIT WINKER R FR	1	
#	33401	33401-LBA2-E01	UNIT WINKER R FR	UNIT WINKER R FR	1	
	33406	33406-LBA2-E00	SOCKET WINKER R	SOCKET WINKER R	1	
#	33406	33406-LBA2-E01	SOCKET WINKER R	SOCKET WINKER R	1	
#	33450	33450-LBA2-E01	WINKER ASSY L FR	WINKER ASSY L FR	1	
	33451	33451-LBA2-E00	UNIT WINKER L FR	UNIT WINKER L FR	1	
#	33451	33451-LBA2-E01	UNIT WINKER L FR	UNIT WINKER L FR	1	
	33456	33456-LBA2-E00	SOCKET WINKER L	SOCKET WINKER L	1	
#	33456	33456-LBA2-E01	SOCKET WINKER L	SOCKET WINKER L	1	
	34905	34905-KPCP-900	BULB WINKER	BULB WINKER	2	
	93903	93903-34360	SCREW TAPPING 4X12	SCREW TAPPING 4X12	6	
	94591	94591-27000	CLIP 2*70	CLIP 2*70	2	



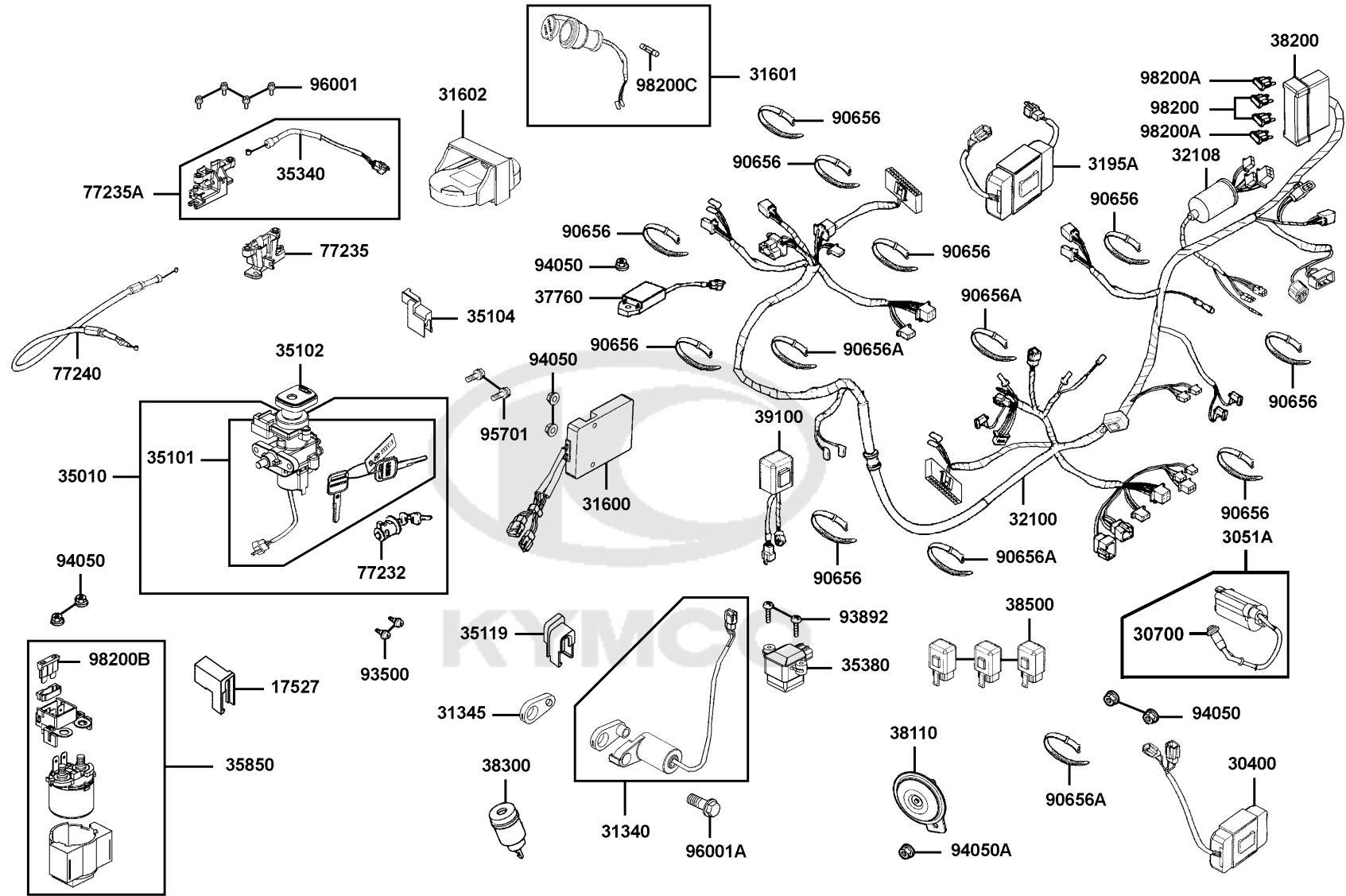
Sales mark	Ref no	Part no	Description	Reg description	Regd no	F18
	33607	33607-KKD7-E00	INNER LENS WINKER	INNER LENS WINKER	2	
	33700	33700-LBA2-E00	LIGHT ASSY RR COMB	LIGHT ASSY RR COMB	1	
	33702	33702-LBA2-E00	LENS TAIL LIGHT	LENS TAIL LIGHT	1	
	33705	33705-LBA2-305	LIGHT COMB LED	LIGHT COMB LED	1	
	33708	33708-KHE7-E00	LENS LICENSE	LENS LICENSE	1	
	33709	33709-KHE7-E00	BASE LICENSE	BASE LICENSE	1	
	33720	33720-LBB5-E00	LIGHT ASSY LICENSE	LIGHT ASSY LICENSE	1	
	33726	33726-LBB5-E00	SCOKET COMP	SCOKET COMP	1	
	33741	33741-KHC5-M00	REFLEX REFLECTOR	REFLEX REFLECTOR	1	
	34903	34903-KPCP-900	BULB POSITION LIGHT 12V5W **KCP-	BULB POSITION LIGHT 12V5W **KCP-9000	1	
	34905	34905-KPCP-900	BULB WINKER	BULB WINKER	2	
	80101	80101-LBA2-E00	FENDER RR INNER	FENDER RR INNER	1	
	80102	80102-LBA2-E00	PLATE A SPLASH GUARD	PLATE A SPLASH GUARD	1	
	80103	80103-LBA2-E00	PLATE B SPLASH GUARD	PLATE B SPLASH GUARD	1	
**	80105	80105-LBA2-E00	FENDER RR	FENDER RR	1	
	80107	80107-LBA2-E00	COVER LICENSE LIGHT	COVER LICENSE LIGHT	1	
	90302	90302-GFY6-940	BOLT-WASH 5*16	BOLT-WASH 5*16	4	
	90677	90677-GAR1-004	NUT CLIP 5MM	NUT CLIP 5MM	2	
	93404	93404-06016-06	BOLT WASHER 6*16	BOLT WASHER 6*16	3	
	93901-32320	93901-32320	SCREW TAPPING 3*12	SCREW TAPPING 3*12	2	



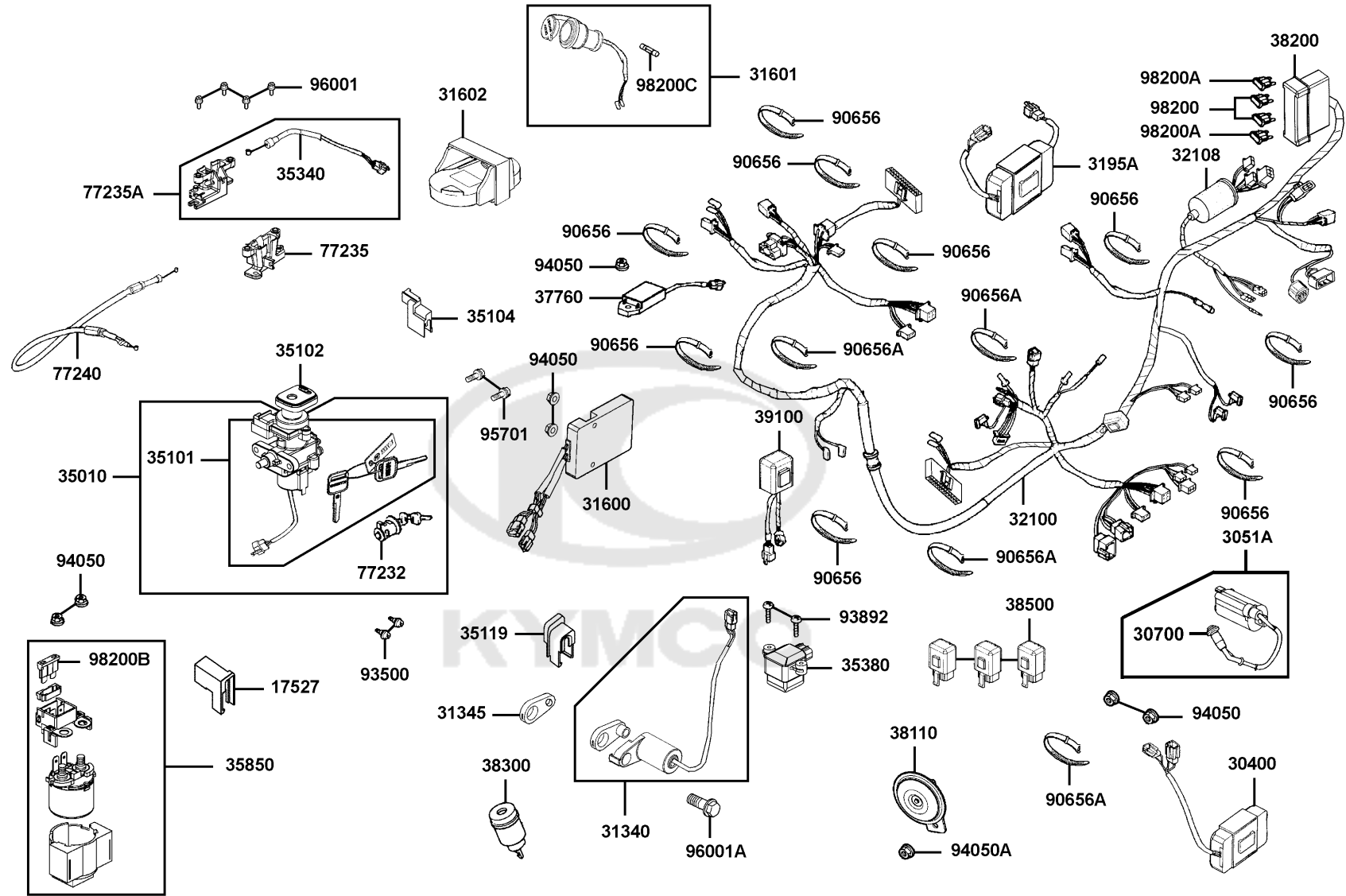
Sales mark	Ref no	Part no	Description	Reg description	Regd no	F18
	93901-34320	93901-34320	SCREW TAPPING 4*12	SCREW TAPPING 4*12	2	
	93901-44320	93901-44320	SCREW TAPPING 4*12	SCREW TAPPING 4*12	6	
	93903-34360	93903-34360	SCREW TAPPING 4X12	SCREW TAPPING 4X12	4	
#	93903-35360	93903-35360	SCREW TAPPING 5*16	SCREW TAPPING 5*16	4	
	93903-GFY6	93903-GFY6-900	SCREW TAPPING 4*14	SCREW TAPPING 4*14	2	
	94050-05080	94050-05080	NUT FLANGE 5MM	NUT FLANGE 5MM	1	
	94050-06080	94050-06080	NUT FLANGE 6MM	NUT FLANGE 6MM	2	
						

F19

Wire Harness



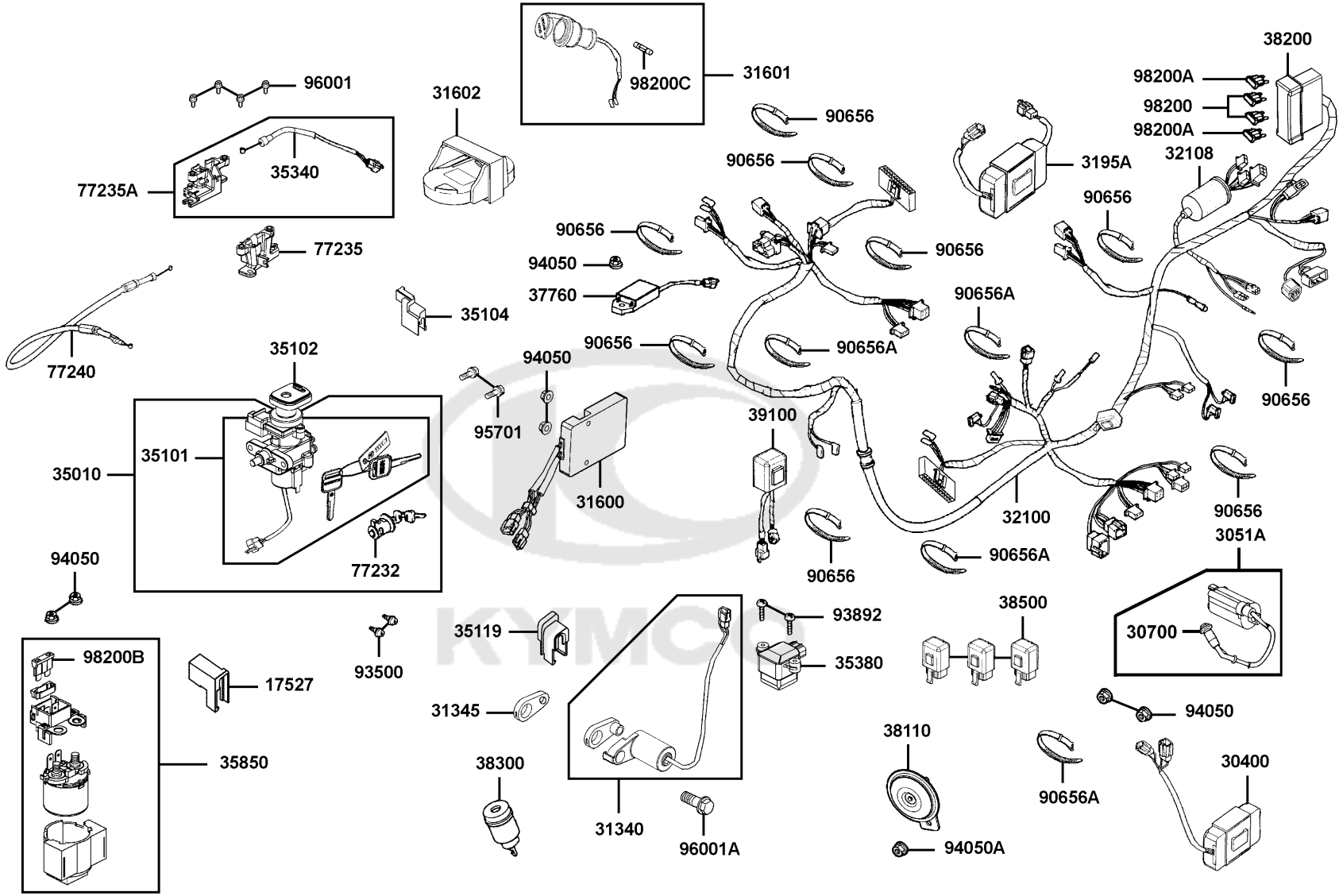
Sales mark	Ref no	Part no	Description	Reg description	Regd no	F19
17527		17527-LBA2-900	SLIDE COVER FUEL CAP	SLIDE COVER FUEL CAP	1	
30400		30400-LBA2-E00	UNIT ASSY IGNITION	UNIT ASSY IGNITION	1	
3051A		3051A-LBA2-E00	COIL ASSY IGNITION	COIL ASSY IGNITION	1	
30700		30700-KKC3-900	CAP ASSY NOISE SUPPRESOR	CAP ASSY NOISE SUPPRESOR	1	
31340		31340-LBA2-E0A	SENSOR FR WHEEL SPEED	SENSOR FR WHEEL SPEED	1	
31345		31345-LBA2-E00	WASHER WHEEL SPEED SENSOR	WASHER WHEEL SPEED SENSOR	1	
31600		31600-KED9-900	REG REC COMP	REG REC COMP	1	
31601		31601-LBA2-E00	SOCKET COMP DC 12V	SOCKET COMP DC 12V	1	
31602		31602-KKC4-900	SOCKET COMP CELL-PHONE	SOCKET COMP CELL-PHONE	1	
3195A		3195A-LBA2-E00	HAZARD CONTROL ASSY	HAZARD CONTROL ASSY	1	
32100		32100-LBA2-E01	HARNES WIRE	HARNES WIRE	1	
32108		32108-GFY6-901	COVER HARNES WIRE	COVER HARNES WIRE	1	
35010		35010-LBA2-315-M1	KEY SET	KEY SET	1	
35010		35010-LBA2-315-M2	KEY SET	KEY SET	1	
35101		35101-LBA2-315-M1	SW SET COMB & LOCK	SW SET COMB & LOCK	1	
35101		35101-LBA2-315-M2	SW SET COMB & LOCK	SW SET COMB & LOCK	1	
35102		35102-LBA2-315-M1	SHUTTER MAGNETIC	SHUTTER MAGNETIC	1	
35102		35102-LBA2-315-M2	SHUTTER MAGNETIC	SHUTTER MAGNETIC	1	
35104		35104-KHC4-90A	PLATE COVER FUEL CAP CABLE	PLATE COVER FUEL CAP CABLE	1	
35104		35104-KHC4-90B	PLATE COVER FUEL CAP CABLE	PLATE COVER FUEL CAP CABLE	1	



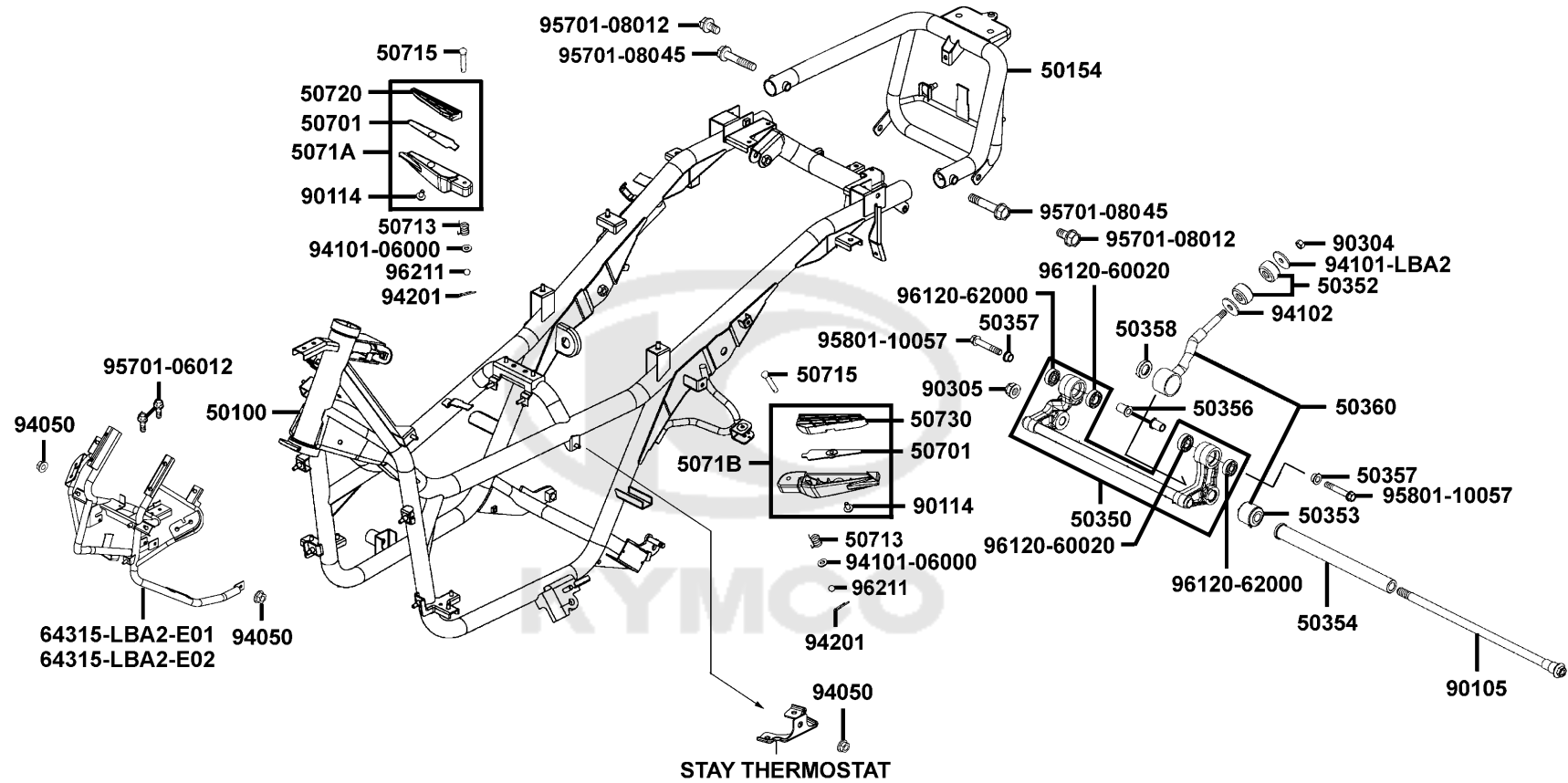
Sales mark	Ref no	Part no	Description	Reg description	Regd no	F19
	35119	35119-KHC4-90A	COVER SEAT CABLE	COVER SEAT CABLE	1	
	35119	35119-KHC4-90B	COVER SEAT CABLE	COVER SEAT CABLE	1	
	35340	35340-KKC4-80A	STOP SWITCH	STOP SWITCH	1	
	35340	35340-KKC4-80B	STOP SWITCH	STOP SWITCH	1	
	35380	35380-KKE3-900	SENSOR ANGLE DETECT	SENSOR ANGLE DETECT	1	
	35850	35850-LBA2-E00	SET START MAG	SET START MAG	1	
	37760	37760-KKC4-E00	UNIT HEATER CONTROL	UNIT HEATER CONTROL	1	
	38110	38110-KHB4-E0A	HORN COMP (D405)	HORN COMP (D405)	1	
	38110	38110-KHB4-E0B	HORN COMP (D203)	HORN COMP (D203)	1	
	38110	38110-KHB4-E0C	HORN COMP	HORN COMP	1	
	38200	38200-KHE7-900	BOX COMP FUSE	BOX COMP FUSE	1	
	38300	38300-LBC6-90A	RELAY COMP WINKER	RELAY COMP WINKER	1	
#	38500	38500-LGL3-90A	RELAY ASSY LIGHT	RELAY ASSY LIGHT	2	
#	39100	39100-KKE5-E01	EMI FILTER MOTOR	EMI FILTER MOTOR	1	
	77232	77232-GLW0-316-M1	LOCK SET FUEL LID	LOCK SET FUEL LID	1	
	77232	77232-GLW0-316-M2	LOCK SET FUEL LID	LOCK SET FUEL LID	1	
	77235	77235-KGC4-E0A	SEAT CATCH	SEAT CATCH	1	
	77235	77235-KGC4-E0B	SEAT CATCH	SEAT CATCH	1	
	77235A	77235-KKC4-80A	SEAT CATCH	SEAT CATCH	1	
	77235A	77235-KKC4-80B	SEAT CATCH	SEAT CATCH	1	

F19

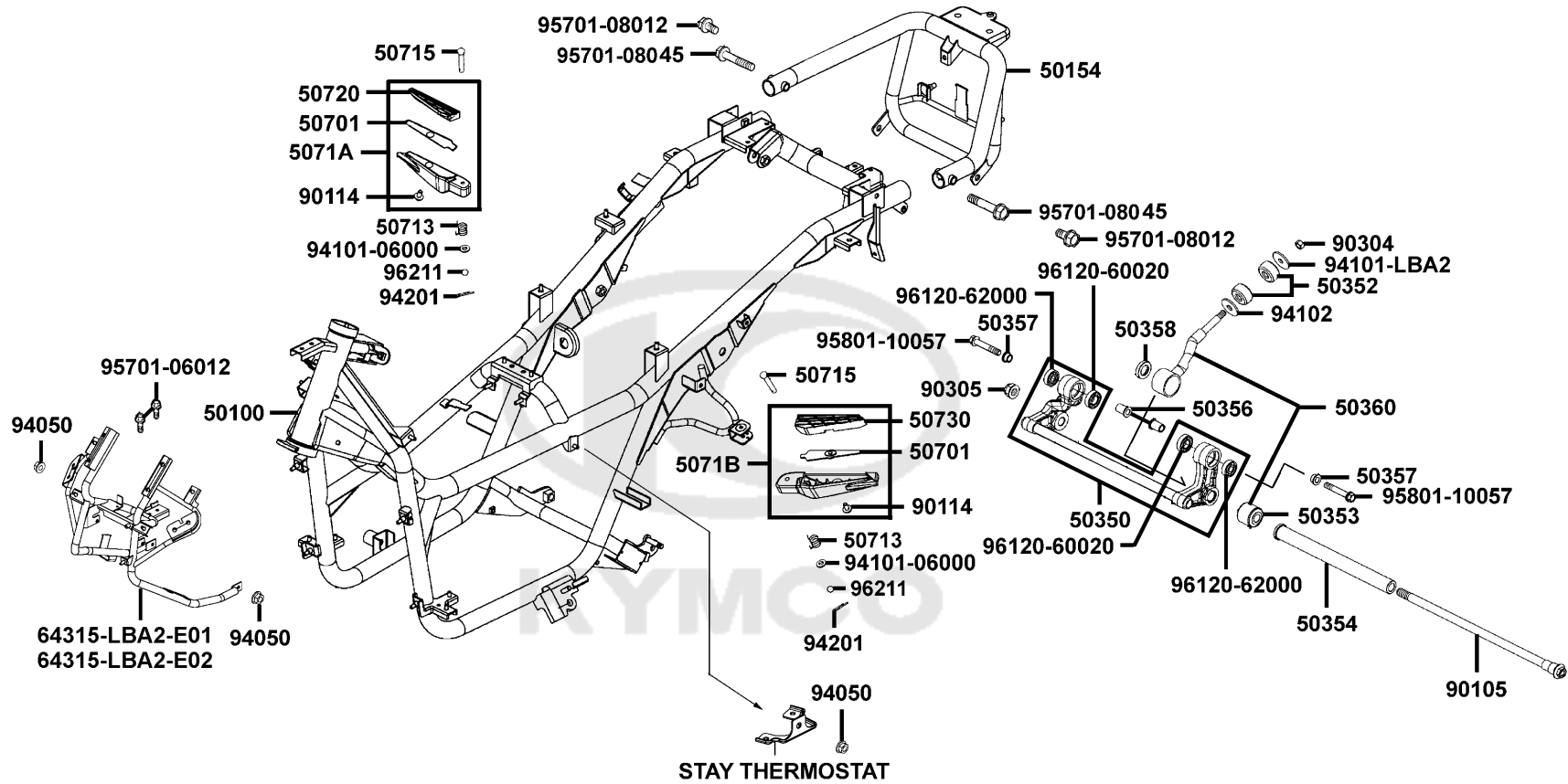
Wire Harness



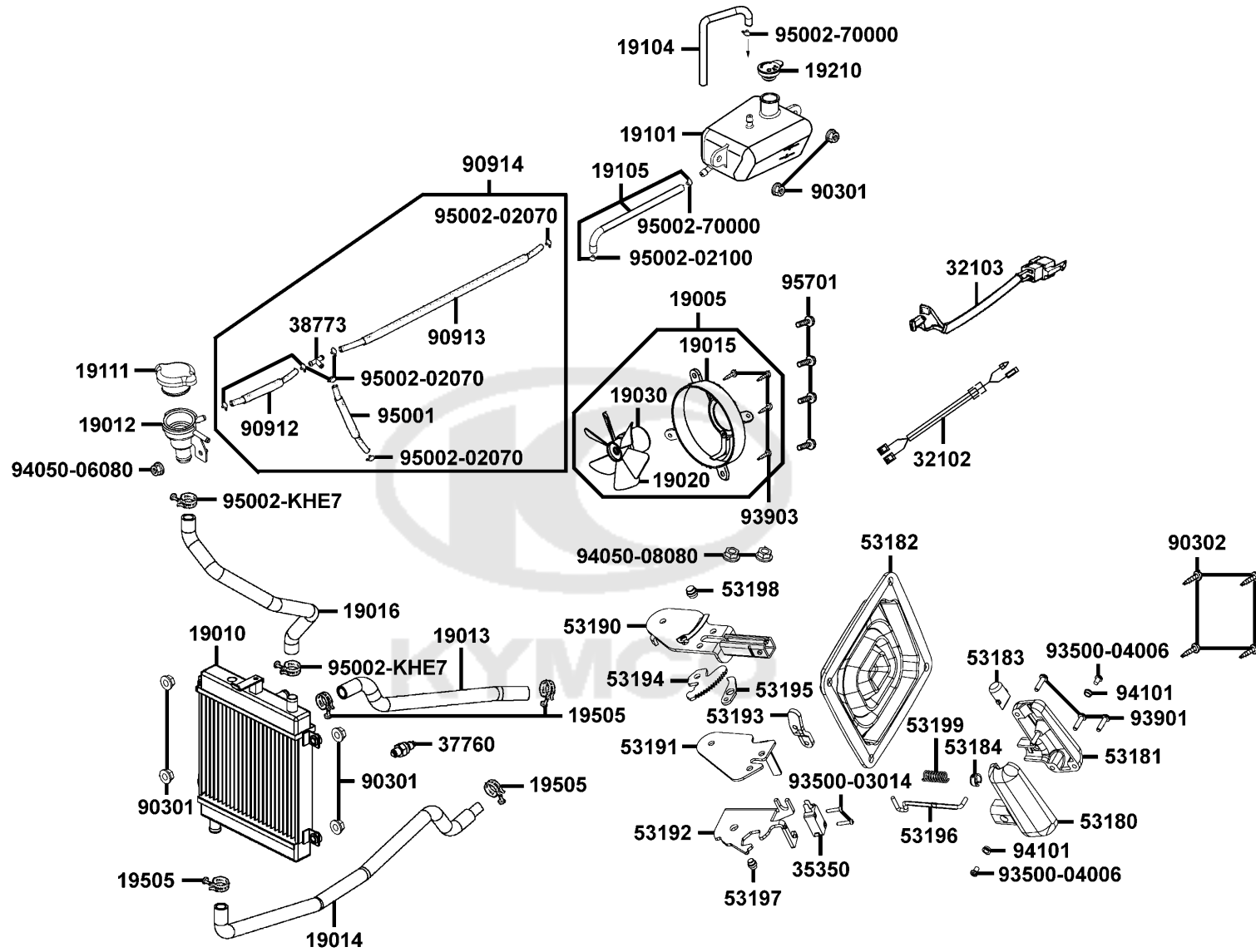
Sales mark	Ref no	Part no	Description	Reg description	Regd no	F19
	77240	77240-LBA2-E00	CABLE SEAT LOCK	CABLE SEAT LOCK	1	
	90656	90656-KCBC-900	BAND OIL HANDLE 8X146	BAND OIL HANDLE 8X146	9	
**	90656A	90656-KUDU-900	BAND HARNESS WIRE **KUDU-900	BAND HARNESS WIRE **KUDU-900 C.2005.05.	5	
	93500	93500-KHC4-90A	SCREW PAN 5*10	SCREW PAN 5*10	3	
#	93892	93892-04022-06	SCREW WASHER 4X22	SCREW WASHER 4X22	1	
	94050	94050-06080	NUT FLANGE 6MM	NUT FLANGE 6MM	7	
	94050A	94050-08080	NUT FLANGE 8MM	NUT FLANGE 8MM	1	
	95701	95701-KHC5-E00	BOLT TORQUE 8*25	BOLT TORQUE 8*25	2	
#	96001	96001-06014-06	BOLT FLANGE SH 6X14	BOLT FLANGE SH 6X14	1	
	96001A	96001-06020-06	BOLT FLANGE SH 6*20	BOLT FLANGE SH 6*20	1	
	98200	98200-31000	BLADE FUSE 10A **(0) C.2005.03.01	BLADE FUSE 10A **(0) C.2005.03.01	2	
	98200A	98200-31500	FUSE A15	FUSE A15	2	
	98200B	98200-33000	BLADE FUSE 30A	BLADE FUSE 30A	1	
#	98200C	98200-LBA2-900	FUSE 2.0A	FUSE 2.0A	1	



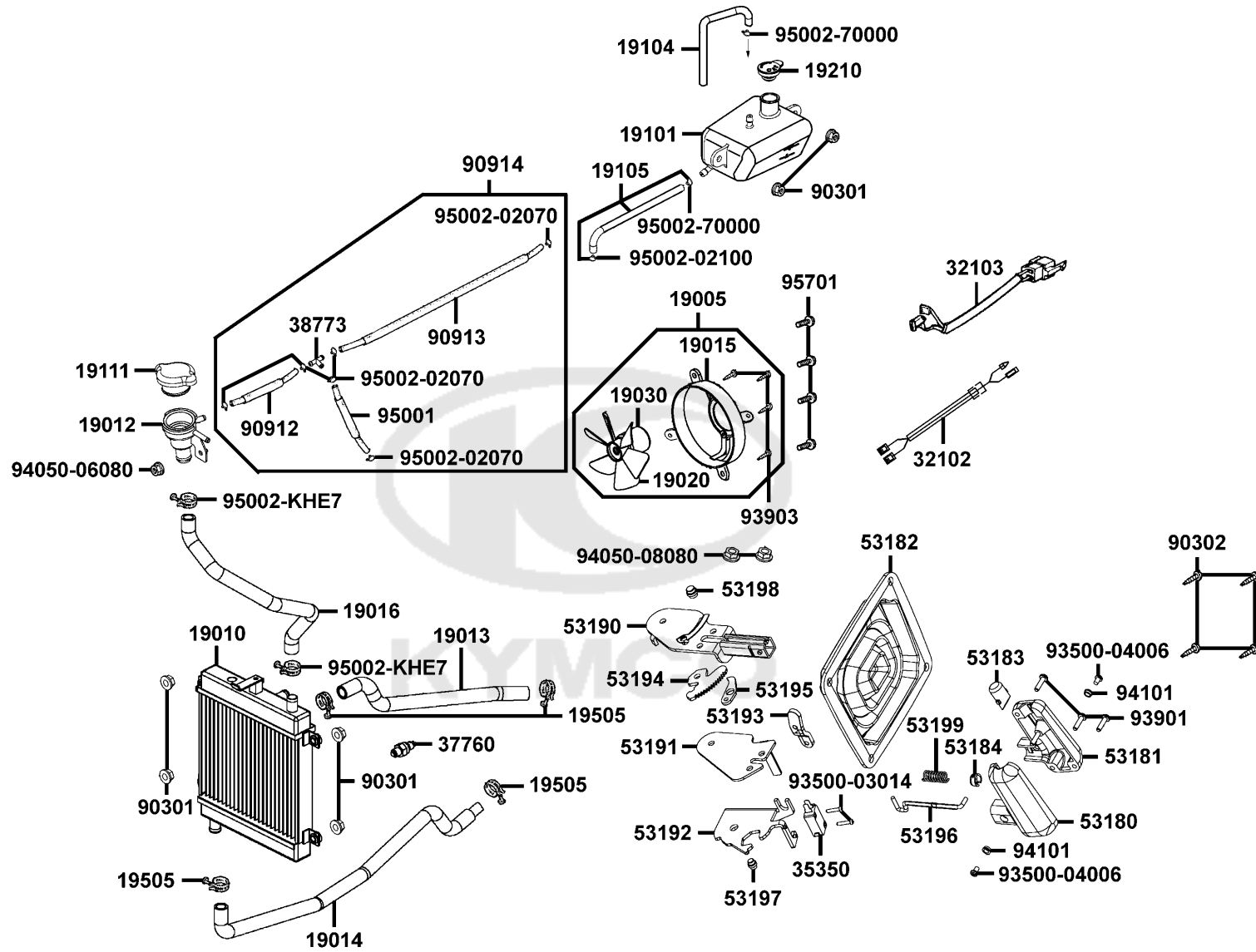
Sales mark	Ref no	Part no	Description	Reg description	Regd no	F20
	50100	50100-LBA2-E01	BODY COMP FRAME	BODY COMP FRAME	1	
	50154	50154-LBA2-E00	STAY RR CARRIER	STAY RR CARRIER	1	
	50350	50350-LBA2-E00	ENG HANGER COMP	ENG HANGER COMP	1	
	50352	50352-LBA2-E00	RUBBER STOPPER	RUBBER STOPPER	2	
	50353	50353-LBA2-E00	RUBBER BUSH ENG HANGER	RUBBER BUSH ENG HANGER	1	
	50354	50354-LBA2-E00	DIST COLLAR	DIST COLLAR	1	
	50356	50356-LBA2-E00	BUSH FRAME	BUSH FRAME	2	
	50357	50357-LBA2-E00	BUSH A FRAME	BUSH A FRAME	2	
	50358	50358-LBA2-E00	CAP ENG HANGER	CAP ENG HANGER	1	
	50360	50360-LBA2-E00	TIE ROD ASSY ENG HANGER	TIE ROD ASSY ENG HANGER	1	
	50701	50701-LBA2-E00	STAY RR STEP	STAY RR STEP	2	
	50713	50713-KEB7-900	SPRING	SPRING	2	
	50715	50715-KEB7-900	PIN RR STEP	PIN RR STEP	2	
	5071A	5071A-LBA2-E00	BAR R STEP ASSY	BAR R STEP ASSY	1	
	5071B	5071B-LBA2-E00	BAR L STEP ASSY	BAR L STEP ASSY	1	
	50720	50720-LBA2-E00	RUBBER R STEP	RUBBER R STEP	1	
	50730	50730-LBA2-E00	RUBBER L STEP	RUBBER L STEP	1	
	64315-LBA2-E01	64315-LBA2-E01	BRKT FR COVER	BRKT FR COVER	1	
	64315	64315-LBA2-E02	BRKT FR COVER	BRKT FR COVER	1	
	90105	90105-LBA2-E00	BOLT ENG HANGER	BOLT ENG HANGER	1	



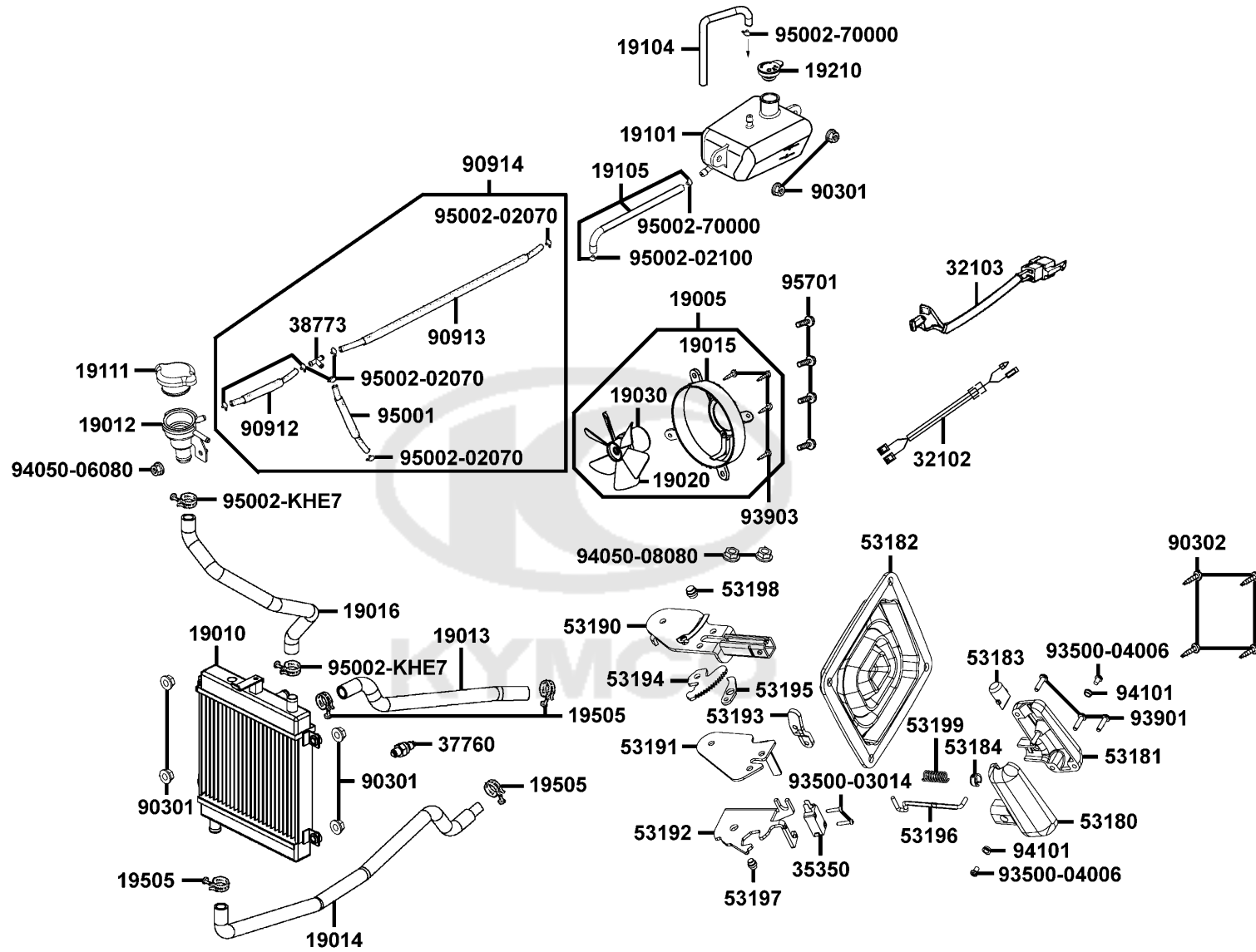
Sales mark	Ref no	Part no	Description	Reg description	Regd no	F20
	90114	90114-KED9-900	SCREW PAN 6*12	SCREW PAN 6*12	2	
	90304	90304-LBD4-900	NUT U FLANGE 10MM	NUT U FLANGE 10MM	1	
	90305	90305-GHE8-004	NUT U 14MM	NUT U 14MM	1	
	94050	94050-06080	NUT FLANGE 6MM	NUT FLANGE 6MM	3	
	94101-06000	94101-06000	WASHER PLAIN 6MM	WASHER PLAIN 6MM	2	
	94101-LBA2	94101-LBA2-E00	WASHER PLATE 10.5*38*3.0	WASHER PLATE 10.5*38*3.0	1	
	94102	94102-LBA2-E00	WASHER PLAIN 38*12.5*3	WASHER PLAIN 38*12.5*3	1	
	94201	94201-16150	PIN SPLIT 1.6*15	PIN SPLIT 1.6*15	2	
#	95701-06012	95701-06012-06	BOLT FLANGE 6*12 **07 C.2005.07.01	BOLT FLANGE 6*12 **07 C.2005.07.01	1	
#	95701-08012	95701-08012-06	BOLT FLANGE 8*12	BOLT FLANGE 8*12	1	
#	95701-08045	95701-08045-06	BOLT FLANGE 6*45	BOLT FLANGE 6*45	1	
	95801-10057	95801-10057-06	BOLT FLANGE 10*57	BOLT FLANGE 10*57	2	
	96120-60020	96120-60020-00	BEARING RAD 6002	BEARING RAD 6002	2	
	96120-62000	96120-62000-00	BEARING BALL RADIAL 6202Z	BEARING BALL RADIAL 6202Z	2	
	96211	96211-08000	BALL STEEL #8	BALL STEEL #8	2	



Sales mark	Ref no	Part no	Description	Reg description	Regd no	F21
	19005	19005-LBA2-E00	SHROUD ASSY	SHROUD ASSY	1	
	19010	19010-LBA2-E00	RADIATOR COMP	RADIATOR COMP	1	
	19012	19012-KHD8-900	UNIT RADIATOR	UNIT RADIATOR	1	
	19013	19013-LBA2-E00	HOSE WATER INLET	HOSE WATER INLET	1	
	19014	19014-LBA2-E00	HOSE WATER OUTLET	HOSE WATER OUTLET	1	
	19015	19015-LBA2-E00	SHROUD COMP	SHROUD COMP	1	
	19016	19016-LBA2-E00	HOSE WATER-UNIT CAP	HOSE WATER-UNIT CAP	1	
	19020	19020-LBA2-E00	FAN COOLING	FAN COOLING	1	
	19030	19030-LBA2-E00	MOTOR ASSY FAN	MOTOR ASSY FAN	1	
	19101	19101-LBA2-E00	TANK RESERVE	TANK RESERVE	1	
	19104	19104-LBA2-E00	HOSE ASSY DRAIN	HOSE ASSY DRAIN	1	
	19105	19105-LBA2-E00	HOSE ASSY RESERVE-COOLER	HOSE ASSY RESERVE-COOLER	1	
	19111	19111-GBE2-004	CAP COMP	CAP COMP	1	
	19210	19210-KKC4-900	CAP RESERVE TANK	CAP RESERVE TANK	1	
	19505	19505-LBA2-E00	CLAMP WATER HOSE	CLAMP WATER HOSE	4	
	32102	32102-LBA2-E00	SUB CORD THERMO	SUB CORD THERMO	1	
	32103	32103-LBA2-E00	SUB HARNESS HEATER	SUB HARNESS HEATER	1	
	35350	35350-LBA2-E00	SWITCH HAND BRK	SWITCH HAND BRK	1	
	37760	37760-KHD8-900	SW ASSY THERMO	SW ASSY THERMO	1	
	38773	38773-PKB9-001	JOINT 3 WAY 3.5	JOINT 3 WAY 3.5	1	

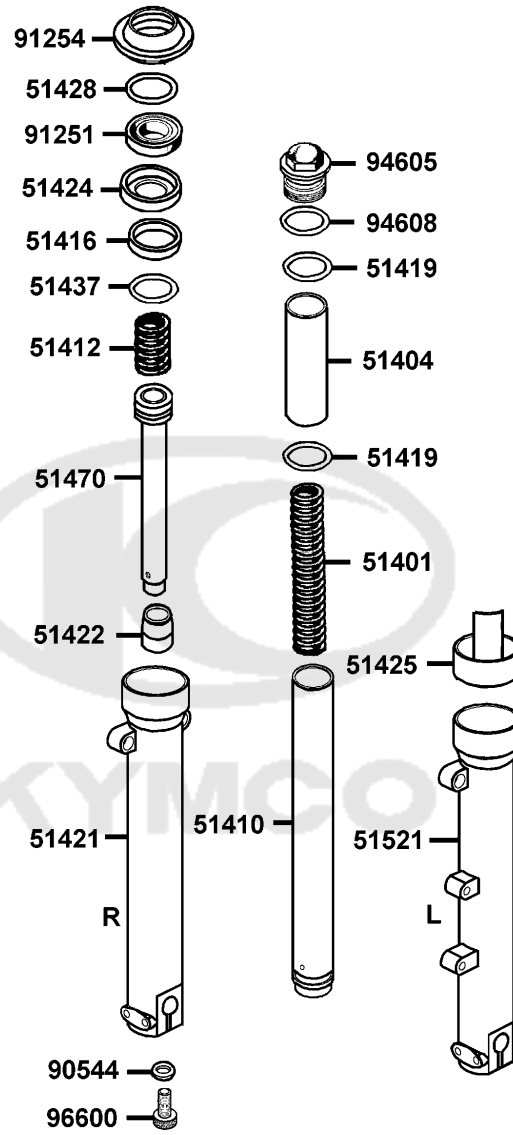


Sales mark	Ref no	Part no	Description	Reg description	Regd no	F21
	53180	53180-LBA2-E00	GRIP UPPER HAND BRK	GRIP UPPER HAND BRK	1	
	53181	53181-LBA2-E00	GRIP UNDER HAND BRK	GRIP UNDER HAND BRK	1	
	53182	53182-LBA2-E00	DUST SEAL HAND BRK	DUST SEAL HAND BRK	1	
	53183	53183-LBA2-E00	BUTTON HAND BRK	BUTTON HAND BRK	1	
	53184	53184-LBA2-E00	GUIDE SPRING	GUIDE SPRING	1	
	53190	53190-LBA2-E00	ARM COMP HAND BRK	ARM COMP HAND BRK	1	
	53191	53191-LBA2-E00	ARM PLATE	ARM PLATE	1	
	53192	53192-LBA2-E00	BRK HAND BRK	BRK HAND BRK	1	
	53193	53193-LBA2-E00	LINKER HAND BRK	LINKER HAND BRK	1	
	53194	53194-LBA2-E00	RATCH HAND BRK	RATCH HAND BRK	1	
	53195	53195-LBA2-E00	DRIVEN GEAR	DRIVEN GEAR	1	
	53196	53196-LBA2-E00	DRIVEN LINKER	DRIVEN LINKER	1	
	53197	53197-LBA2-E00	PIVOT HAND BRK	PIVOT HAND BRK	1	
	53198	53198-LBA2-E00	PIVOT DRIVEN GEAR	PIVOT DRIVEN GEAR	1	
	53199	53199-LBA2-E00	SPRING RETURN	SPRING RETURN	1	
	90301	90301-6D34-671	NUT FLANGE 6MM	NUT FLANGE 6MM	6	
	90302	90302-GBR2-001	BOLT WASH 5*16	BOLT WASH 5*16	4	
	90912	90912-LBA2-E00	TUBE FUEL 3.5	TUBE FUEL 3.5	1	
	90913	90913-LBA2-E00	TUBE FUEL 3.5*1800	TUBE FUEL 3.5*1800	1	
	90914	90914-LBA2-E00	WASHER HEAD COVER BOLT	WASHER HEAD COVER BOLT	1	

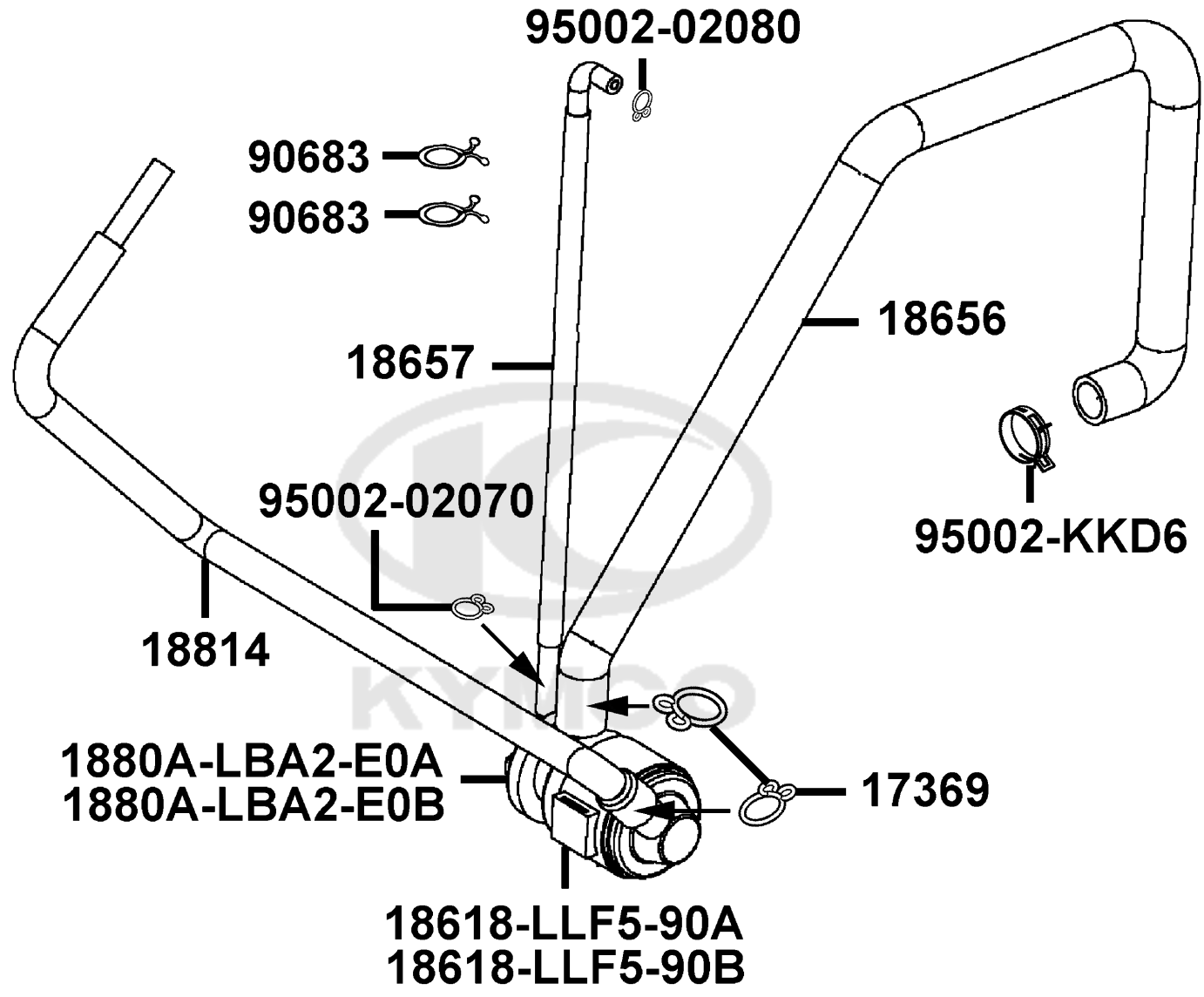


Sales mark	Ref no	Part no	Description	Reg description	Regd no	F21
	93500-03014	93500-03014-1A	SCREW PAN 3*14	SCREW PAN 3*14	2	
#	93500-04006	93500-04006-0F	SCREW PAN 4X6	SCREW PAN 4X6	1	
	93901	93901-24560	SCREW TAPPING 4*20	SCREW TAPPING 4*20	3	
	93903	93903-GFY6-900	SCREW TAPPING 4*14	SCREW TAPPING 4*14	4	
	94050-06080	94050-06080	NUT FLANGE 6MM	NUT FLANGE 6MM	1	
	94050-08080	94050-08080	NUT FLANGE 8MM	NUT FLANGE 8MM	2	
	94101	94101-04800	WASHER PLAIN 4.5*10*0.8	WASHER PLAIN 4.5*10*0.8	2	
	95001	95001-35550-40	TUBE FUEL 3.5*550	TUBE FUEL 3.5*550	1	
	95002-02070	95002-02070	CLIP B7 TUBE	CLIP B7 TUBE	6	
	95002-02100	95002-02100	CLIP B15 TUBE	CLIP B15 TUBE	1	
	95002-70000	95002-70000	CLIP C11 TUBE	CLIP C11 TUBE	2	
	95002-KHE7	95002-KHE7-900	CLIP WATER HOSE	CLIP WATER HOSE	2	
	95701	95701-06016-02	BOLT FLANGE 6*16	BOLT FLANGE 6*16	4	

Separated Parts Of Fr Fork



Sales mark	Ref no	Part no	Description	Reg description	Regd no	F22
	51401	51401-LBA2-E00	SPRING	SPRING	2	
	51404	51404-LBA2-E00	SPRING COLLAR	SPRING COLLAR	2	
	51410	51410-LBA2-E00	FORK PIPE COMP	FORK PIPE COMP	2	
	51412	51412-LBA2-E00	REBOUND SPRING	REBOUND SPRING	2	
	51416	51416-LBA2-E00	GUIDE BUSH	GUIDE BUSH	2	
	51419	51419-LBA2-E00	PLAIN WASHER	PLAIN WASHER	4	
**	51421	51421-LBA2-E00	BOTTOM CASE R	BOTTOM CASE R	1	
	51422	51422-LBA2-E00	OIL LOCK PIECE	OIL LOCK PIECE	2	
	51424	51424-LBA2-E00	SPACER	SPACER	2	
	51425	51425-LBA2-E00	FORK FENDER	FORK FENDER	2	
	51428	51428-LBA2-E00	OIL SEAL STOPPER RING	OIL SEAL STOPPER RING	2	
	51437	51437-LBA2-E00	PISTON RING	PISTON RING	2	
	51470	51470-LBA2-E00	PIPE SEAT COMP	PIPE SEAT COMP	2	
**	51521	51521-LBA2-E00	BOTTOM CASE L	BOTTOM CASE L	1	
	90544	90544-KEC8-900	PACKING	PACKING	2	
	91251	91251-LBA2-E00	OIL SEAL	OIL SEAL	2	
	91254	91254-LBA2-E00	DUST SEAL	DUST SEAL	2	
	94605	94605-LBA2-E00	FORK BOLT	FORK BOLT	2	
	94608	94608-LBA2-E00	O-RING	O-RING	2	
	96600	96600-LBA2-E00	SOCKET BOLT	SOCKET BOLT	2	



Sales mark	Ref no	Part no	Description	Reg description	Regd no	F23
17369		17369-KDB4-671	CLIP BREATHER TUBE	CLIP BREATHER TUBE	2	
18618-LLF5-90A		18618-LLF5-90A	RUBBER AICV MOUNT	RUBBER AICV MOUNT	1	
18618-LLF5-90B		18618-LLF5-90B	RUBBER AICV MOUNT	RUBBER AICV MOUNT	1	
18656		18656-LBA2-E00	DUCT AICV REED VALVE	DUCT AICV REED VALVE	1	
18657		18657-LBA2-E00	TUBE ASSY AICV INLET PIPE	TUBE ASSY AICV INLET PIPE	1	
1880A-LBA2-E0A		1880A-LBA2-E0A	AI/C-AICV ASSY	AI/C-AICV ASSY	1	
1880A-LBA2-E0B		1880A-LBA2-E0B	AI/C AICV ASSY	AI/C AICV ASSY	1	
18814		18814-LBA2-E00	DUCT AIR AICV	DUCT AIR AICV	1	
90683		90683-SCA3-001	PURSE LOCK	PURSE LOCK	2	
95002-02070		95002-02070	CLIP B7 TUBE	CLIP B7 TUBE	1	
95002-02080		95002-02080	CLIP B8 TUBE	CLIP B8 TUBE	1	
95002-KKD6		95002-KKD6-E05	CLAMP D18 TUBE	CLAMP D18 TUBE	1	

● Be sure to wear a safety helmet when riding.
 ● Do not exceed the speed specified by law when riding.
 ● The exhaust outlet temperature is very high after riding. Be sure to park the motorcycle in a place not easily touched by people.
 ● For riding safety and good performance, do not violate the law to modify the motorcycle.
 ● Make sure to perform the periodic maintenance and periodic inspection.

Periodic inspection items

Brake Performance, tires, engine oil level, lights, horn, and instrument panel

KWANG YANG MOTOR CO., LTD.

© Please read the user's manual carefully to ensure riding safety.

87560

CAUTION

Mobile phone charge only, Use other appliance may cause damage.

KKC2-E000

87541-KKC2

CAUTIONS

Never put any article between the rear side cover and the engine to avoid interference of riding.

GAR-300

87542

CAUTIONS

Tire Size	:Front 120/70-15	Rear 150/70-14
(One Rider)	:Front 2.00kgf/cm ²	Rear 2.50kgf/cm ²
(Two Rider)	:Front 2.25kgf/cm ²	Rear 2.50kgf/cm ²
Load Capacity	:Shield 1.5kg Clip assy center 3kg (As per KYMCO standard specification)	

(Note: The tire pressure must not overpass 2.50kgf/cm²)

● Check the motor oil level with the dipstick after refilling motor oil.

LBA2-8900

87505

CAUTIONS

Every 6000 km run should exchange the filter.

LBA2-E00

87512

CAUTIONS

Before starting the engine, the side stand shall be kicked up to secure safety.

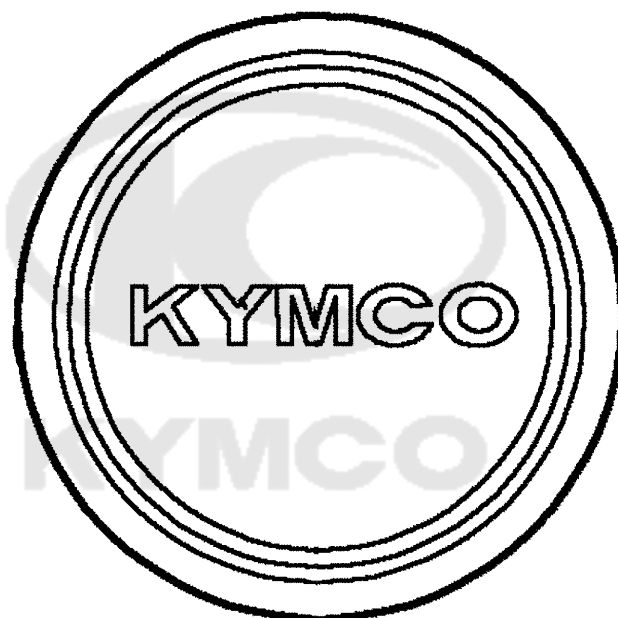
87541-GAR1

Sales mark	Ref no	Part no	Description	Reg description	Regd no	F24
**	87505	87505-LBA2-E00	LABEL TIRE	LABEL TIRE	1	
**	87512	87512-LBA2-E00	CAUTION FILTER	CAUTION FILTER	1	
**	87541-GAR1	87541-GAR1-E00	CAUTION SIDE STAND	CAUTION SIDE STAND	1	
**	87541-KKC2	87541-KKC2-E00	CAUTION MOBILE PHONE	CAUTION MOBILE PHONE	1	
**	87542	87542-GAR1-E00	MARK MAINT CAUTION	MARK MAINT CAUTION	1	
**	87560	87560-GFY6-E00	MARK DRIVE CAUTION	MARK DRIVE CAUTION	1	





86202

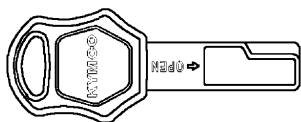


87140

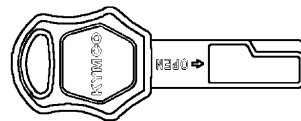
Sales mark	Ref no	Part no	Description	Reg description	Regd no	F25
------------	--------	---------	-------------	-----------------	---------	------------

**	86202	86202-LBA2-900	EMB BODY COVER	EMB BODY COVER	2	
**	87140	87140-LBA2-E00	EMB ENG COVER	EMB ENG COVER	1	

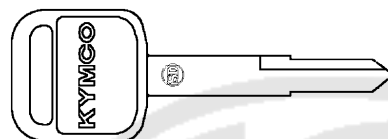




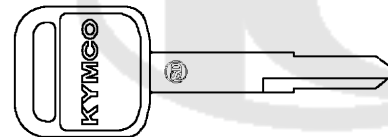
35111-KKC4-335-M1



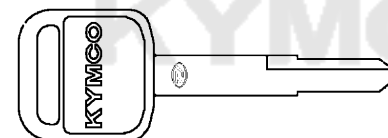
35111-KKC4-335-M2



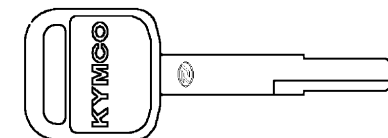
35111-LBA2-305-T01



35111-LBA2-305-T02



35111-LBA2-306-T01



35111-LBA2-306-T02

Sales mark	Ref no	Part no	Description	Reg description	Regd no	F26
	35111-KKC4-335-M1	35111-KKC4-335-M1	KEY COMP/SHUTTER MAGNETIC	KEY COMP/SHUTTER MAGNETIC LOCK(SD)	1	
	35111-KKC4-335-M2	35111-KKC4-335-M2	KEY COMP/SHUTTER MAGNETIC	KEY COMP/SHUTTER MAGNETIC LOCK(TJ)	1	
	35111-LBA2-305-T01	35111-LBA2-305-T01	KEY COMP(R TANGENT PLANE/SD)	KEY COMP(R TANGENT PLANE/SD)	1	
	35111-LBA2-305-T02	35111-LBA2-305-T02	KEY COMP (L TANGENT PLANE/SD)	KEY COMP (L TANGENT PLANE/SD)	1	
	35111-LBA2-306-T01	35111-LBA2-306-T01	KEY COMP (R TANGENT PLANE/TJ)	KEY COMP (R TANGENT PLANE/TJ)	1	
	35111-LBA2-306-T02	35111-LBA2-306-T02	KEY COMP (L TANGENT PLANE/TJ)	KEY COMP (L TANGENT PLANE/TJ)	1	



PART NO. INDEX

PART NO.	VERSION	PAGE	PART NO.	VERSION	PAGE	PART NO.	VERSION	PAGE
0000			1230-862-7001	0	E09	1123A-LBA2-E00	1	F13
			1290-874-2000	0	E09	11330-LBA2-E00	3	E04
			1290-B78-2000	0	E09	11332-KED9-900	3	E04
0137-261-36G5	0	E09	1300-142-2000	0	E09	11332-LBA2-E00	3	E04
0301-261-36G5	0	E09	1402-828-2601	0	E09	11341-LBA2-E00	3	E01
0301-803-2000	0	E09	1531-828-2001	0	E09	11341-LBA2-E01	1	E01
0405-019-1000	0	E09	1531-836-2000	0	E09	11343-LBA2-E00	3	E01
0804-G02-0000	0	E09	1613-807-2001	0	E09	11343-LDG7-E00	2	E01
			1614-819-2102	0	E09	11344-LBA2-E00	2	E01
1000			1621-883-2000	0	E09	11347-LBA2-E00	3	E05
			1621-886-2000	0	E09	1134B-LBA2-E00	3	E01
						1134B-LDG7-E00	3	E01
1030-912-7000	0	E09						
1034-KR3H-6011	0	E09	4000			11394-LBA2-E00	6	E04
1050-810-2000	0	E09				11395-LBA2-E00	3	E01
1052-829-2100	0	E09	4000-435-0001	0	E09			
106B-KPS0-0003	0	E09	4129-805-1102	0	E09	12000		
1090-872-2000	0	E09	4129-806-1101	0	E09			
1190-B21-2000	0	E09				12100-LBA2-E00	9	E03
1190-B22-2000	0	E09	11000			12103-LBA2-E00	1	E03
1198-810-2002-3	0	E09				12191-LBA2-E00	9	E03
1201-847-2100	1	E09	1110A-LBA2-E00	4	E01	12205-KHE8-301	5	E02
1201-858-2400	1	E09	11203-LBA2-E00	2	E01	12206-LBA2-E00	4	E02
1202-855-6000	0	E09	11203-LBA2-E00	2	F16	12208-LBA2-E00	3	E02
1229-801-7000	0	E09	11211-LBA2-E00	1	F13	12209-GDB4-68B	0	E02
1230-808-2001	0	E09	11221-LBA2-E00	6	E01	1220A-LDG7-900	5	E02
1230-842-2000	0	E09	1122A-LBA2-E00	1	F13	1220C-LBA2-E00	1	E02

PART NO. INDEX

PART NO.	VERSION	PAGE	PART NO.	VERSION	PAGE	PART NO.	VERSION	PAGE	
12251-LBA2-E00	4	E03	14000			14560-LBA2-E00	1	E03	
12302-LBA2-E00	3	E02				14610-LBA2-E00	5	E03	
12303-LBA2-E00	4	E02				14611-LBA2-E00	3	E02	
12304-LBA2-E00	1	E02		14102-LDG7-E00	1	E02	14711-LDG7-900	1	E02
12306-LBA2-E00	0	E02		14103-GEN5-912	0	E02	14721-LBA2-E00	1	E02
12310-LBA2-E00	9	E02		14104-LBA2-E00	1	E02	14751-LBA2-E00	1	E02
12311-KBE2-900	4	E02		14105-GEN5-910	0	E02	14761-LDG7-900	1	E02
12361-GFY6-901	1	E01		1411A-LBA2-E00	11	E02	14771-GDB4-680	0	E02
12391-LBA2-E00	1	E02		1412A-LDG7-E00	4	E02	14777-LBA2-E00	4	E02
				14153-LBA2-E00	3	E02	14781-MFA6-001	0	E02
13000			14154-LBA2-E00	1	E02				
			14321-KED9-900	5	E02	15000			
1300A-LBA2-308	0	E03	14321-LBA2-E00	2	E02				
13011-LBA2-E0A	1	E03	14401-LBA2-E00	1	E03	15100-LDG7-E01	4	E06	
13011-LBA2-E0B	0	E03	14451-LBA2-E00	3	E02	15133-LBA2-E00	2	E06	
13101-LDG7-E00	2	E03	14510-LBA2-E00	5	E03	15134-LBA2-E00	3	E03	
13111-LBA2-E00	4	E03	14531-KED9-900	4	E03	15141-LBA2-E00	1	E06	
13314-LBA2-E0A	2	E01	14546-LBA2-E00	4	E02	15200-LBA2-E00	4	E01	
13314-LBA2-E0B	2	E01	14550-LBA2-E00	4	E03	15412-LBA2-E00	1	E04	
13314-LBA2-E0C	2	E01	14552-KGBG-900	2	E02	1541A-LBA2-E00	2	E04	
13315-LBA2-E0A	2	E01	14553-LBA2-E00	1	E03	15421-1G07-001	1	E01	
13315-LBA2-E0B	2	E01	14554-KAM1-004	0	E03	15421-LBA2-E00	3	E04	
13315-LBA2-E0C	2	E01	14555-LBA2-E00	2	E03	15426-GAE1-921	0	E01	
			14557-LBA2-E00	2	E03	15520-LBA2-E00	8	E01	
			14558-LBA2-E00	2	E03	15521-LBA2-E00	3	E01	
			14559-LBA2-E00	1	E03	15522-LBA2-E00	3	E01	

PART NO. INDEX

PART NO.	VERSION	PAGE	PART NO.	VERSION	PAGE	PART NO.	VERSION	PAGE
1565A-LBA2-E00	2	E04	17113-LBA2-E00	2	E02	17683-LBA2-E00	4	F10
15700-LBA2-E00	2	E01	1720A-LBA2-E00	3	F13	17689-KEBE-900	1	F10
15700-LBA2-E0A	3	E01	17213-LBA2-E00	1	F13	17910-LBA2-E00	5	F03
15710-LBA2-E00	4	E01	17223-LBA2-E00	0	F13	17911-LBA2-E00	6	F03
15711-LBA2-E00	4	E06	17229-LBA2-E00	2	F13			
15712-LBA2-E00	3	E01	17236-CA01-900	0	F13	18000		
16000			1723C-LBA2-E00	3	F13			
			17253-LBA2-E00	1	F13	18291-KEBE-900	1	F14
			17254-KACA-P00	0	F13	18291-KKC4-900	1	E01
16053-KT7-0030	0	E09	17369-KDB4-671	1	F13	18291-LBA2-E00	3	F14
16075-KG8-9010-M1	0	E09	17369-KDB4-671	1	F23	18292-KEBE-900	1	F14
1610K-LBA2-E00	2	E09	1737A-KKC3-E00	0	F13	18293-KEBE-900	1	F14
16144-KG0-8910-M1	0	E09	17500-LBA2-E00	7	F10	18293-KGAG-520	0	F14
16145-MZ2-7800	0	E09	17502-LBA2-E00	4	F10	18293-KKC4-900	0	E01
16201-LBA2-E00	4	E02	17504-LAB4-900	2	F10	18294-KEBE-900	1	F14
16212-LBA2-E00	2	E02	17507-LAB4-900	2	F10	18307-LBA2-900	4	F14
16700-LBA2-E00	3	F10	17514-LBA2-E00	1	F10	1830A-LBA2-E00	8	F14
16702-LBA2-E00	2	F10	17515-LBA2-E00	1	F10	18318-LBA2-E00	5	F14
16911-LBA2-E00	4	F10	17520-LBA2-E00	3	F10	18320-LBA2-E00	5	F14
16912-LBA2-E00	2	F10	17527-LBA2-900	0	F19	18325-LBA2-E00	4	F14
1691A-KEC2-E00	0	F10	17561-LDG7-900	1	E07	18357-LBA2-E00	2	F14
16978-ZB9-0050	0	E09	1758A-LBA2-E00	1	F05	18371-LBA2-E00	2	F14
17000			17620-LLJ3-E0A	3	F10	18391-LBA2-E00	1	F14
			17620-LLJ3-E0B	3	F10	18601-KBE2-900	4	E02
			17623-LAB4-900	1	F10	18612-KFB5-900	1	E02
17100-LBA2-E00	5	E02	17623-LAB4-90A	1	F10	18613-LDB5-E00	2	E02

PART NO. INDEX

PART NO.	VERSION	PAGE	PART NO.	VERSION	PAGE	PART NO.	VERSION	PAGE	
18618-LLF5-90A	2	F23	1910B-LBA2-E00	1	F05	22000			
18618-LLF5-90B	1	F23	19111-GBE2-004	1	F21				
18645-LBA2-E00	1	E02	19200-LBA2-E00	18	E07		22100-LBA2-E00	2	E05
18646-LBA2-E00	1	E02	19210-KKC4-900	0	F21		22102-LBA2-E00	2	E05
18647-LBA2-E00	4	E02	19300-LBA2-E00	1	E07		22105-LBA2-E00	3	E05
18656-LBA2-E00	1	F23	19310-LBA2-E00	4	E07		22110-LBA2-E00	1	E05
18657-LBA2-E00	2	F23	19315-LBA2-E00	2	E07		22112-LBA2-E00	2	E05
1880A-LBA2-E0A	2	F23	19316-LBA2-E00	4	E07		22121-LDG7-305	0	E05
1880A-LBA2-E0B	2	F23	19317-LBA2-E00	1	E07		22131-LBA2-E00	4	E05
18814-LBA2-E00	3	F23	19411-KBCB-900	0	F10		22132-LBA2-305	0	E05
19000			19468-LBA2-E00	0	E07	22133-LBA2-E00	4	E05	
			19469-LBA2-E00	0	E07	22300-LBA2-E00	7	E05	
			19504-LBA2-E00	3	E07	22350-LBA2-E00	3	E05	
			19505-LBA2-E00	4	F21	22361-LBA2-E00	1	E05	
			19507-LBA2-E00	1	E07	22401-LBA2-E00	3	E05	
19005-LBA2-E00	2	F21	19508-LBA2-E00	0	E07	22530-LBA2-E00	5	E05	
19010-LBA2-E00	6	F21	19509-LBA2-E00	4	E07	22804-GBB2-001	0	E05	
19012-KHD8-900	4	F21	19521-LDG7-900	1	E07	23000			
19013-LBA2-E00	4	F21	19522-LBA2-E00	2	E07				
19014-LBA2-E00	4	F21	19523-LBA2-E00	2	E07				
19015-LBA2-E00	0	F21							
19016-LBA2-E00	1	F21							
19020-LBA2-E00	0	F21							
19030-LBA2-E00	0	F21	21000				2301A-LBA2-E00	9	E05
19101-LBA2-E00	2	F21					23100-LBA2-305	0	E05
19103-LBA2-E00	1	F05	21124-LBA2-E00	0	E05		23100-LBA2-E00	1	E05
19104-LBA2-E00	1	F21	21200-LBA2-E00	5	E08		23201-LBA2-E00	3	E05
19105-LBA2-E00	1	F21	21395-LBA2-E00	2	E08	23210-LBA2-E00	5	E05	

PART NO. INDEX

PART NO.	VERSION	PAGE	PART NO.	VERSION	PAGE	PART NO.	VERSION	PAGE
23220-LBA2-E00	5	E05	30700-KKC3-900	2	F19	32411-LBA2-E00	3	F11
23225-LBA2-E00	1	E05				32412-LBA2-E00	3	E04
23226-GHC8-004	0	E05	31000					
23233-LBA2-E00	2	E05				33000		
23236-LBA2-E00	1	E05	31110-LBA2-E00	4	E06			
23237-LBA2-E00	2	E05	31120-LBA2-E00	3	E06	33100-LBA2-E00	2	F01
23238-LBA2-E00	1	E05	31205-KKJ9-000	0	E06	33120-LBA2-E00	0	F01
23411-LBA2-E00	5	E08	31210-LBA2-E00	4	E06	33130-LBA2-E00	1	F01
23420-LBA2-E00	2	E08	31340-LBA2-E0A	1	F19	33400-LBA2-E01	2	F17
23431-LBA2-E00	6	E08	31345-LBA2-E00	1	F19	33401-LBA2-E00	0	F17
23432-LBA2-E00	1	E08	31500-LBA2-90A	6	F11	33401-LBA2-E01	0	F17
23560-LBA2-E00	2	E01	31500-LBA2-90B	4	F11	33406-LBA2-E00	0	F17
			31600-KED9-900	4	F19	33406-LBA2-E01	0	F17
28000			31601-LBA2-E00	3	F19	33450-LBA2-E01	2	F17
			31602-KKC4-900	0	F19	33451-LBA2-E00	0	F17
28100-LBA2-E00	7	E06	3195A-LBA2-E00	1	F19	33451-LBA2-E01	0	F17
28100-LDG7-E00	2	E06				33456-LBA2-E00	0	F17
28110-LBA2-E00	2	E06	32000			33456-LBA2-E01	0	F17
28110-LDG7-E00	2	E06				33607-KKD7-E00	0	F18
28120-LBA2-E00	3	E06	32100-LBA2-E01	7	F19	33700-LBA2-E00	5	F18
			32101-LBA2-E00	3	E02	33702-LBA2-E00	0	F18
30000			32102-LBA2-E00	1	F21	33705-LBA2-305	0	F18
			32103-LBA2-E00	1	F21	33708-KHE7-E00	0	F18
30300-LDG7-900	0	E06	32105-LLJ3-E00	2	E04	33709-KHE7-E00	0	F18
30400-LBA2-E00	4	F19	32108-GFY6-901	0	F19	33720-LBB5-E00	3	F18
3051A-LBA2-E00	2	F19	32410-LBA2-E00	2	E06	33726-LBB5-E00	1	F18

PART NO. INDEX

PART NO.	VERSION	PAGE	PART NO.	VERSION	PAGE	PART NO.	VERSION	PAGE	
33741-KHC5-M00	1	F18	35111-LBA2-306-T01	0	F26	37801-GGA7-701	1	F10	
33900-KFBF-900	0	F12	35111-LBA2-306-T02	0	F26	37802-GGA7-701	3	F10	
34000			35119-KHC4-90A	0	F19	3780A-LBA2-E00	2	F10	
			35119-KHC4-90B	0	F19	38000			
			3515A-LBA2-E01	2	F03				
			3520A-KEBE-900	3	F03				
			35340-KKC4-80A	0	F19		38110-KHB4-E0A	2	F19
		35340-KKC4-80B	0	F19	38110-KHB4-E0B		3	F19	
34901-KED9-900	0	F01	35340-KNBN-901	0	F04	38110-KHB4-E0C	1	F19	
34903-KPCP-900	0	F01	35350-KNBN-901	0	F04	38200-KHE7-900	0	F19	
34903-KPCP-900	0	F18	35350-LBA2-E00	0	F21	38300-LBC6-90A	2	F19	
34905-KPCP-900	0	F17	35370-KEC8-E00	3	F15	38500-LGL3-90A	5	F11	
34905-KPCP-900	0	F18	35380-KKE3-900	2	F19	38500-LGL3-90A	5	F19	
34909-KFBF-900	0	F12	35500-KED9-900	7	E04	38773-PKB9-001	0	F21	
35000			35850-LBA2-E00	1	F19	39000			
35010-LBA2-315-M1	0	F19	37000			39100-KKE5-E01	4	F19	
35010-LBA2-315-M2	0	F19							
35101-LBA2-315-M1	0	F19							
35101-LBA2-315-M2	0	F19							
35102-LBA2-315-M1	0	F19		37119-LBA2-E00	0	F02	42000		
35102-LBA2-315-M2	0	F19	37200-LBA2-900	0	F02				
35104-KHC4-90A	0	F19	37213-LBA2-E00	0	F02				
35104-KHC4-90B	0	F19	37214-LBA2-E00	0	F02	42311-LBA2-E00		2	F08
35111-KKC4-335-M1	0	F26	37720-KGB5-900	0	E02	42312-LBA2-E00		1	F08
35111-KKC4-335-M2	0	F26	37750-PAC1-005	0	E02	42601-LFH1-E00	4	F08	
35111-LBA2-305-T01	0	F26	37760-KHD8-900	1	F21	42710-LBA2-E0A	4	F08	
35111-LBA2-305-T02	0	F26	37760-KKC4-E00	3	F19	42710-LBA2-E0B	4	F08	

PART NO. INDEX

PART NO.	VERSION	PAGE	PART NO.	VERSION	PAGE	PART NO.	VERSION	PAGE
42753-KNBN-90B	1	F07	43450-LBA2-E00	7	F03	45110-LBA2-305	0	F07
42753-KNBN-90B	1	F08	43530-LBA2-308	0	F04	45121-LDB2-E00	3	F07
43000			44000			45125-LBA2-E00	3	F06
43100-LBA2-E00	4	F08	44301-LBA2-E00	5	F07	45126-LBA2-E01	4	F04
43105-LBA2-305	0	F08	44311-KED9-900	5	F07	45128-LBA2-900	2	F06
43107-LBA2-E00	0	F08	44312-LBA2-E00	2	F07	45128-LBA2-920	3	F06
43109-LBA2-E00	0	F07	44620-LBA2-E00	3	F07	45128-LBA2-E00	1	F06
43109-MCA3-007	0	F08	44650-LBA2-305	0	F07	45129-LBA2-900	2	F06
43110-LBA2-E00	0	F08	44710-LBA2-E0A	3	F07	45129-LBA2-E00	2	F06
43113-LBA2-E00	0	F08	44710-LBA2-E0B	5	F07	45130-KED9-900	0	F07
43119-LBA2-E00	0	F08	45000			45131-LDB2-E00	3	F07
43126-LBA2-E01	6	F04				45132-1F66-017	0	F08
43127-LBA2-E01	2	F04				45132-KED9-900	0	F08
43129-LBA2-E00	3	F04	45100-LBA2-E01	6	F07	45132-KED9-900	0	F08
43140-LBA2-E00	0	F08	45105-LBA2-305	0	F07	45134-KED9-900	0	F07
43143-LBA2-E00	0	F08	45105-LBA2-306	0	F07	45134-KED9-900	0	F08
43146-LBA2-E00	0	F08	45107-KED9-900	0	F07	45135-KED9-900	0	F08
43156-KKC4-900	2	F04	45107-LBA2-E00	0	F07	45136-LBA2-E01	6	F04
43156-LDB2-900	2	F04	45107-LLJ3-E00	0	F08	45200-LBA2-E00	6	F07
43351-LBA2-E00	6	F08	45107-LLJ3-E90	0	F07	45203-KED9-900	0	F07
43352-KKD6-E90	1	F08	45107-LLJ3-E90	0	F08	45203-KED9-900	0	F08
43353-KED9-900	0	F07	45108-KED9-900	0	F07	45209-KED9-900	0	F08
43353-KED9-900	0	F08	45108-KED9-900	0	F08	45209-LBA2-E00	0	F07
4335A-LBA2-E01	2	F07	45109-KED9-900	0	F07	45210-LBA2-305	0	F07
						45352-LBA2-E00	4	F07
						45513-KKA8-900	0	F04
						45513-LEA7-E00	1	F04

PART NO. INDEX

PART NO.	VERSION	PAGE	PART NO.	VERSION	PAGE	PART NO.	VERSION	PAGE	
45516-LBA2-E00	0	F08	50354-LBA2-E00	8	F20	51000			
45517-LBA2-E00	2	F04	50356-LBA2-E00	5	F20				
45520-KKA8-900	0	F04	50357-LBA2-E00	2	F20				
45521-LEA7-E00	1	F04	50358-LBA2-E00	3	F20		51400-LBA2-E00	10	F06
45530-LBA2-308	0	F04	50360-LBA2-E00	5	F20		51401-LBA2-E00	0	F22
45531-KED9-900	0	F07	50502-GFY6-901	3	F15		51404-LBA2-E00	0	F22
45531-KED9-900	0	F08	50504-LBA2-E00	3	E01		51410-LBA2-E00	0	F22
48000			50505-KUDU-900	1	F15		51412-LBA2-E00	0	F22
			50505-LAD9-900	3	F15		51416-LBA2-E00	0	F22
			50505-LEA7-E00	1	F15		51419-LBA2-E00	0	F22
48200-LBA2-E01	1	F04	50506-KHE7-E00	0	F15	51421-LBA2-E00	0	F22	
50000			5050A-LBA2-E01	8	F15	51422-LBA2-E00	0	F22	
			5050A-LDG7-900	3	F15	51424-LBA2-E00	0	F22	
			50530-LDB2-E00	3	F15	51425-LBA2-E00	0	F22	
			50550-KKC2-E00	0	F15	51428-LBA2-E00	0	F22	
			50611-LBA2-E00	6	F10	51437-LBA2-E00	0	F22	
50100-LBA2-E01	0	F20	50612-LBA2-E00	6	F10	51470-LBA2-E00	0	F22	
50132-LBA2-E00	0	F10	50701-LBA2-E00	1	F20	51500-LBA2-E00	10	F06	
50144-LBA2-E00	4	E07	50713-KEB7-900	0	F20	51521-LBA2-E00	0	F22	
50154-LBA2-E00	3	F20	50715-KEB7-900	0	F20	52000			
50306-1F96-001	0	F06	5071A-LBA2-E00	1	F20				
50326-LBA2-E00	3	F11	5071B-LBA2-E00	1	F20				
50328-LBA2-E00	2	F11	50720-LBA2-E00	1	F20	52000-LFH1-E00	2	F16	
5032A-LBA2-E00	2	F11	50730-LBA2-E00	1	F20	52400-LBA2-E00	5	F16	
50330-LBA2-E00	1	F11							
50350-LBA2-E00	5	F20							
50352-LBA2-E00	1	F20							
50353-LBA2-E00	1	F20							

PART NO. INDEX

PART NO.	VERSION	PAGE	PART NO.	VERSION	PAGE	PART NO.	VERSION	PAGE	
53000			53200-LBA2-E00	8	F06	64222-KKC4-900	3	F03	
			53203-LBA2-E00	3	F03	64222-LLJ3-E00	1	F05	
			53204-LBA2-E00	3	F03	64231-LBA2-E00	1	F03	
	53100-LBA2-E00	7	F03	53205-LBA2-E02	1	F03	64232-LBA2-E00	1	F03
	53102-KEC8-900	0	F03	53206-LBA2-E00	1	F03	6423A-LBA2-E00	1	F03
	53105-LBB5-E00	2	F03	53208-LBA2-E00	3	F03	64250-LBA2-E00	2	F03
	53131-3H98-941	0	F03	53213-LBA2-E00	2	F06	64302-LBA2-E00	2	F05
	53140-KKC4-900	1	F03	53214-LBA2-E00	2	F06	64302-LBA2-E02	1	F05
	53166-KGB5-900	1	F03	53220-LBA2-E00	4	F06	64303-LBA2-E00	2	F05
	53175-LBA2-E03	0	F04	53230-LBA2-E00	8	F06	64304-LBA2-E00	2	F05
	53178-LBA2-E03	0	F04	53240-LBA2-E00	2	F06	64305-LBA2-E00	2	F05
	53180-LBA2-E00	4	F21	53250-LBA2-E00	2	F06	64306-LBA2-E00	2	F05
	53181-LBA2-E00	4	F21				64310-LBA2-E00	4	F05
	53182-LBA2-E00	3	F21	55000			64311-LBA2-E00	1	F05
	53183-LBA2-E00	3	F21				64315-LBA2-E01	9	F20
	53184-LBA2-E00	1	F21	55102-1F66-001	0	F13	64315-LBA2-E02	2	F20
	53190-LBA2-E00	2	F21				64320-LBA2-E00	2	F05
	53191-LBA2-E00	4	F21	61000			64330-LBA2-E00	2	F05
	53192-LBA2-E00	5	F21				64400-LBA2-E00	2	F05
	53193-LBA2-E00	3	F21	61100-LBA2-E00	4	F05			
53194-LBA2-E00	3	F21	61101-LBA2-E00	1	F05	70000			
53195-LBA2-E00	3	F21							
53196-LBA2-E00	2	F21	64000			70529-6G57-671	0	F05	
53197-LBA2-E00	0	F21							
53198-LBA2-E00	0	F21	64206-MLJ0-001	1	F12				
53199-LBA2-E00	0	F21	64220-LBA2-E00	5	F03				

PART NO. INDEX

PART NO.	VERSION	PAGE	PART NO.	VERSION	PAGE	PART NO.	VERSION	PAGE
75000			80000			81257-LBA2-E00	1	F12
75581-6C73-001	0	F05	80101-LBA2-E00	1	F18	81258-LBA2-E00	0	F12
			80102-LBA2-E00	2	F18	81259-LBA2-E00	0	F12
77000			80103-LBA2-E00	3	F18	81260-LBA2-E00	7	F12
77105-GFS6-001	1	F12	80104-LBA2-E00	1	F12	83000		
77106-GFS6-001	1	F12	80105-LBA2-E00	1	F18	83500-LBA2-E00	3	F12
77200-LBA2-E00	4	F09	80107-LBA2-E00	1	F18	83520-LBA2-E00	2	F12
77206-KEB7-900	0	F09	80151-LBA2-E00	1	F05	83550-KEC8-900	4	F05
77220-LBA2-E00	2	F09	81000			83551-KEC8-900	4	F05
77232-GLW0-316-M1	0	F19				83600-LBA2-E00	3	F12
77232-GLW0-316-M2	0	F19	81131-LBA2-E01	2	F05	83620-LBA2-E00	2	F12
77235-KGC4-E0A	2	F19	81133-LBA2-E00	1	F05	83750-LBA2-E00	2	F12
77235-KGC4-E0B	2	F19	81134-KGBG-900	2	F05	86000		
77235-KKC4-80A	0	F19	81135-KGBG-900	2	F05			
77235-KKC4-80B	0	F19	81142-LBA2-E00	1	F05	86202-LBA2-900	1	F25
77240-LBA2-E00	2	F19	81146-LBA2-E00	2	F05	87000		
77300-LBA2-E00	1	F09	8114A-LBA2-E00	1	F05			
77303-LLJ3-E00	2	F09	81200-LBA2-E00	2	F12	87140-LBA2-E00	2	E01
77305-LBA2-E00	0	F09	81201-LBA2-E00	1	F12	87140-LBA2-E00	2	F25
77400-LBA2-E00	3	F09	81251-LBA2-E00	3	F12	87206-LBA2-E00	3	F03
77500-LBA2-E00	1	F09	81252-LBA2-E00	3	F12	87505-LBA2-E00	1	F24
77501-LBA2-E00	1	F09	81255-LBA2-E00	1	F12	87508-KKC4-E00	2	F03
			81256-LBA2-E00	1	F12			

PART NO. INDEX

PART NO.	VERSION	PAGE	PART NO.	VERSION	PAGE	PART NO.	VERSION	PAGE
87512-LBA2-E00	3	F24	90017-KED9-900	3	E02	90114-KED9-900	3	F20
87541-GAR1-E00	2	F24	90031-LBA2-E00	3	E02	90114-LBA2-E00	1	F12
87541-KKC2-E00	2	F24	90032-LBA2-E00	3	E02	90120-KGAG-520	0	F14
87542-GAR1-E00	3	F24	90033-GFY6-900	1	E02	90122-LBA2-E00	1	F07
87560-GFY6-E00	5	F24	90071-MLB0-001	1	E06	90131-LDB2-E00	2	F08
			90083-KED9-900	3	E02	90145-LBA2-E00	2	F04
88000			90084-4H28-001	1	E02	90145-LEA3-E00	1	F04
			90084-4H28-001	1	E04	90164-KGBG-900	1	F05
88110-LBA2-E02	2	F03	90101-LBA2-E00	0	F08	90201-KHR8-75A	1	E05
88120-LBA2-E02	2	F03	90105-KCR3-001	1	F07	90201-KHR8-75A	1	E06
			90105-KCR3-001	1	F08	90201-LBA2-E00	1	F06
89000			90105-KHB4-900	0	F03	90202-LBA2-E00	3	E05
			90105-KHB4-900	0	F12	90205-LBA2-E00	3	E05
89010-LBA2-E00	5	F09	90105-LBA2-E00	2	F20	90206-0A01-001	4	E02
89020-KKC4-900	1	F09	90105-LLJ3-E00	3	F03	90215-KKC4-900	2	F09
			90106-KFA6-900	0	F12	90215-KKC4-900	2	F12
90000			90106-KFC2-900	2	F03	90301-6D34-671	1	F03
			90107-LEA7-E00	4	F05	90301-6D34-671	1	F10
90001-GBHB-661	3	E06	90108-KKC4-900	1	F15	90301-6D34-671	1	F21
90001-LBA2-E00	4	E02	90110-KEBE-900	1	F14	90301-GFY6-901	2	F14
90002-LBA2-E00	3	E02	90111-1G87-001	1	F13	90302-GBR2-001	2	F21
90003-LBA2-E00	2	E04	90111-LEC8-E01	3	F03	90302-GFY6-940	2	F18
90004-LBA2-E00	4	E01	90111-LEC8-E01	3	F05	90302-SDA4-004	3	F03
90005-LBA2-E00	4	E01	90111-LEC8-E01	3	F12	90302-SDA4-004	3	F05
90011-KED9-900	2	E02	90112-KNBN-901	1	F11	90302-SDA4-004	3	F12
90012-3C33-001	1	E02	90113-KKA8-900	0	F04	90304-KKE5-E00	1	F06

PART NO. INDEX

PART NO.	VERSION	PAGE	PART NO.	VERSION	PAGE	PART NO.	VERSION	PAGE	
90304-LBD4-900	2	F20	90541-KED9-900	1	E02	91000			
90305-GHE8-004	1	F20	90544-KEC8-900	0	F22				
90305-GHK8-001	1	F05	90545-3L00-001	2	F04				
90305-GHK8-001	1	F12	90601-LBA2-E00	2	E05		91001-KHV8-004	0	E01
90305-LBA2-E00	1	F05	90605-1F66-721	0	E05		91002-LBA2-E00	1	E05
90306-LBA2-900	1	F08	90652-LBA2-E00	1	E02		91004-LBA2-E00	1	E05
90312-GLF0-001	0	F03	90652-LBA2-E00	1	F13		91202-LBA2-E00	1	E01
90312-LLJ3-E01	0	F05	90652-LLJ3-E00	0	F13		91211-LBA2-E00	1	E05
90401-KKJ9-001	0	E06	90656-KCBC-900	0	F19		91251-LBA2-E00	0	F22
90402-LBA2-E00	3	E03	90656-KUDU-900	0	F19		91254-LBA2-E00	0	F22
90403-KED9-900	2	E02	90660-KNBN-921	0	F10		91255-KHE7-900	2	F16
90403-LBA2-E00	1	E05	90677-GAR1-004	2	F03		91255-KHE7-90A	2	F16
90407-KAM1-001	0	E04	90677-GAR1-004	2	F12		91255-LBA2-E00	1	E08
90407-LBA2-E00	3	E01	90677-GAR1-004	2	F18		91257-KED9-900	2	F07
90421-LBA2-E00	1	E03	90680-LBA2-E00	1	E02		91261-4E15-004	0	E01
90441-LBA2-E00	1	E05	90683-GAR1-004	4	F05		91302-0A01-021	0	E01
90442-LBA2-E00	1	E05	90683-SCA3-001	0	F23		91303-1G07-001	1	E04
90465-LBA2-E00	1	E02	90701-9E65-001	0	E01		91303-3G77-001	0	E02
90474-3C33-001	1	E01	90701-KED9-900	2	E03		91303-3G77-001	0	E04
90478-7L00-001	0	E03	90805-LBA2-E00	2	E04		91307-0E35-001	1	E04
90488-7L00-001	0	E02	90912-LBA2-E00	8	F21	91308-KED9-900	1	E02	
90488-7L00-001	0	E08	90913-LBA2-E00	1	F21	91309-4E25-004	0	E06	
90503-0A51-870	0	F06	90914-KED9-900	3	E02	91313-KED9-900	3	E01	
90503-KKE5-E00	1	F06	90914-LBA2-E00	9	F21	91317-LBA2-E00	1	E01	
90503-LBA2-E00	2	F06				91351-LBA2-E00	1	E05	
9052A-GFY6-950	4	E01				91407-SGA7-004	0	F13	

PART NO. INDEX

PART NO.	VERSION	PAGE	PART NO.	VERSION	PAGE	PART NO.	VERSION	PAGE
92000			93500-05032-1B	0	F03	93903-GFY6-900	1	F05
			93500-05045-1B	0	F03	93903-GFY6-900	1	F12
			93500-KHC4-90A	0	F10	93903-GFY6-900	1	F18
92101-05012-0G	0	E06	93500-KHC4-90A	0	F19	93903-GFY6-900	1	F21
92101-05012-0G	0	F07	93600-04012-1A	0	F04	93903-KEB7-900-06	1	F03
92712-06028-0B	2	E02	93891-05016-06	0	F05			
93000			93891-05016-06	0	F11	94000		
			93891-06010-07	0	F12			
			93892-04008-16	0	E09		94050-05080	0
93404-06012-06	1	F05	93892-04022-06	0	F19	94050-06060	1	F04
93404-06016-06	1	F05	93893-04012-18	0	F04	94050-06080	2	E02
93404-06016-06	1	F12	93901-24560	0	F21	94050-06080	2	E07
93404-06016-06	1	F13	93901-32320	0	F18	94050-06080	2	F04
93404-06016-06	1	F15	93901-34320	0	F18	94050-06080	2	F09
93404-06016-06	1	F18	93901-44320	0	F18	94050-06080	2	F10
93404-06020-06	1	F03	93903-34360	0	F05	94050-06080	2	F11
93404-06030-06	0	F13	93903-34360	0	F12	94050-06080	2	F18
93500-03010-0F	0	E06	93903-34360	0	F17	94050-06080	2	F19
93500-03014-1A	0	F21	93903-34360	0	F18	94050-06080	2	F20
93500-04006-0F	0	F21	93903-34580	0	E01	94050-06080	2	F21
93500-04008-0F	0	F10	93903-35260	0	F10	94050-08080	0	F09
93500-04014-1H-3	0	E09	93903-35360	0	F01	94050-08080	0	F19
93500-04016-0G	0	E09	93903-35360	0	F02	94050-08080	0	F21
93500-04020-0G	0	F10	93903-35360	0	F03	94050-86000	0	F08
93500-05016-1B	0	F03	93903-35360	0	F18	94101-04800	0	F21
93500-05025-1B	0	F03	93903-GFY6-900	1	F03	94101-06000	0	F20

PART NO. INDEX

PART NO.	VERSION	PAGE	PART NO.	VERSION	PAGE	PART NO.	VERSION	PAGE
94101-06700	0	F14	94591-KFBF-900	2	E03	95701-06008-06	1	F06
94101-06800	0	F09	94591-KFBF-900	2	E04	95701-06010-06	1	E02
94101-08700	0	F15	94591-KFBF-900	2	F10	95701-06012-06	1	F06
94101-LBA2-E00	1	F20	94601-22000	1	E03	95701-06012-06	1	F10
94102-LBA2-E00	1	F20	94605-LBA2-E00	0	F22	95701-06012-06	1	F20
94111-05800	0	E06	94608-LBA2-E00	0	F22	95701-06016-02	0	E01
94111-06800	0	E01				95701-06016-02	0	F21
94201-16150	0	F20	95000			95701-06018-06	0	F13
94251-08400	0	F15				95701-06022-06	1	E01
94301-10160	0	E01	95001-35550-40	0	F21	95701-06025-06	2	E02
94301-10160	0	E04	95002-02070	2	F21	95701-06025-06	2	E03
94301-10160	0	E08	95002-02070	2	F23	95701-06025-06	2	F14
94301-12200	1	E01	95002-02080	0	F23	95701-06032-06	0	E01
94301-12200	1	E03	95002-02100	0	F10	95701-06035-06	1	E02
94303-04065	0	E06	95002-02100	0	F13	95701-06040-06	0	E02
94510-10000	0	E06	95002-02100	0	F21	95701-06050-06	0	F06
94510-20000	1	E02	95002-02120	1	F10	95701-08012-06	0	E01
94510-25000	0	E08	95002-02120	1	F13	95701-08012-06	0	E08
94520-12100	0	E01	95002-02130	0	F10	95701-08012-06	0	F20
94520-47000	0	F16	95002-41250-00	0	F13	95701-08025-06	0	E08
94520-52000	0	E01	95002-50000	0	F13	95701-08035-06	1	F03
94520-55000	0	E01	95002-70000	0	F21	95701-08040-06	0	E08
94520-55000	0	E08	95002-KHE7-900	0	F21	95701-08045-06	1	E08
94520-LBA2-E00	1	E05	95002-KKD6-E05	0	F23	95701-08045-06	1	F20
94591-27000	0	F12	95002-LBA2-E00	2	E04	95701-KHC5-E00	3	F19
94591-27000	0	F17	95014-72204	0	F15	95701-LBA2-E00	0	F08

PART NO. INDEX

PART NO.	VERSION	PAGE	PART NO.	VERSION	PAGE	PART NO.	VERSION	PAGE
95801-08040-06	0	F06	96001-06040-06	0	E07			
95801-08050-06	1	F16	96001-06050-06	0	E04	98000		
95801-10025-06	0	F15	96001-06060-06	0	E01			
95801-10040-02	0	F16	96001-06065-06	0	E01	98059-58916-00	2	E02
95801-10050-06	1	F14	96001-06075-06	1	E01	98200-31000	1	F11
95801-10057-06	2	F20	96001-06095-06	0	E01	98200-31000	1	F19
95801-KED9-900	3	E02	96001-06100-06	0	E01	98200-31500	1	F11
			96001-GFY6-900	2	F13	98200-31500	1	F19
96000			96100-62040-00	0	E01	98200-33000	0	F11
			96100-62040-00	0	E08	98200-33000	0	F19
96001-06012-06	0	E01	96100-63040-00	1	E01	98200-LBA2-900	0	F19
96001-06012-06	0	E06	96100-63040-00	1	E08			
96001-06012-06	0	F04	96100-LBA2-E00	1	E01	99000		
96001-06012-06	0	F06	96120-60020-00	0	F20			
96001-06014-06	0	E02	96120-62000-00	0	F20	99101-393-1180	0	E09
96001-06014-06	0	F14	96150-60040-10	0	F07			
96001-06014-06	0	F19	96150-60050-00	0	E01	E		
96001-06018-06	0	E02	96150-60050-00	0	F16			
96001-06018-06	0	E03	96150-60060-10	0	E01	E040-3106	0	E03
96001-06020-06	0	F19	96150-60060-10	0	E08			
96001-06022-06	1	E04	96211-08000	19	F20	N		
96001-06025-06	0	E07	96600-08025-06	0	F06			
96001-06028-06	0	F04	96600-08035-06	0	F06	N114-04083	0	E09
96001-06032-06	0	E06	96600-LBA2-E00	0	F22	N114-04103	0	E09
96001-06040-06	0	E03	96600-LDG7-900	0	E06	N114-04163	0	E09
96001-06040-06	0	E04				N413-16Z00	0	E09

PART NO. INDEX

PART NO.	VERSION	PAGE	PART NO.	VERSION	PAGE	PART NO.	VERSION	PAGE
N424-39A40	0	E09						
N425-2LZ00	0	E09						
N446-35A00	0	E09						
W								
W9353-30000	0	E09						
W9353-36000	0	E09						
W9451-03212	0	E09						
W9525-25250	0	E09						
W9535-45000	0	E09						
W9554-26538	0	E09						

