

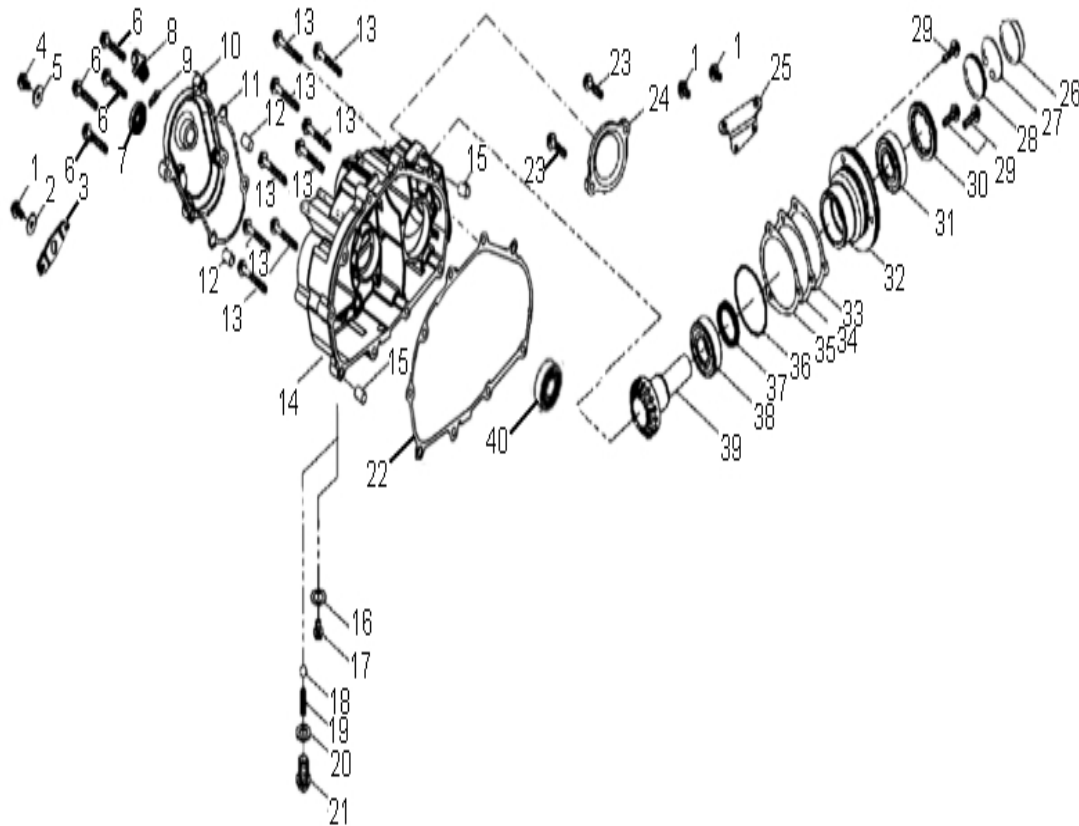
**CROSSLAND 300**







## D-4:DRIVE ASSEMBLY,REAR



ITEM	DESCRIPTION	P/N	Q'TY
1	Bolt	96000-060168-00K	3
2	Washer	94101-0618015-00	1
3	Lever, Shift	2131755L-000	1
4	Bolt	96000-060088-00K	1
5	Washer	94101-0612010-00	1
6	Bolt	96000-060358-08C	4
7	Seal, Oil	96500-142807A727	1
8	Plug, Oil	15650111-001	1
9	O-Ring	93210-01425	1
10	Cover, Shift	2136150S-000	1
11	Gasket, Inspection Cover	2136250S-001	1
12	Pin, Dowel	94301-08140	2
13	Bolt	96000-080458-00C	9
14	Cover, Transmission	2130155L-000	1
15	Pin, Dowel	94301-10140	2
16	Washer	94101-1221320-00	1
17	Bolt	96000-120158-14C	1
18	Ball, Steel	2132239A-000	1
19	Spring, Detent	2430655E-000	1
20	Washer	94101-1422010-00	1
21	Bolt	2430539A-000	1
22	Gasket, Transmission Cover	2139550A-001	1
23	Bolt	96000-060168-08C	2
24	Inspection Cover	2136355L-000	1
25	Housing	2134150A-000	1
26	Collar	2347150A-000	1
27	Clip, Cir	94511-2100S	1
28	Washer	94101-2136010-00	1
29	Bolt	91000-080258-00K	3
30	Nut	90204-64000-00C	1
31	Bearing, Ball	96100-6305-LLUC3	1
32	Collar, Gear Shaft	2130655L-000	1
33	Shim	23476204-000	1
34	Shim	23476205-000	1
35	Shim	23476206-000	1
36	O-Ring	93210-06020	1
37	Seal, Oil	96500-304005A727	1
38	Bearing, Ball	96100-60060-0000	1
39	Gear, Shaft, Output	2347050S-000	1
40	Bearing, Ball	96100-63040-0000	1







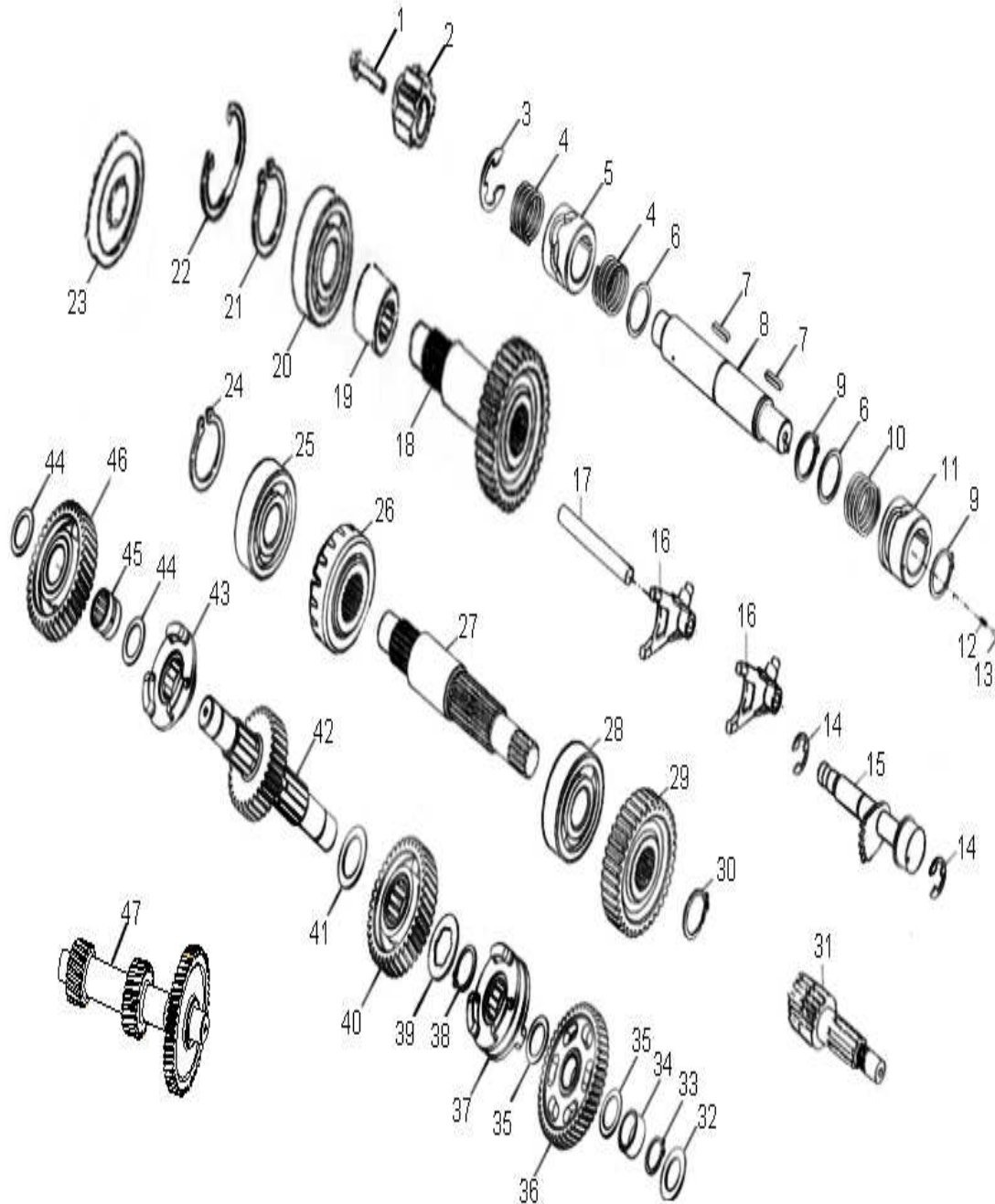








# D-11: TRANSMISSION



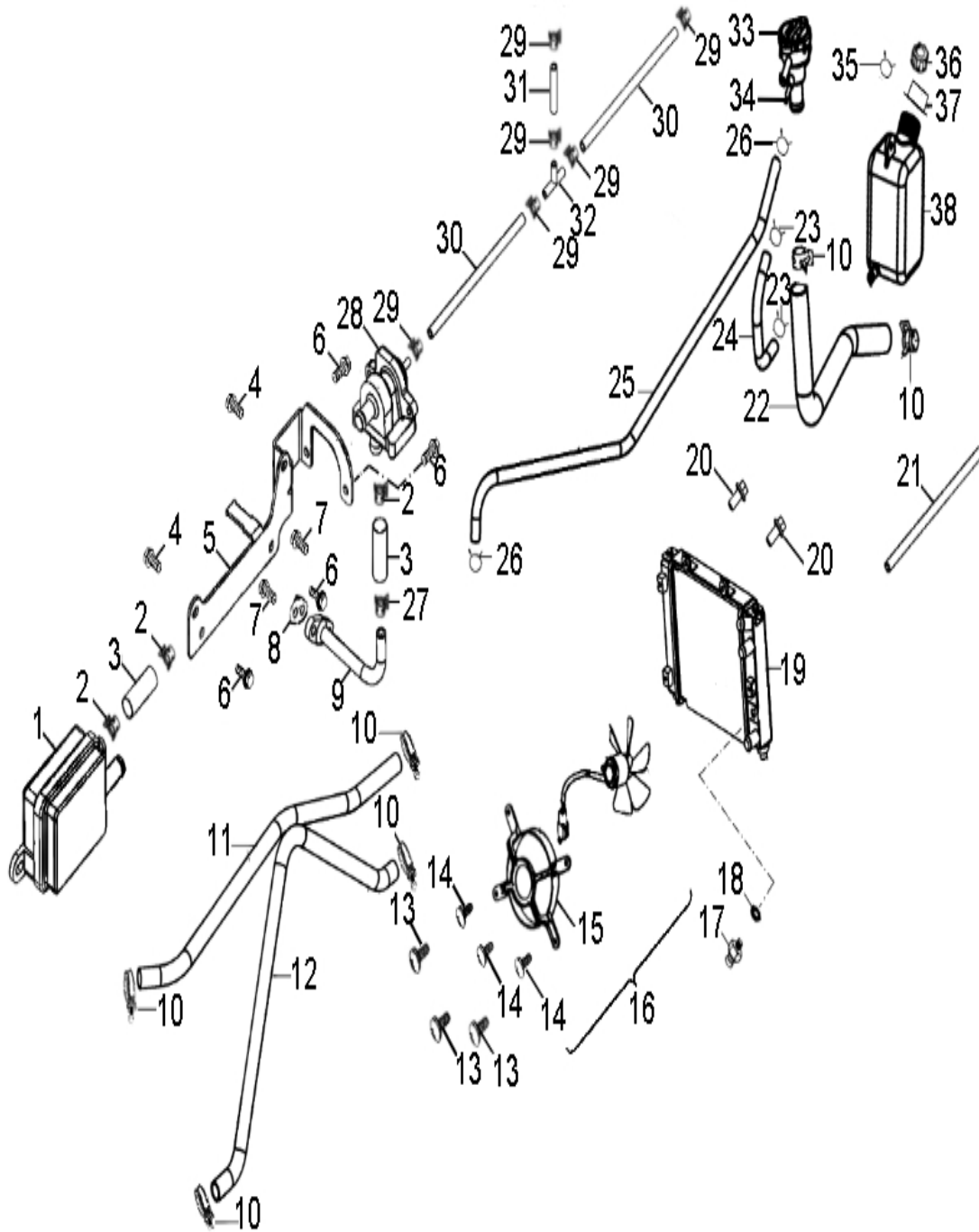
ITEM	DESCRIPTION	P/N	Q'TY
1	Bolt	96000-060288-10C	1
2	Gear , Drum Shift	2431050S-000	1
3	E-Clip	94513-1900E	1
4	Recoil, Shift	2430350S-001	2
5	Drum, Gear Shifter	2430155L-001	1
6	Washer	94101-2632005-00	2
7	Key, Woodruff	90472-40420	2
8	Shaft, Shift Drum	2430855L-000	1
9	Clip, Cir	94511-2600S	2
10	Recoil, Shift	2430750S-000	1
11	Drum, Gear Shifter	2430955L-001	1
12	Spring, Drum Sensor	2425339A-000	1
13	Roller, Drum Sensor	2425239A-000	1
14	E-Clip	94513-1200E	2
15	Spindle	2461150S-000	1
16	Fork, Shift	2423150A-000	2
17	Shaft, Gear Shift	2424155L-000	1
18	Ideal Gear, Over Drive	2344355L-000	1
19	Bearing, Needle	96200-304217	1
20	Bearing, Ball	96100-62050-0000	1
21	Clip, Cir	94511-2500S	1
22	Clip, Cir	94512-5200R	1
23	Seal, Oil	96500-255207A545	1
24	Clip, Cir	94511-2000S	1
25	Bearing, Ball	96100-63040-000C	1
26	Gear, Final Ring	2343350S-000	1
27	Shaft	2343150S-000	1
28	Bearing, Ball	96100-62060-0000	1
29	Gear	2343250S-000	1
30	Clip, Cir	94511-2400S	1
31	Shaft, Drive	2341150S-000	1
32	Washer	94101-2033010-00	1
33	Clip, Cir	94511-2000S	1
34	Collar, Shaft	2344250A-000	1
35	Washer	94101-2028010-00	2
36	Asm., Gear, Spur	2345050A-001	1
37	Ratchet, Shift	2243050A-001	1
38	Clip, Cir	94511-2500S	1
39	Washer, Spline	2343550A-000	1
40	Gear Set, Reverse	2346050A-000	1
41	Washer	94101-2538010-00	1







# D-14:RADIATOR



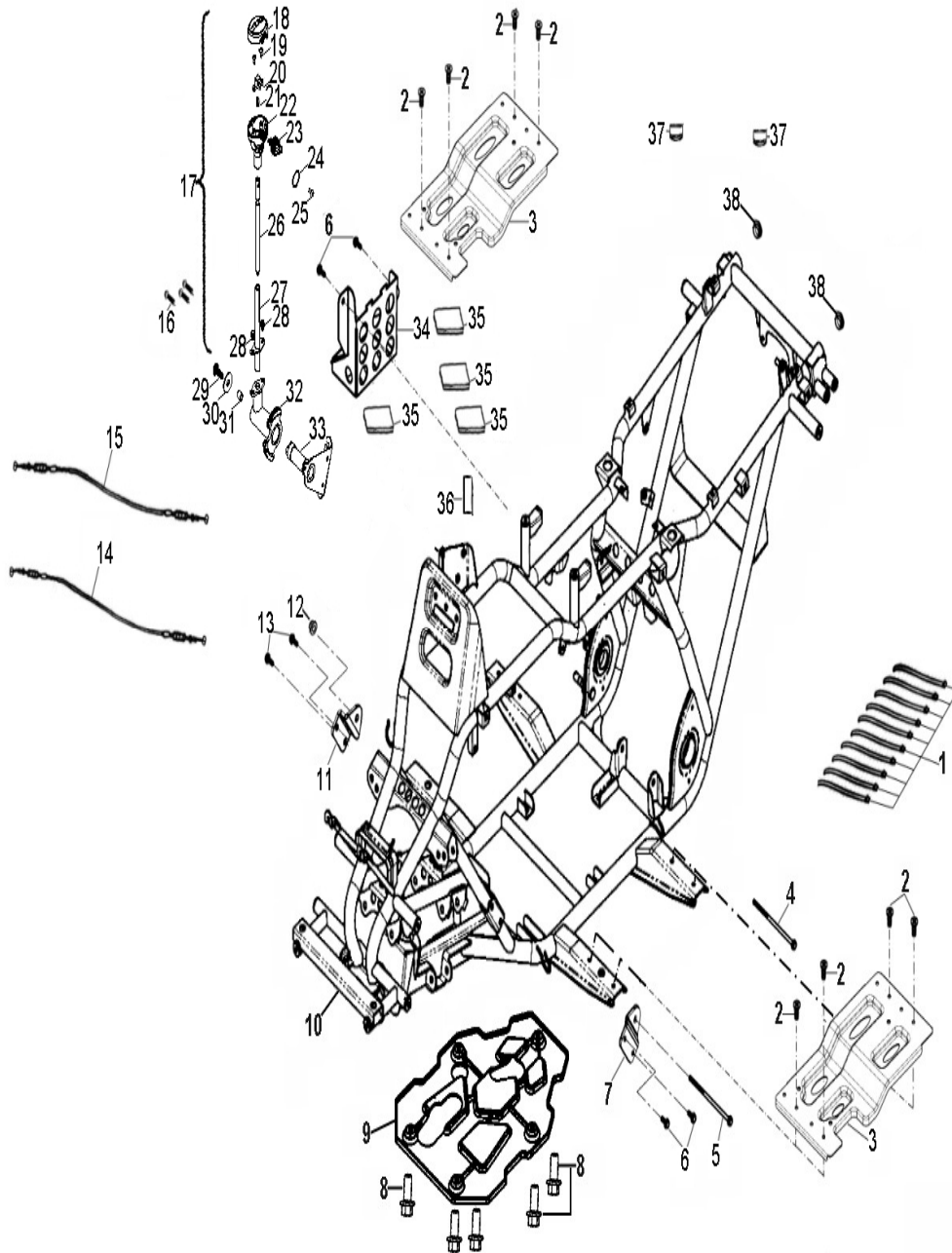
ITEM	DESCRIPTION	P/N	Q"TY
1	Asm.,Filter, Daul- Intake	18995202-000	1
2	Clip	94510-15000	3
3	Hose, Rubber	96420-01016-052	2
4	Bolt	96000-060128-0KL	2
5	Bracket, Dual- Intake	1899850A-000	1
6	Bolt	96000-060148-00K	4
7	Bolt	96000-060168-08C	2
8	Gasket, Hose	1864639E-000	1
9	Tube, Dual- Intake	1864050A-000	1
10	Clamp	1922250A-000	6
11	Hose, Inlet, Radiator	1950350A-000	1
12	Hose, Outlet, Radiator	1950150A-000	1
13	Screw	93003-060168-00K	3
14	Screw	93502-040128-00C	3
15	Shroud, Fan	1901550A-000	1
16	Asm., Fan	1900550A-000	1
17	Switch, Thermosatic	1932550A-000	1
18	O-Ring	93210-01020	1
19	Radiator	1901150A-000	1
20	Bolt	96007-060228-00K	2
21	Hose	94408-05007-230	1
22	Hose, Water Cap, Radiator	19504201-000	1
23	Clamp	94515-12008	2
24	Hose, Inlet, Expansion Tank	19506201-000	1
25	Hose, Bypass, Thermosatic	19505201-000	1
26	Clip	94510-06500	2
27	Clip	94510-13000	1
28	Valve, Dual-Intake	1899955E-000	1
29	Clip	94510-06500	6
30	Hose	94407-04007-150	2
31	Hose	94407-04007-035	1
32	T-Joint	16126201-000	1
33	Cap, Water	1911150A-000	1
34	Tube, Water Cap	1911450A-000	1
35	Clip	94510-06000	1
36	Cap, Expansion Tank	1910250A-000	1
37	Boot, Duct	1726950A-000	1
38	Tank, Expansion	1910150A-000	1







# D-17:FRAME BODY



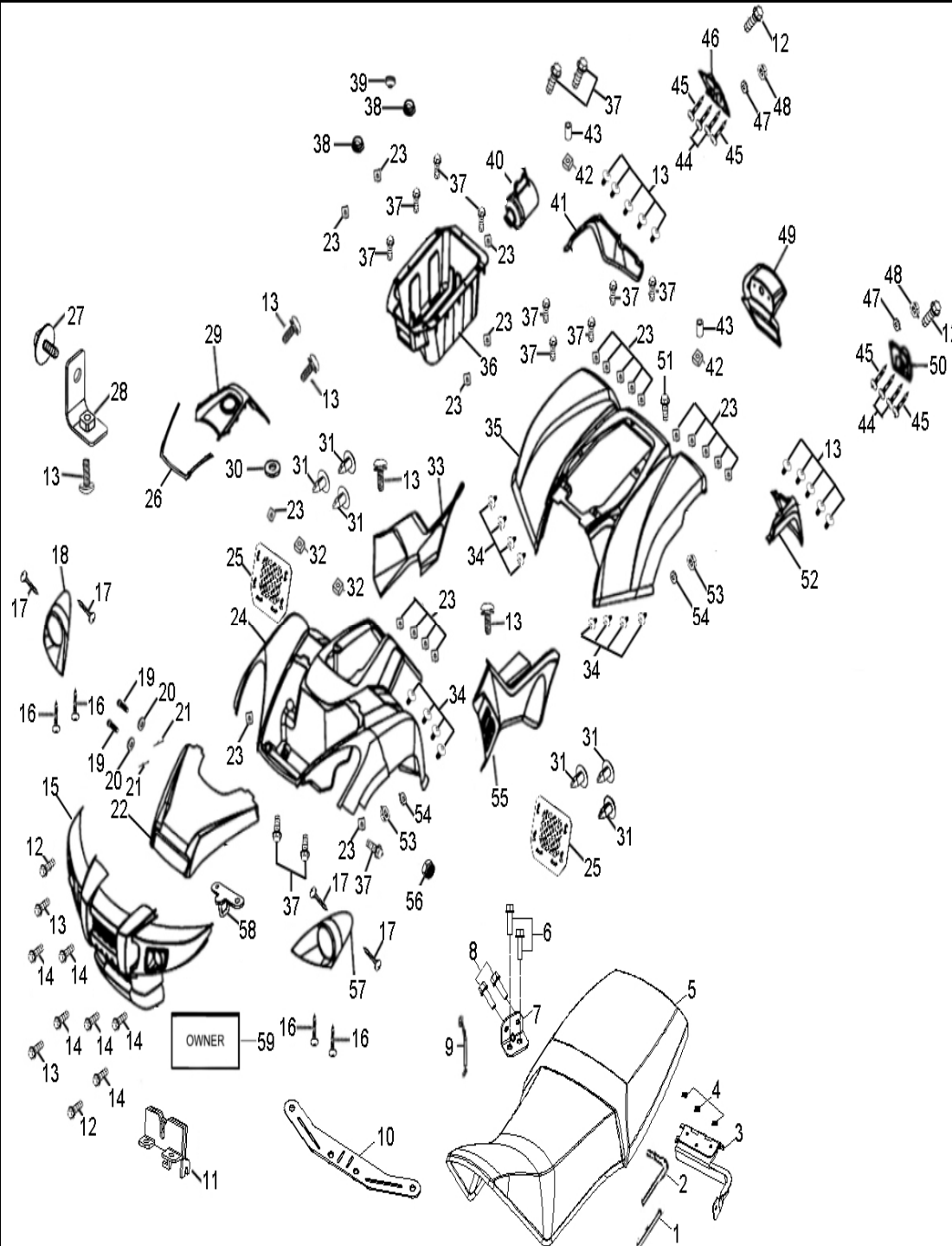
ITEM	DESCRIPTION	P/N	Q"TY
1	Strap	89569131-000	10
2	Bolt	96000-060128-0KL	8
3	Bracket, Footwell, RH	5110555E-000	2
4	Bolt	96000-101308-00B	1
5	Bolt	96000-102008-00B	1
6	Bolt	96000-080168-0KL	2
7	Mounting, Engine, LH	5090255E-000	1
8	Bolt	92005-060168-00K	5
9	Shield, Chassis	5010650A-000	1
10	Asm., Frame	5010055E-067	1
11	Mounting, Engine, RH	5090855E-000	1
12	Nut	90355-10000-0UB	1
13	Bolt	96000-080208-0KL	4
14	Cable, Shift	2133555B-000	1
15	Cable, Shift	2133555A-000	1
16	Bolt	96000-060128-10K	3
17	Asm., Shift Lever	2135055E-000	1
18	Cover	2132750A-000	1
19	Screw	93903-1040088-00	2
20	Plate, Shift	2133655E-000	1
21	Spring, Shift	2132050A-000	1
22	Knob, Transmission Lever	2132850A-000	1
23	Rubber Cap	2133455E-000	1
24	Clip, Spring	94661-21012	1
25	Bolt	96009-080258-00K	1
26	Linkage, Shift Lever	2133850A-000	1
27	Sleeve, Shift Lever	2134555E-000	1
28	Bolt	96000-050088-00K	2
29	Screw	93100-050108-00K	1
30	Washer	94101-1030020-00	1
31	Bush	81205202-000	1
32	Lever, Shift	2131955E-000	1
33	Mounting, Shift Lever	2134355E-000	1
34	Boot, Shift Arm	3150355E-000	1
35	Rubber	81113203-000	4
36	Trim, Rubber	50811202-000	1
37	Rubber, Seat	77220131-000	2
38	Cap, Rubber	19611202-000	2







# D-21:CAB/SEAT



ITEM	DESCRIPTION	P/N	Q'TY
1	Trim, Rubber	94430-00000-405	1
2	Trim, Rubber	94430-00000-815	1
3	Hinge, Seat	77223201-000	1
4	Nut	90350-06000-0UK	3
5	Seat	77200251-000	1
6	Bolt	93100-050168-00K	2
7	Bracket, Electrical	83604201-000	1
8	Screw	93903-1050128-00	2
9	Cable, Lock	77232202-000	1
10	Bracket, striker, key	77235201-000	1
11	Lock, Seat	77231180-000	1
12	Bolt	96000-060108-00K	4
13	Bolt	93800-060168-00K	17
14	Bolt	93800-060128-00K	6
15	Bumper, Front	5046155E-000	1
16	Screw	93903-1050128-00	4
17	Bolt	93100-050128-00K	4
18	Cover, Headlight, RH	3340455E-000	1
19	Pin, Lever, Shift	77218201-000	2
20	Washer	94101-0816015-00	2
21	Cotter Pin	94203-12200	2
22	Hood	7722755E-620	1
23	U-Nut,M6	61121201-00C	22
24	Cab, Front	6110055E-620	1
25	Net, Rubber	61103201-000	2
26	Gasket	50812201-000	1
27	Bolt	96007-060228-00K	1
28	Bracket, Expansion Tank	19104201-000	1
29	Cover, Fuel Tank	17555208-000	1
30	Washer	94101-0613010-00	1
31	Rivet, Plastic	61120153-000	6
32	Pad, Rubber	17502203-000	2
33	Panel, Side, RH	8350055E-000	1
34	Bolt	93100-050168-00K	16
35	Cab, Rear	6100055E-620	1
36	Luggage Box	7722655E-000	1
37	Bolt	96007-060168-00K	14
38	Plug, Rubber	50424203-000	2
39	Boot	50423203-000	1
40	Asm,Toolbox	8,91E+06	1
41	Fender, Rear, RH	6281055E-000	1











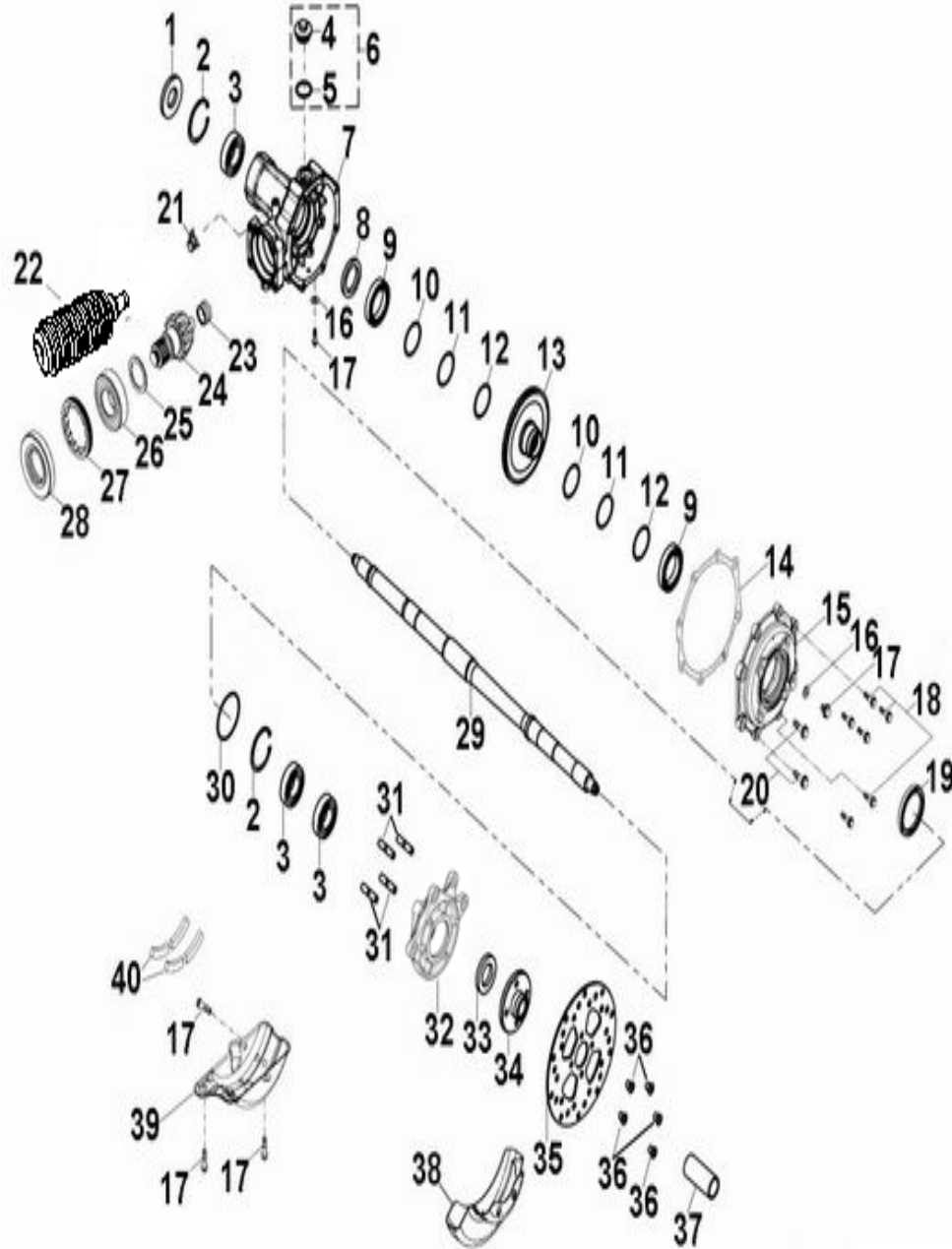








# D-29:REAR WHEEL AXLE



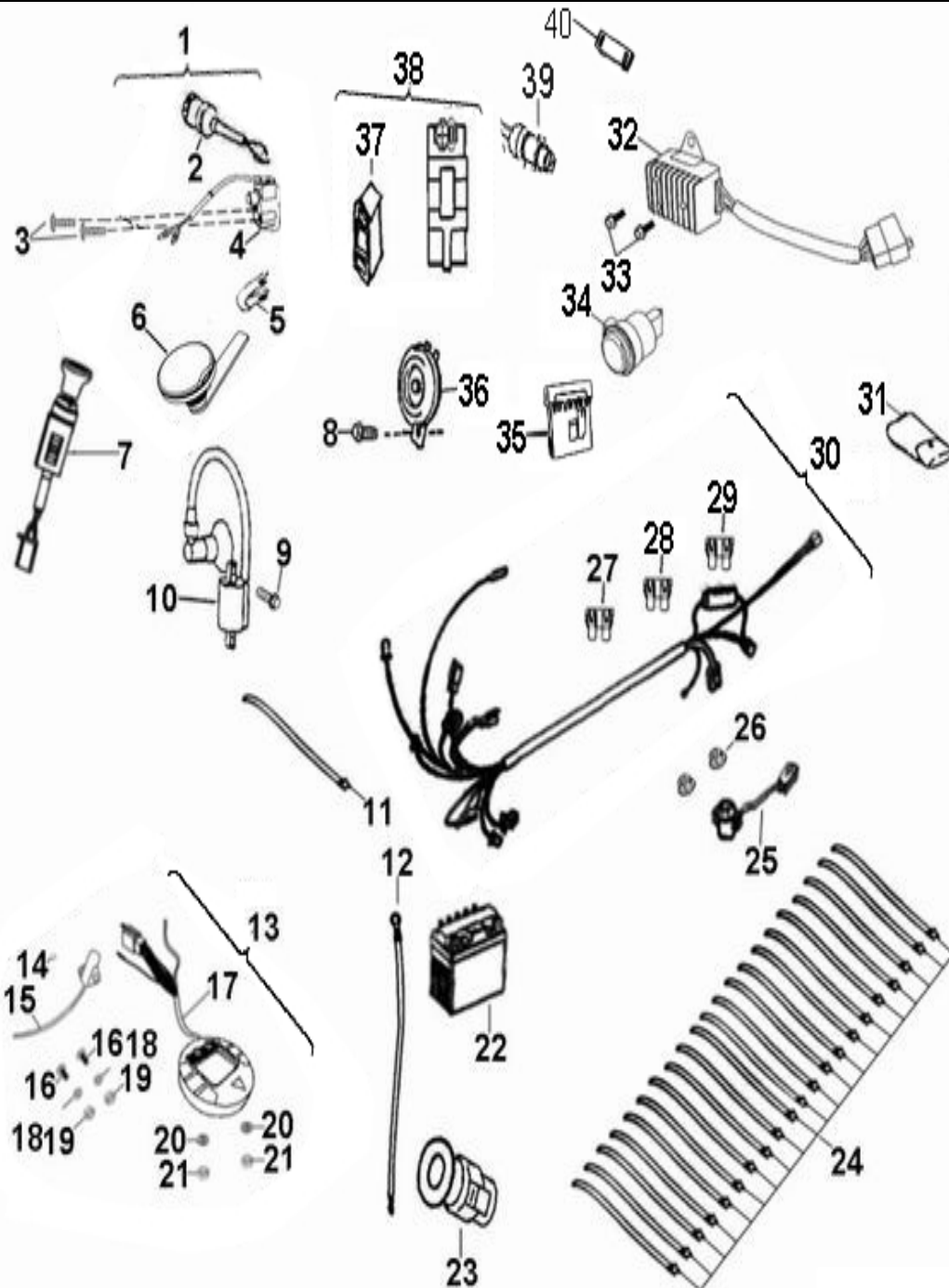
ITEM	DESCRIPTION	P/N	Q'TY
1	Seal, Oil	96500-306207A727	1
2	Clip, Cir	94512-6200R	2
3	Bearing, Ball	96100-6206-LLUC3	3
4	Plug, Drain, Oil	11334119-000	1
5	O-Ring	93210-03132	1
6	Asm., Cap	1542539A-000	1
7	Gearcase	4210039B-001	1
8	Seal, Oil	96500-415607A727	1
9	Bearing, Ball	96100-69090-0000	2
10	Shim	42401201-000	2
11	Shim	42401202-000	2
12	Shim	42401203-000	2
13	Gear, Bevel	42320201-00A	1
14	Gasket, Cover	4229139A-001	1
15	Cover, Gearcase	4220055E-000	1
16	Washer	94101-0816020-00	2
17	Bolt	96000-080108-00K	5
18	Bolt	96000-080288-00B	6
19	Seal, Oil	96500-415106A265	1
20	Bolt	96000-100358-00B	2
21	Clamp	94515-12008	1
22	BELLOWS	1660055E-000	1
23	Bearing, Needle	96200-142213	1
24	Gear, Pinion	42310201-00A	1
25	Shim	4241039A-000	1
26	Bearing, Ball	96100-62060-0000	1
27	Nut	90204-65000-000	1
28	Seal, Oil	96500-347210A727	1
29	Axle	4200050A-000	1
30	O-Ring	93210-06725	1
31	Stud	91001-100488-00B	4
32	Housing, Rear axle, Silver	4280555E-000	1
33	Seal, Oil	96500-405707A727	1
34	Hub, Disc	4349055E-000	1
35	Disc, Brake	43511202-000	1
36	Bolt	45016131-00K	5
37	Tube, Spacer	4281055E-000	1
38	Shield, Disc	52621201-067	1
39	Plate, Gearcase	4352639A-067	1
40	Spacer, Rubber	3720439A-000	4







# D-32:ELECTRICAL PARTS



ITEM	DESCRIPTION	P/N	Q'TY
1	Asm., Main Switch	35100232-000	1
2	Switch, Main	35102218-000	1
3	Bolt	93100-050128-00K	2
4	Lock, Steering	35106207-000	1
5	Clip, Main Switch	35101131-000	1
6	Twist Lock, Hood	77228201-000	1
7	Power Supporter	38130179-000	1
8	Bolt	96000-080128-0KL	1
9	Bolt	96000-050208-00C	1
10	Asm., Ignition Coil	30510206-000	1
11	Strap	89769111-000	1
12	Asm., Battery Cable	3200155E-000	1
13	Asm., Speedometer	3720055E-000	1
14	Magnet, Speedometer	37203202-000	1
15	Sensor, Speedometer	37206201-000	1
16	Bolt	93100-040128-00K	2
17	Asm., Speedometer	3720555E-000	1
18	Washer	94111-0412010-00	2
19	Nut	94001-06000-00C	2
20	Washer	94101-0613010-00	2
21	Nut	94001-04000-00K	2
22	Battery	3150039A-000	1
23	Relay, Signal	38302204-000	1
24	Strap	89569131-000	21
25	Asm., Starter Relay	38501119-000	1
26	Nut	94050-06000-00K	2
27	Fuse	32106203-000	1
28	Fuse	32106202-000	1
29	Fuse	32106201-000	2
30	MAIN WIRE ASS'Y	32100230-002	1
31	Pouch, Tool	89120205-000	1
32	Rectifier/ Regulator	31600209-000	1
33	Bolt	96000-060148-10K	2
34	Relay, Parking	38701202-000	1
35	Wire, Fuse Box	32109201-000	1
36	Horn	38110119-000	1
37	Pad, Rubber	30411202-000	1
38	Asm., CDI Unit	30410220-000	1
39	Lock Striker, Seat	77233201-000	1
40	Strap, Battery	89750202-000	1



