

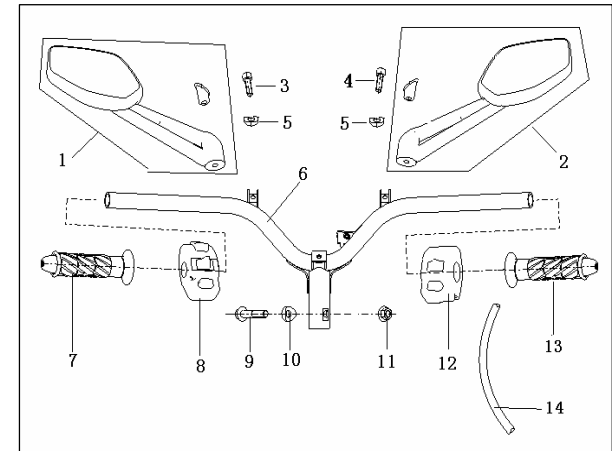
HACKER 125



HACKER 125

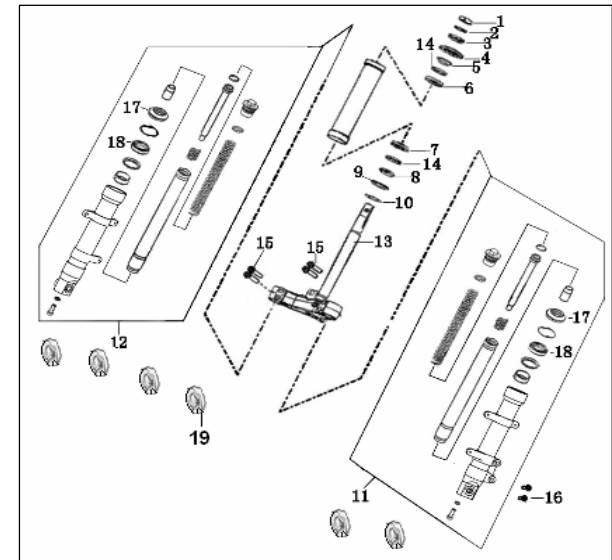
F01 CONTROL ASSY.

NO.	CODE	EN DESCRIPTION	QTY.	NOTES
1	40460BPBY000	BACK MIRROR ASSY., LH.	1	
2	40470BPBY000	BACK MIRROR ASSY., RH.	1	
3	B02050802565	SCREW M8X25	1	
4	40186BNAT000	SCREW M8X25	1	
5	B07000000805	SPRING WASHER 8	2	
6	40100J4CT000	HANDLE BAR	1	
7	40001J4AT000	BACK MIRROR ASSY., LH.	1	
8	40500J4AT001	LEFT HANDLE SWITCH ,1 ASSY.	1	
9	B01591005065	FLANGE BOLT M10X1.25X50	1	
10	40113J4AT000	INSTALLER I	1	
11	B04171012555	NUT M10X1.25	1	
12	40600J4AT000	RIGHT HANDLE SWITCH, 2 ASSY.	1	
13	40212J4AT000	GRIP ASSY., THROTTLE	1	
14	40300J4AT000	CABLE ASSY , THROTTLE	1	



F02 FRONT FORK ASSY.

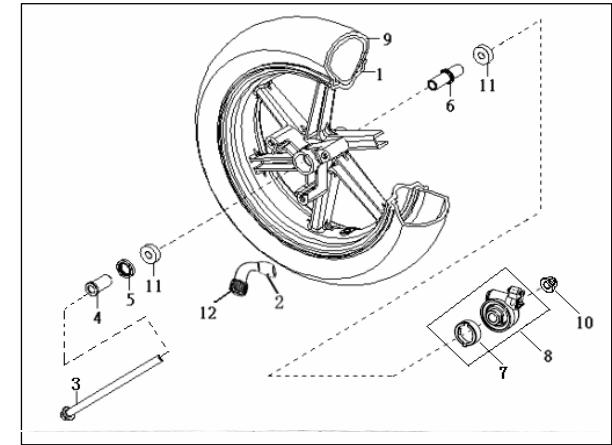
NO.	CODE	EN DESCRIPTION	QTY.	NOTES
1	43008J4AT000	LOCK NUT	1	
2	43007J4AT000	STOPPER WASHER	1	
3	43017J4AT000	NUT	1	
4	43005J4AT000	DUST COVER	1	
5	43001J4AT000	RACE, STEERING OUTER, UPPER	1	
6	43002J4AT000	RACE, STEERING INNER, UPPER	1	
7	43003J4AT000	RACE, STEERING INNER, LOWER	1	
8	43004J4AT000	RACE, STEERING OUTER, LOWER	1	
9	43019J4AT000	RUBBER JOINT	1	
10	43018J4AT000	WASHER	1	
11	43200T420010	FRONT FORK ASSY.,L.	1	
12	43300T420010	FRONT FORK ASSY.,R.	1	
13	43100J4CT000	BRACKET ASSY., LOWER	1	
14	B06010200000	BALL, STEEL 1/4"	35	
15	B01071005065	BOLT M10×1.25×50	4	
16	B01090803065	BOLT M8×30	2	
17	43290K00P000	COVER, ANTI-DUST	2	
18	43260K00P000	OIL SEAL	2	
19	47936S010000	NYLON,GASKET	6	



HACKER 125

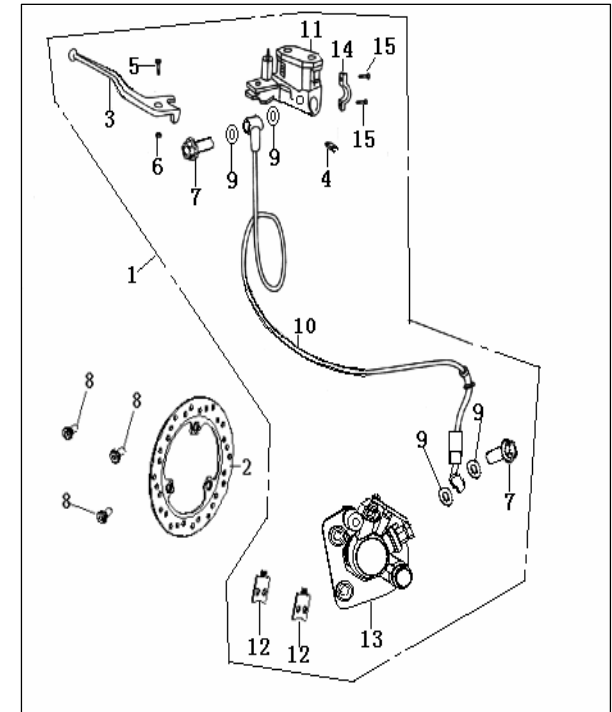
F03 FRONT WHEEL ASSY.

NO.	CODE		QTY.
1	44101T09B500	RIM, FRONT WHEEL	1
2	B1403Z201120	RIM VALVE	1
3	44004J4AT001	AXLE, FRONT WHEEL	1
4	44005J4AT000	SPACER, L.	1
5	44300J4AT000	DUST SEAL	1
6	44600J4AT000	SPACER, MID.	1
7	44240J4AT000	DRIVE RING	1
8	44200T42B500	GEAR SEAT ASSY.(BLACK B5)	1
9	B140107D12AB	TIRE (E-MARK) 120/70-12	1
10	B04171212554	NUT M12×1.25	1
11	B12016020100	BEARING 6201-2RS	2
12	B1404Z2011C0	CAP , VALVE	1



F04 FRONT DISK BRAKE ASSY.

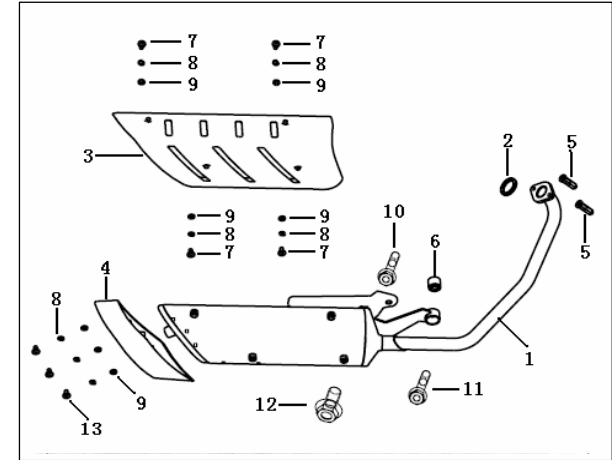
NO.	CODE		QTY.
1	45900T42B300	FRONT DISC BRAKE ASSY.	1
2	45033T09B500	BRAKE DISK	1
3	45022J4AT000	LEVER, FR. BRAKE	1
4	45300J4AT000	SWITCH, BRAKE	1
5	45024J1CT000	BOLT	1
6	B04170600065	NUT M6	1
7	45037J4AT000	BOLT	2
8	45036J4AT000	BOLT	3
9	45029J4AT000	WASHER	4
10	45200J4CT000	HOSE ASSY, FR. BRAKE	1
11	45009J4CT000	MASTER CYLINDER	1
12	45120J4AT000	BRAKE PAD KIT	1 JOGO
13	45500T09B300	CALIPER ASSY.	1
14	45023J4AT000	MASTER CYLINDER BRACKET	1
15	B01070602365	BOLT M6×23	2



HACKER 125

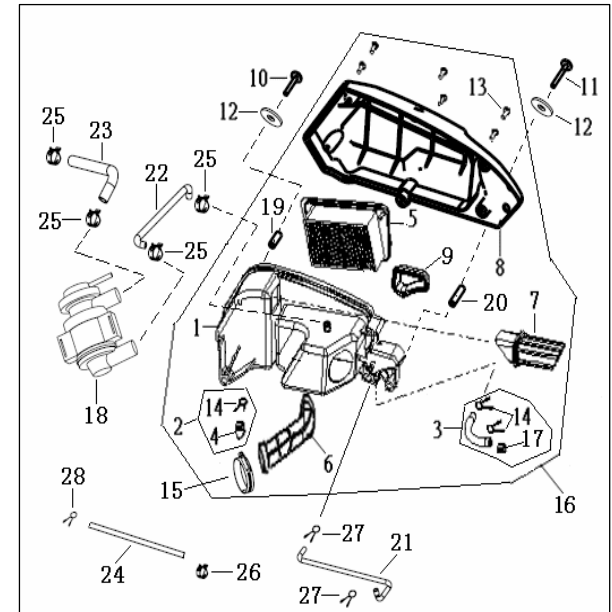
F05 MUFFLER ASSY.

NO.	CODE		QTY.
1	47100J4CT000	MUFFLER COMP.	1
2	47800K00P000	GASKET	1
3	47023T420001	DECORATION PLATE	1
4	47038J4CT000	REAR DECORATION PLATE	1
5	47006J0ET000	NUT M6	2
6	47740J0ET000	ORIENTATION ASSY.	1
7	B0200060102A	SCREW M6×10	4
8	B0700000060A	SPRING WASHER 6	7
9	B0703000060A	WASHER 6	7
10	B01090806065	BOLT M8×60	1
11	B01090806565	BOLT M8×65	1
12	B01591002065	BOLT M10×1.25×20	1
13	B0200060122A	SCREW M6×12	3



F06 AIR CLEANER ASSY.

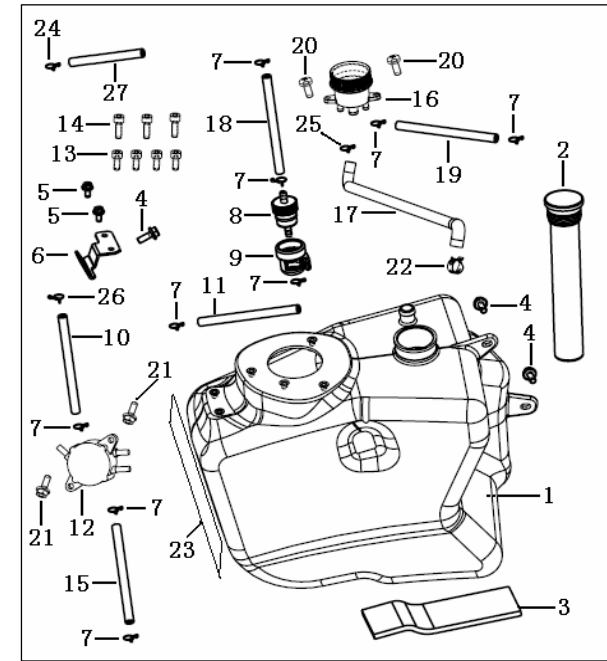
NO.	CODE		QTY.
1	49100J4CT000	BASE ASSY. , AIR CLEANER	1
2	49020J4AT000	DUST COVER ASSY .	1
3	49930T420000	HOSE ASSY., OIL DRAIN	1
4	49006J4AT000	DUST COVER	1
5	49200J4AT000	FILTER	1
6	49005JS0T000	PIPE, AIR OUT	1
7	49002J4AT000	HOSE, AIR IN	1
8	49001J4AT000	UPPER CASE, AIR CLEANER	1
9	49003J4AT000	UPPER CASE, OIL GATHER	1
10	B02000604025	SCREW M6×40	1
11	B02000605025	SCREW M6×50	1
12	B07020000605	WASHER 6	2
13	B05075502005	TAPPING SCREW ST5.5×20	6
14	49016J4AT000	CLIP	3
15	49350JS0T000	CLAMP	1
16	49000J4CT000	AIR CLEANER ASSY.	1
17	49607J4AT000	PLUG	1
18	49810J00P000	CUT-OFF VALVE BODY ASSY .	1
19	49107J4CT000	LINING □	1
20	49108J4CT000	LINING □	1
21	49025J4CT000	EXHAUST GAS HOSE	1
22	49801J4CT000	CONNECT HOSE OF CUT-OFF VALVE AND AIR CLEANER	1
23	49802J4CT000	CONNECT HOSE OF CUT-OFF VALVE AND UNILATERAL VALVE	1
24	B16010422601	HOSE φ4×2×260	1
25	49016J00P000	BOARD HOOP φ18.5	4
26	49017J00P000	BOARD HOOP φ7.5	1
27	B17010125003	STEEL WIRE HOOP φ12.5	2
28	B17010070003	STEEL WIRE HOOP φ7	1



HACKER 125

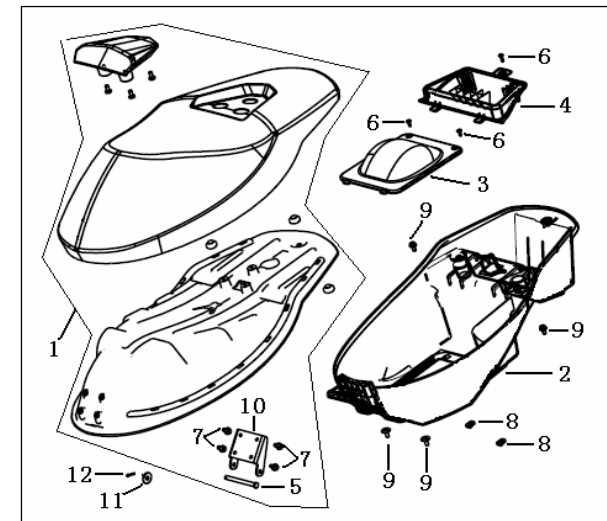
F07 FUEL TANK ASSY.

NO.	CODE		QTY.
1	50100J4CT000	SHELL , FUEL TANK	1
2	50800J4CT000	GAUGE, OIL LEVEL	1
3	50005J4CT000	INSTALL MAT , FUEL TANK	1
4	B01090601665	BOLT M6×16	3
5	B13010501005	BOLT M5×10	2
6	50007J4CT000	MOOR BOARD , FUEL TANK	1
7	B17010085003	STEEL WIRE HOOP φ8.5	9
8	50340J0ET000	FUEL FILTER ASSY.	1
9	50391J0ET000	JACKET , FUEL FILTER	1
10	B16010524001	HOSE □ φ5×2×400	1
11	B16010520551	HOSE □ φ5×2×55	1
12	50850BSAT001	OIL PUMP ASSY .	1
13	B02050501264	SCREW M5×12	4
14	B02050503064	SCREW M5×30	3
15	B16010422501	HOSE φ4×2×250	1
16	50050JS0T000	OIL CUP ASSY.	1
17	50305J4CT000	HOSE	1
18	B16010528201	HOSE □ φ5×2×820	1
19	B16010526001	HOSE □ φ5×2×600	1
20	B02060501225	SCREW M5×12	2
21	B01090601665	BOLT M6×16	2
22	49016J00P000	BOARD HOOP φ18.5	1
23	50025J4CT000	SILVER PAPER	1
24	B17010100003	STEEL WIRE HOOP φ10	1
25	B17010150003	STEEL WIRE HOOP φ15	1
26	B17010090003	STEEL WIRE HOOP φ9	1
27	B16010723001	DRAIN HOSE□ φ7×2×300	1



F08 SEAT ASSY.

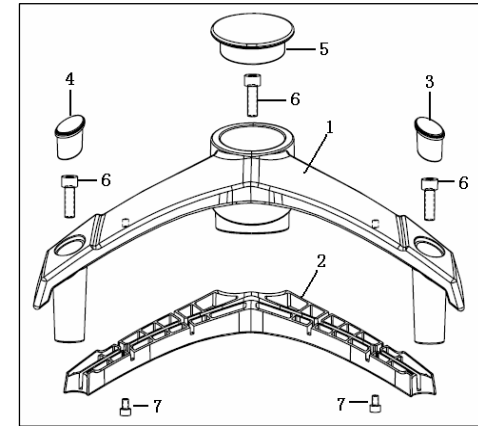
NO.	CODE		QTY.
1	51100J4CT000	SEAT ASSY.	1
2	51004J4CT000	HELMET BOX	1
3	51005J4CT000	BOTTOM CAP , HELMET BOX	1
4	65813J4CT000	CAP , ACCUMULATOR BOX	1
5	51001J4CT000	SHAFT, SEAT FITTING	1
6	B05074201305	TAPPING SCREW ST4.2×16	3
7	B01020601265	BOLT M6×12	4
8	65801J0ET001	CLIP , SCREW ST4.2	2
9	08001NOGT000	SCREW	4
10	51003J4CT000	INSTALL BOARD , SEAT	1
11	B07030000803	WASHER 8	1
12	B090002018A3	PIN 2×18	1



HACKER 125

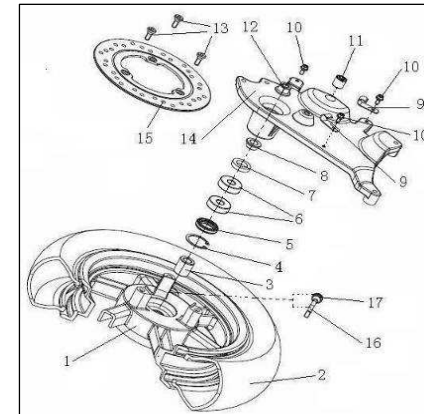
F09 REAR HANDLE ASSY.

NO.	CODE		QTY.
1	52011T42HZ00	REAR HANDLE	1
2	52016J4CT000	CAP , REAR HANDLE	1
3	52017J4CT000	WATERPROOF CAP □	1
4	52018J4CT000	WATERPROOF CAP □	1
5	52019J4CT000	WATERPROOF CAP □	1
6	B02050803065	SCREW M8×30	3
7	B02050500865	SCREW M5×8	2



F10 REAR WHEEL ASSY.

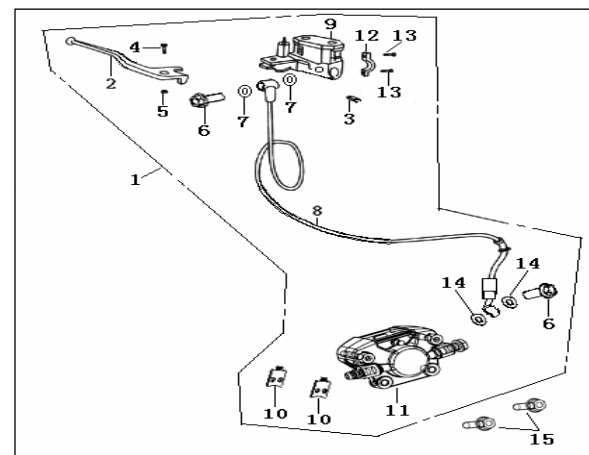
NO.	CODE		QTY.
1	54100T42B500	RIM ASSY. , RR. WHEEL	1
2	B140107D12AB	TIRE (E-MARK) 120/70-12	1
3	54016J4CT000	SPACER, L.	1
4	B080000042A1	CIRCLIP 42	1
5	44300N30P000	DUST SEAL	1
6	B12016030200	BEARING 6302-2RS	2
7	44300BM0T000	OIL SEAL 22×35×7	1
8	54005J4CT000	SPACER, R.	1
9	54035J4CT000	BACK FIXUP NIP	2
10	B01090601265	BOLT M6X12	3
11	58340G00S000	SPACER	1
12	B04171415055	NUT M14X1.5	1
13	45036J4AT000	BOLT	3
14	54611J4CT000	BRACKET	1
15	55033T42B500	BRAKE DISK	1
16	B1403Z201120	RIM VALVE	1
17	B1404Z2011C0	CAP , VALVE	1



HACKER 125

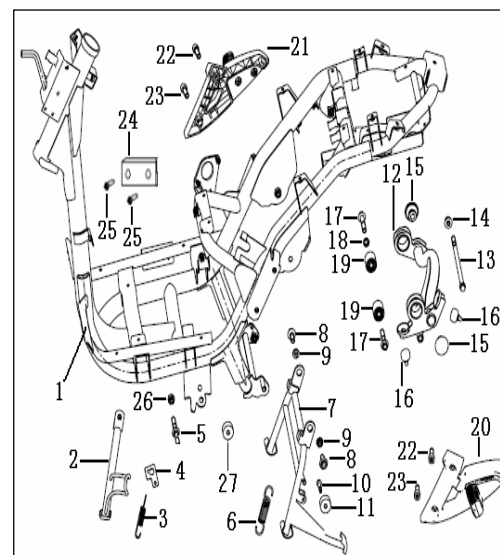
F11 REAR DISK BRAKE ASSY.

NO.	CODE		QTY.
1	55900T42B300	REAR DISK BRAKE ASSY.	1
2	55022J4CT000	LEVER, REAR BRAKE	1
3	55300J4AT000	SWITCH, BRAKE	1
4	55024J4AT000	SCREW	1
5	B04170600065	NUT M6	1
6	45037J00P000	BOLT	2
7	45029J00P000	WASHER	2
8	55200J4CT000	HOSE ASSY, FR. BRAKE	1
9	55009J4CT000	MASTER CYLINDER	1
10	45120B0KT000	BRAKE SHOE ASSY.	2
11	55500T42B300	CALIPER ASSY.	1
12	45023J1DT000	MASTER CYLINDER BRACKET	1
13	B01070602365	BOLT M6×23	2
14	45029B0KT000	WASHER	2
15	B01090802565	BOLT M8×25	2



F12 FRAME ASSY.

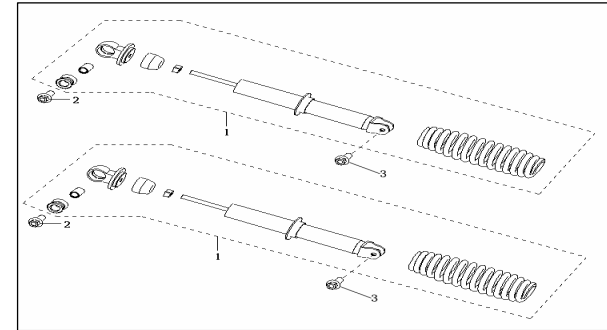
NO.	CODE		QTY.
1	57100J4CT000	FRAME BODY COMP.	1
2	58700J4CT000	SIDE STAND COMP.	1
3	57010BM0T000	TENSION SPRING	1
4	57006BM0T000	HOOK	1
5	57005J130000	BOLT, SIDE STAND	1
6	57003J4AT001	SPRING, MAIN STAND	1
7	58520J4CT000	MAIN STAND COMP.	1
8	B01591002565	BOLT M10×1.25×25	2
9	58509J0ET001	BUSH	2
10	08018JV0T000	BOLT	1
11	58507J3FT000	CUSHION GUM	1
12	58320J4CT000	HOLDER COMP., ENGINE	1
13	58301J0ET000	SHAFT, ENGINE BRACKET	1
14	B04171012555	NUT M10×1.25	1
15	58308J3AT001	DUST COVER	2
16	58302J0ET000	RUBBER, ENGINE BRACKET	2
17	B01591005065	BOLT M10×1.25×50	2
18	58350J4AT000	COLLAR	1
19	58340J4AT000	BUSH, ENGINE BRACKET	2
20	58290T42HZ00	PEDAL ASSY. , L.	1
21	58280T42HZ00	PEDAL ASSY. , R.	1
22	B02051002565	SCREW M10×25	2
23	B02051003065	SCREW M10×30	2
24	57001J4CT000	FRAME PLATE	1
25	B10043200700	RIVET 3.2×7	2
26	B04020800015	NUT M8	1
27	57215N30T000	CUSHION GUM	1



HACKER 125

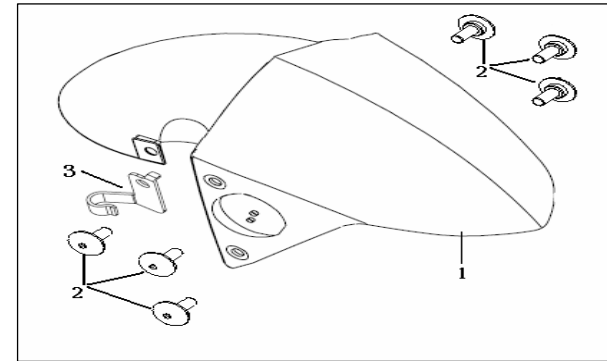
F13 REAR ABSORBER ASSY.

NO.	CODE		QTY.
1	63800T42B500	REAR SHOCK ABSORBER COMP.	2
2	B01591004065	BOLT M10×1.25×40	2
3	B01090803065	BOLT M8×30	2



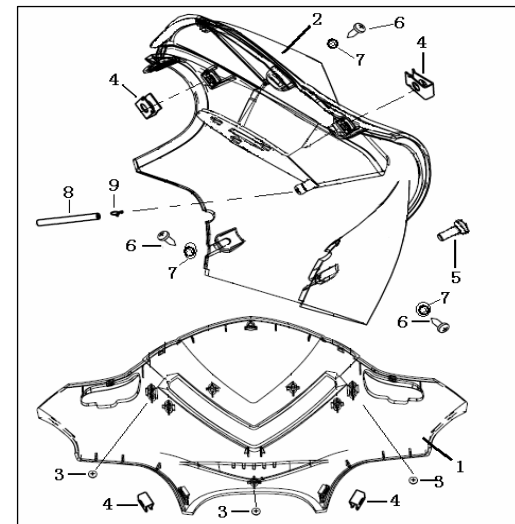
F14 FRONT FENDER

NO.	CODE		QTY.
1	65101T42E600	FRONT FENDER	1 AZ
	65101T42B500	FRONT FENDER	1 PRT
	65101T42CN00	FRONT FENDER	1 CZ
2	08001N0GT000	SCREW	6
3	65116J4CT000	ODOMETER LINE NIP	1



F15 HANDLE COVER

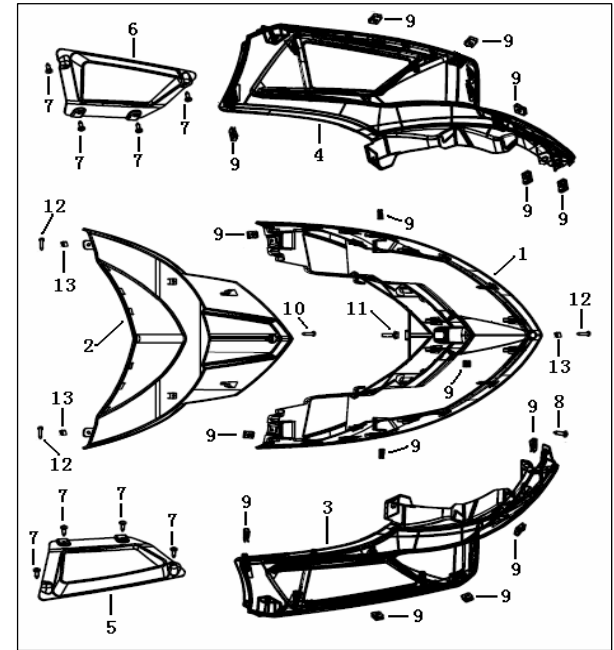
NO.	CODE		QTY.
1	65201T420010	HANDLE COVER, FRONT	1 AZ
	65201T42B500	HANDLE COVER, FRONT	1 PRT
	65201T420020	HANDLE COVER, FRONT	1 CZ
2	65202T42B500	HANDLE COVER, REAR	1
3	B05074201305	TAPPING SCREW ST4.2×13	3
4	65801J0ET001	CLIP , SCREW ST4.2	4
5	B13010501205	SCREW M5×12	1
6	B05004201305	TAPPING SCREW ST4.2×13	3
7	B07030000405	WASHER 4	3
8	B16010622301	DRAIN HOSE □ φ6×2×230	1
9	B17010100003	STEEL WIRE HOOP φ10	1



HACKER 125

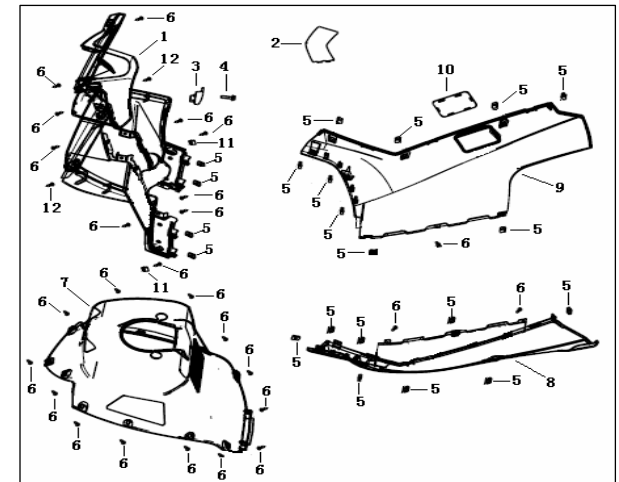
F16 FRONT COVER

NO.	CODE		QTY.	
1	65302T42E600	FRONT COVER	1	AZ
	65302T42B500	FRONT COVER	1	PRT
	65302T42CN00	FRONT COVER	1	CZ
2	65301T42B500	CAP, FRONT COVER	1	
3	65316T42E600	COUPLING COVER, L.	1	AZ
	65316T42B500	COUPLING COVER, L.	1	PRT
	65316T42CN00	COUPLING COVER, L.	1	CZ
4	65317T42E600	COUPLING COVER, R.	1	AZ
	65317T42B500	COUPLING COVER, R.	1	PRT
	65317T42CN00	COUPLING COVER, R.	1	CZ
5	65307J4CT000	CAP, COUPLING COVER, L.	1	
6	65308J4CT000	CAP, COUPLING COVER, R.	1	
7	B05074201305	TAPPING SCREW ST4.2×13	8	
8	B05074201605	TAPPING SCREW ST4.2×16	10	
9	65801J0ET001	CLIP, SCREW ST4.2	16	
10	B05074201905	TAPPING SCREW ST4.2×19	1	
11	B01090601065	BOLT M6×10	1	
12	B05004201605	TAPPING SCREW ST4.2×16	3	
13	B07030000405	WASHER 4	3	



F17 LEG SHIELD

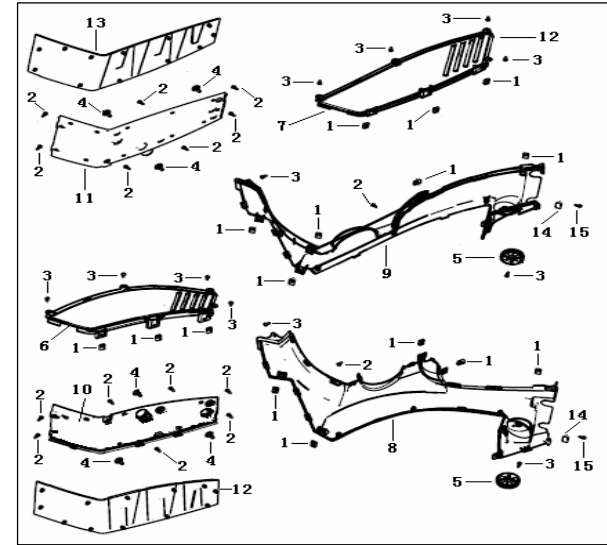
NO.	CODE		QTY.	
1	65402J4CT000	LEG SHIELD	1	
2	65435J4CT000	NECK CAP	1	
3	65421J4CT000	HOOK, HELMET	1	
4	B01090602565	BOLT M6×25	1	
5	65801J0ET001	CLIP, SCREW ST4.2	21	
6	B05074201605	TAPPING SCREW ST4.2×16	26	
7	65106J4CT000	FRONT INSIDE FENDER	1	
8	65406J4CT000	BOTTOM COVER, L.	1	
9	65407J4CT000	BOTTOM COVER, R.	1	
10	65403J4CT000	INSPECTION COVER, FRAME NO.	1	
11	B07020000405	WASHER 4	2	
12	B05074201905	TAPPING SCREW ST4.2×19	2	



HACKER 125

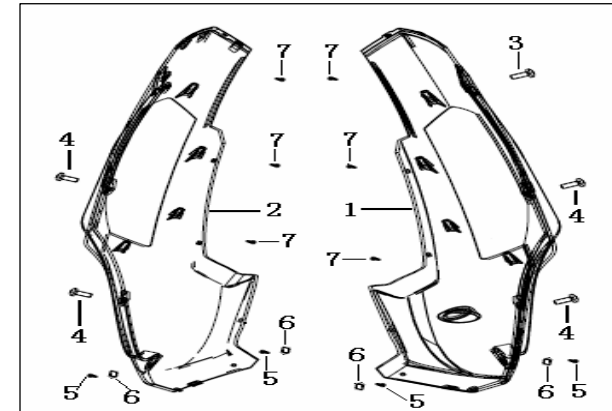
F18 LEG SHIELD

NO.	CODE		QTY.
1	65801J0ET001	CLIP , SCREW ST4.2	16
2	B05074201605	TAPPING SCREW ST4.2×16	16
3	B05074201305	TAPPING SCREW ST4.2×13	12
4	B13060601605	SCREW M6×16	6
5	65434J4CT000	DECORATE CAP	2
6	65461J4CT000	SIDE COVER, OIL BOX , L.	1
7	65462J4CT000	SIDE COVER, OIL BOX , R.	1
8	65463T42HZ00	UPSIDE COVER , OIL BOX , L.	1
9	65464T42HZ00	UPSIDE COVER , OIL BOX , R.	1
10	65401J4CT000	FOOTREST , L.	1
11	65405J4CT000	FOOTREST , R.	1
12	65413J4CT000	FOOTREST RUBBER , L.	1
13	65414J4CT000	FOOTREST RUBBER , R.	1
14	B07030000405	WASHER 4	2
15	B05004201605	TAPPING SCREW ST4.2×16	2



F19 FRAME COVER

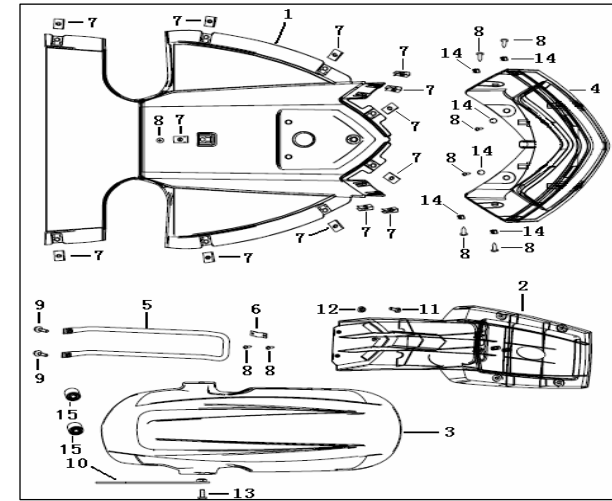
NO.	CODE		QTY.
1	65601T42E600	SIDE COVER, L.	1 AZ
	65601T42B500	SIDE COVER, L.	1 PRT
	65601T42CN00	SIDE COVER, L.	1 CZ
2	65602T42E600	SIDE COVER, R.	1 AZ
	65602T42B500	SIDE COVER, R.	1 PRT
	65602T42CN00	SIDE COVER, R.	1 CZ
3	B02060601625	SCREW M6×16	1
4	B13010501205	SCREW M5×12	4
5	B05004201605	TAPPING SCREW ST4.2×16	4
6	B07030000405	WASHER 4	4
7	B05074201605	TAPPING SCREW ST4.2×16	6



HACKER 125

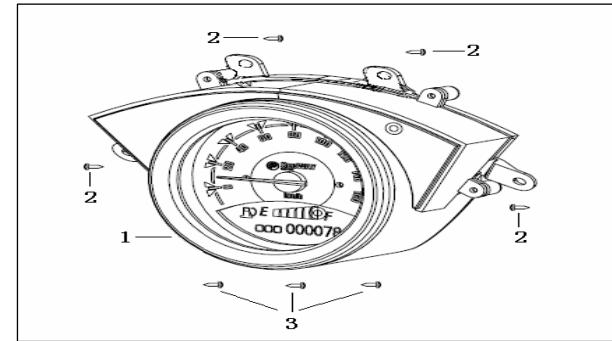
F20 REAR FENDER

NO.	CODE		QTY.
1	65709T42B500	REAR BOTTOM LINK COVER	1
2	65701J4CT000	REAR FENDER	1
3	65761J4CT000	REAR LOWER FENDER	1
4	82012T42HZ00	TAILLIGHT CASE	1
5	65720J4CT000	REAR FENDER BRACKET	1
6	65717J4CT000	LIMITING BOARD	1
7	65801J0ET001	CLIP , SCREW ST4.2	13
8	B05004201305	TAPPING SCREW ST4.2×13	9
9	B01090603065	BOLT M6×30	2
10	65770J4CT000	REAR LOWER FENDER BRACKET ASSY.	1
11	B01090601665	BOLT M6×16	1
12	B04000600055	NUT M6	1
13	B02060601225	SCREW M6×12	1
14	B07030000405	WASHER 4	6
15	65517N30T000	BUSH	2



F21 SPEEDOMETER ASSY.

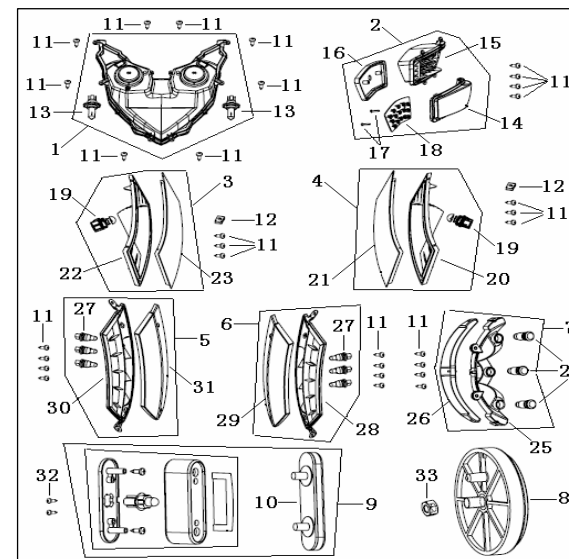
NO.	CODE		QTY.
1	70000T42HZ00	SPEEDOMETER ASSY.	1
2	B05074201305	TAPPING SCREW ST4.2×13	4
3	B05074201605	TAPPING SCREW ST4.2×16	3



HACKER 125

F22 ELECTRIC I

NO.	CODE		QTY.
1	8000J4CT000	HEAD LAMP ASSY.	1
2	8200J4CT000	TAIL LAMP ASSY.	1
3	81100J4CT000	LAMP ASSY. , FRONT TURN SIGNAL L.	1
4	81300J4CT000	LAMP ASSY. , FRONT TURN SIGNAL R.	1
5	81700J4CT000	LAMP ASSY. , REAR TURN SIGNAL R.	1
6	81500J4CT000	LAMP ASSY. , REAR TURN SIGNAL L.	1
7	80900J4CT000	FRONT PARKING LAMP ASSY.	1
8	86300BMBT000	SIDE REFLECTOR	2
9	82900BPBY000	REAR LICENSE LAMP ASSY.	1
10	86500BN0T000	REAR REFLECTOR	1
11	B05074201305	TAPPING SCREW ST4.2×13	30
12	65801J0ET001	CLIP , SCREW ST4.2	2
13	B24010320000	BULB , HEAD LAMP	2
14	82040J4CT000	cover tail light	1
15	82002J4CT000	BOWL , REPERCUSSION , TAIL LAMP	1
16	82001J4CT000	SEAT , TAIL LAMP	1
17	B05002902205	TAPPING SCREW ST2.9×22	2
18	82033J4CT000	CIRCUIT BOARD , TAIL LAMP	1
19	B24014020002	BULB , FRONT TURN SIGNAL	2
20	81304J4CT000	BOWL , REPERCUSSION , FRONT TURN SIGNAL R. LAMP	1
21	81302J4CT000	COVER , FRONT TURN SIGNAL R. LAMP	1
22	81104J4CT000	BOWL , REPERCUSSION , FRONT TURN SIGNAL L. LAMP	1
23	81102J4CT000	COVER , FRONT TURN SIGNAL L. LAMP	1
24	B24012920000	FRONT PARKING BULB 12V3W	3
25	80905J4CT000	SEAT , FRONT PARKING LAMP	1
26	80901J4CT000	COVER , FRONT PARKING LAMP	1
27	B24014220002	BULB , REAR TURN SIGNAL	6
28	81504J4CT000	BOWL , REPERCUSSION , REAR TURN SIGNAL L. LAMP	1
29	81502J4CT000	COVER , REAR TURN SIGNAL L. LAMP	1
30	81704J4CT000	BOWL , REPERCUSSION , REAR TURN SIGNAL R. LAMP	1
31	81702J4CT000	COVER , REAR TURN SIGNAL R. LAMP	1
32	B05074201605	TAPPING SCREW ST4.2×16	2
33	B04000500055	BOLT M5	2



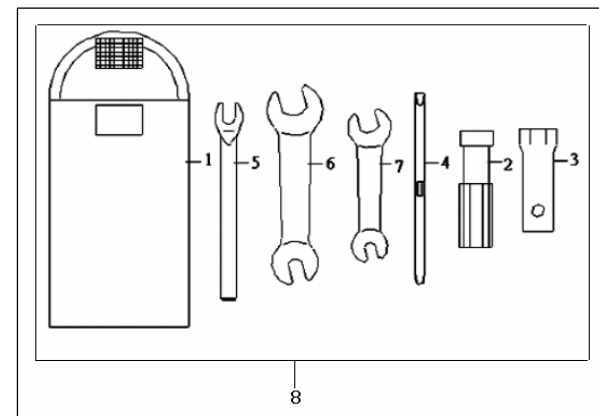
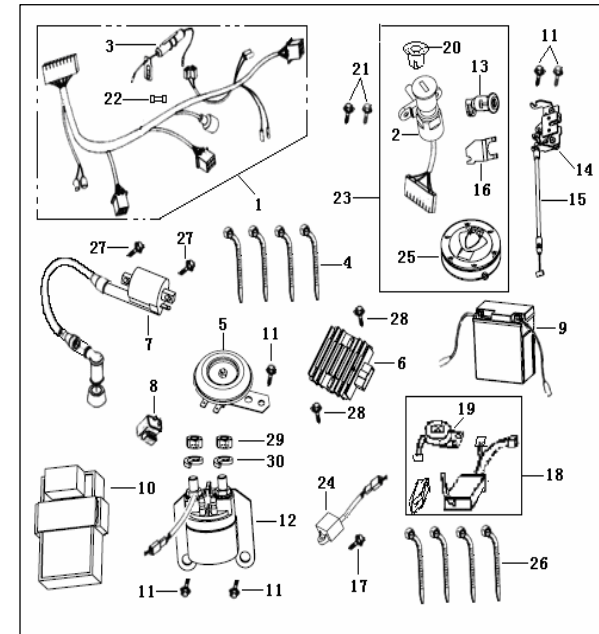
HACKER 125

F23 ELECTRIC II

NO.	CODE		QTY.
1	92000J4CT000	HARNESS, WIRING	1
2	88100J4CT000	LOCK ASSY., POWER	1
3	96800J4AT000	FUSE COMP.	1
4	96003J00P000	BAND 250	4
5	95000J0ET000	HORN ASSY.	1
6	94400T040000	REFLECTOR ASSY., FRONT	1
7	96200J0ET000	COIL ASSY. , IGNITION	1
8	96400K00P001	RELAY, TURN SIGNAL MANUAL TYPE	1
9	96100J5BT000	BATTERY	1
10	94300B230001	C.D.I	1
11	B01090601265	BOLT M6×12	5
12	94100J00P002	RELAY, STARTER	1
13	88800J4CT000	LOCK ASSY., SEAT	1
14	58800J4CT000	LOCK SEAT ASSY. , SEAT	1
15	58900BSAT000	LOCK LINE ASSY. , SEAT	1
17	B01090601665	BOLT M6×16	1
18	95700J4CT000	ANNUNCIATOR, VOICE ASSY.	1
19	95730BMBT002	ALARM SYSTEM HORN	1
20	88101J4AT000	DECORATION, LOCK	1
21	08011BMBT004	SCREW M6×16	2
22	96810J4AT000	FUSE	2
23	88000J4CT000	LOCK ASSY.	1
24	92100JX0T000	DIODE	1
25	50200J4CT000	CAP, FUEL TANK	1
26	96002J00P000	BAND 200	4
27	B01090602065	BOLT M6×20	2
28	B01090602565	BOLT M6×25	2
29	B04000600055	NUT M6	2
30	B07000000605	SPRING WASHER 6	2

F24 TOOL KIT

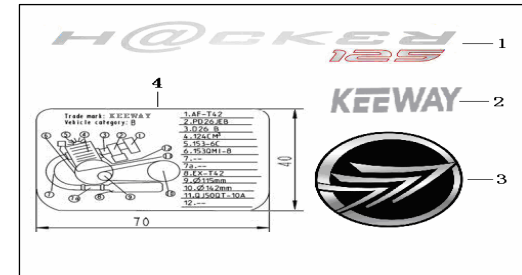
NO.	CODE		QTY.
1	02110G00P000	TOOL BAG	1
2	02104G00P000	HANDLE	1
3	02101J4AT000	SOCKET, SPARK PLUG	1
4	02103G00P000	SCREW DRIVER, DOUBLE-ENDED	1
5	02102G00P000	SPANNER	1
6	B20011301603	WRENCH 13-16	1
7	B20011001203	WRENCH 10-12	1
8	02100J4CT000	TOOL ASSY.	1



HACKER 125

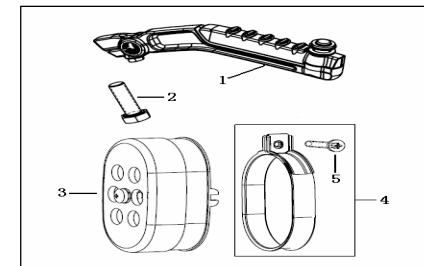
F25 STICKER

NO.	CODE		QTY.
1	05511J4CT000	STICKER , SIDER COVER	2
2	05525J4CT000	STICKER , COUPLING COVER	2
3	05525BMBT004	STICKER , FRONT COVER	1
4	57002J4CT000	ANTI-TAMPERING PLATE	1



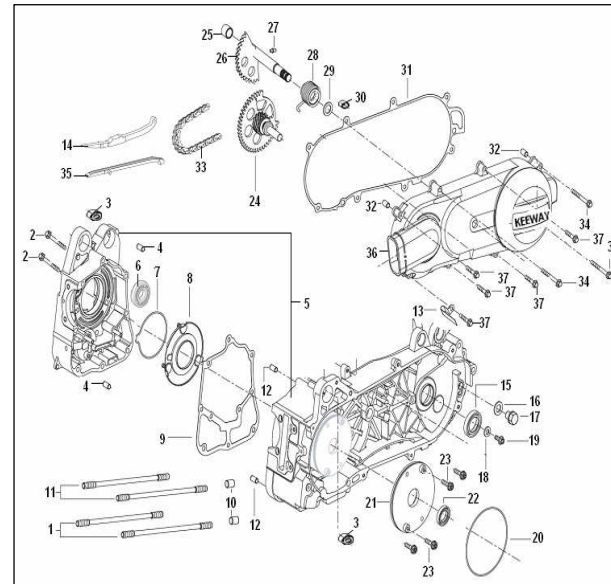
F26 ENGINE ATTACHMENT

NO.	CODE		QTY.
1	08350J4CT000	LEVER, STARTER	1
2	B01030602565	BOLT M6×25	1
3	08400GC0T000	WIND ENTRANCE PIPE ASSY. , ENGINE	1
4	08430J0ET000	NIP ASSY.	1
5	B02000402525	SCREW M4×25	1



HACKER 125

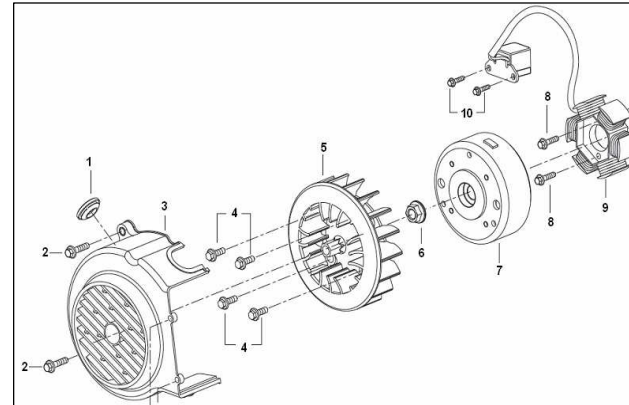
NO.	PART NO.	DESCRIPTION	QTY
1	15910314002X	LONG BOLT	2
2	B01070605064	BOLT	2
3	150123050000	GROMMET	2
4	160073070000	PIN	2
5	15001306001Z	CRANKCASE ASSY	1
6	150163060010	BEARING	1
7	150143060000	OIL SEAL	1
8	150123060000	FILTER DISK ASSY	1
9	150173060000	GASKET,CRANKCASE	1
10	150093050000	AXILE BUSH	2
11	15910314001X	LONG BOLT	2
12	150103060010	PIN	2
13	150113060000	LINE FIXED BRACKET	1
14	210033060010	GUIDE,CAM CHAIN □	1
15	220073050000	OIL SEAL	1
16	200014130000	WASHER	1
17	159073050000	DRAIN PLUG SCREW	1
18	210013050000	WASHER	1
19	B01070801564	BOLT M8X15	1
20	150042140000	O SEAL RING	1
21	150023060003	CLAPBOARD	1
22	160013060000	OIL SEAL	1
23	B13080401023	SCREW	4
24	250013060000	GEAR COMP,STARTER IDLE	1
25	250063050000	BUSH I	1
26	259023060003	SHAFT,KICK STARTER	1
27	250023050000	PIN,KICK STARTER	1
28	250023060000	SPRING,KICK STARTER	1
29	250083050000	GASKET	1
30	250073050000	BUSH,II	1
31	150043060010	GASKET	1
32	150083070000	PIN	2
33	140023140010	CHAIN	1
34	B01070604564	BOLT M6X45	3
35	210013060010	GUIDE,CAM CHAIN ASSY.	1
36	150013060004	COVER,CRANKCASE,LEFT	1
37	B01070603564	BOLT M6X35	5



HACKER 125

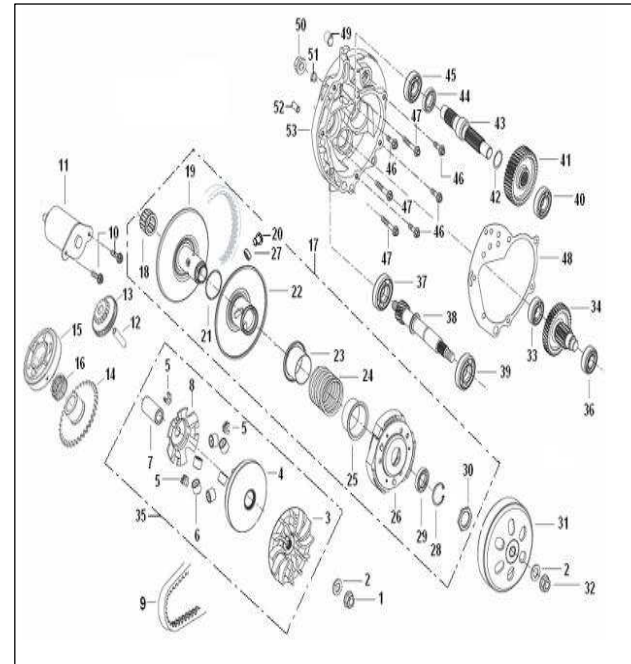
E02. COOLING FAN-MAGNETO

NO.	PART NO.	DESCRIPTION	QTY
1	270143060010	OIL WINDOW BLOCKING	2
2	B01070602564	BOLT	2
3	270133060010	CONVEYOR	1
4	B01070601664	BOLT	4
5	279023060000	FAN SET	1
6	240013060010	NUT	1
7	299023180000	FLY WHEEL SET	1
8	B01070602564	BOLT M6×25	2
9	299033180000	COIL SET	1
10	B01090501264	BOLT M5×12	2



E03 TRANSMISSION ASSY

NO.	PART NO.	DESCRIPTION	QTY
1	270023050000	NUT M12X1.25	1
2	25005305001X	GASKET,TAPER	2
3	220033060000	PLATE	1
4	220043060000	FACE, MOVABLE DRIVE	1
5	220053060000	DAMPER	3
6	200083060000	ROLLER	6
7	220023060000	WASHER	1
8	200023170000	FLANGE	1
9	229023060010	CHAIN,CAMSHAFT DRIVE	1
10	B01070601864	BOLT M6X18	2
11	249013060020	MOTOR ASSY,starting	1
12	249053060000	SHAFT, STARTER IDLE GEAR	1
13	249043060000	STARTER IDLE GEAR	1
14	249073060000	GEAR COMP,starter clutch	1
15	249003060000	CLUTCH ASSY	1
16	200273050000	BEARING	1
17	20900306002Z	DRIVEN PULLY ASSY	1
18	B1212K201801	ROLLER BEARING	1
19	200073060000	MAIN PLATE ASSY	1
20	200083050000	WASHER,LOCATING	3
21	200093050000	SEAL RING	2
22	200333050000	GEAR PLATE	1
23	200303050000	SPRING JACKET	1
24	200133170000	SPRING	1
25	200313050000	SPRING SEATING	1
26	200343050000	DRIVING PLATE ASSY	1
27	200063050000	BEARIG ,LUBRICAT	3
28	B08000002800	BLOCK RING 28	1
29	B12016190201	ROLL BEARING	1
30	200123050000	NUT	1
31	200163050000	CLUTCH PLATE ASSY	1

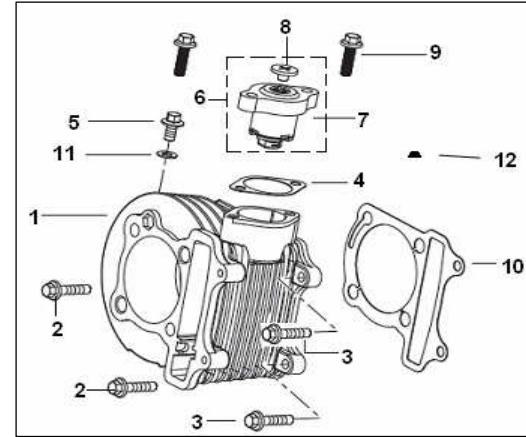


HACKER 125

E05 CYLINDER-CHAIN ADJUSTER

NO.	PART NO.	DESCRIPTION
1	139013180000	CYLINDER BLOCK
2	B02050603564	BOLT M6X35
3	B02050602564	BOLT M6X25
4	140013050010	WASHER, CHAIN ADJUSTER
5	B01070601264	BOLT
6	149003060000	CHAIN ADJUSTER ASSY.
7	140043140000	CHAIN ADJUSTER
8	14005305001X	SCREW
9	B01070602264	BOLT M6X22
10	139023060010	GASKET,CYLINDER
11	130013050000	WAHSER
12	210043050000	O RING 9.5*1.5

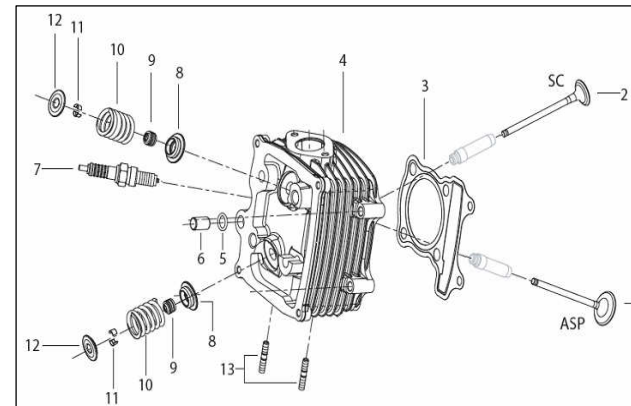
QTY
1
2
2
1
1
1
1
1
2
1
1
1



E06 CYLINDER HEAD ASSY

NO.	PART NO.	DESCRIPTION
1	129183140000	VALVE,INLET
2	129193140000	VALVE,EXHAUST
3	109073180010	GASKET,CYLINDER HEAD
4	109053140000	CYLINDER HEAD
5	100053070001	O RING
6	150093050000	LOCATING PIN
7	299073160000	SPARK PLUG
8	129213140000	VALVE SPRING HOLDER,LOWER
9	120013050000	VALVE RETAINER ASSY, INLET
10	129253140000	SPRING,VALVE
11	129223240002	HALF CONE, VALVE
12	120113140003	VALVE SPRING RETAINER,UPPER
13	120073050000	DOUBLE END STUD,SHORT

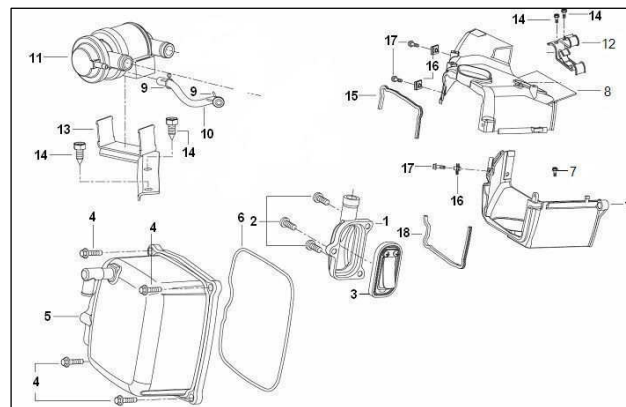
QTY
1
1
1
1
1
1
1
2
2
2
4
2
2



HACKER 125

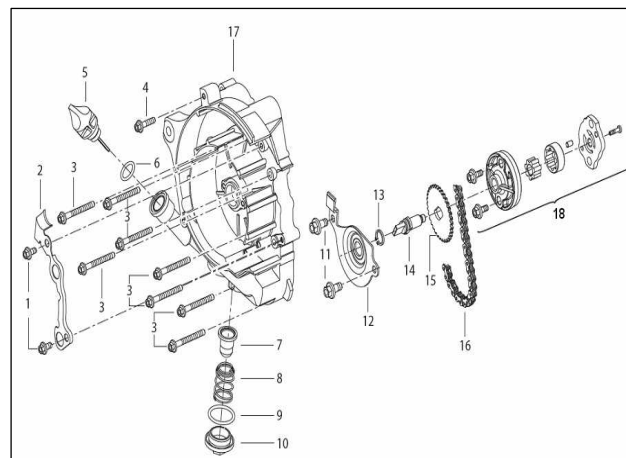
E07 CYLINDER HEAD-COOLING FAN COVER

NO.	PART NO.	DESCRIPTION	QTY
1	11010307001X	UNILATERALISM VALVE COVER	1
2	B02040501423	SCREW	3
3	119043070000	SPRING VALVE ASSY.	1
4	B01070601864	BOLT M6×18	4
5	109013140000	CYLINDER HEAD	1
6	120043140003	RUBBER SEAL	1
7	B05144801603	SCREW ST4.8×16	1
8	270013180000	FAN SHROUD,UPPER	1
9	110363070000	RING 2	2
10	110353070000	TUBE	1
11	110133070010	CUT-OFF VALVE ASSY.	1
12	270073060010	CLIP	1
13	350013180000	CUT-OFF VALVE PLATE	1
14	270083060010	SCREW	3
15	270033140003	SEAL SHROUD UPPER	1
16	270023060000	FIXED CLIP	4
17	B01070601664	BOLT M6×16	3
18	270043140003	SEAL,SHOUD LOWER	1
19	270023180000	FAN SHROUD,LOWER	1



E08 OIL PUMP ASSY-RIGHT CRANKCASE COVER

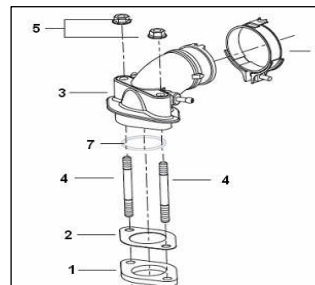
NO.	PART NO.	DESCRIPTION	QTY
1	B01070601264	SCREW M6×12	2
2	150063060010	PLATE	1
3	17001305002X	BOLT M6×100	8
4	B01070603063	BOLT M6×30	1
5	169183050002	OIL LOAD PLUG	1
6	160063070000	O-RING	1
7	150093070000	OIL FILTER	1
8	160013050000	SPRING OIL FILTER	1
9	160023050000	O-RING	1
10	16004305002X	OIL PLUG	1
11	B01070601264	BOLT M6×12	2
12	15015306002X	FLANGE	1
13	B08010001000	CHECK RING	1
14	269083060000	OIL PUMP SHAFT	1
15	269113060010	OIL PUMP SPROCKET	1
16	269053060000	OIL PUMP CHAIN	1
17	169103180000	RH. CRANKCASE SET	1
18	269013060000	COMPLETE OIL PUMP	1



HACKER 125

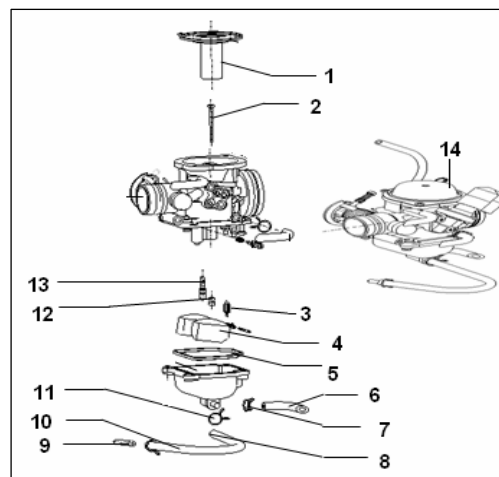
E09 INLET VALVE ASSY

NO.	PART NO.	DESCRIPTION	QTY
1	110033140000	HEAT INSULATION PAPER GASKET,CARBURETTOR	1
2	110023140000	HEAT INSULATION GASKET,CARBURETTOR	1
3	119013140006	VALVE RETAINER ASSY, INLET	1
4	B03000604762	BOLT M6X47	2
5	B04070600054	NUT M6	2
6	11002305002X	CLAMP	1
7	B190103000A0	O RING 30*1.8	1



E10 CARBURETOR ASSY

NO.	PART NO.	DESCRIPTION	QTY
1	224600.007000	COLUMN	1
2	224208.015000	NEEDLE , jet	1
3	224602.002000	NEEDLE VALUE ASSY	1
4	224112.004000	FLOAT	1
5	224416.015000	SEAL	1
6	224814.001000	HOSE	1
7	224815.001000	CLIP , overflow hose	2
8	224219.003000	SPRING	1
9	224220.003000	STOPPER	1
10	3351201E0000	RUBBER	1
11	224218.007000	CLIP	2
12	224204.011000	JET , main	1
13	224203.012000	JET IDLE	1
14	3390014M0000	CARBURETOR ASSY	1



E11 PISTON CRANKCASE CONNECTING

NO.	PART NO.	DESCRIPTION	QTY
1	22006305001X	NUT,LOCK	1
2	260013060000	WASHER	1
3	269113060000	SPROCKET,OIL PUMP DRIVE	1
4	170043060000	KEY	1
5	179103180000	PISTON ROD SET	1
6	170133060000	BEARING	1
7	12901306001X	SPROCKET,CAM CHAIN	1
8	249023060000	GEAR,STARTER DRIVEN	1
9	179153070000	CLIP,PISTON PIN	2
10	17918305001Z	PISION RING SET.	1
11	179133140000	PISTON	1
12	179143050000	PIN PISTON	1

