

## X-RAY 50



**SUPERMOTARD**

## ENDURO

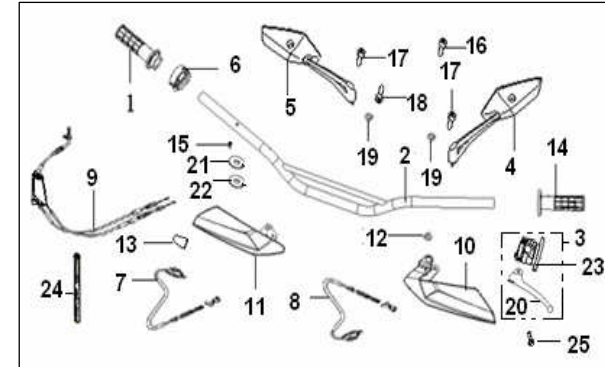


# X-RAY 50

## STEERING

NO.	material coding		Qty
1	40210D010000	R GRIP ASSY	1
2	40100D010020	HANDLE COMP	1
3	40080D010000	LEVER ASSY ,L	1
4	40450B430000	BACK MIRROR ASSY ,LEFT	1
5	40480B430000	BACK MIRROR ASSY ,RIGHT	1
6	40320D010000	CAP THROTTLE	1
7	40400D010000	CLUTCH CABLE	1
8	40350D010000	CHOKE CABLE	1
9	40300D010010	THROTTLE CABLE	1
10	65003D010000	COVER,HANDLE,LH	1
11	65004D010000	COVER,HANDLE,RH	1
12	65006D010000	SPACER	1
13	40017D010000	JACKET,CLUTCH CABLE	1
14	40001D010000	GRIP,LH	1
15	B02000501025	SCREW M5×10MM	1
16	B02050803065	SCREW M8×30MM	1
17	40011D010000	COVER	2
18	40186B380000	SCREW	1
19	B07000000805	WASHER 8MM	2
20	40084D010000	LEFT GRIP	1
21	B07030000505	WASHER 5MM	1
22	B07000000505	WASHER 5MM	1
23	40500D040000	HANDLE SWITCH LH	1
24	96001J00P000	BAND 7×150MM	1
25	B01090601065	BOLT M6×10MM	1

Notes



# X-RAY 50

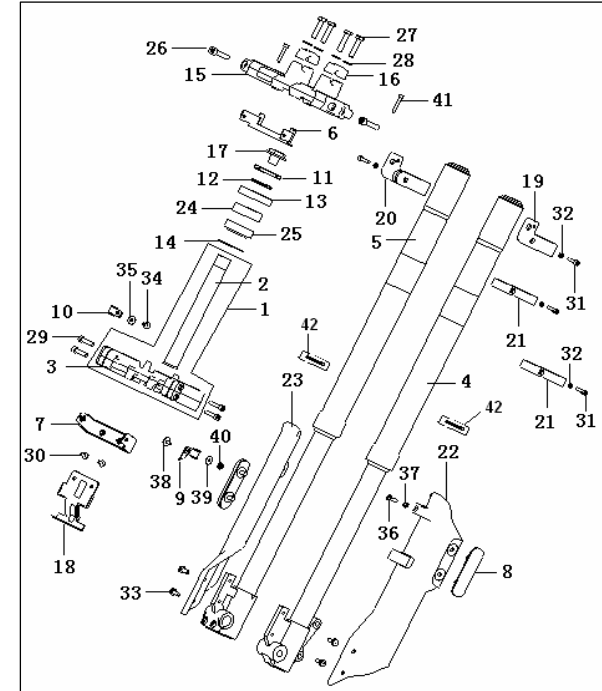
## FRONT FORK

### NO. materiel coding

NO.	materiel coding	Qty
1	43100D010000 UNDER BRACKET COMP.	1
2	43101D010000 DIRECTION MAST	1
3	43102D010000 UNDER BRACKET	1
4	43200D030000 F.L. FORK ASSY. Yellow	1
5	43300D030000 F.R. FORK ASSY. Yellow	1
4	43200D010000 F.L. FORK ASSY. Silver	1
5	43300D010000 F.R. FORK ASSY. Silver	1
6	65490D040000 METER SUPPORT COMP	1
7	65550D040000 BLEED COVER INSTALL PLANK	1
8	86300D010000 SIDE REFLECTOR	2
9	43061D010000 CLIP	1
10	43071D010000 CLIP	1
11	43008D010000 NUT	1
12	43022D010000 BALL RACE COVER II	1
13	43005D010000 BALL RACE COVER I	1
14	43018D010000 WASHER,DIRECTION MAST	1
15	43011D010000 UPPER BRACKET	1
16	43014D010000 CAP,HANDLE UPPER	2
17	43049D010000 BOLT,STEERING STEM	1
18	65541D010000 BLEED COVER SUPPORT	1
19	81106D040000 F.L.TURN SIGNAL SEAT	1
20	81306D040000 F.R.TURN SIGNAL SEAT	1
21	43035D010000 BRAKE HOSE HOLDER	2
22	43053D010000 COVER,F.L. FORK ASSY.	1
23	43054D010000 COVER,F.R. FORK ASSY.	1
24	B12016020500 BEARING 6205-2RS	1
25	B12133020500 BEARING 30205	1
26	B02050804065 SCREW M8×40MM	2
27	B02050803565 SCREW M8×35MM	4
28	B07030000805 WASHER 8MM	4
29	B02050603064 SCREW M6×30MM	4
30	B13010501205 SCREW M5×12MM	2
31	B02050502565 SCREW M5×25MM	4
32	B04020500015 NUT M5MM	4
33	B13010601605 SCREW M6×16MM	4
34	B01090501265 BOLT M5×12MM	1
35	B07020000505 WASHER 5MM	1
36	B02000502025 SCREW M5×20MM	1
37	B04000500055 NUT M5MM	1
38	B01090501265 BOLT M5×12MM	1
39	B07020000505 WASHER 5MM	1
40	B04170500065 NUT M5MM	1
41	B02050503065 SCREW M5×30MM	2
42	43260D010000 OIL SEAL	2

### Notes

SuperMotard  
Enduro  
Enduro



# X-RAY 50

## FRONT WHEEL(for Supermoto)

### NO. materiel coding

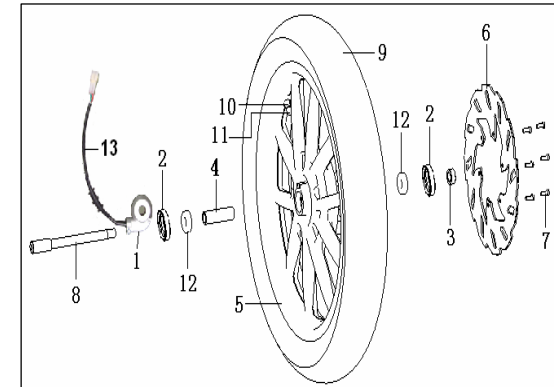
1	44200D030000	SEAT ASSY.,GEAR
2	44300B910000	DUST SEAL ASSY
3	44005D010000	BUSH, FRONT WHEEL
4	44600D010000	SPACER,CENTER ASSY
5	44101D040000	RIM, FRONT WHEEL
6	45033D040000	FRONT BRAKE DISK
7	45036D010000	BOLT, BRAKE DISK
8	44004D010030	AXIL,FRONT WHEEL
9	B140505E1721	TUBE 100/80-17E4 75R-0004630
10	B1403Z201100	VALVE Z2-01-1
11	B1404Z2011A0	CAP, VALVE A
12	B12016020200	BEARING 6202-2RS
13	44272D030000	WIRE,ASSY (900mm)

### Qty

1
2
1
1
1
1
6
1
1
1
2
1

### Notes

SuperMotard



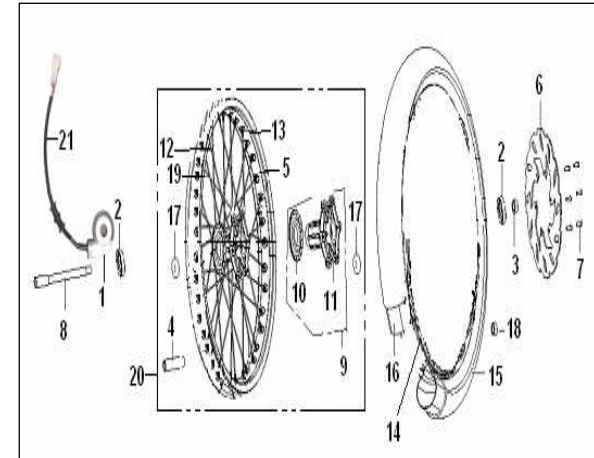
## X-RAY 50

### FRONT WHEEL(for Enduro)

NO.	material coding	Qty
1	44200D010000	1
2	44300B910000	2
3	44005D010000	1
4	44600D010000	1
5	44101D010000	1
6	45033D040001	1
7	45036D010000	6
8	44004D010000	1
9	44110D010000	1
10	44112D010000	1
11	44111D010000	1
12	44011D010000	27
13	44014D010000	36
14	44013D010000	1
15	B14153002121	1
16	B14023002100	1
17	B12016020200	2
18	B1404Z2011A0	1
19	44012D010000	9
20	44100D01001Z	1
21	44272D010000	1

Notes

Enduro



# X-RAY 50

## DISK BRAKE

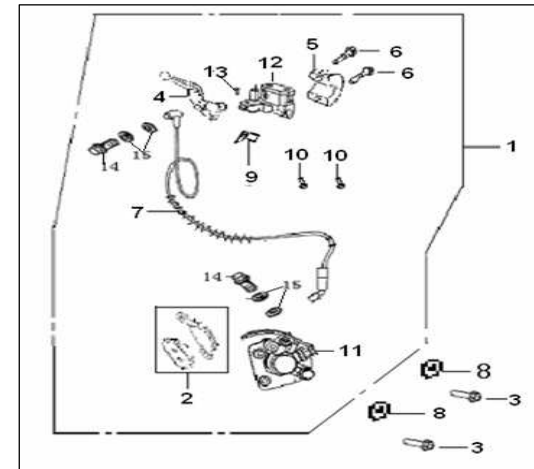
### NO. materiel coding

NO.	materiel coding	Description	Qty
1	45000D030000	DISK BRAKE ASSY.(Supermoto)	1
1	45000D010000	DISK BRAKE ASSY.(Enduro)	1
2	45110D010000	BRAKE SHOE ASSY	1 set
3	45039B910000	BOLT M8×34MM	2
4	45022D010000	LEVER, DISK BRAKE	1
5	45023D010000	COVER	1
6	B02050602565	SCREW M6×25MM	2
7	45200D030000	BRAKE TUBE ASSY(Supermoto,1200mm)	1
7	45200D010000	BRAKE TUBE ASSY(Enduro,1140mm)	1
8	B07030000804	WASHER 8MM	2
9	45300D010000	BRAKE SWITCH ASSY	1
10	B02000201225	SCREW M2×12MM	2
11	45500D010000	BRAKE PUMP	1
12	45009D010000	MASTER CYLINDER ASSY.	1
13	45024D010000	BOLT	1
14	45037J000000	BOLT,	2
15	45029J000000	WASHER	4

### Notes

SuperMotard  
Enduro  
JOGO

SuperMotard  
Enduro



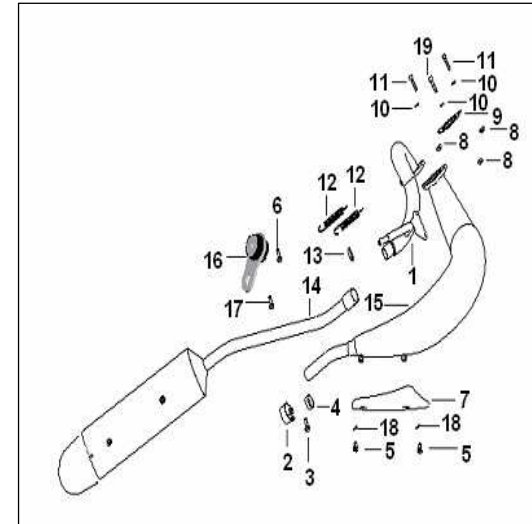
# X-RAY 50

## MUFFLER

### NO. materiel coding

NO.	materiel coding		Qty
1	47500D010000	EXHAUST PIPE ASSY,EEC2	1
2	47150D010000	CLAMP,ASSY	1
3	B01090602565	BOLT M6×25MM	1
4	47035D010000	SPACE	1
5	B02000601025	SCREW M6×10MM	2
6	B01090602065	BOLT M6×20MM	1
7	47009D010000	COVER,PROTECTOR	1
8	B04070600055	NUT M6MM	3
9	47121D010000	GASKET, MUFFLER	1
10	B07030000605	WASHER 6MM	3
11	B02050602565	SCREW M6×25MM	2
12	47041D010000	SPRING	2
13	47811D010000	GASKET	1
14	48200D040000	MUFFLER COMP,BACK	1
15	47200D010000	MUFFLER COMP,FRONT	1
16	47600D050000	RUBBER CUSHION ASSY	1
17	B01090601265	BOLT M6×12MM	1
18	B07030000605	WASHER 6MM	2
19	08011B920005	SCREW	1

### Notes



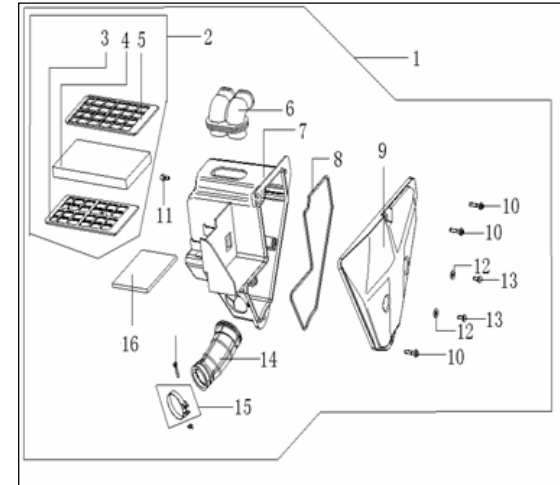
# X-RAY 50

## AIR CLEANER

### NO. materiel coding

NO.	materiel coding		Qty
1	49000D010000	AIR CLEANER ASSY.,EEC2	1
2	49200D010000	AIR ELEMENT ASSY.	1
3	49204D010000	FILTRATE1	1
4	49202D010000	SPONGE AIR ELEMENT	1
5	49207D010000	FILTRATE2	1
6	49002D010000	GUIDE PIPE	1
7	49100D010000	CASE, AIR CLEANER ASSY	1
8	49013D010000	SEAL GASKET	1
9	49001D010000	COVER, AIR CLEANER	1
10	B13060502505	SCREW M5×25MM	3
11	B02000501625	SCREW M5×16MM	1
12	49022D010000	GROMMET	2
13	B13060501205	SCREW M5×12MM	2
14	49005D010000	CONNECTTING PIPE	1
15	49350G120000	CLIP	1
16	49003D010000	SPONGE	1

### Notes





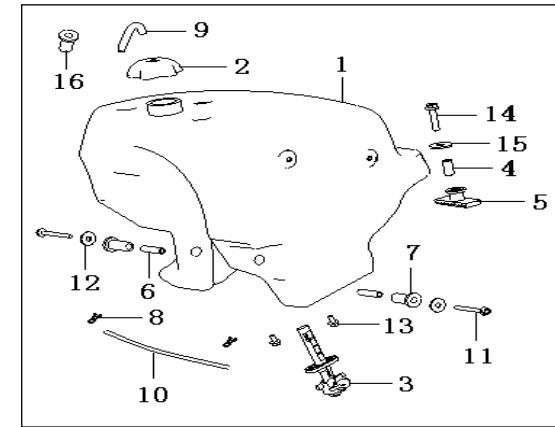
## X-RAY 50

### FUEL TANK

#### NO. materiel coding

NO.	materiel coding		Qty
1	50100D040001	FUEL TANK ASSY	1
2	50200D040001	CAP,FULE TANK	1
3	50300D010000	STRAINERCOMPASSY,FUEL	1
4	50025D010000	GASKET II	1
5	50005D010000	BACK FIXING MAT,FUEL	1
6	50027D010000	GASKET I	2
7	50026D010000	FRONT FIXING MAT,FUEL	2
8	50307J000000	CLAMP	2
9	B16010520301	PIPE Ø5×Φ9×30	1
10	B16010521901	HOSE, FUEL Ø5×Φ9×190	1
11	B01090605565	BOLT M6×55MM	2
12	B07090000605	WASHER 6MM	2
13	B01090601265	BOLT M6×12MM	2
14	B01090804065	BOLT M8×40MM	1
15	B07090000805	WASHER 8MM	1
16	50400W070000	UNILATERALISM VALVE ASSY	1

#### Notes



## X-RAY 50

### SEAT

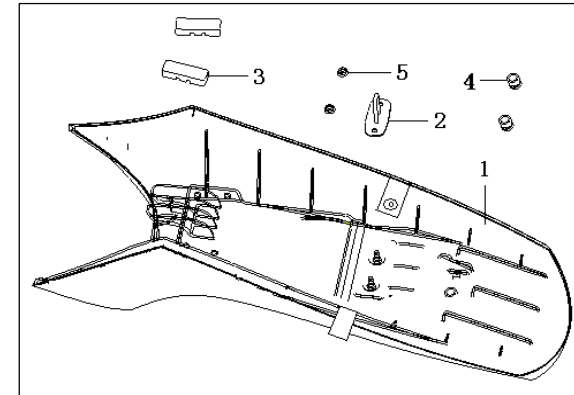
#### NO. materiel coding

1	51100D040010	SEAT ASSY BLACK / ORANGE
1	51100D040020	SEAT ASSY RED / BLACK
2	51150D010000	CATCH COMP LOCK ASSY
3	51103J000000	RUBBER CUSHION
4	51104K010000	RUBBER CUSHION
5	B04070600055	NUT M6MM

#### Qty

1  
1  
1  
2  
2  
2

**Notes**  
LARANJA  
PRETA

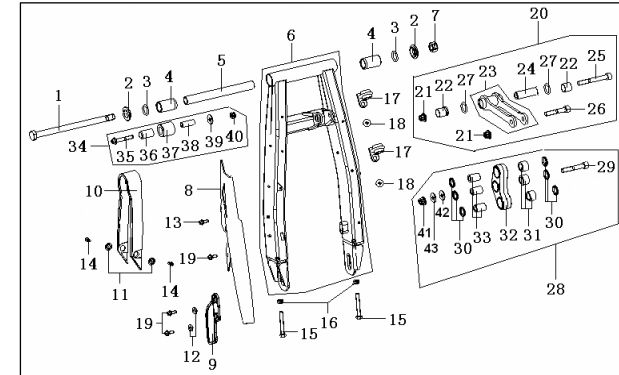


# X-RAY 50

## REAR SWINGING ARM

NO.	material coding		Qty
1	53001D010000	SHAFT	1
2	53017D010010	REAR SWINGING ARM SIDE COVER	2
3	B190102000C0	O -SEAL RING 20×3.55	2
4	53006D010010	SPACER	2
5	53005D010000	INSIDE COLLAR	1
6	53100D04CE00	REAR SWINGING BODY silver	1
7	B04171415054	NUT M14×1.5MM	1
8	53053D040000	TOP PROTECTOR COVER CHAIN	1
9	53054D010000	BELOW PROTECTOR COVER CHAIN	1
10	53004D010000	CHAIN PROTECTOR BOARD	1
11	53056D010010	SPACER 2	2
12	53055D010000	SPACER 1	2
13	B01090602065	BOLT M6×20MM	1
14	B02000501225	SCREW M5×12MM	2
15	B01010806025	BOLT M8×60MM	2
16	B04000800055	NUT M8MM	2
17	53009N050000	BRAKE HOSE HOLDER	2
18	B02010601023	SCREW M6×10MM	2
19	B01090601665	BOLT M6×16MM	3
20	53300D010000	ARM JOIN ASSY	1
21	B04171012555	NUT M10×1.25MM	2
22	53301D010000	INSIDE BUSH	2
23	53310D010000	ARM JOIN COMP	1
24	53302D010000	COLLAR	1
25	B02551008585	SCREW M10×1.25×85MM	1
26	B02551005585	SCREW M10×1.25×55MM	1
27	53303D010000	O-SEAL RING 18×2.5	2
28	53240D010000	REAR ABSORBER SWINGING ARM	1
29	B02551006085	SCREW M10×1.25×60MM	1
30	53250D010000	DUSTPROOF COVER	6
31	B1210K161600	BEARING NK16/16	3
32	53241D010000	REAR ABSORBER SWINGING ARM	1
33	53242D010000	BUSH	3
34	53040D010000	CHAIN ADJUST WHEEL ASSY.	1
35	B01090805065	BOLT M8×50MM	1
36	53019D010000	BUSH	1
37	53018D010000	CHAIN ADJUST WHEEL	1
38	53021D010000	BUSH	1
39	B07020000805	WASHER 8MM	1
40	B04070800055	NUT M8MM	1
41	B04171012555	NUT M10×1.25MM	1
42	B07000001005	SPRING WASHER 10MM	1
43	B07030001005	WASHER 10MM	1

## Notes



## X-RAY 50

### REAR WHEEL(for Supermoto)

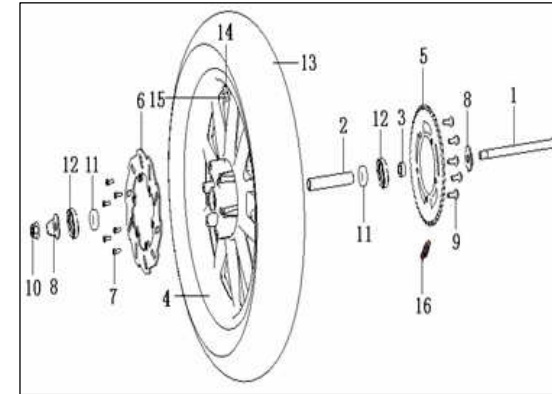
#### NO. materiel coding

NO.	materiel coding		Qty
1	54004D010000	AXLE, REAR WHEEL	1
2	54550D030000	SPACER,CENTER ASSY	1
3	54016D010000	SPACER, RR. WHEEL,L.	1
4	54101D040000	RIM,REAR WHEEL alloy	1
5	60002D010000	SPROKET,CHAIN	1
6	55033D040000	REAR BRAKE DISK	1
7	45036D010000	BOLT, BRAKE DISK	6
8	54032D010000	REAR PRESS BOARD	2
9	60015D010000	BOLT,SPROKET	5
10	B04171415054	NUT M14×1.5MM	1
11	B12016020200	BEARING 6202-2RS	2
12	44300B910000	DUST SEAL ASSY	2
13	B140508E1721	TUBE 130/80-17	1
14	B1403Z201100	VALVE Z2-01-1	1
15	B1404Z2011A0	CAP, VALVE A	1
16	B1502V1128B0	DRIVE CHAIN 420DX-1×128	1

Qty

Notes

SuperMotard



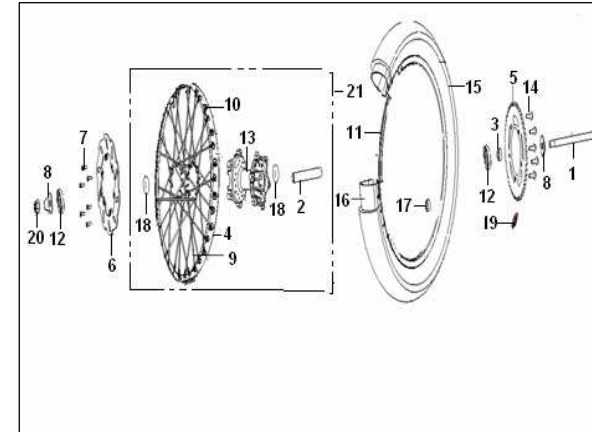
# X-RAY 50

## REAR WHEEL(for Enduro)

NO.	material coding		Qty
1	54004D010000	AXLE, REAR WHEEL	1
2	54006D030000	SPACER,CENTER	1
3	54016D010000	SPACER, RR. WHEEL,L.	1
4	54101D010000	RIM,REAR WHEEL	1
5	60002D010000	SPROKET,CHAIN	1
6	55033D040000	REAR BRAKE DISK	1
7	45036D010000	BOLT, BRAKE DISK	6
8	54032D010000	REAR PRESS BOARD	2
9	54011D010001	SPOKE OUTSIDE (OD 3.8mm)	18
9	54012D010001	SPOKE INSIDE (OD 3.8mm)	18
10	54014D010001	NIPPLE(3.8mm)	36
11	54013D010000	PROTECTOR,TUBE	1
12	44300B910000	DUST SEAL ASSY	2
13	54102D010000	REAR WHEEL HUB	1
14	60015D010000	BOLT,SPROKET	5
15	B14154101821	TIRE 4.10-18	1
16	B14024101800	INNER TUBE 4.10-18	1
17	B1404Z2011A0	CAP, VALVE A	1
18	B12016020200	BEARING 6202-2RS	2
19	B1502V1128B0	DRIVE CHAIN 420DX-1×128	1
20	B04171415054	NUT M14×1.5MM	1
21	54100D01002Z	RIM,REAR WHEEL	1

### Notes

Enduro



## X-RAY 50

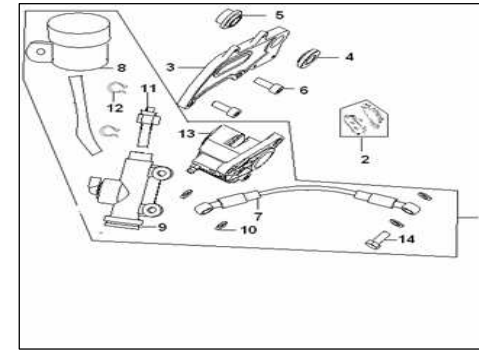
### REAR DISK BRAKE

#### NO. materiel coding

NO.	materiel coding		Qty
1	55000D010000	BACK DISK BRAKE	1
2	55110D010000	BRAKE SHOE ASSY	1 set
3	55025D010000	BRACKET	1
4	55049D010000	BUSH I	1
5	55095D010000	BUSH II	1
6	B02050802065	SCREW M8×20MM	2
7	55200D010000	HOSE ASSY,BRAKE	1
8	55140D010000	RESERVOIR , BRAKE FLUID	1
9	55400D010000	CYLINDER ASSY,MASTER	1
10	55029J000000	WASHER	4
11	55300D010000	PRESSURE SENDER ASSY	1
12	55067D090000	CLIP	2
13	55600D010000	CALIPER ASSY,BRAKE	1
14	45037J000000	BANJO BOLT	2

#### Notes

JOGO

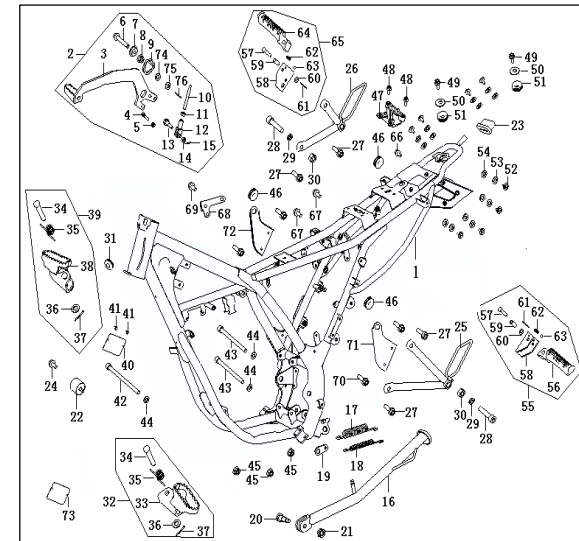


# X-RAY 50

## FRAME

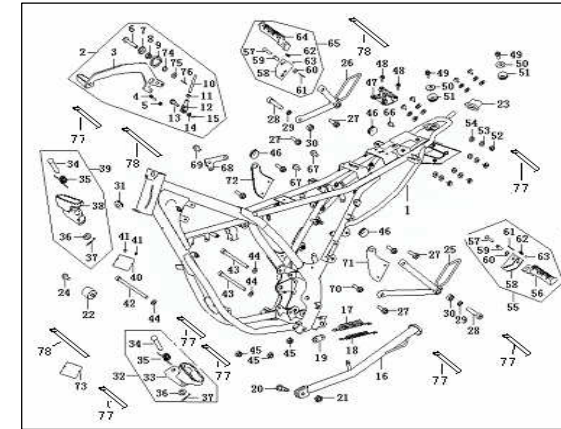
NO.	material coding	English Description	Qty
1	57100D040000	FRAME JOINTING ASSY	1
2	40700D010000	PEDAL ASSY,BRAKE	1
3	40710D010000	PEDAL JOINTING ASSY,BRAKE	1
4	B01090603065	BOLT M6×30MM	1
5	B04000600055	NUT M6MM	1
6	40718D010000	BOLT	1
7	40705D010000	SPACER	1
8	B04080800055	NUT M8MM	1
9	40709D010000	SPRING	1
10	40715D010000	PULL ROD	1
11	B04000600055	NUT M6MM	1
12	40716D010000	PULL HANDLE	1
13	40717D010000	BOLT	1
14	B04000600055	NUT M6MM	1
15	B090002018A3	SPLIT PIN 2×18MM	1
16	58700D010000	SIDE STAND	1
17	57004D010000	SPRING	1
18	57003D010000	SPRING	1
19	57006D010000	SPRING PLATE	1
20	57005D010000	BOLT	1
21	B04011012555	NUT M10×1.25MM	1
22	58920D010000	RUBBER MAT COMP	1
23	08334J040000	CUSHION	1
24	B01090600865	BOLT M6×8MM	1
25	58270D010000	CANAL PEDAL COMP REAR LH	1
26	58290D010000	CANAL PEDAL COMP REAR RH	1
27	B01090802565	BOLT M8×25MM	4
28	B02051004565	SCREW M10×45MM	2
29	B07000001005	WASHER 10MM	2
30	B04051000065	NUT M10MM	2
31	65705J0000000	WASHER	1
32	58220D010000	PANEL FLOOR COMP LH	1
33	58250D010000	PANEL FLOOR JOINTING COMP LH	1
34	57024D010000	PIN	2
35	58202D010000	SPRING	2
36	B07030000805	WASHER 8MM	2
37	B090002018A3	SPLIT PIN 2×18MM	2
38	58230D010000	PANEL FLOOR JOINTING COMP RH	1
39	58240D010000	PANEL FLOOR COMP RH	1
40	57001D040001	PLATE,VIN	1
41	B10000300600	RIVET 3×6MM	2
42	B02050812065	SCREW M8×120MM	1
43	B02050810065	SCREW M8×100MM	2
44	B07030000805	WASHER 8MM	3

## Notes



## X-RAY 50

45	B04170800055	NUT M8MM	3
46	65618J000000	CUSHION	2
47	88500D010000	LOCK	1
48	B01090601265	BOLT M6×12MM	2
49	B01090801665	BOLT M8×16MM	2
50	57206D010000	BUSH,MUFFER	2
51	57209D010000	CUSHION,MUFFER	2
52	57032D010000	CUSHION	8
53	B07030000805	WASHER 8MM	8
54	B13060501205	SCREW M5×12MM	8
55	58260D010000	PEDAL COMP REAR LH	1
56	58266D010000	ROD LH	1
57	58265D010000	PIN	2
58	58287D010000	MAT FLOOR	2
59	58284D010000	REAR SPACER PEDAL	2
60	58263D010000	WASHER	2
61	B09001602010	SPLIT PIN 1.6×20MM	2
62	58282D010000	SPRING	2
63	B06010190000	STEEL BALL 6MM	2
64	58286D010000	PEDAL ROD RH	1
65	58280D010000	PEDAL COMP REAR RH	1
66	B13010601605	SCREW M6×16MM	1
67	B01090601665	BOLT M6×16MM	2
68	57173D010000	ENHANCE BOARD,VALVE	1
69	B01090601265	BOLT M6×12MM	1
70	B01090501065	BOLT M5×10MM	4
71	57964D040000	FIXING BOARD,FRAME COVER,L,F	1
72	57965D040000	FIXING BOARD,FRAME COVER,R,F	1
73	57002D040000	PLATE,VIN	1
74	B07000000805	WASHER 8MM	1
75	B07030000805	WASHER 8MM	1
76	B090002018A3	SPLIT PIN 2×18MM	1
77	96001J000000	BAND7×150MM	7
78	96002J000000	BAND7×200MM	3





## X-RAY 50

### REAR ABSORBER

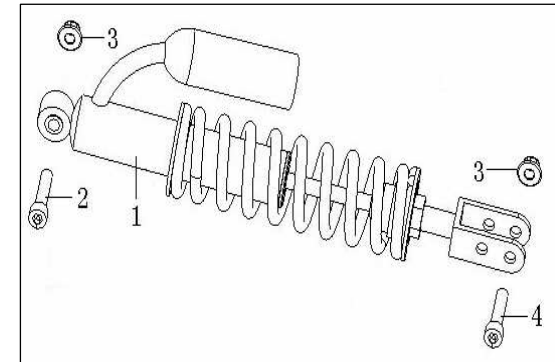
#### NO. materiel coding

1	63100D04Y400	RR. ABSORBER COMP (yellow)
2	B02551005065	BOLT M10×1.25×50MM
3	B04171012555	NUT M10×1.25MM
4	B02551005065	BOLT M10×1.25×50MM

#### Qty

1  
1  
2  
1

#### Notes



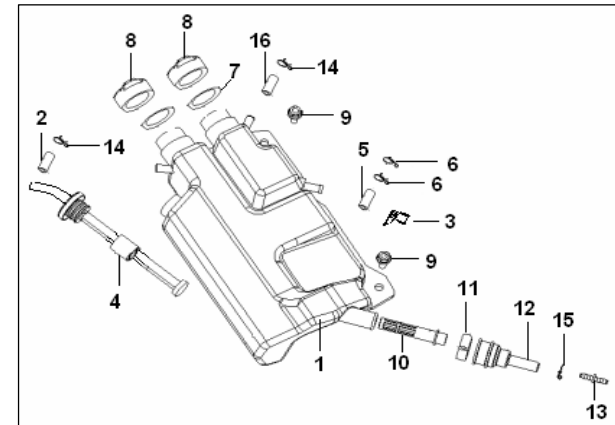
# X-RAY 50

## OIL TANK

### NO. materiel coding

NO.	materiel coding		Qty
1	64001D010000	OIL TANK black	1
2	B16010724001	PIPE $\Phi 7 \times \Phi 11 \times 400$ MM	1
3	43061D010000	CLIP	1
4	64100D010000	OIL SENSOR ASSY	1
5	20603D010000	HOSE	1
6	342342140020	CLIP 10-16MM	2
7	64092D010000	GASKET WATER TANK CAP	2
8	64031D010000	WATER TANK CAP	2
9	B01090601665	BOLT M6 $\times$ 16MM	2
10	64050D010000	FILTER ASSY	1
11	64060D010000	CLIP ASSY	1
12	64004D010000	OIL TANK PIPE	1
13	64008D010000	CONNECTOR	1
14	B17010100000	CLIP,STEEL WIRE 10MM	2
15	B17010080000	CLIP,STEEL WIRE 8MM	1
16	B16010722501	PIPE $\Phi 7 \times \Phi 11 \times 250$ MM	1

### Notes



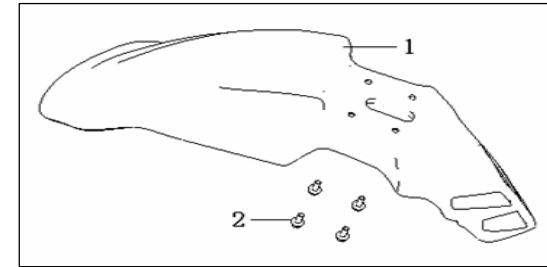
## X-RAY 50

### FRONT FENDER

#### NO. materiel coding

				Qty
1	65101D04M900	FRONT FENDER	orange (without sticker)	1
1	65101D04BA00	FRONT FENDER	black (without sticker)	1
1	65101D04001Z	FRONT FENDER	black (with sticker)	1
1	65101D04002Z	FRONT FENDER	orange (with sticker)	1
2	B01090601665	BOLT	M6×16MM	4

**Notes**  
LARANJA  
PRETA  
c/ autocolantes pretos  
c/ autocolantes laranja



# X-RAY 50

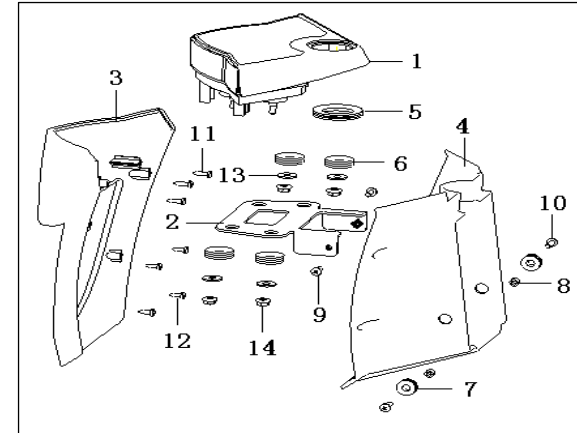
## COWLING

### NO. materiel coding

NO.	material coding		Qty
1	70000D040003	SPEEDOMETER ASSY.(for Supermoto)	1
1	70000D040004	SPEEDOMETER ASSY.(for Enduro)	1
2	65530D040000	BRACKET,SPEEDOMETER	1
3	65501D04M900	FRONT COWLING orange	1
3	65501D040010	FRONT COWLING black	1
4	65483D040000	REAR COWLING	1
5	70015D040000	CUSHION, SPEEDOMETER	1
6	65618J000000	CUSHION, FRAME COVER	4
7	65617J000000	CUSHION, FRAME COVER	2
8	65517D040000	BUSH,REAR COWLING	2
9	B13060501205	SCREW M5×12MM	2
10	B13060501605	SCREW M5×16MM	2
11	B05004201605	SCREW ST4.2×16MM	3
12	B05004201305	SCREW ST4.2×13MM	4
13	B07020000605	WASHER 6 MM	4
14	B04070600055	NUT M6 MM	4

**Notes**  
SuperMotard  
Enduro

LARANJA  
PRETA



## X-RAY 50

### FRAME COVER

NO.	material coding		Qty
1	65601D04M900	FRAME COVER,L,R orange (without sticker)	1
1	65601D04BA00	FRAME COVER,L,R black (without sticker)	1
1	65601D04001Z	FRAME COVER,L,R black (with sticker)	1
1	65601D04002Z	FRAME COVER,L,R orange (with sticker)	1
2	65602D04M900	FRAME COVER,R,R orange (without sticker)	1
2	65602D04BA00	FRAME COVER,R,R black (without sticker)	1
2	65602D04001Z	FRAME COVER,R,R black (with sticker)	1
2	65602D04002Z	FRAME COVER,R,R orange (with sticker)	1
3	65603D040000	FRAME COVER,U,R	1
4	65604D040000	FRAME COVER,BE,R	1
5	65632D04CE00	FRAME COVER,L,F silver	1
6	65633D04CE00	FRAME COVER,R,F silver	1
7	65502D010000	BELOW COWLING	1
8	65671D04M900	FRAME COVER,L,OIL BOX orange (without sticker)	1
8	65671D04BA00	FRAME COVER,L,OIL BOX black(without sticker)	1
8	65671D04001Z	FRAME COVER,L,OIL BOX black (with sticker)	1
8	65671D04002Z	FRAME COVER,L,OIL BOX orange(with sticker)	1
9	65672D04M900	FRAME COVER,R,OIL BOX orange(without sticker)	1
9	65672D04BA00	FRAME COVER,R,OIL BOX black(without sticker)	1
9	65672D04001Z	FRAME COVER,R,OIL BOX orange(with sticker)	1
9	65672D04002Z	FRAME COVER,R,OIL BOX black(with sticker)	1
10	65673D04M900	FRAME COVER,U,OIL BOX orange (without sticker)	1
10	65673D04BA00	FRAME COVER,U,OIL BOX black (without sticker)	1
10	65673D04001Z	FRAME COVER,U,OIL BOX black (with sticker)	1
10	65673D04002Z	FRAME COVER,U,OIL BOX orange (with sticker)	1
11	08051T020050	NUT	2
12	65504D040000	BRACKET,FRAME COVER,L,OIL BOX	1
13	65505D040000	BRACKET,FRAME COVER,R,OIL BOX	1
14	B13060501005	SCREW M5×10MM	14
15	B05004201305	SCREW ST4.2×13MM	8
16	B01090801665	BOLT M8×16MM	2
17	B01090602565	BOLT M6×25MM	1
18	B13010501205	SCREW M5×12MM	8
19	B05004201305	SCREW ST4.2×13MM	2

### Notes

LARANJA

PRETA

for black BA vehicle

for orange M9 vehicle

LARANJA

PRETA

c/ autocolantes pretos

c/ autocolantes laranja

LARANJA

PRETA

c/ autocolantes pretos

c/ autocolantes laranja

LARANJA

PRETA

c/ autocolantes pretos

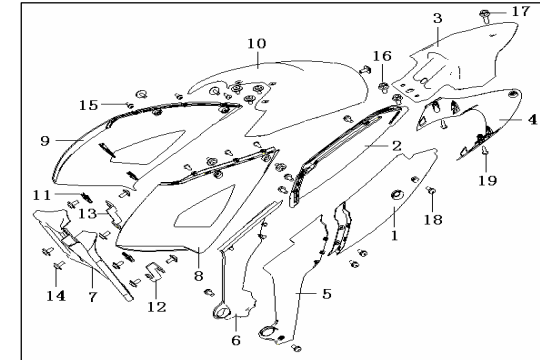
c/ autocolantes laranja

LARANJA

PRETA

c/ autocolantes pretos

c/ autocolantes laranja



## X-RAY 50

### REAR FENDER

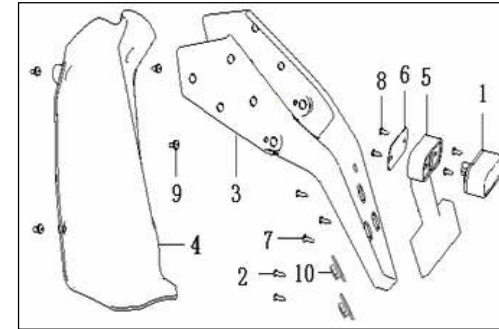
#### NO. materiel coding

1	82900D040000	LAMP ,LICENSE PLATE
2	B05004001205	SCREW ST4.0×12MM
3	65701D040000	REAR FENDER
4	65761D010000	FENDER,REAR
5	65716D040000	FIXING BOARD , LAMP
6	65714D040000	BLOCK BOARD , LAMP
7	B05004201305	SCREW ST4.2×13MM
8	B05004201305	SCREW ST4.2×13MM
9	B13010501205	SCREW M5×12MM
10	65708D040000	HOLDER

#### Qty

1
2
1
1
1
1
3
4
4
2

#### Notes



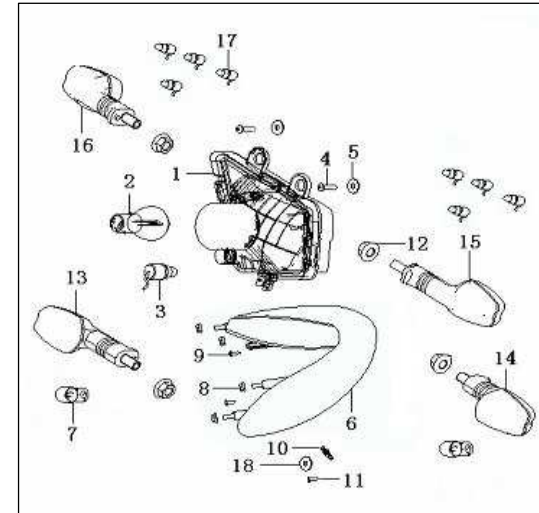
# X-RAY 50

## ELECTRIC I

### NO. materiel coding

NO.	materiel coding		Qty
1	80000D040000	HEAD LAMP ASSY.	1
2	B24010520000	BULB 12V/35W	1
3	B24013120000	BULB 12V/5W	1
4	B05004201605	SCREW ST4.2×16MM	2
5	B07020000505	WASHER 5MM	2
6	82000D040000	TAIL LAMP ASSY.	1
7	B24012420000	BULB, 12V/10W	2
8	B04070600055	NUT M6MM	4
9	B05004201305	SCREW ST4.2×13MM	2
10	08051T020050	NUT	1
11	B05004001205	SCREW ST4×12MM	1
12	B04071000053	NUT M10MM	4
13	81100D010000	LAMP ASSY., FR. TURN SIGNAL, L.	1
14	81300D010000	LAMP ASSY., FR. TURN SIGNAL, R.	1
15	81500D040000	LAMP ASSY., RR. TURN SIGNAL, L.	1
16	81700D040000	LAMP ASSY., RR. TURN SIGNAL, R.	1
17	B24014620000	BULB W2.3W	8
18	B07020000405	WASHER 4MM	1

### Notes



# X-RAY 50

## ELECTRIC II

### NO. materiel coding

NO.	materiel coding		Qty
1	92000D040003	HARNESS, WIRING	1
1	92000D040004	HARNESS, WIRING	1
2	96900D010000	WIRE, EARTH	1
3	96100B030000	BATTERY YT4L-BS 12V,3AH	1
4	341062140010	RECTIFIER	1
5	B01090602565	BOLT M6×25MM	2
6	95100B410000	HORN ASSY.	1
7	B01090601265	BOLT M6×12MM	1
8	341002140010	COIL ASSY.,IGNITION	1
9	B01090501665	BOLT M5×16MM	2
10	341052140010	C.D.I.	1
10	299051170002	C.D.I.	1
11	96007K010000	COVER,C.D.I	1
12	96003D010000	BAND 3×80MM	2
13	96400B030000	RELAY, TURN SIGNAL	1
14	96401B030000	COVER,RELAY, TURN SIGNAL	1
15	94000D010000	RELAY, KICK STARTER	1
15A	94100J000002	RELAY, KICK STARTER	1
16	92200J070000	ELECTRIC CABLE	1
17	B07030000603	WASHER 6MM	4
18	B07000000603	WASHER 6MM	4
19	B04020600013	NUT M6MM	2
20	B04000600053	NUT M6MM	2
21	88100D010000	LOCK ASSY.	1
22	B02050602065	SCREW M6×20MM	2
23	88801B070000	LOCK ASSY.	1
24	88802B070000	FIXTURE	1
25	58900D040000	CABLE ASSY,SEAT	1
26	96830J000000	FUSE	2
27	88000D010000	LOCK ASSY.	1
28	B07030000565	WASHER 5MM	2
29	B01090601065	BOLT M6×10	2

### Notes

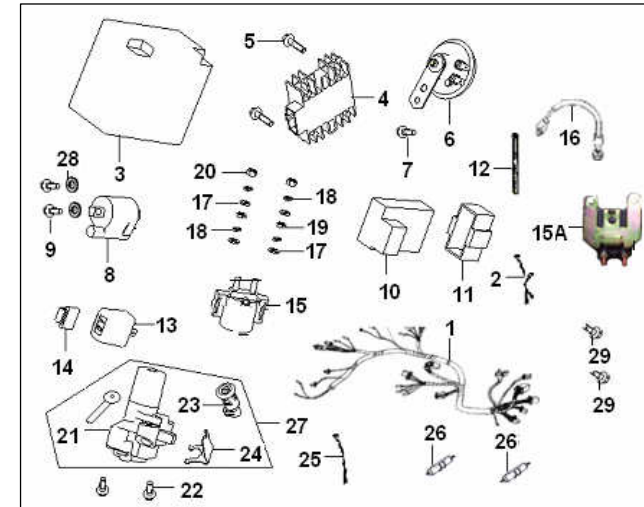
2009

2007-2008

2009

2009

2009





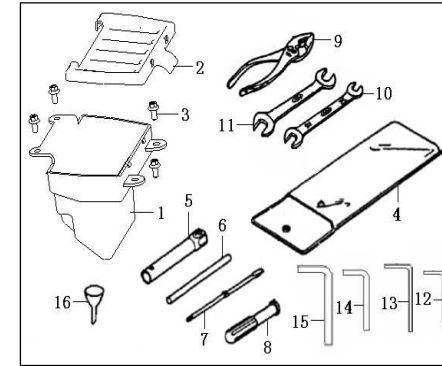
# X-RAY 50

## TOOL KIT

### NO. materiel coding

			Qty
1	02131D010000	TOOL KIT	1
2	02132D010000	COVER, TOOL KIT	1
3	B01090601265	BOLT M6×12MM	4
4	02110B920000	TOOL BAG	1
5	02102B910000	SOCKET, SPARK PLUG	1
6	02101B910000	SPANNER, SPARK PLUG	1
7	02103B910000	SCREW DRIVER, DOUBLE-HEADED	1
8	02104B910000	HANDLE	1
9	02112B920000	PLIERS	1
10	B20011001203	DOUBLE-ENDED SPANNER10-12MM	1
11	B20011301603	DOUBLE-ENDED SPANNER13-16MM	1
12	B20020400003	HEXAGON RING WRENCH 4MM	1
13	B20020500003	HEXAGON RING WRENCH 5MM	1
14	B20020600003	HEXAGON RING WRENCH 6MM	1
15	B20020800003	HEXAGON RING WRENCH 8MM	1
16	02114B910000	FILTER, OIL TANK	1

### Notes



## X-RAY 50

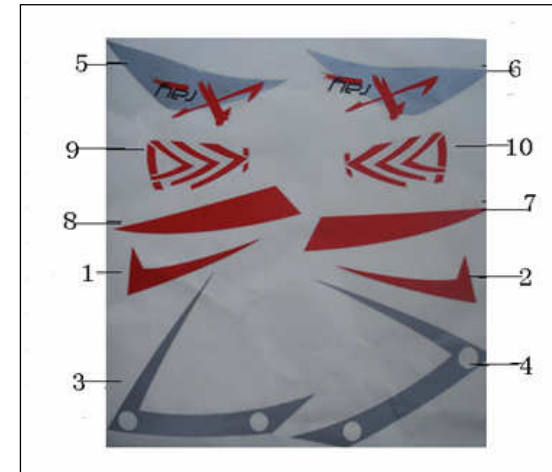
### STICKER (for M9/CE vehicle)

#### NO. materiel coding

NO.	materiel coding		Qty
1	05501D040000	DECAL,FRONT FENDER,L	1
2	05502D040000	DECAL,FRONT FENDER,R	1
3	05511D040000	DECAL,FRAME COVER,L,OIL BOX,I	1
4	05512D040000	DECAL,FRAME COVER,R,OIL BOX,I	1
5	05513D040000	DECAL,FRAME COVER,L,OIL BOX,II	1
6	05514D040000	DECAL,FRAME COVER,R,OIL BOX,II	1
7	05515D040000	DECAL,FRAME COVER,U,OIL BOX,L	1
8	05516D040000	DECAL,FRAME COVER,U,OIL BOX,R	1
9	05517D040000	DECAL,FRAME COVER,L,R	1
10	05518D040000	DECAL,FRAME COVER,R,R	1

#### Notes

LARANJA



## X-RAY 50

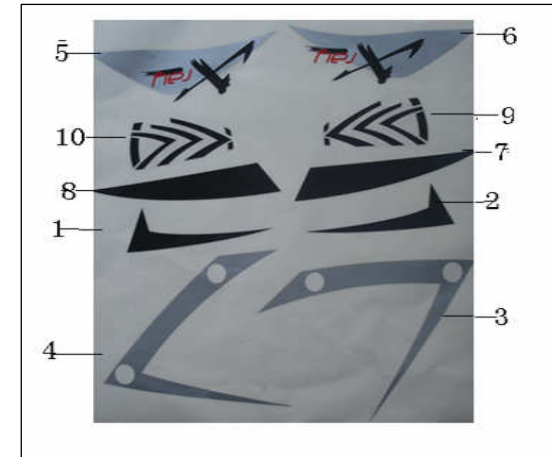
### STICKER (for BA/R8/CE vehicle)

#### NO. materiel coding

			Qty
1	05501D040001	DECAL,FRONT FENDER,L	1
2	05502D040001	DECAL,FRONT FENDER,R	1
3	05511D040000	DECAL,FRAME COVER,L,OIL BOX,I	1
4	05512D040000	DECAL,FRAME COVER,R,OIL BOX,I	1
5	05513D040001	DECAL,FRAME COVER,L,OIL BOX,II	1
6	05514D040001	DECAL,FRAME COVER,R,OIL BOX,II	1
7	05515D040001	DECAL,FRAME COVER,U,OIL BOX,L	1
8	05516D040001	DECAL,FRAME COVER,U,OIL BOX,R	1
9	05517D040001	DECAL,FRAME COVER,L,R	1
10	05518D040001	DECAL,FRAME COVER,R,R	1

#### Notes

PRETA



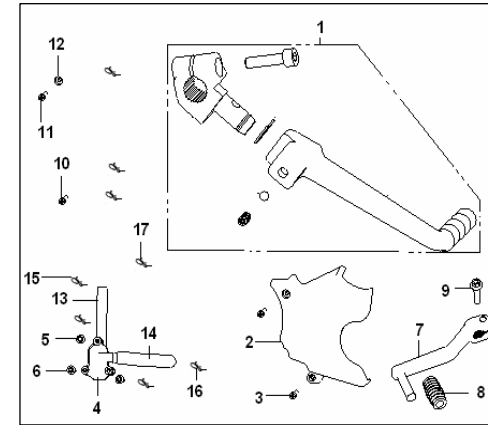
# X-RAY 50

## ENGINE ATTACHMENT

### NO. materiel coding

NO.	materiel coding		Qty
1	08350D010000	LEVER ASSY, KICK STARTER ASSY	1
2	162012150010	SIDE COVER,L.R silver	1
3	B02050502064	SCREW M5×20MM	2
4	49800D010000	UNILATERALISM VALVE ASSY	1
5	B01090603065	BOLT M6×30MM	1
6	B01090604065	BOLT M6×40MM	2
7	08383D010000	ROCKERARM,LEVEL ASSY	1
8	08372D010000	RUBBER,GEAR SHIFT	1
9	B01090602565	BOLT M6×25MM	1
10	B01090601665	BOLT M6×16MM	1
11	B01090601265	BOLT M6×12MM	1
12	B07090000605	WASHER 6MM	1
13	49851D010000	PIPE	1
14	B16010945001	PIPE $\Phi 9 \times \Phi 17 \times 500\text{mm}$	1
15	49804D010000	CLIP 17.5MM	2
16	49805D010000	CLIP 16.5MM	2
17	08060BW0T000	CLIP 16-25MM	4

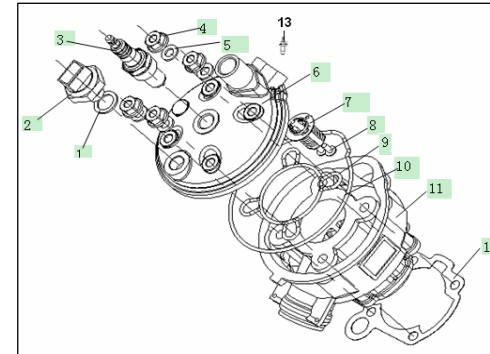
### Notes



## X-RAY 50

### E01 CYLINDER HEAD ASSY

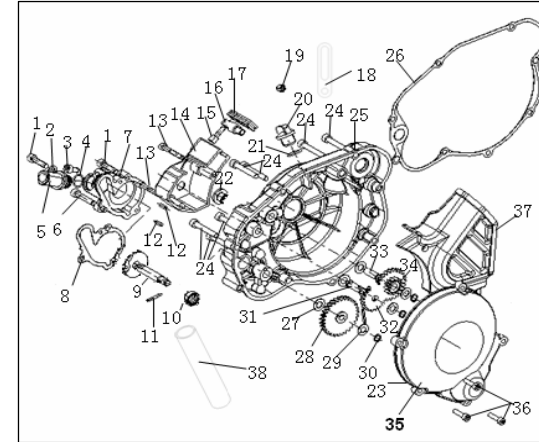
NO.	PART NO.	EN DESCRIPTION	QTY	NOTES
1	307991500320	WASHER	1	
2	21300000B15F000	TEMPERATURE REGULATOR	1	2007-2008
3	31100000B15F000	SPARK PLUG	1	BR8ES
4	304290700068	HEXAGON NUT WITH FLANGE	4	
5	31000006B15F000	WASHER,PLAIN	4	
6	201200.087041	CYLINDER HEAD	1	2007-2008
6A	109061170020	CYLINDER HEAD	1	2009
7	31300000B15F000	WATER TEMPERATURE REGULATOR	1	2007-2008
8	313050401065	SCREW M4X10	2	
9	31000003B15F000	SMALL SEAL RING	1	
10	31000004B15F000	BIG SEAL RING	1	
11	25000002B15F000	CYLINDER	1	
12	25000001B15F000	GASKER CYLINDER	1	
13	30531N03F001	WATER TEMPERATURE SENSOR	1	2009



## X-RAY 50

### E02 CRANKCASE COVER ASSY

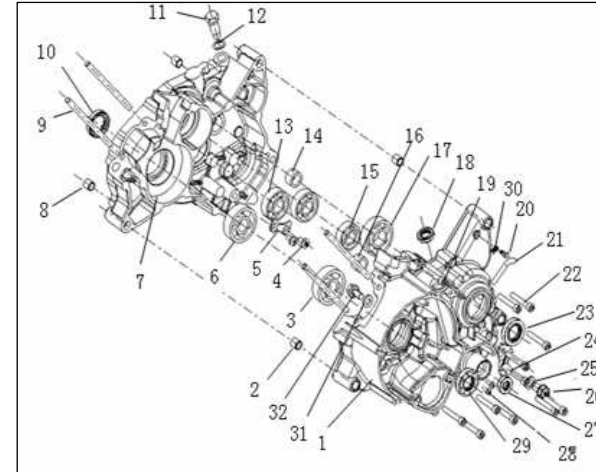
NO.	PART NO.	EN DESCRIPTION	QTY	NOTES
1	B02040602585	BOLT M6X25	2	
2	14000021B15F000	WASHER 6	1	
3	B02040601285	BOLT M6X12	1	
4	315114819010	O-RING	1	
5	14000020B15F000	WATER OUTLET SEAT,WATER PUMP	1	
6	B02040605585	BOLT M6X55	1	
7	14000006B15F000	COVER,WATER PUMP	1	
8	14000019B15F000	PAD,COVER,WATER PUMP	1	
9	14200000B15F000	IMPELLER,WATER PUMP	1	
10	14300000B15F000	MECHANICAL SEAL	1	
11	14000023B15F000	DRIVE PIN	2	
12	309040401010	PIN ,DOWEL,WATER PUMP	2	
13	B02040503585	BOLT M5X35	2	
14	14000022B15F000	COVER,OIL PUMP	1	
15	B02040602585	BOLT M6X25	2	
16	14000013B15F000	OIL PUMP STEEL WIRE FIXING LEG	1	
17	14000024B15F000	RUBBER PLUG	1	
18	19213H08F000	CLIP,TUBE	2	
19	30426060000	NUT M6	1	
20	14000016B15F000	CAP,OIL FILLER	1	
21	PS2000G-321802A7	O-RING 13.3X2.65	1	
22	14100000B15F000	BOLT M8X8	1	
23	169071170000	GASKET CRANKCASE LEFT	1	
24	B02040603063	BOLT M6X30	7	
25	14000003B15F000	COVER,R.CRANKCASE	1	
26	14000002B15F000	PAD,COVER,R.CRANKCASE	1	
27	14000007B15F000	WASHER,PLAIN □□	3	
28	14000005B15F000	GEAR,WATER PUMP	1	
29	14000004B15F000	WASHER,PLAIN □	4	
30	B08080080000	CIRCLIP 8	3	
31	14000008B15F000	JOINT SHAFT,OIL PUMP	1	
32	14000018B15F000	DRIVE GEAR,OIL PUMP	1	
33	14000009B15F000	MIDDLE SHAFT	1	
34	14000011B15F000	MIDDLE GEAR	1	
35	207200.153041	COVER,L.CRANKCASE	1	
36	B02040502085	BOLT M5X20	5	
37	207201.055041	LEFT REAR COVER	1	
38	321011200111	SILICA GEL PIPE	1	



## X-RAY 50

### E03 CRANKCASE ASSY

NO.	PART NO.	EN DESCRIPTION	QTY	NOTES
1	26100007B15F000	CRANKCASE,LEFT(old type)	1	2007-2008 2009
1A	159041170001	CRANKCASE,LEFT(new type)	1	
2	206505.010000	PIN,DOWEL	2	
3	B12060303N64	BEARING,RADIAL BALL	1	2007-2008 2009
4	302220601262	SCREW M6X12	2	
5	206228.003000	BEARING PRESSURE PLATE	1	
6	B12060303N64	BEARING,RADIAL BALL	1	
7	206300.078000	CRANKCASE,RIGHT(old type)	1	
7A	159051170002	CRANKCASE,RIGHT(new type)	1	
8	320070080121	PIN,DOWEL	2	
9	206226.012000	STUDBOLT,CYLINDER	4	
10	206243.001000	OIL SEAL	1	
11	26000005B15F000	LOCATING SCREW	1	
12	206238.001000	WASHER	1	
13	B12060203N70	BEARING,RADIAL BALL	2	
14	312914201200	BEARING	1	
15	B12060202N70	BEARING,RADIAL BALL	1	
16	312914201200	BEARING	1	
17	B12060204N70	BEARING,RADIAL BALL	1	
18	317313524051	SEAL 13.7X24X5	1	
19	302040605000	SCREW M6X50	1	
20	26100006B15F000	HOSE,BREATHER	1	
21	206208.018000	HOSE,BREATHER	1	
22	B02040604085	BOLT	12	
23	206243.002000	OIL SEAL	1	
24	202307.001000	CLUTCH STAY WIRE CLIP	1	
25	206321.003000	WITHOUT ASBESTOS PAPER PAD	1	
26	210112.021000	SHIFT SENOR	1	
27	210341.002000	OIL SEAL	1	
28	302210401200	CROSS RECESS PAN HEAD SCREW M4X12	2	
29	206243.003000	OIL SEAL I	1	
30	19217G02F00A	CLIP	1	
31	18105H03F000	WASHER	1	
32	B01090801263	BOLT	1	



## X-RAY 50

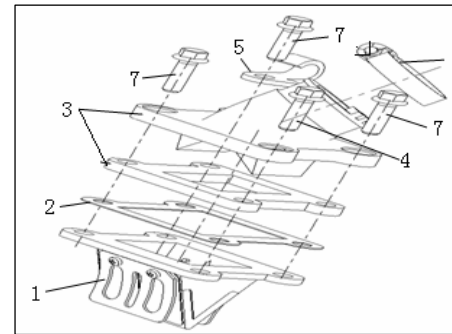
### E04 REED VALVE AND AIR DUCT COMPONENTS

NO.	PART NO.	EN DESCRIPTION
1	32102B20F000	REED VALVE COMPONENT
2	32101B20F000	PAD, REED VALVE
3	119011170002	AIR DUCT
4	206412.001472	SCREW
5	219237.001000	CLIP, OIL PUMP TUBE
6	270585050000	CLAMP
7	302040602065	SCREW

QTY

NOTES

1  
1  
1  
1  
1  
1  
3

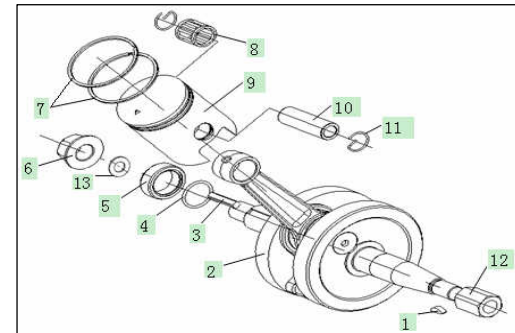




## X-RAY 50

### E05 PISTON,CONNECTING ROD & CRANKSHAFT ASSY

NO.	PART NO.	EN DESCRIPTION	QTY	NOTES
1	208421.003000	KEY	1	
2	208100.026000	CRANKSHAFT & CONROD ASSY	1	
3	208421.006000	KEY B4X20	1	
4	15000002B15F000	RING 15.5X1.5	1	
5	208413.009000	CRANKSHAFT OIL SEALED BUSH	1	
6	200181170000	NUT,LOCK	1	
7	15100001B15F000	RING assy	1set	
8	15100006B15F000	BEARING	1	JOGO
9	179131170000	PISTON	1	
10	15100004B15F000	PIN,PISTON	1	
11	170092080000	CIRCLIP	2	
12	208228.009000	NUT,LOCK	1	
13	170131170000	WASHER , SPRING	1	



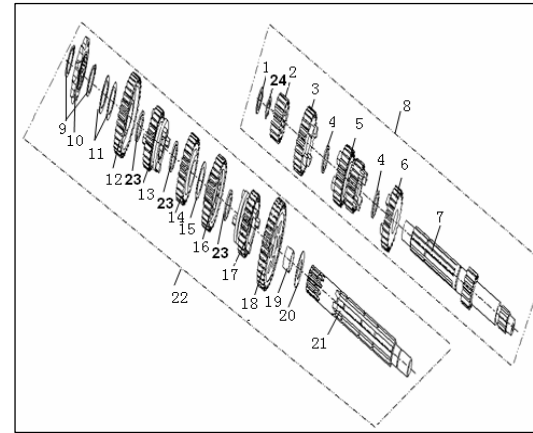
## X-RAY 50

### E06 DRIVE&DRIVEN SHAFT ASSY

NO.	PART NO.	EN DESCRIPTION	QTY
1	B08010001400	CIRCLIP(14)	1
2	17100002B15F000	GEAR,2ND DRIVE	1
3	17100003B15F000	GEAR,6TH DRIVE	1
4	17100004B15F000	CIRCLIPφ18	2
5	17100005B15F000	GEAR,3RD&4TH DRIVE	1
6	17100006B15F000	GEAR,5TH DRIVE	1
7	17100007B15F000	SHAFT,DRIVE	1
8	219131170000	DRIVE SHAFT ASSY.	1
9	B08080200000	CIRCLIP(20)	2
10	17200015B15F000	SPROCKET	1
10A	11370115	PINHÃO 13D	1
11	17200006B15F000	WASHER II	2
12	17200003B15F000	GEAR,2ND DRIVEN	1
13	17200004B15F000	GEAR,6TH DRIVEN	1
14	17200005B15F000	GEAR,4TH DRIVEN	1
15	17200012B15F000	WASHER V	1
16	17200011B15F000	GEAR,3RD DRIVEN	1
17	17200007B15F000	GEAR,5TH DRIVEN	1
18	17200008B15F000	GEAR,1ST DRIVEN	1
19	17200013B15F000	BUSH II	1
20	17200009B15F000	WASHER III	1
21	17200001B15F000	SHAFT,DRIVEN	1
22	209102.022000	DRIVEN SHAFT ASSY.	1
23	17225J01F930	CIRCLIPφ20	3
24	210491170000	WASHER	1

**NOTES**

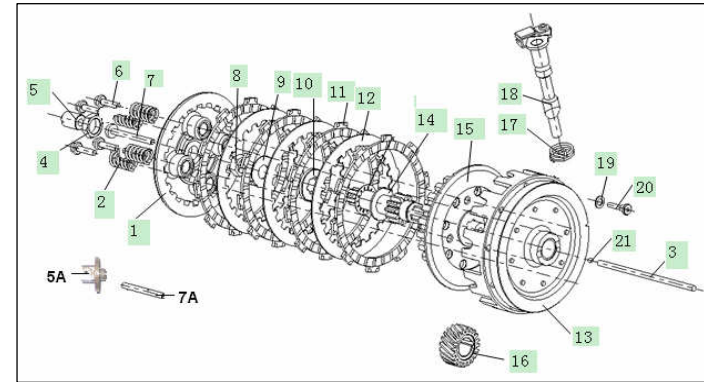
**13 DENTES**



## X-RAY 50

### E07 CLUTCH

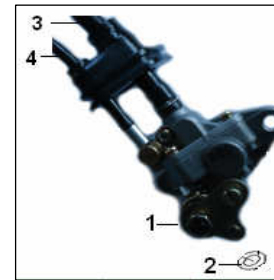
NO.	PART NO.	EN DESCRIPTION	QTY	NOTES
1	24000009B15F000	HUB,CLUTCHSLEEVE(old type)	1	2007-2008
1A	200101170001	HUB,CLUTCHSLEEVE(new type)	1	2009
2	24000010B15F000	SPRING,CLUTCH	4	
3	24000001B15F000	INNER SEPARATED CARRIER ROD	1	
4	24000013B15F000	NUT,LOCK	1	
5	24000014B15F000	SCREW,LOCK	1	2007-2008
5A	200261170000	HANDSPIKE	1	2009
6	B13010502003	HEXAGON BOLT WITH FLANGE	4	
7	24000015B15F000	EXTERIOR SEPARATED CARRIER ROD(old type)	1	2007-2008
7A	200271170000	SCREW,LOCK	1	2009
8	24000012B15F000	NUT,LOCK	1	
9	24000008B15F000	WASHER,thust	1	
10	24000004B15F000	INNER GEAR GASKER	1	
11	24300000B15F000	FRICTION PLATE	4	
12	24000007B15F000	PRESSURE PLATE	3	
13	24200000B15F000	CLUTCH DRUM COMP.	1	
14	24000003B15F000	WASHER,PLAIN	1	
15	24000006B15F000	CENTER,CLUTCH	1	
16	24000005B15F000	GEAR,DRIVE	1	
17	24100005B15F000	SPRING	1	
18	212114.001000	SEPERATE PULL ROD WIELDING COMPONENT(old type)	1	2007-2008
18A	209051170003	SEPERATE PULL ROD WIELDING COMPONENT(new type)	1	2009
19	307992012120	WASHER	1	
20	24100007B15F000	LOCATING SCREWW	1	
21	B06010130000	STELL BALL	1	



## X-RAY 50

### E08 OIL PUMP ASSY

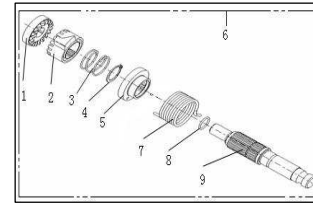
NO.	PART NO.	EN DESCRIPTION	QTY	NOTES
1	38000000B15F000	OIL PUMP ASSY	1	
2	260411170000	GASKET	1	
4	38000004B15F000	TUBE	1	
5	38000002B15F000	OIL OUTLEAK TUBE	1	



## X-RAY 50

### E09 KICK STARTER ASSY

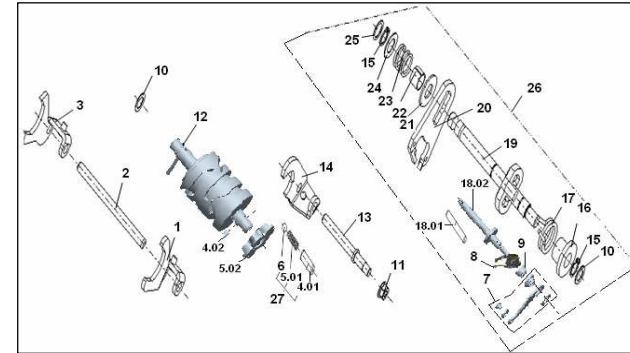
NO.	PART NO.	EN DESCRIPTION	QTY	NOTES
1	17600001B15F000	GEAR,KICK STARTER	1	
2	17600002B15F000	RATCHET	1	
3	17600003B15F000	SPRING,RATCHET	1	
4	B08080180000	CIRCLIP(18)	1	
5	17600004B15F000	SEAT,KICK STARTER SPRING	1	
6	17600000B15F000	KICK STARTER ASSY	1	
7	17600005B15F000	SPRING,KICK STARTER	1	
8	17600007B15F000	O RING(12.5X1.5)	1	
9	17600008B15F000	SHAFT,KICK STARTER	1	



# X-RAY 50

## E10 GEARSHIFT MECHANISM

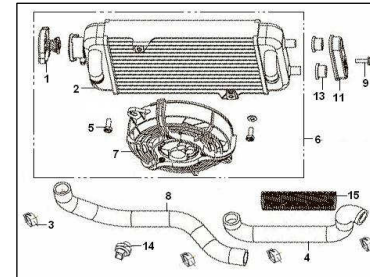
NO.	PART NO.	EN DESCRIPTION	QTY	NOTES
1	219121170001	FORK,RIGHT GEARSHIFT	1	
2	210303.012000	SHAFT,DRIVEN FORK	1	
3	219101170001	FORK,LEFT GEARSHIFT	1	
4	17500002B15F000	COVER, DRUM STOPPER	1	2007-2008
4A	210291170000	COVER, DRUM STOPPER	1	2009
5	17500001B15F000	SPRING,DRUM STOPPER	1	2007-2008
5A	210251170000	PIN,PLATE	1	2009
6	B06010300000	BALL(SD9)	1	2007-2008
7	210351170000	GEARSHIFT DRUM STOPPER ASSY.	1	
8	210341170000	SPRING,DRUM STOPPER	1	APENAS APARTIR DE
9	210431170000	COVER,SPRING	1	2009
10	210230.007000	WASHER X	2	
11	441031C03000	NUT,FLANGE(M6)	1	
12	210109.011000	DRUM ASSY.,GEARSHIFT(old type)	1	2007-2008
12A	219041170001	DRUM ASSY.,GEARSHIFT(new type)	1	2009
13	210303.013000	SHAFT,DRIVE FORK	1	
14	219111170000	FORK,CENTER GEARSHIFT	1	
15	B08010001200	CIRCLIPφ12	2	
16	17400004B15F000	COVER,SPRING I	1	
17	17400003B15F000	SPRING I	1	
18	17400008B15F000	PIN,RETURN SPRING(old type)	1	2007-2008
18A	210361170000	PIN,RETURN SPRING(new type)	1	2009
19	17420000B15F000	SHAFT,GEARSHIFT	1	
20	17410000B15F000	PLATE,GRARSHIFT	1	
21	17400001B15F000	WASHER I,GEARSHIFT	1	
22	17400005B15F000	COVER,SPRING II	1	
23	17400006B15F000	SPRING II	1	
24	17400002B15F000	WASHER II,GEARSHIFT	1	
25	17400007B15F000	WASHER III,GEARSHIFT	1	
26	210100.017000	SHAFT ASSY.,GEARSHIFT(old type)	1	2007-2008
26	219011170000	SHAFT ASSY.,GEARSHIFT(new type)	1	2009
27	17500000B15F000	DRUM STOPPER ASSY.	1	2007-2008



## X-RAY 50

### E11 RADIATOR ASSY

NO.	PART NO.	EN DESCRIPTION	QTY	NOTES
1	21111000B15F000	WATER MACHINE COMPONENT	1	
2	222225.001000	RADIATOR	1	
3	221218.006000	CLIP,TUBE	4	
4	221219.008000	HOSE D,WATER	1	
5	B02040602063	BOLT M6X20	2	
6	21100000B15F000	RADIATOR ASSY	1	
7	221108.003000	FAN ASSEMBLY	1	
8	221219.009000	HOSE C,WATER	1	
9	B02040601085	BOLT M6X18	2	
11	221311.001000	FIXING SEAT,RADIATOR	1	
13	21000005B15F000	RUBBER,RADIATOR SETTING	2	
14	222120.002000	THE RMOSTAT	1	
15	221215.003000	SPRING	1	



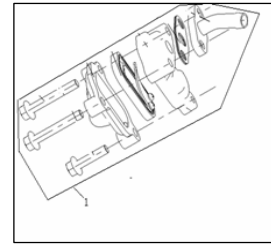
# X-RAY 50

## E12 SECONDARY AIR ASSY

NO.	PART NO.	EN DESCRIPTION
1	229104.007000	AIR FEED

QTY  
1

NOTES

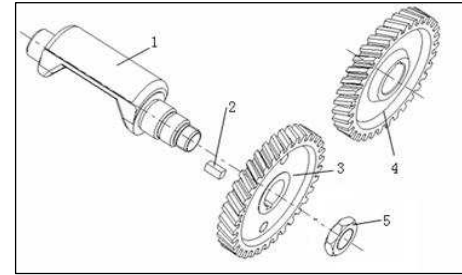




## X-RAY 50

### E13 SHAFT ASSY.,BALANCER

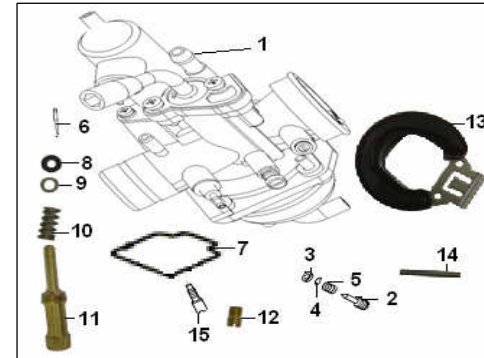
NO.	PART NO.	EN DESCRIPTION	QTY	NOTES
1	208400.017000	SHAFT,BALANCER	1	
2	311730040008	KEY(B4X8)	1	
3	208401.008000	DRIVEN GEAR,BALANCER	1	
4	208220.013000	DRIVE GEAR,BALANCER	1	
5	208228.010000	LOCK NUT,BALANCER	1	



## X-RAY 50

### E14 CARBURETOR ASSY

NO.	PART NO.	EN DESCRIPTION	QTY	NOTES
1	224100.139000	CARBURETOR ASSY	1	
2	224237.019000	SCREW , AIR	1	
3	224238.017000	O RING , AIR SCREW	1	
4	224238.018000	WASHER , AIR SCREW	1	
5	224228.017000	SPRING , AIR SCREW	1	
6	224208.038000	JET NEEDLE, THROTTLE VALVE	1	
7	224416.017000	GASKET , FLOAT CHAMBER	1	
8	224240.007000	O RING , VALVE PISTON	1	
9	224240.008000	WASHER , VALVE PISTON	1	
10	224229.011000	SPRING , VALVE PISTON	1	
11	224239.012000	SCREW , VALVE PISTON	1	
12	224202.071000	JET, MAIN	1	
13	224215.018000	FLOAT	1	
14	224222.020000	PIN, FLOAT	1	
15	224203.043000	JET, IDLE	1	

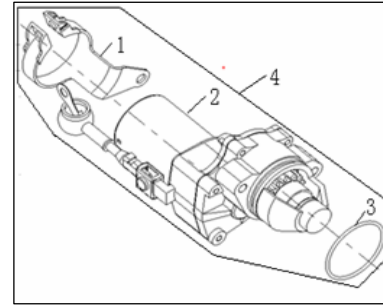


## X-RAY 50

### E15 STARTING MOTOR

NO.	PART NO.	EN DESCRIPTION
1	218422.001000	MOTOR FIXER
2	218100.031000	STARTING MOTOR
3	315138718000	O RING(38.7X1.8)
4	218000.001000	STARTING MOTOR

QTY	NOTES
1	
1	
1	
1	



# X-RAY 50

## E16 GENERATOR

NO.	PART NO.	EN DESCRIPTION
1	223100.005000	GENERATOR

## EN DESCRIPTION

QTY  
1

## NOTES

