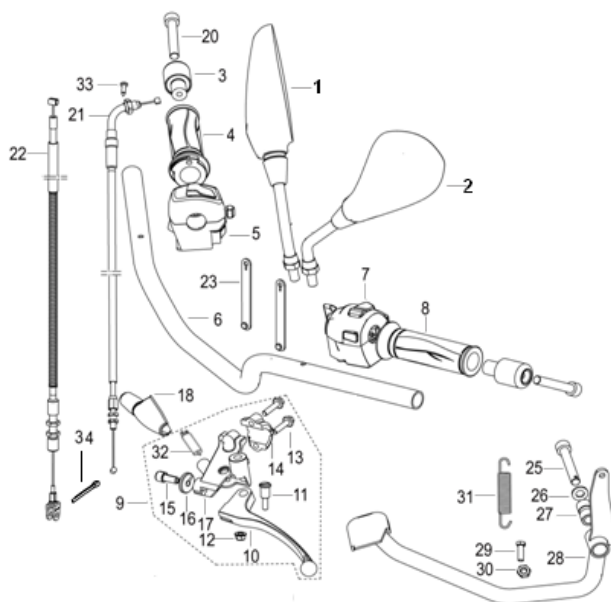


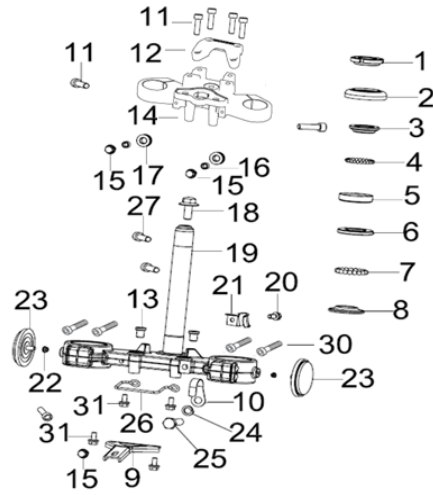
RKV125 EFI

F01 CONTROL Assy.



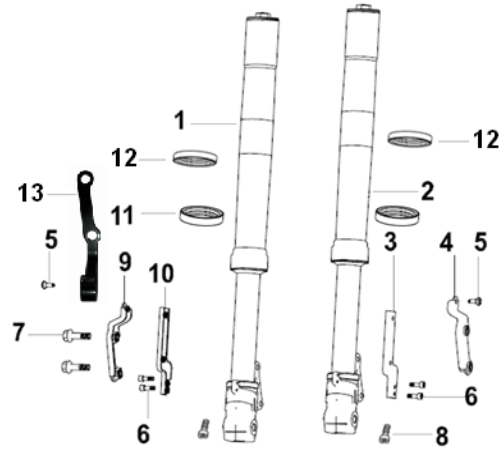
Model	NO.	Position No.	CODE	EN DESCRIPTION	Qty/Unit	start year
RKV125 EFI	1	F01-1	40480J300006	MIRROR ASSY.,RR VIEW,R.	1	2016
RKV125 EFI	2	F01-2	40450J300003	MIRROR ASSY.,RR VIEW,L.	1	2016
RKV125 EFI	3	F01-3	40031J000022	BALANCER ASSY.	2	2016
RKV125 EFI	4	F01-4	40210J670010	GRIP ASSY., HANDLE, R.	1	2016
RKV125 EFI	5	F01-5	40600M140000	SWITCH ASSY., R.headlights lit	1	2016
RKV125 EFI	6	F01-6	40100K670021	HANDLE BAR ASSY	1	2016
RKV125 EFI	7	F01-7	40500K670001	SWITCH ASSY., L.	1	2016
RKV125 EFI	8	F01-8	40001J670010	GRIP ASSY.,L.	1	2016
RKV125 EFI	9	F01-9	40080K740001	LEVER ASSY., L.mark:2	1	2016
RKV125 EFI	10	F01-10	40002K740000	LEVER., L.mark:2	1	2016
RKV125 EFI	11	F01-11	40083K010000	MOUNTING BOLT,HANDLE	1	2016
RKV125 EFI	12	F01-12	B04170600064	NUT M6	1	2016
RKV125 EFI	13	F01-13	B01400602365	BOLT M6x23	2	2016
RKV125 EFI	14	F01-14	45023K010000	COVER, FIX	1	2016
RKV125 EFI	15	F01-15	45083K010000	SCREW, ADJUSTING	1	2016
RKV125 EFI	16	F01-16	55064K010000	NUT, ADJUSTING	1	2016
RKV125 EFI	17	F01-17	40085K740001	MIRROR SEAT,RR. VIEW,L,mark:2	1	2016
RKV125 EFI	18	F01-18	40017J130000	JACKET, CABLE	1	2016
RKV125 EFI	20	F01-20	B02050603565	SCREW M6x35	2	2016
RKV125 EFI	21	F01-21	40300K690003	CABLE ASSY., THROTTLE	1	2016
RKV125 EFI	22	F01-22	40400K690000	CABLE ASSY., CLUTCH	1	2016
RKV125 EFI	23	F01-23	49371T620000	CLIP	2	2016
RKV125 EFI	25	F01-25	08012J000000	SHAFT, BRAKE PEDAL	1	2016
RKV125 EFI	26	F01-26	B07000001003	SPRING WASHER 10mm	1	2016
RKV125 EFI	27	F01-27	40705J000001	BUSH	1	2016
RKV125 EFI	28	F01-28	40710J800001	PEDAL COMP., RR. BRAKE	1	2016
RKV125 EFI	29	F01-29	B01010604005	BOLT M6x40	1	2016
RKV125 EFI	29	F01-29	B01090603565	BOLT M6x35	1	2016
RKV125 EFI	30	F01-30	B04000600055	NUT M6	1	2016
RKV125 EFI	31	F01-31	40702K670000	SPRING, RR. BRAKE PEDAL	1	2016
RKV125 EFI	32	F01-32	91090K010000	SWITCH, CLUTCH	1	2016
RKV125 EFI	33	F01-33	B05074801305	SCREW ST4.8x13	1	2016
RKV125 EFI	34	F01-34	B090002018A5	COTTER PIN 2x18	1	2016

F02 FORK ASSY.



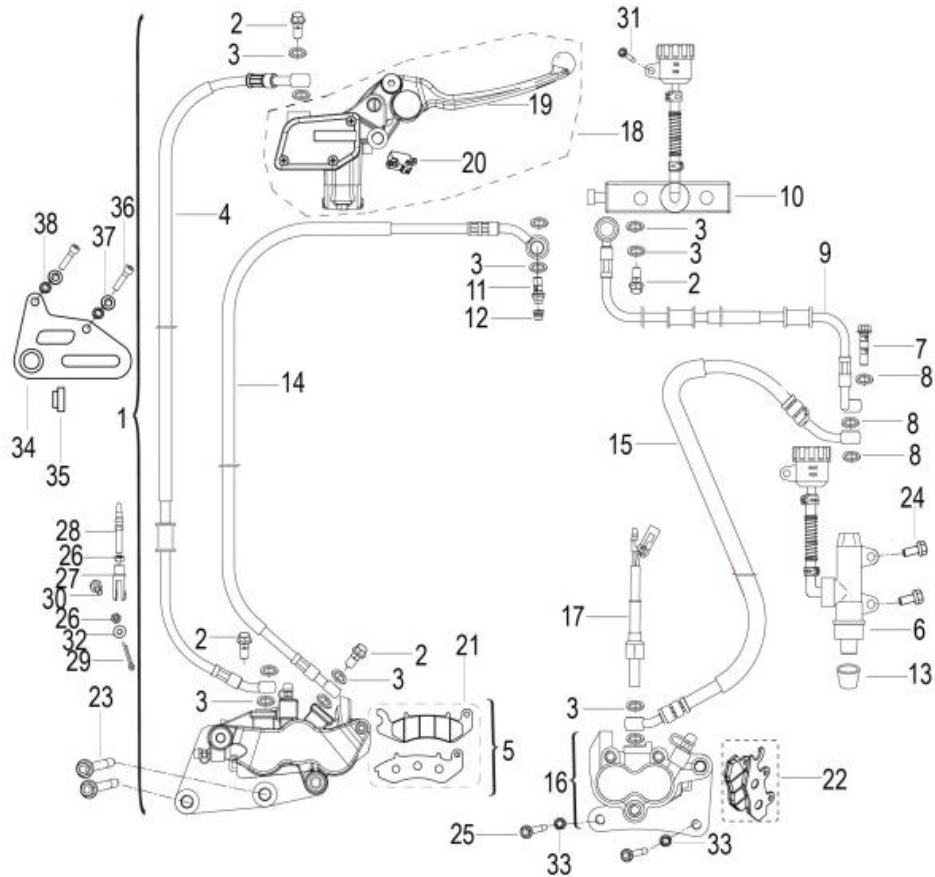
Model	NO.	Position No.	CODE	EN DESCRIPTION	Qty/Unit	start year
RKV125 EFI	1	F02-1	43008G130010	NUT	1	2016
RKV125 EFI	2	F02-2	43005G130000	DUST COVER	1	2016
RKV125 EFI	3	F02-3	43001G130000	RACE, UPPER BEARING, UPPER	1	2016
RKV125 EFI	4	F02-4	B06010140000	STEEL BALL,3/16'	23	2016
RKV125 EFI	5	F02-5	43002G130000	RACE, UPPER BEARING, LOWER	1	2016
RKV125 EFI	6	F02-6	43003N040000	RACE,UPPER,BOTTOM BEARING	1	2016
RKV125 EFI	7	F02-7	B06010200000	STEEL SHOT 1/4'	19	2016
RKV125 EFI	8	F02-8	43004J000000	RACE,LOWER,BOTTOM BEARING	1	2016
RKV125 EFI	9	F02-9	08345K690000	BRACKET,LOWER	1	2016
RKV125 EFI	10	F02-10	43057J000070	CLIP	1	2016
RKV125 EFI	11	F02-11	08003K670000	BOLT 8X30	6	2016
RKV125 EFI	12	F02-12	43014J800003	SEAT,HANDLERBAR,UPPER	1	2016
RKV125 EFI	13	F02-13	08333J040000	SUPPORT UNDER THE RUBBER PAD	2	2016
RKV125 EFI	14	F02-14	43011J800001	UPPER BRACKET ASSY,	1	2016
RKV125 EFI	15	F02-15	B01090601665	BOLT M6×16	3	2016
RKV125 EFI	16	F02-16	08061K670000	CUSHION,BUFFER	2	2016
RKV125 EFI	17	F02-17	47028G220000	BUFFER RUBBER	2	2016
RKV125 EFI	18	F02-18	43049J050051	BOLT,LOCKING,COLUMN M10×1.25×33	1	2016
RKV125 EFI	19	F02-19	43100J800000	UNDER BRACKET COMP.	1	2016
RKV125 EFI	20	F02-20	B13110601205	SCREW W/WASHER M6×12	1	2016
RKV125 EFI	21	F02-21	43035J000004	CLIP,DISC BRAKE	1	2016
RKV125 EFI	22	F02-22	B04000600055	NUT M6	2	2016
RKV125 EFI	23	F02-23	86300N060000	REFLECTOR ASSY	2	2016
RKV125 EFI	24	F02-24	B07000001005	WASHER 10mm	1	2016
RKV125 EFI	25	F02-25	B01091001665	BOLT M10×16	1	2016
RKV125 EFI	26	F02-26	43035J300000	CLIP	1	2016
RKV125 EFI	27	F02-27	B13010601605	SCREW W/WASHER M6×16	2	2016
RKV125 EFI	30	F02-30	08002K670000	BOLT M16×30	4	2016
RKV125 EFI	31	F02-31	B01090601265	BOLT M6×12	4	2016

F03 FRONT ABSORBER ASSY

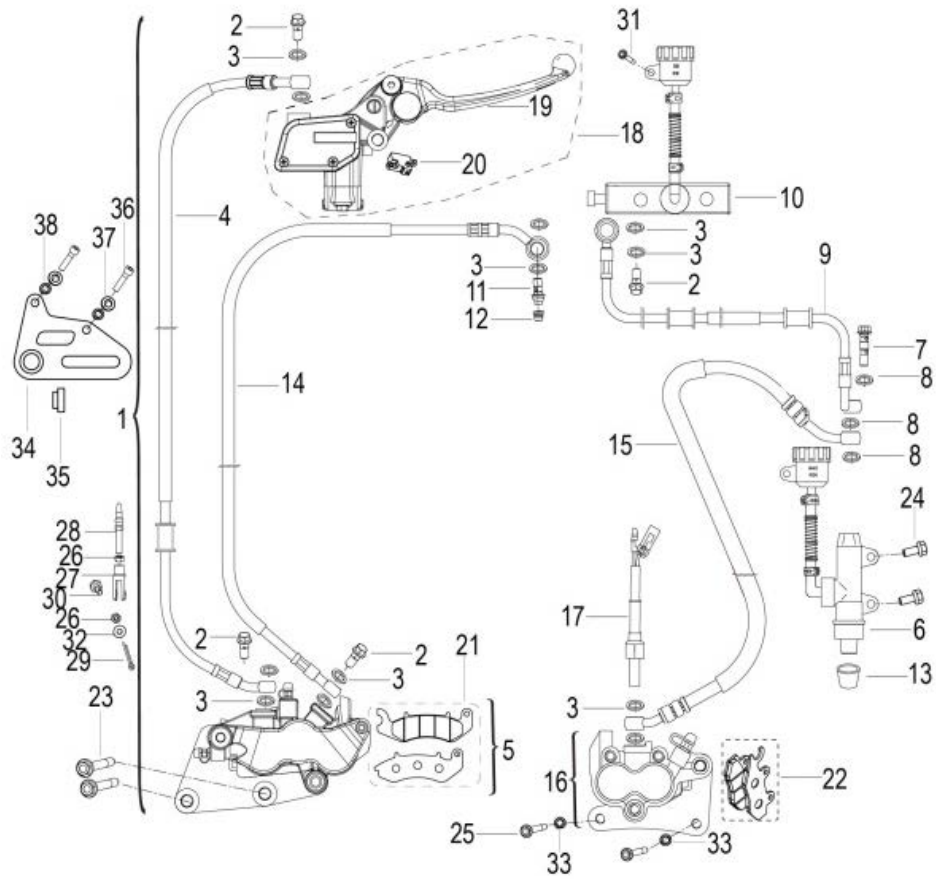


Model	NO.	Position No.	CODE	EN DESCRIPTION	Qty/Unit	start year
RKV125 EFI	1	F03-1	43300M040000	ABSORBER ASSY.,FR.,RH.BROWN	1	2016
RKV125 EFI	2	F03-2	43200M040000	ABSORBER ASSY.,FR.,LH.BROWN	1	2016
RKV125 EFI	3	F03-3	65130J800010	BRACKET I.,FRONT FENDER,LH.	1	2016
RKV125 EFI	4	F03-4	65150J800010	BRACKET II, FRONT FENDE LH.	1	2016
RKV125 EFI	5	F03-5	B0284060150A	SCREW M6×15.2	2	2016
RKV125 EFI	6	F03-6	08001K670000	SCREW M6×16	4	2016
RKV125 EFI	7	F03-7	08011K670010	BOLT M10×1.25×30	2	2016
RKV125 EFI	8	F03-8	08002K670000	BOLT M16×30	2	2016
RKV125 EFI	9	F03-9	65160J800010	BRACKET II.,FRONT FENDER,RH.	1	2016
RKV125 EFI	10	F03-10	65140J800010	BRACKET I, FRONT FENDE RH.	1	2016
RKV125 EFI	11	F03-11	43260N100000	OIL SEAL	2	2016
RKV125 EFI	12	F03-12	43290N100000	DUST SEAL	2	2016
RKV125 EFI	13	F03-13	43057K670000	CLIP	1	2016

F04 FRONT DISK BRAKE

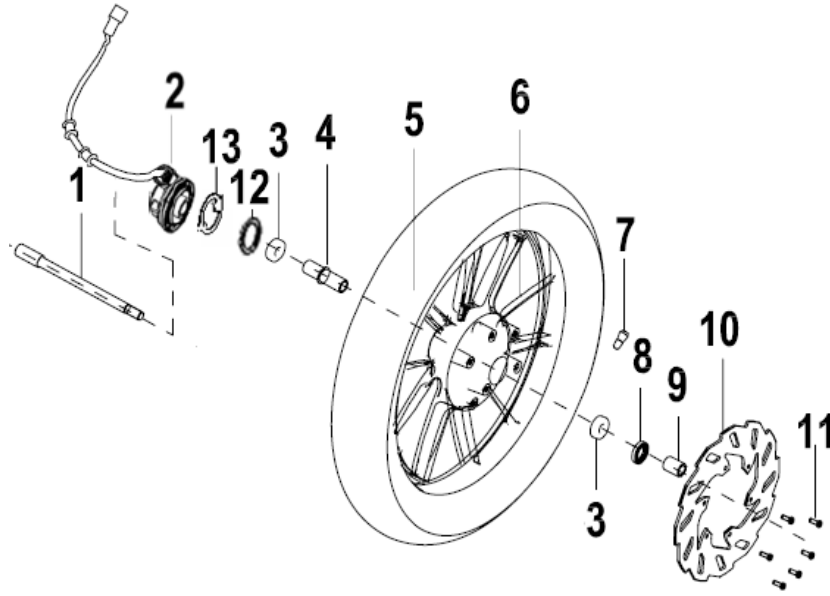


Model	NO.	Position No.	CODE	EN DESCRIPTION	Qty/Unit	start year
RKV125 EFI	1	F04-1	55A00J800000	FRONT&REAR DISC BRAKE ASSY.	1	2016
RKV125 EFI	2	F04-2	45037J000000	BOLT	4	2016
RKV125 EFI	3	F04-3	45180J000000	WASHER	12	2016
RKV125 EFI	4	F04-4	45200J80000C	FRONT BRAKE HOSE ASSY.I	1	2016
RKV125 EFI	5	F04-5	45500J800004	FRONT LEFT DISC BRAKE CALIPER ASSY.	1	2016
RKV125 EFI	6	F04-6	55400J800001	REAR MASTER CYLINDER ASSY	1	2016
RKV125 EFI	7	F04-7	45037P150001	BRAKE HOSE BANJO BOLT	1	2016
RKV125 EFI	8	F04-8	45180P300000	WASHER	3	2016
RKV125 EFI	9	F04-9	55210J80000C	CBS BRAKE HOSE ASSY.I	1	2016
RKV125 EFI	10	F04-10	55400T800001	CBS MASTER CYLINDER ASSY.	1	2016
RKV125 EFI	11	F04-11	45037P300000	BRAKE HOSE BANJO BOLT	1	2016
RKV125 EFI	12	F04-12	45019N100000	VALVE	1	2016
RKV125 EFI	13	F04-13	55003J410000	DUSTPROOF COVER	1	2016
RKV125 EFI	14	F04-14	55240J80000C	CBS BRAKE HOSE ASSY.II	1	2016
RKV125 EFI	15	F04-15	55270J80000C	CBS BRAKE HOSE ASSY.III	1	2016
RKV125 EFI	16	F04-16	55600J800003	REAR DISC BRAKE CALIPER ASSY.	1	2016
RKV125 EFI	17	F04-17	55300J800001	REAR BRAKE SWITCH ASSY.	1	2016
RKV125 EFI	18	F04-18	45400J820010	FRONT MASTER CYLINDER ASSY	1	2016
RKV125 EFI	19	F04-19	45020J820000	FRONT BRAKE LEVER	1	2016
RKV125 EFI	20	F04-20	45300J000010	FRONT BRAKE SWITCH	1	2016
RKV125 EFI	21	F04-21	45110T800000	FRONT BRAKE PAD	1	2016
RKV125 EFI	22	F04-22	45110T400000	REAR BRAKE PAD	1	2016
RKV125 EFI	23	F04-23	B01591004064	BOLT M10×1.25×40	2	2016
RKV125 EFI	24	F04-24	B01030602065	BOLT M6×20	2	2016



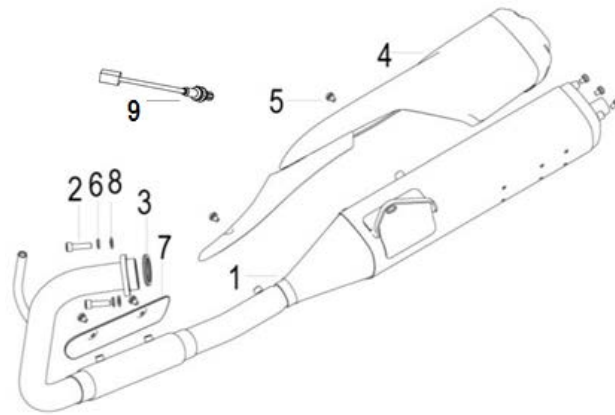
RKV125 EFI	25	F04-25	B01090802265	BOLT M8×22	2	2016
RKV125 EFI	26	F04-26	B04000600055	NUT M6	2	2016
RKV125 EFI	27	F04-27	40716M030000	DRAWHEAD	1	2016
RKV125 EFI	28	F04-28	55502M030000	ROD END YOKE	1	2016
RKV125 EFI	29	F04-29	B090002018A5	COTTER PIN 2×18	1	2016
RKV125 EFI	30	F04-30	40717D010000	FIXED BOLT	1	2016
RKV125 EFI	31	F04-31	B01090601265	BOLT M6×12	1	2016
RKV125 EFI	32	F04-32	B07030000605	WASHER 6MM	1	2016
RKV125 EFI	33	F04-33	B07030001004	WASHER 10MM	2	2016
RKV125 EFI	34	F04-34	55410J800002	REAR DISC BRAKE BRACKET	1	2016
RKV125 EFI	35	F04-35	54005J800002	BUSH	1	2016
RKV125 EFI	36	F04-36	B02551001665	SCREW M10×1.25×16	2	2016
RKV125 EFI	37	F04-37	B07030001005	WASHER 10MM	2	2016
RKV125 EFI	38	F04-38	B07000001005	SPRING WASHER 10mm	2	2016

F05 FRONT WHEEL Assy.



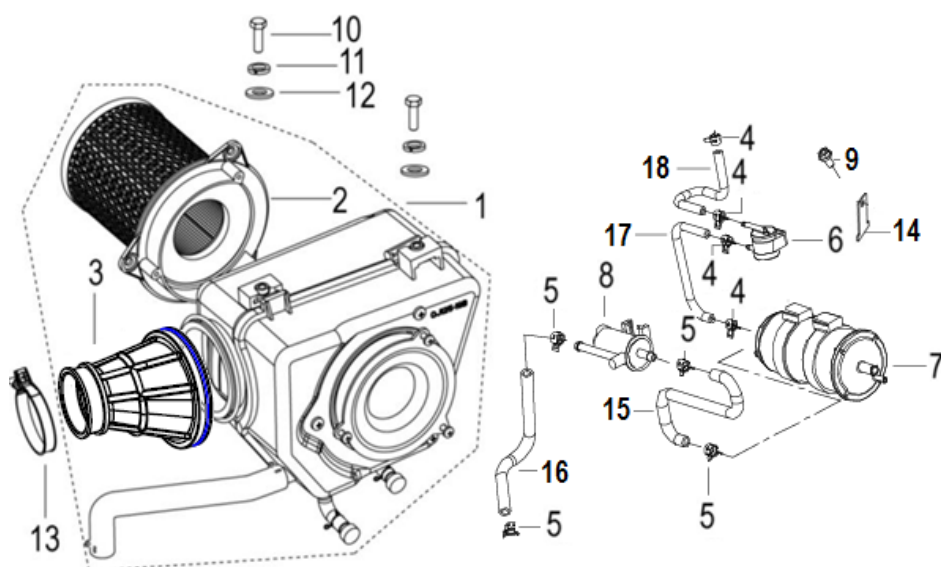
Model	NO.	Position No.	CODE	EN DESCRIPTION	Qty/Unit	start year
RKV125 EFI	1	F05-1	44004J800000	AXLE, FRONT WHEEL	1	2016
RKV125 EFI	2	F05-2	44200K690000	SPEEDOMETER DRIVE ASSY	1	2016
RKV125 EFI	3	F05-3	B12016020200	BEARING	2	2016
RKV125 EFI	4	F05-4	44600J800000	INTERMEDIATE SHAFT SLEEVE,FRONT WHEEL ASSY	1	2016
RKV125 EFI	5	F05-5	B140505E1721	TYRE 100/80-17,E-mark:E4-75R-0004630	1	2016
RKV125 EFI	6	F05-6	44101J800001	FRONT WHEEL	1	2016
RKV125 EFI	7	F05-7	B1403Z201100	VALVE INSIDE	1	2016
RKV125 EFI	8	F05-8	44300B910000	OIL SEAL ASSY,FRONT WHEEL	1	2016
RKV125 EFI	9	F05-9	44005J800000	LEFT SHAFT SLEEVE,FRONT WHEEL	1	2016
RKV125 EFI	10	F05-10	45033J800000	BRAKE DISK	1	2016
RKV125 EFI	11	F05-11	45036D010000	BOLT, FIXING M6×16	6	2016
RKV125 EFI	12	F05-12	44230J000000	SEAL ASSY	1	2016
RKV125 EFI	13	F05-13	44023J000000	DRIVING PLATE	1	2016

F06 MUFFLER Assy.



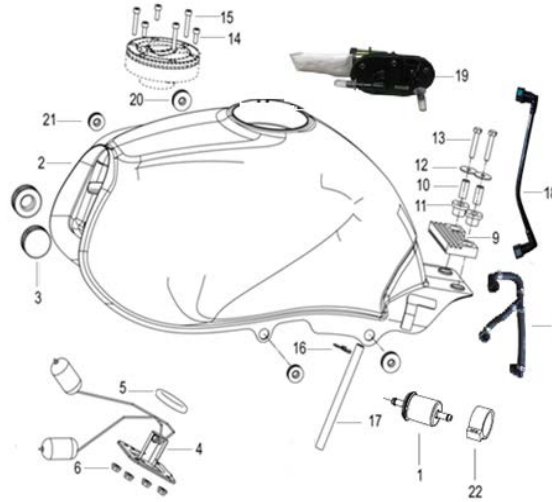
Model	NO.	Position No.	CODE	EN DESCRIPTION	Qty/Unit	start year
RKV125 EFI	1	F06-1	47100J800002	MUFFLER COMP.	1	2016
RKV125 EFI	2	F06-2	B0205080306L	BOLT M8×30	2	2016
RKV125 EFI	3	F06-3	47800J060000	GASKTE ASSY,EXHAUST PIPE	1	2016
RKV125 EFI	4	F06-4	47010J800031	MUFFLER TAIL COVER COMPONENTS RI ΔCK mark·KFFWΔV	1	2016
RKV125 EFI	5	F06-5	B1304060100L	SCREW W/WASHER M6×10	7	2016
RKV125 EFI	6	F06-6	B07000000804	SPRING WASHER 8MM	2	2016
RKV125 EFI	7	F06-7	47009K670000	COVER, DECORATION	1	2016
RKV125 EFI	8	F06-8	B07030000804	WASHER 8MM	2	2016
RKV125 EFI	9	F06-9	280023420000	OXYGEN SENSOR	1	2016

F07 AIR CLEANER Assy.(for 125cc)



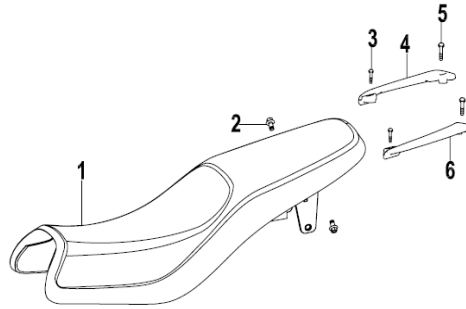
Model	NO.	Position No.	CODE	EN DESCRIPTION	Qty/Unit	start year
RKV125 EFI	1	F07-1	49100J800000	AIR CLEANER ASSY	1	2016
RKV125 EFI	2	F07-2	49200J320000	FILTER ASSY,material:paper	1	2016
RKV125 EFI	3	F07-3	49005J800000	PIPE.AIR OUT	1	2016
RKV125 EFI	4	F07-4	49806J000000	CLAMP $\Phi 7 \times 7 \times 0.6$	4	2016
RKV125 EFI	5	F07-5	50307J140002	PLATE CLAMP $\Phi 10$	4	2016
RKV125 EFI	6	F07-6	49930G410000	ONE WAY VALVE	1	2016
RKV125 EFI	7	F07-7	49912K670000	CANISTER	1	2016
RKV125 EFI	8	F07-8	49710N070000	VALVE EGR	1	2016
RKV125 EFI	9	F07-9	B01090601265	BOLT M6×12	1	2016
RKV125 EFI	10	F07-10	B01010601625	BOLT M6×16	2	2016
RKV125 EFI	11	F07-11	B07000000605	WASHER 6MM	2	2016
RKV125 EFI	12	F07-12	B07030000605	WASHER 6MM	2	2016
RKV125 EFI	13	F07-13	49350J000010	CLAMP ASSY.	1	2016
RKV125 EFI	14	F07-14	57055J690000	ELECTROMAGNETIC VALVE MOUNTING BRACKET	1	2016
RKV125 EFI	15	F07-15	B16010726601	PIPE 7×11×660	1	2016
RKV125 EFI	16	F07-16	B16010727201	PIPE 7×11×720	1	2016
RKV125 EFI	17	F07-17	B16010C23701	PIPE 4.5×8.5×370	1	2016
RKV125 EFI	18	F07-18	B16010C20901	PIPE 4.5×8.5×90	1	2016

F08 FUEL TANK



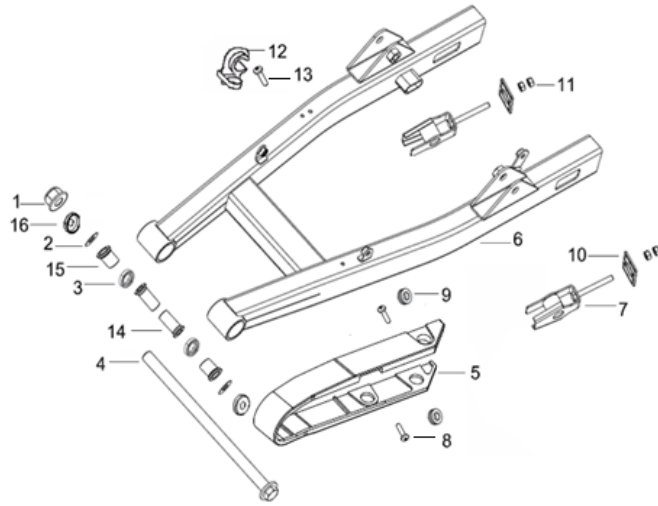
Model	NO.	Position No.	CODE	EN DESCRIPTION	Qty/Unit	start year
RKV125 EFI	1	F08-1	50340N070000	FILTER ASSY	1	2016
RKV125 EFI	2	F08-2	50100M03092Z	FUEL TANK COMP.,BLUE EX,with KEEWAY sticker	1	2016
RKV125 EFI	2	F08-2	50100M03093Z	FUEL TANK COMP.,WHITE WF,with KEEWAY sticker	1	2011
RKV125 EFI	2	F08-2	50100M03094Z	FUEL TANK COMP.,BLACK BC,with KEEWAY sticker	1	2011
RKV125 EFI	2	F08-2	50100M03095Z	FUEL TANK COMP.,RED TL,with KEEWAY sticker	1	2011
RKV125 EFI	2	F08-2	50100M03096Z	FUEL TANK ASSY. SILVER CJ,with KEEWAY sticker	1	2011
RKV125 EFI	2	F08-2	50100M03097Z	FUEL TANK COMP.,ORANGE M9,with KEEWAY sticker	1	2011
RKV125 EFI	3	F08-3	50005J820000	MOUNTING PAD,FUEL TANK	2	2016
RKV125 EFI	4	F08-4	50800J800000	SENSOR ASSY	1	2016
RKV125 EFI	5	F08-5	50002K020000	CUSHION	1	2016
RKV125 EFI	6	F08-6	B04070600055	OUT M6	4	2016
RKV125 EFI	7	F08-7	50380M050000	PIPE I	1	2016
RKV125 EFI	9	F08-9	50006J000001	MOUNTING PAD,FUEL TANK	1	2016
RKV125 EFI	10	F08-10	50221J000001	BUSH	2	2016
RKV125 EFI	11	F08-11	50222J000001	SLEEVE,RUBBER	2	2016
RKV125 EFI	12	F08-12	08023J000020	WASHER	2	2016
RKV125 EFI	13	F08-13	B01000603563	BOLT M6×35	2	2016
RKV125 EFI	14	F08-14	B0280050140A	SCREW M5×14	3	2016
RKV125 EFI	15	F08-15	B0280050300A	SCREW M5×30	4	2016
RKV125 EFI	16	F08-16	B17010105003	CLIP 10.5MM	1	2016
RKV125 EFI	17	F08-17	B16010724001	TUBE Φ7×11×400	1	2016
RKV125 EFI	18	F08-18	50390J800000	PIPE II	1	2016
RKV125 EFI	19	F08-19	50400J830000	FUEL PUMP ASSY.	1	2016
RKV125 EFI	20	F08-20	65618J000000	CUSHION	2	2016
RKV125 EFI	21	F08-21	65618J800000	CUSHION	2	2016
RKV125 EFI	22	F08-22	50391N070000	FILTER PROTECTIVE COVERING	1	2016

F09 SEAT Assy.



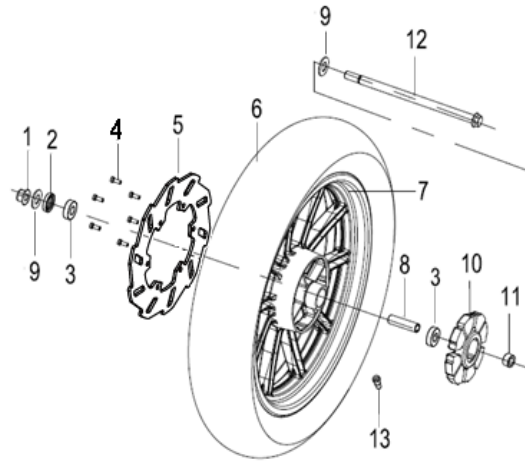
Model	NO.	Position No.	CODE	EN DESCRIPTION	Qty/Unit	start year
RKV125 EFI	1	F09-1	51100J800001	SEAT ASSY.MARK KEEWAY	1	2016
RKV125 EFI	2	F09-2	B01090802065	BOLT M8×20	2	2016
RKV125 EFI	3	F09-3	52018J800000	SCREW I	2	2016
RKV125 EFI	4	F09-4	52011J80B400	RR. ARM REST , R.BLACK B4	1	2016
RKV125 EFI	5	F09-5	52019J800000	SCREW II	2	2016
RKV125 EFI	6	F09-6	52002J80B400	RR. ARM REST , L.BLACK B4	1	2016

F10 REAR SWINGING ARM



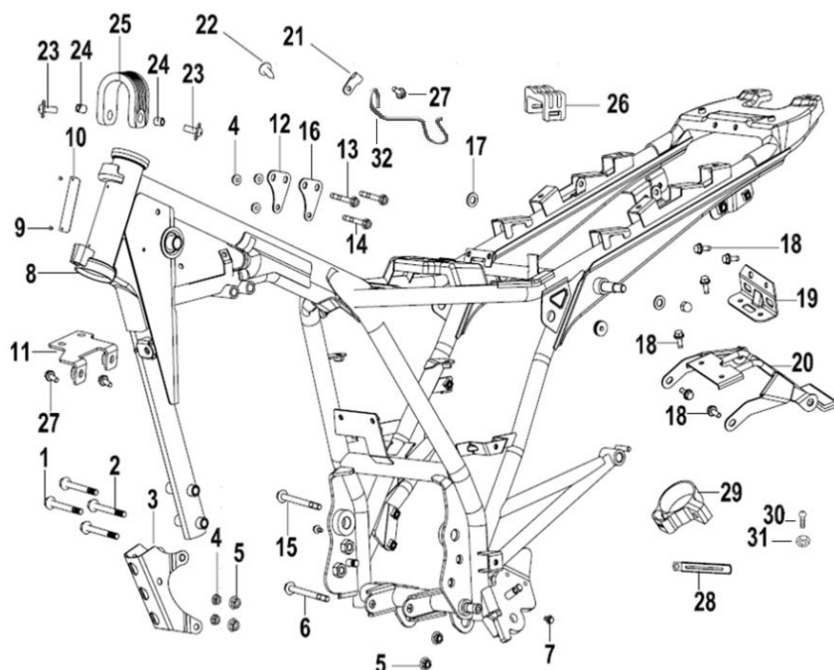
Model	NO.	Position No.	CODE	EN DESCRIPTION	Qty/Unit	start year
RKV125 EFI	1	F10-1	B04171415055	NUT M14×1.5	1	2016
RKV125 EFI	2	F10-2	53018K690000	WASHER	2	2016
RKV125 EFI	3	F10-3	53210J060000	WASHER	2	2016
RKV125 EFI	4	F10-4	53001J000002	SHAFT, FIX, RR. SWING ARM	1	2016
RKV125 EFI	5	F10-5	53004J800000	CHAIN SHIELD BLOCK	1	2016
RKV125 EFI	6	F10-6	53100K690011	REAR SWING ARM ASSY	1	2016
RKV125 EFI	7	F10-7	53230N030030	CHAIN ADJUSTER	2	2016
RKV125 EFI	8	F10-8	B02000501225	SCREW M5×12	2	2016
RKV125 EFI	9	F10-9	53018J800000	BUSH	2	2016
RKV125 EFI	10	F10-10	53234N030020	PLATE, CHAIN ADJUSTER	2	2016
RKV125 EFI	11	F10-11	B04000800055	NUT M8	4	2016
RKV125 EFI	12	F10-12	40022N050002	CLIP	1	2016
RKV125 EFI	13	F10-13	B02010601225	SCREW M6×12	1	2016
RKV125 EFI	14	F10-14	53005K690000	MID BUSHING	2	2016
RKV125 EFI	15	F10-15	53013K690000	CUSHION, BUFFER	2	2016
RKV125 EFI	16	F10-16	53220J060000	DUST COVER ASSY	2	2016

F11 REAR WHEEL Assy.



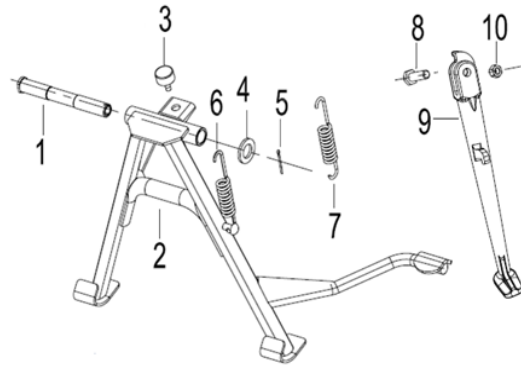
Model	NO.	Position No.	CODE	EN DESCRIPTION	Qty/Unit	start year
RKV125 EFI	1	F11-1	B04171415055	NUT M14×1.5	1	2016
RKV125 EFI	2	F11-2	44300B910000	OIL SEAL COMPONENTS	1	2016
RKV125 EFI	3	F11-3	B12016020200	BEARING 6202-2RS	2	2016
RKV125 EFI	4	F11-4	45036D010000	BOLT M6×16	6	2016
RKV125 EFI	5	F11-5	55033J410000	REAR DISK BRAKE	1	2016
RKV125 EFI	6	F11-6	B140508D1721	TYRE 130/70-17,E-mark:E4-75R-0004222	1	2016
RKV125 EFI	7	F11-7	54101K690001	REAR WHEEL	1	2016
RKV125 EFI	8	F11-8	54006J800000	SPACER BUSH	1	2016
RKV125 EFI	9	F11-9	08021K670000	WASHER Φ 16× Φ 32×2	2	2016
RKV125 EFI	10	F11-10	54024J000000	BUFFER BLOCK,REAR WHEEL	1	2016
RKV125 EFI	11	F11-11	54016J800000	BUSH,LEFT REAR WHEEL ASSY	1	2016
RKV125 EFI	12	F11-12	54004J670000	AXLE,REAR WHEEL	1	2016
RKV125 EFI	13	F11-13	B1403Z201100	VALVE INSIDE	1	2016

F13_1 FRAME BODY(for 125cc)



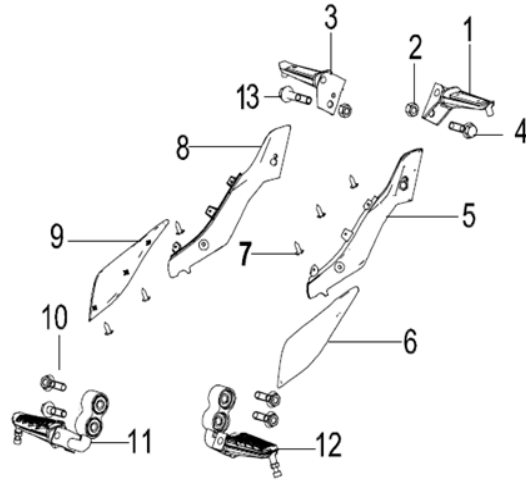
Model	NO.	Position No.	CODE	EN DESCRIPTION	Qty/Unit	start year
RKV125 EFI	1	F13-1	B01090807065	BOLT M8×70	2	2016
RKV125 EFI	2	F13-2	B01591009065	BOLT M10×1.25×90	2	2016
RKV125 EFI	3	F13-3	57011K690001	BRACKET, ENGINE, FRONT	1	2016
RKV125 EFI	4	F13-4	B04070800055	NUT M8	5	2016
RKV125 EFI	5	F13-5	B04181012555	NUT M10×1.25	4	2016
RKV125 EFI	6	F13-6	B01591010065	BOLT M10×1.25×100	1	2016
RKV125 EFI	7	F13-7	B01090601265	BOLT M6×12	2	2016
RKV125 EFI	8	F13-8	57100J800001	FRAME JOINTING COMP.	1	2016
RKV125 EFI	9	F13-9	B10000300600	RIVET M3×6	2	2016
RKV125 EFI	10	F13-10	57001J800004	FRAME PLATE	1	2016
RKV125 EFI	12	F13-12	57008K690000	ENGINE MOUNTING PLATE	1	2016
RKV125 EFI	13	F13-13	B01090807065	BOLT M8×70	3	2016
RKV125 EFI	14	F13-14	B01090805565	BOLT M8X55	1	2016
RKV125 EFI	15	F13-15	B01591011365	BOLT M10×1.25×113	1	2016
RKV125 EFI	16	F13-16	57009K690000	ENGINE MOUNTING PLATE	1	2016
RKV125 EFI	17	F13-17	65618J000000	RUBBER CUSHION, GUARD BOARD	2	2016
RKV125 EFI	18	F13-18	B01090601665	BOLT M6×16	6	2016
RKV125 EFI	19	F13-19	65721J800100	REINFORCEMENT PLATE	1	2016
RKV125 EFI	20	F13-20	65770K670000	BRACKER ASSY., REAR FENDER	1	2016
RKV125 EFI	21	F13-21	43070D010020	CLAMP, SPEEDOMETER ASSY	1	2016
RKV125 EFI	22	F13-22	B05074801305	SCREW ST4.8×13	1	2016
RKV125 EFI	23	F13-23	B13060601605	COMBINATION SCREW M6×16	2	2016
RKV125 EFI	24	F13-24	08061K670000	BUSH	2	2016
RKV125 EFI	25	F13-25	50005K670000	RUBBER FUEL TANK INSTALLATION	1	2016
RKV125 EFI	26	F13-26	57169K670000	RUBBER FUEL TANK INSTALLATION	1	2016
RKV125 EFI	27	F13-27	B01090601265	BOLT M6×12	1	2016
RKV125 EFI	28	F13-28	58430J000000	CLIP	1	2016
RKV125 EFI	29	F13-29	57013J000000	CLIP	1	2016
RKV125 EFI	30	F13-30	B02000502525	SCREW M5×25	1	2016
RKV125 EFI	31	F13-31	B04000500055	NUT M5	1	2016
RKV125 EFI	32	F13-32	57012J560000	CLIP	1	2016

F14 MAIN&SIDE STAND Assy



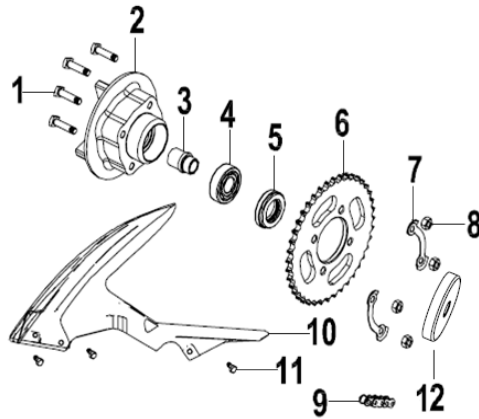
Model	NO.	Position No.	CODE	EN DESCRIPTION	Qty/Unit	start year
RKV125 EFI	1	F14-1	58501J000010	SHAFT, MID STAND	1	2016
RKV125 EFI	2	F14-2	58520J800000	MID STAND COMP.	1	2016
RKV125 EFI	3	F14-3	58507K670000	BUFFER BLOCK,MAIN STAND	1	2016
RKV125 EFI	4	F14-4	B07010001605	WASHER 16mm	1	2016
RKV125 EFI	5	F14-5	B090003025A5	COTTER PIN 3×25	1	2016
RKV125 EFI	6	F14-6	58510J830000	SPRING ASSY, MID STAND	1	2016
RKV125 EFI	7	F14-7	57010J830000	SPRING ASSY, SIDE STAND	1	2016
RKV125 EFI	8	F14-8	57005N030020	FIXING BOLT,SIDE STAND M10×1.25×35	1	2016
RKV125 EFI	9	F14-9	58701K690001	SIDE STAND COMP.	1	2016
RKV125 EFI	10	F14-10	B04011012555	NUT M10×1.25	1	2016

F15 TREAD PEDAL ASSY



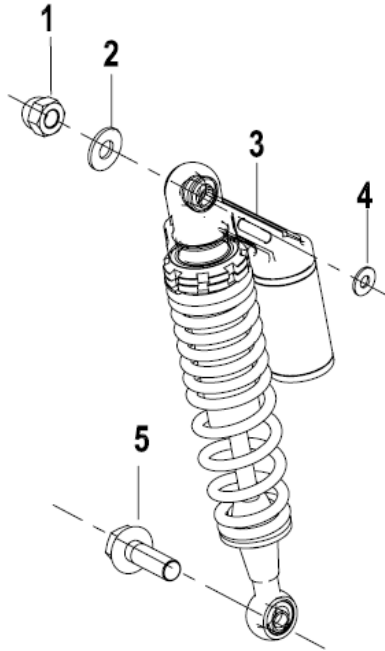
Model	NO.	Position No.	CODE	EN DESCRIPTION	Qty/Unit	start year
RKV125 EFI	1	F15-1	58260K670000	FOOTREST ASSY., RR.L.	1	2016
RKV125 EFI	2	F15-2	804181012555	NUT M10×1.25	1	2016
RKV125 EFI	3	F15-3	58280K670000	FOOTREST ASSY., RR.R.	1	2016
RKV125 EFI	4	F15-4	B01091004565	BOLT M10×45	1	2016
RKV125 EFI	5	F15-5	58211J800000	DECORATING BOARD,L	1	2016
RKV125 EFI	6	F15-6	58212J80CS00	DECORATING BOARD,L SILVER CS	1	2016
RKV125 EFI	7	F15-7	B05004201305	SCREW ST4.2×13	6	2016
RKV125 EFI	8	F15-8	58311J800001	DECORATING BOARD,R	1	2016
RKV125 EFI	9	F15-9	58312J80CS01	DECORATING BOARD,R SILVER CS	1	2016
RKV125 EFI	10	F15-10	B01591003565	BOLT M10×1.25×35	4	2016
RKV125 EFI	11	F15-11	58240K670000	FR.PEDAL ASSY(R)	1	2016
RKV125 EFI	12	F15-12	58220K670000	FR.PEDAL ASSY(L)	1	2016
RKV125 EFI	13	F15-13	B01591005565	BOLT M10×1.25×55	1	2016

F16 SPROCKET WHEEL Assy



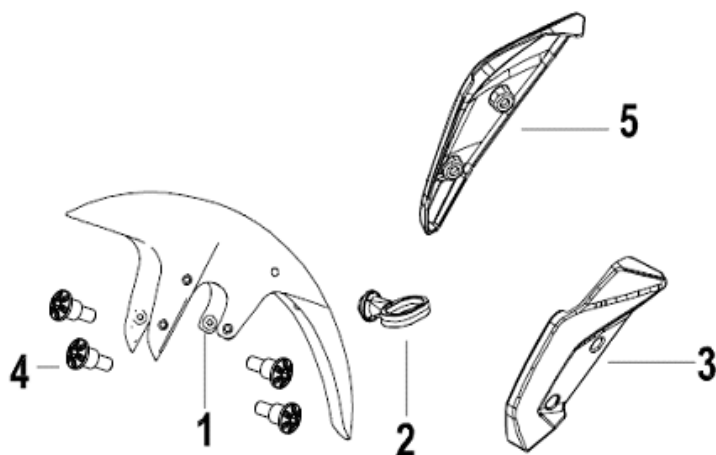
Model	NO.	Position No.	CODE	EN DESCRIPTION	Qty/Unit	start year
RKV125 EFI	1	F16-1	60015J000010	BOLT, SPROCKET MOUNTING M8×33	4	2016
RKV125 EFI	2	F16-2	60001J000020	DRUM, SPROCKET MOUNTING	1	2016
RKV125 EFI	3	F16-3	60006J000000	DRIVE SHAFT SLEEVE, CHAIN	1	2016
RKV125 EFI	4	F16-4	B12016020400	BEARING 6204-2RS	1	2016
RKV125 EFI	5	F16-5	60200J000001	OIL SEAL	1	2016
RKV125 EFI	6	F16-6	60002J040004	SPROCKET 43 TEETH	1	2016
RKV125 EFI	7	F16-7	60004J000050	LOOSE-PROOF LOCK SLICE, SPROCKET WHEEL	2	2016
RKV125 EFI	8	F16-8	B04000800055	NUT M8	4	2016
RKV125 EFI	9	F16-9	B1502W1126B0	CHAIN 428HG-1×126	1	2016
RKV125 EFI	10	F16-10	60101J800000	CASE, CHAIN	1	2016
RKV125 EFI	11	F16-11	08011H010000	BOLT M6×14	3	2016
RKV125 EFI	12	F16-12	60027J040010	COVER, DUST	1	2016

F17 REAR ABSORBER



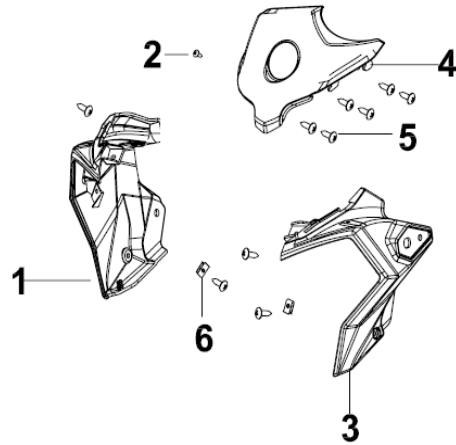
Model	NO.	Position No.	CODE	EN DESCRIPTION	Qty/Unit	start year
RKV125 EFI	1	F17-1	08052J000000	NUT, COVER STYL	2	2016
RKV125 EFI	2	F17-2	63013J000050	WASHER	2	2016
RKV125 EFI	3	F17-3	63800M040000	REAR ABSORBER COMP.spring in red	2	2016
RKV125 EFI	4	F17-4	B07030001205	WASHER Ø12mm	2	2016
RKV125 EFI	5	F17-5	B01591004065	BOLT M10×1.25×40	2	2016

F18 FRONT FENDER Assy.



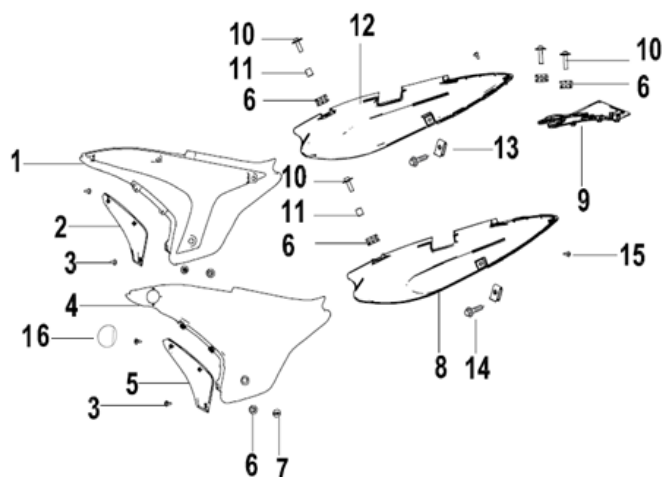
Model	NO.	Position No.	CODE	EN DESCRIPTION	Qty/Unit	start year
RKV125 EFI	1	F18-1	65101J800180	FRONT FENDER,WHITE/BLACK WF/B4	1	2016
RKV125 EFI	1	F18-1	65101J800130	FRONT FENDER,BLACK/BLACK BC/B4	1	2016
RKV125 EFI	1	F18-1	65101J800140	FRONT FENDER,RED/BLACK TL/B4	1	2016
RKV125 EFI	1	F18-1	65101J800120	FRONT FENDER,BLUE/BLACK EX/B4	1	2016
RKV125 EFI	1	F18-1	65101J800160	FRONT FENDER,ORANGE/BLACK M9/B4	1	2016
RKV125 EFI	1	F18-1	65101J800150	FRONT FENDER, SILVER/BLACK CJ/B4	1	2016
RKV125 EFI	1	F18-1	65101J80020Z	FRONT FENDER,BLUE/BLACK EX/B4,with grey CBS sticker	1	2016
RKV125 EFI	1	F18-1	65101J80021Z	FRONT FENDER,WHITE/BLACK WF/B4,with grey CBS sticker	1	2016
RKV125 EFI	1	F18-1	65101J80022Z	FRONT FENDER,BLACK/BLACK BC/B4,with grey CBS sticker	1	2016
RKV125 EFI	1	F18-1	65101J80023Z	FRONT FENDER,RED/BLACK TL/B4,with grey CBS sticker	1	2016
RKV125 EFI	1	F18-1	65101J80024Z	FRONT FENDER, SILVER/BLACK CJ/B4,with black CBS sticker	1	2016
RKV125 EFI	1	F18-1	65101J80025Z	FRONT FENDER,ORANGE/BLACK M9/B4,with black CBS sticker	1	2016
RKV125 EFI	2	F18-2	65113J000000	RUBBER RING	1	2016
RKV125 EFI	3	F18-3	65108K670000	DECORATIVE, FRONT FENDER LH	1	2016
RKV125 EFI	4	F18-4	65117K670000	SCREW, FRONT FENDER	4	2016
RKV125 EFI	5	F18-5	65116K670000	DECORATIVE, FRONT FENDER RH	1	2016

F19 FRONT COVER Assy.

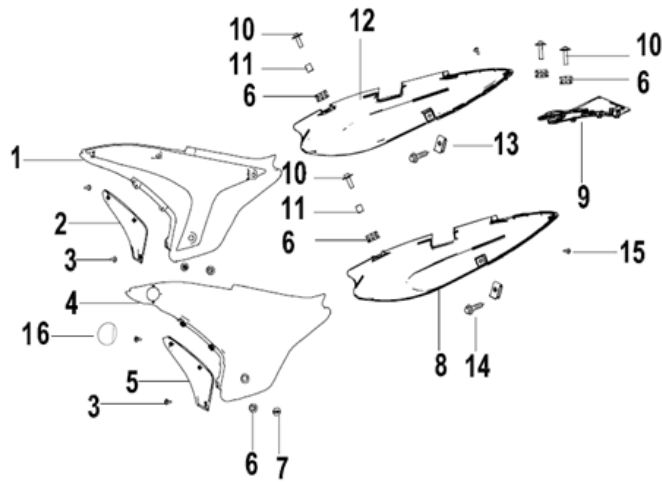


Model	NO.	Position No.	CODE	EN DESCRIPTION	Qty/Unit	start year
RKV125 EFI	1	F19-1	65531K69HP00	BRACKET ASSY., COWLING,R GRAY HP	1	2016
RKV125 EFI	2	F19-2	B05004001025	SCREW ST4×10	1	2016
RKV125 EFI	3	F19-3	65521K69HP00	BRACKET ASSY., COWLING,L GRAY HP	1	2016
RKV125 EFI	4	F19-4	65541K690000	BRACKET ASSY.,COWLING	1	2016
RKV125 EFI	5	F19-5	B05004201305	SCREW ST4.2×13	10	2016
RKV125 EFI	6	F19-6	65801T020001	INSERT ST4.2	6	2016

F20 SIDE COVER Assy.

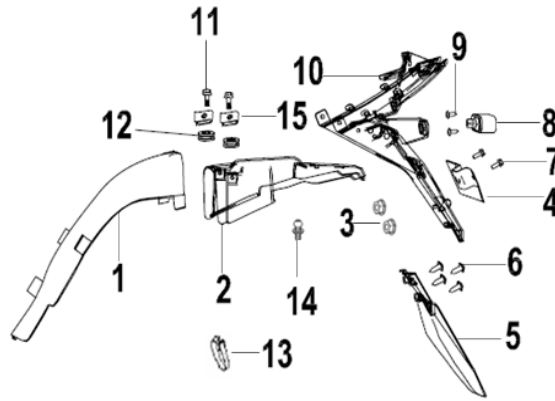


Model	NO.	Position No.	CODE	EN DESCRIPTION	Qty/Unit	start year
RKV125 EFI	1	F20-1	65602J80HP00	SIDE COVER, R GRAY HP,without sticker	1	2016
RKV125 EFI	2	F20-2	65622J80B400	SIDE COVER,R BLACK B4	1	2016
RKV125 EFI	3	F20-3	B05004201305	SCREW ST4.2×13	4	2016
RKV125 EFI	4	F20-4	65601J80HP00	SIDE COVER,L,GRAY HP	1	2016
RKV125 EFI	5	F20-5	65621J80B400	SIDE COVER,L BLACK B4	1	2016
RKV125 EFI	6	F20-6	47028G220000	RUBBER SLEEVE	6	2016
RKV125 EFI	7	F20-7	08001J800000	SCREW M6×11.5	2	2016
RKV125 EFI	8	F20-8	65901J80WF00	COVER,PROTECTIVE,L,WHITE WF	1	2016
RKV125 EFI	8	F20-8	65901J80BC00	COVER,PROTECTIVE,L,BLACK BC	1	2016
RKV125 EFI	8	F20-8	65901J80TL00	COVER,PROTECTIVE,L,RED TL	1	2016
RKV125 EFI	8	F20-8	65901J80EX00	COVER,PROTECTIVE,L,BLUE EX	1	2016
RKV125 EFI	8	F20-8	65901J80M900	COVER,PROTECTIVE,L,ORANGE M9	1	2016
RKV125 EFI	8	F20-8	65901J80CJ00	COVER,PROTECTIVE,L, SILVER CJ	1	2016
RKV125 EFI	8	F20-8	65901J80065Z	COVER,PROTECTIVE,L,WHITE WF,with sticker,RK125 in red,V in black	1	2016
RKV125 EFI	8	F20-8	65901J80066Z	COVER,PROTECTIVE,L,BLACK BC,with sticker,RK125 in red,V in silver	1	2016
RKV125 EFI	8	F20-8	65901J80067Z	COVER,PROTECTIVE,L,RED TL,with sticker,RK125 in silver,V in black	1	2016
RKV125 EFI	8	F20-8	65901J80064Z	COVER,PROTECTIVE,L,BLUE EX,with sticker,RK125 in red,V in black	1	2016
RKV125 EFI	8	F20-8	65901J80069Z	COVER,PROTECTIVE,L,ORANGE M9,with sticker,RK125 in silver,V in black	1	2016
RKV125 EFI	8	F20-8	65901J80068Z	COVER,PROTECTIVE,L,SILVER CJ,with sticker,RK125 in red,V in black	1	2016
RKV125 EFI	9	F20-9	65911J80B400	CONNECTING PIECES,SIDE COVER BLACK B4	1	2016
RKV125 EFI	10	F20-10	B13060601605	COMBINATION SCREW M6×16	4	2016
RKV125 EFI	11	F20-11	08061K670000	BUSH	2	2016
RKV125 EFI	12	F20-12	65902J80WF00	COVER,PROTECTIVE,RH,WHITE WF	1	2016
RKV125 EFI	12	F20-12	65902J80BC00	COVER,PROTECTIVE,RH,BLACK BC	1	2016
RKV125 EFI	12	F20-12	65902J80TL00	COVER,PROTECTIVE,RH,RED TL	1	2016
RKV125 EFI	12	F20-12	65902J80EX00	COVER,PROTECTIVE,RH,BLUE EX	1	2016
RKV125 EFI	12	F20-12	65902J80M900	COVER,PROTECTIVE,RH,ORANGE M9	1	2016
RKV125 EFI	12	F20-12	65902J80CJ00	COVER,PROTECTIVE,RH, SILVER CJ	1	2016
RKV125 EFI	12	F20-12	65902J80070Z	COVER,PROTECTIVE,RH,WHITE WF,with sticker,RK125 in red,V in black	1	2016
RKV125 EFI	12	F20-12	65902J80071Z	COVER,PROTECTIVE,RH,BLACK BC,with sticker,RK125 in red,V in silver	1	2016
RKV125 EFI	12	F20-12	65902J80072Z	COVER,PROTECTIVE,RH,RED TL,with sticker,RK125 in silver,V in black	1	2016



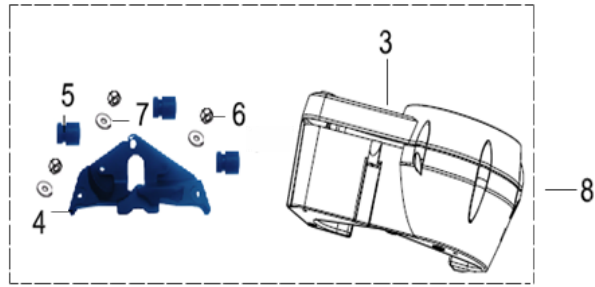
RKV125 EFI	12	F20-12	65902J80069Z	COVER,PROTECTIVE,RH,BLUE EX,with sticker,RK125 in red,V in black	1	2016
RKV125 EFI	12	F20-12	65902J80074Z	COVER,PROTECTIVE,RH,ORANGE M9,with sticker,RK125 in silver,V in black	1	2016
RKV125 EFI	12	F20-12	65902J80073Z	COVER,PROTECTIVE,RH,SILVER CJ,with sticker,RK125 in red,V in black	1	2016
RKV125 EFI	13	F20-13	65625J560000	NUT	2	2016
RKV125 EFI	14	F20-14	B01090601665	BOLT M6×16	2	2016
RKV125 EFI	15	F20-15	B05004201305	SCREW ST4.2×13	2	2016
RKV125 EFI	16	F20-16	65608K67HP00	DECORATIVE COVER,GRAY HP	1	2016

F21 REAR FENDER



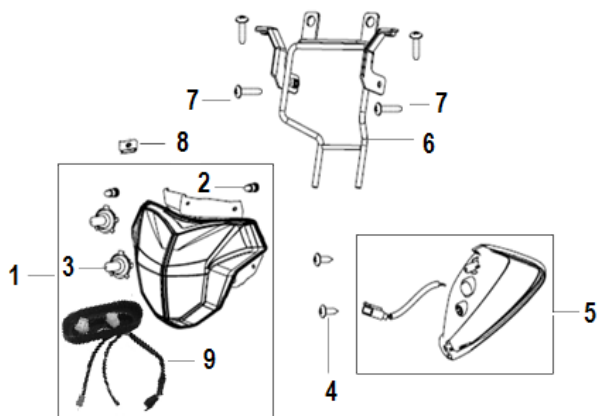
Model	NO.	Position No.	CODE	EN DESCRIPTION	Qty/Unit	start year
RKV125 EFI	1	F21-1	65731J00000A	FORESIDE, REAR. FENDER	1	2016
RKV125 EFI	2	F21-2	65732J800000	FORESIDE 2, REAR. FENDER	1	2016
RKV125 EFI	3	F21-3	B04070600055	NUT M6	2	2016
RKV125 EFI	4	F21-4	08252J820000	SUPPORT,LINCENSE PLATE	1	2016
RKV125 EFI	5	F21-5	65709J800000	REAR FENDER 2	1	2016
RKV125 EFI	6	F21-6	B05004201305	SCREW ST4.2x13	4	2016
RKV125 EFI	7	F21-7	B01090603065	BOLT M6x30	2	2016
RKV125 EFI	8	F21-8	82900D010000	LAMP,LICENCE	1	2016
RKV125 EFI	9	F21-9	B05074201305	SCREW ST4.2x13	2	2016
RKV125 EFI	10	F21-10	65701J800000	REAR FENDER 1	1	2016
RKV125 EFI	11	F21-11	B01090601665	BOLT M6x16	2	2016
RKV125 EFI	12	F21-12	65704J000000	WASHER,RUBBER	2	2016
RKV125 EFI	13	F21-13	65708J000001	CLIP	1	2016
RKV125 EFI	14	F21-14	B13060601605	SCREW W/WASHER M6x16	1	2016
RKV125 EFI	15	F21-15	65625J560000	NUT	2	2016

F22 SPEEDOMETER Assy



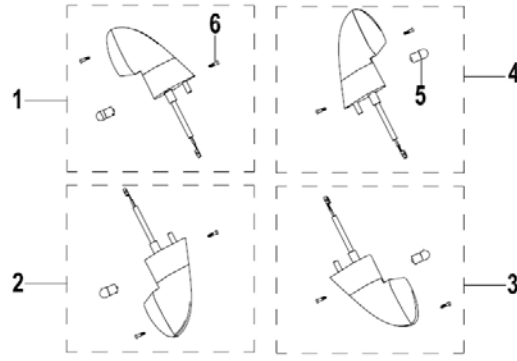
Model	NO.	Position No.	CODE	EN DESCRIPTION	Qty/Unit	start year
RKV125 EFI	3	F22-3	70001J300000	COVER,SPEEDOMETE	1	2016
RKV125 EFI	4	F22-4	65543K690000	FIXING BORAD,SPEEDOMETER	1	2016
RKV125 EFI	5	F22-5	70027J000000	CUSHION	3	2016
RKV125 EFI	6	F22-6	B04000600053	NUT 6MM	3	2016
RKV125 EFI	7	F22-7	B07020000603	WASHER 6MM	3	2016
RKV125 EFI	8	F22-8	70000K69005Z	SPEEDOMETER ASSY.COMP.,mark:KEEWAY	1	2016

F23 HEAD LIGHT Assy.



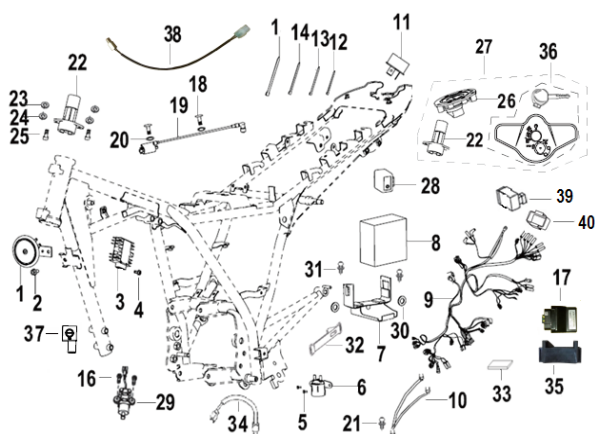
Model	NO.	Position No.	CODE	EN DESCRIPTION	Qty/Unit	start year
RKV125 EFI	1	F23-1	80000K670000	HEAD LIGHT	1	2016
RKV125 EFI	2	F23-2	B24013120000	BULB W5W	2	2016
RKV125 EFI	3	F23-3	B24010320000	BULB HS1	2	2016
RKV125 EFI	4	F23-4	B05004801605	SCREW ST4.8×16	2	2016
RKV125 EFI	5	F23-5	82000J800000	REAR LAMP	1	2016
RKV125 EFI	6	F23-6	08330K690002	BRACKET ASSY,HEAD LIGHT	1	2016
RKV125 EFI	7	F23-10	B02060602025	SCREW M6×20	2	2016
RKV125 EFI	8	F23-11	65625J560000	NUT	1	2016
RKV125 EFI	9	F23-12	80102J800000	CABEL,HEAD LIGHT	1	2016

F24 FLASHER LIGHT Assy Assy.



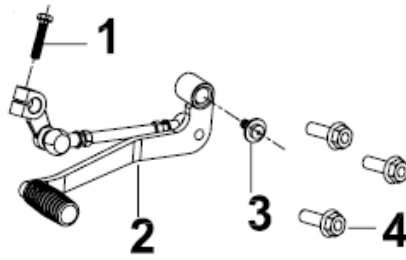
Model	NO.	Position No.	CODE	EN DESCRIPTION	Qty/Unit	start year
RKV125 EFI	1	F24-1	81300J800000	TURN SIGNAL, FR., RH.	1	2016
RKV125 EFI	2	F24-2	81100J800000	TURN SIGNAL, FR., LH.	1	2016
RKV125 EFI	3	F24-3	81700J800000	TURN SIGNAL, RR., RH.	1	2016
RKV125 EFI	4	F24-4	81500J800000	TURN SIGNAL, RR., LH.	1	2016
RKV125 EFI	5	F24-5	B24014020002	BULB RY10	4	2016
RKV125 EFI	6	F24-6	B05004201603	SCREW SELF-TAPPING ST4.2×16	4	2016

F25 ELECTRICAL EQUIPMENT Assy.



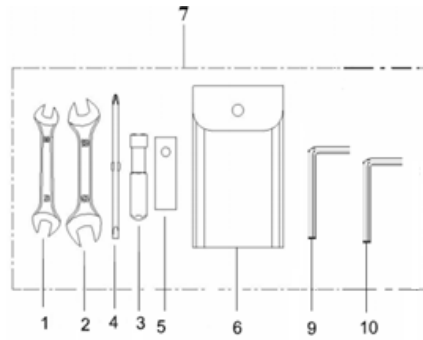
Model	NO.	Position No.	CODE	EN DESCRIPTION	Qty/Unit	start year
RKV125 EFI	1	F25-1	95100K670001	HORN	1	2016
RKV125 EFI	2	F25-2	B01090801265	BOLT M8×12	1	2016
RKV125 EFI	3	F25-3	299083090010	RECTIFIER ASSY.	1	2016
RKV125 EFI	4	F25-4	B01090602065	BOLT M6×20	4	2016
RKV125 EFI	5	F25-5	B01090601065	BOLT M6×10	2	2016
RKV125 EFI	6	F25-6	94100J000002	START-UP RELAY	1	2016
RKV125 EFI	7	F25-7	58750J800000	BATTERY BRACKET ASSY.	1	2016
RKV125 EFI	8	F25-8	96010J000020	BATTERY 12N9-4B	1	2016
RKV125 EFI	9	F25-9	92000K690007	EFI WIRE HARNESS ASSY.automatic headlight on	1	2016
RKV125 EFI	10	F25-10	92500J400000	EARTH WIRE	1	2016
RKV125 EFI	11	F25-11	96700K060000	ACTUATING DIODE	2	2016
RKV125 EFI	12	F25-12	96001J000000	CLAMP 150MM	6	2016
RKV125 EFI	13	F25-13	96002J000000	CLAMP 200MM	2	2016
RKV125 EFI	14	F25-14	96003J000000	CLAMP 250MM	2	2016
RKV125 EFI	15	F25-15	96004J000000	CLAMP 300MM	1	2016
RKV125 EFI	16	F25-16	B02050501665	SCREW M5×16	2	2016
RKV125 EFI	17	F25-17	96C00J800000	ECU	1	2016
RKV125 EFI	18	F25-18	B02000501225	SCREW M5×12	2	2016
RKV125 EFI	19	F25-19	96200J060001	COIL ASSY., IGNITION	1	2016
RKV125 EFI	20	F25-20	B07210000501	WASHER 5mm	2	2016
RKV125 EFI	21	F25-21	B13170601205	SCREW W/WASHER M6×12	1	2016
RKV125 EFI	22	F25-22	88100K690000	MAIN SWITCH ASSY.	1	2016
RKV125 EFI	23	F25-23	B07000000802	WASHER 8mm	2	2016
RKV125 EFI	24	F25-24	B07030000802	WASHER 8mm	2	2016
RKV125 EFI	25	F25-25	B02260802062	SCREW M8×20	2	2016
RKV125 EFI	26	F25-26	88400J820005	FUEL TANK LOCK	1	2016
RKV125 EFI	27	F25-27	88000K690009	LOCK SETS	1	2016
RKV125 EFI	28	F25-28	96400J670000	FLASHER	1	2016
RKV125 EFI	29	F25-29	95800N140000	FLAMEOUT SWITCH,SIDE STAND	1	2016
RKV125 EFI	30	F25-30	08027J000000	MAT	2	2016
RKV125 EFI	31	F25-31	B13060601605	SCREW W/WASHER M6×16	2	2016
RKV125 EFI	32	F25-32	02200J800000	BAND	1	2016
RKV125 EFI	33	F25-33	58752J00000A	CUSHION,FOAM	7	2016
RKV125 EFI	34	F25-34	92200J000000	ELECTRIC CABLE	1	2016
RKV125 EFI	35	F25-35	50026J830000	ECU MOUNTING RUBBER	1	2016
RKV125 EFI	36	F25-36	88101K690000	KEY NUT,mark:keeway logo	1	2016
RKV125 EFI	37	F25-37	94118B910000	EARTH WIRE JACKET	1	2016
RKV125 EFI	38	F25-38	280013320000	TEMPRETURE SENSOR	1	2016
RKV125 EFI	39	F25-39	94400N140000	HEADLIGHT RELAY CONTROLLER,MARK:250T-4	1	2016
RKV125 EFI	40	F25-40	96007K010002	COVER, C. D. I	1	2016

F26_1 ENGINE ATTACHMENT(for 125CC)



Model	NO.	Position No.	CODE	EN DESCRIPTION	Qty/Unit	start year
RKV125 EFI	1	F26_1-1	B01030602265	BOLT M6×22	1	2016
RKV125 EFI	2	F26_1-2	08370K690000	GEAR-SHIFT PEDAL LEVER ASSY	1	2016
RKV125 EFI	3	F26_1-3	B13060601605	SCREW W/WASHER M6×16	1	2016
RKV125 EFI	4	F26_1-4	B01070603065	BOLT M6×30	3	2016

F27 TOOL KIT Assy.



Model	NO.	Position No.	CODE	EN DESCRIPTION	Qty/Unit	start year
RKV125 EFI	1	F27-1	B20011001203	WRENCH 10-12mm	1	2016
RKV125 EFI	2	F27-2	B20011301603	WRENCH 13-16mm	1	2016
RKV125 EFI	3	F27-3	02106J000000	HANDLE, SCREW DRIVER	1	2016
RKV125 EFI	4	F27-4	02103J000000	DRIVER, SCREW	1	2016
RKV125 EFI	5	F27-5	02102J000000	SOCKET, SPARK PLUG	1	2016
RKV125 EFI	6	F27-6	02110J000000	TOOL BAG	1	2016
RKV125 EFI	7	F27-7	02100K670002	TOOL KIT	1	2016
RKV125 EFI	9	F27-9	B20020600003	INNER HEXAGONAL WRENCH 6	1	2016
RKV125 EFI	10	F27-10	B20020500003	INNER HEXAGONAL WRENCH 5	1	2016

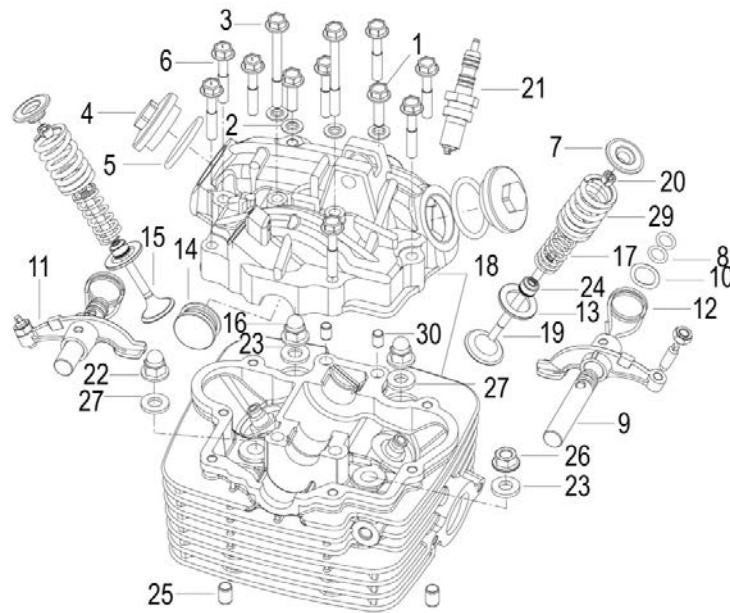
F28 Sticker (for 125cc)



Model	NO.	Position No.	CODE	EN DESCRIPTION	Qty/Unit	start year
RKV125 EFI	1	F28-1	05521K690000	STICKER,KEEWAY	1	2016
RKV125 EFI	2	F28-2	05515M030000	STICKE,Italian DESIGN	2	2016
RKV125 EFI	3	F28-3	05513J80WF02	STICKER,RK125 in red,V in black	2	2016
RKV125 EFI	4	F28-4	05513J80TL02	STICKER,RK125 in silver,V in black	2	2016
RKV125 EFI	5	F28-5	05513J80BC02	STICKER,RK125 in red,V in silver	2	2016
RKV125 EFI	6	F28-6	05531K790002	BENELLI STICKER	1	2016
RKV125 EFI	7	F28-7	05503J80CJ00	BLACK CBS STICKER	2	2016
RKV125 EFI	8	F28-8	05503J80BC00	GREY CBS STICKER	2	2016

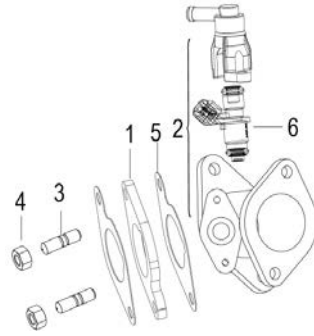
RKV125 EFI

E01 COVER CYLINDER HEAD ASSY



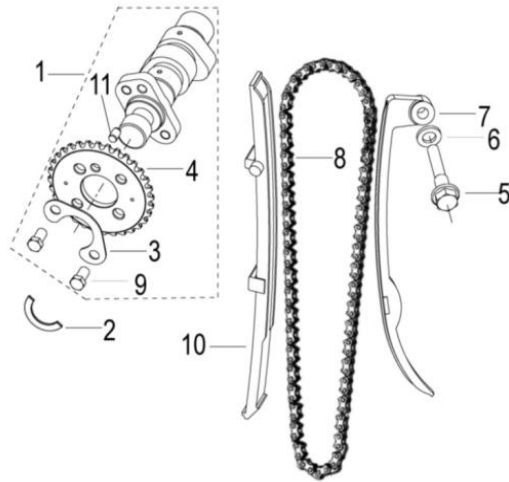
Model	NO.	Position No.	CODE	EN DESCRIPTION	Qty/Unit	start year
RKV125 EFI	1	E01-1	120143090000	BOLT M6×21	2	2016
RKV125 EFI	2	E01-2	120133090002	WASHER	4	2016
RKV125 EFI	3	E01-3	10005309001X	BOLT M6×60	2	2016
RKV125 EFI	4	E01-4	120012140020	VAVLE HEAD	2	2016
RKV125 EFI	5	E01-5	100033090000	O RING 30.5×3.3	2	2016
RKV125 EFI	6	E01-6	10006309001X	BOLT M6X35	8	2016
RKV125 EFI	7	E01-7	120013090002	GASKET,UP SPRING	2	2016
RKV125 EFI	8	E01-8	B190100860A0	O RING 8.6×1.9	4	2016
RKV125 EFI	9	E01-9	12916309002X	AXLE, VALVE ROCKER ARM	2	2016
RKV125 EFI	10	E01-10	120033090000	WASHER,SPRING	2	2016
RKV125 EFI	11	E01-11	12913309002X	ADJUSTING	2	2016
RKV125 EFI	12	E01-12	120163090000	ROCKER SPRING	2	2016
RKV125 EFI	13	E01-13	129213090003	GASKET,OUTER SPRING,δ1.5	2	2016
RKV125 EFI	14	E01-14	100043090000	CYLINDER COVER JAMMING	1	2016
RKV125 EFI	15	E01-15	129193090002	VALVE,EXHAUST	1	2016
RKV125 EFI	16	E01-16	120083090000	CAP NUT M8	2	2016
RKV125 EFI	17	E01-17	129264180000	SPRING,OUTER	2	2016
RKV125 EFI	18	E01-18	109013090020	COVER&CYLINDER HEAD ASSY,GRAY	1	2016
RKV125 EFI	19	E01-19	129183090002	VALVE,INTAKE	1	2016
RKV125 EFI	20	E01-20	129223230000	COTTER,VALVE	4	2016
RKV125 EFI	21	E01-21	299073070010	SPARK PLUG M12×1.25	1	2016
RKV125 EFI	22	E01-22	12008309001X	CAP NUT M8	1	2016
RKV125 EFI	23	E01-23	120093090000	WASHER 8	2	2016
RKV125 EFI	24	E01-24	120013050000	OIL SEAL	2	2016
RKV125 EFI	25	E01-25	120103090000	PIN	2	2016
RKV125 EFI	26	E01-26	12012309002X	NUT M8	1	2016
RKV125 EFI	27	E01-27	120113090000	WASHER 8	2	2016
RKV125 EFI	29	E01-29	129254180000	SPRING,INNER	2	2016
RKV125 EFI	30	E01-30	150022140000	PIN,DOWEL,φ7Xφ8X12	2	2016

E02 INSULATER,CARBURETOR ASSY



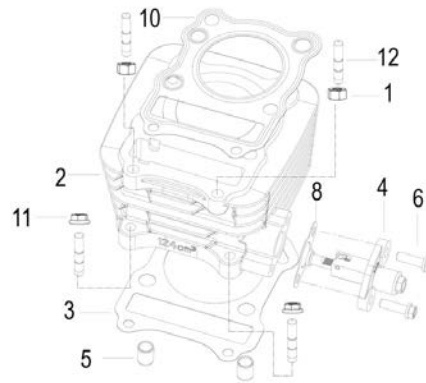
Model	NO.	Position No.	CODE	EN DESCRIPTION	Qty/Unit	start year
RKV125 EFI	1	E02-1	119073210000	INSULATION MAT	1	2016
RKV125 EFI	2	E02-2	119123090010	INTAKE PIPE ASSY.	1	2016
RKV125 EFI	3	E02-3	12007305001X	STUD BOLT	2	2016
RKV125 EFI	4	E02-4	B04050600064	NUT M6	1	2016
RKV125 EFI	5	E02-5	110013210000	GASKET	2	2016
RKV125 EFI	6	E02-6	100073210000	FUEL INJECTOR	1	

E03 INTAKE&EXHAUST MECHANISM



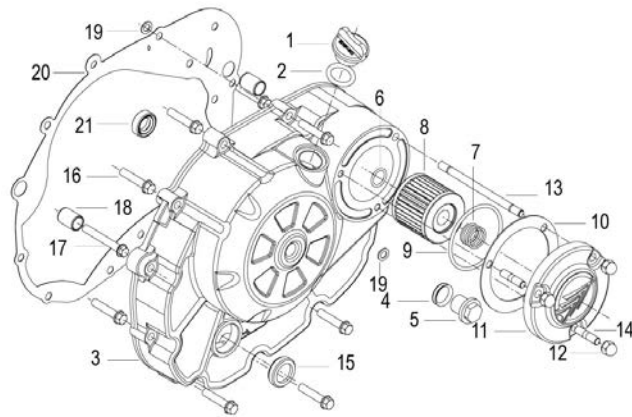
Model	NO.	Position No.	CODE	EN DESCRIPTION	Qty/Unit	start year
RKV125 EFI	1	E03-1	129074180000	CAMSHAFT ASSY	1	2016
RKV125 EFI	2	E03-2	120043090000	WASHER	1	2016
RKV125 EFI	3	E03-3	120343090000	WASHER	1	2016
RKV125 EFI	4	E03-4	120353090000	CHAIN WHEEL	1	2016
RKV125 EFI	5	E03-5	140023090000	BOLT	1	2016
RKV125 EFI	6	E03-6	140033090000	WASHER	1	2016
RKV125 EFI	7	E03-7	140013090002	COMPONENTS OF THE RIGHT CHAIN GUIDE PLATE	1	2016
RKV125 EFI	8	E03-8	129023090002	TIMING CHAIN	1	2016
RKV125 EFI	9	E03-9	120203090000	BOLT	2	2016
RKV125 EFI	10	E03-10	140063090002	CHAIN LEFT GUIDE PLATE	1	2016
RKV125 EFI	11	E03-11	B090105008B0	PIN	1	2016

E04 CYLINDER



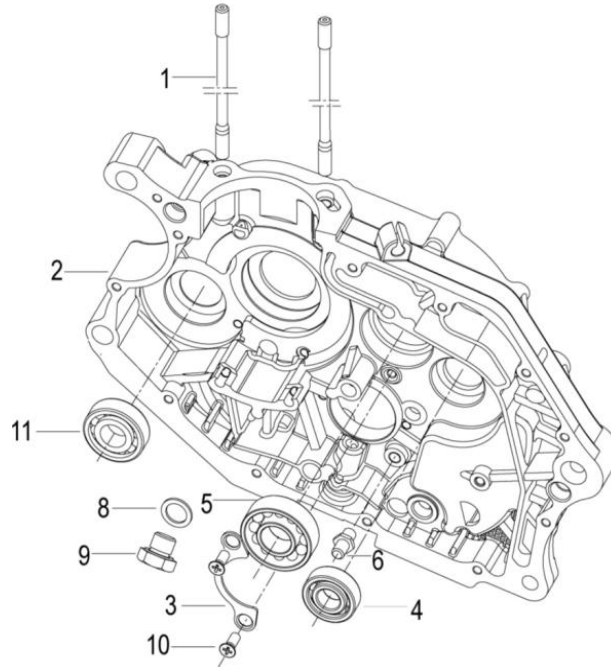
Model	NO.	Position No.	CODE	EN DESCRIPTION	Qty/Unit	start year
RKV125 EFI	1	E04-1	B04050600064	NUT M6	2	2016
RKV125 EFI	2	E04-2	139013210070	EFI CYLINDE,GRAY	1	2016
RKV125 EFI	3	E04-3	139023090032	GASKET,CYLINDER,in black	1	2016
RKV125 EFI	4	E04-4	149033090010	TENSIONER ASSY GRAY	1	2016
RKV125 EFI	5	E04-5	130023090000	PIN,DOWEL	2	2016
RKV125 EFI	6	E04-6	13001309001X	BOLT M6X20	2	2016
RKV125 EFI	8	E04-8	130113090012	SEAL SPACER	1	2016
RKV125 EFI	10	E04-10	109073090000	CYLINDER HEAD GASKET	1	2016
RKV125 EFI	11	E04-11	B04070600054	HEXAGON NUTS WITH FLANGE M6	2	2016
RKV125 EFI	12	E04-12	12007309001X	STUD BOLT	4	2016

E05 CLUTCH COVER ASSY



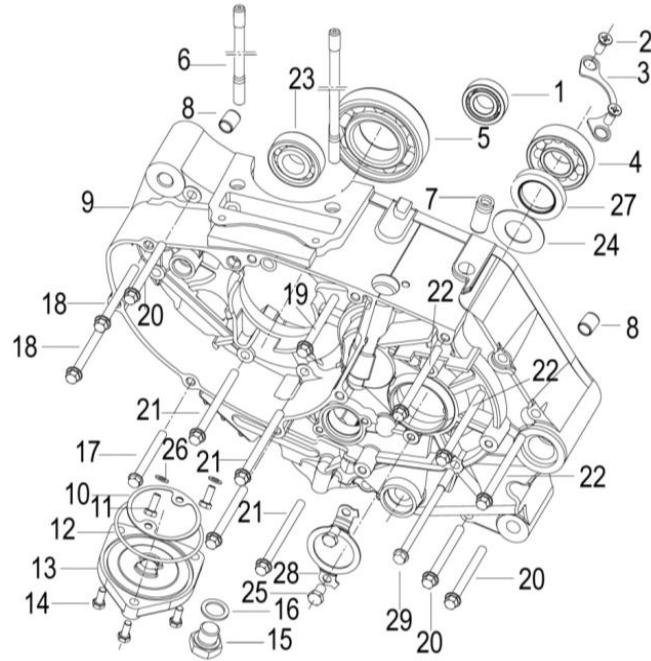
Model	NO.	Position No.	CODE	EN DESCRIPTION	Qty/Unit	start year
RKV125 EFI	1	E05-1	160063090000	OIL FILLER THREAD PLUG	1	2016
RKV125 EFI	2	E05-2	B190101700C0	O RING17×3.55	1	2016
RKV125 EFI	3	E05-3	169103090190	COVER,CLUTCH GRAY	1	2016
RKV125 EFI	4	E05-4	160253090000	O RING φ12	1	2016
RKV125 EFI	5	E05-5	160203090002	PLUG M12	1	2016
RKV125 EFI	6	E05-6	B190101250A0	O RING12.5×1.8	1	2016
RKV125 EFI	7	E05-7	160033090000	SPRING	1	2016
RKV125 EFI	8	E05-8	160043090000	PAPER FILTER ELEMENT MODULE	1	2016
RKV125 EFI	9	E05-9	B190105260B0	O RING52.6×2.4	1	2016
RKV125 EFI	10	E05-10	160373210010	MACHINE FILTERS COVERS THE FILLING PIECE	1	2016
RKV125 EFI	11	E05-11	160393090090	MACHINE FILTERS THE LID GRAY	1	2016
RKV125 EFI	12	E05-12	B04220600034	COVERS THE NUT M6	3	2016
RKV125 EFI	13	E05-13	16005309001X	DOUBLE SCREW BOLT	1	2016
RKV125 EFI	14	E05-14	B03000601262	DOUBLE SCREW BOLT M6×12	2	2016
RKV125 EFI	15	E05-15	160083090000	OIL INDICATOR ASSY	1	2016
RKV125 EFI	16	E05-16	B01070603264	BOLT M6×32	9	2016
RKV125 EFI	17	E05-17	B01070604564	BOLT M6×45	1	2016
RKV125 EFI	18	E05-18	150043090000	PIN,DOWEL	2	2016
RKV125 EFI	19	E05-19	150013070000	WASHER 6	2	2016
RKV125 EFI	20	E05-20	169113210010	GASKET,COVER RH	1	2016
RKV125 EFI	21	E05-21	160023090000	OIL SEAL	1	2016

E06 RIGHT CRANKCASE ASSY



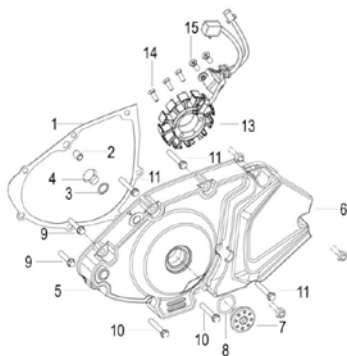
Model	NO.	Position No.	CODE	EN DESCRIPTION	Qty/Unit	start year
RKV125 EFI	1	E06-1	15911309002X	STIDBOLT,CYLINDER 8x173	2	2016
RKV125 EFI	2	E06-2	159033210040	CRANKCASE,RIGHT GRAY,WITH oil oil	1	2016
RKV125 EFI	3	E06-3	150113090000	GEAR	1	2016
RKV125 EFI	4	E06-4	B12016020204	BERING6202/P6	1	2016
RKV125 EFI	5	E06-5	B12016020403	BEARING6204/P6	1	2016
RKV125 EFI	6	E06-6	150123090000	SET BOLT	1	2016
RKV125 EFI	8	E06-7	150093090000	GASKET SEAL	1	2016
RKV125 EFI	9	E06-8	15008309003X	THE SPIRAL STOPS UP	1	2016
RKV125 EFI	10	E06-10	B02010601263	SCREW M6X12	2	2016
RKV125 EFI	11	E06-11	B12016020301	BERING 6203	1	2016

E07 LEFT CRANKCASE ASSY



Model	NO.	Position No.	CODE	EN DESCRIPTION	Qty/Unit	start year
RKV125 EFI	1	E07-1	B12016000203	BERING 6002-RS/P6	1	2016
RKV125 EFI	2	E07-2	B02010601263	TEN CHARACTER THROUGHS SINK & BOLT M6x12	2	2016
RKV125 EFI	3	E07-3	150113090000	GEAR	1	2016
RKV125 EFI	4	E07-4	B12016020403	BEARING6204/P6	1	2016
RKV125 EFI	5	E07-5	150304230000	BERING 6207/P53 Z2	1	2016
RKV125 EFI	6	E07-6	15910309002X	AIR CYLINDER STUD	2	2016
RKV125 EFI	7	E07-7	150153090000	HOSE,BREATHER	1	2016
RKV125 EFI	8	E07-8	150043090000	PIN,DOWEL	2	2016
RKV125 EFI	9	E07-9	159023210090	LEFT CRANKCASE ASSY., GRAY	1	2016
RKV125 EFI	10	E07-10	150103090000	OIL SET	1	2016
RKV125 EFI	11	E07-11	B01030501263	HEXAGONAL HEAD TAP BOLT M6x12	1	2016
RKV125 EFI	12	E07-12	B190106050B0	O RING 60.5x2.4	1	2016
RKV125 EFI	13	E07-13	150023090090	MESH LID GRAY	1	2016
RKV125 EFI	14	E07-14	B01070602064	BOLT M6x20	3	2016
RKV125 EFI	15	E07-15	16009309002X	THE SPIRAL STOPS UP	1	2016
RKV125 EFI	16	E07-16	150093090000	GASKET SEAL	1	2016
RKV125 EFI	17	E07-17	B01070605564	BOLT M6x55	1	2016
RKV125 EFI	18	E07-18	B01070606563	BOLT M6x65	2	2016
RKV125 EFI	19	E07-19	B01070606063	BOLT M6x60	1	2016
RKV125 EFI	20	E07-20	B01070606064	BOLT M6x60	4	2016
RKV125 EFI	21	E07-21	B01070607563	BOLT M6x75	3	2016
RKV125 EFI	22	E07-22	B01070607564	BOLT M6x75	3	2016
RKV125 EFI	23	E07-23	B12016020301	BEARING 6203	1	2016
RKV125 EFI	24	E07-24	210083090000	WASHER 20	1	2016
RKV125 EFI	25	E07-25	B01030601063	BOLT M6x10	2	2016
RKV125 EFI	26	E07-26	100084050000	WASHER 5	2	2016
RKV125 EFI	27	E07-27	210073090000	OIL SEAL 27X40X6	1	2016
RKV125 EFI	28	E07-28	210093090000	SEAL PACKING COVER	1	2016
RKV125 EFI	29	E07-29	10001305001X	BOLT M6x95	1	2016

E08 MAGNETO COVER



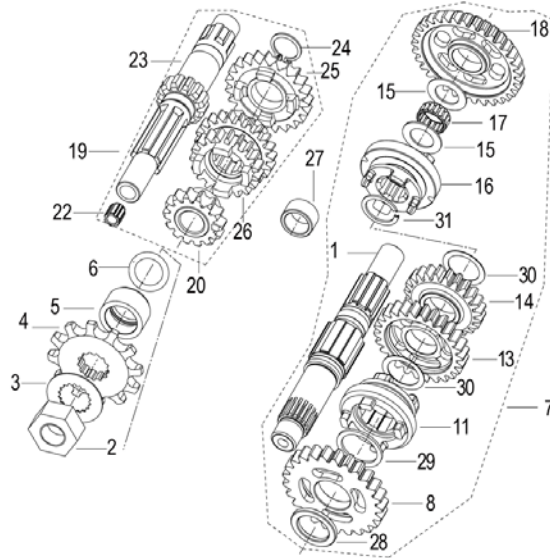
Model	NO.	Position No.	CODE	EN DESCRIPTION	Qty/Unit	start year
RKV125 EFI	1	E08-1	169073210010	GASKET,COVER MAGNETO	1	2016
RKV125 EFI	2	E08-2	150112070000	PIN,DOWEL	2	2016
RKV125 EFI	3	E08-3	160253090000	O RING ϕ 12	1	2016
RKV125 EFI	4	E08-4	160203090002	PLUG	1	2016
RKV125 EFI	5	E08-5	169063090090	COVER,MAGNETO GRAY	1	2016
RKV125 EFI	6	E08-6	169053090140	COVER,SPROCKET GRAY	1	2016
RKV125 EFI	7	E08-7	160383090000	SEAL COVER	1	2016
RKV125 EFI	8	E08-8	B190102240C0	O RING22.4x3.55	1	2016
RKV125 EFI	9	E08-9	B01070603064	BOLT M6x30	2	2016
RKV125 EFI	10	E08-10	B01070603864	BOLT M6x38	2	2016
RKV125 EFI	11	E08-11	B01070604064	BOLT M6x40	3	2016
RKV125 EFI	13	E08-13	299033090000	STATOR ASSY. COMP.	1	2016
RKV125 EFI	14	E08-14	B01030502863	BOLT	2	2016
RKV125 EFI	15	E08-15	B02040401223	SCREW M4x12	2	2016

E09 CRANKSHAFT CONROD & PISTON ASSY



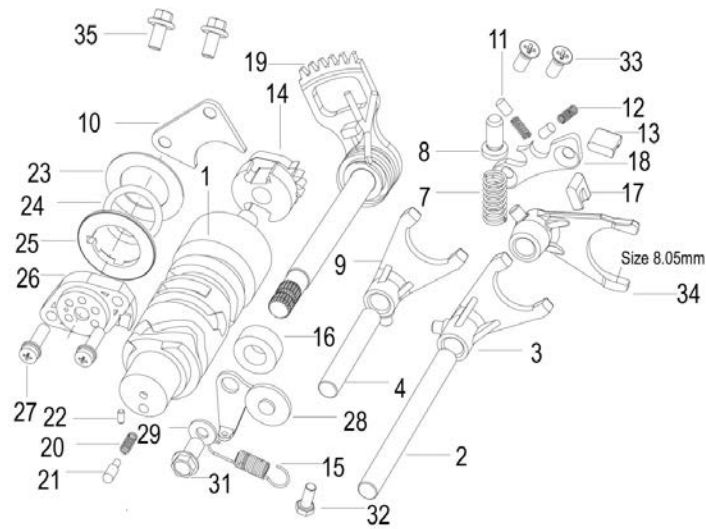
Model	NO.	Position No.	CODE	EN DESCRIPTION	Qty/Unit	start year
RKV125 EFI	1	E09-1	170013090000	NUT M16X1.5	1	2016
RKV125 EFI	2	E09-2	170023090000	WASHER	1	2016
RKV125 EFI	3	E09-3	269063090000	OIL PUMP, GEAR DRIVE	1	2016
RKV125 EFI	5	E09-5	170041170000	KEY 4x20	1	2016
RKV125 EFI	6	E09-6	179013210002	CRANKSHAFT&CONNECTING ROD ASSY	1	2016
RKV125 EFI	7	E09-7	B11810305013	KEY	1	2016
RKV125 EFI	8	E09-8	240013060010	NUT M12	1	2016
RKV125 EFI	9	E09-9	179133090003	PISTON	1	2016
RKV125 EFI	10	E09-10	179143090002	PIN,PISTON	1	2016
RKV125 EFI	11	E09-11	179153090000	CIRCLIPΦ14	2	2016
RKV125 EFI	12	E09-12	17009309003Z	RING ASSY	1	2016
RKV125 EFI	13	E09-13	179303210000	GEAR DRIVE	1	2016
RKV125 EFI	15	E09-15	179243210005	BALANCE SHAFT ASSY	1	2016

E10 COUNTER&DRIVE SHAFT ASSY



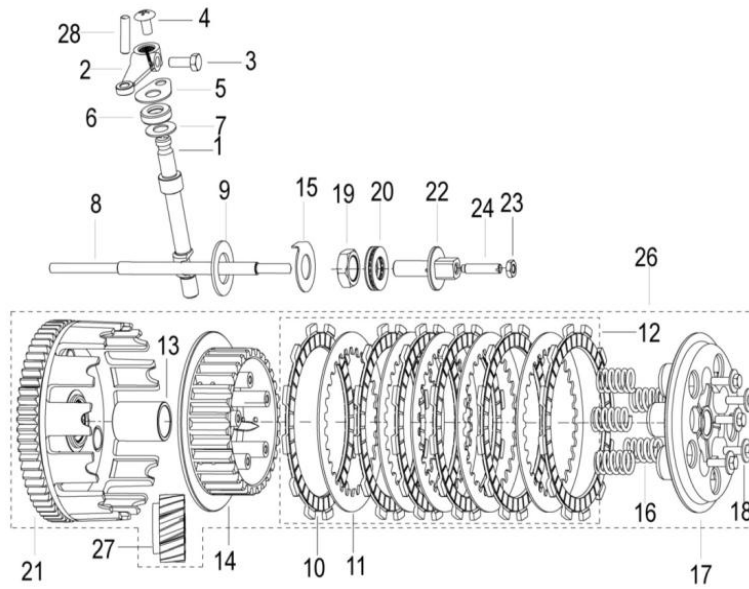
Model	NO.	Position No.	CODE	EN DESCRIPTION	Qty/Unit	start year
RKV125 EFI	1	E10-1	219223090010	SHAFT,DRIVE	1	2016
RKV125 EFI	2	E10-2	210063090000	WASHER,LOCK M16X1.5	1	2016
RKV125 EFI	3	E10-3	219313090000	GASKET, COVER MAGNETO	1	2016
RKV125 EFI	4	E10-4	219303090000	SPROCKET,ENGINE 13TEETH	1	2016
RKV125 EFI	5	E10-5	210053090000	SPACER	1	2016
RKV125 EFI	6	E10-6	B190101900B1	O RING 19×2.65	1	2016
RKV125 EFI	7	E10-7	219213090010	DRIVEN SHAFT ASSY	1	2016
RKV125 EFI	8	E10-8	219243090000	GEAR,2ND DRIVEN	1	2016
RKV125 EFI	11	E10-11	210483090000	CHANGES THE FILES WHEEL	1	2016
RKV125 EFI	13	E10-13	219253090000	GEAR, 3 RD DRIVEN	1	2016
RKV125 EFI	14	E10-14	219263090000	GEAR, 4 TH DRIVEN	1	2016
RKV125 EFI	15	E10-15	210133090000	WASHER	4	2016
RKV125 EFI	16	E10-16	219273090000	GEAR, 5 TH DRIVEN	1	2016
RKV125 EFI	17	E10-17	210463090000	BERING	1	2016
RKV125 EFI	18	E10-18	219233090000	GEAR, 1ST DRIVEN	1	2016
RKV125 EFI	19	E10-19	219133210000	DRIVE SHAFT ASSY	1	2016
RKV125 EFI	20	E10-20	219163090000	DRIVING TWO SPEED GEAR	1	2016
RKV125 EFI	22	E10-22	210043090000	STOPS UP THE COLUMN	1	2016
RKV125 EFI	23	E10-23	219143210000	SHAFT,COUNTER	1	2016
RKV125 EFI	24	E10-24	B080100020A0	CIRCLIP	1	2016
RKV125 EFI	25	E10-25	219193090000	DRIVING FIFTH GEAR GEAR	1	2016
RKV125 EFI	26	E10-26	210033090000	INITIATIVE THREE, FOURTH SPEED GEAR	1	2016
RKV125 EFI	27	E10-27	210013210000	SPACER	1	2016
RKV125 EFI	28	E10-28	210013390000	WASHER	1	2016
RKV125 EFI	29	E10-29	210033390000	WASHER 23	1	2016
RKV125 EFI	30	E10-30	210133070000	WASHER φ20	2	2016
RKV125 EFI	31	E10-31	220014030000	CIRCLIP 20	1	2016

E11 GEAR SHIFT MECHANISM



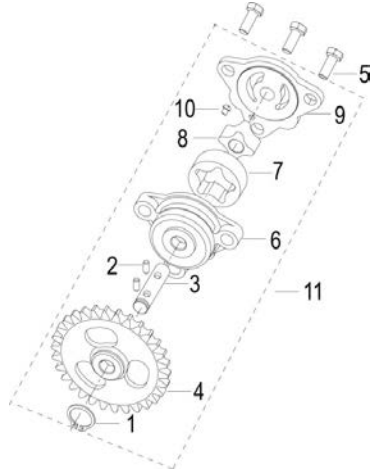
Model	NO.	Position No.	CODE	EN DESCRIPTION	Qty/Unit	start year
RKV125 EFI	1	E11-1	250043090000	DRUM, GEAR SHIFT	1	2016
RKV125 EFI	2	E11-2	219093090000	SHAFT,GEAR SHIFT	1	2016
RKV125 EFI	3	E11-3	219103090000	FORK	1	2016
RKV125 EFI	4	E11-4	219083090000	SHAFT, SHIFT FORK	1	2016
RKV125 EFI	7	E11-7	210393090000	LATCH SPRING	1	2016
RKV125 EFI	8	E11-8	210383090000	NEUTRAL LATCH	1	2016
RKV125 EFI	9	E11-9	219113090000	FORK	1	2016
RKV125 EFI	10	E11-10	250063090020	ON NOTCH WHEEL THRUSTPLATE	1	2016
RKV125 EFI	11	E11-11	210303090000	NOTCH WHEEL BACK-UP POST	2	2016
RKV125 EFI	12	E11-12	210283090000	RATCHET SPRING	2	2016
RKV125 EFI	13	E11-13	210273090000	RIGHT PAWL	1	2016
RKV125 EFI	14	E11-14	250083090000	CHANGES THE FILES NOTCH WHEEL MODULE	1	2016
RKV125 EFI	15	E11-15	210363090022	ABUT ARM EXTENSION SPRING	1	2016
RKV125 EFI	16	E11-16	210373090000	OIL SEAL	1	2016
RKV125 EFI	17	E11-17	210293090000	LEFT PAWL	1	2016
RKV125 EFI	18	E11-18	250033090000	UNDER NOTCH WHEEL THRUSTPLATE	1	2016
RKV125 EFI	19	E11-19	219063210000	SHAFT, GEAR SHIFT	1	2016
RKV125 EFI	20	E11-20	210313090000	SPRING	1	2016
RKV125 EFI	21	E11-21	210323090000	ANTENNA	1	2016
RKV125 EFI	22	E11-22	B091404006B0	PIN B4×6	1	2016
RKV125 EFI	23	E11-23	250073090000	WASHER	1	2016
RKV125 EFI	24	E11-24	B190102580B0	O RING25.8×2.65	1	2016
RKV125 EFI	25	E11-25	210253090030	CHANGES GRADE OF DRUM BACK PLATE	1	2016
RKV125 EFI	26	E11-26	210263090002	FILES POSITION CONTACT DEVICE	1	2016
RKV125 EFI	27	E11-27	B13080502022	SCREW W/WASHER M5×20	2	2016
RKV125 EFI	28	E11-28	210353090002	ABUT ARM MODULE	1	2016
RKV125 EFI	29	E11-29	210343090000	WASHERS 6	1	2016
RKV125 EFI	31	E11-31	210333090000	MOVE BOLT M6	1	2016
RKV125 EFI	32	E11-32	150263090000	BOLTS M4X10	1	2016
RKV125 EFI	33	E11-33	B02010601263	SCREW M6X12	2	2016
RKV125 EFI	34	E11-34	219103390000	FORK,LEFT	1	2016
RKV125 EFI	35	E11-35	B01070601263	BOLT M6X12	2	2016

E12 CLUTCH ASSY



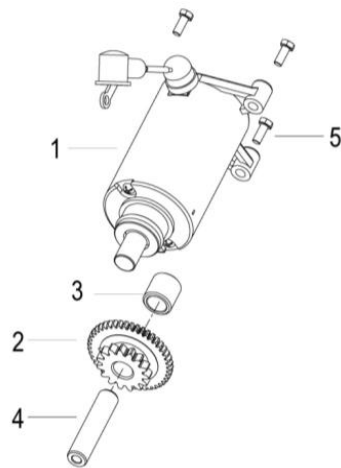
Model	NO.	Position No.	CODE	EN DESCRIPTION	Qty/Unit	start year
RKV125 EFI	1	E12-1	129083090000	CLUTCH RELEASE SHAFT	1	2016
RKV125 EFI	2	E12-2	209073090000	SEPARATION RELEASE LEVER	1	2016
RKV125 EFI	3	E12-3	B01010601625	BOLT M6×16	1	2016
RKV125 EFI	4	E12-4	B02060601224	CROSS TROUGH FLAT CUP HEAD SCREW M6×12	1	2016
RKV125 EFI	5	E12-5	200173090000	CLIP	1	2016
RKV125 EFI	6	E12-6	200023090000	TUMBLER AXIS OIL SEAL	1	2016
RKV125 EFI	7	E12-7	200013090000	WASHER, THRUST	2	2016
RKV125 EFI	8	E12-8	200013210000	PUSH ROD	1	2016
RKV125 EFI	9	E12-9	200043090000	WASHER, THRUST	1	2016
RKV125 EFI	10	E12-10	200083090000	PLATE, DRIVE	5	2016
RKV125 EFI	11	E12-11	200093090000	PLATE, DRIVE	4	2016
RKV125 EFI	12	E12-12	200473090000	CLUTCH ASSY	1	2016
RKV125 EFI	13	E12-13	200053090000	SPACER	1	2016
RKV125 EFI	14	E12-14	200073090000	HUB, CLUTCH SLEEVE	1	2016
RKV125 EFI	15	E12-15	200163090000	LOCKING WASHER	1	2016
RKV125 EFI	16	E12-16	200113090000	SPRING	5	2016
RKV125 EFI	17	E12-17	200103090000	PRESSURE PLATE	1	2016
RKV125 EFI	18	E12-18	B13010501605	SCREW W/WASHER M5×16	5	2016
RKV125 EFI	19	E12-19	200153090000	PIECE, DIRVE	1	2016
RKV125 EFI	20	E12-20	200123090000	NEEDLE BEARING	1	2016
RKV125 EFI	21	E12-21	200063090000	GEAR, PRIMARY DRIVE	1	2016
RKV125 EFI	22	E12-22	200143090000	SEAT, BEARING	1	2016
RKV125 EFI	23	E12-23	B04000600054	NUT M6	1	2016
RKV125 EFI	24	E12-24	20013309001X	SCREW M6	1	2016
RKV125 EFI	26	E12-26	209013210000	CLUTCH ASSY	1	2016
RKV125 EFI	27	E12-27	170393210000	GEAR DRIVE	1	2016
RKV125 EFI	28	E12-28	B090406014A5	SHAFT M6×14	1	2016

E13 OIL PUMP ASSY



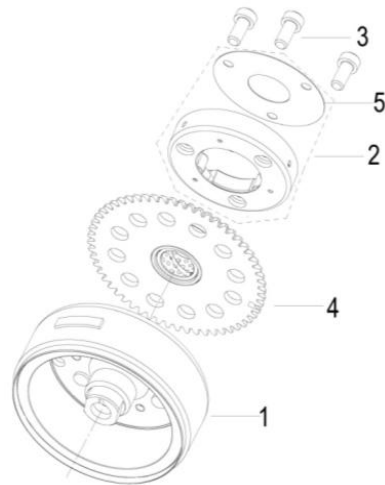
Model	NO.	Position No.	CODE	EN DESCRIPTION	Qty/Unit	start year
RKV125 EFI	1	E13-1	B08030000601	RING 6	1	2016
RKV125 EFI	2	E13-2	B09012501220	PIN B2.5x12	2	2016
RKV125 EFI	3	E13-3	260063090000	OIL PUMP SHAFT	1	2016
RKV125 EFI	4	E13-4	260053090000	GEAR OIL PUMP	1	2016
RKV125 EFI	5	E13-5	B01070602563	BOLT M6x25	3	2016
RKV125 EFI	6	E13-6	260043090000	OIL PUMP BODY	1	2016
RKV125 EFI	7	E13-7	260033090000	ROTOR	1	2016
RKV125 EFI	8	E13-8	260023090000	OIL PUMP INNER ROTOR	1	2016
RKV125 EFI	9	E13-9	260013090000	OIL PUMP EXTERNAL ROTOR	1	2016
RKV125 EFI	10	E13-10	B02000300522	SCREW	1	2016
RKV125 EFI	11	E13-11	269003090000	OIL PUMP ASSY	1	2016

E14 STARTING MOTOR ASSY



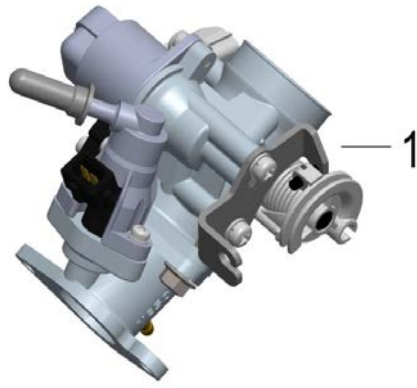
Model	NO.	Position No.	CODE	EN DESCRIPTION	Qty/Unit	start year
RKV125 EFI	1	E14-1	249013210010	STARTER MOTOR ASSY.COMP.GRAY	1	2016
RKV125 EFI	2	E14-2	249043090000	START TURN IDLENESS	1	2016
RKV125 EFI	3	E14-3	240013090000	BUSHING BLOCK	1	2016
RKV125 EFI	4	E14-4	240023090000	HINGE PIN	1	2016
RKV125 EFI	5	E14-5	B01070602564	BOLT M6×25	2	2016

E15 MAGNETO ASSY



Model	NO.	Position No.	CODE	EN DESCRIPTION	Qty/Unit	start year
RKV125 EFI	1	E15-1	299023090020	EFI ROTOR ASSY.	1	2016
RKV125 EFI	2	E15-2	249093230000	GEAR,STARTER	1	2016
RKV125 EFI	3	E15-3	240063090000	SCREW M6×14	3	2016
RKV125 EFI	4	E15-4	240043090020	DRIVEN GEAR,STARTER	1	2016
RKV125 EFI	5	E15-5	240013240000	WASHER	1	2016

E16THROTTLE ASSY



Model	NO.	Position No.	CODE	EN DESCRIPTION	Qty/Unit	start year
RKV125 EFI	1	E16-1	289003210000	THROTTLE ASSY	1	2016
