

ATV 50-C, ATV 50-E, ATV 100-C



ATV 50-E

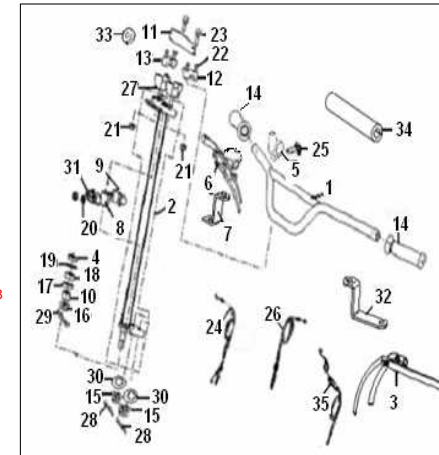
ATV 50-C, ATV 100-C



ATV 50-C, ATV 50-E, ATV 100-C

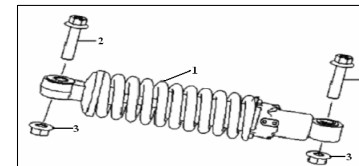
F01 STEERING

NO.	CODE		QTY.	NOTES	SEASON
1	40100G00S000	HANDLE JOINTING COMP.	1	VEÍCULO S/ PISCAS	
	40100B0ES000	HANDLE JOINTING COMP.	1	VEÍCULO C/ PISCAS	
2	43120B0AS000	DIRECTING JOINTING COMP.	1	VEÍCULO S/ PISCAS	
	43120B0ES000	DIRECTING JOINTING COMP.	1	VEÍCULO C/ PISCAS	
3	40070G00S000	HANDLE ASSY., L.	1	VEÍCULO S/ TRAVÃO DISCO TRASEIRO	2006
4	43122G00S000	OIL SEAL ASSY.	1		
5	40095G00S000	REARVIEW MIRROR SEAT,R.	1	VEÍCULO C/ ESPELHOS	
6	40210G00S001	HANDLE ASSY., R.	1	VEÍCULO C/ ESPELHOS	
	40210G00S000	HANDLE ASSY., R.	1	VEÍCULO S/ ESPELHOS	
7	43048G0AS000	TURN LIGHT BRACKET,F.R.	1	VEÍCULO C/ PISCAS	
8	40901G00S000	ROOTING SLEEVE	1		
9	43107G00S000	ROOTING SEAT 1	1		
10	43123G00S000	IMPACT SLEEVE	1		
11	43130G00S001	JUNCTION BOARD COMP.	1	VEÍCULO C/ MARCHA ATRÁS	2007-2008
	43124B0AS000	JUNCTION BOAR	1	VEÍCULO S/ MARCHA ATRÁS	2006
12	40091G00S000	JUNCTION BOARD SEAT, L.	1		
13	40092G00S000	JUNCTION BOARD SEAT, R.	1		
14	40007G00S000	HANDLEBAR GRIP	2		
15	B04091012555	CASTLE NUT M10×1.25	2		
16	B04171415055	NUT M14×1.5	1		
17	B2201FB22357	OIL SEAL 22×35×7	1		
18	B12016000200	BEARING 6002-2RS	1		
19	B080000032A1	LOCK RING 32	1		
20	B04170800055	NUT M8	2		
21	B04171012554	NUT M10×1.25	2		
22	B02050602525	SCREW M6×25	4		
23	B01090601265	BOLT M6×12	2		
24	40300G00S000	CABLE ASSY., THROTTLE	1		
25	B02000602025	SCREW M6×20	1		
26	40250G00S000	CABLE ASSY., FRONT BRAKE	2		
27	43013G00S000	SEAT	2		
28	B09001602413	SPLIT PIN 1.6×24	2		
29	B09002502012	SPLIT PIN 2.5×20	1		
30	B07030001005	WASHER 10	2		
31	43108G00S000	ROOTING SEAT 2	1		
32	43047G0AS000	TURN LIGHT BRACKET,F.L.	1	VEÍCULO C/ PISCAS	
33	54017K00P000	BUSH RUBBER	1		
34	40900G00S000	ORNATE SHEATH ASSY.	1		2006
35	40270G00S000	CABLE ASSY., REAR BRAKE	1	VEÍCULO S/ TRAVÃO DISCO TRASEIRO	2006



F02 FRONT ABSORBER

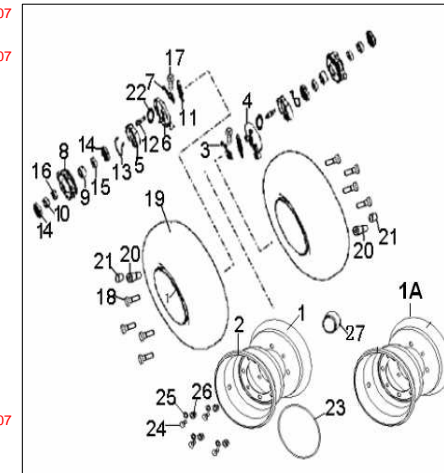
NO.	CODE		QTY.
1	43200G00S000	FRONT ABSORBER ASSY.	2
2	B01591004065	BOLT M10×1.25×40	4
3	B04171012555	NUT M10×1.25	4



ATV 50-C, ATV 50-E, ATV 100-C

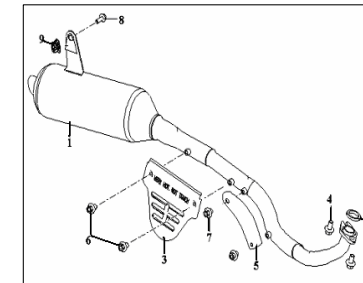
F03.3 FRONT WHEEL (ATV 50 ON-ROAD)

NO.	CODE		QTY.		
1	44104B00S000	INNER RIM	2	JANTE 7" FERRO	2006-2007
1A	44100G00S000	FRONT/REAR RIM ASSY.	2	JANTE 8" FERRO	2008
2	40101B00S000	OUTER RIM	2	JANTE 7" FERRO	2006-2007
3	44007G0AS001	LEVER, BRAKE, R	1		
4	44030G00S001	PANEL ASSY., R	1		
5	44500G00S000	BRAKE SHOE	2	JOGO	
6	44040G00S001	PANEL ASSY. L.	1		
7	44009G0AS001	LEVER, BRAKE	1		
8	44401G00S00A	HUB	2		
9	44006G00S000	BEARING SPACER (BUSH)	2		
10	44016G00S000	SPACER (BUSH)	2		
11	44008G00S000	RETURN SPRING	2		
12	44003G00S000	CAMSHAFT	2		
13	44001G00S000	SPRING	2		
14	B22010B22357	OIL SEAL 22x35x7MM	4		
15	B12016000300	BEARING 6003-2RS	2		
16	B12016000200	BEARING 6003-2RS	2		
17	B01090502565	BOLT M5x25	2		
18	B01071002065	BOLT M10x1.25x20	8		
19	B140116007AA	TIRE 16x8-7 E4 75R-0004095	2	JANTE 7" FERRO	2006-2007
19	B140619708BE	TIRE 19x7-8 E4 75R-0004098	2	JANTE 8" FERRO	2008
20	B1403Z201100	RIM VALVE Z2-01-1	2		
21	B1404Z2011C0	CAP,VALVE	2		
22	44015G00S000	O-RING	2		
23	54108B00S000	O-RING,SEAL	2	JANTE 7" FERRO	
24	54109B00S000	BOLT	8	JANTE 7" FERRO	
25	B07000000804	WASHER 8	8	JANTE 7" FERRO	
26	B04000800052	NUT M8	8	JANTE 7" FERRO	
27	60202G00S000	CAP	2	JANTE 8" FERRO	



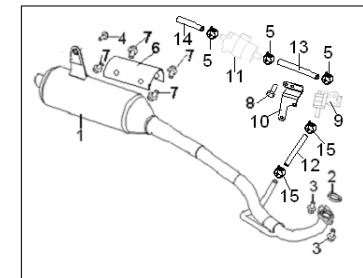
F04.1 MUFFLER (ATV50, ATV 100 OFF-ROAD)

NO.	CODE		QTY.	
1	47300G00S000	JOINTING ASSY.,MUFFLER	1	for ATV50-C, ATV100-C
2	47800B00T000	GASKET ASSY.	1	
3	47760G00S000	ORNATE PLATE 1	1	for ATV50-C, ATV100-C
4	B01090602064	BOLT M6x20	2	
5	47780G00S000	ORNATE PLATE 2	1	for ATV50-C, ATV100-C
6	B01070600864	BOLT M6x8	2	
7	B01070600865	BOLT M6x8	2	
8	B01401002065	BOLT M10x1.25x20	1	
9	B04171012555	NUT M10x1.25	1	



F04.2 MUFFLER (ATV 50 ON-ROAD)

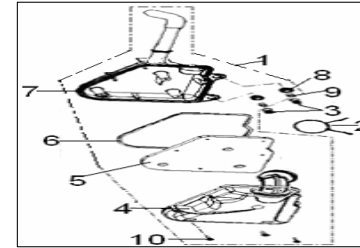
NO.	CODE		QTY.	
1	47100W080003	MUFFLER ASSY.	1	for ATV50-E in EEC2 market
2	47800B00T000	GASKET ASSY.	1	
3	B01090602064	BOLT 6x20MM	2	
4	B01070801665	BOLT 8x16MM	1	
5	49805BMBT000	CILP II φ17.5	3	for ATV50-E & ATV90-B
6	47760B0ES000	ORNAMENT PLATE	1	for ATV50-E & ATV90-B
7	B01070600865	BOLT 6x8MM	4	
8	B01090601265	BOLT 6x12MM	1	
9	49840B0ES000	ONE WAY VALVE II	1	for ATV50-E & ATV90-B
10	57051B0ES000	PLATE,ONE WAY VALVE	1	for ATV50-E & ATV90-B
11	49870B0ES000	AIR CLEARNER, SMALL	1	for ATV50-E & ATV90-B
12	49850B0ES000	OVENPROOF PIPE φ17xφ9x310	1	for ATV50-E & ATV90-B
13	49852B0ES000	RUBBER PIPE φ18xφ13x100	1	for ATV50-E & ATV90-B
14	49853B0ES000	RUBBER PIPE φ18xφ13x60	1	for ATV50-E & ATV90-B
15	49855B0ES000	CLIP I φ16.5	2	for ATV50-E & ATV90-B



ATV 50-C, ATV 50-E, ATV 100-C

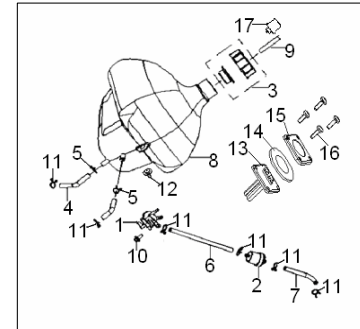
F05 AIR CLEANER

NO.	CODE		QTY.
1	49000G00S000	AIR CLEANER	1
2	49016B1AT000	CLIP	1
3	B13060602005	SCREW W/WASHER M6×20	2
4	49001B0ES000	LEFT COVER	1
5	49200B00T000	FILTER	1
6	49013B00T000	SEAL GASKET	1
7	49101B00T000	RIGHT COVER	1
8	49022B00T000	GROMMET	1
9	49004B00T000	BUSH	1
10	B05024802005	SCREW ST4.8×20	3



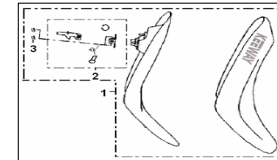
F06 FUEL TANK

NO.	CODE		QTY.
1	50300G00S000	SWITCH ASSY.	1
2	50340G00S000	FILTER ASSY.	1
3	50200G00S000	TANK COVER ASSY.	1
4	50301G00S000	OIL PIPE I	2
5	50309B20T000	CLIP φ11	2
6	50302G00S000	OIL PIPE II φ8.5×φ4.5×160	1
7	50304G00S000	OIL PIPE III φ8.5×φ4.5×90	1
8	50100G0AS000	FUEL TANK	1
9	50700G00S000	HOSEPIPE φ9×φ5×60	1
10	B02000601225	SCREW M6×12	1
11	50306J00P000	CLIP φ8	6
12	B13060601603	SCREW W/WASHER 6×16MM	2
13	50800B0AS000	SENSOR ASSY.	1
14	50004B0ETT10	GLUE MAT	1
15	50003B0ETG80	SENSOR BOARD	1
16	B13140601405	BOLT ASSY. 6×14MM	4
17	50400G0AS000	UNILATERAL VALVE	1



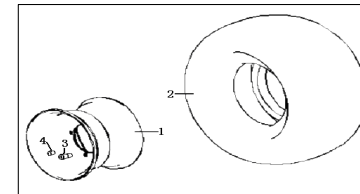
F07 SEAT

NO.	CODE		QTY.
1	51100B0AS002	SEAT ASSY.(BLACK/WHITE)	1
2	51080G00S000	LOCKING ASSY.	1
3	B04070600043	NUT M6	2



F08.1 REAR WHEEL (ATV50-C, ATV100-C, JANTE 8" OFF-ROAD)

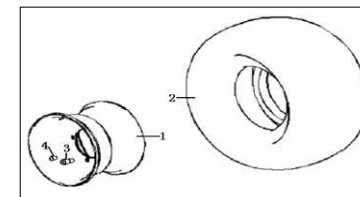
NO.	CODE		QTY.
1	44100G00S000	REAR RIM ASSY.(STEEL,8")	2
1	44100G00S001	REAR RIM ASSY. (ALLOY,8")	2
2	B140618A08AE	TIRE 18×9.5-8	2
3	B1403Z201100	RIM VALVE Z2-01-1	2
4	B1404Z2011C0	CAP,VALVE	2



F08.2 REAR WHEEL(ATV50-E JANTE 10" ALUMÍNIO ON-ROAD)

NO.	CODE		QTY.
1	54100G0AS000	REAR RIM (Alloy, 10")	2
2	B140618A10AE	TIRE 18×10-10	2
3	B1403Z201100	RIM VALVE Z2-01-1	2
4	B1404Z2011C0	CAP,VALVE	2

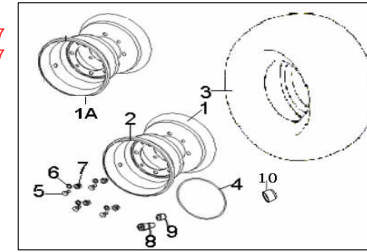
for ATV50-E with 10" alloy wheel,EEC2 market
for ATV50-E with 10" alloy wheel,EEC2 market



ATV 50-C, ATV 50-E, ATV 100-C

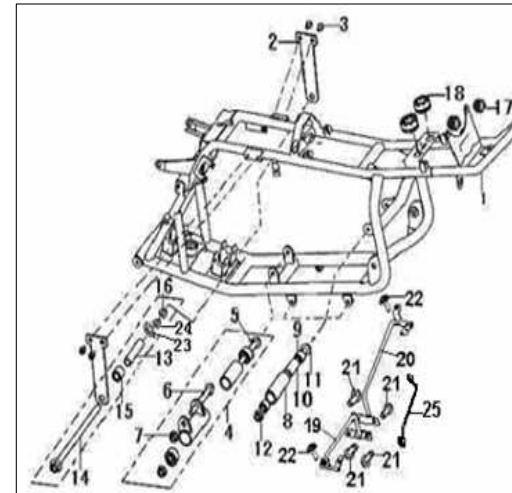
F03.3 REAR WHEEL (ATV50-E - FERRO - JANTE 7" 2006-2007, JANTE 8" 2008)

NO.	CODE		QTY.	NOTES
1	44104B00S000	INNER RIM (Steel,7")	2	used for ATV50-E in 2006-2007
2	44101B00S000	OUTER RIM (Steel,7")	2	used for ATV50-E in 2006-2007,, EEC2 marke
1A	44100G00S000	FRONT/REAR RIM ASSY.(Steel,8")	2	used for ATV50-E in 2008
3	B140116007AA	TIRE 16×8-7 E4 75R-0004095	2	for ATV50-E with 7" steel rim
3	B140618A08BE	TIRE 18×9.5-8 E4 75R-0004253	2	for ATV50-E with 8" steel rim, EEC2 marke
4	54108B00S000	O-RING,SEAL	2	
5	54109B00S000	BOLT	8	
6	B07000000804	WASHER φ8	8	
7	B04000800052	NUT M8	8	
8	B1403Z201100	RIM VALVE Z2-01-1	2	
9	B1404Z2011C0	CAP,VALVE	2	
10	60202G00S000	CAP	2	for ATV50-E with 7" or 8" steel rim



F09 FRAME I

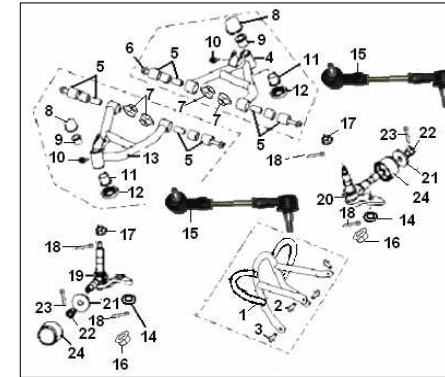
NO.	CODE		QTY.	NOTES
1	57100B0AS000	FRAME JOINTING, COMP.	1	ATV 50-C, ATV 100-C
1	57100B0ES002	FRAME JOINTING, COMP.	1	ATV 50-E
2	57422G00S000	FIXING SHAFT	2	
3	B01070601265	BOLT M6×12	4	
4	58300G00S000	BRACKET, LOWER	1	
5	58301G00S000	FIXING AXLE	1	
6	B01401008063	BOLT M10×1.25×80	1	
7	B04171012555	NUT M10×1.25	2	
8	58341G00S000	COLLAR	1	
9	58340G00S000	BUSH	2	
10	57343G00S000	COLLAR	1	
11	B01020813264	FIXING AXLE M8×132	1	
12	B04170800055	NUT M8	1	
13	58306G00S000	COLLAR	1	
14	58305G00S000	FIXING AXLE	1	
15	58307G00S000	COLLAR	1	
16	B04011212555	NUT M12×1.25	1	
17	57033G00S000	RUBBER WASHER	2	
18	57014G00S000	RUBBER GASKET	2	
19	65780G0AS000	TURN LIGHT BRACKET,R.L.	1	VEÍCULO C/ PISCAS
20	65790G0AS000	TURN LIGHT BRACKET,R.R.	1	VEÍCULO C/ PISCAS
21	B01070801665	BOLT 8×16MM	4	VEÍCULO C/ PISCAS
22	B13060601605	SCREW W/WASHER 6×16MM	2	VEÍCULO C/ PISCAS
23	B07010001205	WASHER 12	1	
24	B07000001205	WASHER 12	1	
25	40023B0ES000	CLAMP	1	VEÍCULO C/ PISCAS



ATV 50-C, ATV 50-E, ATV 100-C

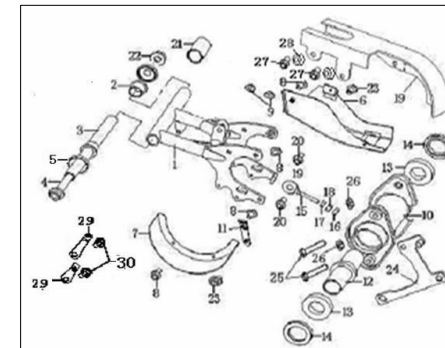
F10 FRAME II

NO.	CODE		QTY.
1	59100G00S000	FRONT SAFE BAR	1
2	B01090601665	BOLT M6×16	2
3	B01070801665	BOLT M8×16	2
4	43920G00S000	BRACKET, RIGHT	1
5	43840G00S000	BUSH COMP.	4
6	B01591005065	BOLT M10×1.25×50	4
7	B04181012555	NUT M10×1.25	4
8	43801G00S000	SOLDERING CUP	2
9	43803G00S000	BUSH	2
10	43806G00S000	OIL CUP	2
11	43804G00S000	BUSH	2
12	43802G00S000	SOLDERING CUP	2
13	43820G00S000	BRACKET, LEFT	1
14	B04091012555	CASTLE NUT M10×1.25	2
15	59901G00S000	BOLT (WITH REDIRECTOR A,B)	2
16	B07030001005	WASHER 10	2
17	08501G00S000	NUT	2
18	B09001602413	SPLIT PIN 1.6×24	4
19	59920G00S00B	JOINING COMP. SLOWING JOURNAL	1
20	59940G00S00B	JOINTING COMP. SLOWING JOURNAL	1
21	08021G00S00A	WASHER	2
22	B04111415065	CASTLE NUT M14×1.5	2
23	B09003203513	SPLIT PIN 3.2×35	2
24	60202G00S000	CAP	2



F11 REAR SWINGING ARM

NO.	CODE		QTY.
1	53100G00S00A	REAR SWING ARM	1
1	53100G00S00B	REAR SWING ARM	1
2	53203G00S000	BUSH	2
3	53201G00S000	BUSH	1
4	53001G00S000	AXLE	1
5	53210G00S000	OIL SEAL	2
6	60100G00S000	CHAIN GUARD JOINTING COMP.	1
7	60120G00S000	SAFEGUARD JOINTING COMP.	1
8	B01070801665	BOLT M8×16	4
9	B04070800055	NUT M8	2
10	53200G00S000	JOINTING COMP.REAR WHEEL AXLE	1
11	60030G00S000	SAFEGUARD BRACKET	1
12	53202G00S000	JOINTING COMP.REAR WHEEL AXLE COVER	1
13	B12046600600	BEARING 6006-2RS	2
14	B2204FB35558	OIL SEAL 35×55×8	2
15	53231G00S000	ADJUSTOR	1
16	B04000600053	NUT M6	1
17	B07030000603	WASHER 6	1
18	B07000000603	WASHER 6	1
19	60110G00S000	UPPER CHAIN GUARD	1
20	B01591202765	BOLT M12×1.25×27	2
21	53212G00S001	GASKET	1
22	B04171415055	NUT M14×1.5	1
23	B01070801265	BOLT M8×12	2
24	60010G00S000	DISK BRAKE SEAT	1
25	B01061205065	BOLT M12×1.25×50	2
26	B04171212555	NUT M12×1.25	2
27	B01070802065	BOLT M8×20	2
28	60306N00S000	CUSHION, MIDDLE	2
29	53234G00S000	BOARD	2
30	B01070601265	BOLT M6×12	2



ATV 50-C, ATV 100-C
ATV 50-E

ATV 50-E

VEÍCULO C/ TRAVÃO DISCO TRASEIRO
VEÍCULO C/ TRAVÃO DISCO TRASEIRO
VEÍCULO C/ TRAVÃO DISCO TRASEIRO

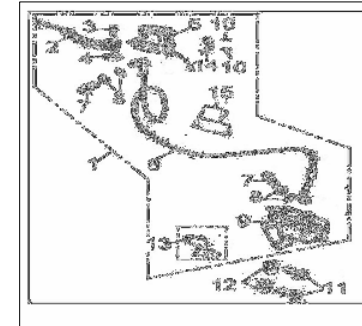
ATV 50-C, ATV 100-C
ATV 50-C, ATV 100-C

ATV 50-C, ATV 50-E, ATV 100-C

F12 REAR DISK BRAKE ASSY. (VEÍCULO C/ DISCO TRAVÃO TRASEIRO)

NO.	CODE		QTY.
1	55000B0AS000	REAR DISK BRAKE ASSY.	1
2	55022B0AS000	BRAKE LEVER	1
3	55024B0AS000	BOLT, BRAKE LEVER	1
4	55027B0AS000	NUT	1
5	55100B0AS000	CYLINDER ASSY, MASTER	1
6	55200B0AS000	HOSE ASSY, BRAKE	1
7	45037B0AS000	BANJO BOLT	2
8	45029B0AS000	WASHER	4
9	55500B0AS000	CALIPER ASSY, BRAKE	1
10	B01070602365	BOLT M6×23	2
11	B01090803064	BOLT M8×30	2
12	B07000000804	WASHER 8	2
13	45110B0AS000	BRAKE PAD KIT ASSY	1 set
14	45023B0AS000	MASTER CYLINDER BRACKET	1
15	57013G00S000	BRAKE CLIP	1

VEÍCULO C/ TRAVÃO DISCO TRASEIRO

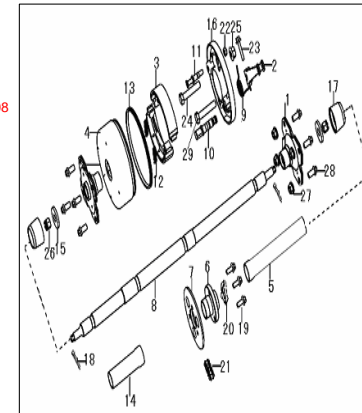


F13.1 DRIVE SYSTEM (VEÍCULO S/ TRAVÃO DISCO TRASEIRO)

NO.	CODE		QTY.
1	60011G00S000	SEAT ASSY., RR. WHEEL	2
2	54007G00S000	LEVER ASSY., RR. BRAKE	1
3	54200G00S000	BRAKE SHOE ASSY.	2 JOGO
4	54400G00S000	HUB ASSY., BRAKE	1
5	60021G00S000	SPACER, LOCATION	1
6	58070G00S000	SEAT, SPROCKET	1
7	60002G00S000	SPROCKET (28TEETH)	1
7	60002B0BS000	SPROCKET (32TEETH)	1
8	60003G00S00A	SHAFT, TRANSMISSION	1
9	54008G00S000	SPRING, TORSION	1
10	54003G00S000	CAMSHAFT, BRAKE	1
11	60020G00S000	SHAFT, LOCATION	1
12	54001G00S000	SPRING, BRAKE SHOE	2
13	54302G00S001	RING, RUBBER	1
14	60022G00S000	COLLAR	1
15	60204G00S00A	WASHER	2
16	54401G00S000	COVER, BRAKE HUB	1
17	60202G00S000	CAP	2
18	B09003203513	SPLIT PIN GB91-86	2
19	B01020802065	BOLT GB5782-86	3
20	60004G00S000	WASHER	1
21	B1500B1084B0	CHAIN 21:08MC-1×84	1
	B1500H1088B0	CHAIN 21:08MC-1×88	1
22	B04170800055	NUT GB6187-86	1
23	B01090603265	BOLT GB5789-86	1
24	B01031206065	BOLT GB5783-86	1
25	B04171212555	NUT GB6187-86	2
26	60005G00S000	NUT	2
27	B04171012555	NUT GB6187-86	8
28	B01071002565	BOLT GB5787-86	8
29	B01031205065	BOLT GB5783-86	1

2006
2007-2008

2006
2006-2007



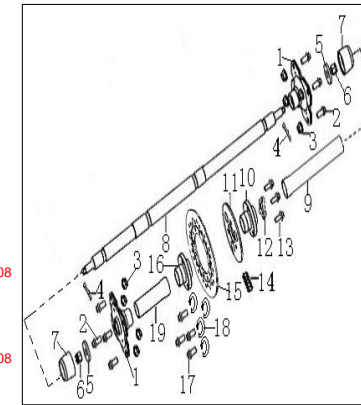
ATV 50-C, ATV 50-E, ATV 100-C

F13.2 DRIVE SYSTEM (VEÍCULO C/ TRAVÃO DISCO TRASEIRO)

NO.	CODE		QTY.
1	60011G00S000	SEAT ASSY., RR. WHEEL	2
	60011B0ES000	SEAT ASSY., RR. WHEEL	2
2	B01401003065	BOLT M10×1.25×30	8
	B01071002565	BOLT M10×1.25×25	8
3	B04171012555	NUT M10×1.25	8
4	B09003203513	SPLIT PIN Ø3.2×35	2
5	60204G00S00A	WASHER	2
6	60005G00S000	NUT M18×1.5	2
7	60202B0ES000	CAP	2
8	60003G00S00A	SHAFT, TRANSMISSION	1
9	60021G00S000	SPACER, LOCATION	1
10	58070G00S000	SEAT, SPROCKET	1
11	60002G00S000	SPROCKET (28TEETH)	1
11	60002B0BS000	SPROCKET (32TEETH)	1
12	60004G00S000	WASHER	1
13	B01020802065	BOLT M8×20	3
14	B1500B1084B0	CHAIN 21:08MC-1×84	1
14	B1500H1088B0	CHAIN 21:08MC-1×88	1
15	55033G00S000	REAR BRAKE DISK	1
16	60009G00S000	BRAKE DISK SEAT	1
17	B01090601665	BOLT M6×16	4
18	B07000000605	WASHER 6	4
19	60022G00S000	COLLAR	1

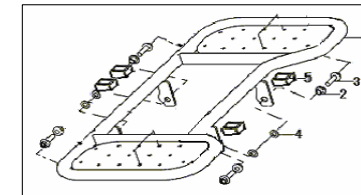
2006
2007-2008

2006
2007-2008



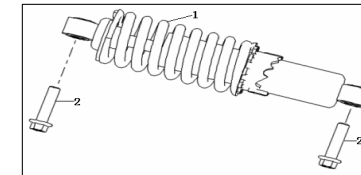
F14 STAND/FOOTREST

NO.	CODE		QTY.
1	65410B0AS000	FOOTREST ASSY.	1
2	57033G00S000	RUBBER GASKET	4
3	B01090802565	BOLT M8×25	4
4	B07020000805	WASHER 8	4
5	40704G00S000	RUBBER GASKET	4



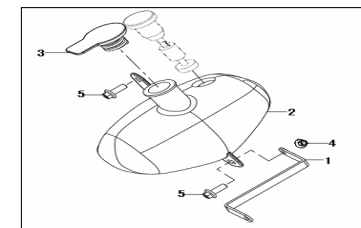
F15 REAR ABSORBER

NO.	CODE		QTY.
1	63000G00S000	REAR ABSORBER ASSY.	1
2	63028G00S000	BOLT M10×1.25×40	2



F16 OIL TANK

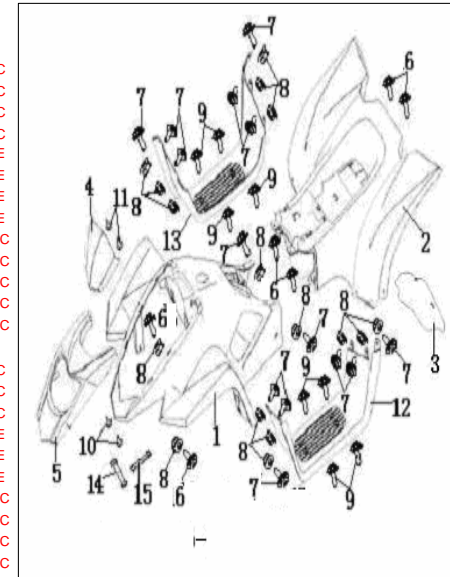
NO.	CODE		QTY.
1	64011G00S000	BRACKET ASSY., FUEL TANK	1
2	64001G00S000	OIL TANK	1
3	64091G00S000	CAP, OIL TANK	1
4	B04070600053	NUT M6	1
5	B13060601603	SCREW W/WASHER M6×16	2



ATV 50-C, ATV 50-E, ATV 100-C

F17 SIDE COVER

NO.	CODE		QTY.		
1	65101B0ASTH0	FRONT FENDER	1	VRM	
	65101B0ASY50	FRONT FENDER	1	AMA	
	65101B0ASG70	FRONT FENDER	1	VRD	
	65101B0ASLC0	FRONT FENDER	1	AZ	
	65101W06033Z	FRONT FENDER	1	AZ C/ AUTOCOLANTES	ATV 50-C
	65101W06034Z	FRONT FENDER	1	VRM C/ AUTOCOLANTES	ATV 50-C
	65101W06036Z	FRONT FENDER	1	AMA C/ AUTOCOLANTES	ATV 50-C
	65101W06037Z	FRONT FENDER	1	VRD C/ AUTOCOLANTES	ATV 50-C
	65101W06028Z	FRONT FENDER	1	AZ C/ AUTOCOLANTES	ATV 50-E
	65101W06029Z	FRONT FENDER	1	VRM C/ AUTOCOLANTES	ATV 50-E
	65101W06031Z	FRONT FENDER	1	AMA C/ AUTOCOLANTES	ATV 50-E
	65101W06032Z	FRONT FENDER	1	VRD C/ AUTOCOLANTES	ATV 50-E
	65101W06008Z	FRONT FENDER	1	AZ C/ AUTOCOLANTES	ATV 100-C
	65101W06009Z	FRONT FENDER	1	VRM C/ AUTOCOLANTES	ATV 100-C
	65101W06010Z	FRONT FENDER	1	BRA C/ AUTOCOLANTES	ATV 100-C
	65101W06011Z	FRONT FENDER	1	AMA C/ AUTOCOLANTES	ATV 100-C
	65101W06012Z	FRONT FENDER	1	VRD C/ AUTOCOLANTES	ATV 100-C
2	65701B0ASB40	REAR FENDER	1	TODOS OS MODELOS (S/ AUTOCOLANTES)	
	65701W06022Z	REAR FENDER	1	AZ, VRM C/ AUTOCOLANTES	ATV 50-C
	65701W06024Z	REAR FENDER	1	AMA C/ AUTOCOLANTES	ATV 50-C
	65701W06025Z	REAR FENDER	1	VRD C/ AUTOCOLANTES	ATV 50-C
	65701W06018Z	REAR FENDER	1	AZ, VRM C/ AUTOCOLANTES	ATV 50-E
	65701W06020Z	REAR FENDER	1	AMA C/ AUTOCOLANTES	ATV 50-E
	65701W06021Z	REAR FENDER	1	VRD C/ AUTOCOLANTES	ATV 50-E
	65701W06014Z	REAR FENDER	1	AZ, VRM C/ AUTOCOLANTES	ATV 100-C
	65701W06015Z	REAR FENDER	1	BRA C/ AUTOCOLANTES	ATV 100-C
	65701W06016Z	REAR FENDER	1	AMA C/ AUTOCOLANTES	ATV 100-C
	65701W06017Z	REAR FENDER	1	VRD C/ AUTOCOLANTES	ATV 100-C
3	65601G00SB40	COVER, RR.	1	TODOS OS MODELOS	
4	65602B0ASG70	COVER, FR.	1	VRD	
	65602B0ASY50	COVER, FR.	1	AMA	
	65602B0ASLC0	COVER, FR.	1	AZ	
	65602B0ASTH0	COVER, FR.	1	VRM	
5	65115B0ASB40	FIXING COVER, HEADLIGHT	1	TODOS OS MODELOS	
6	B13060601605	SCREW W/WASHER M6×16	6		
7	B02060601625	SCREW M6×16	14		
8	B04070600055	NUT M6	16		
9	B02060601625	SCREW M6×16	8		
10	B05004201305	SCREW ST4.2×13	2		
11	B05004801605	SCREW ST5.5×16	2		
12	65402B0AS000	FOOTREST COVER, LH	1		
13	65422B0AS000	FOOTREST COVER, RH	1		
14	96004G00S000	BAND, BATTERY	1		
15	02200G00S000	BAND, TOOLS	1		



ATV 50-C, ATV 50-E, ATV 100-C

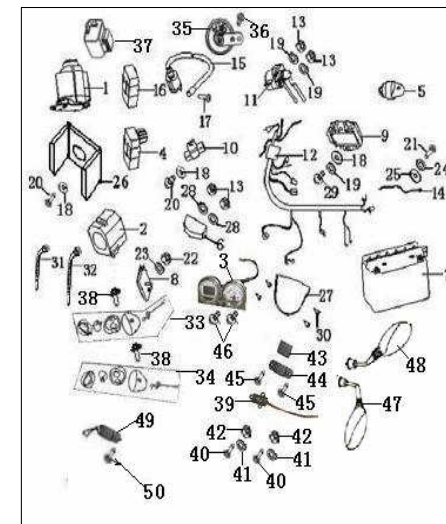
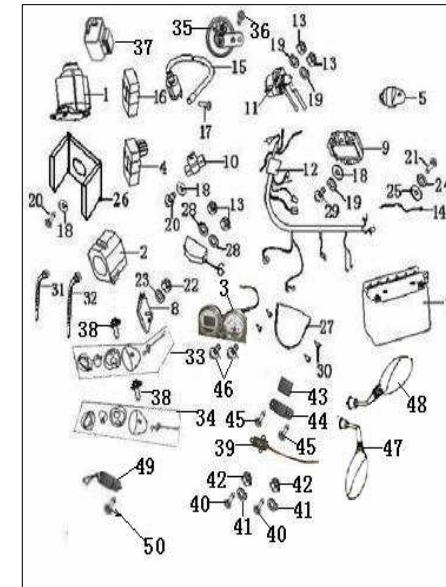
F18 ELECTRIC

NO.	CODE		QTY.	
1	88300B0ES00A	LOCK COMP.	1	VEÍCULOS C/ PISCAS
	88300G00S001	LOCK COMP.	1	VEÍCULOS S/ PISCAS
	88300G00S00A	LOCK COMP.	1	PROVA DE ÁGUA E VEÍCULOS S/ PISCAS
2	40600B0AS000	HANDLE SWITCH ASSY. L.	1	VEÍCULOS C/ PISCAS
	40600G00S000	HANDLE SWITCH ASSY. L.	1	VEÍCULOS S/ PISCAS
3	70000B0ES000	SPEEDOMETER COMP.	1	VEÍCULOS C/ CONTA-KMS
4	97701B01F000	C.D.I	1	
5	91400G00S000	FLAMEOUT SWITCH, (FRONT)	1	
	92400G00S000	FLAMEOUT SWITCH, (REAR)	1	
6	84000B0ES000	TAIL LIGHT	1	AT50-H
	84000G00S000	TAIL LIGHT	1	ATV 50-100 OFF ROAD
7	96100B20T000	BATTERY YT4L-BS 12V,3AH	1	
8	86500B0ES000	FLASHER (E11 020612)	1	ATV50-H
	86500G00S000	FLASHER	1	ATV 50-100 OFF ROAD
9	98801J0ET000	RECTIFIER	1	TODOS OS MODELOS
10	96600BMA000	RESISTOR	1	TODOS OS MODELOS
11	94000G00S000	RELAY, STARTER	1	
12	92000B0ES002	HARNESS, WIRING	1	VEÍCULOS C/ PISCAS
	92000B0CS000	HARNESS, WIRING	1	ATV50-C S/ PISCAS
	92000G00S007	HARNESS, WIRING	1	ATV100-C S/ PISCAS
	92000G0CS000	HARNESS, WIRING	1	
13	B04000600053	NUT M6	4	
14	96900G00S000	WIRE, EARTH	1	
15	96200G00S000	COIL, IGNITION	1	
16	96007K00P000	COVER, C. D. I	1	
17	B02000601623	SCREW M6×16	1	
18	B07030000603	WASHER 6	3	
19	B07000000603	WASHER 6	3	
20	B02000601223	SCREW M6×12	2	
21	B01090601263	BOLT M6×12	1	
22	B04000500053	NUT M5	1	
23	B07020000503	WASHER 5	1	
24	B07000000604	WASHER 6	1	
25	B07030000604	WASHER 6	1	
26	96009G00S000	C.D.I BRACKET	1	
27	80000B0AS000	HEAD LAMP	1	ATV 50-100 OFF ROAD
27	80000B0ES000	HEAD LAMP	1	ATV50-H
28	B07020000603	WASHER 6	2	
29	B02000602023	SCREW M6×20	1	
30	B05004201303	SCREW ST4.2×13	4	
31	96002K00P000	BAND 8×150	3	
32	96001K00P000	BAND 8×250	2	
33	81100B0ES000	FRONT TURN LIGHT,LEFT	2	VEÍCULO C/ PISCAS
34	81300B0ES000	FRONT TURN LIGHT,RIGHT	2	VEÍCULO C/ PISCAS
35	95000BMDT000	HORN ASSY. (E13 000612)	1	VEÍCULO C/ BUZINA
36	B01090601265	BOLT M6×12	1	VEÍCULO C/ BUZINA
37	96400K00P000	FLASHER	1	VEÍCULO C/ PISCAS
38	B13140501400	SCREW W/WASHER M5×14	4	VEÍCULO C/ PISCAS
39	78000B0ES000	SENSOR ASSY.	1	VEÍCULO C/ CONTA-KMS
40	B02000301003	SCREW M3×10	2	VEÍCULO C/ CONTA-KMS
41	B07080000304	WASHER 3	2	VEÍCULO C/ CONTA-KMS
42	B04000300054	NUT M3	2	VEÍCULO C/ CONTA-KMS
43	78071B0ES000	MAGNET	1	VEÍCULO C/ CONTA-KMS
44	78072B0ES000	CAP(PLASTIC)	1	VEÍCULO C/ CONTA-KMS
45	B02000501224	SCREW M5×12	2	VEÍCULO C/ CONTA-KMS
46	B01090601265	BOLT M6×12	2	VEÍCULO C/ CONTA-KMS
47	40460BMBT002	REAR VIEW MIRROR ASSY.	1	
48	40470BMBT002	REAR VIEW MIRROR ASSY.	1	

2006

2006

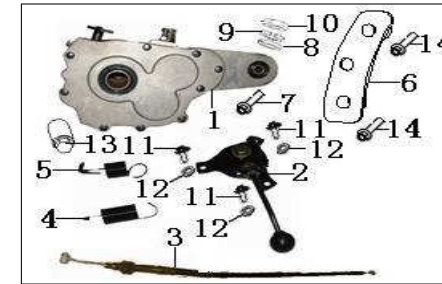
2006



ATV 50-C, ATV 50-E, ATV 100-C

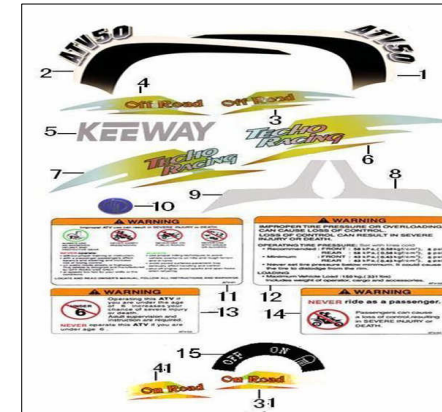
F19 TRANSMISSION MACHINE (ATV50-C, ATV50-E, ATV100-C)

NO.	CODE		QTY.
1	215700000000	TRANSMISSION CASE	1
2	40960G00S000	HANDLE COMP,GEAR SHIFT	1
3	40770G00S00A	GEAR SHIFT CABLE	1
4	40971G00S00A	SPRING 1	1
5	40972G00S00A	SPRING 2	1
6	40970G00S00A	CONNECT PLATE	1
7	B01591004565	BOLT M10×1.25×45	1
8	B07000001005	WASHER 10	1
9	B07020001005	WASHER 10	1
10	B04011012555	NUT M10×1.25	1
11	B02000601605	SCREW M6×16	3
12	B07000000605	WASHER 6	3
13	40973G00S00A	CREW CAP	1
14	B01090804565	BOLT M8×45	2



F20.1 STICKER

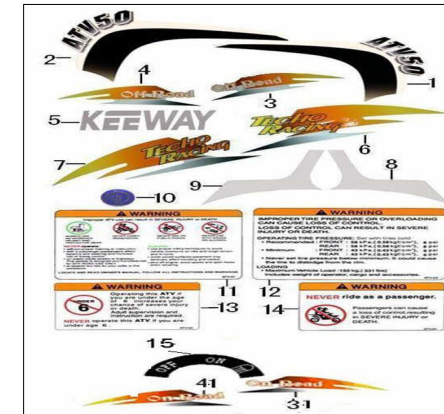
NO.	CODE		QTY.
1	05523B0CS004	STICKER,FRONT FENDER,LEFT	1
2	05524B0CS004	STICKER,FRONT FENDER,RIGHT	1
1A	05523G0CS004	STICKER,FRONT FENDER,LEFT	1
2A	05524G0CS004	STICKER,FRONT FENDER,RIGHT	1
3	05525G0CS000	STICKER,FRONT FENDER,LEFT,I	1
4	05526G0CS000	STICKER,FRONT FENDER,RIGHT,I	1
3A	05525G0CS007	STICKER,FRONT FENDER,LEFT,I	1
4A	05526G0CS007	STICKER,FRONT FENDER,RIGHT,I	1
5	05511G0CS004	STICKER,COVER	2
6	05575G0CS000	STICKER,REAR FENDER,LEFT	1
7	05574G0CS000	STICKER,REAR FENDER,RIGHT	1
8	05572G0CS000	STICKER,REAR FENDER,LEFT,I	1
9	05576G0CS000	STICKER,REAR FENDER,RIGHT,I	1
10	05583G0CS004	STICKER,HANDLE COVER	1
11	05533F00S000	WARNIGN STICKER,I	1
	05537N00S001	WARNIGN STICKER,V	1
12	05534B00S000	WARNING STICKER,II	1
13	05535B00S000	WARNING STICKER,III	1
12A	05534F00S000	WARNING STICKER,II	1
13A	05535G00S000	WARNING STICKER,III	1
14	05536F00S000	WARNING STICKER,IV	1
15	05519B0ES001	LOCK STICKER	1



ATV 50-C, ATV 50-E, ATV 100-C

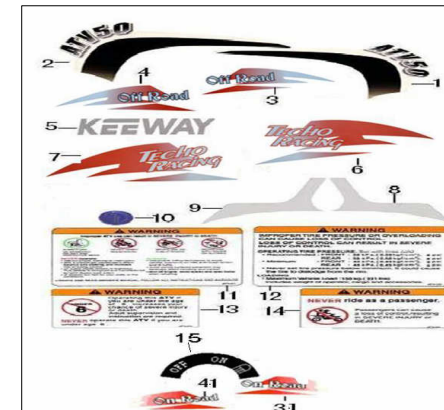
F20.2 STICKER

NO.	CODE		QTY.	
1	05523B0CS004	STICKER,FRONT FENDER,LEFT	1	ATV 50-C
2	05524B0CS004	STICKER,FRONT FENDER,RIGHT	1	ATV 50-C
1A	05523G0CS004	STICKER,FRONT FENDER,LEFT	1	ATV 100-C
2A	05524G0CS004	STICKER,FRONT FENDER,RIGHT	1	ATV 100-C
3	05525G0CS002	STICKER,FRONT FENDER,LEFT,I	1	AMA ATV 50-C, ATV 100-C
4	05526G0CS002	STICKER,FRONT FENDER,RIGHT,I	1	AMA ATV 50-C, ATV 100-C
3A	05525G0CS006	STICKER,FRONT FENDER,LEFT,I	1	AMA ATV 50-E
4A	05526G0CS006	STICKER,FRONT FENDERMRIGHT,I	1	AMA ATV 50-E
5	05511G0CS004	STICKER,COVER	2	
6	05575G0CS002	STICKER,REAR FENDER,LEFT	1	AMA
7	05574G0CS002	STICKER,REAR FENDER,RIGHT	1	AMA
8	05572G0CS000	STICKER,REAR FENDER,LEFT,I	1	
9	05576G0CS000	STICKER,REAR FENDER,RIGHT,I	1	
10	05583G0CS004	STICKER,HANDLE COVER	1	
11	05533F00S000	WARNIGN STICKER,I	1	ATV50-C, ATV100-C
	05537N00S001	WARNIGN STICKER,V	1	ATV 50-E
12	05534B00S000	WARNING STICKER,II	1	ATV50-C, ATV100-C
13	05535B00S000	WARNING STICKER,III	1	ATV50-C, ATV100-C
12A	05534F00S000	WARNING STICKER,II	1	ATV 100-C
13A	05535G00S000	WARNING STICKER,III	1	ATV 100-C
14	05536F00S000	WARNING STICKER,IV	1	
15	05519B0ES001	LOCK STICKER	1	ATV 50-E



F20.3 STICKER

NO.	CODE		QTY.	
1	05523B0CS004	STICKER,FRONT FENDER,LEFT	1	ATV 50-C
2	05524B0CS004	STICKER,FRONT FENDER,RIGHT	1	ATV 50-C
1A	05523G0CS004	STICKER,FRONT FENDER,LEFT	1	ATV 100-C
2A	05524G0CS004	STICKER,FRONT FENDER,RIGHT	1	ATV 100-C
3	05525G0CS001	STICKER,FRONT FENDER,LEFT,I	1	AZ, VRM ATV 50-C, ATV 100-C
4	05526G0CS001	STICKER,FRONT FENDER,RIGHT,I	1	AZ, VRM ATV 50-C, ATV 100-C
3A	05525G0CS004	STICKER,FRONT FENDER,LEFT,I	1	AZ, VRM ATV 50-E
4A	05526G0CS004	STICKER,FRONT FENDERMRIGHT,I	1	AZ, VRM ATV 50-E
5	05511G0CS004	STICKER,COVER	2	
6	05575G0CS001	STICKER,REAR FENDER,LEFT	1	AZ, VRM
7	05574G0CS001	STICKER,REAR FENDER,RIGHT	1	AZ, VRM
8	05572G0CS000	STICKER,REAR FENDER,LEFT,I	1	
9	05576G0CS000	STICKER,REAR FENDER,RIGHT,I	1	
10	05583G0CS004	STICKER,HANDLE COVER	1	
11	05533F00S000	WARNIGN STICKER,I	1	ATV50-C, ATV100-C
	05537N00S001	WARNIGN STICKER,V	1	ATV 50-E
12	05534B00S000	WARNING STICKER,II	1	ATV50-C, ATV100-C
13	05535B00S000	WARNING STICKER,III	1	ATV50-C, ATV100-C
12A	05534F00S000	WARNING STICKER,II	1	ATV 100-C
13A	05535G00S000	WARNING STICKER,III	1	ATV 100-C
14	05536F00S000	WARNING STICKER,IV	1	
15	05519B0ES001	LOCK STICKER	1	ATV 50-E



ATV 50-C, ATV 50-E, ATV 100-C

F20.4 STICKER

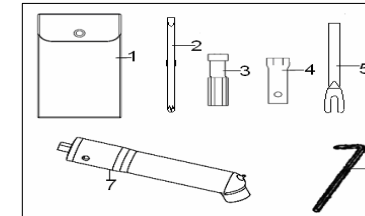
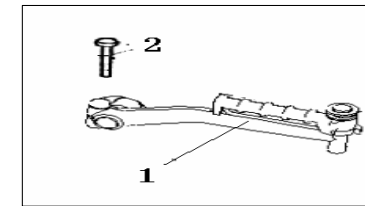
NO.	CODE		QTY.
1	05523B0CS004	STICKER,FRONT FENDER,LEFT	1 ATV 50-C
2	05524B0CS004	STICKER,FRONT FENDER,RIGHT	1 ATV 50-C
1A	05523G0CS004	STICKER,FRONT FENDER,LEFT	1 ATV 100-C
2A	05524G0CS004	STICKER,FRONT FENDER,RIGHT	1 ATV 100-C
3	05525G0CS001	STICKER,FRONT FENDER,LEFT,I	1 BRA ATV 50-C, ATV 100-C
4	05526G0CS001	STICKER,FRONT FENDER,RIGHT,I	1 BRA ATV 50-C, ATV 100-C
5	05511G0CS004	STICKER,COVER	2
6	05575G0CS003	STICKER,REAR FENDER,LEFT	1 BRA
7	05574G0CS003	STICKER,REAR FENDER,RIGHT	1 BRA
8	05572G0CS000	STICKER,REAR FENDER,LEFT,I	1
9	05576G0CS000	STICKER,REAR FENDER,RIGHT,I	1
10	05583G0CS004	STICKER,HANDLE COVER	1
11	05533F00S000	WARNIGN STICKER,I	1 ATV50-C, ATV100-C
12	05534B00S000	WARNING STICKER,II	1 ATV 50-E
13	05535B00S000	WARNING STICKER,III	1 ATV50-C, ATV100-C
12A	05534F00S000	WARNING STICKER,II	1 ATV50-C, ATV100-C
13A	05535G00S000	WARNING STICKER,III	1 ATV 100-C
14	05536F00S000	WARNING STICKER,IV	1 ATV 100-C

F21 ENGINE ATTACHMENT

NO.	CODE		QTY.
1	08350G00S000	STARTING SHAFT	1
2	B01020602565	BOLT M6×25	1

F22 TOOL KIT

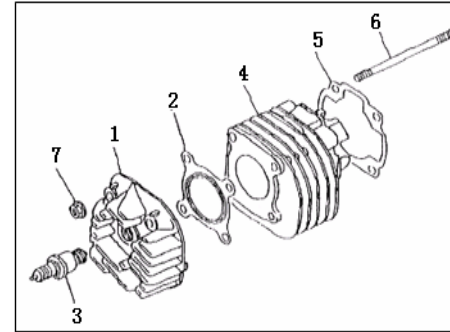
NO.	CODE		QTY.
1	02110B0DT000	BAG, TOOLS	1
2	02103G00P000	SCREW DRIVER	1
3	02104G00P000	HANDLE	1
4	02102B0DT000	SCOKET, SPARK PLUG	1
5	02101J00P000	HANDLE ,SPARK PLUG SOCKET	1
6	B20020500000	SOCKET SPANNER 5	1
7	02150N00S000	TONOMETER	1



ATV 50-E, ATV 50-C, ATV 100-C

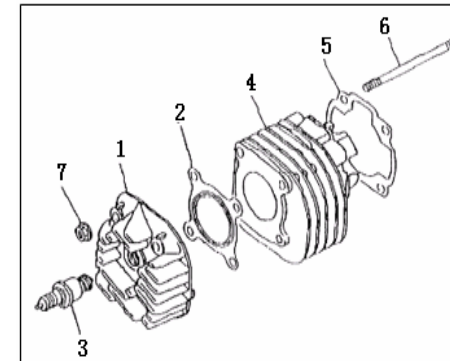
E01.1 CYLINDER & CYLINDER HEAD ASSY (ATV 50-C; ATV50-E)

NO	CODE	DESCRIPTION	QTY	NOTES
1	30701B01F00A	HEAD,CYLINDER	1	50cc
2	30507B01F000	GASKET,CYLINDER HEAD	1	50cc
3	201204.013000	SPARK PLUG (BR8HSA)	1	50cc
4	27101B01F00A	CYLINDER	1	50cc
5	204204.001000	GASKET,CYLINDER	1	50cc
6	26107B01F910	STUD BOLT	4	50cc
7	304290700062	NUT	4	ATV 50-C
	304290700063	NUT M7	4	ATV 50-E



E01.2 CYLINDER & CYLINDER HEAD ASSY (ATV100-C)

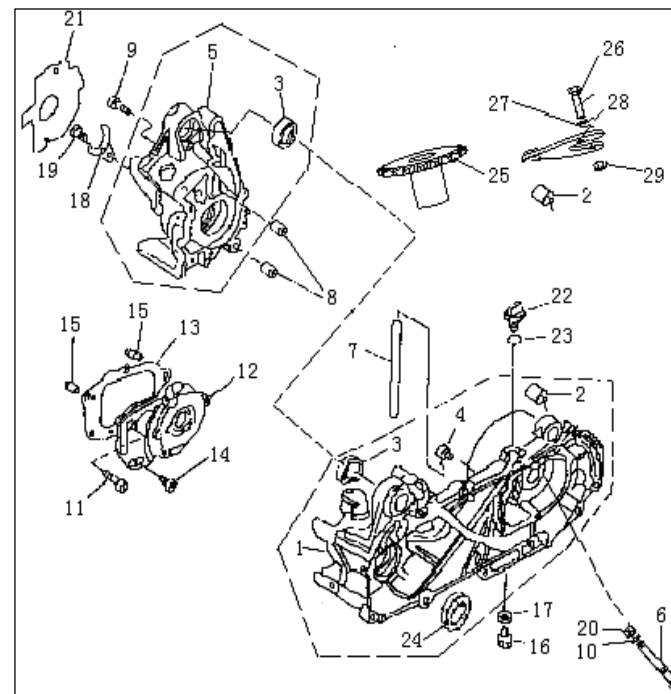
NO	CODE	DESCRIPTION	QTY	NOTES
1	30701G01F000	HEAD,CYLINDER	1	RMK 100cc
2	30507G01F000	GASKET,CYLINDER HEAD	1	
3	201204.006000	SPARK PLUG	1	
4	27101G01F000	CYLINDER	1	
5	204204.003000	GASKET,CYLINDER	1	
6	26107G02F910	STUD BOLT	4	
7	304290700063	NUT M7	4	



ATV 50-E, ATV 50-C, ATV 100-C

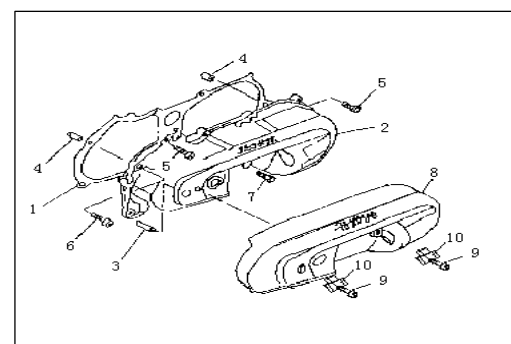
E02 CRANKCASE ASSY

NO	CODE	DESCRIPTION	QTY	RMK
1	206200.001000	CRANKCASE,LH (50cc)	1	50cc
	26100G13F000	CRANKCASE,LH (100cc)	1	100cc
2	26108G02F000	BUSH,ENGINE MOUNTING	2	
3	26137G13F000	BUSH,ENGINE MOUNTING	2	
4	26126G02F000	BREATHER PLUG	1	
5	206300.001000	CRANKCASE,RH (50cc)	1	50cc
	26200G01F000	CRANKCASE,RH (100cc)	1	100cc
6	301990805702	BOLT	1	
7	26105G02F000	HOSE	1	
8	26123G02F000	DOWEL PIN 12X16	2	
9	301310603562	SCREW M6X35	6	50cc
	301310603565	SCREW	6	100cc
10	14222J01F000	O RING 6.8X1.9	1	50cc
11	301310603062	BOLT M6X30	2	
12	18101G02F001	COVER, GEAR BOX	1	
13	214201.001000	GASKET,GEAR BOX	1	
14	301310602262	BOLT M6X22	3	
15	26208J01F000	DOWEL PIN 10X14	2	
16	301310801605	FLANGE BOLT	1	
17	18105H03F000	WASHER 8	1	
18	26214G02F000	HOLDER	1	
19	301310601262	BOLT M6X12	1	
20	304290800062	NUT M8	1	50cc
21	206321.001000	GASKET	1	
22	206407.004081	OIL PLUG	1	
23	26102G02F000	O-RING	1	
24	26112G02F000	SHAFT COLLAR	1	
25	209310.008000	CHAIN WHEEL ASSY (19 teeth)	1	50cc s/ marcha atrás
	209310.016000	CHAIN WHEEL (24 teeth)	1	100cc s/ marcha atrás
26	301311204662	BOLT M12X46	1	50cc
	301311204665	BOLT M12X46	1	100cc
27	B07030001200	WASHER	1	
28	26140G13F000	BRACKET ASSY	1	
29	304181200062	NUT M12	1	



E03 SIDECOVER ASSY

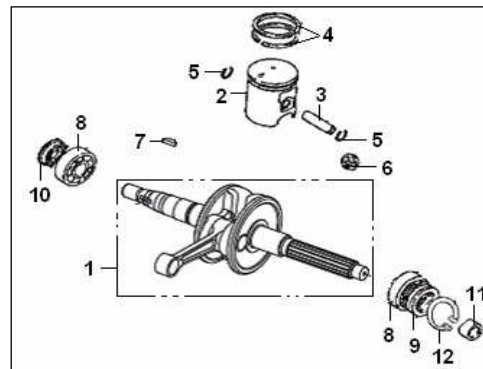
NO	CODE	DESCRIPTION	QTY	RMK
1	207208.009000	GASKET,SIDE COVER	1	
2	207200.048000	SIDE COVER	1	
3	26128G02F000	SHAFT	1	
4	26208J01F000	DOWEL PIN 10X14	2	
5	302270602565	SCREW M6X25	8	
6	302270603565	SCREW M6X35	2	
7	302270606565	PAN HEAD SCREW	1	
8	14300G02F000	PROTECTING COVER	1	
9	14112G02F000	SCREW M6	2	
10	14113G02F000	NUT BUSH,rubber	2	



ATV 50-E, ATV 50-C, ATV 100-C

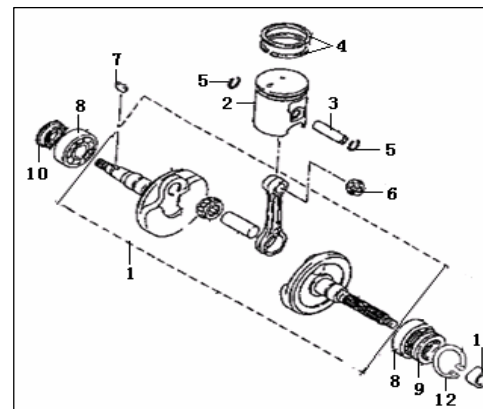
E04.1 PISTON CRANKSHAFT CONNECTING ROD ASSY (ATV50-C, ATV50-E)

NO	QJ CODE	DESCRIPTION	QTY	RMK
1	208100.022000	CRANKSHAFT,ASSY	1	50cc
2	15100B01F00B	PISTON ASSY	1	50cc
3	15105B16F000	PISTON PIN	1	50cc
4	15103B01F000	PISTON RING ASSY	1	JOGO
5	15111G02F000	CIRCLIP	2	50cc
6	15110B16F000	NEEDLE BEARING	1	50cc
7	15101B01F000	WOODRUFF KEY 3X5X13	1	50cc
8	B12016620453	BALL BEARING 6204/P53	2	50cc
9	15213G02F000	OIL SEAL 20X42X8	1	50cc
10	26215G02F000	OIL SEAL ASSY 20X30X6	1	50cc
11	15214G02F000	COLLAR	1	50cc
12	17308G02F000	CIRCLIP	1	50cc



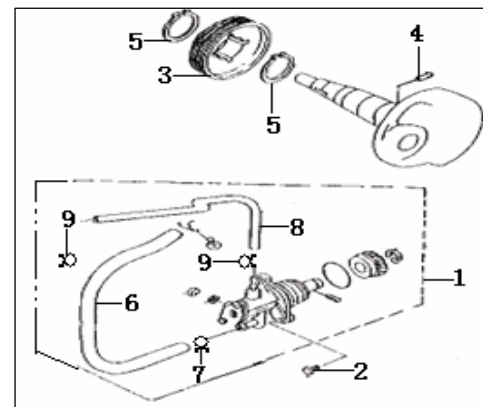
E04.2 PISTON CRANKSHAFT CONNECTING ROD ASSY (ATV100-C)

NO	CODE	DESCRIPTION	QTY	RMK
1	208100.006000	CRANKCHAFT,ASSY	1	100cc
2	208300.004062	PISTON ASSY	1	100cc
3	15105G02FF10	PISTON PIN	1	100cc
4	15103G01F000	PISTON RING ASSY	1	JOGO
5	15111G02F930	CIRCLIP	2	100cc
6	208211.001000	NEEDLE BEARING	1	100cc
7	15101G02F000	WOODRUFF KEY	1	100cc
8	B12016620453	N BEATRING	2	100cc
9	15213G02F000	OIL SEAL	1	100cc
10	26215G02F000	OIL SEAL ASSY	1	100cc
11	15214G02F930	COLLAR	1	100cc
12	17308G02F000	CIRCLIP	1	100cc



E05 OIL PUMP ASSY

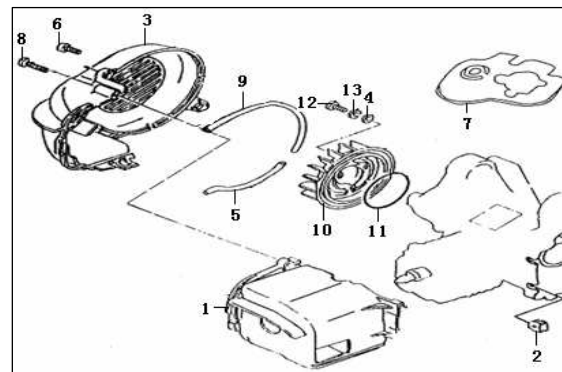
NO	QJ CODE	DESCRIPTION	QTY	RMK
1	219101.007000	OIL PUMP ASSY	1	50cc
	219101.003000	OIL PUMP ASSY	1	100cc
2	B02000501463	SCREW M5X14	2	
3	15211G02F000	PUMP DRIVE GEAR	1	
4	B090103014C0	PIN C3X14	1	
5	15106G02F910	CIRCLIP	2	
6	221405.105000	HOSE,OIL INLET (560±5)	1	50cc
	221405.101000	HOSE,OIL INLET	1	100cc
7	19213G02F000A	HOSE CLIP	2	
8	221405.101000	HOSE,OIL OUTLET (280±5)	1	50cc
	221405.105000	HOSE,OIL OUTLET (280)	1	100cc
9	19217G02F000A	HOSE CLIP	2	



ATV 50-E, ATV 50-C, ATV 100-C

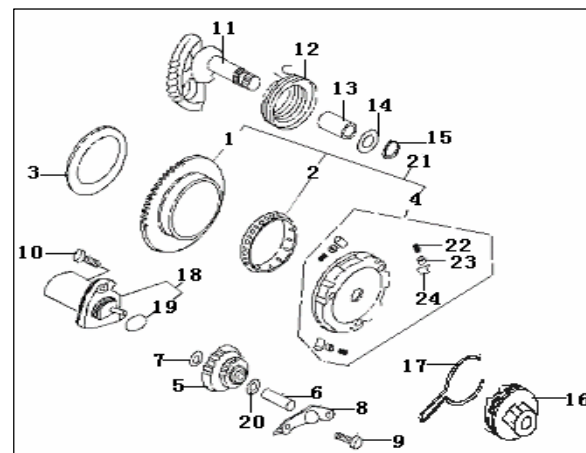
E06 AIR COOLING SYSTEM

NO	QJ CODE	DESCRIPTION	QTY	RMK
1	20301B01F000	COWLING,cylinder	1	50cc
	20301G02F000	COWLING,cylinder	1	100cc
2	20303G02F000	GROMMET	2	
3	20200B01F000	FAN COVER ASSY	1	50cc
	20201G02F000	FAN COVER ASSY	1	100cc
4	B07030000600	WASHER φ6	3	
5	20208G02F000	RUBBER SEALING (110)	1	
6	302270602065	BOLT M6X20	2	
7	20102G02F000	DUST COVER (RUBBER)	1	
8	3050355040F5	SCREW ST5.5X40-F	1	
9	20206G02F000	RUBBER SEALING (220)	1	
10	20401B01F000	FAN ASSY	1	for 50cc
	20401G02F000	FAN ASSY	1	for 100cc
11	20402G02F000	RUBBER RING 70X3.1	1	
12	301310601665	SCREW M6X16	3	
13	B07000000600	SPRING WASHER φ6	3	



E07 KICK STARTER ASSY

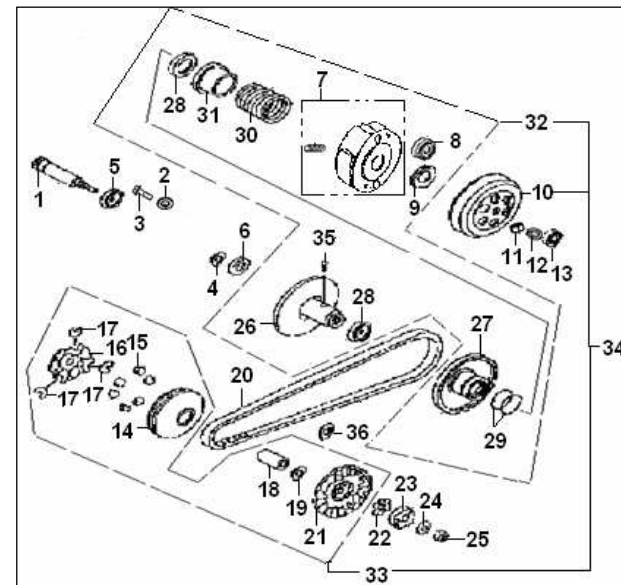
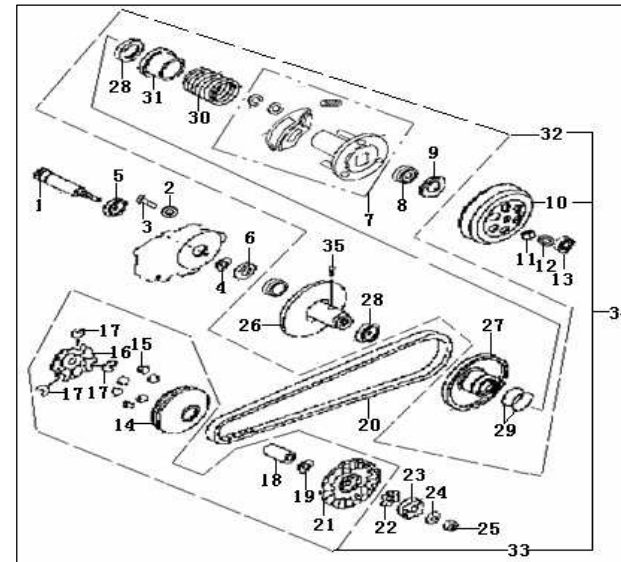
NO	QJ CODE	DESCRIPTION	QTY	RMK
1	34120G02F000	START GEAR ASSY	1	
2	34121G02F000	NEEDLE BEARING 26400	1	
3	34123G02F000	THRUST WASHER	1	
4	34110G02F00A	STARTER CLUTCH ASSY.COMP	1	
5	34126G02F000	DRIVEN GEAR,STARTER	1	
6	26128G02F000	IDLE GEAR SHAFT	1	
7	34122G02F000	PLATE WASHER	1	
8	34125G02F000	IDLE GEAR HOLDER	1	
9	301310601062	SCREW M6X10	2	
10	302040602065	SCREW	2	
11	216100.004000	SHAFT, kick starter	1	
12	17407G02F000	SPRING	1	
13	216217.001000	BUSH	1	
14	307991005552	WASHER ,kick starter	1	
15	308090150003	CIRCLIP	1	
16	17415G02F000	KICK PINION ASSY	1	
17	17418G02F930	CLIP	1	
18	218100.006472	STARTING MOTOR ASSY (530±10mm)	1	100cc
	218100.017472	STARTING MOTOR ASSY (460-470mm)	1	50cc
19	B190102120B0	O-RING	1	
20	34130G02F000	PLATE WASHER	1	
21	217100.100000	START CLUTCH ASSY, COMP.	1	
22	34404G02F00A	SPRING	3	
23	34405G02F00A	CAP	3	
24	34402G02F00A	ROLLER	3	



ATV 50-E, ATV 50-C, ATV 100-C

E08 CLUTCH ASSY

NO	QJ CODE	DESCRIPTION	QTY	RMK
1	24201B01F000	PRIMARY DRIVE SHAFT	1	
	24201G02F000	PRIMARY DRIVE SHAFT	1	ATV 50-C
2	18114G02F000	PLATE WASHER	1	
3	B01090801263	PAN HEAD SCREW	1	
4	B08010001700	CIRCLIP	1	
5	B12016600300	ROLING BEARING	1	
6	24203G02F000	OIL SEAL	1	
7	24301B01F000	CLUTCH ASSY,shoe	1	50cc
	24301G02F000	CLUTCH ASSY,shoe	3	100cc
8	24245G02F000	BALL BEARING 6003	1	
9	24303G02F000	NUT	1	
10	24700G02F000	CLUTCH DRUM	1	
11	24305G02F940	NUT	1	
12	24243G02F000	O-RING	1	
13	24209G02F000	BEARING 8X28X8	1	
14	24101G02F000	FACE, movable drive	1	
15	213119.003000	ROLLER (5g)	6	50cc
	213119.007000	ROLLER (7.6g)	6	100cc
16	24103G02F000	PLATE, movable drive	1	
17	24104G02F000	DAMPER	3	
18	24105G02F000	COLLAR	1	
19	24106B01F000	WASHER (50cc)	1	50cc
	24106G02F000	WASHER(100CC)	1	100cc
20	24107B01F000	V BELT,DRIVE	1	
21	24108G02F000	FACE, FIXED DRIVE	1	
22	24109G02F000	STAR WASHER	1	
23	213203.001161	STARTING RATCHET	1	50cc
	24110G02F000	STARTING RATCHET	1	100cc
24	15112G02F010	WASHER,SPRING	1	
25	B04031212553	NUT	1	
26	24204G02F000	FACE, FIXED DRIVEN	1	
27	24205G02F000	FACE, MOVABLE DRIVEN	1	
28	24206G02F000	OIL SEAL	2	
29	24207G02F000	O-RING	2	
30	24308B01F000	SPRING	1	50cc
	24308G02F000	SPRING	1	100cc
31	24309G02F930	SEAT,SPRING	1	
32	24200B01F000	DRIVEN PULLEY COMP.	1	50cc
	24200G02F000	DRIVEN PULLEY and CLUTCH ASSY	1	100cc
33	24100G02F000	DRIVE PULLEY COMP.	1	100cc
	213100.039000	DRIVE PULLEY COMP.	1	50cc
34	213100.010000	SHIFT ASSY (5g)	1	50cc
	213100.013000	SHIFT ASSY (7.6g)	1	100cc
35	24208G02F000	GUIDE PIN	2	



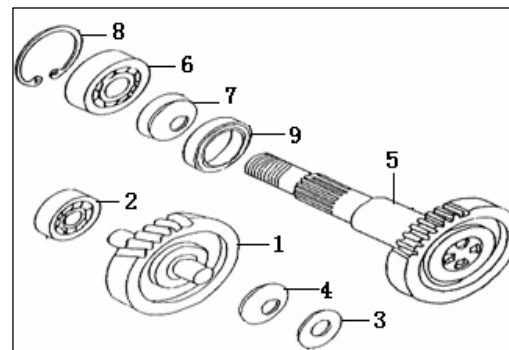
ATV 50-E, ATV 50-C, ATV 100-C

E09 TRANSMISSION SYSTEM ASSY

NO	QJ CODE	DESCRIPTION	QTY
1	17800B01F000	INTERMEDIATE SHAFT (40)	1
	17800G02F000	INTERMEDIATE SHAFT (50)	1
2	B12016620100	BEARING 6201	1
3	17509G02F000	PLATE WASHER12	1
4	17802G02F000	WASHER, CONICAL	1
5	17300B01F000	DRIVEN SHAFT(GEAR BOX) (40)	1
	17300G13F000	DRIVEN SHAFT(GEAR BOX) (52-3)	1
6	B12016600400	BEARING	1
7	17317G02F000	OIL SEAL	1
8	17308G02F000	CIRCLIP	1
9	26136G02F000	NEEDLE BEARING	1

RMK
ATV 50-C
ATV 50-E e ATV 100-C

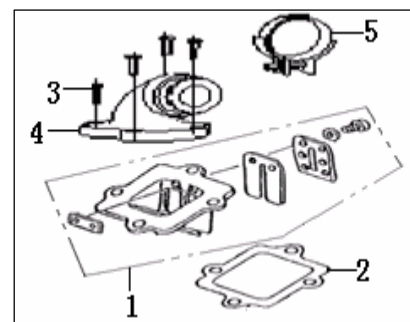
ATV 50-C
ATV 50-E e ATV 100-C



E10 REED VALVE ASSY

NO	QJ CODE	DESCRIPTION	QTY
1	32300G02F000	REED VALVE ASSY	1
2	202306.002000	VALVE SEAT GASKET	1
3	302040602065	SCREW	4
4	32200G02F000	INTAKE PIPE	1
5	202104.006000	CLIP	1

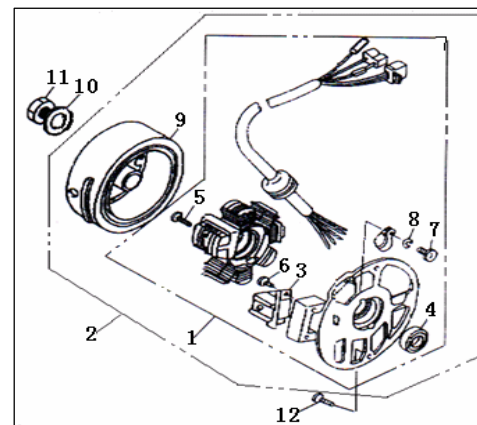
RMK



E11 MAGNETO ASSY

NO	QJ CODE	DESCRIPTION	QTY
1	34310G02F000	COIL ASSY	1
2	223100.100000	MAGNETO ASSY 15°	1
3	34330G02F000	PULSE TRIGGER	1
4	34350G02F000	OIL SEAT	1
5	B02000502522	SCREW M5X25	2
6	B02000501262	SCREW M5X12	2
7	B02000400622	SCREW M4X6	1
8	B07000000400	SPRING WASHER 4	1
9	223101.019000	FLY WHEEL ASSY 15°	1
10	B07030001200	WASHER 12-140HV	1
11	15228H03F000	NUT M12X1.25	1
12	B01070601664	NUT M6X16	2

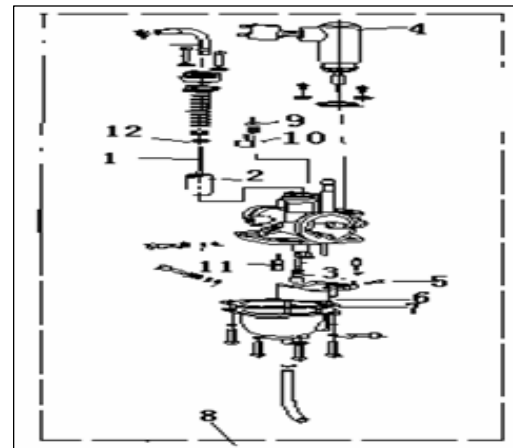
RMK



ATV 50-E, ATV 50-C, ATV 100-C

E12.1 CARBURETOR ASSY (ATV50-C, ATV50-E)

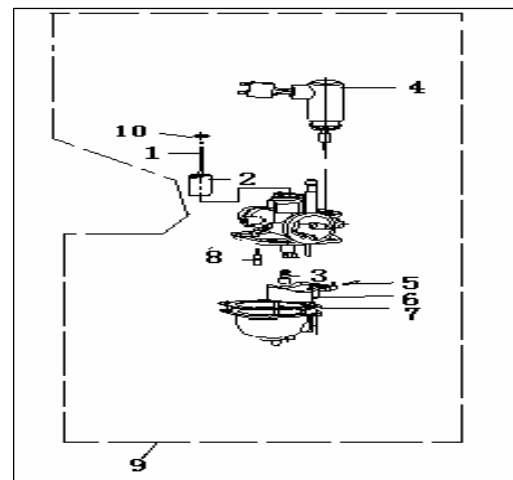
NO	CODE		QTY	RMK
1	32510B01F000	NEEDLE JET	1	50cc
2	32511B01F000	PISTON VALVE	1	50cc
3	224202.104000	MAIN JET (60#)	1	ATV 50-C
	224202.100000	MAIN JET (70#)	1	ATV 50-E
4	32612B01F000	ENRICH VALVE	1	50cc
5	32619B01F000	FLOAT PIN	1	50cc
6	32620B01F000	FLOAT	1	50cc
7	32701B01F000	GASKET	1	50cc
8	224100.042000	CARBURETOR ASSY	1	ATV 50-C
	224100.111000	CARBURETOR ASSY	1	ATV 50-E
11	224203.100000	IDLE JET (22.5#)	1	50cc
12	32508B01F000	V-SHAPED CLIP	1	50cc



E12.2 CARBURETOR ASSY (ATV100-C)

NO	CODE		QTY	NOTES
1	224208.011000	NEEDLE JET		
2	224600.004000	PISTON VALVE		
3	224202.112000	MAIN JET (62.5#)		
4	32612G01F000	ENRICH VALVE		
5	32621G01F000	FLOAT PIN		
6	32622G01F000	FLOAT		
7	32701G01F000	GASKET		
8	224203.103000	IDLE JET		
9	224100.082000	CARBURETOR ASSY		
10	224214.003000	V-SHAPED CLIP		

for 100cc

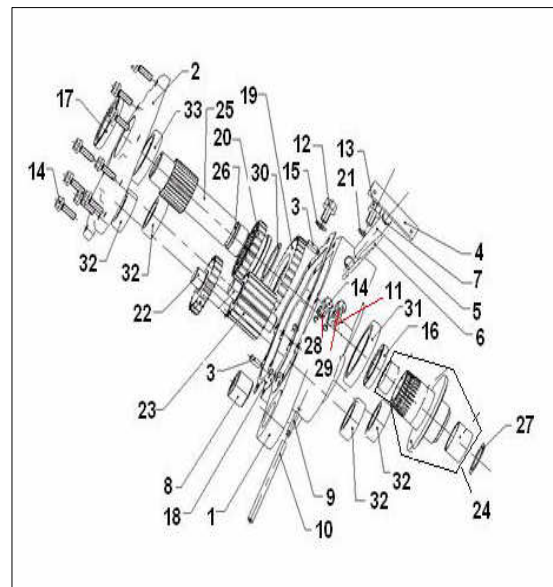


ATV 50-E, ATV 50-C, ATV 100-C

E13 REVERSE GEAR CASE

NO	CODE	DESCRIPTION	QTY
1	206102.018000	lower box	1
2	206101.023000	upper box	1
3	215316.001000	dowel pin	2
4	215429.001000	handgrip	1
5	215430.001000	circinal stick	1
6	215431.001000	poked piece	1
7	315108919010	O ring 8.9X1.9	1
8	215415.009000	grommet	1
9	225235.001000	blow copper pipe	1
10	225232.009000	PP pipe	1
11	215312.001000	clasp	1
12	206407.004081	bolt M8X16	1
13	206407.004081	bolt M8X16	1
14	301250602065	bolt M6X20	10
15	307991408520	aluminium gasket	1
16	317104055071	oil seal 40X55X7	1
17	317103045071	oil seal 30X45X7	1
18	215203.009000	gasket	1
19	215410.001000	big gear	1
20	215409.001000	active gear	1
21	26102G02F000	O RING	1
22	229022110000	Intermediate Shaft & Gear assy.	1
23	249042110000	IDLER SHAFT & GEAR ASSY.	1
24	214104.016000	Output shaft assy. (24 teeth)	1
	214104.015000	Output shaft assy. (19 teeth)	1
	214104.017000	OUTLET SHAFT ASSY (25 teeth)	1
25	215413.001000	Input shaft	1
26	315122028010	O ring22x2.8	1
27	308090280010	circlip 28	1
28	B04000600074	nut M6	1
29	301250601265	bolt M6X12	1
30	215320.001000	circlip	1
31	312640680900	bearing 16008	1
32	312602030000	bearing 6203	4
33	312630550900	bearing 16006	1

RMK



ATV 50-C

ATV 100-C

ATV 50-E