

PARTS CATALOGUE



SCOOTERS

KP10GA(PT)

NEW SUPER 8 50 E5



Release Date : 2022/09/05
Print Date : 2022/10/24

ABOUT THIS PARTS LIST

- This parts list is compiled all service parts for model KP10GA(PT).
- Any difference between color chart and motorcycle will be revised according to motorcycle.
- The Mark:
 1. Marking "***" must add color code in the end before ordering parts.
 2. Marking "#" are parts with modification, Please find the details from e-Parts system.
- When modification or additions to this parts list are made a revised edition at an appropriate time.



CONTENTS

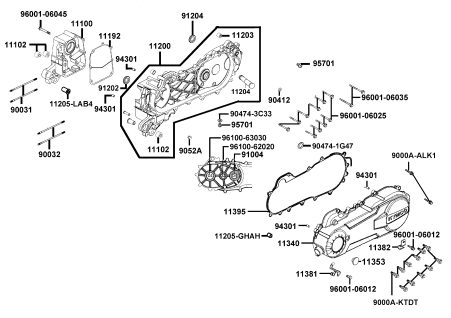
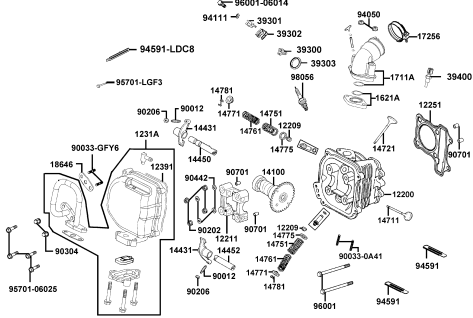
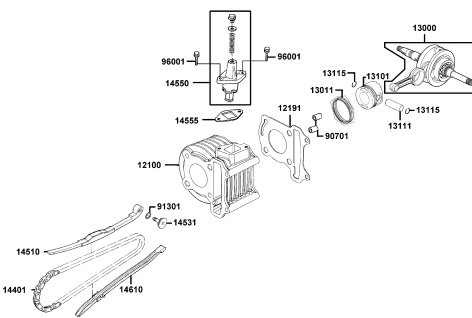
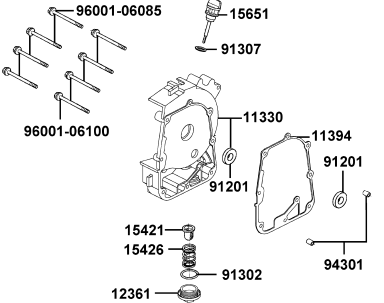
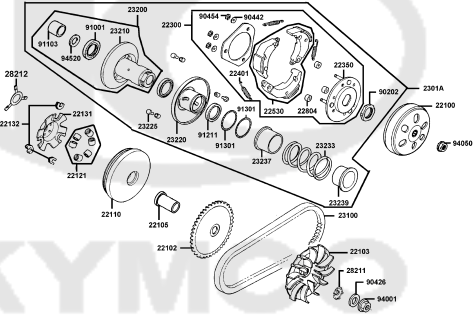
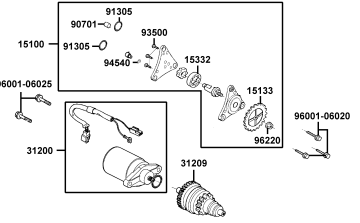
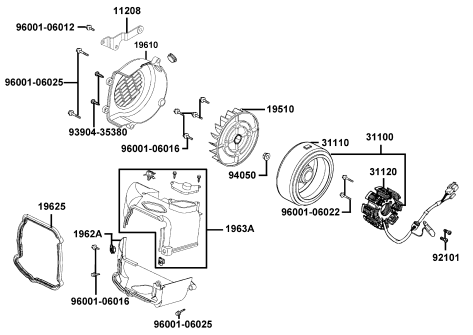
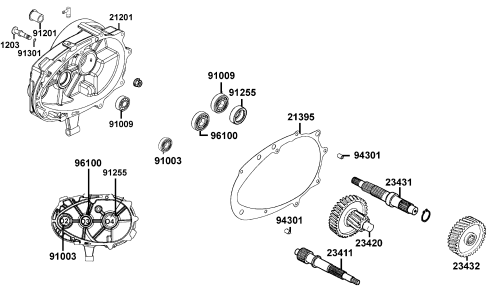
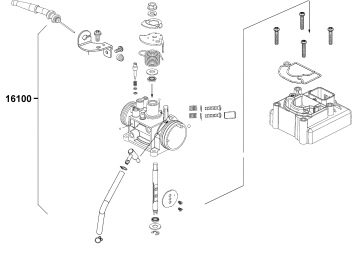
● ABOUT THIS PARTS LIST	1
● COLOR CHART OF KP10GA(PT)	3
● CONTENTS-ENGINE GROUP	6
● CONTENTS-FRAME GROUP	7
● ENGINE PARTS LIST	10
● FRAME PARTS LIST	36
● PART NO. INDEX	92

NO	MODEL			COLOR CHART OF KP10GA(PT)			
	PHOTO NO			NO. 1	NO. 2		
	BASIC COLOR			Mat Black	Apple Green		
	CODE			Mat Black	Apple Green		
	PARTS NAME	PARTS NO.	VERSION	NH105FA	CG308FA		
1	CARRIER RR	81200-AHF8-M40	0	66A			
2	FR COVER LOW	64303-AHF8-M40	0	66P			
3	SKIRT R SIDE	64305-LEJ2-E10	0				
4	SKIRT L SIDE	64306-LEJ2-E10	0				
5	MOLDING, R FR	64312-AHF8-M40	0				
6	MOLDING, L FR.	64322-AHF8-M40	0				
7	COVER R SIDE	83520-LEJ2-E10	0				
8	COVER L SIDE	83620-LEJ2-E10	0				
9	COVER FR	64301-AHF8-M40	0				
10	MUFFLER ASSY	1830A-ALK1-EZ5	0	HJA			
11	PTOTECTOR MUFFLER	18318-LCD3-C00	0	M2A			
12	LEVER R STRG HANDLE	53175-LEB9-E00	0				
13	LEVER STEERING	53178-KED1-C00	1	N1R			
14	COVER BATTERY	50326-LEJ2-E10	0				
15	COVER UNDER	50613-LEJ2-E10	0				
16	GRIP COMP THROT	53140-AEH2-M40	0				
17	GRIP L HANDLE	53166-KNBN-C00	1				
18	COVER HANDLE FR	53205-BLA2-E70	0				
19	COVER HANDLE. LOW	53206-BLA2-E70	0				
20	PROTECTOR HANDLE	53207-BLA2-E70	0				
21	FENDER INNER A FR.	61110-AHF8-M40	0				
22	GRILL FR COVER	64304-AHF8-M40	0				
23	FLOOR PANEL	64310-LEJ2-E10	0				
24	PLUG FLOOR	64316-AEH2-M40	0				
25	COWL UNDER	64400-AHF8-M40	0				
DATE OF STARTING-SALES							
DATE OF END-SALES							

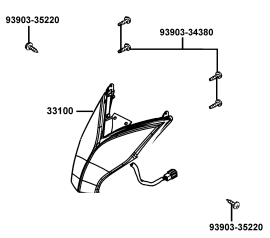
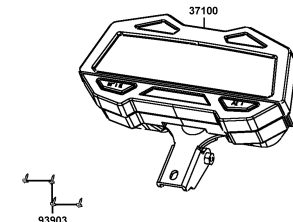
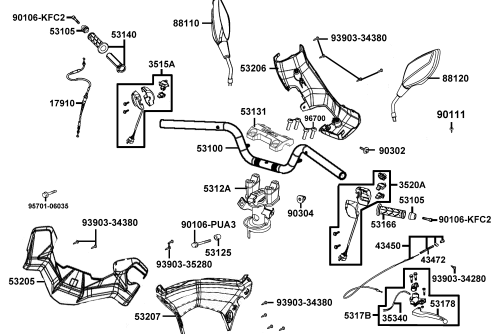
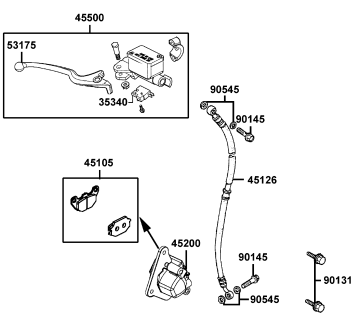
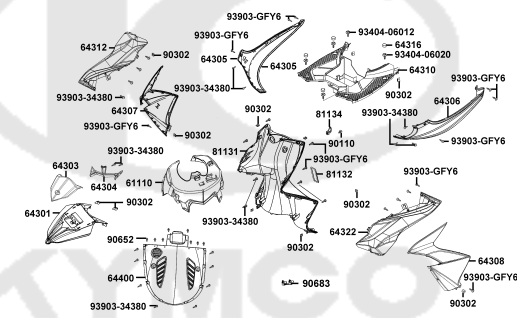
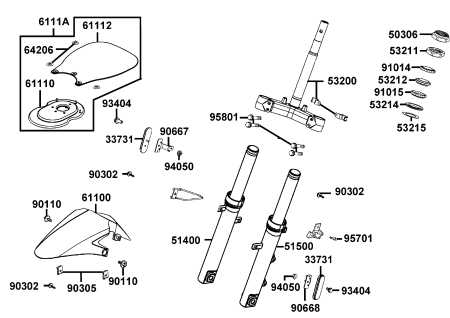
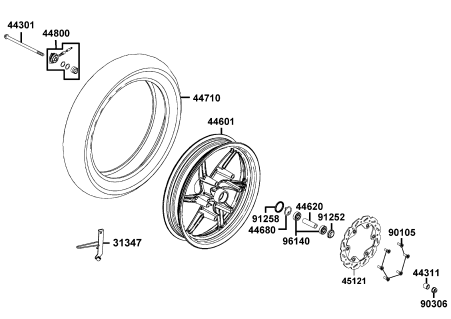
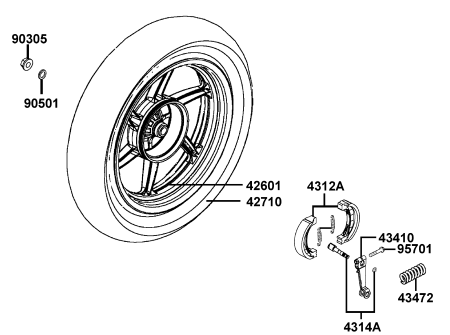
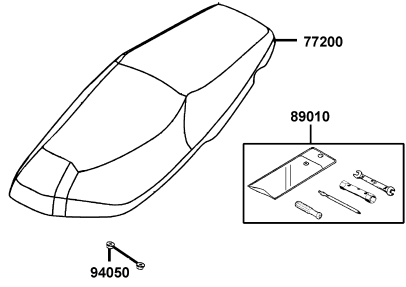
NO	MODEL			COLOR CHART OF KP10GA(PT)			
	PHOTO NO			NO. 1	NO. 2		
	BASIC COLOR			Mat Black	Apple Green		
	CODE			Mat Black	Apple Green		
	PARTS NAME	PARTS NO.	VERSION	NH105FA	CG308FA		
26	FENDER RR TIRE	80100-LEJ2-E10	1	N1R			
27	FENDER RR INNER	80101-LEJ2-E10	0				
28	FENDER REAR	80105-LEJ2-E10	0				
29	FENDER B RR	80106-LEJ2-E10	1				
30	COVER ASSY CENTER	80151-LEJ2-E10	0				
31	LEG SHIELD	81131-ALG1-E10	0				
32	LID LEG SHIELD	81132-LCB9-C10	1				
33	BOX LUGGAGE	81250-AAB6-E15	0				
34	COVER R SIDE A	83510-LEJ2-E10	0				
35	COVER L SIDE A	83610-LEJ2-E10	0				
36	CUSHION ASSY RR	52400-LEJ2-E10	2	N1S			
37	COVER COMP L SIDE	11340-LEJ2-E10	0	NEA			
38	WHEEL COMP RR CAST	42601-LEJ2-E10	0				
39	WHEEL CAST FR	44601-LEJ3-E10	0				
40	"STEP R,RR STEP"	50711-LEJ2-E10	2				
41	STEP L RR STEP	50712-LEJ2-E10	3				
42	FORK ASSY RH FR	51400-LEJ2-E10	2				
43	FORK ASSY L FR	51500-LEJ2-E10	2				
44	SEAT ASSY	77200-BLA2-E70	0				
45	EMB K-LOGO	86102-ALG1-E00	2				
46	EMB K-LOGO	86102-LKJ1-C00	0				
47	STRIPE R BODY COVER	86221-BLA2-E70	0	T01			
48	STRIPE L BODY COVER	86231-BLA2-E70	0				
49	STRIPE B R BODY	86241-BLA2-E70	0				
50	STRIPE B L BODY	86251-BLA2-E70	0				
DATE OF STARTING-SALES							
DATE OF END-SALES							

NO	MODEL			COLOR CHART OF KP10GA(PT)				
	PHOTO NO			NO. 1	NO. 2			
	BASIC COLOR			Mat Black	Apple Green			
	CODE			Mat Black	Apple Green			
	PARTS NAME	PARTS NO.	VERSION	NH105FA	CG308FA			
51	STRIPE R FR MOLD	86282-BLA2-E70	0	T01				
52	STRIPE L FR MOLD	86283-BLA2-E70	0					
53	STRIPE R SIDE COVER	86323-BLA2-E70	0					
54	STRIPE L SIDE COVER	86333-BLA2-E70	0					
55	LABEL TIRE	87505-LEJ2-E01	1					
56	CAUTION SIDE STAND	87541-GAR1-C01	1					
57	LABEL OIL CAP	87541-KGBG-E01	1					
58	MARK MAINT CAUTION	87542-GAR1-C01	2					
59	LABEL FUEL TANK	87546-AGE3-E00	0					
60	MARK DRIVE CAUTION	87560-GFY6-E11	3					
61	FENDER . FR. INNER	61100-LEJ2-E10	0	66P	UEP			
62	COVER R SIDE MOLD	64307-ALG1-E10	0	NEP	UEP			
63	COVER L SIDE MOLD	64308-ALG1-E10	0					
64	COVER R BODY	83500-LEJ2-E10	0					
65	COVER L BODY	83600-LEJ2-E10	0					
66	COVER RR CENTER	83750-LEJ2-E10	0					
67	HOLDER UPPER	53131-LHM9-E60	1		YYP			
DATE OF STARTING-SALES								
DATE OF END-SALES								

CONTENTS - ENGINE GROUP

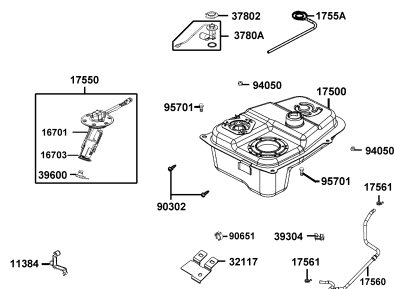
<p>E01 Crank Case</p> 	<p>E02 Cylinder Head</p> 	<p>E03 Cylinder Piston Crankshaft</p> 
<p>E04 Right Crankcase Cover</p> 	<p>E05 Driven Pulley</p> 	<p>E06 Starting Motor Oil Pump</p> 
<p>E07 Fan Cover Generator</p> 	<p>E08 Transmission</p> 	<p>E09 THROTTLE BODY, ASSY</p> 

CONTENTS - FRAME GROUP

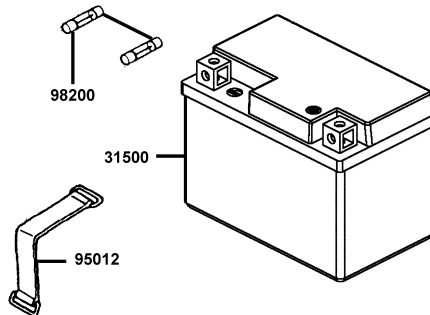
<p>F01 Head Light</p> 	<p>F02 Speedometer</p> 	<p>F03 Handle Steering Handle Cover</p> 
<p>F04 Brake Master Cylinder</p> 	<p>F05 Front Cover Front Fender</p> 	<p>F06 Stem Steering Front Cushion</p> 
<p>F07 Front Wheel</p> 	<p>F08 Rear Wheel</p> 	<p>F09 Seat</p> 

CONTENTS - FRAME GROUP

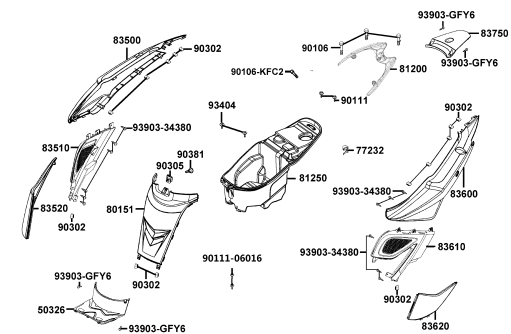
F10 Fuel Tank



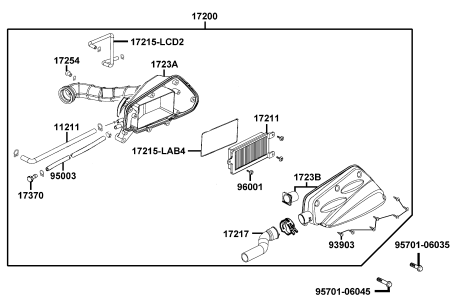
F11 Battery



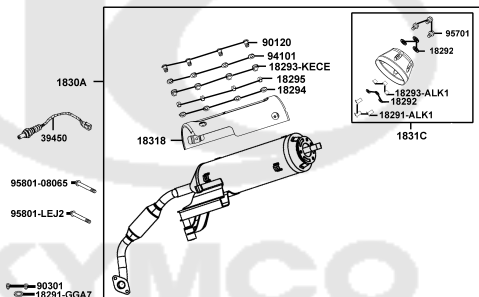
F12 Body Cover Luggage Box



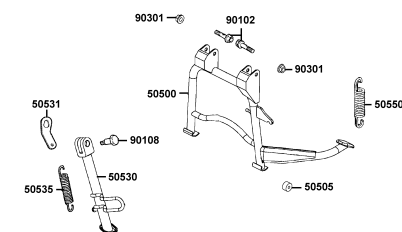
F13 Air Cleaner



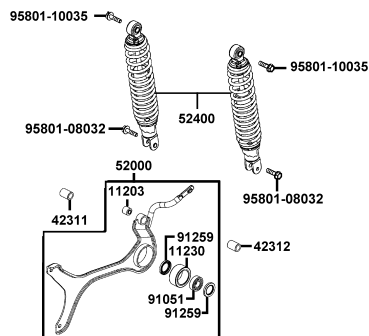
F14 Exhaust Muffler



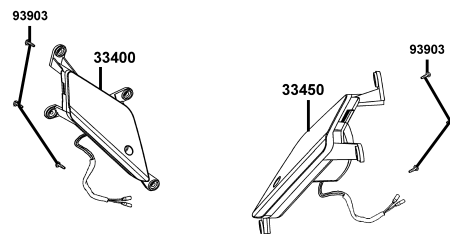
F15 Stand Kick Starter Arm



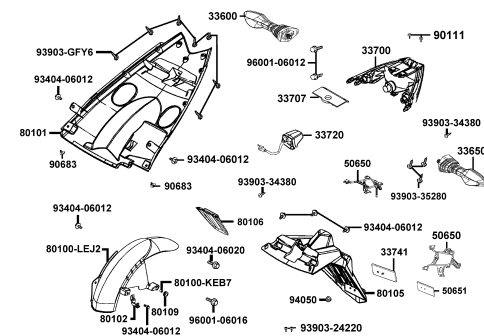
F16 Rear Cushion



F17 Front Winker

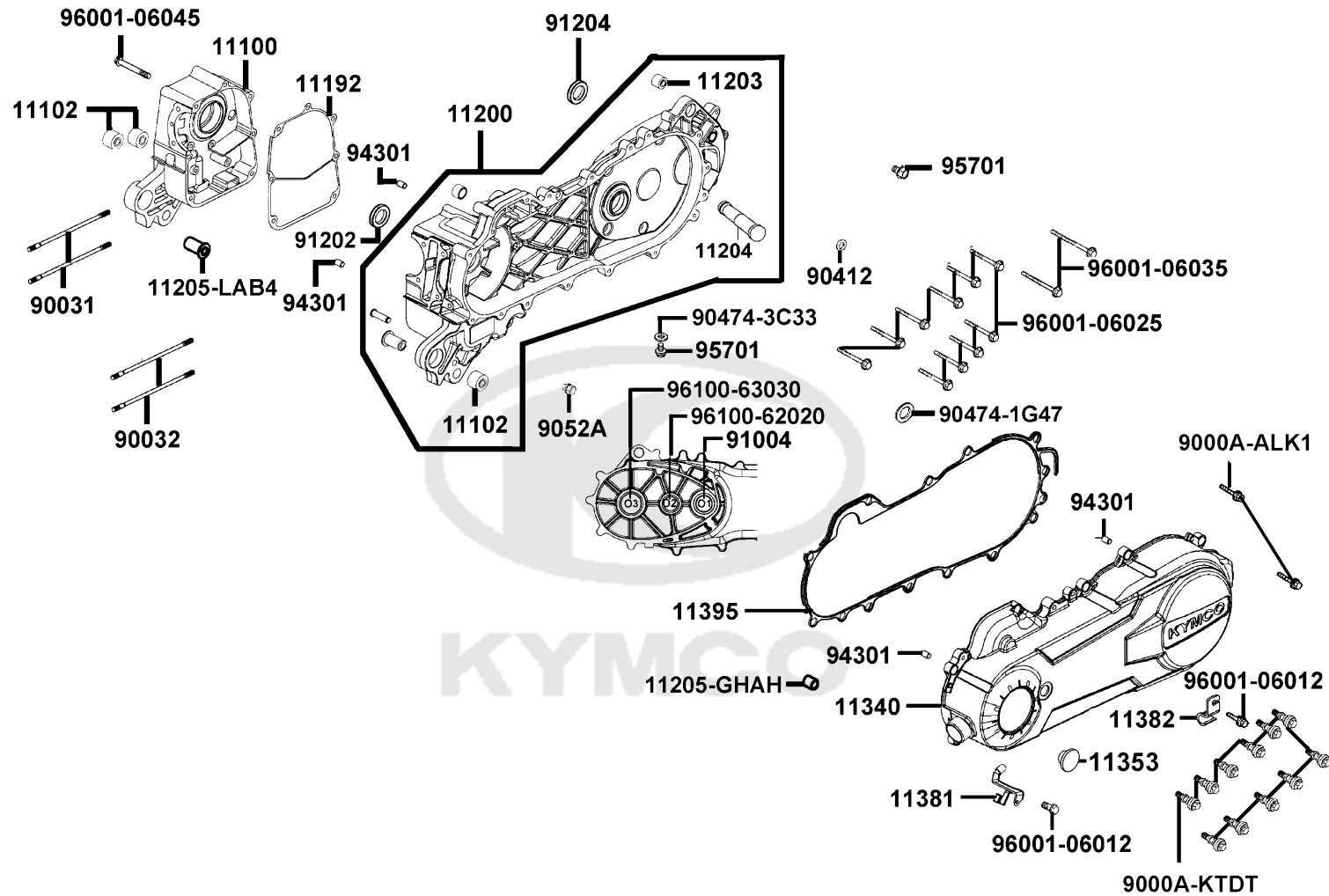


F18 Tail Light



E01

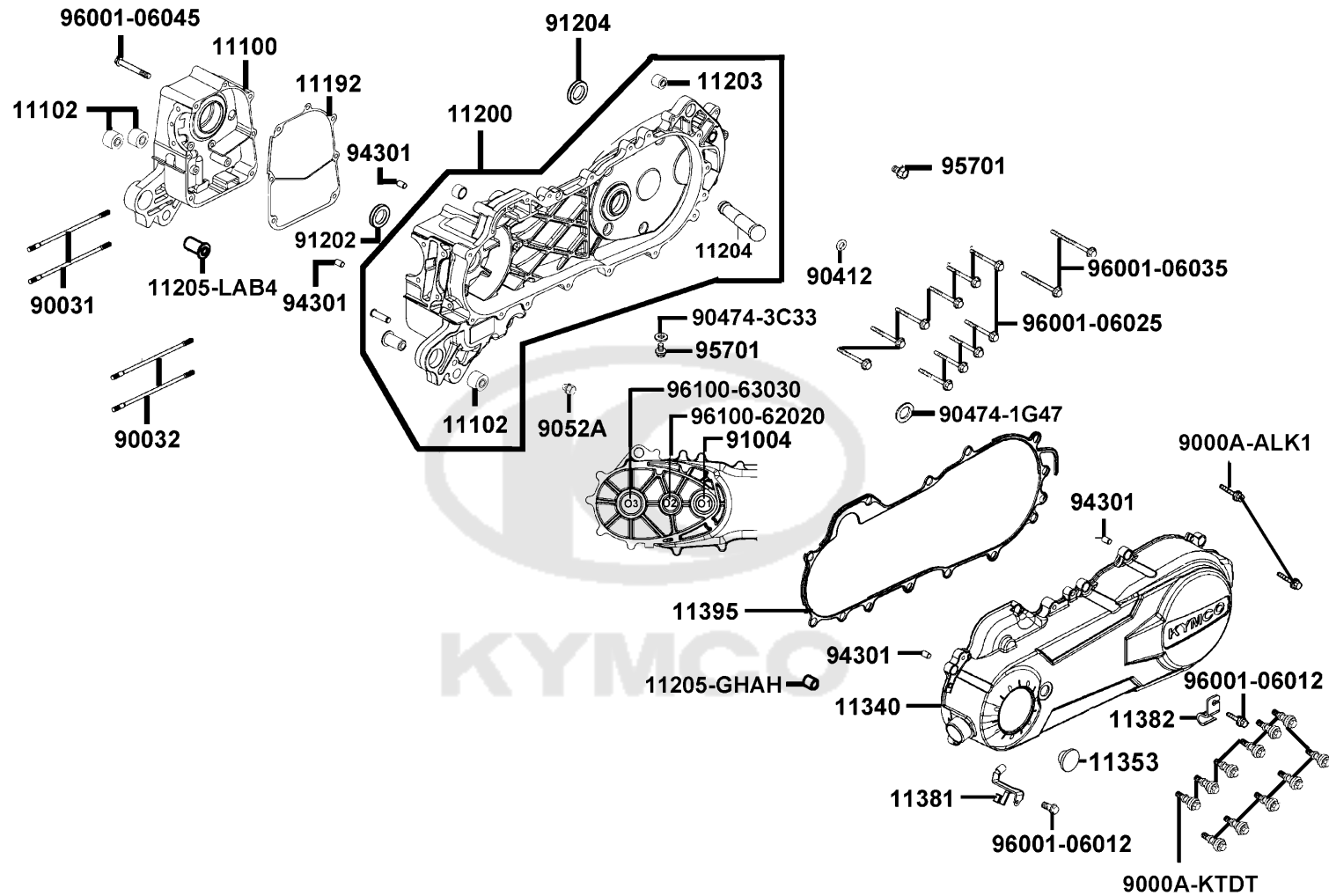
Crank Case



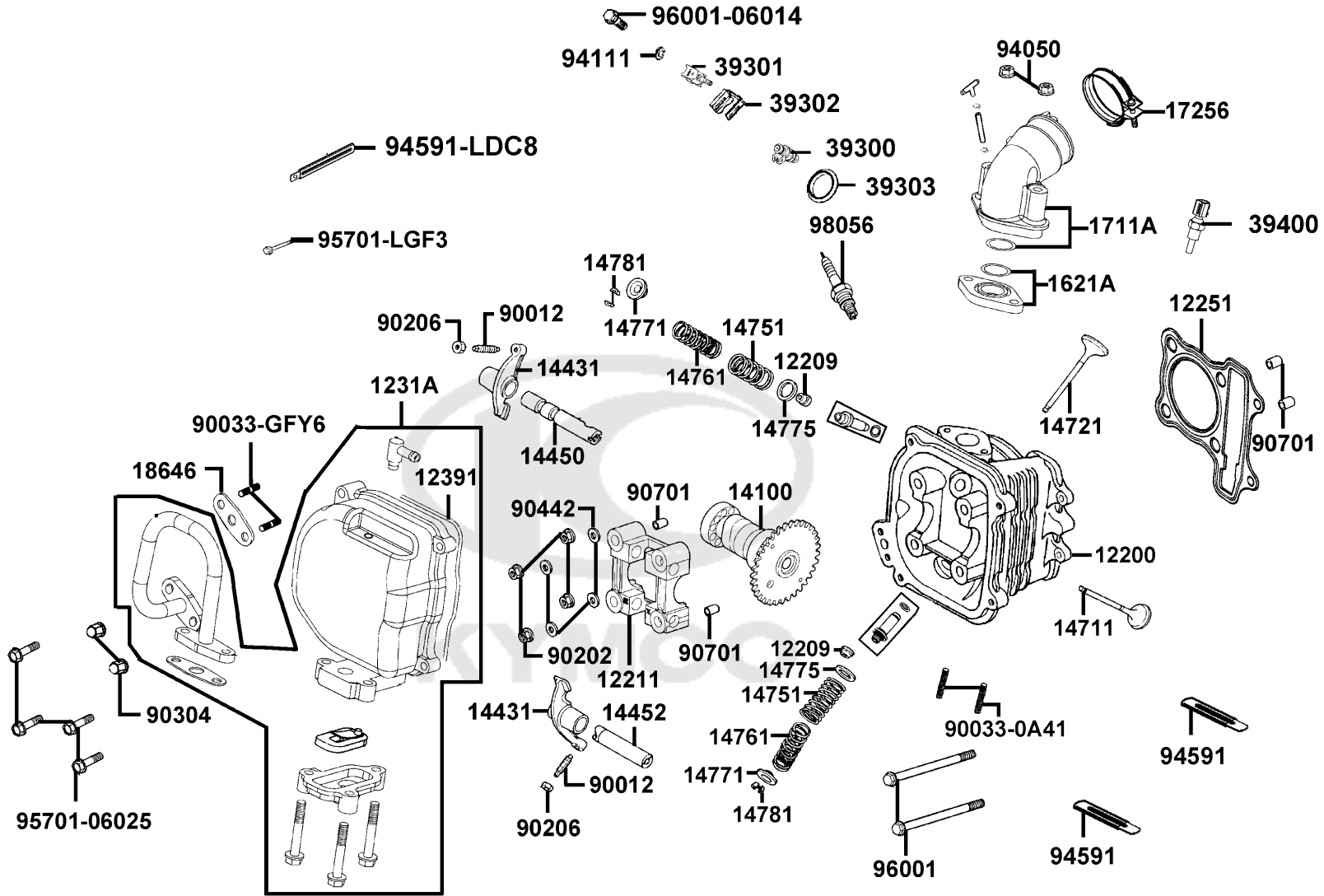
Sales mark	Ref no	Part no	Description	Reg description	Regd no	E01
	11100	11100-KGBG-C00	CRANK CASE COMP.,R	CRANK CASE COMP RIGHT	1	
	11102	11102-1G87-C00	RUB BUSH ENG HANGER	RUB BUSH ENG HANGER	2	
	11192	11192-KGBG-E90	GASKET,CRANK CASE@A	GASKET CRANK CASE@A	1	
	11200	11200-LCD2-C00	CRANK CASE COMP L	CRANK CASE COMP L	1	
	11203	11203-GGC7-W10	UNDER RUBBER BUSH REAR CUSHION	UNDER RUBBER BUSH REAR CUSHION	1	
	11204	11204-LEJ2-E10	PIN SPG HOOK	PIN SPG HOOK	1	
	11205-GHAH	11205-GHAH-C00	BUSH 8*12*8	BUSH 8*12*8	1	
	11205-LAB4	11205-LAB4-C00	BUSH M STAND	BUSH M STAND	1	
**	11340	11340-LEJ2-E10	COVER COMP L SIDE(NH105)	COVER COMP L SIDE(NH105)	1	
	11353	11353-LEA6-C00	RUBBER PLUG ,L COVER KICK	RUBBER PLUG L COVER KICK	1	
	11381	11381-LFC2-E10	CLAMPER THROTTLE CABLE	CLAMPER THROTTLE CABLE	1	
	11382	11382-LCD2-E00	CLAMPER BRAKE CABLE	CLAMPER BRAKE CABLE	1	
	11395	11395-LCD2-C00	GASKET L COVER	GASKET L COVER	1	
	9000A-ALK1	9000A-ALK1-E15	BOLT ASSY SPECIAL	BOLT ASSY SPECIAL	2	
	9000A-KTDT	9000A-KTDT-C02	BOLT ASSY SPECIAL 6*27	BOLT ASSY SPECIAL 6*29.5(G)	9	
	90031	90031-KGBG-C01	BOLT A STUD 7*168	BOLT A STUD 7*168	2	
	90032	90032-KGBG-C01	BOLT A STUD 7*176	BOLT A STUD 7*176	2	
	90412	90412-3K29-C00	WASHER THRUST 10M/M	WASHER THRUST 10M/M	1	
	90474-1G47	90474-1G47-C00	WASHER 10.5MM	WASHER 10.5MM	1	
	90474-3C33	90474-3C33-C00	WASHER 8MM (T*2)	WASHER 8MM (T*2)	1	

E01

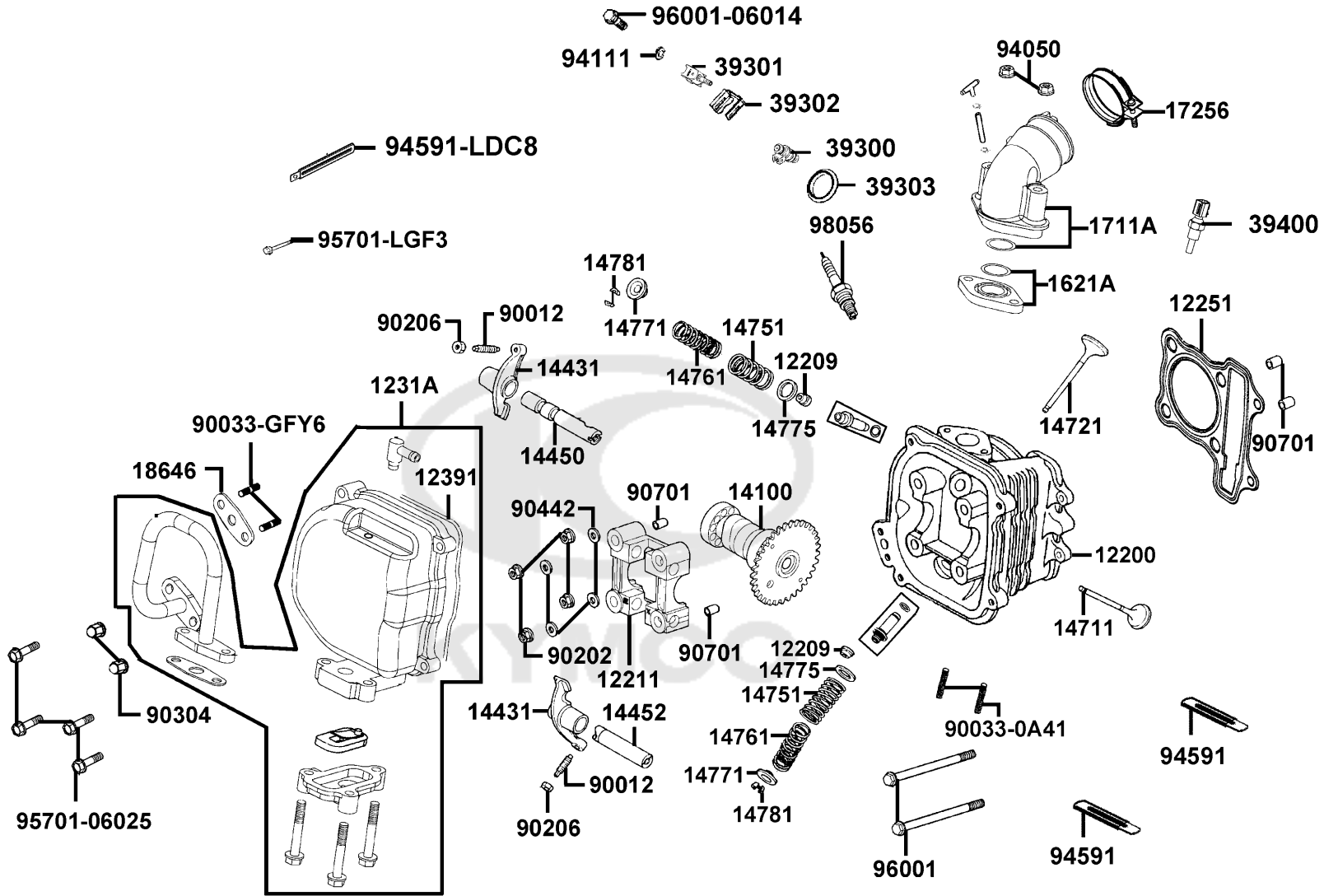
Crank Case



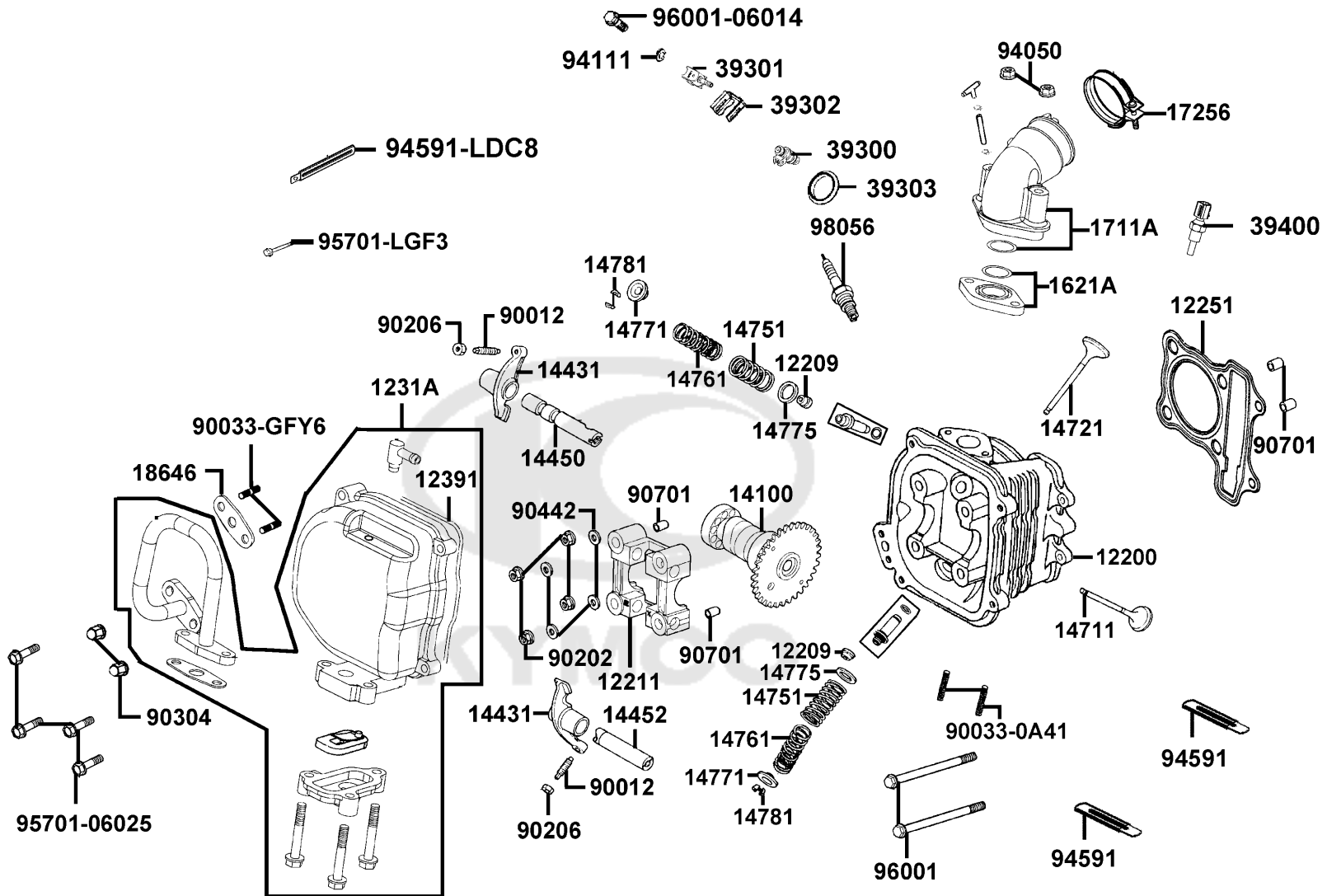
Sales mark	Ref no	Part no	Description	Reg description	Regd no	E01
9052A		9052A-PUA3-B50	BOLT ASSY DRAIN PLUG 12*15	BOLT ASSY DRAIN PLUG 12*15	1	
91004		91004-KNBN-C00	BRG BALL RADIAL 6203 SPC	BRG BALL RADIAL 6203 SPC	1	
91202		91202-GFY6-90C	OIL SEAL 19.8*30*5	OIL SEAL 19.8*30*5	1	
91204		91204-KNBN-C00	OIL SEAL 17*30*6	OIL SEAL 17*30*6	1	
94301		94301-08140	DOWEL PIN 8*14	DOWEL PIN 8*14	4	
95701		95701-08012-08G	BOLT FLANGE 8X12(C)	BOLT FLANGE 8X12(C)	2	
96001-06012		96001-06012-08G	BOLT FLANGE SH 6X12 (C)	BOLT FLANGE SH 6X12 (C)	2	
96001-06025		96001-06025-08G	BOLT FLANGE SH 6*25 (C)	BOLT FLANGE SH 6*25 (Cr3+)	10	
96001-06035		96001-06035-08G	BOLT FLANGE SH 6*35	BOLT M6x35	2	
96001-06045		96001-06045-08G	BOLT FLANGE SH 6x45 (C)	BOLT FLANGE SH 6*45 (C)	1	
96100-62020		96100-62020-00	BEARING BALL RADIAL 6202	BEARING BALL RADIAL 6202	1	
96100-63030		96100-63030-00	BEARING BALL RADIAL 6303	BEARING BALL RADIAL 6303	1	



Sales mark	Ref no	Part no	Description	Reg description	Regd no	E02
12200		12200-ADB2-C00	HEAD COMP CYLINDER	HEAD COMP CYLINDER	1	
12209		12209-GDB4-C00	SEAL VALVE STEM	SEAL VALVE STEM	2	
12211		12211-KGBG-C00	HOLDER,CAM SHAFT	HOLDER CAM SHAFT	1	
12251		12251-KGBG-C00	GASKET CYLINDER HEAD	GASKET CYLINDER HEAD	1	
1231A		1231A-KHC5-C00	COVER ASSY HEAD	COVER ASSY HEAD	1	
12391		12391-KEE1-C00	GASKET HEAD COVER	GASKET HEAD COVER	1	
14100		14100-ACB9-EZ5	SHAFT COMP CAM	SHAFT COMP.. CAM	1	
14431		14431-KGBG-W10	ARM VALVE ROCKER	ARM VALVE ROCKER	2	
14450		14450-KGBG-W10	SHAFT COMP IN ROCKER ARM	SHAFT COMP IN ROCKER ARM	1	
14452		14452-KGBG-W10	SHAFT EXH ROCKER ARM	SHAFT EXH ROCKER ARM	1	
14711		14711-KGBG-C00	VALVE INLET	VALVE INLET	1	
14721		14721-KGBG-C00	VALVE EXHAUST	VALVE EXHAUST	1	
14751		14751-KGBG-C00	SPRING VALVE OUTER	SPRING VALVE OUTER	2	
14761		14761-KGBG-C00	SPRING VALVE INNER	SPRING VALVE INNER	2	
14771		14771-GDB4-C00	RETAINER VALVE SPRING	RETAINER VALVE SPRING	2	
14775		14775-MFA6-C00	SEAT VALVE SPG OUTER	SEAT VALVE SPG OUTER	2	
14781		14781-MFA6-C00	COTTER VALVE	COTTER VALVE	2	
1621A		1621A-ADB2-EZ5	INSULATOR ASSY., INLET	INSULATOR CARB ASSY	1	
1711A		1711A-ACB9-EZ5	PIPE ASSY.,INLET	PIPE ASSY INLET	1	
17256		17256-ALK1-E15	BAND INSULATOR	BAND INSULATOR	1	



Sales mark	Ref no	Part no	Description	Reg description	Regd no	E02
	18646	18646-LDC8-E10	GASKET A/I PIPE	GASKET A/I PIPE	1	
	39300	39300-ACB9-EZ5	INJECTOR, FUEL	INJECTOR UNIT FUEL	1	
	39301	39301-ACB9-EZ5	HOLDER ASSY FUEL	CUP COMP FUEL INJECTOR	1	
	39302	39302-KKE3-C00	CLIP SPRING FUEL INJECTOR	CLIP SPRING FUEL INJECTOR	1	
	39303	39303-LEB2-C00	SEAL,HIGH TENSION FUEL INJECT	SEAL,HIGH TENSION FUEL INJECT	1	
	39400	39400-LHJ3-900	SENSOR. HEAD TEMPERATURE	SENSOR. HEAD TEMPERATURE	1	
	90012	90012-3C33-C00	SCREW TAPPET ADJUSTING	SCREW TAPPET ADJUSTING	1	
	90033-0A41	90033-0A41-C01	BOLT STUD 6*32	BOLT STUD 6*32	1	
	90033-GFY6	90033-GFY6-C11	BOLT STUD 6*16	BOLT STUD 6*16	1	
	90202	90202-GFF6-C00	NUT FLANGE 7MM	NUT FLANGE 7MM	1	
	90206	90206-0A01-C00	NUT TAPPET ADJG	NUT TAPPET ADJG	1	
	90304	90304-4H38-C00	NUT HEX CAP 6MM	NUT HEX CAP 6MM	1	
	90442	90442-GFF6-C01	WASHER SEALING 7MM 7.2*14*2.5	WASHER SEALING 7MM 7.2*14*2.5	1	
	90701	90701-GFF6-C00	PIN DOWEL SPECIAL 8*14	PIN DOWEL SPECIAL 8*14	1	
	94050	94050-06080-G	NUT FLANGE 6MM	NUT FLANGE 6MM	2	
	94111	94111-06800-G	WASHER SPG 6MM(C)	WASHER SPG 6MM(C)	1	
	94591	94591-KFBF-C00	CLIP 2*71	CLIP 2*70	2	
	94591-LDC8	94591-LDC8-E10	CLIP BIND	CLIP BIND	1	
	95701-06025	95701-06025-08G	BOLT FLANGE 6*25	BOLT FLANGE 6*25	4	
	95701-LGF3	95701-LGF3-E90	BOLT TORQUE 6X50	BOLT FLANGE 6*50	1	



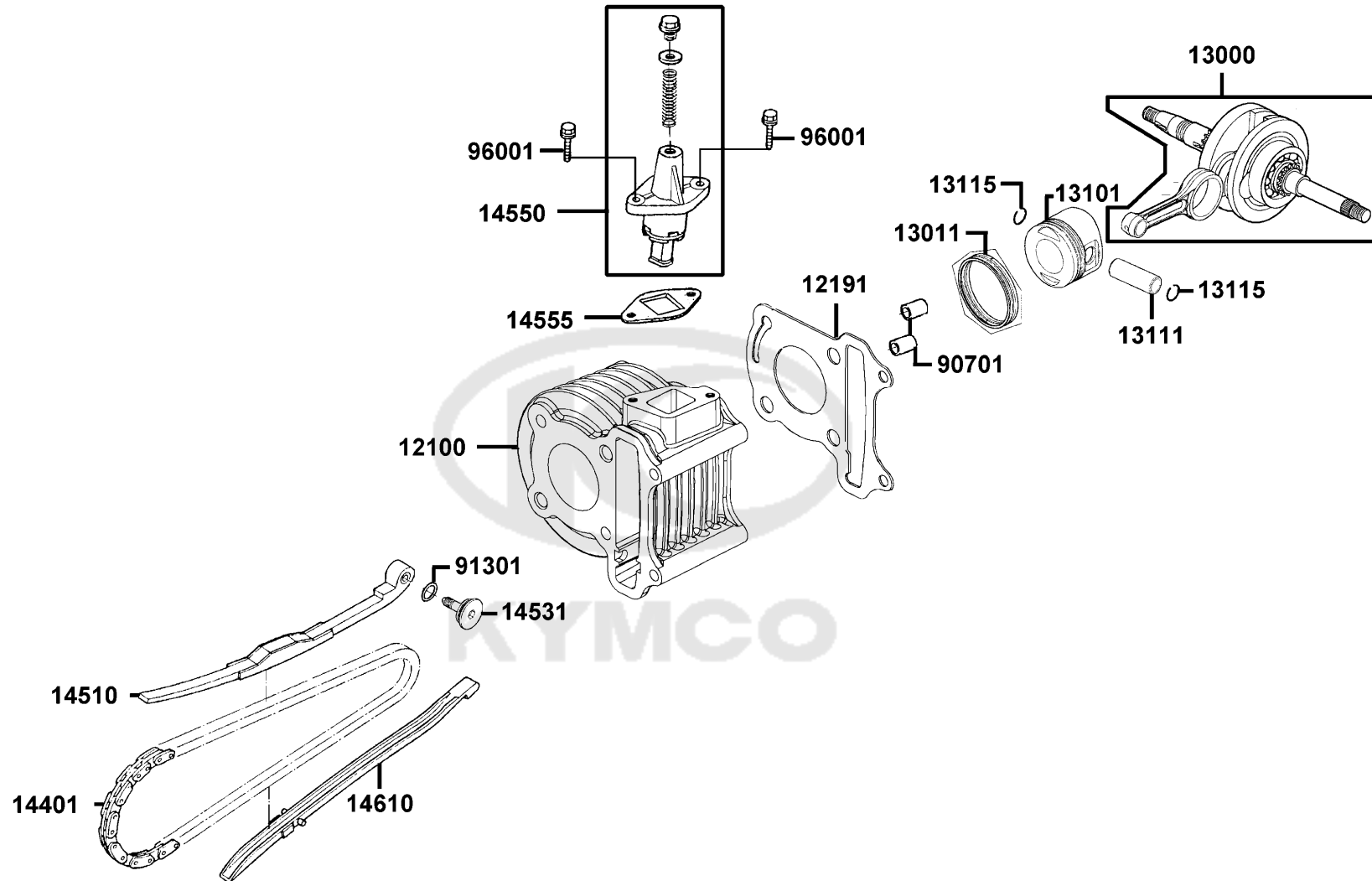
Sales mark	Ref no	Part no	Description	Reg description	Regd no	E02
------------	--------	---------	-------------	-----------------	---------	------------

96001-06014	96001-06014-08G	96001-06014-08G	BOLT FLANGE SH 6*14 (C)	BOLT FLANGE SH 6*14 (C)	1	
96001	96001-06085-08G	96001-06085-08G	BOLT FLANGE 6*85	BOLT FLANGE SH 6*85(C)	2	
98056	98056-5671R-00	98056-5671R-00	SPARK PLUG (CR6HSA)	SPARK PLUG CR6HSA	1	



E03

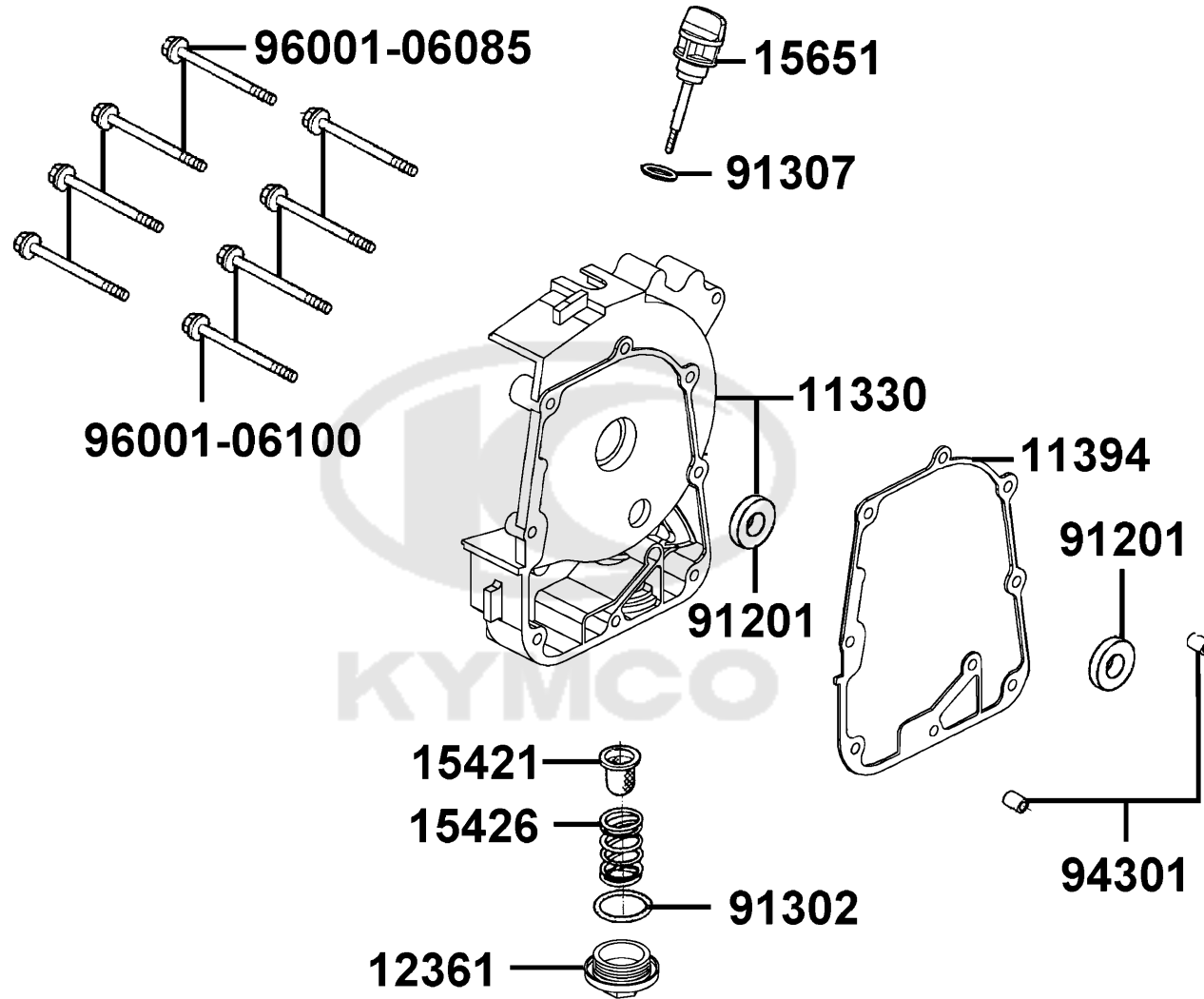
Cylinder Piston Crankshaft



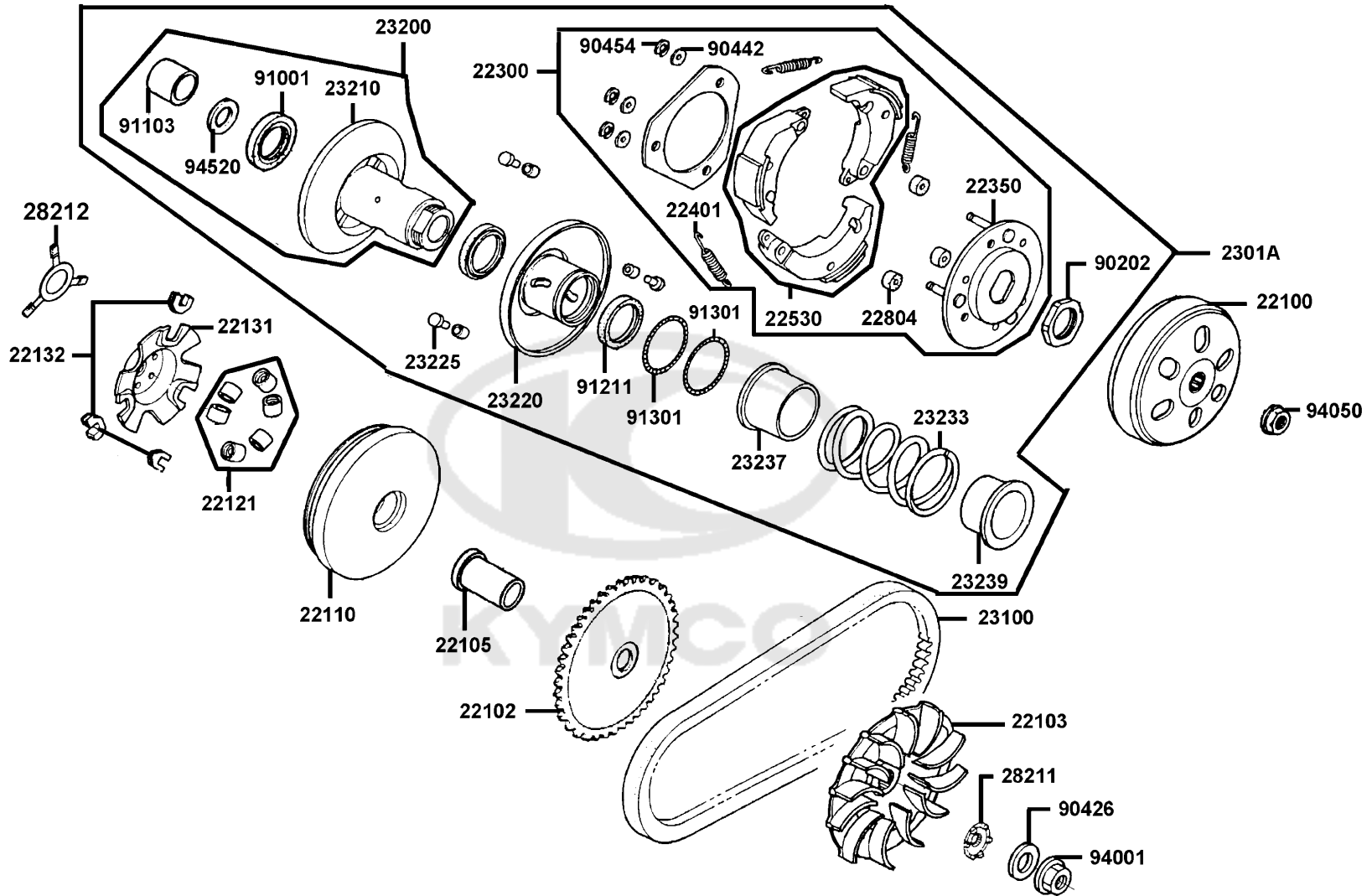
Sales mark	Ref no	Part no	Description	Reg description	Regd no	E03
12100		12100-KGBG-C01	CYLINDER COMP	CYLINDER COMP	1	
12191		12191-KGBG-E90	GASKET CYLINDER @A	GASKET CYLINDER @A	1	
13000		13000-LDC5-C00	CRANK SHAFT COMP	CRANK SHAFT COMP	1	
13011		13011-LBC9-C00	RING PISTON ASSY	RING PISTON ASSY	1	
13101		13101-LBC9-900	PISTON	PISTON	1	
13111		13111-KGBG-C00	PIN,PISTON	PIN PISTON	1	
13115		13115-0A01-C00	PISTON PIN CLIP	PISTON CLIP PIN	1	
14401		14401-KGBG-C00	CHAIN CAM	CHAIN CAM	1	
14510		14510-KGBG-C00	TENSIONER CAM CHAIN	TENSIONER CAM CHAIN	1	
14531		14531-GLR0-W11	PIVOT CAM CHAIN TENSIONER	PIVOT CAM CHAIN TENSIONER	1	
14550		14550-LDC8-C10	ADJUSTER CAM CHAIN	ADJUSTER CAM CHAIN	1	
14555		14555-KKJ9-E90	GASKET CAM SHAIN ADJUSTER	GASKET CAM SHAIN ADJUSTER	1	
14610		14610-KGBG-C00	GUIDE COMP CAM CHAIN	GUIDE COMP CAM CHAIN	1	
90701		90701-GFF6-C00	PIN DOWEL SPECIAL 8*14	PIN DOWEL SPECIAL 8*14	1	
91301		91301-GLR0-W10	O-RING 15.2*1.5	O-RING 15.2*1.5	1	
96001		96001-06018-08G	BOLT FLANGE SH 6*18 (C)	BOLT FLANGE SH 6*18 (C)	2	

E04

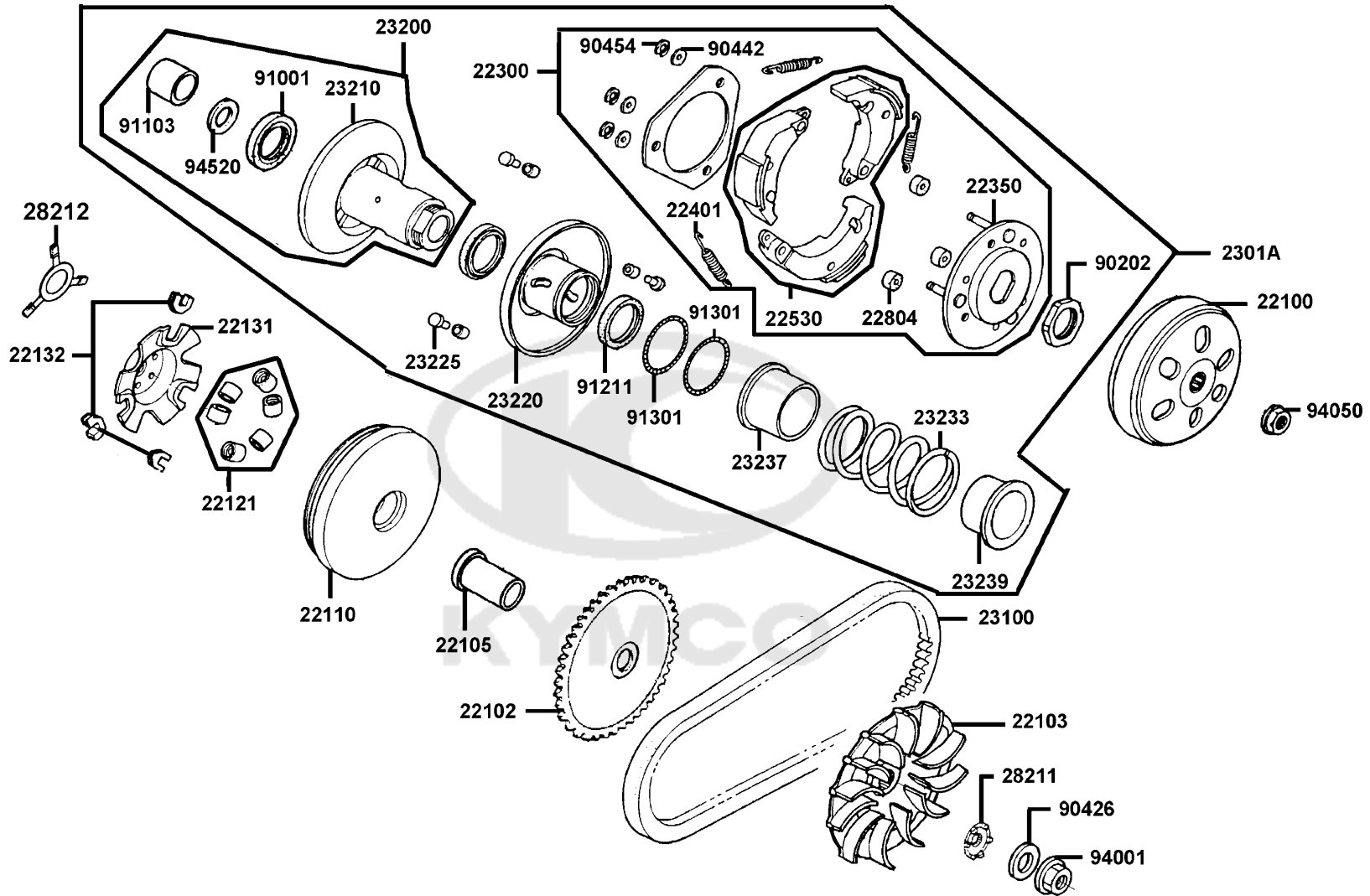
Right Crankcase Cover



Sales mark	Ref no	Part no	Description	Reg description	Regd no	E04
	11330	11330-LBD6-C00	COVER COMP R CRANK CASE	COVER COMP R CRANK CASE	1	
	11394	11394-KGBG-E90	GASKET R COVER@A	GASKET.R COVER	1	
	12361	12361-GFY6-C00	HOLE CAP TAPPET ADJUSTING	HOLE CAP TAPPET ADJUSTING	1	
	15421	15421-1G07-C00	SCREEN OIL FILTER	SCREEN OIL FILTER	1	
	15426	15426-GAE1-C00	SPG OIL FILTER SCREEN	SPG OIL FILTER SCREEN	1	
	15651	15651-GFY6-C00	GAUGE OIL LEVEL	GAUGE OIL LEVEL	1	
	91201	91201-KGBG-C00	OIL SEAL 16.4*30*5	OIL SEAL 16.4*30*5	1	
	91302	91302-0A01-C00	O-RING 30.8MM	O-RING 30.8MM	1	
	91307	91307-0E35-W10	O-RING 18*3	O-RING 18*3	1	
	94301	94301-08140	DOWEL PIN 8*14	DOWEL PIN 8*14	2	
	96001-06085	96001-06085-08G	BOLT FLANGE 6*85	BOLT FLANGE SH 6*85(C)	1	
	96001-06100	96001-06100-08G	BOLT FLANGE SH 6x100 (C)	BOLT FLANGE SH 6x100 (C)	4	



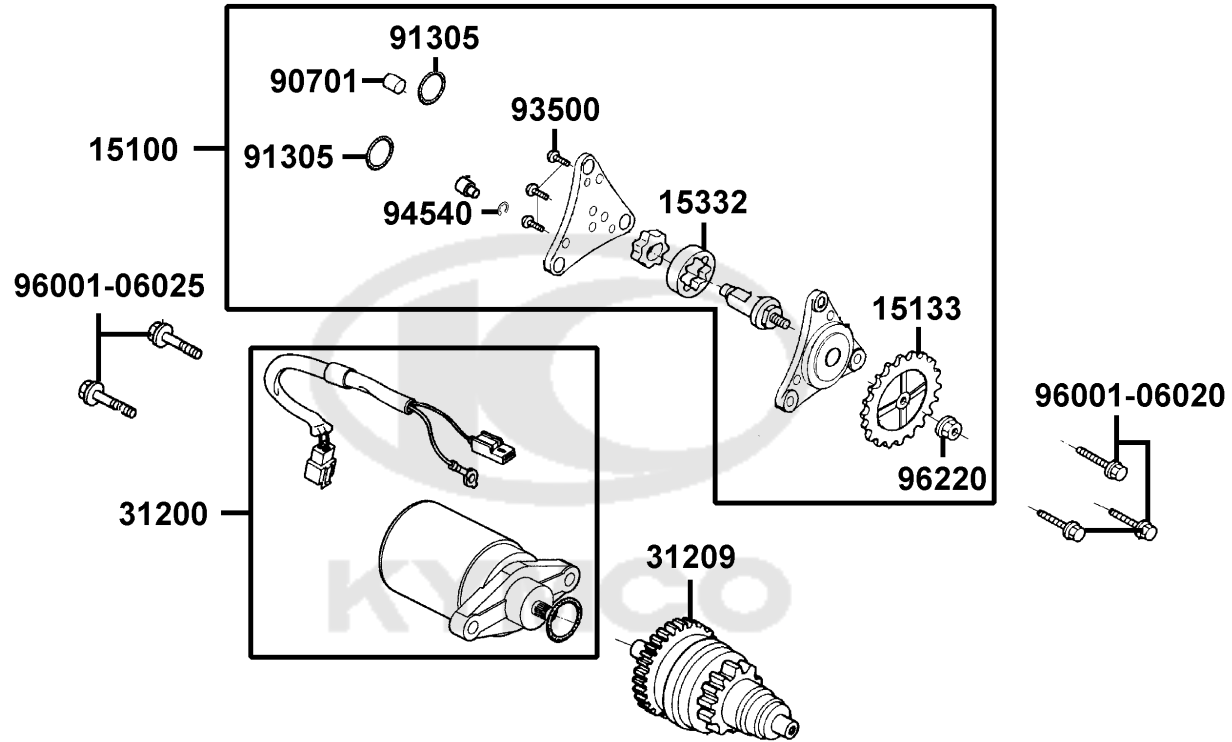
Sales mark	Ref no	Part no	Description	Reg description	Regd no	E05
	22100	22100-LDC8-E10	CLUTCH OUTER	CLUTCH OUTER	1	
	22102	22102-LDC8-E10	FACE DRIVE	FACE DRIVE	1	
	22103	22103-KEB7-C00	FAN CVT COOLING	FACE CVT COOLING	1	
	22105	22105-KGBG-C00	BOSS DRIVE FACE	BOSS DRIVE FACE	1	
	22110	22110-LEJ2-E10	FACE COMP MOVABLE DRIVE	FACE COMP MOVABLE DRIVE	1	
	22121	22121-LDC8-405	ROLLER COMP. WEIGHT(EZ5)	ROLLER SET WEIGHT (1SET:6PCS)6G*6	1	
	22131	22131-GHAH-C00	PLATE RAMP	PLATE RAMP	1	
	22132	22132-GLW0-315	PIECE SLIDE	PIECE SLIDE	1	
	22300	22300-GGAG-C00	PLATE ASSY DRIVE	PLATE ASSY DRIVE	1	
	22350	22350-GKAK-C00	PLATE COMP DRIVE	PLATE COMP DRIVE	1	
	22401	22401-GJAJ-C00	SPRING CLUTCH	SPRING CLUTCH	1	
	22530	22530-GKAK-C00	WEIGHT CLUTCH	WEIGHT CLUTCH	1	
	22804	22804-1H48-C00	RUBBER CLUTCH DUMPER	RUBBER CLUTCH DUMPER	1	
	2301A	2301A-LEA3-C00	PULLEY ASSY DRIVEN	PULLEY SUB ASSY	1	
	23100	23100-KEB7-C00	BELT DRIVE	BELT DRIVE	1	
	23200	23200-GAR1-C00	FACE ASSY DRIVEN	FACE ASSY DRIVEN	1	
	23210	23210-GAR1-C00	FACE COMP DRIVEN	FACE COMP DRIVEN H1	1	
	23220	23220-KEE1-C00	FACE COMP MOVABLE	FACE COMP MOVABLE	1	
	23225	23225-GAR1-C00	PIN GUIDE	PIN GUIDE	1	
	23233	23233-LEA3-C00	SPG DRIVEN FACE	SPG DRIVEN FACE	1	



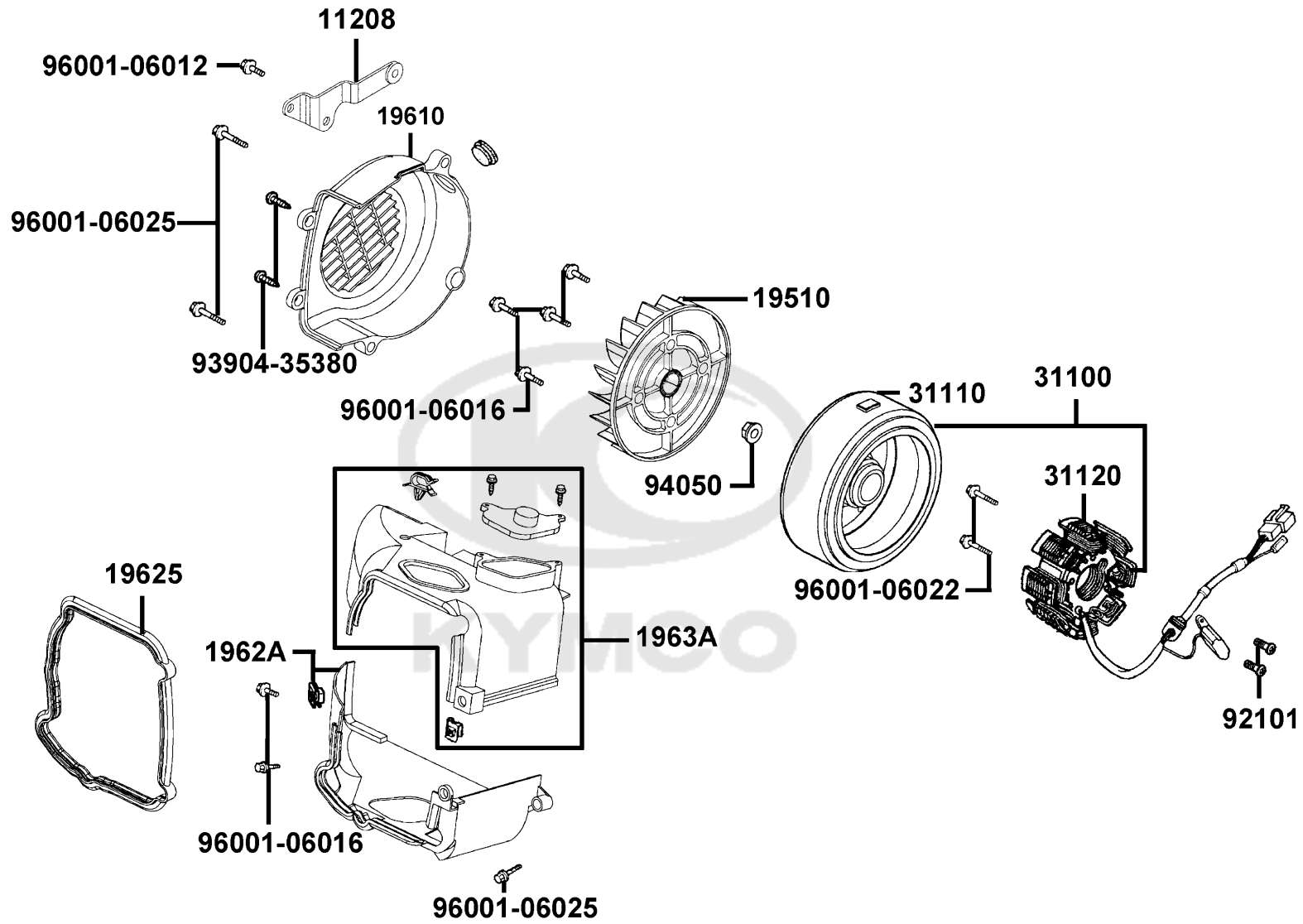
Sales mark	Ref no	Part no	Description	Reg description	Regd no	E05
23237		23237-GAR1-C00	COLLAR SEAL	COLLAR SEAL	1	
23239		23239-LEA3-C00	GUIDE SPG	COLLAR SPG	1	
28211		28211-KEB7-W10	RATCHET KICK STARTER	RATCHET KICK STARTER	1	
28212		28212-LEJ2-E10	"WASHER,KICK STARTER"	"WASHER,KICK STARTER"	1	
90202		90202-1G87-C00	NUT SPECIAL 28MM	NUT SPECIAL 28MM	1	
90426		90426-KNBN-C01	WASHER SPECIAL 12MM	WASHER SPECIAL 12MM	1	
90442		90442-0D44-C00	WASHER THRUST 6M/M	WASHER THRUST 6M/M	1	
90454		90454-GBB2-C00	CIR CLIP 6MM	CIR CLIP 6MM	1	
91001		91001-GGA7-C00	BRG RADIAL BALL 6901U	BRG RADIAL BALL 6901U	1	
91103		91103-GAR1-C00	BRG NEEDLE 17*25*18 WS	BRG NEEDLE 17*25*18 WS	1	
91211		91211-GHK8-C00	OIL SEAL 34*39*3	OIL SEAL 34*39*3	1	
91301		91301-KEA5-C00	O 36*1.5	O-RING 36*1.5	1	
94001		94001-12280-0SG	NUT HEX 12MM(C)	NUT HEX 12MM(C)	1	
94050		94050-10080-G	NUT FLANGE 10MM (C)	NUT FLANGE 10MM (C)	1	
94520		94520-24000	CIR CLIP IN 24	CIR CLIP IN 24	1	

E06

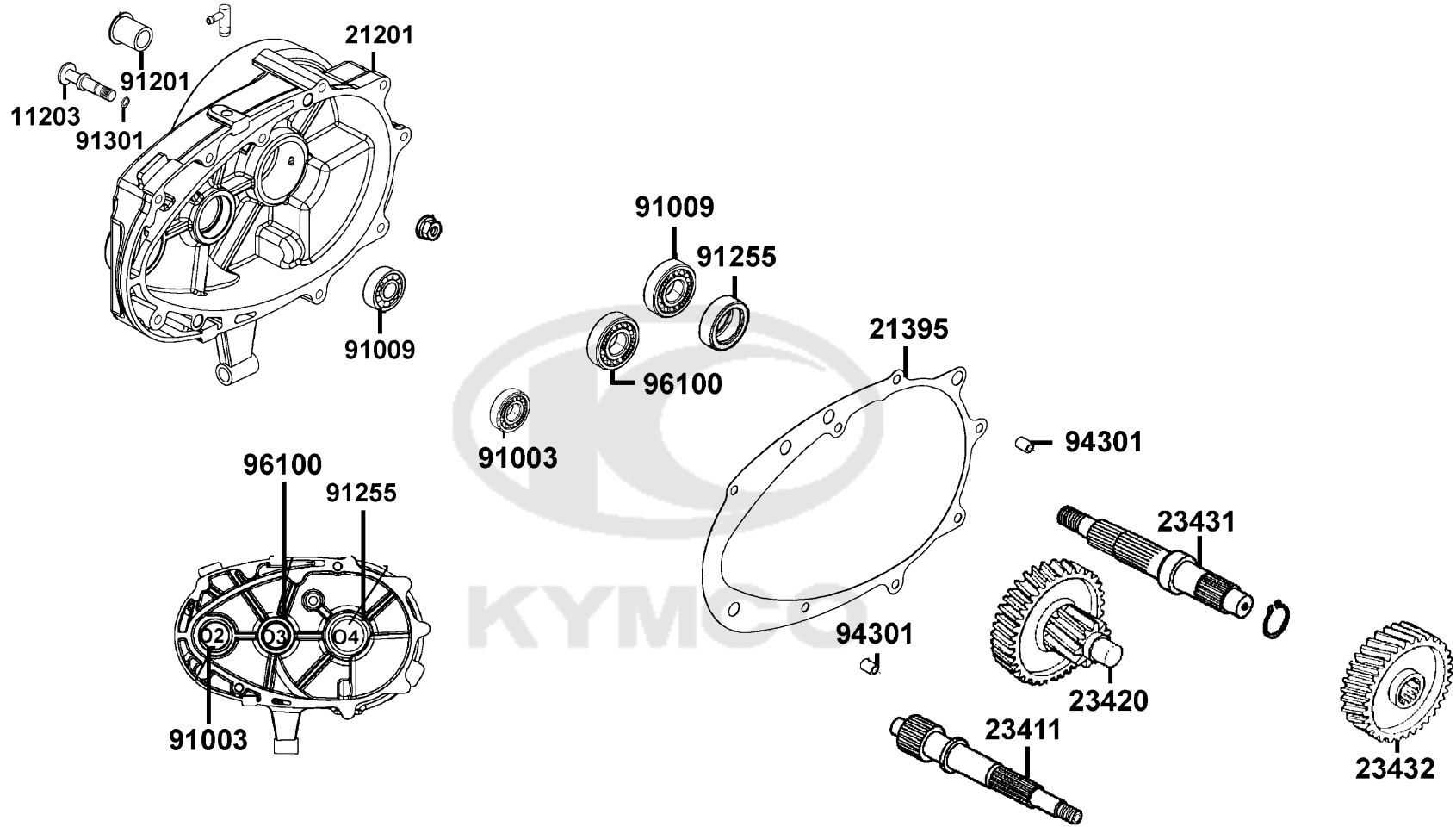
Starting Motor Oil Pump



Sales mark	Ref no	Part no	Description	Reg description	Regd no	E06
15100		15100-LDC5-C00	PUMP ASSY OIL	PUMP ASSY OIL	1	
15133		15133-LDC5-C00	GEAR OIL PUMP DRIVEN	"GEAR, OIL PUMP DRIVEN"	1	
15332		15332-GFF6-C00	ROTOR OIL PUMP OUTER	ROTOR OIL PUMP OUTER	1	
31200		31200-LEJ2-E10	MOTOR ASSY START	MOTOR ASSY START	1	
31209		31209-KEE1-C01	PINION ASSY STARTER	PINION ASSY STARTER	1	
90701		90701-HDC4-C00	DOWEL PIN 8*12	DOWEL PIN 8*12	1	
91305		91305-0H28-C00	O-RING 9*1.6	O-RING 9*1.6	1	
93500		93500-04010-1A	SCREW 4*10	SCREW PAN 4*10(B)	3	
94540		94540-06018	E RING 6	E RING 6	1	
96001-06020		96001-06020-08G	BOLT FLANGED SMALL	BOLT FLANGED SMALL	2	
96001-06025		96001-06025-08G	BOLT FLANGE SH 6*25 (C)	BOLT FLANGE SH 6*25 (Cr3+)	3	
96220		96220-LDC5-C00	ROLLER 2*14.8	ROLLER 2*14.8	1	



Sales mark	Ref no	Part no	Description	Reg description	Regd no	E07
11208		11208-LEJ2-E10	STAY RR TIRE FENDER	STAY RR TIRE FENDER	1	
19510		19510-LDC5-C00	FAN COMP COOLING	FAN COMP COOLING	1	
19610		19610-LFC2-E10	COVER COMP FAN	COVER COMP FAN	1	
19625		19625-KEE1-C00	SEAL SHROUD	SEAL SHROUD	1	
1962A		1962A-KEE1-C00	SHROCD ASSY A	SHROCD ASSY A	1	
1963A		1963A-ADB2-C00	SHROUD ASSY B	SHROUD ASSY B	1	
31100		31100-ACB9-E10	AC GEN ASS'Y	AC GEN ASS'Y	1	
31110		31110-ADB2-C00	"ROTOR, FLYWHEEL"	"ROTOR, FLYWHEEL"	1	
31120		31120-ACB9-E10	STATOR COMP	STATOR COMP	1	
92101		92101-05012-0HG	BOLT HEX 5*12	BOLT HEX 5*12	2	
93904-35380		93904-35380-G	SCREW TAPPING 5*16(K)	SCREW TAPPING 5*16(K)	2	
94050		94050-10080-G	NUT FLANGE 10MM (C)	NUT FLANGE 10MM (C)	1	
96001-06012		96001-06012-08G	BOLT FLANGE SH 6X12 (C)	BOLT FLANGE SH 6X12 (C)	1	
96001-06016		96001-06016-08G	BOLT FLANGE SH 6x16 (C)	BOLT FLANGE SH 6*16 (CR3+)	6	
96001-06022		96001-06022-08G	BOLT FLANGE 6*22	BOLT FLANGE 6*22	2	
96001-06025		96001-06025-08G	BOLT FLANGE SH 6*25 (C)	BOLT FLANGE SH 6*25 (Cr3+)	3	



Sales mark	Ref no	Part no	Description	Reg description	Regd no	E08
11203		11203-KUDU-C00	PIN BRAKE SHOE ANCHOR	PIN ASSY ANCHOR	1	
21201		21201-LCD2-C00	CASE COMP MISSION	CASE COMP MISSION	1	
21395		21395-LCD2-E90	GASKET MISSION CASE@A	GASKET MISSION CASE@A	1	
23411		23411-LCD2-C00	SHAFT DRIVE	SHAFT DRIVE	1	
23420		23420-ALK1-E15	SHAFT COMP COUNTER	SHAFT COMP COUNTER	1	
23432		23432-ALK1-E15	GEAR FINAL	GEAR FINAL	1	
23431		2343A-LEJ2-E10	SHAFT FINAL	SHAFT FINAL	1	
91003		91003-KDS4-C00	BRG BALL RADIAL 6301TMB	BRG BALL RADIAL 6301TMB	1	
91009		91009-GLE0-C00	BRG BALL RADIAL 6004 UU	BRG BALL RADIAL 6004 UU	1	
91201		91201-KED1-C00	BUSH MISSION	BUSH MISSION	1	
91255		91255-LDC8-E10	OIL SEAL 27*42*7(C?)	OIL SEAL 27*42*7(C?)	1	
91301		91301-0C53-W10	O RING 7.5*1.5	O RING 7.5*1.5	1	
94301		94301-10160	DOWEL PIN 10*16	DOWEL PIN 10*16	2	
96100		96100-60020-00	BRG BALL RADIAL 6002	BRG BALL RADIAL 6002	1	

Sales mark	Ref no	Part no	Description	Reg description	Regd no	E09
------------	--------	---------	-------------	-----------------	---------	------------

16100

16100-BLA2-E70

THROTTLE BODY ASSY

THROTTLE BODY ASSY

1



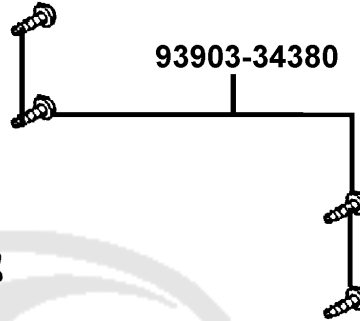
F01

Head Light

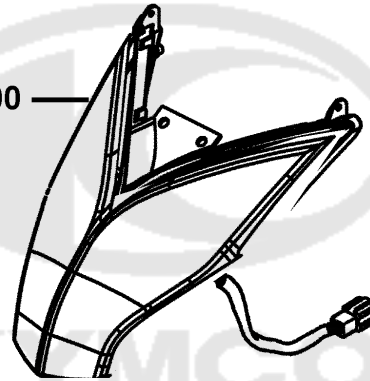
93903-35220



93903-34380



33100



93903-35220



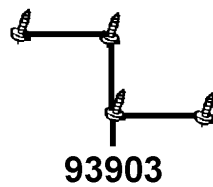
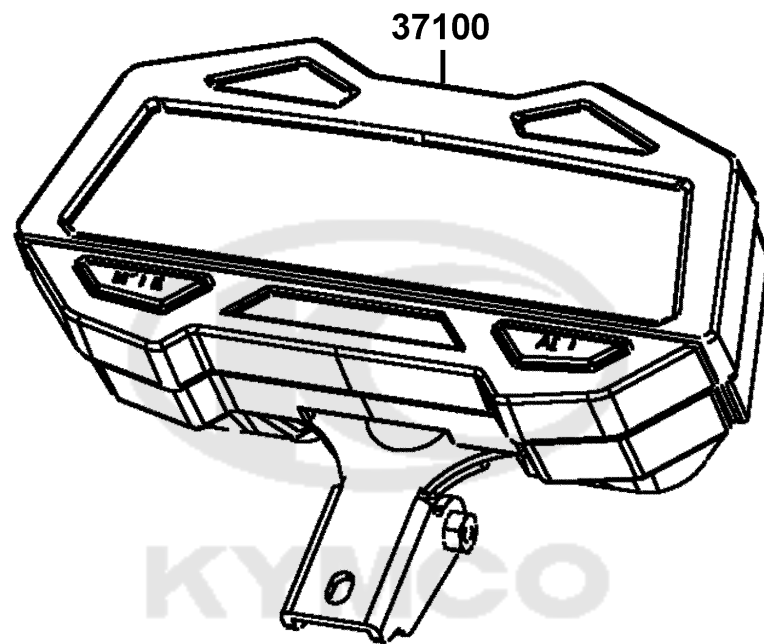
Sales mark	Ref no	Part no	Description	Reg description	Regd no	F01
------------	--------	---------	-------------	-----------------	---------	------------

	33100	33100-AHF8-M40	LIGHT ASSY HEAD	LIGHT ASSY HEAD	1	
	93903-34380	93903-34380-G	SCREW TAPPING 4x12	SCREW TAPPING 4x12	4	
	93903-35220	93903-35220-G	SCREW TAPPING 5*12	SCREW TAPPING 5*12	2	



F02

Speedometer



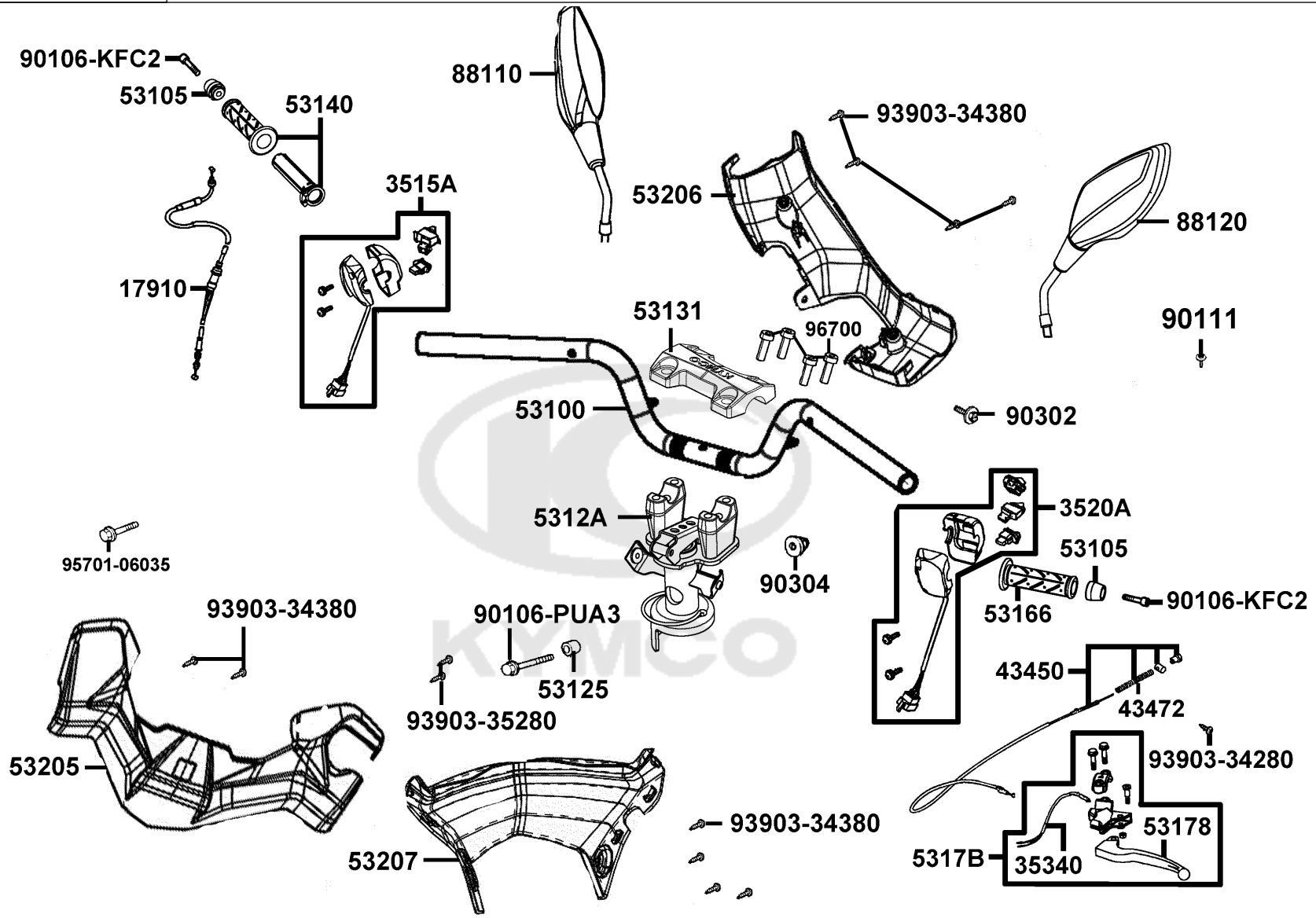
Sales mark	Ref no	Part no	Description	Reg description	Regd no	F02
------------	--------	---------	-------------	-----------------	---------	------------

37100		37100-BLA2-E70	37100-BLA2-E70	37100-BLA2-E70	1	
93903		93903-35220-G	SCREW TAPPING 5*12	SCREW TAPPING 5*12	1	



F03

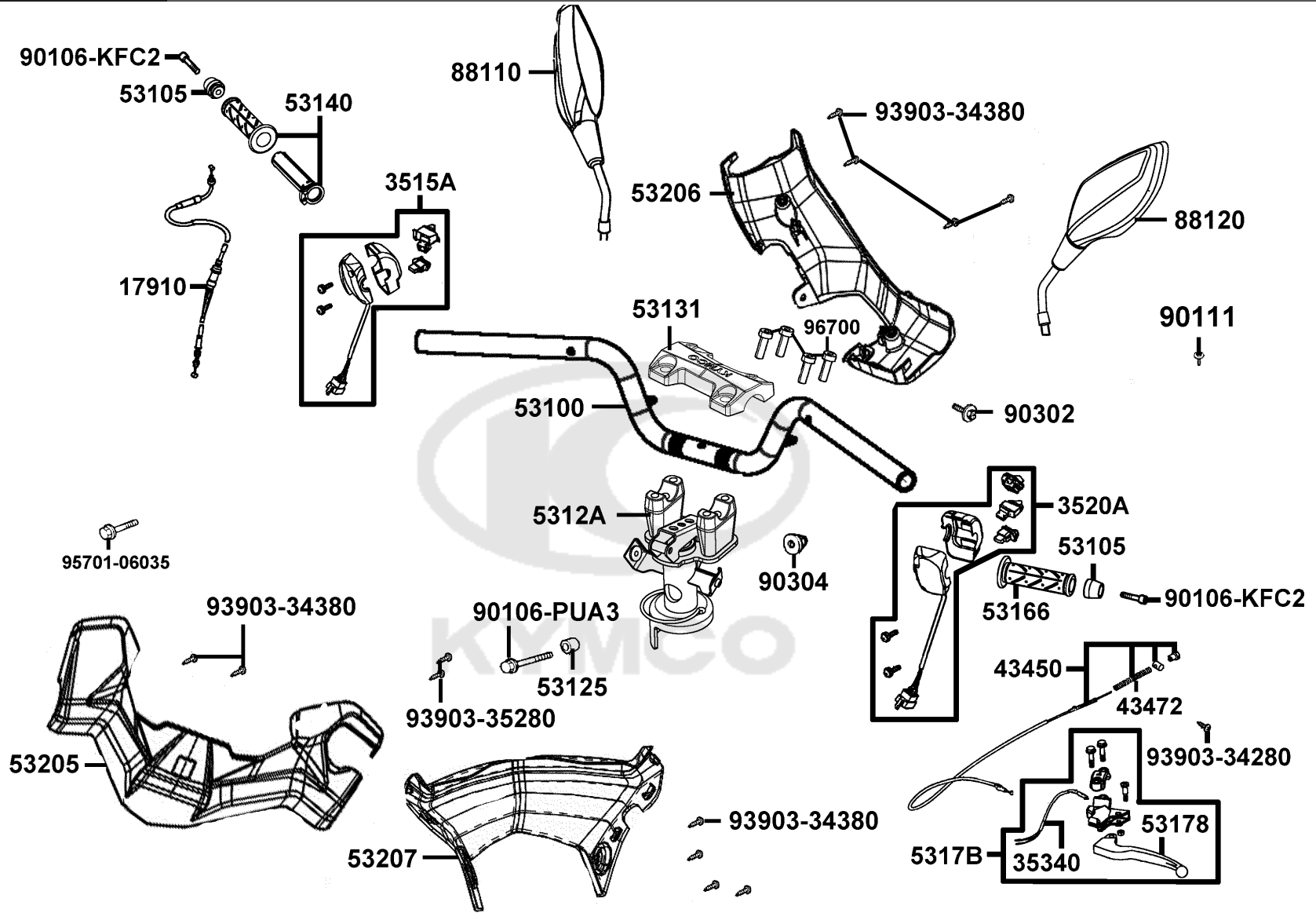
Handle Steering Handle Cover



Sales mark	Ref no	Part no	Description	Reg description	Regd no	F03
	17910	17910-ALJ8-E1D	CABLE COMPTHROTTLE	CABLE COMPTHROTTLE	1	
	3515A	3515A-AEH2-M40	SW ASSY RH HANDLE COMP	SW ASSY RH HANDLE COMP	1	
	3520A	3520A-AEH2-M40	SW ASSY LH HANDLE COMP	SW ASSY LH HANDLE COMP	1	
	35340	35340-AEH2-M40	SW ASSY FR STOP	SW ASSY FR STOP	1	
	43450	43450-BLA2-E70	CABLE COMP RR BRK	CABLE COMP RR BRK	1	
	43472	43472-LEJ3-E10	SPG RR BRK ARM	SPG RR BRK ARM	1	
	53100	53100-BLA2-E70	HANDLE COMP STRG	HANDLE COMP STRG	1	
	53105	53105-KNBN-C00	END STRG HANDLE	END STRG HANDLE	2	
	53125	53125-GEN5-C00	COLLAR HANDLE SET	COLLAR HANDLE SET	1	
	5312A	5312A-BLA2-E70	HOLDER COMP HANDLE	HOLDER COMP HANDLE	1	
**	53131	53131-LHM9-E60	HOLDER UPPER HANDLE PIPE	HOLDER UPPER HANDLE PIPE	1	
**	53140	53140-AEH2-M40	GRIP COMP THROT	GRIP COMP THROT	1	
**	53166	53166-KNBN-C00	GRIP L HANDLE	GRIP L HANDLE	1	
**	53178	53178-KED1-C00	LEVER L STRG HANDLE	LEVER L STRG HANDLE	1	
	5317B	5317B-AEH2-M40	BRKT ASSY HNDL LH	BRKT ASSY HNDL LH	1	
**	53205	53205-BLA2-E70	COVER HANDLE FR	COVER HANDLE FR	1	
**	53206	53206-BLA2-E70	COVER HANDLE. LOW	COVER HANDLE. LOW	1	
**	53207	53207-BLA2-E70	PROTECTOR HANDLE	PROTECTOR HANDLE	1	
	88110	88110-ABD6-C00	"MIRROR ASSY.,R BACK"	"MIRROR ASSY.,R BACK"	1	
	88120	88120-ABD6-C00	"MIRROR ASSY.,R BACK"	"MIRROR ASSY.,R BACK"	1	

F03

Handle Steering Handle Cover

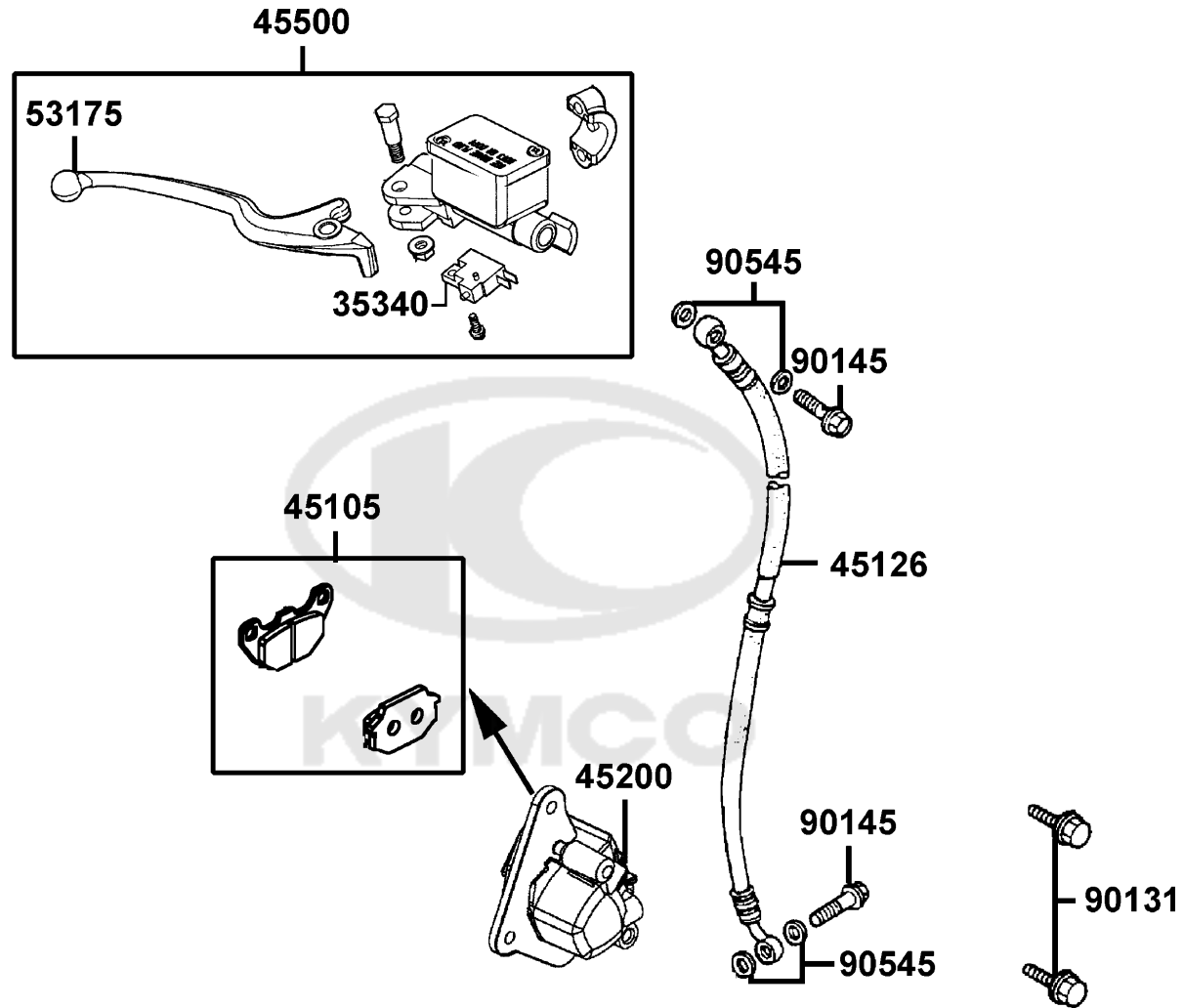


Sales mark	Ref no	Part no	Description	Reg description	Regd no	F03
	90106-KFC2	90106-KFC2-900	BOLT SPECIAL 8MM	BOLT SPECIAL 8MM	2	
	90106-PUA3	90106-PUA3-B50	BOLT FLANGE 10*50	BOLT FLANGE 10*50	1	
	90111	90111-06016-07G	BOLT FLANGE 6*16 (K)	BOLT FLANGE 6*16 (K)	1	
	90302	90302-PUA3-B51	BOLT-WASH 5*12	BOLT-WASH 5*12	1	
	90304	90304-GHE8-C01	NUT U 10MM (C)	NUT U 10MM(C)	1	
	93903-34280	93903-34280-G	SCREW TAPPING 4*10	SCREW TAPPING 4*10	1	
	93903-34380	93903-34380-G	SCREW TAPPING 4x12	SCREW TAPPING 4x12	6	
	93903-35280	93903-35280-G	SCREW TAPPING 5*12 (K)	SCREW TAPPING 5*12 (KG)	2	
	95701-06035	95701-06035-08G	BOLT FLANGE 6*35	BOLT FLANGE 6*35 (C)	1	
	96700	96700-08025-02	SOCKET BOLT 8*25	BOLT FLANGE SH 8*25(CR)	4	

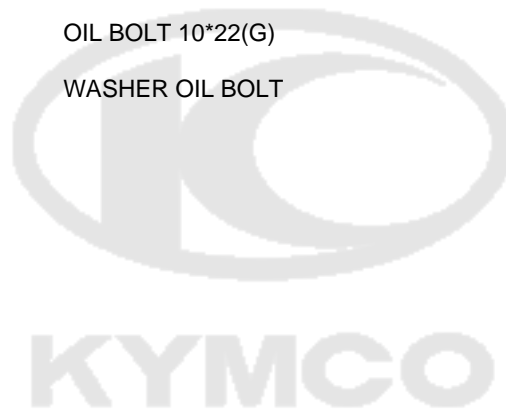


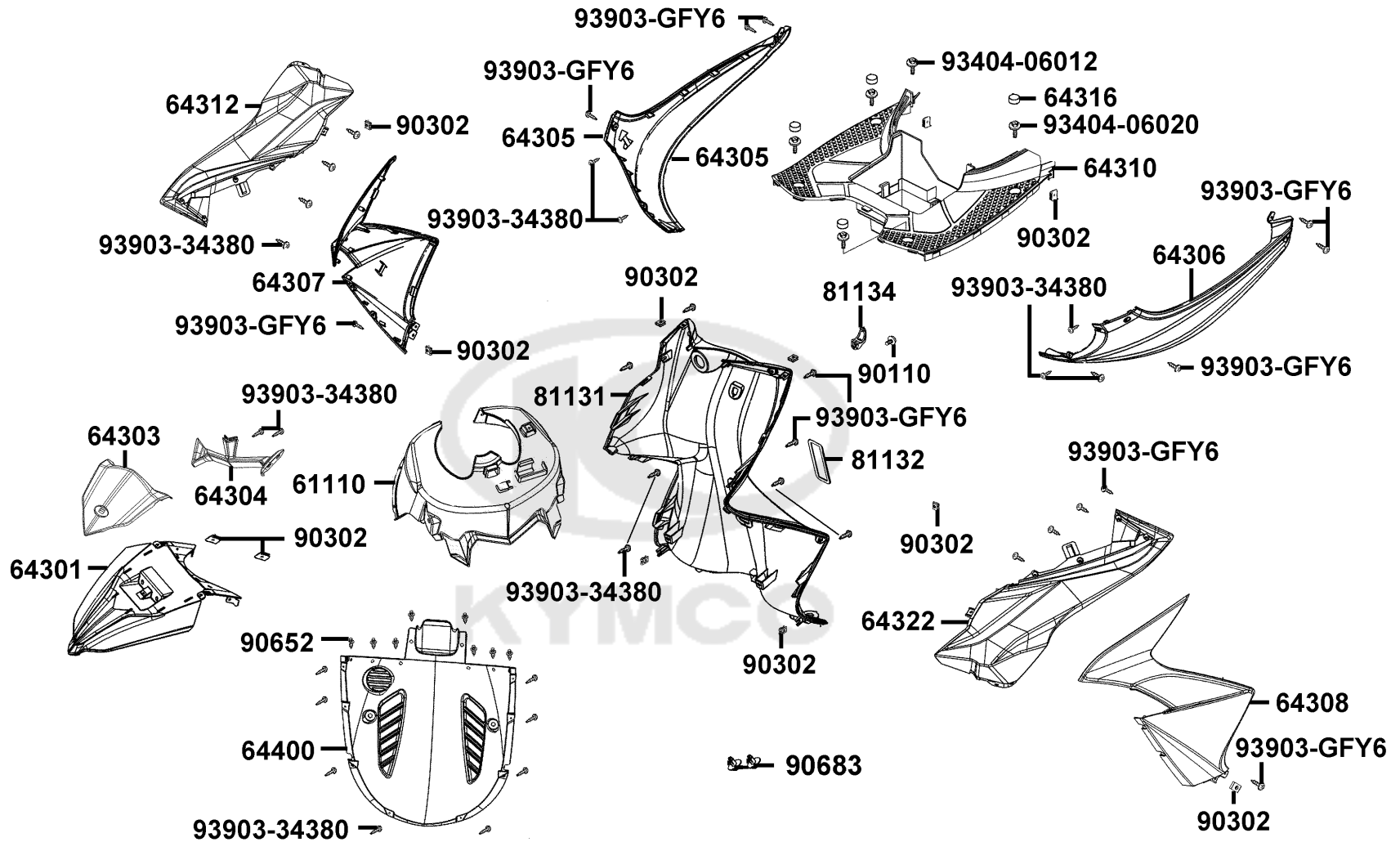
F04

Brake Master Cylinder

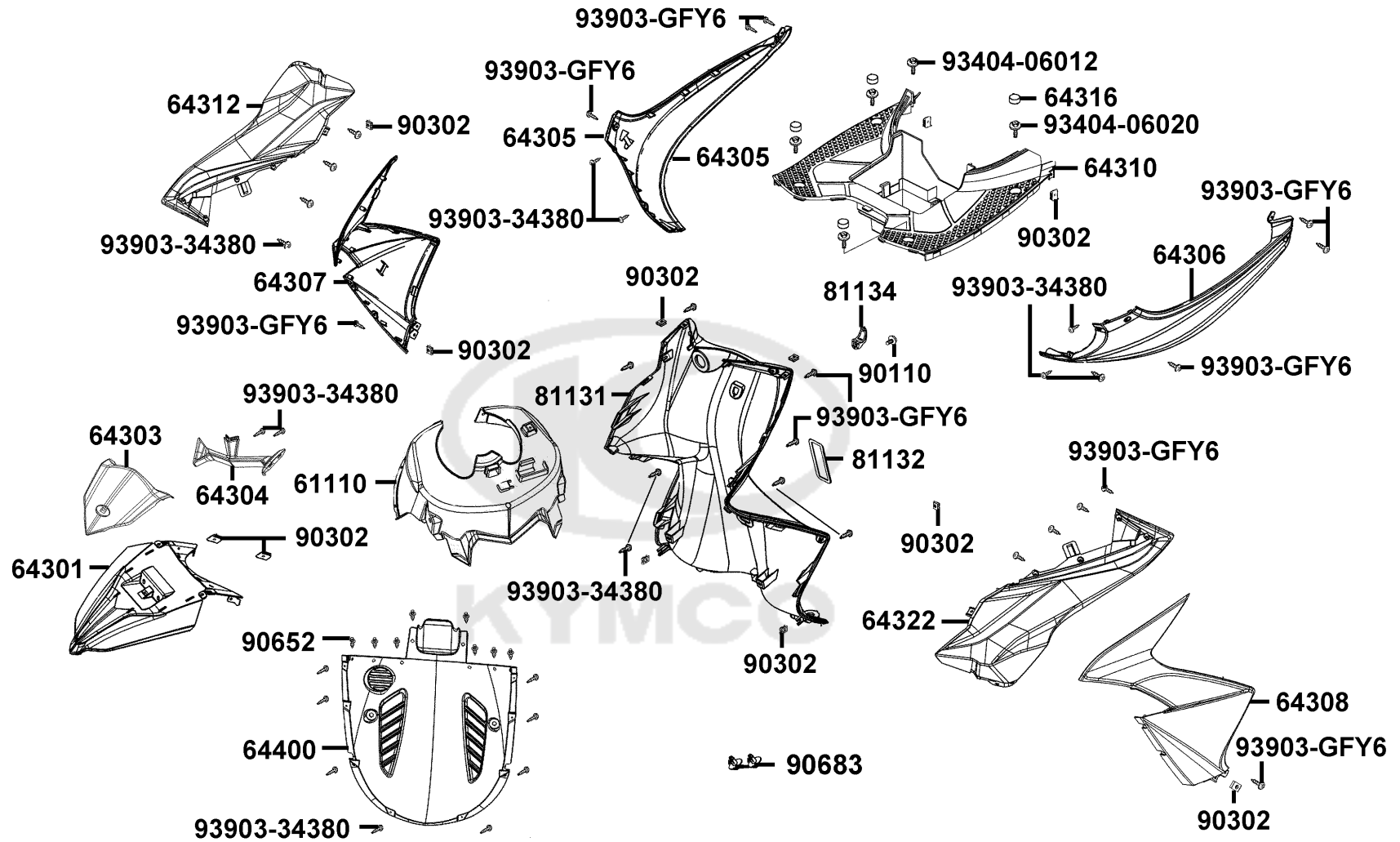


Sales mark	Ref no	Part no	Description	Reg description	Regd no	F04
	35340	35340-KNBN-C00	SW ASSY FR STOP	SW ASSY FR STOP	1	
	45105	45105-LEJ2-306	PAD COMP A+B	PAD COMP A AND B	1	
	45126	45126-BLA2-E00	HOSE ASSY FR BRK	HOSE ASSY FR BRK	1	
	45200	45200-LEJ2-E1A	CALIPER ASSY FR LH	CALIPER ASSY FR LH	1	
	45500	45500-AEH9-C00	CYLINDER ASSY FR (MASTER)	CYLINDER ASSY FR (MASTER)	1	
**	53175	53175-LEB9-E00	LEVER R STRG HANDLE	LEVER R STRG HANDLE	1	
	90131	90131-GLW0-C02	BOLT FLANGE 8*35	BOLT FLANGE 8*35	2	
	90145	90145-MKS9-C00	OIL BOLT 10*22(G)	OIL BOLT 10*22(G)	2	
	90545	90545-3L00-C00	WASHER OIL BOLT	WASHER OIL BOLT	1	



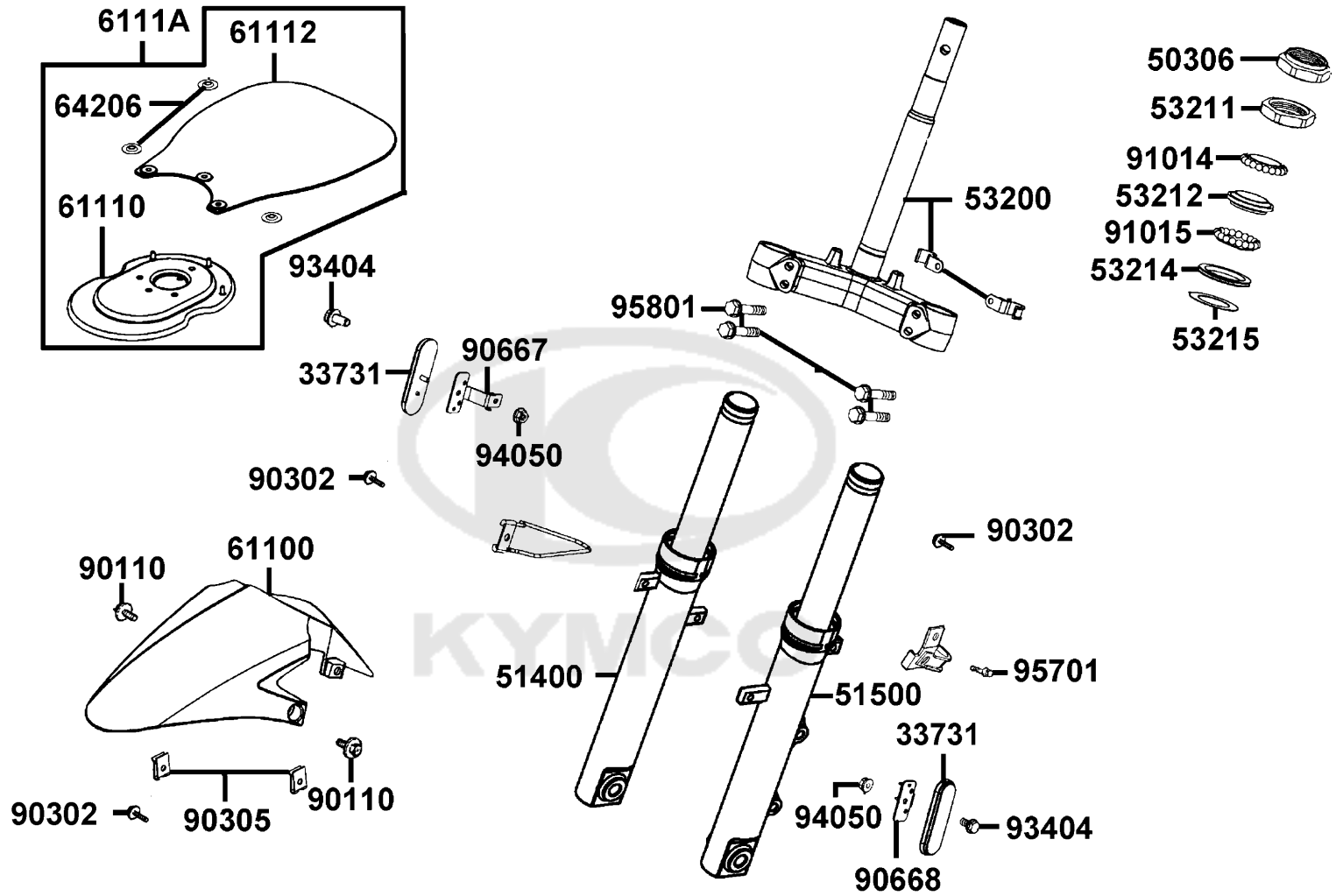


Sales mark	Ref no	Part no	Description	Reg description	Regd no	F05
**	61110	61110-AHF8-M40	FENDER FR INNER	FENDER FR INNER	1	
**	64301	64301-AHF8-M40	COVER FR	COVER FR	1	
**	64303	64303-AHF8-M40	FR COVER LOW	FR COVER LOW	1	
**	64304	64304-AHF8-M40	GRILL FR COVER	GRILL FR COVER	1	
**	64305	64305-LEJ2-E10	SKIRT R SIDE	SKIRT R SIDE	1	
**	64306	64306-LEJ2-E10	SKIRT L SIDE	SKIRT L SIDE	1	
**	64307	64307-ALG1-E10	COVER B. R SIDE FR.	COVER B. R SIDE FR.	1	
**	64308	64308-ALG1-E10	COVER B. L SIDE FR.	COVER B. L SIDE FR.	1	
**	64310	64310-LEJ2-E10	FLOOR PANEL	FLOOR PANEL	1	
**	64312	64312-AHF8-M40	MOLDING. R FR	MOLDING. R FR	1	
**	64316	64316-AEH2-M40	PLUG FLOOR	PLUG FLOOR	1	
**	64322	64322-AHF8-M40	MOLDING. L FR.	MOLDING. L FR.	1	
**	64400	64400-AHF8-M40	COWL UNDER	COWL UNDER	1	
**	81131	81131-ALG1-E10	LEG SHIELD	LEG SHIELD	1	
**	81132	81132-LCB9-C10	LID LEG SHIELD	LID LEG SHIELD	1	
	81134	81134-KGBG-C00	HOOK LUGGAGE	HOOK LUGGAGE	1	
	90110	90110-GLW0-C00	SCREW SPECIFIED 6*14	SCREW SPECIAL 6*14(CR)	1	
	90302	90302-SDA4-C01	"NUT,SPPING 4MM"	"NUT,SPPING 4MM"	20	
	90652	90652-LCA4-C10	CLIP MUDGUARD	CLIP MUDGUARD	6	
	90683	90683-GAR1-C00	CLIP BODY COVER	CLIP BODY COVER	2	

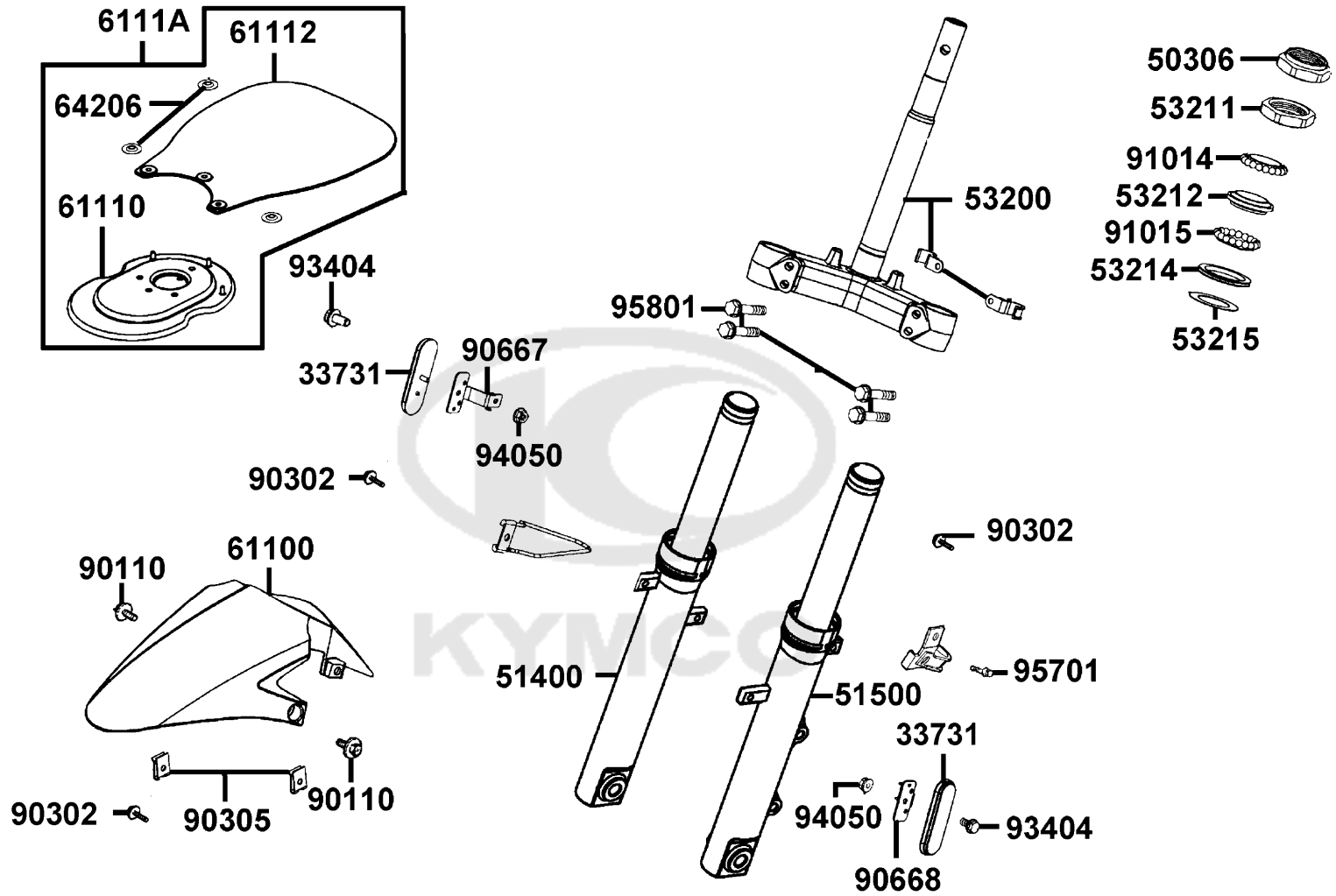



Sales mark	Ref no	Part no	Description	Reg description	Regd no	F05
	93404-06012	93404-06012-07G	BOLT-WASH 6x12	BOLT-WASH 6x12	3	
	93404-06020	93404-06020-07G	BOLT-WASH 6x20	BOLT-WASH 6x20	4	
	93903-34380	93903-34380-G	SCREW TAPPING 4x12	SCREW TAPPING 4x12	33	
	93903-GFY6	93903-GFY6-C01	SCREW TAPPING 4*14(K)	"SCREW,TAPPING4*14"	1	





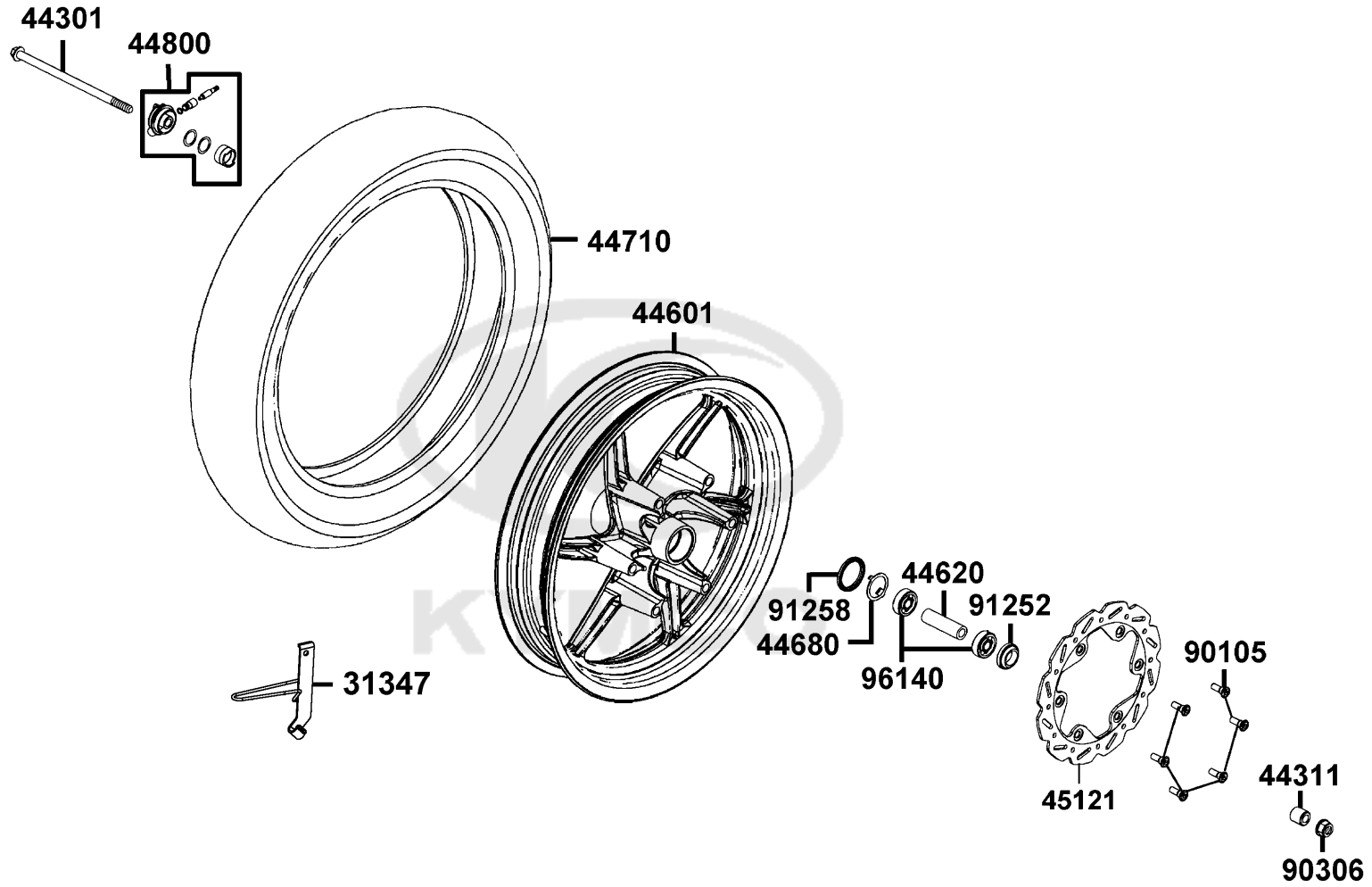
Sales mark	Ref no	Part no	Description	Reg description	Regd no	F06
	33731	33731-KGB5-EZ0	REFLEX REFLECTOR SIDE	REFLEX REFLECTOR SIDE	1	
	50306	50306-1F96-C00	NUT STRG STEM LOCK	NUT STRG STEM LOCK	1	
**	51400	51400-LEJ2-E10	FORK ASSY RH FR	FORK ASSY RH FR	1	
**	51500	51500-LEJ2-E10	FORK ASSY LH FR	FORK ASSY LH FR	1	
	53200	53200-AHF8-M40	STEM COMP STRG	STEM COMP STRG	1	
	53211	53211-GFY6-C00	RACE STRG. CONE TOP	RACE STRG. CONE TOP	1	
	53212	53212-2L50-C00	RACE STRG. BOTTOM CONE	RACE STRG. BOTTOM CONE	1	
	53214	53214-2L50-C00	DUST SEAL STRG HEAD	DUST SEAL STRG. HEAD BOT	1	
	53215	53215-2L50-C00	WASHER STRG HDL DUST-SEAL	"WASHER,STRG. HEAD DUST SEAL"	1	
**	61100	61100-LEJ2-E10	FENDER FR	FENDER FR	1	
	61110	61110-LDC8-E90	FENDER FR INNER	FENDER FR INNER	1	
	61112	61112-LDC8-E90	PLATE FR INNER SPLASH GUARD	PLATE FR INNER SPLASH GUARD	1	
	6111A	6111A-LDC8-E90	FENDERMFR. INNER ASSY	FENDERMFR. INNER ASSY	1	
	64206	64206-MLJ0-C01	NUT SPEED 4MM	NUT SPEED 4MM	3	
	90110	90110-KEB7-C01	SCREW SPECIAL 6*14	SCREW FLAT U LOCK	2	
	90302	90302-PUA3-B51	BOLT-WASH 5*12	BOLT-WASH 5*12	3	
	90305	90305-GHK8-C01	NUT CLIP 6MM	NUT CLIP 6MM	1	
	90667	90667-BLA2-E70	STAY SIDE REFLECTOR R	STAY SIDE REFLECTOR R	1	
	90668	90668-LFC2-MG0	"STAY,SIDE REFLECTOR"	"STAY,SIDE REFLECTOR"	1	
	91014	91014-LLJ3-C00	CAGE STRG TOPP	CAGE STRG TOPP	1	



Sales mark	Ref no	Part no	Description	Reg description	Regd no	F06
91015		91015-LLJ3-C00	CAGE STRG BOT	CAGE STRG BOT	1	
93404		93404-06030-07G	BOLT WASHER 6*30 (K)	BOLT WASHER 6*30 (K)	2	
94050		94050-05080-G	NUT FLANGE 5MM	NUT FLANGE 5MM	2	
95701		95701-06012-08G	BOLT FLANGE 6*12	BOLT FLANGE 6*12	1	
95801		95801-08040-08G	BOLT FLANGE 8*40	BOLT FLANGE 8*40	4	
						

F07

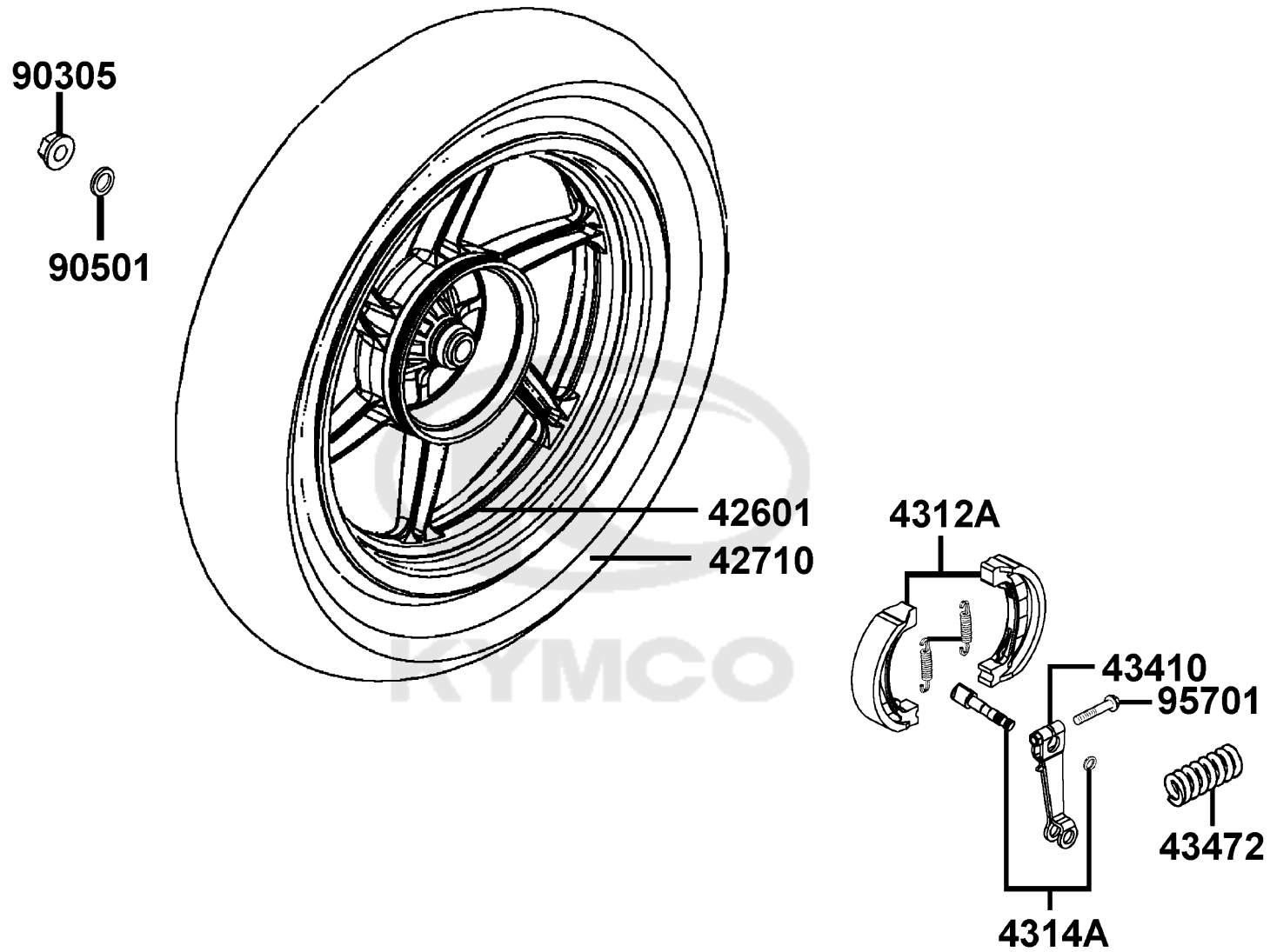
Front Wheel



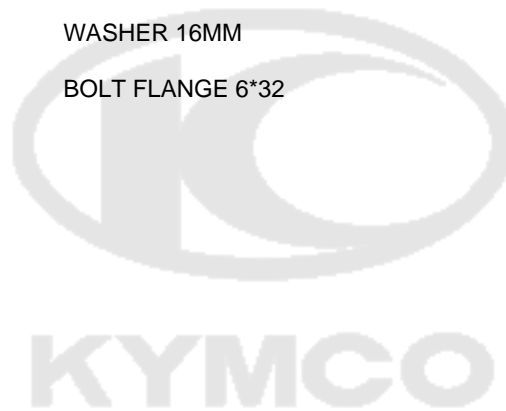
Sales mark	Ref no	Part no	Description	Reg description	Regd no	F07
	31347	31347-AHF8-M40	CLAMPER. SPEED SENSOR	CLAMPER. SPEED SENSOR	1	
	44301	44301-LEJ2-E12	AXLE FR WHEEL 12*243(K)	AXLE FR WHEEL 12*243(C)	1	
	44311	44311-KHB4-C00	COLLAR FR WHEEL SIDE	COLLAR FR WHEEL SIDE	1	
**	44601	44601-LEJ3-E10	WHEEL CAST FR	WHEEL CAST FR	1	
	44620	44620-KFLF-C00	COLLAR FR DIST	COLLAR FR DIST	1	
	44680	44680-4L10-C00	RETAINER GEAR BOX	RETAINER GEAR BOX	1	
	44710	44710-LEJ3-E11	TIRE ASSY FR	TIRE ASSY FR	1	
	44800	44800-AHF8-M40	GEAR BOX ASSY	GEAR BOX ASSY SPDMT	1	
	45121	45121-LEJ2-E80	DISK FR BRK	DISK FR BRK	1	
	90105	90105-KCR3-C02	BOLT FR DISK 8*24	BOLT FR DISK 8*24	1	
	90306	90306-KLF0-C02	NUT FLANGE 12MM(B)	NUT FLANGE 12MM(B)	1	
	91252	91252-0L30-C00	OIL SEAL 23*37*7	OIL SEAL 23*37*7	1	
	91258	91258-4L10-007	DUST SEAL 40*50*5	DUST SEAL 40*50*5	1	
	96140	96140-63010-10	BEARING BALL RADIAL 6301 U	BEARING BALL RADIAL 6301 U	2	

F08

Rear Wheel

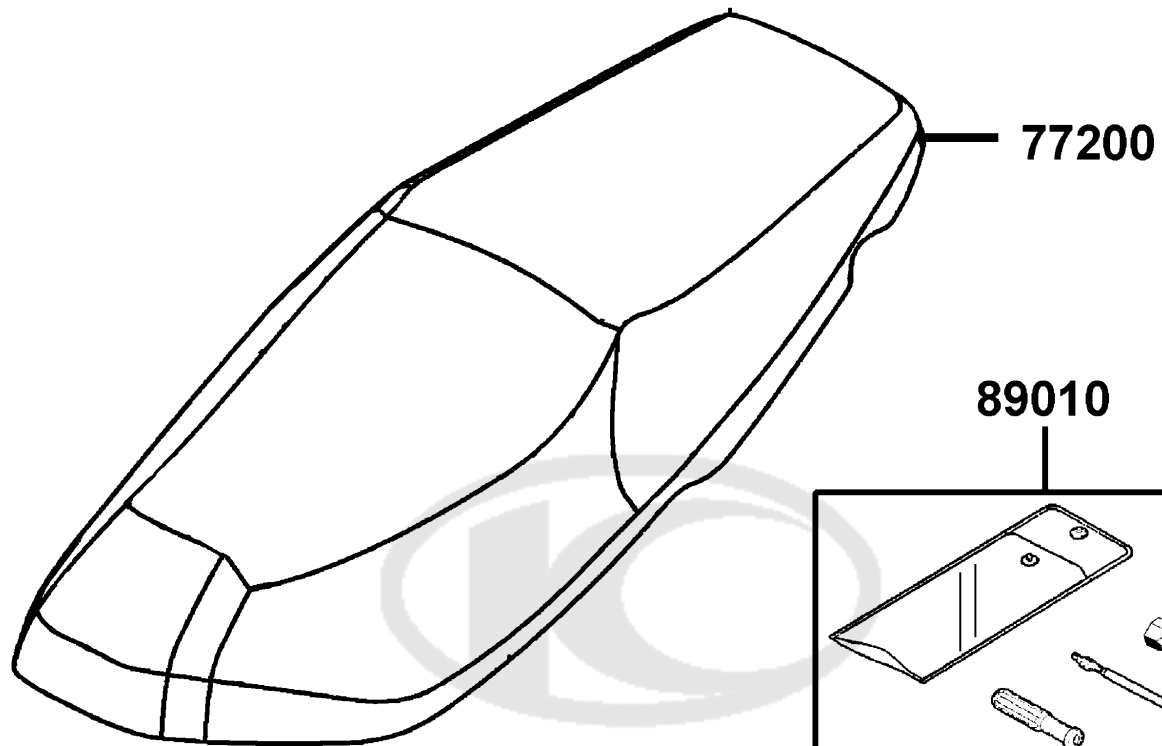


Sales mark	Ref no	Part no	Description	Reg description	Regd no	F08
**	42601	42601-LEJ2-E10	WHEEL CAST RR	WHEEL CAST RR	1	
	42710	42710-LEJ3-E11	TIRE ASSY RR	TIRE ASSY RR	1	
	4312A	4312A-AKA5-800	SHOE ASSY RR BRAKE	SHOE ASSY RR BRAKE	1	
	4314A	4314A-AKA5-800	CAM ASSY.RR BRK	CAM ASSY.RR BRK	1	
	43410	43410-KFA1-C00	ARM RR BRK	ARM REAR BRAKE	1	
	43472	43472-KHG8-C00	SPG RR BRK ARM	SPG RR BRK ARM	1	
	90305	90305-PUA3-B51	NUT U 16MM(C)	NUT U 16MM(C)	1	
	90501	90501-KNBN-C01	WASHER 16MM	WASHER 16MM	1	
	95701	95701-06032-08G	BOLT FLANGE 6*32	BOLT FLANGE 6*32	1	

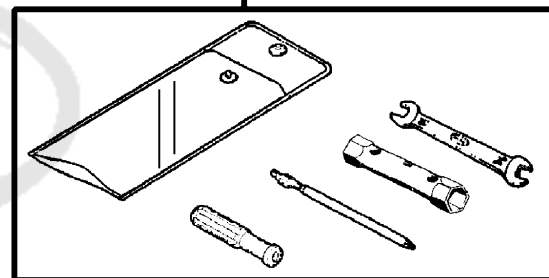


F09

Seat



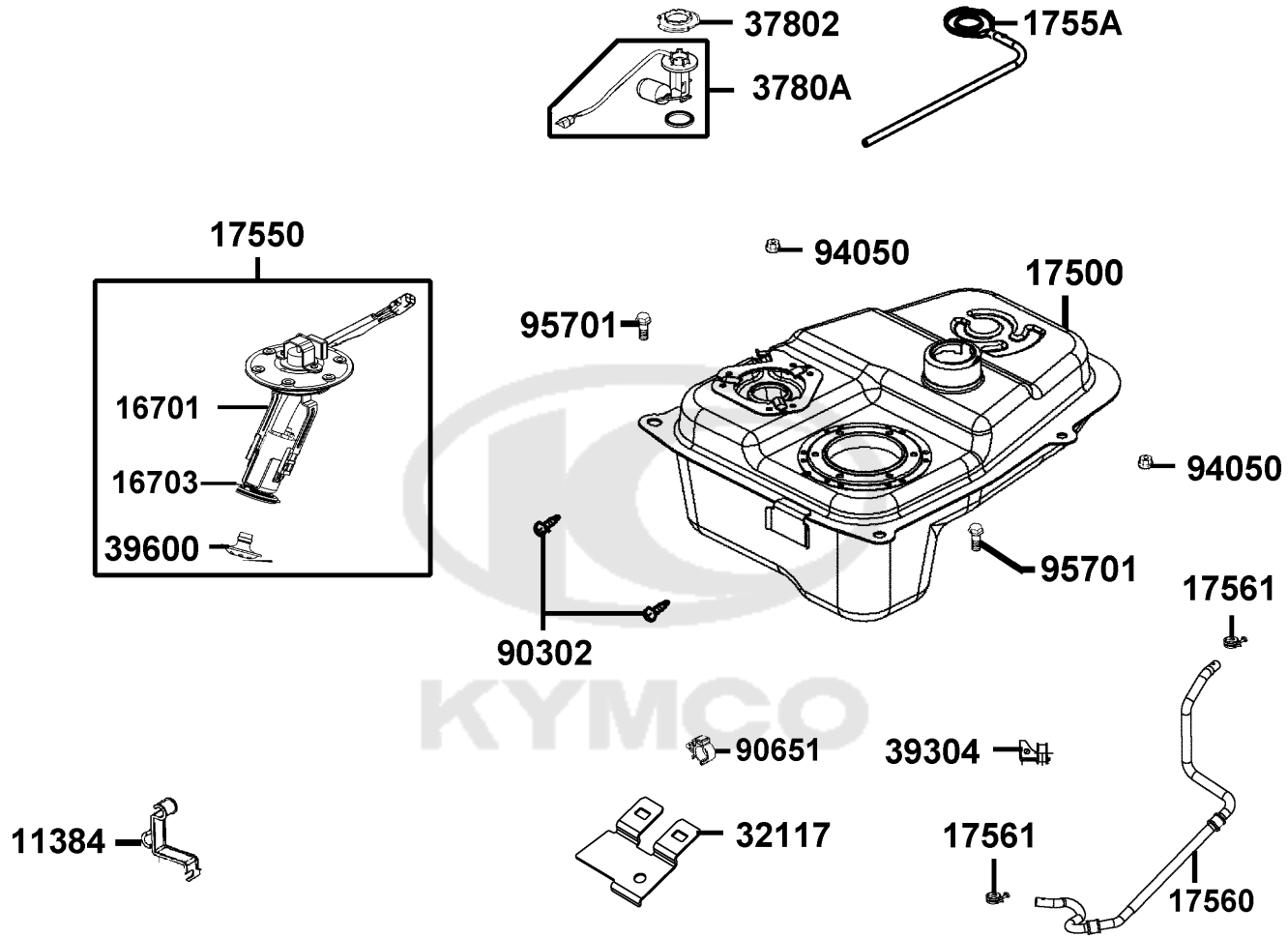
89010



Sales mark	Ref no	Part no	Description	Reg description	Regd no	F09
------------	--------	---------	-------------	-----------------	---------	------------

**	77200	77200-BLA2-E70	SEAT ASSY	SEAT ASSY	1	
	89010	89010-KGBG-C00	TOOL SET	TOOL SET	1	
	94050	94050-06080-G	NUT FLANGE 6MM	NUT FLANGE 6MM	2	

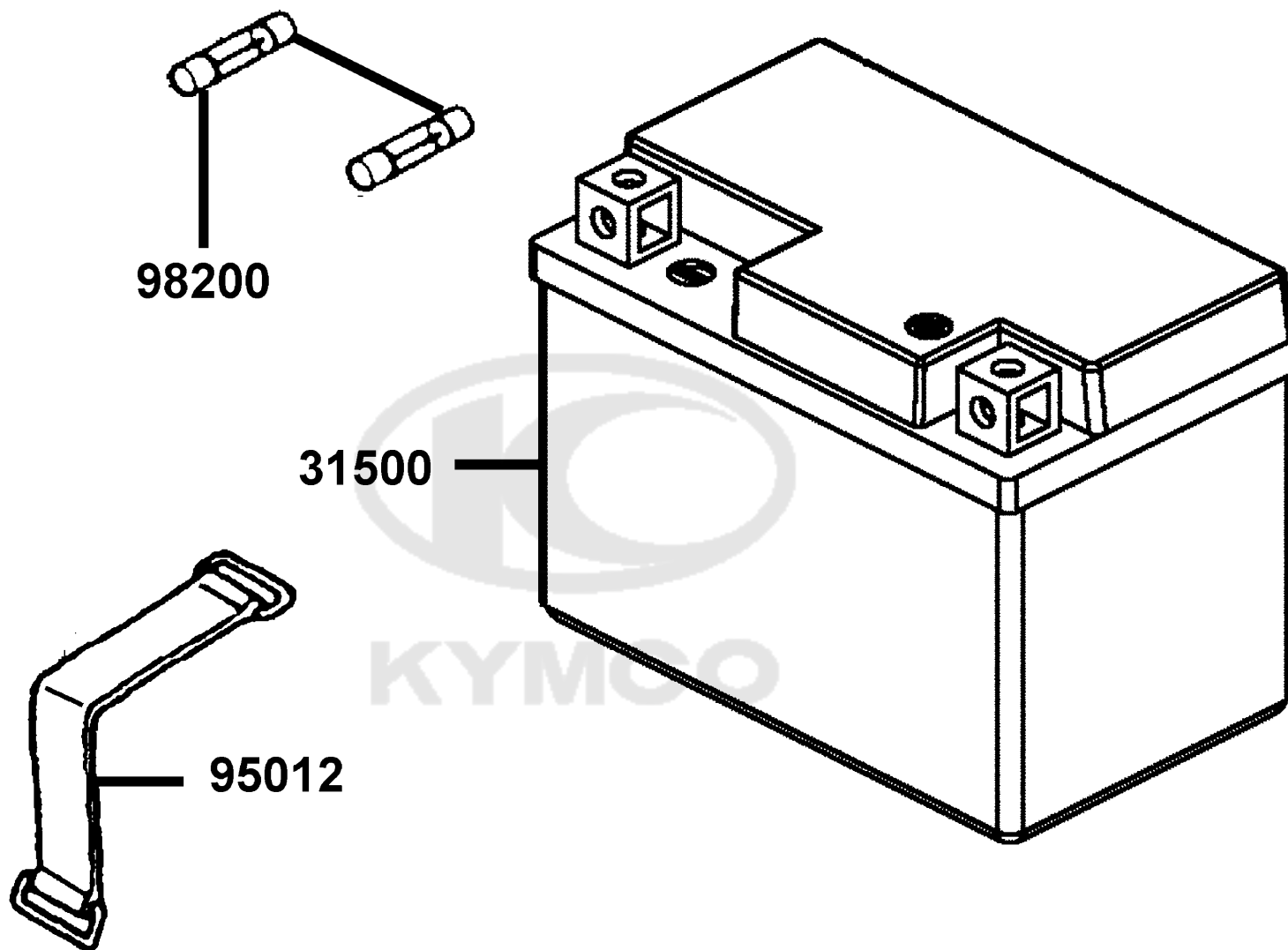




Sales mark	Ref no	Part no	Description	Reg description	Regd no	F10
11384		11384-AHF8-M40	CLAMPER. SP SENSOR	CLAMPER. SP SENSOR	1	
16701		16701-LKD2-M90	FUEL PUMP COMP	FUEL PUMP COMP	1	
16703		16703-LKD2-M90	FUEL FILTER COMP	FUEL FILTER COMP	1	
17500		17500-BLA2-E70	TANK COMP FUEL	TANK COMP FUEL	1	
17550		17550-AAB6-E15	FUEL PUMP ASSY	FUEL PUMP ASSY	1	
1755A		1755A-BLA2-E70	TRAY ASSY FUEL CAP	TRAY ASSY FUEL CAP	1	
17560		17560-AAB6-E15	TUBE PUMP..INJECTOR	TUBE PUMP..INJECTOR	1	
17561		17561-LGK8-900	CLIP 12.0	CLIP 12.0	1	
32117		32117-AHF8-M40	STAY	STAY	1	
37802		37802-GGA7-C00	RET FUEL UNIT	RET FUEL UNIT	1	
3780A		3780A-BLA2-E70	FUEL UNIT ASSY	FUEL UNIT ASSY	1	
39304		39304-LFG7-900	CLAMPER FUEL TUBE	CLAMPER FUEL TUBE	1	
39600		39600-LEA1-800	REGULATOR	REGULATOR FUEL	1	
90302		90302-GFY6-C11	BOLT-WASH 5*16	BOLT-WASH 5*16	2	
90651		90651-ALJ8-E10	CLIP CABLE	CLIP CABLE	1	
94050		94050-06080-G	NUT FLANGE 6MM	NUT FLANGE 6MM	2	
95701		95701-06012-08G	BOLT FLANGE 6*12	BOLT FLANGE 6*12	5	

F11

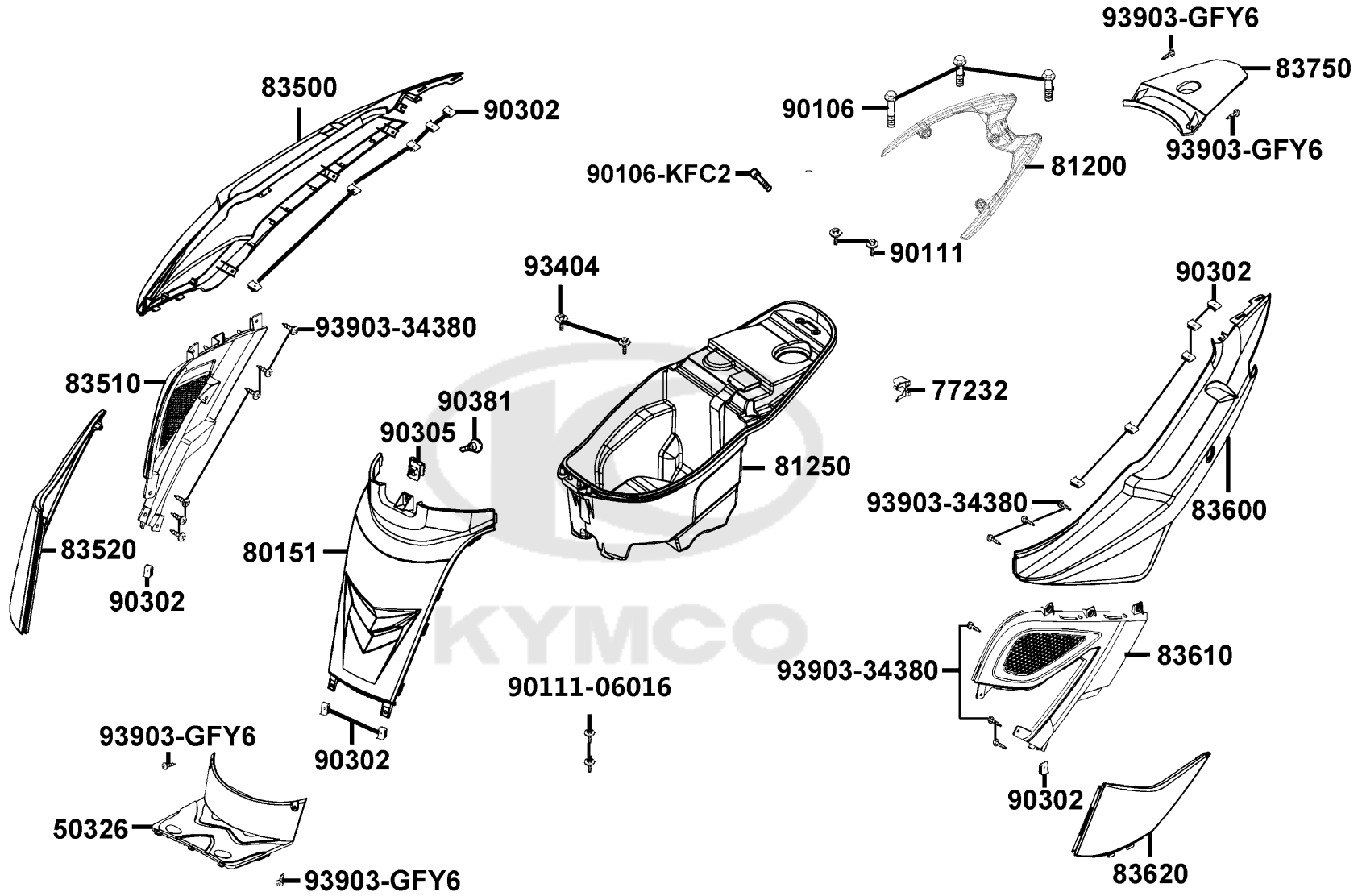
Battery



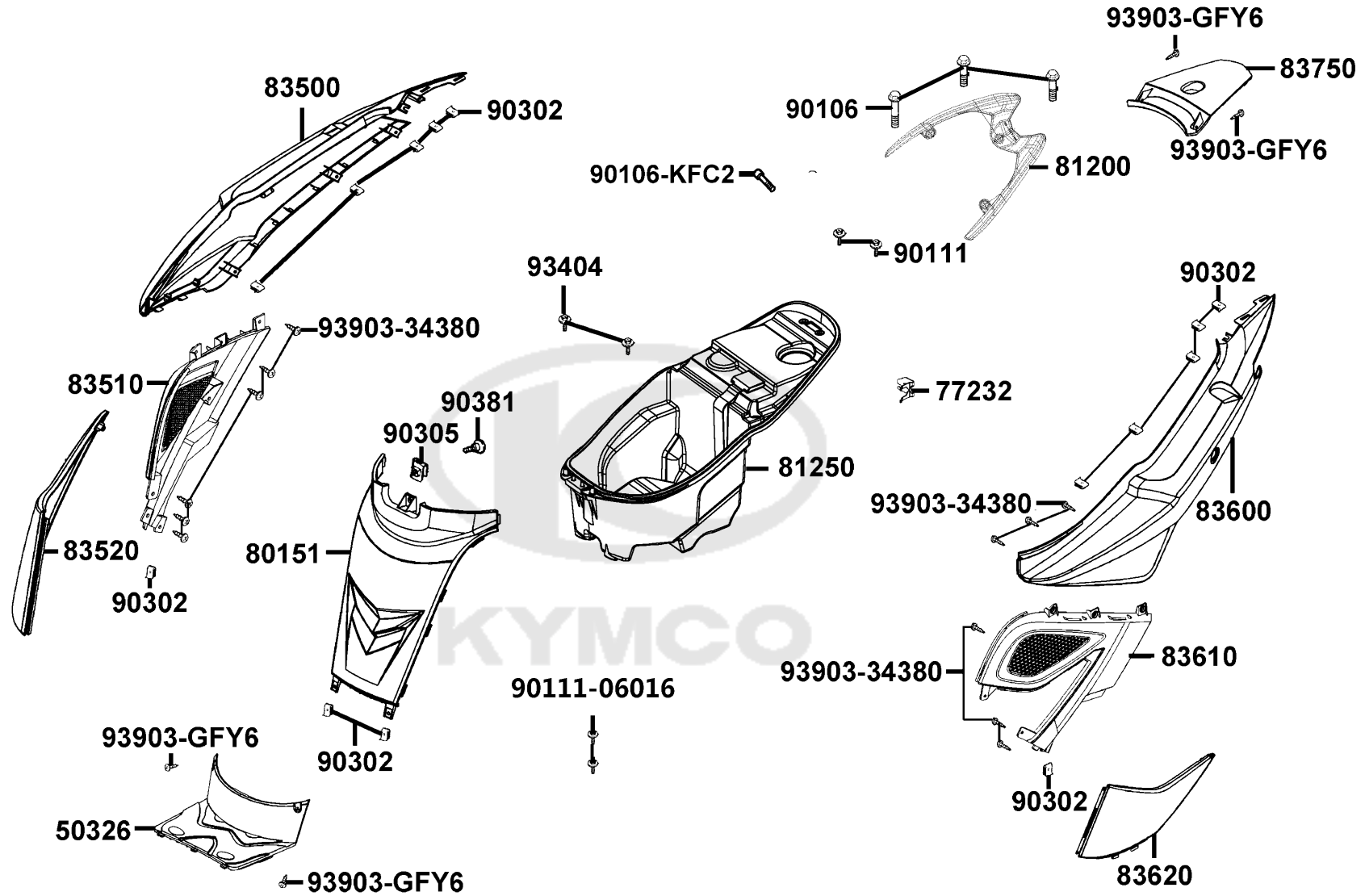
Sales mark	Ref no	Part no	Description	Reg description	Regd no	F11
------------	--------	---------	-------------	-----------------	---------	------------

31500	31500-KFAF-EZ0	31500-KFAF-EZ0	BATTERY EB9-4	BATTERY YTX9-BS	1	
95012	95012-LEJ2-E10	95012-LEJ2-E10	BAND BATTERY	BAND BATTERY	1	
98200	98200-11500	98200-11500	FUSE A15	FUSE A15	2	





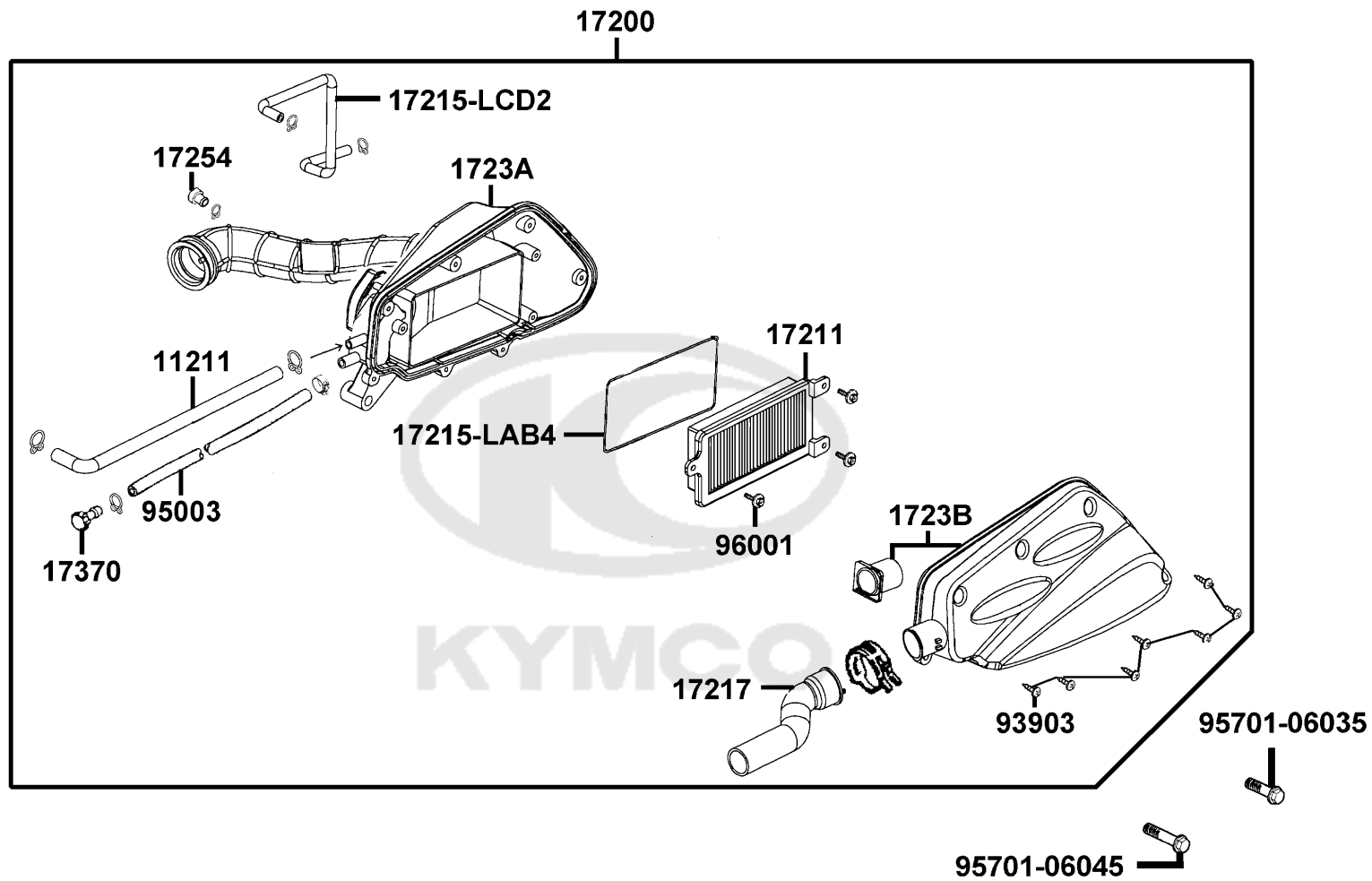
Sales mark	Ref no	Part no	Description	Reg description	Regd no	F12
**	50326	50326-LEJ2-E10	COVER BATTERY	COVER BATTERY	1	
	77232	77232-KCAC-C00	SET SPG SEAT LOCK	SET SPG SEAT LOCK	1	
**	80151	80151-LEJ2-E10	COVER CENTER	COVER CENTER	1	
**	81200	81200-AHF8-M40	CARRIER RR	CARRIER RR	1	
**	81250	81250-AAB6-E15	BOX LUGGAGE	BOX LUGGAGE	1	
**	83500	83500-LEJ2-E10	COVER R BODY	COVER R BODY	1	
**	83510	83510-LEJ2-E10	COVER R SIDE A	COVER R SIDE A	1	
**	83520	83520-LEJ2-E10	COVER R SIDE	COVER R SIDE	1	
**	83600	83600-LEJ2-E10	COVER L BODY	COVER L BODY	1	
**	83610	83610-LEJ2-E10	COVER L SIDE A	COVER L SIDE A	1	
**	83620	83620-LEJ2-E10	COVER L SIDE	COVER L SIDE	1	
**	83750	83750-LEJ2-E10	COVER RR CENTER	COVER RR CENTER	1	
	90106	90106-KFAF-C10	BOLT SPECIAL 8MM	BOLT SPECIAL 8MM	1	
	90106-KFC2	90106-KFC2-900	BOLT SPECIAL 8MM	BOLT SPECIAL 8MM	1	
	90111-06016	90111-06016-07G	BOLT FLANGE 6*16 (K)	BOLT FLANGE 6*16 (K)	2	
	90111	90111-1G87-C01	BOLT FLANGE 6MM	BOLT FLANGE 6MM	2	
	90302	90302-SDA4-C01	"NUT,SPPING 4MM"	"NUT,SPPING 4MM"	1	
	90305	90305-GHK8-C01	NUT CLIP 6MM	NUT CLIP 6MM	1	
	90381	90381-GEZ5-C01	SCREW SPECIAL 6*17	SCREW SPECIAL 6*17	1	
	93404	93404-06016-07G	BOLT-WASH 6x16	BOLT WASHER 6*16 (K)	2	



Sales mark	Ref no	Part no	Description	Reg description	Regd no	F12
------------	--------	---------	-------------	-----------------	---------	------------

93903-34380		93903-34380-G	SCREW TAPPING 4x12	SCREW TAPPING 4x12	12	
93903-GFY6		93903-GFY6-C01	SCREW TAPPING 4*14(K)	"SCREW,TAPPING4*14"	1	

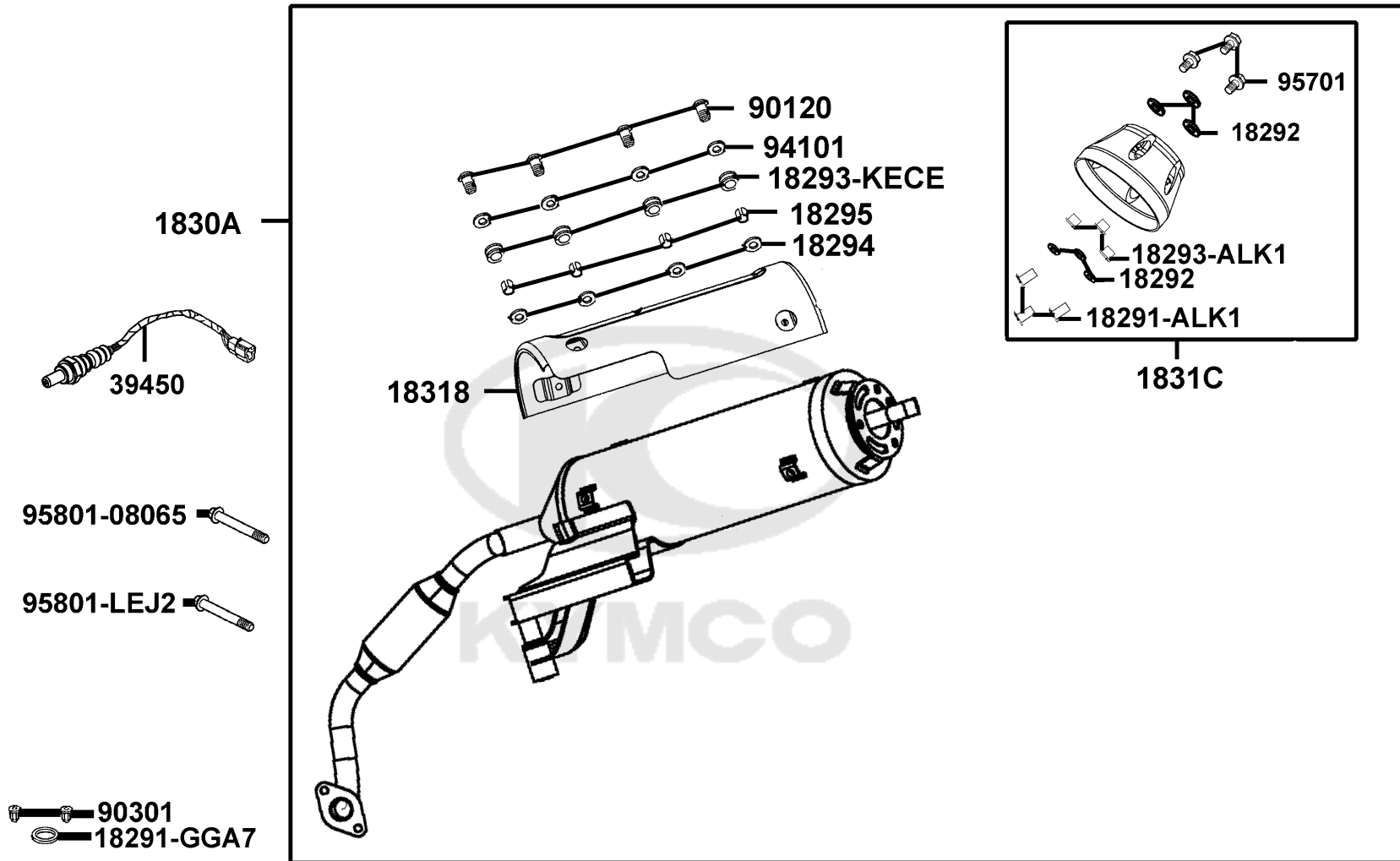




Sales mark	Ref no	Part no	Description	Reg description	Regd no	F13
11211		11211-LCD2-E00	TUBE BREATHER	TUBE BREATHER	1	
17200		17200-ALK1-EZ5	AIR/C ASSY	AIR/C ASSY	1	
17211		17211-LAB4-C00	ELEMENT COMP AIR/C	ELEMENT COMP AIR/C	1	
17215-LAB4		17215-LAB4-C00	SEAL ELEMENT	SEAL ELEMENT	1	
17215-LCD2		17215-LCD2-C00	TUBE COMP BREATH MISSION	TUBE COMP BREATH MISSION	1	
17217		17217-LCD2-C00	TUBE OUTER AIR/C	TUBE OUTER AIR/C	1	
1723A		1723A-ALK1-E15	CASE COMP AIR/C	CASE COMP AIR/C	1	
1723B		1723B-LCD2-C00	COVER COMP AIR/C	COVER COMP AIR/C	1	
17254		17254-KACA-P00	PLUG AIR/C CONN TUBE	PLUG AIR/C CONN TUBE	1	
17370		17370-4K19-C00	PLUG BREATHER TUBE	PLUG BREATHER TUBE	1	
93903		93903-25480	SCREW TAPPING 5*20 (K)	SCREW TAPPING 5*20 (K)	7	
95003		95003-23036-60	V TUBE 8*12*360	V TUBE 8*12*360	1	
95701-06035		95701-06035-08G	BOLT FLANGE 6*35	BOLT FLANGE 6*35 (C)	1	
95701-06045		95701-06045-08G	BOLT FLANGE 6*45 (C)	BOLT FLANGE 6*45 (C)	1	
96001		96001-GFY6-C00	BOLT SPECIAL 5*10	BOLT SPECIAL 5X10	1	

F14

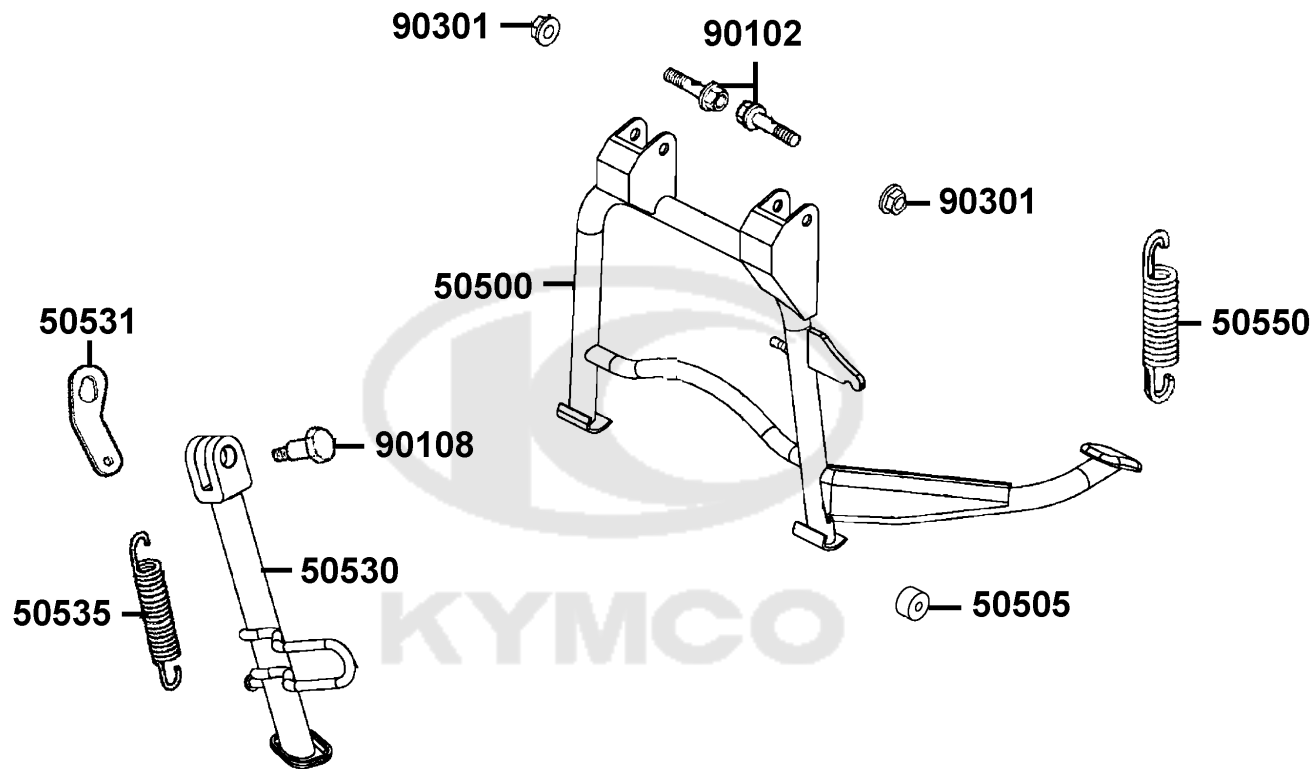
Exhaust Muffler



Sales mark	Ref no	Part no	Description	Reg description	Regd no	F14
	18291-ALK1	18291-ALK1-E10	COLLAR	COLLAR	1	
	18291-GGA7	18291-GGA7-C01	GASKET EXH PIPE	GASKET EXH PIPE	2	
	18292	18292-PUA3-B50	PACKING PTOTECTOR	PACKING PTOTECTOR	6	
	18293-ALK1	18293-ALK1-E10	"RUBBER,PKG PROTR"	"RUBBER,PKG PROTR"	1	
	18293-KECE	18293-KECE-C00	RUBBER A PROTR	RUBBER A PROTR	1	
	18294	18294-PUA3-B50	PACKING PTOTECTOR	PACKING PROTECTOR	1	
	18295	18295-KECE-C00	COLLAR 6MM	COLLAR 6MM	1	
**	1830A	1830A-ALK1-EZ5	MUFFLER ASSY EXHAUST	MUFFLER ASSY EXHAUST	1	
**	18318	18318-LCD3-C00	PROTECTOR MUFFLER	PROTECTOR MUFFLER	1	
	1831C	1831C-ALK1-E90	ASSY C.MUFFLER	ASSY C.MUFFLER	1	
	39450	39450-LEA6-800	O2 SENSOR	O2 SENSOR	1	
	90120	90120-ALK1-C00	SCREW SPECIAL M6*22	SOCKET BOLT SPECIAL 6*22	4	
	90301	90301-KGBG-C01	NUT CAP 6MM	NUT CAP 6MM	2	
	94101	94101-LGR3-E10	WASHER PLAN 6MM	WASHER PLAN 6MM	4	
	95701	95701-LGR5-E10	BOLT FLANGE SH 6*25	BOLT FLANGE SH 6*25	1	
	95801-08065	95801-08065-07G	BOLT FLANGE 8*65(K)	BOLT FLANGE 8*65 (C)	1	
	95801-LEJ2	95801-LEJ2-E11	BOLT TORX M8*75	BOLT TORX M8*75	1	

F15

Stand Kick Starter Arm

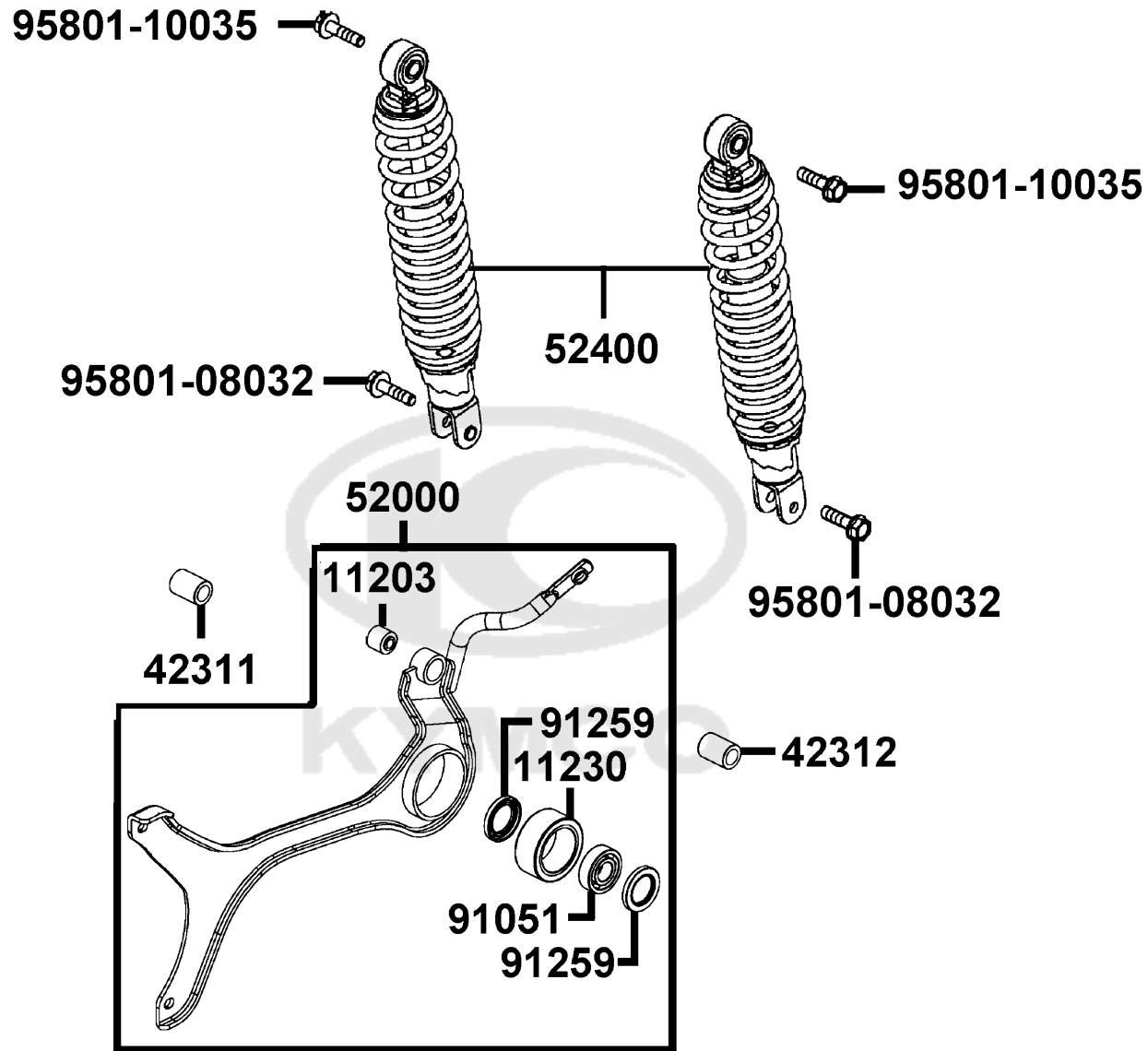


Sales mark	Ref no	Part no	Description	Reg description	Regd no	F15
	50500	50500-AAB6-E10	STAND COMP MAIN	STAND COMP MAIN	1	
	50505	50505-LAD9-C00	STOPPER RUBBER	STOPPER RUBBER	1	
	50530	50530-LEJ2-E10	BAR SIDE STAND	BAR SIDE STAND	1	
	50531	50531-KEB7-C00	PLATE SPRING STOPPER	PLATE SPRING STOPPER	1	
	50535	50535-KEB7-W10	SPRING COMP SIDE STAND	SPRING COMP SIDE STAND	1	
	50550	50550-KEB7-C00	SPG MAIN STAND COMP	SPG ASSY MAIN STAND	1	
	90102	90102-GLE0-C00	BOLT HINGE PIVOT	BOLT HINGE PIVOT	2	
	90108	90108-KFA6-E01	SCREW SIDE STAND PIVOT	SCREW SIDE STAND PIVOT	1	
	90301	90301-4C73-C01	NUT U 6MM(C)	NUT U 6MM(C)	1	

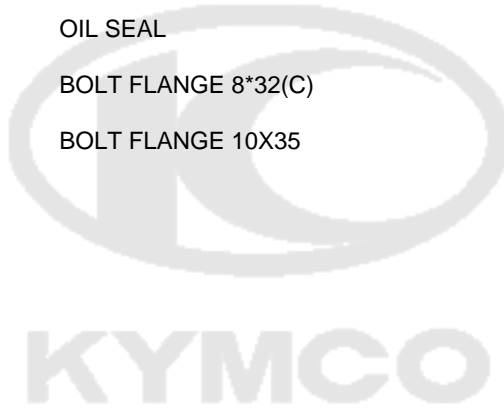


F16

Rear Cushion

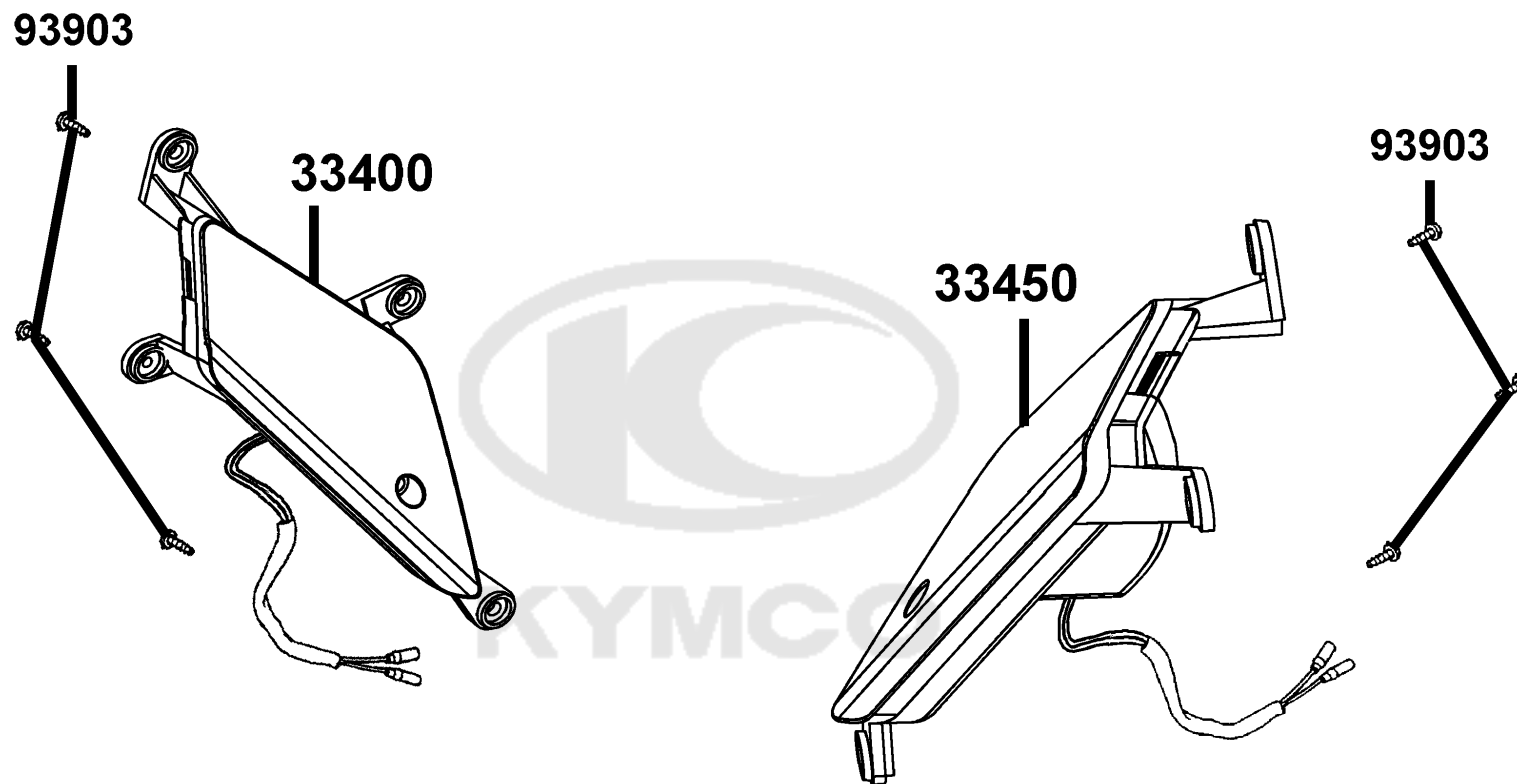


Sales mark	Ref no	Part no	Description	Reg description	Regd no	F16
	11203	11203-GGC7-W10	UNDER RUBBER BUSH REAR CUSHION	UNDER RUBBER BUSH REAR CUSHION	1	
	11230	11230-KFBF-C00	RUBBER BUSH RR FORK	RUBBER BUSH RR FORK	1	
	42311	42311-LEJ2-E10	COLLAR RR AXLE A	COLLAR RR AXLE A	1	
	42312	42312-LEJ2-E10	COLLAR RR AXLE SIDE	COLLAR RR AXLE SIDE	1	
	52000	52000-LEJ2-E10	FORK ASSY R	FORK ASSY R	1	
**	52400	52400-LEJ2-E10	CUSHION ASSY RR	CUSHION ASSY RR	2	
	91051	91051-KFBF-C00	BRG BALL RADIAL 6203 LLU	BRG BALL RADIAL 6203 LLU	1	
	91259	91259-KFBF-C00	OIL SEAL	SEAL OIL	1	
	95801-08032	95801-08032-08G	BOLT FLANGE 8*32(C)	BOLT FLANGE 8X32	2	
	95801-10035	95801-10035-08G	BOLT FLANGE 10X35	BOLT FLANGE 10X35	2	



F17

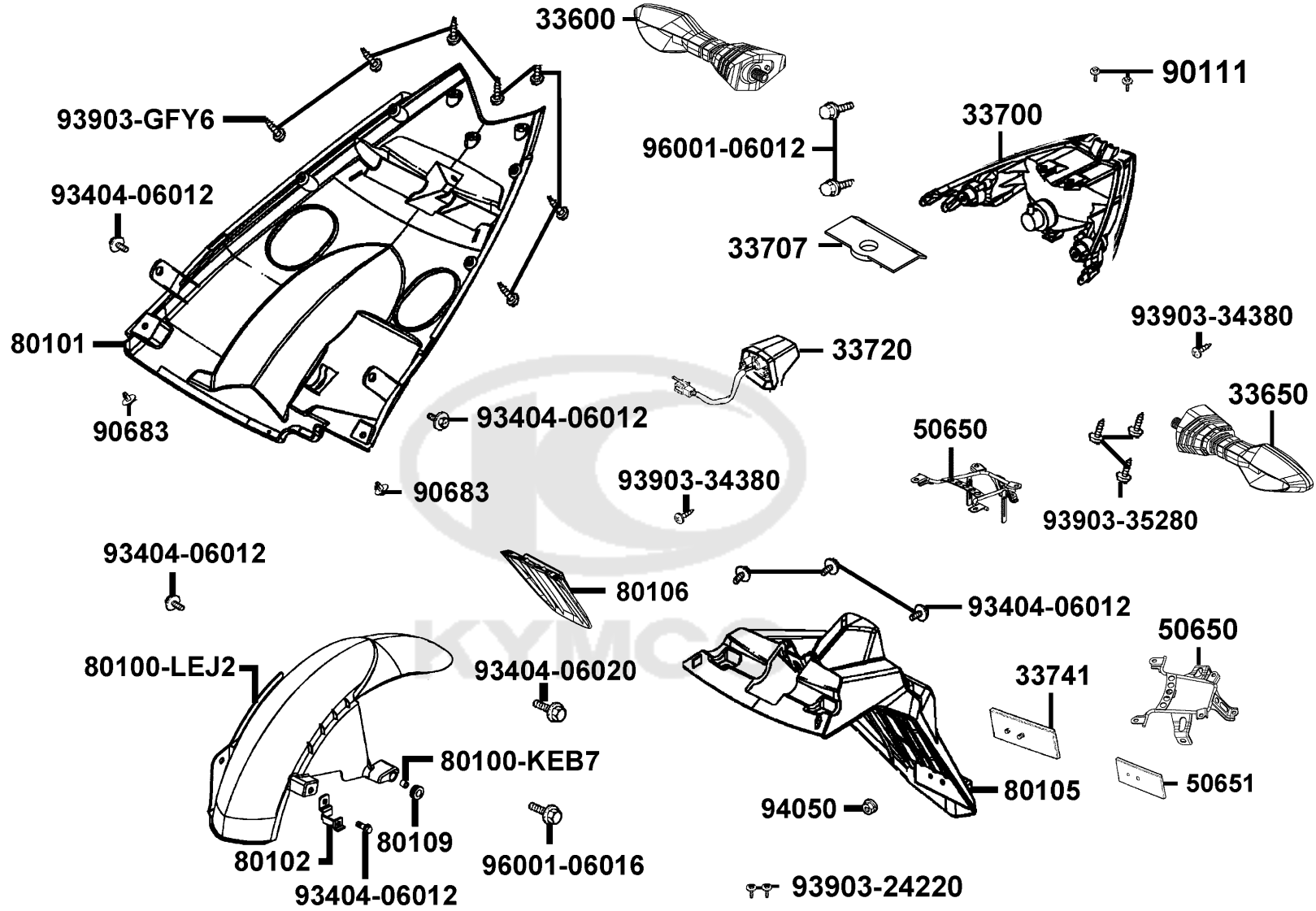
Front Winker



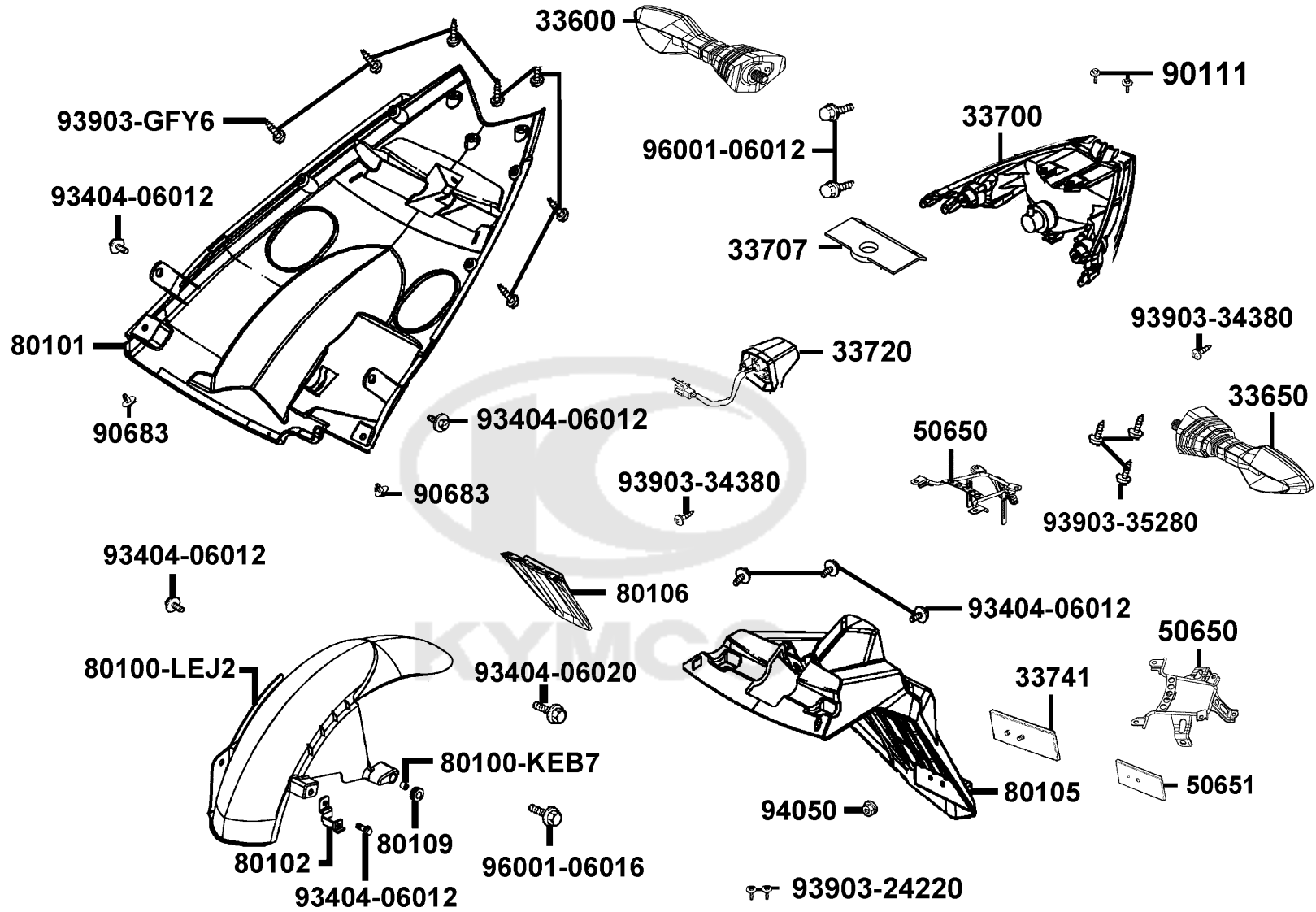
Sales mark	Ref no	Part no	Description	Reg description	Regd no	F17
------------	--------	---------	-------------	-----------------	---------	------------


33400	33400-ALG1-E10	33400-ALG1-E10	WINKER ASSY RH FR	WINKER ASSY RH FR	1	
33450	33450-ALG1-E10	33450-ALG1-E10	WINKER ASSY LH FR	WINKER ASSY LH FR	1	
93903	93903-34320-G	93903-34320-G	SCREW TAPPING 4*12	SCREW TAPPING 4*12	6	





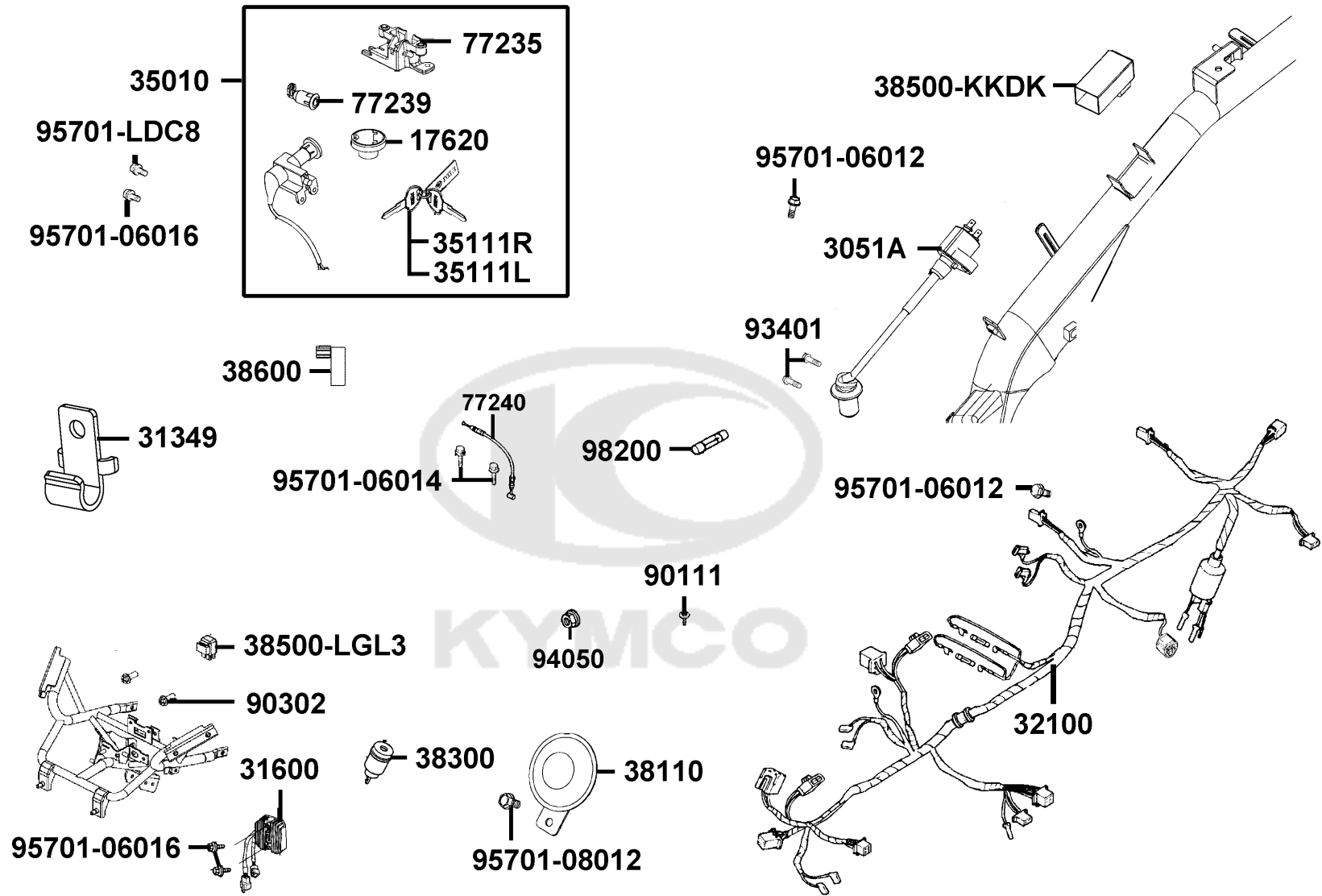
Sales mark	Ref no	Part no	Description	Reg description	Regd no	F18
	33600	33600-AHF8-M40	WINKER ASSY RH RR	WINKER ASSY RH RR	1	
	33650	33650-AHF8-M40	WINKER ASSY LH RR	WINKER ASSY LH RR	1	
	33700	33700-AHF8-M40	LIGHT ASSY RR COMB	LIGHT ASSY RR COMB	1	
	33707	33707-LEJ2-E10	STAY. RR COMB	"STAY, RR COMB"	1	
	33720	33720-LEJ2-E10	LIGHT ASSY LICENSE	LIGHT ASSY LICENSE	1	
	33741	33741-LEH3-EZ0	REFLEX REFLECTOR	REFLEX REFLECTOR	1	
	50650	50650-AHF8-M40	STAY RR FENDER	STAY RR FENDER	1	
	50651	50651-LFC4-E10	STAY RR FENDER BALANCE	STAY RR FENDER BALANCE	1	
	80100-KEB7	80100-KEB7-C00	COLLAR IN RUBBER	COLLAR IN RUBBER	1	
**	80100-LEJ2	80100-LEJ2-E10	FENDER RR TIRE	FENDER RR TIRE	1	
**	80101	80101-LEJ2-E10	FENDER RR INNER	FENDER RR INNER	1	
	80102	80102-LCD2-C00	STAY RR TIRE FENDER	STAY RR TIRE FENDER	1	
**	80105	80105-LEJ2-E10	FENDER REAR	FENDER REAR	1	
**	80106	80106-LEJ2-E10	FENDER RR LOW	FENDER RR LOW	1	
	80109	80109-KEB7-C00	RUBBER RR FENDER B	RUBBER RR FENDER B	1	
	90111	90111-06016-07G	BOLT FLANGE 6*16 (K)	BOLT FLANGE 6*16 (K)	2	
	90683	90683-GAR1-C00	CLIP BODY COVER	CLIP BODY COVER	1	
	93404-06012	93404-06012-07G	BOLT-WASH 6x12	BOLT-WASH 6x12	7	
	93404-06020	93404-06020-07G	BOLT-WASH 6x20	BOLT-WASH 6x20	1	
	93903-24220	93903-24220-G	SCREW TAPPING 4*10 (C)	SCREW TAPPING 4*10 (C)	2	



Sales mark	Ref no	Part no	Description	Reg description	Regd no	F18
	93903-34380	93903-34380-G	SCREW TAPPING 4x12	SCREW TAPPING 4x12	11	
	93903-35280	93903-35280-G	SCREW TAPPING 5*12 (K)	SCREW TAPPING 5*12 (KG)	3	
	93903-GFY6	93903-GFY6-C01	SCREW TAPPING 4*14(K)	"SCREW,TAPPING4*14"	1	
	94050	94050-05080-G	NUT FLANGE 5MM	NUT FLANGE 5MM	1	
	96001-06012	96001-06012-08G	BOLT FLANGE SH 6X12 (C)	BOLT FLANGE SH 6X12 (C)	2	
	96001-06016	96001-06016-08G	BOLT FLANGE SH 6x16 (C)	BOLT FLANGE SH 6*16 (CR3+)	1	
						

F19

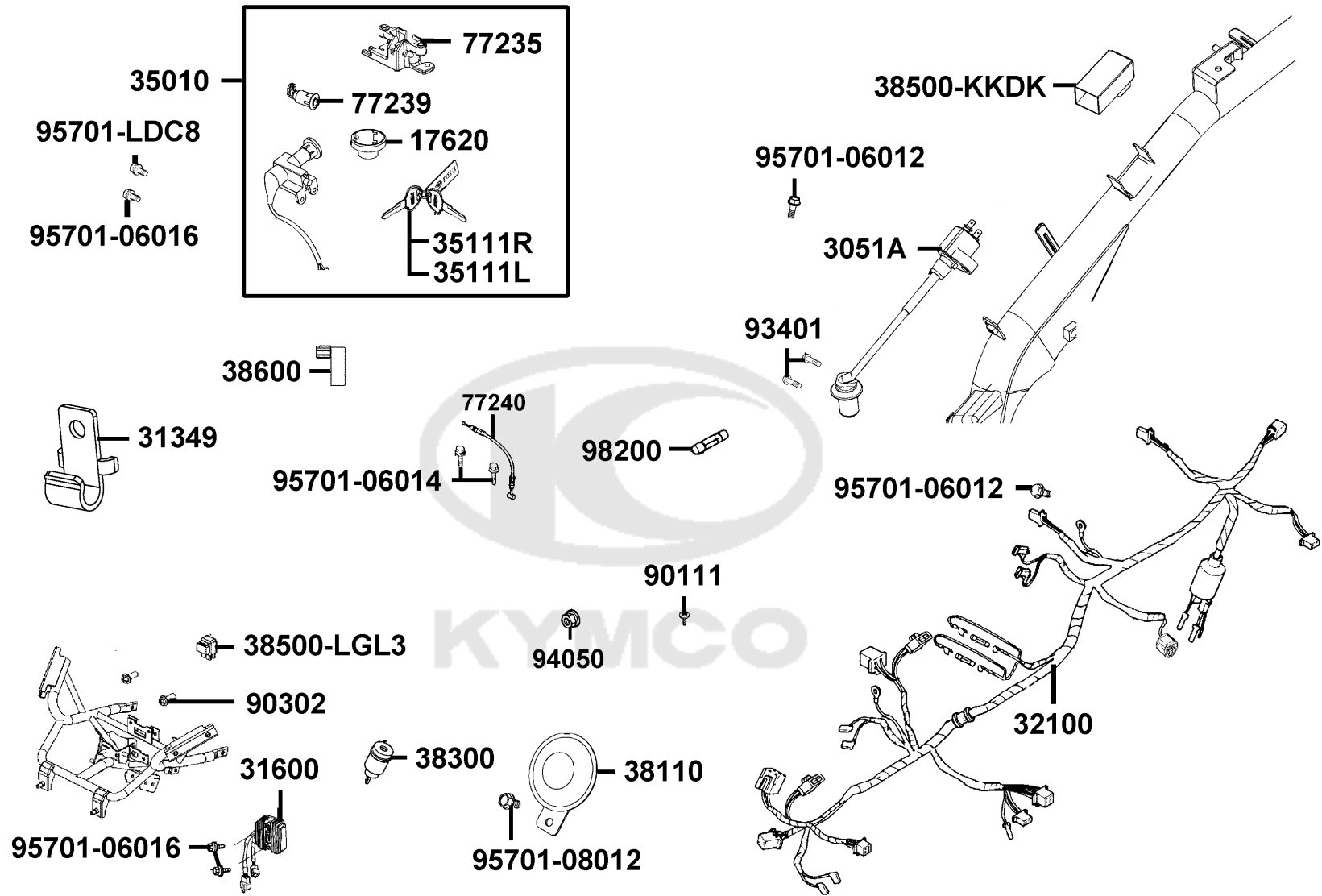
Wire Harness



Sales mark	Ref no	Part no	Description	Reg description	Regd no	F19
	17620	17620-LDF7-MY0	CAP COMP FUEL FILLER	CAP COMP FUEL FILLER	1	
	3051A	3051A-KKE3-900	COIL ASSY IGN	COIL ASSY IGN	1	
	31349	31349-AHF8-M40	CLAMPER. SPEED SENSOR	CLAMPER. SPEED SENSOR	1	
	31600	31600-ACC1-E10	REG REC COMP	REG REC COMP	1	
	32100	32100-BLA2-E70	HARNESS WIRE	HARNESS WIRE	1	
	35010	35010-LDC8-EZ5	KEY SET	KEY SET	1	
	35111R	35111-KUDU-305	BLANK KEY R	BLACK KEY R	1	
	35111L	35111-KUDU-306	BLANK KEY L	BLACK KEY L	1	
	38110	38110-KGC4-B50	HORN COMP *(0) C.2007.05.18	HORN COMP *(0) C.2007.05.18	1	
	38300	38300-AHF8-M40	RELAY COMP WINKER	RELAY COMP WINKER	1	
	38500-KKDK	38500-KKDK-C00	RELAY ASSY START	SET START MAG	1	
	38500-LGL3	38500-LGL3-90A	RELAY ASSY LIGHT	RELAY ASSY LIGHT	1	
	38600	38600-AEH2-M40	CONTROL ASSY LIGHTING	CONTROL ASSY LIGHTING	1	
	77235	77235-KGC4-E0B	SEAT CATCH	SEAT CATCH	1	
	77239	77239-GFY6-C00	KEY SEAT LOCK	KEY SEAT LOCK	1	
	77240	77240-LFC2-E10	CABLE SEAT LOCK	"CABLE,SEAT LOCK"	1	
	90111	90111-06016-07G	BOLT FLANGE 6*16 (K)	BOLT FLANGE 6*16 (K)	1	
	90302	90302-GFY6-C11	BOLT-WASH 5*16	BOLT-WASH 5*16	2	
	93401	93401-04025-08	BOLT WASHER 4*25	BOLT WASHER 4*25	2	
	94050	94050-08080-G	NUT FLANGE 8MM	FLANGE NUT 8MM(C)	1	

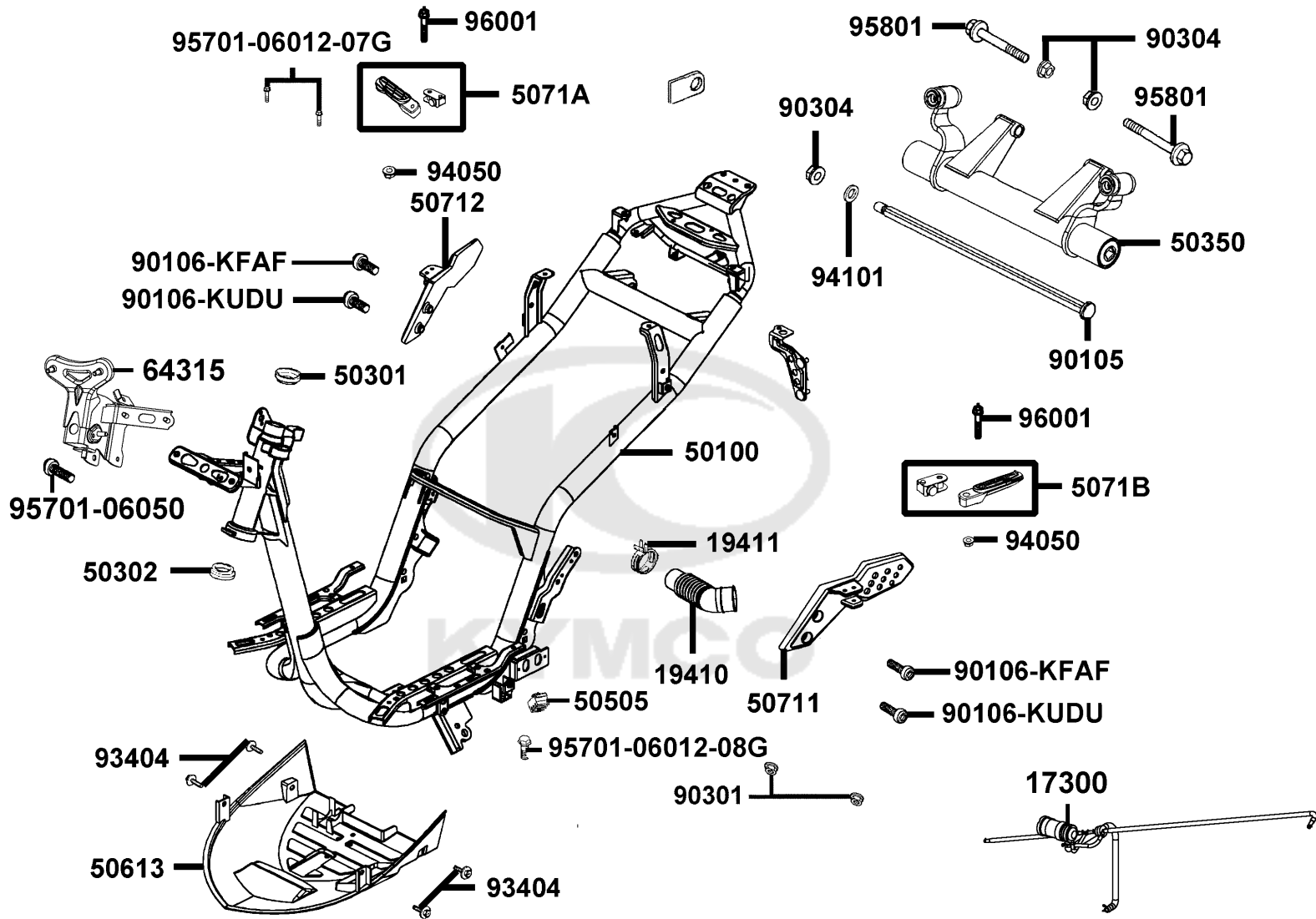
F19

Wire Harness

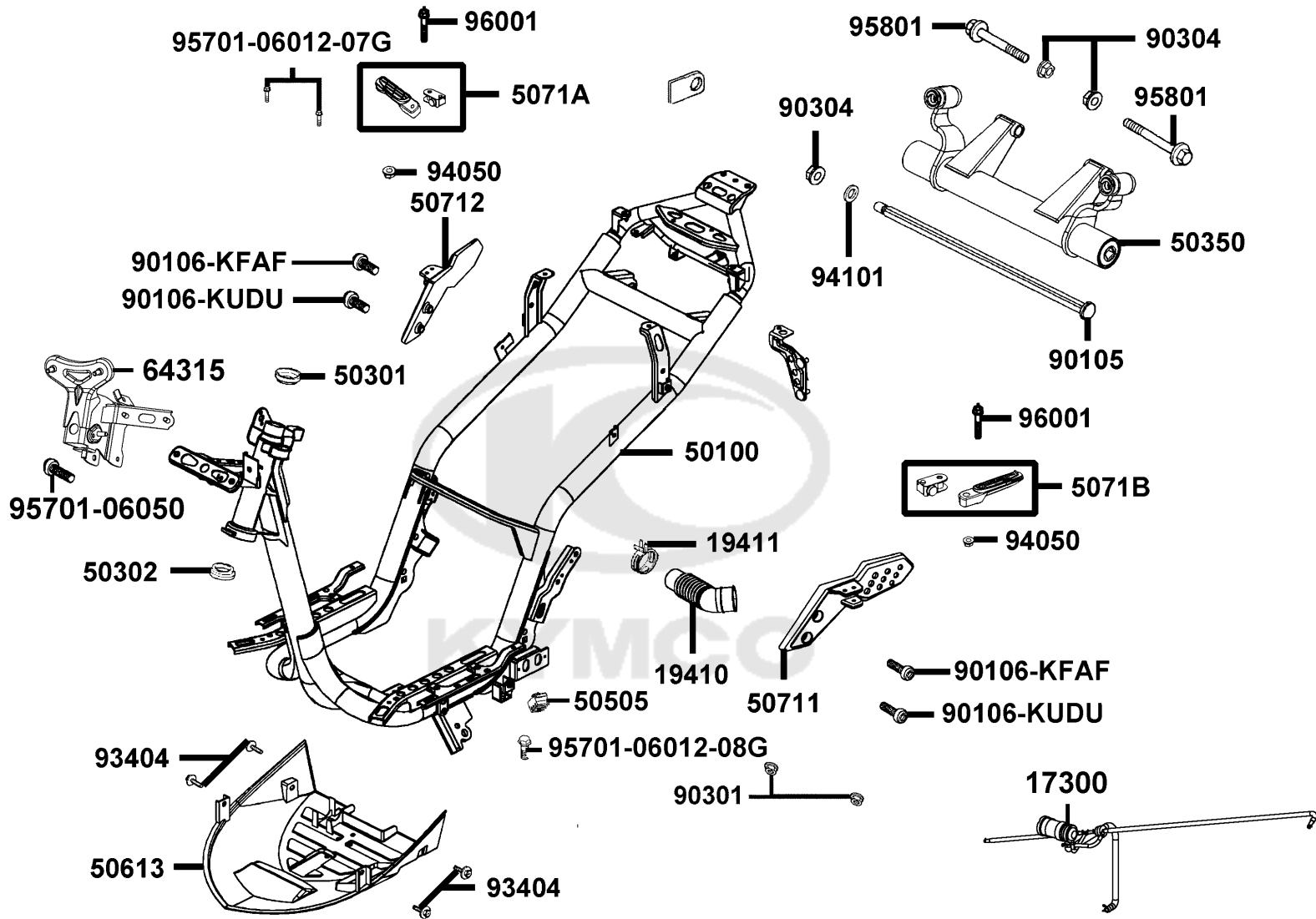



Sales mark	Ref no	Part no	Description	Reg description	Regd no	F19
	95701-06012	95701-06012-08G	BOLT FLANGE 6*12	BOLT FLANGE 6*12	3	
	95701-06014	95701-06014-08G	BOLT FLANGE 6*14 (C)	BOLT FLANGE 6*14 (C)	2	
	95701-06016	95701-06016-08G	BOLT FLANGE 6*16 (C)	BOLT FLANGE 6*16 (C)	1	
	95701-08012	95701-08012-08G	BOLT FLANGE 8X12(C)	BOLT FLANGE 8X12(C)	1	
	95701-LDC8	95701-LDC8-E11	BOLT TORQUE 6x16	BOLT TORQUE 6x16	1	
98200		98200-10700	FUSE A7	FUSE A7	1	

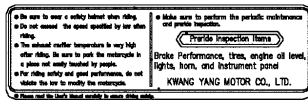




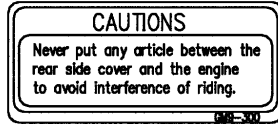
Sales mark	Ref no	Part no	Description	Reg description	Regd no	F20
	17300	17300-BLA2-E70	CANISTER-PCV ASSY	CANISTER-PCV ASSY	1	
	19410	19410-LEJ2-E10	DUCT COOLING	DUCT COOLING	1	
	19411	19411-KNBN-C10	CLIP HOSE	CLIP HOSE	1	
	50100	50100-BLA2-E70	BODY COMP FRAME	BODY COMP FRAME	1	
	50301	50301-KGN7-C00	RACE UPPER STRG BALL	RACE UP STRG BALL	1	
	50302	50302-2H68-C00	RACE (STRG BOT) BALL	RACE (STRG BOT) BALL	1	
	50350	50350-LEJ2-E10	HANGER ASSY ENG.	HANGER ASSY ENG.	1	
	50505	50505-PUA3-B50	STOPPER RUBBER	STOPPER RUBBER	1	
**	50613	50613-LEJ2-E10	COVER UNDER	COVER UNDER	1	
**	50711	50711-LEJ2-E10	"STEP R,RR STEP"	"STEP R,RR STEP"	1	
**	50712	50712-LEJ2-E10	STEP L RR STEP	STEP L RR STEP	1	
	5071A	5071A-LEJ2-E10	BAR STEP R ASSY	BAR STEP R ASSY	1	
	5071B	5071B-LEJ2-E10	BAR STEP L ASSY	BAR STEP L ASSY	1	
	64315	64315-AHF8-M40	CARRIER FR.CONNECT	"CARRIER FR,CONNECT"	1	
	90105	90105-LEJ2-E10	SQUARE BOLT/320MM	SQUARE BOLT/320MM	1	
	90106-KFAF	90106-KFAF-900	BOLT SPECIAL	BOLT SPECIAL	2	
	90106-KUDU	90106-KUDU-900	BOLT SPECIAL 8MM	BOLT SPECIAL 8MM	2	
	90301	90301-LEJ2-E11	NUT FLANGE 6mm	NUT FLANGE 6mm	2	
	90304	90304-GHE8-C01	NUT U 10MM (C)	NUT U 10MM(C)	1	
	93404	93404-06012-07G	BOLT-WASH 6x12	BOLT-WASH 6x12	4	



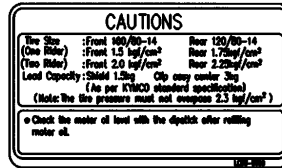
Sales mark	Ref no	Part no	Description	Reg description	Regd no	F20
94050		94050-06080-G	NUT FLANGE 6MM	NUT FLANGE 6MM	2	
94101		94101-10800-G	WASHER PLAIN 10MM (C)	PLAIN WASHER	1	
95701-06012-07G		95701-06012-07G	BOLT FLANGE 6X12(KG)	BOLT FLANGE 6X12(KG)	1	
95701-06012-08G		95701-06012-08G	BOLT FLANGE 6*12	BOLT FLANGE 6*12	1	
95701-06050		95701-06050-07G	BOLT FLANGE 6*50 (G)	BOLT FLANGE 6*50 (G)	2	
95801		95801-10070-08G	BOLT FLANGE 10*70 (C)	BOLT FLANGE 8*50(G)	2	
96001		96001-06040-07G	BOLT FLANGE SH 6*40 (G)	BOLT FLANGE SH 6*40 (KG)	2	
						



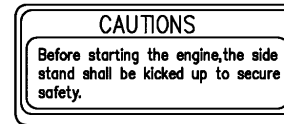
87560



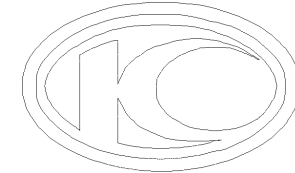
87542



87505



87541-GAR1



86102-ALG1



86283



86323



86282



86333



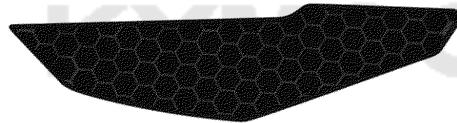
87541-KGBG



87546



86221



86231



86251



86241



86102-LKJ1

Sales mark	Ref no	Part no	Description	Reg description	Regd no	F21
**	86102-ALG1	86102-ALG1-E00	EMB K-LOGO	EMB K-LOGO	1	
**	86102-LKJ1	86102-LKJ1-C00	EMB K-LOGO	EMB K-LOGO	1	
**	86221	86221-BLA2-E70	STRIPE R BODY COVER	STRIPE R BODY COVER	1	
**	86231	86231-BLA2-E70	STRIPE L BODY COVER	STRIPE L BODY COVER	1	
**	86241	86241-BLA2-E70	STRIPE B R BODY COVER	STRIPE B R BODY COVER	1	
**	86251	86251-BLA2-E70	STRIPE B L BODY COVER	STRIPE B L BODY COVER	1	
**	86282	86282-BLA2-E70	STRIPE R FR MOLD	STRIPE R FR MOLD	1	
**	86283	86283-BLA2-E70	STRIPE L FR MOLD	STRIPE L FR MOLD	1	
**	86323	86323-BLA2-E70	STRIPE R SIDE COVER	STRIPE R SIDE COVER	1	
**	86333	86333-BLA2-E70	STRIPE L SIDE COVER	STRIPE L SIDE COVER	1	
**	87505	87505-LEJ2-E01	LABEL TIRE	LABEL TIRE	1	
**	87541-GAR1	87541-GAR1-C01	CAUTION SIDE STAND	CAUTION SIDE STAND	1	
**	87541-KGBG	87541-KGBG-E01	LABEL OIL CAP	LABEL OIL CAP	1	
**	87542	87542-GAR1-C01	MARK MAINT CAUTION R	MARK MAINT CAUTION R	1	
**	87546	87546-AGE3-E00	LABEL FUEL TANK	LABEL FUEL TANK	1	
**	87560	87560-GFY6-E11	MARK DRIVE CAUTION	MARK DRIVE CAUTION	1	

PART NO. INDEX

PART NO.	VERSION	PAGE	PART NO.	VERSION	PAGE	PART NO.	VERSION	PAGE
11000			12000			14450-KGBG-W10	1	E02
11100-KGBG-C00	8	E01	12100-KGBG-C01	3	E03	14452-KGBG-W10	1	E02
11102-1G87-C00	3	E01	12191-KGBG-E90	1	E03	14510-KGBG-C00	1	E03
11192-KGBG-E90	1	E01	12200-ADB2-C00	1	E02	14531-GLR0-W11	1	E03
11200-LCD2-C00	0	E01	12209-GDB4-C00	2	E02	14550-LDC8-C10	1	E03
11203-GGC7-W10	2	E01	12211-KGBG-C00	1	E02	14555-KKJ9-E90	1	E03
11203-GGC7-W10	2	F16	12251-KGBG-C00	1	E02	14610-KGBG-C00	1	E03
11203-KUDU-C00	0	E08	1231A-KHC5-C00	1	E02	14711-KGBG-C00	0	E02
11204-LEJ2-E10	0	E01	12361-GFY6-C00	5	E04	14721-KGBG-C00	0	E02
11205-GHAH-C00	1	E01	12391-KEE1-C00	0	E02	14751-KGBG-C00	0	E02
11205-LAB4-C00	1	E01	13000			14761-KGBG-C00	1	E02
11208-LEJ2-E10	1	E07				14771-GDB4-C00	2	E02
11211-LCD2-E00	1	F13				14775-MFA6-C00	5	E02
11230-KFBF-C00	0	F16	13000-LDC5-C00	6	E03	14781-MFA6-C00	4	E02
11330-LBD6-C00	1	E04	13011-LBC9-C00	0	E03	15000		
11340-LEJ2-E10	0	E01	13101-LBC9-900	2	E03	15100-LDC5-C00	3	E06
11353-LEA6-C00	1	E01	13111-KGBG-C00	1	E03	15133-LDC5-C00	2	E06
11381-LFC2-E10	0	E01	13115-0A01-C00	2	E03	15332-GFF6-C00	0	E06
11382-LCD2-E00	1	E01	14000			15421-1G07-C00	1	E04
11384-AHF8-M40	0	F10				15426-GAE1-C00	1	E04
11394-KGBG-E90	1	E04				15651-GFY6-C00	1	E04
11395-LCD2-C00	0	E01	14100-ACB9-EZ5	0	E02			
			14401-KGBG-C00	1	E03			
			14431-KGBG-W10	1	E02			

PART NO. INDEX

PART NO.	VERSION	PAGE	PART NO.	VERSION	PAGE	PART NO.	VERSION	PAGE
			17561-LGK8-900	1	F10	1963A-ADB2-C00	0	E07
			17620-LDF7-MY0	0	F19			
			17910-ALJ8-E1D	0	F03			
						21000		
16000								
16100-BLA2-E70	0	E09						
1621A-ADB2-EZ5	0	E02	18000			21201-LCD2-C00	0	E08
16701-LKD2-M90	0	F10				21395-LCD2-E90	0	E08
16703-LKD2-M90	0	F10						
			18291-ALK1-E10	0	F14			
			18291-GGA7-C01	1	F14	22000		
			18292-PUA3-B50	0	F14			
17000			18293-ALK1-E10	0	F14	22100-LDC8-E10	1	E05
1711A-ACB9-EZ5	0	E02	18293-KECE-C00	0	F14	22102-LDC8-E10	1	E05
17200-ALK1-EZ5	0	F13	18294-PUA3-B50	1	F14	22103-KEB7-C00	1	E05
17211-LAB4-C00	0	F13	18295-KECE-C00	0	F14	22105-KGBG-C00	1	E05
17215-LAB4-C00	0	F13	1830A-ALK1-EZ5	0	F14	22110-LEJ2-E10	0	E05
17215-LCD2-C00	0	F13	18318-LCD3-C00	0	F14	22121-LDC8-405	0	E05
17217-LCD2-C00	0	F13	1831C-ALK1-E90	0	F14	22131-GHAH-C00	1	E05
1723A-ALK1-E15	0	F13	18646-LDC8-E10	1	E02	22132-GLW0-315	0	E05
1723B-LCD2-C00	0	F13				22300-GGAG-C00	1	E05
17254-KACA-P00	1	F13	19000			22350-GKAK-C00	1	E05
17256-ALK1-E15	1	E02				22401-GJAJ-C00	1	E05
17300-BLA2-E70	0	F20	19410-LEJ2-E10	0	F20	22530-GKAK-C00	1	E05
17370-4K19-C00	0	F13	19411-KNBN-C10	2	F20	22804-1H48-C00	1	E05
17500-BLA2-E70	0	F10	19510-LDC5-C00	1	E07			
17550-AAB6-E15	0	F10	19610-LFC2-E10	2	E07	23000		
1755A-BLA2-E70	0	F10	19625-KEE1-C00	1	E07			
17560-AAB6-E15	0	F10	1962A-KEE1-C00	1	E07	2301A-LEA3-C00	1	E05

PART NO. INDEX

PART NO.	VERSION	PAGE	PART NO.	VERSION	PAGE	PART NO.	VERSION	PAGE
23100-KEB7-C00	1	E05	31120-ACB9-E10	1	E07			
23200-GAR1-C00	1	E05	31200-LEJ2-E10	1	E06	35000		
23210-GAR1-C00	1	E05	31209-KEE1-C01	2	E06			
23220-KEE1-C00	1	E05	31347-AHF8-M40	0	F07	35010-LDC8-EZ5	0	F19
23225-GAR1-C00	1	E05	31349-AHF8-M40	0	F19	35111-KUDU-305	0	F19
23233-LEA3-C00	1	E05	31500-KFAF-EZ0	0	F11	35111-KUDU-306	0	F19
23237-GAR1-C00	1	E05	31600-ACC1-E10	1	F19	3515A-AEH2-M40	0	F03
23239-LEA3-C00	1	E05				3520A-AEH2-M40	0	F03
23411-LCD2-C00	0	E08	32000			35340-AEH2-M40	0	F03
23420-ALK1-E15	0	E08				35340-KNBN-C00	1	F04
23432-ALK1-E15	0	E08	32100-BLA2-E70	0	F19			
2343A-LEJ2-E10	0	E08	32117-AHF8-M40	0	F10	37000		
28000			33000			37100-BLA2-E70	0	F02
28211-KEB7-W10	1	E05	33100-AHF8-M40	0	F01	37802-GGA7-C00	1	F10
28212-LEJ2-E10	0	E05	33400-ALG1-E10	0	F17	3780A-BLA2-E70	0	F10
30000			33450-ALG1-E10	0	F17			
			33600-AHF8-M40	0	F18	38000		
			33650-AHF8-M40	0	F18	38110-KGC4-B50	2	F19
3051A-KKE3-900	6	F19	33700-AHF8-M40	0	F18	38300-AHF8-M40	0	F19
31000			33707-LEJ2-E10	0	F18	38500-KKDK-C00	5	F19
			33720-LEJ2-E10	0	F18	38500-LGL3-90A	5	F19
			33731-KGB5-EZ0	0	F06	38600-AEH2-M40	1	F19
31100-ACB9-E10	1	E07	33741-LEH3-EZ0	1	F18			
31110-ADB2-C00	1	E07						

PART NO. INDEX

PART NO.	VERSION	PAGE	PART NO.	VERSION	PAGE	PART NO.	VERSION	PAGE
39000			43472-LEJ3-E10	0	F03	50326-LEJ2-E10	0	F12
			44000			50350-LEJ2-E10	1	F20
39300-ACB9-EZ5	0	E02				50500-AAB6-E10	0	F15
39301-ACB9-EZ5	0	E02	44301-LEJ2-E12	1	F07	50505-LAD9-C00	1	F15
39302-KKE3-C00	1	E02	44311-KHB4-C00	0	F07	50505-PUA3-B50	2	F20
39303-LEB2-C00	1	E02	44601-LEJ3-E10	0	F07	50530-LEJ2-E10	0	F15
39304-LFG7-900	1	F10	44620-KFLF-C00	1	F07	50531-KEB7-C00	1	F15
39400-LHJ3-900	1	E02	44680-4L10-C00	1	F07	50535-KEB7-W10	3	F15
39450-LEA6-800	2	F14	44710-LEJ3-E11	0	F07	50550-KEB7-C00	1	F15
39600-LEA1-800	0	F10	44800-AHF8-M40	0	F07	50613-LEJ2-E10	0	F20
			45000			50650-AHF8-M40	0	F18
42000						50651-LFC4-E10	1	F18
42311-LEJ2-E10	0	F16	45105-LEJ2-306	0	F04	50711-LEJ2-E10	2	F20
42312-LEJ2-E10	1	F16	45121-LEJ2-E80	0	F07	50712-LEJ2-E10	3	F20
42601-LEJ2-E10	0	F08	45126-BLA2-E00	0	F04	5071A-LEJ2-E10	0	F20
42710-LEJ3-E11	0	F08	45200-LEJ2-E1A	0	F04	5071B-LEJ2-E10	0	F20
			45500-AEH9-C00	1	F04	51000		
43000						51400-LEJ2-E10	0	F06
4312A-AKA5-800	0	F08	50000			51400-LEJ2-E10	2	F06
4314A-AKA5-800	0	F08	50100-BLA2-E70	0	F20	51500-LEJ2-E10	0	F06
43410-KFA1-C00	8	F08	50301-KGN7-C00	2	F20	51500-LEJ2-E10	2	F06
43450-BLA2-E70	0	F03	50302-2H68-C00	2	F20			
43472-KHG8-C00	1	F08	50306-1F96-C00	1	F06			

PART NO. INDEX

PART NO.	VERSION	PAGE	PART NO.	VERSION	PAGE	PART NO.	VERSION	PAGE
52000			61000			77000		
52000-LEJ2-E10	3	F16	61100-LEJ2-E10	0	F06	77200-BLA2-E70	0	F09
52400-LEJ2-E10	2	F16	61110-AHF8-M40	0	F05	77232-KCAC-C00	2	F12
			61110-LDC8-E90	0	F06	77235-KGC4-E0B	2	F19
53000			61112-LDC8-E90	0	F06	77239-GFY6-C00	0	F19
			6111A-LDC8-E90	0	F06	77240-LFC2-E10	5	F19
53100-BLA2-E70	0	F03						
53105-KNBN-C00	2	F03	64000			80000		
53125-GEN5-C00	1	F03						
5312A-BLA2-E70	0	F03	64206-MLJ0-C01	0	F06	80100-KEB7-C00	0	F18
53131-LHM9-E60	1	F03	64301-AHF8-M40	0	F05	80100-LEJ2-E10	0	F18
53140-AEH2-M40	0	F03	64303-AHF8-M40	0	F05	80100-LEJ2-E10	1	F18
53166-KNBN-C00	1	F03	64304-AHF8-M40	0	F05	80101-LEJ2-E10	0	F18
53175-LEB9-E00	0	F04	64305-LEJ2-E10	0	F05	80102-LCD2-C00	0	F18
53178-KED1-C00	1	F03	64306-LEJ2-E10	0	F05	80105-LEJ2-E10	0	F18
5317B-AEH2-M40	0	F03	64307-ALG1-E10	0	F05	80106-LEJ2-E10	1	F18
53200-AHF8-M40	0	F06	64308-ALG1-E10	0	F05	80109-KEB7-C00	0	F18
53205-BLA2-E70	0	F03	64310-LEJ2-E10	0	F05	80151-LEJ2-E10	0	F12
53206-BLA2-E70	0	F03	64312-AHF8-M40	0	F05			
53207-BLA2-E70	0	F03	64315-AHF8-M40	0	F20	81000		
53211-GFY6-C00	1	F06	64316-AEH2-M40	0	F05			
53212-2L50-C00	1	F06	64322-AHF8-M40	0	F05	81131-ALG1-E10	0	F05
53214-2L50-C00	5	F06	64400-AHF8-M40	0	F05	81132-LCB9-C10	1	F05
53215-2L50-C00	1	F06				81134-KGBG-C00	2	F05

PART NO. INDEX

PART NO.	VERSION	PAGE	PART NO.	VERSION	PAGE	PART NO.	VERSION	PAGE
81200-AHF8-M40	0	F12				90032-KGBG-C01	1	E01
81250-AAB6-E15	0	F12	87000			90033-0A41-C01	1	E02
83000			87505-LEJ2-E01	1	F21	90033-GFY6-C11	1	E02
			87541-GAR1-C01	1	F21	90102-GLE0-C00	1	F15
83500-LEJ2-E10	0	F12	87541-KGBG-E01	0	F21	90105-KCR3-C02	1	F07
83510-LEJ2-E10	0	F12	87541-KGBG-E01	1	F21	90105-LEJ2-E10	0	F20
83520-LEJ2-E10	0	F12	87542-GAR1-C01	2	F21	90106-KFAF-900	2	F20
83600-LEJ2-E10	0	F12	87546-AGE3-E00	0	F21	90106-KFAF-C10	4	F12
83610-LEJ2-E10	0	F12	87560-GFY6-E11	3	F21	90106-KFC2-900	2	F03
83620-LEJ2-E10	0	F12				90106-KFC2-900	2	F12
83750-LEJ2-E10	0	F12	88000			90106-KUDU-900	2	F20
86000			88110-ABD6-C00	0	F03	90106-PUA3-B50	0	F03
			88120-ABD6-C00	0	F03	90108-KFA6-E01	0	F15
86102-ALG1-E00	2	F21	89000			90110-GLW0-C00	0	F05
86102-LKJ1-C00	0	F21				90110-KEB7-C01	1	F06
86221-BLA2-E70	0	F21				90111-06016-07G	0	F03
86231-BLA2-E70	0	F21	89010-KGBG-C00	1	F09	90111-06016-07G	0	F12
86241-BLA2-E70	0	F21				90111-06016-07G	0	F18
86251-BLA2-E70	0	F21	90000			90111-06016-07G	0	F19
86282-BLA2-E70	0	F21				90111-1G87-C01	1	F12
86283-BLA2-E70	0	F21	9000A-ALK1-E15	0	E01	90120-ALK1-C00	0	F14
86323-BLA2-E70	0	F21	9000A-KTDT-C02	1	E01	90131-GLW0-C02	1	F04
86333-BLA2-E70	0	F21	90012-3C33-C00	1	E02	90145-MKS9-C00	0	F04
			90031-KGBG-C01	1	E01	90202-1G87-C00	1	E05
						90202-GFF6-C00	1	E02
						90206-0A01-C00	2	E02

PART NO. INDEX

PART NO.	VERSION	PAGE	PART NO.	VERSION	PAGE	PART NO.	VERSION	PAGE
90301-4C73-C01	0	F15	90545-3L00-C00	2	F04	91252-0L30-C00	0	F07
90301-KGBG-C01	0	F14	90651-ALJ8-E10	1	F10	91255-LDC8-E10	5	E08
90301-LEJ2-E11	0	F20	90652-LCA4-C10	6	F05	91258-4L10-007	1	F07
90302-GFY6-C11	1	F10	90667-BLA2-E70	0	F06	91259-KFBF-C00	0	F16
90302-GFY6-C11	1	F19	90668-LFC2-MG0	0	F06	91301-0C53-W10	0	E08
90302-PUA3-B51	1	F03	90683-GAR1-C00	4	F05	91301-GLR0-W10	1	E03
90302-PUA3-B51	1	F06	90683-GAR1-C00	4	F18	91301-KEA5-C00	1	E05
90302-SDA4-C01	0	F05	90701-GFF6-C00	1	E02	91302-0A01-C00	10	E04
90302-SDA4-C01	0	F12	90701-GFF6-C00	1	E03	91305-0H28-C00	1	E06
90304-4H38-C00	1	E02	90701-HDC4-C00	1	E06	91307-0E35-W10	1	E04
90304-GHE8-C01	0	F03						
90304-GHE8-C01	0	F20	91000			92000		
90305-GHK8-C01	0	F06						
90305-GHK8-C01	0	F12	91001-GGA7-C00	1	E05	92101-05012-0HG	1	E07
90305-PUA3-B51	1	F08	91003-KDS4-C00	1	E08			
90306-KLF0-C02	0	F07	91004-KNBN-C00	1	E01	93000		
90381-GEZ5-C01	1	F12	91009-GLE0-C00	1	E08			
90412-3K29-C00	5	E01	91014-LLJ3-C00	1	F06	93401-04025-08	0	F19
90426-KNBN-C01	1	E05	91015-LLJ3-C00	1	F06	93404-06012-07G	0	F05
90442-0D44-C00	1	E05	91051-KFBF-C00	1	F16	93404-06012-07G	0	F18
90442-GFF6-C01	1	E02	91103-GAR1-C00	1	E05	93404-06012-07G	0	F20
90454-GBB2-C00	1	E05	91201-KED1-C00	0	E08	93404-06016-07G	1	F12
90474-1G47-C00	1	E01	91201-KGBG-C00	1	E04	93404-06020-07G	1	F05
90474-3C33-C00	1	E01	91202-GFY6-90C	1	E01	93404-06020-07G	1	F18
90501-KNBN-C01	1	F08	91204-KNBN-C00	1	E01	93404-06030-07G	1	F06
9052A-PUA3-B50	1	E01	91211-GHK8-C00	1	E05	93500-04010-1A	0	E06

PART NO. INDEX

PART NO.	VERSION	PAGE	PART NO.	VERSION	PAGE	PART NO.	VERSION	PAGE
93903-24220-G	0	F18	94050-06080-G	1	F20	95701-06025-08G	1	E02
93903-25480	1	F13	94050-08080-G	1	F19	95701-06032-08G	1	F08
93903-34280-G	0	F03	94050-10080-G	1	E05	95701-06035-08G	1	F03
93903-34320-G	0	F17	94050-10080-G	1	E07	95701-06035-08G	1	F13
93903-34380-G	0	F01	94101-10800-G	1	F20	95701-06045-08G	1	F13
93903-34380-G	0	F03	94101-LGR3-E10	0	F14	95701-06050-07G	1	F20
93903-34380-G	0	F05	94111-06800-G	0	E02	95701-08012-08G	1	E01
93903-34380-G	0	F12	94301-08140	4	E01	95701-08012-08G	1	F19
93903-34380-G	0	F18	94301-08140	4	E04	95701-LDC8-E11	0	F19
93903-35220-G	1	F01	94301-10160	4	E08	95701-LGF3-E90	0	E02
93903-35220-G	1	F02	94520-24000	1	E05	95701-LGR5-E10	1	F14
93903-35280-G	1	F03	94540-06018	2	E06	95801-08032-08G	1	F16
93903-35280-G	1	F18	94591-KFBF-C00	1	E02	95801-08040-08G	1	F06
93903-GFY6-C01	1	F05	94591-LDC8-E10	1	E02	95801-08065-07G	1	F14
93903-GFY6-C01	1	F12				95801-10035-08G	0	F16
93903-GFY6-C01	1	F18	95000			95801-10070-08G	1	F20
93904-35380-G	0	E07				95801-LEJ2-E11	0	F14
94000			95003-23036-60	0	F13	96000		
			95012-LEJ2-E10	0	F11			
			95701-06012-07G	1	F20			
94001-12280-0SG	1	E05	95701-06012-08G	1	F06	96001-06012-08G	1	E01
94050-05080-G	1	F06	95701-06012-08G	1	F10	96001-06012-08G	1	E07
94050-05080-G	1	F18	95701-06012-08G	1	F19	96001-06012-08G	1	F18
94050-06080-G	1	E02	95701-06012-08G	1	F20	96001-06014-08G	0	E02
94050-06080-G	1	F09	95701-06014-08G	1	F19	96001-06016-08G	1	E07
94050-06080-G	1	F10	95701-06016-08G	1	F19	96001-06016-08G	1	F18

PART NO. INDEX

PART NO.	VERSION	PAGE	PART NO.	VERSION	PAGE	PART NO.	VERSION	PAGE
96001-06018-08G	1	E03						
96001-06020-08G	1	E06						
96001-06022-08G	1	E07						
96001-06025-08G	1	E01						
96001-06025-08G	1	E06						
96001-06025-08G	1	E07						
96001-06035-08G	1	E01						
96001-06040-07G	1	F20						
96001-06045-08G	1	E01						
96001-06085-08G	1	E02						
96001-06085-08G	1	E04						
96001-06100-08G	1	E04						
96001-GFY6-C00	3	F13						
96100-60020-00	1	E08						
96100-62020-00	1	E01						
96100-63030-00	1	E01						
96140-63010-10	1	F07						
96220-LDC5-C00	1	E06						
96700-08025-02	0	F03						
98000								
98056-5671R-00	1	E02						
98200-10700	2	F19						
98200-11500	2	F11						