

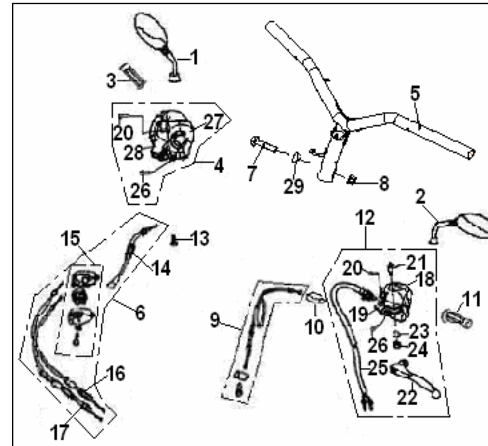
PIXEL 50



PIXEL 50

F1 STEERING

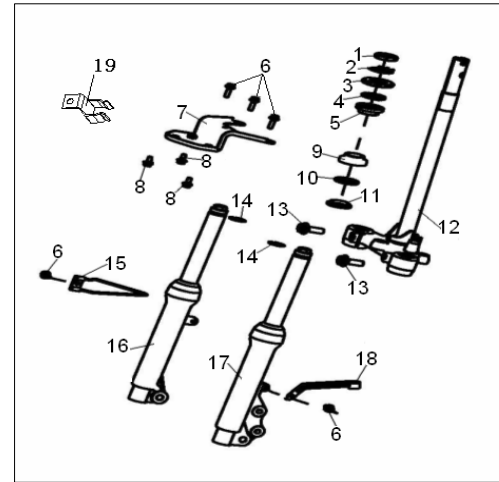
NO.	CODE	DESCRIPTION	QTY.
1	40470BMBT002	REAR VIEW MIRROR ASSY.RH.	1
2	40460BMBT002	REAR VIEW MIRROR ASSY.LH	1
3	40210BMBT000	GRIP ASSY., THROTTLE	1
4	40600BN0T000	RIGHT HANDLE SWITCH, ASSY	1
5	40100BS0T000	JOINTING ASSY., HANDLE BAR	1
6	40300BS0T000	CABLE ASSY., THROTTLE	1
7	B01591004565	BOLT M10×1.25×45	1
8	B04171012555	NUT M10×1.25	1
9	40270B20T001	CABLE COMP. , REAR. BRAKE	1
10	40008BM0T000	PROTECTOR,, REAR. BRAKE CABLE	1
11	40001BMBT000	GRIP, LH.	1
12	40500BSAT00A	LEFT HANDLE SWITCH , ASSY.	1
13	B02000501225	SCREW M5×12	1
18	40510BN0T000	LEFT HANDLE SWITCH	1
19	40520BM0T000	L. SWITCH FIXING SEAT	1
20	B02000502525	SCREW M5×25	2
21	40004BMAT000	SCREW M5	1
22	40002B20T000	LEFT LEVER	1
23	B07000000505	WASHER 5	1
24	B04000500055	NUT M5	1
25	91700BMAT000	STOP SWITCH ASSY.	1
26	B02000502025	SCREW M5×20	2
27	40610BN0T000	RIGHT HANDLE SWITCH, 2	1
28	40620BN0T000	SWITCH FIXING R.	1
29	40024JV0T000	LIMITING SEAT I	1



PIXEL 50

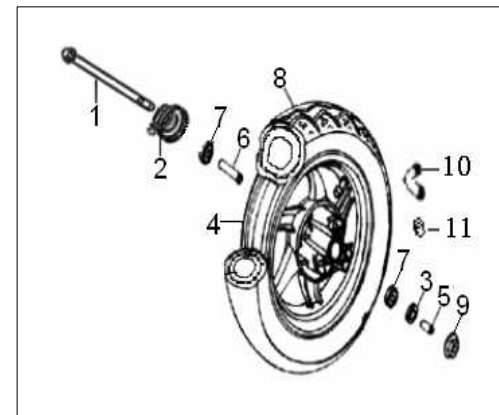
F2 FRONT FORK

NO.	CODE	DESCRIPTION	QTY.
1	43008J0ET000	PRESS NUT	1
2	43007B20T000	WASHER	1
3	43001B20T000	UPPER STEEL BOWL , UPPER BEARING	1
4	B06010110000	STEEL BALL ϕ 3.969	21
5	43002B20T000	LOWER STEEL BOWL , UPPER BEARING	1
6	B01090601265	BOLT M6 \times 12	5
7	43180BS0T000	FRONT FENDER SETTING ASSY.	1
8	B01090601665	BLOT M6 \times 16	3
9	43003B20T000	UPPER STEEL BOWL , LOWER BEARING	1
10	B06010140000	STEEL BALL ϕ 4.763	25
11	43004B20T000	LOWER STEEL BOWL , LOWER BEARING	1
12	43100BS0T000	UNDER BRACKET COMP	1
13	B01591003065	FLANGE BOLT M10 \times 1.25 \times 30	2
14	43215BMAT000	CLIP	2
15	43150BMAT000	CABLE HOLDER	1
16	43300B20T000	FR. FORK ASSY. R.	1
16	43300B03HU00	FR. FORK ASSY. R.(GRAY HU)	1
17	43200B20T000	FR. FORK ASSY. L.	1
17	43200B03HU00	FR. FORK ASSY. L.(GRAY HU)	1
18	43021BM0T003	BRAKE HOSE HOLDER 1	1
19	43035BMBT000	BRAKE HOSE HOLDER 2	1



F3/1 FRONT WHEEL

NO.	CODE	DESCRIPTION	QTY.
1	44005B20T001	AXLE, FRONT WHEEL	1
2	44200B03BH01	SEAT ASSY., GEAR WHEEL	1
3	44300B20T000	OIL SEAL	1
4	44100B03BH06	WHEEL HUB, FRONT 10 \times 2.5	1
5	44004B20T000	BUSHING RING	1
6	44006B20TT10	SPACER, BEARING	1
7	B12016020000	BEARING 6200-2RS	2
8	B140135010AA	TIRE 3.50-10 E11 75R-000197	1
9	B04171012554	NUT M10 \times 1.25	1
10	B1403Z201120	VALVE	1
11	B1404Z2011A0	CAP, VALVE	1

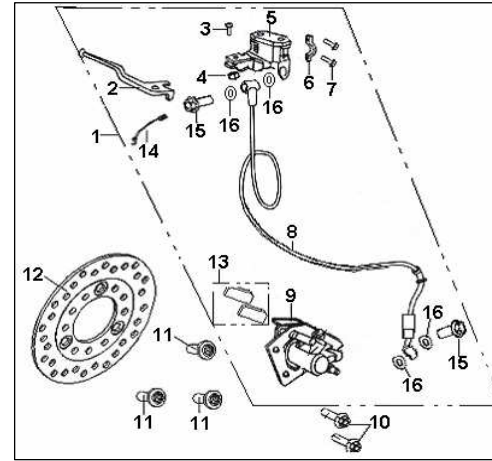


PIXEL 50

F4/1 FRONT DISK BRAKE for vehicles with 10" rim

NO.	CODE	DESCRIPTION	QTY.
1	45000BS0T000	DISK BRAKE ASSY.	1
2	45022J3AT000	DISC BRAKE LEVER	1
3	45024J1CT000	LEVER MOUNTING SCREW M6	1
4	B04160600065	NUT M6	1
5	454000P1D1D3	CYLINDER COMP. (BLACK)	1
6	45023J1DT000	MASTER CYLINDER BRACKET	1
7	B01070602365	BOLT M6×23	2
8	45200BS0T000	BRAKE HOSE ASSY.	1
9	45500B20T002	CALIPER ASSY. (BLACK)	1
10	B01090803564	BOLT M8×35	2
11	45036B20T000	BOLT	3
12	45033B20T000	BRAKE DISC	1
13	45110B20T000	BRAKE PAD KIT □ (WTC JB)	1 set
14	45300J3AT000	STOP SWITCH ASSY.	1
15	45651BMBT000	FLANGE BOLT	2
16	45653B20T000	WASHER	4

JOGO

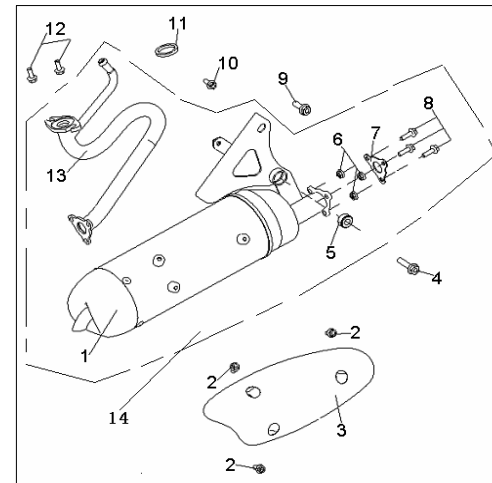


F5 消音器

F5 MUFFLER

序号	图号	名称及规格	数量
NO.	CODE	DESCRIPTION	QTY.
1	47200BS0T000	MUFFLER CANISTER ASSY	1
2	B01090601264	BOLT M6×12	3
3	47760B0CT000	PROTECTOR, MUFFLER	1
4	B01090803565	BOLT M8×35	1
5	47740B0ET000	POSITION SLEEVE	1
6	B04070600055	NUT M6	3
7	47121BMBT000	CUSHION	1
8	B01090602065	BOLT M6×20	3
9	B01090802565	BOLT M8×25	1
10	B13060601605	SCREW W/WASHER M6×16	1
11	47800B20T000	PIPE GASKET ASSY	1
12	B01090601665	BOLT M6×16	2
13	47500BS0T000	PIPE ASSY.	1
14	47100BS0T000	MUFFLER ASSY. WITH ACCELERANT	1

备注

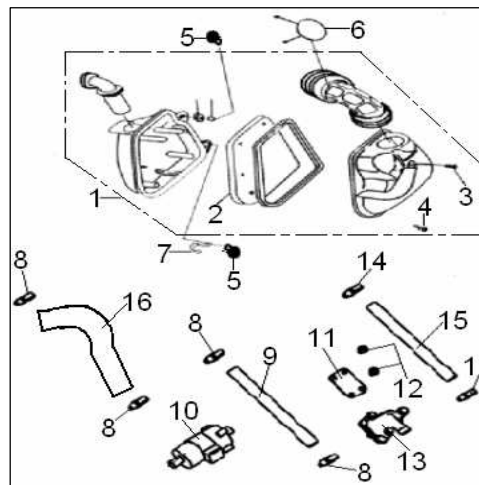


PIXEL 50

F6 空滤器

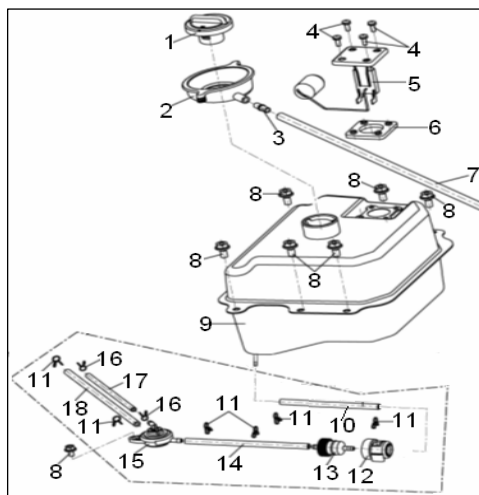
F6 AIR CLEANER

序号	图号	名称及规格	数量	备注
NO.	CODE	DESCRIPTION	QTY.	
1	49000BMBT000	AIR CLEANER ASSY	1	
2	49200BMBT000	FILTER	1	
3	B05074202005	TAPPING SCREW ST4.2×20	5	
4	B05074201205	TAPPING SCREW ST4.2×12	4	
5	B01090602065	BOLT M6×20	2	
6	49016BM0T000	CLIP φ42.5	1	
7	49371B0DT000	GUIDE, BRAKE CABLE	1	
8	49805BMBT000	CLIP II φ17.5	4	
9	49851BS0T000	RUBBER HOSE I φ13×φ18×115	1	
10	49870B2GT000	AIR CLEANER, SMALL	1	
11	57052BS0T000	PLATE, ONE WAY VALVE	1	
12	B01090601265	BOLT M6×12	2	
13	49840B50T000	ONE WAY VALVE	1	
14	49855B0ES000	CLIP I φ16.5	2	
15	49852BS0T000	OVENPROOF PIPE φ9×φ17×300	1	
16	49932BS0T000	RUBBER HOSE II	1	



F7 FUEL TANK

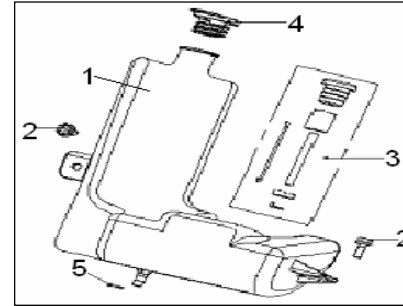
NO.	CODE	DESCRIPTION	QTY.
1	50200H90X000	CAP ASSY, FUEL TANK	1
2	50011BS0T000	TARPAULIN	1
3	50013GB0T000	HOSE	1
4	50801BM0T001	BOLT M5×16	4
5	50800BS0T000	GAUGE ASSY, FUEL LEVEL	1
6	50004BM0T000	GASKET	1
7	50012BS0T000	HOSE, FUEL φ7×φ11×400	1
8	B01090601665	BOLT M6×16	7
9	50100BS0T000	FUEL TANK	1
10	B16010C20951	OIL PIPE I φ4.5×2×95	1
11	50306J00P000	CLIP φ8	6
12	50391J0ET000	STRAINER COMP ASSY	1
13	50340J0ET000	JACKET, STRAINER COMP	1
14	B16010C20601	OIL PIPE II φ4.5×2×60	1
15	50320B50T000	COCK ASSY, FUEL	1
16	50307J0ET000	CLIP φ7.5	2
17	B16010421701	HOSE, FUEL φ4×2×170	1
18	B16010C21101	OIL PIPE III φ4.5×2×110	1



PIXEL 50

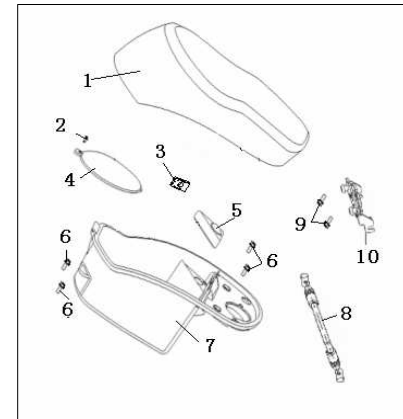
F8 OIL TANK

NO.	CODE	DESCRIPTION	QTY.
1	64001BS0T000	CASE, OIL TANK	1
2	B13060601605	BOLT M6×16	2
3	64100BSAT000	GAUGE, OIL LEVEL	1
4	64090BMAT000	CAP, OIL TANK	1
5	50309B20T000	CLIP φ11	1



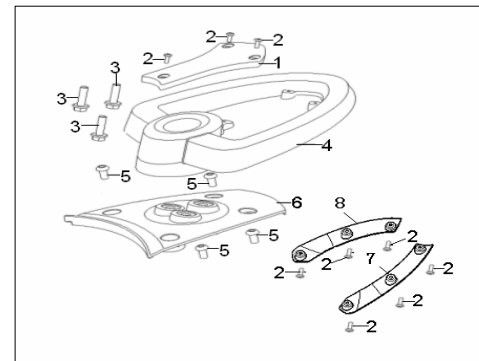
F9 SEAT

NO.	CODE	DESCRIPTION	QTY.
1	51100BS0T000	COMPONENT OF TWIN SEAT	1
2	B05074201305	SCREW ST4.2×13	1
3	65801J0ET001	CLIP	1
4	51005BS0T000	BOTTOM COVER OF HELMET BOX	1
5	51161B40CJ00	COVER OF OIL POT (CJ SILVER)	1
6	B13060601605	SCREW W/WASHER M6×16	4
7	51004BS0T000	HELMET BOX	1
8	58900BS0T000	SEAT CABLE ASSY.	1
9	B01090601265	BOLT M6×12	2
10	58800BSAT000	SEAT LOCK COMPONENT	1



F10 REAR CARRIER

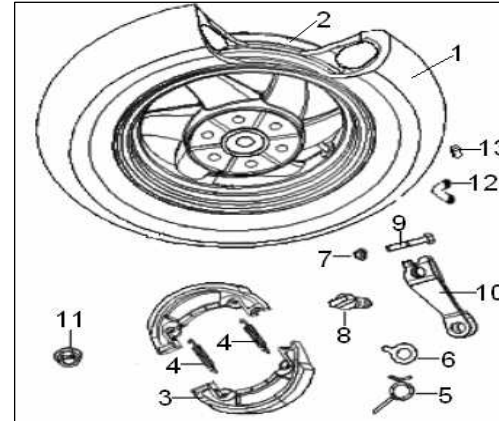
NO.	CODE	DESCRIPTION	QTY.
1	52591BS0T000	DECORATE PLATE OF REAR ARM REST	1
2	B02000501225	SCREW M5×12	9
3	B01090803065	BOLT M8×30	3
4	52002B40HN00	HANDLE OF REAR ARM REST	1
5	B02180802565	SCREW M8×25	4
6	52116B40HN00	CONNECT PLATE OF REAR ARM REST	1
7	52016B40HN00	CUSHION.LF HN SILVER	1
8	52017B40HN00	CUSHION.RH HN SILVER	1



PIXEL 50

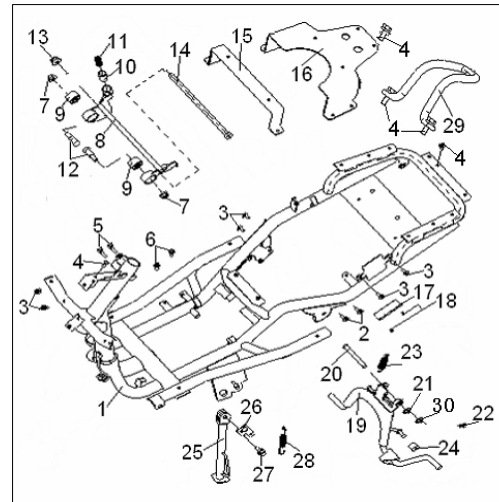
F11/1 REAR WHEEL for vehicle with 10" rim

NO.	CODE	DESCRIPTION	QTY.
1	B140135010AA	TIRE 3.5-10 E11 75R-000197	1
2	54100B03BH06	RIM ASSY., REAR (BH BLACK) 10X2.5	1
3	54200B00T000	BRAKE SHOE ASSY., □ (PJ ST5G3-00)	2
4	54001B00T000	SPRING, BRAKE SHOE	2
5	54008B0ET000	RETURN SPRING	1
6	54002B00T000	REAR INDICATOR	1
7	B04170600054	NUT M6	1
8	54003B0ET000	CAMSHAFT, REAR BRAKE	1
9	B01010603064	BOLT M6×30	1
10	54007B0ET000	ROCKER,REAR BREAK	1
11	B04171415054	NUT M14×1.5	1
12	B1403Z201120	VALVE	1
13	B1404Z2011A0	CAP, VALVE	1



F12 FRAME BODY

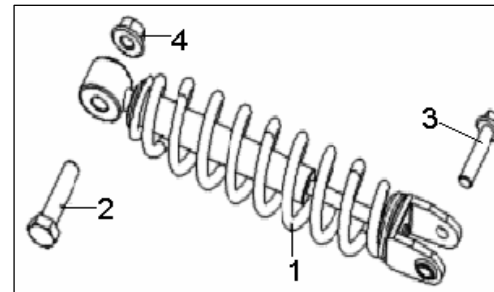
NO.	CODE	DESCRIPTION	QTY.
1	57100BS0T000	FRAME COMP	1
2	B02000501025	SCREW M5×10	2
3	B01090601265	BOLT M6×12	6
4	B01090601665	BOLT M6×16	5
5	B02050601655	SCREW M6×16	2
6	B01090602065	BOLT M6×20	2
7	B04171012555	NUT M10×1.25	2
8	58320B50T000	E/G HANGER COMP.	1
9	58340B50T000	BUFFER ,ENGINE BRACKET	2
10	58302B50T000	DAMPER	1
11	58304B50T000	SPRING	1
12	58301B50T000	MOUNTING BOLT, BRACKET	2
13	B04171212555	NUT M12×1.25	1
14	58303B50T000	AXLE	1
15	57850BS0T000	BRACKET , HELMET BOX	1
16	57080BS0T000	REAR ARMREST SEAT	1
17	57001BS0T000	FRAME BODY NO.PLATE	1
18	B100432007P0	RIVET 3.2×7	2
19	58520BS0T000	MAINSTAND ASSY. JOINTING	1
20	58591BSAT000	SHAFT, MAIN STAND	1
21	58505B20T000	PROTECTOR , MAIN STAND	1
22	63016B0DT000	SPLIT PIN	1
23	58510BSAT000	MIAN STAND SPRING ASSY.	1
24	58507B20T000	RUBBER , MAIN STAND	1
25	58700BS0T000	JOINTING ASSY., SINGLE STAND	1
26	57006BM0T000	HOOK	1
27	57005BSAT000	BOLT	1
28	57010BM0T001	SPRING , SIDE STAND	1
29	57090BS0T000	KNIGHTHEAD , REAR CARRIER	1
30	B07030001005	WASHER 10	1



PIXEL 50

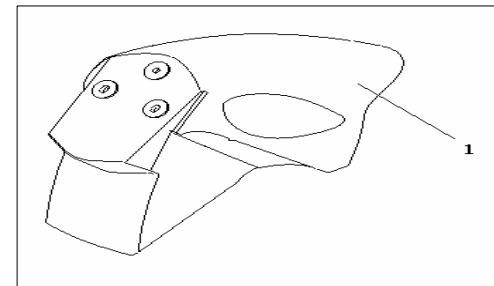
F13 REAR ABSORBER

NO.	CODE	DESCRIPTION	QTY.
1	63000B50T000	REAR CUSHION COMP.	1
2	B01591004065	BOLT M10×1.25×40	1
3	B01090803564	BOLT M8×35	1
4	B04181012555	NUT M10×1.25	1



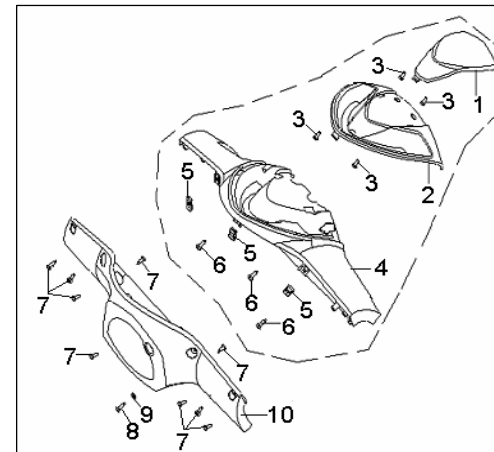
F14 FRONT FENDER

NO.	CODE	DESCRIPTION	QTY.	
1	65101B40HN00	FRONT FENDER (HN SILVER)	1	
1	65101B40BH00	FRONT FENDER (BH BLACK)	1	for black BH
1	65101B40RH00	FRONT FENDER(RH RED)	1	for red RH
1	65101B40YR00	FRONT FENDER(YR YELLOW)	1	for yellow YR
1	65101B40CJ00	FRONT FENDER (CJ SILVER)	1	for silver CJ



F15 HANDLE COVER

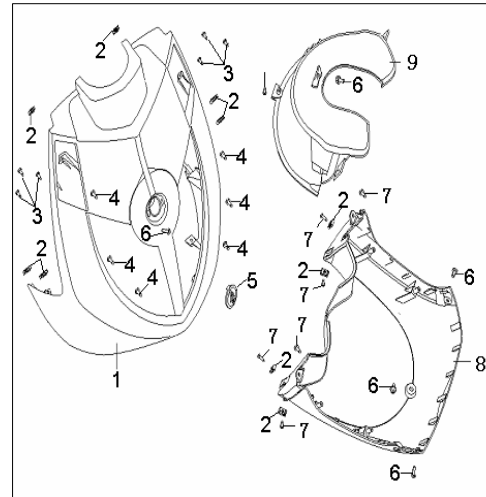
NO.	CODE	DESCRIPTION	QTY.	
1	65214B40BH00	DECORATE COVER OF UPPER COVER	1	
2	65215B40HN00	DECORATE PLATE OF UPPER COVER	1	HN
2	65215B40CJ00	DECORATE PLATE OF UPPER COVER	1	BH,RH,YR,CJ
3	B05074201005	TAPPING SCREW ST4.2×10	4	
4	65201B40BH00	UPPER COVER OF HANDLE (BH BLACK)	1	for black BH
4	65201B40WF00	UPPER COVER OF HANDLE (WF WHITE)	1	for white WF
4	65201B40M800	UPPER COVER OF HANDLE (M8 YELLOW)	1	for yellow M8
4	65201B40ET00	UPPER COVER OF HANDLE (ET BLUE)	1	for blue ET
4	65201B40CJ00	UPPER COVER OF HANDLE (CJ SILVER)	1	for silver CJ
4	65201B40RH00	UPPER COVER OF HANDLE (RH RED)	1	for red RH
4	65201B40YR00	UPPER COVER OF HANDLE (YR YELLOW)	1	for yellow YR
5	65801J0ET001	CLIP	3	
6	B05074801305	TAPPING SCREW ST4.8×13	3	
7	B05074201305	TAPPING SCREW ST4.2×13	9	
8	B02000501465	SCREW M5×14	1	
9	B07010000505	WASHER φ5	1	
10	65202BS0T000	LOWER COVER OF HANDLE	1	



PIXEL 50

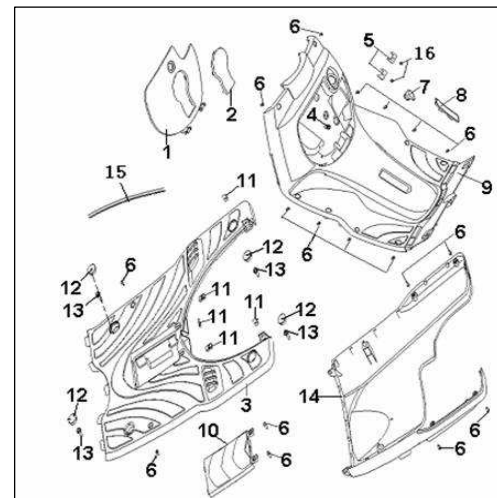
F16 FRONT COVER

NO.	CODE	DESCRIPTION	QTY.	
1	65301B40BH00	FRONT COVER (BH BLACK, without stick	1	for black BH
1	65301B40WF00	FRONT COVER (WF WHITE,without sticke	1	for white WF
1	65301B40M800	FRONT COVER (M8 YELLOW,without stick	1	for yellow M8
1	65301B40ET00	FRONT COVER (ET BLUE,without sticker)	1	for blue ET
1	65301B40CJ00	FRONT COVER	1	for silver CJ
1	65301B40RH00	FRONT COVER (RH RED)	1	for red RH
1	65301B40YR00	FRONT COVER (YR YELLOW)	1	for yellow YR
1A	65301B40005Z	FRONT COVER (BH BLACK, with stickers	1	for black BH
1A	65301B40006Z	FRONT COVER (WF WHITE, with sticker)	1	for white WF
1A	65301B40007Z	FRONT COVER (M8 YELLOW,with sticker)	1	for yellow M8
1A	65301B40008Z	FRONT COVER (ET BLUE,with sticker)	1	for blue ET
2	65801J0ET001	CLIP	10	
3	B05074201005	TAPPING SCREW ST4.2×10	6	
4	B05074801605	TAPPING SCREW ST4.8×16	6	
5	65319B40CJ00	BRACKET OF STICK (CJ SILVER)	1	
6	B01070601665	BOLT M6×16	5	
7	B05074201605	TAPPING SCREW ST4.2×16	7	
8	65304BS0T000	FRONT INNER MUDGUARD PLATE	1	
9	65302BS0T000	BOTTOM PLATE OF FRONT COVER	1	



F17 FOOTREST

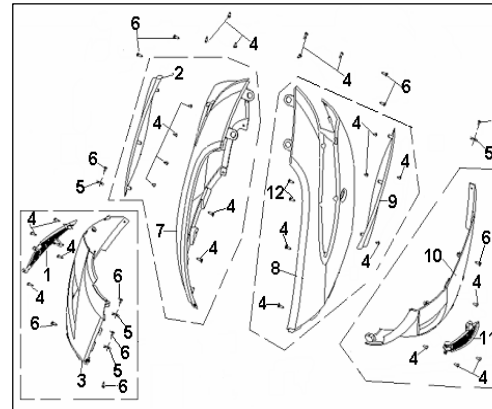
NO.	CODE	DESCRIPTION	QTY.	
1	65321BS0T000	COVER OF FRONT BOX	1	
2	65322B40HN00	DECORATE PLATE OF FRONT BOX	1	BH,WF,M8,ET
2	65322B40CJ00	DECORATE PLATE OF FRONT BOX	1	BH,RH,YR,CJ
3	65405BS0T000	FOOTREST	1	
4	B01070601665	BOLT M6×16	1	
5	65336N30T000	IRON COVER OF SWING ARM OF FRONT B	2	
6	B0507420165	TAPPING SCREW ST4.2×16	20	
7	65427JX0T000	END CAP OF BOX	1	
8	65403BS0T000	COVER PLATE OF FRAME NUMBER	1	
9	65402BS0T000	FOOT PROTECTION PLATE	1	
10	65406BS0T000	COVER OF BATTERY BOX	1	
11	65801J0ET001	CLIP	5	
12	65466BS0T000	PLUG	4	
13	B01090602065	BOLT M6×20	4	
14	65407BS0T000	LOWER MUDGUARD	1	
15	65323BS0T000	CUSHION,TUBBER	1	
16	B05074201305	TAPPING SCREW ST4.2×13	2	



PIXEL 50

F18 SIDE COVER ASSY

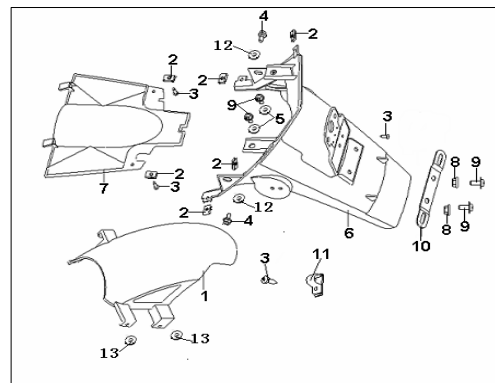
NO.	CODE	DESCRIPTION	QTY.	
1	65652BS0T000	RIGHT UNDERBOARDING OF BODY COVER	1	
2	65611B40HN00	DECORATE PLATE OF BODY COVER R.R.	1	BH,WF,M8,ET
2	65611B40CJ00	DECORATE PLATE OF BODY COVER R.R.	1	BH,RH,YR,CJ
3	65601BS0T000	BODY COVER R.F.	1	
4	B05074201305	TAPPING SCREW ST4.2×13	26	
5	65801J0ET001	CLIP	3	
6	B05074201305	TAPPING SCREW ST4.2×13	13	
7	65603B40BH00	BODY COVER R.R. (BH BLACK, without st	1	for black BH
7	65603B40WF00	BODY COVER R.R. (WF WHITE, without sl	1	for white WF
7	65603B40M800	BODY COVER R.R. (M8 YELLOW, without s	1	for yellow M8
7	65603B40ET00	BODY COVER R.R. (ET BLUE, without stick	1	for blue ET
7	65603B40BH00	BODY COVER R.R. (CJ SILVER)	1	for silver CJ
7	65603B40RH00	BODY COVER R.R. (RH RED)	1	for red RH
7	65603B40YR00	BODY COVER R.R. (YR YELLOW)	1	for yellow YR
7A	65603B40001Z	BODY COVER R.R. (BH BLACK, with stick	1	for black BH
7A	65603B40002Z	BODY COVER R.R. (WF WHITE, with stick	1	for white WF
7A	65603B40003Z	BODY COVER R.R. (M8 YELLOW, with stick	1	for yellow M8
7A	65603B40004Z	BODY COVER R.R. (ET BLUE, with sticker	1	for blue ET
8	65604B40BH00	BODY COVER L.R. (BH BLACK, without sti	1	for black BH
8	65604B40WF00	BODY COVER L.R. (WF WHITE, without sti	1	for white WF
8	65604B40M800	BODY COVER L.R. (M8 YELLOW, without s	1	for yellow M8
8	65604B40ET00	BODY COVER L.R. (ET BLUE, without stick	1	for blue ET
8	65604B40CJ00	BODY COVER L.R. (CJ SILVER)	1	for silver CJ
8	65604B40RH00	BODY COVER L.R. (RH RED)	1	for red RH
8	65604B40YR00	BODY COVER L.R. (YR YELLOW)	1	for yellow YR
8A	65604B40001Z	BODY COVER L.R. (BH BLACK, with sticke	1	for black BH
8A	65604B40002Z	BODY COVER L.R. (WF WHITE, with sticke	1	for white WF
8A	65604B40003Z	BODY COVER L.R. (M8 YELLOW, with stick	1	for yellow M8
8A	65604B40004Z	BODY COVER L.R. (ET BLUE, with sticker)	1	for blue ET
9	65612B40HN00	DECORATE PLATE OF BODY COVER L.R.	1	BH,WF,M8,ET
9	65612B40CJ00	DECORATE PLATE OF BODY COVER L.R.	1	BH,RH,YR,CJ
10	65602BS0T000	BODY COVER L.F.	1	
11	65651BS0T000	LEFT UNDERBOARDING OF BODY COVER	1	
12	B05074201005	TAPPING SCREW ST4.2×10	2	



PIXEL 50

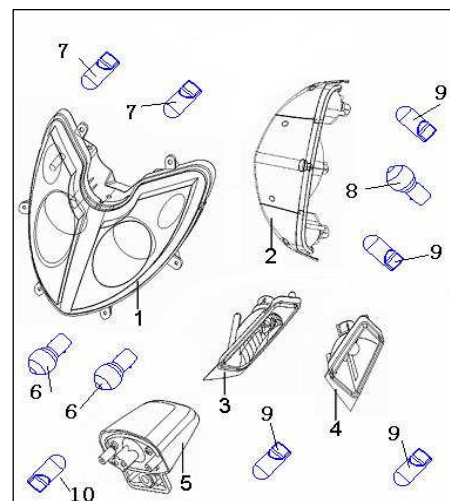
F19 REAR FENDER ASSY

NO.	CODE	DESCRIPTION	QTY.
1	65702BS0T000	REAR SMAL MUDGUARD	1
2	65801JOET001	CLIP	6
3	B05074201630	TAPPING SCREW ST4.2×13	4
4	B01090601265	SCREW M6×12	2
5	08305BS0T000	BUSH	2
6	65701BS0T000	REAR FENDER	1
7	65709BS0T000	REAR INNER MUDGUARD	1
8	B04070600055	NUT M6	2
9	B01090601665	BOLT M6×16	4
10	08202BMVT000	BRACKET OF LICENCE PLATE (REAR)	1
11	65708BPBY000	CRIP	1
12	B07030001005	WASHER 10	2
13	B07020000605	WASHER 6	2



F20 ELECTRICAL EQUIPMENT I

NO.	CODE	DESCRIPTION	QTY.
1	80000BS0T000	HAND LAMP ASSY□E4 50R-0012692	1
2	82000BS0T000	TAIL LAMP ASSY□E4 50R-0012693	1
3	81100BS0T000	TURN SIGNAL LAMP ASSY, F.L□E4 50R-C	1
4	81300BS0T000	TURN SIGNAL LAMP ASSY, F.R□E4 50R-I	1
5	82900JX0T000	REAR LICENCE LAMP□E9 50R-001456	1
6	B24010320000	BULB HS1	2
7	B24013120000	BULB W5W	2
8	B24013820000	BULB P21/5W	1
9	B24012120000	BULB W10W	4
10	B24013120000	BULB W5W	1

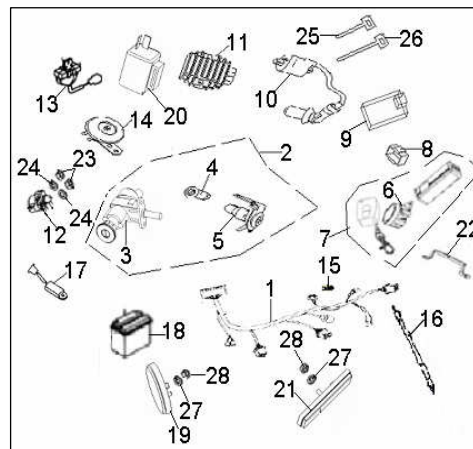


PIXEL 50

F21 ELECTRICAL EQUIPMENT II

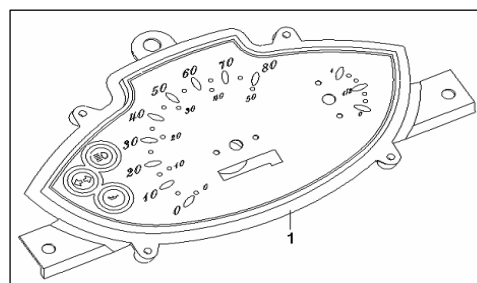
NO.	CODE	DESCRIPTION	QTY.
1	92000BS0T000	HARNESS , WIRING	1
2	88000BS0T000	LOCK ASSY	1
3	88100BS0T000	LOCK ASSY., POWER	1
4	88200BS0T000	LOCK,FRONT LUGGAGE BOX	1
5	88800BS0T000	LOCK , BODY COVER	1
6	95730B20T000	ALARM SYSTEM HORN	1
7	95700T430000	ALARM ASSY.(water proof)	1
8	96007BM0T000	CUSHION. C.D.I	1
9	299051070001	CDI UNIT	1
9A	97701BM0T001	C.D.I. UNIT COMP.	1
10	96200BS0T000	COIL ASSY,IGNITION	1
11	94400J0ET001	RECTIFIER ASSY	1
12	94100BS0T000	RELAY , STARTER	1
13	96600BN0T000	RESISTOR COMP.	1
14	95000B50T000	HORN ASSY (E9 1026)	1
15	96800BMAT000	FUSE 10A	1
16	72900B20T001	WIRING ASSY, SPEEDOMETER	1
17	97900N0LP000	THERMOSTAT	1
18	96100G00S000	BATTERY 12V3Ah YT4L-BS	1
19	86300BMAT001	SIDE REFLEX REFLECTOR□E11 020614	2
20	96400K00P001	FLASHING AMBER	1
21	86500H50X001	REAR REFLECTOR□E11 02 0613	1
22	95701JCCT000	BAKT ALARMSYSTEM	1
23	B04000600055	NUT M6	2
24	B07000000603	WASHER 6	2
25	96003K00P000	BAND 8×200	10
26	96001K00P000	BAND 8×250	3
27	B07020000505	WASHER 5	3
28	B04000500055	NUT M5	3

Battery Ignition
Non-Battery Ignition



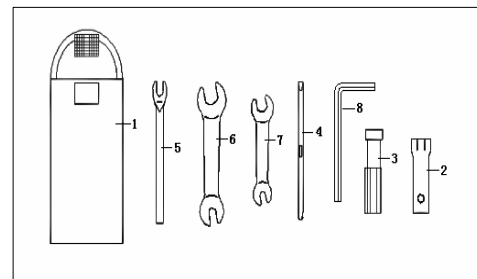
F22 SPEEDOMETER

NO.	CODE	DESCRIPTION	QTY.
1	70000BS0T000	SPEEDOMETER ASSY.	1



F23 TOOL KIT

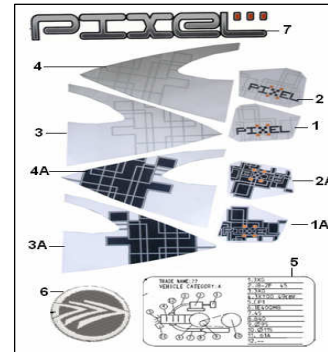
NO.	CODE	DESCRIPTION	QTY.
1	02110G00P000	BAG, TOOL KIT	1
2	02101B20T000	SOCKET, SPARK PLUG	1
3	02104G00P000	HANDLE, SCREW DRIVER	1
4	02103G00P000	DRIVER, DOUBLE-ENDED	1
5	02108G00P000	WRENCH	1
6	B20011301603	WRENCH, DOUBLE-ENDED	1
7	B20011001203	WRENCH, DOUBLE-ENDED	1
8	B20020600003	SOCKET SPANNER	1



PIXEL 50

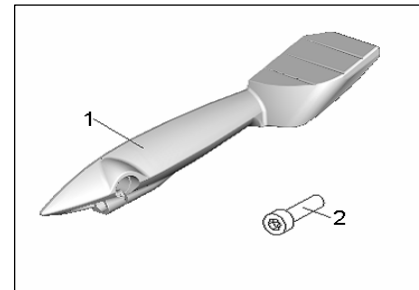
F24 STICKER

NO.	CODE	DESCRIPTION	QTY.	
1	05525B400001	STICKER , RH , FR.COVER	1	WF,M8,ET
1A	05525B40BH01	STICKER , RH , FR.COVER	1	for black BH
2	05524B400001	STICKER , LF , FR.COVER	1	WF,M8,ET
2A	05524B40BH01	STICKER , LF , FR.COVER	1	for black BH
3	05513B400001	STICKER,RH,SIDE COVER	1	WF,M8,ET
3A	05513B40BH01	STICKER,RH,SIDE COVER	1	for black BH
4	05512B400001	STICKER,LF,SIDE COVER	1	WF,M8,ET
4A	05512B40BH01	STICKER,LF,SIDE COVER	1	for black BH
5	05582BS0T000	ANTI-TAMPERING STICKER	1	
6	05525BMBTB41	STICKER	1	
7	05523BS0T000	STICKER FRONT COVER LH. RH.LOWER	2	CJ,RH,BH,YR



F25 ENGINE ATTACHMENT

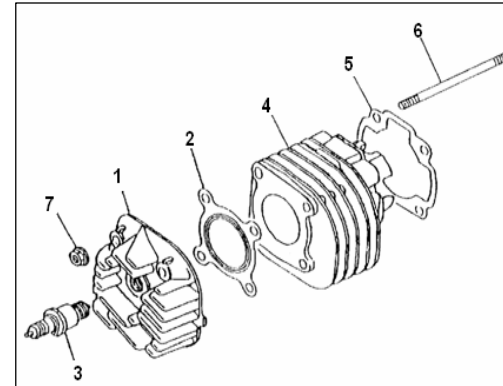
NO.	CODE	DESCRIPTION	QTY.
1	08351B30HU00	STARTING SHAFT (HU SILVER)	1
2	B02050602565	SCREW M6x25	1



PIXEL 50

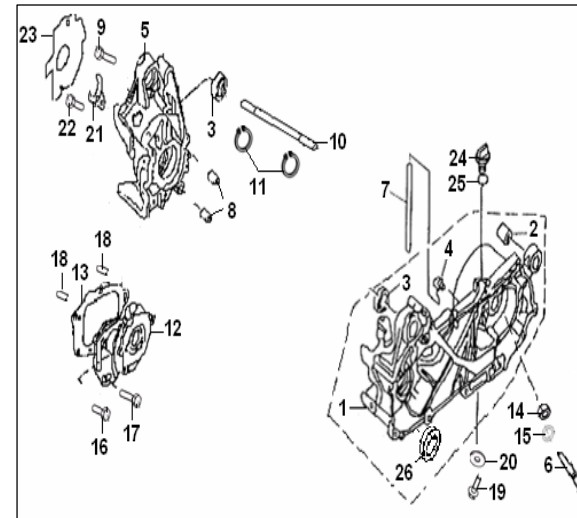
E01 CYLINDER HEAD ASSY

NO	QJ CODE	DESCRIPTION	QTY	RMK
1	201200.066000	HEAD , CYLINDER	1	
2	30507B01F000	GASKET , CYLINDER HEAD	1	
3	201204.015000	SPEAK PLUG (BR7ES)	1	
4	204200.041000	CYLINDER	1	
5	204204.001000	GASKET , CYLINDER	1	
6	26107B01F910	STUD BOLT	4	
7	304290700063	NUT	4	



E02 CRANKCASE ASSY

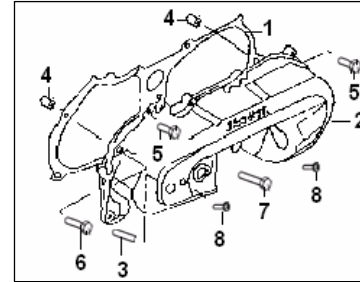
NO	CODE	DESCRIPTION	QTY	RMK
1	26100B01F000	CRANKCASE , LH	1	
2	26108G02F000	BUSH,ENGINE MOUNTING	1	
3	B12046600300	bearing	2	
4	26126G02F000	BREATHER PLUG	1	
5	26200B01F000	CRANKCASE , RH	1	
6	26142G02F000	BRAKE SHOE ANCHOR PIN ASSY	1	
7	26105G02F000	HOSE	1	
8	26123G02F000	DOWEL PIN	2	
9	302270603562	SCREW	6	
10	26109B01F000	AXLE,engine mount	1	
11	B08010001700	CIRCLIP	2	
12	18101G02F001	COVER, GEAR BOX	1	
13	214201.001000	GASKET , GEAR BOX	1	
14	B04070812553	NUT	1	
15	26143G02F000	O RING	1	
16	B01070603063	SCREW	2	
17	B01070602263	SCREW	3	
18	26208J01F000	DOWEL PIN	2	
19	301310801605	FLANGE BOLT	1	
20	18105H03F000	WASHER	1	
21	26214G02F000	HOLDER	1	
22	301310601262	SCREW M6X12	1	
23	206321.001000	GASKET	1	
24	206407.004083	OIL PLUG	1	
25	26102G02F000	O-RING	1	
26	26112G02F000	SHAFT COLLAR	1	



PIXEL 50

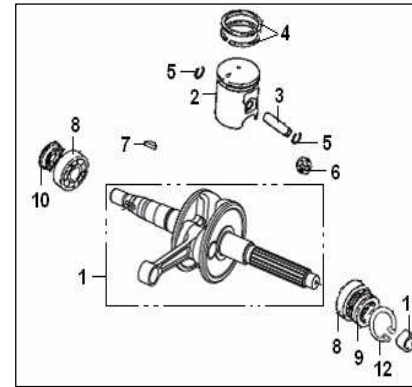
E03 SIDECOVER ASSY

1	207208.009000	GASKET , SIDE COVER	1
2	169022080030	SIDE COVER	1
3	26128G02F000	SHAFT	1
4	26208J01F000	DOWEL PIN	2
5	301310602565	SCREW M6X25	8
6	301310603565	SCREW	2
7	301310606565	PAN HEAD SCREW	1
8	302460601265	STOPPER	1



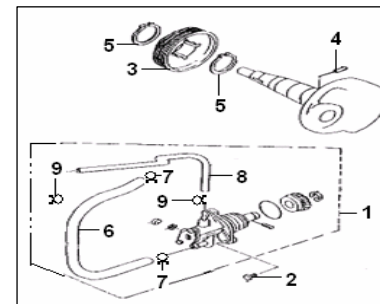
E04 PISTON CRANKSHAFT CONNECTING ROD ASSY

NO	QJ CODE	DESCRIPTION	QTY	RMK
1	208100.023000	CRANKSHAFT , ASSY	1	
2	15100B09F000	PISTON ASSY	1	
3	15105B16F000	PISTON PIN	1	
4	15103B09F000	PISTON RING ASSY(AVL)	2	
5	15111G02F000	CIRCLIP	2	
6	15110B16F000	NEEDLE BEARING	1	
7	15101B01F000	WOODRUFF KEY	1	
8	B12016620453	BEARING (SKF)	2	
9	15213G02F000	OIL SEAL	1	
10	26215G02F000	OIL SEAL ASSY	1	
11	15214G02F000	COLLAR	1	
12	17308G02F000	CIRCLIP	1	



E05 OIL PUMP ASSY

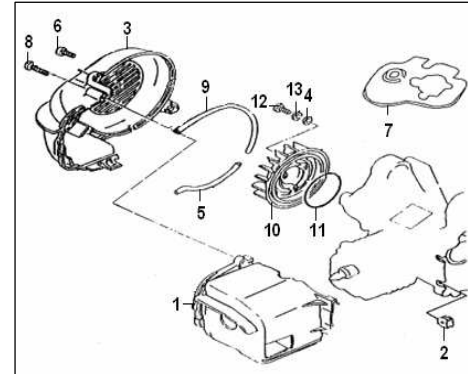
NO	QJ CODE	DESCRIPTION	QTY	RMK
1	269011070030	OIL PUMP ASSY (502mark)	1	
2	B02000501463	SCREW	2	
3	15211G02F000	PUMP DRIVE GEAR	1	
4	B090103014C0	PIN	1	
5	15106G02F910	CIRCLIP	2	
6	221405.103000	HOSE,OIL INLET 520mm	1	
7	19213G02F00A	HOSE CLIP	2	
8	221405.101000	HOSE,OIL OUTLET 280mm	1	
9	19217G02F00A	HOSE CLIP	2	



PIXEL 50

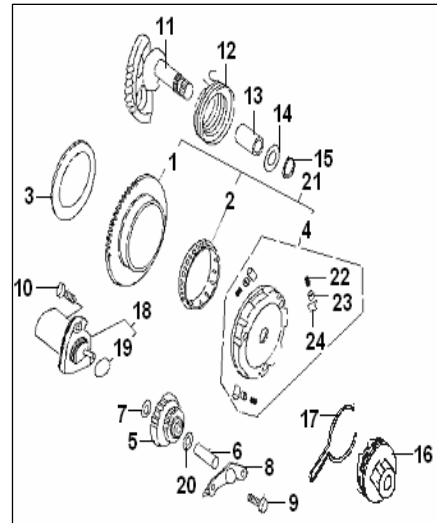
E06 AIR COOLING SYSTEM

NO	QJ CODE	DESCRIPTION	QTY	RMK
1	20301B01F000	COWLING,cylinder	1	
2	20303G02F000	GROMMET	2	
3	20200B01F000	COVER ASSY (FAN)	1	
4	B07030000600	WASHER φ6	3	
5	20208G02F000	BEADING (RUBBER,110)	1	
6	302270602065	BOLT M6X20	2	
7	20102G02F000	DUST COVER (RUBBER)	1	
8	3050355040F5	SCREW ST5.5X40-F	1	
9	20206G02F000	BEADING (RUBBER,220)	1	
10	20401B01F000	FAN ASSY	1	
11	20402G02F000	RUBBER RING 70X3.1	1	
12	301310601665	SCREW M6X16	3	
13	B07000000600	SPRING WASHER φ6	3	



E07 KICK STARTER ASSY

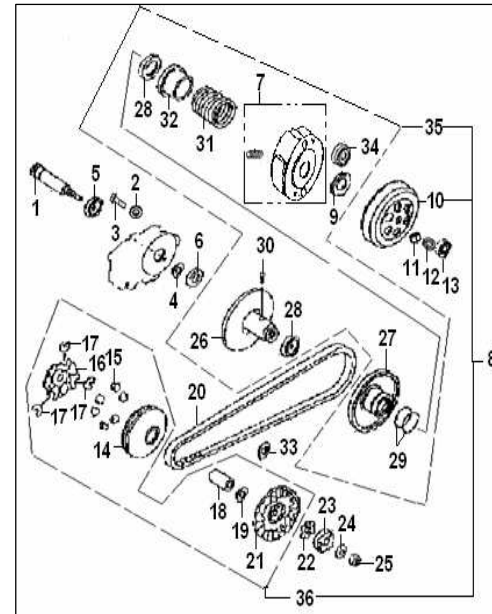
NO	QJ CODE	DESCRIPTION	QTY	RMK
1	34120G02F000	START GEAR ASSY	1	
2	34121G02F000	NEEDLE BEARING	1	
3	34123G02F000	THRUST WASHER	1	
4	34110G02F00A	START HOLDER ASSY	1	
5	34126G02F000	DRIVEN GEAR,STARTER	1	
6	26128G02F000	IDLE GEAR SHAFT	1	
7	34122G02F000	PLATE WASHER	1	
8	34125G02F000	IDLE GEAR HOLDER	1	
9	B02000601063	SCREW	2	
10	302040602065	SCREW	2	
11	216100.004000	SHAFT, kick starter	1	
12	17407G02F000	SPRING	1	
13	216217.001000	BUSH	1	
14	307991005552	WASHER ,kick starter	1	
15	308090150003	CIRCLIP	1	
16	17415G02F000	KICK PINION ASSY	1	
17	17418G02F930	CLIP	1	
18	218100.051472	STARTING MOTOR ASSY	1	
19	B190102120B0	O-RING	1	
20	34130G02F000	PLATE WASHER	1	
21	217100.100000	START CLUTCH ASSY	1	
22	34404G02F00A	SPRING	3	
23	34405G02F00A	CAP	3	
24	34402G02F00A	ROLLER	3	



PIXEL 50

E08 CLUTCH ASSY

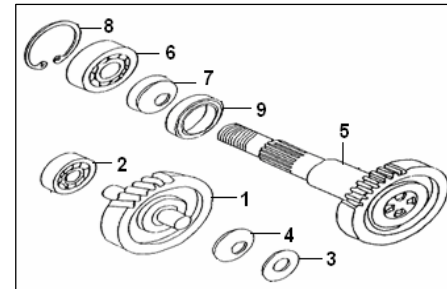
NO	QJ CODE	DESCRIPTION	QTY	RMK
1	24201B01F000	PRIMARY DRIVE SHAFT	1	
2	18114G02F000	PLATE WASHER	1	
3	B01090801263	PAN HEAD SCREW	1	
4	B08010001700	CIRCLIP	1	
5	B12016600300	BALL BEARING 6003	1	
6	24203G02F000	OIL SEAL	1	
7	24301B01F000	CLUTCH ASSY,shoe	1	
8	213100.010000	SHIFT ASSY	1	
9	24303G02F000	NUT	1	
10	24700G02F000	CLUTCH DRUM	1	
11	24305G02F940	NUT	1	
12	24243G02F000	O-RING	1	
13	24209G02F000	BEARING 8X28X8	1	
14	24101G02F000	FACE, movable drive	1	
15	213119.003000	ROLLER 5g	6	
16	24103G02F000	PLATE, movable drive	1	
17	24104G02F000	DAMPER	3	
18	24105G02F000	COLLAR	1	
19	24106B01F000	WASHER	1	
20	24107B01F000	V BELT, DRIVE	1	
21	24108G02F000	FACE, FIXED DRIVE	1	
22	24109G02F000	STAR WASHER	1	
23	213203.001161	RATCHET (STARTING)	1	
24	15112G02F010	WASHER, SPRING	1	
25	B04031212553	NUT	1	
26	24204G02F000	FACE, FIXED DRIVEN	1	
27	24205G02F000	FACE, MOVABLE DRIVEN	1	
28	24206G02F000	OIL SEAL	2	
29	24207G02F000	O-RING	2	
30	24208G02F000	PIN, GUIDE	2	
31	24308B01F000	SPRING	1	
32	24309G02F930	SEAT, SPRING	1	
33	213207.021000	WASHER 7mm	1	7mm
33A	213207.023000	WASHER 7.5mm	1	7.5mm
34	24245G02F000	ROLLER BEARING	1	
35	24200B01F000	DRIVEN PULLEY COMP.	1	
36	213100.039000	DRIVE PULLEY COMP.	1	



PIXEL 50

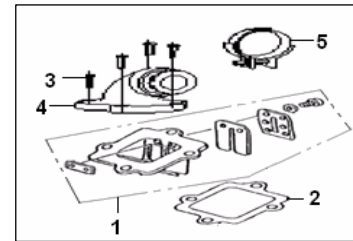
E09 TRANSMISSION SYSTEM ASSY

NO	QJ CODE	DESCRIPTION	QTY	RMK
1	17800B01F000	SHAFT , IDLE	1	
2	B12016620100	BEARING 6201	1	
3	17509G02F000	PLATE WASHER12	1	
4	17802G02F000	WASHER , CONICAL	1	
5	17300B01F000	DRIVEN SHAFT(GEAR BOX)	1	
6	B12016600400	BEARING	1	
7	17317G02F000	OIL SEAL	1	
8	17308G02F000	CIRCLIP	1	
9	26136G02F000	NEEDLE BEARING	1	



E10 REED VALVE ASSY

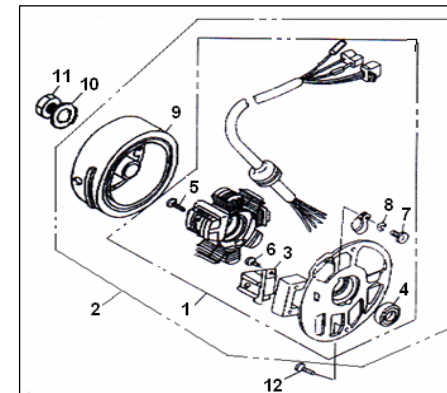
NO	QJ CODE	DESCRIPTION	QTY	RMK
1	32300G02F000	REED VALVE ASSY	1	
2	202306.002000	VALVE SEAT GASKET	1	
3	302040602065	SCREW	4	
4	32200G02F000	PIPE, intake	1	
5	202104.006000	CLIP	1	



E11 MAGNETO ASSY

NO	QJ CODE	DESCRIPTION	QTY	RMK
1	299032080002	COIL ASSY (without waterproof)	1	
2	299022080024	MAGNETO ASSY (without waterproof)	1	
1A	299032080011	COIL ASSY(with waterproof)	1	
2A	223100.007000	MAGNETO ASSY(with waterproof)	1	
3	34330G02F000	PULSE TRIGGER	1	
4	34350G02F000	OIL SEAT	1	
5	B02000502522	SCREW	2	
6	B02000501262	SCREW	2	
7	B02000400622	SCREW	1	
8	B07000000400	SPRING WASHER	1	
9	223101.022000	FLY WHEEL ASSY (17°)	1	
10	B07030001200	WASHER	1	
11	15228H03F000	NUT	1	
12	B01070601664	NUT	2	

PROVA DE
PRÓVA DE
ÁGUA



PIXEL 50

E12 CARBURETOR ASSY

NO	CODE		QTY	RMK
1	32510B01F000	NEEDLE, jet	1	
2	32511B01F000	VALVE,PISTON	1	
3	224202.103000	JET, main 55#	1	
4	224107.011000	ENRICH VALVE	1	
5	32619B01F000	PIN, float	1	
6	32620B01F000	FLOAT	1	
7	32701B01F000	GASKET	1	
8	3390005E0250	CARBURETOR ASSY	1	
9	224203.104000	JET, idle 15#	1	
10	32508B01F000	CLIPMM,V shape	1	

