

# PARTS CATALOGUE



## SCOOTERS

TE25CA(PT)

Like 125



Release Date : 2022/09/21  
Print Date : 2022/10/25

## ABOUT THIS PARTS LIST

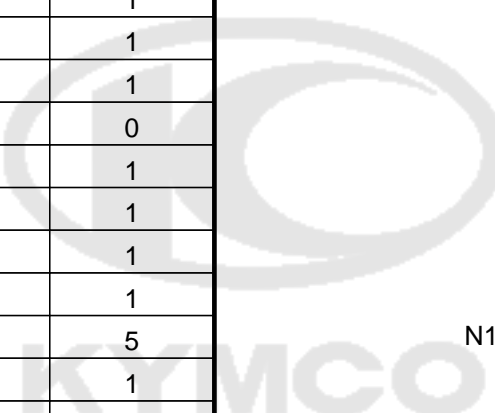
- This parts list is compiled all service parts for model TE25CA(PT).
- Any difference between color chart and motorcycle will be revised according to motorcycle.
- The Mark:
  1. Marking "\*\*\*" must add color code in the end before ordering parts.
  2. Marking "#" are parts with modification, Please find the details from e-Parts system.
- When modification or additions to this parts list are made a revised edition at an appropriate time.



# CONTENTS

● ABOUT THIS PARTS LIST .....	1
● COLOR CHART OF TE25CA(PT) .....	3
● CONTENTS-ENGINE GROUP .....	6
● CONTENTS-FRAME GROUP .....	7
● ENGINE PARTS LIST .....	10
● FRAME PARTS LIST .....	36
● PART NO. INDEX .....	92

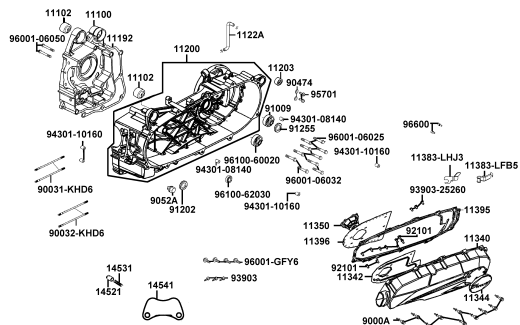
NO	MODEL			COLOR CHART OF TE25CA(PT)			
	PHOTO NO			NO. 1	NO. 2		
	BASIC COLOR			Deep Blue Metallic	Met Silver		
	CODE			Deep Blue Metallic	Met Silver		
	PARTS NAME	PARTS NO.	VERSION	PB183MA	NH067FA		
1	COVER ASSESSORY	11344-ACC1-E10	0	F1P			
2	COVER HEAD LIGHT	53207-ACC1-E10	0				
3	LID FR.COVER LOW	64304-ACC1-E10	0				
4	COVER FR DEC TOP	64307-ACC1-E10	0				
5	COVER FR DEC R	64313-ACC1-E10	0				
6	COVER FR DEC L	64314-ACC1-E10	0				
7	COVER FLOOR DEC R	64317-ACC1-E10	0				
8	COVER FLOOR DEC L	64318-ACC1-E10	0				
9	FENDER REAR UP	80105-ACC1-E10	0				
10	"LID, COVER LEG	81142-ACC1-E11	0				
11	COVER BATTERY	81201-AKB7-C00	0				
12	MIRROR ASSY R BACK	88110-ACC1-E10	1				
13	MIRROR ASSY L BACK	88120-ACC1-E10	1				
14	COVER HANDLE FR	53205-ACC1-E10	0				
15	COVER HANDLE RR	53206-ACC1-E10	1				
16	COVER SWITCH	53208-ACC1-E10	1				
17	COVER L SIDE HANDLE	53209-ACC1-E10	1				
18	FENDER FR	61100-ACC1-E10	1				
19	FENDER B FR	61101-ACC1-E10	1				
20	COVER FR	64301-ACC1-E10	1				
21	SKIRT R SIDE	64305-ACC1-E10	1				
22	SKIRT L SIDE	64306-ACC1-E10	1				
23	COVER CENTER	80152-ACC1-E10	1				
24	LEG SHIELD	81131-ACC1-E10	1				
25	LID INNER BOX	81141-ACC1-E10	1				
DATE OF STARTING-SALES							
DATE OF END-SALES							

NO	MODEL			COLOR CHART OF TE25CA(PT)				
	PHOTO NO			NO. 1	NO. 2			
	BASIC COLOR			Deep Blue Metallic	Met Silver			
	CODE			Deep Blue Metallic	Met Silver			
	PARTS NAME	PARTS NO.	VERSION	PB183MA	NH067FA			
26	BODY COVER R	83500-ACC1-E10	1	BHP	J1P			
27	BODY COVER L	83600-ACC1-E10	1					
28	MUFFLER ASSY EXH	1830A-ACC1-EZ5	0	J1P				
29	PTOTECTOR MUFFLER	18318-ACC1-E10	0					
30	COVER METER	53204-ACC1-E10	0	M3A				
31	LEVER L STRG HANDLE	53178-KNBN-C00	0					
32	"HEAT GUARD, FUEL	17582-ACC1-E10	1					
33	LID R RR COMB	33718-ACC1-E10	1					
34	LID L RR COMB	33719-ACC1-E10	1					
35	COVER BATTERY	50326-ACC1-E10	1					
36	COVER ASSY BATTERY	50329-ACC1-E11	0					
37	UNDER COVER	50613-ACC1-E10	1					
38	STAND COVER	50623-ACC1-E10	1					
39	FENDER FR INNER	61110-ACC1-E10	1					
40	COVER PUMP	64311-ACC1-E10	1					
41	PLUG FLOOR	64316-LCB9-C10	5					N1R
42	"ASSY., PANEL FLOOR"	6431A-ACC1-E10	1					
43	FLOOR PANEL UP	64320-ACC1-E10	1					
44	UNDER COWL	64400-ACC1-E10	1					
45	FENDER RR TIRE	80100-ACC1-E10	1					
46	FENDER RR INNER	80101-ACC1-E10	1					
47	FENDER RR LOW	80106-ACC1-E10	1					
48	"COVER, CENTER"	80151-ACC1-E10	1					
49	BOX ASSY LUGGAGE	81260-ACC1-E10	1					
50	REAR CENTER COVER	83750-ACC1-E10	1					
DATE OF STARTING-SALES								
DATE OF END-SALES								

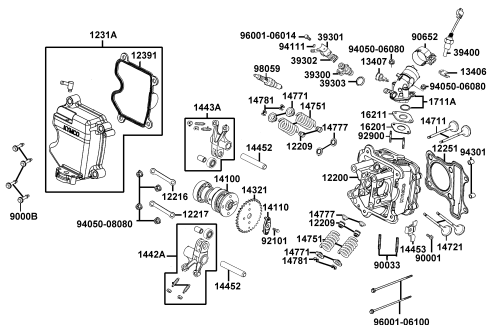
NO	MODEL			COLOR CHART OF TE25CA(PT)			
	PHOTO NO			NO. 1	NO. 2		
	BASIC COLOR			Deep Blue Metallic	Met Silver		
	CODE			Deep Blue Metallic	Met Silver		
	PARTS NAME	PARTS NO.	VERSION	PB183MA	NH067FA		
51	COVER COMP L SIDE	11340-ACC1-E10	0	N8A			
52	FORK ASSY FR R	51400-ACC1-E10	1				
53	BOTTOM CASE RH	51420-ACC1-E10	0				
54	FORK ASSY FR L	51500-ACC1-E10	1				
55	BOTTOM CASE RH	51520-ACC1-E10	0				
56	FORK ASSY RR	52000-AFA9-C01	0	NEA			
57	WHEEL COMP RR CAST	42601-ACC1-E11	1				
58	WHEEL FR CAST	44601-ACC1-E11	0	T01			
59	SEAT ASSY.	77200-ACC1-E10	1				
60	EMB K-LOGO	86102-ALG1-E00	2				
61	CAUTION SIDE STAND	87541-GAR1-C01	1				
62	LABEL OIL CAP	87541-KUDU-E00	1				
63	MARK MAINT CAUTION	87542-GAR1-C01	2				
64	LABEL FUEL TANK	87546-AGE3-E00	0				
65	MARK DRIVE CAUTION	87560-ACC1-E00	1				
66	EMB MARK 125 TAPE A	87140-ACC1-E00	0	T04			
67	EMB K-LOGO 28.5MM	86102-ACC1-C00	0	T05			
68	EMB BODY COVER	86202-ACC1-E10	0				
DATE OF STARTING-SALES							
DATE OF END-SALES							

# CONTENTS - ENGINE GROUP

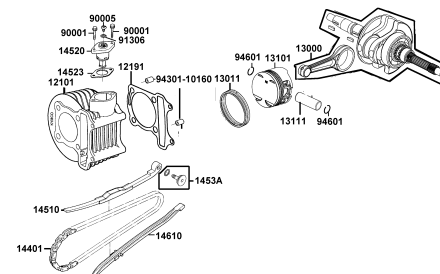
## E01 Crank Case



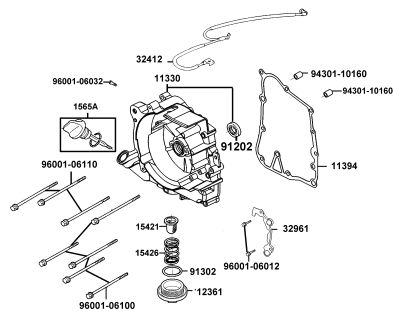
## E02 Cylinder Head



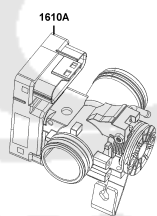
## E03 Cylinder Piston Crankshaft



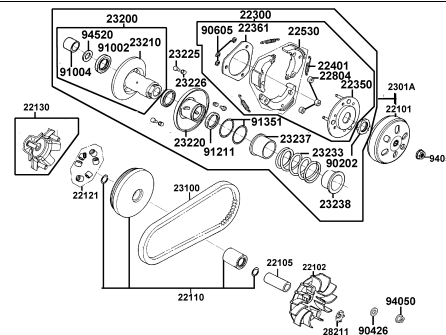
## E04 Right Crankcase Cover



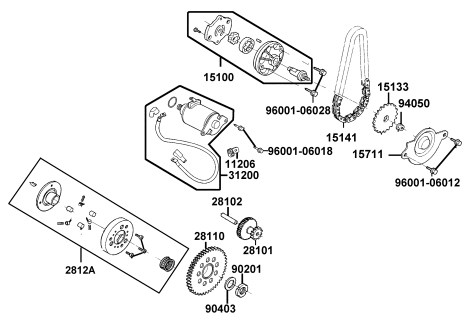
## E05 THROTTLE BODY ASSY



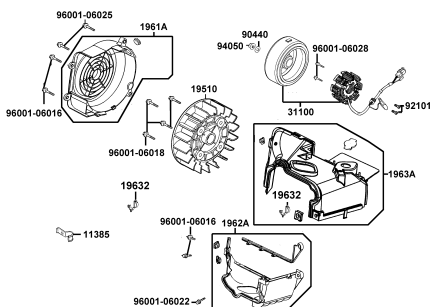
## E06 Driven Pulley



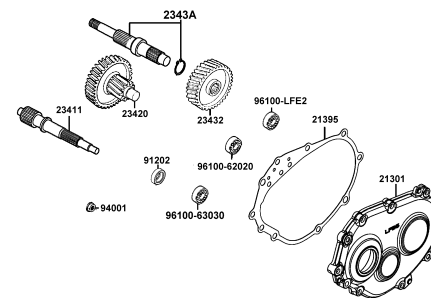
## E07 Starting Motor Oil Pump



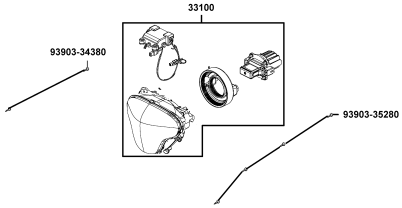
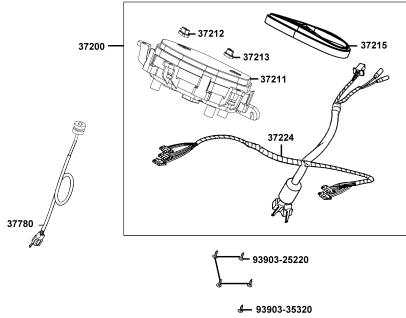
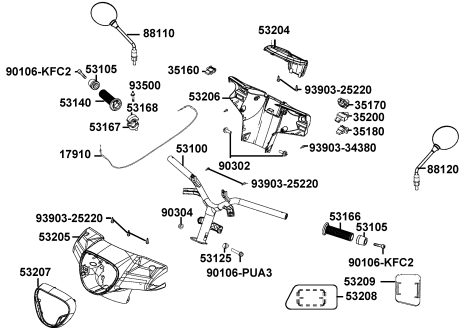
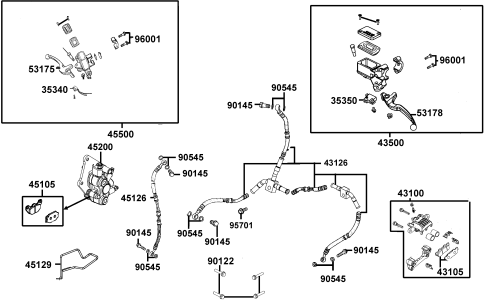
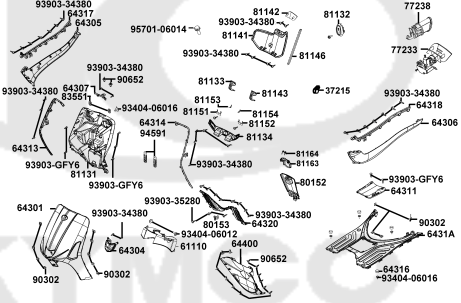
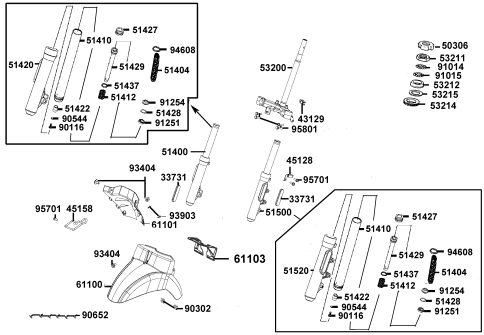
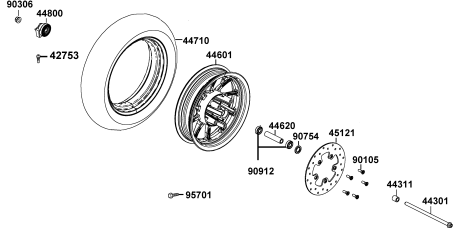
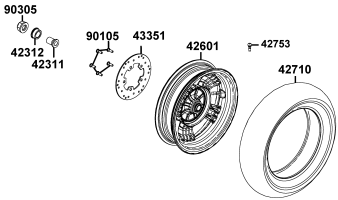
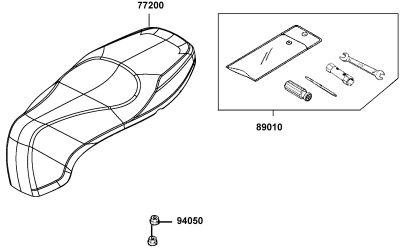
## E08 Fan Cover Generator



## E09 Transmission



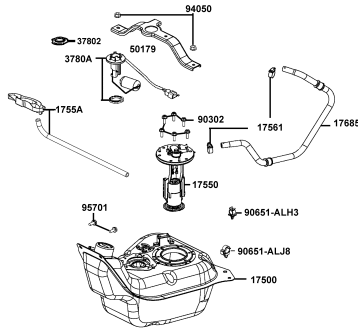
# CONTENTS - FRAME GROUP

<p><b>F01</b>    Head Light</p> 	<p><b>F02</b>    Speedometer</p> 	<p><b>F03</b>    Handle Steering Handle Cover</p> 
<p><b>F04</b>    Brake Master Cylinder</p> 	<p><b>F05</b>    Front Cover Front Fender</p> 	<p><b>F06</b>    Stem Steering Front Cushion</p> 
<p><b>F07</b>    Front Wheel</p> 	<p><b>F08</b>    Rear Wheel</p> 	<p><b>F09</b>    Seat</p> 

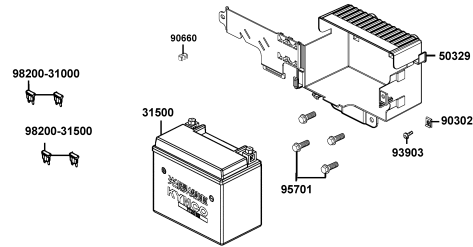


# CONTENTS - FRAME GROUP

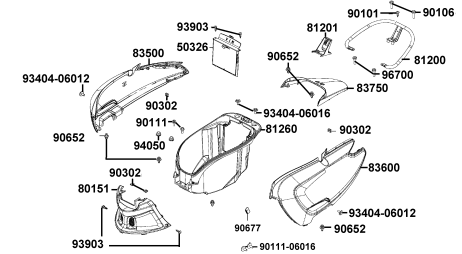
**F10 Fuel Tank**



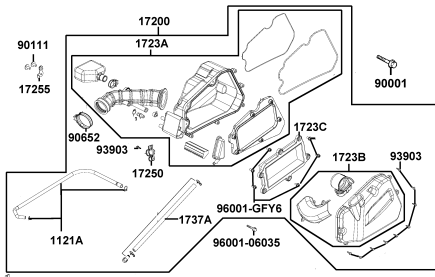
**F11 Battery**



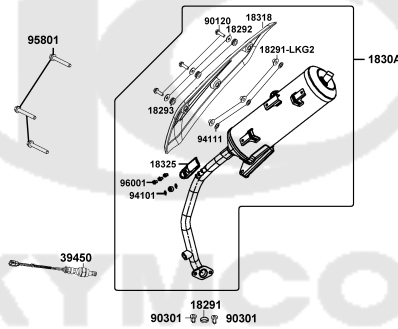
**F12 Body Cover Luggage Box**



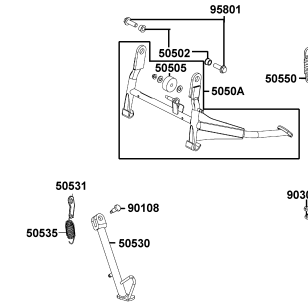
**F13 Air Cleaner**



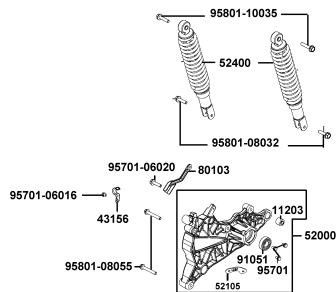
**F14 Exhaust Muffler**



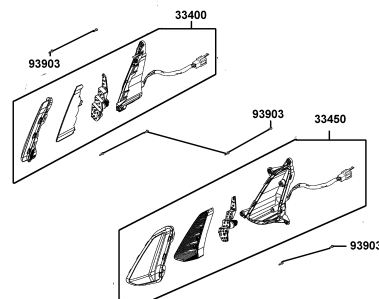
**F15 Stand Kick Starter Arm**



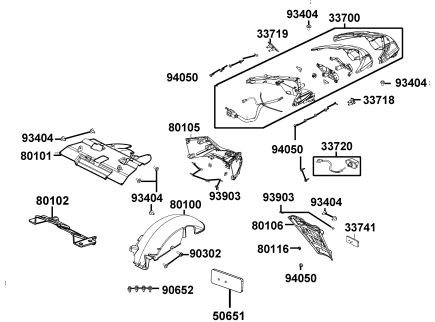
**F16 Rear Cushion**



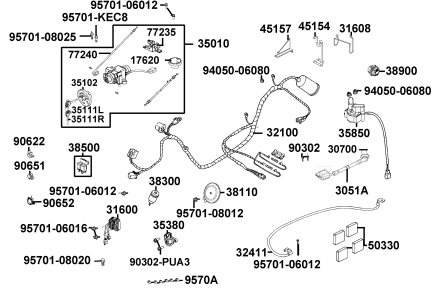
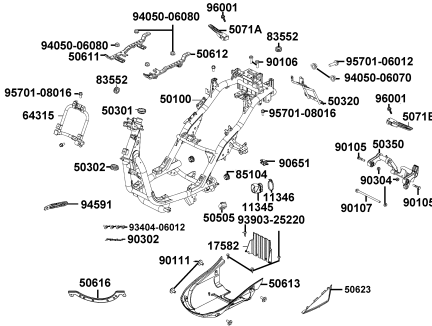
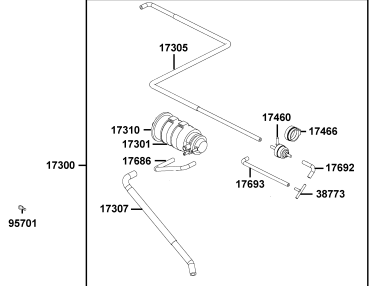







**F17 Front Winker**



**F18 Tail Light**

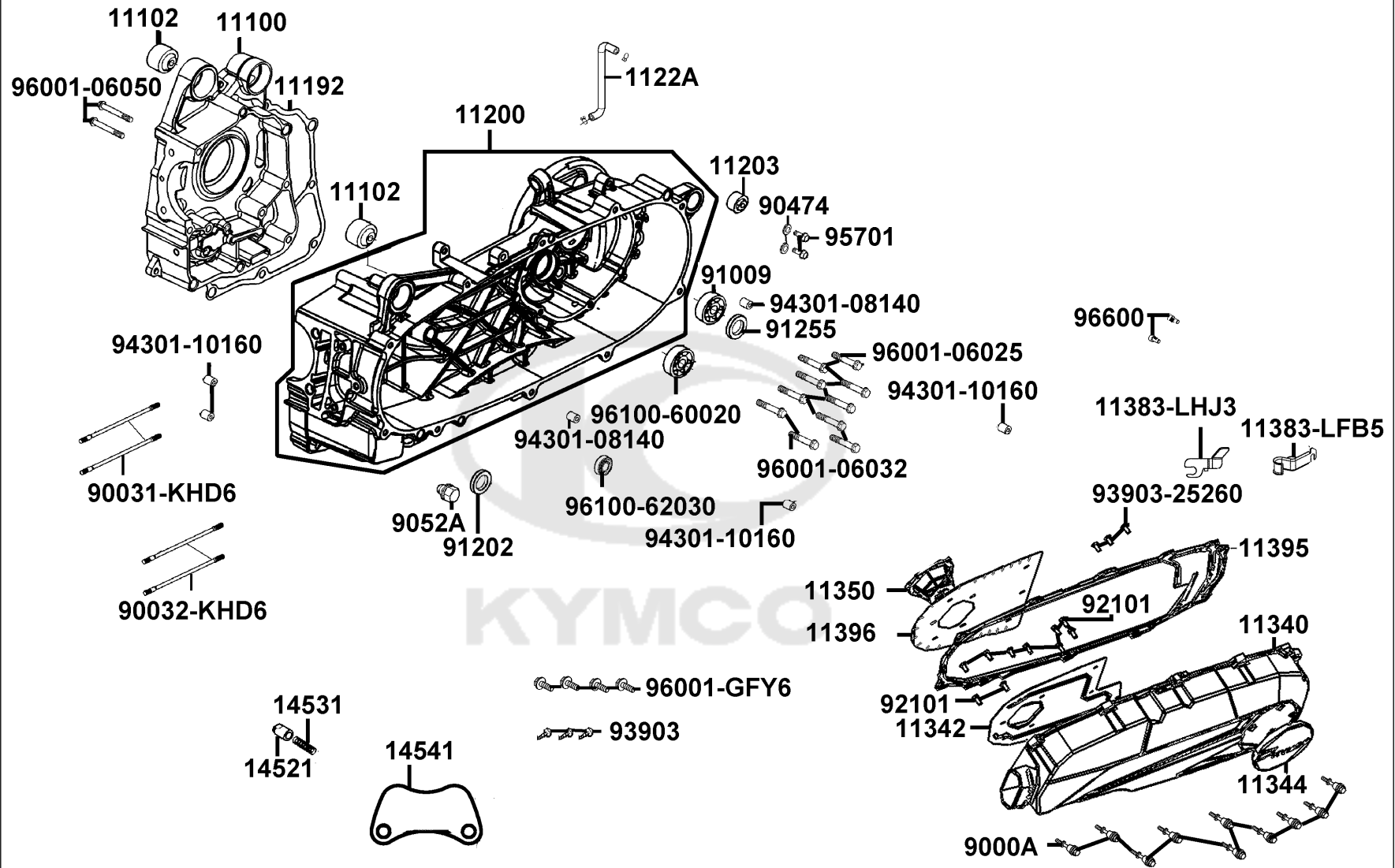


# CONTENTS - FRAME GROUP

F19 Wire Harness	F20 Frame Body	F21 Air Cleaner Two
		
<b>F22 Emblem Stripe</b>		
 <p>86102-ACC1</p>  <p>86102-ALG1</p>  <p>86202</p>  <p>87140</p> <div style="border: 1px solid black; padding: 2px; font-size: 8px;"> <b>CAUTIONS</b>          Before starting the engine, the choke lever shall be locked up to secure safety.     </div> <p>87541-GAR1</p> <div style="border: 1px solid black; padding: 2px; font-size: 8px;"> <b>CAUTIONS</b>          Before starting the engine, the front and rear covers and the engine cover shall be locked up to secure safety.     </div> <p>87542</p>  <p>87546</p>  <p>87560</p>		

E01

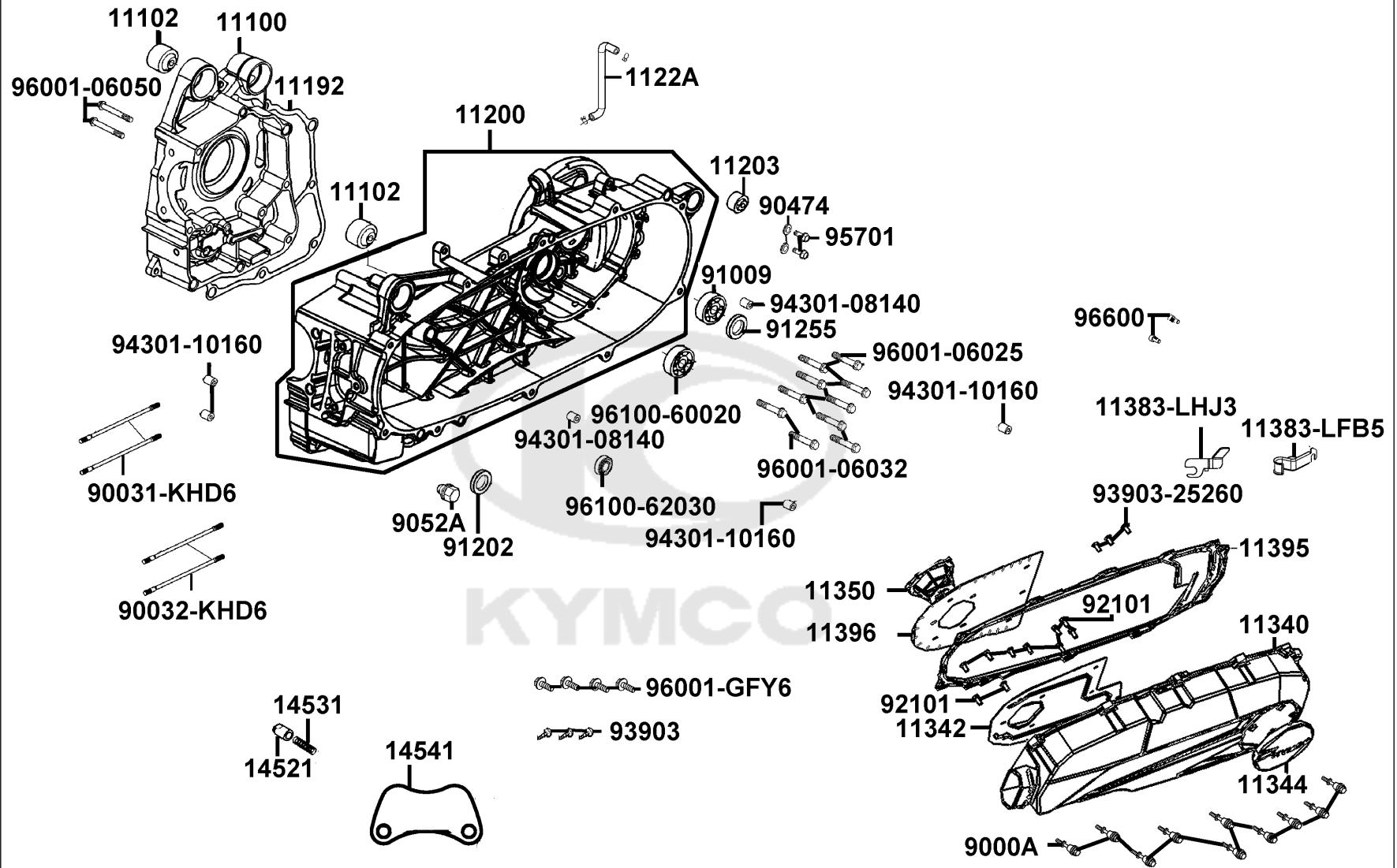
# Crank Case



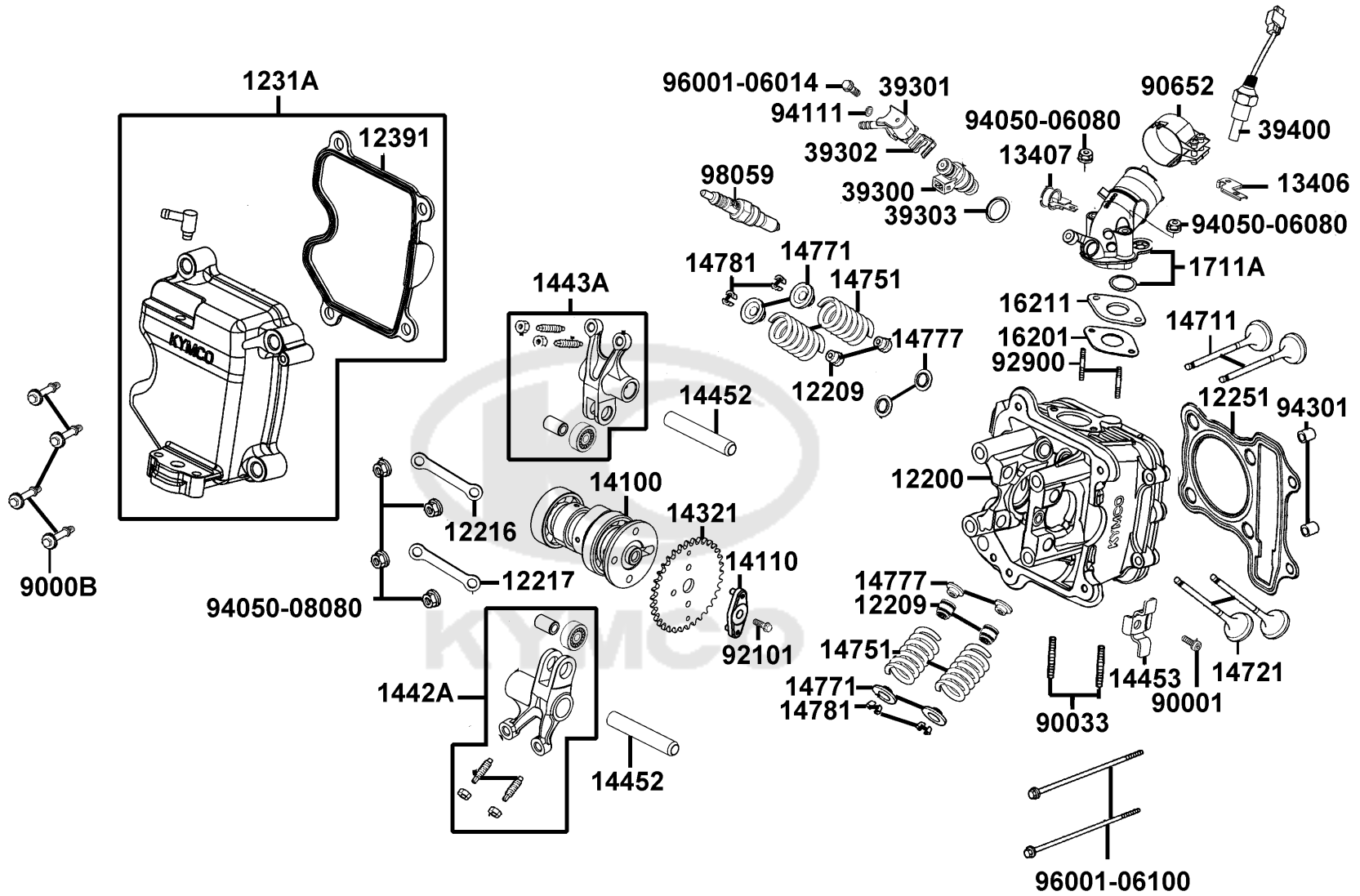
Sales mark	Ref no	Part no	Description	Reg description	Regd no	E01
	11100	11100-ACC1-E10	CRANK CASE COMP RIGHT	CRANK CASE COMP RIGHT	1	
	11102	11102-1G87-C00	RUB BUSH ENG HANGER	RUB BUSH ENG HANGER	1	
	11192	11192-LEB1-C00	GASKET CRANK CASE @ A	GASKET CRANK CASE @ A	1	
	11200	11200-LFB5-C00	CRANK CASE COMP LEFT	CRANK CASE COMP LEFT	1	
	11203	11203-GGC7-W10	UNDER RUBBER BUSH REAR CUSHION	UNDER RUBBER BUSH REAR CUSHION	1	
	1122A	1122A-ACC1-E10	TUBE ASSY MISSION BREATHER	TUBE ASSY MISSION BREATHER	1	
**	11340	11340-ACC1-E10	COVER COMP L SIDE	COVER COMP L SIDE	1	
	11342	11342-ACC1-E10	PLATE L COVER	PLATE L COVER	1	
**	11344	11344-ACC1-E10	PLATE L COVER	PLATE L COVER	1	
	11350	11350-LFB5-C00	"ELEMENT COMP., L COVER"	"ELEMENT COMP., L COVER"	1	
	11383-LFB5	11383-LFB5-C00	CLAMP(C)	CLAMP(C)	1	
	11383-LHJ3	11383-LHJ3-C00	CLAMPER DRAIN TUBE	CLAMPER DRAIN TUBE	1	
	11395	11395-LFB5-C00	GASKET L COVER @A	GASKET L COVER @A	1	
	11396	11396-ACC1-E10	GASKET L COVER PLATE	GASKET L COVER PLATE	1	
	14521	14521-AAG1-C00	"PLUG,BEARING PUSH"	"PLUG,BEARING PUSH"	1	
	14531	14531-AAG1-C00	PIVOT CAM CHIAN TENSIONER	PIVOT CAM CHIAN TENSIONER	1	
	14541	14541-ALH4-C00	"PLATE, BEARING PUSH"	"PLATE, BEARING PUSH"	1	
	9000A	9000A-ADG1-C01	BOLT ASSY SPECIAL	BOLT ASSY SPECIAL	10	
	90031-KHD6	90031-KHD6-C01	BOLT A STUD 8*218	BOLT A STUD 8*218	2	
	90032-KHD6	90032-KHD6-C01	BOLT B STUD 8*208.5	BOLT B STUD 8*208.5	2	

E01

Crank Case

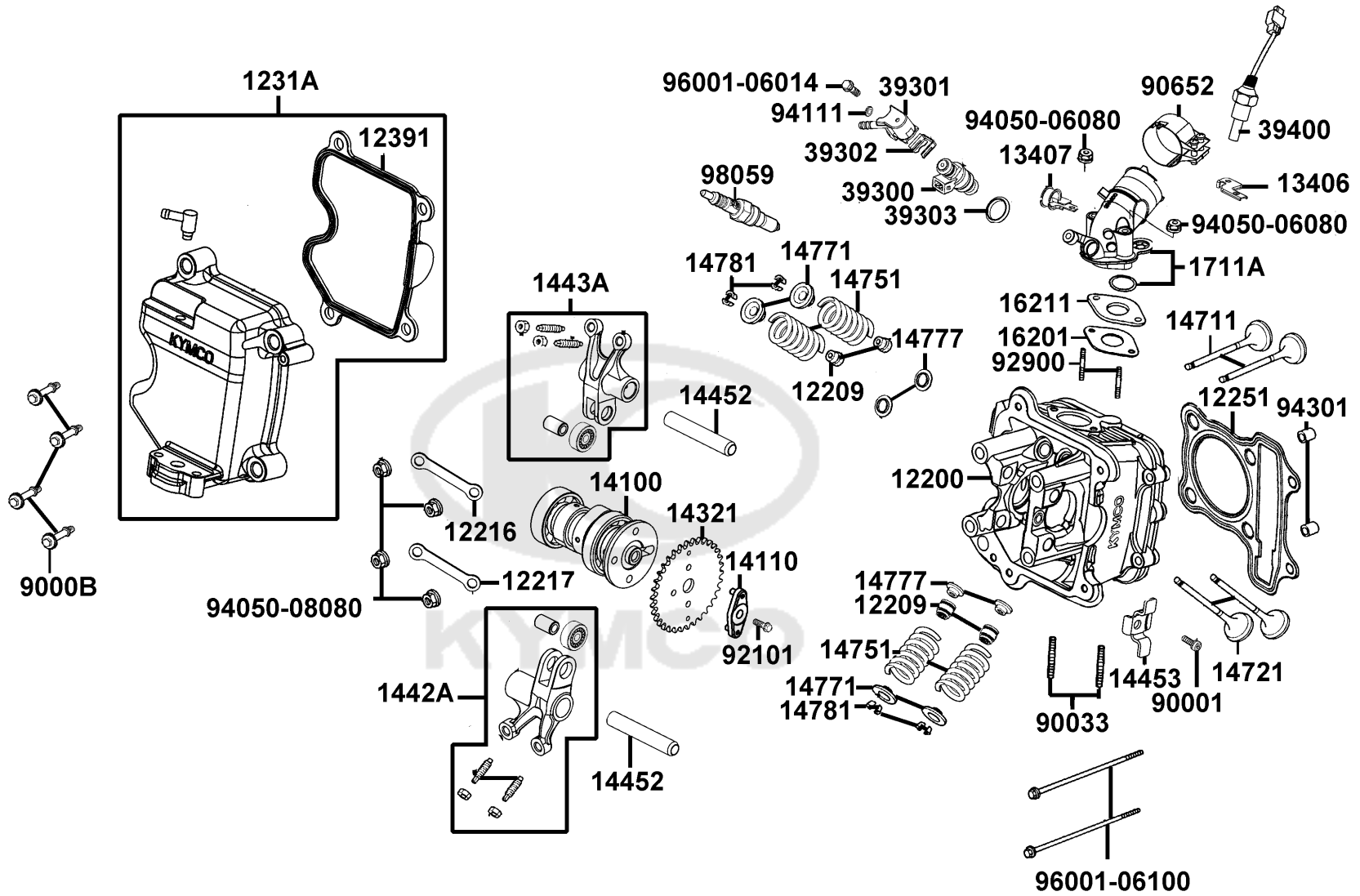


Sales mark	Ref no	Part no	Description	Reg description	Regd no	E01
90474		90474-3C33-C00	WASHER 8MM (T*2)	WASHER 8MM (T*2)	2	
9052A		9052A-LEB1-C01	BOLT ASSY DRAIN PLUG12*15(C)	BOLT ASSY DRAIN PLUG12*15(C)	1	
91009		91009-GLE0-C00	BRG BALL RADIAL 6004 UU	BRG BALL RADIAL 6004 UU	1	
91202		91202-LEB1-900	OIL SEAL 25*35*5	OIL SEAL 25*35*5	1	
91255		91255-LDC8-E10	OIL SEAL 27*42*7(C?)	OIL SEAL 27*42*7(C?)	1	
92101		92101-05012-0HG	BOLT HEX 5*12	BOLT HEX 5*12	10	
93903-25260		93903-25260-G	SCREW TAPPING 5*12(G)	SCREW TAPPING 5*12(G)	3	
93903		93903-35280-G	SCREW TAPPING 5*12 (K)	SCREW TAPPING 5*12 (KG)	3	
94301-08140		94301-08140	DOWEL PIN 8*14	DOWEL PIN 8*14	1	
94301-10160		94301-10160	DOWEL PIN 10*16	DOWEL PIN 10*16	2	
95701		95701-08012-07G	BOLT FLANGE 8*12 (G)	BOLT FLANGE 8*12 (G)	2	
96001-06025		96001-06025-07G	BOLT FLANGE SH 6*25 (K)	BOLT FLANGE SH 6*25 (G)	8	
96001-06032		96001-06032-07G	BOLT FLANGE SH6*32	BOLT FLANGE 6*32(G)	2	
96001-06050		96001-06050-07G	BOLT FLANGE SH 6*50 (K)	BOLT FLANGE SH 6*50 (K)	2	
96001-GFY6		96001-GFY6-C01	BOLT SPECIAL 5X10	BOLT SPECIAL 5X10	4	
96100-60020		96100-60020-00	BRG BALL RADIAL 6002	BRG BALL RADIAL 6002	1	
96100-62030		96100-62030-00	BRG BALL RADIAL 6203	BRG BALL RADIAL 6203	1	
96600		96600-06016-08G	SOCKET BOLT 6*16(B)	SOCKET BOLT 6*16(B)	2	

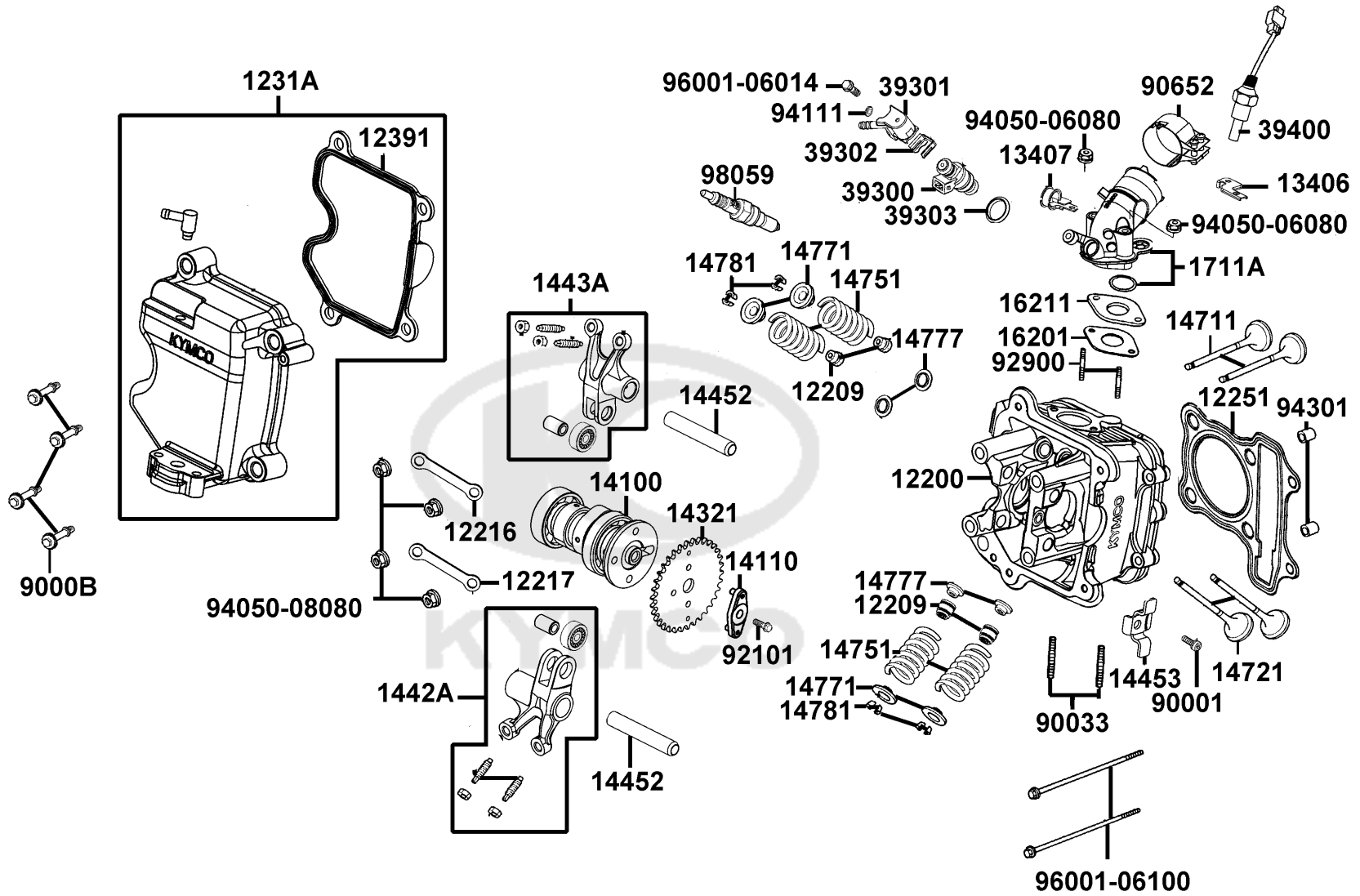


Sales mark	Ref no	Part no	Description	Reg description	Regd no	<b>E02</b>
12200		12200-LKE6-C00	HEAD COMP CYLN	HEAD COMP CYLN	1	
12209		12209-LEA2-C00	SEAL VALVE STEM	SEAL VALVE STEM	4	
12216		12216-LEB1-C00	"FORK A, HOLDER"	"FORK A, HOLDER"	1	
12217		12217-LEB1-C00	"FORK B, HOLDER"	"FORK B, HOLDER"	1	
12251		12251-LKE6-C00	GASKET CYLINDER HEAD	GASKET CYLINDER HEAD	1	
1231A		1231A-LHJ3-C00	HEAD COVER SET	HEAD COVER SET	1	
12391		12391-LEB1-C00	GASEKT HEAD COVER	GASEKT HEAD COVER	1	
13406		13406-LHJ8-900	CLAMPER FUEL TUBE	CLAMPER FUEL TUBE	1	
13407		13407-LKC6-C00	PLATE A ECU MODULE	PLATE A ECU MODULE	1	
14100		14100-LKE6-C00	CAM SHAFT COMP	CAM SHAFT COMP	1	
14110		14110-LEB1-C00	"FIXTURE,CAMSHAFT"	"FIXTURE,CAMSHAFT"	1	
14321		14321-LEB1-C00	SPROCKET CAM	SPROCKET CAM	1	
1442A		1442A-LEB1-C00	"ARM ASSY, VALVE ROCKER"	"ARM ASSY, VALVE ROCKER"	1	
1443A		1443A-LEB1-C00	"ARM ASSY.,VALVE ROCKER"	"ARM ASSY.,VALVE ROCKER"	1	
14452		14452-LFA7-C00	SHAFT EXH ROCKER ARM	SHAFT EXH ROCKER ARM	1	
14453		14453-LKE6-C00	SET PLATE ROCKER ARM SHAFT	SET PLATE ROCKER ARM SHAFT	1	
14711		14711-LKE6-C00	VALVE INLET	VALVE INLET	2	
14721		14721-LKE6-C00	VALVE EXHAUST	VALVE EXHAUST	2	
14751		14751-KHD6-C00	SPG VALVE OUTER	SPG VALVE OUTER	4	
14771		14771-LEA2-900	RETAINER UPPER SPRING	RETAINER UPPER SPRING	1	





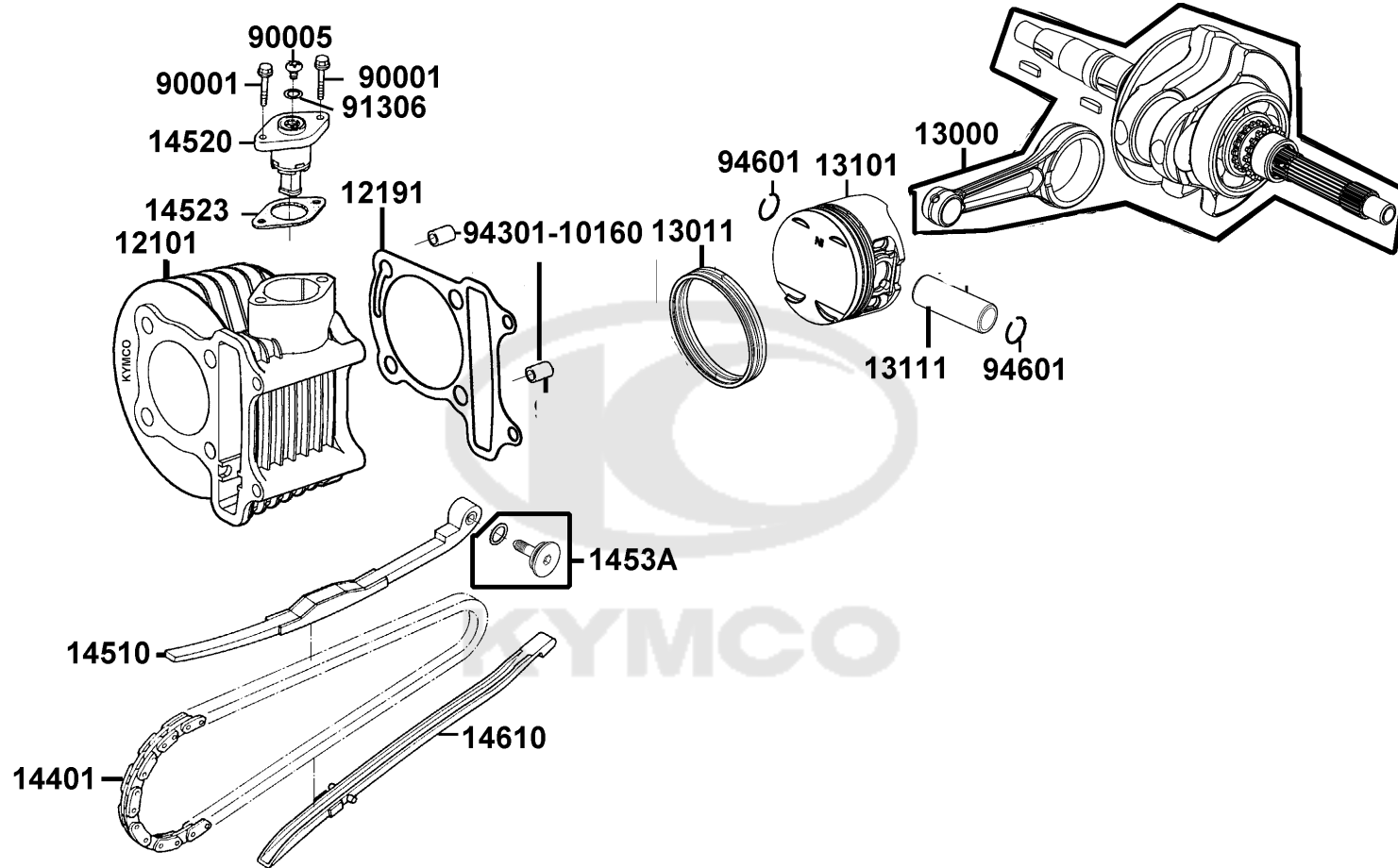
Sales mark	Ref no	Part no	Description	Reg description	Regd no	E02
	14777	14777-LFA7-C00	SEAT VALVE SPG	SEAT VALVE SPG	4	
	14781	14781-KKE5-C00	COTTER VALVE	COTTER VALVE	8	
	16201	16201-LEB1-C00	GASKET CARB INSULATOR	GASKET CARB INSULATOR	1	
	16211	16211-LEB1-C00	INSULATOR CARB	INSULATOR CARB	1	
	1711A	1711A-ACC1-EZ5	PIPE ASSY INLET	PIPE ASSY INLET	1	
	39300	39300-LEB2-800	FUEL INJECTOR	FUEL INJECTOR	1	
	39301	39301-ACC1-EZ5	HOLDER ASSY FUEL	HOLDER ASSY FUEL	1	
	39302	39302-KKE3-C00	CLIP SPRING FUEL INJECTOR	CLIP SPRING FUEL INJECTOR	1	
	39303	39303-LEB2-C00	SEAL,HIGH TENSION FUEL INJECT	SEAL,HIGH TENSION FUEL INJECT	1	
	39400	39400-LHJ3-900	SENSOR. HEAD TEMPERATURE	SENSOR. HEAD TEMPERATURE	1	
	90001	90001-GFY6-C01	SOCKET BOLT 6*10	SOCKET BOLT 6*10	1	
	9000B	9000B-KHD6-C02	BOLT ASSY SPECIAL 6X41.5(G)	BOLT ASSY SPECIAL 6X41.5(G)	1	
	90033	90033-KGB4-C11	BOLT STUD 8*40	BOLT STUD 8*40	1	
	90652	90652-ALB8-C00	BAND 48 INLET-PIPE	BAND 48 INLET-PIPE	1	
	92101	92101-06014-07G	BOLT HEX 6*14	BOLT HEX 6*14	1	
	92900	92900-06060-0BG	BOLT STUD 6*60	BOLT STUD 6*60	1	
	94050-06080	94050-06080-G	NUT FLANGE 6MM	NUT FLANGE 6MM	1	
	94050-08080	94050-08080-G	NUT FLANGE 8MM	FLANGE NUT 8MM(C)	1	
	94111	94111-06800-G	WASHER SPG 6MM(C)	WASHER SPG 6MM(C)	1	
	94301	94301-10160	DOWEL PIN 10*16	DOWEL PIN 10*16	1	



Sales mark	Ref no	Part no	Description	Reg description	Regd no	<b>E02</b>
------------	--------	---------	-------------	-----------------	---------	------------

	96001-06014	96001-06014-08G	BOLT FLANGE SH 6*14 (C)	BOLT FLANGE SH 6*14 (C)	1	
	96001-06100	96001-06100-07G	BOLT FLANGE 6*100	BOLT FLANGE 6*100	1	
	98059	98059-58916-00	PLUG SPARK(CR8E)	PLUG SPARK(CR8E)	1	

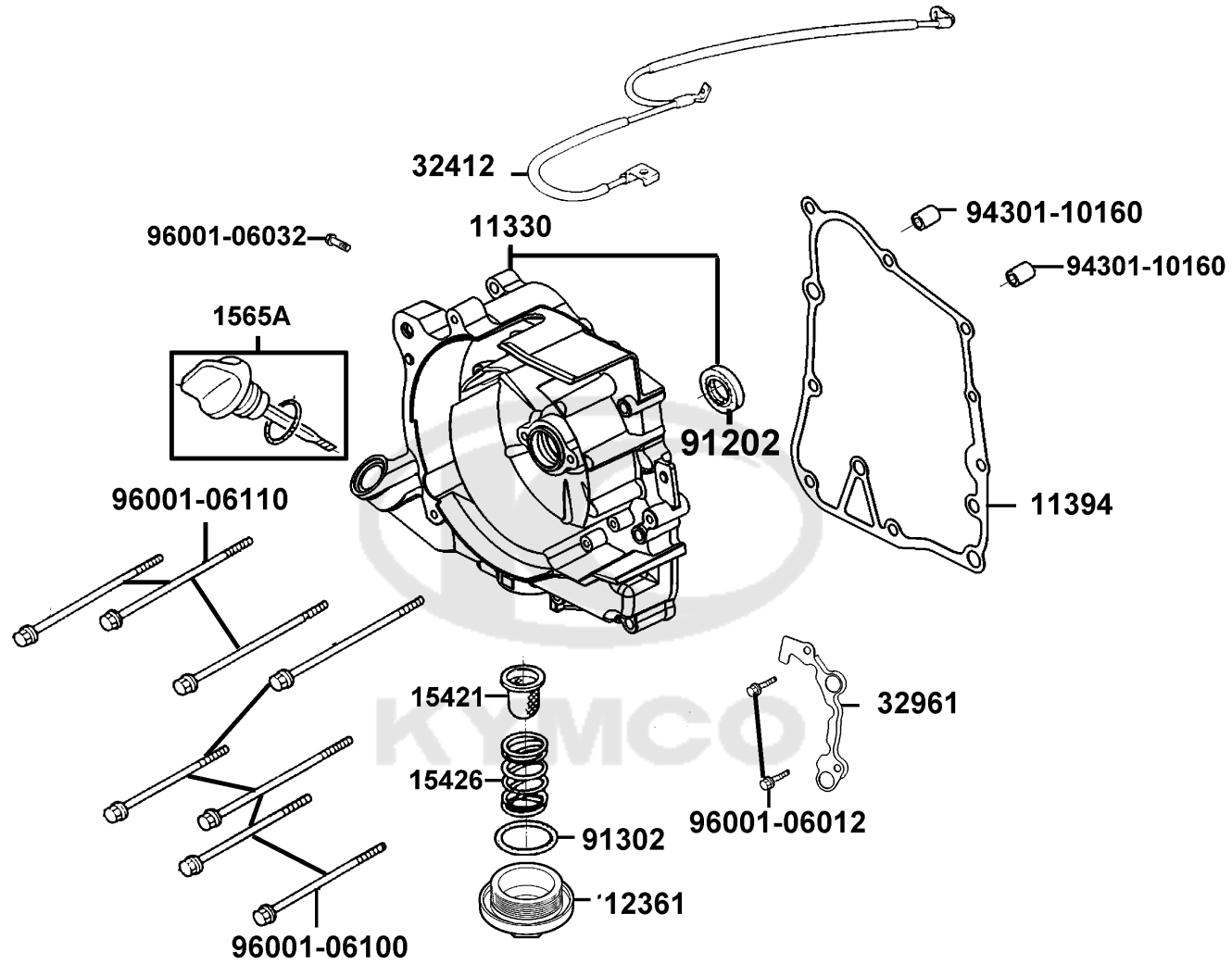




Sales mark	Ref no	Part no	Description	Reg description	Regd no	E03
	12101	12100-LEB1-90B	CYLINDER COMP	CYLINDER COMP	1	
	12191	12191-LEB1-C00	GASKET CYLINDER @A	GASKET CYLINDER @A	1	
	13000	13000-LKE6-C00	CRANK SHAFT COMP	CRANK SHAFT COMP	1	
	13011	13011-LKE6-C00	RING ASSY PISTON	RING ASSY PISTON	1	
	13101	13101-LKE6-C00	PISTON	PISTON	1	
	13111	13111-LFA7-C00	PIN PISTON	PIN PISTON	1	
	14401	14401-KUDU-C00	CHAIN CAM	CHAIN CAM	1	
	14510	14510-LEB1-C00	TENSIONER CAM CHAIN	TENSIONER CAM CHAIN	1	
	14520	14520-LFA7-C00	LIFTER ASSY TENSIONER	LIFTER ASSY TENSIONER	1	
	14523	14523-KED9-C00	GASKET TENSIONER LIFTER @A	GASKET TENSIONER LIFTER @A	1	
	1453A	1453A-GFY6-W10	PIVOT CAM CHAIN TENSIONER	PIVOT CAM CHAIN TENSIONER	1	
	14610	14610-LEB1-C00	GUIDE,CAM CHAIN	GUIDE,CAM CHAIN	1	
	90001	90001-GBHB-C06	BOLT FLANGE SHF 6*22	BOLT	2	
	90005	90005-KAW1-C00	SCREW PAN 6*6(G)	SCREW PAN 6*6(G)	1	
	91306	91306-1E05-C00	O-RING 1.5*9.5	O-RING 1.5*9.5	1	
	94301-10160	94301-10160	DOWEL PIN 10*16	DOWEL PIN 10*16	2	
	94601	94601-14000	CLIP PISTON PIN 12MM	CLIP PISTON PIN 12MM	2	

E04

# Right Crankcase Cover

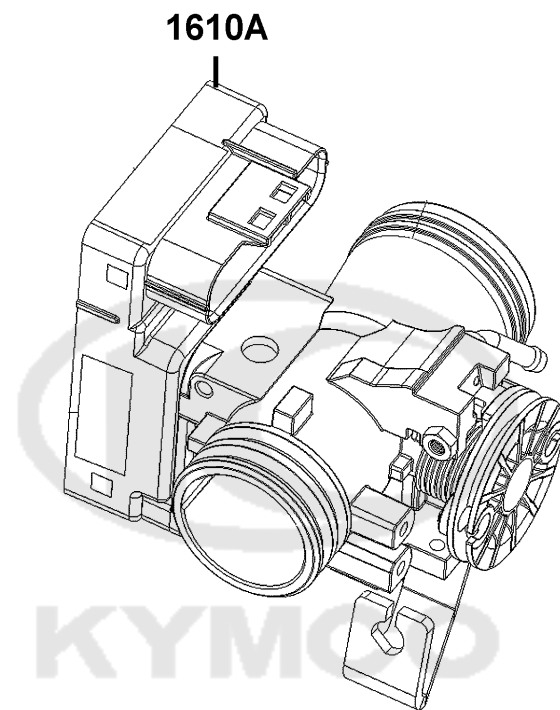


Sales mark	Ref no	Part no	Description	Reg description	Regd no	<b>E04</b>
	11330	11330-LHJ3-C00	COVER COMP R CRANK CASE	COVER COMP R CRANK CASE	1	
	11394	11394-LEB1-C00	GASKET R COVER @A	GASKET R COVER @A	1	
	12361	12361-GFY6-C00	HOLE CAP TAPPET ADJUSTING	HOLE CAP TAPPET ADJUSTING	1	
	15421	15421-1G07-C00	SCREEN OIL FILTER	SCREEN OIL FILTER	1	
	15426	15426-GAE1-C00	SPG OIL FILTER SCREEN	SPG OIL FILTER SCREEN	1	
	1565A	1565A-KUDU-W10	GAUGE OIL LEVEL ASSY	GAUGE OIL LEVEL ASSY	1	
	32412	32412-ACC1-E10	CABLE EARTH	CABLE EARTH	1	
	32961	32961-LEB1-C00	CLAMPER ACG CORD	CLAMPER ACG CORD	1	
	91202	91202-GFY6-90C	OIL SEAL 19.8*30*5	OIL SEAL 19.8*30*5	4	
	91302	91302-0A01-C00	O-RING 30.8MM	O-RING 30.8MM	1	
	94301	94301-10160	DOWEL PIN 10*16	DOWEL PIN 10*16	1	
	96001-06012	96001-06012-07G	BOLT FLANGE 6*12(G)	BOLT FLANGE SH 6*12 (KG)	2	
	96001-06032	96001-06032-07G	BOLT FLANGE SH6*32	BOLT FLANGE 6*32(G)	1	
	96001-06100	96001-06100-07G	BOLT FLANGE 6*100	BOLT FLANGE 6*100	5	
	96001-06110	96001-06110-07G	BOLT FLANGE SH 6*110 (G)	BOLT FLANGE SH 6*110 (G)	3	



E05

THROTTLE BODY ASSY



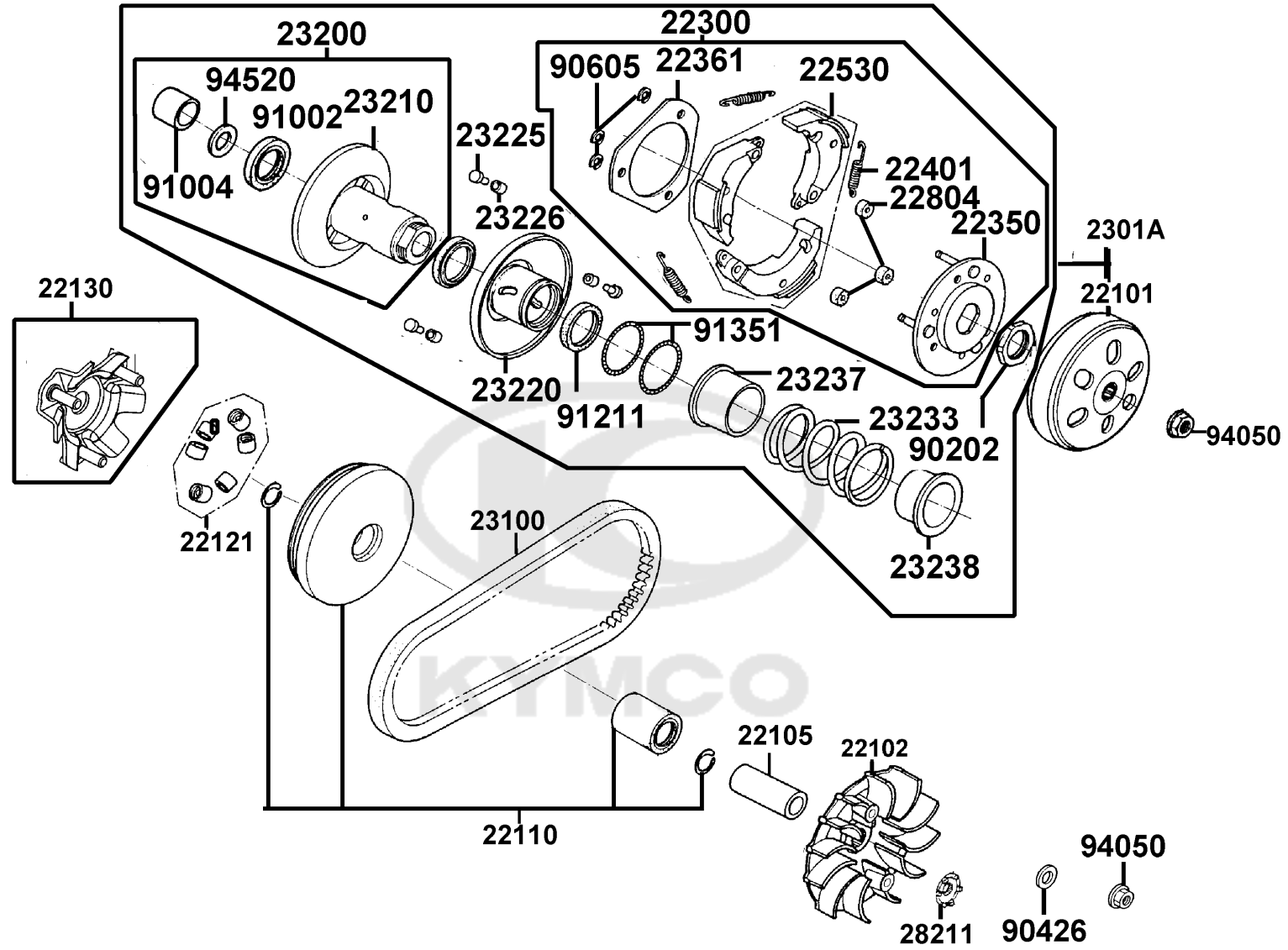
Sales mark	Ref no	Part no	Description	Reg description	Regd no	<b>E05</b>
------------	--------	---------	-------------	-----------------	---------	------------

1610A	1610A-ACC1-EZ5	1610A-ACC1-EZ5	THROTTLE BODY ASSY	THROTTLE BODY ASSY	1	
-------	----------------	----------------	--------------------	--------------------	---	--



E06

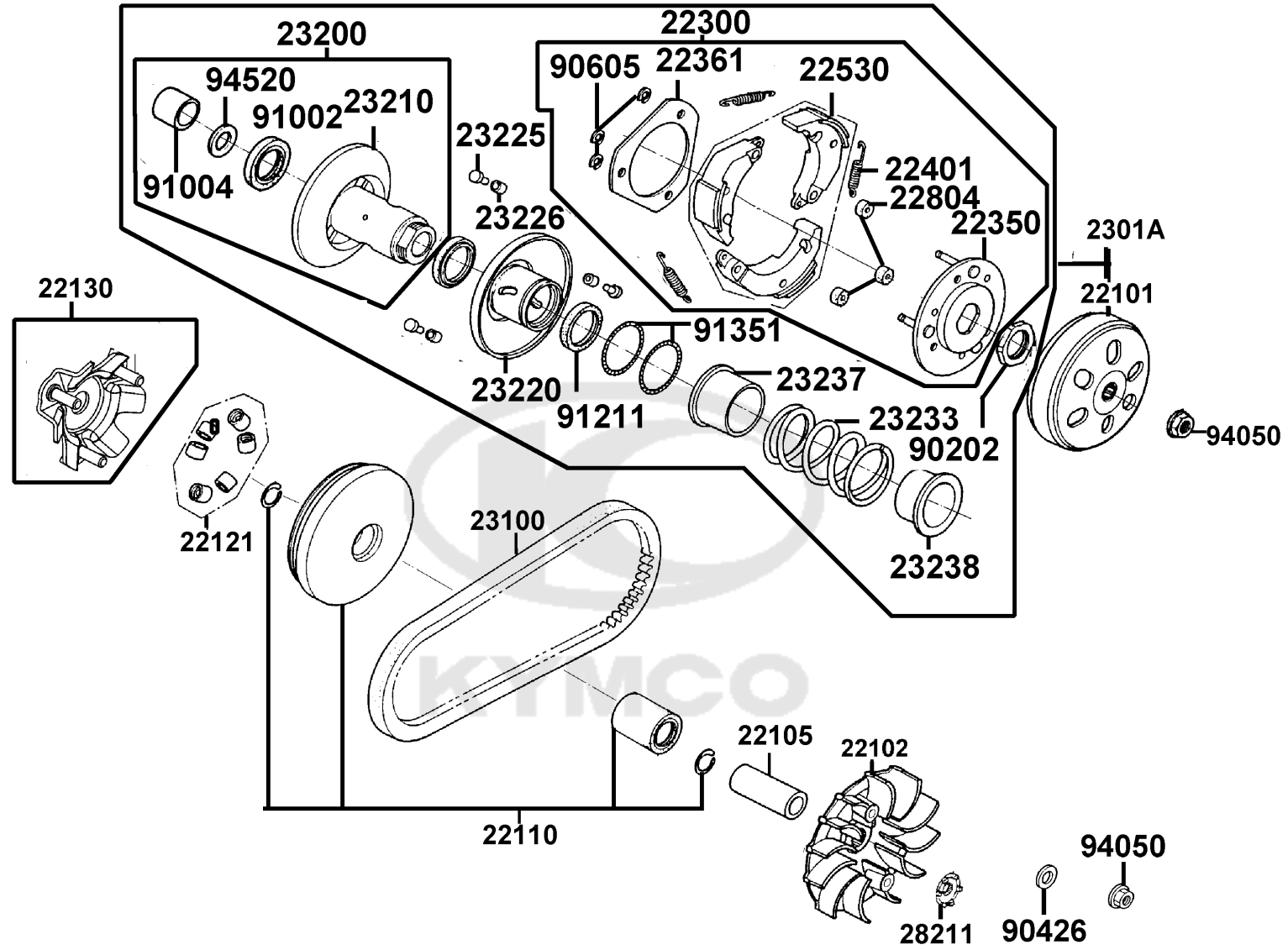
Driven Pulley



Sales mark	Ref no	Part no	Description	Reg description	Regd no	<b>E06</b>
22101		22101-LCD3-C00	OUTER CLUTCH	OUTER CLUTCH	1	
22102		22102-LEB1-C00	FACE DRIVE	FACE DRIVE	1	
22105		22105-LFE2-C00	BOSS DRIVE FACE	BOSS DRIVE FACE	1	
22110		22110-LEB1-C00	FACE COMP MOVABLE DRIVE	FACE COMP MOVABLE DRIVE	1	
22121		22121-GFY6-325	ROLLER SET WEIGHT (1SET:6PCS)	ROLLER SET WEIGHT (1SET:6PCS)	1	
22130		22130-LEB1-C00	RAMP PLATE COMP.	RAMP PLATE COMP.	1	
22300		22300-LHJ3-C00	PLATE ASSY. DRIVE	PLATE ASSY. DRIVE	1	
22350		22350-LHJ3-C00	PLATE COMP.DRIVE	PLATE COMP. DRIVE	1	
22361		22361-LHJ3-C00	PLATE CLUTCH SIDE	PLATE CLUTCH SIDE	1	
22401		22401-LHJ3-C00	SPRIMH GLUTCH	SPRING CLUTCH	1	
22530		22530-LHJ3-C00	WEIGHT CLUTCH	WEIGHT CLUTCH	1	
22804		22804-GBB2-C00	RUBBER CLUTCH DAMPER	RUBBER CLUTCH DAMPER	1	
2301A		2301A-LKE6-C00	PULLEY SUB ASSY	PULLEY SUB ASSY	1	
23100		23100-LFB6-C00	BELTDRIVE	BELTDRIVE	1	
23200		23200-LFE2-C00	"FACE ASSY., DRIVEN"	"FACE ASSY., DRIVEN"	1	
23210		23210-GFY6-C00	FACE COMP DRIVEN A	FACE COMP DRIVEN A	1	
23220		23220-GFY6-C00	FACE COMP DRIVEN H1	FACE COMP DRIVEN H1	1	
23225		23225-GHC8-C00	PIN ROLLER GUIDE	PIN ROLLER GUIDE	1	
23226		23226-GHC8-C00	ROLLER GUIDE	"ROLLER,GUIDE"	1	
23233		23233-LFB6-C00	SPG DRIVEN FACE	SPG DRIVEN FACE	1	

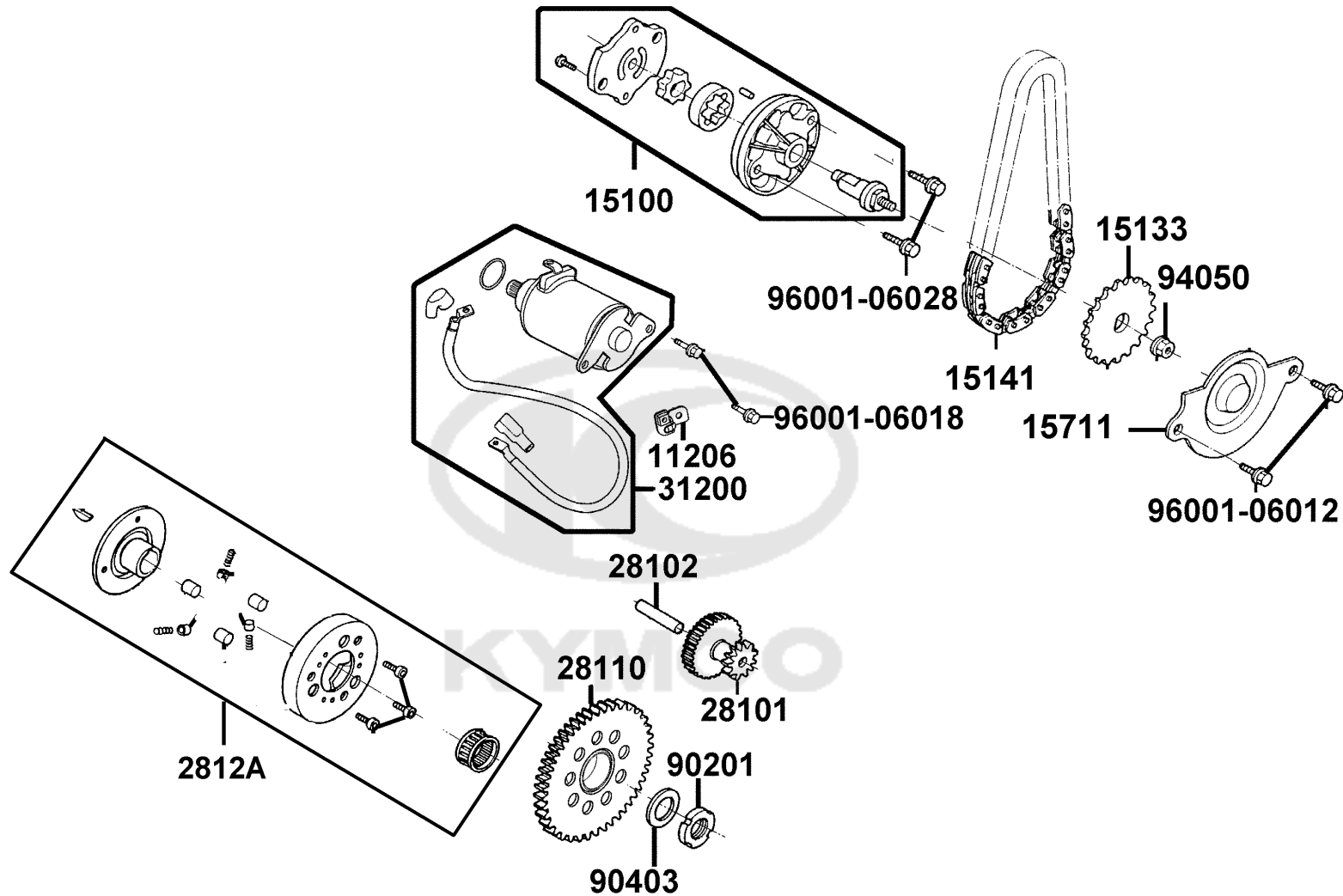
E06

### Driven Pulley



Sales mark	Ref no	Part no	Description	Reg description	Regd no	<b>E06</b>
23237		23237-GFY6-C00	COLLAR SEAL	COLLAR SEAL	1	
23238		23238-LEB1-C00	COLLAR SPG	COLLAR SPG	1	
28211		28211-ADG1-C00	RATCHET KICK STARTER	RATCHET KICK STARTER	1	
90202		90202-1G87-C00	NUT SPECIAL 28MM	NUT SPECIAL 28MM	1	
90426		90426-KNBN-C01	WASHER SPECIAL 12MM	WASHER SPECIAL 12MM	1	
90605		90605-1F66-C00	CIR CLIP 7MM	CIR CLIP 7MM	1	
91002		91002-GGA7-C00	BRG BALL RADIAL 6902U	BRG BALL RADIAL 6902U	1	
91004		91004-KHE7-C00	BRG NDL 22*29*18	BRG NDL 22*29*18	1	
91211		91211-KEBE-900	SEAL DRIVEN FACE 34*41*4	SEAL DRIVEN FACE 34*41*4	1	
91351		91351-6B42-C00	O-RING PINION CAP	O-RING PINION CAP	1	
94050		94050-12080-G	NUT FLANGE 12MM (C)	NUT FLANGE 12MM (C)	1	
94520		94520-28000	CIR CLIP IN 28	CIR CLIP IN 28	1	

Starting Motor Oil Pump

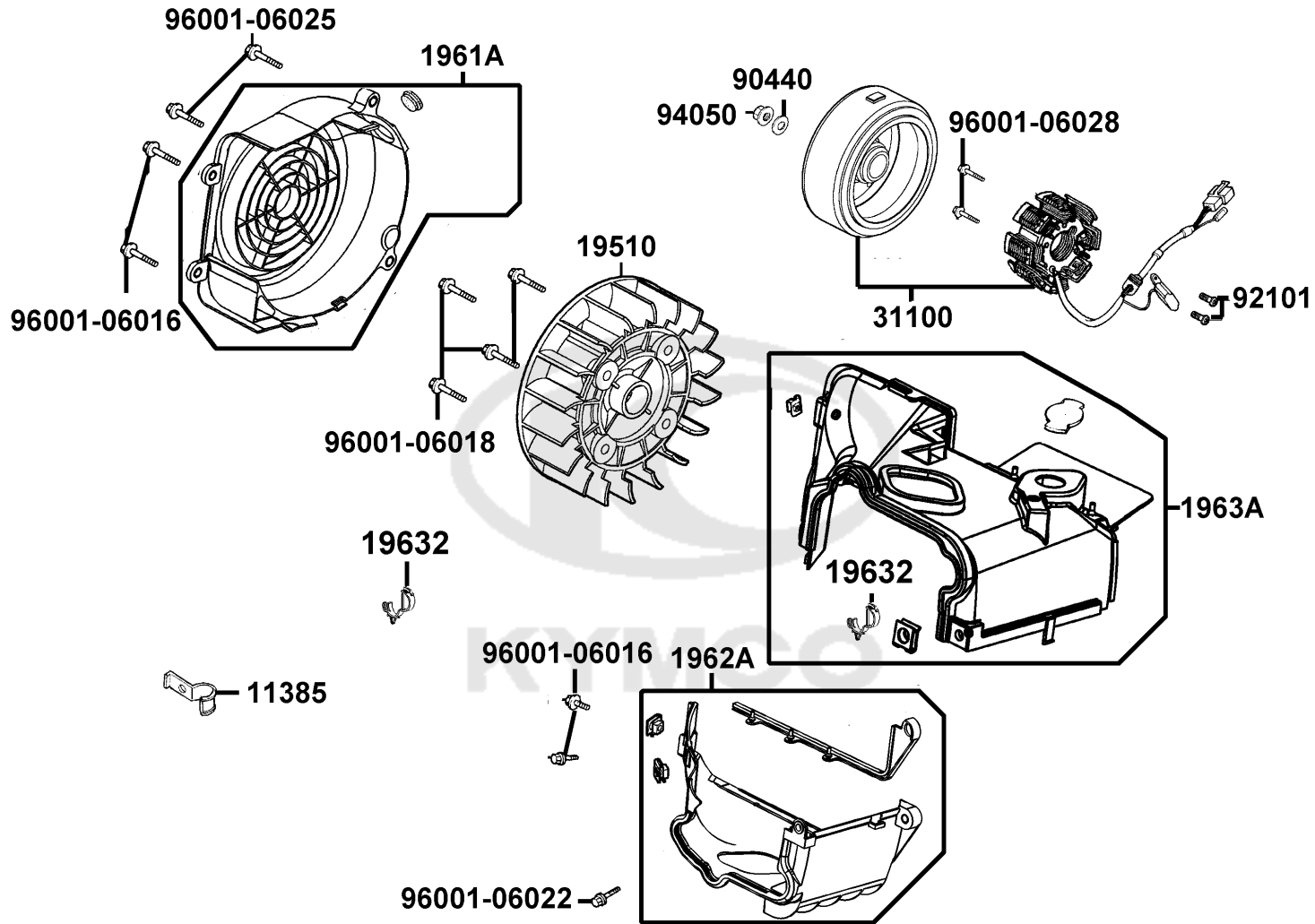


Sales mark	Ref no	Part no	Description	Reg description	Regd no	<b>E07</b>
11206		11206-LFB5-C00	STAY A RR FENDER	STAY A RR FENDER	1	
15100		15100-KFB7-C00	OIL PUMP ASSY	PUMP ASSY OIL	1	
15133		15133-GFY6-W10	SPROCKET OIL PUMP DRIVE	SPROCKET OIL PUMP DRIVE	1	
15141		15141-GFY6-C00	CHAIN OIL PUMP	CHAIN OIL PUMP	1	
15711		15711-GFY6-C00	SEPARATER OIL	SEPARATER OIL	1	
28101		28101-ADG1-C00	GEAR STARTER REDUCTION	GEAR STARTER REDUCTION	1	
28102		28102-GFY6-C00	SHAFT STARTER REDUCTION GEAR	SHAFT STARTER REDUCTION GEAR	1	
28110		28110-LEB1-C00	GEAR COMP. STARTING CLUTCH	GEAR COMP. STARTING CLUTCH	1	
2812A		2812A-ADG1-C00	OUTER COMP STARTING CLUTCH	OUTER COMP STARTING CLUTCH	1	
31200		31200-ACC1-E10	MOTOR ASSY START	MOTOR ASSY START	1	
90201		90201-GFY6-901	NUT LOCK 22MM	NUT LOCK 22MM	1	
90403		90403-GFY6-C00	WASHER THRUST 22.2*31*2.5	WASHER THRUST 22.2*31*2.5	1	
94050		94050-06080-G	NUT FLANGE 6MM	NUT FLANGE 6MM	1	
96001-06012		96001-06012-07G	BOLT FLANGE 6*12(G)	BOLT FLANGE SH 6*12 (KG)	2	
96001-06018		96001-06018-07G	BOLT FLANGE 6*18	BOLT FLANGE 6*18	1	
96001-06028		96001-06028-07G	BOLT FLANGE SH 6*28 (G)	BOLT FLANGE SH 6*28 (G)	1	

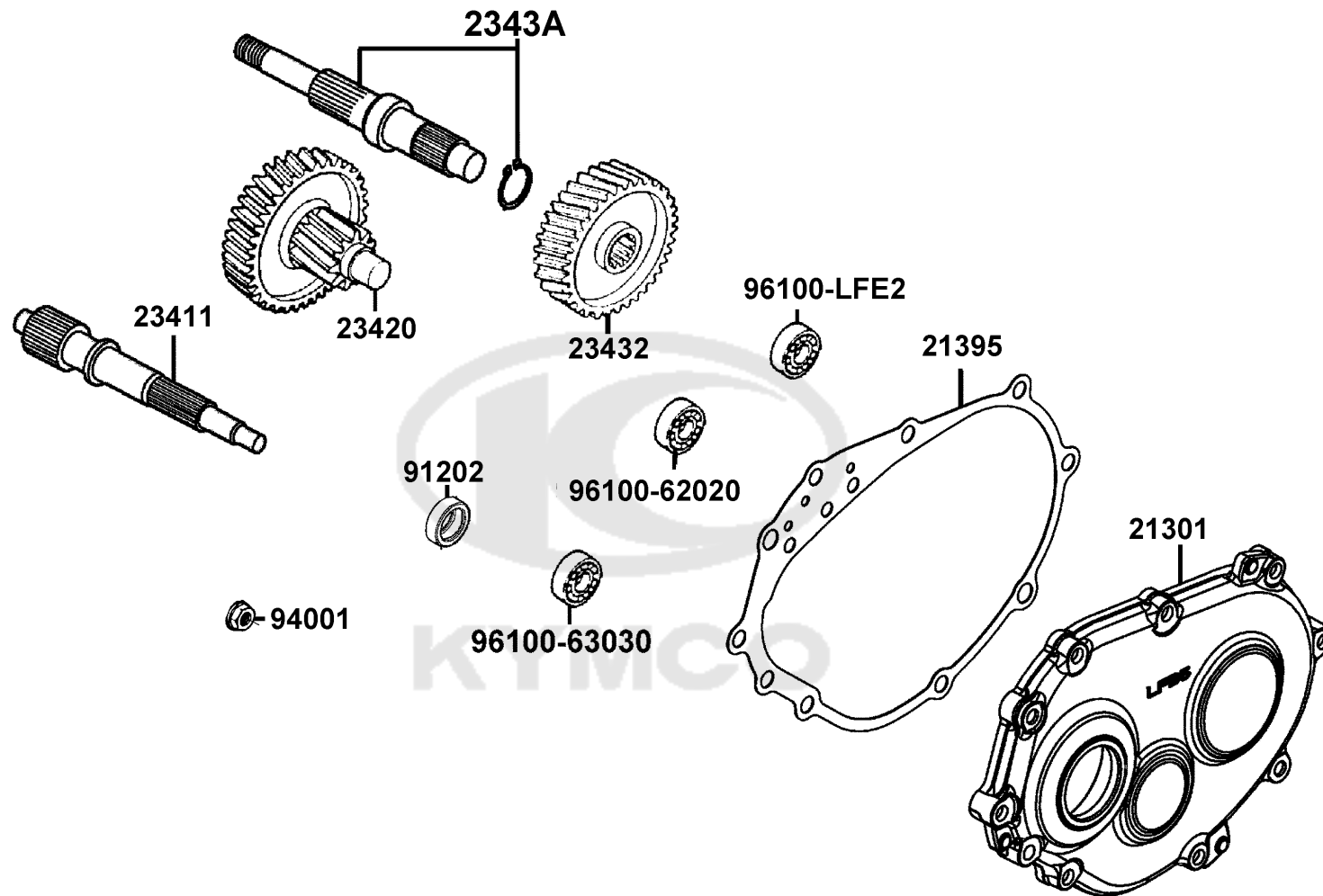


E08

Fan Cover Generator



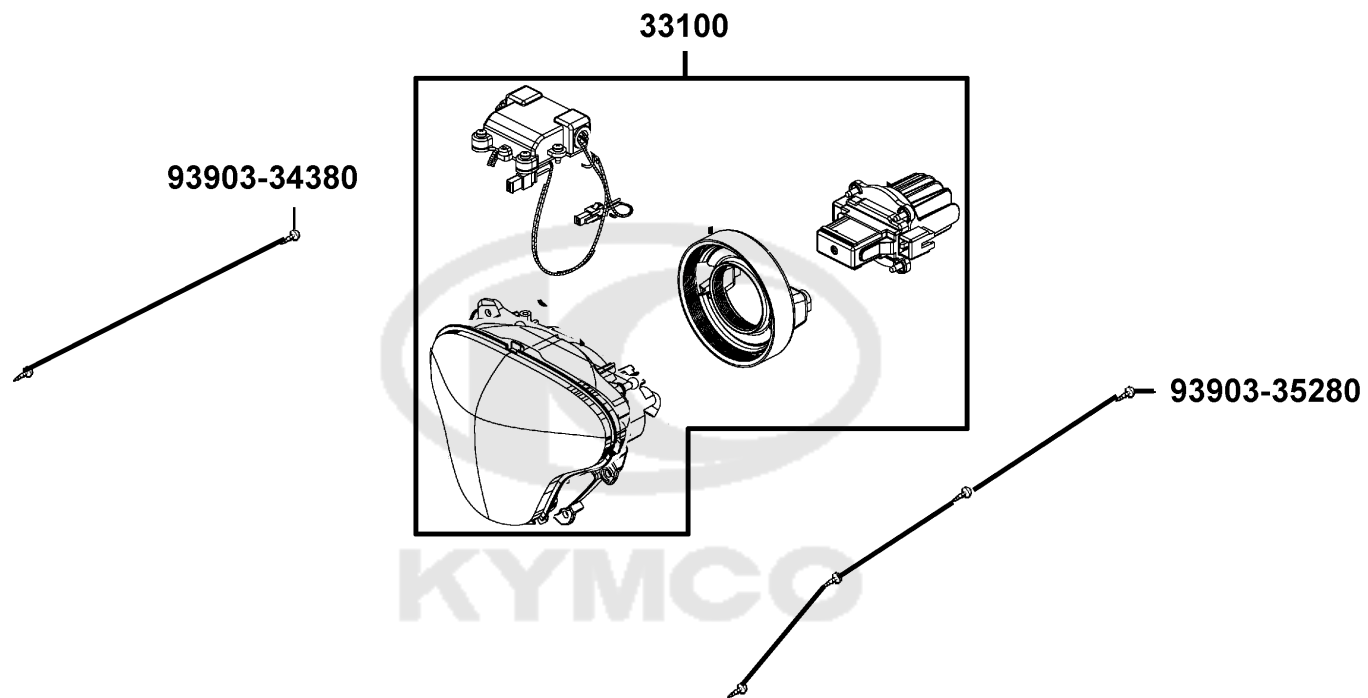
Sales mark	Ref no	Part no	Description	Reg description	Regd no	E08
	11385	11385-ACC1-EZ5	CLAMPER CARB DRAIN TUBE	CLAMPER CARB DRAIN TUBE	1	
	19510	19510-LEB1-C01	FAN COMP COOLING	FAN COMP COOLING	1	
	1961A	1961A-LEB1-C00	COVER ASSY FAN	COVER ASSY FAN	1	
	1962A	1962A-LKE6-C00	SHROUD ASSY A	SHROUD ASSY A	1	
	19632	19632-LFB6-C00	CLIP??FUEL HOSE	CLIP??FUEL HOSE	1	
	1963A	1963A-ACC1-E10	SHROUD ASSY B	SHROUD ASSY B	1	
	31100	31100-ACC1-E10	AC GEN ASS'Y	AC GEN ASS'Y	1	
	90440	90440-1F66-C00	WASHER PLAIN 12MM	WASHER PLAIN 12MM	1	
	92101	92101-05012-0HG	BOLT HEX 5*12	BOLT HEX 5*12	2	
	94050	94050-12080-G	NUT FLANGE 12MM (C)	NUT FLANGE 12MM (C)	1	
	96001-06016	96001-06016-07G	BOLT FLANGE SH 6*16 (KG)	BOLT FLANGE SH 6*16 (KG)	1	
	96001-06018	96001-06018-07G	BOLT FLANGE 6*18	BOLT FLANGE 6*18	4	
	96001-06022	96001-06022-07G	BOLT FLANGE SH 6X22(KC)	BOLT FLANGE SH 6*22 (K)	1	
	96001-06025	96001-06025-07G	BOLT FLANGE SH 6*25 (K)	BOLT FLANGE SH 6*25 (G)	2	
	96001-06028	96001-06028-07G	BOLT FLANGE SH 6*28 (G)	BOLT FLANGE SH 6*28 (G)	2	



Sales mark	Ref no	Part no	Description	Reg description	Regd no	<b>E09</b>
	21301	21301-LFB5-C00	COVER MISSION	COVER MISSION	1	
	21395	21395-LFB5-C00	GASKET MISSION CASE	GASKET MISSION CASE	1	
	23411	23411-LFB5-C00	SHAFT DRIVE	SHAFT DRIVE	1	
	23420	23420-LGH5-C00	SHAFT COMP COUNTER	SHAFT COMP COUNTER	1	
	23432	23432-LGH5-C00	SHAFT COMP COUNTER	SHAFT COMP COUNTER	1	
	2343A	2343A-LFB5-C00	SHAFT FINAL	SHAFT FINAL	1	
	91202	91202-LFE2-C00	OIL SEAL 22X32X6	OIL SEAL 22X32X6	1	
	94001	94001-12280-0SG	NUT HEX 12MM(C)	NUT HEX 12MM(C)	1	
	96100-62020	96100-62020-00	BEARING BALL RADIAL 6202	BEARING BALL RADIAL 6202	1	
	96100-63030	96100-63030-00	BEARING BALL RADIAL 6303	BEARING BALL RADIAL 6303	1	
	96100-LFE2	96100-LFE2-C00	BEARING BALL RADIAL TMB2/22CC4	BEARING BALL RADIAL TMB2/22CC4	1	

F01

Head Light



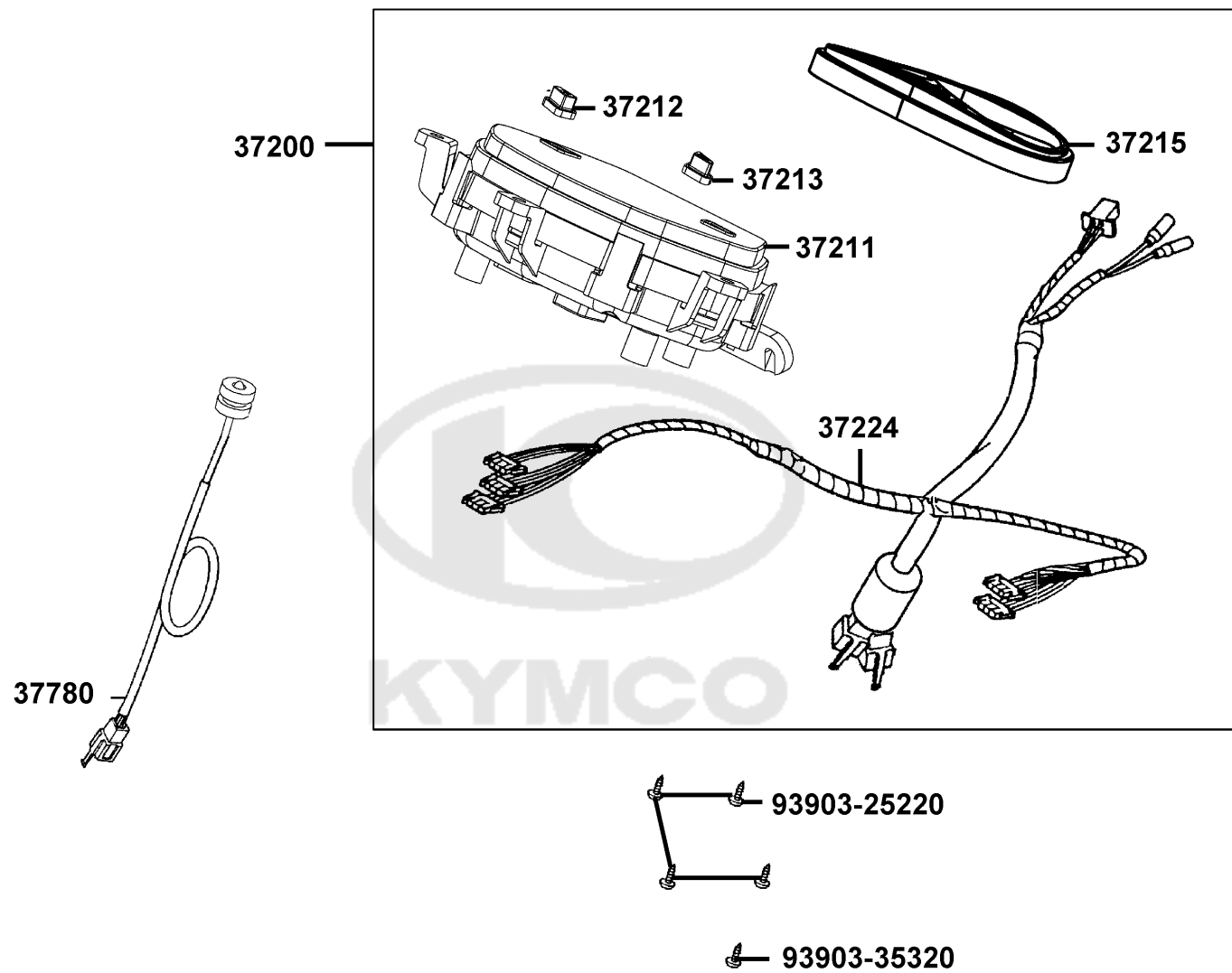
Sales mark	Ref no	Part no	Description	Reg description	Regd no	<b>F01</b>
------------	--------	---------	-------------	-----------------	---------	------------

33100		33100-ACC1-E01	LIGHT ASSY HAED	LIGHT ASSY HEAD	1	
93903-34380		93903-34380-G	SCREW TAPPING 4x12	SCREW TAPPING 4x12	3	
93903-35280		93903-35280-G	SCREW TAPPING 5*12 (K)	SCREW TAPPING 5*12 (KG)	3	



F02

Speedometer

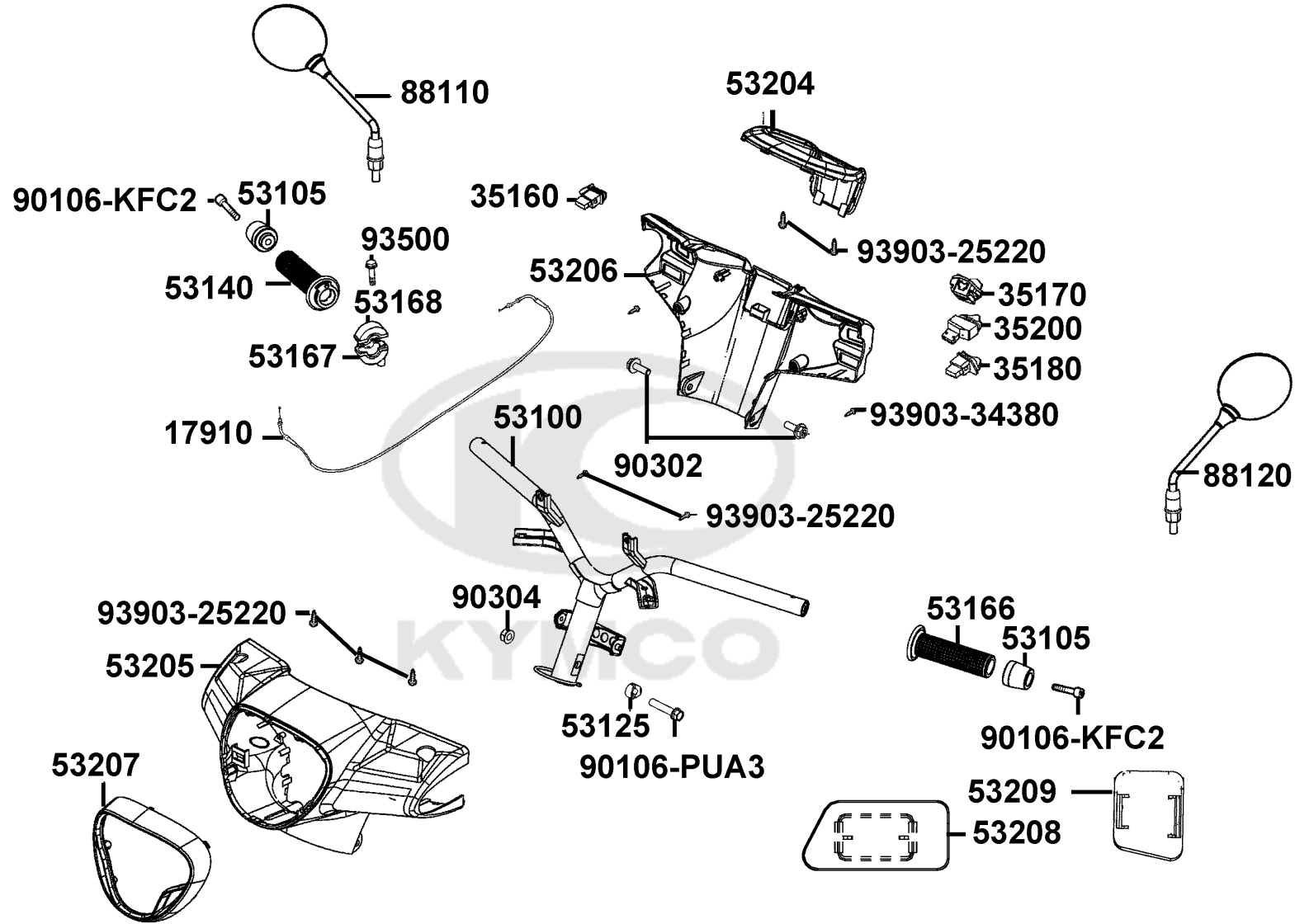


Sales mark	Ref no	Part no	Description	Reg description	Regd no	F02
	37200	37200-ACC1-E10	METER ASS'Y, SPEED	METER ASS'Y, SPEED	1	
	37211	37211-ACC1-E10	LENS	LENS	1	
	37212	37212-ACC1-E10	BUTTON MODE	BUTTON MODE	1	
	37213	37213-ACC1-E10	BUTTON ADJ	BUTTON ADJ	1	
	37215	37215-ACC1-E10	PLATE,COSMETIC	"PLATE,COSMETIC"	1	
	37224	37224-ACC1-E10	"METER COMP.,METER"	"METER COMP.,METER"	1	
	37780	37780-ACD5-E00	SENSOR ASSY. ROOM TEMP	SENSOR ASSY. ROOM TEMP	1	
	93903-25220	93903-25220-G	SCREW TAPPING 5*12	SCREW TAPPING 5*12	4	
	93903-35320	93903-35320-G	SCREW TAPPING 5*16	SCREW TAPPING 5*16	1	





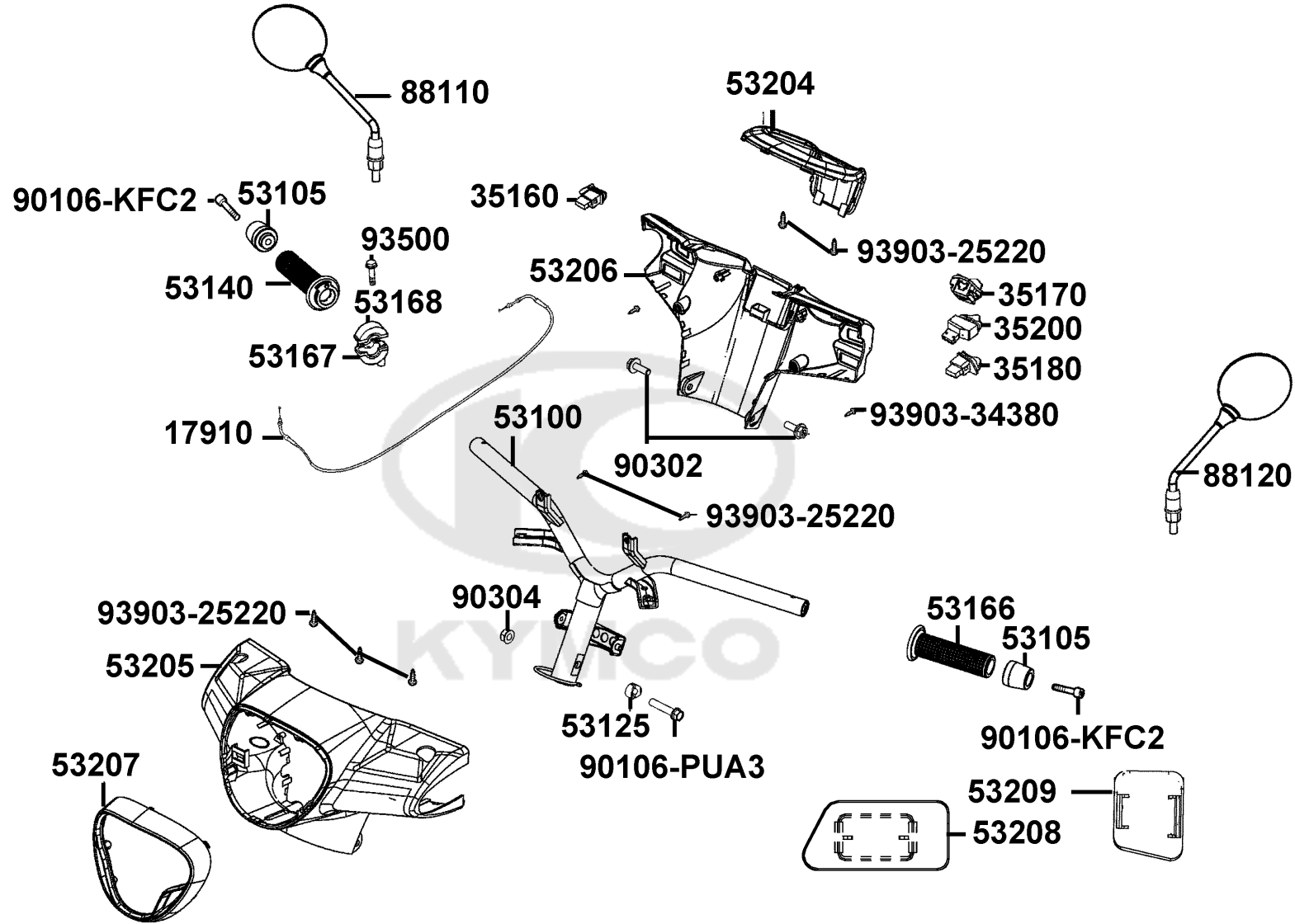
Handle Steering Handle Cover




Sales mark	Ref no	Part no	Description	Reg description	Regd no	F03
	17910	17910-ACC1-EZ5	CABLE COMP THROT	CABLE COMP THROT	1	
	35160	35160-GFY6-C00	SW UNIT START	SW UNIT START	1	
	35170	35170-KNBN-C00	SW UNIT DIMMER	SW UNIT DIMMER	1	
	35180	35180-GFY6-C00	SW UNIT HORN	SW UNIT HORN	1	
	35200	35200-GFY6-C00	SW. ASSY. LH HNDL COMP.	SW. ASSY. LH HNDL COMP.	1	
	53100	53100-ACC1-E10	HANDLE COMP STRG	HANDLE COMP STRG	1	
	53105	53105-LGR5-E10	END, R HANDLE	END R HANDLE	1	
	53125	53125-GEN5-C00	COLLAR HANDLE SET	COLLAR HANDLE SET	1	
	53140	53140-ACC1-E10	GRIP COMP THROT	GRIP COMP THROT	1	
	53166	53166-ACC1-E10	GRIP L HANDLE	GRIP L HANDLE	1	
	53167	53167-GBN2-C00	HOUSING UND THROT	HOUSING UND THROT	1	
	53168	53168-GBN2-C00	HOUSING UP THROT	HOUSING UP THROT	1	
**	53204	53204-ACC1-E10	COVER METER	COVER METER	1	
**	53205	53205-ACC1-E10	COVER HANDLE FR	COVER HANDLE FR	1	
**	53206	53206-ACC1-E10	COVER HANDLE RR	COVER HANDLE RR	1	
**	53207	53207-ACC1-E10	COVER HEAD LIGHT	COVER HEAD LIGHT	1	
**	53208	53208-ACC1-E10	COVER L SIDE HANDLE	COVER L SIDE HANDLE	1	
**	53209	53209-ACC1-E10	COVER L SIDE HANDLE	COVER L SIDE HANDLE	1	
**	88110	88110-ACC1-E10	MIRROR ASSY R BACK	MIRROR ASSY R BACK	1	
**	88120	88120-ACC1-E10	MIRROR ASSY L BACK	MIRROR ASSY L BACK	1	

F03

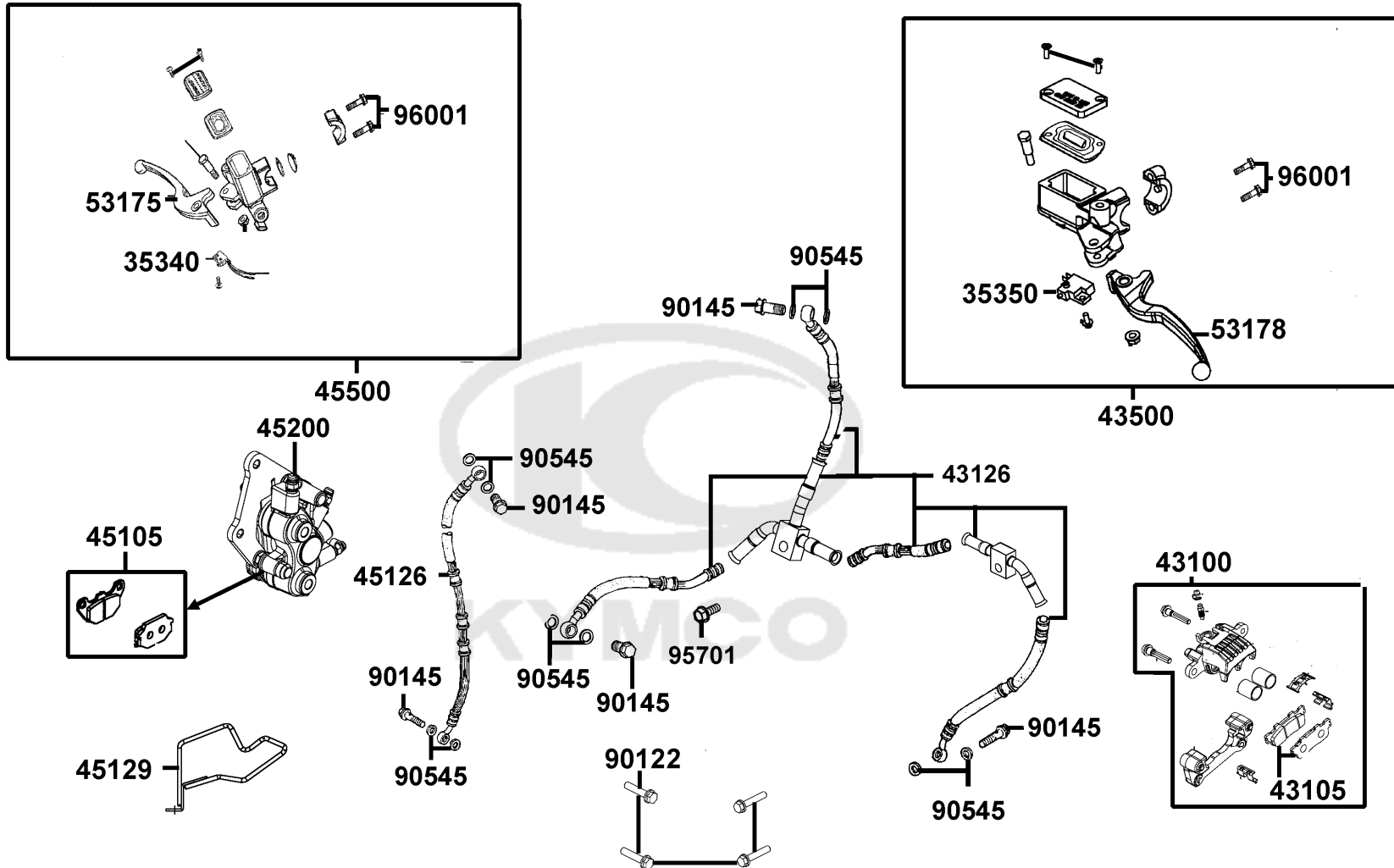
# Handle Steering Handle Cover



Sales mark	Ref no	Part no	Description	Reg description	Regd no	<b>F03</b>
	90106-KFC2	90106-KFC2-900	BOLT SPECIAL 8MM	BOLT SPECIAL 8MM	1	
	90106-PUA3	90106-PUA3-B50	BOLT FLANGE 10*50	BOLT FLANGE 10*50	1	
	90302	90302-PUA3-B51	BOLT-WASH 5*12	BOLT-WASH 5*12	2	
	90304	90304-PUA3-B50	NUT U 10MM (C)	NUT U 10MM (C)	1	
	93500	93500-05022-07G	SCREW PAN 5*22	SCREW PAN 5*22	1	
	93903-25220	93903-25220-G	SCREW TAPPING 5*12	SCREW TAPPING 5*12	5	
	93903-34380	93903-34380-G	SCREW TAPPING 4x12	SCREW TAPPING 4x12	1	
						

F04

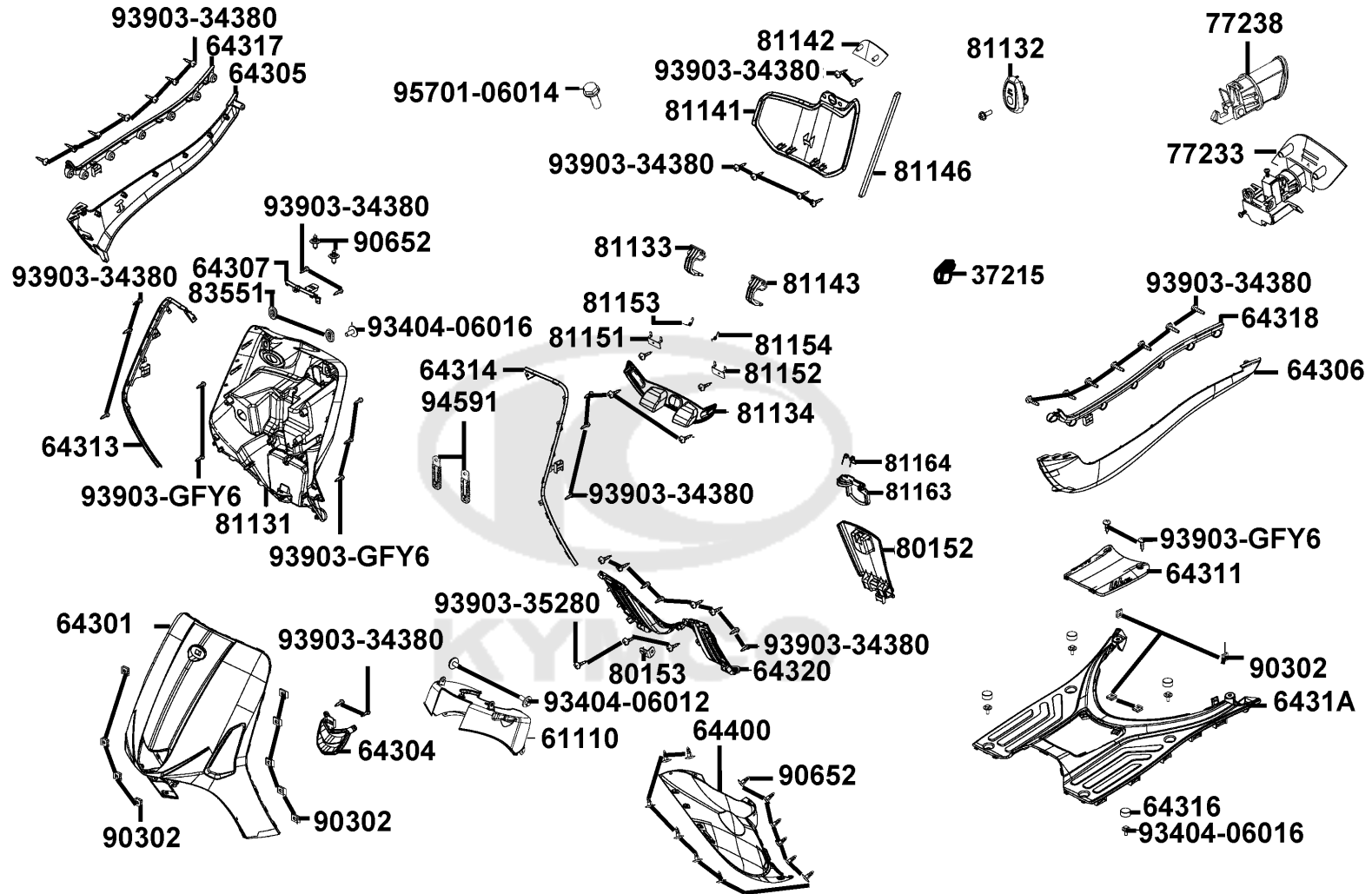
# Brake Master Cylinder



Sales mark	Ref no	Part no	Description	Reg description	Regd no	<b>F04</b>
	35340	35340-KNBN-C00	SW ASSY FR STOP	SW ASSY FR STOP	1	
	35350	35350-KNBN-C00	SW ASSY RR STOP	SW ASSY RR STOP	1	
	43100	43100-ACC1-E10	CALIPER ASSY RR (RH)	CALIPER ASSY RR	1	
	43105	43105-ACC1-305	PAD SET (A+B)	PAD SET	1	
	43126	43126-ACC1-E10	HOSE ASSY RR BRK	HOSE ASSY RR BRK	1	
	43500	43500-ACC1-E10	M/C ASY FR BRK	M/C ASY FR BRK	1	
	45105	45105-ACC1-305	PAD COMP A+B	PAD COMP A&B	1	
	45126	45126-ACC1-E10	HOSE ASSY FR BRK	HOSE ASSY FR BRK	1	
	45129	45129-ACC1-E10	CLAMPER FR BRAKE	CLAMPER FR BRK HOSE	1	
	45200	45200-ACC1-E10	CALIPER ASSY FR BRK	CALIPER ASSY FR BRK	1	
	45500	45500-LGR5-E10	M/C ASSY FR	M/C ASSY FR	1	
	53175	53175-KXBX-E00	LEVER R STRG HNDL	LEVER R STRG HNDL	1	
**	53178	53178-KNBN-C00	LEVER L STRG HANDLE	LEVER L STRG HANDLE	1	
	90122	90122-KHC7-C01	BOLT FLANGE 8*38	BOLT FLANGE 8*38	4	
	90145	90145-9A61-C00	OIL BOLT 10*22	OIL BOLT 10*22	2	
	90545	90545-3L00-C00	WASHER OIL BOLT	WASHER OIL BOLT	4	
	95701	95701-06020-08G	BOLT FLANGE 6*20	BOLT FLANGE 6*20 (C)	1	
	96001	96001-06025-02	BOLT FLANGE SH 6*25	BOLT FLANGE SH 6*25	4	

F05

Front Cover Front Fender

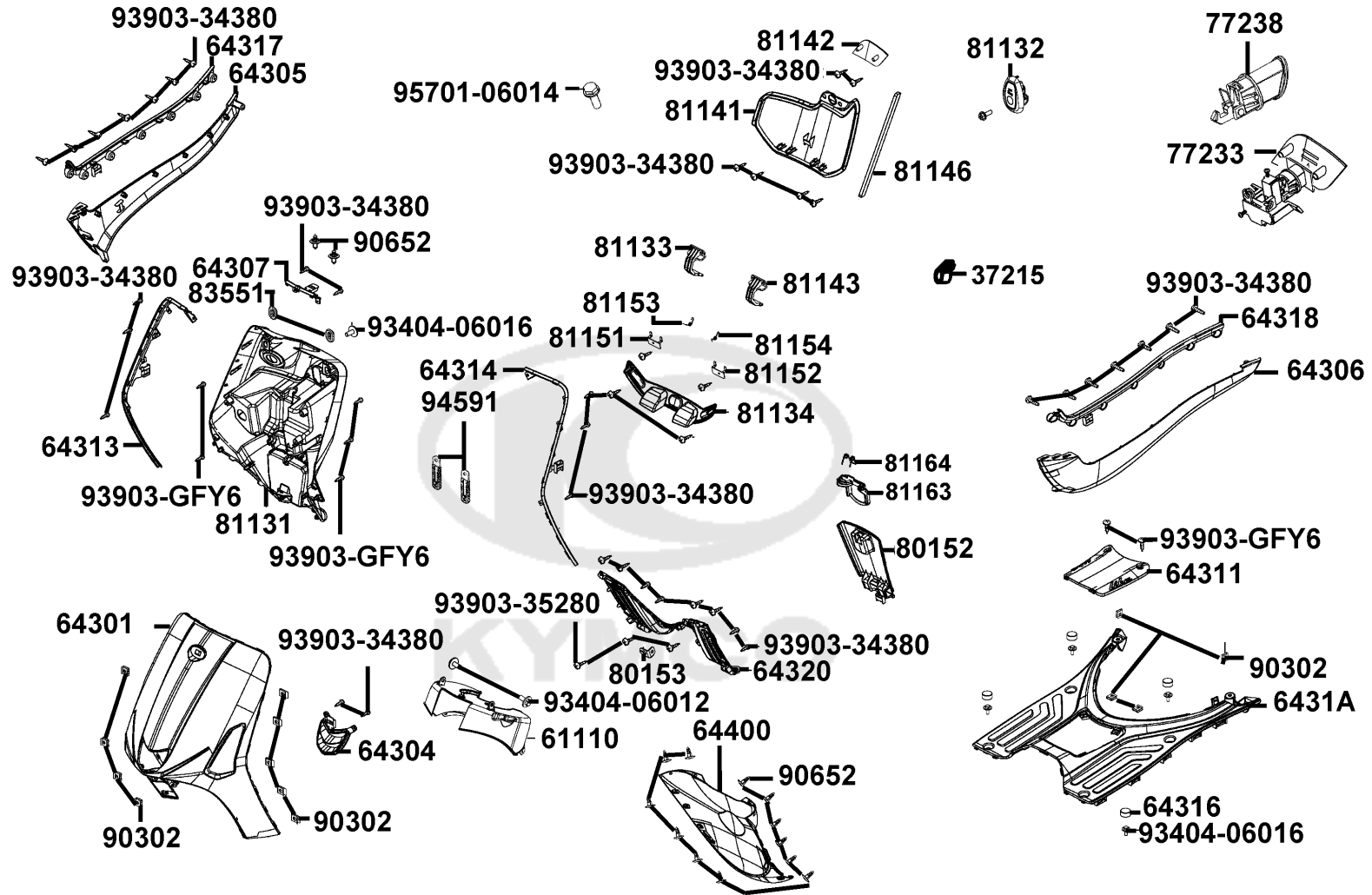


Sales mark	Ref no	Part no	Description	Reg description	Regd no	F05
	37215	37215-LGM9-C00	CLAMP	CLAMP	1	
**	61110	61110-ACC1-E10	FENDER FR INNER	FENDER FR INNER	1	
**	64301	64301-ACC1-E10	FRONT COVER	FRONT COVER	1	
**	64304	64304-ACC1-E10	LID FR.COVER LOW	LID FR.COVER LOW	1	
**	64305	64305-ACC1-E10	SKIRT R SIDE	SKIRT R SIDE	1	
**	64306	64306-ACC1-E10	SKIRT L SIDE	SKIRT L SIDE	1	
**	64307	64307-ACC1-E10	COVER FR DEC TOP	COVER FR DEC TOP	1	
**	64311	64311-ACC1-E10	COVER PUMP	COVER PUMP	1	
**	64313	64313-ACC1-E10	COVER FR DEC R	COVER FR DEC R	1	
**	64314	64314-ACC1-E10	COVER FR DEC L	COVER FR DEC L	1	
**	64316	64316-LCB9-C10	PLUG FLOOR	PLUG FLOOR	4	
**	64317	64317-ACC1-E10	COVER FLOOR DEC R	COVER FLOOR DEC R	1	
**	64318	64318-ACC1-E10	COVER FLOOR DEC L	COVER FLOOR DEC L	1	
**	6431A	6431A-ACC1-E10	"ASSY., PANEL FLOOR"	FLOOR PANEL	1	
**	64320	64320-ACC1-E10	FLOOR PANEL UP	FLOOR PANEL UP	1	
**	64400	64400-ACC1-E10	COWL UNDER	COWL UNDER	1	
	77233	77233-ACC1-E10	INNER BOX KEY	INNER BOX KEY	1	
	77238	77238-ACC1-E11	HOOK COMP PUSH	HOOK COMP PUSH LOCK	1	
**	80152	80152-ACC1-E10	FUEL COVER	FUEL COVER	1	
	80153	80153-ACC1-E10	"STAY , FUEL COVER"	"STAY , FUEL COVER"	1	



F05

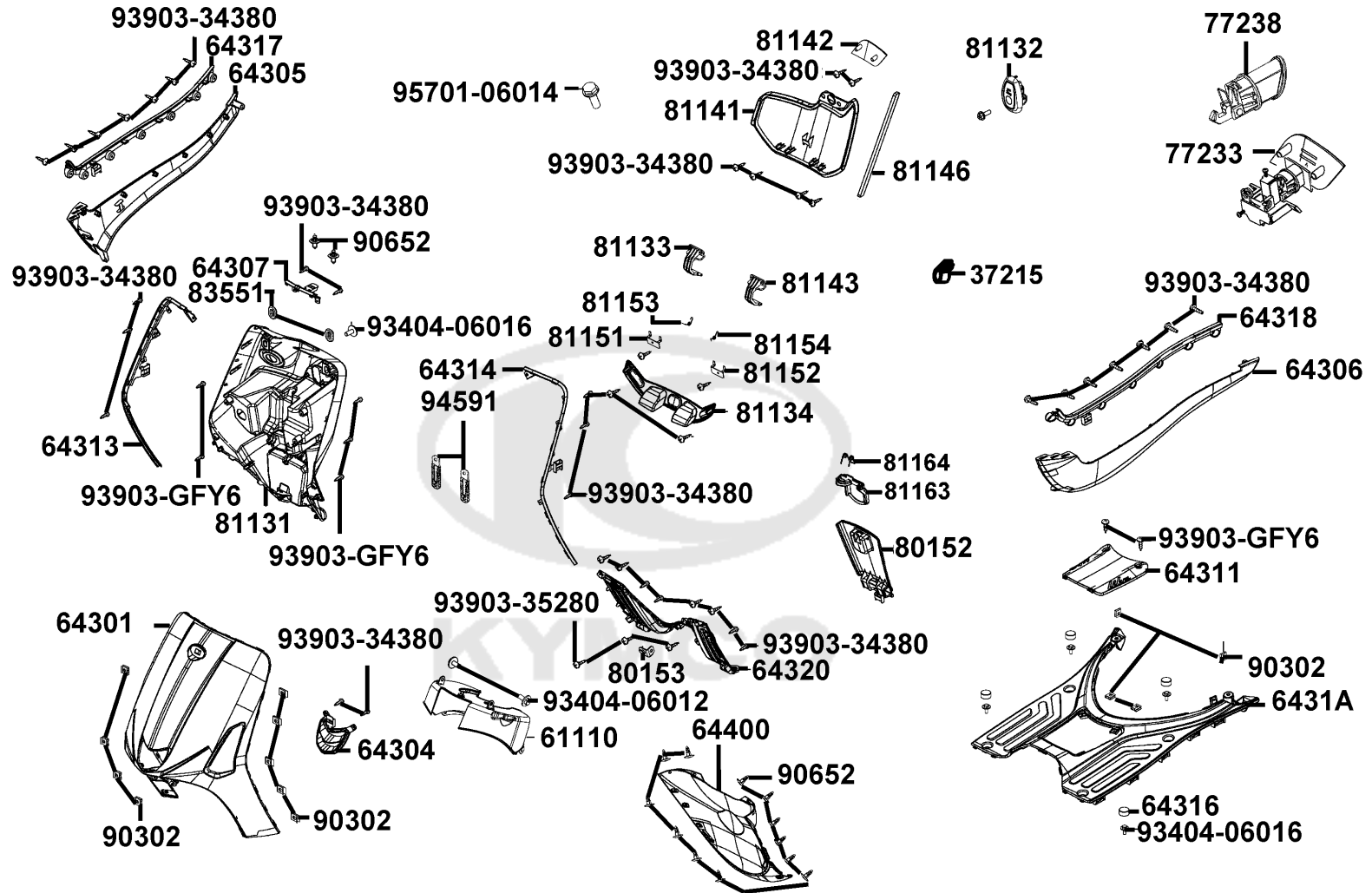
Front Cover Front Fender



Sales mark	Ref no	Part no	Description	Reg description	Regd no	F05
**	81131	81131-ACC1-E10	LEG SHIELD	LEG SHIELD	1	
	81132	81132-ACC1-E10	HOOK LUGAGGE	HOOK LUGAGGE	1	
	81133	81133-ACC1-E10	HINDE R COVER LEG SHIE	HINDE R COVER LEG SHIE	1	
	81134	81134-ACC1-E10	PLATE INNER BOX	PLATE INNER BOX	1	
**	81141	81141-ACC1-E10	COVER LEG SHIELD	COVER LEG SHIELD	1	
**	81142	81142-ACC1-E11	LID PUSH PRESS	LID PUSH PRESS	1	
	81143	81143-ACC1-E10	HINGE L COVER LEGSHIE	HINGE L COVER LEGSHIE	1	
	81146	81146-ACC1-E10	FOAM STRIP	FOAM STRIP	1	
	81151	81151-ACC1-E10	STAY R LID INNER BOX	STAY R LID INNER BOX	1	
	81152	81152-ACC1-E10	STAY L LID INNER BOX	STAY L LID INNER BOX	1	
	81153	81153-ACC1-E10	SPRING R COVER LEG SHIE	SPRING R COVER LEG SHIE	1	
	81154	81154-ACC1-E10	SPRING L COVER LEG SHIE	SPRING L COVER LEG SHIE	1	
	81163	81163-LKJ1-900	LID LATCH LEG SHIELD	LID LATCH LEG SHIELD	1	
	81164	81164-LKJ1-900	LID SPRING LEG SHIELD	LID SPRING LEG SHIELD	1	
	83551	83551-ACC1-E10	GROMMET COVER	GROMMET COVER	1	
	90302	90302-SDA4-C01	"NUT,SPPING 4MM"	"NUT,SPPING 4MM"	13	
	90652	90652-LFB5-C00	"CLIP,MUDGUARD"	"CLIP,MUDGUARD"	12	
	93404-06012	93404-06012-07G	BOLT-WASH 6x12	BOLT-WASH 6x12	4	
	93404-06016	93404-06016-07	BOTL WASHER 6*16	BOTL WASHER 6*16	1	
	93903-34380	93903-34380-G	SCREW TAPPING 4x12	SCREW TAPPING 4x12	47	

F05

Front Cover Front Fender



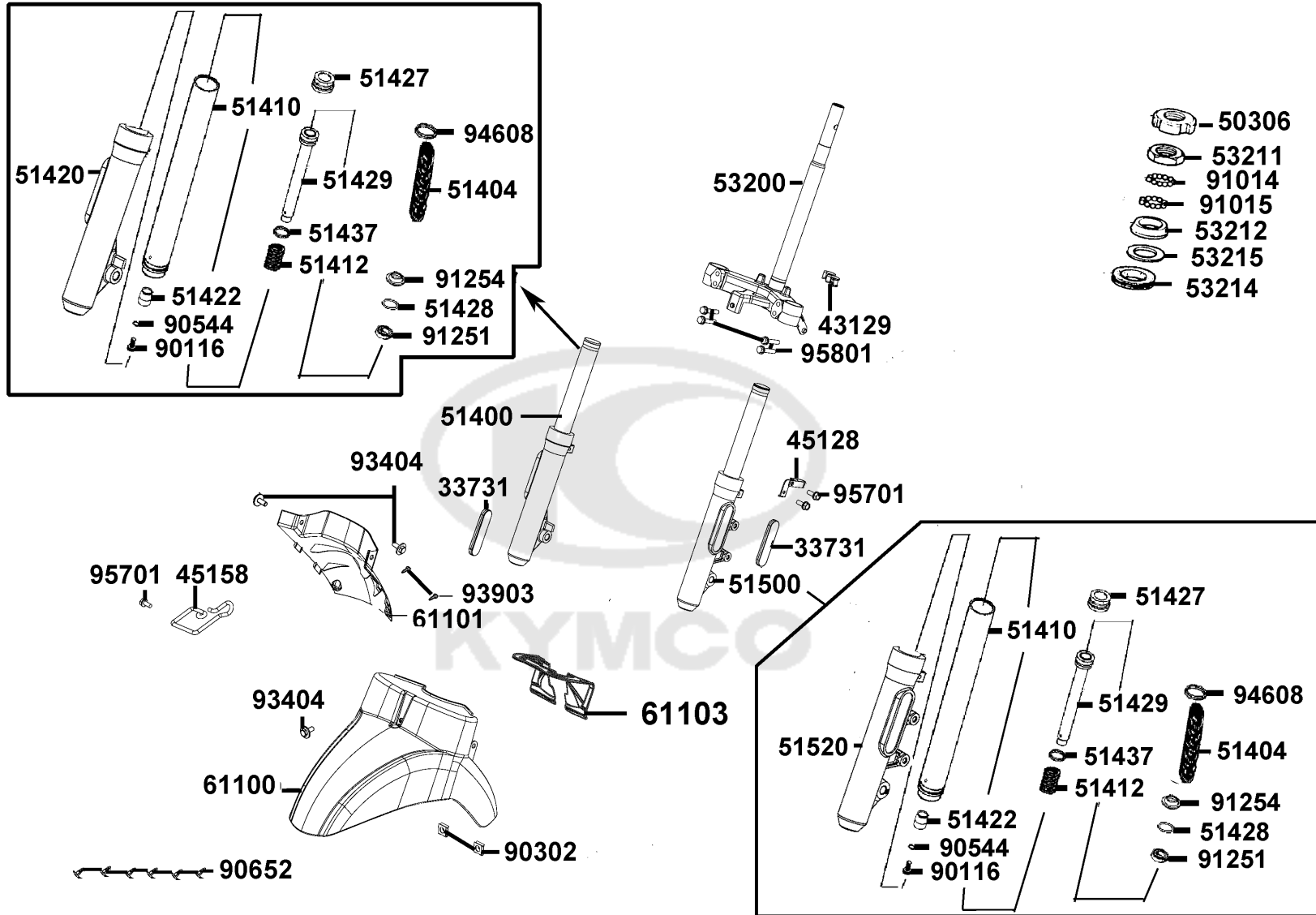
Sales mark	Ref no	Part no	Description	Reg description	Regd no	<b>F05</b>
------------	--------	---------	-------------	-----------------	---------	------------

	93903-35280	93903-35280-G	SCREW TAPPING 5*12 (K)	SCREW TAPPING 5*12 (KG)	1	
	93903-GFY6	93903-GFY6-C01	SCREW TAPPING 4*14(K)	"SCREW,TAPPING4*14"	1	
	94591	94591-LGR5-E10	CLIP 1*100	CLIP 1*100	2	
	95701-06014	95701-06014-07G	BOLT FLANGE 6*14 (K)	BOLT FLANGE 6*14 (K)	1	



F06

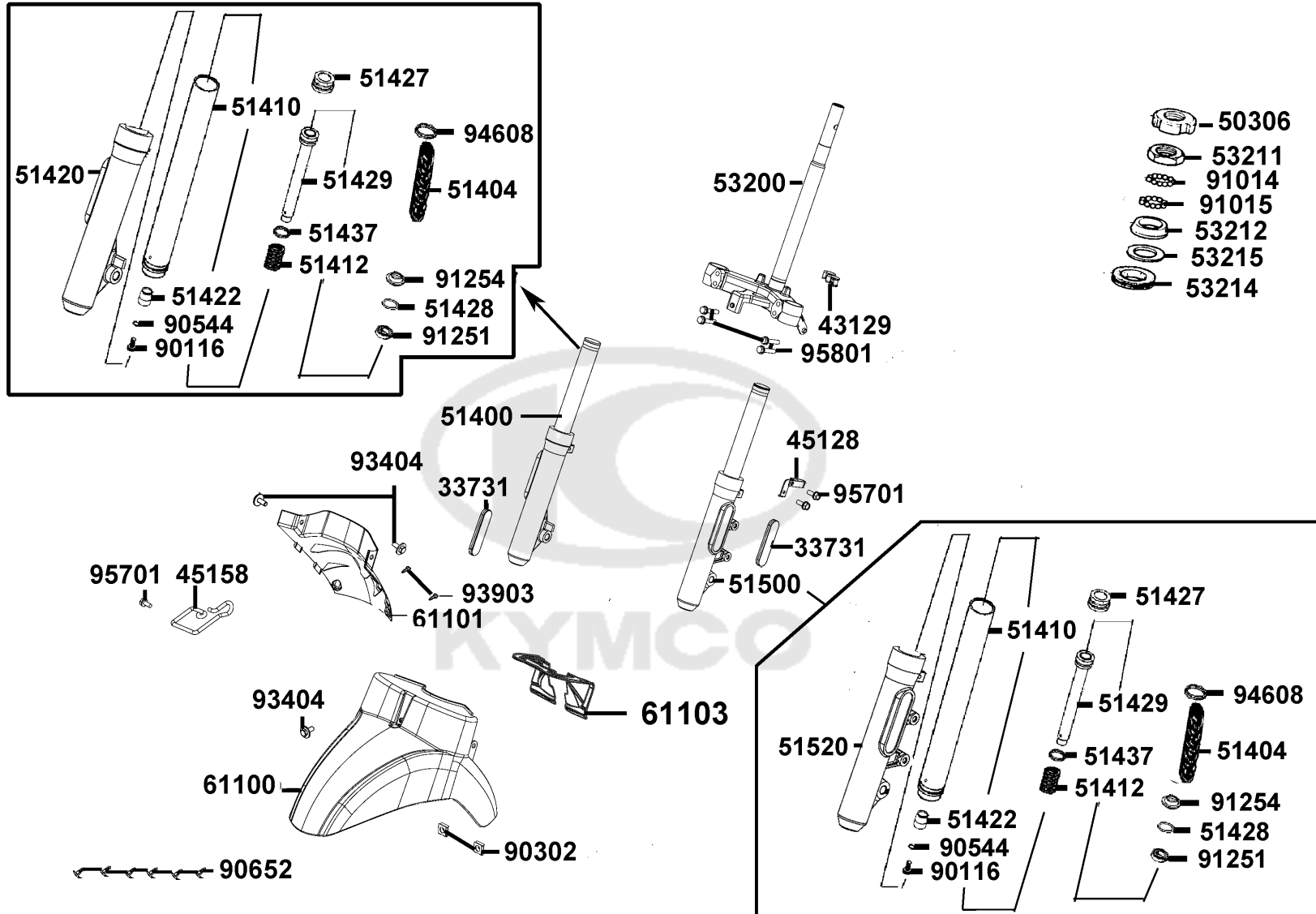
# Stem Steering Front Cushion



Sales mark	Ref no	Part no	Description	Reg description	Regd no	<b>F06</b>
	33731	33731-ALH3-EZ0	REFLEX REFLECTOR SIDE	REFLEX REFLECTOR SIDE	2	
	43129	43129-ALD9-E14	CLAMPER BRK HOSE	CLAMPER BRK HOSE	1	
	45128	45128-ACC1-E10	CLAMPER FR BRK HOSE	CLAMPER FR BRK HOSE	1	
	45158	45158-ACC1-E10	CLIP WIRE	CLIP WIRE	1	
	50306	50306-1F96-C00	NUT STRG STEM LOCK	NUT STRG STEM LOCK	1	
**	51400	51400-ACC1-E10	FORK ASSY FR R	FORK ASSY FR R	1	
	51404	51404-ACC1-E10	SPRING COLLAR	SPRING	2	
	51410	51410-ACC1-E10	FORK PIPE COMP	FORK PIPE COMP	2	
	51412	51412-LEJ2-E10	REBOUND SPRING	REBOUND SPRING	2	
**	51420	51420-ACC1-E10	BOTTOM CASE RH	BOTTOM CASE RH	1	
	51422	51422-LEJ2-E10	OIL LOCK PIECE	OIL LOCK PIECE	2	
	51427	51427-LEJ2-E10	FORK BOLT	FORK BOLT	2	
	51428	51428-LEJ2-E10	OIL SEAL STOP RING	OIL SEAL STOP RING	2	
	51429	51429-ACC1-E10	PIPE SEAT COMP	PIPE SEAT	2	
	51437	51437-LEJ2-E10	PISTON RING	PISTON RING	2	
**	51500	51500-ACC1-E10	FORK ASSY FR L	FORK ASSY FR L	1	
**	51520	51520-ACC1-E10	BOTTOM CASE RH	BOTTOM CASE RH	1	
	53200	53200-ACC1-E10	STEM COMP STRG	STEM COMP STRG	1	
	53211	53211-GFY6-C00	RACE STRG. CONE TOP	RACE STRG. CONE TOP	1	
	53212	53212-2L50-C00	RACE STRG. BOTTOM CONE	RACE STRG. BOTTOM CONE	1	

F06

# Stem Steering Front Cushion

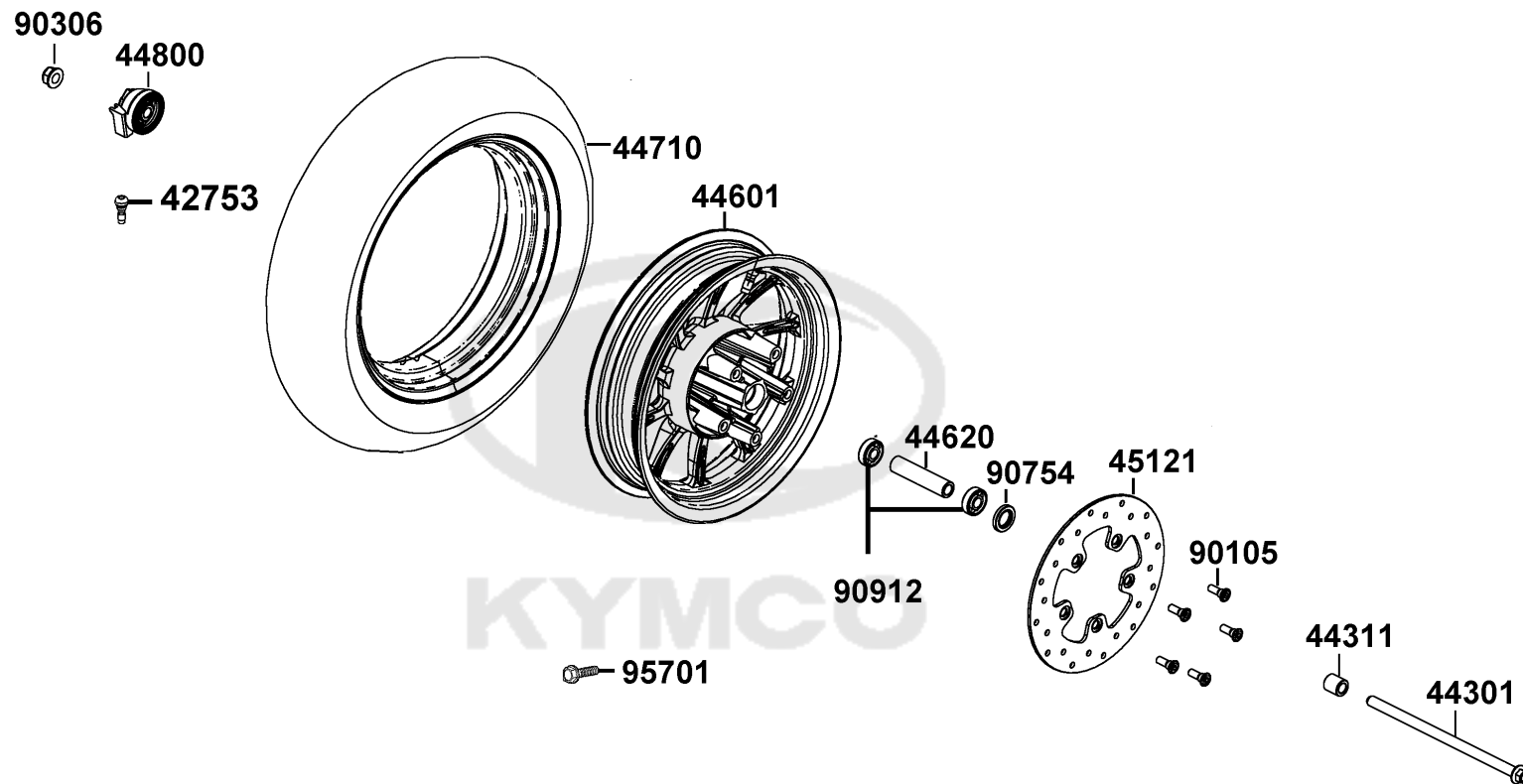


Sales mark	Ref no	Part no	Description	Reg description	Regd no	F06
	53214	53214-2L50-C00	DUST SEAL STRG HEAD	DUST SEAL STRG. HEAD BOT	1	
	53215	53215-2L50-C00	WASHER STRG HDL DUST-SEAL	"WASHER,STRG. HEAD DUST SEAL"	1	
**	61100	61100-ACC1-E10	FRONT FENDER A	FRONT FENDER A	1	
**	61101	61101-ACC1-E10	FRONT FENDER B	FRONT FENDER B	1	
	61103	61103-ACC1-E10	PLATE SPLASH BOARD	PLATE SPLASH BOARD	1	
	90116	90116-LEJ2-E10	BOLT	BOLT	2	
	90302	90302-SDA4-C01	"NUT,SPPING 4MM"	"NUT,SPPING 4MM"	1	
	90544	90544-LEJ2-E10	PACKINGCUB	PACKINGCUB	2	
	90652	90652-LFB5-C00	"CLIP,MUDGUARD"	"CLIP,MUDGUARD"	6	
	91014	91014-LLJ3-C00	CAGE STRG TOPP	CAGE STRG TOPP	1	
	91015	91015-LLJ3-C00	CAGE STRG BOT	CAGE STRG BOT	1	
	91251	91251-LEJ2-E10	OIL SEAL	OIL SEAL	2	
	91254	91254-LEJ2-E10	DUST SEAL	DUST SEAL	2	
	93404	93404-06012-07G	BOLT-WASH 6x12	BOLT-WASH 6x12	3	
	93903	93903-GFY6-C01	SCREW TAPPING 4*14(K)	"SCREW,TAPPING4*14"	1	
	94608	94608-LEJ2-E10	O-RING 23X2.4	O-RING 23X2.4	2	
	95701	95701-06012-07G	BOLT FLANGE 6X12(KG)	BOLT FLANGE 6X12(KG)	1	
	95801	95801-08040-08G	BOLT FLANGE 8*40	BOLT FLANGE 8*40	2	



F07

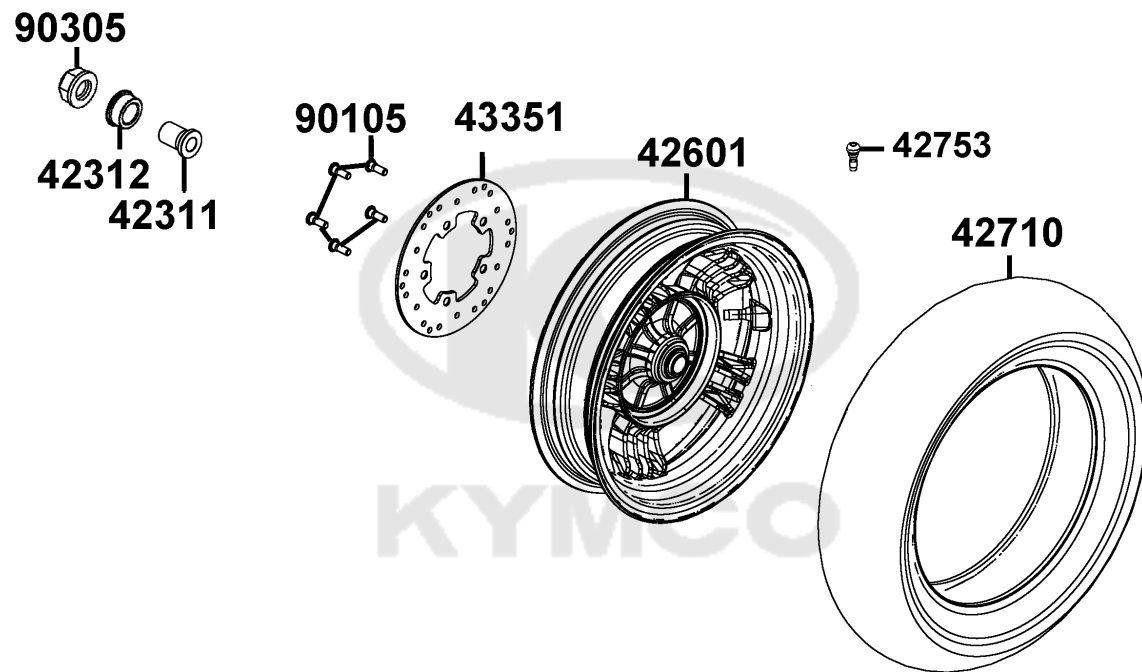
Front Wheel



Sales mark	Ref no	Part no	Description	Reg description	Regd no	F07
	42753	42753-0A01-C00	VALVE (TR 412) & CAP (C)	VALVE (TR 412) & CAP (C)	1	
	44301	44301-LEJ2-E13	AXLE FR WHEEL 12*243(K)	AXLE FR WHEEL 12*243(K)	1	
	44311	44311-KEBE-C00	COLLAR FR WHEEL SIDE	COLLAR FR WHEEL SIDE	1	
**	44601	44601-ACC1-E11	WHEEL FR CAST	WHEEL FR CAST	1	
	44620	44620-KHD8-C00	COLLAR FR AXLE DISTANCE	COLLAR FR AXLE DISTANCE	1	
	44710	44710-ACC1-E10	TIRE ASSY FR(110/70-12 )	TIRE ASSY FR(110/70-12 )	1	
	44800	44800-ACC1-E10	GEAR BOX ASSY	GEAR BOX ASSY	1	
	45121	45121-LGR5-E80	DISK FR BRK	"DISK , FR BRAKE"	1	
	90105	90105-KCR3-C02	BOLT FR DISK 8*24	BOLT FR DISK 8*24	5	
	90306	90306-LKL5-E31	NUT U FLANGE 12MM(K)	NUT U FLANGE 12MM(K)	1	
	90754	90754-GHC8-C00	DUST SEAL 20*32*5	DUST SEAL 20*32*5	1	
	90912	90912-KFLF-C00	BEARING 6201 LLU	BEARING 6201 LLU	1	
	95701	95701-06025-07G	BOLT FLANGE 6*25 (C)	BOLT FLANGE 6X25 (K)	1	

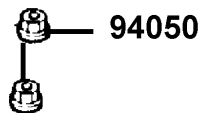
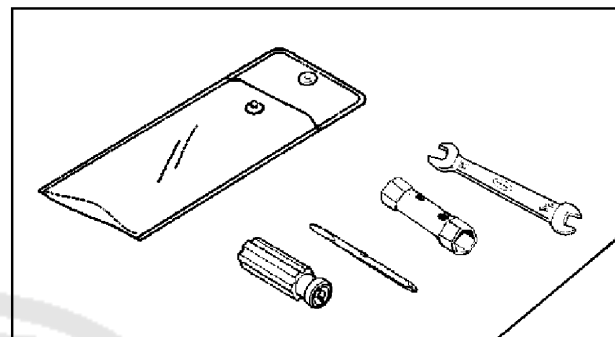
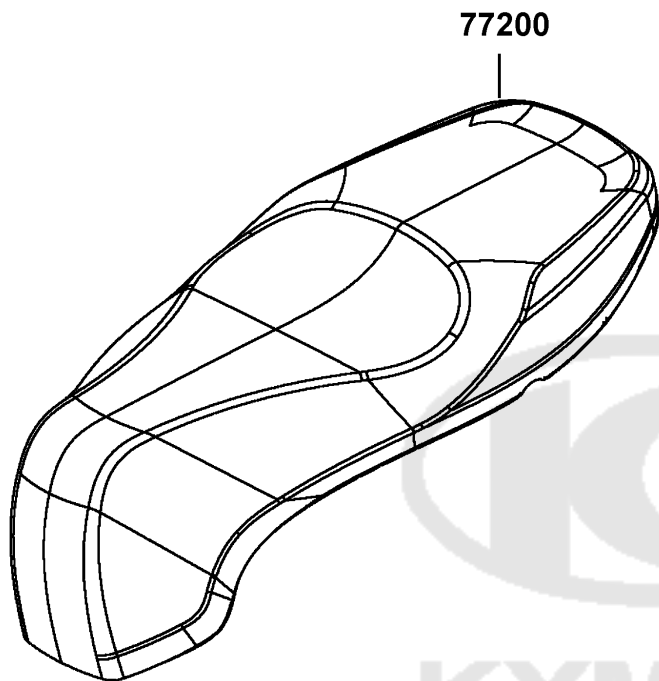
F08

Rear Wheel



Sales mark	Ref no	Part no	Description	Reg description	Regd no	<b>F08</b>
	42311	42311-LFB5-C00	COLLAR REAR HUB SIDE	COLLAR REAR HUB SIDE	1	
	42312	42312-KHB4-C00	CLOLLAR RR AXLE SIDE	CLOLLAR RR AXLE SIDE	1	
**	42601	42601-ACC1-E11	WHEEL COMP RR CAST	WHEEL COMP RR CAST	1	
	42710	42710-LGS6-C10	TIRE ASSY RR	TIRE ASSY. RR.	1	
	42753	42753-0A01-C00	VALVE (TR 412) & CAP (C)	VALVE (TR 412) & CAP (C)	1	
	43351	43351-LFB5-E80	DISK BRAKE RR	DISK FR BRK	1	
	90105	90105-KCR3-C02	BOLT FR DISK 8*24	BOLT FR DISK 8*24	5	
	90305	90305-KFW6-C00	NUT U FLANGE 16MM(C)	NUT U FLANGE 16MM(C)	1	





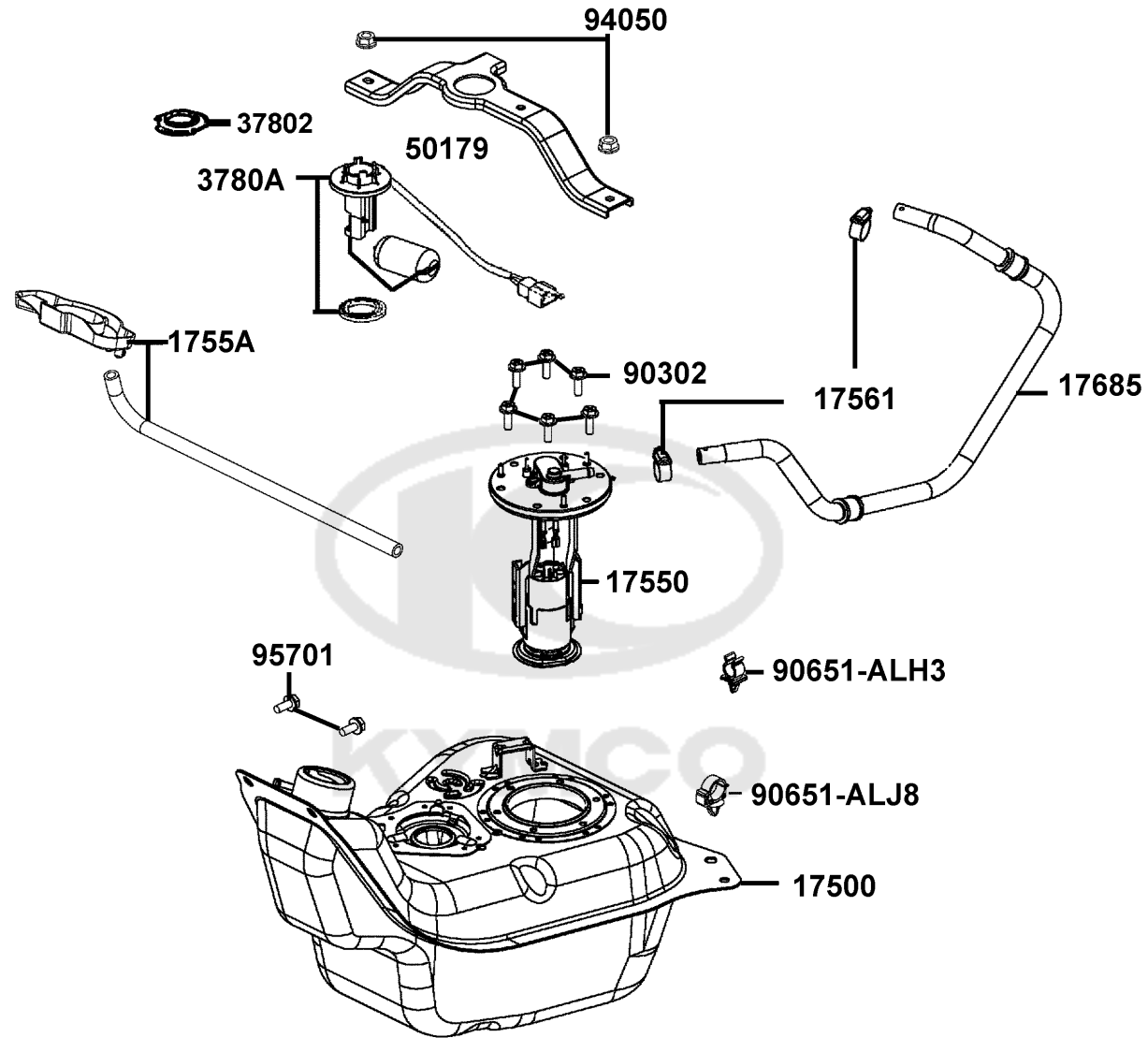
Sales mark	Ref no	Part no	Description	Reg description	Regd no	<b>F09</b>
------------	--------	---------	-------------	-----------------	---------	------------

**	77200	77200-ACC1-E10	SEAT ASSY	SEAT ASSY	1	
	89010	89010-KGBG-C00	TOOL SET	TOOL SET	1	
	94050	94050-06080-G	NUT FLANGE 6MM	NUT FLANGE 6MM	2	



F10

Fuel Tank

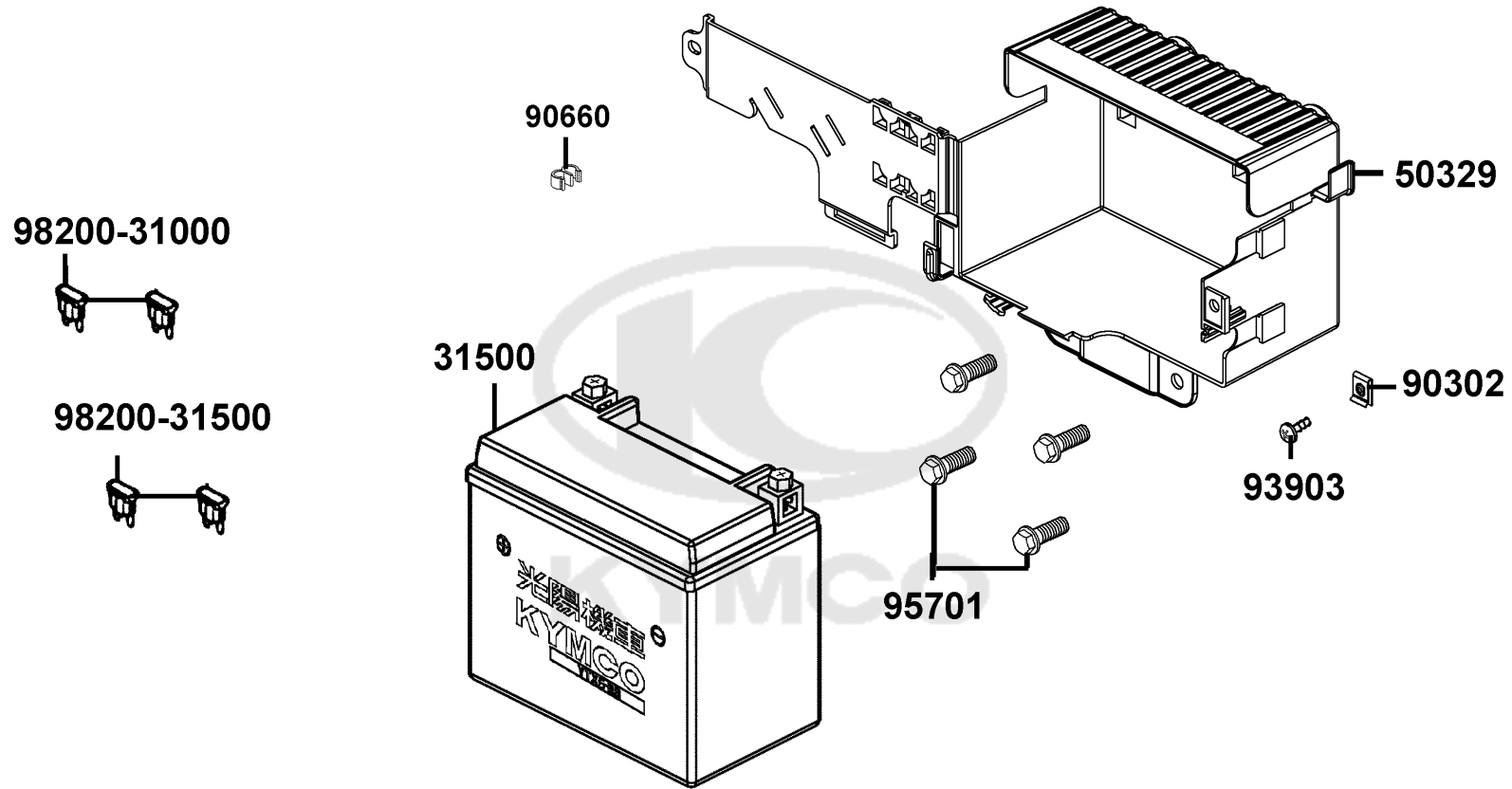


Sales mark	Ref no	Part no	Description	Reg description	Regd no	<b>F10</b>
17500		17500-ACC1-E10	TANK COMP FUEL	TANK COMP FUEL	1	
17550		17550-ACC1-E10	FUEL PUMP ASSY	FUEL PUMP ASSY	1	
1755A		1755A-ACC1-E10	FUEL PUMP ASSY	FUEL PUMP ASSY	1	
17561		17561-LGK8-900	CLIP 12.0	CLIP 12.0	2	
17685		17685-ACC1-E10	TUBE FUEL	TUBE FUEL	1	
37802		37802-GGA7-C00	RET FUEL UNIT	RET FUEL UNIT	1	
3780A		3780A-ACC1-E10	FUEL UNIT ASSY	FUEL UNIT ASSY	1	
50179		50179-ACC1-E10	BRKT FLOOR PANEL	BRKT FLOOR PANEL	1	
90302		90302-PUA3-B51	BOLT-WASH 5*12	BOLT-WASH 5*12	6	
90651-ALH3		90651-ALH3-700	CLIP WIRE HARN	CLIP WIREE HARN	1	
90651-ALJ8		90651-ALJ8-E10	CLIP CABLE	CLIP CABLE	1	
94050		94050-06080-G	NUT FLANGE 6MM	NUT FLANGE 6MM	2	
95701		95701-06012-08G	BOLT FLANGE 6*12	BOLT FLANGE 6*12	1	

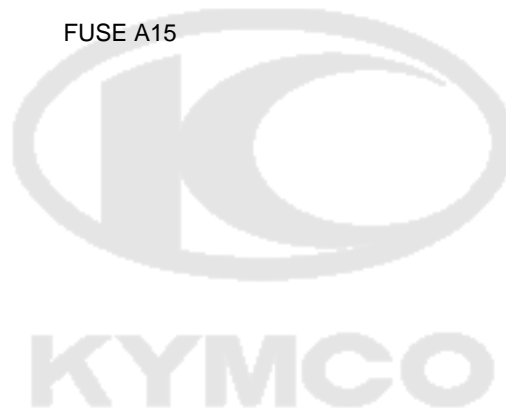


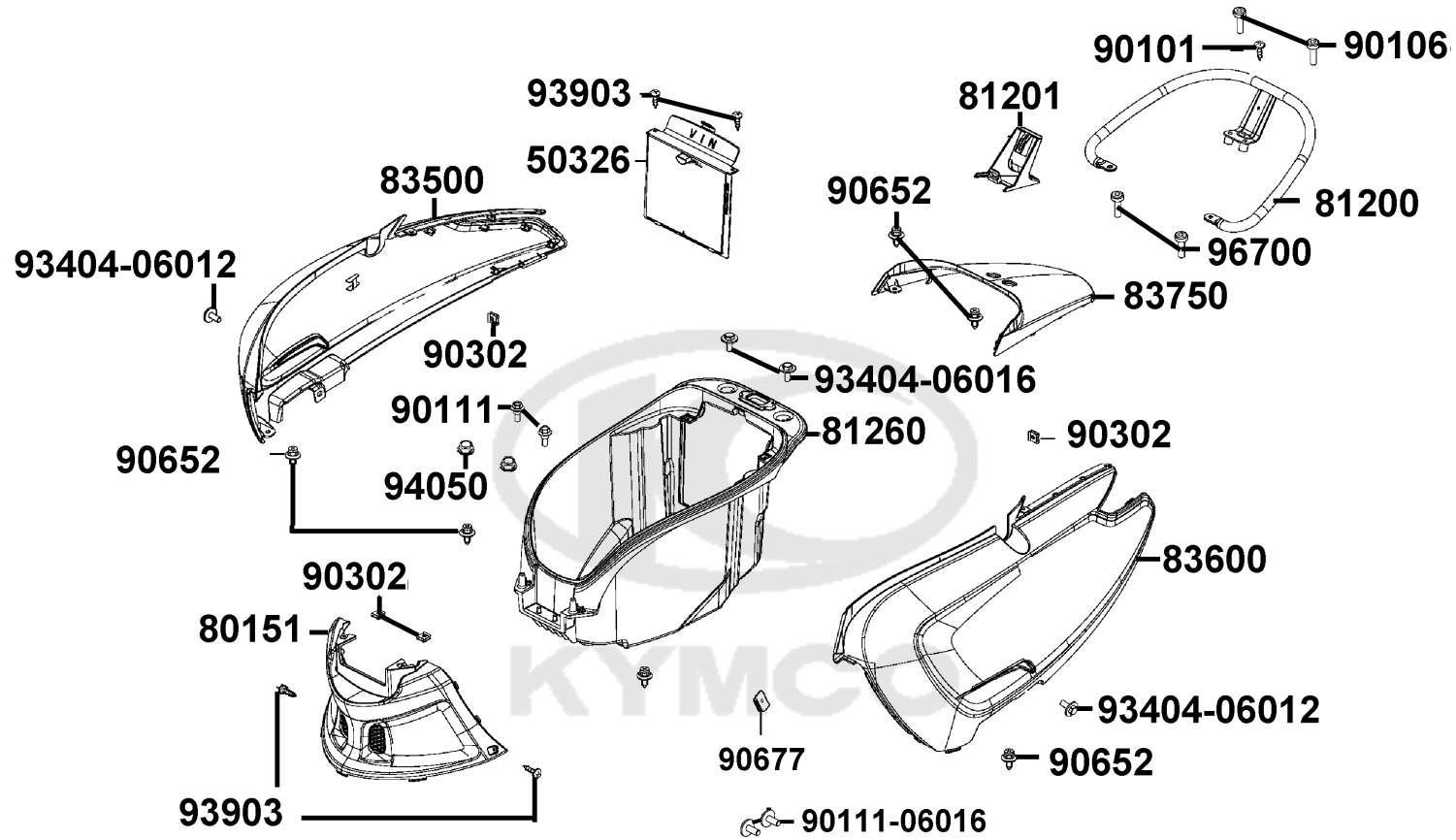
F11

Battery



Sales mark	Ref no	Part no	Description	Reg description	Regd no	F11
	31500	31500-KFAF-EZ0	BATTERY EB9-4	BATTERY YTX9-BS	1	
**	50329	50329-ACC1-E11	COVER ASSY BATTERY	COVER ASSY BATTERY	1	
	90302	90302-SDA4-C01	"NUT,SPPING 4MM"	"NUT,SPPING 4MM"	1	
	90660	90660-PWA2-900	CLAMP TUBE	CLAMP TUBE	1	
	93903	93903-GFY6-C01	SCREW TAPPING 4*14(K)	"SCREW,TAPPING4*14"	1	
	95701	95701-06012-08G	BOLT FLANGE 6*12	BOLT FLANGE 6*12	4	
	98200-31000	98200-31000	BLADE FUSE 10A **(0) C.2005.03.01	BLADE FUSE 10A **(0) C.2005.03.01	2	
	98200-31500	98200-31500	FUSE A15	FUSE A15	2	

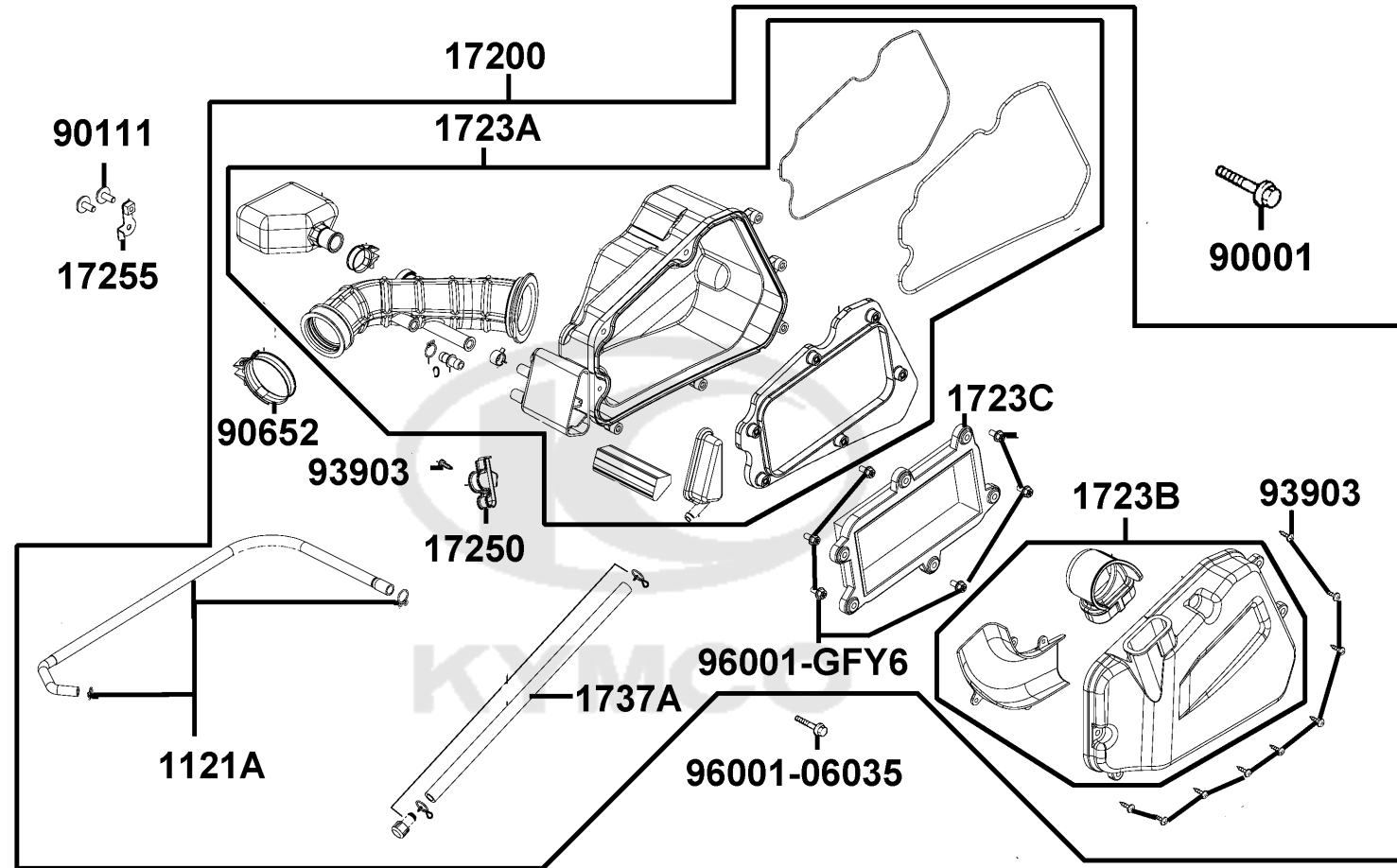




Sales mark	Ref no	Part no	Description	Reg description	Regd no	F12
**	50326	50326-ACC1-E10	COVER BATTERY	COVER BATTERY	1	
**	80151	80151-ACC1-E10	COVER CENTER	COVER CENTER	1	
	81200	81200-ACC1-E10	CARRIER RR ASSY	CARRIER RR ASSY	1	
**	81201	81201-AKB7-C00	CARRIER COVER	CARRIER COVER	1	
**	81260	81260-ACC1-E10	BOX ASSY LUGGAGE	BOX ASSY LUGGAGE	1	
**	83500	83500-ACC1-E10	BODY COVER R	BODY COVER R	1	
**	83600	83600-ACC1-E10	BODY COVER L	BODY COVER L	1	
**	83750	83750-ACC1-E10	REAR CENTER COVER	REAR CENTER COVER	1	
	90101	90101-KNBN-901	SCREW SPECIAL 5*10	SCREW SPECIAL 5*10	1	
	90106	90106-KFAF-C10	BOLT SPECIAL 8MM	BOLT SPECIAL 8MM	2	
	90111-06016	90111-06016-07G	BOLT FLANGE 6*16 (K)	BOLT FLANGE 6*16 (K)	2	
	90111	90111-1G87-C01	BOLT FLANGE 6MM	BOLT FLANGE 6MM	2	
	90302	90302-SDA4-C01	"NUT,SPPING 4MM"	"NUT,SPPING 4MM"	4	
	90652	90652-LCA4-C10	CLIP MUDGUARD	CLIP MUDGUARD	2	
	90677	90677-GAR1-C01	NUT CLIP 5MM	NUT CLIP 5MM	1	
	93404-06012	93404-06012-07G	BOLT-WASH 6x12	BOLT-WASH 6x12	1	
	93404-06016	93404-06016-07	BOTL WASHER 6*16	BOTL WASHER 6*16	1	
	93903	93903-GFY6-C01	SCREW TAPPING 4*14(K)	"SCREW,TAPPING4*14"	2	
	94050	94050-06080-G	NUT FLANGE 6MM	NUT FLANGE 6MM	2	
	96700	96700-08016-02	SOCKET BOLT 8*16(G)	BOLT FLANGE SH 8*16(CR)	2	

F13

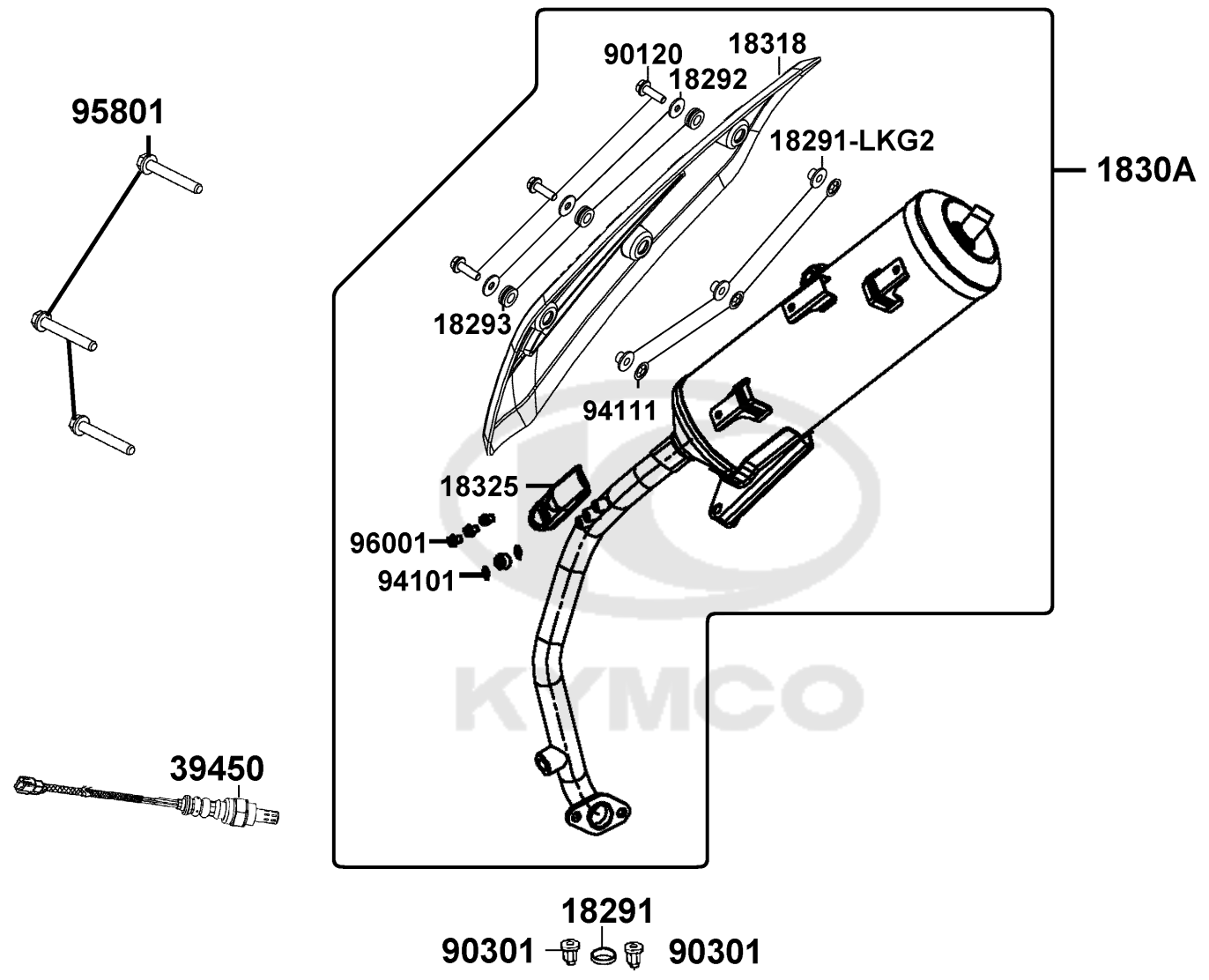
Air Cleaner



Sales mark	Ref no	Part no	Description	Reg description	Regd no	<b>F13</b>
1121A		11211-ACC1-E10	TUBE BREATHER	TUBE BREATHER	1	
17200		17200-ACC1-E10	AIR/C ASSY	AIR/C ASSY	1	
1723A		1723A-ACC1-E10	CASE ASSY AIR/C	CASE ASSY AIR/C	1	
1723B		1723B-ACC1-E10	COVER ASSY AIR/C	COVER ASSY AIR/C	1	
1723C		1723C-ACC1-E10	ELEMENT ASSY AIR/C	ELEMENT ASSY AIR/C	1	
17250		17250-ACC1-E10	"STAY, AIR/C CASE"	"STAY, AIR/C CASE"	1	
17255		17255-ACC1-E10	BAND CONNECT TUBE	BAND CONNECT TUBE	1	
1737A		1737A-LCD3-E00	V TUBE ASSY	V TUBE ASSY	1	
90001		90001-GBHB-C13	BOLT FLANGE SHF 6*40	BOLT FLANGE SHF 6*40	1	
90111		90111-06016-07G	BOLT FLANGE 6*16 (K)	BOLT FLANGE 6*16 (K)	1	
90652		90652-LKH3-C00	BAND AIR/C CONN TUBE	BAND AIR/C CONN TUBE	1	
93903		93903-25480	SCREW TAPPING 5*20 (K)	SCREW TAPPING 5*20 (K)	1	
96001-06035		96001-06035-08G	BOLT FLANGE SH 6*35	BOLT M6x35	1	
96001-GFY6		96001-GFY6-C00	BOLT SPECIAL 5*10	BOLT SPECIAL 5X10	6	

F14

Exhaust Muffler

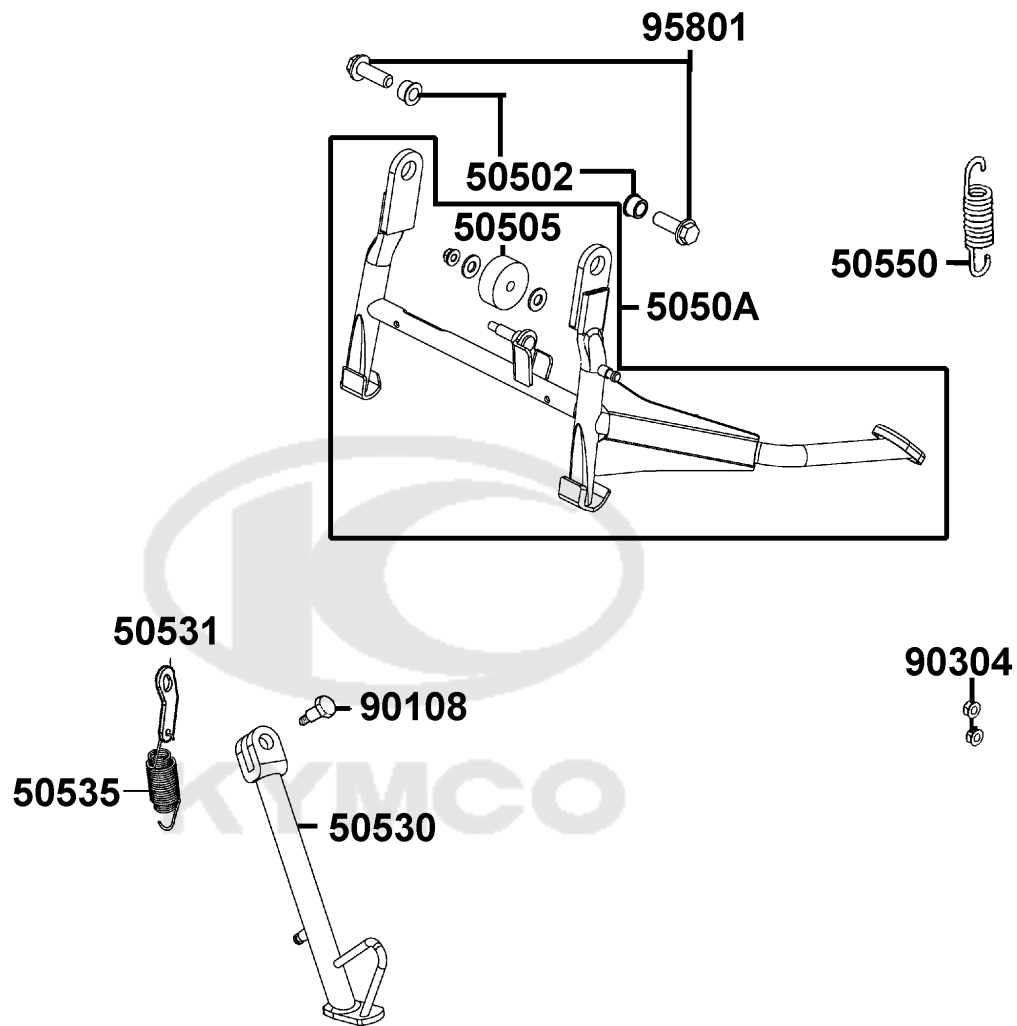


Sales mark	Ref no	Part no	Description	Reg description	Regd no	<b>F14</b>
	18291	18291-LEA5-C00	GASKET EXH PIPE	GASKET EXH PIPE	3	
	18291-LKG2	18291-LKG2-C00	COLLAR	COLLAR	1	
	18292	18292-KEBE-C00	PACKING PROTECTOR	PACKING PROTECTOR	1	
	18293	18293-LHJ8-900	RUBBER PKG PROTR	RUBBER PKG PROTR	1	
**	1830A	1830A-ACC1-EZ5	MUFFLER ASSY EXH	MUFFLER ASSY EXH	1	
**	18318	18318-ACC1-E10	PROTECTOR MUFF	PROTECTOR MUFF	1	
	18325	18325-ACC1-E10	PROTECTOR EXH PIPE	PROTECTOR EXH PIPE	1	
	39450	39450-ZVA6-M00	O2 SENSOR	O2 SENSOR	1	
	90120	90120-LEJ3-C00	BOLT SPECIAL	BOLT SPECIAL	1	
	90301	90301-GFY6-C01	NUT (HEX) CAP 8MM	NUT (HEX) CAP 8MM	2	
	94101	94101-06700	WASHER PLAIN 6MM	WASHER PLAIN 6MM	1	
	94111	94111-ACD5-E00	WASHER.SPG	WASHER SPG 6MM	1	
	95801	95801-08042-07G	BOLT FLANGE 8*42 (G)	BOLT FLANGE 8*42 (K)	3	
	96001	96001-06008-07	BOLT FLANGE SH 6*8	BOLT FLANGE SH 6*8	1	

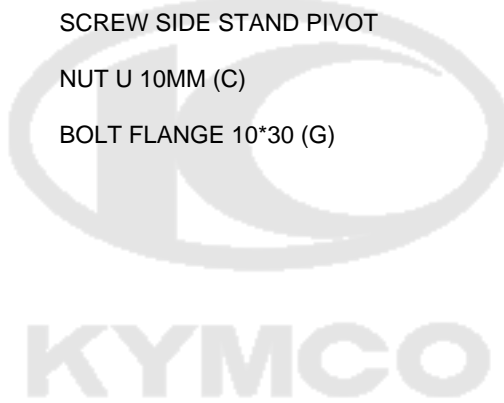


F15

Stand Kick Starter Arm

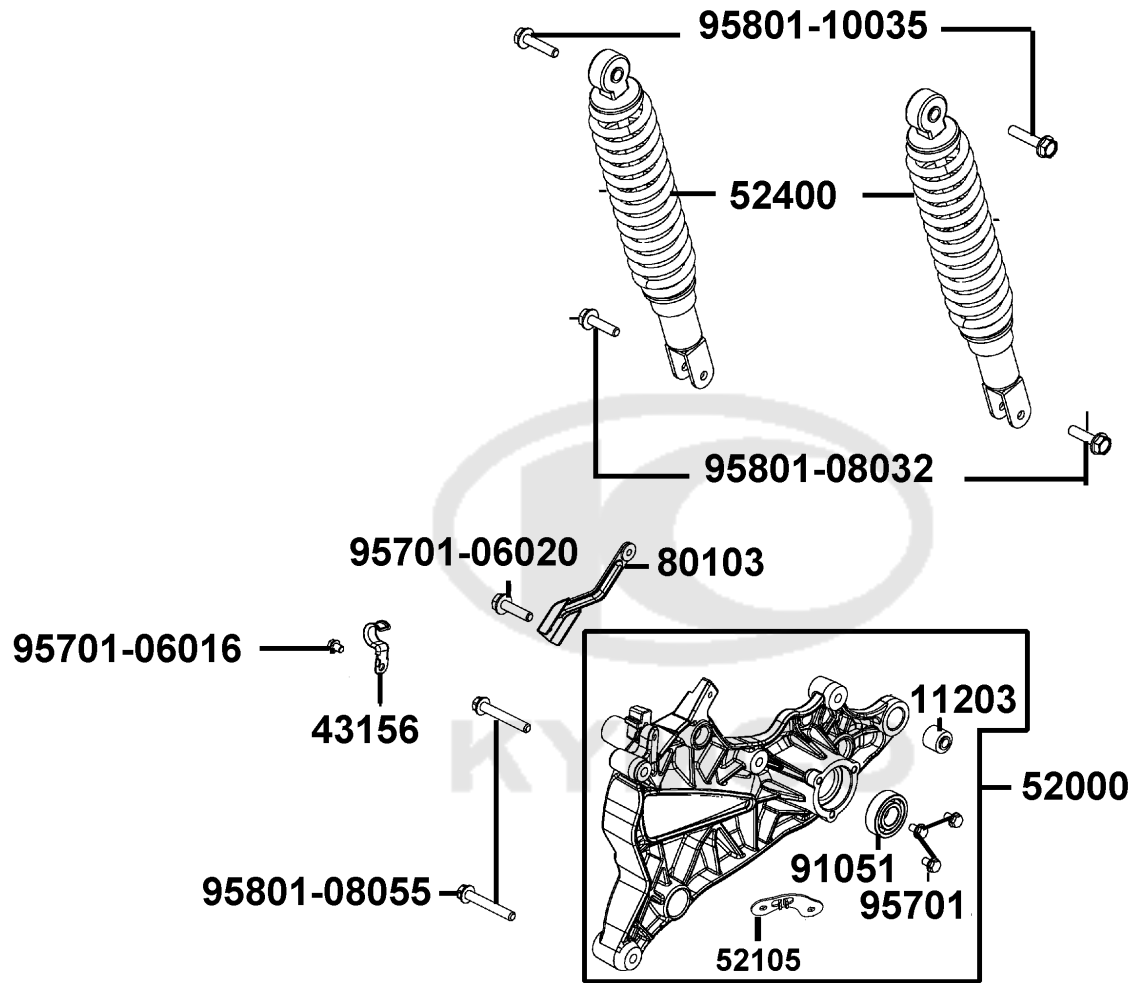


Sales mark	Ref no	Part no	Description	Reg description	Regd no	<b>F15</b>
50502		50502-GFY6-C00	COLLAR MAIN STAND	COLLAR MAIN STAND	2	
50505		50505-LCB9-C00	STOPPER RUBBER	STOPPER RUBBER	1	
5050A		5050A-ACC1-E10	STAND COMP MAIN	STAND COMP MAIN	1	
50530		50530-ACC1-E10	SIDE STAND COMP	SIDE STAND COMP	1	
50531		50531-KEB7-C00	PLATE SPRING STOPPER	PLATE SPRING STOPPER	1	
50535		50535-KEB7-W10	SPRING COMP SIDE STAND	SPRING COMP SIDE STAND	1	
50550		50550-KFA6-C00	SPG ASSY MAIN STAND	SPG ASSY MAIN STAND	1	
90108		90108-KUDU-E00	SCREW SIDE STAND PIVOT	SCREW SIDE STAND PIVOT	1	
90304		90304-GHE8-C01	NUT U 10MM (C)	NUT U 10MM(C)	2	
95801		95801-10030-07G	BOLT FLANGE 10*30 (G)	BOLT FLANGE 10*30 (G)	2	



F16

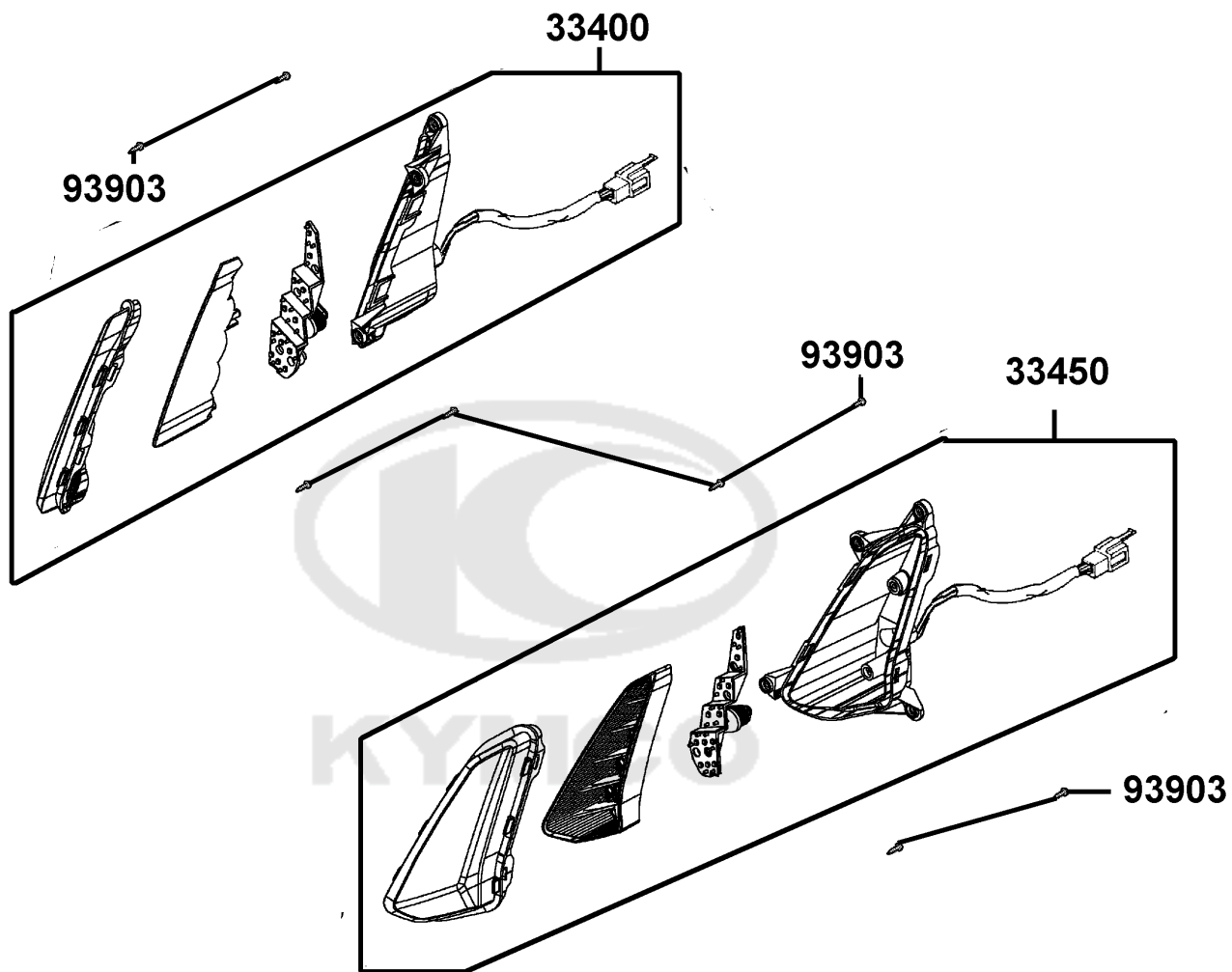
Rear Cushion



Sales mark	Ref no	Part no	Description	Reg description	Regd no	<b>F16</b>
	11203	11203-GGC7-W10	UNDER RUBBER BUSH REAR CUSHION	UNDER RUBBER BUSH REAR CUSHION	1	
	43156	43156-KKC4-900	CLAMPER HOSE RR	CLAMPER HOSE RR	1	
**	52000	52000-AFA9-C01	FORK ASSY RR	FORK ASSY RR	1	
	52105	52105-LKB3-C00	STAY ABS SENSOR	STAY ABS SENSOR	1	
	52400	52400-ACC1-E10	CUSHION ASSY REAR	CUSHION ASSY REAR	2	
	80103	80103-LKG2-C00	PLATE SPLASH BOARD	PLATE SPLASH BOARD	1	
	91051	91051-KFBF-C00	BRG BALL RADIAL 6203 LLU	BRG BALL RADIAL 6203 LLU	1	
	95701	95701-06010-07G	BOLT FLANGE 6*10 (K)	BOLT FLANGE 6*10 (K)	1	
	95701-06016	95701-06016-07G	BOLT FLANGE SH 6*16 (KG)	BOLT FLANGE SH 6*16 (KG)	3	
	95701-06020	95701-06020-07G	BOLT FLANGE 6*20 (C)	BOLT FLANGE 6*20 (K)	1	
	95801-08032	95801-08032-07G	BOLT FLANGE 8*32(K)	BOLT FLANGE 8*32(K)	2	
	95801-08055	95801-08055-07G	BOLT FLANGE 8*55	BOLT FLANGE 8*55	2	
	95801-10035	95801-10035-08G	BOLT FLANGE 10X35	BOLT FLANGE 10X35	2	

F17

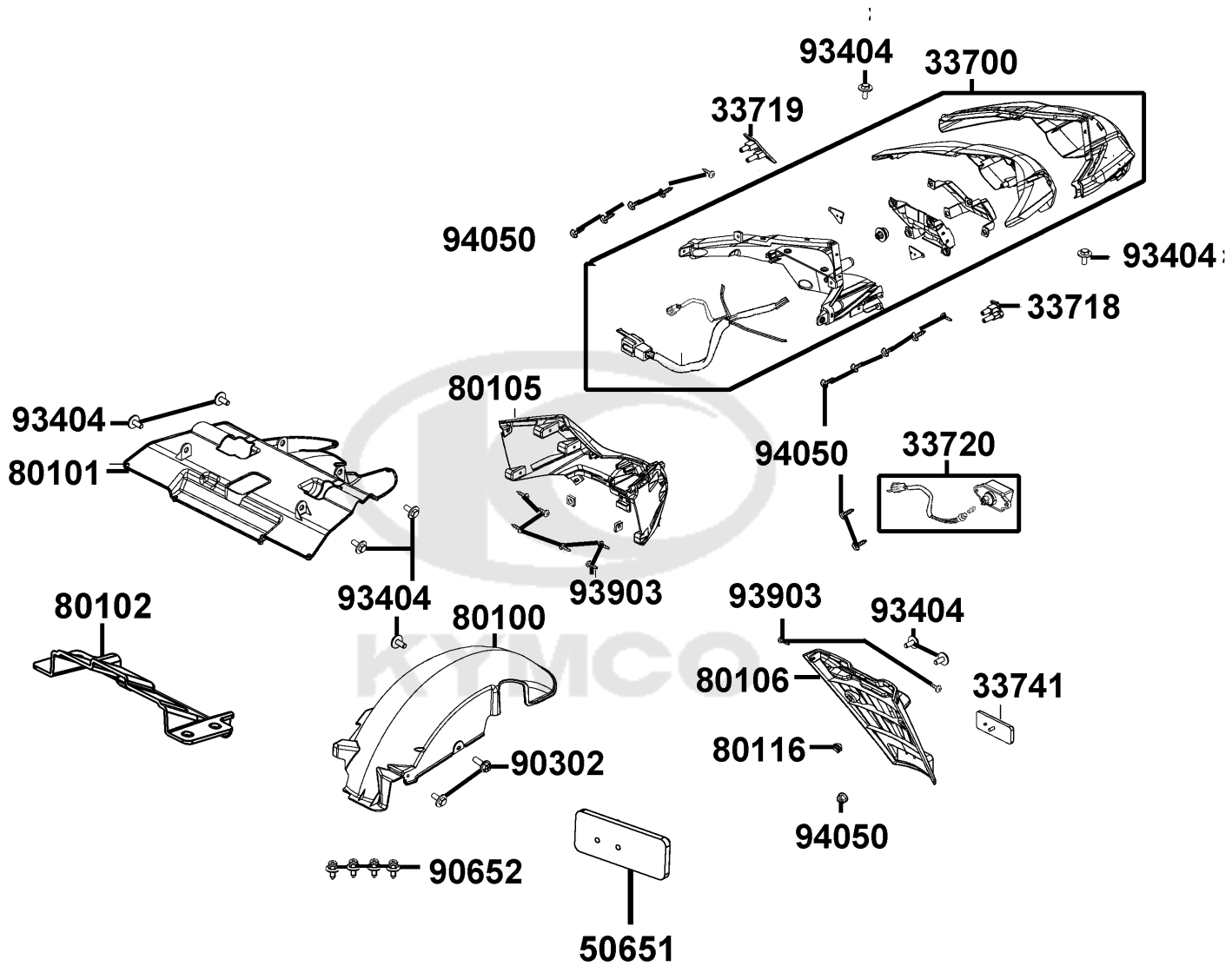
Front Winker



Sales mark	Ref no	Part no	Description	Reg description	Regd no	<b>F17</b>
------------	--------	---------	-------------	-----------------	---------	------------

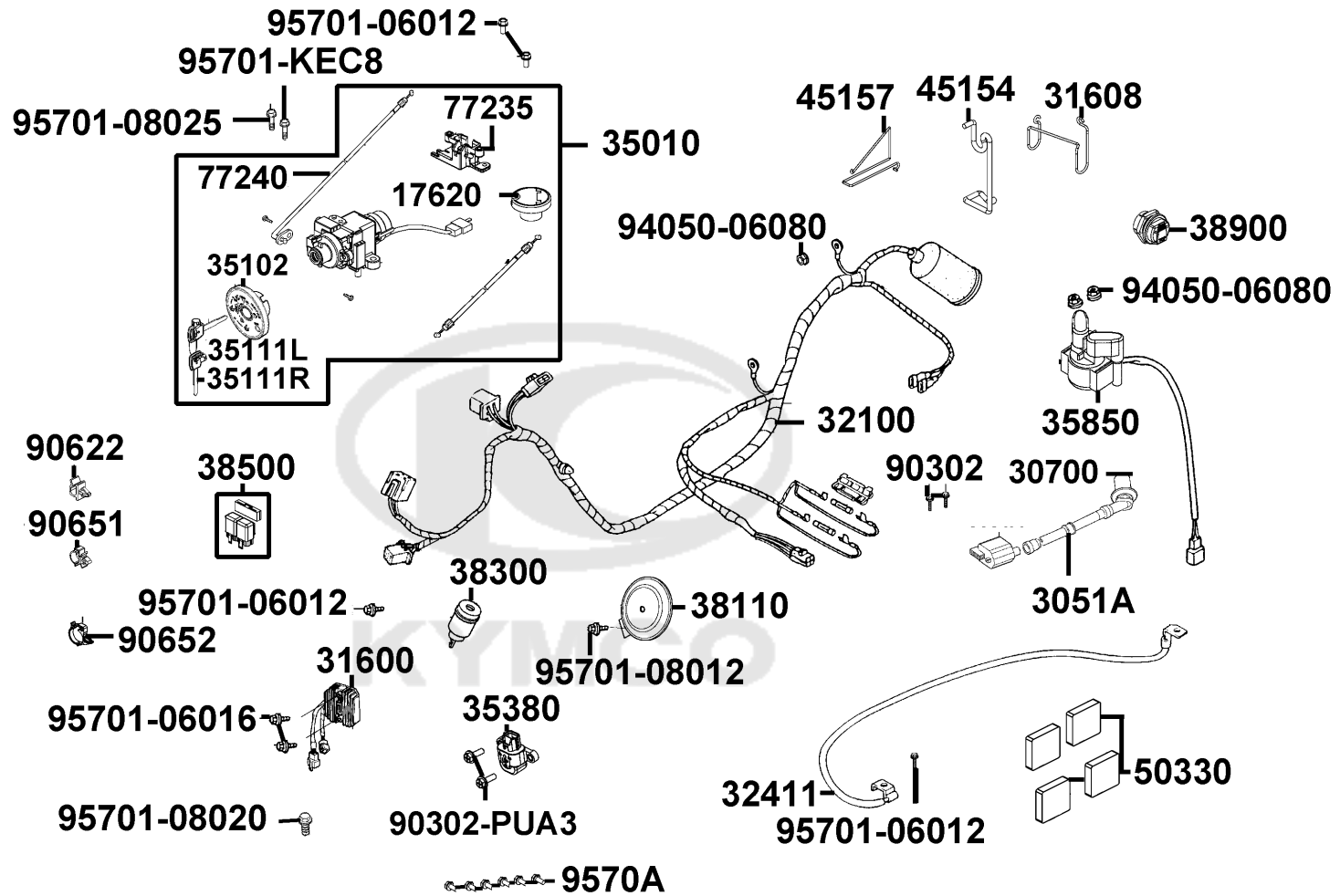
33400		33400-ACC1-E10	WINKER ASSY R FR	WINKER ASSY R FR	1	
33450		33450-ACC1-E10	WINKER ASSY L FR	WINKER ASSY L FR	1	
93903		93903-34380-G	SCREW TAPPING 4x12	SCREW TAPPING 4x12	1	



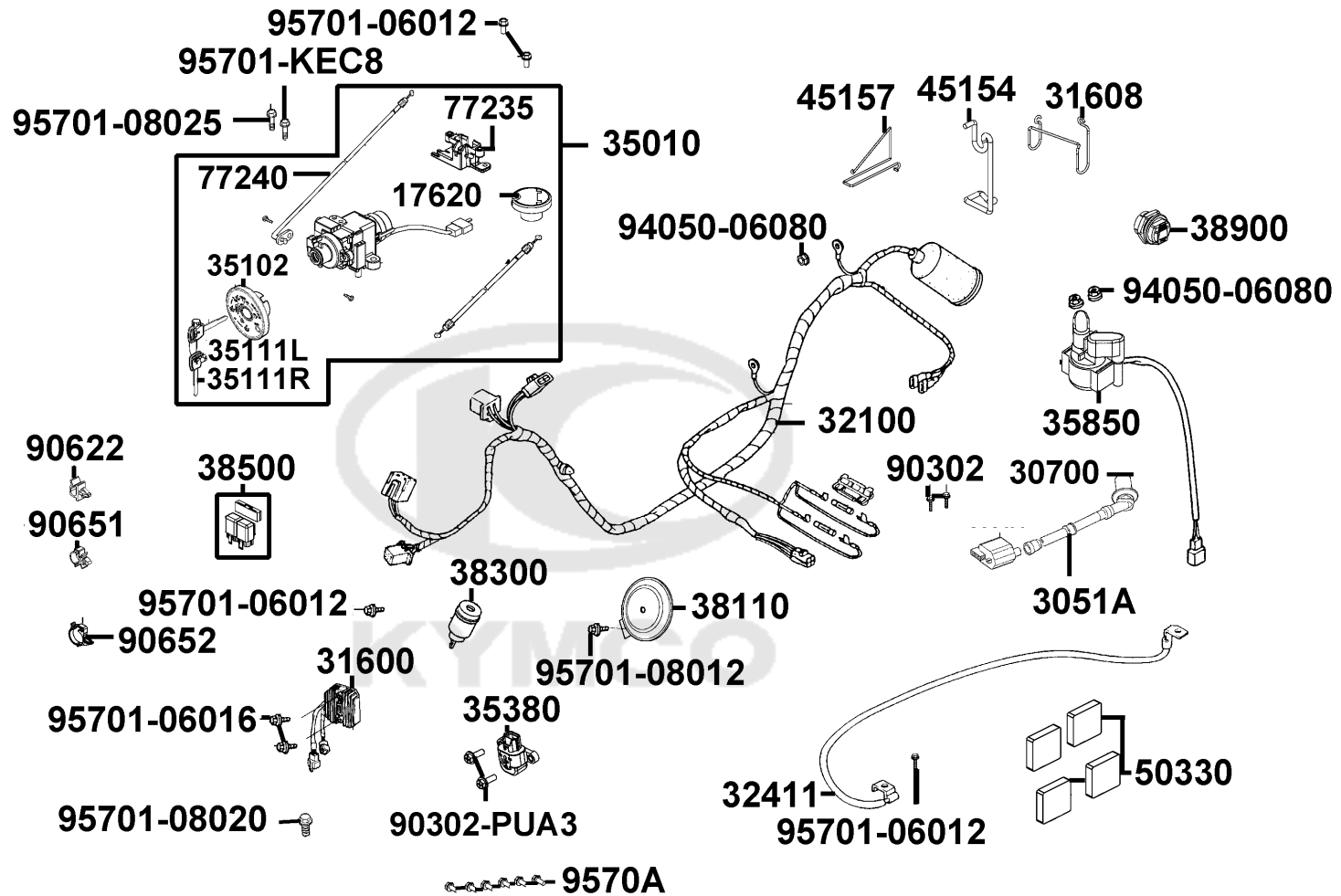


Sales mark	Ref no	Part no	Description	Reg description	Regd no	F18
	33700	33700-ACC1-E10	LIGHT ASSY RR COMB	LIGHT ASSY RR COMB	1	
**	33718	33718-ACC1-E10	LID R RR	LID R RR	1	
**	33719	33719-ACC1-E10	LID L RR	LID L RR	1	
	33720	33720-LGB5-E10	LIGHT ASSY LICENSE	LIGHT ASSY LICENSE	1	
	33741	33741-LEH3-EZ0	REFLEX REFLECTOR	REFLEX REFLECTOR	1	
	50651	50651-LFC4-E10	STAY RR FENDER BALANCE	STAY RR FENDER BALANCE	1	
**	80100	80100-ACC1-E10	FENDER RR TIRE	FENDER RR TIRE	1	
**	80101	80101-ACC1-E10	FENDER RR INNER	FENDER RR INNER	1	
	80102	80102-ACC1-E10	PLATE SPLASH BOARD	PLATE SPLASH BOARD	1	
**	80105	80105-ACC1-E10	FENDER REAR UP	FENDER REAR UP	1	
**	80106	80106-ACC1-E10	FENDER RR LOW	FENDER RR LOW	1	
	80116	80116-ACC1-E10	"RUBBER,LICENSE PLATE STOP"	"RUBBER,LICENSE PLATE STOP"	1	
	90302	90302-GFY6-C10	BOLT-WASH 5*16	BOLT WASHER 5*16	1	
	90652	90652-LCA4-C10	CLIP MUDGUARD	CLIP MUDGUARD	4	
	93404	93404-06012-07G	BOLT-WASH 6x12	BOLT-WASH 6x12	1	
	93903	93903-34380-G	SCREW TAPPING 4x12	SCREW TAPPING 4x12	1	
	94050	94050-05080-G	NUT FLANGE 5MM	NUT FLANGE 5MM	1	





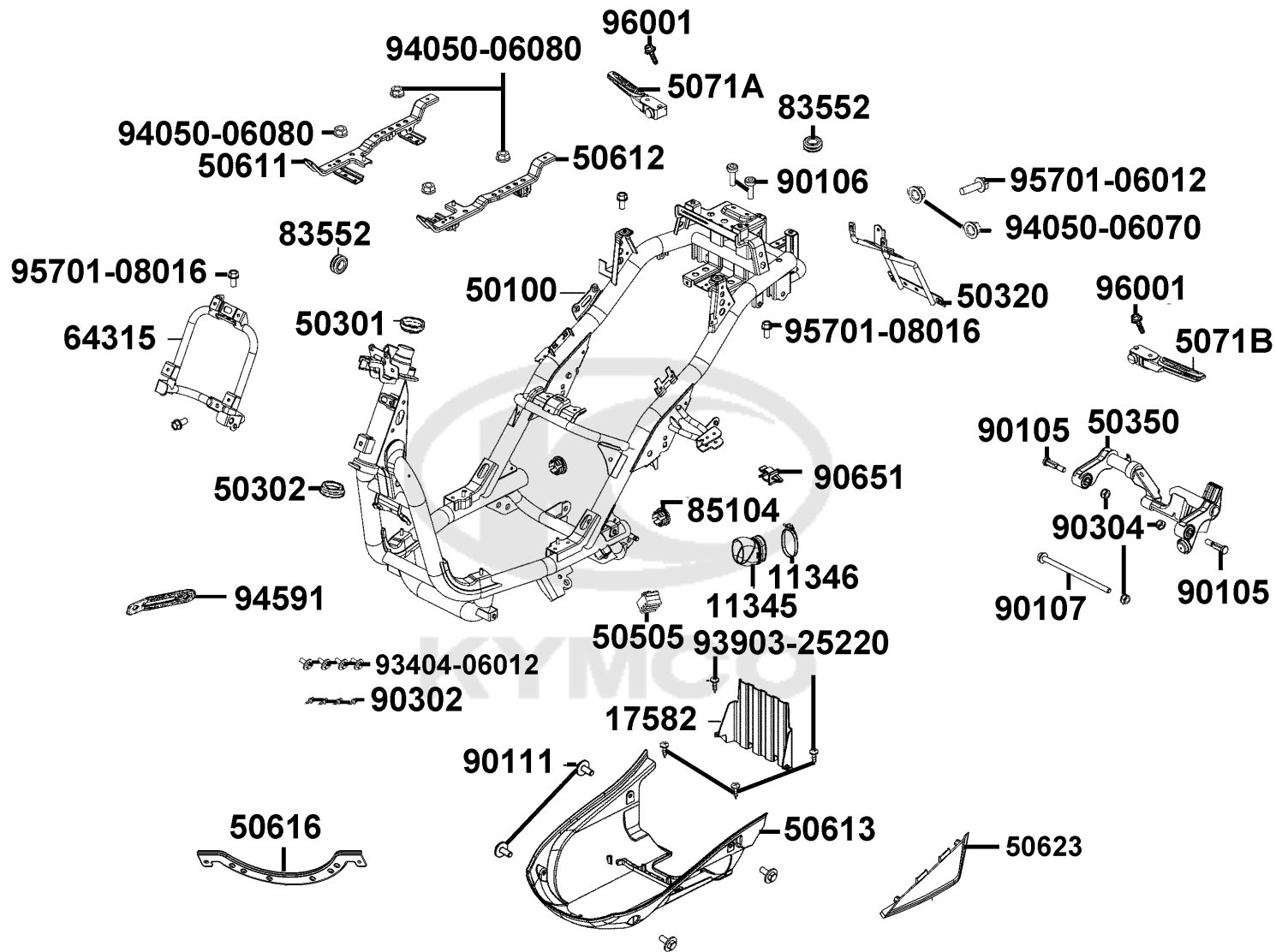
Sales mark	Ref no	Part no	Description	Reg description	Regd no	<b>F19</b>
17620		17620-ALJ9-E15	CAP COMP FUEL FILLER	CAP COMP FUEL FILLER	1	
3051A		3051A-ACC1-EZ5	COIL ASSY IGN	COIL ASSY IGN	1	
30700		30700-LKE7-700	CAP ASSY NOISE SUPPR	CAP ASSY NOISE SUPPRESOR	1	
31600		31600-ACC1-E10	REG REC COMP	REG REC COMP	1	
31608		31608-ACC1-E10	CLIP WIRE	CLIP WIRE	1	
32100		32100-ACC1-EZ5	HARNESS WIRE	HARNESS WIRE	1	
32411		32411-ACC1-E10	CABLE BAT	CABLE BAT	1	
35010		35010-ACC1-E10	KEY SET	KEY SET	1	
35102		35102-ACC1-E10	SHUTTER MAGNETIC LOCK	SHUTTER MAGNETIC LOCK	1	
35111R		35111-LDC1-305	KEY COMP (R TANGENT PLANE/SD)	KEY COMP (R TANGENT PLANE/SD)	1	
35111L		35111-LDC1-306	KEY COMP (L TANGENT PLANE/SD)	KEY COMP (L TANGENT PLANE/SD)	1	
35380		35380-ABE1-C00	SENSOR ANGLE	SENSOR ANGLE	1	
35850		35850-ALL1-C00	SET START MAG	SET START MAG	1	
38110		38110-KKC3-90B	HORN COMP	HORN COMP	1	
38300		38300-ACC1-E10	RELAY ASS'Y WINKER	RELAY ASS'Y WINKER	1	
38500		38500-AAD2-C00	RELAY ASSY LIGHT	RELAY ASSY START	1	
38900		38900-ACC1-E10	CONTROLLER USB CHARGER	CONTROLLER USB CHARGER	1	
45154		45154-ACC1-E10	CLIP WIRE	CLIP WIRE	1	
45157		45157-ACC1-E10	CLIP WIRE	CLIP WIRE	1	
50330		50330-ALK5-C00	SEAL BATTER FRONT	SEAL BATTER FRONT	1	



Sales mark	Ref no	Part no	Description	Reg description	Regd no	<b>F19</b>
77235		77235-KGC4-C00	SEAT CATCH	SEAT CATCH	1	
77240		77240-ACC1-E10	CABLE SEAT LOCK	CABLE SEAT LOCK	1	
90302		90302-LLB1-C01	BOLT-WASH 5*12	"BOLT-WASHER,5*12"	1	
90302-PUA3		90302-PUA3-B51	BOLT-WASH 5*12	BOLT-WASH 5*12	1	
90622		90622-LHJ8-900	CLAMP	CLAMP	1	
90651		90651-LKE6-900	CLIP CABLE	CLIP CABLE	1	
90652		90652-LHJ6-900	CLIP CABLE	CLIP CABLE	1	
94050-06080		94050-06080-G	NUT FLANGE 6MM	NUT FLANGE 6MM	1	
9570A		95701-06012-07G	BOLT FLANGE 6X12(KG)	BOLT FLANGE 6X12(KG)	6	
95701-06012		95701-06012-08G	BOLT FLANGE 6*12	BOLT FLANGE 6*12	1	
95701-06016		95701-06016-08G	BOLT FLANGE 6*16 (C)	BOLT FLANGE 6*16 (C)	1	
95701-08012		95701-08012-08G	BOLT FLANGE 8X12(C)	BOLT FLANGE 8X12(C)	1	
95701-08020		95701-08020-08G	BOLT FLANGE 8*20	BOLT FLANGE 8*20	1	
95701-08025		95701-08025-08G	BOLT FLANGE	BOLT FLANGE 8*25 (C)	1	
95701-KEC8		95701-KEC8-E01	BOLT FLANGE 8*19	BOLT FLANGE 8*19	1	

F20

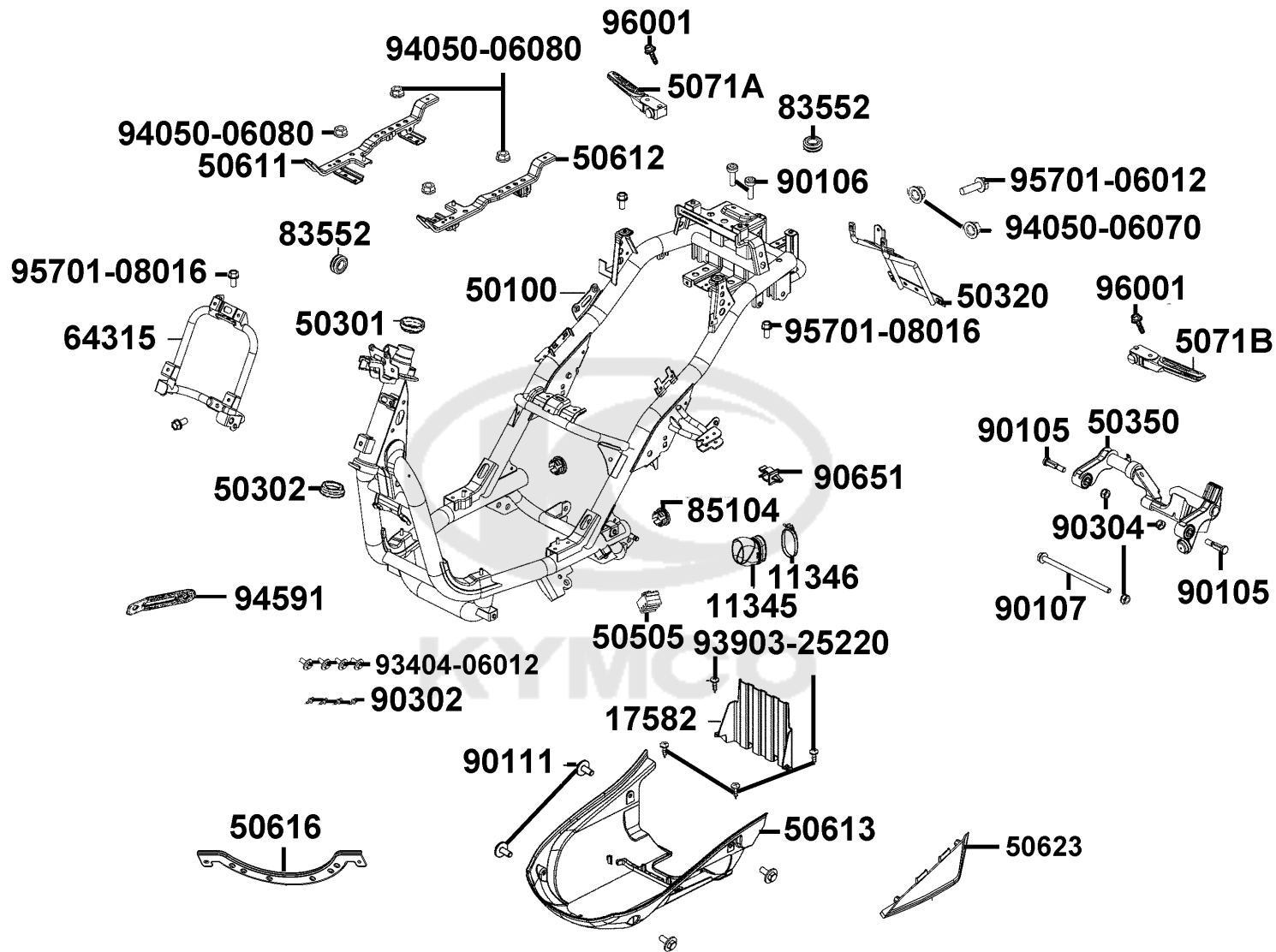
Frame Body



Sales mark	Ref no	Part no	Description	Reg description	Regd no	F20
	11345	11345-LEA7-C00	DUCT L COVER	DUCT L COVER	1	
	11346	11346-GFY6-C00	BAND L COVER DUCT	BAND L COVER DUCT	1	
**	17582	17582-ACC1-E10	HEAT GUARD FUEL TANKE	HEAT GUARD FUEL TANKE	1	
	50100	50100-ACC1-EZ5	BODY COMP FRAME	BODY COMP FRAME	1	
	50301	50301-KGN7-C00	RACE UPPER STRG BALL	RACE UP STRG BALL	1	
	50302	50302-2H68-C00	RACE (STRG BOT) BALL	RACE (STRG BOT) BALL	1	
	50320	50320-ACC1-E10	STAY REAR FENDER	STAY REAR FENDER	1	
	50350	50350-ACC1-EZ5	ENG HANGER COMP	ENG HANGER COMP	1	
	50505	50505-LDC8-E10	STOPPER RUBBER	STOPPER RUBBER	1	
	50611	50611-ACC1-E10	RNFCT R FLOOR	RNFCT R FLOOR	1	
	50612	50612-ACC1-E10	RNFCT L FLOOR	RNFCT L FLOOR	1	
**	50613	50613-ACC1-E10	COVER UNDER	COVER UNDER	1	
	50616	50616-ACC1-E10	STAY C,FLOOR PANEL	"STAY C,FLOOR PANEL"	1	
**	50623	50623-ACC1-E10	COVER UNDER	COVER UNDER	1	
	5071A	5071A-ACC1-E10	BAR STEP R ASSY	BAR STEP R ASSY	1	
	5071B	5071B-ACC1-E10	BAR STEP L ASSY	BAR STEP L ASSY	1	
	64315	64315-ACC1-E10	"CARRIER FR,CONNECT"	"CARRIER FR,CONNECT"	1	
	83552	83552-ACC1-E10	GROMMET COVER	GROMMET COVER	1	
	85104	85104-ALJ8-E10	STOPPER	STOPPER	1	
	90105	90105-LDC8-E11	SQUARE BOLT M10*50(K)	SQUARE BOLT M10*50(K)	1	

F20

Frame Body

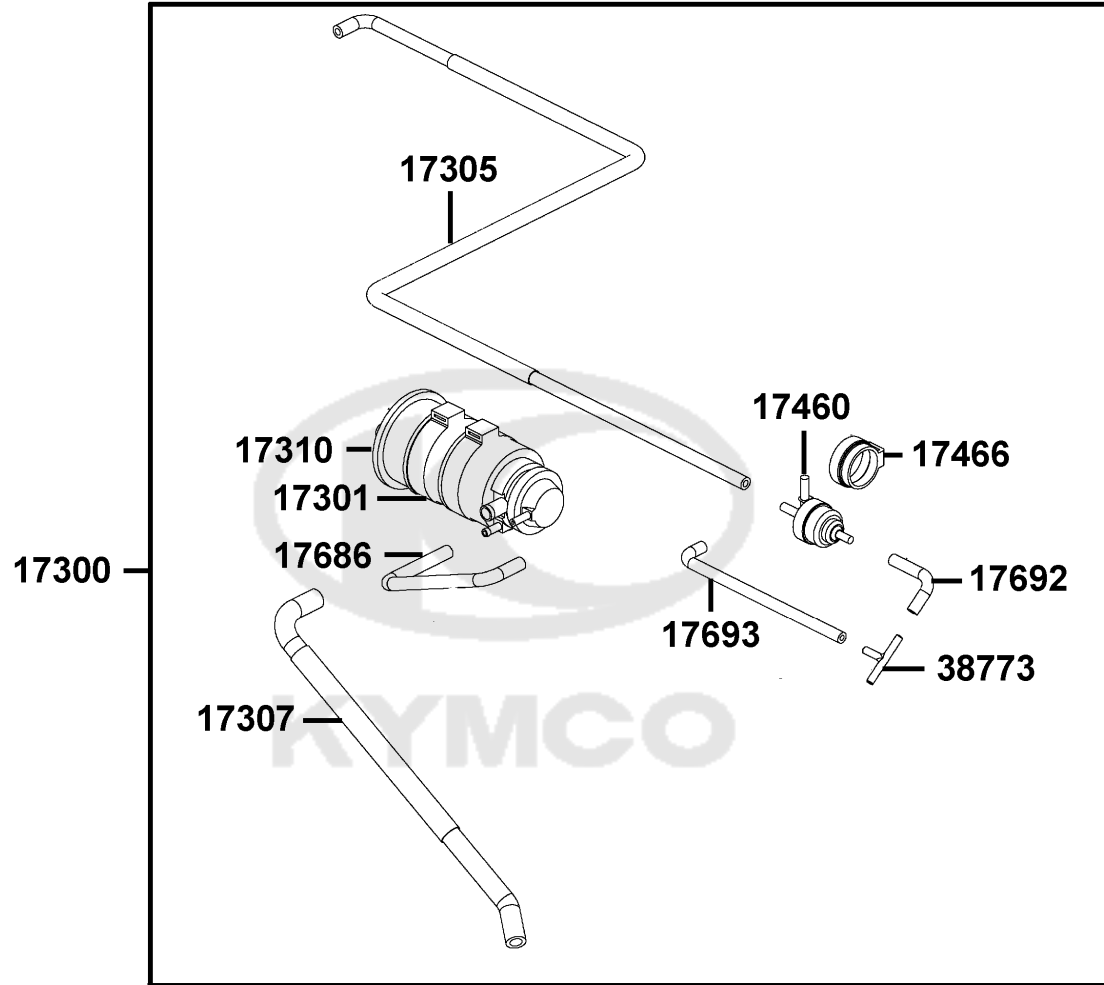


Sales mark	Ref no	Part no	Description	Reg description	Regd no	<b>F20</b>
90106		90106-KFAF-C10	BOLT SPECIAL 8MM	BOLT SPECIAL 8MM	1	
90107		90107-KUDU-C01	BOLT FLANGE 10*188	BOLT FLANGE 10*188	1	
90111		90111-06016-07G	BOLT FLANGE 6*16 (K)	BOLT FLANGE 6*16 (K)	1	
90302		90302-GFY6-C11	BOLT-WASH 5*16	BOLT-WASH 5*16	4	
90304		90304-LEA1-C00	NUT U FLANGE 10MM (G)	NUT U FLANGE 10MM (G)	1	
90651		90651-ALH3-700	CLIP WIRE HARN	CLIP WIREE HARN	1	
93404-06012		93404-06012-07G	BOLT-WASH 6x12	BOLT-WASH 6x12	4	
93903-25220		93903-25220-G	SCREW TAPPING 5*12	SCREW TAPPING 5*12	1	
94050-06070		94050-06070-G	NUT FLANGE 6MM (KG)	NUT FLANGE 6MM (G)	1	
94050-06080		94050-06080-G	NUT FLANGE 6MM	NUT FLANGE 6MM	1	
94591		94591-KFBF-C00	CLIP 2*71	CLIP 2*70	1	
95701-06012		95701-06012-07G	BOLT FLANGE 6X12(KG)	BOLT FLANGE 6X12(KG)	1	
95701-08016		95701-08016-07G	BOLT FLANGE 8*16 (K)	BOLT FLANGE 8*16 (K)	1	
96001		96001-06032-07G	BOLT FLANGE SH6*32	BOLT FLANGE 6*32(G)	1	



F21

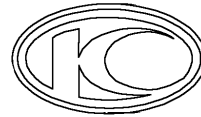
Air Cleaner Two



Sales mark	Ref no	Part no	Description	Reg description	Regd no	<b>F21</b>
17300		17300-ACC1-EZ5	CANISTER-PCV ASSY	CANISTER-PCV ASSY	1	
17301		17301-LGS6-M31	RUBBER CANISTER MOUNT	RUBBER CANISTER MOUNT	2	
17305		17305-ACC1-E10	TUBE ASSY JONT-TANK	TUBE ASSY JONT-TANK	1	
17307		17307-ACC1-E10	TUBE ASSY CANISTER-AIR/C	TUBE ASSY CANISTER-AIR/C	1	
17310		17310-LHA2-M30	CANISTER COMP	CANISTER COMP	1	
17460		17460-KED9-M31	VALVE COMP VAPOR CONTROL	VALVE COMP VAPOR CONTROL	1	
17466		17466-LGS6-M30	RUBBER VAPOR CONTROL MOUNT	RUBBER VAPOR CONTROL MOUNT	1	
17686		17686-ACC1-E10	TUBE ASSY CANISTER-TANK	TUBE ASSY CANISTER-TANK	1	
17692		17692-ACC1-E10	TUBE ASSY VALVE-JOINT	TUBE ASSY VALVE-JOINT	1	
17693		17693-ACC1-E10	TUBE ASSY CANITER JOINT	TUBE ASSY CANITER JOINT	1	
38773		38773-ABD6-C00	JOINT 3 WAY 3.5	JOINT 3 WAY 3.5	1	
95701		95701-06010-08G	BOLT FLANGE 6*10	BOLT FLANGE 6*10	1	



86102-ACC1



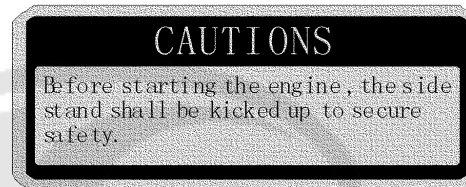
86102-ALG1



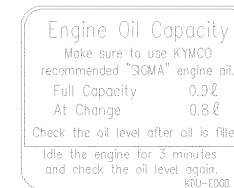
86202



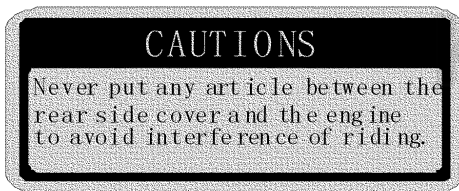
87140



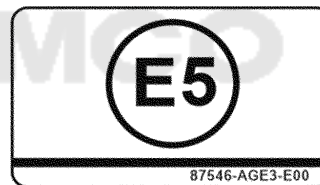
87541-GAR1



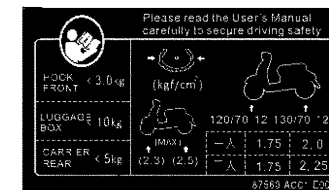
87541-KUDU



87542



87546



87560

Sales mark	Ref no	Part no	Description	Reg description	Regd no	<b>F22</b>
**	86102-ACC1	86102-ACC1-C00	EMB K-LOGO 28.5MM	EMB K-LOGO 28.5MM	1	
**	86102-ALG1	86102-ALG1-E00	EMB K-LOGO	EMB K-LOGO	1	
**	86202	86202-ACC1-E10	EMB BODY COVER	EMB BODY COVER	1	
**	87140	87140-ACC1-E00	EMB MARK 125 TAPE A	EMB MARK 125 TAPE A	1	
**	87541-GAR1	87541-GAR1-C01	CAUTION SIDE STAND	CAUTION SIDE STAND	1	
**	87541-KUDU	87541-KUDU-E00	LABEL OIL CAP	LABEL OIL CAP	1	
**	87542	87542-GAR1-C01	MARK MAINT CAUTION R	MARK MAINT CAUTION R	1	
**	87546	87546-AGE3-E00	LABEL FUEL TANK	LABEL FUEL TANK	1	
**	87560	87560-ACC1-E00	MARK DRIVE CAUTION	MARK DRIVE CAUTION	1	



## PART NO. INDEX

PART NO.	VERSION	PAGE	PART NO.	VERSION	PAGE	PART NO.	VERSION	PAGE
<b>11000</b>			<b>12000</b>			14110-LEB1-C00	1	E02
11100-ACC1-E10	1	E01	12100-LEB1-90B	0	E03	14321-LEB1-C00	1	E02
11102-1G87-C00	3	E01	12191-LEB1-C00	1	E03	14401-KUDU-C00	1	E03
11192-LEB1-C00	1	E01	12200-LKE6-C00	0	E02	1442A-LEB1-C00	1	E02
11200-LFB5-C00	1	E01	12209-LEA2-C00	0	E02	1443A-LEB1-C00	1	E02
11203-GGC7-W10	2	E01	12216-LEB1-C00	1	E02	14452-LFA7-C00	1	E02
11203-GGC7-W10	2	F16	12217-LEB1-C00	1	E02	14453-LKE6-C00	1	E02
11206-LFB5-C00	1	E07	12251-LKE6-C00	1	E02	14510-LEB1-C00	1	E03
11211-ACC1-E10	0	F13	1231A-LHJ3-C00	1	E02	14520-LFA7-C00	1	E03
1122A-ACC1-E10	1	E01	12361-GFY6-C00	5	E04	14521-AAG1-C00	1	E01
11330-LHJ3-C00	1	E04	12391-LEB1-C00	1	E02	14523-KED9-C00	1	E03
11340-ACC1-E10	0	E01	<b>13000</b>			14531-AAG1-C00	1	E01
11342-ACC1-E10	1	E01				1453A-GFY6-W10	1	E03
11344-ACC1-E10	0	E01	13000-LKE6-C00	1	E03	14541-ALH4-C00	1	E01
11345-LEA7-C00	1	F20	13011-LKE6-C00	1	E03	14610-LEB1-C00	0	E03
11346-GFY6-C00	1	F20	13101-LKE6-C00	0	E03	14711-LKE6-C00	0	E02
11350-LFB5-C00	1	E01	13111-LFA7-C00	1	E03	14721-LKE6-C00	0	E02
11383-LFB5-C00	1	E01	13406-LHJ8-900	1	E02	14751-KHD6-C00	0	E02
11383-LHJ3-C00	1	E01	13407-LKC6-C00	1	E02	14771-LEA2-900	2	E02
11385-ACC1-EZ5	0	E08	<b>14000</b>			14777-LFA7-C00	0	E02
11394-LEB1-C00	1	E04				14781-KKE5-C00	0	E02
11395-LFB5-C00	1	E01	<b>15000</b>					
11396-ACC1-E10	1	E01						
			14100-LKE6-C00	1	E02	15100-KFB7-C00	1	E07
						15133-GFY6-W10	1	E07

## PART NO. INDEX

PART NO.	VERSION	PAGE	PART NO.	VERSION	PAGE	PART NO.	VERSION	PAGE
15141-GFY6-C00	1	E07	1737A-LCD3-E00	0	F13			
15421-1G07-C00	1	E04	17460-KED9-M31	0	F21	<b>19000</b>		
15426-GAE1-C00	1	E04	17466-LGS6-M30	0	F21			
1565A-KUDU-W10	1	E04	17500-ACC1-E10	1	F10	19510-LEB1-C01	0	E08
15711-GFY6-C00	1	E07	17550-ACC1-E10	1	F10	1961A-LEB1-C00	1	E08
<b>16000</b>			1755A-ACC1-E10	1	F10	1962A-LKE6-C00	1	E08
			17561-LGK8-900	1	F10	19632-LFB6-C00	0	E08
			17582-ACC1-E10	1	F20	1963A-ACC1-E10	1	E08
1610A-ACC1-EZ5	0	E05	17620-ALJ9-E15	0	F19			
16201-LEB1-C00	1	E02	17685-ACC1-E10	1	F10	<b>21000</b>		
16211-LEB1-C00	1	E02	17686-ACC1-E10	0	F21			
<b>17000</b>			17692-ACC1-E10	0	F21	21301-LFB5-C00	1	E09
			17693-ACC1-E10	0	F21	21395-LFB5-C00	1	E09
			17910-ACC1-EZ5	0	F03			
1711A-ACC1-EZ5	0	E02	<b>18000</b>			<b>22000</b>		
17200-ACC1-E10	1	F13						
1723A-ACC1-E10	1	F13				22101-LCD3-C00	3	E06
1723B-ACC1-E10	1	F13	18291-LEA5-C00	1	F14	22102-LEB1-C00	1	E06
1723C-ACC1-E10	1	F13	18291-LKG2-C00	0	F14	22105-LFE2-C00	1	E06
17250-ACC1-E10	1	F13	18292-KEBE-C00	0	F14	22110-LEB1-C00	1	E06
17255-ACC1-E10	1	F13	18293-LHJ8-900	2	F14	22121-GFY6-325	20	E06
17300-ACC1-EZ5	0	F21	1830A-ACC1-EZ5	0	F14	22130-LEB1-C00	1	E06
17301-LGS6-M31	0	F21	18318-ACC1-E10	0	F14	22300-LHJ3-C00	0	E06
17305-ACC1-E10	0	F21	18325-ACC1-E10	1	F14	22350-LHJ3-C00	0	E06
17307-ACC1-E10	0	F21				22361-LHJ3-C00	0	E06
17310-LHA2-M30	0	F21				22401-LHJ3-C00	0	E06

## PART NO. INDEX

PART NO.	VERSION	PAGE	PART NO.	VERSION	PAGE	PART NO.	VERSION	PAGE
22530-LHJ3-C00	0	E06	28211-ADG1-C00	1	E06	33450-ACC1-E10	1	F17
22804-GBB2-C00	0	E06				33700-ACC1-E10	1	F18
<b>23000</b>			<b>30000</b>			33718-ACC1-E10	1	F18
			3051A-ACC1-EZ5	0	F19	33719-ACC1-E10	1	F18
2301A-LKE6-C00	1	E06	30700-LKE7-700	0	F19	33720-LGB5-E10	1	F18
23100-LFB6-C00	0	E06				33731-ALH3-EZ0	0	F06
23200-LFE2-C00	0	E06	<b>31000</b>			33741-LEH3-EZ0	1	F18
23210-GFY6-C00	1	E06				<b>35000</b>		
23220-GFY6-C00	0	E06	31100-ACC1-E10	1	E08			
23225-GHC8-C00	1	E06	31200-ACC1-E10	1	E07	35010-ACC1-E10	1	F19
23226-GHC8-C00	1	E06	31500-KFAF-EZ0	0	F11	35102-ACC1-E10	1	F19
23233-LFB6-C00	0	E06	31600-ACC1-E10	1	F19	35111-LDC1-305	0	F19
23237-GFY6-C00	1	E06	31608-ACC1-E10	1	F19	35111-LDC1-306	0	F19
23238-LEB1-C00	0	E06				35160-GFY6-C00	5	F03
23411-LFB5-C00	1	E09	<b>32000</b>			35170-KNBN-C00	5	F03
23420-LGH5-C00	1	E09				35180-GFY6-C00	2	F03
23432-LGH5-C00	1	E09	32100-ACC1-EZ5	0	F19	35200-GFY6-C00	5	F03
2343A-LFB5-C00	0	E09	32411-ACC1-E10	1	F19	35340-KNBN-C00	1	F04
<b>28000</b>			32412-ACC1-E10	1	E04	35350-KNBN-C00	1	F04
			32961-LEB1-C00	1	E04	35380-ABE1-C00	0	F19
			<b>33000</b>			35850-ALL1-C00	1	F19
28101-ADG1-C00	1	E07				<b>37000</b>		
28102-GFY6-C00	1	E07						
28110-LEB1-C00	0	E07	33100-ACC1-E01	1	F01			
2812A-ADG1-C00	0	E07	33400-ACC1-E10	1	F17	37200-ACC1-E10	1	F02

## PART NO. INDEX

PART NO.	VERSION	PAGE	PART NO.	VERSION	PAGE	PART NO.	VERSION	PAGE
37211-ACC1-E10	0	F02				44710-ACC1-E10	1	F07
37212-ACC1-E10	1	F02	<b>42000</b>			44800-ACC1-E10	1	F07
37213-ACC1-E10	0	F02						
37215-ACC1-E10	0	F02	42311-LFB5-C00	1	F08	<b>45000</b>		
37215-LGM9-C00	1	F05	42312-KHB4-C00	1	F08			
37224-ACC1-E10	0	F02	42601-ACC1-E11	1	F08	45105-ACC1-305	0	F04
37780-ACD5-E00	1	F02	42710-LGS6-C10	3	F08	45121-LGR5-E80	1	F07
37802-GGA7-C00	1	F10	42753-0A01-C00	1	F07	45126-ACC1-E10	1	F04
3780A-ACC1-E10	1	F10	42753-0A01-C00	1	F08	45128-ACC1-E10	1	F06
<b>38000</b>			<b>43000</b>			45129-ACC1-E10	1	F04
38110-KKC3-90B	4	F19	43100-ACC1-E10	0	F04	45154-ACC1-E10	1	F19
38300-ACC1-E10	1	F19	43105-ACC1-305	0	F04	45157-ACC1-E10	1	F19
38500-AAD2-C00	5	F19	43126-ACC1-E10	1	F04	45158-ACC1-E10	1	F06
38773-ABD6-C00	0	F21	43129-ALD9-E14	1	F06	45200-ACC1-E10	1	F04
38900-ACC1-E10	1	F19	43156-KKC4-900	1	F16	45500-LGR5-E10	1	F04
<b>39000</b>			43351-LFB5-E80	2	F08			
39300-LEB2-800	1	E02	43500-ACC1-E10	1	F04	<b>50000</b>		
39301-ACC1-EZ5	0	E02				50100-ACC1-EZ5	0	F20
39302-KKE3-C00	1	E02	<b>44000</b>			50179-ACC1-E10	1	F10
39303-LEB2-C00	1	E02	44301-LEJ2-E13	1	F07	50301-KGN7-C00	2	F20
39400-LHJ3-900	1	E02	44311-KEBE-C00	1	F07	50302-2H68-C00	2	F20
39450-ZVA6-M00	0	F14	44601-ACC1-E11	0	F07	50306-1F96-C00	1	F06
			44620-KHD8-C00	1	F07	50320-ACC1-E10	1	F20
						50326-ACC1-E10	1	F12
						50329-ACC1-E11	0	F11



## PART NO. INDEX

PART NO.	VERSION	PAGE	PART NO.	VERSION	PAGE	PART NO.	VERSION	PAGE
50330-ALK5-C00	1	F19	51420-ACC1-E10	0	F06	53200-ACC1-E10	0	F06
50350-ACC1-EZ5	0	F20	51422-LEJ2-E10	0	F06	53204-ACC1-E10	0	F03
50502-GFY6-C00	5	F15	51427-LEJ2-E10	0	F06	53205-ACC1-E10	0	F03
50505-LCB9-C00	1	F15	51428-LEJ2-E10	0	F06	53206-ACC1-E10	0	F03
50505-LDC8-E10	2	F20	51429-ACC1-E10	0	F06	53206-ACC1-E10	1	F03
5050A-ACC1-E10	0	F15	51437-LEJ2-E10	0	F06	53207-ACC1-E10	0	F03
50530-ACC1-E10	1	F15	51500-ACC1-E10	1	F06	53208-ACC1-E10	0	F03
50531-KEB7-C00	1	F15	51520-ACC1-E10	0	F06	53208-ACC1-E10	1	F03
50535-KEB7-W10	3	F15				53209-ACC1-E10	0	F03
50550-KFA6-C00	1	F15	<b>52000</b>			53209-ACC1-E10	1	F03
50611-ACC1-E10	1	F20				53211-GFY6-C00	1	F06
50612-ACC1-E10	1	F20	52000-AFA9-C01	0	F16	53212-2L50-C00	1	F06
50613-ACC1-E10	1	F20	52105-LKB3-C00	1	F16	53214-2L50-C00	5	F06
50616-ACC1-E10	1	F20	52400-ACC1-E10	0	F16	53215-2L50-C00	1	F06
50623-ACC1-E10	0	F20						
50623-ACC1-E10	1	F20	<b>53000</b>			<b>61000</b>		
50651-LFC4-E10	1	F18						
5071A-ACC1-E10	1	F20	53100-ACC1-E10	1	F03	61100-ACC1-E10	1	F06
5071B-ACC1-E10	1	F20	53105-LGR5-E10	1	F03	61100-ACC1-E10	4	F06
			53125-GEN5-C00	1	F03	61101-ACC1-E10	0	F06
<b>51000</b>			53140-ACC1-E10	1	F03	61101-ACC1-E10	1	F06
			53166-ACC1-E10	1	F03	61103-ACC1-E10	1	F06
51400-ACC1-E10	1	F06	53167-GBN2-C00	1	F03	61110-ACC1-E10	1	F05
51404-ACC1-E10	0	F06	53168-GBN2-C00	1	F03			
51410-ACC1-E10	0	F06	53175-KXBX-E00	1	F04			
51412-LEJ2-E10	0	F06	53178-KNBN-C00	0	F04			

## PART NO. INDEX

PART NO.	VERSION	PAGE	PART NO.	VERSION	PAGE	PART NO.	VERSION	PAGE	
<b>64000</b>			77235-KGC4-C00	2	F19	81141-ACC1-E10	1	F05	
			77238-ACC1-E11	1	F05	81142-ACC1-E11	0	F05	
			77240-ACC1-E10	0	F19	81143-ACC1-E10	1	F05	
	64301-ACC1-E10	0	F05			81146-ACC1-E10	1	F05	
	64301-ACC1-E10	1	F05	<b>80000</b>		81151-ACC1-E10	1	F05	
	64304-ACC1-E10	0	F05			81152-ACC1-E10	1	F05	
	64305-ACC1-E10	0	F05	80100-ACC1-E10	1	F18	81153-ACC1-E10	1	F05
	64305-ACC1-E10	1	F05	80101-ACC1-E10	1	F18	81154-ACC1-E10	1	F05
	64306-ACC1-E10	0	F05	80102-ACC1-E10	1	F18	81163-LKJ1-900	1	F05
	64306-ACC1-E10	1	F05	80103-LKG2-C00	1	F16	81164-LKJ1-900	1	F05
	64307-ACC1-E10	0	F05	80105-ACC1-E10	0	F18	81200-ACC1-E10	1	F12
	64311-ACC1-E10	1	F05	80106-ACC1-E10	1	F18	81201-AKB7-C00	0	F12
	64313-ACC1-E10	0	F05	80116-ACC1-E10	1	F18	81260-ACC1-E10	1	F12
	64314-ACC1-E10	0	F05	80151-ACC1-E10	1	F12			
	64315-ACC1-E10	1	F20	80152-ACC1-E10	0	F05	<b>83000</b>		
	64316-LCB9-C10	5	F05	80152-ACC1-E10	1	F05			
	64317-ACC1-E10	0	F05	80153-ACC1-E10	1	F05	83500-ACC1-E10	1	F12
64318-ACC1-E10	0	F05				83551-ACC1-E10	1	F05	
6431A-ACC1-E10	1	F05	<b>81000</b>			83552-ACC1-E10	1	F20	
64320-ACC1-E10	1	F05				83600-ACC1-E10	1	F12	
64400-ACC1-E10	1	F05	81131-ACC1-E10	0	F05	83750-ACC1-E10	1	F12	
			81131-ACC1-E10	1	F05				
			81132-ACC1-E10	2	F05	<b>85000</b>			
			81133-ACC1-E10	1	F05				
77200-ACC1-E10	1	F09	81134-ACC1-E10	1	F05	85104-ALJ8-E10	1	F20	
77233-ACC1-E10	1	F05	81141-ACC1-E10	0	F05				

## PART NO. INDEX

PART NO.	VERSION	PAGE	PART NO.	VERSION	PAGE	PART NO.	VERSION	PAGE
<b>86000</b>			<b>90000</b>			90116-LEJ2-E10	0	F06
86102-ACC1-C00	0	F22	90001-GBHB-C06	1	E03	90120-LEJ3-C00	0	F14
86102-ALG1-E00	2	F22	90001-GBHB-C13	1	F13	90122-KHC7-C01	1	F04
86202-ACC1-E10	0	F22	90001-GFY6-C01	0	E02	90145-9A61-C00	1	F04
			90005-KAW1-C00	0	E03	90201-GFY6-901	1	E07
<b>87000</b>			9000A-ADG1-C01	0	E01	90202-1G87-C00	1	E06
			9000B-KHD6-C02	1	E02	90301-GFY6-C01	0	F14
87140-ACC1-E00	0	F22	90031-KHD6-C01	0	E01	90302-GFY6-C10	1	F18
87541-GAR1-C01	1	F22	90032-KHD6-C01	1	E01	90302-GFY6-C11	1	F20
87541-KUDU-E00	1	F22	90033-KGB4-C11	0	E02	90302-LLB1-C01	1	F19
87542-GAR1-C01	2	F22	90101-KNBN-901	1	F12	90302-PUA3-B51	1	F03
87546-AGE3-E00	0	F22	90105-KCR3-C02	1	F07	90302-PUA3-B51	1	F10
87560-ACC1-E00	1	F22	90105-KCR3-C02	1	F08	90302-PUA3-B51	1	F19
			90105-LDC8-E11	0	F20	90302-SDA4-C01	0	F05
<b>88000</b>			90106-KFAF-C10	4	F12	90302-SDA4-C01	0	F06
			90106-KFAF-C10	4	F20	90302-SDA4-C01	0	F11
88110-ACC1-E10	1	F03	90106-KFC2-900	2	F03	90302-SDA4-C01	0	F12
88120-ACC1-E10	1	F03	90106-PUA3-B50	0	F03	90304-GHE8-C01	0	F15
			90107-KUDU-C01	1	F20	90304-LEA1-C00	1	F20
<b>89000</b>			90108-KUDU-E00	1	F15	90304-PUA3-B50	0	F03
			90111-06016-07G	0	F12	90305-KFW6-C00	1	F08
89010-KGBG-C00	1	F09	90111-06016-07G	0	F13	90306-LKL5-E31	0	F07
			90111-06016-07G	0	F20	90403-GFY6-C00	1	E07
			90111-1G87-C01	1	F12	90426-KNBN-C01	1	E06
						90440-1F66-C00	1	E08
						90474-3C33-C00	1	E01

## PART NO. INDEX

PART NO.	VERSION	PAGE	PART NO.	VERSION	PAGE	PART NO.	VERSION	PAGE
9052A-LEB1-C01	0	E01	91014-LLJ3-C00	1	F06	93404-06012-07G	0	F18
90544-LEJ2-E10	0	F06	91015-LLJ3-C00	1	F06	93404-06012-07G	0	F20
90545-3L00-C00	2	F04	91051-KFBF-C00	1	F16	93404-06016-07	1	F05
90605-1F66-C00	0	E06	91202-GFY6-90C	1	E04	93404-06016-07	1	F12
90622-LHJ8-900	1	F19	91202-LEB1-900	1	E01	93500-05022-07G	0	F03
90651-ALH3-700	1	F10	91202-LFE2-C00	1	E09	93903-25220-G	0	F02
90651-ALH3-700	1	F20	91211-KEBE-900	0	E06	93903-25220-G	0	F03
90651-ALJ8-E10	1	F10	91251-LEJ2-E10	0	F06	93903-25220-G	0	F20
90651-LKE6-900	1	F19	91254-LEJ2-E10	0	F06	93903-25260-G	0	E01
90652-ALB8-C00	1	E02	91255-LDC8-E10	5	E01	93903-25480	1	F13
90652-LCA4-C10	6	F12	91302-0A01-C00	10	E04	93903-34380-G	0	F01
90652-LCA4-C10	6	F18	91306-1E05-C00	1	E03	93903-34380-G	0	F03
90652-LFB5-C00	1	F05	91351-6B42-C00	1	E06	93903-34380-G	0	F05
90652-LFB5-C00	1	F06				93903-34380-G	0	F17
90652-LHJ6-900	1	F19	<b>92000</b>			93903-34380-G	0	F18
90652-LKH3-C00	1	F13				93903-35280-G	1	E01
90660-PWA2-900	1	F11	92101-05012-0HG	1	E01	93903-35280-G	1	F01
90677-GAR1-C01	1	F12	92101-05012-0HG	1	E08	93903-35280-G	1	F05
90754-GHC8-C00	1	F07	92101-06014-07G	0	E02	93903-35320-G	1	F02
90912-KFLF-C00	1	F07	92900-06060-0BG	0	E02	93903-GFY6-C01	1	F05
						93903-GFY6-C01	1	F06
<b>91000</b>			<b>93000</b>			93903-GFY6-C01	1	F11
						93903-GFY6-C01	1	F12
91002-GGA7-C00	0	E06	93404-06012-07G	0	F05			
91004-KHE7-C00	0	E06	93404-06012-07G	0	F06			
91009-GLE0-C00	1	E01	93404-06012-07G	0	F12			

## PART NO. INDEX

PART NO.	VERSION	PAGE	PART NO.	VERSION	PAGE	PART NO.	VERSION	PAGE	
<b>94000</b>			94591-LGR5-E10	1	F05	95801-08032-07G	1	F16	
			94601-14000	1	E03	95801-08040-08G	1	F06	
			94608-LEJ2-E10	0	F06	95801-08042-07G	1	F14	
94001-12280-0SG	1	E09	<b>95000</b>			95801-08055-07G	1	F16	
94050-05080-G	1	F18		95801-10030-07G	1	F15			
94050-06070-G	0	F20		95801-10035-08G	0	F16			
94050-06080-G	1	E02	95701-06010-07G	0	F16	<b>96000</b>			
94050-06080-G	1	E07	95701-06010-08G	0	F21		96001-06008-07	1	F14
94050-06080-G	1	F09	95701-06012-07G	1	F06		96001-06012-07G	1	E04
94050-06080-G	1	F10	95701-06012-07G	1	F19	96001-06012-07G	1	E07	
94050-06080-G	1	F12	95701-06012-07G	1	F20	96001-06014-08G	0	E02	
94050-06080-G	1	F19	95701-06012-08G	1	F10	96001-06016-07G	0	E08	
94050-06080-G	1	F20	95701-06012-08G	1	F11	96001-06018-07G	0	E07	
94050-08080-G	1	E02	95701-06012-08G	1	F19	96001-06018-07G	0	E08	
94050-12080-G	0	E06	95701-06014-07G	1	F05	96001-06022-07G	1	E08	
94050-12080-G	0	E08	95701-06016-07G	1	F16	96001-06025-02	4	F04	
94101-06700	1	F14	95701-06016-08G	1	F19	96001-06025-07G	0	E01	
94111-06800-G	0	E02	95701-06020-07G	1	F16	96001-06025-07G	0	E08	
94111-ACD5-E00	1	F14	95701-06020-08G	1	F04	96001-06028-07G	1	E07	
94301-08140	4	E01	95701-06025-07G	1	F07	96001-06028-07G	1	E08	
94301-10160	4	E01	95701-08012-07G	0	E01	96001-06032-07G	1	E01	
94301-10160	4	E02	95701-08012-08G	1	F19	96001-06032-07G	1	E04	
94301-10160	4	E03	95701-08016-07G	1	F20	96001-06032-07G	1	F20	
94301-10160	4	E04	95701-08020-08G	1	F19	96001-06035-08G	1	F13	
94520-28000	1	E06	95701-08025-08G	1	F19				
94591-KFBF-C00	1	F20	95701-KEC8-E01	0	F19				

## PART NO. INDEX

PART NO.	VERSION	PAGE	PART NO.	VERSION	PAGE	PART NO.	VERSION	PAGE
96001-06050-07G	1	E01						
96001-06100-07G	0	E02						
96001-06100-07G	0	E04						
96001-06110-07G	0	E04						
96001-GFY6-C00	3	F13						
96001-GFY6-C01	1	E01						
96100-60020-00	1	E01						
96100-62020-00	1	E09						
96100-62030-00	1	E01						
96100-63030-00	1	E09						
96100-LFE2-C00	1	E09						
96600-06016-08G	0	E01						
96700-08016-02	0	F12						
<b>98000</b>								
98059-58916-00	2	E02						
98200-31000	1	F11						
98200-31500	1	F11						