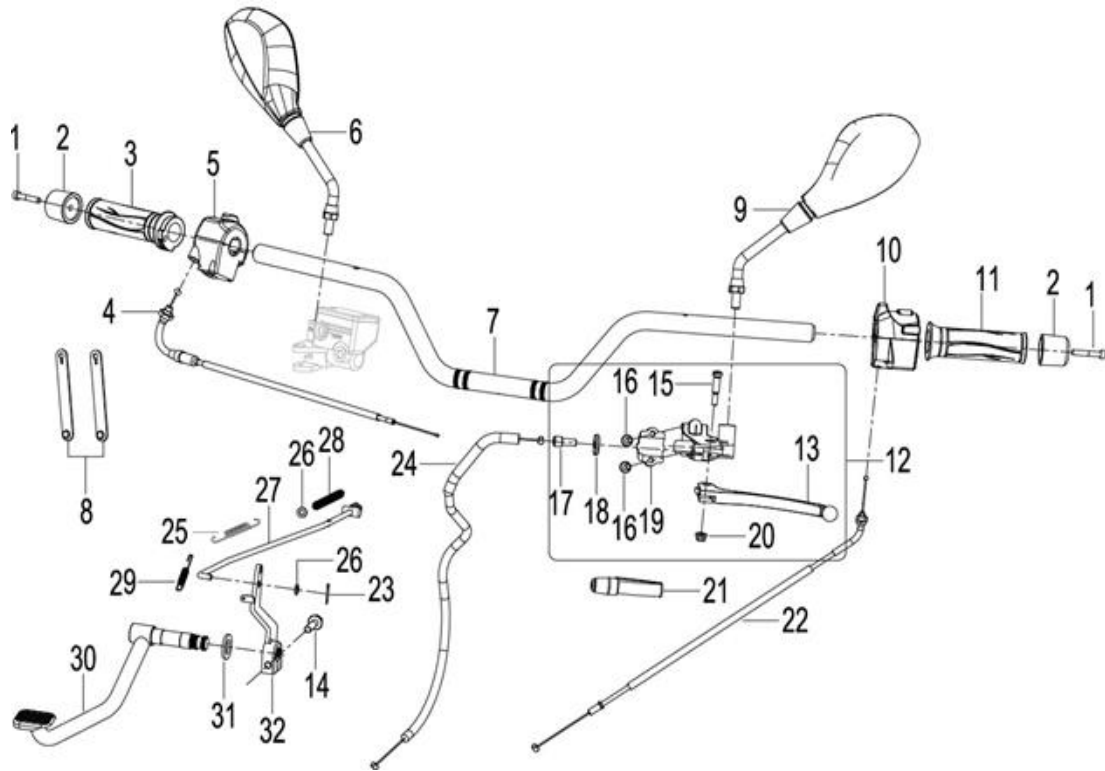


## RKS 125 SPORT



# RKS 125 SPORT

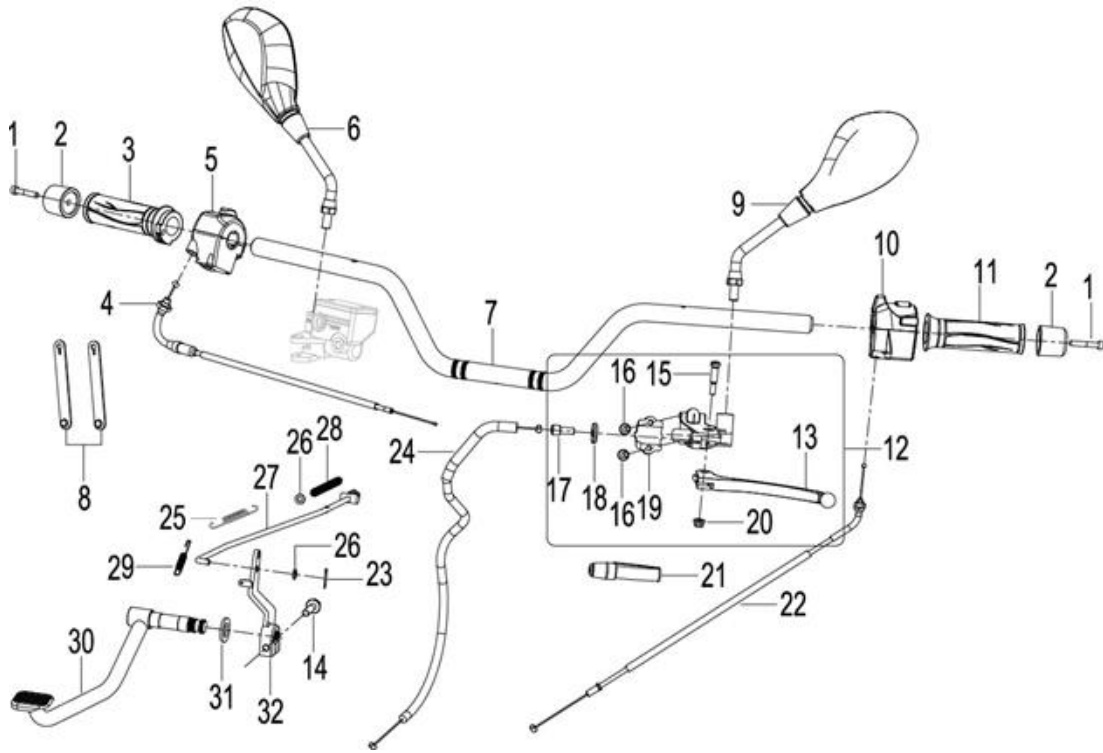
## F01 CONTROL ASSY



Nº	CÓDIGO	DESCRIÇÃO	Qt.	OBSERVAÇÕES
1	B0205060356H	INNER HEXAGON SCREW M6x35	2	
2	40031J000022	HANDLE BAR WEIGHT	2	
3	40210J670010	HANDLE GRIP, R	1	
4	40300J830000	CABLE ASSY., THROTTLE	1	
5	40600M140000	HANDLE SWITCH COMP, R	1	
6	40480J300006	MIRROR ASSY., RR. VIEW, R.	1	
7	40100K670012	HANDLERBAR ASSY	1	
8	49371T620000	WIRE CLAMP, AIR CUT VALVE	2	
9	40450J300003	MIRROR ASSY., RR. VIEW,L	1	
10	40500J820000	HANDLE SWITCH COMP, L	1	
11	40001J670010	BUSHING, STEERING HANDLE,L	1	
12	40080J800000	CLUTCH LEVER ASSY	1	
13	40084J800000	CLUTCH LEVER	1	
14	B0109080306H	BOLT M8X30	1	
15	40083K010000	MOUNTING BOLT,HANDLE	1	
16	B01070602565	BOLT M6x25	2	
17	45083K010000	SPIRALTUBE,ADJUSTING	1	
18	55064K010000	NUT	1	
19	45023K010000	COVER,FIX	1	
20	B04170600055	NUT M6	1	
21	40017J130000	RUBBER BOOT, CLUTCH CABLE	1	
22	40350J830000	CHOKE CABLE COMP	1	
23	B090002018AH	COTTER PIN 2x18	1	

# RKS 125 SPORT

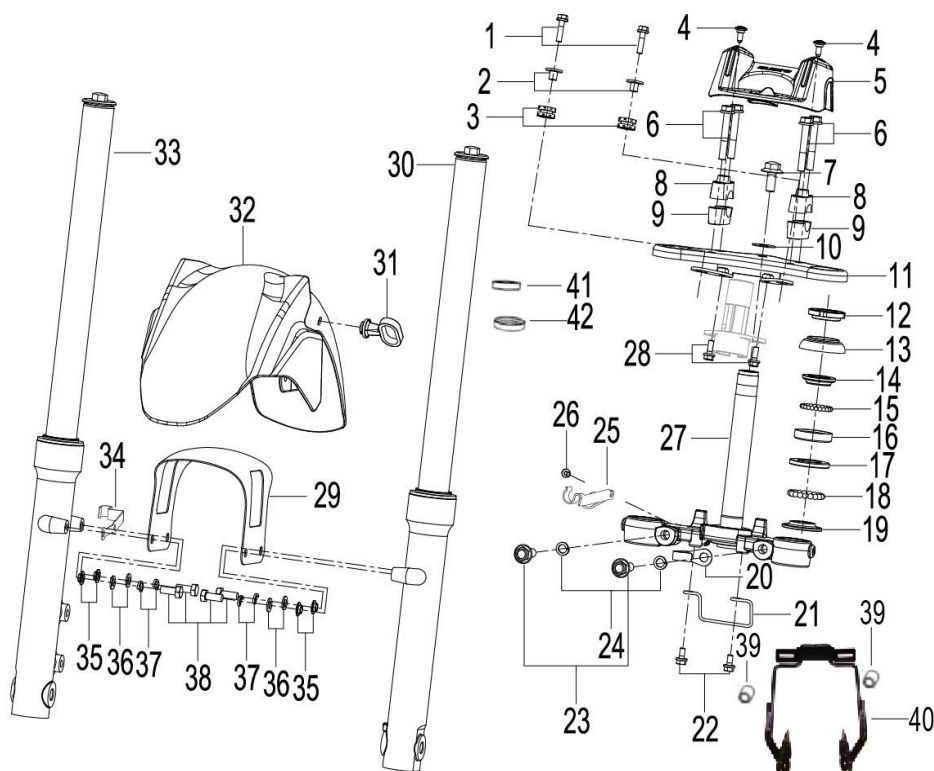
## F01 CONTROL ASSY



N°	CÓDIGO	DESCRIÇÃO	Qt.	OBSERVAÇÕES
24	40400K690000	CLUTCH CABLE COMP	1	
25	40709J060006	RETURN SPRING, RR BRAKE PEDAL	1	
26	B0703000060H	WASHER 6	2	
27	40280U210000	LINK ROD, BRAKE	1	
28	40274J000030	SPRING, REAR BRAKE	1	
29	40019J000200	SPRING, REAR BRAKE SWITCH	1	
30	40710K660003	BRAKE PEDAL ASSY	1	
31	B0701000160H	WASHER 16	1	
32	40730J00000B	CONNECTOR COMP	1	

# RKS 125 SPORT

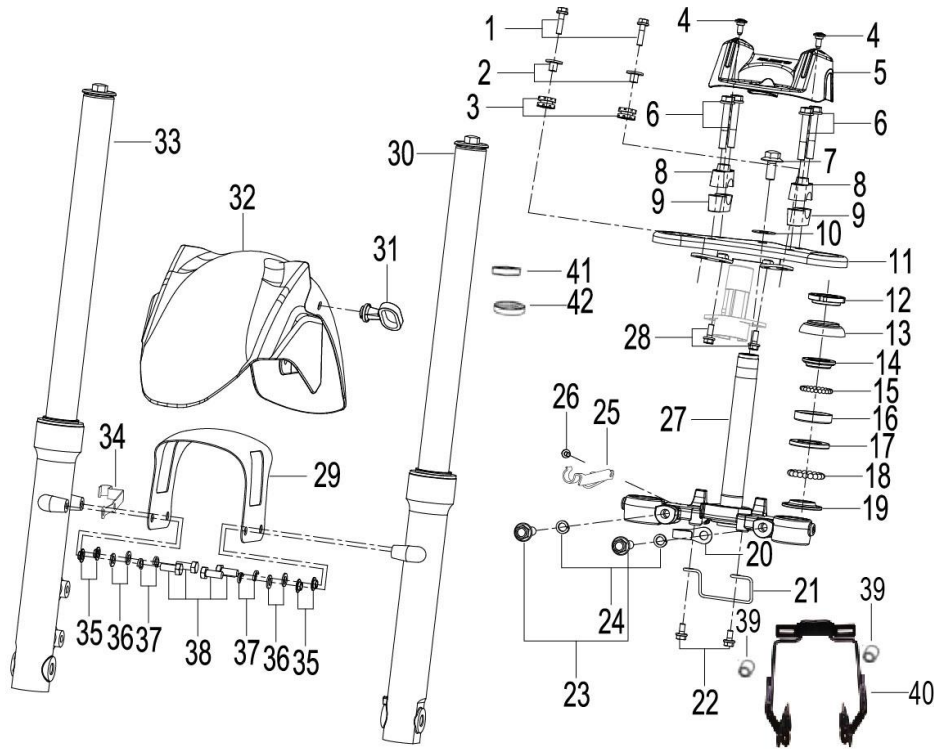
## F02 FORK ASSY



Nº	CÓDIGO	DESCRIÇÃO	Qt.	OBSERVAÇÕES
1	B0109060306H	BOLT M6x30	2	
2	65913J820000	BUSH, COVER	2	
3	65618J820000	RUBBER CUSHION, GUARD BOARD	2	
4	B0284060150A	BOLT M6x15.2	2	
5	43005J820000	UPPER STEERING, DUST PROOF COVER	1	
6	B0109080556H	BOLT M8X55	4	
7	43049J000000	BOLT M10x1.25x23	1	
8	43014J020001	SEAT, HANDLERBAR, UPPER	2	
9	43013J000000	SEAT, HANDLE BAR,LOWER	2	
10	43025K670000	GASKET	1	
11	43450J820001	UPPER CONNCETION BOARD	1	
12	43008G130010	STEERING SPECIAL NUT	1	
13	43005G130000	UPPER STEERING, DUST PROOF COVER	1	
14	43001G130000	UPPER STEERING BALL RACE, TOP	1	
15	B06010140000	STEEL BALL 3/16"	23	
16	43002G130000	UPPER STEERING BALL RACE, BOTTOM	1	
17	43003N040000	LOWER STEERING BALL RACE, TOP	1	
18	B06010200000	STEEL BALL 1/4"	19	
19	43004J000000	LOWER STEERING BALL RACE, BOTTOM	1	
20	43057J000070	CLIP, WIRE HARNESS	1	
21	43035J300000	CLIP, WIRE	1	
22	B0109060086H	BOLT M6X8	2	
23	B0159100356H	BOLT M10x1.25x35	2	
24	B0700000100H	SPRING WASHER 10	2	

# RKS 125 SPORT

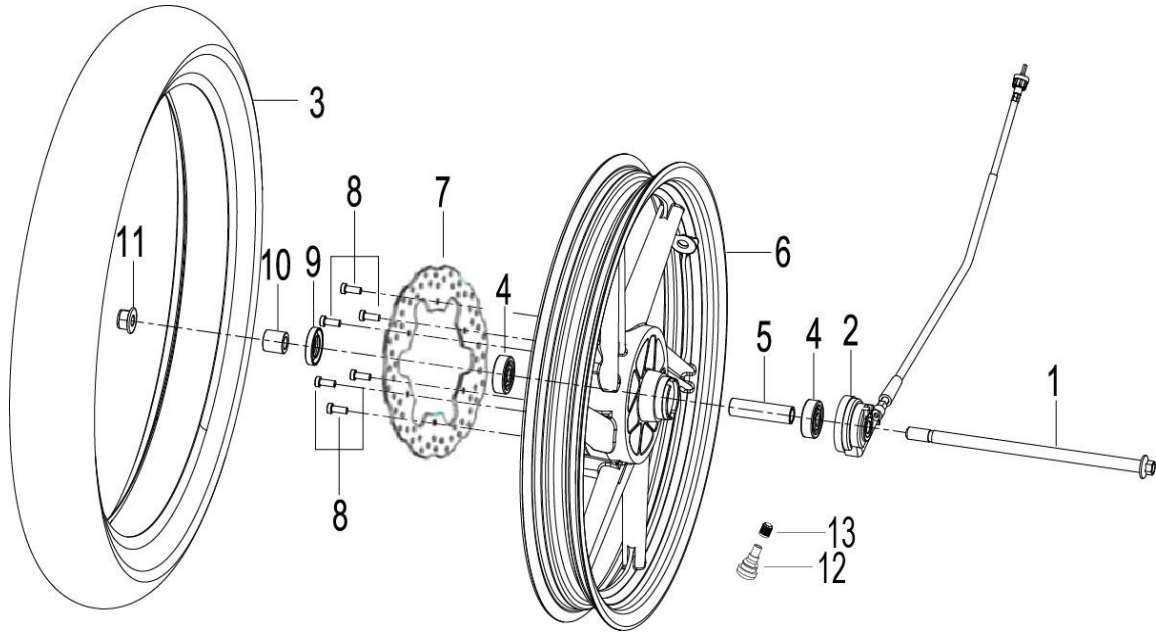
## F02 FORK ASSY



Nº	CÓDIGO	DESCRIÇÃO	Qt.	OBSERVAÇÕES
25	43150T090100	CLAMP, WIRE	1	
26	B1311060120H	SCREW W/WASHER M6x12	1	
27	43100J820000	LOWER BRIDGE	1	
28	B0109060166H	BOLT M6X12	2	
29	65121J820000	REINFORCE PLATE, FR FENDER	1	
30	43200J82HT00	SUSPENSION, FRONT LH	1	
31	65113J000000	RETAINER RING	1	
32	65101J820160	FRONT FENDER,WHITE/MATTE BLACK WF/B4	1	
32	65101J820110	FRONT FENDER, BLACK/MATTE BLACK BC/B4	1	
32	65101J820040	FRONT FENDER,GREY H2/B4	1	
32	65101J820210	FRONT FENDER,BLUE/MATTE BLACK E4/B4	1	
32	65101J820220	FRONT FENDER,RED/MATTE BLACK F9/B4	1	
33	43300J82HT00	SUSPENSION, FRONT RH	1	
34	65112J820000	HOSE CLAMP, BRAKE HOSE	1	
35	08021J830000	SPECIAL WASHER $\Phi 8 \times \Phi 16 \times 0.5$	4	
36	B0702000080H	WASHER 8	4	
37	B0700000080H	WASHER 8	4	
38	B0102080206H	BOLT M8X20	4	

# RKS 125 SPORT

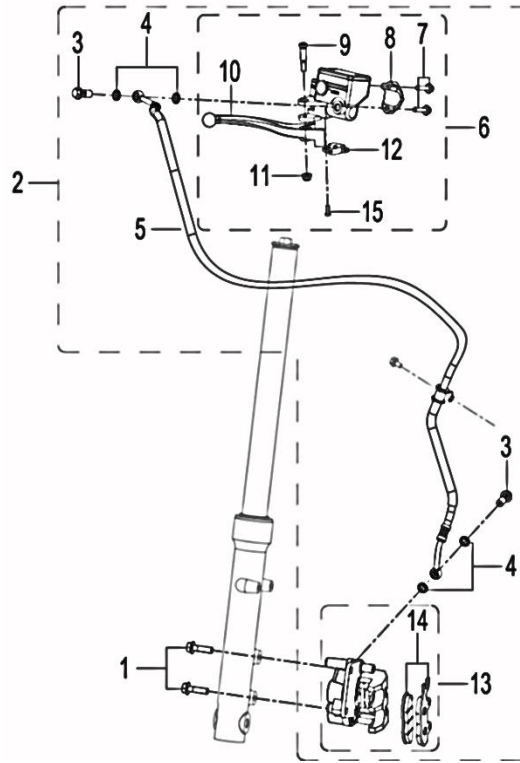
## F03 FRONT WHEEL ASSY



Nº	CÓDIGO	DESCRIÇÃO	Qt.	OBSERVAÇÕES
1	44004T090201	FRONT WHEEL SHAFT	1	
2	44200J820001	SPEEDO SENSOR GEARBOX	1	
3	B141104F171Z	TUBE AND TIRE	1	
4	B12016030100	BALL BEARING 6301-2RS	2	
5	44006J820000	MID. BUSH, FRONT WHEEL	1	
6	44101J82HT00	RIM, FRONT	1	
7	45033J820002	FRONT BRAKE DISC	1	
8	45036D010000	BOLT, BRAKE DISK	6	
9	44300J000000	OIL SEAL	1	
10	44016J820000	BUSH, FRONT WHEEL, RIGHT	1	
11	B0417121254H	NUT M12	1	

# RKS 125 SPORT

## F04 FRONT DISK BRAKE ASSY

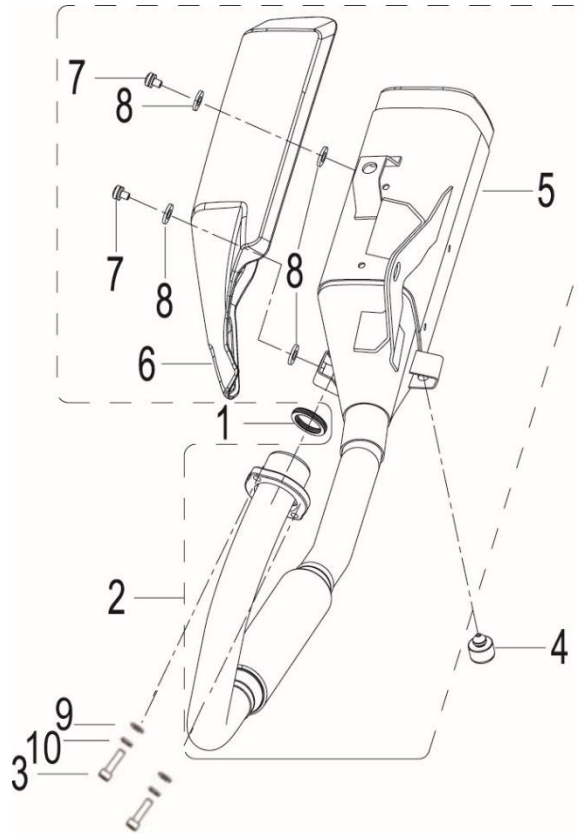


Nº	CÓDIGO	DESCRIÇÃO	Qt.	OBSERVAÇÕES
1	B0109080306H	BOLT M8X30	2	
2	45900K660001	FRONT BRAKE ASSY	1	
3	45037J000000	BRAKE HOSE BANJO BOLT	2	
4	45180J000000	WASHER	4	
5	45200J820000	FRONT BRAKE HOSE	1	
6	45400K660001	FRONT MASTER CYLINDER	1	
7	B01070602365	BOLT M6x23	2	
8	45023K010000	FRONT BRAKE MASTER CYLINDER HOLDER	1	
9	45076K010010	BRAKE LEVER PIVOT SCREW	1	
10	45020J800000	FRONT BRAKE LEVER	1	
11	B04170600055	NUT M6	1	
12	45300J000000	FRONT BRAKE SWITCH ASSY	1	
13	45600J820000	FRONT BRAKE CALIPER	1	
14	45110T400000	FRONT BRAKE PADS	1	
15	B02040401225	SCREW M4x12	1	



## RKS 125 SPORT

### F05 MUFFLER ASSY.

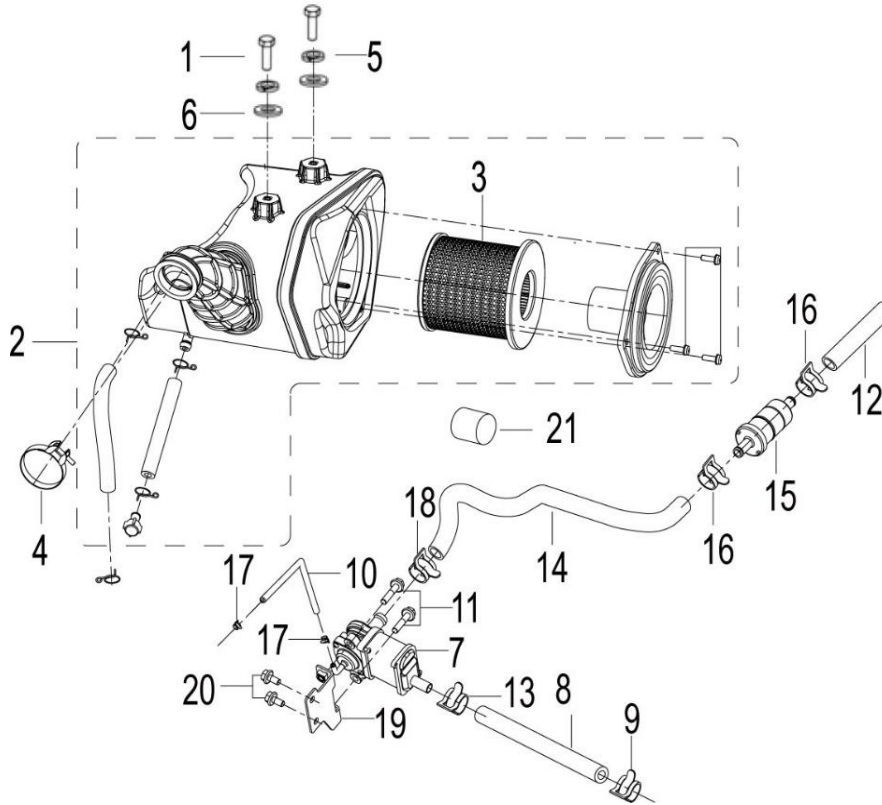


Nº	CÓDIGO	DESCRIÇÃO	Qt.	OBSERVAÇÕES
1	47800J060000	GASKET, EXHAUST PIPE	1	
2	47100U21003Z	MUFFLER ASSY,with catalyzer	1	
3	B0205080306L	ALLEN BOLT M8x30	2	
4	47026J000000	RUBBER CUSHION, MUFFLER	1	
5	47100U210003	MUFFLER COMP.with catalyzer	1	
6	47023N22HT00	MUFFLER DECORATED COVER,GREY HT	1	
7	B1306060160H	SCREW W/WASHER M6x16	2	
8	08022N050000	WASHER	4	
9	B0703000080A	WASHER	2	
10	B07000000804	WASHER 8	2	



# RKS 125 SPORT

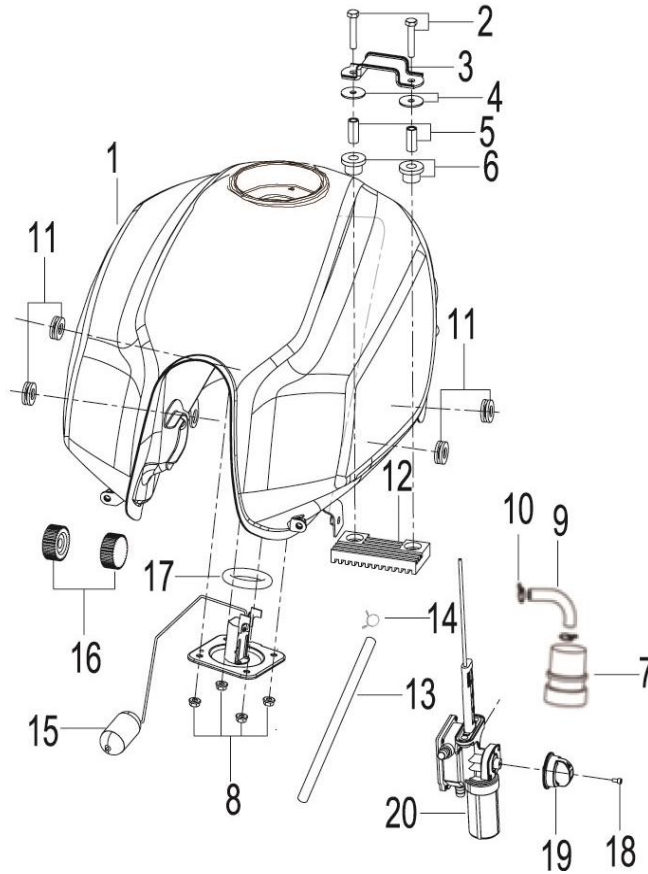
## F06 AIR CLEANER ASSY



Nº	CÓDIGO	DESCRIÇÃO	Qt.	OBSERVAÇÕES
1	B0101060162H	BOLT M6X12	2	
2	49100U210000	AIR FILTER ASSY	1	
3	49200U210000	FILTER ASSY.,material:paper	1	
4	49350J060002	CLIP ASSY	1	
5	B0700000060H	SPRING WASHER 6	2	
6	B0703000060H	WASHER 6	2	
7	49810J610000	VALVE BODY ASSY.	1	
8	49821J570000	CONNECT HOSE $\Phi 9 \times 15$	1	
9	49805G120000	PLATE CLAMP $\Phi 8.5 \times 8 \times 0.6$	1	
10	B16010403801	TUBE $\Phi 4 \times 8 \times 380$	1	
11	B0109060206H	BOLT M6X20	2	
12	49859J300000	PIPE,SMALL CLEANER	1	
13	49855J000000	PLATE CLAMP $\Phi 16.5$	1	
14	49856J300000	PIPE,SMALL CLEANER&VALVE BODY ASSY	1	
15	49870J300000	SAMLL CLEANER	1	
16	50307J140000	CLIP $\Phi 13.5 \times 12 \times 0.8$	2	
17	49806J000000	CLIP $\Phi 7 \times 7 \times 0.6$	2	
18	49855J000000	CLIP $\Phi 16.5 \times 10 \times 1$	1	
19	57050J830000	MOUNTING SEAT,VALVE BODY	1	
20	B0109060126H	BOLT M6X12	2	
21	49613B720000	SPONGE	1	

## RKS 125 SPORT

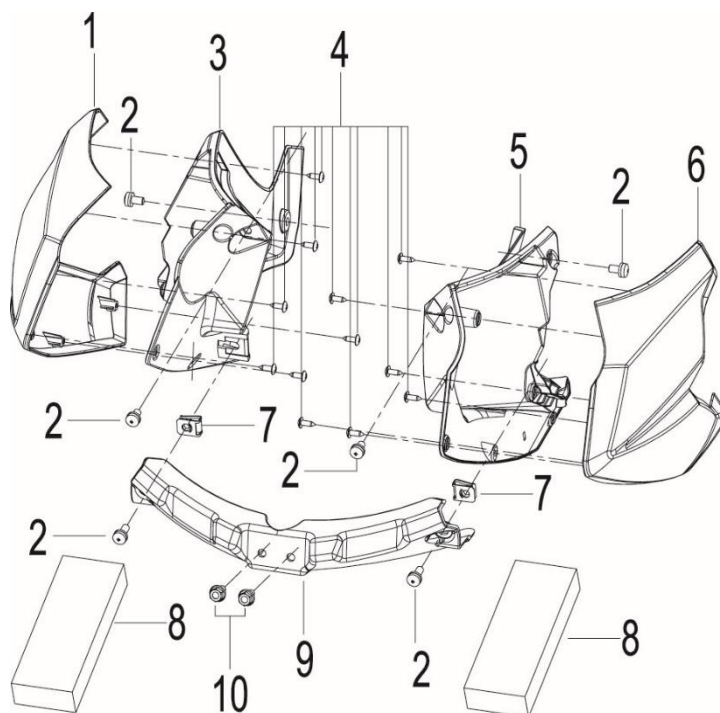
### F07 FUEL TANK ASSY



N°	CÓDIGO	DESCRIÇÃO	Qt.	OBSERVAÇÕES
1	50100U21010Z	FUEL TANK ASSY.,WHITE WF,with RKS KEEWAY	1	
1	50100U21006Z	FUEL TANK ASSY., BLACK BC,with RKS KEEWAY	1	
1	50100U21009Z	FUEL TANK ASSY.,GREY H2,with RKS KEEWAY	1	
1	50100U21007Z	FUEL TANK ASSY.,BLUE E4,with RKS KEEWAY	1	
2	B0100060356H	BOLT M6×35	2	
3	50138K980000	MOUNTING, SEAT, FRONT	1	
4	08023J000020	WASHER, MOUNTING	2	
5	50221J000001	CUSHION, FUEL TANK	2	
6	50222J000001	RUBBER SLEEVE	2	
7	50340G120003	STRAINER COMP, FUEL	1	
8	B0407060005H	NUT M6	4	
9	50301J000002	TUBE	1	
10	B17010085003	WIRE CLIPΦ8.5	3	
11	65618J800000	RUBBER CUSHION, GUARD BOARD	4	
12	50006J000001	MOUNTING PAD, FUEL TANK	1	
13	B16010724001	TUBE Φ7×11×400	1	
14	B17010105003	WIRE CLIPΦ10.5	1	
15	50800J820000	FUEL SENSOR ASSY	1	
16	50005J820000	MOUNTING PAD, FUEL TANK	2	
17	50002K020000	RUBBER CUSHION	1	
18	B0200040252H	SCREW M4×25	1	
19	50334J800000	SWITCH HANDLE	1	
20	50310J800010	SWITCH COCK, FUEL TANK	1	

## RKS 125 SPORT

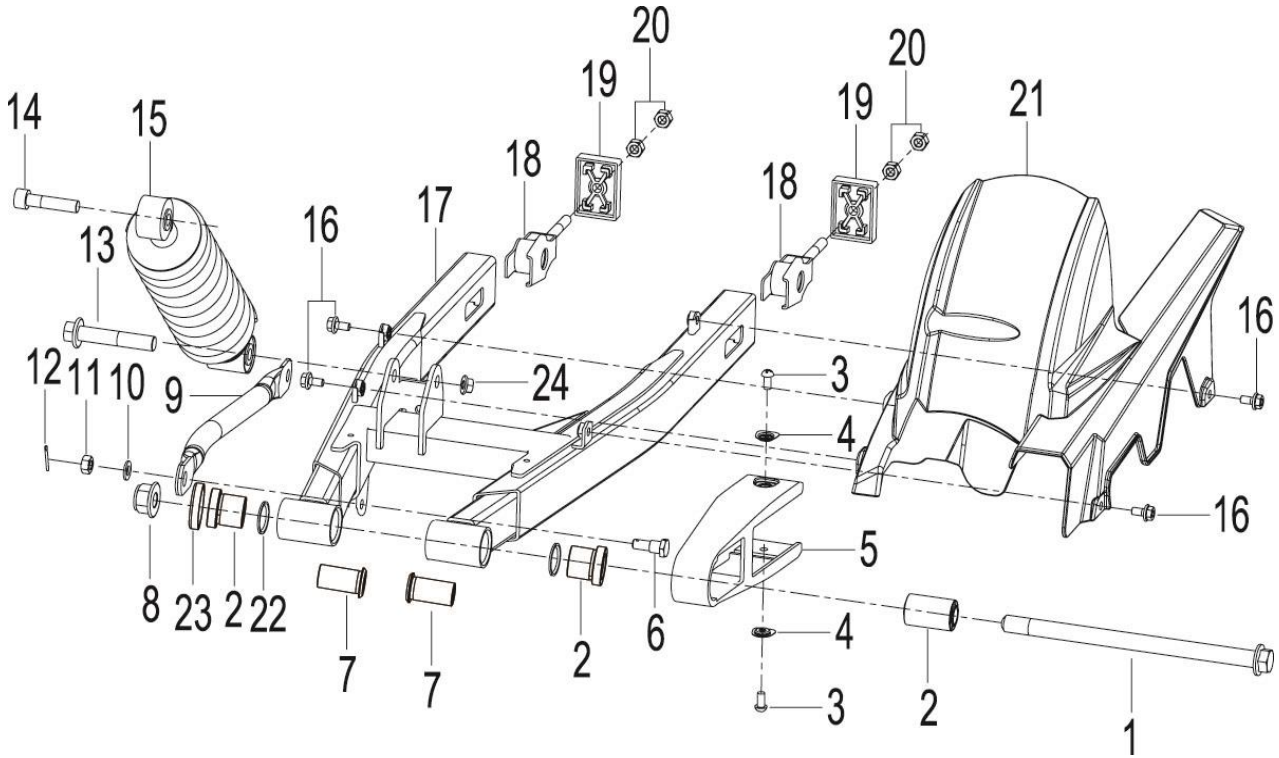
### F08 COVER,FUEL TANK ASSY



Nº	CÓDIGO	DESCRIÇÃO	Qt.	OBSERVAÇÕES
1	50016U21WF00	SIDE COVER, FUEL TANK,RH.,WHITE WF	1	S/ AUTOCOLANTES
1	50016U21BC00	SIDE COVER, FUEL TANK,RH.,GRAPHITE BLACK BC	1	S/ AUTOCOLANTES
1	50016U21H200	SIDE COVER, FUEL TANK,RH.,GREY H2	1	S/ AUTOCOLANTES
1	50016U21E400	SIDE COVER, FUEL TANK,RH.,BLUE E4	1	S/ AUTOCOLANTES
1	50016U21005Z	SIDE COVER, FUEL TANK,RH.,WHITE WF,with sticker	1	C/ AUTOCOLANTES
1	50016U21001Z	SIDE COVER, FUEL TANK,RH.,BLACK BC ,with sticker	1	C/ AUTOCOLANTES
1	50016U21004Z	SIDE COVER, FUEL TANK,RH.,GREY H2 ,with sticker	1	C/ AUTOCOLANTES
1	50016U21002Z	SIDE COVER, FUEL TANK,RH.,BLUE E4 ,with sticker	1	C/ AUTOCOLANTES
2	B0206060122H	SCREW M6x12	6	
3	65672U210000	INNER PLATE, FUEL TANK, RH	1	
4	B0507420130H	TAPPING SCREW ST4.2x13	12	
5	65671U210000	INNER PLATE, FUEL TANK, LH	1	
6	50015U21WF00	SIDE COVER, FUEL TANK,LH.,WHITE WF	1	S/ AUTOCOLANTES
6	50015U21BC00	SIDE COVER, FUEL TANK,LH.,GRAPHITE BLACK BC	1	S/ AUTOCOLANTES
6	50015U21H200	SIDE COVER, FUEL TANK,LH.,GREY H2	1	S/ AUTOCOLANTES
6	50015U21E400	SIDE COVER, FUEL TANK,LH.,BLUE E4	1	S/ AUTOCOLANTES
6	50015U21005Z	SIDE COVER, FUEL TANK,LH.,WHITE WF,with sticker	1	C/ AUTOCOLANTES
6	50015U21001Z	SIDE COVER, FUEL TANK,LH.,BLACK BC,with sticker	1	C/ AUTOCOLANTES
6	50015U21004Z	SIDE COVER, FUEL TANK,LH.,GREY H2,with sticker	1	C/ AUTOCOLANTES
6	50015U21002Z	SIDE COVER, FUEL TANK,LH.,BLUE E4,with sticker	1	C/ AUTOCOLANTES
7	65625J560000	CLIP NUT M6	2	
8	50026U200000	RUBBER STRIPE	2	
9	65673U210000	INNER PLATE LINKAGE, FUEL TANK	1	
10	B0109060126H	BOLT M6X12	2	

## RKS 125 SPORT

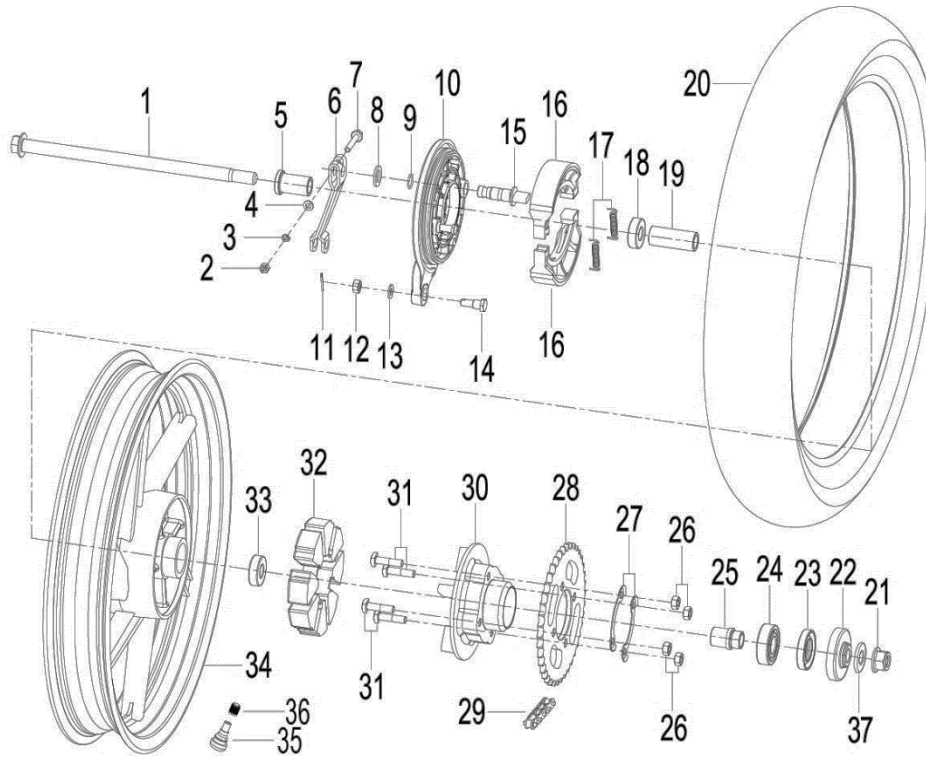
### F09 REAR SWINGING ARM ASSY



N°	CÓDIGO	DESCRIÇÃO	Qt.	OBSERVAÇÕES
1	53001J000100	PIVOT SHAFT, REAR SWING ARM 14x1.5x230	1	
2	53013J060006	BUSH	2	
3	B0200060122H	BOLT M6X12	2	
4	53018J800000	SPACER	2	
5	53004U210000	CHAIN BUFFER	1	
6	53002J000100	BOLT, PULL ROD	1	
7	53005J060006	BUSH, MIDDLE	2	
8	B0417141504H	NUT M14	1	
9	53300U210000	LINK ROD	1	
10	B0703000080H	WASHER	1	
11	B0400080005H	NUT M8	1	
12	B090002018AH	COTTER PIN 2x18	1	
13	08011U200100	BOLT, SUSPENSION	1	
14	B0255100508H	BOLT M10X1.25X50	1	
15	63800U210001	RR.SHOCK ABSORBER ASSY.	1	
16	08018B910100	BOLT M8x20	4	
17	53100U210000	SWING ARM ASSY	1	
18	53230N030030	CHAIN ADJUSTER,green	2	2015-2018
18	53230N030200	CHAIN ADJUSTER,silver	2	2018
19	53234N030020	PRESS PLATE, ADJUSTER, DRIVE CHAIN	2	
20	B0400080005H	NUT M8	4	
21	60101U210000	CHAIN COVER	1	
22	53210J060000	OIL SEAL	2	
23	53220J060000	DUST SEAL COMP.	2	
24	B0417101254H	NUT	1	

# RKS 125 SPORT

## F10 REAR WHEEL ASSY

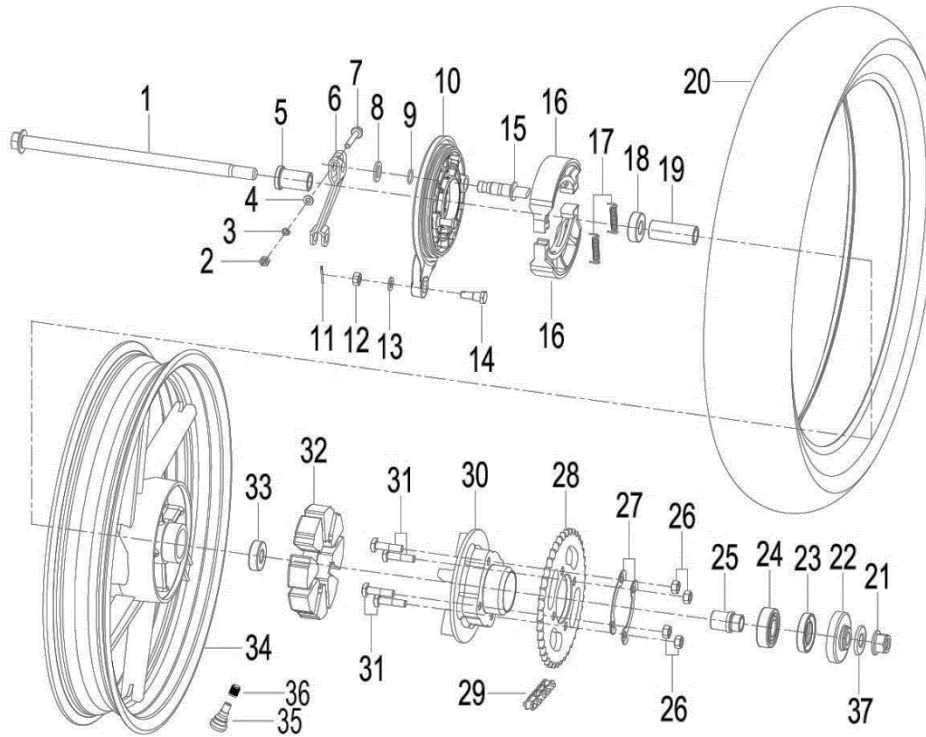


Nº	CÓDIGO	DESCRIÇÃO	Qt.	OBSERVAÇÕES
1	54004J040001	WHEEL AXLE, REAR	1	
2	B0400060005H	NUT M6	1	
3	B0700000060H	SPRING WASHER 6	1	
4	B0703000060H	WASHER 6	1	
5	54005U200000	BUSH,RIGHT, REAR WHEEL	1	
6	54007K670000	PIVOT ARM, REAR BRAKE	1	
7	B0109060356H	BOLT M6x35	1	
8	08022J000000	WASHER, CAM	1	
9	54021J000000	O-RING	1	
10	54400J82HT00	HUB COVER, REAR WHEEL	1	
11	B090002018AH	COTTER PIN 2x18	1	
12	B0400080005H	NUT M8	1	
13	B0703000080H	WASHER	1	
14	54023J000200	FIXING BOLT,COVER,REAR WHEEL HUB	1	
15	54003K670000	BRAKE CAM, REAR	1	
16	54200J000001	BRAKE SHOE ASSY	2	
17	54001J000000	SPING, BRAKE SHOES	2	
18	B12016030200	BALL BEARING 6302-2RS	1	
19	54006J820000	MIDDLE SPACER, REAR WHEEL	1	
20		TIRE 120/80-18	1	
21	B0417141504H	NUT M14	1	
22	54010J820000	LEFT SPACER, REAR WHEEL	1	
23	60200J000001	DUST SEAL COMP.	1	
24	B12016020400	BALL BEARING, 6204-2RS	1	
25	60006J000000	BUSH, DRIVEN SPROCKET	1	
26	B0400080005H	NUT M8	4	



# RKS 125 SPORT

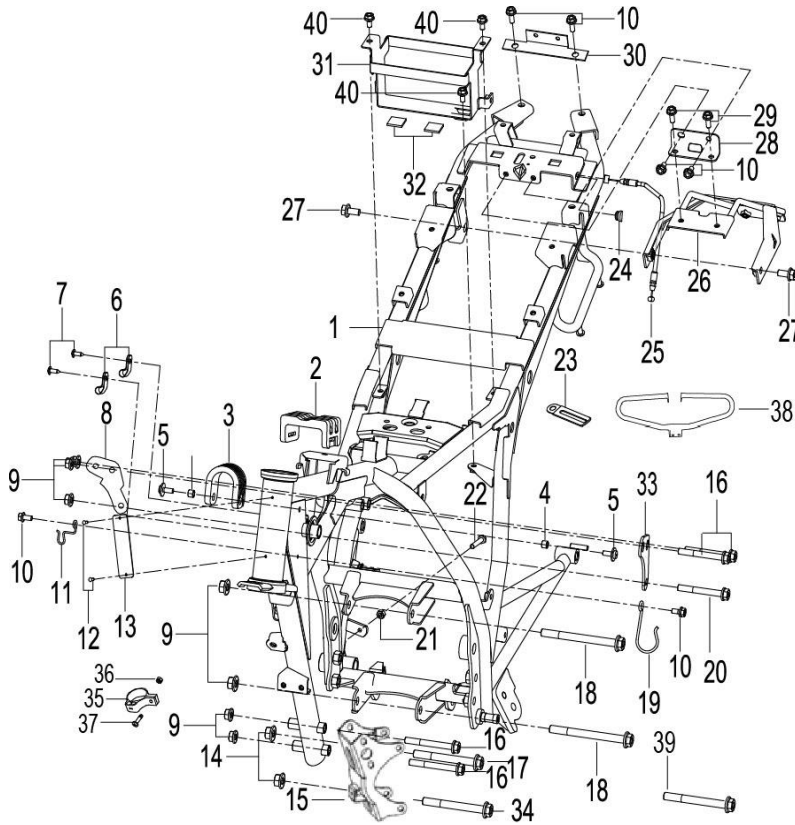
## F10 REAR WHEEL ASSY



N°	CÓDIGO	DESCRIÇÃO	Qt.	OBSERVAÇÕES
28	60002J040004	DRIVEN SPROCKET	1	
29	B1502W1128B0	CHAIN 428HG-1x128	1	
30	60001J83HT00	HUB, DRIVEN SPROCKET	1	
31	60015J000100	STUD BOLT, DRIVEN SPROCKET	4	
32	54024J820001	BUFFER BLOCK, REAR WHEEL	1	
33	B12016020200	BALL BEARING, 6202-2RS	1	
34	54100J82HT00	REAR RIM ASSY.	1	
37	08021K670100	WASHER $\phi 16 \times \phi 32 \times 2$	1	
	KRKV-TK	KIT TRANSMISSÃO	1	
	KRKV-TKP	KIT TRANSMISSÃO PERFORMANCE	1	CORRENTE O-RINGS

# RKS 125 SPORT

## F11 FRAME BODY ASSY

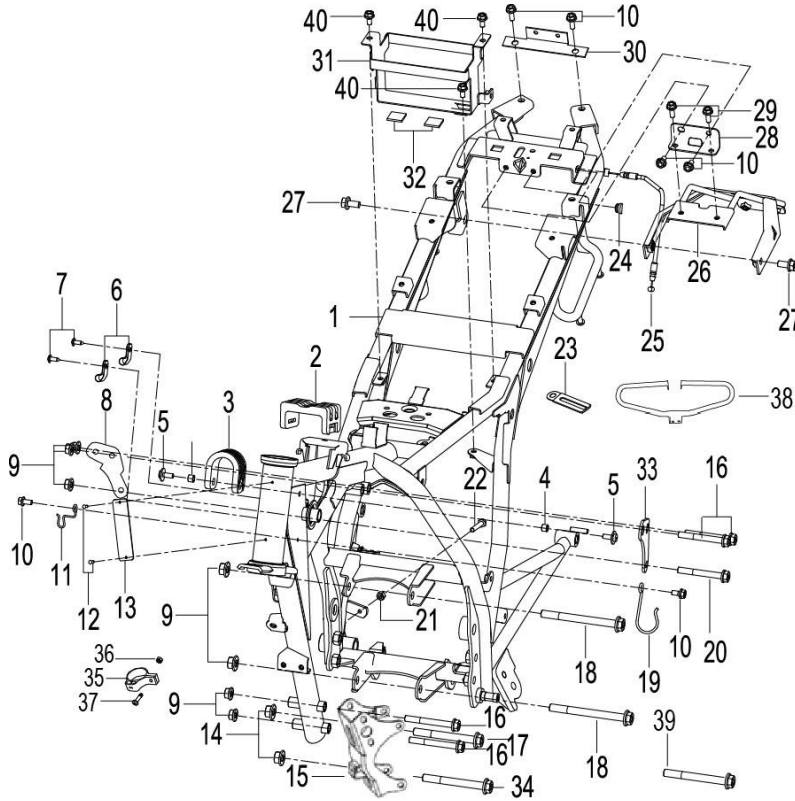


Nº	CÓDIGO	DESCRIÇÃO	Qt.	OBSERVAÇÕES
1	57100U210003	FRAME COMP.	1	
2	57169K670000	RUBBER CUSHION, FUEL TANK	1	
3	50005K670000	MOUNTING PAD, FUEL TANK	1	
4	08061K670000	BUSH	2	
5	B1306060160H	SCREW WITH WASHER, M6x16	2	
6	43070J670010	CLAMP, CLUTCH CABLE	2	
7	B0507480130H	TAPPING SCREW ST4.8x13	2	
8	57009J060070	BRACKET ASSY., ENGINE (LEFT&RR)	1	
9	B0407080005H	NUT M8	7	
10	B0109060126H	BOLT M6X12	6	
11	57012J560000	THROTTLE CABLE CLAMP	1	
12	B10000300600	SIGN RIVETS 3x6	2	
13	57001U210000	ID PLATE, FRAME, for 125cc	1	
14	B0418101255H	NUT M10 X 1.25	2	
15	57020J830001	BRACKET ASSY., ENGINE (FRONT)	1	
16	B0109080706H	BOLT M8x70	4	
17	B0159101006H	BOLT M10x1.25x100	2	
18	B0109080886H	BOLTM8*88	2	
19	57131J820000	CLAMP, WIRE HARNESS	1	
20	B0109080556H	BOLT M8X55	1	
21	B0400060005H	NUT M6	1	
22	B0101060402H	BOLT M6x40	1	
23	58430J000000	CLIP	1	



# RKS 125 SPORT

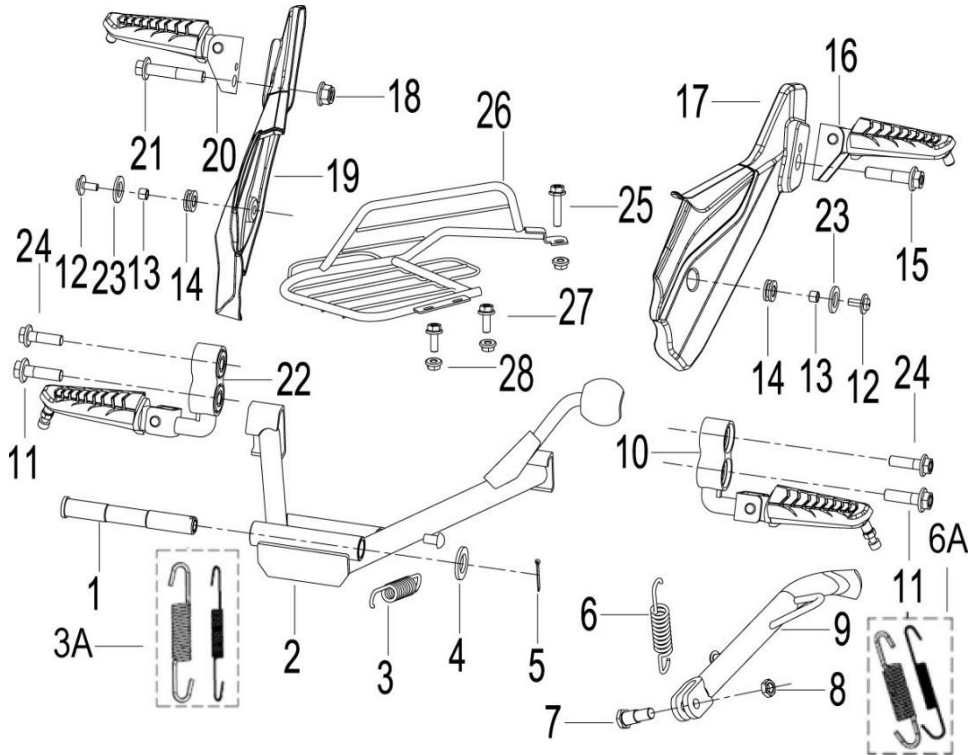
## F11 FRAME BODY ASSY



Nº	CÓDIGO	DESCRIÇÃO	Qt.	OBSERVAÇÕES
24	57038J110002	RUBBER PLUG, SEAT CABLE	1	
25	58900H180000	CABLE COMP, SEAT LOCK	1	
26	65770U210000	BRACKET ASSY., REAR FENDER	1	
27	B0109080166H	BOLT M8X16	2	
28	65721U210000	REINFORCEMENT PLATE, REAR MUDGUARD	1	
29	B0109060166H	BOLT M6X12	2	
30	08307J820000	BRACKET, TAIL LIGHT	1	
31	58820U210000	BRACKET COMP, BATTERY	1	
32	58752J00000A	SPONGE PAD, BATTERY	2	
33	57008J060070	BRACKET ASSY.,ENGINE (UPPER RIGHT)	1	
34	B0159101136H	BOLT M10x1.25x113	1	
35	57013J000000	CABLE WIRE CLIP	1	
36	B0400050005H	NUT M5	1	
37	B0200050252H	BOLT M5x25	1	
40	B0107060126H	BOLT M6X12	3	

# RKS 125 SPORT

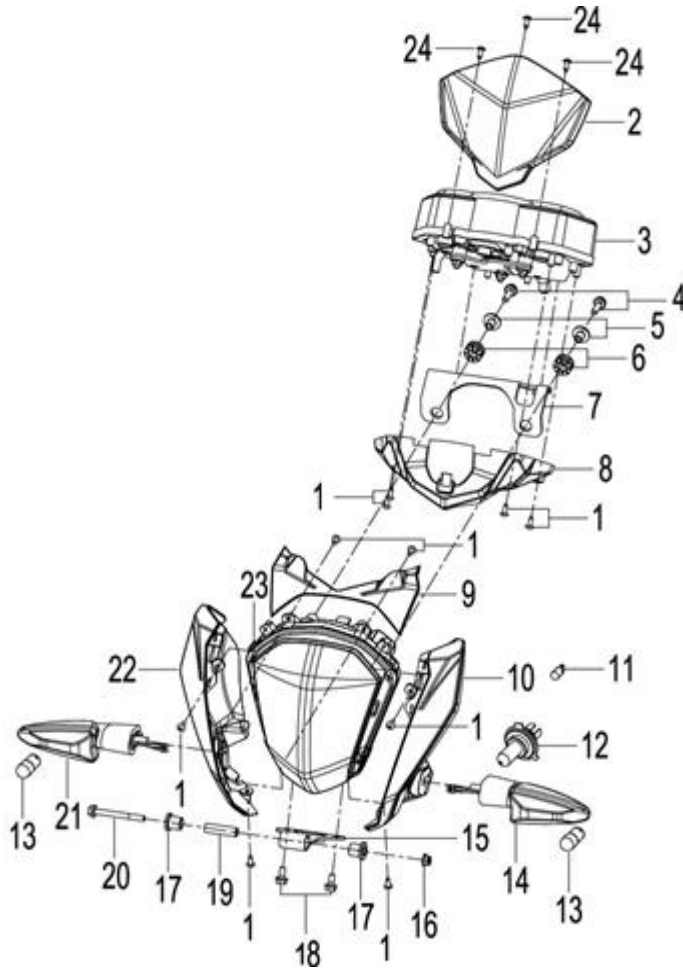
## F12 PEDAL ASSY



Nº	CÓDIGO	DESCRIÇÃO	Qt.	OBSERVAÇÕES
1	58501J000010	AXLE. MAIN STAND	1	
2	58520L160000	MID STAND ASSY.	1	
3A	58510J830000	DOUBLE SPRING, MAIN STAND	1	
4	B0701000160H	WASHER 16	1	
5	B090003025AH	COTTER PIN 3X25	1	
6A	57010J830000	DOUBLE SPRING, SIDE STAND	1	
7	57005J000202	BOLT, SIDE STAND	1	
8	B0406101256H	NUT M10 X 1.25	1	
9	58700J830001	SIDE STAND COMP.	1	
10	58220K790000	FOOTREST COMP, FRONT, LEFT	1	
11	B0159100256H	BOLT M10x1.25x25	2	
12	B0109060256H	BOLT M6x25	2	
13	65627J820000	BUSH, REAR COVER	2	
14	65618J820000	RUBBER CUSHION, GUARD BOARD	2	
15	B0109100456H	BOLT M10x45	1	
16	58260K670000	FOOTREST COMP, REAR, LEFT	1	
17	58211J82H800	SIDE COVER, LEFT	1	
18	B0418101255H	NUT M10 X 1.25	1	
19	58311J82H800	GARNISH COVER, RIGHT	1	
20	58280K670000	FOOTREST COMP, REAR, RIGHT	1	
21	B0159100556H	BOLT M10x1.25x55	1	
22	58240K790000	FOOTREST COMP, FRONT, RIGHT	1	
23	B0702000060H	WASHER 6	2	
24	B0109080256H	BOLT M8x25	2	

## RKS 125 SPORT

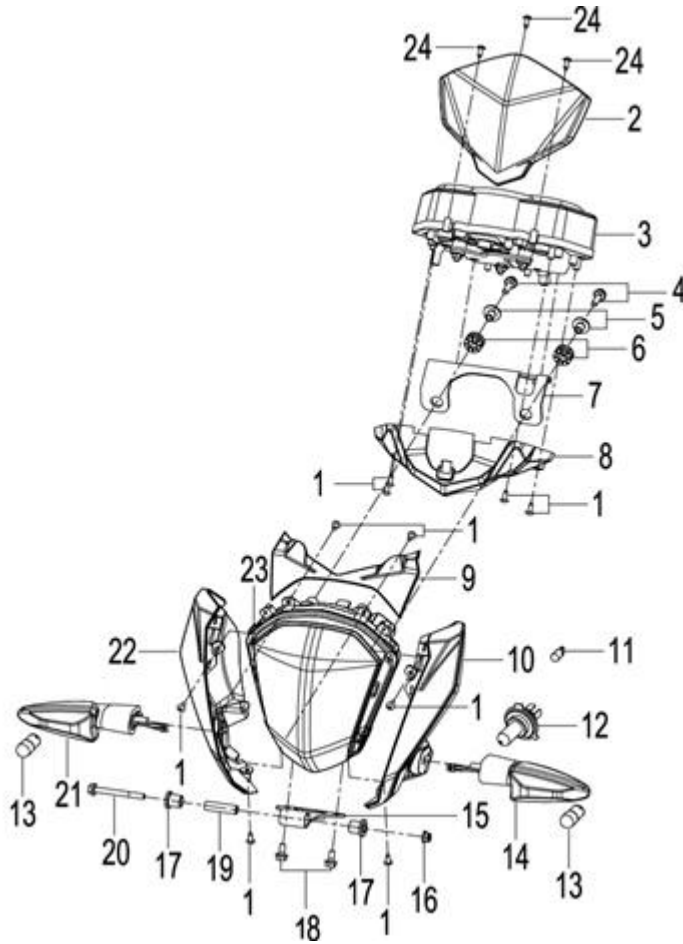
### F13 FRONT COVER ASSY



Nº	CÓDIGO	DESCRIÇÃO	Qt.	OBSERVAÇÕES
1	B0500420130H	SCREW ST4.2x13	9	
2	65203U21BH00	WINDSHIELD, METER	1	
3	70000U200002	METER ASSY	1	
3	70000U200005	METER ASSY	1	
3	70000U200008	METER ASSY	1	
4	B0109060206H	BOLT M6X20	2	
5	65913J820000	BUSH, COVER	2	
6	65618J820000	RUBBER CUSHION, GUARD BOARD	2	
7	08330U210000	BRACKET, HEADLIGHT	1	
8	65543U210000	MOUNTING PLATE, METER	1	
9	65541U210000	MOUNTING PLATE, COWLING	1	
10	65521U210050	MOUNTING PLATE, LH,WHITE/BLACK WF/B4	1	
10	65521U210010	MOUNTING PLATE, LH,GRAPHITE BLACK BC/B4	1	
10	65521U210040	MOUNTING PLATE, LH,GREY/MATTE BLACK H2/B4	1	
10	65521U210020	MOUNTING PLATE, LH,BLUE/MATTE BLACK E4/B4	1	
10	65521U210030	MOUNTING PLATE, LH,RED/MATTE BLACK F9/B4	1	
11	B24010321180	BULB 12V3W	1	
12	B240103200F0	BULB 12V35/35W	1	
13	B24014020002	BULB 12V10W	2	
14	81100J820000	FRONT LEFT TURN SIGNAL LIGHT	1	
15	08345U210000	BRACKET, HEADLIGHT, LOWER	1	

## RKS 125 SPORT

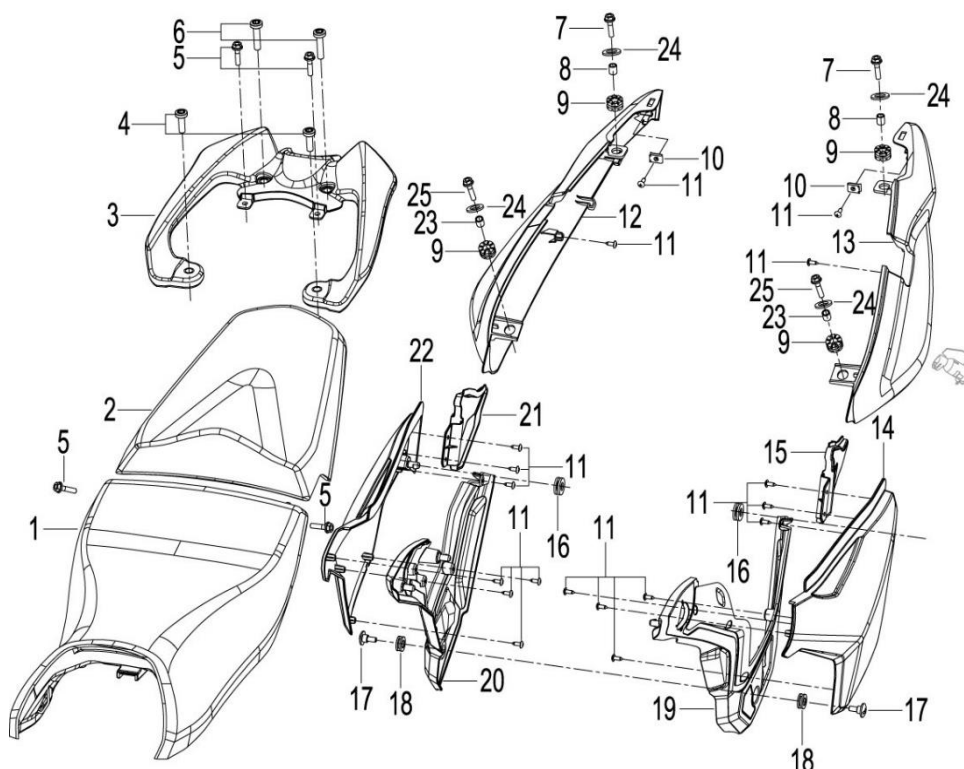
### F13 FRONT COVER ASSY



Nº	CÓDIGO	DESCRIÇÃO	Qt.	OBSERVAÇÕES
16	B0417060004H	U-NUT M10	1	
17	08524P250000	CUSHION, HEADLIGHT	1	
18	B0109060166H	BOLT M6X12	2	
19	08523P250000	MOUNTING BUSH, HEADLIGHT, LOWER	1	
20	B0109060556H	BOLT M6x55	1	
21	81300J820000	FRONT RIGHT TURN SIGNAL LIGHT	1	
22	65531U210050	MOUNTING PLATE, RH, WF/BG DBS WHITE	1	
22	65531U210010	MOUNTING PLATE, RH,GRAPHITE BLACK BC/B4	1	
22	65531U210040	MOUNTING PLATE, RH,GREY/MATTE BLACK H2/B4	1	
22	65531U210020	MOUNTING PLATE, RH,BLUE/MATTE BLACK E4/B4	1	
22	65531U210030	MOUNTING PLATE, RH,RED/MATTE BLACK F9/B4	1	
23	80000U210000	HEADLIGHT	1	
24	B0507400120H	TAPPING SCREW ST4X12	3	

## RKS 125 SPORT

### F14 SIDE COVER & SEAT & REAR CARRIER

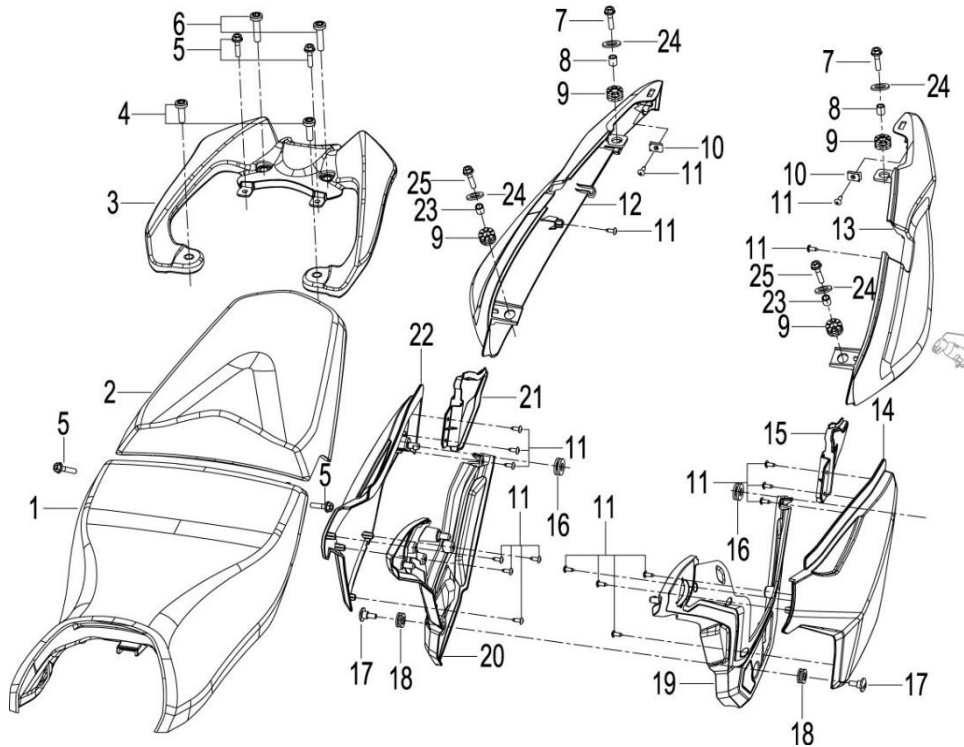


Nº	CÓDIGO	DESCRIÇÃO	Qt.	OBSERVAÇÕES
1	51100U210010	FRONT SEAT ASSY.,35# LEATHER	1	
2	51200U210010	REAR SEAT ASSY.,WITHOUT MARK,35# LEATHER	1	
3	52002J82B400	REAR CARRIER,MATTE BLACK B4	1	
4	52018J800000	BOLT I, RR CARRIER	2	
5	B0109060166H	BOLT M6X12	4	
6	52019J800000	BOLT II, RR CARRIER	2	
7	B0109060256H	BOLT M6x25	2	
8	65627J820000	BUSH, REAR COVER	4	
9	47028G220000	RUBBER SLEEVE	4	
10	65801T020001	CLIP NUT ST4.2	2	
11	B0500420130H	SCREW ST4.2x13	18	
12	65902J82WF00	TAIL COVER,RH.,WHITE WF,without sticker	1	S/ AUTOCOLANTE
12	65902J82BC00	TAIL COVER,RH,GRAPHITE BLACK BC,without sticker	1	S/ AUTOCOLANTE
12	65902J82H200	TAIL COVER,RH.,GREY H2,without sticker	1	S/ AUTOCOLANTE
12	65902J82E400	TAIL COVER,RH.,BLUE E4,without sticker	1	S/ AUTOCOLANTE
12	65902J82110Z	TAIL COVER,RH.,WHITE WF,with 125 sticker	1	C/ AUTOCOLANTE
12	65902J82107Z	TAIL COVER,RH,GRAPHITE BLACK BC,with sticker	1	C/ AUTOCOLANTE
12	65902J82121Z	TAIL COVER,RH.,GREY H2,with 125 sticker	1	C/ AUTOCOLANTE
12	65902J82120Z	TAIL COVER,RH.,BLUE E4,with 125 sticker	1	C/ AUTOCOLANTE
13	65901J82WF00	TAIL COVER,LH.,WHITE WF	1	S/ AUTOCOLANTE
13	65901J82BC00	TAIL COVER,LH.,GRAPHITE BLACK BC	1	S/ AUTOCOLANTE
13	65901J82H200	TAIL COVER,LH.,GREY H2	1	S/ AUTOCOLANTE
13	65901J82E400	TAIL COVER,LH.,BLUE E4	1	S/ AUTOCOLANTE
13	65901J82107Z	TAIL COVER,LH.,WHITE WF,with 125 sticker	1	C/ AUTOCOLANTE
13	65901J82104Z	TAIL COVER,LH.GRAPHITE BLACK BC,with sticker	1	C/ AUTOCOLANTE
13	65901J82118Z	TAIL COVER,LH.,GREY H2,with 125 sticker	1	C/ AUTOCOLANTE
13	65901J82117Z	TAIL COVER,LH.,BLUE E4,with 125 sticker	1	C/ AUTOCOLANTE



# RKS 125 SPORT

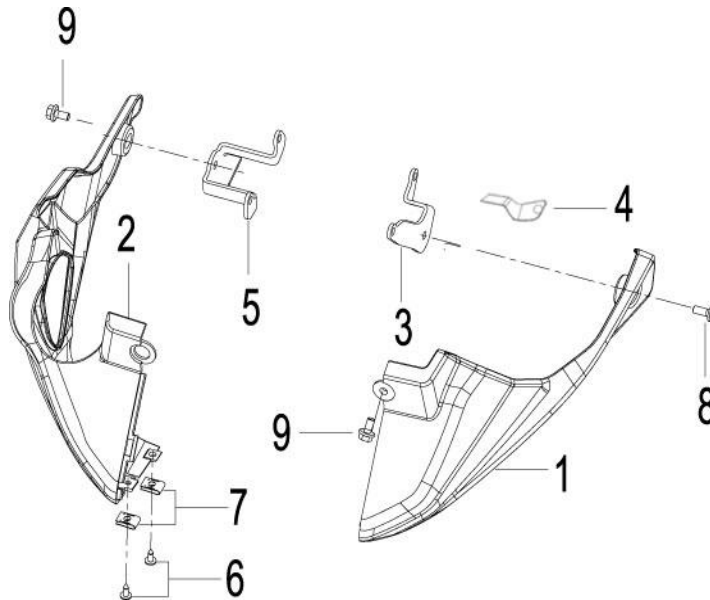
## F14 SIDE COVER & SEAT & REAR CARRIER



Nº	CÓDIGO	DESCRIÇÃO	Qt.	OBSERVAÇÕES
14	65601U21WF00	SIDE COVER,LH.,WHITE WF,without sticker	1	S/ AUTOCOLANTE
14	65601U21BC00	SIDE COVER,LH.GRAP. BLACK BC,without sticker	1	S/ AUTOCOLANTE
14	65601U21H200	SIDE COVER,LH.,GREY H2,without sticker	1	S/ AUTOCOLANTE
14	65601U21E400	SIDE COVER,LH.,BLUE E4,without sticker	1	S/ AUTOCOLANTE
14	65601U21005Z	SIDE COVER,LH.,WHITE WF	1	C/ AUTOCOLANTE
14	65601U21001Z	SIDE COVER,LH.,GRAPHITE BLACK BC	1	C/ AUTOCOLANTE
14	65601U21004Z	SIDE COVER,LH.,GREY H2	1	C/ AUTOCOLANTE
14	65601U21002Z	SIDE COVER,LH.,BLUE E4	1	C/ AUTOCOLANTE
15	65629U21BG00	GARNISH PLATE, SIDE COVER, LH, REAR	1	
16	65618J000000	RUBBER PAD, COVER	2	
17	08001J800000	SCREW	2	
18	65618J820000	RUBBER CUSHION, GUARD BOARD	2	
19	65621U210000	GARNISH PLATE, SIDE COVER, LEFT	1	
20	65622U210000	GARNISH PLATE, SIDE COVER, RIGHT	1	
21	65631U21BG00	GARNISH PLATE, SIDE COVER, RH, REAR	1	
22	65602U21WF00	SIDE COVER,RH.,WHITE WF,without sticker	1	S/ AUTOCOLANTE
22	65602U21BC00	SIDE COVER,RH.GRAP. BLACK BC,without sticker	1	S/ AUTOCOLANTE
22	65602U21H200	SIDE COVER,RH.,GREY H2,without sticker	1	S/ AUTOCOLANTE
22	65602U21E400	SIDE COVER,RH.,BLUE E4,without sticker	1	S/ AUTOCOLANTE
22	65602U21005Z	SIDE COVER,RH.,WHITE WF,with sticker	1	C/ AUTOCOLANTE
22	65602U21001Z	SIDE COVER,RH.,GRAPHITE BLACK BC,with sticker	1	C/ AUTOCOLANTE
22	65602U21004Z	SIDE COVER,RH.,GREY H2,with sticker	1	C/ AUTOCOLANTE
22	65602U21002Z	SIDE COVER,RH.,BLUE E4,with sticker	1	C/ AUTOCOLANTE
23	65913J820000	BUSH, COVER	2	
24	B0702000060H	WASHER 6	4	
25	B0109060206H	BOLT M6X20	2	

## RKS 125 SPORT

### F15 BOTTOM COVER

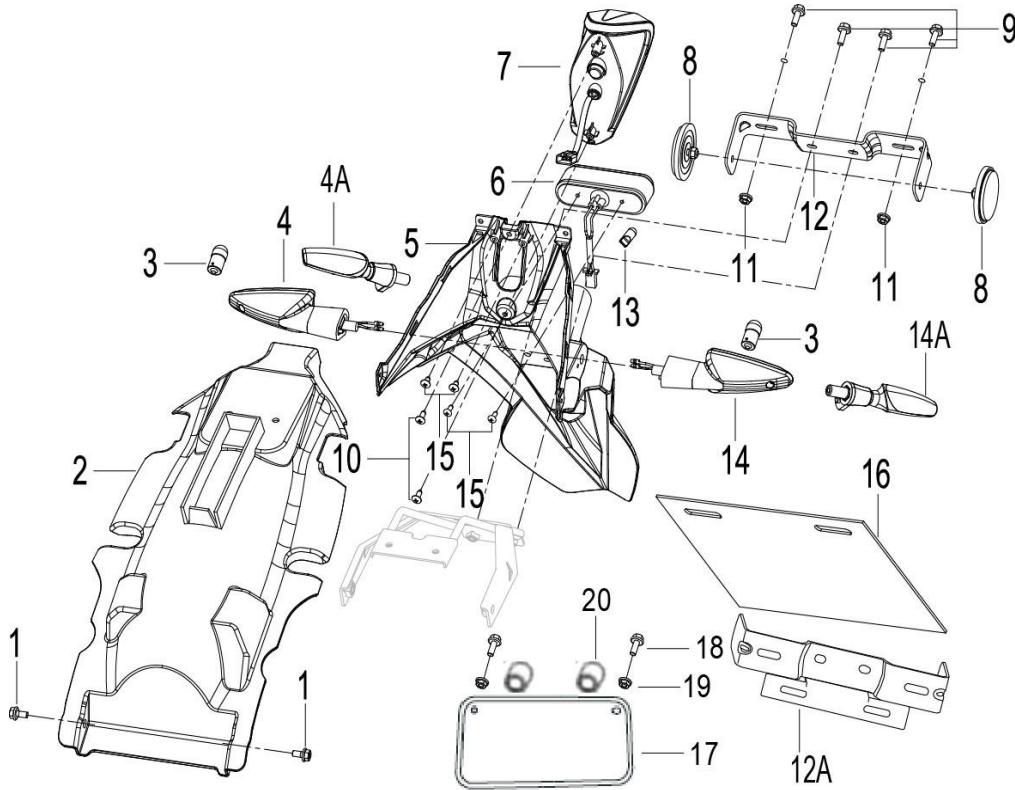


Nº	CÓDIGO	DESCRIÇÃO	Qt.	OBSERVAÇÕES
1	65406J83WF00	UNDER SPOILER,LEFT,WHITE WF	1	S/ AUTOCOLANTE
1	65406J83BC00	UNDER SPOILER,LEFT,GRAPHITE BLACK BC	1	S/ AUTOCOLANTE
1	65406J83H200	UNDER SPOILER,LEFT,GREY H2	1	S/ AUTOCOLANTE
1	65406J83E400	UNDER SPOILER,LEFT,BLUE E4	1	S/ AUTOCOLANTE
1	65406J83013Z	UNDER SPOILER,LEFT,WHITE WF	1	C/ AUTOCOLANTE
1	65406J83009Z	UNDER SPOILER,LEFT,GRAPHITE BLACK BC	1	C/ AUTOCOLANTE
1	65406J83012Z	UNDER SPOILER,LEFT,GREY H2	1	C/ AUTOCOLANTE
1	65406J83010Z	UNDER SPOILER,LEFT,BLUE E4	1	C/ AUTOCOLANTE
2	65407J83WF00	UNDER SPOILER,RIGHT,WHITE WF	1	S/ AUTOCOLANTE
2	65407J83BC00	UNDER SPOILER,RIGHT,GRAPHITE BLACK BC	1	S/ AUTOCOLANTE
2	65407J83H200	UNDER SPOILER,RIGHT,GREY H2	1	S/ AUTOCOLANTE
2	65407J83E400	UNDER SPOILER,RIGHT,BLUE E4	1	S/ AUTOCOLANTE
2	65407J83013Z	UNDER SPOILER,RIGHT,WHITE WF	1	C/ AUTOCOLANTE
2	65407J83009Z	UNDER SPOILER,RIGHT,GRAPHITE BLACK BC	1	C/ AUTOCOLANTE
2	65407J83012Z	UNDER SPOILER,RIGHT,GREY H2	1	C/ AUTOCOLANTE
2	65407J83010Z	UNDER SPOILER,RIGHT,BLUE E4	1	C/ AUTOCOLANTE
3	65430J830000	BRACKET, UNDER SPOILER, LH	1	
4	65436J830000	INSULATOR PAD, UNDER SPOILER	1	
5	65440J830000	BRACKET, UNDER SPOILER, RH	1	
6	B0500420130H	SCREW ST4.2x13	2	
7	65801T020001	CLIP NUT ST4.2	2	
8	B0109060166H	BOLT M6X16	1	
9	B0109060206H	BOLT M6X20	2	



## RKS 125 SPORT

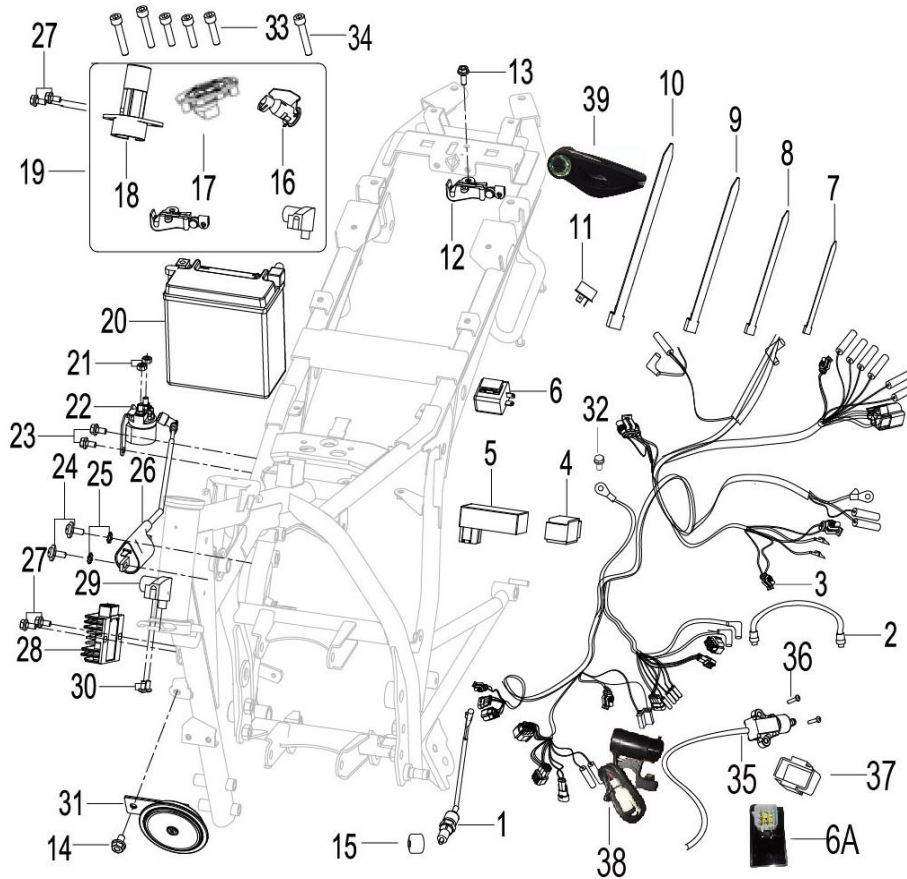
### F16 REAR FENDER ASSY



N°	CÓDIGO	DESCRIÇÃO	Qt.	OBSERVAÇÕES
1	B0109060126H	BOLT M6X12	2	
2	65731U210000	FORESIDE ASSY., RR. FENDER	1	
3	B24014020002	BULB 12V10W	2	
4	81700J820000	WINKER REAR, RIGHT	1	
5	65701U210000	REAR FENDER	1	
6	82900D010000	REAR LICENSE PLATE LAMP	1	
7	82000J800000	REAR LIGHT	1	
8	86300N060000	SIDE REFLECTOR	2	
9	B0109060166H	BOLT M6X12	4	
10	B0500480160H	SCREW ST4.8x16	2	
11	B0407060005H	NUT M6	2	
12	08252N210000	MOUNTING PLATE, REAR LICENSE	1	
13	B24013120000	BULB W5W	1	
14	81500J820000	WINKER REAR, LEFT	1	
15	B0507420130H	TAPPING SCREW ST4.2x13	4	

# RKS 125 SPORT

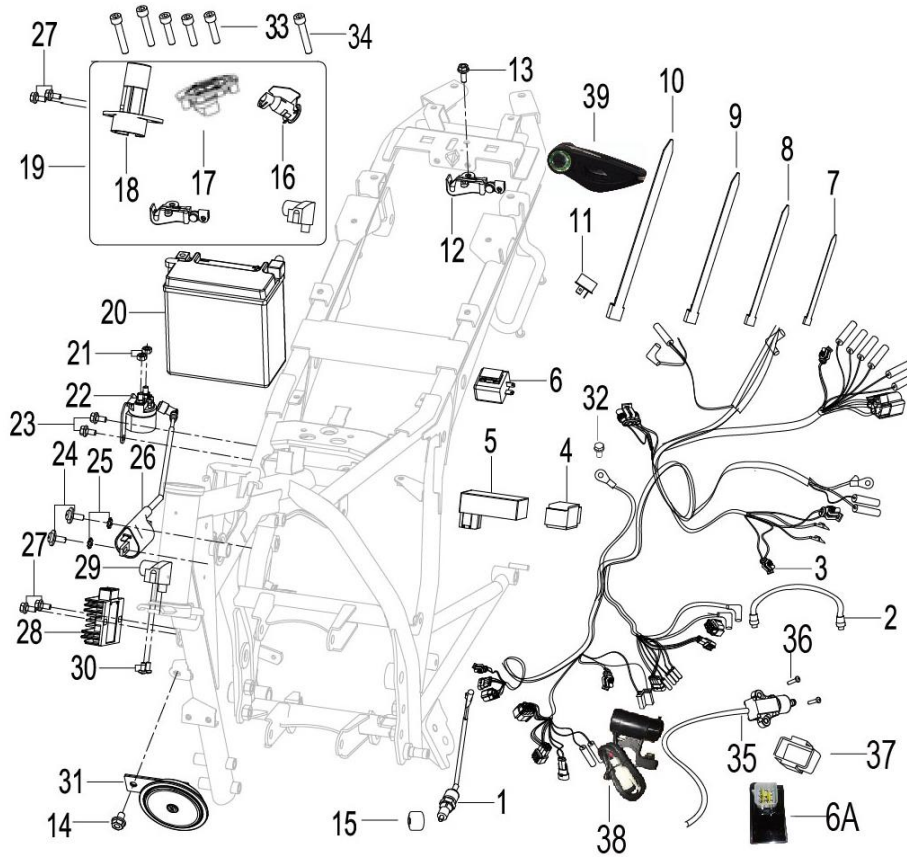
## F17 ELECTRICAL EQUIPMENT ASSY



Nº	CÓDIGO	DESCRIÇÃO	Qt.	OBSERVAÇÕES
1	91030K670000	SWITCH, REAR BRAKE	1	
2	92500U200000	GROUND WIRE	1	
3	92000L170005	WIRE HARNESS ASSY	1	LUZES AUTOMÁTICAS
4	96007B720001	BOOT, CDI	1	
5	299053090030	CDI COMP	1	
6	96400K010001	FLASHER	1	
6A	96400H390001	FLASHER	1	
7	96001J000000	BAND, 150MM	6	
8	96002J000000	BAND, 200MM	2	
9	96003J000000	BAND, 250MM	2	
10	96004J000000	BAND, 300MM	1	
11	96700K060000	START DIODE	1	
12	58800J210000	SEAT ASSY,LOCK	1	
13	B0109060126H	BOLT M6X12	1	
14	B0109080166H	BOLT M8X16	2	
15	02693J000000	RUBBER BOOT, BRAKE SWITCH	1	
16	88800J820000	SEAT ASSY,LOCK	1	
17	88400J820006	CAP COMP,FUEL TANK	1	
18	88100J83000A	MAIN SWITCH ASSY.,key with keeway	1	
19	88000J83000A	LOCK SETS,key with keeway	1	
20	B12N7-4A	BATTERY	1	
21	B0407060005H	NUT M6	2	

# RKS 125 SPORT

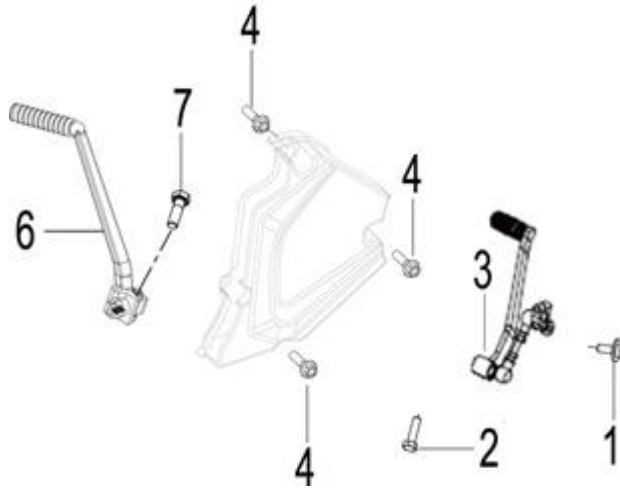
## F17 ELECTRICAL EQUIPMENT ASSY



Nº	CÓDIGO	DESCRIÇÃO	Qt.	OBSERVAÇÕES
22	94100J000002	START MAG. SWITCH COMP	1	
23	B0107060126H	BOLT M6x12	2	
24	B1304050200H	SCREW WITH WASHER, M5x20	2	
25	B0721000050H	SPECIAL WASHERφ5	2	
26	96200J410000	IG. COIL COMP	1	
27	B0109060166H	BOLT M6X12	4	
28	299064010000	RECTIFIER.	1	
29	88300J000000	FRAME LOCK,key	1	
30	B1304050120H	SCREW WITH WASHER, M5x12	1	
31	95100J820000	HORN	1	
32	B1317060120H	BOLT M6X12	1	
33	B0280050140A	INNER HEXAGON SCREW M5X14	3	
34	B0280050300A	INNER HEXAGON SCREW M5X30	3	
35	91170N070000	FLAMEOUT SWITCH,SIDE STAND	1	
36	B0200050162H	SCREW M5x16	2	
39	88910S01090X	BLANK KEY	1	

# RKS 125 SPORT

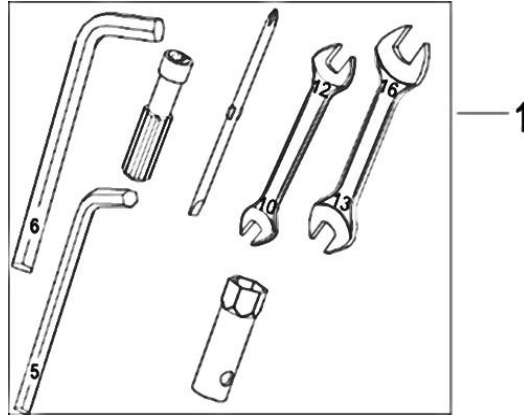
## F18 ENGINE AND ATTACHMENT ASSY



N°	CÓDIGO	DESCRIÇÃO	Qt.	OBSERVAÇÕES
1	B1306060160H	SCREW WITH WASHER, M6x16	1	
2	B0103060226H	BOLT M6x22	1	
3	08370J830001	GEAR-SHIFT PEDAL LEVER ASSY	1	
4	B0107060306H	BOLT M6x30	3	
6	08350K670011	KICK STARTER ASSY	1	
7	B0103080256H	BOLT M8X25	1	

# RKS 125 SPORT

F18 TOOL KIT ASSY



N°	CÓDIGO	DESCRIÇÃO	Qt.	OBSERVAÇÕES
1	02100K670001	TOOL KIT	1	

## RKS 125 SPORT

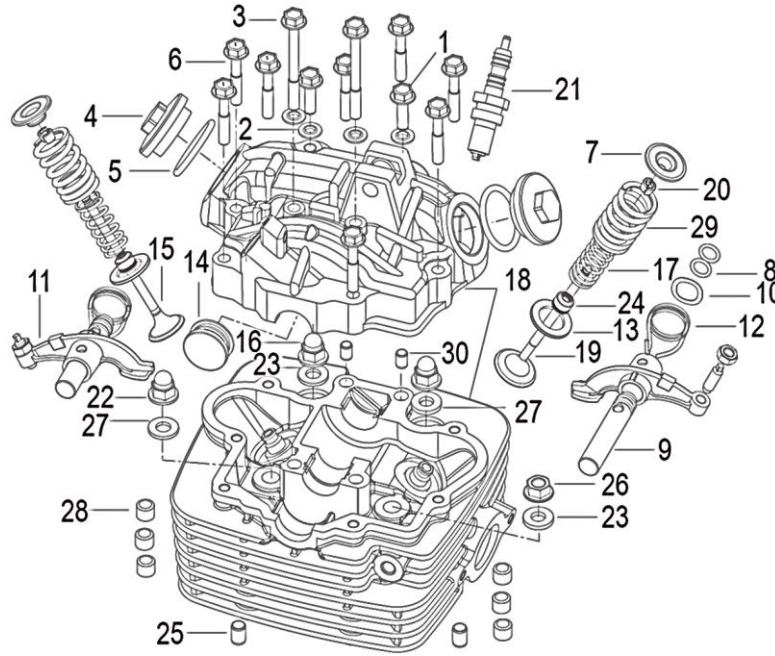
### F20 STICKER



Nº	CÓDIGO	DESCRIÇÃO	Qt.	OBSERVAÇÕES
1	05571J83BC03	125 STICKER, TAIL COVER, LEFT	1	
2	05572J83BC03	125 STICKER, TAIL COVER, RIGHT	1	
3	05512L17WF01	STICKER, SIDE COVER, RIGHT	1	
4	05511L17WF01	STICKER, SIDE COVER, LEFT	1	
5	05537L17WF01	STICKER, FUEL TANK COVER, RIGHT	1	
6	05536L17WF01	STICKER, FUEL TANK COVER, LEFT	1	
7	05513L170001	STICKER II, SIDE COVER	2	
8	05541L170001	STICKER, UNDER COVER, LEFT	1	
9	05542L170001	STICKER, UNDER COVER, RIGHT	1	
10	05531L17WF01	STICKER, UPPER, FUEL TANK	1	
11	05538L17WF01	STICKER, DOWN, FUEL TANK	1	
12	05539L17WF01	STICKER, FUEL TANK	1	
13	05534L170001	STICKER, FUEL TANK, REAR LEFT	1	
14	05535L170001	STICKER, FUEL TANK, REAR RIGHT	1	
17	05532L17WF00	RKS KEEWAY STICKER, RIGHT	1	
18	05531L17WF00	RKS KEEWAY STICKER, LEFT	1	

## RKS 125 SPORT

### E01 COVER CYLINDER HEAD ASSY

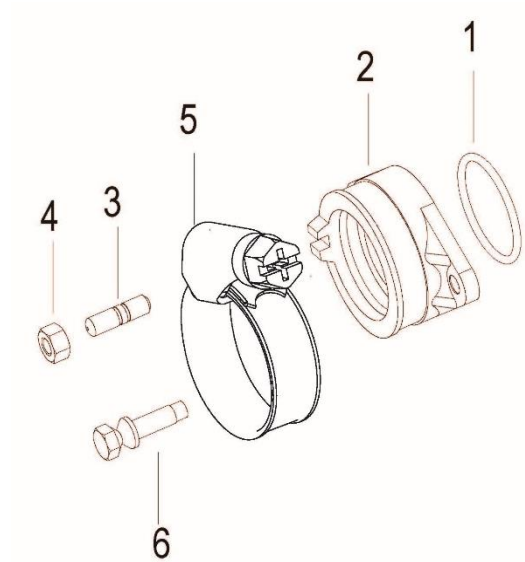


N°	CÓDIGO	DESCRIÇÃO	Qt.	OBSERVAÇÕES
1	12014309012X	BOLT M6x21	2	
2	120133090002	WASHER	4	
3	10005309012X	BOLT M6x60	2	
4	120012140020	VAVLE HEAD	2	
5	100033090000	O RING 30.5x3.3	2	
6	10006309012X	BOLT M6X35	8	
7	120013090002	GASKET,UP SPRING	2	
8	B190100860A0	O RING 8.6x1.9	4	
9	129163090000	AXLE, VALVE ROCKER ARM	2	
10	120033090000	WASHER,SPRING	2	
11	12913309002X	ADJUSTING	2	
12	120163090000	ROCKER SPRING	2	
13	129213090003	GASKET,OUTER SPRING,ø1.5	2	
14	100043090010	CYLINDER COVER JAMMING	1	
15	129193090002	VALVE,EXHAUST	1	
16	120083090120	CAP NUT M8	2	
17	129264180000	SPRING,OUTER	2	
18	109013090020	COVER&CYLINDER HEAD ASSY,GRAY	1	
19	129183090002	VALVE,intake	1	
20	129223230000	COTTER,VALVE	4	
21	299073070010	SPARK PLUG M12x1.25	1	
22	12008309011X	CAP NUT M8	1	
23	120093090000	WASHER 8	2	
24	120013050000	OIL SEAL	2	
25	120103090000	PIN,DOWEL	2	
26	12012309012X	NUT M8	1	
27	120113090000	WASHER 8	2	
28	120063090000	SHOCK ABSORBER CHOCK	6	
29	129254180000	SPRING,INNER	2	
30	150022140000	PIN,DOWEL,ø7Xø8X12	2	



## RKS 125 SPORT

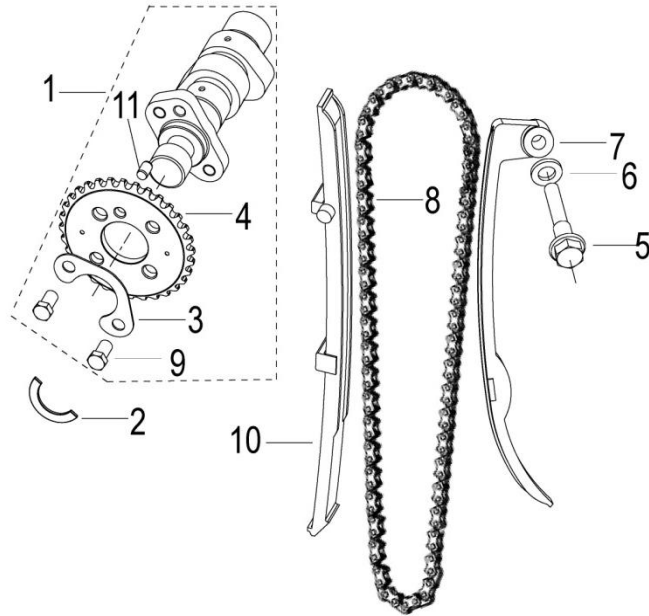
### E02 INSULATOR,CARBURETOR ASSY



N°	CÓDIGO	DESCRIÇÃO	Qt.	OBSERVAÇÕES
1	100023090000	O RING 31.5x2.4	1	
2	110013090001	PIPE ASSY, INTAKE	1	
3	10007309013X	STUD BOLT M6X22	2	
4	B0405060006H	NUT M6	2	
5	110043090013	CLAMP ASSY.	1	
6	15002116011X	SCREW,DECOLLATION M6x20	1	

# RKS 125 SPORT

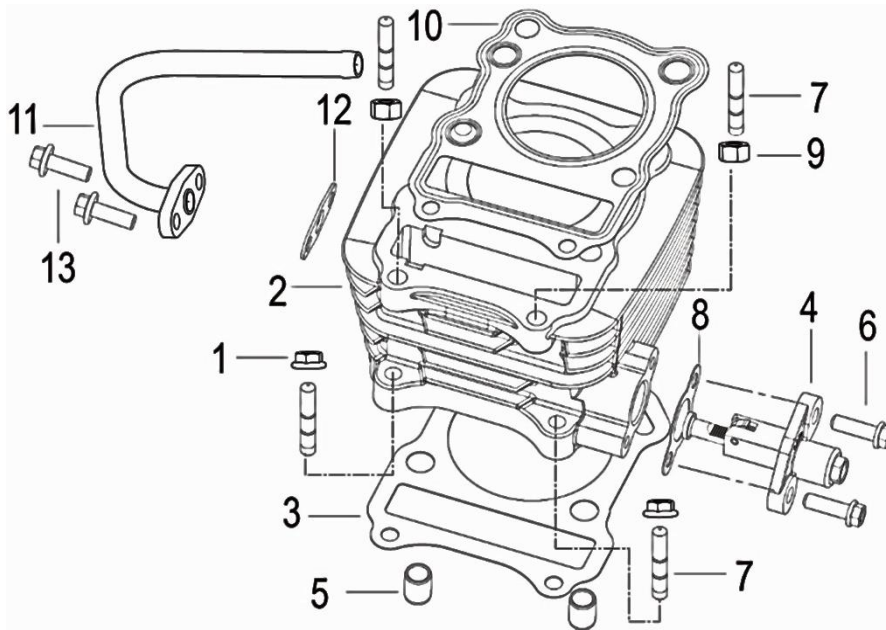
## E03 INTAKE&EXHAUST MECHANISM



Nº	CÓDIGO	DESCRIÇÃO	Qt.	OBSERVAÇÕES
1	129074180000	CAMSHAFT ASSY	1	
2	120043090000	WASHER	1	
3	120343090000	WASHER	1	
4	120353090000	CHAIN WHEEL	1	
5	14002309012X	BOLT M8x40	1	
6	140033090000	WASHER	1	
7	140013090002	COMPONENTS OF THE RIGHT CHAIN GUIDE PLATE	1	
8	129023090002	TIMING CHAIN	1	
9	120203090000	GASKET	2	
10	140063090002	CHAIN LEFT GUIDE PLATE	1	
11	B090105008B0	PIN	1	

## RKS 125 SPORT

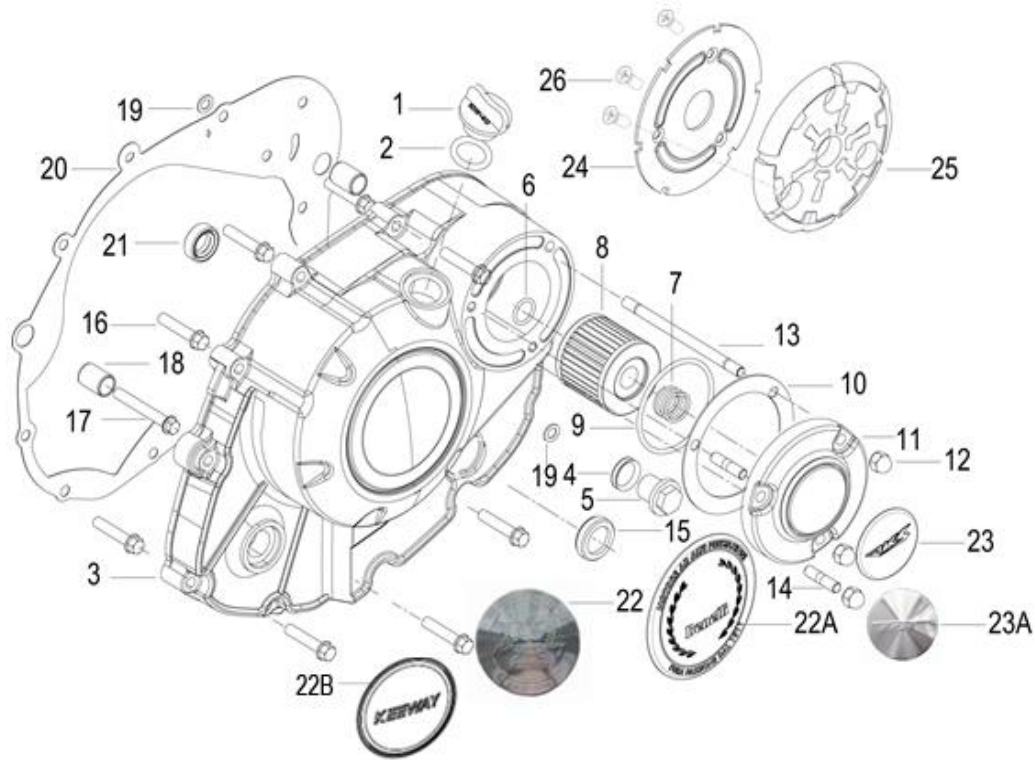
### E04 CYLINDER



Nº	CÓDIGO	DESCRIÇÃO	Qt.	OBSERVAÇÕES
1	B0407060005H	NUT M6	2	
2	139013210030	CYLINDER,GRAY,with secondary air intake valve	1	
3	139023090032	GASKET,CYLINDER,in black	1	
4	149033090010	TENSIONER ASSY GRAY	1	
5	130023090000	PIN,DOWEL	2	
6	13001309012X	BOLT M6X20	2	
7	12007309001X	STUD BOLT	4	
8	130113090012	GASKET,material:without asbestos	1	
9	B0405060006H	NUT M6	2	
10	109073090000	CYLINDER HEAD GASKET	1	
11	119083090010	SYPHON ASSY	1	
12	119092140020	GASKET	1	
13	B0107060186H	BOLT M6x18	2	

## RKS 125 SPORT

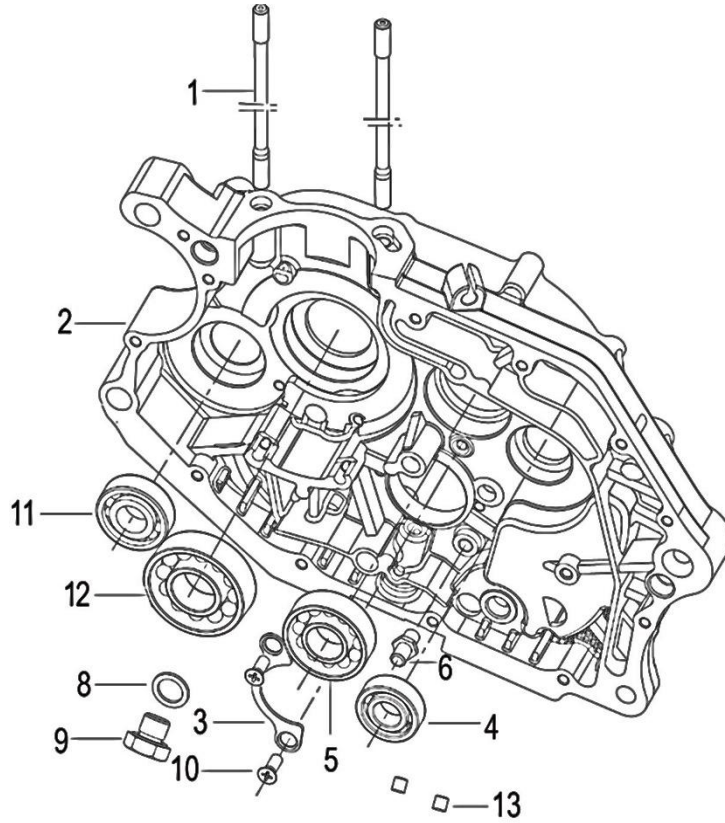
### E05 CLUTCH COVER ASSY



Nº	CÓDIGO	DESCRIÇÃO	Qt.	OBSERVAÇÕES
1	160063090000	OIL FILLER THREAD PLUG	1	
2	B190101700C0	O RING17x3.55	1	
3	169103090250	COVER,CLUTCH GRAY	1	
4	160253090000	O RING φ12	1	
5	16020309011X	PLUG M12x1.25x10	1	
6	B190101250A0	O RING12.5x1.8	1	
7	160033090000	SPRING	1	
8	160043090000	FILTER ASSY	1	
9	B190105260B0	O RING52.6x2.4	1	
10	160373210010	GASKET,material:without asbestos	1	
11	160393090040	COVER,GRAY	1	
12	B0422060003H	NUT M6	3	
13	16005309001X	DOUBLE SCREW BOLT	1	
14	B0300060126H	DOUBLE SCREW BOLT M6x12	2	
15	160083090000	OIL INDICATOR ASSY	1	
16	B0107060306H	BOLT M6x30	9	
17	B0107060456H	BOLT M6x45	1	
18	150043090000	PIN,DOWEL	2	
19	150013070000	WASHER 6	2	
20	169113090030	GASKET,COVER RH,material:without asbestos	1	
21	160023090000	OIL SEAL	1	
22	160123420020	LABEL,mark:15 YEARS	1	
23	160423090000	RKS LABEL,mark:RKS	1	
24	160383210000	FIXING BOARD	1	
25	160393210000	RUBBER	1	
26	B0201050122H	SCREW M5x12	3	

## RKS 125 SPORT

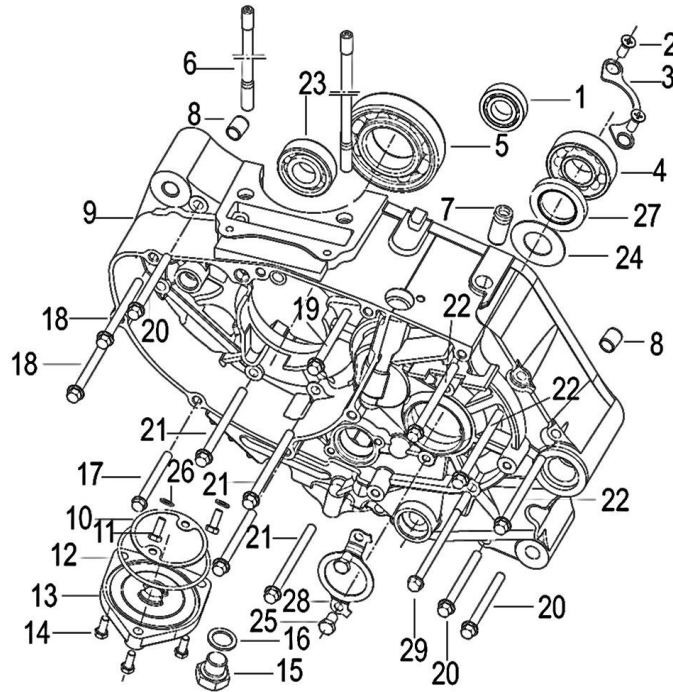
### E06 RIGHT CRANKCASE ASSY



Nº	CÓDIGO	DESCRIÇÃO	Qt.	OBSERVAÇÕES
1	15911309002X	STIDBOLT,CYLINDER 8x173	2	
2	159033210130	CRANKCASE,RIGHT GRAY,with plug	1	
2	159033210160	CRANKCASE,RIGHT GRAY,with plug	1	
3	150113090000	GEAR	1	
4	B12016020204	BERING6202/P6	1	
5	B12016020403	BEARING6204/P6	1	
6	150123090000	SET BOLT	1	
8	150093090000	GASKET SEAL	1	
9	15008309013X	SPIRAL PLUG M14x1.25x11.5	1	
10	B0201060126H	SCREW M6X12	2	
11	B12016020307	BERING 6203	1	
12	B12016020601	BEARING	1	
13	150166090000	CONE PLUG M10x1	2	

## RKS 125 SPORT

### E07 LEFT CRANKCASE ASSY

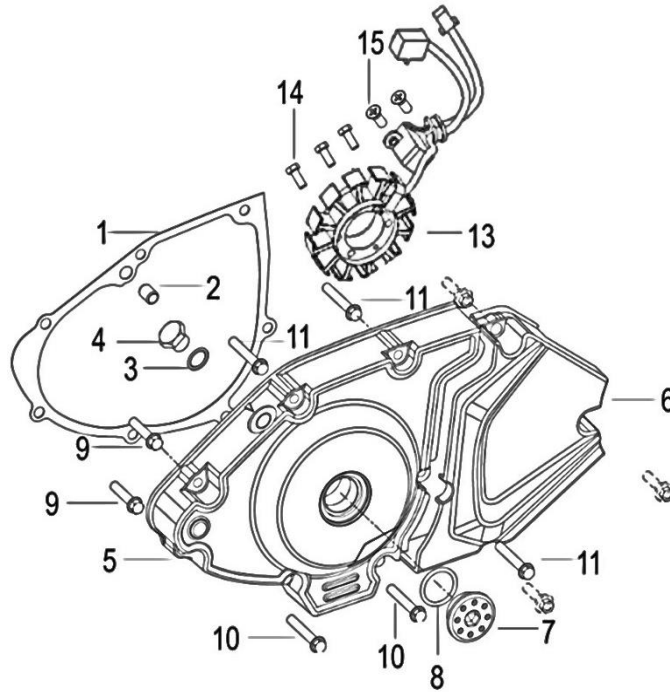


Nº	CÓDIGO	DESCRIÇÃO	Qt.	OBSERVAÇÕES
1	B12016000203	BERING 6002-RS/P6	1	
2	B0201060126H	TEN CHARACTER TROUGHS SINK A BOLT M6x12	2	
3	150113090000	GEAR	1	
4	B12016020403	BEARING6204/P6	1	
5	150304230000	BERING 6207/P53 Z2	1	
6	15910309002X	AIR CYLINDER STUD	2	
7	150153090000	HOSE,BREATHER	1	
8	150043090000	PIN,DOWEL	2	
9	159023210130	LEFT CRANKCASE ASSY GRAY	1	
10	150103090000	OIL SET	1	
11	B0103050126H	HEXAGONAL HEAD TAP BOLT	1	
12	B190106050B0	O RING 60.5x2.4	1	
13	150023090090	MESH LID GRAY	1	
14	B0107060206H	BOLT M6x20	3	
15	16009309012X	SPIRAL PLUG M14x1.25x14.5	1	
16	150093090000	GASKET SEAL	1	
17	B0107060556H	BOLT M6x55	1	
18	B0107060656H	BOLT M6x65	2	
19	B0107060606H	BOLT M6x60	1	
20	B0107060606H	BOLT M6x60	4	
21	B0107060756H	BOLT M6x75	3	
22	B0107060756H	BOLT M6x75	3	
23	B12016020307	BEARING 6203	1	
24	210083090000	WASHER 20	1	
25	B0103060106H	BOLT M6x10	2	
26	100084050000	WASHER 5	2	
27	210073090000	OIL SEAL 27X40X6	1	
28	210093090000	SEAL PACKING COVER	1	
29	10001305011X	BOLT M6x95	1	



# RKS 125 SPORT

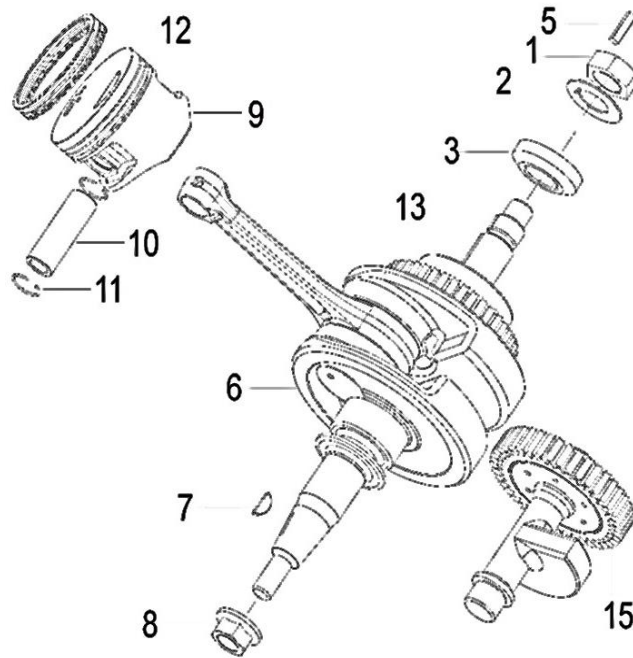
## E08 MAGNETO COVER



Nº	CÓDIGO	DESCRIÇÃO	Qt.	OBSERVAÇÕES
1	169073210010	GASKET,COVER MAGNETO,material:without asbestos	1	
2	150112070000	PIN,DOWEL	2	
3	160253090000	O RING $\phi$ 12	1	
4	16020309011X	PLUG M12x1.25x10	1	
5	169063090090	COVER,MAGNETO GRAY,mark:Keeway	1	
6	169053090140	COVER,SPROCKET GRAY	1	
7	160383090020	SEAL COVER,GRAY	1	
8	B190102240C0	O RING22.4x3.55	1	
9	B0107060306H	BOLT M6x30	2	
10	B0107060386H	BOLT M6x38	2	
11	B0107060406H	BOLT M6x40	3	
13	299033090000	STATOR ASSY. COMP.	1	
14	B0205050256H	SCREW M5x25	3	
15	B0204040122H	SCREW M4x12	2	

## RKS 125 SPORT

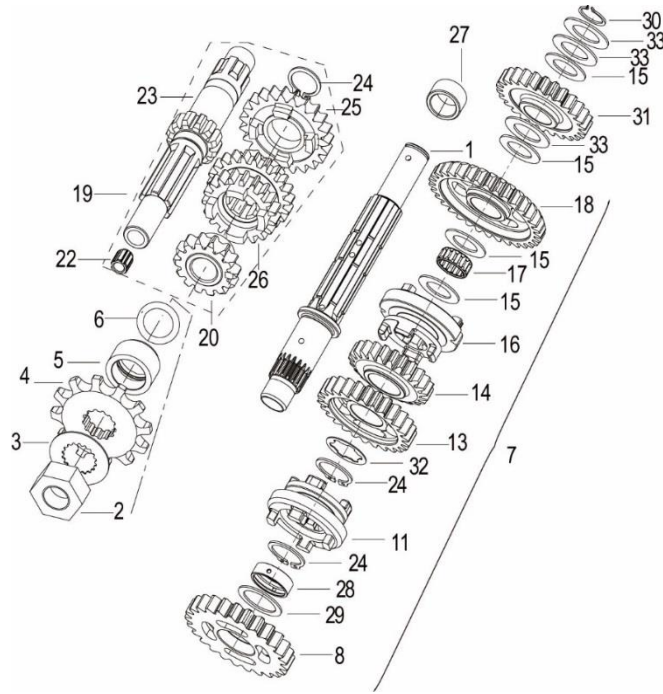
### E09 CRANKSHAFT CONROD & PISTON ASSY



Nº	CÓDIGO	DESCRIÇÃO	Qt.	OBSERVAÇÕES
1	170013090100	NUT M16X1.5	1	
2	170023090000	WASHER	1	
3	269063090000	OIL PUMP, GEAR DRIVE	1	
5	170041170000	KEY 4x20	1	
6	179013210002	CRANKSHAFT&CONNECTING ROD ASSY	1	ATÉ VIN LBBJ83007JB887627
6	179013210022	CRANKSHAFT&CONNECTING ROD ASSY	1	APÓS VIN LBBJ83007JB887627
7	B11810305013	KEY	1	
8	240013060110	NUT M12	1	
9	179133090003	PISTON	1	
10	179143090002	PIN,PISTON	1	
11	179153090000	CIRCLIPΦ14	2	
12	17009309003Z	RING ASSY	1	
13	179303210000	GEAR DRIVE	1	
15	179243210005	BALANCE SHAFT ASSY	1	ATÉ VIN LBBJ83007JB887627
15	179243210015	BALANCE SHAFT ASSY	1	APÓS VIN LBBJ83007JB887627

# RKS 125 SPORT

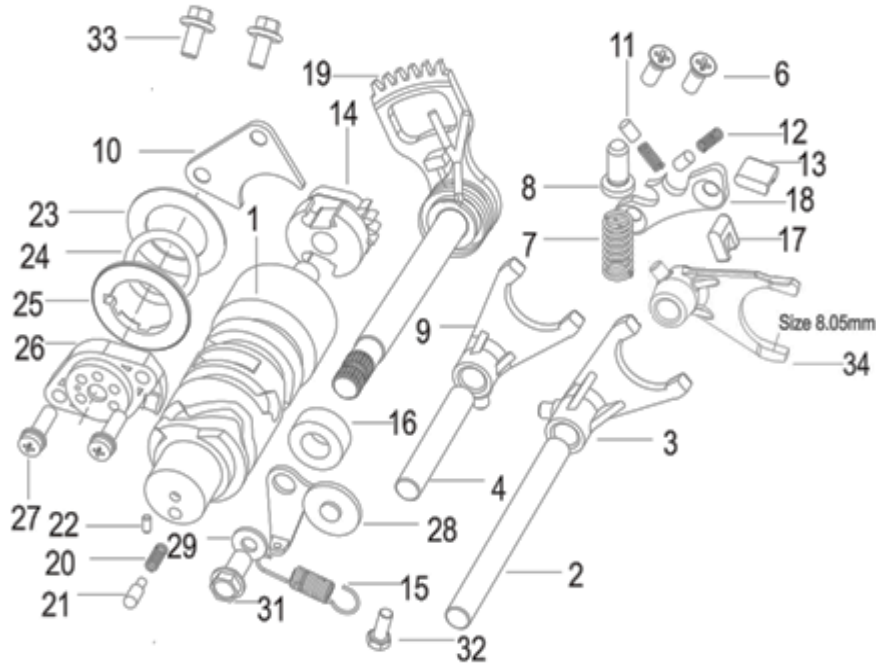
## E10 COUNTER&DRIVE SHAFT ASSY



Nº	CÓDIGO	DESCRIÇÃO	Qt.	OBSERVAÇÕES
1	219223090001	SHAFT,DRIVE	1	
2	210063090100	WASHER,LOCK M16X1.5	1	
3	219313090000	GASKET, COVER MAGNETO	1	
4	219303090000	SPROCKET,ENGINE 13TEETH	1	
5	210053090000	SPACER	1	
6	B190101900B1	O RING 19x2.65	1	
7	219213090002	DRIVEN SHAFT ASSY	1	
8	219243090000	GEAR,2ND DRIVEN	1	
11	210113090000	CHANGES THE FILES WHEEL	1	
13	219253090000	GEAR, 3 RD DRIVEN	1	
14	219263090000	GEAR, 4 TH DRIVEN	1	
15	210133090000	WASHER	4	
16	219273090000	GEAR, 5 TH DRIVEN	1	
17	210463090000	BERING	1	
18	219233090000	GEAR, 1ST DRIVEN	1	
19	219133210000	DRIVE SHAFT ASSY	1	
20	219163090000	DRIVING TWO SPEED GEAR	1	
22	210043090000	STOPS UP THE COLUMN	1	
23	219143210000	SHAFT,COUNTER	1	
24	B080100020A0	CIRCLIP	3	
25	219193090010	DRIVING FIFTH GEAR GEAR	1	
26	210033090010	INITIATIVE THREE, FOURTH SPEED GEAR	1	
27	210013210000	SPACER	1	
28	210473090000	SPACER	1	
29	240062140000	WASHER	1	
30	B080100015A0	CIRCLIP	1	
31	210173090030	GEAR	1	
32	210123090000	WASHER,SPLINE 20	1	
33	100133160000	WASHER	3	

## RKS 125 SPORT

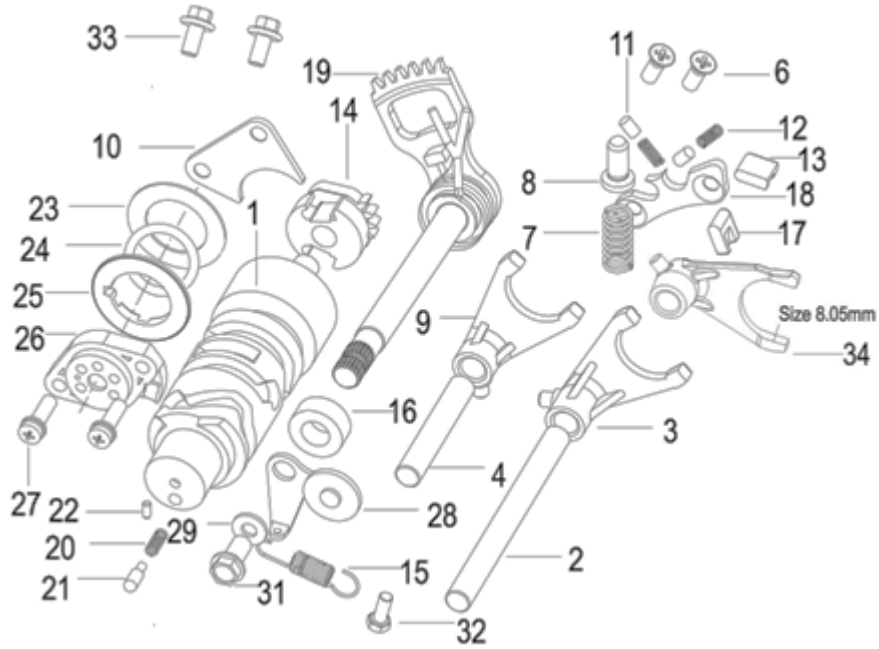
### E11 GEAR SHIFT MECHANISM



N°	CÓDIGO	DESCRIÇÃO	Qt.	OBSERVAÇÕES
1	250043090000	DRUM, GEAR SHIFT	1	
2	219093090000	SHAFT, GEAR SHIFT	1	
3	219103090000	FORK	2	
4	219083090000	SHAFT, SHIFT FORK	1	
6	B0201060126H	SCREW M6X12	2	
7	210393090000	LATCH SPRING	1	
8	210383090000	NEUTRAL LATCH	1	
9	219113090000	FORK	1	
10	250063090020	ON NOTCH WHEEL THRUSTPLATE	1	
11	210303090000	NOTCH WHEEL BACK-UP POST	2	
12	210283090000	RATCHET SPRING	2	
13	210273090000	RIGHT PAWL	1	
14	250083090000	CHANGES THE FILES NOTCH WHEEL MODULE	1	
15	210363090022	ABUT ARM EXTENSION SPRING	1	
16	210373090000	OIL SEAL	1	
17	210293090000	LEFT PAWL	1	
18	250033090000	UNDER NOTCH WHEEL THRUSTPLATE	1	
19	219063210000	SHAFT, GEAR SHIFT	1	
20	210313090000	SPRING	1	
21	210323090000	ANTENNA	1	
22	B091404006B0	PIN B4x6	1	
23	250073090000	WASHER	1	
24	B190102580B0	O RING 25.8x2.65	1	
25	210253090030	CHANGES GRADE OF DRUM BACK PLATE	1	
26	210263090002	FILES POSITION CONTACT DEVICE	1	
27	B1308050200H	SCREW W/WASHER M5x20	2	

# RKS 125 SPORT

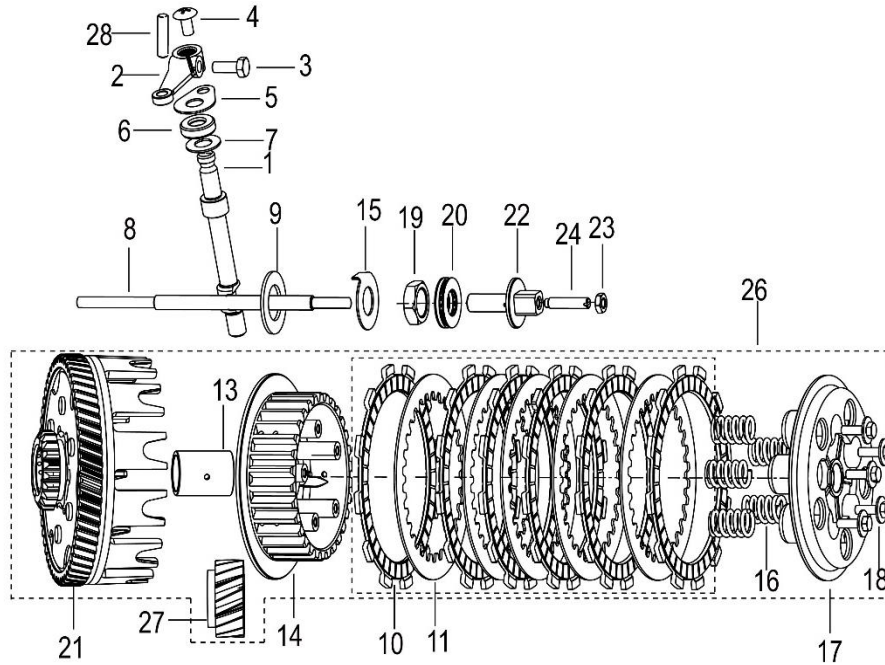
## E11 GEAR SHIFT MECHANISM



N°	CÓDIGO	DESCRIÇÃO	Qt.	OBSERVAÇÕES
28	210353090002	ABUT ARM MODULE	1	
29	210343090000	WASHERS 6	1	
31	210333090000	MOVE BOLT M6	1	
32	150263090100	BOLTS M4X10	1	
33	B0107060126H	BOLT M6X12	2	
34	219103390000	FORK,LEFT	1	

# RKS 125 SPORT

## E12 CLUTCH ASSY

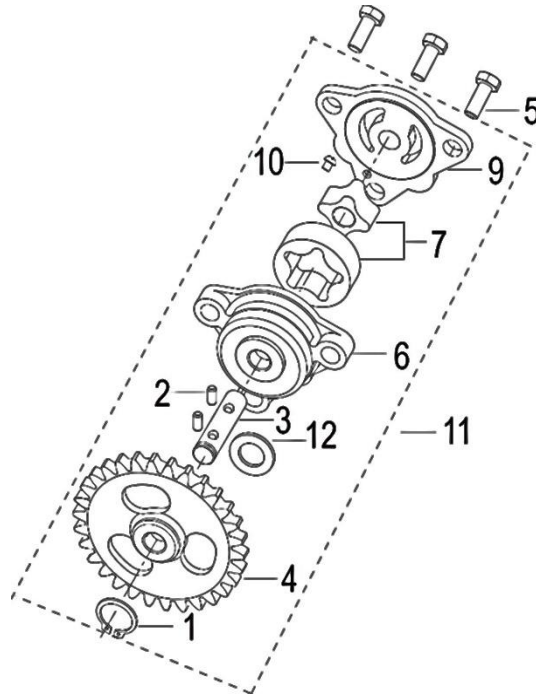


Nº	CÓDIGO	DESCRIÇÃO	Qt.	OBSERVAÇÕES
1	129083090000	CLUTCH RELEASE SHAFT, GREEN	1	
2	209073090000	SEPARATION RELEASE LEVER	1	
3	B0101060166H	BOLT M6×16	1	
4	B0206060122H	SCREW M6×12	1	
5	20017309001X	CLIP, GREEN	1	
6	200023090000	TUMBLER AXIS OIL SEAL	1	
7	200013090000	WASHER, THRUST	2	
8	200013210000	PUSH ROD	1	
9	200043090000	WASHER, THRUST	1	
10	200083090010	PLATE, DRIVE	5	
11	200093090000	PLATE, DRIVE	4	
13	200053090000	SPACER	1	
14	200073090000	HUB, CLUTCH SLEEVE	1	
15	200163090000	LOCKING WASHER	1	
16	200113090000	SPRING	5	
17	200103090000	PRESSURE PLATE	1	
18	B13010501605	SCREW W/WASHER M5×16	5	
19	200153090000	PIECE, DIRVE	1	
20	200123090000	NEEDLE BEARING	1	
21	200313090000	GEAR, PRIMARY DRIVE	1	
22	200143090000	SEAT, BEARING	1	
23	B0405060006H	NUT M6	1	
24	20013309001X	SCREW M6	1	
26	200343090040	CLUTCH ASSY	1	
27	170393210010	GEAR DRIVE	1	
28	B090406014AH	SHAFT M6×14	1	



## RKS 125 SPORT

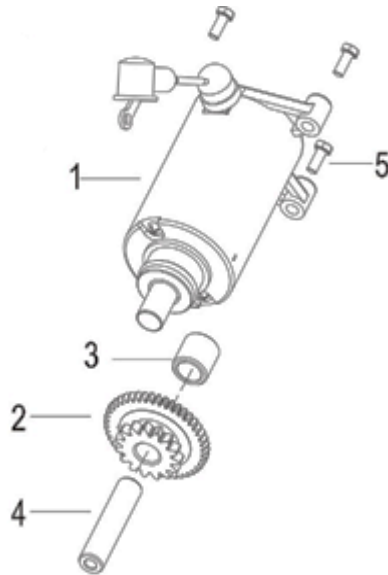
### E13 OIL PUMP ASSY



N°	CÓDIGO	DESCRIÇÃO	Qt.	OBSERVAÇÕES
1	B08030000601	RING 6	1	
2	B09012501220	PIN B2.5x12	2	
3	260063090000	OIL PUMP SHAFT	1	
4	260053090000	GEAR OIL PUMP	1	
5	B0107060256H	BOLT M6x25	3	
6	260043090000	OIL PUMP BODY	1	
7	269043090000	OIL PUMP INNER&OUTER ROTOR	1	
9	260013090000	OIL PUMP EXTERNAL ROTOR	1	
10	B02000300522	SCREW	1	
11	269003090000	OIL PUMP ASSY	1	
12	B07050000602	WASHER 6	1	

## RKS 125 SPORT

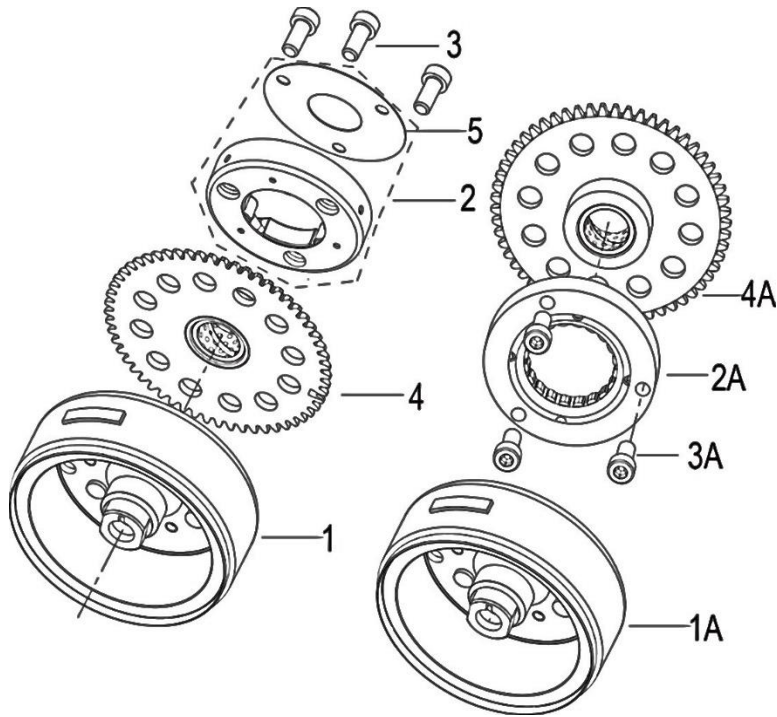
### E14 STARTING MOTOR ASSY



Nº	CÓDIGO	DESCRIÇÃO	Qt.	OBSERVAÇÕES
1	249013210010	STARTER MOTOR ASSY.COMP.GRAY	1	
2	249043090000	START TURN IDLENESS	1	
3	240013090000	BUSHING BLOCK	1	
4	240023090000	HINGE PIN	1	
5	B0107060256H	BOLT M6x25	3	

# RKS 125 SPORT

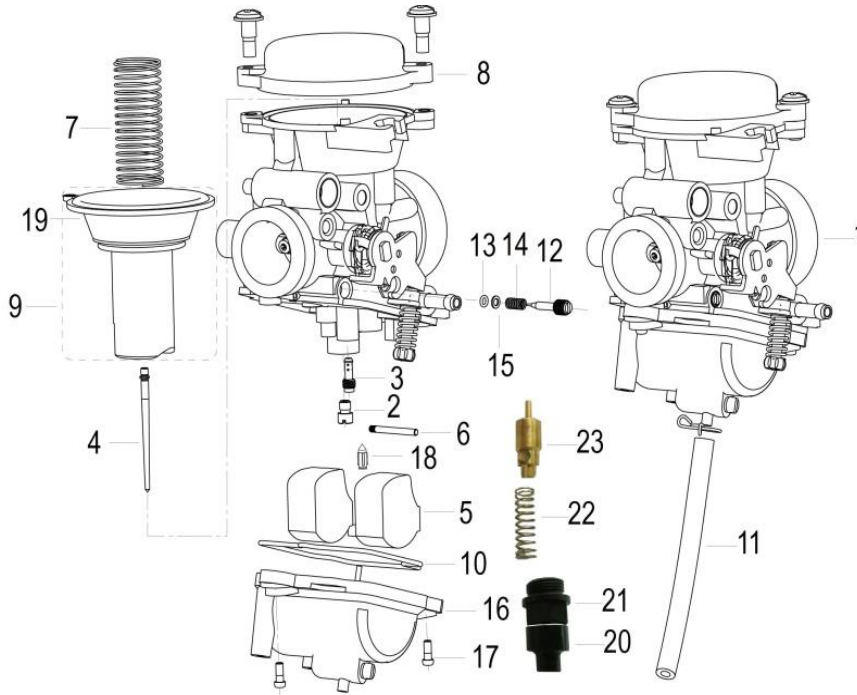
## E15 MAGNETO ASSY



N°	CÓDIGO	DESCRIÇÃO	Qt.	OBSERVAÇÕES
1	299023090012	ROTOR ASSY	1	
2	249093230040	GEAR, STARTER	1	
3	240063090000	SCREW M6x14	3	
4	240043090020	DRIVEN GEAR, STARTER	1	
5	240013240000	WASHER	1	

## RKS 125 SPORT

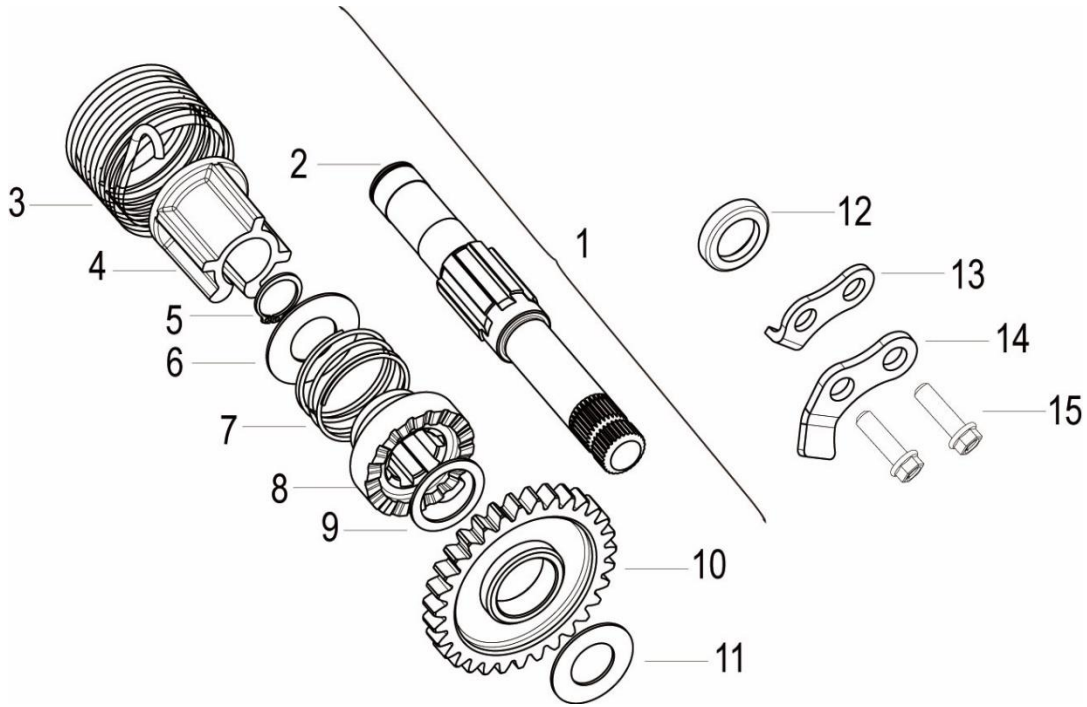
### E16 CARBURETOR ASSY



Nº	CÓDIGO	DESCRIÇÃO	Qt.	OBSERVAÇÕES
1	3390016M0010	CARBURETOR ASSY,MJ260#,NJ37.5B#,MARK:H6	1	
2	3311516M0010	MAIN JET 260#	1	
3	3312416M0006	IDLE JET 37.5B#	1	
4	3324216M0000	NEEDLE	1	
5	3340116M0000	FLOAT	1	
6	3340616M0000	PIN,FLOAT	1	
7	3322416M0000	SPRING	1	
8	3328216M0000	COVER ASSY.UPPER	1	
9	3322216M0000	VALVE ASSY.PISTON	1	
10	3351416M0000	SEAL	1	
11	3351216M0000	PIPE	1	
12	3314516M0000	SCREW, AIR QJ	1	
13	3315001M0000	SCREW, IDLE SPEED QJ	1	
14	3314615M0000	SPRING	1	
15	3314901M0000	WASHER	1	
16	3350116M010X	COVER UNDER	1	
17	B02040400803	SCREW M4x8	2	
18	3342016M0000	VALVE NEEDLE	1	
19	3323216M0000	DIAPHRAGM	1	
20	3371702N0000	DUSTPROOF COVER	1	
21	3371516M0001	NUT	1	
22	3371808M0000	SPRING	1	
23	3370915M0000	VALVE ASSY	1	

## RKS 125 SPORT

### E17 KICK STARTER



Nº	CÓDIGO	DESCRIÇÃO	Qt.	OBSERVAÇÕES
1	250105260000	KICK STARTER	1	
2	259025260000	SHAFT	1	
3	250013090000	SPRING	1	
4	210223090000	GUIDE BUSH	1	
5	B080100015A1	CIRCLIP	1	
6	210233090000	WASHER	1	
7	210213090000	SPRING	1	
8	259053090000	RATCHET	1	
9	240062140000	WASHER	1	
10	259033090000	GEAR	1	
11	250023090000	WASHER	1	
12	160363090000	SEAL	1	
13	210203090000	PRESSURE PLATE	1	
14	210193090000	PLATE	1	
15	B01020802065	BOLT M8x20	2	