

# Zahara 50 E5

Zahara 50

KEEWAY



Zahara 50

KEEWAY



# Zahara 50 E5

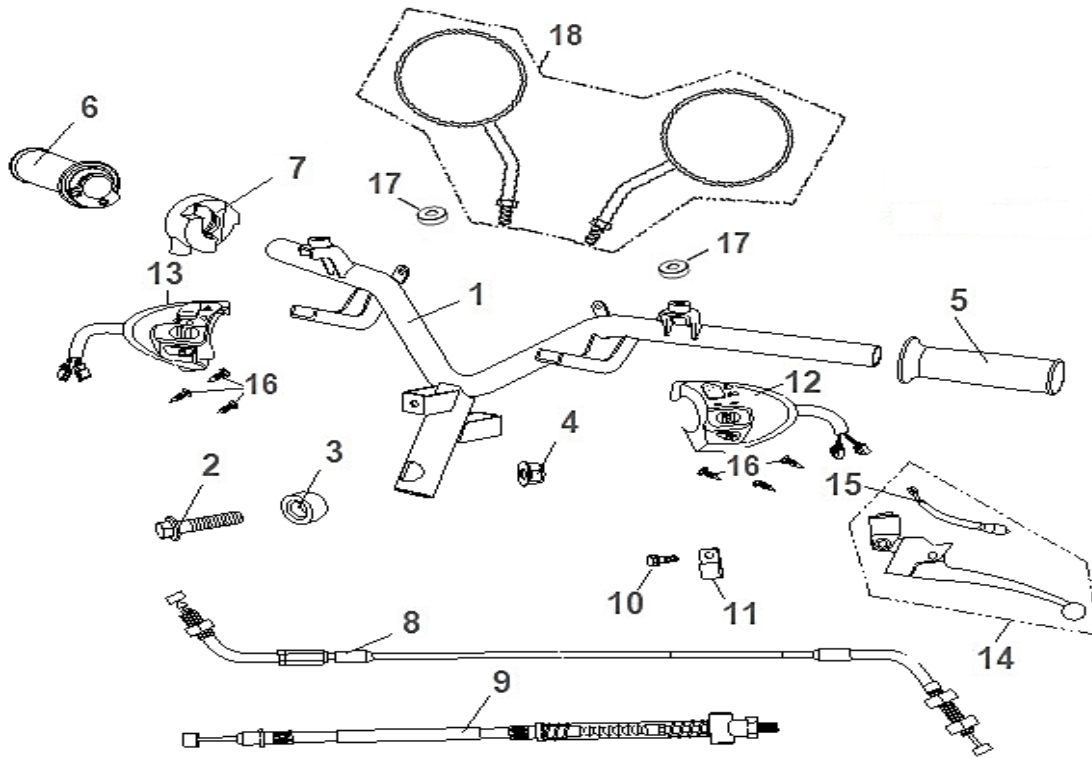
## ÍNDICE

<b>ESQ</b>	<b>QUADRO</b>	<b>PAG</b>
F01	DIREÇÃO	3
F02	SUSPENSÃO FRONTAL	4
F03	RODA FRONTAL	5
F04	SISTEMA DE TRAVAGEM DIANTEIRA	6
F05	ESCAPE	7
F06	DEPÓSITO DE COMBUSTÍVEL	8
F07	CAIXA FILTRO DE AR	9
F08	BANCO	10
F09	RODA TRASEIRA	11
F10	QUADRO	13
F11	AMORTECEDOR TRASEIRO	14
F12	GUARDA LAMAS DIANTEIRO	15
F13	CARENAGENS DO GUIADOR	16
F14	CARENAGEM DIANTEIRA	17
F15	POUSA PÉS	18
F16	PROTEÇÃO DE PERNAS	19
F17	CARENAGENS LATERAIS	20
F18	CONTA KMS	21
F19	LUZES	22
F20	GUARDA LAMAS TRASEIRO & FAROLIM	23
F21	SISTEMA ELETRICO	24
F22	CARBURADOR ELETRÓNICO	25
F23	FERRAMENTAS	26
F24	AUTOCOLANTES	27

<b>ESQ</b>	<b>MOTOR</b>	<b>PAG</b>
E01	TAMPA DE VENTONHA	28
E02	CABEÇA DE CILINDRO	29
E03	DISTRIBUIÇÃO	30
E04	CILINDRO	31
E05	CAMBOTA	32
E06	CARTER DIREITO	33
E07	TAMPA DO MOTOR DIREITA	34
E08	MAGNETO	35
E09	CARTER ESQUERDO	36
E10	TAMPA DE VARIADOR	37
E11	VARIADORES	38
E12	TRANSMISSÃO	39
E13	CARBURADOR	40

## Zahara 50 E5

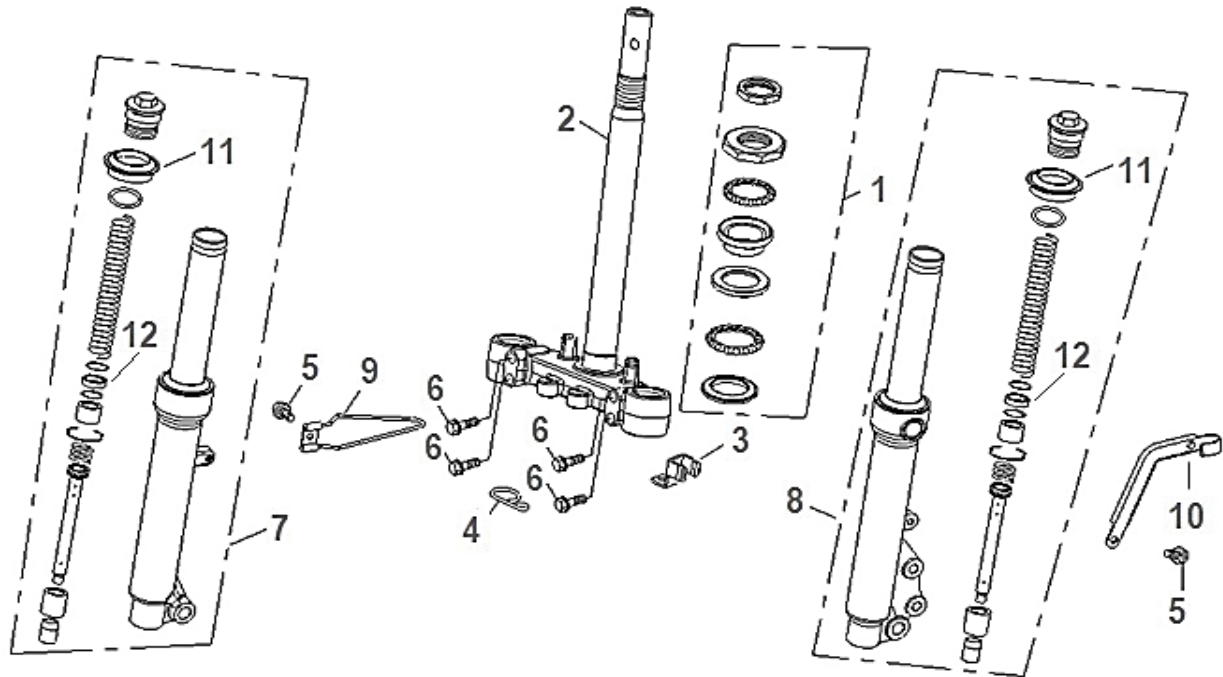
### F01 DIREÇÃO



Nº	CÓDIGO	DESCRIÇÃO	Qt.	OBSERVAÇÕES
1	P0125507840000	HANDLE COMP.	1	
2	P0132300260000	FLANGE BOLT M10x1.25x45	1	
3	P0134200390000	COLLAR	1	
4	P0132380060000	NUT M10x1.25	1	
5	P0133535060000	L. GRIP	1	
6	P0133535120000	R. GRIP	1	
7	P0134115020000	THROTTLE PEDESTAL	1	
8	P0134800170000	THROTTLE CABLE	1	
9	P0134805190000	REAR BRAKE CABLE	1	
10	P0132300730000	BOLT M6x16	1	
11	P0125505130000	CABLE HOLDER,FRONT BRAKE TUBE	1	
12	P0134100200000	LEFT HANDLE SWITCH ASSY.	1	
13	P0134100600000	RIGHT HANDLE SWITCH ASSY.	1	
14	P0134110050000	BRAKE LEVER L.	1	
15	P0134110060000	REAR BRAKE SWITCH	1	
16	P0132303540000	SCREW ST4.2x16	6	
17	P0135610410000	REAR VIEW MIRROR BUSH	2	
18	P0135610880000	REAR VIEW MIRROR		

## Zahara 50 E5

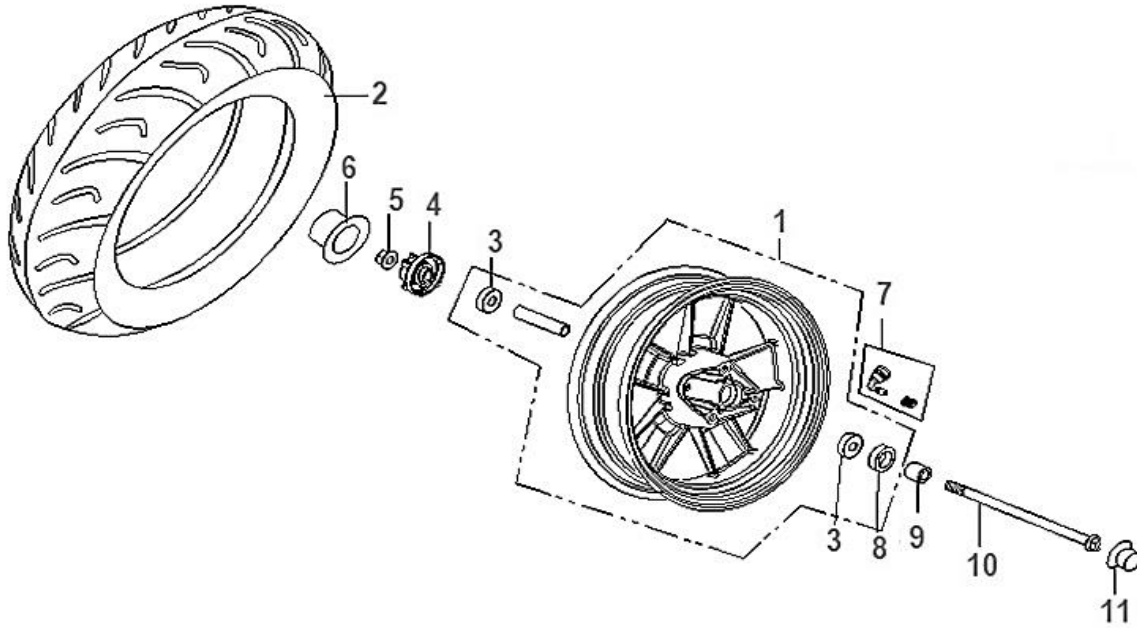
### F02 SUSPENSÃO FRONTAL



Nº	CÓDIGO	DESCRIÇÃO	Qt.	OBSERVAÇÕES
1	P0135700010000	BALL RACE COMP.	1	
2	P0134215180000	UNDER BRACKET COMP.	1	
3	P0134295230000	UPPER CABLE HOLDER,FRONT BRAKE TUBE	1	
4	P0134295020000	UPPER CABLE HOLDER,SPEEDOMETER CABLE	1	
5	P0132300610000	SCREW M6×12	2	
6	P0132301540000	FLANGE BOLT M8×35	4	
7	P0135100380000	FRONT RIGHT FORK ASSY	1	
8	P0135100430000	FRONT LEFT FORK ASSY	1	
9	P0134295050000	UNDER CABLE HOLDER,SPEEDOMETER CABLE	1	
10	P0134295090000	CABLE HOLDER	1	
11	P0135100540000	DUST SEAL	2	
12	P0135100790000	OIL SEAL	2	

## Zahara 50 E5

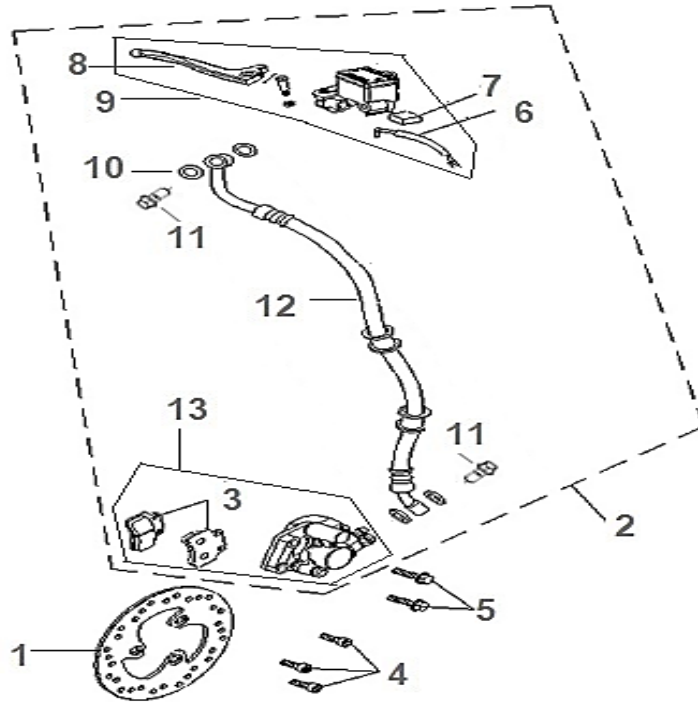
### F03 RODA FRONTAL



Nº	CÓDIGO	DESCRIÇÃO	Qt.	OBSERVAÇÕES
1	P0135001040000	RIM COMP. 2.75×12	1	
2	P0135026180000	TIRE 120/70-12	1	
3	P0135001350000	BALL BEARING 6201-2RS	2	
4	P0134020060000	SPEEDOMETER GEAR COMP.	1	
5	P0132380120000	NUT M12×1.25	1	
6	P0133560020000	RUBBER CAPΦ18	1	
7	P0135035050000	RIM VALVE COMP.	1	
8	P0135001320000	OIL SEAL 22×35×5	1	
9	P0132875080000	COLLAR	1	
10	P0132850120000	FR. WHEEL AXLE M12×1.25×222	1	
11	P0133560010000	RUBBER CAP Φ14	1	

## Zahara 50 E5

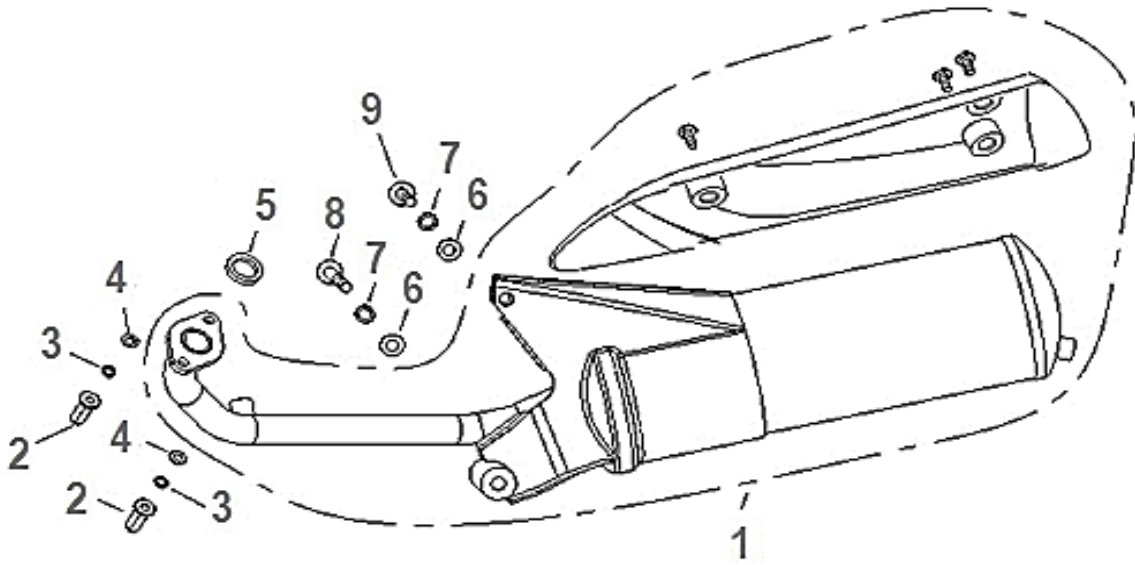
### F04 SISTEMA DE TRAVAGEM DIANTEIRO



Nº	CÓDIGO	DESCRIÇÃO	Qt.	OBSERVAÇÕES
1	P0135410180000	FRONT BRAKE DISC	1	
2	P0135400480000	FR.DISK BRAKE ASSY, BLACK CALIPER,	1	
3	P0135470370000	FRONT BRAKE PAD KIT	1	
4	P0132303830000	BRAKE DISC BOLT M8×25×5	3	
5	P0132303930000	BOLT M8×35	2	
6	P0135470240000	BRAKE SWITCH CABLE	1	
7	P0135470210000	BRAKE SWITCH	1	
8	P0135470270000	FRONT BRAKE LEVER	1	
9	P0135470070000	FRONT MASTER CYLINDER ASSY	1	
10	P0135472230000	WASHER	4	
11	P0135472220000	BANJO BOLT	2	
12	P0135470810000	FRONT BRAKE HOSE	1	
13	P0135470140000	FRONT CALIPER ASSY	1	

## Zahara 50 E5

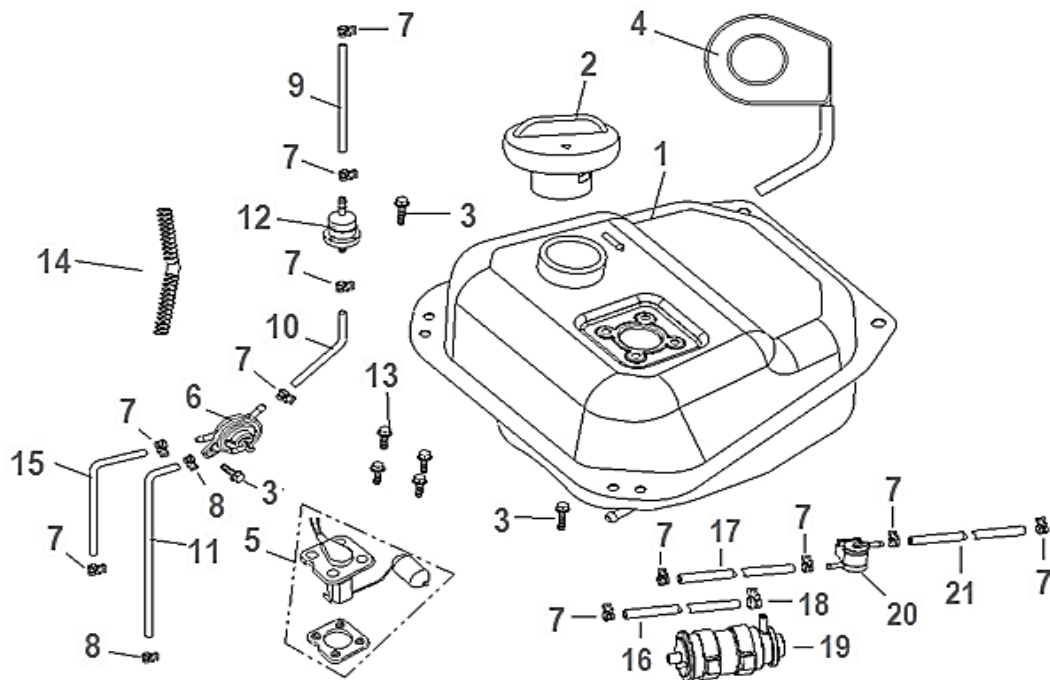
F05 ESCAPE



Nº	CÓDIGO	DESCRIÇÃO	Qt.	OBSERVAÇÕES
1	P0125302620000	MUFFLER	1	
2	P0132380670000	NUT M6	2	
3	P0132504030000	SPRING WASHER 6	2	
4	P0132500610000	WASHER 6×12×1.4	2	
5	P0133340020000	EXHAUST PIPE GASKETΦ24×Φ30×5	1	
6	P0132500670000	WASHER 8×16×1.5	2	
7	P0132504050000	SPRING WASHER 8	2	
8	P0132302030000	BOLT M8×70	1	
9	P0132301670000	BOLT M8×45	1	

## Zahara 50 E5

### F06 DEPÓSITO DE COMBUSTÍVEL

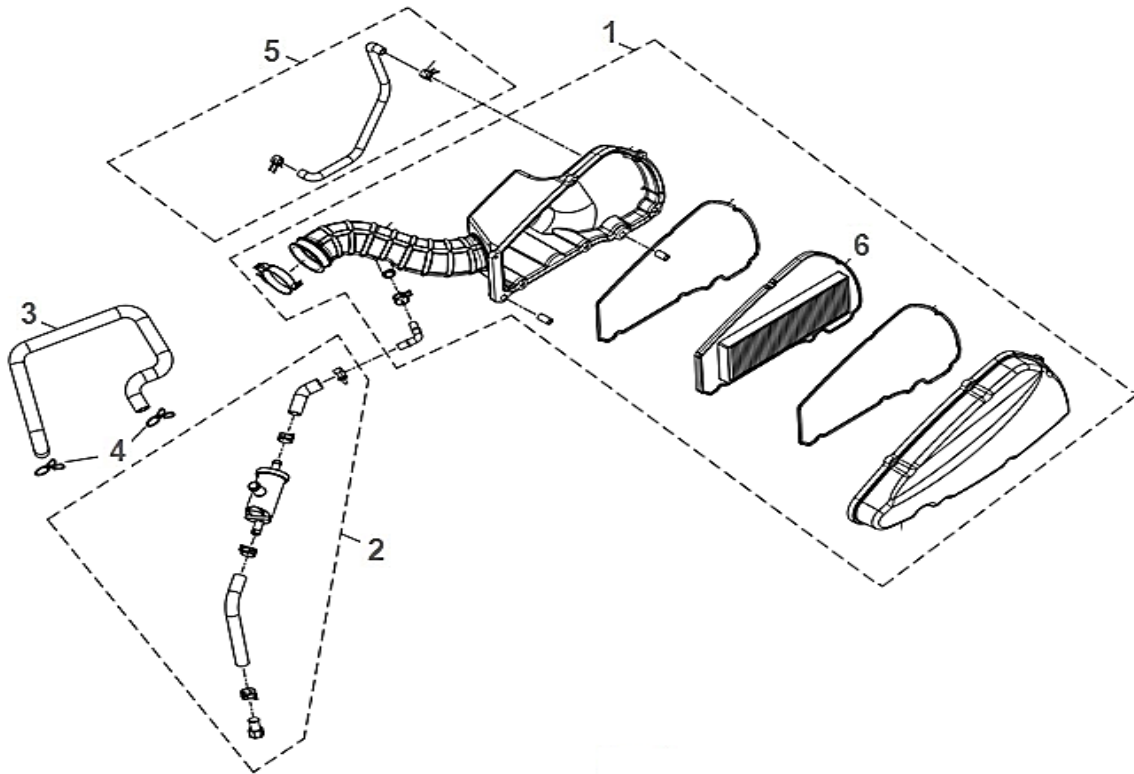


Nº	CÓDIGO	DESCRIÇÃO	Qt.	OBSERVAÇÕES
1	P0134707020000	FUEL TANK COMP.	1	
2	P0134705560000	FUEL TANK CAP	1	
3	P0132300730000	BOLT M6×16	2	
4	P0133525030000	FUEL SPILL TRAY	1	
5	P0134025110000	SENDER UNIT	1	
6	P0134705340000	FUEL COCK ASSY.	1	
7	P0132610100000	CLIP 8mm	11	
8	P0132610120000	CLIP 7mm	2	
9	P0133510030060	FUEL HOSE $\Phi 4.5 \times \Phi 8.5 \times 60$	1	
10	P0133510030200	FUEL HOSE $\Phi 4.5 \times \Phi 8.5 \times 200$	1	
11	P0133510020220	FUEL HOSE $\Phi 3.5 \times \Phi 7.5 \times 220$	1	
12	P0134705310000	FUEL FILTER ASSY.	1	
13	P0132303880000	BOLT M5×16	4	
14	P0133900020000	PROTECTION SPRING, $\Phi 12 \times \Phi 0.8 \times 240$	1	
15	P0133510030220	FUEL HOSE $\Phi 4.5 \times \Phi 8.5 \times 220$	1	
16	P0133510030480	FUEL HOSE $\Phi 4.5 \times \Phi 8.5 \times 480$	1	
17	P0133510030280	FUEL HOSE $\Phi 4.5 \times \Phi 8.5 \times 280$	1	
18	P0132610050000	CLAMP, HOSE 9	1	
19	P0134705730000	CANISTER ASSY	1	
20	P0134705660000	CONTROL VALVE	1	
21	P0133510030430	FUEL HOSE $\Phi 4.5 \times \Phi 8.5 \times 430$	1	



## Zahara 50 E5

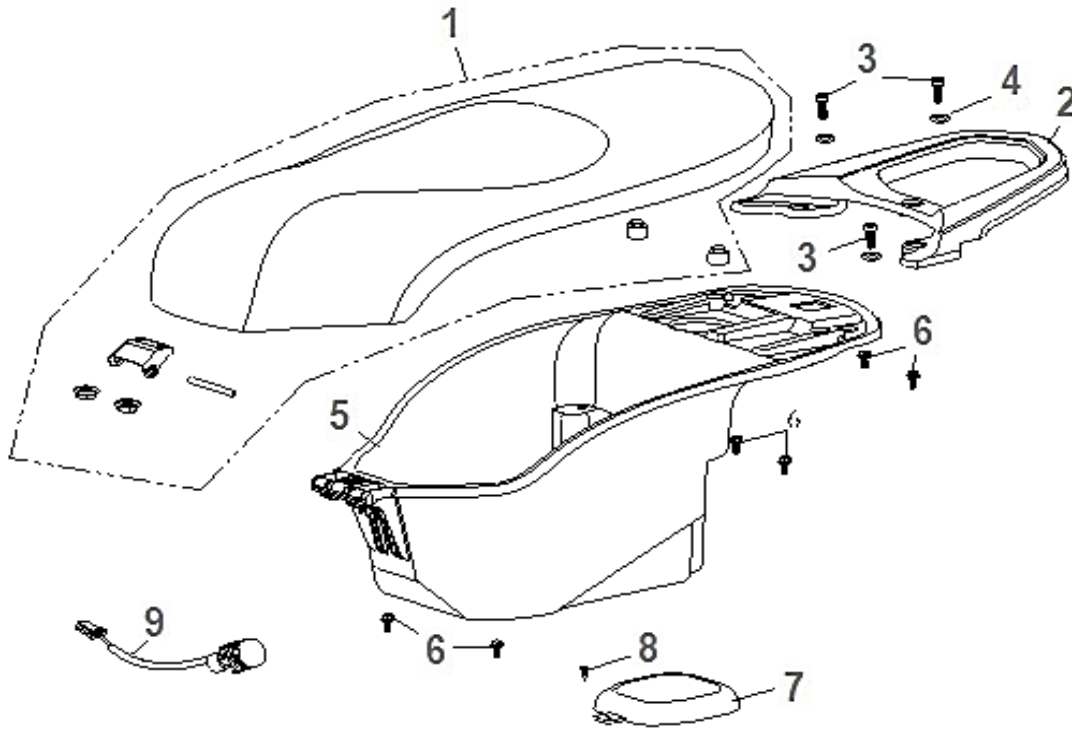
### F07 CAIXA DE FILTRO DE AR



Nº	CÓDIGO	DESCRIÇÃO	Qt.	OBSERVAÇÕES
1	P0131530670000	AIR CLEANER ASSY (1)	1	
2	P0131531150000	OIL SEPARATOR ASSY	1	
3	P0130100400000	BREATHING TUBE,CYLINDER HEAD	1	
4	P0132610170000	CLIP 16	2	
5	P0130620130000	BREATHING TUBE, GEAR CHAMBER	1	
6	P0131540690000	FILTER ELEMENT ASSY	1	

## Zahara 50 E5

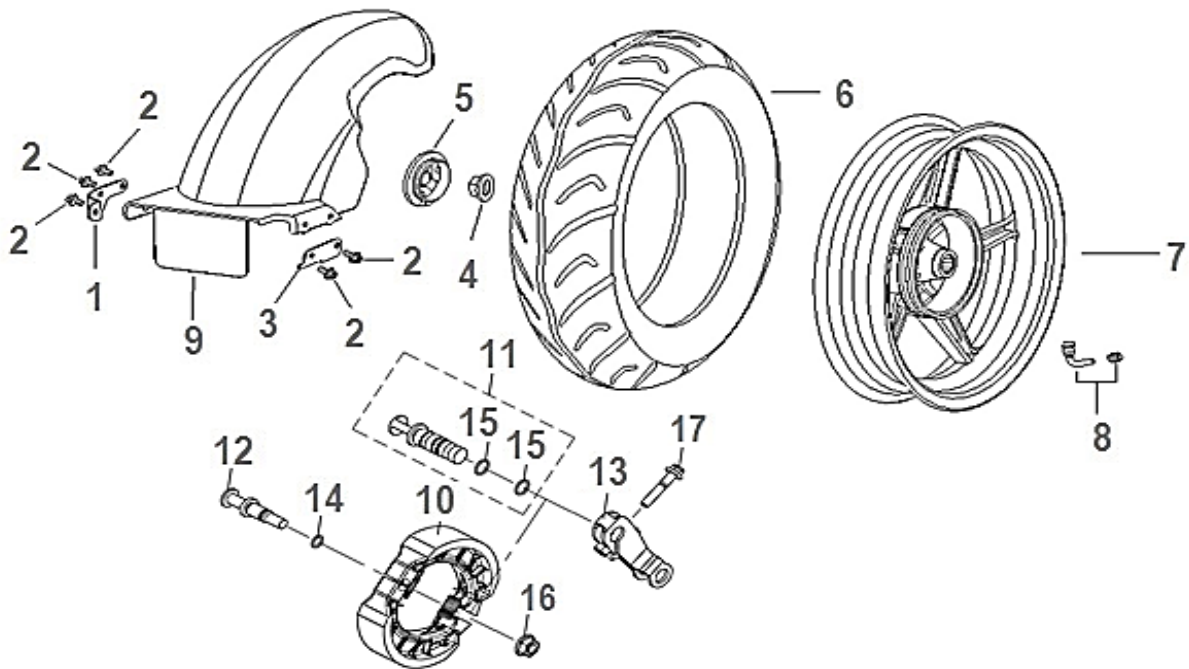
F08 BANCO



Nº	CÓDIGO	DESCRIÇÃO	Qt.	OBSERVAÇÕES
1	P0134604360000	SEAT ASSY.	1	
2	P0125509610000	REAR CARRIER.MATT BLACK	1	
3	P0132304490000	SCREW M8x25	3	
4	P0132500720000	WASHER 8	3	
5	P0134500300000	LUGGAGE BOX	1	
6	P0132303650000	BOLT M6x16x3	6	
7	P0134500490000	INNER COVER,PP,LUGGAGE BOX	1	
8	P0134500660000	SCREW,LUGGAGE BOX COVER	1	
9	P0133800010000	ELECTRICAL OUTLET	3	

## Zahara 50 E5

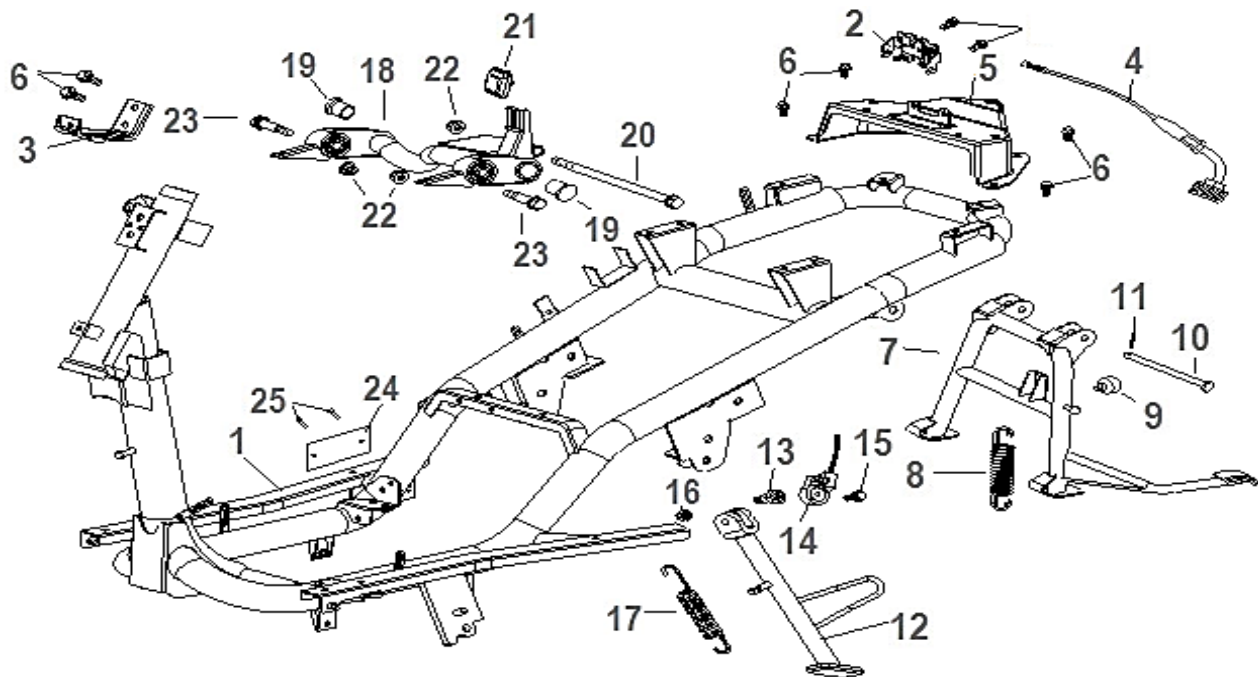
### F09 RODA TRASEIRA



Nº	CÓDIGO	DESCRIÇÃO	Qt.	OBSERVAÇÕES
1	P0125504790000	BRACKET REAR FENDER	1	
2	P0132300610000	FLANGE BOLT M6×12	5	
3	P0125504800000	LEFT BRACKET,REAR WHEEL FENDER	1	
4	P0132380210000	NUT M6×1.5	1	
5	P0134540340000	DUST CAP	1	
6	P0135026180000	TIRE 120/70-12		
7	P0135001120000	RIM COMP. 2.75×12	1	
8	P0135035050000	RIM VALVE COMP.	1	
9	P0134540690000	REAR FENDER	1	
10	P0135460390000	REAR BRAK SHOE ASSY	1	
11	P0135460170000	REAR BRAKE CAM ASSY	1	
12	P0135460230000	PIN BRAKE SHOE ANCHOR	1	
13	P0135460040000	REAR BRAK ARM	1	
14	P0132100030000	O-RING 7.5×1.5	1	
15	P0132100050000	O-RING 11×1.5	2	
16	P0132260160000	HEXAGON FLANGE FACE LOCK NUT 8MM	1	
17	P0132200840000	FLANGE BOLT SH 6×32	1	

## Zahara 50 E5

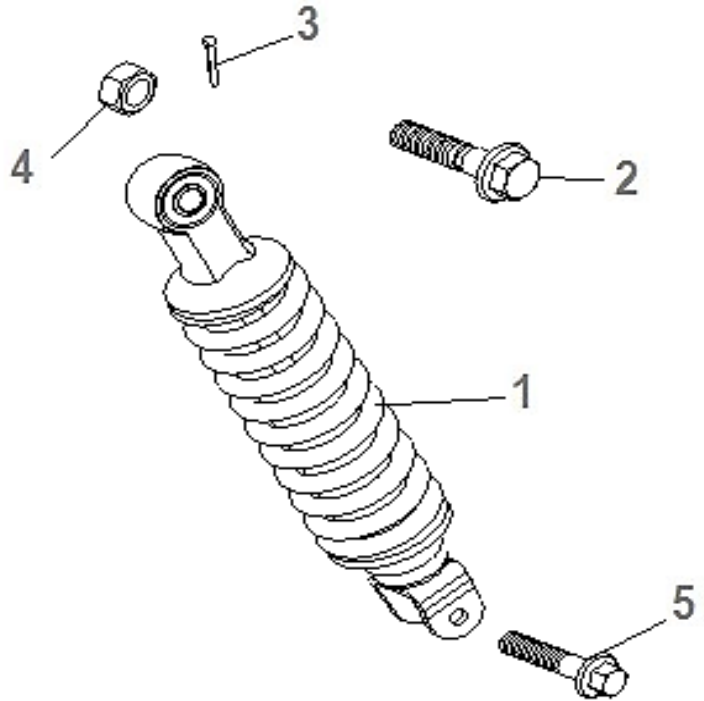
### F10 QUADRO



Nº	CÓDIGO	DESCRIÇÃO	Qt.	OBSERVAÇÕES
1	P0125508980000	FRAME COMP.	1	
2	P0134290070000	SEAT CATCH COMP.	1	
3	P0134234140000	BRACKET	2	
4	P0134810100000	SEAT CABLE	1	
5	P0134281040000	CARRIER BRACKET	1	
6	P0132300730000	BOLT M6×16	6	
7	P0125504670000	MAIN STAND	1	
8	P0133920030000	SPRING	1	
9	P0133565030000	RUBBER	1	
10	P0132850360000	STEPS BOLT	1	
11	P0132730110000	SPLIT PIN,2.5×30	1	
12	P0125508020000	SIDE STAND ASSY	1	
13	P0132303710000	BOLT M8×28, SIDE STAND MOUNTING	1	
14	P0134130020000	SIDE STAND SWITCH	1	
15	P0132306350000	SCREW M6×16	1	
16	P0132380530000	NUT M8	1	
17	P0133915020000	SPRING	1	
18	P0125504860000	ENGINE MOUNTING BRACKET	1	
19	P0133515030000	RUBBER CAP,ENGINE HANGER,Φ20	2	
20	P0132850720000	SCREW AXLE	1	
21	P0133565150000	RUBBER,REAR	1	
22	P0132380060000	NUT M10×1.25	3	
23	P0132306170000	BOLT M10×1.25×39	2	
24	P0143000530000	FRAME BODY NO. PLATE	1	
25	P0132740010000	RIVET 3.2×9	2	

## Zahara 50 E5

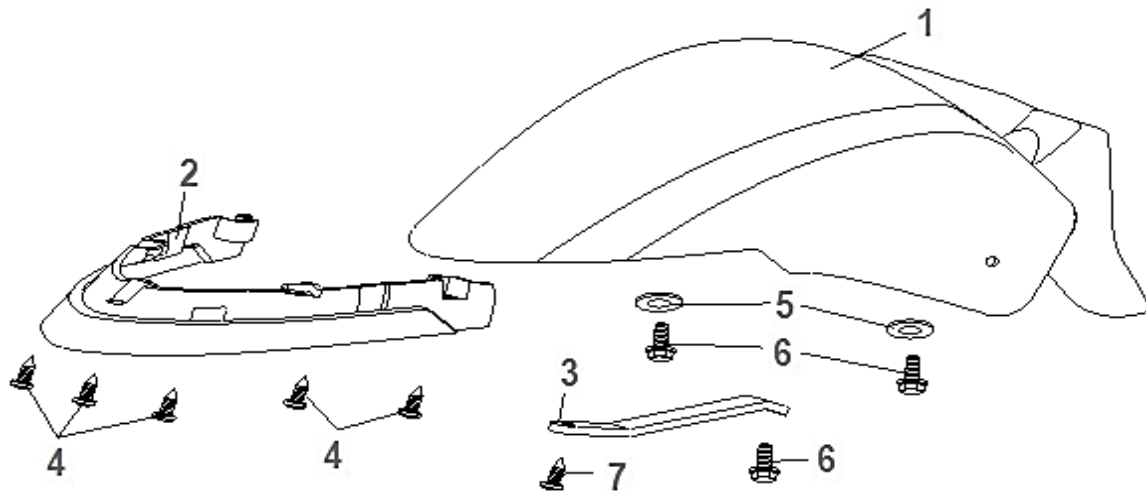
### F11 SUSPENSÃO TRASEIRA



Nº	CÓDIGO	DESCRIÇÃO	Qt.	OBSERVAÇÕES
1	P0135120480000	RR. SHOCK ABSORBER.	1	
2	P0132300010000	BOLT M10×1.25×40	1	
3	P0132730110000	PIN 2.5×30	1	
4	P0132380420000	NUT M10×1.25	1	
5	P0132304060000	BOLT M8×32	1	

## Zahara 50 E5

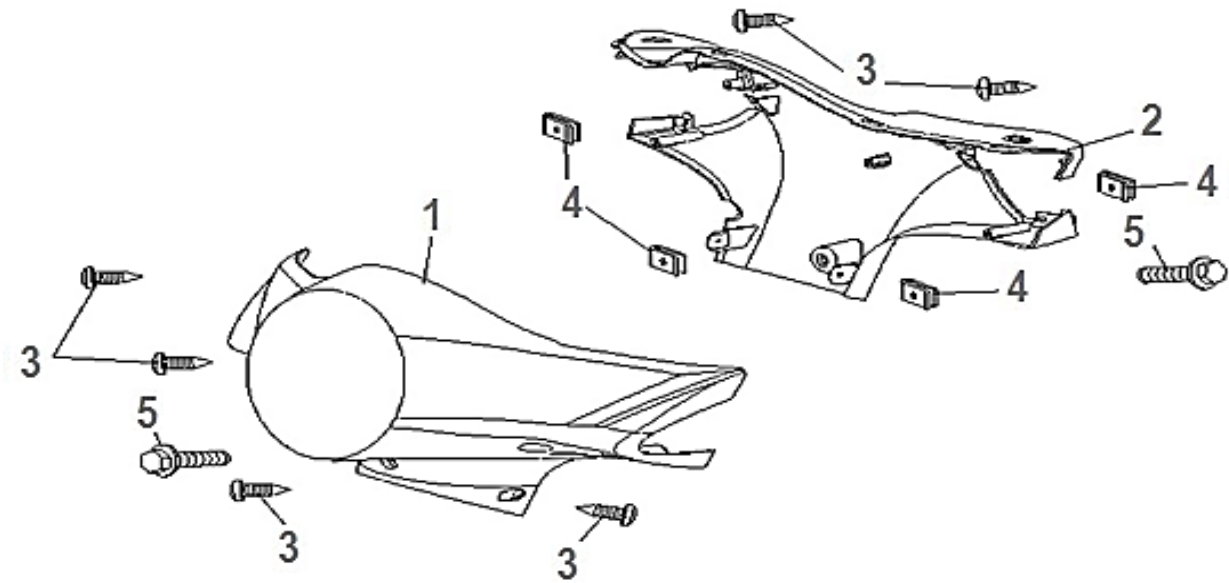
### F12 GUARDA LAMAS DIANTEIRO



Nº	CÓDIGO	DESCRIÇÃO	Qt.	OBSERVAÇÕES
1	P013445020MK00	FRONT FENDER,MATT BLACK MK	1	
1	P013445020PW00	FRONT FENDER,WHITE PW	1	
2	P013445030CP00	FRONT COVER FENDER,CHROME CP	1	
3	P0125507940000	BRACKET FRONT FENDER	1	
4	P0132303520000	SCREW ST4.2×12	6	
5	P0132500640000	WASHER 6	2	
6	P0132300730000	BOLT M6×16	3	
7	P0132303530000	SCREW ST4.2×16	1	

## Zahara 50 E5

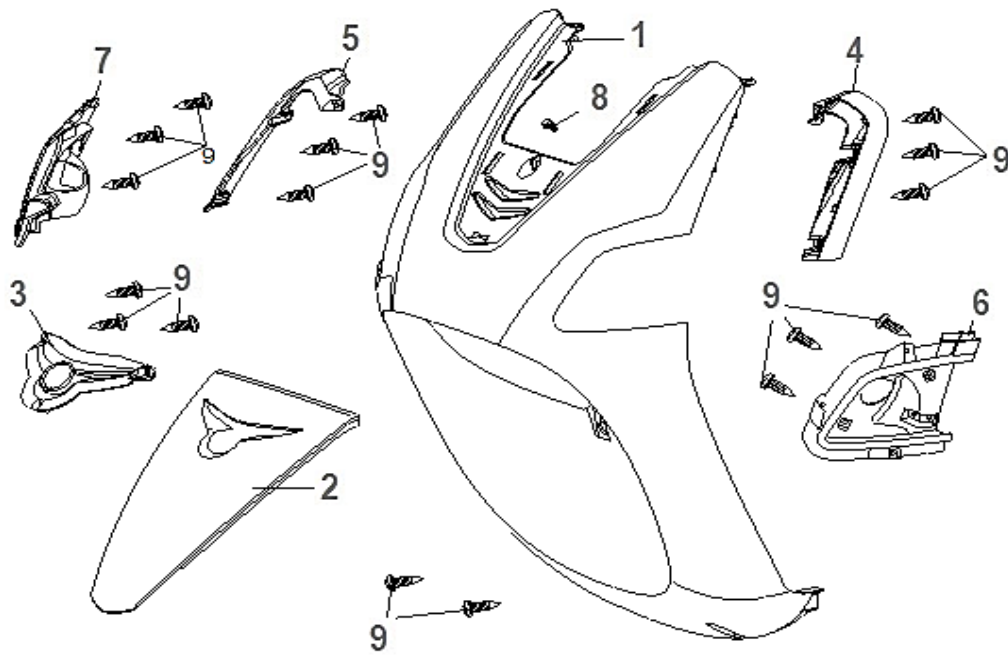
### F13 CARENAGENS DO GUIADOR



Nº	CÓDIGO	DESCRIÇÃO	Qt.	OBSERVAÇÕES
1	P013441525MK00	FRONT HANDLE COVER,MATT BLACK MK	1	
2	P013441525PW00	FRONT HANDLE COVER,WHITE PW	1	
3	P013441511MK00	REAR HANDLE COVER,MATT BLACK MK	1	
3	P013441511PW00	REAR HANDLE COVER,WHITE PW	1	
3	P0132303510000	SCREW ST4.2×12	6	
4	P0132380600000	SPRING NUT 4.2	4	
4	P0132305980000	BOLT M5×16	2	

## Zahara 50 E5

### F14 CARENAGENS FRONTAIS

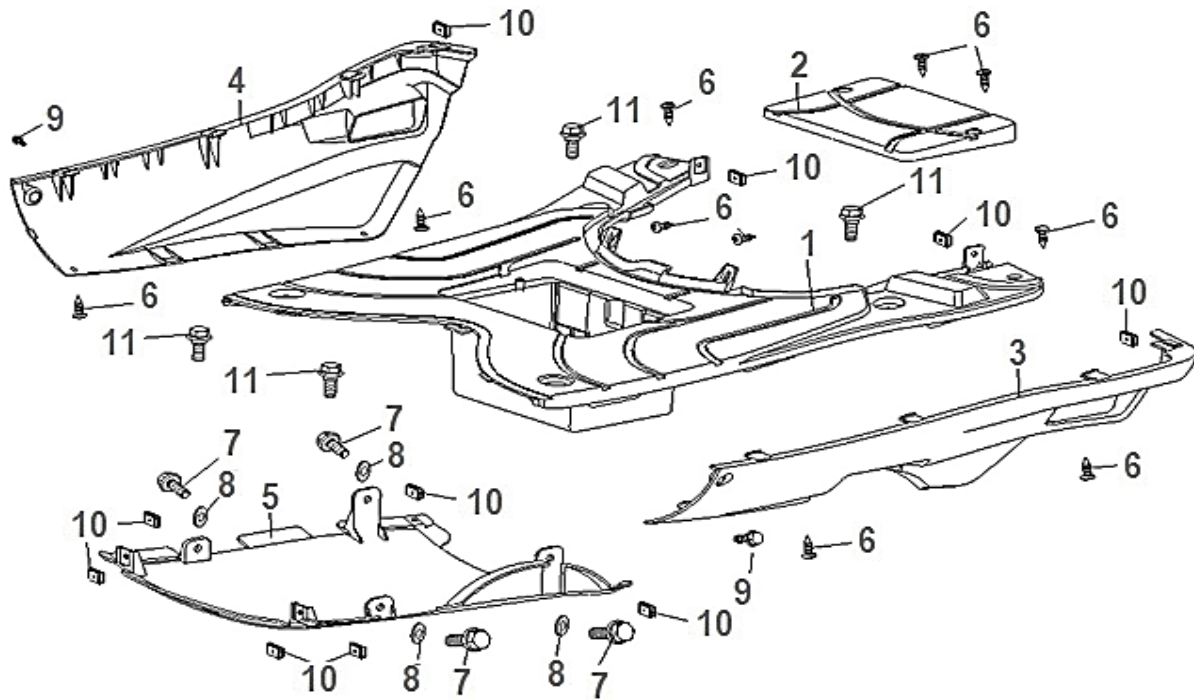


Nº	CÓDIGO	DESCRIÇÃO	Qt.	OBSERVAÇÕES
1	P013444513MK00	FRONT PANEL,MATT BLACK	1	
2	P013444513PW00	FRONT PANEL,WHITE PW	1	
3	P013443521MK00	FRONT FACEPLATE,MATT BLACK	1	
4	P013443521PW00	FRONT FACEPLATE,WHITE PW	1	
5	P013443501CP00	LOGO BASE,ABS,CHROME CP	1	
6	P013443544CP00	LEFT DECORATIVE PARTS,FRONT FACEPLATE,CHROME CP	1	
7	P013443534CP00	RIGHT DECORATIVE PARTS,FRONT FACEPLATE,CHROME CP	1	
7	P013444503CP00	DECORATIVE PARTS,FRONT RIGHT TURN LIGHT,CHROME CP	1	
8	P013444502CP00	DECORATIVE PARTS,FRONT LEFT TURN LIGHT,CHROME CP	1	
8	P0132300610000	BOLT M6×12	1	
9	P0132303520000	SCREW ST4.2×12	17	



## Zahara 50 E5

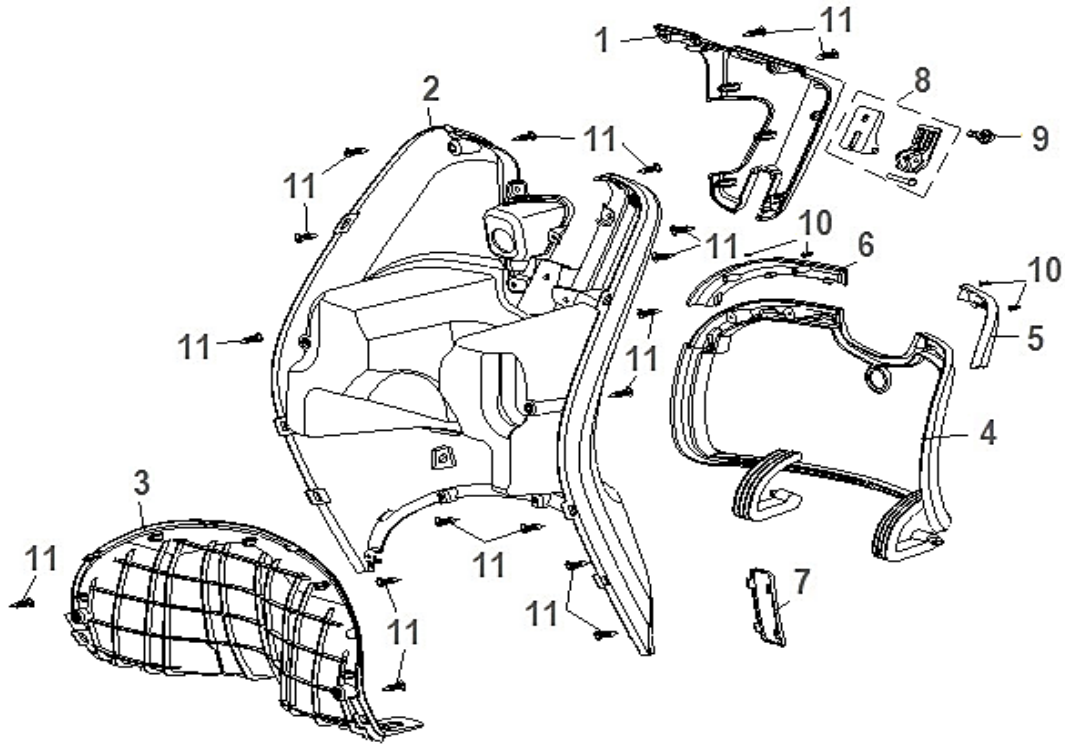
### F15 CARENAGENS DE POUSA-PÉS



Nº	CÓDIGO	DESCRIÇÃO	Qt.	OBSERVAÇÕES
1	P0134490190000	FOOTREST	1	
2	P0134490580000	BATTERY COVER	1	
3	P013448526MK00	LEFT SIDE COVER,MATT BLACK MK	1	
3	P013448526PW00	LEFT SIDE COVER,WHITE PW	1	
4	P013448513MK00	RIGHT SIDE COVER,MATT BLACK MK	1	
4	P013448513PW00	RIGHT SIDE COVER,WHITE PW	1	
5	P0134475190000	UNDER COVER	1	
6	P0132303520000	SCREW ST4.2×12	10	
7	P0132300730000	BOLT M6×16	4	
8	P0132500640000	WASHER 6	4	
9	P0132304890000	BOLT M6×12	2	
10	P0132380600000	SPRING NUT 4.2	10	
11	P0132303990000	BOLT M6×16×3	4	

## Zahara 50 E5

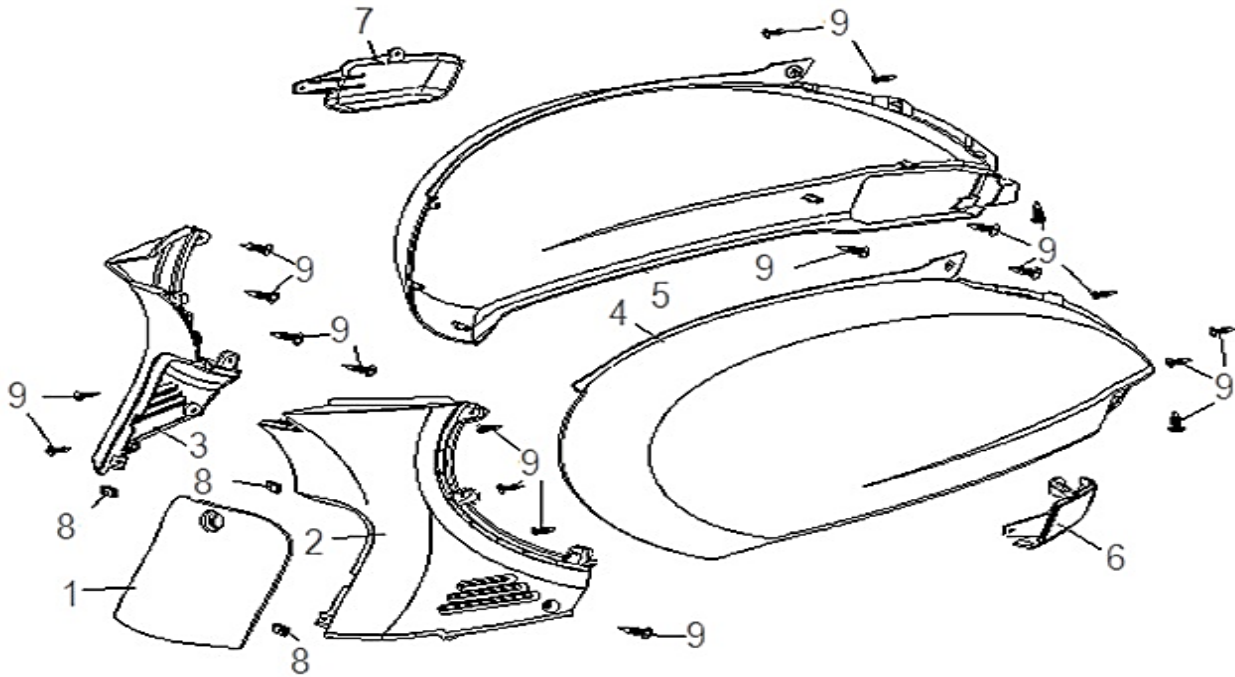
### F16 CARENAGEM CENTRAL



Nº	CÓDIGO	DESCRIÇÃO	Qt.	OBSERVAÇÕES
1	P013445521MK00	UPPER LEG SHIELD,MATT BLACK MK	1	
1	P013445521PW00	UPPER LEG SHIELD,WHITE PW	1	
2	P013445518MK00	LEG SHIELD,MATT BLACK MK	1	
2	P013445518PW00	LEG SHIELD,WHITE PW	1	
3	P0134455230000	LOWER LEG SHIELD	1	
4	P013445529MK00	LEG SHIELD BOX COVER,MATT BLACK MK	1	
4	P013445529PW00	LEG SHIELD BOX COVER,WHITE PW	1	
5	P013445531CP00	LEFT LEG SHIELD BOX DECORATIVE PARTS,CHROME CP	1	
6	P013445530CP00	RIGHT LEG SHIELD BOX DECOR PANEL,CHROME CP	1	
7	P0134465350000	INSPECT COVER	1	
8	P0134465160000	HOOK, HELMET	1	
9	P0132300810000	BOLT M6×20	1	
10	P0132303460000	SCREW ST3.0×10	6	
11	P0132303520000	SCREW ST4.2×12	18	

## Zahara 50 E5

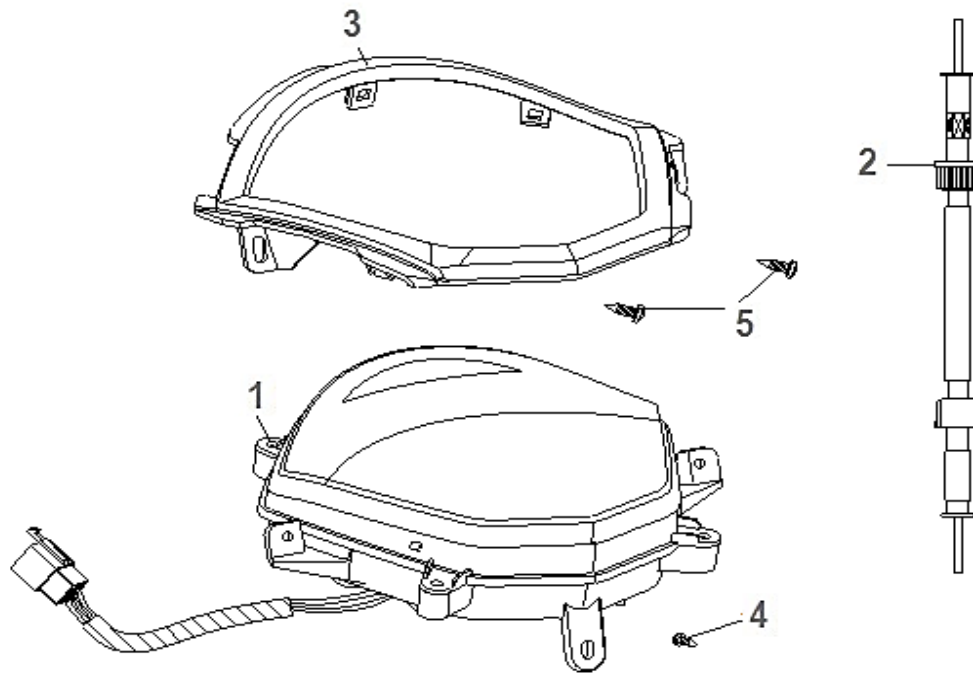
### F17 CARENAGENS TRASEIRAS



Nº	CÓDIGO	DESCRIÇÃO	Qt.	OBSERVAÇÕES
1	P013450008MK00	MAINTAIN COVER,MATT BLACK MK	1	
1	P013450008PW00	MAINTAIN COVER,WHITE PW	1	
2	P013450027MK00	CENTER COVER LEFT,MATT BLACK MK	1	
2	P013450027PW00	CENTER COVER LEFT,WHITE PW	1	
3	P013450025MK00	CENTER COVER RIGHT,MATT BLACK MK	1	
3	P013450025PW00	CENTER COVER RIGHT,WHITE PW	1	
4	P013451039MK00	LEFT SIDE COVER,MATT BLACK MK	1	
4	P013451039PW00	LEFT SIDE COVER,WHITE PW	1	
5	P013451021MK00	RIGHT SIDE COVER,MATT BLACK MK	1	
5	P013451021PW00	RIGHT SIDE COVER,WHITE PW	1	
6	P013455502MK00	REAR LEFT TURN LIGHT MATT BLACK	1	
6	P013455502PW00	REAR LEFT TURN LIGHT COVER WHITE	1	
7	P013455501MK00	REAR RIGHT TURN LIGHT MATT BLACK	1	
7	P013455501PW00	REAR RIGHT TURN LIGHT COVER WHITE	1	
8	P0132380600000	SPRING NUT 4.2	1	
9	P0132303520000	TAPPING SCREW 4.2×12	20	

## Zahara 50 E5

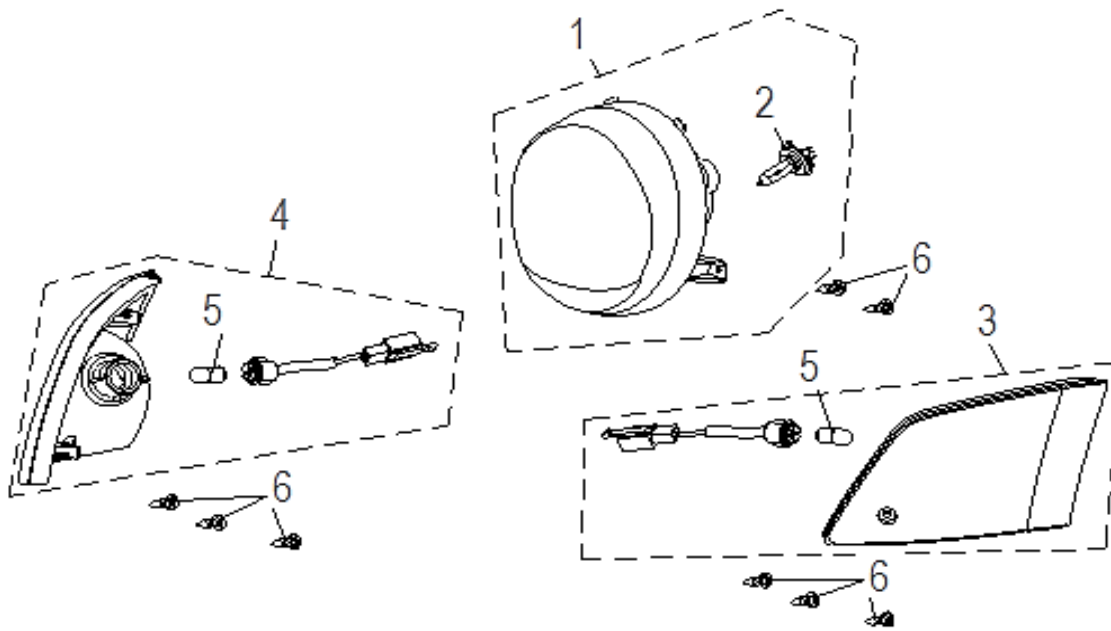
F18 CONTA KMS



Nº	CÓDIGO	DESCRIÇÃO	Qt.	OBSERVAÇÕES
1	P0134002710000	SPEEDOMETER	1	
2	P0134815070000	SPEEDOMETER CABLE COMP.	1	
3	P013442507CP00	METER DECORATIVE PARTS,CHROME	1	
4	P0132303520000	SCREW ST4.2×12	1	
5	P0132303540000	SCREW ST4.2×16	2	

## Zahara 50 E5

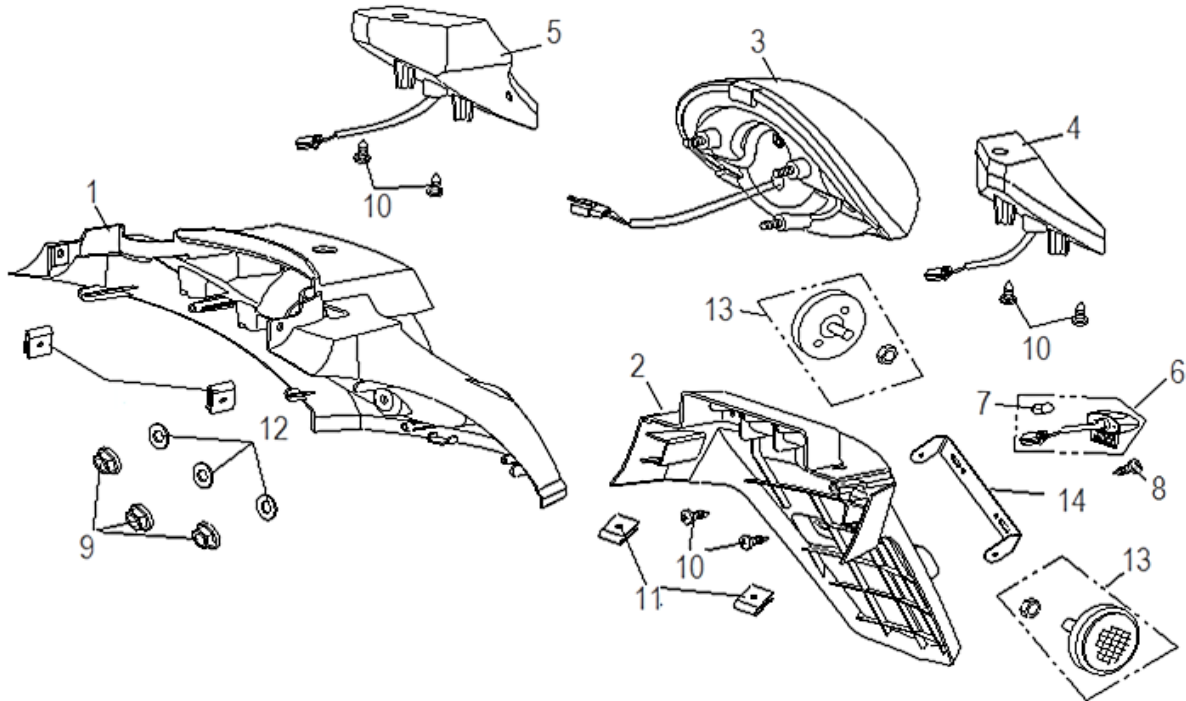
### F19 LUZES



Nº	CÓDIGO	DESCRIÇÃO	Qt.	OBSERVAÇÕES
1	P0133720250000	HEAD LIGHT ASSY.	1	
2	P0133720380000	BULB HEADLIGHT	1	
3	P0133740680000	FRONT LEFT TURN SIGNAL LIGHT	1	
4	P0133740460000	FRONT RIGHT TURN SIGNAL LIGHT	1	
5	P0133740750000	BULB,TURN SIGNAL LIGHT	2	
6	P0132303520000	SCREW ST4.2×12	8	

## Zahara 50 E5

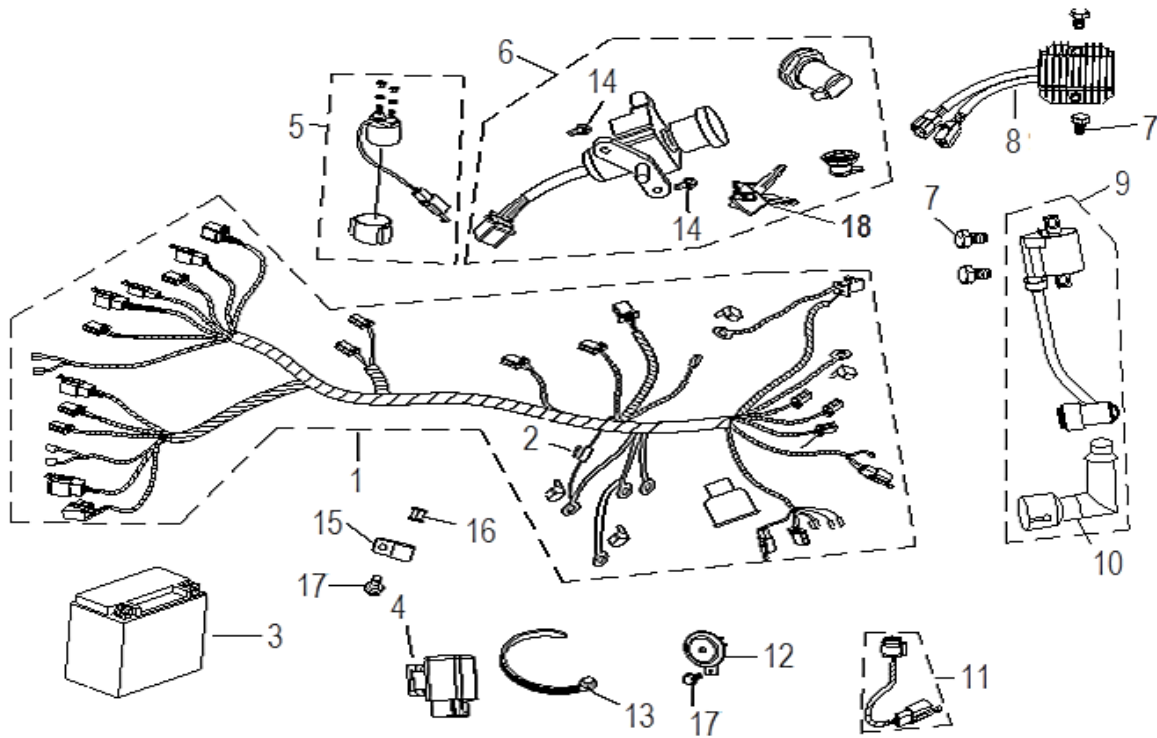
### F20 GUARDA LAMAS TRASEIRO & FAROLIM



Nº	CÓDIGO	DESCRIÇÃO	Qt.	OBSERVAÇÕES
1	P013453021MK00	TAIL COVER,MATT BLACK	1	
1	P013453021PW00	TAIL COVER,WHITE PW	1	
2	P0134540150000	FENDER RR.	1	
3	P0133735190000	TAIL LIGHT ASSY.	1	
4	P0133740230000	REAR LEFT TURN SIGNAL	1	
5	P0133740110000	REAR RIGHT TURN SIGNAL	1	
6	P0133750030000	LICENSE PLATE LIGHT	1	
7	P0133740750000	BULB,TURN SIGNAL LIGHT	1	
8	P0132303530000	SCREW ST4.2×16	1	
9	P0132380270000	NUT M6	3	
10	P0132303520000	SCREW ST4.2×12	6	
11	P0132380600000	SPRING NUT 4.2	4	
12	P0132500640000	WASHER 6×18×1.5	3	
13	P0133760010000	SIDE REFLECTOR	2	
14	P0125500600000	REAR LICENSE PLATE BRACKET	1	

## Zahara 50 E5

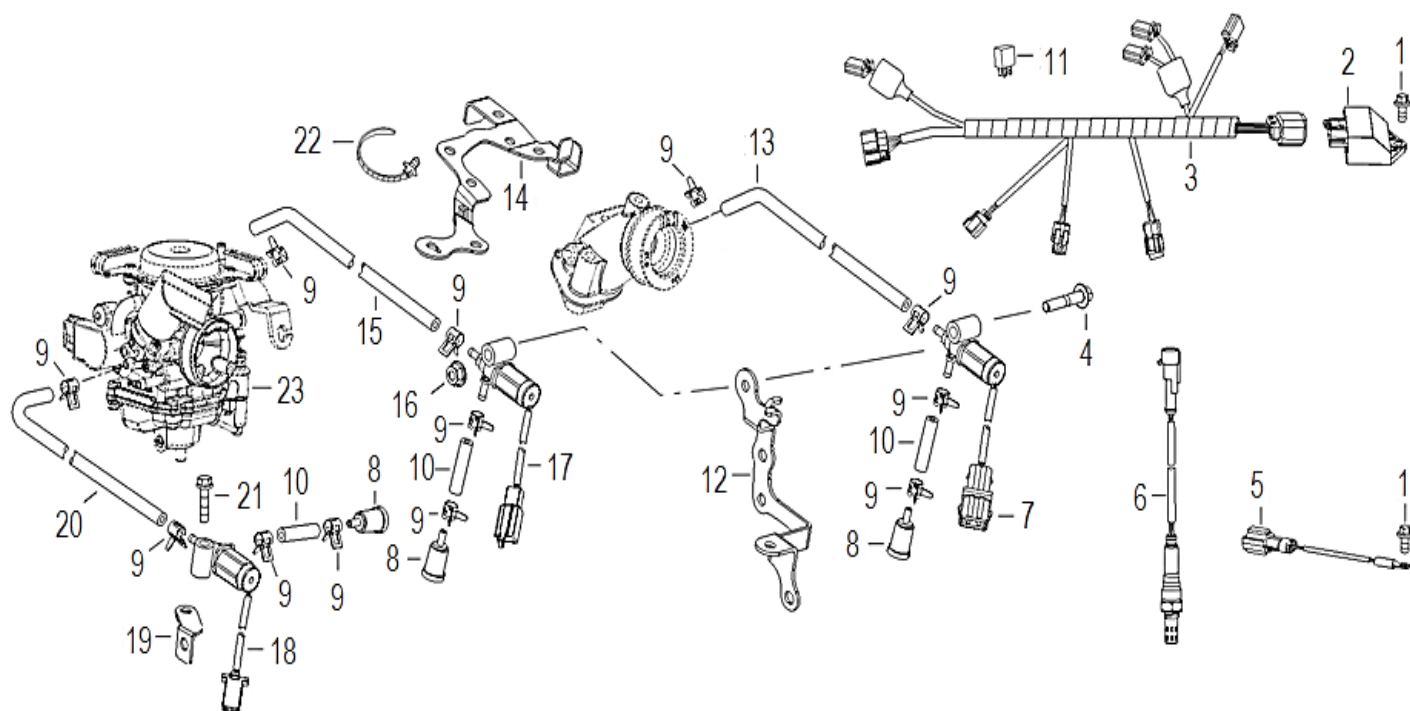
### F21 SISTEMA ELÉTRICO (EFI)



Nº	CÓDIGO	DESCRIÇÃO	Qt.	OBSERVAÇÕES
1	P0133705190000	MAIN WIRE HARNESS ASSY.	1	
2	P0133701040000	FUSE 15A,250V	1	
3	P0133795350000	BATTERY ASSY.12V,7AH	1	
4	P0133830010000	HEADLIGHT CONTROLLOR ASSY.	1	
5	P0133785050000	STARTER RELAY ASSY	1	
6	P0134900240000	LOCK ASSY.	1	
7	P0132300730000	BLOT M6*16	1	
8	P0133790200000	REGULATOR ASSY	2	
9	P0133780220000	IGNITION COIL	1	
10	P0133780420000	CAP IGNITION COIL	1	
11	P0133765040000	FLASHER	7	
12	P0133755010000	HORN	1	
13	P0144150010000	BAND 250mm	1	
14	P0132306120000	BLOT M6×16	1	
15	P0134295220000	CABLE HOLDER,FRONT BRAKE TUBE	2	
16	P0135400860000	RUBBER BUSH	2	
17	P0132300610000	BOLT M6×12	1	
18	P0134920080000	BLACK KEY	1	

## Zahara 50 E5

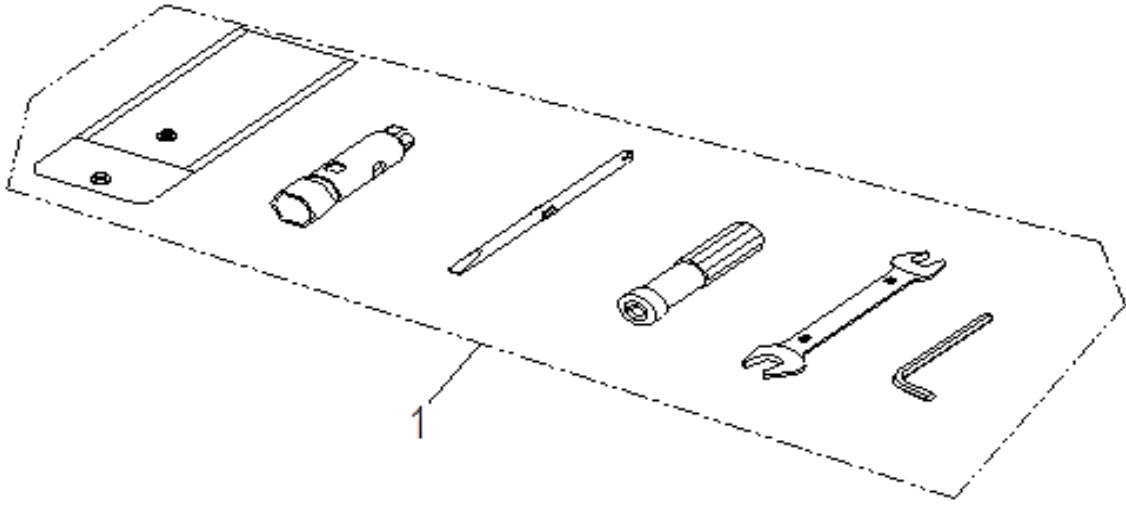
### F22 CARBURADOR ELETRÔNICO



Nº	CÓDIGO	DESCRIÇÃO	Qt.	OBSERVAÇÕES
1	P0132300580000	PARAFUSO M6x12	2	
2	P0121700460000	ECU	1	
3	P0133704480000	CABLAGEM ELÉTRICA	1	
4	P0132200350000	PARAFUSO M6x45	1	
5	P0131581510000	SENSOR DE TEMPERATURA	1	
6	P0131581210000	SENSOR DE OXIGÊNIO	1	
7	P0131581200000	VÁLVULA SOLENÓIDE 3	1	
8	P0131580140000	FILTRO DA VÁLVULA SOLENÓIDE	1	
9	P0132610120000	ABRAÇADEIRA 7	12	
10	P0133510020030	TUBO DE GASOLINA 3.5x7.5x30	3	
11	P0133785080000	RELÉ	1	
12	P0125508900000	SUPORTE DA VÁLVULA SOLENOIDE	1	
13	P0133510020150	TUBO DE GASOLINA 3.5x7.5x150	1	
14	P0125508880000	SUPORTE	1	
15	P0133510020110	TUBO DE GASOLINA 3.5x7.5x110	1	
16	P0132380270000	PORCA M6	1	
17	P0131581500000	VÁLVULA SOLENÓIDE 2	1	
18	P0131581190000	VÁLVULA SOLENÓIDE 1	1	
19	P0125508460000	SUPORTE	1	
20	P0133510020130	TUBO DE GASOLINA 3.5x7.5x130	1	
21	P0132300870000	PARAFUSO M6x25	1	
22	P0144150190000	BANDA	8	
23	P0131520830000	CARBURADOR 45KM	1	



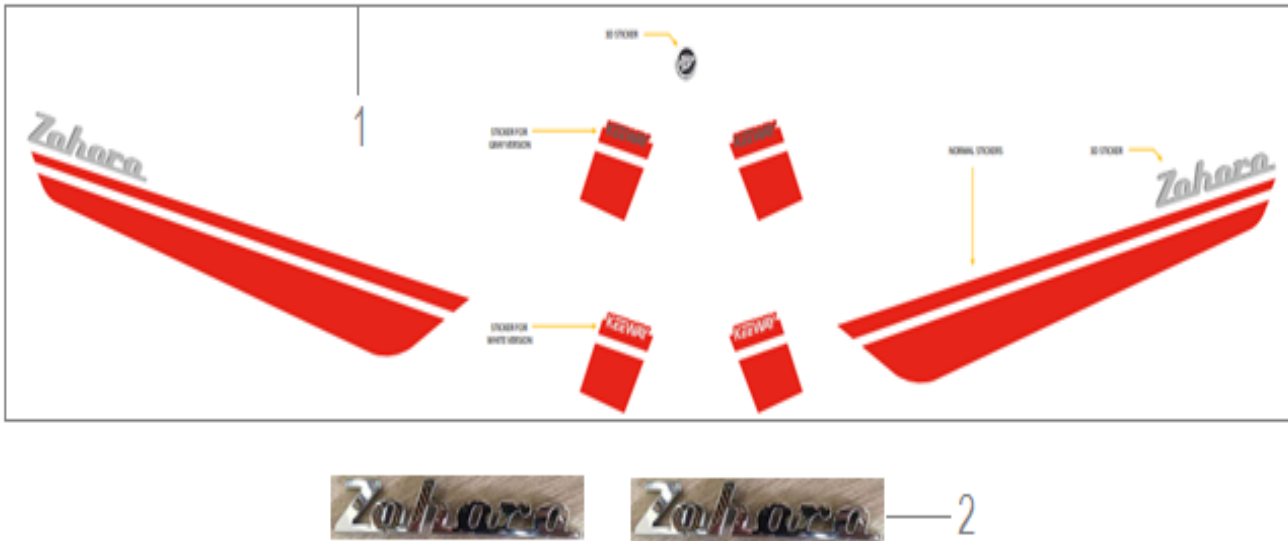
F23 CAIXA DE FERRAMENTAS



Nº	CÓDIGO	DESCRIÇÃO	Qt.	OBSERVAÇÕES
1	P0135600020000	KIT FERRAMENTAS	1	

## Zahara 50 E5

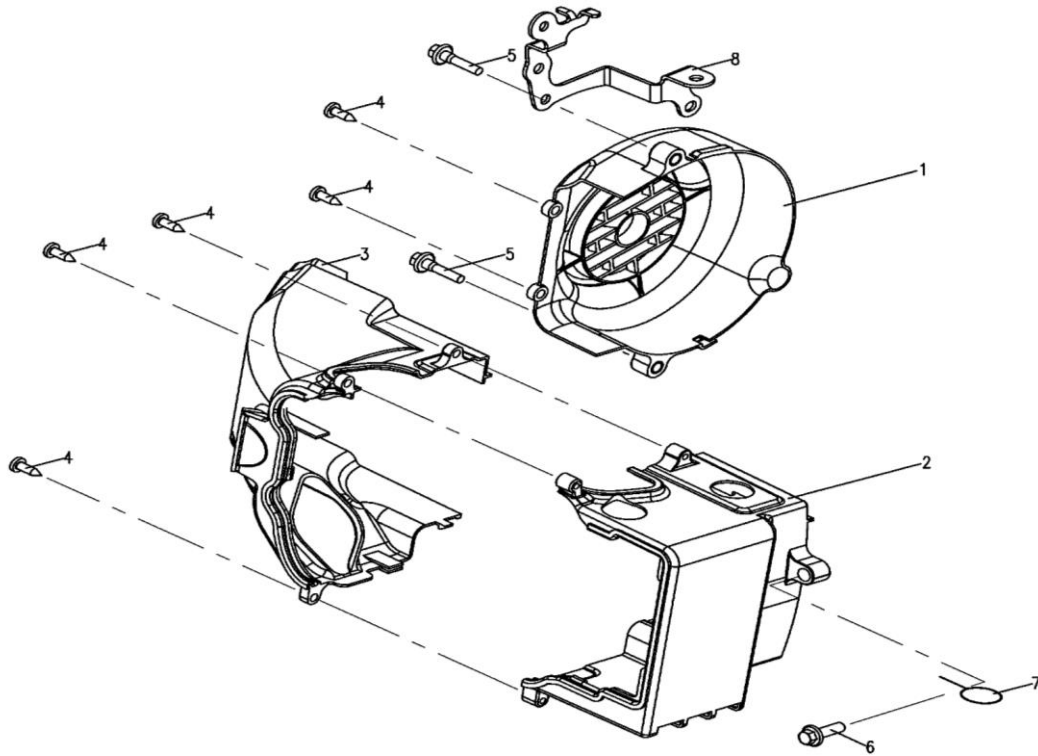
### F24 AUTOCOLANTES



Nº	CÓDIGO	DESCRIÇÃO	Qt.	OBSERVAÇÕES
1	P014114476MK00	STICKER, FOR MATT BLACK MK	1	
2	P014114477PW00	STICKER, FOR WHITE PW	2	
3	P0142902830000	ZAHARA LABEL	3	

## Zahara 50 E5

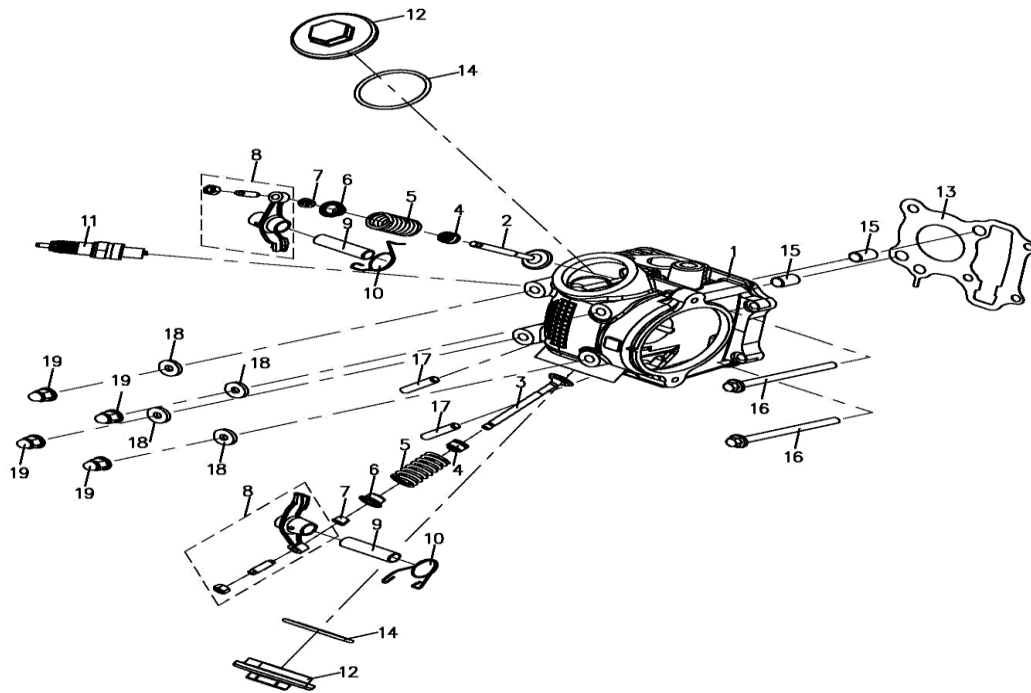
### E01 TAMPA DA VENTONHA



Nº	CÓDIGO	DESCRIÇÃO	Qt.	OBSERVAÇÕES
1	P0131420110000	FAN COVER COMP	1	
2	P0131400080000	SHROUD A ASSY	1	
3	P0131410060000	SHROUD B ASSY	1	
4	P0132230100000	TAP SCREW ST4.8×16	5	
5	P0132200210000	BOLT SH 6×25	2	
6	P0132200170000	BOLT SH 6×22	1	
7	P0134295630000	CLAMPER.A OIL DRAIN TUBE	1	
8	P0125508900000	DOUBLE SOLENOID VALVE BRACKET	1	

## Zahara 50 E5

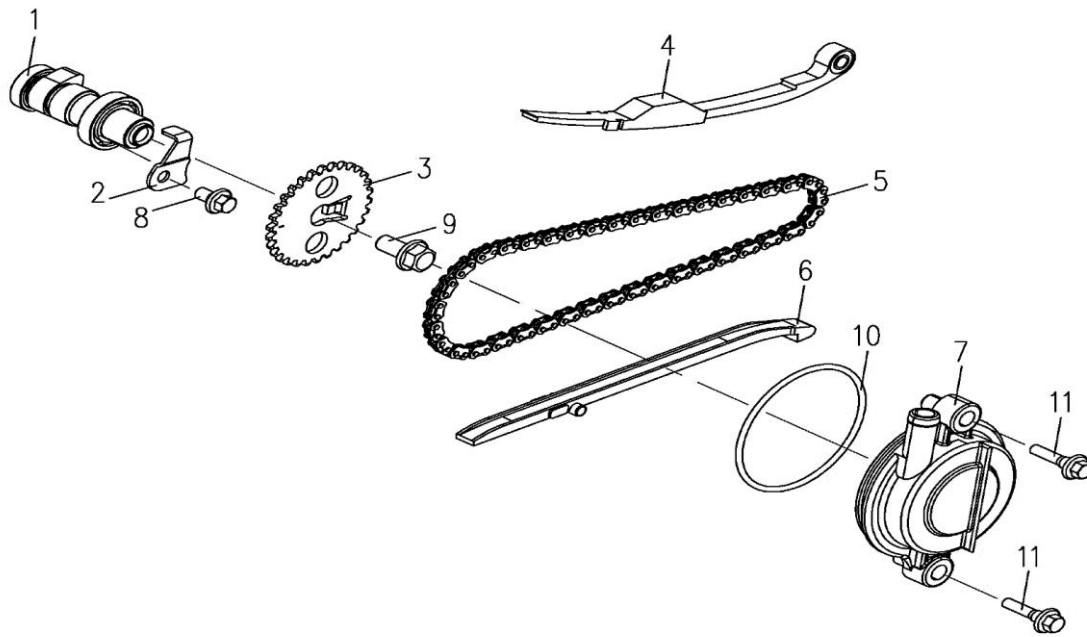
### E02 CABEÇA DE CILINDRO



Nº	CÓDIGO	DESCRIÇÃO	Qt.	OBSERVAÇÕES
1	P0130110430000	CYLINDER HEAD COMP.	1	
2	P0130121040000	INTAKE VALVE	1	
3	P0130121050000	EXHAUST VALVE	1	
4	P0130120360000	VALVE SEAL	2	
5	P0130121010000	VALVE OUTER SPRING	2	
6	P0130121060000	RETAINER VALVE SPRING	2	
7	P0130121070000	COTTER VALVE	4	
8	P0130120970000	VALVE ROCKER ARM ASSY	2	
9	P0130121030000	ROCKER ARM SHAFT	2	
10	P0130121020000	ROCKER ARM TORSION SPING	2	
11	P0130110420000	PLUG CR6HSA	1	
12	P0130110480000	TAPPET ADJ.HOLE CAP ASSY	2	
13	P0131600970000	GASKET,CYLINDER HEAD	1	
14	P0132100440000	O-RING 40.94×2.62	2	
15	P0132700030000	DOWEL PIN 10×14	2	
16	P0132200430000	BOLT 6×80	2	
17	P0132220250000	STUD BOLT 6×32	2	
18	P0132400600000	WASHER 6MM	4	
19	P0132270020000	CAP NUT 6MM	4	

## Zahara 50 E5

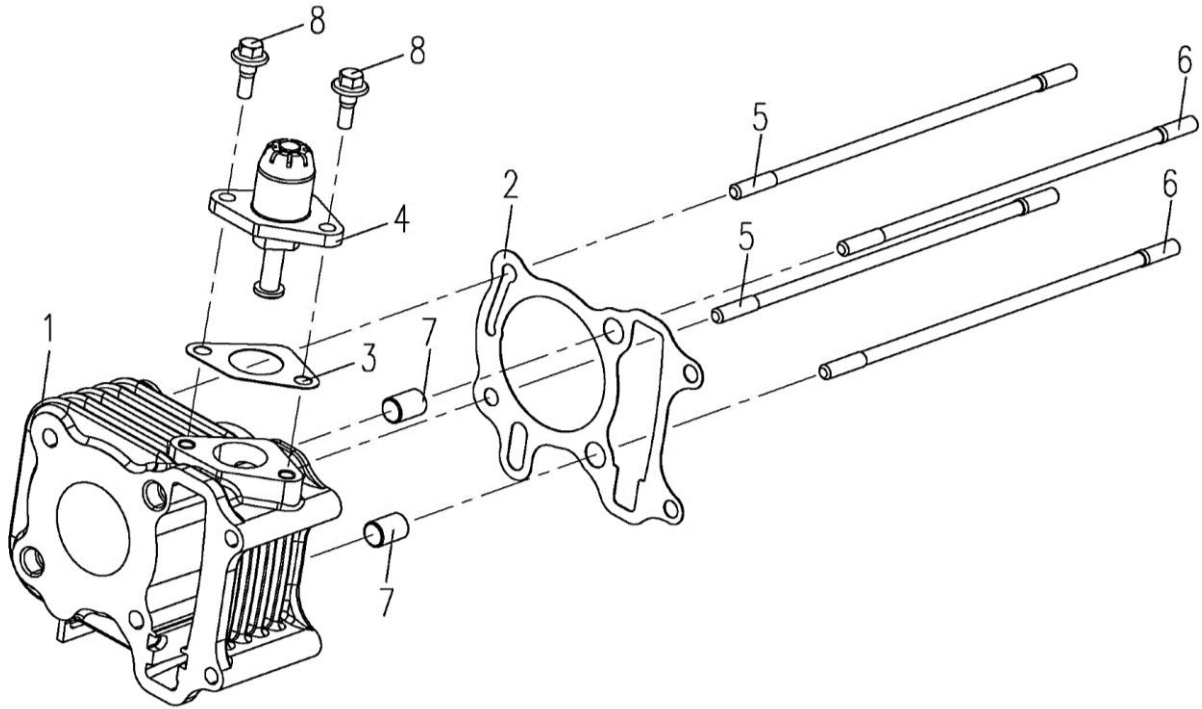
### E03 DISTRIBUIÇÃO



Nº	CÓDIGO	DESCRIÇÃO	Qt.	OBSERVAÇÕES
1	P0130120960000	CAM SHAFT COMP	1	
2	P0131700410000	CAM SHAFT SETTING PLATE	1	
3	P0130200380000	CAM SPROCKET	1	
4	P0130200360000	CAM CHAIN TENSIONER	1	
5	P0130200340000	CAM CHAIN	1	
6	P0130200370000	CAM CHAIN GUIDE COMP	1	
7	P0130110470000	CYLINDER HEAD LEFT SIDE COVER	1	
8	P0132200030000	BOLT SH 6×12	1	
9	P0132200530000	BOLT SH 8×16	1	
10	P0132100450000	O-RING 67×2.65	1	
11	P0132200170000	BOLT SH 6×22	2	

## Zahara 50 E5

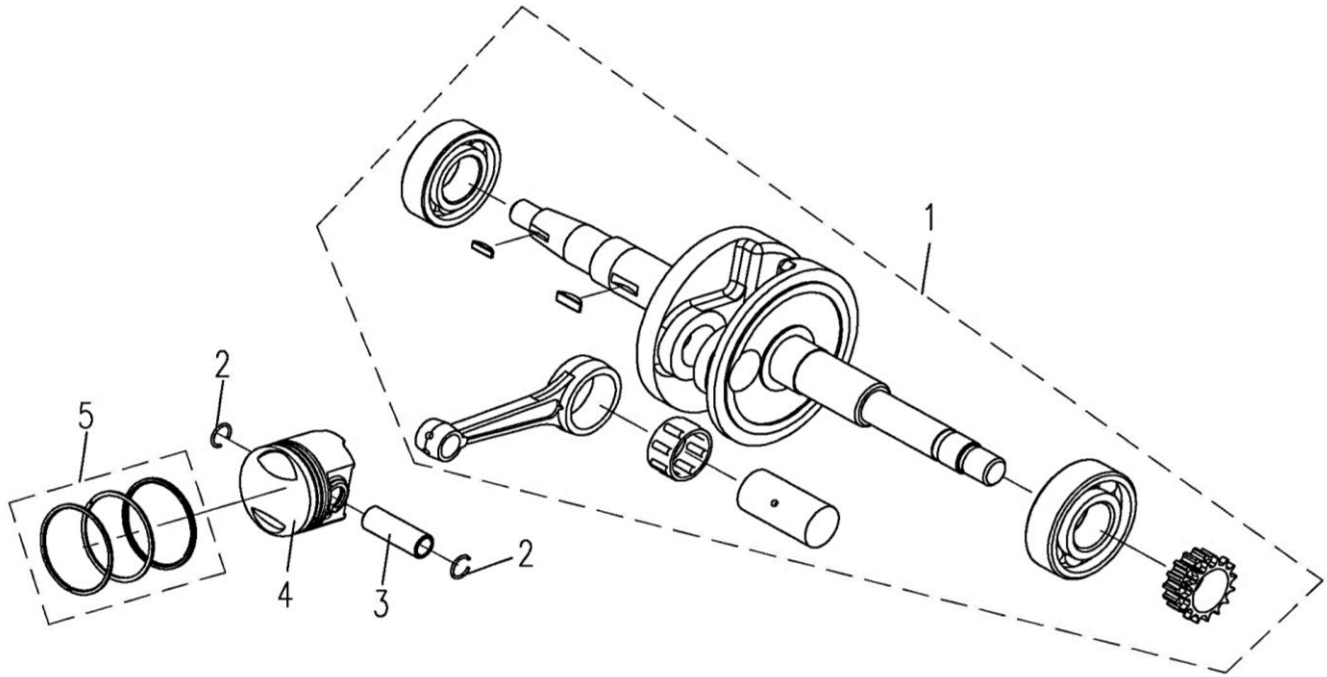
### E04 CILINDRO



Nº	CÓDIGO	DESCRIÇÃO	Qt.	OBSERVAÇÕES
1	P0130210240000	CYLINDER COMP	1	
2	P0131600980000	CYLINDER GASKET	1	
3	P0131600990000	CAM CHAIN ADJUSTER GASKET	1	
4	P0130200350000	TENSIONER LIFTER ASSY	1	
5	P0132220340000	CYLINDER STUD BOLT B	2	
6	P0132220350000	CYLINDER STUD BOLT A	2	
7	P0132700030000	DOWEL PIN 10×14	2	
8	P0132200090000	BOLT SH 6×16	2	

## Zahara 50 E5

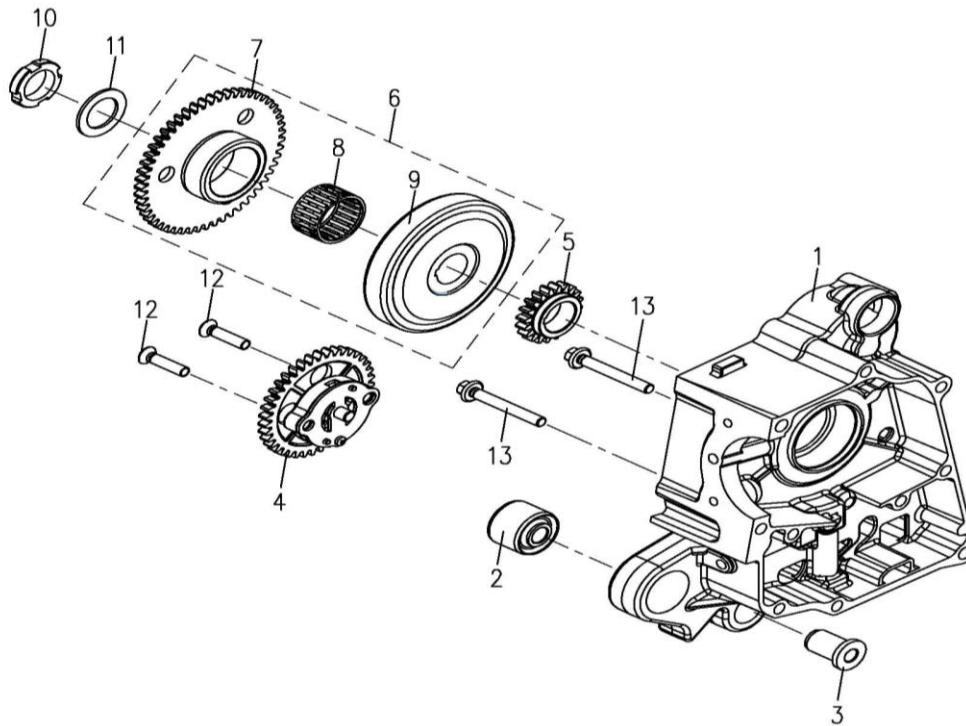
### E05 CAMBOTA



Nº	CÓDIGO	DESCRIÇÃO	Qt.	OBSERVAÇÕES
1	P0130320270000	CRANK SHAFT COMP	1	
2	P0130310120000	PISTON PIN CLIP	2	
3	P0130310250000	PISTON PIN	1	
4	P0130300240000	PISTON	1	
5	P0130330500000	PISTON RING SET	1	

## Zahara 50 E5

### E06 TAMPA CARTER DIREITO

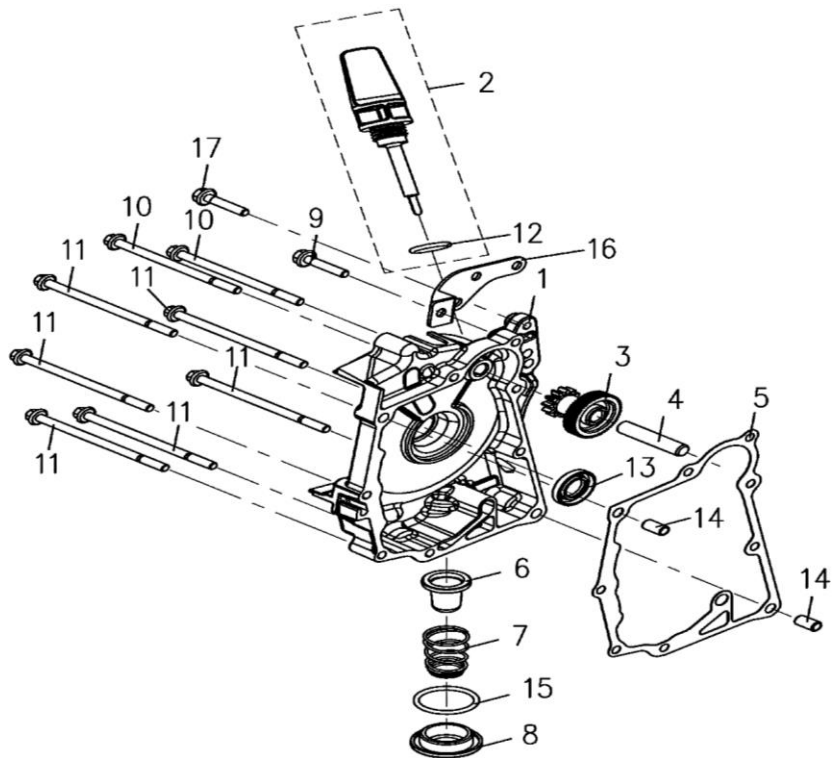


Nº	CÓDIGO	DESCRIÇÃO	Qt.	OBSERVAÇÕES
1	P0130610420000	RIGHT CRANKCASE COMP	1	
2	P0130610160000	ENGINE HANGER RUBBER BUSH $\Phi 10 \times \Phi 28 \times 22 \times 20$	1	
3	P0132810080000	BUSH $\Phi 8 \times \Phi 14 \times 24.5$	1	
4	P0130500130000	OIL PUMP ASSY	1	
5	P0130510170000	OIL PUMP DRIVER GEAR	1	
6	P0131220110000	START CLUTCH OUTER ASSY	1	
7	P0131230180000	WHEEL, STARTER	1	
8	P0132010050000	NEEDLE BEARING	1	
9	P0131220110000	STARTER CLUTCH	1	
10	P0132260280000	LOCK NUT 20MM	1	
11	P0132400620000	WASHER 20x30x2	1	
12	P0132230220000	FLAT SCREW 6x25	2	
13	P0132200350000	BOLT SH 6x45	2	



## Zahara 50 E5

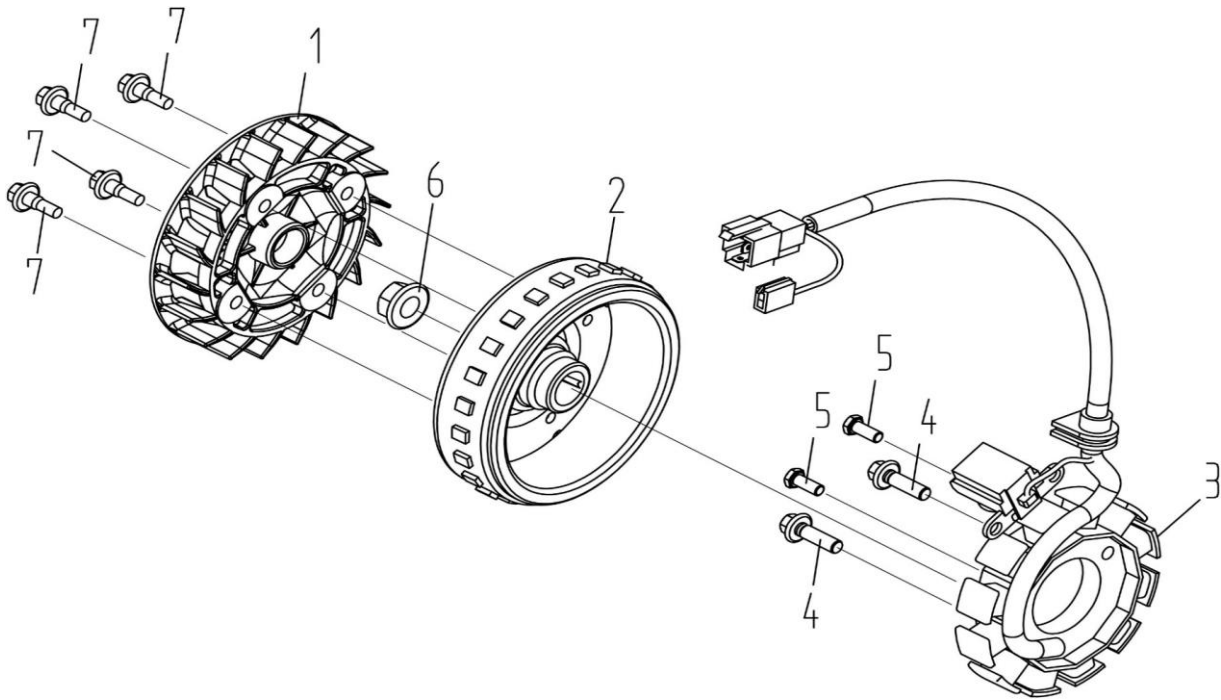
### E07 TAMPA DIREITA DO MOTOR



Nº	CÓDIGO	DESCRIÇÃO	Qt.	OBSERVAÇÕES
1	P0130630240000	RIGHT CRANKCASE COVER	1	
2	P0130630290000	OIL LEVEL GAUGE ASSY	1	
3	P0131210070000	GEAR	1	
4	P0132800060000	SHAFT $\Phi 10 \times 48.5$	1	
5	P0131601000000	R. CRANKCASE COVER GASKET	1	
6	P0130520010000	OIL FILTER SCREEN	1	
7	P0130520030000	OIL FILTER SCREEN SPG	1	
8	P0130520050000	TAPPET ADJUSTING HOLE CAP	1	
9	P0132300980000	BOLT SH 6x35	1	
10	P0132200450000	BOLT SH 6x95	2	
11	P0132200470000	BOLT SH 6x100	6	
12	P0132100510000	O-RING 18x3	1	
13	P0132120360000	OIL SEAL 17x30x5	1	
14	P0132700020000	DOWEL PIN 8x14	2	
15	P0132100200000	O-RING 30.8x3.1	1	
16	P0125504790000	RIGHT REAR WHEEL MUD PLATE FRONT BRACKET	1	
17	P0132200060000	BOLT SH 6x14	1	

## Zahara 50 E5

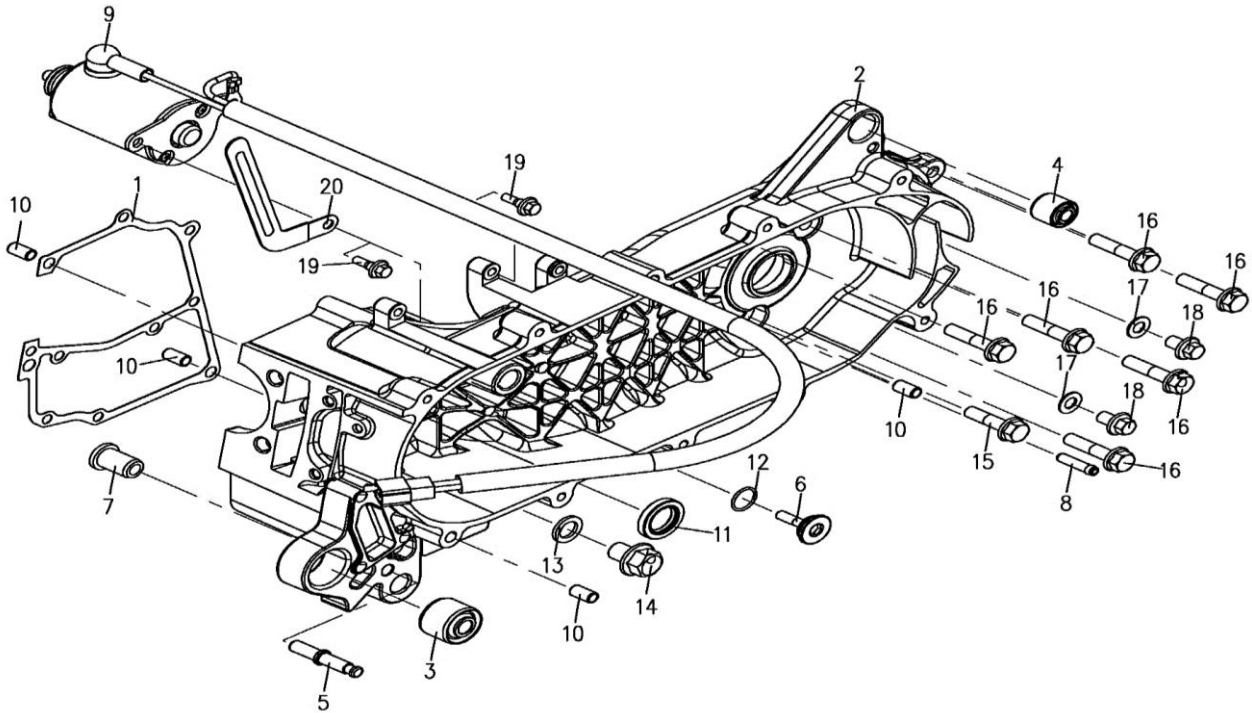
### E08 MAGNETO



Nº	CÓDIGO	DESCRIÇÃO	Qt.	OBSERVAÇÕES
1	P0131430140000	COOLING FAN COMP	1	
2	P0131310190000	FLY WHEEL COMP	1	
3	P0131300500000	MAGNETO STATOR	1	
4	P0132200170000	BOLT SH 6×22	2	
5	P0132200740000	HEX BOLT 5×12	2	
6	P0132260050000	FLANGE NUT 10MM	1	
7	P0132200090000	BOLT 6×16	4	

## Zahara 50 E5

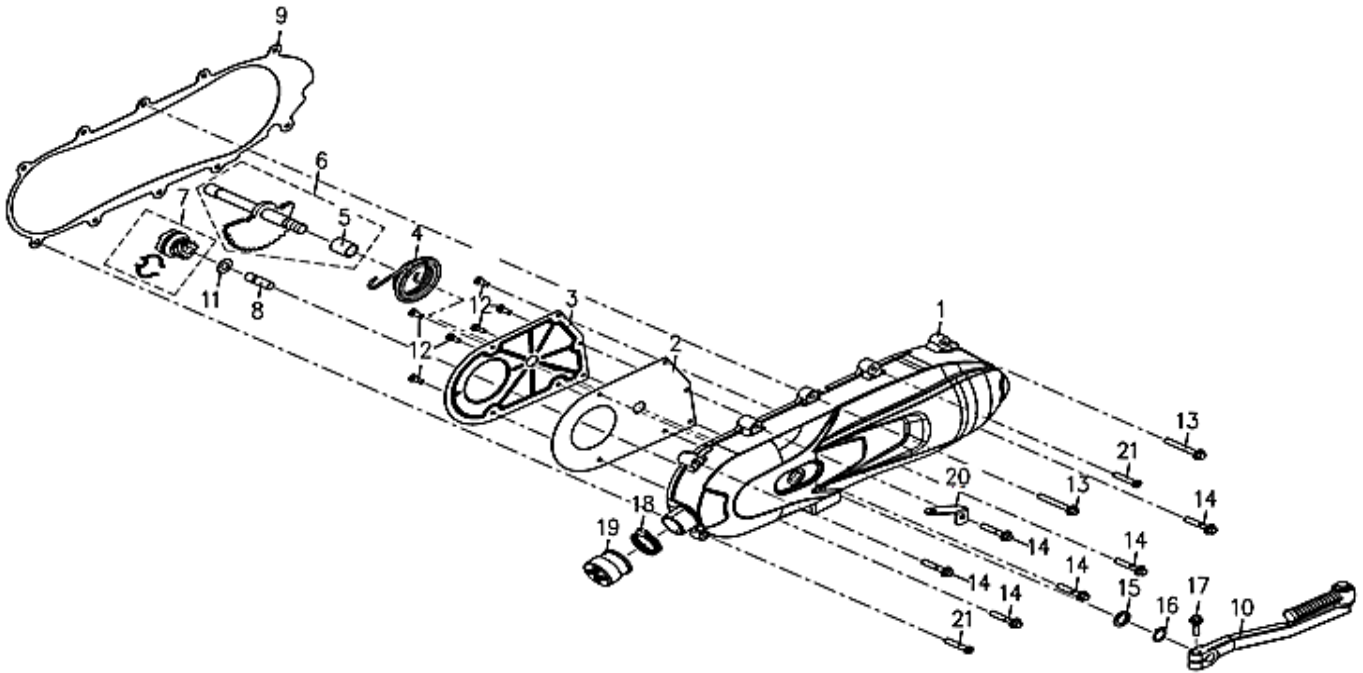
### E09 CARTER ESQUERDA



Nº	CÓDIGO	DESCRIÇÃO	Qt.	OBSERVAÇÕES
1	P0131601010000	CRANKCASE GASKET	1	
2	P0130610430000	LEFT CRANKCASE COMP	1	
3	P0130610160000	BUSH $\Phi 10 \times \Phi 28 \times 22 \times 20$	1	
4	P0130610150000	BUSH $\Phi 8 \times \Phi 20 \times 19 \times 16$	1	
5	P0132840050000	PIN $\Phi 8 \times 48$	1	
6	P0132220270000	BOLT M6x21	1	
7	P0132810080000	BUSH	1	
8	P0132840020000	CONNECTOR	1	
9	P0131200120000	START MOTOR ASSY	1	
10	P0132700020000	DOWEL PIN 8X14	4	
11	P0132120370000	OIL SEAL 18.9x30x5	1	
12	P0132100080000	O-RING 15.2x1.5	1	
13	P0132400120000	WASHER 12MM	1	
14	P0132200590000	BOLT 12x15	1	
15	P0132201050000	BOLT 8x30	1	
16	P0132200850000	BOLT 8x35	6	
17	P0132400390000	WASHER 8MM	2	
18	P0132200510000	BOLT 8x12	2	
19	P0132200090000	BOLT 6x16	2	
20	P0134295450000	OIL SEPARATOR CLIP	1	

## Zahara 50 E5

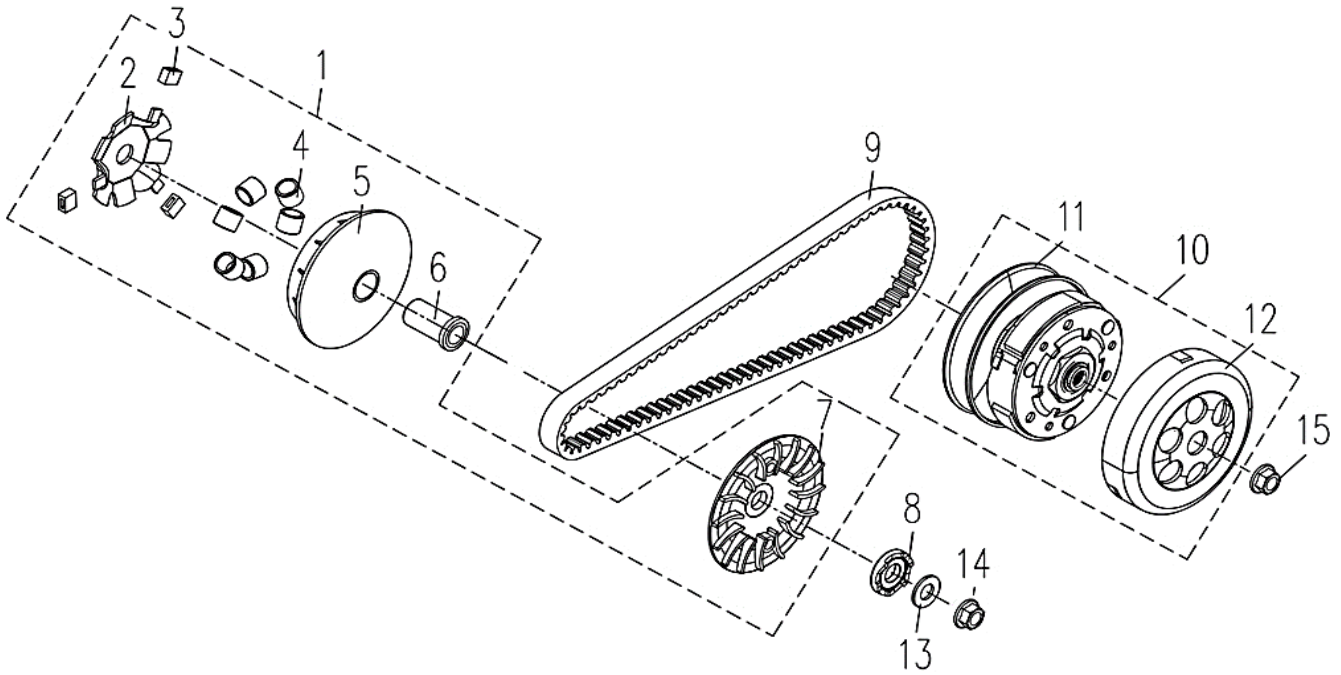
### E10 TAMPA DO VARIADOR



Nº	CÓDIGO	DESCRIÇÃO	Qt.	OBSERVAÇÕES
1	P0122904400000	L.CRANKCASE COVER	1	
2	P0131700400000	L SIDE COVER PLATE	1	
3	P0131601040000	L.COVER PLATE GASKET	1	
4	P0131110280000	KICK RETURN SPING	1	
5	P0131110340000	KICK SPINDLE BUSH	1	
6	P0131110290000	KICK STARTER SPINDLE COMP	1	
7	P0131120080000	KICK DRIVEN GEAR ASSY.	1	
8	P0131120070000	SHAFT	1	
9	P0131601030000	L.CRANKCASE COVERGASKET	1	
10	P0131100220000	KICK CRANK ASSY	1	
11	P0132400610000	WASHER 10MM	1	
12	P0132200740000	BOLT 5×12	6	
13	P0132200280000	BOLT SH 6×45	2	
14	P0132200280000	BOLT SH 6×32	6	
15	P0132400260000	WASHER 14×21×2	1	
16	P0132600010000	CIRCLIP	1	
17	P0132200170000	BOLT SH 6×22	1	
18	P0133530040000	CLAMP	1	
19	P0133530060000	FILTER	1	
20	P0125508460000	SUPPORT FOR OIL PUMP	1	
21	P0132306100000	BOLT 6×30	2	

## Zahara 50 E5

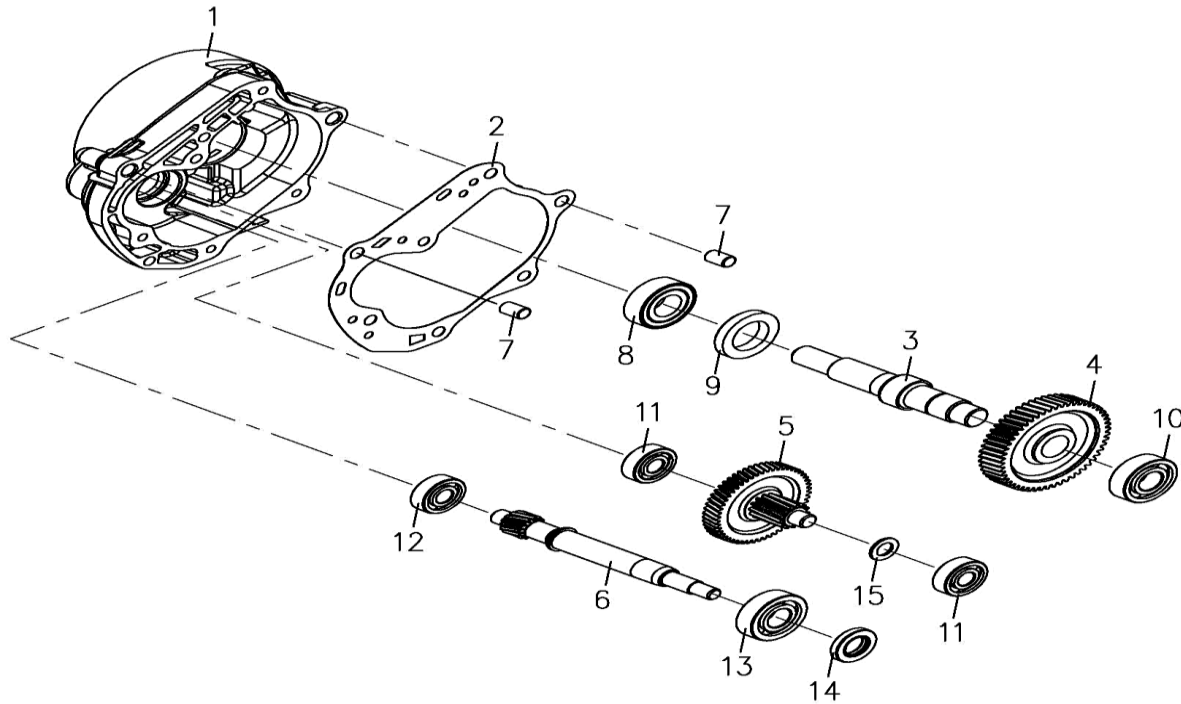
### E11 VARIADORES



Nº	CÓDIGO	DESCRIÇÃO	Qt.	OBSERVAÇÕES
1	P0130700110000	MOVABLE DRIVE FACE ASSY.	1	
2	P0130730630000	RAMP PLATE	1	
3	P0130730600000	SLIDE PIECE SET	3	
4	P0130730590000	WEIGHT ROLLER 5.9g	6	
5	P0130730610000	MOVABLE DRIVE FACE COMP	1	
6	P0130730650000	BUSH	1	
7	P0130730670000	FACE BOSS	1	
8	P0130730570000	KICK STARTER RATCHE	1	
9	P0130720100000	DRIVE BELT	1	
10	P0130710100000	DRIVEN PULLEY ASSY.	1	
11	P0130730730000	CLUTCH CARRIER ASSY	1	
12	P0130730720000	CLUTCH OUTER COMP.	1	
13	P0132400170000	WASHER 12x24x2	1	
14	P0132260080000	NUT M12x1.25MM	1	
15	P0132260050000	NUT M10x1.25MM	1	

## Zahara 50 E5

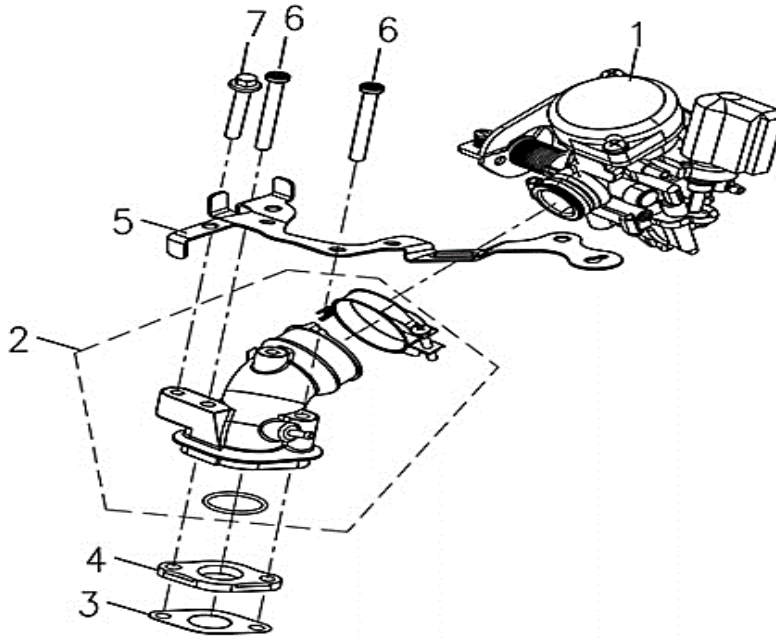
### E12 TRANSMISSÃO



Nº	CÓDIGO	DESCRIÇÃO	Qt.	OBSERVAÇÕES
1	P0130620120000	GEARBOX COVER	1	
2	P0131601020000	GEARBOX GASKET	1	
3	P0130820110000	FINAL SHAFT	1	
4	P0130820170000	FINAL GEAR	1	
5	P0130810100000	COUNTER SHAFT COMP	1	
6	P0130800120000	DRIVE SHAFT	1	
7	P0132700030000	DOWEL PIN 10×14	2	
8	P0132000050000	BALL RADIAL BEARING 6004RS	1	
9	P0132120180000	OIL SEAL 27×42×7	1	
10	P0132000120000	BALL RADIAL BEARING 6203	1	
11	P0132000090000	BALL RADIAL BEARING 6201	2	
12	P0132000540000	BALL RADIAL BEARING 6201E1	1	
13	P0132000530000	BALL RADIAL BEARING 6302×2-17P53	1	
14	P0132120360000	OIL SEAL 17×30×5	1	
15	P0132400090000	PLAIN WASHE 12	1	

## Zahara 50 E5

### E13 CARBURADOR



Nº	CÓDIGO	DESCRIÇÃO	Qt.	OBSERVAÇÕES
1	P0131520830000	CARBURETOR ASSY	1	
2	P0131500540000	INLET PIPE	1	
3	P0131600960000	INSULATOR GASKET	1	
4	P0131500260000	INSULATOR	1	
5	P0125508880000	BRACKET	1	
6	P0132306940000	MODIFIED BOLT M6×52	2	
7	P0132200030000	SH.FLANGE BOLT M6X12	1	