

BUCK 125 E5



VIN: LL8T3JHW*M*****

BUCK 125 E5

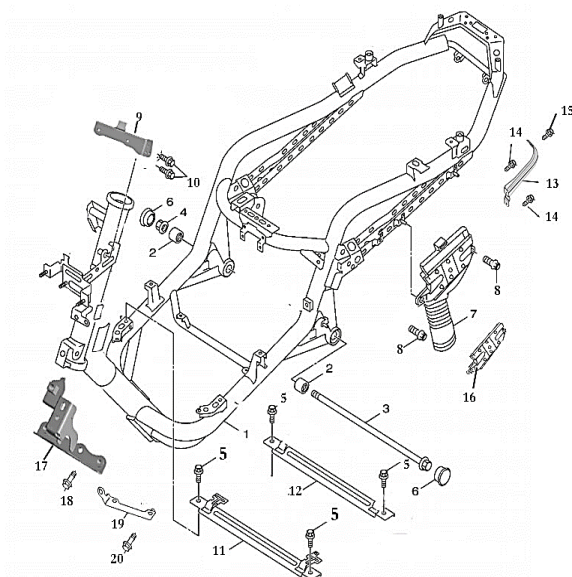
ÍNDICE

ESQ	QUADRO	PAG
F01	FRAME	3
F02	FRONT COVERS	4
F03	UNDER COVERS	6
F04	SIDE COVERS	7
F05	LAMPS	9
F06	REAR SUSPENSION	10
F07	FRONT FORK	11
F08	FUEL TANK	12
F09	EVAP SYSTEM	13
F10	FRONT WHEEL	14
F11	BRAKE SYSTEM	15
F12	REAR WHEEL	16
F13	STEERING HANDLE	17
F14	STANDS	18
F15	SPEEDOMETER	19
F16	ACESSORIES	20
F17	ELECTRICAL SYSTEM I	21
F18	ELECTRICAL SYSTEM II	22
F19	STICKERS	23

ESQ	MOTOR	PAG
E01	CYLINDER	24
E02	CRANKSHAFT & PISTON	25
E03	VALVE SYSTEM	26
E04	WATER PUMP	27
E05	RADIATOR	28
E06	OIL PUMP	30
E07	INTAKE	31
E08	EXHAUST	32
E09	CRANKCASE	33
E10	STARTER	35
E11	CLUTCH	36
E12	TRANSMISSION	37
E13	STARTING MOTOR	38
E14	GENERATOR	39

BUCK 125 E5

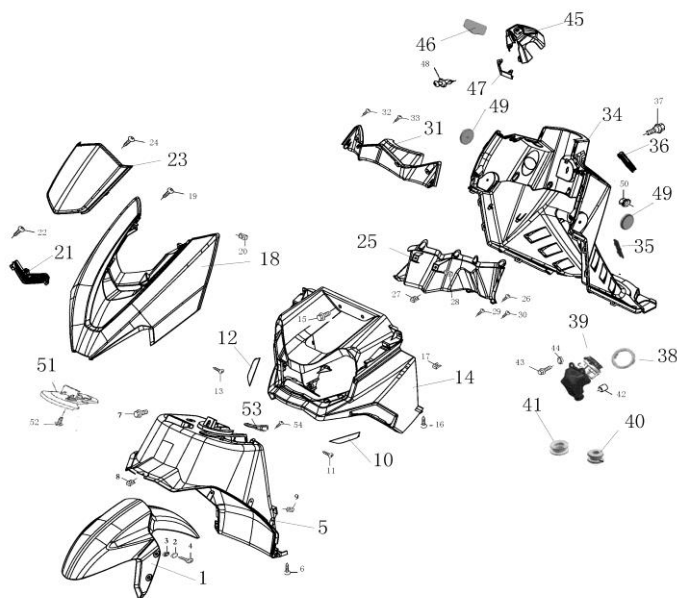
F01 FRAME



Nº	CÓDIGO	DESCRIÇÃO	Qt.	OBSERVAÇÕES
1	LH00M33055	FRAME COMP.	1	
2	LH00M20410	BUSH, LEFT BOX	2	
3	LH00M33058	AXLE, ENG, BRACKET	1	
4	LH00M10105	NUT, M14×1.5	1	
5	LH00M10086	NUT, M6×12	4	
6	LH00M33075	FRAME WATERPROOF PLUG	2	
7	LH00M33054	RUBBER TUBE, ENG SIDE	1	
8	LH00M10072	NUT, M6×16	2	
9	LH00M33056	FUEL ADDER, BRACKET	1	
10	LH00M10086	NUT, M6×12	2	
11	LH00M33110	FRONT, FLOOR BRACKET	1	
12	LH00M33111	REAR, FLOOR BRACKET	1	
13	LH00M33180	REAR FENDER BRACKET	1	
14	LH00M10090	BOLT, M8×20	2	
15	LH00M10043	NUT, M6×16	1	
16	LH00M33053	RUBBER TUBE, ENG SIDE HOLDER	1	
17	LH00M33057	FRONT BRACKET	1	
18	LH00M10086	NUT, M6×12	2	
19	LH00M33181	CBS ECU BRACKET	1	
20	LH00M10086	NUT, M6×12	2	

BUCK 125 E5

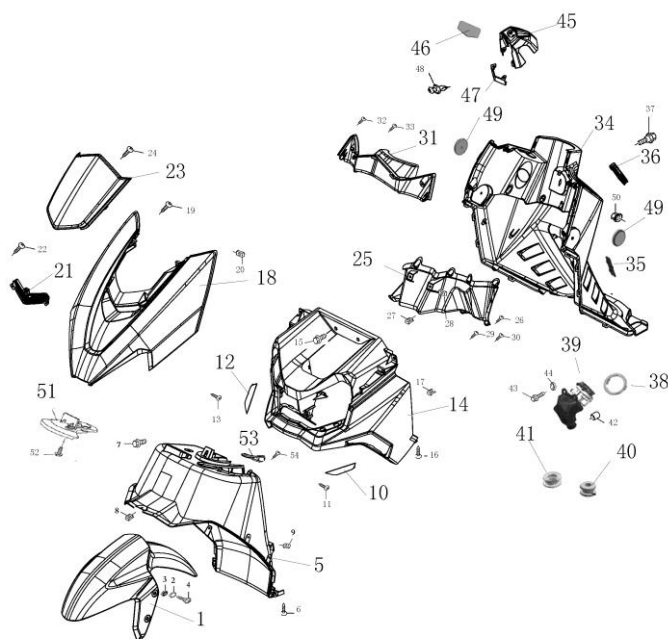
F02 FRONT COVERS



Nº	CÓDIGO	DESCRIÇÃO	Qt.	OBSERVAÇÕES
1	LHM330591L	FRONT FENDER MATTE BLACK	1	
1	LHM330596L	FRONT FENDER PEARL WHITE	1	
1	LHM330593N	FRONT FENDER MATTE BLUE	1	
2	LH00M31354	WASHER (φ16Xφ6x1)	4	
3	LH00M31355	RUBBER WASHER	4	
4	LH00M31352	SCREW M6 WITH BIG HEAD	4	
5	LH00M33165	COVER UNDER	1	
6	LH00M10095	SCREW ST4.8x16	4	
7	LH00M10108	BOLT M6x12	1	
8	LH00M90158	SPRING NUT ST4.8	2	
9	LH00M90159	CLAMP, WITH NUT M6	1	
10	LH00M33190	MOLDING FR, DECORATIVE BOARD L	1	
11	LH00M10092	SCREW ST4.2x13	2	
12	LH00M33191	MOLDING FR, DECORATIVE BOARD R	1	
13	LH00M10092	SCREW ST4.2x13	2	
14	LHM331871L	MOLDING FR MATTE BLACK	1	
14	LHM331876L	MOLDING FR PEARL WHITE	1	
14	LHM331873N	MOLDING FR MATTE BLUE	1	
15	LH00M10108	BOLT M6x12	2	
16	LH00M10068	SCREW ST4.8x13	3	
17	LH00M90158	SPRING NUT ST4.8	4	
18	LHM331921L	COVER FR MATTE BLACK	1	
19	LH00M10095	SCREW ST4.8x16	4	
20	LH00M90158	SPRING NUT ST4.8	5	
21	LH00M33193	VENT, COVER FR	1	
22	LH00M10092	SCREW ST4.2x13	3	
23	LHM332051M	DECORATIVE, COVER FR BLACK	1	
24	LH00M10092	SCREW ST4.2x13	4	
25	LH00M33196	LEG SHIELD BOX	1	
26	LH00M10092	SCREW ST4.2x13	8	
27	LH00M90158	SPRING NUT ST4.8	2	
28	LH00M90159	CLAMP, WITH NUT M6	2	
29	LH00M10068	SCREW ST4.8x13	2	
30	LH00M10095	SCREW ST4.8x16	6	
31	LH00M33195	COVER THE FRONT CASE	1	
32	LH00M10068	SCREW ST4.8x13	2	

BUCK 125 E5

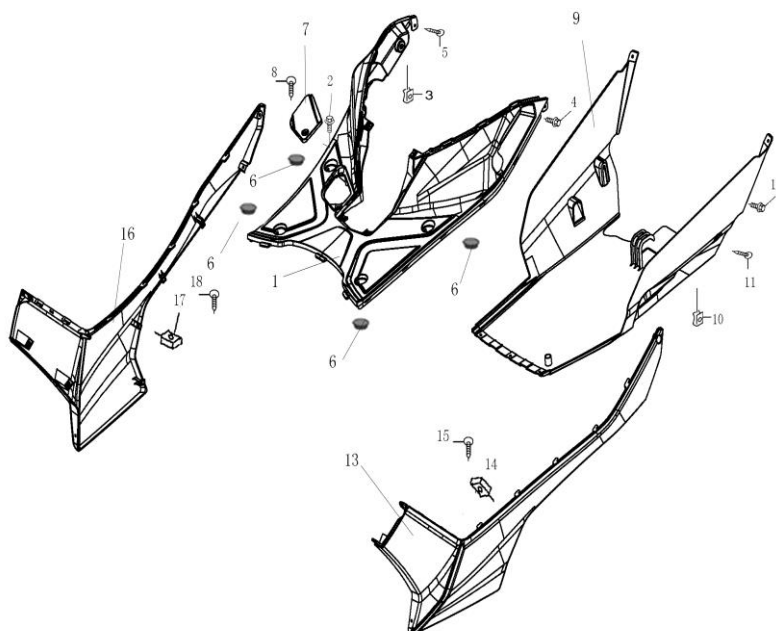
F02 FRONT COVERS



Nº	CÓDIGO	DESCRIÇÃO	Qt.	OBSERVAÇÕES
33	LH00M10096	SCREW ST3.9x9.5	2	
34	LH00M33189	LEG SHIELD	1	
35	LH00M33153	LID LEG SHIELD	1	
36	LH00M32000	HOOK HELMET	1	
37	LH00M33194	BOLT WITH A STEP	1	
38	LH00M31165	FUEL TANK CAP DECORATION RING	1	
39	LH00M31148	FILLER OIL CAN ASSEMBLY	1	
40	LH00M31149	FILLER INSTALL BUFFER SETS	2	
41	LH00M31150	FILLER INSTALL BUFFER SETS	1	
42	LH00M31151	COLLAR OF FILLER INSTALL BUFFER SETS	3	
43	LH00M10110	BOLT ASSY M6x25	3	
44	LH00M10107	BIG WASHER 6	3	
45	LH00M33137	HAND SHIELD	1	
46	LH00M33136	THE SCREW CAP	1	
47	LH00M33135	HANDLE THE COVER PLATE BY HAND	1	
48	LH00M90037	PLASTIC RIVET	2	
49	LH00M31086	SIDE REFLECTOR	2	
50	LH00010913	NUT M6	2	
51	LH00M33166	FRONT FENDER, INNER	1	
52	LH00M10108	BOLT M6x12	1	
53	LH00M31356	Front inner mud shield dust cover	1	
54	LH00M10092	SCREW ST4.2x13	2	

BUCK 125 E5

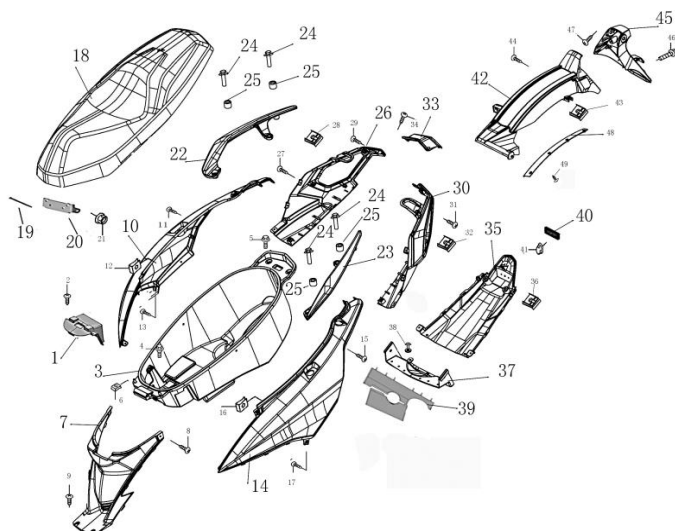
F03 UNDER COVERS



Nº	CÓDIGO	DESCRIÇÃO	Qt.	OBSERVAÇÕES
1	LH00M33186	PANEL FLOOR	1	
2	LH00M31078	BOLT WITH A STEP (M6×11)	4	
3	LH00M90158	SPRING NUT ST4.8	5	
4	LH00M10072	BOLT M6×16	2	
5	LH00M10095	SCREW ST4.8x16	2	
6	LH00M31075	PANEL SMALL CAP	4	
7	LH00M33175	RESERVOIR TANK CAP	1	
8	LH00M10068	SCREW ST4.8x13	1	
9	LH00M33197	COVER UNDER	1	
10	LH00M90158	SPRING NUT ST4.8	2	
11	LH00M10095	SCREW ST4.8x16	4	
12	LH00M10108	BOLT M6×12	2	
13	LHM331881L	MOLDING L SIDE BLACK	1	
14	LH00M90158	SPRING NUT ST4.8	4	
15	LH00M10095	SCREW ST4.8x16	5	
16	LHM332181L	MOLDING R SIDE BLACK	1	
17	LH00M90158	SPRING NUT ST4.8	4	
18	LH00M10095	SCREW ST4.8x16	5	

BUCK 125 E5

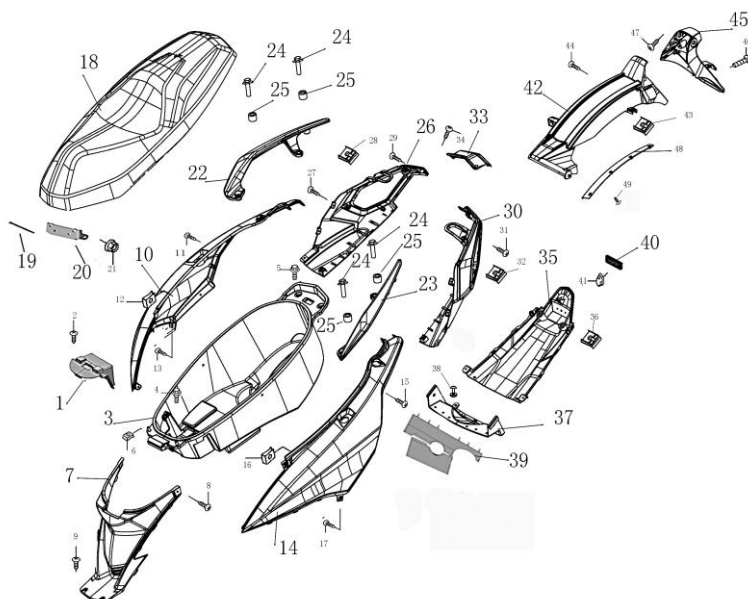
F04 SIDE COVERS



Nº	CÓDIGO	DESCRIÇÃO	Qt.	OBSERVAÇÕES
1	LH00M33157	COVER BATTERY	1	
2	LH00M10068	SCREW ST4.8x13	2	
3	LH00M33106	BOX LUGGAGE	1	
4	LH00M31353	BOLT WITH A STEP (M6x14)	2	
5	LH00M10072	BOLT M6x16	2	
6	LH00M90158	SPRING NUT ST4.8	2	
7	LH00M33170	COVER CENTER	1	
8	LH00M10097	SCREW ST4.8x9.5 F SHAPE	2	
9	LH00M10068	SCREW ST4.8x13	2	
10	LHM331741L	COVER R BODY MATTE BLACK	1	
10	LHM331746L	COVER R BODY PEARL WHITE	1	
10	LHM331743N	COVER R BODY MATTE BLUE	1	
11	LH00M10068	SCREW ST4.8x13	4	
12	LH00M90158	SPRING NUT ST4.8	3	
13	LH00M10072	BOLT M6x16	1	
14	LHM331731L	COVER L BODY MATTE BLACK	1	
14	LHM331736L	COVER L BODY PEARL WHITE	1	
14	LHM331733N	COVER L BODY MATTE BLUE	1	
15	LH00M10068	SCREW ST4.8x13	4	
16	LH00M90158	SPRING NUT ST4.8	3	
17	LH00M10072	BOLT M6x16	1	
18	LH00M33105	SEAT	1	
19	LH00M31040	AXLE, JOINT BRACKET	1	
20	LH00M31039	JOINT BRACKET	1	
21	LH00011520	NUT M6	3	
22	LHM331091L	CARRIER REAR R BLACK	1	
23	LHM331081L	CARRIER REAR L BLACK	1	
24	LH00M10101	BOLT M8x30	4	
25	LH00M31351	COLLAR (SMALL)	4	
26	LH00M33176	COVER RR BODY	1	
27	LH00M10068	SCREW ST4.8x13	4	
28	LH00M90158	SPRING NUT ST4.8	3	
29	LH00M10068	SCREW ST4.8x13	3	
30	LH00M33177	COVER RL BODY	1	
31	LH00M10068	SCREW ST4.8x13	4	
32	LH00M90158	SPRING NUT ST4.8	2	

BUCK 125 E5

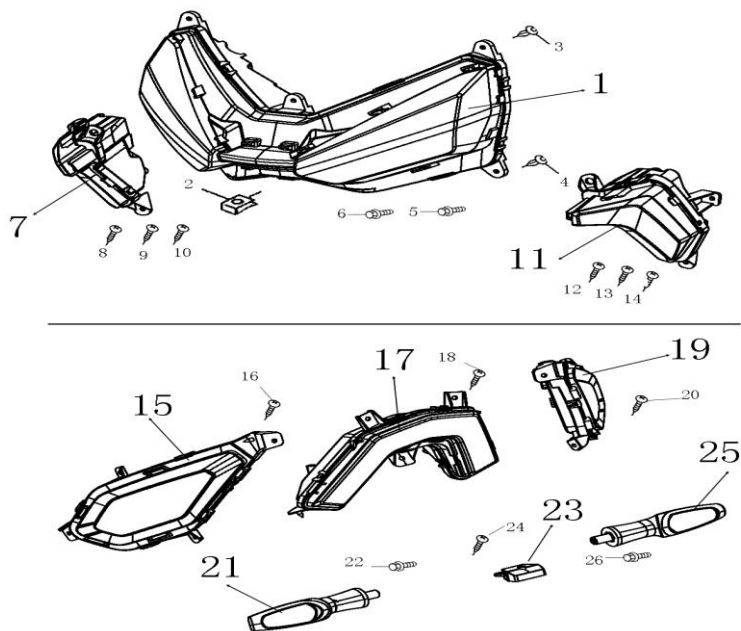
F04 SIDE COVERS



Nº	CÓDIGO	DESCRIÇÃO	Qt.	OBSERVAÇÕES
33	LHM331711L	UPPER.COVER REAR CENTER MATTE BLACK	1	
33	LHM331716L	UPPER.COVER REAR CENTER PEARL WHITE	1	
33	LHM331713N	UPPER.COVER REAR CENTER MATTE BLUE	1	
34	LH00M10068	SCREW ST4.8x13	2	
35	LH00M33172	COVER REAR CENTER	1	
36	LH00M90158	SPRING NUT 4.8	2	
37	LH00M33168	COVER THE BARREL UNDER THE COVER	1	
38	LH00M90037	PLASTIC RIVET	2	
39	LH00M33060	PLATE SPLASH GUARD	1	
40	LH00M31085	RR REFLECTOR	1	
41	LH00011711	NUT M5	1	
42	LH00M33167	FENDER, RR.INNER	1	
43	LH00M90158	SPRING NUT 4.8	1	
44	LH00M10068	SCREW ST4.8x13	2	
45	LH00M33169	REAR FENDER	1	
46	LH00M10108	BOLT M6x12	2	
47	LH00M10092	SCREW ST4.2x13	3	
48	LH00M33217	ELETRIC, CABLE FENDER	1	
49	LH00M10092	SCREW ST4.2x13	4	

BUCK 125 E5

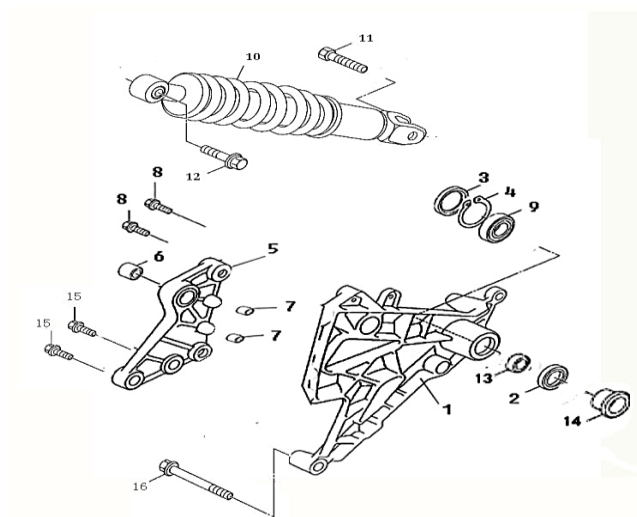
F05 LAMPS



Nº	CÓDIGO	DESCRIÇÃO	Qt.	OBSERVAÇÕES
1	LH00M33209	LIGHT ASSY HEAD	1	
2	LH00M90158	SPRING NUT 4.8	1	
3	LH00M10095	SCREW ST4.8x16	3	
4	LH00M10093	SCREW ST4.2x16	2	
5	LH00M10072	BOLT M6x16	2	
6	LH00M10085	BOLT M6x10	1	
7	LH00M33202	BEFORE THE RIGHT TURN SIGNAL	1	
8	LH00M10093	SCREW ST4.2x16	2	
9	LH00M10095	SCREW ST4.8x16	1	
10	LH00M10068	SCREW ST4.8x13	1	
11	LH00M33201	BEFORE THE LEFT TURN SIGNAL	1	
12	LH00M10093	SCREW ST4.2x16	2	
13	LH00M10095	SCREW ST4.8x16	1	
14	LH00M10068	SCREW ST4.8x13	1	
15	LH00M33211	RIGHT DECORATIVE LAMP	1	
16	LH00M10068	SCREW ST4.8x13	4	
17	LH00M33212	LIGHT ASSY RR COMP	1	
18	LH00M10095	SCREW ST4.8x16	4	
19	LH00M33210	LEFT DECORATIVE LAMP	1	
20	LH00M10068	SCREW ST4.8x13	4	
21	LH00M33203	LEFT TURN SIGNAL ASSEMBLY	1	
22	LH00M10072	BOLT M6x16	1	
23	LH00M33213	LICENSE PLATE LAMP ASSEMBLY	1	
24	LH00M10096	SCREW ST3.9x9.5	2	
25	LH00M33204	RIGHT TURN SIGNAL ASSEMBLY	1	
26	LH00M10072	BOLT M6x16	1	

BUCK 125 E5

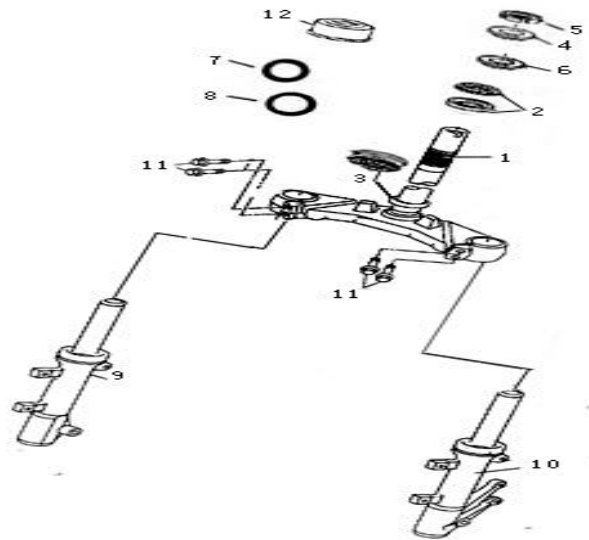
F06 REAR SUSPENSION



Nº	CÓDIGO	DESCRIÇÃO	Qt.	OBSERVAÇÕES
1	LH00M33072	REAR ARM, FR	1	
2	LH00M90191	OIL SEAL 28×35×4	1	
3	LH00M90192	OIL SEAL 28×47×5	1	
4	LH00M90214	RETAINING RING 47	1	
5	LH00M33073	REAR ARM, R	1	
6	LH00M33076	BUSH, REAR	1	
7	LH00M90083	PIN	2	
8	LH00M10081	BOLT M10×1.25×35	2	
9	LH00M10114	BEARING 6303-2Z/P63	1	
10	LH00M33074	REAR SUSPENSION	1	
11	LH00M10081	BOLT M10×1.25×35	1	
12	LH00M10083	BOLT M10×1.25×50	1	
13	LH00M33119	COLLAR, REAR WHEEL, OUTER	1	
14	LH00M33120	COLLAR, REAR WHEEL, INNER	1	
15	LH00M10015	BOLT M10×1.25×40	2	
16	LH00M10084	BOLT M10×1.25×60	1	

BUCK 125 E5

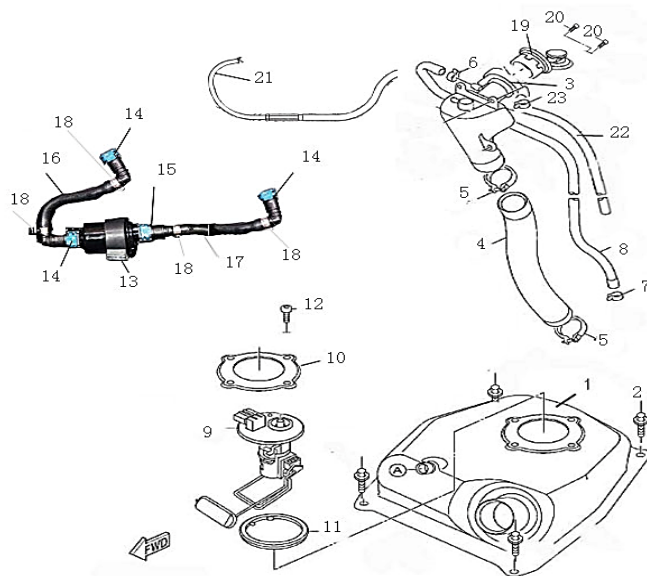
F07 FRONT FORK



Nº	CÓDIGO	DESCRIÇÃO	Qt.	OBSERVAÇÕES
1	LH00M33051	FORK	1	
2	LH00011012	BEARING 30205	1	
3	LH00M10115	BEARING 30206	1	
4	LH00M33083	SELF-LOCK NUT M25x1	1	
5	LH00M33082	NUT M25x1	1	
6	LH00M31019	RUBBER ROLLAR	1	
7	LH00M33085	UPPER SEALING RING	1	
8	LH00M31018	WASHER LOWER	1	
9	LH00M33079	FRONT SHOCK ASSY (L.H)	1	
10	LH00M33080	FRONT SHOCK ASSY (R.H)	1	
11	LH00M10079	BOLT M10x1.25x40	4	
12	LH00M33084	PROTECT BEARING	1	

BUCK 125 E5

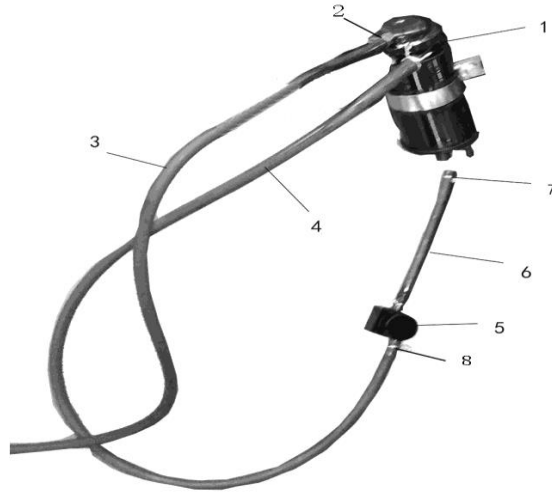
F08 FUEL TANK



Nº	CÓDIGO	DESCRIÇÃO	Qt.	OBSERVAÇÕES
1	LH00M33087	TANK, ASSY	1	
2	LH00M10072	BOLT ASSY M6×16	4	
3	LH00M31148	FILLER OIL CAN ASSEMBLY	1	
4	LH00M33092	BIG FILLER TUBE	1	
5	LH00M90068	BIG CLAMP, FILLER TUBE	2	
6	LH00M90067	CLAMP φ19	1	
7	LH00M90064	CLAMP φ16	1	
8	LH00M33093	SAMLL TUBE	1	
9	LH00M33103	FUEL PUMP (Euro 5)	1	
10	LH00M33086	FUEL PUMP, WASHER	1	
11	LH00M33104	FUEL PUMP, RUBBER	1	
12	LH00010745	BOLT M5×10	6	
13	LH00073043	FUEL FILTER	1	
14	LH00M31090	QUICK CONNECTOR 7.89 Lshape	3	
15	LH00M31357	QUICK CONNECTOR 7.89	1	
16	LH00M33088	TUBE 1 (TANK-FILTER)	1	
17	LH00M33089	TUBE 2 (FILTER-INJECT)	1	
18	LH00M31091	SINGLE LUG ENDLESS CLAMPΦ 14.5	4	
19	LH00M31163	TANK FUEL LOCK	1	
20	LH00M10098	SCREW M4×14	3	
21	LH00M33101	TANK CAP CABLE	1	
22	LH00M31359	FUEL SPILL PIPE	1	
23	LH00M90179	CLAMPΦ13	1	
24	LH00M33098	TUBING FIXING SHEATH	1	
25	LH00M33094	TUBING FIXING CLAMP	1	

BUCK 125 E5

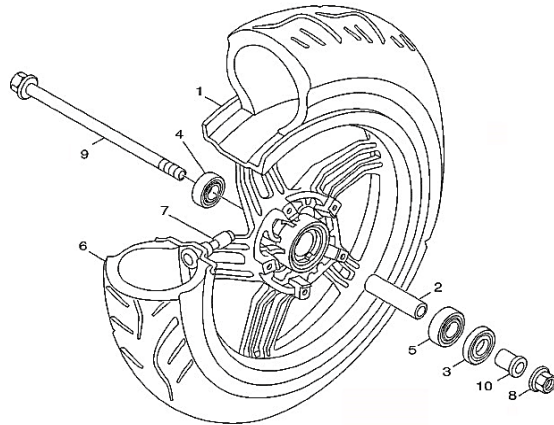
F09 EVAP SYSTEM



Nº	CÓDIGO	DESCRIÇÃO	Qt.	OBSERVAÇÕES
1	LH00M33178	CARBON BOX ASSY	1	
2	LH00M33096	CLAMP $\phi 9$	2	
3	LH00M33091	FUEL TUBE	1	
4	LH00M33090	TUBE II $\phi 8.5 \times \phi 4.5$	1	
5	LH00M33179	Dumping valve	1	
6	LH00M31358	TUBE I $\phi 10 \times \phi 6$ L130	1	
7	LH00M33096	CLAMP $\phi 9$	2	
8	LH00M33095	CLAMP $\phi 7.5$	3	

BUCK 125 E5

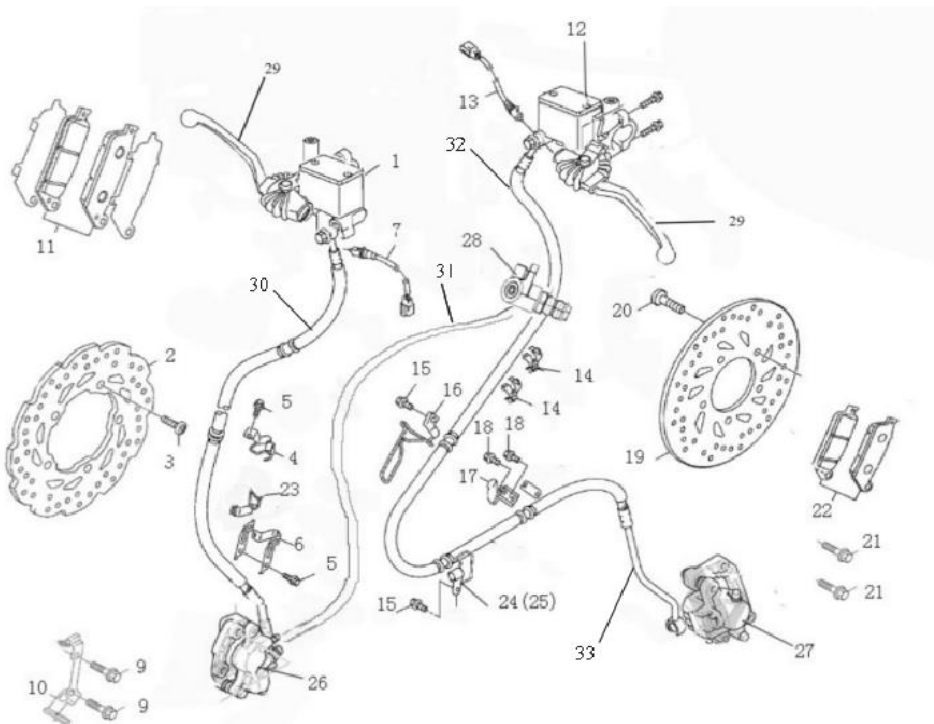
F10 FRONT WHEEL



Nº	CÓDIGO	DESCRIÇÃO	Qt.	OBSERVAÇÕES
1	LH00M33114	WHEEL, FRONT	1	
2	LH00M33116	COLLAR, MIDDLE	1	
3	LH00M33113	OIL SEAL, RIGHT	1	
4	LH00011707	BEARING	1	
5	LH00M10031	BEARING	1	
6	LH00M10111	TIRE 120/70-13 53P	1	
7	LH00M10076	VALVE, RIM DQ07C	1	
8	LH00M10054	NUT, U FLANGEM12×1.25	1	
9	LH00M33115	AXLE, WHEEL	1	
10	LH00M33117	COLLAR, FR, WHEEL	1	

BUCK 125 E5

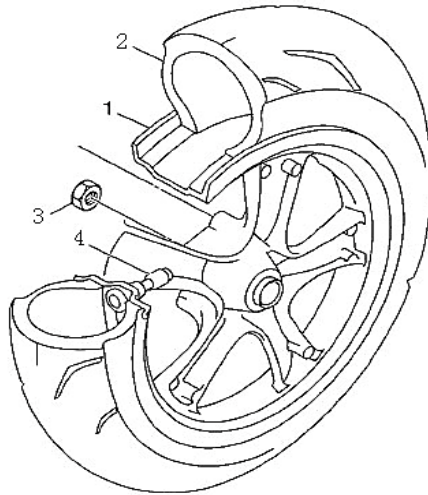
F11 BRAKE SYSTEM



Nº	CÓDIGO	DESCRIÇÃO	Qt.	OBSERVAÇÕES
1	LH00M33125	FRONT BRAKE PUMP ASSY.	1	
2	LH00M33182	DISK, FR BRAKE	1	
3	LH00M33183	BOLT, DISK	5	
4	LH00M33129	FORK, FR BRAKE HOSE HOLDER	1	
5	LH00M10043	BOLT M6×16	2	
6	LH00M33128	SUSPENSION, FR BRAKE HOSE HODER	1	
7	LH00M33160	BRAKE SWITCH	1	
9	LH00M10080	BOLT M10×1.25×30	2	
10	LH00M33130	CALIPER, FR BRAKE HOSE HODER	1	
11	LH00M33215	FR, BRAKE PAD	1	
12	LH00M33126	REAR BRAKE PUMP ASSY	1	
13	LH00M33160	BRAKE SWITCH	1	
14	LH00M90176	HOSE HOLDER	2	
15	LH00M10043	BOLT M6×16	2	
16	LH00M33152	REAR BRAKE HOSE HOLDER 1	1	
17	LH00M33133	REAR BRAKE HOSE HOLDER 2	1	
18	LH00M10043	BOLT M6×16	2	
19	LH00M33124	DISK, REAR BRAKE	1	
20	LH00M31196	BOLT, DISK	5	
21	LH00M10080	BOLT M10×1.25×30	2	
22	LH00M33161	FR, BRAKE PAD	1	
23	LH00M33132	SPEED SENSOR CABLE HOLDER	1	
24	LH00M33081	BRAKE HOSE HOLDER 2	1	
25	LH00M33131	BRAKE HOSE HOLDER 4	1	
26	LH00M33122	FRONT BRAKE CALIPER	1	
27	LH00M33123	REAR BRAKE CALIPER	1	
28	LH00M33127	CBS CONNECTOR	1	
29	LH00M33219	LEVER	2	
30	LH00M33220	FRONT BRAKE HOSE ASSEMBLY	1	
31	LH00M33221	BRAKE HOSE ASSEMBLY 2	1	
32	LH00M33222	BRAKE HOSE ASSEMBLY 1	1	
33	LH00M33223	BRAKE HOSE ASSEMBLY 3	1	

BUCK 125 E5

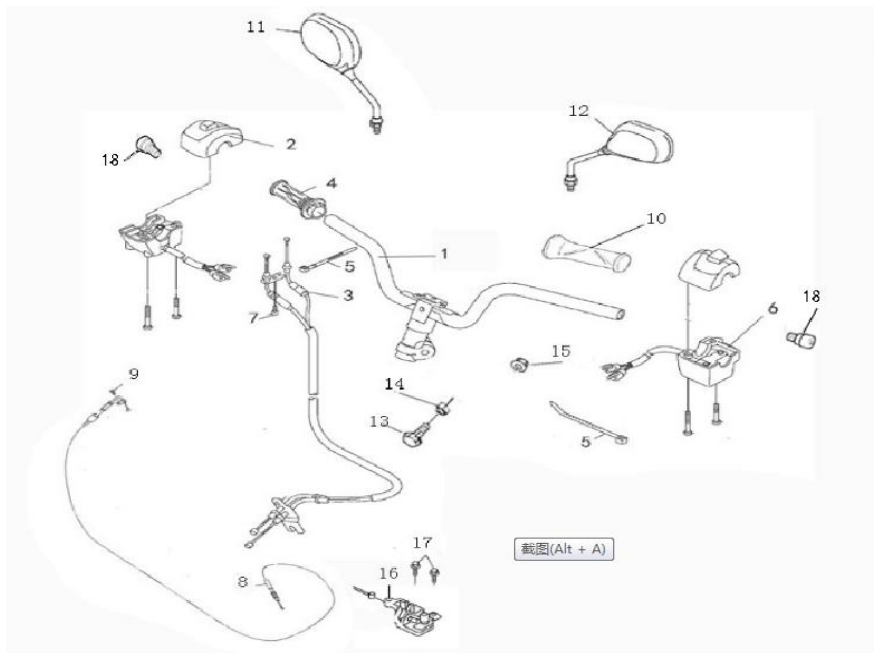
F12 REAR WHEEL



Nº	CÓDIGO	DESCRIÇÃO	Qt.	OBSERVAÇÕES
1	LH00M33121	WHEEL, REAR	1	
2	LH00M10111	TIRE 130/70-13 57P	1	
3	LH00M90160	NUT M16×1.5	1	
4	LH00M10076	VALVE, RIM DQ07C	1	

BUCK 125 E5

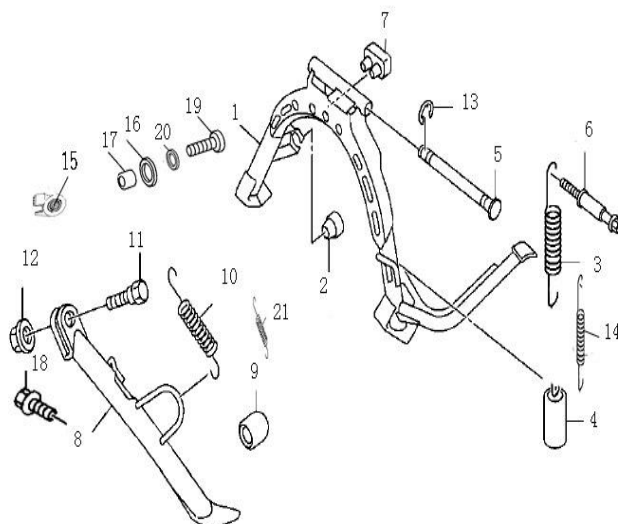
F13 STEERING HANDLE



Nº	CÓDIGO	DESCRIÇÃO	Qt.	OBSERVAÇÕES
1	LH00M33134	HANDLE COMP.	1	
2	LH00M33208	SWITCH RIGHT	1	
3	LH00M33141	THROTTLE CABLE ASSY	1	
4	LH00M33139	GRIP ASSY	1	
5	LH00M90055	SPECIAL HANDLEBAR CABLE CLAMP	2	
6	LH00M33159	SWITCH LEFT	1	
7	LH00M10099	SCREW M5×10	1	
8	LH00011470	SCREW, PAN HEAD	1	
9	LH00M33107	CABLE, SEAT LOCK	1	
10	LH00M33140	GRIP	1	
11	LH00M33185	REAR VIEW MIRROR ASSY R	1	
12	LH00M33184	REAR VIEW MIRROR ASSY L	1	
13	LH00M31067	LOCK CAP	1	
14	LH00M10083	BOLT, FLANGE	1	
15	LH00M10053	NUT, U FLANGE	1	
16	LH00M31173	LOCK, SEAT	1	
17	LH00M10086	BOLT, M6×12	2	
18	LH00M33224	GRIP END	2	

BUCK 125 E5

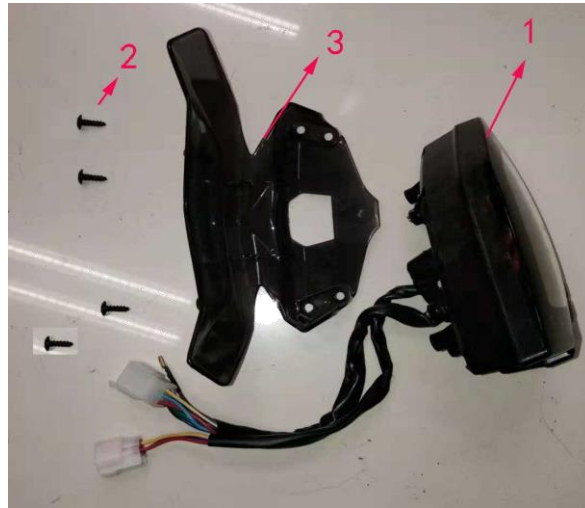
F14 STANDS



Nº	CÓDIGO	DESCRIÇÃO	Qt.	OBSERVAÇÕES
1	LH00M33142	STAND, MAIN	1	
2	LH00M33143	STOPPER (ROUND)	1	
3	LH00M33147	SPING, MAIN STAND	1	
4	LH00M31225	PROTECT, MAIN STAND SPRING	1	
5	LH00M31074	AXLE, MAIN STAND	1	
6	LH00M33145	BOLT (HOLDER SPRING)	1	
7	LH00M33144	STOPPER (RECTANGLE)	1	
8	LH00M33146	STAND, SIDE	1	
9	LH00M31223	STOPPER SIDE STAND	1	
10	LH00M31361	SPRING, SIDE STAND	1	
11	LH00M31073	BOLT, SIDE STAND	1	
12	LH00010800	NUT, M10×1.25	1	
13	LH00M90213	RETAINING RING 12	1	
14	LH00M33148	INNER SPRING, MAIN STAND	1	
15	LH00M31366	ENGINE STOP SWITCH, , SIDE STAND	1	
16	LH00M31363	RUBBER WASHER, ENGINE STOP SWITCH	1	
17	LH00M90169	COLLAR	1	
18	LH00M10091	BOLT M8×25	1	
19	LH00M10088	BOLT M6×20	1	
20	LH00M10107	WASHER 6	1	
21	LH00M31362	INNER SPRING, SIDE STAND	1	

BUCK 125 E5

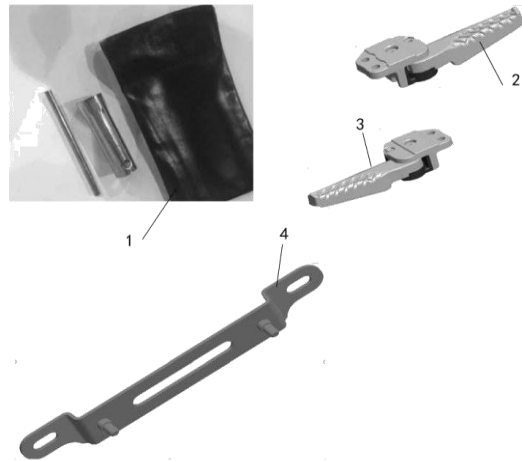
F15 SPEEDOMETER



Nº	CÓDIGO	DESCRIÇÃO	Qt.	OBSERVAÇÕES
1	LH00M33207	SPEEDOMETER	1	
2	LH00M10095	SCREW ST4.8x16	4	
3	LH00M33214	SHIED, SPEEDOMETER	1	

BUCK 125 E5

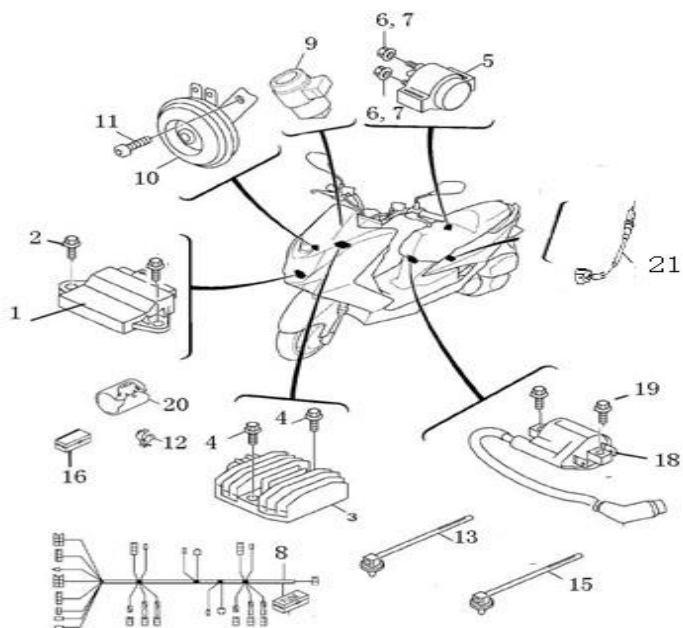
F16 ACCESSORIES



Nº	CÓDIGO	DESCRIÇÃO	Qt.	OBSERVAÇÕES
1	LH00M33151	TOOLS BAG	1	
2	LH00M33150	FOOTHOLDER RR	1	
	LH00M10100	SCREW M8×20	2	
3	LH00M33149	FOOTHOLDER RL	1	
	LH00M10100	SCREW M8×20	2	
4	LH00M33112	BRACKET, LICENSE	1	
5	LH00011520	NUT M6	2	

BUCK 125 E5

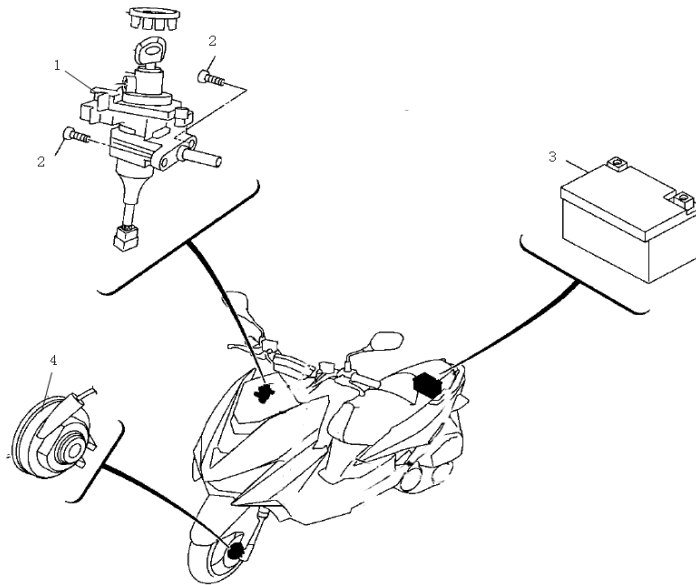
F17 ELECTRICAL SYSTEM I



Nº	CÓDIGO	DESCRIÇÃO	Qt.	OBSERVAÇÕES
1	LH00M20433	ECU (Euro 5)	1	
2	LH00M10072	BOLT ASSY M6x16	2	
3	LH00M31251	RECTIFIER ®ULATOR ASSY	1	
4	LH00M10042	BOLT M6x25	2	
5	LH00M31364	STARTER RELAY ASSY	1	
6	LH00011520	NUT M6	2	
7	LH00M10106	WASHER 6	2	
8	LH00M33199	WIRE HARNESS ASSY (Euro 5)	1	
9	LH00M33206	FLASHER RELAY ASSY	1	
10	LH00M31265	HORN	1	
11	LH00M10059	BOLE M8x14	1	
12	LH00M90176	HARNESS HOLDER	10	
13	LH00M90175	CLAMP ZD150x5	3	
15	LH00M90056	CLAMP ZD300x8	3	
16	LH00M31365	RELAY	2	
17	LH00M33100	CABLE HOLDER 2	1	
18	LH00M20416	IGNITION COIL ASSY	1	
19	LH00M10088	BOLE M6 x20	2	
20	LH00M33158	RUBBER, HARNESS PROTECT	2	
21	LH00M33200	HARNESS, LICENSE PLATE LAMP ASSEMBLY	1	

BUCK 125 E5

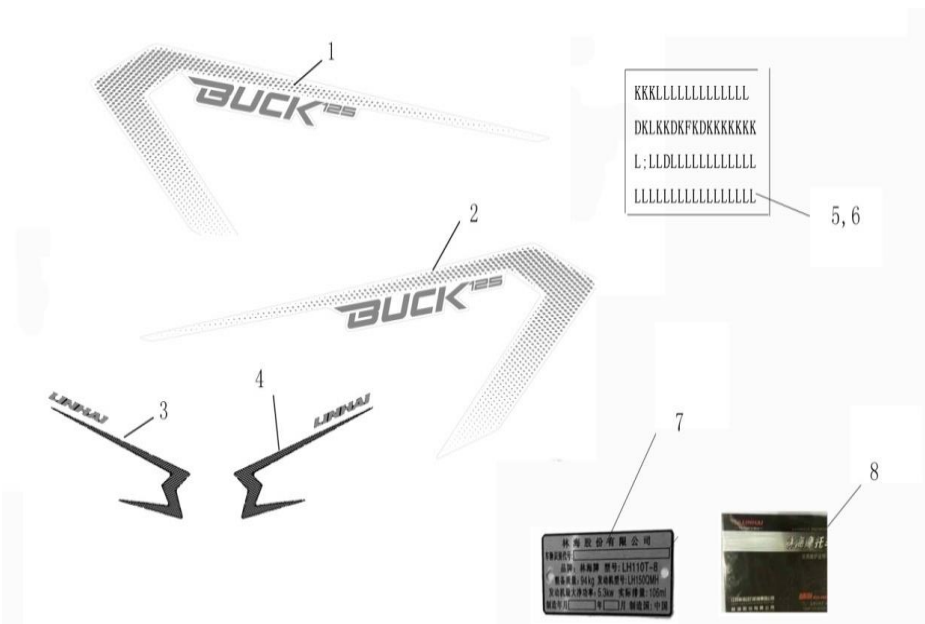
F18 ELECTRICAL SYSTEM II



Nº	CÓDIGO	DESCRIÇÃO	Qt.	OBSERVAÇÕES
1	LH00M31258	MAIN SWITCH	1	
2	LH00011459	BOLT M6×20	2	
3	CBTX7A-BS	BATTERY 12V6Ah	1	
4	LH00M33118	SPEED SENSOR	1	

BUCK 125 E5

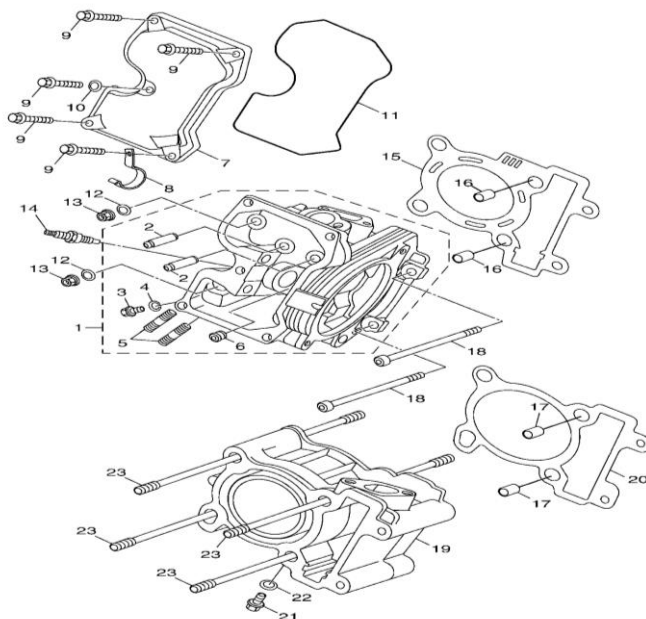
F19 STICKERS



Nº	CÓDIGO	DESCRIÇÃO	Qt.	OBSERVAÇÕES
1	LH00M33064	Rear side panel sticker (RIGHT) SILVER	1	BLACK AND WHITE MODELS
1	LH00M33065	Rear side panel sticker (RIGHT) BLUE	1	BLUE MODEL
2	LH00M33066	Rear side panel sticker (LEFT) SILVER	1	BLACK AND WHITE MODELS
2	LH00M33067	Rear side panel sticker (LEFT) BLUE	1	BLUE MODEL
3	LH00M33068	Front side panel sticker (RIGHT) SILVER	1	ALL MODELS
4	LH00M33069	Front side panel sticker (LEFT) SILVER	1	ALL MODELS
5	LH00M31360	DRIVING INFORMATION DECAL	1	
6	LH00M31061	BATTERY INFORMATION STICKER	1	
7	LH00M33164	PRODUCT PLATE (Euro 5)	1	
8	LH00M33162	INSTRUCTION MANUAL	1	

BUCK 125 E5

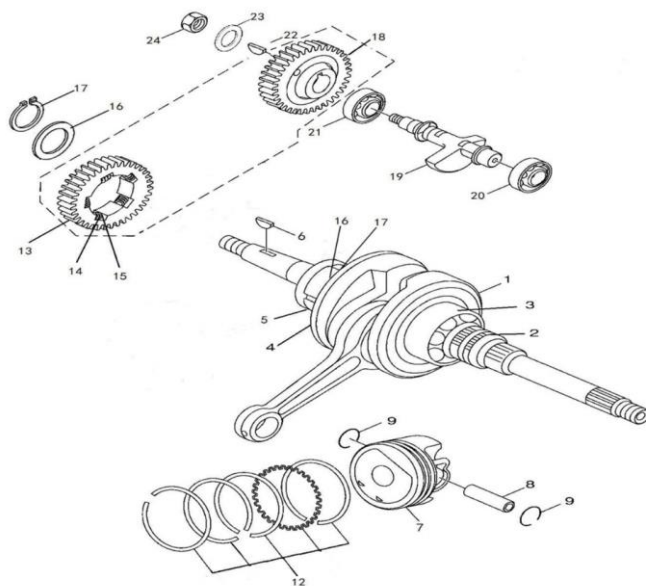
E01 CYLINDER



Nº	CÓDIGO	DESCRIÇÃO	Qt.	OBSERVAÇÕES
1	LH00M20282	CYLINDER HEAD ASSY	1	
2	LH00M20284	GUIDE, VALVE	4	
3	LH00M90008	BOLT	1	
4	LH00M90172	GASKET	1	
5	LH00M90153	BOLT, STUD	2	
6	LH00M90168	SCREW PLUG	1	
7	LH00M20287	COVER, CYLINDER HEAD	1	
8	LH00M90174	CLIP	1	
9	LH00M90220	BOLT	5	
10	LH00M90172	GASKET	1	
11	LH00M20288	GASKET, HEAD COVER	1	
12	LH00M90162	WASHER, PLATE	4	
13	LH00M90155	NUT	4	
14	LH00M90217	PLUG SPARK (CPR8EA)	1	
15	LH00M20421	GASKET, CYLINDER HEAD 1	1	
16	LH00M90083	PIN, DOWEL	2	
17	LH00M90083	PIN, DOWEL	2	
18	LH00M90185	BOLT, HEXAGON SOCKET HEAD	2	
19	LH00M20422	CYLINDER	1	
20	LH00M20289	GASKET, CYLINDER	1	
21	LH00M90008	BOLT	1	
22	LH00M90172	GASKET	1	
23	LH00M20290	BOLT, STUD	4	

BUCK 125 E5

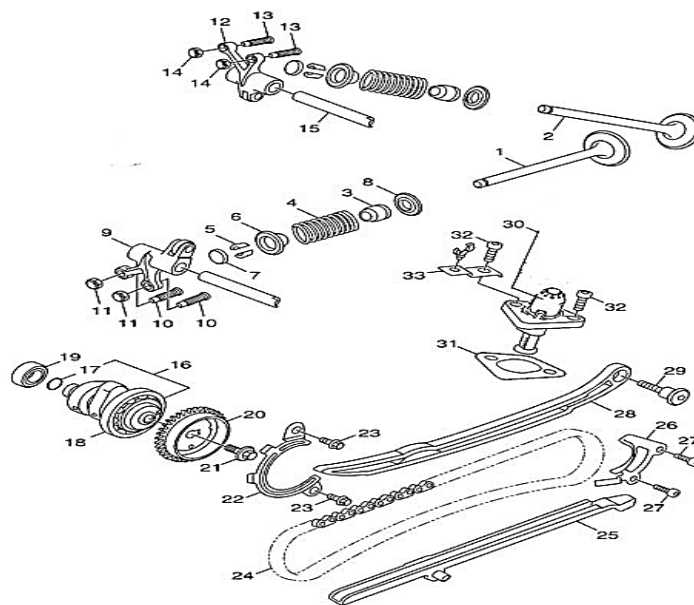
E02 CRANKSHAFT & PISTON



Nº	CÓDIGO	DESCRIÇÃO	Qt.	OBSERVAÇÕES
1	LH00M20291	CRANKSHAFT ASSY	1	
2	LH00M20297	SMALL SPROCKET	1	
3	LH00M90211	BEARING	1	
4	LH00M90210	BEARING	1	
5	LH00M20292	GEAR BASE	1	
6	LH00M90166	KEY, WOODRUFF	1	
7	LH00M20426	PISTON	1	
8	LH00M20298	PIN, PISTON	1	
9	LH00M20278	CIRCLIP	2	
12	LH00M20423	PISTON RING SET	1	
13	LH00M20294	DRIVE GEAR, CRANKSHAFT	1	
14	LH00M90182	SPRING	5	
15	LH00M90215	PIN	2	
16	LH00M90164	WASHER	2	
17	LH00M90236	CIRCLIP	2	
18	LH00M20295	GEAR, BALANCE SHAFT	1	
19	LH00M20293	SHAFT, BALANCER	1	
20	LH00M90203	BEARING	1	
21	LH00M90203	BEARING	1	
22	LH00M90166	KEY, WOODRUFF	1	
23	LH00M90165	WASHER, PLATE	1	
24	LH00M90157	NUT	1	

BUCK 125 E5

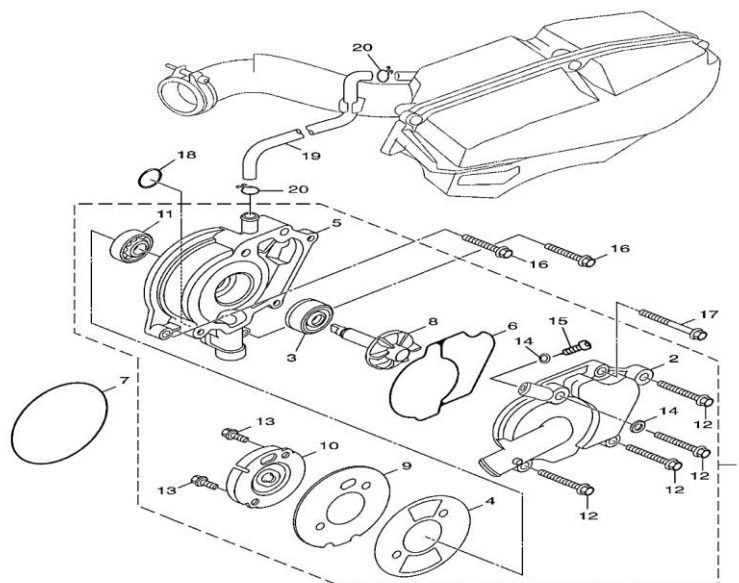
E03 VALVE SYSTEM



Nº	CÓDIGO	DESCRIÇÃO	Qt.	OBSERVAÇÕES
1	LH00M20306	VALVE, EXHAUST	2	
2	LH00M20301	VALVE, INTAKE	2	
3	LH00M20305	SEAL, VALVE STEM	4	
4	LH00M20302	SPRING, VALVE INNER	4	
5	LH00M20304	LOCK, VALVE SPRING RETAINER	8	
6	LH00M20303	RETAINER, VALVE SPRING	4	
7	LH00M20313	PAD, VALVE	4	
8	LH00M20307	SEAT, VALVE SPRING	4	
9	LH00M20312	EXHAUST ROCKER ARM	1	
10	LH00M20311	SCREW, VALVE ADJUSTING	2	
11	LH00M90154	NUT	2	
12	LH00M20308	INTAKE ROCKER ARM	1	
13	LH00M20311	SCREW, VALVE ADJUSTING	2	
14	LH00M90154	NUT	2	
15	LH00M20309	SHAFT, ROCKER	2	
16	LH00M20314	CAMSHAFT ASSY	1	
17	LH00M90193	O-RING	1	
18	LH00M90201	BEARING	1	
19	LH00M90200	BEARING	1	
20	LH00M20296	SPROCKET, CAM CHAIN	1	
21	LH00M20310	BOLT	1	
22	LH00M20283	PLATE, BREATHER	1	
23	LH00M90218	BOLT	2	
24	LH00M90216	CHAIN	1	
25	LH00M20319	DAMPER, CHAIN 2	1	
26	LH00M20318	GUIDE PLATE	1	
27	LH00M90077	BOLT, HEXAGON SOCKET HEAD	2	
28	LH00M20317	DAMPER, CHAIN 1	1	
29	LH00M20316	BOLT	1	
30	LH00M20315	TENSIONER ASSY, CAM CHAIN	1	
31	LH00M50007	GASKET, TENSIONER CASE	1	
32	LH00M90183	BOLT, HEXAGON SOCKET HEAD	2	
33	LH00M33099	CLIP	1	

BUCK 125 E5

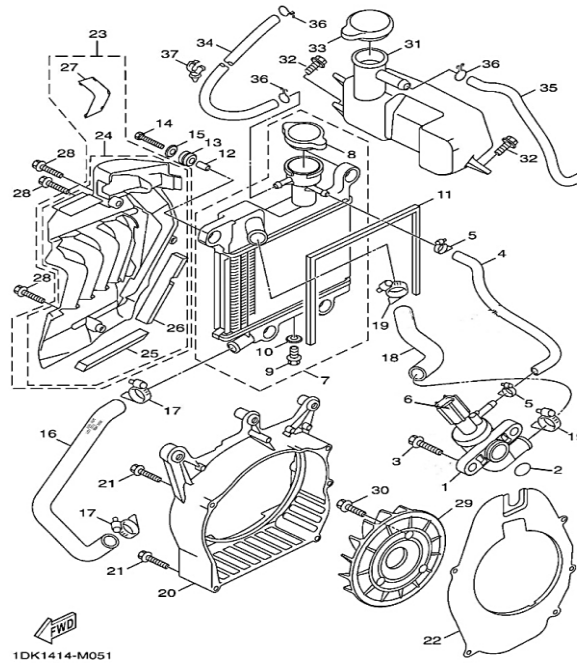
E04 WATER PUMP



Nº	CÓDIGO	DESCRIÇÃO	Qt.	OBSERVAÇÕES
1	LH00M20322	WATER PUMP ASSY	1	
2	LH00M20323	COVER, HOUSING	1	
3	LH00M90190	SEAL	1	
4	LH00M20324	GASKET	1	
5	LH00M20286	COVER, CYLINDER HEAD SIDE	1	
6	LH00M20326	SEAL	1	
7	LH00M20325	O-RING	1	
8	LH00M20327	IMPELLER SHAFT ASSY	1	
9	LH00M20299	PLATE 1	1	
10	LH00M20300	PLATE 2	1	
11	LH00M10116	BEARING	1	
12	LH00M90221	BOLT	4	
13	LH00M90219	BOLT	2	
14	LH00M90171	GASKET	2	
15	LH00M90077	BOLT, HEXAGON SOCKET HEAD	1	
16	LH00M90221	BOLT	2	
17	LH00M90222	BOLT	1	
18	LH00M90196	O-RING	1	
19	LH00M20285	PIPE, BREATHER	1	
20	LH00M90062	CLIP	2	

BUCK 125 E5

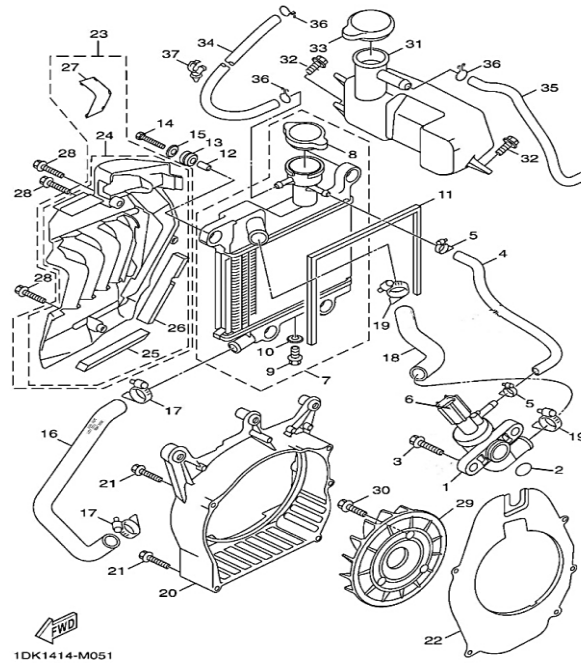
E05 RADIATOR



Nº	CÓDIGO	DESCRIÇÃO	Qt.	OBSERVAÇÕES
1	LH00M20321	THERMOSTAT ASSY	1	
2	LH00M90194	O-RING	1	
3	LH00M90122	BOLT	2	
4	LH00M20329	HOSE	1	
5	LH00M90177	CLIP	2	
6	LH00M20407	THERMOSENSOR ASSY	1	
7	LH00M20320	RADIATOR COMP	1	
8	LH00M20328	CAP, RADIATOR	1	
9	LH00M20334	PLUG, DRAIN	1	
10	LH00M20340	O-RING	1	
11	LH00M20336	DAMPER	2	
12	LH00M90170	COLLAR	4	
13	LH00M90181	GROMMET	4	
14	LH00M90230	BOLT	4	
15	LH00M90161	WASHER, PLATE	4	
16	LH00M20331	PIPE 1	1	
17	LH00M90173	HOSE CLAMP ASSY	2	
18	LH00M20332	PIPE 2	1	
19	LH00M90173	HOSE CLAMP ASSY	2	
20	LH00M20335	COVER, BLOWER	1	
21	LH00M90223	BOLT	5	
22	LH00M20339	PLATE	1	
23	LH00M20418	COVER, RADIATOR ASSY	1	
24	LH00M20419	COVER, RADIATOR	1	
25	LH00M20337	DAMPER 1	1	
26	LH00M20338	DAMPER 2	1	
27	LH00M20330	COVER 5	1	
28	LH00M90221	BOLT	3	
29	LH00M20333	BLOWER ASSY	1	

BUCK 125 E5

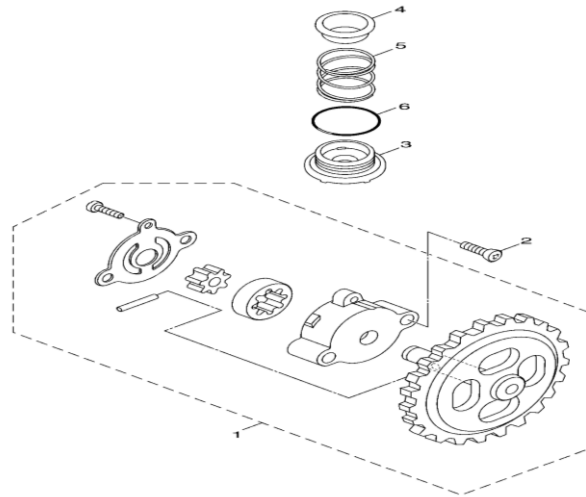
E05 RADIATOR



Nº	CÓDIGO	DESCRIÇÃO	Qt.	OBSERVAÇÕES
30	LH00M90228	BOLT	3	
31	LH00M33070	COOLANT RESERVOIR	1	
32	LH00M90002	BOLT	2	
33	LH00M33071	COVER, COOLANT RESERVOIR	1	
34	LH00M33077	HOSE 1	1	
35	LH00M33078	HOSE 2	1	
36	LH00M33097	CLIP	3	
37	LH00M90176	CLIP	1	

BUCK 125 E5

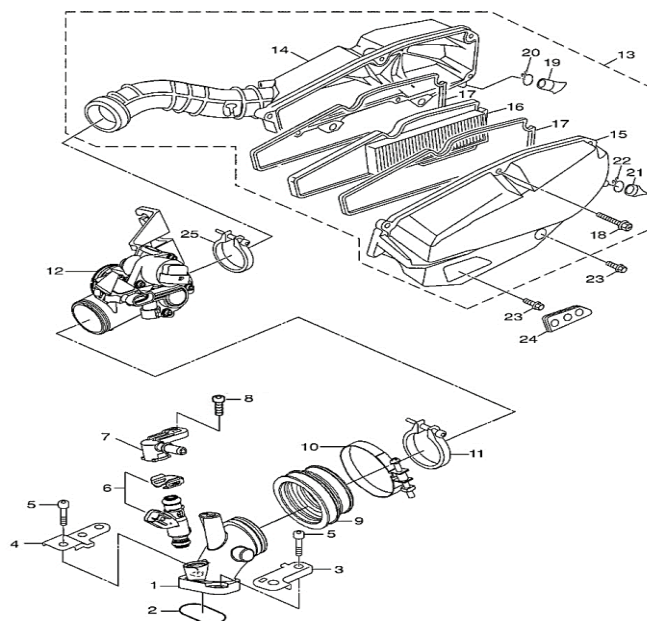
E06 OIL PUMP



Nº	CÓDIGO	DESCRIÇÃO	Qt.	OBSERVAÇÕES
1	LH00M20341	OIL PUMP ASSY	1	
2	LH00M90233	SCREW, FLAT HEAD	2	
3	LH00M50010	PLUG, DRAIN	1	
4	LH00M50008	STRAINER, OIL	1	
5	LH00M90071	SPRING, COMPRESSION	1	
6	LH00M90100	O-RING	1	

BUCK 125 E5

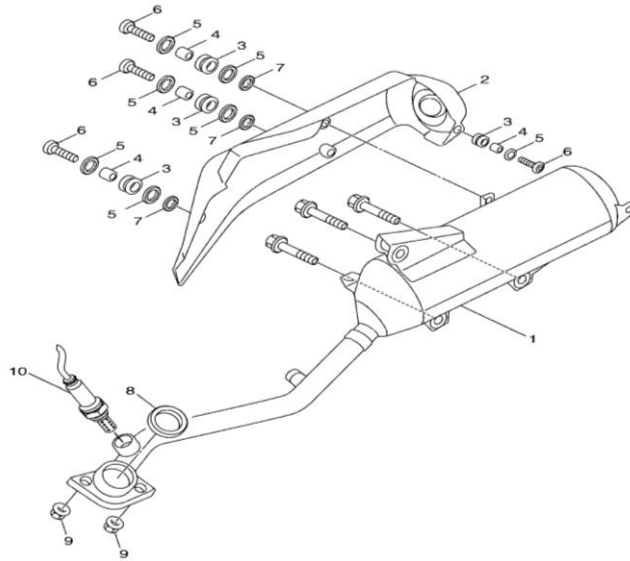
E07 INTAKE



Nº	CÓDIGO	DESCRIÇÃO	Qt.	OBSERVAÇÕES
1	LH00M20344	MANIFOLD	1	
2	LH00M90198	O-RING	1	
3	LH00M20354	CLIP	1	
4	LH00M20350	CLIP	1	
5	LH00M90079	BOLT, HEXAGON SOCKET HEAD	2	
6	LH00M20349	NJECTOR	1	
7	LH00M20343	PIPE, NJECTOR	1	
8	LH00M90077	BOLT, HEXAGON SOCKET HEAD	1	
9	LH00M20345	JOINT, INTAKE	1	
10	LH00M20346	HOSE CLAMP ASSY	1	
11	LH00M20342	HOSE CLAMP ASSY	1	
12	LH00M20347	THROTTLE BODY ASSY	1	
13	LH00M20351	AIR CLEANER ASSY	1	
14	LH00M20352	CASE, AIR CLEANER	1	
15	LH00M20353	CAP, CLEANER CASE	1	
16	LH00M20357	ELEMENT, AIR CLEANER	1	
17	LH00M20358	SEAL	2	
18	LH00M90232	SCREW, TAPPING	6	
19	LH00M20355	PIPE, DRAIN 2	1	
20	LH00M90180	CLIP 2	1	
21	LH00M20356	PIPE, DRAIN 1	1	
22	LH00M90060	CLIP 1	1	
23	LH00M90229	BOLT	2	
24	LH00M20361	COVER	1	
25	LH00M20342	HOSE CLAMP ASSY	1	

BUCK 125 E5

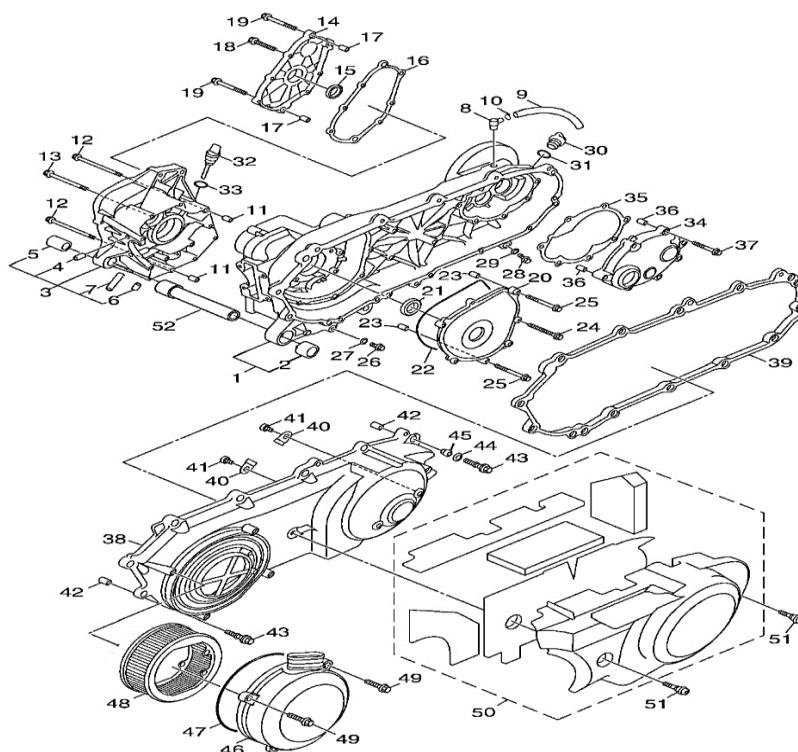
E08 EXHAUST



Nº	CÓDIGO	DESCRIÇÃO	Qt.	OBSERVAÇÕES
1	LH00M20428	EXHAUST PIPE ASSY (Euro 5)	1	
2	LH00M20360	PLATE, PROTECTOR	1	
3	LH00M90069	GROMMET	4	
4	LH00M90044	COLLAR	4	
5	LH00M90022	WASHER, PLATE	7	
6	LH00M90003	BOLT	4	
7	LH00M50009	WASHER	3	
8	LH00M20359	GASKET, EXHAUST PIPE	1	
9	LH00M20207	NUT	2	
10	LH00M20417	SENSOR, OXYGEN	1	

BUCK 125 E5

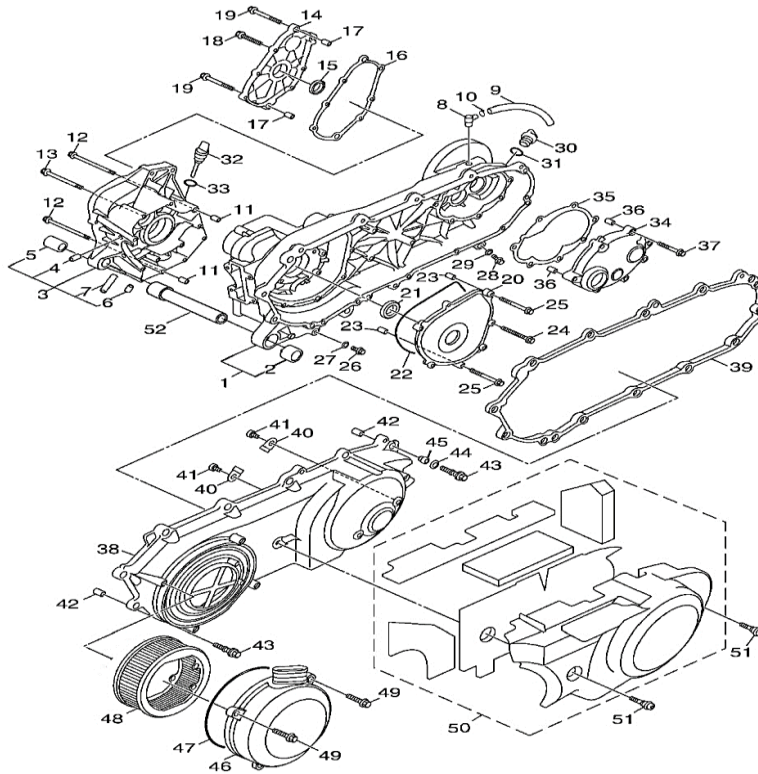
E09 CRANKCASE



Nº	CÓDIGO	DESCRIÇÃO	Qt.	OBSERVAÇÕES
1	LH00M20429	LEFT CRANKCASSE ASSEMBLY	1	
2	LH00M20411	LEFT HOLDER	1	
3	LH00M20362	RIGHT CRANKCASSE ASSEMBLY	1	
4	LH00M20212	NOZZLE	1	
5	LH00M20409	RIGHT HOLDER	1	
6	LH00M90167	PLUGGING	1	
7	LH00M20215	PIPE.OIL	1	
8	LH00M50012	BREATHER	1	
9	LH00M50013	PIPE, BREATHER	1	
10	LH00M90178	CLIP	1	
11	LH00M20279	PIN, DOWEL	2	
12	LH00M90224	BOLT	9	
13	LH00M90225	BOLT	3	
14	LH00M20368	COVER	1	
15	LH00M90187	OIL SEAL	1	
16	LH00M20373	GASKET, COVER	1	
17	LH00M90186	PIN, DOWEL	2	
18	LH00M90221	BOLT	6	
19	LH00M90124	BOLT	2	
20	LH00M20371	COVER 2	1	
21	LH00M90188	OIL SEAL	1	
22	LH00M90199	O-RING	1	
23	LH00M90186	PIN, DOWEL	2	
24	LH00M90221	BOLT	5	
25	LH00M90124	BOLT	2	
26	LH00M90041	PLUG, STRAIGHT SCREW 1	1	
27	LH00M90028	GASKET	1	
28	LH00M90131	BOLT	1	
29	LH00M90052	GASKET	1	

BUCK 125 E5

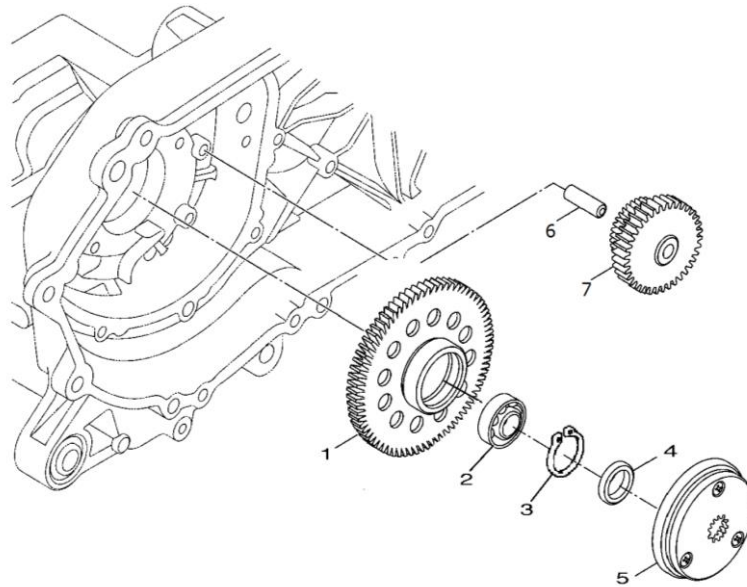
E09 CRANKCASE



Nº	CÓDIGO	DESCRIÇÃO	Qt.	OBSERVAÇÕES
30	LH00M50011	PLUG, OIL	1	
31	LH00M90096	O-RING	1	
32	LH00M20364	PLUG, OIL	1	
33	LH00M20348	O-RING	1	
34	LH00M20369	COVER, CRANKCASE 2	1	
35	LH00M20374	GASKET, CRANKCASE COVER 2	1	
36	LH00M20279	PIN, DOWEL	2	
37	LH00M90226	BOLT	7	
38	LH00M20367	COVER, CRANKCASE 1	1	
39	LH00M20372	GASKET, CRANKCASE COVER 1	1	
40	LH00M20365	PLATE, BEARING COVER	2	
41	LH00M90152	BOLT, HEXAGON SOCKET HEAD	2	
42	LH00M90186	PIN, DOWEL	2	
43	LH00M20377	BOLT, FLANGE	14	
44	LH00M20363	WASHER	14	
45	LH00M20370	GROMMET	14	
46	LH00M20375	COVER	1	
47	LH00M20376	SEAL	1	
48	LH00M20366	ELEMENT	1	
49	LH00M90227	BOLT	4	
50	LH00M20420	CRANKCASE COVER ASSY	1	
51	LH00M50014	BOLT	2	
52	LH00M20408	COLLAR	1	

BUCK 125 E5

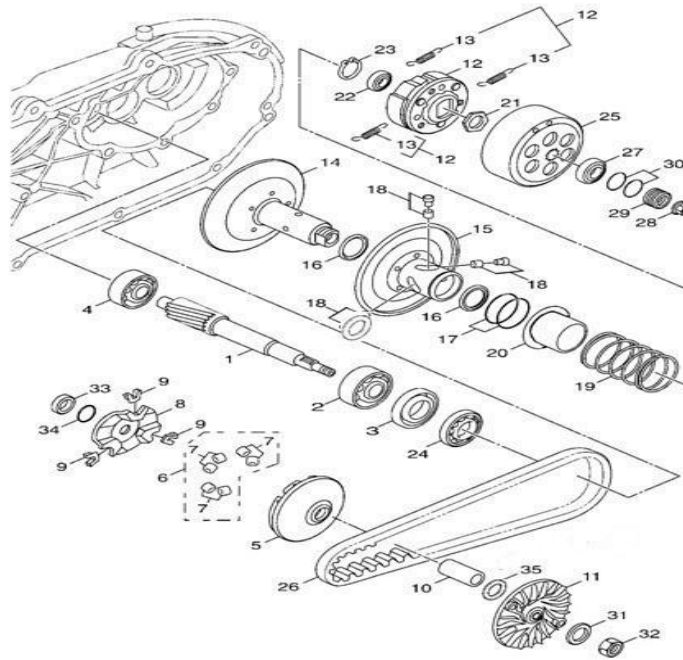
E10 STARTER



Nº	CÓDIGO	DESCRIÇÃO	Qt.	OBSERVAÇÕES
1	LH00M20379	WHEEL, STARTER	1	
2	LH00M90212	BEARING	1	
3	LH00M90235	CIRCLIP	1	
4	LH00M20381	COLLAR	1	
5	LH00M20380	STARTER ONE-WAY ASSY	1	
6	LH00M50015	SHAFT 1	1	
7	LH00M20378	GEAR, IDLER	1	

BUCK 125 E5

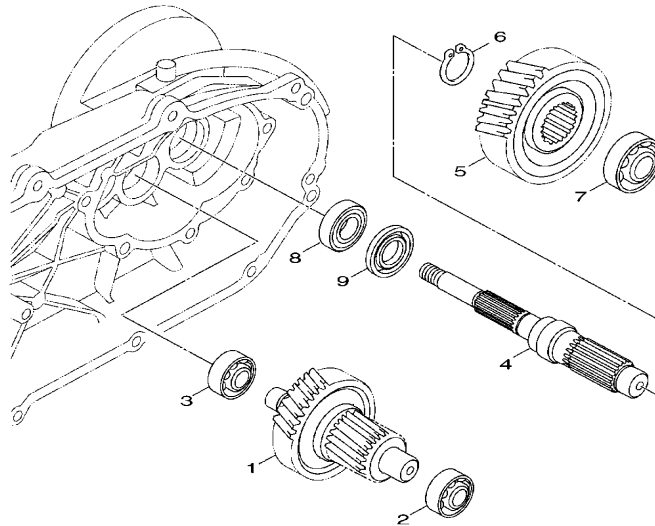
E11 CLUTCH



Nº	CÓDIGO	DESCRIÇÃO	Qt.	OBSERVAÇÕES
1	LH00M20383	GEAR, PRIMARY DRIVE	1	
2	LH00M90205	BEARING	1	
3	LH00M20280	OIL SEAL	1	
4	LH00M90206	BEARING	1	
5	LH00M20394	PRIMARY SLIDING SHEAVE ASSY	1	
6	LH00M20434	WEIGHT ASSY	1	
7	LH00M20431	WEIGHT	6	
8	LH00M20395	CAM	1	
9	LH00M20398	SLIDER	3	
10	LH00M20402	COLLAR	1	
11	LH00M20393	SHEAVE, PRIMARY FIXED	1	
12	LH00M20386	CLUTCH CARRIER ASSY	1	
13	LH00M20387	SPRING, CLUTCH WEIGHT	3	
14	LH00M20399	SECONDARY FIXED SHEAVE COMP	1	
15	LH00M20401	SECONDARY SLIDING SHEAVE	1	
16	LH00M20391	OIL SEAL	2	
17	LH00M20392	O-RING	2	
18	LH00M20435	PIN, GUIDE	3	
19	LH00M20405	SPRING, COMPRESSION	1	
20	LH00M20406	SPRING SEAT COMP.	1	
21	LH00M20400	NUT	1	
22	LH00M20404	BEARING	1	
23	LH00M20382	CIRCLIP	1	
24	LH00M20403	BEARING	1	
25	LH00M20385	CLUTCH HOUSING COMP	1	
26	LH00M20396	V-BELT	1	
27	LH00M90202	BEARING	1	
28	LH00M90156	NUT	1	
29	LH00M20397	COLLAR	1	
30	LH00M90197	O-RING	2	
31	LH00M90163	WASHER, PLATE	1	
32	LH00M90127	NUT	1	
33	LH00M20384	COLLAR	1	
34	LH00M90195	O-RING	1	
35	LH00M20430	WASHER, PLATE	1	

BUCK 125 E5

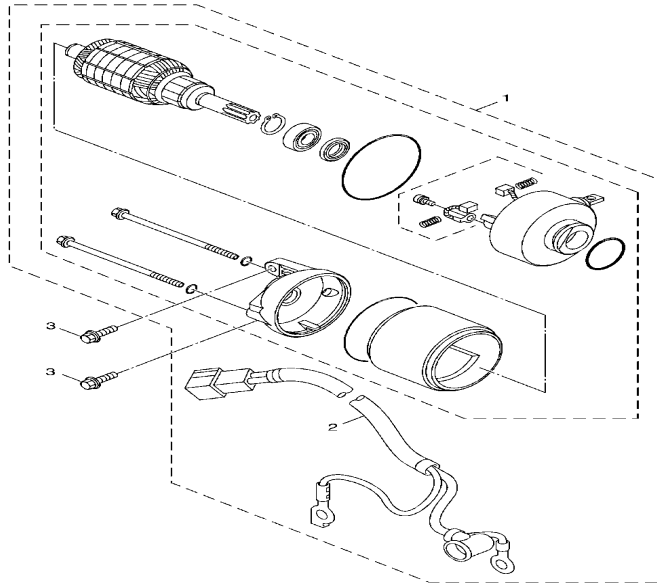
E12 TRANSMISSION



Nº	CÓDIGO	DESCRIÇÃO	Qt.	OBSERVAÇÕES
1	LH00M20389	SECONDARY AXLE COMP.	1	
2	LH00M90207	BEARING	1	
3	LH00M90208	BEARING	1	
4	LH00M20390	AXLE, DRIVE	1	
5	LH00M20388	GEAR, 1ST WHEEL	1	
6	LH00M90234	CIRCLIP	1	
7	LH00M90209	BEARING	1	
8	LH00M90204	BEARING	1	
9	LH00M90189	OIL SEAL	1	

BUCK 125 E5

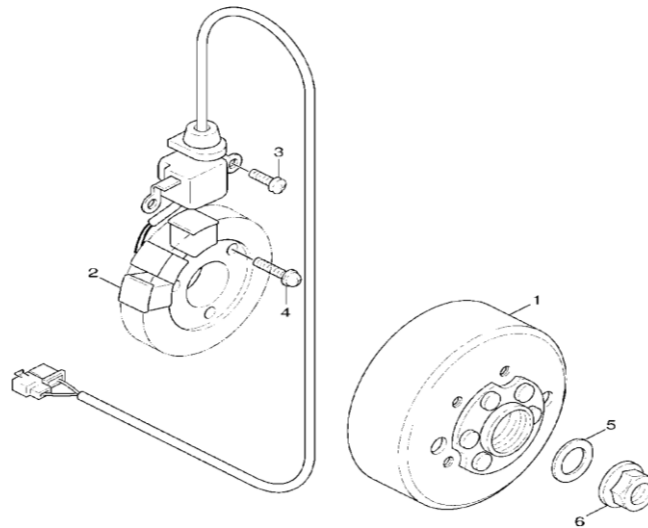
E13 STARTING MOTOR



Nº	CÓDIGO	DESCRIÇÃO	Qt.	OBSERVAÇÕES
1	LH00M20414	MOTOR ASSY	1	
2	LH00M20415	CORD, STARTER MOTOR	1	
3	LH00M90231	BOLT	2	

BUCK 125 E5

E14 GENERATOR



Nº	CÓDIGO	DESCRIÇÃO	Qt.	OBSERVAÇÕES
1	LH00M20413	ROTOR ASSY	1	
2	LH00M20412	STATOR ASSY	1	
3	LH00M90078	BOLT, HEXAGON SOCKET HEAD	2	
4	LH00M90184	BOLT, HEXAGON SOCKET HEAD	3	
5	LH00M90029	WASHER, PLATE	1	
6	LH00M20281	NUT	1	