

PARTS CATALOGUE



ATV

XA60BA(PT)

MXU 300I T3B



Release Date : 2022/09/14
Print Date : 2022/10/25

ABOUT THIS PARTS LIST

- This parts list is compiled all service parts for model XA60BA(PT).
- Any difference between color chart and motorcycle will be revised according to motorcycle.
- The Mark:
 1. Marking "***" must add color code in the end before ordering parts.
 2. Marking "#" are parts with modification, Please find the details from e-Parts system.
- When modification or additions to this parts list are made a revised edition at an appropriate time.



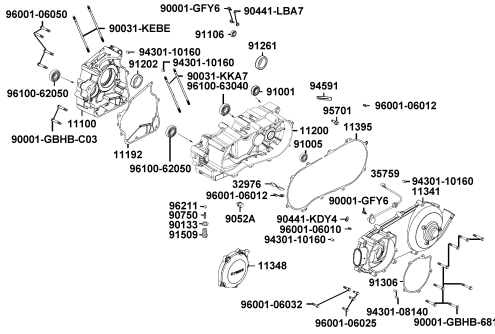
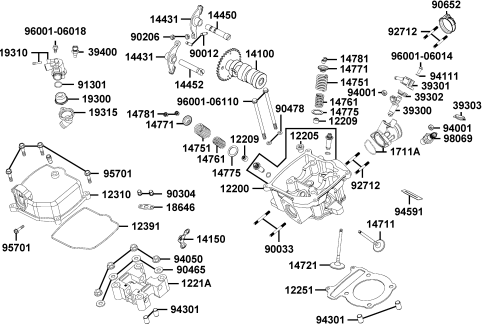
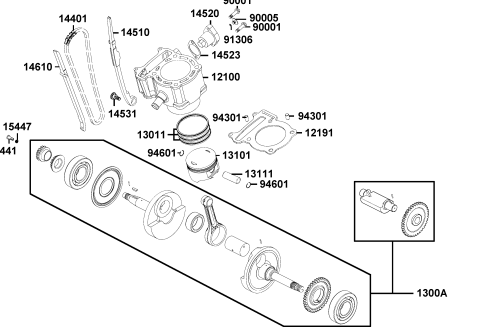
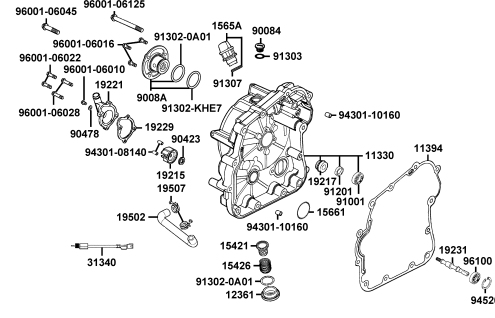
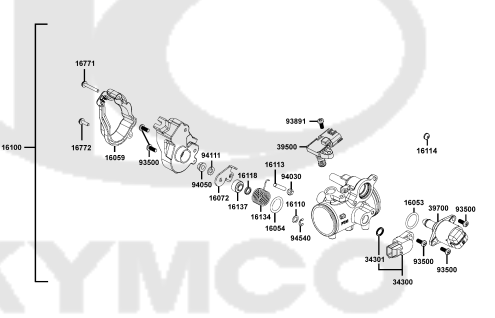
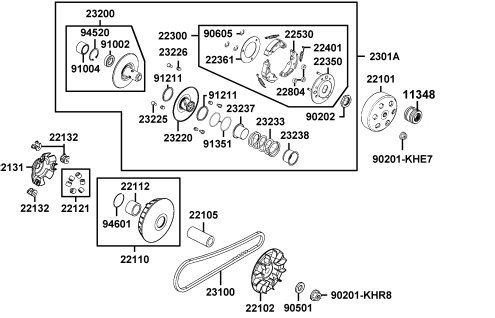
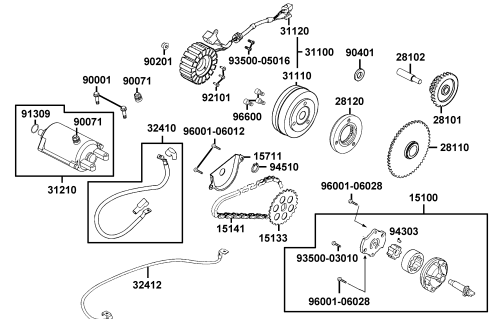
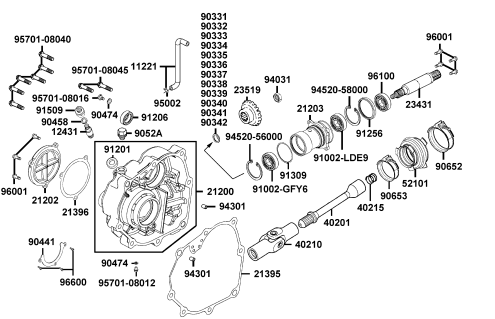
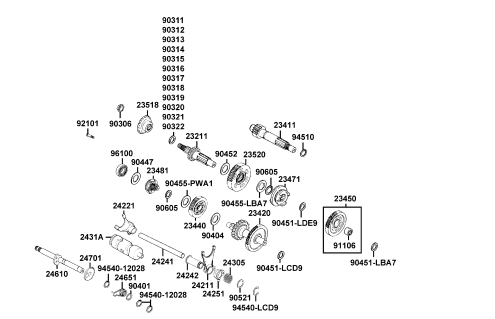
CONTENTS

● ABOUT THIS PARTS LIST	1
● COLOR CHART OF XA60BA(PT)	3
● CONTENTS-ENGINE GROUP	5
● CONTENTS-FRAME GROUP	6
● ENGINE PARTS LIST	9
● FRAME PARTS LIST	49
● PART NO. INDEX	113

NO	MODEL			COLOR CHART OF XA60BA(PT)			
	PHOTO NO			NO. 1	NO. 2		
	BASIC COLOR			Deep Green	Black		
	CODE			Deep Green	Black		
	PARTS NAME	PARTS NO.	VERSION	CG345SA	CH001SA		
1	"FENDER,FRONT"	60100-AGA1-M00	0	97R	U4R		
2	FENDER RR TIRE	80100-AGA1-M00	0				
3	COVER COMP R CRANK	11330-LDE9-E00	0	M3A			
4	"PIPE COMP.,ACCERY	85110-AGA1-M00	0	MAS	U5S		
5	WHEEL ASSY RR HUB	42705-AGA1-M00	0	N1A			
6	RIM COMP FR WHEEL	44705-AGA1-M00	0				
7	"MUDGUARD,FRONT"	60200-AGA1-M00	0	N1R			
8	"FOOTWELL,RH"	80121-AGA1-M00	0				
9	"FOOTWELL,LH"	80122-AGA1-M00	0				
10	"PROTECTOR,MASTER	80130-AGA1-M00	0	N1S			
11	"MUDGUARD,REAR"	80200-AGA1-M00	0				
12	FORK ASSY FRONT R	51400-AGA1-M00	0	N8A			
13	CUSHION ASSY REAR	52400-AGA1-M00	0				
14	COVER LEFT	11341-LBA7-900	0	T01			
15	SEAT ASSY	77200-AGA1-M00	0				
16	SW BATTERY LABEL	81218-AGA2-E60	0				
17	STRIPE FRONT COVER	86101-AEF6-C00	0				
18	SW LABEL	86182-AGA2-E60	0				
19	EPA CERTIFICATION	87237-AGA2-E01	0				
20	EMB CHANGE HANDLE	87311-AGA2-E60	0				
21	EMB CHANGE HANDLE	87311-AGA2-E61	0				
22	CAUTION SHIFT GEARS	87322-AGA2-E00	0				
23	USE CAUTION	87501-AGA2-E60	0				
24	WARNING HOT	87502-AGA2-E60	0				
25	LABEL TIRE ON ROAD	87505-AGA2-E00	0				
DATE OF STARTING-SALES							
DATE OF END-SALES							

NO	MODEL			COLOR CHART OF XA60BA(PT)							
	PHOTO NO			NO. 1	NO. 2						
	BASIC COLOR			Deep Green	Black						
	CODE			Deep Green	Black						
	PARTS NAME	PARTS NO.	VERSION	CG345SA	CH001SA						
26	HITCH LABEL	87514-AEF2-C00	0	T01							
27	CAUTION MAXIMUM	87514-AGA2-E70	0								
28	CAUTION LIST ON ROAD	87515-AGA2-E00	0								
29	CAUTION DRIVE AGE	87517-AGA2-E00	0								
30	LABEL FUEL TANK	87546-AGE3-E00	0								
31	CAUTION CARRIER MAX	87556-AGA2-E00	0								
32	CAUTION CARRIER MAX	87556-AGA2-E01	0								
33	MARK DRIVE CAUTION	87560-AGA2-E60	0								
34	STRIPE B R FENDER FR	86543-AGA2-E60	0					T01	T03		
35	STRIPE B L FENDER FR	86553-AGA2-E60	0					T01	T04		
36	STRIPE R FENDER FR	86523-AGA2-E60	0								
37	STRIPE L FENDER FR	86533-AGA2-E60	0								
38	STRIPE C R FENDER FR	86563-AGA2-E60	0								
39	STRIPE C L FENDER FR	86573-AGA2-E60	0								
40	STRIPE R FENDER RR	86623-AGA2-E60	0								
41	STRIPE L FENDER RR	86633-AGA2-E60	0								
42	STRIPE B R RR FENDER	86643-AGA2-E60	0								
43	STRIPE B L RR FENDER	86653-AGA2-E60	0								
44	COVER TANK	17700-AGA1-M00	0	U4R	U5R						
45	"COVER,HANDLEBAR"	53205-AGA1-M00	0								
46	"ACCESS	64301-AGA1-M00	0								
DATE OF STARTING-SALES											
DATE OF END-SALES											

CONTENTS - ENGINE GROUP

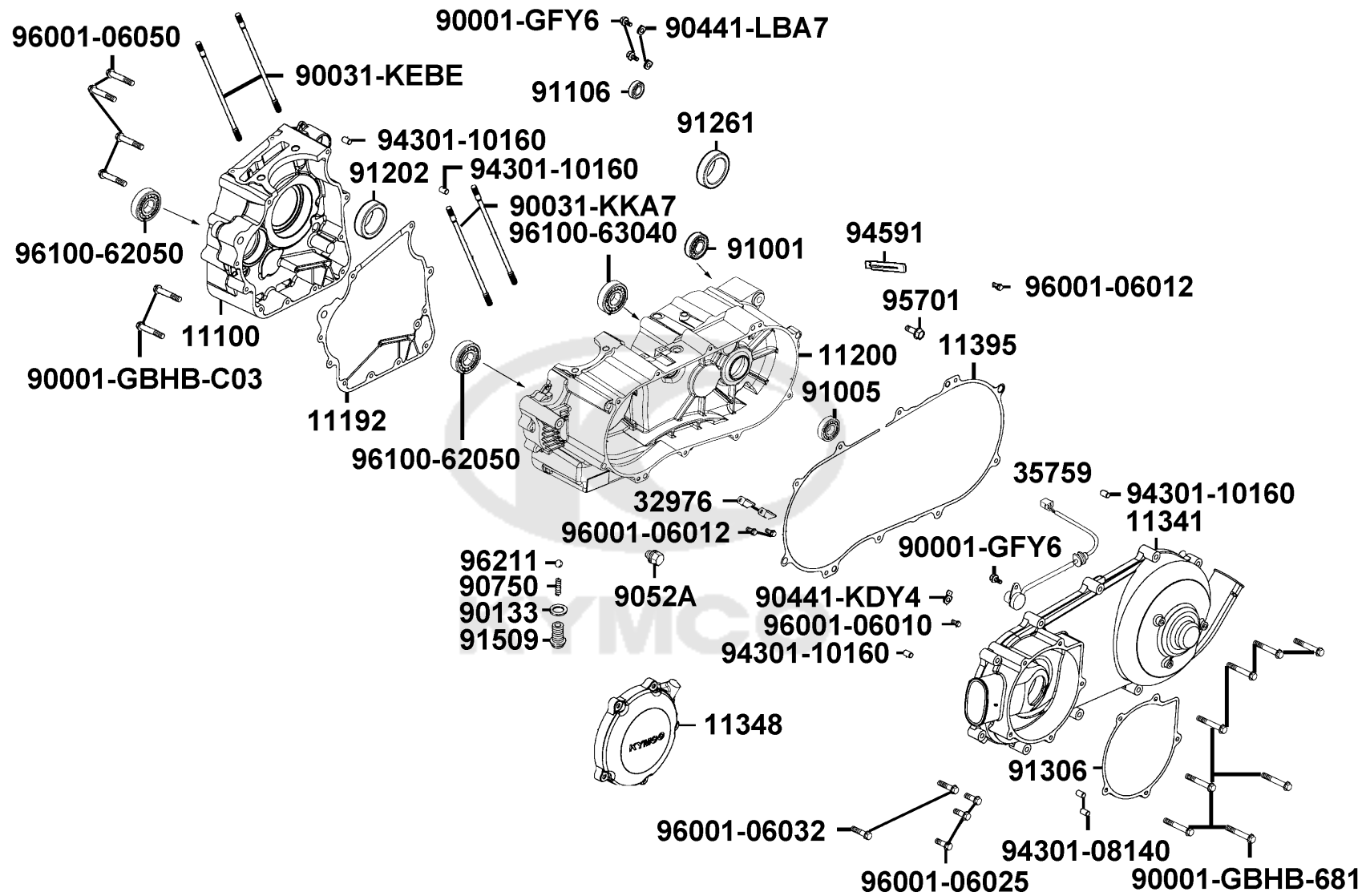
E01 Crank Case	E02 Cylinder Head	E03 Cylinder Piston Crankshaft
		
E04 Right Crankcase Cover	E05 Carburetor	E06 Driven Pulley
		
E07 Starting Motor Oil Pump	E08 Case Comp Mission	E09 Transmission
		

CONTENTS - FRAME GROUP

F19 Wire Harness	F20 Frame Body	F21 RADIATOR COMP
F22 CANISTER-PCV ASSY	F23 Emblem Stripe	F24 Emblem Stripe

E01

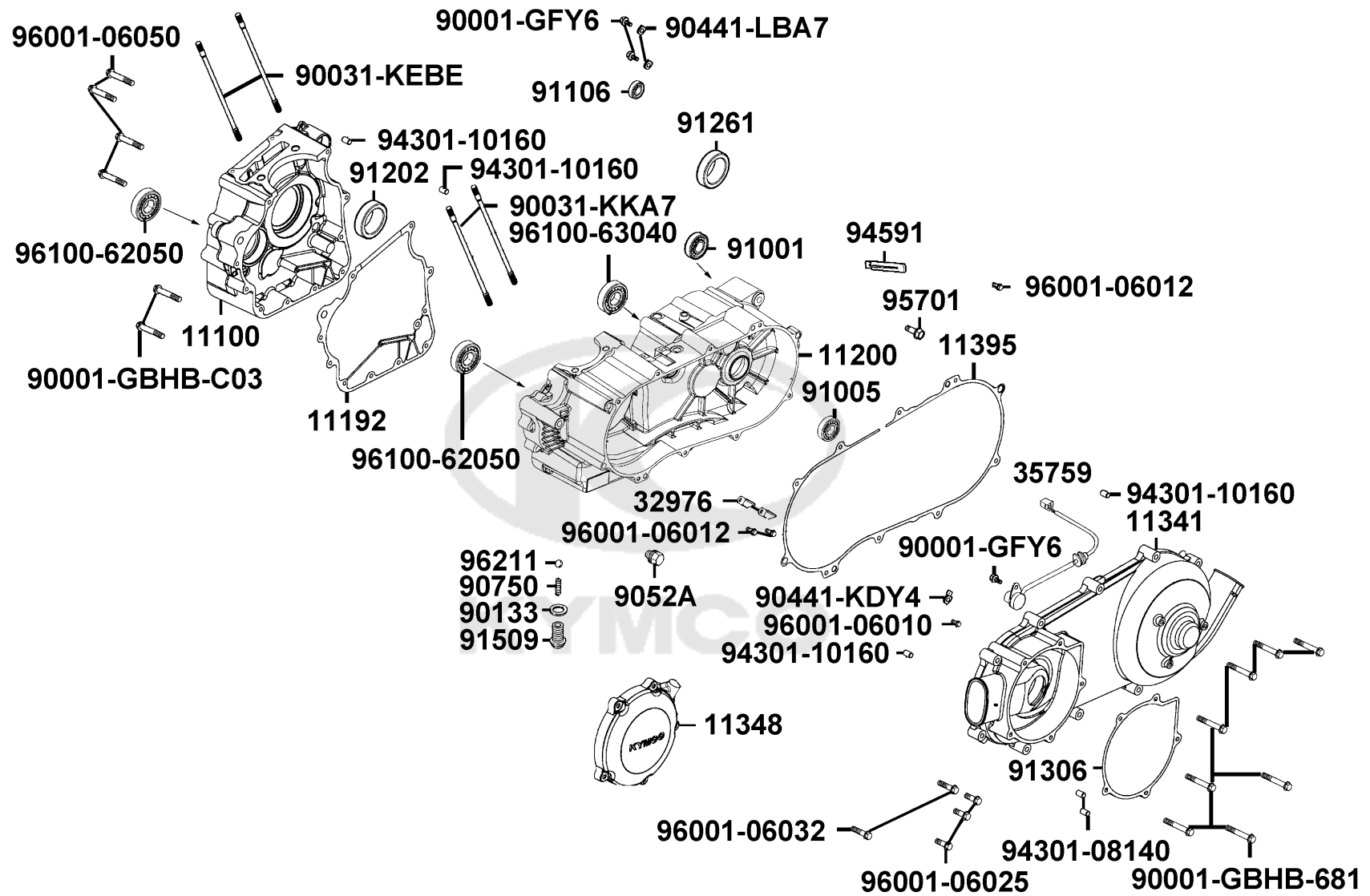
Crank Case



Sales mark	Ref no	Part no	Description	Reg description	Regd no	E01
	11100	11100-LDE9-E00	CRANK CASE COMP RIGHT	CRANK CASE COMP RIGHT	1	
	11192	11192-LBA7-900	GASKET CRANK CASE A	GASKET CRANK CASE A	1	
	11200	11200-LCD9-E00	CRANK CASE COMP LEFT	CRANK CASE COMP LEFT	1	
**	11341	11341-LBA7-900	COVER LEFT	COVER LEFT	1	
	11348	11348-LBA7-900	COVER STARTING	COVER STARTING	1	
	11395	11395-LBA7-900	GASKET L COVER @A	GASKET L COVER @A	1	
	32976	32976-1G07-C00	CLAMPER WIRE HARNESS	CLAMPER WIRE HARNESS	2	
	35759	35759-LHM2-E00	SW ASSY GEAR CHANGE	SW ASS'Y GEAR CHANGE	1	
	90001-GBHB-681	90001-GBHB-681	BOLT FLANGE SHF 6*28	BOLT FLANGE SHF 6*28	8	
	90001-GBHB-C03	90001-GBHB-C03	BOLT FLANGE SHF 6*40	BOLT FLANGE SHF 6*40	2	
	90001-GFY6	90001-GFY6-901	SOCKET BOLT 6*10 (B)	SOCKET BOLT 6*10 (B)	3	
	90031-KEBE	90031-KEBE-900	BOLT A STUD 8MM	BOLT A STUD 8MM	2	
	90031-KKA7	90031-KKA7-900	BOLT STUD	BOLT STUD	2	
	90133	90133-LLB1-900	WASHER BOLT SEAT	WASHER BOLT SEAT	1	
	90441-KDY4	90441-KDY4-C00	PLATE BRG HOLD	PLATE BRG HOLD	1	
	90441-LBA7	90441-LBA7-900	PLATE BRG HOLD	PLATE BRG HOLD	2	
	9052A	9052A-LEB1-900	BOLT ASSY DRAIN PLUG	BOLT ASSY DRAIN PLUG	1	
	90750	90750-LLB1-900	SPRING BOLT SEAT INNER	SPRING BOLT SEAT INNER	1	
	91001	91001-KHV8-004	BRG BALL RADIAL 6305	BRG BALL RADIAL 6305	1	
	91005	91005-LBA7-900	BRG BALL RADIAL 6005LLU	BRG BALL RADIAL 6005LLU	1	

E01

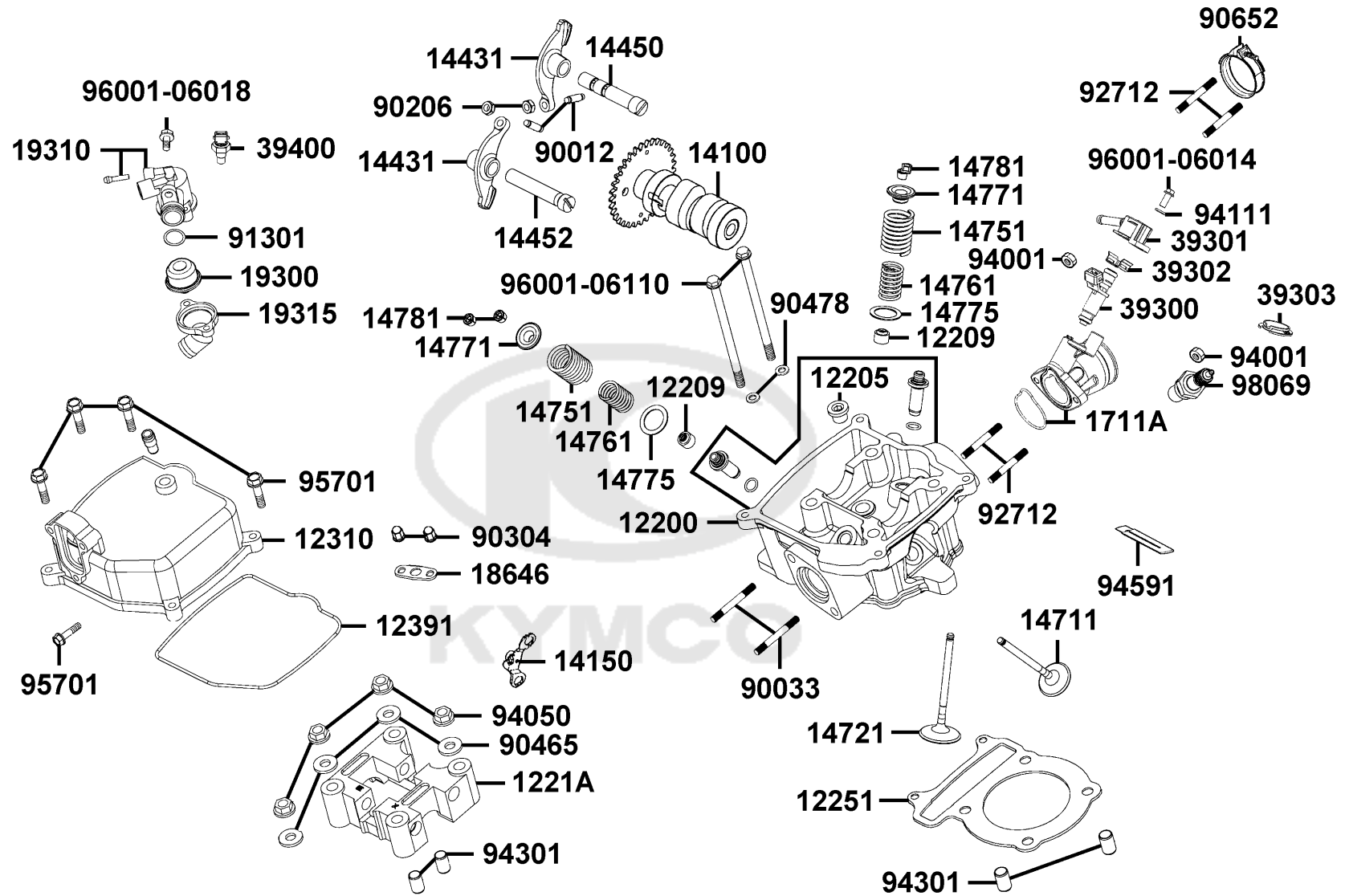
Crank Case



Sales mark	Ref no	Part no	Description	Reg description	Regd no	E01
91106		91106-LBA7-900	BRG NEEDLE 20*26*16	BRG NEEDLE 20*26*16	1	
91202		91202-KKC4-90B	OIL SEAL 27X42X7	OIL SEAL 27X42X7	1	
91261		91261-4E15-004	OIL SEAL 25*40*8	OIL SEAL 25*40*8	1	
91306		91306-LBA7-900	GASKET STARTING COVER	GASKET STARTING COVER	1	
91509		91509-LLB1-900	BOLT SEAT BALL STOPPER	BOLT SEAT BALL STOPPER	1	
94301-08140		94301-08140	DOWEL PIN 8*14	DOWEL PIN 8*14	2	
94301-10160		94301-10160	DOWEL PIN 10*16	DOWEL PIN 10*16	4	
94591		94591-LLB1-900	CLIP 2*100	CLIP 2*100	1	
95701		95701-08012-06	BOLT FLANGE 8*12	BOLT FLANGE 8*12	1	
96001-06010		96001-06010-06	BOLT FLANGE 6*10	BOLT FLANGE 6*10	1	
96001-06012		96001-06012-06	BOLT FLANGE SH 6*12	BOLT FLANGE SH 6*12	1	
96001-06025		96001-06025-06	BOLT FLANGE SH 6*25	BOLT FLANGE SH 6*25	1	
96001-06032		96001-06032-06	BOLT FLANGE 6*32	BOLT FLANGE 6*32	1	
96001-06050		96001-06050-06	BOLT FLANGE SH 6*50	BOLT FLANGE SH 6*50	1	
96100-62050		96100-62050-00	BEARING BALL RADIAL 6205	BEARING BALL RADIAL 6205	2	
96100-63040		96100-63040-00	BRG BALL RADIAL 6304	BRG BALL RADIAL 6304	1	
96211		96211-12000	BALL STEEL #12	BALL STEEL #12	1	

E02

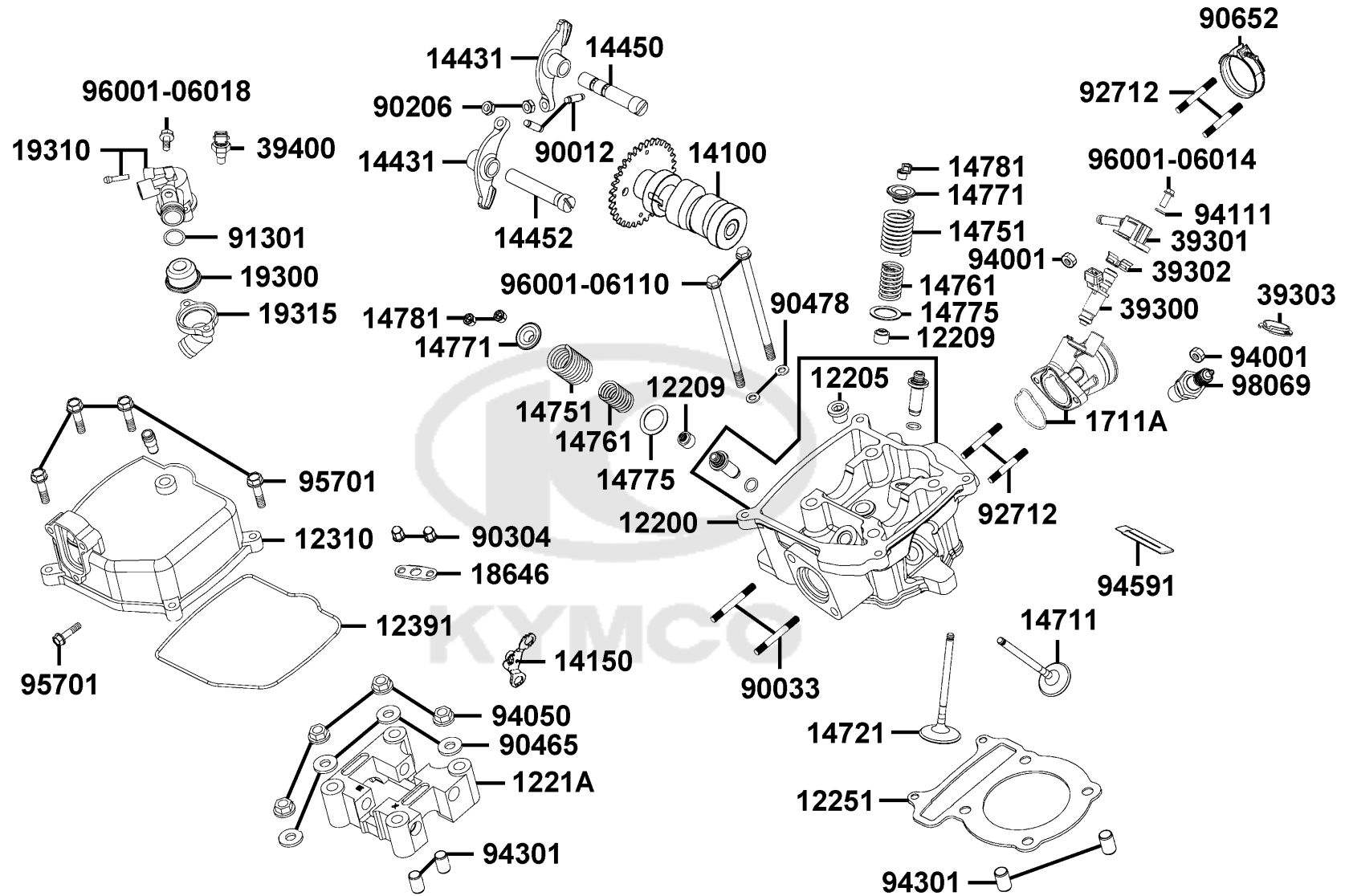
Cylinder Head



Sales mark	Ref no	Part no	Description	Reg description	Regd no	E02
	12200	12200-AGA1-M00	HEAD COMP CYLN	HEAD COMP CYLN	1	
	12205	12205-KHE8-301	BOLT SEALING 12MM	BOLT SEALING 12MM	1	
	12209	12209-GDB4-68A	SEAL VALVE STEM	SEAL VALVE STEM	1	
	1221A	1221A-LDB2-E00	HOLDER COMP CAM SHAFT	HOLDER COMP CAM SHAFT	1	
	12251	12251-KHE7-901	GASKET CYLINDER HEAD	GASKET CYLINDER HEAD	1	
	12310	12310-AGA1-M00	COVER COMP CYLN HEAD	COVER COMP CYLN HEAD	1	
	12391	12391-LDB2-E00	GASKET HEAD COVER	GASKET HEAD COVER	1	
	14100	14100-LDB2-E00	SHAFT COMP CAM	SHAFT COMP CAM	1	
	14150	14150-LDB2-E00	PLATE COMP STOPPER	PLATE COMP STOPPER	1	
	14431	14431-LDB2-E00	ARM VALVE ROCKER	ARM VALVE ROCKER	2	
	14450	14450-KEBE-900	SHAFT COMP IN ROCKER ARM	SHAFT COMP IN ROCKER ARM	1	
	14452	14452-LDB2-E00	SHAFT EXH ROCKER ARM	SHAFT EXH ROCKER ARM	1	
	14711	14711-LDF2-900	VALVE INLET	VALVE INLET	1	
	14721	14721-LDB2-E00	VALVE EXHAUST	VALVE EXHAUST	1	
	14751	14751-KHE7-900	SPG VALVE OUTER	SPG VALVE OUTER	2	
	14761	14761-KHE7-900	SPG VALVE INNER	SPG VALVE INNER	2	
	14771	14771-GDB4-C00	RETAINER VALVE SPRING	RETAINER VALVE SPRING	2	
	14775	14775-MFA6-C00	SEAT VALVE SPG OUTER	SEAT VALVE SPG OUTER	2	
	14781	14781-MFA6-001	COTTER VALVE	COTTER VALVE	4	
	1711A	1711A-AGA1-M00	PIPE ASSY INLET	PIPE ASSY INLET	1	

E02

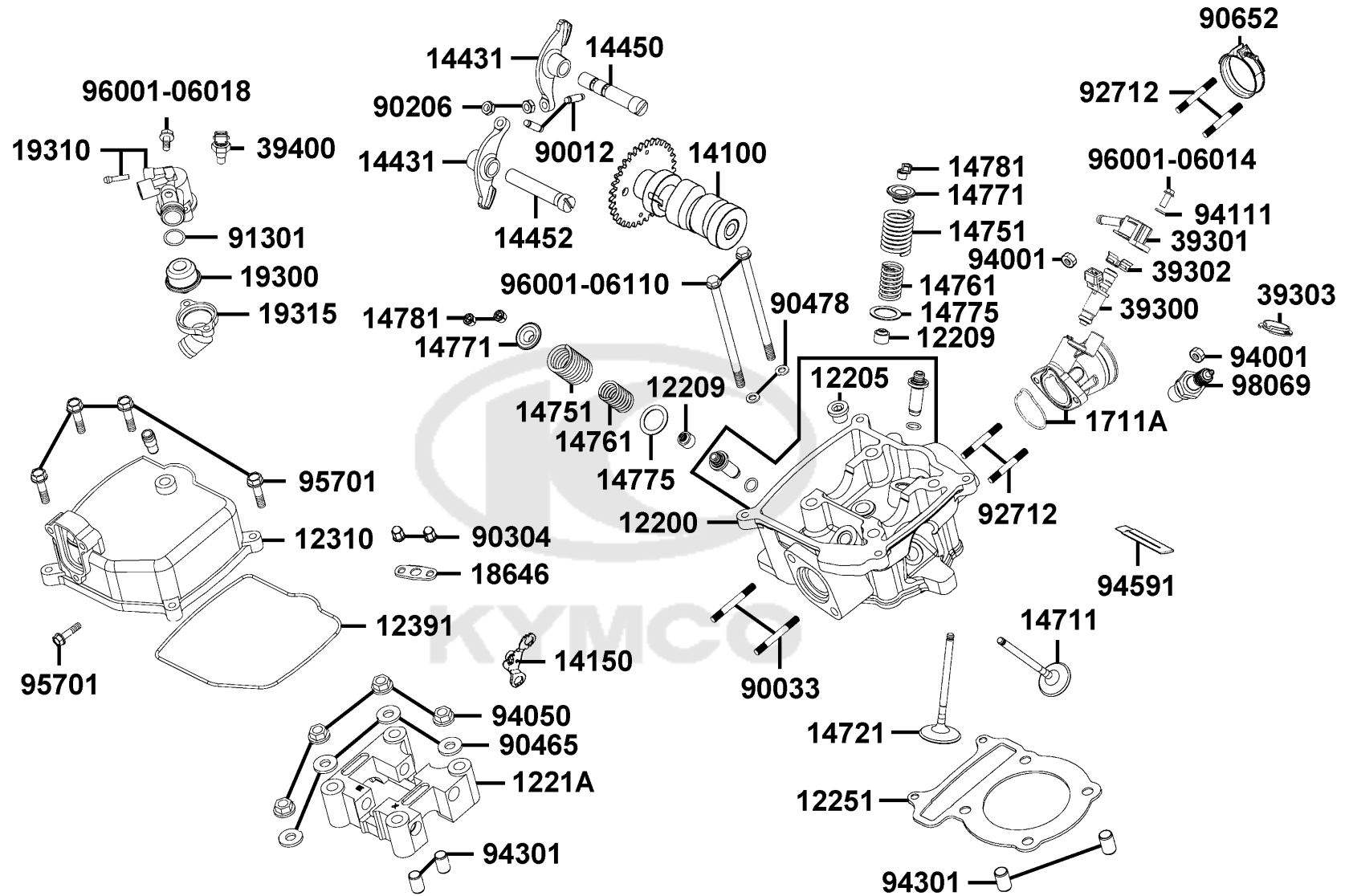
Cylinder Head



Sales mark	Ref no	Part no	Description	Reg description	Regd no	E02
	18646	18646-GFY6-C10	GASKET A/I PIPE	GASKET A/I PIPE	1	
	19300	19300-KAE1-004	THERMOSTAT ASSY	THERMOSTAT ASSY	1	
	19310	19310-AGA1-M00	CASE COMP THERMOSTAT	CASE COMP THERMOSTAT	1	
	19315	19315-KHE7-900	COVER THERMOSTAT	COVER THERMOSTAT	1	
	39300	39300-AGA1-M00	FUEL INJECTOR	FUEL INJECTOR	1	
	39301	39301-LKB3-C00	HOLDER ASSY FUEL	HOLDER ASSY FUEL	1	
	39302	39302-KKE3-C00	CLIP SPRING FUEL INJECTOR	CLIP SPRING FUEL INJECTOR	1	
	39303	39303-LEB2-C00	SEAL,HIGH TENSION FUEL INJECT	SEAL,HIGH TENSION FUEL INJECT	1	
	39400	39400-LEA6-800	COLLANT TEMPRATURE SENSOR	COLLANT TEMPRATURE SENSOR	1	
	90012	90012-3C33-001	SCREW TAPPET ADJUSTING	SCREW TAPPET ADJUSTING	2	
	90033	90033-GFY6-C01	BOLT STUD 8*32	BOLT STUD 8*32	2	
	90206	90206-0A01-001	NUT TAPPET ADJG	NUT TAPPET ADJG	2	
	90304	90304-4H38-C00	NUT HEX CAP 6MM	NUT HEX CAP 6MM	2	
	90465	90465-MDC4-C00	WASHER 8MM	WASHER 8MM	4	
	90478	90478-7L00-001	WASHER A 6MM	WASHER A 6MM	2	
	90652	90652-GFY6-901	BAND 49 AIR/C CONNECTING TUBE	BAND 49 AIR/C CONNECTING TUBE	1	
	91301	91301-KHE7-900	O-RING 17.8*1.9	O-RING 17.8*1.9	1	
	92712	92712-06028-0B	BOLT STUD 6*28	BOLT STUD 6*28	2	
	94001	94001-06080-0S	NUT HEX 6MM	NUT HEX 6MM	2	
	94050	94050-08080	NUT FLANGE 8MM	NUT FLANGE 8MM	4	

E02

Cylinder Head

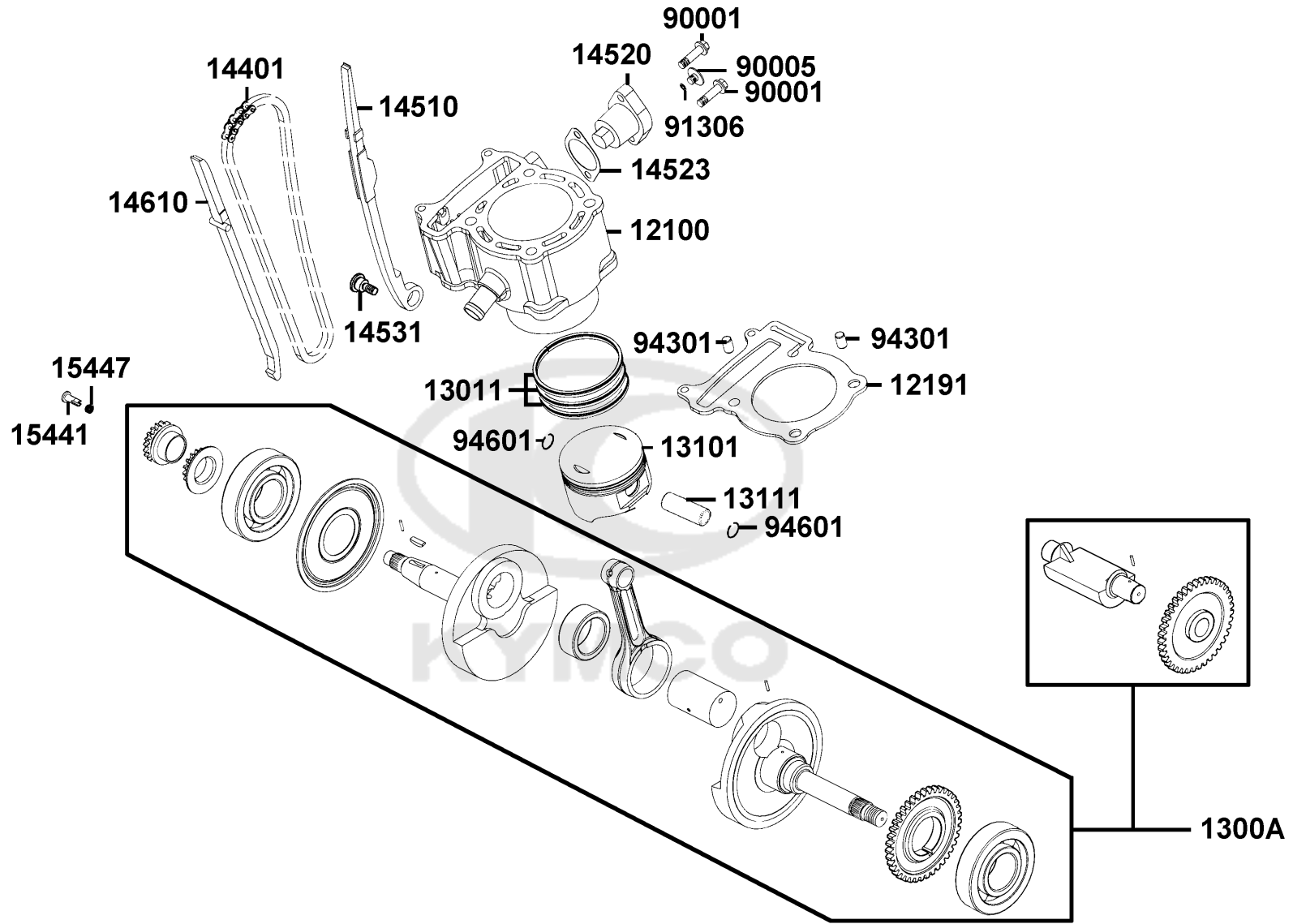


Sales mark	Ref no	Part no	Description	Reg description	Regd no	E02
94111		94111-06800	WASHER SPRING 6MM	WASHER SPRING 6MM	1	
94301		94301-10160	DOWEL PIN 10*16	DOWEL PIN 10*16	4	
94591		94591-KFBF-900	CLIP 2*70	CLIP 2*70	1	
95701		95701-06025-06	BOLT FLANGE 6*25	BOLT FLANGE 6*25	2	
96001-06014		96001-06014-02	BOLT FLANGE 6*14	BOLT FLANGE 6*14	1	
96001-06018		96001-06018-07G	BOLT FLANGE 6*18	BOLT FLANGE 6*18	1	
96001-06110		96001-06110-06	BOLT FLANGE SH 6*110	BOLT FLANGE SH 6*110	1	
98069		98069-5791R-00	SPARK PLUG (DPR7EA-9)	SPARK PLUG (DPR7EA-9)	1	



E03

Cylinder Piston Crankshaft



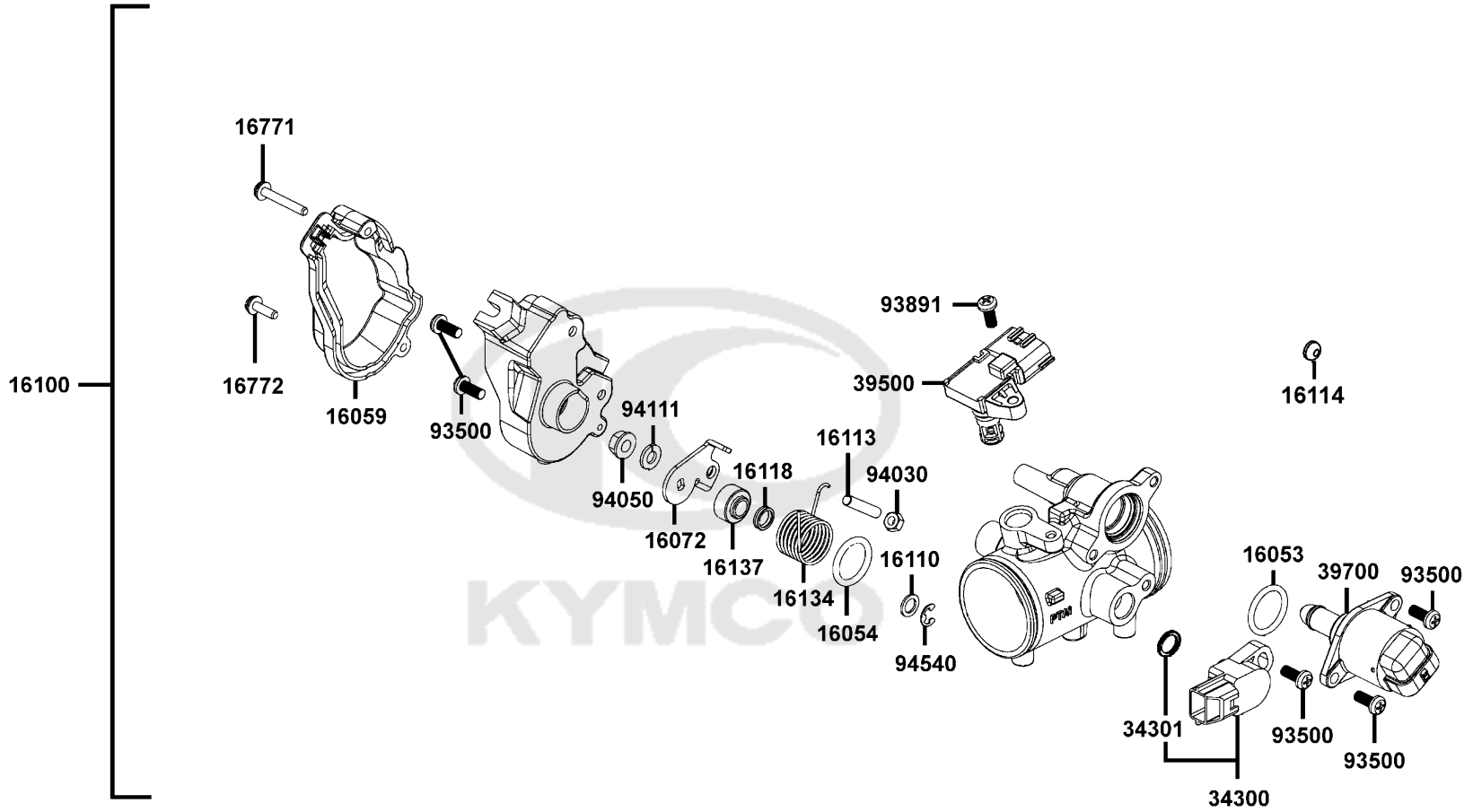
Sales mark	Ref no	Part no	Description	Reg description	Regd no	E03
	12100	12100-LDE9-E00	CYLINDER COMP	CYLINDER COMP	1	
	12191	12191-KHE7-910	GASKET CYLINDER	GASKET CYLINDER	1	
	1300A	1300A-LDE9-305	CRANK BALANCER COMP	CRANK BALANCER COMP	1	
	13011	13011-KHE7-900	RING SET PISTON	RING SET PISTON	1	
	13101	13101-LDB2-E00	PISTON	PISTON	1	
	13111	13111-LDB2-E00	PIN PISTON	PIN PISTON	1	
	14401	14401-LDE9-E00	CHAIN CAM	CHAIN CAM	1	
	14510	14510-LDE9-E00	TENSIONER CAM CHAIN	TENSIONER CAM CHAIN	1	
	14520	14520-GFY6-90C	LIFTER ASSY.. TENSIONER	LIFTER ASSY TENSIONER	1	
	14523	14523-KED9-900	GASKET TENSIONER LIFTER @A	GASKET TENSIONER LIFTER @A	1	
	14531	14531-KHE7-900	PIVOT CAM CHAIN TENSIONER	PIVOT CAM CHAIN TENSIONER	1	
	14610	14610-LDE9-E00	GUIDE COMP CAM CHAIN	GUIDE COMP CAM CHAIN	1	
	15441	15441-1K49-001	OIL THROUGH	OIL THROUGH	1	
	15447	15447-1K49-001	SPG OIL THROUGH	SPG OIL THROUGH	1	
	90001	90001-GBHB-C05	BOLT FLANGE SHF 6*22 (B)	BOLT FLANGE SHF 6*22 (B)	2	
	90005	90005-KED9-900	BOLT SPECIAL 6*6	BOLT SPECIAL 6*6	1	
	91306	91306-1E05-C00	O-RING 1.5*9.5	O-RING 1.5*9.5	1	
	94301	94301-10160	DOWEL PIN 10*16	DOWEL PIN 10*16	2	
	94601	94601-17000	CLIP PISTON PIN 17MM	CLIP PISTON PIN 17MM	2	

Sales mark	Ref no	Part no	Description	Reg description	Regd no	E04
**	11330	11330-LDE9-E00	COVER COMP R CRANK CASE	COVER COMP R CRANK CASE	1	
	11394	11394-LBA7-900	GASKET R COVER	GASKET R COVER	1	
	12361	12361-GFY6-901	HOLE CAP TAPPET ADJUSTING	HOLE CAP TAPPET ADJUSTING	1	
	15421	15421-1G07-001	SCREEN OIL FILTER	SCREEN OIL FILTER	1	
	15426	15426-GAE1-921	SPG OIL FILTER SCREEN	SPG OIL FILTER SCREEN	1	
	1565A	1565A-KKAK-900	GAUGE OIL LEVEL ASSY	GAUGE OIL LEVEL ASSY	1	
	15661	15661-LBA7-900	FINDER OIL LEVEL	FINDER OIL LEVEL	1	
	19215	19215-KHE7-900	IMPELLER WATER PUMP	IMPELLER WATER PUMP	1	
	19217	19217-ZPA3-E00	SEAL MECHANICAL	SEAL MECHANICAL	1	
	19229	19229-LBA7-900	GASKET WATER PUMP	GASKET WATER PUMP	1	
	19231	19231-KKJ9-011	SHAFT WATER PUMP	SHAFT WATER PUMP	1	
	19502	19502-LBA7-900	HOSE B WATER	HOSE B WATER	1	
	19507	19507-LDB5-E00	CLAMP D 28	CLAMP D 28	2	
	31340	31340-AHH8-M00	SPEED SENSOR	SPEED SENSOR	1	
	9008A	9008A-LBA7-900	CAP ASSY R COVER	CAP ASSY R COVER	1	
	90423	90423-KKJ9-001	WASHER 7.2*13*1.2	WASHER 7.2*13*1.2	1	
	90478	90478-7L00-001	WASHER A 6MM	WASHER A 6MM	1	
	91001	91001-KKJ9-006	BRG BALL RADIAL 6901	BRG BALL RADIAL 6901	1	
	91201	91201-KKJ9-004	OIL SEAL 12*20*4	OIL SEAL 12*20*4	1	
	91302-0A01	91302-0A01-C00	O-RING 30.8MM	O-RING 30.8MM	2	

Sales mark	Ref no	Part no	Description	Reg description	Regd no	E04
	91302-KHE7	91302-KHE7-900	O-RING 27.4*2.1MM	O-RING 27.4*2.1MM	1	
	91303	91303-3G77-001	O-RING 13.8*2.5	O-RING 13.8*2.5	1	
	91307	91307-0E35-001	O RING 18*3	O RING 18*3	1	
	94301-08140	94301-08140	DOWEL PIN 8*14	DOWEL PIN 8*14	2	
	94301-10160	94301-10160	DOWEL PIN 10*16	DOWEL PIN 10*16	2	
	94520	94520-26000	CIR CLIP INTERAL 26MM	CIR CLIP INTERAL 26MM	1	
	96001-06010	96001-06010-00	BOLT FLANGE SH 6X10	BOLT FLANGE SH 6X10	1	
	96001-06016	96001-06016-06	BOLT FLANGE SH 6X16	BOLT FLANGE SH 6*16	1	
	96001-06022	96001-06022-06	BOLT FLANGE SH 6*22 (G)	BOLT FLANGE SH 6*22 (G)	1	
	96001-06028	96001-06028-06	BOLT FLANGE SH 6*28	BOLT FLANGE SH 6*28	1	
	96001-06045	96001-06045-06	BOLT FLANGE 6X45	BOLT FLANGE 6X45	1	
	96001-06125	96001-06125-06	BOLT FLANGE SH 6*125	BOLT FLANGE SH 6*125	1	
	96100	96100-60000-00	BEARING BALL RADIAL 6000	BEARING BALL RADIAL 6000	1	

E05

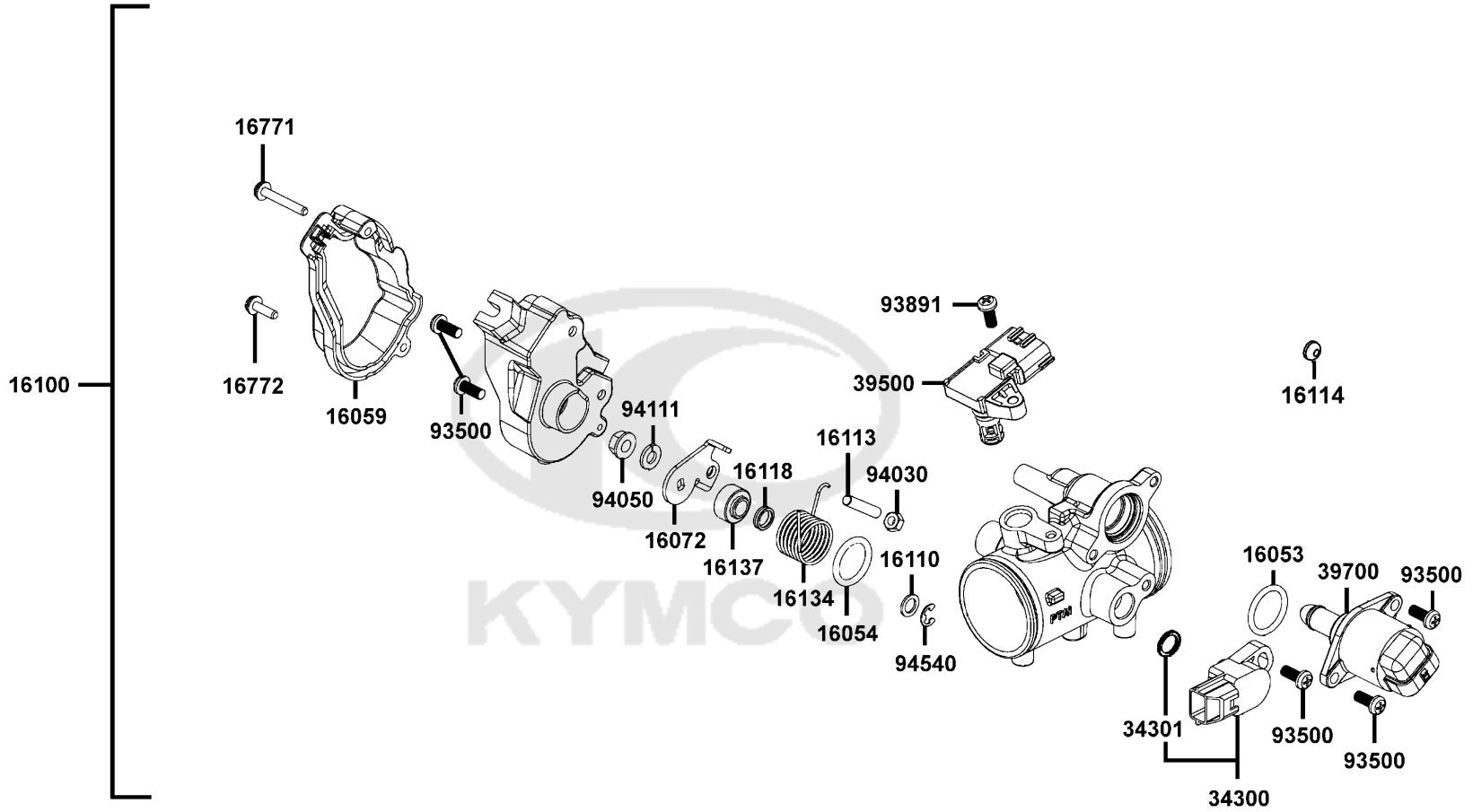
Carburetor



Sales mark	Ref no	Part no	Description	Reg description	Regd no	E05
	16053	16053-PTA1-800	SEAL	SEAL	1	
	16054	16054-PTA1-800	OIL RING	OIL RING	1	
	16059	16059-LDB5-E00	COVER WIRE STAY	COVER WIRE STAY	1	
	16072	16072-PTA1-800	DRUM. THROTTLE	DRUM. THROTTLE	1	
	16100	16100-AGA1-M00	THROTTLE BODY ASSY	THROTTLE BODY ASSY	1	
	16110	16110-KGC5-900	WASHER THROTTLE ASSY	WASHER THROTTLE ASSY	1	
	16113	16113-PTA1-800	PILOT SCREW	PILOT SCREW	1	
	16114	16114-LDB5-E00	SHAFT COVER	SHAFT COVER	1	
	16118	16118-LBF2-900	SEAL THROTTLE SHAFT	SEAL THROTTLE SHAFT	1	
	16134	16134-LDB5-E00	SPG THROTTLE SHAFT	SPG THROTTLE SHAFT	1	
	16137	16137-PTA1-800	COLLAR LEVER	COLLAR LEVER	1	
	16771	16771-GKAK-220	SCREW-WASHER M4x30	SCREW-WASHER M4*30	1	
	16772	16772-AEC8-E00	SCREW WASHER M4*16	SCREW WASHER M4*16	1	
	34300	34300-KKE3-900	THROTTLE POSITION SENSOR	THROTTLE POSITION SENSOR	1	
	34301	34301-KKE3-900	O-RING T.P.S.	O-RING T.P.S.	1	
	39500	39500-PTA1-800	SENSOR T-MAP	SENSOR T-MAP	1	
	39700	39700-PTA1-800	BY PASS VALVE IDLE AIR	BY PASS VALVE IDLE AIR	1	
	93500	93500-05012-0F	SCREW PAN 5X12	SCREW PAN 5X12	1	
	93891	93891-04012-06	SCREW WASH 4*12	SCREW WASH 4*12	1	
	94030	94030-PTA1-800	NUT HEX 5mm	NUT HEX 5mm	1	

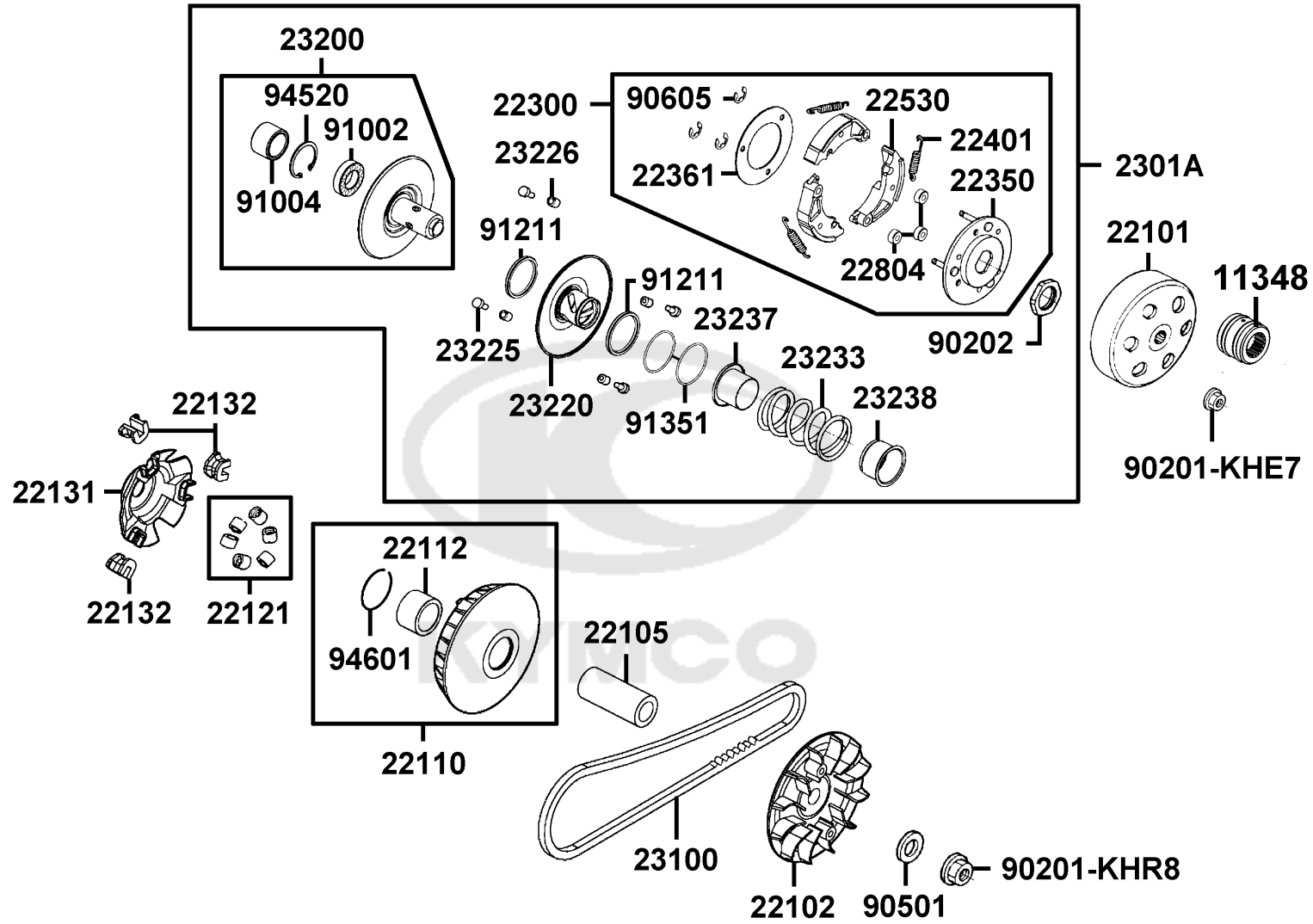
E05

Carburetor

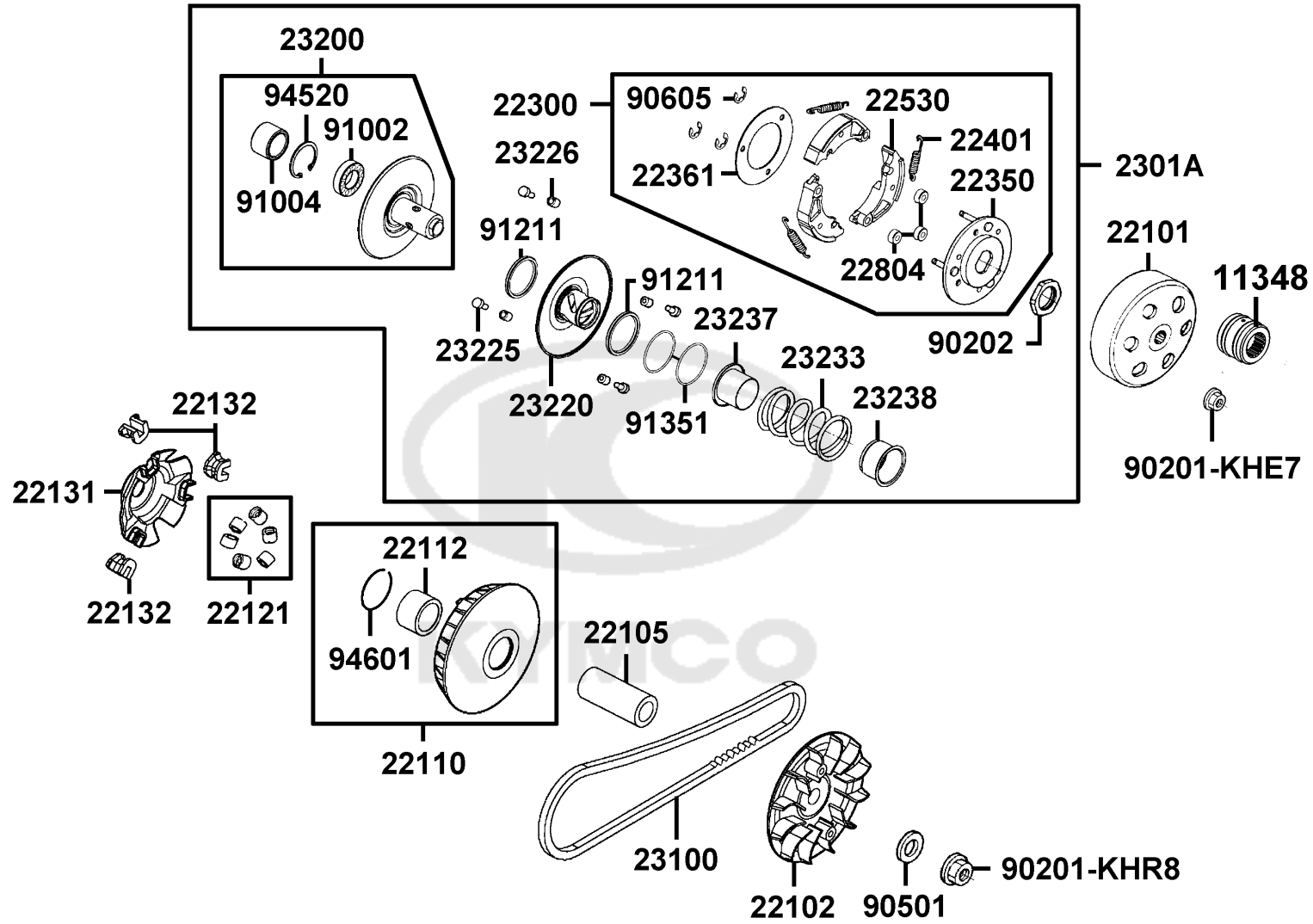


Sales mark	Ref no	Part no	Description	Reg description	Regd no	E05
	94050	94050-06080	NUT FLANGE 6MM	NUT FLANGE 6MM	1	
	94111	94111-06800	WASHER SPRING 6MM	WASHER SPRING 6MM	1	
	94540	94540-50029	E CLIP SHAFT	E CLIP SHAFT	1	





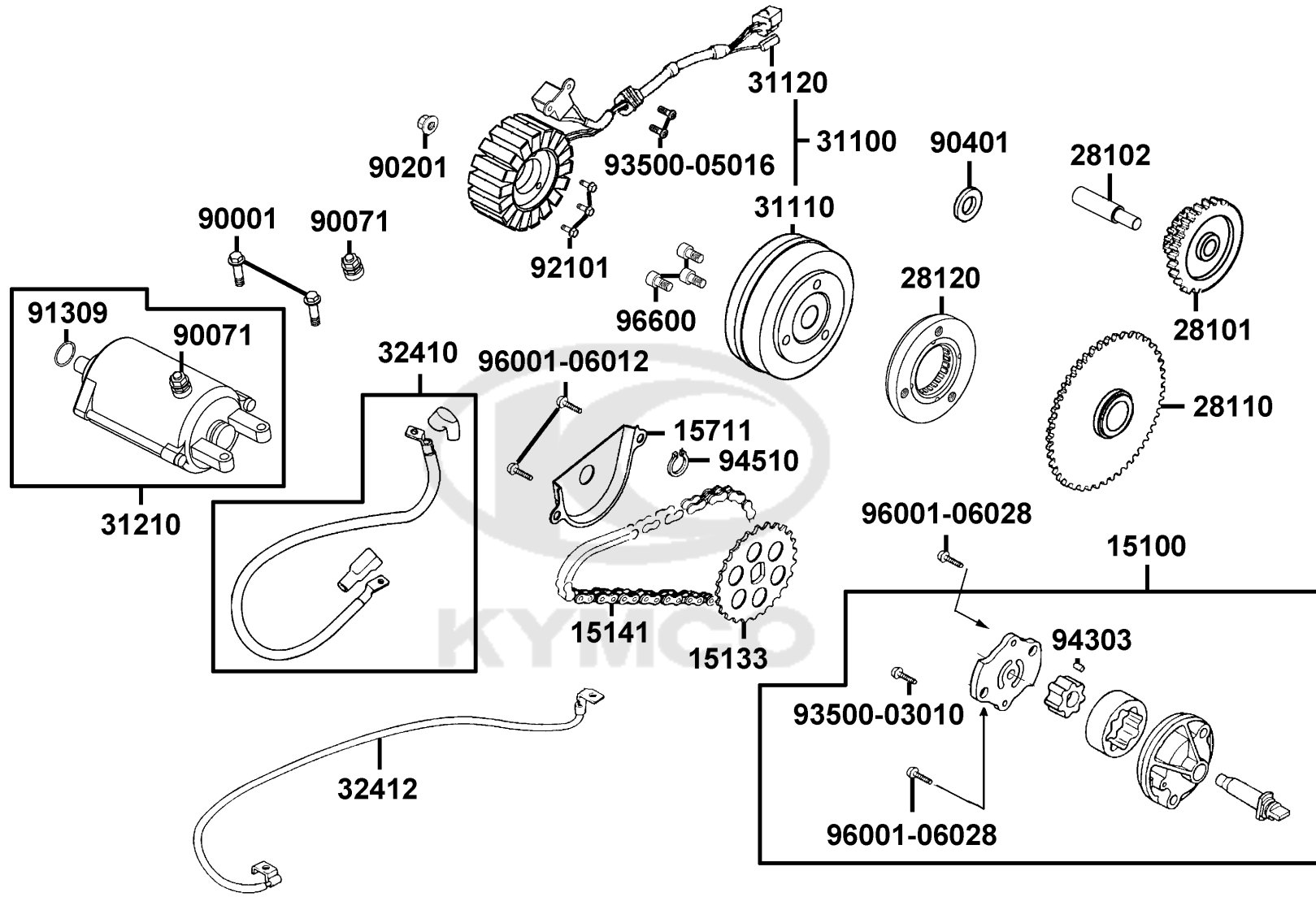
Sales mark	Ref no	Part no	Description	Reg description	Regd no	E06
	11348	11348-AGA1-M00	BOSS DRIVE SHAFT	BOSS DRIVE SHAFT	1	
	22101	22101-LBA7-900	OUTER CLUTCH	OUTER CLUTCH	1	
	22102	22102-KHE7-900	FACE DRIVE	FACE DRIVE	1	
	22105	22105-LBA7-900	BOSS DRIVE FACE	BOSS DRIVE FACE	1	
	22110	22110-KHE7-900	FACE COMP MOVABLE DRIVE	FACE COMP MOVABLE DRIVE	1	
	22112	22112-KHE7-900	BUSH 27*33*37	BUSH 27*33*37	1	
	22121	22121-LBA7-305	ROLLER SET WEIGHT (1SET:6PCS)	ROLLER SET WEIGHT (1SET:6PCS)	1	
	22131	22131-LBA7-900	PLATE RAMP	PLATE RAMP	1	
	22132	22132-KHE7-305	PIECE SLIDE SET (1SET:3PCS)	PIECE SLIDE	1	
	22300	22300-LBA7-900	PLATE ASSY DRIVE	PLATE ASSY DRIVE	1	
	22350	22350-KHE7-900	PLATE COMP DRIVE	PLATE COMP DRIVE	1	
	22361	22361-LEA7-E00	PLATE CLUTCH SIDE	PLATE CLUTCH SIDE	1	
	22401	22401-LBA7-900	SPRING CLUTCH	SPRING CLUTCH	3	
	22530	22530-LBA7-900	WEIGHT CLUTCH	WEIGHT CLUTCH	3	
	22804	22804-GBB2-001	RUBBER CLUTCH DAMPER	RUBBER CLUTCH DAMPER	3	
	2301A	2301A-LBA7-900	PULLEY SUB ASSY	PULLEY SUB ASSY	1	
	23100	23100-KHE7-900	BELT DRIVE(Maker:BANDO)	BELT DRIVE(Maker:BANDO)	1	
	23200	23200-KHE7-900	FACE ASSY DRIVEN	FACE ASSY DRIVEN	1	
	23220	23220-LLJ3-E00	FACE COMP MOVABLE DRIVEN	FACE COMP MOVABLE DRIVEN	1	
	23225	23225-KHE7-900	PIN ROLLER GUIDE	PIN ROLLER GUIDE	4	



Sales mark	Ref no	Part no	Description	Reg description	Regd no	E06
23226		23226-GHC8-004	ROLLER GUIDE	ROLLER GUIDE	4	
23233		23233-LBA7-900	SPG DRIVEN FACE	SPG DRIVEN FACE	1	
23237		23237-KHE7-900	COLLAR SEAL	COLLAR SEAL	1	
23238		23238-KHE7-900	COLLAR SPG	COLLAR SPG	1	
90201-KHE7		90201-KHE7-900	NUT C FLANGE M12	NUT C FLANGE M12	1	
90201-KHR8		90201-KHR8-75A	NUT FLANGE 14MM	NUT FLANGE 14MM	1	
90202		90202-1G87-001	NUT SPECIAL 28MM	NUT SPECIAL 28MM	1	
90501		90501-LBA7-900	WASHER THRUST 16MM	WASHER THRUST 16MM	1	
90605		90605-1F66-c00	CIR CLIP 7MM	CIR CLIP 7MM	3	
91002		91002-GGA7-70A	BRG BALL RADIAL 6902U	BRG BALL RADIAL 6902U	1	
91004		91004-KHE7-900	BRG NDL 22*29*18	BRG NDL 22*29*18	1	
91211		91211-KHE7-900	SEAL DRIVEN FACE	SEAL DRIVEN FACE	2	
91351		91351-KHE7-900	O-RING PINION CAP	O-RING PINION CAP	2	
94520		94520-28000	CIR CLIP IN 28	CIR CLIP IN 28	1	
94601		94601-33000	CLIP PISTON PIN 33MM	CLIP PISTON PIN 33MM	1	

E07

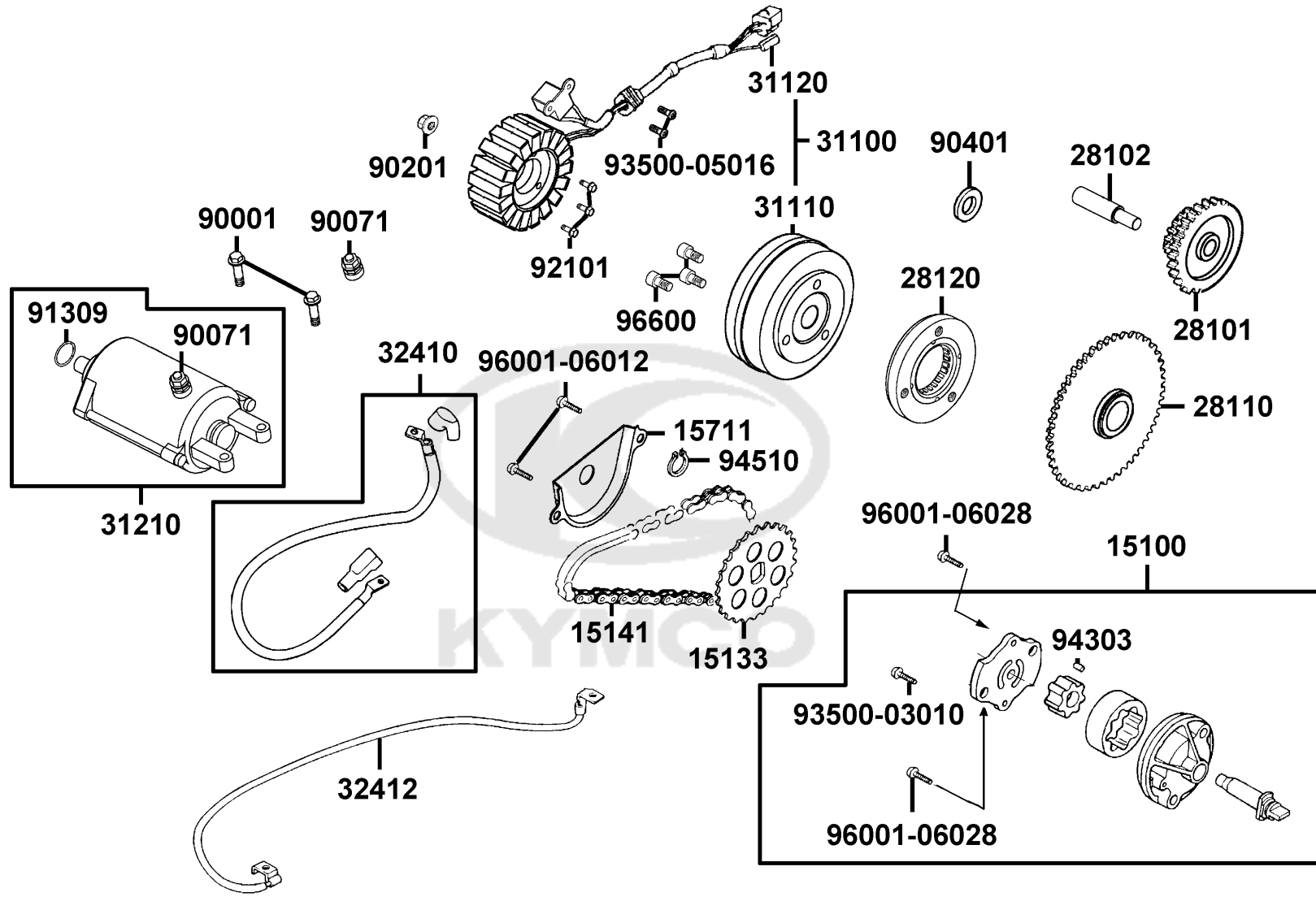
Starting Motor Oil Pump




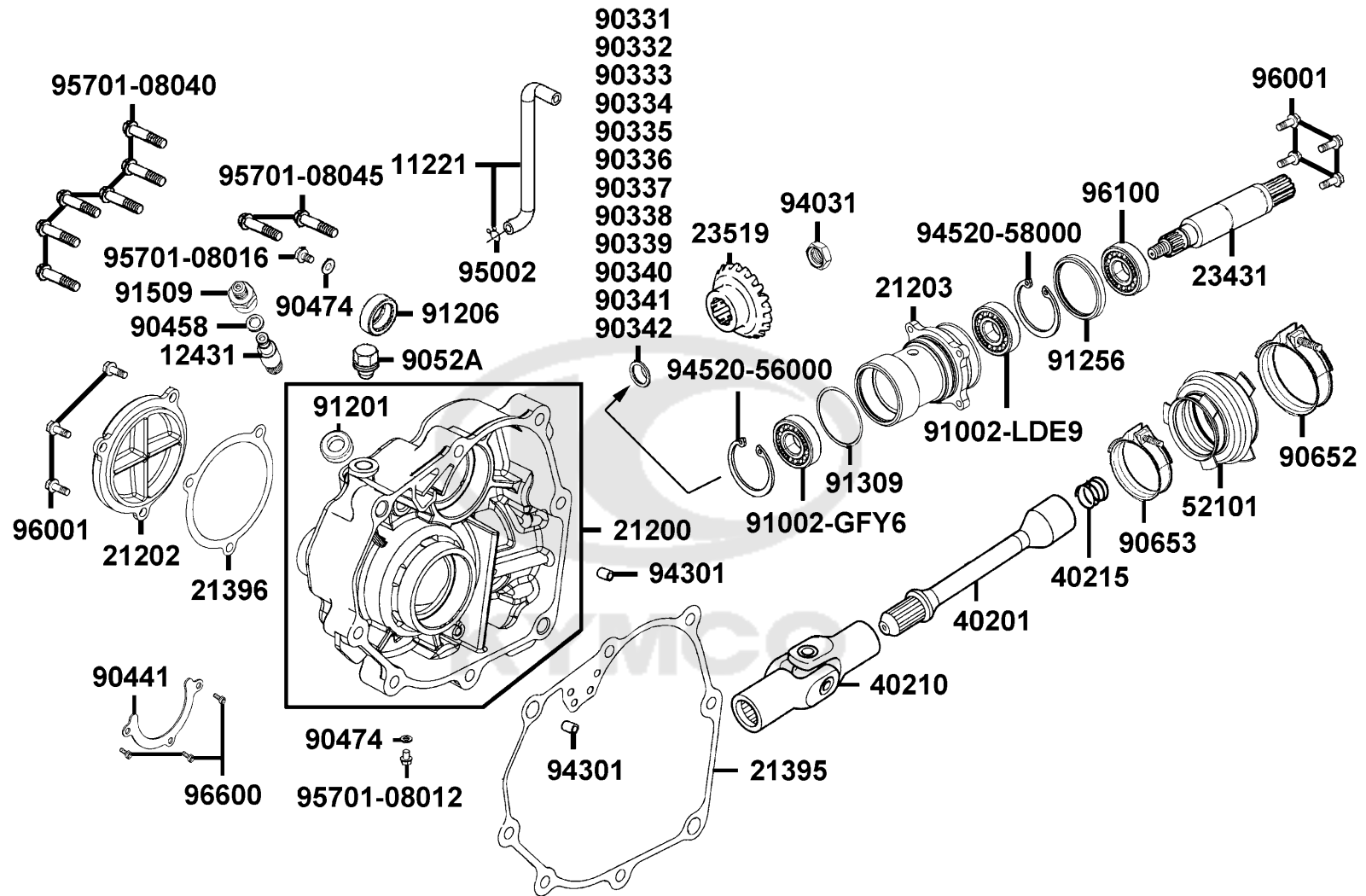
Sales mark	Ref no	Part no	Description	Reg description	Regd no	E07
15100		15100-LBA7-900	PUMP ASSY OIL	PUMP ASSY OIL	1	
15133		15133-KAM1-001	SPROCKET OIL PUMP DRIVE	SPROCKET OIL PUMP DRIVE	1	
15141		15141-LBA2-E00	CHAIN OIL PUMP	CHAIN OIL PUMP	1	
15711		15711-KHE7-900	SEPARATER OIL	SEPARATER OIL	1	
28101		28101-KHE7-900	GEAR STARTER REDUCTION	GEAR STARTER REDUCTION	1	
28102		28102-LDE9-E00	SHAFT STARTER REDUCTION	SHAFT STARTER REDUCTION	1	
28110		28110-LDB2-E00	GEAR COMP STARTING CLUTCH	GEAR COMP STARTING CLUTCH	1	
28120		28120-LDB2-E00	ONE WAY CLUTCH	ONE WAY CLUTCH	1	
31100		31100-AGA1-M00	AC GEN ASS'Y	AC GEN ASS'Y	1	
31110		31110-AGA1-M00	FLYWHEEL COMP	FLYWHEEL COMP	1	
31120		31120-LDE9-E00	STATOR COMP /D406	STATOR COMP /D406	1	
31210		31210-LBA7-900	MOTOR UNIT STARTER	MOTOR UNIT STARTER	1	
32410		32410-LBA7-900	CABLE STARTER MOTOR	CABLE STARTER MOTOR	1	
32412		32412-AGA1-M00	CABLE EARTH	CABLE EARTH	1	
90001		90001-GBHB-C05	BOLT FLANGE SHF 6*22 (B)	BOLT FLANGE SHF 6*22 (B)	2	
90071		90071-MLB0-001	NUT WASH 6MM	NUT WASH 6MM	2	
90201		90201-KHR8-75A	NUT FLANGE 14MM	NUT FLANGE 14MM	1	
90401		90401-KKJ9-001	WASHER THRUST 14*28*2	WASHER THRUST 14*28*2	1	
91309		91309-4E25-004	O-RING 24.4*3.1	O-RING 24.4*3.1	1	
92101		92101-05032-0G	BOLT HEX 5*32	BOLT HEX 5*32	1	

E07

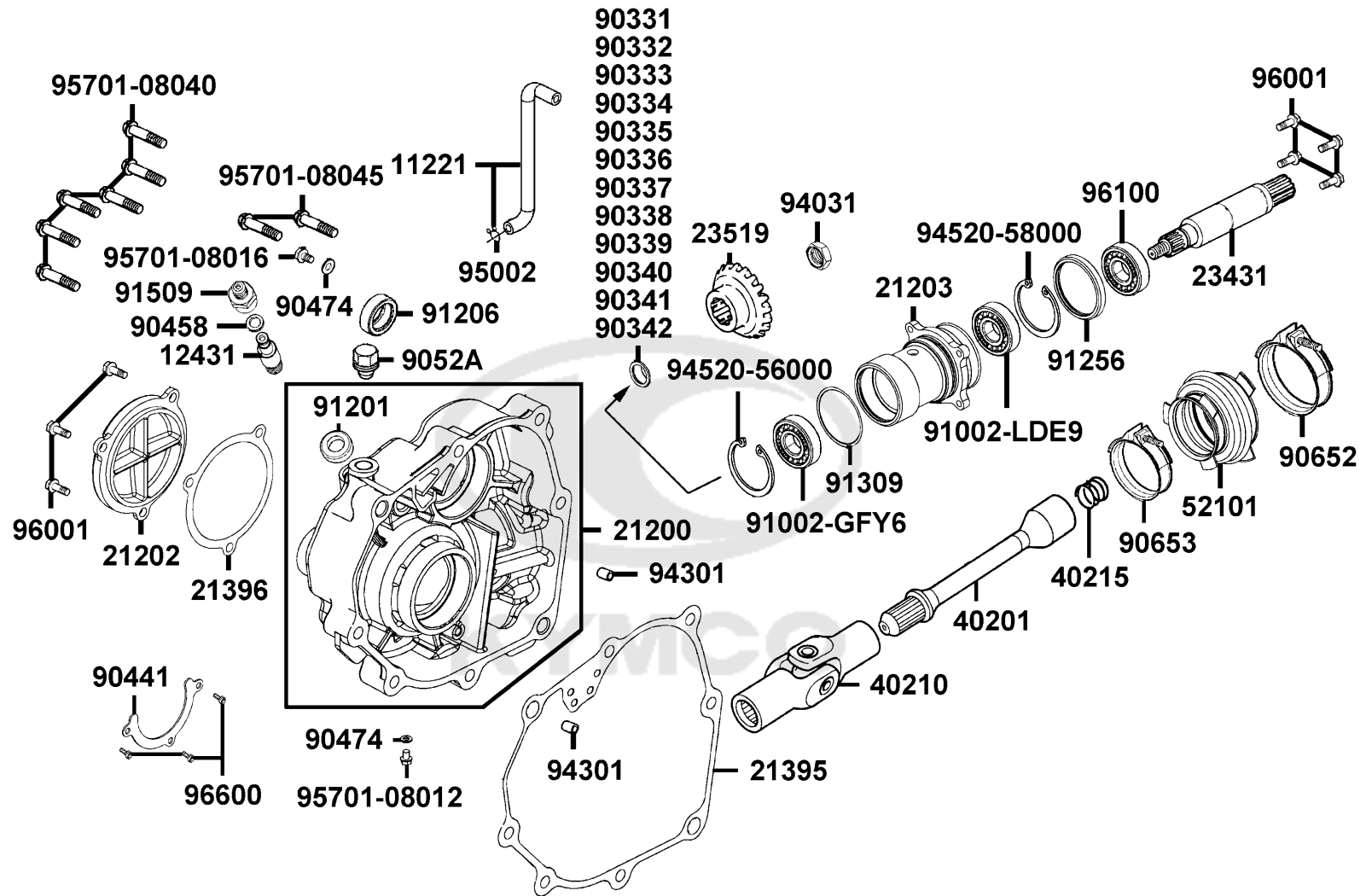
Starting Motor Oil Pump



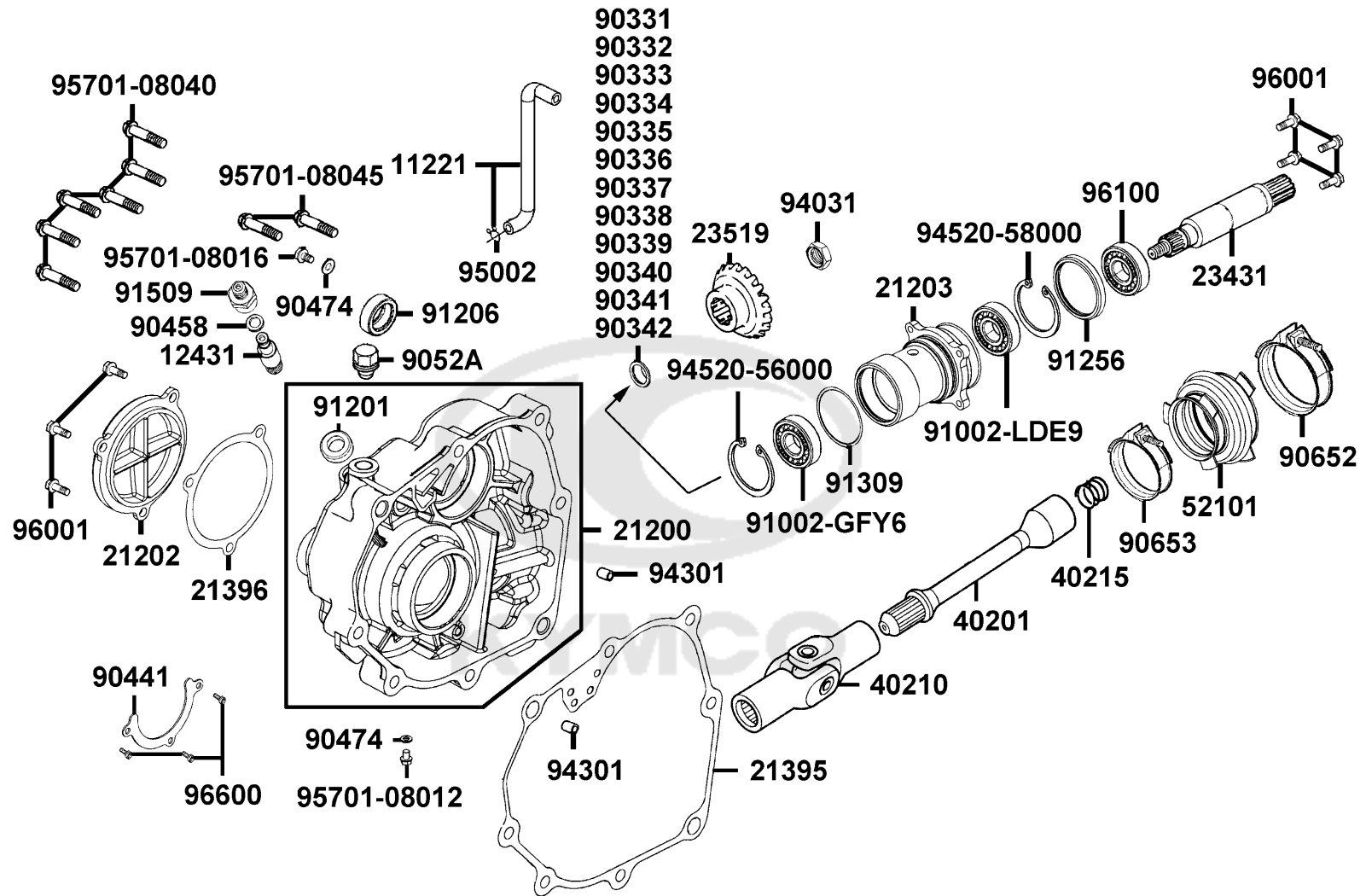
Sales mark	Ref no	Part no	Description	Reg description	Regd no	E07
	93500-03010	93500-03010-0F	SCREW PAN 3X10	SCREW PAN 3X10	1	
	93500-05016	93500-05016-0F	SCREW PAN 5*16	SCREW PAN 5*16	1	
	94303	94303-04065	DOWEL PIN 4*6.5	DOWEL PIN 4*6.5	1	
	94510	94510-10000	CIR CLIP EX 10MM	CIR CLIP EX 10MM	1	
	96001-06012	96001-06012-06	BOLT FLANGE SH 6*12	BOLT FLANGE SH 6*12	1	
	96001-06028	96001-06028-06	BOLT FLANGE SH 6*28	BOLT FLANGE SH 6*28	1	
	96600	96600-08015-16	SOCKET BOLT 8X15	SOCKET BOLT 8*15	1	
						



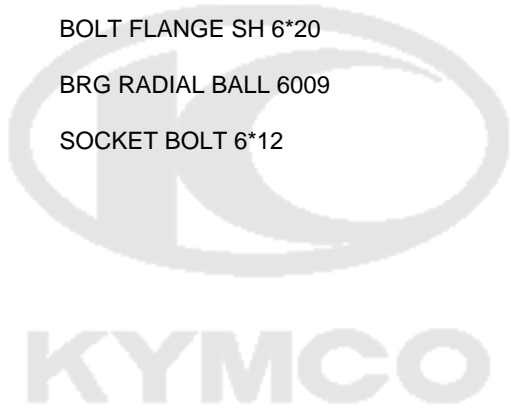
Sales mark	Ref no	Part no	Description	Reg description	Regd no	E08
	11221	11221-LBA7-900	TUBE MISSION BREATHER	TUBE MISSION BREATHER	1	
	12431	12431-LCD9-E00	GEAR TACHOMETER	GEAR TACHOMETER	1	
	21200	21200-LCD9-E00	CASE COMP MISSION	CASE COMP MISSION	1	
	21202	21202-LCD9-E00	CAP MISSION	CAP MISSION	1	
	21203	21203-LCD9-E00	CASE FINAL SHAFT	CASE FINAL SHAFT	1	
	21395	21395-LCD9-E00	GASKET MISSION CASE	GASKET MISSION CASE	1	
	21396	21396-LCD9-E00	GASKET MISSION COVER	GASKET MISSION COVER	1	
	23431	23431-LCD9-E00	SHAFT FINAL	SHAFT FINAL	1	
#	23519	23519-LCD9-E0A	GEAR BEVEL DRIVEN	GEAR BEVEL DRIVEN	1	
	40201	40201-AGA1-M00	SHAFT PROPELLER	SHAFT PROPELLER	1	
	40210	40210-AGA1-M00	JOINT YORK	JOINT YORK	1	
	40215	40215-AGA1-M00	SPG PROPELLER SHAFT	SPG PROPELLER SHAFT	1	
	52101	52101-AGA1-M00	BOOT JOINT	BOOT JOINT	1	
	90331	90331-LCD9-E00	SHIM DRIVEN BEVEL GEAR A	SHIM DRIVEN BEVEL GEAR A	1	
	90332	90332-LCD9-E00	SHIM DRIVEN BEVEL GEAR B	SHIM DRIVEN BEVEL GEAR B	1	
	90333	90333-LCD9-E00	SHIM DRIVEN BEVEL GEAR C	SHIM DRIVEN BEVEL GEAR C	1	
	90334	90334-LCD9-E00	SHIM DRIVEN BEVEL GEAR D	SHIM DRIVEN BEVEL GEAR D	1	
	90335	90335-LCD9-E00	SHIM DRIVEN BEVEL GEAR E	SHIM DRIVEN BEVEL GEAR E	1	
	90336	90336-LCD9-E00	SHIM DRIVEN BEVEL GEAR F	SHIM DRIVEN BEVEL GEAR F	1	
	90337	90337-LCD9-E00	SHIM DRIVEN BEVEL GEAR G	SHIM DRIVEN BEVEL GEAR G	1	

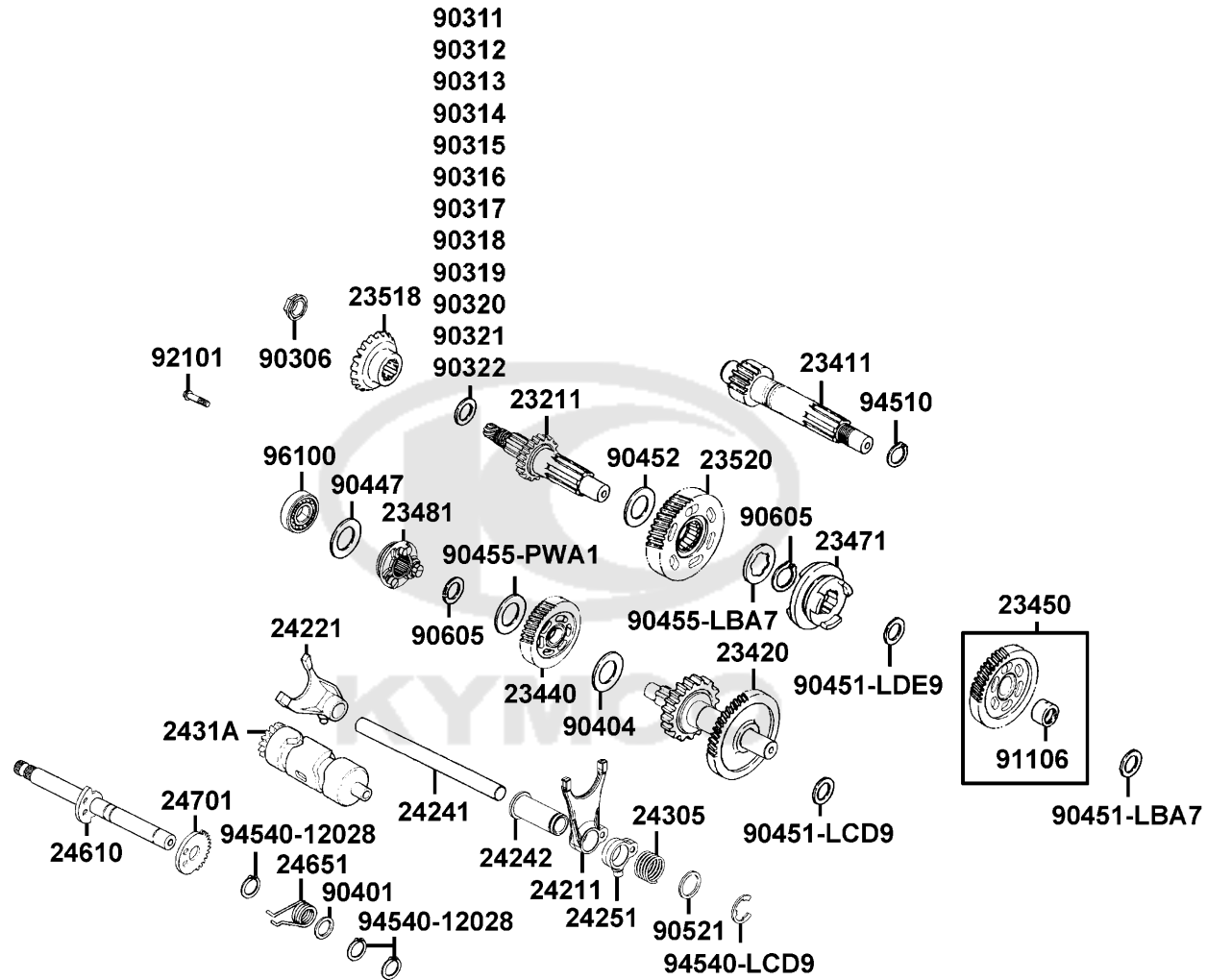


Sales mark	Ref no	Part no	Description	Reg description	Regd no	E08
90338		90338-LCD9-E00	SHIM DRIVEN BEVEL GEAR H	SHIM DRIVEN BEVEL GEAR H	1	
90339		90339-LCD9-E00	SHIM DRIVEN BEVEL GEAR I	SHIM DRIVEN BEVEL GEAR I	1	
90340		90340-LCD9-E00	SHIM DRIVEN BEVEL GEAR J	SHIM DRIVEN BEVEL GEAR J	1	
90341		90341-LCD9-E00	SHIM DRIVEN BEVEL GEAR K	SHIM DRIVEN BEVEL GEAR K	1	
90342		90342-LCD9-E00	SHIM DRIVEN BEVEL GEAR L	SHIM DRIVEN BEVEL GEAR L (1.125~1.175)	1	
90441		90441-PWA1-E00	PLATE BRG HOLD	PLATE BRG HOLD	1	
90458		90458-LBA7-E00	THRUST WASHER 8MM	THRUST WASHER 8MM	1	
90474		90474-3C33-C00	WASHER 8MM (T*2)	WASHER 8MM (T*2)	2	
9052A		9052A-GFY6-950	BOLT ASSY DRAIN PLUG	BOLT ASSY DRAIN PLUG	1	
90652		90652-AGA1-M00	BAND 90 CONNECTING TUBE	BAND 90 CONNECTING TUBE	1	
90653		90653-AGA1-M00	BAND 71 BOOT	BAND 71 BOOT	1	
91002-GFY6		91002-GFY6-90A	BRG BALL RADIAL 63/22 (22*56*15)	BRG BALL RADIAL 63/22 (22*56*15)	1	
91002-LDE9		91002-LDE9-E00	BRG BALL RADIAL 62/28	BRG BALL RADIAL 62/28	1	
91201		91201-9A51-004	OIL SEAL 12*18*3	OIL SEAL 12*18*3	1	
91206		91206-2F86-C00	OIL SEAL 14*28*7	OIL SEAL 14*28*7	1	
91256		91256-LCD9-E00	OIL SEAL 28*59*7	OIL SEAL 28*59*7	1	
91309		91309-LCD9-E00	O-RING	O-RING	1	
91509		91509-LBA7-E00	BOLT TACHOMETER	BOLT TACHOMETER	1	
94031		94031-LCD9-E00	NUT HEX 16MM	NUT HEX 16MM	1	
94301		94301-10160	DOWEL PIN 10*16	DOWEL PIN 10*16	2	

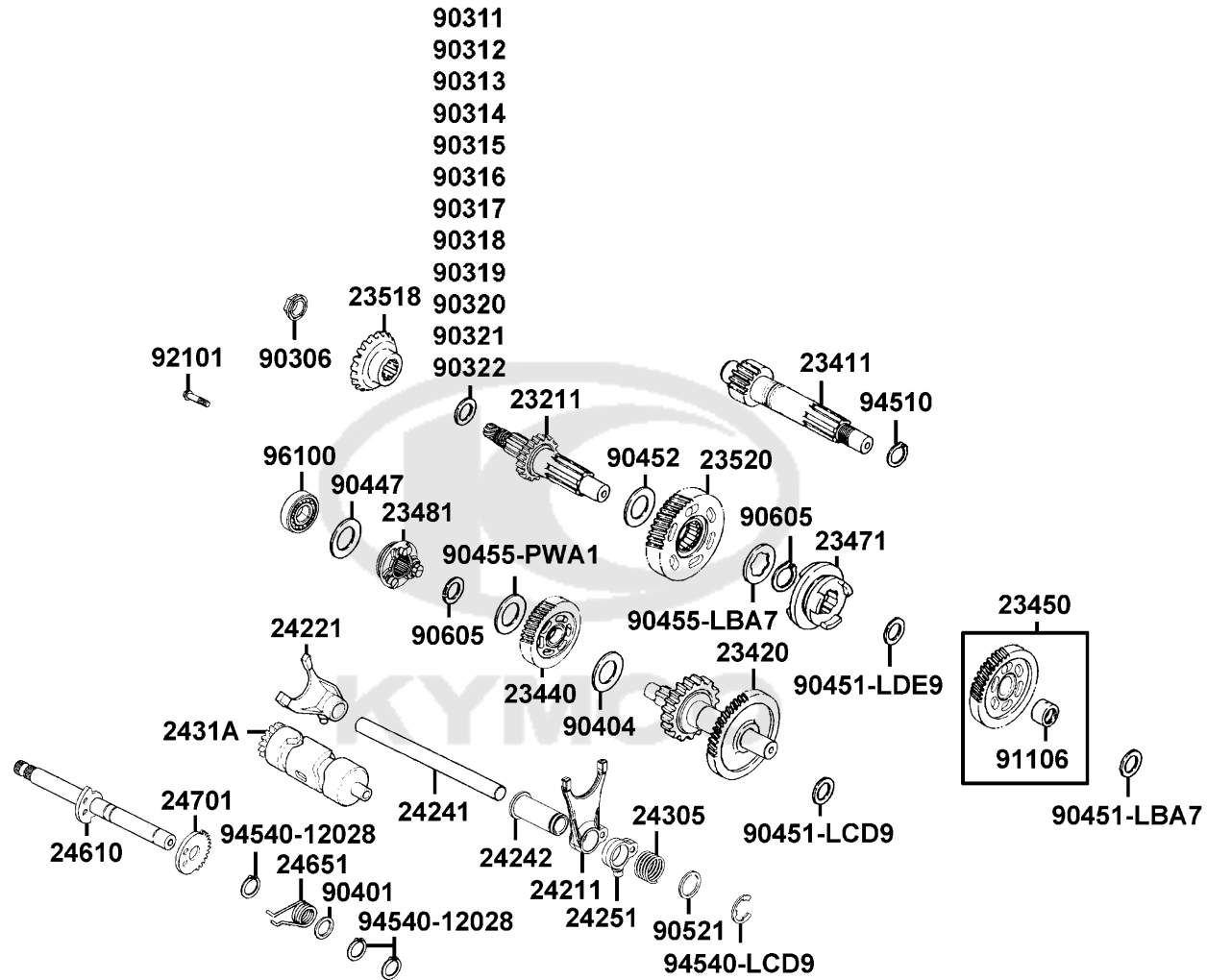


Sales mark	Ref no	Part no	Description	Reg description	Regd no	E08
	94520-56000	94520-56000	CIR CLIP IN 56	CIR CLIP IN 56	1	
	94520-58000	94520-58000	CIR CLIP IN 58	CIR CLIP IN 58	1	
	95002	95002-02150	CLIP B14.5 TUBE	CLIP B14.5 TUBE	1	
	95701-08012	95701-08012-06	BOLT FLANGE 8*12	BOLT FLANGE 8*12	1	
	95701-08016	95701-08016-06	BOLT FLANGE 8*16	BOLT FLANGE 8*16	1	
	95701-08040	95701-08040-06	BOLT FLANGE 8x40 (G)	BOLT FLANGE 8x40 (G)	1	
	95701-08045	95701-08045-06	BOLT FLANGE 6*45	BOLT FLANGE 6*45	1	
	96001	96001-06020-06	BOLT FLANGE SH 6*20	BOLT FLANGE SH 6*20	1	
	96100	96100-60090-00	BRG RADIAL BALL 6009	BRG RADIAL BALL 6009	1	
	96600	96600-06012-10	SOCKET BOLT 6*12	SOCKET BOLT 6*12	3	

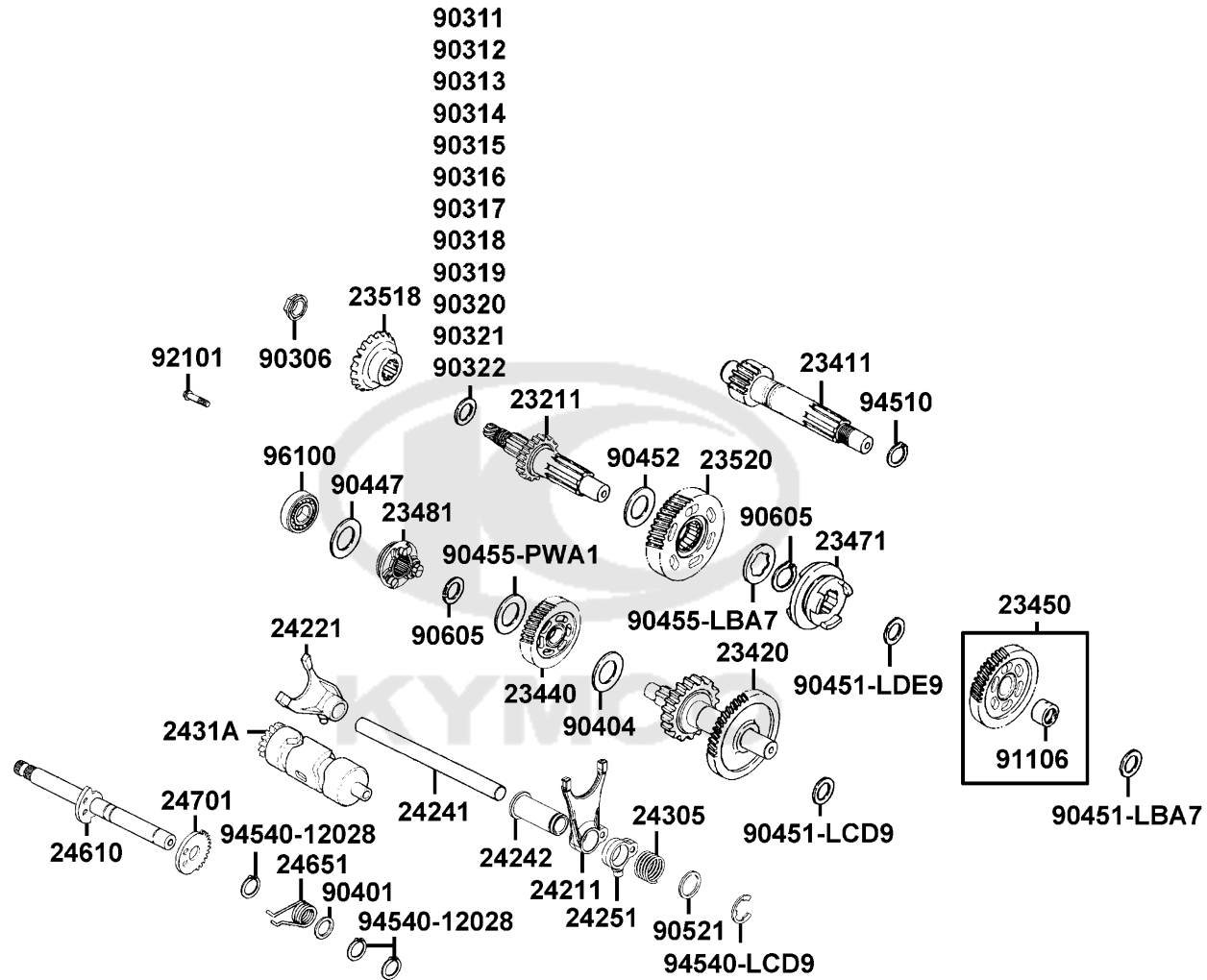




Sales mark	Ref no	Part no	Description	Reg description	Regd no	E09
	23211	23211-LCD9-E00	SHAFT MAIN (21T)	SHAFT MAIN (21T)	1	
	23411	23411-LCD9-E00	SHAFT DRIVE	SHAFT DRIVE	1	
	23420	23420-PWA1-E00	SHAFT COMP COUNTER (28T/50T)	SHAFT COMP COUNTER (28T/50T)	1	
	23440	23440-PWA1-E00	GEAR ASSY FORWARD (39T)	GEAR ASSY FORWARD (39T)	1	
	23450	23450-LCD9-E00	GEAR COMP BACKWARD (61T)	GEAR COMP BACKWARD (61T)	1	
	23471	23471-LCD9-E01	SHIFT REVERSE & LOWER	SHIFT REVERSE & LOWER	1	
	23481	23481-PWA1-E00	SHIFT FORWARD	SHIFT FORWARD	1	
#	23518	23518-LCD9-E0A	GEAR BEVEL DRIVE	GEAR BEVEL DRIVE	1	
	23520	23520-LCD9-E00	GEAR ASSY LOWER DRIVEN (41T)	GEAR ASSY LOWER DRIVEN (41T)	1	
	24211	24211-LCD9-E00	FORK RIGHT GEAR SHIFT	FORK RIGHT GEAR SHIFT	1	
	24221	24221-LCD9-E00	FORKLEFT GEAR SHIFT	FORKLEFT GEAR SHIFT	1	
	24241	24241-LCD9-E00	SHAFT GEAR SHIFT FORK GUIDE	SHAFT GEAR SHIFT FORK GUIDE	1	
	24242	24242-LCD9-E00	SPRING FORK	SPRING FORK	1	
	24251	24251-LCD9-E00	GUIDE RIGHT FORK	GUIDE RIGHT FORK	1	
	24305	24305-PWA1-900	SPRING DRUM	SPRING DRUM	1	
	2431A	2431A-LCD9-E01	DRUM ASSY GEAR SHIFT	DRUM ASSY GEAR SHIFT	1	
	24610	24610-LCD9-E00	SPINDLE COMP DRUM SHIFT	SPINDLE COMP DRUM SHIFT	1	
	24651	24651-PTA7-900	SPRING GEAR SHIFT RETURN	SPRING GEAR SHIFT RETURN	1	
	24701	24701-LCD9-E00	GEAR CHANGE HNDL	GEAR CHANGE HNDL	1	
	90306	90306-LCD9-E00	NUT 18MM	NUT 18MM	1	



Sales mark	Ref no	Part no	Description	Reg description	Regd no	E09
	90311	90311-LCD9-E00	SHIM DRIVEN BEVEL GEAR A 0.6	SHIM DRIVEN BEVEL GEAR A 0.6	1	
	90312	90312-LCD9-E00	SHIM DRIVEN BEVEL GEAR B 0.65	SHIM DRIVEN BEVEL GEAR B 0.65	1	
	90313	90313-LCD9-E00	SHIM DRIVEN BEVEL GEAR C 0.7	SHIM DRIVEN BEVEL GEAR C 0.7	1	
	90314	90314-LCD9-E00	SHIM DRIVEN BEVEL GEAR D 0.75	SHIM DRIVEN BEVEL GEAR D 0.75	1	
	90315	90315-LCD9-E00	SHIM DRIVEN BEVEL GEAR E 0.8	SHIM DRIVEN BEVEL GEAR E 0.8	1	
	90316	90316-LCD9-E00	SHIM DRIVEN BEVEL GEAR F 0.85	SHIM DRIVEN BEVEL GEAR F 0.85	1	
	90317	90317-LCD9-E00	SHIM DRIVEN BEVEL GEAR G 0.9	SHIM DRIVEN BEVEL GEAR G 0.9	1	
	90318	90318-LCD9-E00	SHIM DRIVEN BEVEL GEAR H 0.95	SHIM DRIVEN BEVEL GEAR H 0.95	1	
	90319	90319-LCD9-E00	SHIM DRIVEN BEVEL GEAR I 1.0	SHIM DRIVEN BEVEL GEAR I 1.0	1	
	90320	90320-LCD9-E00	SHIM DRIVEN BEVEL GEAR J 1.05	SHIM DRIVEN BEVEL GEAR J 1.05	1	
	90321	90321-LCD9-E00	SHIM DRIVEN BEVEL GEAR K 1.1	SHIM DRIVEN BEVEL GEAR K 1.1	1	
	90322	90322-LCD9-E00	SHIM DRIVEN BEVEL GEAR L 1.15	SHIM DRIVEN BEVEL GEAR L 1.15	1	
	90401	90401-KKJ9-001	WASHER THRUST 14*28*2	WASHER THRUST 14*28*2	1	
	90404	90404-PWA1-E00	WASHER THRUST 25MM	WASHER THRUST 25MM	1	
	90447	90447-KED9-900	WASHER THRUST 17.2MM	WASHER THRUST 17.2MM	1	
	90451-LBA7	90451-LBA7-900	WASHER THRUST 20MM	WASHER THRUST 20MM	1	
	90451-LCD9	90451-LCD9-E00	WASHER THRUST 20MM	WASHER THRUST 20MM	1	
	90451-LDE9	90451-LDE9-E00	WASHER THRUST 30*20*3	WASHER THRUST 30*20*3	1	
	90452	90452-LBA7-900	WASHER THRUST 25MM	WASHER THRUST 25MM	1	
	90455-LBA7	90455-LBA7-900	WASHER SPLINE 25MM	WASHER SPLINE 25MM	1	

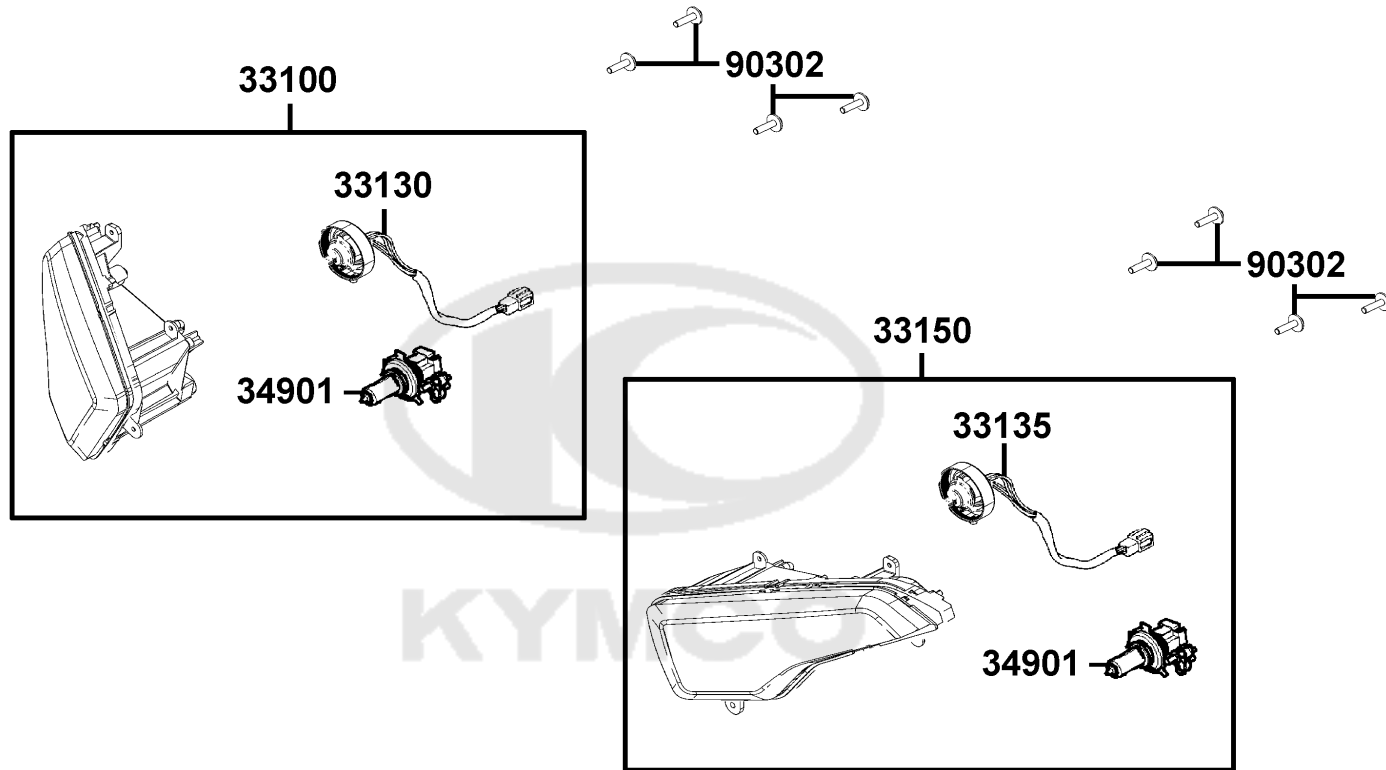


Sales mark	Ref no	Part no	Description	Reg description	Regd no	E09
	90455-PWA1	90455-PWA1-E00	WASHER SPLINE 25*31*1.6	WASHER SPLINE 25*31*1.6	1	
	90521	90521-0H28-C00	DIA WASHER 17*22*1.6 C	DIA WASHER 17*22*1.6 C	1	
	90605	90605-KED9-900	SET RING 28MM	SET RING 28MM	2	
	91106	91106-LBA7-900	BRG NEEDLE 20*26*16	BRG NEEDLE 20*26*16	1	
	92101	92101-06020-0G	BOLT HEX 6X20	BOLT HEX 6X20	1	
	94510	94510-25000	CIR CLIP EXTERNAL 25	CIR CLIP EXTERNAL 25	1	
	94540-12028	94540-12028	E RING 12	E RING 12	3	
	94540-LCD9	94540-LCD9-E00	E RING 15 SPECIAL	E RING 15 SPECIAL	1	
	96100	96100-63030-00	BEARING BALL RADIAL 6303	BEARING BALL RADIAL 6303	1	



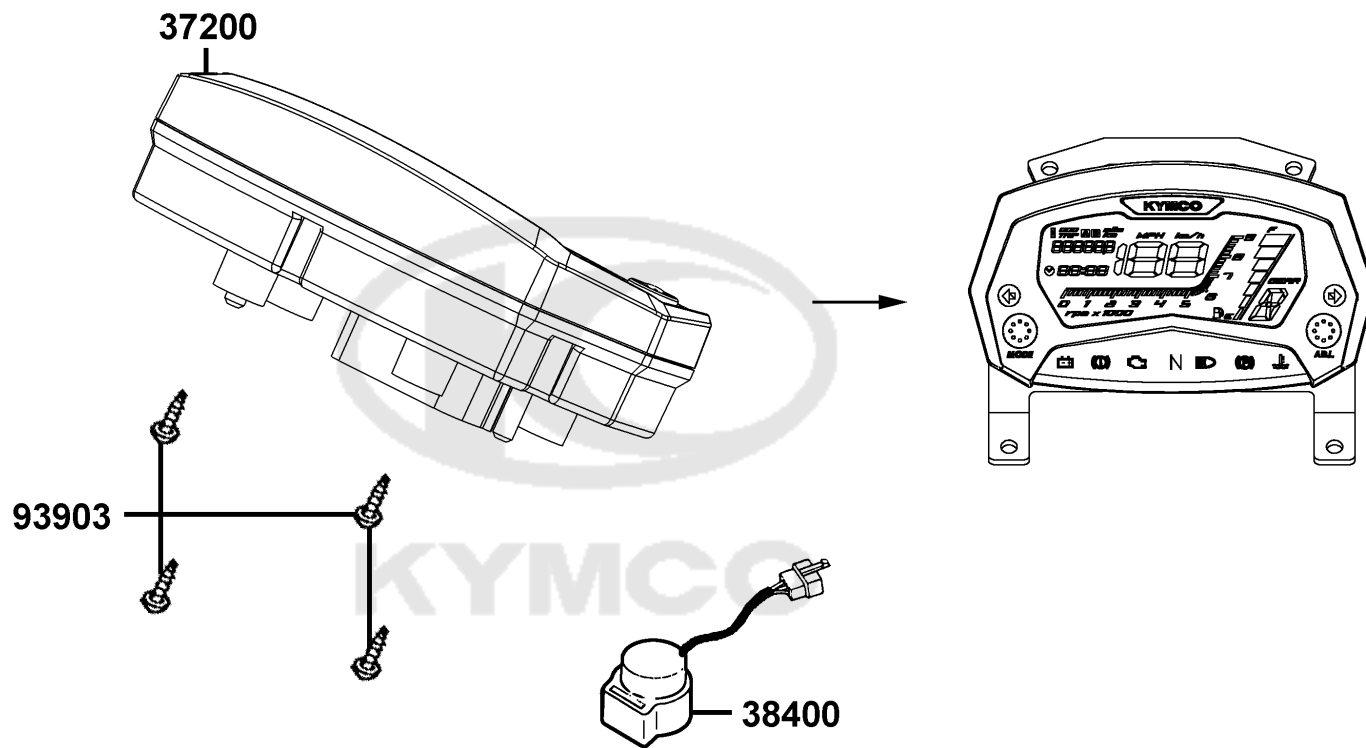
F01

Head Light



Sales mark	Ref no	Part no	Description	Reg description	Regd no	F01
	33100	33100-AGA2-E00	LIGHT ASS'Y R HEAD	LIGHT ASSY R HEAD	1	
	33130	33130-AGA2-E00	SOCKET COMP R	SOCKET COMP R	1	
	33135	33135-AGA2-E00	SOCKET COMP L	SOCKET COMP L	1	
	33150	33150-AGA2-E00	LIGHT ASS'Y L HEAD	LIGHT ASS'Y L HEAD	1	
	34901	34901-LDC8-E10	BULB HEAD LIGHT	BULB HEAD LIGHT	1	
	90302	90302-AGA1-M00	BOLT WASH 5X16	BOLT WASH 5X16	8	





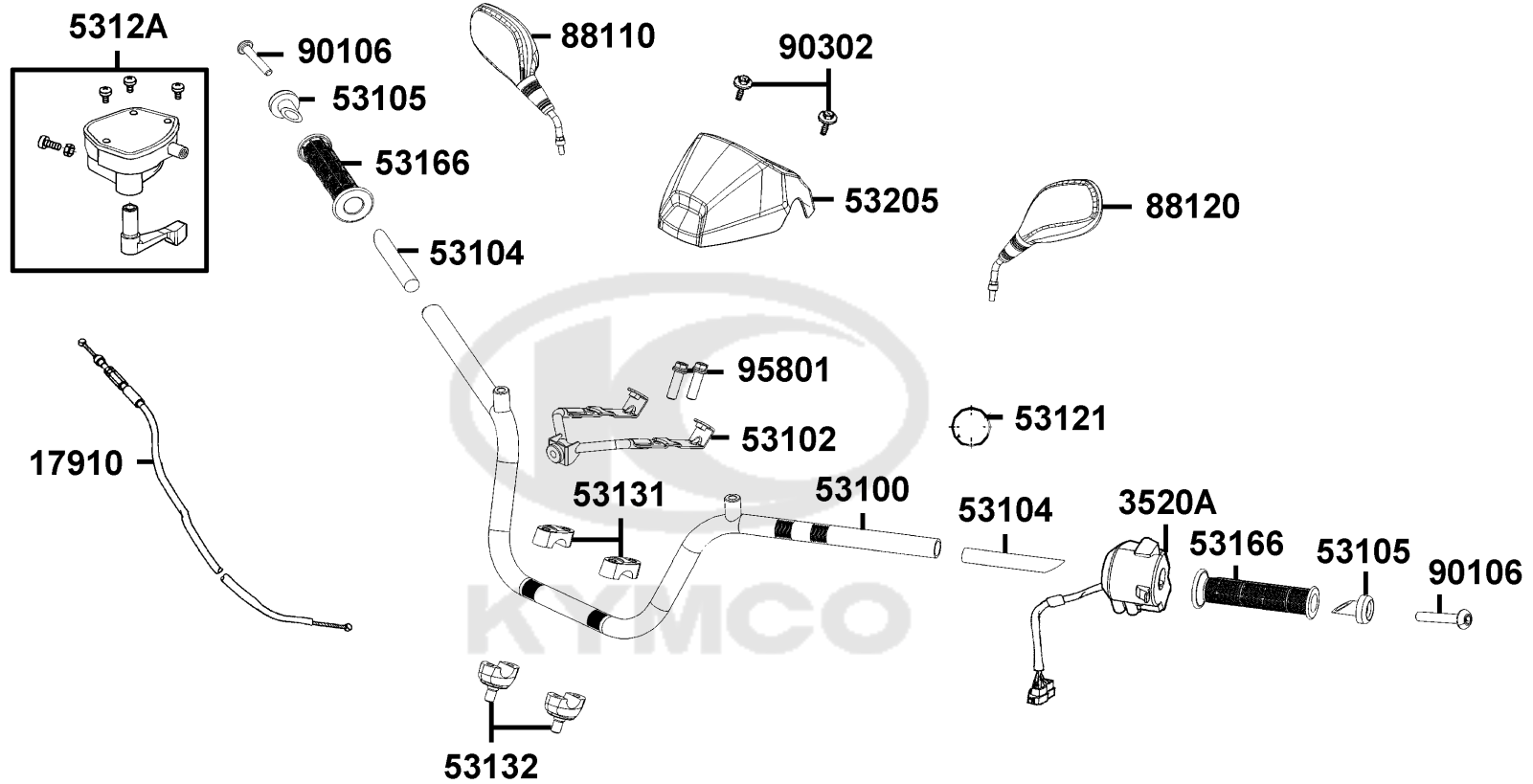
Sales mark	Ref no	Part no	Description	Reg description	Regd no	F02
------------	--------	---------	-------------	-----------------	---------	------------

37200	37200-AGA2-E00	37200-AGA2-E00	METER ASS'Y SPEED	METER ASS'Y SPEED	1	
38400	38400-LKJ1-900	38400-LKJ1-900	BUZZER	BUZZER	1	
93903	93903-35360-G	93903-35360-G	SCREW TAPPING 5*16	SCREW TAPPING 5*16	4	



F03

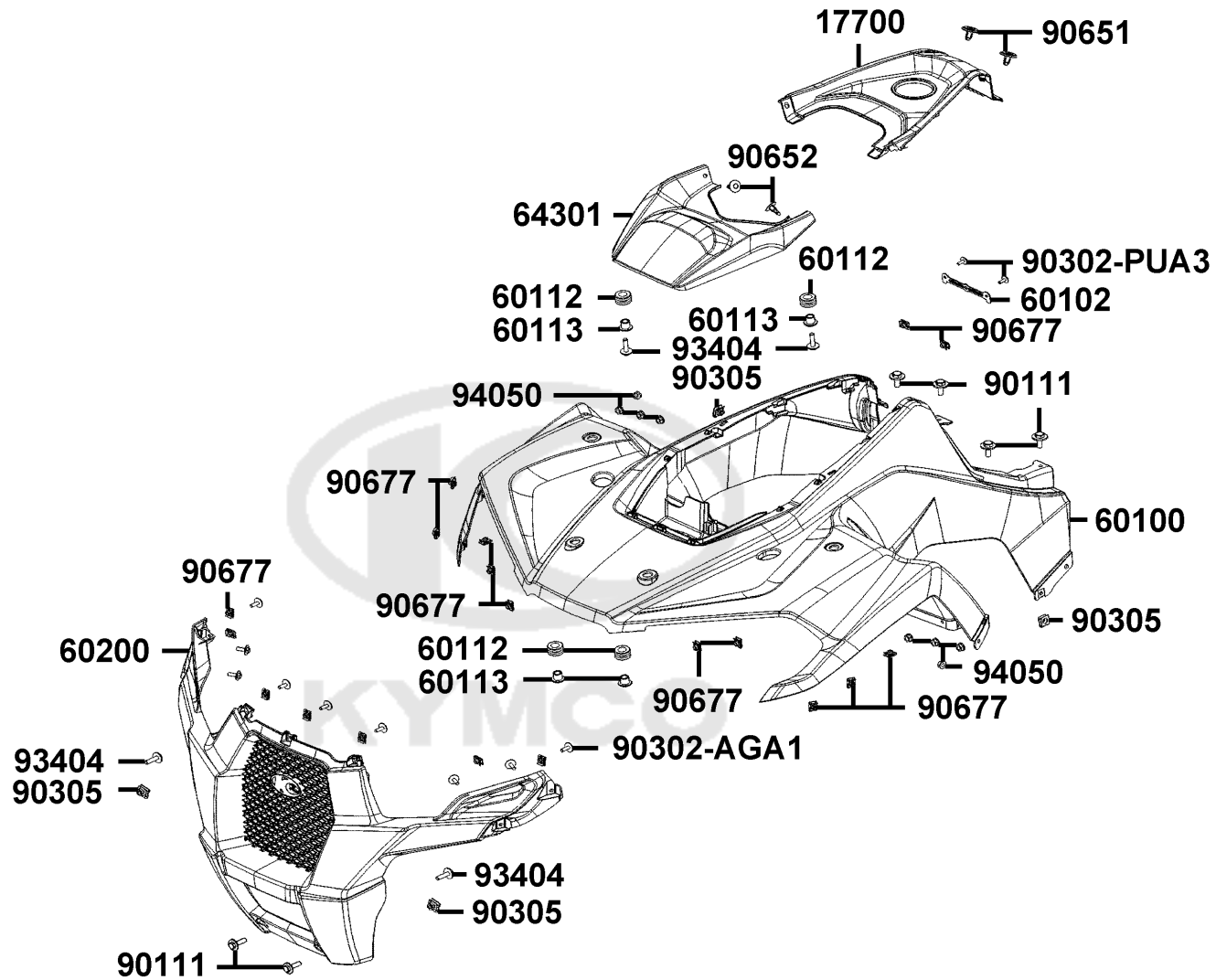
Handle Steering Handle Cover



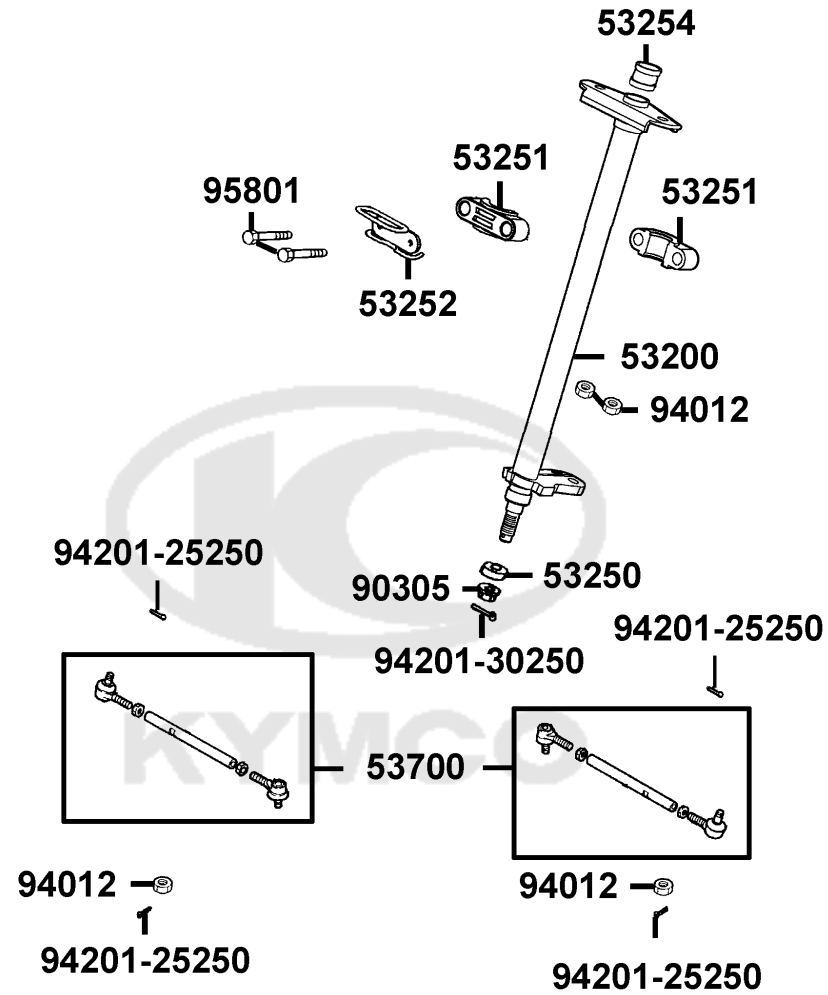
Sales mark	Ref no	Part no	Description	Reg description	Regd no	F03
	17910	17910-AGA1-M00	CABLE COMP THROT	CABLE COMP THROT	1	
	3520A	3520A-AGA7-E00	SW ASS'Y LH HANDLE COMP	SW ASS'Y LH HANDLE COMP	1	
	53100	53100-AGA1-M00	HANDLE PIPE STRG	HANDLE PIPE STRG	1	
	53102	53102-AGA1-M00	STAY HANDLE COVER	STAY HANDLE COVER	1	
	53104	53104-AGA1-M00	PLUG HANDLE BAR	PLUG HANDLE BAR	2	
	53105	53105-AGA1-M00	END HANDLE BAR	END HANDLE BAR	2	
	53121	53121-AGA2-C00	VINYL TUBE	VINYL TUBE	0	
	5312A	5312A-AFF7-E00	LEVER ASSY THROT	"LEVER ASSY,THROT"	1	
	53132	53132-AGA1-M00	HOLDER UNDER HANDLE PIPE	HOLDER UNDER HANDLE PIPE	1	
	53166	53166-AGA1-E00	GRIP HANDLEBAR	GRIP HANDLEBAR	2	
**	53205	53205-AGA1-M00	COVER HANDLEBAR	COVER HANDLEBAR	1	
	88110	88110-AGA1-E00	MIRROR ASSY R BACK	MIRROR ASSY R BACK	1	
	88120	88120-AGA1-E00	MIRROR ASSY L BACK	MIRROR ASSY L BACK	1	
	90106	90106-KFC2-900	BOLT SPECIAL 8MM	BOLT SPECIAL 8MM	2	
	90302	90302-AGA1-M00	BOLT WASH 5X16	BOLT WASH 5X16	2	
	95801	95801-08035-07G	BOLT FLANGE 8*35 (K)	BOLT FLANGE 8*35 (K)	2	

Sales mark	Ref no	Part no	Description	Reg description	Regd no	F04
	35340	35340-AGA1-M00	SW PRESSURE DOUBLE BANJO	SWITCH-BRAKE PRESSURE-DOUBLE BANJO	1	
	35350A	35350-AGA1-M00	SW ASSY FR STOP	SW ASSY FR STOP	1	
	35350	35350-KNBN-C00	SW ASSY RR STOP	SW ASSY RR STOP	1	
	43100	43100-AGA2-E00	CALIPER ASSY REAR	CALIPER ASSY REAR	1	
	43125	43125-AGA1-M00	HOSE COMP RR BRK(M/C-PGV)	HOSE COMP RR BRK(M/C-PGV)	1	
	43127	43127-AGA2-E00	HOSE ASSY RR BRK (M/C-C/P)	HOSE ASSY RR BRK (M/C-C/P)	1	
	43200	43200-AGA2-E00	CALIPER ASSY RR	CALIPER ASSY RR	1	
	43450	43450-AGA2-E00	CABLE PARKING BRAKE	CABLE PARKING BRAKE	1	
	43500	43500-AGA1-E00	M/C ASSY REAR	M/C ASSY REAR	1	
	43600	43600-AGA1-M00	PGV ASSY	PGV ASSY	1	
	45100	45100-AGA1-M00	CALIPER ASSY FR R	CALIPER ASSY FR R	1	
	45105	45105-AGA1-305	PAD COMP A&B	PAD COMP A&B	1	
	45124	45124-AGA1-M00	STAY PGV	STAY PGV	1	
	45127	45127-AGA2-E00	HOSE ASSY RR BRAKE	HOSE ASSY RR BRAKE	1	
	45128	45128-AGA1-M00	HOSE BRAKE(PGV- FR R/L CALIPER)	HOSE BRAKE(PGV- FR R/L CALIPER)	1	
	45130	45130-AGA1-M00	HOSE BRK (RH M/C-PGV)	HOSE BRK (RH M/C-PGV)	1	
	45132	45132-AGA1-M00	CLAMPER FR BRAKE HOSE	CLAMPER FR BRAKE HOSE	2	
	45200	45200-AGA1-M00	CALIPER ASSY FR L	CALIPER ASSY FR L	1	
	45500	45500-AGA1-M00	CYLINDER ASSY FR(MASTER	CYLINDER ASSY FR(MASTER	1	
	45513	45513-AGA1-M00	CAP M/C	"CAP,M/C"	1	

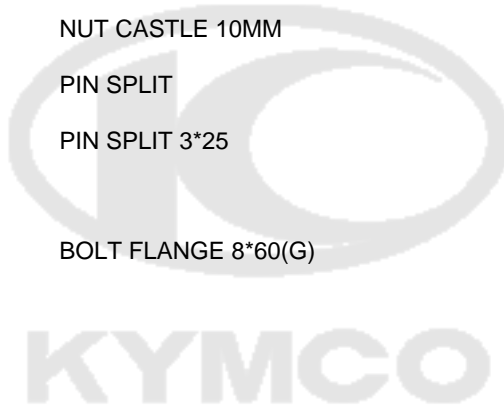
Sales mark	Ref no	Part no	Description	Reg description	Regd no	F04
45517		45517-KFAF-910	HOLDER M/C	HOLDER M/C	1	
53175		53175-AGA1-M00	LEVER SET BRK	LEVER SET BRK	1	
53178		53178-KFC8-C00	LEVER L STRG HANDLE	LEVER L STRG HANDLE	1	
5319A		5319A-AGA2-E00	BRAKE ASSY PARKING	BRAKE ASSY PARKING	1	
90114		90114-1F66-C00	BOLT HANDLE LEVER	BOLT HANDLE LEVER	1	
90131		90131-PRB3-C00	BOLT, FLANGE	"BOLT, FLANGE 8X20"	1	
90145		90145-AGA1-M01	OIL BOLT 10*20	OIL BOLT 10*20	9	
90545		90545-3L00-C00	WASHER OIL BOLT	WASHER OIL BOLT	21	
95701-06012		95701-06012-07G	BOLT FLANGE 6X12(KG)	BOLT FLANGE 6X12(KG)	2	
95701-06040		95701-06040-07G	BOLT FLANGE 6*40 (K)	BOLT FLANGE 6*40 (K)	2	
95701-08012		95701-08012-07G	BOLT FLANGE 8*12 (G)	BOLT FLANGE 8*12 (G)	1	
96700		96700-06020-07G	BOLT FLANGE SH 6*20(K)	BOLT FLANGE SH 6*20(K)	1	



Sales mark	Ref no	Part no	Description	Reg description	Regd no	F05
**	17700	17700-AGA1-M00	COVER TANK	COVER TANK	1	
**	60100	60100-AGA1-M00	FENDER FRONT	FENDER FRONT	1	
	60102	60102-AGA1-M00	STAY FRONT	STAY FRONT	1	
	60112	60112-AGA1-M00	GROMMET	GROMMET	4	
	60113	60113-AGA1-M00	SPACER STEEL	SPACER STEEL	4	
**	60200	60200-AGA1-M00	MUDGUARD FRONT	MUDGUARD FRONT	1	
**	64301	64301-AGA1-M00	ACCESS PANEL RADIATOR	ACCESS PANEL RADIATOR	1	
	90111	90111-06016-07G	BOLT FLANGE 6*16 (K)	BOLT FLANGE 6*16 (K)	6	
	90302-AGA1	90302-AGA1-M00	BOLT WASH 5X16	BOLT WASH 5X16	5	
	90302-PUA3	90302-PUA3-B51	BOLT-WASH 5*12	BOLT-WASH 5*12	2	
	90305	90305-GHK8-C01	NUT CLIP 6MM	NUT CLIP 6MM	4	
	90651	90651-LCA5-E00	CLIP FENDER	CLIP FENDER	2	
	90652	90652-LCA4-C10	CLIP MUDGUARD	CLIP MUDGUARD	2	
	90677	90677-GAR1-C01	NUT CLIP 5MM	NUT CLIP 5MM	19	
	93404	93404-06025-07G	BOLT WASHER 6*25 (G)	BOLT WASHER 6*25 (G)	4	
	94050	94050-AGA1-M00	NUT LOCK	NUT LOCK	8	

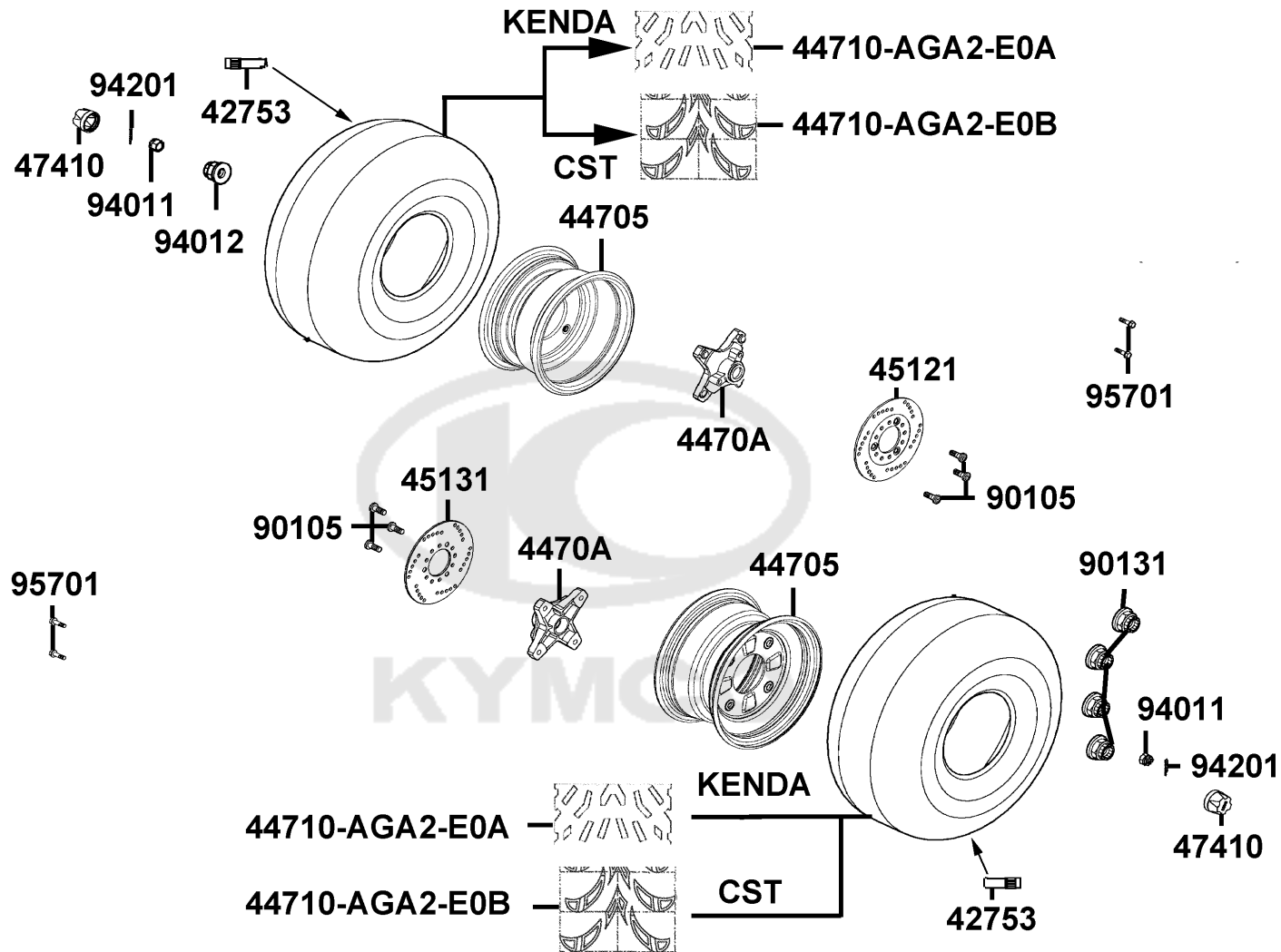


Sales mark	Ref no	Part no	Description	Reg description	Regd no	F06
53200		53200-AGA1-M00	STEM COMP STEERING	STEM COMP STEERING	1	
53250		53250-AGA1-M00	COLLAR STEM BOTTOM	COLLAR STEM BOTTOM	1	
53251		53251-AGA1-M00	HOLDER STEM STRG	HOLDER STEM STRG	2	
53252		53252-AGA1-M00	CLAMPER STEM HOLDER	CLAMPER STEM HOLDER	1	
53254		53254-AGA1-M00	SLEEVE STEM	SLEEVE STEM	1	
53700		53700-AGA1-M00	ROD ASSY STRG	ROD ASSY STRG	2	
90305		90305-MAA1-C01	U NUT FLANGE 14MM	U NUT FLANGE 14MM	1	
94012		94012-LLB1-900	NUT CASTLE 10MM	NUT CASTLE 10MM	4	
94201-25250		94201-25250-G	PIN SPLIT	PIN SPLIT	4	
94201-30250		94201-30250-G	PIN SPLIT 3*25	PIN SPLIT 3*25	1	
95801		95801-08060-07G	BOLT FLANGE 8*60(G)	BOLT FLANGE 8*60(G)	2	

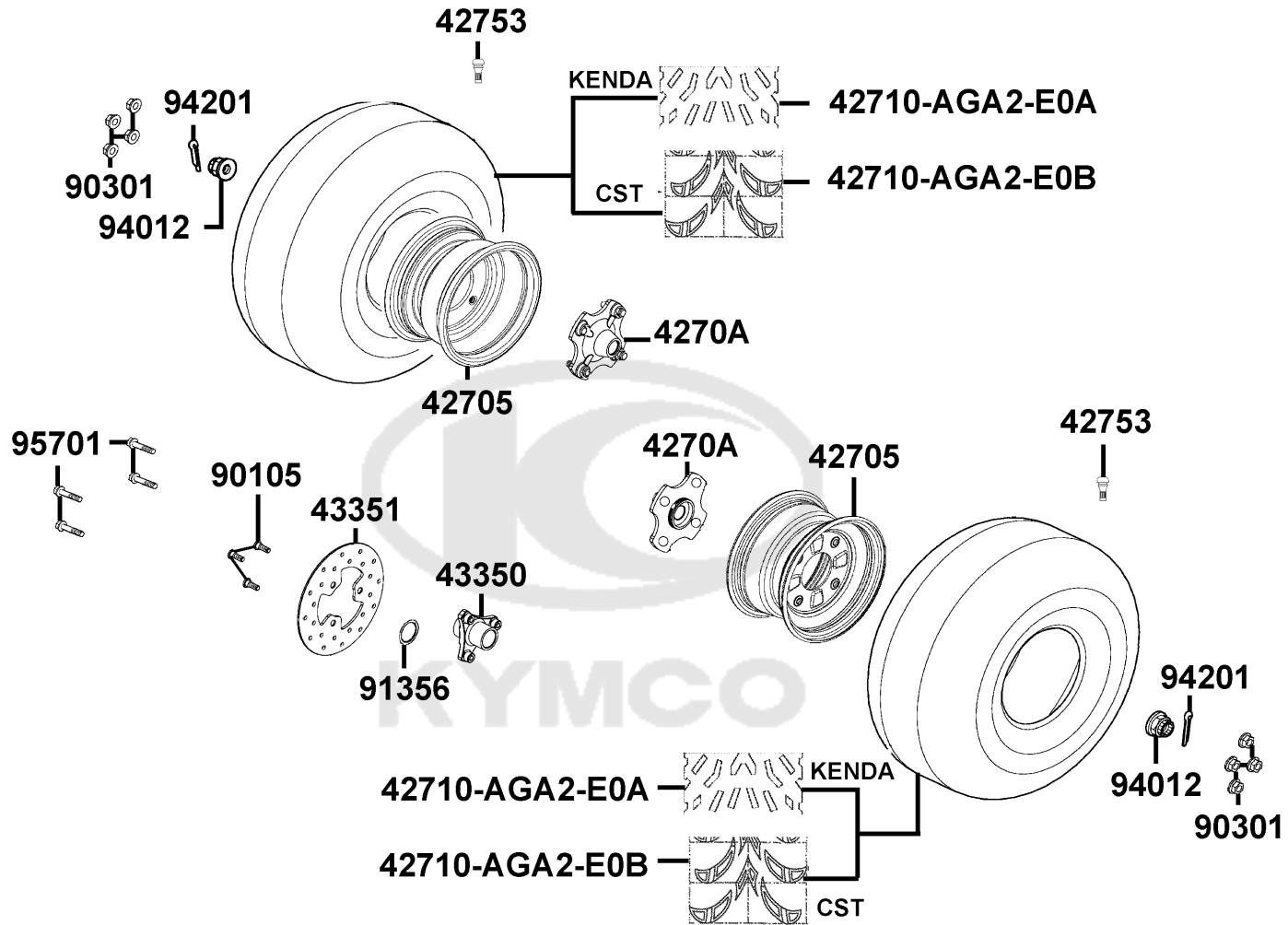


F07

Front Wheel



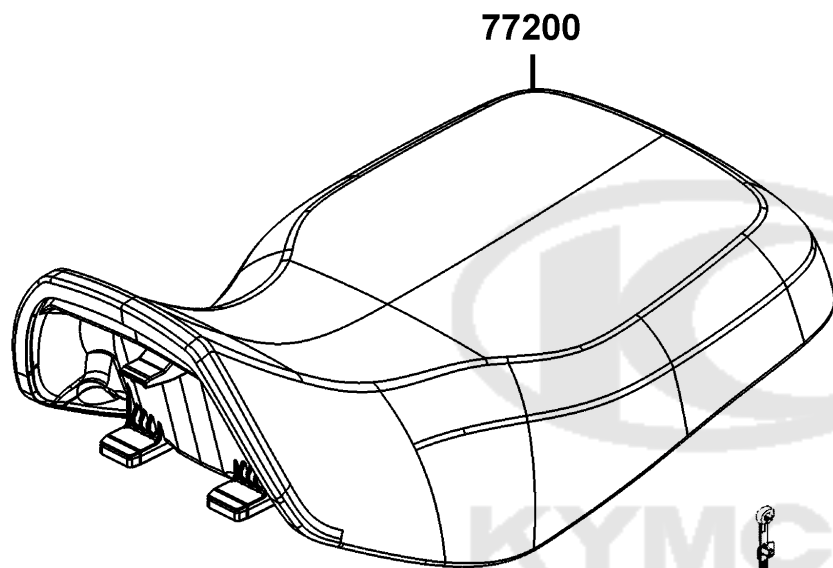
Sales mark	Ref no	Part no	Description	Reg description	Regd no	F07
	42753	42753-0A01-C00	VALVE (TR 412) & CAP (C)	VALVE (TR 412) & CAP (C)	2	
**	44705	44705-AGA1-M00	RIM COMP FR WHEEL	RIM COMP FR WHEEL	2	
	4470A	4470A-AGA1-M00	HUB ASSY FR WHEEL	HUB ASSY FR WHEEL	2	
	44710	44710-AGA2-E00	TIRE ASSY FR	TIRE ASSY FR	2	
	45121	45121-AGA1-M00	DISK FR BRK R	DISK FR BRK R	1	
	45131	45131-AGA1-M00	DISK FR BRK L	DISK FR BRK L	1	
	47410	47410-AGA1-M00	CAP WHEEL SHAFT	CAP WHEEL SHAFT	4	
	90105	90105-KCR3-C01	BOLT FR DISK 8*24(3???)	BOLT FR DISK 8*24(3???)	6	
	90131	90131-PRB3-C00	BOLT, FLANGE	"BOLT, FLANGE 8X20"	4	
	94011	94011-LLB1-900	NUT FLANGE CASTLE 14MM	NUT FLANGE CASTLE 14MM	2	
	94012	94012-LLB1-900	NUT CASTLE 10MM	NUT CASTLE 10MM	1	
	94201	94201-30250-G	PIN SPLIT 3*25	PIN SPLIT 3*25	2	
	95701	95701-08020-07G	BOLT FLANGE 8*20 (K)	BOLT FLANGE 8*20 (K)	4	



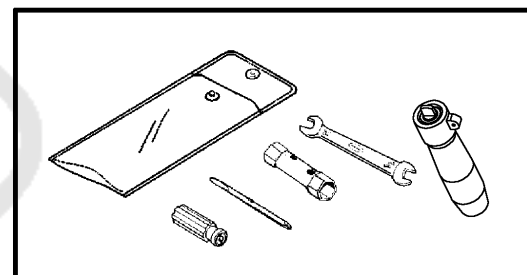
Sales mark	Ref no	Part no	Description	Reg description	Regd no	F08
**	42705	42705-AGA1-M00	WHEEL ASSY RR HUB	WHEEL ASSY RR HUB	2	
	4270A	4270A-AGA1-M00	CONNECTOR ASSY RR	CONNECTOR ASSY RR	2	
	42710	42710-AGA2-E00	TIRE ASSY RR	TIRE ASSY RR	2	
	42753	42753-0A01-C00	VALVE (TR 412) & CAP (C)	VALVE (TR 412) & CAP (C)	2	
	43350	43350-AGA1-M00	HUB BRK DISK	HUB BRK DISK	1	
	43351	43351-AGA1-M00	DISK RR BRK	DISK RR BRK	1	
	90105	90105-KCR3-C01	BOLT FR DISK 8*24(3???)	BOLT FR DISK 8*24(3???)	3	
	90301	90301-LBA7-C00	NUT WHEEL M10 (B)	NUT WHEEL M10 (B)	4	
	91356	91356-4E25-004	O-RING 29.7X2.4	O-RING 29.7X2.4	1	
	94012	94012-LDB5-E00	NUT FLANGE CASTLE 18MM	NUT FLANGE CASTLE 18MM	2	
	94201	94201-30250-G	PIN SPLIT 3*25	PIN SPLIT 3*25	2	
	95701	95701-08020-07G	BOLT FLANGE 8*20 (K)	BOLT FLANGE 8*20 (K)	2	

F09

Seat



77200



89010



95014

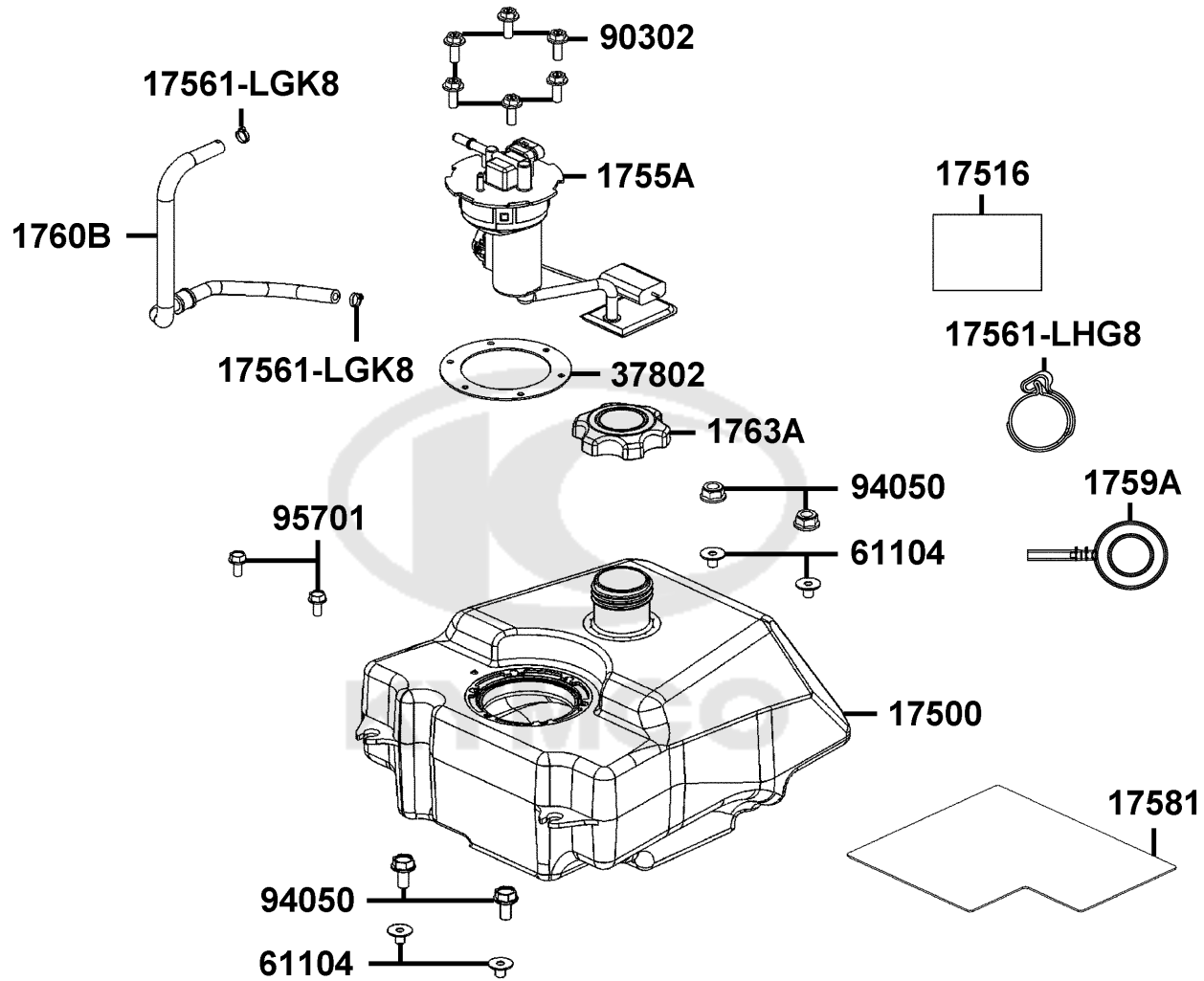
Sales mark	Ref no	Part no	Description	Reg description	Regd no	F09
------------	--------	---------	-------------	-----------------	---------	------------

**	77200	77200-AGA1-M00	SEAT ASSY	SEAT ASSY	1	
	89010	89010-AGA1-M00	TOOL SET	TOOL SET	1	
	95014	95014-PRB3-900	STRAP CABLE	STRAP CABLE	1	



F10

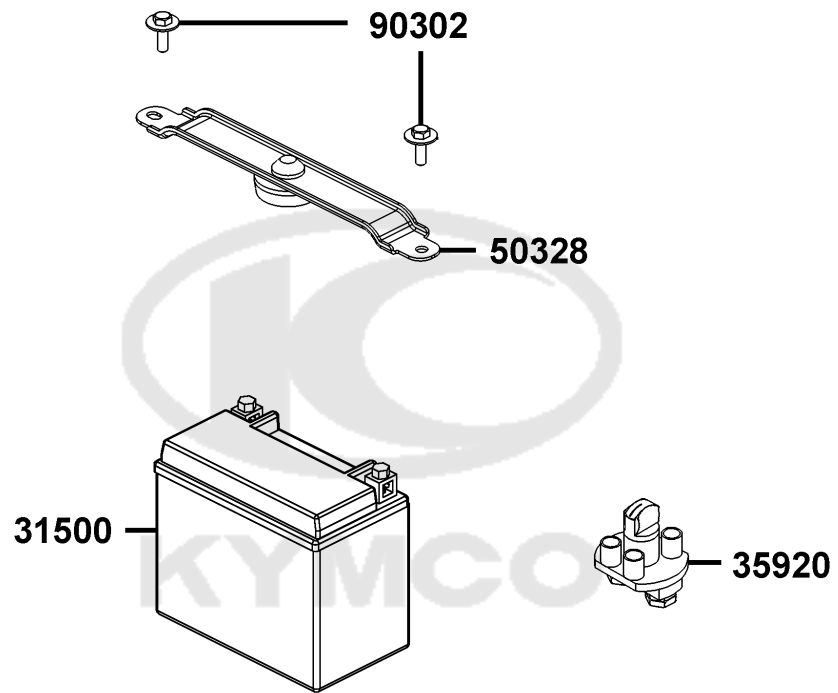
Fuel Tank



Sales mark	Ref no	Part no	Description	Reg description	Regd no	F10
17500		17500-AGA2-E00	TANK COMP FUEL	TANK COMP FUEL	1	
17516		17516-AGA1-M00	SPONGE FUEL TANK	SPONGE FUEL TANK	2	
1755A		1755A-AGA1-M00	PUMP ASS'Y FUEL	PUMP ASS'Y FUEL	1	
17561-LGK8		17561-LGK8-900	CLIP 12.0	CLIP 12.0	2	
17561-LHG8		17561-LHG8-E00	CLIP 13.0	CLIP 13	1	
17581		17581-AGA1-M00	SHIELD FUEL TANK	SHIELD FUEL TANK	1	
1759A		1759A-AGA1-M00	TRAY ASSY,FUEL TANK	TRAY ASSY,FUEL TANK	1	
1760B		1760B-AGA1-M00	"TUBE ASSY.,FUELM"	"TUBE ASSY.,FUELM"	1	
1763A		1763A-AGA1-M00	CAP ASSY FUEL TANK	CAP ASSY FUEL TANK	1	
37802		37802-AGA1-M00	MOUNT FUEL PUMP	MOUNT FUEL PUMP	1	
61104		61104-AGA1-M00	COLLAR FR FENDER	COLLAR FR FENDER	4	
90302		90302-GBR2-C01	BOLT-WASH 5*16	BOLT WASHER 5*16	6	
94050		94050-06080-G	NUT FLANGE 6MM	NUT FLANGE 6MM	2	
95701		95701-06022-07G	BOLT FLANGE 6*22 (K)	BOLT FLANGE 6*22 (K)	2	

F11

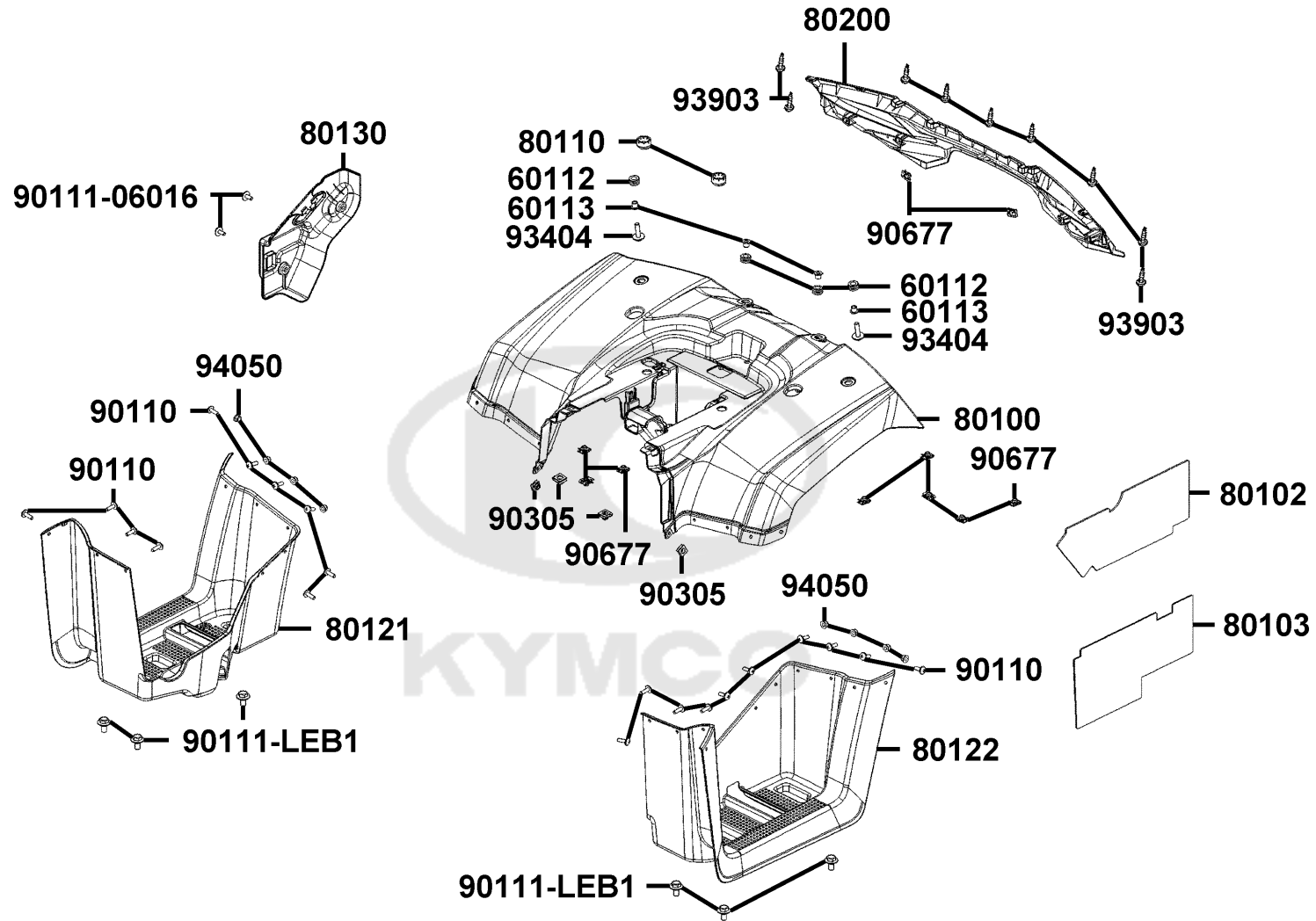
Battery



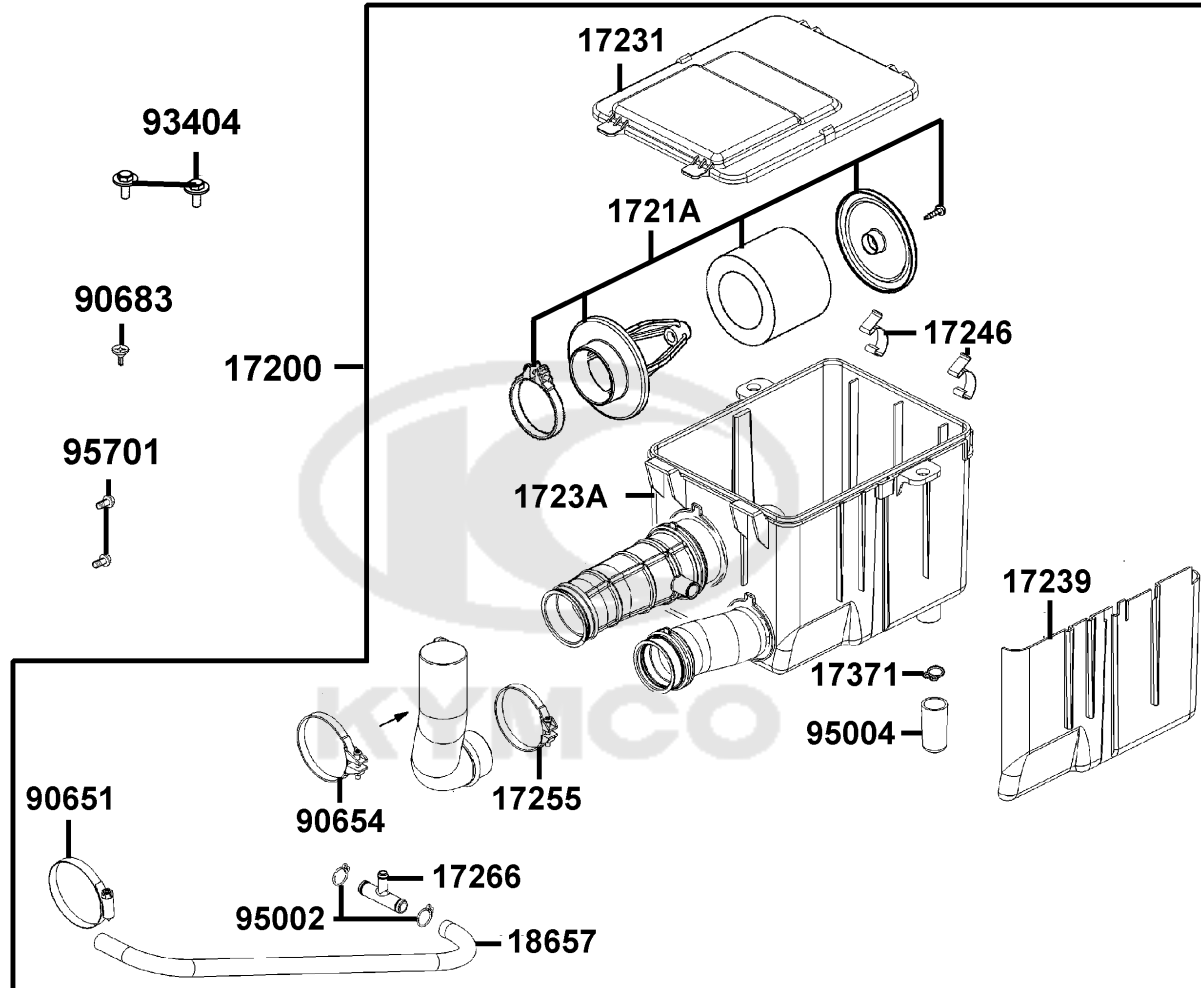
Sales mark	Ref no	Part no	Description	Reg description	Regd no	F11
------------	--------	---------	-------------	-----------------	---------	------------

31500		31500-AGA1-EZ0	BATTERY 14A-BS	BATTERY 14A-BS	1	
35920		35920-AFE6-E00	SWITCH COMP BATTERY	SWITCH COMP BATTERY	1	
50328		50328-AGA1-M00	STAY BATTERY	STAY BATTERY	1	
90302		90302-AGA1-M00	BOLT WASH 5X16	BOLT WASH 5X16	2	





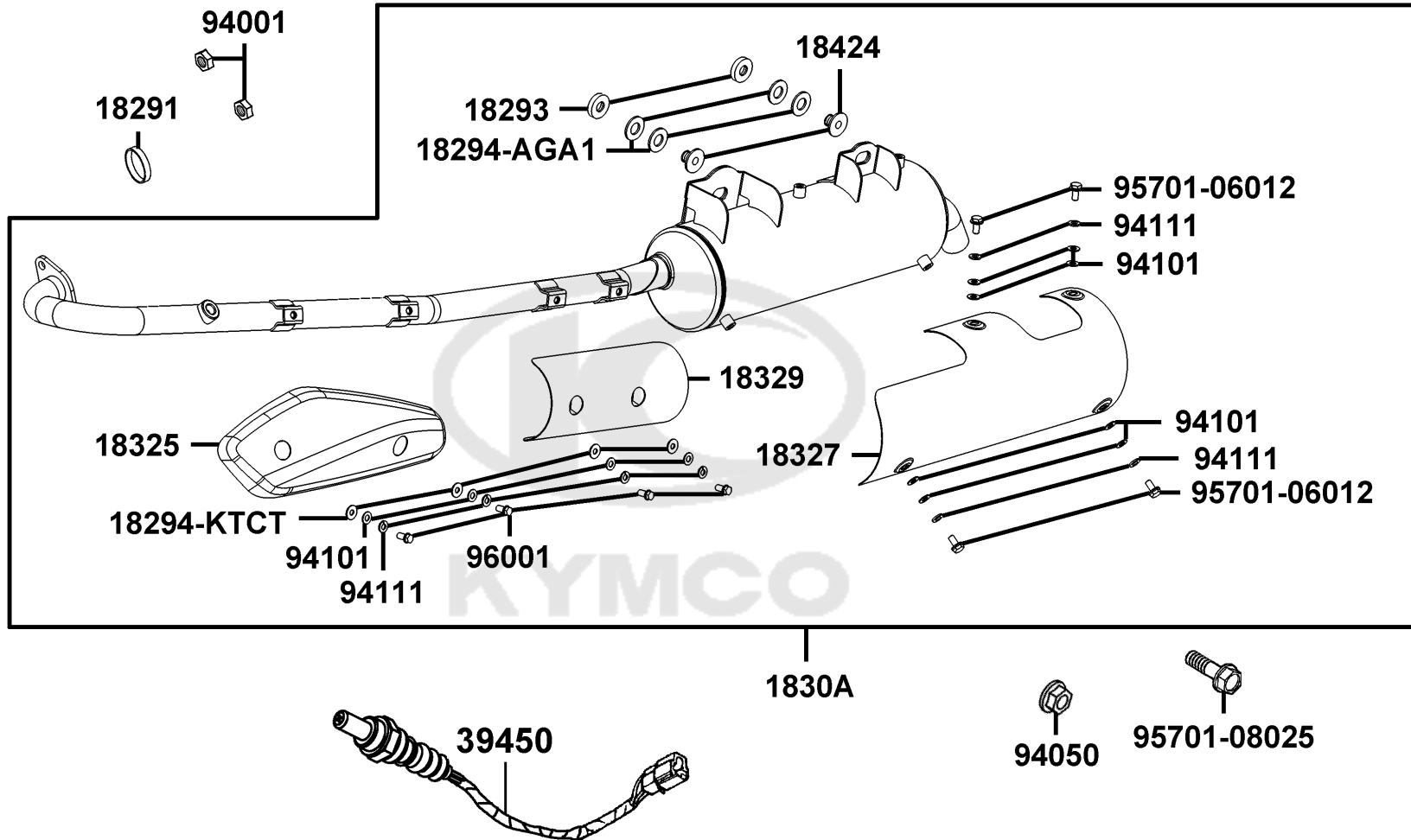
Sales mark	Ref no	Part no	Description	Reg description	Regd no	F12
	60112	60112-AGA1-M00	GROMMET	GROMMET	4	
	60113	60113-AGA1-M00	SPACER STEEL	SPACER STEEL	4	
**	80100	80100-AGA1-M00	FENDER REAR	FENDER REAR	1	
	80102	80102-AGA1-M00	SHILED LH LOWER	SHILED LH LOWER	1	
	80103	80103-AGA1-M00	SHIELD LH UPPER	SHIELD LH UPPER	1	
	80110	80110-AGA1-M00	RUBBER REAR FENDER	RUBBER REAR FENDER	2	
**	80121	80121-AGA1-M00	FOOTWELL RH	FOOTWELL RH	1	
**	80122	80122-AGA1-M00	FOOTWELL LH	FOOTWELL LH	1	
**	80130	80130-AGA1-M00	PROTECTOR MASTER CYLINDER	PROTECTOR MASTER CYLINDER	1	
**	80200	80200-AGA1-M00	MUDGUARD REAR	MUDGUARD REAR	1	
	90110	90110-AGA1-M00	SCREW SPECIAL 6X20	SCREW SPECIAL 6X20	20	
	90111-06016	90111-06016-07G	BOLT FLANGE 6*16 (K)	BOLT FLANGE 6*16 (K)	2	
	90111-LEB1	90111-LEB1-C11	BOLT FLANGE 6MM	BOLT FLANGE 6MM	6	
	90305	90305-GHK8-C01	NUT CLIP 6MM	NUT CLIP 6MM	4	
	90677	90677-GAR1-C01	NUT CLIP 5MM	NUT CLIP 5MM	4	
	93404	93404-06025-07G	BOLT WASHER 6*25 (G)	BOLT WASHER 6*25 (G)	2	
	93903	93903-35360-G	SCREW TAPPING 5*16	SCREW TAPPING 5*16	9	
	94050	94050-AGA1-M00	NUT LOCK	NUT LOCK	8	



Sales mark	Ref no	Part no	Description	Reg description	Regd no	F13
17200		17200-AGA1-M00	AIR/C ASSY	AIR/C ASSY	1	
1721A		1721A-AGA1-M00	ELEMENT COMP AIR/C	"ELEMENT,ASSY AIR/C"	1	
17231		17231-AGA1-M00	COVER AIR/C	COVER ASSY AIR/C	1	
17239		17239-AGA1-M00	SHIELD AIR/C	SHIELD AIR/C	1	
1723A		1723A-AGA1-M00	CASE ASSY AIR/C	CASE ASSY AIR/C	1	
17246		17246-AGA1-M00	CLAMP AIR/C	CLAMP AIR/C	5	
17255		17255-AGA1-M00	BAND A CONNECTING TUBE	BAND A CONNECTING TUBE	1	
17266		17266-AGA1-M00	JOINT 3 WAY	JOINT 3 WAY	1	
17371		17371-AGA1-M00	CLIP BREATHER TUBE	CLIP BREATHER TUBE	1	
18657		18657-AGA1-M00	TUBE B OIL CATCH	TUBE B OIL CATCH	1	
90651		90651-AGA1-M00	BAND 63	BAND L COVER DUCT	1	
90654		90654-AGA1-M00	BAND CONN TUBE	BAND CONN TUBE	1	
90683		90683-GAR1-C00	CLIP BODY COVER	CLIP BODY COVER	1	
93404		93404-06012-07G	BOLT-WASH 6x12	BOLT-WASH 6x12	2	
95002		95002-02150	CLIP B14.5 TUBE	CLIP B14.5 TUBE	1	
95004		95004-AGA1-M00	TUBE DRAIN	TUBE DRAIN	1	
95701		95701-06012-07G	BOLT FLANGE 6X12(KG)	BOLT FLANGE 6X12(KG)	2	

F14

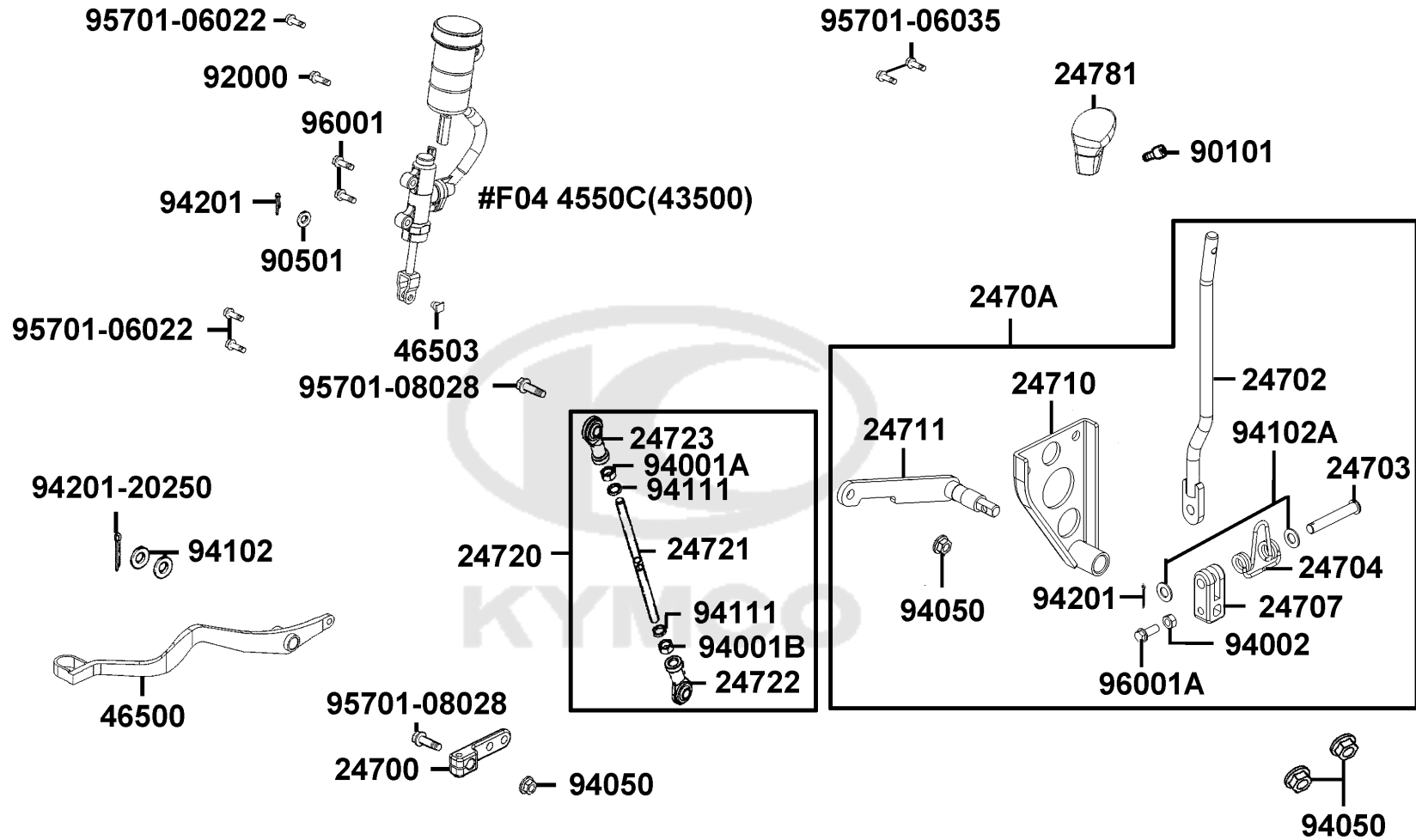
Exhaust Muffler



Sales mark	Ref no	Part no	Description	Reg description	Regd no	F14
18291		18291-LHB3-E11	GASKET EXH PIPE	COLLAR	1	
18293		18293-AGA1-M00	RUBBER MUFFLER STAY	RUBBER MUFFLER STAY	2	
18294-AGA1		18294-AGA1-M00	PACKING MUFFLER STAY	PACKING MUFFLER STAY	4	
18294-KTCT		18294-KTCT-C00	PACKING PROTECTOR	PACKING PROTECTOR	8	
1830A		1830A-AGA2-E00	MUFFLER ASSY EXH	MUFFLER ASSY EXH	1	
18325		18325-AGA1-M00	PROTECTOR EXH PIPE	PROTECTOR EXH PIPE	1	
18327		18327-AGA1-M00	PROTECTOR B COMP MUFFLER	PROTECTOR B COMP MUFFLER	1	
18329		18329-AGA1-M00	PROTECTOR D COMP MUFFLER	PROTECTOR D COMP MUFFLER	1	
18424		18424-AGA1-M00	COLLAR MUFF STAY	COLLAR MUFF STAY	2	
39450		39450-ZVA6-M00	O2 SENSOR	O2 SENSOR	1	
94001		94001-08080-0SG	NUT HEX 8MM	NUT HEX 8MM	2	
94050		94050-08080-G	NUT FLANGE 8MM	FLANGE NUT 8MM(C)	1	
94101		94101-06200	WASHER PLAIN 6MM	WASHER PLAIN 6MM	12	
94111		94111-06800	WASHER SPRING 6MM	WASHER SPRING 6MM	8	
95701-06012		95701-06012-06	BOLT FLANGE 6*12 **07 C.2005.07.01	BOLT FLANGE 6*12 **07 C.2005.07.01	4	
95701-08025		95701-08025-07G	BOLT FLANGE 8*25 (K)	BOLT FLANGE 8*25 (K)	1	
96001		96001-06012-06	BOLT FLANGE SH 6*12	BOLT FLANGE SH 6*12	4	

F15

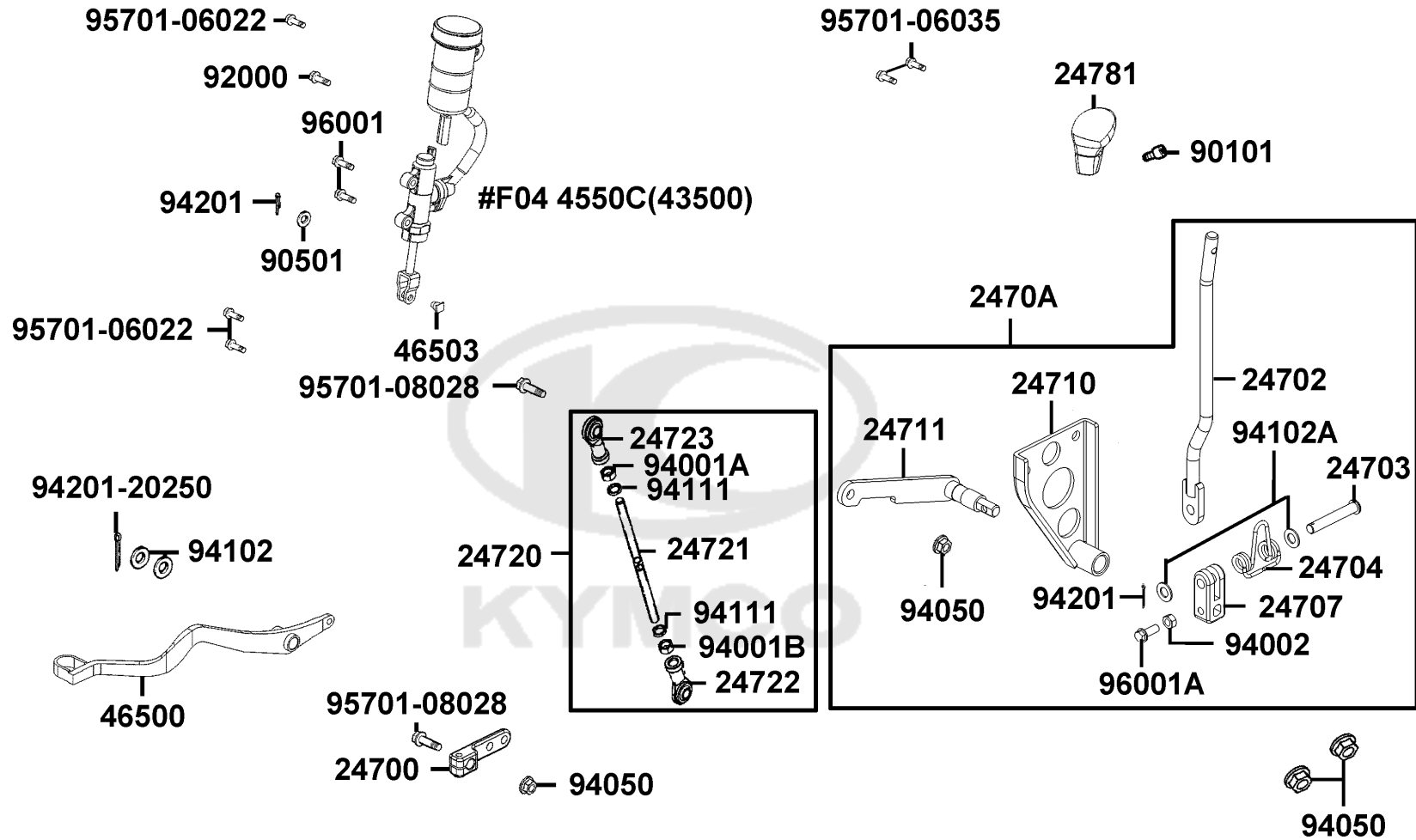
PEDAL COMP CHANGE



Sales mark	Ref no	Part no	Description	Reg description	Regd no	F15
24700		24700-AGA1-M00	GEAR CHANGE HANDLE LINK	GEAR CHANGE HANDLE LINK	1	
24702		24702-AGA1-M00	BAR CHANGE HANDLE	BAR CHANGE HNDL	1	
24703		24703-AGA1-M00	PIN CHANGE HANDLE	PIN CHANGE HANDLE	1	
24704		24704-AGA1-M00	SPRING CHANGE HANDLE	SPRING CHANGE HANDLE	1	
24707		24707-AGA1-M00	BRKT CHANGE HANDLE	BRKT CHANGE HANDLE	1	
2470A		2470A-AGA1-M00	PEDAL COMP CHANGE	PEDAL COMP CHANGE	1	
24710		24710-AGA1-M00	STAY CHANGE HANDLE ASSY	STAY CHANGE HNDL ASSY	1	
24711		24711-AGA1-M00	SHAFT COMP CHANGE HANDLE	SHAFT COMP CHANGE HANDLE	1	
24720		24720-AGA1-M00	"ROD ASSY.,CHANGE HANDLE"	"ROD ASSY.,CHANGE HANDLE"	1	
24721		24721-AGA1-M00	ROD CHANGE HANDLE	ROD CHANGE HNDL	1	
24722		24722-AGA1-M00	JOINT R BALL	JOINT R BALL	1	
24723		24723-AGA1-M00	JOINT L BALL	JOINT L BALL	1	
24781		24781-AGA1-M00	COVER CHANGE HANDLE	COVER CHANGE HANDLE	1	
46500		46500-AGA1-M00	PEDAL COMP RR BRK	PEDAL COMP RR BRK	1	
46503		46503-AGA1-M00	PIN CLEVIS	PIN CLEVIS	1	
90101		90101-LCA5-C00	SOCKET BOLT 5X12	SOCKET BOLT 5X12	1	
90501		90501-3L10-C00	WASH 7*12	WASH 7*12	1	
92000		92000-06022-07G	BOLT TEX 6*22(K)	BOLT TEX 6*22(K)	1	
94001A		94001-08080-0S	NUT HEX 8MM	NUT HEX 8MM	1	
94001B		94001-AGA1-M01	NUT HEX LH 8MM	NUT HEX LH 8MM	1	

F15

PEDAL COMP CHANGE

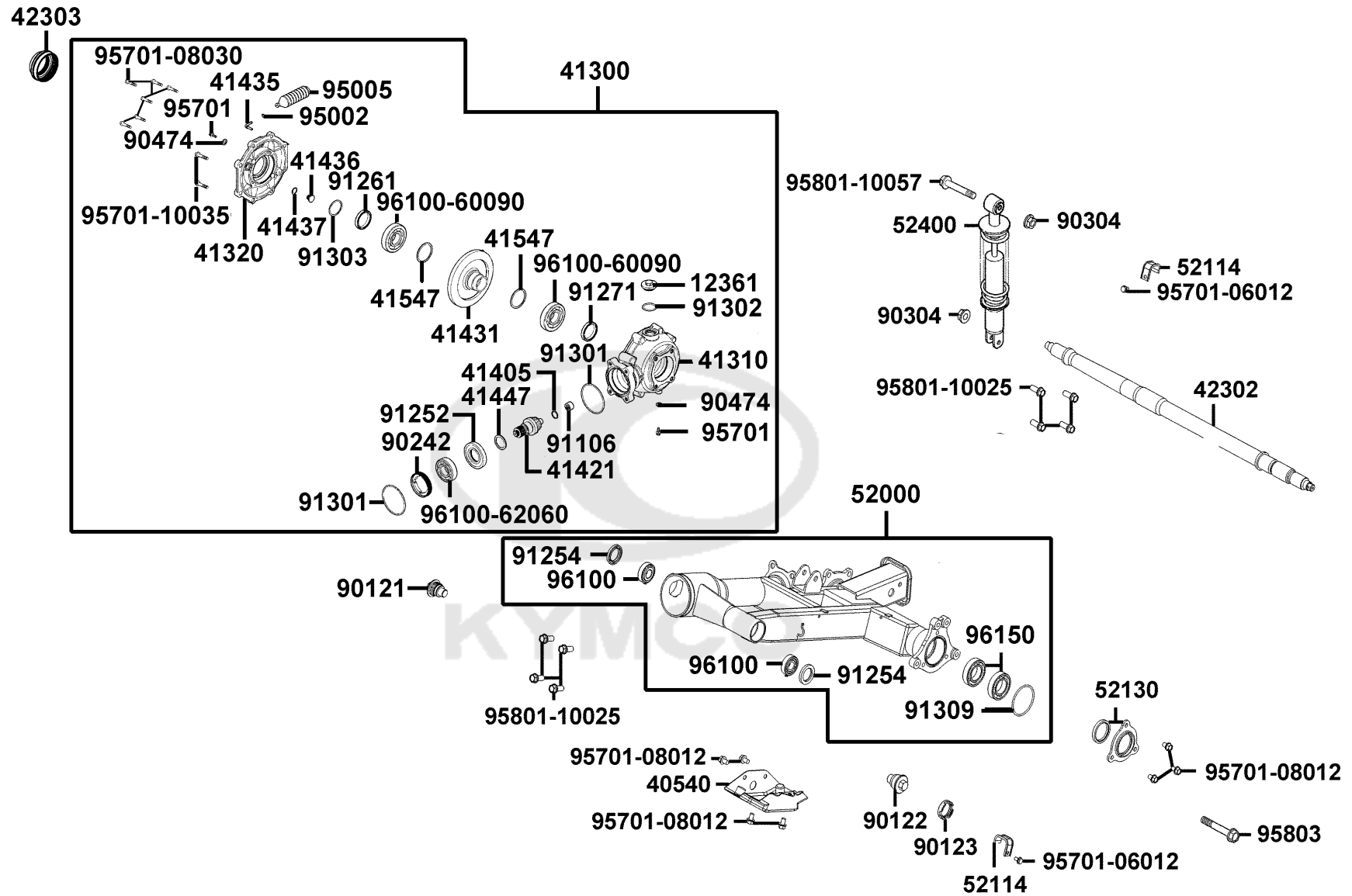


Sales mark	Ref no	Part no	Description	Reg description	Regd no	F15
94002		94002-06080-0S	NUT HEX 6MM	NUT HEX 6MM	1	
94050		94050-08080-G	NUT FLANGE 8MM	FLANGE NUT 8MM(C)	4	
94102A		94102-08000	WASHER PLAIN 8MM	WASHER PLAIN 8MM	2	
94102		94102-14800-G	WASHER PLAIN 14MM(C)	WASHER PLAIN 14MM(C)	2	
94111		94111-08800	WASHER SPG 8MM	WASHER SPG 8MM	2	
94201		94201-20150-08G	PIN SPLIT 2*15	PIN SPLIT 2*15	1	
94201-20250		94201-20250-G	PIN SPLIT 2*25	PIN SPLIT 2*25	1	
95701-06022		95701-06022-07G	BOLT FLANGE 6*22 (K)	BOLT FLANGE 6*22 (K)	3	
95701-06035		95701-06035-07G	BOLT FLANGE 6*35 (K)	BOLT FLANGE 6*35 (K)	2	
95701-08028		95701-08028-07G	BOLT FLANGE 8*28 (K)	BOLT FLANGE 8*28 (K)	2	
96001A		96001-06016-08	BOLT FLANGE SH 6*16	BOLT FLANGE SH 6*16	1	
96001		96001-06020-07G	BOLT FLANGE SH 6*20 (G)	BOLT FLANGE SH 6*20 (G)	2	

Sales mark	Ref no	Part no	Description	Reg description	Regd no	F16
	44620	44620-AGA1-M00	COLLAR SWING ARM	COLLAR SWING ARM	12	
	45140	45140-AGA1-M00	GUARD BRAKE DSIK	GUARD BRAKE DSIK	2	
	47400	47400-AGA1-M00	KNUCKLE ASSY R STRG	KNUCKLE ASSY R STRG	1	
	47500	47500-AGA1-M00	KNUCKLE ASSY L STRG	KNUCKLE ASSY L STRG	1	
**	51400	51400-AGA1-M00	FORK ASSY FRONT R	FORK ASSY FRONT R	1	
	53400	53400-AGA1-M00	ARM ASSY FR UPPER RH	ARM ASSY FR UPPER RH	1	
	53450	53450-AGA1-M00	ARM ASSY,FR LOWER RH	ARM ASSY,FR LOWER RH	1	
	53500	53500-AGA1-M00	ARM ASSY FR UPPER LH	ARM ASSY FR UPPER LH	1	
	53550	53550-AGA1-M00	ARM ASSY FR LOWER LH	ARM ASSY FR LOWER LH	1	
	90304	90304-GLW0-C01	NUT U FLANGE 10MM(C)	NUT U FLANGE 10MM(C)	13	
	91258	91258-AGA1-M00	OIL SEAL 18X26X4	OIL SEAL(18*26*4)	12	
	94011	94011-12080-0S	NUT CASTLE 12MM	NUT CASTLE 12MM	4	
	94101	94101-12800-G	WASHER PLAIN 12MM (C)	WASHER PLAIN 12MM (C)	4	
	94201	94201-30250-G	PIN SPLIT 3*25	PIN SPLIT 3*25	4	
	95701	95701-06010-07G	BOLT FLANGE 6*10 (K)	BOLT FLANGE 6*10 (K)	4	
	95801-10040	95801-10040-07G	BOLT FLANGE 10*40(G)	BOLT FLANGE 10*40	2	
	95801-10050	95801-10050-07G	BOLT FLANGE 10*50 (G)	BOLT FLANGE 10*50 (G)	2	
	95801-10057	95801-10057-07G	BOLT FLANGE 10*57 (G)	BOLT FLANGE 10*57 (G)	9	
	96150	96150-60000-10	BEARING BALL RADIAL 6000	BEARING BALL RADIAL 6000	6	

F17

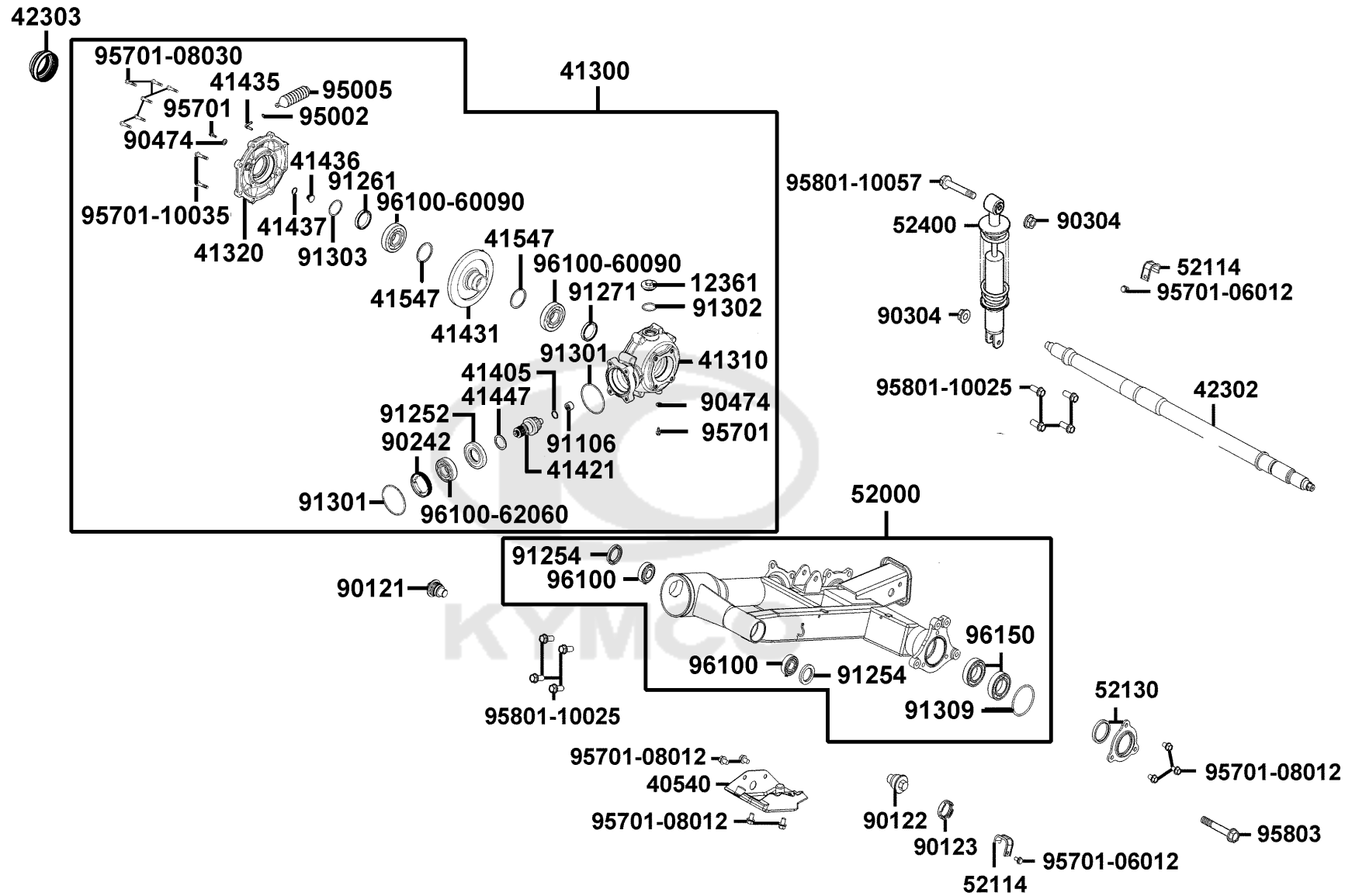
Rear Cushion



Sales mark	Ref no	Part no	Description	Reg description	Regd no	F17
	12361	12361-GFY6-C00	HOLE CAP TAPPET ADJUSTING	HOLE CAP TAPPET ADJUSTING	1	
	40540	40540-AGA1-M00	PLATE ASSY SKID	PLATE ASSY SKID	1	
	41300	41300-AGA1-M00	GEAR ASSY RR FINAL	GEAR ASSY RR FINAL	1	
	41310	41310-AGA1-M00	L SIDE CASE, RR FINAL	L SIDE CASE RR FINAL	1	
	41320	41320-AGA1-M00	R SIDE CASE RR FINAL	R SIDE CASE RR FINAL	1	
	41405	41405-LCD9-E00	RING STOPPER	RING STOPPER	1	
	41421	41421-LCD9-E00	GEAR PINION	GEAR PINION	1	
	41431	41431-LCD9-E01	GEAR RING	GEAR RING	2	
	41435	41435-LCD9-E00	JOINT BREATHER	JOINT BREATHER	1	
	41436	41436-LCD9-E00	PIN RING GEAR STOPPER	PIN RING GEAR STOPPER	1	
	41437	41437-LCD9-E00	SHIM STOPPER PIN	SHIM STOPPER PIN	1	
	41447	41447-LCD9-E00	SHIM PINION GEAR	SHIM PINION GEAR	1	
	41547	41547-AGA1-E00	SHIM RING GEAR	SHIM RING GEAR	1	
	42302	42302-AGA1-M00	AXLE RR WHEEL	AXLE RR WHEEL	1	
	42303	42303-AGA1-M00	BOOT AXLE SHAFT	BOOT AXLE SHAFT	1	
	52000	52000-AGA1-M00	FORK ASSY RR	FORK ASSY RR	1	
	52114	52114-AGA1-M00	CLAMPER RR BRAKE HOSE	CLAMPER RR BRAKE HOSE	1	
	52130	52130-AGA1-M00	STOPPER ASSY BEARING	STOPPER ASSY BEARING	1	
**	52400	52400-AGA1-M00	CUSHION ASSY RR	CUSHION ASSY RR	1	
	90121	90121-LCD9-E00	FORK PIVOT BOLT RH	FORK PIVOT BOLT RH	1	

F17

Rear Cushion

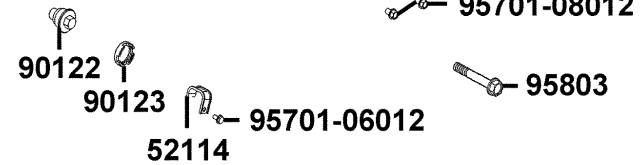
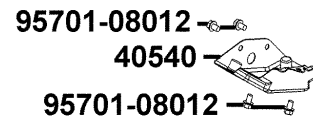
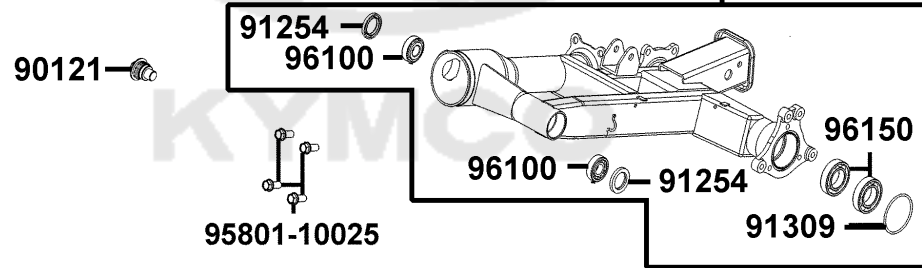
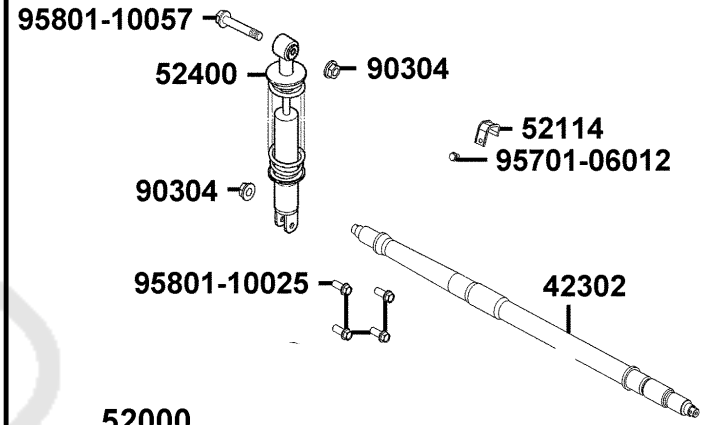
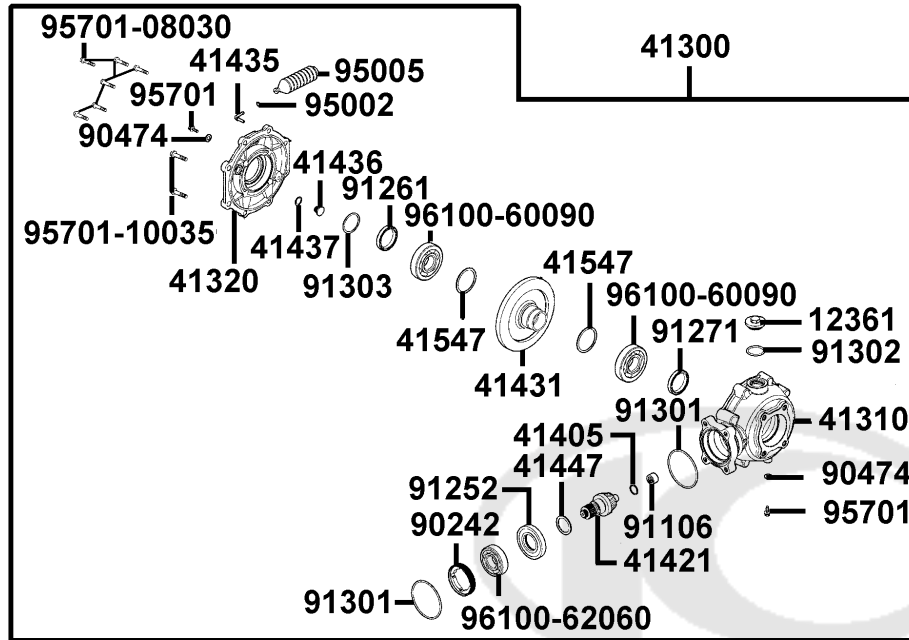


Sales mark	Ref no	Part no	Description	Reg description	Regd no	F17
	90122	90122-LCD9-E00	FORK PIVOT BOLT LH	FORK PIVOT BOLT LH	1	
	90123	90123-LCD9-E00	FORK PIVOT NUT LOCK	FORK PIVOT NUT LOCK	1	
	90242	90242-LCD9-E00	NUT LOCK 65MM	NUT LOCK 65MM	1	
	90304	90304-GLW0-C01	NUT U FLANGE 10MM(C)	NUT U FLANGE 10MM(C)	13	
	90474	90474-3C33-C00	WASHER 8MM (T*2)	WASHER 8MM (T*2)	2	
	91106	91106-LCD9-E00	BRG NEEDLE 14*20*12	BRG NEEDLE 14*20*12	1	
	91252	91252-AGA1-M00	OIL SEAL 35X70X10	OIL SEAL 35*70*10	1	
	91254	91254-LDE9-E00	DUST SEAL 26*40*5	DUST SEAL 26*40*5	2	
	91261	91261-AGA1-M00	OIL SEAL 44X60X7	OIL SEAL 44*60*7	1	
	91271	91271-AGA1-M00	OIL SEAL 42X62X7	OIL SEAL 42*62*7	1	
	91301	91301-AGA1-M00	O-RING 74.4X3.1	O-RING 74.4*3.1	2	
	91302	91302-AGA1-M00	O-RING 30.8MM	O-RING 30.8MM	1	
	91303	91303-AGA1-M00	O-RING 31.7X3.5	O-RING 31.7*3.5	1	
	91309	91309-AGA1-M00	O-RING 58.4X3.0	O-RING 58.4X3.0	1	
	95002	95002-41050-00	CLIP D10.5 TUBE	CLIP D10.5 TUBE	1	
	95005	95005-AGA1-M00	BREATHER TUBE RR GEAR ASSY	BREATHER TUBE RR GEAR ASSY	1	
	95701-06012	95701-06012-07G	BOLT FLANGE 6X12(KG)	BOLT FLANGE 6X12(KG)	2	
	95701-08012	95701-08012-07G	BOLT FLANGE 8*12 (G)	BOLT FLANGE 8*12 (G)	7	
	95701	95701-08012-08G	BOLT FLANGE 8X12(C)	BOLT FLANGE 8X12(C)	2	
	95701-08030	95701-08030-08G	BOLT FLANGE SMALL	BOLT FLANGE SMALL	6	

F17

Rear Cushion

42303

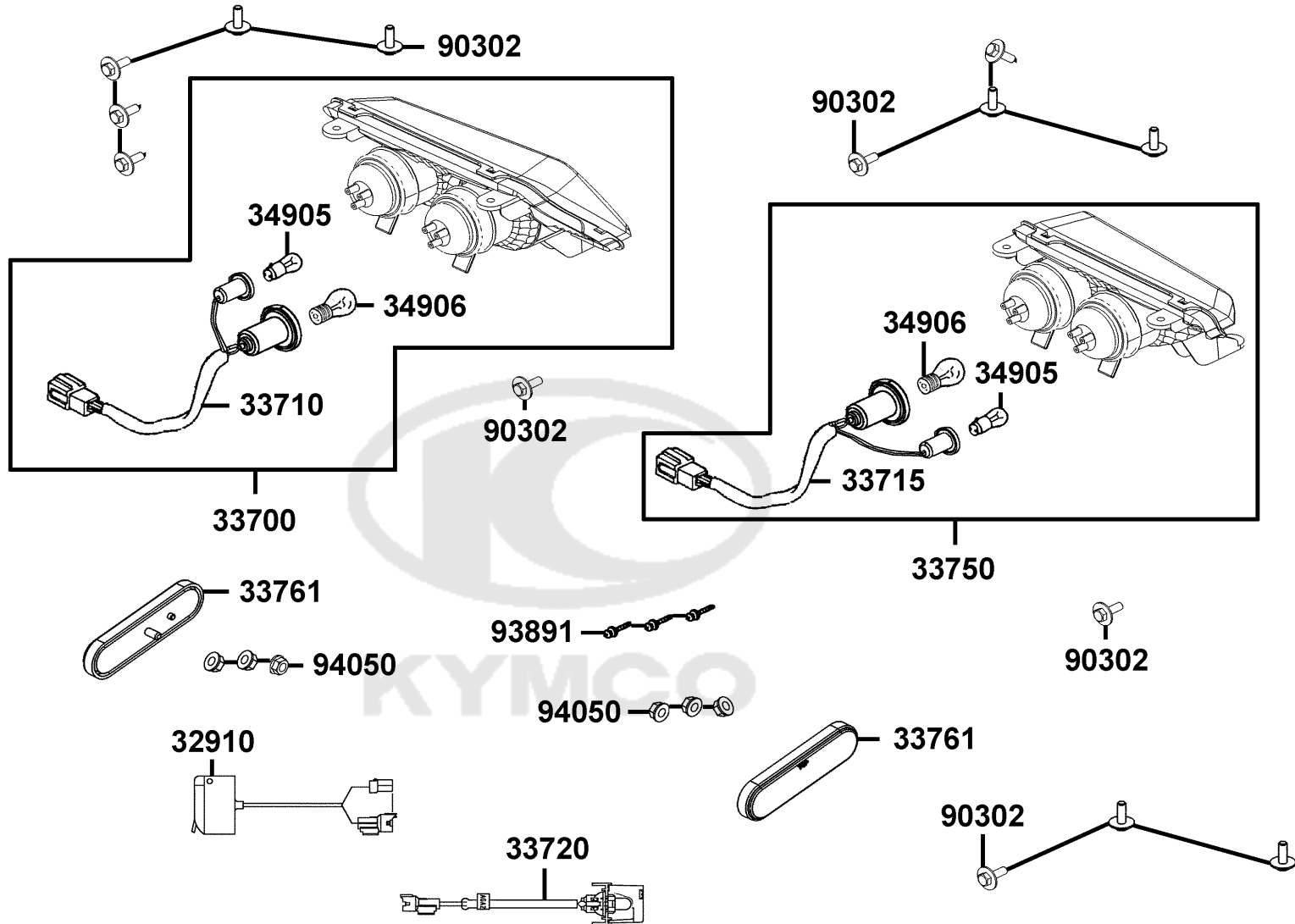


Sales mark	Ref no	Part no	Description	Reg description	Regd no	F17
	95701-10035	95701-10035-08G	BOLT FLANGE	BOLT FLANGE	2	
	95801-10025	95801-10025-07G	BOLT FLANGE 10*25	BOLT FLANGE 10*25 (G)	8	
	95801-10057	95801-10057-07G	BOLT FLANGE 10*57 (G)	BOLT FLANGE 10*57 (G)	9	
	95803	95803-LBA7-C00	BOLT FLANGE 10*53(G)	BOLT FLANGE 10*53(G)	1	
	96100	96100-30203-10	BEARING BALL RADIAL	BEARING BALL RADIAL	2	
	96100-60090	96100-60090-00	BRG RADIAL BALL 6009	BRG RADIAL BALL 6009	2	
	96100-62060	96100-62060-00	BRG RADIAL BALL 6206	BRG RADIAL BALL 6206	1	
	96150	96150-60060-10	BEARING BALL RADIAL 6006	BEARING BALL RADIAL 6006	8	

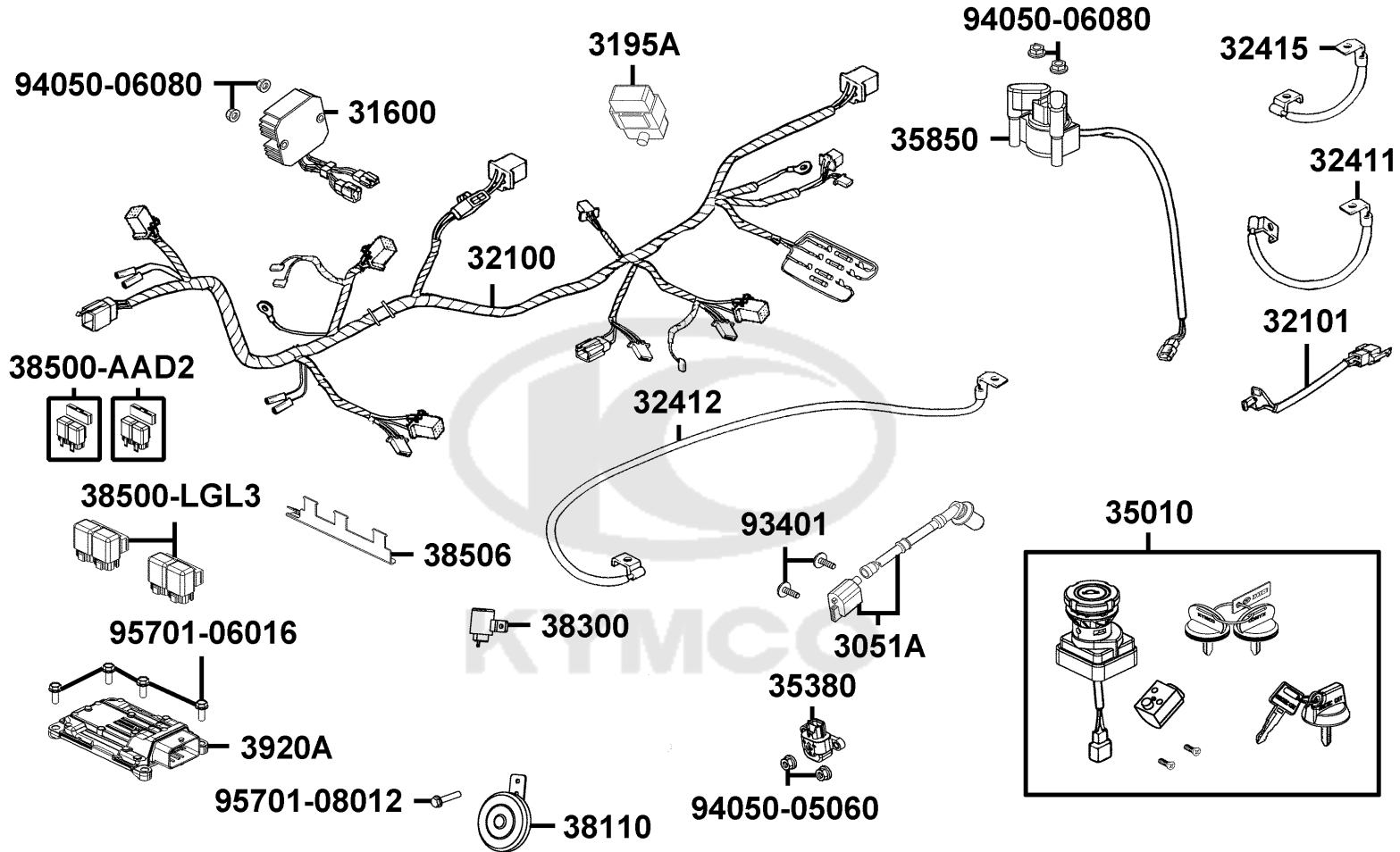


F18

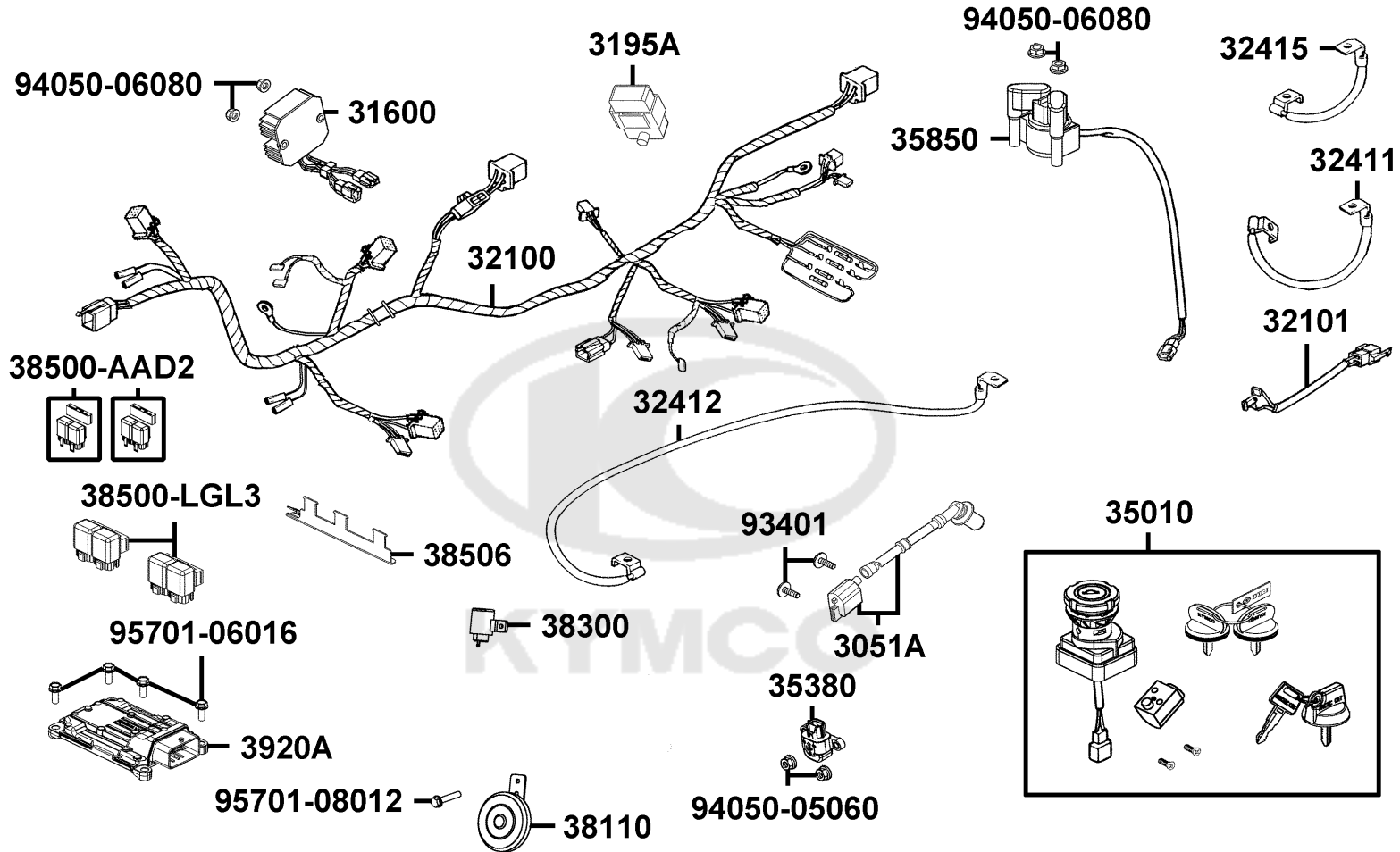
Tail Light



Sales mark	Ref no	Part no	Description	Reg description	Regd no	F18
	32910	32910-LKA8-E70	ASSY TRAILER CONNECTOR /D106	ASSY TRAILER CONNECTOR /D106	1	
	33700	33700-AGA2-E00	LIGHT ASS'Y RR COMB	LIGHT ASS'Y RR COMB	1	
	33710	33710-AGA2-E00	SOCKET COMP R RR COMB	SOCKET COMP R RR COMB	1	
	33715	33715-AGA2-E00	SOCKET COMP L RR COMB	SOCKET COMP R RR COMB	1	
	33720	33720-AGA2-E00	LIGHT AAS'Y LICENSE	LIGHT AAS'Y LICENSE	1	
	33750	33750-AGA2-E00	LIGHT ASS'Y RR COMB	LIGHT ASS'Y RR COMB	1	
	33761	33761-AGA1-M00	REFLEX REFLECTOR (RED)	REFLEX REFLECTOR (RED)	2	
	34905	34905-LCA5-E00	BULB WINKER (12V 10W)	BULB WINKER (12V 10W)	1	
	34906	34906-LBA8-E80	BULB TAIL & STOP	BULB TAIL & STOP	1	
	90302	90302-AGA1-M00	BOLT WASH 5X16	BOLT WASH 5X16	12	
	93891	93891-05035-07G	SCREW WASHER 5*35(K)	SCREW WASHER 5*35(K)	1	
	94050	94050-05060-G	NUT FLANGE 5MM (G)	NUT FLANGE 5MM (G)	6	



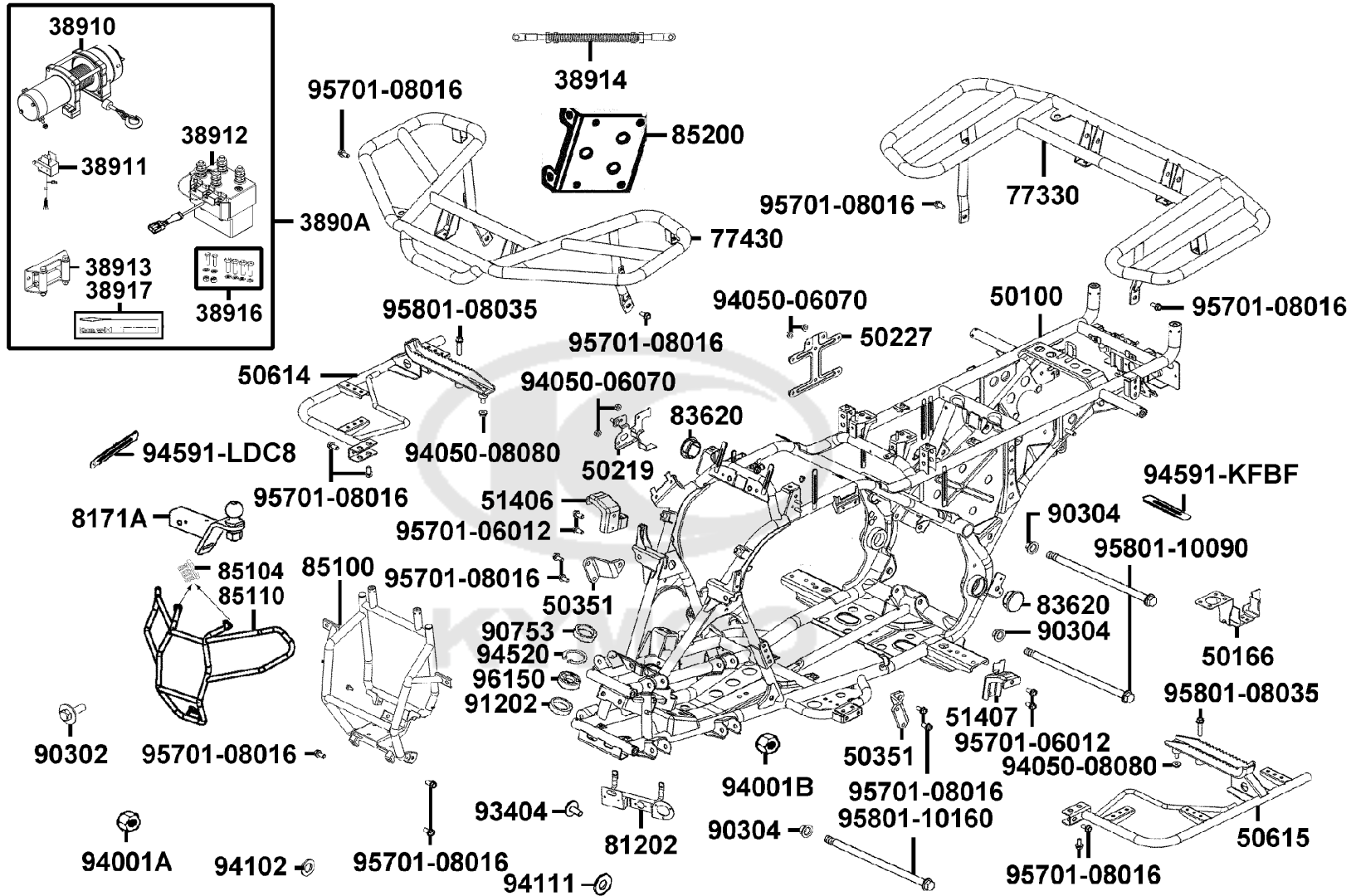
Sales mark	Ref no	Part no	Description	Reg description	Regd no	F19
	3051A	3051A-AGA1-M00	COIL ASS'Y IGNITION	COIL ASS'Y IGNITION	1	
	31600	31600-PRB8-900	REG RECT COMP	REG RECT COMP	1	
	3195A	3195A-LBA7-E00	HAZARD CONTROL ASSY	HAZARD CONTROL ASSY	1	
	32100	32100-AGA2-E00	HARNESS WIRE	HARNESS WIRE	1	
	32101	32101-AGA1-M00	SUB CORD	SUB CORD	1	
	32411	32411-AGA2-E00	CABLE BAT	CABLE BAT	1	
	32412	32412-AGA1-M00	CABLE EARTH	CABLE EARTH	1	
	32415	32415-AGA2-E00	CABLE BAT RELAY	CABLE BAT RELAY	1	
	35010	35010-AGA2-E00	KEY SET	KEY SET	1	
	35380	35380-ABE1-C00	SENSOR ANGLE	SENSOR ANGLE	1	
	35850	35850-ALL1-C00	SET START MAG	SET START MAG	1	
	38110	38110-KHB4-E0A	HORN COMP (D405)	HORN COMP (D405)	1	
	38300	38300-AGA2-E00	RELAY ASS'Y WINKER	RELAY ASS'Y WINKER	1	
	38500-AAD2	38500-AAD2-C00	RELAY ASSY LIGHT	RELAY ASSY START	2	
	38500-LGL3	38500-LGL3-90A	RELAY ASSY LIGHT	RELAY ASSY LIGHT	2	
	38506	38506-AGA1-M00	STAY START RELAY	STAY START RELAY	1	
	3920A	3920A-AGA2-E00	MODULE ASSY ECU	MODULE ASSY ECU	1	
	93401	93401-04025-08	BOLT WASHER 4*25	BOLT WASHER 4*25	2	
	94050-05060	94050-05060-G	NUT FLANGE 5MM (G)	NUT FLANGE 5MM (G)	2	
	94050-06080	94050-06080-G	NUT FLANGE 6MM	NUT FLANGE 6MM	4	



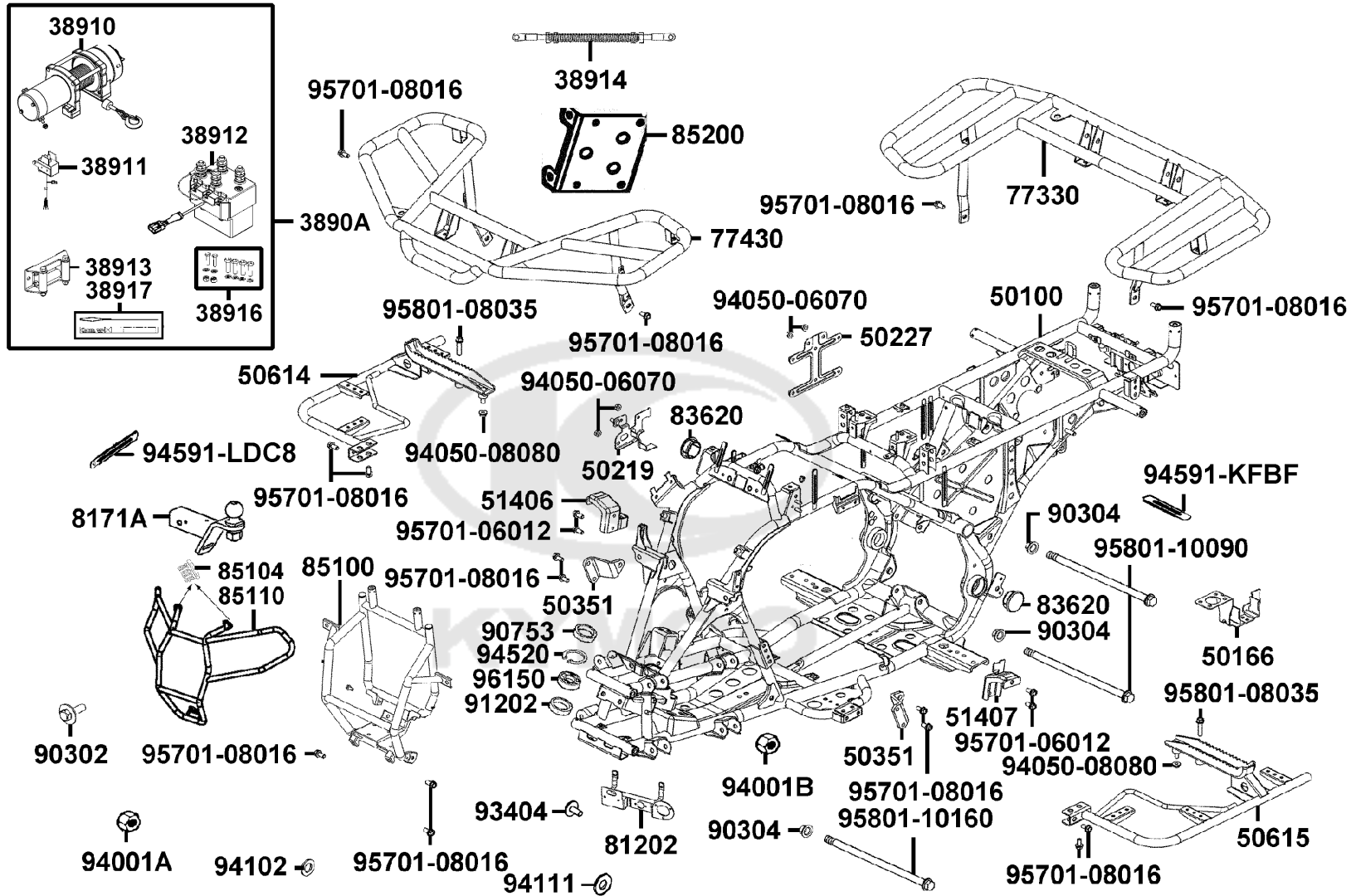
Sales mark	Ref no	Part no	Description	Reg description	Regd no	F19
------------	--------	---------	-------------	-----------------	---------	------------

95701-06016		95701-06016-07G	BOLT FLANGE SH 6*16 (KG)	BOLT FLANGE SH 6*16 (KG)	2	
95701-08012		95701-08012-07G	BOLT FLANGE 8*12 (G)	BOLT FLANGE 8*12 (G)	1	





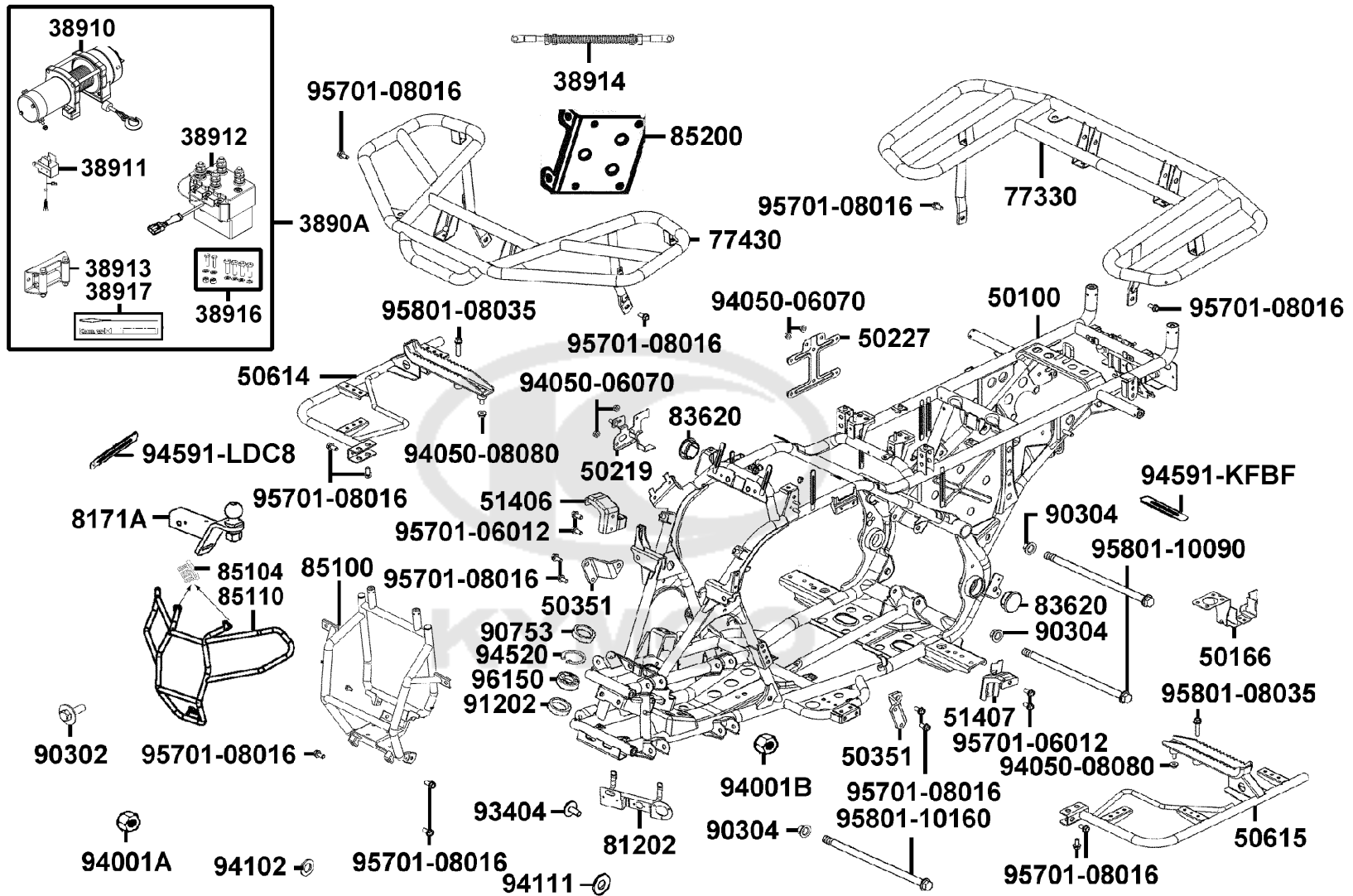
Sales mark	Ref no	Part no	Description	Reg description	Regd no	F20
	3890A	3890A-LKK7-E75	ASSY WINCH	ASSY WINCH	1	
	38910	38910-LFE9-E05	WINCH COMP	WINCH COMP	1	
	38911	38911-LFE9-E02	ROCKER SWITCH CABLE	ROCKER SWITCH CABLE	1	
	38912	38912-LFE9-E02	RELAY ASS Y WICH	RELAY ASSY WINCH	1	
	38913	38913-LFE9-E02	ROLLER FAIRLEAD	ROLLER FAIRLEAD	1	
	38914	38914-AGA2-E00	POWER WIRE	POWER WIRE	1	
	38916	38916-LFE9-E05	HARDWARE WINCH	HARDWARE	1	
	38917	38917-LFE9-E02	HOOK PART ACCESSORIES	HOOK PART ACCESSORIES	1	
	50100	50100-AGA1-M00	BODY COMP FRAME	BODY COMP FRAME	1	
	50166	50166-AGA1-M00	BRKT START MAG SW	BRKT START MAG SW	1	
	50219	50219-AGA1-M00	STAY WINKER RELAY	STAY WINKER RELAY	1	
	50227	50227-AGA1-M00	STAY ECU	STAY ECU	1	
	50351	50351-AGA1-M00	BRKT ENG HANGER	BRKT ENG HANGER	1	
	50614	50614-AGA1-M00	STAY R FLOOR PANEL	STAY R FLOOR PANEL	1	
	50615	50615-AGA1-M00	STAY L FLOOR PANEL	STAY L FLOOR PANEL	1	
	51406	51406-AGA1-M00	RH STAY FR CARRIER	RH STAY FR CARRIER	1	
	51407	51407-AGA1-M00	LH STAY FR CARRIER	LH STAY FR CARRIER	1	
	77330	77330-AGA2-E00	"REAR CARRIER,LUGGAGE"	"REAR CARRIER,LUGGAGE"	1	
	77430	77430-AGA2-E00	FRONT CARRIER LUGGAGE	FRONT CARRIER LUGGAGE	1	
	81202	81202-AGA2-E00	STAY LINCENSE PLATE	STAY LINCENSE PLATE	1	



Sales mark	Ref no	Part no	Description	Reg description	Regd no	F20
	8171A	8171A-ZXA6-E03	HITCH ASSY	HITCH ASSY	1	
	83620	83620-AGA1-M00	CAP PIPE	CAP PIPE	2	
	85104	85104-AGA1-M00	CAP PIPE	CAP PIPE	1	
**	85110	85110-AGA1-M00	PIPE COMP ACCERY FRONT BUMPER	PIPE COMP ACCERY FRONT BUMPER	1	
	85200	85200-AGA2-E01	PLATE, WINCH-WELDMENT	"PLATE, WINCH-WELDMENT"	1	
	90302	90302-AGA1-M00	BOLT WASH 5X16	BOLT WASH 5X16	1	
	90304	90304-GLW0-C01	NUT U FLANGE 10MM(C)	NUT U FLANGE 10MM(C)	4	
	90753	90753-AGA1-M00	OIL SEAL 27X40X6	OIL SEAL 27X40X6	1	
	91202	91202-AGA1-M00	OIL SEAL 22X35X7	OIL SEAL 22X35X7	1	
	93404	93404-06012-07G	BOLT-WASH 6x12	BOLT-WASH 6x12	1	
	94001A	94001-08080-07G	NUT HEX 8mm	NUT HEX 8mm	1	
	94001B	94001-10080-07	NUT HEX 10MM	NUT HEX 10MM (K)	1	
	94050-06070	94050-06070-G	NUT FLANGE 6MM (KG)	NUT FLANGE 6MM (G)	8	
	94050-08080	94050-08080-G	NUT FLANGE 8MM	FLANGE NUT 8MM(C)	2	
	94102	94102-10800-G	WASHER PLAIN 10MM	WASHER PLAIN 10.5*22*2.5	1	
	94111	94111-10800	WASHER SPG 10MM	WASHER SPG 10MM	1	
	94520	94520-40000	CIR CLIP IN 40	CIR CLIP IN 40	1	
	94591-KFBF	94591-KFBF-C00	CLIP 2*71	CLIP 2*70	1	
	94591-LDC8	94591-LDC8-E10	CLIP BIND	CLIP BIND	1	
	95701-06012	95701-06012-07G	BOLT FLANGE 6X12(KG)	BOLT FLANGE 6X12(KG)	5	

F20

Frame Body



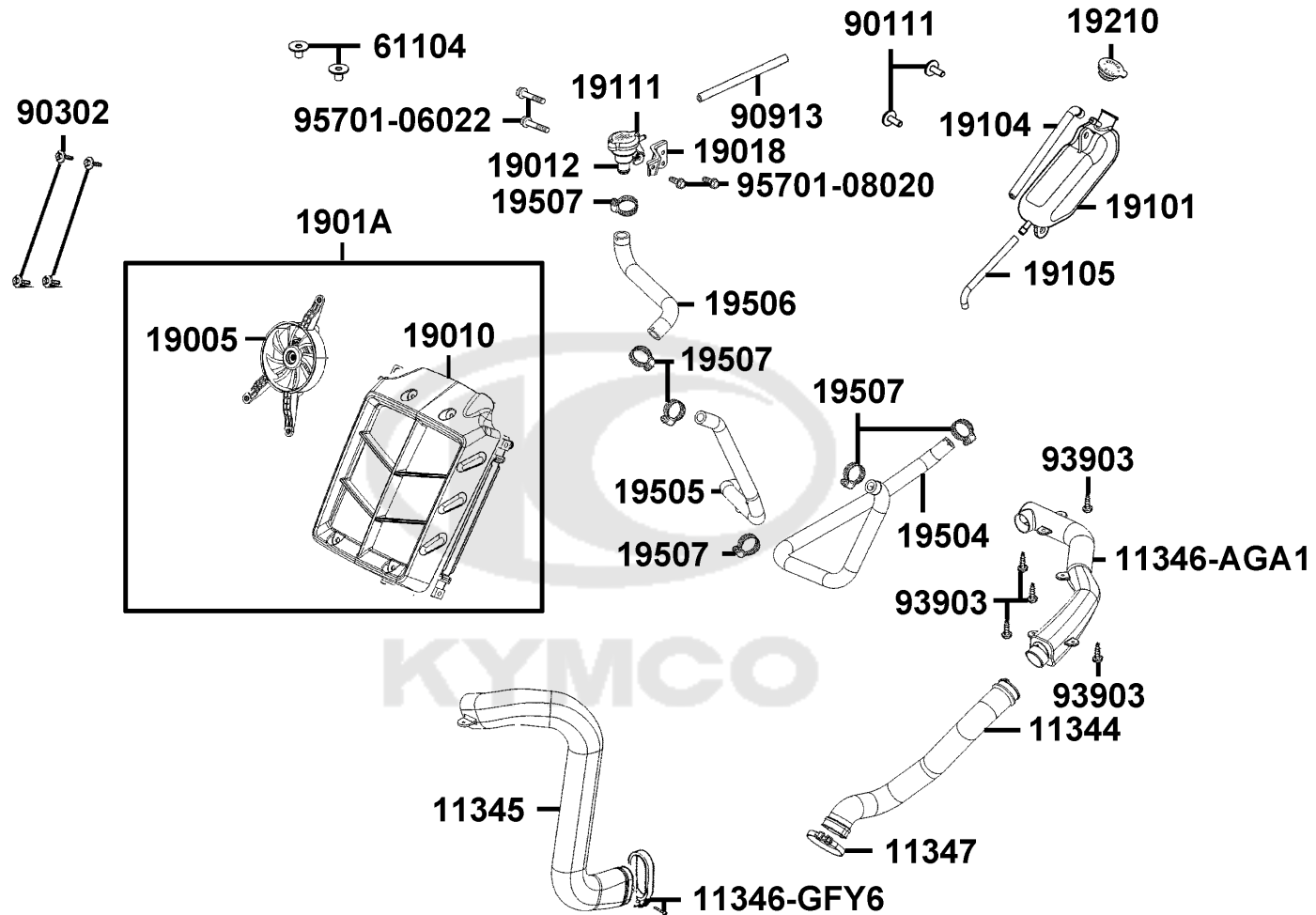
Sales mark	Ref no	Part no	Description	Reg description	Regd no	F20
------------	--------	---------	-------------	-----------------	---------	------------

95701-08016	95701-08016-07G	95701-08016-07G	BOLT FLANGE 8*16 (K)	BOLT FLANGE 8*16 (K)	18	
95801-08035	95801-08035-07G	95801-08035-07G	BOLT FLANGE 8*35 (K)	BOLT FLANGE 8*35 (K)	2	
95801-10090	95801-10090-07G	95801-10090-07G	BOLT FLANGE 10*90(K)	BOLT FLANGE 10*90(K)	2	
95801-10160	95801-10160-07G	95801-10160-07G	BOLT FLANGE 10*160	BOLT FLANGE 10*160	1	
96150	96150-62030-10	96150-62030-10	BEARING BALL RADIAL 6203	BEARING BALL RADIAL 6203	1	



F21

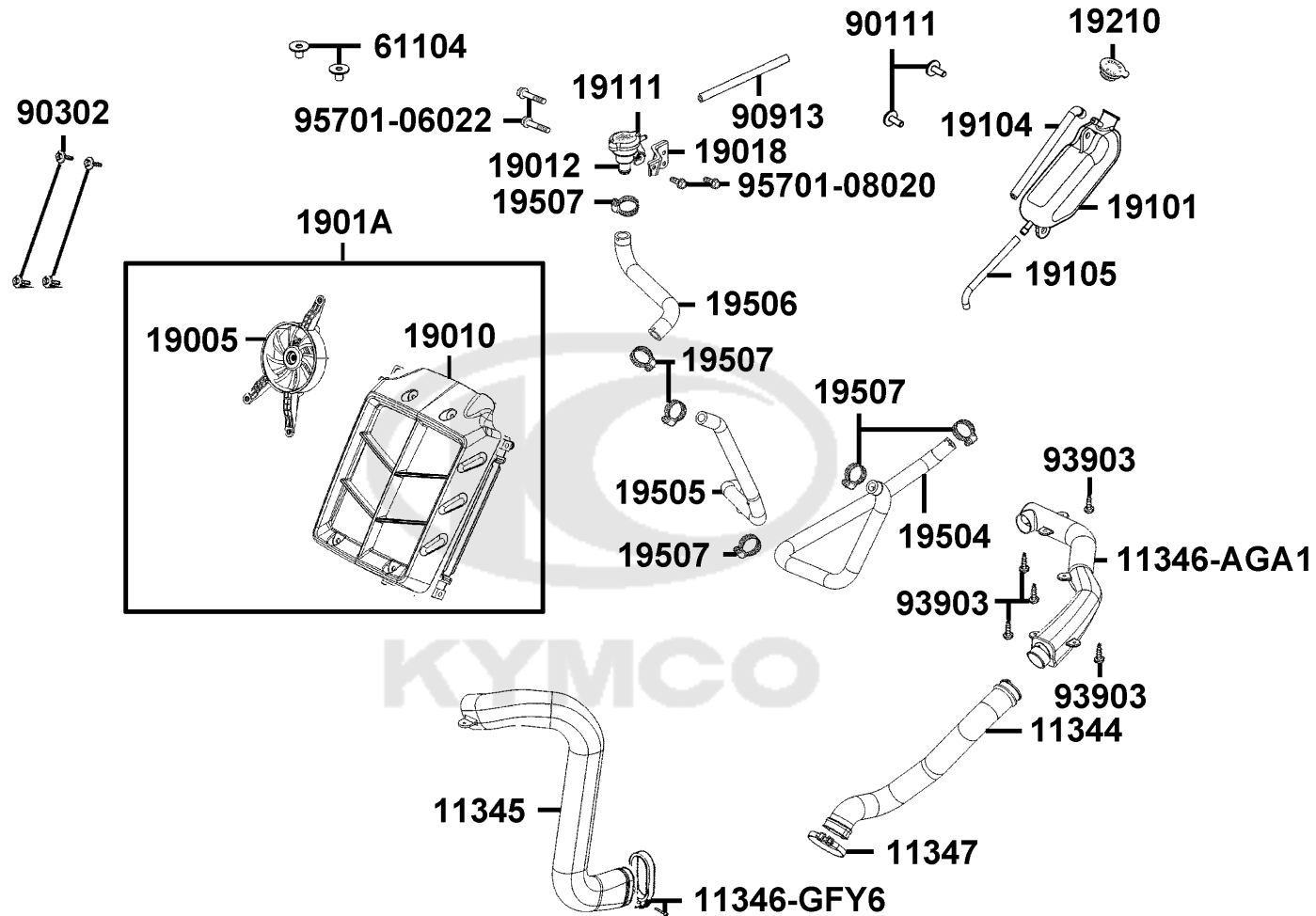
RADIATOR COMP



Sales mark	Ref no	Part no	Description	Reg description	Regd no	F21
	11344	11344-AGA1-M00	DUCT B L COVER	DUCT B L COVER	1	
	11345	11345-AGA1-M00	DUCT A, L COVER	DUCT A, L COVER	1	
	11346-AGA1	11346-AGA1-M00	DUCT C L COVER	DUCT C L COVER	1	
	11346-GFY6	11346-GFY6-C00	BAND L COVER DUCT	BAND L COVER DUCT	1	
	11347	11347-AGA1-M00	BAND L COVER DUCT	BAND L COVER DUCT	1	
	19005	19005-AGA1-M00	SHROUD ASS'Y	SHROUD ASSY	1	
	19010	19010-AGA1-M00	RADIATOR COMP	RADIATOR COMP	1	
	19012	19012-KHD8-C00	UNIT RADIATOR	UNIT RADIATOR	1	
	19018	19018-AGA1-M00	STAY UNIT RADIATOR	STAY UNIT RADIATOR	1	
	1901A	1901A-AGA1-M00	RADIATOR COMP	RADIATOR COMP	1	
	19101	19101-AGA1-M00	TANK RESERVE	TANK RESERVE	1	
	19104	19104-AGA1-M00	HOSE ASSY DRAIN	HOSE ASSY DRAIN	1	
	19105	19105-AGA1-M00	HOSE ASSY WATER	HOSE ASSY WATER	1	
	19111	19111-GBE2-C00	CAP COMP.	CAP COMP.	1	
	19210	19210-ABD6-C00	CAP RESERVE TANK	CAP RESERVE TANK	1	
	19504	19504-AGA1-M00	HOSE WATER D RADIATOR-ENG	HOSE WATER D RADIATOR-ENG	1	
	19505	19505-AGA1-M00	HOSE WATER F ENG-RADIATOR	HOSE WATER F ENG-RADIATOR	1	
	19506	19506-AGA1-M00	HOSE WATER G RADIATOR-PRESSURE	HOSE WATER G RADIATOR-PRESSURE	1	
	19507	19507-ABD6-C00	"CLAMP. D28"	"CLAMP. D28"	6	
	61104	61104-AGA1-M00	COLLAR FR FENDER	COLLAR FR FENDER	2	

F21

RADIATOR COMP

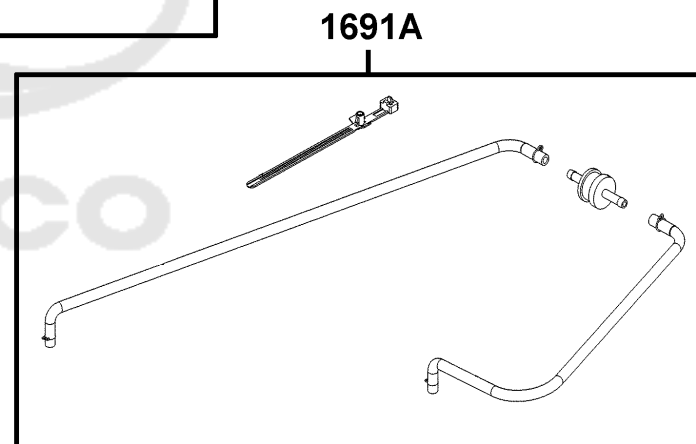
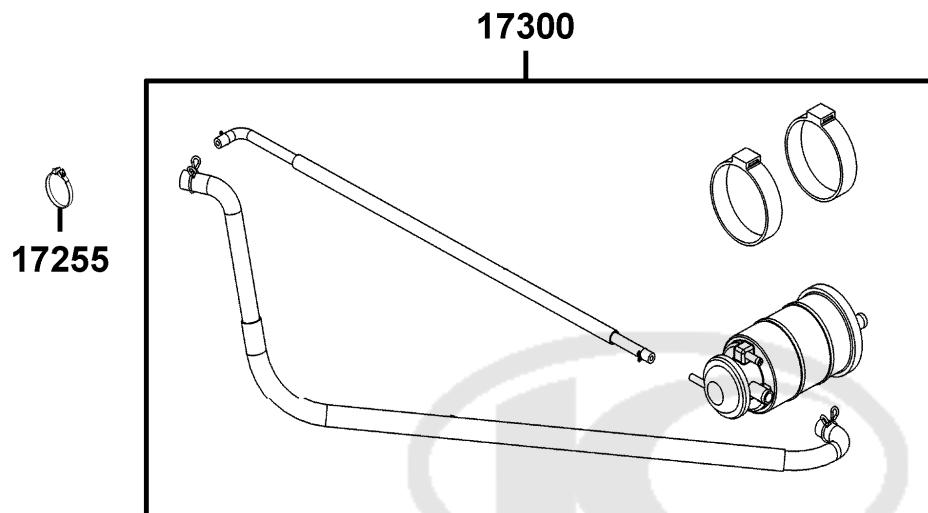


Sales mark	Ref no	Part no	Description	Reg description	Regd no	F21
90111		90111-06016-07G	BOLT FLANGE 6*16 (K)	BOLT FLANGE 6*16 (K)	4	
90302		90302-GFY6-C11	BOLT-WASH 5*16	BOLT-WASH 5*16	4	
90913		90913-AGA1-M00	TUBE ASSY WATER	TUBE ASSY WATER	1	
93903		93903-35360-G	SCREW TAPPING 5*16	SCREW TAPPING 5*16	5	
95701-06022		95701-06022-07G	BOLT FLANGE 6*22 (K)	BOLT FLANGE 6*22 (K)	5	
95701-08020		95701-08020-07G	BOLT FLANGE 8*20 (K)	BOLT FLANGE 8*20 (K)	2	



F22

CANISTER-PCV ASSY



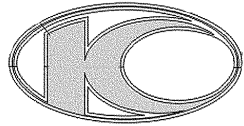
Sales mark	Ref no	Part no	Description	Reg description	Regd no	F22
------------	--------	---------	-------------	-----------------	---------	------------

1691A		1691A-AGA1-M00	TUBE COMP FUEL STRAINER-CARB	TUBE COMP FUEL STRAINER-CARB	1	
17255		17255-AGA1-M00	BAND A CONNECTING TUBE	BAND A CONNECTING TUBE	1	
17300		17300-AGA1-M00	CANISTER-PCV ASSY	CANISTER-PCV ASSY	1	

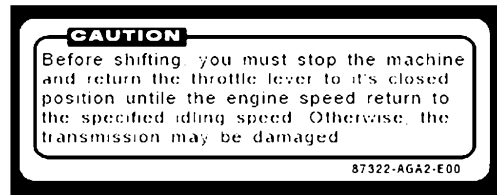


F23

Emblem Stripe



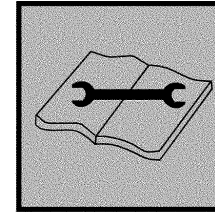
86101



87322



87501



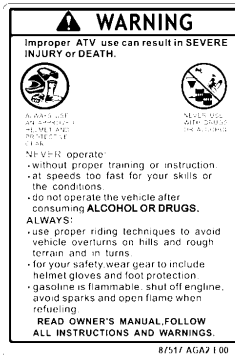
87560



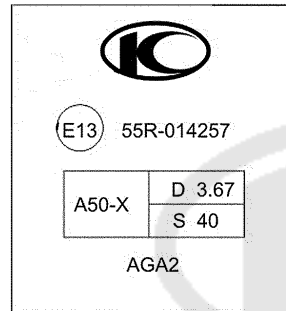
87311A



87546



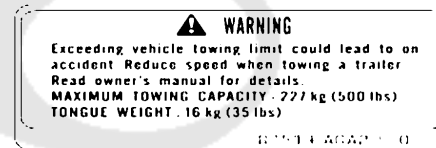
87515



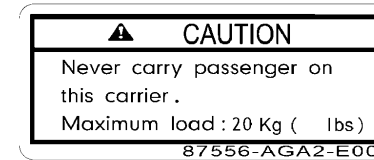
87514-AEF2



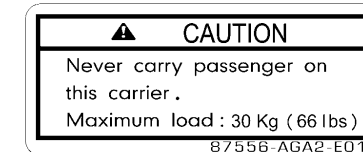
86182



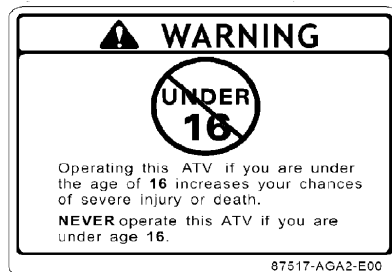
87514-AGA2



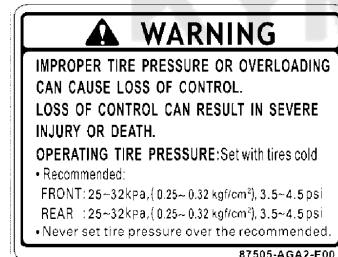
87556-AGA2-E00



87556-AGA2-E01



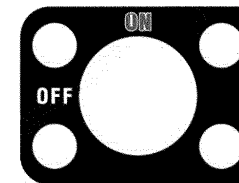
87517



87505



87502



81218



87311B

Sales mark	Ref no	Part no	Description	Reg description	Regd no	F23
**	81218	81218-AGA2-E60	SW BATTERY LABEL	SW BATTERY LABEL	1	
**	86101	86101-AEF6-C00	STRIPE FRONT COVER	STRIPE FRONT COVER	1	
**	86182	86182-AGA2-E60	SW LABEL	SW LABEL	1	
**	87311A	87311-AGA2-E60	EMB CHANGE HANDLE	EMB CHANGE HANDLE	1	
**	87311B	87311-AGA2-E61	EMB CHANGE HANDLE	EMB CHANGE HANDLE	1	
**	87322	87322-AGA2-E00	CAUTION SHIFT GEARS	CAUTION SHIFT GEARS	1	
**	87501	87501-AGA2-E60	USE CAUTION	USE CAUTION	1	
**	87502	87502-AGA2-E60	WARNING HOT SURFACE	WARNING HOT SURFACE	1	
**	87505	87505-AGA2-E00	LABEL TIRE ON ROAD	LABEL TIRE ON ROAD	1	
**	87514-AEF2	87514-AEF2-C00	HITCH LABEL	HITCH LABEL	1	
**	87514-AGA2	87514-AGA2-E70	CAUTION MAXIMUM CAPACITY	CAUTION MAXIMUM CAPACITY	1	
**	87515	87515-AGA2-E00	CAUTION LIST ON ROAD	CAUTION LIST ON ROAD	1	
**	87517	87517-AGA2-E00	CAUTION DRIVE AGE	CAUTION DRIVE AGE	1	
**	87546	87546-AGE3-E00	LABEL FUEL TANK	LABEL FUEL TANK	4	
**	87556-AGA2-E00	87556-AGA2-E00	CAUTION CARRIER MAX LOAD(20KG)	CAUTION CARRIER MAX LOAD(20KG)	1	
**	87556-AGA2-E01	87556-AGA2-E01	CAUTION CARRIER MAX LOAD(30KG)	CAUTION CARRIER MAX LOAD(30KG)	1	
**	87560	87560-AGA2-E60	MARK DRIVE CAUTION	MARK DRIVE CAUTION	1	

F24

Emblem Stripe



86623



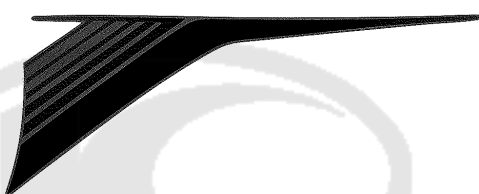
86633



86563



86533



86523



86573



86643



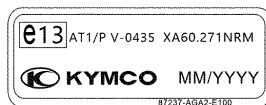
86553



86543



86653



87237

Sales mark	Ref no	Part no	Description	Reg description	Regd no	F24
**	86523	86523-AGA2-E60	STRIPE R FRONT FENDER	STRIPE R FRONT FENDER	1	
**	86533	86533-AGA2-E60	STRIPE L FRONT FENDER	STRIPE L FRONT FENDER	1	
**	86543	86543-AGA2-E60	STRIPE B R FENDER FR	STRIPE B R FENDER FR	1	
**	86553	86553-AGA2-E60	STRIPE B L FENDER FR	STRIPE B L FENDER FR	1	
**	86563	86563-AGA2-E60	STRIPE C R FENDER FR	STRIPE C R FENDER FR	1	
**	86573	86573-AGA2-E60	STRIPE C L FENDER FR	STRIPE C L FENDER FR	1	
**	86623	86623-AGA2-E60	STRIPE R FENDER RR	STRIPE R FENDER RR	1	
**	86633	86633-AGA2-E60	STRIPE L FENDER RR	STRIPE L FENDER RR	1	
**	86643	86643-AGA2-E60	STRIPE B R FENDER RR	STRIPE B R FENDER RR	1	
**	86653	86653-AGA2-E60	STRIPE B L FENDER RR	STRIPE B L FENDER RR	1	
**	87237	87237-AGA2-E01	EPA CERTIFICATION	EPA CERTIFICATION	1	

PART NO. INDEX

PART NO.	VERSION	PAGE	PART NO.	VERSION	PAGE	PART NO.	VERSION	PAGE
11000			1221A-LDB2-E00	0	E02	14531-KHE7-900	1	E03
11100-LDE9-E00	0	E01	12251-KHE7-901	0	E02	14610-LDE9-E00	0	E03
11192-LBA7-900	0	E01	12310-AGA1-M00	0	E02	14711-LDF2-900	0	E02
11200-LCD9-E00	0	E01	12361-GFY6-901	1	E04	14721-LDB2-E00	0	E02
11221-LBA7-900	0	E08	12361-GFY6-C00	5	F17	14751-KHE7-900	0	E02
11330-LDE9-E00	0	E04	12391-LDB2-E00	0	E02	14761-KHE7-900	0	E02
11341-LBA7-900	0	E01	12431-LCD9-E00	0	E08	14771-GDB4-C00	2	E02
11344-AGA1-M00	0	F21	13000			14775-MFA6-C00	5	E02
11345-AGA1-M00	0	F21	1300A-LDE9-305	0	E03	14781-MFA6-001	1	E02
11346-AGA1-M00	0	F21	13011-KHE7-900	0	E03	15000		
11346-GFY6-C00	1	F21	13101-LDB2-E00	0	E03	15100-LBA7-900	0	E07
11347-AGA1-M00	0	F21	13111-LDB2-E00	0	E03	15133-KAM1-001	0	E07
11348-AGA1-M00	0	E06	14000			15141-LBA2-E00	0	E07
11348-LBA7-900	0	E01	14100-LDB2-E00	0	E02	15421-1G07-001	1	E04
11394-LBA7-900	0	E04	14150-LDB2-E00	0	E02	15426-GAE1-921	1	E04
11395-LBA7-900	0	E01	14401-LDE9-E00	0	E03	15441-1K49-001	0	E03
12000			14431-LDB2-E00	0	E02	15447-1K49-001	0	E03
12100-LDE9-E00	0	E03	14450-KEBE-900	0	E02	1565A-KKAK-900	0	E04
12191-KHE7-910	0	E03	14452-LDB2-E00	0	E02	15661-LBA7-900	0	E04
12200-AGA1-M00	0	E02	14510-LDE9-E00	0	E03	15711-KHE7-900	0	E07
12205-KHE8-301	5	E02	14520-GFY6-90C	2	E03	16000		
12209-GDB4-68A	2	E02	14523-KED9-900	1	E03	16053-PTA1-800	0	E05

PART NO. INDEX

PART NO.	VERSION	PAGE	PART NO.	VERSION	PAGE	PART NO.	VERSION	PAGE
16054-PTA1-800	0	E05	17300-AGA1-M00	0	F22	18646-GFY6-C10	1	E02
16059-LDB5-E00	0	E05	17371-AGA1-M00	0	F13	18657-AGA1-M00	0	F13
16072-PTA1-800	0	E05	17500-AGA2-E00	0	F10			
16100-AGA1-M00	0	E05	17516-AGA1-M00	0	F10	19000		
16110-KGC5-900	1	E05	1755A-AGA1-M00	0	F10			
16113-PTA1-800	4	E05	17561-LGK8-900	1	F10	19005-AGA1-M00	0	F21
16114-LDB5-E00	0	E05	17561-LHG8-E00	0	F10	19010-AGA1-M00	0	F21
16118-LBF2-900	2	E05	17581-AGA1-M00	0	F10	19012-KHD8-C00	0	F21
16134-LDB5-E00	0	E05	1759A-AGA1-M00	0	F10	19018-AGA1-M00	0	F21
16137-PTA1-800	0	E05	1760B-AGA1-M00	0	F10	1901A-AGA1-M00	0	F21
16771-GKAK-220	0	E05	1763A-AGA1-M00	0	F10	19101-AGA1-M00	0	F21
16772-AEC8-E00	0	E05	17700-AGA1-M00	0	F05	19104-AGA1-M00	0	F21
1691A-AGA1-M00	0	F22	17700-AGA1-M00	3	F05	19105-AGA1-M00	0	F21
			17910-AGA1-M00	0	F03	19111-GBE2-C00	0	F21
17000						19210-ABD6-C00	0	F21
			18000			19215-KHE7-900	0	E04
1711A-AGA1-M00	0	E02				19217-ZPA3-E00	0	E04
17200-AGA1-M00	0	F13	18291-LHB3-E11	0	F14	19221-KHE7-900	0	E04
1721A-AGA1-M00	0	F13	18293-AGA1-M00	0	F14	19229-LBA7-900	0	E04
17231-AGA1-M00	0	F13	18294-AGA1-M00	0	F14	19231-KKJ9-011	0	E04
17239-AGA1-M00	0	F13	18294-KTCT-C00	0	F14	19300-KAE1-004	0	E02
1723A-AGA1-M00	0	F13	1830A-AGA2-E00	0	F14	19310-AGA1-M00	0	E02
17246-AGA1-M00	0	F13	18325-AGA1-M00	0	F14	19315-KHE7-900	0	E02
17255-AGA1-M00	0	F13	18327-AGA1-M00	0	F14	19502-LBA7-900	0	E04
17255-AGA1-M00	0	F22	18329-AGA1-M00	0	F14	19504-AGA1-M00	0	F21
17266-AGA1-M00	0	F13	18424-AGA1-M00	0	F14	19505-AGA1-M00	0	F21

PART NO. INDEX

PART NO.	VERSION	PAGE	PART NO.	VERSION	PAGE	PART NO.	VERSION	PAGE
19506-AGA1-M00	0	F21	22530-LBA7-900	0	E06	24000		
19507-ABD6-C00	0	F21	22804-GBB2-001	0	E06			
19507-LDB5-E00	1	E04						
21000			23000			24211-LCD9-E00	0	E09
						24221-LCD9-E00	0	E09
			2301A-LBA7-900	0	E06	24241-LCD9-E00	0	E09
21200-LCD9-E00	0	E08	23100-KHE7-900	0	E06	24242-LCD9-E00	0	E09
21202-LCD9-E00	0	E08	23200-KHE7-900	1	E06	24251-LCD9-E00	0	E09
21203-LCD9-E00	0	E08	23211-LCD9-E00	0	E09	24305-PWA1-900	0	E09
21395-LCD9-E00	0	E08	23220-LLJ3-E00	0	E06	2431A-LCD9-E01	0	E09
21396-LCD9-E00	0	E08	23225-KHE7-900	1	E06	24610-LCD9-E00	0	E09
			23226-GHC8-004	0	E06	24651-PTA7-900	0	E09
22000			23233-LBA7-900	0	E06	24700-AGA1-M00	0	F15
			23237-KHE7-900	1	E06	24701-LCD9-E00	0	E09
22101-LBA7-900	0	E06	23238-KHE7-900	0	E06	24702-AGA1-M00	0	F15
22102-KHE7-900	0	E06	23411-LCD9-E00	0	E09	24703-AGA1-M00	0	F15
22105-LBA7-900	0	E06	23420-PWA1-E00	0	E09	24704-AGA1-M00	0	F15
22110-KHE7-900	0	E06	23431-LCD9-E00	0	E08	24707-AGA1-M00	0	F15
22112-KHE7-900	0	E06	23440-PWA1-E00	0	E09	2470A-AGA1-M00	0	F15
22121-LBA7-305	0	E06	23450-LCD9-E00	0	E09	24710-AGA1-M00	0	F15
22131-LBA7-900	0	E06	23471-LCD9-E01	0	E09	24711-AGA1-M00	0	F15
22132-KHE7-305	0	E06	23481-PWA1-E00	0	E09	24720-AGA1-M00	0	F15
22300-LBA7-900	0	E06	23518-LCD9-E0A	0	E09	24721-AGA1-M00	0	F15
22350-KHE7-900	0	E06	23519-LCD9-E0A	0	E08	24722-AGA1-M00	0	F15
22361-LEA7-E00	0	E06	23520-LCD9-E00	0	E09	24723-AGA1-M00	0	F15
22401-LBA7-900	0	E06				24781-AGA1-M00	0	F15

PART NO. INDEX

PART NO.	VERSION	PAGE	PART NO.	VERSION	PAGE	PART NO.	VERSION	PAGE
			32101-AGA1-M00	0	F19	34901-LDC8-E10	1	F01
			32410-LBA7-900	0	E07	34905-LCA5-E00	0	F18
			32411-AGA2-E00	0	F19	34906-LBA8-E80	1	F18
			32412-AGA1-M00	0	E07			
			32412-AGA1-M00	0	F19	35000		
			32415-AGA2-E00	0	F19			
28101-KHE7-900	0	E07	32910-LKA8-E70	0	F18	35010-AGA2-E00	0	F19
28102-LDE9-E00	0	E07	32976-1G07-C00	0	E01	3520A-AGA7-E00	0	F03
28110-LDB2-E00	0	E07				35340-AGA1-M00	0	F04
28120-LDB2-E00	0	E07	33000			35350-AGA1-M00	0	F04
						35350-KNBN-C00	1	F04
30000			33100-AGA2-E00	0	F01	35380-ABE1-C00	0	F19
3051A-AGA1-M00	0	F19	33130-AGA2-E00	0	F01	35759-LHM2-E00	0	E01
			33135-AGA2-E00	0	F01	35850-ALL1-C00	1	F19
31000			33150-AGA2-E00	0	F01	35920-AFE6-E00	0	F11
31100-AGA1-M00	0	E07	33700-AGA2-E00	0	F18			
31110-AGA1-M00	0	E07	33710-AGA2-E00	0	F18	37000		
31120-LDE9-E00	0	E07	33715-AGA2-E00	0	F18			
31210-LBA7-900	0	E07	33720-AGA2-E00	0	F18	37200-AGA2-E00	0	F02
31340-AHH8-M00	0	E04	33750-AGA2-E00	0	F18	37802-AGA1-M00	0	F10
31500-AGA1-EZ0	0	F11	33761-AGA1-M00	0	F18			
31600-PRB8-900	0	F19				38000		
3195A-LBA7-E00	1	F19	34000					
						38110-KHB4-E0A	2	F19
32000			34300-KKE3-900	3	E05	38300-AGA2-E00	0	F19
32100-AGA2-E00	0	F19	34301-KKE3-900	2	E05	38400-LKJ1-900	0	F02

PART NO. INDEX

PART NO.	VERSION	PAGE	PART NO.	VERSION	PAGE	PART NO.	VERSION	PAGE
38500-AAD2-C00	5	F19				42705-AGA1-M00	0	F08
38500-LGL3-90A	5	F19	40000			4270A-AGA1-M00	0	F08
38506-AGA1-M00	0	F19				42710-AGA2-E00	0	F08
3890A-LKK7-E75	0	F20	40201-AGA1-M00	0	E08	42753-0A01-C00	1	F07
38910-LFE9-E05	0	F20	40210-AGA1-M00	0	E08	42753-0A01-C00	1	F08
38911-LFE9-E02	0	F20	40215-AGA1-M00	0	E08			
38912-LFE9-E02	0	F20	40540-AGA1-M00	0	F17	43000		
38913-LFE9-E02	0	F20						
38914-AGA2-E00	0	F20	41000			43100-AGA2-E00	0	F04
38916-LFE9-E05	0	F20				43125-AGA1-M00	0	F04
38917-LFE9-E02	0	F20	41300-AGA1-M00	0	F17	43127-AGA2-E00	0	F04
39000			41310-AGA1-M00	0	F17	43200-AGA2-E00	0	F04
			41320-AGA1-M00	0	F17	43350-AGA1-M00	0	F08
			41405-LCD9-E00	0	F17	43351-AGA1-M00	0	F08
3920A-AGA2-E00	0	F19	41421-LCD9-E00	0	F17	43450-AGA2-E00	0	F04
39300-AGA1-M00	0	E02	41431-LCD9-E01	0	F17	43500-AGA1-E00	0	F04
39301-LKB3-C00	0	E02	41435-LCD9-E00	0	F17	43600-AGA1-M00	0	F04
39302-KKE3-C00	1	E02	41436-LCD9-E00	0	F17			
39303-LEB2-C00	1	E02	41437-LCD9-E00	0	F17	44000		
39400-LEA6-800	2	E02	41447-LCD9-E00	0	F17			
39450-ZVA6-M00	0	F14	41547-AGA1-E00	0	F17	44620-AGA1-M00	0	F16
39500-PTA1-800	0	E05				44705-AGA1-M00	0	F07
39700-PTA1-800	0	E05	42000			4470A-AGA1-M00	0	F07
						44710-AGA2-E00	0	F07
			42302-AGA1-M00	0	F17			
			42303-AGA1-M00	0	F17			

PART NO. INDEX

PART NO.	VERSION	PAGE	PART NO.	VERSION	PAGE	PART NO.	VERSION	PAGE
45000			47410-AGA1-M00	0	F07	52400-AGA1-M00	0	F17
			47500-AGA1-M00	0	F16			
			50000			53000		
45100-AGA1-M00	0	F04				53100-AGA1-M00	0	F03
45105-AGA1-305	0	F04				53102-AGA1-M00	0	F03
45121-AGA1-M00	0	F07	50100-AGA1-M00	0	F20	53104-AGA1-M00	0	F03
45124-AGA1-M00	0	F04	50166-AGA1-M00	0	F20	53105-AGA1-M00	0	F03
45127-AGA2-E00	0	F04	50219-AGA1-M00	0	F20	53121-AGA2-C00	0	F03
45128-AGA1-M00	0	F04	50227-AGA1-M00	0	F20	5312A-AFF7-E00	0	F03
45130-AGA1-M00	0	F04	50328-AGA1-M00	0	F11	53131-3H98-C10	0	F03
45131-AGA1-M00	0	F07	50351-AGA1-M00	0	F20	53132-AGA1-M00	0	F03
45132-AGA1-M00	0	F04	50614-AGA1-M00	0	F20	53166-AGA1-E00	0	F03
45140-AGA1-M00	0	F16	50615-AGA1-M00	0	F20	53175-AGA1-M00	0	F04
45200-AGA1-M00	0	F04				53178-KFC8-C00	0	F04
45500-AGA1-M00	0	F04	51000			5319A-AGA2-E00	0	F04
45513-AGA1-M00	0	F04				53200-AGA1-M00	0	F06
45517-KFAF-910	1	F04	51400-AGA1-M00	0	F16	53205-AGA1-M00	0	F03
46000			51406-AGA1-M00	0	F20	53205-AGA1-M00	2	F03
			51407-AGA1-M00	0	F20	53250-AGA1-M00	0	F06
			52000			53251-AGA1-M00	0	F06
46500-AGA1-M00	0	F15				53252-AGA1-M00	0	F06
46503-AGA1-M00	0	F15				53254-AGA1-M00	0	F06
47000			52000-AGA1-M00	0	F17	53400-AGA1-M00	0	F16
			52101-AGA1-M00	0	E08	53450-AGA1-M00	0	F16
			52114-AGA1-M00	0	F17			
47400-AGA1-M00	0	F16	52130-AGA1-M00	0	F17	53500-AGA1-M00	0	F16

PART NO. INDEX

PART NO.	VERSION	PAGE	PART NO.	VERSION	PAGE	PART NO.	VERSION	PAGE
53550-AGA1-M00	0	F16						
53700-AGA1-M00	0	F06						
60000			77000			83000		
			77200-AGA1-M00	0	F09	83620-AGA1-M00	0	F20
			77330-AGA2-E00	0	F20			
60100-AGA1-M00	0	F05	77430-AGA2-E00	0	F20	85000		
60100-AGA1-M00	3	F05						
60102-AGA1-M00	0	F05	80000			85100-AGA1-M00	0	F20
60112-AGA1-M00	0	F05				85104-AGA1-M00	0	F20
60112-AGA1-M00	0	F12	80100-AGA1-M00	0	F12	85110-AGA1-M00	0	F20
60113-AGA1-M00	0	F05	80100-AGA1-M00	3	F12	85200-AGA2-E01	0	F20
60113-AGA1-M00	0	F12	80102-AGA1-M00	0	F12			
60200-AGA1-M00	0	F05	80103-AGA1-M00	0	F12	86000		
			80110-AGA1-M00	0	F12			
61000			80121-AGA1-M00	0	F12	86101-AEF6-C00	0	F23
			80122-AGA1-M00	0	F12	86182-AGA2-E60	0	F23
61104-AGA1-M00	0	F10	80130-AGA1-M00	0	F12	86523-AGA2-E60	0	F24
61104-AGA1-M00	0	F21	80200-AGA1-M00	0	F12	86523-AGA2-E60	1	F24
64000			81000			86533-AGA2-E60	0	F24
						86533-AGA2-E60	1	F24
64301-AGA1-M00	0	F05	81202-AGA2-E00	0	F20	86543-AGA2-E60	0	F24
64301-AGA1-M00	3	F05	81218-AGA2-E60	0	F23	86553-AGA2-E60	0	F24
			8171A-ZXA6-E03	0	F20	86563-AGA2-E60	0	F24
						86573-AGA2-E60	0	F24
						86623-AGA2-E60	0	F24
						86623-AGA2-E60	1	F24

PART NO. INDEX

PART NO.	VERSION	PAGE	PART NO.	VERSION	PAGE	PART NO.	VERSION	PAGE
86633-AGA2-E60	0	F24				90105-KCR3-C01	0	F07
86643-AGA2-E60	0	F24	88000			90105-KCR3-C01	0	F08
86643-AGA2-E60	1	F24				90106-KFC2-900	2	F03
86653-AGA2-E60	0	F24	88110-AGA1-E00	0	F03	90110-AGA1-M00	0	F12
86653-AGA2-E60	1	F24	88120-AGA1-E00	0	F03	90111-06016-07G	0	F05
87000			89000			90111-06016-07G	0	F12
						90111-06016-07G	0	F21
						90111-LEB1-C11	0	F12
87237-AGA2-E01	0	F24	89010-AGA1-M00	0	F09	90114-1F66-C00	2	F04
87311-AGA2-E60	0	F23				90121-LCD9-E00	0	F17
87311-AGA2-E61	0	F23	90000			90122-LCD9-E00	0	F17
87322-AGA2-E00	0	F23				90123-LCD9-E00	0	F17
87501-AGA2-E60	0	F23	90001-GBHB-681	0	E01	90131-PRB3-C00	0	F04
87502-AGA2-E60	0	F23	90001-GBHB-C03	0	E01	90131-PRB3-C00	0	F07
87505-AGA2-E00	0	F23	90001-GBHB-C05	0	E03	90133-LLB1-900	0	E01
87514-AEF2-C00	0	F23	90001-GBHB-C05	0	E07	90145-AGA1-M01	0	F04
87514-AGA2-E70	0	F23	90001-GFY6-901	1	E01	90201-KHE7-900	1	E06
87515-AGA2-E00	0	F23	90005-KED9-900	2	E03	90201-KHR8-75A	1	E06
87517-AGA2-E00	0	F23	90012-3C33-001	2	E02	90201-KHR8-75A	1	E07
87546-AGE3-E00	0	F23	90031-KEBE-900	0	E01	90202-1G87-001	1	E06
87556-AGA2-E00	0	F23	90031-KKA7-900	0	E01	90206-0A01-001	4	E02
87556-AGA2-E01	0	F23	90033-GFY6-C01	1	E02	90242-LCD9-E00	0	F17
87560-AGA2-E60	0	F23	90071-MLB0-001	0	E07	90301-LBA7-C00	0	F08
			90084-4H28-001	1	E04	90302-AGA1-M00	0	F01
			9008A-LBA7-900	0	E04	90302-AGA1-M00	0	F03
			90101-LCA5-C00	0	F15	90302-AGA1-M00	0	F05

PART NO. INDEX

PART NO.	VERSION	PAGE	PART NO.	VERSION	PAGE	PART NO.	VERSION	PAGE
90302-AGA1-M00	0	F11	90331-LCD9-E00	0	E08	90458-LBA7-E00	0	E08
90302-AGA1-M00	0	F18	90332-LCD9-E00	0	E08	90465-MDC4-C00	1	E02
90302-AGA1-M00	0	F20	90333-LCD9-E00	0	E08	90474-3C33-C00	1	E08
90302-GBR2-C01	1	F10	90334-LCD9-E00	0	E08	90474-3C33-C00	1	F17
90302-GFY6-C11	1	F21	90335-LCD9-E00	0	E08	90478-7L00-001	0	E02
90302-PUA3-B51	1	F05	90336-LCD9-E00	0	E08	90478-7L00-001	0	E04
90304-4H38-C00	1	E02	90337-LCD9-E00	0	E08	90501-3L10-C00	0	F15
90304-GLW0-C01	0	F16	90338-LCD9-E00	0	E08	90501-LBA7-900	0	E06
90304-GLW0-C01	0	F17	90339-LCD9-E00	0	E08	90521-0H28-C00	0	E09
90304-GLW0-C01	0	F20	90340-LCD9-E00	0	E08	9052A-GFY6-950	X	E08
90305-GHK8-C01	0	F05	90341-LCD9-E00	0	E08	9052A-LEB1-900	0	E01
90305-GHK8-C01	0	F12	90342-LCD9-E00	0	E08	90545-3L00-C00	2	F04
90305-MAA1-C01	0	F06	90401-KKJ9-001	0	E07	90605-1F66-c00	0	E06
90306-LCD9-E00	0	E09	90401-KKJ9-001	0	E09	90605-KED9-900	0	E09
90311-LCD9-E00	0	E09	90404-PWA1-E00	0	E09	90651-AGA1-M00	0	F13
90312-LCD9-E00	0	E09	90423-KKJ9-001	0	E04	90651-LCA5-E00	0	F05
90313-LCD9-E00	0	E09	90441-KDY4-C00	0	E01	90652-AGA1-M00	0	E08
90314-LCD9-E00	0	E09	90441-LBA7-900	0	E01	90652-GFY6-901	1	E02
90315-LCD9-E00	0	E09	90441-PWA1-E00	0	E08	90652-LCA4-C10	6	F05
90316-LCD9-E00	0	E09	90447-KED9-900	0	E09	90653-AGA1-M00	0	E08
90317-LCD9-E00	0	E09	90451-LBA7-900	0	E09	90654-AGA1-M00	0	F13
90318-LCD9-E00	0	E09	90451-LCD9-E00	0	E09	90677-GAR1-C01	1	F05
90319-LCD9-E00	0	E09	90451-LDE9-E00	0	E09	90677-GAR1-C01	1	F12
90320-LCD9-E00	0	E09	90452-LBA7-900	1	E09	90683-GAR1-C00	4	F13
90321-LCD9-E00	0	E09	90455-LBA7-900	0	E09	90750-LLB1-900	0	E01
90322-LCD9-E00	0	E09	90455-PWA1-E00	0	E09	90753-AGA1-M00	0	F20

PART NO. INDEX

PART NO.	VERSION	PAGE	PART NO.	VERSION	PAGE	PART NO.	VERSION	PAGE		
90913-AGA1-M00	0	F21	91271-AGA1-M00	0	F17	93000				
91000			91301-AGA1-M00	0	F17					
			91301-KHE7-900	0	E02					
			91302-0A01-C00	10	E04		93401-04025-08	0	F19	
	91001-KHV8-004	0	E01	91302-AGA1-M00	0		F17	93404-06012-07G	0	F13
	91001-KKJ9-006	0	E04	91302-KHE7-900	0		E04	93404-06012-07G	0	F20
	91002-GFY6-90A	0	E08	91303-3G77-001	0		E04	93404-06025-07G	1	F05
	91002-GGA7-70A	0	E06	91303-AGA1-M00	0		F17	93404-06025-07G	1	F12
	91002-LDE9-E00	0	E08	91306-1E05-C00	1		E03	93500-03010-0F	0	E07
	91004-KHE7-900	1	E06	91306-LBA7-900	0		E01	93500-05012-0F	0	E05
	91005-LBA7-900	1	E01	91307-0E35-001	1	E04	93500-05016-0F	0	E07	
91106-LBA7-900	0	E01	91309-4E25-004	0	E07	93891-04012-06	0	E05		
91106-LBA7-900	0	E09	91309-AGA1-M00	0	F17	93891-05035-07G	0	F18		
91106-LCD9-E00	0	F17	91309-LCD9-E00	0	E08	93903-35360-G	0	F02		
91201-9A51-004	0	E08	91351-KHE7-900	1	E06	93903-35360-G	0	F12		
91201-KKJ9-004	0	E04	91356-4E25-004	0	F08	93903-35360-G	0	F21		
91202-AGA1-M00	0	F20	91509-LBA7-E00	0	E08	94000				
91202-KKC4-90B	0	E01	91509-LLB1-900	0	E01					
91206-2F86-C00	0	E08	92000				94001-06080-0S	0	E02	
91211-KHE7-900	1	E06					94001-08080-07G	0	F20	
91252-AGA1-M00	0	F17					94001-08080-0S	0	F15	
91254-LDE9-E00	0	F17		92000-06022-07G	0		F15	94001-08080-0SG	0	F14
91256-LCD9-E00	0	E08		92101-05032-0G	0		E07	94001-10080-07	0	F20
91258-AGA1-M00	0	F16		92101-06020-0G	0		E09	94001-AGA1-M01	0	F15
91261-4E15-004	0	E01		92712-06028-0B	0		E02	94002-06080-0S	0	F15
91261-AGA1-M00	0	F17								

PART NO. INDEX

PART NO.	VERSION	PAGE	PART NO.	VERSION	PAGE	PART NO.	VERSION	PAGE
94011-12080-0S	0	F16	94111-06800	1	F14	94540-50029	0	E05
94011-LLB1-900	0	F07	94111-08800	0	F15	94540-LCD9-E00	0	E09
94012-LDB5-E00	0	F08	94111-10800	0	F20	94591-KFBF-900	2	E02
94012-LLB1-900	0	F06	94201-20150-08G	0	F15	94591-KFBF-C00	1	F20
94012-LLB1-900	0	F07	94201-20250-G	0	F15	94591-LDC8-E10	1	F20
94030-PTA1-800	2	E05	94201-25250-G	0	F06	94591-LLB1-900	0	E01
94031-LCD9-E00	0	E08	94201-30250-G	0	F06	94601-17000	0	E03
94050-05060-G	0	F18	94201-30250-G	0	F07	94601-33000	1	E06
94050-05060-G	0	F19	94201-30250-G	0	F08			
94050-06070-G	0	F20	94201-30250-G	0	F16	95000		
94050-06080	2	E05	94301-08140	4	E01			
94050-06080-G	1	F10	94301-08140	4	E04	95002-02150	0	E08
94050-06080-G	1	F19	94301-10160	4	E01	95002-02150	0	F13
94050-08080	4	E02	94301-10160	4	E02	95002-41050-00	0	F17
94050-08080-G	1	F14	94301-10160	4	E03	95004-AGA1-M00	0	F13
94050-08080-G	1	F15	94301-10160	4	E04	95005-AGA1-M00	0	F17
94050-08080-G	1	F20	94301-10160	4	E08	95014-PRB3-900	0	F09
94050-AGA1-M00	0	F05	94303-04065	0	E07	95701-06010-07G	0	F16
94050-AGA1-M00	0	F12	94510-10000	0	E07	95701-06012-06	1	F14
94101-06200	1	F14	94510-25000	1	E09	95701-06012-07G	1	F04
94101-12800-G	0	F16	94520-26000	0	E04	95701-06012-07G	1	F13
94102-08000	5	F15	94520-28000	1	E06	95701-06012-07G	1	F17
94102-10800-G	0	F20	94520-40000	1	F20	95701-06012-07G	1	F20
94102-14800-G	0	F15	94520-56000	0	E08	95701-06016-07G	1	F19
94111-06800	1	E02	94520-58000	0	E08	95701-06022-07G	1	F10
94111-06800	1	E05	94540-12028	0	E09	95701-06022-07G	1	F15

PART NO. INDEX

PART NO.	VERSION	PAGE	PART NO.	VERSION	PAGE	PART NO.	VERSION	PAGE
95701-06022-07G	1	F21	95801-10050-07G	0	F16	96001-06050-06	1	E01
95701-06025-06	2	E02	95801-10057-07G	1	F16	96001-06110-06	1	E02
95701-06035-07G	3	F15	95801-10057-07G	1	F17	96001-06125-06	0	E04
95701-06040-07G	1	F04	95801-10090-07G	0	F20	96100-30203-10	0	F17
95701-08012-06	1	E01	95801-10160-07G	0	F20	96100-60000-00	0	E04
95701-08012-06	1	E08	95803-LBA7-C00	0	F17	96100-60090-00	0	E08
95701-08012-07G	0	F04				96100-60090-00	0	F17
95701-08012-07G	0	F17	96000			96100-62050-00	2	E01
95701-08012-07G	0	F19				96100-62060-00	2	F17
95701-08012-08G	1	F17	96001-06010-00	0	E04	96100-63030-00	1	E09
95701-08016-06	1	E08	96001-06010-06	0	E01	96100-63040-00	1	E01
95701-08016-07G	1	F20	96001-06012-06	1	E01	96150-60000-10	0	F16
95701-08020-07G	1	F07	96001-06012-06	1	E07	96150-60060-10	0	F17
95701-08020-07G	1	F08	96001-06012-06	1	F14	96150-62030-10	0	F20
95701-08020-07G	1	F21	96001-06014-02	0	E02	96211-12000	0	E01
95701-08025-07G	0	F14	96001-06016-06	1	E04	96600-06012-10	3	E08
95701-08028-07G	0	F15	96001-06016-08	6	F15	96600-08015-16	0	E07
95701-08030-08G	1	F17	96001-06018-07G	0	E02	96700-06020-07G	0	F04
95701-08040-06	0	E08	96001-06020-06	0	E08			
95701-08045-06	0	E08	96001-06020-07G	0	F15	98000		
95701-10035-08G	0	F17	96001-06022-06	1	E04			
95801-08035-07G	0	F03	96001-06025-06	1	E01	98069-5791R-00	0	E02
95801-08035-07G	0	F20	96001-06028-06	1	E04			
95801-08060-07G	0	F06	96001-06028-06	1	E07			
95801-10025-07G	0	F17	96001-06032-06	1	E01			
95801-10040-07G	1	F16	96001-06045-06	0	E04			