

M750L & M760L E4



VIN: LL8RPW4W*****

ÍNDICE

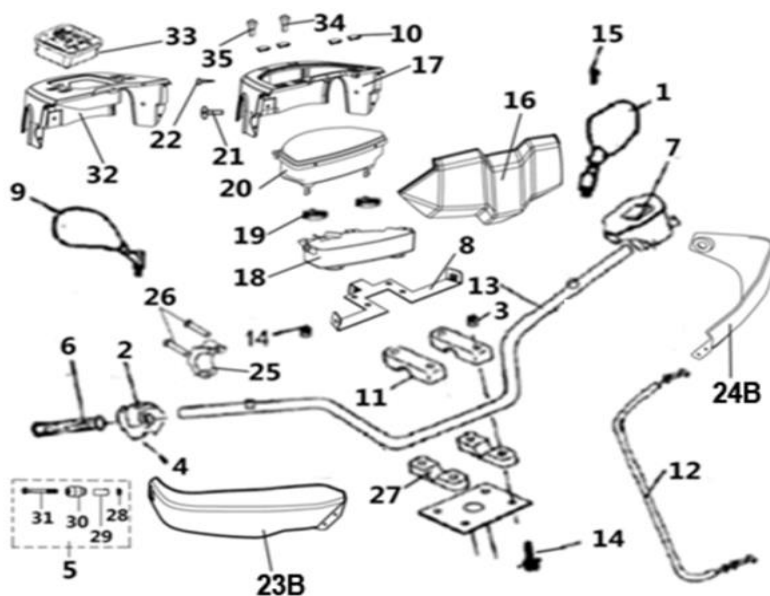
ESQ	QUADRO	PAG
B1	HANDLEBAR	4
B2	FUEL TANK (FOR DOWN PUMP)	5
B2.1	FUEL TANK (FOR UP PUMP)	6
B3	REAR FENDERS	7
B3.1	REAR FENDERS	8
B4	FRONT BODY & FRAM	9
B4.1	FRONT BODY & FRAM	10
B4.2	FRONT BODY & FRAM	11
B5	SHOCK ABSORBER FRONT	12
B5.1	SHOCK ABSORBER FRONT	13
B6	REAR ARM	14
B7	WHEEL FRONT	15
B8	WHEEL REAR	16
B9	SHIFT ROD	17
B10	FRONT AND REAR GEAR-BOX	18
B11	FRONT LEFT DRIVE AXLE (FOR 4WD)	19
B12	FRONT RIGHT DRIVE AXLE (FOR 4WD)	20
B13	REAR LEFT DRIVE AXLE (XL)	21
B14	REAR RIGHT DRIVE AXLE (XL)	22
B15	FRONT AND REAR KNUCKLE ASSY	23
B16	STEERING COLUMN EPS (MARKED "DK")	24
B17	ELECTRICAL SYSTEM	25
B17.1	ELECTRICAL SYSTEM	26
B18	BRAKING SYSTEM (FOR EUROPE)	27
B18.1	BRAKING SYSTEM (FOR EUROPE)	28
B18.2	AUXILIARY BRAKE (FOR EUROPE)	29
B19	PEDAL, BRAKE	30
B20	BUMPER & RACK	31
B20.1	BUMPER & RACK	32
B21	ENGINE	33
B22	FRONT GEAR-BOX	34
B22.1	FRONT GEAR-BOX	35
B23	REAR GEAR-BOX	36

ÍNDICE

ESQ	MOTOR	PAG
E1	CYLINDER HEAD COVER ASSY	37
E2	CYLINDER	38
E3	CAMSHAFT	39
E4	CYLINDER HEAD ASSY	40
E5	CRANKSHAFT COMP	41
E6	CRANKCASE	42
E6.1	CRANKCASE	43
E7	RIGHT COVER	44
E8	LEFT COVER	45
E9	SHIFT COVER	46
E10	CVT COVER CVT	47
E11	GENERATOR	48
E11.1	ASSEMBLY RELATION OF THE GENERATOR, THE RIGHT COVER AND THE REGULATOR RECTIFIER	49
E12	STARTING MOTOR	50
E13	START SLOWDOWN ASSY	51
E14	OIL PUMP	52
E15	CLUTCH	53
E16	TRANSMISSION ASSY	54
E17	SHIFT ASSY	55
E18	REAR OUTPUT ASSY	56
E19	FRONT DRIVE ASSY	57
E20	TIMING CHAIN	58
E21	WATER PUMP ASSY	59
E22	COOLING COMPONENTS	60
E23	AIR CLEANER	61
E24	EXHAUST	62
E25	FUEL INJECTION ASSY	63
E26	ACCESSORY	64
E27	Frequently used Accessories	65

M750L-M760L

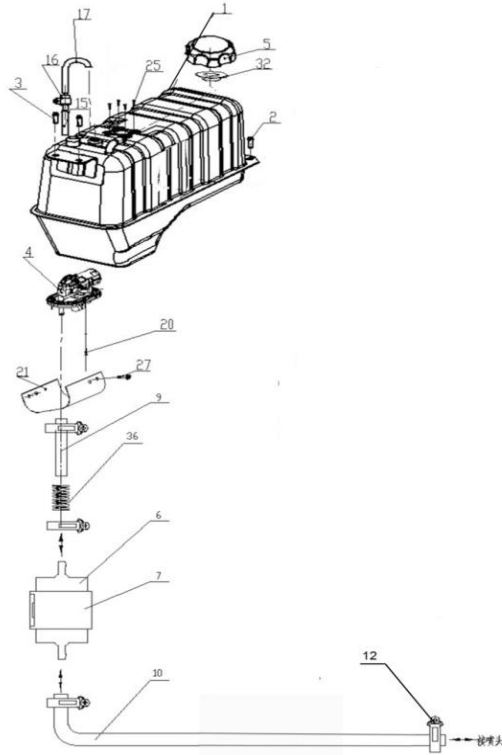
B1 HANDLEBAR



Nº	CÓDIGO	DESCRIÇÃO	Qt.	OBSERVAÇÕES
1	LH00036148	REAR VIEW MIRROR LEFT (ONLY FOR EUROPE) (MARK L-E9-00.1145)	1	
2	LH00071513	THROTTLE CONTROL	1	
3	LH00010079	NUT M8	9	
4	LH0010140B	BOLT M6X12	1	
5	LH00072037	NEW GUARD, HANDLEBAR END ASSY. (MATCH WITH NEW HANDLEBAR)	2	
6	LH00035727	GRIP	2	
7	LH00072212	SWITCH ASSY	1	
8	LH00036020	SPEEDOMETER BRACKET	1	
9	LH00036149	REAR VIEW MIRROR RIGHT (ONLY FOR EUROPE) (MARK R-E9-00.1145)	1	
10	LH00025010	SPEEDOMETER COVER CAP (FOR EUROPE)	4	
11	LH0020112a	HANDLEBAR CLAMP	2	
12	LH00036423	THROTTLE CABLE	1	
13	LH00036099	HANDLEBAR (NEW MODEL) (MATCH WITH NEW GUARD, HANDLEBAR END ASSY.)	1	
14	LH00010531	BOLT M8X72	4	
15	LH00025013	SCREW M6X12	2	
16	LH0361161H	FRONT SPEEDOMETER COVER (BLACK)	1	INJECTION MODEL
16	LH0361162G	FRONT SPEEDOMETER COVER (RED)	1	INJECTION MODEL
16	LH0361166F	FRONT SPEEDOMETER COVER (WHITE)	1	INJECTION MODEL
16	LH00036116	FRONT SPEEDOMETER COVER	1	
17	LH00036117	REAR SPEEDOMETER COVER	1	
18	LH00036115	HANDLEBAR COVER RIGHT	1	
19	LH00022351	RUBBER WASHER	2	
20	LH00072145	LCD SPEEDOMETER, BIGGER. OPTIONS	1	
21	LH00010420	SCREW M6X16	12	
22	LH00010520	SCREW ST4.8X12	4	
23B	LH00036288	HANDLEBAR COVER RIGHT (NEW MODEL)	1	
24B	LH00036289	HANDLEBAR COVER LEFT (NEW MODEL)	1	
25	LH00025526	DOWN HOLDER, REAR VIEW MIRROR	1	
26	LH00010008	BOLT M6X20	2	
27	LH00070703	HANDLEBAR DOWN CLAMP	2	
28	LH00010913	NUT M6	2	
29	LH00072035	TENSIONING BLOCK	2	
30	LH00072036	BALANCE WEIGHT	2	
31	LH00010940	SCREW M6X70	2	
32	LH00036114	Small instrument cover	1	
33	LH00072144	LCD SPEEDOMETER	1	
34	LH00073329	A key function		
35	LH00036153	The two key function		

M750L-M760L

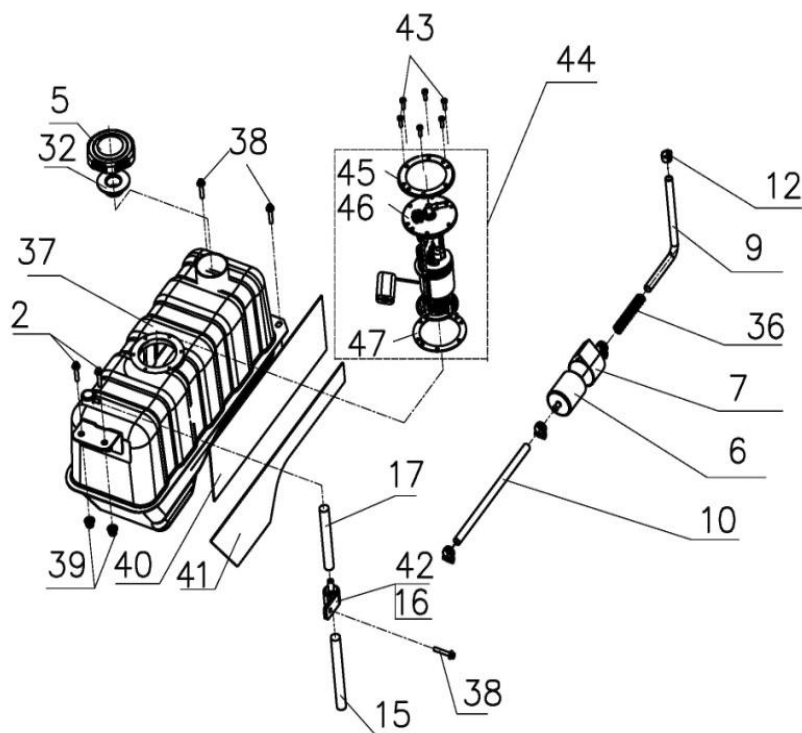
B2 FUEL TANK (FOR DOWN PUMP)



Nº	CÓDIGO	DESCRIÇÃO	Qt.	OBSERVAÇÕES
1	LH0071416a	TANK, FUEL (NEW MODEL)		
2	LH00010124	BOLT M8X35		
3	LH00010081	BOLT M8X20		
4	LH00036177	VALVE, TANK, FUEL (NEW)		
5	LH00071972	FUEL TANK CAP		
6	LH00070842	FUEL FILTER		
7	LH00070845	FUEL FILTER INSTALLATION		
9	LH0071418a	FUEL HOSE 2 (MARK "FUSTE")		
10	LH00072114	FUEL HOSE 5		
12	LH00071658	HOSE CLAMPS 8/14		
15	LH00070733	PIPE2		
16	LH00025037	VALVE,TANK, FUEL		
17	LH00071422	PIPE 3		
20	LH00010976	SCREW M4X16		
21	LH00071413	PROTECTION BOARD, OIL PUMP		
22	LH00010755	BOLT M6X20		
25	LH00010001	SCREW M5X12		
27	LH00010140	BOLT M6X12		
32	LH00071647	CUSHION, FUEL TANK CAP		
36	LH00072032	PROTECT TUBING		

M750L-M760L

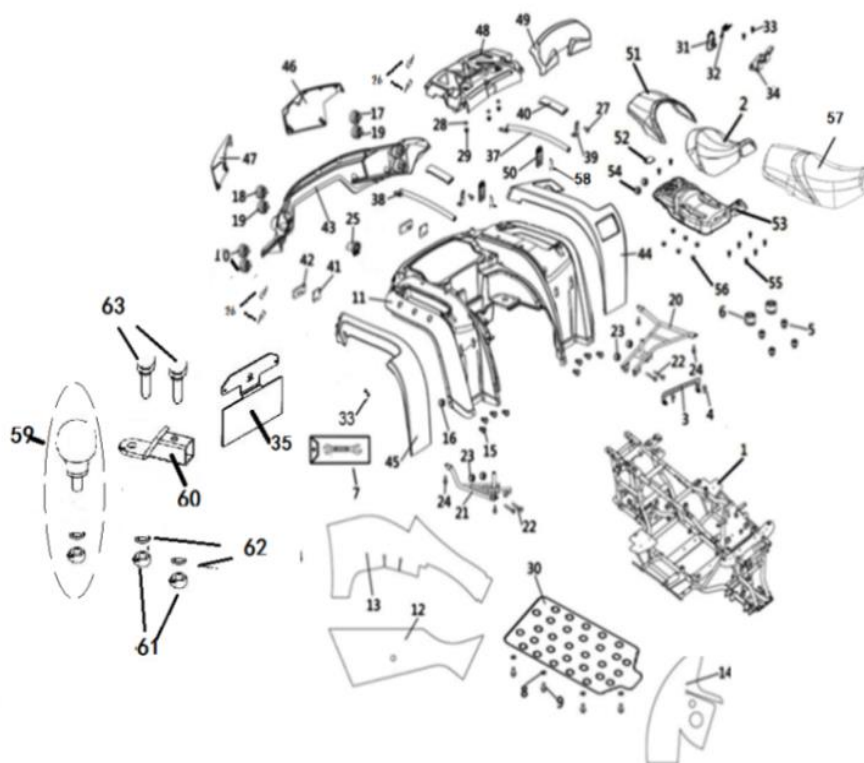
B2.1 FUEL TANK (FOR UP PUMP)



Nº	CÓDIGO	DESCRIÇÃO	Qt.	OBSERVAÇÕES
2	LH00010124	BOLT M8X35		
5	LH00071972	FUEL TANK CAP		
6	LH00070842	FUEL FILTER		
7	LH00070845	FUEL FILTER INSTALLATION		
9	LH0071418a	FUEL HOSE 2 (MARK "FUSTE")		
10	LH00072114	FUEL HOSE 5		
12	LH00071658	HOSE CLAMPS 8/14		
15	LH00070733	PIPE2		
16	LH00025037	VALVE, TANK, FUEL		
17	LH00071422	PIPE 3		
32	LH00071647	CUSHION, FUEL TANK CAP		
36	LH00072032	PROTECT TUBING		
37	LH0071416b	TANK, FUEL (OVERHEAD PUMP MODEL)		
38	LH00010182	BOLT M6X30		
39	LH00010882	NUT M8		
40	LH00071423	UPPER HEAT REFLECTIVE STICHER		
41	LH00071424	UNDERSIDE HEAT REFLECTIVE STICHER		
42	LH0880,021	DUMP VALVE FIXING SEAT		
43	LH00010201	BOLT M5X16		
44	LH00072313	FUEL TOP PUMP		
45	LH00072251	CLAMP		
46	LH00072252	PUMP BODY		
47	LH00036440	THE RUBBER GASKET		

M750L-M760L

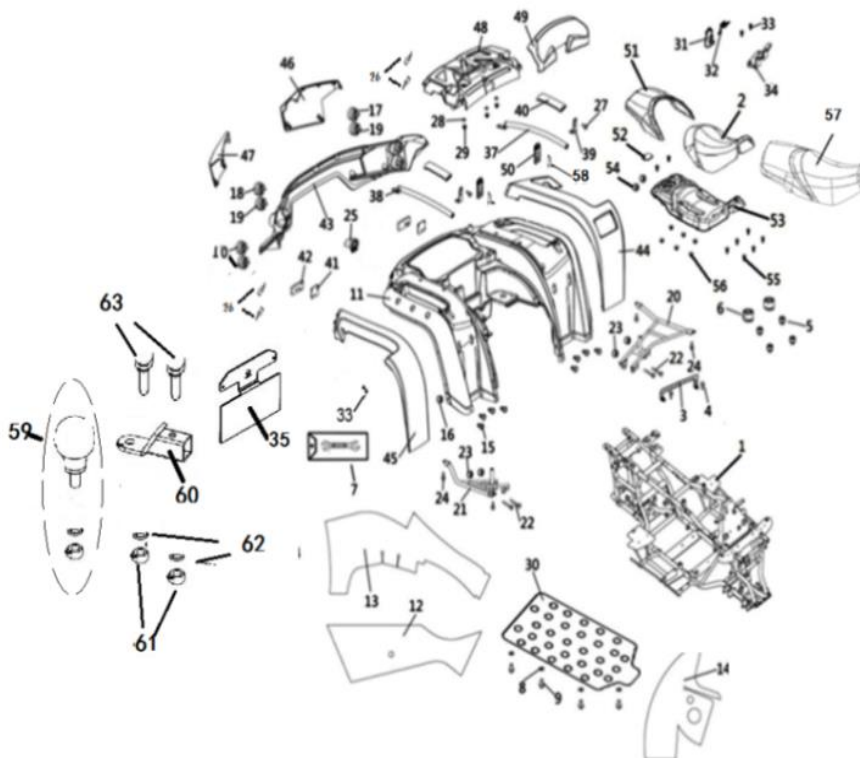
B3 REAR FENDERS



Nº	CÓDIGO	DESCRIÇÃO	Qt.	OBSERVAÇÕES
1	LH00072213	Frame welding assembly	1	
3	LH00036081	LATCH ASSEMBLY	1	
4	LH00010110	SCREW M6X20	2	
5	LH00025042	RUBBER, SEAT SETTING 1	4	
6	LH00070445	RUBBER, SEAT SETTING 2	2	
7	LH00025044	TOOL	1	
8	LH00020331	WASHER 6	8	
9	LH00010191	BOLT M6X18	8	
10	LH00036042	TOOL BOX CAP	4	
11	LH00036036	REAR FENDER (USED FOR NO ASSEMBLE REAR RACK)	1	
11	LH0036036a	REAR FENDER (TWO HOLE USED FOR ASSEMBLE REAR RACK)	1	
12	LH00072216	FOOTREST RIGHT ADIABATIC PELLICLE (FOR EUROPE 4)	1	
13	LH00036045	REAR MUD ADIABATIC PELLICLE 1	1	
14	LH00036046	REAR MUD ADIABATIC PELLICLE 2	1	
15	LH00010420	SCREW M6X16	12	
16	LH00010913	NUT 6	12	
17	LH00073324	LEFT REAR INDICATION LIGHT	1	
18	LH00073319	RIGHT REAR INDICATION LIGHT	1	
19	LH00073320	LEFT TAILLIGHT	1	
19	LH00073594	RIGHT TAILLIGHT	1	
20	LH00036416	TRESTLE LEFT	1	
21	LH00072147	TRESTLE RIGHT	1	
22	LH00025056	BOLT M8X70	4	
23	LH00010067	NUT 8	4	
24	LH00010182	BOLT M6X16	4	
25	LH00083459	LICENSE LIGHT	1	
26	LH00072214	REAR LIGHT MOUTING PLATE	4	
27	LH00010140	BOLT M6X12	2	
28	LH00010006	WASHER 6	2	
29	LH00010004	NUT 6	2	
30	LH00036427	PLASTIC PLANT	1	
31	LH00070788	HOOK BRACKET, SEAT LOCK	1	
32	LH00070802	SPRING	1	

M750L-M760L

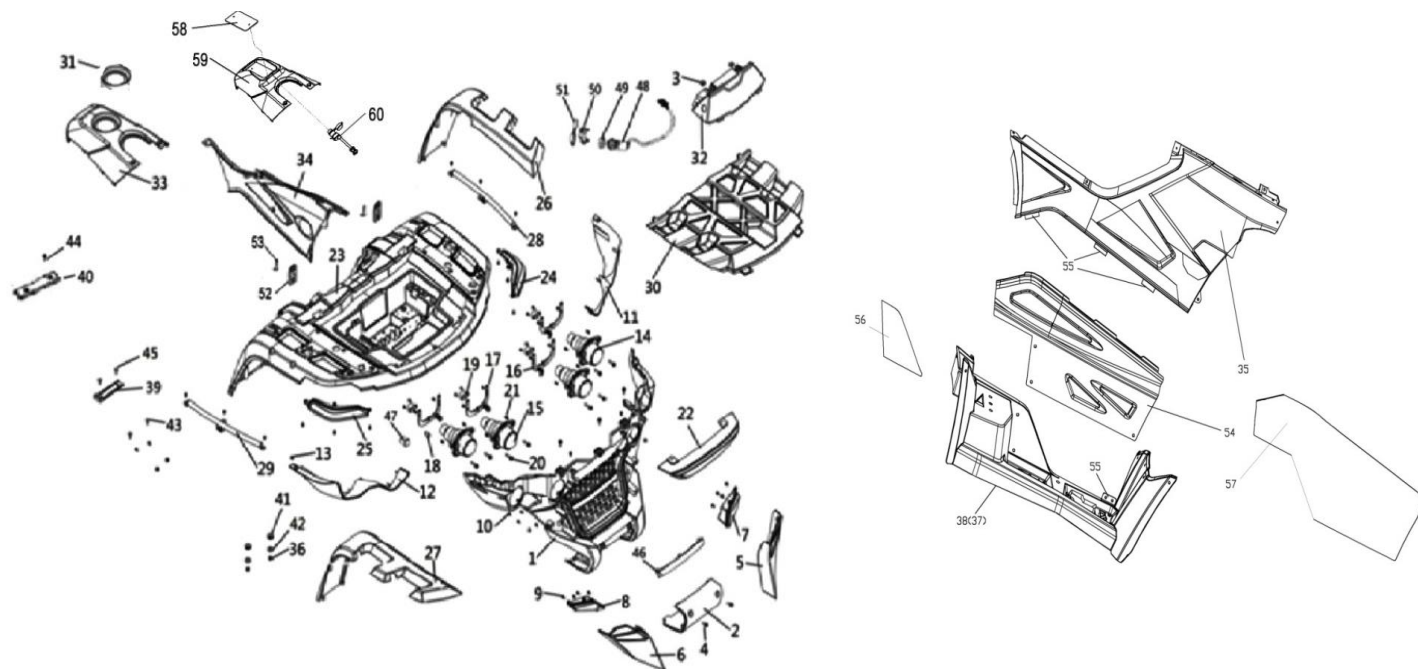
B3.1 REAR FENDERS



Nº	CÓDIGO	DESCRIÇÃO	Qt.	OBSERVAÇÕES
33	LH00010178	SCREW ST4.2X13	25	
34	LH00070803	Cushion plate	1	
36	LH00011031	BOLT M6X12	4	
37	LH00010140	Left rear arm assembly	1	
38	LH00036088	Right rear arm tube assembly	1	
39	LH00036089	Connecting plate of arm tube	2	
40	LH00036090	Arm rubber sleeve	2	
41	LH00036083	Rear reflector mounting plate	2	
42	LH00036018	Rear reflector	2	
43	LH00036041	Rear light frame	1	
44	LH0360376C	Rear left trim cover 1	1	
45	LH0360386C	Rear right trim cover 1	1	
46	LH0360406C	Rear left trim cover 2	1	
47	LH0360396C	Rear right trim cover 2	1	
48	LH00036043	Back tool box cover	1	
49	LH00036080	Short back	1	
50	LH00036080	Toolbox lock	2	
51	LH0036082A	REAR SEAT	1	
52	LH00036413	LITTLE COVER	1	
53	LH00036414	SEAT COVER	1	
54	LH00036415	NUT 6	2	
55	LH00010913	BOLT M6X12	8	
56	LH0010140B	NUT	6	
57	LH00036252	INTEGRAL SEAT	1	
58	LH00036267	Plate, Toolbox lock	2	
59	LH00025294	TRACTION BALL ASSY.	1	
60	LH00025295	PLATE,TRACTION BALL ASSY.	1	
61	LH00010874	NUT M16	2	
62	LH00027050	SPRING 16	2	
63	LH00010865	BOLT M16X85	2	

M750L-M760L

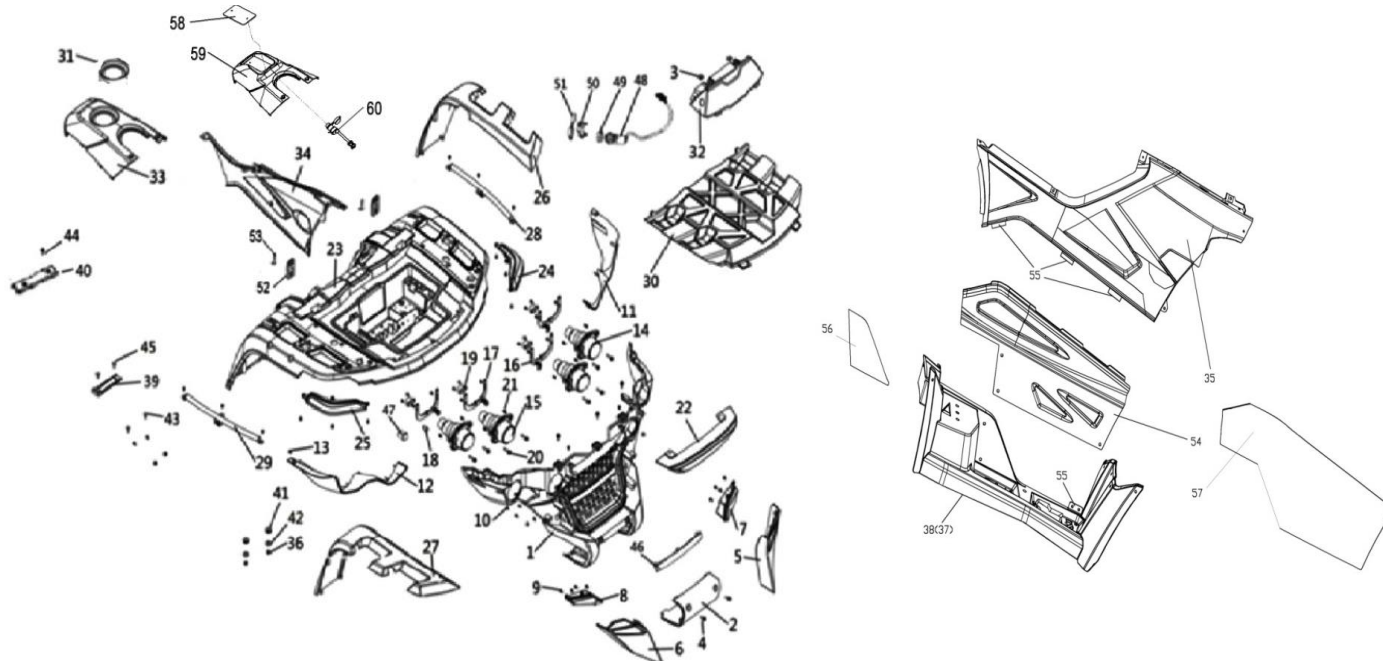
B4 FRONT BODY & FRAM



Nº	CÓDIGO	DESCRIÇÃO	Qt.	OBSERVAÇÕES
1	LH00036024	Front ventilation grid	1	
2	LH00036025	Tractor cover plate	1	
3	LH00070960	Flexible mounting nut	20	
4	LH00010812	BOLT M6X16	13	
5	LH0360266C	Front lower left decorative cover	1	
6	LH0360276C	Front lower right decorative cover	1	
7	LH00036129	The front left Rihang lamp	1	
8	LH00036130	The front right Rihang lamp	1	
9	LH00010178	SCREW ST4.8X13	12	
10	LH00010009	SCREW ST4.8X16	48	
11	LH0360281H	LEFT FRONT HEADLIGHT FRAME (BLACK)	1	INJECTION MODEL
11	LH0360282G	LEFT FRONT HEADLIGHT FRAME (RED)	1	INJECTION MODEL
11	LH0360286F	LEFT FRONT HEADLIGHT FRAME (WHITE)	1	INJECTION MODEL
12	LH0360291H	RIGHT FRONT HEADLIGHT FRAME (BLACK)	1	INJECTION MODEL
12	LH0360292G	RIGHT FRONT HEADLIGHT FRAME (RED)	1	INJECTION MODEL
12	LH0360296F	RIGHT FRONT HEADLIGHT FRAME (WHITE)	1	INJECTION MODEL
12	LH00036029	RIGHT FRONT HEADLIGHT FRAME	1	
13	LH0010178B	SCREW ST4.2X13	2	
14	LH00027610	HIGH BEAM	2	
15	LH00083373	DIPPED HEADLIGHT	2	
16	LH00036058	Left headlight bracket assembly	2	
17	LH00036059	Right headlight bracket assembly	2	
18	LH00071927	FRONT INDICATOR LIGHT BULB 12V 10W (ONLY FOR EUROPE) (YELLOW)	4	
19	LH00027371	BALL JOINT, HEADLIGHT	4	
20	LH00027372	ADJUSTMENT BOLT, HEADLIGHT	8	
21	LH00027373	SPRING	8	
22	LH00036030	Front decorative cover	1	
23	LH00072148	Front cover (USED FOR NO ASSEMBLE REAR RACK)	1	
23	LH00072149	Front cover (TWO HOLE USED FOR ASSEMBLE REAR RACK)	1	

M750L-M760L

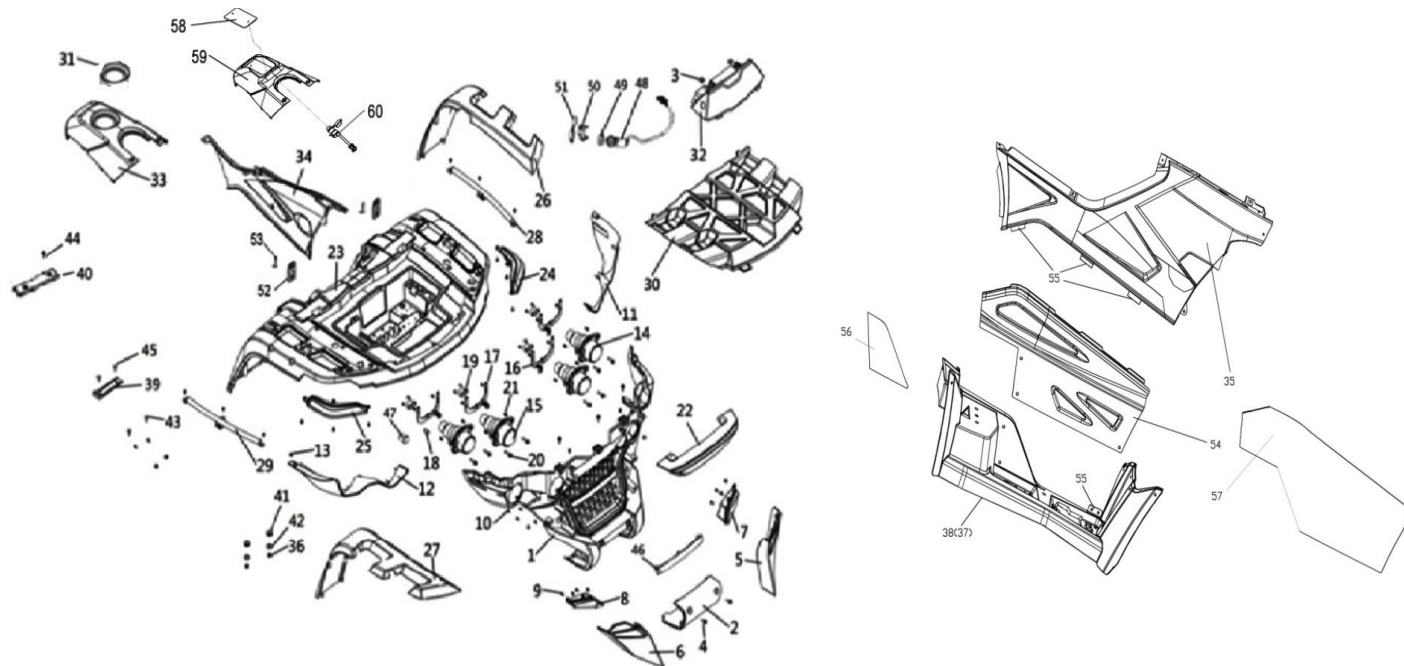
B4.1 FRONT BODY & FRAM



Nº	CÓDIGO	DESCRIÇÃO	Qt.	OBSERVAÇÕES
24	LH00036124	FRONT INDICATOR LIGHT L (ONLY FOR EUROPE)	1	
25	LH00036126	FRONT INDICATOR LIGHT R (ONLY FOR EUROPE)	1	
26	LH0360326C	Front left trim cover (USED FOR NO ASSEMBLE REAR RACK)	1	
26	LH36032A6C	Front left trim cover (TWO HOLE USED FOR ASSEMBLE REAR RACK)	1	
27	LH0360336C	Front right trim cover (USED FOR NO ASSEMBLE REAR RACK)	1	
27	LH36033A6C	Front right trim cover (TWO HOLE USED FOR ASSEMBLE REAR RACK)	1	
28	LH00036091	The front cover of the left supporting tube assembly	1	
29	LH00036092	The front cover of the right supporting tube assembly	1	
30	LH00036034	Front tool box cover	1	
31	LH00072150	COVER, TOP cover of fuel tank	1	
32	LH00036047	Front cover of fuel tank	1	
33	LH00036048	TOP cover of fuel tank	1	
34	LH0721511H	SIDE COVER L (BLACK)	1	INJECTION MODEL
34	LH0721512G	SIDE COVER L (RED)	1	INJECTION MODEL
34	LH0721516F	SIDE COVER L (WHITE)	1	INJECTION MODEL
35	LH0364101H	SIDE COVER R (BLACK)	1	INJECTION MODEL
35	LH0364102G	SIDE COVER R (RED)	1	INJECTION MODEL
35	LH0364106F	SIDE COVER R (WHITE)	1	INJECTION MODEL

M750L-M760L

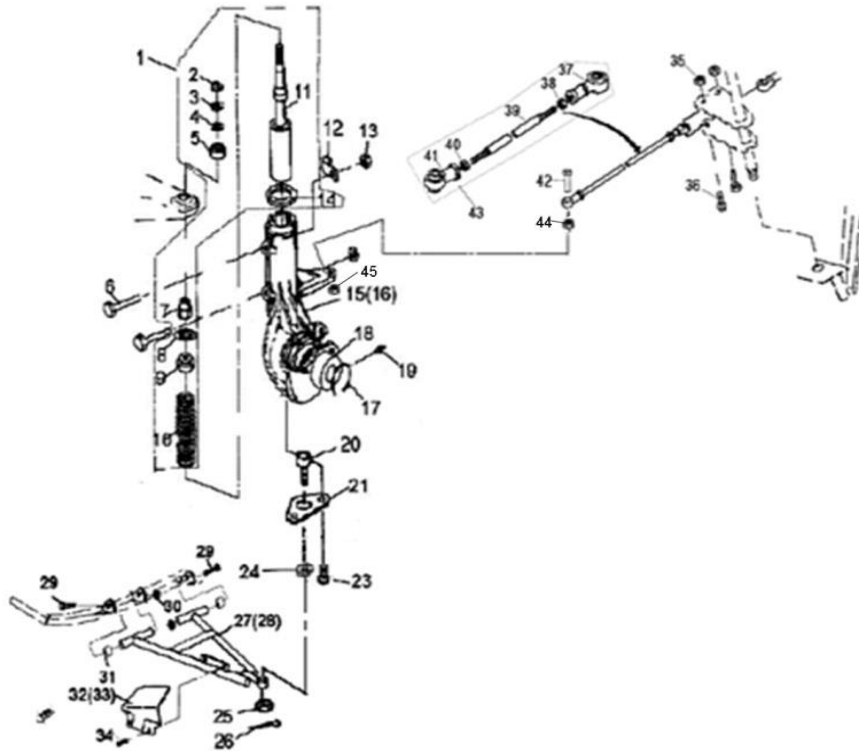
B4.2 FRONT BODY & FRAM



Nº	CÓDIGO	DESCRIÇÃO	Qt.	OBSERVAÇÕES
36	LH00010004	NUT 6	30	
37	LH00036425	FOOTREST LEFT	1	
38	LH00036426	FOOTREST RIGHT	1	
39	LH00070336	STEP	4	
40	LH00070300	RUBBER WASHER	4	
41	LH00036064	Fuel tank buffer sleeve	10	
42	LH00036065	Fuel tank buffer sleeve	10	
43	LH00010420	SCREW M6X30	34	
44	LH00010127	BOLT M6X20	4	
45	LH0010177A	BOLT M6X40	4	
46	LH00036035	Front trim panel	1	
47	LH00025608	RUBBER COVER	6	
48	LH00027601	IGNITION SWITCH WITH KEY	1	
49	LH00025004	THREADED NUT	1	
50	LH00025003	KEY BLANK	1	
51	LH00027257	IGNITION SWITCH COVER	1	
52	LH0036082A	Toolbox lock	2	
53	LH00036267	Plate, Toolbox lock	2	
54	LH00072152	The right side of the baffle	1	
55	LH00072153	RIGHT PLATE LIMIT PANEL	4	
56	LH00072154	THE RIGHT PEDAL, ADIABATIC PELLICLE	1	
57	LH00072155	RIGHT LEG, ADIABATIC PELLICLE	1	
58	LH00072253	MOBILE ANTI-SLIP MAT	1	
59	LH0722541H	TOP COVER OF FUEL TANK (WITH STORAGE TANK) (BLACK)	1	INJECTION MODEL
59	LH0722542G	TOP COVER OF FUEL TANK (WITH STORAGE TANK) (RED)	1	INJECTION MODEL
59	LH0722546F	TOP COVER OF FUEL TANK (WITH STORAGE TANK) (WHITE)	1	INJECTION MODEL
60	LH00036120	USB OUTPUT SEAT COMBINATION	1	

M750L-M760L

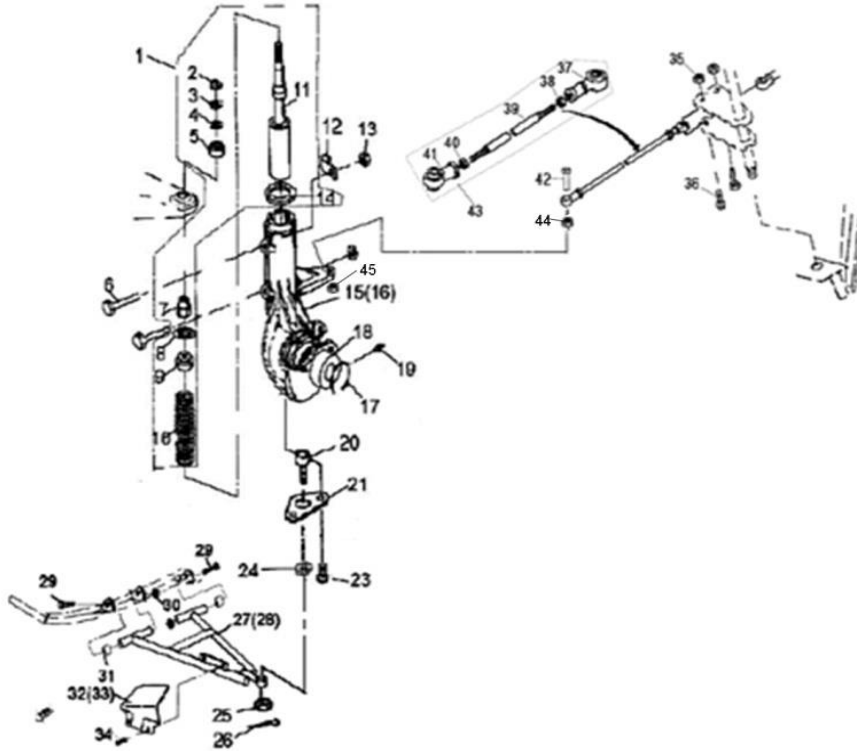
B5 SHOCK ABSORBER FRONT



Nº	CÓDIGO	DESCRIÇÃO	Qt.	OBSERVAÇÕES
1	LH00036159	FRONT SHOCK ABSORBER ASSEMBLY	2	
2	LH00010091	NUT M14X1.5	2	
3	LH00021802	WASHR 14	2	
4	LH00021803	SPACER RUBBER	2	
5	LH00021804	UPPER PIVOT BALL	2	
6	LH00010093	BOLT M8X55	4	
7	LH00021806	NUT M14X1.5	2	
8	LH00021807	LOWER PIVOT BALL	2	
9	LH00021808	SPRING RETAINER	2	
10	LH00036160	SPRING	2	
11	LH00026908	STRUT BUMPER	2	
12	LH00032104	CLAMP	2	
13	LH00010079	NUT M8	4	
14	LH00021813	SPRING RETAINER	2	
15	LH00072157	STRUT BODY LEFT	1	
16	LH00072158	STRUT BODY RIGHT	1	
17	LH00026912	CIRCLIP	2	
18	LH00026913	BEARING	2	
19	LH00027074	GREASE FITTING	2	
20	LH00020512	BALL JOINT STUD	2	
21	LH00020513	BALL JOINT MOUNTING BRACKET	2	
23	LH00010022	BOLT M6X12	4	
24	LH00010019	WASHER	2	
25	LH00027067	NUT M10X1.25	2	

M750L-M760L

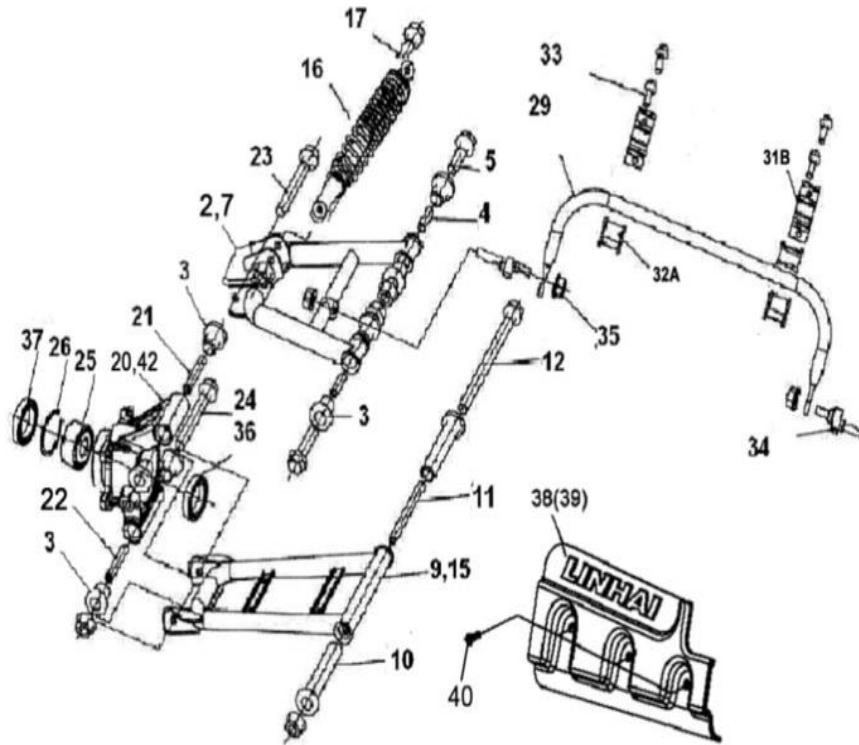
B5.1 SHOCK ABSORBER FRONT



Nº	CÓDIGO	DESCRIÇÃO	Qt.	OBSERVAÇÕES
26	LH00010501	COTTER PIN 2.5X25	2	
27	LH0020518F	A-ARM LEFT	1	
28	LH0020627F	A-ARM RIGHT	1	
29	LH0020522f	A-ARM PIVOT SHAFT	2	
30	LH00010136	NUT M12X1.25	4	
31	LH0020524f	BUSHING	4	
32	LH00020519	A - ARM SHIELD LEFT	1	
33	LH00020628	A - ARM SHIELD RIGHT	1	
34	LH00010001	SCREW M5X12	4	
35	LH00010015	NUT M10X1.25	2	
36	LH00010016	BOLT M10X1.25X55	2	
37	LH00020503	TIE ROD END A	2	
38	LH00010017	JAM NUT (RIGHT)	2	
39	LH00036147	TIE ROD (NEW MODEL)	2	
40	LH00020506	JAM NUT(LEFT)	2	
41	LH00020507	TIE ROD END B	2	
42	LH00035722	BOLT	2	
43	LH00036146	TIE ROD ASSY (NEW MODEL)	2	
44	LH00035017	FRONT T TYPE	1	
45	LH00035018	DOWN T TYPE	1	

M750L-M760L

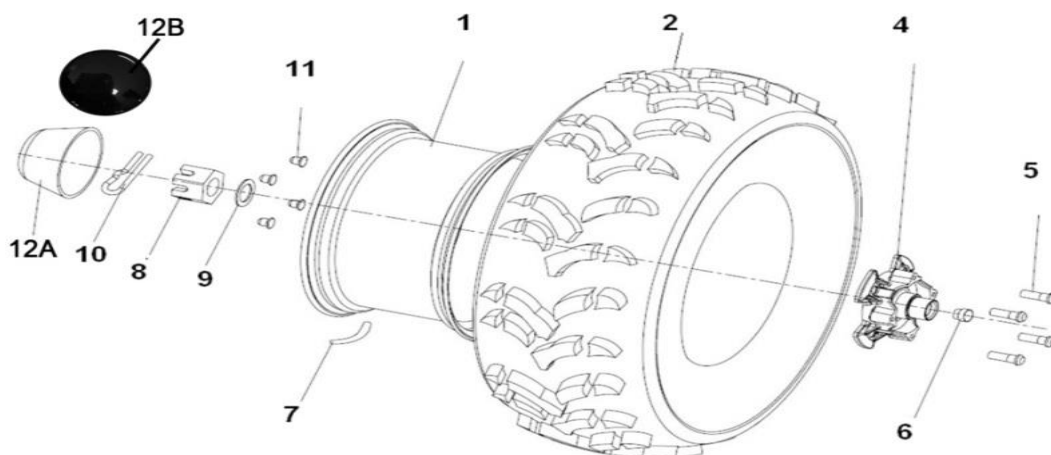
B6 REAR ARM



Nº	CÓDIGO	DESCRIÇÃO	Qt.	OBSERVAÇÕES
2	LH00027324	ARM, L.RR	1	
3	LH00070682	BUSH 1, ARM, R.RR	16	
4	LH00070683	COLLAR	4	
5	LH00070684	BOLT M10X1.25X80	4	
7	LH00027325	ARM, R.RR	1	
9	LH00027326	ARM SET, L.RR	1	
10	LH00070665	BUSH 2, ARM, R.RR	4	
11	LH00070687	COLLAR, ARM	2	
12	LH00070688	BOLT M10 M1.25M230	2	
15	LH00027327	ARM SET, R.RR	1	
16	LH00072159	SHOCK ABSORBER, RR	2	
17	LH00070012	BOLT M10X1.25X52	4	
20	LH00027492	KNUCKLE, L.RR (CAST STEEL)	1	
21	LH00070692	COLLAR, RR.KNUCKLE, (UPPER)	2	
22	LH00070693	COLLAR, RR.KNUCKLE, (LOWER)	2	
23	LH00070694	BOL,TKNUCKLE, (UPPER)	2	
24	LH00070695	BOL, TKNUCKLE, (LOWER)	2	
25	LH00070674	BEARING AU0712	2	
26	LH00070055	CIRCLIP 58	2	
29	LH00035385	SPRING, RR.STABILIZER	1	
31B	LH00035523	HOLDER, STABILIZER BUSH (NEW MODEL)	2	
32A	LH00027091	BUSH, RR.STABILIZER (NEW MODEL)	2	
33	LH00010081	BOLT M8X20	4	
34	LH00070699	LINK, RR. STABILIZER	2	
35	LH00010815	NUT M10X1.25	18	
36	LH00070675	SEAL 61.5 43 11	2	
37	LH00070676	SEAL 58 41.2 11	2	
38	LH00070977	ARM PROTECT, L	1	
39	LH00070976	ARM PROTECT, R	1	
40	LH00011062	BOLT M5x12	6	
42	LH00027493	KNUCKLE, R.RR (CAST STEEL)	1	

M750L-M760L

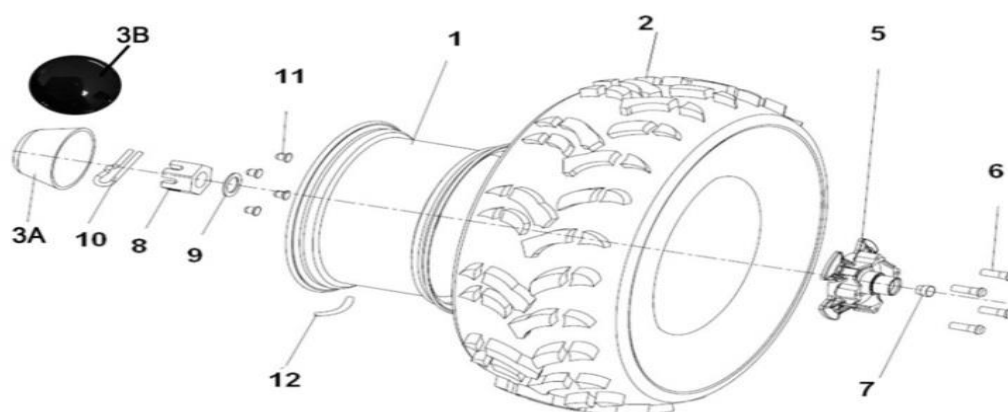
B7 WHEEL FRONT



Nº	CÓDIGO	DESCRIÇÃO	Qt.	OBSERVAÇÕES
1A	LH00035508	WHEEL, FR (ALUMINIUM) (FRANCE)	2	
1B	LH00035723	WHEEL, FR (ALUMINIUM)	2	
1C	LH00036154	WHEEL, FR (ALUMINIUM)	2	
2	LH0027319t	TIRE FRONT AT25X8-12 6PR (WANDA)	2	
2	LH00035509	TIRE FRONT AT25X8-12 43J (WANDA) (E4-75R-0006366)	2	
2	LH00027615	TIRE FRONT AT25X8-12 47F (WANDA) (E4-75R-0008830)	2	
4	LH00027285	HUB ASSY SHRT	2	
5	LH00070714	BOLT M12X1.25	16	
6	LH00070718	SEAL	2	
7	LH0020807A	VALVE, RIM (TR412)	2	
8	LH00070721	BOLT SLOTTED	4	
9	LH00070722	WASHER	2	
10	LH00010945	PIN 4X32	2	
11	LH00027411	NUT, WHEEL	8	
12A	LH00070717	CAP, WHEEL CENTER	2	
12B	LH00036162	CAP, WHEEL (OPTIONAL) (MATCH WITH "1C" WHEEL SUB-ASSY, FR)	2	

M750L-M760L

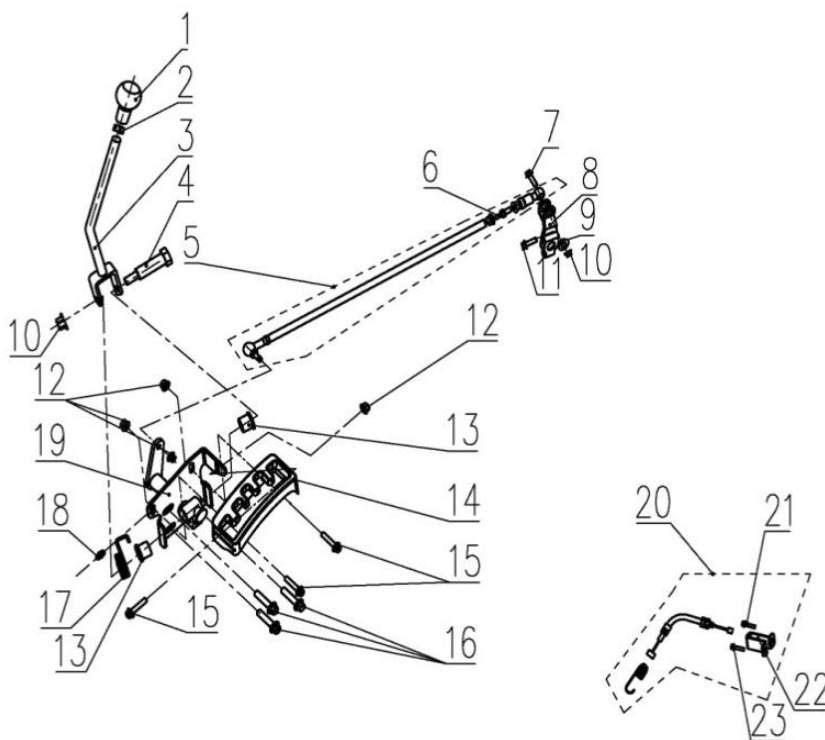
B8 WHEEL REAR



Nº	CÓDIGO	DESCRIÇÃO	Qt.	OBSERVAÇÕES
1A	LH00035510	WHEEL, RR (ALUMINIUM) (FRANCE)	2	
1B	LH00035717	WHEEL, RR (ALUMINIUM)	2	
1C	LH00036155	WHEEL, RR (ALUMINIUM)	2	
2	LH00035006	TIRE, RR AT25X10-12 6PR (WANDA)	2	
2	LH00035511	TIRE, RR AT25X10-12 50J (WANDA) (E4-75R-0006367)	2	
2	LH00027618	TIRE, RR AT25X10-12 65F (WANDA) (E4-75R-0008831)	2	
3A	LH00070717	CAP, WHEEL CENTER	2	
3B	LH00036162	CAP, WHEEL (OPTIONAL) (MATCH WITH "1C" WHEEL SUB-ASSY, RR)	2	
5	LH00070719	HUB, RR WHEEL	2	
6	LH00070714	BOLT M12X1.25	16	
7	LH00070718	SEAL	4	
8	LH00070721	BOLT SLOTTED	2	
9	LH00070722	WASHER	2	
10	LH00010945	PIN 4X32	2	
11	LH00027411	NUT, WHEEL	8	
12	LH0020807A	VALVE, RIM (TR412)	4	

M750L-M760L

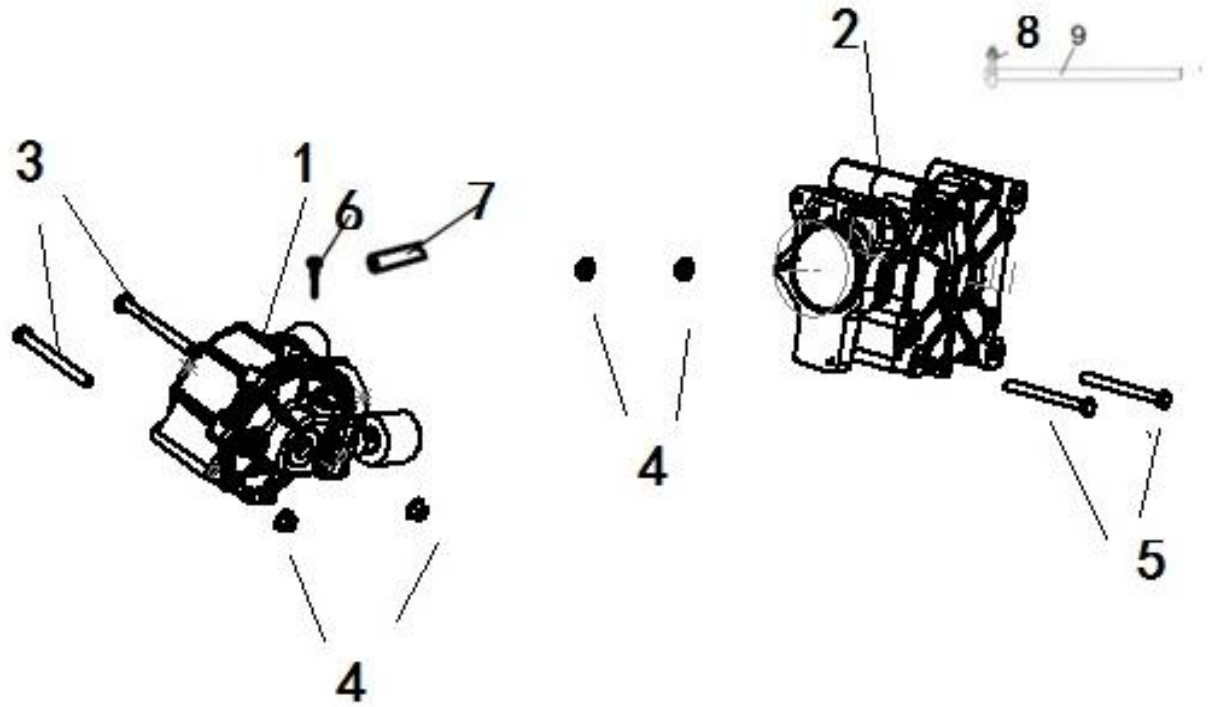
B9 SHIFT ROD



Nº	CÓDIGO	DESCRIÇÃO	Qt.	OBSERVAÇÕES
1	LH00071654	SHIFT KNOB 1	1	
2	LH00071666	NUT M12	1	
3	LH00072268	SHIFT ROD 1	1	
4	LH00071359	SHIFT BOLT	1	
5	LH00072164	SHIFT LEVER	1	
6	LH00072269	SHIFT LEVER 2	1	
7	LH00071364	BOLT M8X35	1	
8	LH00071365	ROCKER	1	
9	LH00071363	WASHER, SHIFT ROD	1	
10	LH00010079	NUT M8	2	
11	LH0010186B	BOLT M6X35	1	
12	LH00010004	NUT M6	4	
13	LH00071361	COLLAR,SHIFT	2	
14	LH00072270	SHIFT BOX 1	1	
15	LH00010110	BOLT M6X20	4	
16	LH00010783	BOLT M8X20	3	
17	LH00072271	SPRING	1	
18	LH00010026	GREASE FITTING	1	
19	LH00072272	SHIFT WELDING ASSY.	1	
20	LH00071369	SHIFT LOCK INHAUL CABLE	1	
21	LH0010716B	BOLT M6X10	1	
22	LH00071372	PLATE 2,INHAUL CABLE	1	
23	LH0010182B	BOLT M6X30	1	

M750L-M760L

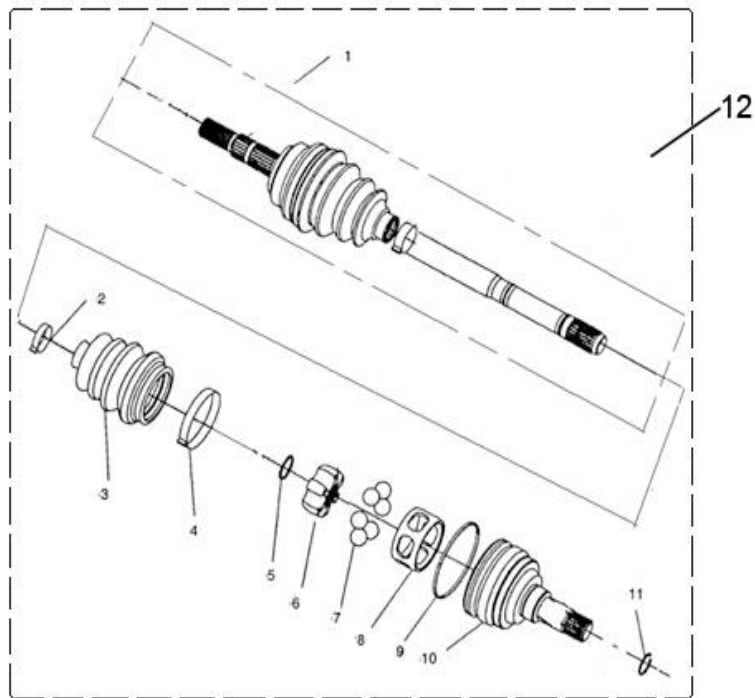
B10 FRONT AND REAR GEAR-BOX



Nº	CÓDIGO	DESCRIÇÃO	Qt.	OBSERVAÇÕES
1	LH00071979	FRONT GEAR-BOX	1	
2	LH00071411	REAR GEAR-BOX	1	
3	LH00070007	BOLT M10X1.25X108	2	
4	LH0010015A	NUT M10X1.25	4	
5	LH00070007	BOLT M10X1.25X126	2	
6	LH01309150	BOOT BAND A	1	
7	LH00072006	VENT TUBE $\phi 5 \times \phi 9 \times \phi 460$	1	
8	LH00029530	SPRING CLIP	1	
9	LH00072165	PIPE	1	

M750L-M760L

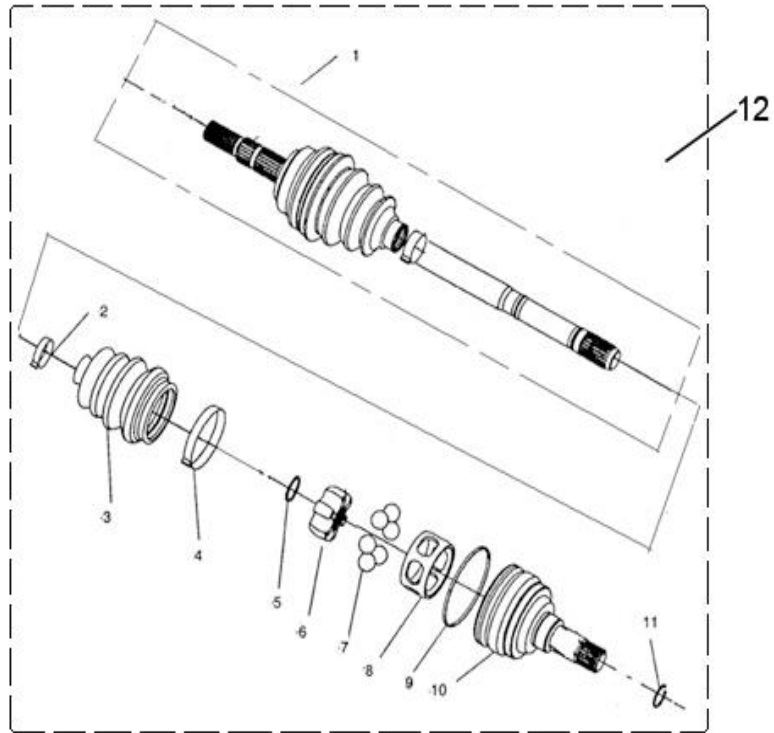
B11 FRONT LEFT DRIVE AXLE (FOR 4WD)



Nº	CÓDIGO	DESCRIÇÃO	Qt.	OBSERVAÇÕES
1	LH00072167	DRIVE AXLE/OUTER CV JOINT ASSEMBLY	1	
2	LH00072040	SMALL BOOT BAND	1	
3	LH00072041	OUTER BOARD BOOT	1	
4	LH00072042	BIG BOOT BAND	1	
5	LH00072043	STOPPER RING	1	
6	LH00072044	GEAR WHEEL	1	
7	LH00072045	STEEL BALL	6	
8	LH00072046	STEEL BALL BRACKET	1	
9	LH00072047	CIRCLIP 1	1	
10	LH00072048	OUTER BOARD BOOT	1	
11	LH00072049	STOPPER RING 2	1	
12	LH00072168	LEFT FRONT DRIVE AXLE ASSY	1	

M750L-M760L

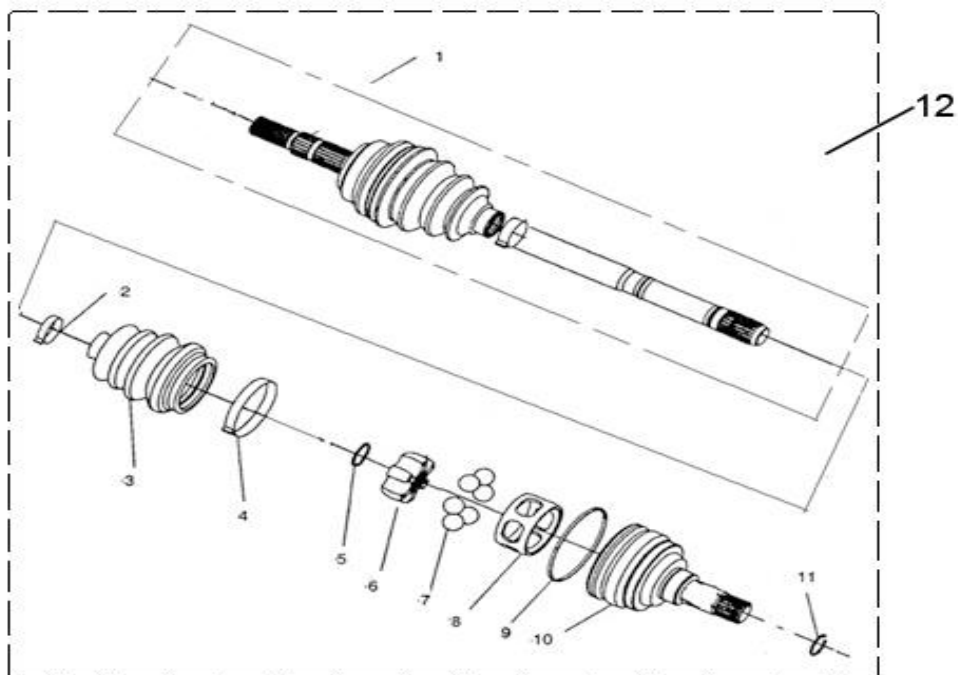
B12 FRONT RIGHT DRIVE AXLE (FOR 4WD)



Nº	CÓDIGO	DESCRIÇÃO	Qt.	OBSERVAÇÕES
1	LH00072169	DRIVE AXLE/OUTER CV JOINT ASSEMBLY	1	
2	LH00072052	SMALL BOOT BAND	1	
3	LH00072053	OUTER BOARD BOOT	1	
4	LH00072054	BIG BOOT BAND	1	
5	LH00072055	STOPPER RING	1	
6	LH00072056	GEAR WHEEL	1	
7	LH00072057	STEEL BALL	6	
8	LH00072058	STEEL BALL BRACKET	1	
9	LH00072059	CIRCLIP 1	1	
10	LH00072060	OUTER BOARD BOOT	1	
11	LH00072061	STOPPER RING 2	1	
12	LH00072170	RIGHT FRONT DRIVE AXLE ASSY	1	

M750L-M760L

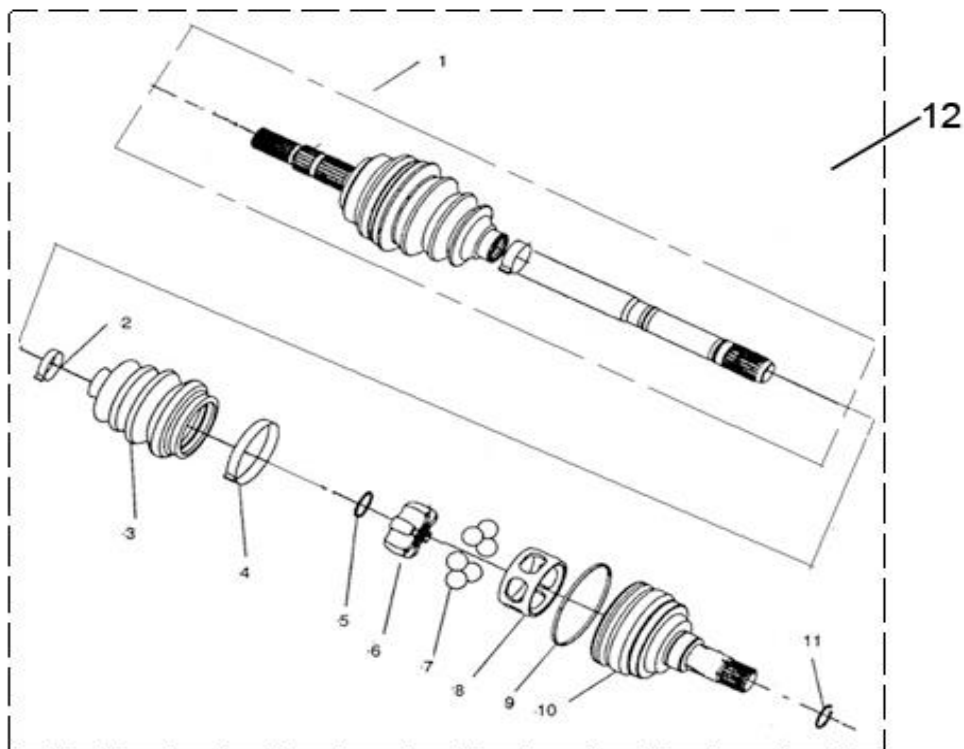
B13 REAR LEFT DRIVE AXLE (XL)



Nº	CÓDIGO	DESCRIÇÃO	Qt.	OBSERVAÇÕES
1	LH00072171	DRIVE AXLE/OUTER CV JOINT ASSEMBLY	1	
2	LH00072064	SMALL BOOT BAND	1	
3	LH00072065	OUTER BOARD BOOT	1	
4	LH00072066	BIG BOOT BAND	1	
5	LH00072067	STOPPER RING	1	
6	LH00072068	GEAR WHEEL	1	
7	LH00072069	STEEL BALL	6	
8	LH00072070	STEEL BALL BRACKET	1	
9	LH00072071	CIRCLIP 1	1	
10	LH00072072	OUTER BOARD BOOT	1	
11	LH00072073	STOPPER RING 2	1	
12	LH00072172	REAR FRONT DRIVE AXLE ASSY	1	

M750L-M760L

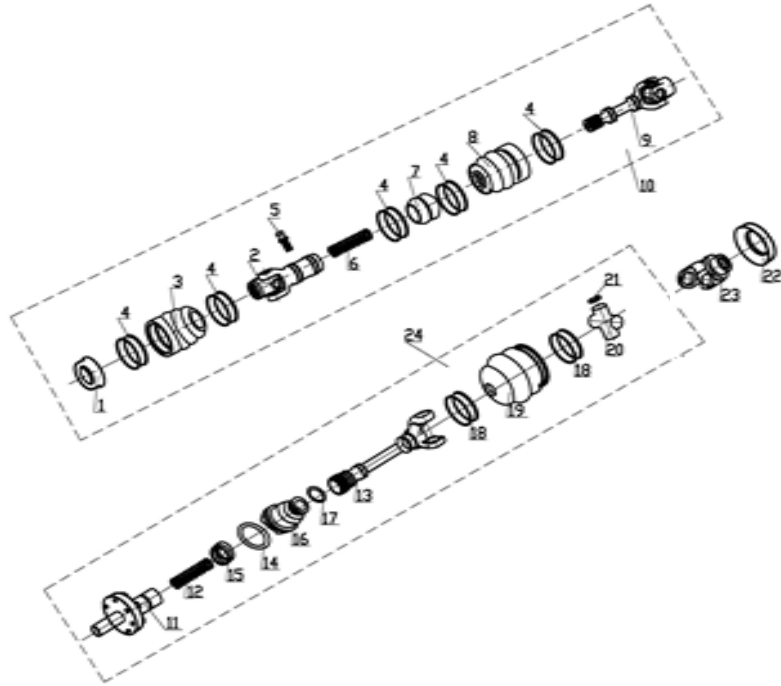
B14 REAR RIGHT DRIVE AXLE (XL)



Nº	CÓDIGO	DESCRIÇÃO	Qt.	OBSERVAÇÕES
1	LH00072173	DRIVE AXLE/OUTER CV JOINT ASSEMBLY	1	
2	LH00072064	SMALL BOOT BAND	1	
3	LH00072065	OUTER BOARD BOOT	1	
4	LH00072066	BIG BOOT BAND	1	
5	LH00072067	STOPPER RING	1	
6	LH00072068	GEAR WHEEL	1	
7	LH00072069	STEEL BALL	6	
8	LH00072070	STEEL BALL BRACKET	1	
9	LH00072071	CIRCLIP 1	1	
10	LH00072072	OUTER BOARD BOOT	1	
11	LH00072073	STOPPER RING 2	1	
12	LH00072174	REAR FRONT DRIVE AXLE ASSY	1	

M750L-M760L

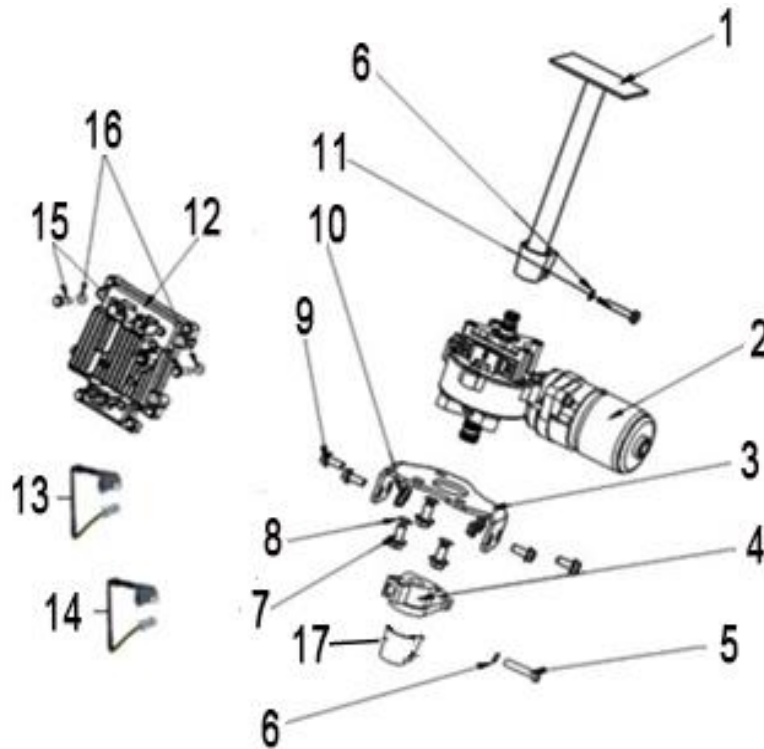
B15 FRONT AND REAR KNUCKLE ASSY



Nº	CÓDIGO	DESCRIÇÃO	Qt.	OBSERVAÇÕES
1	LH00071584	DUST SHEET, FRONT KNUCKLE	1	
2	LH00071585	LINK FORK 1, FRONT KNUCKLE	1	
		CROSS SHAFT, FRONT KNUCKLE	1	
		LINK FORK, FRONT KNUCKLE	1	
3	LH00071591	DUST COVER 1, FRONT KNUCKLE	1	
4	LH00071651	PUMPING WITH CLAMPS	4	
5	LH00071652	STRAIGHT-THROUGH PRESSURE GREASE CUP	1	
6	LH00071653	SPRING, FRONT KNUCKLE	1	
7	LH00071592	DUST COVER 2, FRONT KNUCKLE	1	
8	LH00071593	DUST COVER 3, FRONT KNUCKLE	1	
9	LH00072174	SPLING AXLE, FRONT KNUCKLE	1	
	LH00071586	CROSS SHAFT, FRONT KNUCKLE	1	
	LH00071590	LINK FORK 2, FRONT KNUCKLE	1	
10	LH00072175	FRONT KNUCKLE	1	
11	LH00071966	JOINT, INBOARD, REAR KNUCKLE	1	
12	LH00070304	SPRING, REAR KNUCKLE	1	
13	LH00072176	SPLING AXLE , REAR KNUCKLE	1	
14	LH00070305	BAND,OUTBOARD BOOT	1	
15	LH00070306	SEAL	1	
16	LH00070307	BOOT SET	1	
17	LH00070308	BAND, SHAFT BOOT	1	
18	LH00071601	TIES (STAINLESS STEEL MATERIAL, Lx W 750x7mm)	2	
19	LH00071598	DUST COVER, REAR KNUCKLE	1	
20	LH00071596	CROSS SHAFT, REAR KNUCKLE	1	
21	LH00071597	CIRCLIP	1	
22	LH00071599	DUST SHEET, REAR KNUCKLE (Supplied as a set with LH00071600)	1	
23	LH00071600	LINK FORK 2, REAR KNUCKLE (Supplied as a set with LH00071599)	1	
24	LH00072177	REAR KNUCKLE	1	

M750L-M760L

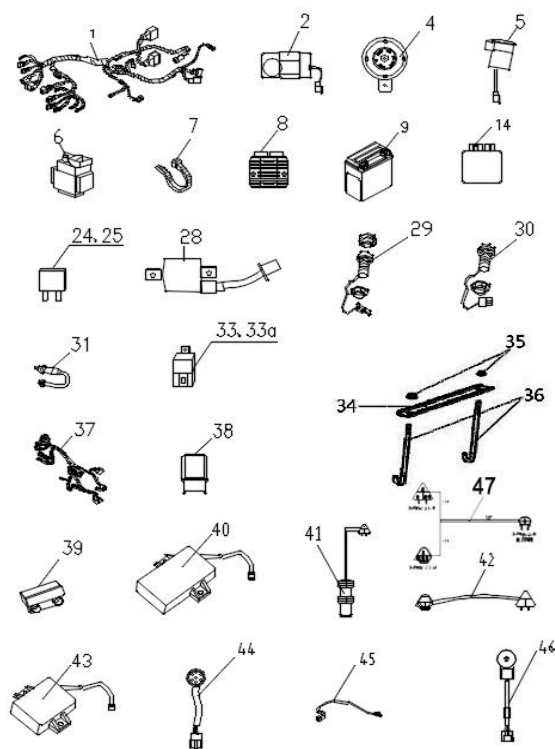
B16 STEERING COLUMN EPS (MARKED "DK")



N°	CÓDIGO	DESCRIÇÃO	Qt.	OBSERVAÇÕES
1	LH00036254	UPPER STEERING COLUMN	1	
2	LH00036255	EPS ASSY. (MARKED "DK")	1	
3	LH00036256	PLATE EPS ASSY.	1	
4	LH00036257	LOWER STEERING COLUMN	1	
5	LH00036509	BOLT M8X40	1	
6	LH00010106	WASHER 8	4	
7	LH00011020	BOLT M10X1.5X20	3	
8	LH00011021	WASHER 10	3	
9	LH00010783	BOLT M8X20	4	
10	LH00010882	NUT M8	4	
11	LH00036509	BOLT M8X40	1	
12	LH00036258	EPS CONTROLLER (MARKED "DK")	1	
13	LH00036287	EPS POWER WIRE	1	
14	LH00036259	EPS SIGNALING LINE	1	
15	LH00010182	BOLT M6X30	2	
16	LH00011019	WASHER 6	2	
17	LH00036271	BALL BEARING MOUNTING NUT	1	

M750L-M760L

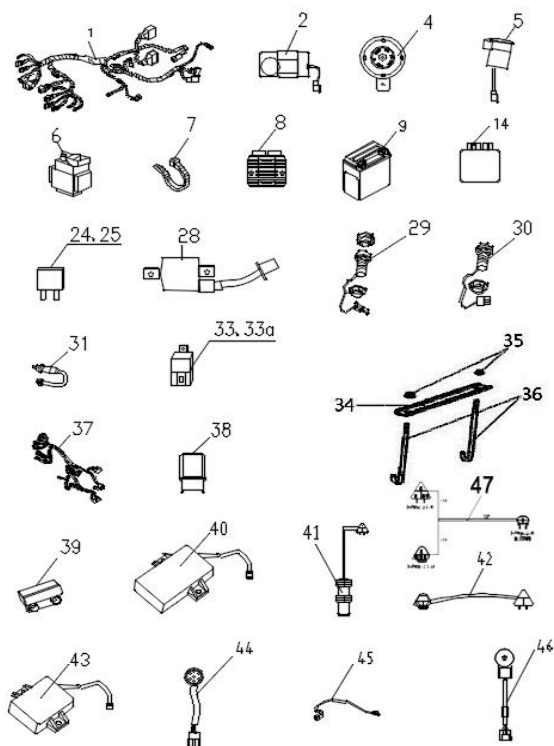
B17 ELECTRICAL SYSTEM



Nº	CÓDIGO	DESCRIÇÃO	Qt.	OBSERVAÇÕES
1	LH00072215	WIRING HARNESS (T3)	1	
2	LH00071976	REVERSE GEAR WARNING	1	
4	LH00070404	HORN	1	
5	LH00026456	FLASHER RELAY ASSY	1	
6	LH00071602	STARTER RELAY	1	
7	LH00025530	TIE	20	
8	LH00071603	REGULATOR RECTIFIER	1	
9	LH0070407a	BATTERY (12V18A)	1	
14	LH00071686	ECU	1	
18	LH00025517	RUBBER SHEATH 1		
19	LH00025519	RUBBER SHEATH 2		
24	LH00022019	7.5 AMP FUSE	1	
25	LH00022020	15 AMP FUSE	2	

M750L-M760L

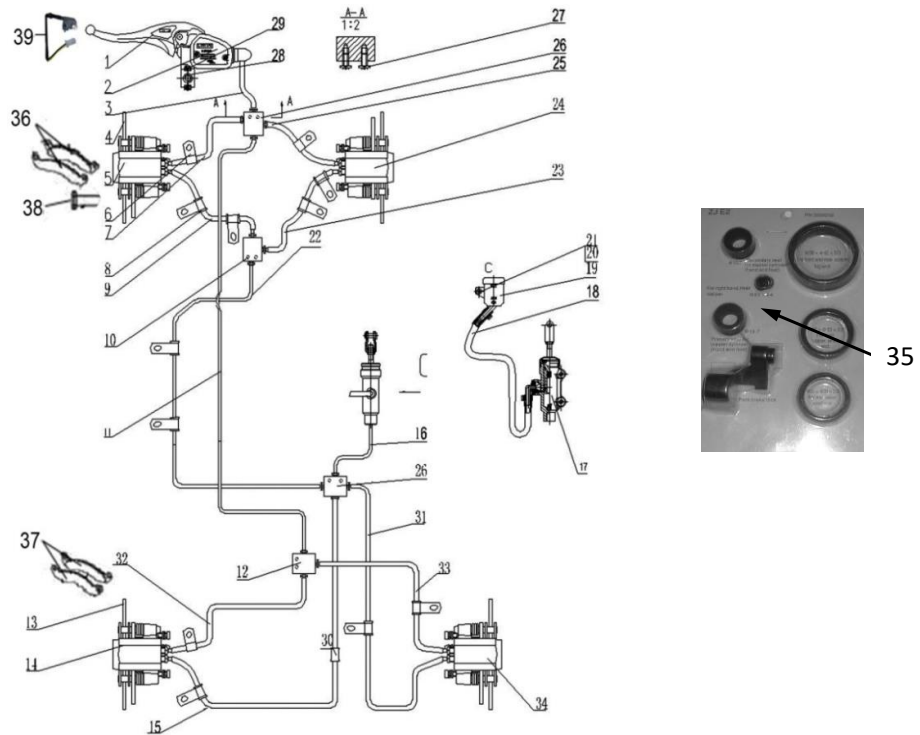
B17.1 ELECTRICAL SYSTEM



Nº	CÓDIGO	DESCRIÇÃO	Qt.	OBSERVAÇÕES
28	LH0070822D	IGNITON COIL AND WIRE	1	
	LH00036120		1	USB OUTPUT
29	LH00071973	ACCESSORY SOCKET ASSY	1	
30	LH00022024	CAP, IGNITON COIL	1	
31	LH0070405a	BRAKE SWITCH (USED FOR WATERPROOF PLUG IN UNIT)	1	
33	LH00050280	START RELAY (CONTROL FAN)	1	
33	LH00035656	START RELAY (NEW) (CONTROL HIGH BEAM AND DIPPED BEAM)	3	
34	LH00036057	Battery clamp	1	
35	LH00010079	NUT 8	2	
36	LH00036056	Battery fastening pull rod	2	
37	LH00072179	EFI WIRE	1	
38	LH00071474	EFI RELAY	1	
39	LH00070968	ELECTRICAL DUMPAGE SWITCH	1	
40	LH00071934	SOLENOID VALVE CONTROLLER	2	
41	LH00032020	GEAR SENSOR	1	
42	LH00071605	GEAR SENSOR HARNESS	1	
43	LH00072275	ELECTRONIC CONTROLER	1	
44	LH00084432	TRAILER CONNECTOR	1	
45	LH00072279	ELECTRICAL DUMPAGE SWITCH HARNESS (FOR ELECTRIC SPEED LIMIT)	1	
46	LH00071628	GEAR POSITION SWITCH	1	
47	LH00072306	LED LIGHT HARNESS	1	

M750L-M760L

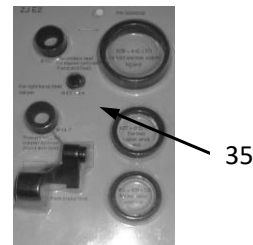
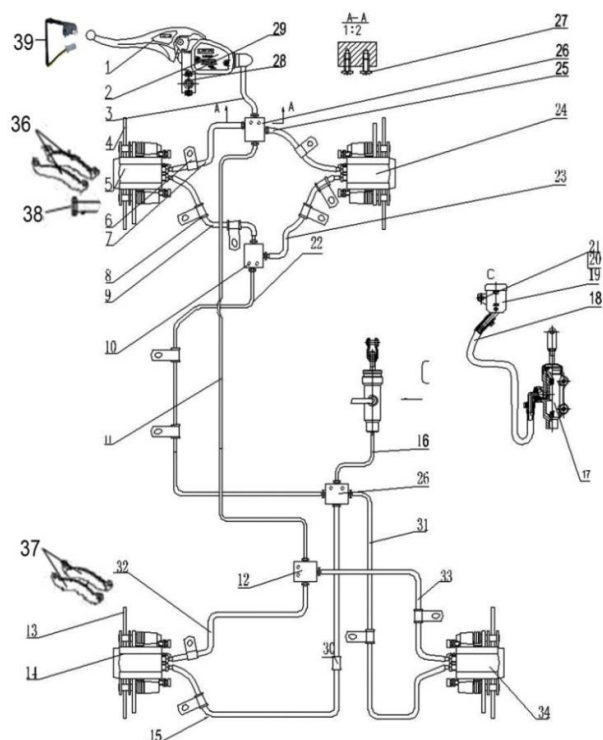
B18 BRAKING SYSTEM (FOR EUROPE)



Nº	CÓDIGO	DESCRIÇÃO	Qt.	OBSERVAÇÕES
1	LH02211120	BRAKE LEVER	1	
	LH00036095	BRAKE LEVER (PASSIVATION)	1	
2	LH00027320	MASTER CYLINDER WITH BRAKE LEVER	1	
2	LH00036170	MASTER CYLINDER WITH BRAKE LEVER (PASSIVATION)	1	
3	LH00022102	HAND BRAKE HOSE	1	
4	LH00070555	FRONT BRAKE DISC	2	
5	LH00070502	BRAKE CALIPER LEFT,FRONT	1	
6	LH00032104	CLAMP	2	
7	LH00022229	FRONT BRAKE HOSE 2	1	
8	LH00032105	RUBBER TUBE1	3	
9	LH00027313	FRONT BRAKE HOSE 1	1	
10	LH00032107	BRAKE LINE COUPLER	1	
11	LH00072181	TUBE DISKBRAKE REAR	1	
12	LH00032107	BRAKE LINE COUPLER	1	
13	LH00070537	REAR BRAKE DISC	2	
14	LH00070520	BRAKE CALIPER LEFT, REAR	1	
15	LH00035070	REAR BRAKE HOSE 2	1	
16	LH00072182	REAR BRAKE HOSE 3	1	
17	LH00035786	FOOT BRAKE CYLINDER	1	
18	LH00036270	RESERVOIR HOSE	1	
19	LH00025299	RESERVOIR	1	
20	LH00010109	NUT M5	1	

M750L-M760L

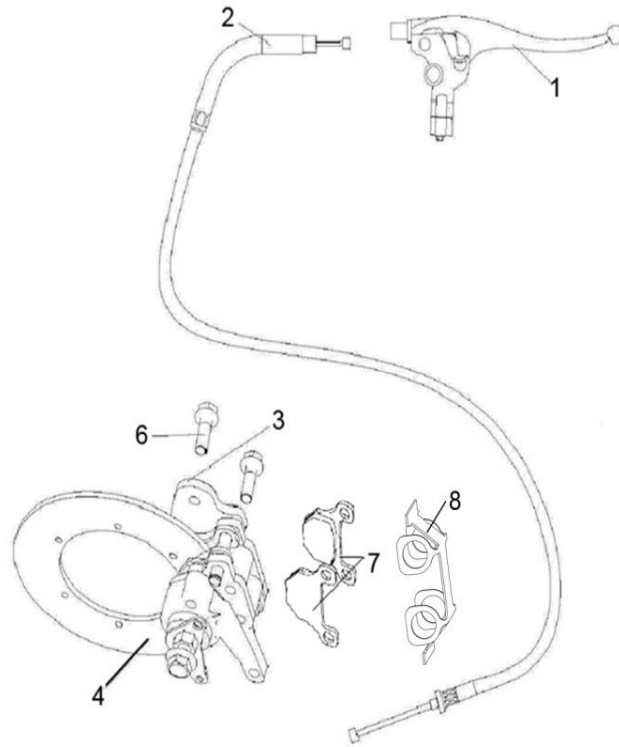
B18.1 BRAKING SYSTEM (FOR EUROPE)



Nº	CÓDIGO	DESCRIÇÃO	Qt.	OBSERVAÇÕES
21	LH00011046	BOLT M5X12	1	
22	LH00072183	TUBE DISK BRAKE, FOOT BRAKE	1	
23	LH00032233	FRONT BRAKE HOSE 2	1	
24	LH00070505	BRAKE CALIPER RIGHT	1	
25	LH00070483	FRONT BRAKE HOSE 3	1	
26	LH00070548	FOUR LINE COUPLER	2	
27	LH00010111	BOLT M5X15	4	
28	LH00027283	BOLT M6X22	2	
28	LH00036171	BOLT M6X22 (PASSIVATION)	2	
29	LH00027277	CAP	1	
29	LH00036172	CAP (PASSIVATION)	1	
30	LH00035534	RUBBER SHEATH	5	
31	LH00072184	REAR BRAKE HOSE 4	1	
32	LH00072185	REAR BRAKE HOSE 5	1	
33	LH00072186	REAR BRAKE HOSE 6	1	
34	LH00035791	BRAKE CALIPER RIGHT, REAR	1	
35	LH00035711	SERVICE KIT	1	
36	LH00070507	FRONT BRAKE PAD SET	2	
37	LH00022245	INSIDE AND OUTSIDE PAD, REAR	1	
38	LH00027212	BOLT M8X20	12	
39	LH00022243	STORP SWITCH FRONT	1	

M750L-M760L

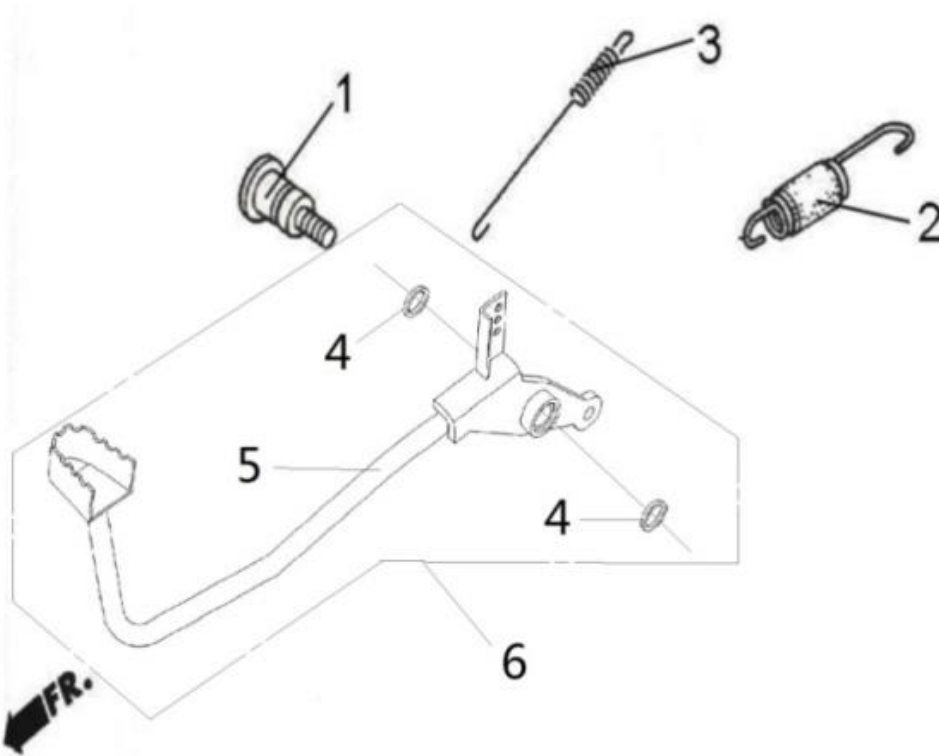
B18.2 AUXILIARY BRAKE (FOR EUROPE)



Nº	CÓDIGO	DESCRIÇÃO	Qt.	OBSERVAÇÕES
1	LH00070636	MASTER CYLINDER(WITH LEVER)	1	
	LH00036094	MASTER CYLINDER(WITH LEVER) (PASSIVATION)	1	
2	LH00036424	BRACK CABLE	1	
3	LH00070638	BRACK CALIPER	1	
4	LH00070643	DISK BRAKE	1	
6	LH00010218	BOLT M8X40	2	
7	LH00027687	BRAKE PAD	2	
8	LH00071113	LIMIT SPRING PLATE	1	

M750L-M760L

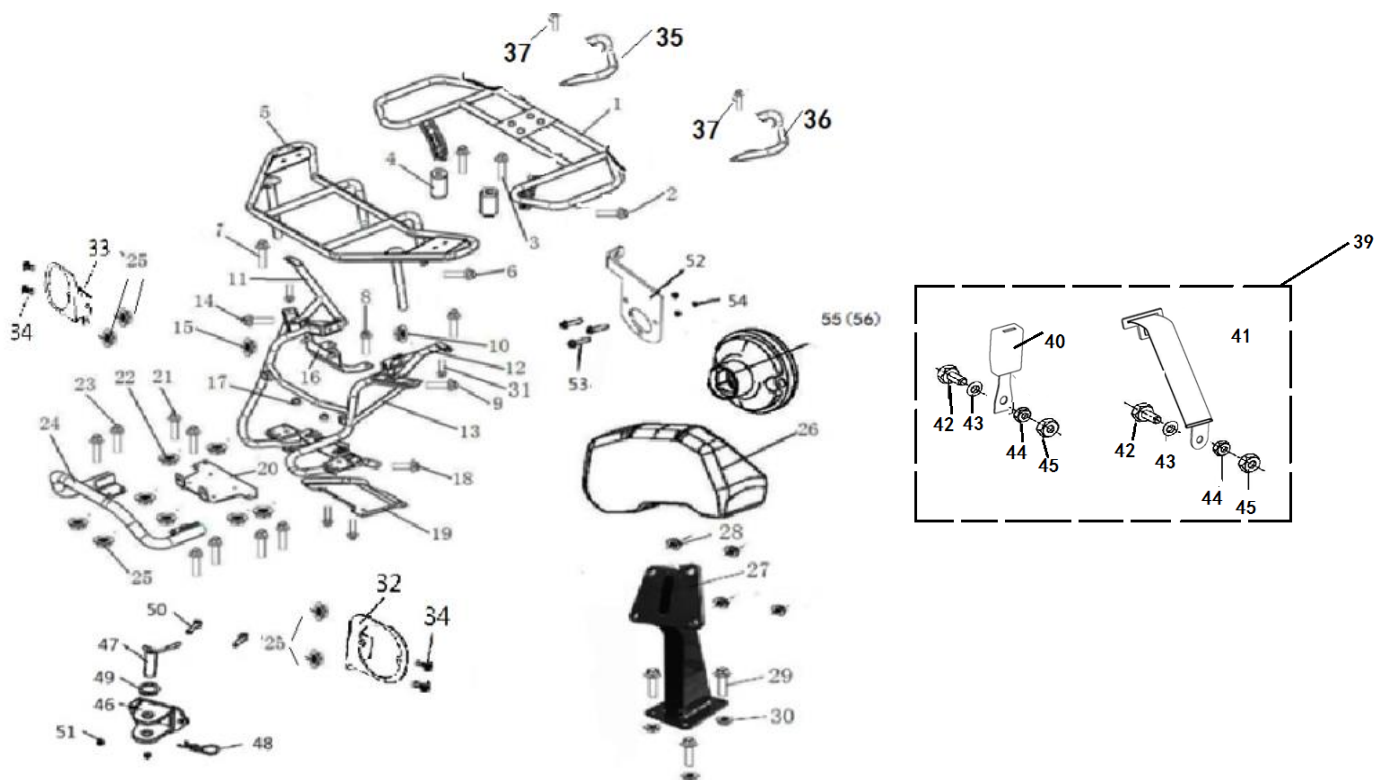
B19 PEDAL, BRAKE



Nº	CÓDIGO	DESCRIÇÃO	Qt.	OBSERVAÇÕES
1	LH00070542	SHAFT,BRAKE PIVOT	1	
2	LH00070541	SPRING,STOP SWITCH	1	
3	LH00035502	SPRING ASSY (NEW MODEL)	1	
4	LH00070540	DUST SEAL	2	
5	LH00036096	PEDAL BRAKE	1	
6	LH00036097	PEDAL BRAKE ASSY	1	

M750L-M760L

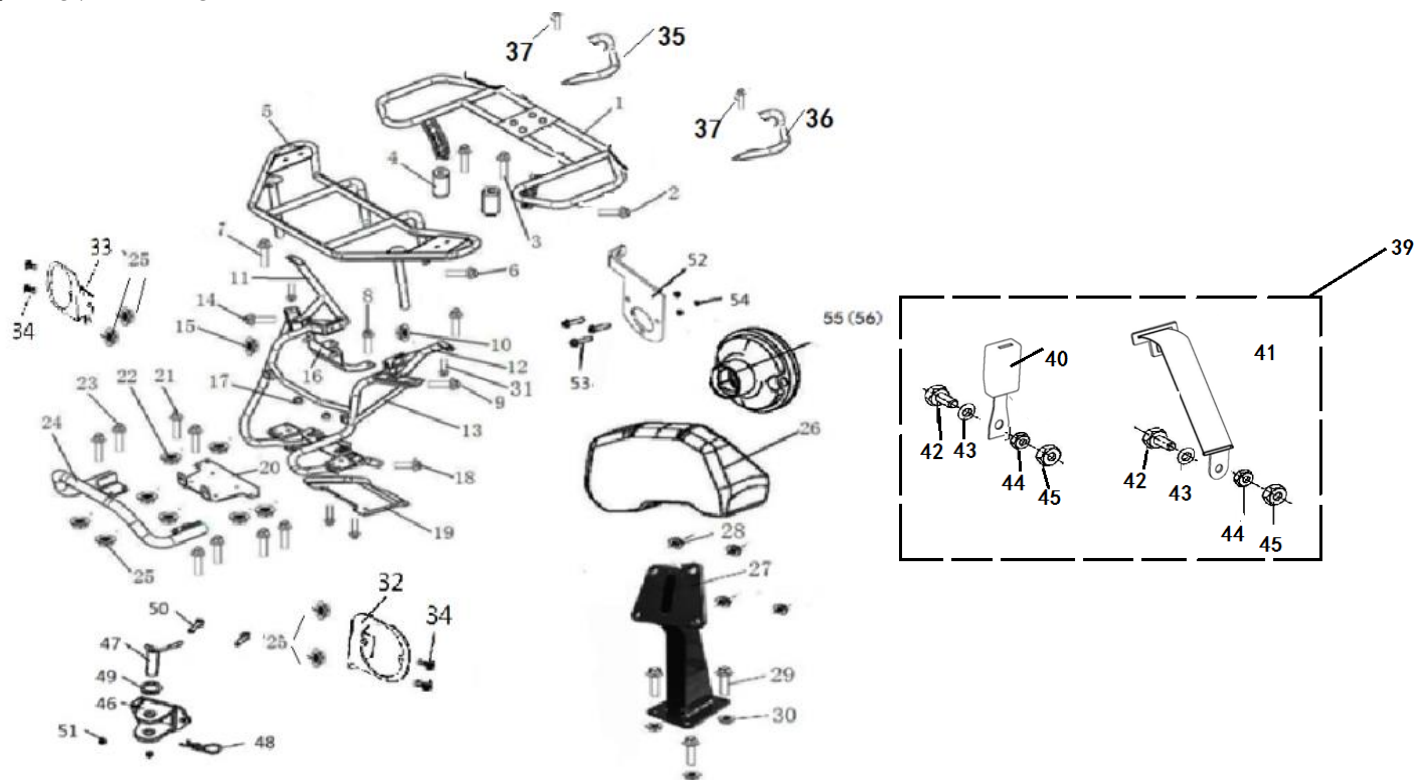
B20 BUMPER & RACK



Nº	CÓDIGO	DESCRIÇÃO	Qt.	OBSERVAÇÕES
1	LH00072217	REAR RACK (FOR EUROPE)	1	
2	LH00010059	BOLTM8X25	4	
3	LH00010511	BOLTM8X55	2	
4	LH00036085	Rear rack mounting spacer	2	
5	LH00036306	FRONT RACK (FOR EUROPE)	1	
6	LH00010081	BOLT M8X20	2	
7	LH00010059	BOLTM8X25	2	
8	LH00010081	BOLT M8X20	2	
9	LH00010055	BOLTM8X45	4	
10	LH00010079	NUT M8	4	
11	LH00036112	Right Y shaped support tube	1	
12	LH00036111	Left Y shaped support tube	1	
13	LH00072292	Front part support assembly	1	
14	LH00010059	BOLTM8X25	2	
15	LH00010079	NUT M8	2	
16	LH00036051	Mounting plate on water tank	1	
17	LH00036054	Supporting rubber ring under water tank	2	
18	LH00010081	BOLT M8X20	2	
19	LH00036113	Front bottom guard	1	
20	LH00036119	BRACKET,PULLING	1	
21	LH00010081	BOLT M8X20	4	
22	LH00010079	NUT M8	4	
23	LH00010081	BOLT M8X20	4	
24	LH00036307	FRONT BUMPER	1	
25	LH00010079	NUT M8	6	
26	LH00035383	BACKREST	1	
26	LH00035721	BACKREST (SKIN TYPE)	1	
27	LH00035384	REAR BACKREST WELD ASSEMBLY	1	
28	LH00010919	NUT M8	4	

M750L-M760L

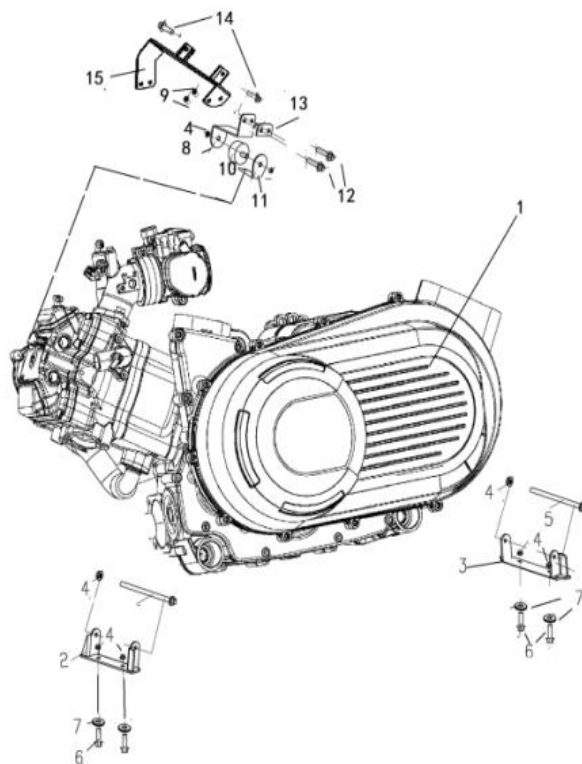
B20.1 BUMPER & RACK



Nº	CÓDIGO	DESCRIÇÃO	Qt.	OBSERVAÇÕES
29	LH00010059	BOLT M8X25	4	
30	LH00010079	NUT M8	4	
31	LH00010110	BOLT M6X20	2	
32	LH00036308	FRONT INDICATOR LIGHT BRACKET,L	1	
33	LH00036309	FRONT INDICATOR LIGHT BRACKET,R	1	
34	LH00010168	BOLT M6X16	4	
35	LH00072210	LEFT SUPPORT ASSY. REAR RACK	1	
36	LH00072211	RIGHT SUPPORT ASSY. REAR RACK	1	
37	LH00010124	BOLT M8X35	2	
39	LH00084380	Integral seat cushion for seat belt	1	
40	LH00084381	Intermediate lock assembly	1	
41	LH00084382	Middle seat belt combination	1	
42	LH00026916	English bolts 7/16X 28	2	
43	LH00026917	WASHER	2	
44	LH00026918	Lock washer	2	
45	LH00026919	English NUT 7/16	2	
46	LH00084234	FOTMER DRAG HOOKS	1	
47	LH00084235	EX REACTION PINS	1	
48	LH00010862	R TYPE SPLIT PINS 6X115	1	
49	LH00084231	CUSHION RUBBER, FOTMER DRAG HOOKS	1	
50	LH00010934	SCREW M16X42	2	
51	LH00010874	NUT M16	2	
52	LH00071070	BRACKET,OUTPUT SOCKET	1	
53	LH00010935	SCREW M6X38	3	
54	LH00010004	NUT M6	3	
55	LH00083365	FRONT INDICATOR LIGHT, L	1	
56	LH00083364	FRONT INDICATOR LIGHT, R	1	

M750L-M760L

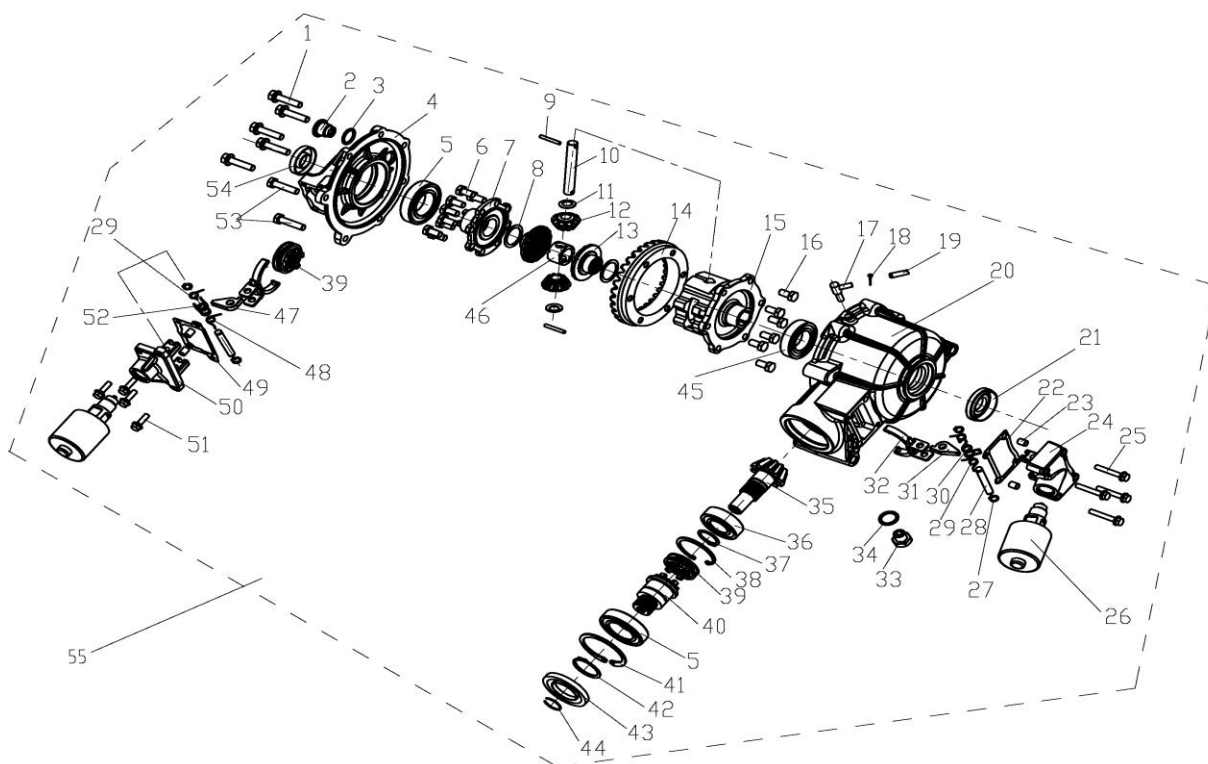
B21 ENGINE



Nº	CÓDIGO	DESCRIÇÃO	Qt.	OBSERVAÇÕES
1	LH00072187	ENGINE ASSY.	1	
2	LH00071385	FRONT ENGINE MOUNTING PLATE ASSY.		
3	LH00071386	REAR ENGINE MOUNTING PLATE ASSY.		
4	LH0010015A	NUT M10X1.25		
5	LH00010718	SCREW M10X220X1.25		
6	LH00010721	BOLT M10X1.25X48		
7	LH00010019	GASKET 10		
8	LH00071383	AUXILIARY ENGINE MOUNTING PLATE 2		
9	LH00010079	NUT M8		
10	LH00071384	AUXILIARY ENGINE RUBBER		
11	LH00071382	AUXILIARY ENGINE MOUNTING PLATE 1		
12	LH00010081	BOLT M8X20		
13	LH00071387	RUBBER		
14	LH00010110	BOLT M6X20		
15	LH00072188	BRACKET, AIR FILTER		

M750L-M760L

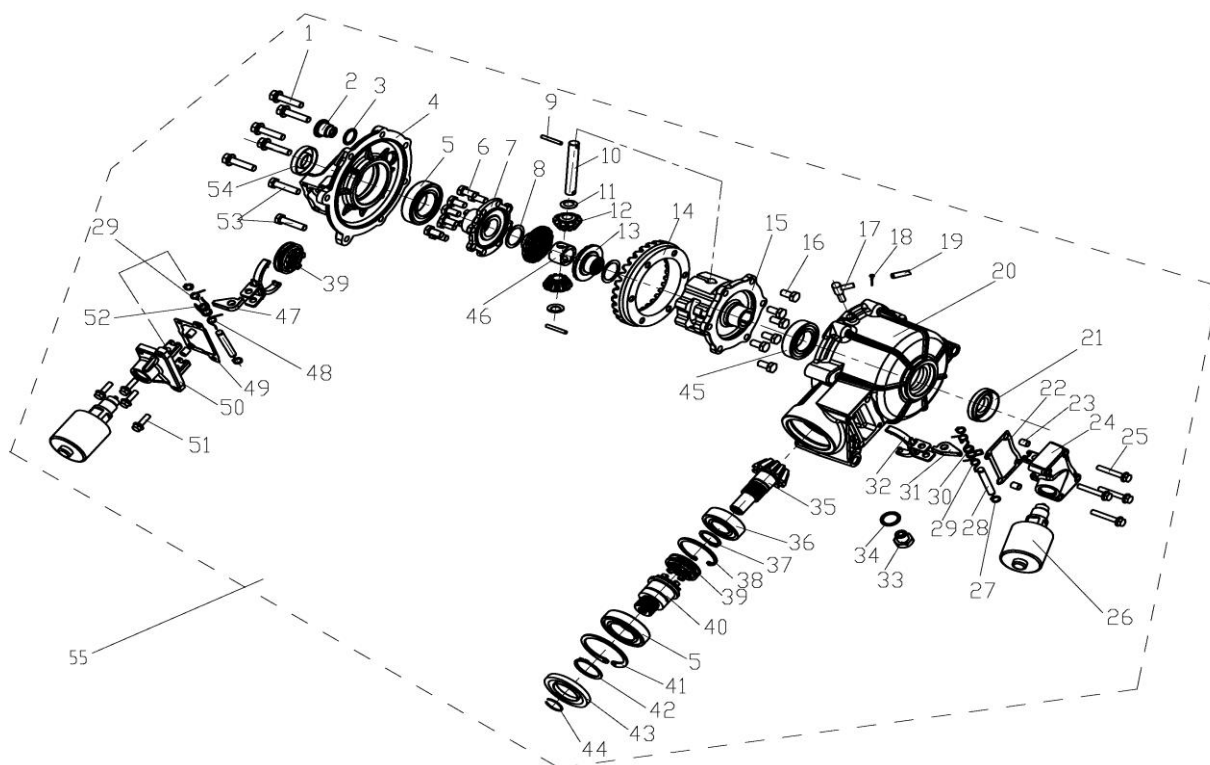
B22 FRONT GEAR-BOX



Nº	CÓDIGO	DESCRIÇÃO	Qt.	OBSERVAÇÕES
1	LH00010059	BOLT M8x25	5	
2	LH00072003	BOLT M16	1	
3	LH00072004	WASHER 16	1	
4	LH00071998	FRONT GEAR-BOX COVER	1	
5	LH00035424	BEAR 6007	2	
6	LH00024718	BOLT M8X15	8	
7	LH00071984	FOC BODY COVER	1	
8	LH00024713	WASHER 2	2	
9	LH00010713	CYLINDRICAL PIN $\phi 4 \times 30$	2	
10	LH00071981	CENTER AXIS	1	
11	LH00024702	SPHERICAL WASHER	2	
12	LH00024703	SMALL UMBRELLA GEAR	2	
13	LH00071982	BIG UMBRELLA GEAR	2	
14	LH00071999	BEVEL CROWN WHEEL	1	
15	LH00071980	FOC BODY CASE	1	
16	LH00071983	BOLT M8X18	6	
17	LH02531003	VENT FITTING	1	
18	LH01309150	BOOT BAND A	1	
19	LH00072006	VENT TUBE $\phi 5 \times \phi 9 \times \phi 460$	1	
20	LH00072000	DIFF CASE RHS	1	
21	LH00024310	SEAL SDD7 22X48X11	1	
22	LH00071989	RIGHT COVER WASHER	1	
23	LH00071737	PINS 8X9	4	
24	LH00071994	RIGHT COVER	1	
25	LH0010177B	BOLT M6X40	4	
26	LH00071978	ELECTROMAGNETIC VALVE ASSEMBLY	2	
27	LH00010072	RING 8	4	
28	LH00071991	SELECTOR RAIL	2	
29	LH00071990	RINGHT BACK TO THE SPRING 1	2	
30	LH00071996	ROUR-WHEEL DRIVE SWITCH BLOCK TORSION SPRING	1	

M750L-M760L

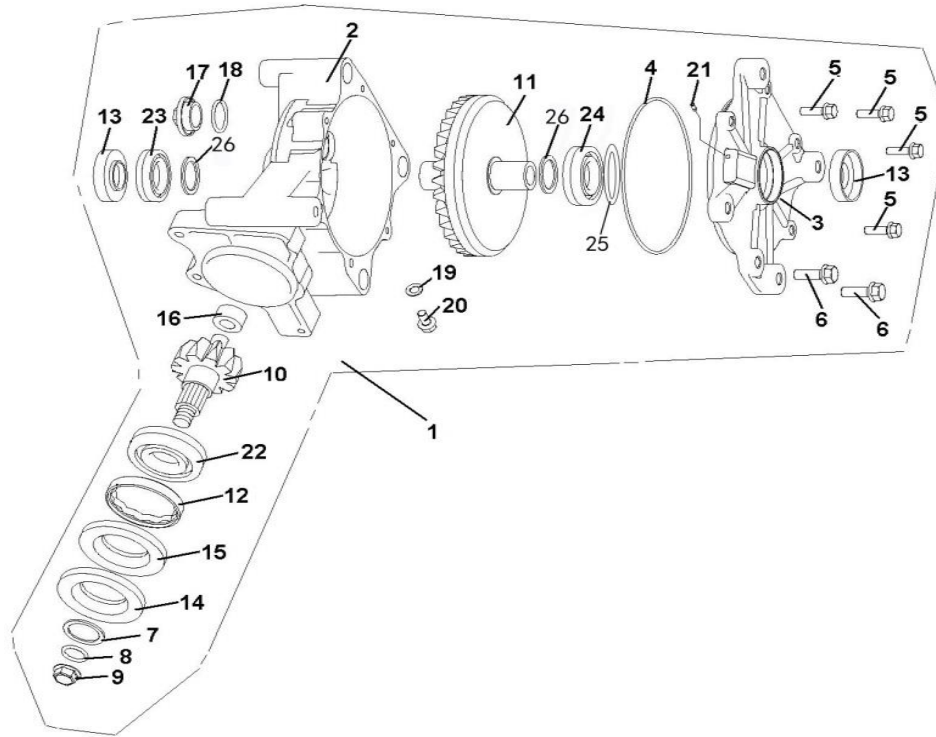
B22.1 FRONT GEAR-BOX



Nº	CÓDIGO	DESCRIÇÃO	Qt.	OBSERVAÇÕES
31	LH00071995	ROUR-WHEEL DRIVE SWITCH BLOCK	1	
32	LH00071986	DIFF SELECTOR FORK	2	
33	LH00050105	OIL DRAIN	1	
34	LH01309283	WASHER	1	
35	LH00072001	CONICAL WITH HELICAL GEARING	1	
36	LH00010778	BEAR 6205	1	
37	LH00010064	RING 25	1	
38	LH00010765	RING 52	1	
39	LH00072002	SPLINED DOG	2	
40	LH00072005	DIFF INPUT SHAFT A	1	
41	LH00035412	RING 62	1	
42	LH00010770	RING 35	1	
43	LH00071985	SEAL 35X62X7	1	
44	LH00071784	WIRE RING $\phi 21 \times 1.3$	1	
45	LH00010202	BEAR 6006	1	
46	LH00024705	CENTER AXIS COVER	1	
47	LH00071992	DIFFERENTIAL SWITCHING BLOCK	1	
48	LH00071987	RINGHT BACK TO THE SPRING 2	2	
49	LH00071988	LEFT COVER WASHER	1	
50	LH00071997	LEFT COVER	1	
51	LH0010187W	BOLT M6X25	4	
52	LH00071993	DIFFERENTIAL SWITCHING BLOCK TORSION SPRING	1	
53	LH00010739	BOLT M8x25	2	
54	LH02531562	OUTPUT SHAFT OIL SEAL	1	
55	LH00071979	FRONT GEAR-BOX	1	

M750L-M760L

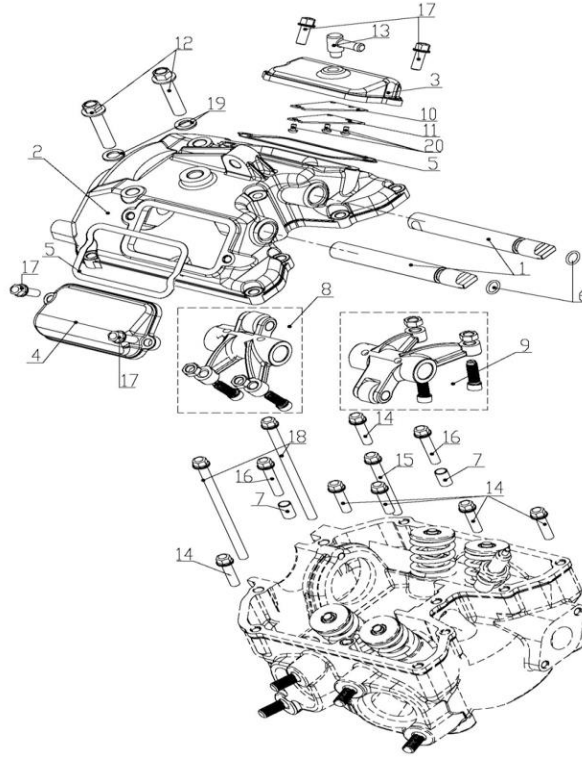
B23 REAR GEAR-BOX



Nº	CÓDIGO	DESCRIÇÃO	Qt.	OBSERVAÇÕES
1	LH00071411	REAR GEAR-BOX ASSY	1	
2	LH00071412	DRIVE HOUSING	1	
3	LH00072080	OUTPUT COVER	1	
4	LH00070293	O-RING 160X2.65	1	
5	LH00010060	BOLT M8X28	4	
6	LH00070010	BOLT M10X1.25X28	2	
7	LH00070294	WASHER 31	1	
8	LH00070295	O-RING 20X3	1	
9	LH00070296	NUT M16X1.5	1	
10	LH00070297	OUTPUT AXLE,RING REAR GEAR-BOX	1	
11	LH00072078	INPUT AXLE,RING REAR GEAR-BOX	1	
12	LH00070299	LOCK NUT	1	
13	LH00071963	SEAL 35X55X11	2	
14	LH00070289	SEAL 38X85X8	1	
15	LH00070290	SEAL 38X80X8	1	
16	LH00044104	BEARING 15NQ2815	1	
17	LH00024305	OIL SCREEN CAP	1	
18	LH00050082	O-RING	1	
19	LH00020818	WASHER	1	
20	LH00020817	OIL PLUG	1	
21	LH00021340	tube,REAR GEAR-BOX BREATHER	1	
22	LH00070019	BEARING 6306	1	
23	LH00035424	BEARING 6007	1	
24	LH00070801	BEARING 6207	1	
25	LH00071964	WASHER 60	1	
26	LH00071965	WASHER 35.5	2	

M750L-M760L

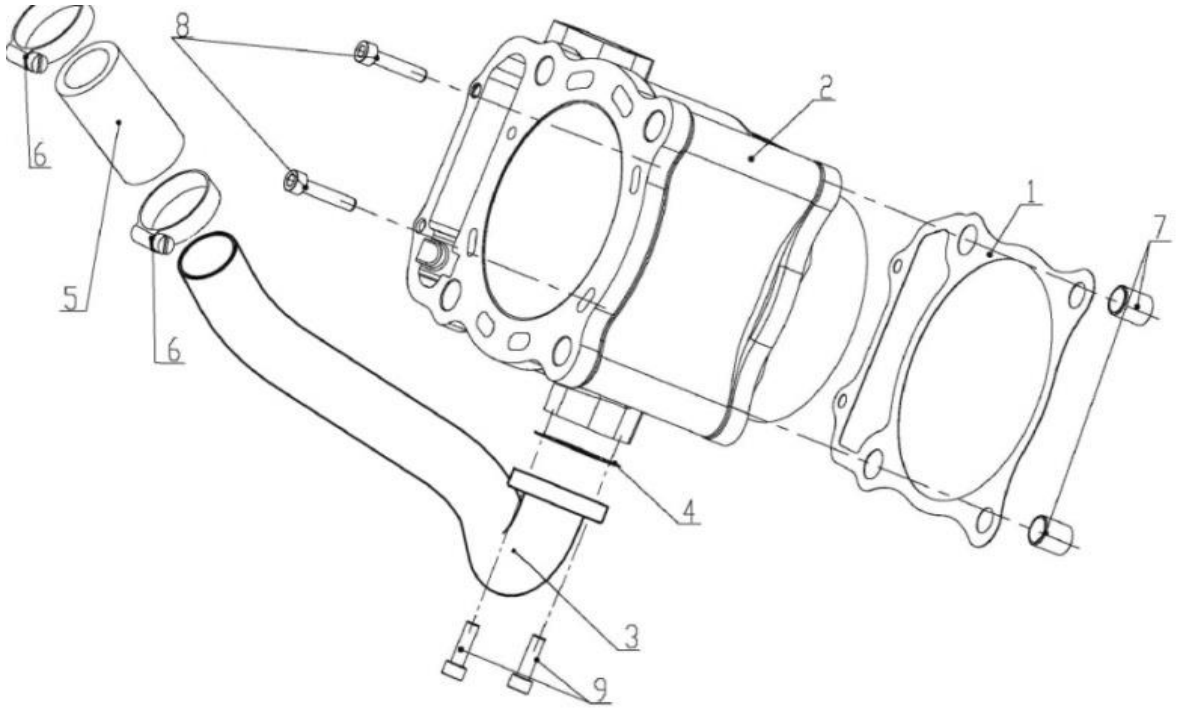
E1 CYLINDER HEAD COVER ASSY



Nº	CÓDIGO	DESCRIÇÃO	Qt.	OBSERVAÇÕES
1	LH00071683	ROCKER SHAFT	2	
2	LH0071690a	CYLINDER HEAD COVER	1	
3	LH0071692a	VALVE COVER INTAKE SIDE	1	
4	LH0071705a	VALVE COVER EXHAUST SIDE	1	
5	LH00072189	GASKET, VALVE COVER	2	
6	LH00071719	O-RING 9.8X2.4	2	
7	LH00071737	PIN DOWEL 8X9	2	
8	LH00071951	INTAKE SIDE ROCKER ARM VALVE	1	
9	LH00071670	EXHAUST SIDE ROCKER ARM VALVE	1	
10	LH00071758	VENTILATION CHANBER COVER	1	
11	LH00071778	GASKET, VENTILATION CHANBER COVER	1	
12	LH00071687	BOLT, ROCKER SHAFT	2	
13	LH00071671	FITTIONS ASSY	1	
14	LH0010187W	BOLT M6X25	6	
15	LH00010530	BOLT M6X55	1	
16	LH00010329	BOLT M6X32	2	
17	LH0010183W	BOLT M6X16	4	
18	LH00070219	BOLT M6X105	2	
19	LH00020818	WASHER	2	
20	LH00010752	SCREW M3x6	3	

M750L-M760L

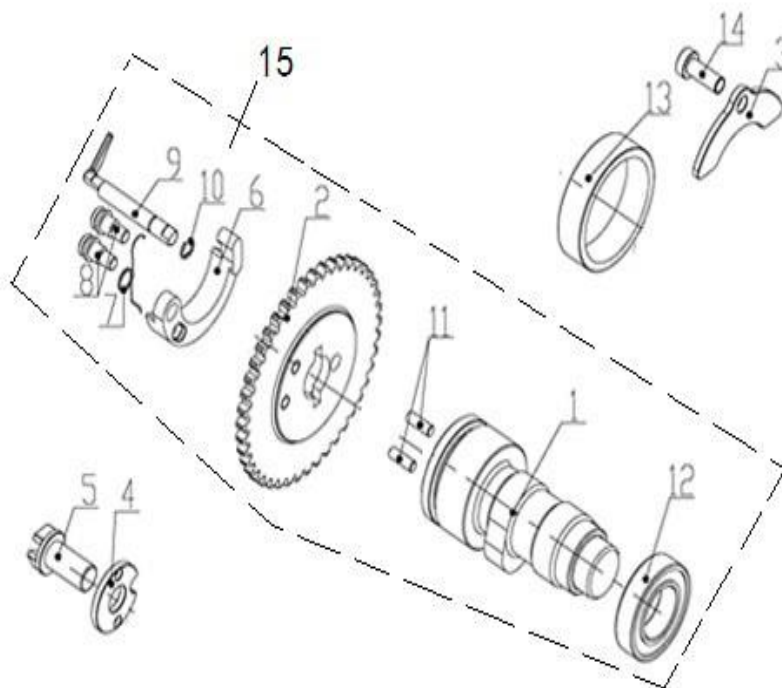
E2 CYLINDER



Nº	CÓDIGO	DESCRIÇÃO	Qt.	OBSERVAÇÕES
1	LH00071793	GASKET, CYLINDER	1	
2	LH00071785	CYLINDER	1	
3	LH00071821	INLET PIPE,CYLINDER	1	
4	LH00071822	GASKET,CYLINDER	1	
5	LH00071843	HOSE,WATER PUMP	1	
6	LH00010764	CLAMP 20/32	2	
7	LH00022417	PIN DOWEL 14X16	2	
8	LH00010170	BOLT SOCKET HEAD M6X30	2	
9	LH00010191	BOLT M6X18	2	

M750L-M760L

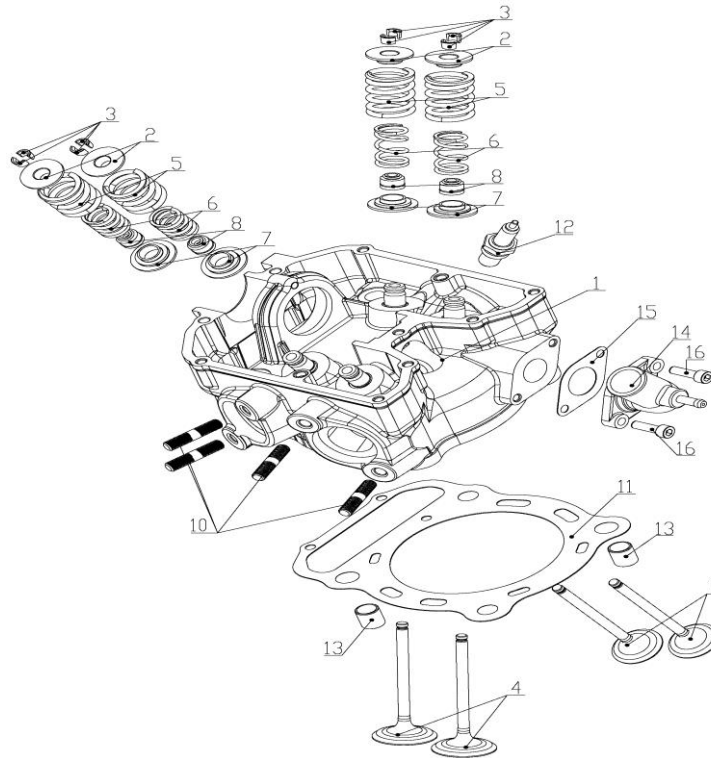
E3 CAMSHAFT



Nº	CÓDIGO	DESCRIÇÃO	Qt.	OBSERVAÇÕES
1	LH00071853	CAMSHAFT	1	
2	LH00071855	CAMSHAFT SPROCKET	1	
3	LH00071856	CAMSHAFT BAFFLE	1	
4	LH00071857	SPROCKET PLATE	1	
5	LH00071858	SPROCKET BOLTS FASTENING	1	
6	LH0071860a	DECOMPRESSION BLOCK REJECTION	1	
7	LH00071861	DECOMPRESSION RETURN SPRING	1	
8	LH00071862	DECOMPRESSION AND FIXATION BOLTS	2	
9	LH00071859	VACUUM CENTRIFUGE AXIS	1	
10	LH00010418	OPENING RING d5	1	
11	LH00071854	PIN 4X12	2	
12	LH00010729	BEARING 6904	1	
13	LH00010715	ROLLER BEARING HK4012	1	
14	LH00010730	PHILLIPS HEAD BOLT M6X16	1	
15	LH00072013	camshaft group	1	

M750L-M760L

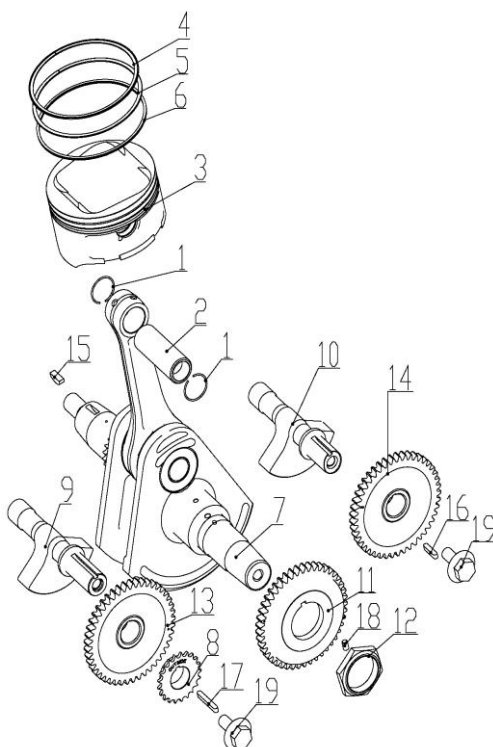
E4 CYLINDER HEAD ASSY



Nº	CÓDIGO	DESCRIÇÃO	Qt.	OBSERVAÇÕES
1	LH00071863	CYLINDER HEAD ASSY	1	
2	LH00071869	RETAINER SPRING VALVE	4	
3	LH00071870	COTTER VALVE	8	
4	LH00071871	INTAKE VALVE	2	
5	LH00071872	SPRING VALVE OUTER	4	
6	LH00071873	SPRING VALVE INNER	4	
7	LH00071874	SEAT SPRING VALVE	4	
8	LH00071864	VALVE SEAL ASSY	4	
9	LH00071875	EXHAUST VALVE	2	
10	LH00071876	BOLT M8X38	4	
11	LH00071865	GASKET 2,CYLINDER HEAD	1	
12	LH00071950	SPARK PLUG (BOSCH)	1	
13	LH00022417	PIN DOWEL 14X16	2	
14	LH00071866	PIPE,CYLINDER HEAD	1	
15	LH00071867	GASKET 1,CYLINDER HEAD	1	
16	LH0010008G	SOCKET HEAD CAP SCREWS	2	

M750L-M760L

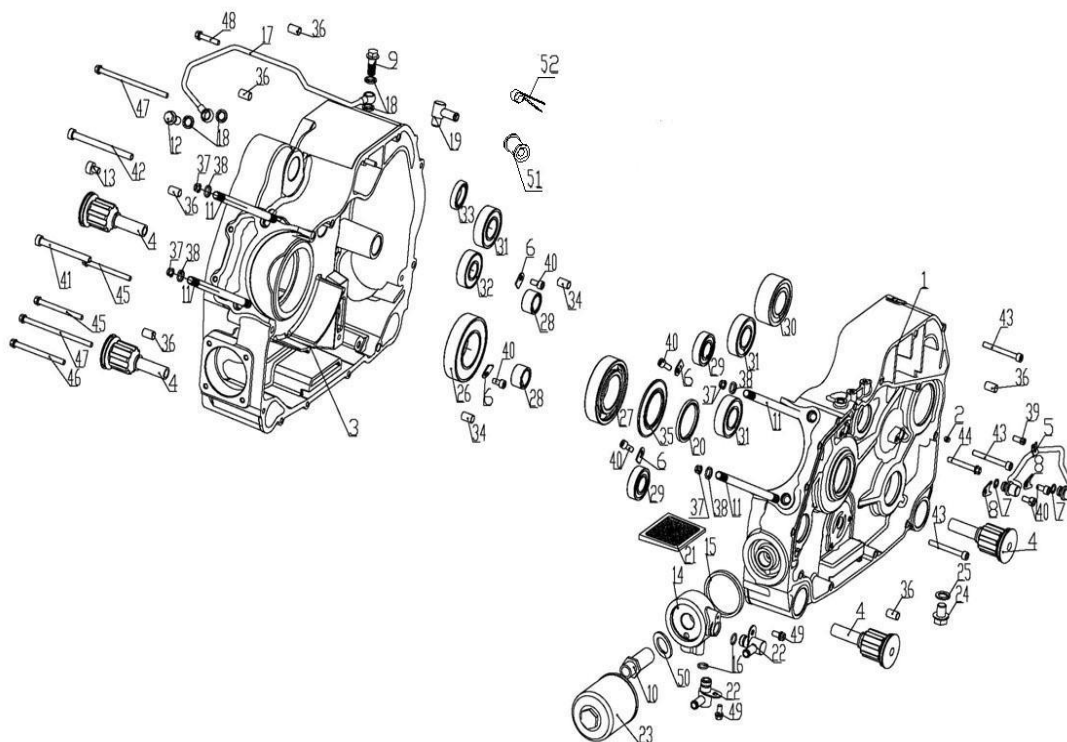
E5 CRANKSHAFT COMP



Nº	CÓDIGO	DESCRIÇÃO	Qt.	OBSERVAÇÕES
1	LH00071879	CLIP	2	
2	LH00071886	PISTON PIN	1	
3	LH00071887	PISTON	1	
4	LH00071888	PISTON RING 1 SET	1	
5	LH0000000/	PISTON RING 2 SET	1	
6	LH0000000/	PISTON RING SET	1	
7	LH00071878	CRANKSHAFT ASSY	1	
8	LH00071890	INITIATIVE SPROCKET OIL PUMP	1	
9	LH00071891	FRONT BALANCE SHAFTS	1	
10	LH00071892	REAR BALANCE SHAFTS	1	
11	LH00071893	CRANK BALANCER DRIVE GEAR	1	
12	LH00071880	LOCKNUT M35X1.5	1	
13	LH00071881	CRANK BALANCER DRIVE GEAR A	1	
14	LH00071882	CRANK BALANCER DRIVE GEAR B	1	
15	LH00071883	KEY	1	
16	LH00010710	FLAT KEY A4X20	1	
17	LH00010711	FLAT KEY A4X30	1	
18	LH00071884	CYLINDRICAL PIN 5X8	1	
19	LH00071885	BOLT M10X1.25X25	2	

M750L-M760L

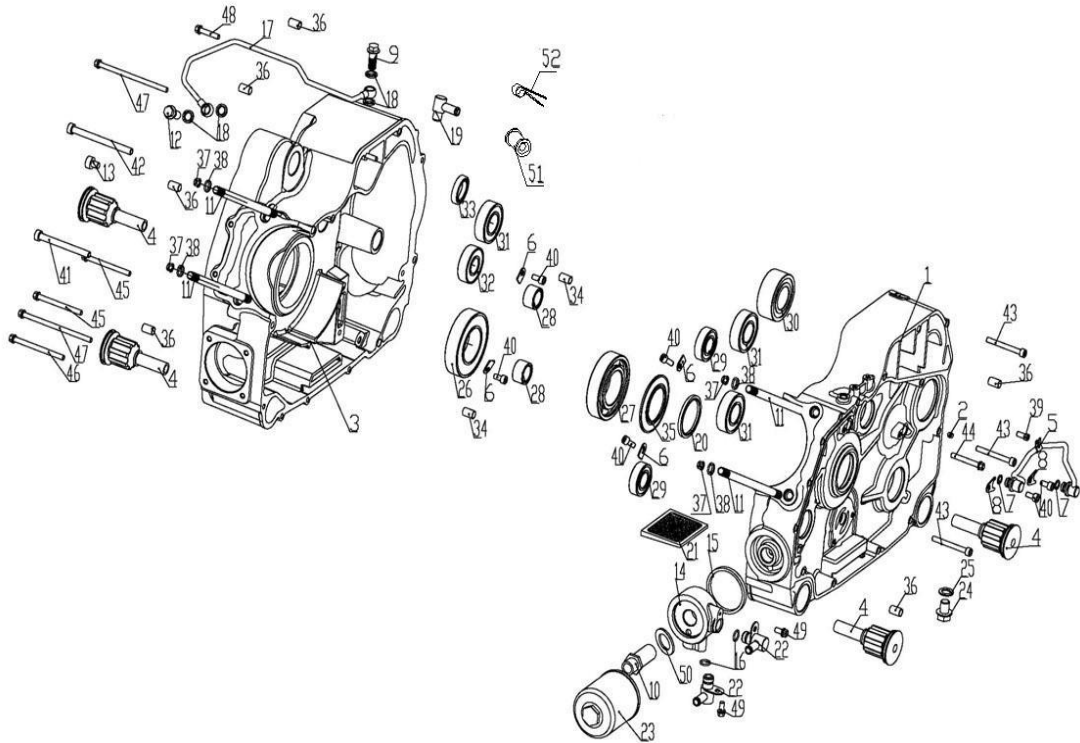
E6 CRANKCASE



Nº	CÓDIGO	DESCRIÇÃO	Qt.	OBSERVAÇÕES
1	LH00071894	LEFT CRANKCASE	1	
2	LH00071931	OIL ROAD PLUG	1	
3	LH00071897	RIGHT CRANKCASE	1	
4	LH00071898	ENGINE MOUNT BUSHING	4	
5	LH00071899	TUBING COMPONENTS 1	1	
6	LH00071905	NEEDLE ROLLER BEARING BAFFLE	4	
7	LH00071908	O RING 8.8X1.9	2	
8	LH00071909	TUBING BAFFLE	2	
9	LH00071910	OIL PASSAGE BOLT A	1	
10	LH00071911	OIL FILTER BLOCK	1	
11	LH00071912	DOUBLE END STUDS	4	
12	LH00071913	OIL PASSAGE BOLT B	1	
13	LH00071914	LIMIT AXIS	1	
14	LH00071906	OIL-COOLING CONNECTOR	1	
15	LH00071907	RING	1	
16	LH00010736	O RING 11.2X1.8	2	
17	LH00071900	TUBING COMPONENTS 2	1	
18	LH00071901	COMBINATORIAL GASKET	4	
19	LH00071902	VENTILATION MOUTH COMPONENTS	1	
20	LH00071903	OIL SEAL 45X55X4	1	
21	LH00071904	OIL STRAINER	1	
22	LH00071895	COLD OIL CONNECTOR TUBE ASSEMBLY	2	
23	LH00070196	OIL FILTER	1	
24	LH00050105	OIL DRAIN PLUG	1	
25	LH01309283	WASHER	1	
26	LH00010727	BEARING 6209 C3	1	

M750L-M760L

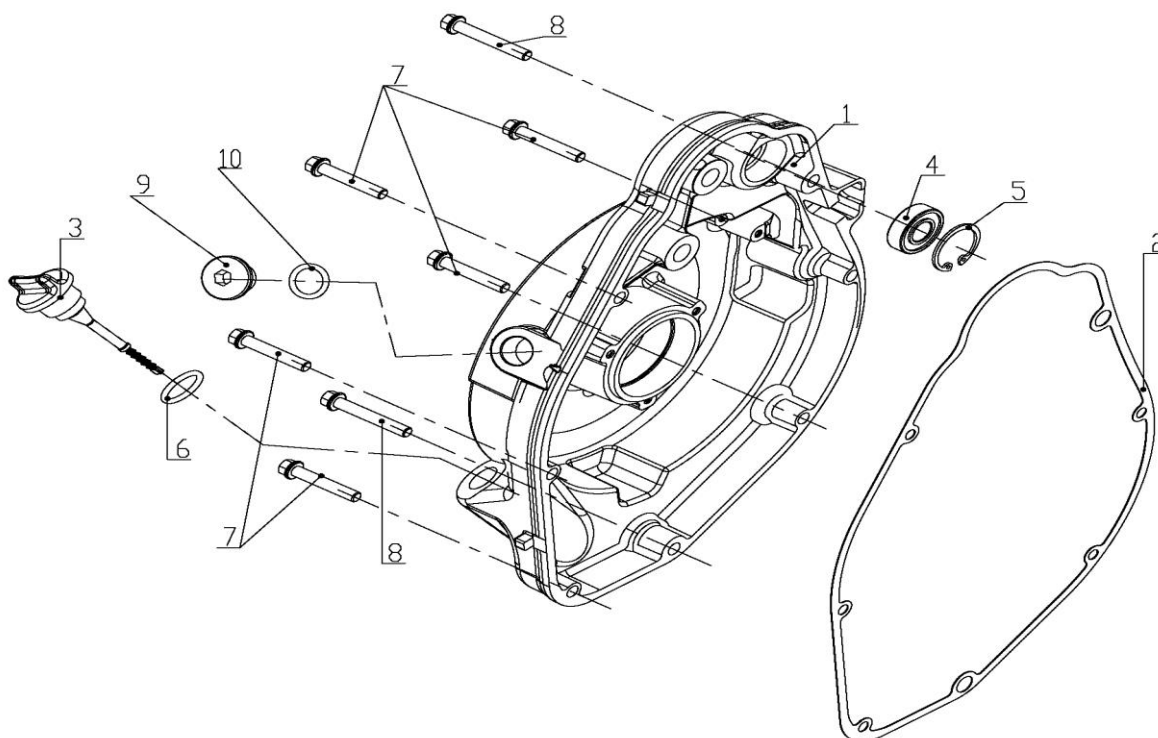
E6.1 CRANKCASE



Nº	CÓDIGO	DESCRIÇÃO	Qt.	OBSERVAÇÕES
27	LH00010728	BEARING 6209LLU C3	1	
28	LH00010740	NEEDLE ROLLER BEARINGS NK20/16	2	
29	LH00010723	BEARING 6004 C3	2	
30	LH00010731	BEARING 5206 C3	1	
31	LH0010267N	BEARING 6205	3	
32	LH00010062	BEARING 6204	1	
33	LH00010725	BEARING 61805	1	
34	LH02531017	LOCATING PIN 10X16	2	
35	LH00071896	SEAL	1	
36	LH00050076	LOCATING PIN 8X14	6	
37	LH00010192	NUT M10X1.25	4	
38	LH00010019	WASHER 10	4	
39	LH00010745	SOCKET HEAD CAP SCREWS M5X12	1	
40	LH00010532	SOCKET HEAD CAP SCREWS M6X12	6	
41	LH00010258	SOCKET HEAD CAP SCREWS M8X80	1	
42	LH00010750	SOCKET HEAD CAP SCREWS M8X95	1	
43	LH00010748	SOCKET HEAD CAP SCREWS M6X55	3	
44	LH00010197	BOLT M6X45	1	
45	LH00010160	BOLT M6X70	2	
46	LH00010717	BOLT M6X80	1	
47	LH00027208	BOLT M6X110	2	
48	LH0010182W	BOLT M6X30	1	
49	LH0010140W	BOLT M6X12	2	
50	LH00071775	WASHER 1	1	
51	LH00072021	CUSHION COLLAR	1	
52	LH00072022	CLAMP	1	

M750L-M760L

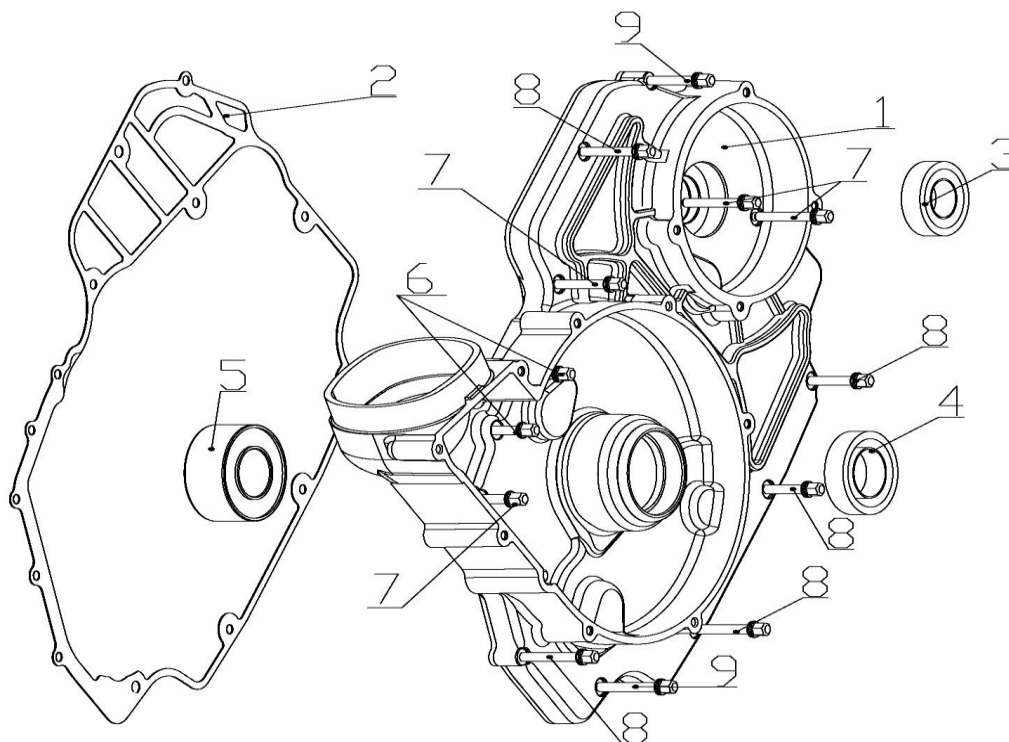
E7 RIGHT COVER



Nº	CÓDIGO	DESCRIÇÃO	Qt.	OBSERVAÇÕES
1	LH0071915a	COVER,RIGHT CRANKCASE (new model)	1	
2	LH00071916	WASHER, RIGHT CRANKCASE	1	
3	LH00071917	DIPSTICK	1	
4	LH00070021	BEARING 6001	1	
5	LH00028065	RING 28	1	
6	LH00029511	O-RING 18X3	1	
7	LH0010186W	BOLT M6X35 (FLANGE)	5	
8	LH0010177W	BOLT M6X40 (FLANGE)	2	
9	LH00023613	OBSERVED COVER	1	
10	LH00010123	O-RING 14X2.65	1	

M750L-M760L

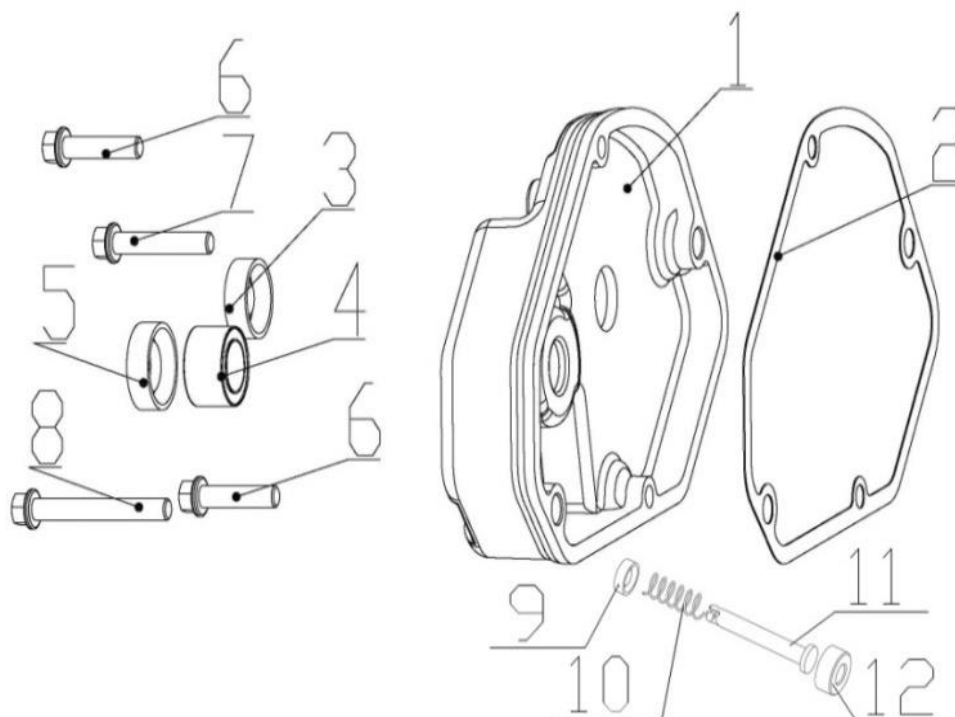
E8 LEFT COVER



Nº	CÓDIGO	DESCRIÇÃO	Qt.	OBSERVAÇÕES
1	LH00071920	LEFT COVER	1	
2	LH00071921	GASKET, LEFT COVER	1	
3	LH00071918	OIL SEAL 25X50X8	1	
3	LH00073508	OIL SEAL 30X50X8	1	
4	LH00071919	OIL SEAL 32X56X8	1	
5	LH00010726	BEARING 62/32	1	
6	LH0010110W	BOLT M6X20	2	
7	LH0010187W	BOLT M6X25	5	
8	LH0010182W	BOLT M6X30	11	
9	LH0010186W	BOLT M6X35	2	

M750L-M760L

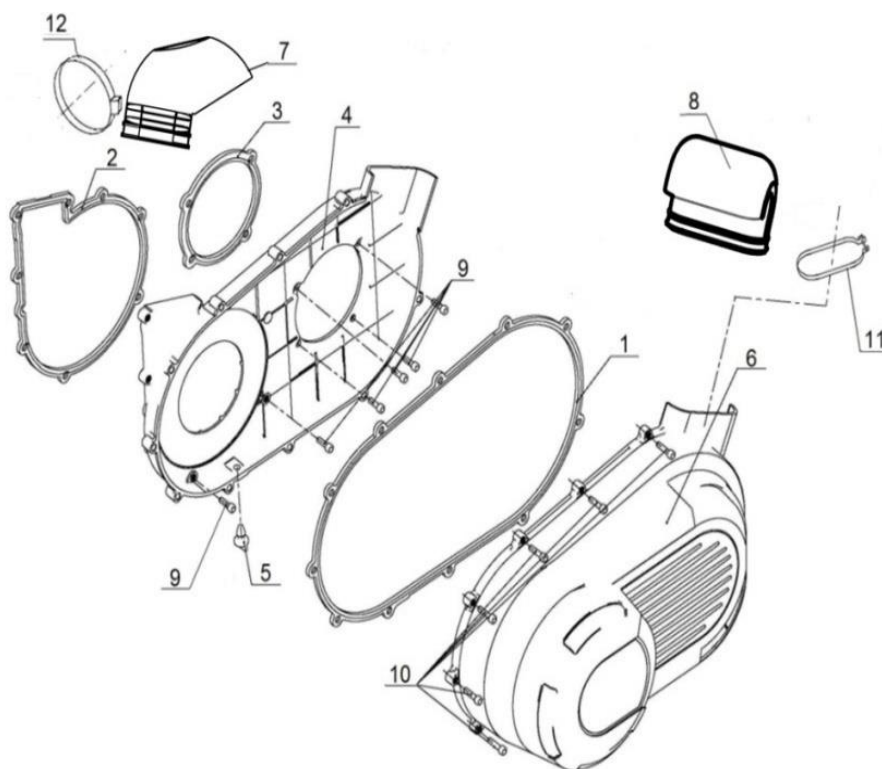
E9 SHIFT COVER



Nº	CÓDIGO	DESCRIÇÃO	Qt.	OBSERVAÇÕES
1	LH00071924	SHIFT COVER	1	
2	LH00071925	GASKET, SHIFT COVER	1	
3	LH00071922	OIL SEAL 14X24X7	1	
4	LH00010741	NEEDLE ROLLER BEARINGS RNA4900	1	
5	LH00071923	OIL SEAL 9X22X7	1	
6	LH0010187W	BOLT M6X25	1	
7	LH0010182W	BOLT M6X30	2	
8	LH00010197	BOLT M6X45	1	
9	LH00071324	OIL SEAL 6X12X4	1	
10	LH00071323	SPRING SHIFT	1	
11	LH00071321	AXLE SHIFT	1	
12	LH00071322	BROKE SHIFT	1	

M750L-M760L

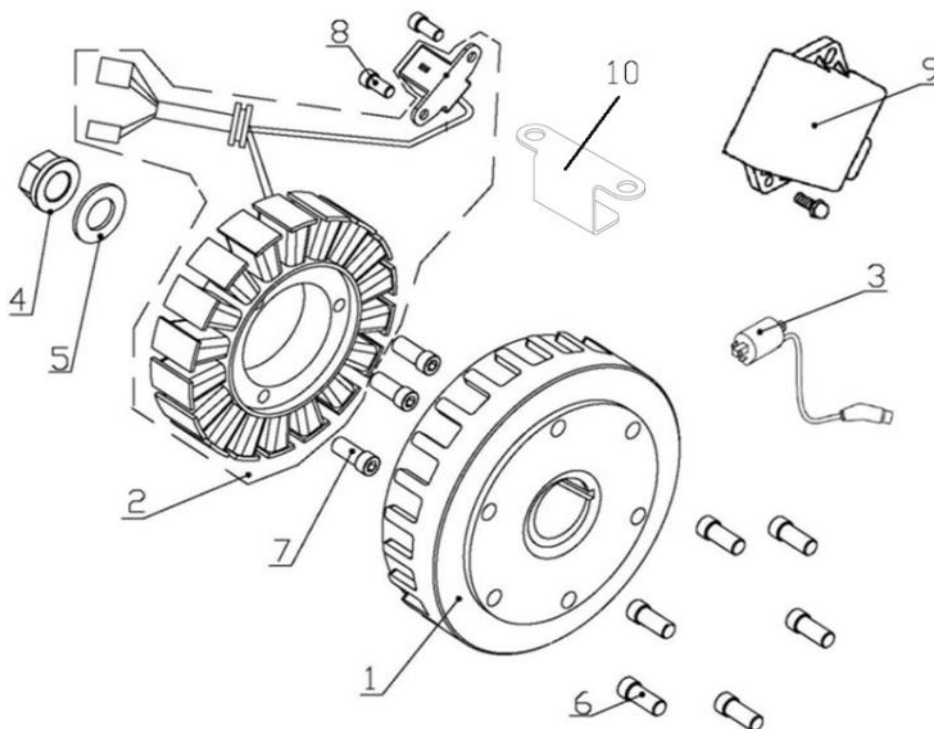
E10 CVT COVER CVT



Nº	CÓDIGO	DESCRIÇÃO	Qt.	OBSERVAÇÕES
1	LH00071677	WASHER,CVT BIG COVER	1	
2	LH00071678	WASHER A, SMALL COVER	1	
3	LH00071679	WASHER B, SMALL COVER	1	
4	LH00071672	CVT SMALL COVER COMPONENTS	1	
5	LH00071673	DRAIN PLUG	1	
6	LH00071674	CVT BIG COVER COMPONENTS	1	
7	LH00072190	ENTER PIPE	1	
8	LH00072191	OUT PIPE A	1	
9	LH0010085G	SOCKET HEAD CAP SCREWS M6X25	13	
10	LH0010008G	SOCKET HEAD CAP SCREWS M6X20	8	
11	LH00071675	CLIP	1	
12	LH00035670	CLIP	1	

M750L-M760L

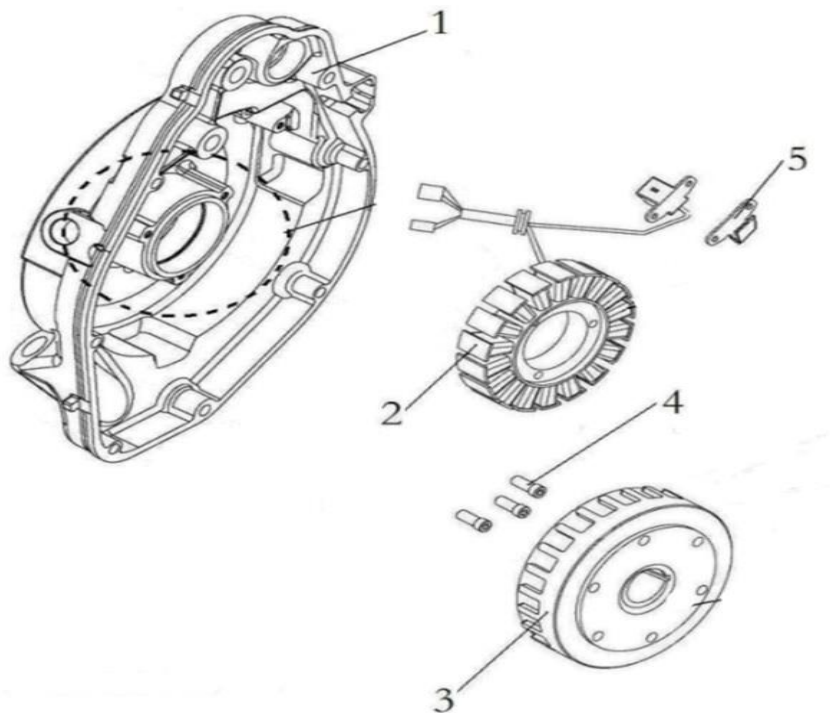
E11 GENERATOR



Nº	CÓDIGO	DESCRIÇÃO	Qt.	OBSERVAÇÕES
1	LH0071684a	ROTOR ASSY (new model)	1	
2	LH0071685c	STATOR ASSY (new model)	1	
3	LH0070822D	IGNITON COIL AND WIRE	1	
4	LH00071688	NUT M16X1.5	1	
5	LH00071689	WASHER 16.5	1	
6	LH00010749	SOCKET HEAD CAP SCREWS M8X18	6	
7	LH00010170	SOCKET HEAD CAP SCREWS M6X30	3	
7	LH00010815	SOCKET HEAD CAP SCREWS M6X38 (new model)	3	
8	LH00010745	SOCKET HEAD CAP SCREWS M5X12	2	
9	LH00071686	ECU (USED FOR EXCEPT FRANCE)	1	
10	LH00073536	BAFFLE (new model)	1	

M750L-M760L

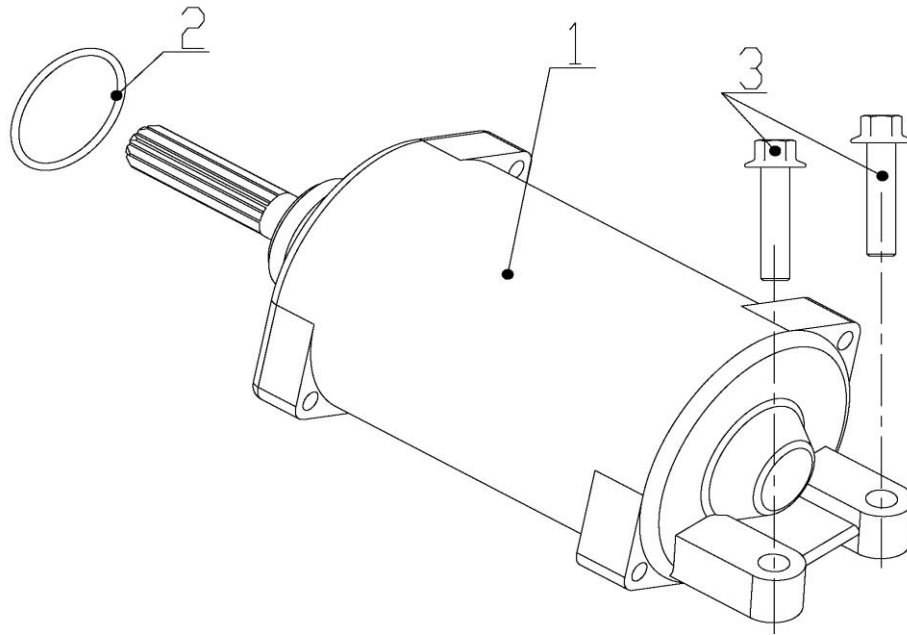
E11.1 ASSEMBLY RELATION OF THE GENERATOR, THE RIGHT COVER AND THE REGULATOR RECTIFIER



Nº	CÓDIGO	DESCRIÇÃO	Qt.	OBSERVAÇÕES
1	LH0071915a	COVER,RIGHT CRANKCASE (new model)	1	
2	LH0071685c	STATOR ASSY (new model)	1	
3	LH0071684a	ROTOR ASSY (new model)	1	
4	LH00010815	SOCKET HEAD CAP SCREWS M6X38 (new model)	3	
5	LH00073536	BAFFLE (new model)	1	

M750L-M760L

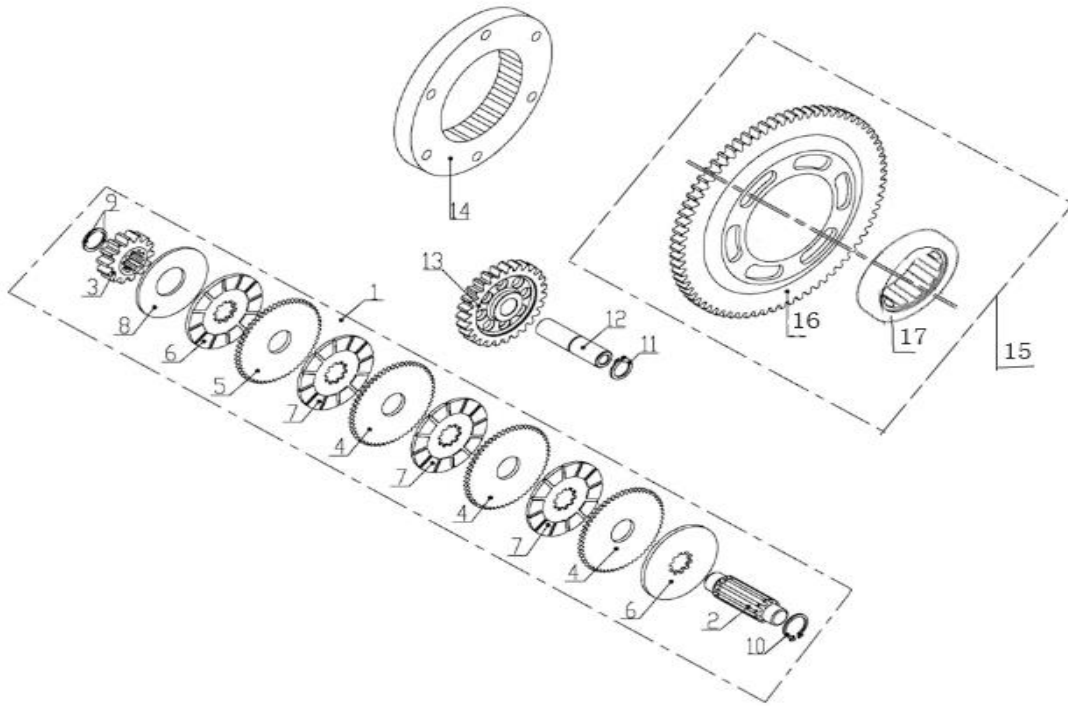
E12 STARTING MOTOR



Nº	CÓDIGO	DESCRIÇÃO	Qt.	OBSERVAÇÕES
1	LH00071691	STARTING MOTOR	1	
2	LH00024106	O-RING 24.5x3	1	
3	LH0010187W	BOLT M6x25	2	

M750L-M760L

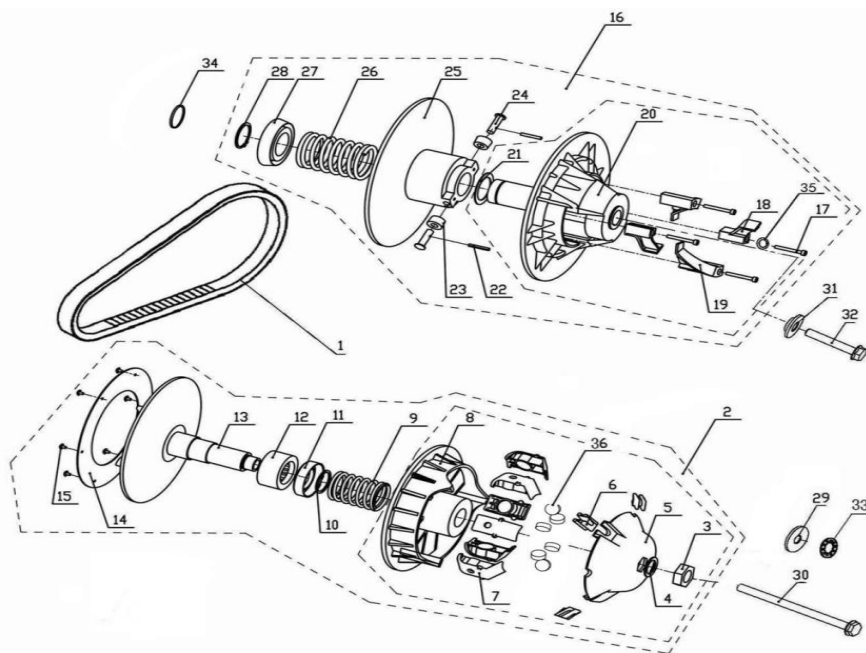
E13 START SLOWDOWN ASSY



Nº	CÓDIGO	DESCRIÇÃO	Qt.	OBSERVAÇÕES
1	LH00071693	STARTER TORQUE LIMITER	1	
2	LH00071694	DOUBLE GEAR SHAFT	1	
3	LH00071695	PINION	1	
4	LH00071696	BIG CHAINRINGS A	3	
5	LH00071697	BIG CHAINRINGS B	1	
6	LH00071698	SINGLE-SIDED FRICTION PLATE	2	
7	LH00071699	DOUBLE-SIDED FRICTION PLATE	3	
8	LH00010722	DISC SPRING C40-1	2	
9	LH00071700	HALF-MOON RING	2	
10	LH00010768	RING 15	1	
11	LH00010129	RING 12	1	
12	LH00071703	INTERMEDIATE SHAFT	1	
13	LH00071704	STARTER IDLE GEAR	1	
14	LH00071701	CLUTCH OUTER ASSY	1	
15	LH00071702	STARTER DRIVEN GEAR	1	
16	LH00072219	GEAR PLATE	1	
17	LH00011067	NEEDLE BEARING HK3520	1	

M750L-M760L

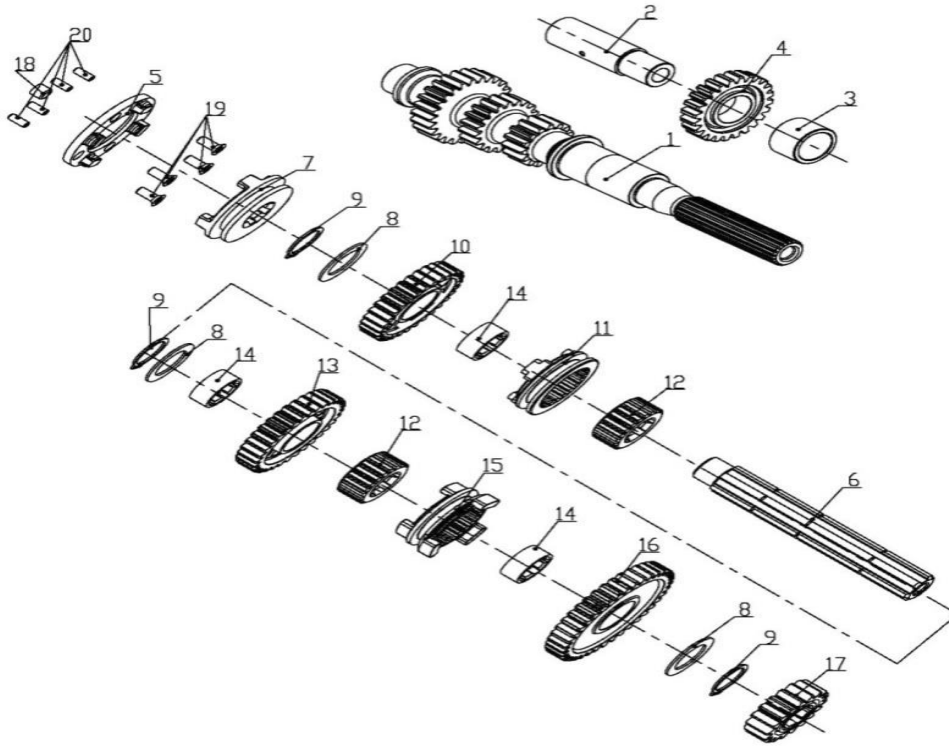
E15 CLUTCH



Nº	CÓDIGO	DESCRIÇÃO	Qt.	OBSERVAÇÕES
1	LH00071332	BELT	1	
2	LH00071333	DRIVING WHEEL SUB-ASSY.	1	
3	LH00071665	NUT, DRIVING WHEEL	1	
4	LH00071344	WASHER, DRIVING WHEEL	1	
5	LH00071334	ROOF COMPONENTS	1	
6	LH00071335	DAMPER	3	
7	LH00071336	SLIDER, DRIVING WHEEL	6	
8	LH00071337	MOVABLE DRIVE FACE	1	
9	LH00071338	SPRING,DRIVING WHEEL	1	
10	LH00071339	WASHER	1	
11	LH00071340	SPRING SEAT ,DRIVING WHEEL	1	
12	LH00071341	ONE WAY CLUTCH	1	
13	LH00071342	FIXED DRIVE FACE	1	
14	LH00071343	BASEPLATE, DRIVING WHEEL	1	
15	LH00071662	SREW, M4×8	6	
16	LH00071345	DRIVEN SHEEL SUB-ASSY.	1	
17	LH00010744	BOLT, M4×35	4	
18	LH00071346	BRAKE STOP	2	
19	LH00071347	SLIDER, DRIVEN WHEEL	2	
20	LH00071348	FIXED DRIVEN FACE	1	
21	LH00071349	WASHER Ø35	1	
22	LH00071664	CYLINDRICAL PIN 3.5X26	2	
23	LH00071350	COLLER	2	
24	LH00071351	PIN,COLLER	2	
25	LH00071352	MOVABLE DRIVEN FACE	1	
26	LH00071353	SPRING, DRIVEN WHEEL	1	
27	LH00071354	SPRING SEAT L, DRIVEN WHEEL	1	
28	LH00071669	RING 35	1	
29	LH00071326	INSTALLATION SLEEVE,DRIVING SHEEL	1	
30	LH00071327	MOUNTING BOLT,DRIVING WHEEL	1	
31	LH00071328	INSTALLATION SLEEVE,DRIVEN SHEEL	1	
32	LH00071329	MOUNTING BOLT,DRIVEN WHEEL	1	
33	LH00071668	Internal teeth lock washers	1	
34	LH00071331	ADJUSTING WASHER,CVT	1	
34	LH00072023	WASHER	1	
35	LH00010071	WASHER Ø4	2	
36	LH00072025	Centrifugal weight	6	

M750L-M760L

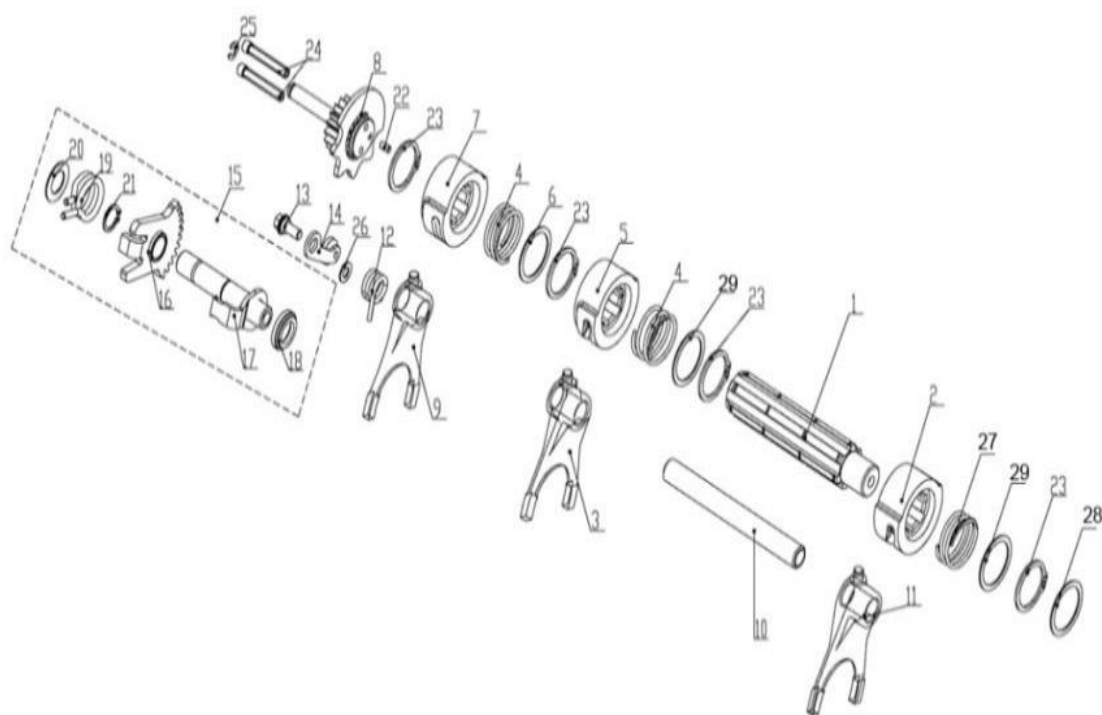
E16 TRANSMISSION ASSY



Nº	CÓDIGO	DESCRIÇÃO	Qt.	OBSERVAÇÕES
1	LH00071720	DRIVE SHAFT	1	
2	LH00071729	REVERSE IDLE GEARSHAFT	1	
3	LH00071730	REVERSE SLEEVE	1	
4	LH00071731	REVERSE IDLE GEAR	1	
5	LH00071732	PARKING BRAKE DISC	1	
	LH00071733		1	
	LH00071734		1	
	LH00071735		3	
	LH00010064		3	
6	LH00071736	COUNTER SHAFT	1	
	LH00072207		1	
	LH00071722		2	
	LH00071723		1	
	LH00071724		3	
15	LH00072208	LOW-REVERSE GEARSHIFT DOG	1	
16	LH00071726	LOW DRIVEN GEAR	1	
17	LH00071727	INTERMEDIATE GEAR 1	1	
18	LH00071728	COUNTER SHAFT PLUG	1	
19	LH00010818	Six countersunk head screws M5X16	4	
20	LH00010714	CYLINDRICAL PIN 5X12	4	

M750L-M760L

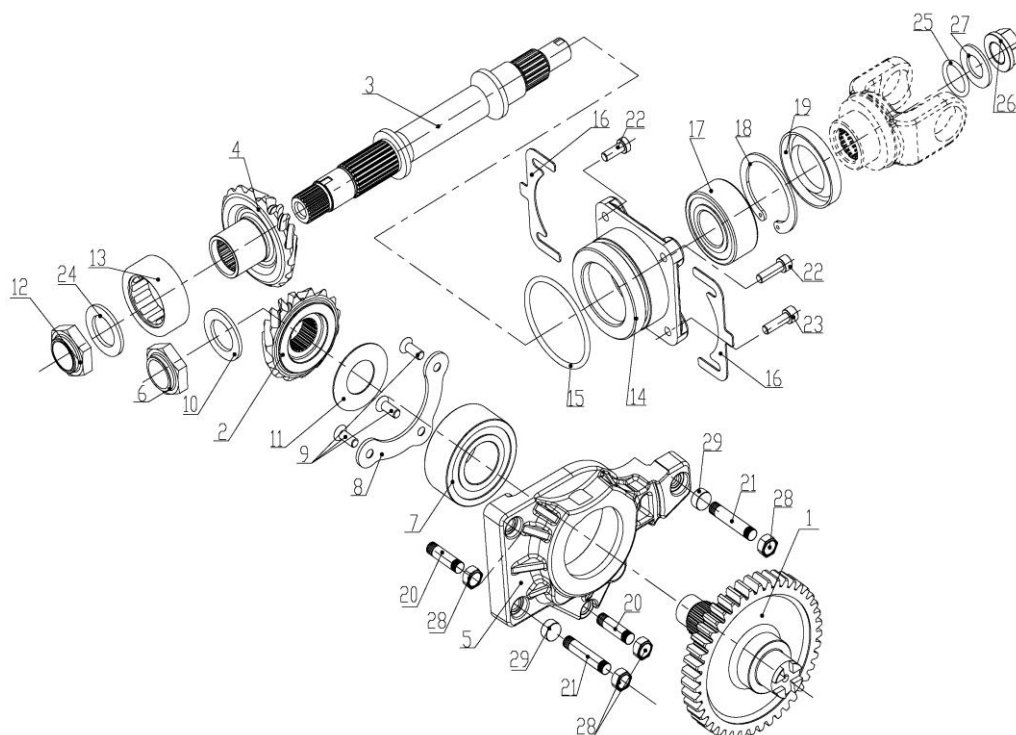
E17 SHIFT ASSY



Nº	CÓDIGO	DESCRIÇÃO	Qt.	OBSERVAÇÕES
1	LH0071745a	SHIFT DRUM SHAFT	1	
2	LH0071750a	LOW SPEED-REVERSE SHIFT DRUM	1	
3	LH00071751	HIGH GEARSHIFT FORK	1	
4	LH0071752a	SHIFT COMPRESSION SPRING	2	
5	LH0071753a	HIGH GEARSHIFT DRUM	1	
6	LH00071754	WASHER 28.2	1	
7	LH0071755a	PARKING STALLS SHIFT DRUM	1	
	LH00071756		1	
	LH00071757		1	
	LH00071746		1	
	LH00071747		1	
8	LH00072209	GEARSHIFT CAM STOPPER PLATE	1	
	LH00071749		1	
	LH00071738		1	
	LH0071739a		1	
	LH0071740a		1	
17	LH00071741	GEARSHIFT SHAFT	1	
18	LH00071742	SLEEVE	1	
19	LH0071743a	GEARSHIFT RETURN SPRING	1	
20	LH00071744	WASHER 14	1	
21	LH00010115	RING 14	1	
22	LH00010712	B-TYPE CYLINDRICAL PIN	1	
23	LH00010769	RING 28	4	
24	LH00010744	SOCKET HEAD CAP SCREWS M4X35	2	
25	LH00010130	OPEN RETAINING RING 6	1	
26	LH00010762	WASHER 6	1	
27	LH00072097	SHIFT COMPRESSION SPRING	1	
28	LH00071775	WASHER 1	1	
29	LH00072098	WASHER 28.2 B	2	

M750L-M760L

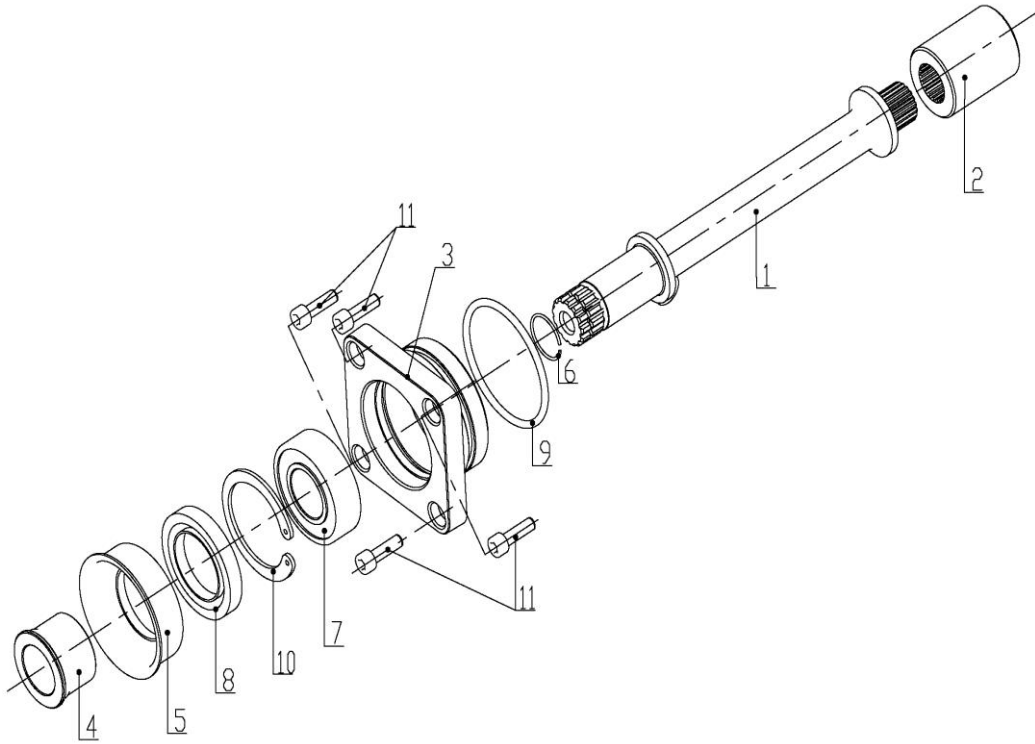
E18 REAR OUTPUT ASSY



Nº	CÓDIGO	DESCRIÇÃO	Qt.	OBSERVAÇÕES
1	LH00071761	IDLER WHEEL 2	1	
2	LH00071769	DRIVE BEVEL GEAR	1	
3	LH00071770	REAR OUTPUT SHAFT (old model)	1	
3	LH0071770a	REAR OUTPUT SHAFT (new model, apply to: 1BA-17461-01 FRONT DRIVE SHAFT (new model), 1BA-17462-01 SPLINE SETS (new model))	1	
4	LH00071771	DRIVEN BEVEL GEAR	1	
5	LH00071772	BEARING BRAKET	1	
6	LH00071773	LOCKING NUT M20X1.5	1	
7	LH00010731	BEARING 5206 C3	1	
8	LH00071774	BEARING PLATE	1	
9	LH00010757	Six countersunk head screws M6X14	3	
10	LH00071775	WASHER 1	1	
11	LH00071777	SHIM 2 (OPTIONAL)	1	
12	LH00071762	LOCKING NUT M22X1.5	1	
13	LH00071759	NEEDLE BEARING 32NQ5419	1	
14	LH00071763	BEARING BRAKET,REAR OUTPUT SHAFT	1	
15	LH00071764	O-RING 59.6X3.5	1	
16	LH00071765	SHIM (OPTIONAL)	2	
17	LH00010732	BEARING 5205	1	
18	LH00010766	WASHER 52	1	
19	LH00071760	SEAL 35X54X8	1	
20	LH00072255	STUD BOLTS M10X1.25X39	2	
21	LH00072256	STUD BOLTS M10X1.25X45	2	
22	LH0010008G	SOCKET HEAD SCREW M6X20	3	
23	LH00010746	SOCKET HEAD SCREW M6X16	1	
24	LH00040413	WASHER 22	1	
25	LH00070295	O-RING 20X3	1	
26	LH00071688	NUT M16X1.5	1	
27	LH00071689	WASHER 16.5	1	
28	LH00011254	NUT M 10	4	
29	LH00072257	PIN DOWEL 13X14	2	

M750L-M760L

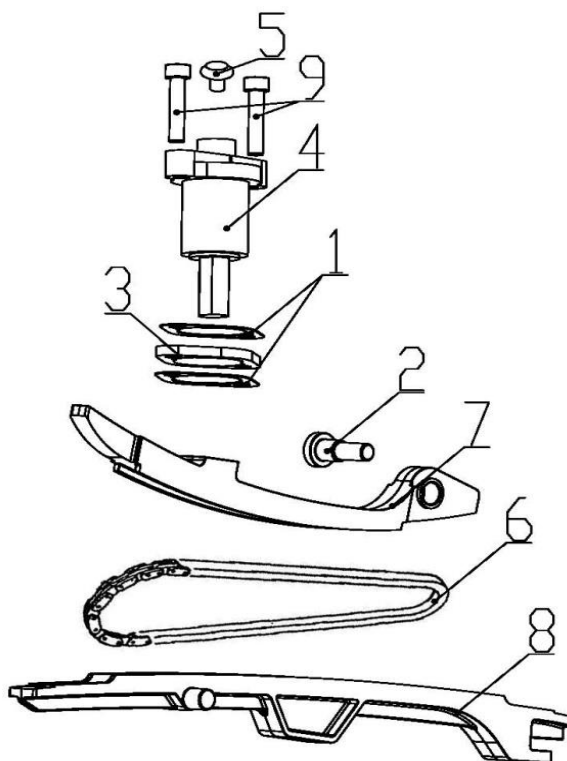
E19 FRONT DRIVE ASSY



Nº	CÓDIGO	DESCRIÇÃO	Qt.	OBSERVAÇÕES
1	LH0071779a	FRONT DRIVE SHAFT (new model, apply to: 1BA-17462-01 SPLINE SETS (new model), 1BA-17421-01 REAR OUTPUT SHAFT (new model))	1	
2	LH0071780a	SPLINE SETS (new model, apply to: 1BA-17461-01 FRONT DRIVE SHAFT (new model), 1BA-17421-01 REAR OUTPUT SHAFT (new model))	1	
3	LH00071781	BEARING BRACKET, FRONT DRIVE SHAFT	1	
4	LH00071782	SLEEVE, FRONT DRIVE SHAFT	1	
5	LH00071783	SHEATH HOLDER	1	
6	LH00071784	WIRE RING $\Phi 21 \times 1.3$	1	
7	LH0010267N	BEARING 6205	1	
8	LH00071760	SEAL 35X54X8	1	
9	LH00071764	O-RING 59.6X3.5	1	
10	LH00010766	RING 52	1	
11	LH0010008G	SOCKET HEAD SCREWS M6X20	4	

M750L-M760L

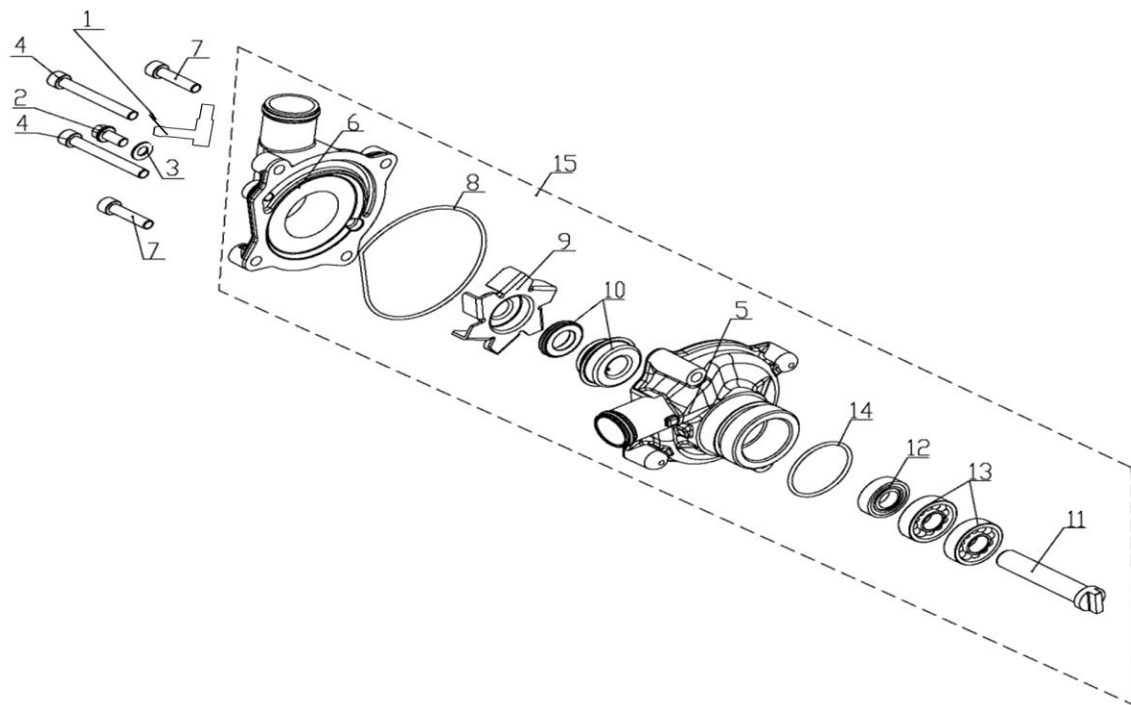
E20 TIMING CHAIN



N°	CÓDIGO	DESCRIÇÃO	Qt.	OBSERVAÇÕES
1	LH00071790	GASKET, TENSIONER CASE	2	
2	LH00071791	BOLT	1	
3	LH00071792	SPACER, TENSIONER CASE	1	
4	LH00071786	CAM CHAIN TENSION ADJUSTER	1	
5	LH04080097	SCREW PAN	1	
6	LH00071787	CHAIN	1	
7	LH00071788	CAM CHAIN TENSIONER	1	
8	LH00071789	CAM CHAIN GUIDE	1	
9	LH00010170	BOLT M6X30	2	

M750L-M760L

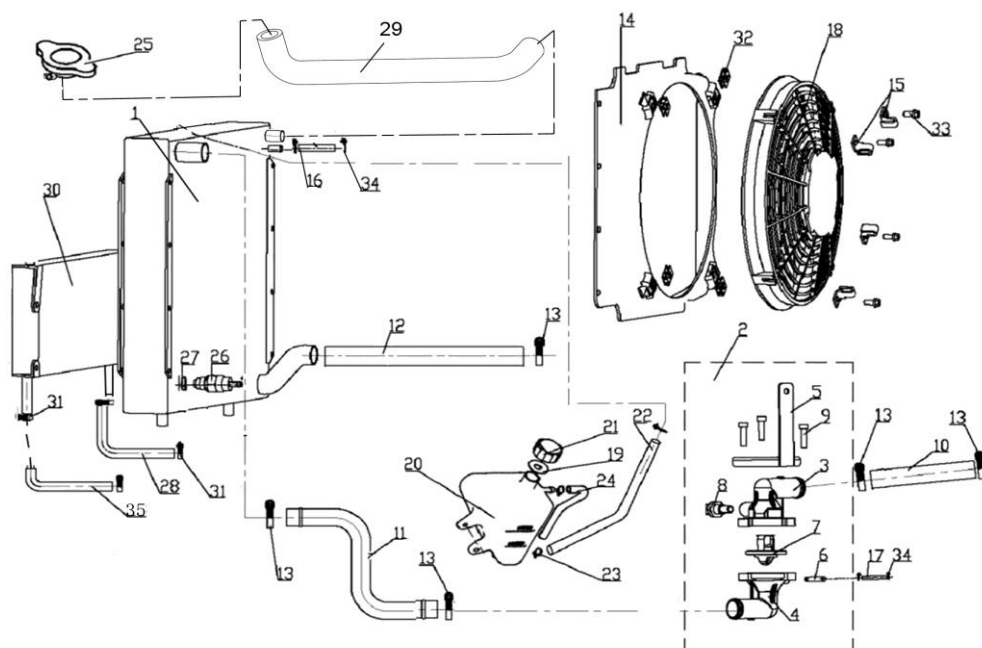
E21 WATER PUMP ASSY



Nº	CÓDIGO	DESCRIÇÃO	Qt.	OBSERVAÇÕES
1	LH0071797a	CONNECTOR, WATER PUMP	1	
2	LH0010140W	BOLT M6X12	1	
3	LH00022810	WASHER 6	1	
4	LH00010747	SOCKET SCREW M6X50	2	
5	LH00071798	SHELL, WATER PUMP	1	
6	LH00071799	HOUSING COVER	1	
7	LH0010085B	SOCKET SCREW M6X25	2	
8	LH00071800	GASKET HOUSING COVER	1	
9	LH00071801	PELLER SHAFT ASSY	1	
10	LH00071794	MECHANICAL SEAL	1	
11	LH00071802	AXLE,PELLER SHAFT ASSY	1	
12	LH00071795	SEAL 12X28X7	1	
13	LH00071796	BEARING 16101	2	
14	LH00071803	O-RING 36X3.2	1	
15	LH00071314	WATER PUMP	1	

M750L-M760L

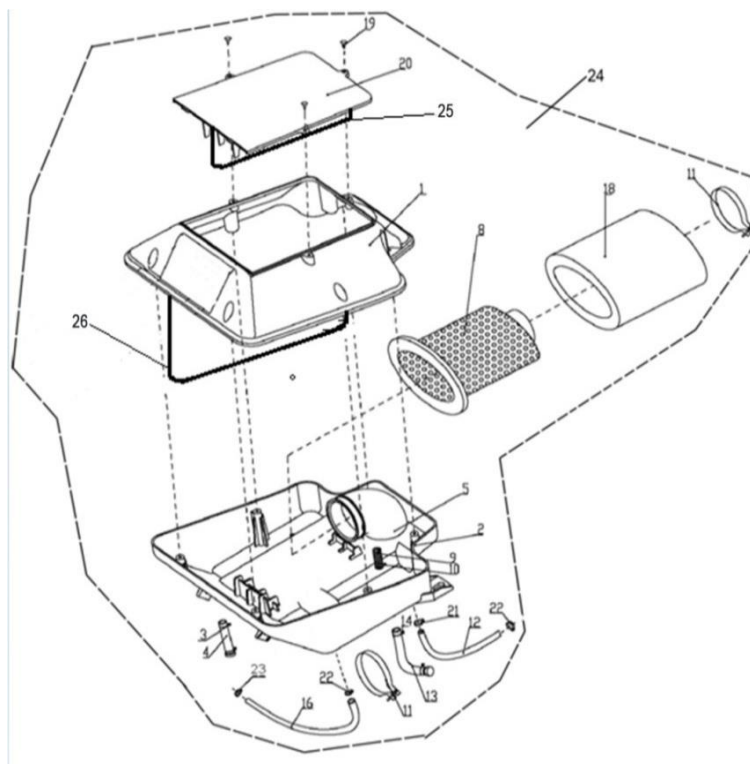
E22 COOLING COMPONENTS



Nº	CÓDIGO	DESCRIÇÃO	Qt.	OBSERVAÇÕES
1	LH00072192	RADIATOR	1	
2	LH00071805	THERMOSTATIC VALVE COMPONENTS	1	
3	LH00071807	THERMOSTATIC SHELL	1	
4	LH00071808	DOWN SHELL	1	
5	LH00072193	TEMPERATURE CONTROL VALVE STENTS	1	
6	LH00071868	CONDUIT JOINTS	1	
7	LH00070143	THERMOSTATIC VALVE	1	
8	LH0035095e	THE COOLING FLUID TEMPERATURE SENSOR	1	
9	LH0010085B	SOKET HEAD CAP SCREW M6X25	3	
10	LH00072194	OUTLET HOSE, CYLINDER HEAD	1	
11	LH00072195	INLET HOSE, READIATOR	1	
12	LH00072196	OUTLET HOSE, READIATOR	1	
13	LH00072027	HOSE HOOPS 21/44	6	
14	LH00071815	FAN MOUTING BRACKET	1	
15	LH00071816	FAN INSTALLED BOARD	4	
16	LH00072197	VENTILATION TUBE WATER TANK	1	
17	LH00072198	MINOR CYCLE CONDUIT	1	
18	LH00071809	FAN MOTER COMPONENTS (SPAL)	1	
19	LH00070339	WASHER,TANK RECOVERY	1	
20	LH00070340	TANK RECOVERY	1	
21	LH00070338	COVER,TANK RECOVERY	1	
22	LH00072199	PIPE, SAFETY VALVE	1	
23	LH00622008	CLIP 1	2	
24	LH00070342	PIPE, TANK RECOVERY	1	
25	LH00022907	SAFETY VALVE	1	
26	LH00071932	COOL FAN THERMO-SWITCH	1	
27	LH00010737	O-RING 13.2X1.8	1	
28	LH00072200	PIPE A	1	
29	LH00072201	REFILL HOSE, READIATOR	1	
30	LH00072202	OIL TANKS	1	
31	LH00071658	HOSE CLAMPS 8/14	4	
32	LH00070960	PLASTIC FLEXIBLE INSTALLATION NUT	4	
33	LH0010140B	BOLT M6X12	4	
34	LH00022914	CLIP	4	
35	LH00072203	PIPE B	1	

M750L-M760L

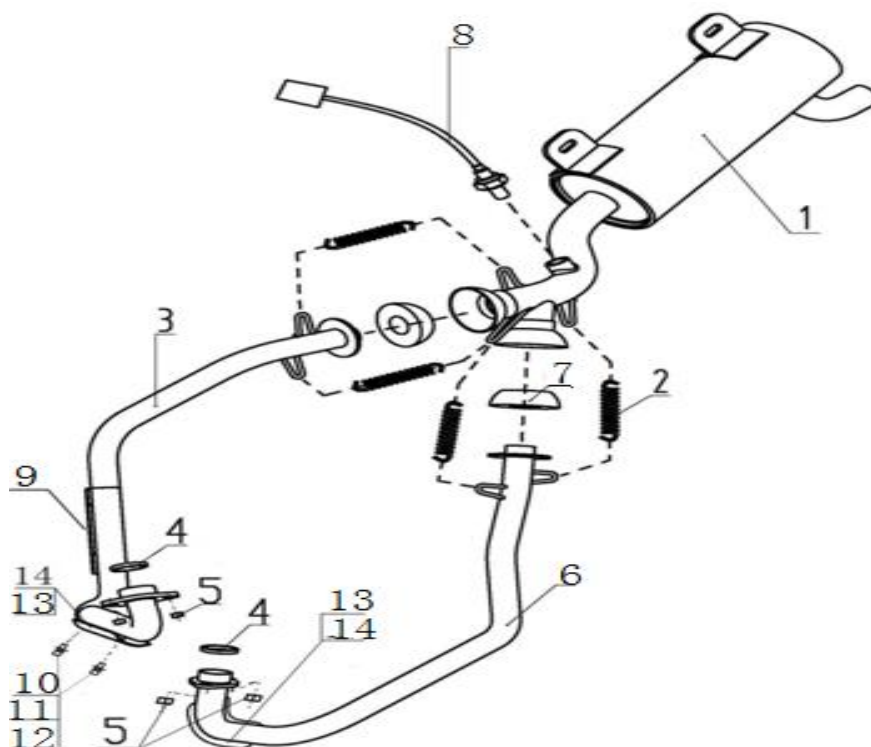
E23 AIR CLEANER



Nº	CÓDIGO	DESCRIÇÃO	Qt.	OBSERVAÇÕES
1	LH00071825	UPPER HOUSING, AIR CLEANER	1	
2	LH00071831	LOWER HOUSING, AIR CLEANER	1	
3	LH00071832	SPRING CARD HOOP 10	1	
4	LH00071833	ROW TUBING A	1	
5	LH00071834	THROTTLE BODY CONNECTION TUBE	1	
8	LH00071823	AIR CLEANER CORE	1	
9	LH00071836	PROOF PIPES, AIR CLEANER	1	
10	LH00071837	SPRING CARD HOOP 13	2	
11	LH00071824	CARD HOOP 70	1	
12	LH00071838	VENTILATION TUBE BODY	1	
13	LH00071826	ROW TUBING B	1	
14	LH00071827	SPRING CARD HOOP 15	1	
16	LH00071829	THE VALVE COVER INTO VENTILATION TUBE	1	
18	LH00071317	FILTER SPONGE SET	1	
19	LH00010760	CROSS RECESSED PAN HEAD TAPPING SCREWS ST4.8	9	
20	LH00071933	AIR CLEANER COVER	1	
21	LH00043519	CLIP SPRING	1	
22	LH00071358	SPRING CARD HOOP 13	2	
23	LH01309150	SPRING CARD HOOP	1	
24	LH00071316	AIR CLEANER ASSY.	1	
25	LH00072240	AIR CLEANER COVER RING	1	
26	LH00072241	UPPER HOUSING, AIR CLEANER RING	1	

M750L-M760L

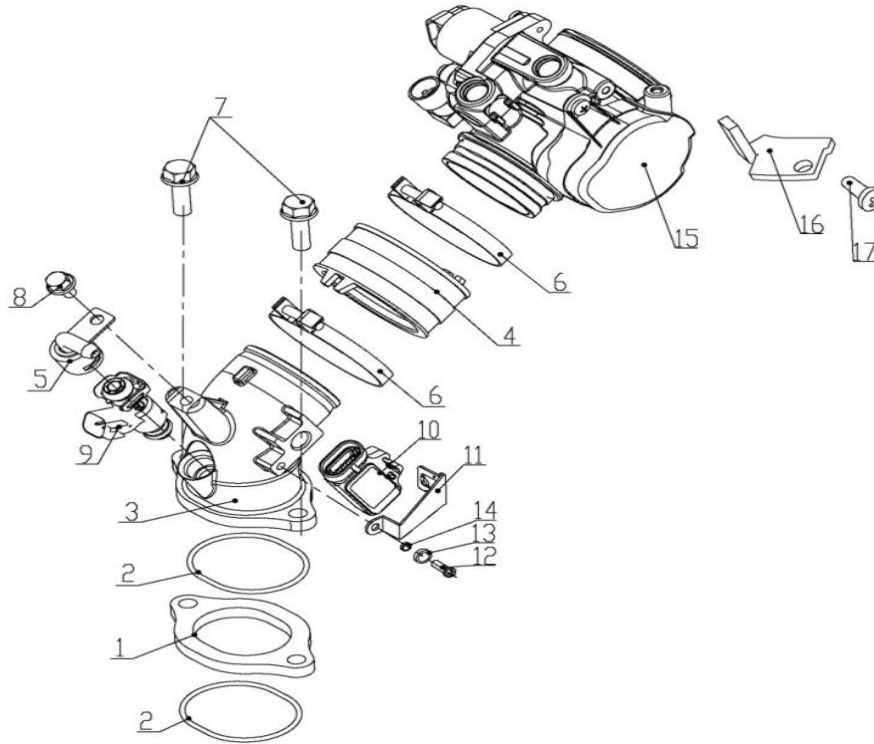
E24 EXHAUST



Nº	CÓDIGO	DESCRIÇÃO	Qt.	OBSERVAÇÕES
1	LH00072218	MUFFLER (USED FOR T3)	1	
2	LH00023408	SPRING	4	
3	LH00072205	PIPE A, EXHAUST	1	
4	LH00023403	GASKET, EXHAUST	2	
5	LH00010794	NUT M8	4	
6	LH00072206	PIPE B, EXHAUST	1	
7	LH00071842	JOINT, EXHAUST	2	
8	LH00070826	SENSOR	1	
9	LH00072089	SHIELD B, THE MUFFLER PIPE A	1	
10	LH00010950	BOLT M6×12	6	
11	LH00010308	SPRING WASHER D6	6	
12	LH00070053	WASHER D6	6	
13	LH00072090	SHIELD A, THE MUFFLER PIPE A	4	
14	LH00072091	THE LINING B OF GLASSFIBER (new model)	2	

M750L-M760L

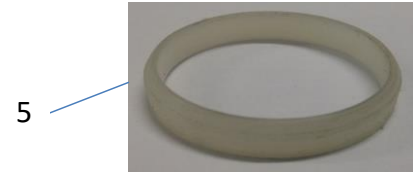
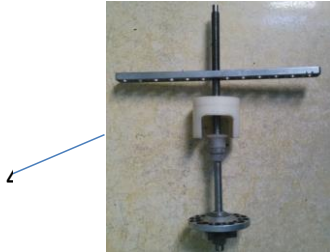
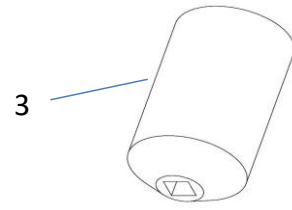
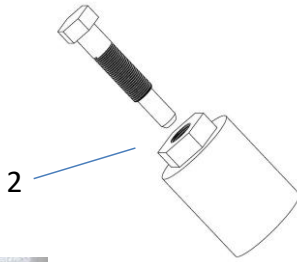
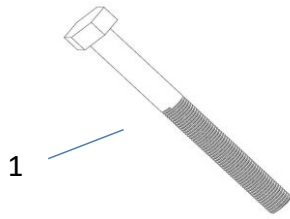
E25 FUEL INJECTION ASSY



Nº	CÓDIGO	DESCRIÇÃO	Qt.	OBSERVAÇÕES
1	LH00071846	INTAKE PIPE PADS	1	
2	LH00071847	O-RING 51.5X2	2	
3	LH00071848	FEED HOSE	1	
4	LH00071849	JOINT,FEED HOSE	1	
5	LH00071850	INJECTOR CAP	1	
6	LH00071844	CLIP 64	2	
7	LH00010059	BOLT M8X12	2	
8	LH0010716W	BOLT M6X10	1	
9	LH00071845	INJECTOR	1	
10	LH00071957	INTAKE AIR TEMPERATURE SENSOR(SUBJECT)	1	
11	LH00071958	INTAKE AIR TEMPERATURE SENSOR PLATE	1	
12	LH00070040	SCREW M4X8	1	
13	LH00071032	SPRING WASHER 4	1	
14	LH00010761	WASHER 4	1	
15	LH00071851	THROTTLE BODY ASSEMBLY	1	
16	LH00071852	SPEED LIMITING BLOCK OF THE TB	1	
16	LH00072258	SPEED LIMITING BLOCK OF THE TB (NEW MODEL)	1	
17	LH00073478	SCREW M4X12	1	

M750L-M760L

E26 ACCESSORY



Nº	CÓDIGO	DESCRIÇÃO	Qt.	OBSERVAÇÕES
1	LH00071355	Driving wheel puller	1	
2	LH00071356	Rotor ASSY puller	1	
3	LH00071313	Crankshaft nut wrench (M35X1.5)	1	
4	LH00072014	Driven pulley spring compressor	1	
5	LH00072038	THE TOOL FOR ONE WAY CLUTCH OF DRIVING WHEEL	1	

M750L-M760L

E27 Frequently used Accessories



Nº	CÓDIGO	DESCRIÇÃO	Qt.	OBSERVAÇÕES
1	LH00072189	GASKET, VALVE COVER	2	
2	LH00071793	GASKET, CYLINDER	1	
3	LH00071785	CYLINDER	1	
4	LH00071822	GASKET, CYLINDER	1	
5	LH00071865	GASKET 2, CYLINDER HEAD	1	
6	LH00071879	CLIP	2	
7	LH00071886	PISTON PIN	1	
8	LH00071887	PISTON	1	
9	LH00071888	PISTON RING 1 SET	1	
10		PISTON RING 2 SET	1	
11		PISTON RING SET	1	
12	LH00071950	SPARK PLUG (BOSCH)	1	
13	LH00071867	GASKET 1, CYLINDER HEAD	1	
14	LH00071898	ENGINE MOUNT BUSHING	4	
15	LH00071901	COMBINATORIAL GASKET	4	
16	LH00070196	OIL FILTER	1	
17	LH00071916	WASHER, RIGHT CRANKCASE	1	
18	LH00071921	GASKET, LEFT COVER	1	
19	LH00071925	GASKET, SHIFT COVER	1	
20	LH00071332	BELT	1	
21	LH00071335	DAMPER	3	
22	LH00071336	SLIDER, DRIVING WHEEL	6	
23	LH00071346	BRAKE STOP	2	
24	LH00071350	COLLER	2	
25	LH00071347	SLIDER, DRIVEN WHEEL	2	
26	LH00071790	GASKET, TENSIONER CASE	2	
27	LH00071317	FILTER SPONGE SET	1	
28	LH00071823	AIR CLEANER CORE	1	
29	LH00023403	GASKET, EXHAUST	2	
30	LH00071842	JOINT, EXHAUST	2	
31	LH00023408	SPRING	4	