

# PARTS CATALOGUE



ATV

LAA0AD(PT)

MXU500



Release Date : 2017/07/10  
Print Date : 2022/10/19

## ABOUT THIS PARTS LIST

- This parts list is compiled all service parts for model LAA0AD(PT).
- Any difference between color chart and motorcycle will be revised according to motorcycle.
- The Mark:
  1. Marking "\*\*\*" must add color code in the end before ordering parts.
  2. Marking "#" are parts with modification, Please find the details from e-Parts system.
- When modification or additions to this parts list are made a revised edition at an appropriate time.



# CONTENTS

● ABOUT THIS PARTS LIST .....	1
● COLOR CHART OF LAA0AD(PT) .....	3
● CONTENTS-ENGINE GROUP .....	9
● CONTENTS-FRAME GROUP .....	10
● ENGINE PARTS LIST .....	13
● FRAME PARTS LIST .....	67
● PART NO. INDEX .....	155

NO	MODEL			COLOR CHART OF LAA0AD(PT)			
	PHOTO NO			NO. 1	NO. 2	NO. 3	NO. 4
	BASIC COLOR			Blue	Red	Deep Green	Black
	CODE			Blue	Red	Deep Green	Black
	PARTS NAME	PARTS NO.	VERSION	PB089SA	RR338SA	GG345SA	NH001SA
1	COVER TANK	17700-LDB5-E00	2	C3R	E4R	GWR	N1R
2	COVER HANDLE	53205-LDB5-E00	3				
3	COVER HANDLE	53205-LDB5-EV0	1				
4	FENDER FRONT	60100-LDB5-E00	5				
5	LID ASSY TOOL BOX	6010C-LDB5-E00	3				
6	FENDER REAR	80100-LDB5-E00	8				
7	LEVER SET BRK	53175-LDB5-305	0	M2A			
8	LEVER L STRG HANDLE	53178-KFC8-E10	0	MAS			
9	ARM ASSY R LOWER	53450-LDB5-E00	7				
10	ARM ASSY L LOWER	53550-LDB5-E00	3				
11	REAR CARRIER	77330-LDB5-E00	4				
12	FRONT CARRIER	77430-LDB5-E00	2				
13	PIPE COMP FR BUMPER	85100-LDB5-E00	4	MLA			
14	COVER LEFT	11341-LDB5-E00	5	N1R			
15	COVER FUEL COCK	16951-LDB5-E00	2				
16	GUARD FUEL TANK	17550-LDB5-E00	2				
17	PLATE HEAT	17560-LDB5-E00	1				
18	DUCT COOLING AIR	19102-ALC1-E00	2				
19	GUIDE COVER CHANGE	60120-LDB5-E01	1				
20	PROTECTOR R	60130-LFE9-E01	0				
21	PROTECTOR L	60140-LFE9-E01	0				
22	MUDGUARD FRONT	60200-LDB5-E01	1				
23	MUDGUARD R FR SIDE	61200-LDB5-E01	1				
24	MUDGUARD L FR SIDE	61300-LDB5-E01	1				
25	GUARD ENGINE	64300-LDB5-E01	1				
DATE OF STARTING-SALES							
DATE OF END-SALES							

NO	MODEL			COLOR CHART OF LAA0AD(PT)			
	PHOTO NO			NO. 5	NO. 6		
	BASIC COLOR			Yellow	Yellow Ochre		
	CODE			Yellow	Yellow Ochre		
	PARTS NAME	PARTS NO.	VERSION	YR110SA	YR160SA		
1	COVER TANK	17700-LDB5-E00	2	YRR	YSR		
2	COVER HANDLE	53205-LDB5-E00	3				
3	COVER HANDLE	53205-LDB5-EV0	1				
4	FENDER FRONT	60100-LDB5-E00	5				
5	LID ASSY TOOL BOX	6010C-LDB5-E00	3				
6	FENDER REAR	80100-LDB5-E00	8				
7	LEVER SET BRK	53175-LDB5-305	0	M2A			
8	LEVER L STRG HANDLE	53178-KFC8-E10	0				
9	ARM ASSY R LOWER	53450-LDB5-E00	7				
10	ARM ASSY L LOWER	53550-LDB5-E00	3				
11	REAR CARRIER	77330-LDB5-E00	4	MAS			
12	FRONT CARRIER	77430-LDB5-E00	2				
13	PIPE COMP FR BUMPER	85100-LDB5-E00	4				
14	COVER LEFT	11341-LDB5-E00	5	MLA			
15	COVER FUEL COCK	16951-LDB5-E00	2				
16	GUARD FUEL TANK	17550-LDB5-E00	2				
17	PLATE HEAT	17560-LDB5-E00	1				
18	DUCT COOLING AIR	19102-ALC1-E00	2				
19	GUIDE COVER CHANGE	60120-LDB5-E01	1				
20	PROTECTOR R	60130-LFE9-E01	0	N1R			
21	PROTECTOR L	60140-LFE9-E01	0				
22	MUDGUARD FRONT	60200-LDB5-E01	1				
23	MUDGUARD R FR SIDE	61200-LDB5-E01	1				
24	MUDGUARD L FR SIDE	61300-LDB5-E01	1				
25	GUARD ENGINE	64300-LDB5-E01	1				
DATE OF STARTING-SALES							
DATE OF END-SALES							

NO	MODEL			COLOR CHART OF LAA0AD(PT)			
	PHOTO NO			NO. 1	NO. 2	NO. 3	NO. 4
	BASIC COLOR			Blue	Red	Deep Green	Black
	CODE			Blue	Red	Deep Green	Black
	PARTS NAME	PARTS NO.	VERSION	PB089SA	RR338SA	GG345SA	NH001SA
26	BUMPER FRONT	64302-LDB5-E01	1	N1R			
27	COVER ASSY FRONT	6430A-LDB5-E00	1				
28	COVER R LOWER	64330-LDB5-E01	1				
29	COVER L LOWER	64340-LDB5-E01	1				
30	GUARD BOOT	64500-LDB5-E01	1				
31	COVER ASSY CARRIER	7734A-LDB5-E01	1				
32	MUDGUARD R FLOOR	80121-LDB5-E01	1				
33	MUDGUARD L FLOOR	80122-LDB5-E01	1				
34	MUDGUARD REAR	80200-LDB5-E01	1				
35	MUDGUARD R RR SIDE	81200-LDB5-E01	1				
36	MUDGUARD L RR SIDE	81300-LDB5-E01	1				
37	COVER R SIDE	83500-LDB5-E01	2				
38	COVER L SIDE	83600-LDB5-E01	1				
39	CUSHION ASSY FR	51400-LDB5-E01	2				
40	CUSHION ASSY RR	52400-LDB5-E01	1				
41	COVER STARTING	11348-LDB5-E00	2	NEA			
42	RIM RR WHEEL	42705-LDB5-E0A	2				
43	CALIPER ASSY RR BRK	43100-LDB5-E00	3	NJA			
44	CALIPER ASSY RR	43200-LDE9-E00	4				
45	RIM COMP FR WHEEL	44705-LDB5-E0A	2				
46	CALIPER ASSY FR R	45100-PWA1-900	3				
47	CALIPER ASSY FR L	45200-PWA1-900	3				
48	SEAT ASSY (REACH)	77200-LDB5-E00	5	T01			
49	STRIPE K-LOGO 28.5MM	86102-LDB5-900	5				
50	EMB GEAR REVEAL	86302-LDB5-E00	1				
DATE OF STARTING-SALES							
DATE OF END-SALES							

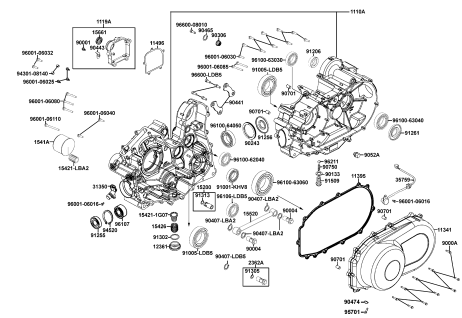
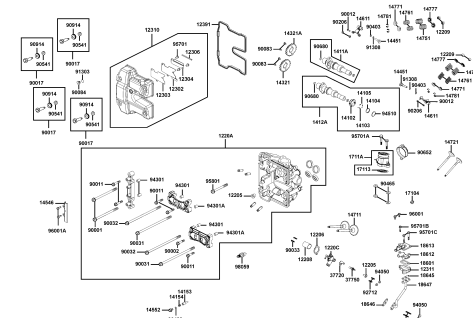
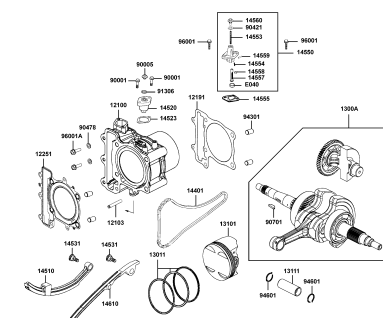
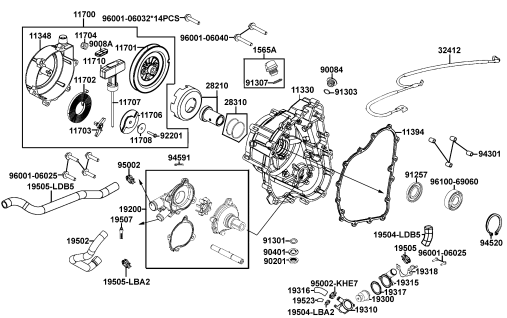
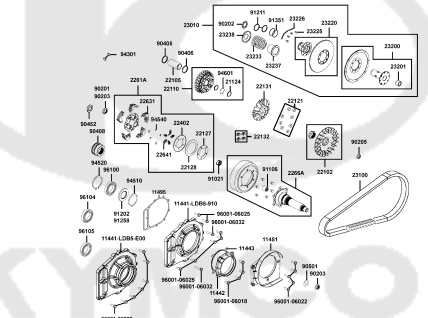
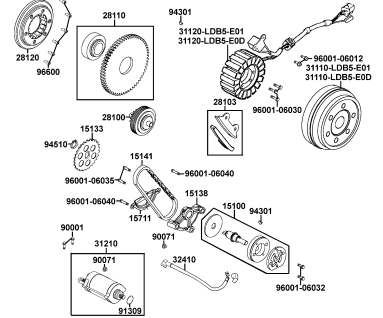
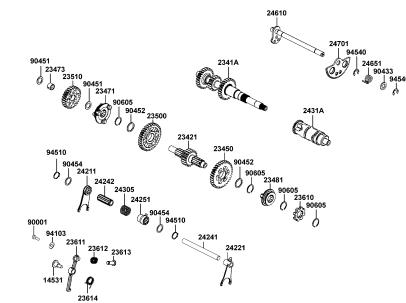
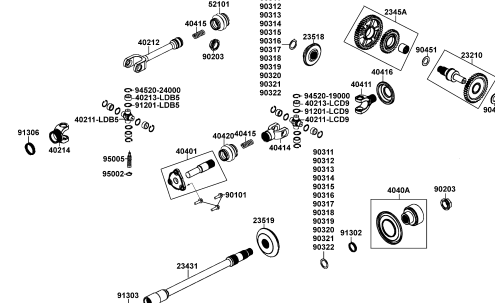
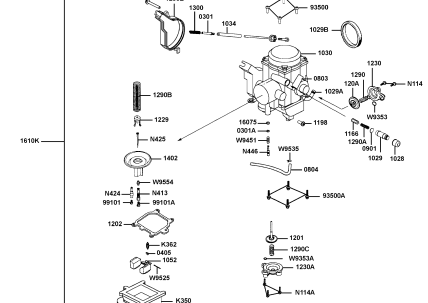
NO	MODEL			COLOR CHART OF LAA0AD(PT)			
	PHOTO NO			NO. 5	NO. 6		
	BASIC COLOR			Yellow	Yellow Ochre		
	CODE			Yellow	Yellow Ochre		
	PARTS NAME	PARTS NO.	VERSION	YR110SA	YR160SA		
26	BUMPER FRONT	64302-LDB5-E01	1	N1R			
27	COVER ASSY FRONT	6430A-LDB5-E00	1				
28	COVER R LOWER	64330-LDB5-E01	1				
29	COVER L LOWER	64340-LDB5-E01	1				
30	GUARD BOOT	64500-LDB5-E01	1				
31	COVER ASSY CARRIER	7734A-LDB5-E01	1				
32	MUDGUARD R FLOOR	80121-LDB5-E01	1				
33	MUDGUARD L FLOOR	80122-LDB5-E01	1				
34	MUDGUARD REAR	80200-LDB5-E01	1				
35	MUDGUARD R RR SIDE	81200-LDB5-E01	1				
36	MUDGUARD L RR SIDE	81300-LDB5-E01	1				
37	COVER R SIDE	83500-LDB5-E01	2				
38	COVER L SIDE	83600-LDB5-E01	1				
39	CUSHION ASSY FR	51400-LDB5-E01	2				
40	CUSHION ASSY RR	52400-LDB5-E01	1	NEA			
41	COVER STARTING	11348-LDB5-E00	2				
42	RIM RR WHEEL	42705-LDB5-E0A	2	NJA			
43	CALIPER ASSY RR BRK	43100-LDB5-E00	3				
44	CALIPER ASSY RR	43200-LDE9-E00	4				
45	RIM COMP FR WHEEL	44705-LDB5-E0A	2				
46	CALIPER ASSY FR R	45100-PWA1-900	3				
47	CALIPER ASSY FR L	45200-PWA1-900	3				
48	SEAT ASSY (REACH)	77200-LDB5-E00	5	T01			
49	STRIPE K-LOGO 28.5MM	86102-LDB5-900	5				
50	EMB GEAR REVEAL	86302-LDB5-E00	1				
DATE OF STARTING-SALES							
DATE OF END-SALES							

NO	MODEL			COLOR CHART OF LAA0AD(PT)			
	PHOTO NO			NO. 1	NO. 2	NO. 3	NO. 4
	BASIC COLOR			Blue	Red	Deep Green	Black
	CODE			Blue	Red	Deep Green	Black
	PARTS NAME	PARTS NO.	VERSION	PB089SA	RR338SA	GG345SA	NH001SA
51	STRIPE 4*4	86303-LDB5-E00	2	T01			
52	CAUTION SHIFIT GEARS	87322-LBA7-E00	3				
53	LABEL TIRE ON ROAD	87505-LDB5-E01	2				
54	CAUTION MAXIMUM	87514-LDB5-E00	1				
55	DRIVE WARNING LIST-	87515-LDB5-E01	3				
56	CAUTION DRIVE AGE 16	87517-LDB5-E00	3				
57	WARNING CARRIER	87556-LDB5-E00	2				
58	WARNING CARRIER	87556-LDB5-E01	3				
59	STRIPE R FUEL TANK	86223-LDB5-E00	2	T02	T01	T02	
60	STRIPE L FUEL TANK	86233-LDB5-E00	2	T03			
61	STRIPE KYMCO 120MM	87503-LDB5-900	2				
62	STRIPE KYMCO	87532-LBE8-900	3				
63	STRIPE K-LOGO 60MM	87532-LCA5-900	2				
DATE OF STARTING-SALES							
DATE OF END-SALES							



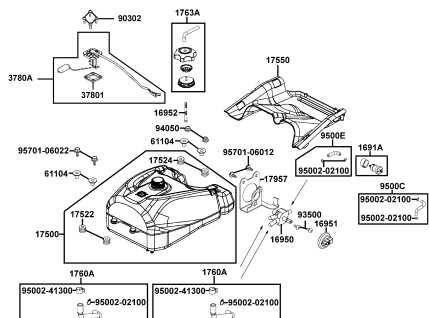
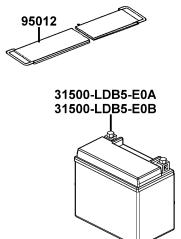
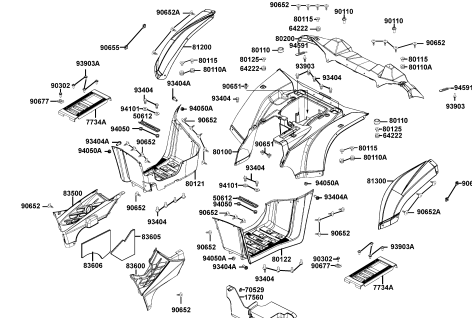
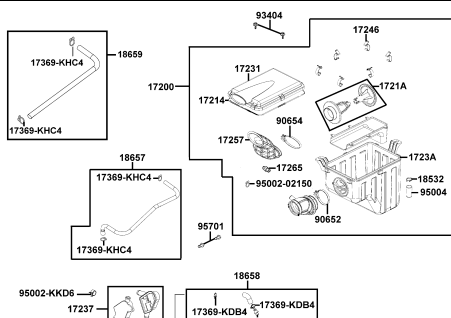
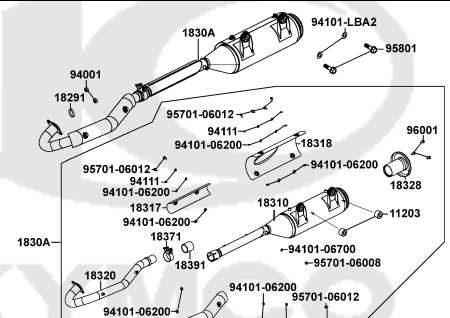
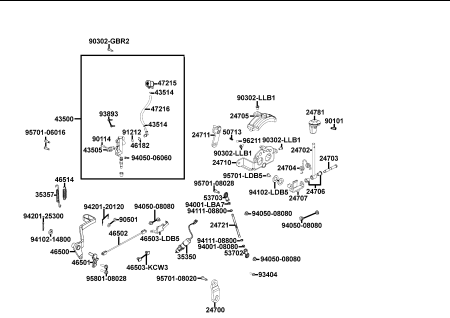
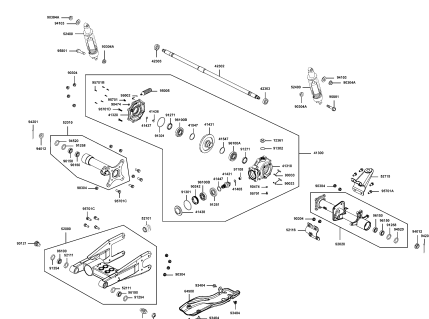
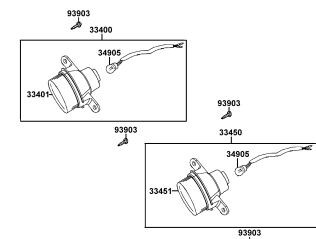
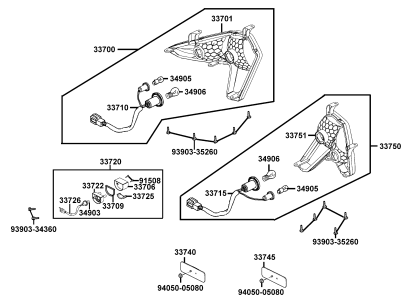
NO	MODEL			COLOR CHART OF LAA0AD(PT)			
	PHOTO NO			NO. 5	NO. 6		
	BASIC COLOR			Yellow	Yellow Ochre		
	CODE			Yellow	Yellow Ochre		
	PARTS NAME	PARTS NO.	VERSION	YR110SA	YR160SA		
51	STRIPE 4*4	86303-LDB5-E00	2	T01			
52	CAUTION SHIFIT GEARS	87322-LBA7-E00	3				
53	LABEL TIRE ON ROAD	87505-LDB5-E01	2				
54	CAUTION MAXIMUN	87514-LDB5-E00	1				
55	DRIVE WARNING LIST-	87515-LDB5-E01	3				
56	CAUTION DRIVE AGE 16	87517-LDB5-E00	3				
57	WARNING CARRIER	87556-LDB5-E00	2				
58	WARNING CARRIER	87556-LDB5-E01	3				
59	STRIPE R FUEL TANK	86223-LDB5-E00	2	T02			
60	STRIPE L FUEL TANK	86233-LDB5-E00	2				
61	STRIPE KYMCO 120MM	87503-LDB5-900	2				
62	STRIPE KYMCO	87532-LBE8-900	3	T03			
63	STRIPE K-LOGO 60MM	87532-LCA5-900	2				
DATE OF STARTING-SALES							
DATE OF END-SALES							

# CONTENTS - ENGINE GROUP

<b>E01 Crank Case</b>	<b>E02 Cylinder Head Cover Cylinder</b>	<b>E03 Cylinder Piston Crankshaft</b>
		
<b>E04 Right Crankcase Cover Water</b>	<b>E05 Drive Pulley</b>	<b>E06 Starting Motor Generator</b>
		
<b>E07 Clutch Assy Primary</b>	<b>E08 Shaft Reduction</b>	<b>E09 Carburetor</b>
		

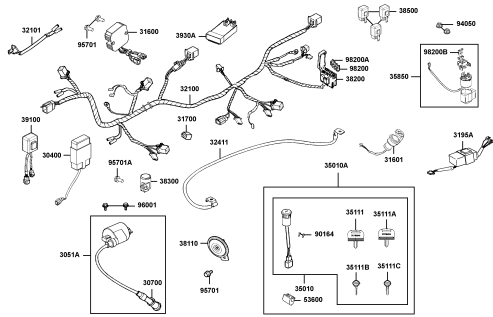


# CONTENTS - FRAME GROUP

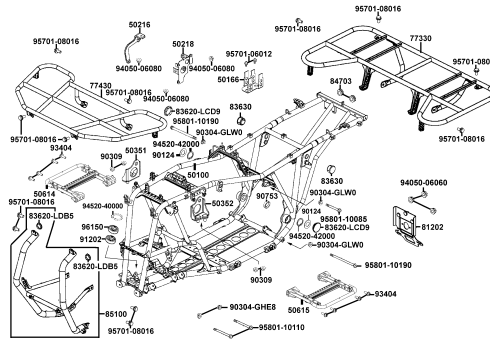
<p><b>F10 Fuel Tank</b></p> 	<p><b>F11 Battery</b></p> 	<p><b>F12 Fender Rear</b></p> 
<p><b>F13 Air Cleaner</b></p> 	<p><b>F14 Exhaust Muffler</b></p> 	<p><b>F15 Master Cylinder Rear</b></p> 
<p><b>F16 Rr Cushion Gear Assy Rr</b></p> 	<p><b>F17 Light Winker</b></p> 	<p><b>F18 Light Tail</b></p> 

# CONTENTS - FRAME GROUP

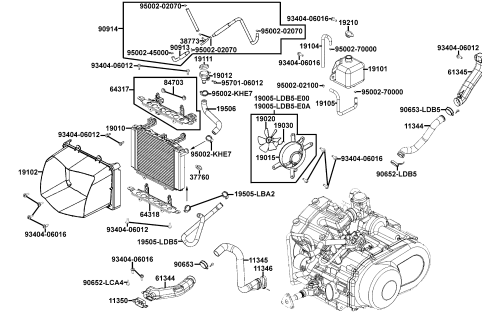
**F19** Harness Wire



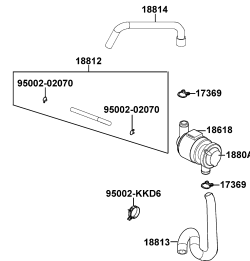
**F20** Frame Body



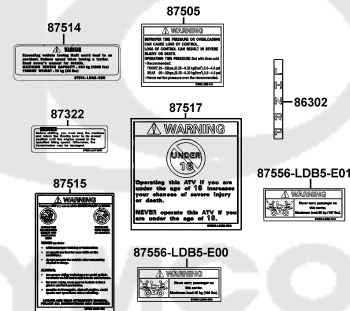
**F21** Radiator



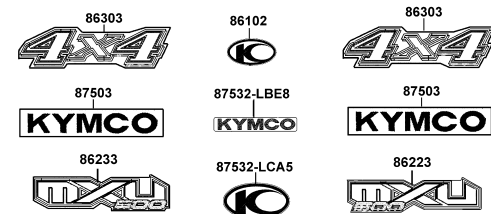
**F22** Air Injection Cut Valve



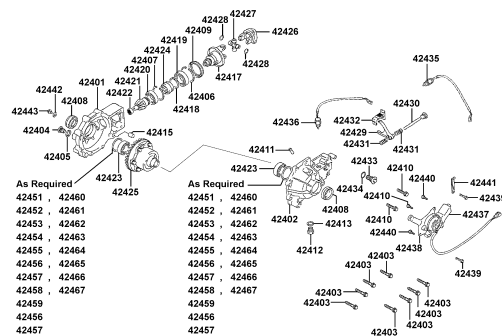
**F23** Caution Label



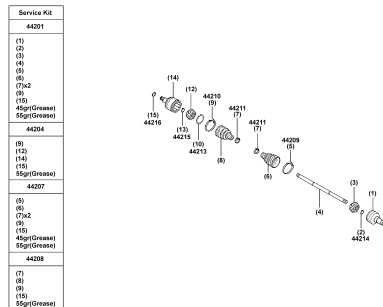
**F24** Emblem Stripe



**F25** Separated Parts Of Fr Final

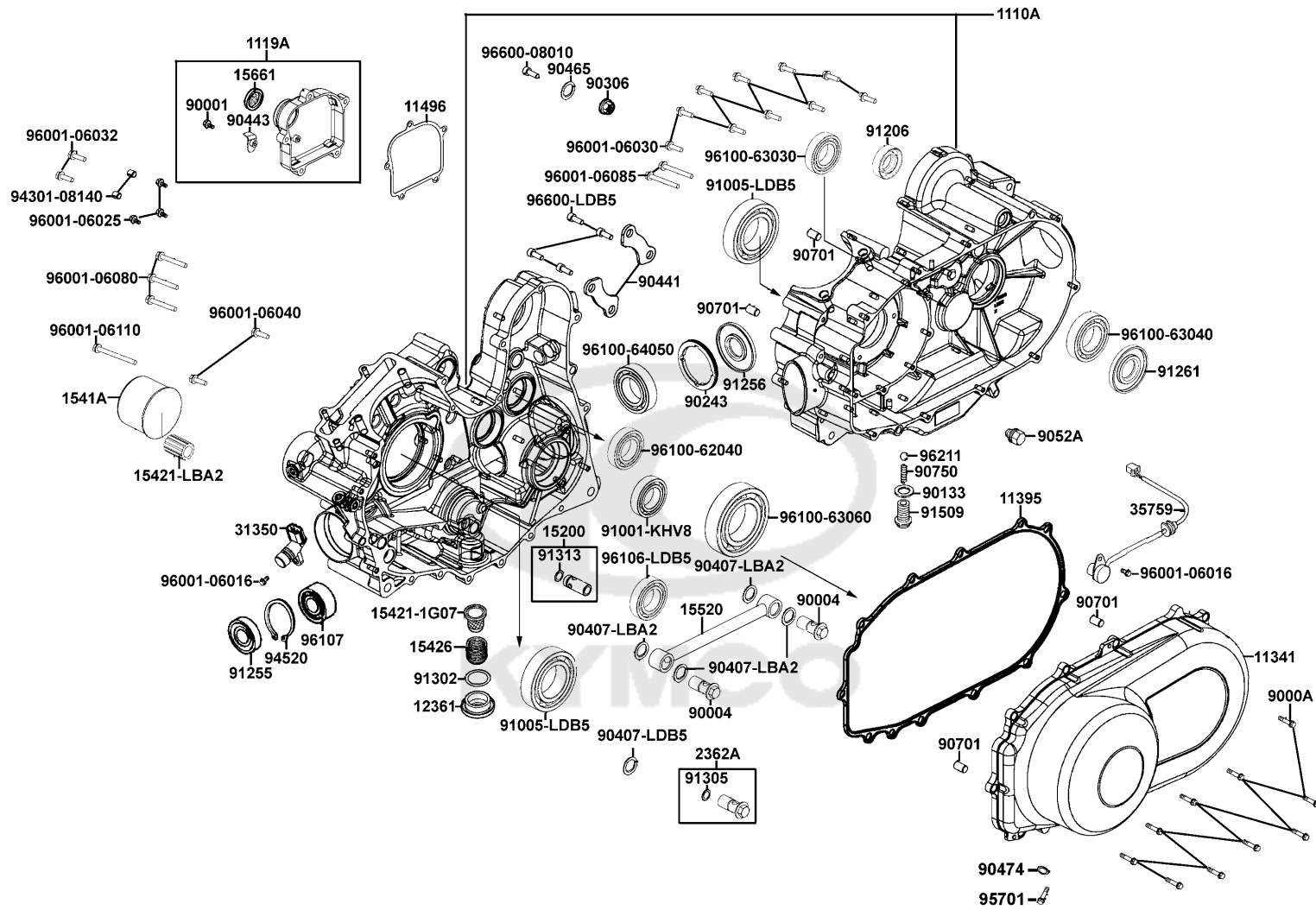


**F26** Separated Parts Of CVJ



E01

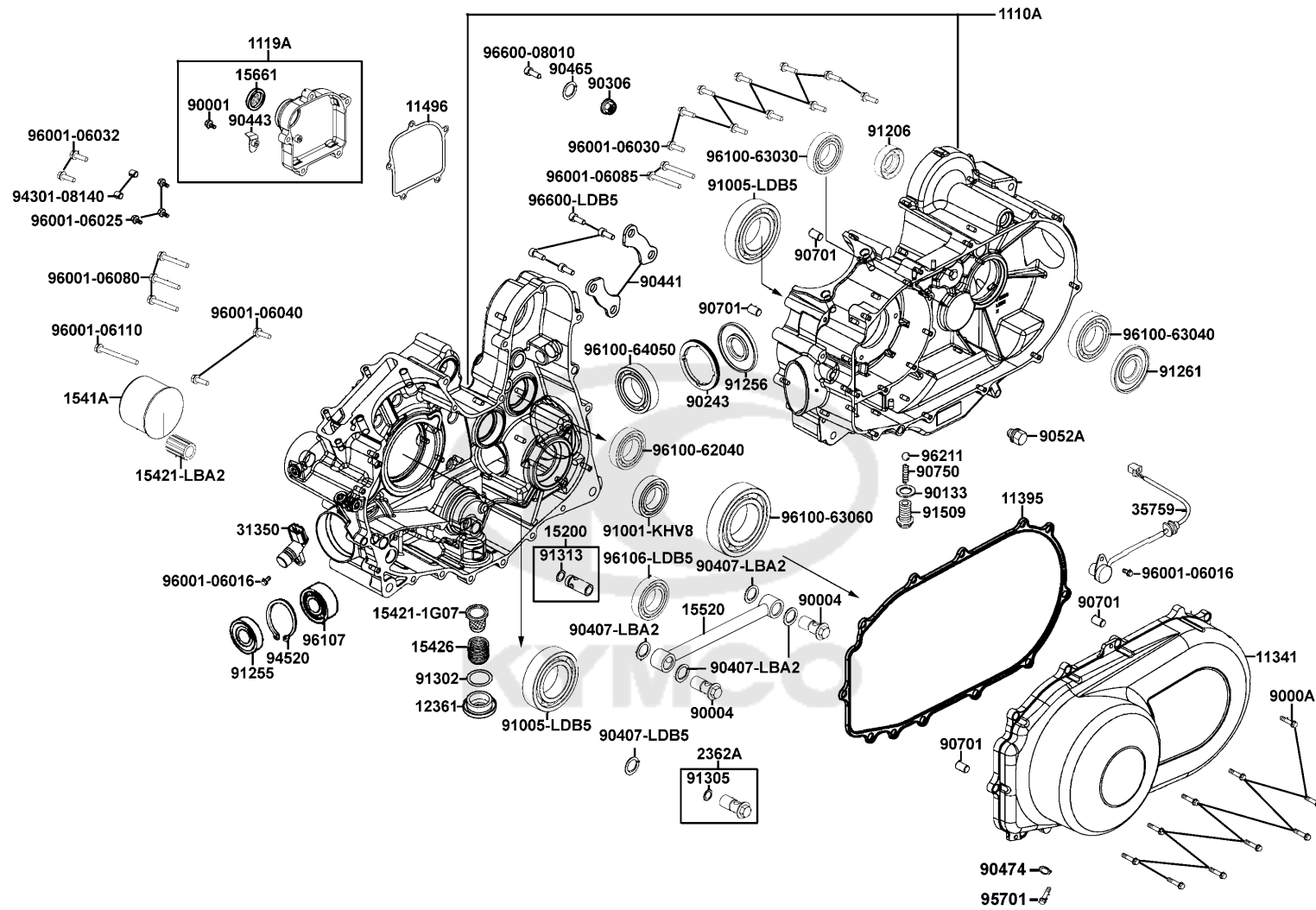
# Crank Case



Sales mark	Ref no	Part no	Description	Reg description	Regd no	E01
	1110A	1110A-LDB5-E00	CRANK CASE R/L ASSY.	CRANK CASE R/L ASSY.	1	
	1119A	1119A-LDB5-E00	CAP ASSY R CASE	CAP ASSY R CASE	1	
**	11341	11341-LDB5-E00	COVER LEFT	COVER LEFT	1	
	11395	11395-LDB5-E00	GASKET L COVER A **(0) C.	GASKET L COVER A **(0) C.	1	
	11496	11496-LDB5-E00	GASKET R CASE CAP	GASKET R CASE CAP	1	
	12361	12361-GFY6-901	HOLE CAP TAPPET ADJUSTING	HOLE CAP TAPPET ADJUSTING	1	
	15200	15200-KED9-900	OIL RELIEF VALVE ASSY	OIL RELIEF VALVE ASSY	1	
	1541A	1541A-LBA2-E00	ELEMENT COMP OIL FILTER	ELEMENT COMP OIL FILTER	1	
	15421-1G07	15421-1G07-001	SCREEN OIL FILTER	SCREEN OIL FILTER	1	
	15421-LBA2	15421-LBA2-E00	BOLT OIL FILTER	BOLT OIL FILTER	1	
	15426	15426-GAE1-921	SPG OIL FILTER SCREEN	SPG OIL FILTER SCREEN	1	
	15520	15520-LDB5-E00	PIPE COMP OIL	PIPE COMP OIL	1	
	15661	15661-LBA7-900	FINDER OIL LEVEL	FINDER OIL LEVEL	1	
	2362A	2362A-LDB5-E00	BOLT ASSY PARK	BOLT ASSY PARK	1	
	31350	31350-LDB5-E0A	SENSOR SPEED	SENSOR SPEED	1	
	35759	35759-LDB5-E00	SW ASSY GEAR CHANGE	SW ASSY GEAR CHANGE	1	
	90001	90001-GFY6-901	SOCKET BOLT 6*10 (B)	SOCKET BOLT 6*10 (B)	1	
	90004	90004-LBA2-E00	BOLT B OIL PASS	BOLT B OIL PASS	2	
	9000A	9000A-KTDT-900	BOLT ASSY SPECIAL 6X29.5	BOLT ASSY SPECIAL 6X29.5	10	
	90133	90133-LDB5-E00	WASHER BOLT SEAT	WASHER BOLT SEAT	1	

E01

# Crank Case

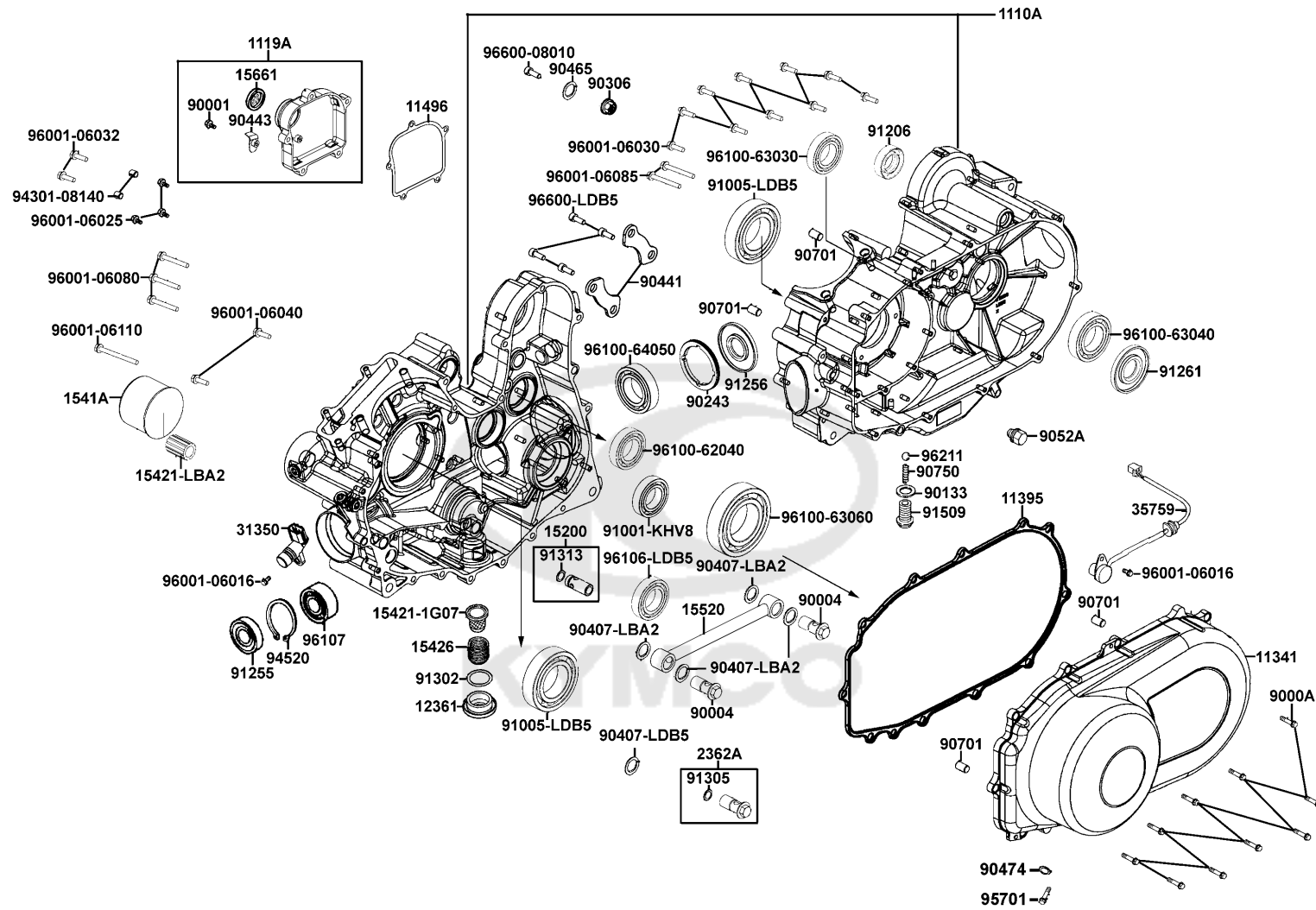




Sales mark	Ref no	Part no	Description	Reg description	Regd no	E01
	90243	90243-LDB5-E00	NUT LOCK 85 mm	NUT LOCK 85 mm	1	
	90306	90306-KLF0-004-SY	NUT FLANGE 12MM	NUT FLANGE 12MM	1	
	90407-LBA2	90407-LBA2-E00	SEALING WASHER OIL PIPE	SEALING WASHER OIL PIPE	4	
	90407-LDB5	90407-LDB5-E00	WASHER THRUST 12*30*1	WASHER THRUST 12*30*1	1	
	90441	90441-LDB5-E00	PLATE BRG HOLD	PLATE BRG HOLD	2	
	90443	90443-LDB5-E00	PLATE FINDER HOLD	PLATE FINDER HOLD	1	
	90465	90465-MDC4-001	WASHER 8MM	WASHER 8MM	1	
#	90474	90474-3C33-001	WASHER 8MM	WASHER 8MM	1	
	9052A	9052A-LDB5-E00	BOLT ASSY DRAIN PLUG	BOLT ASSY DRAIN PLUG	1	
	90701	90701-9E65-001	PIN DOWEL 10*16	PIN DOWEL 10*16	4	
	90750	90750-LDB5-E00	SPG STOPPER	SPG STOPPER	1	
	91001	91001-KHV8-004	BRG BALL RADIAL 6305	BRG BALL RADIAL 6305	1	
	91005	91005-LDB5-E00	BEARING BALL RADIAL 6205	BEARING BALL RADIAL 6205	2	
	91206	91206-LDB5-E00	OIL SEAL 14*24*7	OIL SEAL 14*24*7	1	
	91255	91255-LDB5-E00	OIL SEAL 35*67*7	OIL SEAL 35*67*7	1	
	91256	91256-LDB5-E00	OIL SEAL 35*90*7	OIL SEAL 35*90*7	1	
	91261	91261-LDB5-E00	OIL SEAL 30X72X7	OIL SEAL 30X72X7	1	
	91302	91302-0A01-021	O-RING 30.8M/M	O-RING 30.8M/M	1	
	91305	91305-GLE0-001	O-RING 9*1.7	O-RING 9*1.7	1	
	91313	91313-KED9-900	O-RING 15.5*1.5	O-RING 15.5*1.5	1	

E01

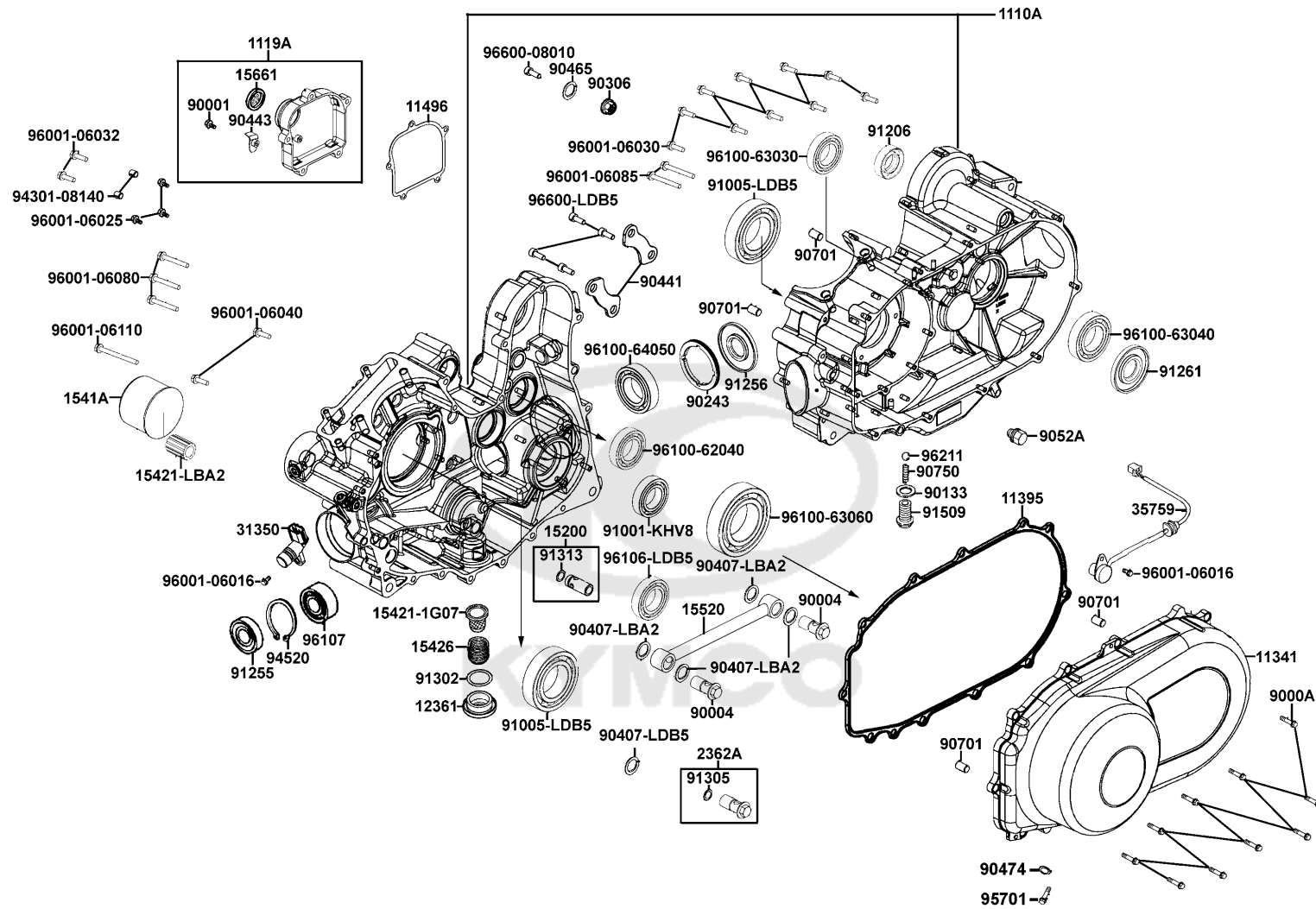
# Crank Case



Sales mark	Ref no	Part no	Description	Reg description	Regd no	E01
	91509	91509-LDB5-E00	BOLT STOPPER	BOLT STOPPER	1	
	94301	94301-08140	DOWEL PIN 8*14	DOWEL PIN 8*14	2	
	94520	94520-65000	CIR CLIP IN 65	CIR CLIP IN 65	1	
#	95701	95701-08012-06	BOLT FLANGE 8*12	BOLT FLANGE 8*12	1	
#	96001-06016	96001-06016-06	BOLT FLANGE SH 6X16	BOLT FLANGE SH 6*16	1	
#	96001-06025	96001-06025-06	BOLT FLANGE SH 6*25	BOLT FLANGE SH 6*25	1	
#	96001-06030	96001-06030-06	BOLT FLANGE SH 6X30	BOLT FLANGE SH 6X30	1	
#	96001-06032	96001-06032-06	BOLT FLANGE 6*32	BOLT FLANGE 6*32	1	
#	96001-06040	96001-06040-06	BOLT FLANGE SH 6*40	BOLT FLANGE SH 6*40	1	
#	96001-06080	96001-06080-06	BOLT FLANGE SH 6X80	BOLT FLANGE SH 6X80	1	
#	96001-06085	96001-06085-06	BOLT FLANGE 6*85	BOLT FLANGE 6*85	1	
#	96001-06110	96001-06110-06	BOLT FLANGE SH 6*110	BOLT FLANGE SH 6*110	1	
	96100-62040	96100-62040-00	BEARING BALL RADIAL 6204	BEARING BALL RADIAL 6204	1	
	96100-63030	96100-63030-00	BEARING BALL RADIAL 6303	BEARING BALL RADIAL 6303	1	
	96100-63040	96100-63040-00	BRG BALL RADIAL 6304	BRG BALL RADIAL 6304	1	
	96100-63060	96100-63060-00	BRG BALL RADIAL 6306	BRG BALL RADIAL 6306	1	
	96100-64050	96100-64050-00	BRG BALL RADIAL 6405	BRG BALL RADIAL 6405	1	
	96106	96106-LDB5-E00	BEARING BALL RADIAL	BEARING BALL RADIAL	1	
	96107	96107-LDB5-E00	BEARING BALL RADIAL	BEARING BALL RADIAL	1	
	96211	96211-16000	BALL STEEL #16	BALL STEEL #16	1	

E01

# Crank Case



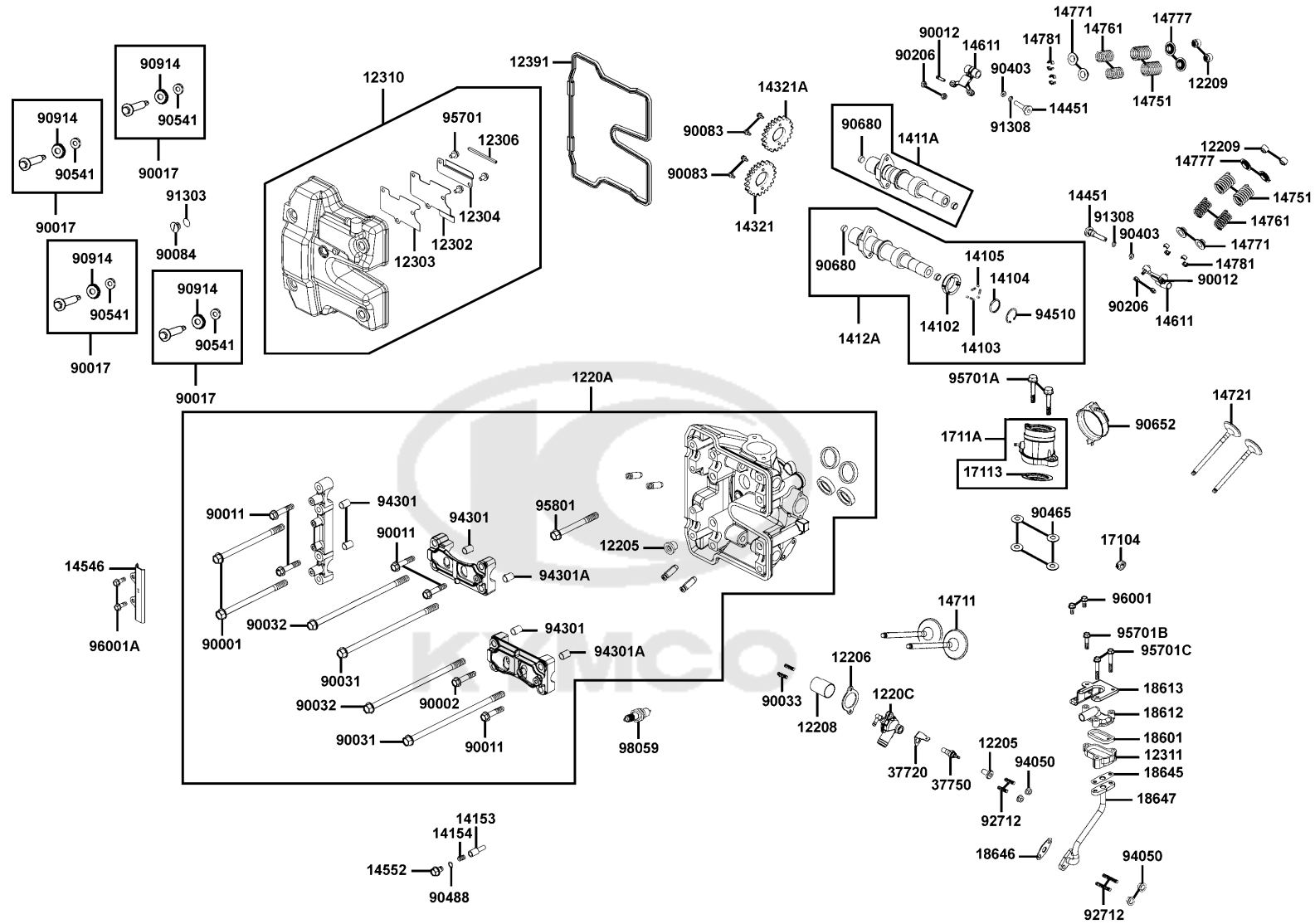
Sales mark	Ref no	Part no	Description	Reg description	Regd no	<b>E01</b>
------------	--------	---------	-------------	-----------------	---------	------------

#	96600-08010	96600-08010-16	SOCKET BOLT 8X10	SOCKET BOLT 8X10	1	
#	96600-LDB5	96600-08020-16	SOCKET BOLT 8X20	SOCKET BOLT 8X20	4	
	96600-LDB5	96600-LDB5-E00	SOCKET BOLT 8X20	SOCKET BOLT 8X20	4	



E02

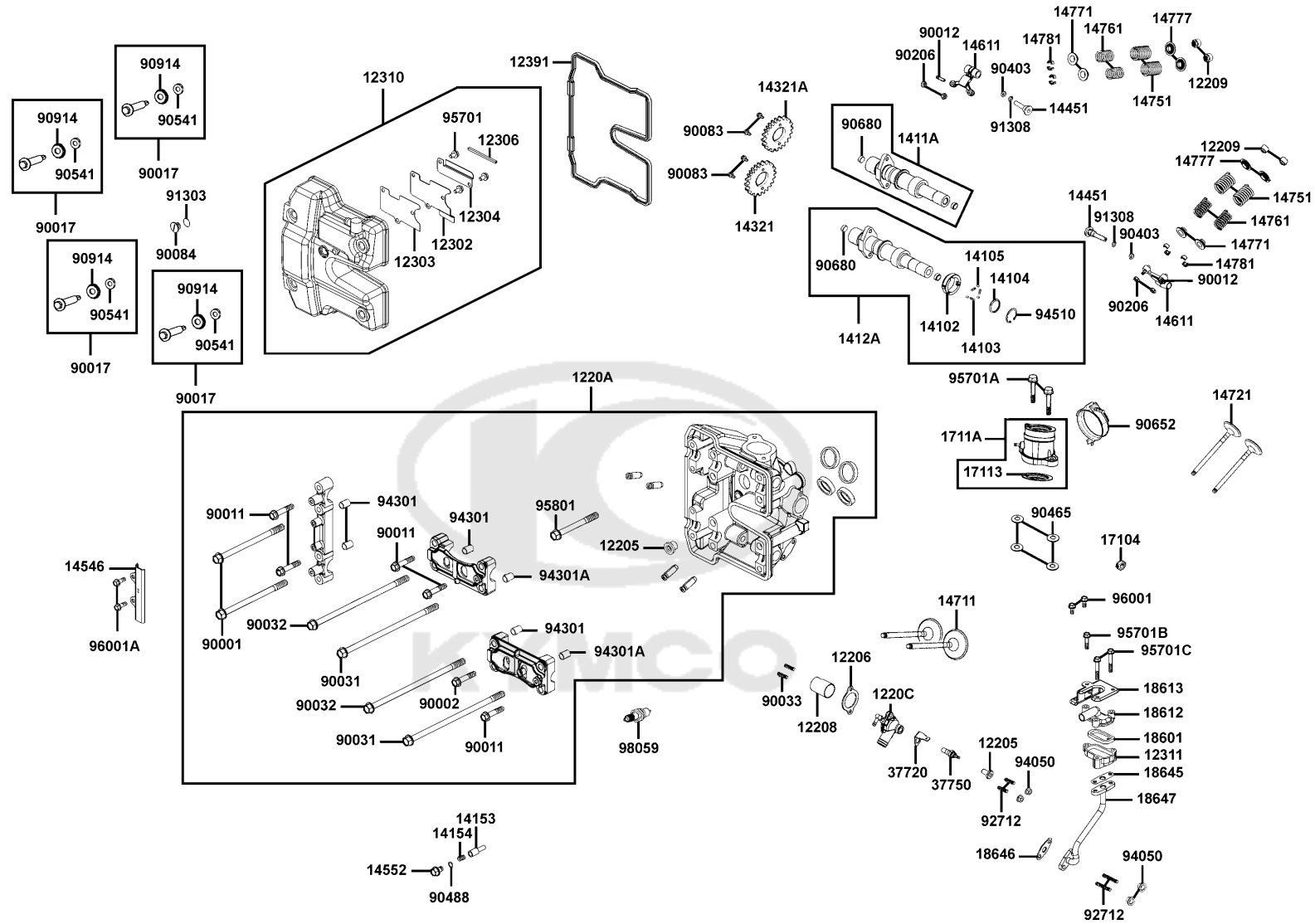
# Cylinder Head Cover Cylinder Head



Sales mark	Ref no	Part no	Description	Reg description	Regd no	E02
	12205	12205-KHE8-301	BOLT SEALING 12MM	BOLT SEALING 12MM	3	
	12206	12206-LBA2-E00	GASKET WATER COVER	GASKET WATER COVER	1	
	12208	12208-LBA2-E00	STOPPER HEAD WATER	STOPPER HEAD WATER	1	
	12209	12209-GDB4-68B	SEAL VALVE STEM	SEAL VALVE STEM	1	
	1220A	1220A-LDG7-900	HEAD ASSY CYLNDER	HEAD ASSY CYLNDER	1	
	1220C	1220C-LBA2-E00	WATER COVER HEAD	WATER COVER HEAD	1	
	12302	12302-LBA2-E00	PLATE BREATHER SEPARATER	PLATE BREATHER SEPARATER	1	
	12303	12303-LBA2-E00	GASKET PLATE	GASKET PLATE	1	
	12304	12304-LBA2-E00	PLATE BREATHER SEPARATOR @A	PLATE BREATHER SEPARATOR @A	1	
	12306	12306-LBA2-E00	RUBBER SEPARATOR	RUBBER SEPARATOR	1	
	12310	12310-LDB5-E00	COVER COMP HEAD	COVER COMP HEAD	1	
	12311	12311-KBE2-900	BODY REED VALVE	BODY REED VALVE	1	
	12391	12391-LBA2-E00	SEAL HEAD COVER	SEAL HEAD COVER	1	
	14102	14102-LDG7-E00	CAM	CAM	1	
	14103	14103-GEN5-912	SPG ROLLER	SPG ROLLER	3	
	14104	14104-LBA2-E00	WASHER THRUST	WASHER THRUST	1	
	14105	14105-GEN5-910	ROLLER 3*5	ROLLER 3*5	3	
	1411A	1411A-LBA2-E00	CAMSHAFT INLET COMP	CAMSHAFT INLET COMP	1	
#	1412A	1412A-LDG7-E00	CAMSHAFT EXH COMP	CAMSHAFT EXH COMP	1	
	14153	14153-LBA2-E00	STOPPER	STOPPER	1	

E02

# Cylinder Head Cover Cylinder Head

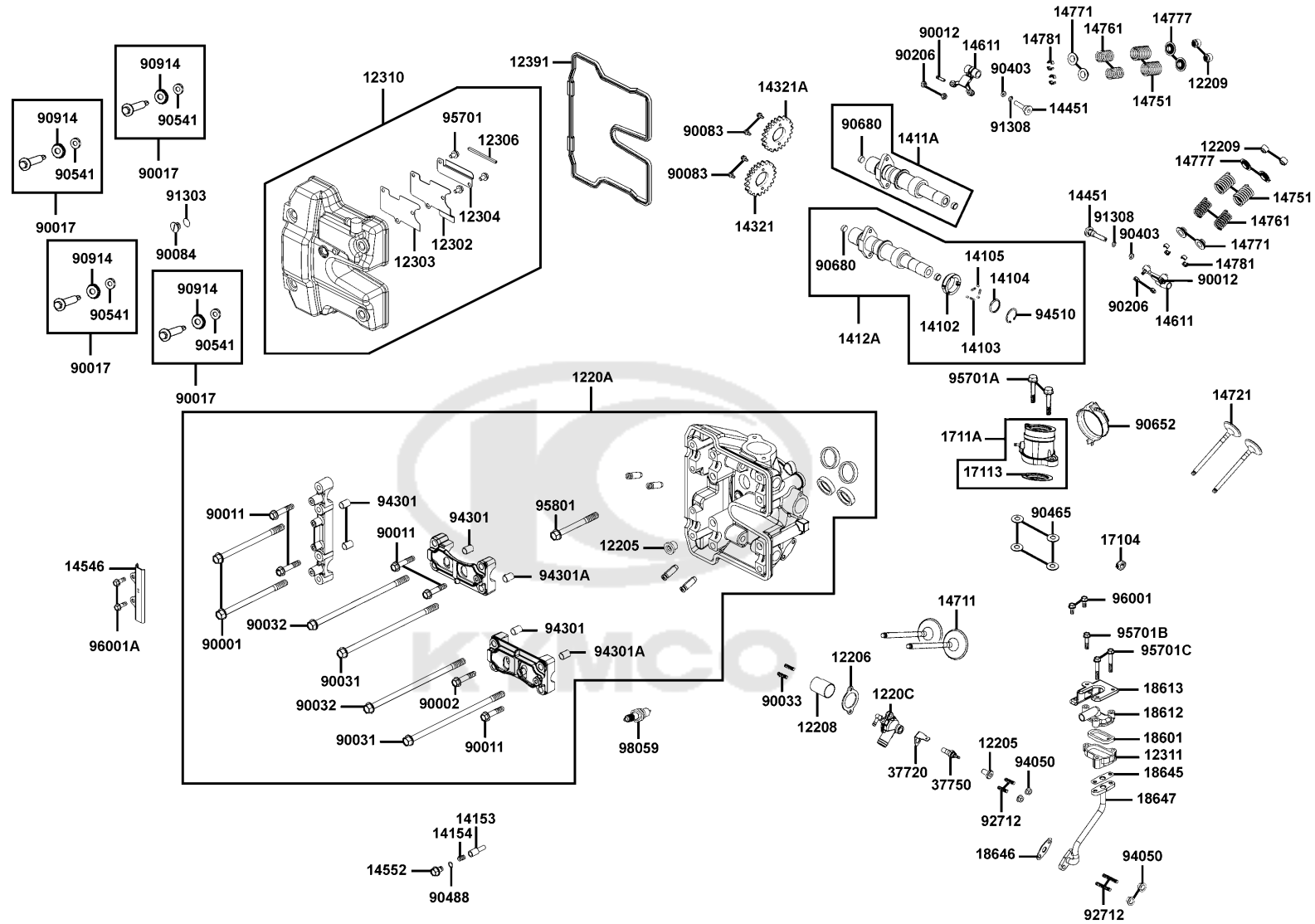




Sales mark	Ref no	Part no	Description	Reg description	Regd no	E02
	14154	14154-LBA2-E00	SPRING STOPPER	SPRING STOPPER	1	
	14321	14321-KED9-900	SPROCKET CAMSHAFT	SPROCKET CAMSHAFT	1	
	14321A	14321-LBA2-E00	SPROCKET CAMSHAFT	SPROCKET CAMSHAFT	1	
	14451	14451-LBA2-E00	SHAFT ROCKER ARM	SHAFT ROCKER ARM	2	
	14546	14546-LBA2-E00	GUIDE UPPER TENSIONER	GUIDE UPPER TENSIONER	1	
	14552	14552-KGBG-900	PLUG ADJUSTER	PLUG ADJUSTER	1	
	14611	14611-LBA2-E00	ARM VALVE ROCKER	ARM VALVE ROCKER	2	
	14711	14711-LDG7-900	VALVE INLET	VALVE INLET	2	
	14721	14721-LBA2-E00	VALVE EXHAUST	VALVE EXHAUST	2	
	14751	14751-LBA2-E00	SPG VALVE OUTER	SPG VALVE OUTER	4	
	14761	14761-LDG7-900	SPG VALVE INNER	SPG VALVE INNER	4	
	14771	14771-KED9-900	RETAINER VALVE SPRING	RETAINER VALVE SPRING	4	
	14777	14777-LBA2-E00	SEAT VALVE SPG	SEAT VALVE SPG	4	
	14781	14781-MFA6-001	COTTER VALVE	COTTER VALVE	8	
	17104	17104-LDB5-E00	SOCKET INLET PIPE	SOCKET INLET PIPE	1	
	17113	17113-LBA2-E00	O-RING INLET PIPE	O-RING INLET PIPE	1	
	1711A	1711A-LDB5-E00	PIPE ASSY INLET	PIPE ASSY INLET	1	
	18601	18601-KBE2-900	REED VALVE COMP LDV 52*27*6.0	REED VALVE COMP LDV 52*27*6.0	1	
	18612	18612-KFB5-900	COVER REED VALVE	COVER REED VALVE	1	
	18613	18613-LDB5-E00	STAY REED VALVE ASSY	STAY REED VALVE ASSY	1	

E02

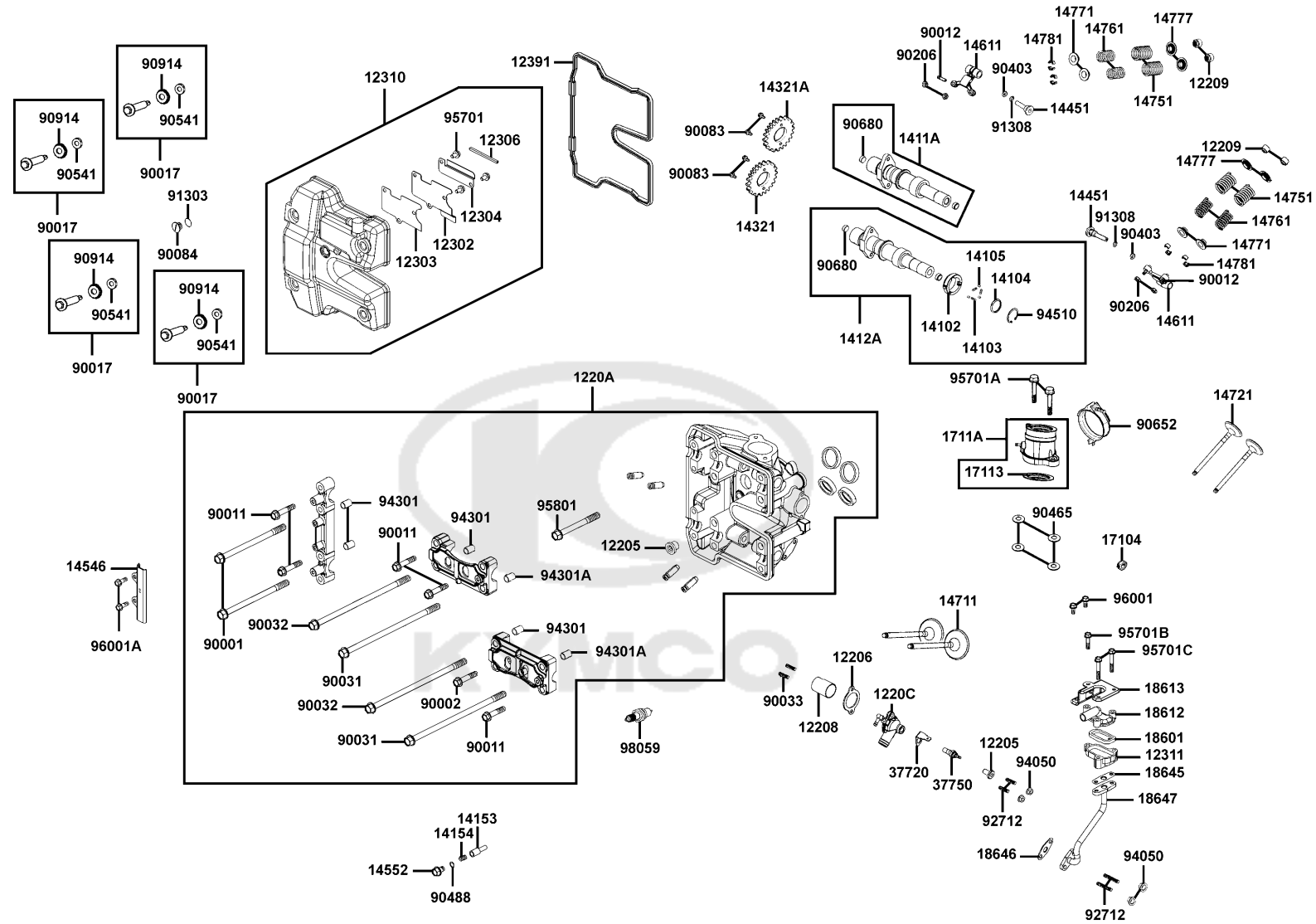
# Cylinder Head Cover Cylinder Head



Sales mark	Ref no	Part no	Description	Reg description	Regd no	E02
	18645	18645-LBA2-E00	GASKET A/I PIPE	GASKET A/I PIPE	1	
	18646	18646-GFY6-941	GASKET A/I PIPE	GASKET A/I PIPE	1	
	18647	18647-LBA2-E00	PIPE COMP AIR	PIPE COMP AIR	1	
	37720	37720-KGB5-900	EARTH TERMINAL THERMO	EARTH TERMINAL THERMO	1	
	37750	37750-PAC1-005	THERMO UNIT ASSY	THERMO UNIT ASSY	1	
	90001	90001-LBA2-E00	BOLT UBS 8X137	BOLT UBS 8X137	2	
	90002	90002-LBA2-E00	BOLT UBS M8X201(C)	BOLT UBS M8X201(C)	1	
	90011	90011-KED9-900	BOLT UBS 8X48(C)	BOLT UBS 8X48(C)	5	
	90012	90012-3C33-001	SCREW TAPPET ADJUSTING	SCREW TAPPET ADJUSTING	4	
	90017	90017-KED9-900	BOLT ASSY HEAD COVER	BOLT ASSY HEAD COVER	4	
	90031	90031-LBA2-E00	BOLT UBS 10*220	BOLT UBS 10*220	2	
	90032	90032-LBA2-E00	BOLT UBS 10*210	BOLT UBS 10*210	2	
	90033	90033-GFY6-900	BOLT STUD 8*32	BOLT STUD 8*32	2	
	90083	90083-KED9-900	BOLT KNOCK 6X12 (C) +NYLON	BOLT KNOCK 6X12 (C) +NYLON	4	
	90206	90206-0A01-001	NUT TAPPET ADJG	NUT TAPPET ADJG	4	
	90403	90403-KED9-900	WASHER WAVE 10MM	WASHER WAVE 10MM	2	
	90465	90465-LBA2-E00	WASHER 10.2 MM	WASHER 10.2 MM	4	
	90488	90488-7L00-001	WASHER 8MM	WASHER 8MM	1	
	90541	90541-KED9-900	RUBBER MOUNTING	RUBBER MOUNTING	4	
	90652	90652-LBA2-E00	C-HOPE 40-59	C-HOPE 40-59	1	

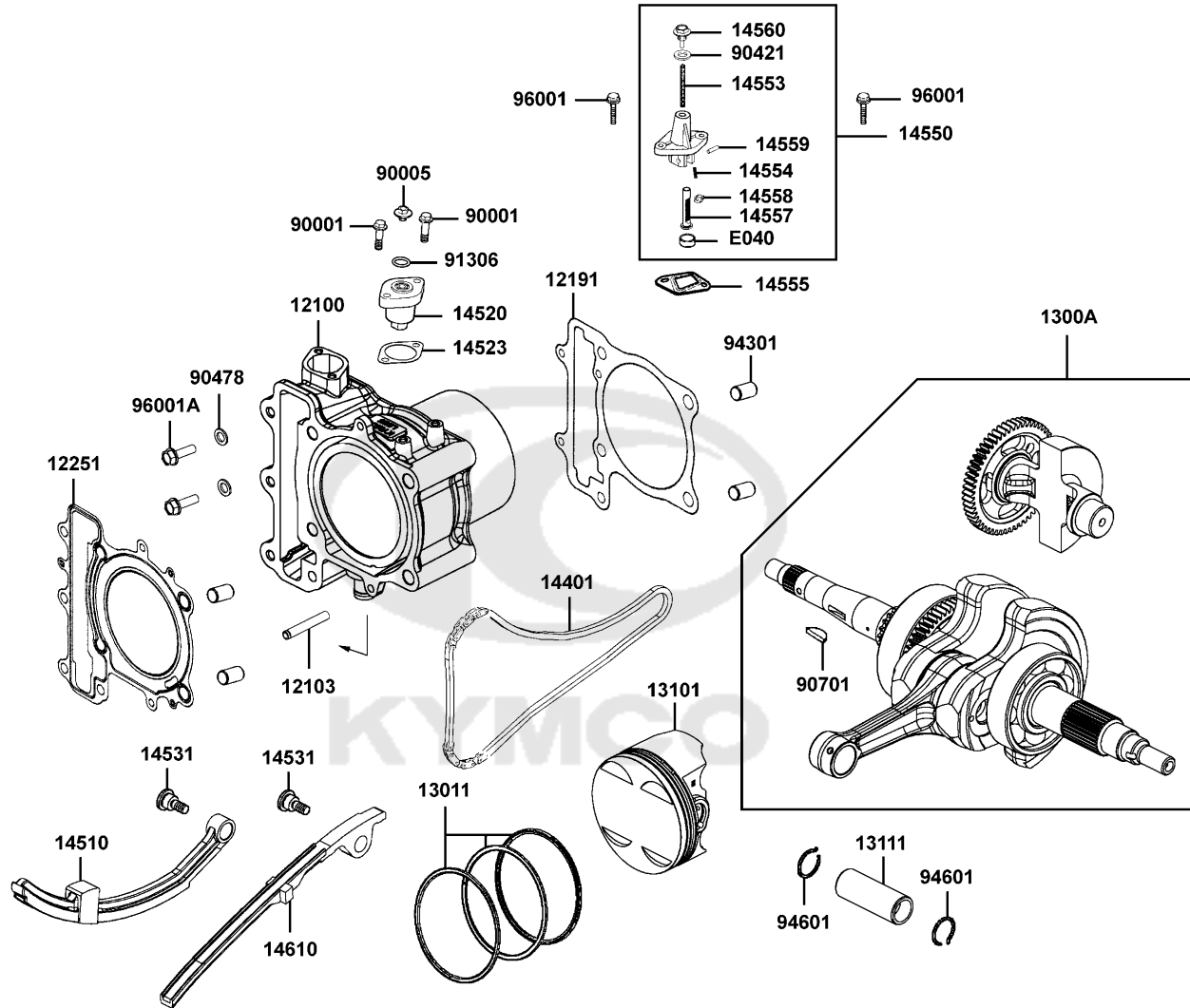
E02

# Cylinder Head Cover Cylinder Head



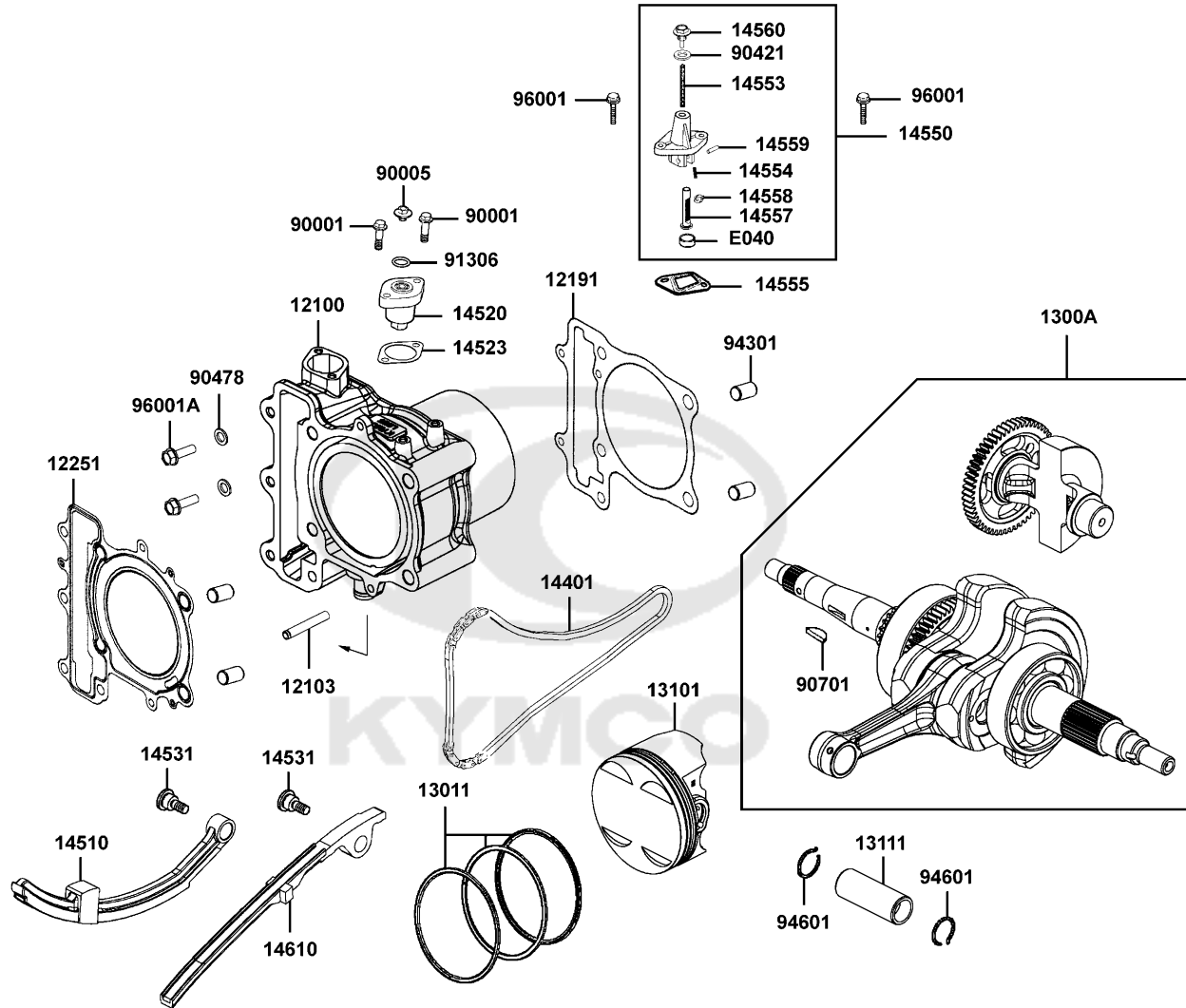
Sales mark	Ref no	Part no	Description	Reg description	Regd no	E02
	90680	90680-LBA2-E00	CONE TYPE PLUG 12*7	CONE TYPE PLUG 12*7	2	
	90914	90914-KED9-900	WASHER HEAD COVER BOLT	WASHER HEAD COVER BOLT	4	
	91303	91303-3G77-001	O-RING 13.8*2.5	O-RING 13.8*2.5	1	
	91308	91308-KED9-900	O-RING 17.5*1.5	O-RING 17.5*1.5	2	
#	92712	92712-06028-0B	BOLT STUD 6*28	BOLT STUD 6*28	1	
	94050	94050-06080	NUT FLANGE 6MM	NUT FLANGE 6MM	2	
	94301	94301-10160	DOWEL PIN 10*16	DOWEL PIN 10*16	4	
	94301A	94301-12200	DOWEL PIN 12*20	DOWEL PIN 12*20	2	
	94510	94510-20000	CIR CLIP EX 20	CIR CLIP EX 20	1	
#	95701	95701-06010-06	BOLT FLANGE 6*10	BOLT FLANGE 6*10	1	
#	95701A	95701-06022-06	BOLT FLANGE 6*22	BOLT FLANGE 6*22	1	
#	95701B	95701-06025-06	BOLT FLANGE 6*25	BOLT FLANGE 6*25	1	
#	95701C	95701-06040-06	BOLT FLANGE 6*40	BOLT FLANGE 6*40	1	
	95801	95801-KED9-900	BOLT UBS 8x71 (C)	BOLT UBS 8x71 (C)	1	
#	96001	96001-06014-06	BOLT FLANGE SH 6X14	BOLT FLANGE SH 6X14	1	
#	96001A	96001-06018-06	BOLT FLANGE SH 6X18	BOLT FLANGE SH 6*18	1	
	98059	98059-57916-00	SPARK PLUG (CR7E)	SPARK PLUG (CR7E)	1	

# Cylinder Piston Crankshaft



Sales mark	Ref no	Part no	Description	Reg description	Regd no	E03
	12100	12100-LBA2-E00	CYLINDER COMP	CYLINDER COMP	1	
#	12100	12100-LDB5-E00	CYLINDER COMP	CYLINDER COMP	1	
	12103	12103-LBA2-E00	STOPPER CYLN WATER	STOPPER CYLN WATER	1	
	12191	12191-LBA2-E00	GASKET CYLINDER @A	GASKET CYLINDER @A	1	
#	12191	12191-LDB5-E00	GASKET CYLINDER @A	GASKET CYLINDER @A	1	
	12251	12251-LBA2-E00	GASKET CYLINDER HEAD	GASKET CYLINDER HEAD	1	
	1300A	1300A-LDB5-308	CRANK BLANCER COMP(L)	CRANK BLANCER COMP(L)	1	
#	1300A	1300A-LDB5-309	CRANK BLANCER COMP(S)	CRANK BLANCER COMP(S)	1	
	13011	13011-LBA2-E0A	RING SET PISTON	RING SET PISTON	1	
#	13011	13011-LBA2-E0B	RING SET PISTON/E901	RING SET PISTON/E901	1	
#	13101	13101-LDG7-E00	PISTON	PISTON	1	
	13111	13111-LBA2-E00	PIN PISTON	PIN PISTON	1	
	14401	14401-LBA2-E00	CHAIN CAM	CHAIN CAM	1	
	14510	14510-LDB5-E00	TENSIONER CAM CHAIN	TENSIONER CAM CHAIN	1	
#	14520	14520-LDB5-E00	LIFTER ASSY TENSIONER	LIFTER ASSY TENSIONER	1	
#	14523	14523-KED9-920	GASKET TENSIONER LIFTER @A	GASKET TENSIONER LIFTER @A	1	
	14531	14531-KED9-900	PIVOT TENSION GUIDE	PIVOT TENSION GUIDE	2	
	14550	14550-LBA2-E00	ADJUSTER CAM CHAIN	ADJUSTER CAM CHAIN	1	
	14553	14553-LBA2-E00	SPRING CAM CHAIN ADJUSTER	SPRING CAM CHAIN ADJUSTER	1	
	14554	14554-KAM1-004	SPRING RATCHET	SPRING RATCHET	1	

# Cylinder Piston Crankshaft

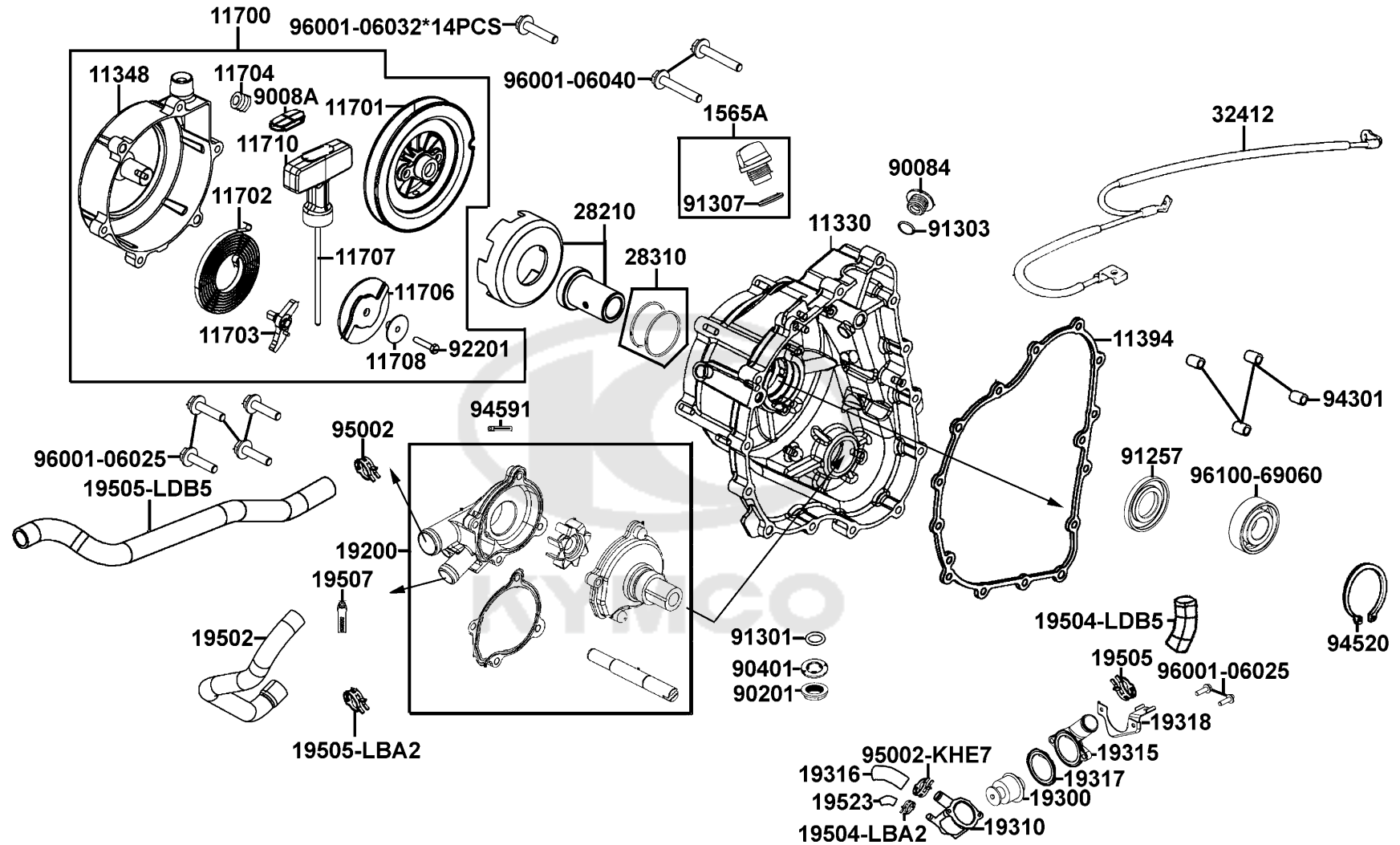




Sales mark	Ref no	Part no	Description	Reg description	Regd no	E03
	14555	14555-LBA2-E00	GASKET CAM CHAIN ADJUSTER	GASKET CAM CHAIN ADJUSTER	1	
	14557	14557-LBA2-E00	PLUNGER ADJUSTER	PLUNGER ADJUSTER	1	
	14558	14558-LBA2-E00	CAM ADJUSTER	CAM ADJUSTER	1	
	14559	14559-LBA2-E00	PIN ADJUSTER	PIN ADJUSTER	1	
	14560	14560-LBA2-E00	PLUG COMP ADJUSTER	PLUG COMP ADJUSTER	1	
	14610	14610-LBA2-E00	GUIDE COMP CAM CHAIN	GUIDE COMP CAM CHAIN	1	
#	90001	90001-GBHB-661	BOLT FLANGE SH 6*22	BOLT FLANGE SH 6*22	2	
#	90005	90005-KED9-900	BOLT SPECIAL 6*6	BOLT SPECIAL 6*6	1	
	90421	90421-LBA2-E00	WASHER SEALING 10*16*1	WASHER SEALING 10*16*1	1	
	90478	90478-7L00-001	WASHER A 6MM	WASHER A 6MM	2	
	90701	90701-LDB5-E00	KEY WAY ACG	KEY WAY ACG	1	
#	91306	91306-1E05-691	O-RING 1.5*9.5	O-RING 1.5*9.5	1	
	94301	94301-12200	DOWEL PIN 12*20	DOWEL PIN 12*20	4	
	94601	94601-22000	CLIP PISTON PIN 22MM	CLIP PISTON PIN 22MM	2	
#	96001	96001-06018-06	BOLT FLANGE SH 6X18	BOLT FLANGE SH 6*18	1	
#	96001A	96001-06035-06	BOLT FLANGE SH 6*35	BOLT FLANGE SH 6*35	1	
	E040	E040-3106	CAP	CAP	1	

E04

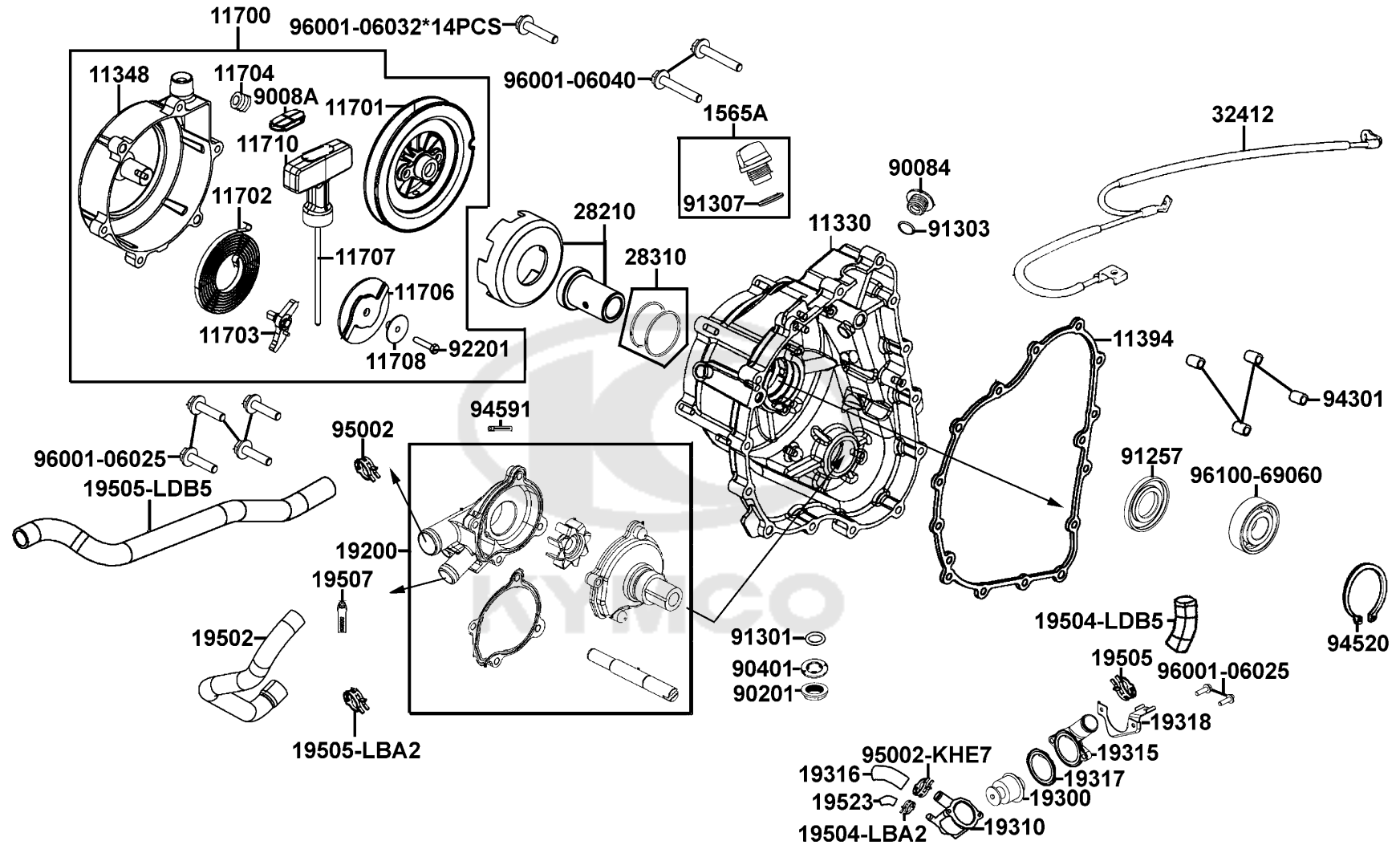
# Right Crankcase Cover Water Pump



Sales mark	Ref no	Part no	Description	Reg description	Regd no	<b>E04</b>
	11330	11330-LDB5-E00	COVER ASSY R CRANK CASE	COVER ASSY R CRANK CASE	1	
**	11348	11348-LDB5-E00	COVER STARTING**(1) C.2006.09.07	COVER STARTING**(1) C.2006.09.07	1	
	11394	11394-LDB5-E00	GASKET COVER	GASKET COVER	1	
	11700	11700-LDB5-E00	RECOIL STARTING	RECOIL STARTING	1	
	11701	11701-LDB5-E00	REEL STARTING	REEL STARTING	1	
	11702	11702-LDB5-E00	SPIRAL SPG STARTING	SPIRAL SPG STARTING	1	
	11703	11703-LDB5-E00	RACHET STARTING	RACHET STARTING	1	
	11704	11704-LCA5-E00	SPRING RACHET GUIDE	SPRING RACHET GUIDE	1	
	11706	11706-LDB5-E00	RACHET GUIDE STARTING	RACHET GUIDE STARTING	1	
	11707	11707-LDB5-E00	ROPE STARTING	ROPE STARTING	1	
	11708	11708-LCA5-E00	COLLAR	COLLAR	1	
	11710	11710-LDB5-E00	HOLDER STARTING	HOLDER STARTING	1	
	1565A	1565A-PWA1-900	GAUGE OIL LEVEL ASSY	GAUGE OIL LEVEL ASSY	1	
	19200	19200-LDB5-E00	WATER PUMP ASSY	WATER PUMP ASSY	1	
	19300	19300-LBA2-E00	THERMOSTAT ASSY	THERMOSTAT ASSY	1	
	19310	19310-LDB5-E00	CASE COMP THERMOSTAT	CASE COMP THERMOSTAT	1	
	19315	19315-LBA2-E00	COVER THERMOSTAT	COVER THERMOSTAT	1	
	19316	19316-LDB5-E00	HOSE THERMOSTAT	HOSE THERMOSTAT	1	
	19317	19317-LBA2-E00	RING 48.3*2	RING 48.3*2	1	
	19318	19318-LDB5-E00	BRKT THERMOSTAT	BRKT THERMOSTAT	1	

E04

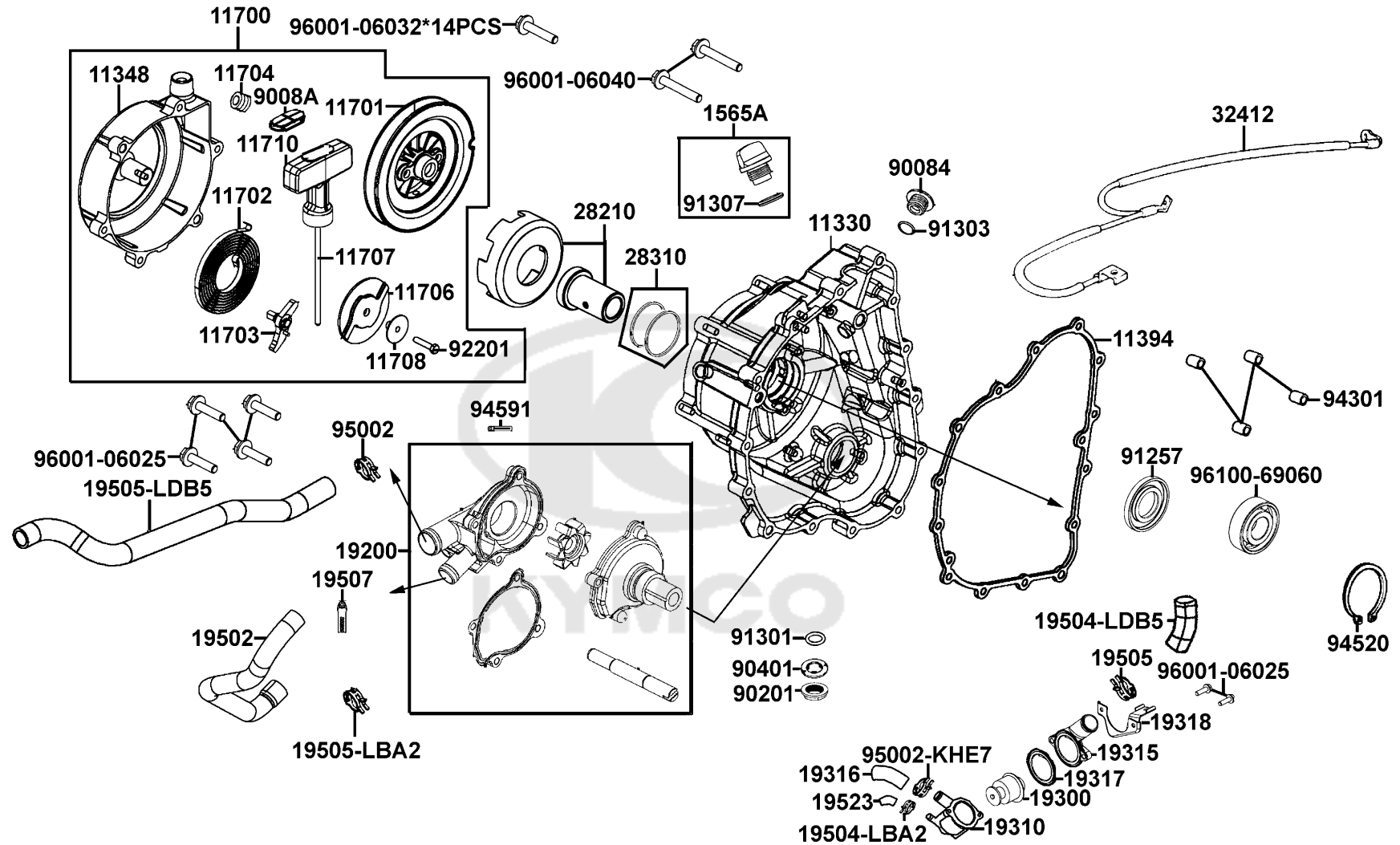
# Right Crankcase Cover Water Pump



Sales mark	Ref no	Part no	Description	Reg description	Regd no	<b>E04</b>
	19502	19502-LDB5-E00	HOSE B WATER	HOSE B WATER	1	
	19504-LBA2	19504-LBA2-E00	CLAMP D16.8	CLAMP D16.8	1	
	19504-LDB5	19504-LDB5-E00	HOSE WATER D RADIATOR-ENG	HOSE WATER D RADIATOR-ENG	1	
	19505-LBA2	19505-LBA2-E00	CLAMP WATER HOSE	CLAMP WATER HOSE	2	
	19505-LDB5	19505-LDB5-E00	HOSE WATER F ENG-RADIATOR	HOSE WATER F ENG-RADIATOR	1	
	19507	19507-LBA2-E00	CLAMP D 27.5	CLAMP D 27.5	1	
	19523	19523-LDB5-E00	WATER HOSE A	WATER HOSE A	1	
	28210	28210-LDB5-E00	PLATE RACHET	PLATE RACHET	1	
	28310	28310-LDB5-E00	RING OIL PATH	RING OIL PATH	2	
	32412	32412-LDB5-E00	CABLE EARTH	CABLE EARTH	1	
	9008A	9008A-LDB5-E00	COVER HOLDER	COVER HOLDER	1	
	90201	90201-KHR8-75A	NUT FLANGE 14MM	NUT FLANGE 14MM	1	
	90401	90401-KKJ9-001	WASHER THRUST 14*28*2	WASHER THRUST 14*28*2	1	
	91257	91257-LDB5-E00	OIL SEAL 45*60*7	OIL SEAL 45*60*7	1	
	91301	91301-LDB5-E00	O-RING 16MM	O-RING 16MM	1	
	91303	91303-3G77-001	O-RING 13.8*2.5	O-RING 13.8*2.5	1	
	91307	91307-0E35-001	O RING 18*3	O RING 18*3	1	
#	92201	92201-05025-0G	BOLT HEX 5*25	BOLT HEX 5*25	1	
	94301	94301-08140	DOWEL PIN 8*14	DOWEL PIN 8*14	4	
	94520	94520-47000	CIR CLIP IN 47	CIR CLIP IN 47	1	

E04

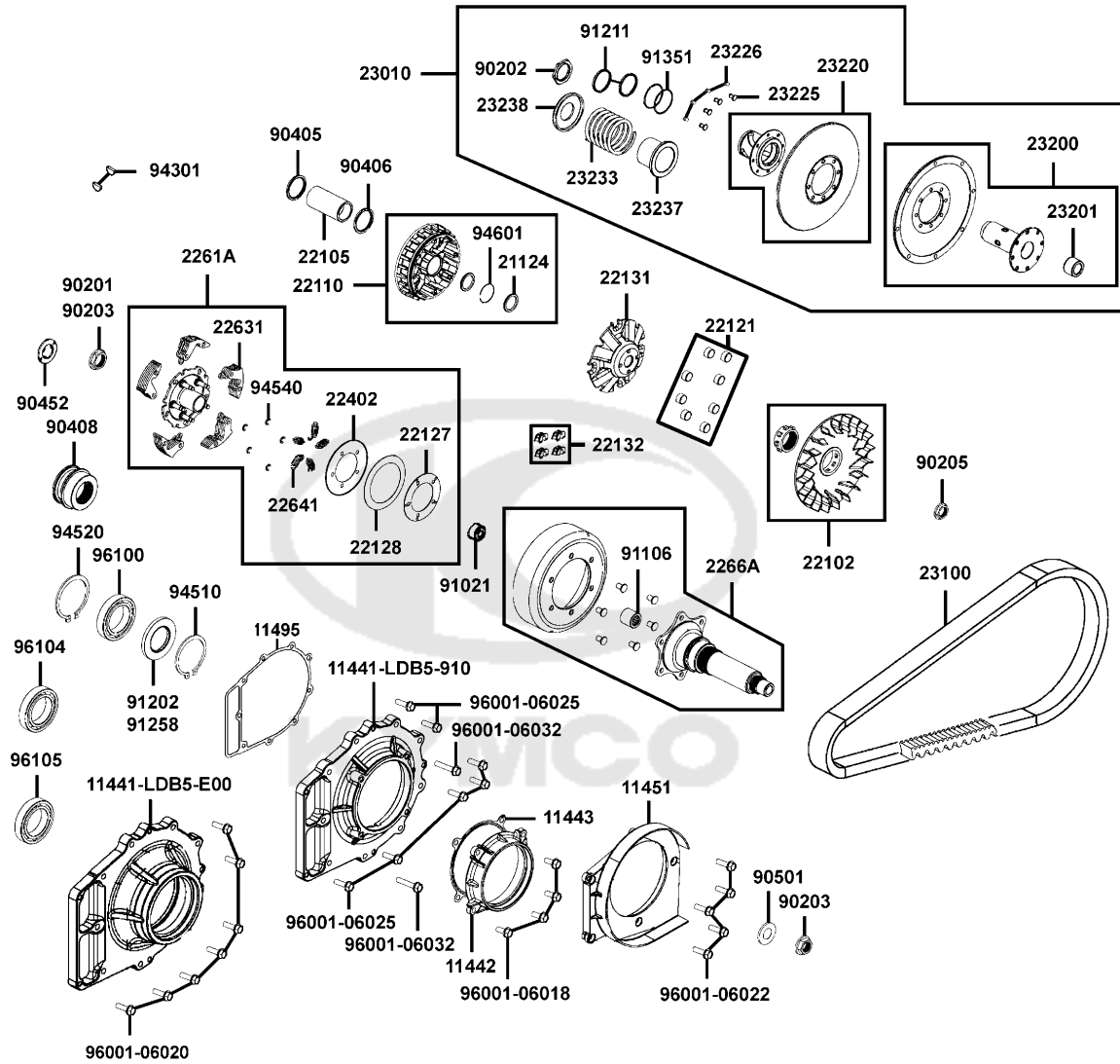
# Right Crankcase Cover Water Pump



Sales mark	Ref no	Part no	Description	Reg description	Regd no	<b>E04</b>
	94591	94591-KFBF-900	CLIP 2*70	CLIP 2*70	1	
	95002-KHE7	95002-KHE7-900	CLIP WATER HOSE	CLIP WATER HOSE	2	
#	96001-06025	96001-06025-06	BOLT FLANGE SH 6*25	BOLT FLANGE SH 6*25	1	
#	96001-06032	96001-06032-06	BOLT FLANGE 6*32	BOLT FLANGE 6*32	1	
#	96001-06040	96001-06040-06	BOLT FLANGE SH 6*40	BOLT FLANGE SH 6*40	1	
	96100-69060	96100-69060-00	BEARING BALL RADIAL 6906	BEARING BALL RADIAL 6906	1	



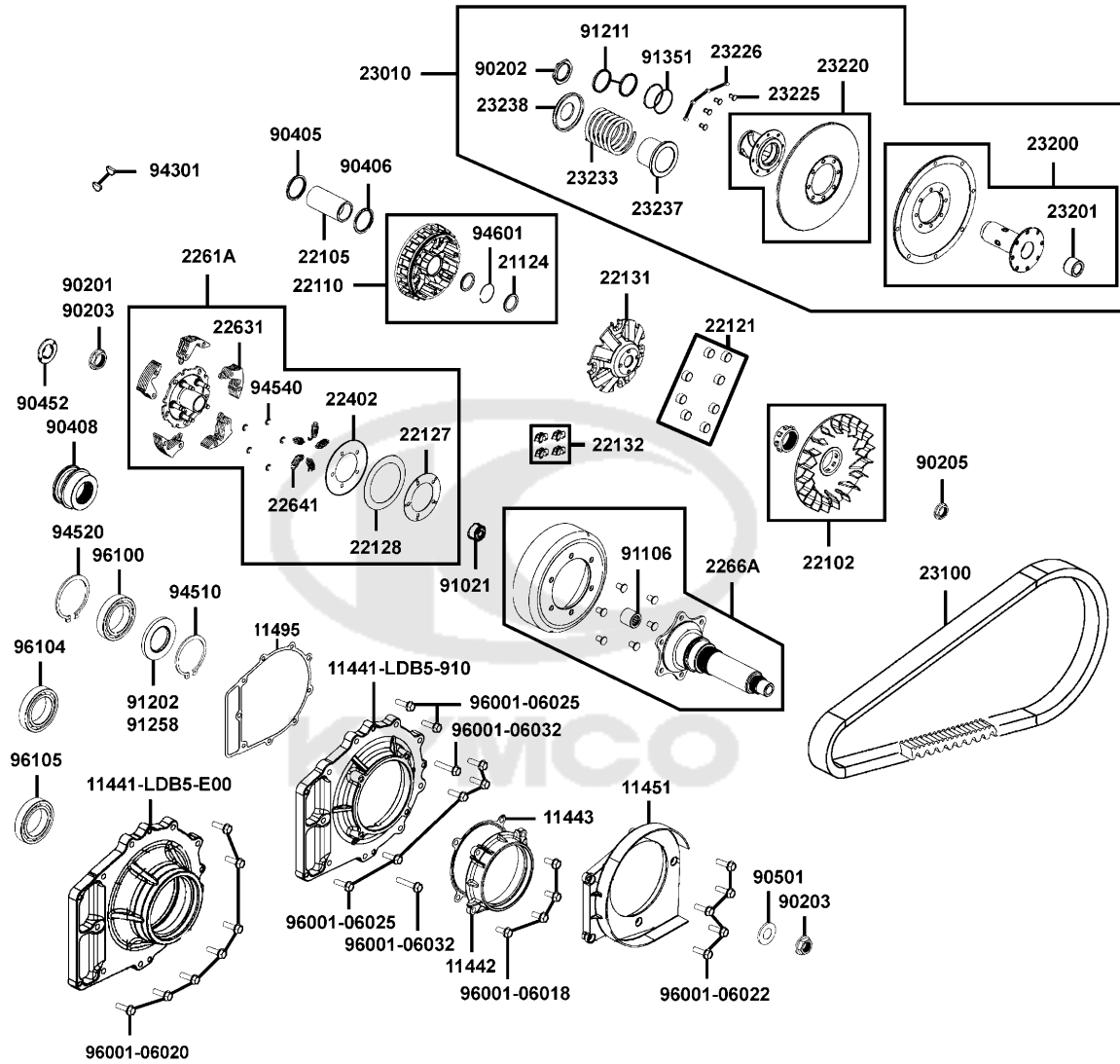
Drive Pulley





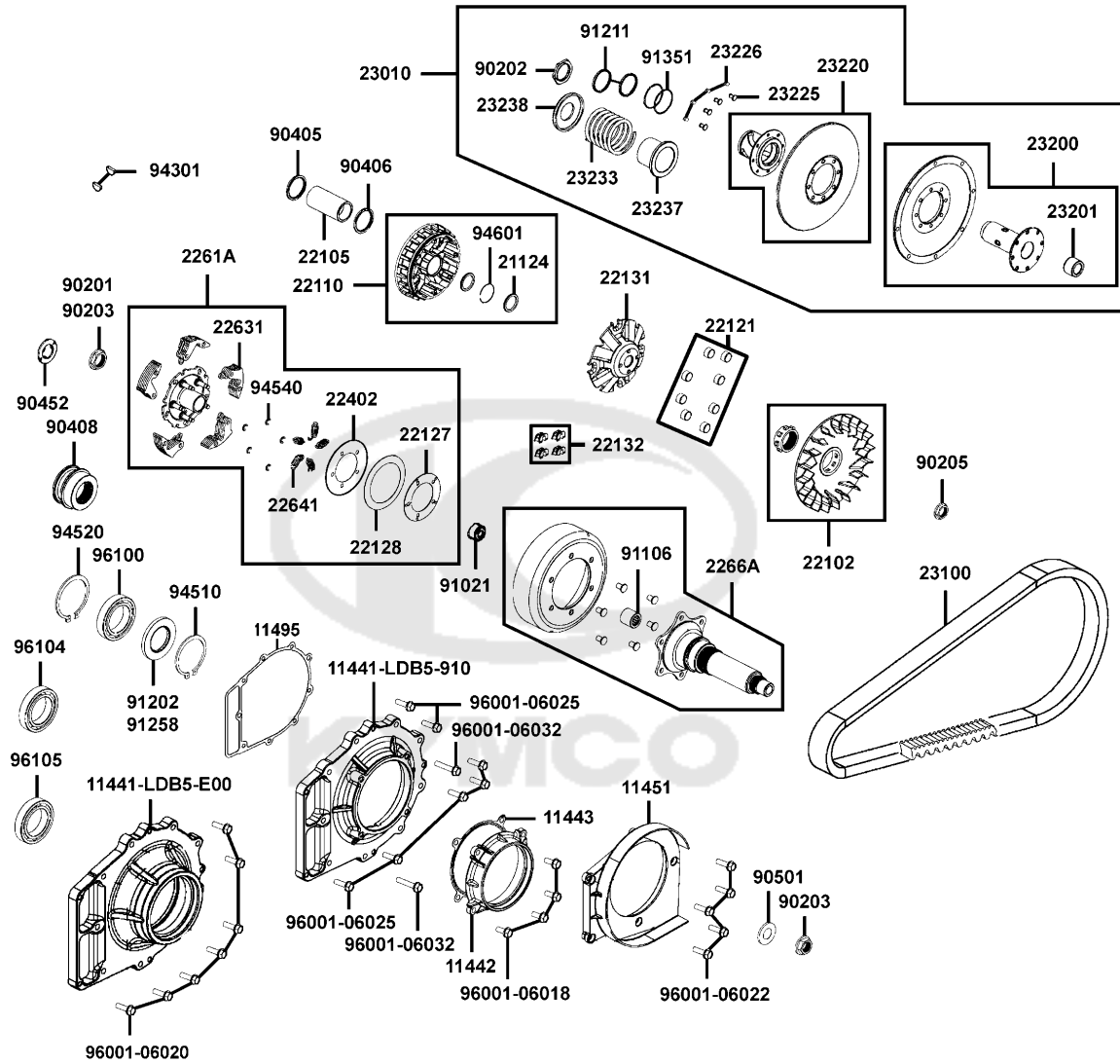
Sales mark	Ref no	Part no	Description	Reg description	Regd no	E05
#	11441-LDB5-910	11441-LDB5-910	COVER CLUTCH	COVER CLUTCH	1	
	11441-LDB5-E00	11441-LDB5-E00	COVER CLUTCH	COVER CLUTCH	1	
#	11442	11442-LDB5-900	COVER PRIMARY SHAFT	COVER PRIMARY SHAFT	1	
#	11443	11443-LDB5-900	GASKET PRIMARY SHAFT COVER	GASKET PRIMARY SHAFT COVER	1	
	11451	11451-LDB5-E00	COVER CVT FAN	COVER CVT FAN	1	
	11495	11495-LDB5-E00	GASKET CLUTCH COVER	GASKET CLUTCH COVER	1	
	21124	21124-LDB5-E00	OIL SEAL 42X51X4	OIL SEAL 42X51X4	2	
	22102	22102-LDB5-E00	FACE DRIVE	FACE DRIVE	1	
	22105	22105-LDB5-E00	BOSS DRIVE FACE	BOSS DRIVE FACE	1	
	22110	22110-LDB5-E00	FACE COMP MOVABLE DRIVE	FACE COMP MOVABLE DRIVE	1	
#	22121	22121-LDB5-305	ROLLER SET WEIGHT (1SET:8PCS)	ROLLER SET WEIGHT (1SET:8PCS)	1	
#	22121	22121-LFE9-305	ROLLER SET WEIGHT (1SET:8PCS)	ROLLER SET WEIGHT (1SET:8PCS)	1	
	22127	22127-LDB5-E00	SEAT ADJUSTER SPG	SEAT ADJUSTER SPG	1	
	22128	22128-LDB5-E00	PLATE ADJUSTER SPG	PLATE ADJUSTER SPG	1	
	22131	22131-LDB5-E00	PLATE RAMP	PLATE RAMP	1	
#	22132	22132-LDB5-305	PIECE SLIDE SET (1SET:4PCS)	PIECE SLIDE SET (1SET:4PCS)	4	
	22402	22402-LDB5-E00	SPR ADJUSTER	SPR ADJUSTER	1	
#	2261A	2261A-LDB5-900	PLATE ASSY PRIMARY DRIVE	PLATE ASSY PRIMARY DRIVE	1	
	2261A	2261A-LDB5-E00	PLATE COMP PRIMARY DRIVE	PLATE COMP PRIMARY DRIVE	1	
	22631	22631-LDB5-E00	PRIMARY CLUTCH WEIGHT	PRIMARY CLUTCH WEIGHT	5	

Drive Pulley



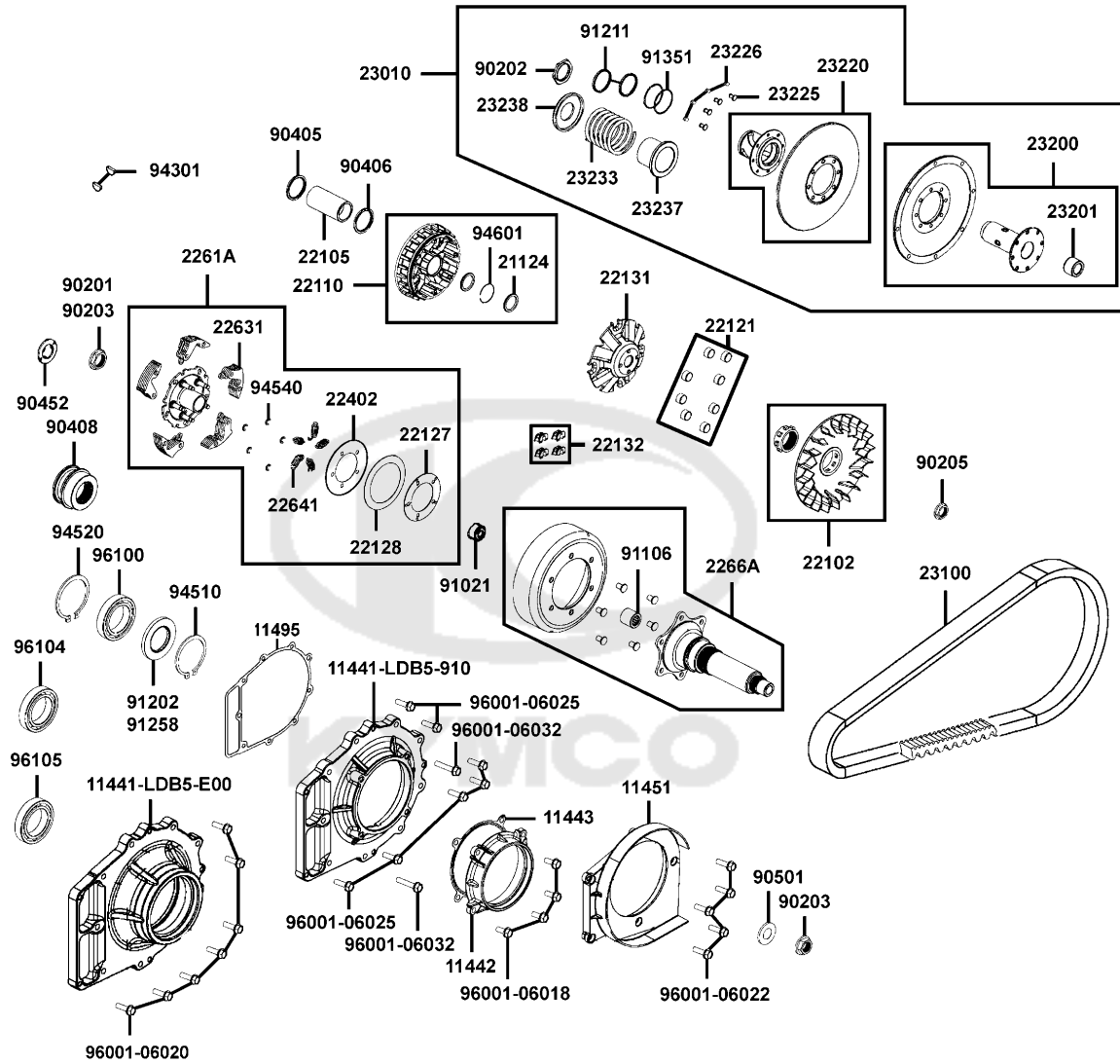
Sales mark	Ref no	Part no	Description	Reg description	Regd no	E05
	22641	22641-LDB5-E00	PRIMARY CLUTH SPG	PRIMARY CLUTH SPG	5	
#	2266A	2266A-LDB5-910	PRIMARY DRIVE GEAR COMP	PRIMARY DRIVE GEAR COMP	2	
	2266A	2266A-LDB5-E00	PRIMARY DRIVE GEAR COMP	PRIMARY DRIVE GEAR COMP	2	
	23010	23010-LDB5-E00	PULLEY ASSY DRIVEN	PULLEY ASSY DRIVEN	1	
	23100	23100-LDB5-E00	BELT DRIVE	BELT DRIVE	1	
	23200	23200-LDB5-E00	FACE ASSY DRIVEN	FACE ASSY DRIVEN	1	
	23201	23201-LDB5-E00	BUSH MOVABLE FACE	BUSH MOVABLE FACE	1	
	23220	23220-LDB5-E00	FACE COMP MOVABLE DRIVE	FACE COMP MOVABLE DRIVE	1	
#	23225	23225-LDB5-E00	PIN ROLLER GUIDE	PIN ROLLER GUIDE	4	
	23226	23226-GHC8-004	ROLLER GUIDE	ROLLER GUIDE	4	
	23233	23233-LDB5-E00	SPG DRIVEN FACE	SPG DRIVEN FACE	1	
	23237	23237-LDB5-E00	COLLAR SEAL	COLLAR SEAL	1	
	23238	23238-LDB5-E00	COLLAR SPG	COLLAR SPG	1	
	90201	90201-LDB5-E00	NUT FLANGE 25MM	NUT FLANGE 25MM	1	
	90202	90202-LDB5-E00	NUT SPECIAL 36MM	NUT SPECIAL 36MM	1	
#	90203	90203-LDB5-E00	NUT FLANGE 20MM	NUT FLANGE 20MM	2	
	90205	90205-LDB5-E00	NUT FLANGE 16 mm	NUT FLANGE 16 mm	1	
	90405	90405-LDB5-E00	COLLAR CLUTCH	COLLAR CLUTCH	1	
	90406	90406-LDB5-E00	WASHER 25*33*4	WASHER 25*33*4	1	
#	90408	90408-LDB5-900	COLLAR PRIMARY DRIVE SHAFT	COLLAR PRIMARY DRIVE SHAFT	1	

Drive Pulley



Sales mark	Ref no	Part no	Description	Reg description	Regd no	E05
	90452	90452-LBA7-900	WASHER THRUST 25MM	WASHER THRUST 25MM	1	
	90501	90501-LDB5-E00	WASHER THRUST 20MM	WASHER THRUST 20MM	1	
	91021	91021-LDB5-E00	BEARING ONE WAY	BEARING ONE WAY	1	
	91106	91106-LDB5-E00	BRG NEEDLE 14*22*20	BRG NEEDLE 14*22*20	1	
	91202	91202-LDB5-E00	OIL SEAL 44*77*7	OIL SEAL 44*77*7	1	
	91211	91211-LDB5-E00	SEAL DRIVEN FACE 40.2*47*4	SEAL DRIVEN FACE 40.2*47*4	1	
#	91258	91258-LDB5-900	OIL SEAL 56.5*80*7	OIL SEAL 56.5*80*7	1	
	91351	91351-LDB5-E00	O-RING PINION CAP	O-RING PINION CAP	2	
	94301	94301-08140	DOWEL PIN 8*14	DOWEL PIN 8*14	2	
	94510	94510-50000	CIR CLIP EX 50	CIR CLIP EX 50	1	
	94520	94520-80000	CIR CLIP IN 80	CIR CLIP IN 80	1	
	94540	94540-07017	E RING 7MM	E RING 7MM	5	
	94601	94601-LDB5-E00	CIRCLIP 46.5mm	CIRCLIP 46.5mm	1	
#	96001-06018	96001-06018-06	BOLT FLANGE SH 6X18	BOLT FLANGE SH 6*18	1	
#	96001-06020	96001-06020-06	BOLT FLANGE SH 6*20	BOLT FLANGE SH 6*20	1	
#	96001-06022	96001-06022-06	BOLT FLANGE SH 6*22 (G)	BOLT FLANGE SH 6*22 (G)	1	
#	96001-06025	96001-06025-06	BOLT FLANGE SH 6*25	BOLT FLANGE SH 6*25	1	
#	96001-06032	96001-06032-06	BOLT FLANGE 6*32	BOLT FLANGE 6*32	1	
	96100	96100-60100-00	BEARING BALL RADIAL 6010	BEARING BALL RADIAL 6010	1	
	96100	96100-60100-00-M1	BEARING BALL RADIAL	BEARING BALL RADIAL	1	

Drive Pulley



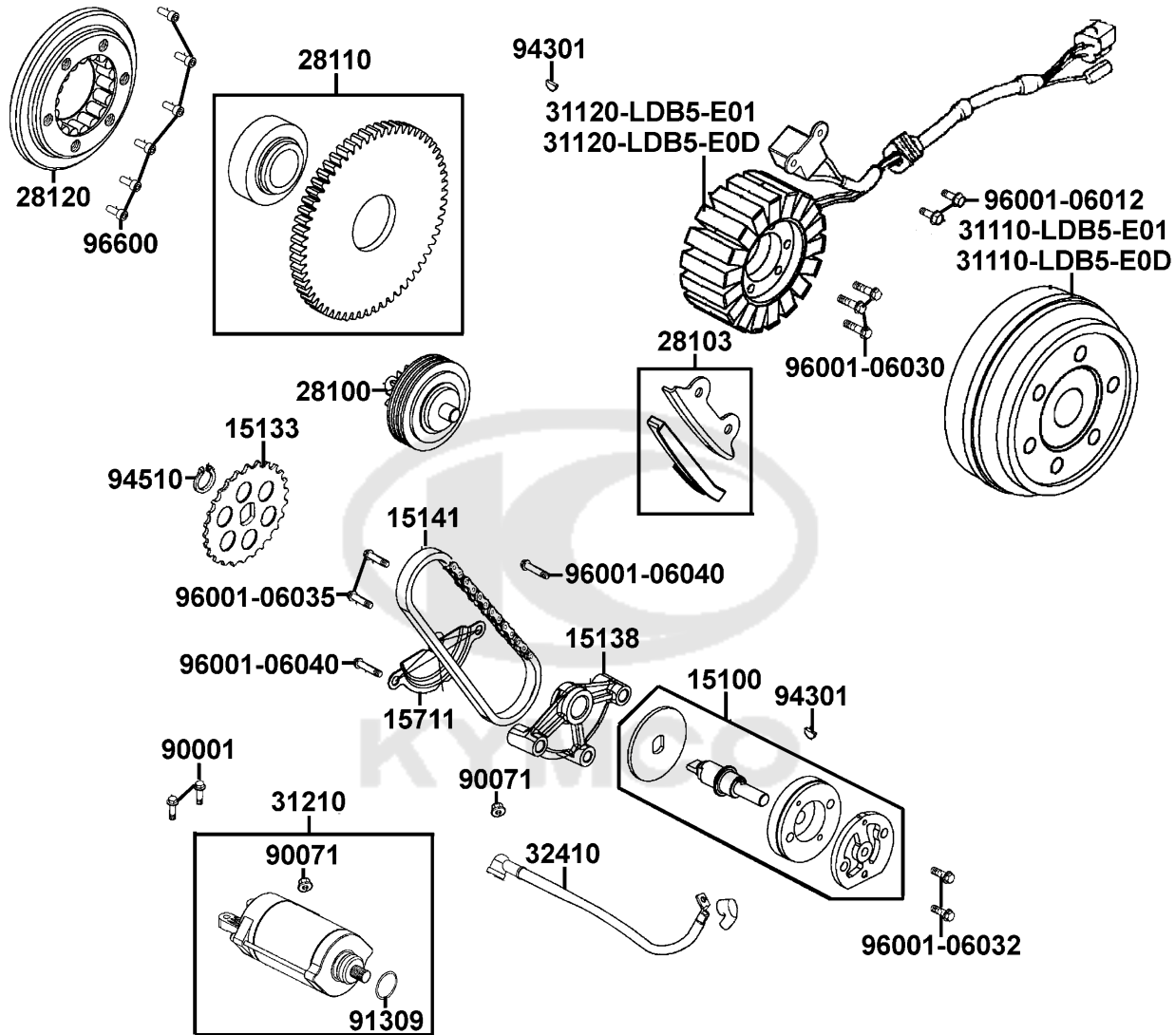
Sales mark	Ref no	Part no	Description	Reg description	Regd no	<b>E05</b>
------------	--------	---------	-------------	-----------------	---------	------------

#	96104	96104-LDB5-90A	BEARING BALL RADIAL 16008	BEARING BALL RADIAL 16008	1	
#	96104	96104-LDB5-90B	BEARING BALL RADIAL 16008	BEARING BALL RADIAL 16008	1	
#	96105	96105-LDB5-90A	BEARING BALL RADIAL 68150	BEARING BALL RADIAL 68150	1	
#	96105	96105-LDB5-90B	BEARING BALL RADIAL 6815	BEARING BALL RADIAL 6815	1	
#	96105	96105-LDB5-90C	BRG BALL RADIAL 68150	BRG BALL RADIAL 68150	1	



E06

# Starting Motor Generator

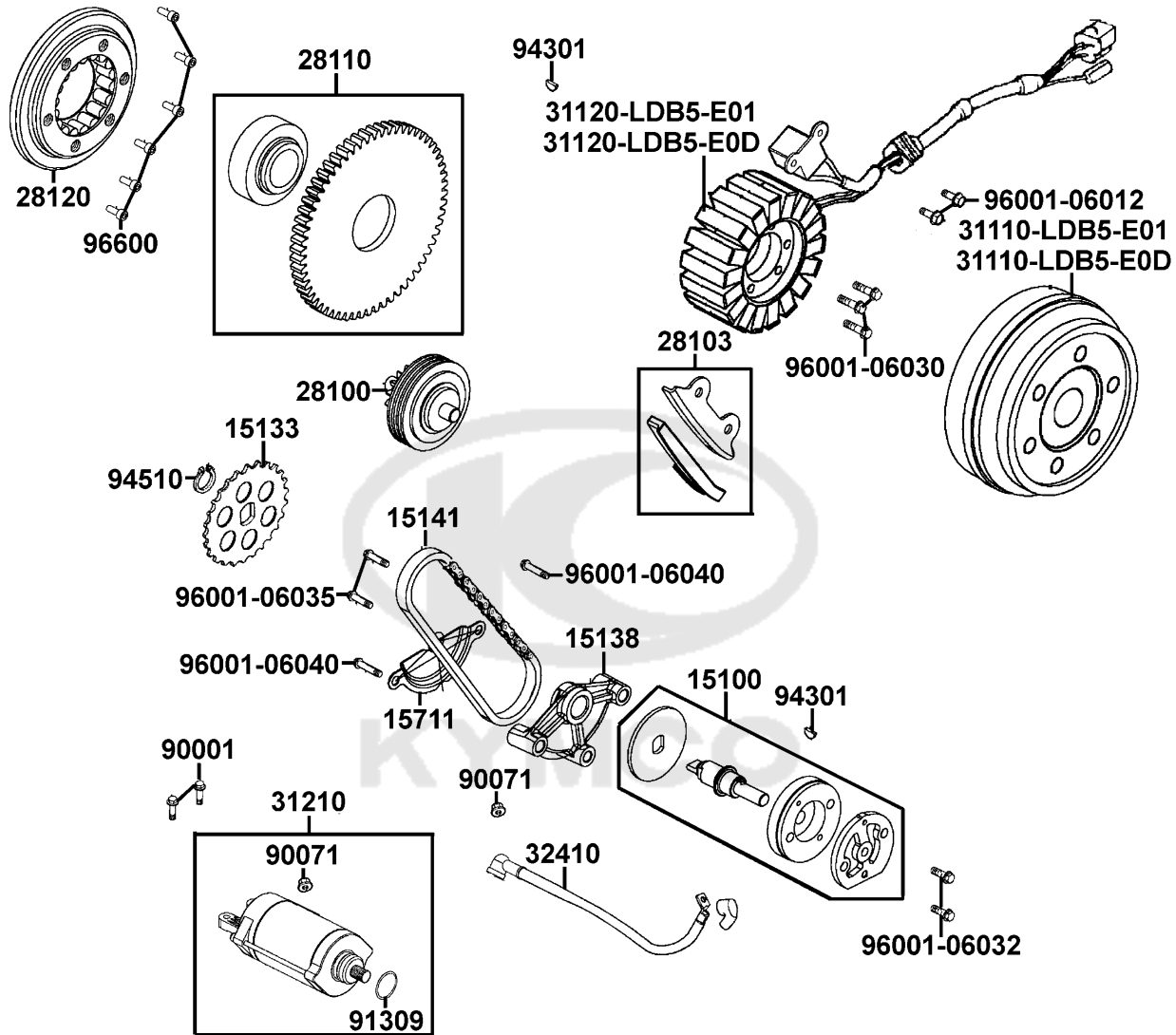




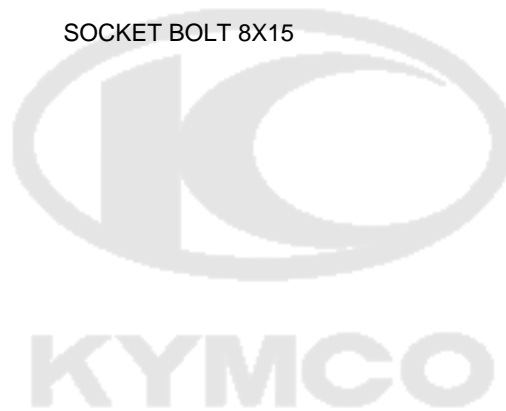
Sales mark	Ref no	Part no	Description	Reg description	Regd no	E06
	15100	15100-LDB5-E00	PUMP ASSY OIL	PUMP ASSY OIL	1	
	15133	15133-LBA2-E00	SPROCKET OIL PUMP DRIVE	SPROCKET OIL PUMP DRIVE	1	
	15138	15138-LDB5-E00	HOLDER OIL PUMP SHAFT	HOLDER OIL PUMP SHAFT	1	
	15141	15141-LDB5-E00	CHAIN OIL PUMP	CHAIN OIL PUMP	1	
	15711	15711-LDB5-E00	SEPARATER OIL	SEPARATER OIL	1	
	28100	28100-LDB5-E00	SHAFT COMP REDUCTION	SHAFT COMP REDUCTION	1	
#	28100	28100-LKM5-E00	SHAFT COMP REDUCTION	SHAFT COMP REDUCTION	1	
	28103	28103-LDB5-E00	GUIDE OIL PUMP CHAIN	GUIDE OIL PUMP CHAIN	1	
	28110	28110-LDB5-E00	GEAR COMP STARTING CLUTCH	GEAR COMP STARTING CLUTCH	1	
#	28110	28110-LKA8-E00	GEAR COMP.STARTING CLUTCH	GEAR COMP.STARTING CLUTCH	1	
	28120	28120-KKE5-E00	ONE WAY CLUTCH	ONE WAY CLUTCH	1	
	31110-LDB5-E01	31110-LDB5-E01	FLYWHEEL COMP (D402)	FLYWHEEL COMP (D402)	1	
	31110-LDB5-E0D	31110-LDB5-E0D	FLYWHEEL COMP (D406)	FLYWHEEL COMP (D406)	1	
	31120-LDB5-E01	31120-LDB5-E01	STATOR COMP (D402)	STATOR COMP (D402)	1	
	31120-LDB5-E0D	31120-LDB5-E0D	STATOR COMP (D406)	STATOR COMP (D406)	1	
	31210	31210-LBA2-E00	MOTOR UNIT STARTER	MOTOR UNIT STARTER	1	
	32410	32410-LDB5-E00	CABLE STARTER MOTOR	CABLE STARTER MOTOR	1	
#	90001	90001-GBHB-661	BOLT FLANGE SH 6*22	BOLT FLANGE SH 6*22	2	
	90071	90071-MLB0-001	NUT WASH 6MM	NUT WASH 6MM	2	
	91309	91309-4E25-004	O-RING 24.4*3.1	O-RING 24.4*3.1	1	

E06

# Starting Motor Generator

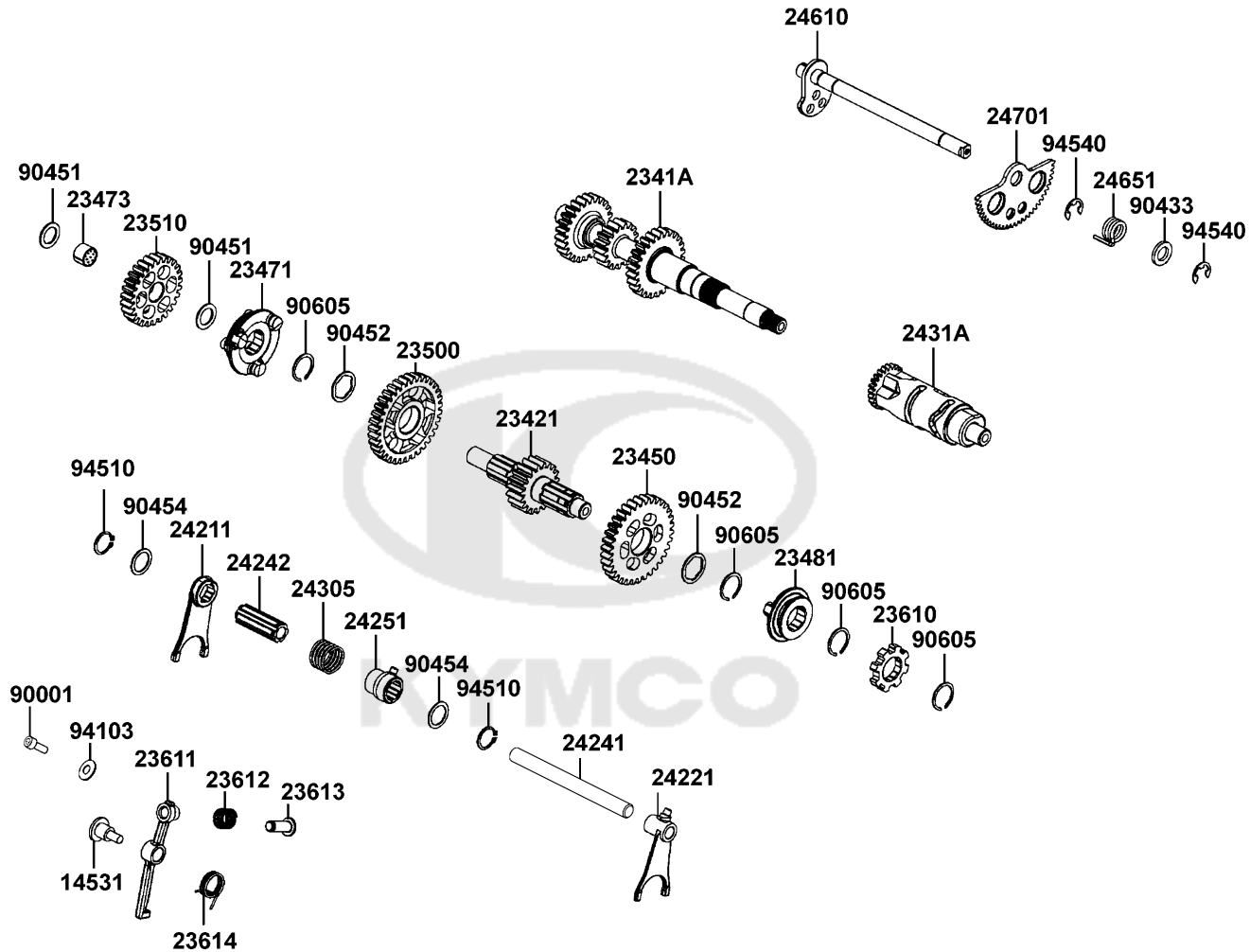


Sales mark	Ref no	Part no	Description	Reg description	Regd no	<b>E06</b>
	94301	94301-08140	DOWEL PIN 8*14	DOWEL PIN 8*14	2	
	94510	94510-10000	CIR CLIP EX 10MM	CIR CLIP EX 10MM	1	
#	96001-06012	96001-06012-06	BOLT FLANGE SH 6*12	BOLT FLANGE SH 6*12	1	
#	96001-06030	96001-06030-06	BOLT FLANGE SH 6X30	BOLT FLANGE SH 6X30	1	
#	96001-06032	96001-06032-06	BOLT FLANGE 6*32	BOLT FLANGE 6*32	1	
#	96001-06035	96001-06035-06	BOLT FLANGE SH 6*35	BOLT FLANGE SH 6*35	1	
#	96001-06040	96001-06040-06	BOLT FLANGE SH 6*40	BOLT FLANGE SH 6*40	1	
#	96600	96600-08015-16	SOCKET BOLT 8X15	SOCKET BOLT 8*15	1	



E07

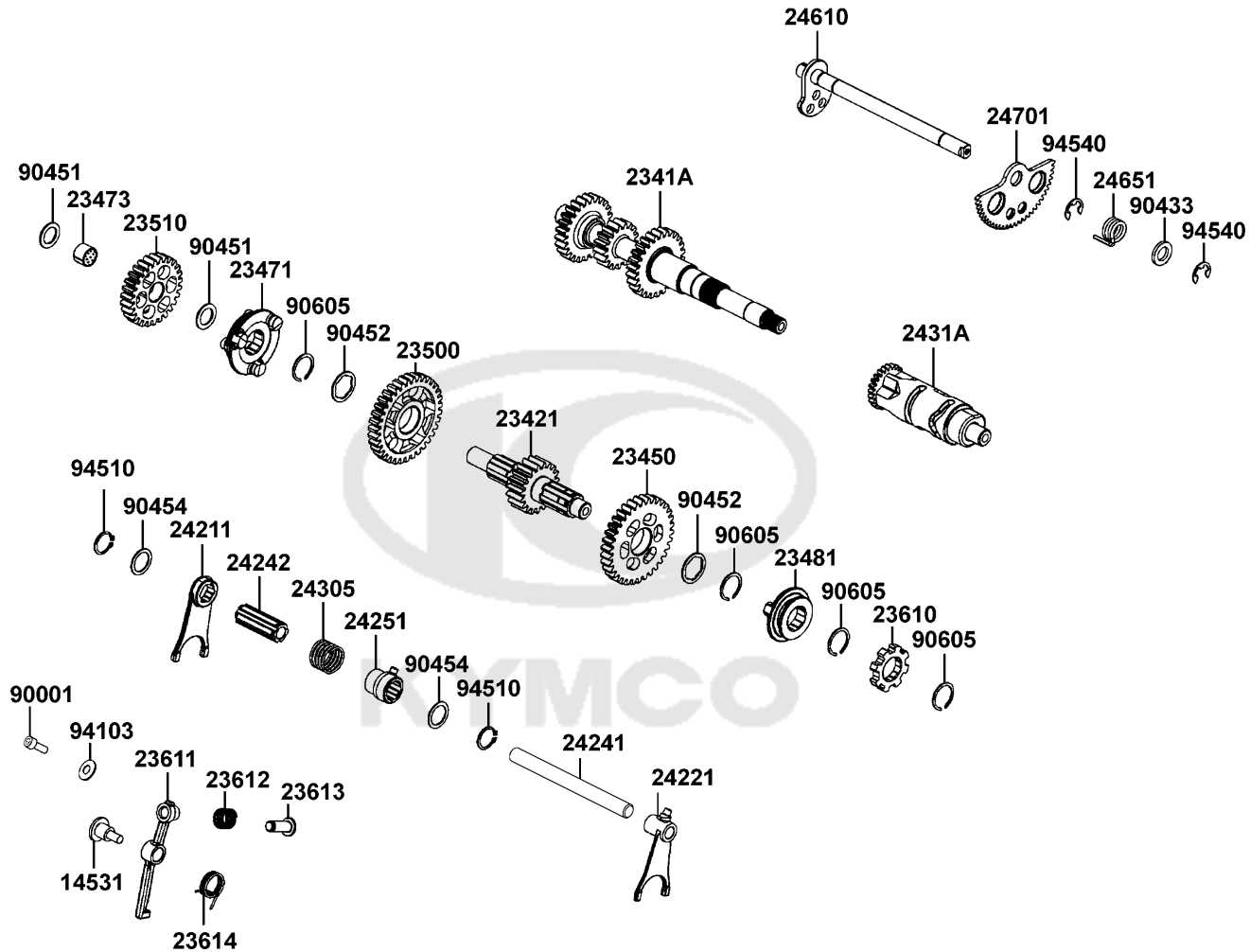
# Clutch Assy Primary



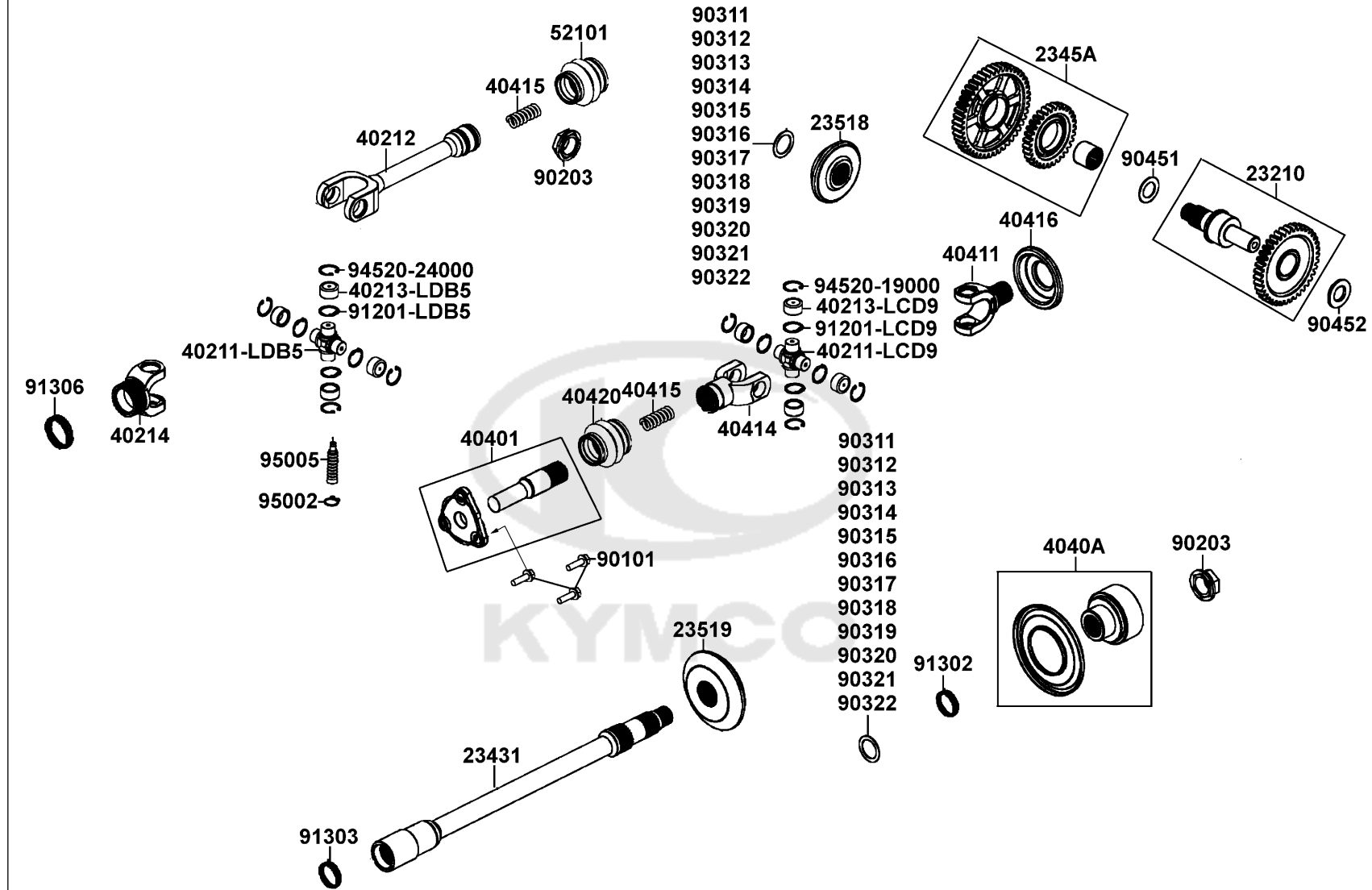
Sales mark	Ref no	Part no	Description	Reg description	Regd no	E07
	14531	14531-KED9-900	PIVOT TENSION GUIDE	PIVOT TENSION GUIDE	1	
	2341A	2341A-LDB5-900	SHAFT ASSY DRIVE	SHAFT ASSY DRIVE	1	
	23421	23421-LDB5-E00	SHAFT COUNTER 19T	SHAFT COUNTER 19T	1	
	23450	23450-LDB5-E00	GEAR COMP BACKWARD 2ST DRIVEN	GEAR COMP BACKWARD 2ST DRIVEN	1	
	23471	23471-LDB5-E00	SHIFT FORWARD & LOWER	SHIFT FORWARD & LOWER	1	
	23473	23473-LDB5-E00	COLLAR 20*17*14	COLLAR 20*17*14	1	
	23481	23481-LDB5-E00	SHIFT BACKWARD	SHIFT BACKWARD	1	
	23500	23500-LDB5-E00	GEAR COMP LOWER DRIVE	GEAR COMP LOWER DRIVE	1	
	23510	23510-LDB5-900	GEAR FORWARD DRIVEN 27T	GEAR FORWARD DRIVEN 27T	1	
	23610	23610-LDB5-E00	STOPPER PARK	STOPPER PARK	1	
	23611	23611-LDB5-E00	ARM PARK	ARM PARK	1	
	23612	23612-LDB5-E00	SPRING A PARK	SPRING A PARK	1	
	23613	23613-LDB5-E00	GUIDE PARK	GUIDE PARK	1	
	23614	23614-LDB5-E00	SPRING B PARK	SPRING B PARK	1	
	24211	24211-LDB5-E00	FORK RIGHT GEAR SHIFT	FORK RIGHT GEAR SHIFT	1	
	24221	24221-LDB5-E00	FORK LEFT GEAR SHIFT	FORK LEFT GEAR SHIFT	1	
	24241	24241-LDB5-E00	SHAFT GEAR SHIFT FORK	SHAFT GEAR SHIFT FORK	1	
	24242	24242-LDB5-E00	COLLAR RIGHT FORK	COLLAR RIGHT FORK	1	
	24251	24251-LDB5-E00	GUIDE RIGHT FORK	GUIDE RIGHT FORK	1	
	24305	24305-LDB5-E00	SPRING RIGHT FORK	SPRING RIGHT FORK	1	

E07

# Clutch Assy Primary

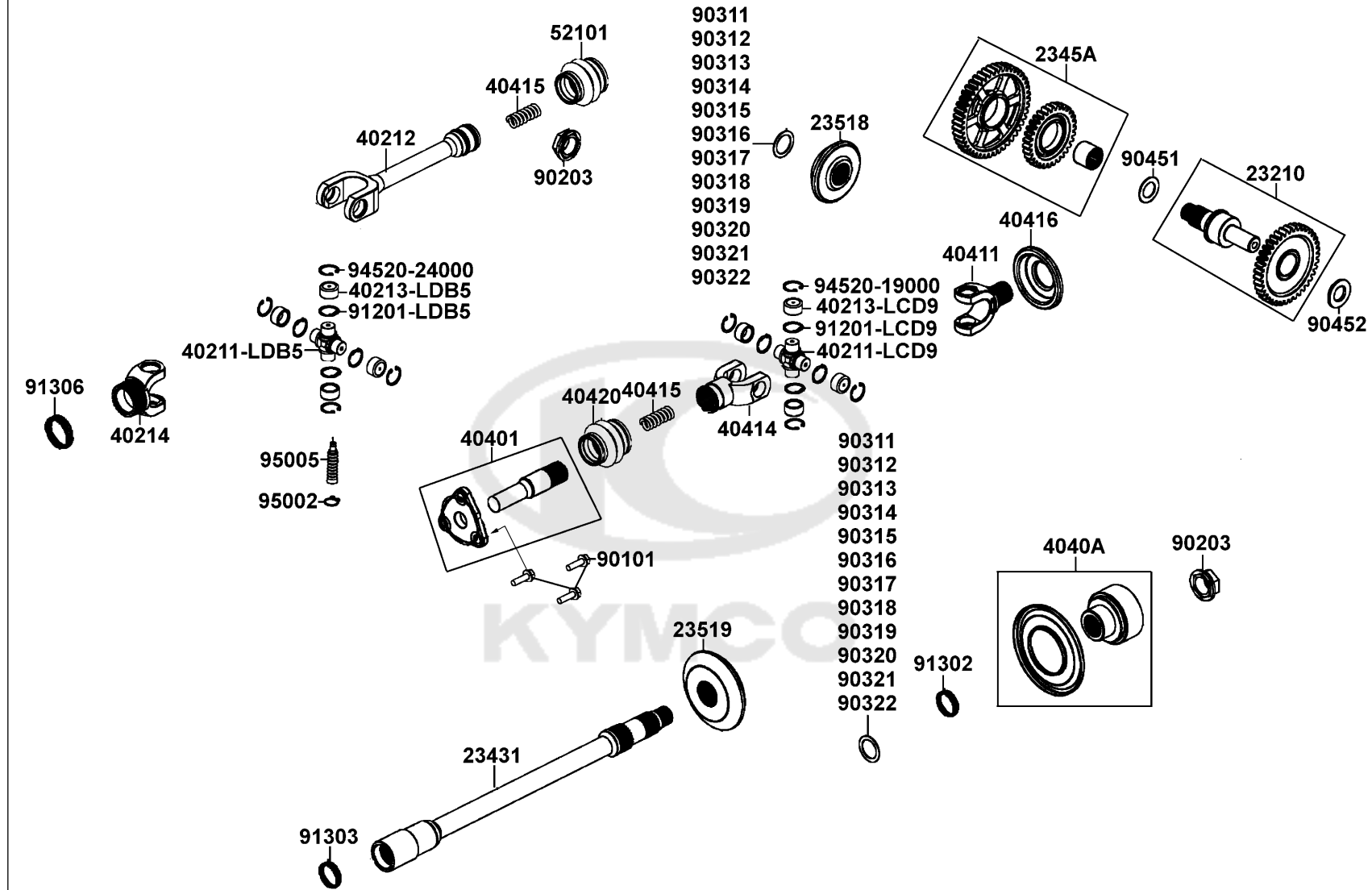


Sales mark	Ref no	Part no	Description	Reg description	Regd no	<b>E07</b>
2431A		2431A-LDB5-E00	DRUM ASSY GEAR SHIFT	DRUM ASSY GEAR SHIFT	1	
24610		24610-LDB5-E00	SPINDLE COMP DRUM SHIFT	SPINDLE COMP DRUM SHIFT	1	
24651		24651-LDB5-E00	SPRING GEAR SHIFT RETURN	SPRING GEAR SHIFT RETURN	1	
24701		24701-LDB5-E00	GEAR CHANGE HNDL	GEAR CHANGE HNDL	1	
90001		90001-GFY6-901	SOCKET BOLT 6*10 (B)	SOCKET BOLT 6*10 (B)	1	
90433		90433-KAE1-001	WASHER 14MM	WASHER 14MM	1	
90451		90451-LDB5-E00	WASHER THRUST 17MM	WASHER THRUST 17MM	2	
90452		90452-KED9-900	WASHER 25*31*1.5	WASHER 25*31*1.5	2	
90454		90454-1G07-001	WASHER THRUST 20MM B	WASHER THRUST 20MM B	2	
90605		90605-KED9-900	SET RING 28MM	SET RING 28MM	4	
94103		94103-06800	WASH PLAIN 6MM	WASH PLAIN 6MM	1	
94510		94510-25000	CIR CLIP EXTERNAL 25	CIR CLIP EXTERNAL 25	2	
94540		94540-12028	E RING 12	E RING 12	3	

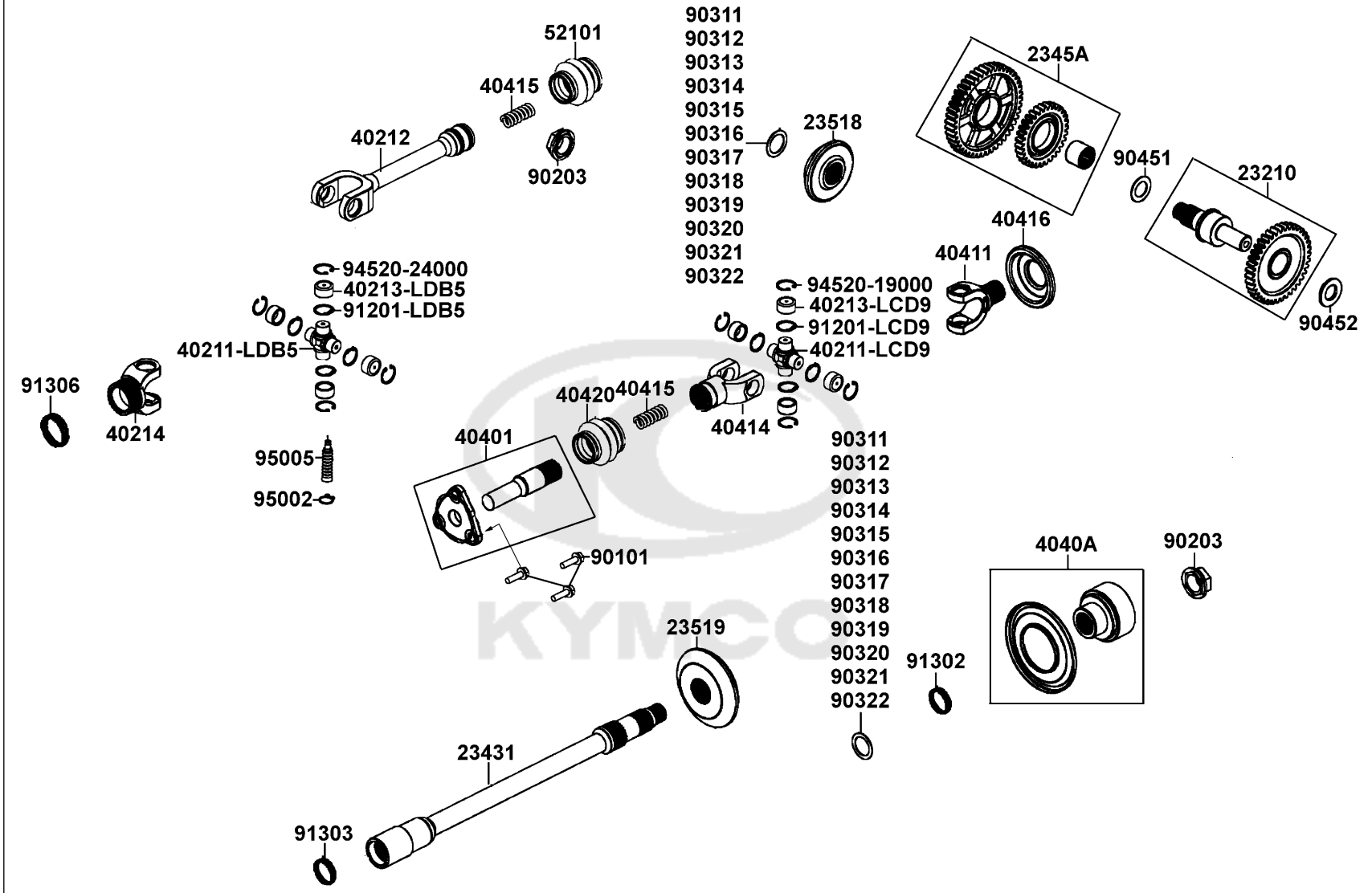




Sales mark	Ref no	Part no	Description	Reg description	Regd no	<b>E08</b>
	23210	23210-LDB5-E00	SHAFT COMP MAIN	SHAFT COMP MAIN	1	
	23431	23431-LDB5-E00	SHAFT FINAL	SHAFT FINAL	1	
	2345A	2345A-LDB5-E00	GEAR COMP BACKWARD	GEAR COMP BACKWARD	1	
#	23518	23518-LKM5-E00	BEVEL GEAR DRIVE (18T)	BEVEL GEARDRIVE	1	
#	23519	23519-LKM5-E00	BEVEL GEAR DRIVE (24T)	BEVEL GEARDRIVEN	1	
	40211-LCD9	40211-LCD9-E00	SPIDER YORK	SPIDER YORK	1	
	40211-LDB5	40211-LDB5-E00	SPIDER RR U JOINT	SPIDER RR U JOINT	1	
	40212	40212-LDB5-E00	YORK A RR U JOINT	YORK A RR U JOINT	1	
	40213-LCD9	40213-LCD9-E00	BRG YORK 12*18*16	BRG YORK 12*18*16	4	
	40213-LDB5	40213-LDB5-E00	BRG U JOINT 18*24*13.5	BRG U JOINT 18*24*13.5	4	
	40214	40214-LDB5-E00	YORK B RR U JOINT	YORK B RR U JOINT	1	
	40401	40401-LDB5-E00	SHAFT FRONT PROPELLER	SHAFT FRONT PROPELLER	1	
	4040A	4040A-LDB5-E00	COUPLING RR PROPELLER	COUPLING RR PROPELLER	1	
	40411	40411-LDB5-E00	YORK A FR U JOINT	YORK A FR U JOINT	1	
	40414	40414-LDB5-E00	YORK B FR U JOINT	YORK B FR U JOINT	1	
	40415	40415-LDB5-E00	SPRING FR PROPELLER SHAFT	SPRING FR PROPELLER SHAFT	2	
	40416	40416-LDB5-E00	UNIVERSAL JOINT PLATE	UNIVERSAL JOINT PLATE	1	
	40420	40420-LDB5-E00	BOOT FRONT PROPELLER	BOOT FRONT PROPELLER	1	
	52101	52101-LDB5-E00	BOOT REAR PROPELLER SHAFT	BOOT REAR PROPELLER SHAFT	1	
	90101	90101-KEBE-900	BOLT FLANGE 10*25	BOLT FLANGE 10*25	3	



Sales mark	Ref no	Part no	Description	Reg description	Regd no	E08
#	90203	90203-LDB5-E00	NUT FLANGE 20MM	NUT FLANGE 20MM	2	
	90311	90311-LDB5-E00	SHIM DRIVEN BEVEL GEAR A	SHIM DRIVEN BEVEL GEAR A (0.575~0.625)	2	
	90312	90312-LDB5-E00	SHIM FLNAL BEVEL GEAR B (0.65)	SHIM FLNAL BEVEL GEAR B (0.65)	2	
	90313	90313-LDB5-E00	SHIM FLNAL BEVEL GEAR C (0.7)	SHIM FLNAL BEVEL GEAR C (0.7)	2	
	90314	90314-LDB5-E00	SHIM FLNAL BEVEL GEAR D (0.75)	SHIM FLNAL BEVEL GEAR D (0.75)	2	
	90315	90315-LDB5-E00	SHIM FLNAL BEVEL GEAR E (0.8)	SHIM FLNAL BEVEL GEAR E (0.8)	2	
	90316	90316-LDB5-E00	SHIM FLNAL BEVEL GEAR F (0.85)	SHIM FLNAL BEVEL GEAR F (0.85)	2	
	90317	90317-LDB5-E00	SHIM FLNAL BEVEL GEAR G (0.9)	SHIM FLNAL BEVEL GEAR G (0.9)	2	
	90318	90318-LDB5-E00	SHIM FLNAL BEVEL GEAR H (0.95)	SHIM FLNAL BEVEL GEAR H (0.95)	2	
	90319	90319-LDB5-E00	SHIM FLNAL BEVEL GEAR I (1.0)	SHIM FLNAL BEVEL GEAR I (1.0)	2	
	90320	90320-LDB5-E00	SHIM FLNAL BEVEL GEAR J (1.05)	SHIM FLNAL BEVEL GEAR J (1.05)	2	
	90321	90321-LDB5-E00	SHIM FLNAL BEVEL GEAR K (1.1)	SHIM FLNAL BEVEL GEAR K (1.1)	2	
	90322	90322-LDB5-E00	SHIM FLNAL BEVEL GEAR L (1.15)	SHIM FLNAL BEVEL GEAR L (1.15)	2	
	90451	90451-LBA7-900	WASHER THRUST 20MM	WASHER THRUST 20MM	1	
	90452	90452-LDB5-E00	WASHER THRUST 20*36*3	WASHER THRUST 20*36*3	1	
	91201-LCD9	91201-LCD9-E00	OIL SEAL 13*17.5*4.5	OIL SEAL 13*17.5*4.5	4	
	91201-LDB5	91201-LDB5-E00	SEALING RING 15.6*22.6*3.2	SEALING RING 15.6*22.6*3.2	4	
	91302	91302-LDB5-E00	O-RING 22MM	O-RING 22MM	1	
	91303	91303-LDB5-E00	O-RING 22MM	O-RING 22MM	1	
	91306	91306-LDB5-E00	O-RING 41MM	O-RING 41MM	1	



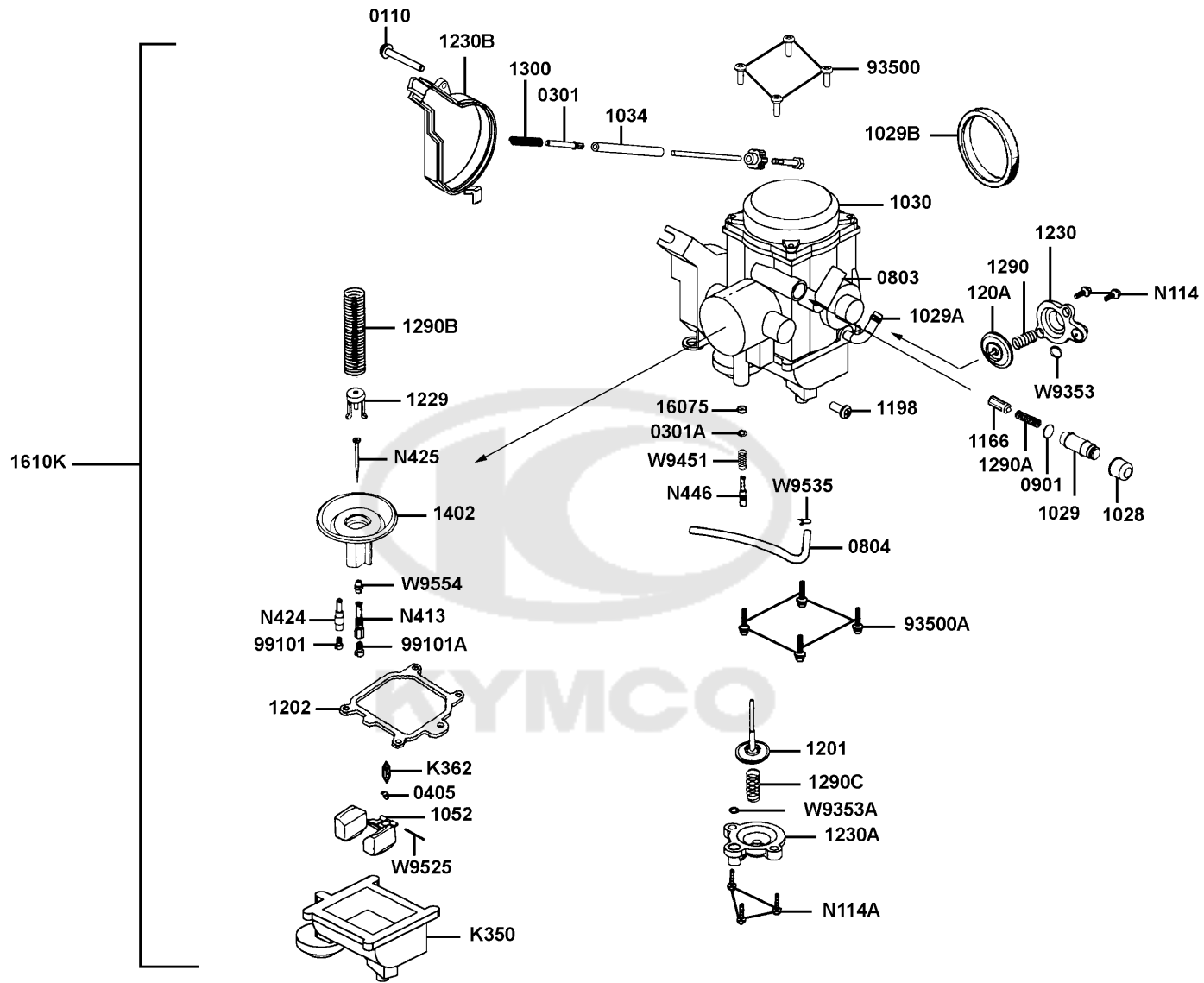
Sales mark	Ref no	Part no	Description	Reg description	Regd no	<b>E08</b>
------------	--------	---------	-------------	-----------------	---------	------------

94520-19000	94520-19000	94520-19000	CIR CLIP IN 19	CIR CLIP IN 19	4	
94520-24000	94520-24000	94520-24000	CIR CLIP IN 24	CIR CLIP IN 24	4	
95002	95002-41050-00	95002-41050-00	CLIP D10.5 TUBE	CLIP D10.5 TUBE	1	
95005	95005-LCD9-E00	95005-LCD9-E00	BREATHER TUBE RR GEAR ASSY	BREATHER TUBE RR GEAR ASSY	1	



E09

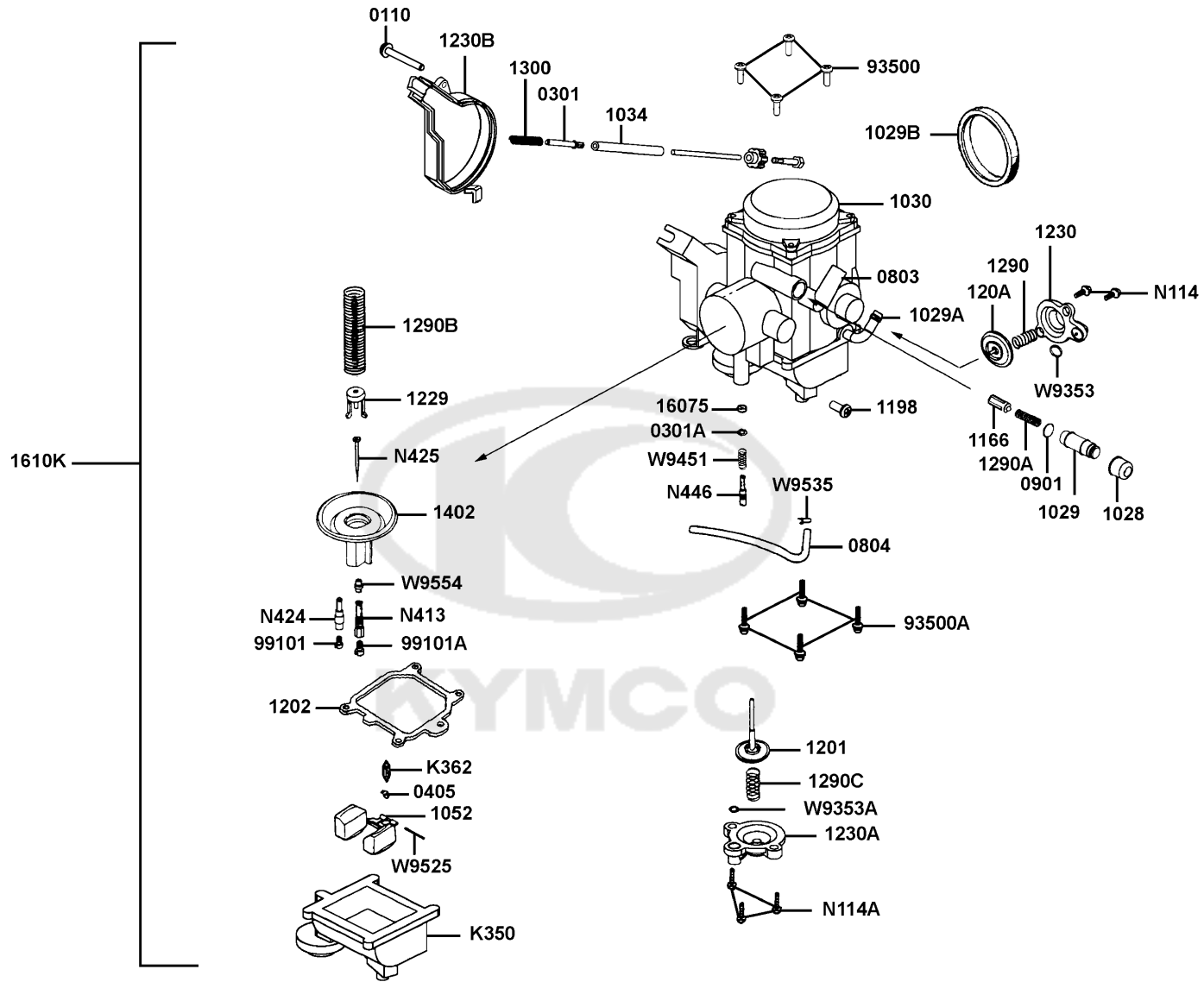
# Carburetor



Sales mark	Ref no	Part no	Description	Reg description	Regd no	<b>E09</b>
	0110	0110-803-1100	SCREW PAN	SCREW PAN	1	
	0301	0301-800-2000	WASHER	WASHER	1	
	0301A	0301-803-2000	PLAIN WASHER	PLAIN WASHER	1	
	0405	0405-019-1000	CLIP	CLIP	1	
	0803	0803-815-0000	TUBE SET	TUBE SET	1	
	0901	0901-069-6000	O-RING	O-RING	1	
	1028	1028-816-7000	SEALING CAP	SEALING CAP	1	
	1029	1029-811-7001	CAP	CAP	1	
	1029A	1029-852-7000	CAP	CAP	1	
	1029B	1029-853-7000	CAP	CAP	1	
	1030	1030-905-2100	TOP COMP	TOP COMP	1	
	1034	1034-868-2400	STOP SCREW	STOP SCREW	1	
	1052	1052-829-2100	FLOAT COMP	FLOAT COMP	1	
	1166	1166-807-2200	STARTER VALVE COMP	STARTER VALVE COMP	1	
	1198	1198-816-2000-3	DRAIN SCREW	DRAIN SCREW	1	
	1201	1201-869-2100	DIAPHRAGM COMP	DIAPHRAGM COMP	1	
	1202	1202-855-6000	CHAMBER GASKET	CHAMBER GASKET	1	
#	120A	120A-A72H-0000	DIAPHRAGM COMP	DIAPHRAGM COMP	1	
	1229	1229-801-7000	SPG SEAT	SPG SEAT	1	
	1230	1230-808-2001	COVER	COVER	1	

E09

# Carburetor

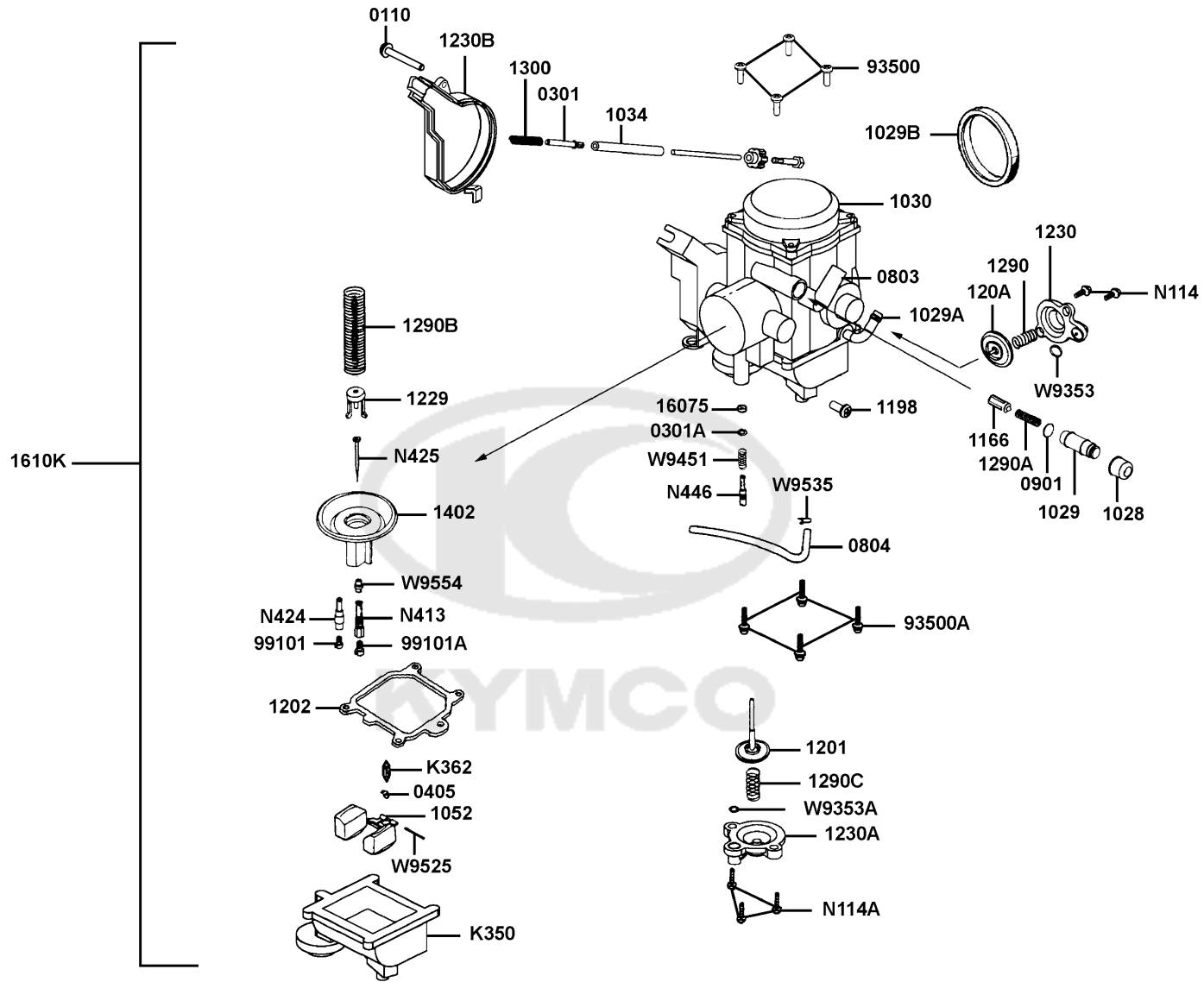




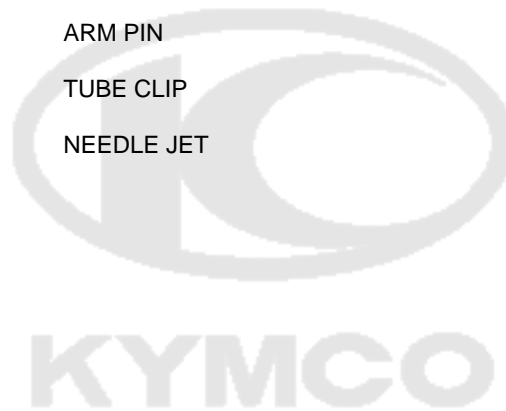
Sales mark	Ref no	Part no	Description	Reg description	Regd no	E09
	1230A	1230-842-2000	COVER	COVER	1	
	1230B	1230-922-7000	COVER	COVER	1	
	1290	1290-874-2000	COIL SPG	COIL SPG	1	
	1290A	1290-875-2000	COIL SPG	COIL SPG	1	
	1290B	1290-945-2000	COIL SPG	COIL SPG	1	
	1290C	1290-A60-2000	COIL SPG	COIL SPG	1	
	1300	1300-196-2001	COIL SPG	COIL SPG	1	
	1402	1402-828-2601	VACUUM PISTON COMP	VACUUM PISTON COMP	1	
	16075	16075-KG8-9010-M1	O-RING	O-RING	1	
#	1610K	1610K-LDB5-E01	CARBURETOR ASSY	CARBURETOR ASSY	1	
	93500	93500-04008-1H-3	SCREW PAN	SCREW PAN	1	
	93500A	93500-04014-1H-3	SCREW PAN	SCREW PAN	1	
#	99101	99101-393-0650	MAIN JET #65	MAIN JET #65	1	
	99101	99101-393-0900	MAIN JET #90	MAIN JET #90	4	
	99101A	99101-393-1300	MAIN JET	MAIN JET	1	
#	K350	K350-191-0100-3	FLOAT CHAMBER COMP	FLOAT CHAMBER COMP	1	
#	K362	K362-186-0100	FLOAT VALVE COMP	FLOAT VALVE COMP	1	
#	0804	K785-190-0100	RUBBER PIPE	RUBBER PIPE	1	
	N114	N114-04083	WASHER SCREW	WASHER SCREW	2	
	N114A	N114-04103	WASHER SCREW	WASHER SCREW	3	

E09

# Carburetor

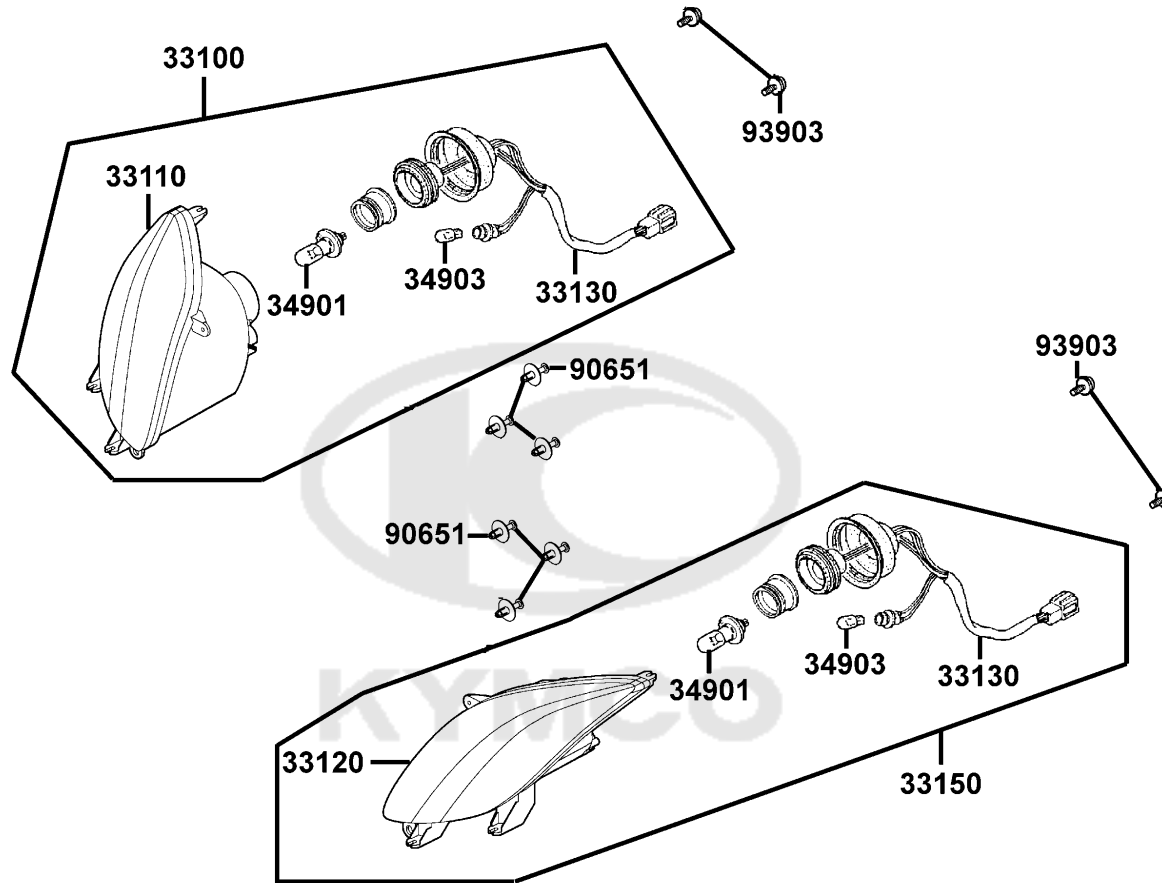


Sales mark	Ref no	Part no	Description	Reg description	Regd no	<b>E09</b>
	N413	N413-46A00	NEEDLE JET HOLDER	NEEDLE JET HOLDER	1	
	N424	N424-25B40	SLOW JET	SLOW JET	1	
	N425	N425-3RS00	JET NEEDLE COMP	JET NEEDLE COMP	1	
	N446	N446-10A00	P.S	P.S	1	
	W9353	W9353-30000	U-RING	U-RING	1	
	W9353A	W9353-36000	U RING	U RING	1	
	W9451	W9451-03212	COIL SPG	COIL SPG	1	
	W9525	W9525-25250	ARM PIN	ARM PIN	1	
	W9535	W9535-45000	TUBE CLIP	TUBE CLIP	1	
	W9554	W9554-26638	NEEDLE JET	NEEDLE JET	1	



F01

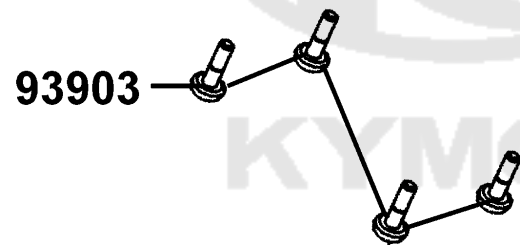
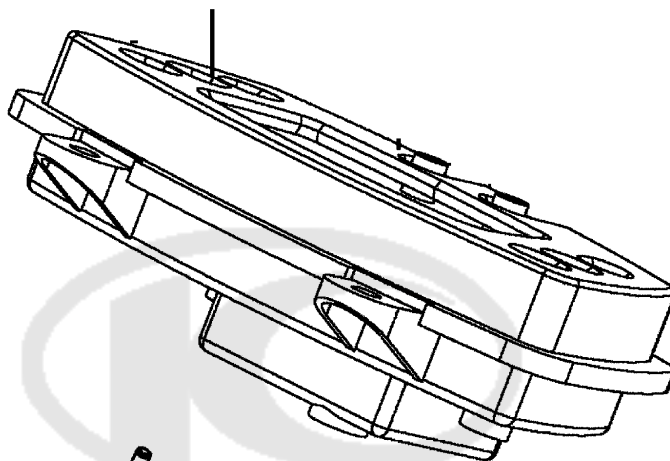
Head Light



Sales mark	Ref no	Part no	Description	Reg description	Regd no	F01
	33100	33100-LDB5-E00	LIGHT ASSY R HEAD	LIGHT ASSY R HEAD	1	
	33110	33110-LDB5-E00	UNIT HEAD LIGHT R	UNIT HEAD LIGHT R	1	
	33120	33120-LDB5-E00	UNIT HEAD LIGHT L	UNIT HEAD LIGHT L	1	
	33130	33130-LDB5-E00	SOCKET COMP	SOCKET COMP	2	
	33150	33150-LDB5-E00	LIGHT ASSY L HEAD	LIGHT ASSY L HEAD	1	
	34901	34901-KFA6-900	BULB HEAD LIGHT (HSI 12V 35/35W)	BULB HEAD LIGHT (HSI 12V 35/35W)	2	
	34903	34903-KPCP-900	BULB POSITION LIGHT 12V5W **KCP-	BULB POSITION LIGHT 12V5W **KCP-9000	2	
	90651	90651-LCA5-E00	CLIP FENDER	CLIP FENDER	6	
	93903	93903-35360	SCREW TAPPING 5*16	SCREW TAPPING 5*16	4	



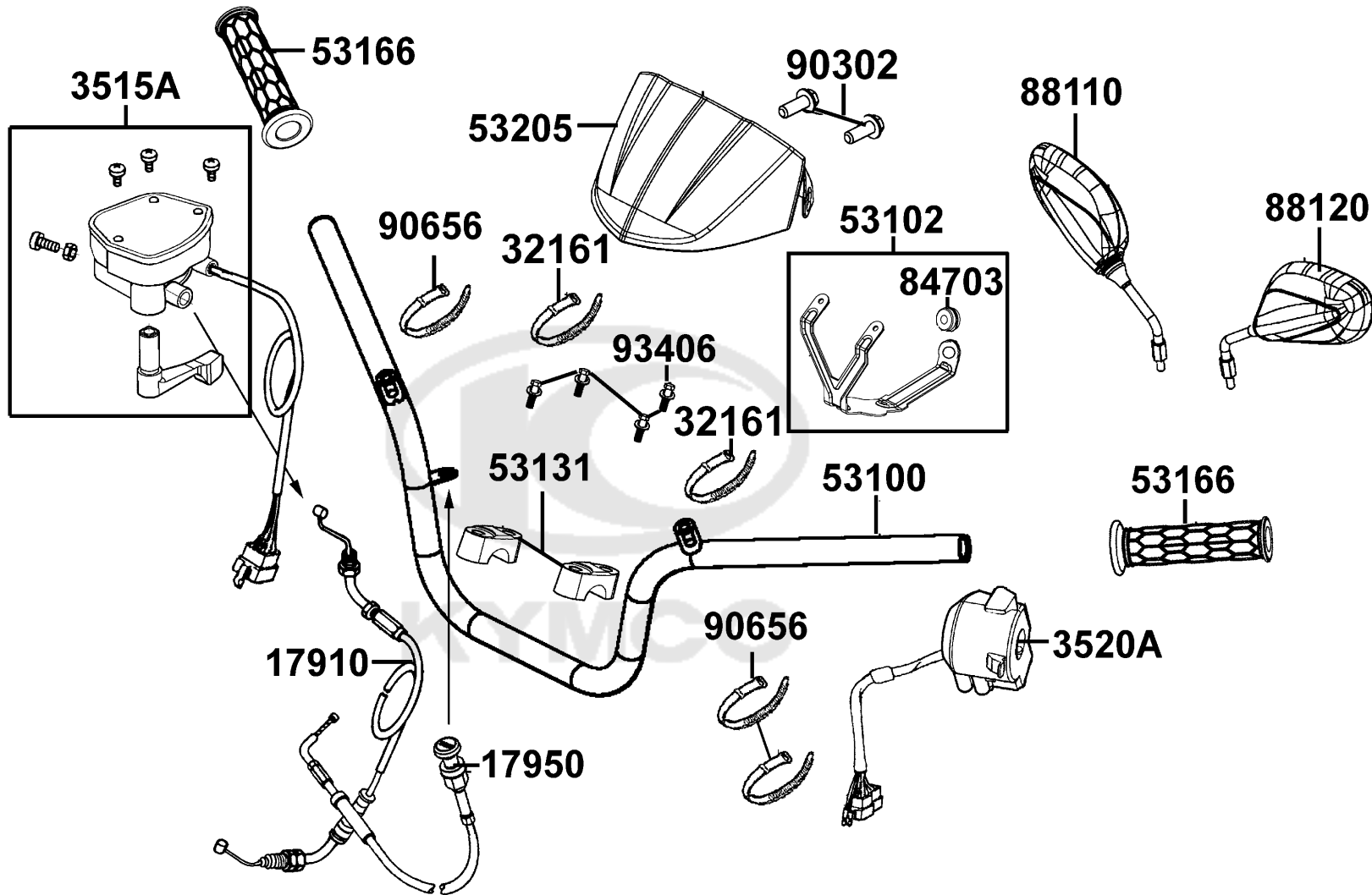
37200-LDB5-E00  
37200-LDB5-E0A



Sales mark	Ref no	Part no	Description	Reg description	Regd no	<b>F02</b>
------------	--------	---------	-------------	-----------------	---------	------------

37200-LDB5-E00	37200-LDB5-E00	37200-LDB5-E00	METER ASSY SPEED **(2) N.C.	METER ASSY SPEED **(2) N.C.	1	
37200-LDB5-E0A	37200-LDB5-E0A	37200-LDB5-E0A	METER ASSY SPDMT	METER ASSY SPDMT	1	
93903	93903-35360	93903-35360	SCREW TAPPING 5*16	SCREW TAPPING 5*16	4	



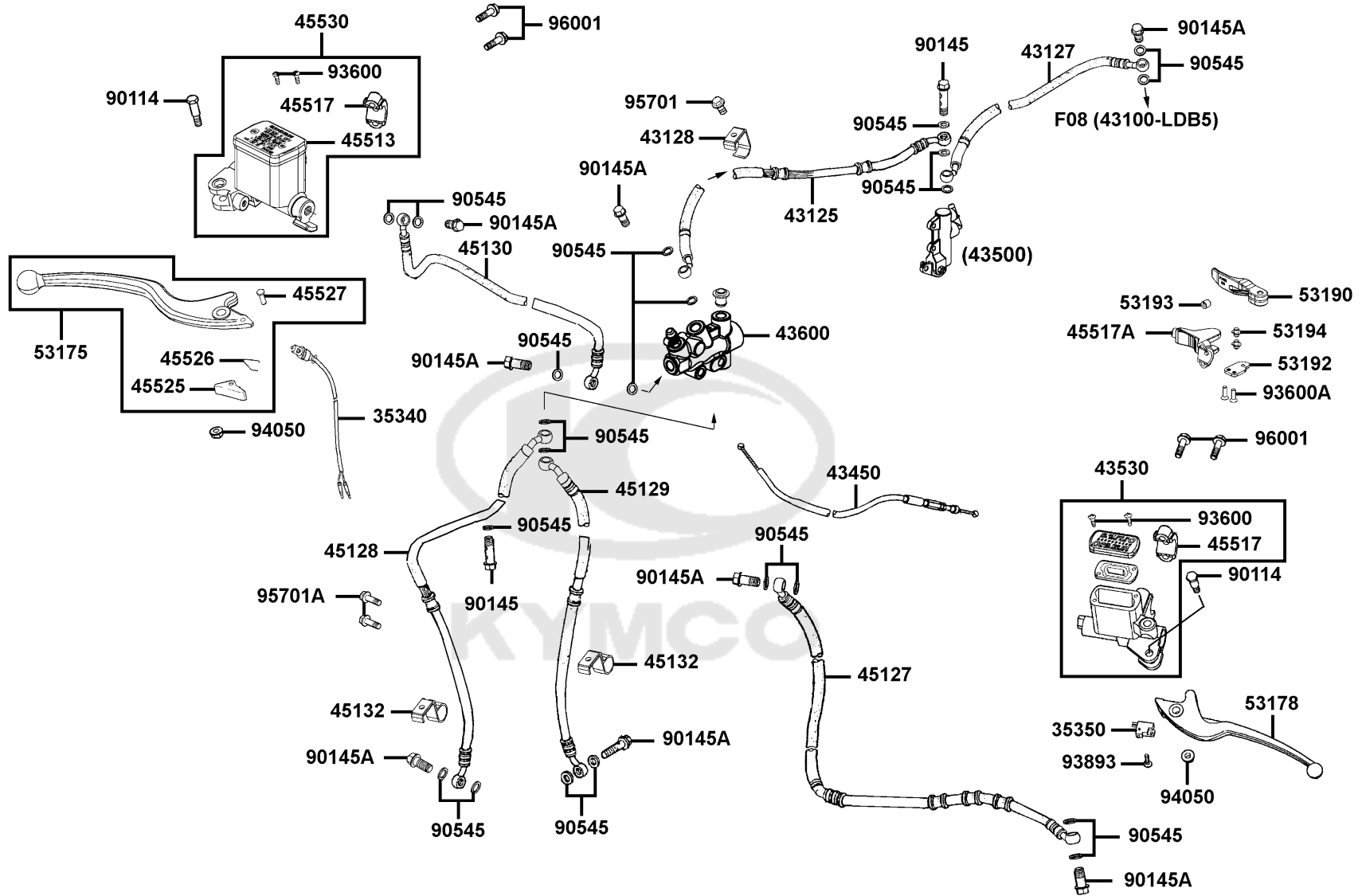




Sales mark	Ref no	Part no	Description	Reg description	Regd no	<b>F03</b>
	17910	17910-LDB5-E00	CABLE COMP THROT	CABLE COMP THROT	1	
	17950	17950-LDB5-E00	CABLE COMP CHOKE	CABLE COMP CHOKE	1	
	32161	32161-4D04-001	BAND BI WIRE	BAND BI WIRE	2	
	3515A	3515A-LDB5-E00	SW & THROT ASSY RH HNDL	SW & THROT ASSY RH HNDL	1	
	3520A	3520A-LDB5-E00	SW ASSY HANDLE COMP	SW ASSY HANDLE COMP	1	
	53100	53100-LDB5-E01	HANDLE BAR	HANDLE BAR	1	
	53102	53102-LDB5-E00	STAY HANDLE COVER	STAY HANDLE COVER	1	
	53131	53131-4K39-001	HOLDER HANDLE PIPE	HOLDER HANDLE PIPE	2	
	53166	53166-LDB5-E00	GRIP HANDLE	GRIP HANDLE	2	
	** 53205	53205-LDB5-E00	COVER HANDLE	COVER HANDLE	1	
	# ** 53205	53205-LDB5-EV0	COVER HANDLE	COVER HANDLE	1	
	84703	84703-LLB1-900	RUBBER TAIL LIGHT	RUBBER TAIL LIGHT	1	
	88110	88110-LBA7-E00	MIRROR ASSY R BACK	MIRROR ASSY R BACK	1	
	88120	88120-LBA7-E00	MIRROR ASSY L BACK	MIRROR ASSY L BACK	1	
	90302	90302-GFY6-940	BOLT-WASH 5*16	BOLT-WASH 5*16	2	
	90656	90656-KCBC-900	BAND OIL HANDLE 8X146	BAND OIL HANDLE 8X146	3	
	93406	93406-LLB1-900	BOLT-WASHER 8*35	BOLT-WASHER 8*35	4	

F04

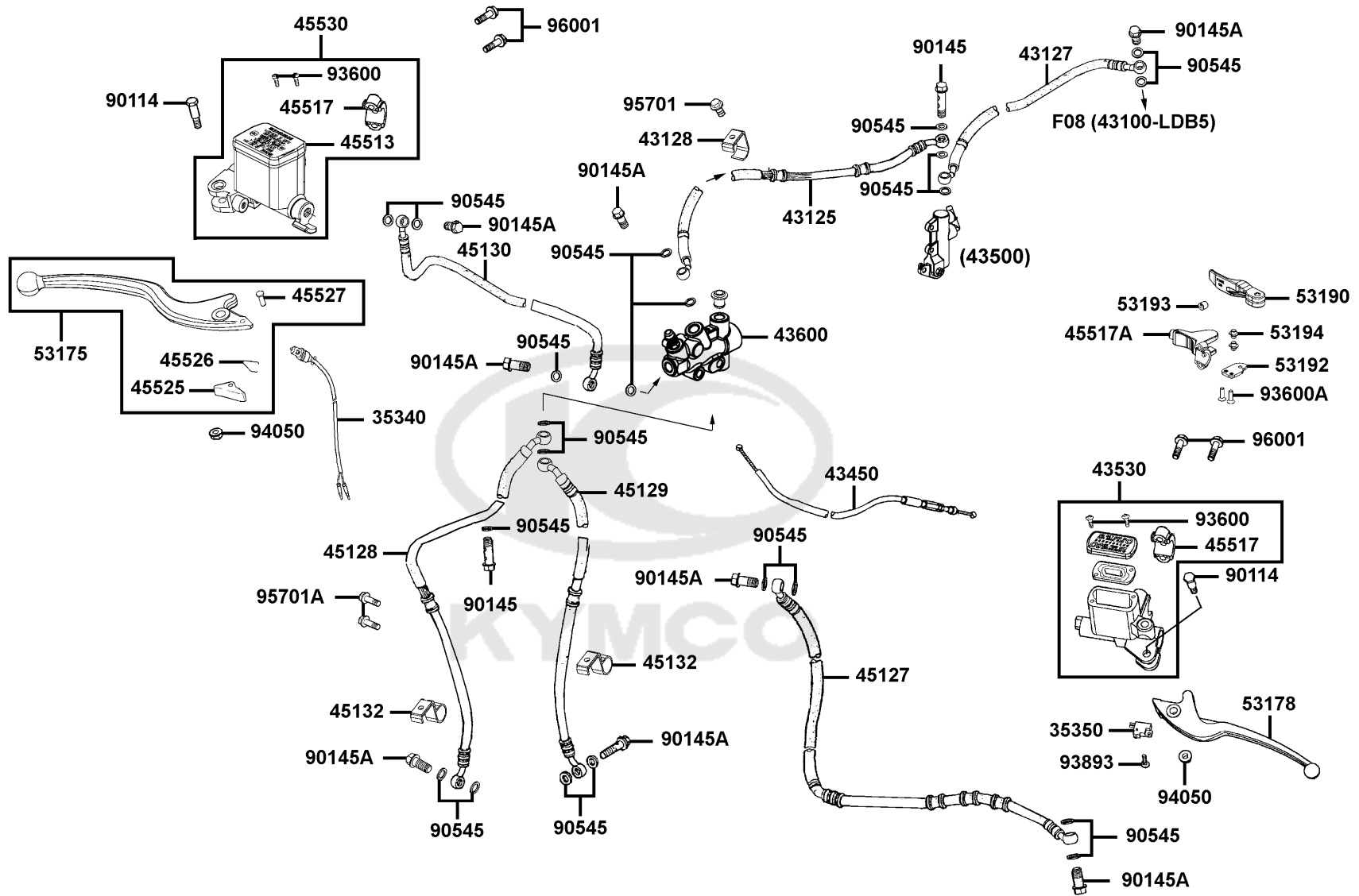
Master Cylinder



Sales mark	Ref no	Part no	Description	Reg description	Regd no	F04
35340		35340-LDB5-900	SW ASSY FR STOP	SW ASSY FR STOP	1	
35350		35350-KNBN-901	SW ASSY RR STOP	SW ASSY RR STOP	1	
43125		43125-LDB5-E00	HOSE COMP RR BRK(M/C)	HOSE COMP RR BRK(M/C)	1	
43127		43127-LDB5-E00	HOSE COMP RR BRK	HOSE COMP RR BRK	1	
43128		43128-LBA7-900	CLAMPER RR BRAKE HOSE	CLAMPER RR BRAKE HOSE	1	
43450		43450-LDB5-E00	CABLE PARKING BRAKE	CABLE PARKING BRAKE	1	
43530		43530-LDB5-305	CYLINDER SET RR MASTER	CYLINDER SET RR MASTER	1	
43600		43600-LDB5-E00	PGV ASSY	PGV ASSY	1	
45127		45127-LDB5-E00	HOSE COMP RR BRK	HOSE COMP RR BRK	1	
45128		45128-LDB5-E00	HOSE COMP FR R (C/P) BRK	HOSE COMP FR R (C/P) BRK	1	
45129		45129-LDB5-E00	HOSE ASSY FR L (C/P) BRK	HOSE ASSY FR L (C/P) BRK	1	
45130		45130-LDB5-E00	HOSE COMP FR BRK	HOSE COMP FR BRK	1	
45132		45132-LBA7-900	CLAMPER FR BRAKE HOSE	CLAMPER FR BRAKE HOSE	2	
45513		45513-KKC4-900	CAP M/C	CAP M/C	1	
45517		45517-KFAF-910	HOLDER M/C	HOLDER M/C	2	
45517A		45517-LDE9-E00	HOLDER	HOLDER	1	
45525		45525-LBA7-900	STOPPER	STOPPER	1	
45526		45526-LBA7-900	SPRING	SPRING	1	
45527		45527-LBA7-900	PIN PARK	PIN PARK	1	
45530		45530-LDB5-305	CYLINDER SET FR	CYLINDER SET FR	1	

F04

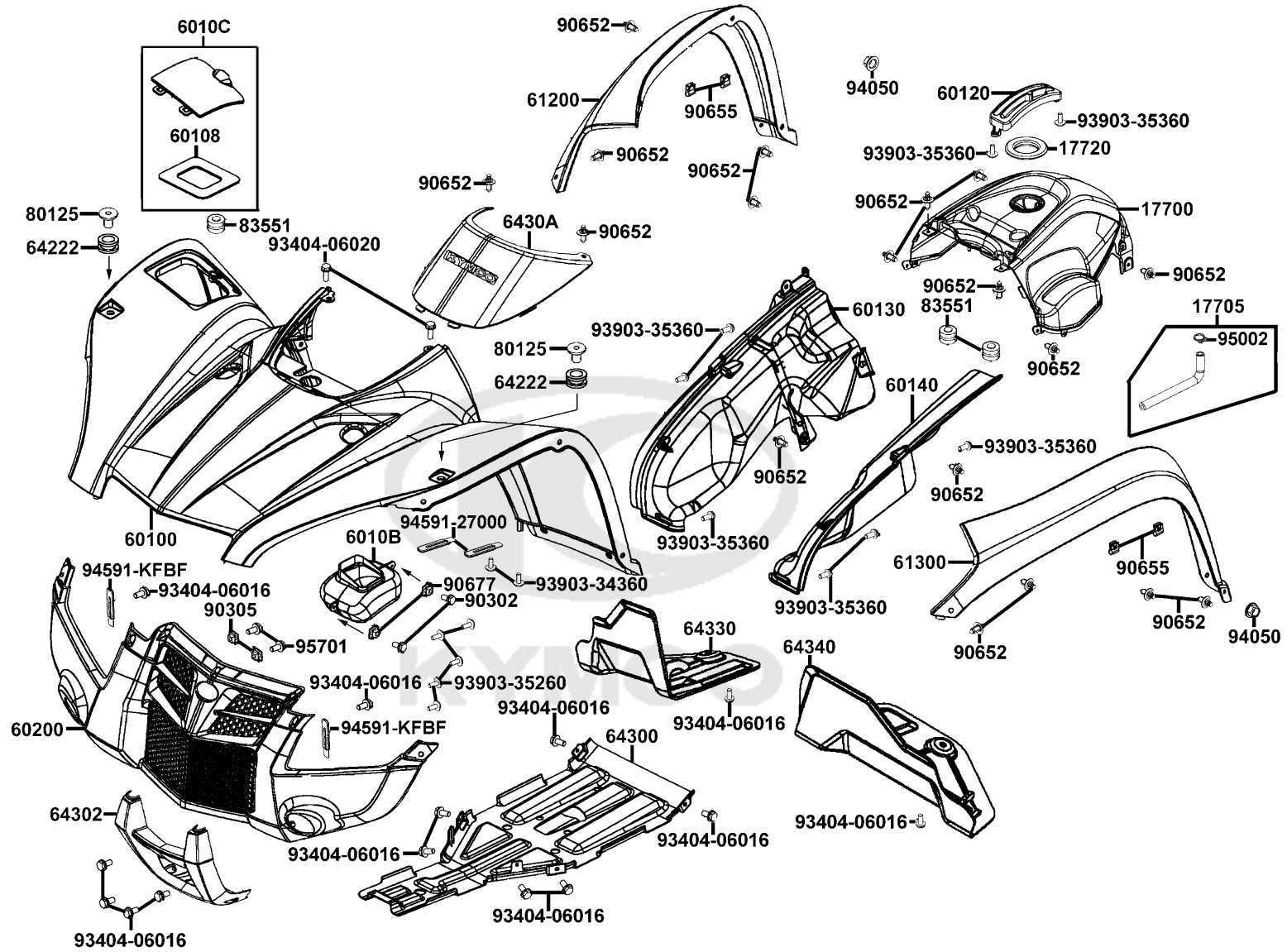
Master Cylinder



Sales mark	Ref no	Part no	Description	Reg description	Regd no	F04
# **	53175	53175-LDB5-305	LEVER SET BRK	LEVER SET BRK	1	
**	53178	53178-KFC8-E10	LEVER L STRG HNDL	LEVER L STRG HNDL	1	
	53190	53190-LDE9-E00	LEVER	LEVER	1	
	53192	53192-LDE9-E00	BRACKET	BRACKET	1	
	53193	53193-LDE9-E00	STOPPER	STOPPER	1	
	53194	53194-LDE9-E00	PIVOT	PIVOT	2	
	90114	90114-1F66-007	BOLT HANDLE LEVER	BOLT HANDLE LEVER	2	
	90145	90145-LBA2-E00	OIL BOLT 10*33	OIL BOLT 10*33	2	
#	90145A	90145-LEA3-E00	OIL BOLT 10*22	OIL BOLT 10*22	1	
	90545	90545-3L00-001	WASHER OIL BOLT	WASHER OIL BOLT	22	
	93600	93600-04012-1G	SCREW FLAT 4X12	SCREW FLAT 4X12	4	
	93600A	93600-LDE9-E00	SCREW FLAT M6	SCREW FLAT M6	2	
	93893	93893-04012-18	SCREW WASHER 4*12	SCREW WASHER 4*12	1	
	94050	94050-06060	NUT FLANGE 6MM	NUT FLANGE 6MM	2	
#	95701	95701-06012-06	BOLT FLANGE 6*12 **07 C.2005.07.01	BOLT FLANGE 6*12 **07 C.2005.07.01	1	
	95701A	95701-06035-06	BOLT FLANGE 6*35	BOLT FLANGE 6*35	2	
#	96001	96001-06022-06	BOLT FLANGE SH 6*22 (G)	BOLT FLANGE SH 6*22 (G)	4	

F05

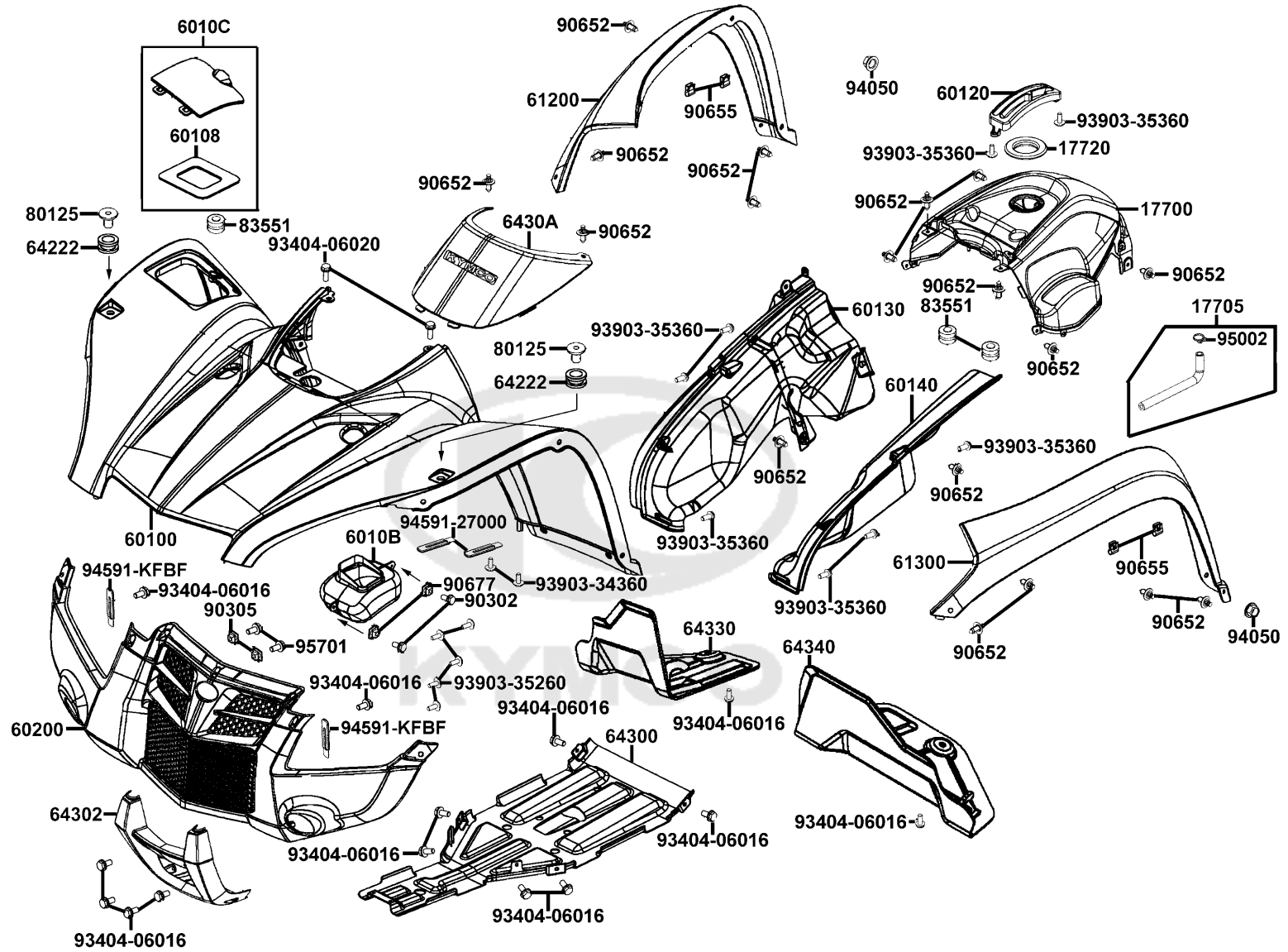
Fender Front



Sales mark	Ref no	Part no	Description	Reg description	Regd no	F05
**	17700	17700-LDB5-E00	COVER TANK	COVER TANK	1	
	17705	17705-LDB5-E00	TUBE ASSY FUEL DRAIN	TUBE ASSY FUEL DRAIN	1	
	17720	17720-LBA7-900	TRAY TANK COVER	TRAY TANK COVER	1	
**	60100	60100-LDB5-E00	FENDER FRONT	FENDER FRONT	1	
	60108	60108-LDB5-E00	SEAL LID	SEAL LID	1	
	6010B	6010B-LDB5-E00	BOX ASSY TOOL	BOX ASSY TOOL	1	
**	6010C	6010C-LDB5-E00	LID ASSY TOOL BOX	LID ASSY TOOL BOX	1	
# **	60120	60120-LDB5-E01	GUIDE COVER CHANGE HANDLE	GUIDE COVER CHANGE HANDLE	1	
# **	60130	60130-LFE9-E01	PROTECTOR R	PROTECTOR R	1	
# **	60140	60140-LFE9-E01	PROTECTOR L	PROTECTOR L	1	
# **	60200	60200-LDB5-E01	MUDGUARD FRONT	MUDGUARD FRONT	1	
# **	61200	61200-LDB5-E01	MUDGUARD R FR SIDE	MUDGUARD R FR SIDE	1	
# **	61300	61300-LDB5-E01	MUDGUARD L FR SIDE	MUDGUARD L FR SIDE	1	
	64222	64222-LLJ3-E00	RUBBER WIND SCREEN	RUBBER WIND SCREEN	2	
# **	64300	64300-LDB5-E01	GUARD ENGINE	GUARD ENGINE	1	
# **	64302	64302-LDB5-E01	BUMPER FRONT	BUMPER FRONT	1	
**	6430A	6430A-LDB5-E00	COVER ASSY FRONT	COVER ASSY FRONT	1	
# **	64330	64330-LDB5-E01	COVER R LOWER	COVER R LOWER	1	
# **	64340	64340-LDB5-E01	COVER L LOWER	COVER L LOWER	1	
	80125	80125-LBD4-900	COLLAR FLOOR	COLLAR FLOOR	2	

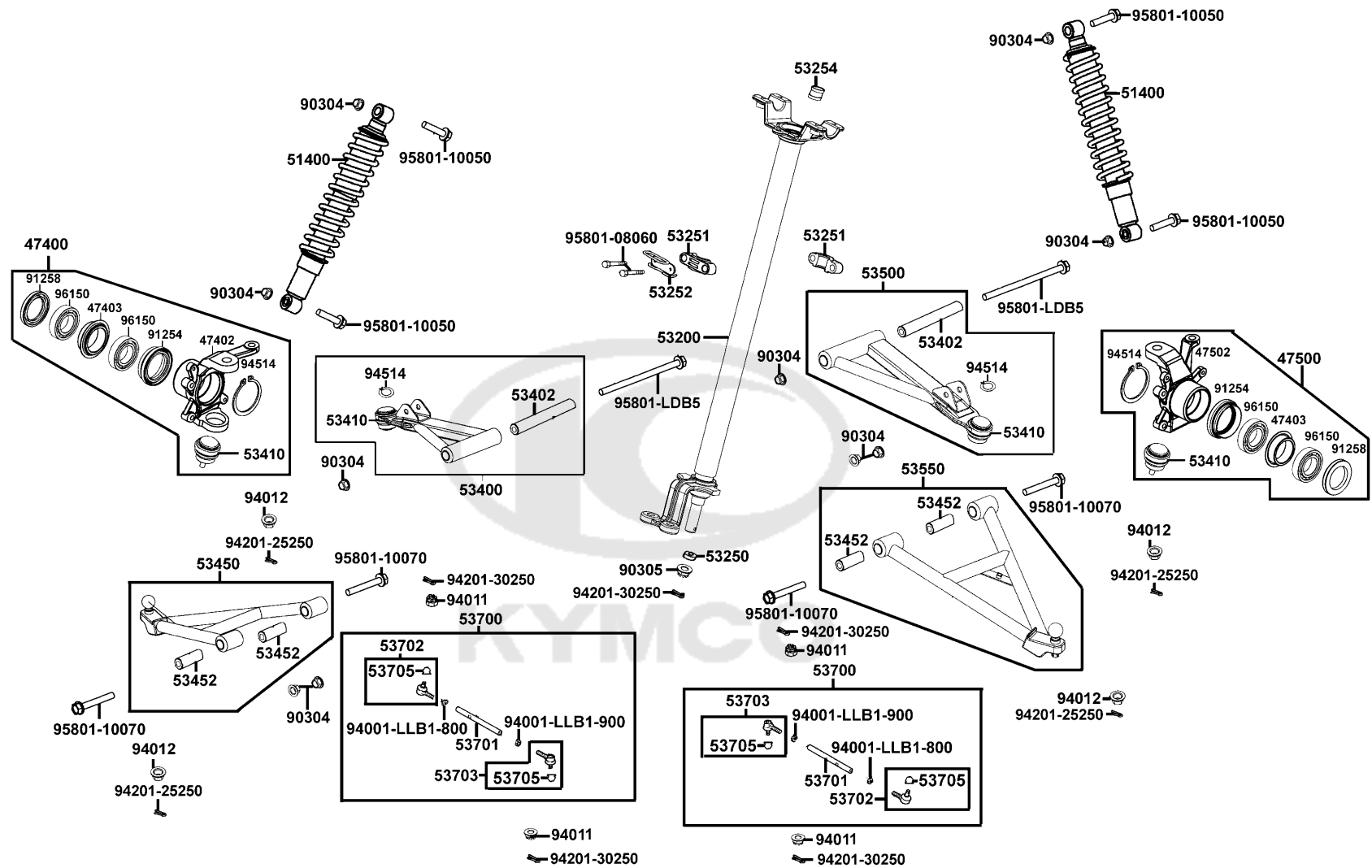
F05

# Fender Front

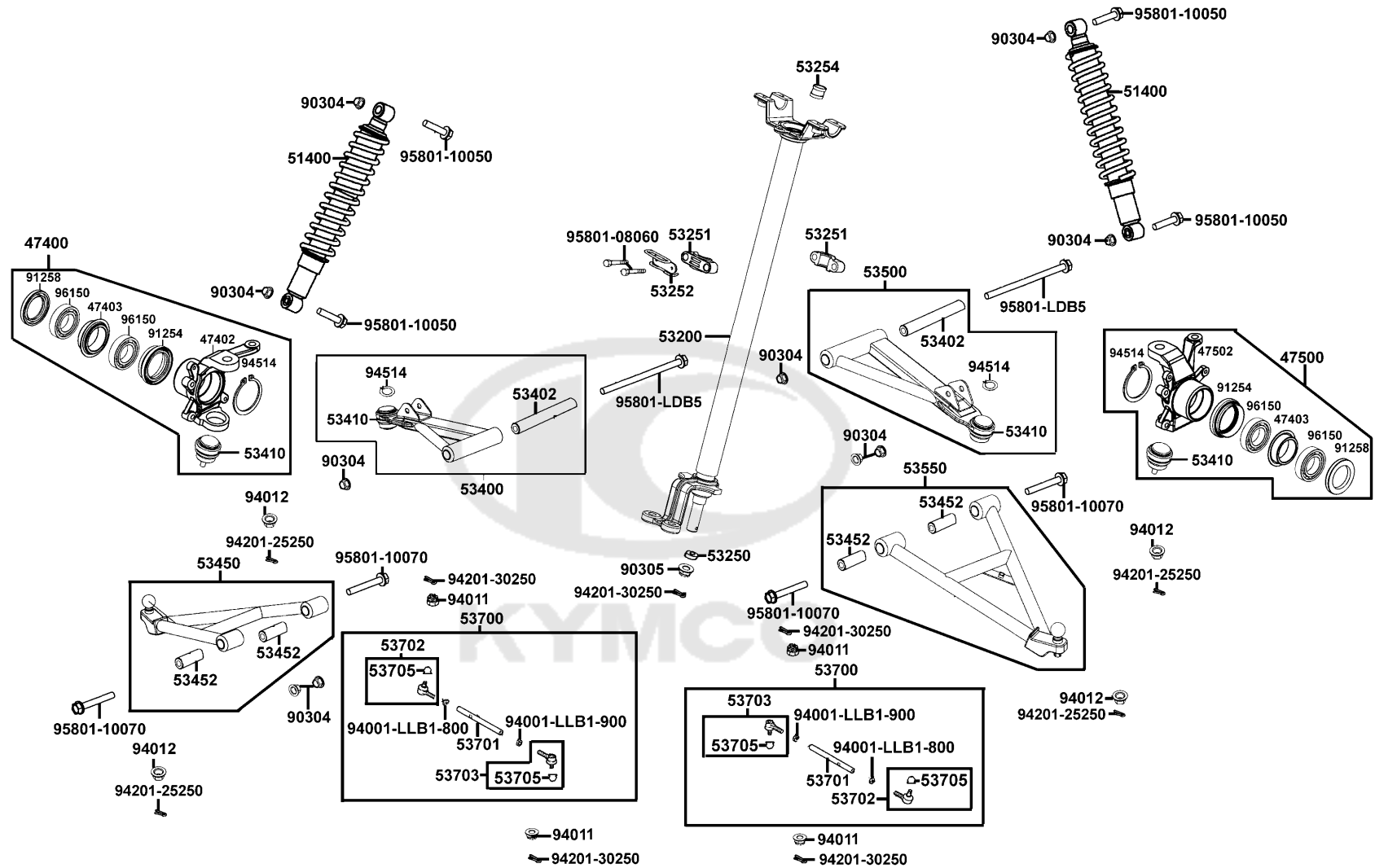




Sales mark	Ref no	Part no	Description	Reg description	Regd no	F05
	83551	83551-LDB5-E00	GROMMET COVER	GROMMET COVER	3	
	90302	90302-PWA1-900	BOLT-WASH 5*16	BOLT-WASH 5*16	2	
	90305	90305-GHK8-001	NUT CLIP 6MM	NUT CLIP 6MM	2	
	90652	90652-LCA4-E00	CLIP MUDGUARD	CLIP MUDGUARD	18	
	90655	90655-PWA2-900	CLIP FENDER MOUNTING	CLIP FENDER MOUNTING	4	
	90677	90677-GAR1-004	NUT CLIP 5MM	NUT CLIP 5MM	2	
	93404-06016	93404-06016-06	BOLT WASHER 6*16	BOLT WASHER 6*16	14	
	93404-06020	93404-06020-06	BOLT WASHER 6*20 (G)	BOLT WASHER 6*20 (G)	2	
	93903-34360	93903-34360	SCREW TAPPING 4X12	SCREW TAPPING 4X12	2	
	93903-35260	93903-35260	SCREW TAPPING 5*12	SCREW TAPPING 5*12	5	
	93903-35360	93903-35360	SCREW TAPPING 5*16	SCREW TAPPING 5*16	8	
	94050	94050-LDE9-E00	NUT LOCK	NUT LOCK	2	
	94591-27000	94591-27000	CLIP 2*70	CLIP 2*70	2	
	94591-KFBF	94591-KFBF-900	CLIP 2*70	CLIP 2*70	2	
	95002	95002-02100	CLIP B15 TUBE	CLIP B15 TUBE	1	
	95701	95701-06016-06	BOLT FLANGE 6*16 (K)	BOLT FLANGE 6*16 (K)	2	



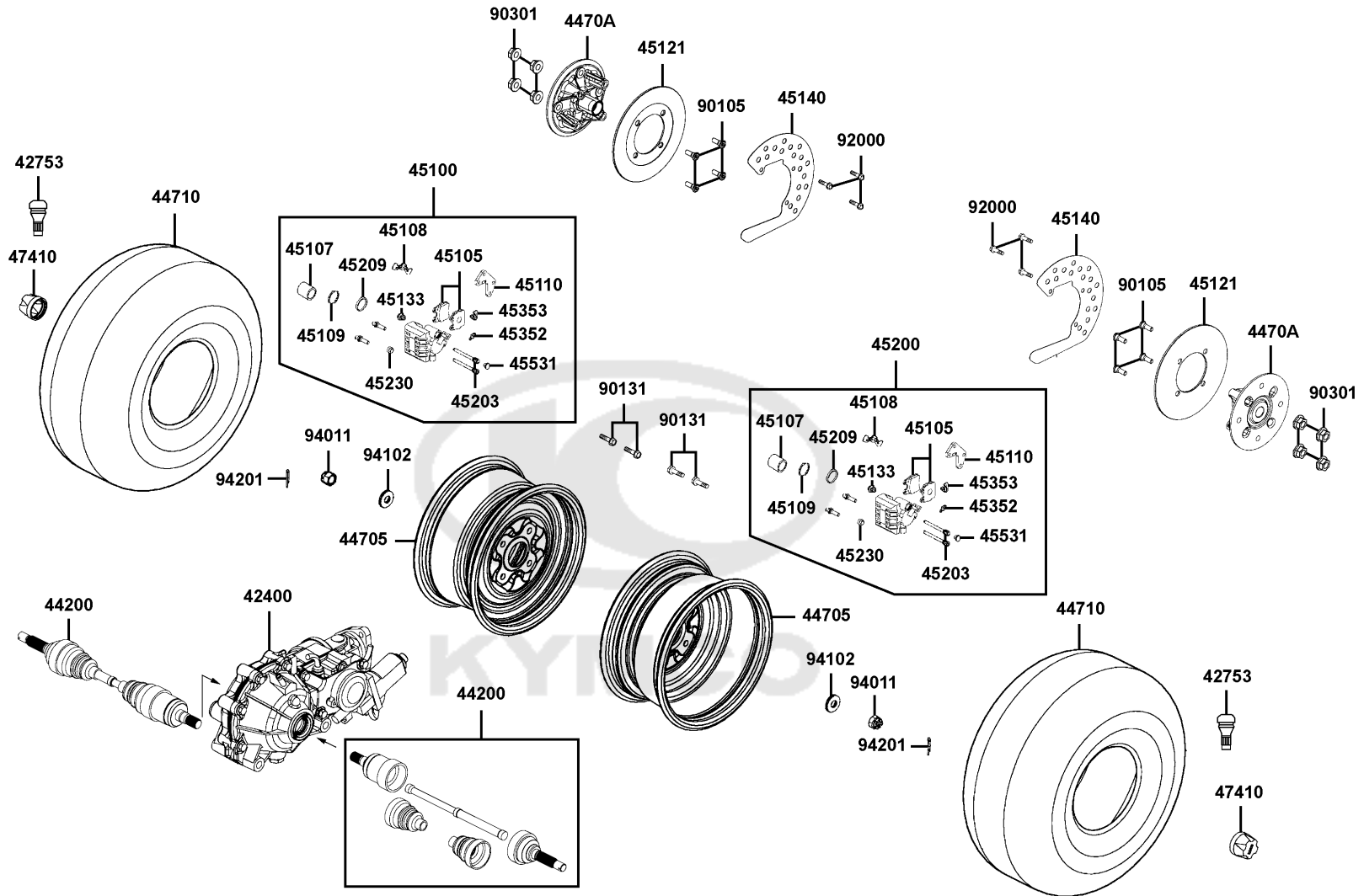
Sales mark	Ref no	Part no	Description	Reg description	Regd no	F06
	47400	47400-LDB5-E00	KNUCKLE ASSY R	KNUCKLE ASSY R	1	
	47402	47402-LDB5-E00	KNUCKLE R	KNUCKLE R	1	
	47403	47403-LDB5-E00	COLLAR DISTANCE	COLLAR DISTANCE	4	
	47500	47500-LDB5-E00	KNUCKLE ASSY L	KNUCKLE ASSY L	1	
	47502	47502-LDB5-E00	KNUCKLE L	KNUCKLE L	1	
# **	51400	51400-LDB5-E01	CUSHION ASSY FR	CUSHION ASSY FR	2	
#	53200	53200-LDB5-E01	STEM COMP STEERING	STEM COMP STEERING	1	
	53250	53250-LBA7-900	COLLAR STEM BOTTOM	COLLAR STEM BOTTOM	1	
	53251	53251-LCA5-E00	HOLDER STEM STEERING	HOLDER STEM STEERING	2	
	53252	53252-LBA7-900	CLAMPER STEM HOLDER	CLAMPER STEM HOLDER	1	
	53254	53254-LBA7-900	SLEEVE STEM	SLEEVE STEM	1	
	53400	53400-LDB5-E00	ARM ASSY R (UPPER)	ARM ASSY R (UPPER)	1	
	53402	53402-LDB5-E00	BUSH SWING ARM	BUSH SWING ARM	2	
	53410	53410-LDB5-E00	BALL JOINT ASSY ARM	BALL JOINT ASSY ARM	4	
**	53450	53450-LDB5-E00	ARM ASSY R (LOWER)(Black)	ARM ASSY R (LOWER)(Black)	1	
	53452	53452-LDB5-E00	BUSH SWING ARM	BUSH SWING ARM	4	
	53500	53500-LDB5-E00	ARM ASSY L (UPPER)	ARM ASSY L (UPPER)	1	
**	53550	53550-LDB5-E00	ARM ASSY L (LOWER)(Black)	ARM ASSY L (LOWER)(Black)	1	
	53700	53700-LDB5-E00	ROD ASSY TIE	ROD ASSY TIE	2	
	53701	53701-LDB5-E00	ROD COMP STEERING	ROD COMP STEERING	2	



Sales mark	Ref no	Part no	Description	Reg description	Regd no	F06
	53702	53702-LLB1-900	JOINT R BALL	JOINT R BALL	2	
	53703	53703-LLB1-900	JOINT L BALL	JOINT L BALL	2	
	53705	53705-LLB1-900	BOOT BALL JOINT	BOOT BALL JOINT	4	
	90304	90304-GHE8-004-SW	NUT U FLANGE 10MM	NUT U FLANGE 10MM	10	
#	90305	90305-MAA1-004	U NUT FLANGE 14MM	U NUT FLANGE 14MM	1	
	91254	91254-LDB5-E00	SEAL DUST CVJ 38X55X7	SEAL DUST CVJ 38X55X7	2	
	91258	91258-LDB5-E00	SEAL DUST HUB 38*55*7	SEAL DUST HUB 38*55*7	2	
	94001-LLB1-800	94001-LLB1-800	NUT HEX 10MM	NUT HEX 10MM	2	
	94001-LLB1-900	94001-LLB1-900	NUT HEX 6 MM	NUT HEX 6 MM	2	
#	94011	94011-LKA8-E00	NUT CASTLE 10MM	NUT CASTLE 10MM	2	
	94012	94012-12080-0S	NUT CASTLE 12MM	NUT CASTLE 12MM	4	
	94201-25250	94201-25250	PIN SPLIT 2.5*25	PIN SPLIT 2.5*25	4	
	94201-30250	94201-30250	PIN SPLIT 3.0*25	PIN SPLIT 3.0*25	5	
	94514	94514-34000	CIR CLIP EX 34	CIR CLIP EX 34	4	
	95801-08060	95801-08060-06	BOLT FLANGE 6*60	BOLT FLANGE 6*60	2	
	95801-10050	95801-10050-06	BOLT FLANGE 10*50	BOLT FLANGE 10*50	4	
	95801-10070	95801-10070-06	BOLT FLANGE 10*70	BOLT FLANGE 10*70	4	
	95801-LDB5	95801-LDB5-E00	BOLT FLANGE 10*162	BOLT FLANGE 10*162	2	
	96150	96150-60060-10	BEARING BALL RADIAL 6006	BEARING BALL RADIAL 6006	4	

F07

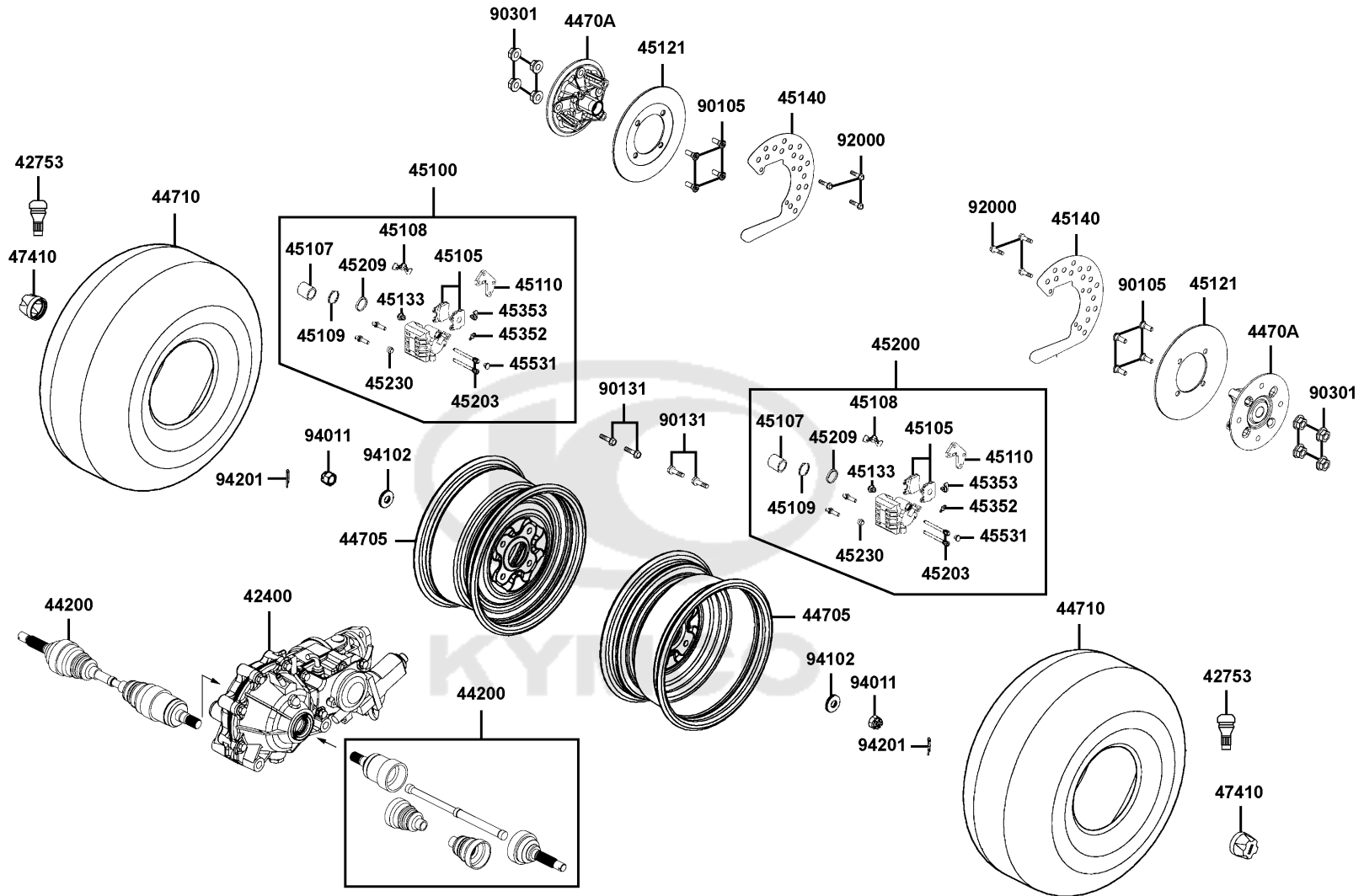
# Front Wheel



Sales mark	Ref no	Part no	Description	Reg description	Regd no	F07
	42400	42400-LDB5-E00	DIFFERENTIAL ASSY FR FINAL	DIFFERENTIAL ASSY FR FINAL	1	
	42753	42753-KNBN-90B	VALAE RIM (TR412)	VALAE RIM (TR412)	2	
	44200	44200-LDB5-E00	CVJ ASSY	CVJ ASSY	2	
**	44705	44705-LDB5-E0A	RIM COMP FR WHEEL	RIM COMP FR WHEEL	2	
	4470A	4470A-LDB5-E00	HUB ASSY FR WHEEL	HUB ASSY FR WHEEL	2	
	44710	44710-LDB5-E0A	TIRE ASSY FR/KENDA/AT25*8R12 4P TL	TIRE ASSY FR/KENDA/AT25*8R12 4P TL	2	
	44710	44710-LDB5-E0B	TIRE ASSY FR/MAXXIS/AT25*8R12	TIRE ASSY FR/MAXXIS/AT25*8R12	2	
**	45100	45100-PWA1-900	CALIPER ASSY FR R	CALIPER ASSY FR R	1	
	45105	45105-PWA1-305	PAD SET	PAD SET	2	
	45107	45107-PWA1-900	PISTON	PISTON	2	
	45108	45108-LBA7-900	SPRING PAD	SPRING PAD	2	
	45109	45109-PWA1-900	DUST SEAL	DUST SEAL	2	
	45110	45110-LBA7-305	BRACKET R	BRACKET R	2	
	45121	45121-LDB5-E00	DISK FR BRK	DISK FR BRK	2	
	45133	45133-LBA7-900	BOOT A	BOOT A	2	
	45140	45140-LDB5-E00	RING WHEEL	RING WHEEL	2	
**	45200	45200-PWA1-900	CALIPER ASSY FR L	CALIPER ASSY FR L	1	
	45203	45203-LBA7-900	PIN HANGER	PIN HANGER	4	
	45209	45209-PWA1-900	SEAL PISTON	SEAL PISTON	2	
	45230	45230-LBA7-900	BUSH PIN	BUSH PIN	2	

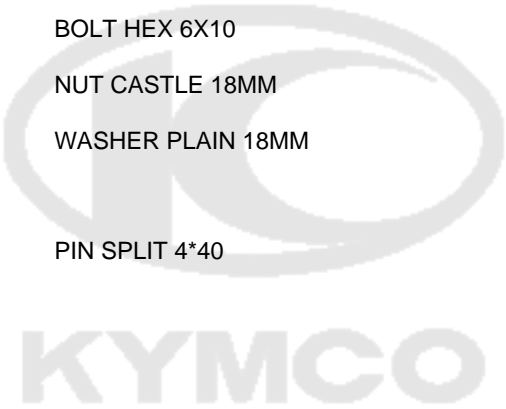
F07

# Front Wheel



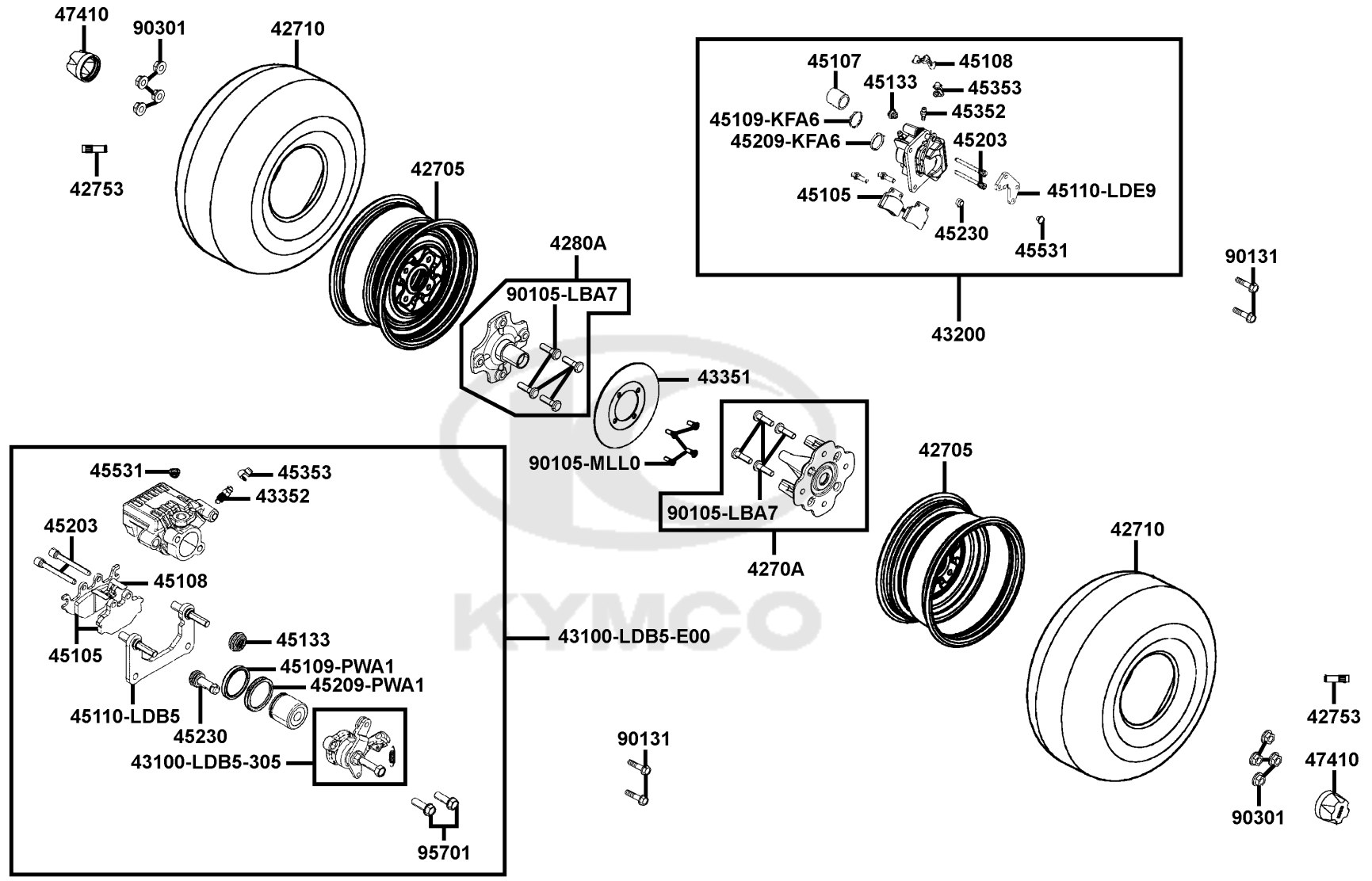


Sales mark	Ref no	Part no	Description	Reg description	Regd no	<b>F07</b>
	45352	45352-LBA7-900	BLEEDER	BLEEDER	2	
	45353	45353-LBA7-900	CAP BLEEDER	CAP BLEEDER	2	
	45531	45531-LBA7-900	PLUG	PLUG	2	
	47410	47410-LDB5-E00	CAP WHEEL SHAFT	CAP WHEEL SHAFT	2	
	90105	90105-MLL0-731	BOLT STEP HOLDER 8*24	BOLT STEP HOLDER 8*24	8	
	90131	90131-LDB5-E00	BOLT FLANGE 8*20	BOLT FLANGE 8*20	4	
	90301	90301-LDB5-E00	NUT WHEEL	NUT WHEEL	8	
#	92000	92000-06010-0G	BOLT HEX 6X10	BOLT HEX 6*10 (G)	1	
	94011	94011-LDB5-E00	NUT CASTLE 18MM	NUT CASTLE 18MM	2	
	94102	94102-18800	WASHER PLAIN 18MM	WASHER PLAIN 18MM	2	
	94201	94201-40400	PIN SPLIT 4*40	PIN SPLIT 4*40	2	



F08

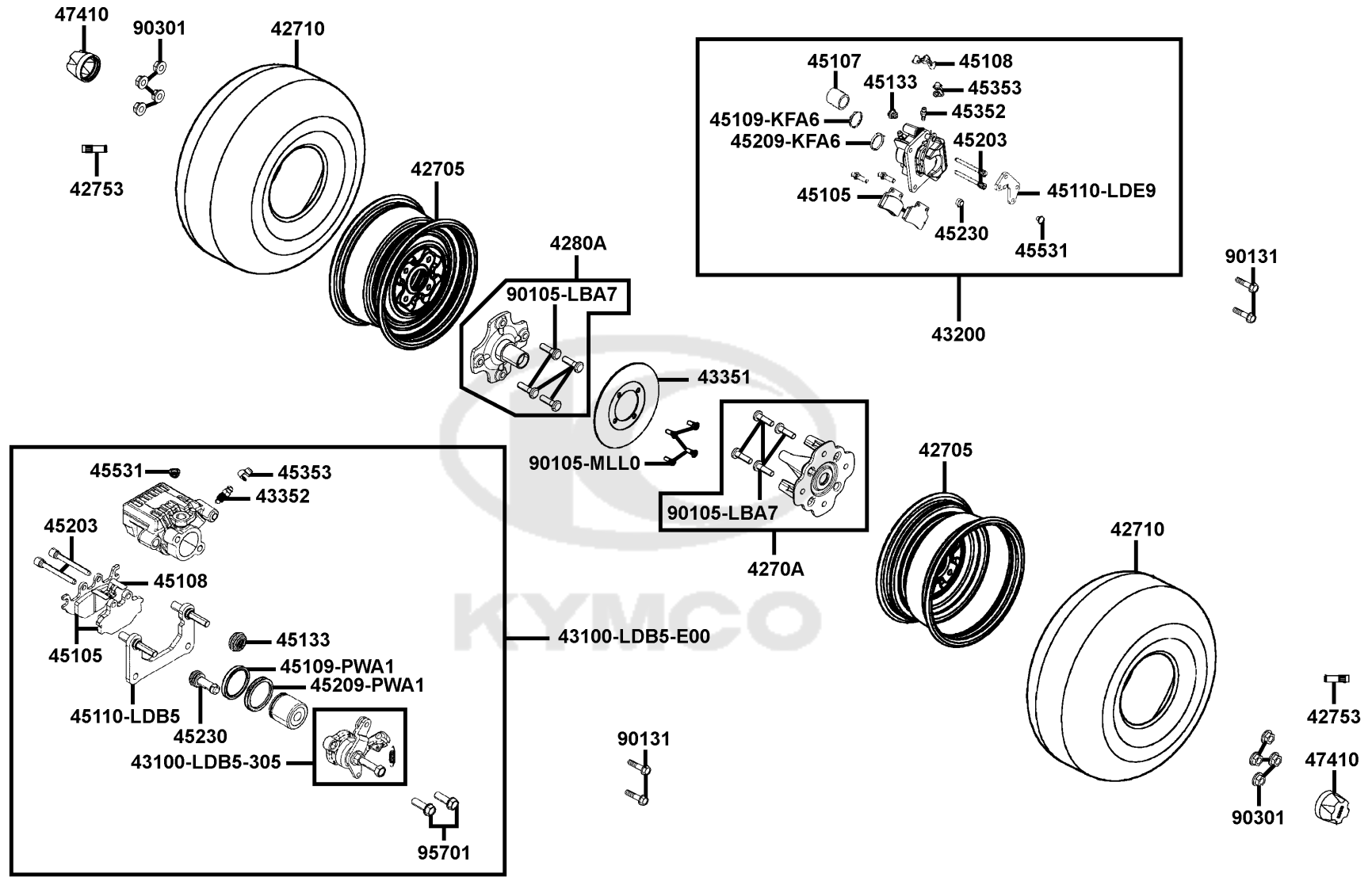
# Rear Wheel



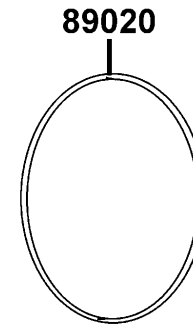
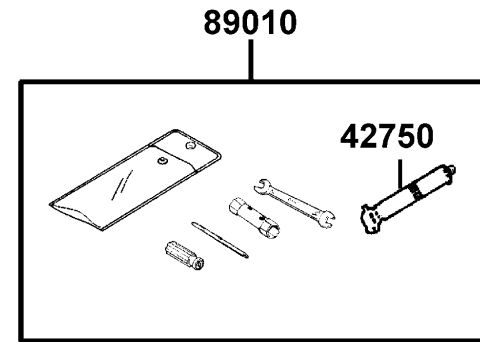
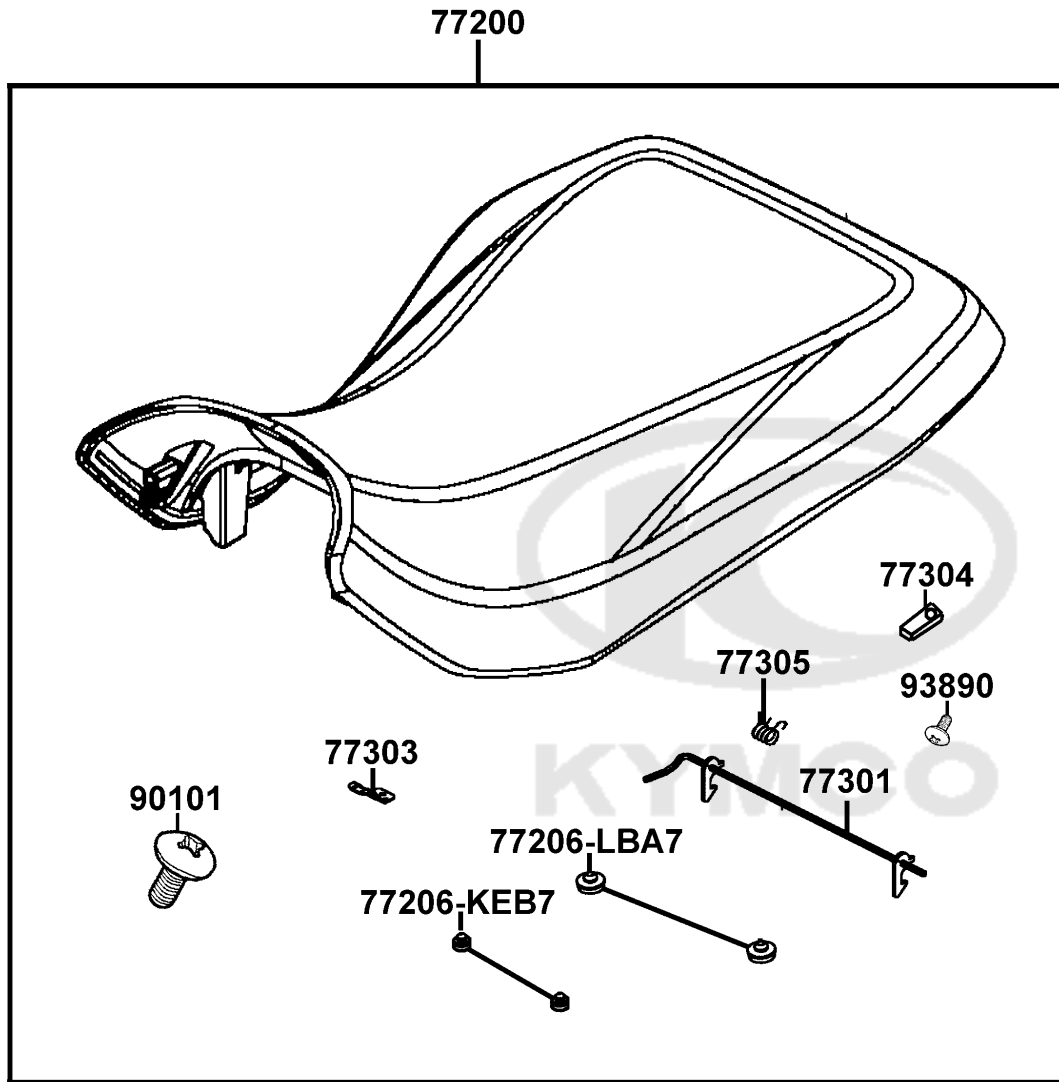
Sales mark	Ref no	Part no	Description	Reg description	Regd no	F08
**	42705	42705-LDB5-E0A	RIM RR WHEEL	RIM RR WHEEL	2	
	4270A	4270A-LDB5-E00	HUB ASSY RR WHEEL L	HUB ASSY RR WHEEL L	1	
	42710	42710-LDB5-E0A	TIRE ASSY RR/KENDA/AT25*10R12 4P TL	TIRE ASSY RR/KENDA/AT25*10R12 4P TL	2	
	42710	42710-LDB5-E0B	TIRE ASSY RR/MAXXIS/AT25*10R12	TIRE ASSY RR/MAXXIS/AT25*10R12	2	
	42753	42753-KNBN-90B	VALAE RIM (TR412)	VALAE RIM (TR412)	2	
	4280A	4280A-LDB5-E00	HUB ASSY RR WHEEL R	HUB ASSY RR WHEEL R	1	
	43100-LDB5-305	43100-LDB5-305	LEVER ASSY ADJUSTABLE	LEVER ASSY ADJUSTABLE	1	
**	43100-LDB5-E00	43100-LDB5-E00	CALIPER ASSY RR BRK	CALIPER ASSY RR BRK	1	
**	43200	43200-LDE9-E00	CALIPER ASSY RR	CALIPER ASSY RR	1	
	43351	43351-LDB5-E00	DISK RR BRAKE	DISK RR BRAKE	1	
	43352	43352-KKD6-E90	SCREW BLEEDER	SCREW BLEEDER	1	
	45105	45105-PWA1-305	PAD SET	PAD SET	2	
#	45107	45107-KFA6-900	PISTON	PISTON	1	
	45108	45108-LBA7-900	SPRING PAD	SPRING PAD	2	
#	45109-KFA6	45109-KFA6-900	DUST SEAL	DUST SEAL	1	
	45109-PWA1	45109-PWA1-900	DUST SEAL	DUST SEAL	1	
	45110-LDB5	45110-LDB5-305	BRACKET CALIPER	BRACKET CALIPER	1	
	45110-LDE9	45110-LDE9-305	BRACKET CALIPER	BRACKET CALIPER	1	
	45133	45133-LBA7-900	BOOT A	BOOT A	2	
	45203	45203-LBA7-900	PIN HANGER	PIN HANGER	4	

F08

# Rear Wheel



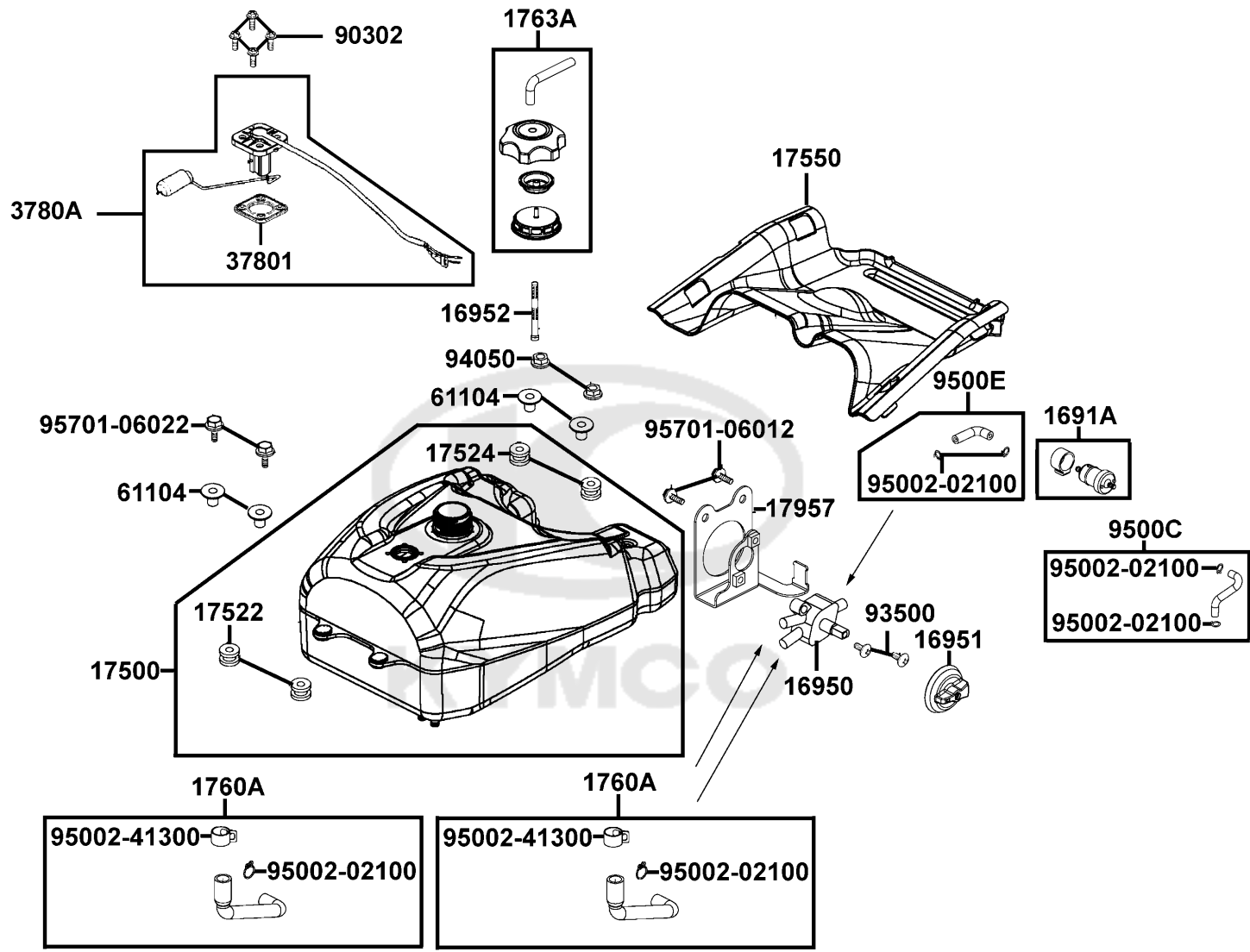
Sales mark	Ref no	Part no	Description	Reg description	Regd no	<b>F08</b>
#	45209-KFA6	45209-KFA6-900	SEAL PISTON	SEAL PISTON	1	
	45209-PWA1	45209-PWA1-900	SEAL PISTON	SEAL PISTON	1	
	45230	45230-LBA7-900	BUSH PIN	BUSH PIN	2	
	45352	45352-LBA7-900	BLEEDER	BLEEDER	1	
	45353	45353-LBA7-900	CAP BLEEDER	CAP BLEEDER	2	
	45531	45531-LBA7-900	PLUG	PLUG	2	
	47410	47410-LDB5-E00	CAP WHEEL SHAFT	CAP WHEEL SHAFT	2	
	90105-LBA7	90105-LBA7-900	BOLT CONNECTOR	BOLT CONNECTOR	8	
	90105-MLL0	90105-MLL0-731	BOLT STEP HOLDER 8*24	BOLT STEP HOLDER 8*24	4	
	90131	90131-LDB5-E00	BOLT FLANGE 8*20	BOLT FLANGE 8*20	4	
	90301	90301-LDB5-E00	NUT WHEEL	NUT WHEEL	8	
	95701	95701-LBA2-E00	BOLT FLANGE	BOLT FLANGE	2	



Sales mark	Ref no	Part no	Description	Reg description	Regd no	<b>F09</b>
	42750	42750-LDB1-700	GEAR AIR PRESSURE	GEAR AIR PRESSURE	1	
**	77200	77200-LDB5-E00	SEAT ASSY (REACH)	SEAT ASSY (REACH)	1	
	77206-KEB7	77206-KEB7-900	RUBBER SEAT CUSH	RUBBER SEAT CUSH	2	
	77206-LBA7	77206-LBA7-900	RUBBER SEAT CUSH	RUBBER SEAT CUSH	2	
	77301	77301-LDB5-E00	LOCK COMP SEAT	LOCK COMP SEAT	1	
	77303	77303-LDB5-E00	STAY SEAT	STAY SEAT	1	
	77304	77304-LDB5-E00	STAY HOOK	STAY HOOK	1	
	77305	77305-LDB5-E00	SPRING HOOK BAR	SPRING HOOK BAR	1	
	89010	89010-LDB5-E00	TOOL SET	TOOL SET	1	
	89020	89020-KKC4-900	BAND TOOL SET	BAND TOOL SET	1	
	90101	90101-KGC4-E00	SCREW SPECIAL 6*15	SCREW SPECIAL 6*15	1	
	93890	93890-LDB5-E00	BOLT M4	BOLT M4	1	

F10

Fuel Tank

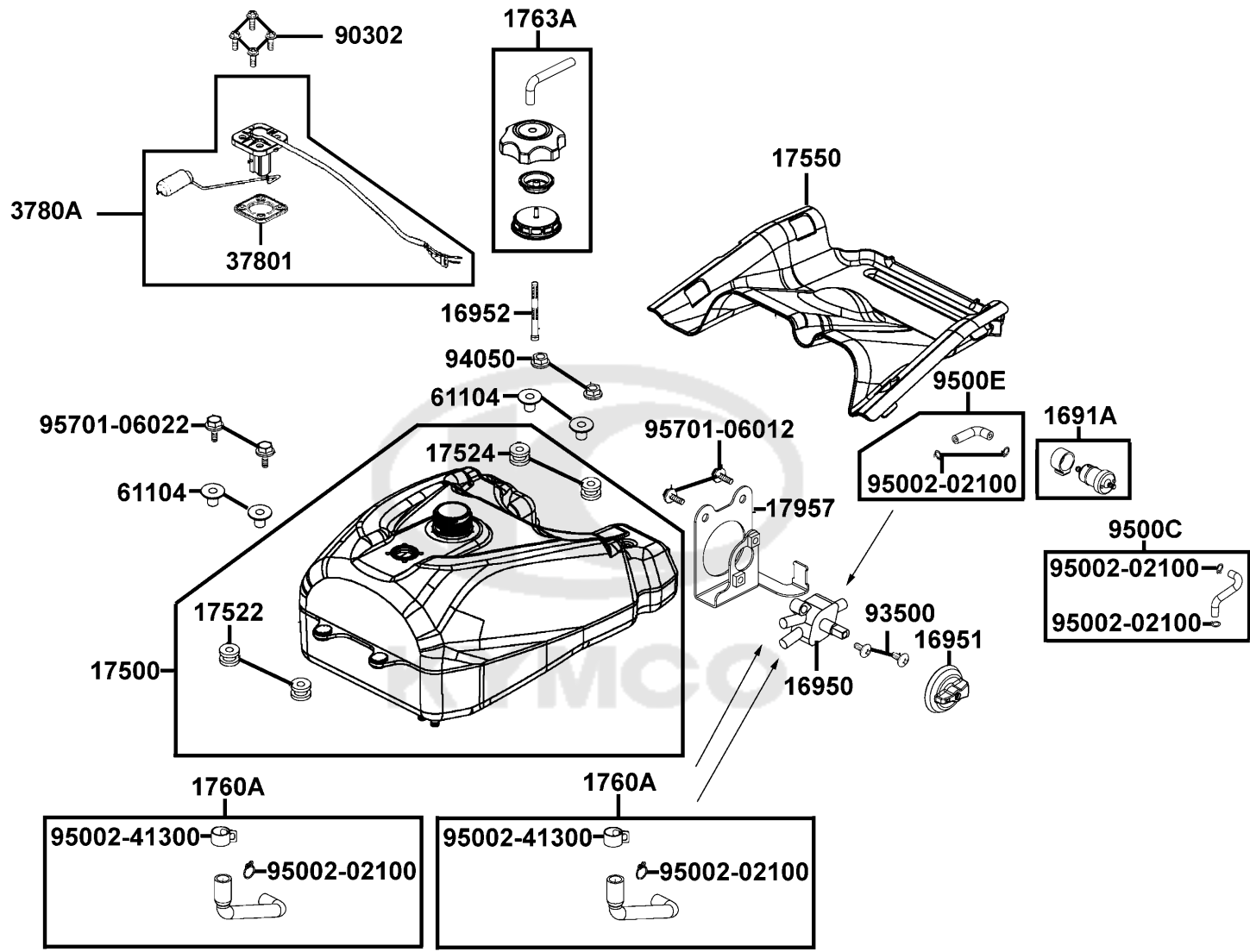




Sales mark	Ref no	Part no	Description	Reg description	Regd no	F10
	1691A	1691A-GFY6-90A	STRAINER ASSY FUEL	STRAINER ASSY FUEL	1	
#	16950	16950-LDB5-E01	COCK FUEL	COCK FUEL	2	
**	16951	16951-LDB5-E00	COVER FUEL COCK	COVER FUEL COCK	1	
	16952	16952-LLB1-900	SCREEN FUEL STRAINER	SCREEN FUEL STRAINER	1	
	17500	17500-LDB5-E00	TANK COMP FUEL	TANK COMP FUEL	1	
	17522	17522-LLB1-900	RUBBER FUEL TANK	RUBBER FUEL TANK	2	
	17524	17524-LLB1-900	RR RUBBER FUEL TANK	RR RUBBER FUEL TANK	2	
**	17550	17550-LDB5-E00	GUARD FUEL TANK	GUARD FUEL TANK	1	
	1760A	1760A-LDB5-E00	TUBE ASSY FUEL TANK	TUBE ASSY FUEL TANK	2	
#	1763A	1763A-LDB5-MY0	CAP ASSY FUEL FILLER	CAP ASSY FUEL FILLER	1	
	17957	17957-LDB5-E00	STAY FUEL COCK	STAY FUEL COCK	1	
	37801	37801-LAB4-910	PACKING BASE	PACKING BASE	1	
	3780A	3780A-LDB5-E00	FUEL UNIT ASSY	FUEL UNIT ASSY	1	
	61104	61104-3G57-001	COLLAR FR FENDER	COLLAR FR FENDER	4	
	90302	90302-GBR2-001	BOLT WASH 5*16	BOLT WASH 5*16	4	
#	93500	93500-05016-0F	SCREW PAN 5*16	SCREW PAN 5*16	1	
	94050	94050-06080	NUT FLANGE 6MM	NUT FLANGE 6MM	2	
	95002-02100	95002-02100	CLIP B15 TUBE	CLIP B15 TUBE	6	
	95002-41300	95002-41300-00	CLIP D13.0 TUBE	CLIP D13.0 TUBE	2	
	9500C	9500C-LDB5-E00	TUBE ASSY FUEL	TUBE ASSY FUEL	1	

F10

Fuel Tank

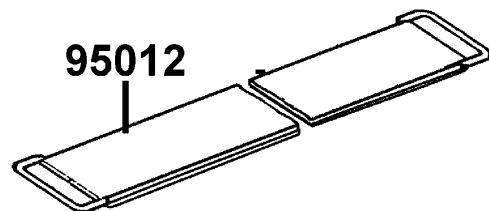


Sales mark	Ref no	Part no	Description	Reg description	Regd no	<b>F10</b>
	9500E	9500E-LDB5-E00	TUBE ASSY FUEL	TUBE ASSY FUEL	1	
#	95701-06012	95701-06012-06	BOLT FLANGE 6*12 **07 C.2005.07.01	BOLT FLANGE 6*12 **07 C.2005.07.01	2	
#	95701-06022	95701-06022-06	BOLT FLANGE 6*22	BOLT FLANGE 6*22	2	

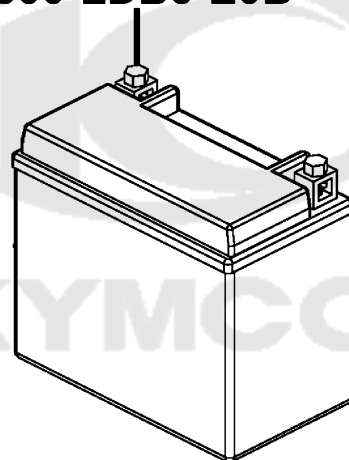


F11

Battery



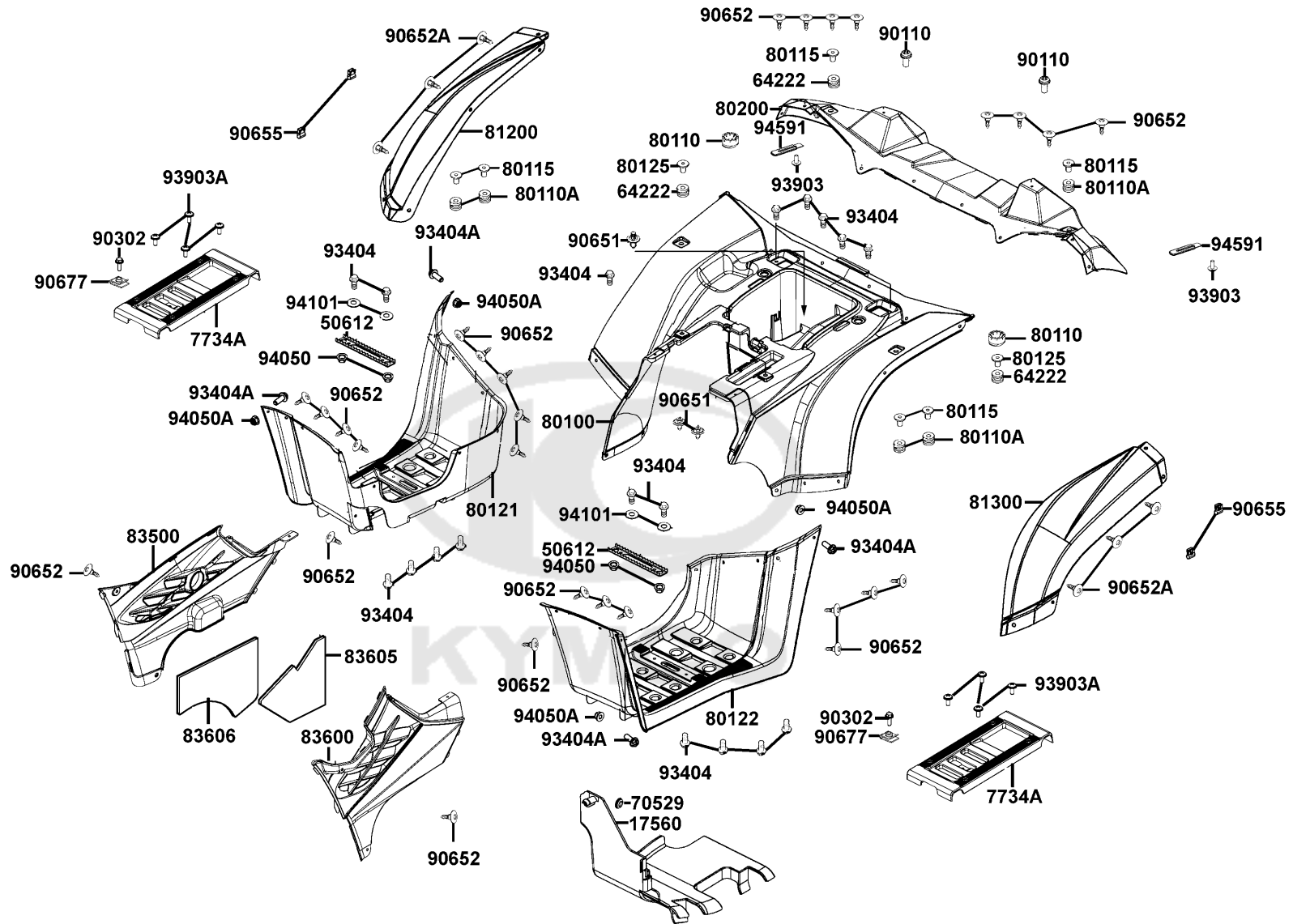
31500-LDB5-E0A  
31500-LDB5-E0B



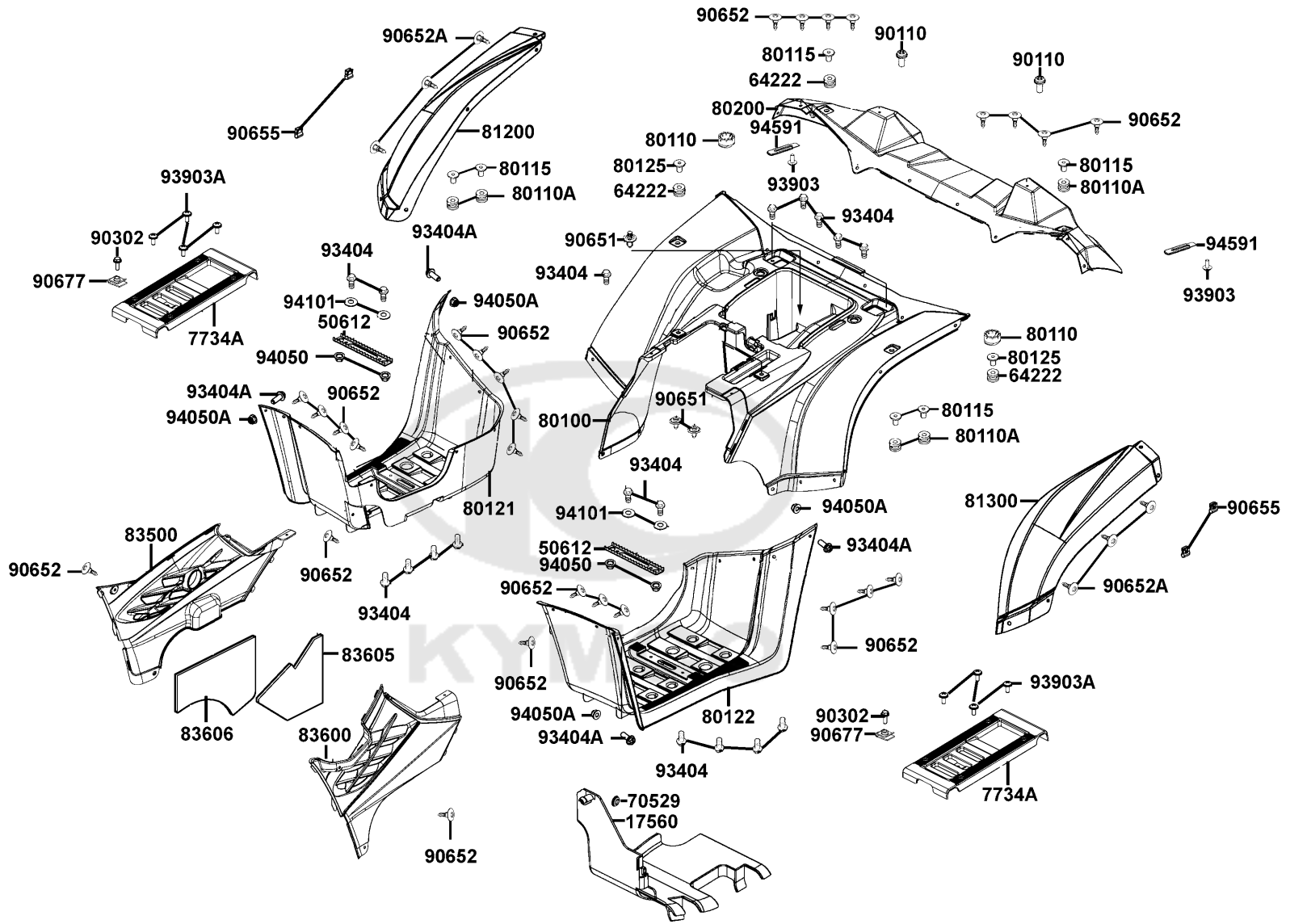
Sales mark	Ref no	Part no	Description	Reg description	Regd no	<b>F11</b>
------------	--------	---------	-------------	-----------------	---------	------------

	31500-LDB5-E0A	31500-LDB5-E0A	BATTERY YTX20L-BS	BATTERY YTX20L-BS	1	
	31500-LDB5-E0B	31500-LDB5-E0B	BATTERY GTX20L-BS	BATTERY GTX20L-BS	1	
	95012	95012-KKA7-900	TOOL BAND	TOOL BAND	1	



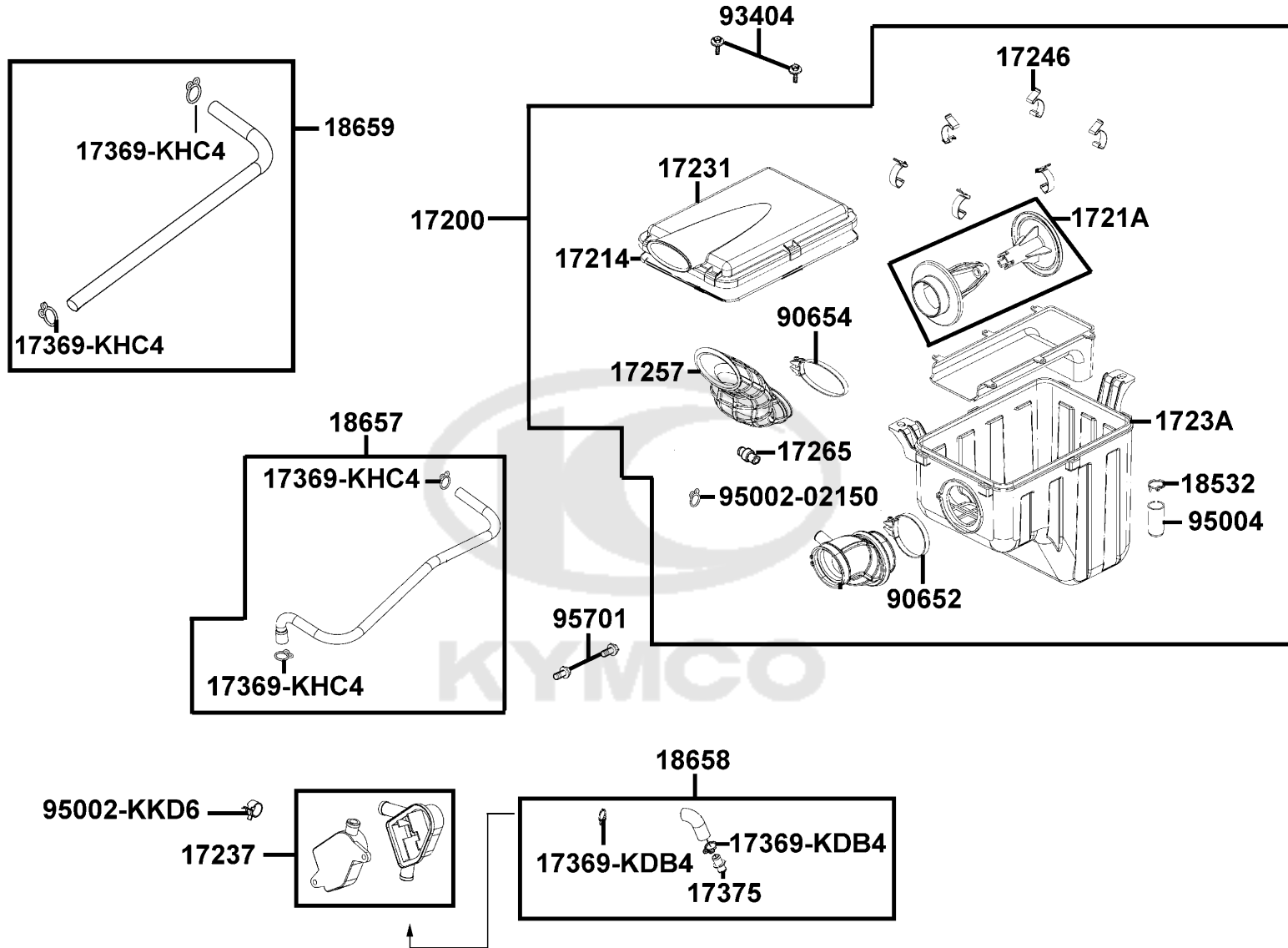


Sales mark	Ref no	Part no	Description	Reg description	Regd no	F12
**	17560	17560-LDB5-E00	PLATE HEAT INSULATION	PLATE HEAT INSULATION	1	
	50612	50612-LDB5-E00	RNFCT FLOOR	RNFCT FLOOR	2	
	64222	64222-LLJ3-E00	RUBBER WIND SCREEN	RUBBER WIND SCREEN	4	
	70529	70529-6G57-671	GROM B SIDE PNL	GROM B SIDE PNL	1	
# **	7734A	7734A-LDB5-E01	COVER ASSY CARRIER	COVER ASSY CARRIER	1	
**	80100	80100-LDB5-E00	FENDER REAR	FENDER REAR	1	
	80110	80110-LBA7-900	RUBBER REAR FENDER	RUBBER REAR FENDER	2	
	80110A	80110-LDB5-900	RUBBER FENDER **(0) C.2006.09.07	RUBBER FENDER	4	
	80115	80115-LDB5-900	COLLAR FENDER	COLLAR FENDER	4	
# **	80121	80121-LDB5-E01	MUDGUARD R FLOOR	MUDGUARD R FLOOR	1	
# **	80122	80122-LDB5-E01	MUDGUARD L FLOOR	MUDGUARD L FLOOR	1	
	80125	80125-LBD4-900	COLLAR FLOOR	COLLAR FLOOR	4	
# **	80200	80200-LDB5-E01	MUDGUARD REAR	MUDGUARD REAR	1	
# **	81200	81200-LDB5-E01	MUDGUARD R RR SIDE	MUDGUARD R RR SIDE	1	
# **	81300	81300-LDB5-E01	MUDGUARD L RR SIDE	MUDGUARD L RR SIDE	1	
# **	83500	83500-LDB5-E01	COVER R SIDE	COVER R SIDE	1	
# **	83600	83600-LDB5-E01	COVER L SIDE	COVER L SIDE	1	
	83605	83605-LDB5-E00	HEAT GUARD R SIDE COVER	HEAT GUARD R SIDE COVER	1	
	83606	83606-LDB5-E00	HEAT GUARD L SIDE COVER	HEAT GUARD L SIDE COVER	1	
	90110	90110-LLB1-800	SCREW SPECIAL 6*16	SCREW SPECIAL 6*16	2	





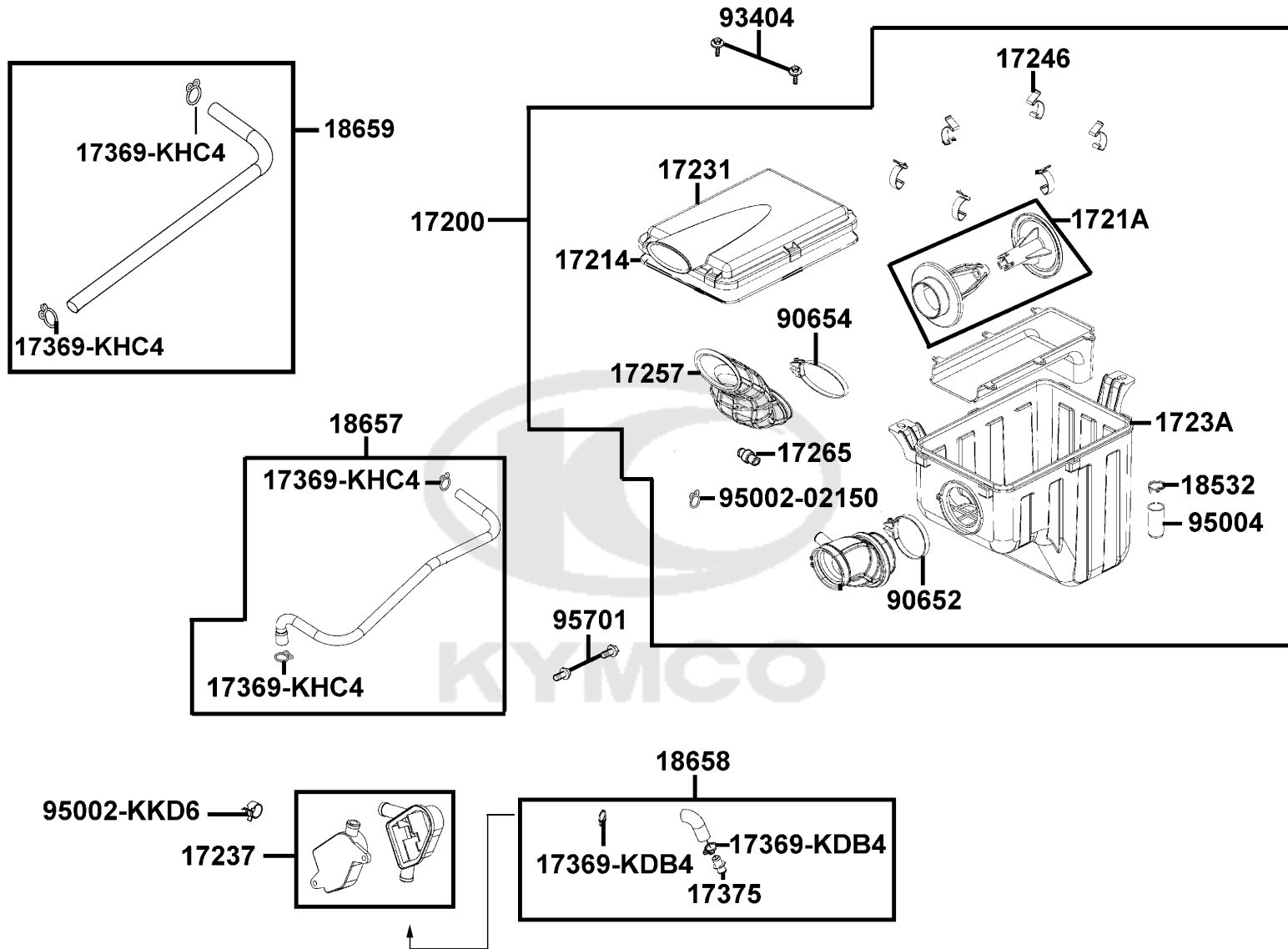
Sales mark	Ref no	Part no	Description	Reg description	Regd no	F12
	90110	90110-PWB1-900	SCREW SPECIAL 6X20	SCREW SPECIAL 6X20	4	
	90302	90302-PWA1-900	BOLT-WASH 5*16	BOLT-WASH 5*16	2	
	90651	90651-LCA5-E00	CLIP FENDER	CLIP FENDER	3	
	90652	90652-LCA4-E00	CLIP MUDGUARD	CLIP MUDGUARD	34	
#	90652A	90652-LDB5-900	CLIP MUDGUARD	CLIP MUDGUARD	6	
	90655	90655-PWA2-900	CLIP FENDER MOUNTING	CLIP FENDER MOUNTING	4	
	90677	90677-GAR1-004	NUT CLIP 5MM	NUT CLIP 5MM	2	
	93404	93404-06016-06	BOLT WASHER 6*16	BOLT WASHER 6*16	17	
	93404A	93404-06020-06	BOLT WASHER 6*20 (G)	BOLT WASHER 6*20 (G)	4	
	93903	93903-34360	SCREW TAPPING 4X12	SCREW TAPPING 4X12	2	
	93903A	93903-35360	SCREW TAPPING 5*16	SCREW TAPPING 5*16	8	
	94050	94050-06080	NUT FLANGE 6MM	NUT FLANGE 6MM	4	
	94050A	94050-LDE9-E00	NUT LOCK	NUT LOCK	4	
	94101	94101-06800	WASHER PLAIN 6MM	WASHER PLAIN 6MM	4	
	94591	94591-27000	CLIP 2*70	CLIP 2*70	2	



Sales mark	Ref no	Part no	Description	Reg description	Regd no	<b>F13</b>
	17200	17200-LDB5-E00	AIR/C ASSY	AIR/C ASSY	1	
	17214	17214-LDB5-E00	SEAL AIR/C CASE	SEAL AIR/C CASE	1	
	1721A	1721A-LDB5-E00	ELEMENT COMP AIR/C	ELEMENT COMP AIR/C	1	
	17231	17231-LDB5-E00	COVER ASSY AIR/C	COVER ASSY AIR/C	1	
	17237	17237-KED9-900	OIL CATCH ASSY	OIL CATCH ASSY	1	
	1723A	1723A-LDB5-E00	CASE ASSY AIR/C	CASE ASSY AIR/C	1	
	17246	17246-LBA7-900	CLAMP AIR/C	CLAMP AIR/C	6	
	17257	17257-LDB5-E00	DUCT A AIR/C CASE	DUCT A AIR/C CASE	1	
	17265	17265-LBA7-900	JOINT BLOW BY	JOINT BLOW BY	1	
	17369-KDB4	17369-KDB4-671	CLIP BREATHER TUBE	CLIP BREATHER TUBE	2	
	17369-KHC4	17369-KHC4-900	CLIP BREATHER TUBE	CLIP BREATHER TUBE	6	
	17375	17375-KED9-900	PLUG OIL CATCH	PLUG OIL CATCH	1	
	18532	18532-6D34-671	CLIP AIR HOSE 21.5	CLIP AIR HOSE 21.5	1	
	18657	18657-LDB5-E00	TUBE B OIL CATCH	TUBE B OIL CATCH	1	
	18658	18658-KED9-900	TUBE C OIL CATCH	TUBE C OIL CATCH	1	
#	18659	18659-LDB5-E00	TUBE BREATHER	TUBE BREATHER	2	
	90652	90652-LLJ3-E00	BAND CONNECTING TUBE	BAND CONNECTING TUBE	1	
	90654	90654-LDB5-E00	BAND 81 REAR CVT DUCT	BAND 81 REAR CVT DUCT	1	
	93404	93404-06012-06	BOLT WASHER 6X12	BOLT WASHER 6X12	2	
	95002-02150	95002-02150	CLIP B14.5 TUBE	CLIP B14.5 TUBE	1	

F13

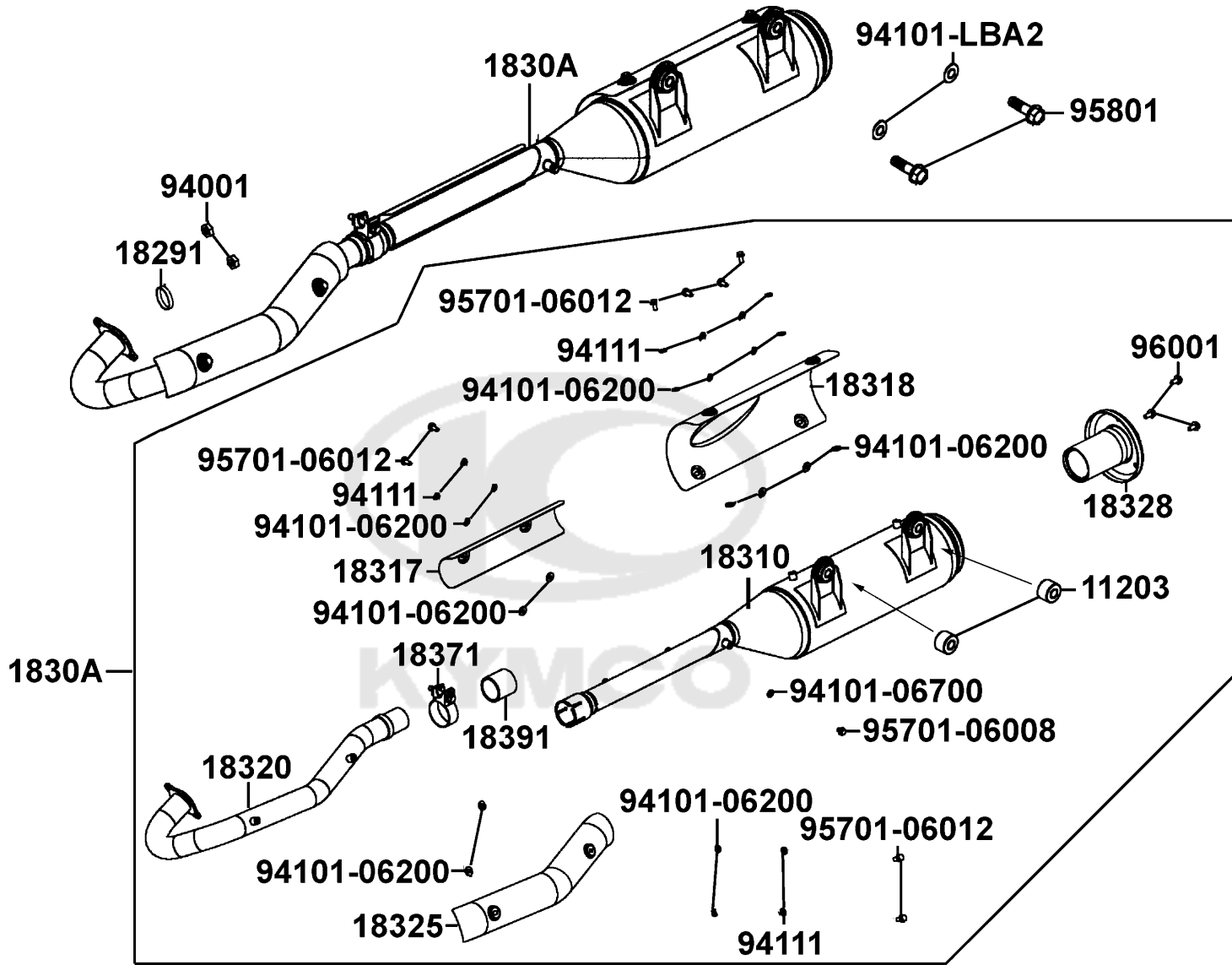
Air Cleaner



Sales mark	Ref no	Part no	Description	Reg description	Regd no	<b>F13</b>
------------	--------	---------	-------------	-----------------	---------	------------

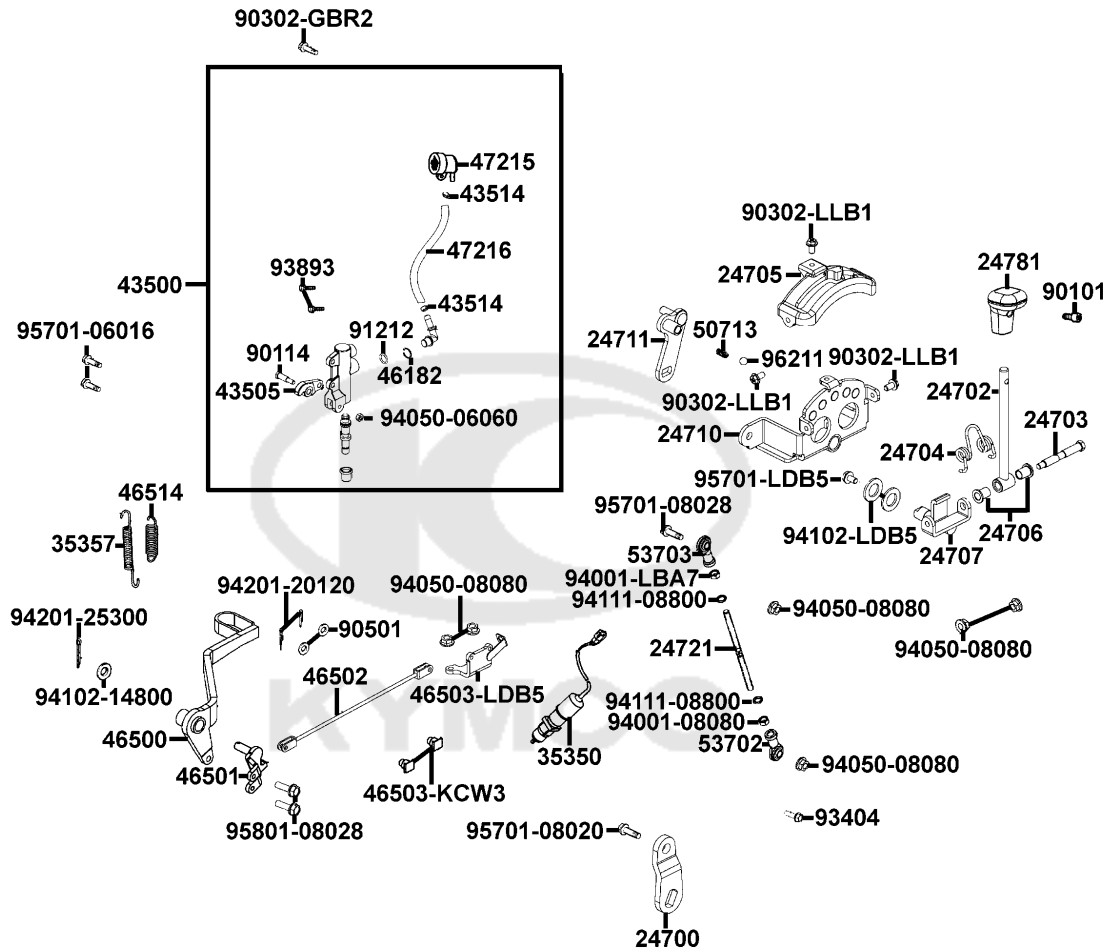
	95002-KKD6	95002-KKD6-E05	CLAMP D18 TUBE	CLAMP D18 TUBE	1	
	95004	95004-LBA7-900	TUBE DRAIN	TUBE DRAIN	1	
#	95701	95701-06012-06	BOLT FLANGE 6*12 **07 C.2005.07.01	BOLT FLANGE 6*12 **07 C.2005.07.01	2	





Sales mark	Ref no	Part no	Description	Reg description	Regd no	F14
	11203	11203-LDB5-E00	BUSH MUFFLER STAY	BUSH MUFFLER STAY	2	
#	18291	18291-LKM5-E00	GASKET EXH. PIPE	GASKET EXH. PIPE	1	
	1830A	1830A-LDB5-E00	MUFFLER ASSY EXH	MUFFLER ASSY EXH	1	
	18310	18310-LDB5-E00	MUFFLER COMP	MUFFLER COMP	1	
	18317	18317-LDB5-E00	PROTECTOR A COMP MUFFLER	PROTECTOR A COMP MUFFLER	1	
	18318	18318-LDB5-E00	PROTECTOR B COMP MUFFLER	PROTECTOR B COMP MUFFLER	1	
	18320	18320-LDB5-E00	PIPE EXHAUST	PIPE EXHAUST	1	
	18325	18325-LDB5-E00	PROTECTOR PIPE EXHAUST	PROTECTOR PIPE EXHAUST	1	
	18328	18328-LDB5-E00	SPARK ARRESTOR	SPARK ARRESTOR	1	
	18371	18371-LBA2-E00	BAND MUFFLER	BAND MUFFLER	1	
	18391	18391-LBA2-E00	GASKET	GASKET	1	
	94001	94001-08080-0S	NUT HEX 8MM	NUT HEX 8MM	2	
	94101-06200	94101-06200	WASHER PLAIN 6MM	WASHER PLAIN 6MM	16	
	94101-06700	94101-06700	WASHER PLAIN 6MM	WASHER PLAIN 6MM	1	
	94101-LBA2	94101-LBA2-E00	WASHER PLATE 10.5*38*3.0	WASHER PLATE 10.5*38*3.0	2	
	94111	94111-06800	WASHER SPRING 6MM	WASHER SPRING 6MM	8	
#	95701-06008	95701-06008-06	BOLT FLANGE 6*8	BOLT FLANGE 6*8	1	
#	95701-06012	95701-06012-06	BOLT FLANGE 6*12 **07 C.2005.07.01	BOLT FLANGE 6*12 **07 C.2005.07.01	1	
#	95801	95801-10040-06	BOLT FLANGE 10X40	BOLT FLANGE 10*40	1	
#	96001	96001-06012-06	BOLT FLANGE SH 6*12	BOLT FLANGE SH 6*12	1	

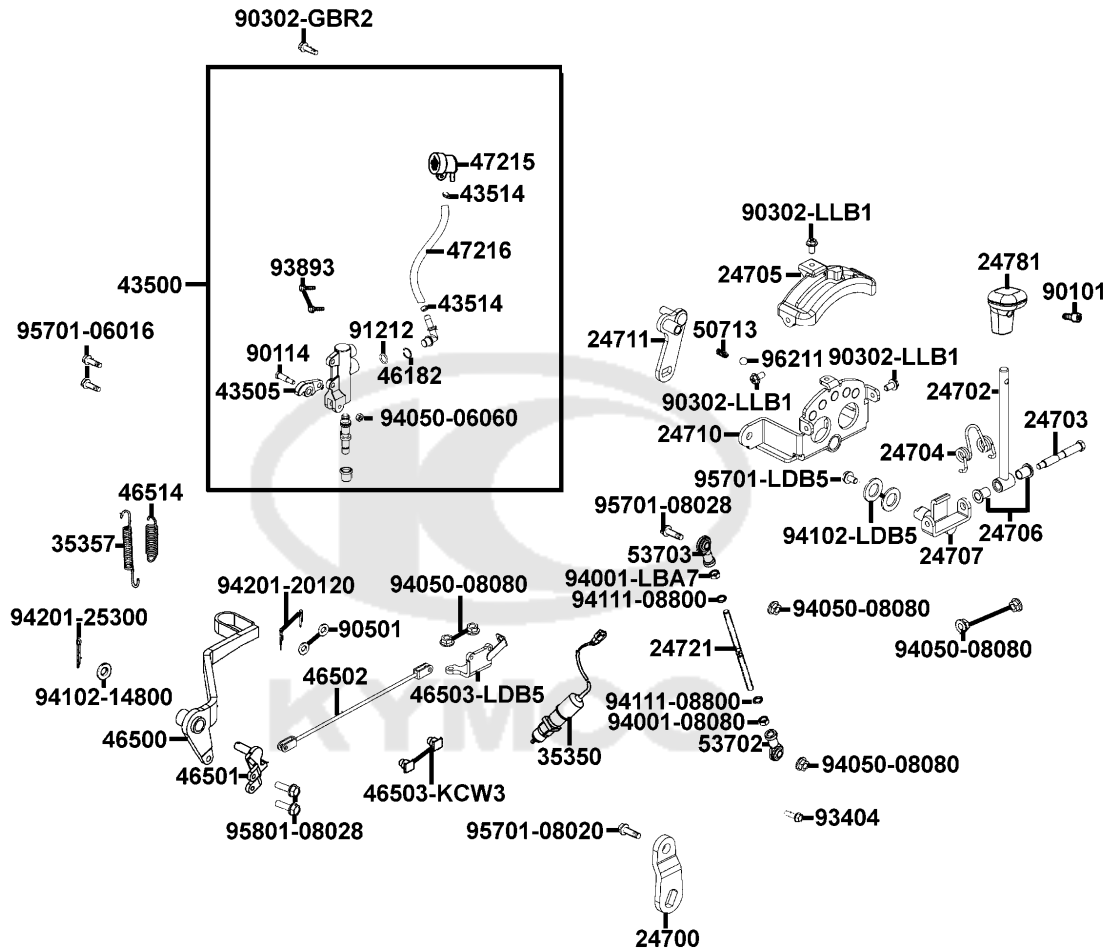
Master Cylinder Rear





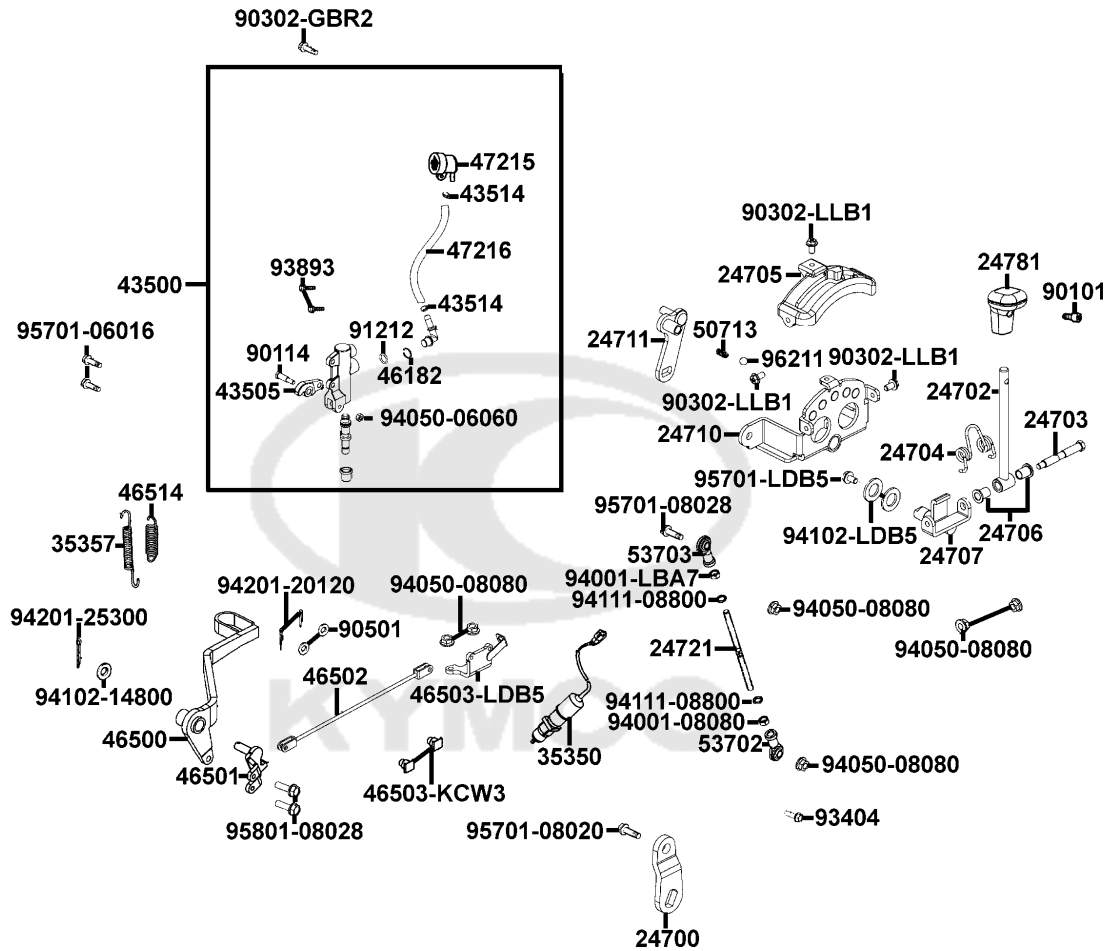
Sales mark	Ref no	Part no	Description	Reg description	Regd no	<b>F15</b>
24700		24700-LDB5-E00	GEAR CHANGE HNDL LINK	GEAR CHANGE HNDL LINK	1	
24702		24702-LDB5-E00	BAR SHIFT LEVER	BAR SHIFT LEVER	1	
24703		24703-LDB5-E00	BOLT SHIFT LEVER	BOLT SHIFT LEVER	1	
24704		24704-LBA7-900	SPRING CHANGE HANDLE	SPRING CHANGE HANDLE	1	
24705		24705-LDB5-E00	STAY SHIFT LEVER GUIDE	STAY SHIFT LEVER GUIDE	1	
24706		24706-LDB5-E00	COLLAR SHIFT LEVER	COLLAR SHIFT LEVER	2	
24707		24707-LDB5-E00	BRKT SHIFT LEVER	BRKT SHIFT LEVER	1	
24710		24710-LDB5-E00	STAY SHIFTER	STAY SHIFTER	1	
24711		24711-LDB5-E00	SHAFT UPPER SHIFT GUIDE	SHAFT UPPER SHIFT GUIDE	1	
24721		24721-LDB5-E00	ROD SHIFT	ROD SHIFT	1	
24781		24781-LCA5-E00	COVER CHANGE HNDL	COVER CHANGE HNDL	1	
35350		35350-PWA2-900	REAR STOP SW	REAR STOP SW	1	
35357		35357-LDB5-E00	SPG STOP SW	SPG STOP SW	1	
43500		43500-LDB5-E00	MASTER CYLINDER ASSY RR	MASTER CYLINDER ASSY RR	1	
43505		43505-LDB5-E00	PUSH ROD COMP	PUSH ROD COMP	1	
43514		43514-4E45-77A	CLAMP M/C OIL HOSE	CLAMP M/C OIL HOSE	2	
46182		46182-5L00-014	CIR CLIP	CIR CLIP	1	
46500		46500-LDB5-E00	PEDAL COMP RR BRAKE	PEDAL COMP RR BRAKE	1	
46501		46501-LDB5-E00	BRKT PEDAL	BRKT PEDAL	1	
46502		46502-LDB5-E00	ROD RR BRK	ROD RR BRK	1	

Master Cylinder Rear



Sales mark	Ref no	Part no	Description	Reg description	Regd no	<b>F15</b>
	46503-KCW3	46503-KCW3-001	PIN COMP BRK ROD	PIN COMP BRK ROD	2	
	46503-LDB5	46503-LDB5-E00	BRKT RR M/C	BRKT RR M/C	1	
	46514	46514-LDB5-E00	SPG BRK ARM	SPG BRK ARM	1	
	47215	47215-KHD6-900	OIL CUP	OIL CUP	1	
	47216	47216-LDB5-E00	HOSE	HOSE	1	
	50713	50713-LDB5-E00	SPRING	SPRING	1	
	53702	53702-LBA7-900	JOINT R BALL	JOINT R BALL	1	
	53703	53703-LBA7-900	JOINT L BALL	JOINT L BALL	1	
#	90101	90101-LCA5-E00	SOCKET BOLT 5X12	SOCKET BOLT 5X12	1	
	90114	90114-1F66-007	BOLT HANDLE LEVER	BOLT HANDLE LEVER	1	
	90302-GBR2	90302-GBR2-001	BOLT WASH 5*16	BOLT WASH 5*16	1	
#	90302-LLB1	90302-LLB1-E00	BOLT-WASHER 5*12	BOLT-WASHER 5*12	1	
	90501	90501-3L10-001	WASHER 7*12	WASHER 7*12	2	
	91212	91212-4B22-007	O-RING 14.8*2.4	O-RING 14.8*2.4	1	
	93404	93404-06016-06	BOLT WASHER 6*16	BOLT WASHER 6*16	1	
	93893	93893-04012-18	SCREW WASHER 4*12	SCREW WASHER 4*12	2	
	94001-08080	94001-08080-0S	NUT HEX 8MM	NUT HEX 8MM	1	
	94001-LBA7	94001-LBA7-900	NUT HEX LH 8MM	NUT HEX LH 8MM	1	
	94050-06060	94050-06060	NUT FLANGE 6MM	NUT FLANGE 6MM	1	
	94050-08080	94050-08080	NUT FLANGE 8MM	NUT FLANGE 8MM	6	

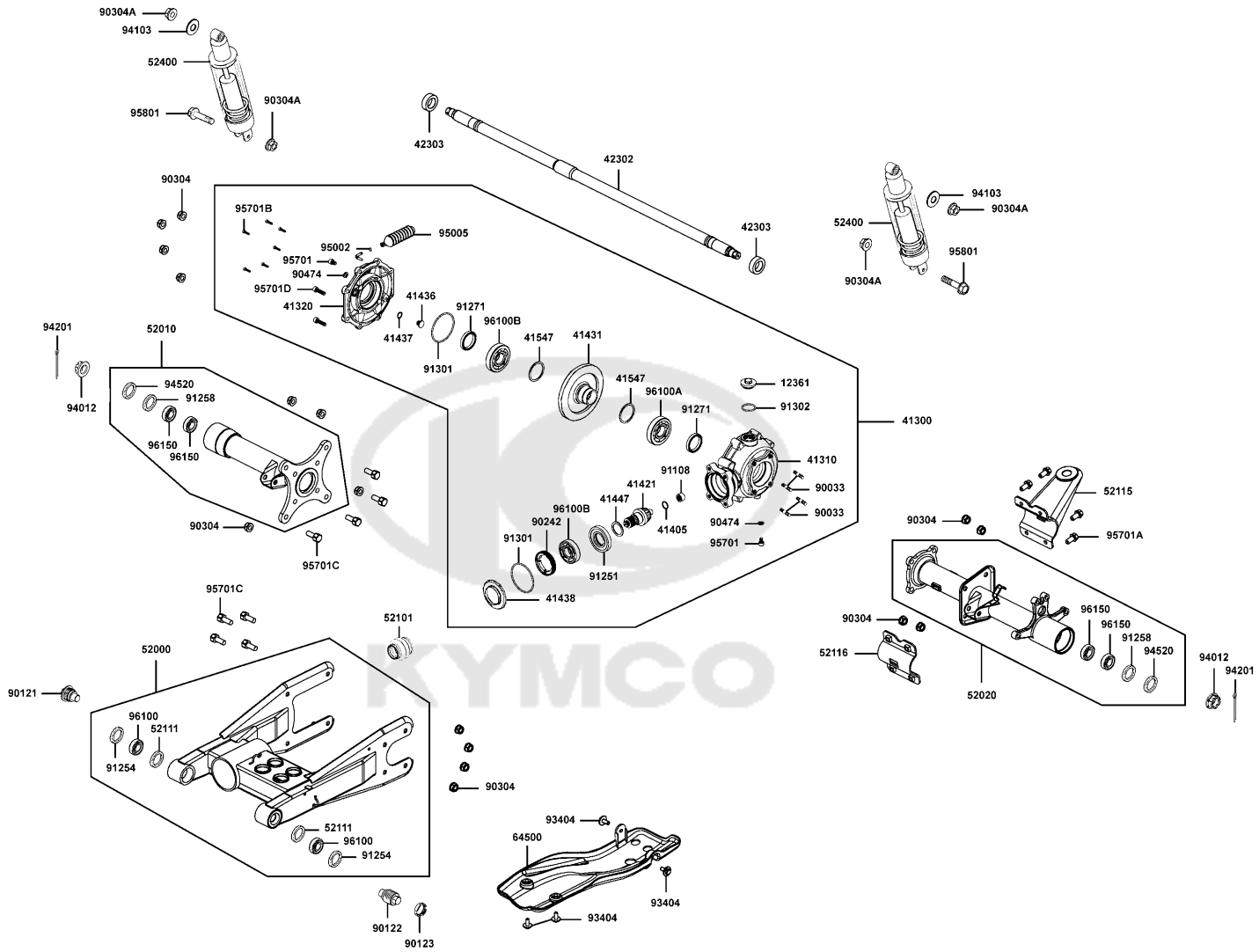
Master Cylinder Rear



Sales mark	Ref no	Part no	Description	Reg description	Regd no	F15
	94102-14800	94102-14800	WASHER PLAIN 14*26*2.3	WASHER PLAIN 14*26*2.3	1	
	94102-LDB5	94102-LDB5-E00	WASHER PLAIN 14MM	WASHER PLAIN 14MM	2	
	94111	94111-08800	WASHER SPG 8MM	WASHER SPG 8MM	2	
	94201-20120	94201-20120	PIN SPLIT 2*12	PIN SPLIT 2*12	2	
	94201-25300	94201-25300	PIN SPLIT 2.5*30	PIN SPLIT 2.5*30	1	
	95701-06016	95701-06016-06	BOLT FLANGE 6*16 (K)	BOLT FLANGE 6*16 (K)	2	
	95701-08020	95701-08020-06	BOLT FLANGE 8*20MM **07 C.2005.07.01	BOLT FLANGE 8*20MM **07 C.2005.07.01	1	
	95701-08028	95701-08028-06	BOLT FLANGE 8*28	BOLT FLANGE 8*28	1	
	95701-LDB5	95701-LDB5-E00	BOLT FLANGE 6*16	BOLT FLANGE 6*16	1	
	95801	95801-08028-06	BOLT FLANGE 8*28	BOLT FLANGE 8*28	2	
	96211	96211-08000	BALL STEEL #8	BALL STEEL #8	1	

F16

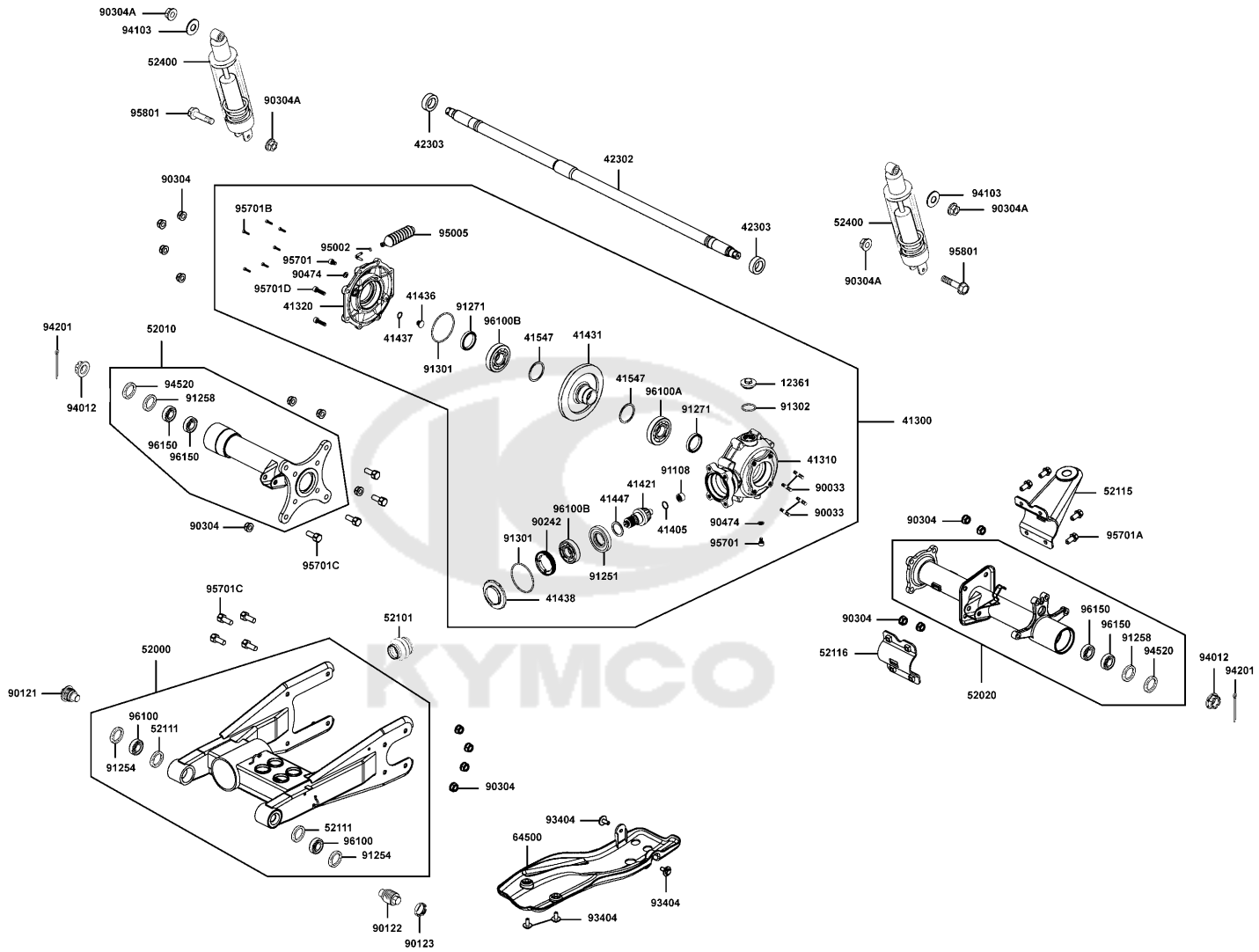
# Rr Cushion Gear Assy Rr Final



Sales mark	Ref no	Part no	Description	Reg description	Regd no	F16
	12361	12361-GFY6-901	HOLE CAP TAPPET ADJUSTING	HOLE CAP TAPPET ADJUSTING	1	
	41300	41300-LDB5-E00	GEAR ASSY RR FINAL	GEAR ASSY RR FINAL	1	
	41310	41310-LDB5-E00	L SIDE CASE RR FINAL	L SIDE CASE RR FINAL	1	
	41320	41320-LDB5-E00	R SIDE CASE RR FINAL	R SIDE CASE RR FINAL	1	
	41405	41405-LDB5-E00	RING STOPPER	RING STOPPER	1	
	41421	41421-LDB5-E00	GEAR PINION	GEAR PINION	1	
	41431	41431-LDB5-E00	GEAR RING	GEAR RING	1	
	41436	41436-LCD9-E00	PIN RING GEAR STOPPER	PIN RING GEAR STOPPER	1	
	41437	41437-LCD9-E00	SHIM STOPPER PIN	SHIM STOPPER PIN	1	
	41438	41438-LDB5-E00	PLATE RR GEAR ASSY	PLATE RR GEAR ASSY	1	
	41447	41447-LDB5-E00-A	SHIM PINION GEAR A	SHIM PINION GEAR A	1	
	41447	41447-LDB5-E00-B	SHIM PINION GEAR B	SHIM PINION GEAR B	1	
	41447	41447-LDB5-E00-C	SHIM PINION GEAR C	SHIM PINION GEAR C	1	
	41547	41547-LDB5-E00-A	SHIM RING GEAR A	SHIM RING GEAR A	2	
	41547	41547-LDB5-E00-B	SHIM RING GEAR B	SHIM RING GEAR B	2	
	41547	41547-LDB5-E00-C	SHIM RING GEAR C	SHIM RING GEAR C	2	
#	42302	42302-LDB5-E01	SHAFT ASSY RR SHAFT	SHAFT ASSY RR SHAFT	2	
	42303	42303-LDB5-E00	STOPPER RR SHAFT	STOPPER RR SHAFT	2	
	52000	52000-LDB5-E00	FORK ASSY RR	FORK ASSY RR	1	
	52010	52010-LDB5-E00	PIPE ASSY R HOUSING	PIPE ASSY R HOUSING	1	

F16

# Rr Cushion Gear Assy Rr Final

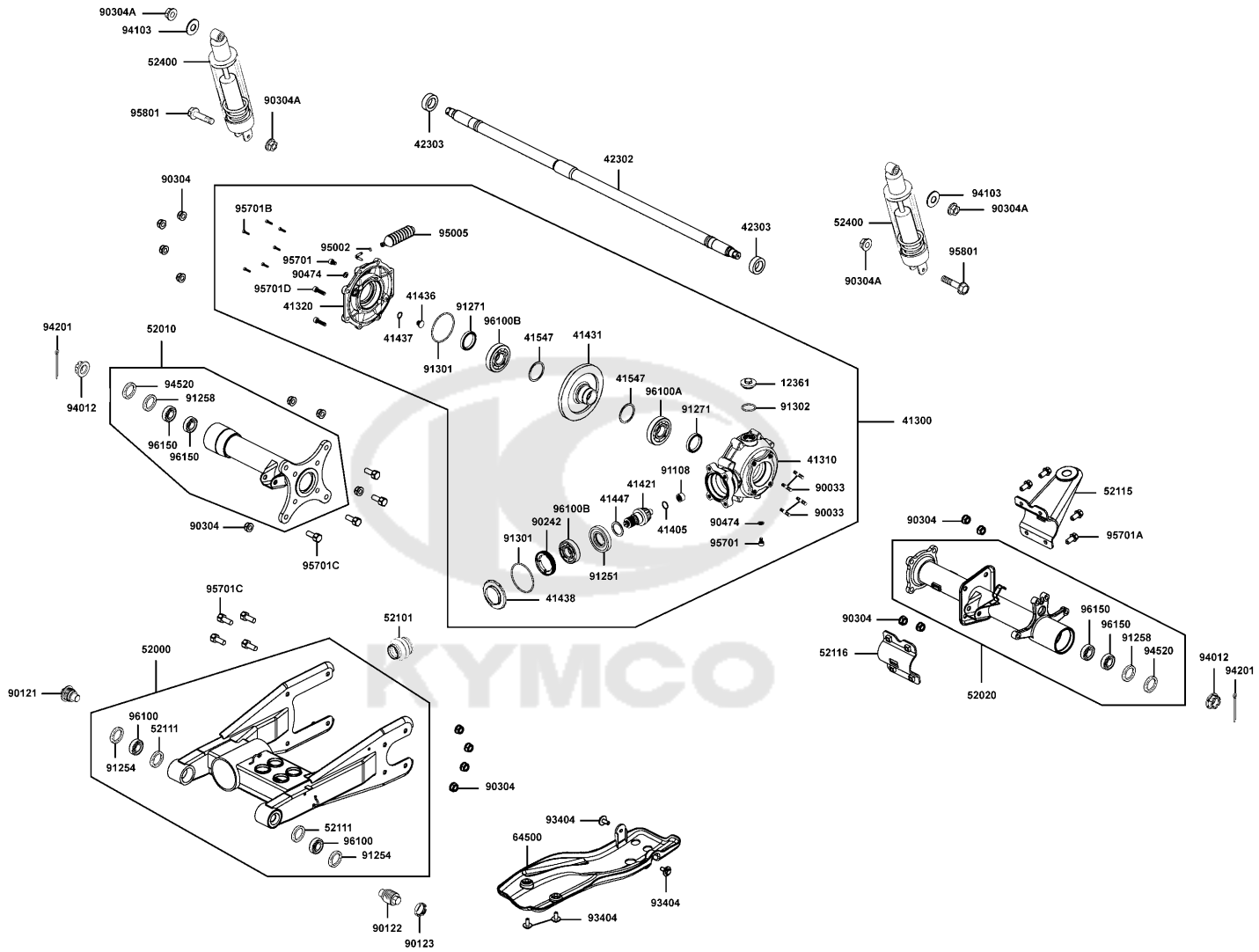




Sales mark	Ref no	Part no	Description	Reg description	Regd no	F16
	52020	52020-LDB5-E00	PIPE ASSY L HOUSING	PIPE ASSY L HOUSING	1	
	52101	52101-LDB5-E00	BOOT REAR PROPELLER SHAFT	BOOT REAR PROPELLER SHAFT	1	
	52111	52111-LDE9-E00	HOLDER GREASE	HOLDER GREASE	2	
	52115	52115-LDB5-E00	TRAILER SWING ARM	TRAILER SWING ARM	1	
	52116	52116-LDB5-E00	HOLDER TRAILER	HOLDER TRAILER	1	
# **	52400	52400-LDB5-E01	CUSHION ASSY RR	CUSHION ASSY RR	2	
# **	64500	64500-LDB5-E01	GUARD BOOT	GUARD BOOT	1	
	90033	90033-LDB5-E00	BOLT STUD 10*40	BOLT STUD 10*40	8	
	90121	90121-LCD9-E00	FORK PIVOT BOLT RH	FORK PIVOT BOLT RH	1	
	90122	90122-LCD9-E00	FORK PIVOT BOLT LH	FORK PIVOT BOLT LH	1	
	90123	90123-LCD9-E00	FORK PIVOT NUT LOCK	FORK PIVOT NUT LOCK	1	
	90242	90242-LDB5-E00	NUT LOCK 74MM	NUT LOCK 74MM	1	
	90304	90304-GHE8-004	NUT U 10MM	NUT U 10MM	16	
	90304A	90304-GLW0-90A	NUT U FLANGE 10MM	NUT U FLANGE 10MM	4	
#	90474	90474-3C33-001	WASHER 8MM	WASHER 8MM	2	
	91108	91108-LDB5-E00	BRG NEEDLE 16*22*12	BRG NEEDLE 16*22*12	1	
	91251	91251-LDB5-E00	OIL SEAL 35*80*10	OIL SEAL 35*80*10	1	
	91254	91254-LDE9-E00	DUST SEAL 26*40*5	DUST SEAL 26*40*5	2	
	91258	91258-LDB5-E00	SEAL DUST HUB 38*55*7	SEAL DUST HUB 38*55*7	2	
	91271	91271-LDB5-E00	OIL SEAL 35*50*7	OIL SEAL 35*50*7	2	

F16

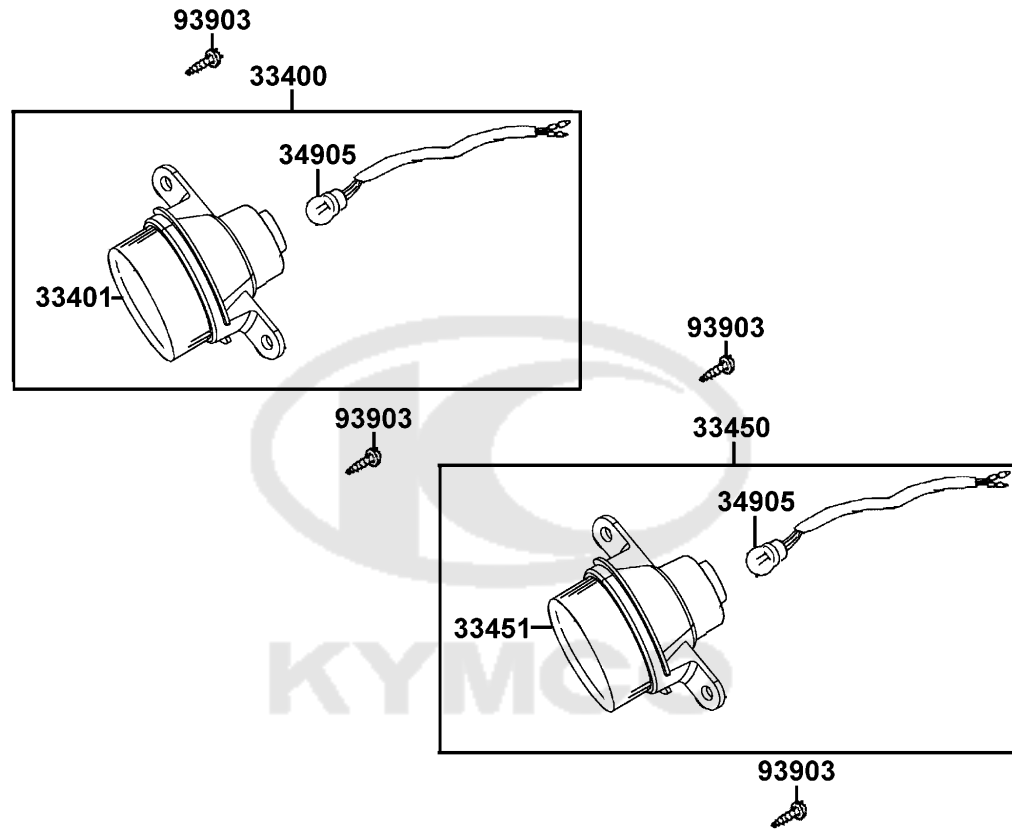
# Rr Cushion Gear Assy Rr Final



Sales mark	Ref no	Part no	Description	Reg description	Regd no	F16
	91301	91301-LCD9-E00	O-RING 74.4*3.1	O-RING 74.4*3.1	2	
	91302	91302-0A01-021	O-RING 30.8M/M	O-RING 30.8M/M	1	
	93404	93404-06016-06	BOLT WASHER 6*16	BOLT WASHER 6*16	4	
#	94012	94012-LDB5-E00	NUT FLANGE CASTLE 18MM	NUT FLANGE CASTLE 18MM	2	
	94103	94103-10800	WASHER PLAIN 10MM	WASHER PLAIN 10MM	2	
	94201	94201-30300	PIN SPLIT 3*30	PIN SPLIT 3*30	2	
	94520	94520-55000	CIR CLIP IN 55	CIR CLIP IN 55	2	
	95002	95002-41050-00	CLIP D10.5 TUBE	CLIP D10.5 TUBE	1	
	95005	95005-LCD9-E00	BREATHER TUBE RR GEAR ASSY	BREATHER TUBE RR GEAR ASSY	1	
#	95701	95701-08012-06	BOLT FLANGE 8*12	BOLT FLANGE 8*12	1	
	95701A	95701-08016-06	BOLT FLANGE 8*16	BOLT FLANGE 8*16	4	
#	95701B	95701-08030-06	BOLT FLANGE 8X30	BOLT FLANGE 8X30	1	
#	95701C	95701-10025-06	BOLT FLANGE 10X25	BOLT FLANGE 10X25	1	
#	95701D	95701-10035-06	BOLT FLANGE 10X35	BOLT FLANGE 10X35	1	
	95801	95801-10050-06	BOLT FLANGE 10*50	BOLT FLANGE 10*50	2	
	96100	96100-30203-10	BEARING BALL RADIAL	BEARING BALL RADIAL	2	
	96100A	96100-60070-00	BRG RADIAL BALL 6007	BRG RADIAL BALL 6007	1	
	96100B	96100-62070-00	BRG RADIAL BALL 6207	BRG RADIAL BALL 6207	2	
	96150	96150-60060-10	BEARING BALL RADIAL 6006	BEARING BALL RADIAL 6006	4	

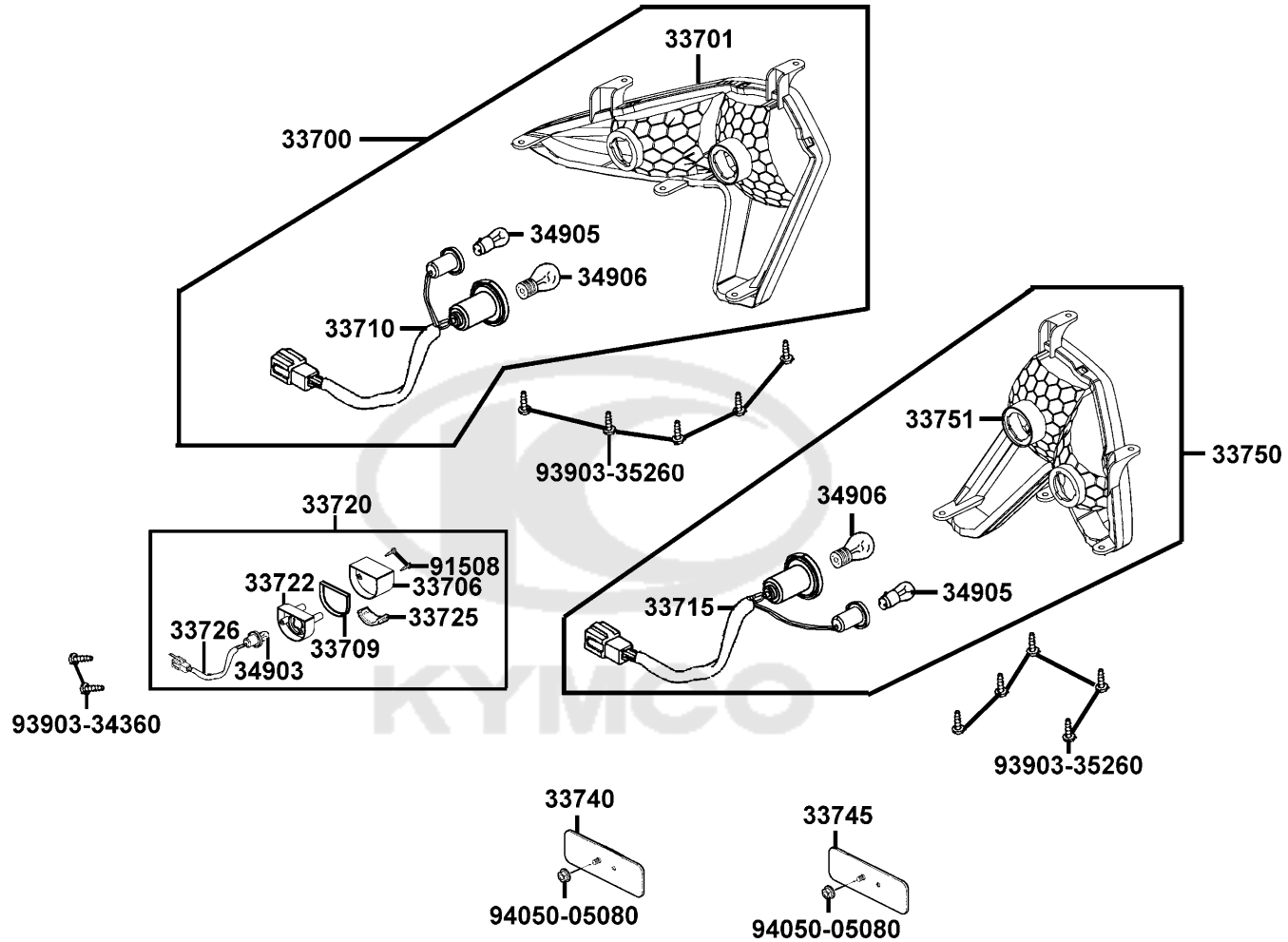
F17

# Light Winker

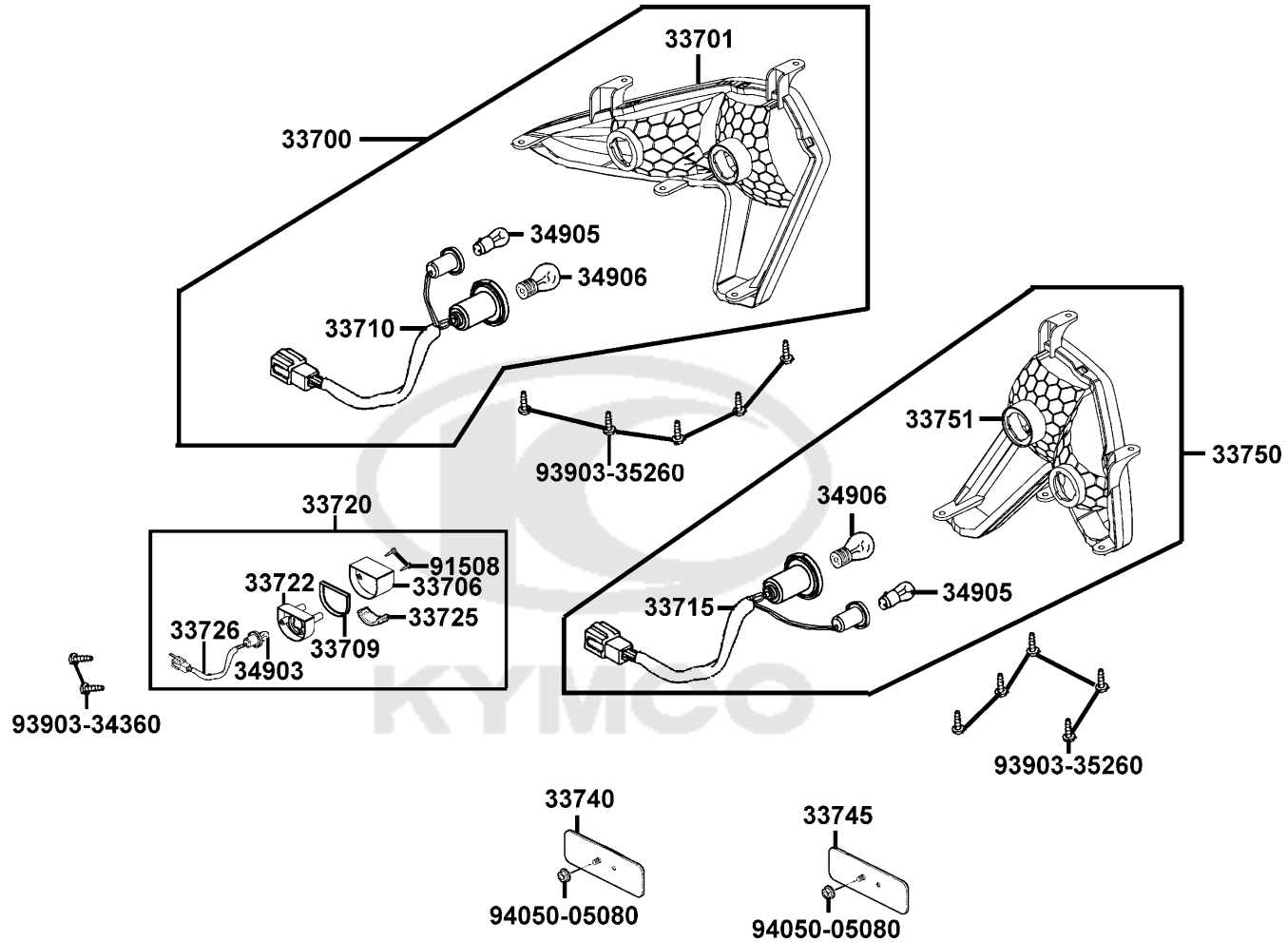


Sales mark	Ref no	Part no	Description	Reg description	Regd no	F17
	33400	33400-LCA5-E00	WINKER ASSY R FR	WINKER ASSY R FR	1	
	33401	33401-LCA5-E00	UNIT WINKER R FR	UNIT WINKER R FR	1	
	33450	33450-LCA5-E00	WINKER ASSY L FR	WINKER ASSY L FR	1	
	33451	33451-LCA5-E00	UNIT WINKER L FR	UNIT WINKER L FR	1	
	34905	34905-LBA7-E00	BULB WINKER 12V10W	BULB WINKER 12V10W	2	
	93903	93903-35360	SCREW TAPPING 5*16	SCREW TAPPING 5*16	4	





Sales mark	Ref no	Part no	Description	Reg description	Regd no	<b>F18</b>
33700		33700-LCA5-E00	LIGHT ASSY R RR COMB	LIGHT ASSY R RR COMB	1	
33701		33701-LCA5-E00	UNIT TAIL LIGHT R	UNIT TAIL LIGHT R	1	
33706		33706-GCN3-67A	COVER LICENSE	COVER LICENSE	1	
33709		33709-KBAB-003	PACKING LICENSE	PACKING LICENSE	1	
33710		33710-LCA5-E00	SOCKET COMP R RR COMB	SOCKET COMP R RR COMB	1	
33715		33715-LCA5-E00	SOCKET COMP L RR COMB	SOCKET COMP L RR COMB	1	
33720		33720-LCA5-E00	LIGHT ASSY LICENSE	LIGHT ASSY LICENSE	1	
33722		33722-KHB4-E00	BASE LICENSE	BASE LICENSE	1	
33725		33725-KHB4-E00	LENS LICENSE	LENS LICENSE	1	
33726		33726-LCA5-E00	SOCKET COMP	SOCKET COMP	1	
33740		33740-LCA5-E00	REFLECTOR ASSY R RR	REFLECTOR ASSY R RR	1	
33745		33745-LCA5-E00	REFLECTOR ASSY L RR	REFLECTOR ASSY L RR	1	
33750		33750-LCA5-E00	LIGHT ASSY L RR COMB	LIGHT ASSY L RR COMB	1	
33751		33751-LCA5-E00	UNIT TAIL LIGHT L	UNIT TAIL LIGHT L	1	
34903		34903-KPCP-900	BULB POSITION LIGHT 12V5W **KCP-	BULB POSITION LIGHT 12V5W **KCP-9000	1	
34905		34905-LCA5-E00	BULB WINKER (12V 10W)	BULB WINKER (12V 10W)	2	
34906		34906-KPCP-900	BULB TAIL & STOP	BULB TAIL & STOP	2	
91508		91508-KGV7-67A	SCREW TAPPING 4*14	SCREW TAPPING 4*14	2	
93903-34360		93903-34360	SCREW TAPPING 4X12	SCREW TAPPING 4X12	2	
93903-35260		93903-35260	SCREW TAPPING 5*12	SCREW TAPPING 5*12	10	





Sales mark	Ref no	Part no	Description	Reg description	Regd no	<b>F18</b>
------------	--------	---------	-------------	-----------------	---------	------------

94050

94050-05080

NUT FLANGE 5MM

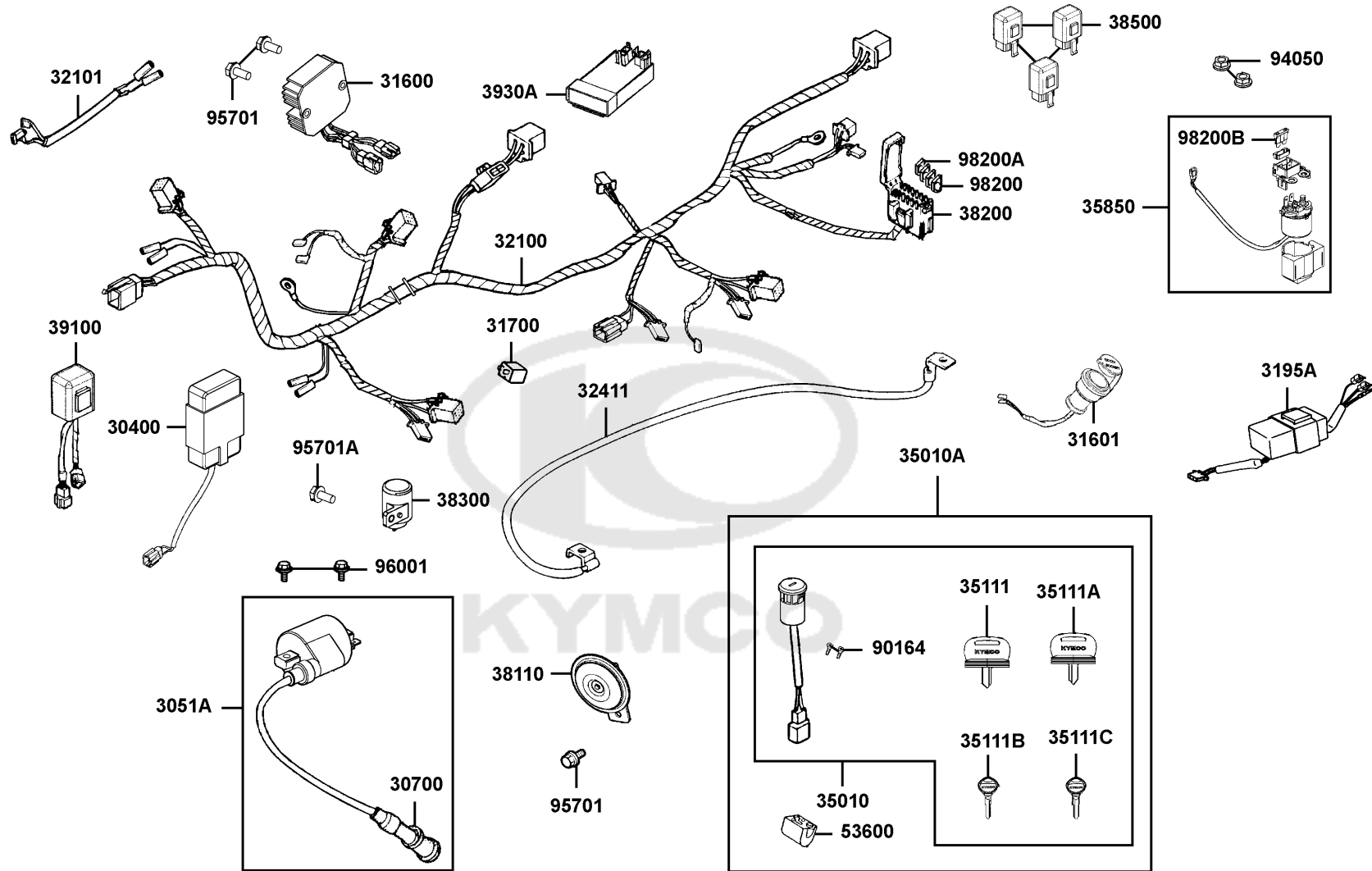
NUT FLANGE 5MM

2



F19

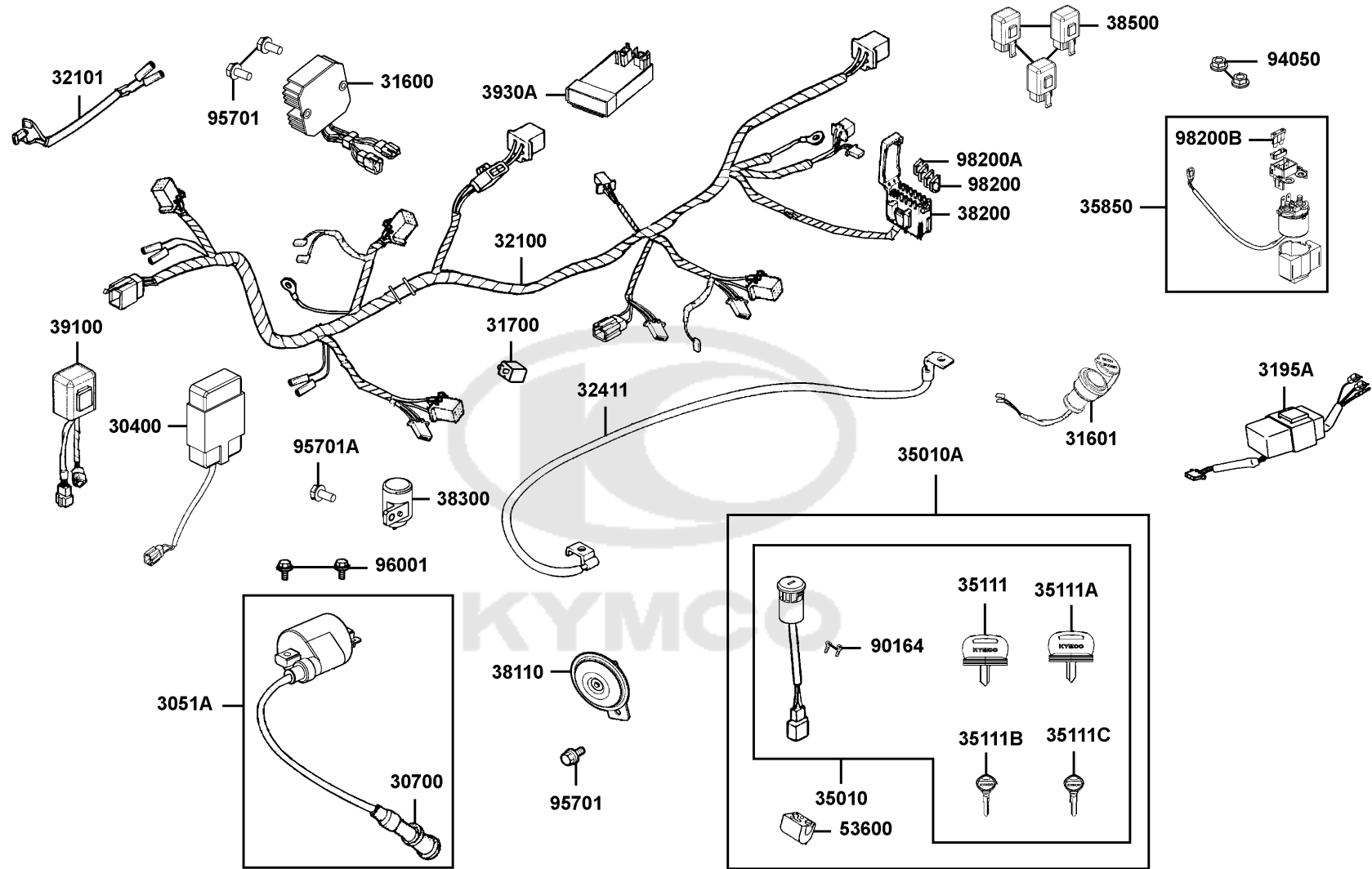
Harness Wire



Sales mark	Ref no	Part no	Description	Reg description	Regd no	F19
	30400	30400-LDB5-E00	UNIT ASSY IGNITION	UNIT ASSY IGNITION	1	
	3051A	3051A-LDB5-E00	COIL ASSY IGNITION	COIL ASSY IGNITION	1	
	30700	30700-LDB5-E00	CAP ASSY NOISE SUPPRESOR	CAP ASSY NOISE SUPPRESOR	1	
	31600	31600-LDB5-E00	REG REC COMP	REG REC COMP	1	
	31601	31601-LDB5-E00	SOCKET COMP DC 12V	SOCKET COMP DC 12V	1	
	31700	31700-KEC8-E00	RECTIFIER COMP DIODE	RECTIFIER COMP DIODE	1	
	3195A	3195A-LBA7-E00	HAZARD CONTROL ASSY	HAZARD CONTROL ASSY	1	
	32100	32100-LDB5-E00	HARNES WIRE	HARNES WIRE	1	
#	32101	32101-LLB1-MX0	SUB CORD	SUB CORD	1	
	32411	32411-LDB5-E00	CABLE BAT	CABLE BAT	1	
#	35010	35010-LCA5-90A	KEY SET (D206)	KEY SET (D206)	1	
	35010A	35010-LCA5-E0A	KEY SET	KEY SET	1	
	35111	35111-LCA5-325-M1	KEY COMP(FOR SERVICE)	KEY COMP(FOR SERVICE)	1	
	35111A	35111-LCA5-326-M1	KEY COMP(FOR SERVICE)	KEY COMP(FOR SERVICE)	1	
	35111B	35111-LLB1-327-M1	KEY COMP (FOR SERVICE)	KEY COMP (FOR SERVICE)	1	
	35111C	35111-LLB1-328-M1	KEY COMP (FOR SERVICE)	KEY COMP (FOR SERVICE)	1	
	35850	35850-LDB5-E00	SET START MAG	SET START MAG	1	
	38110	38110-LDB5-E00	HORN COMP	HORN COMP	1	
	38200	38200-KEBE-900	BOX COMP FUSE	BOX COMP FUSE	1	
	38300	38300-LBC6-90A	RELAY COMP WINKER	RELAY COMP WINKER	1	

F19

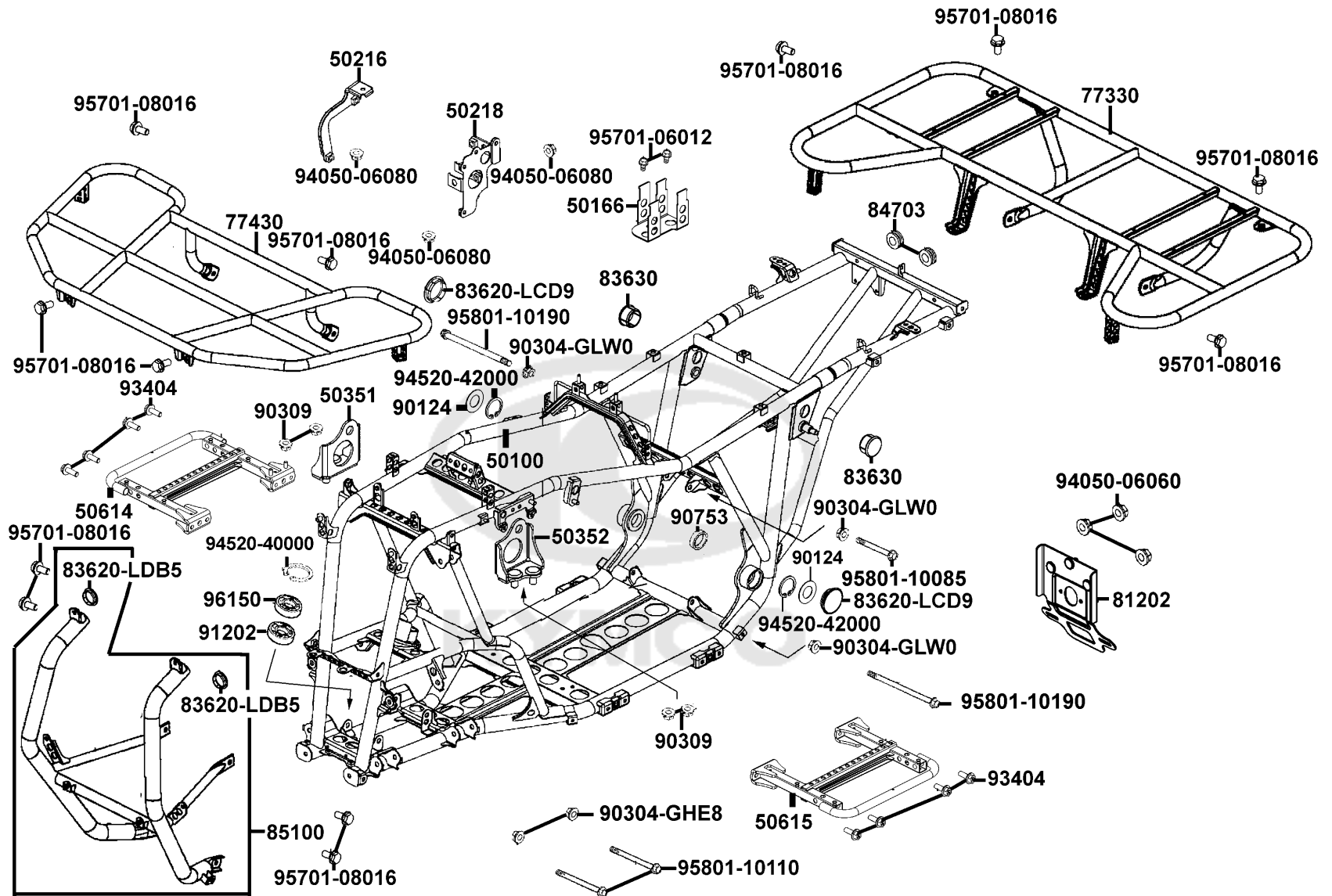
Harness Wire



Sales mark	Ref no	Part no	Description	Reg description	Regd no	F19
	38500	38500-LGL3-90A	RELAY ASSY LIGHT	RELAY ASSY LIGHT	1	
	39100	39100-LBA7-E00	EMI FILTER FAN MOTOR	EMI FILTER FAN MOTOR	1	
	3930A	3930A-LDB5-E00	CONTROL ASSY 2WD/4WD CHANGE	CONTROL ASSY 2WD/4WD CHANGE	1	
	53600	53600-KKAK-E0A	LOCK STEERING HNDL	LOCK STEERING HNDL	1	
	90164	90164-0H28-900	SCREW FLAT U LOCK 6*12	SCREW FLAT U LOCK 6*12	2	
	94050	94050-06080	NUT FLANGE 6MM	NUT FLANGE 6MM	2	
#	95701	95701-06012-06	BOLT FLANGE 6*12 **07 C.2005.07.01	BOLT FLANGE 6*12 **07 C.2005.07.01	1	
	95701A	95701-06016-06	BOLT FLANGE 6*16 (K)	BOLT FLANGE 6*16 (K)	3	
#	96001	96001-06016-06	BOLT FLANGE SH 6X16	BOLT FLANGE SH 6*16	1	
	98200	98200-31000	BLADE FUSE 10A **(0) C.2005.03.01	BLADE FUSE 10A **(0) C.2005.03.01	1	
	98200A	98200-31500	FUSE A15	FUSE A15	3	
	98200B	98200-33000	BLADE FUSE 30A	BLADE FUSE 30A	1	

F20

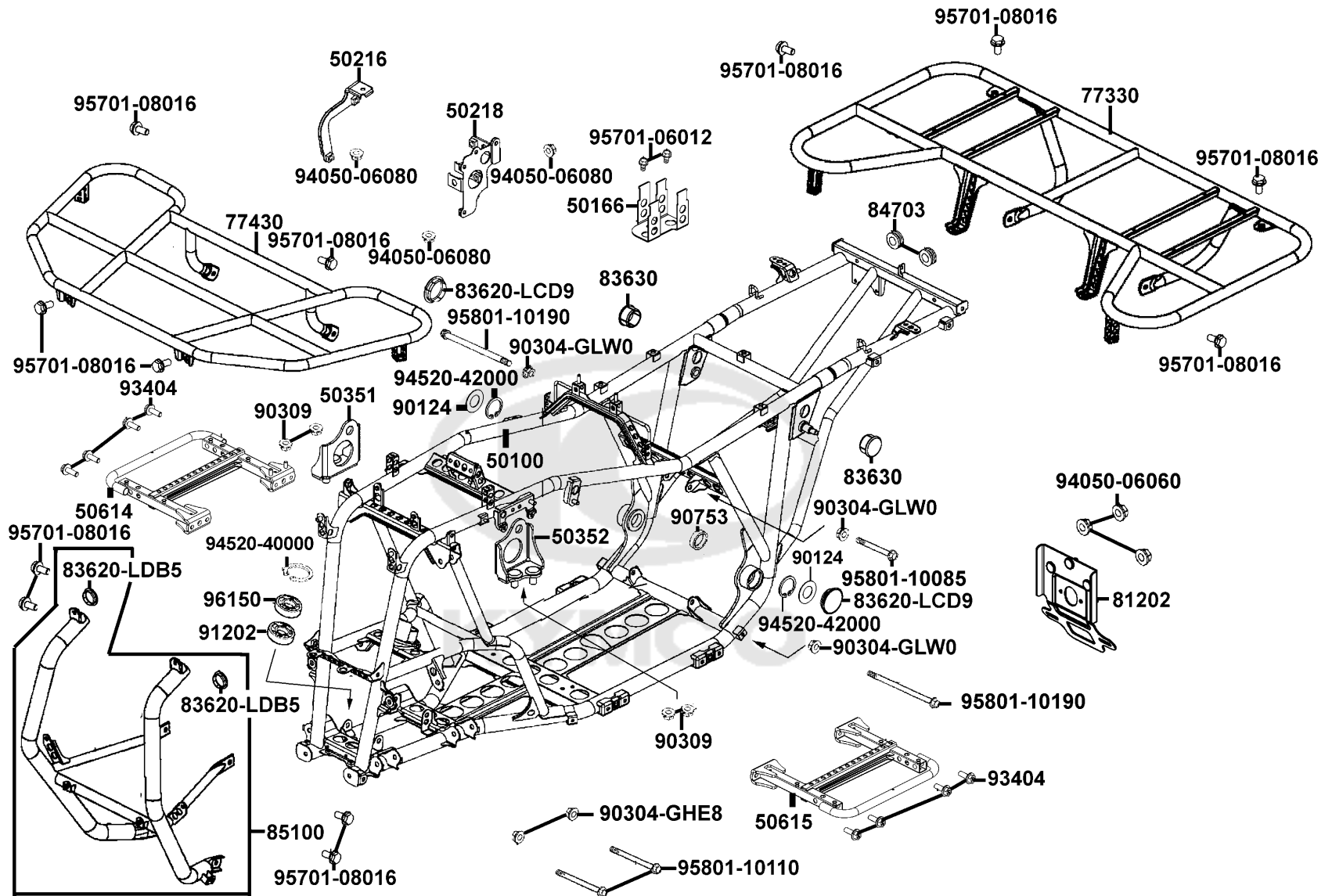
Frame Body



Sales mark	Ref no	Part no	Description	Reg description	Regd no	F20
	50100	50100-LDB5-E00	BODY COMP FRAME	BODY COMP FRAME	1	
	50166	50166-LDB5-E00	STAY START MAG SW	STAY START MAG SW	1	
	50216	50216-LDB5-E00	STAY CATCH TANK	STAY CATCH TANK	1	
	50218	50218-LDB5-E00	STAY ELE SET	STAY ELE SET	1	
	50351	50351-LDB5-E00	HANGER R ENGINE	HANGER R ENGINE	1	
	50352	50352-LDB5-E00	HANGER L ENGINE	HANGER L ENGINE	1	
	50614	50614-LDB5-E00	STAY R FLOOR PANEL	STAY R FLOOR PANEL	1	
#	50614	50614-LDB5-E01	STAY R FLOOR PANEL	STAY R FLOOR PANEL	1	
	50615	50615-LDB5-E00	STAY L FLOOR PANEL	STAY L FLOOR PANEL	1	
#	50615	50615-LDB5-E01	STAY L FLOOR PANEL	STAY L FLOOR PANEL	1	
**	77330	77330-LDB5-E00	REAR CARRIER LUGGAGE	REAR CARRIER LUGGAGE	1	
**	77430	77430-LDB5-E00	FRONT CARRIER LUGGAGE	FRONT CARRIER LUGGAGE	1	
	81202	81202-LDB5-E00	STAY NUMBER PLATE	STAY NUMBER PLATE	1	
	83620-LCD9	83620-LCD9-E00	CAP PIPE	CAP PIPE	2	
	83620-LDB5	83620-LDB5-E00	CAP PIPE	CAP PIPE	2	
	83630	83630-LDB5-E00	CAP PIPE	CAP PIPE	2	
	84703	84703-LLB1-900	RUBBER TAIL LIGHT	RUBBER TAIL LIGHT	2	
**	85100	85100-LDB5-E00	PIPE COMP FR BUMPER	PIPE COMP FR BUMPER	1	
#	90124	90124-LDB5-E00	WASHER 41X22X1.2	WASHER 41X22X1.2	2	
	90304-GHE8	90304-GHE8-004	NUT U 10MM	NUT U 10MM	2	

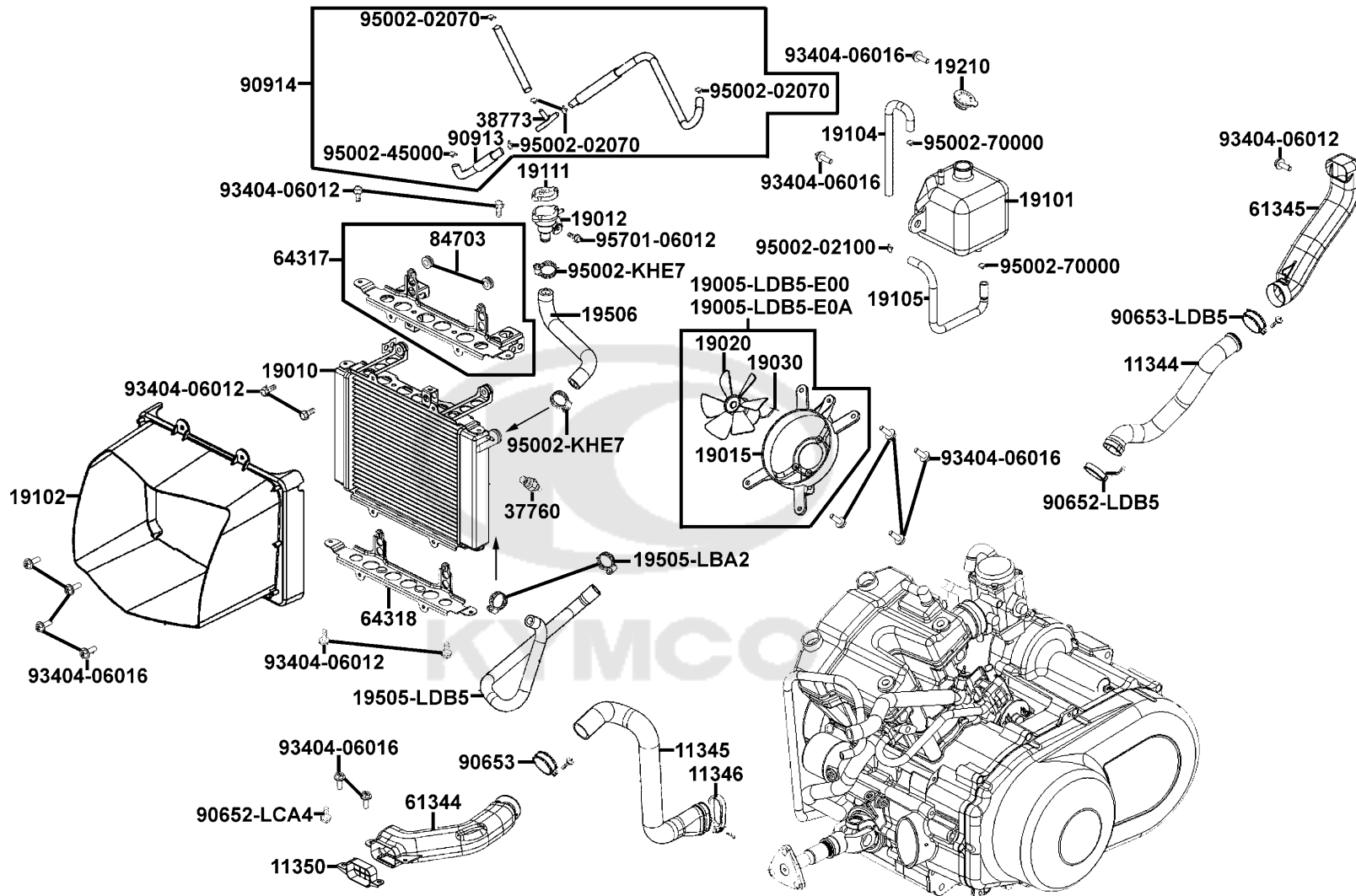
F20

Frame Body





Sales mark	Ref no	Part no	Description	Reg description	Regd no	<b>F20</b>
	90304-GLW0	90304-GLW0-90A	NUT U FLANGE 10MM	NUT U FLANGE 10MM	3	
	90309	90309-LBE8-900	U NUT 8MM	U NUT 8MM	4	
	90753	90753-GDB4-68A	OIL SEAL 27*40*6	OIL SEAL 27*40*6	1	
	91202	91202-LLB1-900	OIL SEAL 22*35*7	OIL SEAL 22*35*7	1	
	93404	93404-06016-06	BOLT WASHER 6*16	BOLT WASHER 6*16	8	
	94050-06060	94050-06060	NUT FLANGE 6MM	NUT FLANGE 6MM	3	
	94050-06080	94050-06080	NUT FLANGE 6MM	NUT FLANGE 6MM	3	
	94520-40000	94520-40000	CIR CLIP IN 40	CIR CLIP IN 40	1	
#	94520-42000	94520-42000	CIR CLIP IN 42MM	CIR CLIP IN 42MM	2	
#	95701-06012	95701-06012-06	BOLT FLANGE 6*12 **07 C.2005.07.01	BOLT FLANGE 6*12 **07 C.2005.07.01	2	
	95701-08016	95701-08016-06	BOLT FLANGE 8*16	BOLT FLANGE 8*16	12	
	95801-10085	95801-10085-06	BOLT FLANGE 10*85	BOLT FLANGE 10*85	1	
	95801-10110	95801-10110-06	BOLT FLANGE 10*110	BOLT FLANGE 10*110	2	
	95801-10190	95801-10190-06	BOLT FLANGE 10*190	BOLT FLANGE 10*190	2	
	96150	96150-62030-10	BEARING BALL RADIAL 6203	BEARING BALL RADIAL 6203	1	

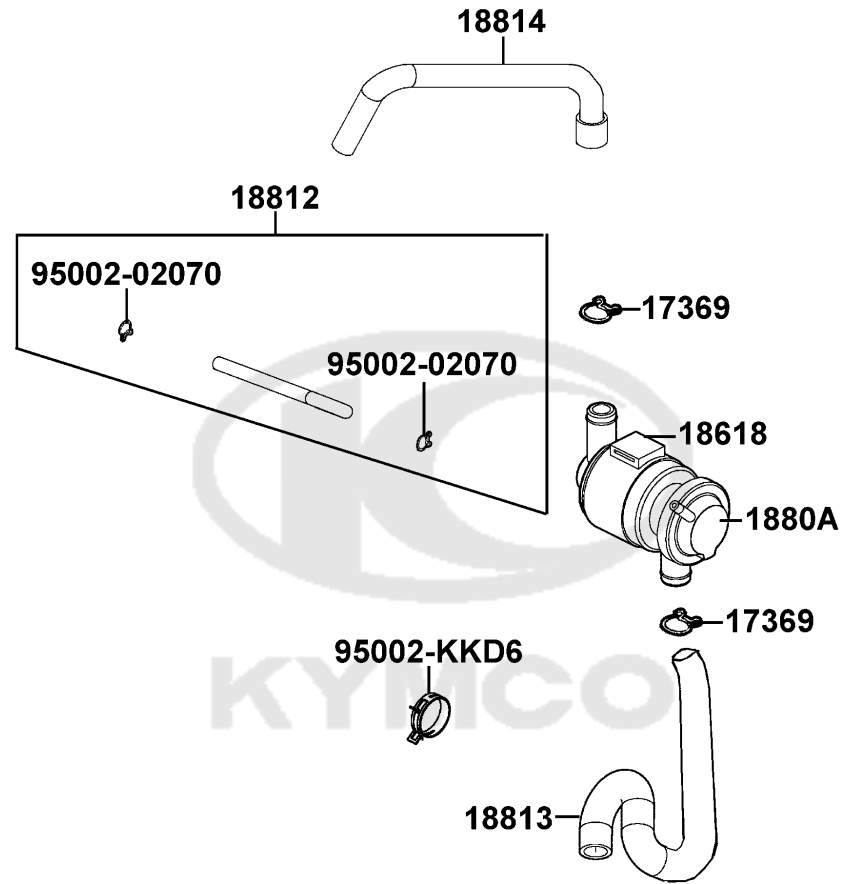


Sales mark	Ref no	Part no	Description	Reg description	Regd no	F21
	11344	11344-LDB5-E00	DUCT B L CASE**(3) C.V.	DUCT B L CASE**(3) C.V.	1	
	11345	11345-LDB5-E00	DUCT A L CASE**(1) C.2006.09.07	DUCT A L CASE**(1) C.2006.09.07	1	
	11346	11346-LDB5-E00	BAND 56*96 FRONT CVT	BAND 56*96 FRONT CVT	1	
	11350	11350-LDB5-E00	ELEMENT DUCT A L COVER	ELEMENT DUCT A L COVER	1	
#	19005-LDB5-E00	19005-LDB5-E00	SHROUD ASSY	SHROUD ASSY	2	
	19010	19010-LDB5-E00	RADIATOR COMP	RADIATOR COMP	1	
	19012	19012-KHD8-900	UNIT RADIATOR	UNIT RADIATOR	1	
	19015	19015-LBA2-E00	SHROUD COMP	SHROUD COMP	1	
	19020	19020-LBA2-E00	FAN COOLING	FAN COOLING	1	
	19030	19030-LDB5-E00	MOTOR ASSY FAN	MOTOR ASSY FAN	1	
	19101	19101-LDB5-E00	TANK RESERVE	TANK RESERVE	1	
# **	19102	19102-ALC1-E00	DUCT COOLING AIR	DUCT COOLING AIR	1	
	19104	19104-LDB5-E00	HOSE ASSY DRAIN	HOSE ASSY DRAIN	1	
	19105	19105-LDB5-E00	HOSE ASSY RESERVE TANK-PRESSURE	HOSE ASSY RESERVE TANK-PRESSURE	1	
	19111	19111-GBE2-004	CAP COMP	CAP COMP	1	
	19210	19210-KKC4-900	CAP RESERVE TANK	CAP RESERVE TANK	1	
	19505-LBA2	19505-LBA2-E00	CLAMP WATER HOSE	CLAMP WATER HOSE	2	
	19505-LDB5	19505-LDB5-E00	HOSE WATER F ENG-RADIATOR	HOSE WATER F ENG-RADIATOR	1	
	19506	19506-LDB5-E00	HOSE WATER G RADIATOR-PRESSURE	HOSE WATER G RADIATOR-PRESSURE	1	
	37760	37760-KHD8-900	SW ASSY THERMO	SW ASSY THERMO	1	



Sales mark	Ref no	Part no	Description	Reg description	Regd no	<b>F21</b>
	38773	38773-PKB9-001	JOINT 3 WAY 3.5	JOINT 3 WAY 3.5	1	
	61344	61344-LDB5-E00	CHAMBER L COVER DUCT	CHAMBER L COVER DUCT	1	
	61345	61345-LDB5-E00	CHAMBER L COVER DUCT	CHAMBER L COVER DUCT	1	
	64317	64317-LDB5-E00	STAY RADIATOR UPPER	STAY RADIATOR UPPER	1	
	64318	64318-LDB5-E00	STAY RADIATOR LOWER	STAY RADIATOR LOWER	1	
	84703	84703-LLB1-900	RUBBER TAIL LIGHT	RUBBER TAIL LIGHT	2	
	90652-LCA4	90652-LCA4-E00	CLIP MUDGUARD	CLIP MUDGUARD	1	
	90652-LDB5	90652-LDB5-E00	BAND 67 FRONT CVT DUCT	BAND 67 FRONT CVT DUCT	1	
	90653	90653-LDB5-E00	BAND 81 REAR CVT DUCT	BAND 81 REAR CVT DUCT	2	
	90913	90913-LDB5-E00	TUBE ASSY WATER PUMP-PRESSURE	TUBE ASSY WATER PUMP-PRESSURE VALVE	1	
	90914	90914-LDB5-E00	TUBE ASSY WATER	TUBE ASSY WATER	1	
	93404-06012	93404-06012-06	BOLT WASHER 6X12	BOLT WASHER 6X12	6	
	93404-06016	93404-06016-06	BOLT WASHER 6*16	BOLT WASHER 6*16	12	
	95002-02070	95002-02070	CLIP B7 TUBE	CLIP B7 TUBE	5	
	95002-02100	95002-02100	CLIP B15 TUBE	CLIP B15 TUBE	1	
	95002-45000	95002-45000	CLIP C8 TUBE	CLIP C8 TUBE	1	
	95002-70000	95002-70000	CLIP C11 TUBE	CLIP C11 TUBE	2	
	95002-KHE7	95002-KHE7-900	CLIP WATER HOSE	CLIP WATER HOSE	2	
#	95701	95701-06012-06	BOLT FLANGE 6*12 **07 C.2005.07.01	BOLT FLANGE 6*12 **07 C.2005.07.01	1	

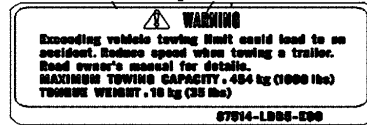
Air Injection Cut Valve



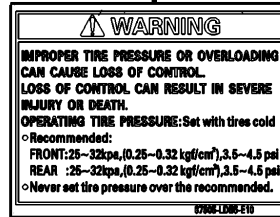
Sales mark	Ref no	Part no	Description	Reg description	Regd no	<b>F22</b>
	17369	17369-KDB4-671	CLIP BREATHER TUBE	CLIP BREATHER TUBE	2	
	18618	18618-LLF5-90A	RUBBER AICV MOUNT	RUBBER AICV MOUNT	1	
	1880A	1880A-LBA2-E0A	AI/C-AICV ASSY	AI/C-AICV ASSY	1	
	18812	18812-LDB5-E00	TUBE ASSY VACUUM	TUBE ASSY VACUUM	1	
	18813	18813-LDB5-E00	DUCT AICV-REED VALVE	DUCT AICV-REED VALVE	1	
	18814	18814-LDB5-E00	DUCT AIR-AICV	DUCT AIR-AICV	1	
	95002-02070	95002-02070	CLIP B7 TUBE	CLIP B7 TUBE	2	
	95002-KKD6	95002-KKD6-E05	CLAMP D18 TUBE	CLAMP D18 TUBE	1	



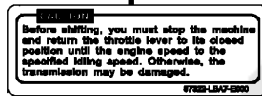
87514



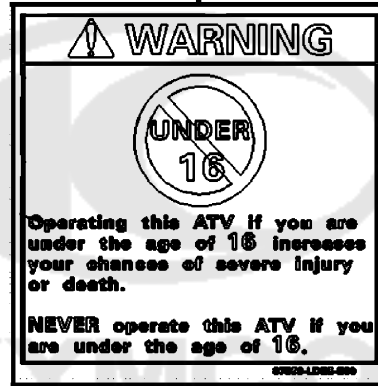
87505



87322



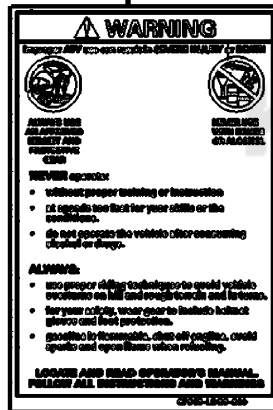
87517



L  
H  
Z  
R  
D

86302

87515



87556-LDB5-E01



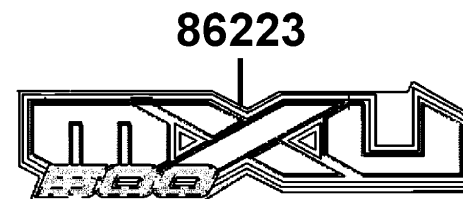
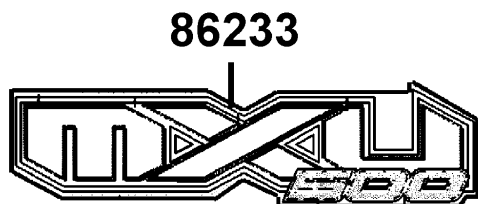
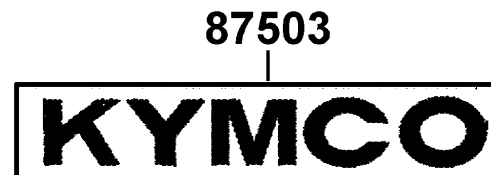
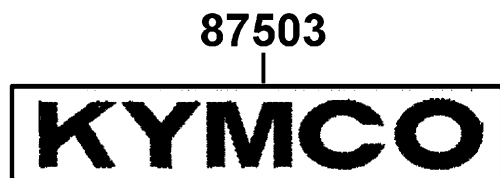
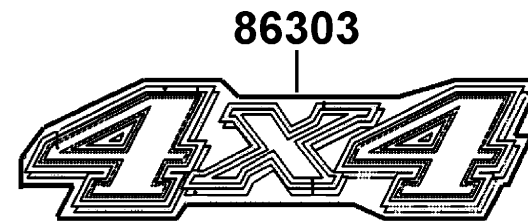
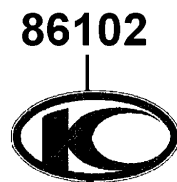
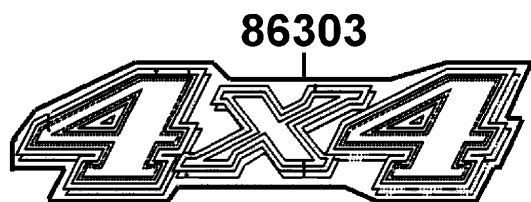
87556-LDB5-E00





Sales mark	Ref no	Part no	Description	Reg description	Regd no	F23
**	86302	86302-LDB5-E00	EMB GEAR REVEAL CHANGE	EMB GEAR REVEAL CHANGE	1	
**	87322	87322-LBA7-E00	CAUTION SHIFIT GEARS	CAUTION SHIFIT GEARS	1	
**	87505	87505-LDB5-E01	LABEL TIRE ON ROAD	LABEL TIRE ON ROAD	1	
**	87514	87514-LDB5-E00	CAUTION MAXIMUM CAPACITY	CAUTION MAXIMUM CAPACITY	1	
**	87515	87515-LDB5-E01	DRIVE WARNING LIST-ON ROAD	DRIVE WARNING LIST-ON ROAD	1	
**	87517	87517-LDB5-E00	CAUTION DRIVE AGE 16	CAUTION DRIVE AGE 16	1	
**	87556-LDB5-E00	87556-LDB5-E00	WARNING CARRIER MAX LOAD(45KG)	WARNING CARRIER MAX LOAD(45KG)	2	
**	87556-LDB5-E01	87556-LDB5-E01	WARNING CARRIER MAX LOAD(85KG)	WARNING CARRIER MAX LOAD(85KG)	2	

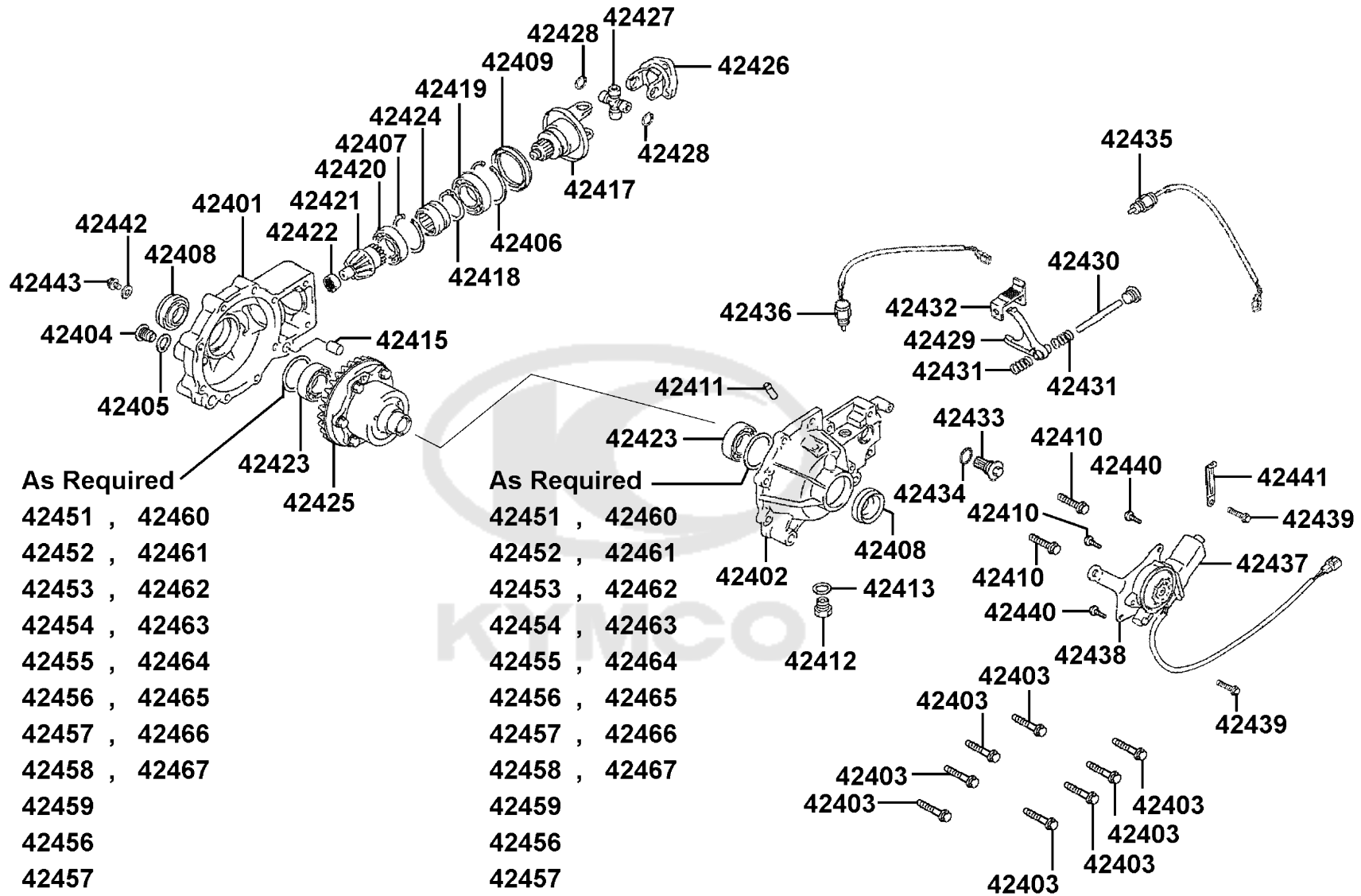




Sales mark	Ref no	Part no	Description	Reg description	Regd no	<b>F24</b>
**	86102	86102-LDB5-900	STRIPE K-LOGO 28.5MM	STRIPE K-LOGO 28.5MM	1	
**	86223	86223-LDB5-E00	STRIPE R FUEL TANK	STRIPE R FUEL TANK	1	
**	86233	86233-LDB5-E00	STRIPE L FUEL TANK	STRIPE L FUEL TANK	1	
**	86303	86303-LDB5-E00	STRIPE 4*4	STRIPE 4*4	2	
**	87503	87503-LDB5-900	STRIPE KYMCO 120MM	STRIPE KYMCO 120MM	2	
**	87532-LBE8	87532-LBE8-900	STRIPE KYMCO	STRIPE KYMCO	1	
**	87532-LCA5	87532-LCA5-900	STRIPE K-LOGO 60MM	STRIPE K-LOGO 60MM	1	



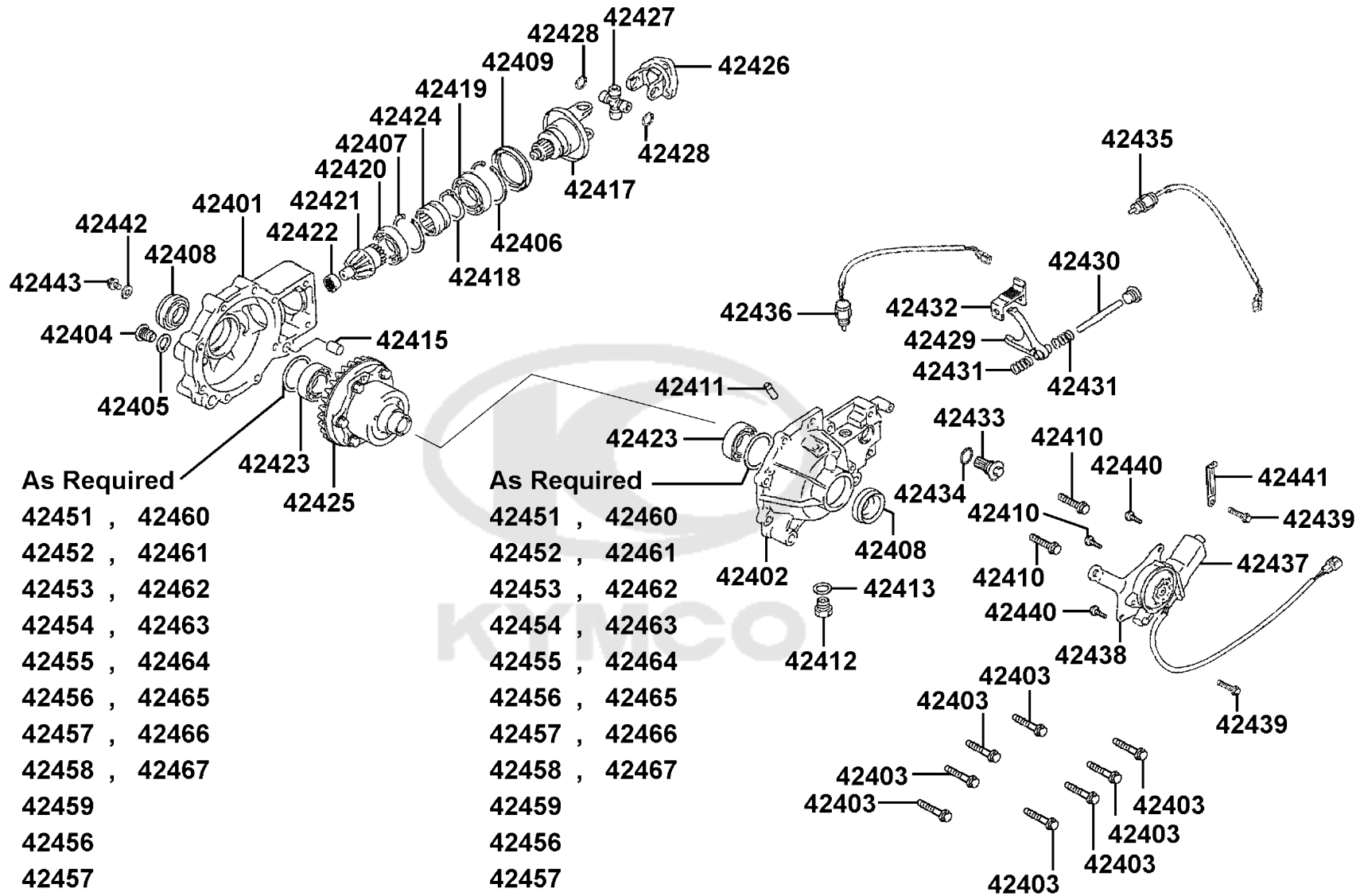
Separated Parts Of Fr Final Differential



Sales mark	Ref no	Part no	Description	Reg description	Regd no	<b>F25</b>
42401		42401-LDB5-E00	HSG-FINAL DRIVE FR	HSG-FINAL DRIVE FR	1	
42402		42402-LDB5-E00	COVER-FINAL DRIVE FR	COVER-FINAL DRIVE FR	1	
42403		42403-LDB5-E00	BOLT-FLANGE HEX HEAD TYPE2	BOLT-FLANGE HEX HEAD TYPE2	8	
42404		42404-LDB5-E00	PLUG-FILLER	PLUG-FILLER	1	
42405		42405-LDB5-E00	WASHER-DRAIN PLUG	WASHER-DRAIN PLUG	1	
42406		42406-LDB5-E00	RING-SNAP C TYPE2	RING-SNAP C TYPE2	1	
42407		42407-LDB5-E00	RING-SNAP	RING-SNAP	1	
42408		42408-LDB5-E00	SEAL-OIL OUTPUT	SEAL-OIL OUTPUT	2	
42409		42409-LDB5-E00	SEAL-OIL INPUT	SEAL-OIL INPUT	1	
42410		42410-LDB5-E00	BOLT-FLANGE HEX HEAD TYPE2	BOLT-FLANGE HEX HEAD TYPE2	2	
42411		42411-LDB5-E00	BRTHR-AIR	BRTHR-AIR	1	
42412		42412-LDB5-E00	PLUG-DRAIN	PLUG-DRAIN	1	
42413		42413-LDB5-E00	WASHER-DRAIN PLUG	WASHER-DRAIN PLUG	1	
42415		42415-LDB5-E00	COLLAR-DOWEL	COLLAR-DOWEL	1	
42417		42417-LDB5-E00	YOKE-ASSR	YOKE-ASSR	1	
42418		42418-LDB5-E00	RIG-SNAP C TYPE1	RIG-SNAP C TYPE1	1	
42419		42419-LDB5-E00	BRG BALL	BRG BALL	1	
42420		42420-LDB5-E00	BRG-PINION DRIVE	BRG-PINION DRIVE	1	
42421		42421-LDB5-E00	PINION-DRIVE	PINION-DRIVE	1	
42422		42422-LDB5-E00	BRG-NEEDLE PINION	BRG-NEEDLE PINION	1	

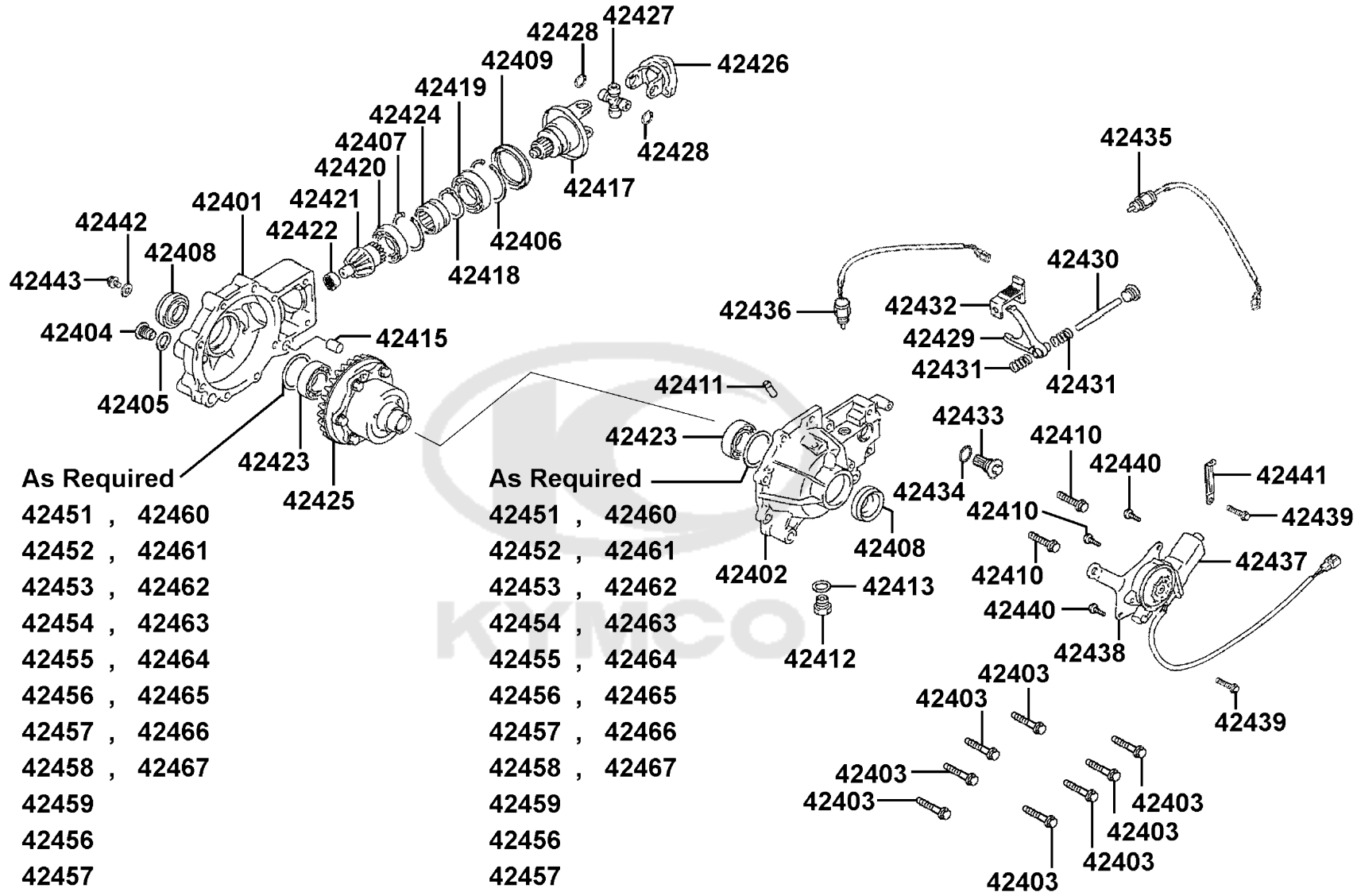
F25

Separated Parts Of Fr Final Differential



Sales mark	Ref no	Part no	Description	Reg description	Regd no	<b>F25</b>
42423		42423-LDB5-E00	BRG-BALL OUTPUT	BRG-BALL OUTPUT	2	
42424		42424-LDB5-E00	SLEEVE-CPLC	SLEEVE-CPLC	1	
42425		42425-LDB5-E00	ASSY GEAR-RING	ASSY GEAR-RING	1	
42426		42426-LDB5-E00	YOKE PROP SHAFT JOINT	YOKE PROP SHAFT JOINT	1	
42427		42427-LDB5-E00	JOINT ASSY CORSS	JOINT ASSY CORSS	1	
42428		42428-LDB5-E00	CIRCLIP	CIRCLIP	4	
42429		42429-LDB5-E00	FORK-SHIFT 2WD&4WD	FORK-SHIFT 2WD&4WD	1	
42430		42430-LDB5-E00	ROD-SHIFT	ROD-SHIFT	1	
42431		42431-LDB5-E00	SPR-SHIFT	SPR-SHIFT	2	
42432		42432-LDB5-E00	BRKT ROD 2WD&4WD	BRKT ROD 2WD&4WD	1	
42433		42433-LDB5-E00	GEAR-SHIFT	GEAR-SHIFT	1	
42434		42434-LDB5-E00	SEAL-O RING	SEAL-O RING	1	
42435		42435-LDB5-E00	SWICH COMPL 2WD	SWICH COMPL 2WD	1	
42436		42436-LDB5-E00	SWICH COMPL 4WD	SWICH COMPL 4WD	1	
42437		42437-LDB5-E00	DVC ASSY-FR DIFF CONT	DVC ASSY-FR DIFF CONT	1	
42438		42438-LDB5-E00	BRKT ACTR	BRKT ACTR	1	
42439		42439-LDB5-E00	BOLTS-HEXAGON HEAD WITH WASHER	BOLTS-HEXAGON HEAD WITH WASHER	2	
42440		42440-LDB5-E00	SCREW-MACHINE CYL HD TORX	SCREW-MACHINE CYL HD TORX	3	
42441		42441-LDB5-E00	CLAMP	CLAMP	1	
42442		42442-LDB5-E00	WASHER-LEVEL PLUG	WASHER-LEVEL PLUG	1	

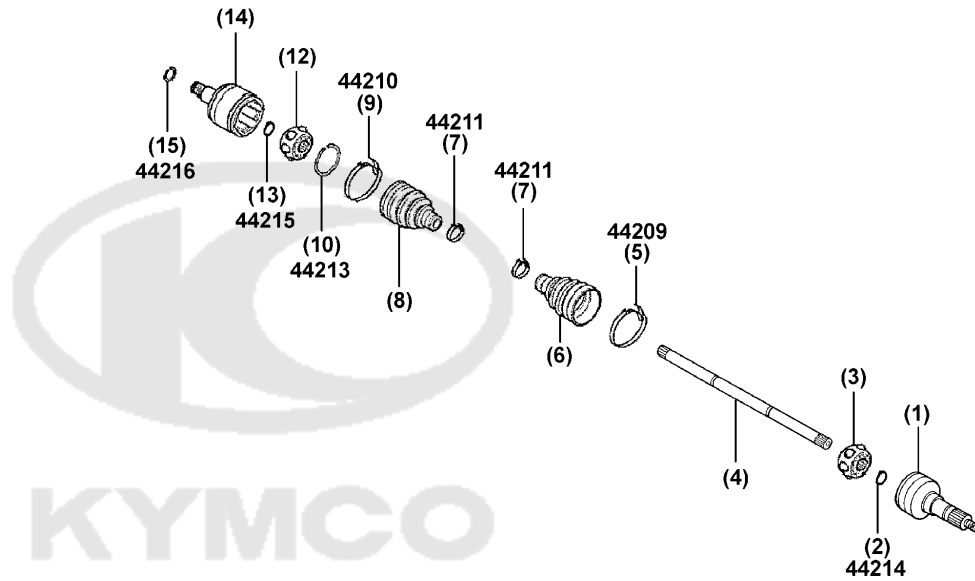
Separated Parts Of Fr Final Differential



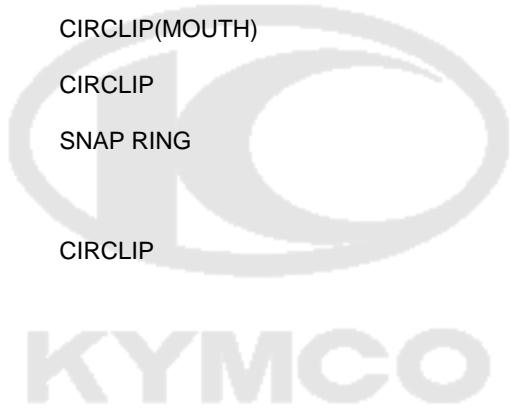


Sales mark	Ref no	Part no	Description	Reg description	Regd no	F25
42443		42443-LDB5-E00	PLUG-LEVEL	PLUG-LEVEL	1	
42451		42451-LDB5-E00	SHIM SIDE-BRG0.7MM(-0.04~+0.04)	SHIM SIDE-BRG0.7MM(-0.04~+0.04)	1	
42452		42452-LDB5-E00	SHIM SIDE-BRG0.75MM(-0.04~+0.04)	SHIM SIDE-BRG0.75MM(-0.04~+0.04)	1	
42453		42453-LDB5-E00	SHIM SIDE-BRG0.8MM(-0.04~+0.04)	SHIM SIDE-BRG0.8MM(-0.04~+0.04)	1	
42454		42454-LDB5-E00	SHIM SIDE-BRG0.85MM(-0.04~+0.04)	SHIM SIDE-BRG0.85MM(-0.04~+0.04)	1	
42455		42455-LDB5-E00	SHIM SIDE-BRG0.9MM(0~+0.05)	SHIM SIDE-BRG0.9MM(0~+0.05)	1	
42456		42456-LDB5-E00	SHIM SIDE-BRG0.95MM(0~+0.05)	SHIM SIDE-BRG0.95MM(0~+0.05)	1	
42457		42457-LDB5-E00	SHIM SIDE-BRG1.0MM(0~+0.05)	SHIM SIDE-BRG1.0MM(0~+0.05)	1	
42458		42458-LDB5-E00	SHIM SIDE-BRG1.05MM(0~+0.05)	SHIM SIDE-BRG1.05MM(0~+0.05)	1	
42459		42459-LDB5-E00	SHIM SIDE-BRG1.1MM(0~+0.05)	SHIM SIDE-BRG1.1MM(0~+0.05)	1	
42460		42460-LDB5-E00	SHIM SIDE-BRG1.15MM(0~+0.05)	SHIM SIDE-BRG1.15MM(0~+0.05)	1	
42461		42461-LDB5-E00	SHIM SIDE-BRG1.2MM(0~+0.05)	SHIM SIDE-BRG1.2MM(0~+0.05)	1	
42462		42462-LDB5-E00	SHIM SIDE-BRG1.25MM(0~+0.05)	SHIM SIDE-BRG1.25MM(0~+0.05)	1	
42463		42463-LDB5-E00	SHIM SIDE-BRG1.3MM(0~+0.05)	SHIM SIDE-BRG1.3MM(0~+0.05)	1	
42464		42464-LDB5-E00	SHIM SIDE-BRG1.35MM(0~+0.05)	SHIM SIDE-BRG1.35MM(0~+0.05)	1	
42465		42465-LDB5-E00	SHIM SIDE-BRG1.4MM(0~+0.05)	SHIM SIDE-BRG1.4MM(0~+0.05)	1	
42466		42466-LDB5-E00	SHIM SIDE-BRG1.45MM(0~+0.05)	SHIM SIDE-BRG1.45MM(0~+0.05)	1	
42467		42467-LDB5-E00	SHIM SIDE-BRG1.5MM(0~+0.05)	SHIM SIDE-BRG1.5MM(0~+0.05)	1	

Service Kit
44201
(1) (2) (3) (4) (5) (6) (7)x2 (9) (15) 45gr(Grease) 55gr(Grease)
44204
(9) (12) (14) (15) 55gr(Grease)
44207
(5) (6) (7)x2 (9) (15) 45gr(Grease) 55gr(Grease)
44208
(7) (8) (9) (15) 55gr(Grease)



Sales mark	Ref no	Part no	Description	Reg description	Regd no	F26
44201		44201-LDB5-305	WHEEL SIDE JOINT SERVICE KIT	WHEEL SIDE JOINT SERVICE KIT	1	
44204		44204-LDB5-305	DIFF SIDE JOINT SERVICE KIT	DIFF SIDE JOINT SERVICE KIT	1	
44207		44207-LDB5-305	WHEEL SIDE BOOT SERVICE	WHEEL SIDE BOOT SERVICE	1	
44208		44208-LDB5-305	DIFF SIDE BOOT SERVICE KIT	DIFF SIDE BOOT SERVICE KIT	1	
44209		44209-LDB5-E00	BOOT-BAND(L)	BOOT-BAND(L)	1	
44210		44210-LDB5-E00	BOOT-BAND(L)	BOOT-BAND(L)	1	
44211		44211-LDB5-E00	BOOT-BAND(S)	BOOT-BAND(S)	2	
44213		44213-LDB5-E00	CIRCLIP(MOUTH)	CIRCLIP(MOUTH)	1	
44214		44214-LDB5-E00	CIRCLIP	CIRCLIP	1	
44215		44215-LDB5-E00	SNAP RING	SNAP RING	1	
44216		44216-LDB5-E00	CIRCLIP	CIRCLIP	1	



## PART NO. INDEX

PART NO.	VERSION	PAGE	PART NO.	VERSION	PAGE	PART NO.	VERSION	PAGE
			1230-842-2000	0	E09	11442-LDB5-900	3	E05
			1230-922-7000	0	E09	11443-LDB5-900	5	E05
			1290-874-2000	0	E09	11451-LDB5-E00	4	E05
0110-803-1100	0	E09	1290-875-2000	0	E09	11495-LDB5-E00	3	E05
0301-800-2000	0	E09	1290-945-2000	0	E09	11496-LDB5-E00	4	E01
0301-803-2000	0	E09	1290-A60-2000	0	E09	11700-LDB5-E00	2	E04
0405-019-1000	0	E09	1300-196-2001	0	E09	11701-LDB5-E00	1	E04
0803-815-0000	0	E09	1402-828-2601	0	E09	11702-LDB5-E00	2	E04
0901-069-6000	0	E09				11703-LDB5-E00	2	E04
			<b>11000</b>			11704-LCA5-E00	1	E04
			1110A-LDB5-E00	0	E01	11706-LDB5-E00	1	E04
1028-816-7000	0	E09	1119A-LDB5-E00	4	E01	11707-LDB5-E00	1	E04
1029-811-7001	0	E09	11203-LDB5-E00	3	F14	11708-LCA5-E00	1	E04
1029-852-7000	0	E09	11330-LDB5-E00	6	E04	11710-LDB5-E00	0	E04
1029-853-7000	0	E09	11341-LDB5-E00	4	E01	<b>12000</b>		
1030-905-2100	0	E09	11341-LDB5-E00	5	E01	12100-LBA2-E00	9	E03
1034-868-2400	0	E09	11344-LDB5-E00	4	F21	12100-LDB5-E00	7	E03
1052-829-2100	0	E09	11345-LDB5-E00	2	F21	12103-LBA2-E00	1	E03
1166-807-2200	0	E09	11346-LDB5-E00	2	F21	12191-LBA2-E00	9	E03
1198-816-2000-3	0	E09	11348-LDB5-E00	2	E04	12191-LDB5-E00	2	E03
1201-869-2100	0	E09	11350-LDB5-E00	3	F21	12205-KHE8-301	5	E02
1202-855-6000	0	E09	11394-LDB5-E00	3	E04	12206-LBA2-E00	4	E02
120A-A72H-0000	0	E09	11395-LDB5-E00	1	E01	12208-LBA2-E00	3	E02
1229-801-7000	0	E09	11441-LDB5-910	1	E05	12209-GDB4-68B	0	E02
1230-808-2001	0	E09	11441-LDB5-E00	3	E05			

## PART NO. INDEX

PART NO.	VERSION	PAGE	PART NO.	VERSION	PAGE	PART NO.	VERSION	PAGE
1220A-LDG7-900	5	E02	14104-LBA2-E00	1	E02	14611-LBA2-E00	3	E02
1220C-LBA2-E00	1	E02	14105-GEN5-910	0	E02	14711-LDG7-900	1	E02
12251-LBA2-E00	4	E03	1411A-LBA2-E00	11	E02	14721-LBA2-E00	1	E02
12302-LBA2-E00	3	E02	1412A-LDG7-E00	4	E02	14751-LBA2-E00	1	E02
12303-LBA2-E00	4	E02	14153-LBA2-E00	3	E02	14761-LDG7-900	1	E02
12304-LBA2-E00	1	E02	14154-LBA2-E00	1	E02	14771-KED9-900	2	E02
12306-LBA2-E00	0	E02	14321-KED9-900	5	E02	14777-LBA2-E00	4	E02
12310-LDB5-E00	3	E02	14321-LBA2-E00	2	E02	14781-MFA6-001	0	E02
12311-KBE2-900	4	E02	14401-LBA2-E00	1	E03			
12361-GFY6-901	1	E01	14451-LBA2-E00	3	E02	<b>15000</b>		
12361-GFY6-901	1	F16	14510-LDB5-E00	5	E03			
12391-LBA2-E00	1	E02	14520-LDB5-E00	4	E03	15100-LDB5-E00	5	E06
			14523-KED9-920	1	E03	15133-LBA2-E00	2	E06
<b>13000</b>			14531-KED9-900	4	E03	15138-LDB5-E00	4	E06
			14531-KED9-900	4	E07	15141-LDB5-E00	1	E06
1300A-LDB5-308	5	E03	14546-LBA2-E00	4	E02	15200-KED9-900	7	E01
1300A-LDB5-309	1	E03	14550-LBA2-E00	4	E03	1541A-LBA2-E00	2	E01
13011-LBA2-E0A	1	E03	14552-KGBG-900	2	E02	15421-1G07-001	1	E01
13011-LBA2-E0B	0	E03	14553-LBA2-E00	1	E03	15421-LBA2-E00	3	E01
13101-LDG7-E00	2	E03	14554-KAM1-004	0	E03	15426-GAE1-921	0	E01
13111-LBA2-E00	4	E03	14555-LBA2-E00	2	E03	15520-LDB5-E00	1	E01
			14557-LBA2-E00	2	E03	1565A-PWA1-900	1	E04
<b>14000</b>			14558-LBA2-E00	2	E03	15661-LBA7-900	1	E01
			14559-LBA2-E00	1	E03	15711-LDB5-E00	1	E06
14102-LDG7-E00	1	E02	14560-LBA2-E00	1	E03			
14103-GEN5-912	0	E02	14610-LBA2-E00	5	E03			

## PART NO. INDEX

PART NO.	VERSION	PAGE	PART NO.	VERSION	PAGE	PART NO.	VERSION	PAGE
<b>16000</b>			17369-KHC4-900	0	F13	18371-LBA2-E00	2	F14
			17375-KED9-900	1	F13	18391-LBA2-E00	1	F14
			17500-LDB5-E00	8	F10	18532-6D34-671	0	F13
16075-KG8-9010-M1	0	E09	17522-LLB1-900	1	F10	18601-KBE2-900	4	E02
1610K-LDB5-E01	0	E09	17524-LLB1-900	1	F10	18612-KFB5-900	1	E02
1691A-GFY6-90A	4	F10	17550-LDB5-E00	2	F10	18613-LDB5-E00	2	E02
16950-LDB5-E01	4	F10	17560-LDB5-E00	1	F12	18618-LLF5-90A	2	F22
16951-LDB5-E00	2	F10	1760A-LDB5-E00	1	F10	18645-LBA2-E00	1	E02
16952-LLB1-900	1	F10	1763A-LDB5-MY0	2	F10	18646-GFY6-941	0	E02
<b>17000</b>			17700-LDB5-E00	2	F05	18647-LBA2-E00	4	E02
			17705-LDB5-E00	2	F05	18657-LDB5-E00	2	F13
			17720-LBA7-900	1	F05	18658-KED9-900	2	F13
17104-LDB5-E00	2	E02	17910-LDB5-E00	4	F03	18659-LDB5-E00	2	F13
17113-LBA2-E00	2	E02	17950-LDB5-E00	3	F03	1880A-LBA2-E0A	2	F22
1711A-LDB5-E00	3	E02	17957-LDB5-E00	2	F10	18812-LDB5-E00	1	F22
17200-LDB5-E00	9	F13	<b>18000</b>			18813-LDB5-E00	1	F22
17214-LDB5-E00	2	F13				18814-LDB5-E00	1	F22
1721A-LDB5-E00	2	F13				<b>19000</b>		
17231-LDB5-E00	5	F13	18291-LKM5-E00	3	F14	19005-LDB5-E00	3	F21
17237-KED9-900	3	F13	1830A-LDB5-E00	7	F14	19010-LDB5-E00	2	F21
1723A-LDB5-E00	3	F13	18310-LDB5-E00	9	F14	19012-KHD8-900	4	F21
17246-LBA7-900	2	F13	18317-LDB5-E00	3	F14	19015-LBA2-E00	0	F21
17257-LDB5-E00	3	F13	18318-LDB5-E00	2	F14	19020-LBA2-E00	0	F21
17265-LBA7-900	1	F13	18320-LDB5-E00	2	F14	19030-LDB5-E00	2	F21
17369-KDB4-671	1	F13	18325-LDB5-E00	3	F14			
17369-KDB4-671	1	F22	18328-LDB5-E00	4	F14			

## PART NO. INDEX

PART NO.	VERSION	PAGE	PART NO.	VERSION	PAGE	PART NO.	VERSION	PAGE
19101-LDB5-E00	4	F21						
19102-ALC1-E00	2	F21	<b>21000</b>			<b>23000</b>		
19104-LDB5-E00	1	F21						
19105-LDB5-E00	2	F21	21124-LDB5-E00	0	E05	23010-LDB5-E00	4	E05
19111-GBE2-004	1	F21				23100-LDB5-E00	2	E05
19200-LDB5-E00	5	E04	<b>22000</b>			23200-LDB5-E00	3	E05
19210-KKC4-900	0	F21				23201-LDB5-E00	0	E05
19300-LBA2-E00	1	E04	22102-LDB5-E00	3	E05	23210-LDB5-E00	4	E08
19310-LDB5-E00	2	E04	22105-LDB5-E00	3	E05	23220-LDB5-E00	2	E05
19315-LBA2-E00	2	E04	22110-LDB5-E00	5	E05	23225-LDB5-E00	0	E05
19316-LDB5-E00	2	E04	22121-LDB5-305	0	E05	23226-GHC8-004	0	E05
19317-LBA2-E00	1	E04	22121-LFE9-305	0	E05	23233-LDB5-E00	1	E05
19318-LDB5-E00	2	E04	22127-LDB5-E00	0	E05	23237-LDB5-E00	1	E05
19502-LDB5-E00	3	E04	22128-LDB5-E00	0	E05	23238-LDB5-E00	1	E05
19504-LBA2-E00	3	E04	22131-LDB5-E00	3	E05	2341A-LDB5-900	2	E07
19504-LDB5-E00	3	E04	22132-LDB5-305	0	E05	23421-LDB5-E00	4	E07
19505-LBA2-E00	4	E04	22402-LDB5-E00	0	E05	23431-LDB5-E00	5	E08
19505-LBA2-E00	4	F21	2261A-LDB5-900	3	E05	23450-LDB5-E00	2	E07
19505-LDB5-E00	4	E04	2261A-LDB5-E00	5	E05	2345A-LDB5-E00	4	E08
19505-LDB5-E00	4	F21	22631-LDB5-E00	0	E05	23471-LDB5-E00	3	E07
19506-LDB5-E00	1	F21	22641-LDB5-E00	2	E05	23473-LDB5-E00	3	E07
19507-LBA2-E00	1	E04	2266A-LDB5-910	2	E05	23481-LDB5-E00	3	E07
19523-LDB5-E00	2	E04	2266A-LDB5-E00	5	E05	23500-LDB5-E00	2	E07
						23510-LDB5-900	2	E07
						23518-LKM5-E00	4	E08
						23519-LKM5-E00	4	E08

## PART NO. INDEX

PART NO.	VERSION	PAGE	PART NO.	VERSION	PAGE	PART NO.	VERSION	PAGE
23610-LDB5-E00	1	E07	24710-LDB5-E00	2	F15	31120-LDB5-E01	5	E06
23611-LDB5-E00	8	E07	24711-LDB5-E00	3	F15	31120-LDB5-E0D	5	E06
23612-LDB5-E00	3	E07	24721-LDB5-E00	1	F15	31210-LBA2-E00	4	E06
23613-LDB5-E00	7	E07	24781-LCA5-E00	3	F15	31350-LDB5-E0A	2	E01
23614-LDB5-E00	6	E07				31500-LDB5-E0A	5	F11
2362A-LDB5-E00	1	E01	<b>28000</b>			31500-LDB5-E0B	5	F11
<b>24000</b>			28100-LDB5-E00	2	E06	31600-LDB5-E00	5	F19
			28100-LKM5-E00	2	E06	31601-LDB5-E00	4	F19
24211-LDB5-E00	4	E07	28103-LDB5-E00	3	E06	31700-KEC8-E00	1	F19
24221-LDB5-E00	2	E07	28110-LDB5-E00	1	E06	3195A-LBA7-E00	1	F19
24241-LDB5-E00	1	E07	28110-LKA8-E00	2	E06	<b>32000</b>		
24242-LDB5-E00	4	E07	28120-KKE5-E00	1	E06			
24251-LDB5-E00	4	E07	28210-LDB5-E00	4	E04	32100-LDB5-E00	8	F19
24305-LDB5-E00	2	E07	28310-LDB5-E00	1	E04	32101-LLB1-MX0	2	F19
2431A-LDB5-E00	4	E07	<b>30000</b>			32161-4D04-001	2	F03
24610-LDB5-E00	4	E07				32410-LDB5-E00	2	E06
24651-LDB5-E00	4	E07				32411-LDB5-E00	2	F19
24700-LDB5-E00	1	F15	30400-LDB5-E00	3	F19	32412-LDB5-E00	5	E04
24701-LDB5-E00	2	E07	3051A-LDB5-E00	3	F19	<b>33000</b>		
24702-LDB5-E00	4	F15	30700-LDB5-E00	2	F19			
24703-LDB5-E00	5	F15						
24704-LBA7-900	4	F15	<b>31000</b>			33100-LDB5-E00	3	F01
24705-LDB5-E00	3	F15				33110-LDB5-E00	0	F01
24706-LDB5-E00	1	F15	31110-LDB5-E01	2	E06	33120-LDB5-E00	0	F01
24707-LDB5-E00	7	F15	31110-LDB5-E0D	1	E06	33130-LDB5-E00	0	F01



## PART NO. INDEX

PART NO.	VERSION	PAGE	PART NO.	VERSION	PAGE	PART NO.	VERSION	PAGE
33150-LDB5-E00	3	F01	34905-LCA5-E00	0	F18	37760-KHD8-900	1	F21
33400-LCA5-E00	2	F17	34906-KPCP-900	0	F18	37801-LAB4-910	1	F10
33401-LCA5-E00	0	F17				3780A-LDB5-E00	2	F10
33450-LCA5-E00	2	F17	<b>35000</b>			<b>38000</b>		
33451-LCA5-E00	0	F17						
33700-LCA5-E00	5	F18	35010-LCA5-90A	2	F19			
33701-LCA5-E00	0	F18	35010-LCA5-E0A	2	F19	38110-LDB5-E00	3	F19
33706-GCN3-67A	0	F18	35111-LCA5-325-M1	0	F19	38200-KEBE-900	0	F19
33709-KBAB-003	0	F18	35111-LCA5-326-M1	0	F19	38300-LBC6-90A	2	F19
33710-LCA5-E00	0	F18	35111-LLB1-327-M1	0	F19	38500-LGL3-90A	5	F19
33715-LCA5-E00	0	F18	35111-LLB1-328-M1	0	F19	38773-PKB9-001	0	F21
33720-LCA5-E00	2	F18	3515A-LDB5-E00	4	F03			
33722-KHB4-E00	0	F18	3520A-LDB5-E00	1	F03	<b>39000</b>		
33725-KHB4-E00	0	F18	35340-LDB5-900	0	F04			
33726-LCA5-E00	0	F18	35350-KNBN-901	0	F04	39100-LBA7-E00	1	F19
33740-LCA5-E00	1	F18	35350-PWA2-900	1	F15	3930A-LDB5-E00	2	F19
33745-LCA5-E00	1	F18	35357-LDB5-E00	3	F15			
33750-LCA5-E00	5	F18	35759-LDB5-E00	5	E01	<b>40000</b>		
33751-LCA5-E00	0	F18	35850-LDB5-E00	1	F19			
<b>34000</b>			<b>37000</b>			40211-LCD9-E00	3	E08
						40211-LDB5-E00	1	E08
						40212-LDB5-E00	4	E08
34901-KFA6-900	0	F01	37200-LDB5-E00	2	F02	40213-LCD9-E00	2	E08
34903-KPCP-900	0	F01	37200-LDB5-E0A	2	F02	40213-LDB5-E00	1	E08
34903-KPCP-900	0	F18	37720-KGB5-900	0	E02	40214-LDB5-E00	4	E08
34905-LBA7-E00	0	F17	37750-PAC1-005	0	E02	40401-LDB5-E00	4	E08

## PART NO. INDEX

PART NO.	VERSION	PAGE	PART NO.	VERSION	PAGE	PART NO.	VERSION	PAGE
4040A-LDB5-E00	6	E08				42423-LDB5-E00	0	F25
40411-LDB5-E00	1	E08	<b>42000</b>			42424-LDB5-E00	0	F25
40414-LDB5-E00	3	E08				42425-LDB5-E00	0	F25
40415-LDB5-E00	1	E08	42302-LDB5-E01	1	F16	42426-LDB5-E00	0	F25
40416-LDB5-E00	2	E08	42303-LDB5-E00	2	F16	42427-LDB5-E00	0	F25
40420-LDB5-E00	1	E08	42400-LDB5-E00	2	F07	42428-LDB5-E00	0	F25
<b>41000</b>			42401-LDB5-E00	0	F25	42429-LDB5-E00	0	F25
			42402-LDB5-E00	0	F25	42430-LDB5-E00	0	F25
			42403-LDB5-E00	0	F25	42431-LDB5-E00	0	F25
41300-LDB5-E00	2	F16	42404-LDB5-E00	0	F25	42432-LDB5-E00	0	F25
41310-LDB5-E00	2	F16	42405-LDB5-E00	0	F25	42433-LDB5-E00	0	F25
41320-LDB5-E00	2	F16	42406-LDB5-E00	0	F25	42434-LDB5-E00	0	F25
41405-LDB5-E00	1	F16	42407-LDB5-E00	0	F25	42435-LDB5-E00	0	F25
41421-LDB5-E00	2	F16	42408-LDB5-E00	0	F25	42436-LDB5-E00	0	F25
41431-LDB5-E00	2	F16	42409-LDB5-E00	0	F25	42437-LDB5-E00	0	F25
41436-LCD9-E00	2	F16	42410-LDB5-E00	0	F25	42438-LDB5-E00	0	F25
41437-LCD9-E00	2	F16	42411-LDB5-E00	0	F25	42439-LDB5-E00	0	F25
41438-LDB5-E00	2	F16	42412-LDB5-E00	0	F25	42440-LDB5-E00	0	F25
41447-LDB5-E00-A	2	F16	42413-LDB5-E00	0	F25	42441-LDB5-E00	0	F25
41447-LDB5-E00-B	2	F16	42415-LDB5-E00	0	F25	42442-LDB5-E00	0	F25
41447-LDB5-E00-C	2	F16	42417-LDB5-E00	0	F25	42443-LDB5-E00	0	F25
41547-LDB5-E00-A	2	F16	42418-LDB5-E00	0	F25	42451-LDB5-E00	0	F25
41547-LDB5-E00-B	2	F16	42419-LDB5-E00	0	F25	42452-LDB5-E00	0	F25
41547-LDB5-E00-C	2	F16	42420-LDB5-E00	0	F25	42453-LDB5-E00	0	F25
			42421-LDB5-E00	0	F25	42454-LDB5-E00	0	F25
			42422-LDB5-E00	0	F25	42455-LDB5-E00	0	F25

## PART NO. INDEX

PART NO.	VERSION	PAGE	PART NO.	VERSION	PAGE	PART NO.	VERSION	PAGE
42456-LDB5-E00	0	F25	43127-LDB5-E00	4	F04	44705-LDB5-E0A	2	F07
42457-LDB5-E00	0	F25	43128-LBA7-900	1	F04	4470A-LDB5-E00	4	F07
42458-LDB5-E00	0	F25	43200-LDE9-E00	4	F08	44710-LDB5-E0A	2	F07
42459-LDB5-E00	0	F25	43351-LDB5-E00	2	F08	44710-LDB5-E0B	2	F07
42460-LDB5-E00	0	F25	43352-KKD6-E90	1	F08			
42461-LDB5-E00	0	F25	43450-LDB5-E00	4	F04	<b>45000</b>		
42462-LDB5-E00	0	F25	43500-LDB5-E00	2	F15			
42463-LDB5-E00	0	F25	43505-LDB5-E00	0	F15	45100-PWA1-900	3	F07
42464-LDB5-E00	0	F25	43514-4E45-77A	0	F15	45105-PWA1-305	0	F07
42465-LDB5-E00	0	F25	43530-LDB5-305	0	F04	45105-PWA1-305	0	F08
42466-LDB5-E00	0	F25	43600-LDB5-E00	5	F04	45107-KFA6-900	0	F08
42467-LDB5-E00	0	F25				45107-PWA1-900	0	F07
42705-LDB5-E0A	2	F08	<b>44000</b>			45108-LBA7-900	0	F07
4270A-LDB5-E00	5	F08				45108-LBA7-900	0	F08
42710-LDB5-E0A	2	F08	44200-LDB5-E00	6	F07	45109-KFA6-900	0	F08
42710-LDB5-E0B	2	F08	44201-LDB5-305	0	F26	45109-PWA1-900	0	F07
42750-LDB1-700	2	F09	44204-LDB5-305	0	F26	45109-PWA1-900	0	F08
42753-KNBN-90B	1	F07	44207-LDB5-305	0	F26	45110-LBA7-305	0	F07
42753-KNBN-90B	1	F08	44208-LDB5-305	0	F26	45110-LDB5-305	0	F08
4280A-LDB5-E00	5	F08	44209-LDB5-E00	0	F26	45110-LDE9-305	0	F08
			44210-LDB5-E00	0	F26	45121-LDB5-E00	2	F07
<b>43000</b>			44211-LDB5-E00	0	F26	45127-LDB5-E00	3	F04
			44213-LDB5-E00	0	F26	45128-LDB5-E00	6	F04
43100-LDB5-305	0	F08	44214-LDB5-E00	0	F26	45129-LDB5-E00	6	F04
43100-LDB5-E00	3	F08	44215-LDB5-E00	0	F26	45130-LDB5-E00	3	F04
43125-LDB5-E00	3	F04	44216-LDB5-E00	0	F26	45132-LBA7-900	1	F04

## PART NO. INDEX

PART NO.	VERSION	PAGE	PART NO.	VERSION	PAGE	PART NO.	VERSION	PAGE
45133-LBA7-900	0	F07				50166-LDB5-E00	1	F20
45133-LBA7-900	0	F08	<b>46000</b>			50216-LDB5-E00	1	F20
45140-LDB5-E00	2	F07				50218-LDB5-E00	9	F20
45200-PWA1-900	3	F07	46182-5L00-014	2	F15	50351-LDB5-E00	5	F20
45203-LBA7-900	0	F07	46500-LDB5-E00	3	F15	50352-LDB5-E00	5	F20
45203-LBA7-900	0	F08	46501-LDB5-E00	4	F15	50612-LDB5-E00	4	F12
45209-KFA6-900	0	F08	46502-LDB5-E00	2	F15	50614-LDB5-E00	10	F20
45209-PWA1-900	0	F07	46503-KCW3-001	0	F15	50614-LDB5-E01	1	F20
45209-PWA1-900	0	F08	46503-LDB5-E00	2	F15	50615-LDB5-E00	10	F20
45230-LBA7-900	0	F07	46514-LDB5-E00	2	F15	50615-LDB5-E01	1	F20
45230-LBA7-900	0	F08				50713-LDB5-E00	1	F15
45352-LBA7-900	0	F07	<b>47000</b>					
45352-LBA7-900	0	F08				<b>51000</b>		
45353-LBA7-900	0	F07	47215-KHD6-900	0	F15			
45353-LBA7-900	0	F08	47216-LDB5-E00	0	F15	51400-LDB5-E01	2	F06
45513-KKC4-900	0	F04	47400-LDB5-E00	6	F06			
45517-KFAF-910	0	F04	47402-LDB5-E00	2	F06	<b>52000</b>		
45517-LDE9-E00	0	F04	47403-LDB5-E00	2	F06			
45525-LBA7-900	0	F04	47410-LDB5-E00	2	F07	52000-LDB5-E00	8	F16
45526-LBA7-900	0	F04	47410-LDB5-E00	2	F08	52010-LDB5-E00	3	F16
45527-LBA7-900	0	F04	47500-LDB5-E00	3	F06	52020-LDB5-E00	5	F16
45530-LDB5-305	1	F04	47502-LDB5-E00	0	F06	52101-LDB5-E00	3	E08
45531-LBA7-900	0	F07				52101-LDB5-E00	3	F16
45531-LBA7-900	0	F08	<b>50000</b>			52111-LDE9-E00	2	F16
						52115-LDB5-E00	2	F16
			50100-LDB5-E00	9	F20	52116-LDB5-E00	1	F16

## PART NO. INDEX

PART NO.	VERSION	PAGE	PART NO.	VERSION	PAGE	PART NO.	VERSION	PAGE
52400-LDB5-E01	1	F16	53500-LDB5-E00	5	F06	61300-LDB5-E01	1	F05
<b>53000</b>			53550-LDB5-E00	3	F06	61344-LDB5-E00	1	F21
			53600-KKAK-E0A	1	F19	61345-LDB5-E00	3	F21
			53700-LDB5-E00	5	F06	<b>64000</b>		
	53100-LDB5-E01	1	F03	53701-LDB5-E00	3		F06	
53102-LDB5-E00	3	F03	53702-LBA7-900	1	F15			
53131-4K39-001	0	F03	53702-LLB1-900	8	F06		64222-LLJ3-E00	1
53166-LDB5-E00	3	F03	53703-LBA7-900	1	F15	64222-LLJ3-E00	1	F12
53175-LDB5-305	0	F04	53703-LLB1-900	8	F06	64300-LDB5-E01	1	F05
53178-KFC8-E10	0	F04	53705-LLB1-900	3	F06	64302-LDB5-E01	1	F05
53190-LDE9-E00	0	F04	<b>60000</b>			6430A-LDB5-E00	1	F05
53192-LDE9-E00	0	F04				64317-LDB5-E00	5	F21
53193-LDE9-E00	0	F04				64318-LDB5-E00	1	F21
53194-LDE9-E00	0	F04		60100-LDB5-E00	5	F05	64330-LDB5-E01	1
53200-LDB5-E01	2	F06	60108-LDB5-E00	2	F05	64340-LDB5-E01	1	F05
53205-LDB5-E00	3	F03	6010B-LDB5-E00	2	F05	64500-LDB5-E01	1	F16
53205-LDB5-EV0	1	F03	6010C-LDB5-E00	3	F05	<b>70000</b>		
53250-LBA7-900	2	F06	60120-LDB5-E01	1	F05			
53251-LCA5-E00	1	F06	60130-LFE9-E01	0	F05			
53252-LBA7-900	4	F06	60140-LFE9-E01	0	F05		70529-6G57-671	0
53254-LBA7-900	3	F06	60200-LDB5-E01	1	F05	<b>77000</b>		
53400-LDB5-E00	8	F06	<b>61000</b>					
53402-LDB5-E00	3	F06						
53410-LDB5-E00	2	F06						
53450-LDB5-E00	7	F06		61104-3G57-001	0	F10	77200-LDB5-E00	5
53452-LDB5-E00	4	F06	61200-LDB5-E01	1	F05	77206-KEB7-900	0	F09
						77206-LBA7-900	1	F09

## PART NO. INDEX

PART NO.	VERSION	PAGE	PART NO.	VERSION	PAGE	PART NO.	VERSION	PAGE
77301-LDB5-E00	3	F09				86233-LDB5-E00	2	F24
77303-LDB5-E00	1	F09	<b>83000</b>			86302-LDB5-E00	1	F23
77304-LDB5-E00	0	F09				86303-LDB5-E00	2	F24
77305-LDB5-E00	1	F09	83500-LDB5-E01	2	F12			
77330-LDB5-E00	4	F20	83551-LDB5-E00	1	F05	<b>87000</b>		
7734A-LDB5-E01	1	F12	83600-LDB5-E01	1	F12			
77430-LDB5-E00	2	F20	83605-LDB5-E00	1	F12	87322-LBA7-E00	3	F23
			83606-LDB5-E00	1	F12	87503-LDB5-900	2	F24
<b>80000</b>			83620-LCD9-E00	4	F20	87505-LDB5-E01	2	F23
			83620-LDB5-E00	1	F20	87514-LDB5-E00	1	F23
80100-LDB5-E00	8	F12	83630-LDB5-E00	1	F20	87515-LDB5-E01	3	F23
80110-LBA7-900	1	F12				87517-LDB5-E00	3	F23
80110-LDB5-900	1	F12	<b>84000</b>			87532-LBE8-900	3	F24
80115-LDB5-900	1	F12				87532-LCA5-900	2	F24
80121-LDB5-E01	1	F12	84703-LLB1-900	1	F03	87556-LDB5-E00	2	F23
80122-LDB5-E01	1	F12	84703-LLB1-900	1	F20	87556-LDB5-E01	3	F23
80125-LBD4-900	1	F05	84703-LLB1-900	1	F21			
80125-LBD4-900	1	F12				<b>88000</b>		
80200-LDB5-E01	1	F12	<b>85000</b>					
						88110-LBA7-E00	1	F03
<b>81000</b>			85100-LDB5-E00	4	F20	88120-LBA7-E00	1	F03
81200-LDB5-E01	1	F12	<b>86000</b>			<b>89000</b>		
81202-LDB5-E00	1	F20						
81300-LDB5-E01	1	F12	86102-LDB5-900	5	F24	89010-LDB5-E00	7	F09
			86223-LDB5-E00	2	F24	89020-KKC4-900	1	F09

## PART NO. INDEX

PART NO.	VERSION	PAGE	PART NO.	VERSION	PAGE	PART NO.	VERSION	PAGE	
<b>90000</b>			90101-LCA5-E00	3	F15	90243-LDB5-E00	3	E01	
			90105-LBA7-900	2	F08	90301-LDB5-E00	3	F07	
			90105-MLL0-731	1	F07	90301-LDB5-E00	3	F08	
	90001-GBHB-661	3	E03	90105-MLL0-731	1	F08	90302-GBR2-001	2	F10
	90001-GBHB-661	3	E06	90110-LLB1-800	2	F12	90302-GBR2-001	2	F15
	90001-GFY6-901	5	E01	90110-PWB1-900	1	F12	90302-GFY6-940	2	F03
	90001-GFY6-901	5	E07	90114-1F66-007	2	F04	90302-LLB1-E00	2	F15
	90001-LBA2-E00	4	E02	90114-1F66-007	2	F15	90302-PWA1-900	3	F05
	90002-LBA2-E00	3	E02	90121-LCD9-E00	6	F16	90302-PWA1-900	3	F12
	90004-LBA2-E00	4	E01	90122-LCD9-E00	5	F16	90304-GHE8-004	0	F16
	90005-KED9-900	2	E03	90123-LCD9-E00	3	F16	90304-GHE8-004	0	F20
	9000A-KTDT-900	1	E01	90124-LDB5-E00	2	F20	90304-GHE8-004-SW	0	F06
	90011-KED9-900	2	E02	90131-LDB5-E00	1	F07	90304-GLW0-90A	1	F16
	90012-3C33-001	1	E02	90131-LDB5-E00	1	F08	90304-GLW0-90A	1	F20
	90017-KED9-900	3	E02	90133-LDB5-E00	1	E01	90305-GHK8-001	1	F05
	90031-LBA2-E00	3	E02	90145-LBA2-E00	2	F04	90305-MAA1-004	1	F06
	90032-LBA2-E00	3	E02	90145-LEA3-E00	1	F04	90306-KLF0-004-SY	1	E01
	90033-GFY6-900	1	E02	90164-0H28-900	2	F19	90309-LBE8-900	1	F20
	90033-LDB5-E00	0	F16	90201-KHR8-75A	1	E04	90311-LDB5-E00	2	E08
	90071-MLB0-001	1	E06	90201-LDB5-E00	5	E05	90312-LDB5-E00	2	E08
90083-KED9-900	3	E02	90202-LDB5-E00	3	E05	90313-LDB5-E00	2	E08	
90084-4H28-001	1	E02	90203-LDB5-E00	5	E05	90314-LDB5-E00	1	E08	
90084-4H28-001	1	E04	90203-LDB5-E00	5	E08	90315-LDB5-E00	2	E08	
9008A-LDB5-E00	1	E04	90205-LDB5-E00	4	E05	90316-LDB5-E00	2	E08	
90101-KEBE-900	2	E08	90206-0A01-001	4	E02	90317-LDB5-E00	2	E08	
90101-KGC4-E00	1	F09	90242-LDB5-E00	2	F16	90318-LDB5-E00	2	E08	

## PART NO. INDEX

PART NO.	VERSION	PAGE	PART NO.	VERSION	PAGE	PART NO.	VERSION	PAGE
90319-LDB5-E00	2	E08	90488-7L00-001	0	E02	90750-LDB5-E00	3	E01
90320-LDB5-E00	2	E08	90501-3L10-001	0	F15	90753-GDB4-68A	0	F20
90321-LDB5-E00	2	E08	90501-LDB5-E00	2	E05	90913-LDB5-E00	3	F21
90322-LDB5-E00	2	E08	9052A-LDB5-E00	3	E01	90914-KED9-900	3	E02
90401-KKJ9-001	0	E04	90541-KED9-900	1	E02	90914-LDB5-E00	3	F21
90403-KED9-900	2	E02	90545-3L00-001	2	F04			
90405-LDB5-E00	7	E05	90605-KED9-900	2	E07	<b>91000</b>		
90406-LDB5-E00	1	E05	90651-LCA5-E00	1	F01			
90407-LBA2-E00	3	E01	90651-LCA5-E00	1	F12	91001-KHV8-004	0	E01
90407-LDB5-E00	0	E01	90652-LBA2-E00	1	E02	91005-LDB5-E00	1	E01
90408-LDB5-900	3	E05	90652-LCA4-E00	6	F05	91021-LDB5-E00	2	E05
90421-LBA2-E00	1	E03	90652-LCA4-E00	6	F12	91106-LDB5-E00	1	E05
90433-KAE1-001	0	E07	90652-LCA4-E00	6	F21	91108-LDB5-E00	1	F16
90441-LDB5-E00	3	E01	90652-LDB5-900	3	F12	91201-LCD9-E00	2	E08
90443-LDB5-E00	2	E01	90652-LDB5-E00	3	F21	91201-LDB5-E00	1	E08
90451-LBA7-900	1	E08	90652-LLJ3-E00	0	F13	91202-LDB5-E00	1	E05
90451-LDB5-E00	1	E07	90653-LDB5-E00	3	F21	91202-LLB1-900	1	F20
90452-KED9-900	2	E07	90654-LDB5-E00	2	F13	91206-LDB5-E00	0	E01
90452-LBA7-900	1	E05	90655-PWA2-900	1	F05	91211-LDB5-E00	1	E05
90452-LDB5-E00	1	E08	90655-PWA2-900	1	F12	91212-4B22-007	0	F15
90454-1G07-001	0	E07	90656-KCBC-900	0	F03	91251-LDB5-E00	2	F16
90465-LBA2-E00	1	E02	90677-GAR1-004	2	F05	91254-LDB5-E00	3	F06
90465-MDC4-001	0	E01	90677-GAR1-004	2	F12	91254-LDE9-E00	0	F16
90474-3C33-001	1	E01	90680-LBA2-E00	1	E02	91255-LDB5-E00	2	E01
90474-3C33-001	1	F16	90701-9E65-001	0	E01	91256-LDB5-E00	2	E01
90478-7L00-001	0	E03	90701-LDB5-E00	4	E03	91257-LDB5-E00	2	E04



## PART NO. INDEX

PART NO.	VERSION	PAGE	PART NO.	VERSION	PAGE	PART NO.	VERSION	PAGE
91258-LDB5-900	2	E05				93893-04012-18	0	F04
91258-LDB5-E00	2	F06	<b>92000</b>			93893-04012-18	0	F15
91258-LDB5-E00	2	F16				93903-34360	0	F05
91261-LDB5-E00	3	E01	92000-06010-0G	0	F07	93903-34360	0	F12
91271-LDB5-E00	1	F16	92201-05025-0G	0	E04	93903-34360	0	F18
91301-LCD9-E00	1	F16	92712-06028-0B	2	E02	93903-35260	0	F05
91301-LDB5-E00	1	E04				93903-35260	0	F18
91302-0A01-021	0	E01	<b>93000</b>			93903-35360	0	F01
91302-0A01-021	0	F16				93903-35360	0	F02
91302-LDB5-E00	2	E08	93404-06012-06	1	F13	93903-35360	0	F05
91303-3G77-001	0	E02	93404-06012-06	1	F21	93903-35360	0	F12
91303-3G77-001	0	E04	93404-06016-06	1	F05	93903-35360	0	F17
91303-LDB5-E00	1	E08	93404-06016-06	1	F12			
91305-GLE0-001	0	E01	93404-06016-06	1	F15	<b>94000</b>		
91306-1E05-691	0	E03	93404-06016-06	1	F16			
91306-LDB5-E00	1	E08	93404-06016-06	1	F20	94001-08080-0S	0	F14
91307-0E35-001	1	E04	93404-06016-06	1	F21	94001-08080-0S	0	F15
91308-KED9-900	1	E02	93404-06020-06	1	F05	94001-LBA7-900	1	F15
91309-4E25-004	0	E06	93404-06020-06	1	F12	94001-LLB1-800	2	F06
91313-KED9-900	3	E01	93406-LLB1-900	0	F03	94001-LLB1-900	2	F06
91351-LDB5-E00	1	E05	93500-04008-1H-3	0	E09	94011-LDB5-E00	2	F07
91508-KGV7-67A	0	F18	93500-04014-1H-3	0	E09	94011-LKA8-E00	1	F06
91509-LDB5-E00	6	E01	93500-05016-0F	0	F10	94012-12080-0S	0	F06
			93600-04012-1G	0	F04	94012-LDB5-E00	1	F16
			93600-LDE9-E00	0	F04	94050-05080	0	F18
			93890-LDB5-E00	0	F09	94050-06060	1	F04

## PART NO. INDEX

PART NO.	VERSION	PAGE	PART NO.	VERSION	PAGE	PART NO.	VERSION	PAGE
94050-06060	1	F15	94201-40400	0	F07	94591-KFBF-900	2	F05
94050-06060	1	F20	94301-08140	4	E01	94601-22000	1	E03
94050-06080	2	E02	94301-08140	4	E04	94601-LDB5-E00	1	E05
94050-06080	2	F10	94301-08140	4	E05			
94050-06080	2	F12	94301-08140	4	E06	<b>95000</b>		
94050-06080	2	F19	94301-10160	0	E02			
94050-06080	2	F20	94301-12200	1	E02	95002-02070	2	F21
94050-08080	0	F15	94301-12200	1	E03	95002-02070	2	F22
94050-LDE9-E00	1	F05	94510-10000	0	E06	95002-02100	0	F05
94050-LDE9-E00	1	F12	94510-20000	1	E02	95002-02100	0	F10
94101-06200	1	F14	94510-25000	0	E07	95002-02100	0	F21
94101-06700	0	F14	94510-50000	1	E05	95002-02150	0	F13
94101-06800	0	F12	94514-34000	0	F06	95002-41050-00	0	E08
94101-LBA2-E00	1	F14	94520-19000	2	E08	95002-41050-00	0	F16
94102-14800	0	F15	94520-24000	1	E08	95002-41300-00	0	F10
94102-18800	0	F07	94520-40000	0	F20	95002-45000	0	F21
94102-LDB5-E00	1	F15	94520-42000	2	F20	95002-70000	0	F21
94103-06800	0	E07	94520-47000	0	E04	95002-KHE7-900	0	E04
94103-10800	0	F16	94520-55000	0	F16	95002-KHE7-900	0	F21
94111-06800	0	F14	94520-65000	1	E01	95002-KKD6-E05	0	F13
94111-08800	0	F15	94520-80000	1	E05	95002-KKD6-E05	0	F22
94201-20120	0	F15	94540-07017	1	E05	95004-LBA7-900	0	F13
94201-25250	0	F06	94540-12028	0	E07	95005-LCD9-E00	2	E08
94201-25300	0	F15	94591-27000	0	F05	95005-LCD9-E00	2	F16
94201-30250	0	F06	94591-27000	0	F12	9500C-LDB5-E00	1	F10
94201-30300	0	F16	94591-KFBF-900	2	E04	9500E-LDB5-E00	2	F10

## PART NO. INDEX

PART NO.	VERSION	PAGE	PART NO.	VERSION	PAGE	PART NO.	VERSION	PAGE
95012-KKA7-900	1	F11	95701-10035-06	0	F16	96001-06022-06	1	E05
95701-06008-06	1	F14	95701-LBA2-E00	0	F08	96001-06022-06	1	F04
95701-06010-06	1	E02	95701-LDB5-E00	1	F15	96001-06025-06	0	E01
95701-06012-06	1	F04	95801-08028-06	0	F15	96001-06025-06	0	E04
95701-06012-06	1	F10	95801-08060-06	0	F06	96001-06025-06	0	E05
95701-06012-06	1	F13	95801-10040-06	0	F14	96001-06030-06	0	E01
95701-06012-06	1	F14	95801-10050-06	1	F06	96001-06030-06	0	E06
95701-06012-06	1	F19	95801-10050-06	1	F16	96001-06032-06	0	E01
95701-06012-06	1	F20	95801-10070-06	1	F06	96001-06032-06	0	E04
95701-06012-06	1	F21	95801-10085-06	1	F20	96001-06032-06	0	E05
95701-06016-06	1	F05	95801-10110-06	0	F20	96001-06032-06	0	E06
95701-06016-06	1	F15	95801-10190-06	0	F20	96001-06035-06	0	E03
95701-06016-06	1	F19	95801-KED9-900	3	E02	96001-06035-06	0	E06
95701-06022-06	1	E02	95801-LDB5-E00	1	F06	96001-06040-06	0	E01
95701-06022-06	1	F10				96001-06040-06	0	E04
95701-06025-06	2	E02	<b>96000</b>			96001-06040-06	0	E06
95701-06035-06	1	F04				96001-06080-06	1	E01
95701-06040-06	0	E02	96001-06012-06	0	E06	96001-06085-06	1	E01
95701-08012-06	0	E01	96001-06012-06	0	F14	96001-06110-06	1	E01
95701-08012-06	0	F16	96001-06014-06	0	E02	96100-30203-10	0	F16
95701-08016-06	0	F16	96001-06016-06	0	E01	96100-60070-00	0	F16
95701-08016-06	0	F20	96001-06016-06	0	F19	96100-60100-00	1	E05
95701-08020-06	1	F15	96001-06018-06	0	E02	96100-60100-00-M1	1	E05
95701-08028-06	1	F15	96001-06018-06	0	E03	96100-62040-00	0	E01
95701-08030-06	0	F16	96001-06018-06	0	E05	96100-62070-00	0	F16
95701-10025-06	0	F16	96001-06020-06	0	E05	96100-63030-00	0	E01

## PART NO. INDEX

PART NO.	VERSION	PAGE	PART NO.	VERSION	PAGE	PART NO.	VERSION	PAGE	
96100-63040-00	1	E01	98200-33000	0	F19	<b>W</b>			
96100-63060-00	0	E01							
96100-64050-00	1	E01	<b>99000</b>						
96100-69060-00	1	E04					W9353-30000	0	E09
96104-LDB5-90A	1	E05	99101-393-0650	0	E09		W9353-36000	0	E09
96104-LDB5-90B	1	E05	99101-393-0900	0	E09		W9451-03212	0	E09
96105-LDB5-90A	1	E05	99101-393-1300	0	E09		W9525-25250	0	E09
96105-LDB5-90B	1	E05					W9535-45000	0	E09
96105-LDB5-90C	0	E05	<b>E</b>				W9554-26638	0	E09
96106-LDB5-E00	1	E01							
96107-LDB5-E00	1	E01	E040-3106	0	E03				
96150-60060-10	0	F06							
96150-60060-10	0	F16	<b>K</b>						
96150-62030-10	0	F20							
96211-08000	19	F15	K350-191-0100-3	0	E09				
96211-16000	2	E01	K362-186-0100	0	E09				
96600-08010-16	0	E01	K785-190-0100	0	E09				
96600-08015-16	0	E06							
96600-08020-16	2	E01	<b>N</b>						
96600-LDB5-E00	3	E01							
			N114-04083	0	E09				
<b>98000</b>			N114-04103	0	E09				
			N413-46A00	0	E09				
98059-57916-00	2	E02	N424-25B40	0	E09				
98200-31000	1	F19	N425-3RS00	0	E09				
98200-31500	1	F19	N446-10A00	0	E09				