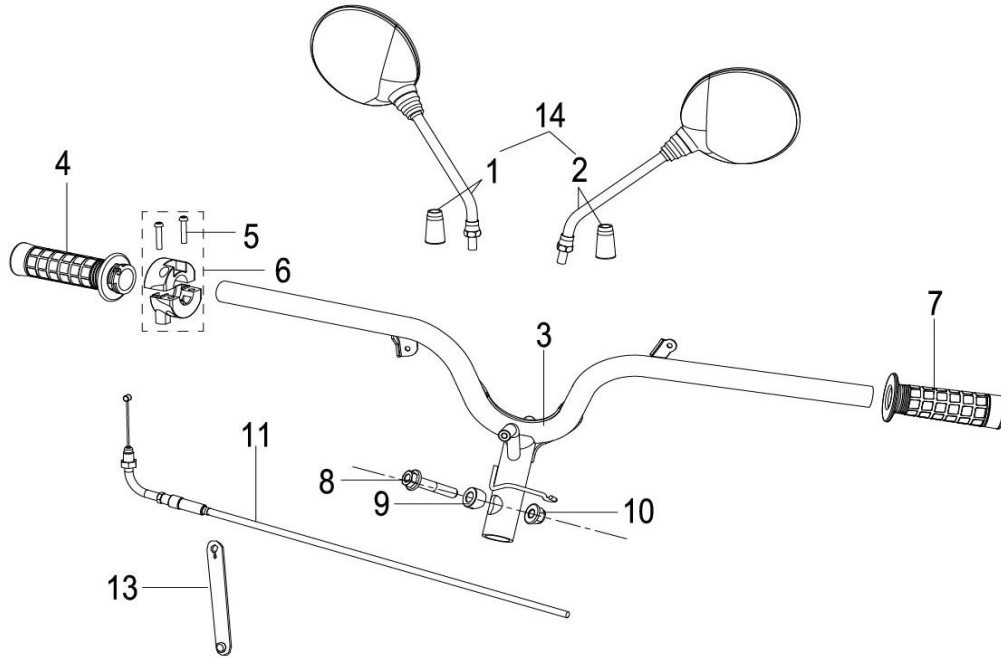


## ZAHARA 125 E4



# ZAHARA 125 E4

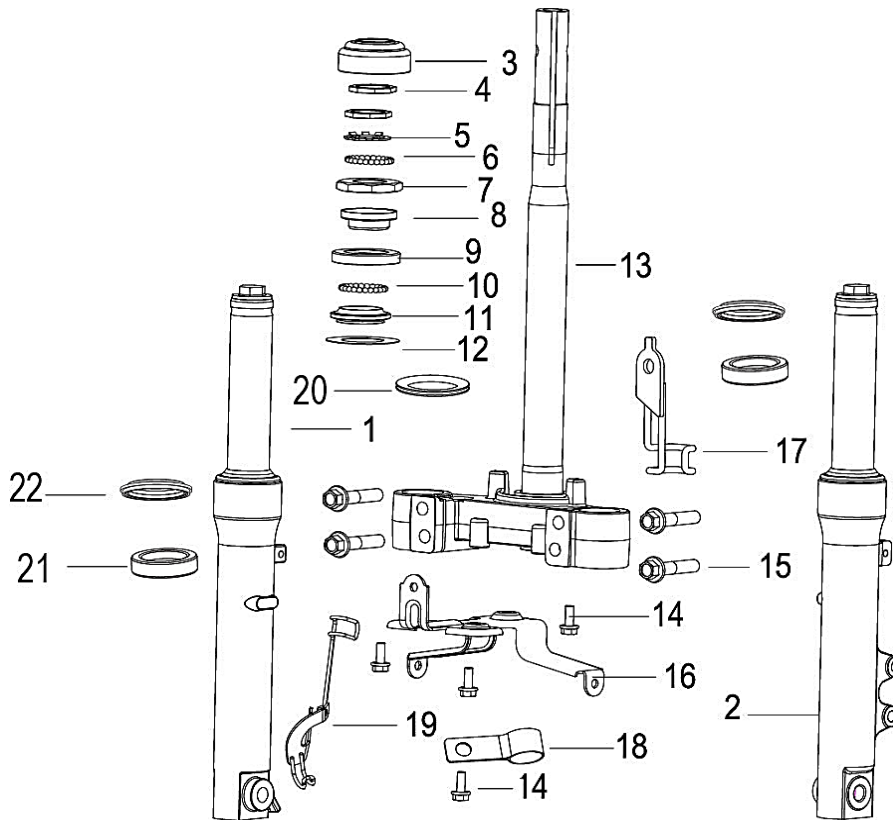
## F01 CONTROL ASSY



Nº	CÓDIGO	DESCRIÇÃO	Qt.	OBSERVAÇÕES
1	40480T820000	MIRROR ASSY., RR. VIEW, R.	1	
2	40450T820000	MIRROR ASSY., RR. VIEW,L	1	
3	40100T820002	HANDLERBAR ASSY	1	
4	40210T750001	HANDLE GRIP, R	1	
5	B02040502526	SCREW M5x25	2	
6	40320G360000	THROTTLE CABLE HOUSING ASSY	1	
7	40001T750001	BUSHING, STEERING HANDLE,L	1	
8	40131G510100	BOLT, HANDLE BAR	1	
9	40031T030000	MOUNITNG, HANDLE BAR	1	
10	B0417101254H	SELF-LOCKING NUT M10x1.25	1	
11	40300T820002	CABLE ASSY., THROTTLE	1	
13	49371T620000	CLIP	1	
14	40440T820000	MIRROR ASSY.,RR.VIEW	1	

## ZAHARA 125 E4

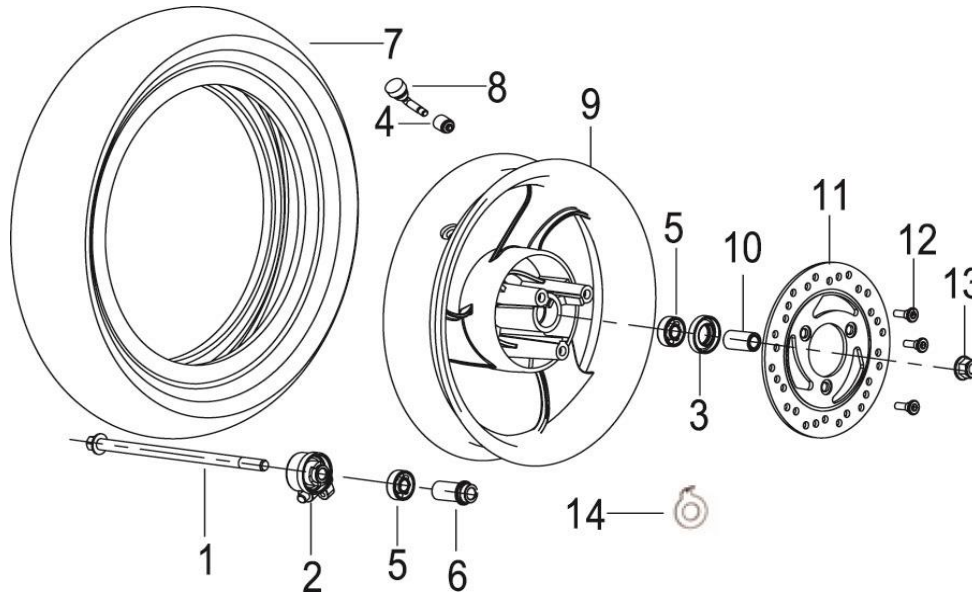
### F02 FRONT FORK



Nº	CÓDIGO	DESCRIÇÃO	Qt.	OBSERVAÇÕES
1	43300T620010	FRONT RIGHT SHOCK ABSORBER ASSY	1	
2	43200T620010	FRONT LEFT SHOCK ABSORBER ASSY	1	
3	43005T750000	COVER, DUSTPROOF	1	
4	08051T020000	HEX NUT	2	
5	96800B030001	LOCK PIECE	1	
6	B06010110000	STEEL BALL 5/32"	25	
7	43001T020000	CONE, STEERING BALL RACE	1	
8	43002T020000	SEAT, STEERING BALL RACE, UPPER	1	
9	43003T020000	SEAT, STEERING BALL RACE, LOWER	1	
10	B06010200000	STEEL BALL 1/4"	19	
11	43004T020000	STEERING BALL RACE, LOWER	1	
12	43057T750010	RING, DUSTPROOF	1	
13	43100T820000	STEERING BRIDGE, LOWER	1	
14	B0109060126H	BOLT M6x12	4	
15	B01401004565	BOLT M10x1.25x45	4	
15	B0159100456H	BOLT M10x1.25x45	4	
16	65120T820000	REINFORCEMENT PLATE,FRONT FENDER	1	
17	43150T820000	CABLE CLAMP, SPEED SENSOR CABLE	1	
18	45052T820000	HOSE CLAMP, BRAKE HOSE, FRONT	1	
19	45350T820000	WIRE CAMP, BRAKE	1	
20	43006T820000	GASKET, COVER, DUSTPROOF	1	
21	43260T820000	OIL SEAL	2	
22	43290T820000	DUST SEAL	2	

## ZAHARA 125 E4

### F03 FRONT WHEEL

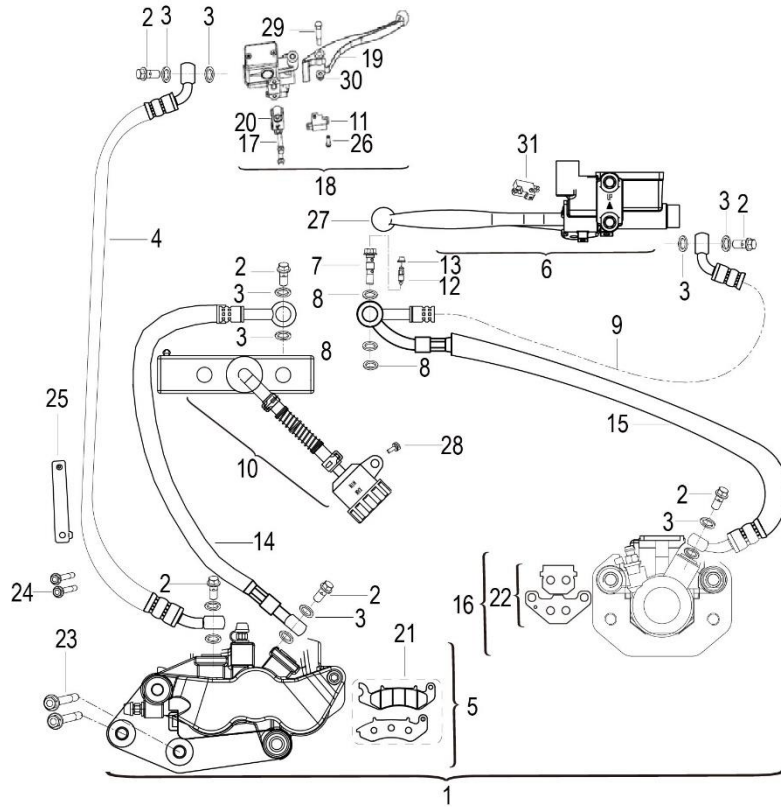


Nº	CÓDIGO	DESCRIÇÃO	Qt.	OBSERVAÇÕES
1	44004T620200	FRONT WHEEL SHAFT	1	
2	44200T620000	SPEEDO SENSOR GEARBOX	1	
3	54027T030000	COVER, PROOF	1	
4	B1404Z2011A0	CAP, VALVE Z2-01-1	1	
5	B12016020100	BALL BEARING 6201-2RS	2	
6	44006G360000	MID. BUSH, FRONT WHEEL	1	
7		AIR TIRE 90/90-12	1	
8	B1403Z201120	AIR VALVE/RIM VALVE	1	
9	44101G360000	FRONT WHEEL DISK	1	
10	44005G360000	LEFT BUSH, FRONT WHEEL	1	
11	45033B920000	FRONT BRAKE DISK	1	
12	08001B030200	BOLT M8x20	3	
13	B0417121254H	SELF-LOCKING NUT M12x1.25	1	
14	44002J040030	INDICATOR	1	



# ZAHARA 125 E4

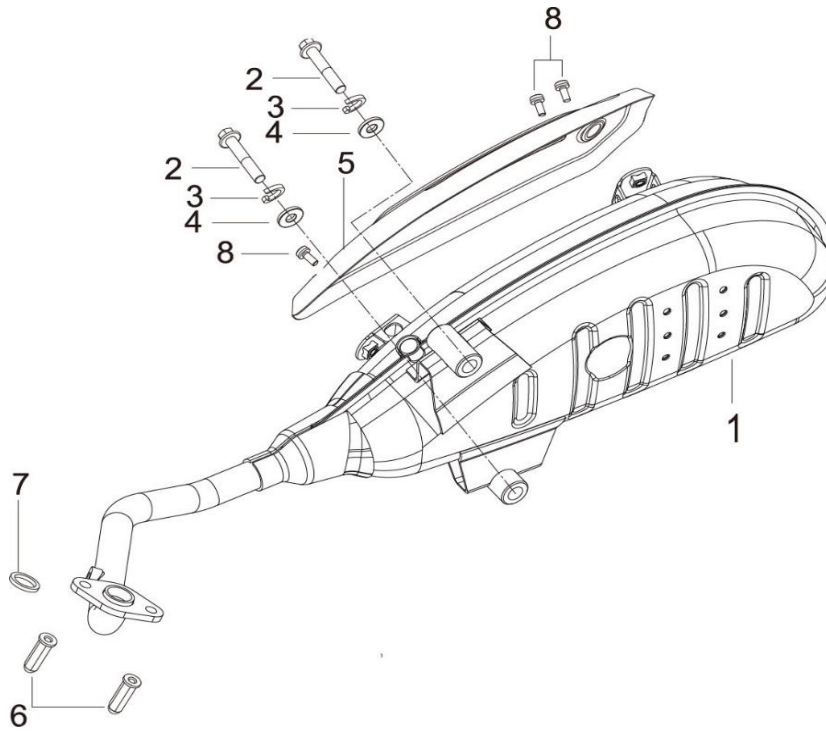
## F04 BRAKE SYSTEM



Nº	CÓDIGO	DESCRIÇÃO	Qt.	OBSERVAÇÕES
26	B02000401225	BOLT 4x12MM	2	
27	55022T430000	REAR DISC BRAKE LEVER	1	
28	B1301050140H	SCREW W/WASHER M5x14	1	
29	45024T400000	BRAKE LEVER PIVOT SCREW 6x30MM	1	
30	B04170600065	NUT 6MM	1	
31	55300T430010	REAR BRAKE SWITCH	1	

# ZAHARA 125 E4

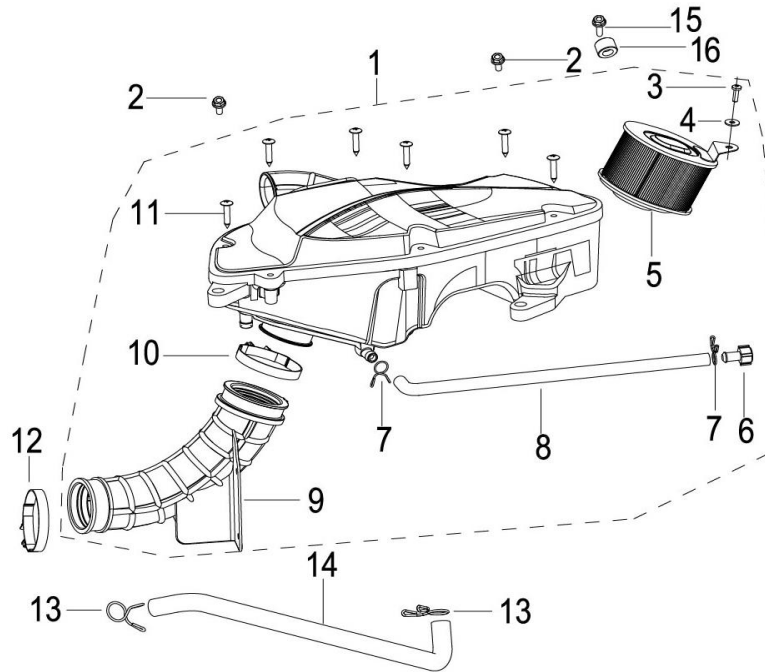
## F05 MUFFLER



Nº	CÓDIGO	DESCRIÇÃO	Qt.	OBSERVAÇÕES
1	47100T820005	MUFFLER ASSY.WELDING,	1	
2	B0159100706H	BOLT M10x1.25x70	2	
2	B0140100706H	BOLT M10x1.25x70	2	
3	B0700000100H	SPRING WASHER 10	2	
4	63013J000050	MOUNTING WASHER, SUSPENSION, REAR	1	
5	47023T820000	MUFFLER COVER	1	
6	08054T020000	NUT M6	2	
7	47800T090000	GASKET ASSY, EXHAUST PIPE	1	
8	B1304060100L	SCREW W/WASHER M6x10	3	

# ZAHARA 125 E4

## F06 AIR CLEANER

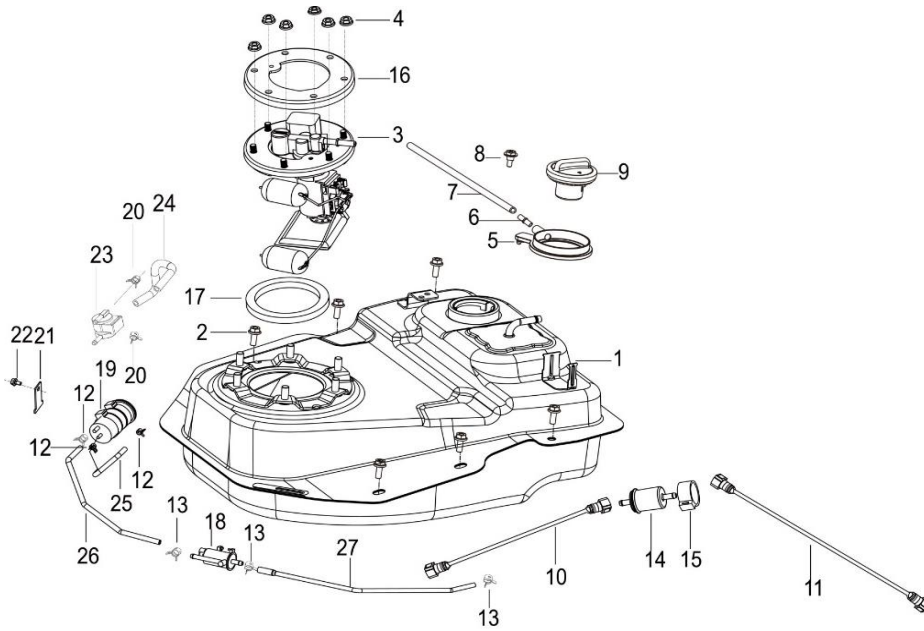


Nº	CÓDIGO	DESCRIÇÃO	Qt.	OBSERVAÇÕES
1	49100T820002	AIR FILTER ASSY	1	
2	B0109060306H	BOLT M6x30	2	
3	B0200050162H	SCREW M5x16	1	
4	B0702000050H	WASHER 5	1	
5	49200T760000	AIR FILTER	1	
6	49011J040000	OIL PLUG	1	
7	B17010105003	CLIP 10.5	2	
8	49009T750000	OIL OUTLET PIPE	1	
9	49005T820001	EXIT PIPE	1	
10	49350N080000	CLIP ASSY	1	
11	B0507480250H	SELF-TAPPING SCREW ST4.8x25	6	
12	49016N070000	STAINLESS CLAMP 50	1	
13	B17010130003	WIRE CLIP $\Phi$ 13	2	
14	49025T820000	AIR INJECTION PIPE, MUFFLER	1	
15	B0109060406H	BOLT M6x40	1	
16	49372T740000	BUSH, AIR BOX	1	



# ZAHARA 125 E4

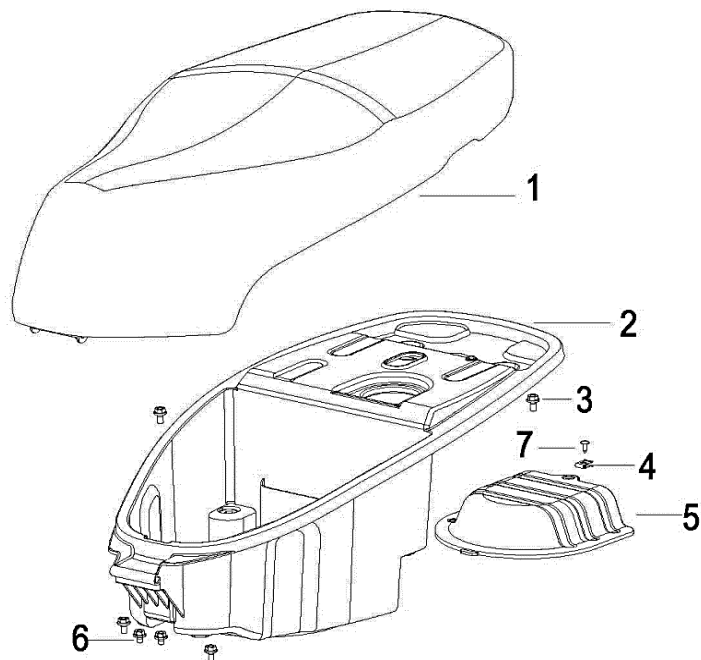
## F07 FUEL TANK



Nº	CÓDIGO	DESCRIÇÃO	Qt.	OBSERVAÇÕES
1	50100T820004	FUEL TANK ASSY	1	
2	B0109060166H	BOLT M6x16	6	
3	50400T820000	FUEL PUMP ASSY	1	
4	B0407060005H	NUT M6	6	
5	50011T820000	GASKET	1	
6	64008G220000	CONNECTOR	1	
7	50012T750000	OVER FLOW PIPE	1	
8	08001T750200	SCREW ST4.2x13	1	
9	50200T850002	CAP, FUEL TANK	1	
10	50070T820000	PIPE I	1	
11	50080T820000	PIPE II	1	
12	49016B350010	CLAMP $\phi 8.5 \times 8 \times 0.6$	3	
13	50307J140002	CLAMP $\phi 10$	3	
14	50340T820000	FUEL FILTER	1	
15	50391N070000	FILTER JACKET	1	
16	50411T820000	FUEL PUMP PRESURE PLATE	1	
17	50412T820000	FUEL PUMP SEAL	1	
18	49710N070000	VALVE EGR	1	
19	49910T760000	CHARCOAL CANISTER	1	
20	49016B350010	CLAMP	2	
21	57054N220000	FIXING BOARD	1	
22	B0109060126H	BOLT M6x12	1	
23	50260T730004	VEHICLE-DOWN SENSOR	1	
24	49905T750000	PIPE $\phi 4 \times \phi 8$	1	
25	B16010523701	PIPE $\phi 5 \times 9 \times 370$	1	
26	50301W020000	PIPE $\phi 4.5 \times 10 \times 330$	1	
27	B16010723801	PIPE $\phi 7 \times 11 \times 380$	1	

# ZAHARA 125 E4

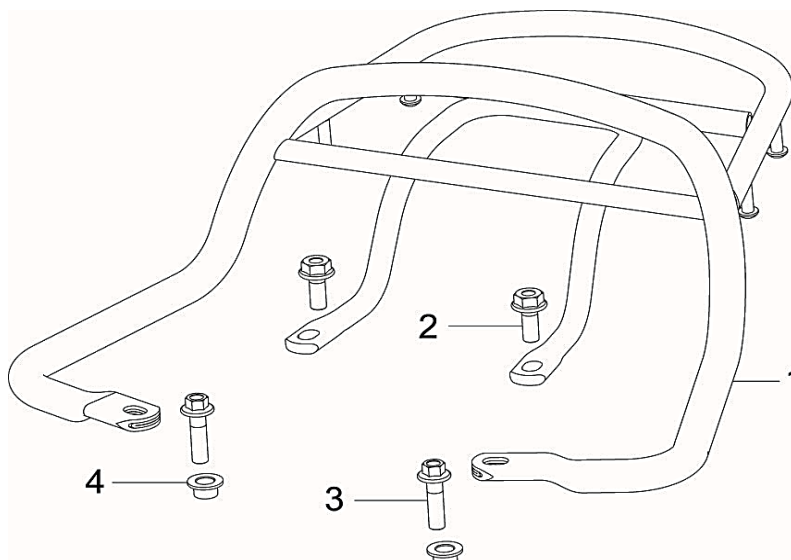
## F08 SEAT



Nº	CÓDIGO	DESCRIÇÃO	Qt.	OBSERVAÇÕES
1	51100T820004	SEAT ASSY,without mark,&brown	1	
1	51100T820002	SEAT ASSY,black	1	
2	51004T820001	UNDER SEAT LUGGAGE BOX	1	
3	B0109060166H	BOLT M6x16	4	
4	65801T020001	INSERT ST4.2	1	
5	51005T820000	FLOOR, UNDER SEAT LUGGAGE BOX	1	
6	B0109060126H	BOLT M6x12	2	
7	B0507420130H	TAPPING SCREW ST4.2x13	1	

# ZAHARA 125 E4

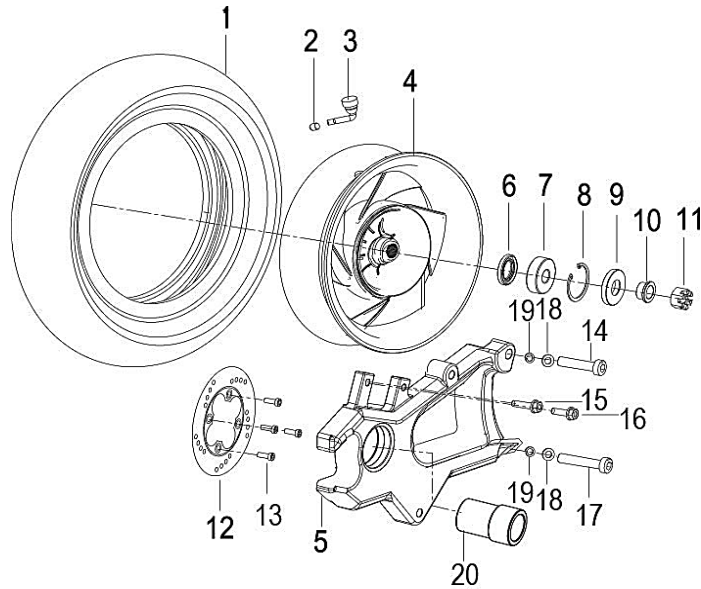
## F09 REAR HANDLE



N°	CÓDIGO	DESCRIÇÃO	Qt.	OBSERVAÇÕES
1	52100T820001	CARRIER COMP, REAR	1	
2	B0109080206H	BOLT M8x20	2	
3	B0109080306H	BOLT M8x30	2	
4	57206D010000	BUSH, MUFFLER PLATE	2	

# ZAHARA 125 E4

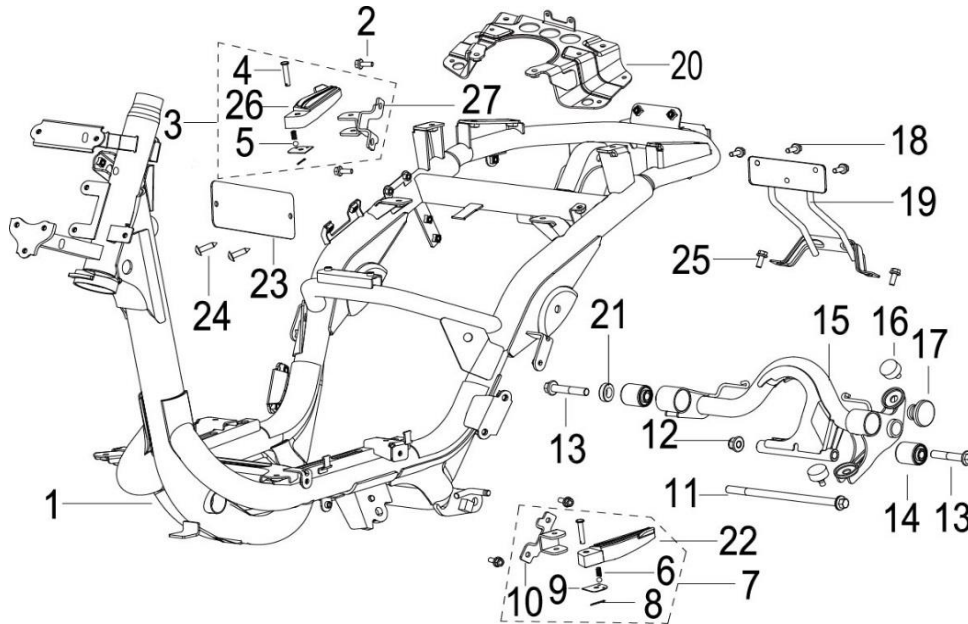
## F10 REAR WHEEL



Nº	CÓDIGO	DESCRIÇÃO	Qt.	OBSERVAÇÕES
1		AIR TIRE 3.5-10	1	
2	B1404Z2011A0	CAP, VALVE Z2-01-1	1	
3	B1403Z201120	AIR VALVE/RIM VALVE	1	
4	54100T820000	REAR RIM ASSY.	1	
5	55401T820000	REAR BRAKE HANGER ASSY	1	
6	60200G130000	DUST-COVER	1	
7	B12016030300	BEARING 6303-2RS	1	
8	B08000004701	HOLE WITH ELASTIC RING PHI 47	1	
9	B2204FB22477	SEALING RING FB22-47-7	1	
10	54605T800000	SLEEVE, RIGHT	1	
11	B0417161504H	NUT M16x1.5	1	
12	55033T820000	REAR BRAKE DISC	1	
13	08011J020101	BOLT M8x20	4	
14	B0255100508H	SCREW M10x1.25x50	2	
15	B0109080226H	BOLT M8x22	1	
16	B0109080306H	BOLT M8x30	1	
17	B0255100608H	SCREW M10x1.25x60	1	
18	B0703000100H	WASHER 10	2	
19	B0700000100H	SPRING WASHER 10	2	
20	54005T820000	RIGHT SHAFT SLEEVE	1	

# ZAHARA 125 E4

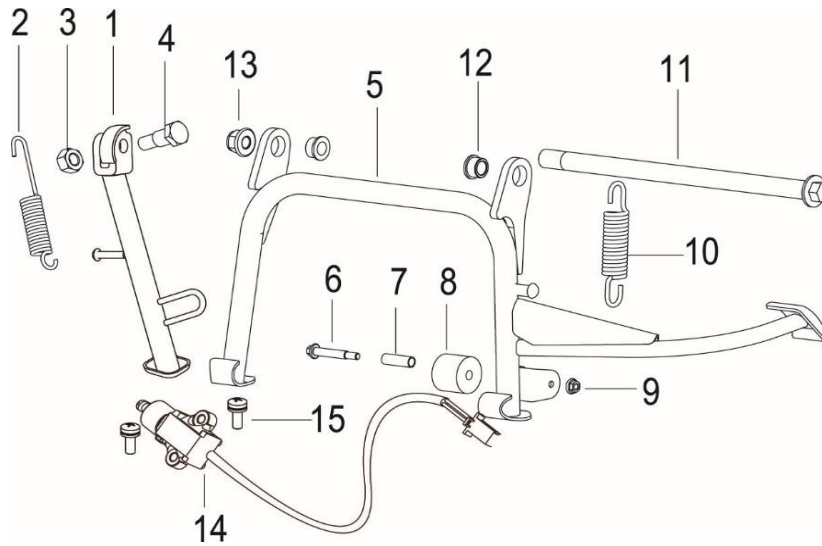
## F11 FRAME



Nº	CÓDIGO	DESCRIÇÃO	Qt.	OBSERVAÇÕES
1	57100T820003	WELDING ASSY,FRAME	1	
2	B0109080166H	BOLT M8x16	4	
3	58280T820000	FOOTREST COMP, REAR, RIGHT	1	
7	58260T820000	FOOTREST COMP, REAR, LEFT	1	
11	53001T020200	PIVOT SHAFT	1	
12	B0417101254H	SELF-LOCKING NUT M10x1.25	1	
13	B0159100556H	BOLT M10x1.25x55	2	
14	58340T030000	BUSH, DAMPER	2	
15	58320T820001	ENGINE HANGER	1	
16	54035T020000	STOPPER	2	
17	58308T030001	DUST PROOF COVER, ENGINE HANGER	2	
18	B0109060126H	BOLT M6x12	3	
19	58390T820000	BRACKET,REAR FENDER	1	
20	57080T820001	MOUNTING PLATE, FUEL TANK	1	
21	65781T030000	BUSH, ENGINE HANGER	1	
23	57001T820006	FRAME SIGNS	1	
24	B100432007P0	RIVET 3.2x7	2	
25	B0109060166H	BOLT M6x16	2	

## ZAHARA 125 E4

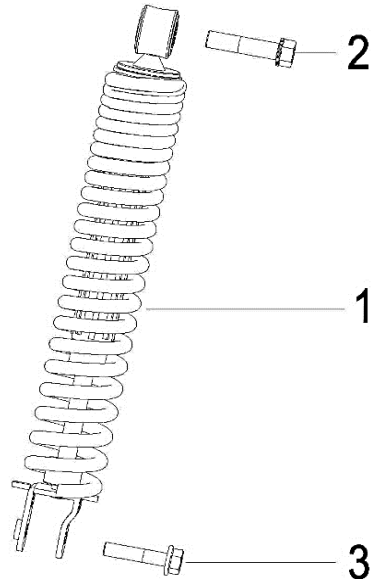
### F12 MAIN STAND



N°	CÓDIGO	DESCRIÇÃO	Qt.	OBSERVAÇÕES
1	58700T820001	SIDE STAND WELDING ASSY	1	
2	57010N100100	SPRING, SIDE STAND	1	
3	B0401101255H	NUT M10 X 1.25	1	
4	57005J410200	BOLT, SIDE STAND	1	
5	58520T820001	MAIN STAND COMP.	1	
6	08011N140200	BOLT M5x38	1	
7	58509N140000	BUSH	1	
8	58507N140000	BUFFER BLOCK,MAIN STAND	1	
9	B0407050005H	NUT	1	
10	58510T820000	SPRING, MAIN STAND COMP.	1	
11	58501T750200	AXLE. MAIN STAND	1	
12	58511T840100	BUSH	2	
13	B0417101254H	SELF-LOCKING NUT M10x1.25	1	
14	91170N070000	SWITCH,SINGLE HOLD FLAMEOUT	1	
15	B1301050160H	SCREW W/WASHER M5x16	2	

## ZAHARA 125 E4

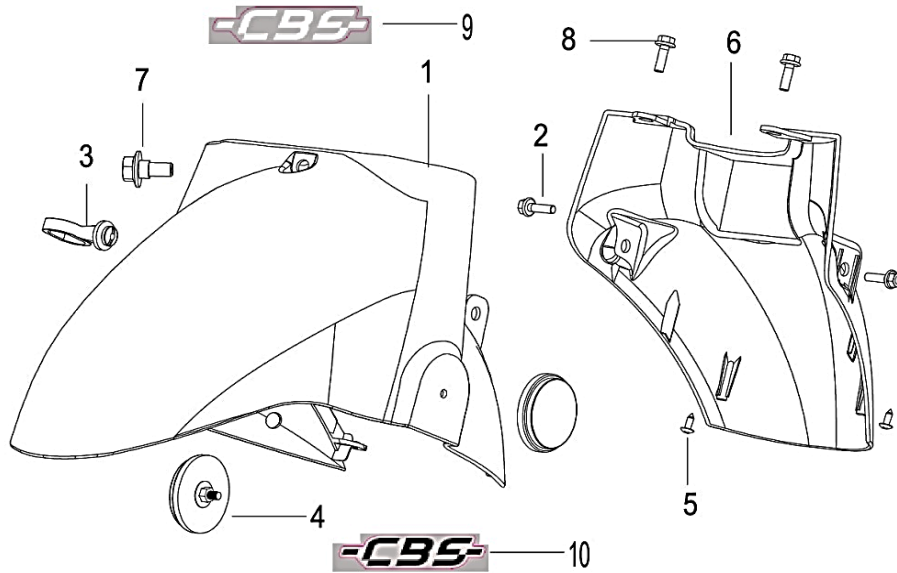
### F13 REAR ABSORVER



Nº	CÓDIGO	DESCRIÇÃO	Qt.	OBSERVAÇÕES
1	63800T820000	RR.SHOCK ABSORBER ASSY	1	
2	08003T020200	BOLT M10x1.25x40	1	
2	B0140100406H	BOLT M10x1.25x40	1	
3	B0109080356H	BOLT M8x35	1	

# ZAHARA 125 E4

## F14 FRONT FENDER

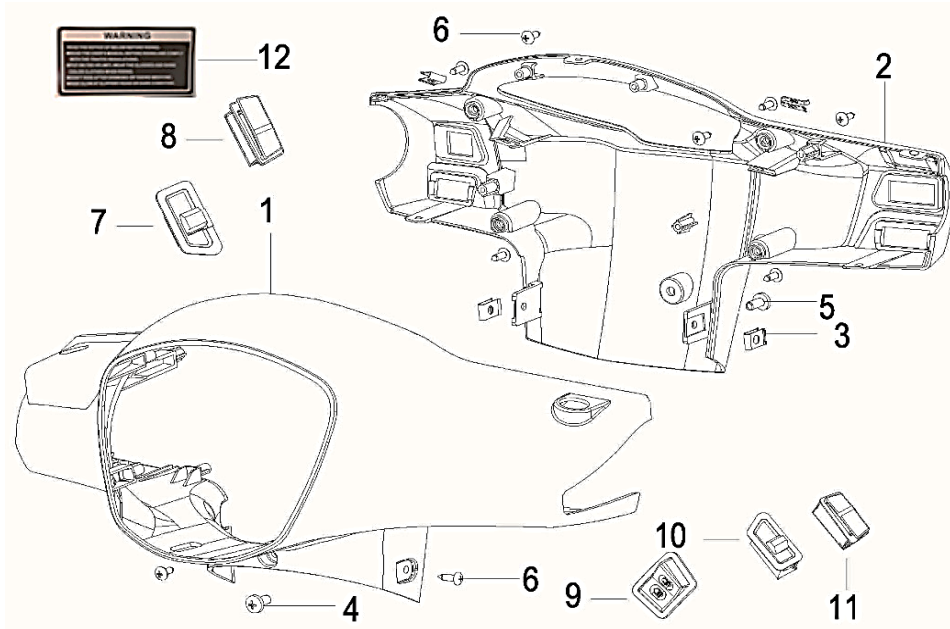


Nº	CÓDIGO	DESCRIÇÃO	Qt.	OBSERVAÇÕES
1	65101T82R200	FRONT FENDER I ,RED R2	1	VERMELHO
1	65101T82MC00	FRONT FENDER I ,CREAM MC	1	BEGE
1	65101T82B500	FRONT FENDER I ,BLACK B5	1	PRETO
1	65101T82WF00	FRONT FENDER I ,WHTIE WF	1	BRANCO
1	65101T82EF00	FRONT FENDER I ,BLUE EF	1	AZUL
2	B0109060206H	BOLT M6x20	2	
3	40022B450000	CABLE CLAMP	1	
4	86300J000002	SIDE REFLECTOR	2	
5	B0507420130H	TAPPING SCREW ST4.2x13	2	
6	65106T82R200	FRONT FENDER II ,RED R2	1	VERMELHO
6	65106T82MC00	FRONT FENDER II ,CREAM MC	1	BEGE
6	65106T82B500	FRONT FENDER II ,BLACK B5	1	PRETO
6	65106T82WF00	FRONT FENDER II ,WHTIE WF	1	BRANCO
6	65106T82EF00	FRONT FENDER II ,BLUE EF	1	AZUL
7	08011H010200	FLANGE BOLT M6x14	1	
8	08011T090200	BOLT M6x20	2	
9	05503J80R200	WHITE CBS STICKER	2	
10	05503J80WF00	BLACK CBS STICKER	2	



# ZAHARA 125 E4

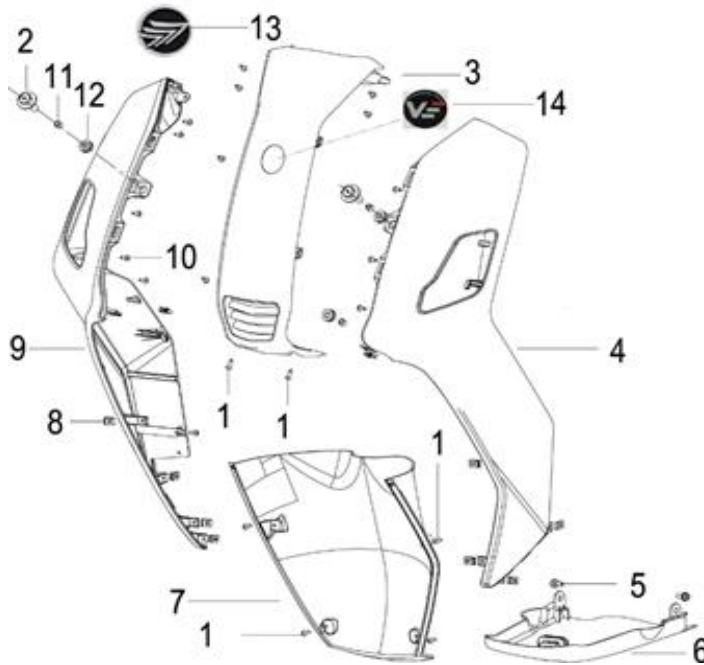
## F15 HANDLE COVER



Nº	CÓDIGO	DESCRIÇÃO	Qt.	OBSERVAÇÕES
1	65201T82R202	FRONT SHIELD,RED R2	1	VERMELHO
1	65201T82MC02	FRONT SHIELD,CREAM MC	1	BEGE
1	65201T82B502	FRONT SHIELD,BLACK B5	1	PRETO
1	65201T82WF02	FRONT SHIELD,WHITIE WF	1	BRANCO
1	65201T82EF02	FRONT SHIELD,BLUE EF	1	AZUL
2	65202T820000	REAR SHIELD,BROWN	1	
2	65202T820010	REAR SHIELD,BLACK	1	
3	65801T020001	INSERT ST4.2	4	
4	B0200060122H	SCREW M6x12	2	
5	B0200060102H	SCREW M6x10	1	
6	B0507420130H	TAPPING SCREW ST4.2x13	8	
7	91160G360000	WARNING SWITCH	1	
8	91140G240000	START SWITCH	1	
9	91130G360000	DIMMER SWITCH	1	
10	91120T620000	TURN SWITCH	1	
11	91110G240000	SWITCH,HORN	1	
12	05531H290003	WARNING LABELS	1	

# ZAHARA 125 E4

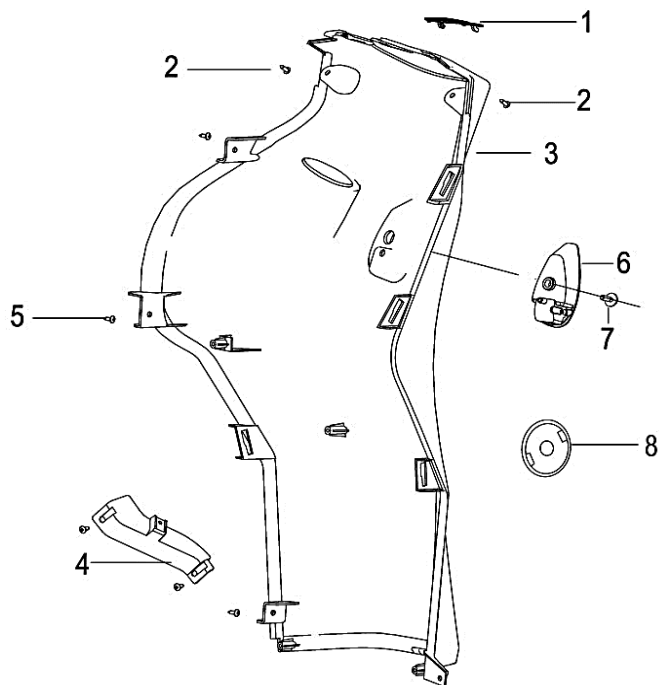
## F16 FACEPLATE



Nº	CÓDIGO	DESCRIÇÃO	Qt.	OBSERVAÇÕES
1	B05074201605	TAPPING SCREW ST4.2x16	6	
2	08012T090020	SCREW M6x25	2	
3	65301T82R202	FACEPLATE, FRONT COVER, RED R2	1	VERMELHO
3	65301T82MC02	FACEPLATE, FRONT COVER, CREAM MC	1	BEGE
3	65301T82B502	FACEPLATE, FRONT COVER, BLACK B5	1	PRETO
3	65301T82WF02	FACEPLATE, FRONT COVER, WHTIE WF	1	BRANCO
3	65301T82EF02	FACEPLATE, FRONT COVER, BLUE EF	1	AZUL
4	65316T82R200	LH.CONNECT BOARD, RED R2	1	VERMELHO
4	65316T82MC00	LH.CONNECT BOARD, CREAM MC	1	BEGE
4	65316T82B500	LH.CONNECT BOARD, BLACK B5	1	PRETO
4	65316T82WF00	LH.CONNECT BOARD, WHTIE WF	1	BRANCO
4	65316T82EF00	LH.CONNECT BOARD, BLUE EF	1	AZUL
5	B1301060120H	SCREW W/WASHER M6x12	2	
6	65406T820000	LOWER BRIDGE	1	
7	65304T820000	PLATE, INNER	1	
8	65801T020001	INSERT ST4.2	10	
9	65317T82R200	RH.CONNECT BOARD, RED R2	1	VERMELHO
9	65317T82MC00	RH.CONNECT BOARD, CREAM MC	1	BEGE
9	65317T82B500	RH.CONNECT BOARD, BLACK B5	1	PRETO
9	65317T82WF00	RH.CONNECT BOARD, WHTIE WF	1	BRANCO
9	65317T82EF00	RH.CONNECT BOARD, BLUE EF	1	AZUL
10	B0507420130H	TAPPING SCREW ST4.2x13	15	
11	08061K670000	BUSH	3	
12	47028G220000	RUBBER BOOT	3	
13	05521K690000	KEEWAY LABEL	1	
14	05501T430000	LABEL	1	

# ZAHARA 125 E4

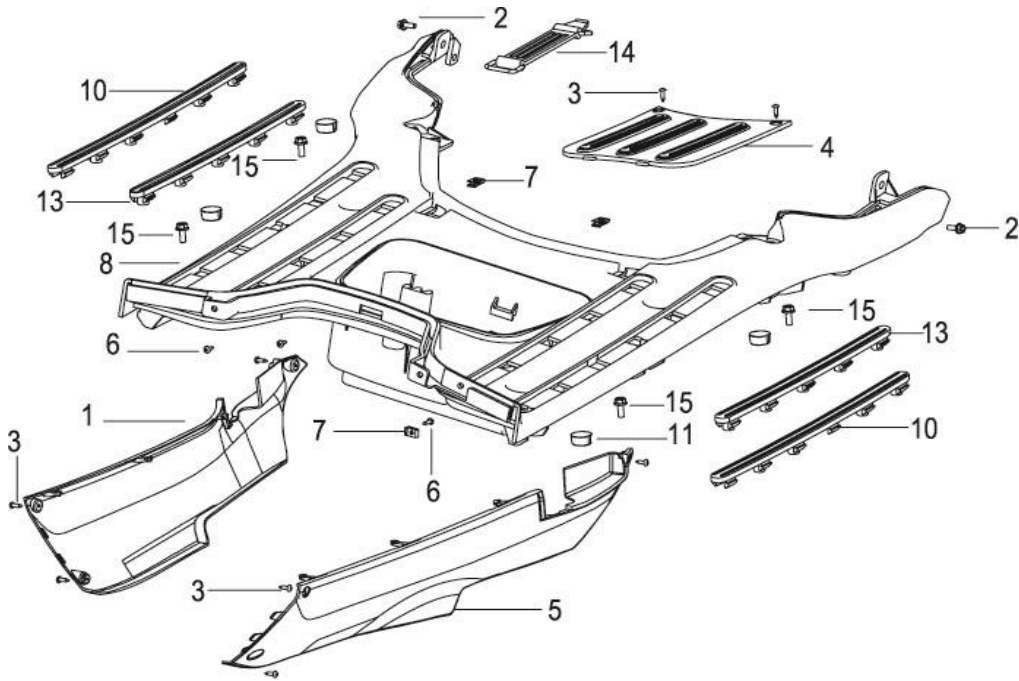
## F17 FACEPLATE



Nº	CÓDIGO	DESCRIÇÃO	Qt.	OBSERVAÇÕES
1	65319T820000	UPPER COVER BORAD,BROWN	1	
1	65319T820010	UPPER COVER BOARD,BLACK	1	
2	B0507420160H	TAPPING SCREW ST4.2x16	2	
3	65402T820001	FOOT PROTECTIVE SHIELD,BROWN	1	
3	65402T820101	FOOT PROTECTIVE SHIELD,BLACK	1	
4	65315T820000	BOOT, KEY LOCK	1	
5	B0507420130H	TAPPING SCREW ST4.2x13	5	
6	03310T820000	HELMET HOOK ASSEMBLY	1	
7	B0200060162H	SCREW M6x16	1	
8	65437T820000	VISUAL COVER	1	

# ZAHARA 125 E4

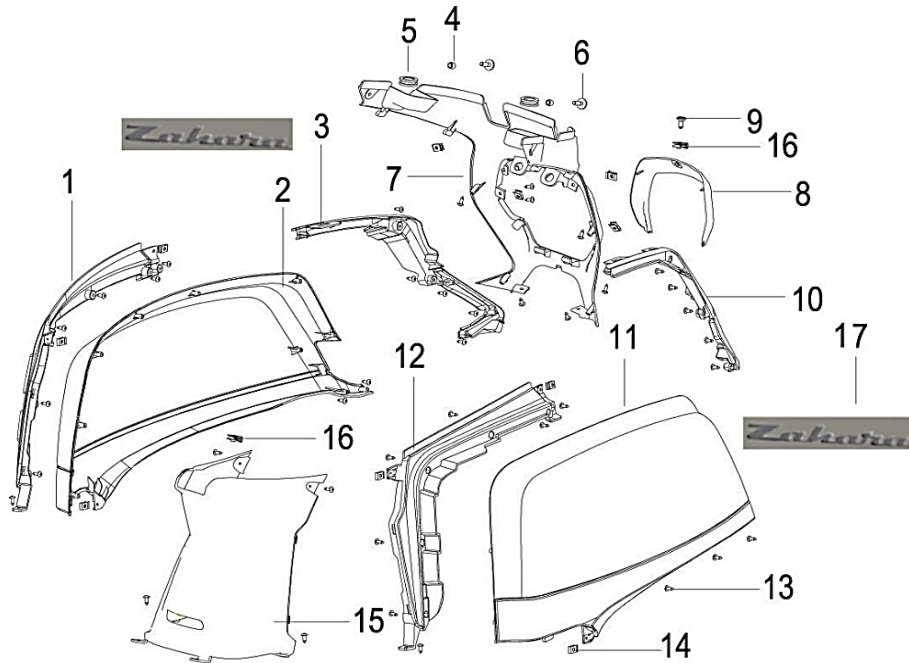
## F18 FOOTREST



N°	CÓDIGO	DESCRIÇÃO	Qt.	OBSERVAÇÕES
1	65409T82R200	GUARD STRIP,R,RED R2	1	VERMELHO
1	65409T82MC00	GUARD STRIP,R,CREAM MC	1	BEGE
1	65409T82B500	GUARD STRIP,R,BLACK B5	1	PRETO
1	65409T82WF00	GUARD STRIP,R,WHTIE WF	1	BRANCO
1	65409T82EF00	GUARD STRIP,R,BLUE EF	1	AZUL
2	B0109060166H	BOLT M6x16	2	
3	B0507420160H	TAPPING SCREW ST4.2x16	8	
4	65813T820000	BATTERY BOX COVER,brown	1	
4	65813T820010	BATTERY BOX COVER,black	1	
5	65408T82R200	GUARD STRIP,LH,RED R2	1	VERMELHO
5	65408T82MC00	GUARD STRIP,L,CREAM MC	1	BEGE
5	65408T82B500	GUARD STRIP,L,BLACK B5	1	PRETO
5	65408T82WF00	GUARD STRIP,L,WHTIE WF	1	BRANCO
5	65408T82EF00	GUARD STRIP,L,BLUE EF	1	AZUL
6	B0507420130H	TAPPING SCREW ST4.2x13	5	
7	65801T020001	INSERT ST4.2	3	
8	65401T820000	FOOTREST,BROWN	1	
8	65401T820010	FOOTREST,BLACK	1	
10	65413T820000	RUBBER GASKET I ,LH	1	
11	65436T820000	PLUG	4	
13	65423T820000	RUBBER GASKET II ,RH	1	
14	96020T750000	BATTERY BAND	1	
15	08011H010200	FLANGE BOLT M6x14	4	

# ZAHARA 125 E4

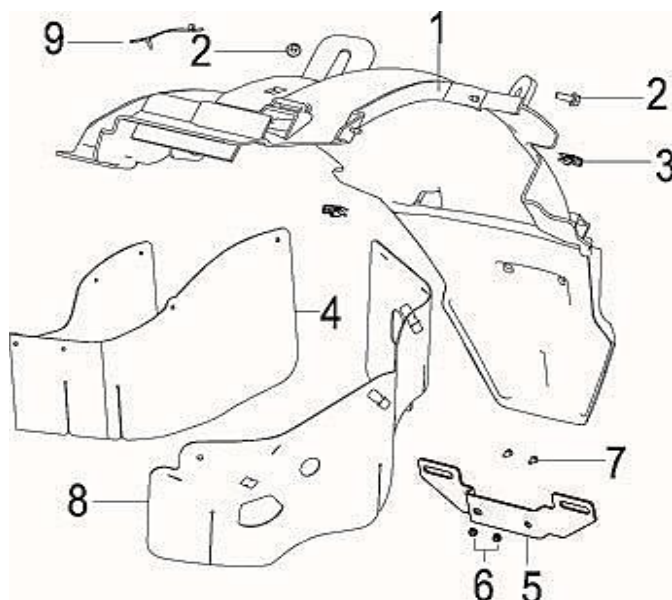
## F19 SIDE COVER



Nº	CÓDIGO	DESCRIÇÃO	Qt.	OBSERVAÇÕES
1	65661T82C100	DECORATING STRIP FRONT,RIGHT, SILVER	1	
2	65602T82R200	RIGHT GUARD PLATE,RED R2	1	VERMELHO
2	65602T82MC00	RIGHT GUARD PLATE,CREAM MC	1	BEGE
2	65602T82B500	RIGHT GUARD PLATE,BLACK B5	1	PRETO
2	65602T82WF00	RIGHT GUARD PLATE,WHTIE WF	1	BRANCO
2	65602T82EF00	RIGHT GUARD PLATE,BLUE EF	1	AZUL
3	65662T82C100	DECORATING STRIP REAR,RIGHT ,SILVER	1	
4	08061K670000	BUSH	2	
5	49107T820000	RUBBER BOOT	2	
6	08012T090100	SCREW M6x25	2	
7	65606T82Z500	CONNECTING PLATE,REAR,BROWN Z5	1	
7	65606T82B400	CONNECTING PLATE,REAR,MATTE BLACK B4	1	
8	65621T820010	GARNISH PLATE, CONNECTING PLATE	1	CROMADA
8	65621T82C100	GARNISH PLATE, CONNECTING PLATE	1	
9	B0284060150A	BOLT M6x15.2	1	
10	65652T82C100	DECORATING STRIP REAR,LEFT, SILVER C1	1	
11	65601T82R200	LEFT GUARD PLATE,RED R2	1	VERMELHO
11	65601T82MC00	LEFT GUARD PLATE,CREAM MC	1	BEGE
11	65601T82B500	LEFT GUARD PLATE,BLACK B5	1	PRETO
11	65601T82WF00	LEFT GUARD PLATE,WHTIE WF	1	BRANCO
11	65601T82EF00	LEFT GUARD PLATE,BLUE EF	1	AZUL
12	65651T82C100	DECORATING STRIP FRONT,LEFT, SILVER C1	1	
13	B0507420130H	TAPPING SCREW ST4.2x13	46	
14	65801T020001	INSERT ST4.2	12	
15	65605T820000	CONNECTING PLATE,FRONT,BROWN	1	
15	65605T820010	CONNECTING PLATE,FRONT,black	1	
16	65625J560000	CLIP NUT M6	2	
17	05515T820003	ZAHARA LABEL	1	

## ZAHARA 125 E4

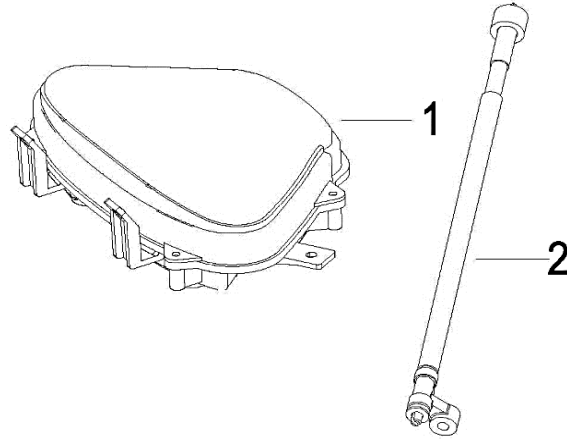
### F20 REAR FENDER



Nº	CÓDIGO	DESCRIÇÃO	Qt.	OBSERVAÇÕES
1	65701T820000	REAR FENDER	1	
2	08011T090200	BOLT M6x20	2	
3	65625J560000	CLIP NUT M6	2	
4	65703T820000	RUBBER PLATE, REAR	1	
5	08252T820000	MOUNTING PLATE, REAR LICENSE	1	
6	B0407060005H	NUT M6	2	
7	B0109060166H	BOLT M6x16	2	
8	65722T750000	RUBBER PLATE II	1	
9	65708J000000	CLIP, CABLE	1	

# ZAHARA 125 E4

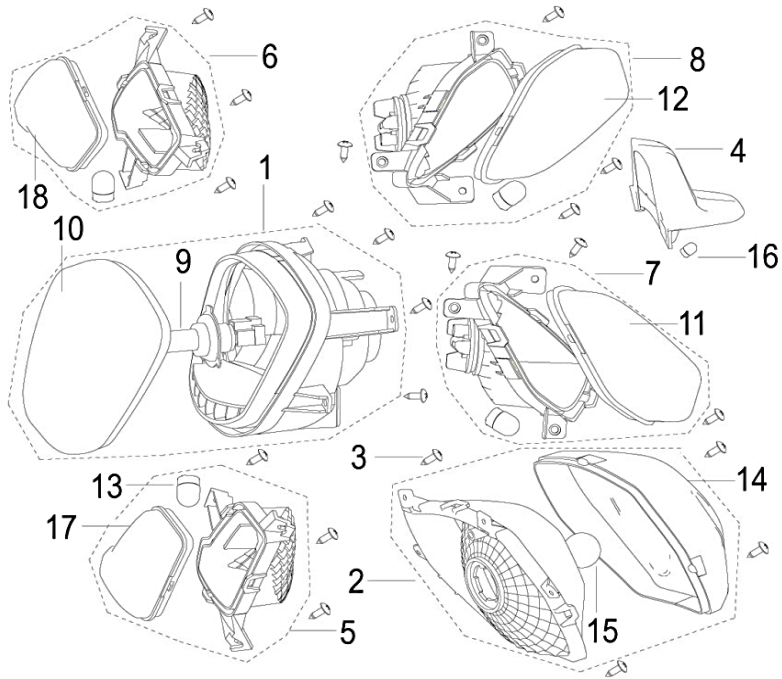
## F21 SPEEDOMETER



N°	CÓDIGO	DESCRIÇÃO	Qt.	OBSERVAÇÕES
1	70000T82000D	SPEEDOMETER ASSY.with KEEWAY logo	1	
2	72900T820001	SPEEDO SENSOR CABLE	1	

## ZAHARA 125 E4

### F22 LIGHT ASSY

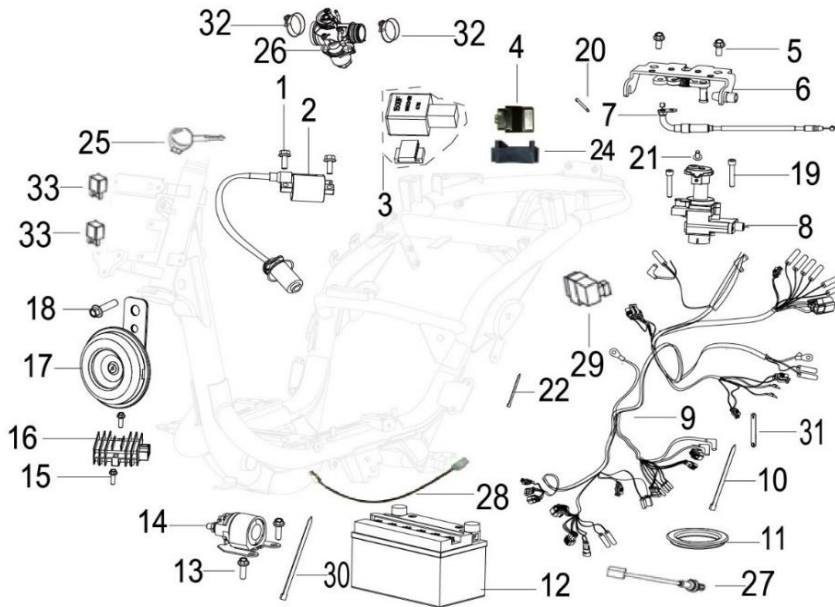


Nº	CÓDIGO	DESCRIÇÃO	Qt.	OBSERVAÇÕES
1	80000T820000	HEAD LIGHT	1	
2	82000T820000	REAR LIGHT	1	
3	B0507420130H	TAPPING SCREW ST4.2x13	21	
4	82900T820001	LICENSE PLATE LAMP	1	
4	82900T820011	LICENSE PLATE LAMP,black	1	
5	81100T820000	WINKER FRONT, LEFT	1	
6	81300T820000	WINKER FRONT, RIGHT	1	
7	81500T820000	WINKER REAR, LEFT	1	
8	81700T820000	WINKER REAR, RIGHT	1	
9	B240103200F0	BULB 12V35/35W	1	
10	80002T820000	LENS,HEAD LIGHT	1	
11	81502T820000	LENS,TURN SIGNAL,REAR LEFT	1	
12	81702T820000	LENS,TURN SIGNAL,REAR RIGHT	1	
13	B240140200F2	BULB 12V10W	4	
14	82040T820000	LENS,TAIL LAMP	1	
15	B24013820000	BULB 12V21/5W	1	
16	B240131200F0	BULB 12V5W	1	
17	81102T820000	LENS,TURN SIGNAL,FRONT LEFT	1	
18	81302T820000	LENS,TURN SIGNAL,FRONT RIGHT	1	



# ZAHARA 125 E4

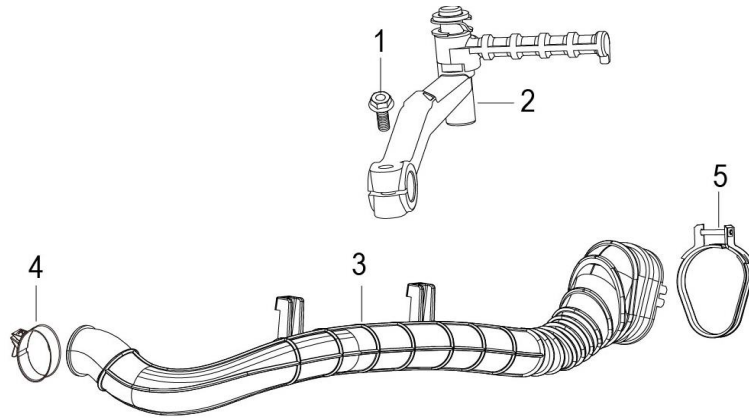
## F23 ELECTRICAL EQUIPMENT ASSY



Nº	CÓDIGO	DESCRIÇÃO	Qt.	OBSERVAÇÕES
1	B0109060206H	BOLT M6x20	2	
2	96200T820001	IG. COIL COMP	1	
3	96400K010001	FLASHER	1	
4	96C00T820000	ECU	1	
5	B0109060126H	BOLT M6x12	2	
6	58800B410000	SEAT LOCK ASSY	1	
7	40680T820000	CABLE, SEAT LOCK	1	
8	88000T750001	KEY SWITCH COMP	1	
9	92000T820004	WIRE HARNESS ASSY,automatic headlamp on	1	
10	96001T750000	BAND, 150MM	1	
11	88107T750000	DUST PROOF COVER, KEY SWITCH	1	
12	96100J280000	BATTERY	1	
13	B0109060126H	BOLT M6x12	2	
14	94100J000002	START MAG. SWITCH COMP	1	
15	B0109060256H	BOLT M6x25	2	
16	299064010000	RECTIFIER	1	
17	95100T750000	HORN	1	
18	B0109060126H	BOLT M6x12	1	
19	B0207060202H	TORX BOLT M6X20	2	
20	B090002018AH	COTTER PIN2x18	1	
21	B0200050102H	SCREW M5x10	1	
22	40098B450000	BAND	4	
24	50026J830000	ECU JACKET	1	
25	88900T75091X	KEY NUT,RIGHT	1	
26	289003320000	THROTTLE ASSY	1	
27	280023320000	OXYGEN SENSOR	1	
28	280013320000	TEMPRETURE SENSOR	1	
29	94400N140000	HEADLAMP CONTROL	1	
30	96003J000000	BAND 250mm	1	
31	96003P250000	RUBBER CLIP	2	
32	49016G120000	CLAMP	2	
33	94100J800000	FUEL PUMP RELAY	2	

# ZAHARA 125 E4

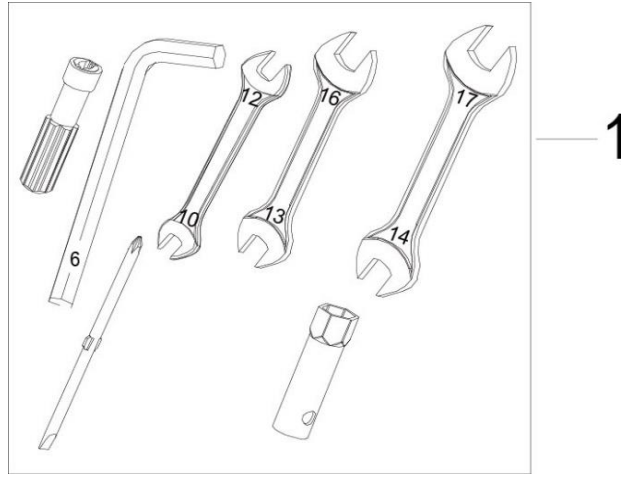
## F24 ENGINE ATTACHMENT



Nº	CÓDIGO	DESCRIÇÃO	Qt.	OBSERVAÇÕES
1	B0109080256H	BOLT M8x25	1	
2	08350T820000	KICK STARTER ASSY	1	
3	08401T820000	INLET AIR DUCT	1	
4	49350J890000	CLAMP ASSY	1	
5	08430T030000	CLIP ASSY	1	

# ZAHARA 125 E4

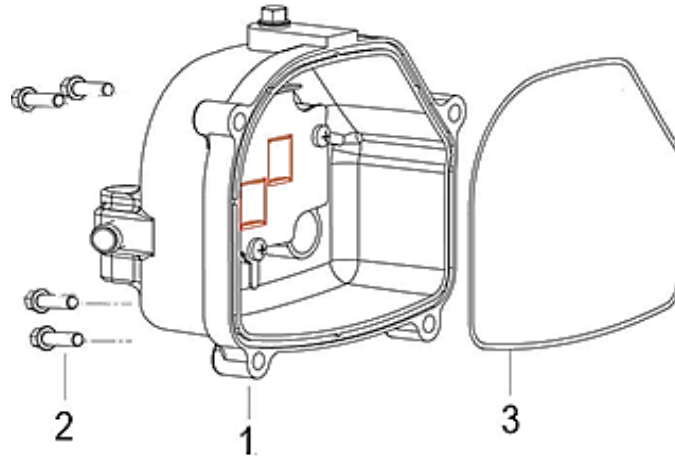
## F25 TOOL KIT



N°	CÓDIGO	DESCRIÇÃO	Qt.	OBSERVAÇÕES
1	02100T820010	TOOL KIT ASSY	1	

## ZAHARA 125 E4

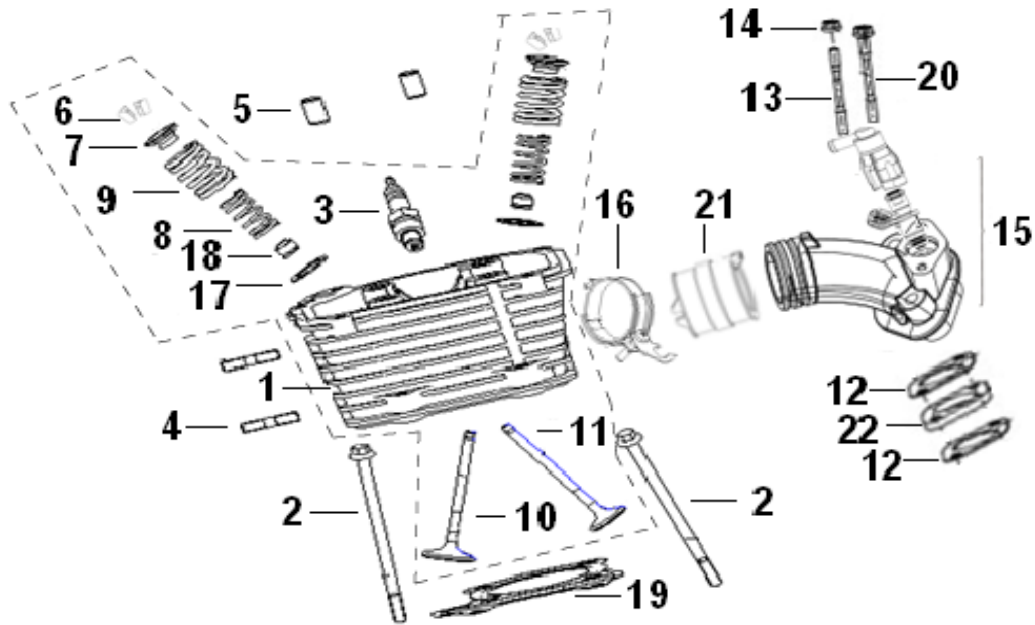
### E01 CYLINDER HEAD COVER



N°	CÓDIGO	DESCRIÇÃO	Qt.	OBSERVAÇÕES
1	100023130000	CYLINDER HEAD COVER ASSY	1	
2	B0107060256H	FLANGE BOLT M6x25	4	
3	100113050010	BEADING (RUBBER)	1	

## ZAHARA 125 E4

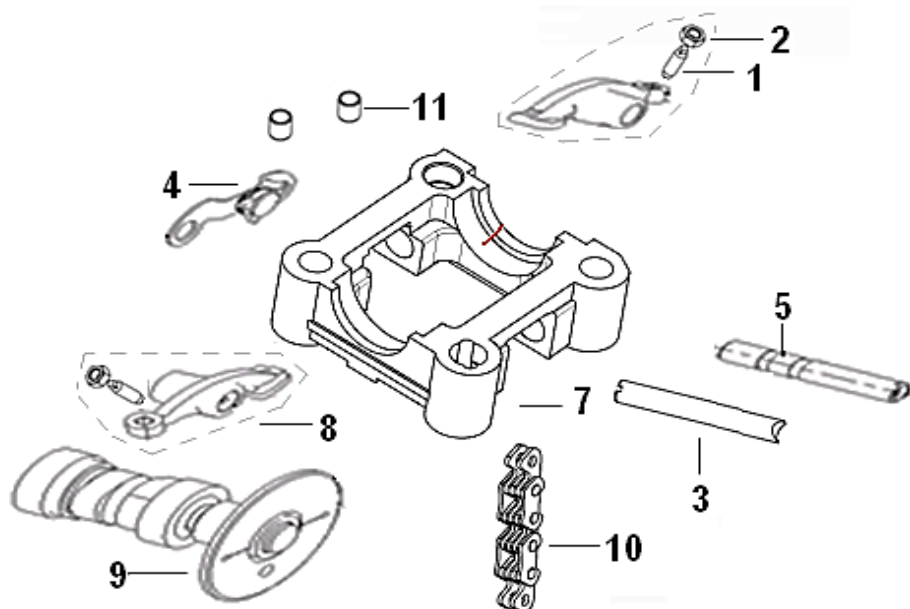
### E02 CYLINDER HEAD



Nº	CÓDIGO	DESCRIÇÃO	Qt.	OBSERVAÇÕES
1	109063130010	CYLINDER HEAD,bearing diameter:32mm	1	
2	17001305011X	BOLT M6x100	2	
3	299073050020	SPARK PLUG	1	
4	12007305001X	STUD BOLT	2	
5	150093050000	PIN DOWEL	2	
6	129223230000	COTTER,VALVE	4	
7	129213060000	UPPER SEAT,VALVE SPRING	2	
8	129253060000	SPRING,INNER	2	
9	129263060000	SPRING,OUTER	2	
10	129193060000	EXHAUST VALVE	1	
11	129183060000	INLET VALVE	1	
12	270483130000	GASKET	2	
13	B0407060005H	NUT M6	1	
14	159103060110	STUD BOLT	1	
15	110043130000	INSULATOR,CARBURETOR	1	
16	120183060000	CLAMP	1	
17	120023050020	SEAT,SPRING	2	
18	120013050000	SEAL RING	2	
19	10907305001X	GASKET,CYLINDER HEAD	1	
20	350023130100	BOLT M6x40	1	
21	270463130000	CONNECTING PIPE	1	
22	270473130000	CUSHION	1	

## ZAHARA 125 E4

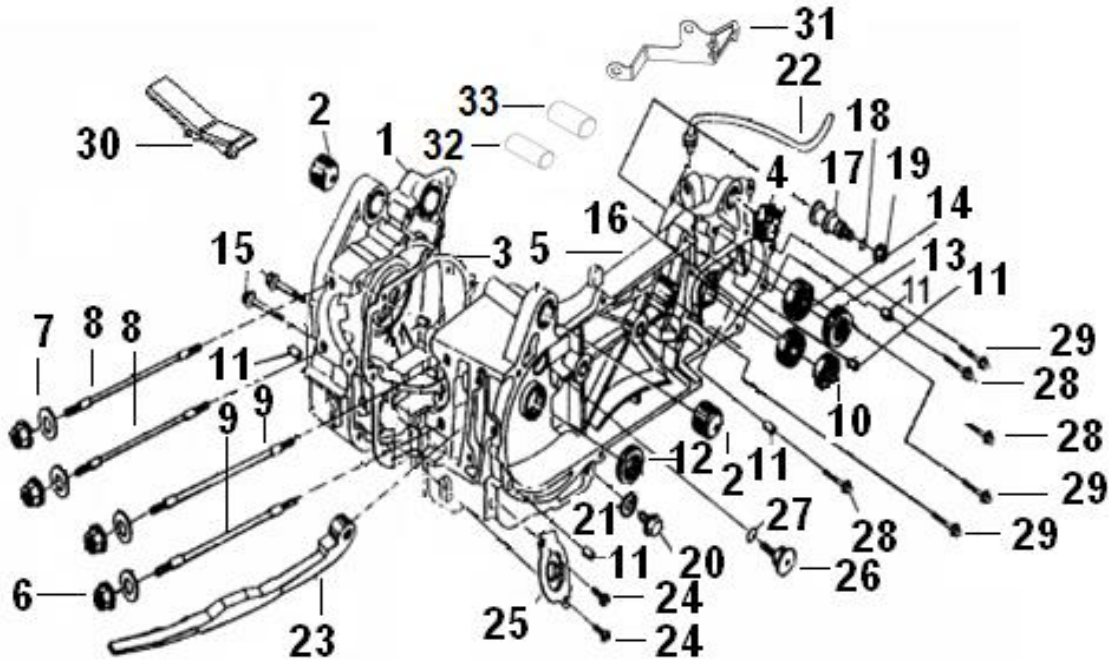
### E03 AIR MIX DEVICE



N°	CÓDIGO	DESCRIÇÃO	Qt.	OBSERVAÇÕES
1	120023050000	SCREW,TAPPET ADJUSTING	2	
2	120073050000	NUT,TAPPET ADJUSTING	2	
3	129173060000	SHAFT , EXHAUST ROCKER ARM	1	
4	120143050000	PLATE, STOPPER	1	
5	129163060000	ARM,INLET ROCKER ARM	1	
7	120083130000	HOLDER,CAM SHAFT,bearing diameter:32mm	1	
8	120243060000	ARM,ROCKER	2	
9	129093130020	CAMSHAFT COMP,bearing diameter:32mm	1	
10	210043060010	TIMING CHAIN	1	
11	150093050000	PIN DOWEL	2	

## ZAHARA 125 E4

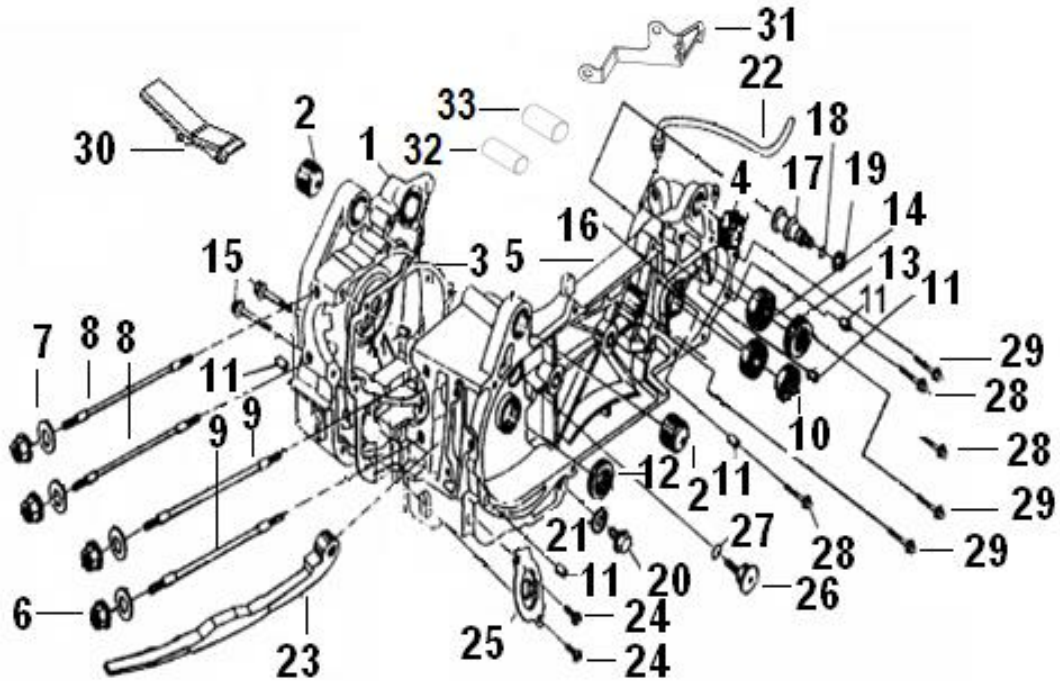
### E04 CRANKCASE ASSY



Nº	CÓDIGO	DESCRIÇÃO	Qt.	OBSERVAÇÕES
1	15905305056X	CRANKCASE, RH	1	
2	150123050000	BUSH	2	
3	150023050040	GASKET,CRANKCASE RH	1	
4	150012080000	DAMPING RUBBER BOOT	1	
5	15904305004X	CRANKCASE ,LH	1	
6	B0407080005H	NUT M8	4	
7	100133070000	WASHER	4	
8	159103060040	BOLT	2	
9	160023060020	BOLT M8	2	
10	B12016000202	BEARING 6002/P6	1	
11	150043050000	PIN DOWEL	6	
12	150103050000	OIL SEAL 19.8x30x5	1	
13	150113050000	OIL SEAL 27x42x7	1	
14	B12016000400	BEARING 6004-2RS/P6	1	
15	B0107060506H	BOLT M6x50	2	
16	B12016030103	BEARING 6301/P53	1	
17	150053050000	PIN,DOWEL	1	
18	150073050000	OIL SEAL 7.5x1.5	1	
19	B0417080005H	NUT	1	
20	15006305002X	BOLT,DRAIN PLUG	1	
21	210382140030	WASHER,DRAIN PLUG $\phi$ 12.2	1	
22	210033050010	TUBE,BREATHER	1	
23	140223050000	TENSIONER,CAM CHAIN	1	
24	B0107060126H	BOLT M6x12	2	
25	26001305001X	CAP,OIL PUMP	1	
26	14004305011X	SCREW	1	
27	140023050000	OIL SEAL 15.2x1.5	1	
28	B0107060356H	BOLT M6x35	3	

# ZAHARA 125 E4

## E04 CRANKCASE ASSY

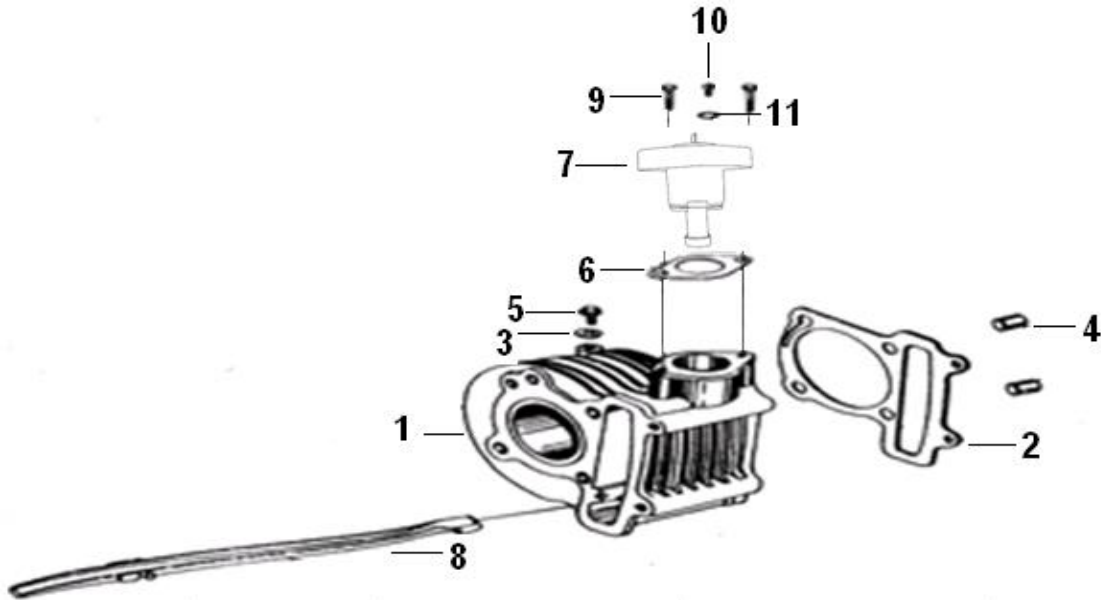


N°	CÓDIGO	DESCRIÇÃO	Qt.	OBSERVAÇÕES
29	B0107060286H	BOLT M6x28	3	
30	160063130000	SUPPORT PLATE	1	
31	160073130000	BRACKET	1	
32	150023180000	PLUG 10x25	1	
33	150103130000	PLUG 14x20	1	



## ZAHARA 125 E4

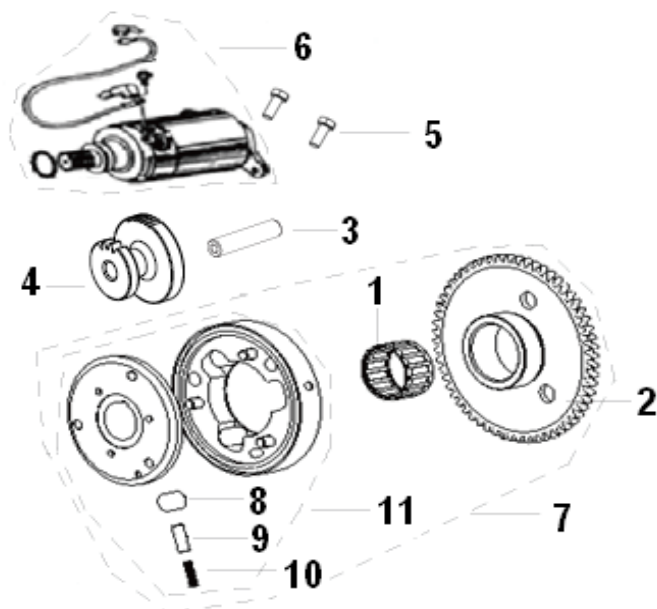
### E05 CYLINDER



Nº	CÓDIGO	DESCRIÇÃO	Qt.	OBSERVAÇÕES
1	139013130020	CYLINDER COMP	1	
2	139023050040	GASKET	1	
3	130013050000	WASHER	1	
4	150043050000	PIN DOWEL	2	
5	B0107060126H	BOLT M6x12	1	
6	140013050040	GASKET, CHAIN TENSIONER	1	
7	149033140020	ADJUSTER ASSY, TENSIONER	1	
8	149023050000	GUIDE CAM CHAIN	1	
9	B0107060226H	BOLT M6x22	2	
10	14005305001X	PLUG DRAIN	1	
11	210043050000	O RING $\Phi 8 \times 2$	1	

## ZAHARA 125 E4

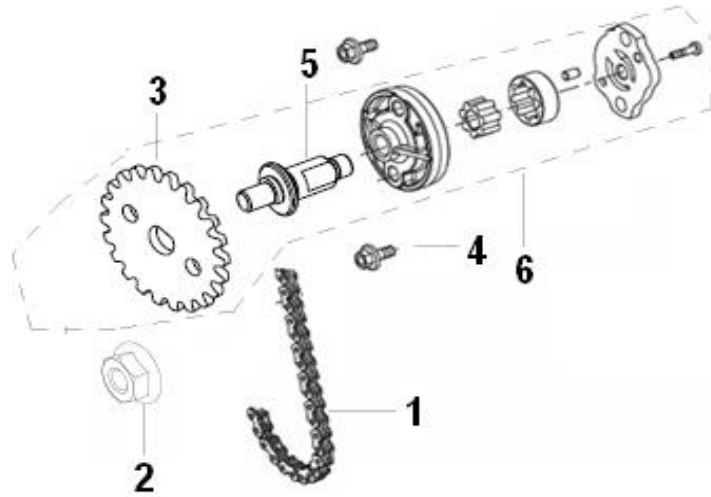
### E06 ELECTRIC STARTER



Nº	CÓDIGO	DESCRIÇÃO	Qt.	OBSERVAÇÕES
1	200273050000	BEARING, NEEDLE	1	
2	200263050000	GEAR COMP, STARTER CLUTCH	1	
3	20018305001X	SHAFT, SHAFT STARTER IDLE GEAR	1	
4	200173050000	GEAR, STARTER IDLE	1	
5	B0107060166H	BOLT M6x16	2	
6	249003050020	MOTOR ASSY, STARTING	1	
7	200193050000	START CLUTCH ASSY	1	
8	200203050000	ROLLER.	3	
9	200213050000	SPRING POCKET	3	
10	200223050000	SPRING	3	
11	200023050000	OUTER CLUTCH.	1	

# ZAHARA 125 E4

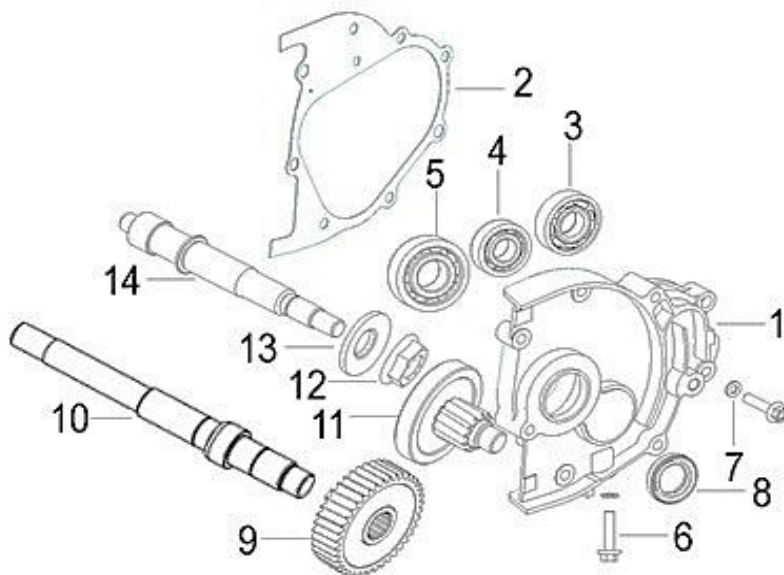
## E07 OIL PUMP



N°	CÓDIGO	DESCRIÇÃO	Qt.	OBSERVAÇÕES
1	269053050010	CHAIN OIL PUMP	1	
2	B0407060005H	NUT M6	1	
3	260093050000	SPROCKET, OIL PUMP DRIVEN	1	
4	B0204060256H	BOLT M6x25	2	
5	260083050000	SHAFT, OIL PUMP	1	
6	269014010000	PUMP ASSY, OIL	1	

## ZAHARA 125 E4

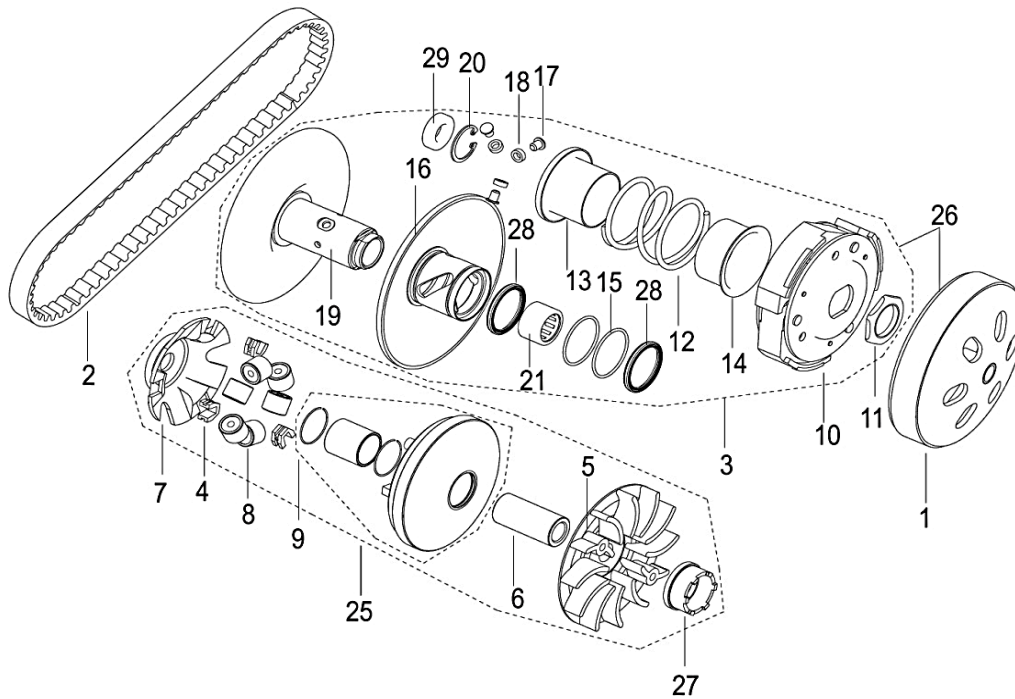
### E08 TRANSMISSON ASSY



Nº	CÓDIGO	DESCRIÇÃO	Qt.	OBSERVAÇÕES
1	22910305056X	COVER, GEAR BOX	1	
2	210023050040	GASKET, GEAR BOX	1	
3	B12016020303	BEARING 6203/P6	1	
4	B12016020204	BEARING 6202/P6	1	
5	B12016020407	BEARING 6204/P63	1	
6	B0107080126H	BOLT	2	
7	210013050000	WASHER	2	
8	220073050000	OIL SEAL 20x32x6	1	
9	229093050000	GEAR, FINAL DRIVEN	1	
10	229083050003	SHAFT,REAR AXLE,length:207mm	1	
11	220053050000	SHAFT, IDLE	1	
12	220023170010	NUT M12x1.25	1	
13	25005305001X	WASHER	1	
14	229043050000	SHAFT DRIVE	1	

# ZAHARA 125 E4

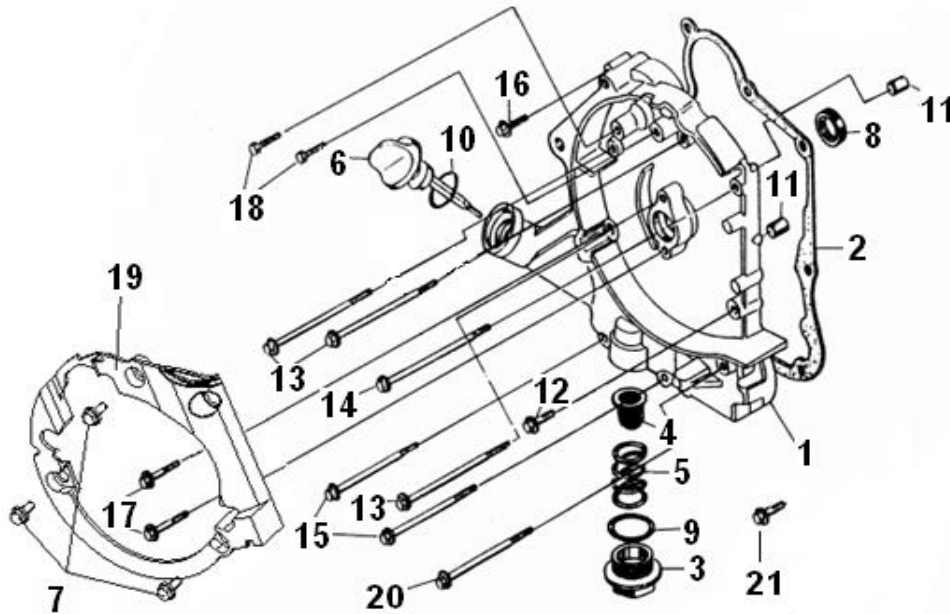
## E09 DRIVEN PULLEY & CLUTCH



N°	CÓDIGO	DESCRIÇÃO	Qt.	OBSERVAÇÕES
1	200163050000	HOUSING, CLUTCH	1	
2	140033140010	V BELT, DRIVE	1	
3	209033050000	PULLEY ASSY, DRIVEN	1	
4	200283050000	DAMPER	3	
5	200033050000	FACE, FIXED DRIVE PULLEY	1	
6	200393050000	BUSH, AXLE	1	
7	200403050000	PLATE, MOVABLE DRIVE PULEY	1	
8	200143050000	ROLLER (11g)	6	
9	200073050000	MOVABLE FACE DRIVE PULLE	1	
10	200343050010	PLATE ASSY, DRIVEN	1	
11	200123050000	NUT	1	
12	200113050000	SPRING	1	
13	200303050000	SHEET	1	
14	200313050000	COLLAR, SPRING	1	
15	200103050000	O RING	2	
16	200333050000	FACE, MOVABLE DRIVEN	1	
17	200083050000	PIN	3	
18	200063050000	SPACER	3	
19	200323050000	FACE ASSY, DRIVEN	1	
20	B08000002800	CIRCLIP	1	
21	200643050000	BEARING NEEDLE HKS20x29x18	1	
25	200023130040	DRIVEN PULLEY 11g	1	
26	200433050050	SHIFT ASSY,FCC	1	
27	200022180000	STARTING BOARD	1	
28	200093050000	SEAL 34x41x4	2	
29	B12016190205	BEARING 61902-RS	1	

# ZAHARA 125 E4

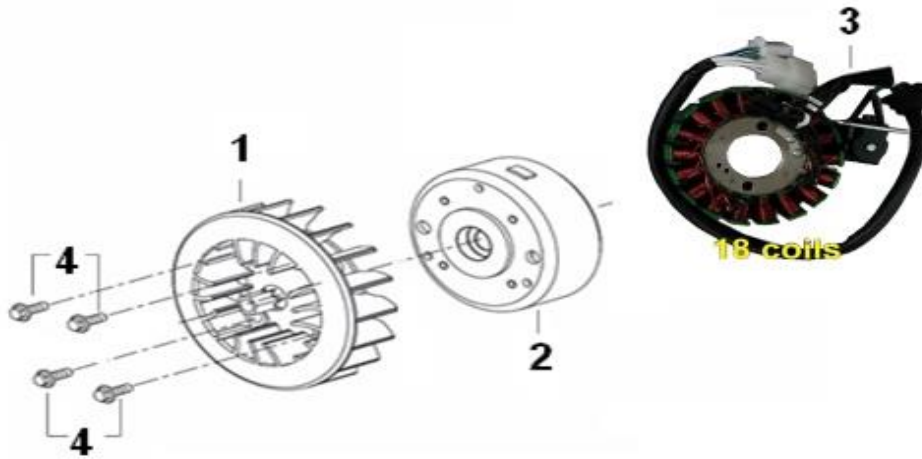
## E10 CRANKCASE ASSY



Nº	CÓDIGO	DESCRIÇÃO	Qt.	OBSERVAÇÕES
1	169103140001	COVER,CRANKCASE RH	1	
2	150033050040	GASKET,CRANKCASE COVER RH	1	
3	16004305001X	PLUG,DRAIN	1	
4	150093070000	STRAINER,OIL	1	
5	160013050000	SPRING,STAINER	1	
6	169183050003	GAUGE,OIL LEVEL	1	
7	B0107060126H	BOLT M6X12	3	
8	150103050000	OIL SEAL 19.8x30x5	1	
9	160023050000	O RING 30.8x3.2	1	
10	160063070000	O RING 18x3.5	1	
11	150043050000	PIN DOWEL	2	
12	B0107060306H	BOLT M6x30	1	
13	10001305011X	BOLT M6x95	3	
14	17001305011X	BOLT M6x100	1	
15	100023050110	BOLT M6x110	2	
16	B0107060406H	BOLT M6x40	1	
17	B0107060286H	BOLT M6x28	2	
18	B0109050128H	BOLT M5x12	2	
19	160043140000	VENTILATION LINKING PIECE COMBINATION	1	
20	10001305011X	BOLT M6x95	1	
21	B0107060306H	BOLT M6x30	1	

# ZAHARA 125 E4

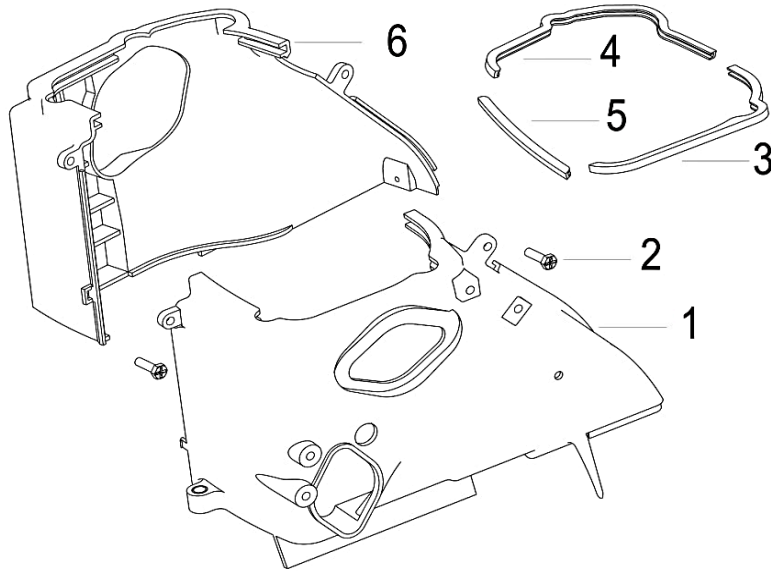
## E11 MAGNETO ASSY



N°	CÓDIGO	DESCRIÇÃO	Qt.	OBSERVAÇÕES
1	279023130000	GENERATOR ASSY	1	
2	299022180030	FLY WHEEL ASSY	1	
3	299032180030	COIL ASSY	1	
4	B0107060166H	BOLT M6x16	4	

# ZAHARA 125 E4

## E12 FAN COVER & SHROUD

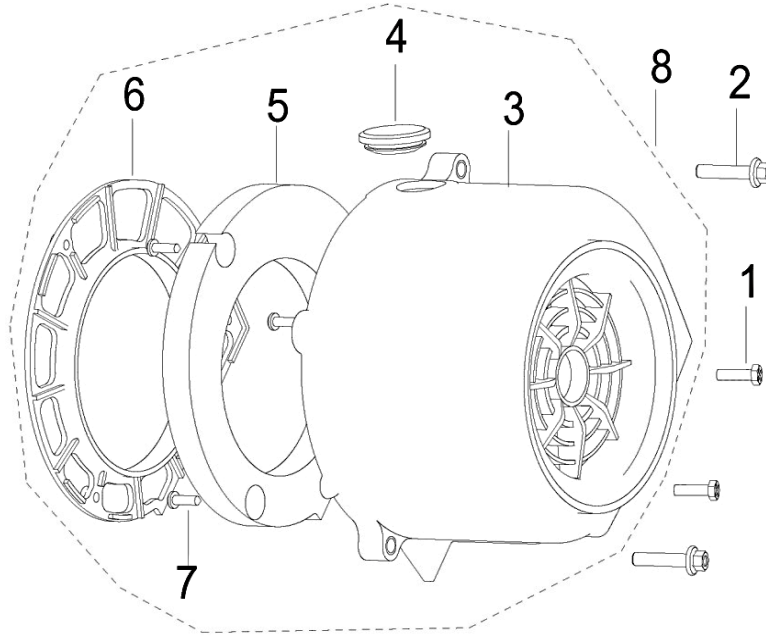


N°	CÓDIGO	DESCRIÇÃO	Qt.	OBSERVAÇÕES
1	270033130010	SHROUD, UPPER ASSY	1	
2	B0514480160H	SCREW ST4.8x16	2	
3	270053130000	SEAL SHROUD, UPPER	1	
4	270063130000	SEAL SHROUD, LOWER	1	
5	270073130000	TUBE, COOLING	1	
6	270043130000	SHROUD, LOWER	1	



# ZAHARA 125 E4

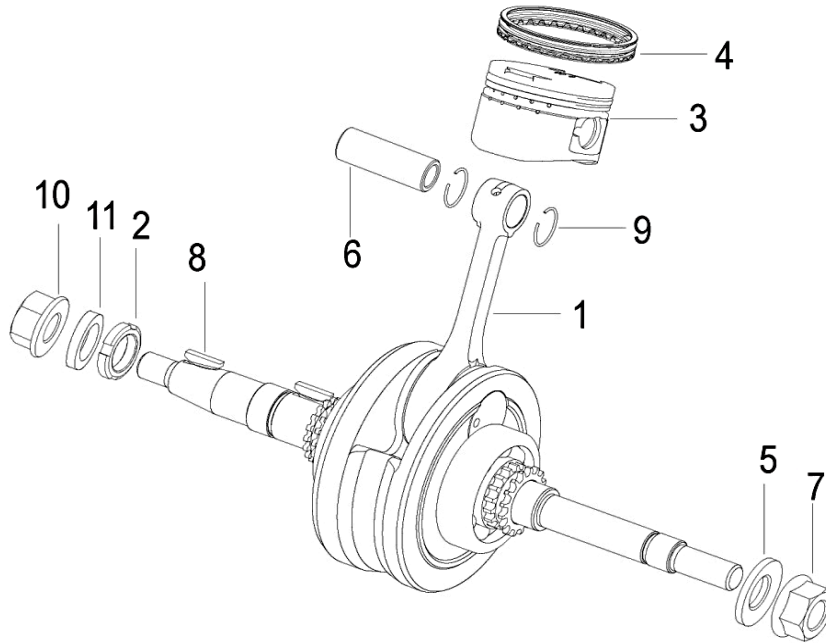
## E13 FAN COVER & SHROUD



Nº	CÓDIGO	DESCRIÇÃO	Qt.	OBSERVAÇÕES
1	B0514480160H	SCREW ST4.8x16	2	
2	B0107060256H	BOLT M6x25	2	
3	270353130000	COVER, FAN ASSY	1	
4	220023050000	SIDE PANEL	1	
5	270343130000	SPONGE	1	
6	270333130000	SPONGE FLATS	1	
7	B05004201303	SCREW	3	
8	270363130000	FAN VOLUTE COMPONENTS	1	

# ZAHARA 125 E4

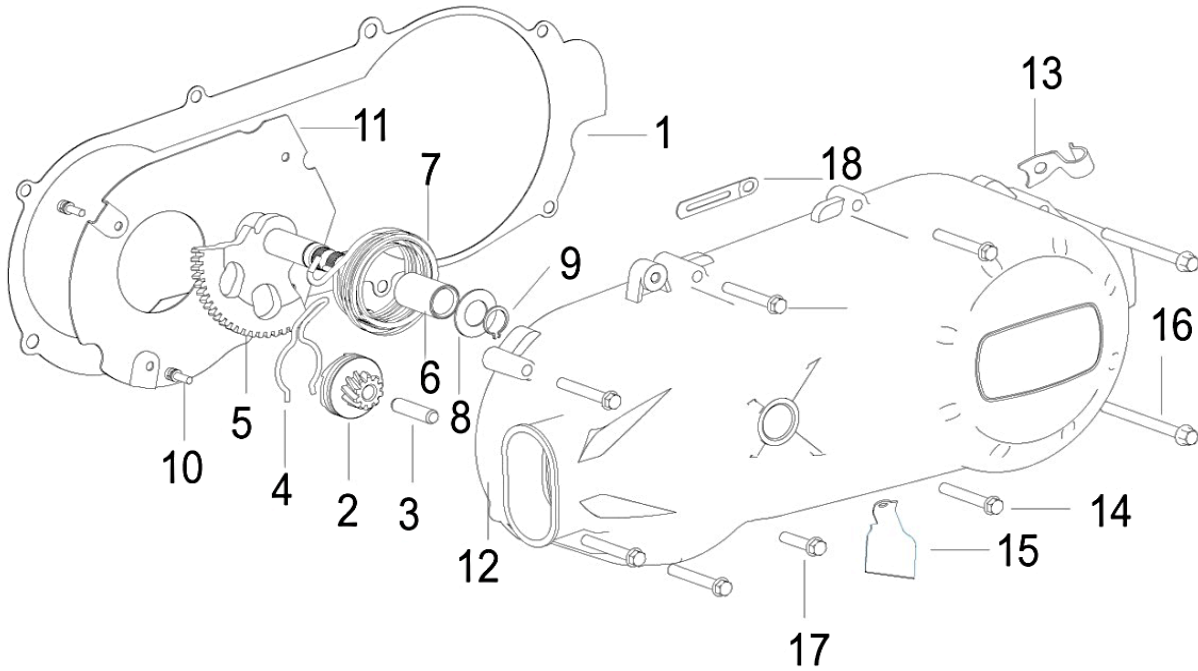
## E14 CRANKSHAFT & PISTON ASSY



Nº	CÓDIGO	DESCRIÇÃO	Qt.	OBSERVAÇÕES
1	179012220010	CRANKSHAFT ASSY.COMP.	1	
2	22006305001X	NUT,LOCK	1	
3	179133130010	PISTON	1	
4	170023130010	PISTON RING ASSY	1	
5	17007208001X	WASHER	1	
6	179143050000	PIN,PISTON	1	
7	220023170000	NUT (M12X1.25)	1	
8	260093070000	KEY (WOODRUFF)	2	
9	179153070000	CLIP	2	
10	240013060110	NUT M12x1.25	1	
11	B0703000120H	WASHER φ12	1	

# ZAHARA 125 E4

## E15 COVER LH



Nº	CÓDIGO	DESCRIÇÃO	Qt.	OBSERVAÇÕES
1	150013050030	GASKET,CLUTCH COVER,LH	1	
2	250062080000	KICK PINION ASSY	1	
3	150092080000	IDLE GEAR	1	
4	250012180000	CLIP	1	
5	259012180000	SHAFT,KICK STARTER	1	
6	250022080000	BUSH	1	
7	250042080000	SPRING	1	
8	250052080100	WASHER ,KICK STARTER	1	
9	B080100015A0	CIRCLIP	1	
10	B1308040100H	SCREW W/WASHER M4x10	4	
11	150153050000	COVER PLATE	1	
12	169023130041	COVER,CLUTCH,LH,SILVER CR	1	
13	150233050000	CLAMP	1	
14	B0107060406H	BOLT M6X40	5	
15	16003305002X	CLAMP,BRAKE CABLE	1	
16	B0107060656H	BOLT M6X65	2	
17	B0107060126H	BOLT M6X12	1	
18	160121170000	CLAMP	1	