

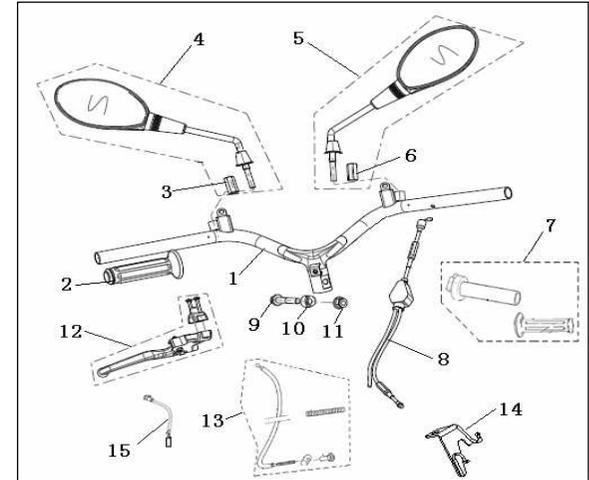
## GOCCIA 50



## GOCCIA 50

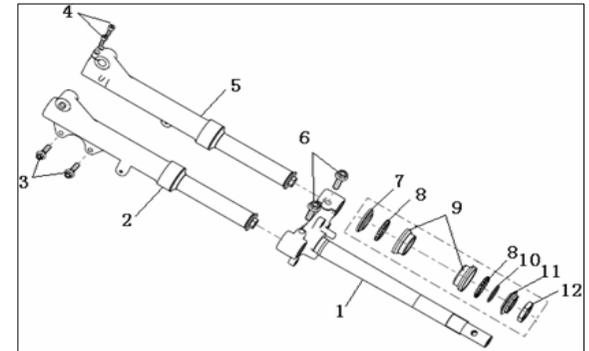
### F01.STEERING

NO.	CODE	EN DESCRIPTION	QTY	NOTES
1	40100B490000	HANDLE BAR	1	
2	40001B450000	GRIP, LEFT	1	
3	40455B490000	NUT,LEFT	1	
4	40450B490000	BACK MIRROR ASSY., LH.	1	
5	40480B490000	BACK MIRROR ASSY., RH.	1	
6	40485B490000	NUT,RIGHT	1	
7	40210B460000	RIGHT GRIP COMP	1	
8	40300B490000	CABLE , THROTTLE	1	
9	B01591005065	BOLT M10X1.25X50	1	
10	40031T030000	BLANCE BLOC	1	
11	B04171012555	NUT M10X1.25	1	
12	40080B460000	REAR BRAKE CONTROL LEVER	1	
13	40270B490000	CABLE ASSY, REAR BRAKE	1	
14	40060B490000	WIRE CLIP ASSY.	1	
15	45300B490000	SWITCH ASSY., BRAKE	1	



### F02.FRONT FORK

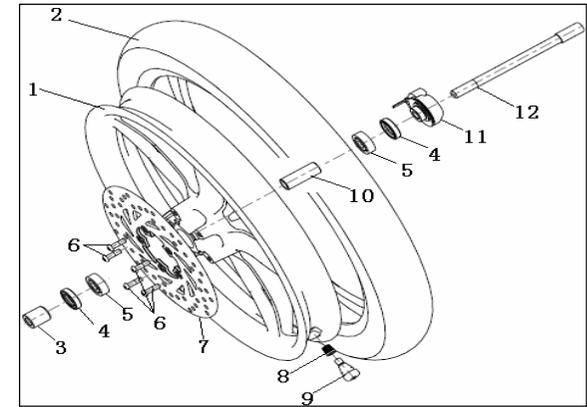
NO.	CODE	EN DESCRIPTION	QTY	NOTES
1	43100B490000	JOINTING ASSY.,FRONT FORK	1	
2	43200B490000	F.L. FORK ASSY.	1	
3	B01090803065	BOLT M8×30	2	
4	B02050602064	SCREW M6×20	2	
5	43300B490000	F.R. FORK ASSY.	1	
6	B01591003065	BOLT M10×1.25×30	2	
7	43004B450000	BALL RACE	1	
8	43130B450000	STEEL BALL ASSY	2	
9	43002B450000	BALL RACE	2	
10	43001B450000	BALL RACE	1	
11	43007B450000	WASHER	1	
12	43008B450000	NUT	1	



## GOCCIA 50

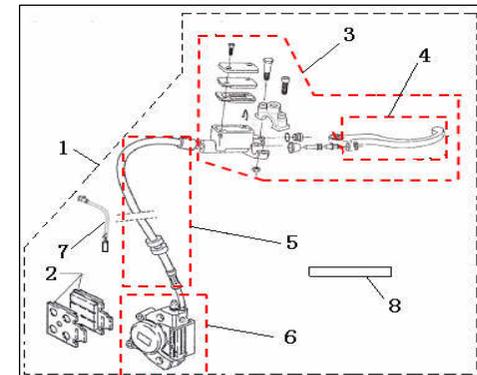
### F03.FRONT WHEEL

NO.	CODE	EN DESCRIPTION	QTY	NOTES
1	44101B490000	FRONT WHEEL 16×1.6	1	
2	B140103E1601	VAUUM TYRE 80/80-16	1	
3	44005BW0T000	OUT SHAFT SLEEVE, WHEEL,F.	1	
4	44300BW0T000	OIL SEAL ASSY, FRONT WHEEL	2	
5	B12016020100	BEARING 6201-2RS	2	
6	B02180602068	SCREW M6×20	5	
7	45033B490000	DISK , FRONT BRAKE	1	
8	B1404Z1102A0	CAP, VALVE A	1	
9	B1403Z201100	VALVE Z2-01-1	1	
10	44006B490000	FRONT WHEEL SLEEVE M.	1	
11	44200B490000	SEAT,GEAR	1	
12	44004B490000	AXIL,FRONT WHEEL	1	



### F04.DISC BRAKE ASSY.

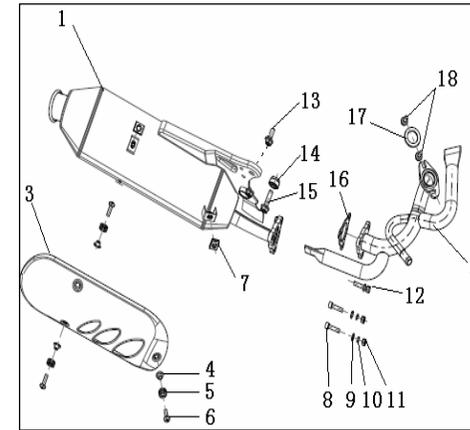
NO.	CODE	EN DESCRIPTION	QTY	NOTES
1	45900B49B300	FLUID BRAKE ASSY.	1	
2	45120J4AT000	BRAKE SHOE ASSY	1	JOGO
3	45400B460000	FRONT BRAKE PUMP	1	
4	40094B450000	DISC BRAKE LEVER	1	
5	45200B490000	BRAKE HOSE ASSY	1	
6	45500B450000	CALIPERHYDROCHECK ASSY.	1	
7	45300B450003	SWITCH ASSY., BRAKE	1	
8	40901JX0T000	SLEEVE	1	



## GOCCIA 50

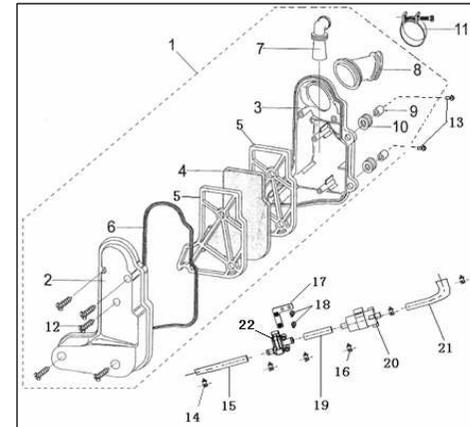
### F05.MUFFLER

NO.	CODE	EN DESCRIPTION	QTY	NOTES
1	47200B490000	ROLL ASSY	1	
2	47500B490000	EXHAUST PIPE COMP.	1	
3	47023B490000	GUARD BOARD, DECORATING	1	
4	58307BW0T000	MOUNTING SLEEVE GASKET	3	
5	57039Y00G000	RUBBER CUSHION	3	
6	B02000602025	BOLT M6X20	3	
7	65803Y00G000	NUT M6	2	
8	B02050602565	SCREW M6x25	2	
9	B07020000605	WASHER Φ6	2	
10	B07000000605	WASHER Φ6	2	
11	B04000600055	NUT M6	2	
12	08013B920010	BOLT M6X25	1	
13	B01090802065	BOLT M8X20	1	
14	B01090803065	BOLT M8X30	1	
15	47039B020000	MUFFLER BUSHING	1	
16	47491B920001	SEAL GASKET	1	
17	47035BM0T000	GRAPHITE RING GASKET	1	
18	B01090601665	BOLT M6X16	2	
	47500B490003	EXHAUST PIPE COMP	1	TUNING



### F06.AIR CLEANER

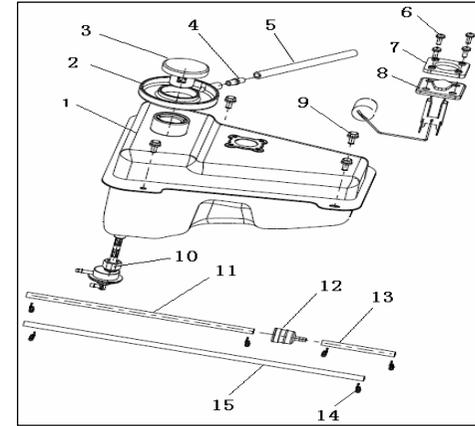
NO.	CODE	EN DESCRIPTION	QTY	NOTES
1	49000B450000	AIR CLEANER	1	
2	49401B450000	COVER, UPPER	1	
3	49402B450000	COVER, LOWER	1	
4	49202B450000	FILTER	1	
5	49205B450000	MAIN STAND , AIR CLEANER	2	
6	49013B450000	SEAL RING	1	
7	49002B450000	PIPE AIR IN	1	
8	49005B450000	PIPE AIR OUT	1	
9	49004B450000	SPACER	2	
10	49022B450000	SPACER , RUBBER	2	
11	49350B450050	CLIP ASSY.	1	
12	B05074501605	SCREW ST4.8X16	5	
13	B01090602065	BOLT M6X20	2	
14	49805J00P000	SNAP RING, HEAT-RESISTING TUBE	3	
15	49802K060000	CONNECTING PIPE	1	
16	49804J00P000	CHECK HOOP COMMON TUBE	3	
17	57050B490000	CONNECTING SEAT, VALVE, ONE-WAY	1	
18	B01090603565	BOLT M6x35	1	
19	49851B490000	CONNECTING PIPE	1	
20	49870B2GT000	SMALL AIR FILTER	1	
21	49932BS0T000	CONNECTING PIPE	1	
22	11001107000	VALVE ONE-WAY	1	



## GOCCIA 50

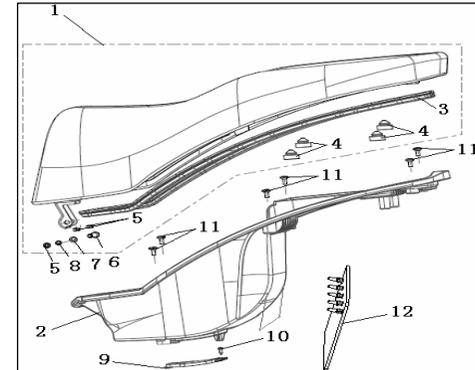
### F07.FUEL TANK

NO.	CODE	EN DESCRIPTION	QTY	NOTES
1	50100B490000	BODY ASSY., FUEL TANK	1	
2	50011B490000	WATERPROOF GASKET	1	
3	50201T020000	COVER, FUEL TANK	1	
4	08402B130000	CONNECTING TUBE	1	
5	55065E070000	OIL TUBE 11×7×740	1	
6	08016B920000	BOLT M5×14	4	
7	50004BM0T000	RUBBER PAD SENSOR OIL LEVEL INDICATOR	1	
8	50800B490000	FUEL SENSOR ASSY.	1	
9	B01090601265	BOLT Φ6	4	
10	50320T030000	FUEL SWITCH ASSY.	1	
11	B16010C21601	OIL TUBE 4.5×8.5×160	1	
12	50340G120000	FILTER ASSY.	1	
13	B16010C20801	OIL TUBE 4.5×8.5×80	1	
14	B17010080003	CLIP8	6	
15	55065T030000	OIL TUBE 4×8×290	1	



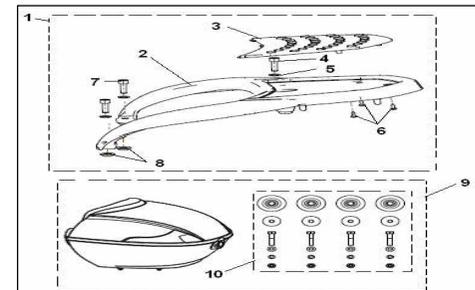
### F08.SEAT

NO.	CODE	EN DESCRIPTION	QTY	NOTES
1	51100B490000	SEAT ASSY	1	
2	51004B450000	HELMET BOX	1	
3	51012B490000	TAPE SET	1	
4	51106N140000	RUBBER CUSHION	4	
5	B04000600003	NUT M6	3	
6	51085B490000	PIN	1	
7	B07010000603	WASHER 6	1	
8	B07000000603	SPRING WASHER 6	1	
9	51005B490000	CAP HELMET BOX	1	
10	B05004201305	SCREW ST4.2×13	1	
11	B01070601665	BOLT M6×16	6	
12	65703B490000	FENDER PLATE	1	



### F09.REAR CARRIER ASSY

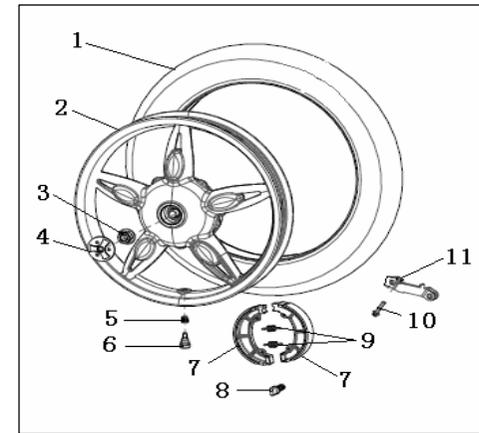
NO.	CODE	EN DESCRIPTION	QTY	NOTES
1	52000B490001	LUGGAGE CARRIER ASSY	1	
2	52002B49C900	REAR CARRIER	1	
3	52003B490000	DECORATIVE , COVER	1	
4	B02050802565	SCREW M8×25	1	
5	B07010000805	WASHER Φ8	1	
6	B05004201305	SCREW ST4.2×13	3	
7	B02050803065	SCREW M8×30	2	
8	52004B490000	SPACER , REAR CARRIER	1	
9	52200G220000	BACK BOX	1	
10	52910GB0T000	BACK BOX FITTINGS	1	



## GOCCIA 50

### F10.REAR WHELL ASSY.

NO.	CODE	EN DESCRIPTION	QTY	NOTES
1	B140104E1601	TYRE 80/80-16	1	
2	54100B490000	REAR RIM ASSY. 16×1.85	1	
3	B04171615055	NUT M16×1.5	1	
4	43481BM0T000	COVER, ANTI-DUST	1	
5	B1404Z1102A0	CAP, VALVE A	1	
6	B1403Z201100	VALVE Z2-01-1	1	
7	54200B490000	BRAKE SHOE ASSY	1	JOGO
8	54003B490000	CAMSHAFT BRAKE REAR	1	
9	54001G130000	SPRING BRAKE SHOE	2	
10	B01070603065	BOLT M6×30	1	
11	54250B490000	BRAKE ROCKER ARM ASSY.	1	



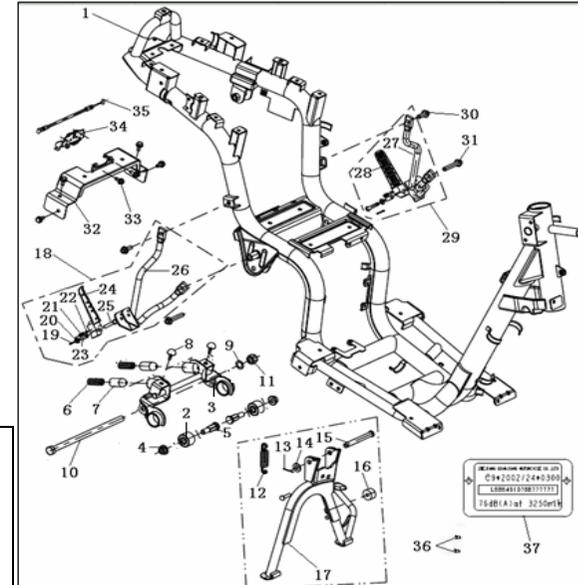
# GOCCIA 50

## F11.FRAME

NO.	CODE	EN DESCRIPTION	QTY
1	57100B490000		1
2	58350B920000	SPACER ASSY	2
3	58320B450000	E/G HANGER ASSY	1
4	B04171012555	NUT M10X1.25	2
5	08013BM0T000	BOLT 10X1.25X41	2
6	58034B920000	SPRING	2
7	57014B070000	CUSHION	2
8	58302BW0T000	RUBBER CUSHION	2
10	58303BW0T000	( E/G HANGER ) BOLT	1
9	B07200001205	WASHER 12	1
11	B04161212555	NUT 6MM ( GREEN )	1
12	58510BM0T000	MIAN STAND SPRING.ASSY	1
13	38382B000000	PIN cotter	1
14	B07030001005	WASHER 10	1
15	58505B450000	AXLE , MAIN STAND	1
16	58538T030000	CUSHION, MAIN STAND	1
17	58520B450002	MAIN STAND COMP.	1
18	58400B490000	FOOTREST ASSY., R.	1
19	B090018190A5	PIN 1.8x19	2
20	B07280000605	WASHER 6	2
21	58262BM0T000	SPRING, PEDAL, REAR	2
22	B06010200000	BALL $\Phi$ 6.35	2
23	58264BM0T000	BUSH, PEDAL, REAR	2
24	58401BM0T000	DECORATE COVER,IN.HEX,PEDAL,R.	1
25	B090406034A5	PIN 6x34	2
26	58310B490000	DECORATE BOARD ASSY (R)	1
27	58210B490000	DECORATE BOARD ASSY (L)	1
28	58201BM0T000	DECORATE COVER,IN.HEX,PEDAL,L.	1
29	58200B490000	FOOTREST ASSY., L.	1
30	B01090802065	BOLT M8x20	2
31	B01090804565	BOLT M8x45	2
32	57830B490000	SEAT, HELMET BOX	1
33	B01090601265	BOLT M6x12	6
34	58800BSAT000	SEAT LOCK	1
35	58900B490000	CABLE, STEEL	1
36	B100432007P0	RIVET,BLIND	1
37	57001B490000	LABLE,FRAME	1

### NOTES

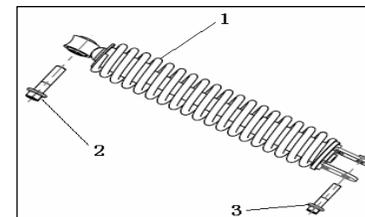
FORNECIDO JUNTAMENTE COM Nº 18 E/OU Nº 29



## F12.REAR SHOCK ABSORBER ASSY.

NO.	CODE	EN DESCRIPTION	QTY
1	63800B490000	RR.SHOCK ABSORBER ASSY.	1
2	B01591004065	BOLT M10x1.25x40	1
3	B01090803565	BOLT M8x35	1

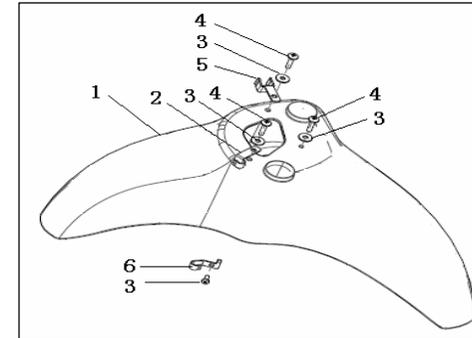
### NOTES



# GOCCIA 50

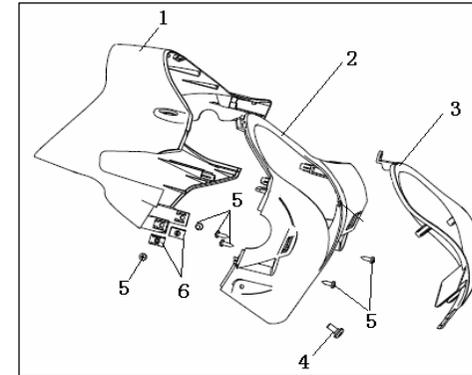
## F13.FRONT FENDER ASSY.

NO.	CODE	EN DESCRIPTION	QTY	NOTES
	65101B49GZ00	FENDER , FRONT	1	VRD
	65101B49WF00	FENDER , FRONT	1	BRA
1	65101B49BH00	FENDER , FRONT	1	PRT
	65101B49LO00	FENDER , FRONT	1	AZ
	65101B49CA00	FENDER , FRONT	1	CZ
2	65115B490000	CABLE CLIP □	1	
3	B02000501225	SCREW M5×12	1	
4	B01090602065	SCREW M6×25	3	
5	65112B490000	BRAKE CLIP	1	
6	65116B490000	CABLE CLIP	1	



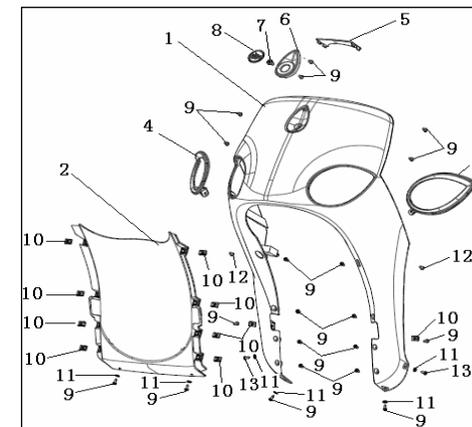
## F14.HANDLE COVER ASSY

NO.	CODE	EN DESCRIPTION	QTY	NOTES
	65201B49001Z	HANDLE COVER,FRONT	1	VRD C/ AUTOCOLANTES
	65201B49002Z	HANDLE COVER,FRONT	1	BRA C/ AUTOCOLANTES
	65201B49003Z	HANDLE COVER,FRONT	1	PRT C/ AUTOCOLANTES
	65201B49004Z	HANDLE COVER,FRONT	1	AZ C/ AUTOCOLANTES
1	65201B49005Z	HANDLE COVER,FRONT	1	CZ C/ AUTOCOLANTES
	65201B49GZ00	HANDLE COVER,FRONT	1	VRD
	65201B49WF00	HANDLE COVER,FRONT	1	BRA
	65201B49BH00	HANDLE COVER,FRONT	1	PRT
	65201B49LO00	HANDLE COVER,FRONT	1	AZ
	65201B49CA00	HANDLE COVER,FRONT	1	CZ
2	65202B490000	HANDLE COVER , REAR	1	
3	65213B49C900	SPEEDOMETER ORNAMENT COVER	1	
4	B02060601625	BOLT M6×14	1	
5	B05004201305	SCREW ST4.2×13	6	
6	65801J0ET010	SPRING NUT ST4.2	2	



## F15.FRONT COVER ASSY.

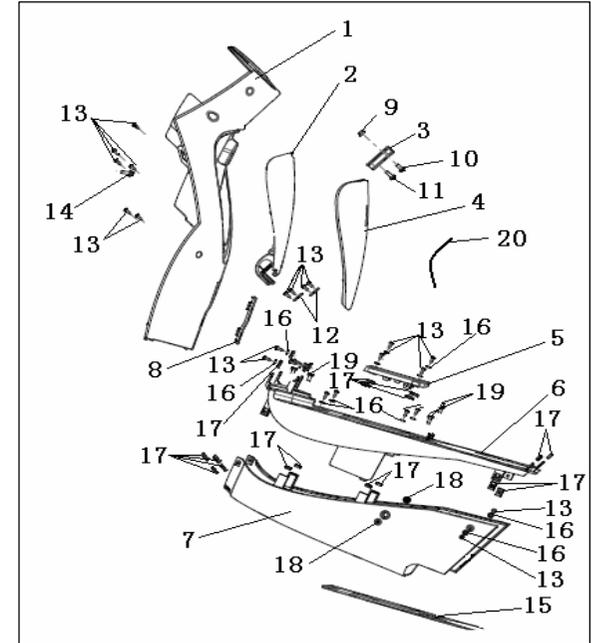
NO.	CODE	EN DESCRIPTION	QTY	NOTES
	65301B49GZ00	FACEPLATE	1	VRD
	65301B49WF00	FACEPLATE	1	BRA
1	65301B49BH00	FACEPLATE	1	PRT
	65301B49LO00	FACEPLATE	1	AZ
	65301B49CA00	FACEPLATE	1	CZ
2	65406B490000	COVER LOWER □	1	
3	65303B49C900	FACE,FL.COVER PLAQUE	1	
4	65309B49C900	FACE,FR.COVER PLAQUE	1	
5	65316B490000	FACEPLATE COVER BOARD UP	1	
6	65319B49C900	BRAND BRACKET	1	
7	B13300602005	BOLT M6×20	1	
8	05525B92B410	BIRDIE IRISH DIAMOND	1	
9	B05004201305	SCREW ST4.2×13	20	
10	65801J0ET010	SPRING NUT ST4.2	10	
11	B07030000505	WASHER 5	6	
12	B05004201605	SCREW ST4.2×16	2	
12	B05004201905	SCREW ST4.2×19	2	



# GOCCIA 50

## F16.LEG SHIELD ASSY.

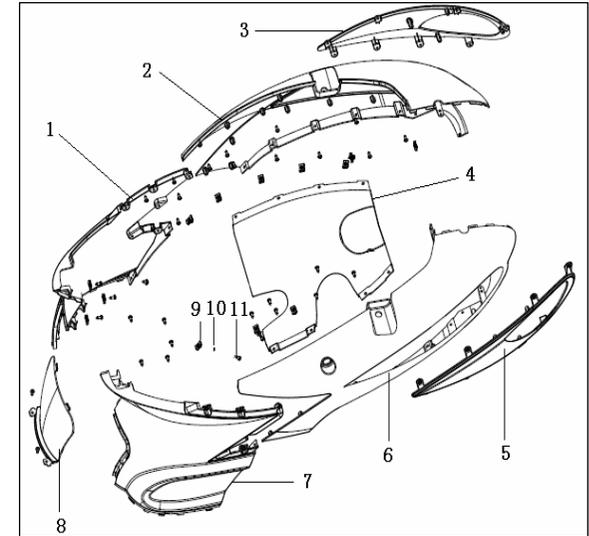
NO.	CODE	EN DESCRIPTION	QTY	NOTES
1	65402B490000	FOOT EXPOSURE	1	
2	65429B490000	CAP,FRONT LUGGAGE BOX REINFORCE	1	
3	51011B450000	POTHOOK , HELMET	1	
4	65404B490000	CAP,FRONT LUGGAGE BOX	1	
5	65813B490000	CAP,BATTERY	1	
6	65401B490000	FOOTREST	1	
	65407B49001Z	COVER LOWER II	1	VRD C/ AUTOCOLANTES
	65407B49002Z	COVER LOWER II	1	BRA C/ AUTOCOLANTES
	65407B49003Z	COVER LOWER II	1	PRT C/ AUTOCOLANTES
	65407B49004Z	COVER LOWER II	1	AZ C/ AUTOCOLANTES
7	65407B49005Z	COVER LOWER II	1	CZ C/ AUTOCOLANTES
	65407B49GZ00	COVER LOWER II	1	VRD
	65407B49WF00	COVER LOWER II	1	BRA
	65407B49BH00	COVER LOWER II	1	PRT
	65407B49LO00	COVER LOWER II	1	AZ
	65407B49CA00	COVER LOWER II	1	CZ
8	65403B490000	INSPECT COVER	1	
9	B04070600055	NUT M6	1	
10	B02000601265	SCREW M6X12	1	
11	B02000601665	SCREW M6X16	1	
12	65481B490000	FRONT BOARD	2	
13	B05004201305	SCREW ST4.2×13	25	
14	B13060601605	SCREW W/WASHER M6×16	1	
15	65413B490000	HOOF FEET CUSHION	1	
16	B07030000505	WASHER Φ5	14	
17	65801J0ET010	SPRING NUT ST4.2	25	
18	B13010601205	SCREW W/WASHER M6×12	2	
19	B01090601265	BOLT M6×12	4	
20	65374B490000	SEAL RING 3×6×1035	1	



## GOCCIA 50

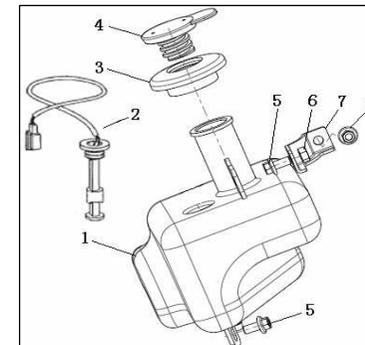
### F17.FRAME COVER

NO.	CODE	EN DESCRIPTION	QTY	NOTES
1	65604B490000	GUARD BOARD RIGHT.	1	
	65602B49001Z	SIDE COVER RIGHT	1	VRD C/ AUTOCOLANTES
	65602B49002Z	SIDE COVER RIGHT	1	BRA C/ AUTOCOLANTES
	65602B49003Z	SIDE COVER RIGHT	1	PRT C/ AUTOCOLANTES
	65602B49004Z	SIDE COVER RIGHT	1	AZ C/ AUTOCOLANTES
2	65602B49005Z	SIDE COVER RIGHT	1	CZ C/ AUTOCOLANTES
	65602B49GZ00	SIDE COVER RIGHT	1	VRD
	65602B49WF00	SIDE COVER RIGHT	1	BRA
	65602B49BH00	SIDE COVER RIGHT	1	PRT
	65602B49LO00	SIDE COVER RIGHT	1	AZ
	65602B49CA00	SIDE COVER RIGHT	1	CZ
3	65622B49C900	DECORATIVE BOARD,SIDE COVER RH.	1	
4	65709B490000	REAR FENDER (II)	1	
5	65621B49C900	DECORATIVE BOARD,SIDE COVER LH.	1	
	65601B49GZ00	SIDE COVER LEFT	1	VRD C/ AUTOCOLANTES
	65601B49WF00	SIDE COVER LEFT	1	BRA C/ AUTOCOLANTES
	65601B49BH00	SIDE COVER LEFT	1	PRT C/ AUTOCOLANTES
	65601B49LO00	SIDE COVER LEFT	1	AZ C/ AUTOCOLANTES
6	65601B49CA00	SIDE COVER LEFT	1	CZ C/ AUTOCOLANTES
	65601B49001Z	SIDE COVER LEFT	1	VRD
	65601B49002Z	SIDE COVER LEFT	1	BRA
	65601B49003Z	SIDE COVER LEFT	1	PRT
	65601B49004Z	SIDE COVER LEFT	1	AZ
	65601B49005Z	SIDE COVER LEFT	1	CZ
7	65603B490000	GUARD BOARD LEFT.	1	
8	65417B490000	CAP, SPARK PLUG	1	
9	65801J0ET010	SPRING NUT ST4.2	16	
10	B07030000505	WASHER 5	12	
11	B05004201305	SCREW ST4.2x13	48	



### F18.OIL TANK ASSY.

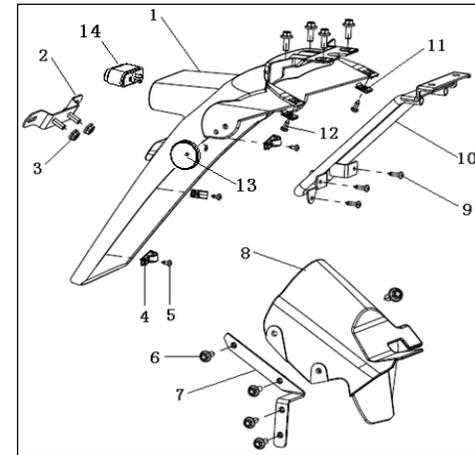
NO.	CODE	EN DESCRIPTION	QTY	NOTES
1	64001B490000	OIL TANK	1	
2	64100B490000	GAUGE ASSY, OIL LEVEL	1	
3	64012B30000	SEAL RING , OIL TANK	1	
4	64091W020000	CAP , OIL TANK	1	
5	B01090601265	BOLT M6x12	3	
6	B04000600055	NUT M6	1	
7	64011B490000	FIXING BOARD	1	



## GOCCIA 50

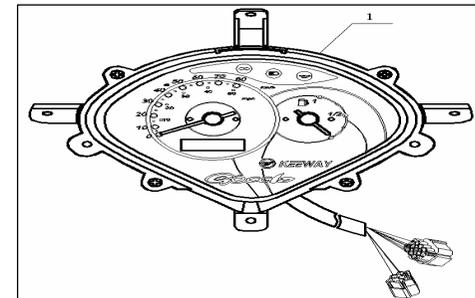
### F19.REAR FENDER

NO.	CODE	EN DESCRIPTION	QTY	NOTES
1	65701B490000	FENDER , REAR	1	
2	08252B130000	SUPPORT, LINCENSE PLATE	1	
3	B0407060055	NUT M6	2	
4	70044B920000	R WIRE CLIP	3	
5	B05073501305	SCREW ST3.5×13	3	
6	B01090601665	BOLT M6×16	9	
7	65770B450000	PALATE ASSY	1	
8	65761B450000	FENDER , REAR	1	
9	B05074201605	SCREW ST4.2×16	3	
10	65720B490000	REAR FENDER REINFORCEMENT PLATE ASSY.	1	
11	65801J0ET010	SPRING NUT ST4.2	2	
12	B05004201305	SCREW ST4.2×13	2	
13	86300J000002	SIDEREFLECTOR	2	
14	82900D010000	LICENSE PLATE LAMP	1	



### F20.SPEEDOMETER ASSY.

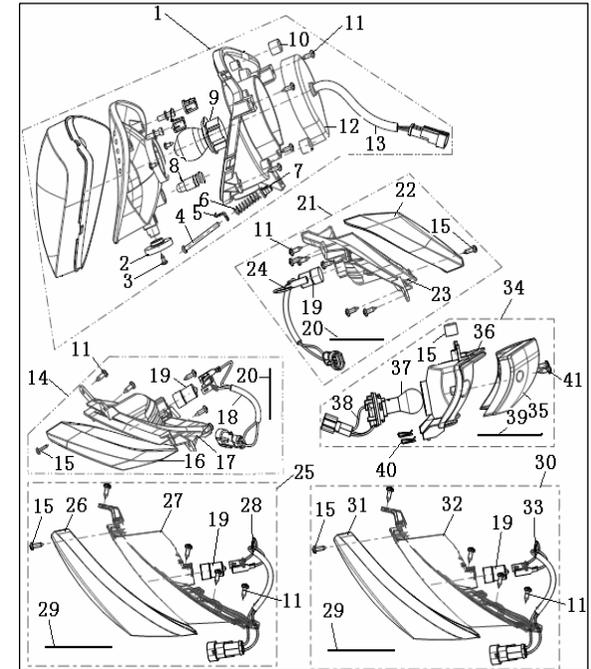
NO.	CODE	EN DESCRIPTION	QTY	NOTES
1	70000B490002	SPEEDOMETER ASSY.	1	



## GOCCIA 50

### F21.ELECTRIC I

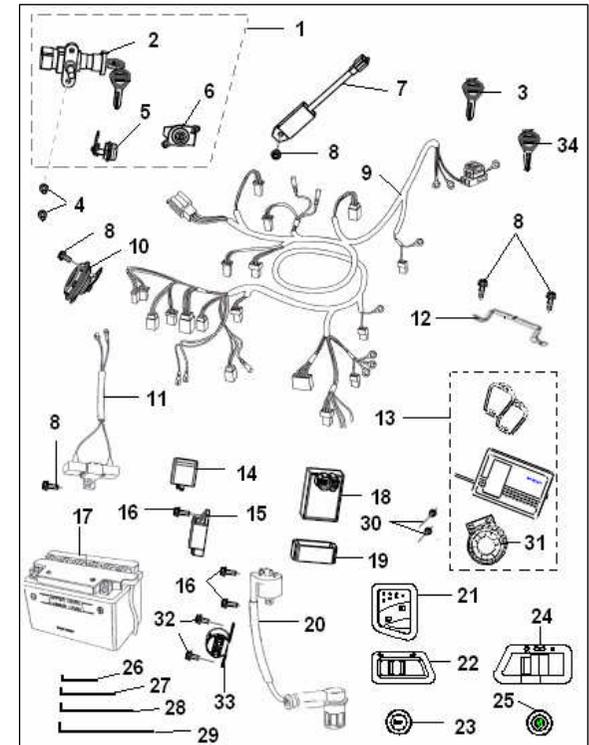
NO.	CODE	EN DESCRIPTION	QTY	NOTES
1	80000B490000	HEAD LIGHT	1	
2	80065B490000	ADJUSTING DUSTPROOF COVER,HEAD LIGHT	1	
3	B05003501003	SCREW M3.5×9.5	3	
4	80031B490000	ADJUSTING SCREW,HEAD LIGHT	1	
5	80078B490000	ADJUSTING BEARING SEAT	1	
6	80047BSAT000	ADJUSTING SPRING,HEAD LIGHT	1	
7	80046T030000	ADJUSTING PEDESTAL,HEAD LIGHT	1	
8	B240130120000	W5W BULB 12V/5W	1	
9	B24010520000	S2 BULB 12V35/35W	1	
10	80068B490000	PLUG, ANTI-DUST	3	
11	B05004201305	SCREW ST4.2×13	20	
12	80064T440000	DUSTPROOF COVER, HEAD LIGHT	1	
13	80103B490000	LAMP CAP WIRE ASSY, HEAD LIGHT	1	
14	81100B490001	FRONT INDICATOR LEFT	1	
15	B05003501303	SCREW ST3.5×13	4	
16	81102B490001	LAMP COVER,FRONT INDICATOR LEFT	1	
17	81104B490001	LIGHT REFLECTING BOWL,FRONT INDICATOR LEFT	1	
18	81120B490000	WIRE FRONT INDICATOR LEFT	1	
19	B24014020002	BULB 12V RY10W	4	
20	81046B490000	STEERING LAMP SEALT STRIP,F.	2	
21	81300B490001	FRONT INDICATOR RIGHT	1	
22	81302B490001	LAMP COVER,FRONT INDICATOR RIGHT	1	
23	81304B490001	LIGHT REFLECTING BOWL,FRONT INDICATOR RIGHT.	1	
24	81320B490000	WIRE FRONT INDICATOR RIGHT	1	
25	81500B490001	REAR LEFT STEERING LAMP	1	
26	81502B490001	LAMP COVER,REAR INDICATOR LEFT	1	
27	81504B490001	LIGHT REFLECTING BOWL,REAR INDICATOR LEFT	1	
28	81520B490000	WIRE,REAR INDICATOR LEFT	2	
29	81047B490000	LAMP SEAL STRIP,REAR INDICATOR	1	
30	81700B490001	REAR INDICATOR RIGHT	1	
31	81702B490001	LAMP COVER,REAR INDICATOR RIGHT	1	
32	81704B490001	LIGHT REFLECTING BOWL,REAR INDICATOR RIGHT	1	
33	81720B490000	WIRE,REAR INDICATOR RIGHT	1	
34	82000B490000	TAIL LIGHT	1	
35	82040B490000	COVER,TAIL LIGHT	1	
36	82001B490000	SEAT,TAIL LIGHT	1	
37	B24013820000	BULB P21/5W	1	
38	82113B490000	TAIL LIGHT WIRE,ASSY.	1	
39	82031B490000	SEALT STRIP	1	
40	65801J0ET010	SPRING NUT ST4.2	2	
41	B05004201005	SCREW ST4.2×9.5	2	



# GOCCIA 50

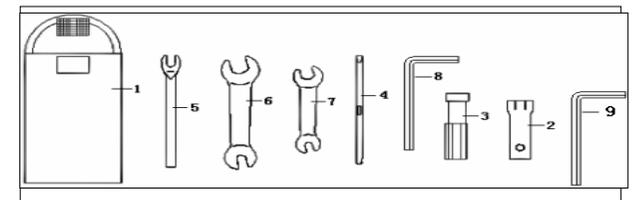
## F22.ELECTRIC II

NO.	CODE	EN DESCRIPTION	QTY	NOTES
1	88000B490000	LOCK COMP	1	
2	88100B490000	LOCK,POWER,ASSY.	1	
3	88900B49000X	BLACK KEY LEFT	1	
4	B13010601605	SCREW M6×16	2	
5	88400N140000	LOOK, FUEL TANK,ASSY.	1	
6	88800T430000	LOOK, GUARD BOARD	1	
7	97900N050000	TEMPERATURE CONTROLLER	1	
8	B01090601265	BOLT M6×12	5	
9	92000B490000	WIRE HARNESS ASSY	1	
10	95100B130010	HORN	1	
11	96600B310000	DISCHARGE RESISTANCE	1	
12	95701T180000	MOUNTING PLATE,ALARM SYSTEM	1	
13	95500T090000	ALARM SYSTEM ASSY	1	
14	96400K010001	FLASH APPARATUS	1	
15	299051040080	RECTIFIER	1	
16	B01090601665	BOLT M6×16	3	
17	96100B030010	BATTERY	1	
18	299051070001	CDI UNIT	1	
19	96007J0FP000	BUSH,IGNITOR	1	
20	96200B450000	COIL ASSY,IGNITION	1	
21	91130B490000	SWITCH, SHIFT	1	
22	91120N100000	STEERING SWITCH	1	
23	91110N100000	HORN SWITCH	1	
24	91100G240000	SWITCH,BIG LIGHT	1	
25	91140N100000	STARTER SWITCH	1	
26	96001B450000	PACK BAND	1	
27	96001J00P000	BELT 150mm	2	
28	96003J00P000	BELT 250mm	2	
29	96004J00P000	BELT 300mm	1	
30	B02000501225	SCREW M5×12	2	
31	95730T090000	HORN , ALARM SYSTEM	1	
32	B13010501205	SCREW W/WASHER M5×12	2	
33	94100B400000	START RELAY	1	
34	88900B49001X	BLACK KEY RIGHT	1	



## F23.TOOL KIT

NO.	CODE	EN DESCRIPTION	QTY	NOTES
1	02110G00P000	BAG, TOOL KIT	1	
2	02101B20T000	SOCKET, SPARK PLUG	1	
3	02104G00P000	HANDLE, SCREW DRIVER	1	
4	02103G00P000	DRIVER, DOUBLE-ENDED	1	
5	02108G00P000	WRENCH	1	
6	B20011301600	WRENCH, DOUBLE-ENDED	1	
7	B20011001200	WRENCH, DOUBLE-ENDED	1	
8	B20020500000	SOCKET SPANNER	1	
9	B20020400000	SOCKET SPANNER	1	
10	02100B450000	Kit tools	1	

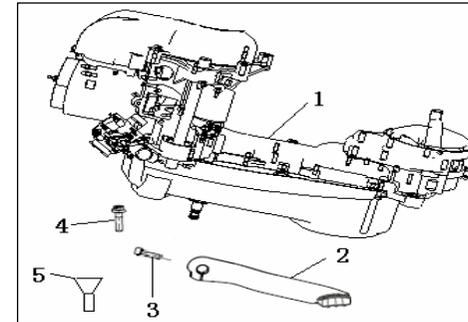


10

## GOCCIA 50

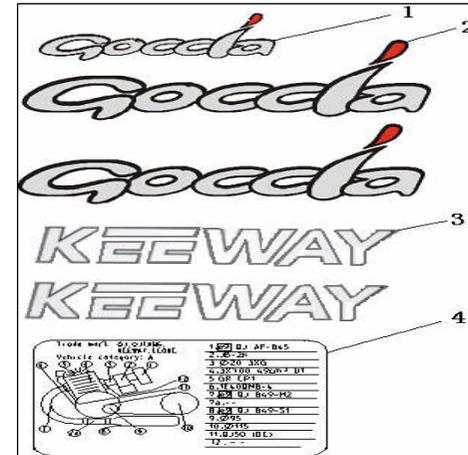
### F24.ENGINE ATTACHMENT

NO.	CODE	EN DESCRIPTION	QTY	NOTES
1		MOTOR	1	
2	08351BM0TC10	KICK STARTER	1	
3	B02050602564	SCREW M6×25	1	
4	B01070602564	BOLT 6X25MM	1	
5	02114BM0T000	FUNNEL	1	



### F25.STICKER

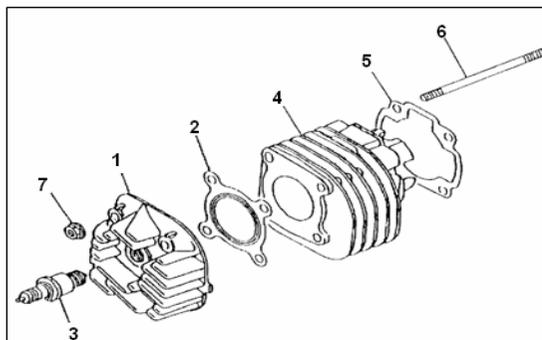
NO.	CODE	EN DESCRIPTION	QTY	NOTES
1	05501B490000	STICKER HANDLE COVER	1	
2	05511B490000	STICKER GUARD BOARD	2	
3	05541B490000	COVER LOWER STICKER	2	
4	57002B490000	LABEL, ANTI-TAMPERING	1	



## GOCCIA 50

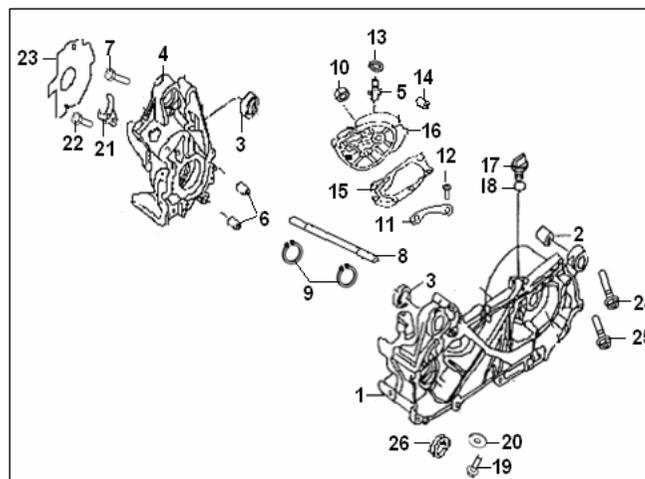
### E01 CYLINDER HEAD ASSY

NO	PART NO.	EN DESCRIPTION	QTY	NOTES
1	30701B01F000	HEAD , CYLINDER	1	
2	30507B01F000	GASKET , CYLINDER HEAD	1	
3	201204.013000	SPARK PLUG	1	
4	27101B01F00A	CYLINDER	1	
5	204204.001000	GASKET , CYLINDER	1	
6	26107B01F910	STUD BOLT	4	
7	304290700062	NUT	4	



### E02 CRANKCASE ASSY

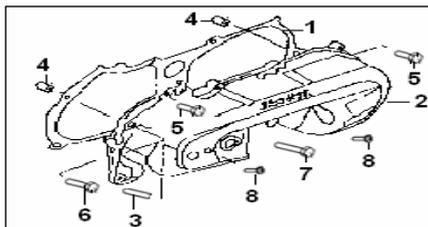
NO	PART NO.	EN DESCRIPTION	QTY	NOTES
1	206200.045000	CRANKCASE,LH	1	
2	26108G02F000	BUSH,ENGINE MOUNTING	1	
3	B12016600300	BEARING 6003-2RS	2	
4	26211B09F001	CRANKCASE,RH	1	
5	26142G02F000	BRAKE SHOE	1	
6	26123G02F000	DOWEL PIN 12X16	2	
7	301310603565	PAN HEAD SCREW M6X35	6	
8	206400.006000	AXLE,engine mount	1	
9	B08010001700	CIRCLIP 17	2	
10	B04070812553	NUT M8	1	
11	26214B09F000	BEARING HOLDER	1	
12	B02000601262	PAN HEAD SCREW M6X12	2	
13	14222J01F000	O-RING	1	
14	26123G02F000	DOWEL PIN 12X16	2	
15	214201.004000	GASKET , GEAR BOX	1	
16	220111070001	COVER, GEAR BOX	1	
17	206407.004081	OIL PLUG	1	
18	26102G02F000	O RING	1	
19	301310801605	FLANGE BOLT M8X16	1	
20	18105H03F000	PLATE WASHER 8	1	
21	26214G02F910	OIL SEAL HOLDER	1	
22	301310601263	PAN HEAD SCREW M6X12	1	
23	206321.001000	GASKET	1	
24	301310805565	SCREW M8X55	2	
25	301310805065	SCREW M8X50	5	
26	207234.001000	BUSH	1	



## GOCCIA 50

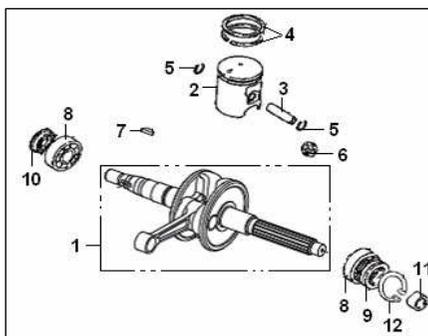
### E03 SIDECOVER ASSY

NO	PART NO.	EN DESCRIPTION	QTY	NOTES
1	207208.017000	GASKET,L CRANKCASE	1	
2	169021070002	L CRANKCASE COVER	1	
3	26128G02F000	IDLE GEAR	1	
4	26208J01F000	DOWEL PIN	2	
5	301310602565	PAN HEAD SCREW M6X25	8	
6	301310603565	PAN HEAD SCREW M6X35	1	
7	301310606565	PAN HEAD SCREW M6X65	1	
8	302460601265	PAN HEAD SCREW	2	



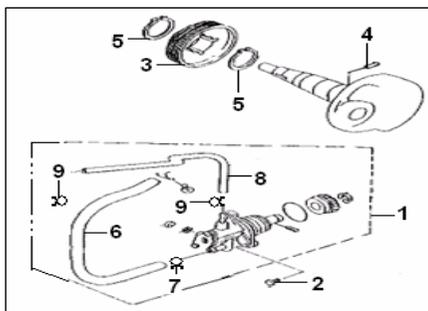
### E04 PISTON CRANKSHAFT CONNECTING ROD ASSY

NO	PART NO.	EN DESCRIPTION	QTY	NOTES
1	208100.022000	CRANKSHAFT , ASSY	1	
2	15100B01F00B	PISTON ASSY	1	
3	15105B16F000	PISTON PIN	1	
4	15103B01F000	PISTON RING ASSY	2	
5	15111G02F000	CIRCLIP	2	
6	15110B16F000	NEEDLE BEARING	1	
7	15101B01F000	WOODRUFF KEY	1	
8	B12016620453	BALL BEARING	2	
9	15213G02F000	OIL SEAL	1	
10	26215G02F000	OIL SEAL ASSY	1	
11	15214G02F000	COLLAR	1	
12	17308G02F000	CIRCLIP	1	



### E05 OIL PUMP ASSY

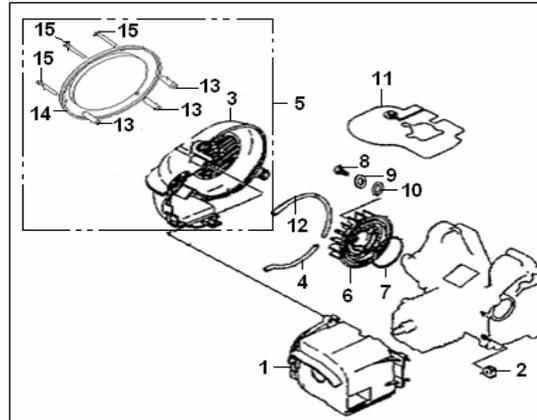
NO	PART NO.	EN DESCRIPTION	QTY	NOTES
1	269011070040	OIL PUMP ASSY	1	
2	B02000501463	SCREW	2	
3	15211G02F000	PUMP DRIVE GEAR	1	
4	B090103014C0	PIN	1	
5	15106G02F910	CIRCLIP	2	
6	221405.103000	HOSE,OIL INLET	1	
7	19213G02F00A	HOSE CLIP	2	
8	221405.104000	HOSE,OIL OUTLET	1	
9	19217G02F00A	HOSE CLIP	2	



## GOCCIA 50

### E06 AIR COOLING SYSTEM

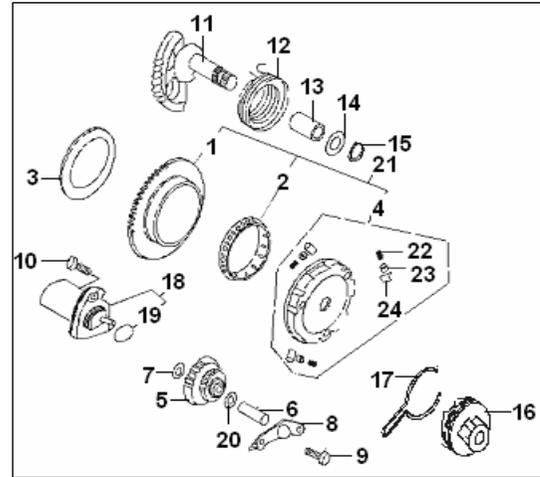
NO	PART NO.	EN DESCRIPTION	QTY	NOTES
1	20301B01F000	COWLING, CYLINDER	1	
2	20303G02F000	GROMMET	2	
3	20201B09F000	COELING, fan	1	
4	20208G02F000	BEADING (RUBBER)	1	
5	279071070050	COVER ASSY (FAN)	1	
6	20401B01F000	FAN ASSY	1	
7	20402G02F000	RUBBER RING 70X3.1	1	
8	B02000601663	SCREW M6X16	3	
9	B07000000600	SPRING WASHER $\phi 6$	3	
10	B07030000600	WASHER $\phi 6$	3	
11	20102G02F000	DUST COVER (RUBBER)	1	
12	20206G02F000	BEADING (RUBBER)	1	
13	20208B09F000	COLLOR	3	
14	222304.102000	COVER	1	
15	B02000403524	SCREW M4X35	3	



## GOCCIA 50

### E07 KICK STARTER ASSY

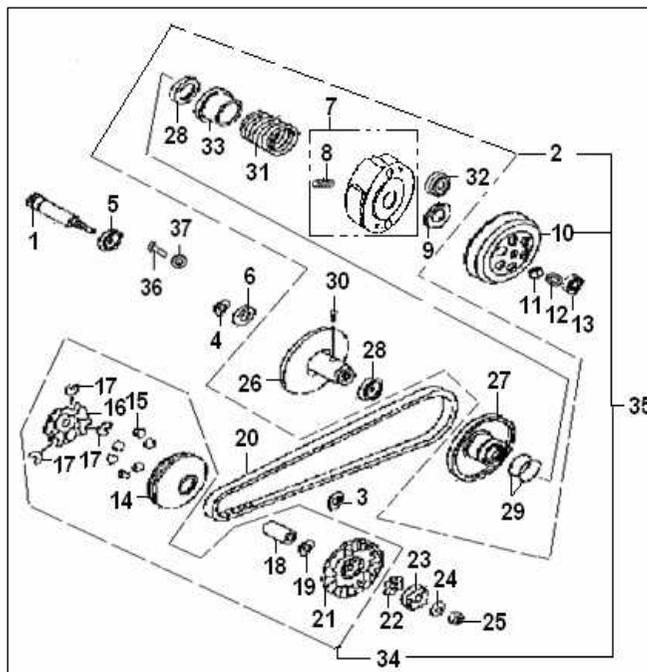
NO	PART NO.	EN DESCRIPTION	QTY	NOTES
1	34120G02F000	START GEAR ASSY	1	
2	34121G02F000	NEEDLE BEARING	1	
3	34123G02F000	THRUST WASHER	1	
4	34110G02F00A	START HOLDER ASSY	1	
5	34126G02F000	DRIVEN GEAR,STARTER	1	
6	26128G02F000	IDLE GEAR SHAFT	1	
7	34122G02F000	PLATE WASHER	1	
8	34125G02F000	IDLE GEAR HOLDER	1	
9	B02000601063	SCREW	2	
10	302040602065	SCREW	2	
11	259011070000	SHAFT, kick starter	1	
12	17407G02F000	SPRING	1	
13	216217.001000	BUSH	1	
14	307991005552	WASHER ,kick starter	1	
15	308090150003	CIRCLIP	1	
16	17415G02F000	KICK PINION ASSY	1	
17	17418G02F930	CLIP	1	
18	218100.051472	STARTING MOTOR ASSY	1	
19	B190102120B0	O-RING	1	
20	34130G02F000	PLATE WASHER	1	
21	217100.100000	START CLUTCH ASSY	1	
22	34404G02F00A	SPRING	3	
23	34405G02F00A	CAP	3	
24	34402G02F00A	ROLLER	3	



## GOCCIA 50

### E08 CLUTCH ASSY

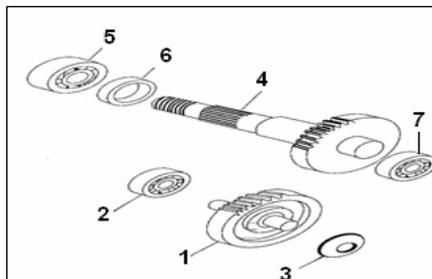
NO	PART NO.	EN DESCRIPTION	QTY	NOTES
1	24201B09F000	PRIMARY DRIVE SHAFT	1	
2	24200B01F000	DRIVEN PULLY and CLUTCH ASSY	1	
3	200011070053	WASHER	1	
4	B08010001700	CIRCLIP	1	
5	B12016620300	ROLING BEARING 6203	1	
6	24203B09F000	OIL SEAL	1	
7	24301B01F000	CLUTCH ASSY,shoe	3	
8	24302B01F000	SPRING	3	
9	24303G02F000	NUT	1	
10	24700G02F000	CLUTCH DRUM	1	
11	24305G02F940	NUT	1	
12	24243G02F000	RING	1	
13	24209G02F000	BEARING 638Z	1	
14	24101G02F000	FACE,movable drive	1	
15	213119.005000	ROLLER	6	
16	24103G02F000	PLATE,movable drive	1	
17	24104G02F000	DAMPER	3	
18	24105G02F000	COLLER	1	
19	24106B01F000	WASHER	1	
20	24107B01F000	V BELT , DRIVE	1	
21	24108G02F000	FACE , FIXED DRIVE	1	
22	24109G02F000	PLATE , WOODRUFF KEY	1	
23	213203.001161	STARTING DISC	1	
24	15112G02F010	WASHER , SPRING	1	
25	B04031212553	NUT	1	
26	24204G02F000	FACE , FIXED DRIVEN	1	
27	24205G02F000	FACE , MOVABLE DRIVEN	1	
28	24206G02F000	OIL SEAL	1	
29	24207G02F000	O-RING	2	
30	24208G02F000	PIN , GUIDE	2	
31	24308B01F000	SPRING	1	
32	24245G02F000	ROLLER BEARING	1	
33	24309G02F930	SEAT , SPRING	1	
34	24100B09F000	DRIVE ASSY	1	
35	213100.022000	SHIFT ASSY	1	
36	B01090801263	PAN HEAD SCREW	1	
37	18114G02F000	PLATE WASHER	1	



## GOCCIA 50

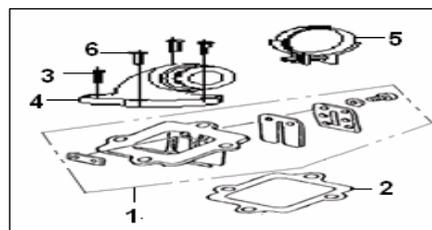
### E09 TRANSMISSION SYSTEM ASSY

NO	PART NO.	EN DESCRIPTION	QTY	NOTES
1	229061070002	SHAFT , IDLE	1	
2	B12016620000	BEARING 6200	1	
3	17732J01F000	WASHER , thrust	1	
4	229081070002	SHAFT , REAR BOX	1	
5	B12016600400	NEEDLE BEARING	1	
6	17317B09F000	OIL SEAL	1	
7	B12016620200	NEEDLE BEARING	1	



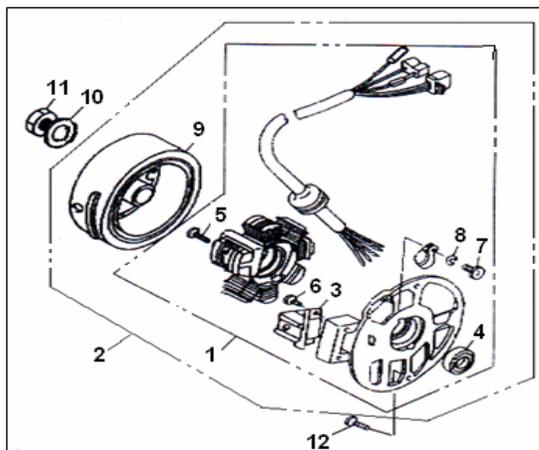
### E10 REED VALVE ASSY

NO	PART NO.	EN DESCRIPTION	QTY	NOTES
1	32300G02F000	REED VALVE ASSY	1	
2	202306.002000	VALVE SEAT GASKET	1	
3	302040602065	SCREW	3	
4	32200G02F000	PIPE, intake	1	
5	202104.006472	CLIP	1	
6	206412.001472	SCREW	1	



### E11 MAGNETO ASSY

NO	PART NO.	EN DESCRIPTION	QTY	NOTES
1	299031070001	COIL ASSY	1	
2	299011070001	MAGNETO ASSY 17°	1	
3	34330G02F000	PULSE TRIGGER	1	
4	34350G02F000	OIL SEAT	1	
5	B02000502522	SCREW	2	
6	B02000501262	SCREW	2	
7	B02000400622	SCREW	1	
8	B07000000400	SPRING WASHER	1	
9	299022080014	FLY WHEEL ASSY 17°	1	
10	B07030001200	WASHER	1	
11	15228H03F000	NUT	1	
12	B01070601664	NUT	2	



## GOCCIA 50

### E12 CARBURETOR ASSY

NO	PART NO.	EN DESCRIPTION	QTY	NOTES
1	32510B01F000	NEEDLE, jet	1	
2	32511B01F000	VALVE,PISTON	1	
3	224202.104000	JET, main 60#	1	
4	224107.011000	ENRICH VALVE	1	
5	32619B01F000	PIN, float	1	
6	32620B01F000	FLOAT	1	
7	32701B01F000	GASKET	1	
8	224203.100000	JET, idle 22.5#	1	
9	3390005E0260	CARBURETOR ASSY	1	
10	32508B01F000	CLIPMM,V shape	1	

