

# PARTS CATALOGUE



## SCOOTERS

KS25AC(PT)

X-TOWN 125 ABS2016



Release Date : 2022/06/21  
Print Date : 2022/08/03

## ABOUT THIS PARTS LIST

- This parts list is compiled all service parts for model KS25AC(PT).
- Any difference between color chart and motorcycle will be revised according to motorcycle.
- The Mark:
  1. Marking "\*\*\*" must add color code in the end before ordering parts.
  2. Marking "#" are parts with modification, Please find the details from e-Parts system.
- When modification or additions to this parts list are made a revised edition at an appropriate time.



# CONTENTS

● ABOUT THIS PARTS LIST .....	1
● COLOR CHART OF KS25AC(PT) .....	3
● CONTENTS-ENGINE GROUP .....	7
● CONTENTS-FRAME GROUP .....	8
● ENGINE PARTS LIST .....	11
● FRAME PARTS LIST .....	43
● PART NO. INDEX .....	105

NO	MODEL			COLOR CHART OF KS25AC(PT)			
	PHOTO NO			NO. 1	NO. 2	NO. 3	
	BASIC COLOR			Dark Gray Metallic	Pearly White	Gray Metallic	
	CODE			Dark Gray Metallic	Pearly White	Gray Metallic	
	PARTS NAME	PARTS NO.	VERSION	NH124MAB	NH193PAB	NH202MAB	
1	MUFFLER ASSY EXH	1830A-AAG3-E03	0	HJA			
2	BAR ASSY R	5070A-ALD9-E10	0				
3	BAR ASSY L	5070B-ALD9-E10	0				
4	TAIL CAP MUFFLER	18306-LGE5-C00	0				
5	TAIL CAP COMP..	1830B-LGE5-E00	0	HJP			
6	PROTECTOR MUFFLER	18318-LGE7-E0A	0				
7	COVER FR	64301-ABD2-C00	0				
8	SKIRT A R SIDE	64305-ABD2-C00	0				
9	SKIRT A. L SIDE	64306-ABD2-C00	0				
10	SKIRT B. R SIDE	64307-ABD2-C00	0				
11	SKIRT B. L SIDE	64308-ABD2-C00	0				
12	COVER A KEY	81151-ABD2-C00	0				
13	CARRIER RR	81200-ABD2-C00	0	HJS			
14	PROTECTOR. EXH PIPE	18325-AAG3-E03	0				
15	MIRROR ASSY R BACK	88110-ACJ1-E00	0	N1P			
16	MIRROR ASSY L BACK	88120-ACJ1-E00	0				
17	COVER COMP L SIDE	11340-LFA7-E00	4	N1R			
18	"COVER,RADIATOR"	19025-ABD2-C01	0				
19	COVER BATTERY	50326-ABD2-C00	0				
20	COVER ASSY BATTERY	50327-ABD2-C01	0				
21	COVER UNDER	5061A-ACJ1-E00	0				
22	GRIP COMP THROT	53140-LHJ3-900	0				
23	GRIP L HANDLE	53150-LEA6-900	0				
24	"COVER, HANDLE UP"	53205-ABD2-C00	0				
25	COVER HANDLE RR	53206-ABD2-C00	0				
DATE OF STARTING-SALES							
DATE OF END-SALES							

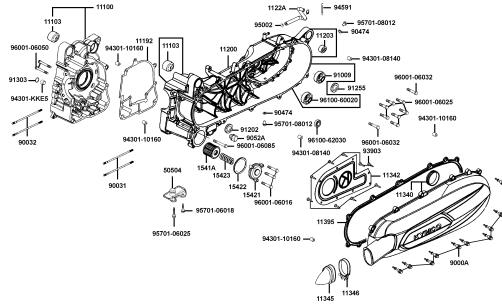
NO	MODEL			COLOR CHART OF KS25AC(PT)					
	PHOTO NO			NO. 1	NO. 2	NO. 3			
	BASIC COLOR			Dark Gray Metallic	Pearly White	Gray Metallic			
	CODE			Dark Gray Metallic	Pearly White	Gray Metallic			
	PARTS NAME	PARTS NO.	VERSION	NH124MAB	NH193PAB	NH202MAB			
26	"ASSY.,FR.METER	5320A-ABD2-C00	0	N1R					
27	"COVER ,METER"	5320B-ABD2-C01	0						
28	"INNER FENDER,	61110-ABD2-C00	0						
29	"COLLAR,WIND	64223-LEA7-C00	0						
30	"ASSY., PANEL R	6431A-ABD2-C00	0						
31	"MAT ,R FLOOR"	64320-ABD2-C00	0						
32	"ASSY., PANEL L	6433A-ABD2-C00	0						
33	"MAT ,L FLOOR"	64340-ABD2-C00	0						
34	"MAT ,R LEG SHIELD"	64350-ABD2-C00	0						
35	"MAT ,L LEG SHIELD"	64360-ABD2-C00	0						
36	"COWL, UNDER"	64400-ABD2-C00	0						
37	FENDER RR TIRE	80100-ACJ1-E00	0						
38	"FENDER,RR INNER"	80101-ABD2-C00	0						
39	"FENDER, REAR"	80105-ABD2-C00	0						
40	COVER LICENSE LIGHT	80107-ABD2-C00	0						
41	"COVER, CENTER"	80151-ABD2-C00	0						
42	"LID, FUEL CAP MAINT."	80152-ABD2-C00	0						
43	"LID, RESERVE TANK"	81122-ABD2-C00	0						
44	"ASSY., LEG SHIELD"	8113A-ABD2-C00	0						
45	"BOX ASSY.,L FRONT"	8113B-ABD2-C00	0						
46	"COVER,CARRIER	81201-ABD2-C00	0						
47	"COVER, P.D.A MAINT."	81252-ABD2-C00	0						
48	BOX ASSY LUGGAGE	81260-ACJ1-E01	0						
49	"BOARD B, R SIDE"	83532-ABD2-C00	0						
50	"BOARD B, L SIDE"	83534-ABD2-C00	0						
DATE OF STARTING-SALES									
DATE OF END-SALES									

NO	MODEL			COLOR CHART OF KS25AC(PT)			
	PHOTO NO			NO. 1	NO. 2	NO. 3	
	BASIC COLOR			Dark Gray Metallic	Pearly White	Gray Metallic	
	CODE			Dark Gray Metallic	Pearly White	Gray Metallic	
	PARTS NAME	PARTS NO.	VERSION	NH124MAB	NH193PAB	NH202MAB	
51	COVER WATER PUMP	19221-LFA7-E00	2	NEA			
52	CALIPER ASSY RR	43100-AAG3-E00	0				
53	"CALIPER ASSY, FR R"	45200-LKG7-C01	0				
54	FORK ASSY RH FR	51400-ABD2-E00	0				
55	FORK ASSY LH FR	51500-ABD2-E00	0				
56	FORK ASSY RR	52000-AAG3-E00	0				
57	CAP ASSY 30MM	9008A-PTA1-900	0				
58	CUSHION ASSY REAR	52400-ABD2-E00	0	NES			
59	"ARM COMP,SWING"	61100-ABD2-C00	0	NFP	NVP	NYP	
60	"FRONT MOLD, R"	64302-ABD2-C00	0				
61	"FRONT MOLD, L"	64303-ABD2-C00	0				
62	"COVER, R BODY"	83500-ABD2-C00	0				
63	BOARD A R SIDE	83530-ABD2-C00	0				
64	COVER L BODY	83600-ABD2-C00	0				
65	"BOARD A ,L SIDE"	83630-ABD2-C00	0				
66	COVER RR CENTER	83750-ABD2-C00	0	T01			
67	SEAT ASSY	77200-ACJ1-E01	0				
68	EMB DMA STRIDER	86020-ACJ1-E30	0				
69	EMB BODY COVER	86202-ABD2-E31	0				
70	STRIPE R FR FENDER	86561-ACJ1-E30	0				
71	STRIPE L FR FENDER	86571-ACJ1-E30	0				
72	EMB MARK 125	87140-ACJ1-E00	0				
73	MARK KYMCO	87206-ABD2-C00	1				
74	STRIPE MARK ABS	87311-ABD2-C00	0				
75	LABEL TIRE	87505-ABD2-E00	0				
DATE OF STARTING-SALES							
DATE OF END-SALES							

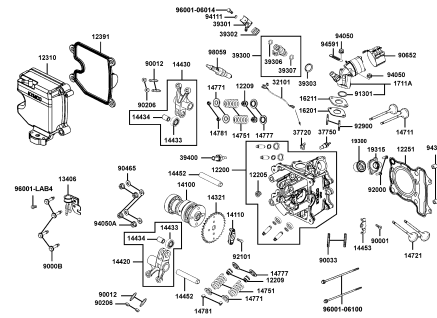


# CONTENTS - ENGINE GROUP

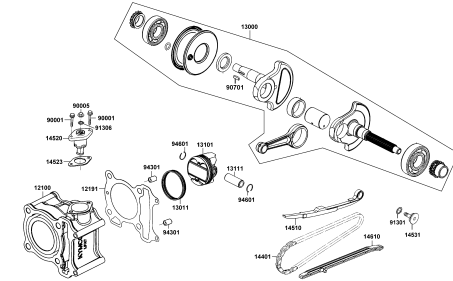
## E01 Crank Case



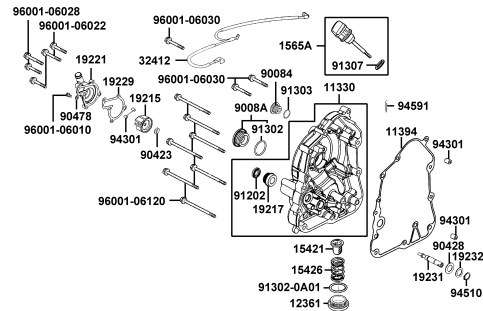
## E02 Cylinder Head Cover Cylinder



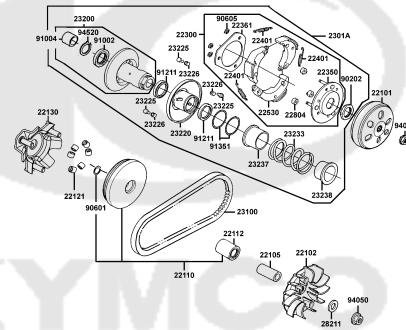
## E03 Cylinder Piston Crankshaft



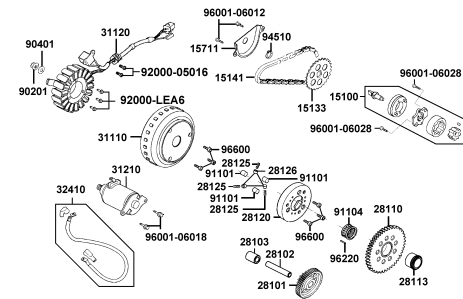
## E04 Right Crankcase Cover



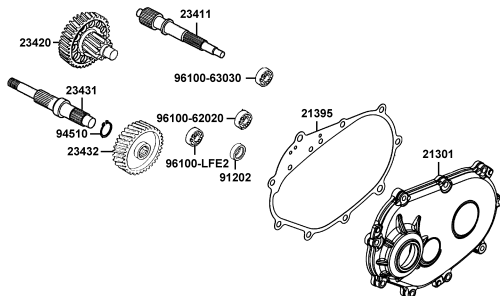
## E05 Pulley



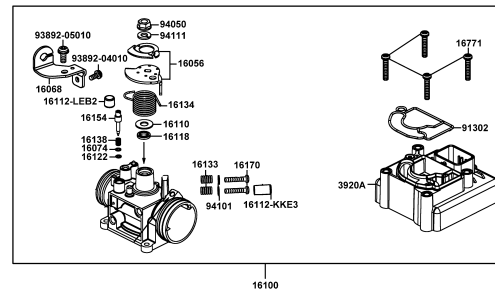
## E06 Starting Motor Oil



## E07 Transmission



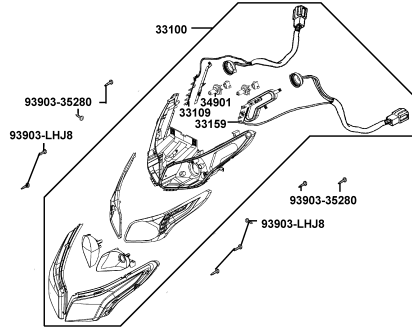
## E08 THROTTLE BODY ASSY



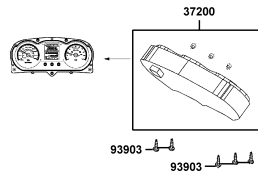


# CONTENTS - FRAME GROUP

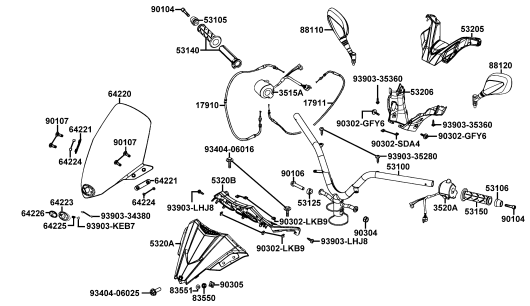
**F01** Head Light



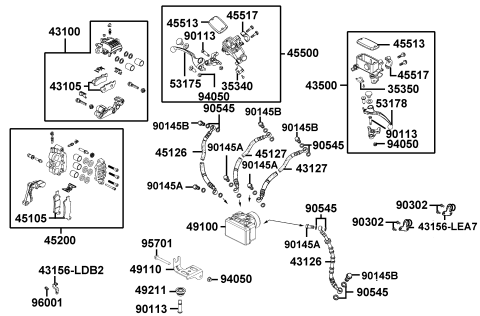
**F02** Speedometer



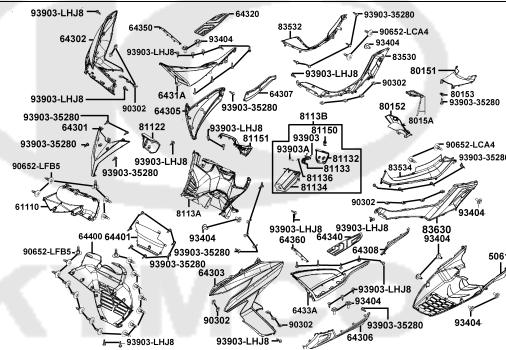
**F03** Handle Steering Handle Cover



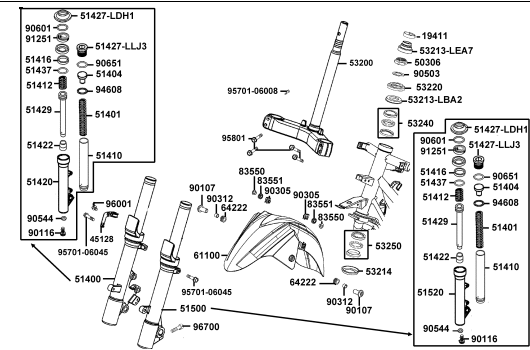
**F04** Brake Master Cylinder



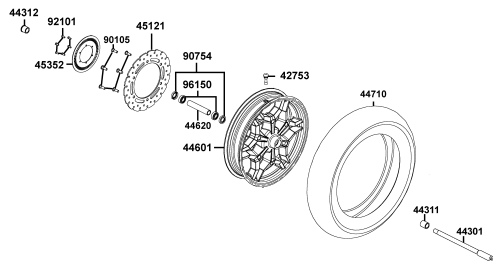
**F05** Front Cover Floor Panel



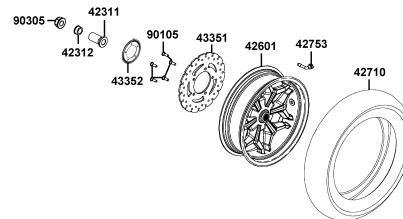
**F06** Front Cushion



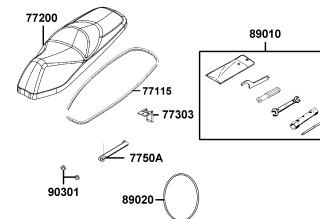
**F07** Front Wheel



**F08** RR Wheel

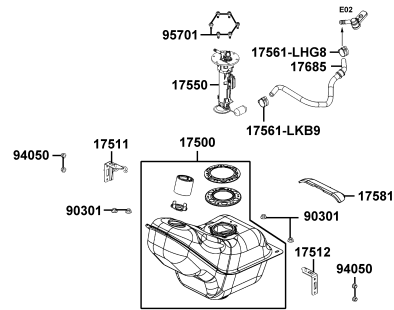


**F09** SEAT ASSY

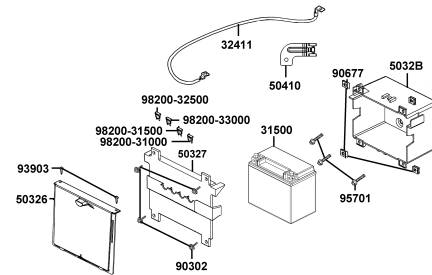


# CONTENTS - FRAME GROUP

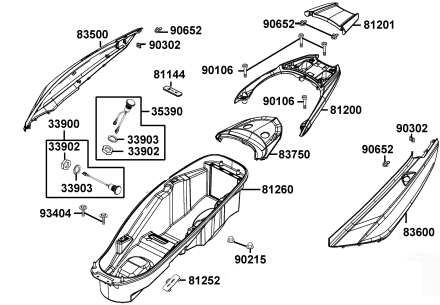
## F10 Fuel Tank



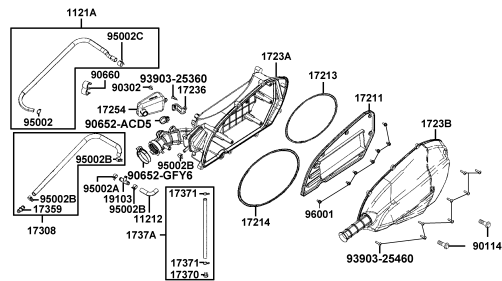
## F11 BATTERY



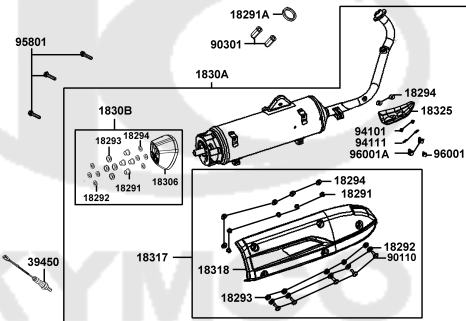
## F12 COVER



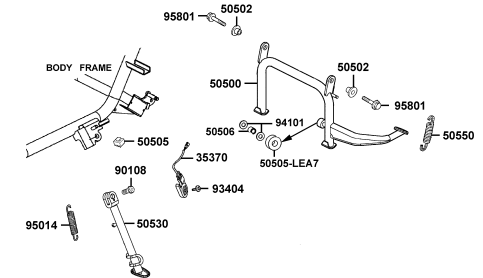
## F13 Air Cleaner



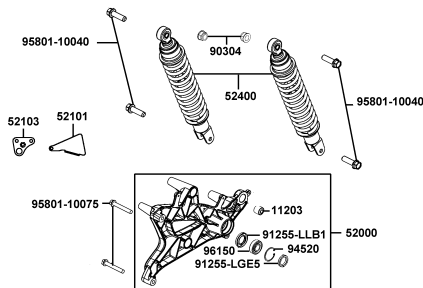
## F14 Exhaust Muffler



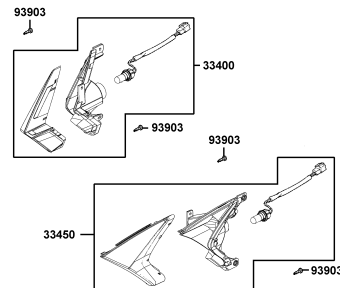
## F15 StandKick Starter Arm



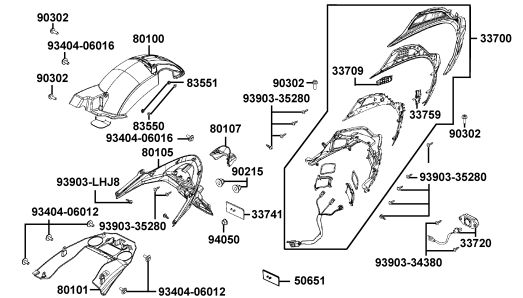
## F16 Rear Cushion



## F17 Rear Cushion

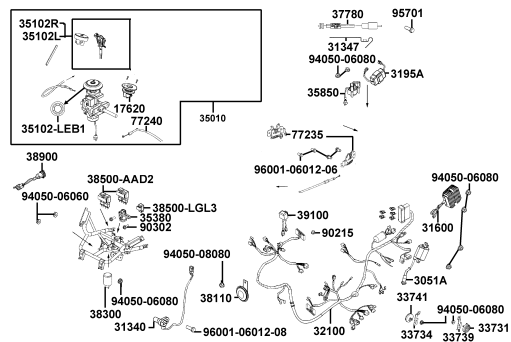


## F18 LIGHT ASSY RR

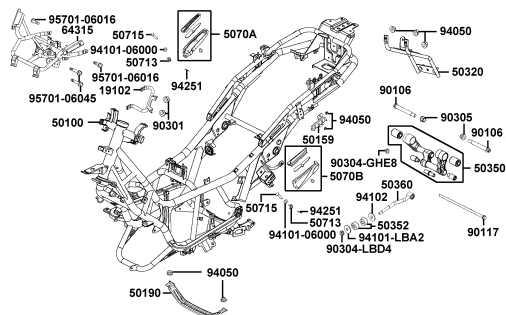


## CONTENTS - FRAME GROUP

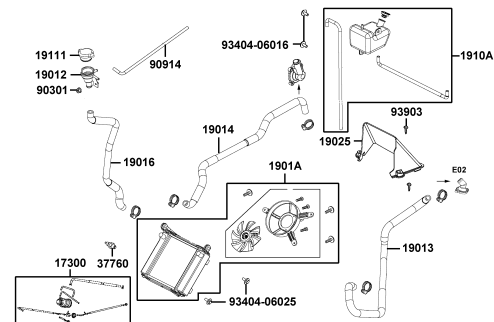
### F19 Wire Harness



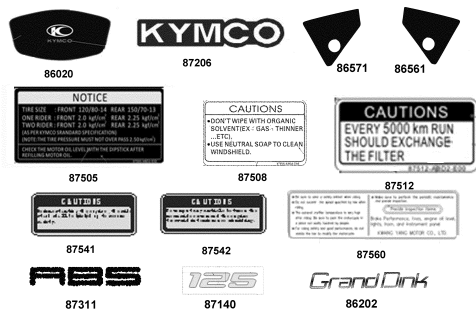
### F20 Frame Body



### F21 Air Cleaner Two

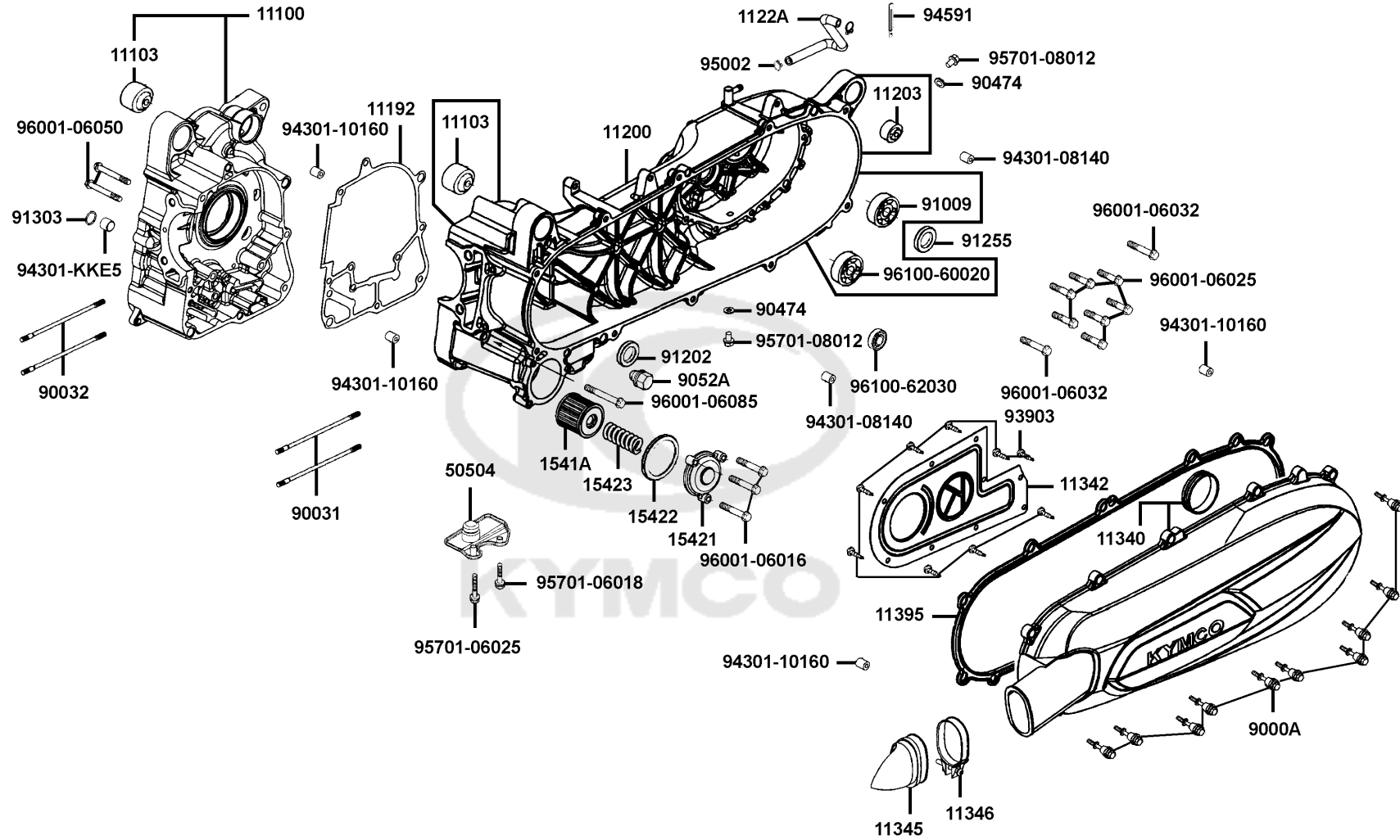


### F22 Emblem Stripe



E01

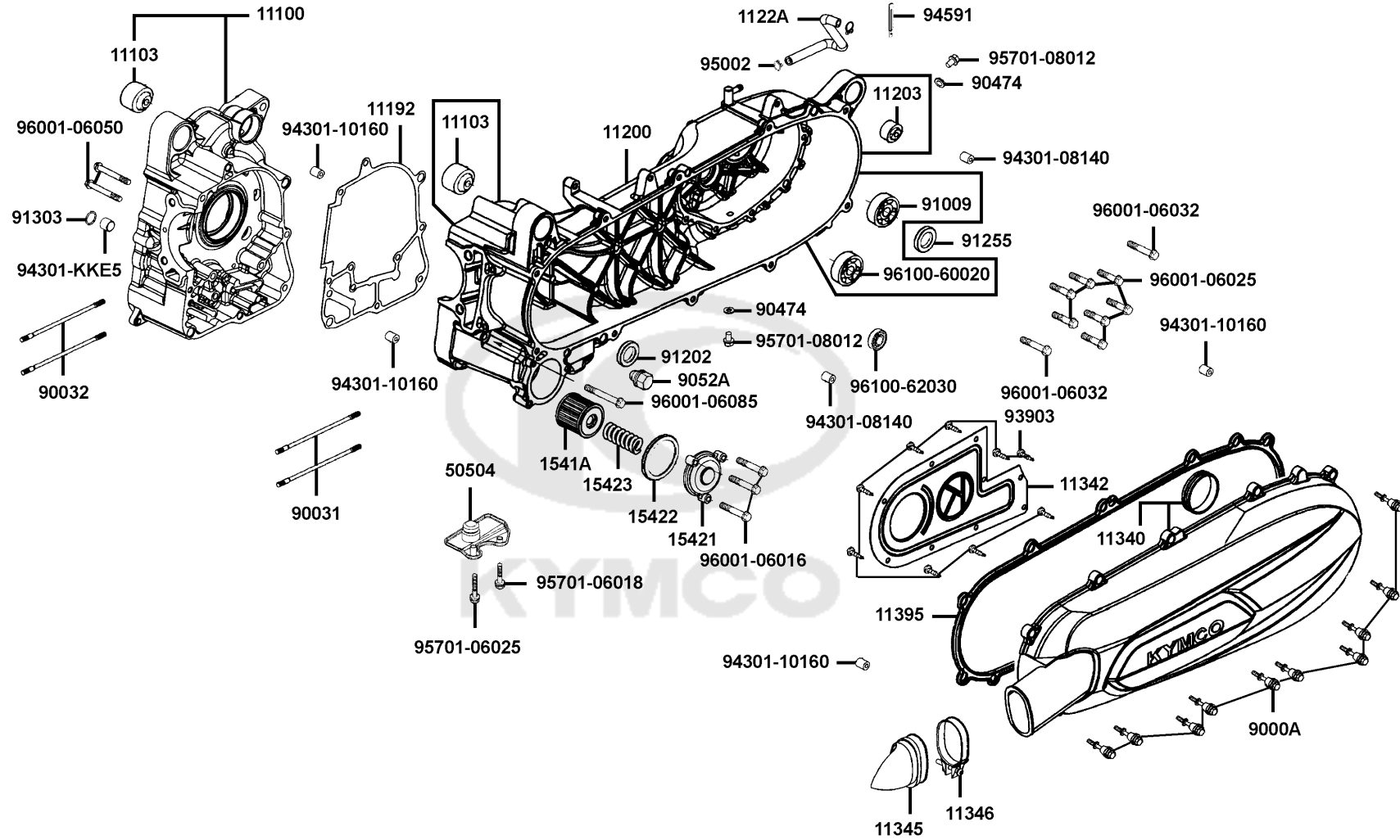
# Crank Case



Sales mark	Ref no	Part no	Description	Reg description	Regd no	E01
	11100	11100-LFA7-305	CRANK CASR SET RIGHT	CRANK CASR SET RIGHT	1	
	11103	11103-KHE7-900	RUB BUSH ENG HANGER	RUB BUSH ENG HANGER	2	
	11192	11192-LFA7-E00	GASKET CRANK CASE @A	GASKET CRANK CASE @A	1	
	11200	11200-LFA7-305	CRANK CASE ASSY LEFT	CRANK CASE ASSY LEFT	1	
	11203	11203-LBA2-E00	RUB BUSH L CASE	RUB BUSH L CASE	2	
	1122A	1122A-LEB1-900	TUBE ASSY BREATHER	TUBE ASSY BREATHER	1	
**	11340	11340-LFA7-E00	COVER COMP L SIDE	COVER COMP L SIDE	1	
	11342	11342-LFA7-900	PLATE L COVER	PLATE L COVER	1	
	11342	11342-LFA7-E00	PLATE L COVER	PLATE L COVER	1	
	11345	11345-LEA7-E00	DUCT L COVER	DUCT L COVER	1	
	11346	11346-GFY6-901	BAND L COVER DUCT	BAND L COVER DUCT	1	
	11395	11395-LFA7-E00	GASKET L COVER	GASKET L COVER	1	
	1541A	1541A-LEA7-E00	ELEMENT ASSY OIL FILTER	ELEMENT ASSY OIL FILTER	1	
	15421	15421-KKC3-900	CAP OIL FILTER	CAP OIL FILTER	1	
	15422	15422-KKC3-900	O RING 53.65*2.62	O RING 53.65*2.62	1	
	15423	15423-KKC3-900	SPRING CAP OIL	SPRING CAP OIL	1	
	50504	50504-LFA7-E00	STAY MAIN STAND COMP.	STAY MAIN STAND COMP.	1	
	9000A	9000A-KTDT-900	BOLT ASSY SPECIAL 6X29.5	BOLT ASSY SPECIAL 6X29.5	10	
	90031	90031-KHD6-900	BOLT A STUD 8*218	BOLT A STUD 8*218	2	
	90032	90032-KHD6-900	BOLT B STUD 8*210	BOLT B STUD 8*210	2	

E01

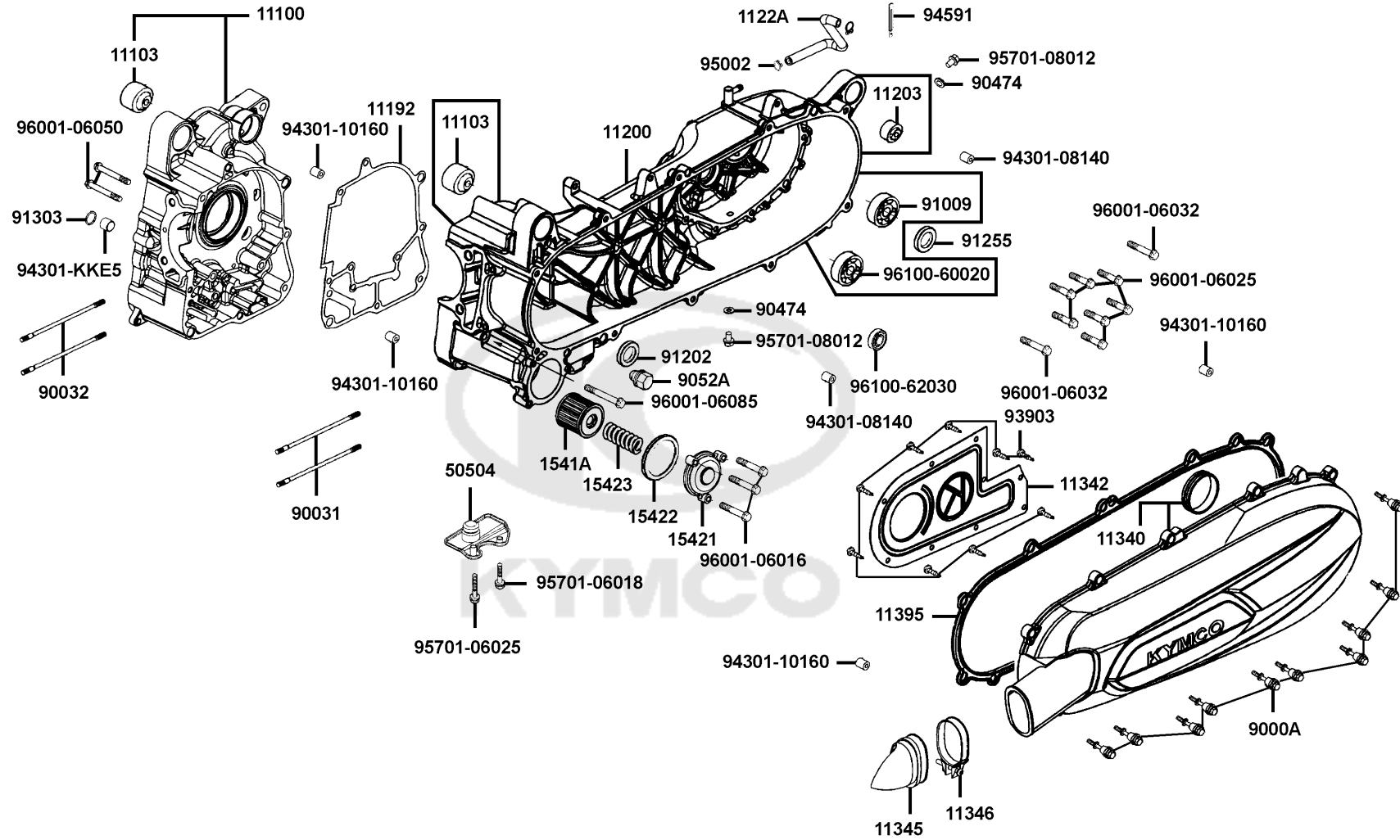
# Crank Case



Sales mark	Ref no	Part no	Description	Reg description	Regd no	E01
	90474	90474-3C33-001	WASHER 8MM	WASHER 8MM	2	
	9052A	9052A-LEB1-900	BOLT ASSY DRAIN PLUG	BOLT ASSY DRAIN PLUG	1	
	91009	91009-KHE7-900	BRG BALL RADIAL 6205LLU	BRG BALL RADIAL 6205LLU	1	
	91202	91202-LEB1-900	OIL SEAL 25*35*5	OIL SEAL 25*35*5	1	
	91255	91255-KHE7-900	OIL SEAL 34*52*7	OIL SEAL 34*52*7	1	
	91255	91255-KHE7-90A	OIL SEAL 34*52*7	OIL SEAL 34*52*7	1	
	91303	91303-KKE5-E00	O-RING 14.8x2.4	O-RING 14.8x2.4	1	
	93903	93903-35260	SCREW TAPPING 5*12	SCREW TAPPING 5*12	9	
	94301-08140	94301-08140	DOWEL PIN 8*14	DOWEL PIN 8*14	2	
	94301-10160	94301-10160	DOWEL PIN 10*16	DOWEL PIN 10*16	4	
	94301-KKE5	94301-KKE5-E00	DOWEL PIN 15x10	DOWEL PIN 15x10	1	
	94591	94591-LEE8-E00	CLIP 2*100	CLIP 2*100	1	
	95002	95002-50000	CLIP C9 TUBE	CLIP C9 TUBE	1	
	95701-06018	95701-06018-06	BOLT FLANGE 6X18	BOLT FLANGE 6X18	1	
	95701-06025	95701-06025-06	BOLT FLANGE 6*25	BOLT FLANGE 6*25	1	
	95701-08012	95701-08012-07G	BOLT FLANGE 8*12 (G)	BOLT FLANGE 8*12 (G)	1	
	96001-06016	96001-06016-06	BOLT FLANGE SH 6X16	BOLT FLANGE SH 6*16	1	
	96001-06025	96001-06025-06	BOLT FLANGE SH 6*25	BOLT FLANGE SH 6*25	1	
	96001-06032	96001-06032-06	BOLT FLANGE 6*32	BOLT FLANGE 6*32	1	
	96001-06050	96001-06050-07	BOLT FLANGE SH 6*50 (C)	BOLT FLANGE SH 6*50 (C)	1	

E01

# Crank Case



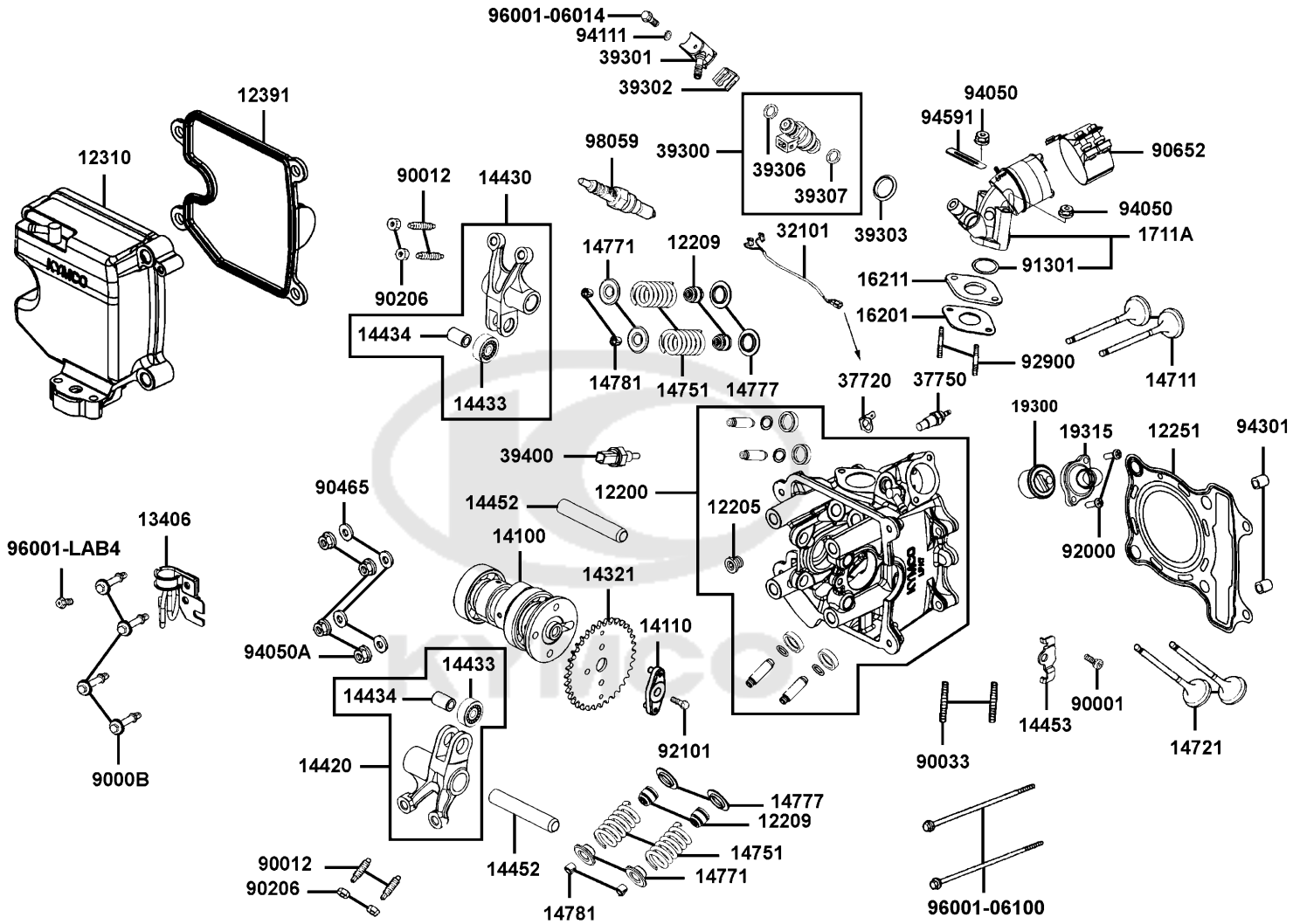


Sales mark	Ref no	Part no	Description	Reg description	Regd no	<b>E01</b>
------------	--------	---------	-------------	-----------------	---------	------------

96001-06085		96001-06085-06	BOLT FLANGE 6*85	BOLT FLANGE 6*85	1	
96100-60020		96100-60020-00	BRG BALL RADIAL 6002	BRG BALL RADIAL 6002	1	
96100-62030		96100-62030-00	BRG BALL RADIAL 6203	BRG BALL RADIAL 6203	1	

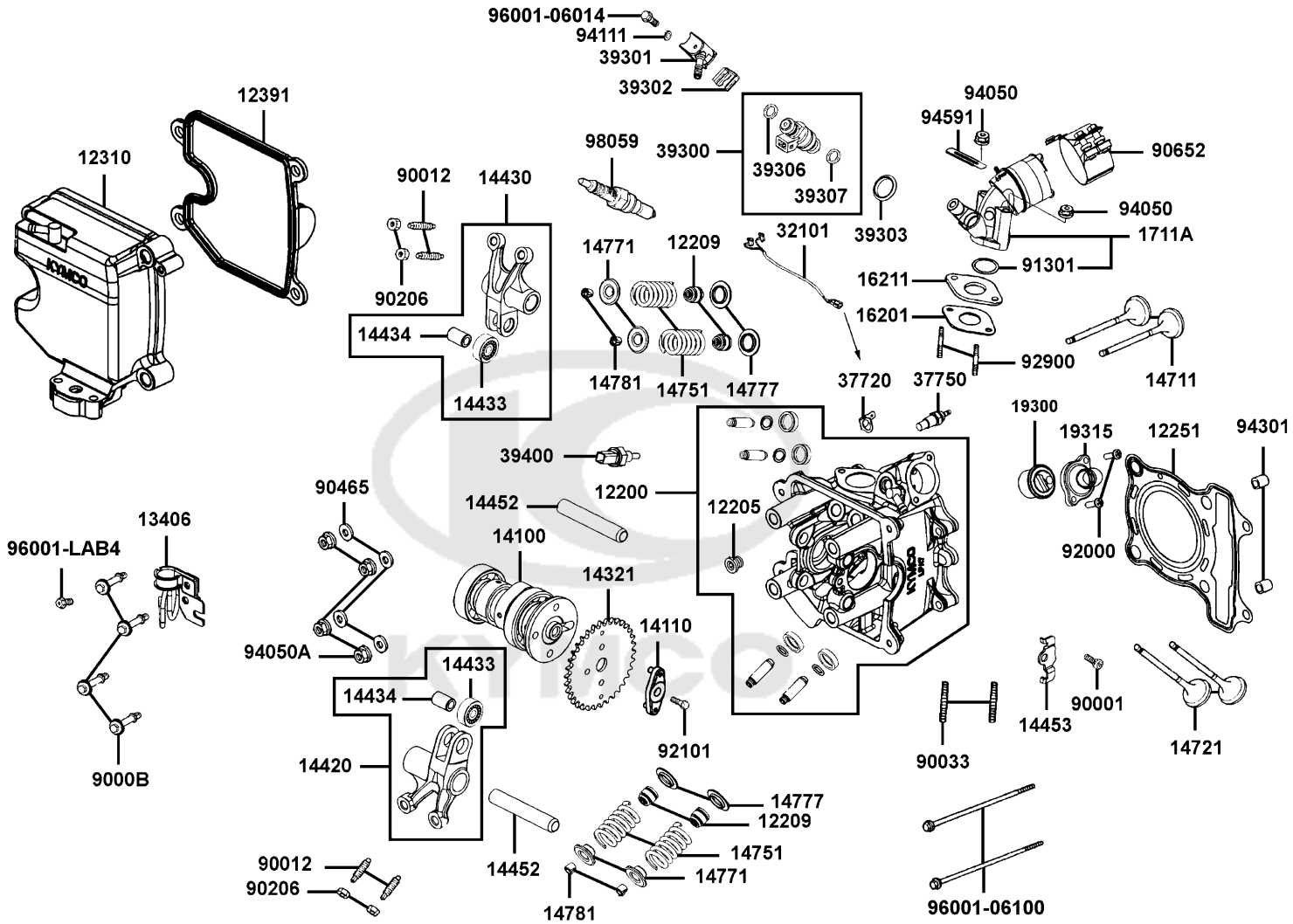


# Cylinder Head Cover Cylinder Head



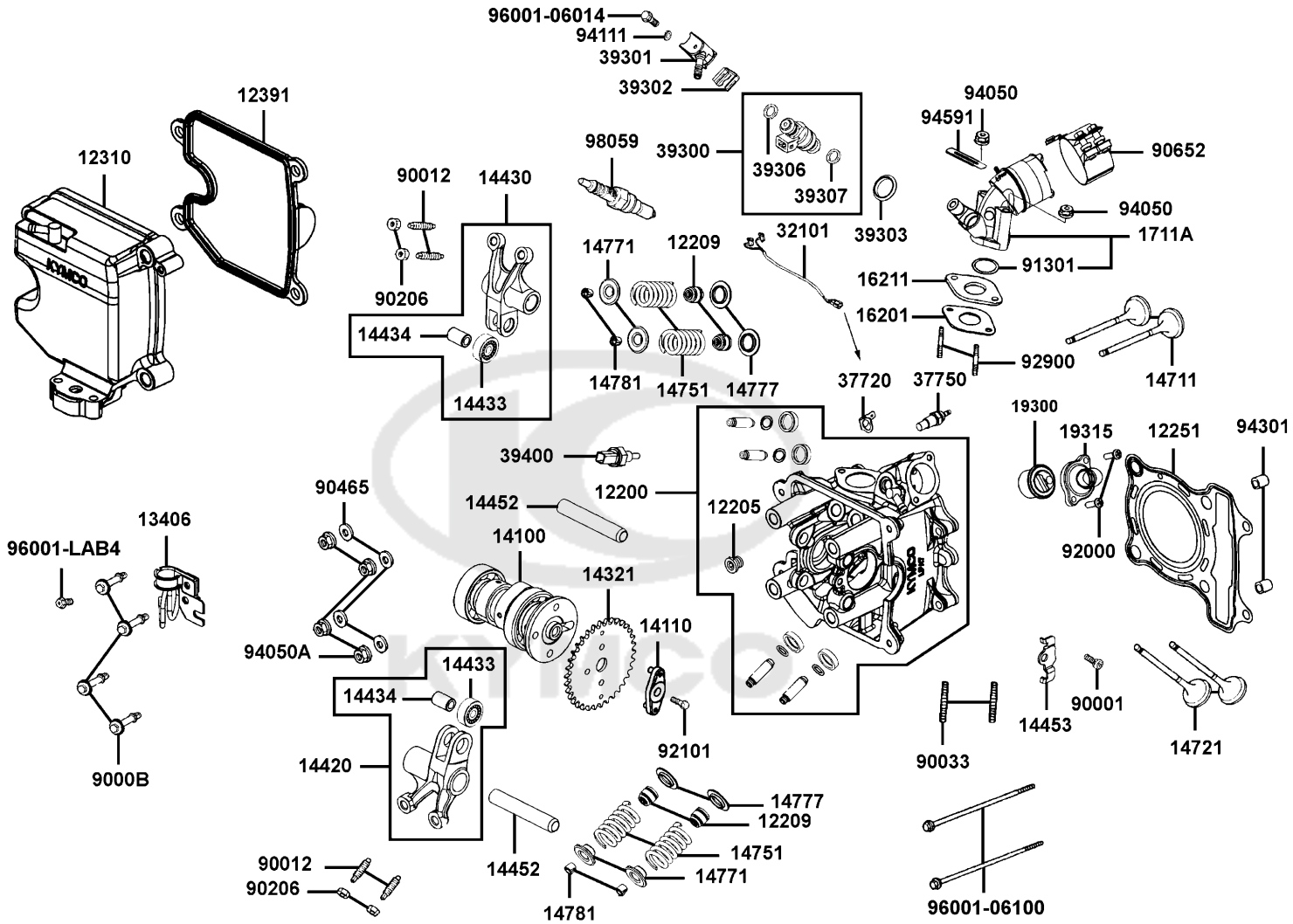
Sales mark	Ref no	Part no	Description	Reg description	Regd no	E02
12200		12200-ACJ1-E00	HEAD COMP CYLINDER	HEAD COMP.. CYLINDER	1	
12205		12205-KHE8-301	BOLT SEALING 12MM	BOLT SEALING 12MM	1	
12209		12209-LEA2-90A	SEAL VALVE STEM	SEAL VALVE STEM	4	
12251		12251-LFA7-E00	GASKET CYLINDER HEAD	GASKET CYLINDER HEAD	1	
12310		12310-LFA7-E00	COVER COMP HEAD	COVER COMP HEAD	1	
12391		12391-LFA7-E00	GASKET HEAD COVER	GASKET HEAD COVER	1	
13406		13406-LFA7-E01	STAY FUEL HOSE	STAY FUEL HOSE	1	
14100		14100-LFA7-E00	SHAFT COMP CAM	SHAFT COMP CAM	1	
14110		14110-LEB1-900	FIXTURE CAMSHAFT	FIXTURE CAMSHAFT	1	
14321		14321-LEB1-900	SPROCKET CAM	SPROCKET CAM	1	
14420		14420-LEB1-900	ARM COMP EXH VALVE ROCKER	ARM COMP EXH VALVE ROCKER	1	
14430		14430-LEB1-900	ARM COMP IN VALVE ROCKER	ARM COMP IN VALVE ROCKER	1	
14433		14433-LEB1-900	ROLLER ASSY ROCKER ARM	ROLLER ASSY ROCKER ARM	1	
14434		14434-LEB1-900	PIN ROCKER ARM	PIN ROCKER ARM	1	
14452		14452-LFA7-E00	SHAFT ROCKER ARM	SHAFT ROCKER ARM	1	
14453		14453-LFA7-E00	PLATE STOPPER	PLATE STOPPER	1	
14711		14711-LFA7-E00	VALVE INLET	VALVE INLET	2	
14721		14721-LFA7-E00	VALVE EXHAUST	VALVE EXHAUST	2	
14751		14751-KHD6-900	SPG VALVE OUTER	SPG VALVE OUTER	4	
14771		14771-LEA2-900	RETAINER UPPER SPRING	RETAINER UPPER SPRING	4	

# Cylinder Head Cover Cylinder Head



Sales mark	Ref no	Part no	Description	Reg description	Regd no	E02
	14777	14777-LFA7-E00	SEAT VALVE SPG	SEAT VALVE SPRING	4	
	14781	14781-KKE5-E00	COTTER VALVE	COTTER VALVE	8	
	16201	16201-ACJ1-E00	GASKET CARB INSULATOR @A	GASKET. CARB INSULATOR A	1	
	16211	16211-ACJ1-E00	INSULATOR CARB	INSULATOR CARB	1	
	1711A	1711A-LFA7-E00	INLET PIPE ASSY	INLET PIPE ASSY	1	
	19300	19300-LFA7-E0A	THERMOSTAT ASSY.	THERMOSTAT ASSY.	1	
	19315	19315-LFA7-E00	COVER THERMOSTAT	COVER THERMOSTAT	1	
	32101	32101-LEA7-E00	SUB HARNESS THERMO UNIT	SUB HARNESS THERMO UNIT	1	
	37720	37720-KGB5-900	EARTH TERMINAL THERMO	EARTH TERMINAL THERMO	1	
	37750	37750-PAC1-005	THERMO UNIT ASSY	THERMO UNIT ASSY	1	
	39300	39300-LEB2-800	FUEL INJECTOR	FUEL INJECTOR	1	
	39301	39301-LEB2-910	HOLDER ASSY FUEL INJECTOR	HOLDER ASSY FUEL INJECTOR	1	
	39302	39302-KKE3-900	CLIP SPRING FUEL INJECTOR	CLIP SPRING FUEL INJECTOR	1	
	39303	39303-LEB2-900	SEAL HIGH TENSION FUEL INJECT	SEAL HIGH TENSION FUEL INJECT	1	
	39306	39306-LEB2-305	O-RING A INJECTOR /BLACK	O-RING A INJECTOR /BLACK	1	
	39307	39307-LEB2-305	O-RING B INJECTOR /GREEN	O-RING B INJECTOR /GREEN	1	
	39400	39400-LDF2-800	WATER TEMP SENSOR	WATER TEMP SENSOR	1	
	90001	90001-GFY6-901	SOCKET BOLT 6*10 (B)	SOCKET BOLT 6*10 (B)	1	
	9000B	9000B-KHD6-900	BOLT ASSY SPECIAL 6*41.5	BOLT ASSY SPECIAL 6*41.5	4	
	90012	90012-3C33-001	SCREW TAPPET ADJUSTING	SCREW TAPPET ADJUSTING	2	

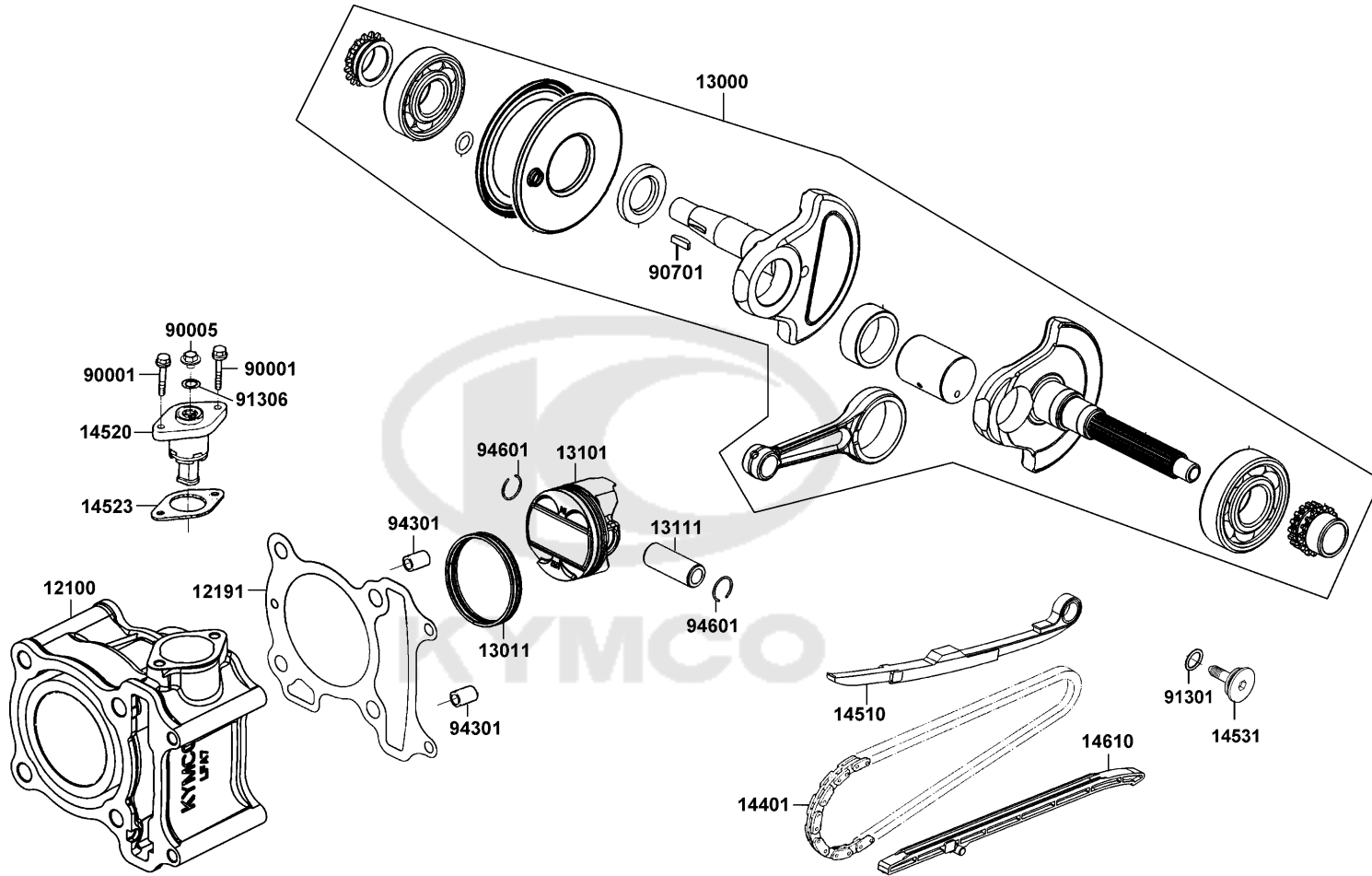
# Cylinder Head Cover Cylinder Head



Sales mark	Ref no	Part no	Description	Reg description	Regd no	<b>E02</b>
90033		90033-GFY6-900	BOLT STUD 8*32	BOLT STUD 8*32	2	
90206		90206-0A01-001	NUT TAPPET ADJG	NUT TAPPET ADJG	2	
90465		90465-MDC4-001	WASHER 8MM	WASHER 8MM	4	
90652		90652-LGJ9-900	BAND 48. INLET-PIPE	BAND 48 INLET-PIPE	1	
91301		91301-LEB1-900	O-RING 30*2	O-RING 30*2	1	
92000		92000-05016-0G	BOLT HEX 5X16	BOLT HEX 5X16	1	
92101		92101-06014-0G	BOLT HEX 6*14	BOLT HEX 6*14	1	
92900		92900-06060-0B	BOLT STUD 6*60	BOLT STUD 6*60	2	
94050		94050-06080	NUT FLANGE 6MM	NUT FLANGE 6MM	2	
94050A		94050-08080	NUT FLANGE 8MM	NUT FLANGE 8MM	4	
94111		94111-06800	WASHER SPRING 6MM	WASHER SPRING 6MM	1	
94301		94301-10160	DOWEL PIN 10*16	DOWEL PIN 10*16	2	
94591		94591-KFBF-900	CLIP 2*70	CLIP 2*70	1	
96001-06014		96001-06014-06	BOLT FLANGE SH 6X14	BOLT FLANGE SH 6X14	1	
96001-06100		96001-06100-06	BOLT FLANGE SH 6*100	BOLT FLANGE SH 6*100	1	
96001-LAB4		96001-LAB4-900	BOLT SPECIAL M5X16	BOLT SPECIAL M5X16	1	
98059		98059-5791R-00	SPARK PLUG CPR7EA-9	SPARK PLUG CPR7EA-9	1	

E03

# Cylinder Piston Crankshaft

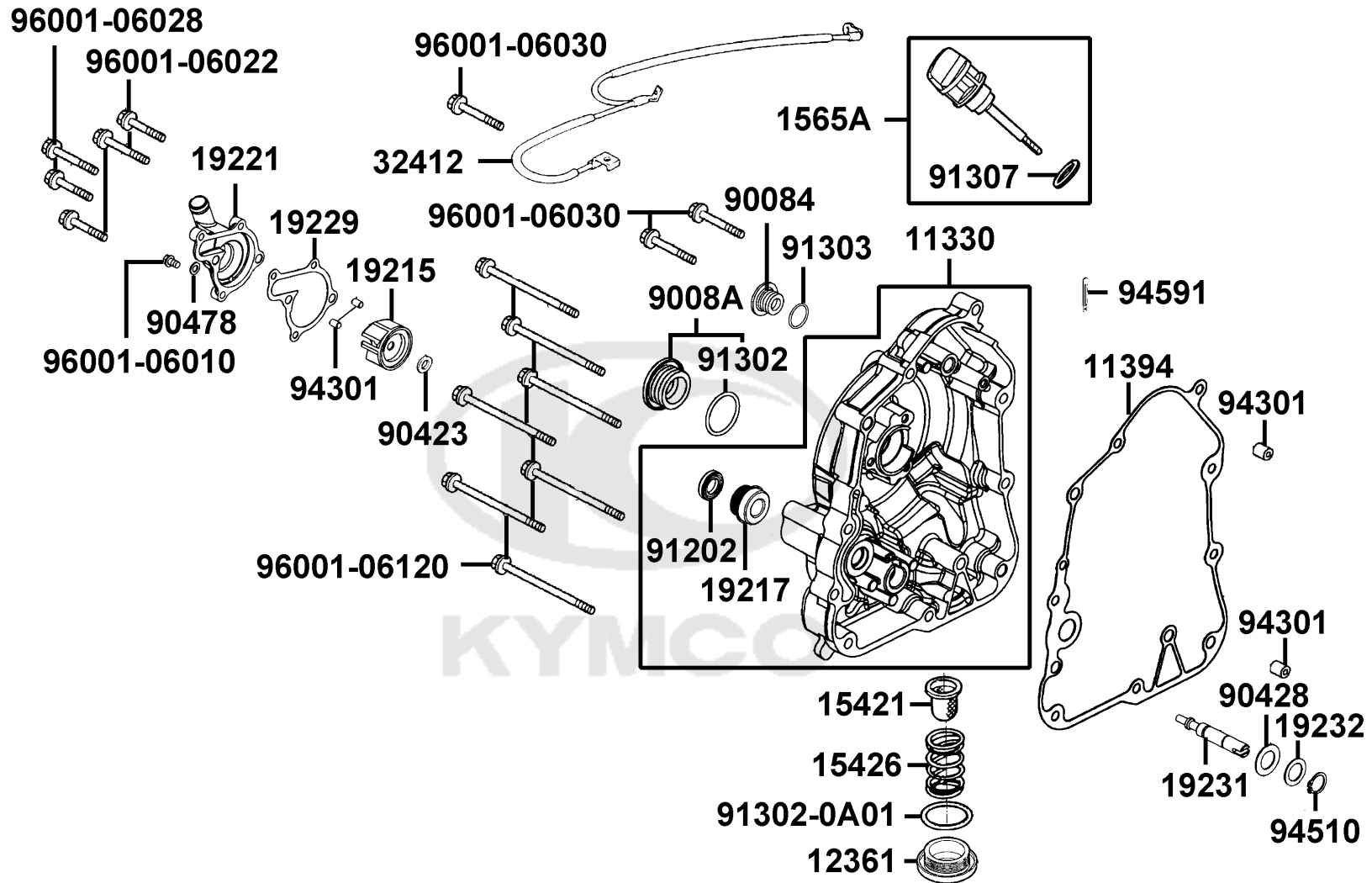




Sales mark	Ref no	Part no	Description	Reg description	Regd no	E03
	12100	12100-LFA7-E00	CYLINDE COMP (A)	CYLINDE COMP (A)	1	
	12191	12191-LFA7-E00	GASKET CYLINDER	GASKET CYLINDER	1	
	13000	13000-LFA7-E00	CRANK SHAFT COMP	CRANK SHAFT COMP	1	
	13011	13011-LEB1-90A	RING ASSY PISTON	RING ASSY PISTON	1	
	13101	13101-LFA7-E00	PISTON	PISTON	1	
	13111	13111-LFA7-E00	PIN PISTON	PIN PISTON	1	
	14401	14401-LFA7-E00	CHAIN CAM	CHAINCAM	1	
#	14510	14510-LEB1-90B	TENSIONER CAM CHAIN	TENSIONER CAM CHAIN	1	
	14520	14520-LFA7-E00	LIFTER ASSY TENSIONER	LIFTER ASSY TENSIONER	1	
	14523	14523-KED9-900	GASKET TENSIONER LIFTER @A	GASKET TENSIONER LIFTER @A	1	
	14531	14531-GLR0-001	PIVOT CAM CHAIN TENSIONER	PIVOT CAM CHAIN TENSIONER	1	
#	14610	14610-LEB1-90B	GUIDE CAM CHAIN	GUIDE CAM CHAIN	1	
	90001	90001-GBHB-661	BOLT FLANGE SH 6*22	BOLT FLANGE SH 6*22	2	
	90005	90005-KED9-900	BOLT SPECIAL 6*6	BOLT SPECIAL 6*6	1	
	90701	90701-HFB6-011	KEY WOODRUFF 25*14*4	KEY WOODRUFF 25*14*4	1	
	91301	91301-GLR0-005	O-RING 15.2*1.5	O-RING 15.2*1.5	1	
	91306	91306-1E05-691	O-RING 1.5*9.5	O-RING 1.5*9.5	1	
	94301	94301-10160	DOWEL PIN 10*16	DOWEL PIN 10*16	2	
	94601	94601-14000	CLIP PISTON PIN 12MM	CLIP PISTON PIN 12MM	2	

E04

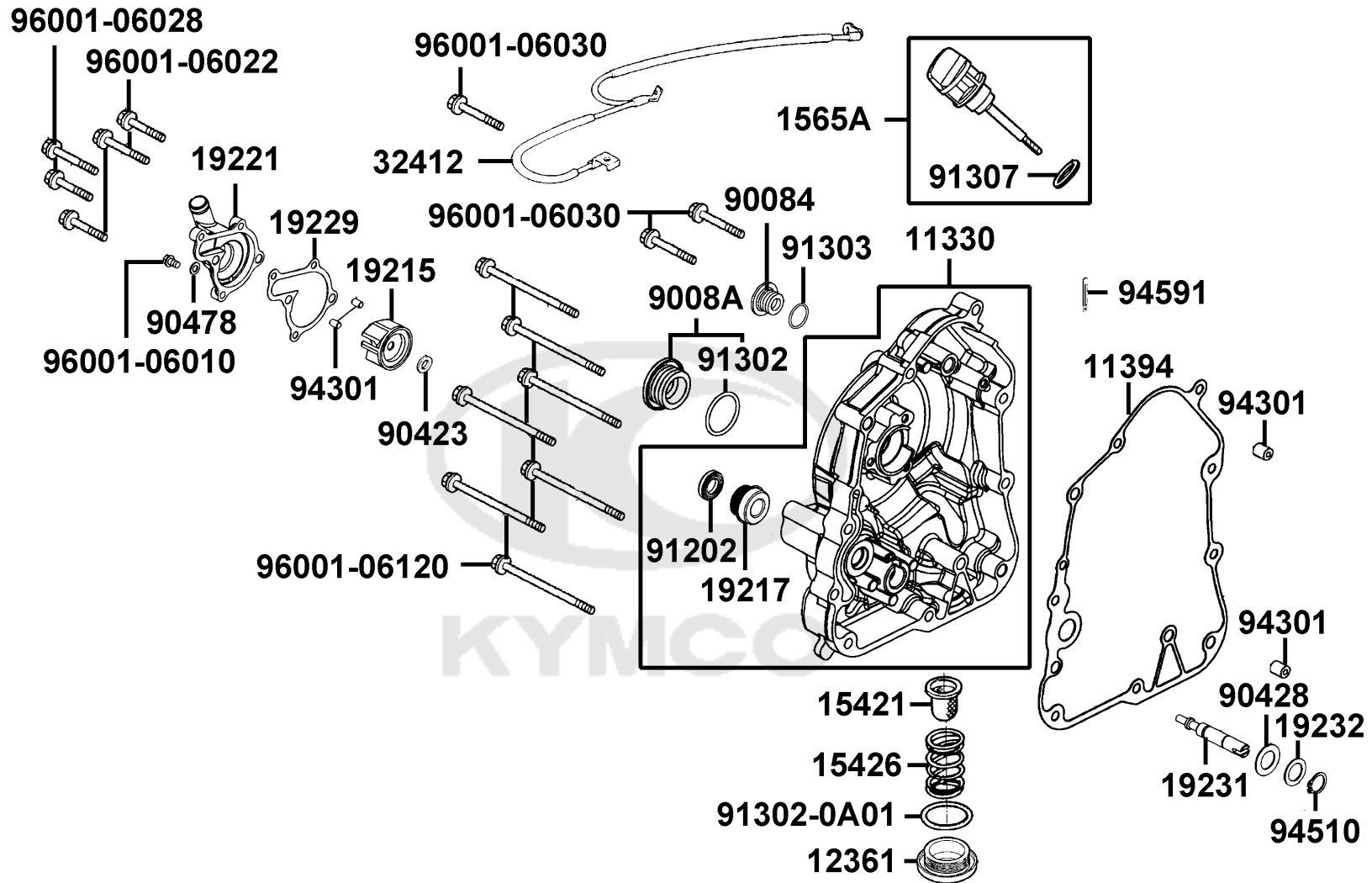
# Right Crankcase Cover



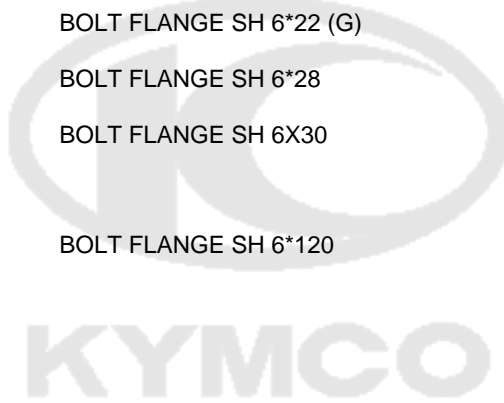
Sales mark	Ref no	Part no	Description	Reg description	Regd no	E04
	11330	11330-LFA7-E00	COVER COMP R CRANK CASE	COVER COMP R CRANK CASE	1	
	11394	11394-LFA7-E00	GASKET R COVER@A	GASKETR. COVER A	1	
	12361	12361-GFY6-901	HOLE CAP TAPPET ADJUSTING	HOLE CAP TAPPET ADJUSTING	1	
	15421	15421-1G07-001	SCREEN OIL FILTER	SCREEN OIL FILTER	1	
	15426	15426-GAE1-921	SPG OIL FILTER SCREEN	SPG OIL FILTER SCREEN	1	
	1565A	1565A-KUDU-900	GAUGE OIL LEVEL ASSY	GAUGE OIL LEVEL ASSY	1	
	19215	19215-KHE7-900	IMPELLER WATER PUMP	IMPELLER WATER PUMP	1	
#	19217	19217-ZPA3-E00	SEAL MECHANICAL	SEAL MECHANICAL	1	
**	19221	19221-LFA7-E00	COVER WATER PUMP	COVER WATER PUMP	1	
	19229	19229-LFA7-E00	GASKET WATER PUMP	GASKET WATER PUMP	1	
	19231	19231-LFA7-E00	SHAFT WATER PUMP	SHAFTWATER PUMP	1	
	19232	19232-LBA2-E00	WASHER 21*13.8*1.5	WASHER 21*13.8*1.5	1	
	32412	32412-ACD5-E00	CABLE. EARTH	CABLE. EARTH	1	
	90084	90084-KKF9-901	CAP AC GENERATOR	CAP ACG	1	
**	9008A	9008A-PTA1-900	CAP ASSY	CAP ASSY	1	
	90423	90423-KKJ9-001	WASHER 7.2*13*1.2	WASHER 7.2*13*1.2	1	
	90428	90428-9H58-001	WASHER THRUST 14MM B	WASHER THRUST 14MM B	1	
	90478	90478-7L00-001	WASHER A 6MM	WASHER A 6MM	1	
	91202	91202-LKG2-900	OIL SEAL 13.7*24*5	OIL SEAL 13.7*24*5	1	
	91302-0A01	91302-0A01-021	O-RING 30.8M/M	O-RING 30.8M/M	1	

E04

# Right Crankcase Cover

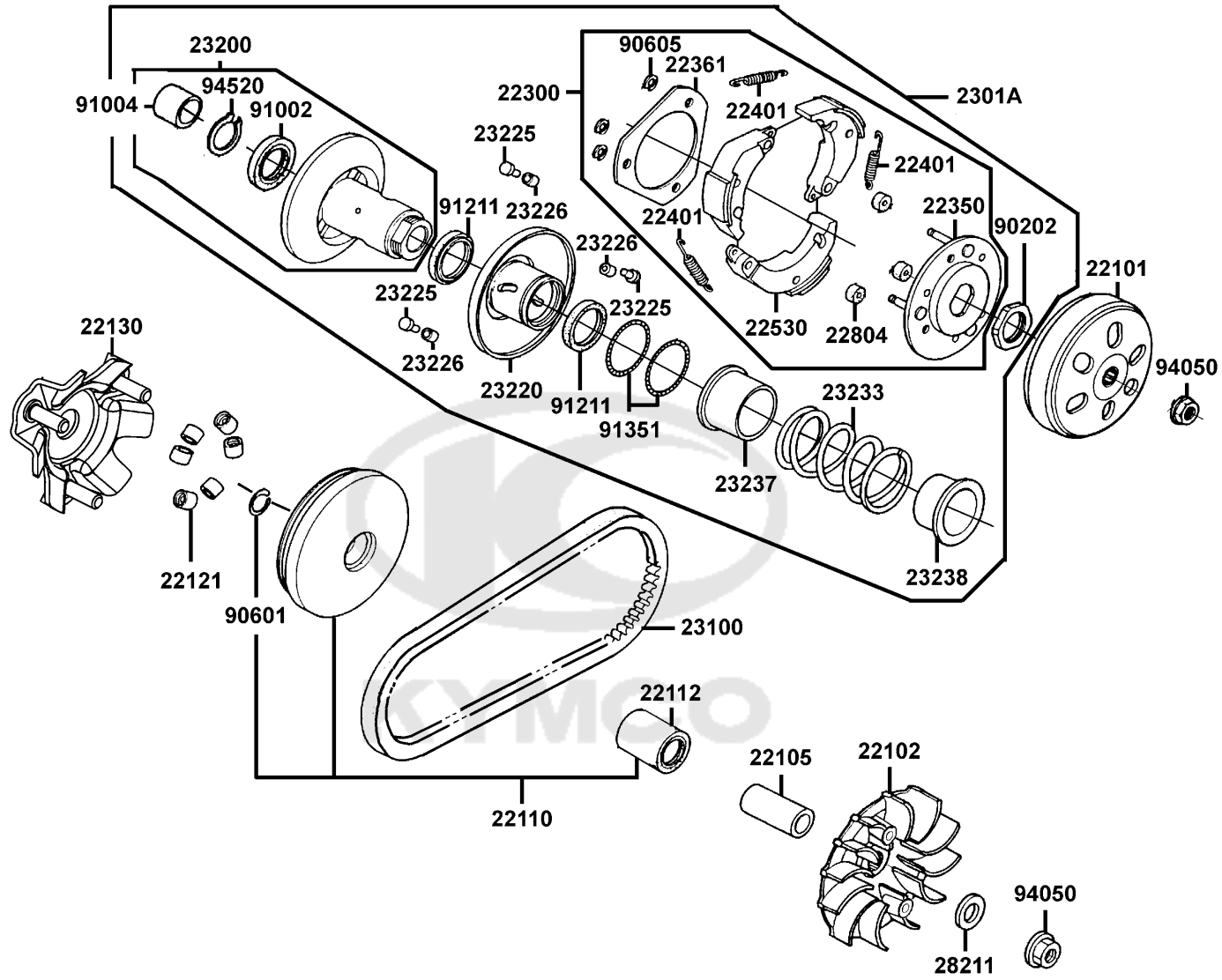


Sales mark	Ref no	Part no	Description	Reg description	Regd no	<b>E04</b>
	91302-5G67	91302-5G67-004	O-RING 27.4*2.4	O-RING 27.4*2.4	1	
	91303	91303-3G77-001	O-RING 13.8*2.5	O-RING 13.8*2.5	1	
	91307	91307-0E35-001	O RING 18*3	O RING 18*3	1	
	94301	94301-08140	DOWEL PIN 8*14	DOWEL PIN 8*14	4	
	94510	94510-14000	CIR CLIP EXTERNAL 14	CIR CLIP EXTERNAL 14	1	
	94591	94591-KFBF-900	CLIP 2*70	CLIP 2*70	1	
	96001-06010	96001-06010-00	BOLT FLANGE SH 6X10	BOLT FLANGE SH 6X10	1	
	96001-06022	96001-06022-06	BOLT FLANGE SH 6*22 (G)	BOLT FLANGE SH 6*22 (G)	1	
	96001-06028	96001-06028-06	BOLT FLANGE SH 6*28	BOLT FLANGE SH 6*28	1	
	96001-06030	96001-06030-06	BOLT FLANGE SH 6X30	BOLT FLANGE SH 6X30	1	
	96001-06120	96001-06120-06	BOLT FLANGE SH 6*120	BOLT FLANGE SH 6*120	1	



E05

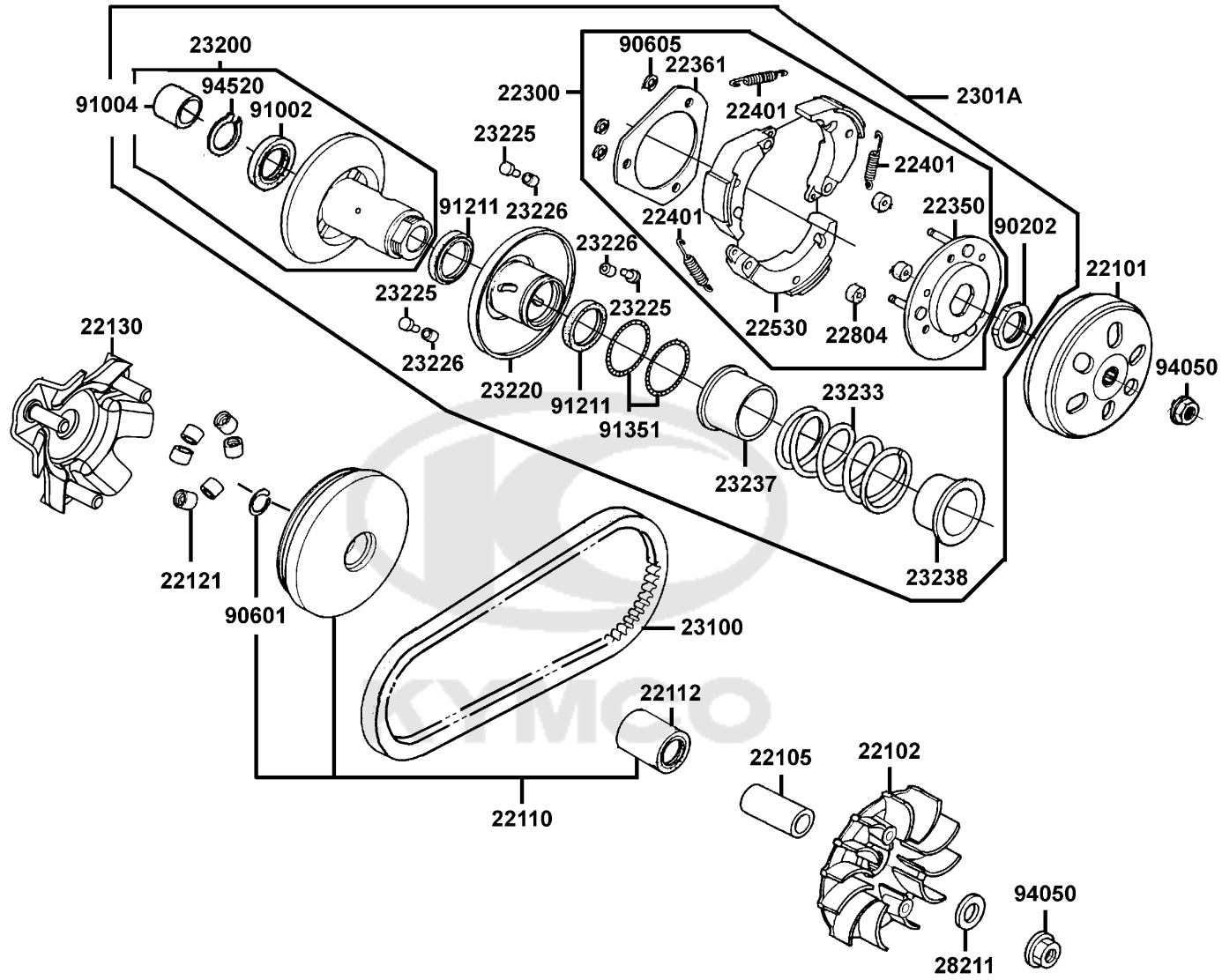
# Pulley



Sales mark	Ref no	Part no	Description	Reg description	Regd no	E05
	22101	22101-KEBE-900	OUTER CLUTCH	OUTER CLUTCH	1	
	22102	22102-ACJ1-E00	FACE COMP DRIVE	FACE COMP DRIVE	1	
	22105	22105-AAG1-900	BOSS DRIVE FACE	BOSS DRIVE FACE	1	
	22110	22110-AAG1-900	FACE COMP MOVABLE DRIVE	FACE COMP MOVABLE DRIVE	1	
	22112	22112-KAAA-900	COLLAR DRIVE FACE	COLLAR DRIVE FACE	1	
#	22121	22121-KKE3-305	ROLLER SET WEIGHT (1SET:6PCS)	ROLLER SET WEIGHT (1SET:6PCS)	1	
#	22130	22130-AAG1-910	RAMP PLATE COMP	RAMP PLATE COMP	1	
	22300	22300-LKG2-910	PLATE ASSY DRIVE	PLATE ASSY.. DRIVE	1	
	22350	22350-LEA6-900	PLATE COMP DRIVE	PLATE COMP DRIVE	1	
	22361	22361-KGN7-671	PLATE CLUTCH SIDE	PLATE CLUTCH SIDE	1	
	22401	22401-KEB8-900	SPRING CLUTCH	SPRING CLUTCH	1	
	22530	22530-LKG2-900	WEIGHT. CLUTCH	WEIGHT. CLUTCH	1	
	22804	22804-GBB2-001	RUBBER CLUTCH DAMPER	RUBBER CLUTCH DAMPER	3	
	2301A	2301A-ACJ1-E00	PULLEY SUB ASSY DRIVEN	PULLEY SUB ASSY DRIVEN	1	
	23100	23100-ACJ1-E00	BELT DRIVE	BELT DRIVE	1	
	23200	23200-AAG1-900	FACE ASSY DRIVEN	FACE ASSY DRIVEN	1	
	23220	23220-AAG1-900	FACE COMP MOVABLE DRIVEN	FACE COMP MOVABLE DRIVEN	1	
	23225	23225-GHC8-004	PIN ROLLER GUIDE	PIN ROLLER GUIDE	3	
	23226	23226-GHC8-004	ROLLER GUIDE	ROLLER GUIDE	3	
	23233	23233-LFA7-E00	SPG DRIVEN FACE	SPG DRIVEN FACE	1	

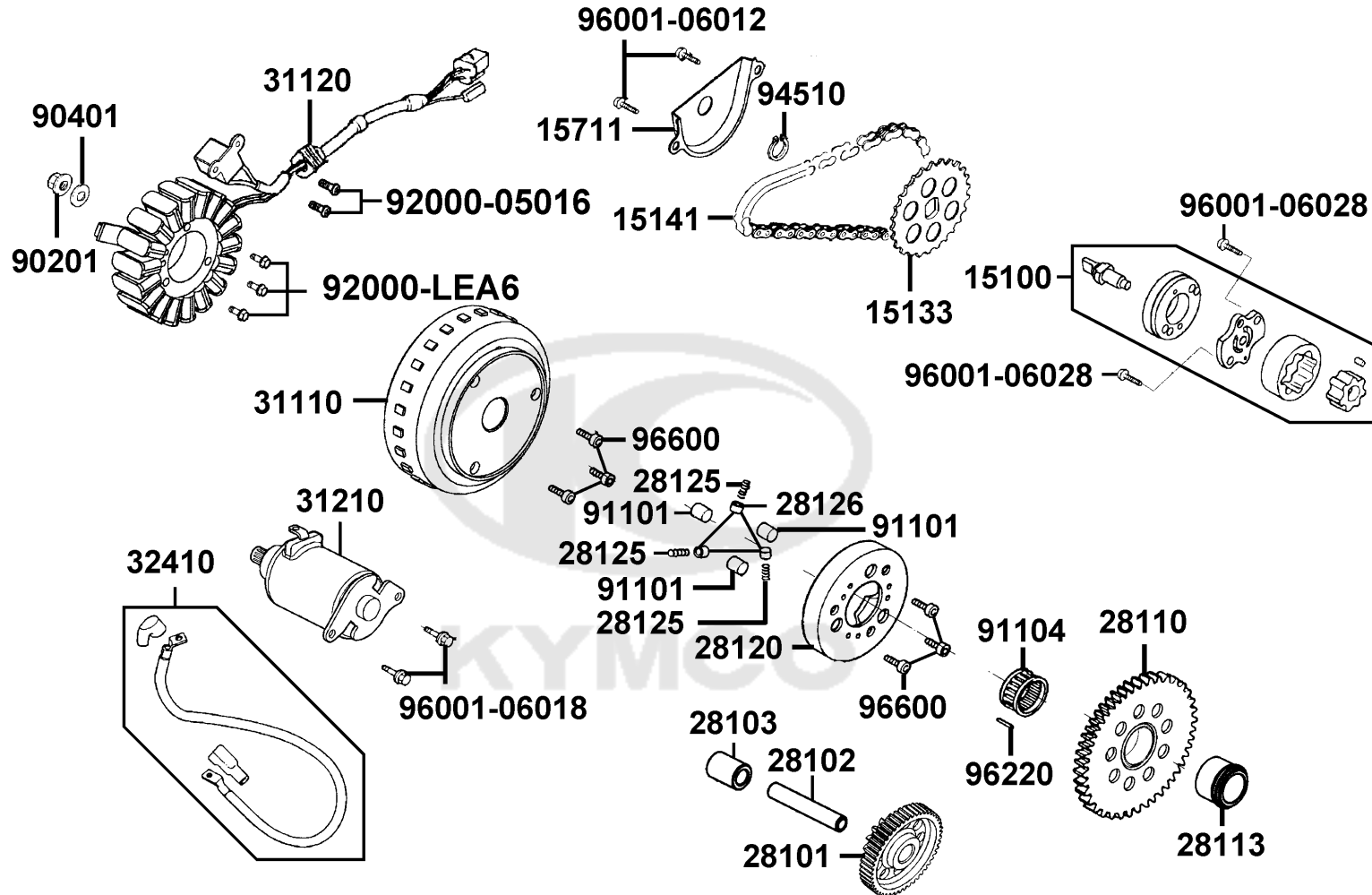
E05

# Pulley





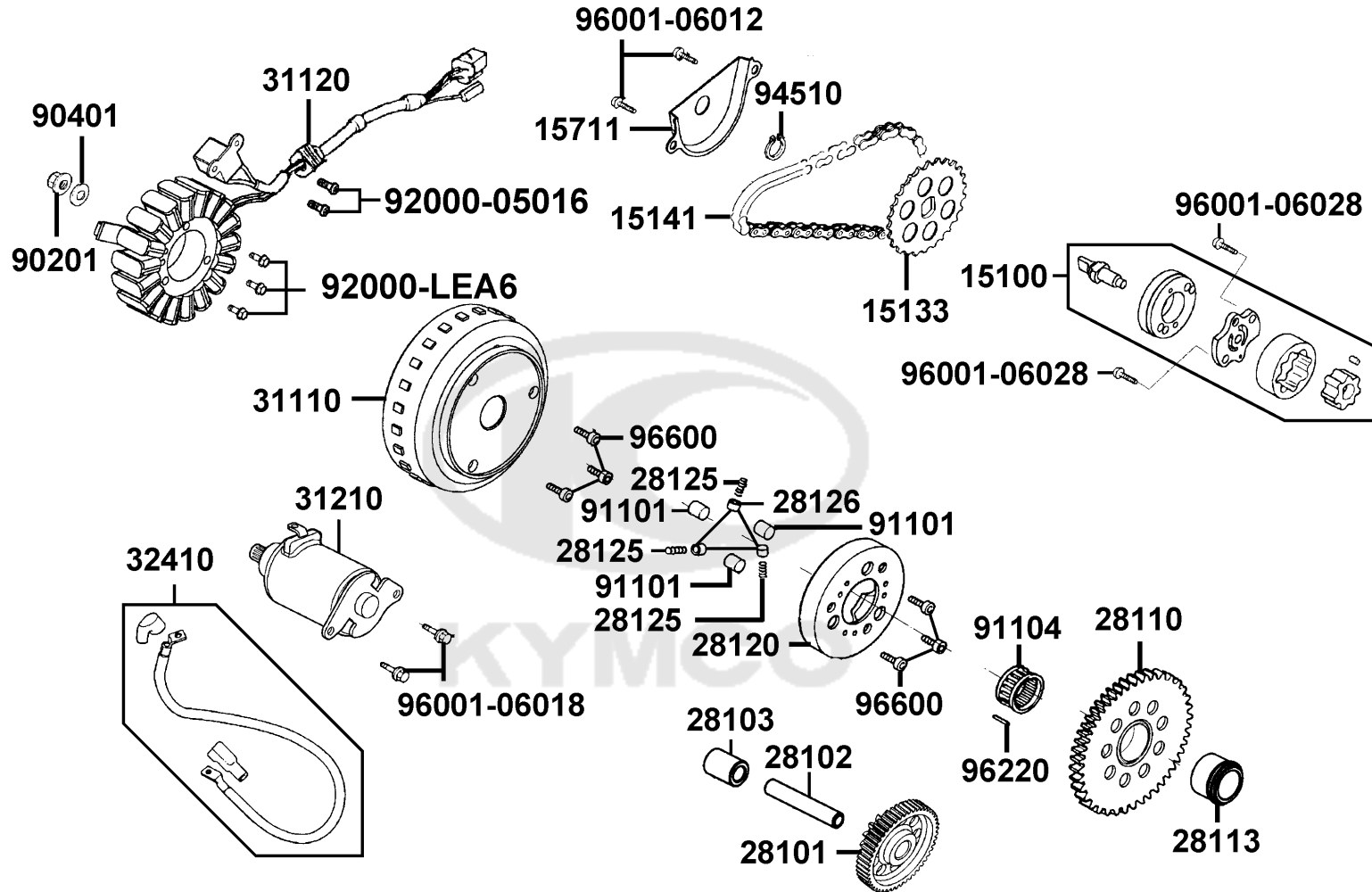
Sales mark	Ref no	Part no	Description	Reg description	Regd no	<b>E05</b>
23237		23237-GFY6-941	COLLAR SEAL	COLLAR SEAL	1	
23238		23238-LEB1-910	COLLAR SPRING	COLLAR.SPRING	1	
90202		90202-KGN7-671	NUT SPECIAL 28MM	NUT SPECIAL 28MM	1	
28211		90441-GFY6-941	WASHER 12.2*29*2.5	WASHER 12.2*29*2.5	1	
90601		90601-GFY6-901	CLIP 28MM	CLIP 28MM	1	
90605		90605-1F66-721	CIR CLIP 7MM	CIR CLIP 7MM	3	
91002		91002-GGA7-70A	BRG BALL RADIAL 6902U	BRG BALL RADIAL 6902U	1	
91004		91004-KHE7-900	BRG NDL 22*29*18	BRG NDL 22*29*18	1	
91211		91211-KEBE-900	SEAL DRIVEN FACE 34*41*4	SEAL DRIVEN FACE 34*41*4	2	
91351		91351-6B42-000	O-RING PINION CAP	O-RING PINION CAP	2	
94050		94050-12080	NUT FLANGE 12MM	NUT FLANGE 12MM	2	
94520		94520-28000	CIR CLIP IN 28	CIR CLIP IN 28	1	



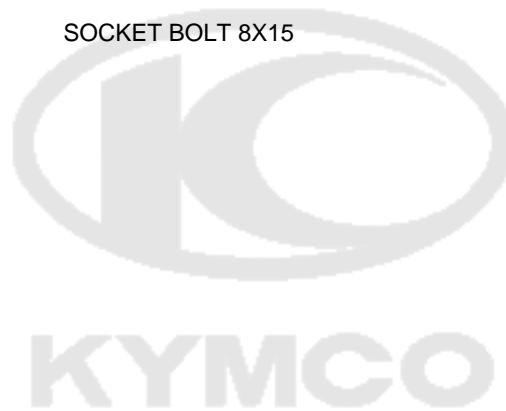
Sales mark	Ref no	Part no	Description	Reg description	Regd no	E06
	15100	15100-KEBE-900	PUMP ASSY OIL	PUMP ASSY OIL	1	
	15133	15133-KAM1-001	SPROCKET OIL PUMP DRIVE	SPROCKET OIL PUMP DRIVE	1	
	15141	15141-KKJ9-004	CHAIN OIL PUMP	CHAIN OIL PUMP	1	
	15711	15711-LFA7-E00	SEPARATER OIL	SEPARATER OIL	1	
	28101	28101-KKJ9-011	GEAR STARTER REDUCTION	GEAR STARTER REDUCTION	1	
	28102	28102-LFA7-E00	SHAFT STARTER REDUCTION GEAR	SHAFT STARTER REDUCTION GEAR	1	
	28103	28103-LFA7-E00	COLLAR 9x15.5x21.1	COLLAR 9x15.5x21.1	1	
	28110	28110-LFA7-E00	GEAR COMP STARTING CLUTCH	GEAR COMP STARTING CLUTCH	1	
	28113	28113-LFA7-E00	BUSH STARTING GEAR	BUSH STARTING GEAR	1	
	28120	28120-KEBE-305	OUTER COMP STARTING CLUTCH	OUTER COMP STARTING CLUTCH	1	
	28125	28125-4F26-001	SPRING ROLLER STARTER CLUTCH	SPRING ROLLER STARTER CLUTCH	3	
	28126	28126-KUDU-900	CAP STARTING ROLLER SPRING	CAP STARTING ROLLER SPRING	3	
	31110	31110-LFA7-E0B	FLYWHEEL COMP (D402)	FLYWHEEL COMP (D402)	1	
	31120	31120-AAG3-E00	STATOR COMP (D402)	STATOR COMP (D402)	1	
	31210	31210-LEB1-90A	MOTOR UNIT START	MOTOR UNIT START	1	
	32410	32410-LLB1-900	CABLE START MOTOR	CABLE START MOTOR	1	
	90201	90201-KHR8-75A	NUT FLANGE 14MM	NUT FLANGE 14MM	1	
	90401	90401-KKJ9-001	WASHER THRUST 14*28*2	WASHER THRUST 14*28*2	1	
	91101	91101-1K79-711	ROLLER 10*10	ROLLER 10*10	3	
	91104	91104-GFY6-90A	BRG NEEDLE 28*32*17	BRG NEEDLE 28*32*17	1	

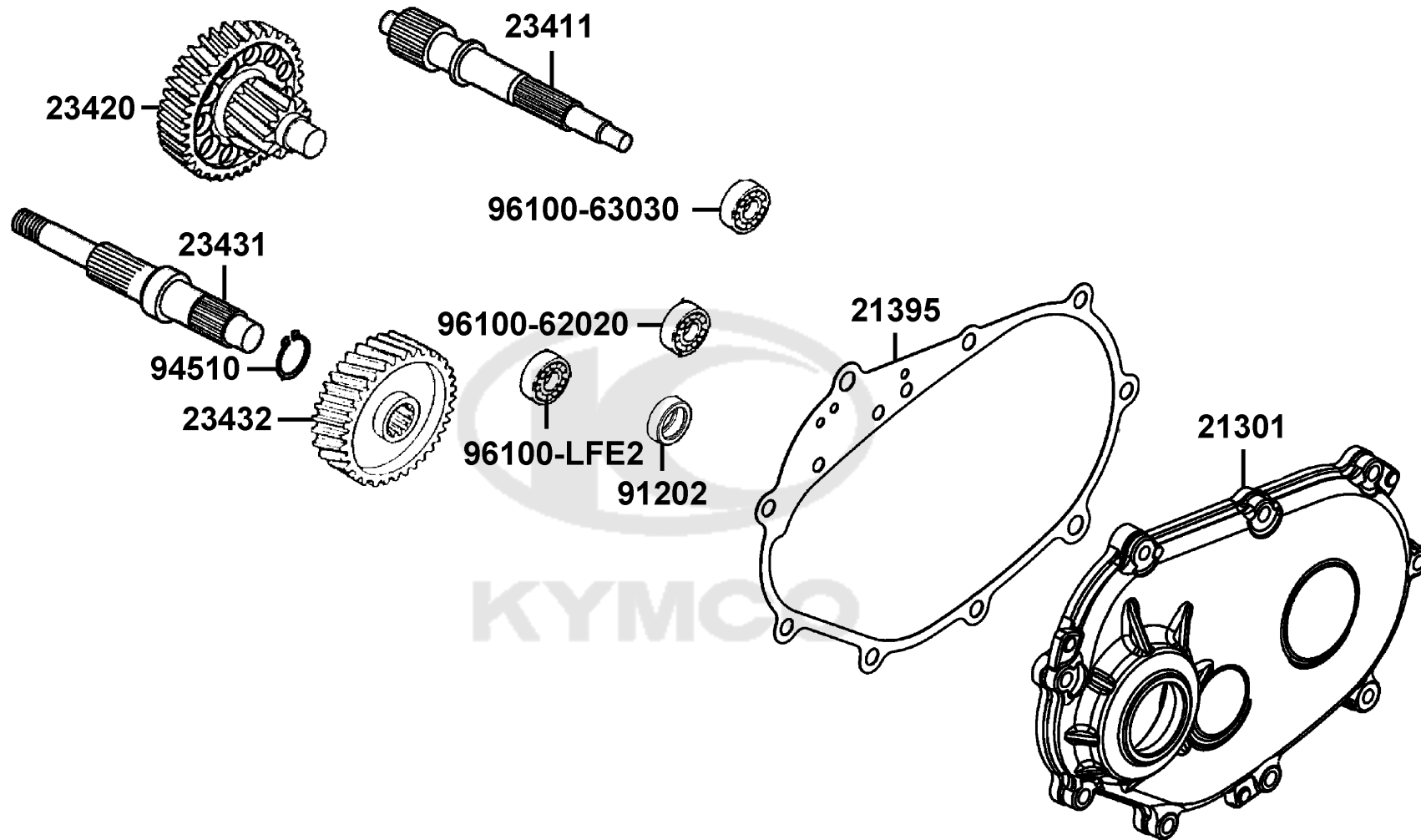
E06

# Starting Motor Oil PumpGenerator

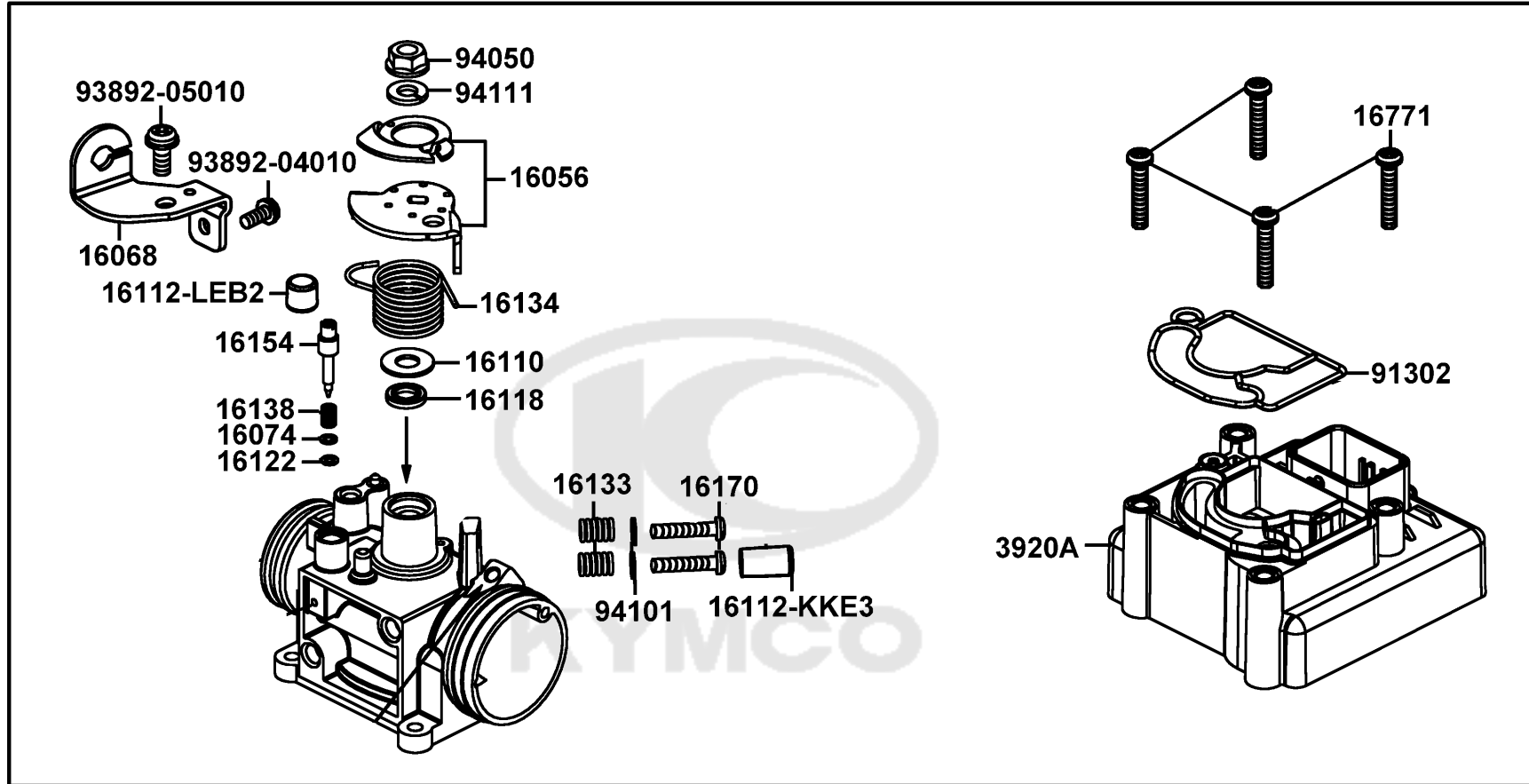


Sales mark	Ref no	Part no	Description	Reg description	Regd no	<b>E06</b>
	92000-05016	92000-05016-0G	BOLT HEX 5X16	BOLT HEX 5X16	1	
	92000-LEA6	92000-LEA6-900	BOLT HEX 5*40	BOLT HEX 5*40	3	
	94510	94510-10000	CIR CLIP EX 10MM	CIR CLIP EX 10MM	1	
	96001-06012	96001-06012-06	BOLT FLANGE SH 6*12	BOLT FLANGE SH 6*12	1	
	96001-06018	96001-06018-06	BOLT FLANGE SH 6X18	BOLT FLANGE SH 6*18	1	
	96001-06028	96001-06028-06	BOLT FLANGE SH 6*28	BOLT FLANGE SH 6*28	1	
	96220	96220-60100	ROLLER 6X10	ROLLER 6X10	1	
	96600	96600-08015-16	SOCKET BOLT 8X15	SOCKET BOLT 8*15	1	





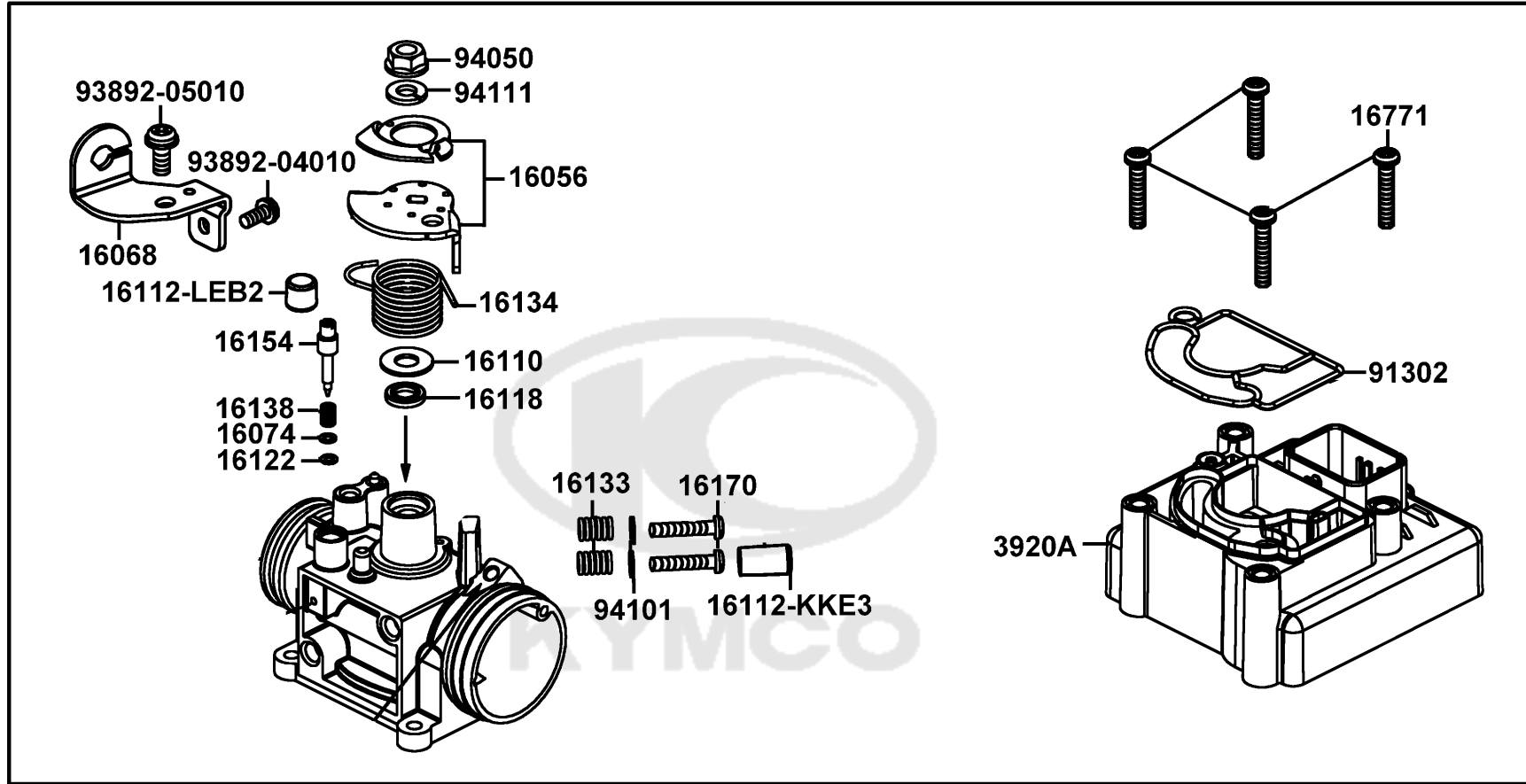
Sales mark	Ref no	Part no	Description	Reg description	Regd no	<b>E07</b>
21301		21301-LFA7-E00	COVER MISSION	COVER MISSION	1	
21395		21395-LFA7-E00	GASKET MISSION COVER	GASKET MISSION COVER	1	
23411		23411-ACJ1-E00	SHAFT DRIVE	SHAFT DRIVE	1	
23420		23420-ACJ1-E00	SHAFT COMP COUNTER (15T/49T)	SHAFT COMP COUNTER	1	
23431		23431-LFA7-E00	SHAFT FINAL	SHAFT FINAL	1	
23432		23432-LGE7-E00	GEAR FINAL	GEAR FINAL	1	
91202		91202-LFE2-90A	OIL SEAL 22*32*5	OIL SEAL 22*32*5	2	
94510		94510-25000	CIR CLIP EXTERNAL 25	CIR CLIP EXTERNAL 25	1	
96100-62020		96100-62020-00	BEARING BALL RADIAL 6202	BEARING BALL RADIAL 6202	1	
96100-63030		96100-63030-00	BEARING BALL RADIAL 6303	BEARING BALL RADIAL 6303	1	
96100-LFE2		96100-LFE2-900	BRG BALL RADIAL TMB2/22CC4	BRG BALL RADIAL TMB2/22CC4	1	



16100



Sales mark	Ref no	Part no	Description	Reg description	Regd no	<b>E08</b>
16056		16056-LFA7-E00	LEVER ASSY THROTTLE	LEVER ASSY THROTTLE	1	
16068		16068-LFA7-E00	PLATE WIRE FIXED	PLATE WIRE FIXED	1	
16074		16074-KEC3-900	WASHER IDLE SCREW	WASHER IDLE SCREW	1	
16100		16100-ACJ1-E00	THROTTLE BODY ASSY	THROTTLE BODY ASSY	1	
16110		16110-LFA7-E00	WASHER THROTTLE BODY	WASHER THROTTLE BODY	1	
16112-KKE3		16112-KKE3-900	COVER IDLE SCREW	COVER IDLE SCREW	1	
16112-LEB2		16112-LEB2-900	COVER IDLE BYPASS	COVER IDLE BYPASS	1	
16118		16118-KEC3-900	SEAL THROTTLE SHAFT	SEAL THROTTLE SHAFT	1	
16122		16122-KEC3-900	O-RING IDLE SCREW	O-RING IDLE SCREW	1	
16133		16133-KEC3-900	SPG THROTTLE ADJ SCREW	SPG THROTTLE ADJ SCREW	2	
16134		16134-LFA7-E00	SPG THROTTLE SHAFT	SPG THROTTLE SHAFT	1	
16138		16138-KEC3-900	SPG IDLE SCREW	SPG IDLE SCREW	1	
16154		16154-KKE3-900	SCREW IDLE ADJUST	SCREW IDLE ADJUST	1	
16170		16170-KEC3-900	SCREW THROTTLE ADJUST	SCREW THROTTLE ADJUST	2	
16771		16771-GKAK-220	SCREW-WASHER M4x30	SCREW-WASHER M4*30	1	
3920A		3920A-ACJ1-E00	ASSY ECU	ASSY ECU	1	
91302		91302-LEB2-900	SEAL THROTTLE-ECU	SEAL THROTTLE-ECU	1	
93892-04010		93892-04010-06	SCREW WASHER 4X10	SCREW WASHER 4X10	1	
93892-05010		93892-05010-06	SCREW WASHER 5X10	SCREW WASHER 5X10	1	
94050		94050-06080	NUT FLANGE 6MM	NUT FLANGE 6MM	1	



16100

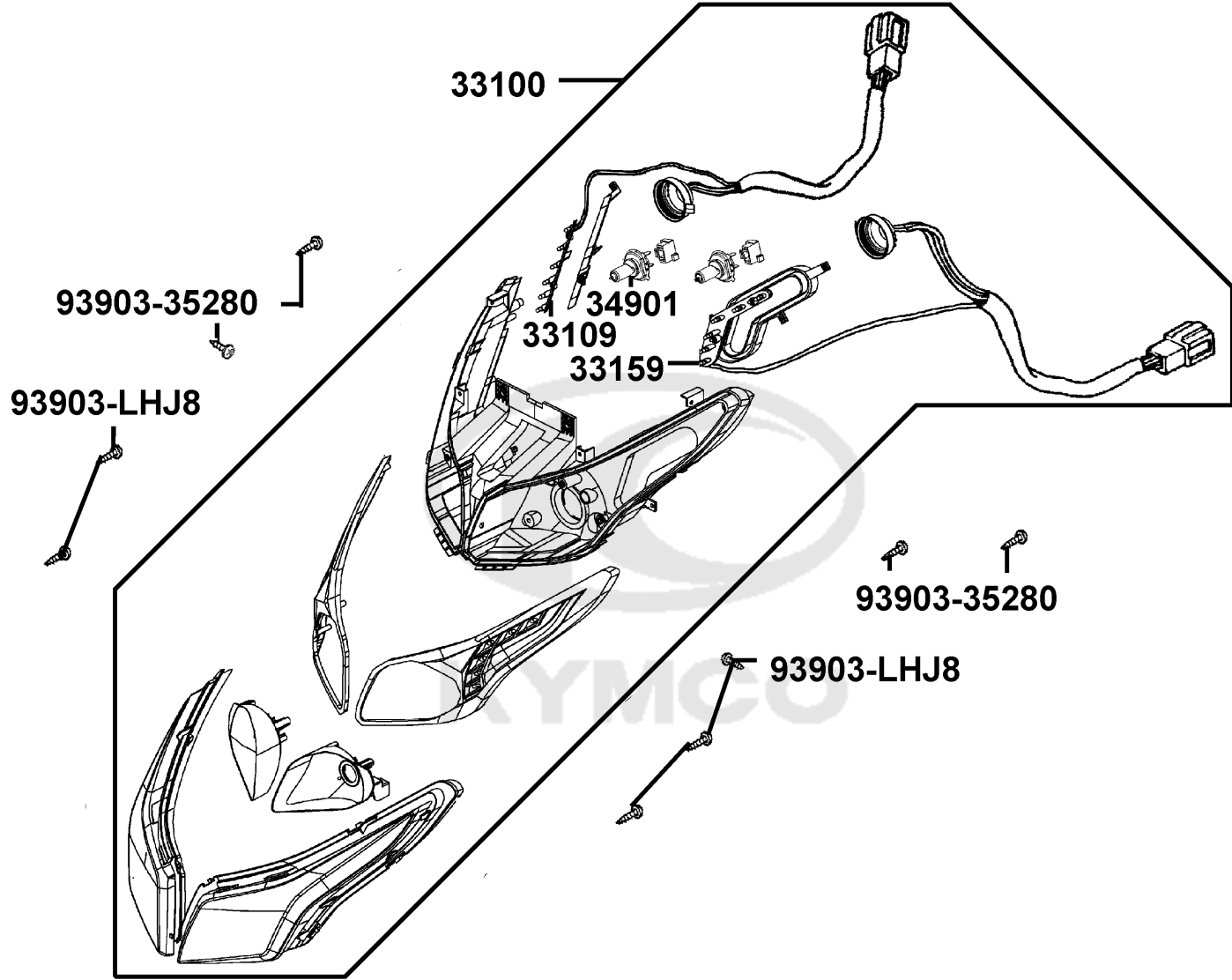
Sales mark	Ref no	Part no	Description	Reg description	Regd no	<b>E08</b>
------------	--------	---------	-------------	-----------------	---------	------------

94101		94101-KKE3-900	WASHER PLAIN 4MM	WASHER PLAIN 4MM	2	
94111		94111-06800	WASHER SPRING 6MM	WASHER SPRING 6MM	1	



F01

Head Light

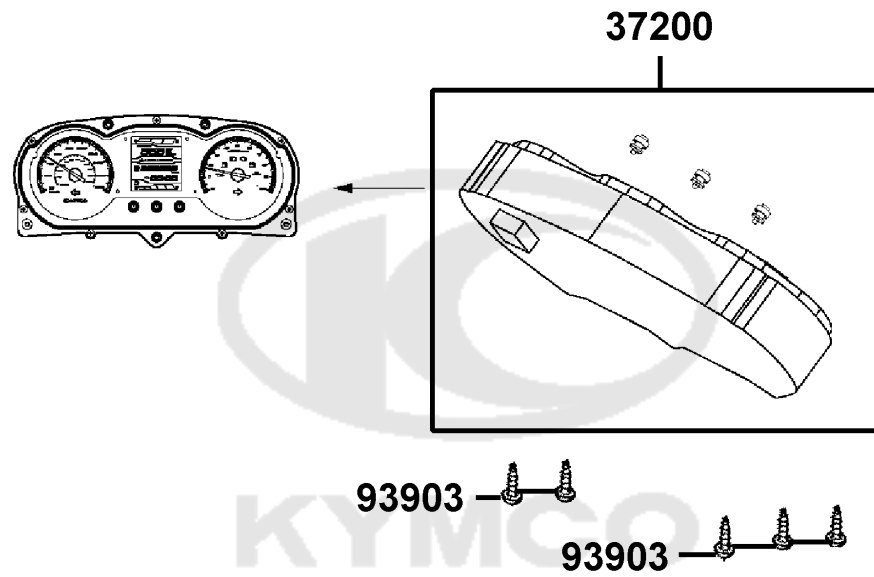


Sales mark	Ref no	Part no	Description	Reg description	Regd no	<b>F01</b>
	33100	33100-ABD2-E00	LIGHT ASSY HEAD	LIGHT ASSY HEAD	1	
	33109	33109-ABD2-C00	LED PCB GR R	LED PCB FR R	1	
	33159	33159-ABD2-C00	LED PCB FR L	LED PCB FR L	1	
	34901	34901-ABD2-E00	BULB HEAD LIGHT	BULB HEAD LIGHT	1	
#	93903-35280	93903-35280-G	SCREW TAPPING 5*12 (K)	SCREW TAPPING 5*12 (KG)	4	
#	93903-LHJ8	93903-LHJ8-C01	SCREW,TAPPING 5X14	"SCREW,TAPPING 5X14"	8	



F02

Speedometer



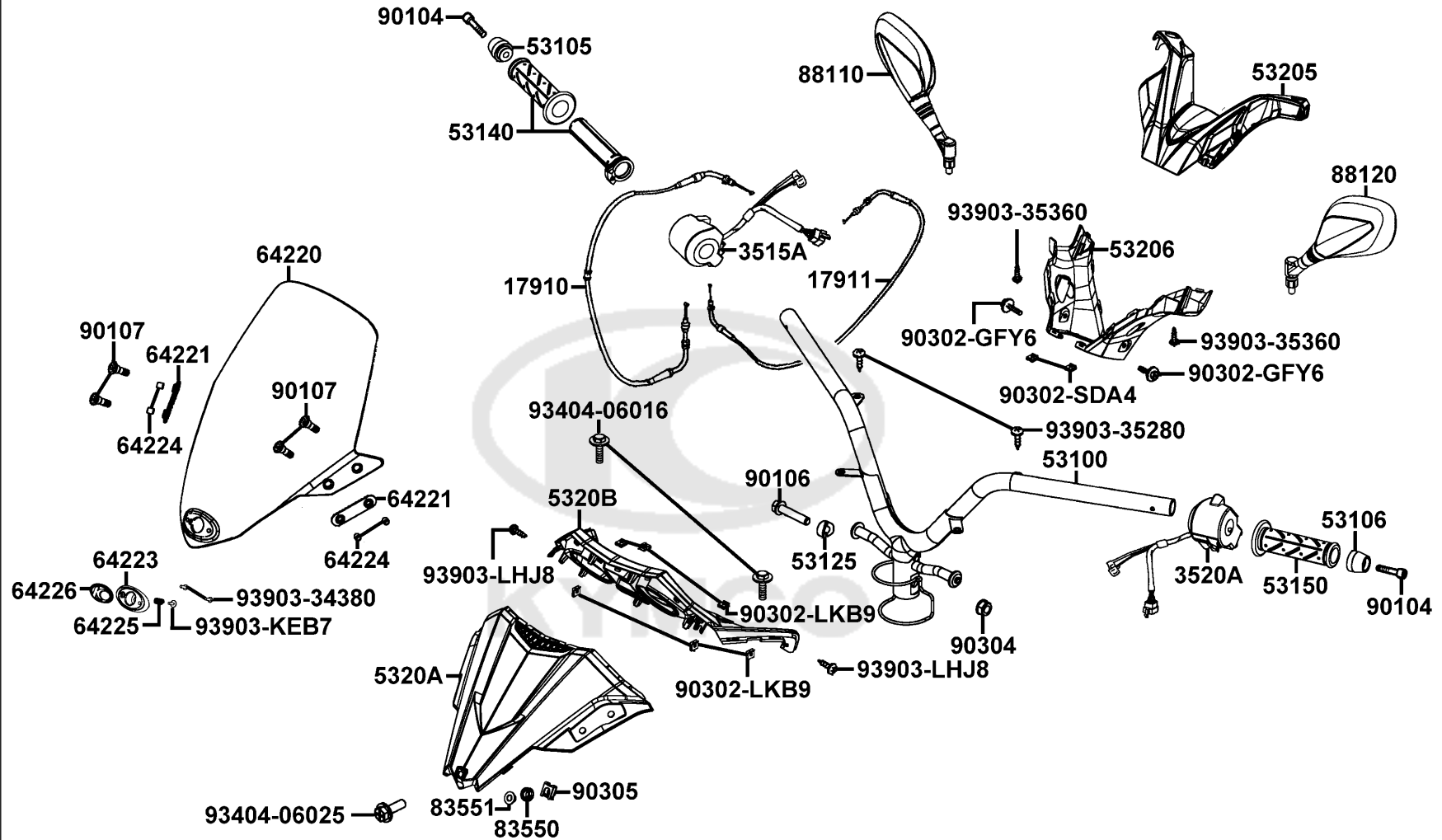
Sales mark	Ref no	Part no	Description	Reg description	Regd no	<b>F02</b>
------------	--------	---------	-------------	-----------------	---------	------------

37200		37200-ACJ1-E01	METER ASSY SPEED	METER ASSY SPEED	1	
		37211-ABD2-C00	LENS ASSY	LEN ASSY	1	
93903		93903-35360	SCREW TAPPING 5*16	SCREW TAPPING 5*16	5	



F03

# Handle SteeringHandle Cover

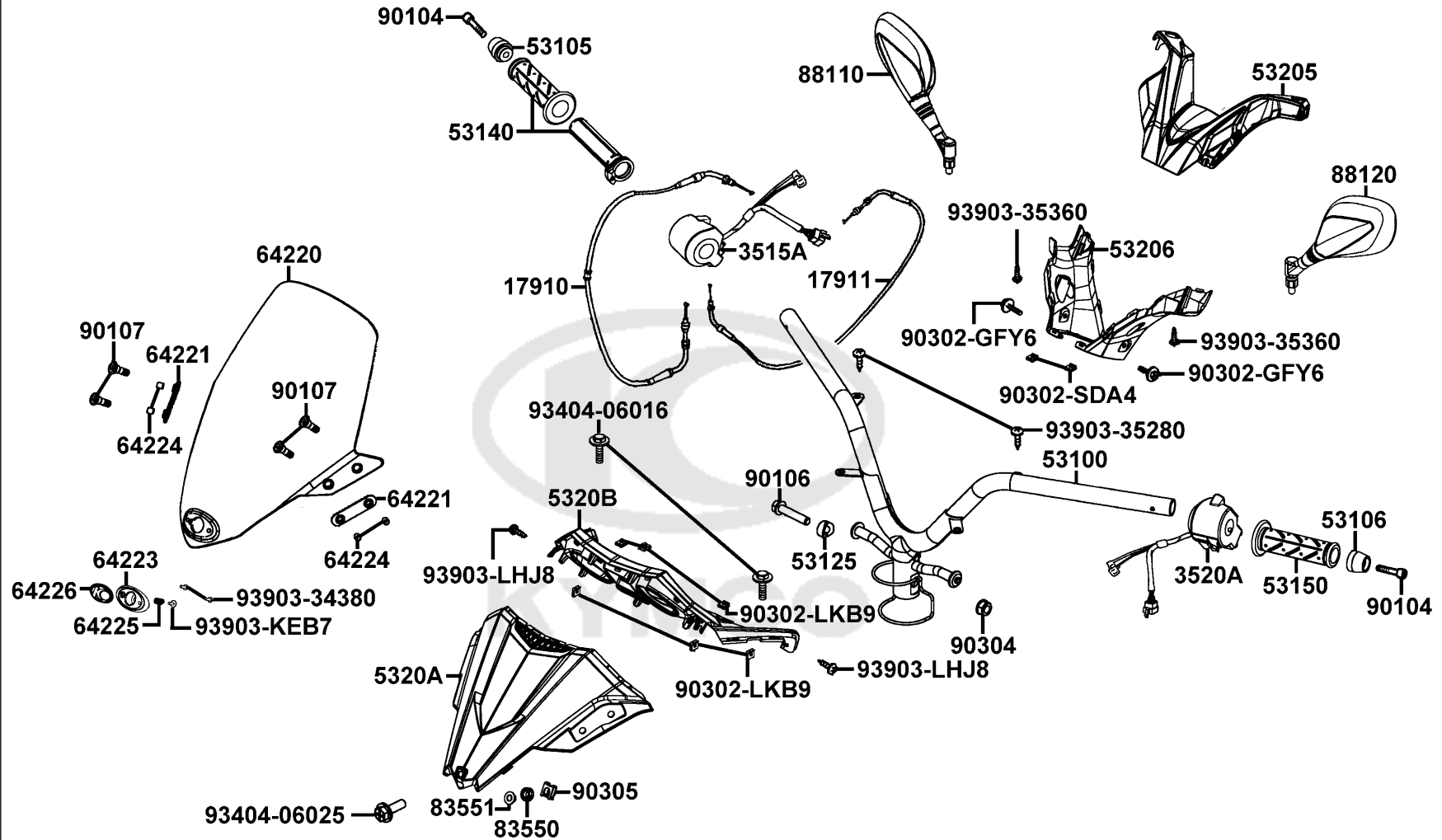




Sales mark	Ref no	Part no	Description	Reg description	Regd no	F03
	17910	17910-AAG3-C00	CABLE COMP THROT	CABLE COMP THROT	1	
	17911	17911-AAG3-C00	"CABLE B COMP..THROT"	"CABLE B COMP..THROT"	1	
	3515A	3515A-ACJ1-E00	SW ASSY RH HNDL COMP	SW ASSY RH HANDLE COMP	1	
	3520A	3520A-ABD2-C00	SW ASSY LH HANDLE COMP	SW ASSY LH HANDLE COMP	1	
	53100	53100-ABD2-C00	HANDLE COMP STRG	HANDLE COMP STRG	1	
	53105	53105-LEA7-C00	END R.HANDLE	END R.HANDLE	1	
	53106	53106-LEA7-C00	"END L.HANDLE"	"END L.HANDLE"	1	
	53125	53125-LEA7-C00	BOLT FLANGE	BOLT FLANGE	1	
**	53140	53140-LHJ3-900	GRIP COMP THROT	GRIP COMP THROT	1	
**	53150	53150-LEA6-900	GRIP COMP L HANDLE	GRIP L HANDLE	1	
**	53205	53205-ABD2-C00	"COVER. HANDLE UP"	"COVER. HANDLE UP"	1	
**	53206	53206-ABD2-C00	COVER HANDLE RR	COVER HANDLE RR	1	
**	5320A	5320A-ABD2-C00	"ASSY..FR.METER COVER"	"ASSY..FR.METER COVER"	1	
**	5320B	5320B-ABD2-C01	"ASSY..METER COVER"	"ASSY..METER COVER"	1	
	64220	64220-ABD2-C00	WIND SCREEN	WIND SCREEN	1	
	64221	64221-LEA7-C00	RUBBER WIND SCREEN	RUBBER WIND SCREEN	2	
**	64223	64223-LEA7-C00	"PLUG. WIND SCREEN"	"PLUG. WIND SCREEN"	1	
	64224	64224-LEA7-C00	COLLAR WIND SCREEN	COLLAR WIND SCREEN	4	
	64225	64225-LEA7-E00	SPRING COSMETIC K-LOGO	SPRING COSMETIC K-LOGO	1	
	64226	64226-LEA7-E00	COSMETIC K-LOGO	COSMETIC K-LOGO	1	

F03

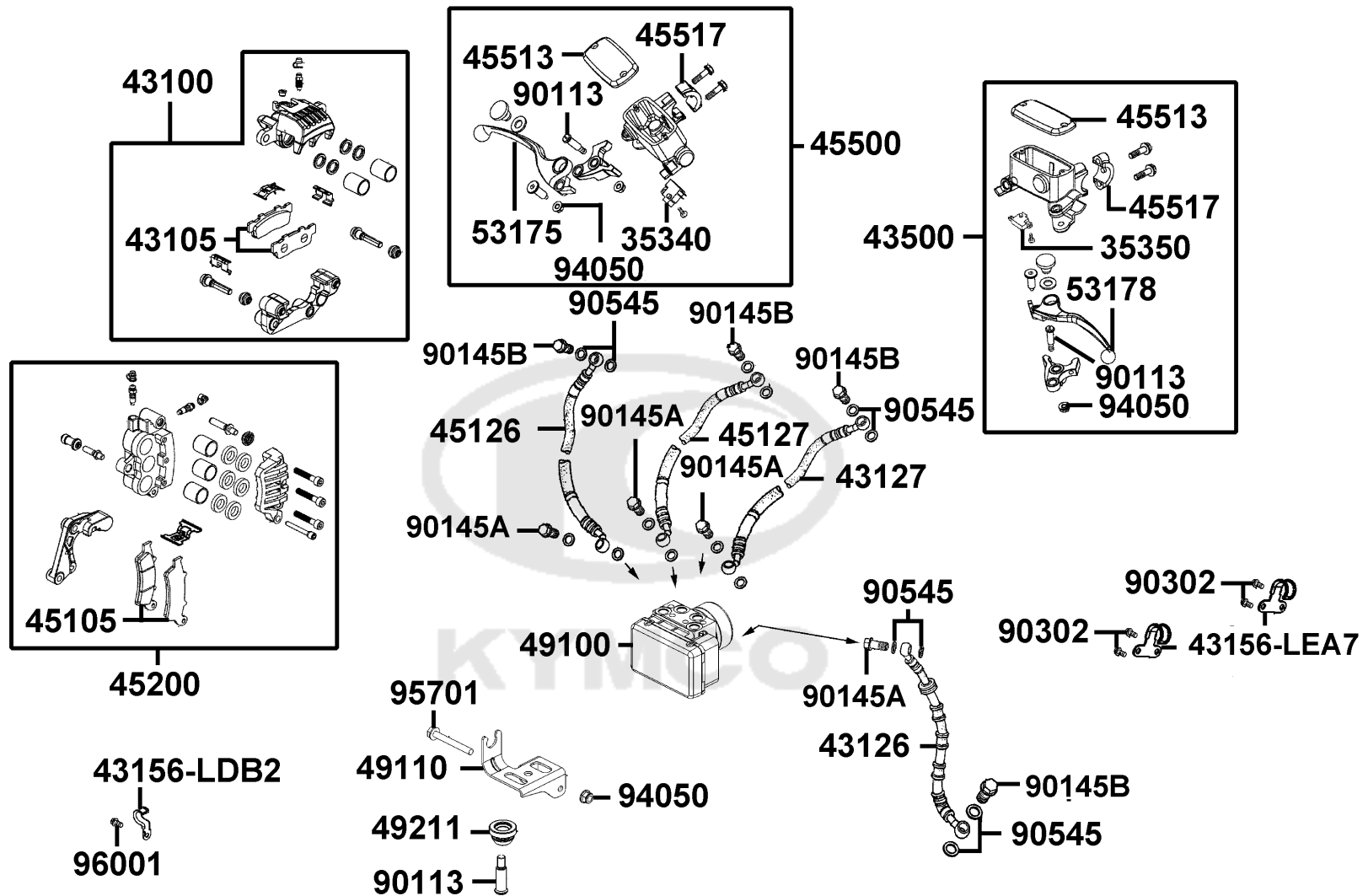
# Handle SteeringHandle Cover



Sales mark	Ref no	Part no	Description	Reg description	Regd no	F03
	83550	83550-ABD2-C00	COLLAR	COLLAR	1	
	83551	83551-KEC8-C10	GROMMET COVER	GROMMET COVER	1	
**	88110	88110-ACJ1-E00	MIRROR ASSY R BACK	MIRROR ASSY R BACK	1	
**	88120	88120-ACJ1-E00	MIRROR ASSY L BACK	MIRROR ASSY L BACK	1	
	90104	90104-LEA7-E00	BOLT WASH M8*60	BOLT WASH M8*60	2	
	90106	90106-GEN5-901	BOLT FLANGE 10*50	BOLT FLANGE 10*50	1	
#	90107	90107-LEA7-C01	BOLT SPECIAL 8*26	BOLT SPECIAL 8*26	4	
	90302-GFY6	90302-GFY6-C00	BOLT-WASH 5*12	BOLT-WASH 5*12	2	
	90302-LKB9	90302-LKB9-C00	NUT SPRING 5MM	NUT SPRING 5MM	8	
#	90302-SDA4	90302-SDA4-C01	"NUT,SPPING 4MM"	"NUT,SPPING 4MM"	4	
	90304	90304-GHE8-C00	NUT U 10MM (C)	NUT U 10MM (C)	1	
	90305	90305-LBA2-C00	"NUT.CLIP 6MM"	"NUT.CLIP 6MM"	1	
	93404-06016	93404-06016-07	BOTL WASHER 6*16	BOTL WASHER 6*16	2	
	93404-06025	93404-06025-06	BOLT WASHER 6*25	BOLT WASHER 6*25	1	
	93903-34380	93903-34380	SCREW TAPPING 4*12	SCREW TAPPING 4*12 (K)	2	
#	93903-35280	93903-35280-G	SCREW TAPPING 5*12 (K)	SCREW TAPPING 5*12 (KG)	2	
	93903-35360	93903-35360	SCREW TAPPING 5*16	SCREW TAPPING 5*16	2	
	93903-KEB7	93903-KEB7-900	SCREW WASHER 4*12	SCREW WASHER 4*12	1	
#	93903-LHJ8	93903-LHJ8-C01	SCREW,TAPPING 5X14	"SCREW,TAPPING 5X14"	4	

F04

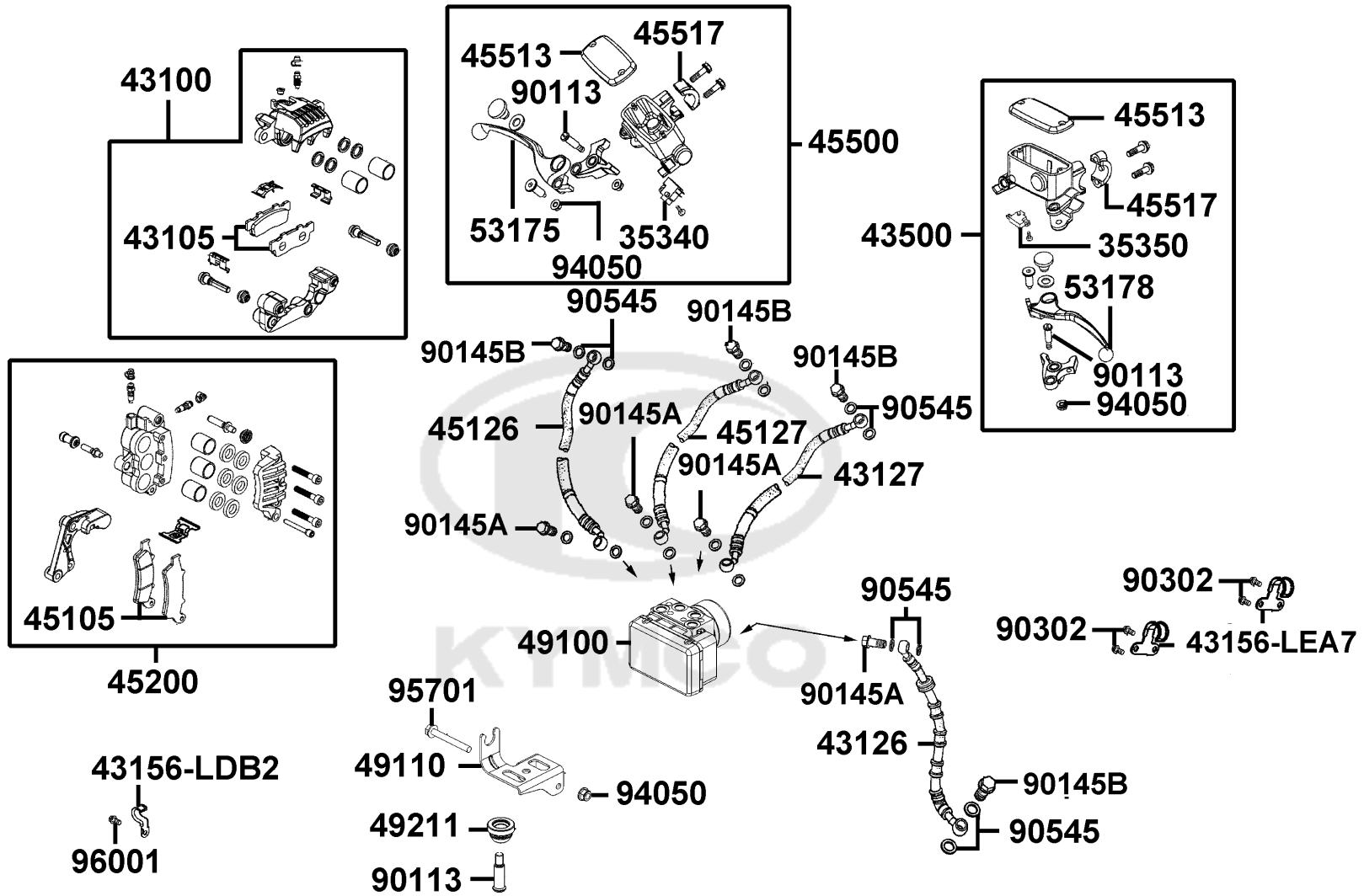
# Brake Master Cylinder



Sales mark	Ref no	Part no	Description	Reg description	Regd no	F04
	35340	35340-LKF5-E00	SW ASSY FR STOP	SW ASSY FR STOP	1	
	35350	35350-LKF5-E01	SW ASSY RR STOP	SW ASSY RR STOP	1	
# **	43100	43100-AAG3-E00	CALIPER ASSY RR	CALIPER ASSY RR	1	
#	43105	43105-LGE5-406	PAD SET	PAD SET	1	
	43126	43126-ACJ1-E01	HOSE ASSY RR BRK	HOSE ASSY RR BRK	1	
	43127	43127-ABD2-C01	"HOSE ASSY. M/C BRK. RH"	"HOSE ASSY. M/C BRK. RH"	1	
	43156-LDB2	43156-LDB2-C00	CLAMPER HOSE RR	CLAMPER HOSE RR	1	
	43156-LEA7	43156-LEA7-E00	CLAMPER HOSE RR	CLAMPER HOSE RR	1	
	43500	43500-LKG5-C00	M/C ASSY RR	M/C ASSY RR	1	
	45105	45105-LGE5-305	PAD SET	PAD ASSY	1	
	45126	45126-ABD2-C01	HOSE ASSY FR BRK	HOSE ASSY FR BRK	1	
	45127	45127-ABD2-C01	"HOSE ASSY. M/C BRK. LH"	"HOSE ASSY. M/C BRK. LH"	1	
**	45200	45200-LKG7-C01	CALIPER ASSY FR BRK	CALIPER ASSY FR BRK	1	
	45500	45500-LKG7-C00	M/C ASSY FR BRK	M/C ASSY FR BRK	1	
	45513	45513-LEA7-E00	CAP MASTER CYLINDER	CAP MASTER CYLINDER	1	
	45517	45517-LBA2-E00	HOLDER M/C	HOLDER M/C	1	
	49100	49100-ACD5-E01	MODULATOR ASSY ABS	MODULATOR ASSY ABS	1	
	49110	49110-LGE5-C01	STAY ABS	ABS STAY	1	
	49211	49211-LFH1-E00	RUBBER BUSH	RUBBER BUSH	1	
	90113	90113-LGE5-E01	BOLT FLANGE 6*20 ABS	BOLT FLANGE 6X20 ABS	1	

F04

Brake Master Cylinder

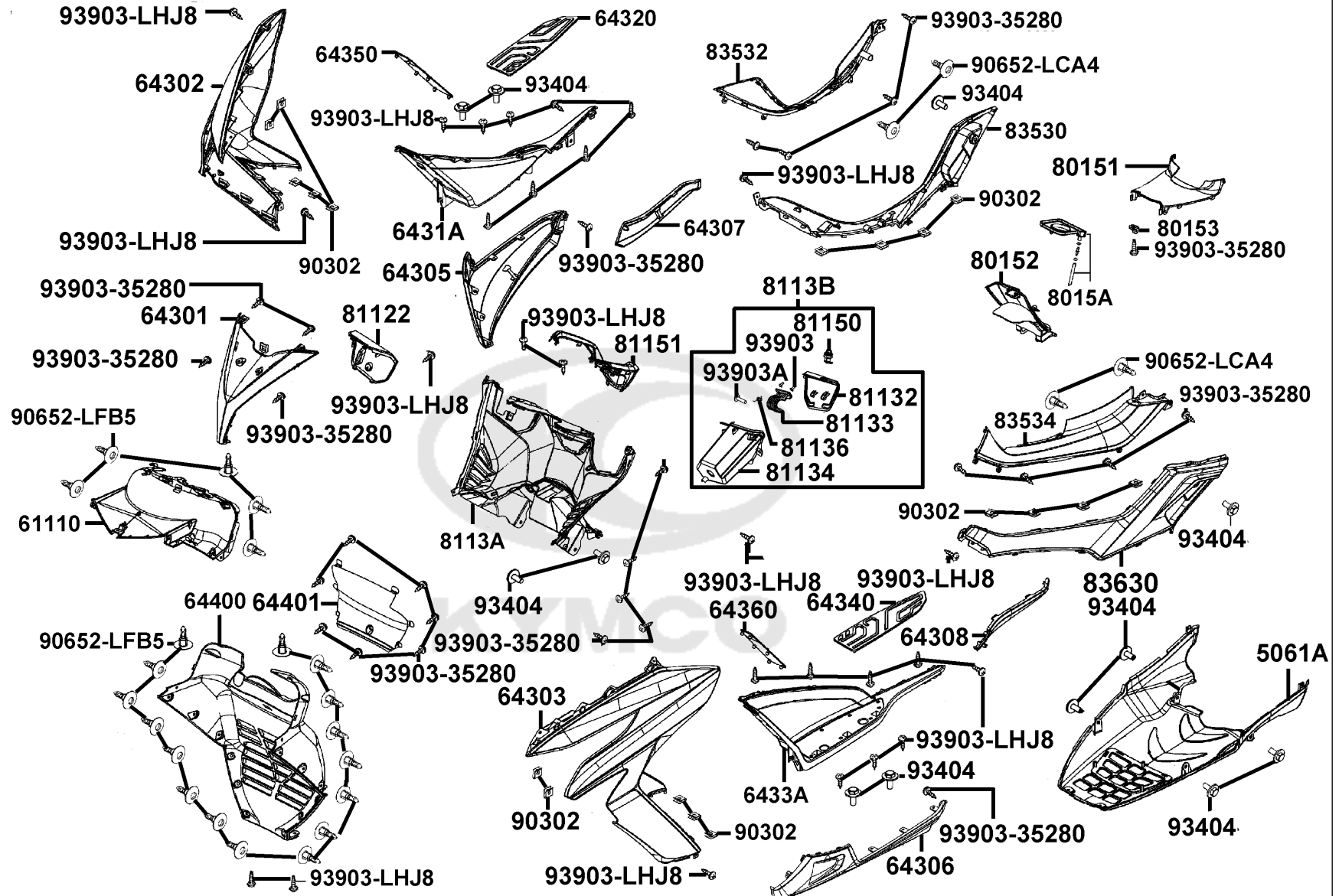


Sales mark	Ref no	Part no	Description	Reg description	Regd no	<b>F04</b>
	90145A	90145-LFH1-C00	OIL BOLT 10x22	OIL BOLT 10x22	4	
	90145B	90145-MKS9-C00	OIL BOLT 10*22(G)	OIL BOLT 10*22(G)	4	
#	90302	90302-LLB1-C01	BOLT-WASH 5*12	"BOLT-WASHER,5*12"	1	
	90545	90545-3L00-C00	WASHER OIL BOLT	WASHER OIL BOLT	1	
	94050	94050-06060	NUT FLANGE 6MM	NUT FLANGE 6MM	1	
	95701	95701-06050-06	BOLT FLANGE 6*50	BOLT FLANGE 6*50	1	
	96001	96001-06012-08G	BOLT FLANGE SH 6X12 (C)	BOLT FLANGE SH 6X12 (C)	1	



F05

Front Cover/Floor Panel





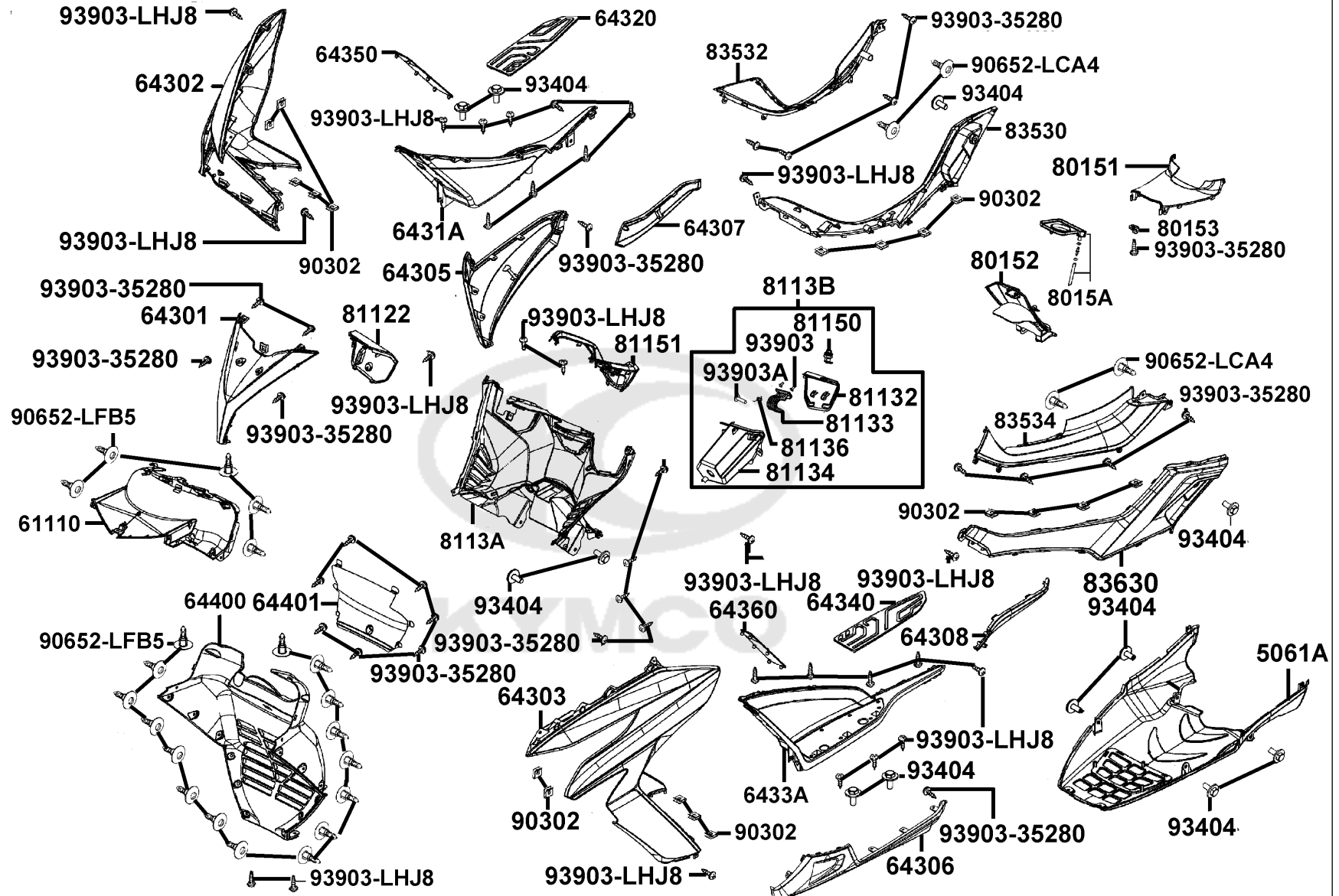
Sales mark	Ref no	Part no	Description	Reg description	Regd no	F05
**	5061A	5061A-ACJ1-E00	COVER UNDER	COVER UNDER	1	
**	61110	61110-ABD2-C00	"INNER FENDER. FRONT"	"INNER FENDER. FRONT"	1	
**	64301	64301-ABD2-C00	"COVER. FRONT"	"COVER. FRONT"	1	
**	64302	64302-ABD2-C00	"MOLDING. R SIDE"	"MOLDING. R SIDE"	1	
**	64303	64303-ABD2-C00	"MOLDING. L SIDE"	"MOLDING. L SIDE"	1	
**	64305	64305-ABD2-C00	SKIRT R SIDE	SKIRT R SIDE	1	
**	64306	64306-ABD2-C00	"SKIRT A. L SIDE"	"SKIRT A. L SIDE"	1	
**	64307	64307-ABD2-C00	COVER R SIDE MOLD	COVER R SIDE MOLD	1	
**	64308	64308-ABD2-C00	COVER L SIDE MOLD	COVER L SIDE MOLD	1	
**	6431A	6431A-ABD2-C00	"ASSY.. PANEL R FLOOR"	"ASSY.. PANEL R FLOOR"	1	
**	64320	64320-ABD2-C00	MAT ,R FLOOR	MAT ,R FLOOR	1	
**	6433A	6433A-ABD2-C00	"ASSY.. PANEL L FLOOR"	"ASSY.. PANEL L FLOOR"	1	
**	64340	64340-ABD2-C00	"MAT .L FLOOR"	"MAT .L FLOOR"	1	
**	64350	64350-ABD2-C00	"MAT .R LEG SHIELD"	"MAT .R LEG SHIELD"	1	
**	64360	64360-ABD2-C00	"MAT .L LEG SHIELD"	"MAT .L LEG SHIELD"	1	
**	64400	64400-ABD2-C00	"COWL. UNDER"	"COWL. UNDER"	1	
**	64401	64401-ABD2-C00	"MESH.UNDER COWL"	MESH,UNDER COWL	1	
**	80151	80151-ABD2-C00	"COVER. CENTER"	"COVER. CENTER"	1	
**	80152	80152-ABD2-C00	"LID. FUEL CAP MAINT."	"LID. FUEL CAP MAINT."	1	
**	80153	80153-ABD2-C00	"STAY.FUEL COVER"	"STAY.FUEL COVER"	1	



Sales mark	Ref no	Part no	Description	Reg description	Regd no	F05
	8015A	8015A-ABD2-C00	"TRAY ASSY..FUEL CAP"	"TRAY ASSY..FUEL CAP"	1	
**	81122	81122-ABD2-C00	"LID. RESERVE TANK"	"LID. RESERVE TANK"	1	
	81132	81132-ABD2-C00	LID L FR INNER BOX	LID L FR INNER BOX	1	
	81133	81133-ABD2-C00	HINGE LID L FR INNR BOX	HINGE LID L FR INNR BOX	1	
	81134	81134-ABD2-C00	BOX L FR INNER BOX	BOX L FR INNER BOX	1	
#	81136	81136-LEA7-E00	SPRING FR INNER BOX L	SPRING FR INNER BOX L	1	
**	8113A	8113A-ABD2-C00	"ASSY.. LEG SHIELD"	"ASSY.. LEG SHIELD"	1	
**	8113B	8113B-ABD2-C00	"BOX ASSY..L FRONT"	"BOX ASSY..L FRONT"	1	
	81150	81150-ZZA6-E00	LOCKLESS ASSY	LOCKLESS ASSY	1	
**	81151	81151-ABD2-C00	"COVER.KEYNDLE"	"COVER.KEYNDLE"	1	
**	83530	83530-ABD2-C00	"BOARD A. R SIDE"	"BOARD A. R SIDE"	1	
**	83532	83532-ABD2-C00	"BOARD B. R SIDE"	"BOARD B. R SIDE"	1	
**	83534	83534-ABD2-C00	"BOARD B. L SIDE"	"BOARD B. L SIDE"	1	
**	83630	83630-ABD2-C00	"BOARD A. L SIDE"	"BOARD A. L SIDE"	1	
	90302	90302-LKB9-C00	NUT SPRING 5MM	NUT SPRING 5MM	1	
	90652-LCA4	90652-LCA4-C10	CLIP MUDGUARD	CLIP MUDGUARD	1	
	90652-LFB5	90652-LFB5-C00	"CLIP,MUDGUARD"	"CLIP,MUDGUARD"	1	
	93404	93404-06016-07	BOTL WASHER 6*16	BOTL WASHER 6*16	1	
	93903	93903-25260	SCREW TAPPING 5X12	SCREW TAPPING 5X12	1	
	93903A	93903-34760	SCREW TAPPING 4*30	SCREW TAPPING 4*30	1	

F05

Front Cover/Floor Panel



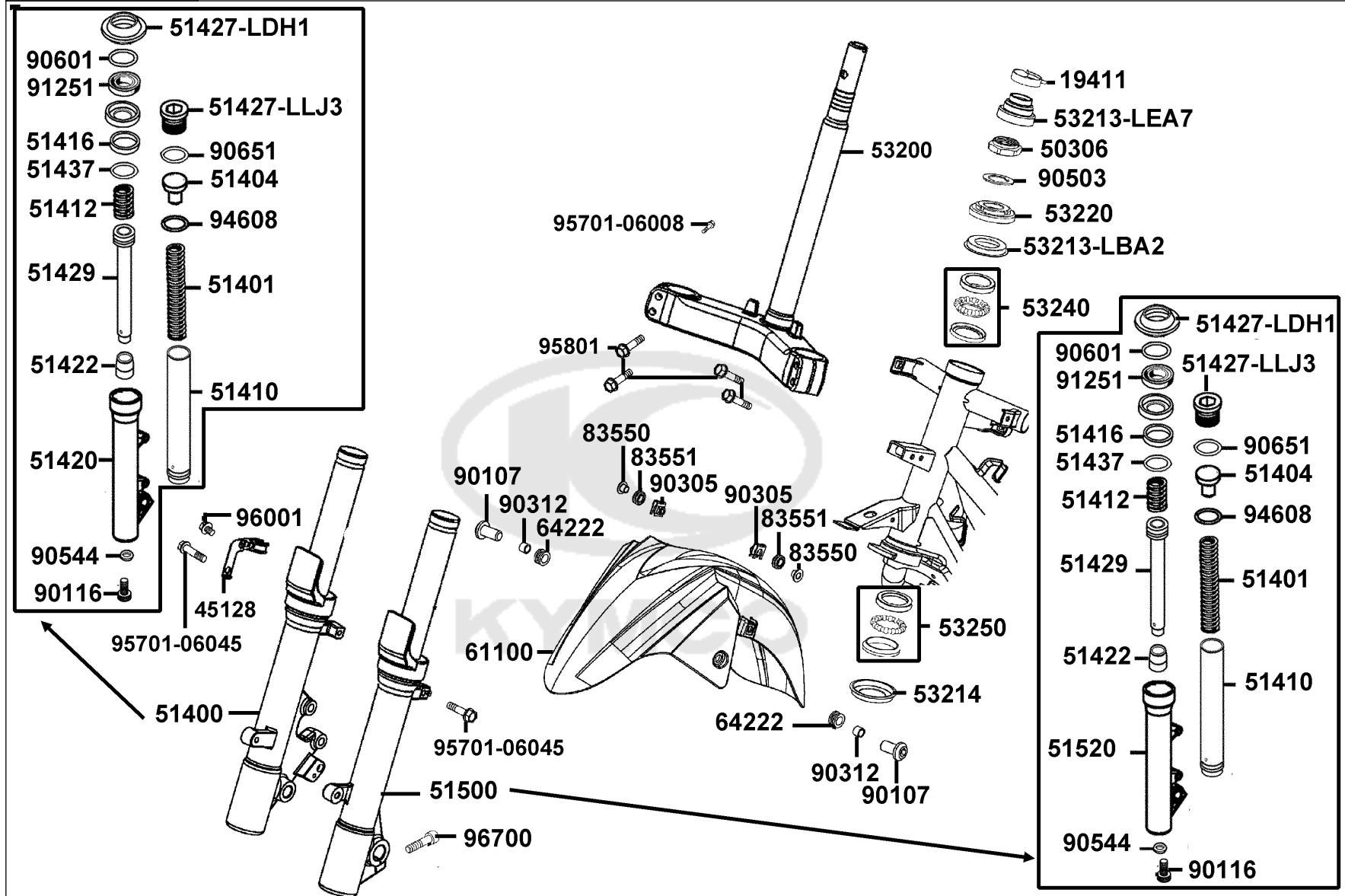
Sales mark	Ref no	Part no	Description	Reg description	Regd no	<b>F05</b>
------------	--------	---------	-------------	-----------------	---------	------------

#	93903-35280	93903-35280-G	SCREW TAPPING 5*12 (K)	SCREW TAPPING 5*12 (KG)	4	
#	93903-LHJ8	93903-LHJ8-C01	SCREW,TAPPING 5X14	"SCREW,TAPPING 5X14"	42	



F06

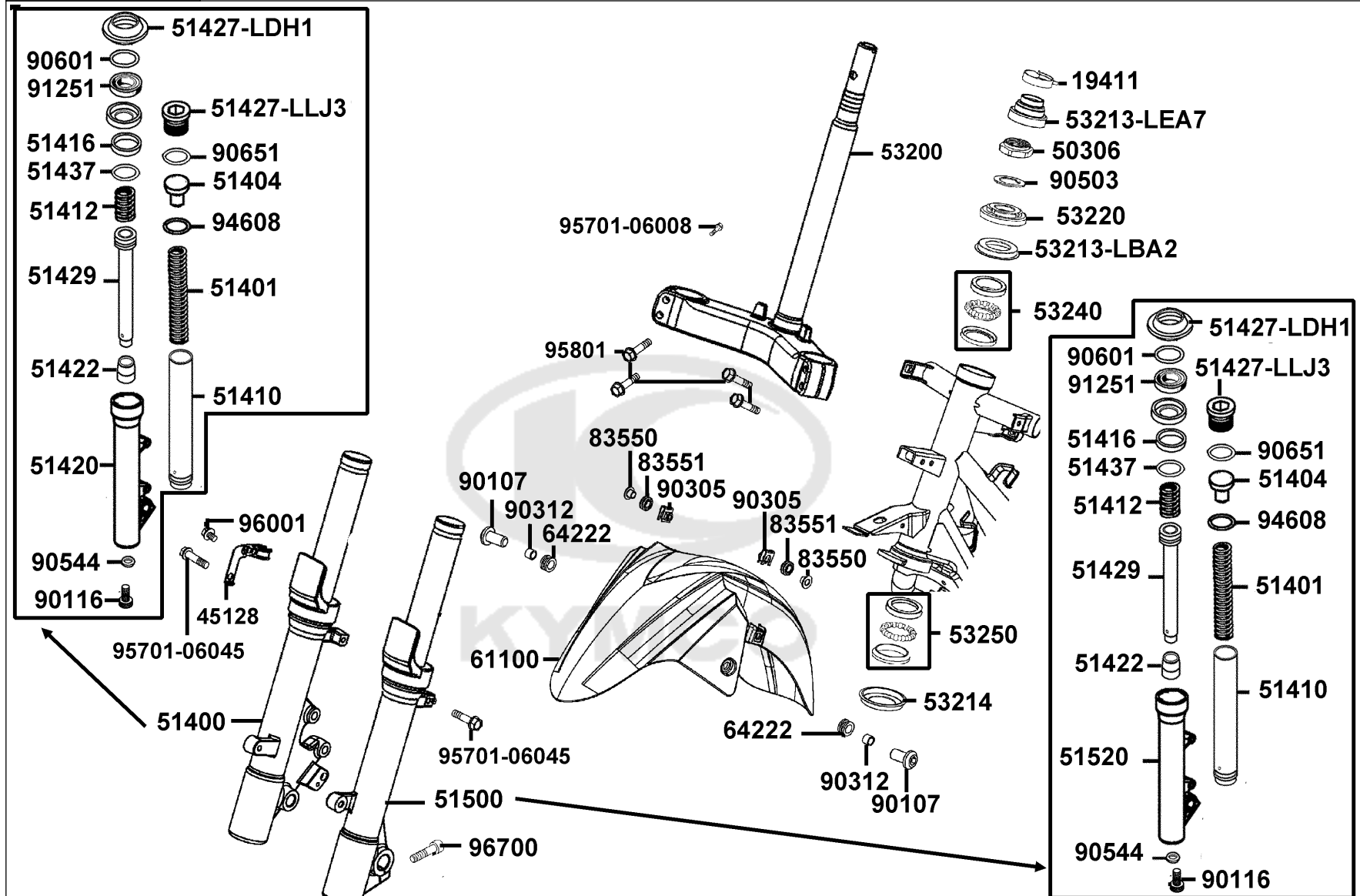
Front Cushion



Sales mark	Ref no	Part no	Description	Reg description	Regd no	<b>F06</b>
	19411	19411-LFG2-C00	"CLIP. HOSE"	"CLIP. HOSE"	1	
	45128	45128-ABD2-C00	CLAMPER FR BRK HOSE	CLAMPER FR BRK HOSE	1	
	50306	50306-1F96-C00	NUT STRG STEM LOCK	NUT STRG STEM LOCK	1	
**	51400	51400-ABD2-E00	FORK ASSY RH FR	FORK ASSY RH FR	1	
	51401	51401-ABD2-E00	SPRING	SPRING	2	
	51404	51404-LDH1-C00	SPRING COLLAR	SPRING COLLAR	2	
	51410	51410-LEA7-C00	FORK PIPE COMP	FORK PIPE COMP	1	
	51412	51412-LLJ3-C00	REBOUND SPRING	REBOUND SPRING	2	
	51416	51416-LDH1-C00	GUIDE BUSH	GUIDE BUSH	2	
	51422	51422-KED9-C00	OIL LOCK PIECE	OIL LOCK PIECE	2	
	51427-LDH1	51427-LDH1-C00	DUST SEAL	DUST SEAL	2	
	51427-LLJ3	51427-LLJ3-C00	FORK BOLT CAP	FORK BOLT CAP	2	
	51429	51429-ABD2-E00	PIPE SEAT COMP	PIPE SEAT COMP	2	
	51437	51437-LDH1-C00	PISTON RING	PISTON RING	2	
**	51500	51500-ABD2-E00	FORK ASSY LH FR	FORK ASSY LH FR	1	
	53200	53200-ACD5-C00	"STEM COMP.. STRG"	"STEM COMP.. STRG"	1	
	53213-LBA2	53213-LBA2-C00	DUST SEAL STRG HEAD TOP	DUST SEAL STRG HEAD TOP	1	
	53213-LEA7	53213-LEA7-C00	"DUST SEAL. STRG"	"DUST SEAL. STRG"	1	
	53214	53214-LBA2-C00	DUST SEAL STRG HEAD BOT	DUST SEAL STRG HEAD BOT	1	
	53220	53220-LBA2-E00	THREAD COMP STRG HEAD TOP	THREAD COMP STRG HEAD TOP	1	

F06

Front Cushion

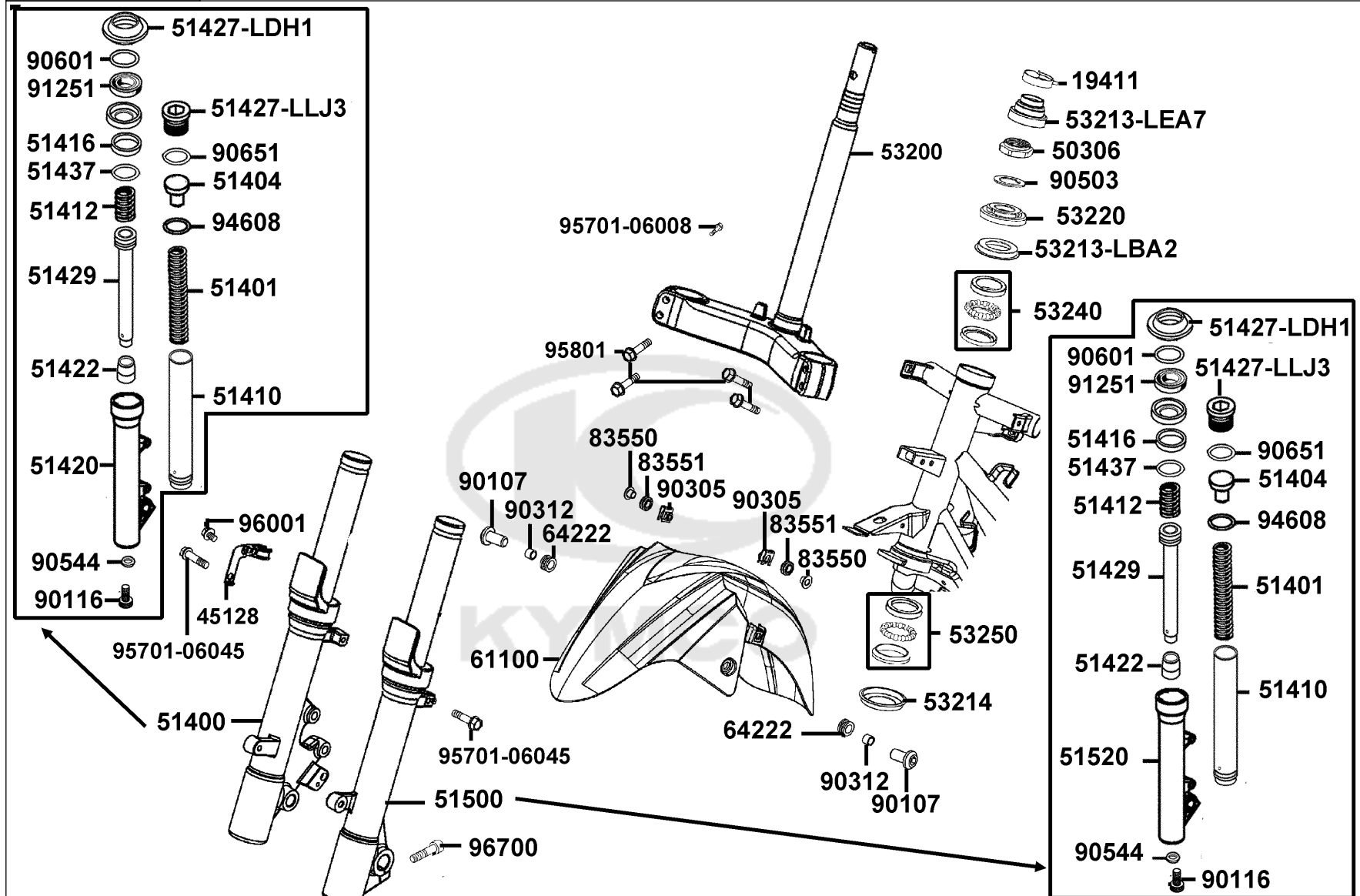




Sales mark	Ref no	Part no	Description	Reg description	Regd no	F06
	53240	53240-LEA7-90A	BEARING TOP STRG (mark:TP1)	BEARING TOP STRG	1	
	53250	53250-LEA7-90A	BEARING BOT STRG (mark:TP1)	BEARING BOT STRG	1	
**	61100	61100-ABD2-C00	"FENDER. FRONT"	"FENDER. FRONT"	1	
	64222	64222-LLJ3-C00	RUBBER WIND SCREEN	RUBBER WIND SCREEN	1	
	83550	83550-KEC8-C00	COLLAR SET METER	COLLAR	1	
	83551	83551-KEC8-C10	GROMMET COVER	GROMMET COVER	1	
#	90107	90107-LEA7-C01	BOLT SPECIAL 8*26	BOLT SPECIAL 8*26	1	
	90116	90116-KEC8-C00	SOCKET BOIT	SOCKET BOIT	2	
	90305	90305-LBA2-C00	"NUT.CLIP 6MM"	"NUT.CLIP 6MM"	1	
	90312	90312-LLJ3-C00	COLLAR WIND SCREEN	COLLAR WIND SCREEN	1	
	90503	90503-LEA7-C00	WASHER STRG STEM NUT	WASHER STRG STEM NUT	1	
	90544	90544-KEC8-C00	PACKING	PACKING	1	
	90601	90601-LLJ3-C00	OIL SEAL STOPPER RING	RING OIL-SEAL STOPPER	2	
	90651	90651-LLJ3-C00	STOPPER RING	STOPPER RING	1	
	91251	91251-LLJ3-C00	OIL SEAL	OIL SEAL	1	
	94608	94608-LLJ3-C00	O-RING	O-RING	1	
	95701-06008	95701-06008-07	BOLT FLANGE 6*8 (K)	BOLT FLANGE 6*8 (K)	1	
	95701-06045	95701-06045-06	BOLT FLANGE 6*45	BOLT FLANGE 6*45	1	
	95801	95801-08040-08G	BOLT FLANGE 8*40	BOLT FLANGE 8*40	1	
	96001	96001-06012-06	BOLT FLANGE SH 6*12	BOLT FLANGE SH 6*12	1	

F06

Front Cushion



Sales mark	Ref no	Part no	Description	Reg description	Regd no	<b>F06</b>
------------	--------	---------	-------------	-----------------	---------	------------

96700

96700-KED9-C00

SOCKET BOLT 8\*30 (G)

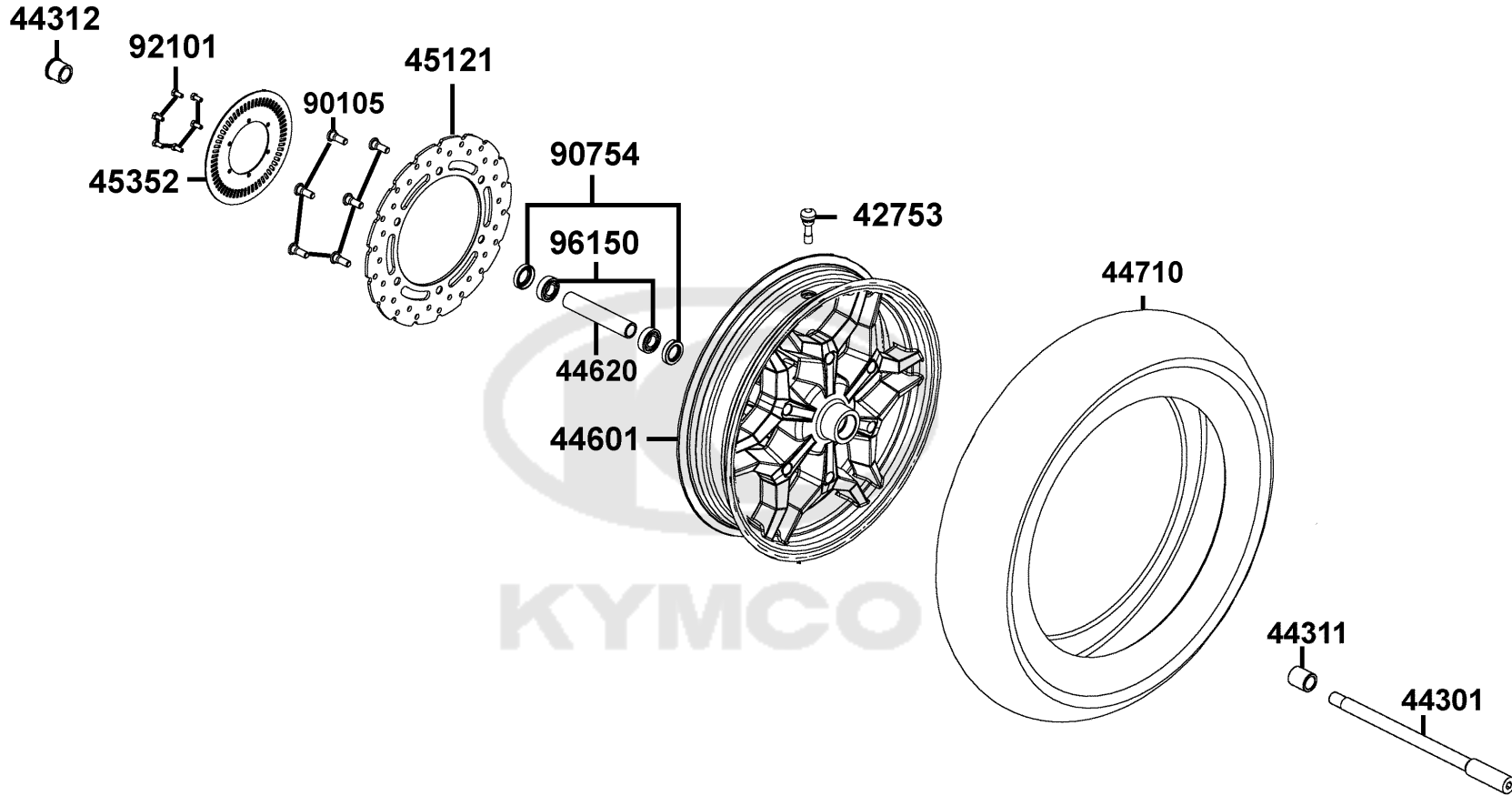
SOCKET BOLT 8\*30 (G)

1



F07

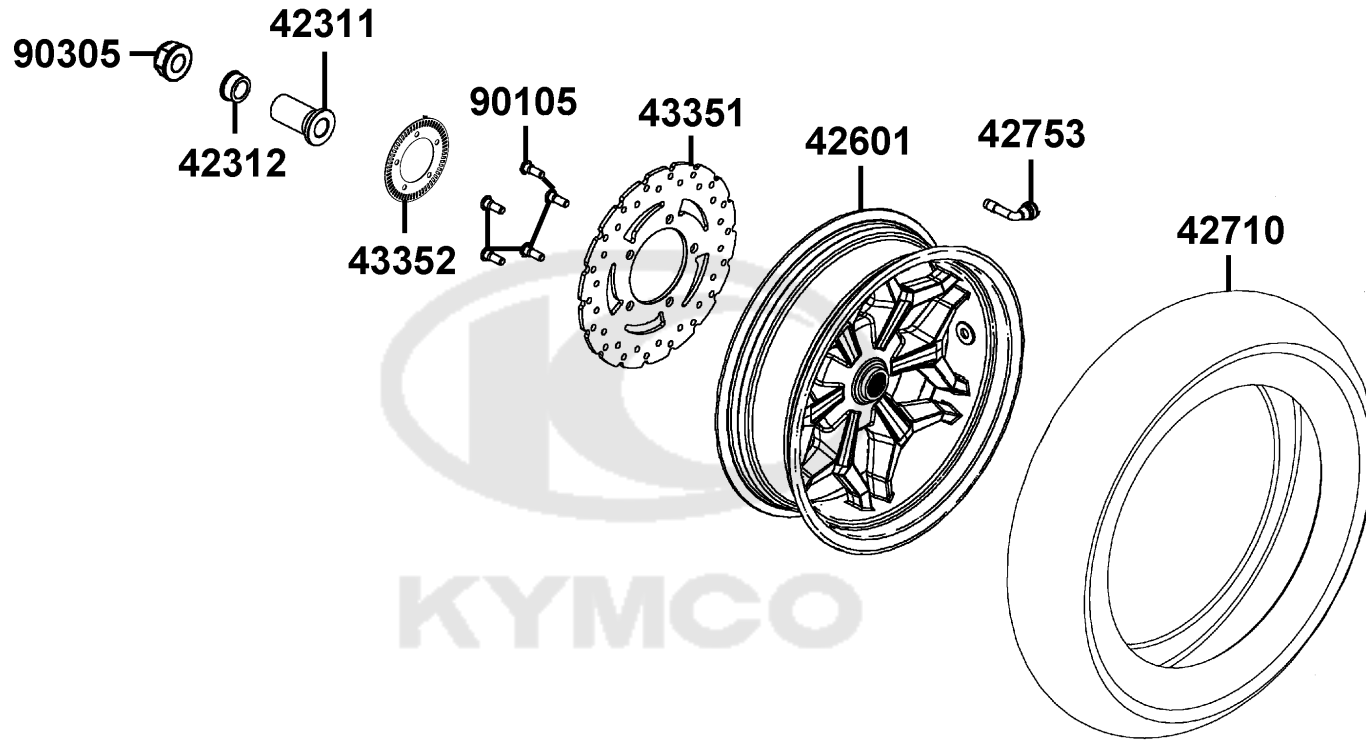
Front Wheel



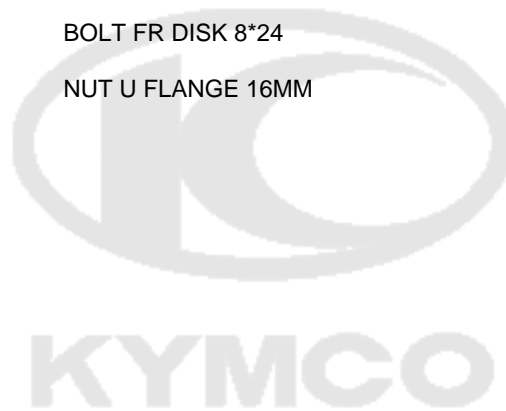
Sales mark	Ref no	Part no	Description	Reg description	Regd no	<b>F07</b>
	42753	42753-0F06-C00	VALAE RIM	VALAE RIM	1	
	44301	44301-LEA7-E00	AXLE FR WHEEL M14*282MM	AXLE FR WHEEL 14*282	1	
	44311	44311-LEA7-C00	COLLAR FR AXLE SIDE	COLLAR FR AXLE SIDE	1	
	44312	44312-LEA7-C00	COLLAR FR AXLE SIDE A	COLLAR FR AXLE SIDE A	5	
**	44601	44601-ABD2-E30	WHEEL FR CAST	WHEEL FR CAST	1	
	44620	44620-LEA7-C00	COLLAR FR DIST	COLLAR FR DIST	1	
	44710	44710-ABD2-C00	"TIRE ASSY. FR"	"TIRE ASSY. FR"	1	
	45121	45121-ABD2-C00	"DISK. FR BRAKE"	"DISK. FR BRAKE"	1	
	45352	45352-ABD2-900	TOOTHED RING SENSOR	TOOTHED RING SENSOR	1	
	90105	90105-KCR3-001	BOLT FR DISK 8*24	BOLT FR DISK 8*24	1	
	90754	90754-LLJ3-C00	DUST SEAL 22X32X7	DUST SEAL 22X32X7	1	
	92101	92101-05012-0H	BOLT HEX 5*12	BOLT HEX 5*12	1	
	96150	96150-60020-10	BEARING BALL RADIAL 6002	BEARING BALL RADIAL 6002	1	

F08

RR Wheel

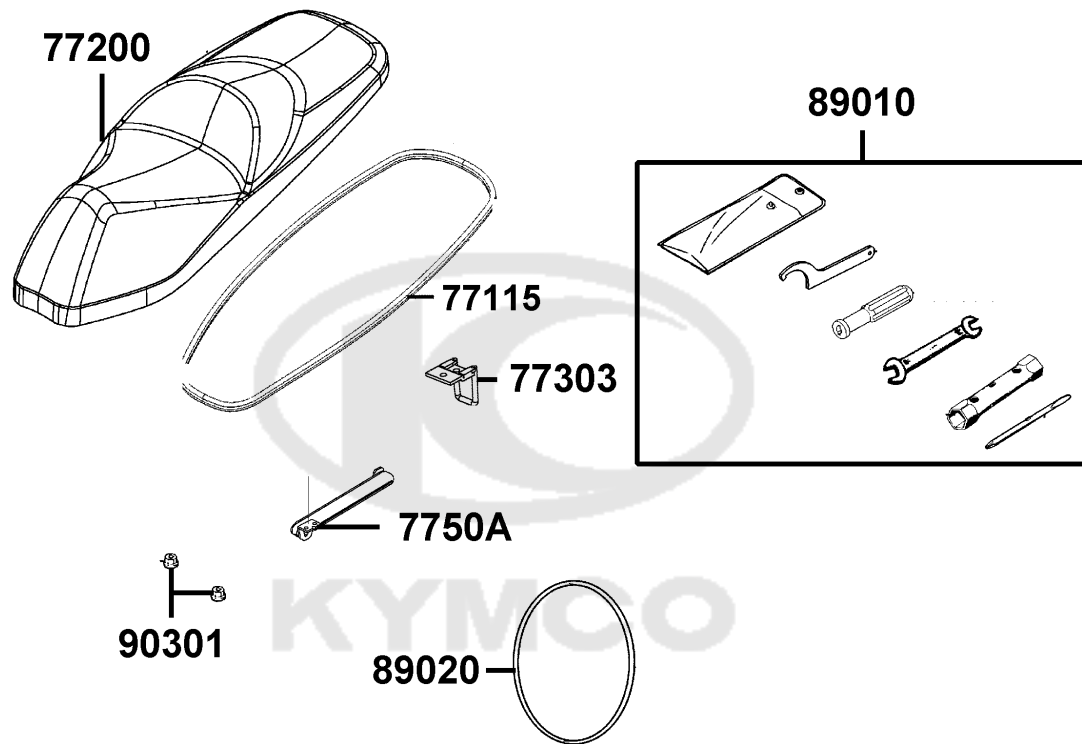


Sales mark	Ref no	Part no	Description	Reg description	Regd no	F08
	42311	42311-LEA7-C00	COLLAR RR PANDL SIDE	COLLAR RR PANDL SIDE	1	
	42312	42312-LEA7-C00	"COLLAR. RR AXLE SIDE"	"COLLAR. RR AXLE SIDE"	1	
**	42601	42601-ABD2-E30	WHEEL COMP RR CAST	WHEEL COMP RR CAST	1	
	42710	42710-ABD2-C00	"TIRE ASSY. RR"	"TIRE ASSY. RR"	1	
	42753	42753-0F06-C00	VALAE RIM	VALAE RIM	1	
	43351	43351-ABD2-C00	DISK RR BRK	DISK FR BRK	1	
	43352	43352-LEA7-E01	TOOTHED RING SENSOR	READ PLATE RR	1	
	90105	90105-KCR3-C00	BOLT FR DISK 8*24	BOLT FR DISK 8*24	1	
	90305	90305-KKAK-C00	NUT U FLANGE 16MM	NUT U FLANGE 16MM	1	



F09

SEAT ASSY



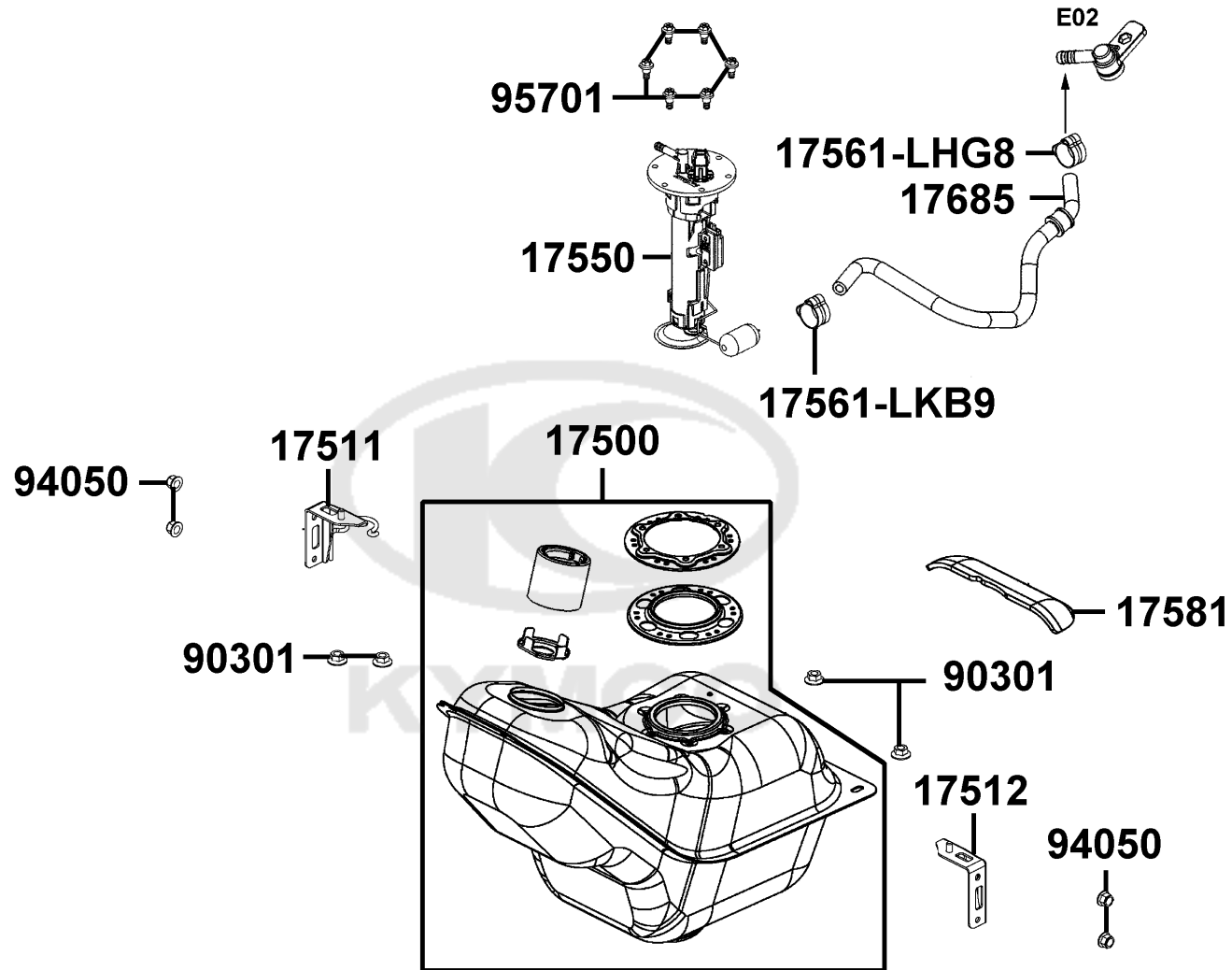


Sales mark	Ref no	Part no	Description	Reg description	Regd no	<b>F09</b>
#	77115	77115-ABD2-C00	RUBBER SEAL	RUBBER SEAL	2	
**	77200	77200-ACJ1-E01	SEAT ASSY	SEAT ASSY	1	
	77303	77303-ZZA6-C00	HINGE RR SEAT	HINGE RR SEAT	1	
	7750A	7750A-ZZA6-C00	ASSY GAS DAMPER	ASSY GAS DAMPER	1	
	89010	89010-LEA7-C00	TOOL SET	TOOL SET	1	
	89020	89020-KKC4-C00	BAND TOOL SET	BAND TOOL SET	1	
	90301	90301-6C93-C00	NUT 6MM OPENSTAY	NUT 6MM OPENSTAY	1	



F10

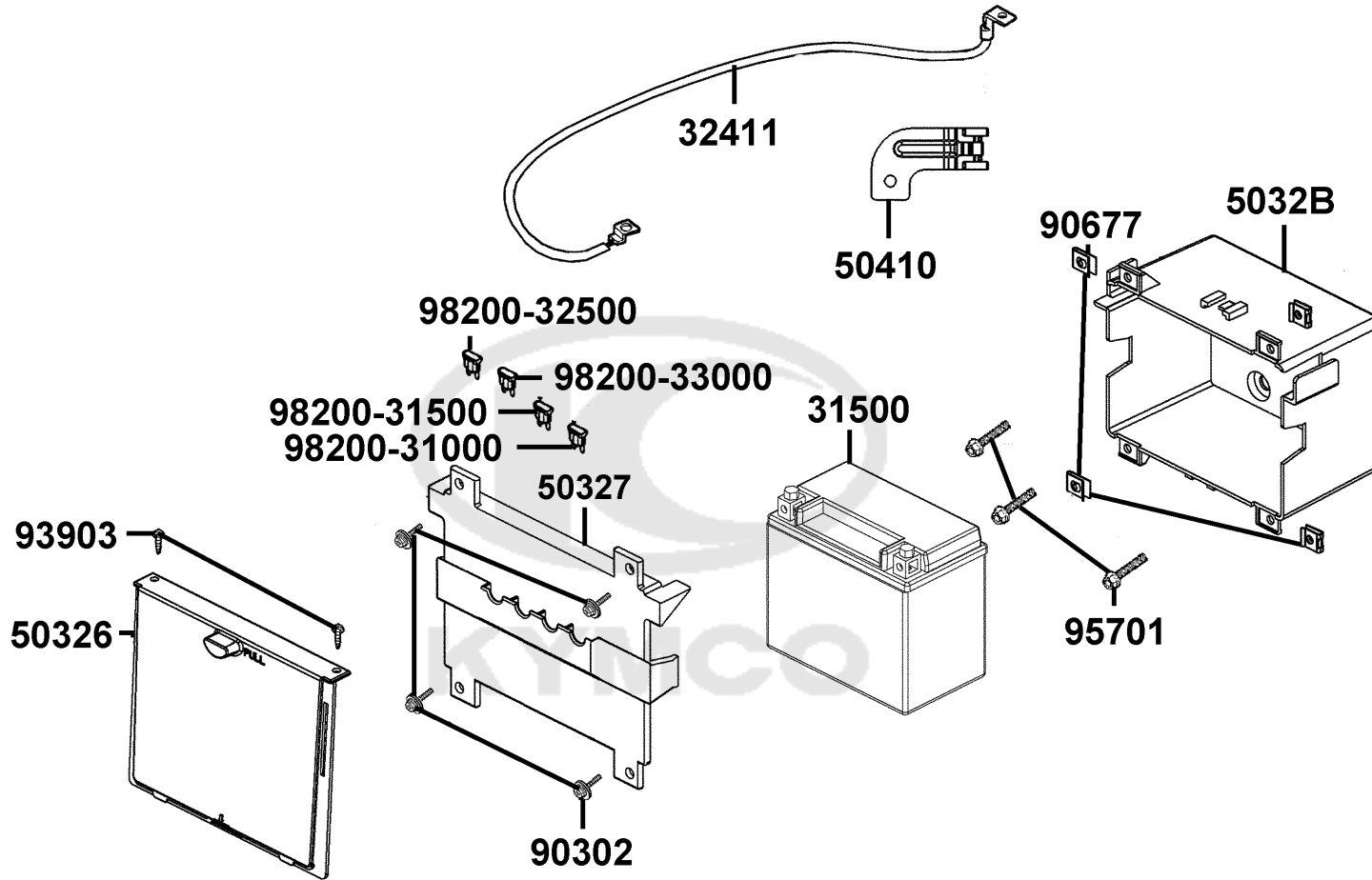
Fuel Tank



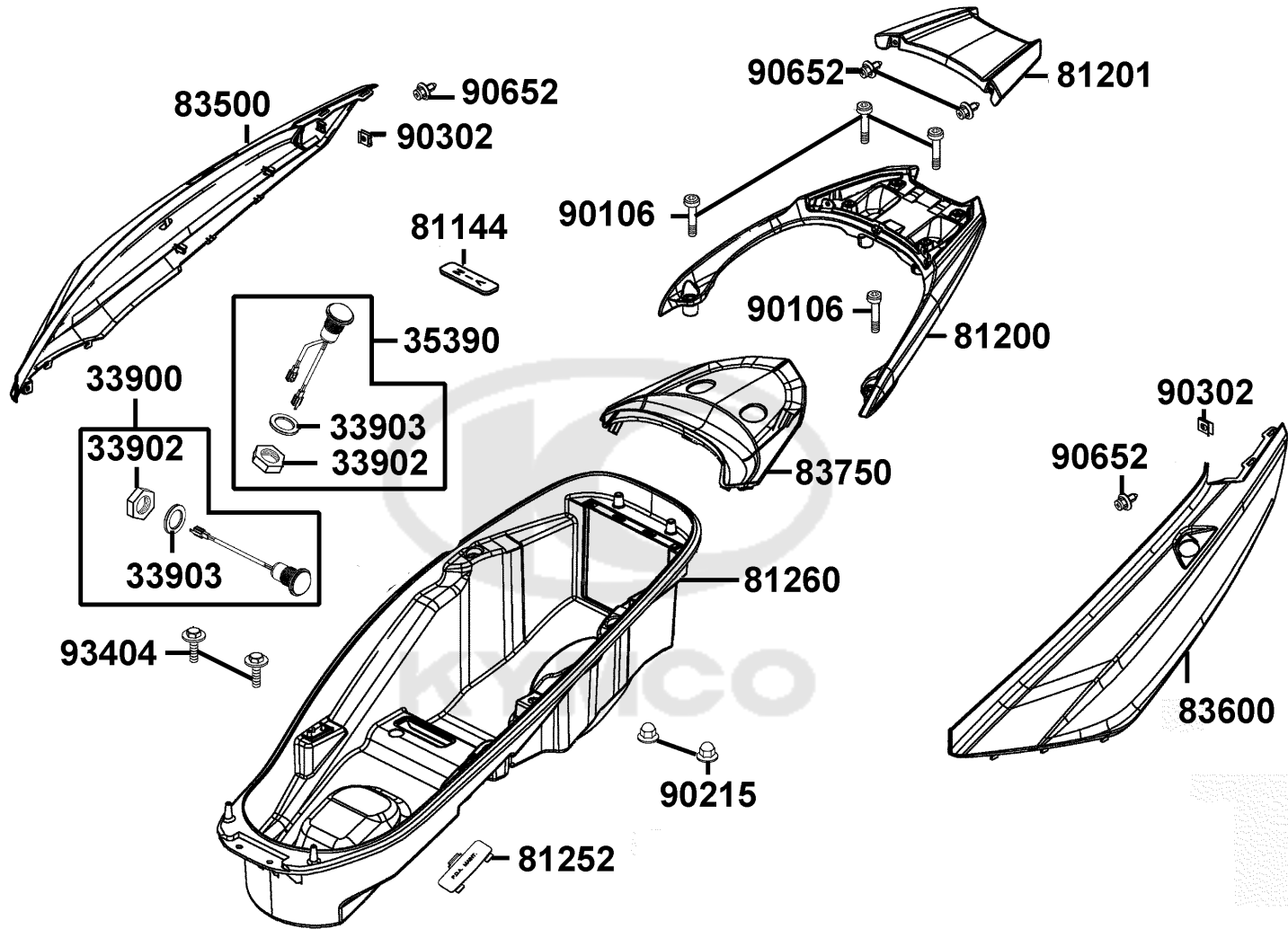
Sales mark	Ref no	Part no	Description	Reg description	Regd no	<b>F10</b>
	17500	17500-ABD2-C00	TANK COMP FUEL	TANK COMP FUEL	1	
	17511	17511-ACJ1-E00	STAY R FUEL TANK	STAY R FUEL TANK	1	
	17512	17512-ABD2-C00	STAY L FUEL TANK	STAY L FUEL TANK	1	
	17550	17550-LEA7-800	FUEL PUMP MODULE ASSY	FUEL PUMP ASSY	1	
	17561-LHG8	17561-LHG8-E00	CLIP 13.0	CLIP 13	1	
	17561-LKB9	17561-LKB9-900	CLIP 12.5	CLIP 12.5	1	
	17581	17581-LEA7-C00	"SPONGE.FUEL TANK"	"SPONGE.FUEL TANK"	1	
	17685	17685-LFA7-C00	"TUBE.FUEL"	"TUBE.FUEL"	1	
#	90301	90301-6D34-C01	NUT FLANGE 6MM(C)	NUT FLANGE 6MM(C)	1	
	94050	94050-06060	NUT FLANGE 6MM	NUT FLANGE 6MM	1	
	95701	95701-LDF2-800	BOLT FLANGE 5*6.5	BOLT FLANGE 5*6.5	1	

F11

BATTERY



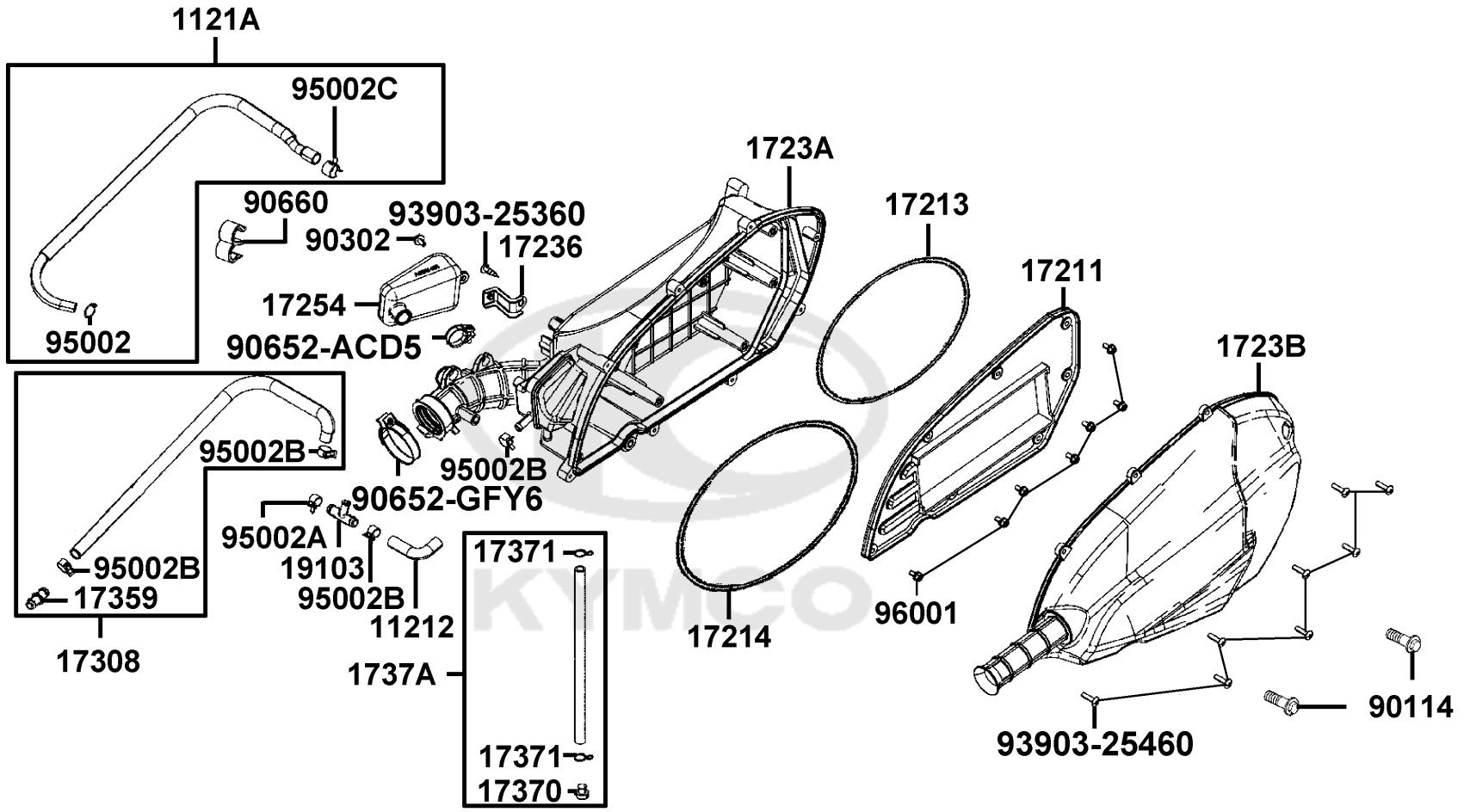
Sales mark	Ref no	Part no	Description	Reg description	Regd no	F11
#	31500	31500-KHE7-EZ0	BATTERY YT12-4	BATTERY YT12-4	1	
	32411	32411-ABD2-C00	"CABEL. BATTERY"	"CABEL. BATTERY"	1	
**	50326	50326-ABD2-C00	COVER BATTERY	COVER BATTERY	1	
**	50327	50327-ABD2-C01	COVER ASSY BATTERY	COVER ASSY BATTERY	1	
	5032B	5032B-ABD2-C01	CASE BATTERY (12AH)	CATCH ASSY BATTERY CASE	1	
	50410	50410-ABD2-C01	"STAY.FUSE BOX"	"STAY.FUSE BOX"	1	
	90302	90302-GFY6-C10	BOLT-WASH 5*16	BOLT WASHER 5*16	1	
#	90677	90677-GAR1-C01	NUT CLIP 5MM	NUT CLIP 5MM	1	
	93903	93903-34380	SCREW TAPPING 4*12	SCREW TAPPING 4*12 (K)	1	
	95701	95701-06012-07	BOLT FLANGE 6*12(K)	BOLT FLANGE 6*12(K)	1	
	98200-31000	98200-31000	BLADE FUSE 10A **(0) C.2005.03.01	BLADE FUSE 10A **(0) C.2005.03.01	1	
	98200-31500	98200-31500	FUSE A15	FUSE A15	1	
	98200-32500	98200-32500	BLADE FUSE 25A	BLADE FUSE 25A	1	
	98200-33000	98200-33000	BLADE FUSE 30A	BLADE FUSE 30A	1	



Sales mark	Ref no	Part no	Description	Reg description	Regd no	F12
	33900	33900-LHG7-E00	LIGHT ASSY LUGGAGE BOX	LIGHT ASSY LUGGAGE BOX	1	
	33902	33902-LHG7-E00	NUT SCREW	NUT SCREW	1	
	33903	33903-LHG7-E00	PACKING	PACKING	1	
	35390	35390-LHG7-E00	SENSOR .LUGGAGE BOX LIGHT	SENSOR .LUGGAGE BOX LIGHT	1	
	81144	81144-ALJ8-E10	LID LEG SHIELD	LID LEG SHIELD	1	
**	81200	81200-ABD2-C00	CARRIER RR	CARRIER RR	1	
**	81201	81201-ABD2-C00	"COVER.CARRIER REAR"	"COVER.CARRIER REAR"	1	
**	81252	81252-ABD2-C00	"COVER. P.D.A MAINT."	"COVER. P.D.A MAINT."	1	
**	81260	81260-ACJ1-E01	BOX ASSY LUGGAGE	BOX ASSY LUGGAGE	1	
**	83500	83500-ABD2-C00	"COVER.R BODY"	"COVER.R BODY"	1	
**	83600	83600-ABD2-C00	"COVER.L BODY"	"COVER.L BODY"	1	
**	83750	83750-ABD2-C00	COVER RR.CENTER	COVER RR.CENTER	1	
	90106	90106-KFC2-900	BOLT SPECIAL 8MM	BOLT SPECIAL 8MM	1	
	90215	90215-KKC4-C00	NUT CAP 6MM	NUT CAP 6MM	1	
	90302	90302-LKB9-C00	NUT SPRING 5MM	NUT SPRING 5MM	1	
	90652	90652-LCA4-C10	CLIP MUDGUARD	CLIP MUDGUARD	1	
	93404	93404-06016-07	BOTL WASHER 6*16	BOTL WASHER 6*16	1	

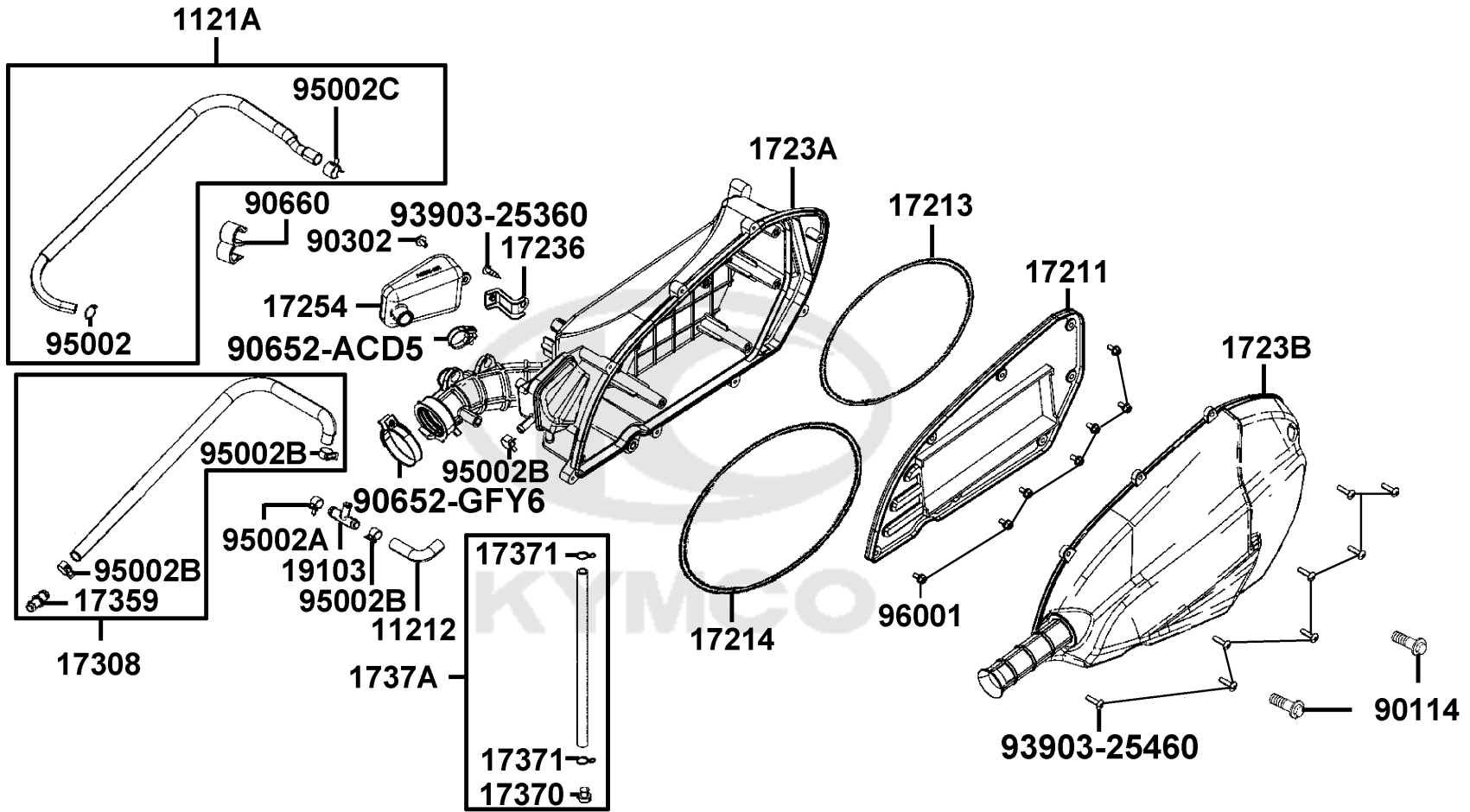
F13

Air Cleaner





Sales mark	Ref no	Part no	Description	Reg description	Regd no	F13
	11212	11212-ACJ1-E00	TUBE BLOW BY	TUBE BLOW BY	1	
	1121A	1121A-ZWA3-E00	TUBE BREATHER	TUBE BREATHER	1	
	17211	17211-LFA7-E00	ELEMENT. AIR/C	ELEMENT. AIR/C	1	
	17213	17213-LEA7-E00	SEAL ELEMENT AIR/C	SEAL ELEMENT AIR/C	1	
	17214	17214-LEA7-E00	SEAL CASE AIR/C	SEAL CASE AIR/C	1	
	17236	17236-ACJ1-E00	PLATE CHAMBER FIX	PLATE CHAMBER FIX	1	
	1723A	1723A-ACJ1-E00	CASE AIR/C COMP	CASE AIR/C COMP	1	
	1723B	1723B-LFA7-E00	COVER ASSY AIR/C	COVER ASSY AIR/C	1	
	17254	17254-ACD5-B80	CHAMBER NOICE SILENCE	CHAMBER NOICE SILENCE	1	
	17308	17308-ACJ1-E00	TUBE ASSY CANISTER-AIR/C	TUBE ASSY CANISTER-AIR/C	1	
	17359	17359-4K19-671	JOINT BREATHER TUBE	JOINT BREATHER TUBE	1	
	17370	17370-4K19-701	PLUG BREATHER TUBE	PLUG BREATHER TUBE	1	
	17371	17371-1D74-671	CLIP BREATHER TUBE	CLIP BREATHER TUBE	2	
	1737A	1737A-KUDU-900	V TUBE ASSY	V TUBE ASSY	1	
	19103	19103-KAAA-900	JOINT 3 WAY 8	JOINT 3 WAY 8	1	
	90114	90114-GDM4-C00	BOLT M6*28	BOLT M6*28	2	
	90302	90302-LLB1-E00	BOLT-WASHER 5*12	BOLT-WASHER 5*12	1	
	90652-ACD5	90652-ACD5-B80	BAND D21.5 CHAMBER	BAND D21.5 CHAMBER	1	
	90652-GFY6	90652-GFY6-901	BAND 49 AIR/C CONNECTING TUBE	BAND 49 AIR/C CONNECTING TUBE	1	
	90660	90660-LDE9-E00	CLAMP TUBE	CLAMP TUBE	1	

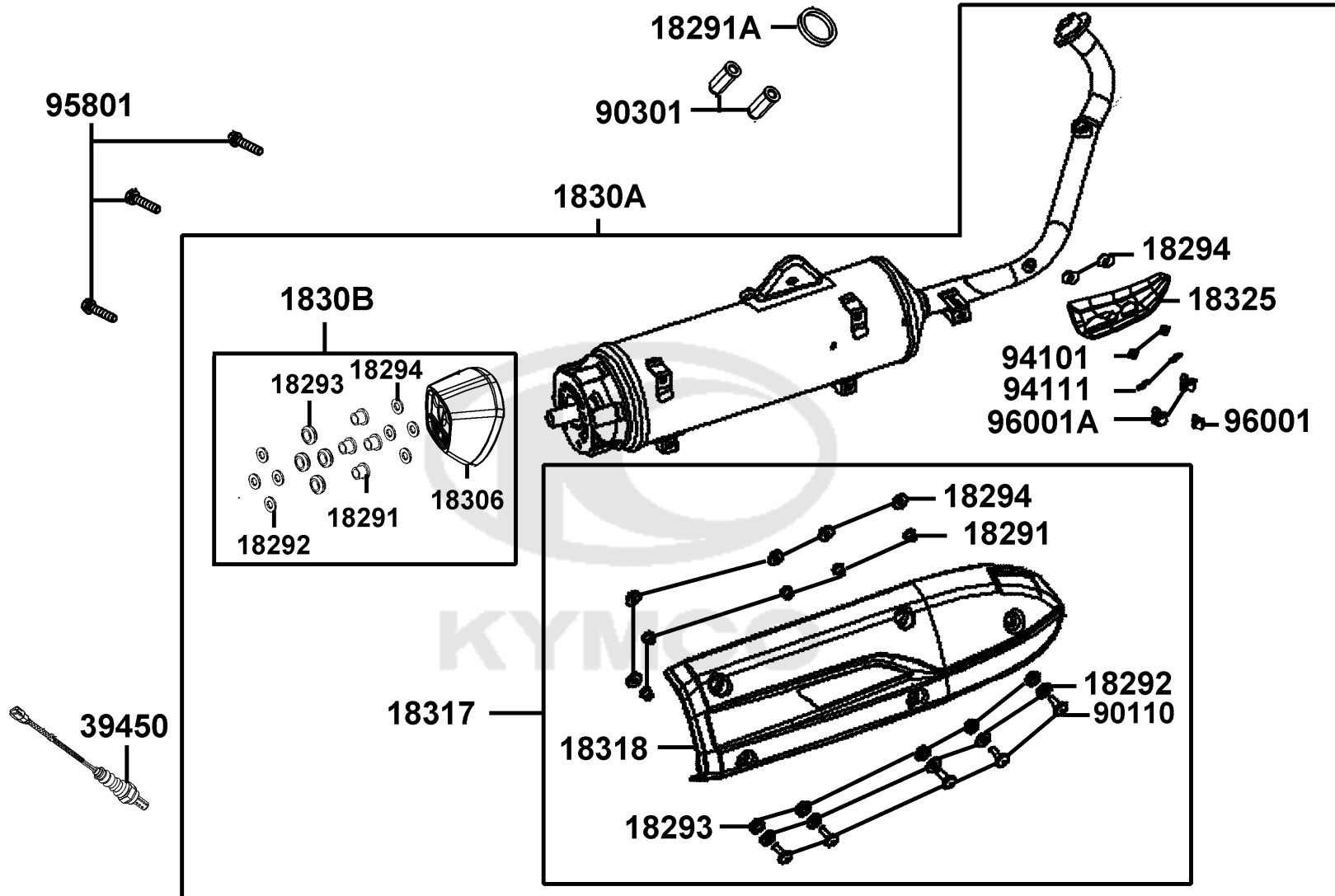


Sales mark	Ref no	Part no	Description	Reg description	Regd no	F13
93903-25360		93903-25360	SCREW TAPPING 5*16	SCREW TAPPING 5*16	1	
93903-25460		93903-25460	SCREW TAPPING 5*20 **93903-25480	SCREW TAPPING 5*20 **93903-25480 C.2005	8	
93903-25480		93903-25480	SCREW TAPPING 5*20 (K)	SCREW TAPPING 5*20 (K)	1	
95002		95002-02100	CLIP B15 TUBE	CLIP B15 TUBE	1	
95002A		95002-41150-00	CLIP D11.5 TUBE	CLIP D11.5 TUBE	1	
95002B		95002-41250-00	CLIP D12.5 TUBE	CLIP D12.5 TUBE	2	
95002C		95002-LKF5-E00	CLAMP D14.6 TUBE	CLAMP D14.6 TUBE	1	
96001		96001-GFY6-900	BOLT SPECIAL 5X10	BOLT SPECIAL 5X10	1	

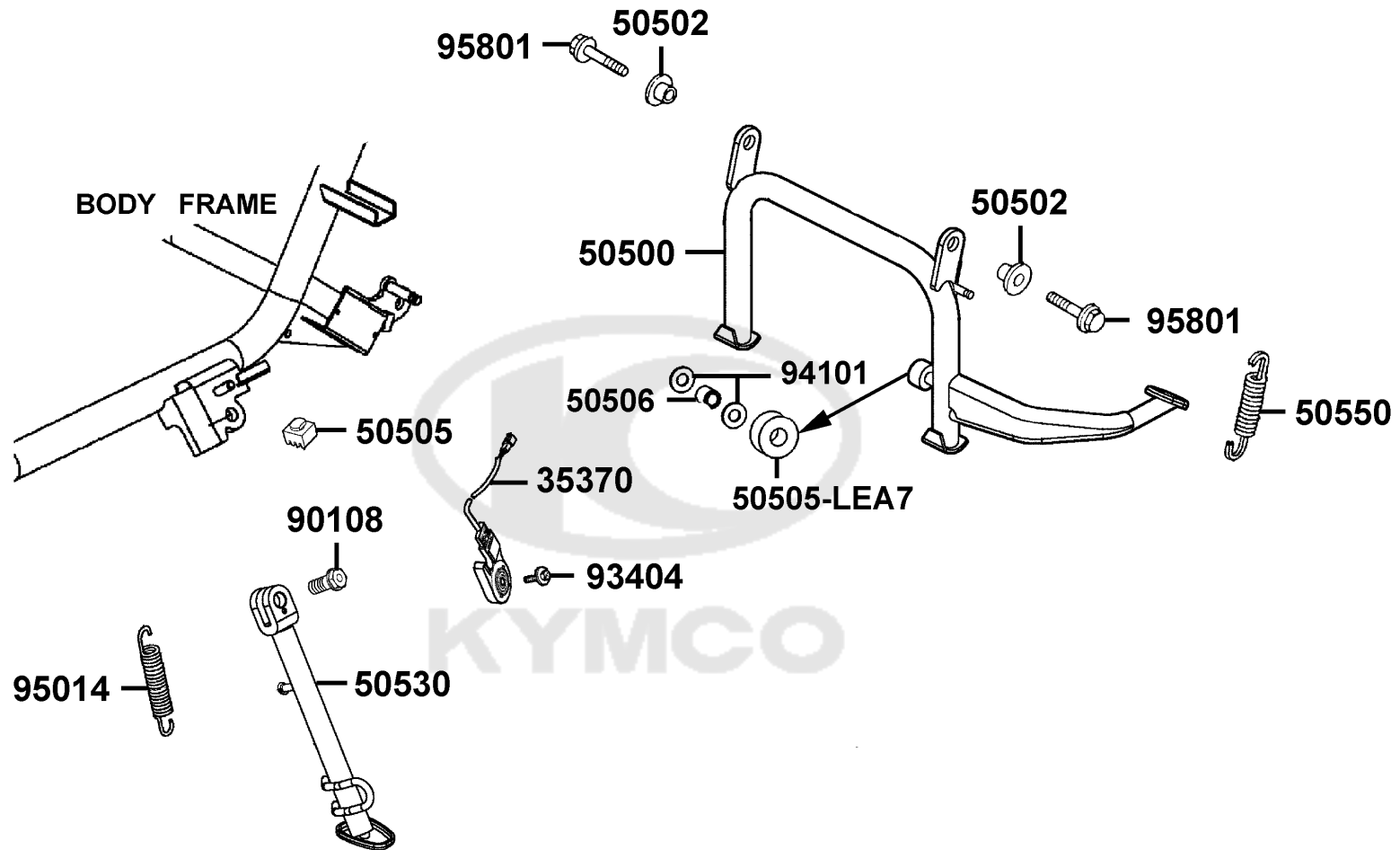


F14

Exhaust Muffler



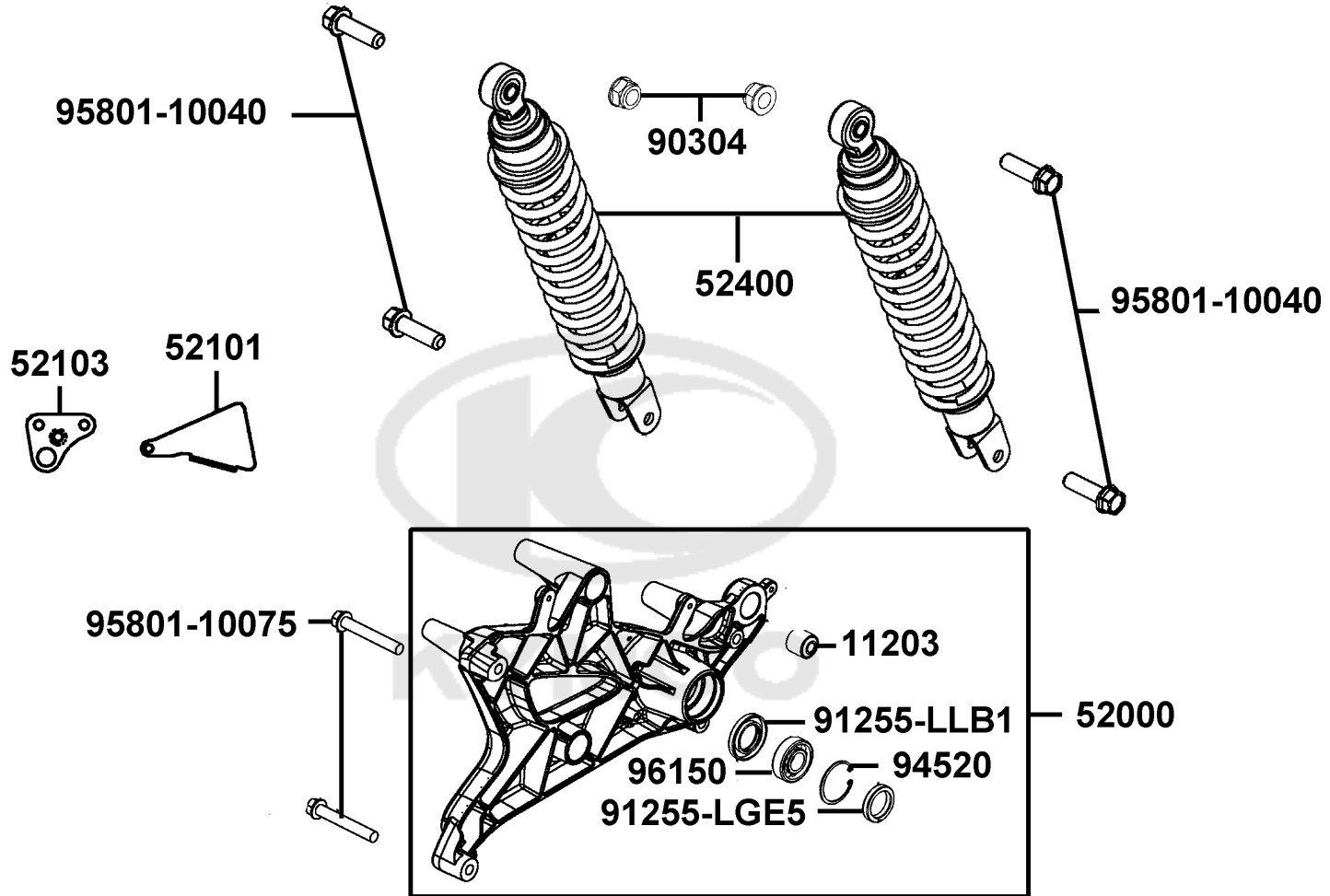
Sales mark	Ref no	Part no	Description	Reg description	Regd no	<b>F14</b>
	18291-ALD9	18291-ALD9-E10	COLLAR	COLLAR	1	
	18291-LHB3	18291-LHB3-E11	GASKET EXH PIPE	COLLAR	1	
	18292	18292-KEBE-C00	PACKING PROTECTOR	PACKING PROTECTOR	9	
	18293	18293-KECE-C00	RUBBER A PROTR	RUBBER A PROTR	9	
	18294	18294-PUA3-B50	PACKING PTOTECTOR	PACKING PROTECTOR	5	
**	18306	18306-LGE5-C00	TAIL CAP .MUFFLER	TAIL CAP .MUFFLER	1	
**	1830A	1830A-AAG3-E03	MUFFLER ASSY EXH	MUFFLER ASSY EXH	1	
**	1830B	1830B-LGE5-E00	"TAIL CAP COMP.. MUFFLER"	"TAIL CAP COMP.. MUFFLER"	1	
	18317	18317-LGE7-E0A	PROTECTOR COMP MUFFLER	PROTECTOR COMP MUFFLER	1	
**	18318	18318-LGE7-E0A	PROTECTOR MUFFLER	PROTECTOR MUFFLER	1	
**	18325	18325-AAG3-E03	PROTECTOR.EXHAUST	PROTECTOR.EXHAUST	1	
	39450	39450-LEA6-800	O2 SENSOR	O2 SENSOR	1	
	90110	90110-KHD8-900	SCREW SPECIAL 6*20	SCREW SPECIAL 6*20	1	
#	90301	90301-GFY6-C01	NUT (HEX) CAP 8MM	NUT (HEX) CAP 8MM	1	
	94101	94101-AAG3-E03	WASHER PLAIN 6MM	WASHER PLAIN 6MM	2	
	94111	94111-AAG3-E03	WASHER SPG	WASHER SPG	2	
	95801	95801-10045-06	BOLT FLANGE 10*45	BOLT FLANGE 10*45	1	
	96001-AAG3-E00	96001-AAG3-E00	BOLT FLANGE SH	BOLT FLANGE SH	1	
	96001-AAG3-E03	96001-AAG3-E03	BOLT FLANGE SH	BOLT FLANGE SH	1	



Sales mark	Ref no	Part no	Description	Reg description	Regd no	<b>F15</b>
35370		35370-LLJ3-E00	SW UNIT SIDE STAND	SW UNIT SIDE STAND	1	
50500		50500-AAG3-C00	STAND COMP MAIN	STAND COMP MAIN	1	
50502		50502-LDF7-C00	COLLAR,MAIN STAND	COLLAR MAIN STAND	1	
50505-LEA7		50505-LEA7-E00	STOPPER RUBBER	STOPPER RUBBER	1	
50505		50505-PUA3-B50	STOPPER RUBBER	STOPPER RUBBER	1	
50506		50506-KHE7-E00	COLLAR STOPPER RUBBER	COLLAR STOPPER RUBBER	1	
50530		50530-ABD2-C00	SIDE STAND COMP	SIDE STAND COMP	1	
50550		50550-KKC2-C00	SPG ASSY MAIN STAND	SPG ASSY MAIN STAND	1	
90108		90108-KKC4-900	SCREW SIDE STAND PIVOT	SCREW SIDE STAND PIVOT	1	
93404		93404-06016-07	BOTL WASHER 6*16	BOTL WASHER 6*16	1	
94101		94101-08600	WASH PLAIN 8MM	WASH PLAIN 8MM	2	
95014		95014-72204	SPG B1 SIDE STAND	SPG B1 SIDE STAND	1	
95801		95801-10030-06	BOLT FLANGE 10X30	BOLT FLANGE 10X30	1	

F16

Rear Cushion

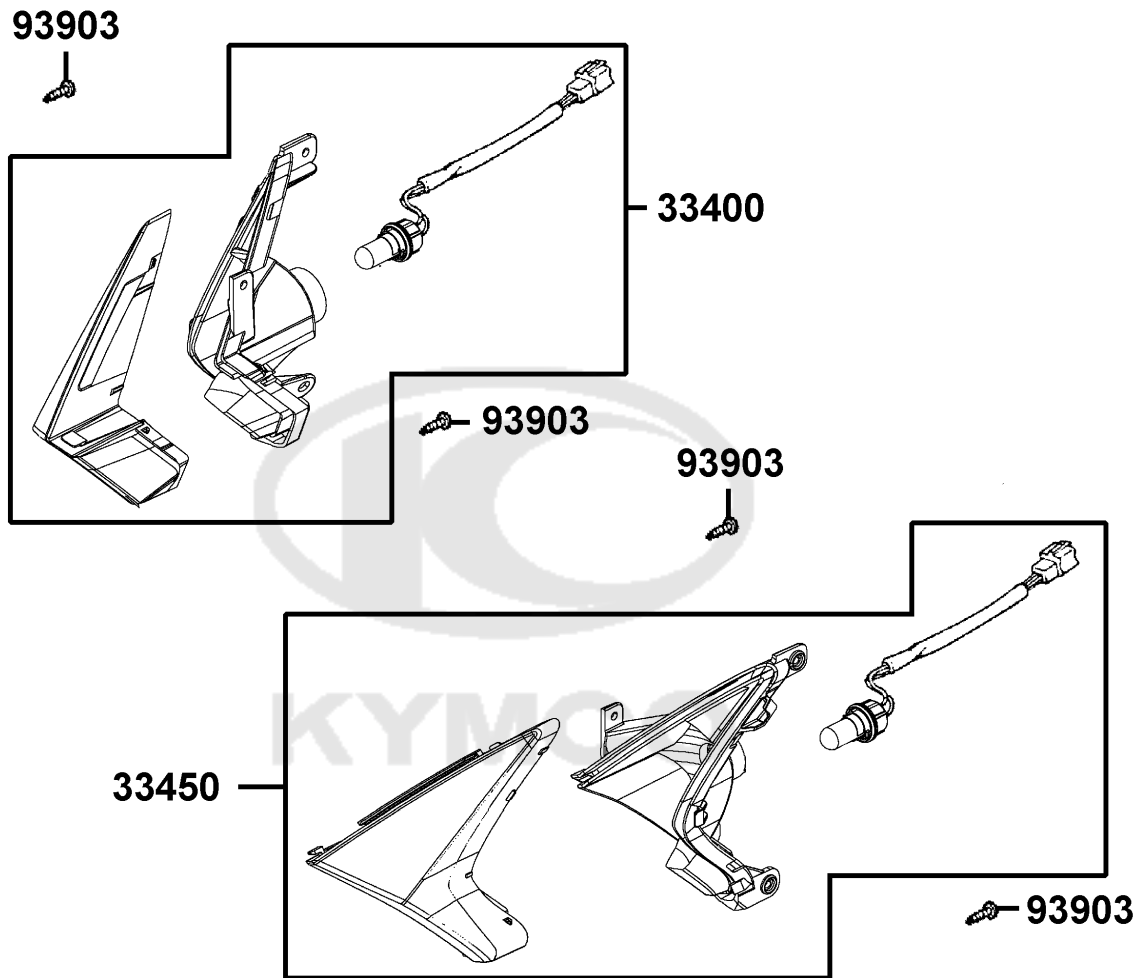




Sales mark	Ref no	Part no	Description	Reg description	Regd no	<b>F16</b>
	11203	11203-LBA2-E00	RUB BUSH L CASE	RUB BUSH L CASE	1	
**	52000	52000-AAG3-E00	FORK ASSY RR	FORK ASSY RR	1	
	52101	52101-LGE5-C01	STAY ABS SENSOR	STAY ABS SENSOR	1	
	52103	52103-ACD5-C01	STAY ABS SENSOR	STAY ABS SENSOR	1	
**	52400	52400-ABD2-E00	CUSHION ASSY REAR	CUSHION ASSY REAR	1	
	90304	90304-GHE8-C00	NUT U 10MM (C)	NUT U 10MM (C)	1	
	91255-LGE5	91255-LGE5-E00	OIL SEAL 30*48*7	OIL SEAL 30*48*7	1	
	91255-LLB1	91255-LLB1-900	OIL SEAL 30*40*7	OIL SEAL 30*40*7	1	
	94520	94520-47000	CIR CLIP IN 47	CIR CLIP IN 47	1	
	95801-10040	95801-10040-06	BOLT FLANGE 10X40	BOLT FLANGE 10*40	1	
	95801-10075	95801-10075-06	BOLT FLANGE 10x75 (G)	BOLT FLANGE 10x75	4	
	96150	96150-62040-10	BEARING BALL RADIAL 6204	BEARING BALL RADIAL 6204	1	

F17

Rear Cushion



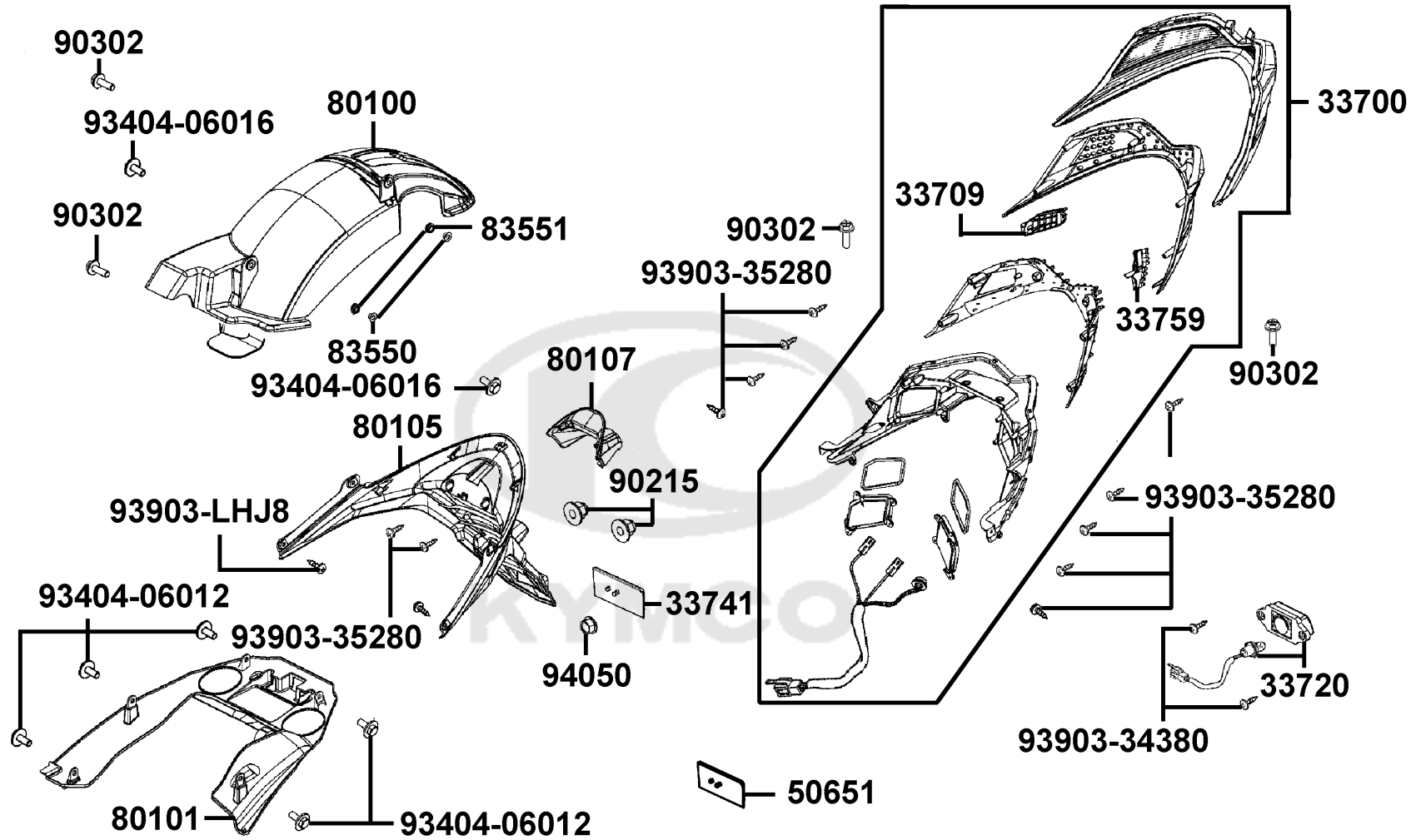
Sales mark	Ref no	Part no	Description	Reg description	Regd no	<b>F17</b>
------------	--------	---------	-------------	-----------------	---------	------------

	33400	33400-ABD2-C00	"WINKER ASSY..RH FR"	"WINKER ASSY..RH FR"	1	
	33450	33450-ABD2-C00	"WINKER ASSY..LH FR."	"WINKER ASSY..LH FR."	1	
#	93903	93903-35280-G	SCREW TAPPING 5*12 (K)	SCREW TAPPING 5*12 (KG)	1	



F18

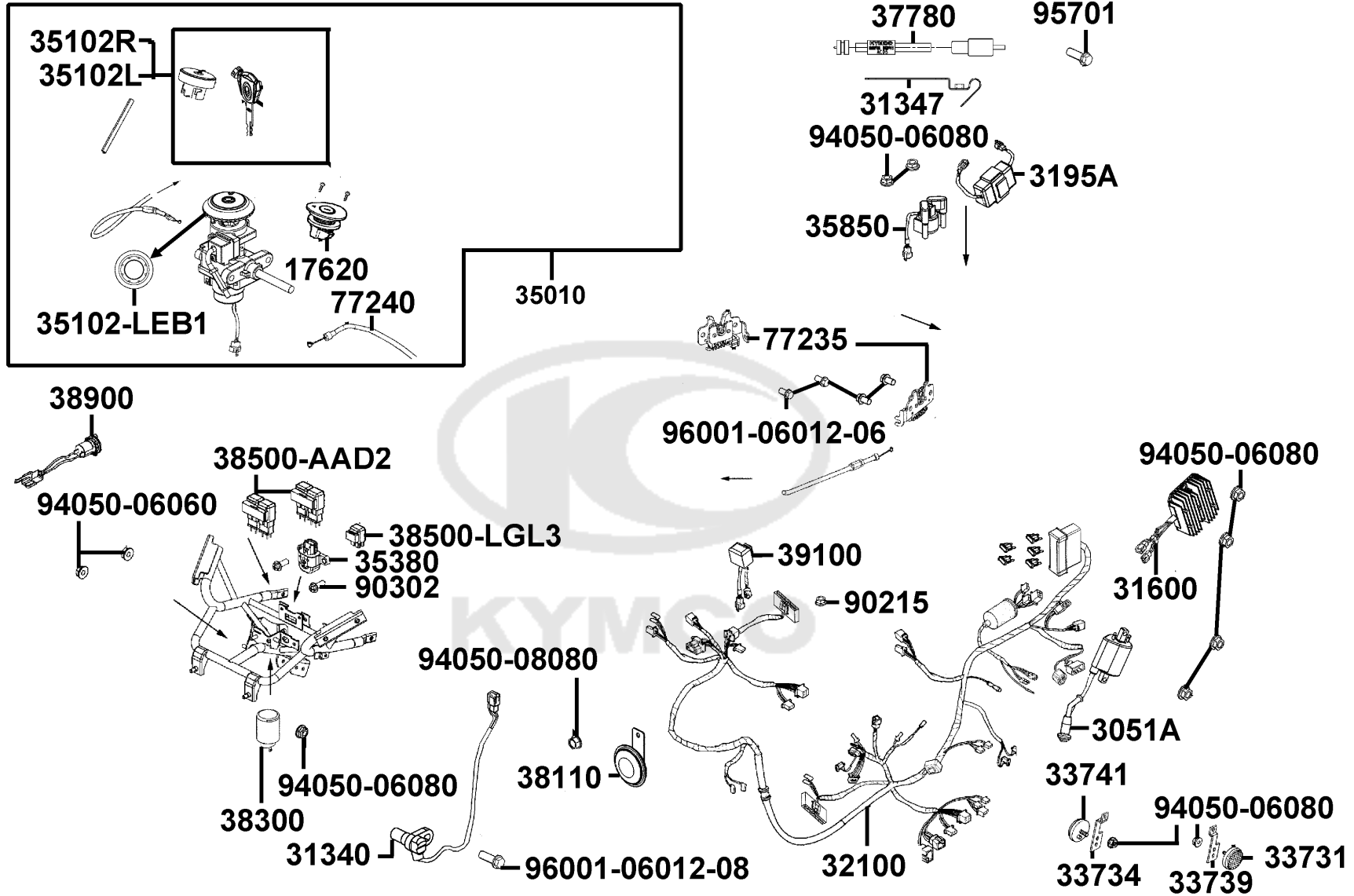
LIGHT ASSY RR



Sales mark	Ref no	Part no	Description	Reg description	Regd no	F18
	33700	33700-ABD2-C00	LIGHT ASS'Y.,RR. COMB.	LIGHT ASS'Y.,RR. COMB.	1	
	33709	33709-ABD2-C00	PCB TAIL LIGHT	LED PCB RR R	1	
	33720	33720-LGB5-E10	LIGHT ASSY LICENSE	LIGHT ASSY LICENSE	1	
#	33741	33741-LEH3-EZ0	REFLEX REFLECTOR	REFLEX REFLECTOR	1	
	33759	33759-ABD2-C00	LED PCB RR L	LED PCB RR L	1	
	50651	50651-LFC4-E10	STAY RR FENDER BALANCE	STAY RR FENDER BALANCE	1	
**	80100	80100-ACJ1-E00	FENDER RR TIRE	FENDER RR TIRE	1	
**	80101	80101-ABD2-C00	"FENDER.RR INNER"	"FENDER.RR INNER"	1	
**	80105	80105-ABD2-C00	"FENDER. REAR"	"FENDER. REAR"	1	
**	80107	80107-ABD2-C00	COVER LICENSE LIGHT	COVER LICENSE LIGHT	1	
	83550	83550-KEC8-C00	COLLAR SET METER	COLLAR	1	
	83551	83551-KEC8-C10	GROMMET COVER	GROMMET COVER	1	
	90215	90215-KKC4-C00	NUT CAP 6MM	NUT CAP 6MM	1	
	90302	90302-GBR2-C00	WASHER PLAIN	WASHER PLAIN	1	
	93404-06012	93404-06012-07	BOLT WASH 6*12	BOLT WASH 6*12	1	
	93404-06016	93404-06016-07	BOTL WASHER 6*16	BOTL WASHER 6*16	1	
	93903-34380	93903-34380	SCREW TAPPING 4*12	SCREW TAPPING 4*12 (K)	1	
#	93903-35280	93903-35280-G	SCREW TAPPING 5*12 (K)	SCREW TAPPING 5*12 (KG)	1	
#	93903-LHJ8	93903-LHJ8-C01	SCREW,TAPPING 5X14	"SCREW,TAPPING 5X14"	1	
	94050	94050-05080	NUT FLANGE 5MM	NUT FLANGE 5MM	1	

F19

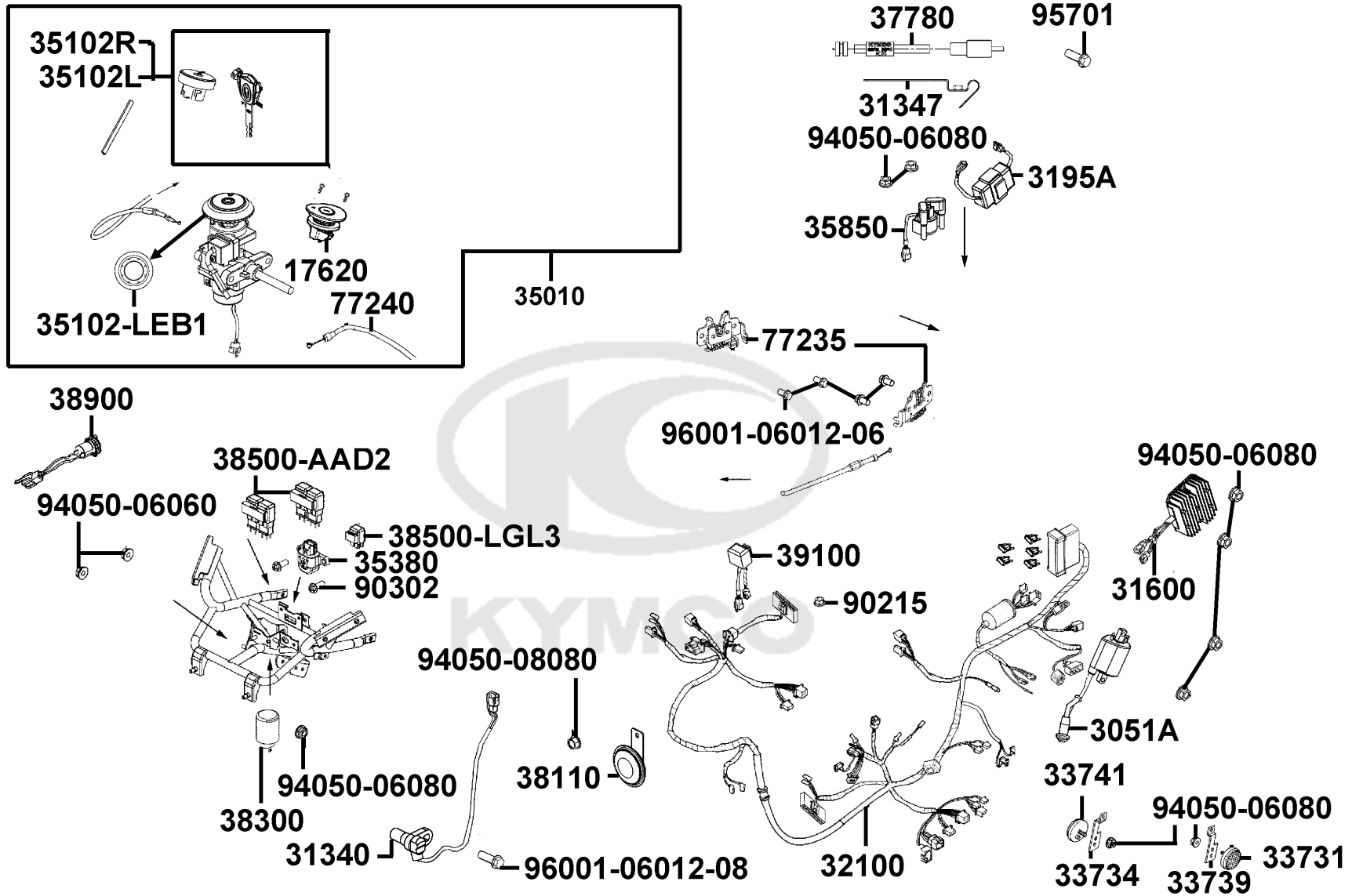
Wire Harness



Sales mark	Ref no	Part no	Description	Reg description	Regd no	<b>F19</b>
	17620	17620-ABD2-C00	CAP COMP FUEL FILLER	CAP COMP FUEL FILLER	1	
	3051A	3051A-ACJ1-900	COIL ASSY IGN	COIL ASSY IGN	1	
	31340	31340-LEA7-E00	SENSOR FR WHEEL SPEED	SENSOR FR WHEEL SPEED	1	
	31347	31347-ABD2-C00	CLAMPER. SPEED SENSOR	CLAMPER. SPEED SENSOR	1	
	31600	31600-ABD2-900	REG REC COMP	REG REC COMP	1	
	3195A	3195A-ABD2-C00	HAZARD CONTROL ASSY	HAZARD CONTROL ASSY	2	
	32100	32100-ACJ1-E01	HARNES WIRE	HARNES WIRE	1	
	33731	33731-GFY6-C00	REFLEX REFLECTOR SIDE	REFLEX REFLECTOR SIDE	1	
	33734	33734-ABD2-C00	STAY RH.REFELX REFLECTOR	STAY RH.REFELX REFLECTOR	2	
	33739	33739-ABD2-C00	STAY LH. REFELX REFLECTOR	STAY LH. REFELX REFLECTOR	1	
	33741	33741-GFY6-C00	REFLEX REFLECTOR	REFLEX REFLECTOR	1	
	35010	35010-ABD2-E00	KEY SET	KEY SET	1	
	35102L	35102-ABD2-C00-L	SHUTTER MAGNETIC LOCK	SHUTTER MAGNETIC LOCK	1	
	35102R	35102-ABD2-C00-R	SHUTTER MAGNETIC LOCK	SHUTTER MAGNETIC LOCK	1	
	35102-LEB1	35102-LEB1-90A	COLLAR MAIN SW	COLLAR MAIN SW	1	
#	35380	35380-ABE1-C00	SENSOR ANGLE	SENSOR ANGLE	1	
	35850	35850-LCA3-B50	SET START MAG	SET START MAG	2	
	37780	37780-ACD5-E00	SENSOR ASSY. ROOM TEMP	SENSOR ASSY. ROOM TEMP	3	
	38110	38110-KFAF-90B	HORN COMP	HORN COMP	1	
	38300	38300-ALH1-E60	RELAY ASSY WINKERF	RELAY ASSY WINKERF	1	

F19

Wire Harness

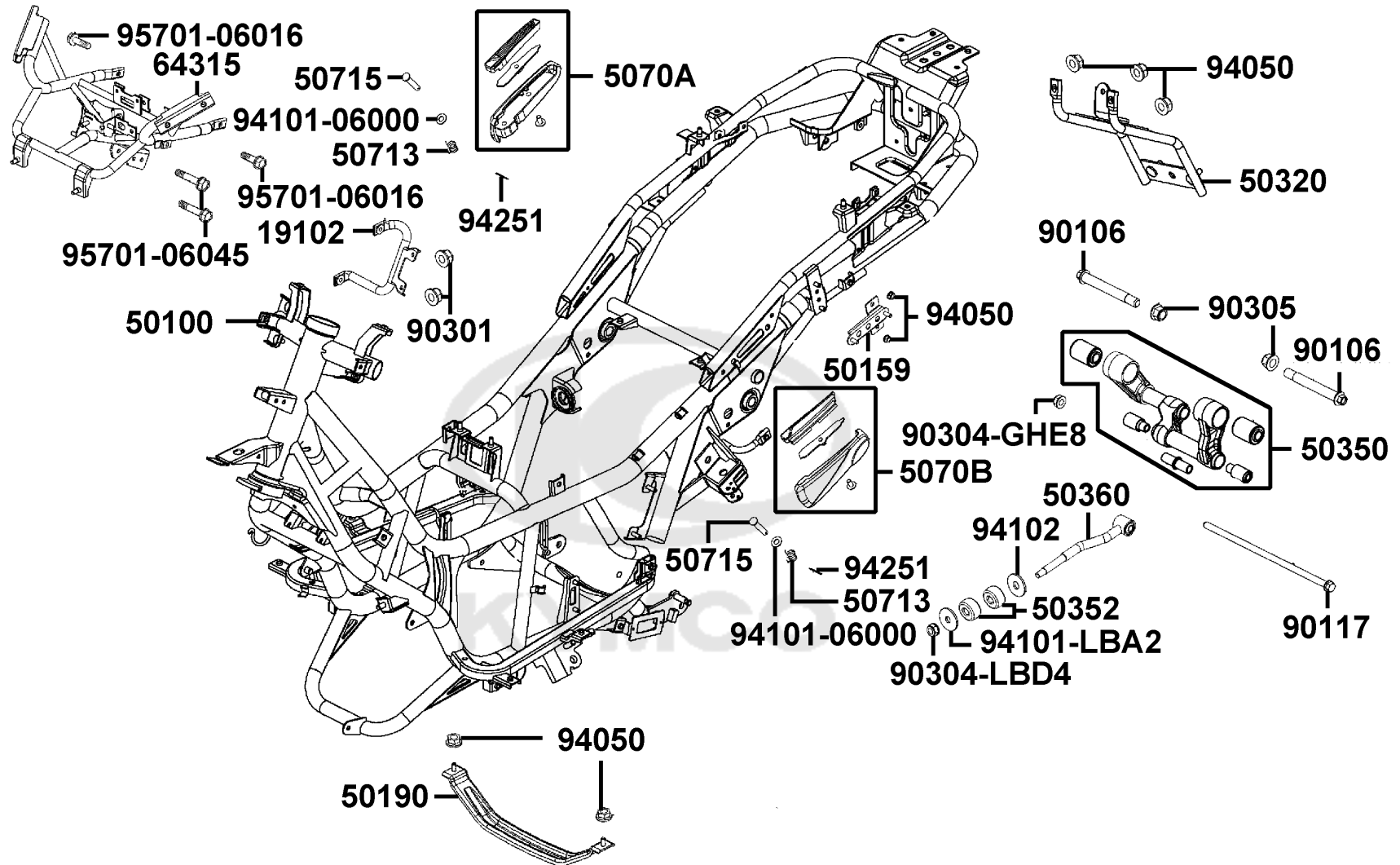




Sales mark	Ref no	Part no	Description	Reg description	Regd no	<b>F19</b>
	38500-AAD2	38500-AAD2-C00	RELAY ASSY LIGHT	RELAY ASSY START	1	
#	38500-LGL3	38500-LGL3-90A	RELAY ASSY LIGHT	RELAY ASSY LIGHT	1	
	38900	38900-ACD5-E00	CONTROLLER USB CHARGER	CONTROLLER USB CHARGER	1	
	39100	39100-ABD6-C00	EMI FILTER FAN MOTOR	EMI FILTER FAN MOTOR	1	
	77235	77235-ZZA6-C00	SEAT CATCH COMP	SEAT CATCH COMP	1	
	77240	77240-ABD2-C00	CABLE ASSY.. SEAT LOCK	CABLE ASSY.. SEAT LOCK	1	
	90215	90215-KKC4-C00	NUT CAP 6MM	NUT CAP 6MM	1	
	90302	90302-GFY6-C10	BOLT-WASH 5*16	BOLT WASHER 5*16	1	
	94050-06060	94050-06060	NUT FLANGE 6MM	NUT FLANGE 6MM	1	
	94050-06080	94050-06080	NUT FLANGE 6MM	NUT FLANGE 6MM	1	
	94050-08080	94050-08080	NUT FLANGE 8MM	NUT FLANGE 8MM	1	
	95701	95701-KHC5-C00	BOLT FLANGE 8*20	BOLT TORQUE 8*20	1	
	96001-06012-06	96001-06012-06	BOLT FLANGE SH 6*12	BOLT FLANGE SH 6*12	1	
	96001-06012-08	96001-06012-08G	BOLT FLANGE SH 6X12 (C)	BOLT FLANGE SH 6X12 (C)	1	

F20

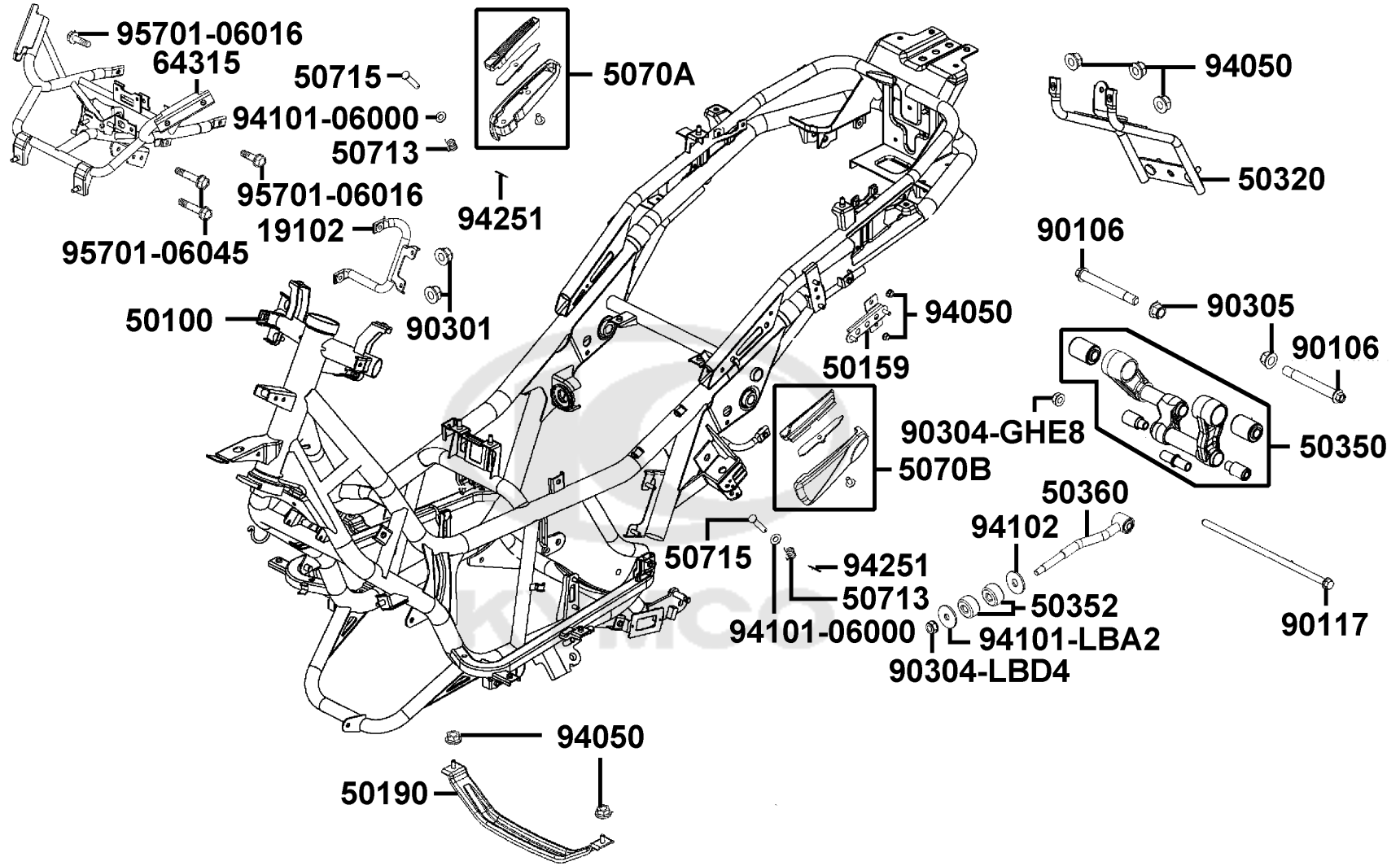
Frame Body



Sales mark	Ref no	Part no	Description	Reg description	Regd no	F20
	19102	19102-ABD2-C00	"STAY. TANK REVERSE"	"STAY. TANK REVERSE"	1	
	50100	50100-ACJ1-E00	BODY COMP FRAME	BODY COMP FRAME	6	
	50159	50159-ABD2-C00	"STAY. REG REC"	"STAY. REG REC"	1	
	50190	50190-LEA7-E00	PROTECTOR UNDER COVER	PROTECTOR UNDER COVER	1	
	50320	50320-ABD2-C00	"STAY. RR FENDER"	"STAY. RR FENDER"	1	
	50350	50350-LFA7-C00	ENG HANGER COMP	ENG HANGER COMP	1	
	50352	50352-LBA2-E00	RUBBER STOPPER	RUBBER STOPPER	1	
	50360	50360-LFA7-C00	STAND ASSY MAIN	STAND ASSY MAIN	2	
**	5070A	5070A-ALD9-E10	BAR ASSY R	BAR ASSY R	1	
**	5070B	5070B-ALD9-E10	BAR ASSY L	BAR ASSY L	1	
	50713	50713-KEB7-C00	SPRING	SPRING	1	
	50715	50715-KEB7-C00	PIN RR STEP	PIN RR STEP	2	
	64315	64315-ABD2-C00	"BRKT.. FR. COVER"	"BRKT.. FR. COVER"	2	
	90106	90106-LEA7-E00	BOLT FLANGE 15*118	BOLT FLANGE 15X118	1	
	90117	90117-KED9-950	BOLT FLANGER 10*265	BOLT FLANGER 10X265	2	
#	90301	90301-6D34-C01	NUT FLANGE 6MM(C)	NUT FLANGE 6MM(C)	2	
	90304-GHE8	90304-GHE8-C00	NUT U 10MM (C)	NUT U 10MM (C)	1	
	90304-LBD4	90304-LBD4-C00	NUT U FLANGE 10MM	NUT U FLANGE 10MM	1	
	90305	90305-LBD4-C00	NUT U FLANGE 14MM	NUT U FLANGE 14MM	1	
	94050	94050-06060	NUT FLANGE 6MM	NUT FLANGE 6MM	9	

F20

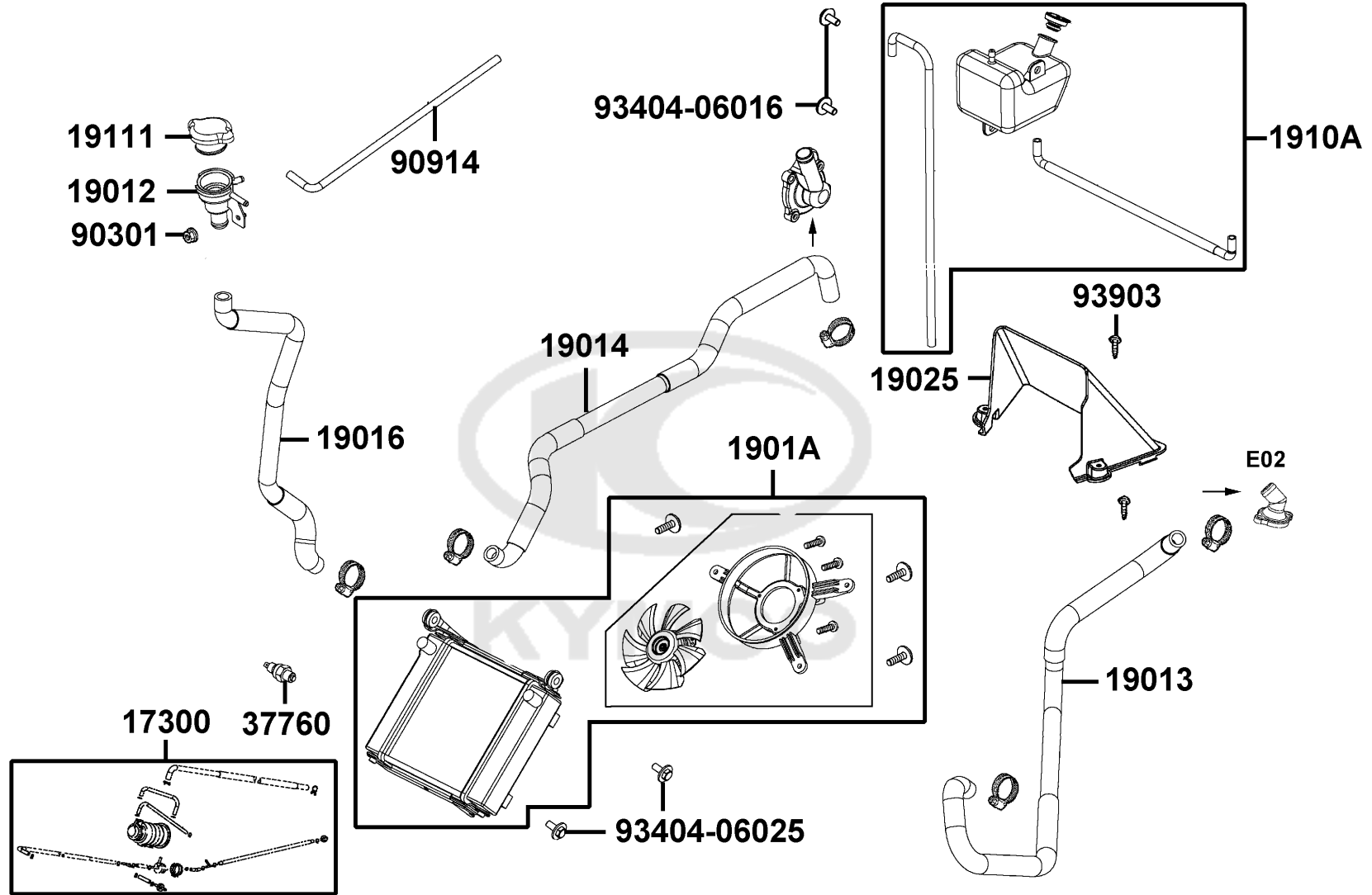
Frame Body



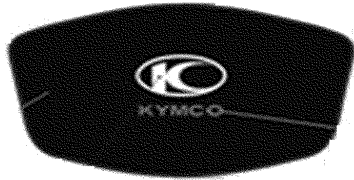
Sales mark	Ref no	Part no	Description	Reg description	Regd no	<b>F20</b>
	94101-06000	94101-06000-G	WASHER PLAIN 6.5*18*1	WASHER PLAIN 6.5*18*1	1	
	94101-LBA2	94101-LBA2-C00	WASHER TIE ROD 10.5*38*3	WASHER TIE ROD 10.5*38*3	4	
	94102	94102-LBA2-C00	WASHER PLAIN 38*12.5*3	WASHER PLAIN 38*12.5*3	1	
	94251	94251-08400	PIN LOCK 8MM	PIN LOCK 8MM	2	
	95701-06016	95701-06016-07	BOLT FLANGE 6*16	BOLT FLANGE 6*16(K)	2	
	95701-06045	95701-06045-06	BOLT FLANGE 6*45	BOLT FLANGE 6*45	2	
						

F21

Air Cleaner Two



Sales mark	Ref no	Part no	Description	Reg description	Regd no	F21
	17300	17300-ACJ1-E00	CANISTER-PCV ASSY	CANISTER-PCV ASSY	1	
	19012	19012-KHD8-C00	UNIT RADIATOR	UNIT RADIATOR	1	
	19013	19013-LFA7-C00	"HOSE WATER.INLET"	"HOSE WATER.INLET"	1	
	19014	19014-AAG3-C00	"TUBE ASSY.WATERT"	"TUBE ASSY.WATERT"	1	
	19016	19016-LEA7-C00	"HOSE.WATER UNIT CAP"	"HOSE.WATER UNIT CAP"	1	
	1901A	1901A-ACJ1-E00	RADIATOR COMP	RADIATOR COMP	1	
# **	19025	19025-ABD2-C01	COVER.RADIATOR	COVER.RADIATOR	1	
	1910A	1910A-ABD2-C00	"ASSY.. TANK RESERVE"	"ASSY.. TANK RESERVE"	1	
	19111	19111-PRB3-C00	SUPT FILLER NECK	SUPT FILLER NECK	1	
	37760	37760-KHD8-900	SW ASSY THERMO	SW ASSY THERMO	1	
#	90301	90301-6D34-C01	NUT FLANGE 6MM(C)	NUT FLANGE 6MM(C)	1	
	90914	90914-ACJ1-E00	"TUBE ASSY.WATER"	"TUBE ASSY.WATER"	1	
	93404-06016	93404-06016-07	BOTL WASHER 6*16	BOTL WASHER 6*16	2	
	93404-06025	93404-06025-06	BOLT WASHER 6*25	BOLT WASHER 6*25	2	
#	93903	93903-35280-G	SCREW TAPPING 5*12 (K)	SCREW TAPPING 5*12 (KG)	1	



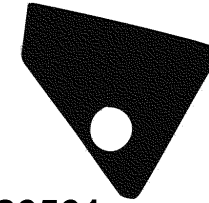
86020



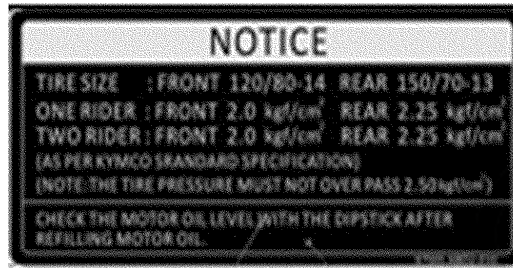
87206



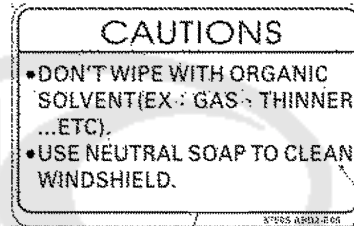
86571



86561



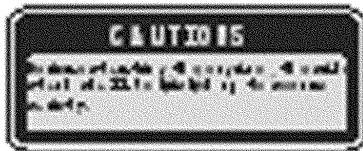
87505



87508



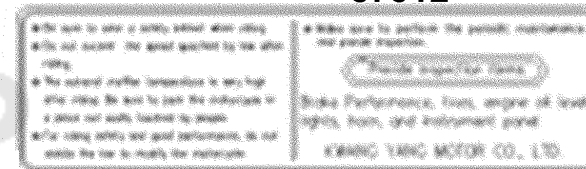
87512



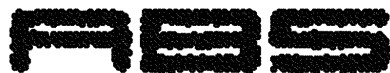
87541



87542



87560



87311



87140



86202



Sales mark	Ref no	Part no	Description	Reg description	Regd no	<b>F22</b>
**	86020	86020-ACJ1-E30	EMB DMA STRIDER	EMB DMA STRIDER	1	
# **	86202	86202-ABD2-E31	EMB BODY COVER	EMB BODY COVER	1	
**	86561	86561-ACJ1-E30	STRIPE R FR FENDER TYPE A	STRIPE R FR FENDER TYPE A	1	
**	86571	86571-ACJ1-E30	STRIPE L FR FENDER TYPE A	STRIPE L FR FENDER TYPE A	1	
**	87140	87140-ACJ1-E00	EMB MARK 125	EMB MARK 125	1	
**	87206	87206-ABD2-C00	MARK KYMCO	MARK KYMCO	1	
**	87311	87311-ABD2-C00	STRIPE MARK ABS	STRIPE MARK ABS	1	
**	87505	87505-ABD2-E00	LABEL TIRE	LABEL TIRE	1	
**	87508	87508-ABD2-E00	LABEL CLEANNESS CAUTION	LABEL CLEANNESS CAUTION	1	
**	87512	87512-ABD2-E00	CAUTION LIST	CAUTION LIST	1	
**	87541	87541-GAR1-C01	CAUTION SIDE STAND	CAUTION SIDE STAND	1	
**	87542	87542-GAR1-C01	MARK MAINT CAUTION R	MARK MAINT CAUTION R	1	
**	87560	87560-GFY6-E11	MARK DRIVE CAUTION	MARK DRIVE CAUTION	1	

## PART NO. INDEX

PART NO.	VERSION	PAGE	PART NO.	VERSION	PAGE	PART NO.	VERSION	PAGE
<b>11000</b>			12205-KHE8-301	5	E02	14453-LFA7-E00	5	E02
11100-LFA7-305	0	E01	12209-LEA2-90A	2	E02	14510-LEB1-90B	0	E03
11103-KHE7-900	0	E01	12251-LFA7-E00	2	E02	14520-LFA7-E00	1	E03
11192-LFA7-E00	4	E01	12310-LFA7-E00	6	E02	14523-KED9-900	1	E03
11200-LFA7-305	0	E01	12361-GFY6-901	1	E04	14531-GLR0-001	0	E03
11203-LBA2-E00	2	E01	12391-LFA7-E00	2	E02	14610-LEB1-90B	0	E03
11203-LBA2-E00	2	F16	<b>13000</b>			14711-LFA7-E00	3	E02
11212-ACJ1-E00	0	F13	13000-LFA7-E00	14	E03	14721-LFA7-E00	3	E02
1121A-ZWA3-E00	0	F13	13011-LEB1-90A	2	E03	14751-KHD6-900	0	E02
1122A-LEB1-900	6	E01	13101-LFA7-E00	9	E03	14771-LEA2-900	2	E02
11330-LFA7-E00	9	E04	13111-LFA7-E00	3	E03	14777-LFA7-E00	2	E02
11340-LFA7-E00	4	E01	13406-LFA7-E01	0	E02	14781-KKE5-E00	2	E02
11342-LFA7-900	1	E01	<b>14000</b>			<b>15000</b>		
11342-LFA7-E00	1	E01	14100-LFA7-E00	6	E02	15100-KEBE-900	0	E06
11345-LEA7-E00	1	E01	14110-LEB1-900	0	E02	15133-KAM1-001	0	E06
11346-GFY6-901	0	E01	14321-LEB1-900	0	E02	15141-KKJ9-004	0	E06
11394-LFA7-E00	5	E04	14401-LFA7-E00	5	E03	1541A-LEA7-E00	6	E01
11395-LFA7-E00	3	E01	14420-LEB1-900	4	E02	15421-1G07-001	1	E04
<b>12000</b>			14430-LEB1-900	4	E02	15421-KKC3-900	1	E01
12100-LFA7-E00	6	E03	14433-LEB1-900	0	E02	15422-KKC3-900	3	E01
12191-LFA7-E00	1	E03	14434-LEB1-900	1	E02	15423-KKC3-900	1	E01
12200-ACJ1-E00	0	E02	14452-LFA7-E00	0	E02	15426-GAE1-921	1	E04
						1565A-KUDU-900	0	E04
						15711-LFA7-E00	2	E06

## PART NO. INDEX

PART NO.	VERSION	PAGE	PART NO.	VERSION	PAGE	PART NO.	VERSION	PAGE	
<b>16000</b>			17214-LEA7-E00	0	F13	18291-LHB3-E11	0	F14	
			17236-ACJ1-E00	0	F13	18292-KEBE-C00	0	F14	
			1723A-ACJ1-E00	0	F13	18293-KECE-C00	0	F14	
	16056-LFA7-E00	5	E08	1723B-LFA7-E00	0	F13	18294-PUA3-B50	1	F14
	16068-LFA7-E00	1	E08	17254-ACD5-B80	0	F13	18306-LGE5-C00	0	F14
	16074-KEC3-900	4	E08	17300-ACJ1-E00	0	F21	1830A-AAG3-E03	0	F14
	16100-ACJ1-E00	0	E08	17308-ACJ1-E00	0	F13	1830B-LGE5-E00	0	F14
	16110-LFA7-E00	3	E08	17359-4K19-671	0	F13	18317-LGE7-E0A	0	F14
	16112-KKE3-900	0	E08	17370-4K19-701	1	F13	18318-LGE7-E0A	0	F14
	16112-LEB2-900	0	E08	17371-1D74-671	0	F13	18325-AAG3-E03	0	F14
	16118-KEC3-900	0	E08	1737A-KUDU-900	0	F13			
	16122-KEC3-900	1	E08	17500-ABD2-C00	0	F10	<b>19000</b>		
	16133-KEC3-900	0	E08	17511-ACJ1-E00	0	F10	19012-KHD8-C00	0	F21
	16134-LFA7-E00	4	E08	17512-ABD2-C00	0	F10	19013-LFA7-C00	0	F21
	16138-KEC3-900	1	E08	17550-LEA7-800	0	F10	19014-AAG3-C00	0	F21
	16154-KKE3-900	0	E08	17561-LHG8-E00	0	F10	19016-LEA7-C00	0	F21
	16170-KEC3-900	0	E08	17561-LKB9-900	1	F10	1901A-ACJ1-E00	0	F21
	16201-ACJ1-E00	0	E02	17581-LEA7-C00	0	F10	19025-ABD2-C01	0	F21
	16211-ACJ1-E00	0	E02	17620-ABD2-C00	0	F19	19102-ABD2-C00	0	F20
	16771-GKAK-220	0	E08	17685-LFA7-C00	0	F10	19103-KAAA-900	0	F13
			17910-AAG3-C00	0	F03	1910A-ABD2-C00	0	F21	
			17911-AAG3-C00	0	F03	19111-PRB3-C00	0	F21	
						19215-KHE7-900	0	E04	
						19217-ZPA3-E00	0	E04	
						19221-LFA7-E00	2	E04	
			<b>18000</b>						
1711A-LFA7-E00	9	E02							
17211-LFA7-E00	0	F13							
17213-LEA7-E00	0	F13	18291-ALD9-E10	0	F14				

## PART NO. INDEX

PART NO.	VERSION	PAGE	PART NO.	VERSION	PAGE	PART NO.	VERSION	PAGE
19229-LFA7-E00	1	E04	22804-GBB2-001	0	E05	28125-4F26-001	1	E06
19231-LFA7-E00	2	E04				28126-KUDU-900	0	E06
19232-LBA2-E00	2	E04	<b>23000</b>					
19300-LFA7-E0A	1	E02				<b>30000</b>		
19315-LFA7-E00	5	E02	2301A-ACJ1-E00	0	E05			
19411-LFG2-C00	0	F06	23100-ACJ1-E00	0	E05	3051A-ACJ1-900	0	F19
			23200-AAG1-900	0	E05			
<b>21000</b>			23220-AAG1-900	0	E05	<b>31000</b>		
			23225-GHC8-004	0	E05			
21301-LFA7-E00	2	E07	23226-GHC8-004	0	E05	31110-LFA7-E0B	3	E06
21395-LFA7-E00	2	E07	23233-LFA7-E00	3	E05	31120-AAG3-E00	0	E06
			23237-GFY6-941	0	E05	31210-LEB1-90A	4	E06
<b>22000</b>			23238-LEB1-910	0	E05	31340-LEA7-E00	3	F19
			23411-ACJ1-E00	0	E07	31347-ABD2-C00	0	F19
22101-KEBE-900	0	E05	23420-ACJ1-E00	0	E07	31500-KHE7-EZ0	1	F11
22102-ACJ1-E00	0	E05	23431-LFA7-E00	6	E07	31600-ABD2-900	0	F19
22105-AAG1-900	0	E05	23432-LGE7-E00	0	E07	3195A-ABD2-C00	0	F19
22110-AAG1-900	0	E05						
22112-KAAA-900	0	E05	<b>28000</b>			<b>32000</b>		
22121-KKE3-305	0	E05						
22130-AAG1-910	0	E05	28101-KKJ9-011	0	E06	32100-ACJ1-E01	0	F19
22300-LKG2-910	0	E05	28102-LFA7-E00	1	E06	32101-LEA7-E00	1	E02
22350-LEA6-900	0	E05	28103-LFA7-E00	2	E06	32410-LLB1-900	2	E06
22361-KGN7-671	1	E05	28110-LFA7-E00	4	E06	32411-ABD2-C00	0	F11
22401-KEB8-900	0	E05	28113-LFA7-E00	6	E06	32412-ACD5-E00	0	E04
22530-LKG2-900	0	E05	28120-KEBE-305	0	E06			

## PART NO. INDEX

PART NO.	VERSION	PAGE	PART NO.	VERSION	PAGE	PART NO.	VERSION	PAGE
<b>33000</b>			<b>35000</b>			<b>38000</b>		
33100-ABD2-E00	0	F01	35010-ABD2-E00	1	F19	38110-KFAF-90B	2	F19
33109-ABD2-C00	0	F01	35102-ABD2-C00-L	0	F19	38300-ALH1-E60	0	F19
33159-ABD2-C00	0	F01	35102-ABD2-C00-R	0	F19	38500-AAD2-C00	5	F19
33400-ABD2-C00	0	F17	35102-LEB1-90A	0	F19	38500-LGL3-90A	5	F19
33450-ABD2-C00	0	F17	3515A-ACJ1-E00	1	F03	38900-ACD5-E00	7	F19
33700-ABD2-C00	0	F18	3520A-ABD2-C00	0	F03			
33709-ABD2-C00	0	F18	35340-LKF5-E00	0	F04	<b>39000</b>		
33720-LGB5-E10	1	F18	35350-LKF5-E01	1	F04			
33731-GFY6-C00	0	F19	35370-LLJ3-E00	3	F15	39100-ABD6-C00	0	F19
33734-ABD2-C00	0	F19	35380-ABE1-C00	0	F19	3920A-ACJ1-E00	0	E08
33739-ABD2-C00	0	F19	35390-LHG7-E00	4	F12	39300-LEB2-800	1	E02
33741-GFY6-C00	0	F19	35850-LCA3-B50	0	F19	39301-LEB2-910	4	E02
33741-LEH3-EZ0	1	F18				39302-KKE3-900	0	E02
33759-ABD2-C00	0	F18	<b>37000</b>			39303-LEB2-900	0	E02
33900-LHG7-E00	0	F12				39306-LEB2-305	0	E02
33902-LHG7-E00	1	F12	37200-ACJ1-E01	0	F02	39307-LEB2-305	0	E02
33903-LHG7-E00	0	F12	37211-ABD2-C00	0	F02	39400-LDF2-800	2	E02
			37720-KGB5-900	0	E02	39450-LEA6-800	2	F14
<b>34000</b>			37750-PAC1-005	0	E02			
			37760-KHD8-900	0	F21	<b>42000</b>		
34901-ABD2-E00	0	F01	37780-ACD5-E00	1	F19			
						42311-LEA7-C00	0	F08
						42312-LEA7-C00	0	F08

## PART NO. INDEX

PART NO.	VERSION	PAGE	PART NO.	VERSION	PAGE	PART NO.	VERSION	PAGE
42601-ABD2-E30	0	F08				50320-ABD2-C00	0	F20
42710-ABD2-C00	0	F08	<b>45000</b>			50326-ABD2-C00	0	F11
42753-0F06-C00	0	F07				50327-ABD2-C01	0	F11
42753-0F06-C00	0	F08	45105-LGE5-305	0	F04	5032B-ABD2-C01	0	F11
<b>43000</b>			45121-ABD2-C00	0	F07	50350-LFA7-C00	0	F20
			45126-ABD2-C01	0	F04	50352-LBA2-E00	0	F20
			45127-ABD2-C01	0	F04	50360-LFA7-C00	0	F20
43100-AAG3-E00	0	F04	45128-ABD2-C00	0	F06	50410-ABD2-C01	0	F11
43100-LGE5-C01	0	F04	45200-LKG7-C01	0	F04	50500-AAG3-C00	0	F15
43105-LGE5-406	0	F04	45352-ABD2-900	0	F07	50502-LDF7-C00	1	F15
43126-ACJ1-E01	0	F04	45500-LKG7-C00	0	F04	50504-LFA7-E00	3	E01
43127-ABD2-C01	0	F04	45513-LEA7-E00	0	F04	50505-LEA7-E00	1	F15
43156-LDB2-C00	0	F04	45517-LBA2-E00	0	F04	50505-PUA3-B50	2	F15
43156-LEA7-E00	0	F04				50506-KHE7-E00	0	F15
43351-ABD2-C00	0	F08	<b>49000</b>			50530-ABD2-C00	0	F15
43352-LEA7-E01	0	F08				50550-KKC2-C00	0	F15
43500-LKG5-C00	0	F04	49100-ACD5-E01	0	F04	5061A-ACJ1-E00	0	F05
<b>44000</b>			49110-LGE5-C01	0	F04	50651-LFC4-E10	1	F18
			49211-LFH1-E00	1	F04	5070A-ALD9-E10	0	F20
						5070B-ALD9-E10	0	F20
44301-LEA7-E00	0	F07	<b>50000</b>			50713-KEB7-C00	0	F20
44311-LEA7-C00	0	F07				50715-KEB7-C00	0	F20
44312-LEA7-C00	0	F07	50100-ACJ1-E00	0	F20			
44601-ABD2-E30	0	F07	50159-ABD2-C00	0	F20	<b>51000</b>		
44620-LEA7-C00	0	F07	50190-LEA7-E00	0	F20			
44710-ABD2-C00	0	F07	50306-1F96-C00	1	F06	51400-ABD2-E00	0	F06

## PART NO. INDEX

PART NO.	VERSION	PAGE	PART NO.	VERSION	PAGE	PART NO.	VERSION	PAGE
51401-ABD2-E00	0	F06	53125-LEA7-C00	1	F03	64222-LLJ3-C00	0	F06
51404-LDH1-C00	0	F06	53140-LHJ3-900	0	F03	64223-LEA7-C00	0	F03
51410-LEA7-C00	0	F06	53150-LEA6-900	0	F03	64224-LEA7-C00	0	F03
51412-LLJ3-C00	0	F06	53175-LKF5-E00	0	F04	64225-LEA7-E00	1	F03
51416-LDH1-C00	0	F06	53178-LKF5-E00	0	F04	64226-LEA7-E00	0	F03
51420-ABD2-C00	0	F06	53200-ACD5-C00	0	F06	64301-ABD2-C00	0	F05
51422-KED9-C00	0	F06	53205-ABD2-C00	0	F03	64302-ABD2-C00	0	F05
51427-LDH1-C00	0	F06	53206-ABD2-C00	0	F03	64303-ABD2-C00	0	F05
51427-LLJ3-C00	0	F06	5320A-ABD2-C00	0	F03	64305-ABD2-C00	0	F05
51429-ABD2-E00	0	F06	5320B-ABD2-C01	0	F03	64306-ABD2-C00	0	F05
51437-LDH1-C00	0	F06	53213-LBA2-C00	0	F06	64307-ABD2-C00	0	F05
51500-ABD2-E00	0	F06	53213-LEA7-C00	0	F06	64308-ABD2-C00	0	F05
51520-ABD2-C00	0	F06	53214-LBA2-C00	0	F06	64315-ABD2-C00	0	F20
			53220-LBA2-E00	0	F06	6431A-ABD2-C00	0	F05
<b>52000</b>			53240-LEA7-90A	2	F06	64320-ABD2-C00	0	F05
			53250-LEA7-90A	2	F06	6433A-ABD2-C00	0	F05
52000-AAG3-E00	0	F16	<b>61000</b>			64340-ABD2-C00	0	F05
52101-LGE5-C01	0	F16				64350-ABD2-C00	0	F05
52103-ACD5-C01	0	F16				64360-ABD2-C00	0	F05
52400-ABD2-E00	0	F16	61100-ABD2-C00	0	F06	64400-ABD2-C00	0	F05
			61110-ABD2-C00	0	F05	64401-ABD2-C00	0	F05
<b>53000</b>			<b>64000</b>			<b>77000</b>		
53100-ABD2-C00	0	F03						
53105-LEA7-C00	0	F03	64220-ABD2-C00	0	F03	77115-ABD2-C00	0	F09
53106-LEA7-C00	0	F03	64221-LEA7-C00	0	F03	77200-ACJ1-E01	0	F09

## PART NO. INDEX

PART NO.	VERSION	PAGE	PART NO.	VERSION	PAGE	PART NO.	VERSION	PAGE
77235-ZZA6-C00	0	F19	81150-ZZA6-E00	0	F05	86020-ACJ1-E30	1	F22
77240-ABD2-C00	0	F19	81151-ABD2-C00	0	F05	86202-ABD2-E31	0	F22
77303-ZZA6-C00	0	F09	81200-ABD2-C00	0	F12	86561-ACJ1-E30	0	F22
7750A-ZZA6-C00	0	F09	81201-ABD2-C00	0	F12	86561-ACJ1-E30	1	F22
			81252-ABD2-C00	0	F12	86571-ACJ1-E30	0	F22
<b>80000</b>			81260-ACJ1-E01	0	F12	86571-ACJ1-E30	1	F22
			<b>83000</b>			<b>87000</b>		
80100-ACJ1-E00	0	F18						
80101-ABD2-C00	0	F18						
80105-ABD2-C00	0	F18	83500-ABD2-C00	0	F12	87140-ACJ1-E00	0	F22
80107-ABD2-C00	0	F18	83530-ABD2-C00	0	F05	87206-ABD2-C00	0	F22
80151-ABD2-C00	0	F05	83532-ABD2-C00	0	F05	87206-ABD2-C00	1	F22
80152-ABD2-C00	0	F05	83534-ABD2-C00	0	F05	87311-ABD2-C00	0	F22
80153-ABD2-C00	0	F05	83550-ABD2-C00	0	F03	87505-ABD2-E00	0	F22
8015A-ABD2-C00	0	F05	83550-KEC8-C00	4	F06	87508-ABD2-E00	0	F22
			83550-KEC8-C00	4	F18	87512-ABD2-E00	0	F22
<b>81000</b>			83551-KEC8-C10	4	F03	87541-GAR1-C01	1	F22
			83551-KEC8-C10	4	F06	87542-GAR1-C01	2	F22
81122-ABD2-C00	0	F05	83551-KEC8-C10	4	F18	87560-GFY6-E11	3	F22
81132-ABD2-C00	0	F05	83600-ABD2-C00	0	F12			
81133-ABD2-C00	0	F05	83630-ABD2-C00	0	F05	<b>88000</b>		
81134-ABD2-C00	0	F05	83750-ABD2-C00	0	F12			
81136-LEA7-E00	2	F05				88110-ACJ1-E00	0	F03
8113A-ABD2-C00	0	F05	<b>86000</b>			88110-ACJ1-E00	1	F03
8113B-ABD2-C00	0	F05				88120-ACJ1-E00	0	F03
81144-ALJ8-E10	2	F12	86020-ACJ1-E30	0	F22	88120-ACJ1-E00	1	F03



## PART NO. INDEX

PART NO.	VERSION	PAGE	PART NO.	VERSION	PAGE	PART NO.	VERSION	PAGE
			90107-LEA7-C01	1	F03	90302-LKB9-C00	0	F05
			90107-LEA7-C01	1	F06	90302-LKB9-C00	0	F12
			90108-KKC4-900	0	F15	90302-LLB1-C01	1	F04
89010-LEA7-C00	0	F09	90110-KHD8-900	0	F14	90302-LLB1-E00	2	F13
89020-KKC4-C00	1	F09	90113-LGE5-E01	0	F04	90302-SDA4-C01	0	F03
			90114-GDM4-C00	0	F13	90304-GHE8-C00	1	F03
			90116-KEC8-C00	0	F06	90304-GHE8-C00	1	F16
			90117-KED9-950	0	F20	90304-GHE8-C00	1	F20
90001-GBHB-661	3	E03	90145-LFH1-C00	0	F04	90304-LBD4-C00	1	F20
90001-GFY6-901	1	E02	90145-MKS9-C00	0	F04	90305-KKAK-C00	0	F08
90005-KED9-900	2	E03	90201-KHR8-75A	1	E06	90305-LBA2-C00	0	F03
9000A-KTDT-900	1	E01	90202-KGN7-671	0	E05	90305-LBA2-C00	0	F06
9000B-KHD6-900	0	E02	90206-0A01-001	4	E02	90305-LBD4-C00	1	F20
90012-3C33-001	2	E02	90215-KKC4-C00	1	F12	90312-LLJ3-C00	0	F06
90031-KHD6-900	0	E01	90215-KKC4-C00	1	F18	90401-KKJ9-001	0	E06
90032-KHD6-900	2	E01	90215-KKC4-C00	1	F19	90423-KKJ9-001	0	E04
90033-GFY6-900	1	E02	90301-6C93-C00	0	F09	90428-9H58-001	0	E04
90084-KKF9-901	0	E04	90301-6D34-C01	1	F10	90441-GFY6-941	1	E05
9008A-PTA1-900	0	E04	90301-6D34-C01	1	F20	90465-MDC4-001	4	E02
9008A-PTA1-900	3	E04	90301-6D34-C01	1	F21	90474-3C33-001	1	E01
90104-LEA7-E00	0	F03	90301-GFY6-C01	0	F14	90478-7L00-001	0	E04
90105-KCR3-001	3	F07	90302-GBR2-C00	4	F18	90503-LEA7-C00	0	F06
90105-KCR3-C00	0	F08	90302-GFY6-C00	2	F03	9052A-LEB1-900	0	E01
90106-GEN5-901	1	F03	90302-GFY6-C10	1	F11	90544-KEC8-C00	0	F06
90106-KFC2-900	2	F12	90302-GFY6-C10	1	F19	90545-3L00-C00	2	F04
90106-LEA7-E00	0	F20	90302-LKB9-C00	0	F03	90601-GFY6-901	0	E05

## PART NO. INDEX

PART NO.	VERSION	PAGE	PART NO.	VERSION	PAGE	PART NO.	VERSION	PAGE	
90601-LLJ3-C00	0	F06	91251-LLJ3-C00	0	F06	<b>93000</b>			
90605-1F66-721	0	E05	91255-KHE7-900	0	E01				
90651-LLJ3-C00	0	F06	91255-KHE7-90A	1	E01				
90652-ACD5-B80	0	F13	91255-LGE5-E00	0	F16		93404-06012-07	5	F18
90652-GFY6-901	1	F13	91255-LLB1-900	0	F16		93404-06016-07	1	F03
90652-LCA4-C10	6	F05	91301-GLR0-005	1	E03		93404-06016-07	1	F05
90652-LCA4-C10	6	F12	91301-LEB1-900	0	E02		93404-06016-07	1	F12
90652-LFB5-C00	1	F05	91302-0A01-021	0	E04		93404-06016-07	1	F15
90652-LGJ9-900	2	E02	91302-5G67-004	4	E04		93404-06016-07	1	F18
90660-LDE9-E00	0	F13	91302-LEB2-900	0	E08		93404-06016-07	1	F21
90677-GAR1-C01	1	F11	91303-3G77-001	0	E04		93404-06025-06	0	F03
90701-HFB6-011	1	E03	91303-KKE5-E00	2	E01		93404-06025-06	0	F21
90754-LLJ3-C00	0	F07	91306-1E05-691	1	E03		93892-04010-06	0	E08
90914-ACJ1-E00	0	F21	91307-0E35-001	1	E04		93892-05010-06	0	E08
<b>91000</b>			91351-6B42-000	1	E05	93903-25260	1	F05	
			<b>92000</b>			93903-25360	0	F13	
						93903-25460	0	F13	
91002-GGA7-70A	0	E05				93903-25480	1	F13	
91004-KHE7-900	1	E05	92000-05016-0G	0	E02	93903-34380	6	F03	
91009-KHE7-900	0	E01	92000-05016-0G	0	E06	93903-34380	6	F11	
91101-1K79-711	1	E06	92000-LEA6-900	2	E06	93903-34380	6	F18	
91104-GFY6-90A	0	E06	92101-05012-0H	2	F07	93903-34760	0	F05	
91202-LEB1-900	1	E01	92101-06014-0G	1	E02	93903-35260	0	E01	
91202-LFE2-90A	0	E07	92900-06060-0B	2	E02	93903-35280-G	1	F01	
91202-LKG2-900	1	E04				93903-35280-G	1	F03	
91211-KEBE-900	0	E05				93903-35280-G	1	F05	

## PART NO. INDEX

PART NO.	VERSION	PAGE	PART NO.	VERSION	PAGE	PART NO.	VERSION	PAGE	
93903-35280-G	1	F17	94101-AAG3-E03	0	F14	<b>95000</b>			
93903-35280-G	1	F18	94101-KKE3-900	0	E08				
93903-35280-G	1	F21	94101-LBA2-C00	1	F20				
93903-35360	0	F02	94102-LBA2-C00	0	F20		95002-02100	0	F13
93903-35360	0	F03	94111-06800	1	E02		95002-41150-00	0	F13
93903-KEB7-900	0	F03	94111-06800	1	E08		95002-41250-00	0	F13
93903-LHJ8-C01	1	F01	94111-AAG3-E03	0	F14		95002-50000	1	E01
93903-LHJ8-C01	1	F03	94251-08400	0	F20		95002-LKF5-E00	2	F13
93903-LHJ8-C01	1	F05	94301-08140	4	E01		95014-72204	5	F15
93903-LHJ8-C01	1	F18	94301-08140	4	E04		95701-06008-07	0	F06
<b>94000</b>			94301-10160	4	E01	95701-06012-07	3	F11	
			94301-10160	4	E02	95701-06016-07	3	F20	
			94301-10160	4	E03	95701-06018-06	0	E01	
			94301-KKE5-E00	2	E01	95701-06025-06	2	E01	
			94510-10000	0	E06	95701-06045-06	0	F06	
94050-05080	6	F18	94510-14000	0	E04	95701-06045-06	0	F20	
94050-06060	1	F04	94510-25000	1	E07	95701-06050-06	0	F04	
94050-06060	1	F10	94520-28000	1	E05	95701-08012-07G	0	E01	
94050-06060	1	F19	94520-47000	0	F16	95701-KHC5-C00	1	F19	
94050-06080	2	E02	94591-KFBF-900	2	E02	95701-LDF2-800	2	F10	
94050-06080	2	E08	94591-KFBF-900	2	E04	95801-08040-08G	1	F06	
94050-06080	2	F19	94591-LEE8-E00	1	E01	95801-10030-06	1	F15	
94050-08080	4	E02	94601-14000	1	E03	95801-10040-06	0	F16	
94050-08080	4	F19	94608-LLJ3-C00	0	F06	95801-10045-06	2	F14	
94050-12080	1	E05				95801-10075-06	0	F16	
94101-06000-G	0	F20							
94101-08600	0	F15							

## PART NO. INDEX

PART NO.	VERSION	PAGE	PART NO.	VERSION	PAGE	PART NO.	VERSION	PAGE
<b>96000</b>			96100-60020-00	1	E01			
			96100-62020-00	1	E07			
			96100-62030-00	1	E01			
	96001-06010-00	0	E04	96100-63030-00	1	E07		
	96001-06012-06	1	E06	96100-LFE2-900	1	E07		
	96001-06012-06	1	F06	96150-60020-10	0	F07		
	96001-06012-06	1	F19	96150-62040-10	0	F16		
	96001-06012-08G	1	F04	96220-60100	1	E06		
	96001-06012-08G	1	F19	96600-08015-16	0	E06		
	96001-06014-06	0	E02	96700-KED9-C00	0	F06		
	96001-06016-06	1	E01					
	96001-06018-06	1	E06	<b>98000</b>				
	96001-06022-06	1	E04					
	96001-06025-06	1	E01	98059-5791R-00	0	E02		
	96001-06028-06	1	E04	98200-31000	1	F11		
	96001-06028-06	1	E06	98200-31500	1	F11		
	96001-06030-06	0	E04	98200-32500	0	F11		
	96001-06032-06	1	E01	98200-33000	0	F11		
	96001-06050-07	0	E01					
	96001-06085-06	0	E01					
	96001-06100-06	1	E02					
	96001-06120-06	1	E04					
96001-AAG3-E00	0	F14						
96001-AAG3-E03	0	F14						
96001-GFY6-900	2	F13						
96001-LAB4-900	3	E02						