

PARTS CATALOGUE



SCOOTERS

SK80AA(PT)

XCITING 400i



Release Date : 2017/05/09
Print Date : 2022/08/03

ABOUT THIS PARTS LIST

- This parts list is compiled all service parts for model SK80AA(PT).
- Any difference between color chart and motorcycle will be revised according to motorcycle.
- The Mark:
 1. Marking "***" must add color code in the end before ordering parts.
 2. Marking "#" are parts with modification, Please find the details from e-Parts system.
- When modification or additions to this parts list are made a revised edition at an appropriate time.



CONTENTS

● ABOUT THIS PARTS LIST	1
● COLOR CHART OF SK80AA(PT)	3
● CONTENTS-ENGINE GROUP	8
● CONTENTS-FRAME GROUP	9
● ENGINE PARTS LIST	12
● FRAME PARTS LIST	46
● PART NO. INDEX	130

NO	MODEL			COLOR CHART OF SK80AA(PT)			
	PHOTO NO			NO. 1	NO. 2	NO. 3	
	BASIC COLOR			Mat White	Mat Black	Pearly Black	
	CODE			Mat White	Mat Black	Pearly Black	
	PARTS NAME	PARTS NO.	VERSION	NH265FA	NH294FA	NH359PA	
1	FENDER SET FR	61100-LKF5-305	0	D2V	D36	D39	
2	PROTECTOR. MUFFLER	18318-LKF5-E00	4	D34			
3	HANDLE COVER LOW	53206-LKF5-E00	2	HUP			
4	TUNNEL LEG SHIELD	81141-LKF5-E00	4				
5	CARRIERRR.	81200-LGR2-E00	5				
6	COVER FR TOP	64301-LGR2-E00	1				
7	BOARD R SIDE COVER	83510-LKF5-E00	2	HUP		J2P	
8	BOARD L SIDE COVER	83610-LKF5-E00	2	J2P			
9	FRONT COVER COMP L	1134B-LKF5-E00	0				
10	TAIL CAP MUFFLER	18306-LKF5-E00	5	J8P			
11	SKIRT R SIDE (Flat	64305-LKF5-E00	2				
12	SKIRT.L SIDE	64306-LKF5-E00	2	J8P			
13	MOLDING SET FR (Flat	64302-LGR2-305	0				
14	COVER R.. BODY	83500-LKF5-E00	3	J8P			
15	COVER L.. BODY	83600-LKF5-E00	3				
16	COVER RR CENTER	83750-LKF5-E00	2	M2S			
17	CUSHION ASSY.. RR.	52400-LKF5-E00	4				
18	CUSHION ASSY. RR L/H	52500-LKF5-E00	3	M3A			
19	LEVER R STRG HANDLE	53175-LKF5-E00	0				
20	LEVER L STRG HANDLE	53178-LKF5-E00	0	MLA			
21	COVER COMP R CRANK	11330-LKF5-E00	7				
22	SIDE COVER L COVER	11345-LKF5-E00	3	N1P			
23	SKIRT A.R SIDE	64205-LKF5-E00	1				
24	SKIRT A.L SIDE	64206-LKF5-E00	1				
25	SKIRT FR R SIDE	64307-LGR2-E00	0				
DATE OF STARTING-SALES							
DATE OF END-SALES							

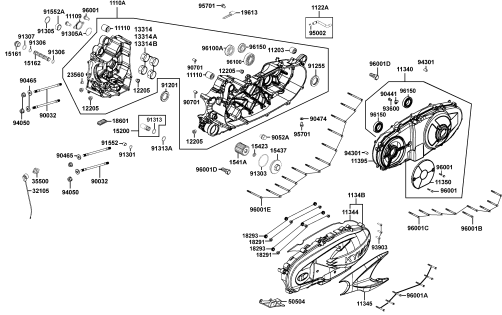
NO	MODEL			COLOR CHART OF SK80AA(PT)			
	PHOTO NO			NO. 1	NO. 2	NO. 3	
	BASIC COLOR			Mat White	Mat Black	Pearly Black	
	CODE			Mat White	Mat Black	Pearly Black	
	PARTS NAME	PARTS NO.	VERSION	NH265FA	NH294FA	NH359PA	
26	SKIRT FR L SIDE	64308-LGR2-E00	0	N1P			
27	MIRROR ASSY. R BACK	88110-LKF5-E00	5				
28	MIRROR ASSY. L BACK	88120-LKF5-E00	5				
29	CASE ASSY BATTERY	5032A-LKF5-E00	0				
30	BATTERY COVER.ASSY.	5032B-LKF5-E00	1				
31	COVER.UNDER	50613-LKF5-E00	1				
32	GRIP COMP THROT	53140-KKC4-900	1				
33	GRIP L HANDLE	53166-KGB5-900	1				
34	COVER METER FR	53203-LBA2-E00	3				
35	COVER METER RR	53204-LBA2-E00	3				
36	HANDLE COVER UP	53205-LKF5-E00	6	N1R			
37	LID.HANDLE UP	53208-LKF5-E00	1				
38	HOLDER ASSY..R WIND	6413A-LGR2-E00	5				
39	COVER R WIND	64140-LKF5-E00	1				
40	HOLDER ASSY L WIND	6423A-LGR2-E00	5				
41	COVER L WIND SCREEN	64240-LKF5-E00	1				
42	FLOOR.PANEL R	64310-LKF5-E00	2				
43	MAT FLOOR.R	64320-LKF5-E00	1				
44	FLOOR.PANEL L	64330-LKF5-E00	2				
45	MAT FLOOR.L	64340-LKF5-E00	1				
46	COWL.UNDER	64400-LKF5-E00	2				
47	FENDER RR. INNER	80101-LKF5-E00	3				
48	RR FRNDR.UP	80105-LKF5-E00	2				
49	RR FENDER LOW	80106-LKF5-E00	0				
50	COVER LICENSE LIGHT	80107-LKF5-E00	0				
DATE OF STARTING-SALES							
DATE OF END-SALES							

NO	MODEL			COLOR CHART OF SK80AA(PT)			
	PHOTO NO			NO. 1	NO. 2	NO. 3	
	BASIC COLOR			Mat White	Mat Black	Pearly Black	
	CODE			Mat White	Mat Black	Pearly Black	
	PARTS NAME	PARTS NO.	VERSION	NH265FA	NH294FA	NH359PA	
51	FENDER ASSY.RR TIRE	8010B-LKF5-E00	6	N1R			
52	COVER CENTER	80151-LKF5-E00	5				
53	LID.FUEL TANK MAINT	80152-LKF5-E00	4				
54	LID B.FUEL TANK MAINT	80154-LKF5-E00	1				
55	LEG SHIELD	81131-LKF5-E00	5				
56	LID.FR. INNER BOX	81132-LKF5-E00	2				
57	COVER.INNER CAP.LID	81134-LKF5-E00	3				
58	RETAIN PLATE.INNER	81135-LKF5-E00	1				
59	RUBBER.ADJUSTER	81136-LKF5-E00	2				
60	COVER.RADIATOR	81137-LKF5-E00	1				
61	LID RESERVE TANK	81138-LKF5-E00	1				
62	LID FR.ASSY..INNER	8113A-LKF5-E00	2				
63	COVER.R SIDE	83530-LKF5-E00	5				
64	COVER.L SIDE	83630-LKF5-E00	5				
65	BAND HARNESS WIRE	90656-KUDU-900	0				
66	COVER WATER PUMP	19220-LKF5-305	0				
67	COVER ASSY WATER	1922A-LKF5-E00	5				
68	CALIPER ASSY RR	43100-LKF5-E00	4				
69	CALIPER ASSY FR R/H	45100-LKF5-E00	7				
70	CALIPER ASSY FR R/H	45200-LKF5-E00	7				
71	FORK ASSY. FR R	51400-LKF5-E00	7				
72	BOTTOM CASE R	51421-LKF5-E00	0				
73	FORK ASSY. FR L	51500-LKF5-E00	7				
74	BOTTOM CASE L	51521-LKF5-E00	0				
75	FORK ASSY RR	52000-LKF5-E01	3				
DATE OF STARTING-SALES							
DATE OF END-SALES							

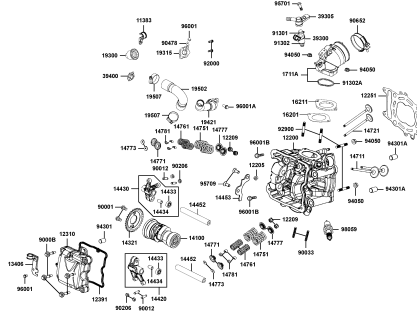
NO	MODEL			COLOR CHART OF SK80AA(PT)			
	PHOTO NO			NO. 1	NO. 2	NO. 3	
	BASIC COLOR			Mat White	Mat Black	Pearly Black	
	CODE			Mat White	Mat Black	Pearly Black	
	PARTS NAME	PARTS NO.	VERSION	NH265FA	NH294FA	NH359PA	
76	FORK A RR CAST	52110-LKF5-E00	0	NEA			
77	MOLD.R SIDE	83520-LKF5-E00	1	NEP			
78	MOLD.L SIDE	83620-LKF5-E00	1				
79	PROTECTOR. EXH PIPE	18325-LKF5-E00	4				
80	END HANDLE	53102-LEA5-E00	3	NES			
81	END R STRG HANDLE	53105-LEA5-E00	3				
82	SEAT ASSY (REACH)	77200-LKF5-305	0				
83	SEAT ASSY.	77200-LKF5-E01	7				
84	BACK SEAT ASSY	77210-LKF5-E01	1				
85	EMB K-LOGO	86102-LKJ1-900	2				
86	EMB BODY COVER	86202-LKF5-E00	2				
87	STRIPE R FR MOLD	86282-LGR2-E00	2				
88	STRIPE L FR MOLD	86283-LGR2-E00	2				
89	STRIPE B R FR MOLD	86284-LGR2-E00	2				
90	STRIPE B L FR MOLD	86286-LGR2-E00	2				
91	STRIPE COVER TUNNEL	86701-LKF5-E00	3	T01			
92	EMB MARK KYMCO	87206-LBA2-E00	3				
93	LABEL TIRE	87505-LKF5-E00	3				
94	LABEL CLEANNESS	87508-KKC4-E00	2				
95	CAUTION FILTER	87512-LBA2-E00	3				
96	CAUTION SIDE STAND	87541-GAR1-E00	2				
97	CAUTION MOBILE	87541-KKC2-E00	2				
98	MARK MAINT CAUTION	87542-GAR1-E00	3				
99	MARK DRIVE CAUTION	87560-GFY6-E00	5				
100	STRIPE R FR FENDER	86161-LGR2-E00	2	T02		T01	
DATE OF STARTING-SALES							
DATE OF END-SALES							

CONTENTS - ENGINE GROUP

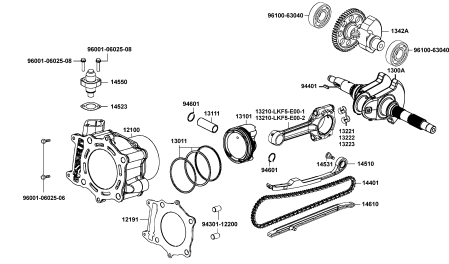
E01 Crank Case



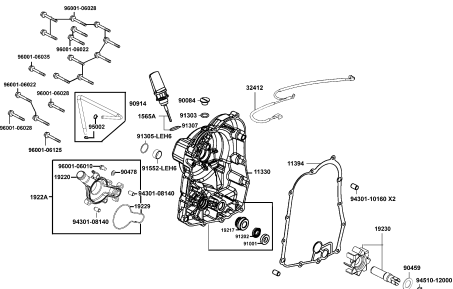
E02 Cylinder Head Cover Cylinder



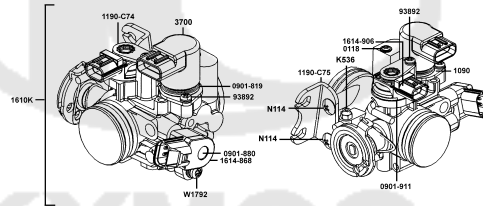
E03 Cylinder Piston Crankshaft



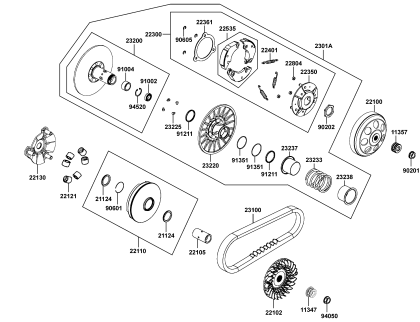
E04 Right Crankcase Cover Water



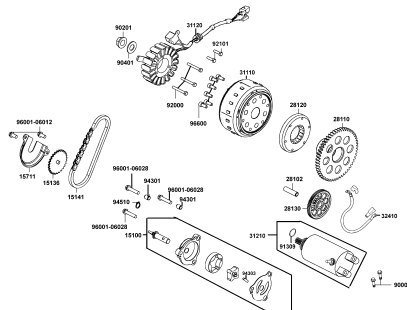
E05 Throttle Body Assy



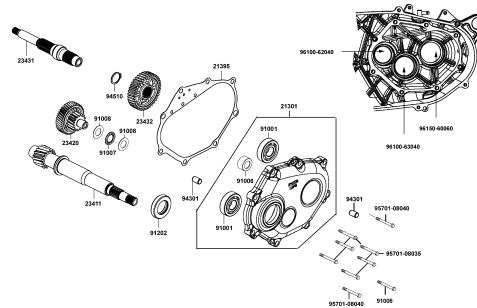
E06 Drive Pulley



E07 Starting Motor Generator

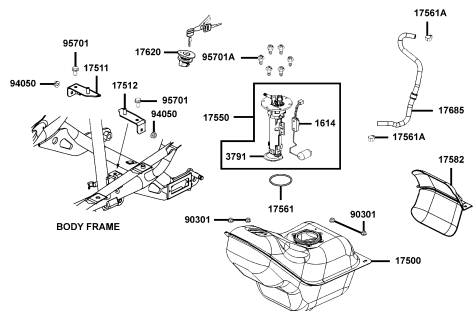


E08 Shaft Reduction

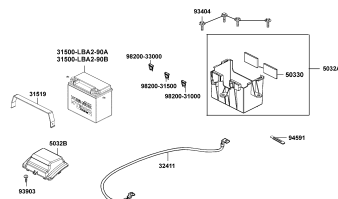


CONTENTS - FRAME GROUP

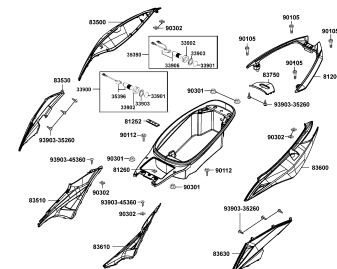
F10 Fuel Tank



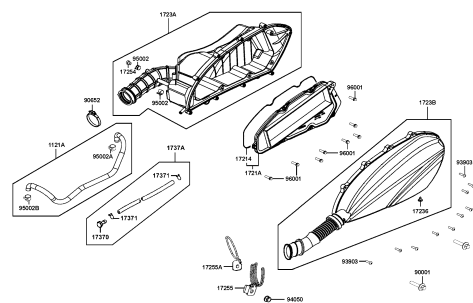
F11 Battery



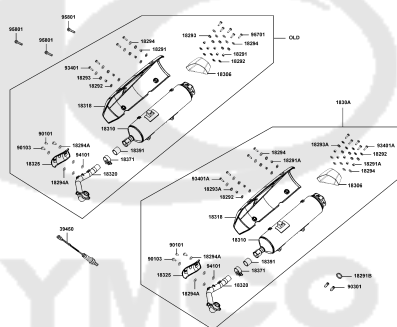
F12 Body Cover Luggage Box



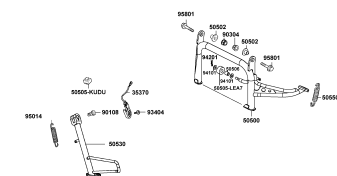
F13 Air Cleaner



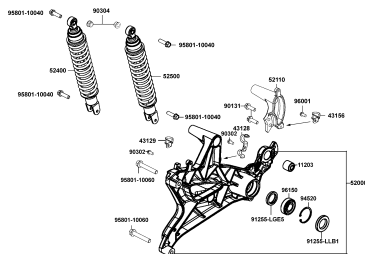
F14 Exhaust Muffler



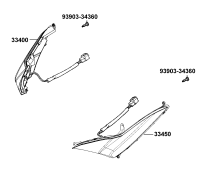
F15 Stand



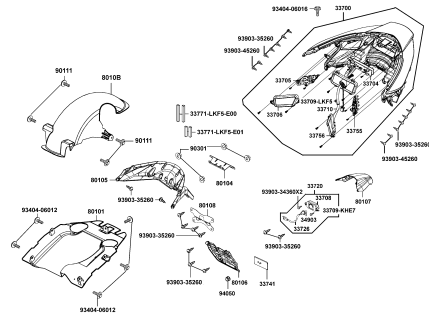
F16 Rr Cushion



F17 Winker

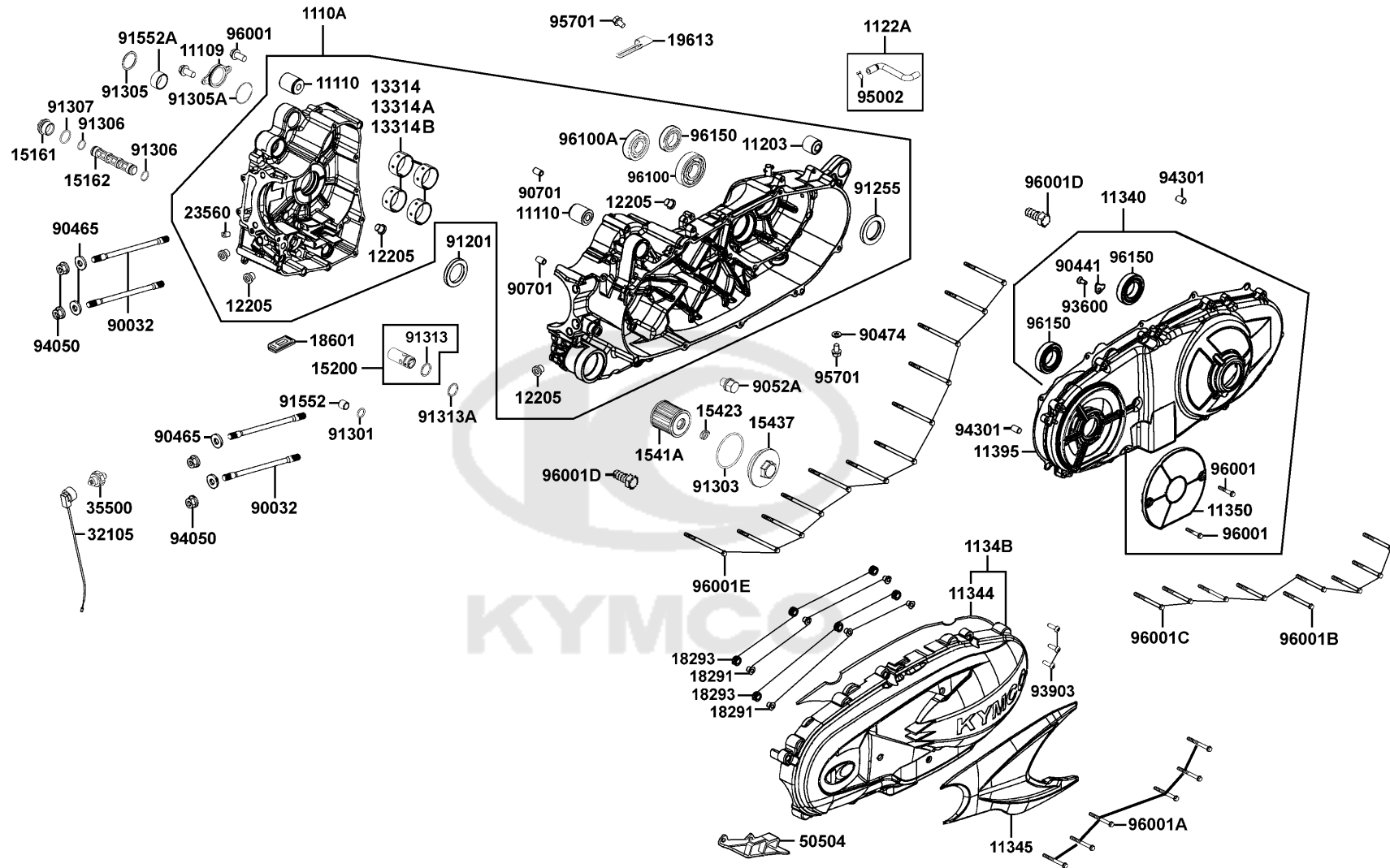


F18 Light Tail



E01

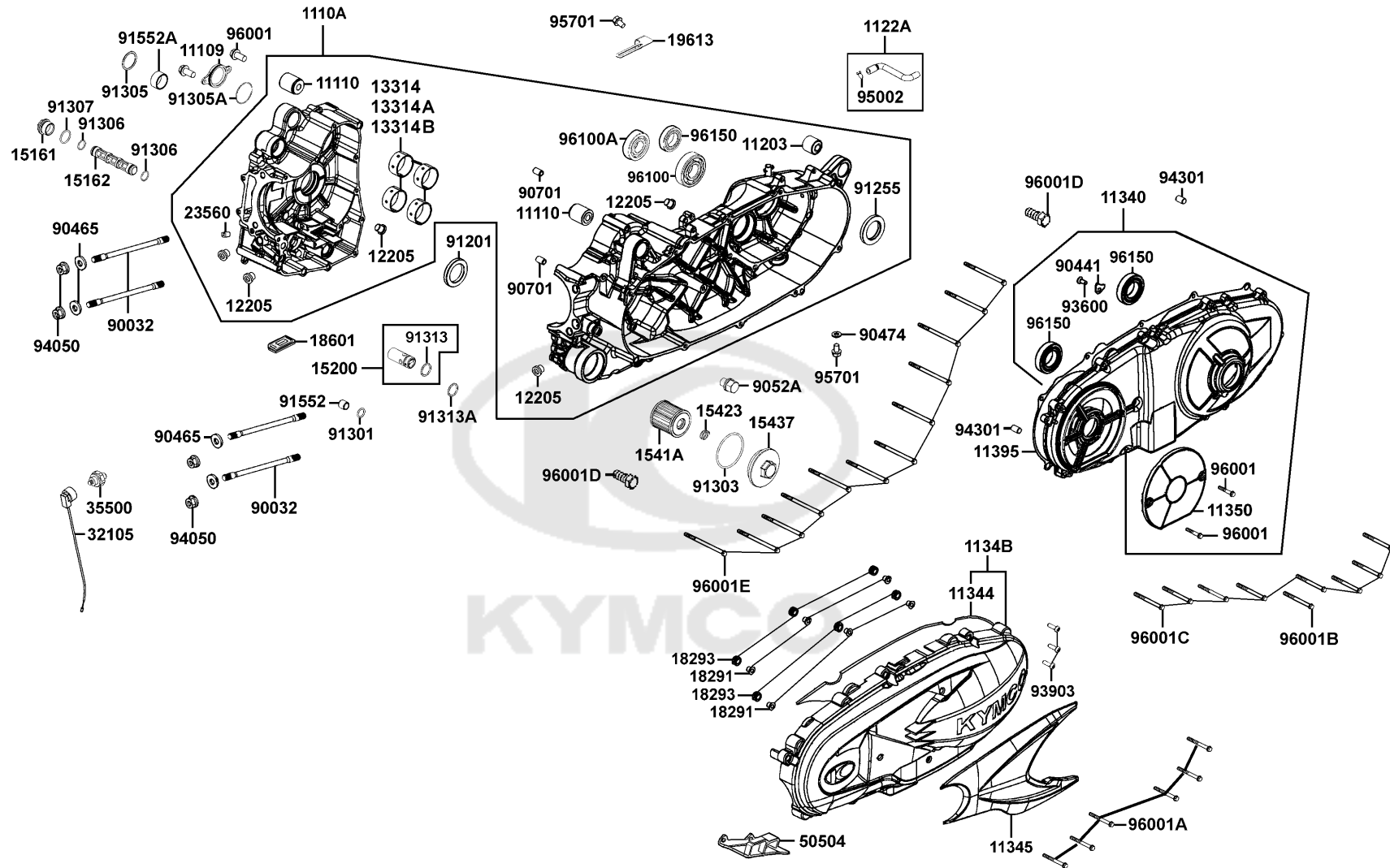
Crank Case



Sales mark	Ref no	Part no	Description	Reg description	Regd no	E01
	11109	11109-LKF5-E00	COVER BLANCE SHAFT	COVER BLANCE SHAFT	1	
	1110A	1110A-LKF5-305	CRANK CASE R/L ASSY	CRANK CASE R/L ASSY	1	
	11110	11110-LLJ3-E00	RUB BUSH ENG HANGER	RUB BUSH ENG HANGER	2	
	11203	11203-LBA2-E00	RUB BUSH L CASE	RUB BUSH L CASE	1	
	1122A	1122A-LEA7-E00	TUBE ASSY BREATHER	TUBE ASSY BREATHER	1	
	11340	11340-LKF5-E00	COVER COMP L CRANK CASE	COVER COMP L CRANK CASE	1	
#	11340	11340-LKF5-E01	COVER COMP L CRANK CASE	COVER COMP.. L. CRANK CASE	1	
	11344	11344-LKF5-E00	DUCT B L COVER	DUCT B L COVER	1	
**	11345	11345-LKF5-E00	SIDE COVER L COVER	SIDE COVER L COVER	1	
**	1134B	1134B-LKF5-E00	FRONT COVER COMP L COVER	FRONT COVER COMP L COVER	1	
	11350	11350-LKF5-E00	ELEMENT DUCT. A L. COVER	ELEMENT DUCT. A L. COVER	1	
	11395	11395-LKF5-E00	GASKET L COVER @A	GASKET. L. COVER A	1	
#	12205	12205-LEA7-E00	BOLT SEALING 12MM	BOLT SEALING 12MM	5	
	13314	13314-LKF5-E00-A	BEARING. CRANK SHAFT	BEARING. CRANK SHAFT (RED/1.495~1.498)	4	
	13314A	13314-LKF5-E00-B	BEARING. CRANK SHAFT	BEARING. CRANK SHAFT	4	
	13314B	13314-LKF5-E00-C	BEARING. CRANK SHAFT	BEARING. CRANK SHAFT	4	
	15161	15161-PUA5-E00	PLUG SCREW SECTION FILTER	PLUG SCREW SECTION FILTER	1	
	15162	15162-PUA5-E00	SUCTION FILTER CRANK SIDE	SUCTION FILTER CRANK SIDE	1	
	15200	15200-LKF5-E00	OIL RELIEF VALVE ASSY	OIL RELIEF VALVE ASSY	1	
	1541A	1541A-LEH6-E00	ELEMENT ASSY OIL FILTER	ELEMENT ASSY OIL FILTER	1	

E01

Crank Case

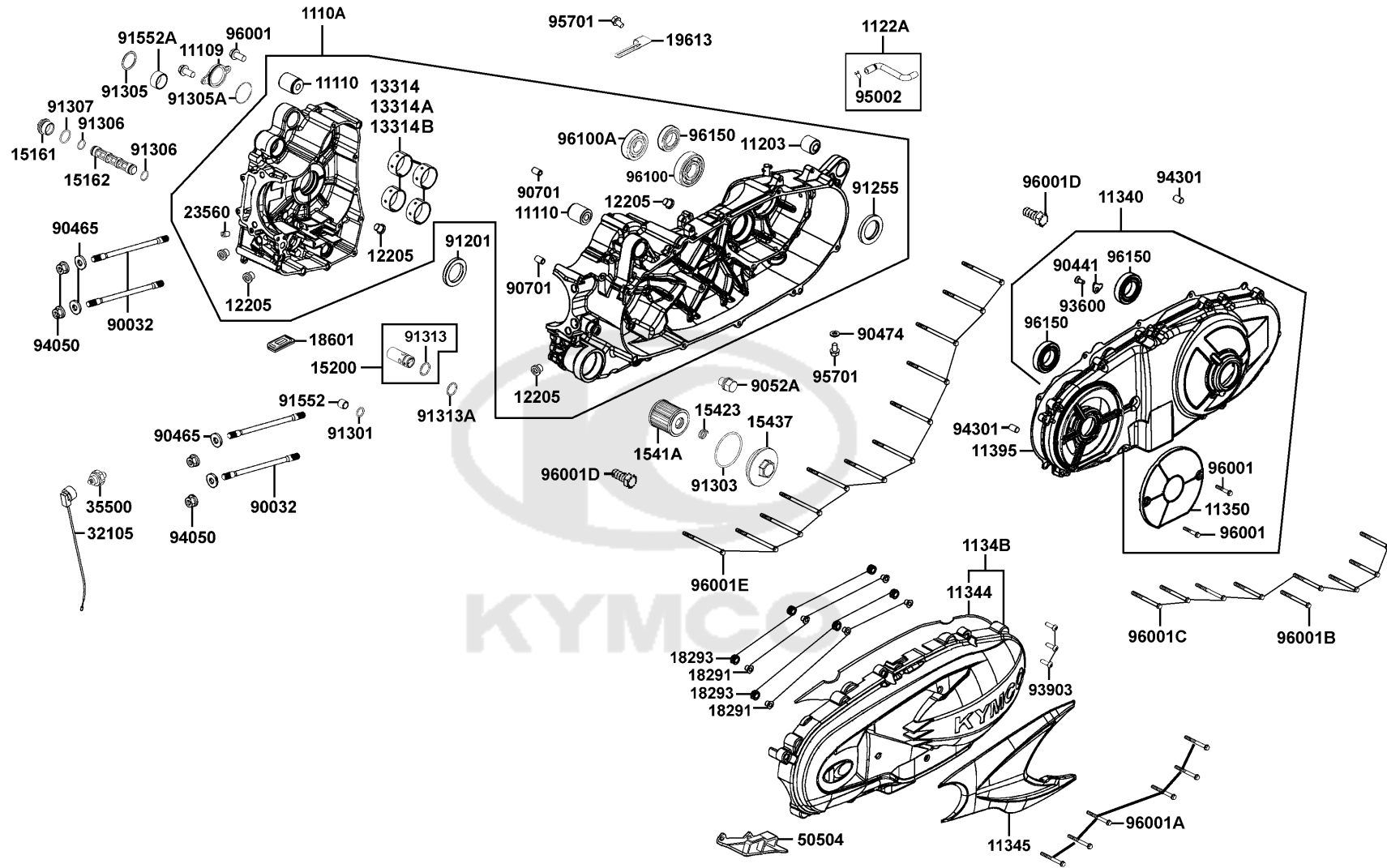



Sales mark	Ref no	Part no	Description	Reg description	Regd no	E01
	15423	15423-KKC3-900	SPRING CAP OIL	SPRING CAP OIL	1	
	15437	15437-LEA7-E00	CAP OIL FILTER	CAP OIL FILTER	1	
	18291	18291-KKC4-900	COLLAR	COLLAR	6	
	18293	18293-KKC4-900	RUBBER	RUBBER	6	
	18601	18601-LKF5-E00	REED VALVE COMP.	REED VALVE COMP.	1	
	19613	19613-LEA7-E00	CLAMPER STARTER MOTOR CORD	CLAMPER STARTER MOTOR CORD	1	
	23560	23560-LBA2-E00	ORIFICE R CASE	ORIFICE R CASE	1	
	32105	32105-LLJ3-E00	SUB HARNESS	SUB HARNESS	1	
	35500	35500-KED9-900	SW ASSY OIL PRESSURE	SW ASSY OIL PRESSURE	1	
	50504	50504-LKF5-E00	STOPPER PLATE.MAIN STAND	STOPPER PLATE.MAIN STAND	1	
	90032	90032-LEA7-E00	BOLT B STUD 10*180	BOLT B STUD 10*180	4	
	90441	90441-LKF5-E00	PLATE BRG HOLD	PLATE BRG HOLD	1	
	90465	90465-LBA2-E00	WASHER 10.2 MM	WASHER 10.2 MM	4	
	90474	90474-3C33-001	WASHER 8MM	WASHER 8MM	1	
	9052A	9052A-LEB1-900	BOLT ASSY DRAIN PLUG	BOLT ASSY DRAIN PLUG	1	
	90701	90701-9E65-001	PIN DOWEL 10*16	PIN DOWEL 10*16	2	
	91201	91201-LEA7-E00	OIL SEAL 35*50*7	OIL SEAL 35*50*7	1	
#	91201	91201-LKF5-E00	OIL SEAL 38*50*7	OIL SEAL 38*50*7	1	
	91255	91255-LKF5-E00	OIL SEAL 38X56X7	OIL SEAL 38X56X7	1	
	91301	91301-2L00-001	O-RING 10*1.6	O-RING 10*1.6	1	

Sales mark	Ref no	Part no	Description	Reg description	Regd no	E01
	91303	91303-LEA7-E00	O-RING 52.5x2.5	O-RING 52.5x2.5	1	
	91305	91305-LEH6-E00	O RING 19.8x1.9	O RING 19.8x1.9	1	
	91305A	91305-LKF5-E00	O-RING 48*1.8	O-RING 48*1.8	1	
	91306	91306-PUA5-E00	O-RING 13*1.5	O-RING 13*1.5	2	
	91307	91307-PUA5-E00	O-RING 18*2	O-RING 18*2	1	
	91313	91313-KED9-900	O-RING 15.5*1.5	O-RING 15.5*1.5	1	
	91313A	91313-LKF5-E00	O RING 14X2	O RING 14X2	1	
	91552	91552-LEA7-E00	COLLAR.10.5MM	COLLAR.10.5MM	1	
	91552A	91552-LEH6-E00	COLLAR 20mm	COLLAR 20mm	1	
	93600	93600-LKF5-E00	BOLT FLAT SOCKET	BOLT SOCKET 6X15	1	
	93903	93903-25380	SCREW TAPP 5*16	SCREW TAPP 5*16	3	
	94050	94050-10060	NUT FLANGE 10MM	NUT FLANGE 10MM	4	
	94301	94301-10160	DOWEL PIN 10*16	DOWEL PIN 10*16	2	
	95002	95002-50000	CLIP C9 TUBE	CLIP C9 TUBE	2	
	95701	95701-08012-06	BOLT FLANGE 8*12	BOLT FLANGE 8*12	2	
#	96001	96001-06012-06	BOLT FLANGE SH 6*12	BOLT FLANGE SH 6*12	1	
	96001A	96001-06020-06	BOLT FLANGE SH 6*20	BOLT FLANGE SH 6*20	6	
#	96001B	96001-06022-06	BOLT FLANGE SH 6*22 (G)	BOLT FLANGE SH 6*22 (G)	1	
#	96001C	96001-06030-06	BOLT FLANGE SH 6X30	BOLT FLANGE SH 6X30	1	
#	96001D	96001-06035-06	BOLT FLANGE SH 6*35	BOLT FLANGE SH 6*35	1	

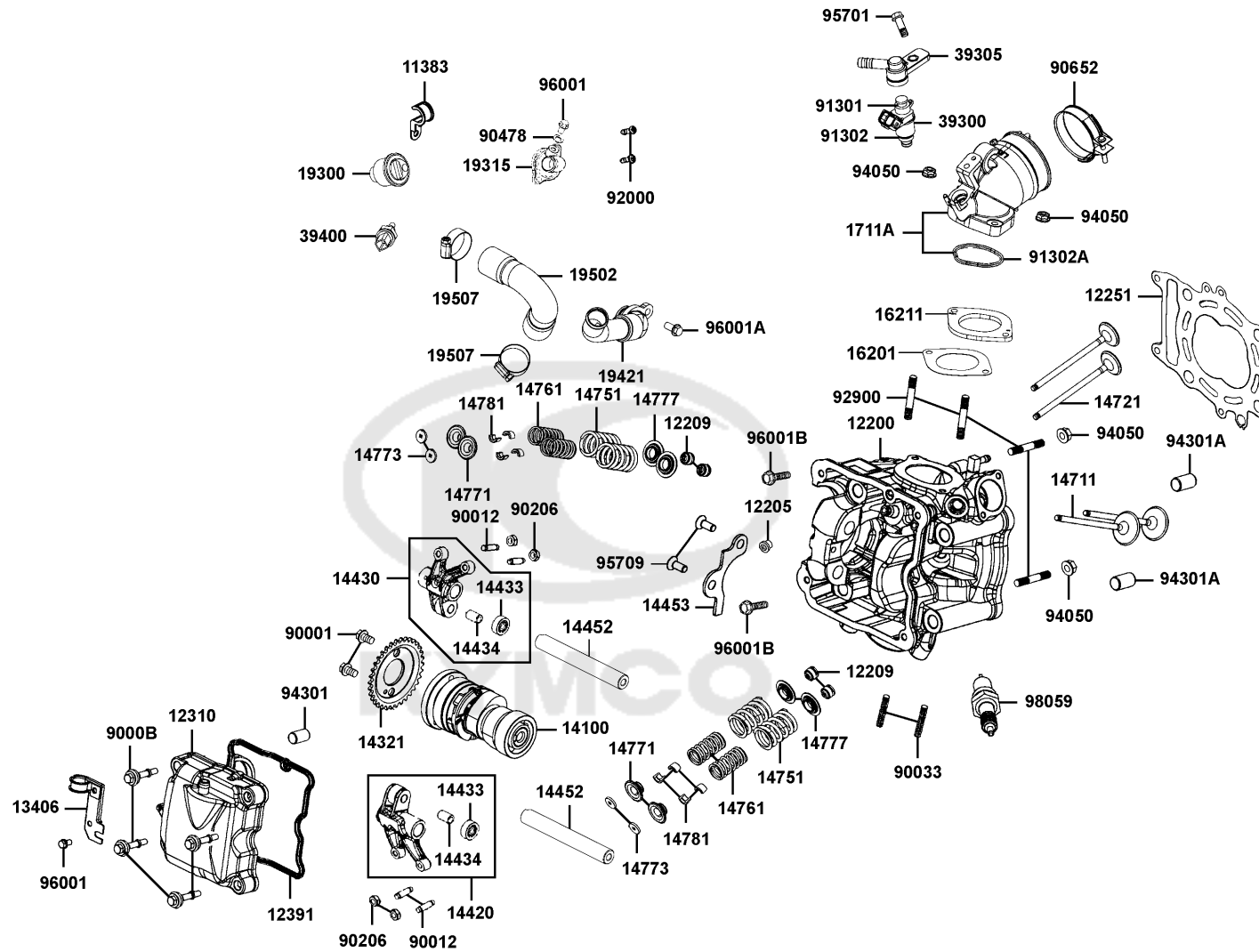
E01

Crank Case



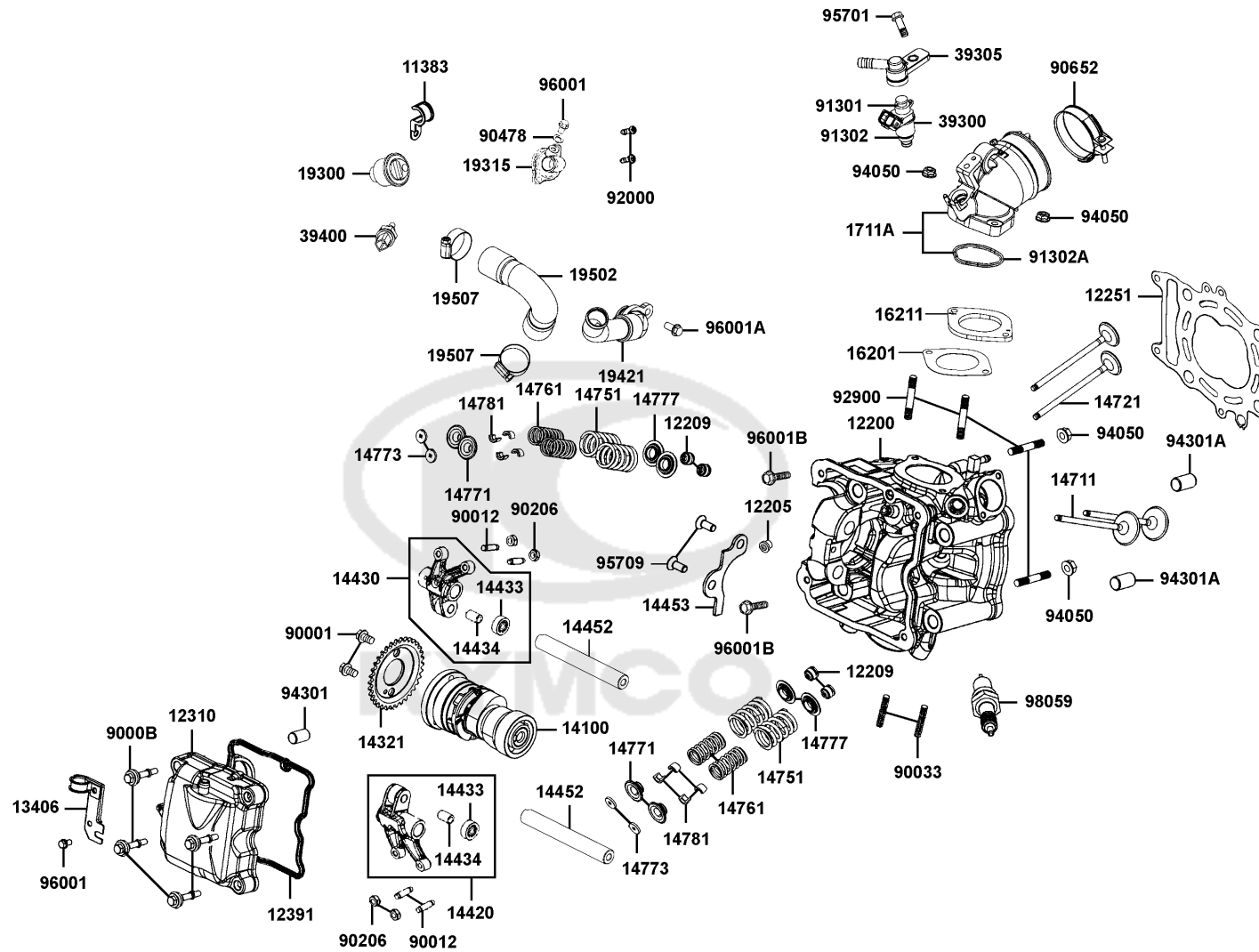
Sales mark	Ref no	Part no	Description	Reg description	Regd no	E01
	96001E	96001-06070-06	BOLT FLANGE SH 6*70	BOLT FLANGE SH 6*70	12	
	96100	96100-62040-00	BEARING BALL RADIAL 6204	BEARING BALL RADIAL 6204	1	
	96100A	96100-63040-00	BRG BALL RADIAL 6304	BRG BALL RADIAL 6304	1	
	96150	96150-60060-10	BEARING BALL RADIAL 6006	BEARING BALL RADIAL 6006	4	
						

Cylinder Head Cover Cylinder Head



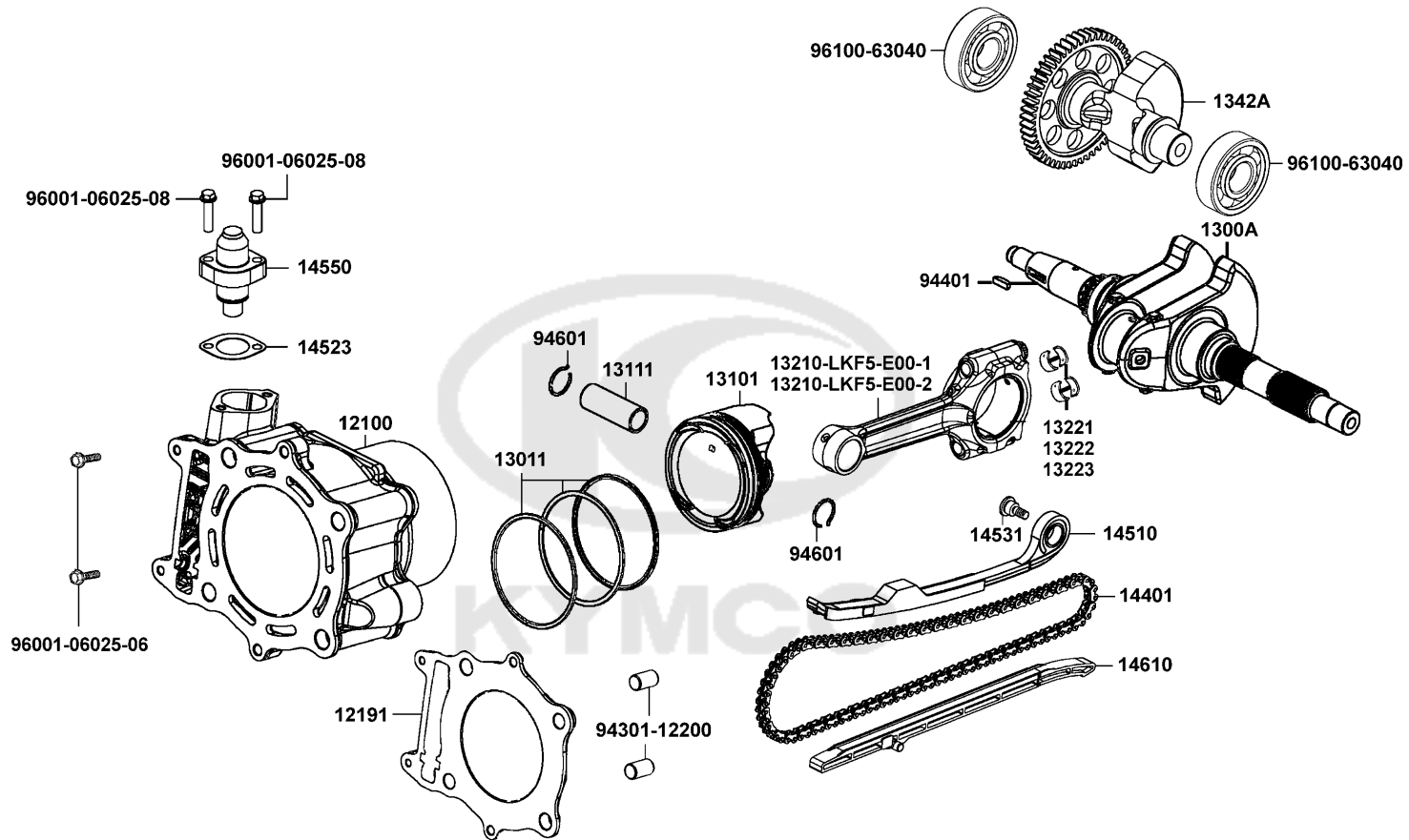
Sales mark	Ref no	Part no	Description	Reg description	Regd no	E02
	11383	11383-KHE7-900	CLAMPER RR BRK HOSE	CLAMPER RR BRK HOSE	1	
	12200	12200-LKF5-E00	HEAD COMP CYLINDER	HEAD COMP.. CYLINDER	1	
	12205	12205-KHE8-301	BOLT SEALING 12MM	BOLT SEALING 12MM	1	
	12209	12209-GDB4-68B	SEAL VALVE STEM	SEAL VALVE STEM	1	
	12251	12251-LKF5-E00	GASKET CYLINDER HEAD	GASKET CYLINDER HEAD	1	
	12310	12310-LKF5-E00	COVER COMP HEAD	COVER COMP HEAD	1	
#	12391	12391-LKF5-900	GASKET CYLINDER HEAD COVER	GASKET CYLINDER HEAD COVER	1	
	13406	13406-LEA7-E00	PLATE FUEL INJECTOR	PLATE FUEL INJECTOR	1	
	14100	14100-LKF5-E00	SHAFT COMP.. CAM	SHAFT COMP.. CAM	1	
	14321	14321-LEA7-E00	SPROCKET CAMSHAFT	SPROCKET CAMSHAFT	1	
	14420	14420-LKF5-E00	ARM COMP. EXH VALVE ROCKER	ARM COMP. EXH VALVE ROCKER	1	
	14430	14430-LKF5-E00	ARM COMP. IN VALVE ROCKER	ARM COMP. IN VALVE ROCKER	1	
	14433	14433-PTA1-900	ROCKER ASSY ROCKER ARM	ROCKER ASSY ROCKER ARM	2	
	14434	14434-PTA1-900	PIN ROCKER ARM	PIN ROCKER ARM	2	
	14452	14452-LKF5-E00	SHAFT. ROCKER ARM	SHAFT. ROCKER ARM	2	
	14453	14453-LKF5-E00	SET. PLATE. ROCKER ARM SHAFT	SET. PLATE. ROCKER ARM SHAFT	1	
#	14711	14711-ABE1-E00	VALVE INLET	VALVE INLET	1	
#	14721	14721-ABE1-E00	VALVE EXHAUST	VALVE EXHAUST	1	
	14751	14751-LKF5-E00	SPRING. VALVE OUTER	SPRING. VALVE OUTER	4	
	14761	14761-LKF5-E00	SPRING. VALVE INNER	SPRING. VALVE INNER	4	

Cylinder Head Cover Cylinder Head

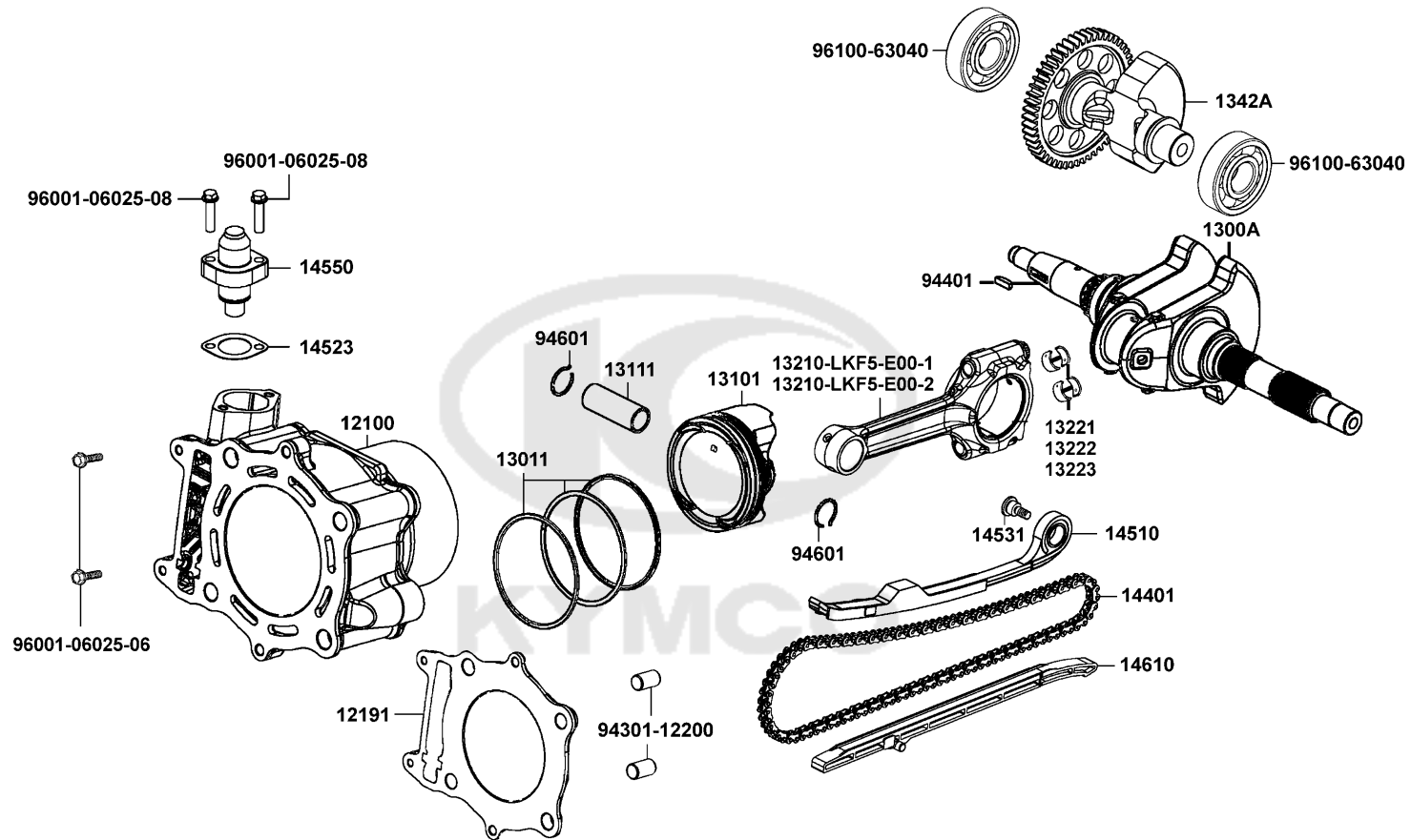


Sales mark	Ref no	Part no	Description	Reg description	Regd no	E02
14771		14771-LKF5-E00	RETAINER. VALVE SPRING	RETAINER. VALVE SPRING	4	
14773		14773-LKF5-E00	SHIM	SHIM	4	
14777		14777-LBA2-E00	SEAT VALVE SPG	SEAT VALVE SPG	4	
14781		14781-MFA6-001	COTTER VALVE	COTTER VALVE	8	
16201		16201-LKF5-E00	GASKET. CARB INSULATOR @A	GASKET. CARB INSULATOR A	1	
16211		16211-LKF5-E00	INSULATOR. CARB	INSULATOR. CARB	1	
1711A		1711A-LKF5-E00	PIPE ASSY.. INLET	PIPE ASSY.. INLET	1	
19300		19300-KAE1-004	THERMOSTAT ASSY	THERMOSTAT ASSY	1	
19315		19315-LKF5-E00	COVER THERMOSTAT	COVER THERMOSTAT	1	
19421		19421-LKF5-E00	JOINT WATER HOSE	JOINT WATER HOSE	1	
19502		19502-LKF5-E00	HOSE . B WATER	HOSE . B WATER	1	
19507		19507-LDB5-E00	CLAMP D 28	CLAMP D 28	2	
39300		39300-LDG7-M90	INJECTOR UNIT FUEL	INJECTOR UNIT FUEL	1	
39305		39305-LKF5-E00	HOLDER. FUEL INJECTOR	HOLDER. FUEL INJECTOR	1	
39400		39400-LDF2-800	WATER TEMP SENSOR	WATER TEMP SENSOR	1	
90001		90001-GFY6-901	SOCKET BOLT 6*10 (B)	SOCKET BOLT 6*10 (B)	2	
9000B		9000B-KHD6-900	BOLT ASSY SPECIAL 6*41.5	BOLT ASSY SPECIAL 6*41.5	4	
90012		90012-LKF5-E00	SCREW TAPPET ADJUSTING	SCREW TAPPET ADJUSTING	4	
90033		90033-GFY6-900	BOLT STUD 8*32	BOLT STUD 8*32	2	
90206		90206-0A01-001	NUT TAPPET ADJG	NUT TAPPET ADJG	4	

Sales mark	Ref no	Part no	Description	Reg description	Regd no	E02
	90478	90478-7L00-001	WASHER A 6MM	WASHER A 6MM	1	
	90652	90652-LDG7-900	C-HOPE 50~70	C-HOPE 50~70	1	
	91301	91301-LDF2-M90	O-RING 7.3*2.2 (BLACK)	O-RING 7.3X2.2	1	
	91302	91302-LDF2-M90	SEAL RING	SEAL RING	1	
	91302A	91302-LKF5-E00	SET RUBBER.	SET RUBBER.	1	
#	92000	92000-05016-0G	BOLT HEX 5X16	BOLT HEX 5X16	1	
	92900	92900-06040-0E	BOLT STUD 6*40	BOLT STUD 6*40	4	
	94050	94050-06080	NUT FLANGE 6MM	NUT FLANGE 6MM	4	
	94301	94301-08100	DOWEL PIN 8*10	DOWEL PIN 8*10	1	
	94301A	94301-12200	DOWEL PIN 12*20	DOWEL PIN 12*20	2	
#	95701	95701-06016-06	BOLT FLANGE 6*16 (K)	BOLT FLANGE 6*16 (K)	1	
	95709	95709-PRA1-E00	SCREW COUNTERSUNK M6*12	SCREW COUNTERSUNK M6*12	2	
	96001	96001-06010-00	BOLT FLANGE SH 6X10	BOLT FLANGE SH 6X10	2	
	96001A	96001-06016-06	BOLT FLANGE SH 6X16	BOLT FLANGE SH 6*16	2	
#	96001B	96001-06025-06	BOLT FLANGE SH 6*25	BOLT FLANGE SH 6*25	2	
	98059	98059-57916-00	SPARK PLUG (CR7E)	SPARK PLUG (CR7E)	1	



Sales mark	Ref no	Part no	Description	Reg description	Regd no	E03
	12100	12100-LKF5-E00	CYLINDER COMP (A)	CYLINDER COMP.	1	
	12191	12191-LKF5-E00	GASKET CYLINDER @A	GASKET CYLINDER @A	1	
#	1300A	1300A-LKF5-E01	CRANK SHAFT COMP	CRANK SHAFT COMP	1	
	13011	13011-LKF5-E00	RING SET PISTON	RING SET PISTON	1	
	13101	13101-LKF5-E00	PISTON	PISTON	1	
	13111	13111-LKF5-E00	PIN. PISTON	PIN. PISTON	1	
	13210-LKF5-E00-1	13210-LKF5-E00-1	CONN. ROD ASSY 40(0~+0.008)	CONN. ROD ASSY 40(0~+0.008)	1	
	13210-LKF5-E00-2	13210-LKF5-E00-2	CONN. ROD ASSY 40(+0.008~+0.016)	CONN. ROD ASSY 40(+0.008~+0.016)	1	
#	13221	13221-ABE1-E00-01	BEARING CONN ROD(RED/1.494~1.498)	BEARING CONN ROD(RED/1.494~1.498)	2	
#	13221	13221-ABE1-E00-02	BEARING CONN	BEARING CONN ROD(GREEN/1.490~1.494)	2	
#	13221	13221-ABE1-E00-03	BEARING CONN	BEARING CONN ROD(BLACK/1.486~1.490)	2	
	13222	13222-LKF5-E00	BEARING. CONN. ROD(1.491~1.494)	BEARING. CONN. ROD(1.491~1.494)	1	
	13223	13223-LKF5-E00	BEARING. CONN. ROD(1.486~1.490)	BEARING. CONN. ROD(1.486~1.490)	2	
	1342A	1342A-LKF5-E01	SHAFT COMP.. BALANCER	SHAFT COMP.. BALANCER	1	
	14401	14401-PWB1-900	CHAIN CAM	CHAIN CAM	1	
	14510	14510-LKF5-E01	TENSIONER. CAM CHAIN	TENSIONER. CAM CHAIN	1	
#	14523	14523-LKF5-E00	GASKET TENSIONER LIFTER @A	GASKET TENSIONER LIFTER @A	1	
	14531	14531-KHE7-900	PIVOT CAM CHAIN TENSIONER	PIVOT CAM CHAIN TENSIONER	1	
	14550	14550-LKF5-E00	ADJUSTER CAM CHAIN	ADJUSTER. CAM CHAIN	1	
	14610	14610-LEA7-E00	GUIDE COMP CAM CHAIN	GUIDE COMP CAM CHAIN	1	



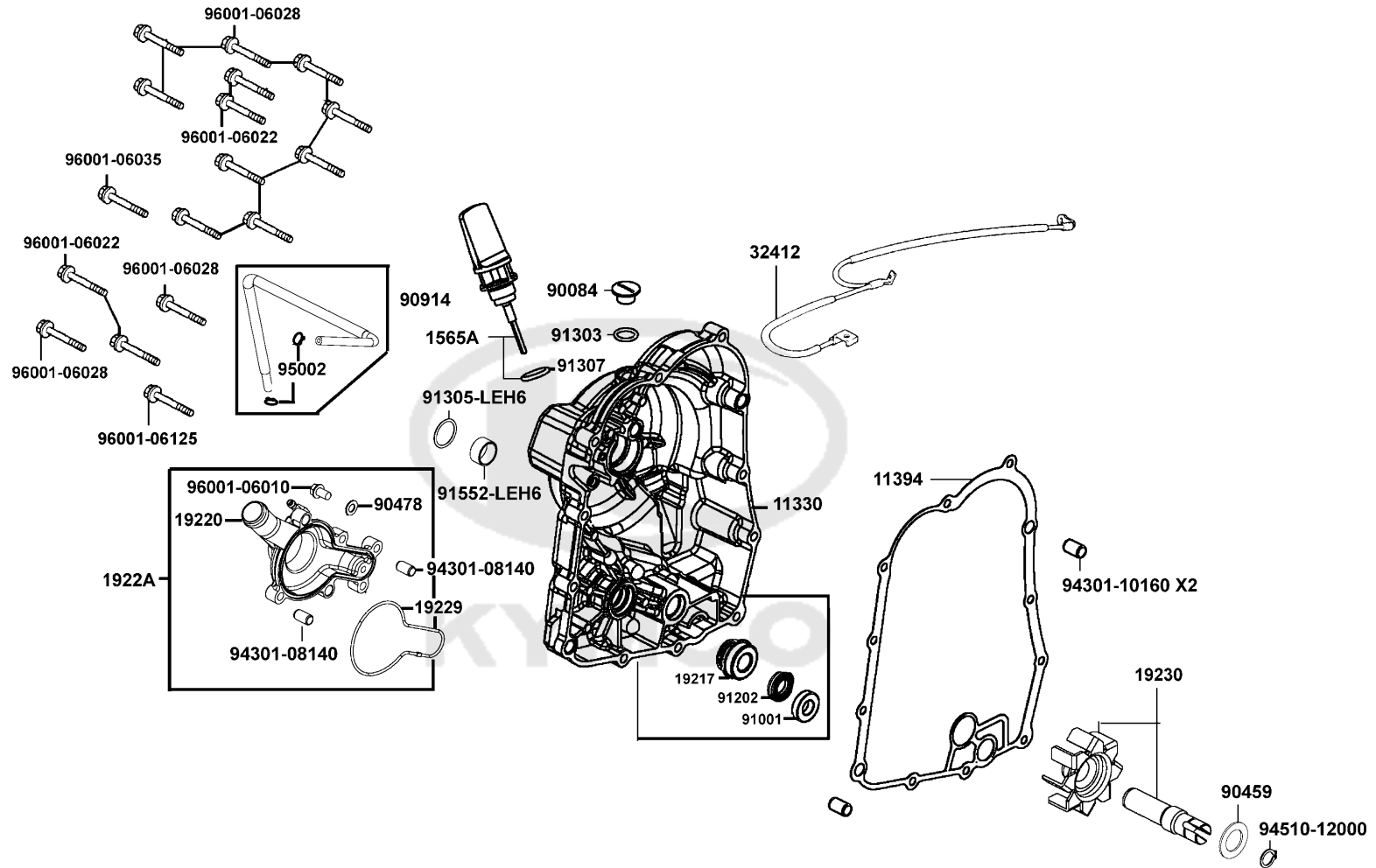
Sales mark	Ref no	Part no	Description	Reg description	Regd no	E03
------------	--------	---------	-------------	-----------------	---------	------------

	94301	94301-12200	DOWEL PIN 12*20	DOWEL PIN 12*20	2	
	94401	94401-25140	WOODRUFF KEY 25*14	WOODRUFF KEY 25*14	1	
	94601	94601-PSA6-E00	CIRCLIP PISTON PIN 20MM	CIRCLIP PISTON PIN 20MM	2	
#	96001-06025-06	96001-06025-06	BOLT FLANGE SH 6*25	BOLT FLANGE SH 6*25	3	
	96100	96100-63040-00	BRG BALL RADIAL 6304	BRG BALL RADIAL 6304	2	



E04

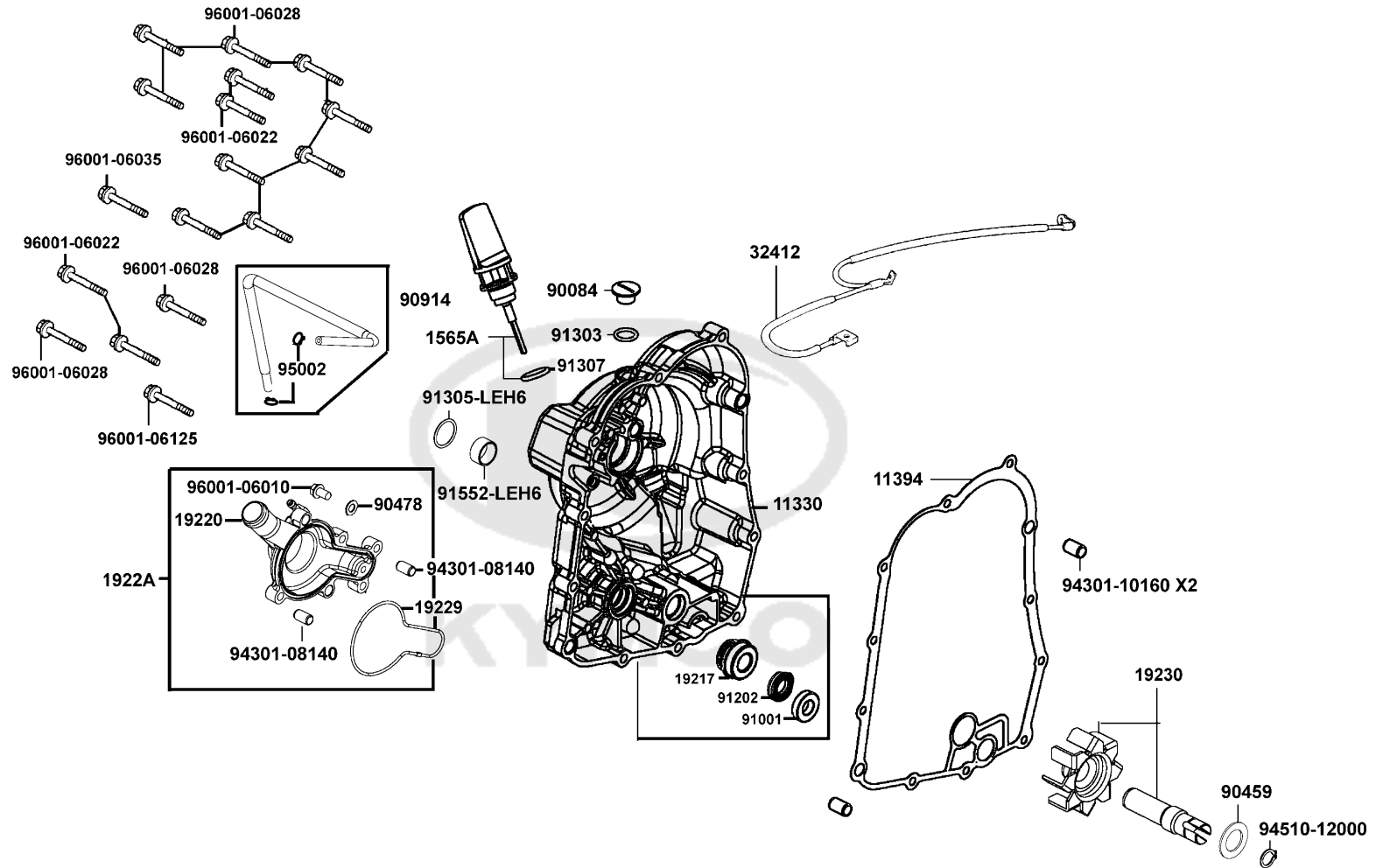
Right Crankcase Cover Water Pump



Sales mark	Ref no	Part no	Description	Reg description	Regd no	E04
**	11330	11330-LKF5-E00	COVER COMP R CRANK CASE (Flat	COVER COMP R CRANK CASE (Flat Black)	1	
	11394	11394-LKF5-E00	GASKET R COVER @A	GASKET R COVER @A	1	
	1565A	1565A-LBA2-E00	GAUGE OIL LEVEL ASSY	GAUGE OIL LEVEL ASSY	1	
#	19217	19217-ZPA3-E00	SEAL MECHANICAL	SEAL MECHANICAL	1	
**	19220	19220-LKF5-305	COVER WATER PUMP	COVER WATER PUMP	1	
	19229	19229-LKF5-E00	O-RING. WATER PUMP	O-RING. WATER PUMP	1	
**	1922A	1922A-LKF5-E00	COVER ASSY WATER PUMP	COVER ASSY WATER PUMP	1	
	19230	19230-LKF5-E00	ASSY WATER PUMP	ASSY WATER PUMP	1	
	32412	32412-LKF5-E00	CABLE. EARTH	CABLE. EARTH	1	
	90084	90084-KKF9-901	CAP AC GENERATOR	CAP ACG	1	
	90459	90459-LKF5-E00	WASHER 12MM	WASHER 12MM	1	
	90478	90478-7L00-001	WASHER A 6MM	WASHER A 6MM	1	
	90914	90914-LKF5-E00	TUBE ASSY.WATER	TUBE ASSY.WATER	1	
	91001	91001-KKJ9-006	BRG BALL RADIAL 6901	BRG BALL RADIAL 6901	1	
#	91202	91202-LKG2-900	OIL SEAL 13.7*24*5	OIL SEAL 13.7*24*5	1	
	91303	91303-3G77-001	O-RING 13.8*2.5	O-RING 13.8*2.5	1	
	91305-LEH6	91305-LEH6-E00	O RING 19.8x1.9	O RING 19.8x1.9	1	
	91307	91307-0E35-001	O RING 18*3	O RING 18*3	1	
	91552-LEH6	91552-LEH6-E00	COLLAR 20mm	COLLAR 20mm	1	
	94301-08140	94301-08140	DOWEL PIN 8*14	DOWEL PIN 8*14	2	

E04

Right Crankcase Cover Water Pump

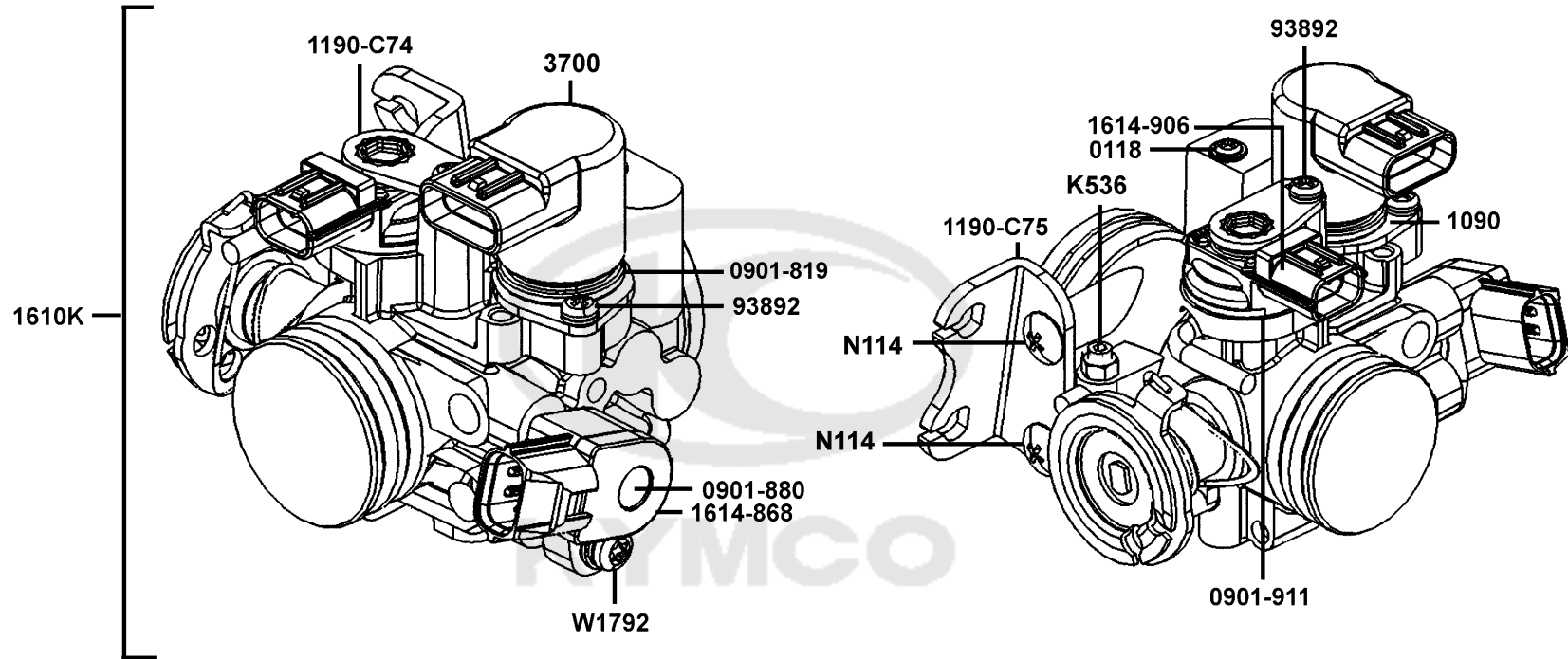


Sales mark	Ref no	Part no	Description	Reg description	Regd no	E04
	94301-10160	94301-10160	DOWEL PIN 10*16	DOWEL PIN 10*16	2	
	94510-12000	94510-12000	CIR CLIP EXTERNAL 12	CIR CLIP EXTERNAL 12	1	
	95002	95002-02070	CLIP B7 TUBE	CLIP B7 TUBE	2	
	96001-06010	96001-06010-00	BOLT FLANGE SH 6X10	BOLT FLANGE SH 6X10	1	
#	96001-06022	96001-06022-06	BOLT FLANGE SH 6*22 (G)	BOLT FLANGE SH 6*22 (G)	4	
	96001-06028	96001-06028-06	BOLT FLANGE SH 6*28	BOLT FLANGE SH 6*28	12	
#	96001-06035	96001-06035-06	BOLT FLANGE SH 6*35	BOLT FLANGE SH 6*35	1	
	96001-06125	96001-06125-06	BOLT FLANGE SH 6*125	BOLT FLANGE SH 6*125	1	



E05

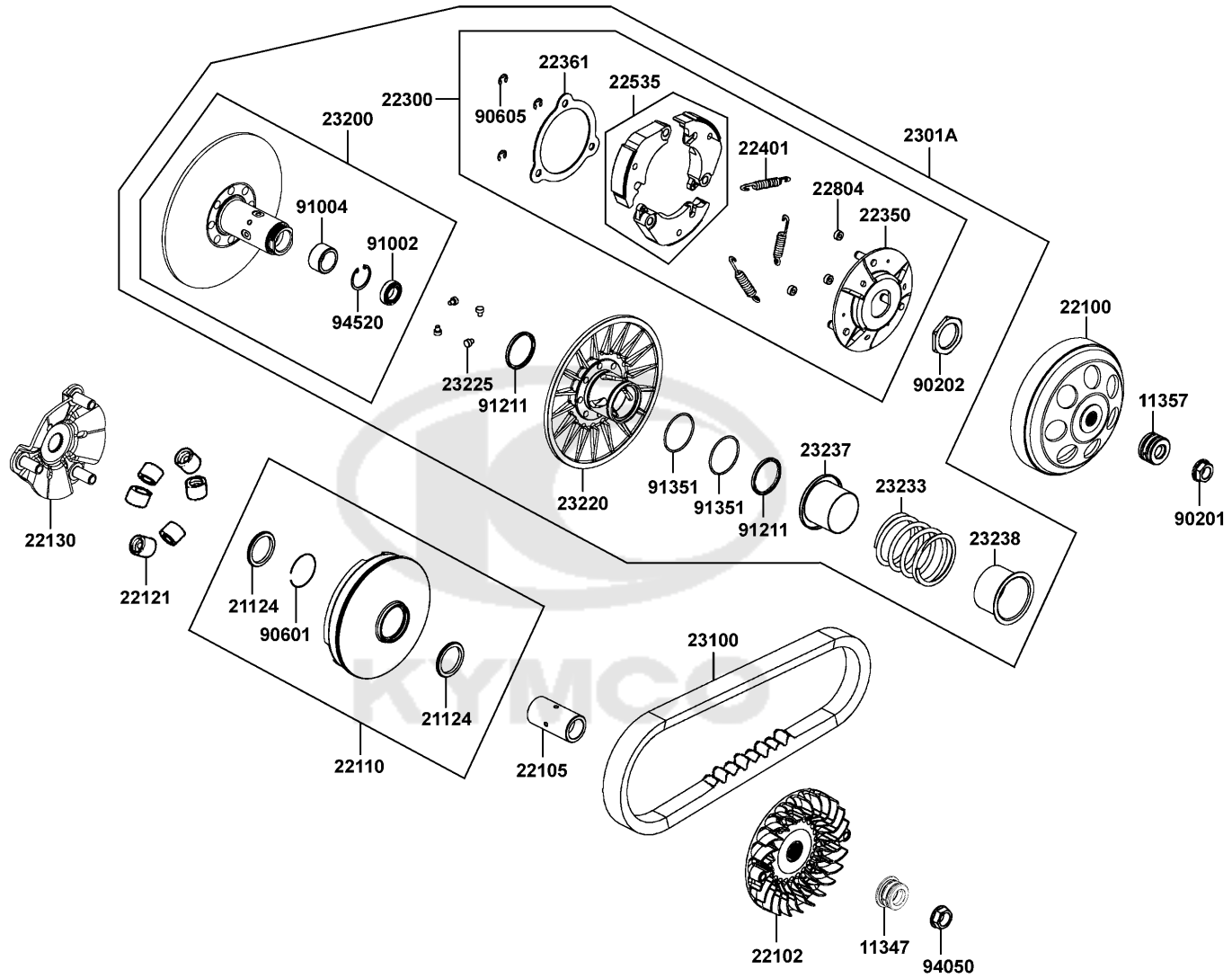
Throttle Body Assy



Sales mark	Ref no	Part no	Description	Reg description	Regd no	E05
	0118	0118-814-1100	SCREW SET	SCREW SET	1	
	0901-819	0901-819-6001	O-RING	O-RING	1	
	0901-880	0901-880-6000	O-RING/TPS	O-RING/TPS	1	
	0901-911	0901-911-6000	O-RING	O-RING	1	
	1090	1090-873-2001	SET PLATE	SET PLATE	1	
	1190-C74	1190-C74-2000	STAY PLATE	STAY PLATE	1	
	1190-C75	1190-C75-2000	BRACKET / THROTTLE CABLE	BRACKET / THROTTLE CABLE	1	
	1610K	1610K-LKF5-E00	THROTTLE BODY ASSY	THROTTLE BODY ASSY	1	
	1614-868	1614-868-0000-S	THROTTLE POSITION SENSER	THROTTLE POSITION SENSER	1	
	1614-906	1614-906-0002	MAP SENSOR	MAP SENSOR	1	
	3700	3700-A35B-0110	ISC VALVE	ISC VALVE	1	
#	93892	93892-04008-16	SCREW WASHER 4X8	SCREW WASHER 4X8	1	
	K536	K536-174-0200	SCREW SET	SCREW SET	1	
	N114	N114-05103-3	SCREW WASHER	SCREW WASHER	2	
	W1792	W1792-048-9901	SCREW TORX M5*0.8/TPS	SCREW TORX M5*0.8/TPS	1	

E06

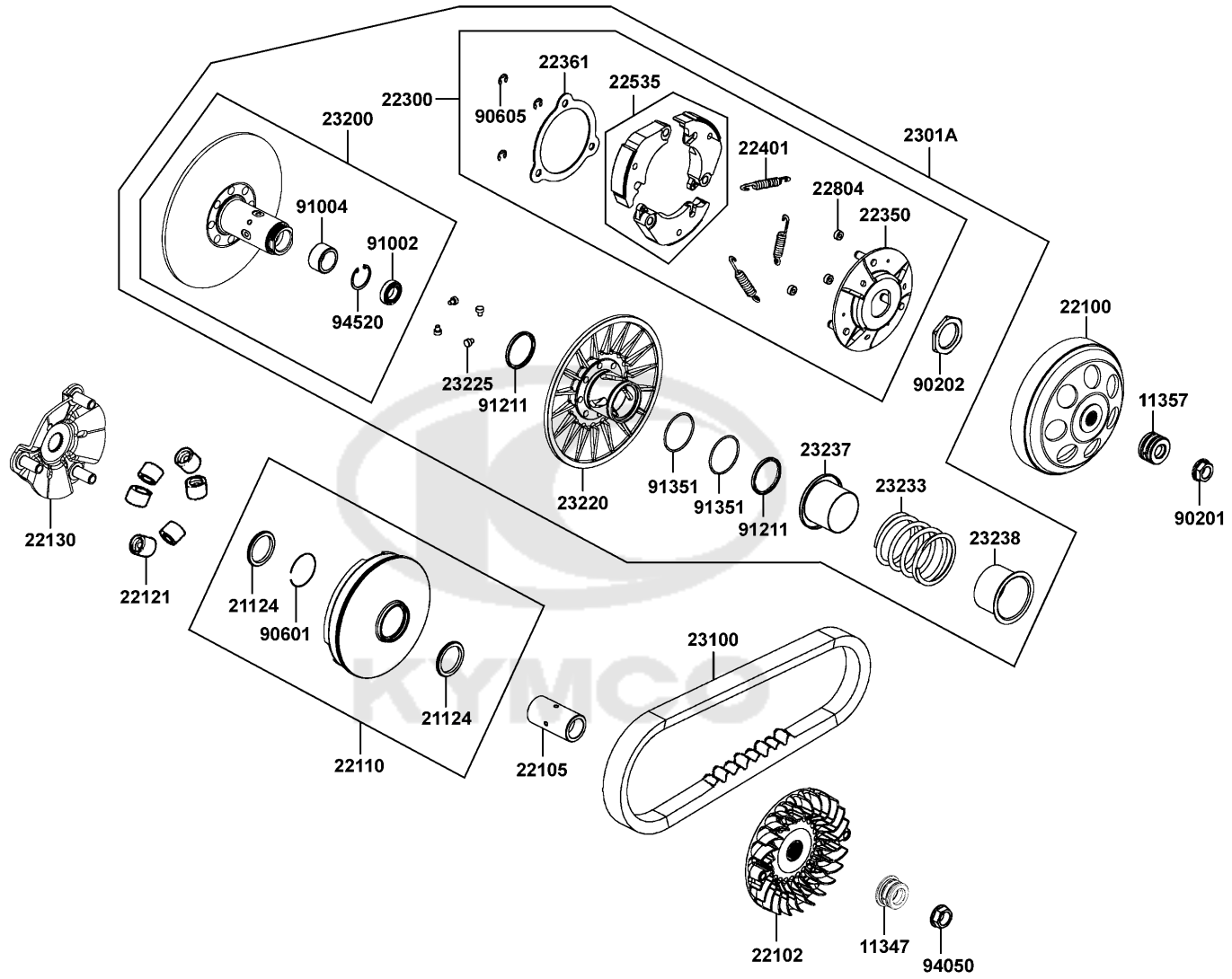
Drive Pulley



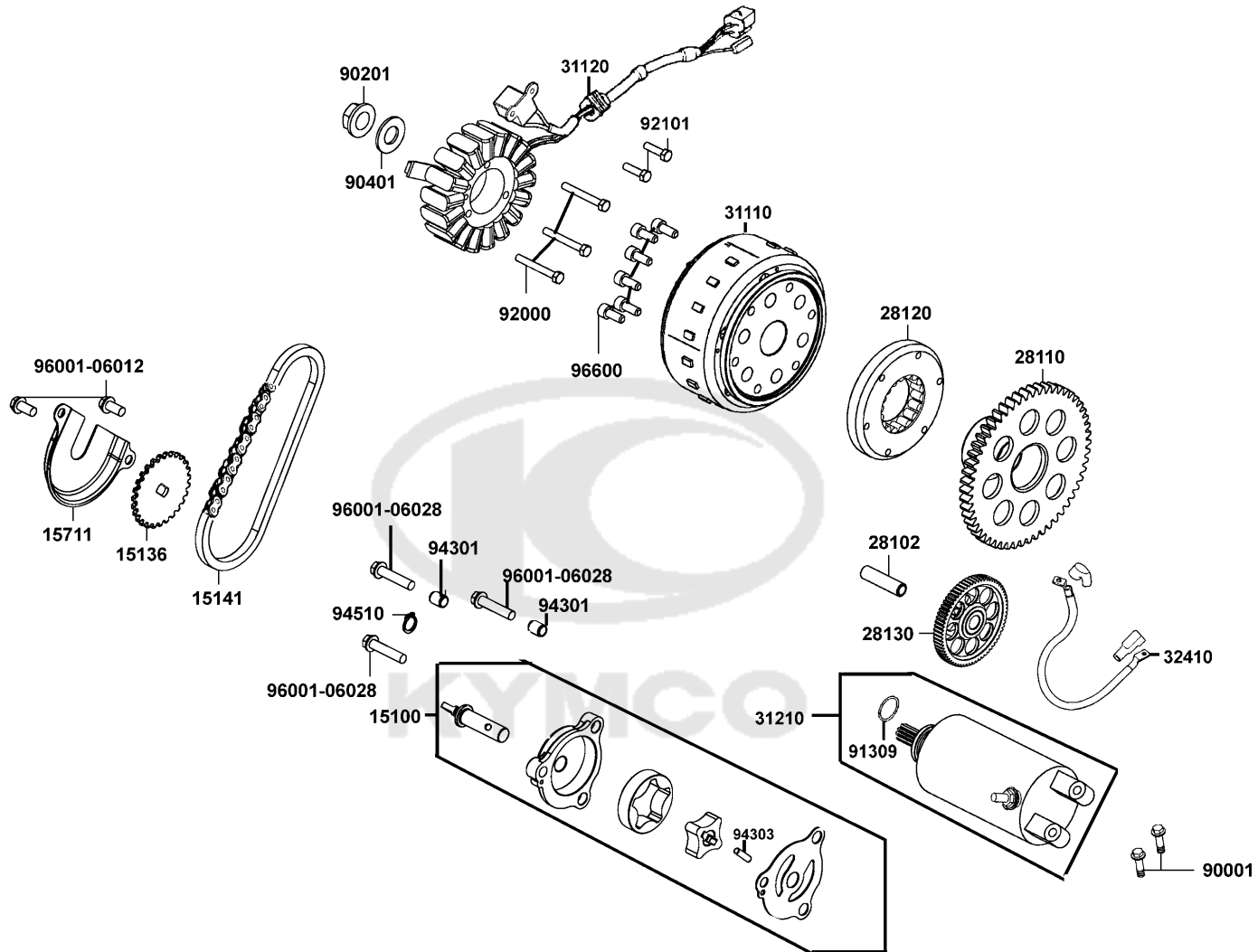
Sales mark	Ref no	Part no	Description	Reg description	Regd no	E06
	11347	11347-LKF5-E00	BOSS DRIVE SHAFT	BOSS DRIVE SHAFT	1	
	11357	11357-LKF5-E00	BOSS DRIVE SHAFT	BOSS DRIVE SHAFT	1	
	21124	21124-LKF5-E00	OIL SEAL 35*45*4	OIL SEAL 35*45*4	2	
	22100	22100-LKF5-E00	OUTER COMP CLUTCH	OUTER COMP.. CLUTCH	1	
	22102	22102-LKF5-E00	FACE COMP.. DRIVE	FACE COMP.. DRIVE	1	
	22105	22105-LKF5-E00	BOSS. DRIVE FACE	BOSS. DRIVE FACE	1	
	22110	22110-LKF5-E00	FACE COMP MOVABLE DRIVE	FACE COMP.. MOVABLE DRIVE	1	
#	22121	22121-LKF5-305	ROLLER SET WEIGHT (1SET:6PCS)	ROLLER SET WEIGHT (1SET:6PCS)	1	
	22130	22130-LKF5-E00	RAMP PLATE COMP.	RAMP PLATE COMP.	1	
	22300	22300-LKF5-E00	PLATE ASSY.. DRIVE	PLATE ASSY.. DRIVE	1	
	22350	22350-LKF5-E00	PLATE COMP. DRIVE	PLATE COMP. DRIVE	1	
	22361	22361-LKF5-E00	PLATE. CLUTCH SIDE	PLATE. CLUTCH SIDE	1	
	22401	22401-LKF5-E00	SPRING. CLUTCH	SPRING. CLUTCH	3	
#	22535	22535-LKF5-305	WEIGHT SET CLUTCH (1SET:3PCS)	WEIGHT SET CLUTCH (1SET:3PCS)	1	
	22804	22804-GBB2-001	RUBBER CLUTCH DAMPER	RUBBER CLUTCH DAMPER	3	
	2301A	2301A-LKF5-E00	PULLEY SUB ASSY	PULLEY SUB ASSY	1	
	23100	23100-LKF5-E01	BELT DRIVE(E100)/(N-6M)	BELT DRIVE(E100)/(N-6M)	1	
	23200	23200-LKF5-E00	FACE ASSY.. DRIVEN	FACE ASSY.. DRIVEN	1	
	23220	23220-LKF5-E00	FACE COMP.. MOVABLE DRIVEN	FACE COMP.. MOVABLE DRIVEN	1	
	23225	23225-LKF5-E00	PIN ROLLER GUIDE	PIN ROLLER GUIDE	4	

E06

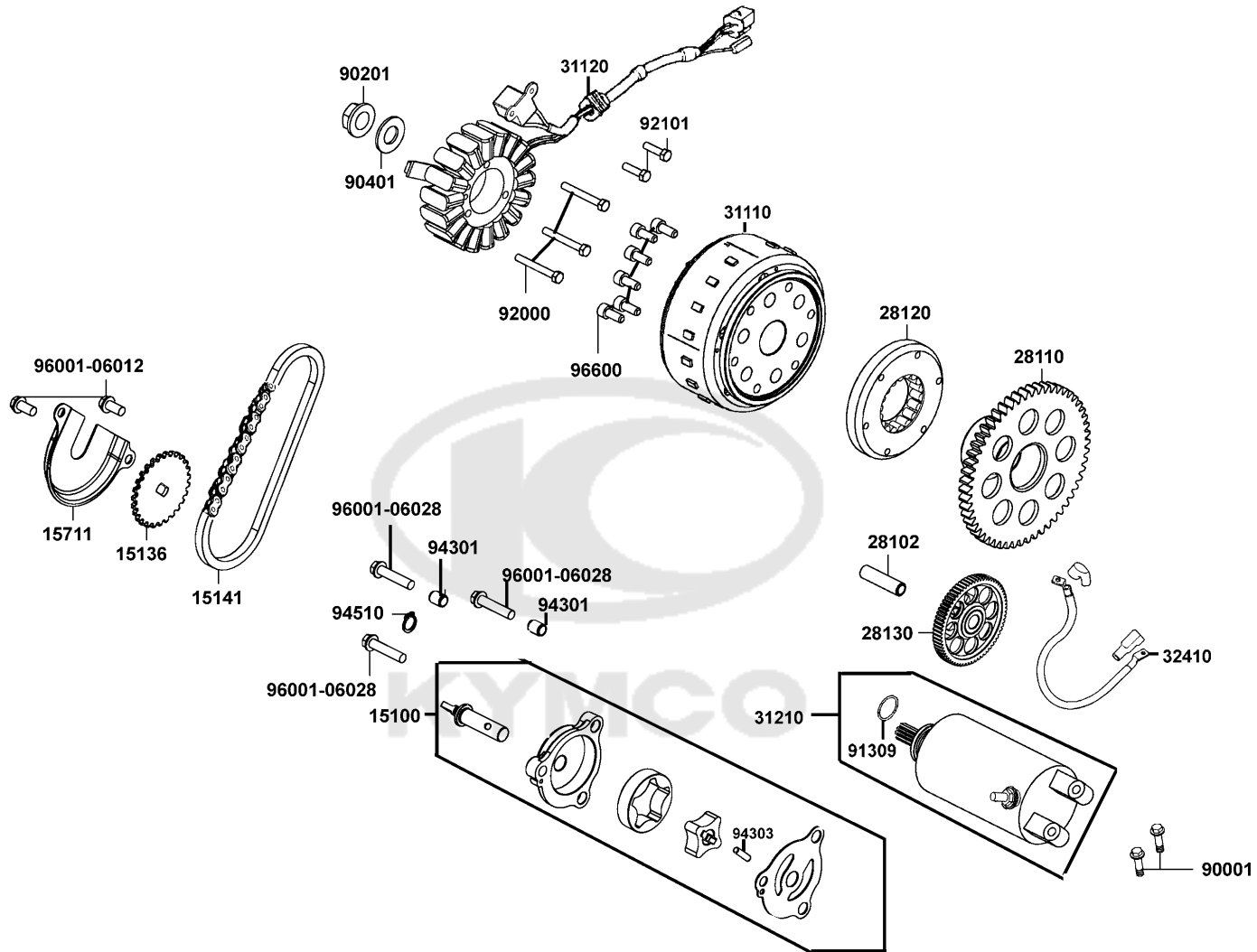
Drive Pulley



Sales mark	Ref no	Part no	Description	Reg description	Regd no	E06
23233		23233-LKF5-E00	SPG.. DRIVEN FACE	SPG.. DRIVEN FACE	1	
23237		23237-LKF5-E00	COLLAR SEAL	COLLAR SEAL	1	
23238		23238-LKF5-E01	COLLAR SPG	COLLAR SPG	1	
90201		90201-LKF5-E00	NUT. HEX	NUT. HEX	1	
90202		90202-LDB5-E00	NUT SPECIAL 36MM	NUT SPECIAL 36MM	1	
90601		90601-LKF5-E00	TUBE NULL	TUBE NULL	1	
90605		90605-1F66-721	CIR CLIP 7MM	CIR CLIP 7MM	3	
91002		91002-LKF5-E00	SET RING	SET RING	1	
91004		91004-LBA2-E00	BRG NDL 25*33*18	BRG NDL 25*33*18	1	
91211		91211-LDB5-E00	SEAL DRIVEN FACE 40.2*47*4	SEAL DRIVEN FACE 40.2*47*4	2	
91351		91351-LDB5-E00	O-RING PINION CAP	O-RING PINION CAP	2	
94050		94050-LKF5-E00	NUT FLANGE 18MM	NUT FLANGE 18MM	1	
94520		94520-30000	CIR CLIP IN 30	CIR CLIP IN 30	1	



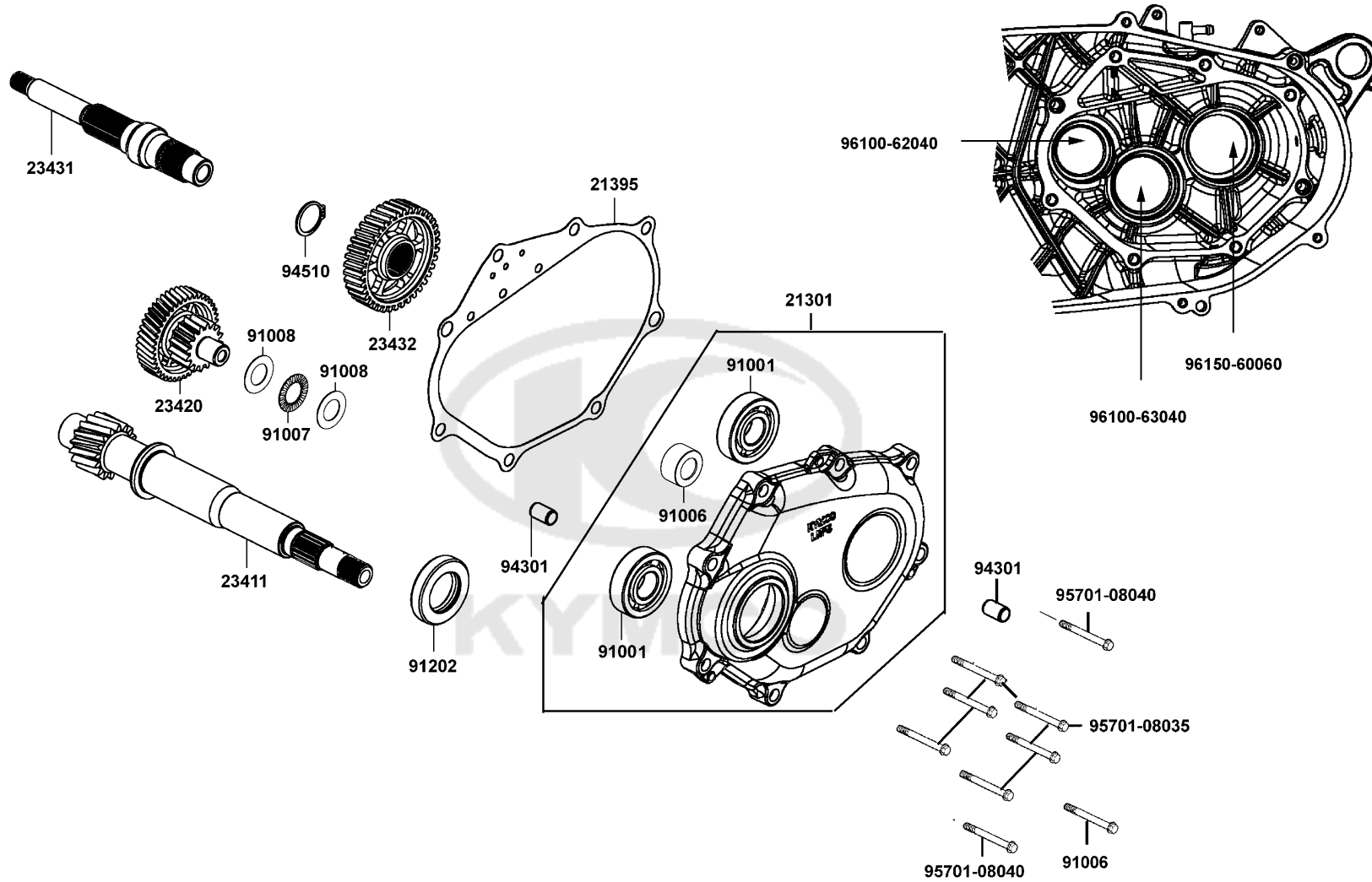
Sales mark	Ref no	Part no	Description	Reg description	Regd no	E07
	15100	15100-LKF5-E00	PUMP ASSY OIL	PUMP ASSY OIL	1	
	15136	15136-KKE5-E00	SPROCKET W/P DRIVEN	SPROCKET W/P DRIVEN	1	
	15141	15141-LKF5-E00	CHAIN. OIL PUMP	CHAIN. OIL PUMP	1	
	15711	15711-LKF5-E00	SEPARATOR OIL	SEPARATOR OIL	1	
	28102	28102-LEA7-E00	SHAFT STARTER REDUCTION	SHAFT STARTER REDUCTION	1	
	28110	28110-LKF5-E00	GEAR COMP.. STARTING CLUTCH	GEAR COMP., STARTING CLUTCH	1	
	28120	28120-LKF5-E00	ONE WAY CLUTCH	ONE WAY CLUTCH	1	
	28130	28130-LKF5-E00	GEAR COMP.. REDUCTION	GEAR COMP.. REDUCTION	1	
	31110	31110-LKF5-E00	FLYWHEEL COMP (D402)	FLYWHEEL COMP (D402)	1	
#	31120	31120-LKF5-E01	STATOR COMP (D402)	STATOR COMP.	1	
	31210	31210-LKF5-E00	MOTOR UNIT STARTER	MOTOR UNIT STARTER	1	
#	32410	32410-ABE1-E00	CABLE. START MOTOR	CABLE. START MOTOR	1	
	90001	90001-GBHB-661	BOLT FLANGE SH 6*22	BOLT FLANGE SH 6*22	2	
	90201	90201-KHR8-75A	NUT FLANGE 14MM	NUT FLANGE 14MM	1	
	90401	90401-KKJ9-001	WASHER THRUST 14*28*2	WASHER THRUST 14*28*2	1	
	91309	91309-4E25-004	O-RING 24.4*3.1	O-RING 24.4*3.1	1	
	92000	92000-LEA6-900	BOLT HEX 5*40	BOLT HEX 5*40	3	
#	92101	92101-05012-0G	BOLT HEX 5X12	BOLT HEX 5*12	1	
	94301	94301-08100	DOWEL PIN 8*10	DOWEL PIN 8*10	2	
	94303	94303-04160	PIN 4x16	PIN 4x16	1	



Sales mark	Ref no	Part no	Description	Reg description	Regd no	E07
------------	--------	---------	-------------	-----------------	---------	------------

	94510	94510-10000	CIR CLIP EX 10MM	CIR CLIP EX 10MM	1	
#	96001-06012	96001-06012-06	BOLT FLANGE SH 6*12	BOLT FLANGE SH 6*12	1	
	96001-06028	96001-06028-06	BOLT FLANGE SH 6*28	BOLT FLANGE SH 6*28	3	
	96600	96600-06015-10	SOCKET BOLT 6*15	SOCKET BOLT 6*15	6	

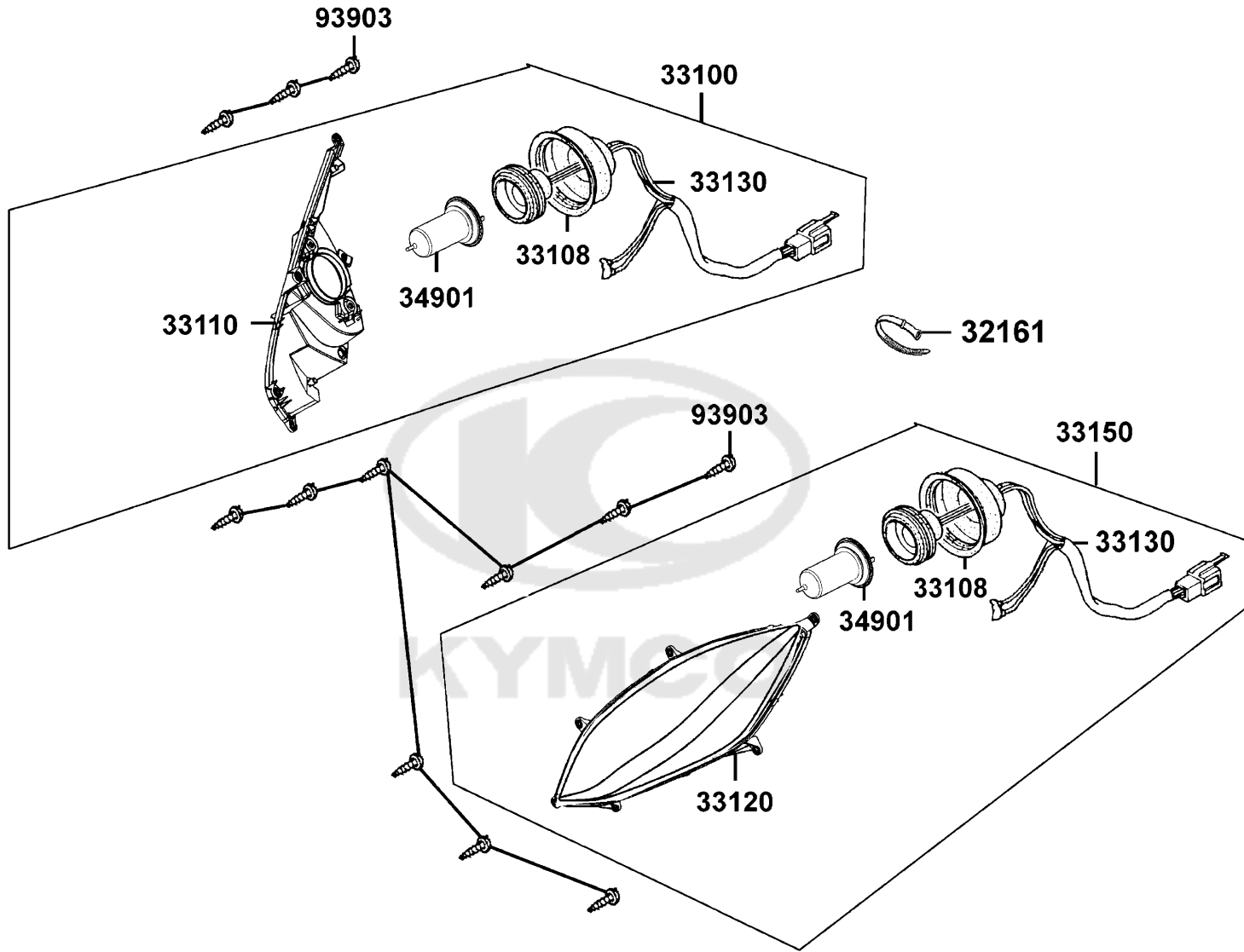




Sales mark	Ref no	Part no	Description	Reg description	Regd no	E08
	21301	21301-LKF5-305	COVER. MISSION	COVER. MISSION	1	
	21395	21395-LKF5-E00	GASKET MISSION CASE @A	GASKET MISSION CASE @A	1	
	23411	23411-LKF5-E00	SHAFT. DRIVE	SHAFT. DRIVE	1	
	23420	23420-LKF5-E00	SHAFT COMP.. COUNTER	SHAFT COMP.. COUNTER	1	
	23431	23431-LKF5-E00	SHAFT. FINAL	SHAFT. FINAL	1	
	23432	23432-LKF5-E00	GEAR. FINAL	GEAR. FINAL	1	
#	91001	91001-KHV8-004	BRG BALL RADIAL 6305	BRG BALL RADIAL 6305	1	
	91006	91006-LKF5-E00	BEARING NK20X34X18	BEARING NK20X34X18	1	
	91007	91007-LKF5-E00	BEARING AXK1104	BEARING AXK1104	1	
	91008	91008-LKF5-E00	PLATE .BEARING	PLATE .BEARING	2	
	91202	91202-LEA7-E00	OIL SEAL 25*35*6	OIL SEAL 25X35X6	1	
	91202	91202-LEA7-E0A	OIL SEAL 25*35*6	OIL SEAL 25*35*6	1	
	94301	94301-10160	DOWEL PIN 10*16	DOWEL PIN 10*16	2	
	94510	94510-29000	CIR CLIP EX 29	CIR CLIP EX 29	1	
#	95701-08035	95701-08035-06	BOLT FLANGE 8*28	BOLT FLANGE 8*28	1	
#	95701-08040	95701-08040-06	BOLT FLANGE 8x40 (G)	BOLT FLANGE 8x40 (G)	1	
	96100-62040	96100-62040-00	BEARING BALL RADIAL 6204	BEARING BALL RADIAL 6204	1	
	96100-63040	96100-63040-00	BRG BALL RADIAL 6304	BRG BALL RADIAL 6304	1	
	96150-60060	96150-60060-10	BEARING BALL RADIAL 6006	BEARING BALL RADIAL 6006	1	

F01

Head Light

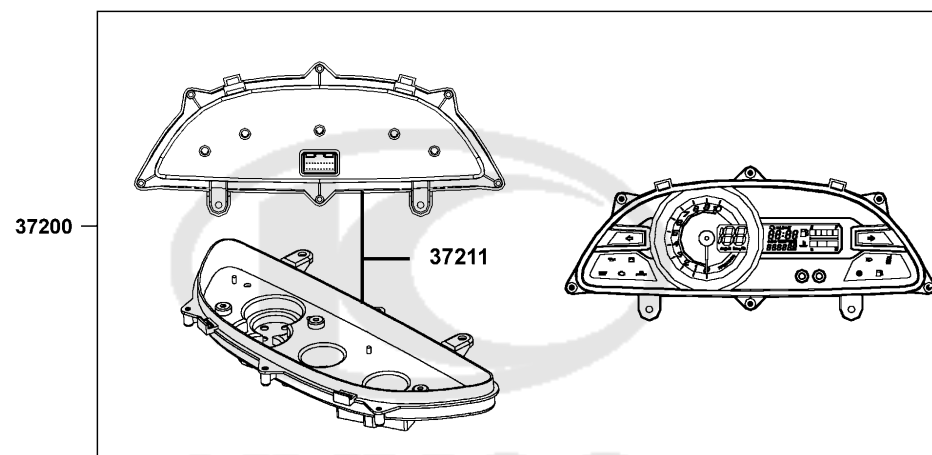


Sales mark	Ref no	Part no	Description	Reg description	Regd no	F01
	32161	32161-LBA7-900	BAND WIRE	BAND WIRE	1	
	33100	33100-LGR2-E00	LIGHT ASSY HEAD RH	LIGHT ASSY HEAD RH	1	
	33108	33108-KHE7-E00	COVER A RUBBER	COVER A RUBBER	2	
	33110	33110-LGR2-E00	UNIT HEAD LIGHT R	UNIT HEAD LIGHT R	1	
	33120	33120-LGR2-E00	UNIT HEAD LIGHT L	UNIT HEAD LIGHT L	1	
	33130	33130-LGR2-E00	SOCKET COMP R	SOCKET COMP R	2	
	33150	33150-LGR2-E00	LIGHT ASSY HEAD LH	LIGHT ASSY HEAD LH	1	
	34901	34901-KFA6-900	BULB HEAD LIGHT (HSI 12V 35/35W)	BULB HEAD LIGHT (HSI 12V 35/35W)	2	
#	93903	93903-35360	SCREW TAPPING 5*16	SCREW TAPPING 5*16	1	



F02

Speed meter



93903-35320

93903-35320

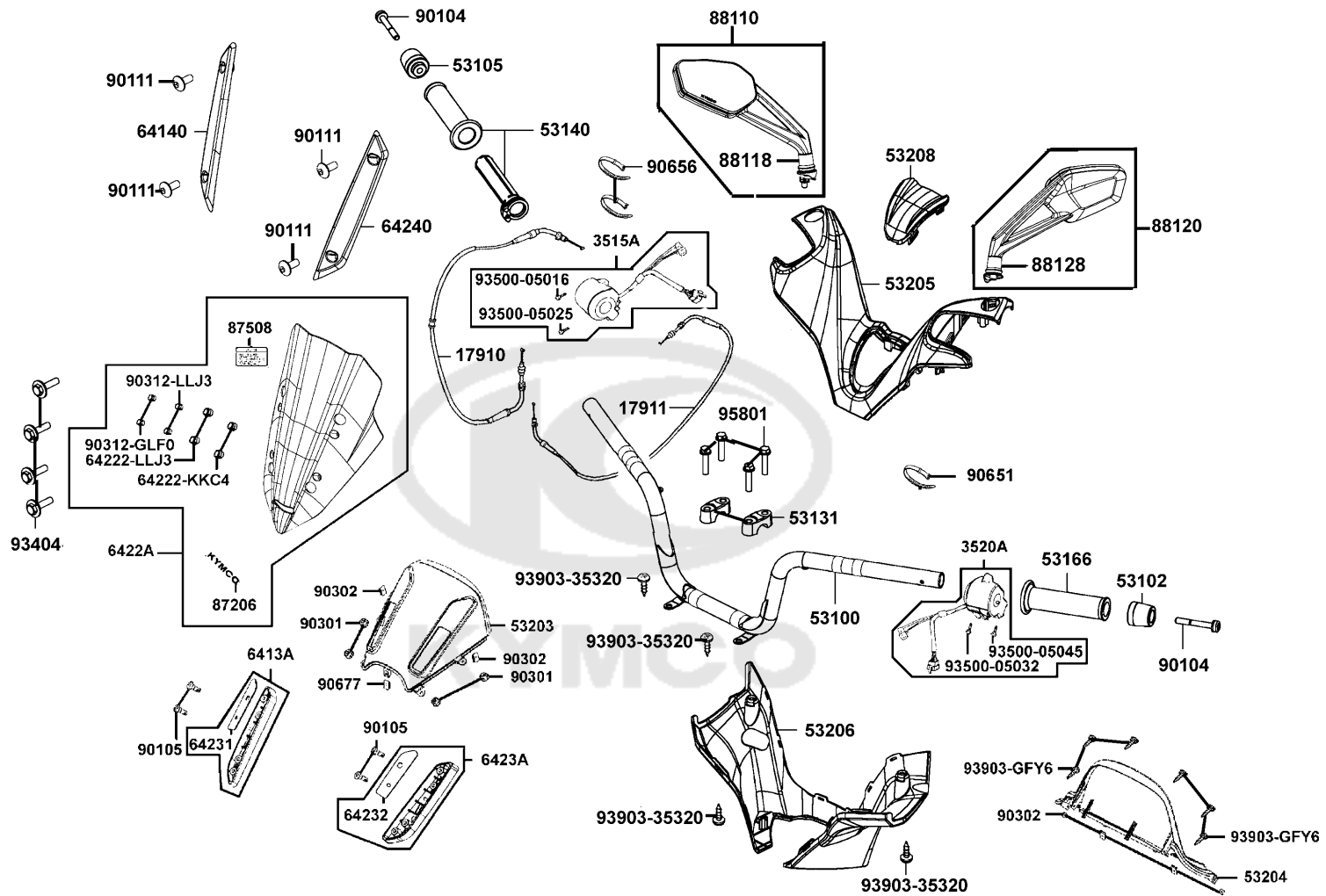
Sales mark	Ref no	Part no	Description	Reg description	Regd no	F02
------------	--------	---------	-------------	-----------------	---------	------------

#	37200	37200-LKF5-E30	METER ASSY SPEED	METER ASSY SPEED	2	
	37211	37211-LKF5-E00	LENS ASSY	LENS ASSY	1	
#	93903	93903-35360	SCREW TAPPING 5*16	SCREW TAPPING 5*16	1	



F03

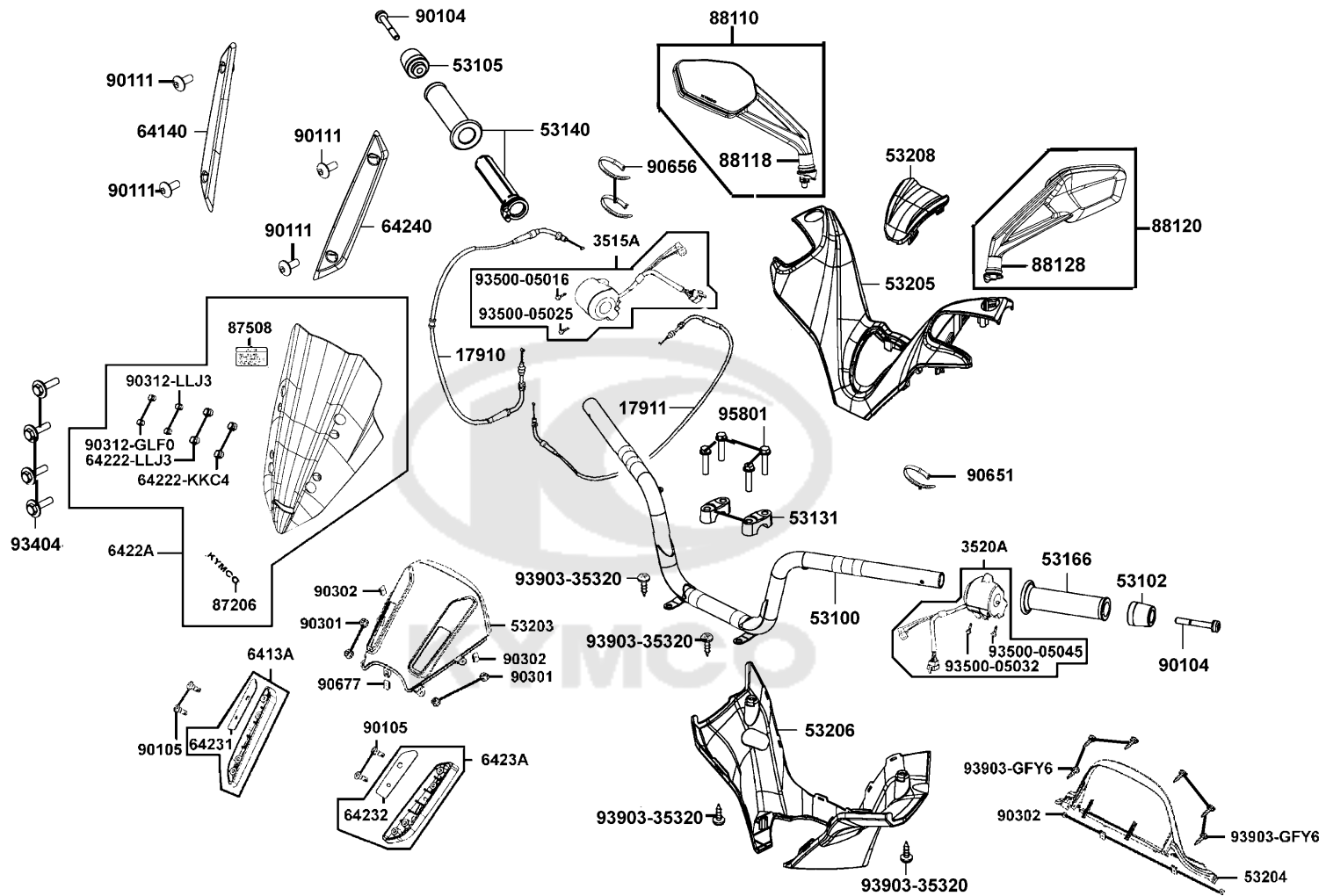
Handle Steering



Sales mark	Ref no	Part no	Description	Reg description	Regd no	F03
	17910	17910-LKF5-E00	CABLE A.THROT	CABLE A.THROT	1	
	17911	17911-LKF5-E00	CABLE BTHROT	CABLE B THROT	1	
#	3515A	3515A-LBA2-E01	SW ASSY RH HNDL COMP	SW ASSY RH HNDL COMP	1	
#	3515A	3515A-LDB2-B80	SW ASSY RH HNDL COM(A.H.C.)	SW ASSY RH HNDL COM(A.H.C.)	1	
#	3520A	3520A-KEBE-900	SW ASSY L HNDL COMP	SW ASSY L HNDL COMP	1	
	53100	53100-LKF5-E00	HANDLE COMP STEERING	HANDLE COMP STEERING	1	
**	53102	53102-LEA5-E00	END L STRG HANDLE **(2)	END L STRG HANDLE **(2)	1	
**	53105	53105-LEA5-E00	END R STRG HANDLE **(2) C.2007.01.03	END R STRG HANDLE **(2) C.2007.01.03	1	
	53131	53131-3H98-941	HOLDER HANDLE PIPE	HOLDER HANDLE PIPE	2	
**	53140	53140-KKC4-900	GRIP COMP THROT	GRIP COMP THROT	1	
**	53166	53166-KGB5-900	GRIP L HANDLE	GRIP L HANDLE	1	
**	53203	53203-LBA2-E00	COVER METER FR	COVER METER FR	1	
**	53204	53204-LBA2-E00	COVER METER RR	COVER METER RR	1	
**	53205	53205-LKF5-E00	HANDLE COVER UP	HANDLE COVER UP	1	
**	53206	53206-LKF5-E00	HANDLE COVER LOW	HANDLE COVER LOW	1	
**	53208	53208-LKF5-E00	LID.HANDLE UP	LID.HANDLE UP	1	
**	6413A	6413A-LGR2-E00	HOLDER ASSY..R WIND SCREEN	HOLDER ASSY..R WIND SCREEN	1	
**	64140	64140-LKF5-E00	COVER R WIND SCREEN	COVER R WIND SCREEN	1	
	64222-KKC4	64222-KKC4-900	RUBBER WIND SCREEN	RUBBER WIND SCREEN	2	
	64222-LLJ3	64222-LLJ3-E00	RUBBER WIND SCREEN	RUBBER WIND SCREEN	2	

F03

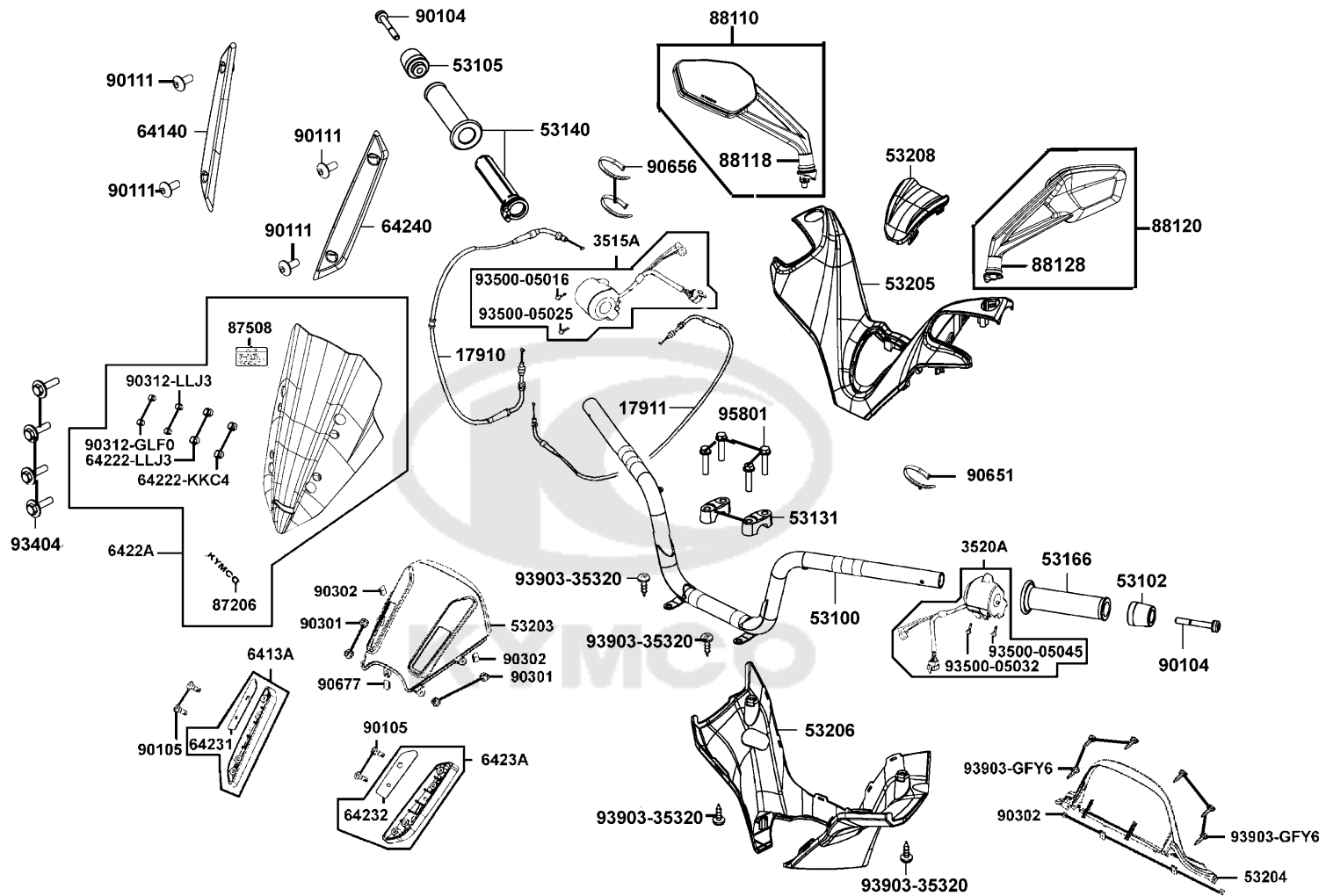
Handle Steering



Sales mark	Ref no	Part no	Description	Reg description	Regd no	F03
**	6422A	6422A-LKF5-E00	ASSY WIND SCREEN	ASSY WIND SCREEN	1	
	64231	64231-LBA2-E00	SPONGE TAPE R HOLDER	SPONGE TAPE R HOLDER	1	
	64232	64232-LBA2-E00	SPONGE TAPE L HOLDER	SPONGE TAPE L HOLDER	1	
**	6423A	6423A-LGR2-E00	HOLDER ASSY L WIND SCREEN	HOLDER ASSY L WIND SCREEN	1	
**	64240	64240-LKF5-E00	COVER L WIND SCREEN	COVER L WIND SCREEN	1	
**	87206	87206-LBA2-E00	EMB MARK KYMCO	EMB MARK KYMCO	1	
**	87508	87508-KKC4-E00	LABEL CLEANNESS CAUTION	LABEL CLEANNESS CAUTION	1	
**	88110	88110-LKF5-E00	MIRROR ASSY R BACK	MIRROR ASSY R BACK	1	
	88118	88118-LKF5-E00	COVER R STEM MIRROR	COVER R STEM MIRROR	1	
**	88120	88120-LKF5-E00	MIRROR ASSY L BACK	MIRROR ASSY L BACK	1	
	88128	88128-LKF5-E00	COVER L STEM MIRROR	COVER L STEM MIRROR	1	
	90104	90104-LEA7-E00	BOLT WASH M8*60	BOLT WASH M8*60	2	
	90105	90105-LLJ3-E00	BOLT SPECAL 8MM	BOLT SPECAL 8MM	4	
#	90111	90111-LEC8-E01	SCREW.PAN 6X14(CG)	SCREW.PAN 6X14(CG)	4	
	90301	90301-6D34-671	NUT FLANGE 6MM	NUT FLANGE 6MM	4	
	90302	90302-SDA4-004	NUT SPRING 4MM	NUT SPRING 4MM	6	
	90312-GLF0	90312-GLF0-001	COLLAR BODY COVER	COLLAR BODY COVER	2	
	90312-LLJ3	90312-LLJ3-E00	COLLAR WIND SCREEN	COLLAR WIND SCREEN	2	
	90651	90651-LKF5-E01	CLIP WIRE HARN	CLIP WIRE HARN	1	
	90656	90656-KCBC-900	BAND OIL HANDLE 8X146	BAND OIL HANDLE 8X146	2	

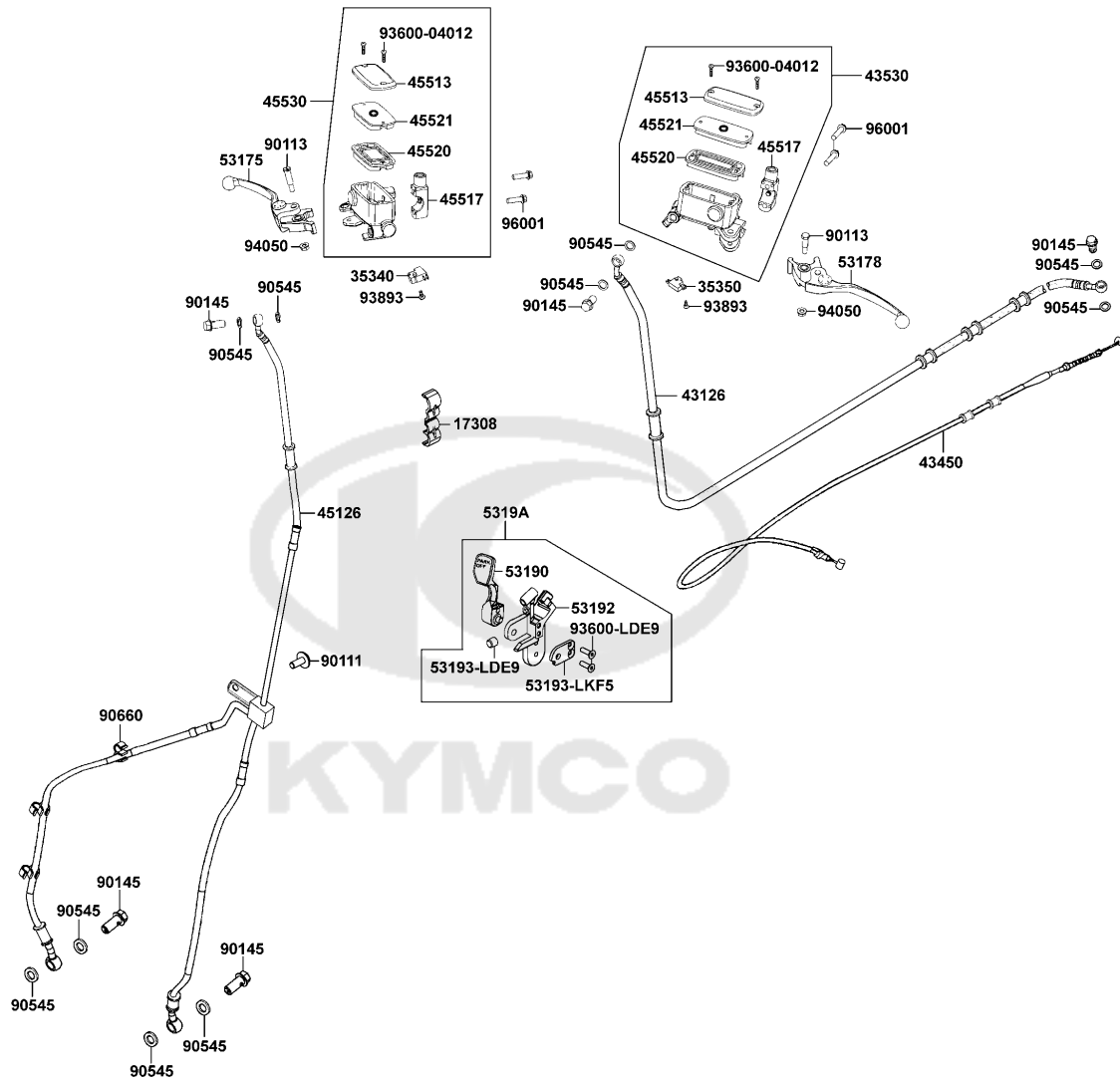
F03

Handle Steering



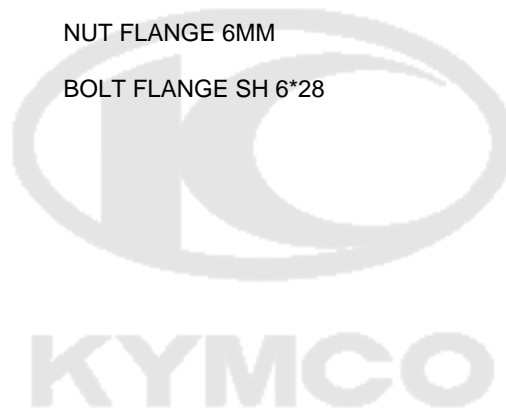
Sales mark	Ref no	Part no	Description	Reg description	Regd no	F03
	90677	90677-GAR1-004	NUT CLIP 5MM	NUT CLIP 5MM	1	
	93404	93404-06020-06	BOLT WASHER 6*20 (G)	BOLT WASHER 6*20 (G)	4	
	93500-05016	93500-05016-1B	SCREW PAN 5*16	SCREW PAN 5*16	1	
	93500-05025	93500-05025-1B	SCREW PAN 5*25	SCREW PAN 5*25	1	
	93500-05032	93500-05032-1B	SCREW PAN 5*32	SCREW PAN 5*32	1	
	93500-05045	93500-05045-1B	SCREW PAN 5*45	SCREW PAN 5*45	1	
#	93903-35320	93903-35360	SCREW TAPPING 5*16	SCREW TAPPING 5*16	1	
	93903-GFY6	93903-GFY6-900	SCREW TAPPING 4*14	SCREW TAPPING 4*14	6	
	95801	95801-08035-06	BOLT FLANGE 8*35	BOLT FLANGE 8*35	4	

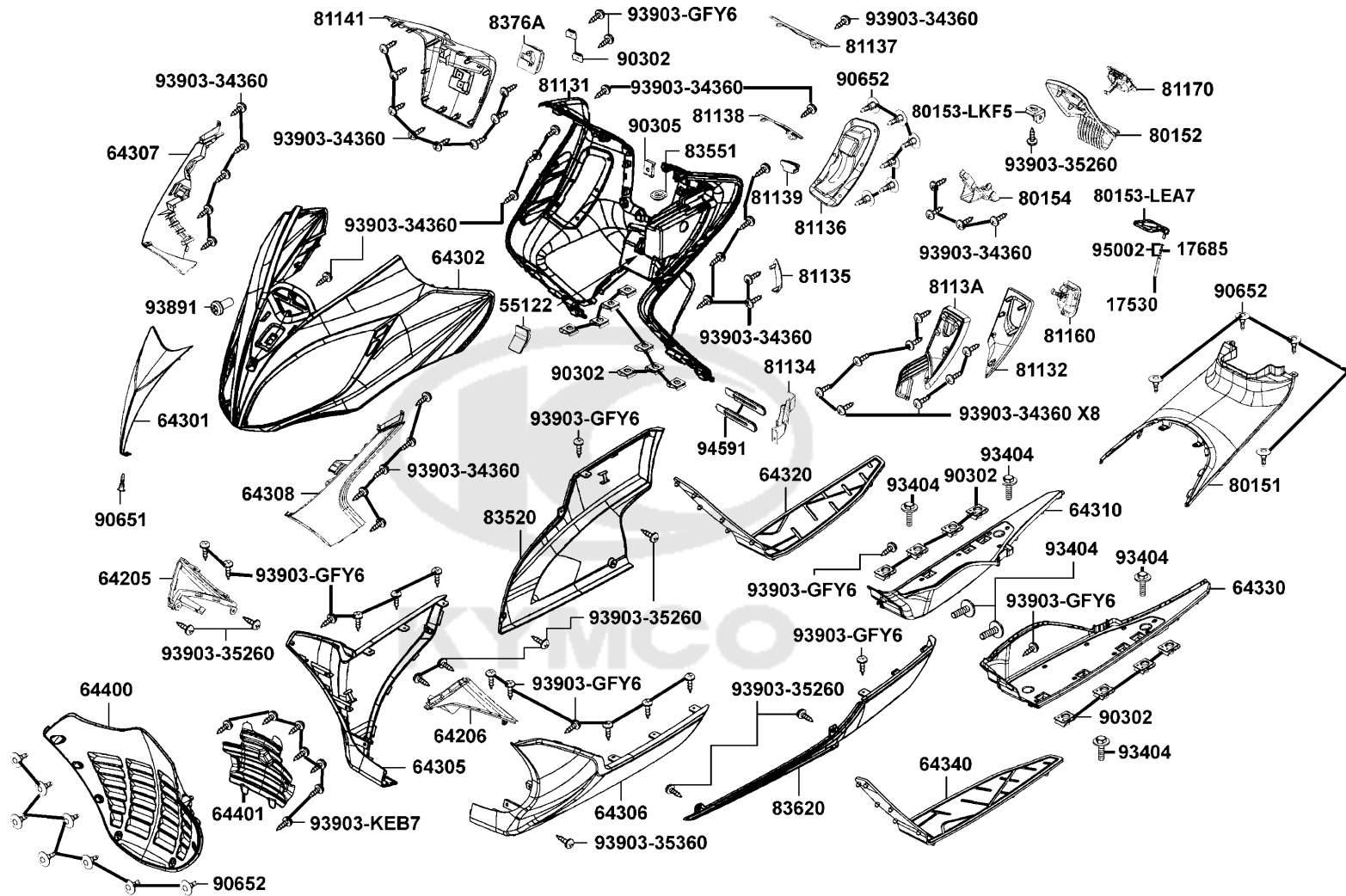




Sales mark	Ref no	Part no	Description	Reg description	Regd no	F04
	17308	17308-LKF5-900	CLAMP. TUBE	CLAMP. TUBE	1	
	35340	35340-KNBN-901	SW ASSY FR STOP	SW ASSY FR STOP	1	
	35350	35350-KNBN-901	SW ASSY RR STOP	SW ASSY RR STOP	1	
	43126	43126-LKF5-E00	HOSE ASSY. RR BRK	HOSE ASSY. RR BRK	1	
	43450	43450-LKF5-E00	CABLE COMP. PARKING	CABLE COMP. PARKING	1	
	43530	43530-LKF5-305	CYLINDER SET RR MASTER	CYLINDER SET RR MASTER	1	
	45126	45126-LKF5-E00	HOSE ASSY. FR BRK(RH)	HOSE ASSY. FR BRK(RH)	1	
	45513	45513-LEA7-E00	CAP MASTER CYLINDER	CAP MASTER CYLINDER	2	
	45517	45517-LKF5-E00	HOLDER M/C	HOLDER M/C	2	
	45520	45520-KKA8-900	DIAPHRAGM	DIAPHRAGM	2	
	45521	45521-LEA7-E00	PLATE DIAPHRAGM	PLATE DIAPHRAGM	2	
	45530	45530-LKF5-305	CYLINDER SET FR MASTER	CYLINDER SET FR MASTER	1	
**	53175	53175-LKF5-E00	LEVER R STRG HANDLE	LEVER R STRG HANDLE	1	
**	53178	53178-LKF5-E00	LEVER L STRG HANDLE	LEVER L STRG HANDLE	1	
	53190	53190-LKF5-305	LEVER. PARKING BRAKE	LEVER. PARKING BRAKE	1	
	53192	53192-LKF5-E00	BRCKET. PARKING BRAKE	BRCKET. PARKING BRAKE	1	
	53193-LDE9	53193-LDE9-E00	STOPPER	STOPPER	1	
	53193-LKF5	53193-LKF5-E00	PLATE PARKING	PLATE PARKING	1	
	5319A	5319A-LKF5-E00	BRAKE ASSY PARKING	BRAKE ASSY PARKING	1	
#	90111	90111-LEC8-E01	SCREW.PAN 6X14(CG)	SCREW.PAN 6X14(CG)	1	

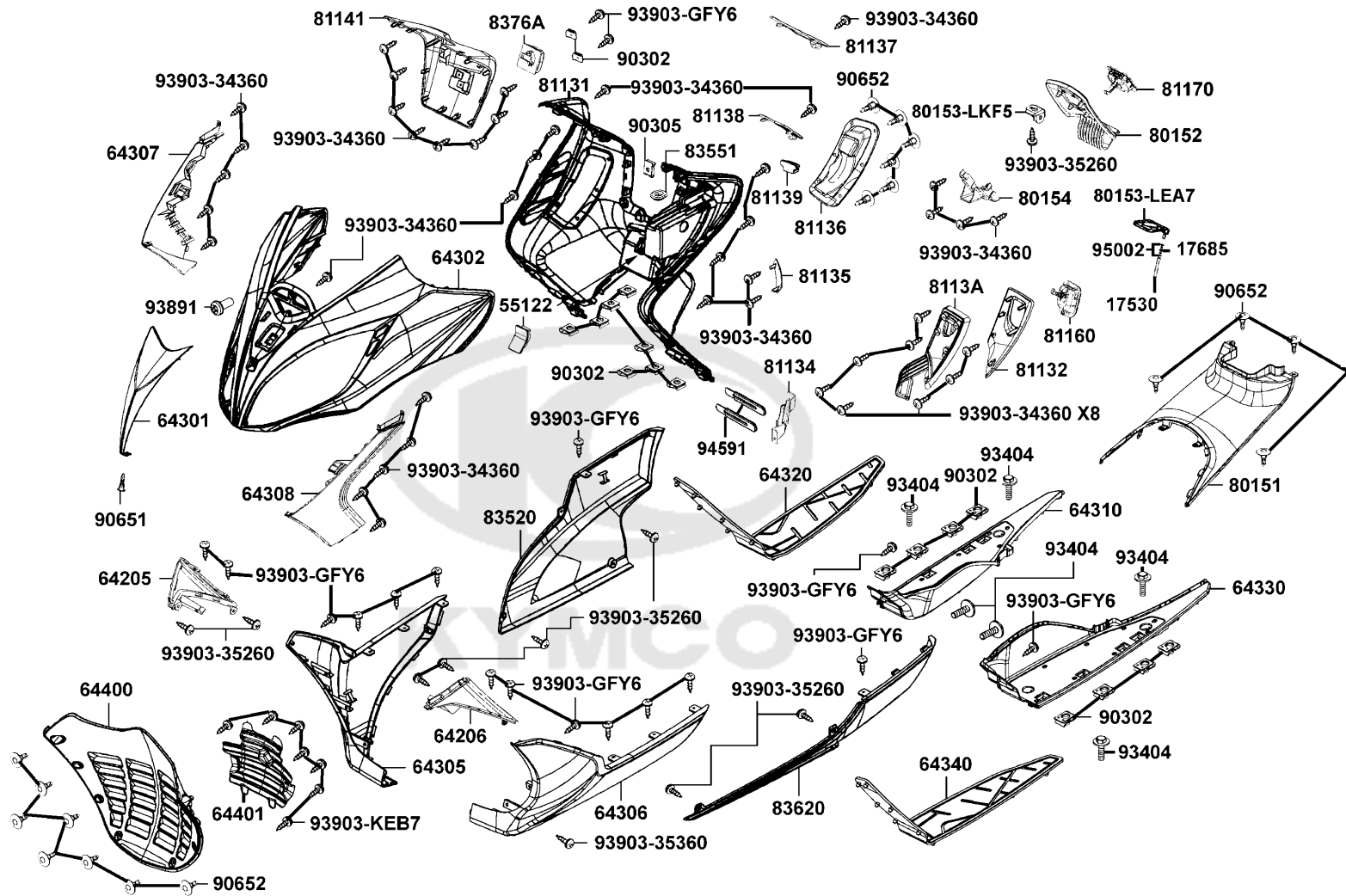
Sales mark	Ref no	Part no	Description	Reg description	Regd no	F04
	90113	90113-KKA8-900	BOLT L STEERING HANDLE	BOLT L STEERING HANDLE	2	
#	90145	90145-LEA3-E00	OIL BOLT 10*22	OIL BOLT 10*22	1	
	90545	90545-3L00-001	WASHER OIL BOLT	WASHER OIL BOLT	10	
	90660	90660-PWA2-900	CLAMP TUBE	CLAMP TUBE	2	
	93600-04012	93600-04012-1G	SCREW FLAT 4X12	SCREW FLAT 4X12	4	
	93600-LDE9	93600-LDE9-E00	SCREW FLAT M6	SCREW FLAT M6	2	
	93893	93893-04012-18	SCREW WASHER 4*12	SCREW WASHER 4*12	2	
	94050	94050-06060	NUT FLANGE 6MM	NUT FLANGE 6MM	2	
	96001	96001-06028-06	BOLT FLANGE SH 6*28	BOLT FLANGE SH 6*28	4	





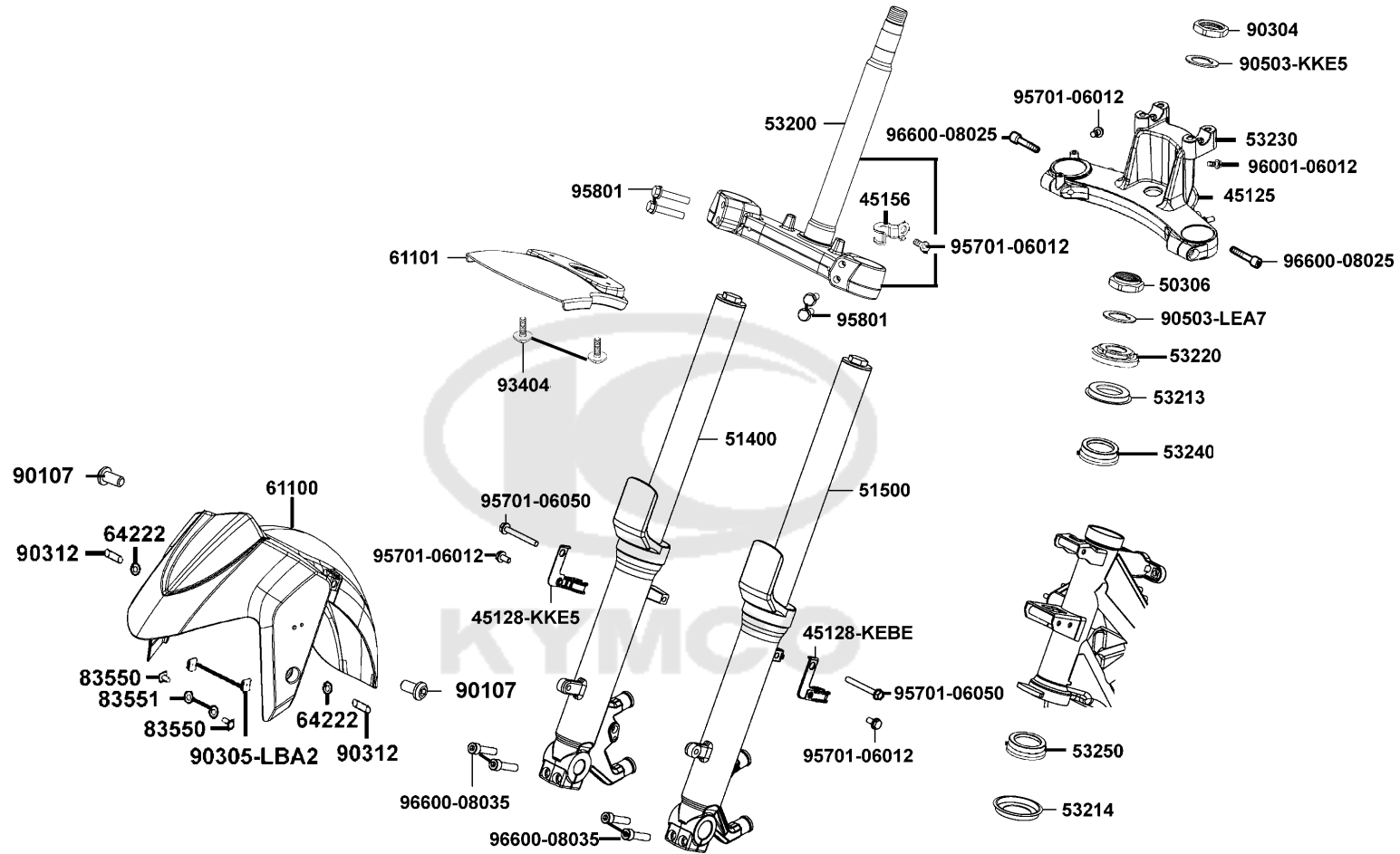
Sales mark	Ref no	Part no	Description	Reg description	Regd no	F05
	17530	17530-KGB5-900	TUBE ASSY DRAIN	TUBE ASSY DRAIN	1	
	17685	17685-KZCZ-900	JOINT TUBE	JOINT TUBE	1	
	55122	55122-LKF5-E00	PLUG FUEL TANK MAINT	PLUG FUEL TANK MAINT	1	
**	64205	64205-LKF5-E00	SKIRT A.R SIDE	SKIRT A.R SIDE	1	
**	64206	64206-LKF5-E00	SKIRT A.L SIDE	SKIRT A.L SIDE	1	
**	64301	64301-LGR2-E00	COVER FR TOP	COVER FR TOP	1	
**	64302	64302-LGR2-305	MOLDING SDET FR	MOLDING SDET FR	1	
**	64305	64305-LKF5-E00	SKIRT R SIDE	SKIRT R SIDE	1	
**	64306	64306-LKF5-E00	SKIRT L SIDE	SKIRT L SIDE	1	
**	64307	64307-LGR2-E00	SKIRT FR R SIDE	SKIRT FR R SIDE	1	
**	64308	64308-LGR2-E00	SKIRT FR L SIDE	SKIRT FR L SIDE	1	
**	64310	64310-LKF5-E00	FLOOR.PANEL R	FLOOR.PANEL R	1	
**	64320	64320-LKF5-E00	MAT FLOOR.R	MAT FLOOR.R	1	
**	64330	64330-LKF5-E00	FLOOR.PANEL L	FLOOR.PANEL L	1	
**	64340	64340-LKF5-E00	MAT FLOOR.L	MAT FLOOR.L	1	
**	64400	64400-LKF5-E00	COWL.UNDER	COWL.UNDER	1	
	64401	64401-LKF5-E00	MESH.UNDER COWL	MESH.UNDER COWL	1	
**	80151	80151-LKF5-E00	COVER CENTER	COVER CENTER	1	
**	80152	80152-LKF5-E00	LID.FUEL TANK MAINT	LID.FUEL TANK MAINT	1	
	80153-LEA7	80153-LEA7-E00	RUBBER FUEL CAP	RUBBER FUEL CAP	1	

Sales mark	Ref no	Part no	Description	Reg description	Regd no	F05
	80153-LKF5	80153-LKF5-E00	STAY FUEL COVER	STAY FUEL COVER	1	
**	80154	80154-LKF5-E00	LID B.FUEL TANK MAINT	LID B.FUEL TANK MAINT	1	
**	81131	81131-LKF5-E00	LEG SHIELD	LEG SHIELD	1	
**	81132	81132-LKF5-E00	LID.FR. INNER BOX	LID.FR. INNER BOX	1	
**	81134	81134-LKF5-E00	COVER.INNER CAP.LID	COVER.INNER CAP.LID	1	
**	81135	81135-LKF5-E00	RETAIN PLATE.INNER BOX	RETAIN PLATE.INNER BOX	1	
**	81136	81136-LKF5-E00	RUBBER.ADJUSTER HANDLE	RUBBER.ADJUSTER HANDLE	1	
**	81137	81137-LKF5-E00	COVER.RADIATOR MAINT	COVER.RADIATOR MAINT	1	
**	81138	81138-LKF5-E00	LID RESERVE TANK	LID RESERVE TANK	1	
	81139	81139-LKF5-E00	PLUG INNER BOX	PLUG INNER BOX	1	
**	8113A	8113A-LKF5-E00	LID FR.ASSY..INNER BOX B	LID FR.ASSY..INNER BOX B	1	
**	81141	81141-LKF5-E00	TUNNEL LEG SHIELD	TUNNEL LEG SHIELD	1	
	81160	81160-LKF5-E00	LOCK ASSY..FR INNER BOX	LOCK ASSY..FR INNER BOX	1	
	81170	81170-LKF5-E00	LOCK ASSY..FUEL TANK MAINT.LID	LOCK ASSY..FUEL TANK MAINT.LID	1	
**	83520	83520-LKF5-E00	MOLD.R SIDE	MOLD.R SIDE	1	
	83551	83551-KKAK-900	GROMMET AIR CLEANER CASE	GROMMET AIR CLEANER CASE	1	
**	83620	83620-LKF5-E00	MOLD.L SIDE	MOLD.L SIDE	1	
	8376A	8376A-KEBE-900	CLIP ASSY CENTER	CLIP ASSY CENTER	1	
	90302	90302-SDA4-004	NUT SPRING 4MM	NUT SPRING 4MM	18	
	90305	90305-LBA2-E00	NUT CLIP 6MM	NUT CLIP 6MM	2	



Sales mark	Ref no	Part no	Description	Reg description	Regd no	F05
	90651	90651-LCA5-E00	CLIP FENDER	CLIP FENDER	1	
	90652	90652-LFB5-900	CLIP MUDGUARD	CLIP MUDGUARD	14	
	93404	93404-06016-06	BOLT WASHER 6*16	BOLT WASHER 6*16	6	
	93891	93891-05016-06	SCREW WASHER 5* 16	SCREW WASHER 5* 16	1	
	93903-34360	93903-34360	SCREW TAPPING 4X12	SCREW TAPPING 4X12	43	
	93903-35260	93903-35260	SCREW TAPPING 5*12	SCREW TAPPING 5*12	9	
#	93903-35360	93903-35360	SCREW TAPPING 5*16	SCREW TAPPING 5*16	1	
	93903-GFY6	93903-GFY6-900	SCREW TAPPING 4*14	SCREW TAPPING 4*14	18	
	93903-KEB7	93903-KEB7-900-06	SCREW WASHER 4*12 (G)	SCREW WASHER 4*12 (G)	7	
	94591	94591-27000	CLIP 2*70	CLIP 2*70	2	
	95002	95002-02080	CLIP B8 TUBE	CLIP B8 TUBE	2	

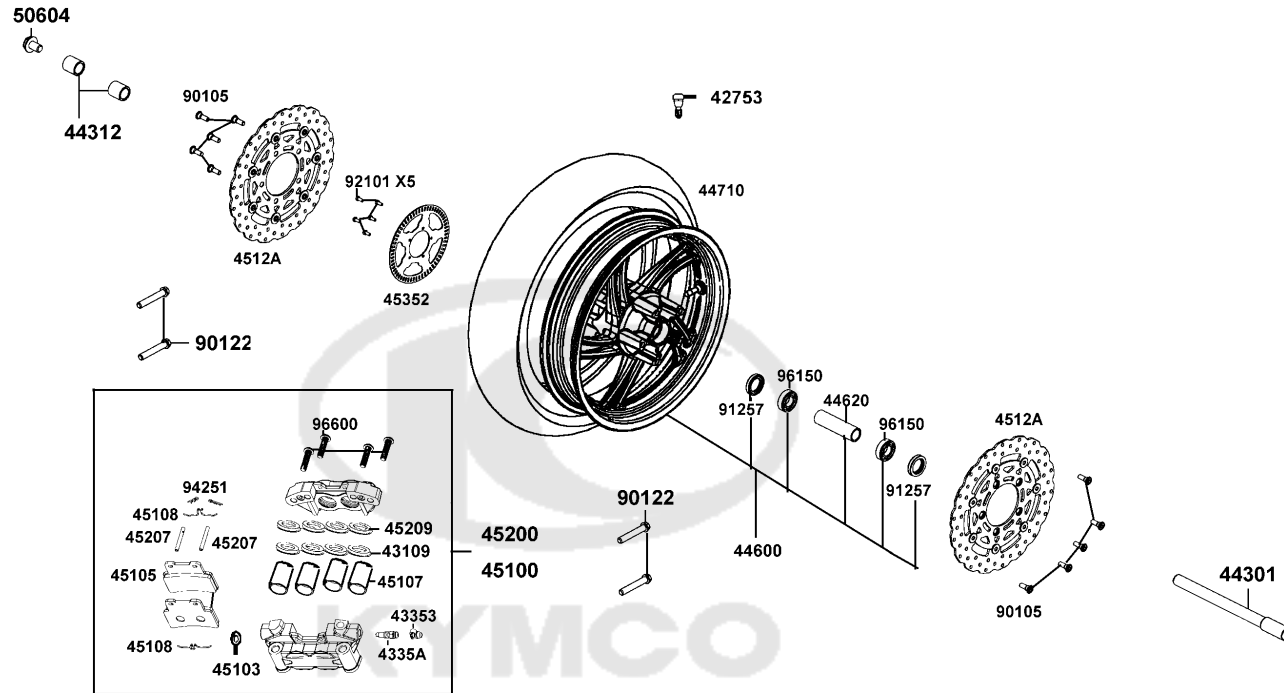
Sales mark	Ref no	Part no	Description	Reg description	Regd no	F06
	45125	45125-LKF5-E00	CLIP. BRAKE HOSE(TOP BRIDGE)	CLIP. BRAKE HOSE(TOP BRIDGE)	1	
	45128-KEBE	45128-KEBE-900	CLAMPER FR BRAKE HOSE	CLAMPER FR BRAKE HOSE	1	
	45128-KKE5	45128-KKE5-E00	CLAMPER FR BRK HOSE	CLAMPER FR BRK HOSE	1	
	45156	45156-LKF5-E00	CLIP. SENSOR WIRE	CLIP. SENSOR WIRE	1	
	50306	50306-1F96-001	NUT STRG STEM LOCK	NUT STRG STEM LOCK	1	
**	51400	51400-LKF5-E00	FORK ASSY. FR R	FORK ASSY. FR R	1	
**	51500	51500-LKF5-E00	FORK ASSY. FR L	FORK ASSY. FR L	1	
	53200	53200-LKF5-E01	STEM COMP.. STRG	STEM COMP.. STRG	1	
	53213	53213-LBA2-E00	DUST SEAL STRG HEAD TOP	DUST SEAL STRG HEAD TOP	1	
	53214	53214-LBA2-E00	DUST SEAL STRG (HEAD)	DUST SEAL STRG HEAD BOT	1	
	53220	53220-LBA2-E00	THREAD COMP STRG HEAD TOP	THREAD COMP STRG HEAD TOP	1	
	53230	53230-LKF5-E00	BRIDGE, FORK TOP	BRIDGE FORK TOP	1	
	53240	53240-LBA2-E00	BEARING TOT STRG (mark:PX1)	BEARING TOT STRG (mark:PX1)	1	
#	53240	53240-LEA7-90A	BEARING TOP STRG (mark:TP1)	BEARING TOP STRG	1	
	53250	53250-LBA2-E00	BEARING BOT STRG (mark:PX1)	BEARING BOT STRG (mark:PX1)	1	
#	53250	53250-LEA7-90A	BEARING BOT STRG (mark:TP1)	BEARING BOT STRG	1	
# **	61100	61100-LKF5-305	FENDER FR	FENDER FR	1	
	61101	61101-LBA2-E00	FENDER FR INNER	FENDER FR INNER	1	
	64222	64222-LLJ3-E00	RUBBER WIND SCREEN	RUBBER WIND SCREEN	2	
	83550	83550-KEC8-900	COLLAR	COLLAR	2	



Sales mark	Ref no	Part no	Description	Reg description	Regd no	F06
	83551	83551-KEC8-900	GROMMET COVER **KEC8-9000	GROMMET COVER **KEC8-9000 C.2005.09.01	2	
	90107	90107-LEA7-E00	BOLT SPECIAL 8MM	BOLT SPECIAL 8MM	2	
	90304	90304-KKE5-E00	NUT. STRG. STEM	NUT. STRG. STEM	1	
	90305-LBA2	90305-LBA2-E00	NUT CLIP 6MM	NUT CLIP 6MM	2	
	90312	90312-LLJ3-E01	COLLAR WIND SCREEN	COLLAR WIND SCREEN	2	
	90503-KKE5	90503-KKE5-E00	WASHER STEERING STEM NUT	WASHER STEERING STEM NUT	1	
	90503-LEA7	90503-LEA7-E00	WASHER STRG STEM NUT	WASHER STRG STEM NUT	1	
#	93404	93404-06012-06	BOLT WASHER 6X12	BOLT WASHER 6X12	2	
#	95701-06012	95701-06012-06	BOLT FLANGE 6*12 **07 C.2005.07.01	BOLT FLANGE 6*12 **07 C.2005.07.01	4	
	95701-06050	95701-06050-06	BOLT FLANGE 6*50	BOLT FLANGE 6*50	2	
#	95801	95801-08040-06	BOLT FLANGE 8*40	BOLT FLANGE 8*40	1	
#	96001-06012	96001-06012-06	BOLT FLANGE SH 6*12	BOLT FLANGE SH 6*12	1	
	96600-08025	96600-08025-06	SOCKET BOLT 8X25	SOCKET BOLT 8X25	2	
	96600-08035	96600-08035-06	SOCKET BOLT 8X35	SOCKET BOLT 8X35	4	

F07

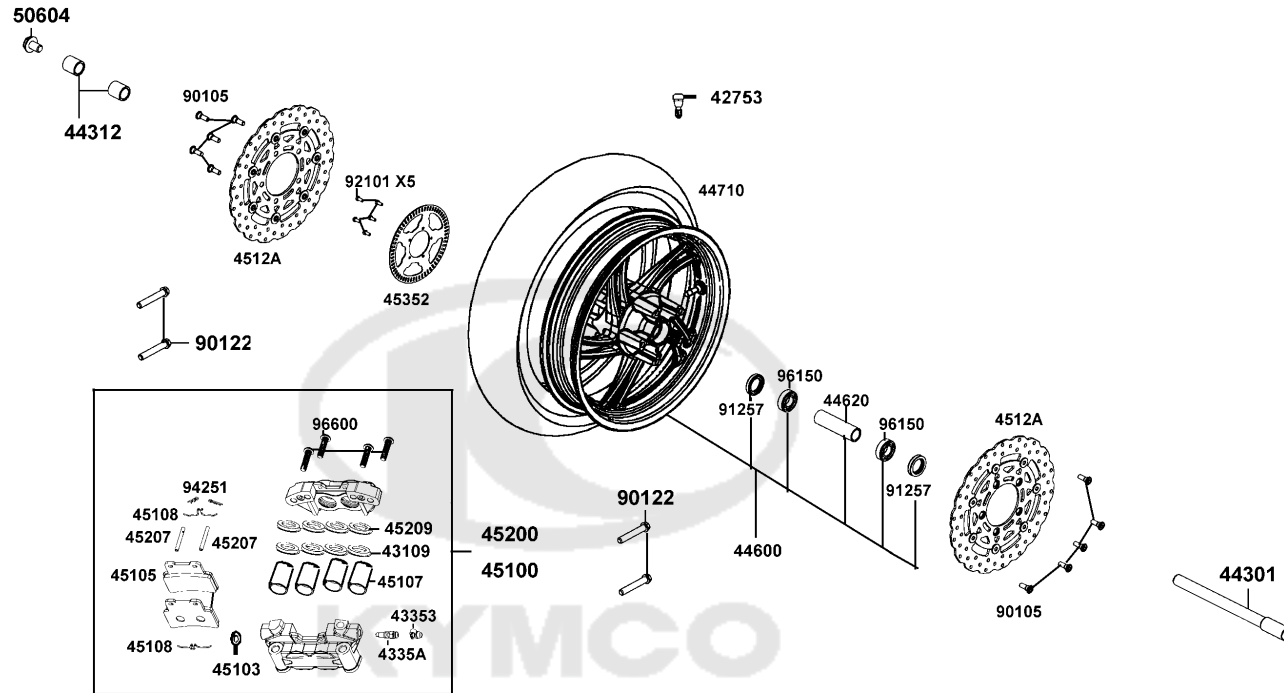
Front Wheel



Sales mark	Ref no	Part no	Description	Reg description	Regd no	F07
	42753	42753-KNBN-90B	VALAE RIM (TR412)	VALAE RIM (TR412)	1	
	43109	43109-GBE2-007	SEAL PISTON	SEAL PISTON	8	
	43353	43353-KED9-900	CAP BLEEDER	CAP BLEEDER	2	
	4335A	4335A-LBA2-E01	BLEEDER ASSY	SCREW BLEEDER	2	
	44301	44301-LKF5-E00	AXLE. FR WHEEL	AXLE. FR WHEEL	1	
	44312	44312-LKF5-E00	COLLAR. FR WHEEL SIDE L	COLLAR. FR WHEEL SIDE L	2	
**	44600	44600-LKF5-305	WHEEL SET FR	WHEEL SET FR	1	
	44620	44620-LBA2-E00	COLLAR FR AXLE DISTANCE	COLLAR FR AXLE DISTANCE	1	
	44710	44710-LKF5-E00	TIRE ASSY FR(120/70-15 56S)	TIRE ASSY FR	1	
**	45100	45100-LKF5-E00	CALIPER ASSY, FR R/H	CALIPER ASSY, FR R/H	1	
	45103	45103-MGR7-007	SEAL JOINT	SEAL JOINT	2	
	45105	45105-LKF5-305	PAD SET	PAD SET	2	
	45107	45107-LKF5-E00	PISTON C/P	PISTON C/P	8	
	45108	45108-LKF5-E00	SPRING PAD	SPRING PAD	8	
	4512A	4512A-LKF5-E00	DISK COMP.. FR BRAKE	DISK COMP.. FR BRAKE	2	
**	45200	45200-LKF5-E00	CALIPER ASSY FR R/H	CALIPER ASSY FR R/H	1	
	45207	45207-LKF5-E00	PIN HANGER	PIN HANGER	2	
	45209	45209-GBE2-007	SEAL PISTON	SEAL PISTON	8	
	45352	45352-LKF5-E00	TOOTHED RING. SENSOR	TOOTHED RING. SENSOR	1	
	50604	50604-KED9-950	BOLT FR AXLE	BOLT FR AXLE	1	

F07

Front Wheel

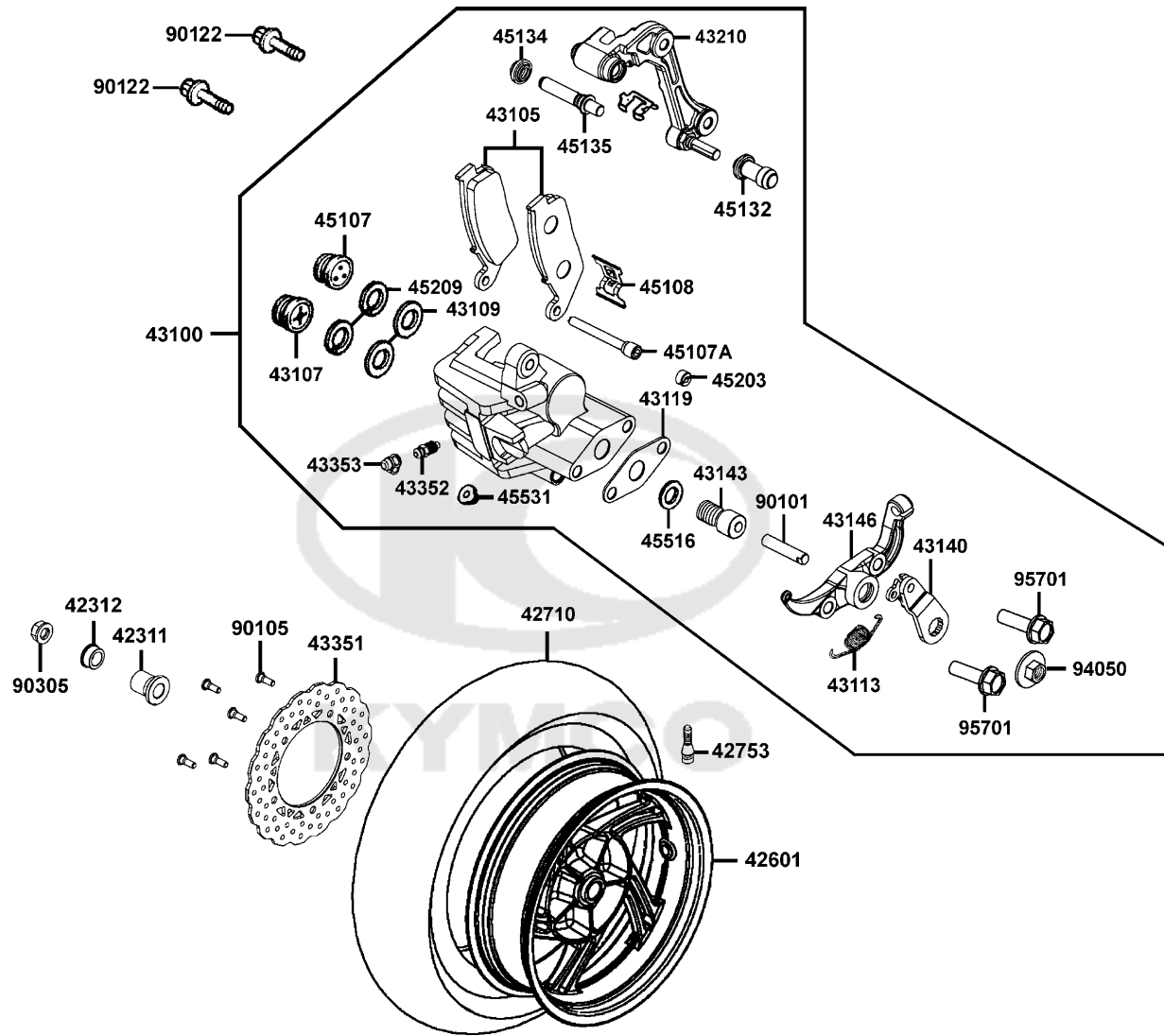


Sales mark	Ref no	Part no	Description	Reg description	Regd no	F07
	90105	90105-KCR3-001	BOLT FR DISK 8*24	BOLT FR DISK 8*24	10	
	90122	90122-LKF5-E00	BOLT FLANGE 10X58	BOLT FLANGE 10*58	4	
	91257	91257-KED9-900	DUST SEAL 28*42*8	DUST SEAL 28*42*8	2	
#	92101	92101-05012-0G	BOLT HEX 5X12	BOLT HEX 5*12	1	
	94251	94251-08400	PIN LOCK 8MM	PIN LOCK 8MM	4	
	96150	96150-60040-10	BEARING BALL RADIAL 6004	BEARING BALL RADIAL 6004	2	
	96600	96600-KKC4-900	SOCKET BOLT	SOCKET BOLT	8	



F08

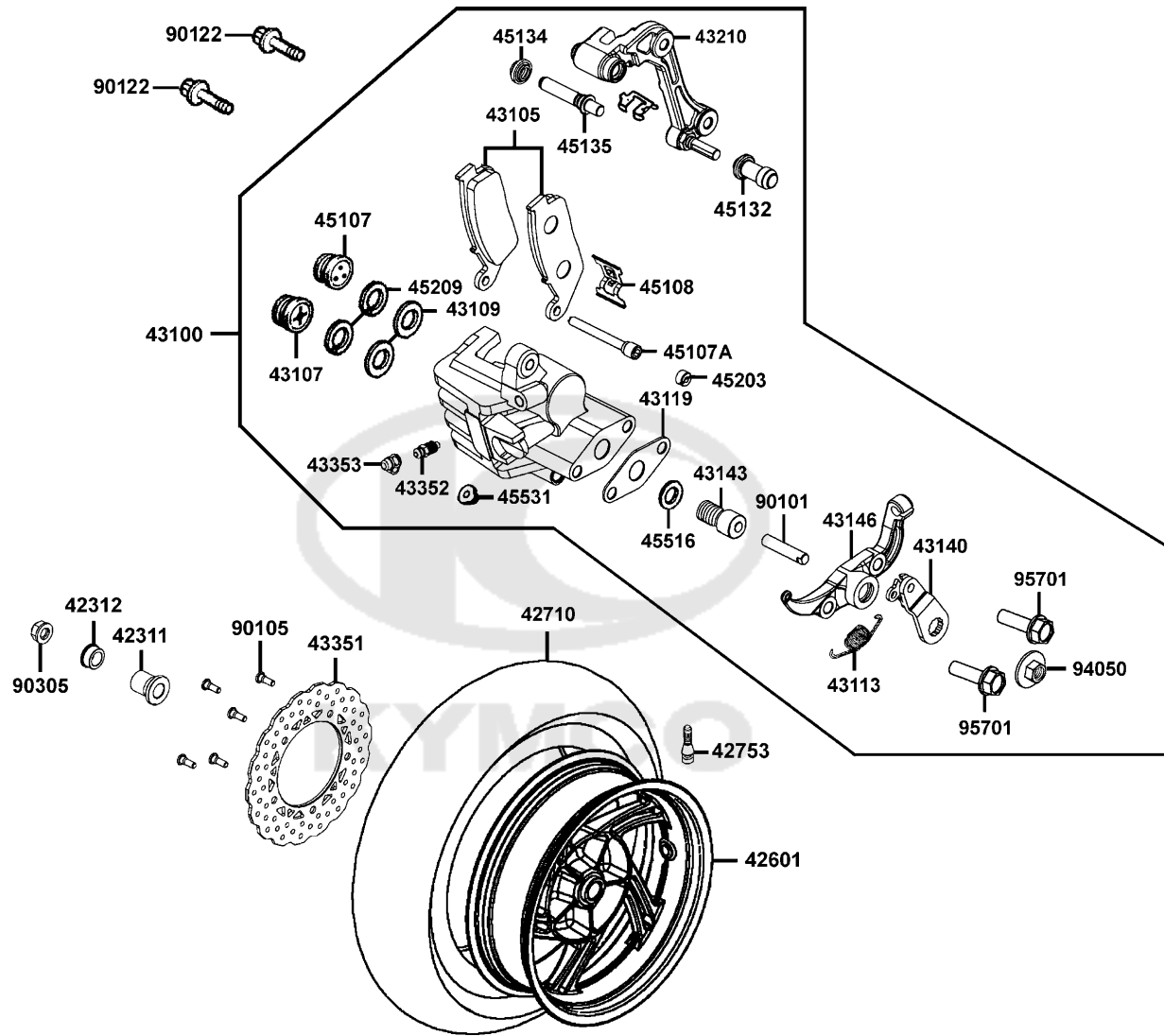
Rear Wheel



Sales mark	Ref no	Part no	Description	Reg description	Regd no	F08
#	42311	42311-LEA7-E00	COLLAR RR AXLE SIDE A	COLLAR RR AXLE SIDE A	1	
#	42312	42312-LEA7-E00	COLLAR RR AXLE SIDE	COLLAR RR AXLE SIDE	1	
**	42601	42601-LKF5-E00	WHEEL COMP. . RR	WHEEL COMP. . RR	1	
	42710	42710-LKF5-E00	TIRE ASSY RR(150/70-14 66S)	TIRE ASSY RR	1	
	42753	42753-KNBN-90B	VALAE RIM (TR412)	VALAE RIM (TR412)	1	
**	43100	43100-LKF5-E00	CALIPER ASSY RR	CALIPER ASSY RR	1	
	43105	43105-LKF5-305	PAD SET	PAD SET	1	
	43107	43107-LBA2-E00	PISTON ASSY	PISTON ASSY	1	
	43109	43109-MCA3-007	DUST SEAL	DUST SEAL	2	
	43113	43113-LBA2-E00	SPRING BRAKE ARM	SPRING BRAKE ARM	1	
	43119	43119-LBA2-E00	GASKET WATER PROOF	GASKET WATER PROOF	1	
	43140	43140-LKF5-E00	ARM BRAKE ASSY	ARM BRAKE ASSY	1	
	43143	43143-LBA2-E00	BOLT DRIVE	BOLT DRIVE	1	
	43146	43146-LKF5-E00	BRACKET CABLE	BRACKET CABLE	1	
	43210	43210-LKF5-305	BRACKET RR	BRACKET RR	1	
	43351	43351-LKF5-E00	DISK. RR BRAKE	DISK. RR BRAKE	1	
	43352	43352-KKD6-E90	SCREW BLEEDER	SCREW BLEEDER	1	
	43353	43353-KED9-900	CAP BLEEDER	CAP BLEEDER	1	
	45107	45107-LLJ3-E00	PISTON	PISTON	1	
	45107A	45107-LLJ3-E90	PIN HANGE	PIN HANGE	1	

F08

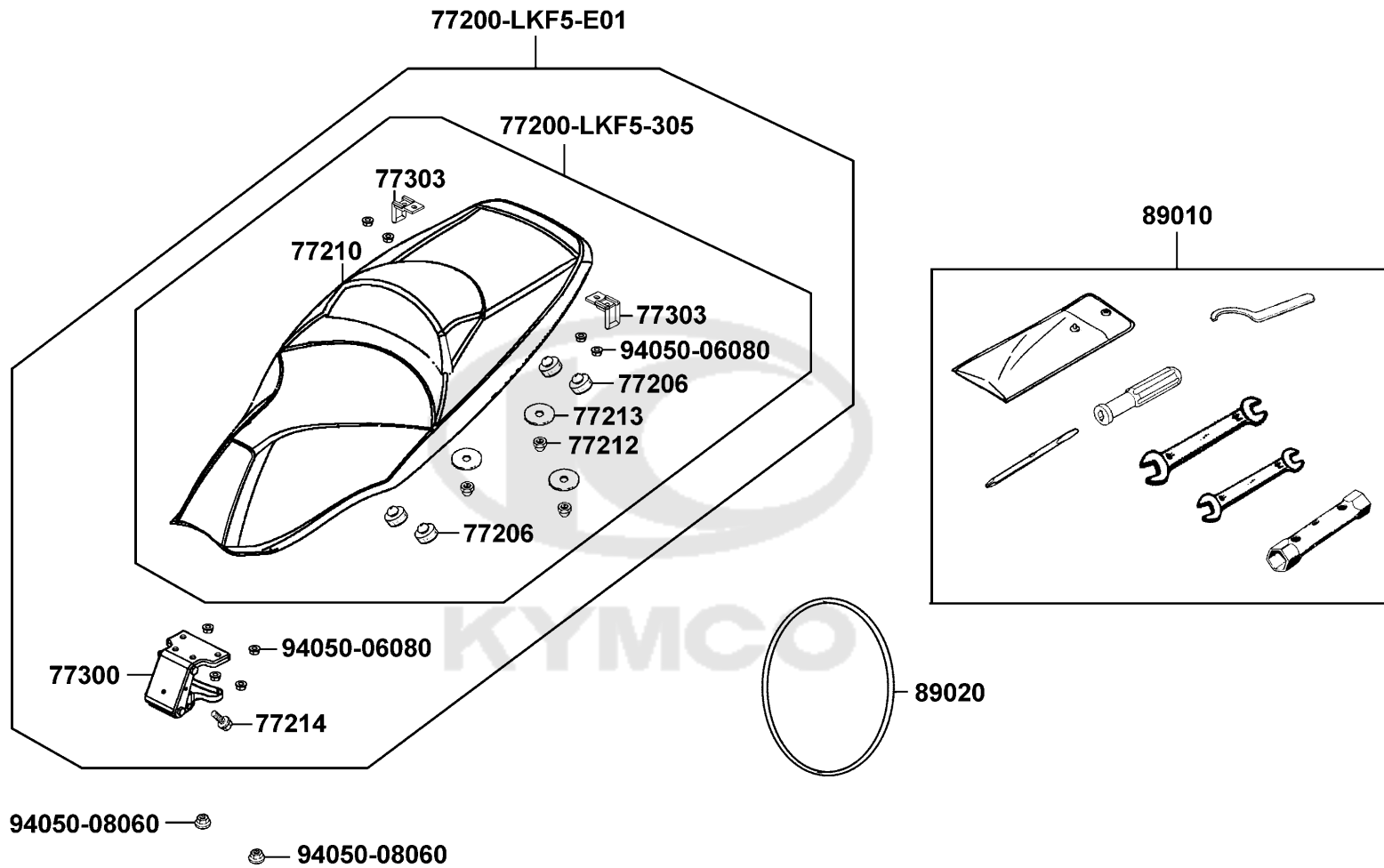
Rear Wheel



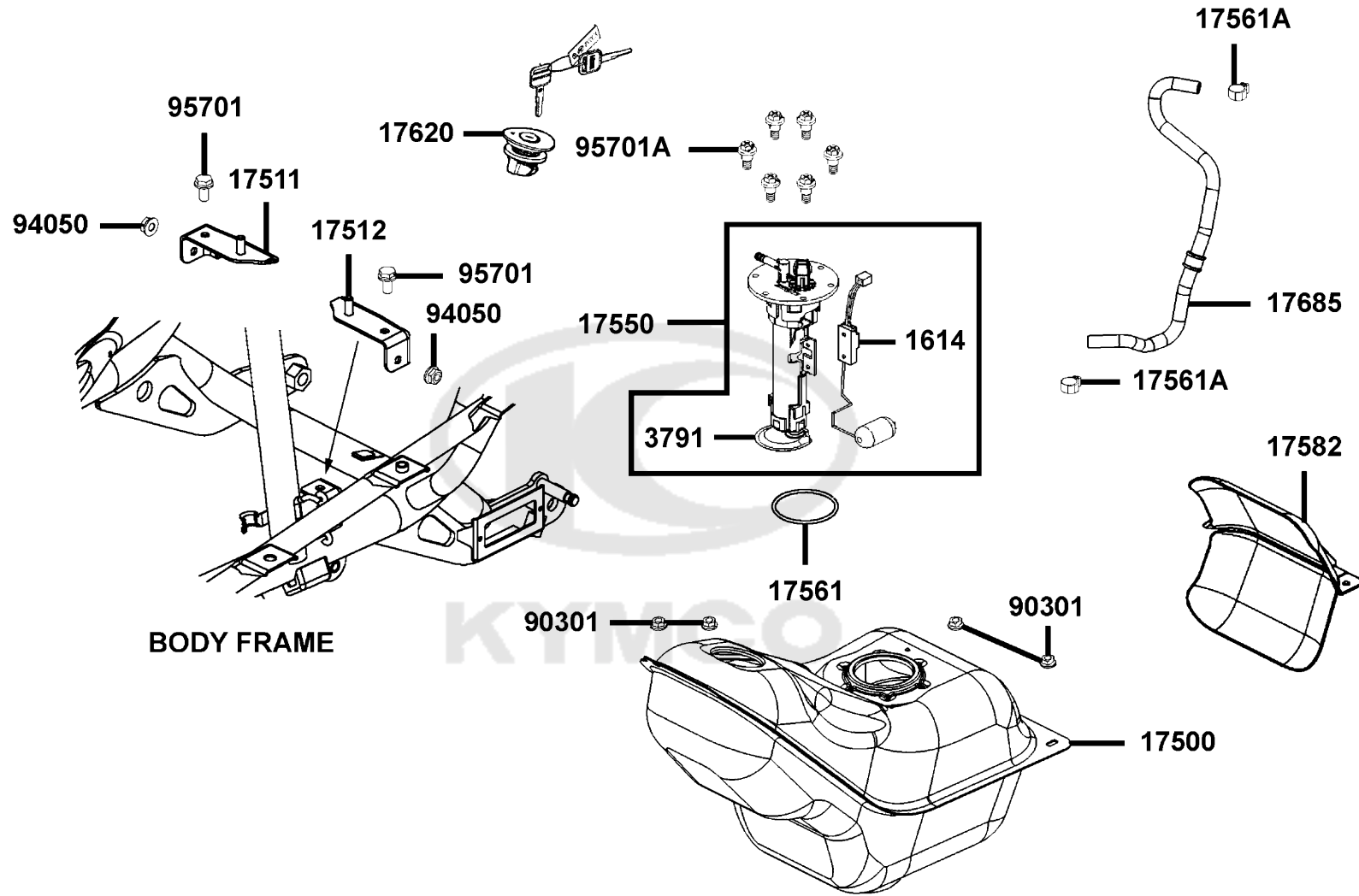
Sales mark	Ref no	Part no	Description	Reg description	Regd no	F08
45108		45108-KED9-900	SPRING PAD	SPRING PAD	1	
45132		45132-1F66-017	BUSH BOOT PIN	BUSH BOOT PIN	1	
45134		45134-KED9-900	BOOT B	BOOT B	1	
45135		45135-KED9-900	PIN BOLT A	PIN BOLT A	1	
45203		45203-KED9-900	PLUG PIN	PLUG PIN	1	
45209		45209-KED9-900	SEAL PISTON	SEAL PISTON	2	
45516		45516-LBA2-E00	O RING	O RING	1	
45531		45531-KED9-900	PLUG	PLUG	1	
90101		90101-LBA2-E00	BOLT BUSH ROD	BOLT BUSH ROD	1	
90105		90105-KCR3-001	BOLT FR DISK 8*24	BOLT FR DISK 8*24	5	
90122		90122-LEA7-E00	BOLT FLANGE 10X42	BOLT FLANGE 10X42	2	
90305		90305-KKAK-900	NUT U 16MM	NUT U 16MM	1	
94050		94050-86000	FLANGE NUT M6*1.0	FLANGE NUT M6*1.0	1	
95701		95701-LBA2-E00	BOLT FLANGE	BOLT FLANGE	1	

F09

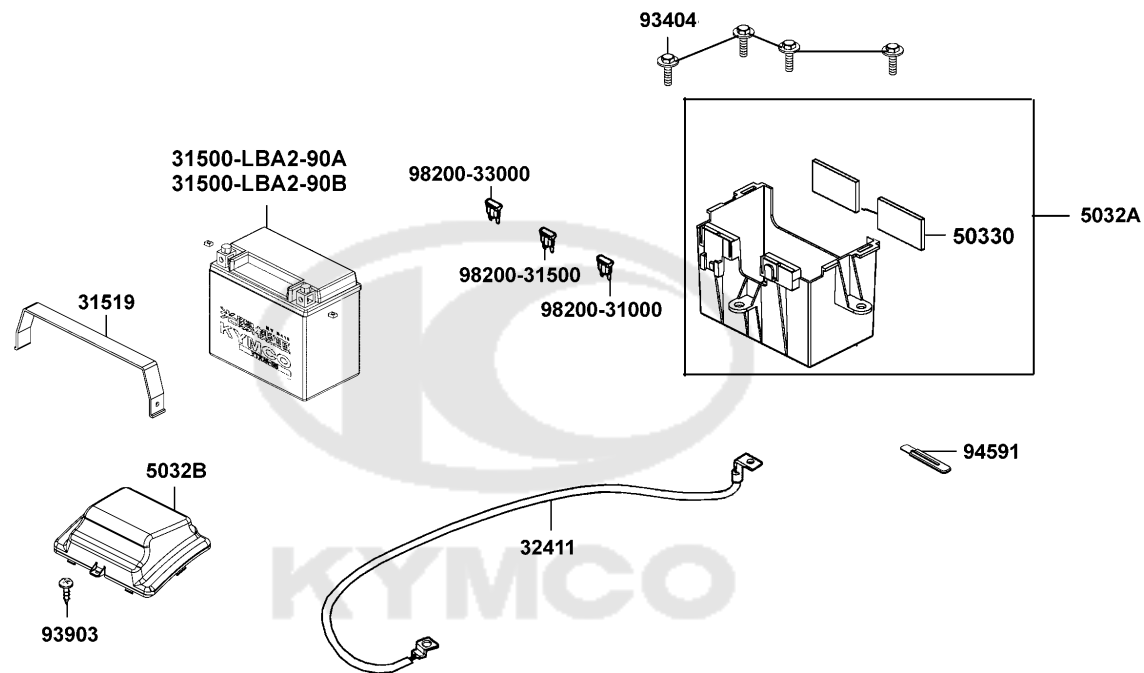
Seat



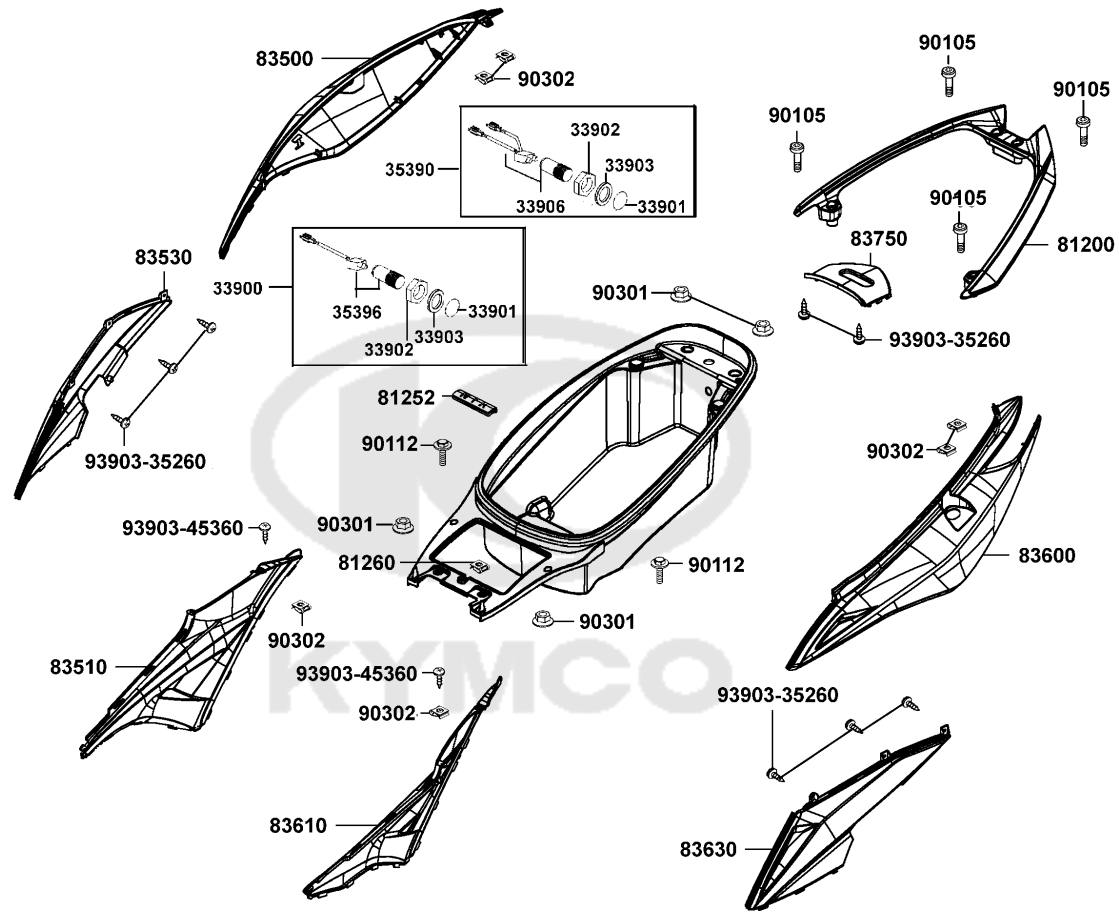
Sales mark	Ref no	Part no	Description	Reg description	Regd no	F09
# **	77200-LKF5-305	77200-LKF5-305	SEAT ASSY (REACH)	SEAT ASSY (REACH)	1	
**	77200-LKF5-E01	77200-LKF5-E01	SEAT ASSY (REACH)	SEAT ASSY (REACH)	1	
	77206	77206-KEB7-900	RUBBER SEAT CUSH	RUBBER SEAT CUSH	4	
# **	77210	77210-LKF5-E01	BACK SEAT ASSY (REACH)	BACK SEAT ASSY (REACH)	1	
#	77212	77212-LKF5-E00	CAP NUT 6MM	CAP NUT 6MM	3	
#	77213	77213-LKF5-E00	WASHER 6MM	WASHER 6MM	3	
#	77214	77214-LKF5-E00	BOLT 6MM	BOLT 6MM	1	
	77300	77300-LKF5-E00	HINGE ASSY..SEAT	HINGE ASSY..SEAT	1	
	77303	77303-LKF5-E00	HOOK SEAT LOCK	HOOK SEAT LOCK	1	
	89010	89010-LKF5-E00	TOOL SET	TOOL SET	1	
	89020	89020-KKC4-900	BAND TOOL SET	BAND TOOL SET	1	
	94050-06080	94050-06080	NUT FLANGE 6MM	NUT FLANGE 6MM	8	
	94050-08060	94050-08060	NUT FLANGE 8MM	NUT FLANGE 8MM	2	



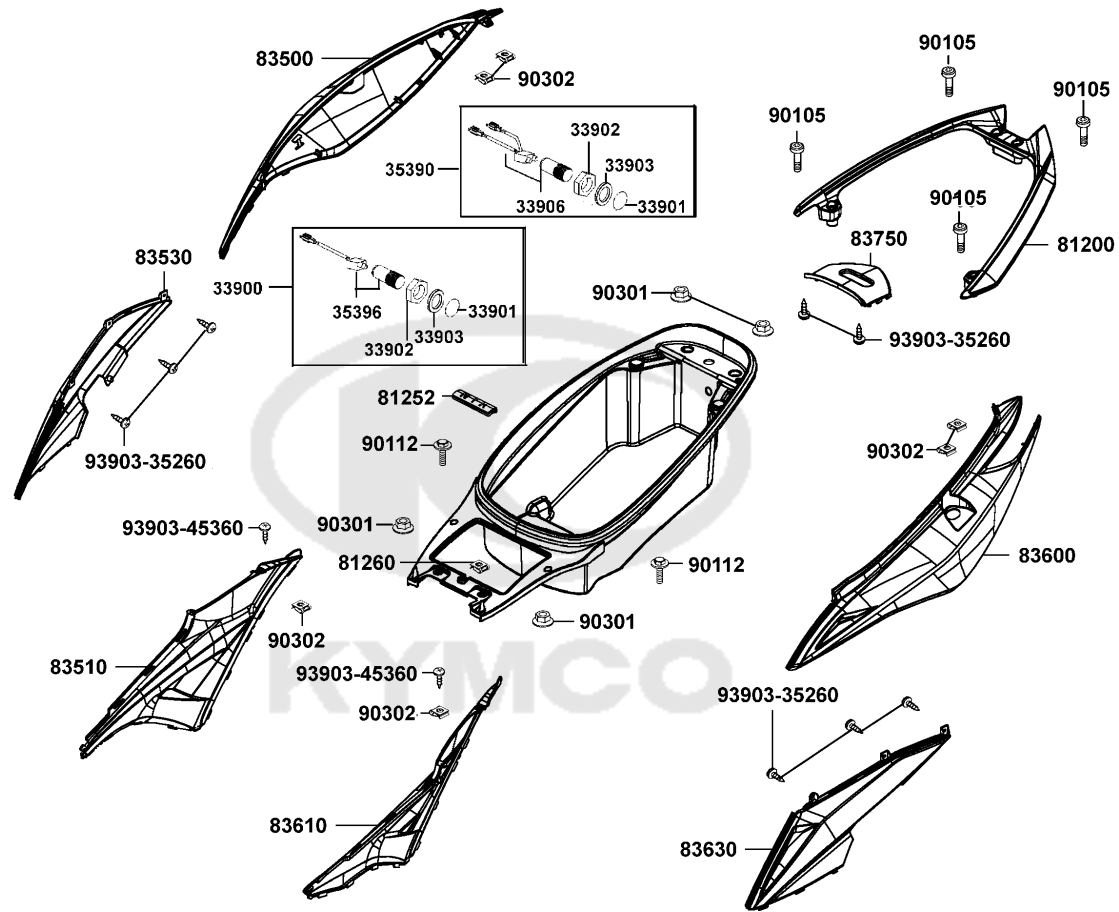
Sales mark	Ref no	Part no	Description	Reg description	Regd no	F10
#	1614	1614-A22C-0000-Y	FUEL LEVER SENSOR COMP	FUEL LEVER SENSOR COMP	1	
	17500	17500-LEA7-E00	TANK COMP. FUEL	TANK COMP. FUEL	1	
	17511	17511-LKF5-E00	STAY R.FUEL TANK	STAY R.FUEL TANK	1	
	17512	17512-LKF5-E00	STAY L.FUEL TANK	STAY L.FUEL TANK	1	
	17550	17550-LKF5-E00	PUMP ASSY FUEL	PUMP ASSY FUEL	1	
	17561	17561-LDF2-900	O-RING	O-RING	1	
	17561A	17561-LGE5-E00	CLIP 13.5	CLIP 13.5	1	
	17582	17582-LKF5-E00	HEAD GUARD COVER	HEAD GUARD COVER	1	
	17620	17620-LKF5-315-M2	CAP COMP FUEL FILLER	CAP COMP FUEL FILLER	1	
	17685	17685-LKF5-E00	TUBE.FUEL PUMP	TUBE.FUEL PUMP	1	
	3791	3791-HN80-0000	FILTER COMP	FILTER COMP	1	
	90301	90301-6D34-671	NUT FLANGE 6MM	NUT FLANGE 6MM	4	
	94050	94050-06080	NUT FLANGE 6MM	NUT FLANGE 6MM	2	
#	95701	95701-06012-06	BOLT FLANGE 6*12 **07 C.2005.07.01	BOLT FLANGE 6*12 **07 C.2005.07.01	1	
	95701A	95701-LDF2-800	BOLT FLANGE 5*6.5	BOLT FLANGE 5*6.5	6	



Sales mark	Ref no	Part no	Description	Reg description	Regd no	F11
	31500-LBA2-90A	31500-LBA2-90A	BATTERY YTX14-BS	BATTERY YTX14-BS	1	
	31500-LBA2-90B	31500-LBA2-90B	BATTERY GTX14-BS	BATTERY GTX14-BS	1	
	31519	31519-LKF5-E00	FIX STAY. BATTERY	FIX STAY. BATTERY	1	
	32411	32411-KHD8-900	CABLE BATTERY	CABLE BATTERY	1	
**	5032A	5032A-LKF5-E00	CASE ASSY BATTERY	CASE ASSY BATTERY	1	
**	5032B	5032B-LKF5-E00	BATTERY COVER.ASSY.	BATTERY COVER.ASSY.	1	
	50330	50330-LKF5-E00	SPONGE BATTERY CASE	SPONGE BATTERY CASE	2	
#	93404	93404-06012-06	BOLT WASHER 6X12	BOLT WASHER 6X12	1	
	93903	93903-45260	SCREW TAPPING 5*12	SCREW TAPPING 5*12	1	
	94591	94591-KFBF-900	CLIP 2*70	CLIP 2*70	1	
	98200-31000	98200-31000	BLADE FUSE 10A **(0) C.2005.03.01	BLADE FUSE 10A **(0) C.2005.03.01	1	
	98200-31500	98200-31500	FUSE A15	FUSE A15	1	
	98200-33000	98200-33000	BLADE FUSE 30A	BLADE FUSE 30A	1	



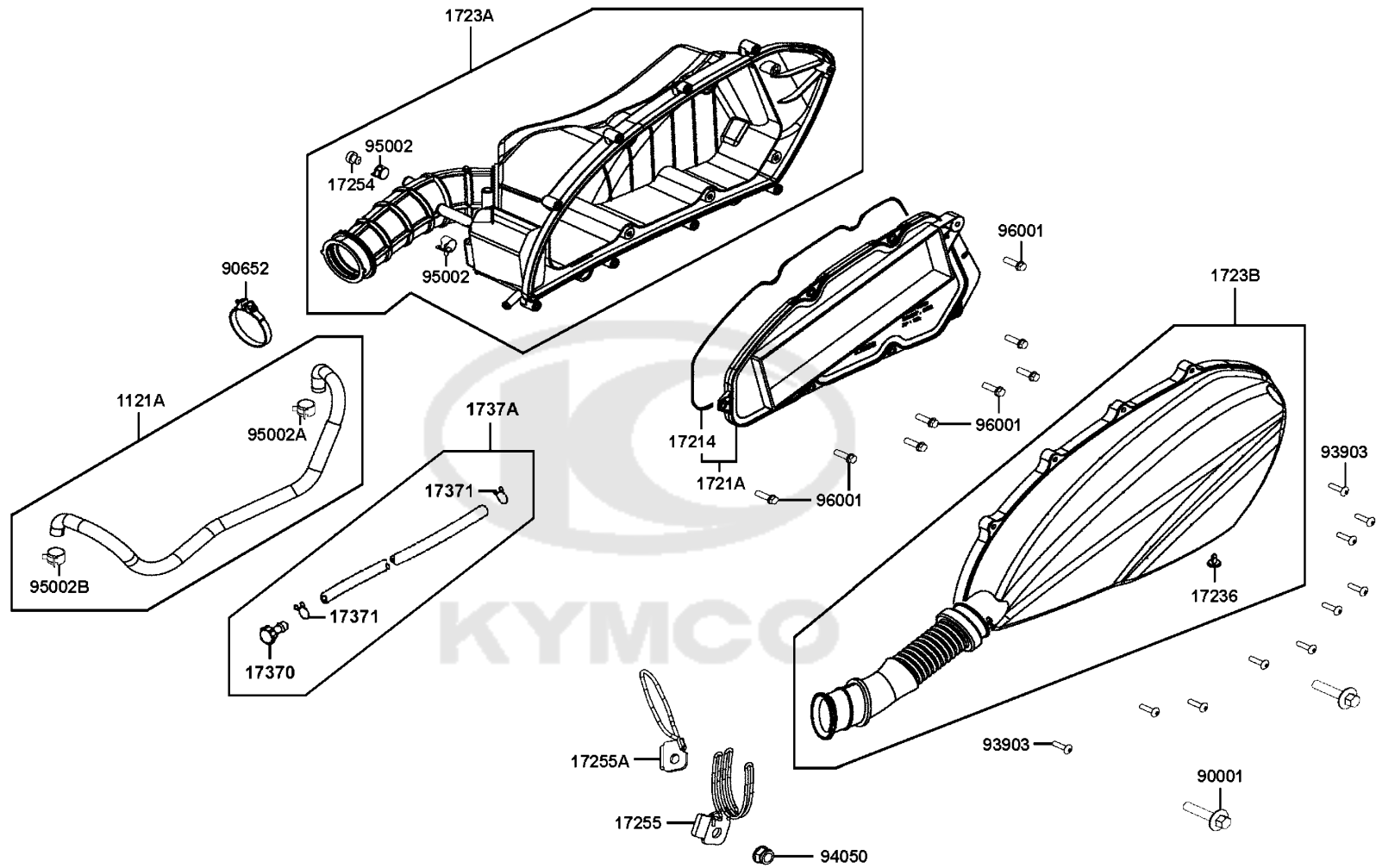
Sales mark	Ref no	Part no	Description	Reg description	Regd no	F12
	33900	33900-LKF5-E00	LIGHT ASSY LUGGAGE BOX	LIGHT ASSY LUGGAGE BOX	1	
	33901	33901-LHG7-E00	LENS	LENS	2	
	33902	33902-LHG7-E00	NUT SCREW	NUT SCREW	2	
	33903	33903-LHG7-E00	PACKING	PACKING	2	
	33906	33906-LKF5-E00	SOCKET ASSY	SOCKET ASSY	1	
	35390	35390-LKF5-E00	SENSOR LUGGAGE BOX LIGHT	SENSOR LUGGAGE BOX LIGHT	1	
	35396	35396-LKF5-E00	SOCKET ASSY	SOCKET ASSY	1	
**	81200	81200-LGR2-E00	CARRIER RR (Flat Black)	CARRIER RR (Flat Black)	1	
	81252	81252-KKE5-E00	PLUG LUGGAGE BOX	PLUG LUGGAGE BOX	1	
	81260	81260-LKF5-E00	BOX.COMP. LUGGAGE	BOX.COMP. LUGGAGE	1	
**	83500	83500-LKF5-E00	COVER R.. BODY	COVER R.. BODY	1	
**	83510	83510-LKF5-E00	BOARD.R SIDE COVER	BOARD.R SIDE COVER	1	
**	83530	83530-LKF5-E00	COVER.R SIDE	COVER.R SIDE	1	
**	83600	83600-LKF5-E00	COVER L BODY	COVER L BODY	1	
**	83610	83610-LKF5-E00	BOARD.L SIDE COVER	BOARD.L SIDE COVER	1	
**	83630	83630-LKF5-E00	COVER.L SIDE	COVER.L SIDE	1	
**	83750	83750-LKF5-E00	COVER RR CENTER	COVER RR CENTER	1	
	90105	90105-KHB4-900	BOLT WASH M8*60	BOLT WASH M8*60	4	
	90112	90112-KFA1-900	BOLT FLANGE 6MM	BOLT FLANGE 6MM	2	
	90301	90301-6C93-001	NUT 6MM OPENSTAY	NUT 6MM OPENSTAY	4	



Sales mark	Ref no	Part no	Description	Reg description	Regd no	F12
------------	--------	---------	-------------	-----------------	---------	------------

90302	90302-LKB9-900	90302-LKB9-900	NUT SPRING 5MM	NUT SPRING 5MM	4	
93903-35260	93903-35260	93903-35260	SCREW TAPPING 5*12	SCREW TAPPING 5*12	8	
93903-45360	93903-45360	93903-45360	SCREW TAPPING 5*16	SCREW TAPPING 5*16	2	

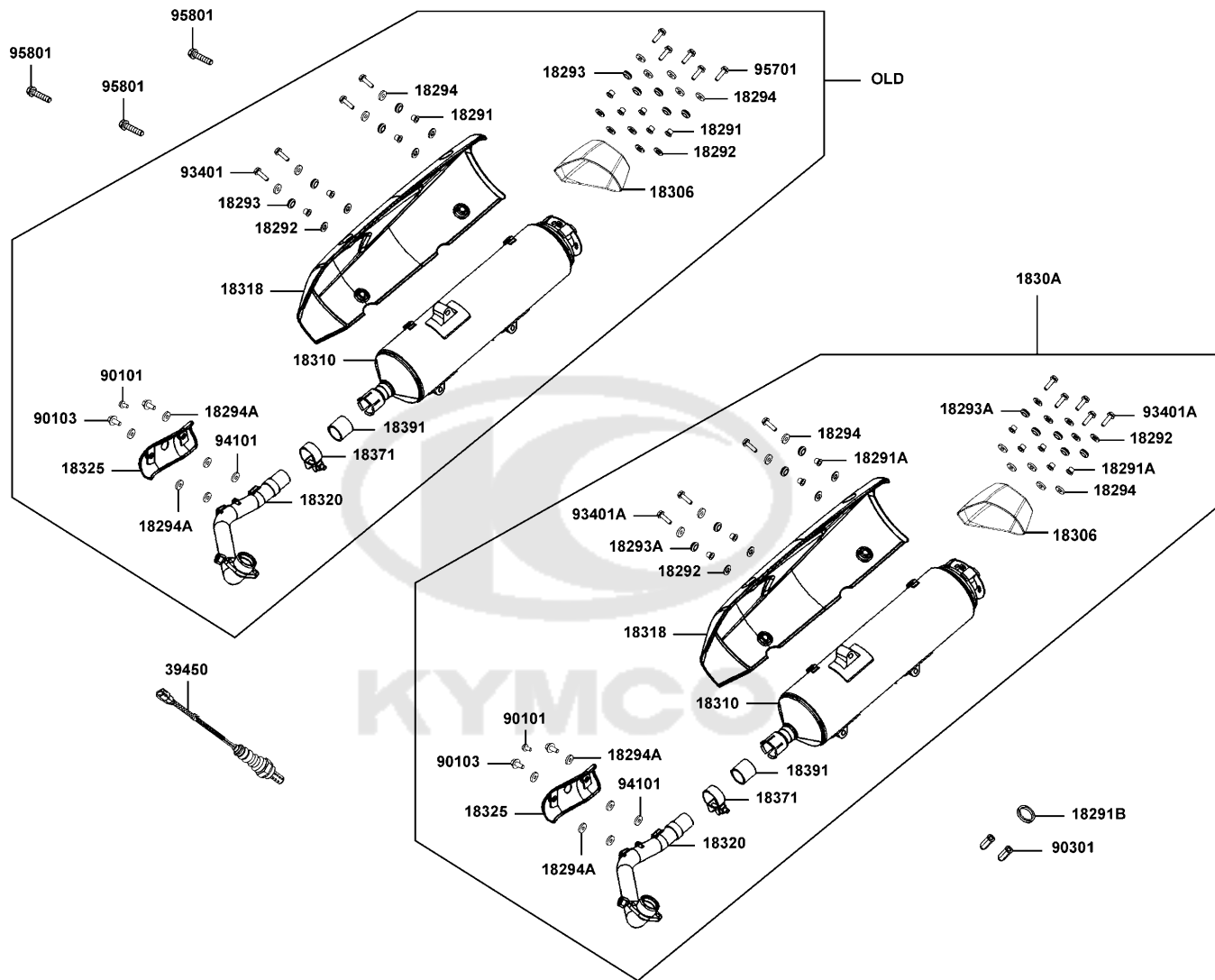




Sales mark	Ref no	Part no	Description	Reg description	Regd no	F13
	1121A	1121A-LKF5-E00	TUBE BREATHER	TUBE BREATHER	1	
	17214	17214-LDB2-E00	SEAL CASE	SEAL CASE	1	
	1721A	1721A-LKF5-E00	ELEMENT ASSY AIR/C	ELEMENT ASSY AIR/C	1	
	17236	17236-KFBF-910	PLATE	PLATE	1	
	1723A	1723A-LKF5-E00	CASE ASSY AIR/C	CASE ASSY AIR/C	1	
	1723B	1723B-LKF5-E00	COVER ASSY AIR/C	COVER ASSY AIR/C	1	
#	17254	17254-KACA-P00	PLUG AIR/C CONN TUBE	PLUG AIR/C CONN TUBE	1	
	17255	17255-LKF5-E00	STAY AIR/C DUCT	STAY AIR/C DUCT	1	
#	17255A	17255-LKF5-E01	STAY AIR/C. DUCT	STAY AIR/C. DUCT	1	
	17370	17370-4K19-701	PLUG BREATHER TUBE	PLUG BREATHER TUBE	1	
	17371	17371-1D74-671	CLIP BREATHER TUBE	CLIP BREATHER TUBE	2	
	1737A	1737A-KUDU-900	V TUBE ASSY	V TUBE ASSY	1	
	90001	90001-GBHB-681	BOLT FLANGE SHF 6*28	BOLT FLANGE SHF 6*28	2	
	90652	90652-LKF5-E00	CLAMP (54)	CLAMP (54)	1	
	93903	93903-25460	SCREW TAPPING 5*20 **93903-25480	SCREW TAPPING 5*20 **93903-25480 C.2005	9	
	94050	94050-06060	NUT FLANGE 6MM	NUT FLANGE 6MM	1	
	95002	95002-41150-00	CLIP D11.5 TUBE	CLIP D11.5 TUBE	2	
#	95002A	95002-KED9-M30	CLAMP D14.8 TUBE	CLAMP D14.8 TUBE	2	
#	95002B	95002-LKF5-E00	CLAMP D14.6 TUBE	CLAMP D14.6 TUBE	2	
	96001	96001-GFY6-900	BOLT SPECIAL 5X10	BOLT SPECIAL 5X10	7	

F14

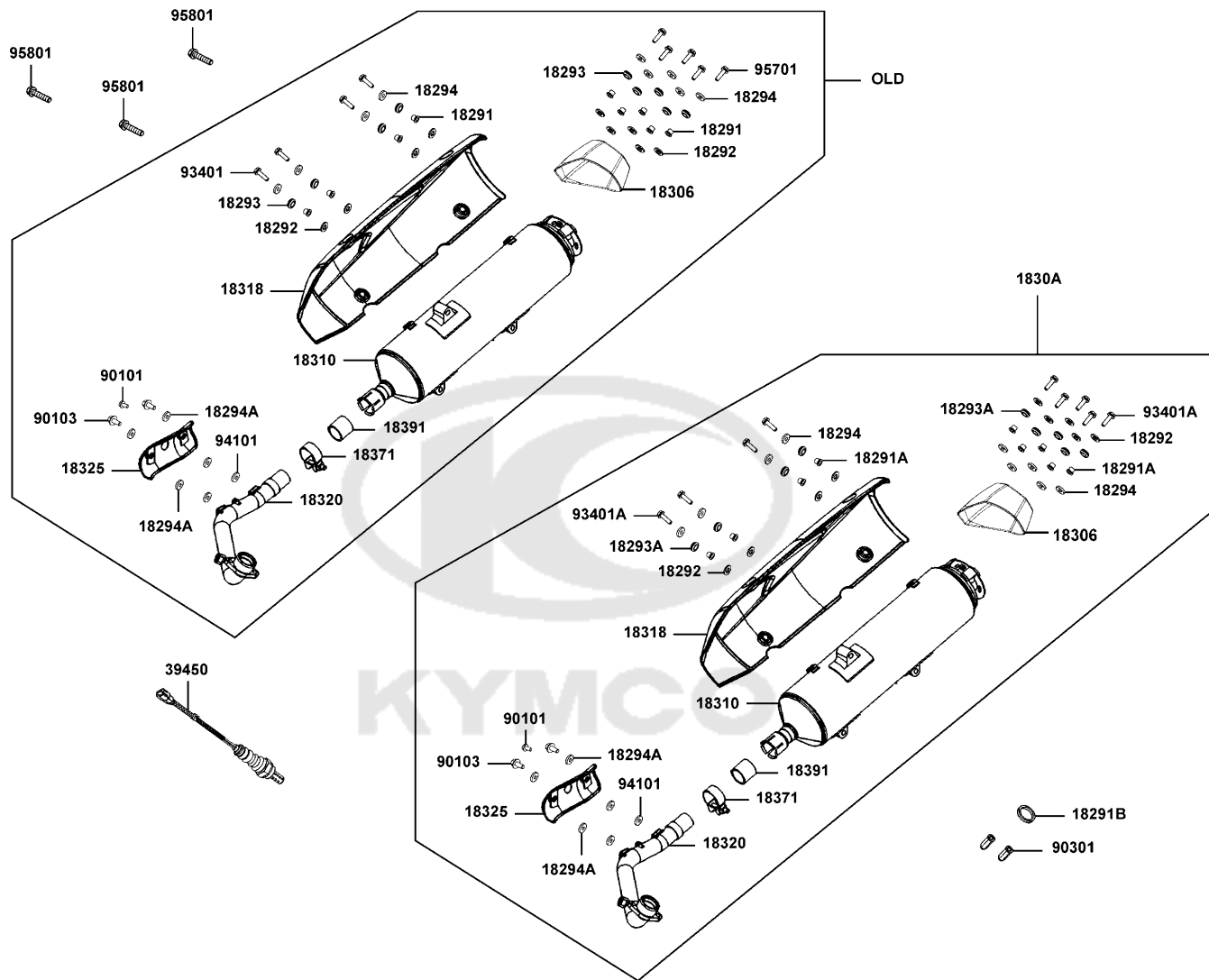
Exhaust Muffler



Sales mark	Ref no	Part no	Description	Reg description	Regd no	F14
	18291	18291-KEBE-900	COLLAR	COLLAR	9	
#	18291A	18291-LKG2-90A	COLLAR	COLLAR	9	
	18291B	18291-PWB1-900	SEAL EXHAUST PIPE	SEAL EXHAUST PIPE	1	
	18292	18292-KEBE-900	PACKING PROTECTOR	PACKING PROTECTOR	9	
	18293	18293-KEBE-900	RUBBER PKG PROTR	RUBBER PKG PROTR	9	
#	18293A	18293-LHJ8-900	RUBBER PKG PROTR	RUBBER PKG PROTR	9	
	18294	18294-KEBE-900	PACKING PROTECTOR	PACKING PROTECTOR	9	
	18294A	18294-KTCT-900	PACKING PROTECTOR	PACKING PROTECTOR	4	
**	18306	18306-LKF5-E00	TAIL CAP MUFFLER	TAIL CAP MUFFLER	1	
#	1830A	1830A-LKF5-E01	MUFFLER ASSY EXHAUST	MUFFLER ASSY EXHAUST	1	
#	18310	18310-LKF5-E01	MUFFLER COMP	MUFFLER COMP.	1	
**	18318	18318-LKF5-E00	PROTECTOR. MUFFLER	PROTECTOR. MUFFLER	1	
	18320	18320-LKF5-E00	PIPE COMP.. EXHAUST	PIPE COMP.. EXHAUST	1	
**	18325	18325-LKF5-E00	PROTECTOR. EXH PIPE	PROTECTOR. EXH PIPE	1	
	18371	18371-LBA2-E00	BAND MUFFLER	BAND MUFFLER	1	
	18391	18391-LKF5-E00	PACKING. MUFFLER	PACKING. MUFFLER	1	
	39450	39450-LEA6-800	O2 SENSOR	O2 SENSOR	1	
	90101	90101-LEA7-E00	BOLT FLANGE SH 6X8	BOLT FLANGE SH 6X8	1	
	90103	90103-LGE5-E00	BOLT WASHER 6X14	BOLT WASHER 6X14	2	
	90301	90301-GFY6-901	NUT CAP 8MM *(1) C.2008.10.28	NUT CAP 8MM *(1) C.2008.10.28	2	

F14

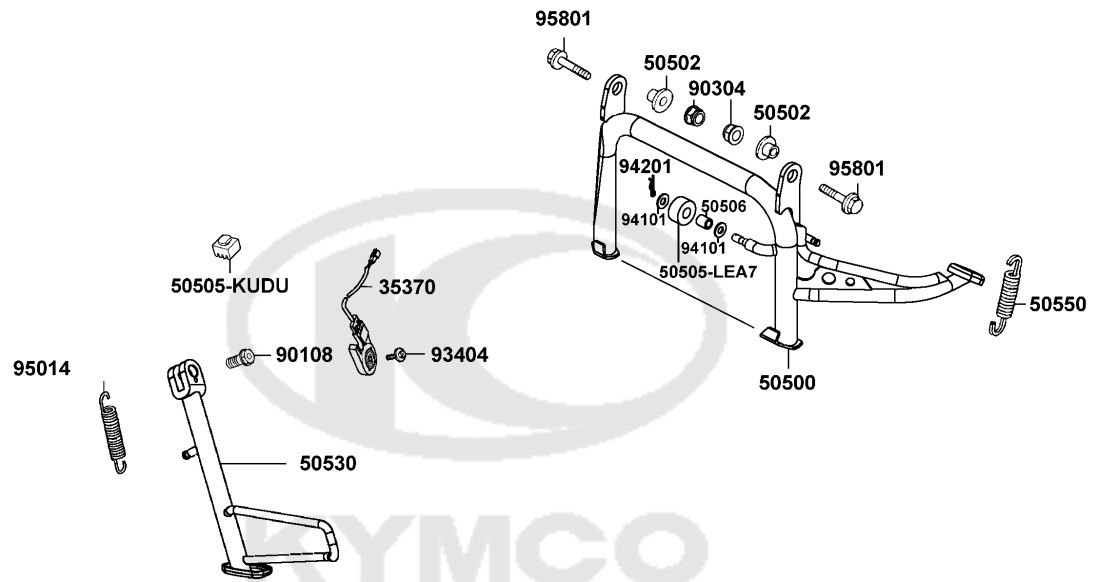
Exhaust Muffler



Sales mark	Ref no	Part no	Description	Reg description	Regd no	F14
------------	--------	---------	-------------	-----------------	---------	------------

	93401	93401-06020-07	BOLT WASHER 6*20	BOLT WASHER 6*20	4	
#	93401A	93401-LEA7-900	BOLT WASHER 6X22	BOLT WASHER 6X22	9	
	94101	94101-LEA2-900	WASHER PLAIN 6.5*18*105	WASHER PLAIN 6MM	2	
	95701	95701-06022-06	BOLT FLANGE 6*22	BOLT FLANGE 6*22	4	
	95801	95801-10060-06	BOLT FLANGE 10*60	BOLT FLANGE 10*60	3	

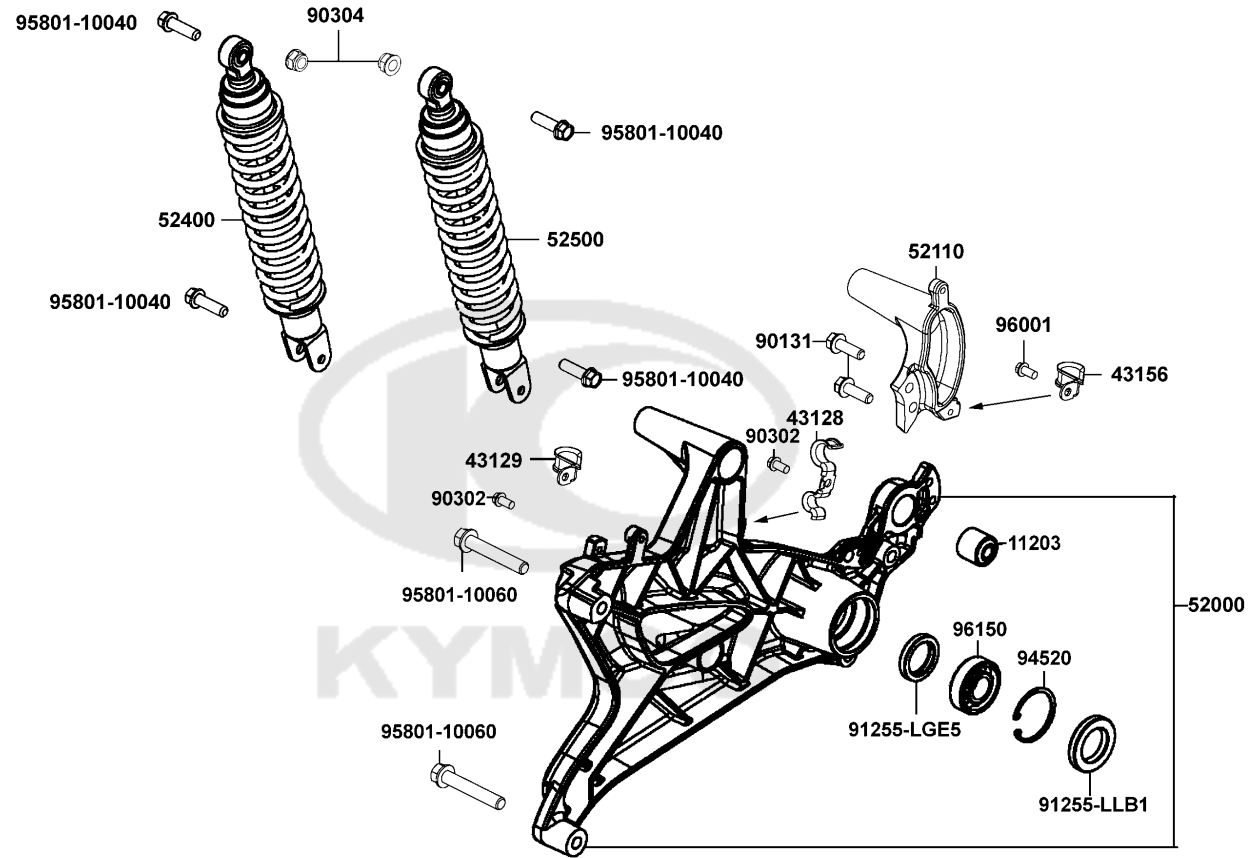




Sales mark	Ref no	Part no	Description	Reg description	Regd no	F15
35370		35370-LLJ3-E00	SW UNIT SIDE STAND	SW UNIT SIDE STAND	1	
50500		50500-LKF5-E00	STAND COMP..MAIN	STAND COMP..MAIN	1	
50502		50502-GFY6-901	COLLAR MAIN STAND	COLLAR MAIN STAND	2	
50505-KUDU		50505-KUDU-900	STOPPER RUBBER STAND	STOPPER RUBBER STAND	1	
50505-LEA7		50505-LEA7-E00	STOPPER RUBBER	STOPPER RUBBER	1	
50506		50506-KHE7-E00	COLLAR STOPPER RUBBER	COLLAR STOPPER RUBBER	1	
50530		50530-LKF5-E00	STAND COMP..SIDE	STAND COMP..SIDE	1	
50550		50550-KKC2-E00	SPG ASSY MAIN STAND	SPG ASSY MAIN STAND	1	
90108		90108-KKC4-900	SCREW SIDE STAND PIVOT	SCREW SIDE STAND PIVOT	1	
90304		90304-LEA1-900	NUT U FLANGE 10MM	NUT U 10MM	2	
93404		93404-06016-06	BOLT WASHER 6*16	BOLT WASHER 6*16	1	
94101		94101-08600	WASH PLAIN 8MM	WASH PLAIN 8MM	2	
94201		94201-20180	PIN SPLIT 2.0*18	PIN SPLIT 2.0*18	1	
95014		95014-72204	SPG B1 SIDE STAND	SPG B1 SIDE STAND	1	
95801		95801-10030-06	BOLT FLANGE 10X30	BOLT FLANGE 10X30	2	

F16

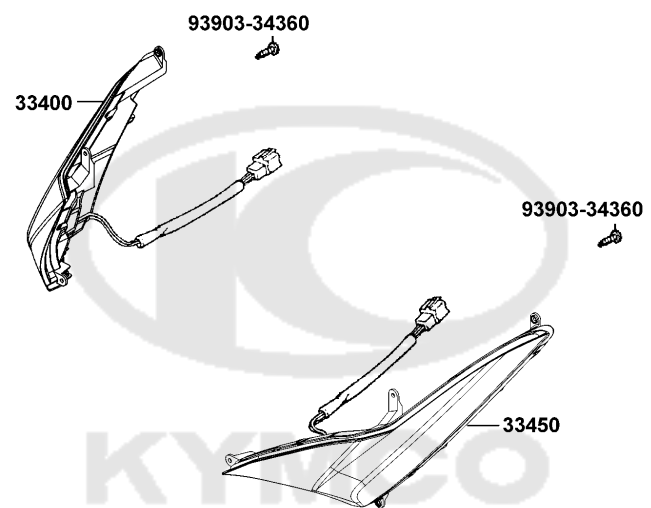
Rr Cushion



Sales mark	Ref no	Part no	Description	Reg description	Regd no	F16
	11203	11203-LBA2-E00	RUB BUSH L CASE	RUB BUSH L CASE	1	
	43128	43128-LKF5-E00	CLAMPER. RR BRK HOSE AND CABLE	CLAMPER. RR BRK HOSE AND CABLE	1	
	43129	43129-LKF5-E00	CLAMPER. RR BRK HOSE & CABLE. 1.B	CLAMPER. RR BRK HOSE & CABLE. 1.B	1	
	43156	43156-LDB2-900	CLAMPER HOSE RR	CLAMPER HOSE RR	1	
# **	52000	52000-LKF5-E01	FORK ASSY RR	FORK ASSY RR	1	
**	52110	52110-LKF5-E00	FORK A RR CAST	FORK A RR CAST	1	
**	52400	52400-LKF5-E00	CUSHION ASSY RR	CUSHION ASSY RR	1	
**	52500	52500-LKF5-E00	CUSHION ASSY. RR L/H	CUSHION ASSY. RR L/H	1	
	90131	90131-KEBE-900	BOLT FLANGE 8*24	BOLT FLANGE 8*24	2	
	90302	90302-LLB1-E00	BOLT-WASHER 5*12	BOLT-WASHER 5*12	2	
	90304	90304-GLW0-90A	NUT U FLANGE 10MM	NUT U FLANGE 10MM	2	
	91255-LGE5	91255-LGE5-E00	OIL SEAL 30*48*7	OIL SEAL 30*48*7	1	
	91255-LLB1	91255-LLB1-900	OIL SEAL 30*40*7	OIL SEAL 30*40*7	1	
	94520	94520-47000	CIR CLIP IN 47	CIR CLIP IN 47	1	
	95801-10040	95801-10040-06	BOLT FLANGE 10X40	BOLT FLANGE 10*40	4	
	95801-10060	95801-10060-06	BOLT FLANGE 10*60	BOLT FLANGE 10*60	2	
#	96001	96001-06012-06	BOLT FLANGE SH 6*12	BOLT FLANGE SH 6*12	3	
	96150	96150-62040-10	BEARING BALL RADIAL 6204	BEARING BALL RADIAL 6204	1	

F17

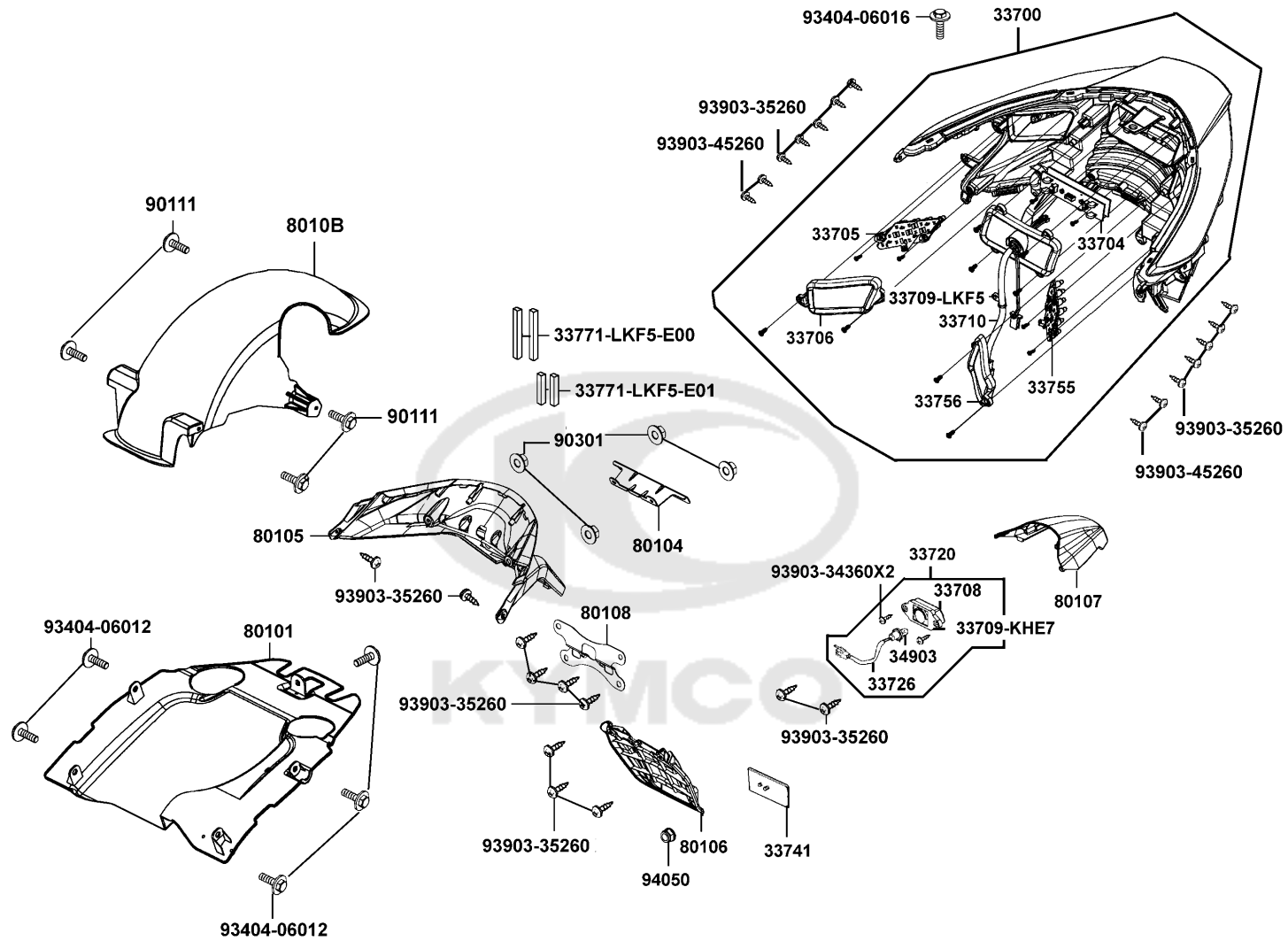
Winker



Sales mark	Ref no	Part no	Description	Reg description	Regd no	F17
------------	--------	---------	-------------	-----------------	---------	------------

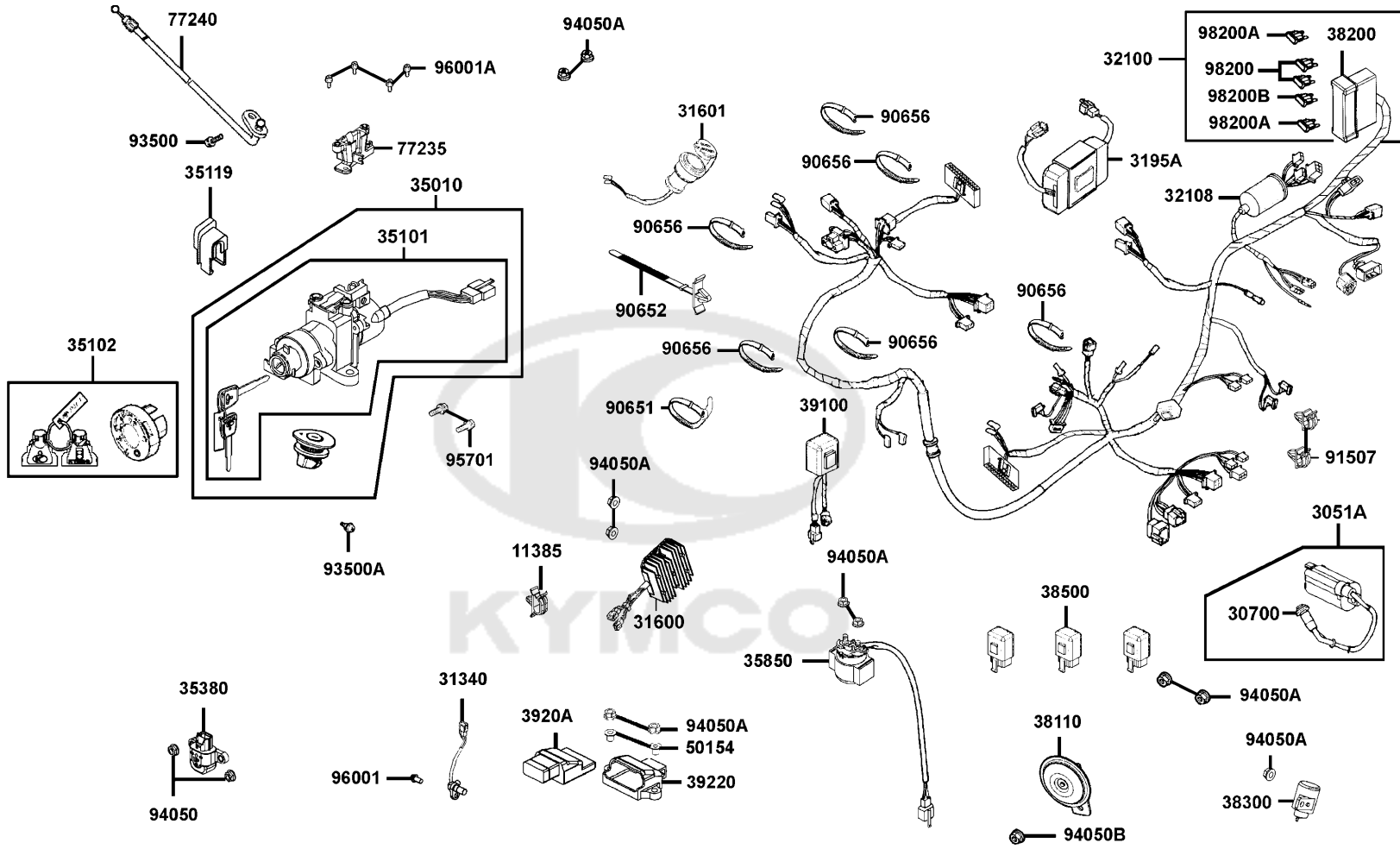
33400	33400-LKF5-E00	33400-LKF5-E00	WINKER ASSY R FR	WINKER ASSY R FR	1	
33450	33450-LKF5-E00	33450-LKF5-E00	WINKER ASSY L FR	WINKER ASSY L FR	1	
93903	93903-34360	93903-34360	SCREW TAPPING 4X12	SCREW TAPPING 4X12	2	



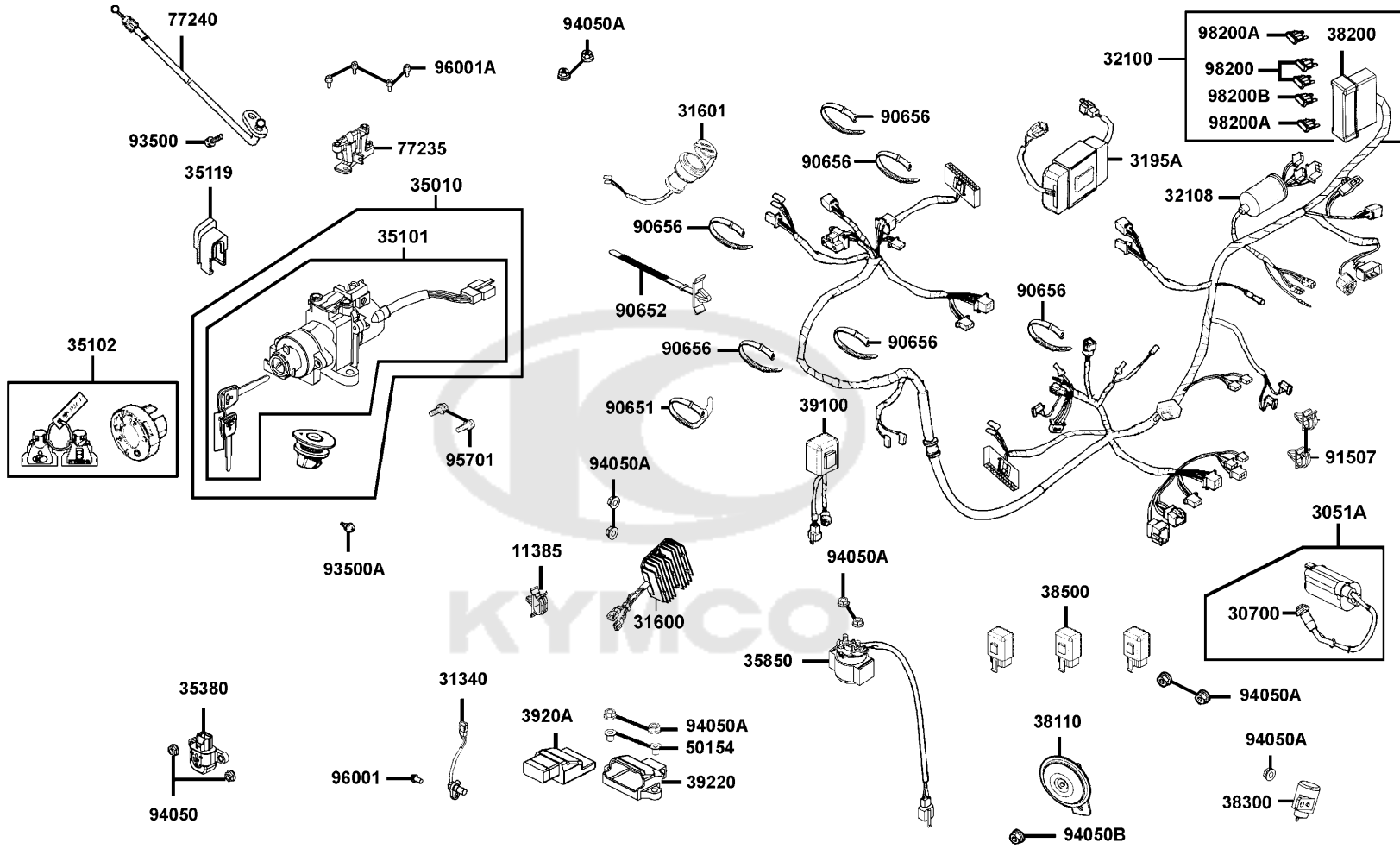


Sales mark	Ref no	Part no	Description	Reg description	Regd no	F18
	33700	33700-LKF5-E00	LIGHT ASSY.. RR. COMB.	LIGHT ASSY.. RR. COMB.	1	
	33704	33704-LKF5-E00	PCB ASSY TAIL LIGHT	PCB ASSY TAIL LIGHT	1	
	33705	33705-LKF5-E00	PCB ASSY R WINKER	PCB ASSY R WINKER	1	
	33706	33706-LKF5-E00	COVER COMP R	COVER COMP R	1	
	33708	33708-KHE7-E00	LENS LICENSE	LENS LICENSE	1	
	33709-KHE7	33709-KHE7-E00	BASE LICENSE	BASE LICENSE	1	
	33709-LKF5	33709-LKF5-315	LIGHT ASSY	LIGHT ASSY	1	
	33710	33710-LKF5-E00	SOCKET COMP	SOCKET COMP	1	
	33720	33720-LBB5-E00	LIGHT ASSY LICENSE	LIGHT ASSY LICENSE	1	
	33726	33726-LBB5-E00	SCOKET COMP	SCOKET COMP	1	
	33741	33741-KHC5-M00	REFLEX REFLECTOR	REFLEX REFLECTOR	1	
	33755	33755-LKF5-E00	PCB ASSY L WINKER	PCB ASSY L WINKER	1	
	33756	33756-LKF5-E00	COVER COMP L	COVER COMP L	1	
	33771-LKF5-E00	33771-LKF5-E00	PACKING. TAIL LIGHT	PACKING. TAIL LIGHT	2	
	33771-LKF5-E01	33771-LKF5-E01	PACKING. TAIL LIGHT	PACKING. TAIL LIGHT	2	
	34903	34903-KPCP-900	BULB POSITION LIGHT 12V5W **KCP-	BULB POSITION LIGHT 12V5W **KCP-9000	1	
**	80101	80101-LKF5-E00	FENDER.RR. INNER	FENDER.RR. INNER	1	
	80104	80104-LKF5-E00	STAY.NO.PLATE	STAY.NO.PLATE	1	
**	80105	80105-LKF5-E00	RR FRNDER.UP	RR FRNDER.UP	1	
**	80106	80106-LKF5-E00	RR FENDER LOW	RR FENDER LOW	1	

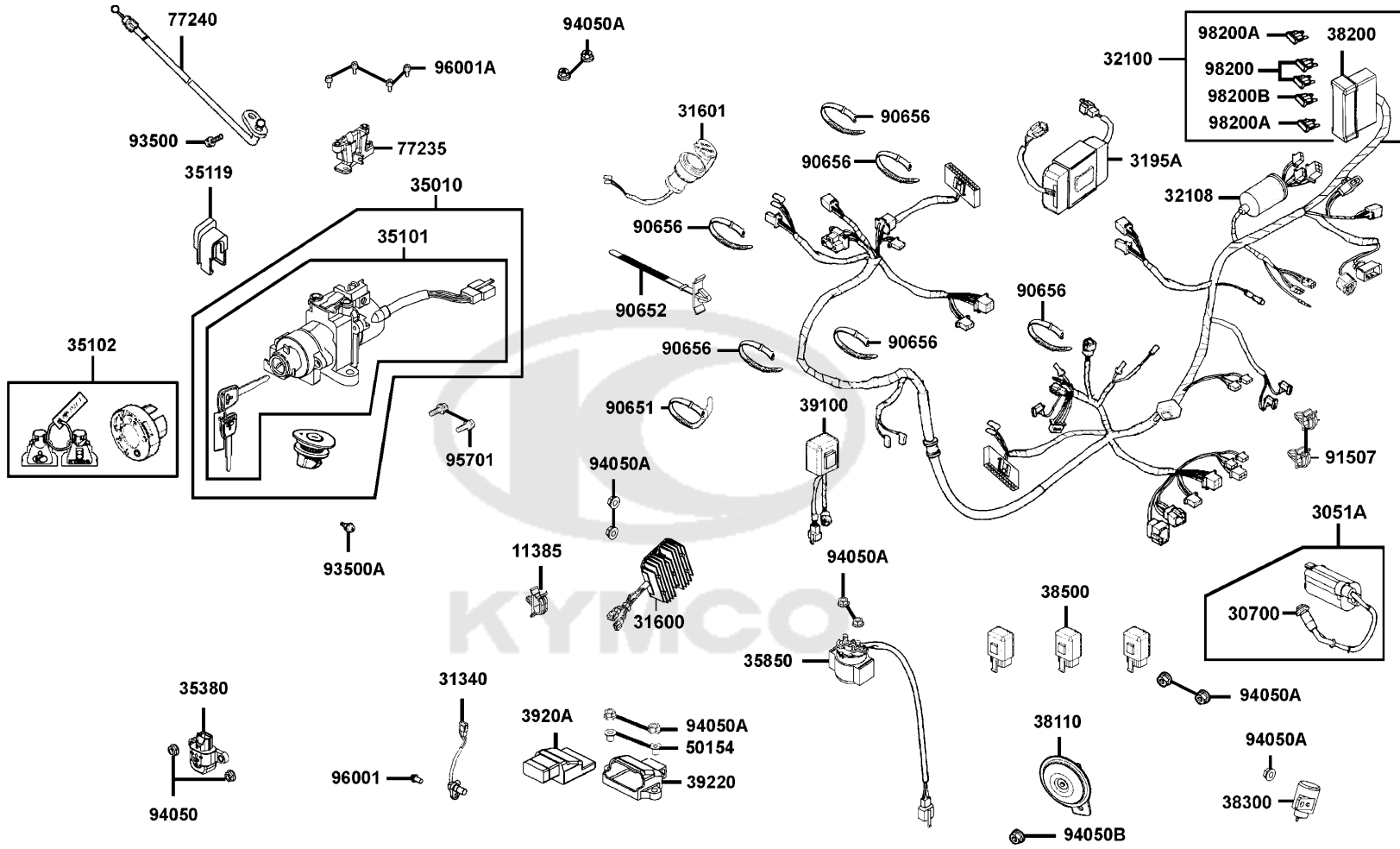
Sales mark	Ref no	Part no	Description	Reg description	Regd no	F18
**	80107	80107-LKF5-E00	COVER LICENSE LIGHT	COVER LICENSE LIGHT	1	
	80108	80108-LKG7-E00	STAY RR FENDER	STAY RR FENDER	1	
**	8010B	8010B-LKF5-E00	FENDER ASSY.RR TIRE	FENDER ASSY.RR TIRE	1	
	90111	90111-LEB1-900	BOLT FLANGE 6MM	BOLT FLANGE 6MM	4	
	90301	90301-6C93-001	NUT 6MM OPENSTAY	NUT 6MM OPENSTAY	4	
#	93404-06012	93404-06012-06	BOLT WASHER 6X12	BOLT WASHER 6X12	5	
	93404-06016	93404-06016-06	BOLT WASHER 6*16	BOLT WASHER 6*16	5	
	93903-34360	93903-34360	SCREW TAPPING 4X12	SCREW TAPPING 4X12	2	
	93903-35260	93903-35260	SCREW TAPPING 5*12	SCREW TAPPING 5*12	21	
	93903-45260	93903-45260	SCREW TAPPING 5*12	SCREW TAPPING 5*12	4	
	94050	94050-05080	NUT FLANGE 5MM	NUT FLANGE 5MM	1	



Sales mark	Ref no	Part no	Description	Reg description	Regd no	F19
	11385	11385-KGBG-900	CLIP VACUUM TUBE	CLIP VACUUM TUBE	1	
	3051A	3051A-LKF5-E00	COIL ASSY IGN	COIL ASSY IGN	1	
	30700	30700-LDB5-E00	CAP ASSY NOISE SUPPRESOR	CAP ASSY NOISE SUPPRESOR	1	
	31340	31340-LFH1-E00	SENSOR RR WHEEL SPEED	SENSOR RR WHEEL SPEED	1	
	31600	31600-LKF5-E00	REG REC COMP	REG REC COMP	1	
#	31601	31601-LKF5-E01	SOCKET COMP. DC 12V	SOCKET COMP. DC 12V	1	
	3195A	3195A-LKF5-E00	CONTROL ASSY..HAZARD	CONTROL ASSY..HAZARD	1	
	32100	32100-LKF5-E00	HARNES WIRE	HARNES WIRE	1	
	32108	32108-GAR1-711	COVER HARNES WIRE	COVER HARNES WIRE	1	
	35010	35010-LKF5-315-M2	KEY SET (D106)	KEY SET (D106)	1	
	35101	35101-LKF5-315-M2	SW COMB & LOCK	SW COMB & LOCK	1	
	35102	35102-LKF5-315-M2	SHUTTER MAGNETIC LOCK	SHUTTER MAGNETIC LOCK	1	
	35119	35119-KHC4-90B	COVER SEAT CABLE	COVER SEAT CABLE	1	
	35380	35380-ABE1-E0B	SENSOR ANGLE DETECT	SENSOR ANGLE DETECT	1	
	35850	35850-LKF5-E0A	SW ASSY. START MAG.(D402)	SW ASSY. START MAG.(D402)	1	
	35850	35850-LKF5-E0B	SW ASSY. START MAG.(D406)	SW ASSY. START MAG.(D406)	1	
	38110	38110-KHB4-E0A	HORN COMP (D405)	HORN COMP (D405)	1	
	38110	38110-KHB4-E0B	HORN COMP (D203)	HORN COMP (D203)	1	
	38110	38110-KHB4-E0C	HORN COMP	HORN COMP	1	
	38200	38200-KHE7-900	BOX COMP FUSE	BOX COMP FUSE	1	



Sales mark	Ref no	Part no	Description	Reg description	Regd no	F19
	38300	38300-KKE5-E00	RELAY COMP WINKER	RELAY COMP. WINKER	1	
	38500	38500-LGL3-90A	RELAY ASSY LIGHT	RELAY ASSY LIGHT	3	
	39100	39100-LKF5-E00	EMI FILTER. FAN MOTOR	EMI FILTER. FAN MOTOR	1	
	3920A	3920A-LKF5-E00	ASSY ECU	ASSY ECU	1	
	39220	39220-LKG2-900	CUSHION ECU	CUSHION ECU	1	
	50154	50154-KKE3-900	COLLAR ECU *(0) C.2005.08.25	COLLAR ECU *(0) C.2005.08.25	2	
	77235	77235-KGC4-E0B	SEAT CATCH	SEAT CATCH	1	
	77240	77240-LKF5-E00	CABLE ASSY. SEAT LOCK	CABLE ASSY. SEAT LOCK	1	
	90651	90651-LKF5-E00	CLIP WIRE HARN	CLIP WIRE HARN	1	
	90652	90652-LGL7-E00	CLIP 8*120	CLIP 8*120	1	
**	90656	90656-KUDU-900	BAND HARNESS WIRE **KUDU-900	BAND HARNESS WIRE **KUDU-900 C.2005.05.	6	
	91507	91507-LKE6-900	CLIP	CLIP	2	
	93500	93500-KHC4-90A	SCREW PAN 5*10	SCREW PAN 5*10	1	
	93500A	93500-LKF5-E00	SCREW PAN 5X15	SCREW PAN 5X15	1	
	94050	94050-05080	NUT FLANGE 5MM	NUT FLANGE 5MM	2	
	94050A	94050-06080	NUT FLANGE 6MM	NUT FLANGE 6MM	10	
	94050B	94050-08080	NUT FLANGE 8MM	NUT FLANGE 8MM	1	
	95701	95701-LEA5-E00	BOLT TORQUE 8*25 *(0) C.2007.01.22	BOLT TORQUE 8*25 *(0) C.2007.01.22	2	
#	96001	96001-06012-06	BOLT FLANGE SH 6*12	BOLT FLANGE SH 6*12	1	
#	96001A	96001-06014-06	BOLT FLANGE SH 6X14	BOLT FLANGE SH 6X14	1	



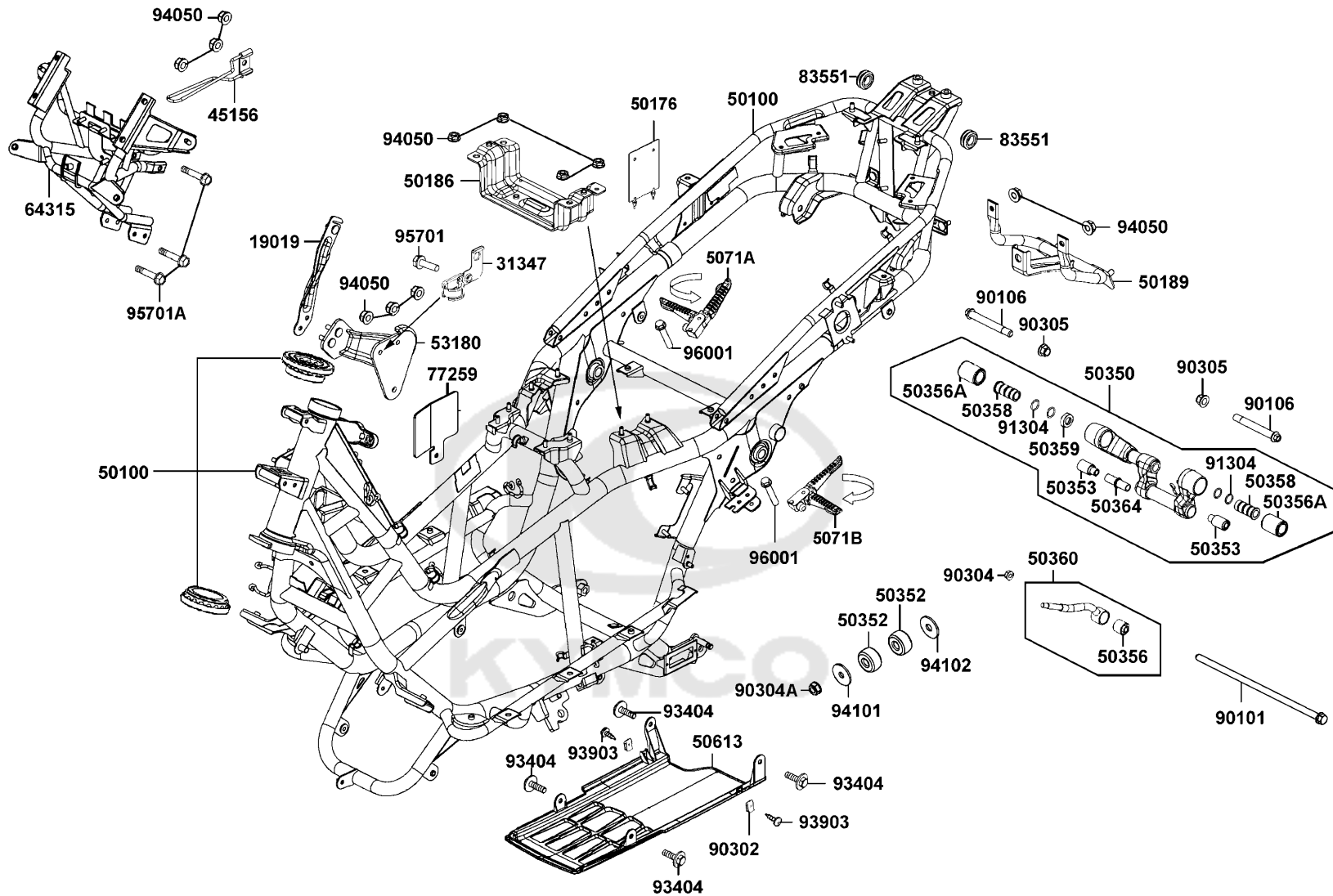
Sales mark	Ref no	Part no	Description	Reg description	Regd no	F19
------------	--------	---------	-------------	-----------------	---------	------------

98200		98200-31000	BLADE FUSE 10A **(0) C.2005.03.01	BLADE FUSE 10A **(0) C.2005.03.01	2	
98200A		98200-31500	FUSE A15	FUSE A15	2	
98200B		98200-33000	BLADE FUSE 30A	BLADE FUSE 30A	1	



F20

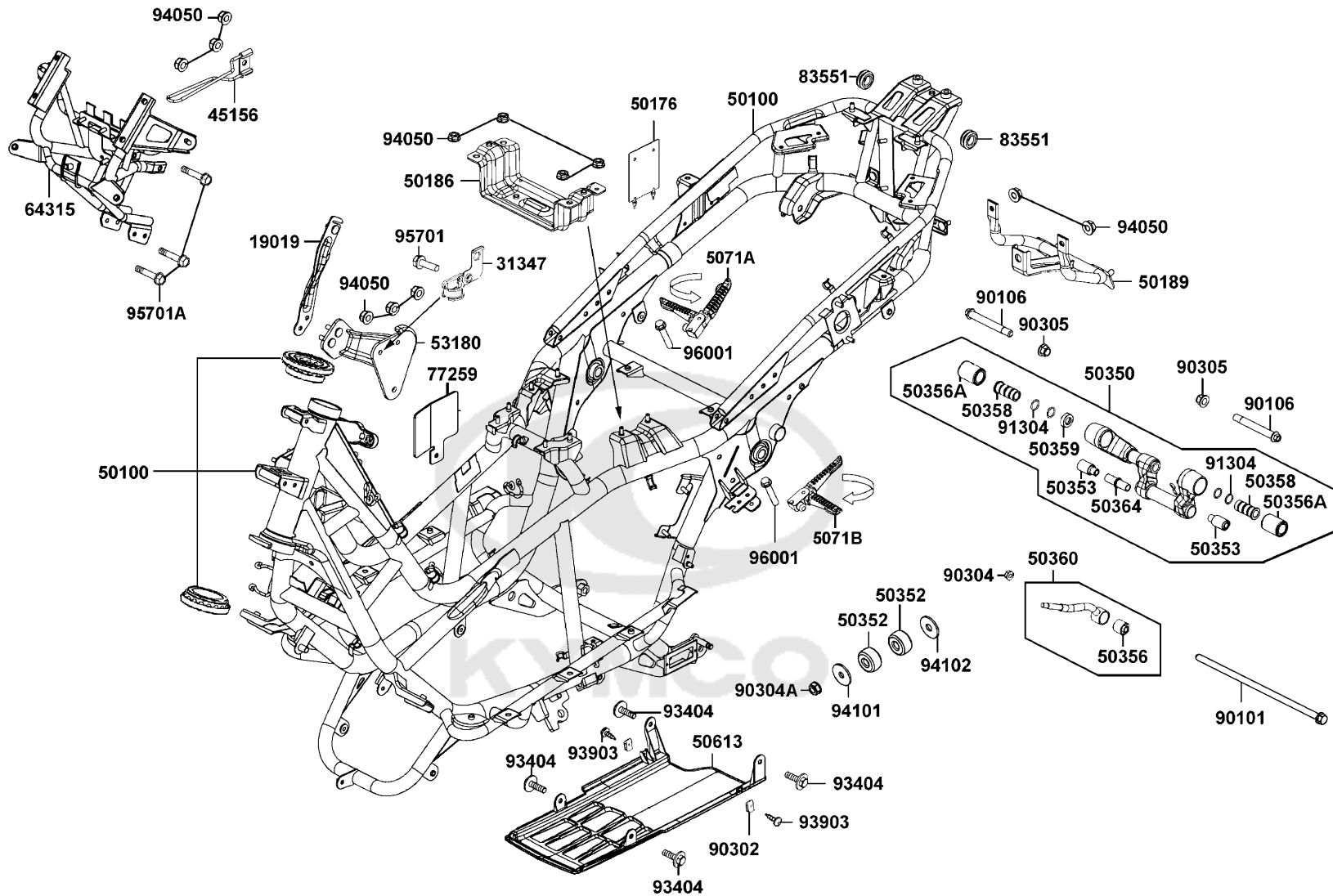
Frame Body



Sales mark	Ref no	Part no	Description	Reg description	Regd no	F20
	19019	19019-LKF5-E00	STAY.RADIATOR UNIT	STAY.RADIATOR UNIT	1	
	31347	31347-LKF5-E00	CLAMPER. SPEED SENSOR	CLAMPER. SPEED SENSOR	1	
	45156	45156-KECE-900	CLAMPER FR BRK CABLE	CLAMPER FR BRK CABLE	1	
#	50100	50100-LKF5-305	BODY ASSY FRAME (E00)	BODY ASSY FRAME (E00)	1	
	50176	50176-LGE5-E00	PLATE FRAME GUARD	PLATE FRAME GUARD	1	
	50186	50186-LKF5-E00	BRKT..BATTERY	BRKT..BATTERY	1	
	50189	50189-LKF5-E00	STAY.RR FENDER	STAY.RR FENDER	1	
#	50350	50350-LKF5-E02	HANGER ASSY ENG	HANGER ASSY ENG	1	
	50352	50352-LBA2-E00	RUBBER STOPPER	RUBBER STOPPER	2	
	50353	50353-KGN7-901	BUSH A ENG HANGER	BUSH A ENG HANGER	2	
	50356	50356-LEA7-E01	RUB BUSH ENG HANGER	RUB BUSH ENG HANGER	1	
	50356A	50356-LHG7-E00	RUBBER BUSH ENG HANGER	RUBBER BUSH ENG HANGER	2	
	50358	50358-LGE5-E00	BUSH INNER ENG HANGER	BUSH INNER ENG HANGER	2	
#	50358	50358-LKF5-E01	BUSH INNER SWING LOCK	BUSH INNER SWING LOCK	2	
#	50359	50359-LKF5-E01	COLLAR	COLLAR	1	
	50360	50360-LKF5-E00	TIE-ROD ASSY. ENG HANGER	TIE-ROD ASSY. ENG HANGER	1	
	50364	50364-KHE7-E00	COLLAR B ENG HANGER	COLLAR B ENG HANGER	1	
**	50613	50613-LKF5-E00	COVER.UNDER	COVER.UNDER	1	
	5071A	5071A-LKF5-E0A	BAR R ASSY RR STEP	BAR R ASSY RR STEP	1	
	5071A	5071A-LKF5-E0B	BAR R ASSY RR STEP	BAR R ASSY RR STEP	1	

F20

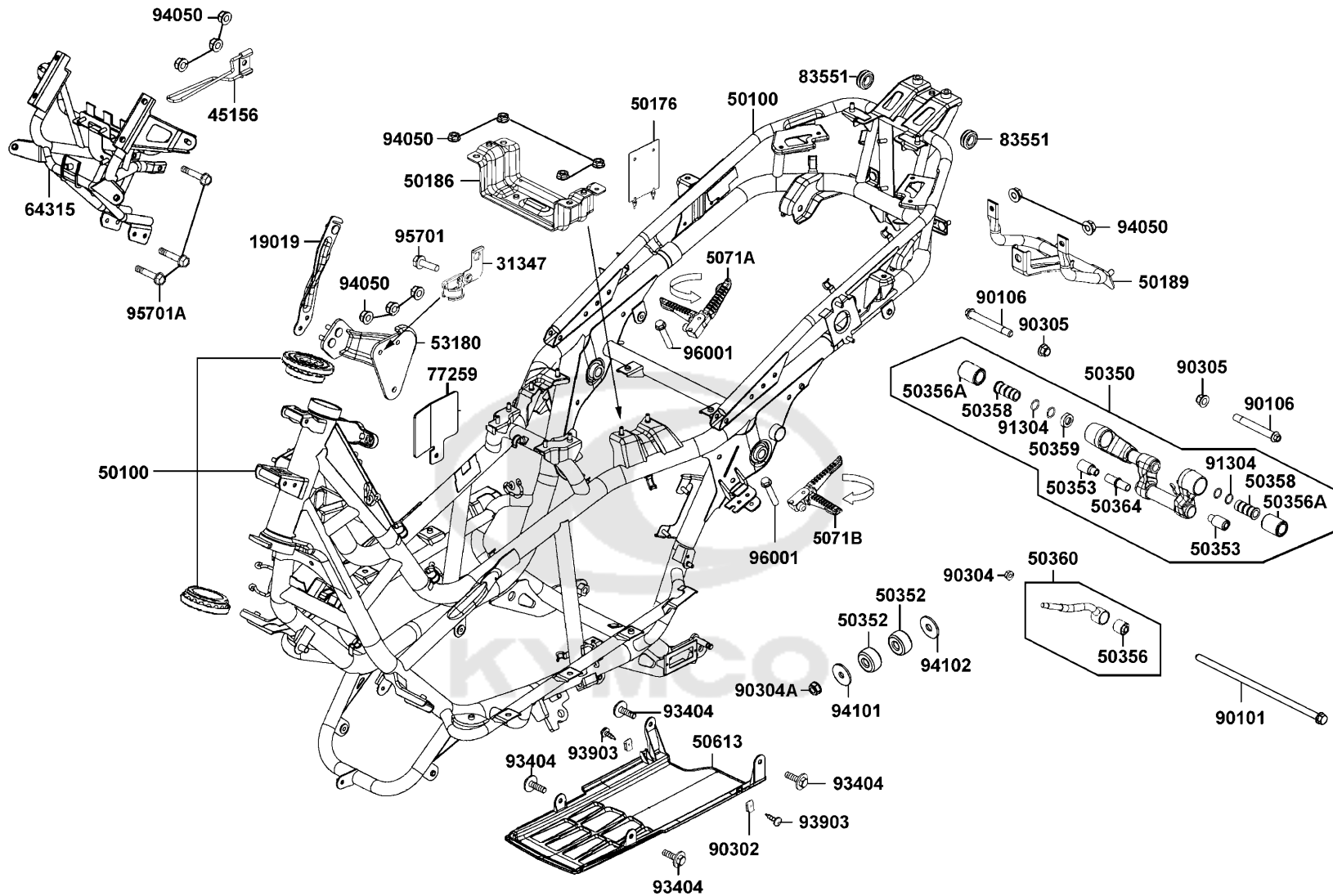
Frame Body



Sales mark	Ref no	Part no	Description	Reg description	Regd no	F20
	5071B	5071B-LKF5-E0A	BAR L ASSY RR STEP	BAR L ASSY RR STEP	1	
	5071B	5071B-LKF5-E0B	BAR L ASSY RR STEP	BAR L ASSY RR STEP	1	
	53180	53180-LKF5-E00	STAY COMP.. PARKING BRAKE	STAY COMP.. PARKING BRAKE	1	
#	64315	64315-LKF5-E01	BRKTFR. COVER	BRKT FR. COVER	1	
	77259	77259-LKF5-E00	PLATE. ANTI THIEF	PLATE. ANTI THIEF	1	
	83551	83551-KEC8-900	GROMMET COVER **KEC8-9000	GROMMET COVER **KEC8-9000 C.2005.09.01	2	
	90101	90101-LKF5-E00	BOLT FLANGE 10X275	BOLT FLANGE 10*275	1	
#	90106	90106-LKF5-E00	BOLT FLANGE 15X122(M14)	BOLT FLANGE 15X122(M14)	2	
	90302	90302-SDA4-004	NUT SPRING 4MM	NUT SPRING 4MM	2	
	90304	90304-GHE8-004	NUT U 10MM	NUT U 10MM	1	
	90304A	90304-LBD4-900	NUT U FLANGE 10MM	NUT U FLANGE 10MM	1	
	90305	90305-LBD4-900	NUT U 14MM	NUT U 14MM	2	
	91304	91304-LGE5-E00	O-RING 17.8*2.4	O-RING 17.8x2.4	4	
#	93404	93404-06012-06	BOLT WASHER 6X12	BOLT WASHER 6X12	4	
	93903	93903-GFY6-900	SCREW TAPPING 4*14	SCREW TAPPING 4*14	2	
	94050	94050-06080	NUT FLANGE 6MM	NUT FLANGE 6MM	12	
	94101	94101-LBA2-E00	WASHER PLATE 10.5*38*3.0	WASHER PLATE 10.5*38*3.0	1	
	94102	94102-LBA2-E00	WASHER PLAIN 38*12.5*3	WASHER PLAIN 38*12.5*3	1	
#	95701	95701-06012-06	BOLT FLANGE 6*12 **07 C.2005.07.01	BOLT FLANGE 6*12 **07 C.2005.07.01	1	
#	95701A	95701-06070-06	BOLT FLANGE 6X70	BOLT FLANGE 6X70	1	

F20

Frame Body



Sales mark	Ref no	Part no	Description	Reg description	Regd no	F20
------------	--------	---------	-------------	-----------------	---------	------------

96001

96001-06032-06

BOLT FLANGE 6*32

BOLT FLANGE 6*32

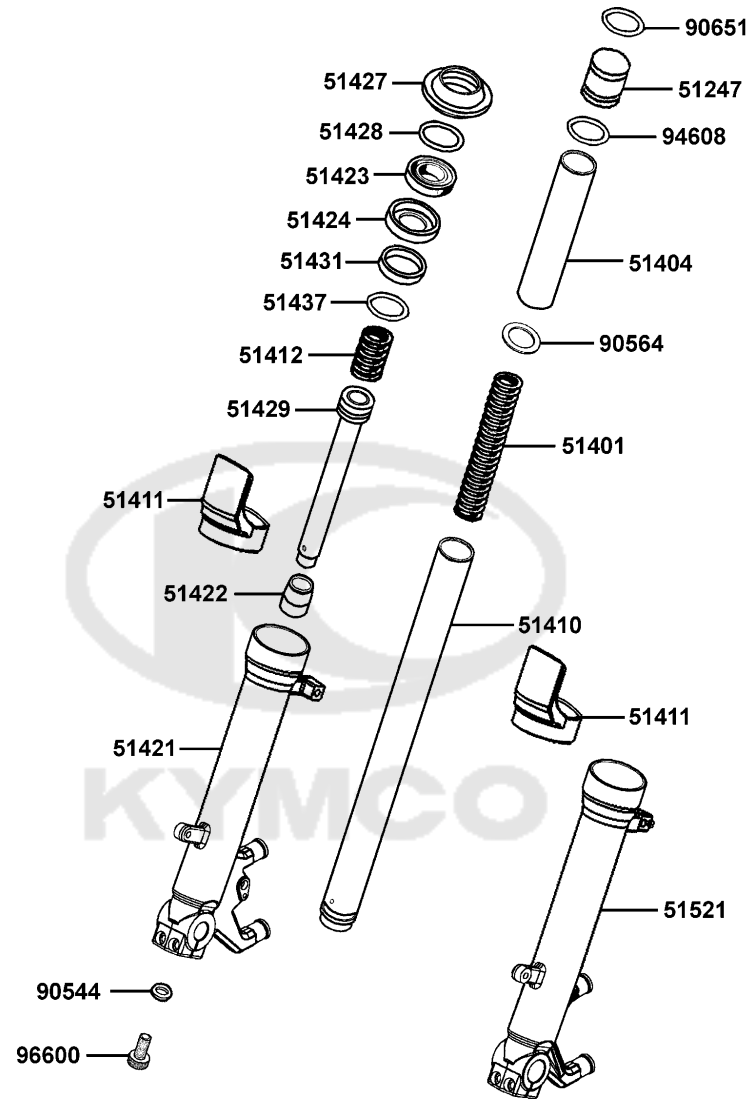
2



Sales mark	Ref no	Part no	Description	Reg description	Regd no	F21
	19005	19005-LKF5-E01	SHROUD ASSY.	SHROUD ASSY.	1	
	19010	19010-LKF5-E00	RADIATOR COMP	RADIATOR COMP	1	
#	19010A	19010-LKF5-E0B	RADIATOR COMP	RADIATOR COMP	1	
	19012	19012-LEA7-E05	UNIT RADIATOR	UNIT RADIATOR	1	
#	19012A	19012-LEA7-E0S	SUPT FILLER NECK	SUPT FILLER NECK	1	
	19013	19013-LKF5-E00	HOSE.WATER INLET	HOSE.WATER INLET	1	
	19014	19014-LKF5-E00	HOSE.WATER OUTLET	HOSE.WATER OUTLET	1	
	19015	19015-LBA2-E00	SHROUD COMP	SHROUD COMP	1	
	19016	19016-LKF5-E00	HOSE.WATER-UNIT CAP	HOSE.WATER-UNIT CAP	1	
	19018	19018-LKF5-E00	HOLDER UPPER.RADIATOR	HOLDER UPPER.RADIATOR	1	
	19020	19020-LBA2-E00	FAN COOLING	FAN COOLING	1	
	19024	19024-LKF5-E00	HOLDER LOWER.RADIATOR	HOLDER LOWER.RADIATOR	1	
	19026	19026-LKF5-E00	DAMPING RUBBER RADIATOR	DAMPING RUBBER RADIATOR	4	
	19027	19027-LKF5-E00	COLLAR RADIATOR	COLLAR RADIATOR	3	
	19028	19028-LKF5-E00	STAY.RADIATOR FAN	STAY.RADIATOR FAN	2	
	19030	19030-LBA2-E00	MOTOR ASSY FAN	MOTOR ASSY FAN	1	
	19101	19101-LKF5-E00	TANK.RESERVE	TANK.RESERVE	1	
	19104	19104-LKF5-900	HOSE ASSY DRAIN	HOSE ASSY DRAIN	1	
	19105	19105-LKF5-E00	HOSE ASSY RESERVE TANK	HOSE ASSY RESERVE TANK	1	
	19111	19111-PRB3-900	CAP COMP RADIATOR	CAP COMP RADIATOR	1	

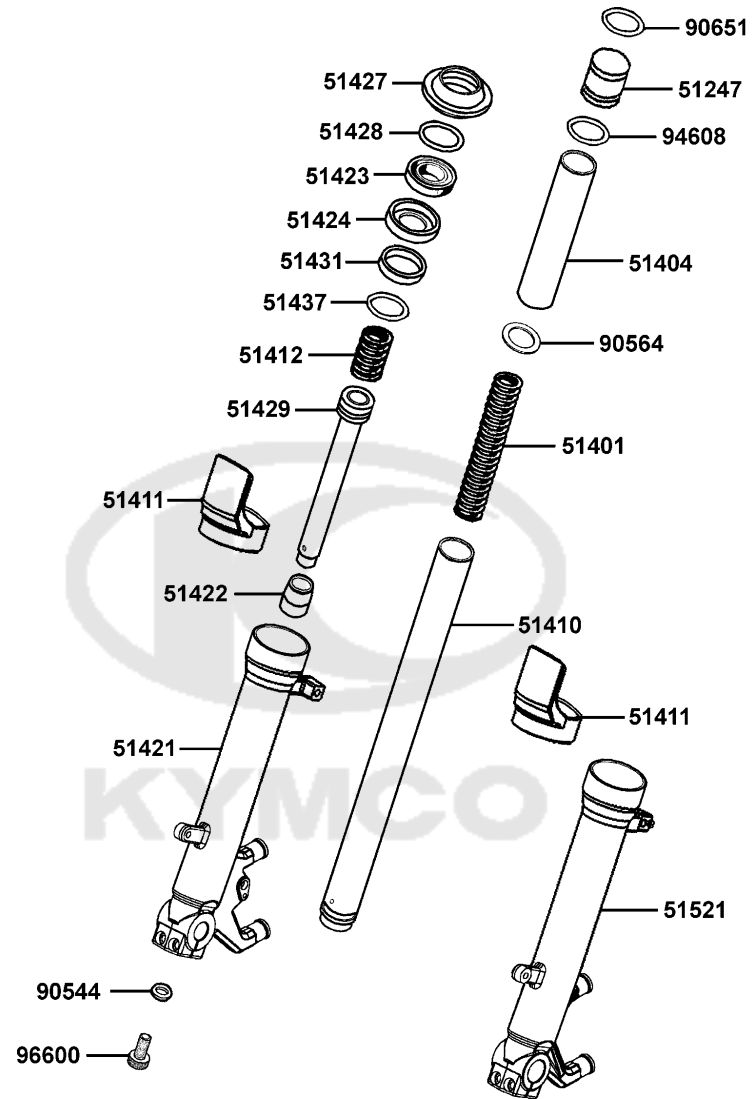
Sales mark	Ref no	Part no	Description	Reg description	Regd no	F21
#	19111A	19111-PRB3-90B	CAP COMP RADIATOR	CAP COMP RADIATOR	1	
	19210	19210-KKC4-900	CAP RESERVE TANK	CAP RESERVE TANK	1	
	19505	19505-LKF5-E00	CLAMP.D31	CLAMP.D31	4	
	19507	19507-LDB5-E00	CLAMP D 28	CLAMP D 28	2	
	19615	19615-LKF5-E00	COVER.RADLATOR	COVER.RADLATOR	1	
	83550	83550-KEC8-900	COLLAR	COLLAR	1	
	83551	83551-KEC8-900	GROMMET COVER **KEC8-9000	GROMMET COVER **KEC8-9000 C.2005.09.01	1	
	90301	90301-6D34-671	NUT FLANGE 6MM	NUT FLANGE 6MM	1	
	93404	93404-06025-06	BOLT WASHER 6*25	BOLT WASHER 6*25	4	
	93404A	93404-KKC2-900	BOLT WASH 6*16	BOLT WASH 6*16	10	
#	93903	93903-35360	SCREW TAPPING 5*16	SCREW TAPPING 5*16	1	
	94050	94050-06060	NUT FLANGE 6MM	NUT FLANGE 6MM	4	
	94591	94591-KFBF-900	CLIP 2*70	CLIP 2*70	1	
	95002	95002-02100	CLIP B15 TUBE	CLIP B15 TUBE	1	
	95002A	95002-70000	CLIP C11 TUBE	CLIP C11 TUBE	2	

Separated Parts Of Fr Fork



Sales mark	Ref no	Part no	Description	Reg description	Regd no	F22
	51247	51247-LKF5-E00	FORK BOLT CAP	FORK BOLT CAP	2	
	51401	51401-LKF5-E00	SPRING	SPRING	4	
	51404	51404-LKF5-E00	SPRING COLLAR	SPRING COLLAR	2	
	51410	51410-LKF5-E00	FORK PIPE COMP	FORK PIPE COMP	2	
	51411	51411-KKE5-E00	FORK FENDER	FORK FENDER	2	
	51412	51412-LKF5-E00	REBOUND SPRING	REBOUND SPRING	2	
**	51421	51421-LKF5-E00	BOTTOM CASE R	BOTTOM CASE R	1	
	51422	51422-LBA2-E00	OIL LOCK PIECE	OIL LOCK PIECE	2	
	51423	51423-KED9-900	OIL SEAL	OIL SEAL	2	
	51424	51424-KED9-900	SPACER	SPACER	2	
	51427	51427-KED9-900	DUST SEAL	DUST SEAL	2	
	51428	51428-KED9-900	OIL SEAL STOPPER RING	OIL SEAL STOPPER RING	2	
	51429	51429-LKF5-E00	PIPE SEAT COMP	PIPE SEAT COMP	2	
	51431	51431-KED9-900	GUIDE BUSH	GUIDE BUSH	2	
	51437	51437-KED9-900	PISTON RING	PISTON RING	2	
**	51521	51521-LKF5-E00	BOTTOM CASE L	BOTTOM CASE L	1	
	90544	90544-KEC8-900	PACKING	PACKING	2	
	90564	90564-KED9-900	PLANE WASHER	PLANE WASHER	2	
	90651	90651-LKF5-900	STOPPER RING	STOPPER RING	2	
	94608	94608-LKF5-E00	O-RING	O-RING	2	

Separated Parts Of Fr Fork



Sales mark	Ref no	Part no	Description	Reg description	Regd no	F22
------------	--------	---------	-------------	-----------------	---------	------------

96600

96600-LKF5-E00

BOLT

BOLT

2



Caution Label

● Be sure to wear a safety helmet when riding.
 ● Do not exceed the speed specified by law when riding.
 ● The exhaust muffler temperature is very high after riding. Be sure to park the motorcycle in a place not easily touched by people.
 ● For riding safety and good performance, do not violate the law to modify the motorcycle.
 ● Please read the User's Manual carefully to ensure driving safety.

● Make sure to perform the periodic maintenance and provide inspection.
 Pre-ride inspection items
 Brake Performance, tires, engine oil level, lights, horn, and instrument panel
 KWANG YANG MOTOR CO., LTD.

87560-GFY6-E00

CAUTIONS

Never put any article between the rear side cover and the engine to avoid interference of riding.

GM9-300

87542-GAR1-E00

CAUTIONS

TIRE SIZE : FRONT 120/70 15 REAR 150/70 14
 (ONE RIDER) : FRONT 2.0 kg/cm² REAR 2.25 kg/cm²
 (TWO RIDER) : FRONT 2.0 kg/cm² REAR 2.25 kg/cm²
 (AS PER KYMCO STANDARD SPECIFICATION)
 (NOTE: THE TIRE PRESSURE MUST NOT OVER
 PASS FRONT: 2.30 kg/cm, REAR: 2.50 kg/cm)

CHECK THE MOTOR OIL LEVEL WITH THE DIPSTICK AFTER REFILLING MOTOR OIL.

87505-LKF5-E00

87505-LKF5-E00

CAUTION

Mobile phone charge only, Use other appliance may cause damage.

KKC2-E000

87541-KKC2-E00

CAUTIONS

Before starting the engine, the side stand shall be kicked up to secure safety.

87541-GAR1-E00

CAUTIONS

Every 6000 km run should exchange the filter.

LRB2-E00

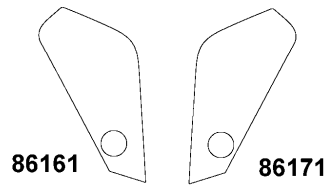
87512-LBA2-E00

Sales mark	Ref no	Part no	Description	Reg description	Regd no	F23
**	87505-LKF5-E00	87505-LKF5-E00	LABEL TIRE	LABEL TIRE	1	
**	87512-LBA2-E00	87512-LBA2-E00	CAUTION FILTER	CAUTION FILTER	1	
**	87541-GAR1-E00	87541-GAR1-E00	CAUTION SIDE STAND	CAUTION SIDE STAND	1	
**	87541-KKC2-E00	87541-KKC2-E00	CAUTION MOBILE PHONE	CAUTION MOBILE PHONE	1	
**	87542-GAR1-E00	87542-GAR1-E00	MARK MAINT CAUTION	MARK MAINT CAUTION	1	
**	87560-GFY6-E00	87560-GFY6-E00	MARK DRIVE CAUTION	MARK DRIVE CAUTION	1	



F24

Emblem Stripe



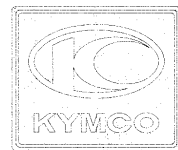
86701



86102-LGR2



86202



86102-LKJ1



86282



86283



86284



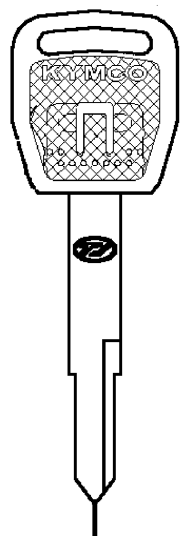
86286

Sales mark	Ref no	Part no	Description	Reg description	Regd no	F24
**	86102-LGR2	86102-LGR2-E00	EMB K-LOGO'38mm	EMB K-LOGO'38mm	2	
**	86102-LKJ1	86102-LKJ1-900	EMB K-LOGO	EMB K-LOGO	1	
**	86161	86161-LGR2-E00	STRIPE R FR FENDER	STRIPE R FR FENDER	1	
**	86171	86171-LGR2-E00	STRIPE L FR FENDER	STRIPE L FR FENDER	1	
**	86202	86202-LKF5-E00	EMB BODY COVER	EMB BODY COVER	2	
**	86282	86282-LGR2-E00	STRIPE R FR MOLD	STRIPE R FR MOLD	1	
**	86283	86283-LGR2-E00	STRIPE L FR MOLD	STRIPE L FR MOLD	1	
**	86284	86284-LGR2-E00	STRIPE B R FR MOLD	STRIPE B R FR MOLD	1	
**	86286	86286-LGR2-E00	STRIPE B L FR MOLD	STRIPE B L FR MOLD	1	
**	86701	86701-LKF5-E00	STRIPE COVER TUNNEL	STRIPE COVER TUNNEL	1	

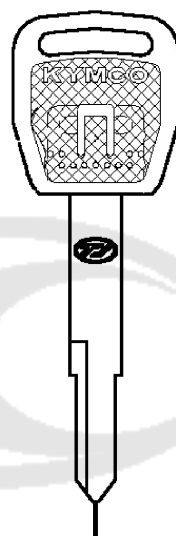


F25

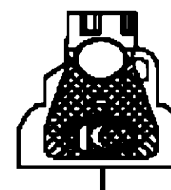
Key



35111



35111A



35111B

Sales mark	Ref no	Part no	Description	Reg description	Regd no	F25
------------	--------	---------	-------------	-----------------	---------	------------

35111		35111-LDC1-305-M2	KEY COMP (R TANGENT PLANE/TJ)	KEY COMP (R TANGENT PLANE/TJ)	1	
35111A		35111-LDC1-306-M2	KEY COMP (L TANGENT PLANE/TJ)	KEY COMP (L TANGENT PLANE/TJ)	1	
35111B		35111-LEA1-307-M2	KEY COMP SHOTTER MAGNETIC (TJ)	KEY COMP SHOTTER MAGNETIC (TJ)	1	



PART NO. INDEX

PART NO.	VERSION	PAGE	PART NO.	VERSION	PAGE	PART NO.	VERSION	PAGE
			11110-LLJ3-E00	2	E01	12209-GDB4-68B	0	E02
			11203-LBA2-E00	2	E01	12251-LKF5-E00	0	E02
			11203-LBA2-E00	2	F16	12310-LKF5-E00	4	E02
0118-814-1100	0	E05	1121A-LKF5-E00	6	F13	12391-LKF5-900	2	E02
0901-819-6001	0	E05	1122A-LEA7-E00	2	E01			
0901-880-6000	0	E05	11330-LKF5-E00	7	E04	13000		
0901-911-6000	0	E05	11340-LKF5-E00	7	E01			
			11340-LKF5-E01	3	E01	1300A-LKF5-E01	4	E03
			11344-LKF5-E00	0	E01	13011-LKF5-E00	0	E03
			11345-LKF5-E00	3	E01	13101-LKF5-E00	6	E03
1090-873-2001	0	E05	11347-LKF5-E00	1	E06	13111-LKF5-E00	2	E03
1190-C74-2000	0	E05	1134B-LKF5-E00	0	E01	13210-LKF5-E00-1	8	E03
1190-C75-2000	0	E05	11350-LKF5-E00	4	E01	13210-LKF5-E00-2	8	E03
1614-868-0000-S	0	E05	11357-LKF5-E00	1	E06	13221-ABE1-E00-01	1	E03
1614-906-0002	0	E05	11383-KHE7-900	0	E02	13221-ABE1-E00-02	1	E03
1614-A22C-0000-Y	0	F10	11385-KGBG-900	0	F19	13221-ABE1-E00-03	1	E03
			11394-LKF5-E00	3	E04	13222-LKF5-E00	0	E03
			11395-LKF5-E00	2	E01	13223-LKF5-E00	0	E03
						13314-LKF5-E00-A	0	E01
			12000			13314-LKF5-E00-B	0	E01
3700-A35B-0110	0	E05				13314-LKF5-E00-C	0	E01
3791-HN80-0000	0	F10				13406-LEA7-E00	2	E02
			12100-LKF5-E00	7	E03	1342A-LKF5-E01	8	E03
			12191-LKF5-E00	1	E03			
			12200-LKF5-E00	9	E02			
11109-LKF5-E00	2	E01	12205-KHE8-301	5	E02			
1110A-LKF5-305	0	E01	12205-LEA7-E00	0	E01			

PART NO. INDEX

PART NO.	VERSION	PAGE	PART NO.	VERSION	PAGE	PART NO.	VERSION	PAGE
14000			15000			17236-KFBF-910	1	F13
14100-LKF5-E00	15	E02	15100-LKF5-E00	9	E07	1723A-LKF5-E00	0	F13
14321-LEA7-E00	8	E02	15136-KKE5-E00	6	E07	1723B-LKF5-E00	0	F13
14401-PWB1-900	2	E03	15141-LKF5-E00	1	E07	17254-KACA-P00	0	F13
14420-LKF5-E00	3	E02	15161-PUA5-E00	5	E01	17255-LKF5-E00	4	F13
14430-LKF5-E00	3	E02	15162-PUA5-E00	7	E01	17255-LKF5-E01	2	F13
14433-PTA1-900	3	E02	15200-LKF5-E00	2	E01	17308-LKF5-900	2	F04
14434-PTA1-900	2	E02	1541A-LEH6-E00	2	E01	17370-4K19-701	1	F13
14452-LKF5-E00	0	E02	15423-KKC3-900	1	E01	17371-1D74-671	0	F13
14453-LKF5-E00	1	E02	15437-LEA7-E00	1	E01	1737A-KUDU-900	0	F13
14510-LKF5-E01	2	E03	1565A-LBA2-E00	2	E04	17500-LEA7-E00	9	F10
14523-LKF5-E00	1	E03	15711-LKF5-E00	1	E07	17511-LKF5-E00	2	F10
14531-KHE7-900	1	E03				17512-LKF5-E00	2	F10
14550-LKF5-E00	2	E03	16000			17530-KGB5-900	1	F05
14610-LEA7-E00	2	E03	1610K-LKF5-E00	2	E05	17550-LKF5-E00	2	F10
14711-ABE1-E00	2	E02	16201-LKF5-E00	2	E02	17561-LDF2-900	0	F10
14721-ABE1-E00	1	E02	16211-LKF5-E00	2	E02	17561-LGE5-E00	1	F10
14751-LKF5-E00	3	E02				17582-LKF5-E00	2	F10
14761-LKF5-E00	1	E02	17000			17620-LKF5-315-M2	0	F10
14771-LKF5-E00	0	E02	1711A-LKF5-E00	1	E02	17685-KZCZ-900	0	F05
14773-LKF5-E00	1	E02	17214-LDB2-E00	1	F13	17685-LKF5-E00	3	F10
14777-LBA2-E00	4	E02	1721A-LKF5-E00	0	F13	17910-LKF5-E00	4	F03
14781-MFA6-001	0	E02				17911-LKF5-E00	5	F03

PART NO. INDEX

PART NO.	VERSION	PAGE	PART NO.	VERSION	PAGE	PART NO.	VERSION	PAGE	
18000			19010-LKF5-E00	2	F21	19230-LKF5-E00	1	E04	
			19010-LKF5-E0B	1	F21	19300-KAE1-004	1	E02	
			19012-LEA7-E05	1	F21	19315-LKF5-E00	2	E02	
	18291-KEBE-900	1	F14	19012-LEA7-E0S	3	F21	19421-LKF5-E00	5	E02
	18291-KKC4-900	1	E01	19013-LKF5-E00	4	F21	19502-LKF5-E00	3	E02
	18291-LKG2-90A	1	F14	19014-LKF5-E00	4	F21	19505-LKF5-E00	0	F21
	18291-PWB1-900	4	F14	19015-LBA2-E00	0	F21	19507-LDB5-E00	1	E02
	18292-KEBE-900	1	F14	19016-LKF5-E00	0	F21	19507-LDB5-E00	1	F21
	18293-KEBE-900	1	F14	19018-LKF5-E00	1	F21	19613-LEA7-E00	1	E01
	18293-KKC4-900	0	E01	19019-LKF5-E00	2	F20	19615-LKF5-E00	2	F21
	18293-LHJ8-900	2	F14	19020-LBA2-E00	0	F21			
	18294-KEBE-900	1	F14	19024-LKF5-E00	0	F21	21000		
	18294-KTCT-900	1	F14	19026-LKF5-E00	0	F21	21124-LKF5-E00	1	E06
	18306-LKF5-E00	5	F14	19027-LKF5-E00	0	F21	21301-LKF5-305	2	E08
	1830A-LKF5-E01	9	F14	19028-LKF5-E00	2	F21	21395-LKF5-E00	0	E08
	18310-LKF5-E01	8	F14	19030-LBA2-E00	0	F21			
	18318-LKF5-E00	4	F14	19101-LKF5-E00	3	F21	22000		
	18320-LKF5-E00	4	F14	19104-LKF5-900	0	F21	22100-LKF5-E00	5	E06
	18325-LKF5-E00	4	F14	19105-LKF5-E00	2	F21	22102-LKF5-E00	1	E06
18371-LBA2-E00	2	F14	19111-PRB3-900	2	F21	22105-LKF5-E00	3	E06	
18391-LKF5-E00	0	F14	19111-PRB3-90B	3	F21	22110-LKF5-E00	9	E06	
18601-LKF5-E00	0	E01	19210-KKC4-900	0	F21	22121-LKF5-305	0	E06	
			19217-ZPA3-E00	2	E04	22130-LKF5-E00	9	E06	
			19220-LKF5-305	0	E04	22300-LKF5-E00	9	E06	
			19229-LKF5-E00	3	E04				
19000			1922A-LKF5-E00	5	E04				
19005-LKF5-E01	1	F21							

PART NO. INDEX

PART NO.	VERSION	PAGE	PART NO.	VERSION	PAGE	PART NO.	VERSION	PAGE
22350-LKF5-E00	6	E06	28120-LKF5-E00	2	E07	32108-GAR1-711	1	F19
22361-LKF5-E00	1	E06	28130-LKF5-E00	4	E07	32161-LBA7-900	0	F01
22401-LKF5-E00	2	E06				32410-ABE1-E00	1	E07
22535-LKF5-305	0	E06	30000			32411-KHD8-900	2	F11
22804-GBB2-001	0	E06				32412-LKF5-E00	0	E04
23000			3051A-LKF5-E00	4	F19			
			30700-LDB5-E00	2	F19	33000		
2301A-LKF5-E00	9	E06	31000			33100-LGR2-E00	3	F01
23100-LKF5-E01	1	E06				33108-KHE7-E00	0	F01
23200-LKF5-E00	3	E06	31110-LKF5-E00	4	E07	33110-LGR2-E00	0	F01
23220-LKF5-E00	3	E06	31120-LKF5-E01	3	E07	33120-LGR2-E00	0	F01
23225-LKF5-E00	4	E06	31210-LKF5-E00	6	E07	33130-LGR2-E00	0	F01
23233-LKF5-E00	4	E06	31340-LFH1-E00	1	F19	33150-LGR2-E00	0	F01
23237-LKF5-E00	3	E06	31347-LKF5-E00	2	F20	33400-LKF5-E00	2	F17
23238-LKF5-E01	3	E06	31500-LBA2-90A	6	F11	33450-LKF5-E00	2	F17
23411-LKF5-E00	4	E08	31500-LBA2-90B	4	F11	33700-LKF5-E00	0	F18
23420-LKF5-E00	7	E08	31519-LKF5-E00	0	F11	33704-LKF5-E00	0	F18
23431-LKF5-E00	4	E08	31600-LKF5-E00	0	F19	33705-LKF5-E00	0	F18
23432-LKF5-E00	3	E08	31601-LKF5-E01	4	F19	33706-LKF5-E00	0	F18
23560-LBA2-E00	2	E01	3195A-LKF5-E00	4	F19	33708-KHE7-E00	0	F18
28000			32000			33709-KHE7-E00	0	F18
28102-LEA7-E00	3	E07	32100-LKF5-E00	8	F19	33709-LKF5-315	0	F18
28110-LKF5-E00	4	E07	32105-LLJ3-E00	2	E01	33710-LKF5-E00	0	F18
						33720-LBB5-E00	3	F18
						33726-LBB5-E00	1	F18

PART NO. INDEX

PART NO.	VERSION	PAGE	PART NO.	VERSION	PAGE	PART NO.	VERSION	PAGE
33741-KHC5-M00	1	F18	3515A-LDB2-B80	0	F03			
33755-LKF5-E00	0	F18	3520A-KEBE-900	3	F03	39000		
33756-LKF5-E00	0	F18	35340-KNBN-901	0	F04			
33771-LKF5-E00	0	F18	35350-KNBN-901	0	F04	39100-LKF5-E00	0	F19
33771-LKF5-E01	0	F18	35370-LLJ3-E00	5	F15	3920A-LKF5-E00	5	F19
33900-LKF5-E00	3	F12	35380-ABE1-E0B	2	F19	39220-LKG2-900	1	F19
33901-LHG7-E00	0	F12	35390-LKF5-E00	4	F12	39300-LDG7-M90	2	E02
33902-LHG7-E00	0	F12	35396-LKF5-E00	0	F12	39305-LKF5-E00	4	E02
33903-LHG7-E00	0	F12	35500-KED9-900	7	E01	39400-LDF2-800	3	E02
33906-LKF5-E00	0	F12	35850-LKF5-E0A	0	F19	39450-LEA6-800	5	F14
			35850-LKF5-E0B	0	F19			
34000			37000			42000		
34901-KFA6-900	0	F01				42311-LEA7-E00	3	F08
34903-KPCP-900	0	F18	37200-LKF5-E30	1	F02	42312-LEA7-E00	1	F08
			37211-LKF5-E00	0	F02	42601-LKF5-E00	2	F08
35000			38000			42710-LKF5-E00	2	F08
35010-LKF5-315-M2	0	F19				42753-KNBN-90B	1	F07
35101-LKF5-315-M2	0	F19	38110-KHB4-E0A	2	F19	42753-KNBN-90B	1	F08
35102-LKF5-315-M2	0	F19	38110-KHB4-E0B	3	F19	43000		
35111-LDC1-305-M2	0	F25	38110-KHB4-E0C	1	F19			
35111-LDC1-306-M2	0	F25	38200-KHE7-900	0	F19	43100-LKF5-E00	4	F08
35111-LEA1-307-M2	0	F25	38300-KKE5-E00	3	F19	43105-LKF5-305	0	F08
35119-KHC4-90B	0	F19	38500-LGL3-90A	5	F19	43107-LBA2-E00	0	F08
3515A-LBA2-E01	2	F03				43109-GBE2-007	0	F07

PART NO. INDEX

PART NO.	VERSION	PAGE	PART NO.	VERSION	PAGE	PART NO.	VERSION	PAGE
43109-MCA3-007	0	F08				45352-LKF5-E00	0	F07
43113-LBA2-E00	0	F08	45000			45513-LEA7-E00	1	F04
43119-LBA2-E00	0	F08				45516-LBA2-E00	0	F08
43126-LKF5-E00	8	F04	45100-LKF5-E00	7	F07	45517-LKF5-E00	2	F04
43128-LKF5-E00	1	F16	45103-MGR7-007	0	F07	45520-KKA8-900	0	F04
43129-LKF5-E00	1	F16	45105-LKF5-305	0	F07	45521-LEA7-E00	1	F04
43140-LKF5-E00	0	F08	45107-LKF5-E00	0	F07	45530-LKF5-305	0	F04
43143-LBA2-E00	0	F08	45107-LLJ3-E00	0	F08	45531-KED9-900	0	F08
43146-LKF5-E00	0	F08	45107-LLJ3-E90	0	F08			
43156-LDB2-900	2	F16	45108-KED9-900	0	F08	50000		
43210-LKF5-305	0	F08	45108-LKF5-E00	0	F07			
43351-LKF5-E00	1	F08	45125-LKF5-E00	1	F06	50100-LKF5-305	0	F20
43352-KKD6-E90	1	F08	45126-LKF5-E00	9	F04	50154-KKE3-900	3	F19
43353-KED9-900	0	F07	45128-KEBE-900	0	F06	50176-LGE5-E00	2	F20
43353-KED9-900	0	F08	45128-KKE5-E00	2	F06	50186-LKF5-E00	1	F20
4335A-LBA2-E01	2	F07	4512A-LKF5-E00	4	F07	50189-LKF5-E00	4	F20
43450-LKF5-E00	5	F04	45132-1F66-017	0	F08	50306-1F96-001	0	F06
43530-LKF5-305	0	F04	45134-KED9-900	0	F08	5032A-LKF5-E00	0	F11
44000			45135-KED9-900	0	F08	5032B-LKF5-E00	1	F11
			45156-KECE-900	2	F20	50330-LKF5-E00	1	F11
			45156-LKF5-E00	3	F06	50350-LKF5-E02	2	F20
44301-LKF5-E00	1	F07	45200-LKF5-E00	7	F07	50352-LBA2-E00	1	F20
44312-LKF5-E00	0	F07	45203-KED9-900	0	F08	50353-KGN7-901	0	F20
44600-LKF5-305	0	F07	45207-LKF5-E00	0	F07	50356-LEA7-E01	1	F20
44620-LBA2-E00	3	F07	45209-GBE2-007	0	F07	50356-LHG7-E00	2	F20
44710-LKF5-E00	2	F07	45209-KED9-900	0	F08	50358-LGE5-E00	3	F20

PART NO. INDEX

PART NO.	VERSION	PAGE	PART NO.	VERSION	PAGE	PART NO.	VERSION	PAGE
50358-LKF5-E01	4	F20	51411-KKE5-E00	0	F22	53131-3H98-941	0	F03
50359-LKF5-E01	1	F20	51412-LKF5-E00	0	F22	53140-KKC4-900	1	F03
50360-LKF5-E00	0	F20	51421-LKF5-E00	0	F22	53166-KGB5-900	1	F03
50364-KHE7-E00	4	F20	51422-LBA2-E00	0	F22	53175-LKF5-E00	0	F04
50500-LKF5-E00	7	F15	51423-KED9-900	0	F22	53178-LKF5-E00	0	F04
50502-GFY6-901	3	F15	51424-KED9-900	0	F22	53180-LKF5-E00	4	F20
50504-LKF5-E00	1	E01	51427-KED9-900	0	F22	53190-LKF5-305	0	F04
50505-KUDU-900	1	F15	51428-KED9-900	0	F22	53192-LKF5-E00	4	F04
50505-LEA7-E00	1	F15	51429-LKF5-E00	0	F22	53193-LDE9-E00	0	F04
50506-KHE7-E00	0	F15	51431-KED9-900	0	F22	53193-LKF5-E00	0	F04
50530-LKF5-E00	3	F15	51437-KED9-900	0	F22	5319A-LKF5-E00	8	F04
50550-KKC2-E00	0	F15	51500-LKF5-E00	7	F06	53200-LKF5-E01	4	F06
50604-KED9-950	0	F07	51521-LKF5-E00	0	F22	53203-LBA2-E00	3	F03
50613-LKF5-E00	1	F20				53204-LBA2-E00	3	F03
5071A-LKF5-E0A	1	F20	52000			53205-LKF5-E00	6	F03
5071A-LKF5-E0B	2	F20				53206-LKF5-E00	2	F03
5071B-LKF5-E0A	2	F20	52000-LKF5-E01	3	F16	53208-LKF5-E00	1	F03
5071B-LKF5-E0B	2	F20	52110-LKF5-E00	0	F16	53213-LBA2-E00	2	F06
			52400-LKF5-E00	4	F16	53214-LBA2-E00	2	F06
51000			52500-LKF5-E00	3	F16	53220-LBA2-E00	4	F06
						53230-LKF5-E00	2	F06
51247-LKF5-E00	0	F22	53000			53240-LBA2-E00	2	F06
51400-LKF5-E00	7	F06				53240-LEA7-90A	2	F06
51401-LKF5-E00	0	F22	53100-LKF5-E00	4	F03	53250-LBA2-E00	2	F06
51404-LKF5-E00	0	F22	53102-LEA5-E00	3	F03	53250-LEA7-90A	2	F06
51410-LKF5-E00	0	F22	53105-LEA5-E00	3	F03			

PART NO. INDEX

PART NO.	VERSION	PAGE	PART NO.	VERSION	PAGE	PART NO.	VERSION	PAGE
55000			64305-LKF5-E00	2	F05	80000		
			64306-LKF5-E00	2	F05			
			64307-LGR2-E00	0	F05			
55122-LKF5-E00	0	F05	64308-LGR2-E00	0	F05	80101-LKF5-E00	3	F18
			64310-LKF5-E00	2	F05	80104-LKF5-E00	0	F18
61000			64315-LKF5-E01	1	F20	80105-LKF5-E00	2	F18
			64320-LKF5-E00	1	F05	80106-LKF5-E00	0	F18
61100-LKF5-305	0	F06	64330-LKF5-E00	2	F05	80107-LKF5-E00	0	F18
61101-LBA2-E00	1	F06	64340-LKF5-E00	1	F05	80108-LKG7-E00	0	F18
			64400-LKF5-E00	2	F05	8010B-LKF5-E00	6	F18
64000			64401-LKF5-E00	1	F05	80151-LKF5-E00	5	F05
			77000			80152-LKF5-E00	4	F05
6413A-LGR2-E00	5	F03				80153-LEA7-E00	3	F05
64140-LKF5-E00	1	F03				80153-LKF5-E00	1	F05
64205-LKF5-E00	1	F05	77200-LKF5-305	0	F09	80154-LKF5-E00	1	F05
64206-LKF5-E00	1	F05	77200-LKF5-E01	7	F09			
64222-KKC4-900	3	F03	77206-KEB7-900	0	F09	81000		
64222-LLJ3-E00	1	F03	77210-LKF5-E01	1	F09			
64222-LLJ3-E00	1	F06	77212-LKF5-E00	0	F09	81131-LKF5-E00	5	F05
6422A-LKF5-E00	3	F03	77213-LKF5-E00	0	F09	81132-LKF5-E00	2	F05
64231-LBA2-E00	1	F03	77214-LKF5-E00	0	F09	81134-LKF5-E00	3	F05
64232-LBA2-E00	1	F03	77235-KGC4-E0B	2	F19	81135-LKF5-E00	1	F05
6423A-LGR2-E00	5	F03	77240-LKF5-E00	3	F19	81136-LKF5-E00	2	F05
64240-LKF5-E00	1	F03	77259-LKF5-E00	0	F20	81137-LKF5-E00	1	F05
64301-LGR2-E00	1	F05	77300-LKF5-E00	5	F09	81138-LKF5-E00	1	F05
64302-LGR2-305	0	F05	77303-LKF5-E00	1	F09	81139-LKF5-E00	0	F05

PART NO. INDEX

PART NO.	VERSION	PAGE	PART NO.	VERSION	PAGE	PART NO.	VERSION	PAGE
8113A-LKF5-E00	2	F05						
81141-LKF5-E00	4	F05	86000			88000		
81160-LKF5-E00	2	F05						
81170-LKF5-E00	1	F05	86102-LGR2-E00	3	F24	88110-LKF5-E00	5	F03
81200-LGR2-E00	5	F12	86102-LKJ1-900	2	F24	88118-LKF5-E00	0	F03
81252-KKE5-E00	2	F12	86161-LGR2-E00	2	F24	88120-LKF5-E00	5	F03
81260-LKF5-E00	9	F12	86171-LGR2-E00	2	F24	88128-LKF5-E00	0	F03
83000			86202-LKF5-E00	2	F24			
			86282-LGR2-E00	2	F24	89000		
			86283-LGR2-E00	2	F24			
83500-LKF5-E00	3	F12	86284-LGR2-E00	2	F24	89010-LKF5-E00	3	F09
83510-LKF5-E00	2	F12	86286-LGR2-E00	2	F24	89020-KKC4-900	1	F09
83520-LKF5-E00	1	F05	86701-LKF5-E00	3	F24			
83530-LKF5-E00	5	F12				90000		
83550-KEC8-900	4	F06	87000					
83550-KEC8-900	4	F21				90001-GBHB-661	3	E07
83551-KEC8-900	4	F06	87206-LBA2-E00	3	F03	90001-GBHB-681	3	F13
83551-KEC8-900	4	F20	87505-LKF5-E00	3	F23	90001-GFY6-901	5	E02
83551-KEC8-900	4	F21	87508-KKC4-E00	2	F03	9000B-KHD6-900	2	E02
83551-KKAK-900	0	F05	87512-LBA2-E00	3	F23	90012-LKF5-E00	5	E02
83600-LKF5-E00	3	F12	87541-GAR1-E00	2	F23	90032-LEA7-E00	2	E01
83610-LKF5-E00	2	F12	87541-KKC2-E00	2	F23	90033-GFY6-900	1	E02
83620-LKF5-E00	1	F05	87542-GAR1-E00	3	F23	90084-KKF9-901	0	E04
83630-LKF5-E00	5	F12	87560-GFY6-E00	5	F23	90101-LBA2-E00	0	F08
83750-LKF5-E00	2	F12				90101-LEA7-E00	1	F14
8376A-KEBE-900	4	F05				90101-LKF5-E00	0	F20

PART NO. INDEX

PART NO.	VERSION	PAGE	PART NO.	VERSION	PAGE	PART NO.	VERSION	PAGE
90103-LGE5-E00	1	F14	90301-6D34-671	1	F21	90503-KKE5-E00	1	F06
90104-LEA7-E00	3	F03	90301-GFY6-901	2	F14	90503-LEA7-E00	2	F06
90105-KCR3-001	1	F07	90302-LKB9-900	4	F12	9052A-LEB1-900	2	E01
90105-KCR3-001	1	F08	90302-LLB1-E00	2	F16	90544-KEC8-900	0	F22
90105-KHB4-900	0	F12	90302-SDA4-004	3	F03	90545-3L00-001	2	F04
90105-LLJ3-E00	3	F03	90302-SDA4-004	3	F05	90564-KED9-900	0	F22
90106-LKF5-E00	2	F20	90302-SDA4-004	3	F20	90601-LKF5-E00	2	E06
90107-LEA7-E00	4	F06	90304-GHE8-004	0	F20	90605-1F66-721	0	E06
90108-KKC4-900	1	F15	90304-GLW0-90A	1	F16	90651-LCA5-E00	1	F05
90111-LEB1-900	1	F18	90304-KKE5-E00	1	F06	90651-LKF5-900	0	F22
90111-LEC8-E01	3	F03	90304-LBD4-900	2	F20	90651-LKF5-E00	0	F19
90111-LEC8-E01	3	F04	90304-LEA1-900	1	F15	90651-LKF5-E01	1	F03
90112-KFA1-900	2	F12	90305-KKAK-900	0	F08	90652-LDG7-900	1	E02
90113-KKA8-900	0	F04	90305-LBA2-E00	1	F05	90652-LFB5-900	3	F05
90122-LEA7-E00	2	F08	90305-LBA2-E00	1	F06	90652-LGL7-E00	1	F19
90122-LKF5-E00	1	F07	90305-LBD4-900	1	F20	90652-LKF5-E00	0	F13
90131-KEBE-900	2	F16	90312-GLF0-001	0	F03	90656-KCBC-900	0	F03
90145-LEA3-E00	1	F04	90312-LLJ3-E00	1	F03	90656-KUDU-900	0	F19
90201-KHR8-75A	1	E07	90312-LLJ3-E01	0	F06	90660-PWA2-900	1	F04
90201-LKF5-E00	1	E06	90401-KKJ9-001	0	E07	90677-GAR1-004	2	F03
90202-LDB5-E00	3	E06	90441-LKF5-E00	0	E01	90701-9E65-001	0	E01
90206-0A01-001	4	E02	90459-LKF5-E00	0	E04	90914-LKF5-E00	2	E04
90301-6C93-001	2	F12	90465-LBA2-E00	1	E01			
90301-6C93-001	2	F18	90474-3C33-001	1	E01	91000		
90301-6D34-671	1	F03	90478-7L00-001	0	E02			
90301-6D34-671	1	F10	90478-7L00-001	0	E04	91001-KHV8-004	0	E08

PART NO. INDEX

PART NO.	VERSION	PAGE	PART NO.	VERSION	PAGE	PART NO.	VERSION	PAGE
91001-KKJ9-006	0	E04	91306-PUA5-E00	3	E01	93404-06012-06	1	F18
91002-LKF5-E00	1	E06	91307-0E35-001	1	E04	93404-06012-06	1	F20
91004-LBA2-E00	1	E06	91307-PUA5-E00	3	E01	93404-06016-06	1	F05
91006-LKF5-E00	0	E08	91309-4E25-004	0	E07	93404-06016-06	1	F15
91007-LKF5-E00	0	E08	91313-KED9-900	3	E01	93404-06016-06	1	F18
91008-LKF5-E00	0	E08	91313-LKF5-E00	1	E01	93404-06020-06	1	F03
91201-LEA7-E00	1	E01	91351-LDB5-E00	1	E06	93404-06025-06	0	F21
91201-LKF5-E00	1	E01	91507-LKE6-900	1	F19	93404-KKC2-900	1	F21
91202-LEA7-E00	4	E08	91552-LEA7-E00	1	E01	93500-05016-1B	0	F03
91202-LEA7-E0A	4	E08	91552-LEH6-E00	0	E01	93500-05025-1B	0	F03
91202-LKG2-900	1	E04	91552-LEH6-E00	0	E04	93500-05032-1B	0	F03
91211-LDB5-E00	1	E06				93500-05045-1B	0	F03
91255-LGE5-E00	1	F16	92000			93500-KHC4-90A	0	F19
91255-LKF5-E00	1	E01				93500-LKF5-E00	0	F19
91255-LLB1-900	2	F16	92000-05016-0G	0	E02	93600-04012-1G	0	F04
91257-KED9-900	2	F07	92000-LEA6-900	2	E07	93600-LDE9-E00	0	F04
91301-2L00-001	0	E01	92101-05012-0G	0	E07	93600-LKF5-E00	2	E01
91301-LDF2-M90	2	E02	92101-05012-0G	0	F07	93891-05016-06	0	F05
91302-LDF2-M90	2	E02	92900-06040-0E	2	E02	93892-04008-16	0	E05
91302-LKF5-E00	0	E02				93893-04012-18	0	F04
91303-3G77-001	0	E04	93000			93903-25380	0	E01
91303-LEA7-E00	1	E01				93903-25460	0	F13
91304-LGE5-E00	1	F20	93401-06020-07	0	F14	93903-34360	0	F05
91305-LEH6-E00	0	E01	93401-LEA7-900	1	F14	93903-34360	0	F17
91305-LEH6-E00	0	E04	93404-06012-06	1	F06	93903-34360	0	F18
91305-LKF5-E00	0	E01	93404-06012-06	1	F11	93903-35260	0	F05

PART NO. INDEX

PART NO.	VERSION	PAGE	PART NO.	VERSION	PAGE	PART NO.	VERSION	PAGE
93903-35260	0	F12	94050-06080	2	F20	94520-47000	0	F16
93903-35260	0	F18	94050-08060	0	F09	94591-27000	0	F05
93903-35360	0	F01	94050-08080	0	F19	94591-KFBF-900	2	F11
93903-35360	0	F02	94050-10060	0	E01	94591-KFBF-900	2	F21
93903-35360	0	F03	94050-86000	0	F08	94601-PSA6-E00	3	E03
93903-35360	0	F05	94050-LKF5-E00	1	E06	94608-LKF5-E00	0	F22
93903-35360	0	F21	94101-08600	0	F15			
93903-45260	0	F11	94101-LBA2-E00	1	F20	95000		
93903-45260	0	F18	94101-LEA2-900	0	F14			
93903-45360	0	F12	94102-LBA2-E00	1	F20	95002-02070	2	E04
93903-GFY6-900	1	F03	94201-20180	0	F15	95002-02080	0	F05
93903-GFY6-900	1	F05	94251-08400	0	F07	95002-02100	0	F21
93903-GFY6-900	1	F20	94301-08100	1	E02	95002-41150-00	0	F13
93903-KEB7-900-06	1	F05	94301-08100	1	E07	95002-50000	0	E01
			94301-08140	4	E04	95002-70000	0	F21
94000			94301-10160	0	E01	95002-KED9-M30	1	F13
			94301-10160	0	E04	95002-LKF5-E00	2	F13
94050-05080	0	F18	94301-10160	0	E08	95014-72204	0	F15
94050-05080	0	F19	94301-12200	1	E02	95701-06012-06	1	F06
94050-06060	1	F04	94301-12200	1	E03	95701-06012-06	1	F10
94050-06060	1	F13	94303-04160	0	E07	95701-06012-06	1	F20
94050-06060	1	F21	94401-25140	4	E03	95701-06016-06	1	E02
94050-06080	2	E02	94510-10000	0	E07	95701-06022-06	1	F14
94050-06080	2	F09	94510-12000	0	E04	95701-06050-06	0	F06
94050-06080	2	F10	94510-29000	0	E08	95701-06070-06	0	F20
94050-06080	2	F19	94520-30000	0	E06	95701-08012-06	0	E01

PART NO. INDEX

PART NO.	VERSION	PAGE	PART NO.	VERSION	PAGE	PART NO.	VERSION	PAGE
95701-08035-06	1	E08	96001-06022-06	1	E04	96600-LKF5-E00	0	F22
95701-08040-06	0	E08	96001-06025-06	0	E02			
95701-LBA2-E00	0	F08	96001-06025-06	0	E03	98000		
95701-LDF2-800	2	F10	96001-06028-06	0	E04			
95701-LEA5-E00	1	F19	96001-06028-06	0	E07	98059-57916-00	2	E02
95709-PRA1-E00	4	E02	96001-06028-06	0	F04	98200-31000	1	F11
95801-08035-06	1	F03	96001-06030-06	0	E01	98200-31000	1	F19
95801-08040-06	0	F06	96001-06032-06	0	F20	98200-31500	1	F11
95801-10030-06	0	F15	96001-06035-06	0	E01	98200-31500	1	F19
95801-10040-06	0	F16	96001-06035-06	0	E04	98200-33000	0	F11
95801-10060-06	0	F14	96001-06070-06	0	E01	98200-33000	0	F19
95801-10060-06	0	F16	96001-06125-06	1	E04			
			96001-GFY6-900	2	F13	K		
96000			96100-62040-00	0	E01			
			96100-62040-00	0	E08	K536-174-0200	0	E05
96001-06010-00	0	E02	96100-63040-00	1	E01			
96001-06010-00	0	E04	96100-63040-00	1	E03	N		
96001-06012-06	0	E01	96100-63040-00	1	E08			
96001-06012-06	0	E07	96150-60040-10	0	F07	N114-05103-3	0	E05
96001-06012-06	0	F06	96150-60060-10	0	E01			
96001-06012-06	0	F16	96150-60060-10	0	E08	W		
96001-06012-06	0	F19	96150-62040-10	0	F16			
96001-06014-06	0	F19	96600-06015-10	4	E07	W1792-048-9901	0	E05
96001-06016-06	0	E02	96600-08025-06	0	F06			
96001-06020-06	0	E01	96600-08035-06	0	F06			
96001-06022-06	1	E01	96600-KKC4-900	0	F07			