

PARTS CATALOGUE



SCOOTERS

KS25DA(PT)

X-Town City 125



Release Date : 2022/09/08
Print Date : 2022/10/25

ABOUT THIS PARTS LIST

- This parts list is compiled all service parts for model KS25DA(PT).
- Any difference between color chart and motorcycle will be revised according to motorcycle.
- The Mark:
 1. Marking "***" must add color code in the end before ordering parts.
 2. Marking "#" are parts with modification, Please find the details from e-Parts system.
- When modification or additions to this parts list are made a revised edition at an appropriate time.



CONTENTS

● ABOUT THIS PARTS LIST	1
● COLOR CHART OF KS25DA(PT)	3
● CONTENTS-ENGINE GROUP	7
● CONTENTS-FRAME GROUP	8
● ENGINE PARTS LIST	11
● FRAME PARTS LIST	41
● PART NO. INDEX	109

NO	MODEL			COLOR CHART OF KS25DA(PT)			
	PHOTO NO			NO. 1	NO. 2		
	BASIC COLOR			Deep Blue Metallic	Gray		
	CODE			Deep Blue Metallic	Gray		
	PARTS NAME	PARTS NO.	VERSION	PB183MA	CN713SA		
1	"FENDER, SIDE R"	61101-AGE7-C00	0	66P			
2	"FENDER, SIDE L"	61102-AGE7-C00	0				
3	MUFFLER ASSY	1830A-AGE8-EZ5	0	DKX			
4	PROTECTOR MUFFLER	18318-LGE7-E0A	0				
5	LEVER R STRG HANDLE	53175-LKF5-C00	0	M3A			
6	LEVER L STRG HANDLE	53178-LKF5-C00	0				
7	WHEEL COMP RR CAST	42601-ABD2-C00	0	N1A			
8	WHEEL FR CAST	44601-AGD8-C00	0				
9	MIRROR ASSY R BACK	88110-ACJ1-E00	0	N1P			
10	MIRROR ASSY L BACK	88120-ACJ1-E00	0				
11	COVER COMP L SIDE	11340-LFA7-E00	4	N1R			
12	"COVER,RADIATOR"	19025-AGE7-C00	0				
13	COVER ASSY BATTERY	5032A-AGE7-C00	0				
14	COVER UNDER	50610-AGE7-C00	0				
15	GRIP COMP THROT	53140-LHJ3-900	0				
16	GRIP L HANDLE	53150-LEA6-900	0				
17	COVER METER	53204-AGE7-C00	0				
18	COVER HANDLE FR	53205-AGE7-C00	0				
19	COVER HANDLE RR	53206-ABD2-C00	0				
20	"COVER ,METER FR"	5320A-AGE7-C00	0				
21	FENDER FR INNER	61110-AGE7-C00	0				
22	"COLLAR,WIND	64223-LEA7-C00	0				
23	COVER FR	64301-AGE7-C00	0				
24	COVER FR LIGHT	64304-AGE7-C00	0				
25	COVER R SIDE MOLD	64307-AGE7-C01	0				
DATE OF STARTING-SALES							
DATE OF END-SALES							

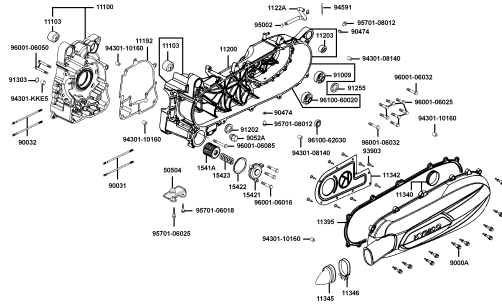
NO	MODEL			COLOR CHART OF KS25DA(PT)			
	PHOTO NO			NO. 1	NO. 2		
	BASIC COLOR			Deep Blue Metallic	Gray		
	CODE			Deep Blue Metallic	Gray		
	PARTS NAME	PARTS NO.	VERSION	PB183MA	CN713SA		
26	COVER L SIDE MOLD	64308-AGE7-C01	0				
27	"LID,COOLING TANK	64311-AEF6-C00	0				
28	"COVER, PUMP"	64311-AGE7-C00	0				
29	FLOOR PANEL	6431A-AGE7-C00	0				
30	"MAT ,R FLOOR"	64320-AGE7-C00	0				
31	"MOLDING, R FR."	6432A-AGE7-C01	0				
32	"MOLDING, L FR."	6432B-AGE7-C01	0				
33	"MAT ,L FLOOR"	64330-AGE7-C00	0				
34	COWL UNDER	64400-AGE7-C00	0				
35	FENDER RR INNER	80101-AGE8-E00	0				
36	FENDER RR UP	80105-AGE7-C00	0				
37	FENDER RR LOW	80106-AGE7-C00	0				
38	"LID,FUEL CAP MAINT."	80152-AGE7-900	0				
39	COVER CENTER LOW	80161-AGE7-900	0				
40	HINDE R COVER LEG	81133-AGE7-900	0				
41	"BOX ASSY.,L FRONT"	81134-AGE7-C00	0				
42	LEG SHIELD	8113A-AGE7-C00	0				
43	HINGE L COVER	81143-AGE7-900	0				
44	GRIP L HANDLE	81150-AGE7-C00	0				
45	COVER INNER BOX	81153-AGE7-C00	0				
46	"PLATE,LUGGAGE BOX"	81251-AGE7-C00	0				
47	COVER BOX LUGGAGE	8125A-AGE8-E00	0				
48	BOX ASSY LUGGAGE	81260-AGE8-E00	0				
49	COVER R SIDE	83510-AGE7-900	0				
50	COVER L SIDE	83610-AGE7-900	0				
DATE OF STARTING-SALES							
DATE OF END-SALES							

N1R

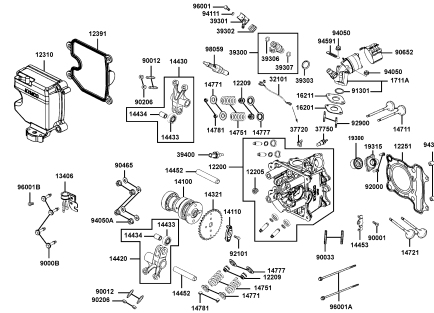
NO	MODEL			COLOR CHART OF KS25DA(PT)							
	PHOTO NO			NO. 1	NO. 2						
	BASIC COLOR			Deep Blue Metallic	Gray						
	CODE			Deep Blue Metallic	Gray						
	PARTS NAME	PARTS NO.	VERSION	PB183MA	CN713SA						
51	COVER RR CENTERER	83750-AGE7-C00	0	N1R							
52	CUSHION ASSY REAR	52400-AGE2-E00	0	N1S							
53	COVER COMP R CRANK	11330-LFA7-E00	9	NEA							
54	CALIPER ASSY RR	43100-AAG3-E00	0								
55	FORK ASSY FRONT R	51400-AGE8-E60	0								
56	BOTTOM COMP R	51420-ABD2-C01	0								
57	FORK ASSY FRONT L	51500-AGE8-E60	0								
58	BOTTOM COMP L	51520-ABD2-C01	0								
59	FORK ASSY RR	52000-AAG3-E00	0								
60	CAP ASSY 30MM	9008A-PTA1-900	0								
61	SEAT ASSY	77200-AGE8-EZ5	0								
62	EMB DMA STRIDER	86020-AGD8-C00	0					T01			
63	STRIPE MARK KYMCO	87160-AAC7-E60	0								
64	CAUTION FEDERAL LAW	87508-ABD2-E00	0								
65	CAUTION LIST	87512-ABD2-E00	0								
66	CAUTION SIDE STAND	87541-GAR1-C01	1								
67	MARK MAINT CAUTION	87542-GAR1-C01	2								
68	LABEL FUEL TANK	87546-AGE3-E00	0								
69	MARK DRIVE CAUTION	87560-AGE8-E00	0								
70	STRIPE E FR COVER	86140-AGE8-E00	0	T02							
71	EMB BODY COVER	86202-AGE8-E00	0								
72	TAIL CAP MUFFLER	18306-LGE5-C00	0	U9P							
73	COVER HANDLE FR	53207-AGE7-C00	0								
74	SKIRT R SIDE	64305-AGE7-C00	0								
75	SKIRT L SIDE	64306-AGE8-E00	0								
DATE OF STARTING-SALES											
DATE OF END-SALES											

CONTENTS - ENGINE GROUP

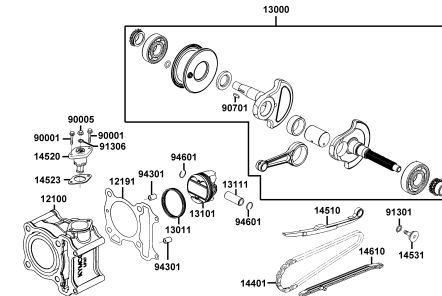
E01 Crank Case



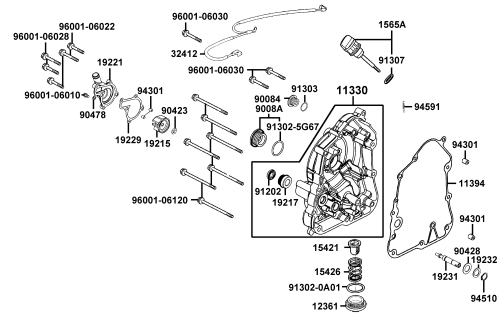
E02 Cylinder Head Cover Cylinder



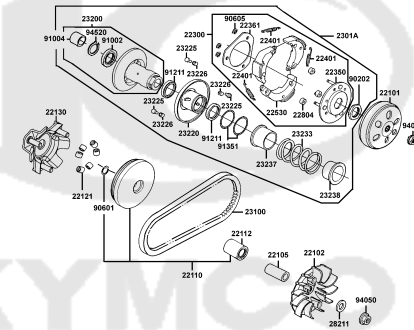
E03 Cylinder Piston Crankshaft



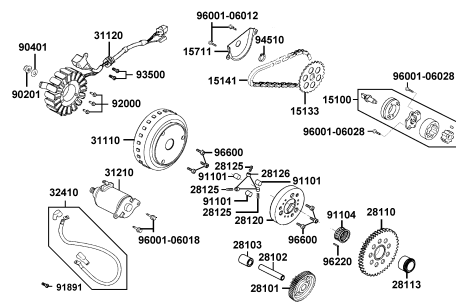
E04 Right Crankcase Cover



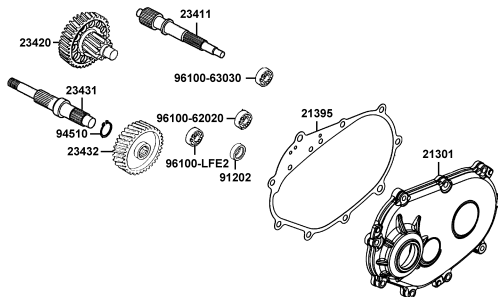
E05 Pulley



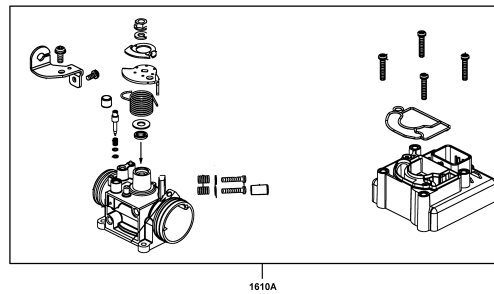
E06 Starting Motor Oil



E07 Transmission

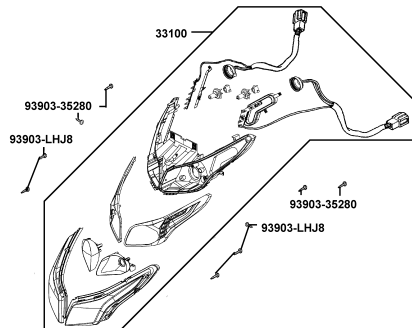


E08 Throttle Body Assy

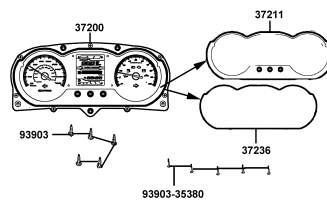


CONTENTS - FRAME GROUP

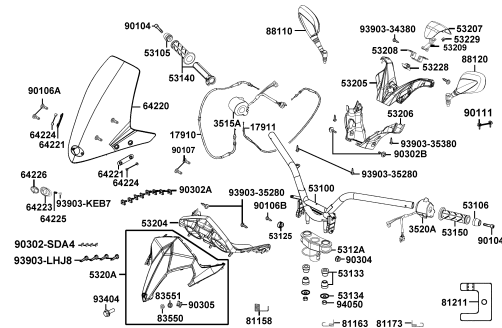
F01 Head Light



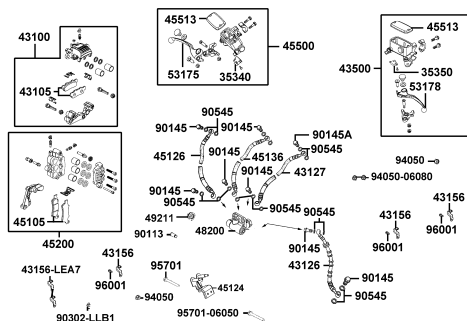
F02 Speedometer



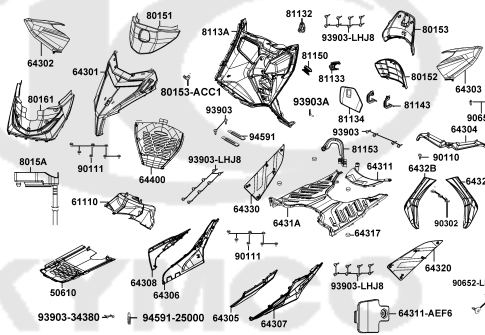
F03 Handle Steering Handle Cover



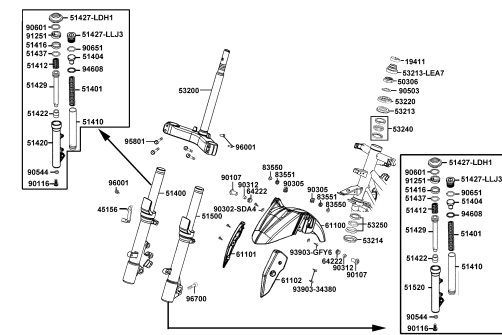
F04 Brake Master Cylinder



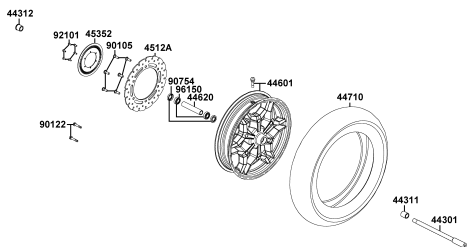
F05 Front Cover Front Fender



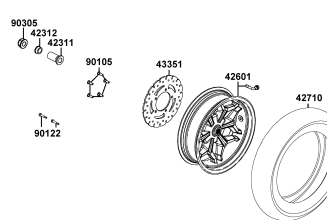
F06 Stem Steering Front Cushion



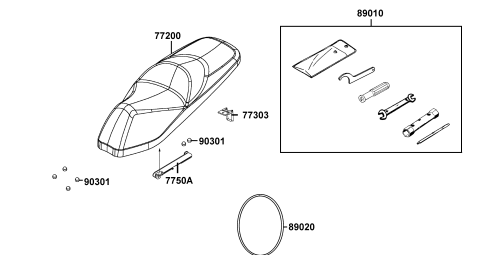
F07 Front Wheel



F08 Rear Wheel



F09 Seat

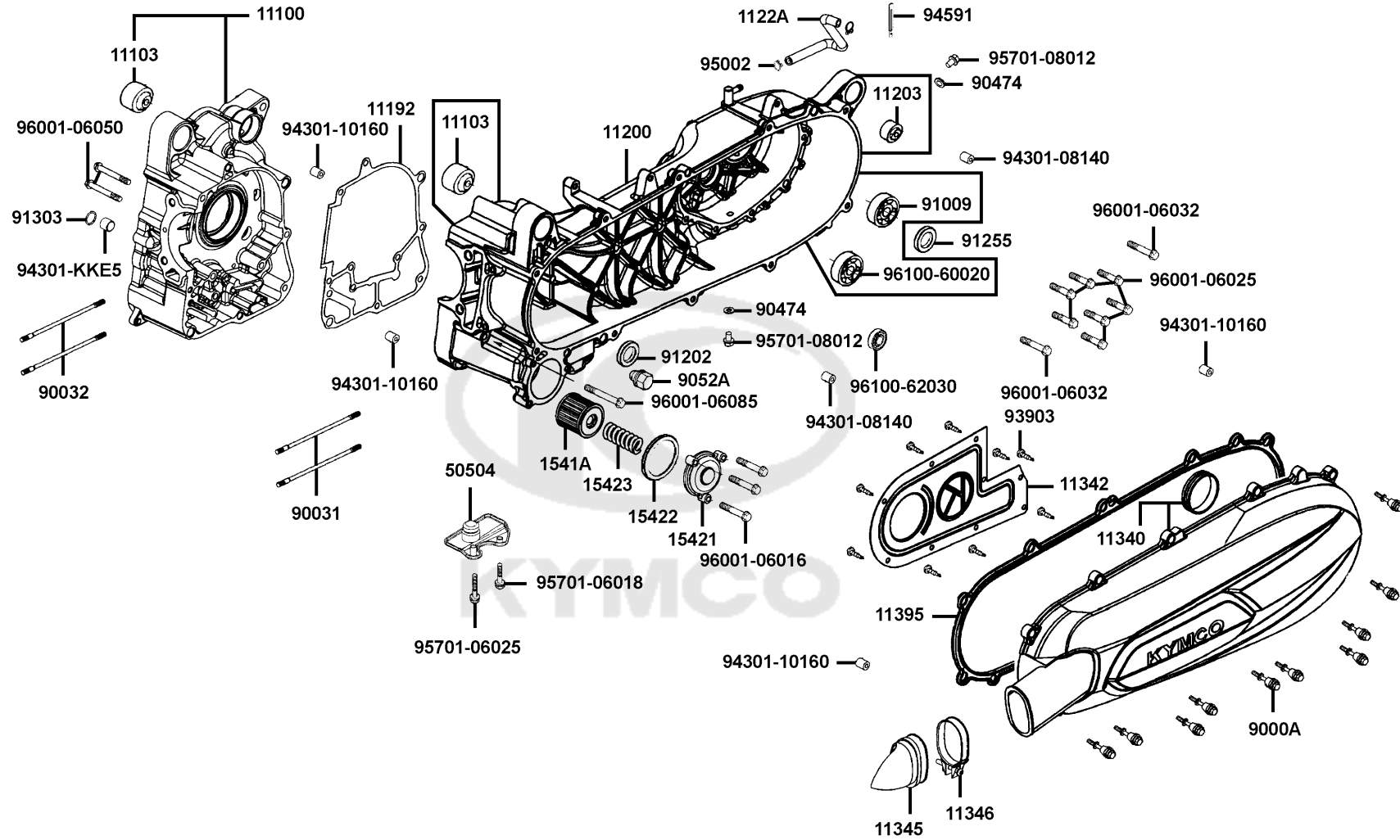


CONTENTS - FRAME GROUP

F10 Fuel Tank	F11 Battery	F12 Body Cover Luggage Box

E01

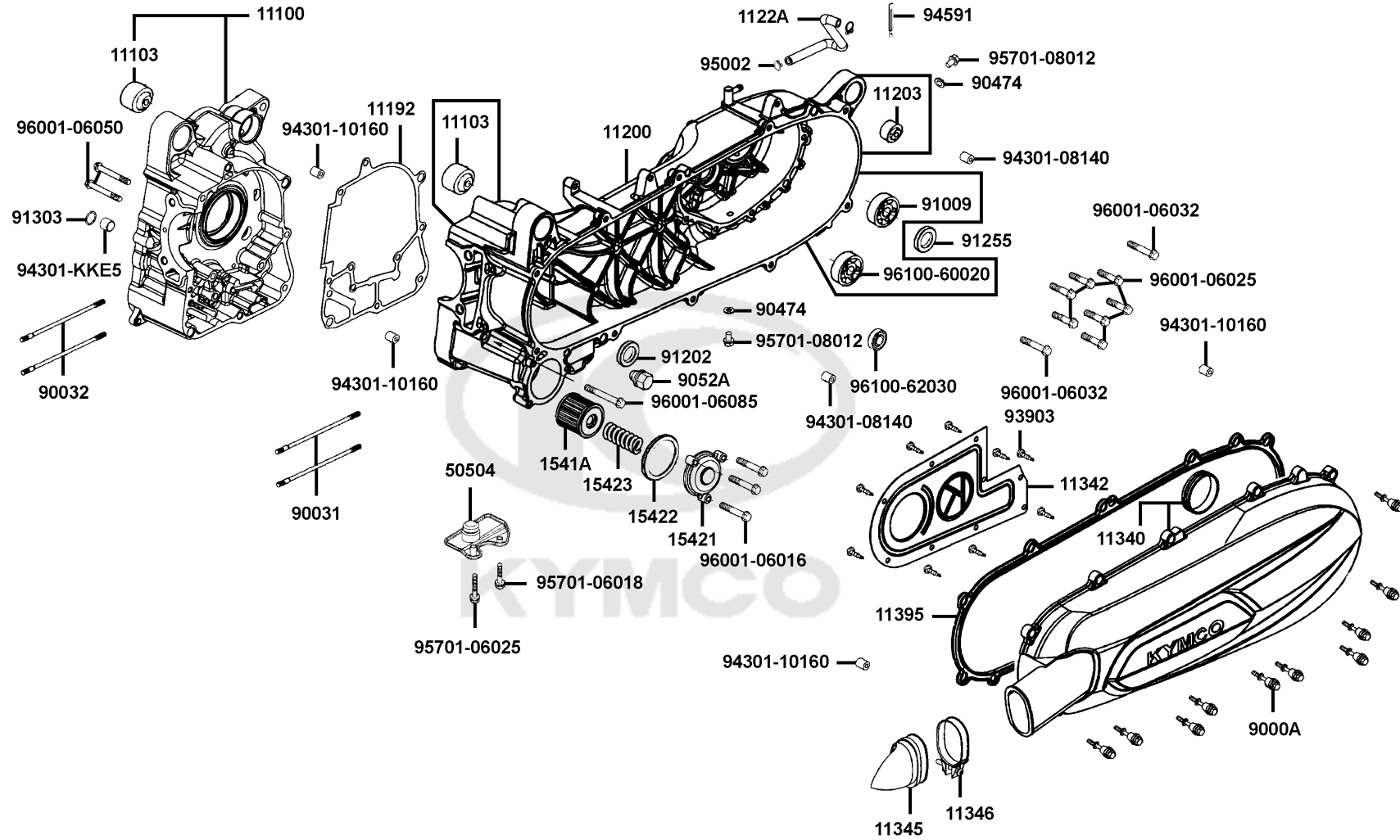
Crank Case



Sales mark	Ref no	Part no	Description	Reg description	Regd no	E01
	11100	11100-LFA7-305	CRANK CASR SET RIGHT	CRANK CASR SET RIGHT	1	
	11103	11103-KHE7-900	RUB BUSH ENG HANGER	RUB BUSH ENG HANGER	2	
	11192	11192-LFA7-E00	GASKET CRANK CASE @A	GASKET CRANK CASE @A	1	
	11200	11200-LFA7-305	CRANK CASE ASSY LEFT	CRANK CASE ASSY LEFT	1	
	11203	11203-LBA2-E00	RUB BUSH L CASE	RUB BUSH L CASE	2	
	1122A	1122A-LEB1-900	TUBE ASSY BREATHER	TUBE ASSY BREATHER	1	
**	11340	11340-LFA7-E00	COVER COMP L SIDE	COVER COMP L SIDE	1	
	11342	11342-LFA7-900	PLATE L COVER	PLATE L COVER	1	
	11345	11345-LEA7-E00	DUCT L COVER	DUCT L COVER	1	
	11346	11346-GFY6-901	BAND L COVER DUCT	BAND L COVER DUCT	1	
	11395	11395-LFA7-E00	GASKET L COVER	GASKET L COVER	1	
	1541A	1541A-LEA7-E00	ELEMENT ASSY OIL FILTER	ELEMENT ASSY OIL FILTER	1	
	15421	15421-KKC3-900	CAP OIL FILTER	CAP OIL FILTER	1	
	15422	15422-KKC3-900	O RING 53.65*2.62	O RING 53.65*2.62	1	
	15423	15423-KKC3-900	SPRING CAP OIL	SPRING CAP OIL	1	
	50504	50504-AGE8-E60	STAY MAIN ATAND COMP	STAY MAIN ATAND COMP	1	
	9000A	9000A-KTDT-900	BOLT ASSY SPECIAL 6X29.5	BOLT ASSY SPECIAL 6X29.5	10	
	90031	90031-KHD6-900	BOLT A STUD 8*218	BOLT A STUD 8*218	2	
	90032	90032-KHD6-900	BOLT B STUD 8*210	BOLT B STUD 8*210	2	
	90474	90474-3C33-001	WASHER 8MM	WASHER 8MM	2	

E01

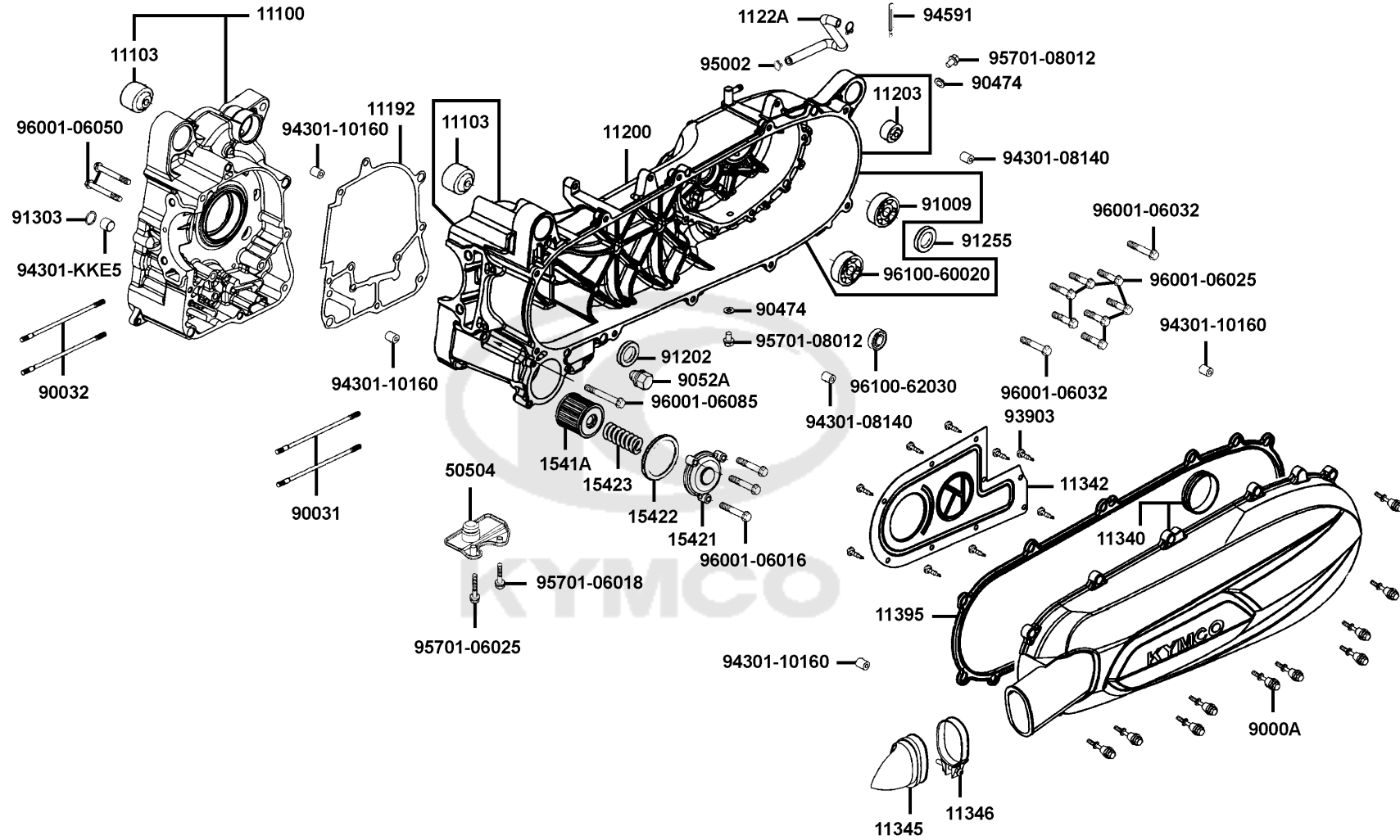
Crank Case



Sales mark	Ref no	Part no	Description	Reg description	Regd no	E01
9052A		9052A-LEB1-900	BOLT ASSY DRAIN PLUG	BOLT ASSY DRAIN PLUG	1	
91009		91009-KHE7-900	BRG BALL RADIAL 6205LLU	BRG BALL RADIAL 6205LLU	1	
91202		91202-LEB1-900	OIL SEAL 25*35*5	OIL SEAL 25*35*5	1	
91255		91255-KHE7-90A	OIL SEAL 34*52*7	OIL SEAL 34*52*7	1	
91303		91303-KKE5-E00	O-RING 14.8x2.4	O-RING 14.8x2.4	1	
93903		93903-35260	SCREW TAPPING 5*12	SCREW TAPPING 5*12	9	
94301-08140		94301-08140	DOWEL PIN 8*14	DOWEL PIN 8*14	2	
94301-10160		94301-10160	DOWEL PIN 10*16	DOWEL PIN 10*16	4	
94301-KKE5		94301-KKE5-E00	DOWEL PIN 15x10	DOWEL PIN 15x10	1	
94591		94591-LEE8-E00	CLIP 2*100	CLIP 2*100	1	
95002		95002-50000	CLIP C9 TUBE	CLIP C9 TUBE	1	
95701-06018		95701-06018-06	BOLT FLANGE 6X18	BOLT FLANGE 6X18	1	
95701-06025		95701-06025-06	BOLT FLANGE 6*25	BOLT FLANGE 6*25	1	
95701-08012		95701-08012-06	BOLT FLANGE 8*12	BOLT FLANGE 8*12	1	
96001-06016		96001-06016-06	BOLT FLANGE SH 6X16	BOLT FLANGE SH 6*16	1	
96001-06025		96001-06025-06	BOLT FLANGE SH 6*25	BOLT FLANGE SH 6*25	1	
96001-06032		96001-06032-06	BOLT FLANGE 6*32	BOLT FLANGE 6*32	1	
96001-06050		96001-06050-06	BOLT FLANGE SH 6*50	BOLT FLANGE SH 6*50	1	
96001-06085		96001-06085-06	BOLT FLANGE 6*85	BOLT FLANGE 6*85	1	
96100-60020		96100-60020-00	BRG BALL RADIAL 6002	BRG BALL RADIAL 6002	1	

E01

Crank Case



Sales mark	Ref no	Part no	Description	Reg description	Regd no	E01
------------	--------	---------	-------------	-----------------	---------	------------

96100-62030

96100-62030-00

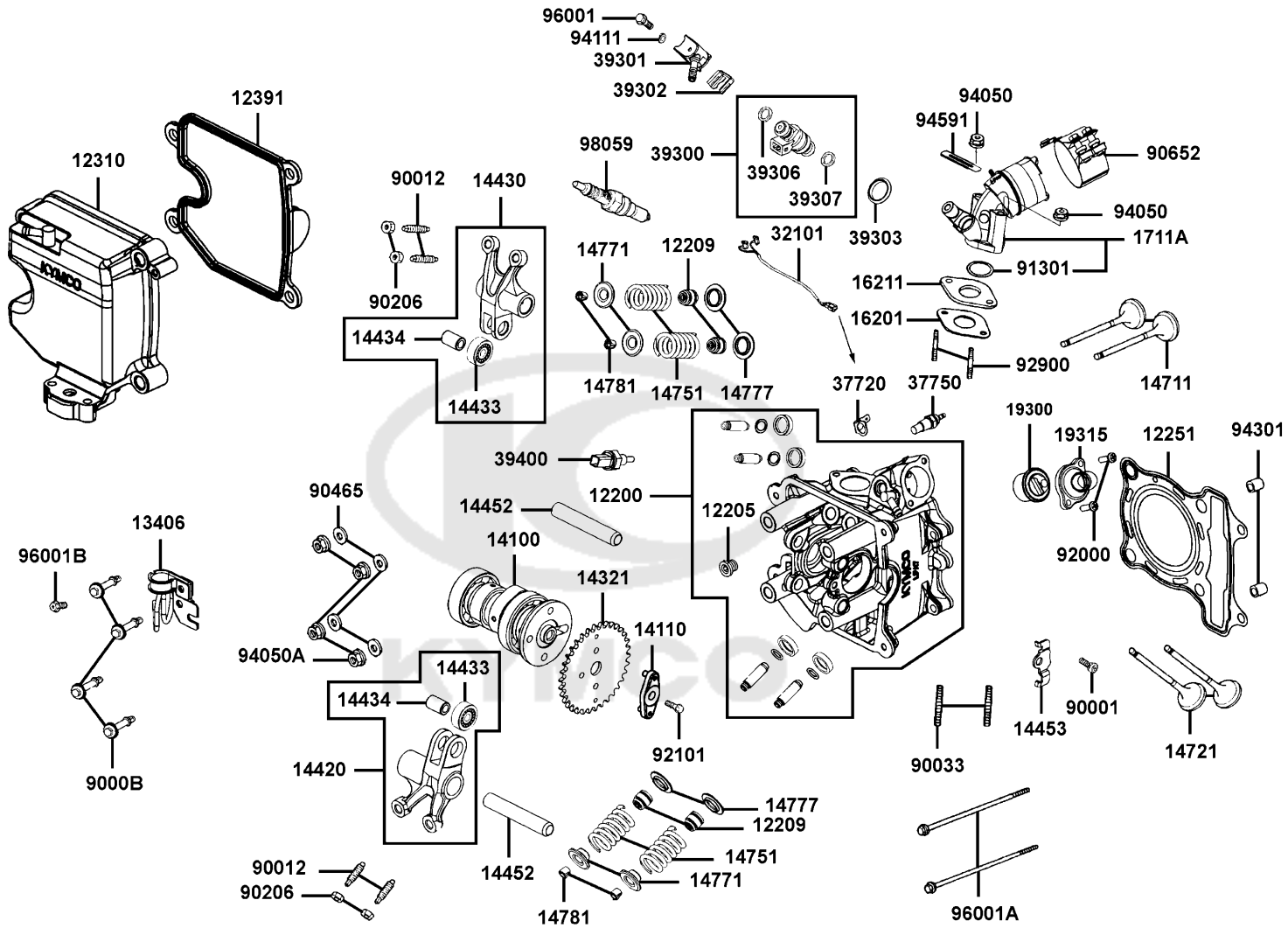
BRG BALL RADIAL 6203

BRG BALL RADIAL 6203

1

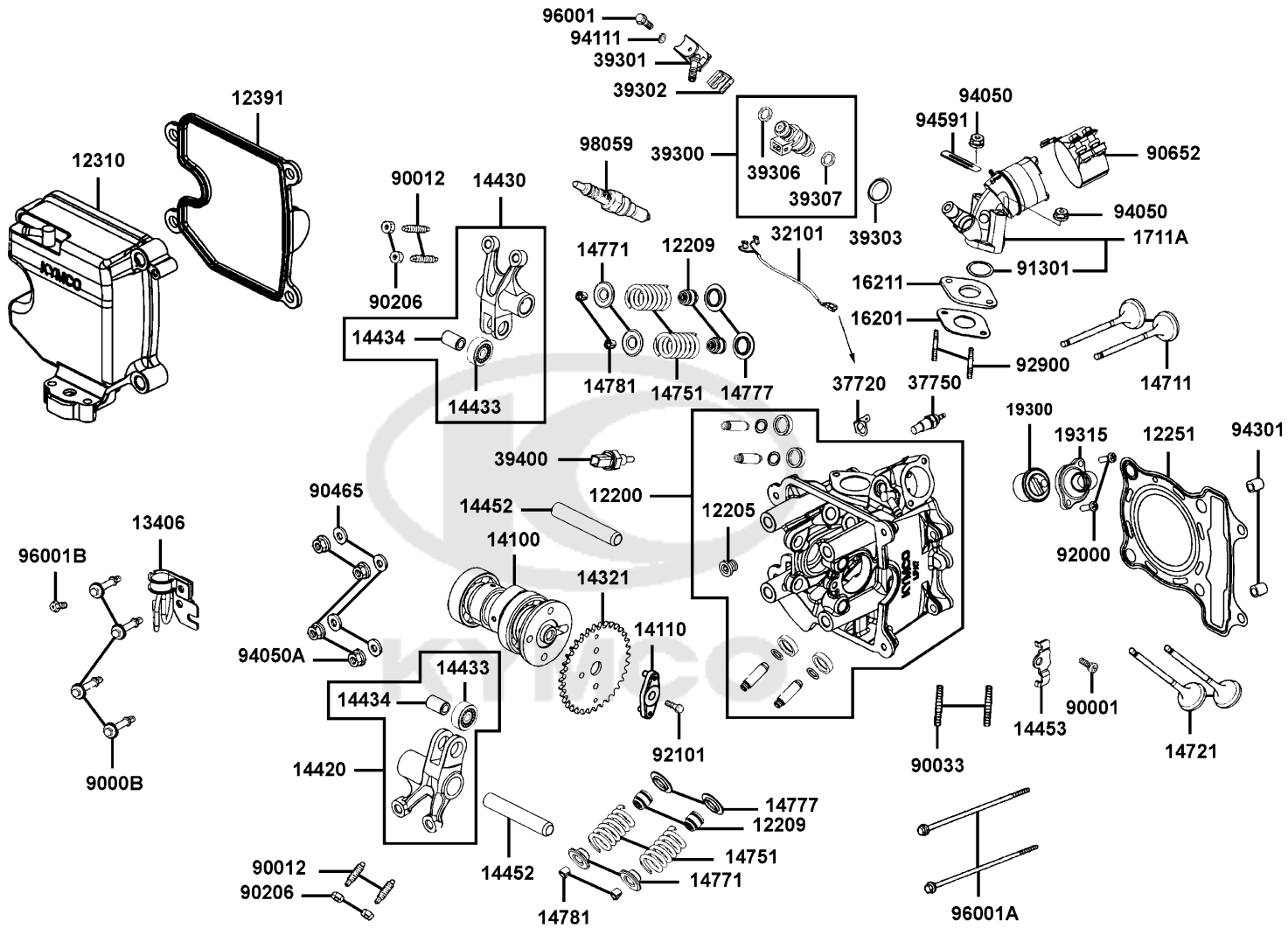


Cylinder Head Cover Cylinder Head



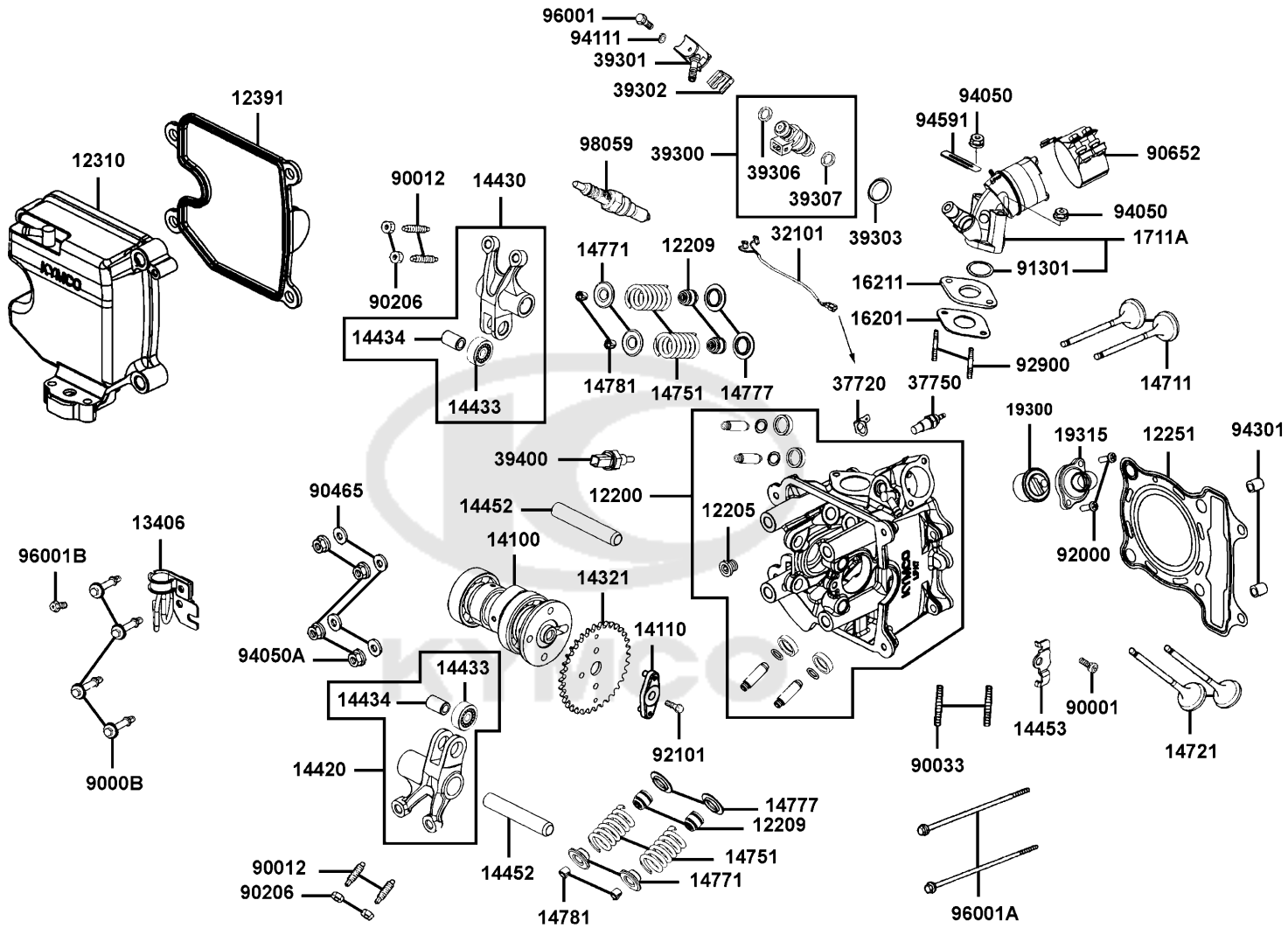
Sales mark	Ref no	Part no	Description	Reg description	Regd no	E02
12200		12200-AAG3-EZ5	HEAD COMP CYLN	"HEAD COMP., CYLN"	1	
12205		12205-KHE8-301	BOLT SEALING 12MM	BOLT SEALING 12MM	1	
12209		12209-LEA2-90A	SEAL VALVE STEM	SEAL VALVE STEM	4	
12251		12251-LFA7-E00	GASKET CYLINDER HEAD	GASKET CYLINDER HEAD	1	
12310		12310-LFA7-E00	COVER COMP HEAD	COVER COMP HEAD	1	
12391		12391-LFA7-E00	GASKET HEAD COVER	GASKET HEAD COVER	1	
13406		13406-LFA7-E01	STAY FUEL HOSE	STAY FUEL HOSE	1	
14100		14100-AAG3-EZ5	SHAFT COMP CAM	"SHAFT COMP., CAM"	1	
14110		14110-LEB1-900	FIXTURE CAMSHAFT	FIXTURE CAMSHAFT	1	
14321		14321-LEB1-900	SPROCKET CAM	SPROCKET CAM	1	
14420		14420-LEB1-900	ARM COMP EXH VALVE ROCKER	ARM COMP EXH VALVE ROCKER	1	
14430		14430-LEB1-900	ARM COMP IN VALVE ROCKER	ARM COMP IN VALVE ROCKER	1	
14433		14433-LEB1-900	ROLLER ASSY ROCKER ARM	ROLLER ASSY ROCKER ARM	1	
14434		14434-LEB1-900	PIN ROCKER ARM	PIN ROCKER ARM	1	
14452		14452-LFA7-E00	SHAFT ROCKER ARM	SHAFT ROCKER ARM	1	
14453		14453-LFA7-E00	PLATE STOPPER	PLATE STOPPER	1	
14711		14711-LFA7-E00	VALVE INLET	VALVE INLET	2	
14721		14721-LFA7-E00	VALVE EXHAUST	VALVE EXHAUST	2	
14751		14751-KHD6-900	SPG VALVE OUTER	SPG VALVE OUTER	4	
14771		14771-LEA2-900	RETAINER UPPER SPRING	RETAINER UPPER SPRING	4	

Cylinder Head Cover Cylinder Head



Sales mark	Ref no	Part no	Description	Reg description	Regd no	E02
	14777	14777-LFA7-E00	SEAT VALVE SPG	SEAT VALVE SPRING	4	
	14781	14781-KKE5-E00	COTTER VALVE	COTTER VALVE	8	
	16201	16201-AAG3-EZ5	GASKET CARB INSULATOR @A	"GASKET, CARB INSULATOR @A"	1	
	16211	16211-AAG3-EZ5	INSULATOR CARB	"INSULATOR, CARB"	1	
	1711A	1711A-AAG3-EZ5	PIPE ASSY INLET	"PIPE ASSY.,INLET"	1	
	19300	19300-LFA7-E0A	THERMOSTAT ASSY.	THERMOSTAT ASSY.	1	
	19315	19315-LFA7-E00	COVER THERMOSTAT	COVER THERMOSTAT	1	
	32101	32101-LEA7-E00	SUB HARNESS THERMO UNIT	SUB HARNESS THERMO UNIT	1	
	37720	37720-KGB5-900	EARTH TERMINAL THERMO	EARTH TERMINAL THERMO	1	
	37750	37750-PAC1-005	THERMO UNIT ASSY	THERMO UNIT ASSY	1	
	39300	39300-LEB2-800	FUEL INJECTOR	FUEL INJECTOR	1	
	39301	39301-AAG3-EZ5	HOLDER ASSY FUEL INJECTOR	"HOLDER ASSY.,FUEL INJECTOR"	1	
	39302	39302-KKE3-900	CLIP SPRING FUEL INJECTOR	CLIP SPRING FUEL INJECTOR	1	
	39303	39303-LEB2-900	SEAL HIGH TENSION FUEL INJECT	SEAL HIGH TENSION FUEL INJECT	1	
	39306	39306-LEB2-305	O-RING A INJECTOR /BLACK	O-RING A INJECTOR /BLACK	1	
	39307	39307-LEB2-305	O-RING B INJECTOR /GREEN	O-RING B INJECTOR /GREEN	1	
	39400	39400-LDF2-800	WATER TEMP SENSOR	WATER TEMP SENSOR	1	
	90001	90001-GFY6-901	SOCKET BOLT 6*10 (B)	SOCKET BOLT 6*10 (B)	1	
	9000B	9000B-KHD6-900	BOLT ASSY SPECIAL 6*41.5	BOLT ASSY SPECIAL 6*41.5	4	
	90012	90012-3C33-001	SCREW TAPPET ADJUSTING	SCREW TAPPET ADJUSTING	2	

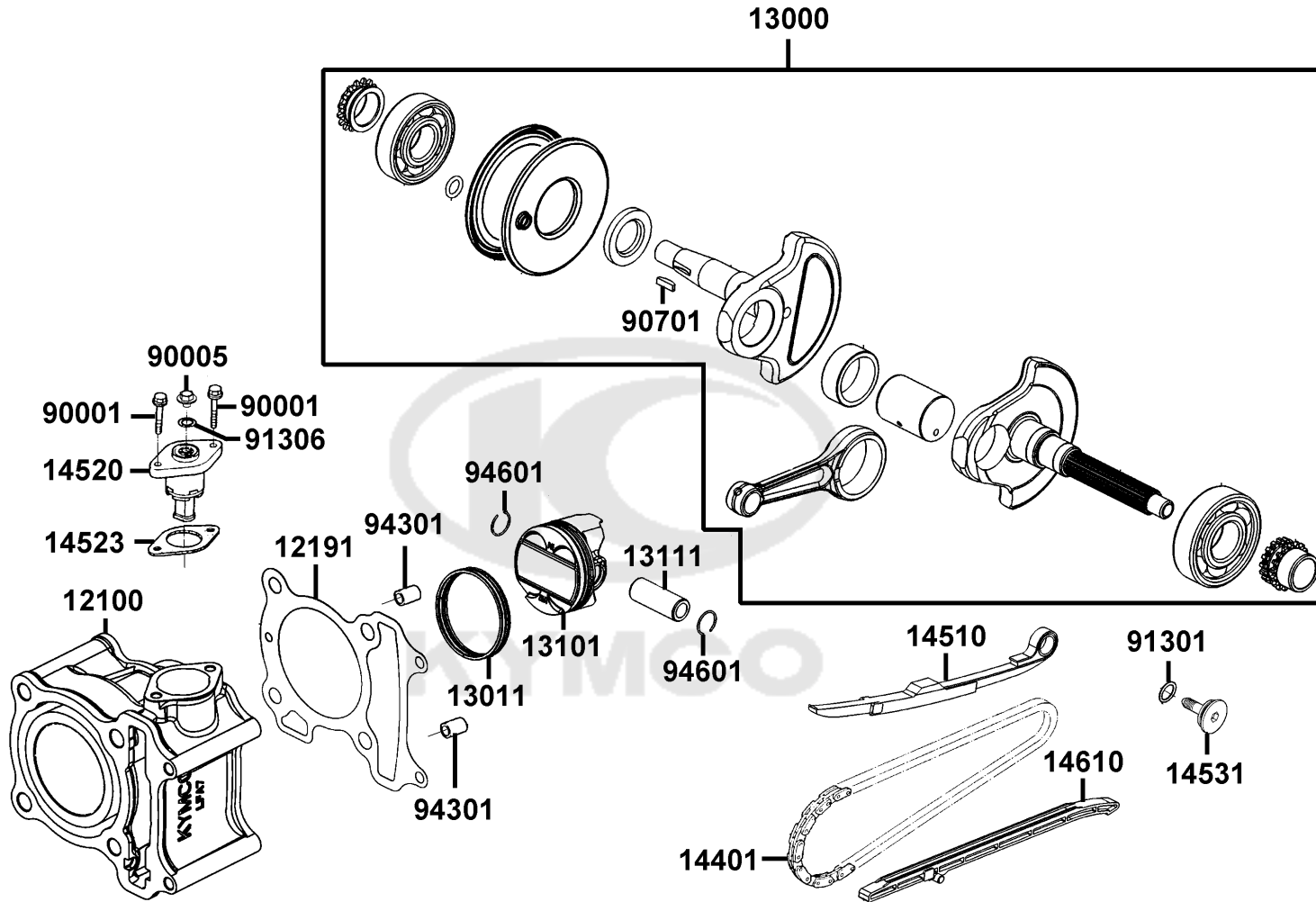
Cylinder Head Cover Cylinder Head



Sales mark	Ref no	Part no	Description	Reg description	Regd no	E02
90033		90033-GFY6-C01	BOLT STUD 8*32	BOLT STUD 8*32	2	
90206		90206-0A01-001	NUT TAPPET ADJG	NUT TAPPET ADJG	2	
90465		90465-MDC4-001	WASHER 8MM	WASHER 8MM	4	
90652		90652-ALB8-900	BAND 48.INLET-PIPE	"BAND 48, INLET-PIPE"	1	
91301		91301-LEB1-900	O-RING 30*2	O-RING 30*2	1	
92000		92000-05016-0G	BOLT HEX 5X16	BOLT HEX 5X16	1	
92101		92101-06014-0G	BOLT HEX 6*14	BOLT HEX 6*14	1	
92900		92900-06060-0B	BOLT STUD 6*60	BOLT STUD 6*60	2	
94050		94050-06080	NUT FLANGE 6MM	NUT FLANGE 6MM	2	
94050A		94050-08080	NUT FLANGE 8MM	NUT FLANGE 8MM	4	
94111		94111-06800	WASHER SPRING 6MM	WASHER SPRING 6MM	1	
94301		94301-10160	DOWEL PIN 10*16	DOWEL PIN 10*16	2	
94591		94591-KFBF-900	CLIP 2*70	CLIP 2*70	1	
96001		96001-06014-06	BOLT FLANGE SH 6X14	BOLT FLANGE SH 6X14	1	
96001A		96001-06100-06	BOLT FLANGE SH 6*100	BOLT FLANGE SH 6*100	1	
96001B		96001-LAB4-900	BOLT SPECIAL M5X16	BOLT SPECIAL M5X16	1	
98059		98059-57916-00	SPARK PLUG (CR7E)	SPARK PLUG (CR7E)	1	

E03

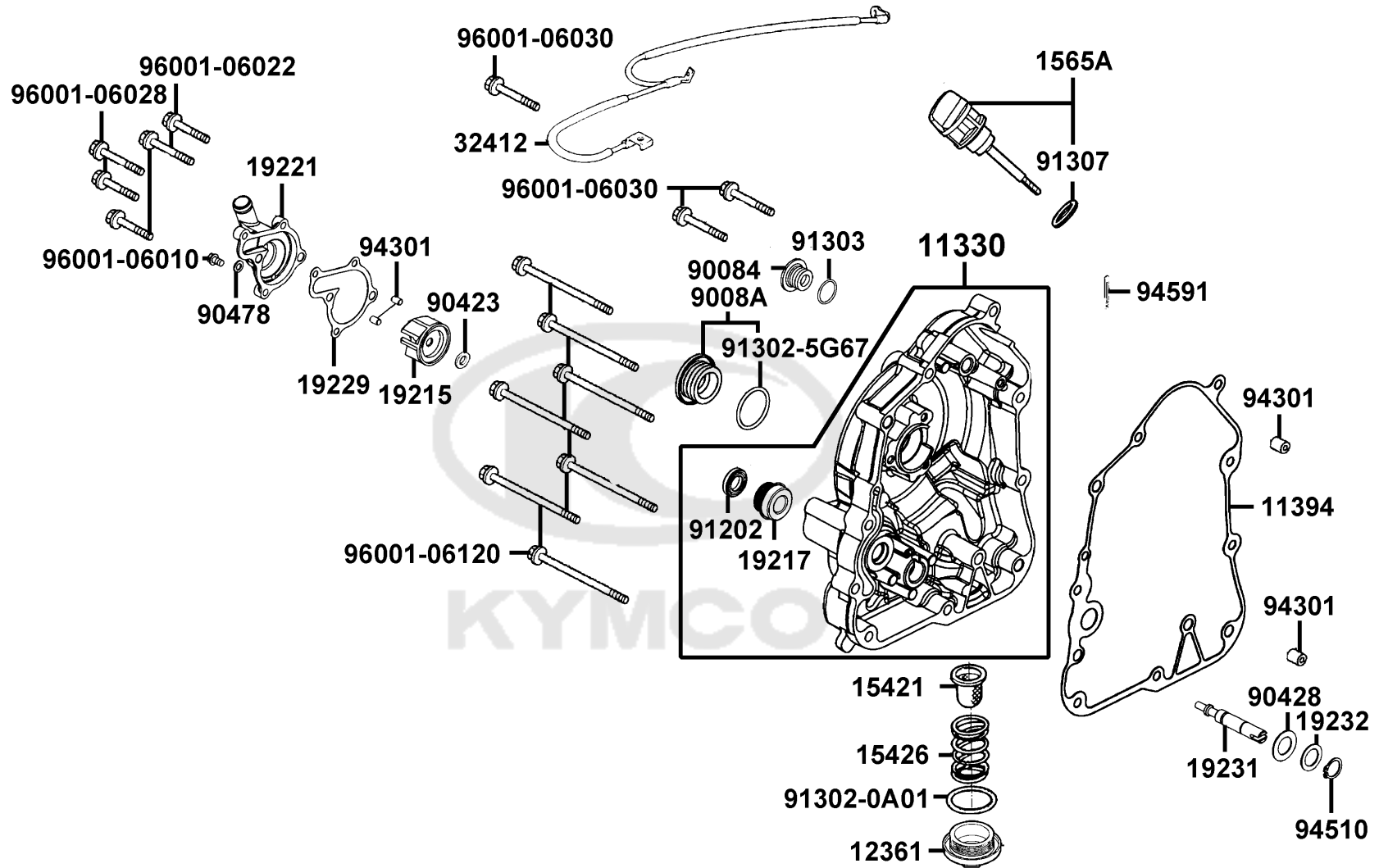
Cylinder Piston Crankshaft



Sales mark	Ref no	Part no	Description	Reg description	Regd no	E03
	12100	12100-LFA7-E00	CYLINDE COMP (A)	CYLINDE COMP (A)	1	
	12191	12191-LFA7-E00	GASKET CYLINDER	GASKET CYLINDER	1	
	13000	13000-LFA7-E00	CRANK SHAFT COMP	CRANK SHAFT COMP	1	
	13011	13011-LEB1-90A	RING ASSY PISTON	RING ASSY PISTON	1	
	13101	13101-AAG3-EZ5	PISTON	PISTON	1	
	13111	13111-LFA7-E00	PIN PISTON	PIN PISTON	1	
	14401	14401-LFA7-E00	CHAIN CAM	CHAINCAM	1	
	14510	14510-LEB1-90B	TENSIONER CAM CHAIN	TENSIONER CAM CHAIN	1	
	14520	14520-LFA7-E00	LIFTER ASSY TENSIONER	LIFTER ASSY TENSIONER	1	
	14523	14523-KED9-900	GASKET TENSIONER LIFTER @A	GASKET TENSIONER LIFTER @A	1	
	14531	14531-GLR0-001	PIVOT CAM CHAIN TENSIONER	PIVOT CAM CHAIN TENSIONER	1	
	14610	14610-LEB1-90B	GUIDE CAM CHAIN	GUIDE CAM CHAIN	1	
	90001	90001-GBHB-661	BOLT FLANGE SH 6*22	BOLT FLANGE SH 6*22	2	
	90005	90005-KED9-900	BOLT SPECIAL 6*6	BOLT SPECIAL 6*6	1	
	90701	90701-HFB6-011	KEY WOODRUFF 25*14*4	KEY WOODRUFF 25*14*4	1	
	91301	91301-GLR0-005	O-RING 15.2*1.5	O-RING 15.2*1.5	1	
	91306	91306-1E05-691	O-RING 1.5*9.5	O-RING 1.5*9.5	1	
	94301	94301-10160	DOWEL PIN 10*16	DOWEL PIN 10*16	2	
	94601	94601-14000	CLIP PISTON PIN 12MM	CLIP PISTON PIN 12MM	2	

E04

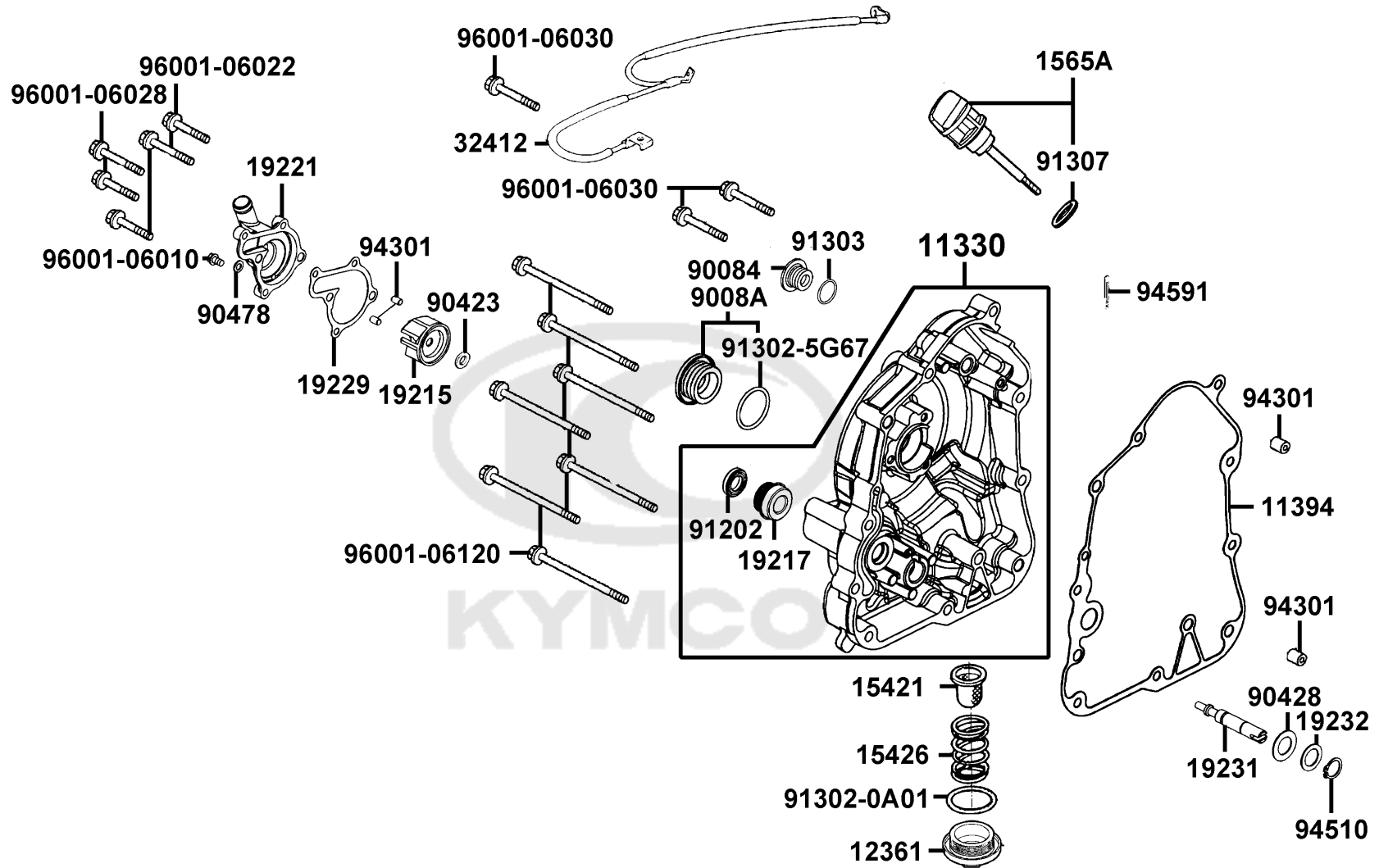
Right Crankcase Cover



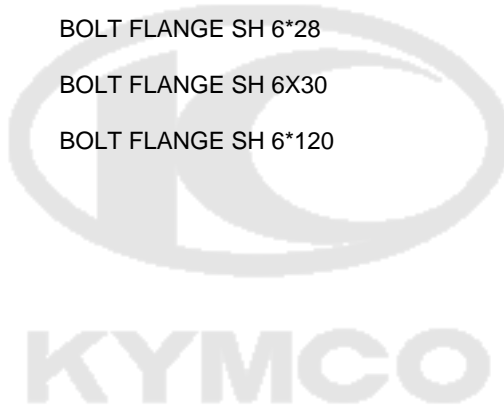
Sales mark	Ref no	Part no	Description	Reg description	Regd no	E04
**	11330	11330-LFA7-E00	COVER COMP R CRANK CASE	COVER COMP R CRANK CASE	1	
	11394	11394-LFA7-E00	GASKET R COVER@A	GASKETR. COVER A	1	
	12361	12361-GFY6-901	HOLE CAP TAPPET ADJUSTING	HOLE CAP TAPPET ADJUSTING	1	
	15421	15421-1G07-001	SCREEN OIL FILTER	SCREEN OIL FILTER	1	
	15426	15426-GAE1-921	SPG OIL FILTER SCREEN	SPG OIL FILTER SCREEN	1	
	1565A	1565A-KUDU-900	GAUGE OIL LEVEL ASSY	GAUGE OIL LEVEL ASSY	1	
	19215	19215-KHE7-900	IMPELLER WATER PUMP	IMPELLER WATER PUMP	1	
	19217	19217-ZPA3-E00	SEAL MECHANICAL	SEAL MECHANICAL	1	
	19229	19229-LFA7-E00	GASKET WATER PUMP	GASKET WATER PUMP	1	
	19231	19231-LFA7-E00	SHAFT WATER PUMP	SHAFTWATER PUMP	1	
	19232	19232-LBA2-E00	WASHER 21*13.8*1.5	WASHER 21*13.8*1.5	1	
	32412	32412-AGE8-E00	TERMINAL C EARTH CABLE	TERMINAL C EARTH CABLE	1	
	90084	90084-KKF9-901	CAP AC GENERATOR	CAP ACG	1	
**	9008A	9008A-PTA1-900	CAP ASSY	CAP ASSY 30MM	1	
	90423	90423-KKJ9-001	WASHER 7.2*13*1.2	WASHER 7.2*13*1.2	1	
	90428	90428-9H58-001	WASHER THRUST 14MM B	WASHER THRUST 14MM B	1	
	90478	90478-7L00-001	WASHER A 6MM	WASHER A 6MM	1	
	91202	91202-LKG2-900	OIL SEAL 13.7*24*5	OIL SEAL 13.7*24*5	1	
	91302-0A01	91302-0A01-021	O-RING 30.8M/M	O-RING 30.8M/M	1	
	91302-5G67	91302-5G67-004	O-RING 27.4*2.4	O-RING 27.4*2.4	1	

E04

Right Crankcase Cover

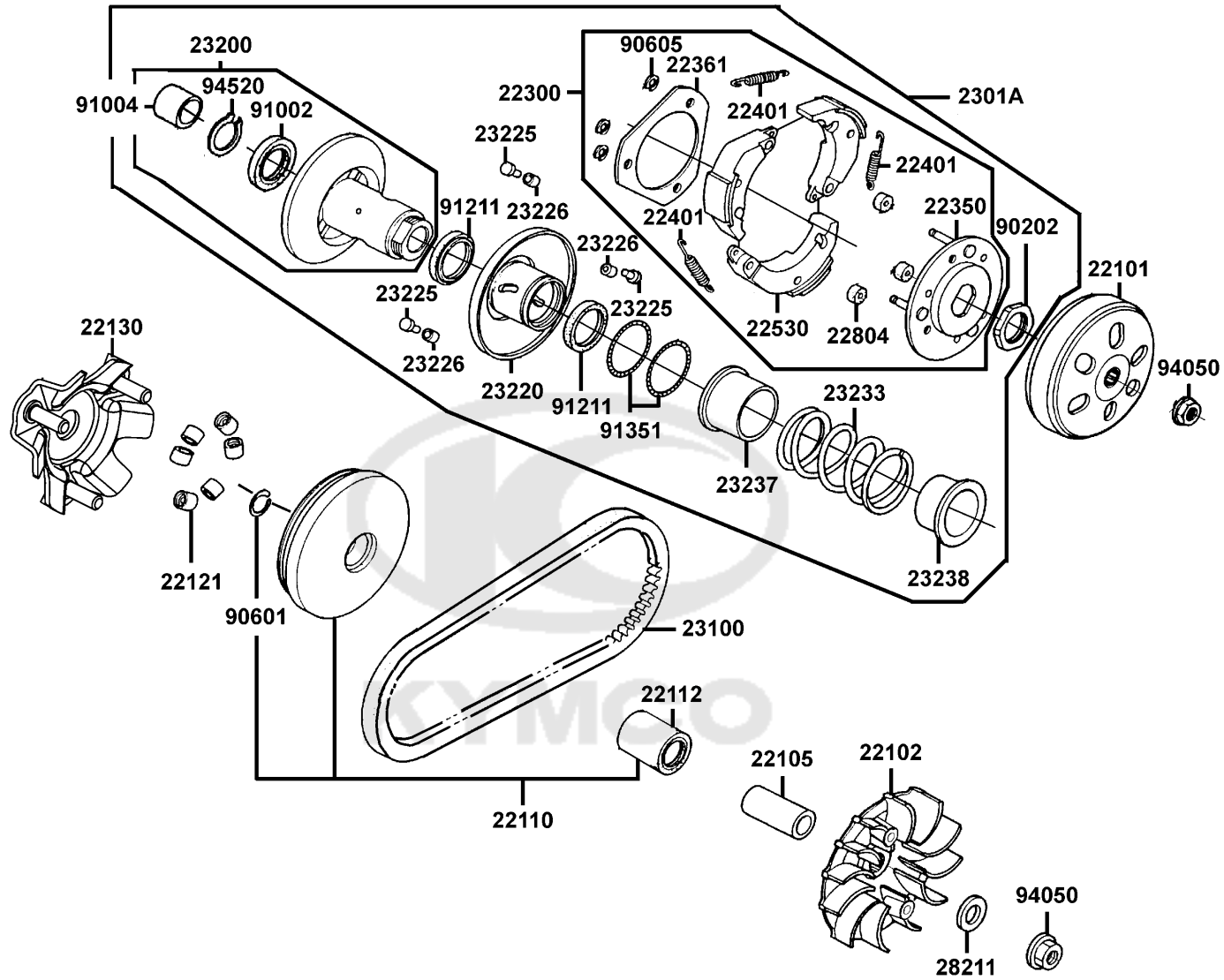


Sales mark	Ref no	Part no	Description	Reg description	Regd no	E04
91303		91303-3G77-001	O-RING 13.8*2.5	O-RING 13.8*2.5	1	
91307		91307-0E35-001	O RING 18*3	O RING 18*3	1	
94301		94301-08140	DOWEL PIN 8*14	DOWEL PIN 8*14	4	
94510		94510-14000	CIR CLIP EXTERNAL 14	CIR CLIP EXTERNAL 14	1	
94591		94591-KFBF-900	CLIP 2*70	CLIP 2*70	1	
96001-06010		96001-06010-00	BOLT FLANGE SH 6X10	BOLT FLANGE SH 6X10	1	
96001-06022		96001-06022-06	BOLT FLANGE SH 6*22 (G)	BOLT FLANGE SH 6*22 (G)	1	
96001-06028		96001-06028-06	BOLT FLANGE SH 6*28	BOLT FLANGE SH 6*28	1	
96001-06030		96001-06030-06	BOLT FLANGE SH 6X30	BOLT FLANGE SH 6X30	1	
96001-06120		96001-06120-06	BOLT FLANGE SH 6*120	BOLT FLANGE SH 6*120	1	



E05

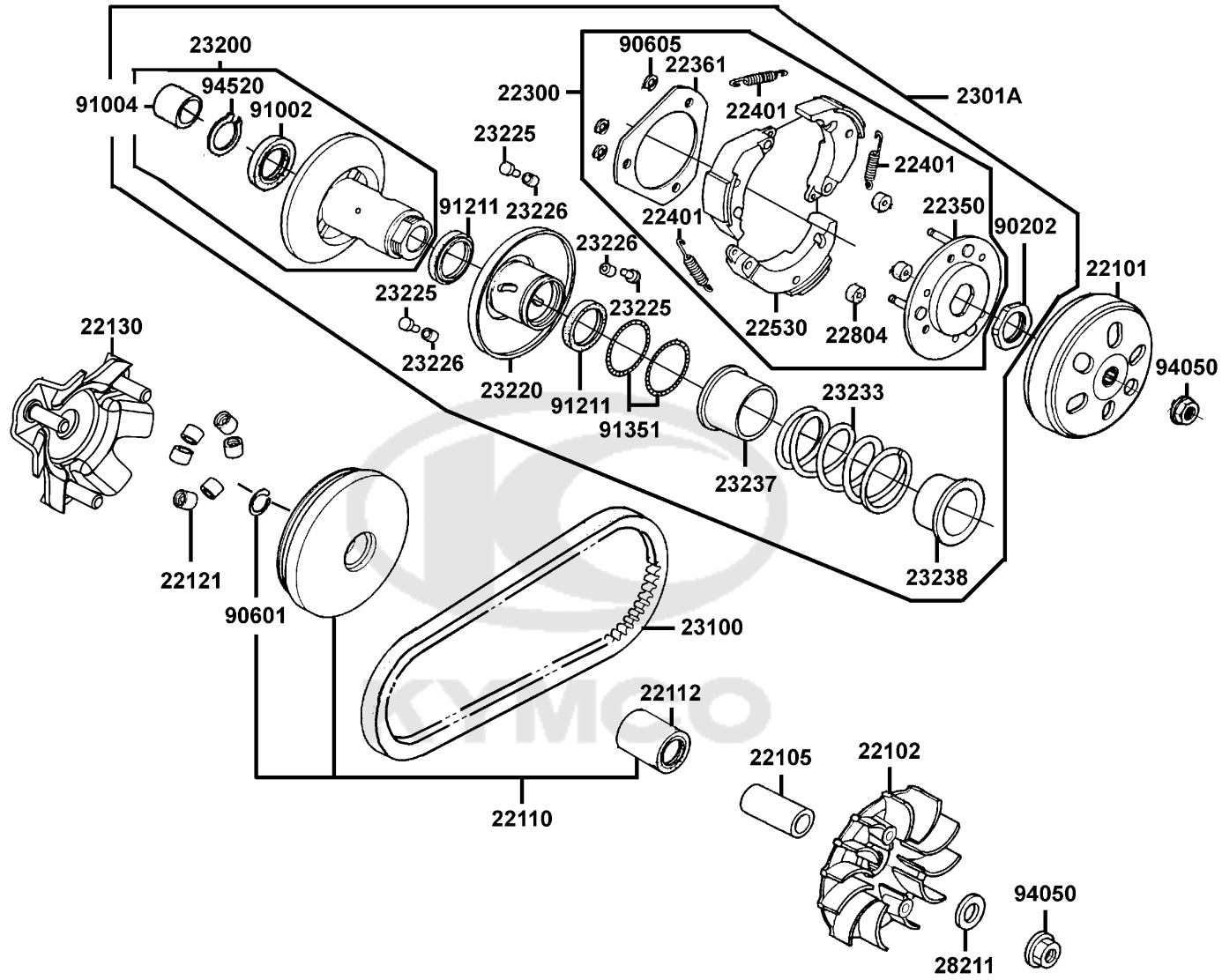
Pulley



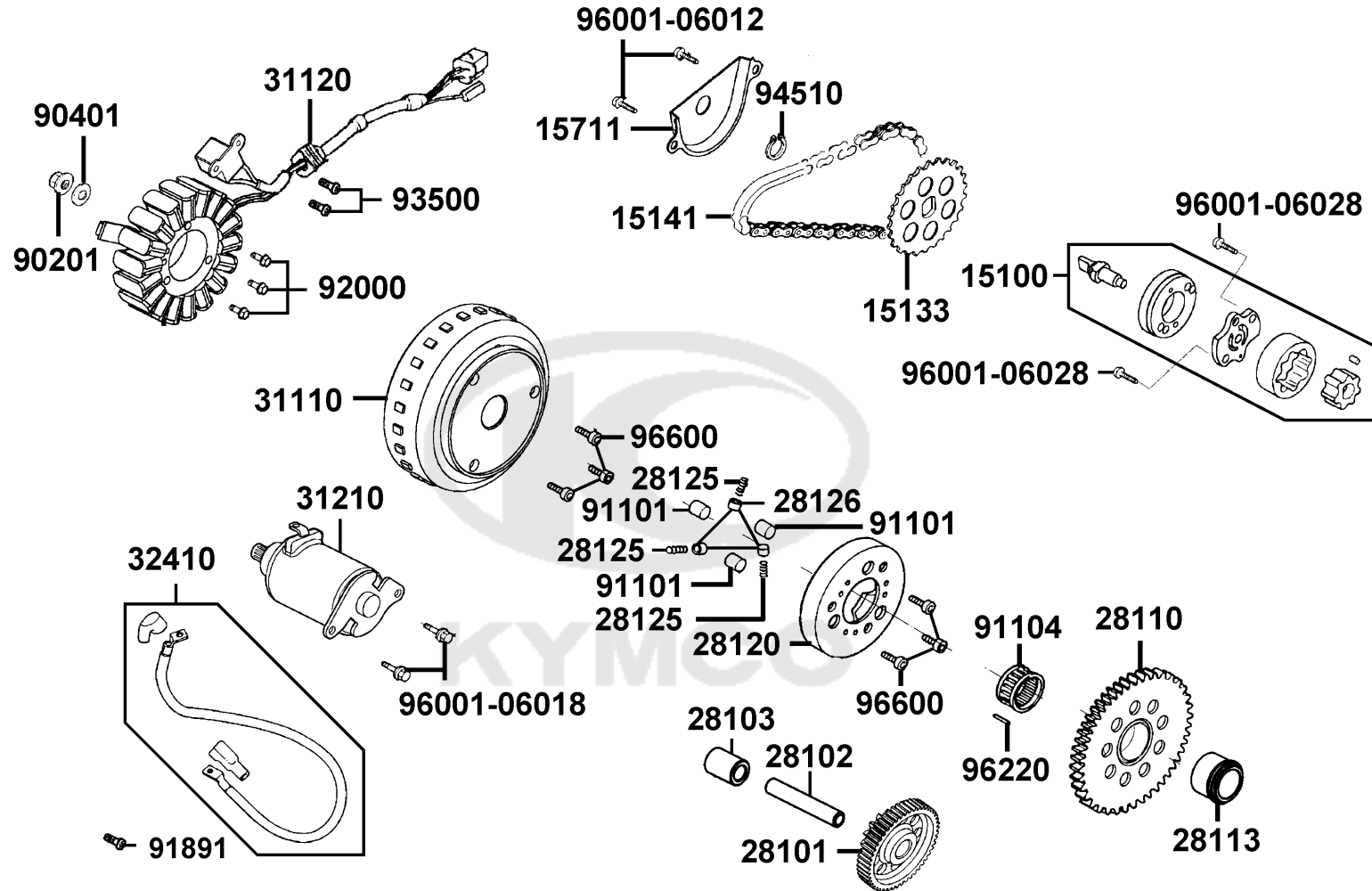
Sales mark	Ref no	Part no	Description	Reg description	Regd no	E05
	22101	22101-KEBE-900	OUTER CLUTCH	OUTER CLUTCH	2	
	22102	22102-ACJ1-E00	FACE COMP DRIVE	FACE COMP DRIVE	1	
	22105	22105-ACH7-600	BOSS DRIVE FACE	BOSS DRIVE FACE	1	
	22110	22110-AAG1-900	FACE COMP MOVABLE DRIVE	FACE COMP MOVABLE DRIVE	1	
	22112	22112-KAAA-900	COLLAR DRIVE FACE	COLLAR DRIVE FACE	0	
#	22121	22121-KKE3-305	ROLLER SET WEIGHT (1SET:6PCS)	ROLLER SET WEIGHT (1SET:6PCS)	1	
	22130	22130-AAG1-910	RAMP PLATE COMP	RAMP PLATE COMP	1	
	22300	22300-ACJ1-E00	PLATE ASSY DRIVE	PLATE ASSY DRIVE	1	
	22350	22350-LEA6-900	PLATE COMP DRIVE	PLATE COMP DRIVE	1	
	22361	22361-KGN7-671	PLATE CLUTCH SIDE	PLATE CLUTCH SIDE	1	
	22401	22401-LLB1-900	SPRING CLUTCH	SPRING CLUTCH	1	
	22530	22530-LKG2-900	WEIGHT. CLUTCH	WEIGHT. CLUTCH	1	
	22804	22804-GBB2-001	RUBBER CLUTCH DAMPER	RUBBER CLUTCH DAMPER	3	
	2301A	2301A-ACJ1-E00	PULLEY SUB ASSY DRIVEN	PULLEY SUB ASSY DRIVEN	1	
	23100	23100-ACJ1-E00	BELT DRIVE	BELT DRIVE	1	
	23200	23200-AAG1-900	FACE ASSY DRIVEN	FACE ASSY DRIVEN	1	
	23220	23220-AAG1-900	FACE COMP MOVABLE DRIVEN	FACE COMP MOVABLE DRIVEN	1	
	23225	23225-GHC8-004	PIN ROLLER GUIDE	PIN ROLLER GUIDE	3	
	23226	23226-GHC8-004	ROLLER GUIDE	ROLLER GUIDE	3	
	23233	23233-LFA7-E00	SPG DRIVEN FACE	SPG DRIVEN FACE	1	

E05

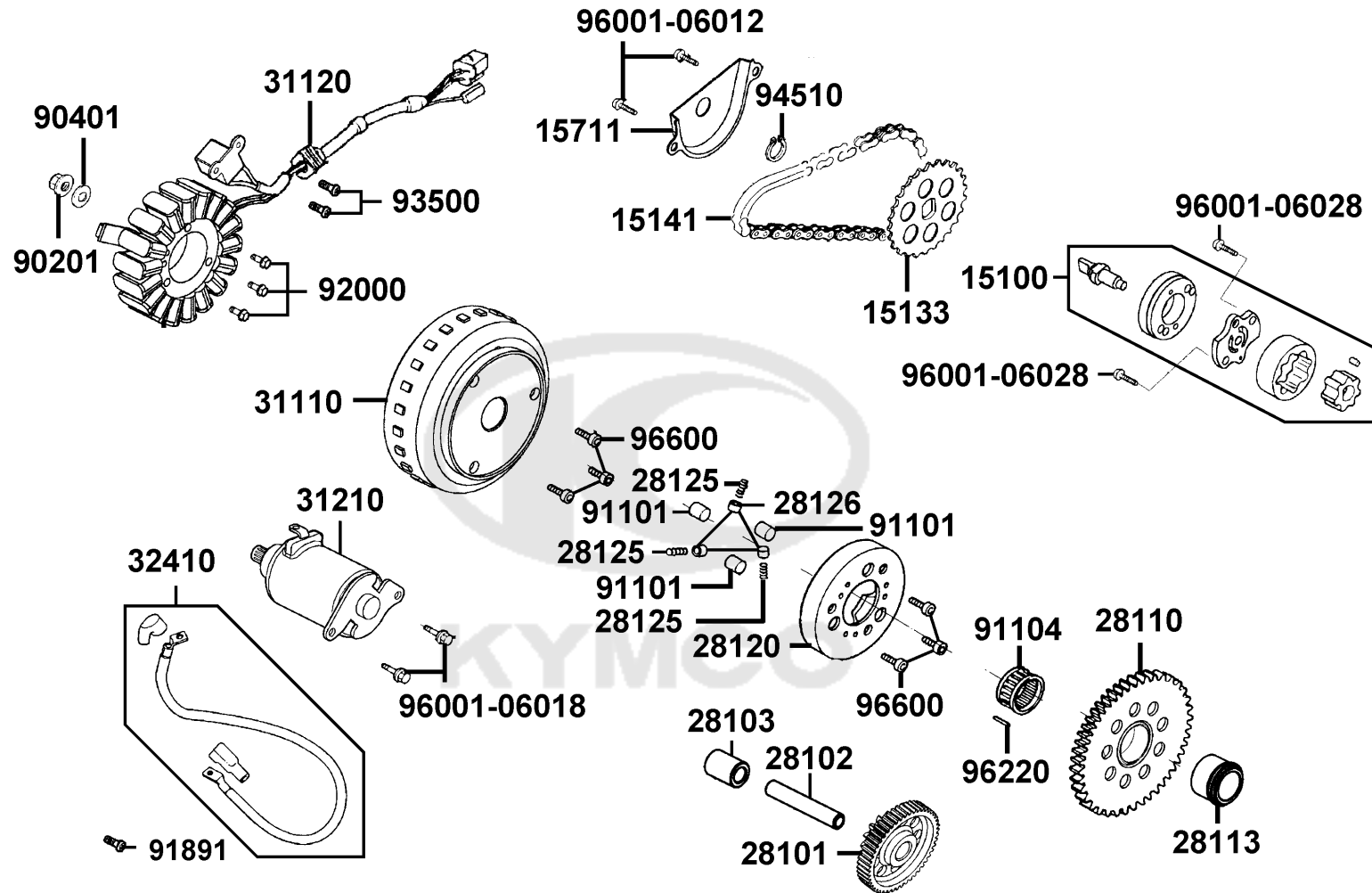
Pulley



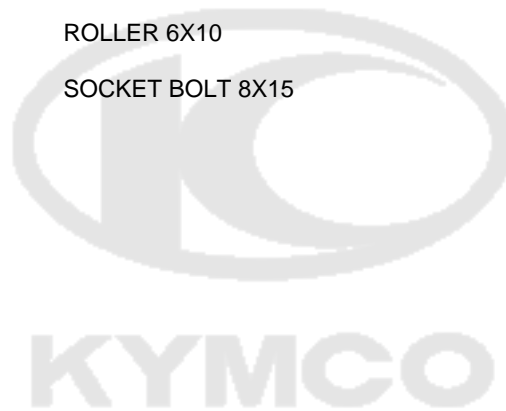
Sales mark	Ref no	Part no	Description	Reg description	Regd no	E05
23237		23237-GFY6-941	COLLAR SEAL	COLLAR SEAL	1	
23238		23238-LEB1-910	COLLAR SPRING	COLLAR.SPRING	1	
23238		23238-LKE7-900	COLLAR SPG	COLLAR SPG	1	
90202		90202-KGN7-671	NUT SPECIAL 28MM	NUT SPECIAL 28MM	1	
28211		90441-GFY6-941	WASHER 12.2*29*2.5	WASHER 12.2*29*2.5	1	
90601		90601-GFY6-901	CLIP 28MM	CLIP 28MM	1	
90605		90605-1F66-721	CIR CLIP 7MM	CIR CLIP 7MM	3	
91002		91002-GGA7-70A	BRG BALL RADIAL 6902U	BRG BALL RADIAL 6902U	1	
91004		91004-KHE7-900	BRG NDL 22*29*18	BRG NDL 22*29*18	1	
91211		91211-KEBE-900	SEAL DRIVEN FACE 34*41*4	SEAL DRIVEN FACE 34*41*4	2	
91351		91351-6B42-000	O-RING PINION CAP	O-RING PINION CAP	2	
94050		94050-12080	NUT FLANGE 12MM	NUT FLANGE 12MM	2	
94520		94520-28000	CIR CLIP IN 28	CIR CLIP IN 28	1	

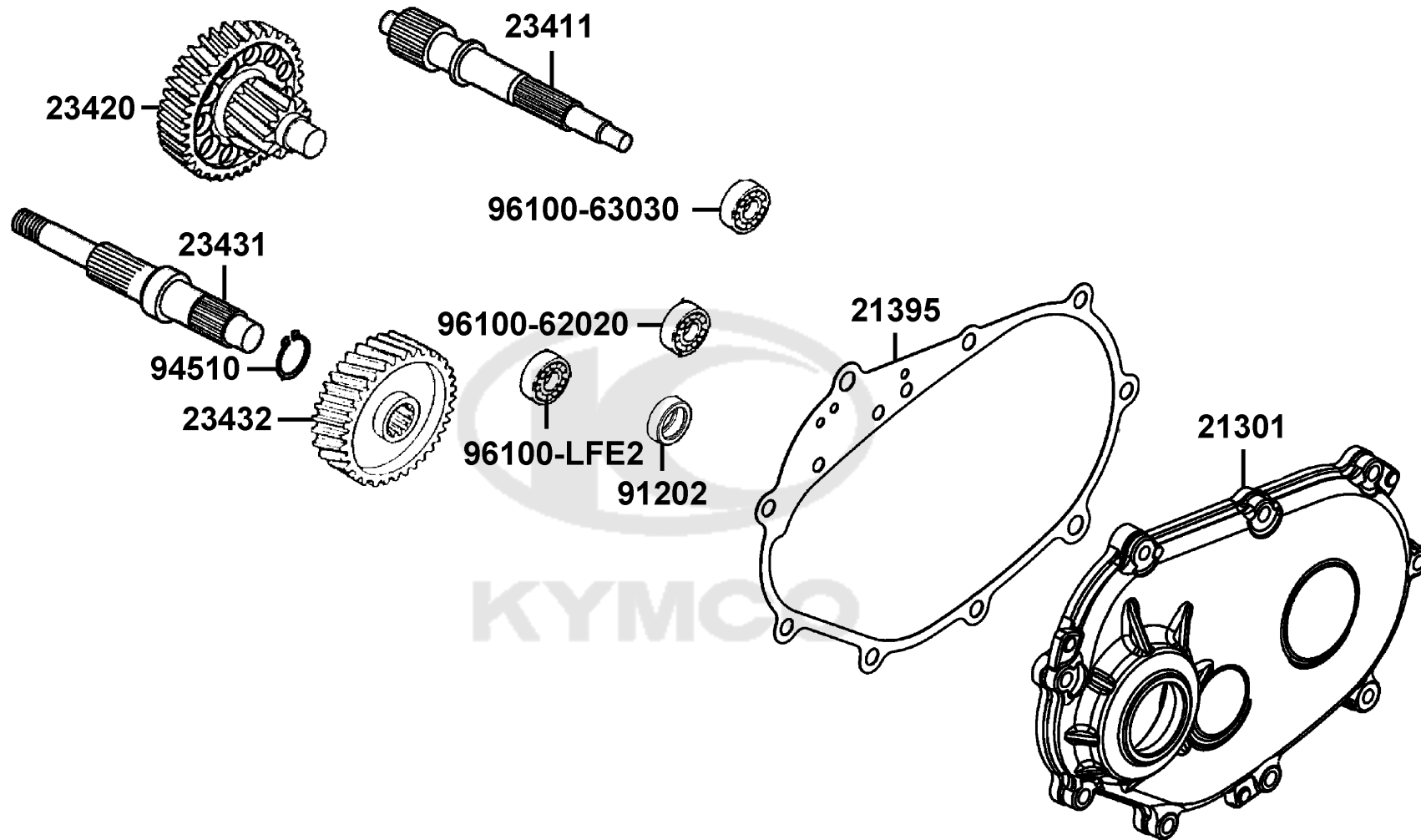


Sales mark	Ref no	Part no	Description	Reg description	Regd no	E06
	15100	15100-KEBE-900	PUMP ASSY OIL	PUMP ASSY OIL	1	
	15133	15133-KAM1-001	SPROCKET OIL PUMP DRIVE	SPROCKET OIL PUMP DRIVE	1	
	15141	15141-KKJ9-004	CHAIN OIL PUMP	CHAIN OIL PUMP	1	
	15711	15711-LFA7-E00	SEPARATER OIL	SEPARATER OIL	1	
	28101	28101-KKJ9-011	GEAR STARTER REDUCTION	GEAR STARTER REDUCTION	1	
	28102	28102-LFA7-E00	SHAFT STARTER REDUCTION GEAR	SHAFT STARTER REDUCTION GEAR	1	
	28103	28103-LFA7-E00	COLLAR 9x15.5x21.1	COLLAR 9x15.5x21.1	1	
	28110	28110-LFA7-E00	GEAR COMP STARTING CLUTCH	GEAR COMP STARTING CLUTCH	1	
	28113	28113-LFA7-E00	BUSH STARTING GEAR	BUSH STARTING GEAR	1	
	28120	28120-KEBE-305	OUTER COMP STARTING CLUTCH	OUTER COMP STARTING CLUTCH	1	
	28125	28125-4F26-001	SPRING ROLLER STARTER CLUTCH	SPRING ROLLER STARTER CLUTCH	3	
	28126	28126-KUDU-900	CAP STARTING ROLLER SPRING	CAP STARTING ROLLER SPRING	3	
	31110	31110-LFA7-E0B	FLYWHEEL COMP (D402)	FLYWHEEL COMP (D402)	1	
	31120	31120-AAG3-E00	STATOR COMP (D402)	STATOR COMP (D402)	1	
	31210	31210-LEB1-90A	MOTOR UNIT START	MOTOR UNIT START	1	
	32410	32410-LLB1-900	CABLE START MOTOR	CABLE START MOTOR	1	
	90201	90201-KHR8-75A	NUT FLANGE 14MM	NUT FLANGE 14MM	1	
	90401	90401-KKJ9-001	WASHER THRUST 14*28*2	WASHER THRUST 14*28*2	1	
	91101	91101-1K79-711	ROLLER 10*10	ROLLER 10*10	3	
	91104	91104-GFY6-90A	BRG NEEDLE 28*32*17	BRG NEEDLE 28*32*17	1	



Sales mark	Ref no	Part no	Description	Reg description	Regd no	E06
91891		91981-KGN7-670	SCREW WASH 5*8	SCREW WASH 5*8	1	
93500		92000-05016-0G	BOLT HEX 5X16	BOLT HEX 5X16	1	
92000		92000-LEA6-900	BOLT HEX 5*40	BOLT HEX 5*40	3	
94510		94510-10000	CIR CLIP EX 10MM	CIR CLIP EX 10MM	1	
96001-06012		96001-06012-06	BOLT FLANGE SH 6*12	BOLT FLANGE SH 6*12	1	
96001-06018		96001-06018-06	BOLT FLANGE SH 6X18	BOLT FLANGE SH 6*18	1	
96001-06028		96001-06028-06	BOLT FLANGE SH 6*28	BOLT FLANGE SH 6*28	1	
96220		96220-60100	ROLLER 6X10	ROLLER 6X10	1	
96600		96600-08015-16	SOCKET BOLT 8X15	SOCKET BOLT 8*15	1	

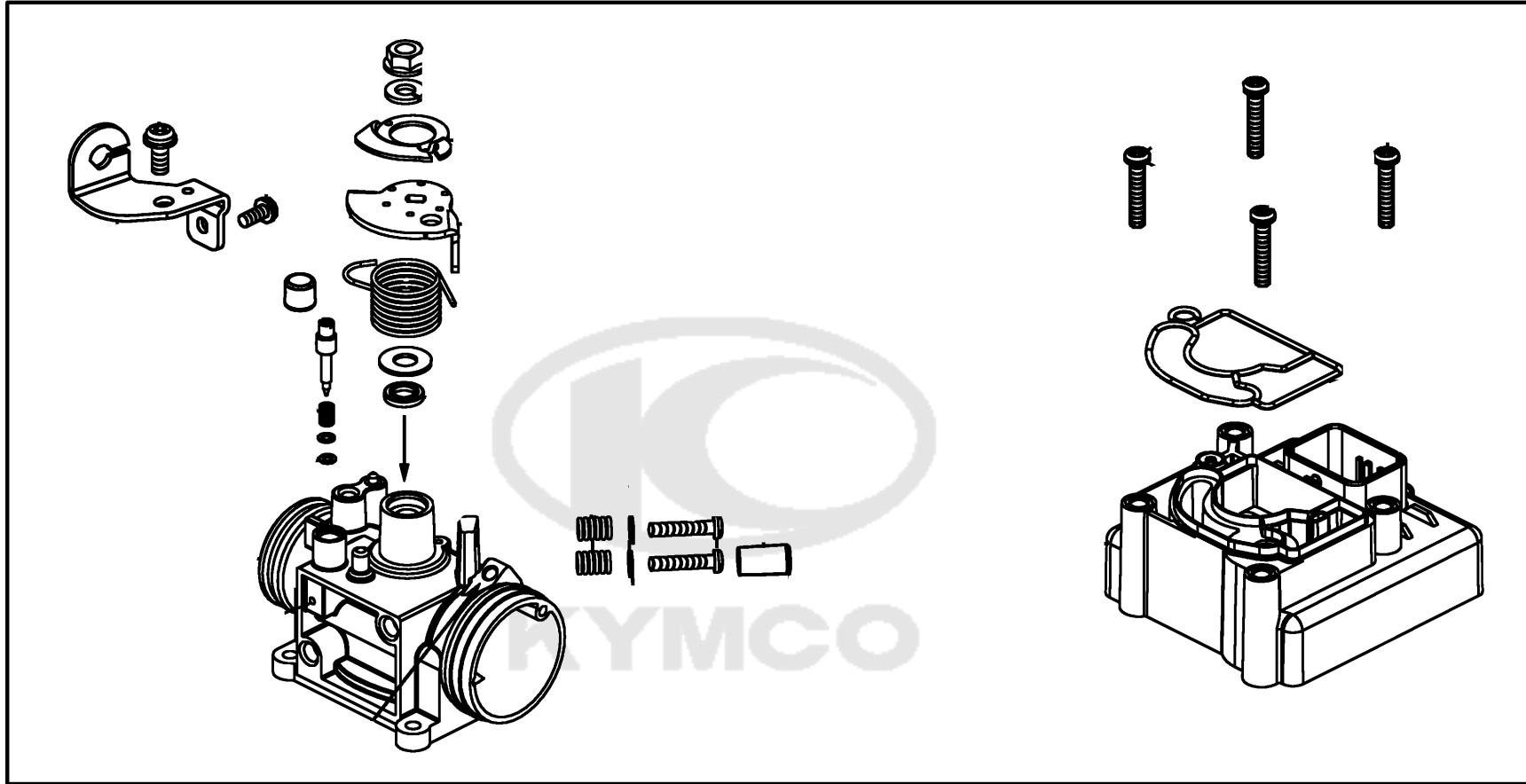




Sales mark	Ref no	Part no	Description	Reg description	Regd no	E07
	21301	21301-LFA7-E00	COVER MISSION	COVER MISSION	1	
	21395	21395-LFA7-E00	GASKET MISSION COVER	GASKET MISSION COVER	1	
	23411	23411-ACJ1-E00	SHAFT DRIVE	SHAFT DRIVE	1	
	23420	23420-ACJ1-E00	SHAFT COMP COUNTER (15T/49T)	SHAFT COMP COUNTER	1	
	23431	23431-LFA7-E00	SHAFT FINAL	SHAFT FINAL	1	
	23432	23432-LGE7-E00	GEAR FINAL	GEAR FINAL	1	
	91202	91202-LFE2-90A	OIL SEAL 22*32*5	OIL SEAL 22*32*5	2	
	94510	94510-25000	CIR CLIP EXTERNAL 25	CIR CLIP EXTERNAL 25	1	
	96100-62020	96100-62020-00	BEARING BALL RADIAL 6202	BEARING BALL RADIAL 6202	1	
	96100-63030	96100-63030-00	BEARING BALL RADIAL 6303	BEARING BALL RADIAL 6303	1	
	96100-LFE2	96100-LFE2-900	BRG BALL RADIAL TMB2/22CC4	BRG BALL RADIAL TMB2/22CC4	1	

E08

Throttle Body Assy



1610A

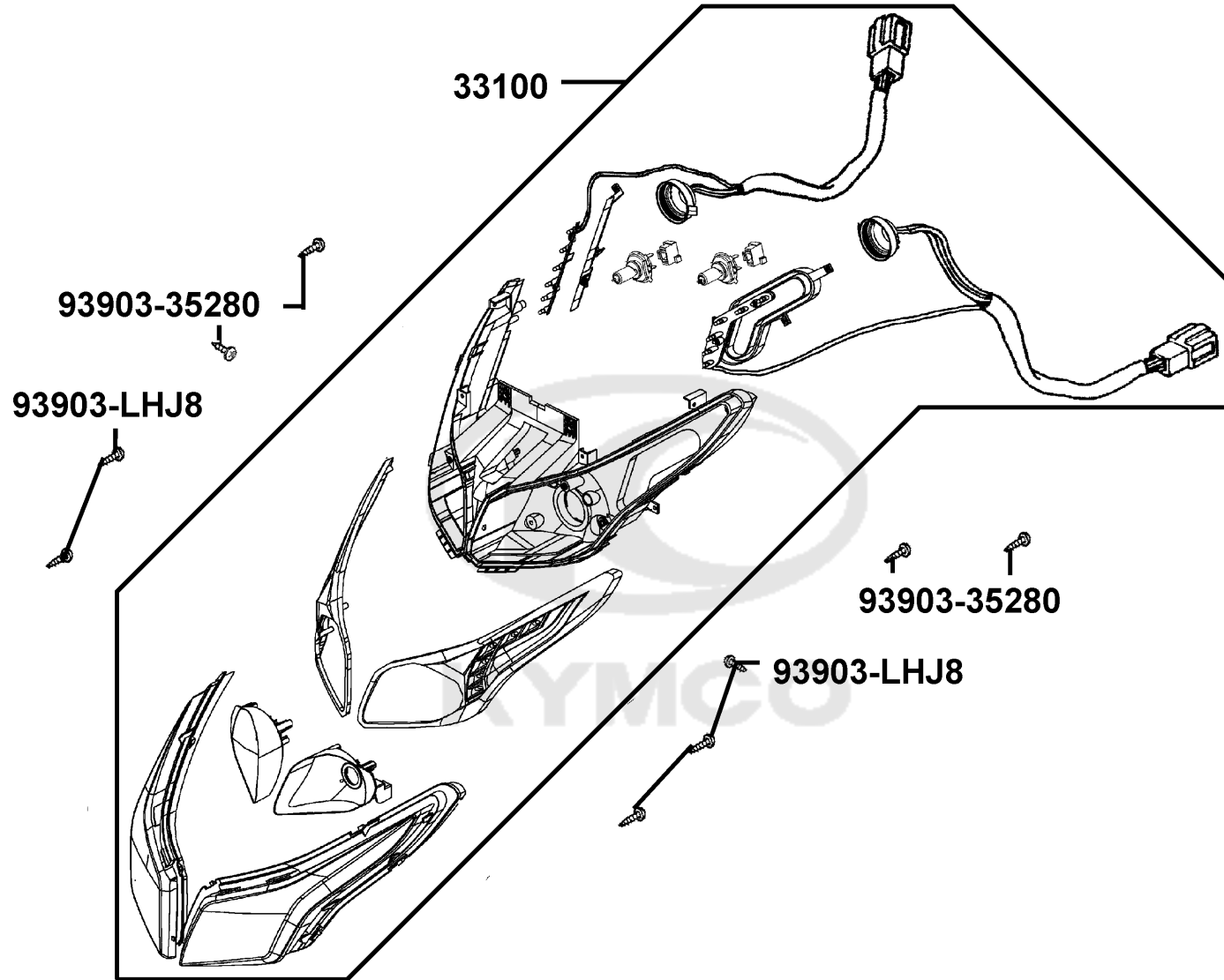
Sales mark	Ref no	Part no	Description	Reg description	Regd no	E08
------------	--------	---------	-------------	-----------------	---------	------------

1610A	1610A-AGE8-EZ5	1610A-AGE8-EZ5	1610A-AGE8-EZ5	1610A-AGE8-EZ5	1	
-------	----------------	----------------	----------------	----------------	---	--



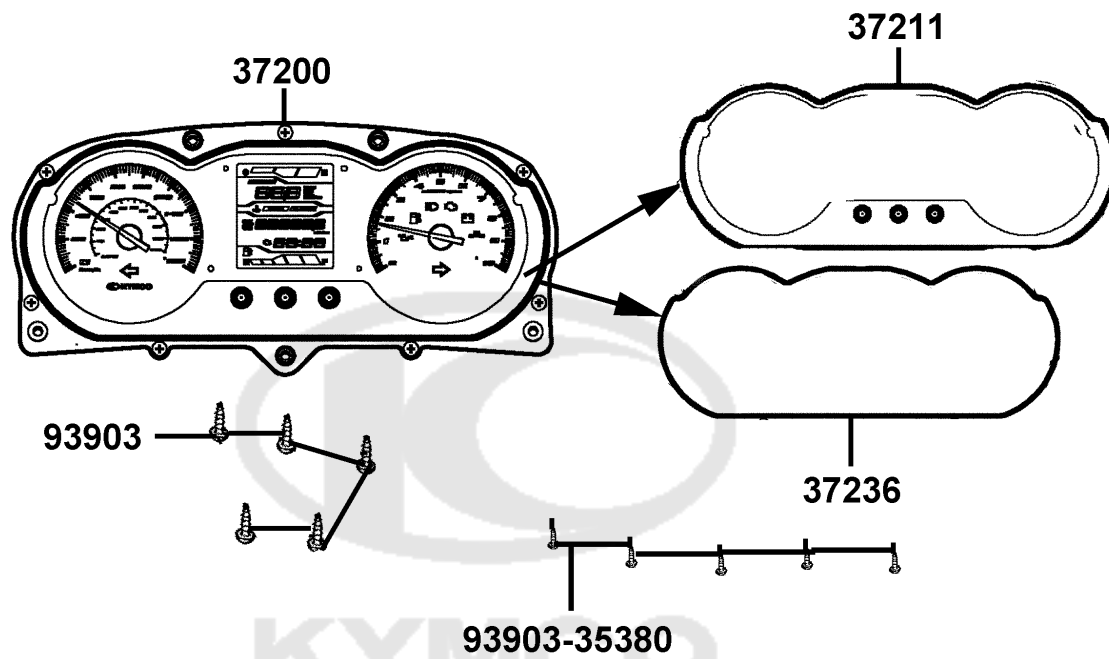
F01

Head Light



Sales mark	Ref no	Part no	Description	Reg description	Regd no	F01
	33100	33100-AGD8-C00	LIGHT ASSY HAED	LIGHT ASSY HAED	1	
	93903-35280	93903-35280-G	SCREW TAPPING 5*12 (K)	SCREW TAPPING 5*12 (KG)	8	
	93903-LHJ8	93903-LHJ8-C01	SCREW,TAPPING 5X14	"SCREW,TAPPING 5X14"	4	



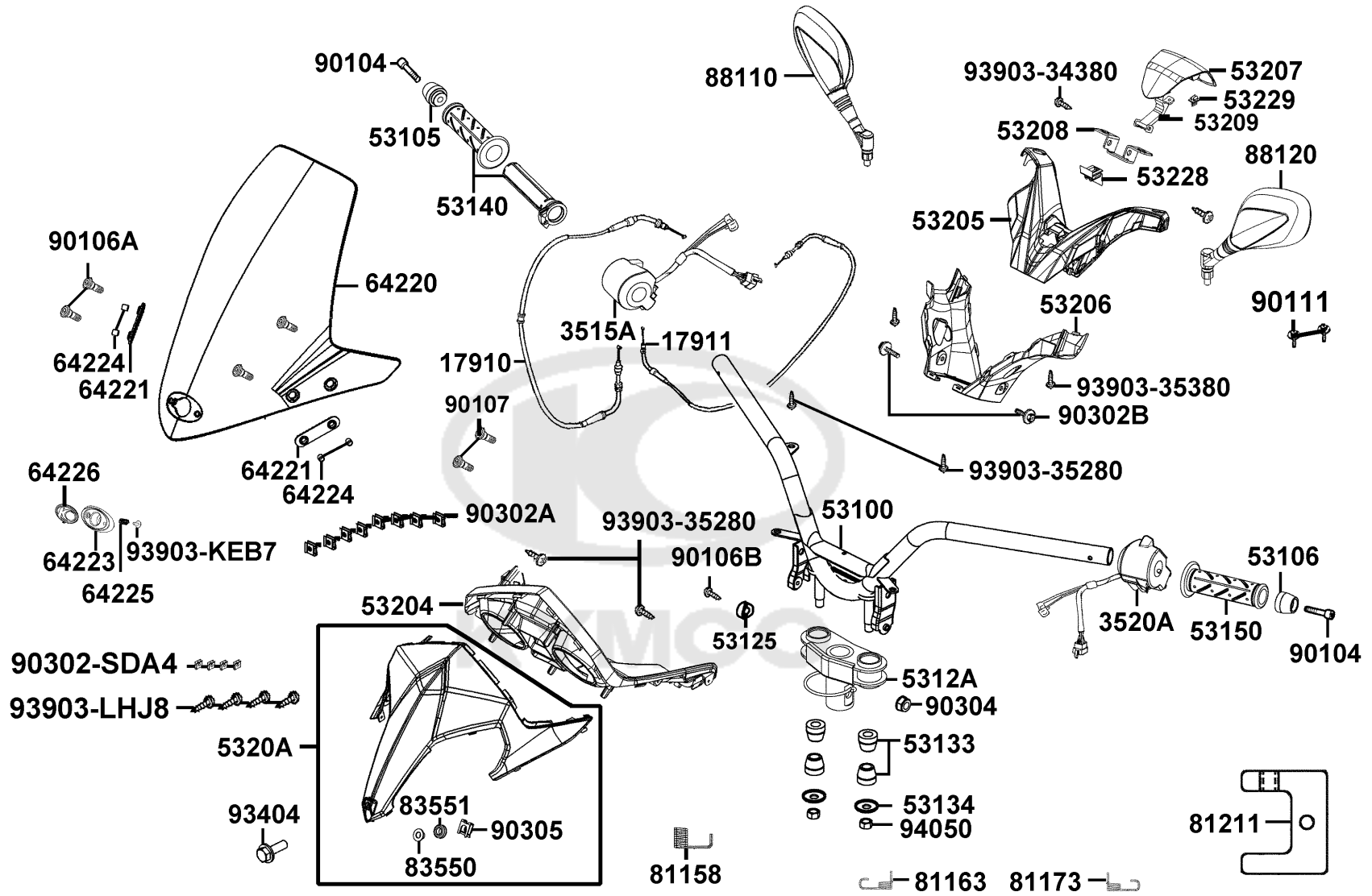


Sales mark	Ref no	Part no	Description	Reg description	Regd no	F02
	37200	37200-AGE8-E60	METER ASSY SPEED	METER ASSY SPEED	1	
	37211	37211-ABD2-C00	LENS ASSY	LEN ASSY	1	
	37236	37236-ABD2-E00	METER GASKET	METER GASKET	1	
	93903	93903-25480	SCREW TAPPING 5*20 (K)	SCREW TAPPING 5*20 (K)	5	
	93903-35380	93903-35380-G	SCREW TAPPING 5*16 (K)	SCREW TAPPING 5*16	5	



F03

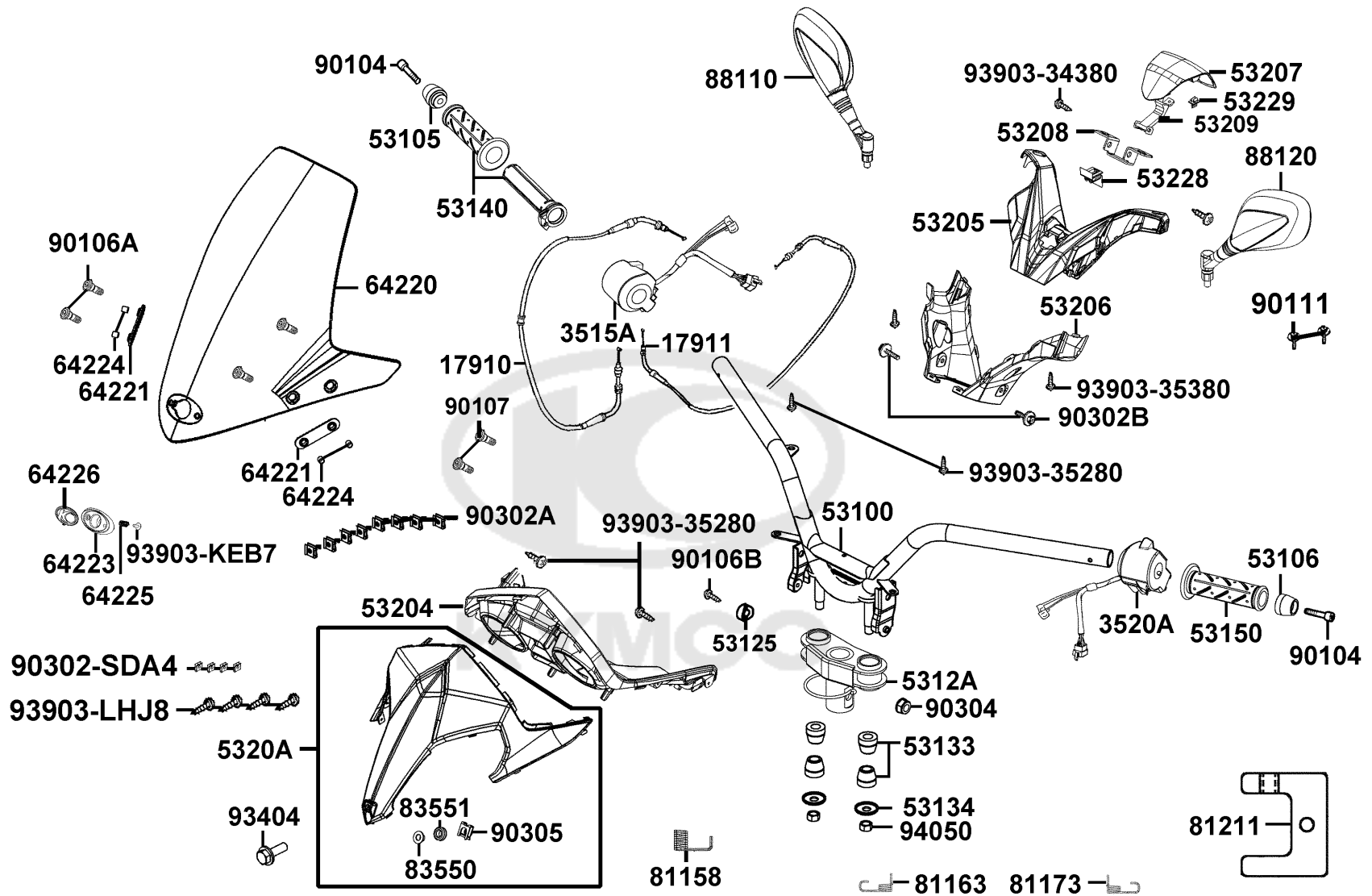
Handle Steering Handle Cover



Sales mark	Ref no	Part no	Description	Reg description	Regd no	F03
	17910	17910-AGE8-EZ5	CABLE COMP THROT	CABLE COMP THROT	1	
	17911	17911-AGE8-EZ5	CABLE COMP THROT	CABLE COMP THROT	1	
	3515A	3515A-ACJ1-E00	SW ASSY RH HNDL COMP	SW ASSY RH HANDLE COMP	1	
	3520A	3520A-ABD2-C00	SW ASSY LH HANDLE COMP	SW ASSY LH HANDLE COMP	1	
	53100	53100-AGD8-C00	HANDLE COMP STRG	HANDLE COMP STRG	1	
	53105	53105-LEA7-C00	END R.HANDLE	END R.HANDLE	1	
	53106	53106-LEA7-C00	"END L.HANDLE"	"END L.HANDLE"	1	
	53125	53125-LEA7-C00	BOLT FLANGE	BOLT FLANGE	1	
	5312A	5312A-AGD8-C00	HOLDER COMP HANDLE	HOLDER COMP HANDLE	1	
	53133	53133-3H98-C00	RUBBER HANDLE CUSHION	RUBBER HANDLE CUSHION	4	
	53134	53134-2C83-C01	HANDLE CUSHION WASHER	HANDLE CUSHION WASHER	2	
**	53140	53140-LHJ3-900	GRIP COMP THROT	GRIP R HANDLE	1	
**	53150	53150-LEA6-900	GRIP COMP L HANDLE	GRIP L HANDLE	1	
**	53204	53204-AGE7-C00	COVER METER	COVER METER	1	
**	53205	53205-AGE7-C00	COVER HANDLE FR	COVER HANDLE FR	1	
**	53206	53206-ABD2-C00	COVER HANDLE RR	COVER HANDLE RR	1	
**	53207	53207-AGE7-C00	COVER HANDLE FR LOW	COVER HANDLE FR LOW	1	
	53208	53208-AGE7-C01	STAY USB	STAY USB	1	
	53209	53209-AGE7-C01	HINGE HANDLE TOP	HINGE HANDLE TOP	1	
**	5320A	5320A-AGE7-C00	"COVER ,METER FR"	"COVER ,METER FR"	1	

F03

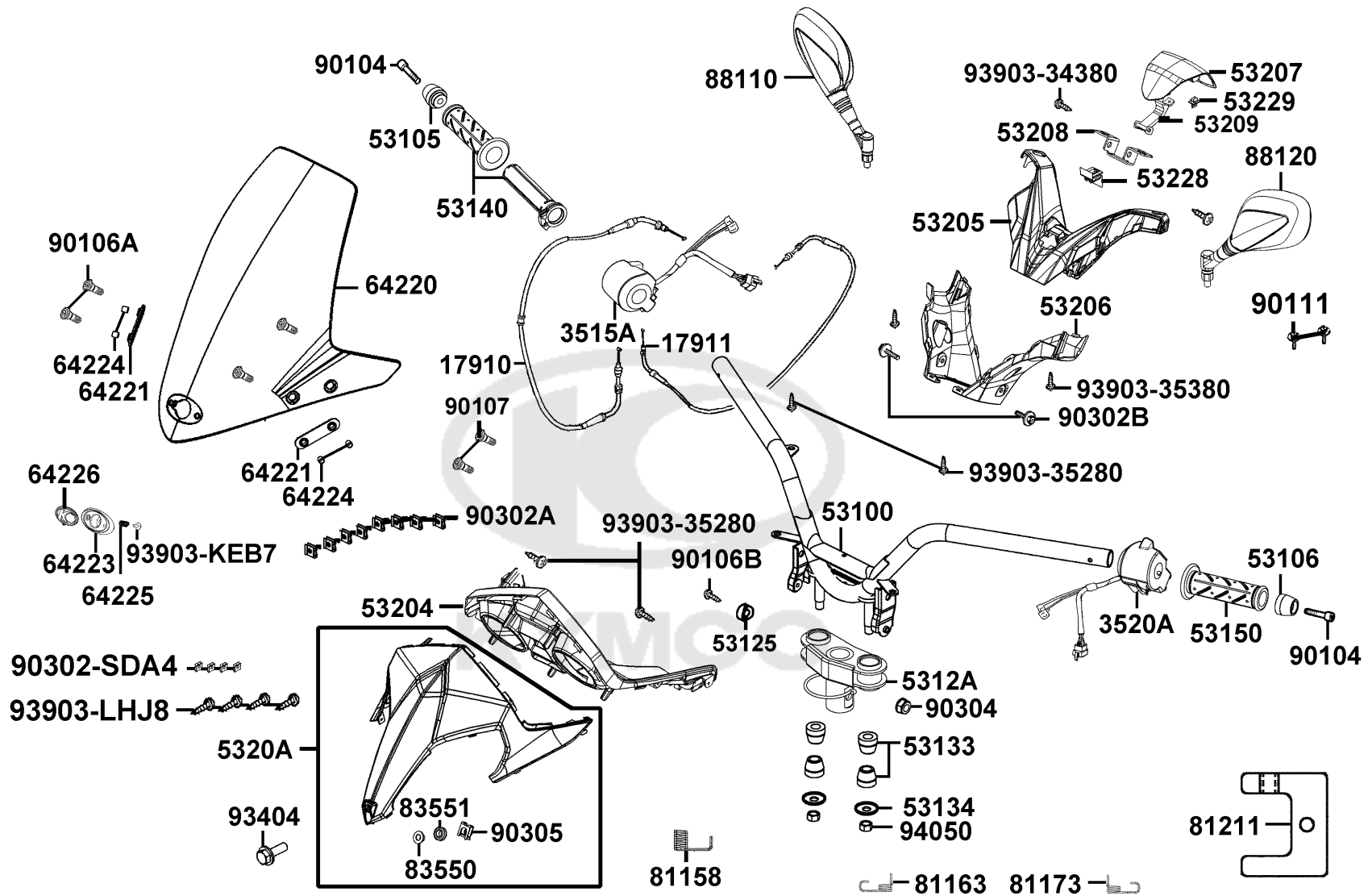
Handle Steering Handle Cover



Sales mark	Ref no	Part no	Description	Reg description	Regd no	F03
	53228	53228-AGE7-C00	PLASTIC CLIPS	PLASTIC CLIPS	1	
	53229	53229-AGE7-C00	CARD SLOT	CARD SLOT	1	
	64220	64220-AGE8-E00	WIND SCREEN	WIND SCREEN	1	
	64221	64221-AGE7-C00	RUBBER R/L WIND SCREEN	RUBBER R/L WIND SCREEN	2	
**	64223	64223-LEA7-C00	"PLUG. WIND SCREEN"	"PLUG. WIND SCREEN"	1	
	64224	64224-AGE7-C00	COLLAR WIND SCREEN	COLLAR WIND SCREEN	4	
	64225	64225-LEA7-E00	SPRING COSMETIC K-LOGO	SPRING COSMETIC K-LOGO	1	
	64226	64226-LEA7-E00	COSMETIC K-LOGO	COSMETIC K-LOGO	1	
	81158	81158-AGE7-C00	SPRING COVER	SPRING COVER	1	
	81163	81163-AGE7-C00	SPRING COVER LEG SHIELD	SPRING COVER LEG SHIELD	1	
	81173	81173-AGE7-C00	SPRING COVER LEG SHIELD	SPRING COVER LEG SHIELD	1	
	81211	81211-AGE7-C00	STAY R/L LID INNER BOX	STAY R/L LID INNER BOX	1	
	83550	83550-ABD2-C00	COLLAR	COLLAR	1	
	83551	83551-KEC8-C10	GROMMET COVER	GROMMET COVER	2	
**	88110	88110-ACJ1-E00	MIRROR ASSY R BACK	MIRROR ASSY R BACK	1	
**	88120	88120-ACJ1-E00	MIRROR ASSY L BACK	MIRROR ASSY L BACK	1	
	90104	90104-LEA7-C01	"BOLT WASH.,M8*60"	"BOLT WASH.,M8*60"	2	
	90106A	90106-KFC2-900	BOLT SPECIAL 8MM	BOLT SPECIAL 8MM	4	
	90106B	90106-PUA3-B50	BOLT FLANGE 10*50	BOLT FLANGE 10*50	1	
	90107	90107-LEA7-C01	BOLT SPECIAL 8*26	BOLT SPECIAL 8*26	1	

F03

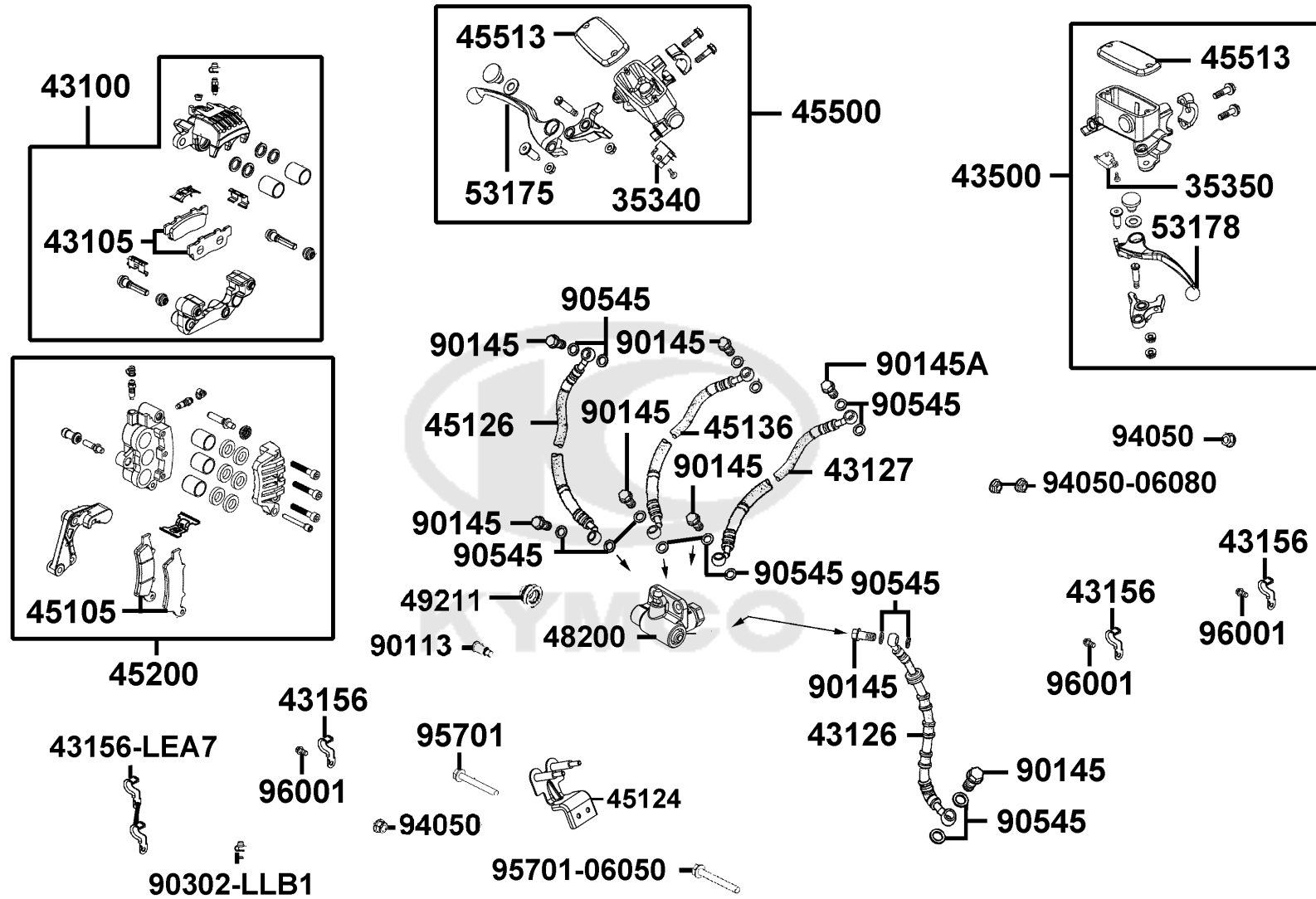
Handle Steering Handle Cover



Sales mark	Ref no	Part no	Description	Reg description	Regd no	F03
90111		90111-06016-07G	BOLT FLANGE 6*16 (K)	BOLT FLANGE 6*16 (K)	2	
90302A		90302-LKB9-C00	NUT SPRING 5MM	NUT SPRING 5MM	8	
90302B		90302-PUA3-B51	BOLT-WASH 5*12	BOLT-WASH 5*12	2	
90302-SDA4		90302-SDA4-C01	"NUT,SPPING 4MM"	"NUT,SPPING 4MM"	4	
90304		90304-GHE8-C01	NUT U 10MM (C)	NUT U 10MM(C)	1	
90305		90305-LBA2-C00	"NUT.CLIP 6MM"	"NUT.CLIP 6MM"	1	
93404		93404-06025-07G	BOLT WASHER 6*25 (G)	BOLT WASHER 6*25 (G)	1	
93903-34380		93903-34380-G	SCREW TAPPING 4x12	SCREW TAPPING 4x12	2	
93903-35280		93903-35280-G	SCREW TAPPING 5*12 (K)	SCREW TAPPING 5*12 (KG)	2	
93903-35380		93903-35380-G	SCREW TAPPING 5*16 (K)	SCREW TAPPING 5*16	2	
93903-KEB7		93903-KEB7-C01	SCREW WASHER 4MM	SCREW WASHER 4MM	1	
93903-LHJ8		93903-LHJ8-C01	SCREW,TAPPING 5X14	"SCREW,TAPPING 5X14"	4	
94050		94050-ALD7-C11	NUT FLANGE 10MM	NUT HEX CAP 6MM	2	

F04

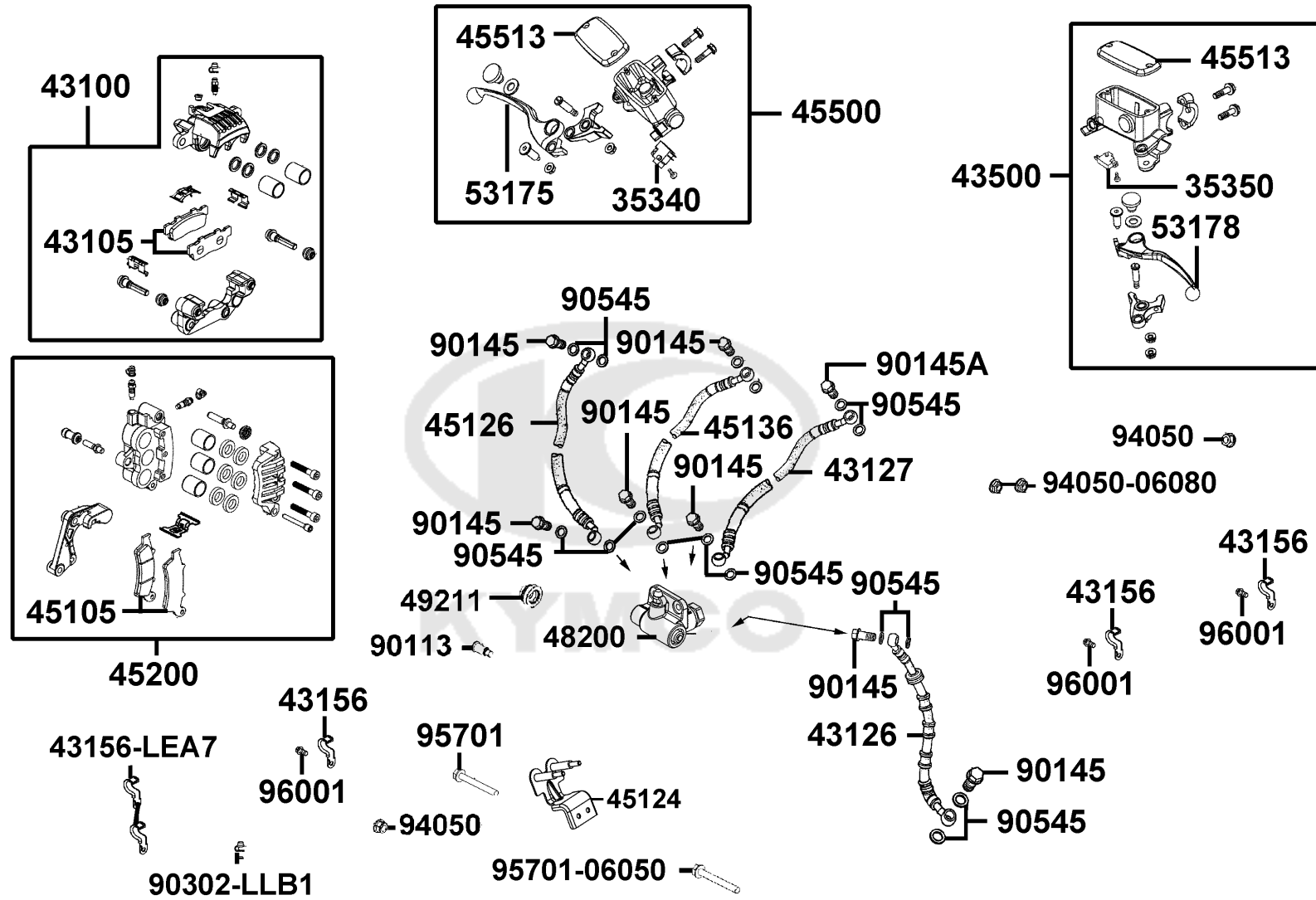
Brake Master Cylinder



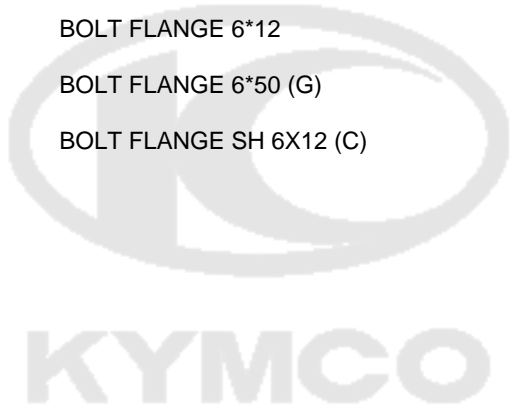
Sales mark	Ref no	Part no	Description	Reg description	Regd no	F04
	35340	35340-KNBN-C00	SW ASSY FR STOP	SW ASSY FR STOP	1	
	35350	35350-KNBN-C00	SW ASSY RR STOP	SW ASSY RR STOP	1	
**	43100	43100-AAG3-E00	CALIPER ASSY RR	CALIPER ASSY RR	1	
	43105	43105-LGE5-406	PAD SET	PAD SET	1	
	43126	43126-AGE8-E60	HOSE ASSY RR BRK	HOSE ASSY RR BRK	1	
	43127	43127-AGD8-C00	HOSE ASSY M/C RR BRK	HOSE ASSY M/C RR BRK	1	
	43156-LEA7	43156-LEA7-E00	CLAMPER HOSE RR	CLAMPER HOSE RR	2	
	43156	43156-LFC3-E10	CLAMPER HOSE RR	CLAMPER HOSE RR	2	
	43500	43500-ACJ1-E00	M/C ASY FR BRK	"M/C ASSY, RR"	1	
	45105	45105-LGE5-305	PAD SET	PAD ASSY	1	
	45124	45124-AGD8-C00	STAY CBS	STAY CBS	1	
	45126	45126-AGD8-C00	HOSE ASSY FR BRK	HOSE ASSY FR BRK	1	
	45136	45136-AGD8-C00	HOSE ASSY FR BRK	HOSE ASSY FR BRK	1	
	45200	45200-ACJ1-E00	CALIPER ASSY FR BRK	"CALIPER ASSY, FR"	1	
	45500	45500-ACJ1-E00	CYLINDER ASSY FR	CYLINDER ASSY FR	1	
	45513	45513-LEA7-C00	CAP M/C	CAP M/C	1	
	48200	48200-LBA2-E02	LIMIT VALVE ASSY UBS	LIMIT VALVE ASSY UBS	1	
	49211	49211-LFH1-C00	RUBBER RUSH	RUBBER RUSH	2	
**	53175	53175-LKF5-C00	LEVER R STRG HANDLE	LEVER R STRG HANDLE	1	
**	53178	53178-LKF5-C00	LEVER L STRG HANDLE	LEVER L STRG HANDLE	1	

F04

Brake Master Cylinder

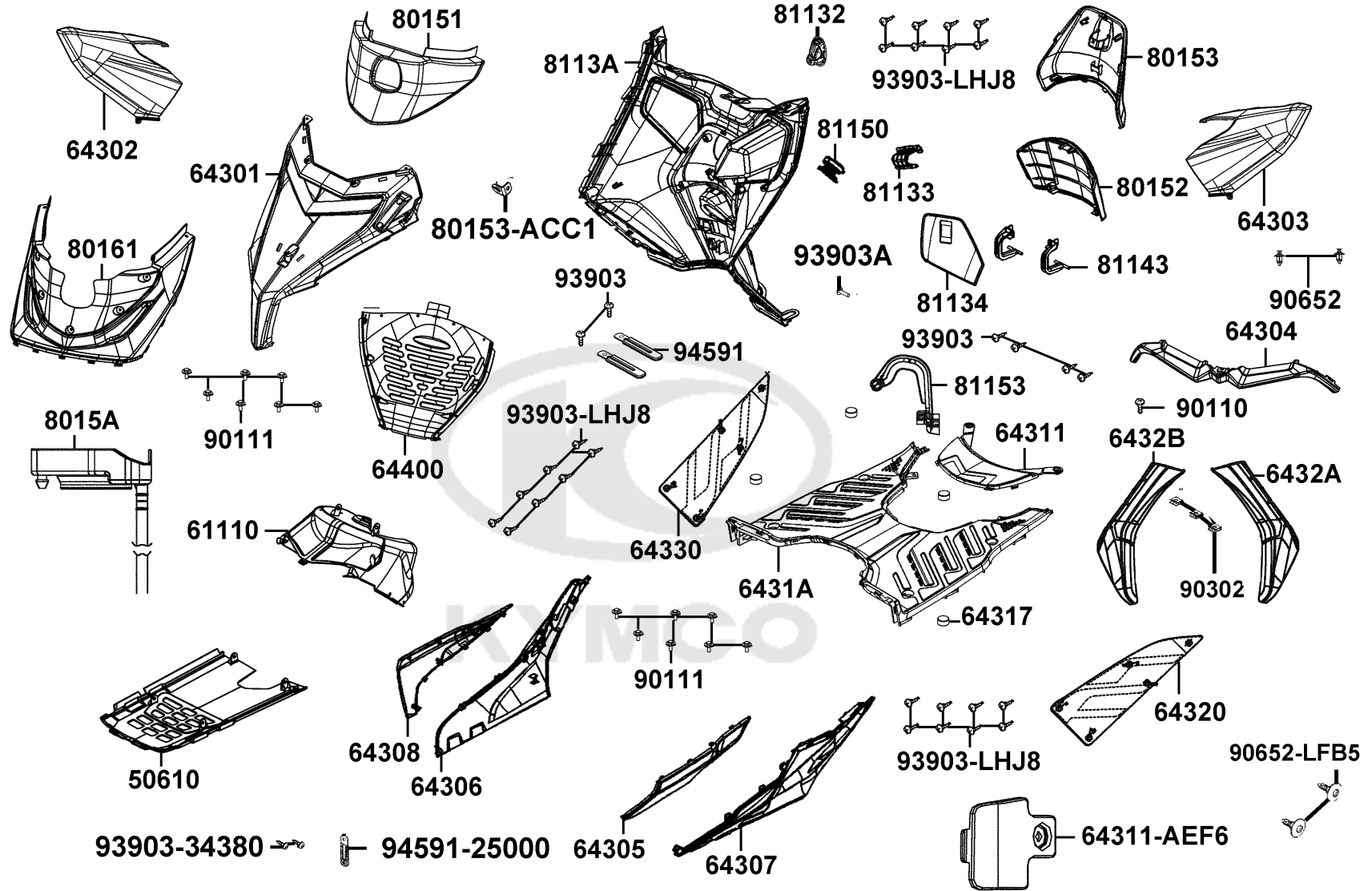


Sales mark	Ref no	Part no	Description	Reg description	Regd no	F04
90113		90113-LGE5-C01	BOLT FLANGE 6X20	BOLT FLANGE 6X20	2	
90145A		90145-LBA2-E00	OIL BOLT 10*33	OIL BOLT 10*33	1	
90145		90145-MKS9-C00	OIL BOLT 10*22(G)	OIL BOLT 10*22(G)	6	
90302-LLB1		90302-LLB1-C01	BOLT-WASH 5*12	"BOLT-WASHER,5*12"	4	
90545		90545-3L00-C00	WASHER OIL BOLT	WASHER OIL BOLT	15	
94050		94050-06070-G	NUT FLANGE 6MM (KG)	NUT FLANGE 6MM (G)	3	
94050-06080		94050-06080-G	NUT FLANGE 6MM	NUT FLANGE 6MM	2	
95701		95701-06012-08G	BOLT FLANGE 6*12	BOLT FLANGE 6*12	2	
95701-06050		95701-06050-07G	BOLT FLANGE 6*50 (G)	BOLT FLANGE 6*50 (G)	1	
96001		96001-06012-08G	BOLT FLANGE SH 6X12 (C)	BOLT FLANGE SH 6X12 (C)	7	



F05

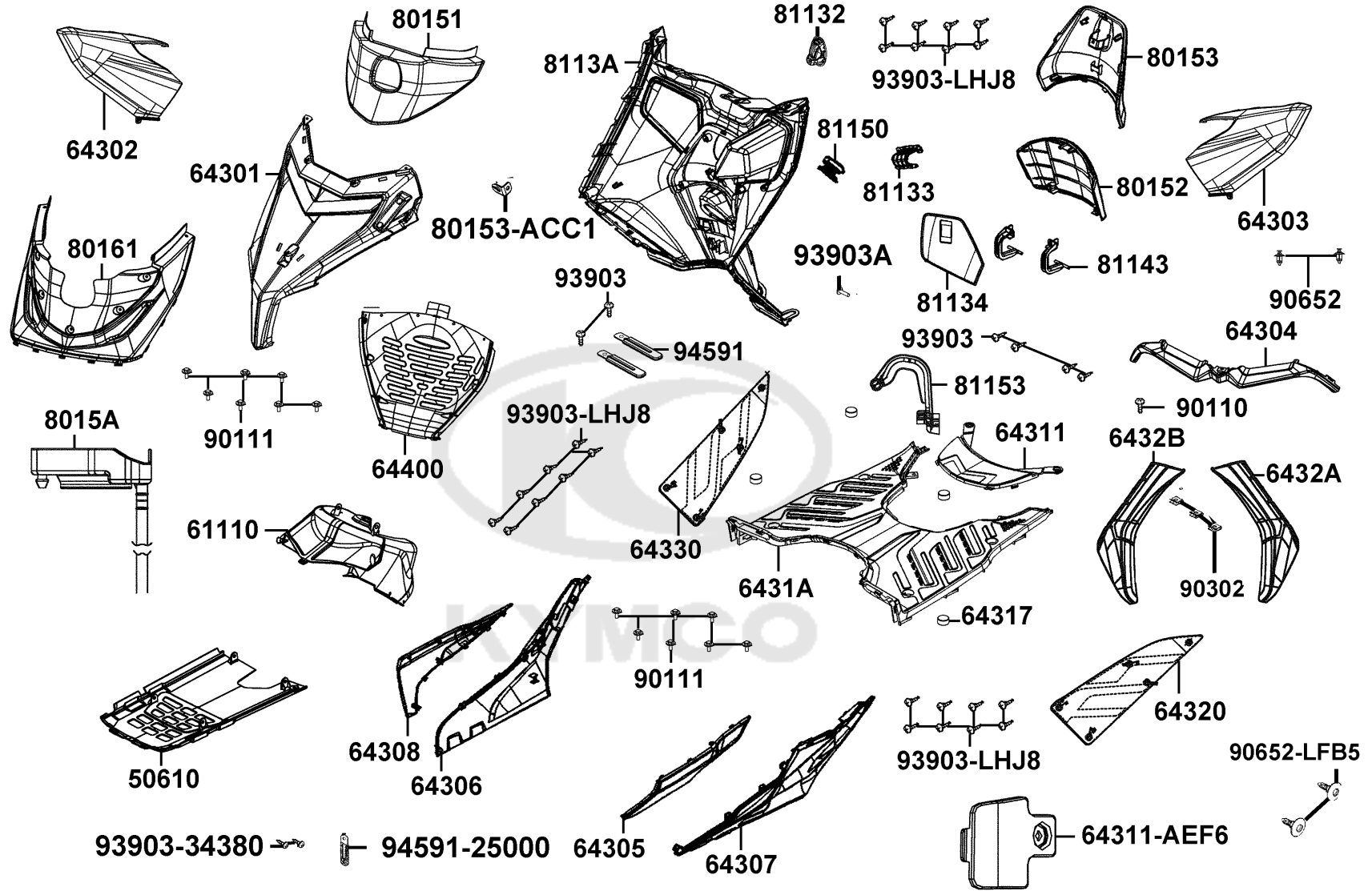
Front Cover Front Fender



Sales mark	Ref no	Part no	Description	Reg description	Regd no	F05
**	50610	50610-AGE7-C00	COVER UNDER	COVER UNDER	1	
**	61110	61110-AGE7-C00	FENDER FR INNER	FENDER FR INNER	1	
**	64301	64301-AGE7-C00	COVER FR	COVER FR	1	
**	64302	64302-AGE7-C00	MOLE R SIDEP	MOLE R SIDEP	1	
**	64303	64303-AGE7-C00	MOLE L SIDEP	MOLE L SIDEP	1	
**	64304	64304-AGE7-C00	COVER FR LIGHT	COVER FR LIGHT	1	
**	64305	64305-AGE7-C00	SKIRT R SIDE	SKIRT R SIDE	1	
**	64306	64306-AGE8-E00	SKIRT L SIDE	SKIRT L SIDE	1	
**	64307	64307-AGE7-C01	COVER R SIDE MOLD	COVER R SIDE MOLD	1	
**	64308	64308-AGE7-C01	COVER L SIDE MOLD	COVER L SIDE MOLD	1	
**	64311-AEF6	64311-AEF6-C00	LID COOLING TANK MAINT	LID COOLING TANK MAINT	1	
**	64311	64311-AGE7-C00	COVER PUMP	COVER PUMP	1	
**	64317	64317-AGE7-C00	PLUG FLOOR A	PLUG FLOOR A	4	
**	6431A	6431A-AGE7-C00	FLOOR PANEL	FLOOR PANEL	1	
**	64320	64320-AGE7-C00	MAT R FLOOR	MAT R FLOOR	1	
**	6432A	6432A-AGE7-C01	MOLDING R FR.	MOLDING R FR.	1	
**	6432B	6432B-AGE7-C01	MOLDING L FR.	MOLDING L FR.	1	
**	64330	64330-AGE7-C00	MAT L FLOOR	MAT L FLOOR	1	
**	64400	64400-AGE7-C00	COWL UNDEROR	COWL UNDEROR	1	
**	80151	80151-AGD8-C00	COVER CENTER	COVER CENTER	1	

F05

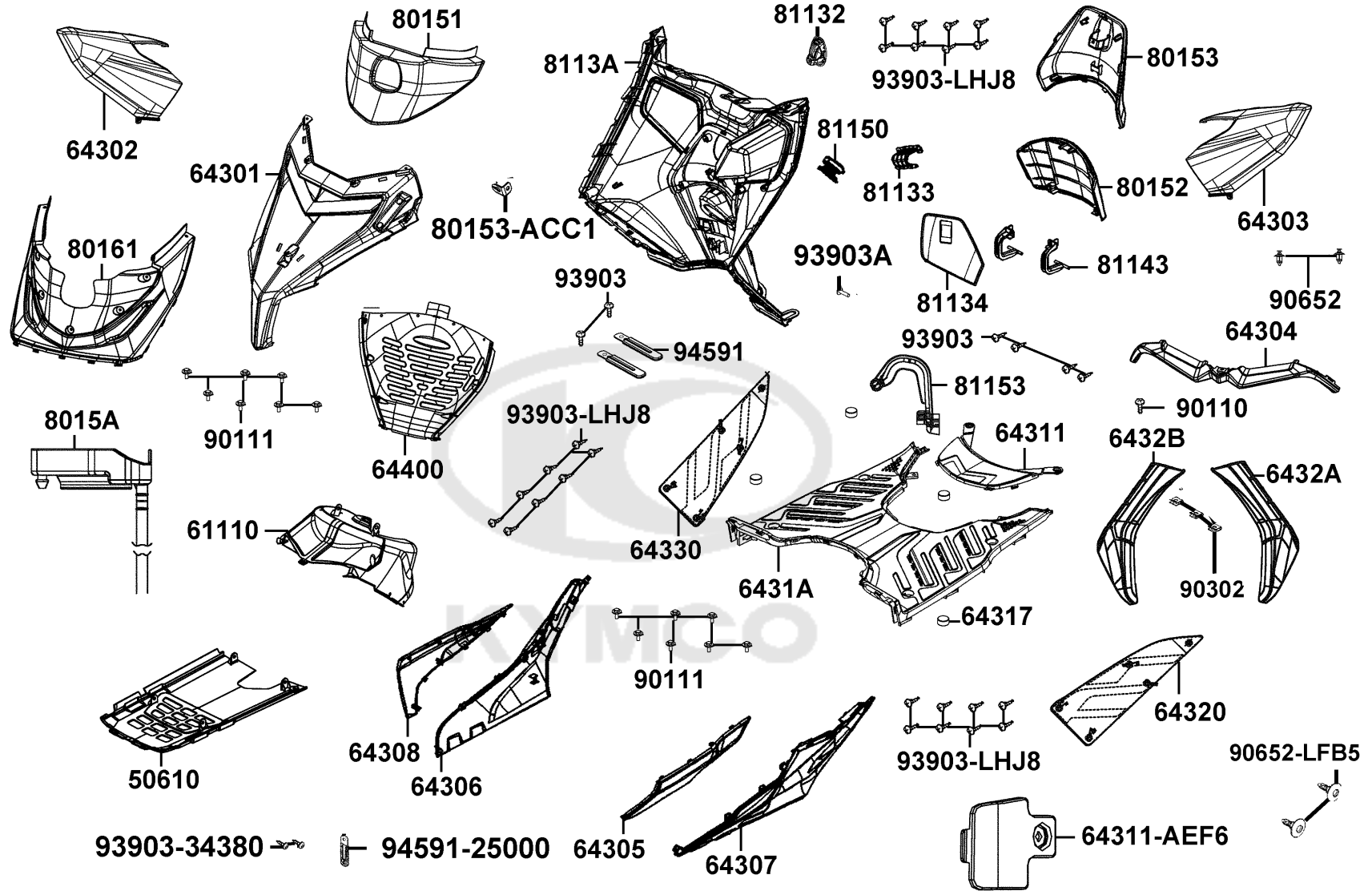
Front Cover Front Fender



Sales mark	Ref no	Part no	Description	Reg description	Regd no	F05
**	80152	80152-AGE7-900	LID FUEL CAP MAINT.	LID FUEL CAP MAINT.	1	
	80153-ACC1	80153-ACC1-E10	"STAY , FUEL COVER"	"STAY , FUEL COVER"	1	
**	80153	80153-AGE7-C00	COVER CENTER	COVER CENTER	1	
	8015A	8015A-AGE7-C00	TRAY ASSY. FUEL CAP	TRAY ASSY. FUEL CAP	1	
**	80161	80161-AGE7-900	COVER CENTER LOW	COVER CENTER LOW	1	
	81132	81132-ACC1-E10	HOOK LUGAGGE	HOOK LUGAGGE	1	
**	81133	81133-AGE7-900	HINGE R COVER LEG SHIE	HINGE R COVER LEG SHIE	1	
**	81134	81134-AGE7-C00	BOX ASSY. L FRONT	BOX ASSY. L FRONT	1	
**	8113A	8113A-AGE7-C00	LEG SHIELD	LEG SHIELD	1	
# **	81143	81143-AGE7-900	HINGE L COVER LEGSHIE	HINGE L COVER LEGSHIE	1	
**	81150	81150-AGE7-C00	COVER SW COMP	COVER SW COMP	1	
**	81153	81153-AGE7-C00	COVER INNER BOX	COVER INNER BOX	1	
	90110	90110-KEB7-C01	SCREW SPECIAL 6*14	SCREW FLAT U LOCK	1	
	90111	90111-06016-07G	BOLT FLANGE 6*16 (K)	BOLT FLANGE 6*16 (K)	14	
	90302	90302-LKB9-C00	NUT SPRING 5MM	NUT SPRING 5MM	42	
	90652	90652-LCA4-C10	CLIP MUDGUARD	CLIP MUDGUARD	4	
	90652-LFB5	90652-LFB5-C00	"CLIP,MUDGUARD"	"CLIP,MUDGUARD"	23	
	93903-34380	93903-34380-G	SCREW TAPPING 4x12	SCREW TAPPING 4x12	2	
	93903	93903-35280-G	SCREW TAPPING 5*12 (K)	SCREW TAPPING 5*12 (KG)	32	
	93903A	93903-45280-G	SCREW TAPPING 5*12 (K)	SCREW TAPPING 5*12 (K)	4	

F05

Front Cover Front Fender



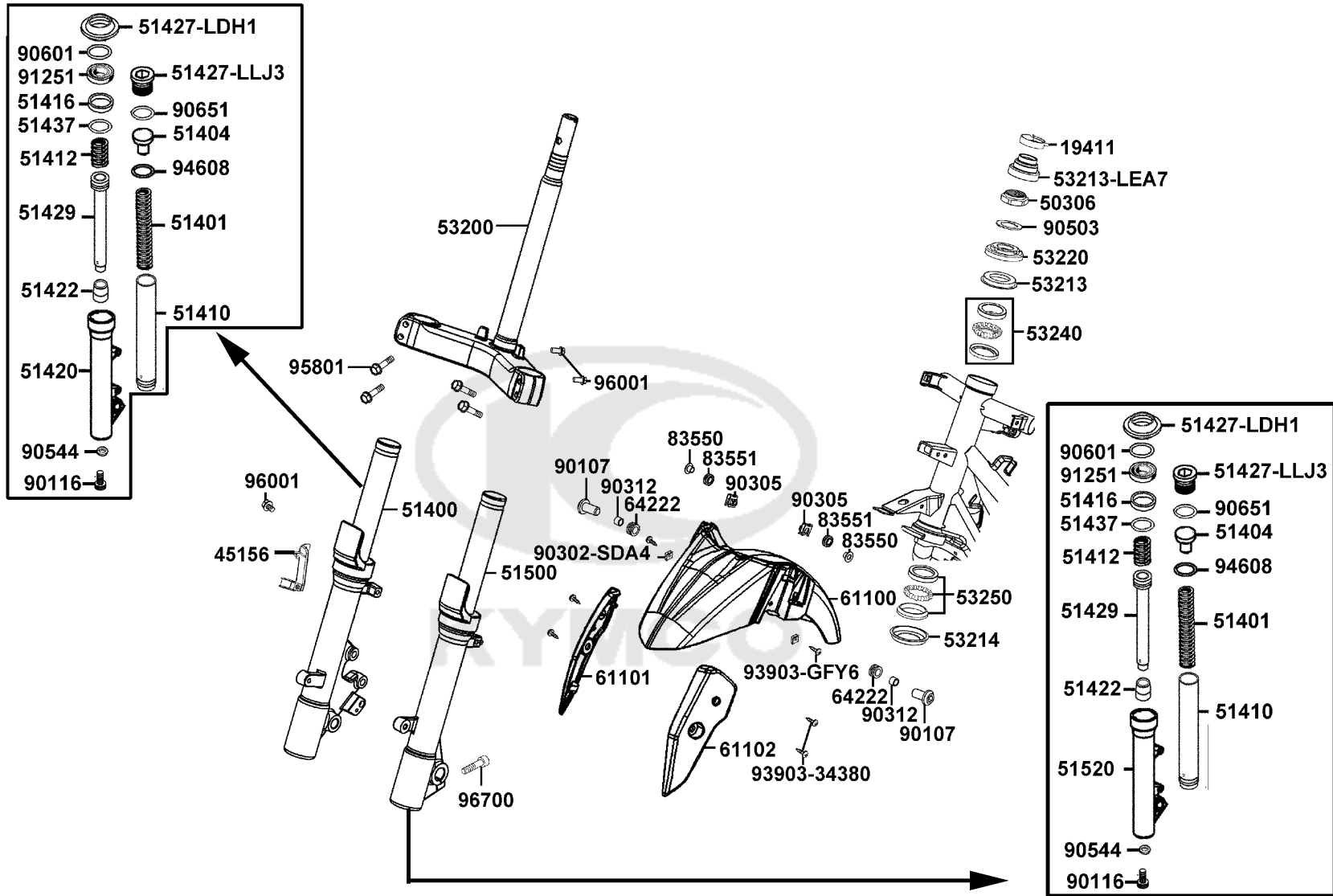
Sales mark	Ref no	Part no	Description	Reg description	Regd no	F05
------------	--------	---------	-------------	-----------------	---------	------------

93903-LHJ8		93903-LHJ8-C01	SCREW,TAPPING 5X14	"SCREW,TAPPING 5X14"	38	
94591-25000		94591-25000	CLIP BIND	CLIP BIND	1	
94591		94591-LGR5-E10	CLIP 1*100	CLIP 1*100	2	



F06

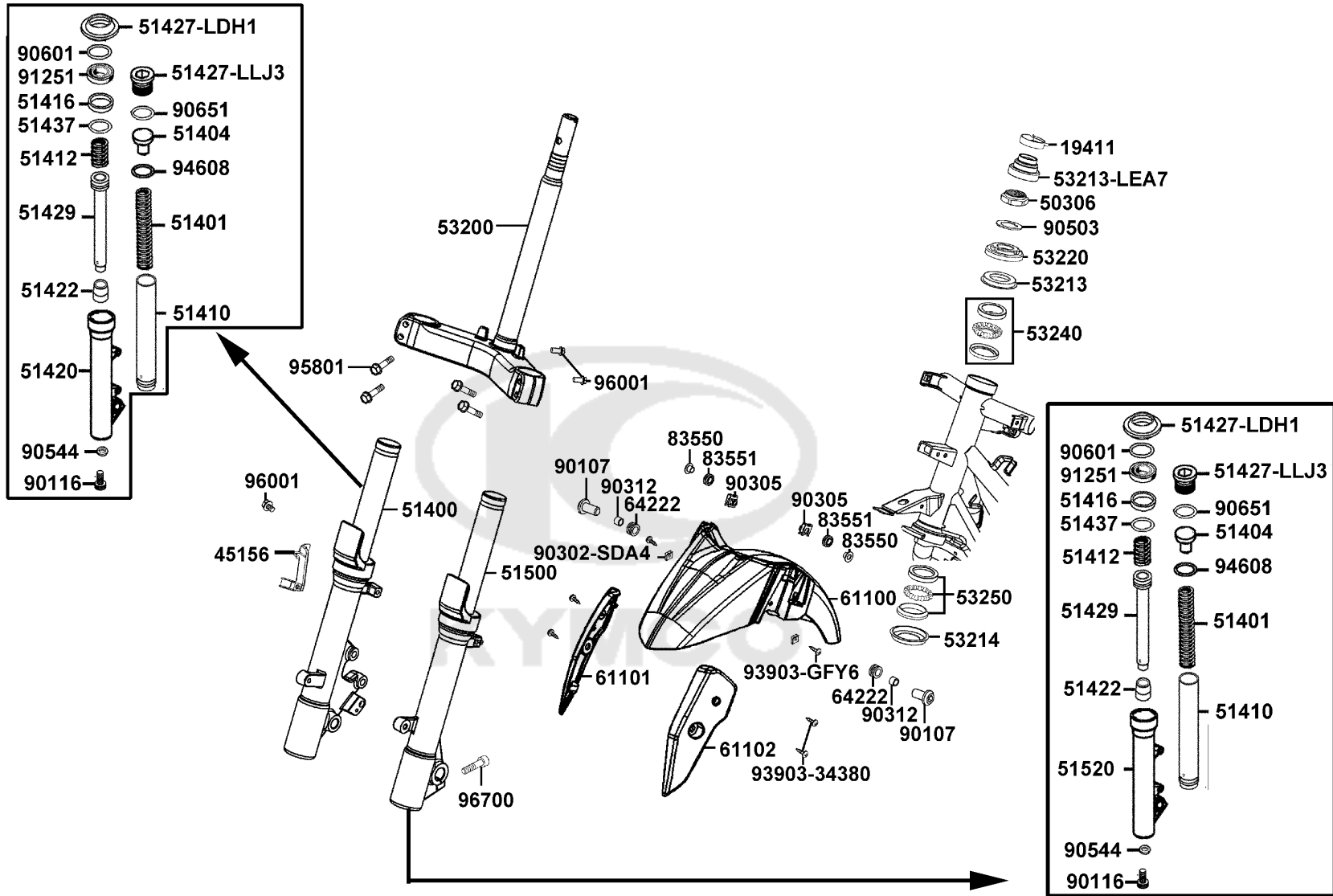
Stem Steering Front Cushion



Sales mark	Ref no	Part no	Description	Reg description	Regd no	F06
	19411	19411-LFG2-C00	"CLIP. HOSE"	"CLIP. HOSE"	1	
	45156	45156-AGD8-C00	CLAMPER FR BRAKE HOSE	CLAMPER FR BRAKE HOSE	1	
	50306	50306-1F96-C00	NUT STRG STEM LOCK	NUT STRG STEM LOCK	1	
**	51400	51400-AGE8-E60	FORK ASSY FRONT R	FORK ASSY FRONT R	1	
	51401	51401-ABD2-C00	SPRING	SPRING	2	
	51404	51404-LDH1-C00	SPRING COLLAR	SPRING COLLAR	2	
	51410	51410-AGE7-C00	FORK PIPE COMP	FORK PIPE COMP	2	
	51412	51412-LLJ3-C00	REBOUND SPRING	REBOUND SPRING	2	
	51416	51416-LDH1-C00	GUIDE BUSH	GUIDE BUSH	2	
**	51420	51420-ABD2-C01	BOTTOM CASE R	BOTTOM CASE R	1	
	51422	51422-KED9-C00	OIL LOCK PIECE	OIL LOCK PIECE	2	
	51427-LDH1	51427-LDH1-C00	DUST SEAL	DUST SEAL	2	
	51427-LLJ3	51427-LLJ3-C00	FORK BOLT CAP	FORK BOLT CAP	2	
	51429	51429-LEA7-E00	PIPE SEAT COMP	PIPE SEAT COMP	2	
	51437	51437-LDH1-C00	PISTON RING	PISTON RING	2	
**	51500	51500-AGE8-E60	FORK ASSY FRONT L	FORK ASSY FRONT L	1	
**	51520	51520-ABD2-C01	BOTTOM CASE L	BOTTOM CASE L	1	
	53200	53200-AGE7-C00	STEM COMP STRG	STEM COMP STRG	1	
	53213	53213-LBA2-C00	DUST SEAL STRG HEAD TOP	DUST SEAL STRG HEAD TOP	1	
	53213-LEA7	53213-LEA7-C00	"DUST SEAL. STRG"	"DUST SEAL. STRG"	1	

F06

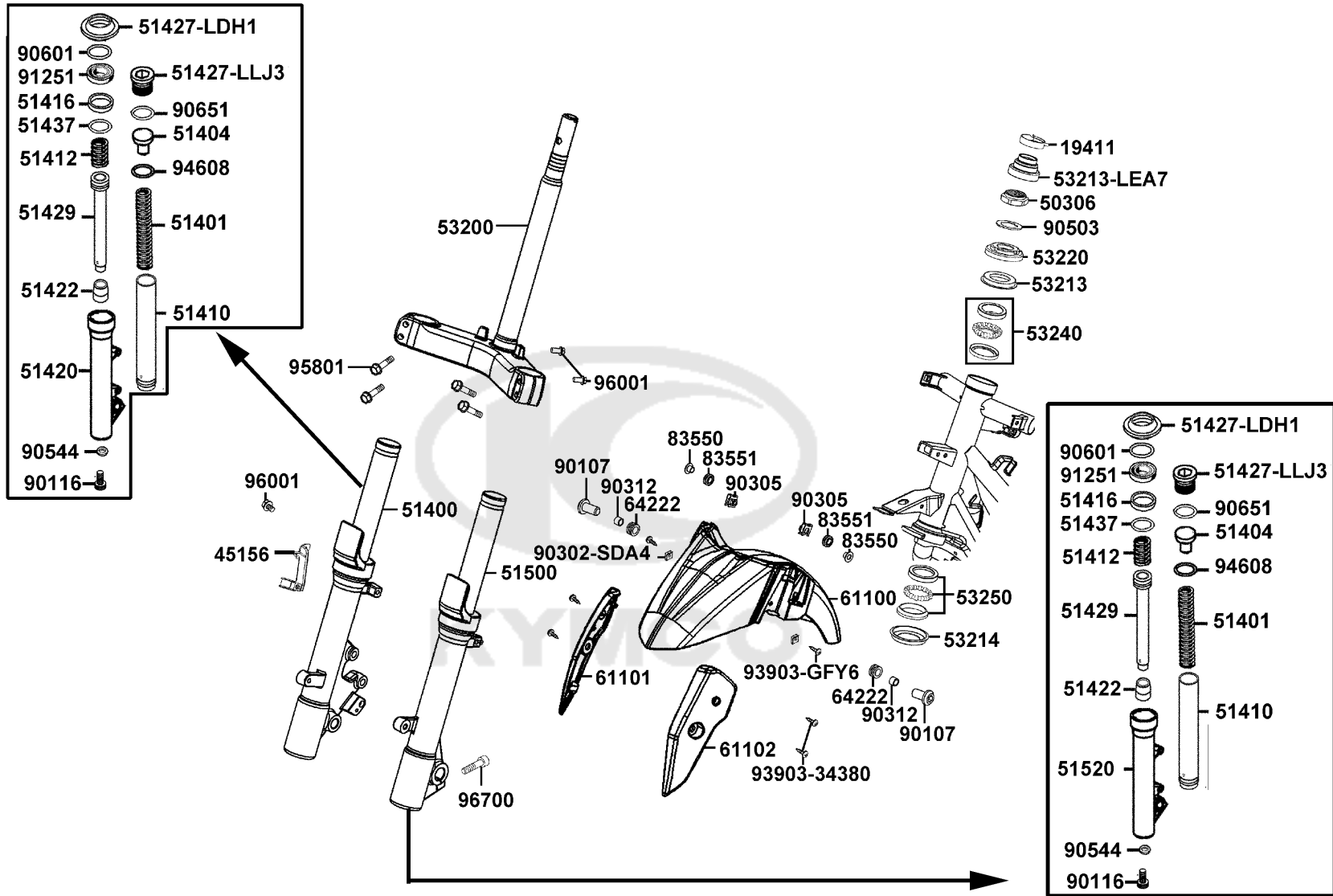
Stem Steering Front Cushion




Sales mark	Ref no	Part no	Description	Reg description	Regd no	F06
	53214	53214-LBA2-C00	DUST SEAL STRG HEAD BOT	DUST SEAL STRG HEAD BOT	1	
	53220	53220-LBA2-E00	THREAD COMP STRG HEAD TOP	THREAD COMP STRG HEAD TOP	1	
	53240	53240-LEA7-90A	BEARING TOP STRG (mark:TP1)	BEARING TOP STRG	1	
	53250	53250-LEA7-90A	BEARING BOT STRG (mark:TP1)	BEARING BOT STRG	1	
**	61100	61100-AGE7-C00	"ARM COMP,SWING"	"ARM COMP,SWING"	1	
**	61101	61101-AGE7-C00	FENDER, SIDE R	FENDER, SIDE R	1	
**	61102	61102-AGE7-C00	FENDER, SIDE L	FENDER, SIDE L	1	
	64222	64222-LLJ3-C00	RUBBER WIND SCREEN	RUBBER WIND SCREEN	2	
	83550	83550-KEC8-C00	COLLAR SET METER	COLLAR	4	
	83551	83551-KEC8-C10	GROMMET COVER	GROMMET COVER	4	
	90107	90107-LEA7-C01	BOLT SPECIAL 8*26	BOLT SPECIAL 8*26	2	
	90116	90116-KEC8-C00	SOCKET BOIT	SOCKET BOIT	2	
	90302-SDA4	90302-SDA4-C01	"NUT,SPPING 4MM"	"NUT,SPPING 4MM"	2	
	90305	90305-LBA2-C00	"NUT.CLIP 6MM"	"NUT.CLIP 6MM"	2	
	90312	90312-LLJ3-C00	COLLAR WIND SCREEN	COLLAR WIND SCREEN	2	
	90503	90503-LEA7-C00	WASHER STRG STEM NUT	WASHER STRG STEM NUT	1	
	90544	90544-KEC8-C00	PACKING	PACKING	2	
	90601	90601-LLJ3-C00	OIL SEAL STOPPER RING	RING OIL-SEAL STOPPER	2	
	90651	90651-LLJ3-C00	STOPPER RING	STOPPER RING	2	
	91251	91251-LLJ3-C00	OIL SEAL	OIL SEAL	2	

F06

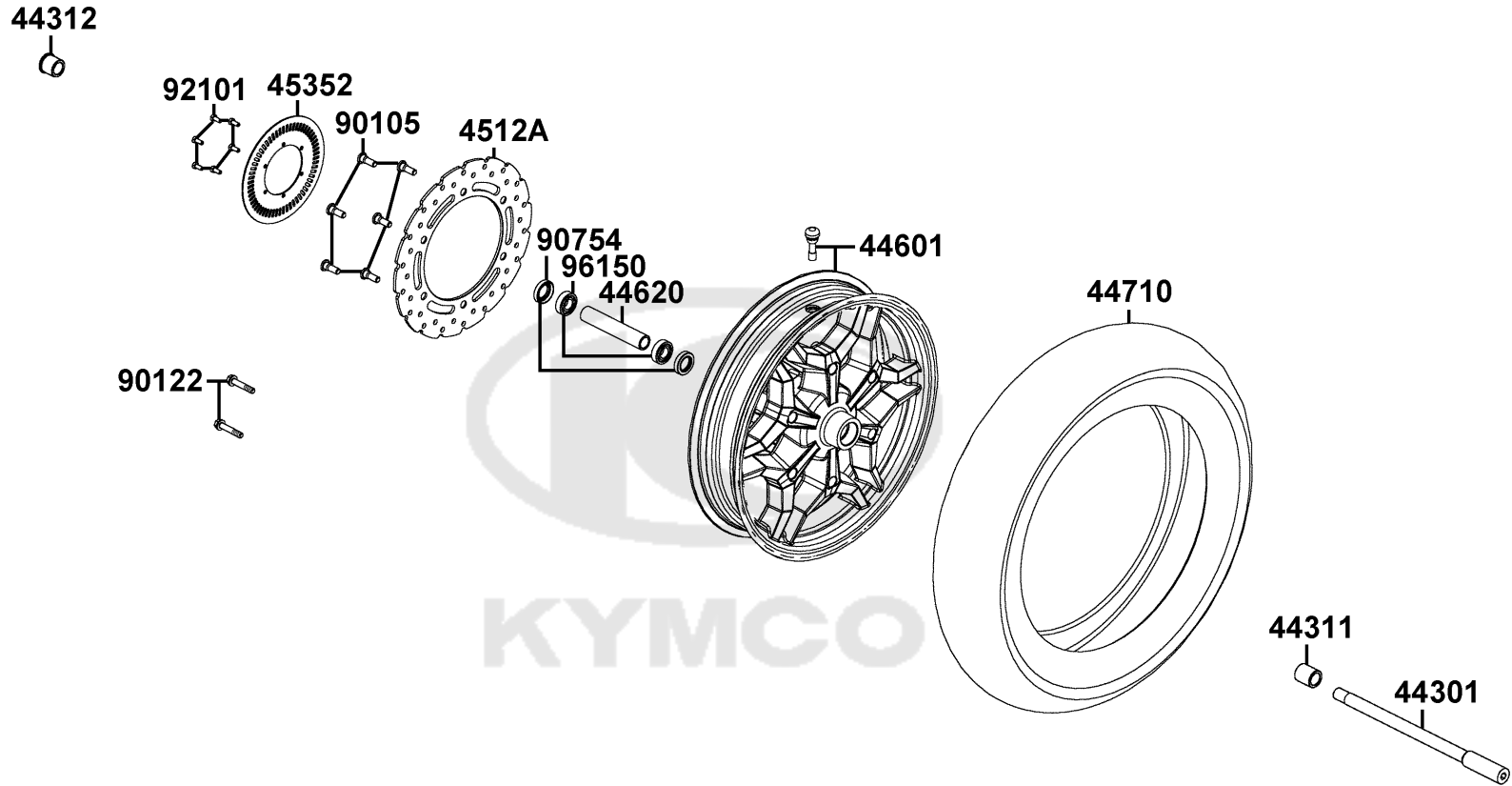
Stem Steering Front Cushion



Sales mark	Ref no	Part no	Description	Reg description	Regd no	F06
	93903-34380	93903-34380-G	SCREW TAPPING 4x12	SCREW TAPPING 4x12	4	
	93903-GFY6	93903-GFY6-C01	SCREW TAPPING 4*14(K)	"SCREW,TAPPING4*14"	2	
	94608	94608-LLJ3-C00	O-RING	O-RING	2	
	95801	95801-08040-08G	BOLT FLANGE 8*40	BOLT FLANGE 8*40	4	
	96001	96001-06012-07G	BOLT FLANGE 6*12(G)	BOLT FLANGE SH 6*12 (KG)	3	
	96700	96700-KED9-C01	SOCKET BOLT 8*30 (G)	SOCKET BOLT 8*30 (G)	1	
						

F07

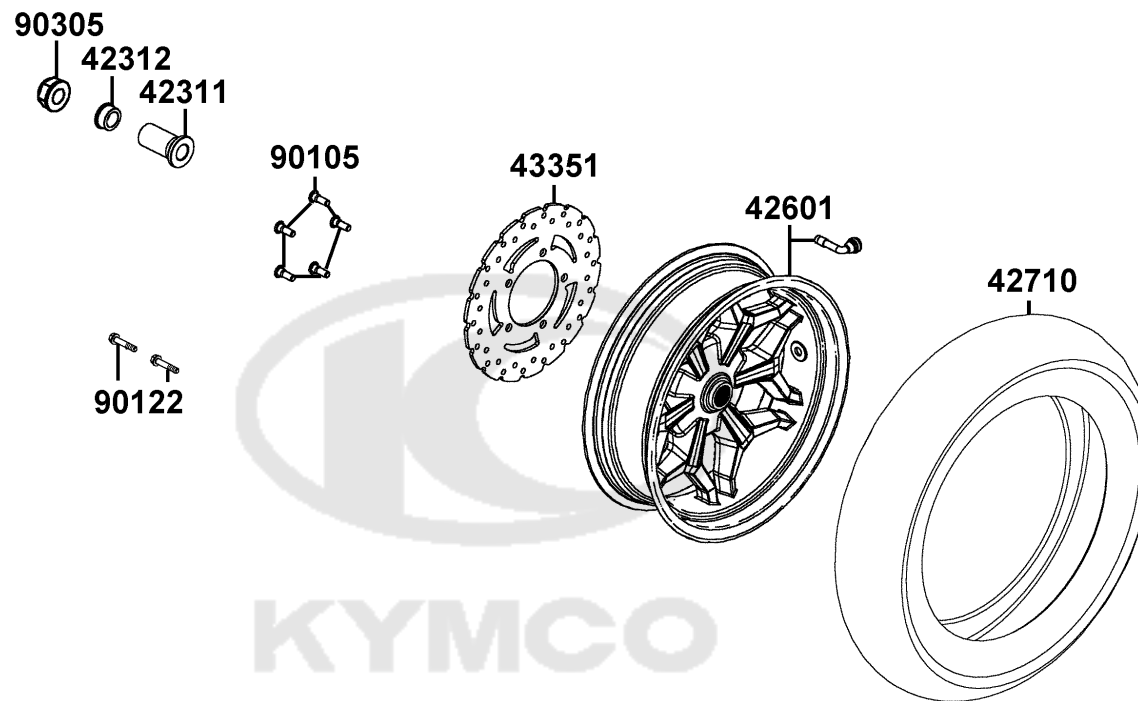
Front Wheel



Sales mark	Ref no	Part no	Description	Reg description	Regd no	F07
	44301	44301-LEA7-E00	AXLE FR WHEEL M14*282MM	AXLE FR WHEEL 14*282	1	
	44311	44311-AGD8-C00	SIDE COLLAR FR	SIDE COLLAR FR	1	
	44312	44312-AGD8-C00	CAP FR AXLE	CAP FR AXLE	1	
**	44601	44601-AGD8-C00	WHEEL FR CAST	WHEEL FR CAST	1	
	44620	44620-LEA7-C00	COLLAR FR DIST	COLLAR FR DIST	1	
	44710	44710-AGD8-C00	TIRE ASSY FR	TIRE ASSY FR	1	
	4512A	4512A-LEA7-C01	DISK FR BRK	DISK FR BRK	1	
	45352	45352-LEA7-E00	TOOTHED RING SENSOR	TOOTHED RING SENSOR	1	
	90105	90105-LEA7-C01	BOLT FR DISK 8*30	BOLT FR DISK 8*30	5	
	90122	90122-LEA7-C01	BOLT FLANGE 8*32	BOLT FLANGE 8*32	2	
	90754	90754-LLJ3-C00	DUST SEAL 22X32X7	DUST SEAL 22X32X7	2	
	92101	92101-05012-0HG	BOLT HEX 5*12	BOLT HEX 5*12	6	
	96150	96150-60020-10	BEARING BALL RADIAL 6002	BEARING BALL RADIAL 6002	2	

F08

Rear Wheel

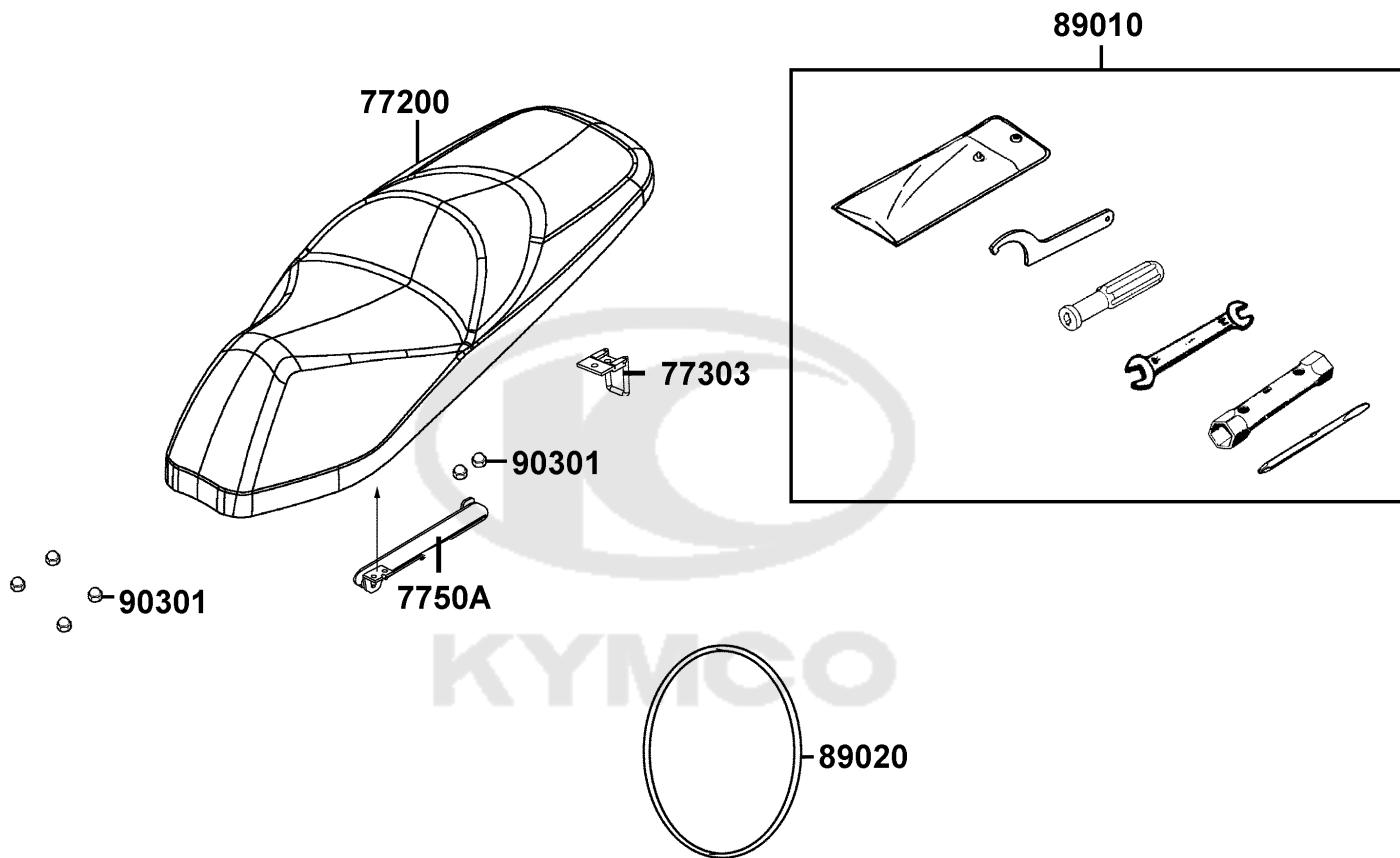


Sales mark	Ref no	Part no	Description	Reg description	Regd no	F08
	42311	42311-LEA7-C00	COLLAR RR PANDL SIDE	COLLAR RR PANDL SIDE	1	
	42312	42312-LEA7-C00	"COLLAR. RR AXLE SIDE"	"COLLAR. RR AXLE SIDE"	1	
**	42601	42601-ABD2-C00	WHEEL COMP RR CAST	WHEEL COMP RR CAST	1	
	42710	42710-ABD2-C00	"TIRE ASSY. RR"	"TIRE ASSY. RR"	1	
	43351	43351-ABD2-C00	"DISK. RR BRAKE"	DISK FR BRK	1	
	90105	90105-KCR3-C02	BOLT FR DISK 8*24	BOLT FR DISK 8*24	5	
	90122	90122-LEA7-C01	BOLT FLANGE 8*32	BOLT FLANGE 8*32	2	
	90305	90305-KKAK-C00	NUT U FLANGE 16MM	NUT U FLANGE 16MM	1	



F09

Seat

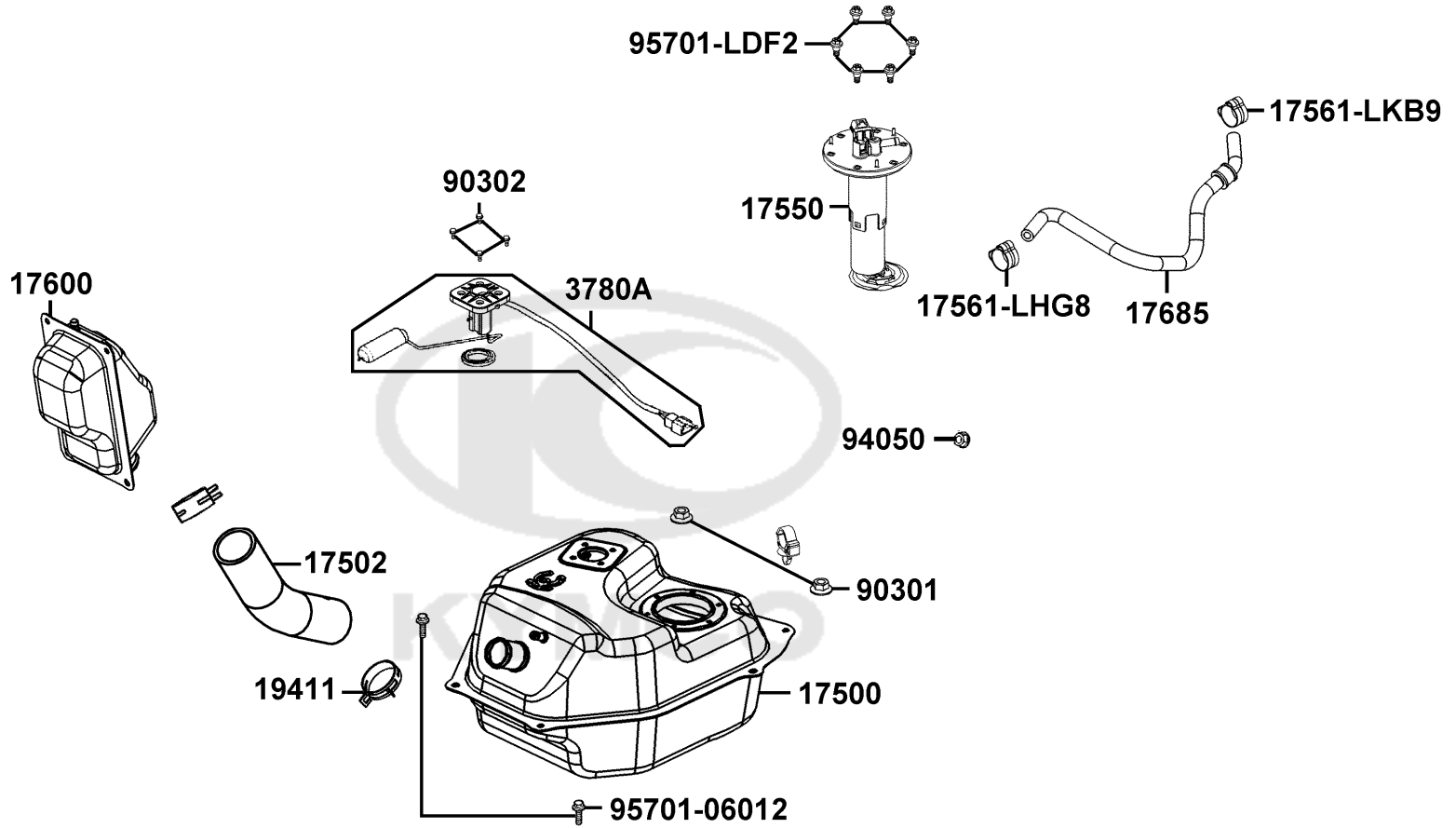


Sales mark	Ref no	Part no	Description	Reg description	Regd no	F09
**	77200	77200-AGE8-EZ5	SEAT ASSY	SEAT ASSY	1	
	77303	77303-AGE7-C00	HOOK, SEAT LOCK	"HOOK, SEAT LOCK"	1	
	7750A	7750A-AGE7-C00	DAMPER ASSY GAS.	ASSY GAS DAMPER	1	
	89010	89010-ABD2-C00	TOOL SET	TOOL SET	1	
	89020	89020-KKC4-C00	BAND TOOL SET	BAND TOOL SET	1	
	90301	90301-6C93-C01	NUT 6MM OPENSTAY	NUT 6MM OPENSTAY	8	



F10

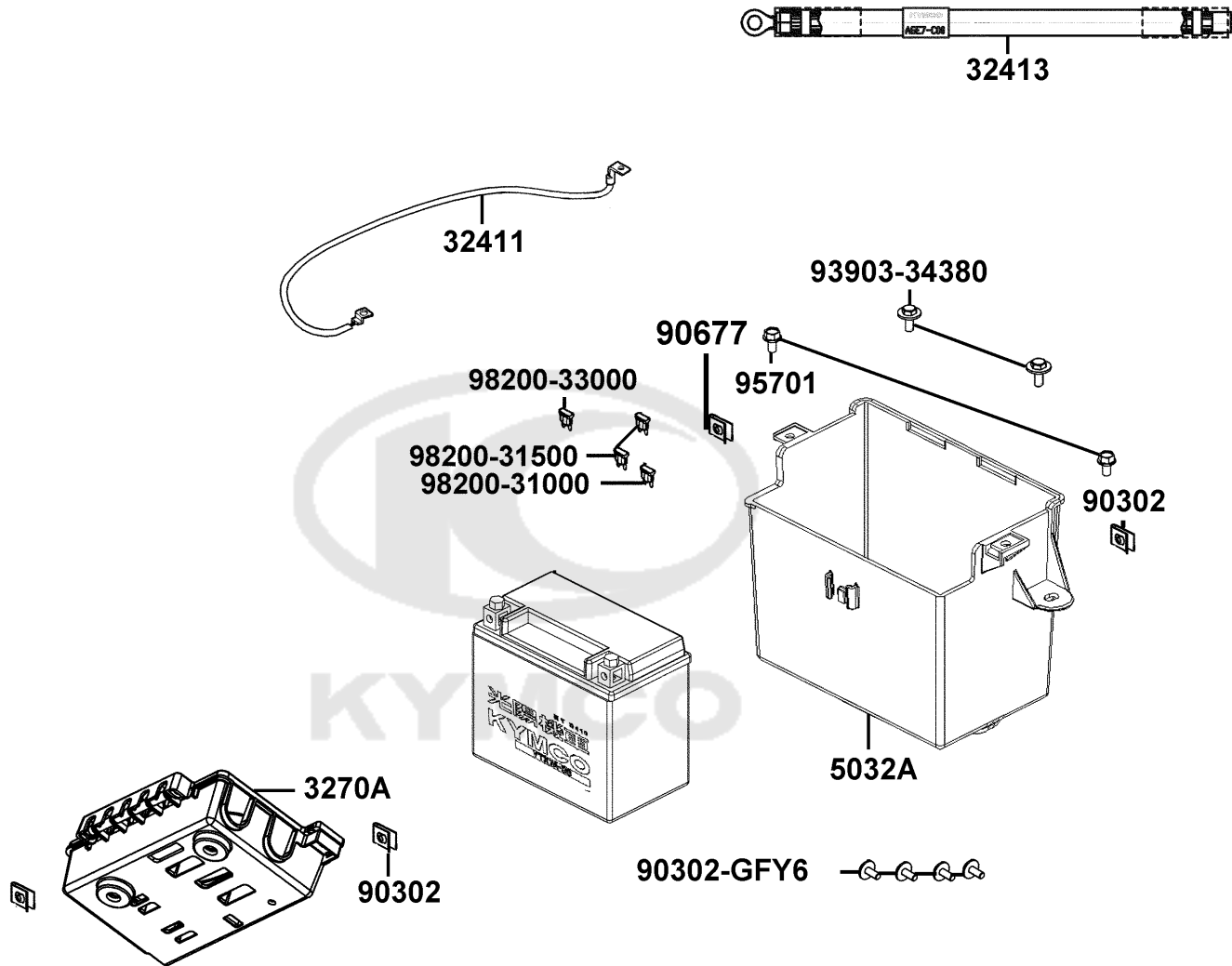
Fuel Tank



Sales mark	Ref no	Part no	Description	Reg description	Regd no	F10
17500		17500-AGD8-C00	TANK COMP FUEL	TANK COMP FUEL	1	
17502		17502-AGE7-C00	HOSE FUEL	HOSE FUEL	1	
17550		17550-AGE7-C00	PUMP ASSY	PUMP ASSY	1	
17561-LHG8		17561-LHG8-E00	CLIP 13.0	CLIP 13	1	
17561-LKB9		17561-LKB9-900	CLIP 12.5	CLIP 12.5	1	
17600		17600-AGE7-C00	COVER TANK	COVER TANK	1	
17685		17685-AGE8-E60	"TUBE,FUEL"	"TUBE,FUEL"	1	
19411		19411-KBCB-900	CLIP HOSE	CLIP HOSE	2	
3780A		3780A-AGE7-C00	FUEL UNIT	FUEL UNIT	1	
90301		90301-6D34-C01	NUT FLANGE 6MM(C)	NUT FLANGE 6MM(C)	4	
90302		90302-GFY6-C11	BOLT-WASH 5*16	BOLT-WASH 5*16	6	
94050		94050-06070-G	NUT FLANGE 6MM (KG)	NUT FLANGE 6MM (G)	4	
95701-06012		95701-06012-08G	BOLT FLANGE 6*12	BOLT FLANGE 6*12	4	
95701-LDF2		95701-LDF2-C00	BOLTFLANGE M5*6.5	BOLT FLANGE M5*6.5	6	

F11

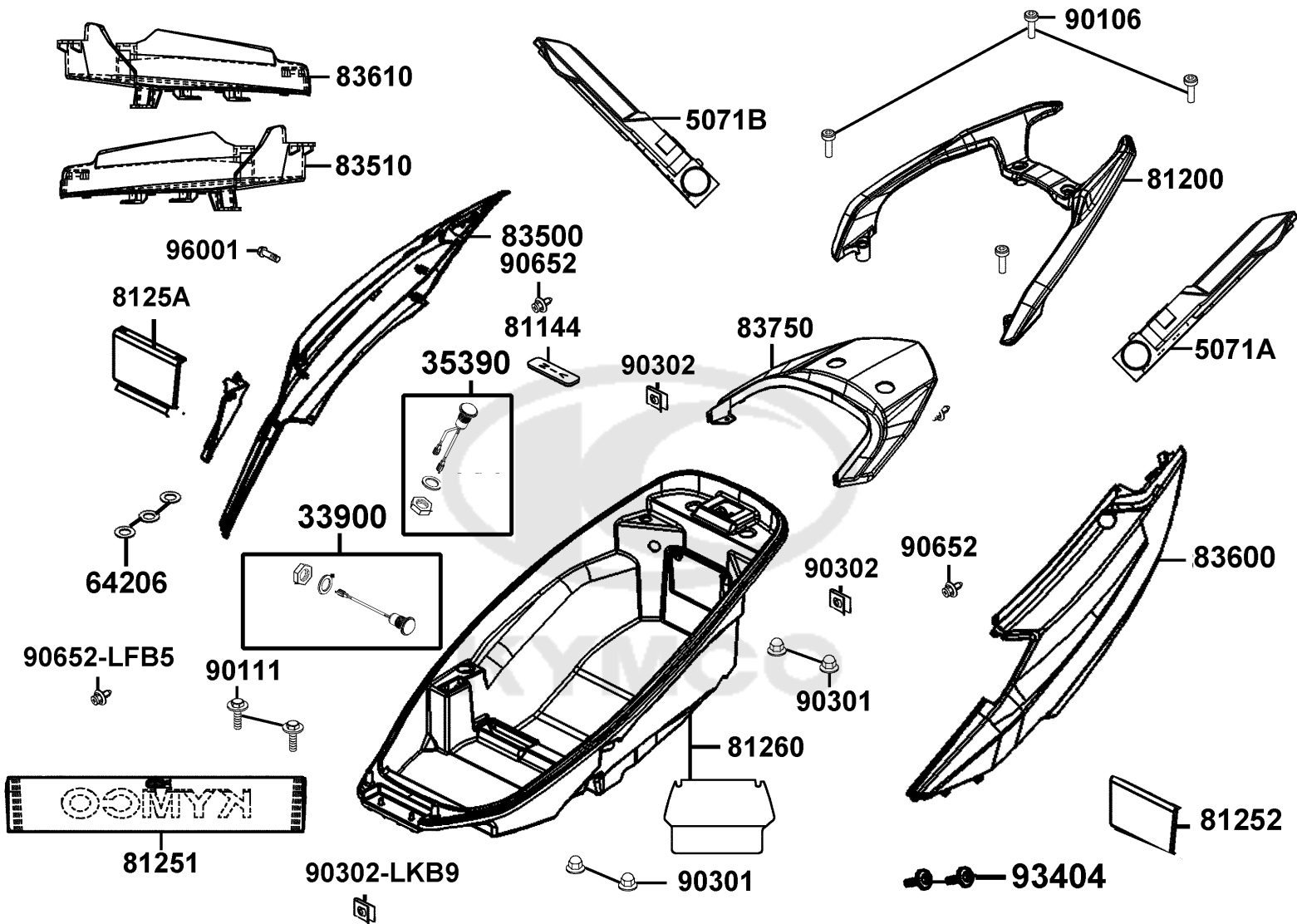
Battery



Sales mark	Ref no	Part no	Description	Reg description	Regd no	F11
	32411	32411-AGE7-C00	CABLE BAT	CABLE BAT	1	
	32413	32413-AGE7-C00	CABLE EARTH	CABLE EARTH	1	
	3270A	3270A-AGE7-C00	BOX COMP WIRE	BOX COMP WIRE	1	
**	5032A	5032A-AGE7-C00	CASE ASSY BATTERY	CASE ASSY BATTERY	1	
	90302-GFY6	90302-GFY6-C11	BOLT-WASH 5*16	BOLT-WASH 5*16	4	
	90302	90302-SDA4-C01	"NUT,SPPING 4MM"	"NUT,SPPING 4MM"	2	
	90677	90677-GAR1-C01	NUT CLIP 5MM	NUT CLIP 5MM	4	
	93903-34380	93903-34380-G	SCREW TAPPING 4x12	SCREW TAPPING 4x12	2	
	95701	95701-06012-07G	BOLT FLANGE 6X12(KG)	BOLT FLANGE 6X12(KG)	4	
	98200-31000	98200-31000	BLADE FUSE 10A **(0) C.2005.03.01	BLADE FUSE 10A **(0) C.2005.03.01	1	
	98200-31500	98200-31500	FUSE A15	FUSE A15	2	
	98200-33000	98200-33000	BLADE FUSE 30A	BLADE FUSE 30A	1	

F12

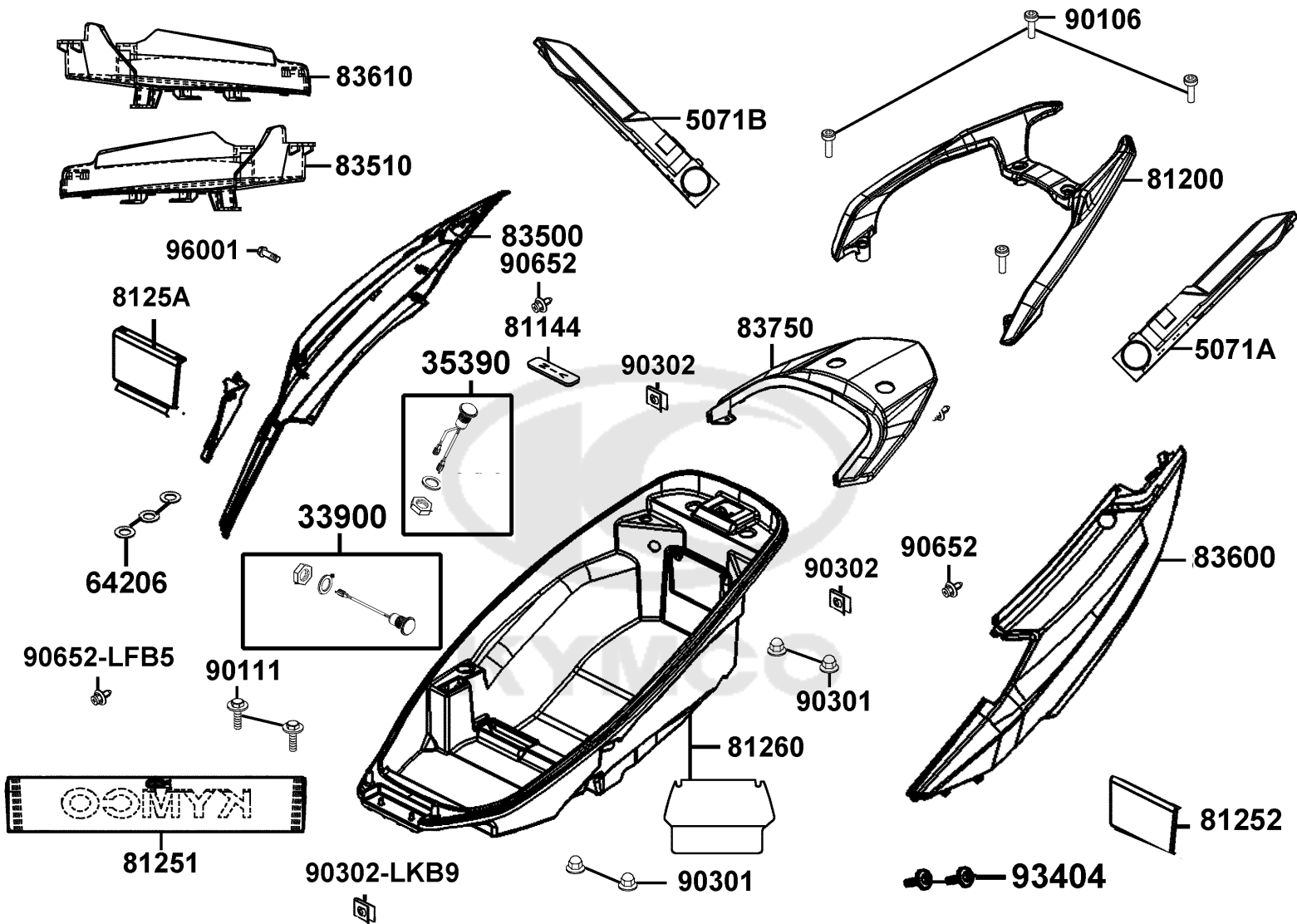
Body Cover Luggage Box



Sales mark	Ref no	Part no	Description	Reg description	Regd no	F12
	33900	33900-LHG7-E00	LIGHT ASSY LUGGAGE BOX	LIGHT ASSY LUGGAGE BOX	1	
	35390	35390-LHG7-E00	SENSOR .LUGGAGE BOX LIGHT	SENSOR .LUGGAGE BOX LIGHT	1	
	5071A	5071A-LDA6-C00	BAR R P STEP ASSY	BAR STEP R ASSY	1	
	5071B	5071B-LDA6-C00	BAR L P STEP ASSY	BAR STEP L ASSY	1	
	64206	64206-MLJ0-C01	NUT SPEED 4MM	NUT SPEED 4MM	4	
	81144	81144-ALJ8-E10	LID LEG SHIELD	LID LEG SHIELD	1	
**	81200	81200-AGE7-C00	CARRIER RR	CARRIER RR	1	
**	81251	81251-AGE7-C00	PLATE LUGGAGE BOX	PLATE LUGGAGE BOX	1	
	81252	81252-AGE8-E00	BOX LUGGAGE RUBBER	BOX LUGGAGE RUBBER	1	
**	8125A	8125A-AGE8-E00	COVER BOX LUGGAGE	COVER BOX LUGGAGE	1	
**	81260	81260-AGE8-E00	BOX ASSY LUGGAGE	BOX ASSY LUGGAGE	1	
**	83500	83500-AGE7-C00	COVER R BODY	COVER R BODY	1	
**	83510	83510-AGE7-900	COVER R SIDE	COVER R SIDE	1	
**	83600	83600-AGE7-C00	COVER L BODY	COVER L BODY	1	
**	83610	83610-AGE7-900	COVER L SIDE	COVER L SIDE	1	
**	83750	83750-AGE7-C00	COVER RR CENTERER	COVER RR CENTERER	1	
	90106	90106-KFC2-900	BOLT SPECIAL 8MM	BOLT SPECIAL 8MM	4	
	90111	90111-06016-07G	BOLT FLANGE 6*16 (K)	BOLT FLANGE 6*16 (K)	2	
	90301	90301-6C93-C01	NUT 6MM OPENSTAY	NUT 6MM OPENSTAY	6	
	90302-LKB9	90302-LKB9-C00	NUT SPRING 5MM	NUT SPRING 5MM	2	

F12

Body Cover Luggage Box

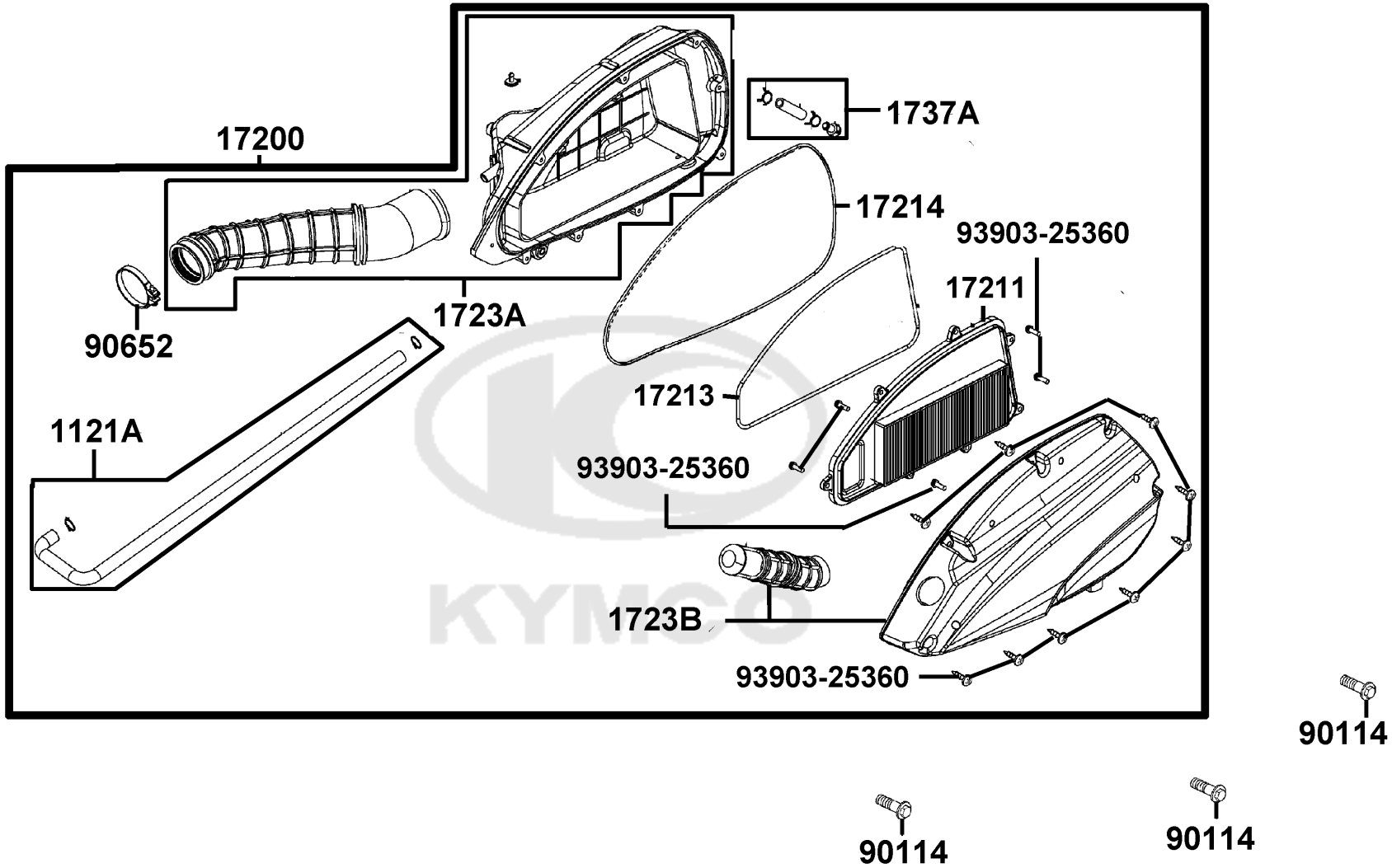


Sales mark	Ref no	Part no	Description	Reg description	Regd no	F12
90302		90302-SDA4-C01	"NUT,SPPING 4MM"	"NUT,SPPING 4MM"	2	
90652		90652-LCA4-C10	CLIP MUDGUARD	CLIP MUDGUARD	6	
90652-LFB5		90652-LFB5-C00	"CLIP,MUDGUARD"	"CLIP,MUDGUARD"	1	
93404		93404-06016-07G	BOLT-WASH 6x16	BOLT WASHER 6*16 (K)	2	
96001		96001-06032-07G	BOLT FLANGE SH6*32	BOLT FLANGE 6*32(G)	2	

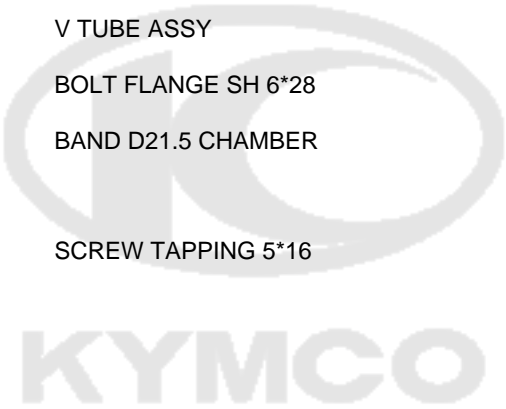


F13

Air Cleaner

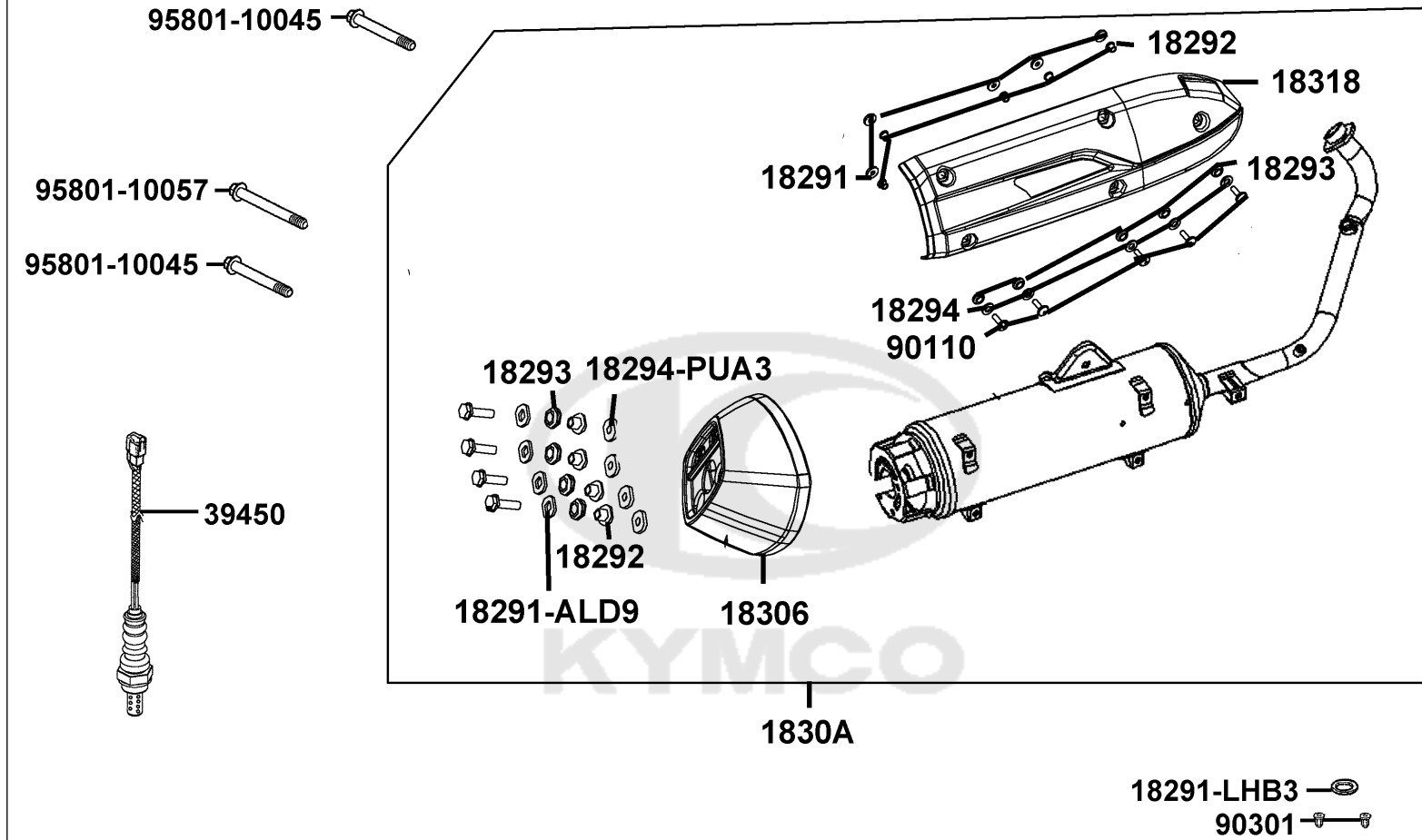


Sales mark	Ref no	Part no	Description	Reg description	Regd no	F13
	1121A	1121A-ZWA3-C00	TUBE BREATHER	TUBE BREATHER	1	
	17200	17200-AGE8-E60	AIR/C ASSY	AIR/C ASSY	1	
	17211	17211-LFA7-C00	ELEMENT AIR/C	ELEMENT AIR/C	1	
	17213	17213-LEA7-C00	SEAL ELEMENT AIR/C	SEAL ELEMENT AIR/C	1	
	17214	17214-LEA7-C00	SEAL CASE AIR/C	SEAL CASE AIR/C	1	
	1723A	1723A-ACJ1-C00	CASE ASSY AIR/C	CASE ASSY AIR/C	1	
	1723B	1723B-AGE8-E60	COVER AIR/C	COVER AIR/C	1	
	1737A	1737A-KUDU-C00	V TUBE ASSY	V TUBE ASSY	1	
	90114	90114-GDM4-C01	BOLT FLANGE SH 6*28	BOLT FLANGE SH 6*28	3	
	90652	90652-ACD5-B80	BAND D21.5 CHAMBER	BAND D21.5 CHAMBER	1	
	93903-25360	93903-25360	SCREW TAPPING 5*16	SCREW TAPPING 5*16	1	



F14

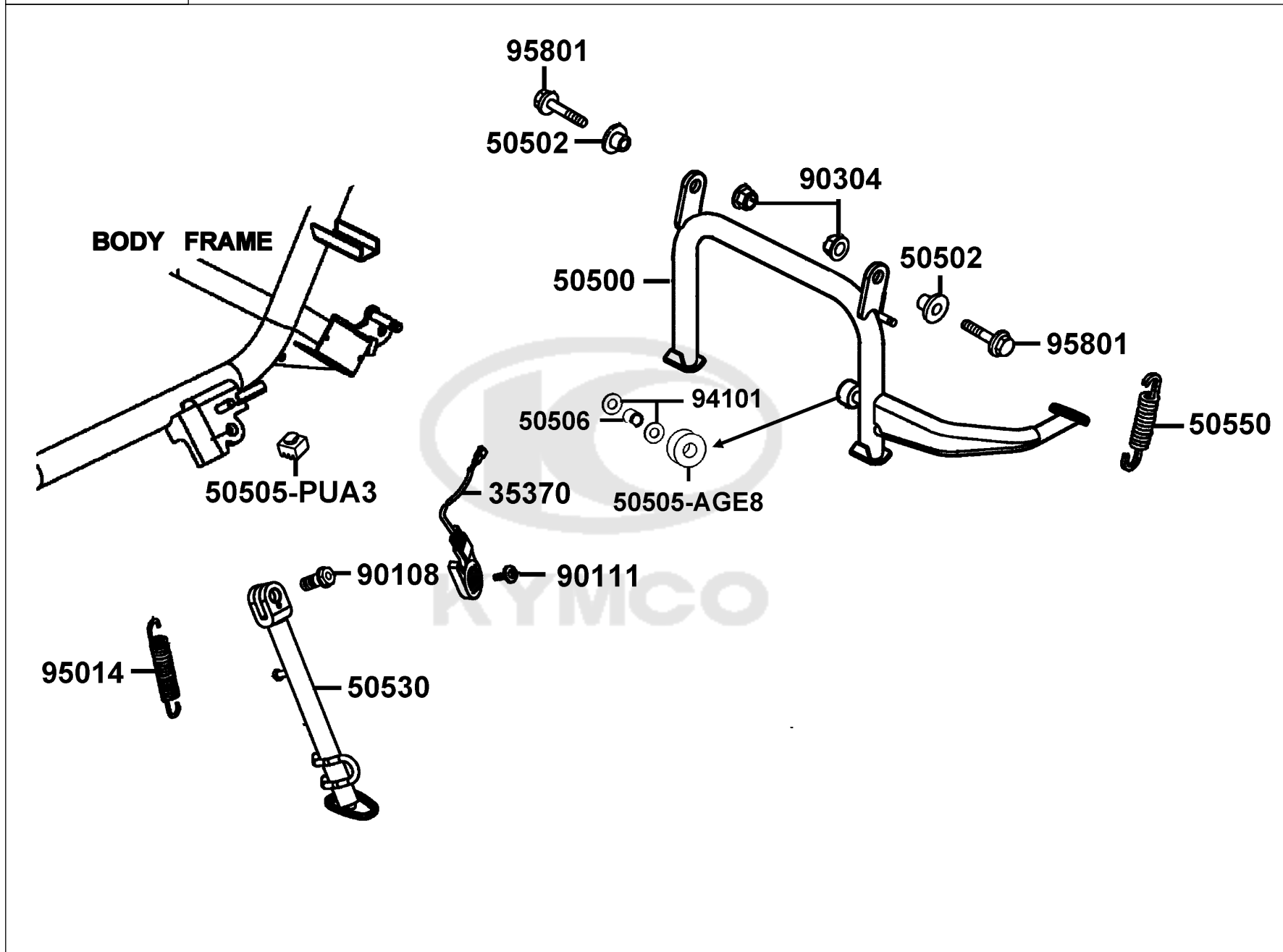
Exhaust Muffler



Sales mark	Ref no	Part no	Description	Reg description	Regd no	F14
	18291-ALD9	18291-ALD9-E10	COLLAR	COLLAR	4	
	18291	18291-KEBE-900	COLLAR	COLLAR	5	
	18291-LHB3	18291-LHB3-E11	GASKET EXH PIPE	COLLAR	1	
	18292	18292-KEBE-C00	PACKING PROTECTOR	PACKING PROTECTOR	5	
	18293	18293-KEBE-C00	RUBBER PKG PROTR	RUBBER PRK PROTR	5	
	18294	18294-KEBE-900	PACKING PROTECTOR	PACKING PROTECTOR	4	
	18294-PUA3	18294-PUA3-B50	PACKING PTOTECTOR	PACKING PROTECTOR	4	
**	18306	18306-LGE5-C00	TAIL CAP MUFFLER	TAIL CAP MUFFLER	1	
**	1830A	1830A-AGE8-EZ5	MUFFLER ASSY EXHAUST	MUFFLER ASSY EXHAUST	1	
**	18318	18318-LGE7-E0A	PROTECTOR.MUFFLER	PROTECTOR.MUFFLER	1	
	39450	39450-ZVA6-M00	O2 SENSOR	O2 SENSOR	1	
	90110	90110-KHD8-900	SCREW SPECIAL 6*20	SCREW SPECIAL 6*20	5	
	90301	90301-GFY6-C01	NUT (HEX) CAP 8MM	NUT (HEX) CAP 8MM	2	
	95801-10045	95801-10045-07G	BOLT FLANGE 10*45 (G)	BOLT FLANGE 10*45 (G)	2	
	95801-10057	95801-10057-07G	BOLT FLANGE 10*57 (G)	BOLT FLANGE 10*57 (G)	1	

F15

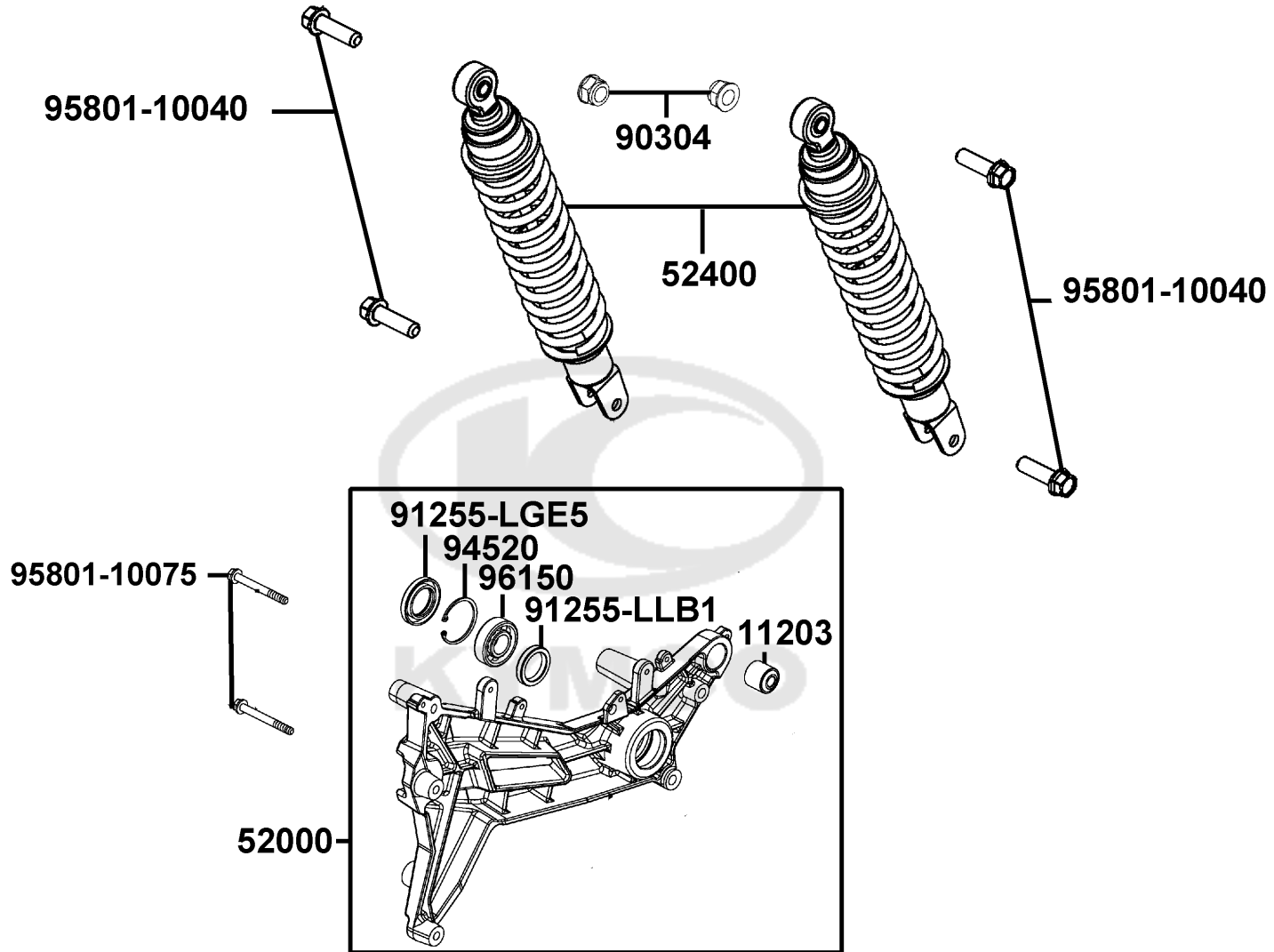
Stand Kick Starter Arm



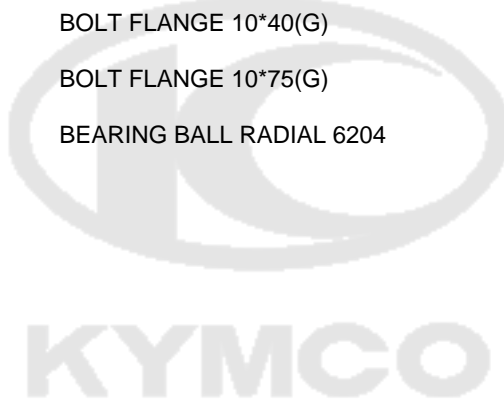
Sales mark	Ref no	Part no	Description	Reg description	Regd no	F15
35370		35370-LLJ3-E00	SW UNIT SIDE STAND	SW UNIT SIDE STAND	1	
50500		50500-AGE8-E60	STAND COMP MAIN	STAND COMP MAIN	1	
50502		50502-LDF7-C00	COLLAR,MAIN STAND	COLLAR MAIN STAND	2	
50505-AGE8		50505-AGE8-E60	STOPPER RUBBER	STOPPER RUBBER	1	
50505-PUA3		50505-PUA3-B50	STOPPER RUBBER	STOPPER RUBBER	1	
50506		50506-KHE7-E00	COLLAR STOPPER RUBBER	COLLAR STOPPER RUBBER	1	
50530		50530-AGE7-C00	SIDE STAND COMP	SIDE STAND COMP	1	
50550		50550-KKC2-C00	SPG ASSY MAIN STAND	SPG ASSY MAIN STAND	1	
90108		90108-KKC4-900	SCREW SIDE STAND PIVOT	SCREW SIDE STAND PIVOT	1	
90111		90111-06016-07G	BOLT FLANGE 6*16 (K)	BOLT FLANGE 6*16 (K)	1	
90304		90304-LEA1-C01	NUT U FLANGE 10MM (G)	NUT U FLANGE 10MM (G)	2	
94101		94101-08600	WASH PLAIN 8MM	WASH PLAIN 8MM	2	
95014		95014-72204-G	"SPG B1,SIDE STAND (G)"	"SPG B1,SIDE STAND (G)"	1	
95801		95801-10030-07G	BOLT FLANGE 10*30 (G)	BOLT FLANGE 10*30 (G)	2	

F16

Rear Cushion

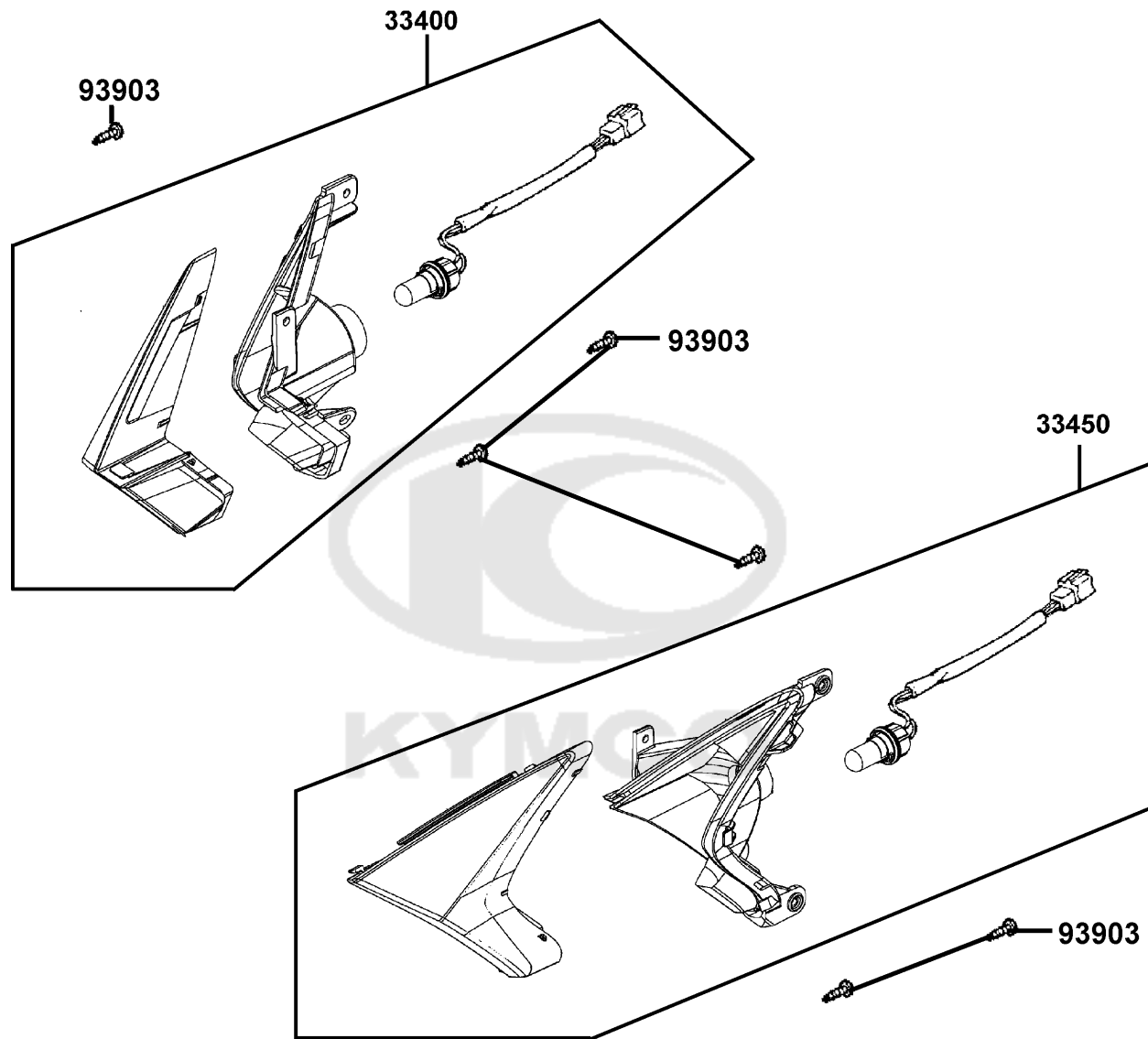


Sales mark	Ref no	Part no	Description	Reg description	Regd no	F16
	11203	11203-LBA2-E00	RUB BUSH L CASE	RUB BUSH L CASE	1	
**	52000	52000-AAG3-E00	FORK ASSY RR	FORK ASSY RR	1	
**	52400	52400-AGE2-E00	CUSHION ASSY REAR	CUSHION ASSY REAR	2	
	90304	90304-GHE8-C01	NUT U 10MM (C)	NUT U 10MM(C)	2	
	91255-LGE5	91255-LGE5-E00	OIL SEAL 30*48*7	OIL SEAL 30*48*7	1	
	91255-LLB1	91255-LLB1-900	OIL SEAL 30*40*7	OIL SEAL 30*40*7	1	
	94520	94520-47000	CIR CLIP IN 47	CIR CLIP IN 47	1	
	95801-10040	95801-10040-07G	BOLT FLANGE 10*40(G)	BOLT FLANGE 10*40	4	
	95801-10075	95801-10075-07G	BOLT FLANGE 10*75(G)	BOLT FLANGE 10*75(G)	2	
	96150	96150-62040-10	BEARING BALL RADIAL 6204	BEARING BALL RADIAL 6204	1	



F17

Front Winker



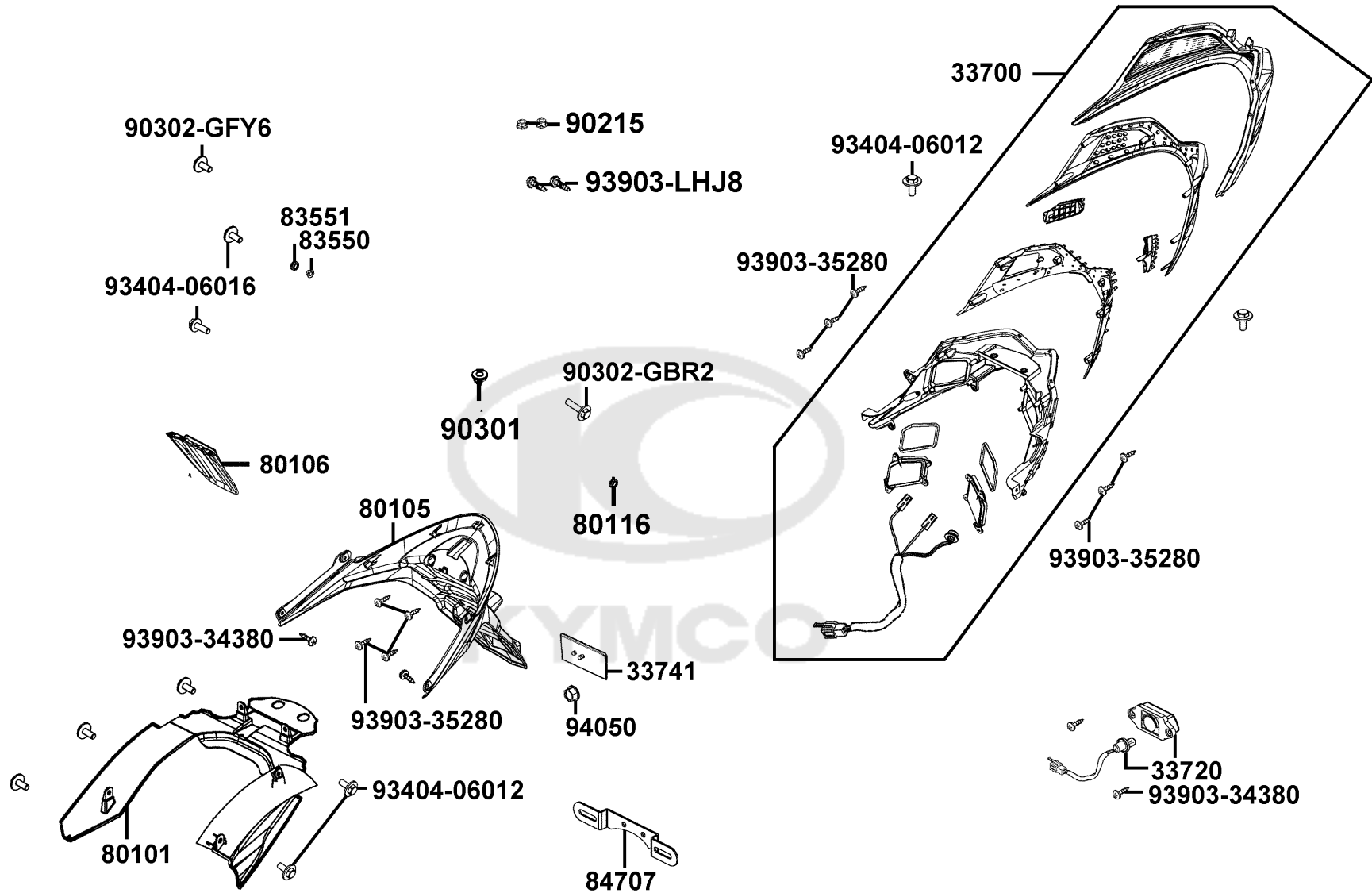
Sales mark	Ref no	Part no	Description	Reg description	Regd no	F17
------------	--------	---------	-------------	-----------------	---------	------------

33400		33400-AGE7-C01	WINKER ASSY R FR	WINKER ASSY R FR	1	
33450		33450-AGE7-C01	WINKER ASSY L FR	WINKER ASSY L FR	1	
93903		93903-35280-G	SCREW TAPPING 5*12 (K)	SCREW TAPPING 5*12 (KG)	6	



F18

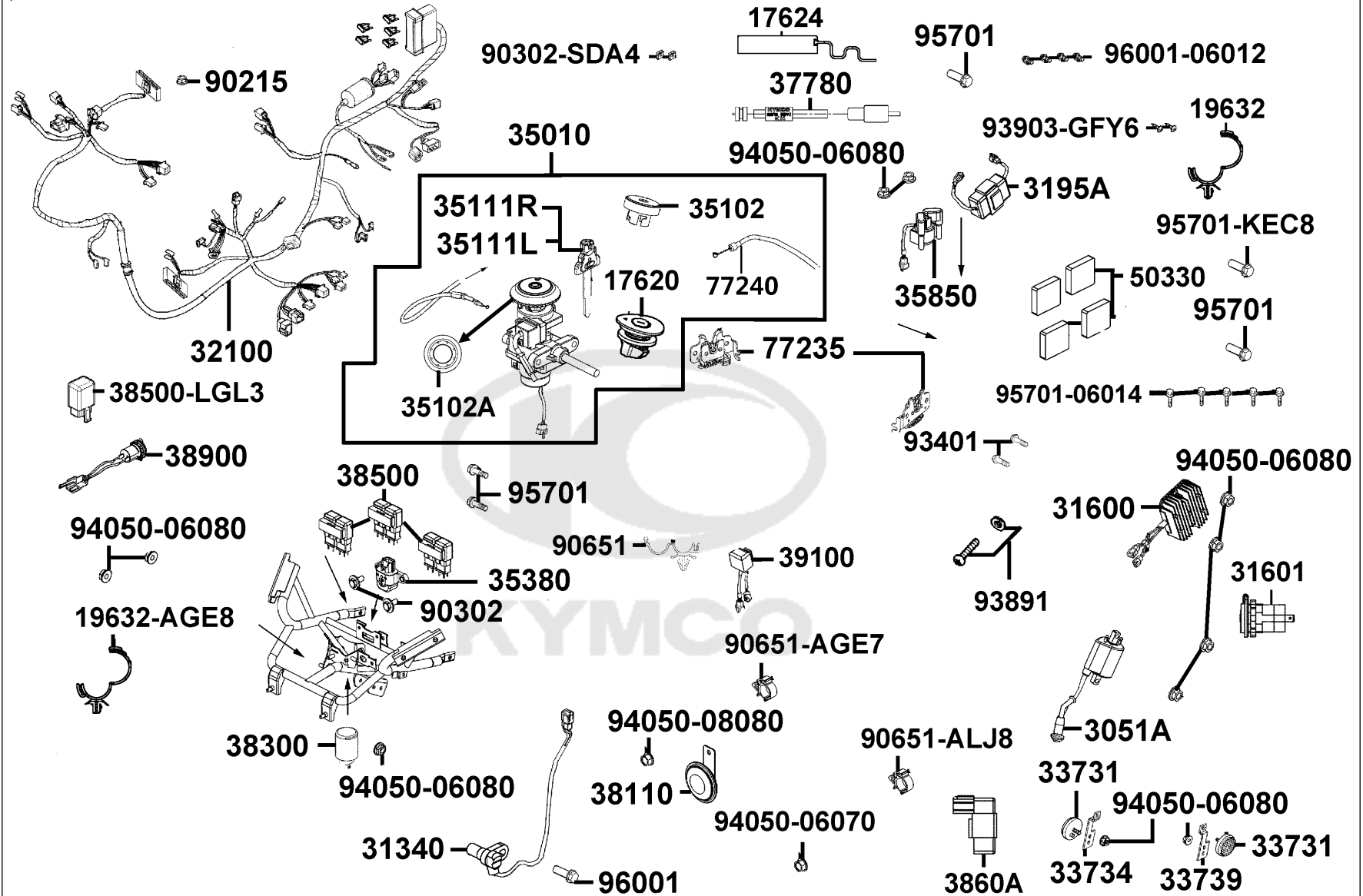
Tail Light



Sales mark	Ref no	Part no	Description	Reg description	Regd no	F18
	33700	33700-AGE7-C00	LIGHT ASSY RR COMB	LIGHT ASSY RR COMB	1	
	33720	33720-LGB5-E10	LIGHT ASSY LICENSE	LIGHT ASSY LICENSE	1	
	33741	33741-LEH3-EZ0	REFLEX REFLECTOR	REFLEX REFLECTOR	1	
**	80101	80101-AGE8-E00	FENDER RR INNER	FENDER RR INNER	1	
**	80105	80105-AGE7-C00	FENDER RR UP	FENDER RR UP	1	
**	80106	80106-AGE7-C00	FENDER RR LOW	FENDER RR LOW	1	
	80116	80116-ACC1-E10	"RUBBER,LICENSE PLATE STOP"	"RUBBER,LICENSE PLATE STOP"	1	
	83550	83550-KEC8-C00	COLLAR SET METER	COLLAR	1	
	83551	83551-KEC8-C10	GROMMET COVER	GROMMET COVER	1	
	84707	84707-AGE7-C00	STAY RR LICENSE	STAY RR LICENSE	1	
	90215	90215-KKC4-C00	NUT CAP 6MM	NUT CAP 6MM	2	
	90301	90301-6D34-C01	NUT FLANGE 6MM(C)	NUT FLANGE 6MM(C)	2	
	90302-GBR2	90302-GBR2-C01	BOLT-WASH 5*16	BOLT WASHER 5*16	1	
	90302-GFY6	90302-GFY6-C11	BOLT-WASH 5*16	BOLT-WASH 5*16	3	
	93404-06012	93404-06012-07G	BOLT-WASH 6x12	BOLT-WASH 6x12	5	
	93404-06016	93404-06016-07G	BOLT-WASH 6x16	BOLT WASHER 6*16 (K)	2	
	93903-34380	93903-34380-G	SCREW TAPPING 4x12	SCREW TAPPING 4x12	2	
	93903-35280	93903-35280-G	SCREW TAPPING 5*12 (K)	SCREW TAPPING 5*12 (KG)	11	
	93903-LHJ8	93903-LHJ8-C01	SCREW,TAPPING 5X14	"SCREW,TAPPING 5X14"	2	
	94050	94050-05080-G	NUT FLANGE 5MM	NUT FLANGE 5MM	1	

F19

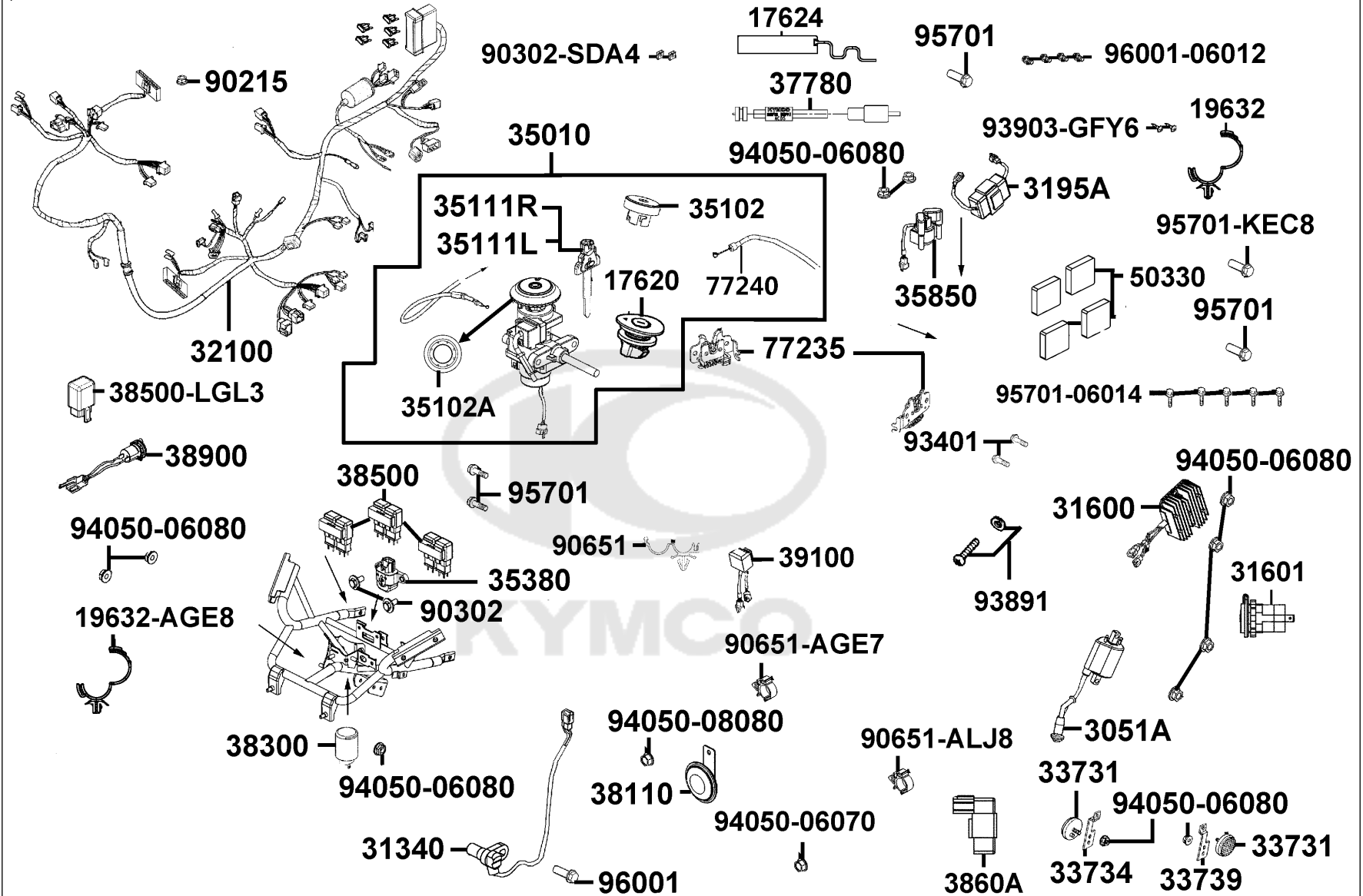
Wire Harness



Sales mark	Ref no	Part no	Description	Reg description	Regd no	F19
17620		17620-LFC3-E15	CAP COMP FUEL FILLER	CAP COMP FUEL FILLER	1	
17624		17624-AGE7-C00	BAND FUEL CAP	BAND FUEL CAP	1	
19632		19632-AGD8-C00	CLIP FUEL HOSE (MATERIL:PLASTIC)	CLIP FUEL HOSE (MATERIL:PLASTIC)	5	
19632-AGE8		19632-AGE8-E60	CLIPFUEL HOSE	CLIPFUEL HOSE	1	
3051A		3051A-ACJ1-900	COIL ASSY IGN	COIL ASSY IGN	1	
31340		31340-LEA7-E00	SENSOR FR WHEEL SPEED	SENSOR FR WHEEL SPEED	1	
31600		31600-AGE7-C00	REG RECT COMP	REG RECT COMP	1	
31601		31601-AEF6-C00	SOCKET COMP. DC 12V	SOCKET COMP. DC 12V	1	
3195A		3195A-ABD2-C00	HAZARD CONTROL ASSY	HAZARD CONTROL ASSY	1	
32100		32100-AGE8-EZ5	HARNES WIRE	HARNES WIRE	1	
33731		33731-GFY6-EZ0	REFLEX REFLECTOR SIDE	REFLEX REFLECTOR SIDE	2	
33734		33734-ABD2-C00	STAY RH.REFELX REFLECTOR	STAY RH.REFELX REFLECTOR	1	
33739		33739-ABD2-C00	STAY LH. REFELX REFLECTOR	STAY LH. REFELX REFLECTOR	1	
35010		35010-AGE7-C00	KEY SET	KEY SET	1	
35102		35102-ALL1-C00	SHUTTER SET MAGNETIC LOCK	SHUTTER MAGNETIC	1	
35102A		35102-LEB1-90A	COLLAR MAIN SW	COLLAR MAIN SW	1	
35111R		35111-LDC1-305	KEY COMP (R TANGENT PLANE/SD)	KEY COMP (R TANGENT PLANE/SD)	1	
35111L		35111-LDC1-306	KEY COMP (L TANGENT PLANE/SD)	KEY COMP (L TANGENT PLANE/SD)	1	
35380		35380-ABE1-C00	SENSOR ANGLE	SENSOR ANGLE	1	
35850		35850-LCA3-B50	SET START MAG	SET START MAG	1	

F19

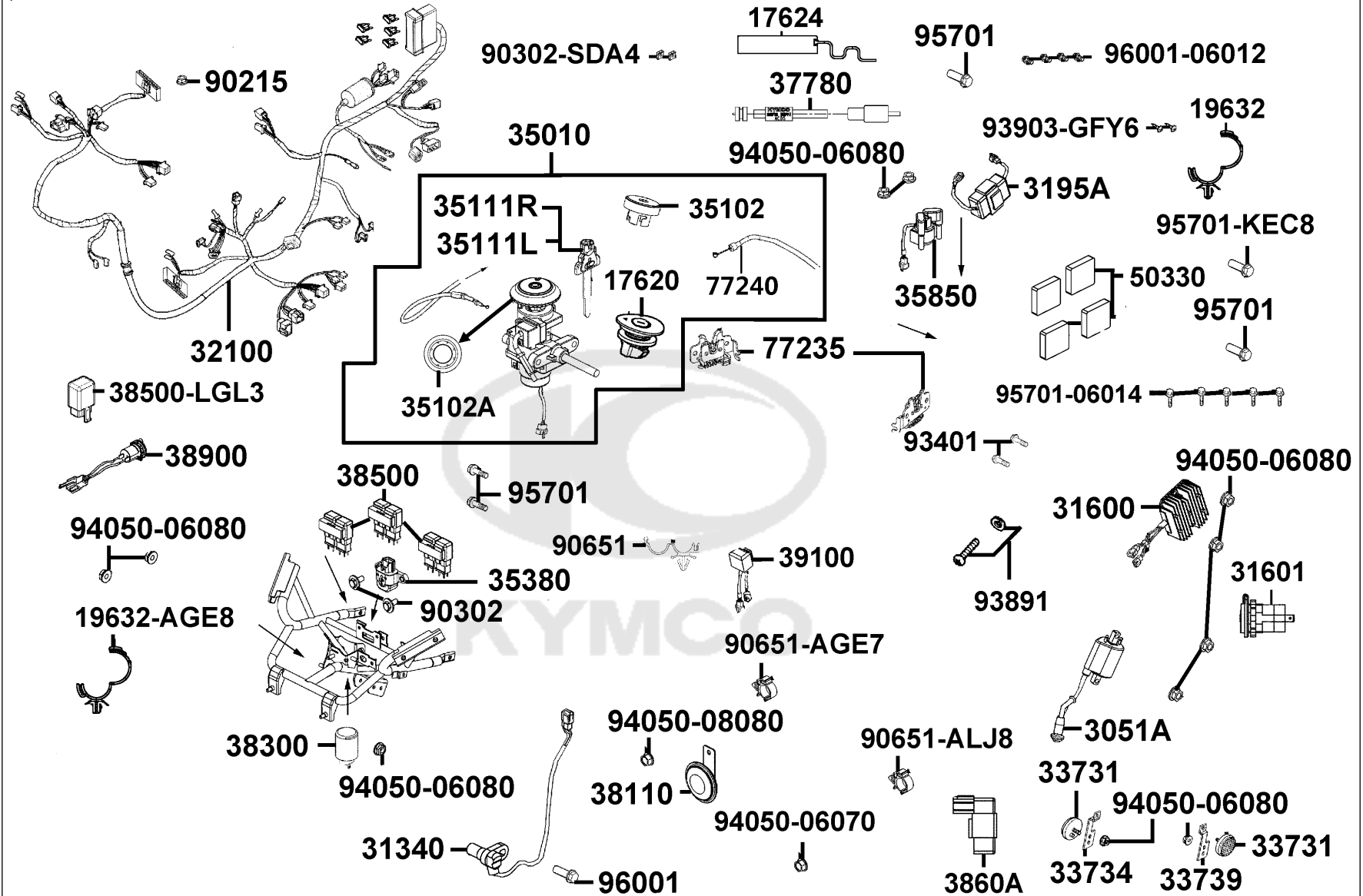
Wire Harness



Sales mark	Ref no	Part no	Description	Reg description	Regd no	F19
	37780	37780-ACD5-E00	SENSOR ASSY. ROOM TEMP	SENSOR ASSY. ROOM TEMP	1	
	38110	38110-KFAF-90B	HORN COMP	HORN COMP	1	
	38300	38300-ACC1-E10	RELAY ASS'Y WINKER	RELAY ASS'Y WINKER	1	
	38500	38500-AAD2-C00	RELAY ASSY LIGHT	RELAY ASSY START	3	
	38500-LGL3	38500-LGL3-900	RELAY ASSY LIGHT	RELAY ASSY LIGHT	1	
	3860A	3860A-AEH2-M40	CONTROL ASSY LIGHTING	CONTROL ASSY LIGHTING	1	
	38900	38900-AGE7-C00	CTRL USB CHANGER	CTRL USB CHANGER	1	
	39100	39100-ABD6-C00	EMI FILTER FAN MOTOR	EMI FILTER FAN MOTOR	1	
	50330	50330-ALK5-C00	SEAL BATTER FRONT	SEAL BATTER FRONT	4	
	77235	77235-LEA1-C00	CATCH COMP. SEAT.	CATCH COMP. SEAT.	1	
	77240	77240-AGE7-C00	CABLE COMP SEAT LOCK	CABLE SEAT LOCK	1	
	90215	90215-KKC4-C00	NUT CAP 6MM	NUT CAP 6MM	1	
	90302	90302-GFY6-C11	BOLT-WASH 5*16	BOLT-WASH 5*16	2	
	90302-SDA4	90302-SDA4-C01	"NUT,SPPING 4MM"	"NUT,SPPING 4MM"	2	
	90651	90651-AGD8-C00	CLIP MUDGUAR (MATERIL:PLASTIC)	CLIP MUDGUAR (MATERIL:PLASTIC)	2	
	90651-AGE7	90651-AGE7-C00	CLIP CABLE	CLIP CABLE	6	
	90651-ALJ8	90651-ALJ8-E10	CLIP CABLE	CLIP CABLE	1	
	93401	93401-04025-06	BOLT WASHER 4X25	BOLT WASHER 4*25	2	
	93891	93891-05020-07G	SCREW WASHER	SCREW WASHER 5*20 (K)	1	
	93903-GFY6	93903-GFY6-C01	SCREW TAPPING 4*14(K)	"SCREW,TAPPING4*14"	2	

F19

Wire Harness

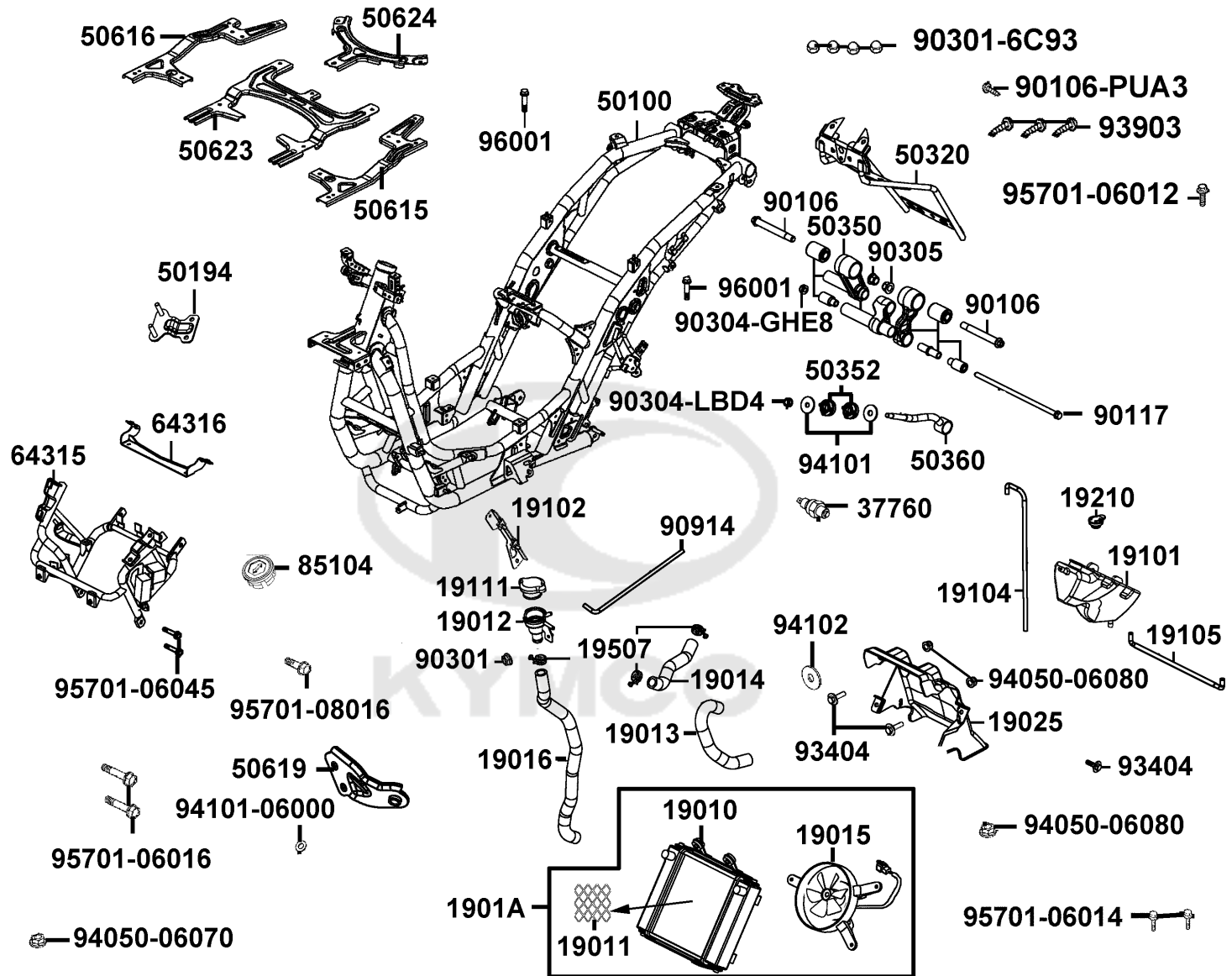


Sales mark	Ref no	Part no	Description	Reg description	Regd no	F19
	94050-06070	94050-06070-G	NUT FLANGE 6MM (KG)	NUT FLANGE 6MM (G)	8	
	94050-06080	94050-06080-G	NUT FLANGE 6MM	NUT FLANGE 6MM	8	
	94050-08080	94050-08080-G	NUT FLANGE 8MM	FLANGE NUT 8MM(C)	1	
	95701-06014	95701-06014-08G	BOLT FLANGE 6*14 (C)	BOLT FLANGE 6*14 (C)	5	
	95701	95701-06020-08G	BOLT FLANGE 6*20	BOLT FLANGE 6*20 (C)	6	
	95701-KEC8	95701-KEC8-E01	BOLT FLANGE 8*19	BOLT FLANGE 8*19	2	
	96001	96001-06012-07G	BOLT FLANGE 6*12(G)	BOLT FLANGE SH 6*12 (KG)	2	
	96001-06012	96001-06012-08G	BOLT FLANGE SH 6X12 (C)	BOLT FLANGE SH 6X12 (C)	4	



F20

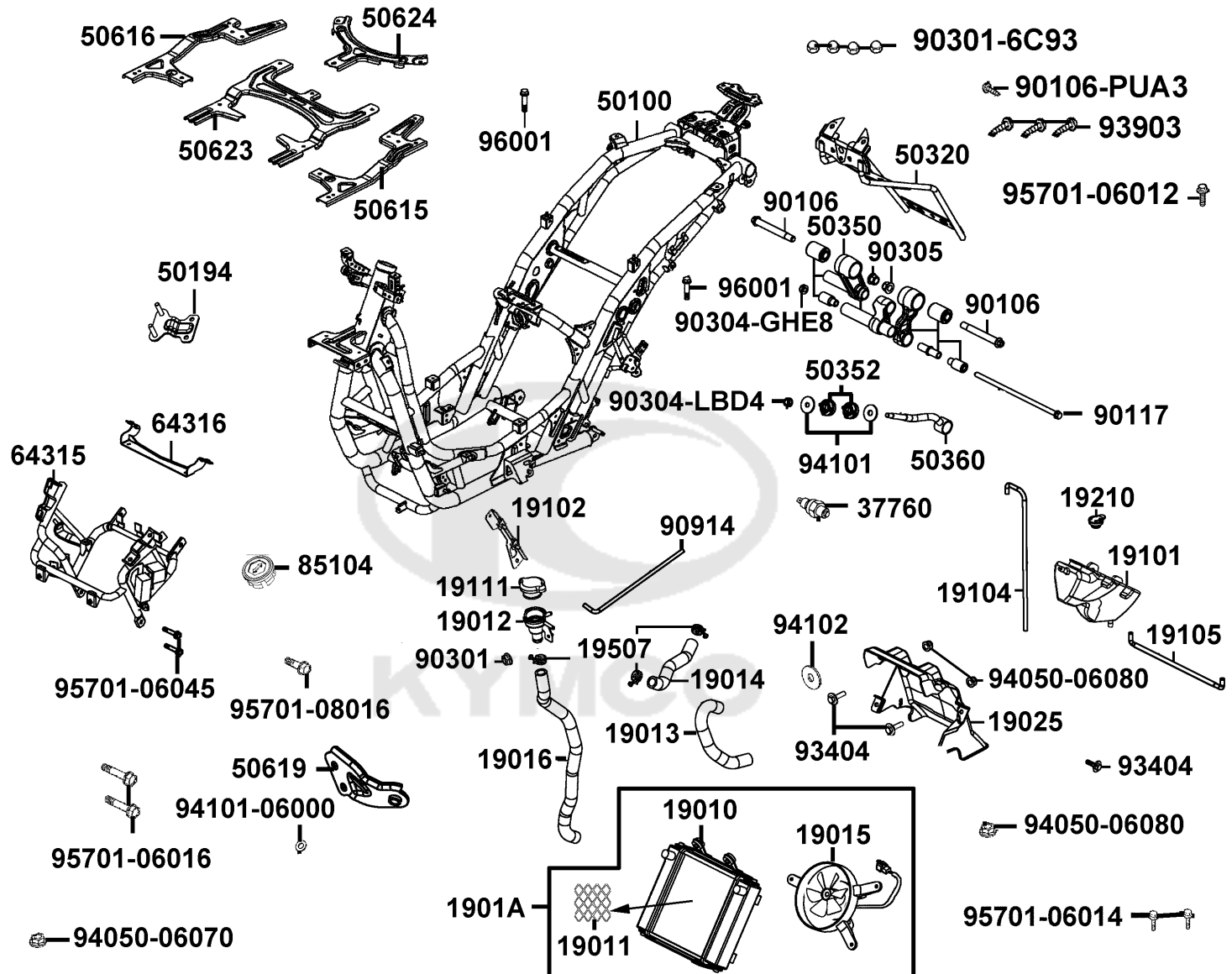
Frame Body



Sales mark	Ref no	Part no	Description	Reg description	Regd no	F20
	19010	19010-AGE8-E60	RADIATOR COMP	RADIATOR COMP	1	
	19011	19011-AGE8-E60	NET ASSY, RADIATOR	"NET ASSY, RADIATOR"	1	
	19012	19012-KHD8-C00	UNIT RADIATOR	UNIT RADIATOR	1	
	19013	19013-AGE8-E60	"HOSE WATER,INLET"	"HOSE WATER,INLET"	1	
	19014	19014-AGE8-E60	"TUBE ASSY,WATERT"	"TUBE ASSY,WATERT"	1	
	19015	19015-AGE7-C00	SHROUD ASSY	SHROUD ASSY	1	
	19016	19016-AGE7-C00	HOSE WATER UNIT CAP	HOSE WATER UNIT CAP	1	
	1901A	1901A-AGE8-E60	RADIATOR COMP	RADIATOR COMP	1	
**	19025	19025-AGE7-C00	COVER RADIATOR	COVER RADIATOR	1	
	19101	19101-AGE7-C00	TANK RESERVE	TANK RESERVE	1	
	19102	19102-AGE7-C00	STAY RES TANK	STAY RES TANK	1	
	19104	19104-AEF6-C00	HOSE ASSY DRAIN	HORS ASSY DRAIN	1	
	19105	19105-AEF6-C00	HOSE ASSY RESERVE TANK-PRESSURE	HOSE ASSY RESERVE TANK-WATER	1	
	19111	19111-PRB3-C00	SUPT FILLER NECK	SUPT FILLER NECK	1	
	19210	19210-ABD6-C00	CAP RESERVE TANK	CAP RESERVE TANK	1	
	19507	19507-ABD6-C00	"CLAMP. D28"	"CLAMP. D28"	6	
	37760	37760-KHD8-900	SW ASSY THERMO	SW ASSY THERMO	1	
	50100	50100-AGE8-E60	BODY COMP FRAME	BODY COMP FRAME	1	
	50194	50194-AGE8-EZ5	BRKT.. SEAT CATCH	BRKT.. SEAT CATCH	1	
	50320	50320-AGE7-C00	STAY REAR FENDER	STAY REAR FENDER	1	

F20

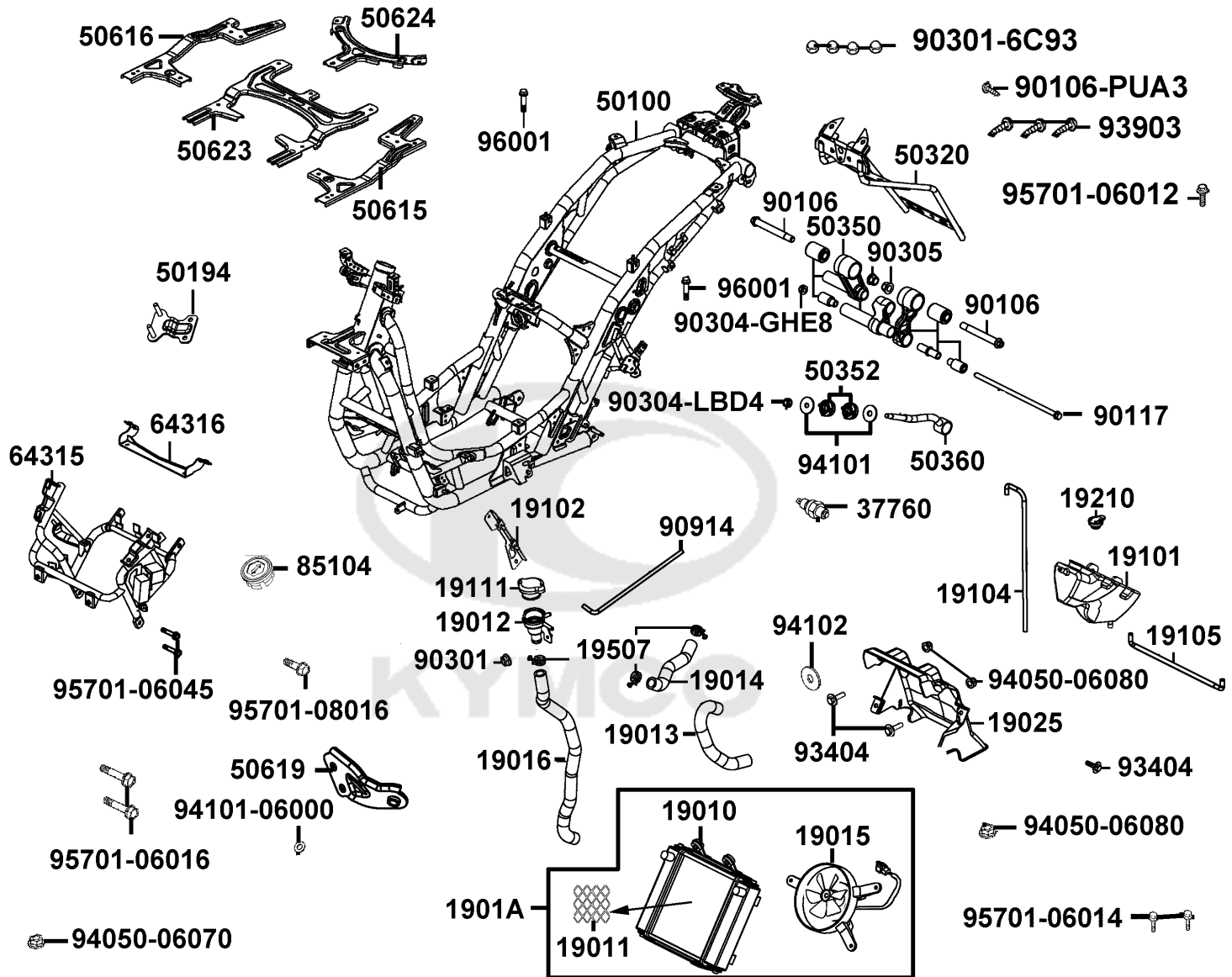
Frame Body



Sales mark	Ref no	Part no	Description	Reg description	Regd no	F20
50350		50350-LFA7-C00	ENG HANGER COMP	ENG HANGER COMP	1	
50352		50352-LBA2-E00	RUBBER STOPPER	RUBBER STOPPER	1	
50360		50360-LFA7-C00	STAND ASSY MAIN	STAND ASSY MAIN	1	
50615		50615-AGE7-C00	STAY R FLOOR PANEL	STAY R FLOOR PANEL	1	
50616		50616-AGE7-C00	STAY L FLOOR PANEL	STAY L FLOOR PANEL	1	
50619		50619-AGE8-E60	STAY RUBBER	STAY RUBBER	1	
50623		50623-AGE7-C00	STAY A FLOOR PANEL	STAY A FLOOR PANEL	1	
50624		50624-AGE7-C00	STAY B FLOOR PANEL	STAY B FLOOR PANEL	1	
64315		64315-AGE7-C00	BRKT FR COVER	BRKT FR COVER	1	
64316		64316-AGE7-C00	STAY ANGLE DETECT SENSOR	STAY ANGLE DETECT SENSOR	1	
85104		85104-AGE7-C00	STOPPER	STOPPER	2	
90106		90106-LEA7-E00	BOLT FLANGE 15*118	BOLT FLANGE 15X118	2	
90106-PUA3		90106-PUA3-B50	BOLT FLANGE 10*50	BOLT FLANGE 10*50	1	
90117		90117-KED9-950	BOLT FLANGER 10*265	BOLT FLANGER 10X265	1	
90301-6C93		90301-6C93-C01	NUT 6MM OPENSTAY	NUT 6MM OPENSTAY	2	
90301		90301-6D34-C01	NUT FLANGE 6MM(C)	NUT FLANGE 6MM(C)	1	
90304-GHE8		90304-GHE8-C01	NUT U 10MM (C)	NUT U 10MM(C)	1	
90304-LBD4		90304-LBD4-C01	NUT U FLANGE 10MM	NUT U FLANGE 10MM	1	
90305		90305-MAA1-C01	U NUT FLANGE 14MM	U NUT FLANGE 14MM	2	
90914		90914-AGE8-E60	TUBE ASSY WATER	TUBE ASSY WATER	1	

F20

Frame Body

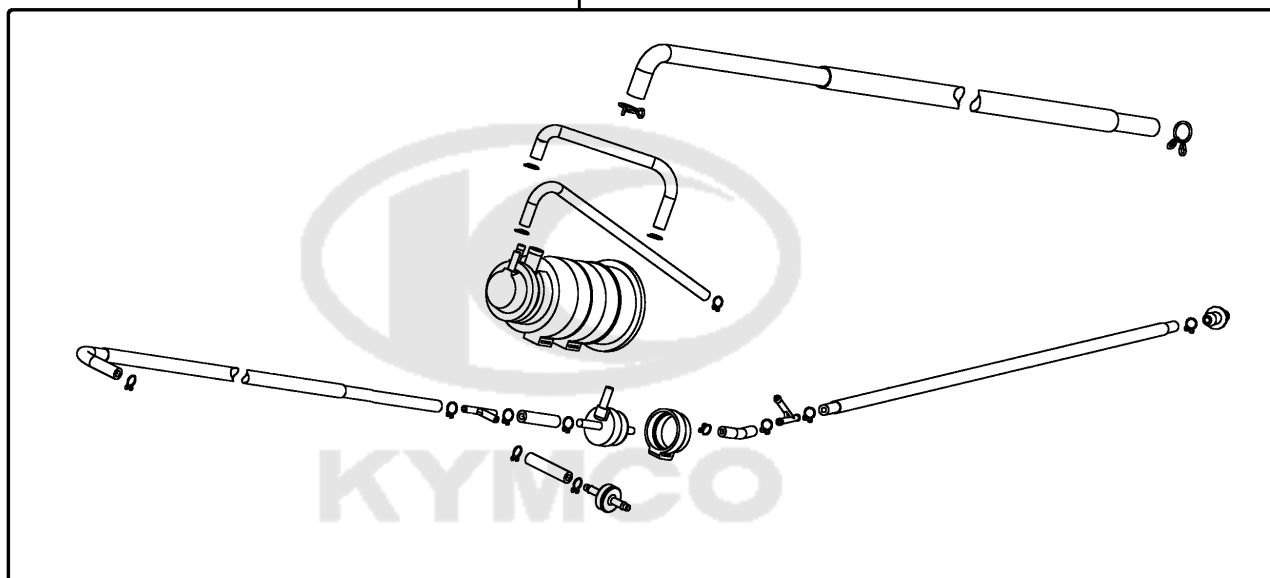


Sales mark	Ref no	Part no	Description	Reg description	Regd no	F20
93404		93404-06025-07G	BOLT WASHER 6*25 (G)	BOLT WASHER 6*25 (G)	2	
93903		93903-35280-G	SCREW TAPPING 5*12 (K)	SCREW TAPPING 5*12 (KG)	3	
94050-06070		94050-06070-G	NUT FLANGE 6MM (KG)	NUT FLANGE 6MM (G)	9	
94050-06080		94050-06080-G	NUT FLANGE 6MM	NUT FLANGE 6MM	11	
94101-06000		94101-06000-G	WASHER PLAIN 6.5*18*1	WASHER PLAIN 6.5*18*1	2	
94101		94101-LBA2-C01	WASHER PLAIN 10.5*38*3	WASHER PLAIN 10.5*38*3	1	
94102		94102-LBA2-C01	WASHER PLAIN 38*12.5*3	WASHER PLAIN 38*12.5*3	1	
95701-06012		95701-06012-08G	BOLT FLANGE 6*12	BOLT FLANGE 6*12	13	
95701-06014		95701-06014-08G	BOLT FLANGE 6*14 (C)	BOLT FLANGE 6*14 (C)	3	
95701-06016		95701-06016-07G	BOLT FLANGE SH 6*16 (KG)	BOLT FLANGE SH 6*16 (KG)	4	
95701-06045		95701-06045-07G	BOLT FLANGE 6*45(G)	BOLT FLANGE 6*45(G)	2	
95701-08016		95701-08016-08G	BOLT FLANGE 8*16	BOLT FLANGE 8*16	4	
96001		96001-06035-08G	BOLT FLANGE SH 6*35	BOLT M6x35	4	

F21

Air Cleaner Two

17300



Sales mark	Ref no	Part no	Description	Reg description	Regd no	F21
------------	--------	---------	-------------	-----------------	---------	------------

17300	17300-AGE8-EZ5	CANISTER-PCV ASSY	CANISTER-PCV ASSY		1	
-------	----------------	-------------------	-------------------	--	---	--



X-TOWN

86202

KYMCO

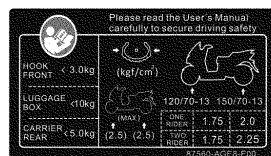
87160

CT125

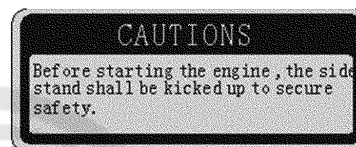
86140



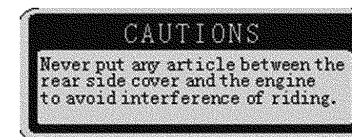
86020



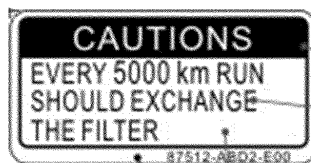
87560



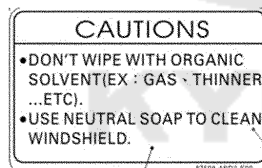
87541



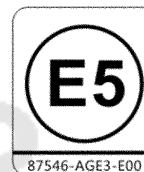
87542



87512



87508



87546

Sales mark	Ref no	Part no	Description	Reg description	Regd no	F22
**	86020	86020-AGD8-C00	EMB DMA STRIDER	EMB DMA STRIDER	1	
**	86140	86140-AGE8-E00	STRIPE E FR COVER	STRIPE E FR COVER	2	
**	86202	86202-AGE8-E00	EMB BODY COVER	EMB BODY COVER	2	
**	87160	87160-AAC7-E60	STRIPE KYMCO MARK	STRIPE KYMCO MARK	2	
**	87508	87508-ABD2-E00	CAUTION FEDERAL LAW	CAUTION FEDERAL LAW	1	
**	87512	87512-ABD2-E00	CAUTION LIST	CAUTION LIST	1	
**	87541	87541-GAR1-C01	CAUTION SIDE STAND	CAUTION SIDE STAND	1	
**	87542	87542-GAR1-C01	MARK MAINT CAUTION R	MARK MAINT CAUTION R	1	
**	87546	87546-AGE3-E00	LABEL FUEL TANK	LABEL FUEL TANK	1	
**	87560	87560-AGE8-E00	MARK DRIVE CAUTION	MARK DRIVE CAUTION	1	



PART NO. INDEX

PART NO.	VERSION	PAGE	PART NO.	VERSION	PAGE	PART NO.	VERSION	PAGE
11000			12251-LFA7-E00	2	E02	14520-LFA7-E00	1	E03
11100-LFA7-305	0	E01	12310-LFA7-E00	6	E02	14523-KED9-900	1	E03
11103-KHE7-900	0	E01	12361-GFY6-901	1	E04	14531-GLR0-001	0	E03
11192-LFA7-E00	4	E01	12391-LFA7-E00	2	E02	14610-LEB1-90B	0	E03
11200-LFA7-305	0	E01	13000			14711-LFA7-E00	3	E02
11203-LBA2-E00	2	E01	13000-LFA7-E00	14	E03	14721-LFA7-E00	3	E02
11203-LBA2-E00	2	F16	13011-LEB1-90A	2	E03	14751-KHD6-900	0	E02
1121A-ZWA3-C00	0	F13	13101-AAG3-EZ5	0	E03	14771-LEA2-900	2	E02
1122A-LEB1-900	6	E01	13111-LFA7-E00	3	E03	14777-LFA7-E00	2	E02
11330-LFA7-E00	9	E04	13406-LFA7-E01	0	E02	14781-KKE5-E00	2	E02
11340-LFA7-E00	4	E01	14000			15000		
11342-LFA7-900	1	E01	14100-AAG3-EZ5	0	E02	15100-KEBE-900	0	E06
11345-LEA7-E00	1	E01	14110-LEB1-900	0	E02	15133-KAM1-001	0	E06
11346-GFY6-901	0	E01	14321-LEB1-900	0	E02	15141-KKJ9-004	0	E06
11394-LFA7-E00	5	E04	14401-LFA7-E00	5	E03	1541A-LEA7-E00	6	E01
11395-LFA7-E00	3	E01	14420-LEB1-900	4	E02	15421-1G07-001	1	E04
12000			14430-LEB1-900	4	E02	15421-KKC3-900	1	E01
12100-LFA7-E00	6	E03	14433-LEB1-900	0	E02	15422-KKC3-900	3	E01
12191-LFA7-E00	1	E03	14434-LEB1-900	1	E02	15423-KKC3-900	1	E01
12200-AAG3-EZ5	0	E02	14452-LFA7-E00	0	E02	15426-GAE1-921	1	E04
12205-KHE8-301	5	E02	14453-LFA7-E00	5	E02	1565A-KUDU-900	0	E04
12209-LEA2-90A	2	E02	14510-LEB1-90B	0	E03	15711-LFA7-E00	2	E06

PART NO. INDEX

PART NO.	VERSION	PAGE	PART NO.	VERSION	PAGE	PART NO.	VERSION	PAGE	
16000			17685-AGE8-E60	0	F10	1901A-AGE8-E60	0	F20	
			17910-AGE8-EZ5	0	F03	19025-AGE7-C00	0	F20	
			17911-AGE8-EZ5	0	F03	19101-AGE7-C00	0	F20	
1610A-AGE8-EZ5	0	E08	18000			19102-AGE7-C00	0	F20	
16201-AAG3-EZ5	0	E02		19104-AEF6-C00	0	F20			
16211-AAG3-EZ5	0	E02		19105-AEF6-C00	0	F20			
17000			18291-ALD9-E10	0	F14	19111-PRB3-C00	0	F20	
			18291-KEBE-900	1	F14	19210-ABD6-C00	0	F20	
			18291-LHB3-E11	0	F14	19215-KHE7-900	0	E04	
1711A-AAG3-EZ5	0	E02	18292-KEBE-C00	0	F14	19217-ZPA3-E00	0	E04	
17200-AGE8-E60	1	F13	18293-KEBE-C00	1	F14	19221-LFA7-E00	2	E04	
17211-LFA7-C00	0	F13	18294-KEBE-900	1	F14	19229-LFA7-E00	1	E04	
17213-LEA7-C00	0	F13	18294-PUA3-B50	1	F14	19231-LFA7-E00	2	E04	
17214-LEA7-C00	0	F13	18306-LGE5-C00	0	F14	19232-LBA2-E00	2	E04	
1723A-ACJ1-C00	0	F13	1830A-AGE8-EZ5	0	F14	19300-LFA7-E0A	1	E02	
1723B-AGE8-E60	0	F13	18318-LGE7-E0A	0	F14	19315-LFA7-E00	5	E02	
17300-AGE8-EZ5	0	F21	19000			19411-KBCB-900	1	F10	
1737A-KUDU-C00	0	F13		19010-AGE8-E60	0	F20	19411-LFG2-C00	0	F06
17500-AGD8-C00	0	F10		19011-AGE8-E60	0	F20	19507-ABD6-C00	0	F20
17502-AGE7-C00	0	F10	19012-KHD8-C00	0	F20	19632-AGD8-C00	0	F19	
17550-AGE7-C00	0	F10	19013-AGE8-E60	0	F20	19632-AGE8-E60	0	F19	
17561-LHG8-E00	0	F10	19014-AGE8-E60	0	F20	21000			
17561-LKB9-900	1	F10	19015-AGE7-C00	0	F20		21301-LFA7-E00	2	E07
17600-AGE7-C00	0	F10	19016-AGE7-C00	0	F20		21395-LFA7-E00	2	E07
17620-LFC3-E15	0	F19							
17624-AGE7-C00	0	F19							

PART NO. INDEX

PART NO.	VERSION	PAGE	PART NO.	VERSION	PAGE	PART NO.	VERSION	PAGE
33739-ABD2-C00	0	F19	37750-PAC1-005	0	E02			
33741-LEH3-EZ0	1	F18	37760-KHD8-900	0	F20	42000		
33900-LHG7-E00	0	F12	37780-ACD5-E00	1	F19			
35000			3780A-AGE7-C00	0	F10	42311-LEA7-C00	0	F08
			38000			42312-LEA7-C00	0	F08
35010-AGE7-C00	0	F19				42601-ABD2-C00	0	F08
35102-ALL1-C00	0	F19	38110-KFAF-90B	2	F19	42710-ABD2-C00	0	F08
35102-LEB1-90A	0	F19	38300-ACC1-E10	1	F19	43000		
35111-LDC1-305	0	F19	38500-AAD2-C00	5	F19			
35111-LDC1-306	0	F19	38500-LGL3-900	1	F19	43100-AAG3-E00	0	F04
3515A-ACJ1-E00	1	F03	3860A-AEH2-M40	0	F19	43105-LGE5-406	0	F04
3520A-ABD2-C00	0	F03	38900-AGE7-C00	0	F19	43126-AGE8-E60	0	F04
35340-KNBN-C00	1	F04				43127-AGD8-C00	0	F04
35350-KNBN-C00	1	F04	39000			43156-LEA7-E00	0	F04
35370-LLJ3-E00	3	F15				43156-LFC3-E10	2	F04
35380-ABE1-C00	0	F19	39100-ABD6-C00	0	F19	43351-ABD2-C00	0	F08
35390-LHG7-E00	4	F12	39300-LEB2-800	1	E02	43500-ACJ1-E00	0	F04
35850-LCA3-B50	0	F19	39301-AAG3-EZ5	0	E02	44000		
37000			39302-KKE3-900	0	E02			
			39303-LEB2-900	0	E02			
			39306-LEB2-305	0	E02	44301-LEA7-E00	0	F07
37200-AGE8-E60	0	F02	39307-LEB2-305	0	E02	44311-AGD8-C00	0	F07
37211-ABD2-C00	0	F02	39400-LDF2-800	2	E02	44312-AGD8-C00	0	F07
37236-ABD2-E00	0	F02	39450-ZVA6-M00	0	F14	44601-AGD8-C00	0	F07
37720-KGB5-900	0	E02				44620-LEA7-C00	0	F07

PART NO. INDEX

PART NO.	VERSION	PAGE	PART NO.	VERSION	PAGE	PART NO.	VERSION	PAGE
44710-AGD8-C00	0	F07	50194-AGE8-EZ5	0	F20	51000		
45000			50306-1F96-C00	1	F06			
			50320-AGE7-C00	0	F20			
			5032A-AGE7-C00	0	F11		51400-AGE8-E60	0
45105-LGE5-305	0	F04	50330-ALK5-C00	1	F19	51401-ABD2-C00	0	F06
45124-AGD8-C00	0	F04	50350-LFA7-C00	0	F20	51404-LDH1-C00	0	F06
45126-AGD8-C00	0	F04	50352-LBA2-E00	0	F20	51410-AGE7-C00	0	F06
4512A-LEA7-C01	1	F07	50360-LFA7-C00	0	F20	51412-LLJ3-C00	0	F06
45136-AGD8-C00	0	F04	50500-AGE8-E60	0	F15	51416-LDH1-C00	0	F06
45156-AGD8-C00	0	F06	50502-LDF7-C00	1	F15	51420-ABD2-C01	0	F06
45200-ACJ1-E00	0	F04	50504-AGE8-E60	3	E01	51422-KED9-C00	0	F06
45352-LEA7-E00	0	F07	50505-AGE8-E60	0	F15	51427-LDH1-C00	0	F06
45500-ACJ1-E00	0	F04	50505-PUA3-B50	2	F15	51427-LLJ3-C00	0	F06
45513-LEA7-C00	0	F04	50506-KHE7-E00	0	F15	51429-LEA7-E00	0	F06
48000			50530-AGE7-C00	0	F15	51437-LDH1-C00	0	F06
			50550-KKC2-C00	0	F15	51500-AGE8-E60	0	F06
			50610-AGE7-C00	0	F05	51520-ABD2-C01	0	F06
			50615-AGE7-C00	0	F20			
48200-LBA2-E02	0	F04	50616-AGE7-C00	0	F20	52000		
49000			50619-AGE8-E60	0	F20			
			50623-AGE7-C00	0	F20	52000-AAG3-E00	0	F16
			50624-AGE7-C00	0	F20	52400-AGE2-E00	0	F16
49211-LFH1-C00	0	F04	5071A-LDA6-C00	2	F12	53000		
50000			5071B-LDA6-C00	2	F12			
	50100-AGE8-E60	0	F20			53100-AGD8-C00	0	F03

PART NO. INDEX

PART NO.	VERSION	PAGE	PART NO.	VERSION	PAGE	PART NO.	VERSION	PAGE
53105-LEA7-C00	0	F03				64311-AEF6-C00	0	F05
53106-LEA7-C00	0	F03	61000			64311-AGE7-C00	0	F05
53125-LEA7-C00	1	F03				64315-AGE7-C00	0	F20
5312A-AGD8-C00	0	F03	61100-AGE7-C00	0	F06	64316-AGE7-C00	0	F20
53133-3H98-C00	0	F03	61101-AGE7-C00	0	F06	64317-AGE7-C00	0	F05
53134-2C83-C01	1	F03	61102-AGE7-C00	0	F06	6431A-AGE7-C00	0	F05
53140-LHJ3-900	0	F03	61110-AGE7-C00	0	F05	64320-AGE7-C00	0	F05
53150-LEA6-900	0	F03				6432A-AGE7-C01	0	F05
53175-LKF5-C00	0	F04	64000			6432B-AGE7-C01	0	F05
53178-LKF5-C00	0	F04				64330-AGE7-C00	0	F05
53200-AGE7-C00	0	F06	64206-MLJ0-C01	0	F12	64400-AGE7-C00	0	F05
53204-AGE7-C00	0	F03	64220-AGE8-E00	0	F03			
53205-AGE7-C00	0	F03	64221-AGE7-C00	0	F03	77000		
53206-ABD2-C00	0	F03	64222-LLJ3-C00	0	F06			
53207-AGE7-C00	0	F03	64223-LEA7-C00	0	F03	77200-AGE8-EZ5	0	F09
53208-AGE7-C01	0	F03	64224-AGE7-C00	0	F03	77235-LEA1-C00	0	F19
53209-AGE7-C01	0	F03	64225-LEA7-E00	1	F03	77240-AGE7-C00	0	F19
5320A-AGE7-C00	0	F03	64226-LEA7-E00	0	F03	77303-AGE7-C00	0	F09
53213-LBA2-C00	0	F06	64301-AGE7-C00	0	F05	7750A-AGE7-C00	0	F09
53213-LEA7-C00	0	F06	64302-AGE7-C00	0	F05			
53214-LBA2-C00	0	F06	64303-AGE7-C00	0	F05	80000		
53220-LBA2-E00	0	F06	64304-AGE7-C00	0	F05			
53228-AGE7-C00	0	F03	64305-AGE7-C00	0	F05	80101-AGE8-E00	0	F18
53229-AGE7-C00	0	F03	64306-AGE8-E00	0	F05	80105-AGE7-C00	0	F18
53240-LEA7-90A	2	F06	64307-AGE7-C01	0	F05	80106-AGE7-C00	0	F18
53250-LEA7-90A	2	F06	64308-AGE7-C01	0	F05	80116-ACC1-E10	1	F18

PART NO. INDEX

PART NO.	VERSION	PAGE	PART NO.	VERSION	PAGE	PART NO.	VERSION	PAGE
80151-AGD8-C00	0	F05				86140-AGE8-E00	0	F22
80152-AGE7-900	0	F05	83000			86202-AGE8-E00	0	F22
80153-ACC1-E10	1	F05				87000		
80153-AGE7-C00	0	F05	83500-AGE7-C00	0	F12			
8015A-AGE7-C00	0	F05	83510-AGE7-900	0	F12			
80161-AGE7-900	0	F05	83550-ABD2-C00	0	F03	87160-AAC7-E60	0	F22
81000			83550-KEC8-C00	4	F06	87508-ABD2-E00	0	F22
			83550-KEC8-C00	4	F18	87512-ABD2-E00	0	F22
			83551-KEC8-C10	4	F03	87541-GAR1-C01	1	F22
81132-ACC1-E10	2	F05	83551-KEC8-C10	4	F06	87542-GAR1-C01	2	F22
81133-AGE7-900	0	F05	83551-KEC8-C10	4	F18	87546-AGE3-E00	0	F22
81134-AGE7-C00	0	F05	83600-AGE7-C00	0	F12	87560-AGE8-E00	0	F22
8113A-AGE7-C00	0	F05	83610-AGE7-900	0	F12			
81143-AGE7-900	0	F05	83750-AGE7-C00	0	F12	88000		
81144-ALJ8-E10	2	F12						
81150-AGE7-C00	0	F05	84000			88110-ACJ1-E00	0	F03
81153-AGE7-C00	0	F05				88110-ACJ1-E00	1	F03
81158-AGE7-C00	0	F03	84707-AGE7-C00	0	F18	88120-ACJ1-E00	0	F03
81163-AGE7-C00	0	F03				88120-ACJ1-E00	1	F03
81173-AGE7-C00	0	F03	85000					
81200-AGE7-C00	0	F12				89000		
81211-AGE7-C00	0	F03	85104-AGE7-C00	0	F20			
81251-AGE7-C00	0	F12				89010-ABD2-C00	0	F09
81252-AGE8-E00	0	F12	86000			89020-KKC4-C00	1	F09
8125A-AGE8-E00	0	F12						
81260-AGE8-E00	0	F12	86020-AGD8-C00	0	F22			

PART NO. INDEX

PART NO.	VERSION	PAGE	PART NO.	VERSION	PAGE	PART NO.	VERSION	PAGE	
90000			90110-KEB7-C01	1	F05	90302-GBR2-C01	1	F18	
			90110-KHD8-900	0	F14	90302-GFY6-C11	1	F10	
			90111-06016-07G	0	F03	90302-GFY6-C11	1	F11	
	90001-GBHB-661	3	E03	90111-06016-07G	0	F05	90302-GFY6-C11	1	F18
	90001-GFY6-901	1	E02	90111-06016-07G	0	F12	90302-GFY6-C11	1	F19
	90005-KED9-900	2	E03	90111-06016-07G	0	F15	90302-LKB9-C00	0	F03
	9000A-KTDT-900	1	E01	90113-LGE5-C01	0	F04	90302-LKB9-C00	0	F05
	9000B-KHD6-900	0	E02	90114-GDM4-C01	1	F13	90302-LKB9-C00	0	F12
	90012-3C33-001	2	E02	90116-KEC8-C00	0	F06	90302-LLB1-C01	1	F04
	90031-KHD6-900	0	E01	90117-KED9-950	0	F20	90302-PUA3-B51	1	F03
	90032-KHD6-900	2	E01	90122-LEA7-C01	0	F07	90302-SDA4-C01	0	F03
	90033-GFY6-C01	1	E02	90122-LEA7-C01	0	F08	90302-SDA4-C01	0	F06
	90084-KKF9-901	0	E04	90145-LBA2-E00	0	F04	90302-SDA4-C01	0	F11
	9008A-PTA1-900	0	E04	90145-MKS9-C00	0	F04	90302-SDA4-C01	0	F12
	9008A-PTA1-900	3	E04	90201-KHR8-75A	1	E06	90302-SDA4-C01	0	F19
	90104-LEA7-C01	0	F03	90202-KGN7-671	0	E05	90304-GHE8-C01	0	F03
	90105-KCR3-C02	1	F08	90206-0A01-001	4	E02	90304-GHE8-C01	0	F16
	90105-LEA7-C01	0	F07	90215-KKC4-C00	1	F18	90304-GHE8-C01	0	F20
	90106-KFC2-900	2	F03	90215-KKC4-C00	1	F19	90304-LBD4-C01	1	F20
	90106-KFC2-900	2	F12	90301-6C93-C01	1	F09	90304-LEA1-C01	1	F15
90106-LEA7-E00	0	F20	90301-6C93-C01	1	F12	90305-KKAK-C00	0	F08	
90106-PUA3-B50	0	F03	90301-6C93-C01	1	F20	90305-LBA2-C00	0	F03	
90106-PUA3-B50	0	F20	90301-6D34-C01	1	F10	90305-LBA2-C00	0	F06	
90107-LEA7-C01	1	F03	90301-6D34-C01	1	F18	90305-MAA1-C01	0	F20	
90107-LEA7-C01	1	F06	90301-6D34-C01	1	F20	90312-LLJ3-C00	0	F06	
90108-KKC4-900	0	F15	90301-GFY6-C01	0	F14	90401-KKJ9-001	0	E06	

PART NO. INDEX

PART NO.	VERSION	PAGE	PART NO.	VERSION	PAGE	PART NO.	VERSION	PAGE
90423-KKJ9-001	0	E04	90914-AGE8-E60	0	F20	91981-KGN7-670	0	E06
90428-9H58-001	0	E04						
90441-GFY6-941	1	E05	91000			92000		
90465-MDC4-001	4	E02						
90474-3C33-001	1	E01	91002-GGA7-70A	0	E05	92000-05016-0G	0	E02
90478-7L00-001	0	E04	91004-KHE7-900	1	E05	92000-05016-0G	0	E06
90503-LEA7-C00	0	F06	91009-KHE7-900	0	E01	92000-LEA6-900	2	E06
9052A-LEB1-900	0	E01	91101-1K79-711	1	E06	92101-05012-0HG	1	F07
90544-KEC8-C00	0	F06	91104-GFY6-90A	0	E06	92101-06014-0G	1	E02
90545-3L00-C00	2	F04	91202-LEB1-900	1	E01	92900-06060-0B	2	E02
90601-GFY6-901	0	E05	91202-LFE2-90A	0	E07			
90601-LLJ3-C00	0	F06	91202-LKG2-900	1	E04	93000		
90605-1F66-721	0	E05	91211-KEBE-900	0	E05			
90651-AGD8-C00	0	F19	91251-LLJ3-C00	0	F06	93401-04025-06	0	F19
90651-AGE7-C00	0	F19	91255-KHE7-90A	1	E01	93404-06012-07G	0	F18
90651-ALJ8-E10	1	F19	91255-LGE5-E00	0	F16	93404-06016-07G	1	F12
90651-LLJ3-C00	0	F06	91255-LLB1-900	0	F16	93404-06016-07G	1	F18
90652-ACD5-B80	0	F13	91301-GLR0-005	1	E03	93404-06025-07G	1	F03
90652-ALB8-900	0	E02	91301-LEB1-900	0	E02	93404-06025-07G	1	F20
90652-LCA4-C10	6	F05	91302-0A01-021	0	E04	93891-05020-07G	0	F19
90652-LCA4-C10	6	F12	91302-5G67-004	4	E04	93903-25360	0	F13
90652-LFB5-C00	1	F05	91303-3G77-001	0	E04	93903-25480	1	F02
90652-LFB5-C00	1	F12	91303-KKE5-E00	2	E01	93903-34380-G	0	F03
90677-GAR1-C01	1	F11	91306-1E05-691	1	E03	93903-34380-G	0	F05
90701-HFB6-011	1	E03	91307-0E35-001	1	E04	93903-34380-G	0	F06
90754-LLJ3-C00	0	F07	91351-6B42-000	1	E05	93903-34380-G	0	F11

PART NO. INDEX

PART NO.	VERSION	PAGE	PART NO.	VERSION	PAGE	PART NO.	VERSION	PAGE
93903-34380-G	0	F18	94050-06080	2	E02	94591-KFBF-900	2	E04
93903-35260	0	E01	94050-06080-G	1	F04	94591-LEE8-E00	1	E01
93903-35280-G	1	F01	94050-06080-G	1	F19	94591-LGR5-E10	1	F05
93903-35280-G	1	F03	94050-06080-G	1	F20	94601-14000	1	E03
93903-35280-G	1	F05	94050-08080	4	E02	94608-LLJ3-C00	0	F06
93903-35280-G	1	F17	94050-08080-G	1	F19			
93903-35280-G	1	F18	94050-12080	1	E05	95000		
93903-35280-G	1	F20	94050-ALD7-C11	0	F03			
93903-35380-G	1	F02	94101-06000-G	0	F20	95002-50000	1	E01
93903-35380-G	1	F03	94101-08600	0	F15	95014-72204-G	0	F15
93903-45280-G	1	F05	94101-LBA2-C01	1	F20	95701-06012-07G	1	F11
93903-GFY6-C01	1	F06	94102-LBA2-C01	1	F20	95701-06012-08G	1	F04
93903-GFY6-C01	1	F19	94111-06800	1	E02	95701-06012-08G	1	F10
93903-KEB7-C01	1	F03	94301-08140	4	E01	95701-06012-08G	1	F20
93903-LHJ8-C01	1	F01	94301-08140	4	E04	95701-06014-08G	1	F19
93903-LHJ8-C01	1	F03	94301-10160	4	E01	95701-06014-08G	1	F20
93903-LHJ8-C01	1	F05	94301-10160	4	E02	95701-06016-07G	1	F20
93903-LHJ8-C01	1	F18	94301-10160	4	E03	95701-06018-06	0	E01
			94301-KKE5-E00	2	E01	95701-06020-08G	1	F19
94000			94510-10000	0	E06	95701-06025-06	2	E01
			94510-14000	0	E04	95701-06045-07G	1	F20
94050-05080-G	1	F18	94510-25000	1	E07	95701-06050-07G	1	F04
94050-06070-G	0	F04	94520-28000	1	E05	95701-08012-06	1	E01
94050-06070-G	0	F10	94520-47000	0	F16	95701-08016-08G	0	F20
94050-06070-G	0	F19	94591-25000	1	F05	95701-KEC8-E01	0	F19
94050-06070-G	0	F20	94591-KFBF-900	2	E02	95701-LDF2-C00	1	F10

PART NO. INDEX

PART NO.	VERSION	PAGE	PART NO.	VERSION	PAGE	PART NO.	VERSION	PAGE
95801-08040-08G	1	F06	96001-06050-06	1	E01			
95801-10030-07G	1	F15	96001-06085-06	0	E01			
95801-10040-07G	1	F16	96001-06100-06	1	E02			
95801-10045-07G	1	F14	96001-06120-06	1	E04			
95801-10057-07G	1	F14	96001-LAB4-900	3	E02			
95801-10075-07G	0	F16	96100-60020-00	1	E01			
			96100-62020-00	1	E07			
96000			96100-62030-00	1	E01			
			96100-63030-00	1	E07			
96001-06010-00	0	E04	96100-LFE2-900	1	E07			
96001-06012-06	1	E06	96150-60020-10	0	F07			
96001-06012-07G	1	F06	96150-62040-10	0	F16			
96001-06012-07G	1	F19	96220-60100	1	E06			
96001-06012-08G	1	F04	96600-08015-16	0	E06			
96001-06012-08G	1	F19	96700-KED9-C01	1	F06			
96001-06014-06	0	E02						
96001-06016-06	1	E01	98000					
96001-06018-06	1	E06						
96001-06022-06	1	E04	98059-57916-00	2	E02			
96001-06025-06	1	E01	98200-31000	1	F11			
96001-06028-06	1	E04	98200-31500	1	F11			
96001-06028-06	1	E06	98200-33000	0	F11			
96001-06030-06	0	E04						
96001-06032-06	1	E01						
96001-06032-07G	1	F12						
96001-06035-08G	1	F20						