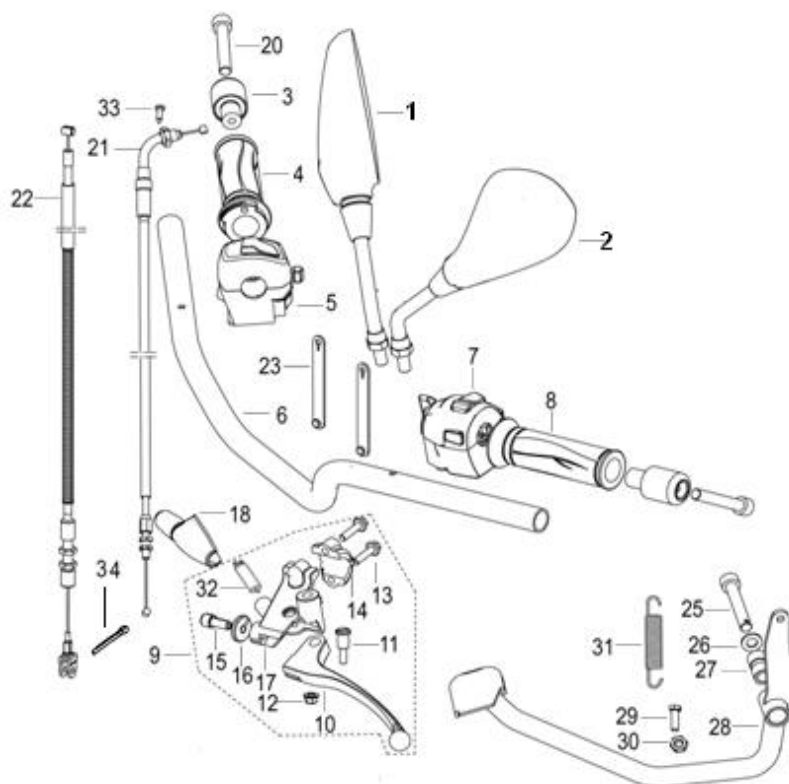


RKV 125 FL



RKV 125 FL

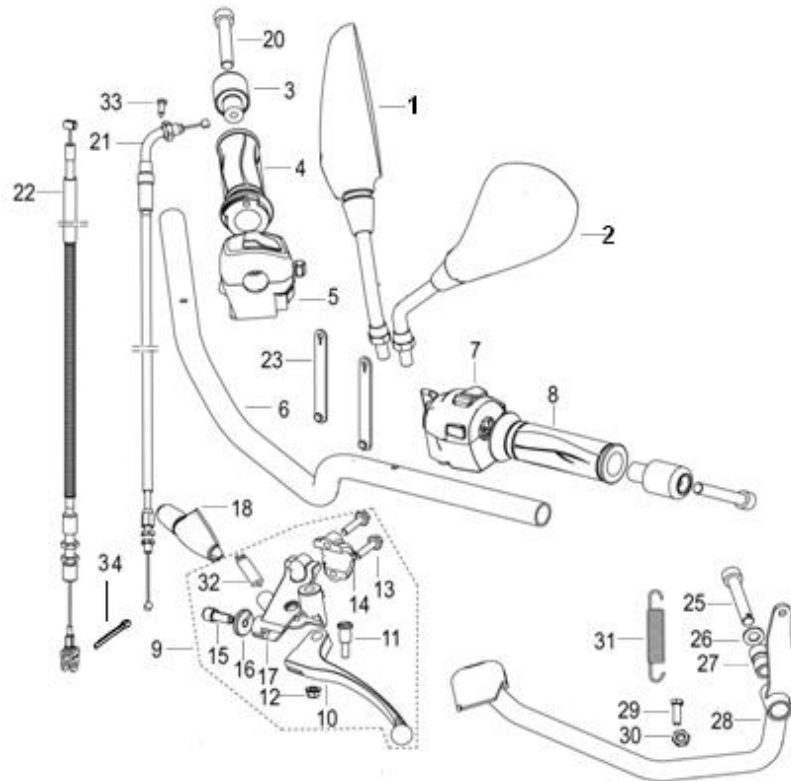
F01 CONTROL ASSY



Nº	CÓDIGO	DESCRIÇÃO	Qt.	OBSERVAÇÕES
1	40480J300006	MIRROR ASSY.,RR VIEW,R.	1	
2	40450J300003	MIRROR ASSY.,RR VIEW,L.	1	
3	40031J000022	BALANCER ASSY.	2	
4	40210J670010	GRIP ASSY., HANDLE, R.	1	
5	40600M140000	SWITCH ASSY., R.	1	
6	40100K670021	HANDLE BAR ASSY	1	
7	40500K670001	SWITCH ASSY., L.	1	
8	40001J670010	GRIP ASSY.,L.	1	
9	40080K740001	CLUTCH LEVER ASSY.mark:2	1	
10	40002K740000	CLUTCH LEVER.mark:2	1	
11	40083K010000	MOUNTING BOLT,HANDLE	1	
12	B04170600064	NUT M6	1	
13	B01400602365	BOLT M6x23	2	
14	45023K010000	COVER,FIX	1	
15	45083K010000	SPIRAL TUBE,ADJUSTING	1	
16	55064K010000	SLOTTED NUT	1	
17	40085K740001	MIRROR SEAT,RR. VIEW,L,mark:2	1	
18	40017J130000	CLUTCH CABLE RUBBER COVER	1	
20	B0205060356H	SCREW M6x35	2	
21	40300K690003	CABLE ASSY., THROTTLE	1	
22	40400K690000	CABLE ASSY., CLUTCH	1	
23	49371T620000	CLIP	2	
25	08012J000100	SHAFT, BRAKE PEDAL	1	
26	B0700000100H	SPRING WASHER 10mm	1	

RKV 125 FL

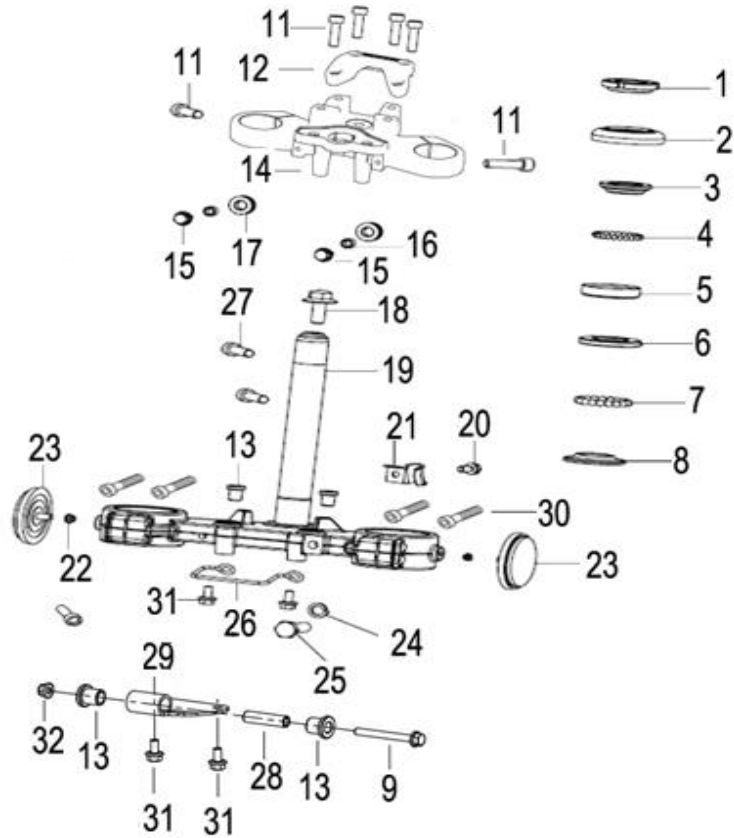
F01 CONTROL ASSY



Nº	CÓDIGO	DESCRIÇÃO	Qt.	OBSERVAÇÕES
27	40705J000001	BUSH	1	
28	40710K690000	PEDAL COMP., RR. BRAKE	1	
29	B0101060402H	BOLT M6x40	1	
29	B0109060356H	BOLT M6x35	1	
30	B0400060005H	NUT M6	1	
31	40702K670200	SPRING, RR. BRAKE PEDAL	1	
32	91090K010000	SWITCH,CLUTCH	1	
33	B0507480130H	SCREW ST4.8x13	1	
34	B090002018AH	COTTER PIN 2x18	1	

RKV 125 FL

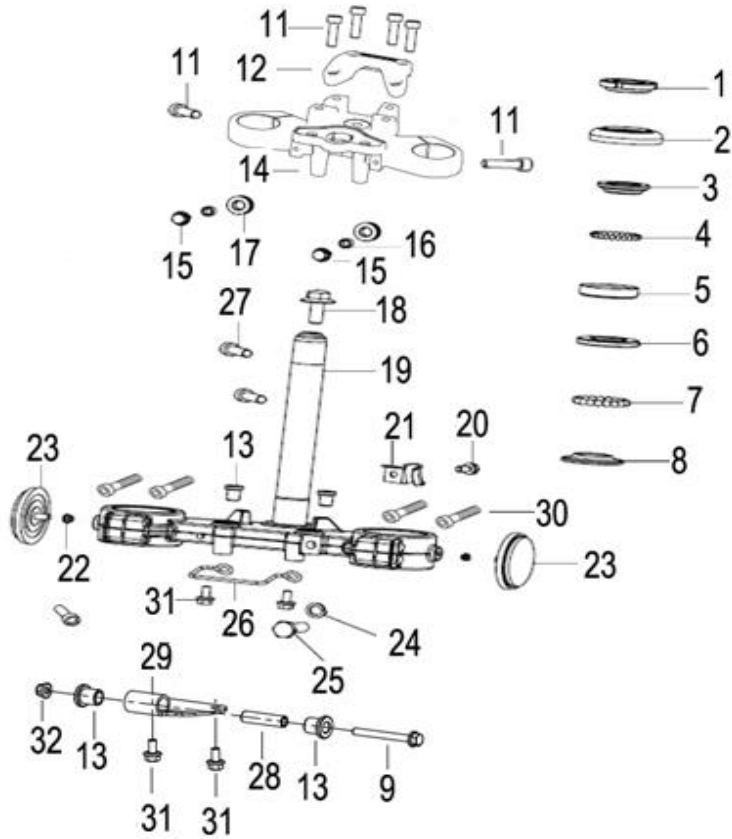
F02 FORK ASSY



Nº	CÓDIGO	DESCRIÇÃO	Qt.	OBSERVAÇÕES
1	43008G130010	NUT	1	
2	43005G130000	DUST COVER	1	
3	43001G130000	RACE, UPPER BEARING, UPPER	1	
4	B06010140000	STEEL BALL,3/16'	23	
5	43002G130000	RACE, UPPER BEARING, LOWER	1	
6	43003N040000	RACE,UPPER,BOTTOM BEARING	1	
7	B06010200000	STEEL SHOT 1/4'	19	
8	43004J000000	RACE,LOWER,BOTTOM BEARING	1	
9	B0109060556H	BOLT M6x55	1	
11	08003K670000	BOLT 8X30	6	
12	43014J800003	SEAT,HANDLERBAR,UPPER	1	
13	08524P250000	BUFFER JACKET	2	
14	43011J800001	UPPER BRACKET ASSY,	1	
15	B0109060166H	BOLT M6x16	2	
16	08061K670000	CUSHION,BUFFER	2	
17	47028G220000	BUFFER RUBBER	2	
18	43049J050051	BOLT,LOCKING,COLUMN M10x1.25x33	1	
19	43100J800000	UNDER BRACKET COMP.	1	
20	B1311060120H	SCREW W/WASHER M6x12	1	
21	43035J000004	CLIP,DISC BRAKE	1	
22	B0400060005H	NUT M6	2	

RKV 125 FL

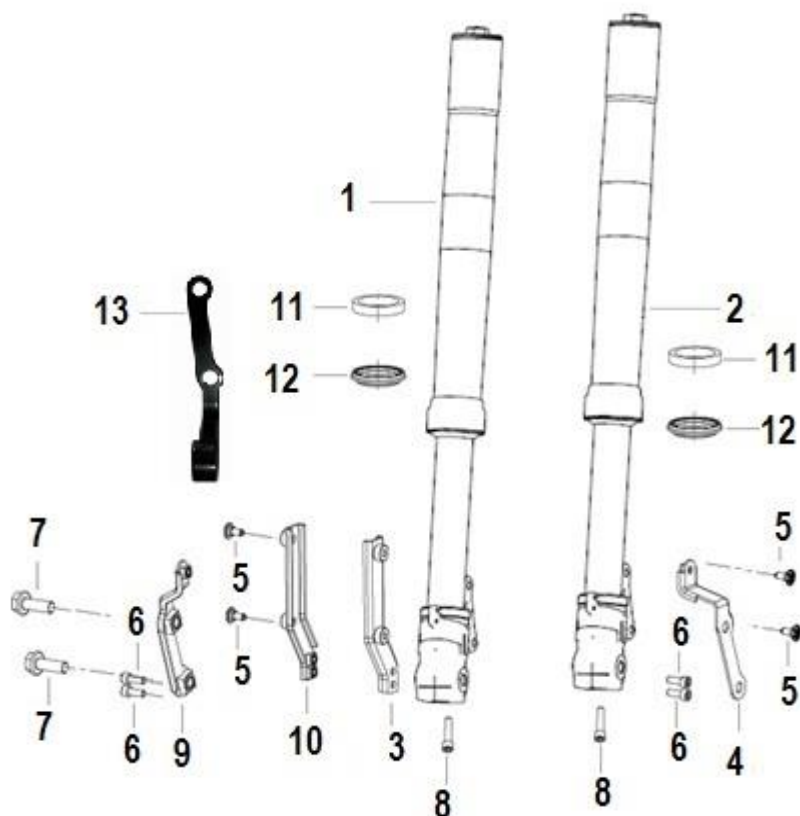
F02 FORK ASSY



N°	CÓDIGO	DESCRIÇÃO	Qt.	OBSERVAÇÕES
23	86300N060000	REFLECTOR ASSY	2	
24	B0700000100H	WASHER 10mm	1	
25	B0109100166H	BOLT M10×16	1	
26	43035J300000	CLIP	1	
27	B1301060160H	SCREW W/WASHER M6×16	2	
28	08523P250000	HEADLIGHT LOWER SLEEVE	1	
29	08332L290000	HEADLIGHT FIX PLATE	1	
30	08002K670000	BOLT M16×30	4	
31	B0109060166H	BOLT M6×16	4	
32	B0407060005H	NUT M6	1	

RKV 125 FL

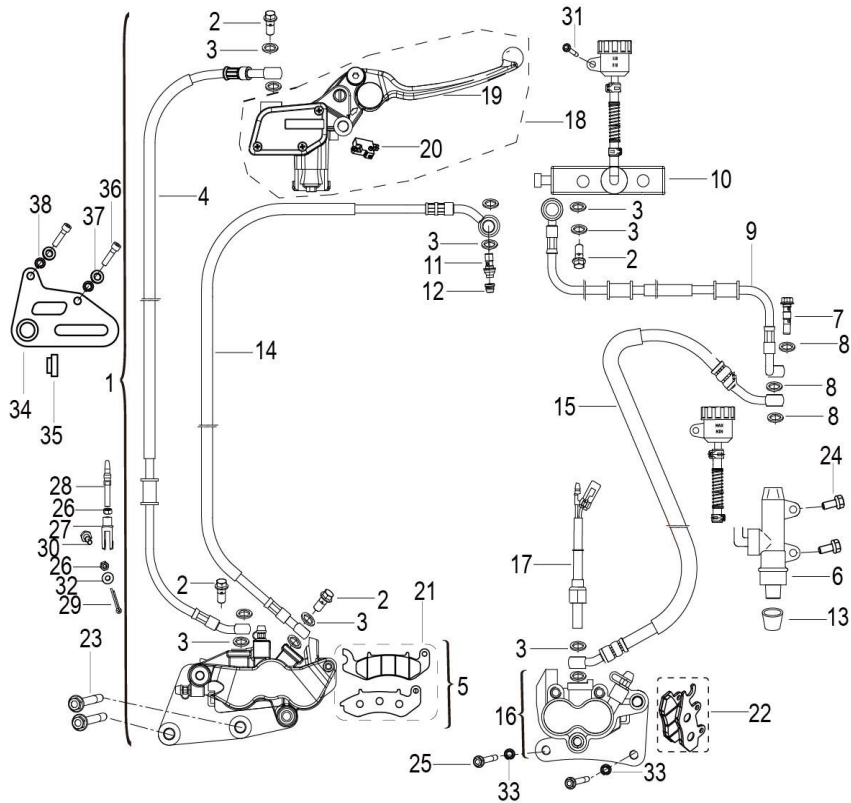
F03 FRONT ABSORBER ASSY



Nº	CÓDIGO	DESCRIÇÃO	Qt.	OBSERVAÇÕES
1	43300M040010	ABSORBER ASSY.,FR.,RH.BROWN	1	
2	43200M040010	ABSORBER ASSY.,FR.,LH.BROWN	1	
3	65130L290000	FRONT FENDER LEFT BRACKET I	1	
4	65150J800200	FRONT FENDER LEFT BRACKET II	1	
5	B0284060150A	SCREW M6x15.2	4	
6	08001K670000	SCREW M6x16	4	
7	08011K670100	BOLT M10x1.25x30	2	
8	08002K670000	BOLT M16x30	2	
9	65160J800200	FRONT FENDER RIGHT BRACKET II	1	
10	65140L290000	FRONT FENDER RIGHT BRACKET I	1	
11	43260N100000	OIL SEAL	2	
12	43290N100000	DUST SEAL	2	
13	43057K670000	CLIP	1	

RKV 125 FL

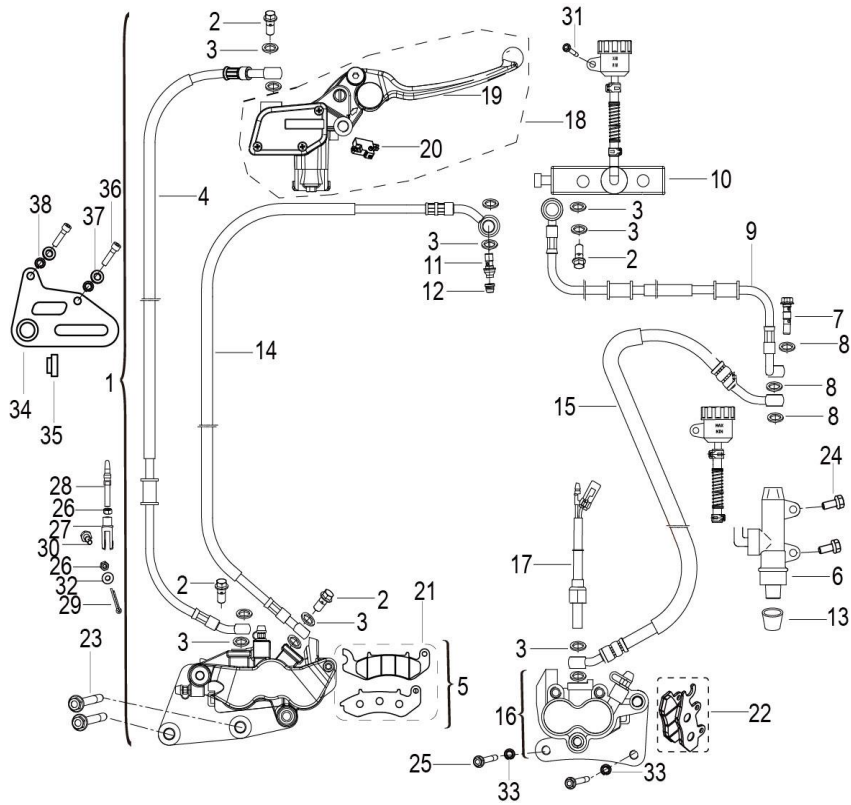
F04 FRONT DISK BRAKE



Nº	CÓDIGO	DESCRIÇÃO	Qt.	OBSERVAÇÕES
1	55A00J800000	FRONT&REAR DISC BRAKE ASSY.	1	
2	45037J000000	BOLT	4	
3	45180J000000	WASHER	12	
4	45200J80000C	FRONT BRAKE HOSE ASSY.I	1	
5	45500J800004	FRONT LEFT DISC BRAKE CALIPER ASSY.	1	
6	55400J800001	REAR MASTER CYLINDER ASSY	1	
7	45037P150001	BRAKE HOSE BANJO BOLT	1	
8	45180P300000	WASHER	3	
9	55210J80000C	CBS BRAKE HOSE ASSY.I	1	
10	55400J800002	CBS MASTER CYLINDER ASSY.	1	
11	45037P300000	BRAKE HOSE BANJO BOLT	1	
12	45019N100000	VALVE	1	
13	55003J410000	DUSTPROOF COVER	1	
14	55240J80000C	CBS BRAKE HOSE ASSY.II	1	
15	55270J80000C	CBS BRAKE HOSE ASSY.III	1	
16	55600J800003	REAR DISC BRAKE CALIPER ASSY.	1	
17	55300U140000	REAR BRAKE SWITCH ASSY.	1	
18	45400J820010	FRONT MASTER CYLINDER ASSY	1	
19	45020J820000	FRONT BRAKE LEVER	1	
20	45300J000010	FRONT BRAKE SWITCH	1	
21	45110T800000	FRONT BRAKE PAD	1	
22	45110T400000	REAR BRAKE PAD	1	
23	B01591004064	BOLT M10x1.25x40	2	

RKV 125 FL

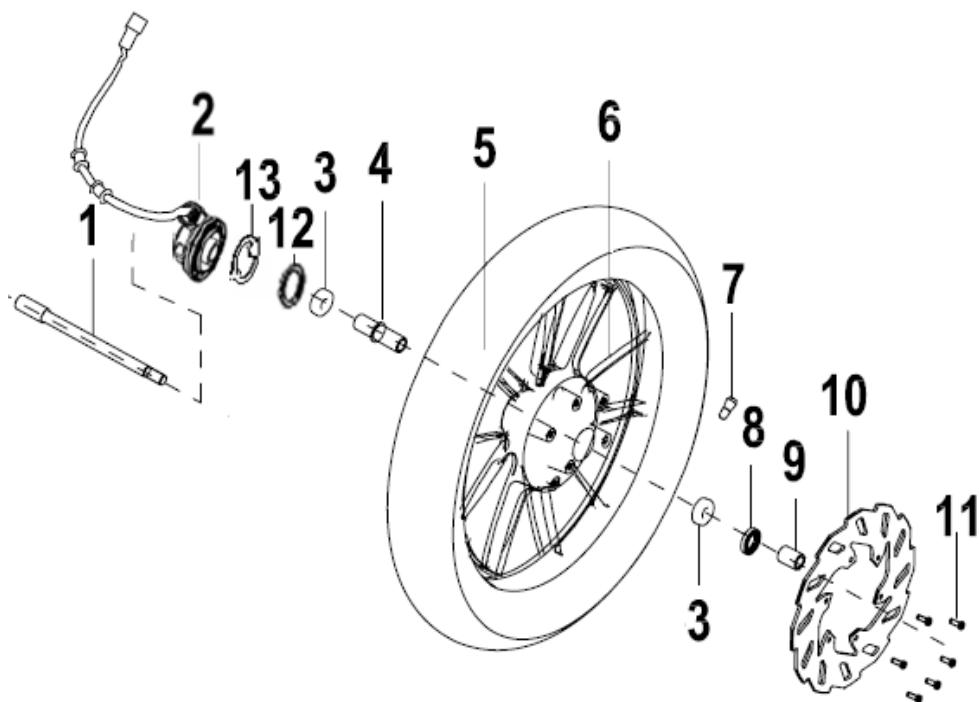
F04 FRONT DISK BRAKE



Nº	CÓDIGO	DESCRIÇÃO	Qt.	OBSERVAÇÕES
24	B0103060206H	BOLT M6x20	2	
25	B0109080226H	BOLT M8x22	2	
26	B0400060005H	NUT M6	2	
27	40716M030000	DRAWHEAD	1	
28	55502M030000	ROD END YOKE	1	
29	B090002018AH	COTTER PIN 2x18	1	
30	40717D010100	FIXED BOLT	1	
31	B0109060126H	BOLT M6x12	1	
32	B0703000060H	WASHER 6MM	1	
33	B07030001004	WASHER 10MM	2	
34	55410J800002	REAR DISC BRAKE BRACKET	1	
35	54005J800002	BUSH	1	
36	B0255100186H	SCREW M10x1.25x18	2	
37	B0703000100H	WASHER 10MM	2	
38	B0700000100H	SPRING WASHER 10mm	2	

RKV 125 FL

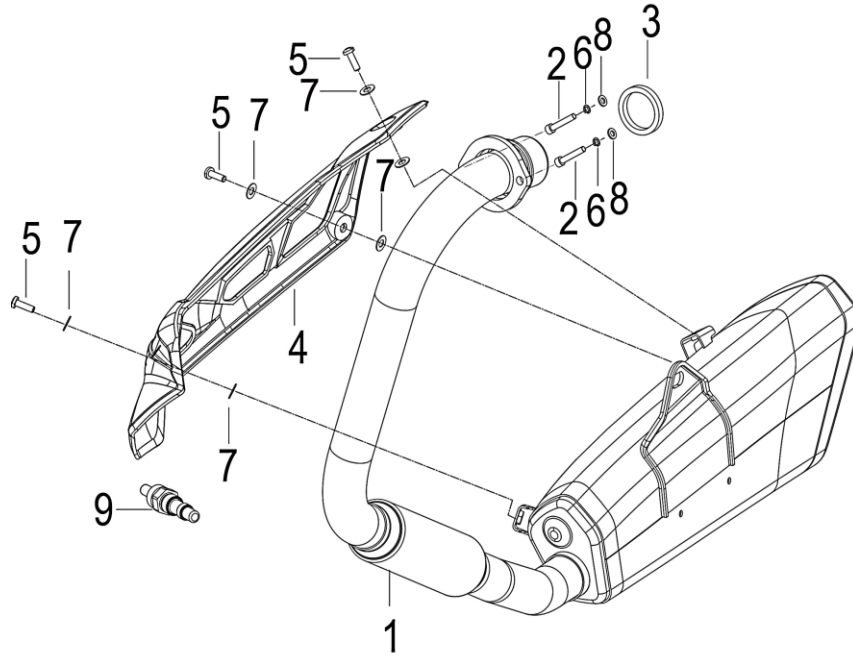
F05 FRONT WHEEL ASSY



Nº	CÓDIGO	DESCRIÇÃO	Qt.	OBSERVAÇÕES
1	44004J800200	AXLE, FRONT WHEEL M14x1.5x207	1	
2	44200K690000	SPEEDOMETER DRIVE ASSY	1	
3	B12016020200	BEARING	2	
4	44600J800000	INTERMEDIATE SHAFT SLEEVE	1	
5	579059	TYRE 100/80-17	1	MITAS
6	44101J800001	FRONT WHEEL	1	
7	B1403Z201100	VALVE INSIDE	1	
8	44300B910000	OIL SEAL ASSY,FRONT WHEEL	1	
9	44005J800000	FRONT WHEEL LEFT COLLAR	1	
10	45033J800000	BRAKE DISK	1	
11	45036D010200	BOLT, FIXING M6x16	6	
12	44230J000000	SEAL ASSY	1	
13	44023J000000	DRIVING PLATE	1	

RKV 125 FL

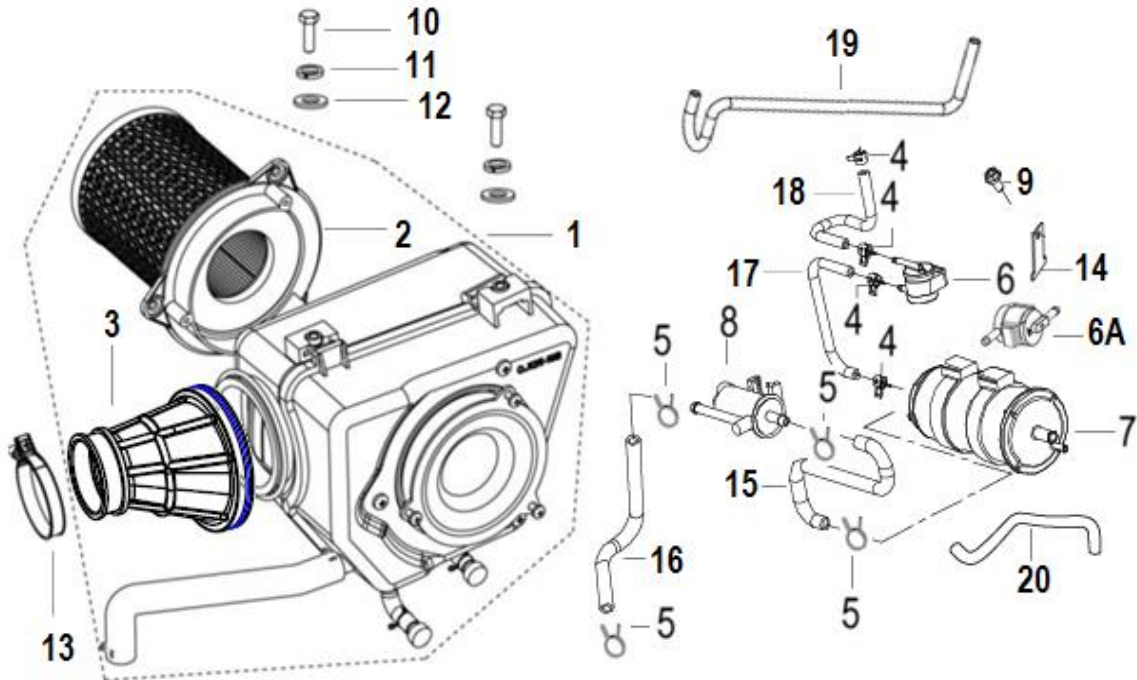
F06 MUFFLER ASSY



Nº	CÓDIGO	DESCRIÇÃO	Qt.	OBSERVAÇÕES
1	47100J800003	MUFFLER COMP.	1	
2	B0205080356K	BOLT M8x35	2	
3	47800J060000	GASKTE ASSY,EXHAUST PIPE	1	
4	47023V030000	GUARD BOARD,MUFFLER	1	
5	B0283060146H	SCREW M6x14	3	
6	B07000000804	SPRING WASHER 8MM	2	
7	08022N050000	HEAT INSULATION WASHER	6	
8	B0703000080A	WASHER 8MM	2	
9	280023420000	OXYGEN SENSOR	1	

RKV 125 FL

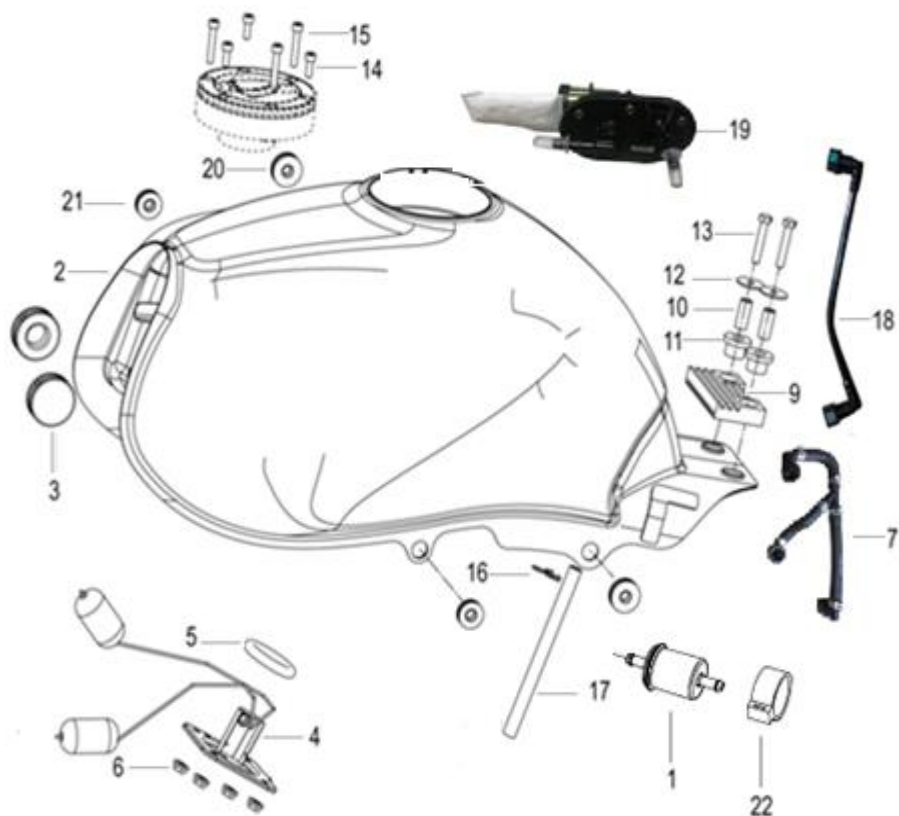
F07 AIR CLEANER ASSY



Nº	CÓDIGO	DESCRIÇÃO	Qt.	OBSERVAÇÕES
1	49100J800000	AIR CLEANER ASSY	1	
2	49200J320000	FILTER ASSY,material:paper	1	
3	49005J800000	PIPE.AIR OUT	1	
4	49016B350010	CLAMP $\Phi 8.5 \times 8 \times 0.6$	4	
5	B17010105003	CLIP 10.5MM	4	
6	49930G410002	ROLL OVER SENSOR	1	ATÉ VIN LBBJ80015JB946861
6A	50260T730003	ROLL OVER SENSOR	1	APÓS VIN LBBJ80015JB946861
7	49912K670000	CANISTER	1	
8	49710N070000	VALVE EGR	1	
9	B0109060126H	BOLT M6x12	1	
10	B0101060162H	BOLT M6x16	2	
11	B0700000060H	WASHER 6MM	2	
12	B0703000060H	WASHER 6MM	2	
13	49350J000010	CLAMP ASSY.	1	
14	57055J690000	ELECTROMAGNETIC VALVE MOUNTING BRACKET	1	
15	B16010726601	PIPE 7x11x660	1	
16	B16010727201	PIPE 7x11x720	1	
17	B16010C23701	PIPE 4.5x8.5x370	1	
18	B16010C20901	PIPE 4.5x8.5x90	1	
19	49922J280010	PIPE $\Phi 7 \times \Phi 11$	1	APÓS VIN LBBJ80015JB946861
20	49915K670000	PIPE	1	APÓS VIN LBBJ80015JB946861

RKV 125 FL

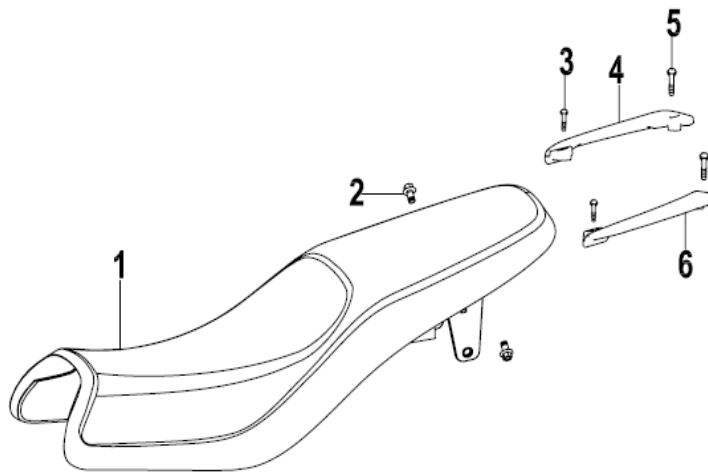
F08 FUEL TANK



Nº	CÓDIGO	DESCRIÇÃO	Qt.	OBSERVAÇÕES
1	50340N070000	FILTER ASSY	1	
2	50100M03109Z	FUEL TANK COMP.,RED F9,with KEEWAY sticker	1	
2	50100M03110Z	FUEL TANK COMP.,WHITE WF,with KEEWAY sticker	1	
2	50100M03111Z	FUEL TANK COMP.,BLACK BC,with KEEWAY sticker	1	
2	50100M03112Z	FUEL TANK COMP,ORANGE M9,with KEEWAY sticker	1	
3	50005J820000	MOUNTING PAD,FUEL TANK	2	
4	50800J800000	SENSOR ASSY	1	
5	50002K020000	CUSHION	1	
6	B0407060005H	OUT M6	4	
7	50380M050000	PIPE I	1	
9	50006J000001	MOUNTING PAD,FUEL TANK	1	
10	50221J000001	BUSH	2	
11	50222J000001	SLEEVE,RUBBER	2	
12	08023J000020	WASHER	2	
13	B0100060356H	BOLT M6x35	2	
14	B0280050140A	SCREW M5x14	3	
15	B0280050300A	SCREW M5x30	4	
16	B17010105003	CLIP 10.5MM	1	
17	B16010724001	TUBE $\Phi 7 \times 11 \times 400$	1	
18	50390J800000	PIPE II	1	
19	50400J830000	FUEL PUMP ASSY.	1	
20	65618J000000	RUBBER CUSHION,GUARD BOARD	2	
21	65704J000000	WASHER,RUBBER	2	
22	50391N070000	FILTER PROTECTIVE COVERING	1	

RKV 125 FL

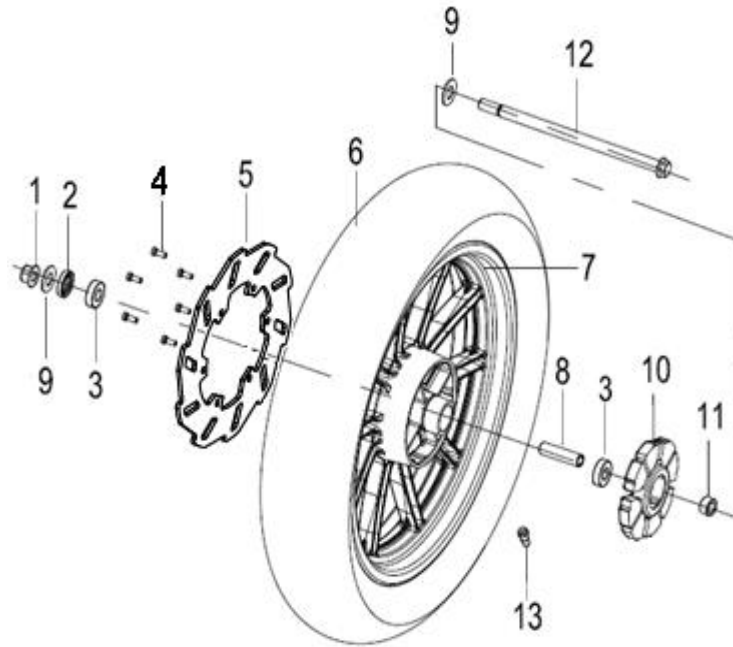
F09 SEAT ASSY



Nº	CÓDIGO	DESCRIÇÃO	Qt.	OBSERVAÇÕES
1	51100J8000A0	SEAT ASSY.	1	
2	B0109080206H	BOLT M8x20	2	
3	52018J800000	SCREW I	2	
4	52011J80B400	RR. ARM REST , R.BLACK B4	1	
5	52019J800000	SCREW II	2	
6	52002J80B400	RR. ARM REST , L.BLACK B4	1	

RKV 125 FL

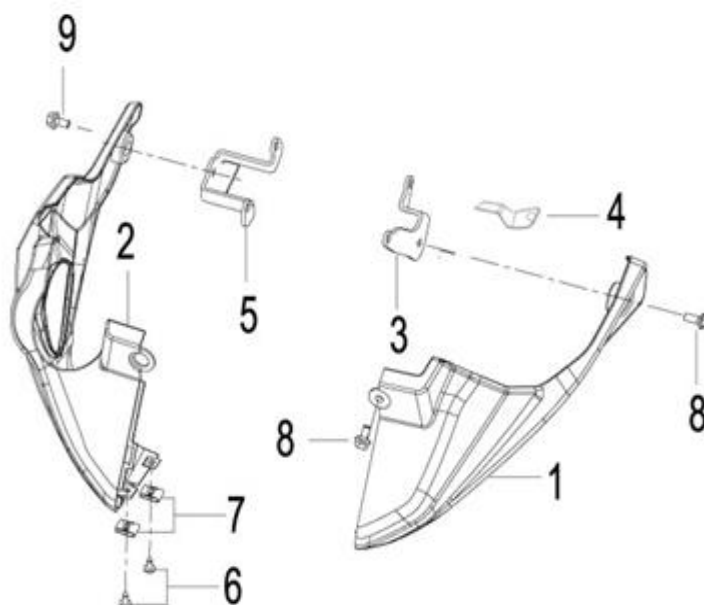
F11 REAR WHEEL ASSY



Nº	CÓDIGO	DESCRIÇÃO	Qt.	OBSERVAÇÕES
1	B0417141504H	NUT M14x1.5	1	
2	44300B910000	OIL SEAL COMPONENTS	1	
3	B12016020200	BEARING 6202-2RS	2	
4	45036D010200	BOLT M6x16	6	
5	55033J410000	REAR DISK BRAKE	1	
6	579081	TYRE 130/70-17	1	
7	54101K690001	REAR WHEEL	1	
8	54006J800000	SPACER BUSH	1	
9	08021K670100	WASHER $\Phi 16 \times \Phi 32 \times 2$	2	
10	54024J000000	BUFFER BLOCK, REAR WHEEL	1	
11	54016J800000	BUSH, LEFT REAR WHEEL ASSY	1	
12	54004J670200	AXLE, REAR WHEEL	1	
13	B1403Z201100	VALVE INSIDE	1	

RKV 125 FL

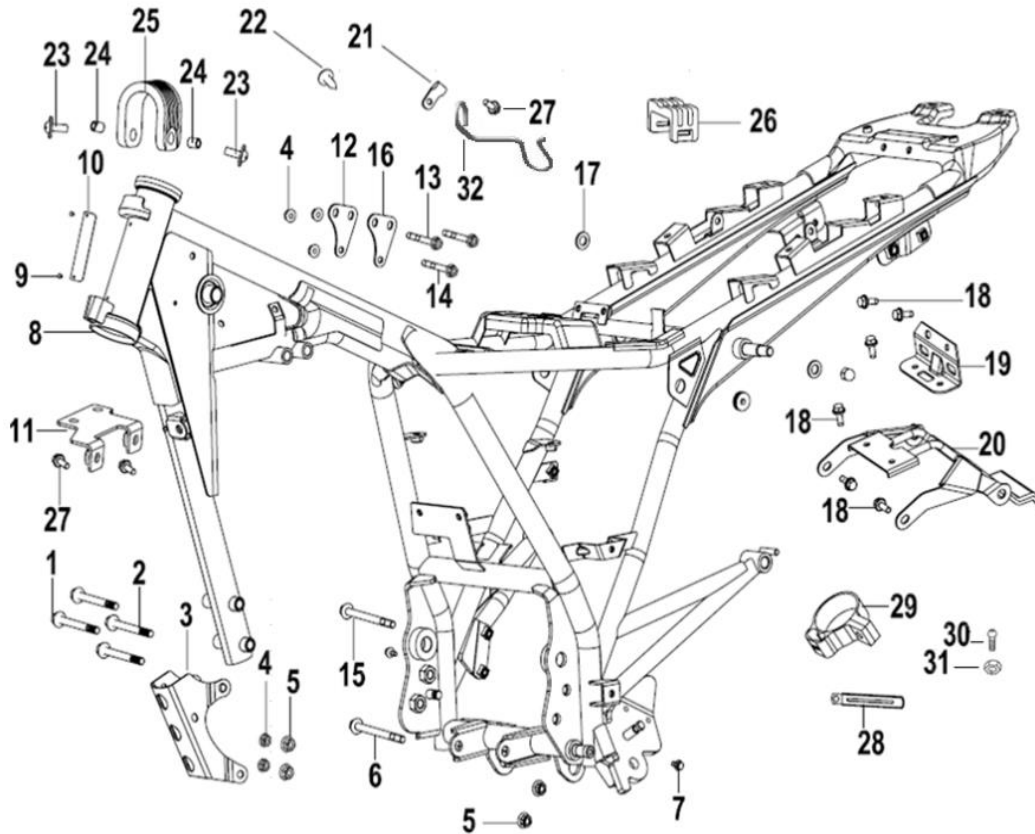
F12 BOTTOM COVER



Nº	CÓDIGO	DESCRIÇÃO	Qt.	OBSERVAÇÕES
1	65406J83WF00	UNDER SPOILER,LEFT,WHITE WF	1	
1	65406J83BC00	UNDER SPOILER,LEFT,GRAPHITE BLACK BC	1	
1	65406J83F900	UNDER SPOILER,LEFT,RED F9	1	
1	65406J83M900	UNDER SPOILER,LEFT,ORANGE M9	1	
2	65407J83WF00	UNDER SPOILER,RIGHT,WHITE WF	1	
2	65407J83BC00	UNDER SPOILER,RIGHT,GRAPHITE BLACK BC	1	
2	65407J83F900	UNDER SPOILER,RIGHT,RED F9	1	
2	65407J83M900	UNDER SPOILER,RIGHT,ORANGE M9	1	
3	65430J830000	BRACKET, UNDER SPOILER, LH	1	
4	65436J830000	INSULATOR PAD, UNDER SPOILER	1	
5	65440K690000	BRACKET, UNDER SPOILER, RH	1	
6	B0500420130H	SCREW ST4.2x13	2	
7	65801T020201	CLIP NUT ST4.2	2	
8	B0109060166H	BOLT M6X16	2	
9	B0109060356H	BOLT M6X35	1	

RKV 125 FL

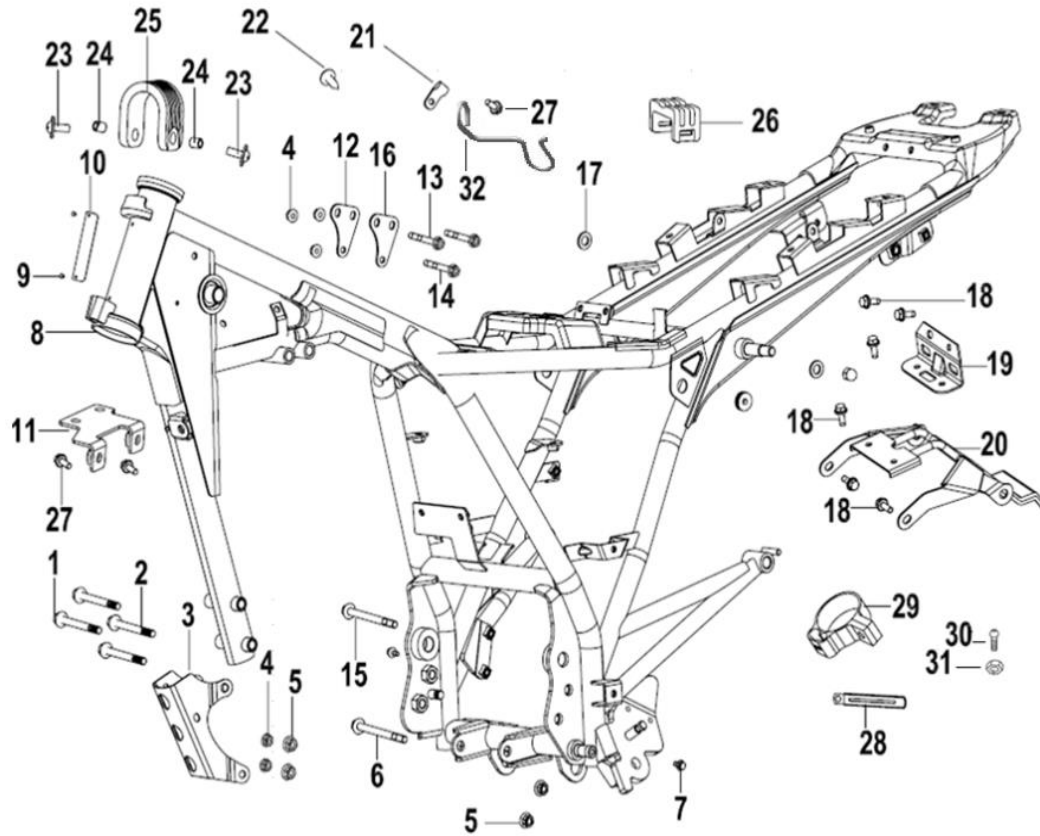
F13 FRAME BODY



Nº	CÓDIGO	DESCRIÇÃO	Qt.	OBSERVAÇÕES
1	B0109080706H	BOLT M8x70	2	
2	B0159100906H	BOLT M10x1.25x90	2	
3	57020K690000	BRACKET, ENGINE, FRONT	1	
4	B0407080005H	NUT M8	5	
5	B0418101255H	NUT M10x1.25	4	
6	B0159101006H	BOLT M10x1.25x100	1	
7	B0109060126H	BOLT M6x12	2	
8	57100J800002	FRAME JOINTING COMP.	1	
9	B10000300600	RIVET M3x6	2	
10	57001J800004	FRAME PLATE	1	
12	57008K690000	ENGINE MOUNTING PLATE	1	
13	B0109080706H	BOLT M8x70	3	
14	B0109080556H	BOLT M8X55	1	
15	B0159101136H	BOLT M10x1.25x113	1	
16	57009K690000	ENGINE MOUNTING PLATE	1	
17	65618J000000	RUBBER CUSHION, GUARD BOARD	2	
18	B0109060166H	BOLT M6x16	6	
19	65721J800000	REINFORCEMENT PLATE	1	
20	65770K670000	BRACKER ASSY., REAR FENDER	1	
21	43070D010020	CLAMP, SPEEDOMETER ASSY	1	
22	B0507480130H	SCREW ST4.8x13	1	
23	B1306060160H	COMBINATION SCREW M6x16	2	
24	08061K670000	BUSH	2	

RKV 125 FL

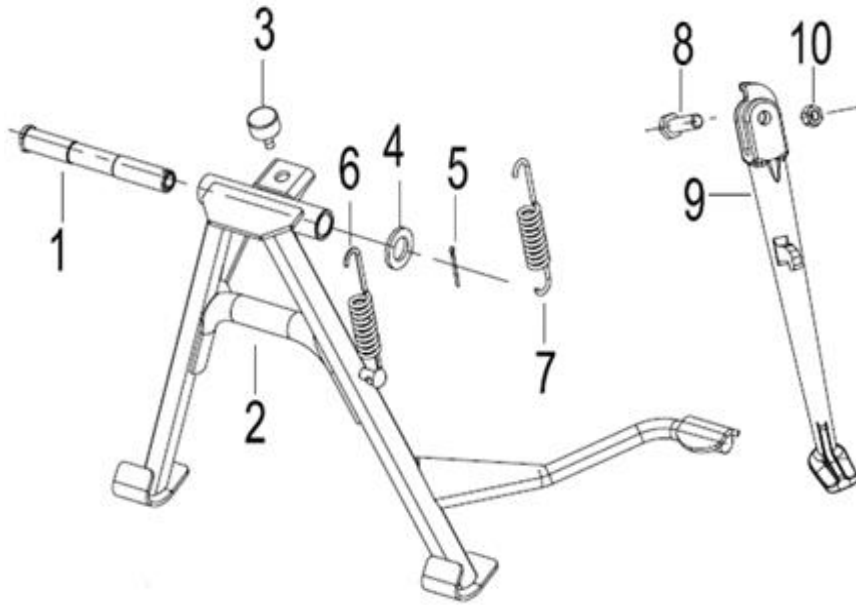
F13 FRAME BODY



N°	CÓDIGO	DESCRIÇÃO	Qt.	OBSERVAÇÕES
25	50005K670000	RUBBER FUEL TANK INSTALLATION	1	
26	57169K670000	RUBBER FUEL TANK INSTALLATION	1	
27	B0109060126H	BOLT M6x12	1	
28	58430J000000	CLIP	1	
29	57013J000000	CLIP	1	
30	B0200050252H	SCREW M5x25	1	
31	B0400050005H	NUT M5	1	
32	57012J560000	CLIP	1	

RKV 125 FL

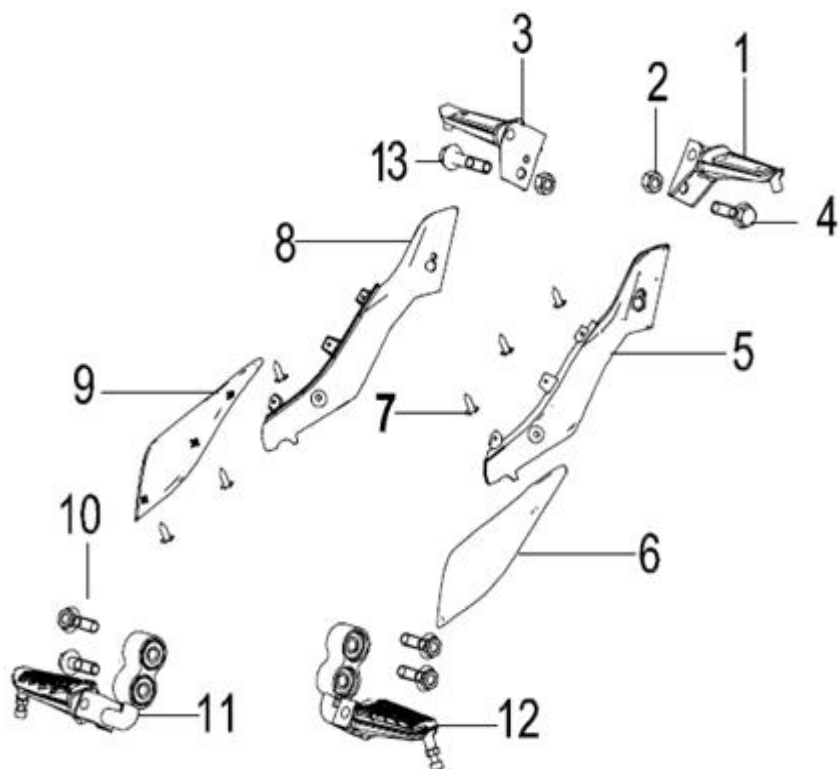
F14 MAIN & SIDE STAND ASSY



N°	CÓDIGO	DESCRIÇÃO	Qt.	OBSERVAÇÕES
1	58501J000010	SHAFT, MID STAND	1	
2	58520J800000	MID STAND COMP.	1	
3	58507K670000	BUFFER BLOCK,MAIN STAND	1	
4	B0701000160H	WASHER 16mm	1	
5	B090003025AH	COTTER PIN 3x25	1	
6	58510J830000	SPRING ASSY, MID STAND	1	
7	57010J830000	SPRING ASSY, SIDE STAND	1	
8	57005N030200	FIXING BOLT,SIDE STAND M10x1.25x35	1	
9	58701K690001	SIDE STAND COMP.	1	
10	B0401101255H	NUT M10x1.25	1	

RKV 125 FL

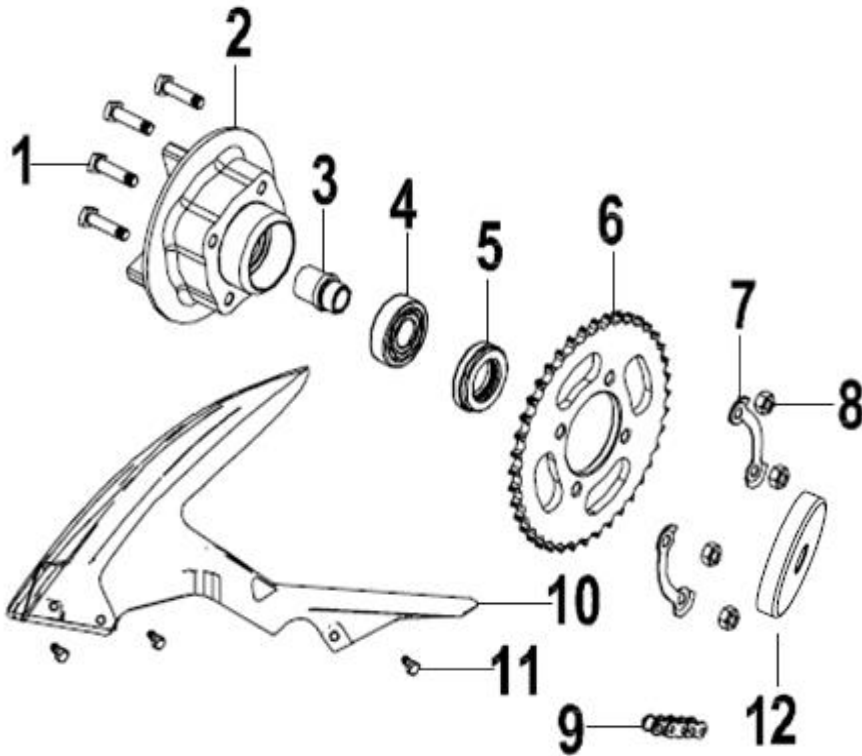
F15 TREAD PEDAL ASSY



Nº	CÓDIGO	DESCRIÇÃO	Qt.	OBSERVAÇÕES
1	58260K670000	FOOTREST ASSY., RR.L.	1	
2	B0418101255H	NUT M10x1.25	1	
3	58280K670000	FOOTREST ASSY., RR.R.	1	
4	B0109100456H	BOLT M10x45	1	
5	58211J800000	DECORATING BOARD,L	1	
6	58212J80BA00	DECORATING BOARD,L,SATIN BLACK BA	1	
7	B0500420130H	SCREW ST4.2x13	6	
8	58311J800001	DECORATING BOARD,R	1	
9	58312J80BA01	DECORATING BOARD,R,SATIN BLACK BA	1	
10	B0159100356H	BOLT M10x1.25x35	4	
11	58240K670000	FR.PEDAL ASSY(R)	1	
12	58220K670000	FR.PEDAL ASSY(L)	1	
13	B0159100556H	BOLT M10x1.25x55	1	

RKV 125 FL

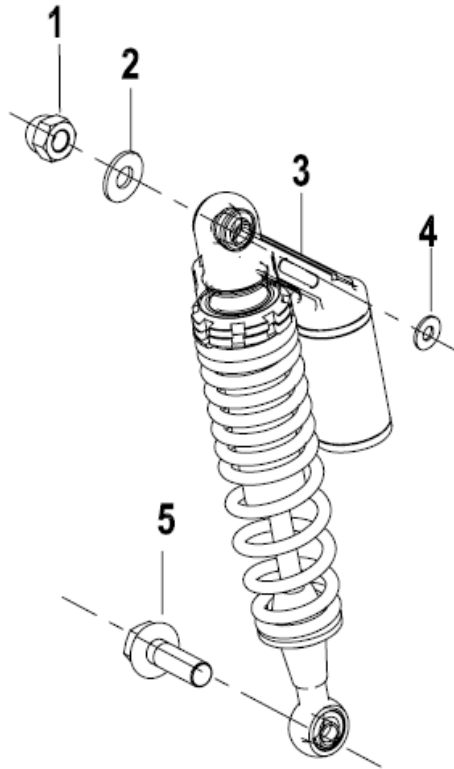
F16 SPROCKET WHEEL ASSY



Nº	CÓDIGO	DESCRIÇÃO	Qt.	OBSERVAÇÕES
1	60015J000100	BOLT, SPROCKET MOUNTING M8x33	4	
2	60001J000020	DRUM, SPROCKET MOUNTING	1	
3	60006J000000	DRIVE SHAFT SLEEVE, CHAIN	1	
4	B12016020400	BEARING 6204-2RS	1	
5	60200J000001	OIL SEAL	1	
6	60002J040004	SPROCKET 43 TEETH	1	
7	60004J000050	LOOSE-PROOF LOCK SLICE, SPROCKET WHEEL	2	
8	B0400080005H	NUT M8	4	
9	B1502W1126B0	CHAIN 428HG-1x126	1	
10	60101J800000	CASE, CHAIN	1	
11	08011H010200	BOLT M6x14	3	
12	60027J040010	COVER, DUST	1	
	KRKV-TK	KIT TRANSMISSÃO	1	
	KRKV-TKP	KIT TRANSMISSÃO PERFORMANCE	1	CORRENTE O-RINGS

RKV 125 FL

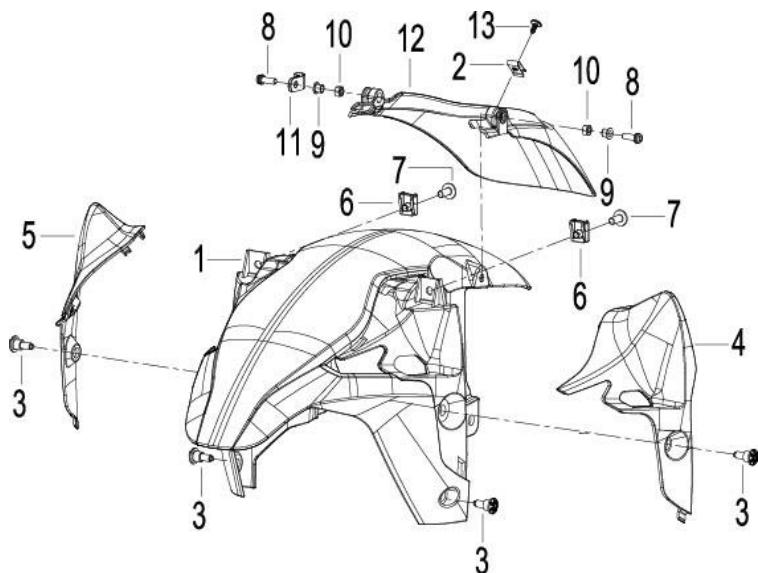
F17 REAR ABSORBER



Nº	CÓDIGO	DESCRIÇÃO	Qt.	OBSERVAÇÕES
1	08052J000000	NUT, COVER STYL	2	
2	63013J000050	WASHER	2	
3	63800M040020	REAR ABSORBER COMP.spring in black	2	
4	B0703000120H	WASHER Φ 12mm	2	
5	B0159100406H	BOLT M10x1.25x40	2	

RKV 125 FL

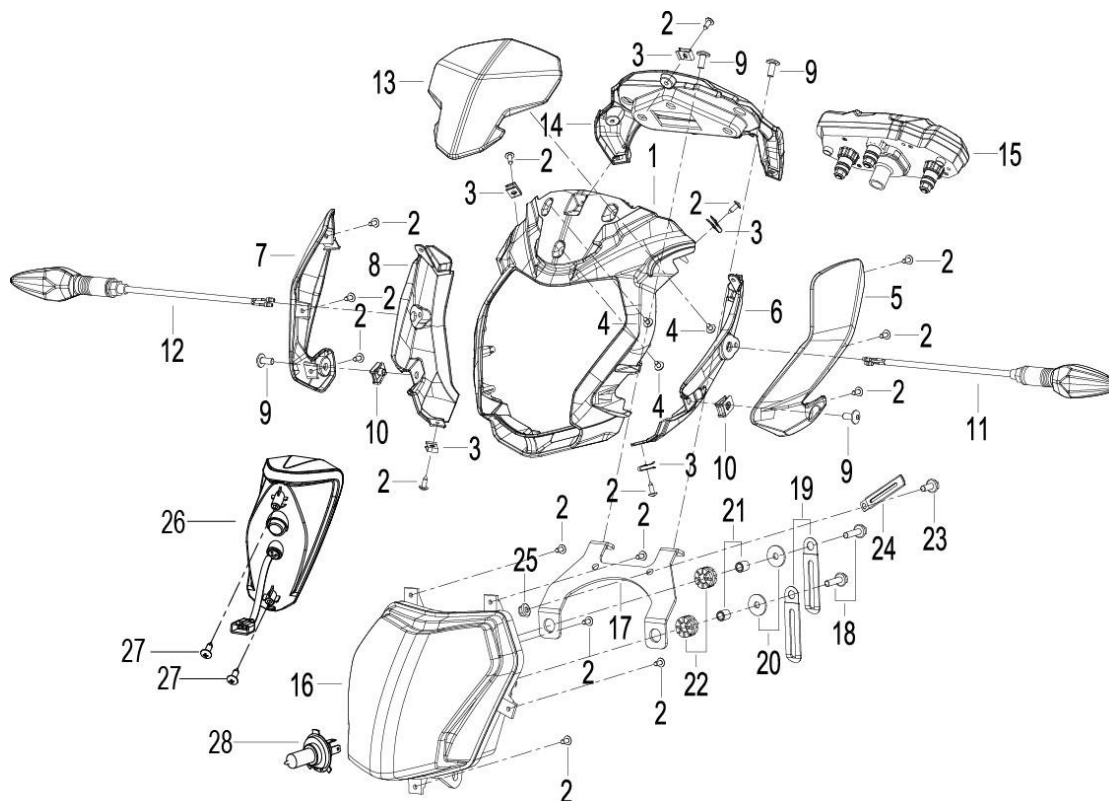
F18 FRONT FENDER ASSY



Nº	CÓDIGO	DESCRIÇÃO	Qt.	OBSERVAÇÕES
1	65101L29WF00	FRONT FENDER,WHITE WF	1	S/ AUTOCOLANTES
1	65101L29BC00	FRONT FENDER,GRAPHITE BLACK BC	1	S/ AUTOCOLANTES
1	65101L29F900	FRONT FENDER,RED F9	1	S/ AUTOCOLANTES
1	65101L29M900	FRONT FENDER,ORANGE M9	1	S/ AUTOCOLANTES
2	65801T020201	INSERT ST4.2	1	
3	65117K670000	SCREW M6x19	2	
4	65108L290000	LEFT DECORATIVE BOARD,FRONT FENDER	1	
5	65116L290000	RIGHT DECORATIVE BOARD,FRONT FENDER	1	
6	65625J560000	CARD NUT M6	2	
7	B0283060146H	SCREW M6x14	2	
8	B02810501462	BOLT M5x0.8x14	2	
9	65105S040000	T BUSHING 5x7x6x10x0.8	2	
10	B0400050005H	NUT M5	2	
11	43070J670010	CLIP	2	
12	65102P250000	FRONT FENDER FRONT PART	1	
13	B0500420952A	SCREW M4.2x9.5	1	

RKV 125 FL

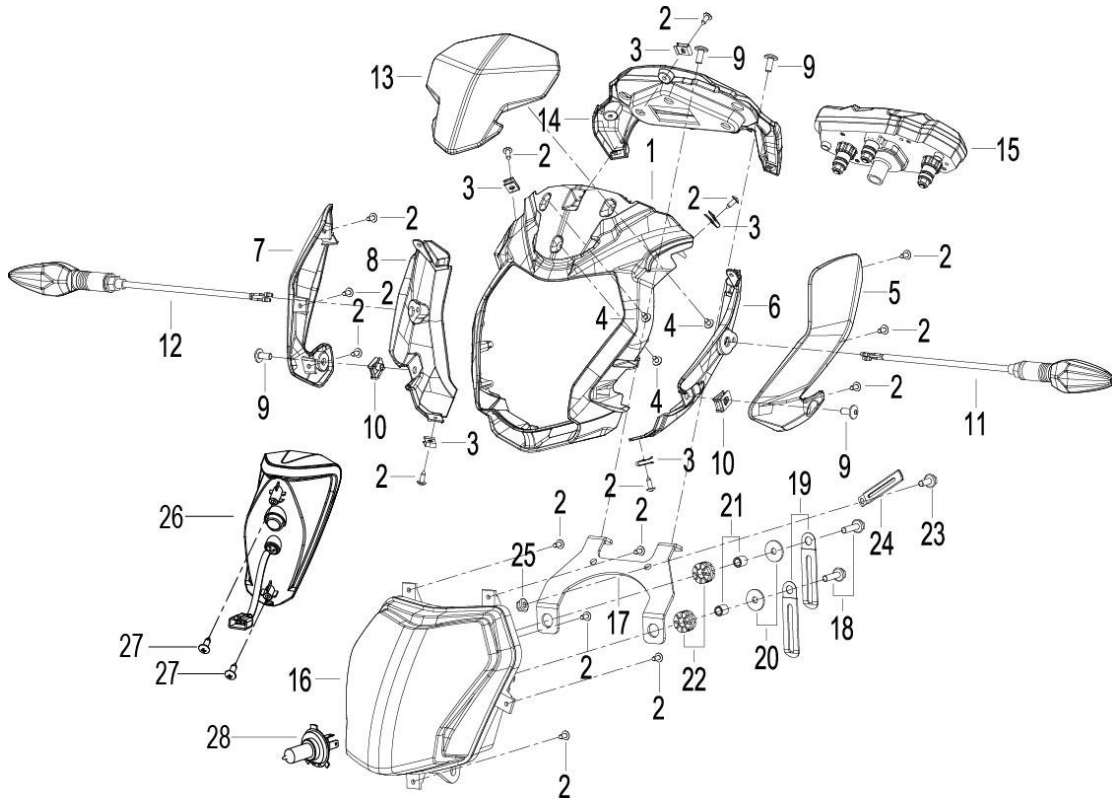
F19 FRONT COVER ASSY



Nº	CÓDIGO	DESCRIÇÃO	Qt.	OBSERVAÇÕES
1	65501L290001	COWLING	1	
2	B0507420130H	TAPPING SCREW ST4.2x13	16	
3	65801T020201	INSERT ST4.2	5	
4	B0507420100H	TAPPING SCREW ST4.2x9.5	3	
5	65521L29WF00	LEFT COWLING COVER,WHITE WF	1	
5	65521L29BC00	LEFT COWLING COVER,GRAPHITE BLACK BC	1	
5	65521L29F900	LEFT COWLING COVER,RED F9	1	
5	65521L29M900	LEFT COWLING COVER,ORANGE M9	1	
6	65522L290000	LEFT COWLING DECORATIVE COVER	1	
7	65531L29WF00	RIGHT COWLING COVER,WHITE WF	1	
7	65531L29BC00	RIGHT COWLING COVER,GRAPHITE BLACK BC	1	
7	65531L29F900	RIGHT COWLING COVER,RED F9	1	
7	65531L29M900	RIGHT COWLING COVER,ORANGE M9	1	
8	65532L290000	RIGHT COWLING DECORATIVE COVER	1	
9	B0283060146H	SCREW M6x14	4	
10	65625J560000	CARD NUT M6	2	
11	81100K980000	FRONT LEFT TURN SIGNAL LIGHT	1	
12	81300K980000	FRONT RIGHT TURN SIGNAL LIGHT	1	
13	65203L29BA00	METER VISOR,SATIN BLACK BA,WITHOUT STICKER	1	
14	65541L290001	COWLING COVER	1	
15	70000L290007	METER ASSY	1	
16	80000L290000	HEAD LIGHT	1	
17	08331L290000	HEAD LIGHT MOUNTING BRACKT	1	
18	B0109060256H	BOLT M6x25	2	

RKV 125 FL

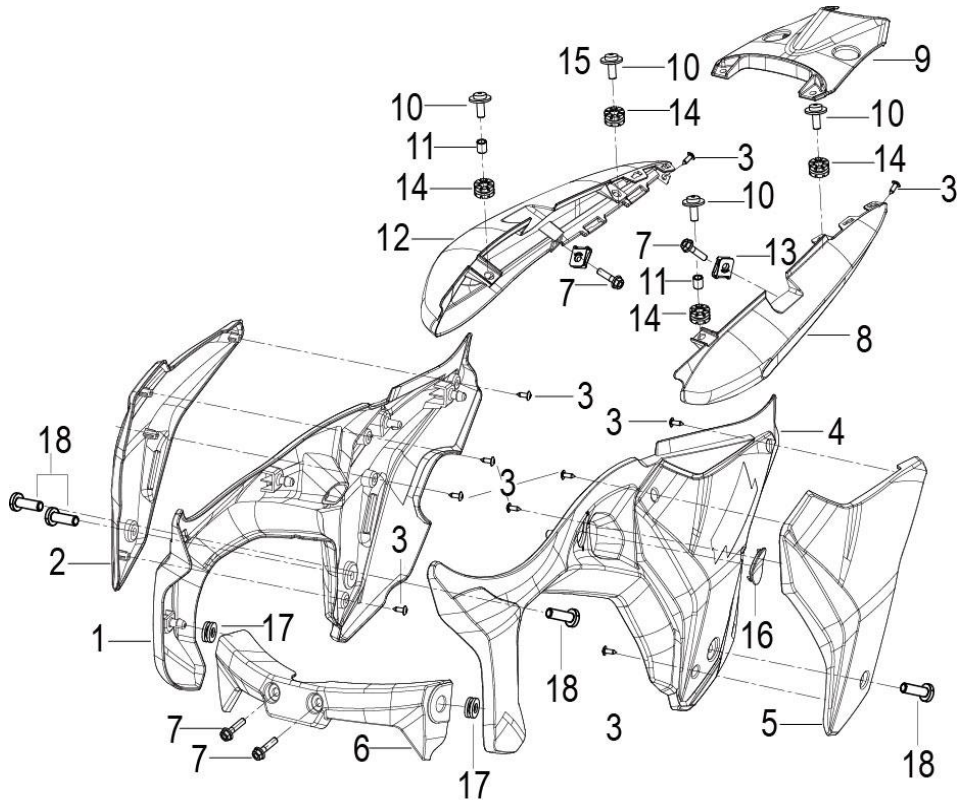
F19 FRONT COVER ASSY



Nº	CÓDIGO	DESCRIÇÃO	Qt.	OBSERVAÇÕES
19	58430J670000	CLIP	2	
20	B0709000060H	WASHER Φ 6	2	
21	65913J820000	BUSH	2	
22	65618J820000	RUBBER CUSHION	2	
23	B0109060126H	BOLT M6x12	1	
24	58430J000000	CLIP ASSY	1	
25	B0407060005H	NUT M6	1	
26	82000J800000	REAR LIGHT	1	
27	B0500480160H	SCREW ST4.8x16	2	
28	B240101200F0	BULB 12V 60/55W	1	

RKV 125 FL

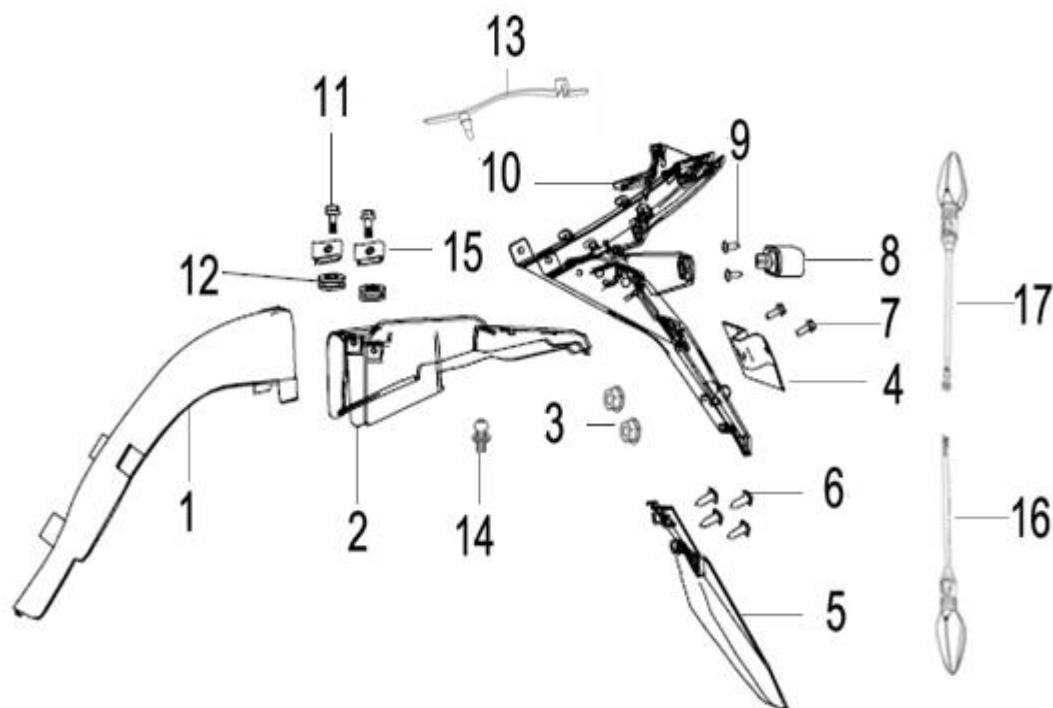
F20 SIDE COVER ASSY



Nº	CÓDIGO	DESCRIÇÃO	Qt.	OBSERVAÇÕES
1	65602K670001	RIGHT SIDE COVER	1	
2	65622K67BA01	RIGHT DECORATIVE COVER,SATIN BLACK BA	1	S/ AUTOCOLANTES
3	B0507420130H	SCREW ST4.2x13	10	
4	65601K670001	LEFT SIDE COVER	1	
5	65621K67BA01	LEFT DECORATIVE COVER,SATIN BLACK BA	1	S/ AUTOCOLANTES
6	65605K670001	CONNECTING BOARD	1	
7	B0109060166H	BOLT M6x16	4	
8	65901J80F900	COVER,PROTECTIVE,L,RED F9	1	S/ AUTOCOLANTES
8	65901J80WF00	COVER,PROTECTIVE,L,WHITE WF	1	S/ AUTOCOLANTES
8	65901J80BC00	COVER,PROTECTIVE,L,BLACK BC	1	S/ AUTOCOLANTES
8	65901J80M900	COVER,PROTECTIVE,L,ORANGE M9	1	S/ AUTOCOLANTES
9	65911J80B400	CONNECTING PIECES,SIDE COVER BLACK B4	1	
10	B1306060160H	COMBINATION SCREW M6x16	4	
11	08061K670000	BUSH	2	
12	65902J80F900	COVER,PROTECTIVE,R,RED F9	1	S/ AUTOCOLANTES
12	65902J80WF00	COVER,PROTECTIVE,R,WHITE WF	1	S/ AUTOCOLANTES
12	65902J80BC00	COVER,PROTECTIVE,R,BRACK BC	1	S/ AUTOCOLANTES
12	65902J80M900	COVER,PROTECTIVE,R,ORANGE M9	1	S/ AUTOCOLANTES
13	65625J560000	NUT	2	
14	47028G220000	RUBBER SLEEVE	4	
15	B0500420130H	SCREW ST4.2x13	2	
16	65608K670001	DECORATIVE COVER	1	
17	65618J000000	CUSHION	2	
18	B0283060146H	SCREW M6x14	4	

RKV 125 FL

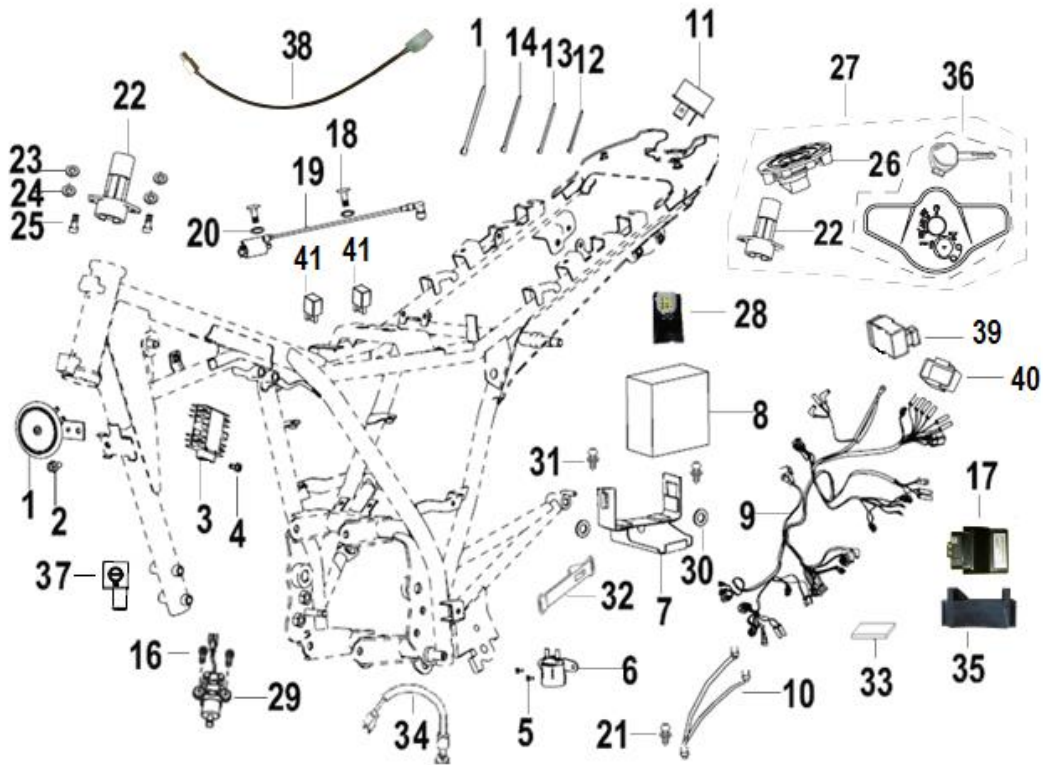
F21 REAR FENDER



Nº	CÓDIGO	DESCRIÇÃO	Qt.	OBSERVAÇÕES
1	65731J00000A	FORESIDE, REAR. FENDER	1	
2	65732J800000	FORESIDE 2, REAR. FENDER	1	
3	B0407060005H	NUT M6	2	
4	08252J820000	SUPPORT,LINCENSE PLATE	1	
5	65709J800000	REAR FENDER 2	1	
6	B0500420130H	SCREW ST4.2x13	4	
7	B0109060306H	BOLT M6x30	2	
8	82900D010000	LAMP,LICENCE	1	
9	B0507420130H	SCREW ST4.2x13	2	
10	65701J800000	REAR FENDER 1	1	
11	B0109060166H	BOLT M6x16	2	
12	65618J000000	RUBBER CUSHION, GUARD BOARD	2	
13	65708J000001	CLIP	1	
14	B1306060160H	SCREW W/WASHER M6x16	1	
15	65625J560000	NUT	2	
16	81500V030000	REAR LEFT TURN SIGNAL LIGHT	1	
17	81700V030000	REAR RIGHT TURN SIGNAL LIGHT	1	

RKV 125 FL

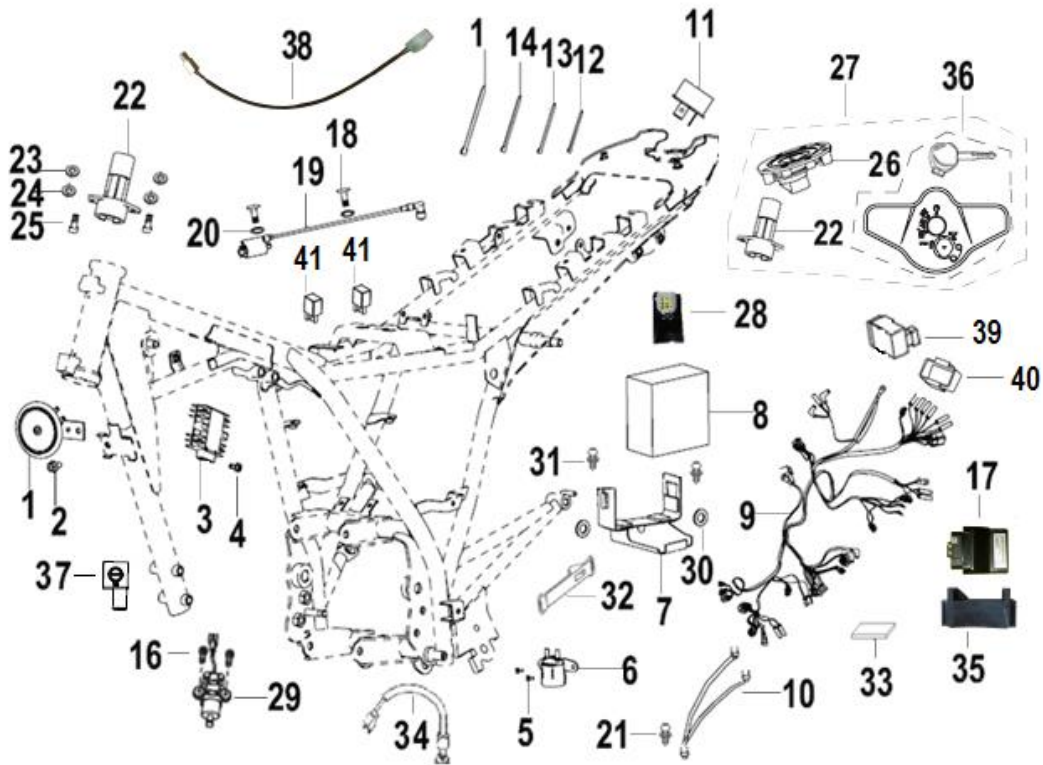
F22 ELECTRICAL EQUIPMENT ASSY



Nº	CÓDIGO	DESCRIÇÃO	Qt.	OBSERVAÇÕES
1	95100K670001	HORN	1	
2	B0109080126H	BOLT M8x12	1	
3	299064540000	RECTIFIER ASSY.	1	
4	B0109060206H	BOLT M6x20	4	
5	B0109060106H	BOLT M6x10	2	
6	94100J000002	START-UP RELAY	1	
7	58750J800000	BATTERY BRACKET ASSY.	1	
8	B12N7-4A	BATTERY 12N7-4A	1	
9	92000K69000D	EFI WIRE HARNESS ASSY.automatic headlight on	1	ATÉ VIN LBBJ80010JB947139
9	92000K69000F	EFI WIRE HARNESS ASSY.automatic headlight on	1	APÓS VIN LBBJ80010JB947139
10	92500J400000	EARTH WIRE	1	
11	96700K060000	ACTUATING DIODE	2	
12	96001J000000	CLAMP 150MM	6	
13	96002J000000	CLAMP 200MM	2	
14	96003J000000	CLAMP 250MM	2	
15	96004J000000	CLAMP 300MM	1	
16	B0205050166H	SCREW M5x16	2	
17	96C00J800000	ECU	1	
18	B0200050122H	SCREW M5x12	2	
19	96200J060001	COIL ASSY., IGNITION	1	
20	B0721000050H	WASHER 5mm	2	
21	B1317060120H	SCREW W/WASHER M6x12	1	
22	88100K690000	MAIN SWITCH ASSY.	1	
23	B0700000080H	WASHER 8mm	2	
24	B0703000080H	WASHER 8mm	2	

RKV 125 FL

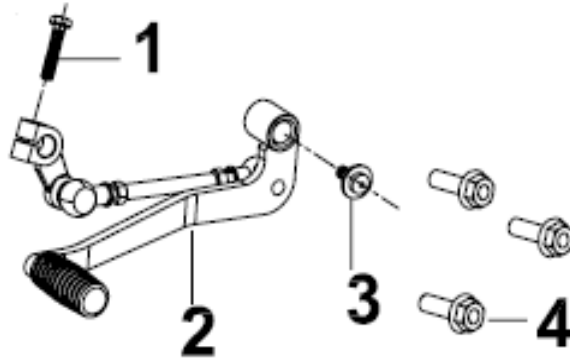
F22 ELECTRICAL EQUIPMENT ASSY



Nº	CÓDIGO	DESCRIÇÃO	Qt.	OBSERVAÇÕES
25	B0226080206H	SCREW M8x20	2	
26	88400J820005	FUEL TANK LOCK	1	
27	88000K690009	LOCK SETS	1	
28	96400H390001	FLASHER	1	
29	95800N140000	FLAMEOUT SWITCH,SIDE STAND	1	
30	08027J000000	MAT	2	
31	B1306060160H	SCREW W/WASHER M6x16	2	
32	02200J800000	BAND	1	
33	58752J00000A	CUSHION,FOAM	7	
34	92200J000000	ELECTRIC CABLE	1	
35	50026J830000	ECU MOUNTING RUBBER	1	
36	88101K690000	KEY NUT,mark:keeway logo	1	
37	94118B910000	EARTH WIRE JACKET	1	
38	280013320000	TEMPRETURE SENSOR	1	
39	94400N140000	HEADLIGHT RELAY CONTROLLER,MARK:250T-4	1	
40	96007K010002	COVER, C. D. I	1	
41	94100J800000	RELAY	2	

RKV 125 FL

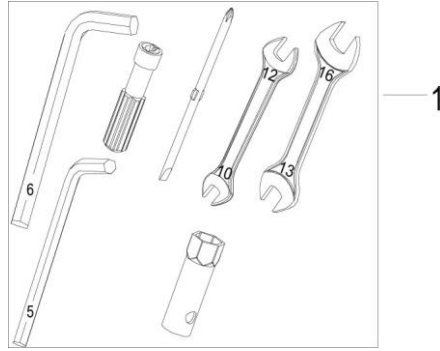
F23 ENGINE ATTACHMENT



Nº	CÓDIGO	DESCRIÇÃO	Qt.	OBSERVAÇÕES
1	B0103060226H	BOLT M6x22	1	
2	08370K690000	GEAR-SHIFT PEDAL LEVER ASSY	1	
3	B1306060160H	SCREW W/WASHER M6x16	1	
4	B0107060306H	BOLT M6x30	3	

RKV 125 FL

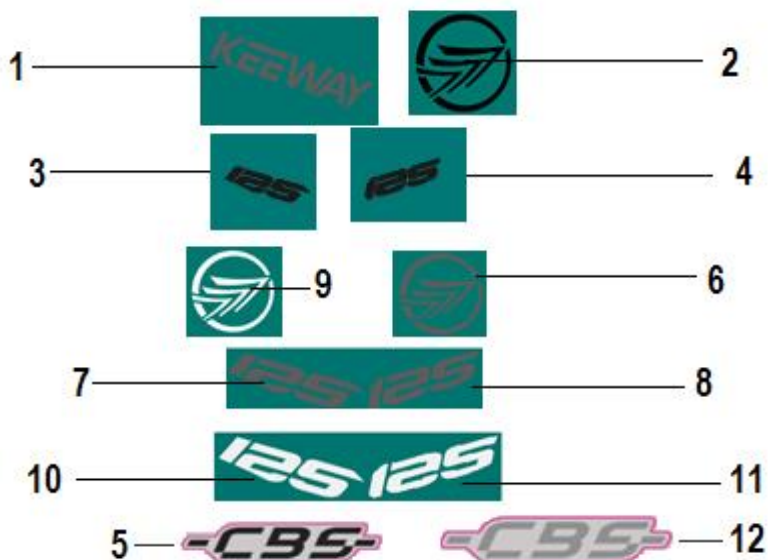
F24 TOOL KIT



N°	CÓDIGO	DESCRIÇÃO	Qt.	OBSERVAÇÕES
1	02100K670002	TOOL KIT	1	

RKV 125 FL

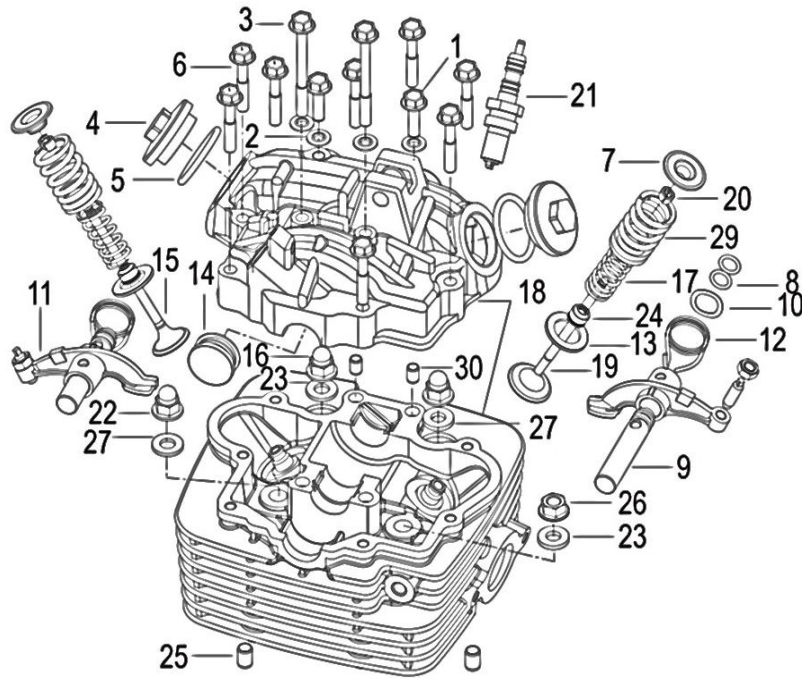
F25 Sticker



Nº	CÓDIGO	DESCRIÇÃO	Qt.	OBSERVAÇÕES
1	05511J800004	KEEWAY STICKER	1	
2	05501J80F904	BLACK KEEWA LOGO	1	P/ MODELO LAR / VERM
3	05572J80F904	BLACK 125 STICKER,RIGHT	1	P/ MODELO LAR / VERM
4	05571J80F904	BLACK 125 STICKER,LEFT	1	P/ MODELO LAR / VERM
5	05503J80WF00	BLACK CBS STICKER	2	P/ MODELO BRA
6	05501J80WF04	SILVER KEEWAY LOGO	1	P/ MODELO BRA
7	05572J80WF04	SILVER 125 STICKER,RIGHT	1	P/ MODELO BRA
8	05571J80WF04	SILVER 125 STICKER,LEFT	1	P/ MODELO BRA
9	05501J80BC04	WHITE KEEWAY LOGO	1	P/ MODELO PRT
10	05572J80BC04	WHITE 125 STICKER,RIGHT	1	P/ MODELO PRT
11	05571J80BC04	WHITE 125 STICKER,LEFT	1	P/ MODELO PRT
12	05503J80BC00	GREY CBS STICKER	2	P/ MODELO PRT / LAR / VERM

RKV 125 FL

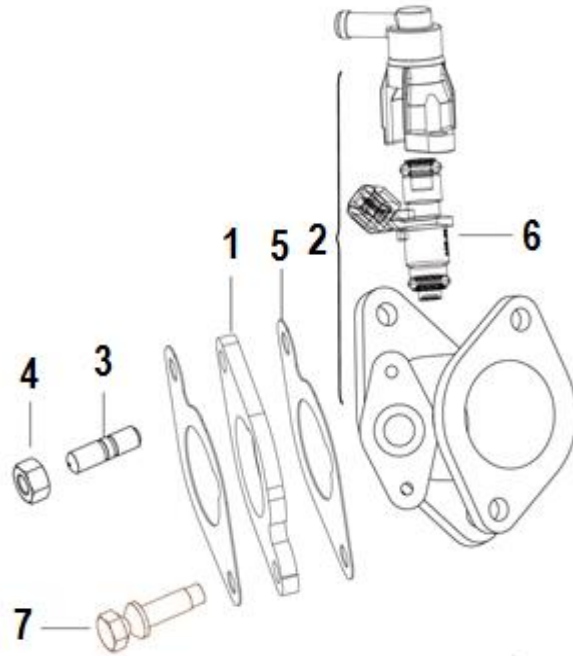
E01 COVER CYLINDER HEAD ASSY



Nº	CÓDIGO	DESCRIÇÃO	Qt.	OBSERVAÇÕES
1	12014309012X	BOLT M6x21	2	
2	120133090002	WASHER	4	
3	10005309012X	BOLT M6x60	2	
4	120012140020	VAVLE HEAD	2	
5	100033090000	O RING 30.5x3.3	2	
6	10006309012X	BOLT M6X35	8	
7	120013090002	GASKET,UP SPRING	2	
8	B190100860A0	O RING 8.6x1.9	4	
9	129163090000	AXLE, VALVE ROCKER ARM	2	
10	120033090000	WASHER,SPRING	2	
11	12913309002X	ADJUSTING	2	
12	120163090000	ROCKER SPRING	2	
13	129213090003	GASKET,OUTER SPRING,ø1.5	2	
14	100043090010	CYLINDER COVER JAMMING	1	
15	129193090002	VALVE,EXHAUST	1	
16	12008309011X	CAP NUT M8	2	
17	129264180000	SPRING,OUTER	2	
18	109013090020	COVER&CYLINDER HEAD ASSY,GRAY	1	
19	129183090002	VALVE,INTAKE	1	
20	129223230000	COTTER,VALVE	4	
21	299073070010	SPARK PLUG M12x1.25	1	
22	12008309011X	CAP NUT M8	1	
23	120093090000	WASHER 8	2	
24	120013050000	OIL SEAL	2	
25	120103090000	PIN	2	
26	12012309012X	NUT M8	1	
27	120113090000	WASHER 8	2	
29	129254180000	SPRING,INNER	2	
30	150022140000	PIN,DOWEL,ø7Xø8X12	2	

RKV 125 FL

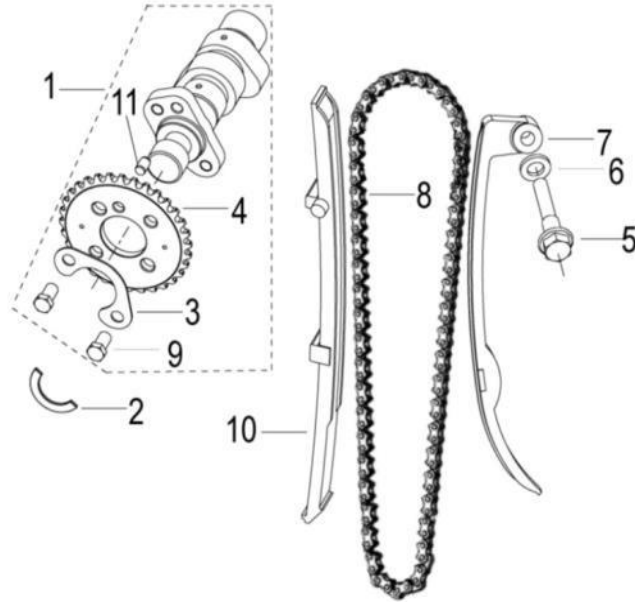
E02 INSULATOR,CARBURETOR ASSY



Nº	CÓDIGO	DESCRIÇÃO	Qt.	OBSERVAÇÕES
1	119073210000	INSULATION MAT	1	
2	119123090010	INTAKE PIPE ASSY.	1	
3	12007305001X	STUD BOLT	1	
4	B0405060006H	NUT M6	1	
5	110013210000	GASKET	2	
6	100073210000	FUEL INJECTOR	1	
7	15002116011X	SCREW,DECOLLATION M6x20	1	

RKV 125 FL

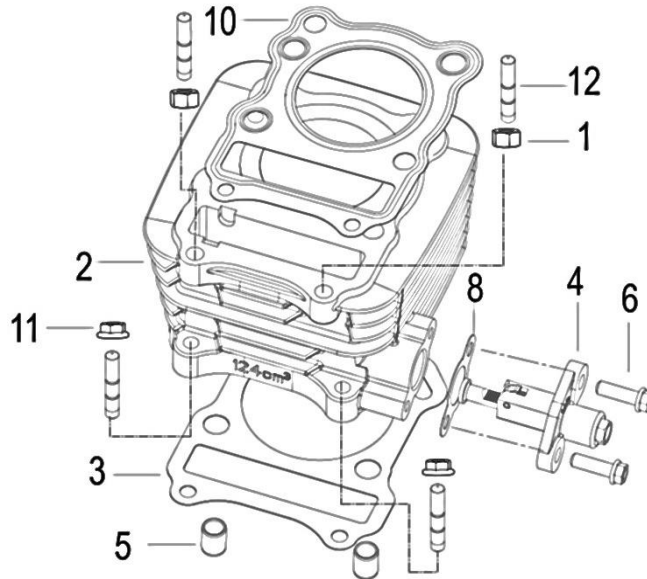
E03 INTAKE&EXHAUST MECHANISM



Nº	CÓDIGO	DESCRIÇÃO	Qt.	OBSERVAÇÕES
1	129074180000	CAMSHAFT ASSY	1	
2	120043090000	WASHER	1	
3	120343090000	WASHER	1	
4	120353090000	CHAIN WHEEL	1	
5	14002309012X	BOLT M8x40	1	
6	140033090000	WASHER	1	
7	140013090002	COMPONENTS OF THE RIGHT CHAIN GUIDE PLATE	1	
8	129023090002	TIMING CHAIN	1	
9	120203090000	BOLT	2	
10	140063090002	CHAIN LEFT GUIDE PLATE	1	
11	B090105008B0	PIN	1	

RKV 125 FL

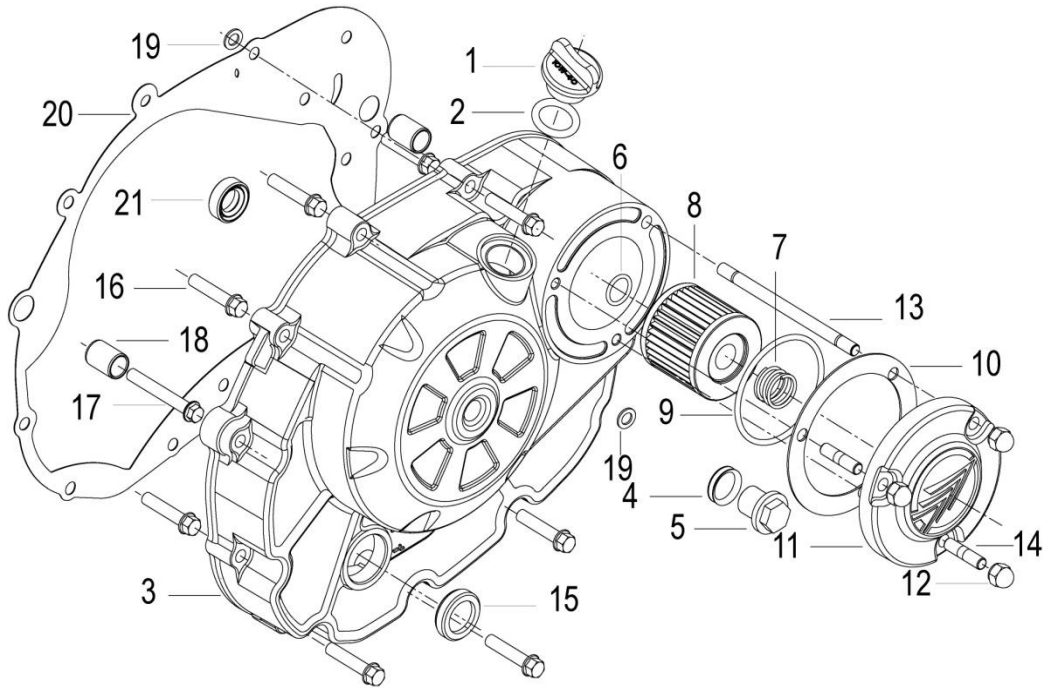
E04 CYLINDER



Nº	CÓDIGO	DESCRIÇÃO	Qt.	OBSERVAÇÕES
1	B0405060006H	NUT M6	2	
2	139013210070	EFI CYLINDE,GRAY	1	
3	139023090032	GASKET,CYLINDER,in black	1	
4	149033090010	TENSIONER ASSY GRAY	1	
5	130023090000	PIN,DOWEL	2	
6	13001309012X	BOLT M6X20	2	
8	130113090012	SEAL SPACER	1	
10	109073090000	CYLINDER HEAD GASKET	1	
11	B0407060005H	HEXAGON NUTS WITH FLANGE M6	2	
12	12007309001X	STUD BOLT	4	

RKV 125 FL

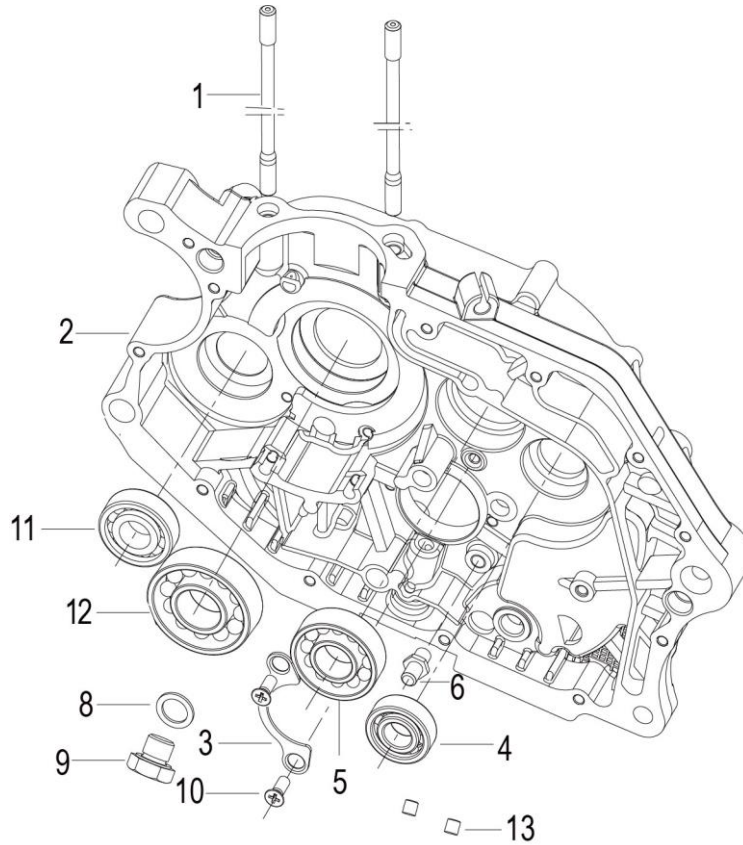
E05 CLUTCH COVER ASSY



Nº	CÓDIGO	DESCRIÇÃO	Qt.	OBSERVAÇÕES
1	160063090070	OIL FILLER THREAD PLUG,GREY	1	
2	B190101700C0	O RING17x3.55	1	
3	169103090190	COVER,CLUTCH GRAY	1	
4	160253090000	O RING φ12	1	
5	16020309011X	PLUG M12x1.25x10	1	
6	B190101250A0	O RING12.5x1.8	1	
7	160033090000	SPRING	1	
8	160043090000	PAPER FILTER ELEMENT MODULE	1	
9	B190105260B0	O RING52.6x2.4	1	
10	160373210010	MACHINE FILTERS COVERS THE FILLING PIECE	1	
11	160393090090	MACHINE FILTERS THE LID GRAY	1	
12	B0422060003H	COVERS THE NUT M6	3	
13	16005309001X	DOUBLE SCREW BOLT	1	
14	B0300060126H	DOUBLE SCREW BOLT M6x12	2	
15	160083090000	OIL INDICATOR ASSY	1	
16	B0107060326H	BOLT M6x32	9	
17	B0107060456H	BOLT M6x45	1	
18	150043090000	PIN,DOWEL	2	
19	150013070000	WASHER 6	2	
20	169113210010	GASKET,COVER RH	1	
21	160023090000	OIL SEAL	1	

RKV 125 FL

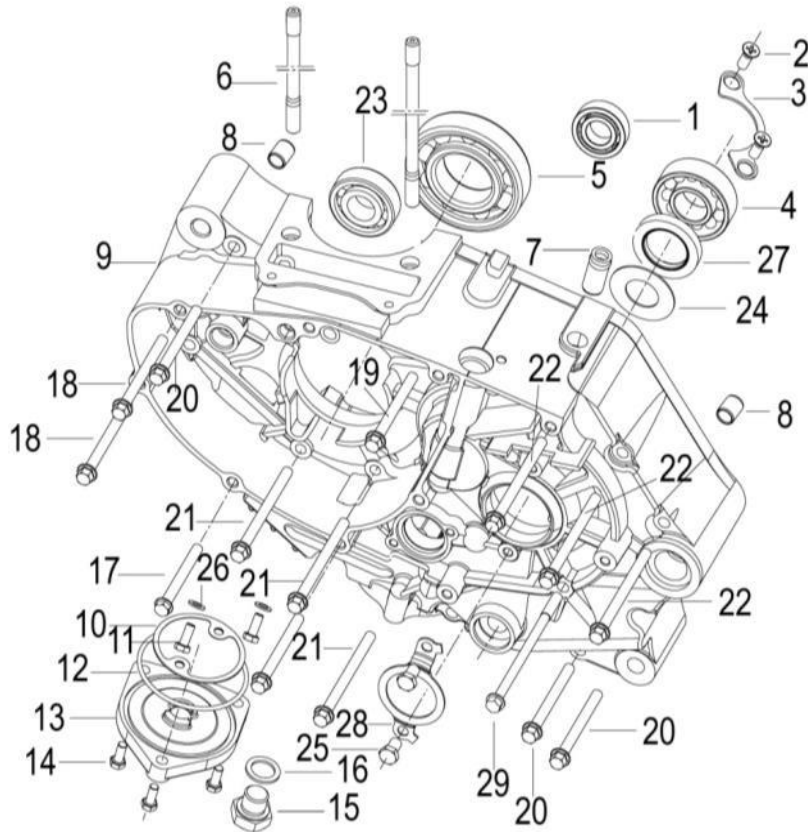
E06 RIGHT CRANKCASE ASSY



Nº	CÓDIGO	DESCRIÇÃO	Qt.	OBSERVAÇÕES
1	15911309002X	STIDBOLT,CYLINDER 8x173	2	
2	159033210180	CRANKCASE,RIGHT GRAY	1	
3	150113090000	GEAR	1	
4	B12016020204	BERING6202/P6	1	
5	B12016020403	BEARING6204/P6	1	
6	150123090000	SET BOLT	1	
8	150093090000	GASKET SEAL	1	
9	15008309013X	SPIRAL PLUG M14x1.25x11.5	1	
10	B0201060126H	SCREW M6X12	2	
11	B12016020307	BERING 6203	1	
12	B12016020601	BEARING	1	
13	150166090000	CONE PLUG M10x1	2	APÓS VIN LBBJ80015JB946861

RKV 125 FL

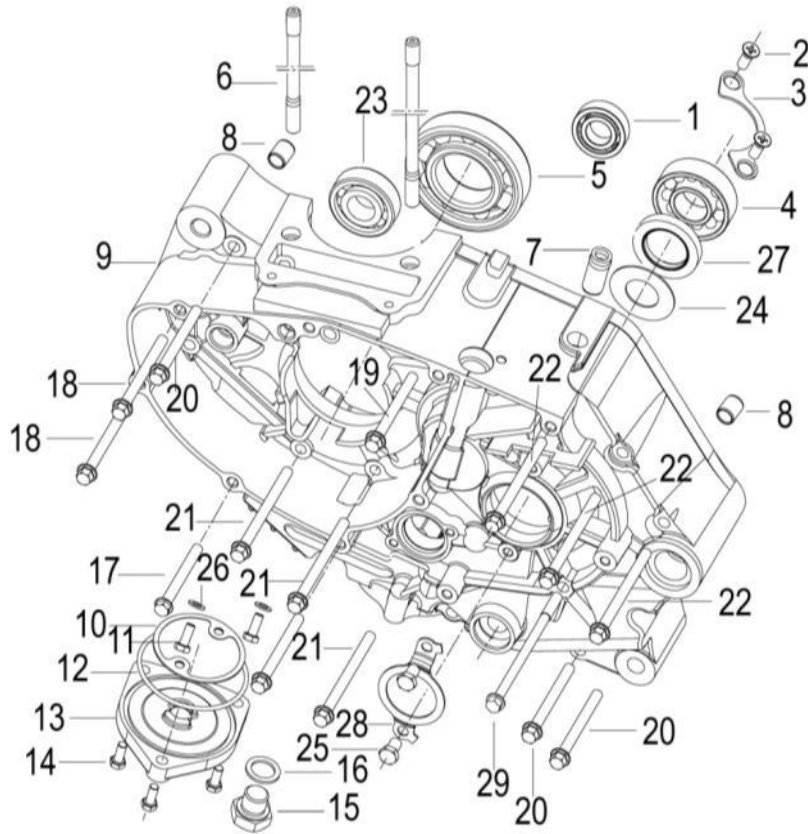
E07 LEFT CRANKCASE ASSY



N°	CÓDIGO	DESCRIÇÃO	Qt.	OBSERVAÇÕES
1	B12016000203	BERING 6002-RS/P6	1	
2	B0201060126H	TEN CHARACTER TROUGHS SINK A BOLT M6x12	2	
3	150113090000	GEAR	1	
4	B12016020403	BEARING6204/P6	1	
5	150304230000	BERING 6207/P53 Z2	1	
6	15910309002X	AIR CYLINDER STUD	2	
7	150153090000	HOSE,BREATHER	1	
8	150043090000	PIN,DOWEL	2	
9	159023210090	LEFT CRANKCASE ASSY., GRAY	1	
10	150103090000	OIL SET	1	
11	B0103050126H	HEXAGONAL HEAD TAP BOLT M5x12	1	
12	B190106050B0	O RING 60.5x2.4	1	
13	150023090090	MESH LID GRAY	1	
14	B0107060206H	BOLT M6x20	3	
15	16009309012X	SPIRAL PLUG M14x1.25x14.5	1	
16	150093090000	GASKET SEAL	1	
17	B0107060556H	BOLT M6x55	1	
18	B0107060656H	BOLT M6x65	2	
19	B0107060606H	BOLT M6x60	1	
20	B0107060606H	BOLT M6x60	4	
21	B0107060756H	BOLT M6x75	3	
22	B0107060756H	BOLT M6x75	3	

RKV 125 FL

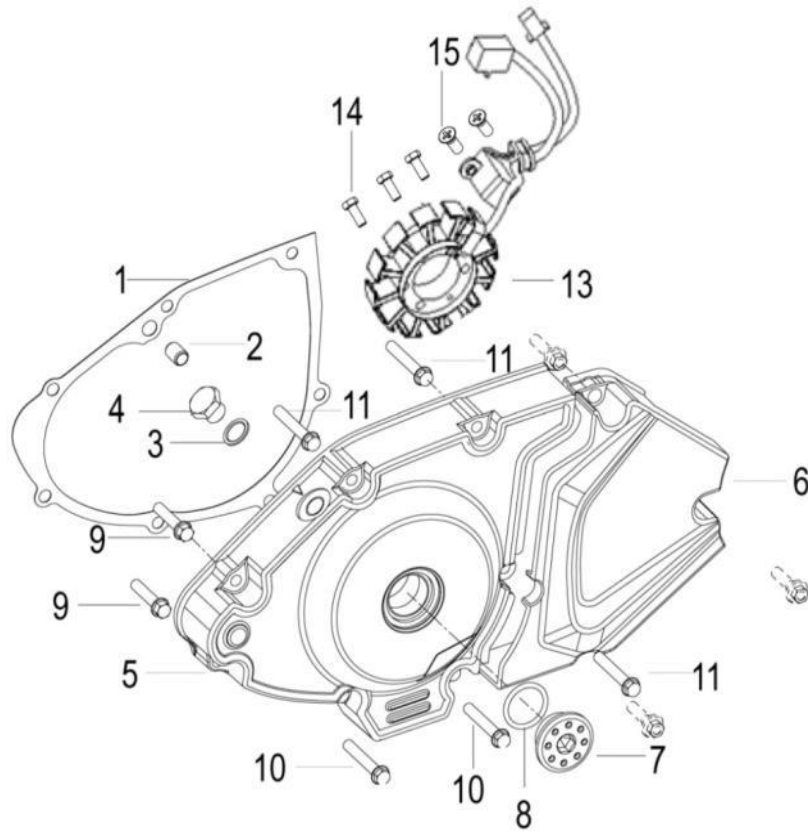
E07 LEFT CRANKCASE ASSY



N°	CÓDIGO	DESCRIÇÃO	Qt.	OBSERVAÇÕES
23	B12016020307	BEARING 6203	1	
24	210083090000	WASHER 20	1	
25	B0103060106H	BOLT M6x10	2	
26	100084050000	WASHER 5	2	
27	210073090000	OIL SEAL 27X40X6	1	
28	210093090000	SEAL PACKING COVER	1	
29	10001305011X	BOLT M6x95	1	

RKV 125 FL

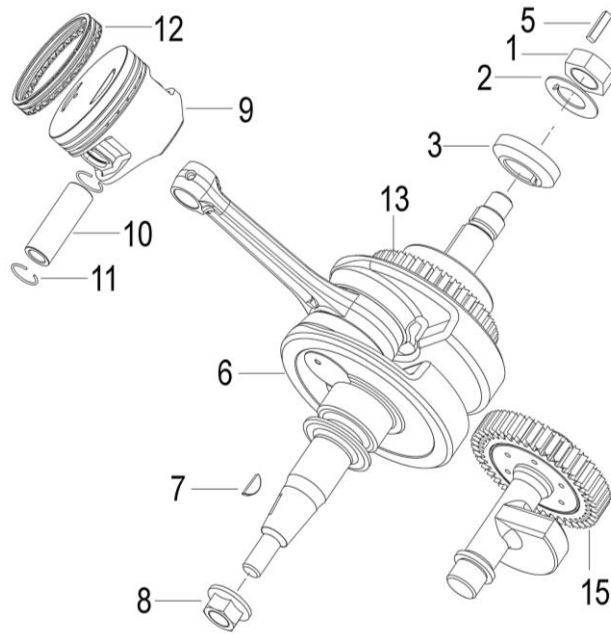
E08 MAGNETO COVER



N°	CÓDIGO	DESCRIÇÃO	Qt.	OBSERVAÇÕES
1	169073210010	GASKET,COVER MAGNETO	1	
2	150112070000	PIN,DOWEL	2	
3	160253090000	O RING ϕ 12	1	
4	16020309011X	PLUG M12x1.25x10	1	
5	169063090090	COVER,MAGNETO GRAY	1	
6	169053090140	COVER,SPROCKET GRAY	1	
7	160383090020	SEAL COVER,GREY	1	
8	B190102240C0	O RING22.4x3.55	1	
9	B0107060306H	BOLT M6x30	2	
10	B0107060386H	BOLT M6x38	2	
11	B0107060406H	BOLT M6x40	3	
13	299033090000	STATOR ASSY. COMP.	1	
14	B0205050256H	SCREW M5x25	3	
15	B0204040122H	SCREW M4x12	2	

RKV 125 FL

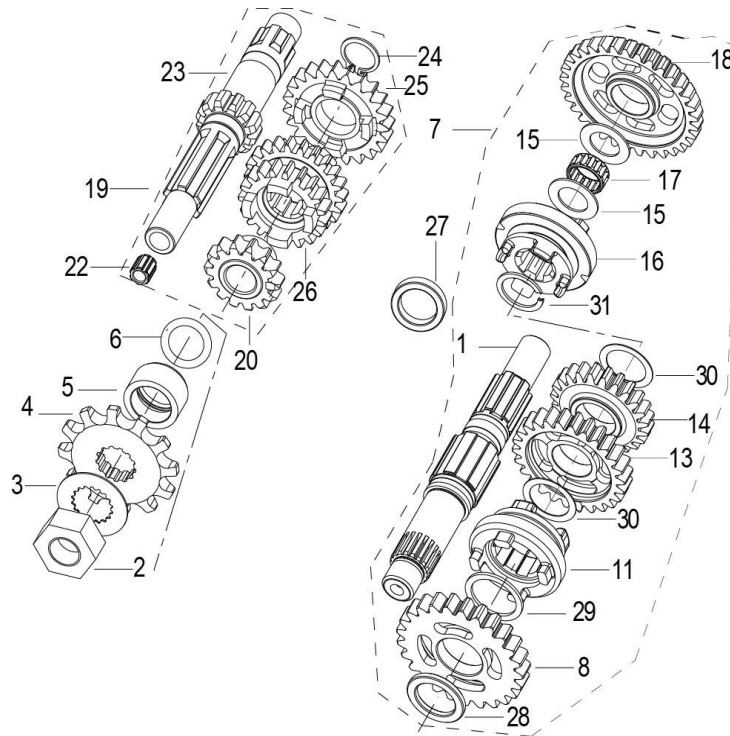
E09 CRANKSHAFT CONROD & PISTON ASSY



Nº	CÓDIGO	DESCRIÇÃO	Qt.	OBSERVAÇÕES
1	170013090100	NUT M16X1.5	1	
2	170023090000	WASHER	1	
3	269063090000	OIL PUMP, GEAR DRIVE	1	
5	170041170000	KEY 4x20	1	
6	179013210022	CRANKSHAFT&CONNECTING ROD ASSY	1	
7	B11810305013	KEY	1	
8	240013060110	NUT M12	1	
9	179133090003	PISTON	1	
10	179143090002	PIN,PISTON	1	
11	179153090000	CIRCLIPΦ14	2	
12	17009309003Z	RING ASSY	1	
13	179263210012	GEAR DRIVE	1	
15	179243210015	BALANCE SHAFT ASSY	1	

RKV 125 FL

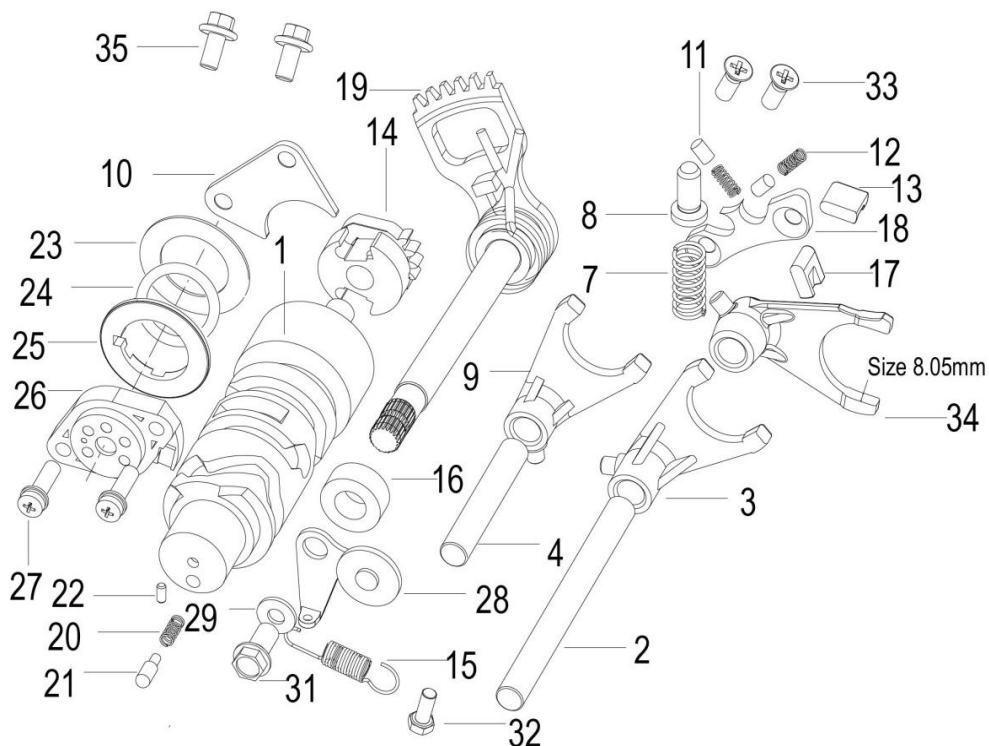
E10 COUNTER & DRIVE SHAFT ASSY



Nº	CÓDIGO	DESCRIÇÃO	Qt.	OBSERVAÇÕES
1	219223090010	SHAFT,DRIVE	1	
2	210063090100	WASHER,LOCK M16X1.5	1	
3	219313090000	GASKET, COVER MAGNETO	1	
4	219303090000	SPROCKET,ENGINE 13TEETH	1	
5	210053090000	SPACER	1	
6	B190101900B1	O RING 19x2.65	1	
7	219213090010	DRIVEN SHAFT ASSY	1	
8	219243090000	GEAR,2ND DRIVEN	1	
11	210483090000	CHANGES THE FILES WHEEL	1	
13	219253090000	GEAR, 3 RD DRIVEN	1	
14	219263090000	GEAR, 4 TH DRIVEN	1	
15	210133090000	WASHER	4	
16	219273090000	GEAR, 5 TH DRIVEN	1	
17	210463090000	BERING	1	
18	219233090000	GEAR, 1ST DRIVEN	1	
19	219133210000	DRIVE SHAFT ASSY	1	
20	219163090000	DRIVING TWO SPEED GEAR	1	
22	210043090000	STOPS UP THE COLUMN	1	
23	219143210000	SHAFT,COUNTER	1	
24	B080100020A0	CIRCLIP	1	
25	219193090000	DRIVING FIFTH GEAR GEAR	1	
26	210033090000	INITIATIVE THREE, FOURTH SPEED GEAR	1	
27	210013210000	SPACER	1	
28	210013390000	WASHER	1	
29	210033390000	WASHER 23	1	
30	210133070000	WASHER φ20	2	
31	220014030000	CIRCLIP 20	1	

RKV 125 FL

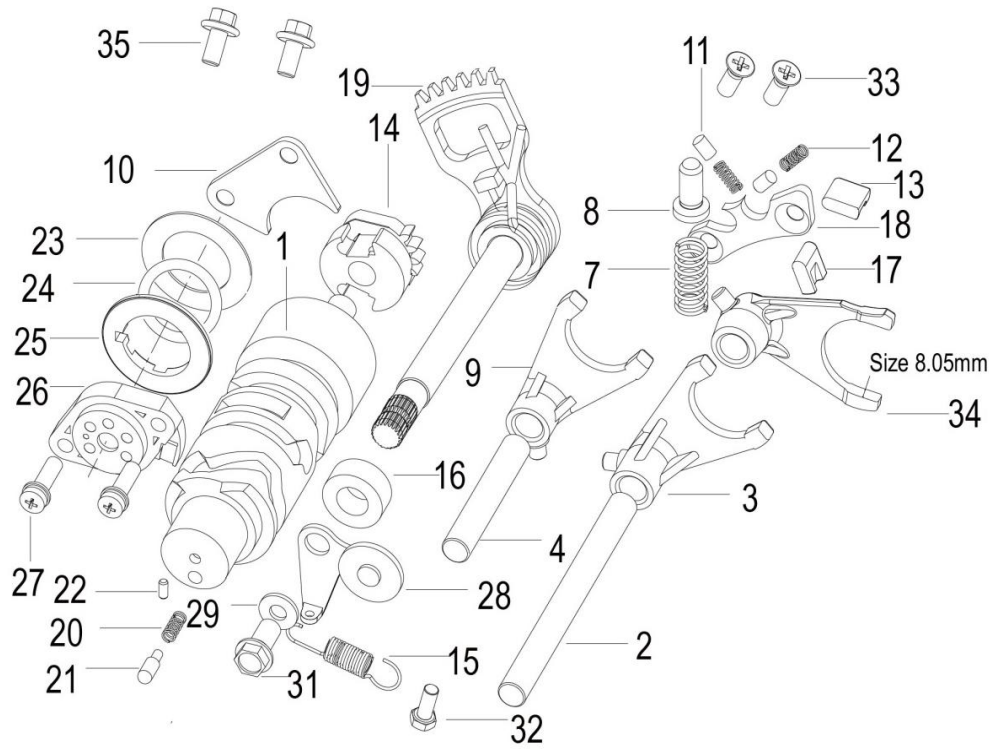
E11 GEAR SHIFT MECHANISM



Nº	CÓDIGO	DESCRIÇÃO	Qt.	OBSERVAÇÕES
1	250043090000	DRUM, GEAR SHIFT	1	
2	219093090000	SHAFT, GEAR SHIFT	1	
3	219103090000	FORK	1	
4	219083090000	SHAFT, SHIFT FORK	1	
7	210393090000	LATCH SPRING	1	
8	210383090000	NEUTRAL LATCH	1	
9	219113090000	FORK	1	
10	250063090020	ON NOTCH WHEEL THRUSTPLATE	1	
11	210303090000	NOTCH WHEEL BACK-UP POST	2	
12	210283090000	RATCHET SPRING	2	
13	210273090000	RIGHT PAWL	1	
14	250083090000	CHANGES THE FILES NOTCH WHEEL MODULE	1	
15	210363090022	ABUT ARM EXTENSION SPRING	1	
16	210373090000	OIL SEAL	1	
17	210293090000	LEFT PAWL	1	
18	250033090000	UNDER NOTCH WHEEL THRUSTPLATE	1	
19	219063210000	SHAFT, GEAR SHIFT	1	
20	210313090000	SPRING	1	
21	210323090000	ANTENNA	1	
22	B091404006B0	PIN B4x6	1	
23	250073090000	WASHER	1	
24	B190102580B0	O RING 25.8x2.65	1	
25	210253090030	CHANGES GRADE OF DRUM BACK PLATE	1	
26	210263090002	FILES POSITION CONTACT DEVICE	1	
27	B1308050200H	SCREW W/WASHER M5x20	2	
28	210353090002	ABUT ARM MODULE	1	

RKV 125 FL

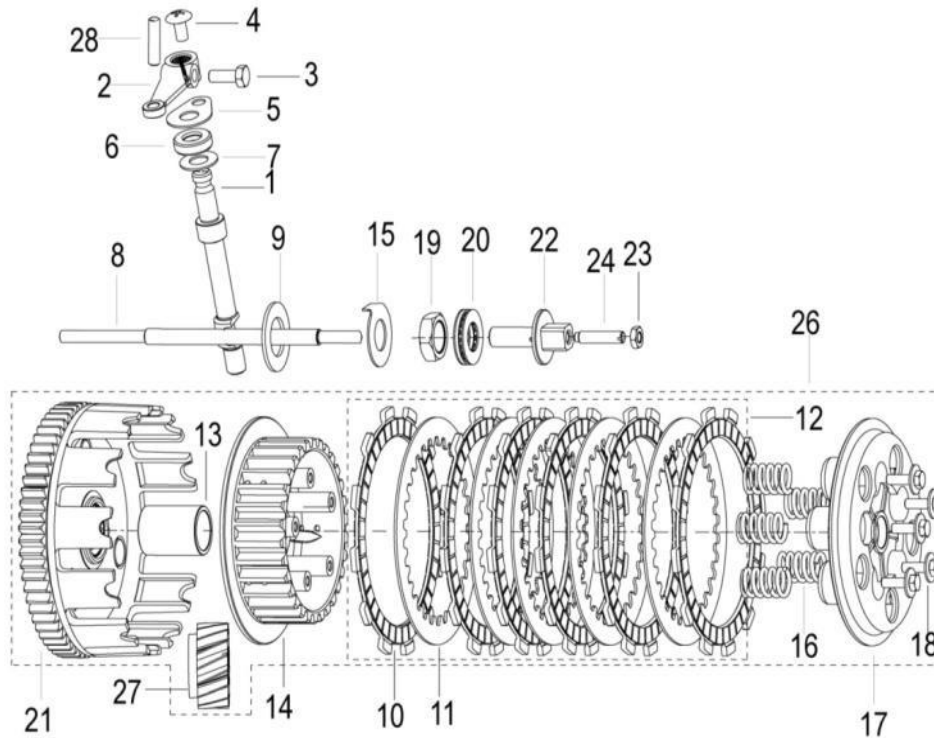
E11 GEAR SHIFT MECHANISM



Nº	CÓDIGO	DESCRIÇÃO	Qt.	OBSERVAÇÕES
29	210343090000	WASHERS 6	1	
31	210333090000	MOVE BOLT M6	1	
32	150263090100	BOLTS M4X10	1	
33	B0201060126H	SCREW M6X12	2	
34	219103390000	FORK,LEFT	1	
35	B0107060126H	BOLT M6X12	2	

RKV 125 FL

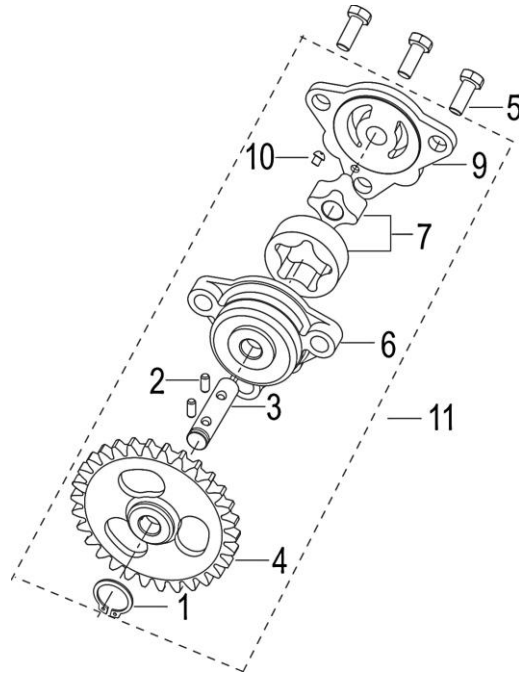
E12 CLUTCH ASSY



Nº	CÓDIGO	DESCRIÇÃO	Qt.	OBSERVAÇÕES
1	129083090000	CLUTCH RELEASE SHAFT	1	
2	209073090000	SEPARATION RELEASE LEVER	1	
3	B0101060162H	BOLT M6x16	1	
4	B0206060128H	CROSS TROUGH FLAT CUP HEAD SCREW M6x12	1	
5	20017309001X	CLIP	1	
6	200023090000	TUMBLER AXIS OIL SEAL	1	
7	200013090000	WASHER,THRUST	2	
8	200013210000	PUSH ROD	1	
9	200043090000	WASHER,THRUST	1	
10	200083090000	PLATE, DRIVE	5	
11	200093090000	PLATE, DRIVE	4	
12	200473090000	CLUTCH ASSY	1	
13	200053090000	SPACER	1	
14	200073090000	HUB, CLUTCH SLEEVE	1	
15	200163090000	LOCKING WASHER	1	
16	200113090000	SPRING	5	
17	200103090000	PRESSURE PLATE	1	
18	B13010501605	SCREW W/WASHER M5x16	5	
19	200153090000	PIECE,DIRVE	1	
20	200123090000	NEEDLE BEARING	1	
21	200063090000	GEAR, PRIMARY DRIVE	1	
22	200143090000	SEAT, BEARING	1	
23	B0405060006H	NUT M6	1	
24	20013309001X	SCREW M6	1	
26	209013210000	CLUTCH ASSY	1	
27	170393210000	GEAR DRIVE	1	
28	B090406014AH	SHAFT M6x14	1	

RKV 125 FL

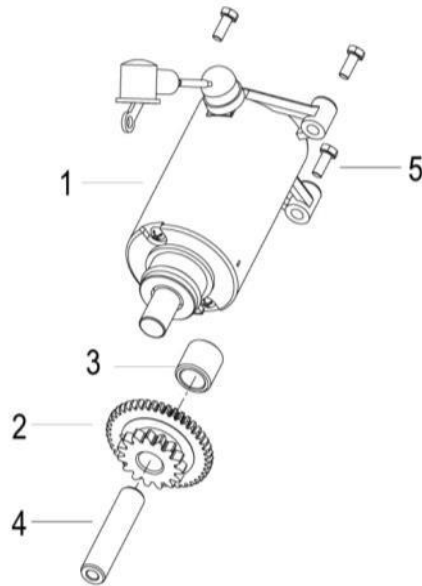
E13 OIL PUMP ASSY



Nº	CÓDIGO	DESCRIÇÃO	Qt.	OBSERVAÇÕES
1	B08030000601	RING 6	1	
2	B09012501220	PIN B2.5x12	2	
3	260063090000	OIL PUMP SHAFT	1	
4	260053090000	GEAR OIL PUMP	1	
5	B0107060256H	BOLT M6x25	3	
6	260043090000	OIL PUMP BODY	1	
7	269043090000	OIL PUMP INNER&OUTER ROTOR	1	
9	260013090000	OIL PUMP EXTERNAL ROTOR	1	
10	B02000300522	SCREW	1	
11	269003090000	OIL PUMP ASSY	1	

RKV 125 FL

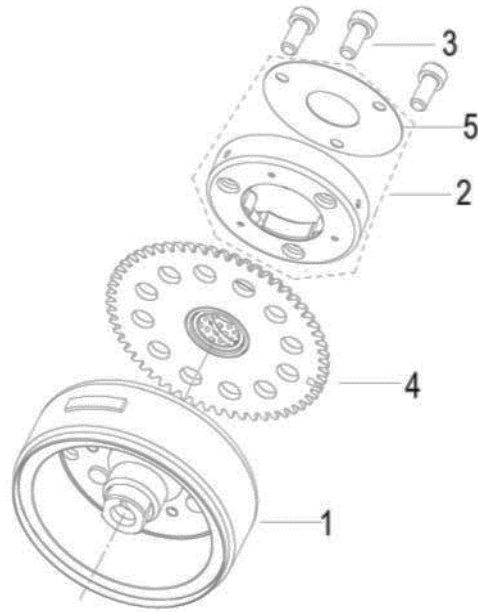
E14 STARTING MOTOR ASSY



Nº	CÓDIGO	DESCRIÇÃO	Qt.	OBSERVAÇÕES
1	249013210010	STARTER MOTOR ASSY.COMP.GRAY	1	
2	249043090000	START TURN IDLENESS	1	
3	240013090000	BUSHING BLOCK	1	
4	240023090000	HINGE PIN	1	
5	B0107060256H	BOLT M6x25	2	

RKV 125 FL

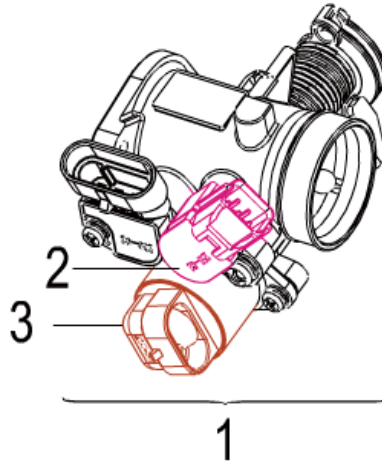
E15 MAGNETO ASSY



N°	CÓDIGO	DESCRIÇÃO	Qt.	OBSERVAÇÕES
1	299023090020	EFI ROTOR ASSY.	1	
2	249093230040	GEAR, STARTER	1	
3	240063090000	SCREW M6x14	3	
4	240043090020	DRIVEN GEAR, STARTER	1	
5	240013240000	WASHER	1	

RKV 125 FL

E16 THROTTLE ASSY



Nº	CÓDIGO	DESCRIÇÃO	Qt.	OBSERVAÇÕES
1	289003210000	THROTTLE ASSY	1	
2	280023130000	THROTTLE LOCATION SENSOR	1	
3	280013130000	STEPPER MOTOR	1	