

# Zahara 125 E5

Zahara 125



KEEWAY



Zahara 125



KEEWAY



# Zahara 125 E5

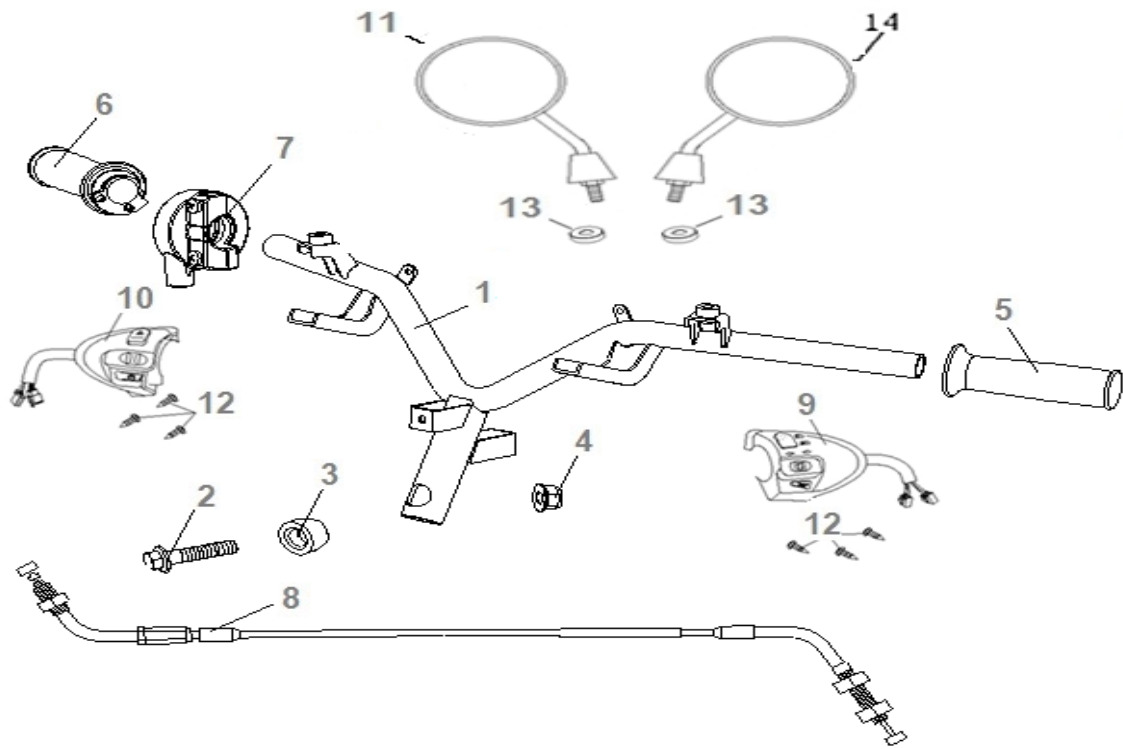
## ÍNDICE

<b>ESQ</b>	<b>QUADRO</b>	<b>PAG</b>
F01	DIREÇÃO	3
F02	SUSPENSÃO FRONTAL	4
F03	RODA FRONTAL	5
F04	SISTEMA DE TRAVAGEM	6
F05	ESCAPE	7
F06	DEPÓSITO DE COMBUSTÍVEL	8
F07	CAIXA FILTRO DE AR	9
F08	BANCO	10
F09	RODA TRASEIRA	11
F10	QUADRO	12
F11	AMORTECEDOR TRASEIRO	13
F12	GUARDA LAMAS DIANTEIRO	14
F13	CARENAGENS DO GUIADOR	15
F14	CARENAGENS DIANTEIRAS	16
F15	CARENAGENS DE POUSA PÉS	17
F16	PROTEÇÃO DE PERNAS	18
F17	CARENAGENS LATERAIS	19
F18	CONTA KMS	20
F19	LUZES	21
F20	GUARDA LAMAS TRASEIRO & FAROLIM	22
F21	SISTEMA ELETRICO	23
F22	FERRAMENTAS	24

<b>ESQ</b>	<b>MOTOR</b>	<b>PAG</b>
E01	TAMPA DE VENTONHA	25
E02	CABEÇA DE CILINDRO	26
E03	DISTRIBUIÇÃO	27
E04	CILINDRO	28
E05	CAMBOTA	29
E06	CARTER DIREITO	30
E07	TAMPA DIREITA DO MOTOR	31
E08	MAGNETO	32
E09	CARTER ESQUERDO	33
E10	TAMPA DE VARIADOR	34
E11	VARIADOR FRONTAL	35
E12	VARIADOR TRASEIRO	36
E13	TRANSMISSÃO	37
E14	COLETOR ADMISSÃO & CARBURADOR ELETRÓNICO	38

## Zahara 125 E5

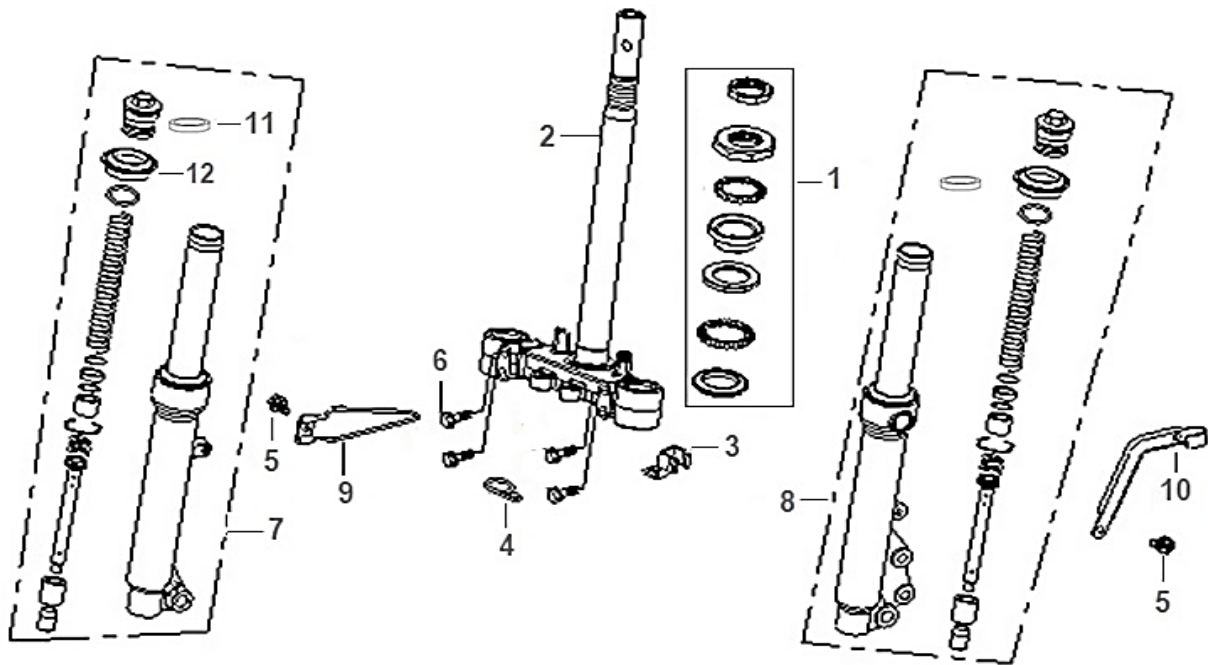
### F01 DIREÇÃO



Nº	CÓDIGO	DESCRIÇÃO	Qt.	OBSERVAÇÕES
1	P0125507840000	HANDLE COMP.	1	
2	P0132300260000	FLANGE BOLT M10×1.25×45	1	
3	P0134200390000	COLLAR	1	
4	P0132380060000	NUT M10×1.25	1	
5	P0133535060000	L. GRIP	1	
6	P0133535120000	R. GRIP	1	
7	P0134115020000	THROTTLE PEDESTAL	1	
8	P0134800390000	THROTTLE CABLE	1	
9	P0134100200000	LEFT HANDLE SWITCH ASSY.	1	
10	P0134100510000	RIGHT HANDLE SWITCH ASSY.	1	
11	P0135610880000L	MIRROR ASSY.,RR.L.VIEW	1	
12	P0132303560000	SCREW ST4.8×12	6	
13	P0135610410000	REAR VIEW MIRROR BUSH	2	
14	P0135610880000R	MIRROR ASSY.,RR.R.VIEW	1	

## Zahara 125 E5

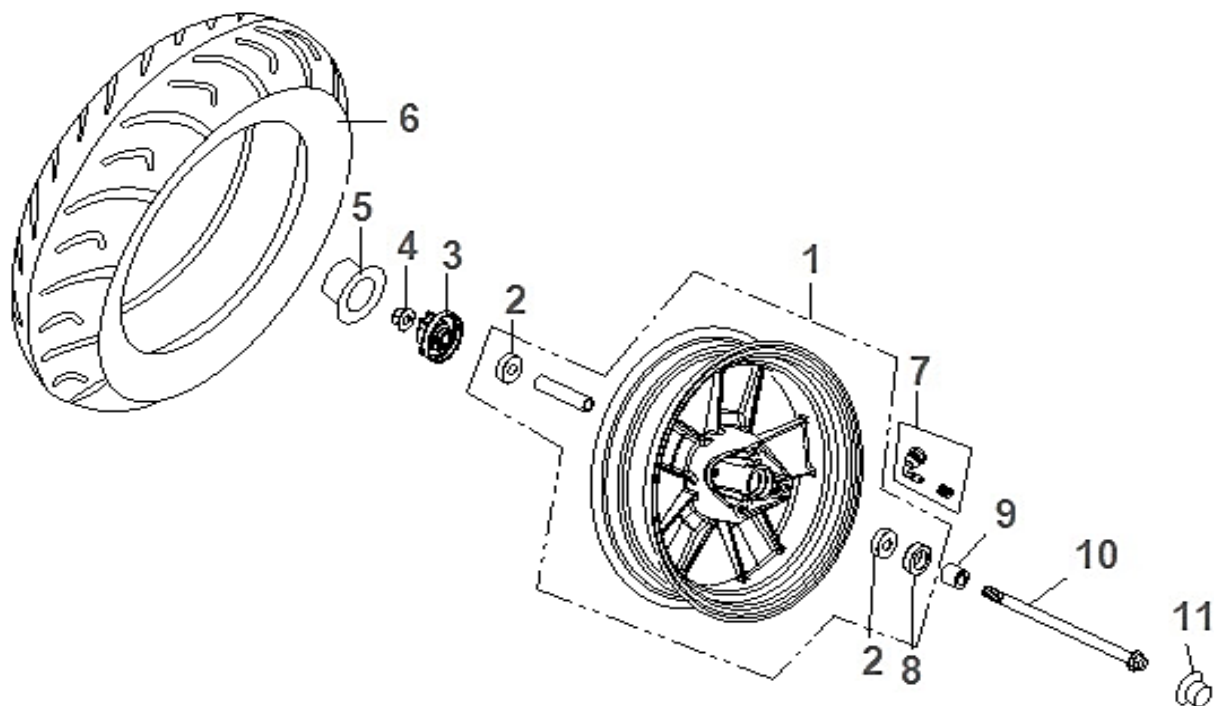
### F02 SUSPENSÃO FRONTAL



Nº	CÓDIGO	DESCRIÇÃO	Qt.	OBSERVAÇÕES
1	P0135700010000	BALL RACE COMP.	1	
2	P0134215180000	UNDER BRACKET COMP.	1	
3	P0134295220000	UPPER CABLE HOLDER,FRONT BRAKE TUBE	1	
4	P0134295020000	UPPER CABLE HOLDER,SPEEDOMETER CABLE	1	
5	P0132300610000	SCREW M6×12	2	
6	P0132301540000	FLANGE BOLT M8×35	4	
7	P0135100380000	FRONT RIGHT FORK ASSY	1	
8	P0135100430000	FRONT LEFT FORK ASSY	1	
9	P0134295050000	UNDER CABLE HOLDER,SPEEDOMETER CABLE	1	
10	P0125503820000	CABLE HOLDER	1	
11	P0135100790000	OIL SEAL	2	
12	P0135100540000	DUST SEAL	2	

## Zahara 125 E5

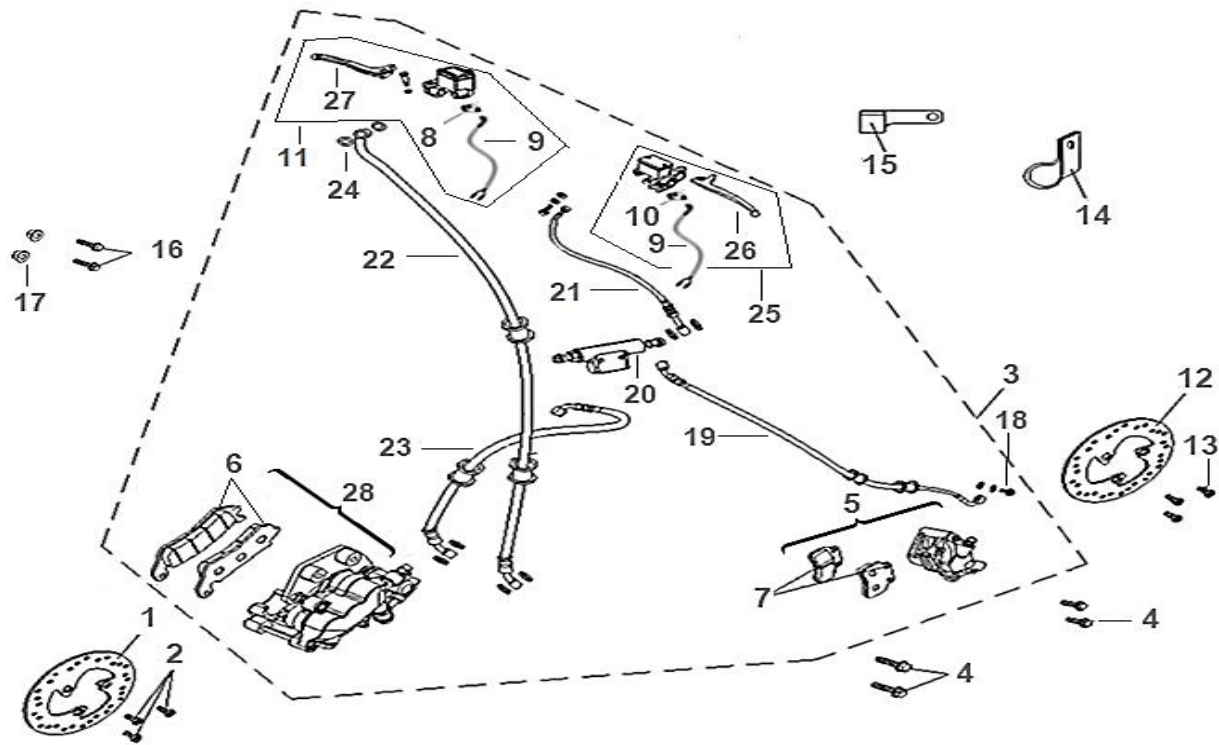
### F03 RODA FRONTAL



Nº	CÓDIGO	DESCRIÇÃO	Qt.	OBSERVAÇÕES
1	P0135000730000	FRONT RIM COMP.BLACK, 3.5×12	1	
2	P0135001350000	BEARING 6201RS	2	
3	P0134020060000	SPEEDOMETER GEAR ASSY	1	
4	P0132380110000	NUT M12×1.25	1	
5	P0133560020000	RUBBER CAP Φ18	1	
6	P0135026180000	TIRE 120/70-12	1	
7	P0135035050000	RIM VALVE COMP.	1	
8	P0135001320000	OIL SEAL 22×35×5	1	
9	P0132875080000	COLLAR	1	
10	P0132850120000	FR. WHEEL AXLE M12×1.25×222	1	
11	P0133560010000	RUBBER CAP Φ14	1	

# Zahara 125 E5

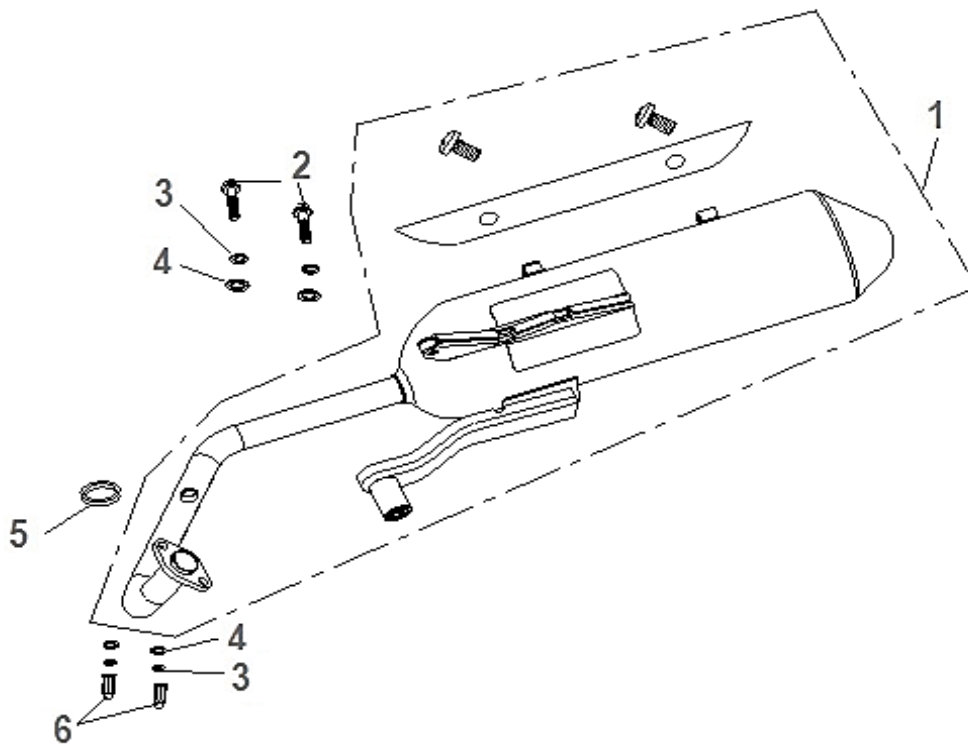
## F04 SISTEMA DE TRAVAGEM



Nº	CÓDIGO	DESCRIÇÃO	Qt.	OBSERVAÇÕES
1	P0135410030000	FRONT BRAKE DISC	1	
2	P0132303830000	BRAKE DISC BOLT M8×25×5	3	
3	P0135401210000	CBS DISK BRAKE ASSY	1	
4	P0132303930000	BOLT M8×35	4	
5	P0135470090000	REAR CALIPER ASSY	1	
6	P0135471610000	FRONT BRAKE PAD KIT	1	
7	P0135470400000	REAR BRAKE PAD KIT	1	
8	P0135470210000	BRAKE SWITCH	1	
9	P0135470240000	BRAKE SWITCH CABLE	2	
10	P0135470210000	REAR BRAKE SWITCH	1	
11	P0135470070000	FRONT MASTER CYLINDER ASSY	1	
12	P0135410020000	REAR BRAKE DISC	1	
13	P0132307430000	BRAKE DISC BOLT M8×30×5	3	
14	P0134295220000	CABLE HOLDER,FRONT BRAKE TUBE	1	
15	P0125500380000	CABLE HOLDER,REAR BRAKE	1	
16	P0132300980000	BOLT M6×35	2	
17	P0132380270000	NUT M6	2	
18	P0135472740000	BANJO BOLT	5	
19	P0135471500000	REAR BRAKE HOSE	1	
20	P0135471560000	CBS MASTER CYLINDER ASSY	1	
21	P0135471450000	CBS HOSE	1	
22	P0135471540000	FRONT BRAKE HOSE	1	
23	P0135471520000	CBS HOSE	1	
24	P0135472230000	WASHER	12	
25	P0135472310000	REAR MASTER CYLINDER ASSY	1	
26	P0135470280000	REAR BRAKE LEVER	1	
27	P0135470270000	FRONT BRAKE LEVER	1	
28	P0135471600000	FRONT CALIPER ASSY	1	

## Zahara 125 E5

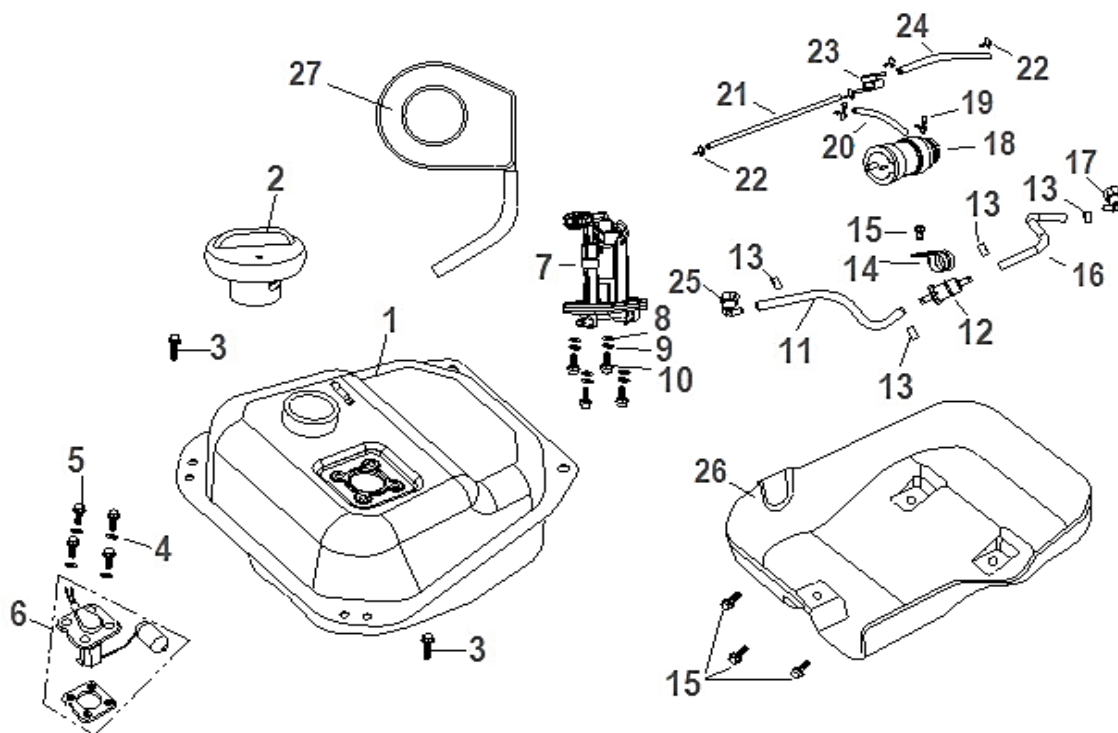
F05 ESCAPE



Nº	CÓDIGO	DESCRIÇÃO	Qt.	OBSERVAÇÕES
1	P0125302700000	MUFFLER	1	
2	P0132301670000	BOLT M8x45	2	
3	P0132504050000	SPRING WASHER 8	2	
4	P0132500670000	WASHER 8	2	
5	P0133340100000	EXHAUST PIPE GASKET	1	
6	P0132380380000	NUT M8	2	

## Zahara 125 E5

### F06 DEPÓSITO DE COMBUSTÍVEL

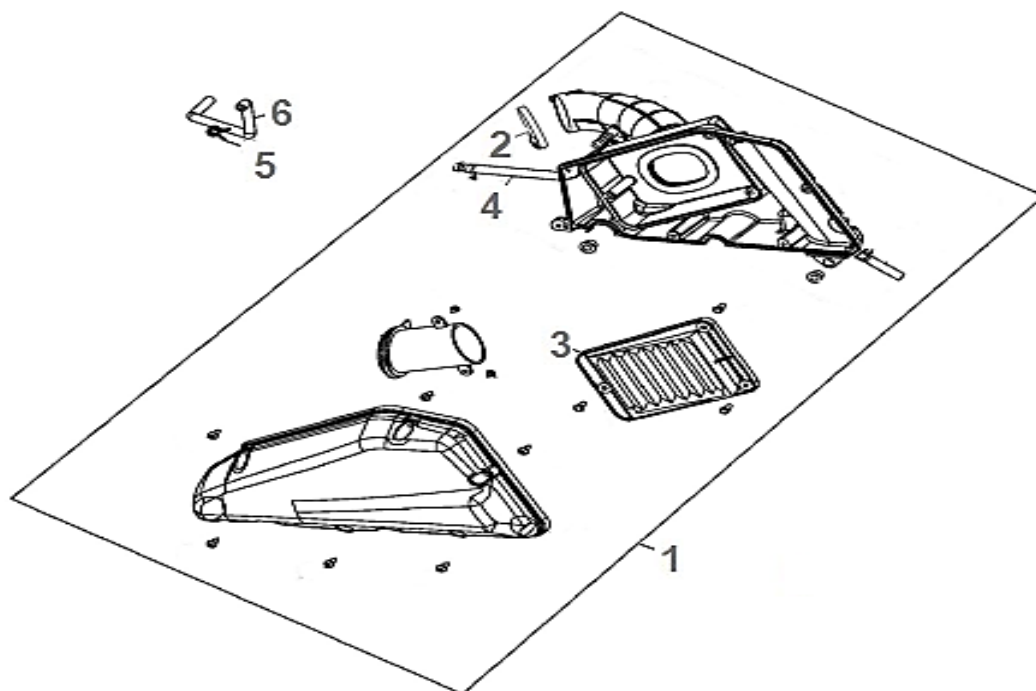


Nº	CÓDIGO	DESCRIÇÃO	Qt.	OBSERVAÇÕES
1	P0134706020000	FUEL TANK COMP.	1	
2	P0134705560000	FUEL TANK CAP	2	
3	P0132300730000	BOLT M6×16	4	
4	P0132500550000	WASHER 5	4	
5	P0132303880000	BOLT M5×16	1	
6	P0134025210000	FUEL FILTER ASSY.	1	
7	P0134706820000	FUEL PUMP ASSY.	4	
8	P0132100330000	O RING SEAL	4	
9	P0132500580000	WASHER 5	4	
10	P0132304360000	SOCKET BOLT M5×25	1	
11	P0131580870000	FUEL TUBE	1	
12	P0134705670000	FUEL FILTER ASSY.	4	
13	P0131580260000	CLIP	1	
14	P0134231850000	BRACKET,FUEL FILTER	4	
15	P0132300610000	BOLT M6×12	1	
16	P0131580380000	FUEL TUBE	1	
17	P0131580400000	CONNECT PIPE	1	
18	P0134705730000	CANISTER ASSY	2	
19	P0132610030000	CLIP 10mm	1	
20	P0133510030500	FUEL HOSE $\Phi 4.5 \times \Phi 8.5 \times 500$	1	
21	P0133510070400	FUEL HOSE $\Phi 6.0 \times \Phi 10.0 \times 400$	6	
22	P0132610020000	CLIP 8mm	1	
23	P0134705660000	ROLL OVER SENSOR	1	
24	P0133510030400	FUEL HOSE $\Phi 4.5 \times \Phi 8.5 \times 400$	1	
25	P0131580240000	CONNECT PIPE	1	
26	P0134530470000	FUEL TANK UNDER COVER	1	
27	P0133525030000	FUEL SPILL TRAY	1	



## Zahara 125 E5

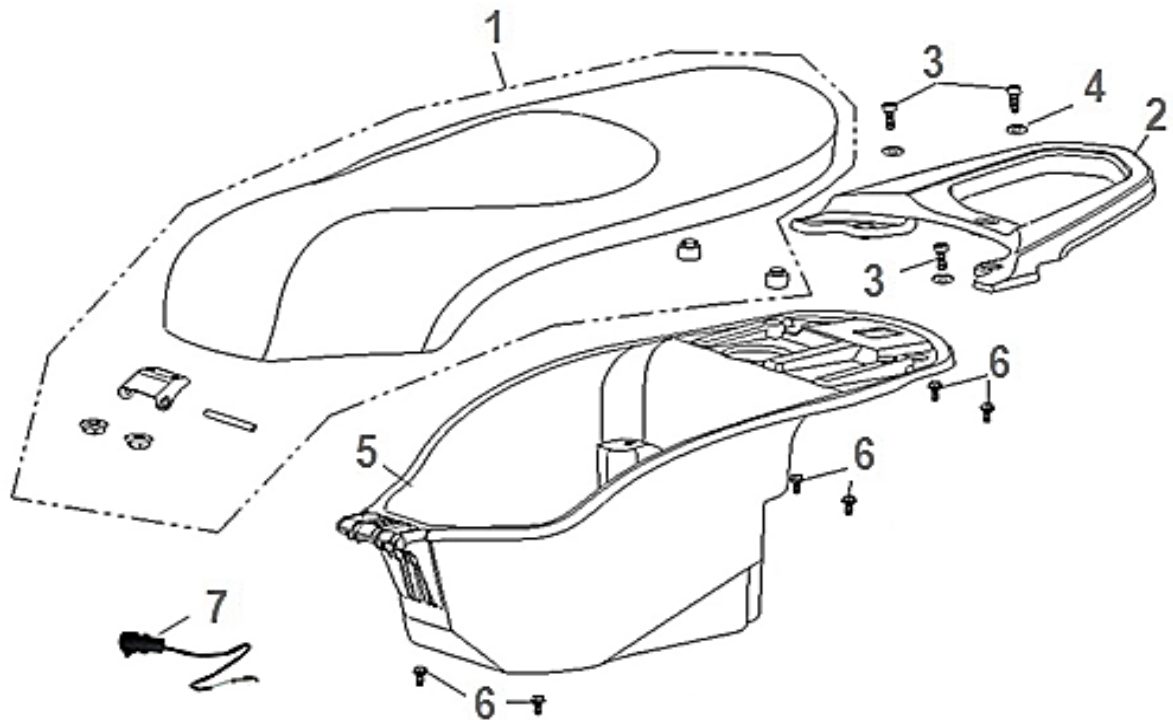
### F07 CAIXA DE FILTRO DE AR



Nº	CÓDIGO	DESCRIÇÃO	Qt.	OBSERVAÇÕES
1	P0131530830000	AIR CLEANER ASSY.	1	
2	P0132630070000	CLIP 45-50	1	
3	P0131540190000	FILTER ELEMENT ASSY	1	
4	P0131530270000	PIPE, DRAIN	2	
5	P0132610150000	CLIP 10	1	
6	P0130100220000	BREATHER PIPE	1	

## Zahara 125 E5

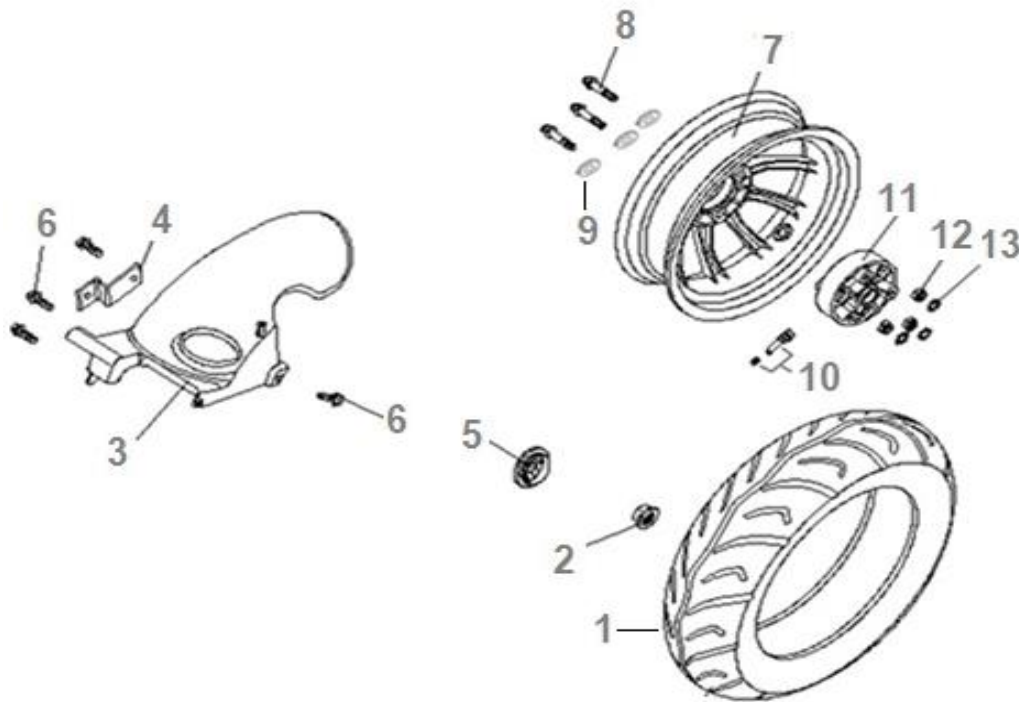
F08 BANCO



Nº	CÓDIGO	DESCRIÇÃO	Qt.	OBSERVAÇÕES
1	P0134604360000	SEAT ASSY.	1	
2	P0125509610000	REAR CARRIER.MATT BLACK	1	
3	P0132302890000	SOCKET BOLT,M8×20	3	
4	P0132500720000	WASHER 8	3	
5	P0134500980000	LUGGAGE BOX	1	
6	P0132303650000	BOLT M6×16×3	6	
7	P0133800090000	USB CONNECTOR	1	

## Zahara 125 E5

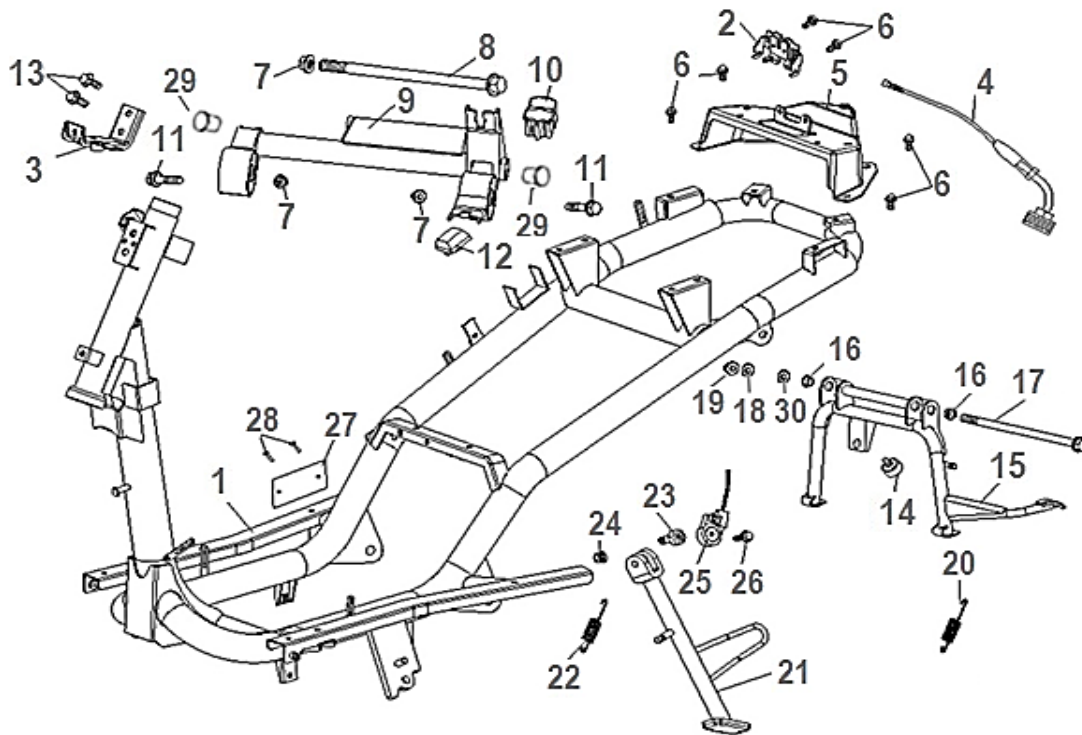
### F09 RODA TRASEIRA



Nº	CÓDIGO	DESCRIÇÃO	Qt.	OBSERVAÇÕES
1	P0135026220000	TIRE 130/70-12	1	
2	P0132380210000	NUT M16×1.5	1	
3	P0134540160000	REAR FENDER	1	
4	P0125500550000	REAR FENDER BRACKET	1	
5	P0134540340000	DUST CAP	1	
6	P0132300730000	BOLT M6×16	4	
7	P0135000640000	REAR RIM ASSY,BLACK,3.5×12	1	
8	P0132303860000	BOLT M10×1.25×60	3	
9	P0132500200000	WASHER 10	3	
10	P0135035060000	VALVE,RIM	1	
11	P0135040020000	REAR WHEEL DRIVE HUB	1	
12	P0132380430000	NUT M10×1.25	3	
13	P0132500710000	CLIP 10	3	

## Zahara 125 E5

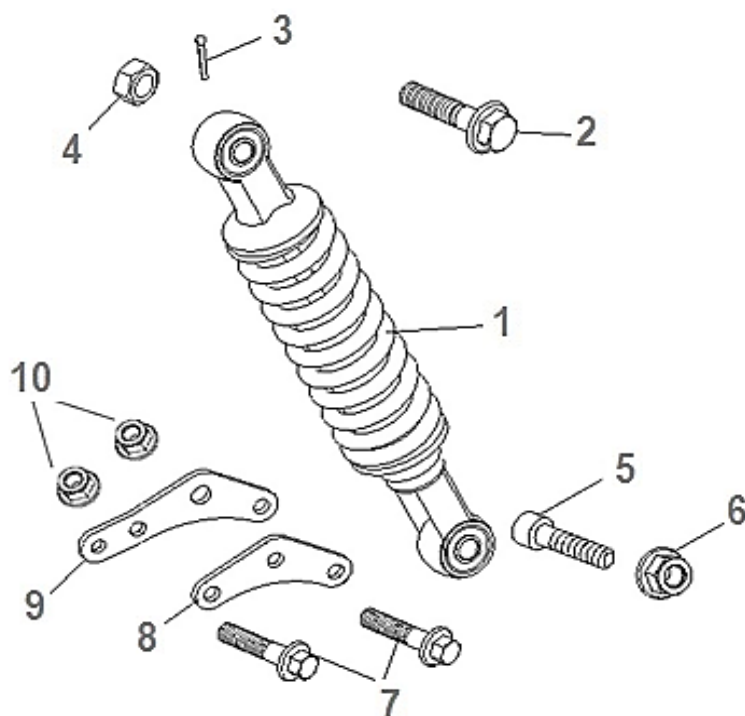
### F10 QUADRO



Nº	CÓDIGO	DESCRIÇÃO	Qt.	OBSERVAÇÕES
1	P0125507770000	FRAME COMP.	1	
2	P0134290070000	SEAT CATCH COMP.	1	
3	P0125507930000	BRACKET	1	
4	P0134810100000	SEAT CABLE	1	
5	P0125507910000	BRACKET	1	
6	P0132300730000	BOLT M6×16	6	
7	P0132380040000	NUT M10×1.25	3	
8	P0132850020000	BOLT, ENGINE HANGER M10×1.25×190	1	
9	P0125501040000	ENGINE MOUNTING BRACKET	1	
10	P0133565010000	RUBBER	1	
11	P0132300320000	BOLT M10×1.25×55	2	
12	P0133565150000	RUBBER	1	
13	P0132301280000	BOLT M8×16	2	
14	P0133565030000	RUBBER	1	
15	P0125500250000	MAIN STAND	1	
16	P0132875220000	BUSH	2	
17	P0132850410000	MAIN STAND SHAFT	1	
18	P0132500680000	WASHER 8	1	
19	P0132380720000	NUT M8	1	
20	P0133920030000	SPRING	1	
21	P0125508020000	SIDE STAND ASSY	1	
22	P0133915020000	SPRING	1	
23	P0132303710000	BOLT M8×28,SIDE STAND MOUNTING	1	
24	P0132380530000	NUT M8	1	
25	P0134130020000	SIDE STAND SWITCH	1	
26	P0132306350000	SCREW M6×16	2	
27	P0143000530000	FRAME BODY NO. PLATE	1	
28	P0132740010000	RIVET3.2×9	2	
29	P0133515030000	RUBBER CAP	2	
30	P0132500740000	WASHER 10×18×2	1	

## Zahara 125 E5

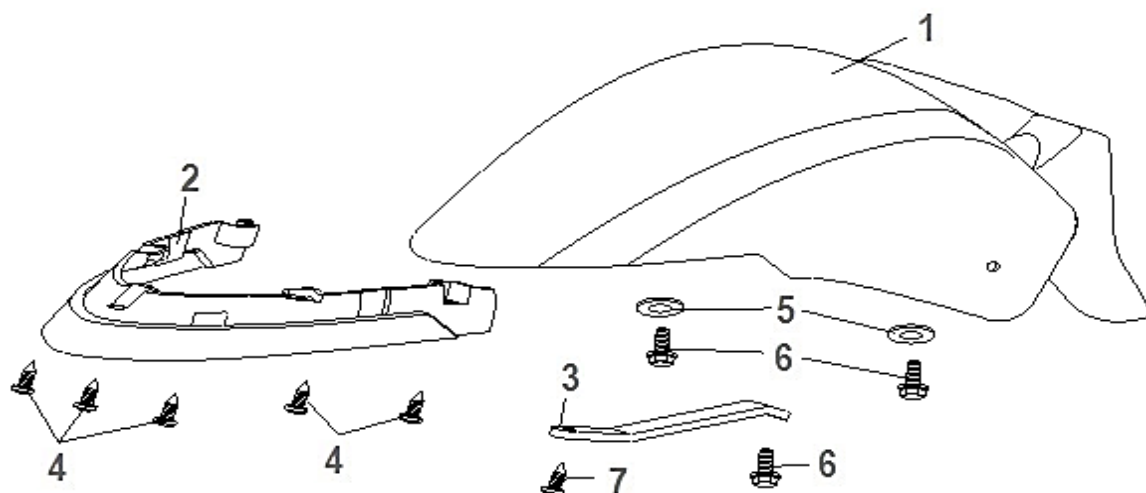
### F11 SUSPENSÃO TRASEIRA



Nº	CÓDIGO	DESCRIÇÃO	Qt.	OBSERVAÇÕES
1	P0135120310000	RR. SHOCK ABSORBER.	1	
2	P0132300010000	BOLT M10×1.25×40	1	
3	P0132730110000	PIN 2.5×25	1	
4	P0132380420000	NUT M10×1.25	1	
5	P0132302830000	SCREW M10×1.25×40	1	
6	P0132380060000	NUT M10×1.25	1	
7	P0132301610000	BOLT M8×40	2	
8	P0125500540000	REAR SHOCK ABSORBER BRACKET, OUTER	1	
9	P0125500530000	RR. SHOCK ABSORBER BRACKET, INNER	1	
10	P0132380350000	NUT M8	2	

## Zahara 125 E5

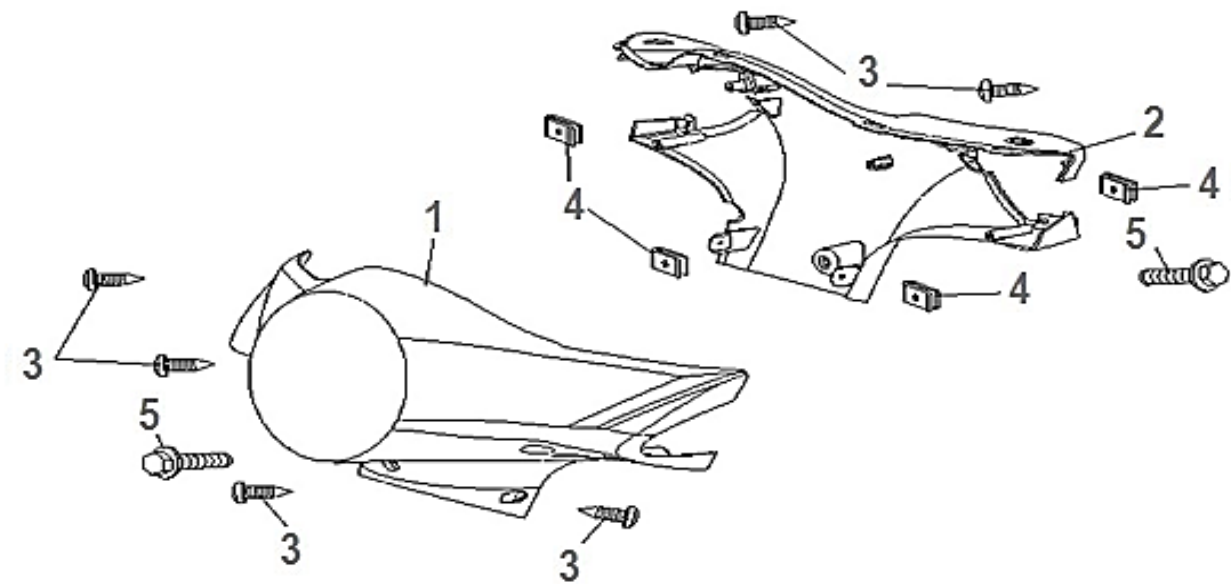
### F12 GUARDA LAMAS DIANTEIRO



Nº	CÓDIGO	DESCRIÇÃO	Qt.	OBSERVAÇÕES
1	P013445020MK00	FRONT FENDER,MATT BLACK MK	1	
1	P013445020PW00	FRONT FENDER,WHITE PW	1	
2	P013445030CP00	FRONT COVER FENDER,CHROME CP	1	
3	P0125507940000	BRACKET FRONT FENDER	1	
4	P0132303520000	SCREW ST4.2×12	6	
5	P0132500640000	WASHER 6	2	
6	P0132300730000	BOLT M6×16	3	
7	P0132303530000	SCREW ST4.2×16	1	

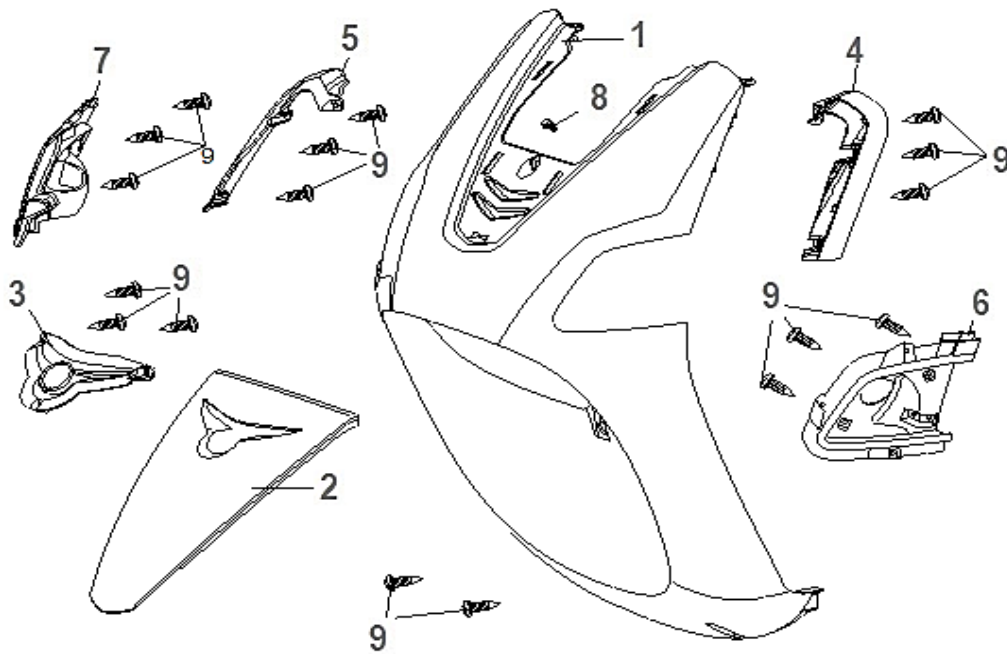
## Zahara 125 E5

### F13 CARENAGENS DO GUIADOR



Nº	CÓDIGO	DESCRIÇÃO	Qt.	OBSERVAÇÕES
1	P013441525MK00	FRONT HANDLE COVER,MATT BLACK MK	1	
1	P013441525PW00	FRONT HANDLE COVER,WHITE PW	1	
2	P013441511MK00	REAR HANDLE COVER,MATT BLACK MK	1	
2	P013441511PW00	REAR HANDLE COVER,WHITE PW	1	
3	P0132303510000	SCREW ST4.2×12	6	
4	P0132380600000	SPRING NUT 4.2	4	
5	P0132300570000	BOLT M6×12	2	

F14 CARENAGENS DIANTEIRAS

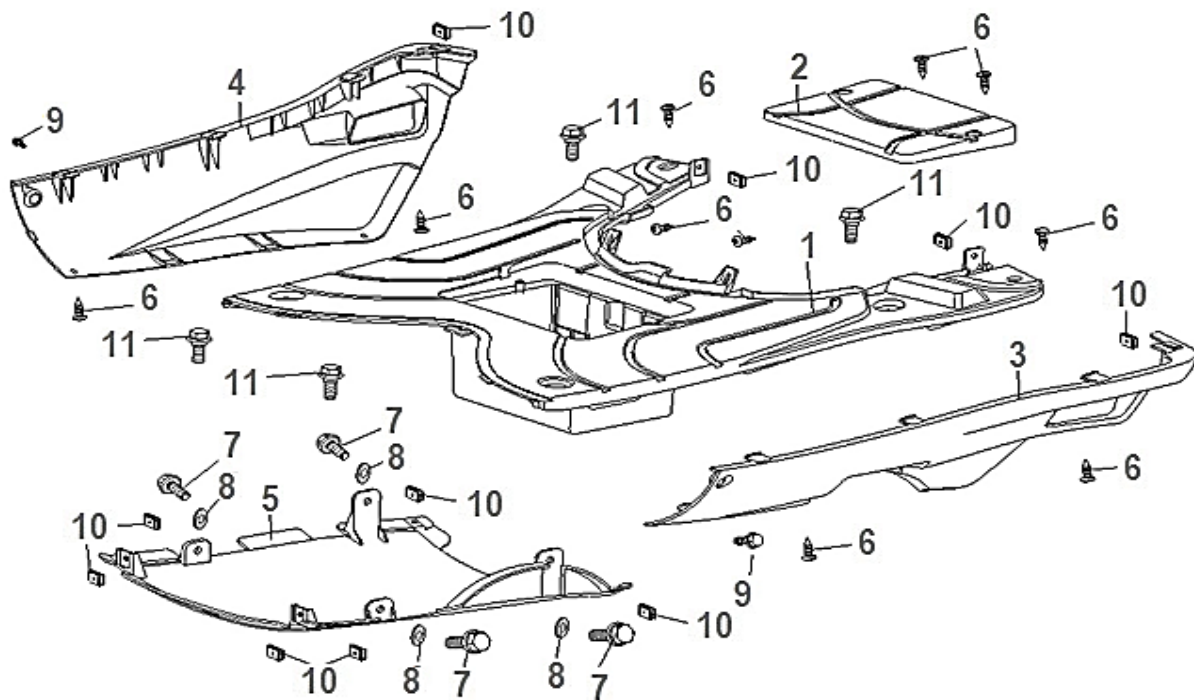


Nº	CÓDIGO	DESCRIÇÃO	Qt.	OBSERVAÇÕES
1	P013444513MK00	FRONT PANEL,MATT BLACK	1	
1	P013444513PW00	FRONT PANEL,WHITE PW	1	
2	P013443521MK00	FRONT FACEPLATE,MATT BLACK	1	
2	P013443521PW00	FRONT FACEPLATE,WHITE PW	1	
3	P013443501CP00	LOGO BASE,ABS,CHROME CP	1	
4	P013443544CP00	LEFT DECORATIVE PARTS,FRONT FACEPLATE,CHROME CP	1	
5	P013443534CP00	RIGHT DECORATIVE PARTS,FRONT FACEPLATE,CHROME CP	1	
6	P013444503CP00	DECORATIVE PARTS,FRONT RIGHT TURN LIGHT,CHROME CP	1	
7	P013444502CP00	DECORATIVE PARTS,FRONT LEFT TURN LIGHT,CHROME CP	1	
8	P0132300610000	BOLT M6×12	1	
9	P0132303520000	SCREW ST4.2×12	17	



## Zahara 125 E5

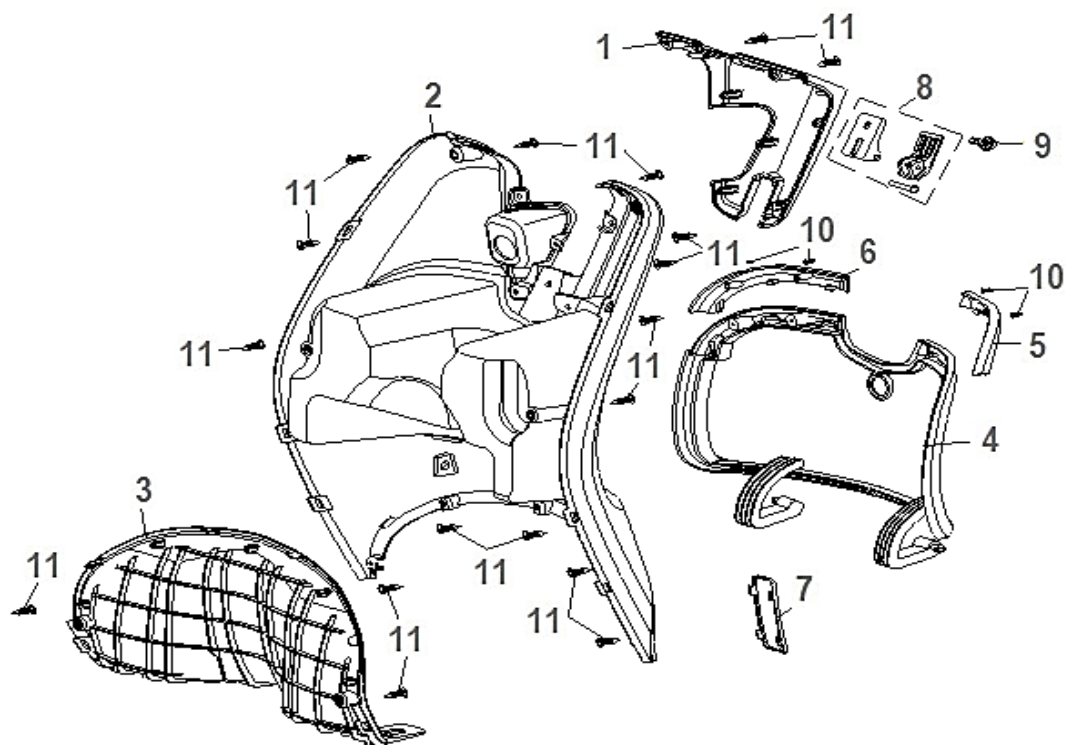
### F15 CARENAGENS DE POUSA-PÉS



Nº	CÓDIGO	DESCRIÇÃO	Qt.	OBSERVAÇÕES
1	P0134490190000	FOOTREST	1	
2	P0134490580000	BATTERY COVER	1	
3	P013448526MK00	LEFT SIDE COVER,MATT BLACK MK	1	
3	P013448526PW00	LEFT SIDE COVER,WHITE PW	1	
4	P013448513MK00	RIGHT SIDE COVER,MATT BLACK MK	1	
4	P013448513PW00	RIGHT SIDE COVER,WHITE PW	1	
5	P0134475190000	UNDER COVER	1	
6	P0132303520000	SCREW ST4.2×12	10	
7	P0132300730000	BOLT M6×16	4	
8	P0132500640000	WASHER 6	4	
9	P0132300610000	BOLT M6×12	2	
10	P0132380600000	SPRING NUT 4.2	10	
11	P0132303990000	BOLT M6×16×3	4	

## Zahara 125 E5

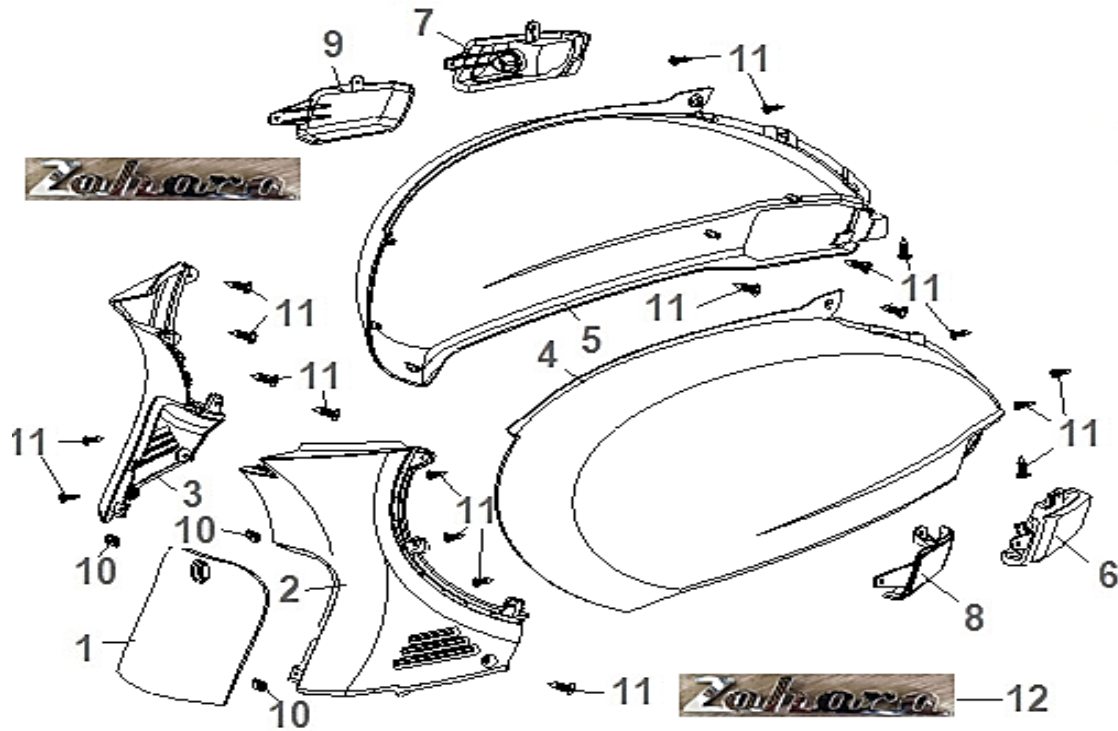
### F16 PROTEÇÃO DE PERNAS



Nº	CÓDIGO	DESCRIÇÃO	Qt.	OBSERVAÇÕES
1	P013445521MK00	UPPER LEG SHIELD,MATT BLACK MK	1	
1	P013445521PW00	UPPER LEG SHIELD,WHITE PW	1	
2	P013445518MK00	LEG SHIELD,MATT BLACK MK	1	
2	P013445518PW00	LEG SHIELD,WHITE PW	1	
3	P0134455230000	LOWER LEG SHIELD	1	
4	P013445529MK00	LEG SHIELD BOX COVER,MATT BLACK MK	1	
4	P013445529PW00	LEG SHIELD BOX COVER,WHITE PW	1	
5	P013445531CP00	LEFT LEG SHIELD BOX DECORATIVE PARTS,CHROME CP	1	
6	P013445530CP00	RIGHT LEG SHIELD BOX DECOR PANEL,CHROME CP	1	
7	P0134465350000	INSPECT COVER	1	
8	P0134465160000	HOOK, HELMET	1	
9	P0132300730000	BOLT M6×16	1	
10	P0132303460000	SCREW ST3.0×10	6	
11	P0132303520000	SCREW ST4.2×12	18	

## Zahara 125 E5

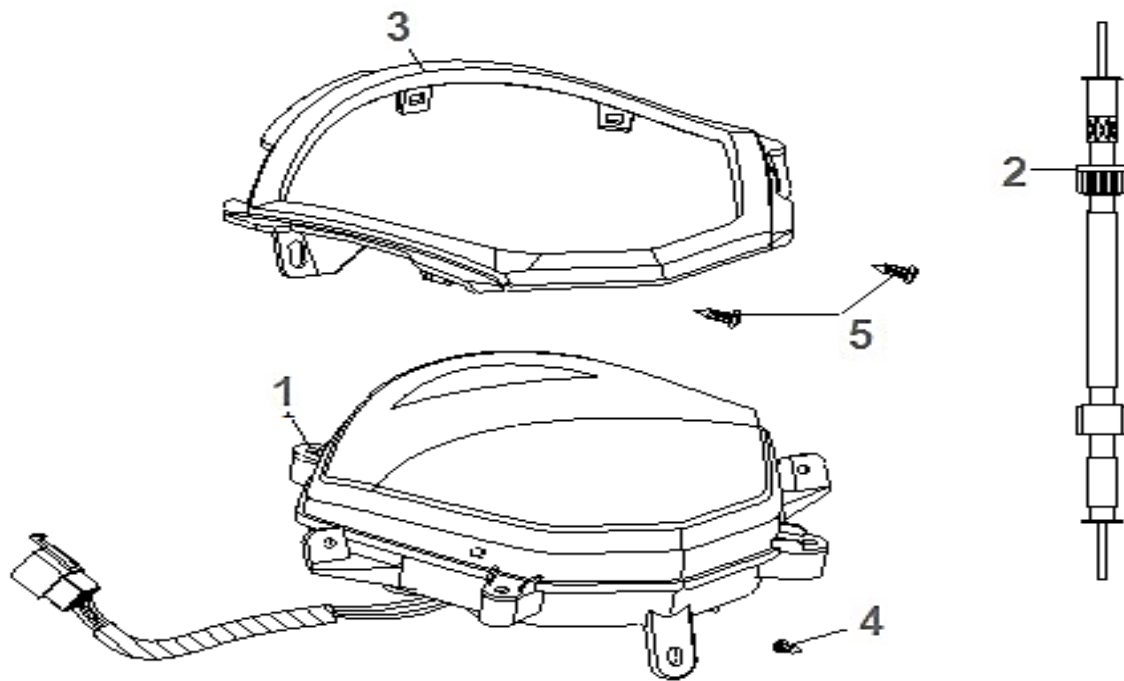
### F17 CARENAGENS LATERAIS



Nº	CÓDIGO	DESCRIÇÃO	Qt.	OBSERVAÇÕES
1	P013450008MK00	MAINTAIN COVER,MATT BLACK MK	1	
1	P013450008PW00	MAINTAIN COVER,WHITE PW	1	
2	P013450027MK00	CENTER COVER LEFT,MATT BLACK MK	1	
2	P013450027PW00	CENTER COVER LEFT,WHITE PW	1	
3	P013450025MK00	CENTER COVER RIGHT,MATT BLACK MK	1	
3	P013450025PW00	CENTER COVER RIGHT,WHITE PW	1	
4	P013451039MK00	LEFT SIDE COVER,MATT BLACK MK	1	
4	P013451039PW00	LEFT SIDE COVER,WHITE PW	1	
5	P013451021MK00	RIGHT SIDE COVER,MATT BLACK MK	1	
5	P013451021PW00	RIGHT SIDE COVER,WHITE PW	1	
6	P0133740230000	REAR LEFT TURN SIGNAL	1	
7	P0133740110000	REAR RIGHT TURN SIGNAL	1	
8	P013455502MK00	REAR LEFT TURN LIGHT COVER,MATT BLACK MK	1	
8	P013455502PW00	REAR LEFT TURN LIGHT COVER,WHITE PW	1	
9	P013455501MK00	REAR RIGHT TURN LIGHT COVER,MATT BLACK MK	1	
9	P013455501PW00	REAR RIGHT TURN LIGHT COVER,WHITE PW	1	
10	P0132380600000	SPRING NUT 4.2	3	
11	P0132303520000	SCREW ST4.2x12	20	
12	P0142902830000	ZAHARA LABEL	2	

## Zahara 125 E5

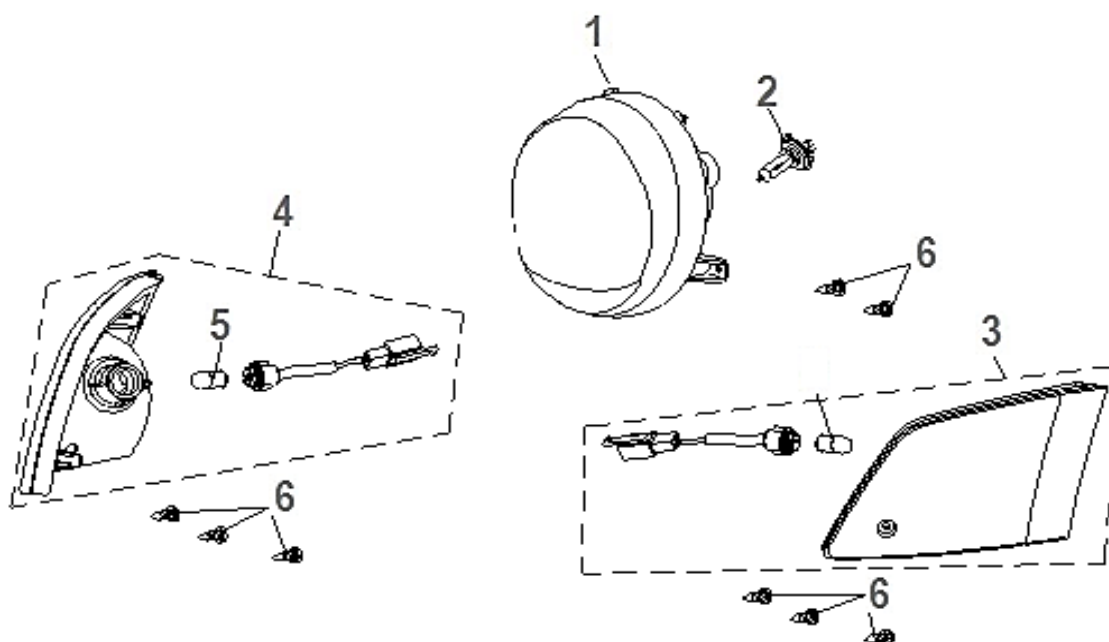
F18 CONTA KMS



Nº	CÓDIGO	DESCRIÇÃO	Qt.	OBSERVAÇÕES
1	P0134002700000	SPEEDOMETER	1	
2	P0134815070000	SPEEDOMETER CABLE COMP.	1	
3	P013442507CP00	METER DECORATIVE PARTS,CHROME	1	
4	P0132303520000	SCREW ST4.2×12	1	
5	P0132303540000	SCREW ST4.2×16	2	

## Zahara 125 E5

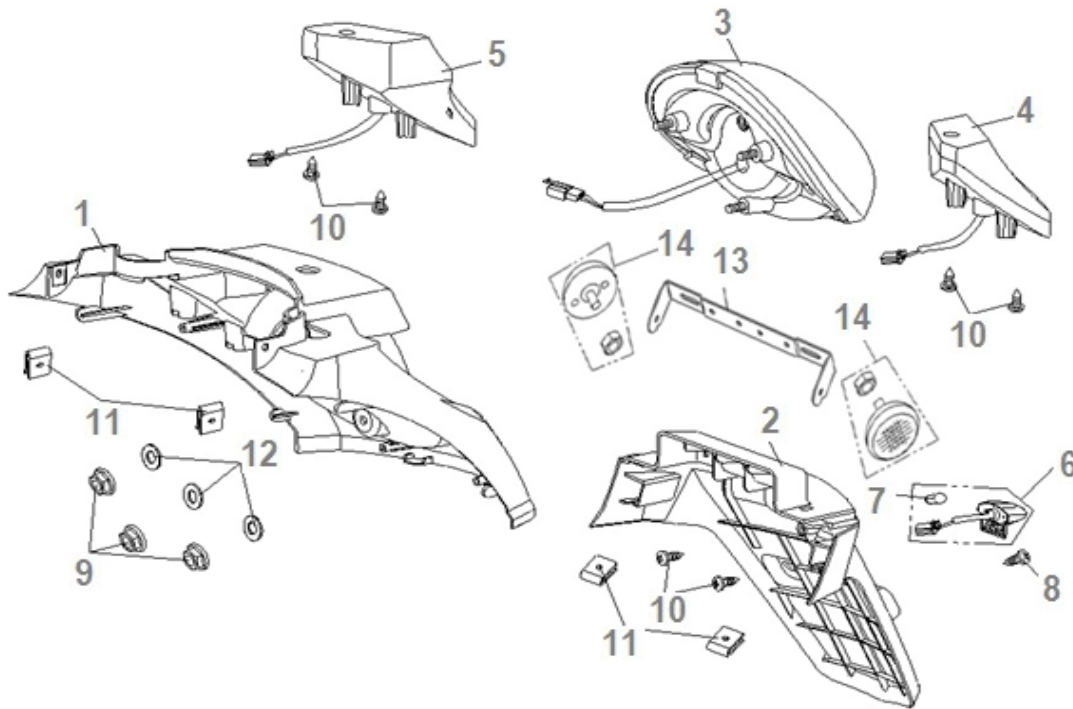
### F19 LUZES



Nº	CÓDIGO	DESCRIÇÃO	Qt.	OBSERVAÇÕES
1	P0133720250000	HEAD LIGHT ASSY.	1	
2	P0133720380000	BULB,HEADLIGHT	1	
3	P0133740680000	FRONT LEFT TURN SIGNAL LIGHT	1	
4	P0133740460000	FRONT RIGHT TURN SIGNAL LIGHT	1	
5	P0133740760000	BULB,TURN SIGNAL LIGHT	2	
6	P0132303520000	SCREW ST4.2×12	8	

## Zahara 125 E5

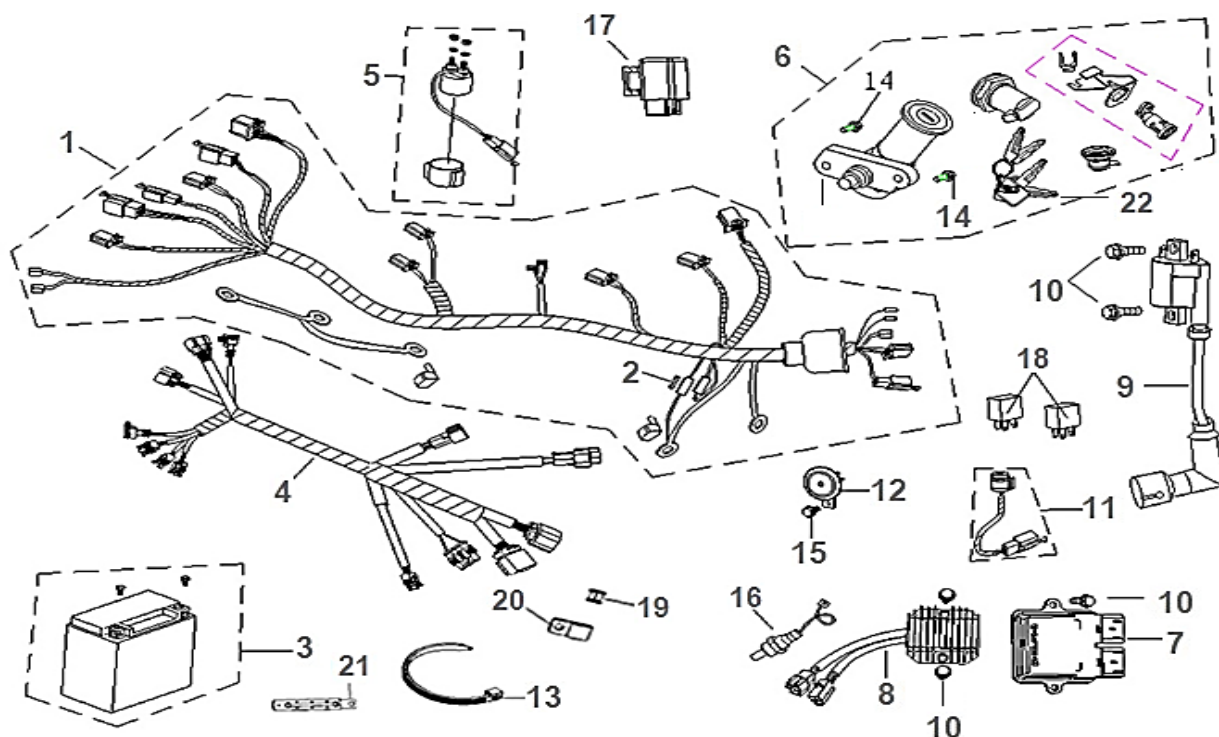
### F20 GUARDA LAMAS TRASEIRO & FAROLIM



Nº	CÓDIGO	DESCRIÇÃO	Qt.	OBSERVAÇÕES
1	P013453021MK00	TAIL COVER,MATT BLACK	1	
1	P013453021PW00	TAIL COVER,WHITE PW	1	
2	P0134540150000	REAR FENDER	1	
3	P0133735190000	TAIL LIGHT ASSY.	1	
4	P0133740230000	REAR LEFT TURN SIGNAL LIGHT	1	
5	P0133740110000	REAR RIGHT TURN SIGNAL LIGHT	1	
6	P0133750030000	LICENSE PLATE LIGHT	1	
7	P0133740750000	BULB W5W	1	
8	P0132303530000	SCREW ST4.2×16	1	
9	P0132380270000	NUT M6	3	
10	P0132303520000	SCREW ST4.2×12	6	
11	P0132380600000	SPRING NUT 4.2	4	
12	P0132500640000	WASHER 6	3	
13	P0125500600000	REAR LICENSE PLATE BRACKET	1	
14	P0133760010000	SIDE REFLECTOR	2	

## Zahara 125 E5

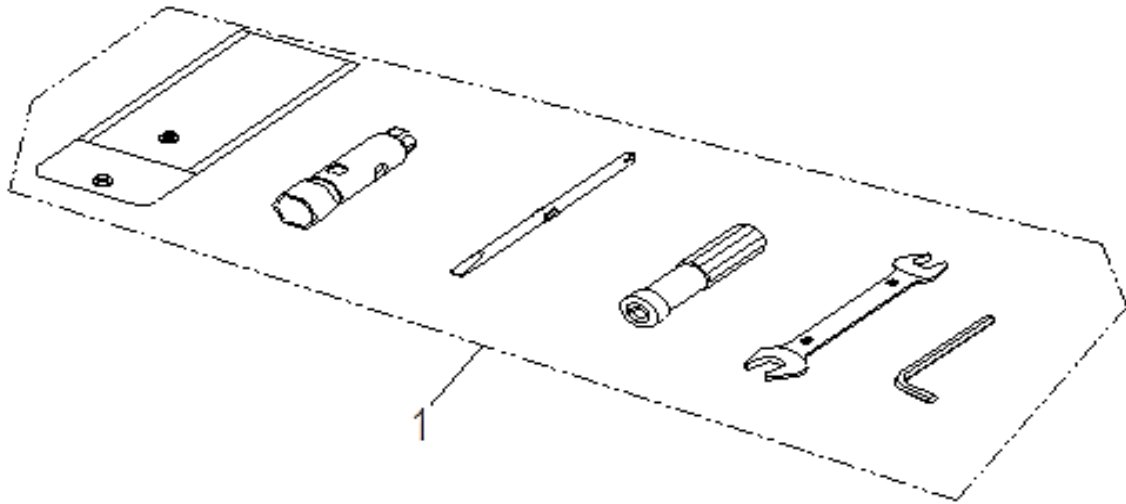
### F21 SISTEMA ELÉTRICO



Nº	CÓDIGO	DESCRIÇÃO	Qt.	OBSERVAÇÕES
1	P0133705050000	MAIN WIRE HARNESS ASSY.	1	
2	P0133701050000	FUSE 15A,250V	1	
3	P0133795350000	BATTERY ASSY.12V,7AH	1	
4	P0133705060000	WIRE HARNESS ASSY	1	
5	P0133785050000	STARTER RELAY ASSY	1	
6	P0134900240000	LOCK ASSY.	1	
7	P0131581520000	ECU	1	
8	P0133790310000	REGULATOR ASSY	1	
9	P0133780340000	IGNITION COIL ASSY.	1	
10	P0132300730000	BOLT M6×16	5	
11	P0133765040000	FLASHER	1	
12	P0133755030000	HORN	1	
13	P0144150010000	BAND 250mm	10	
14	P0132300810000	BOLT M6×20	3	
15	P0132300610000	BOLT M6×12	1	
16	P0131580490000	OXYGEN SENSOR	1	
17	P0133830010000	HEADLIGHT CONTROLLOR ASSY.	1	
18	P0133785080000	RELAY	2	
19	P0135400860000	RUBBER BUSH	1	
20	P0134295220000	WRIE CLIP	1	
21	P0134256530000	WIRE CLIP	3	
22	P0134920080000	BLACK KEY	1	

## Zahara 125 E5

### F22 CAIXA DE FERRAMENTAS

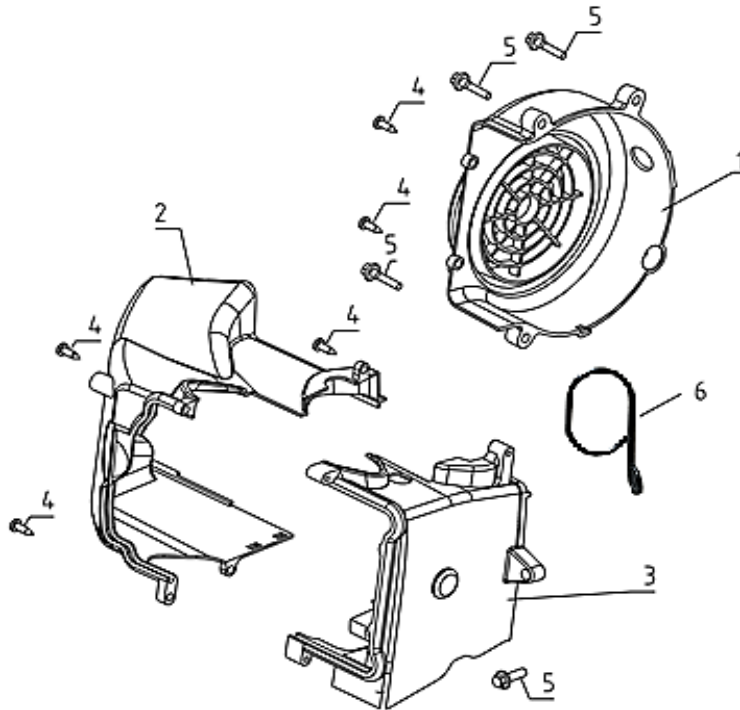


Nº	CÓDIGO	DESCRIÇÃO	Qt.	OBSERVAÇÕES
1	P0135600020000	KIT FERRAMENTAS	1	



## Zahara 125 E5

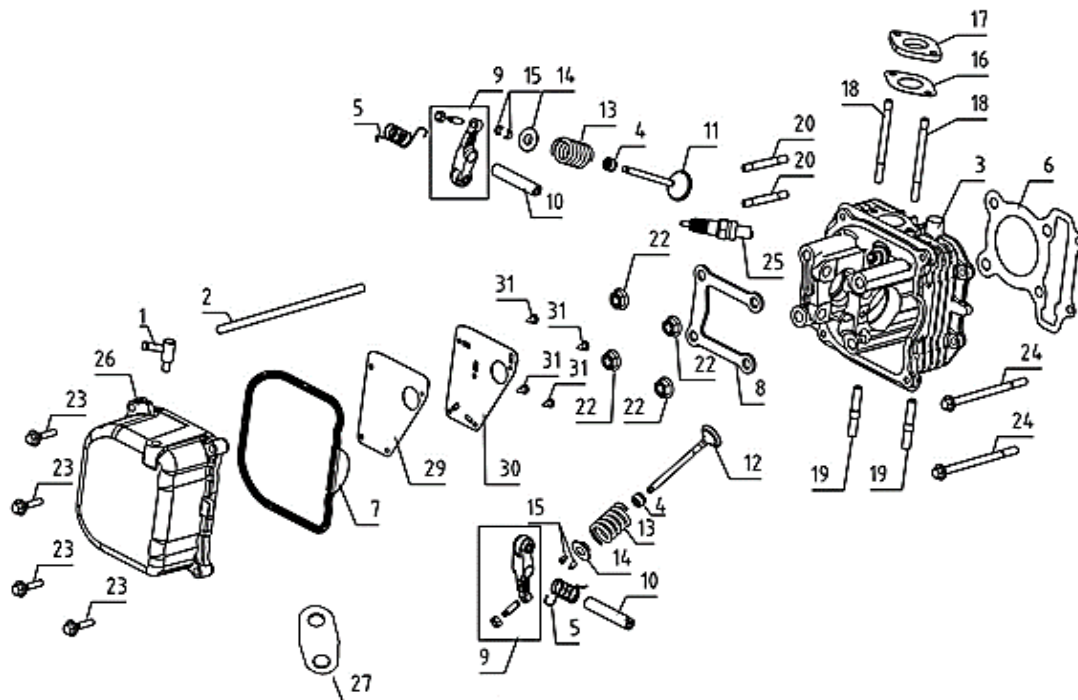
### E01 TAMPA DA VENTONINHA



Nº	CÓDIGO	DESCRIÇÃO	Qt.	OBSERVAÇÕES
1	P0131420060000	FAN COVER COMP.	1	
2	P0131400040000	SHROUD A ASSY.	1	
3	P0131410030000	SHROUD B ASSY.	1	
4	P0132230100000	TAPPING SCREW ST4.8x16	6	
5	P0132200210000	SH.FLANGE BOLT M6x25	4	
6	P0134295630000	CLIP	1	

## Zahara 125 E5

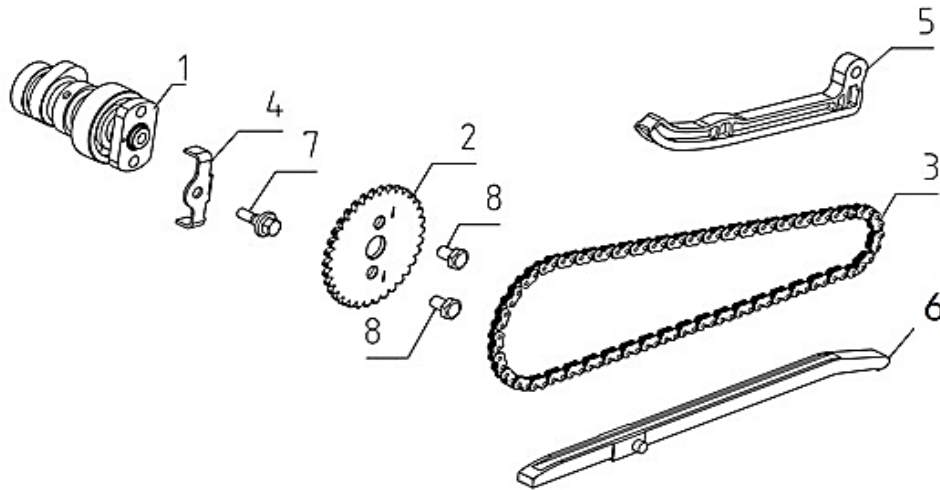
### E02 CABEÇA DE CILINDRO



Nº	CÓDIGO	DESCRIÇÃO	Qt.	OBSERVAÇÕES
1	P0132840100000	JOINT	1	
2	P0130100380000	BREATHER PIPE	1	
3	P0130110340000	CYLINDER HEAD COMP	1	
4	P0130120360000	VALVE STEM SEAL	2	
5	P0130120220000	RETAINER VALVE SPRING	2	
6	P0131600110000	CYLINDER HEAD GASKET	1	
7	P0130100110000	HEAD COVER PACKING	1	
8	P0131700140000	CLYINDER HEAD STAY	1	
9	P0130120090000	VALVE ROCKER ARM ASSY.	2	
10	P0130120110000	IN.ROCKER ARM SHAFT	2	
11	P0130120200000	IN.VAIVE	1	
12	P0130120210000	EX.VALVE	1	
13	P0130120290000	VALVE SPG.	2	
14	P0130120330000	RETAINER,VALVE SPRING	2	
15	P0130120340000	VALVE COTTER	4	
16	P0131600480000	CARB.INSULATOR GASKET	1	
17	P0131500110000	CARB.INSULATOR	1	
18	P0132220090000	STUD BOLT M6x72.5	2	
19	P0132220070000	SPECIAL STUD BOLT M8x45	2	
20	P0132220100000	STUD BOLT M6x26	2	
21	P0132230090000	SCREW ST3.9x8	4	
22	P0132260120000	SH.FLANGE BOLT M6x28	4	
23	P0132200240000	BOLT M6x28	2	
24	P0132200450000	SH FLANGE BOLT M6x95	2	
25	CR7HSA	SPARK PLUG. NGK CR7HSA	1	
26	P0130100370000	CYLINDER HEAD COVER	1	
27	P0130100240000	PLATE	1	
29	P0131600030000	GASKET	1	
30	P0131700130000	FENDER,OIL	1	
31	P0132230090000	SCREW ST3.9x8	5	

## Zahara 125 E5

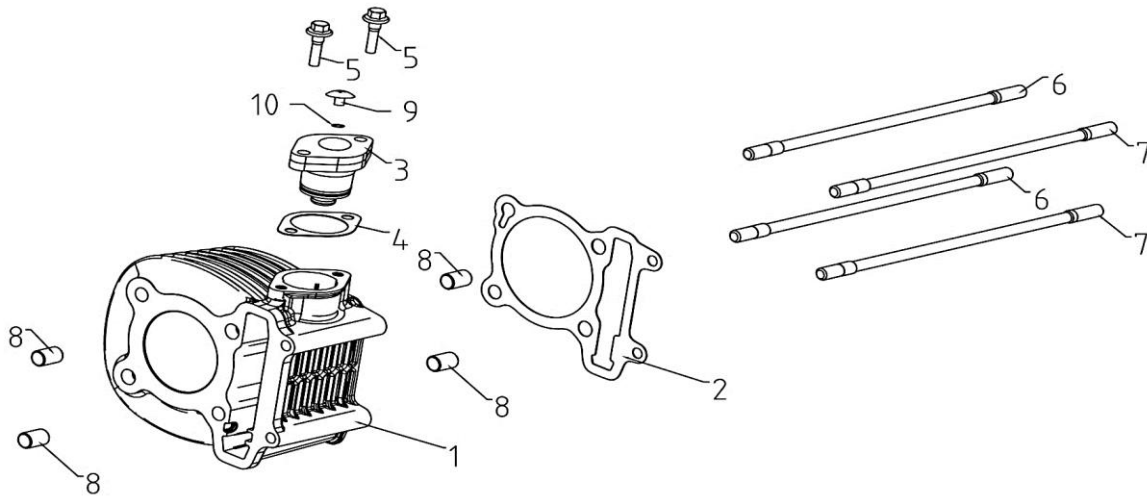
### E03 DISTRIBUIÇÃO



Nº	CÓDIGO	DESCRIÇÃO	Qt.	OBSERVAÇÕES
1	P0130120040000	CAM SHAFT COMP.	1	
2	P0130200020000	CAM SPROCKET	1	
3	P0130200060000	CAM CHAIN 92	1	
4	P0131700100000	CAM SHAFT SETTING PLATE	1	
5	P0130200140000	CAM CHAIN TENSIONER	1	
6	P0130200180000	CAM CHAIN GUIDE	1	
7	P0132200090000	BOLT M6x16	1	
8	P0132220210000	BOLT M6	2	

## Zahara 125 E5

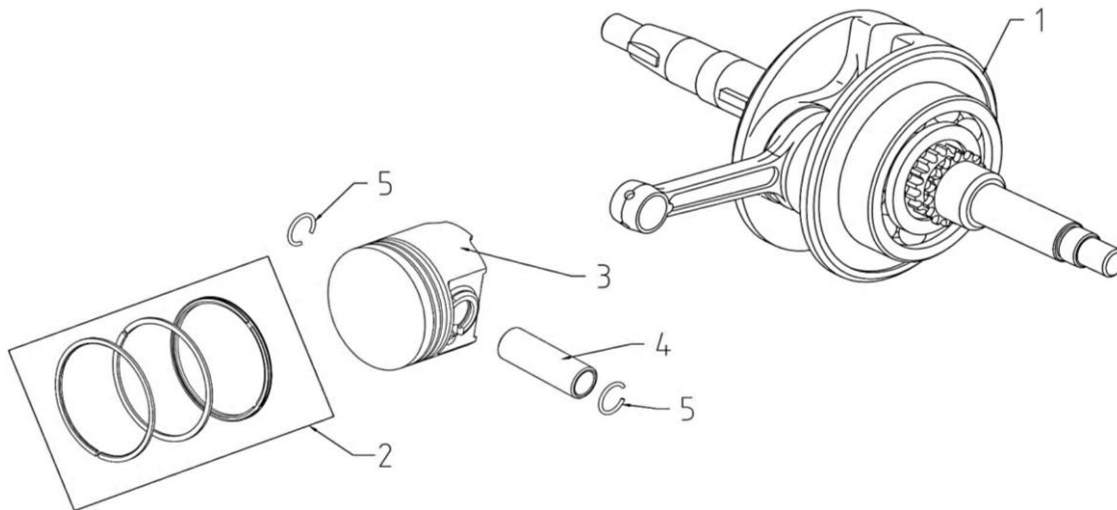
### E04 CILINDRO



Nº	CÓDIGO	DESCRIÇÃO	Qt.	OBSERVAÇÕES
1	P0130210100000	CYLINDER	1	
2	P0131600170000	CYLINDER GASKET	1	
3	P0130200100000	TENSIONER LIFTER ASSY.	1	
4	P0131600190000	TENSIONER LIFTER GASKET	1	
5	P0132200170000	BOLT M6×22	2	
6	P0132220120000	CYLINDER STUD BOLT A	2	
7	P0132220110000	CYLINDER STUD BOLT B	2	
8	P0132700030000	DOWEL PIN 10X14	4	
9	P0132230180000	SCREW M6×6	1	
10	P0132100040000	O RING 9.5×1.5	1	

## Zahara 125 E5

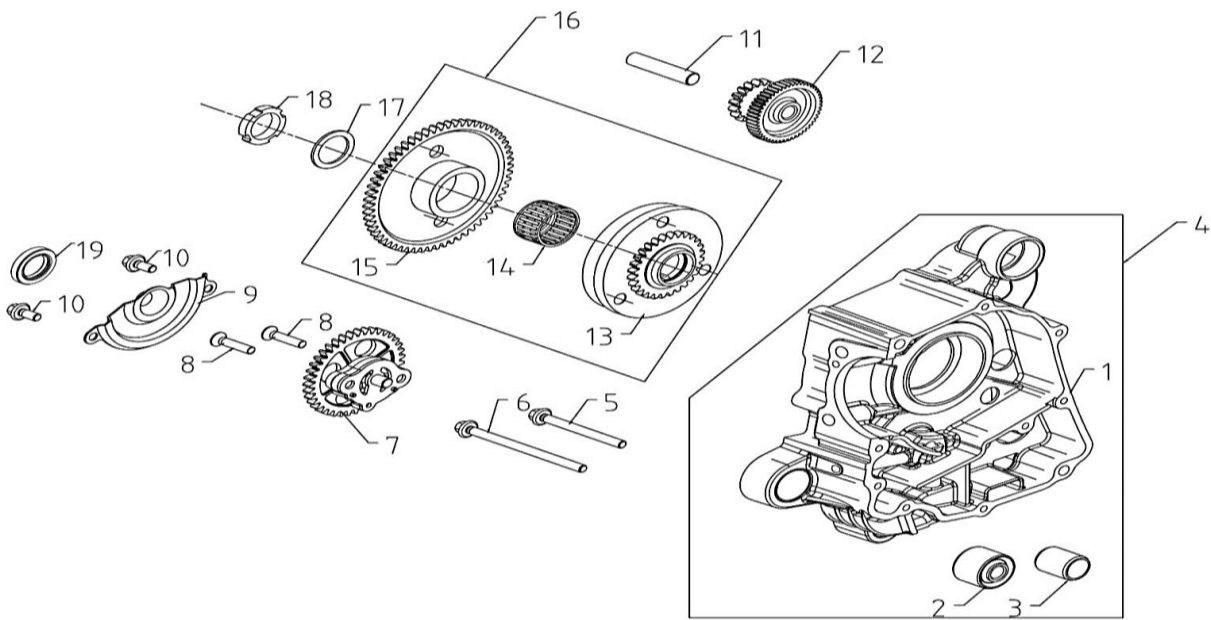
### E05 CAMBOTA



Nº	CÓDIGO	DESCRIÇÃO	Qt.	OBSERVAÇÕES
1	P0130320100000	CRANK SHAFT COMP.	1	
2	P0130330090000	PISTON RING SET	1	
3	P0130300130000	PISTON	1	
4	P0130310110000	PISTON PIN 7x10x29.2	1	
5	P0130310140000	PISTON PIN CLIP	2	

## Zahara 125 E5

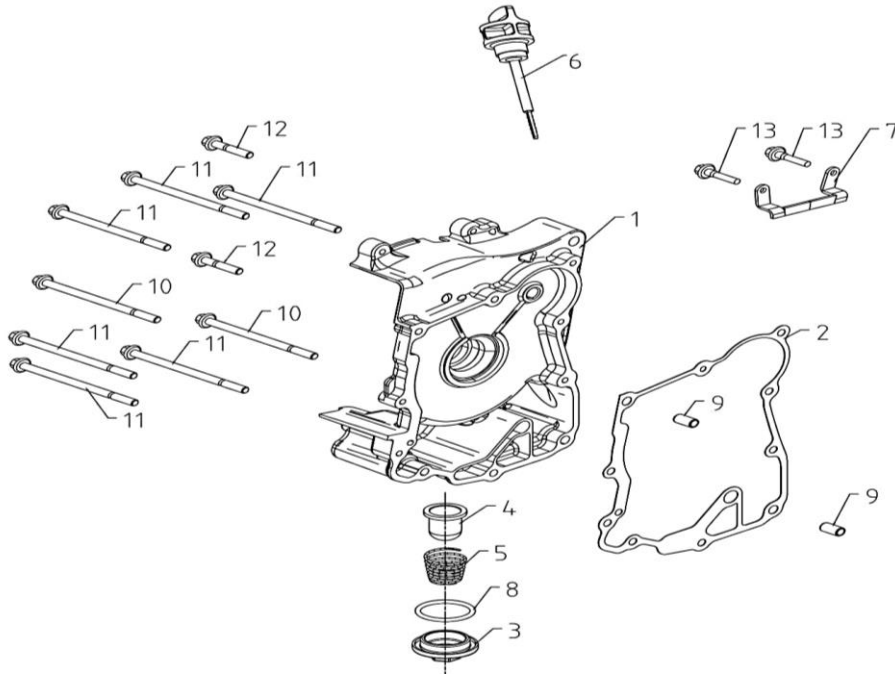
### E06 CARTER DIREITO



Nº	CÓDIGO	DESCRIÇÃO	Qt.	OBSERVAÇÕES
1	P0130610130000	RIGHT CRANKCASE	1	
2	P0130610670000	ENG.HANGER RUBBER BUSH 10×28×22×20	1	
3	P0132810070000	BUSH 16×20×25	1	
4	P0121800280000	R.CRANK CASE COMP.	1	
5	P0132200350000	FLANGE BOLT M6x45	1	
6	P0132200380000	FLANGE BOLT M6x55	1	
7	P0130500070000	OIL PUMP ASSY	1	
8	P0132230220000	SCREW M6x25	2	
9	P0131700080000	OIL PUMP COVER	1	
10	P0132200040000	BOLT M6x12	2	
11	P0131210020000	START.RED.GEAR SHAFT	1	
12	P0132800030000	STARTER REDUCTION GEAR	1	
13	P0131230080000	STARTING CLUTCH OUTER COMP.	1	
14	P0132010050000	NEEDLE BEARING 28X32X17	1	
15	P0131230020000	START.CLUTCH GEAR COMP.	1	
16	P0131220060000	STARTING CLUTCH FLANGE COMP.	1	
17	P0132400320000	THRUST WASHER 22×31×2	1	
18	P0132260180000	LOCK NUT M22	1	
19	P0132120100000	OIL SEAL 19.8×30×5	1	

## Zahara 125 E5

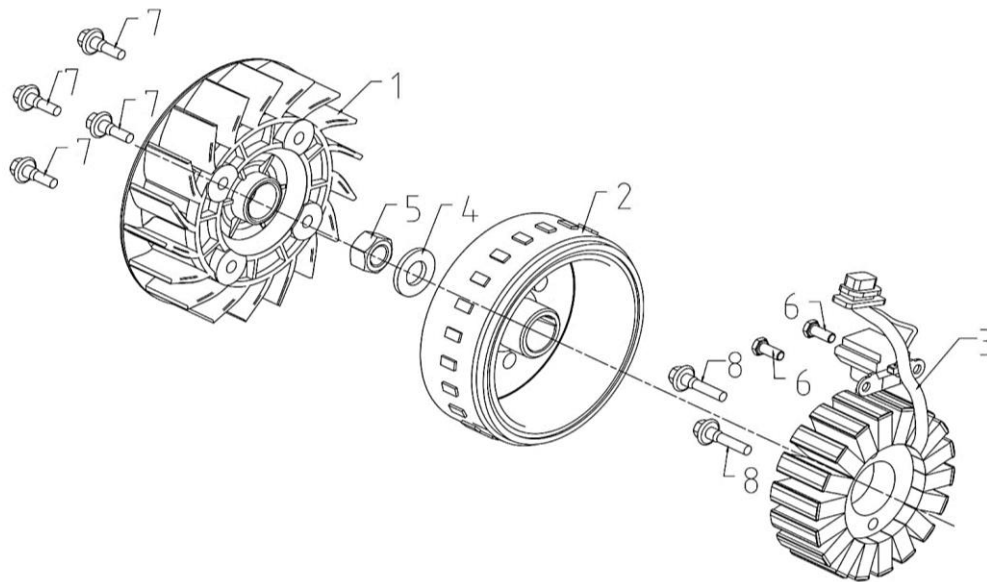
### E07 TAMPA DIREITA DO MOTOR



Nº	CÓDIGO	DESCRIÇÃO	Qt.	OBSERVAÇÕES
1	P0130630050000	RIGHT CRANKCASE COVER	1	
2	P0131600300000	RIGHT COVER GASKET	1	
3	P0130520050000	TAPPET ADJUSTING HOLE CAP	1	
4	P0130520010000	OIL FILTER SCREEN	1	
5	P0130520030000	OIL FILTER SCREEN SPRING	1	
6	P0130630080000	OIL LEVEL GAUGE	1	
7	P0131700030000	ACG CORD CLAMPER	1	
8	P0132100130000	O-RING 29.7x3mm	1	
9	P0132700020000	DOWEL PIN 8x14	2	
10	P0132200470000	SH FLANGE BOLT M6x100	2	
11	P0132200450000	BOLT M6x95	6	
12	P0132200260000	SH FLANGE BOLT M6x30	2	
13	P0132200740000	HEX BOLT M5X12	2	

## Zahara 125 E5

### E08 MAGNETO

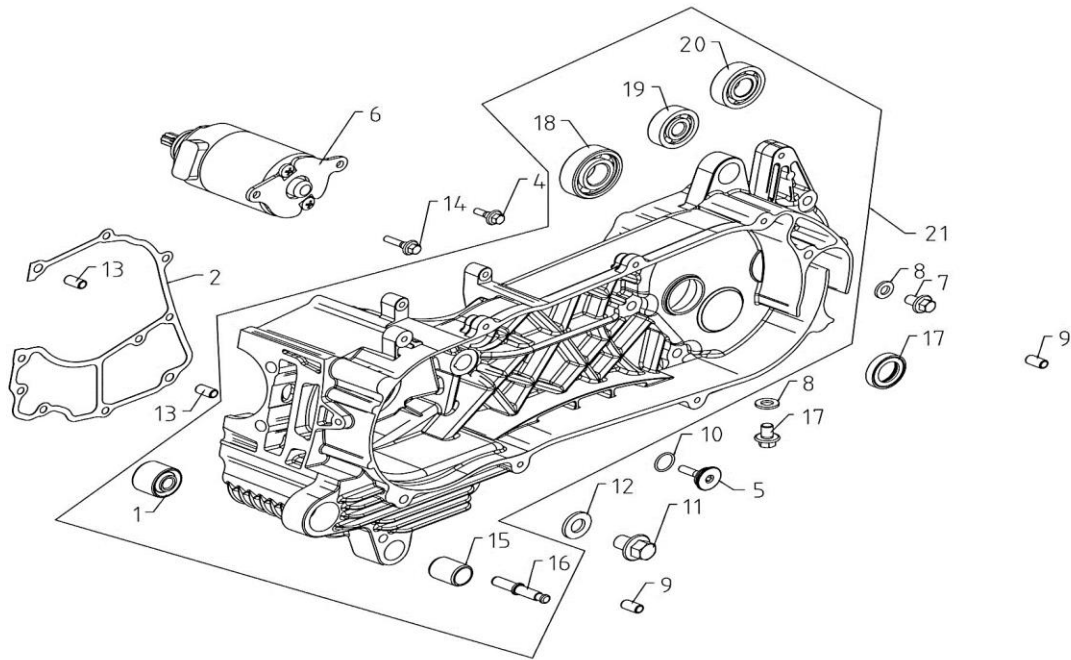


Nº	CÓDIGO	DESCRIÇÃO	Qt.	OBSERVAÇÕES
1	P0131430060000	COOLING FAN COMP.	1	
2	P0131310120000	FLYWHEEL COMP	1	
3	P0131300480000	STATOR COMP.	1	
4	P0132400190000	WASHER 12×23×2	1	
5	P0132260080000	FLANGE NUT M12×1.25	1	
6	P0132200740000	HEX BOLT M5X12	2	
7	P0132200120000	FLANGE BOLT M6×18	4	
8	P0132200240000	BOLT M6×28	2	



## Zahara 125 E5

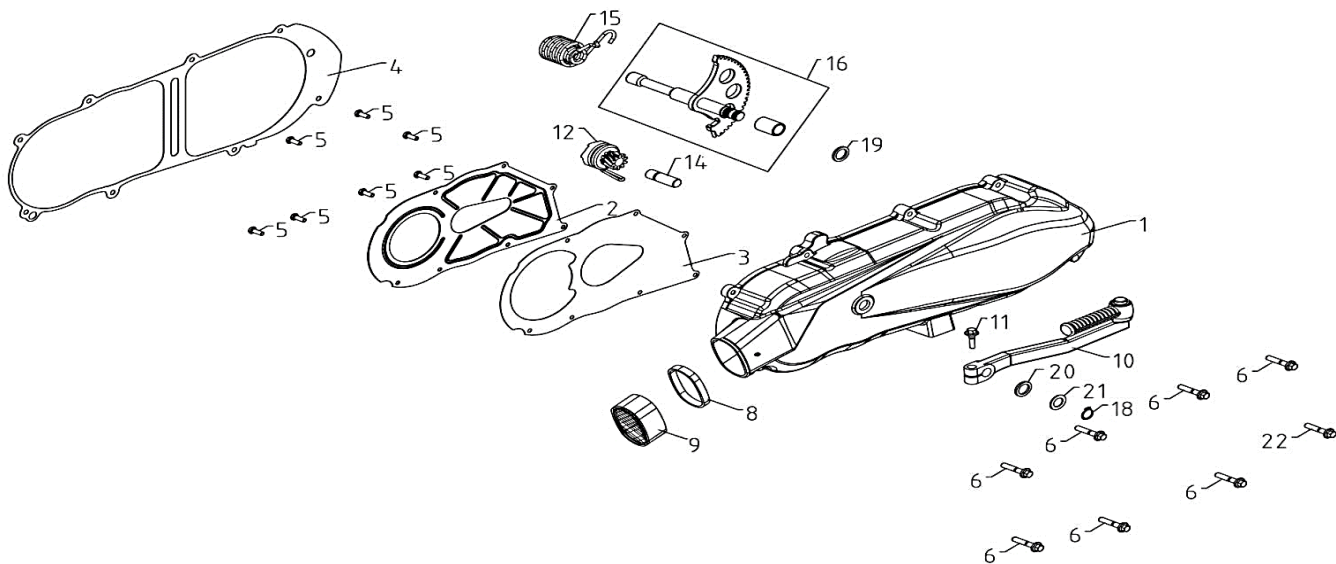
### E09 CARTER ESQUERDO



Nº	CÓDIGO	DESCRIÇÃO	Qt.	OBSERVAÇÕES
1	P0130610670000	ENG.HANGER RUBBER BUSH 10x28x22x20	1	
2	P0131600330000	R.CRANKCASE GASKET	1	
3	P0130610070000	LEFT CRANKCASE	1	
4	P0132200170000	SH.FLANGE BOLT M6x22	1	
5	P0132220020000	CAM CHAIN TENSIONER PIVOT	1	
6	P0131200050000	START MOTOR ASSY.	1	
7	P0132200510000	SPECIAL BOLT M8x12	2	
8	P0132400390000	WASHER 8mm	2	
9	P0132700030000	DOWEL PIN 10x14	2	
10	P0132100090000	O-RING 15.5x1.5	1	
11	P0132200590000	DRAIN PLUG BOLT M12x15	1	
12	P0132400120000	PLUG DRAIN WASHER 12mm	1	
13	P0132700020000	DOWEL PIN 8x14	2	
14	P0132200090000	SH.FLANGE BOLT M6X16	1	
15	P0132810070000	BUSH 16x20x25	1	
16	P0132840050000	PIN 8x48	1	
17	P0132120110000	OIL SEAL 20x32x6	1	
18	P0132000450000	RADIAL BALL BRG.6204E-TD	1	
19	P0132000190000	BALL BEARING 6301	1	
20	P0132000120000	RADIAL BALL BRG.6203	1	
21	P0121800290000	LEFT CRANKCASE COMP.	1	

## Zahara 125 E5

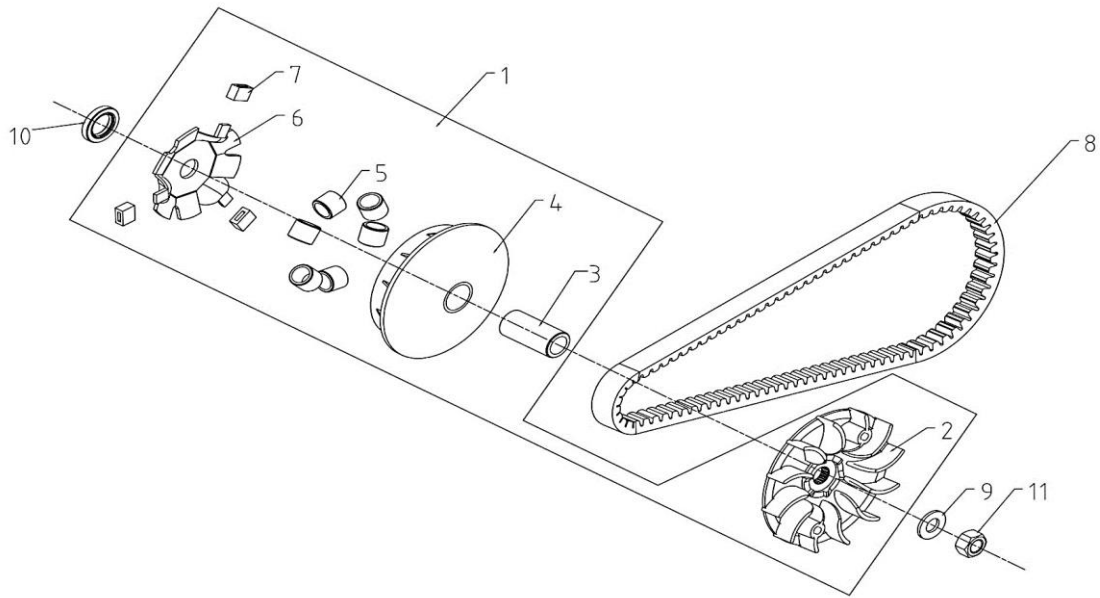
### E10 TAMPA DO VARIADOR



Nº	CÓDIGO	DESCRIÇÃO	Qt.	OBSERVAÇÕES
1	P0122904130000	L.CRANKCASE COVER	1	
2	P0131700070000	LEFT SIDE COVER PLATE	1	
3	P0131600440000	LEFT SIDE COVER PLATE GASKET	1	
4	P0131600260000	LEFT COVER GASKET	1	
5	P0132200740000	HEX BOLT M5x12	7	
6	P0132200240000	BOLT M6x28	7	
8	P0133530030000	HOSE CLAMP ASSY.	1	
9	P0133530050000	AIR CLEANER, COVER L	1	
10	P0131100080000	KICK STARTER ASSY	1	
11	P0132220220000	BOLT M8x22	1	
12	P0131120030000	KICK PINION ASSY	1	
14	P0132800050000	SHAFT 12x38	1	
15	P0131110080000	KICK SHAFT SPRING	1	
16	P0131110050000	KICK SHAFT ASSY	1	
18	P0132600010000	CIRCLIP 14	1	
19	P0132400260000	WASHER 14x21x2	1	
20	P0132400490000	WAVE WASHER 14x20x0.3	1	
21	P0132400150000	WASHER 12x21x1	1	
22	P0132200330000	BOLT M6x40	1	

## Zahara 125 E5

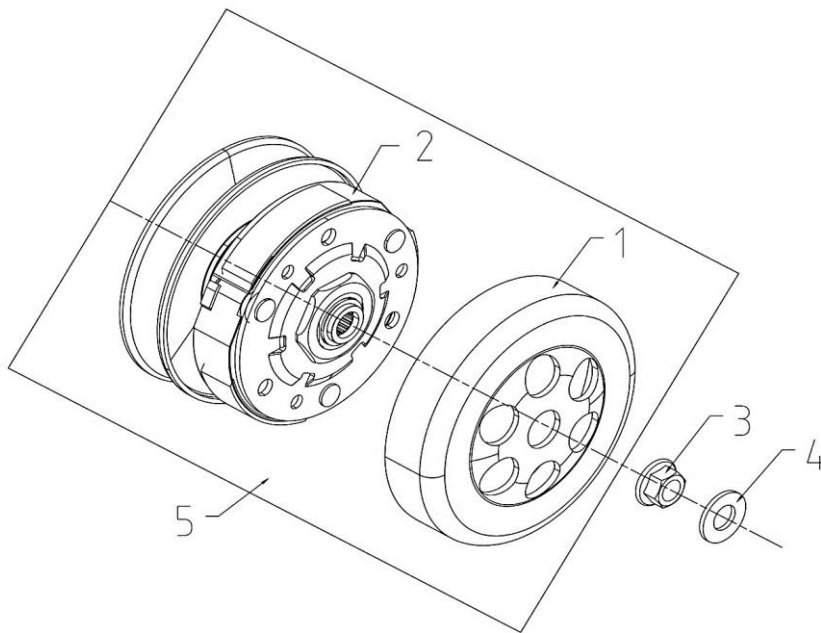
### E11 VARIADOR FRONTAL



Nº	CÓDIGO	DESCRIÇÃO	Qt.	OBSERVAÇÕES
1	P0130700070000	MOVABLE DRIVE FACE ASSY	1	
2	P0130730320000	DRIVE FACE COMP.	1	
3	P0130730380000	DRIVE FACE BOSS	1	
4	P0130730270000	MOVABLE DRIVE FACE COMP.	1	
5	P0130730210000	WEIGHT ROLLER COMP. 10.1g	6	
6	P0130730140000	RMAP PLATE	1	
7	P0130730080000	SLIDE PIECE	3	
8	P0130720010000	DRIVE BELT	1	
9	P0132400190000	WASHER 12×23×2	1	
10	P0132120160000	OIL SEAL 25×40×8	1	
11	P0132260080000	FLANGE NUT M12×1.25	1	

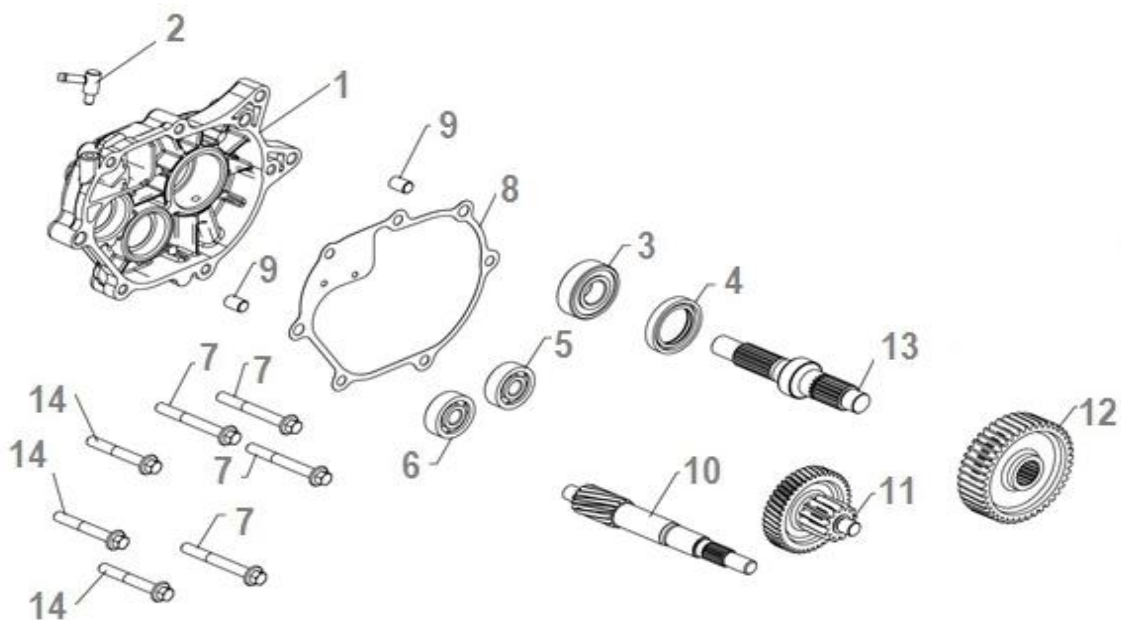
## Zahara 125 E5

### E12 VARIADOR TRASEIRO



Nº	CÓDIGO	DESCRIÇÃO	Qt.	OBSERVAÇÕES
1	P0130730470000	CLUTCH OUTER	1	
2	P0130730540000	CLUTCH WEIGHT	1	
3	P0132260080000	FLANGE NUT M12x1.25	1	
4	P0132400190000	WASHER 12x23x2	1	
5	P0130710240000	DRIVEN PULLEY SET	1	

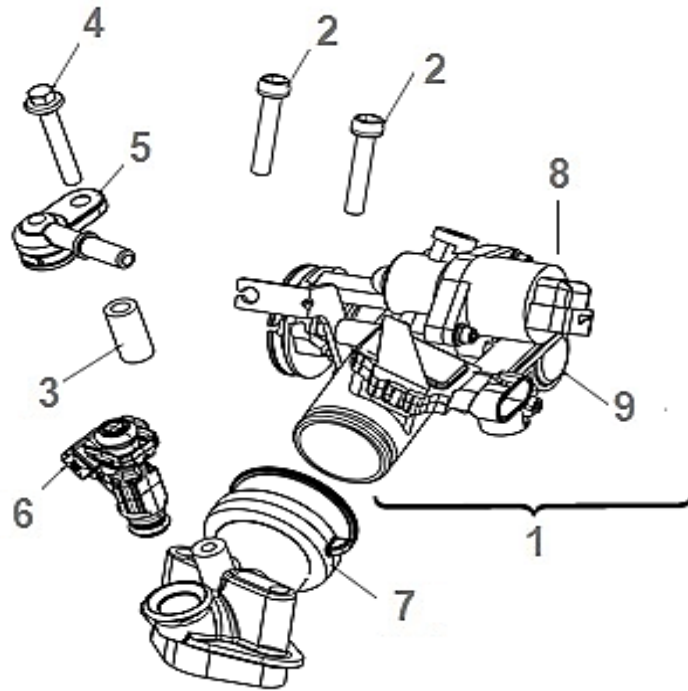
E13 TRANSMISSÃO



Nº	CÓDIGO	DESCRIÇÃO	Qt.	OBSERVAÇÕES
1	P0130620070000	GEARBOX	1	
2	P0132840040000	JOINT	1	
3	P0132000640000	RADIAL BALL BRG.6204RSL	1	
4	P0132120190000	OIL SEAL 32x47x7	1	
5	P0132000190000	BALL BEARING 6301	1	
6	P0132000200000	BALL BEARING 6301,TPI	1	
7	P0132200880000	FLANGE BOLT M8x65	4	
8	P0131600380000	GEARBOX GASKET	1	
9	P0132700030000	DOWEL PIN 10x14	2	
10	P0130800090000	DRIVE SHAFT	1	
11	P0130810080000	MIDDLE SHAFT ASSY	1	
12	P0130820090000	GEAR	1	
13	P0130820130000	OUTPUT SHAFT	1	
14	P0132200730000	FLANGE BOLT M8X55	3	

## Zahara 125 E5

### E14 COLETOR ADMISSÃO & CARBURADOR ELETRÔNICO



Nº	CÓDIGO	DESCRIÇÃO	Qt.	OBSERVAÇÕES
1	P0131580580000	CARBURETOR ASSY.	1	
2	P0132306110000	BOLT	2	
3	P0132810140000	SHAFT	1	
4	P0132200330000	BOLT M6x40	1	
5	P0131580030000	CAP INJECTOR	1	
6	P0131580020000	INJECTOR	1	
7	P0123300180000	INLET PIPE COMP.	1	
8	P0131581300000	STEPPER MOTOR	1	
9	P0131581290000	THROTTLE POSITION SENSOR	1	