

PARTS CATALOGUE



SCOOTERS

SK25NC(PT)

New Super Dink 125



Release Date : 2018/11/19
Print Date : 2022/07/14

ABOUT THIS PARTS LIST

- This parts list is compiled all service parts for model SK25NC(PT).
- Any difference between color chart and motorcycle will be revised according to motorcycle.
- The Mark:
 1. Marking "***" must add color code in the end before ordering parts.
 2. Marking "#" are parts with modification, Please find the details from e-Parts system.
- When modification or additions to this parts list are made a revised edition at an appropriate time.



CONTENTS

● ABOUT THIS PARTS LIST	1
● COLOR CHART OF SK25NC(PT)	3
● CONTENTS-ENGINE GROUP	8
● CONTENTS-FRAME GROUP	9
● ENGINE PARTS LIST	12
● FRAME PARTS LIST	44
● PART NO. INDEX	126

NO	MODEL			COLOR CHART OF SK25NC(PT)			
	PHOTO NO			NO. 1	NO. 2	NO. 3	NO. 4
	BASIC COLOR			Mat White	Pearly Black	Mat Silver Crystal	Shiny Red
	CODE			Mat White	Pearly Black	Mat Silver Crystal	Shiny Red
	PARTS NAME	PARTS NO.	VERSION	NH265FA	NH359PA	NH263FA	RR344FA
1	MUFFLER ASSY	1830A-AAG3-E04	0	D02			
2	PROTECTOR MUFF	18318-LGE7-E01	0				
3	FENDER FRONT	61100-ACD5-E00	0	D2V	D39	D3F	DE9
4	MOLDING B R SIDE	64308-ACD5-E00	0	J1P			
5	MOLDING B L SIDE	64309-ACD5-E00	0				
6	TOP COVER FRONT	64313-ACD5-E00	1	J2P			
7	CENTER COVER FRONT	64203-ACD5-E00	0				
8	MOLDING A R SIDE	64302-ACD5-E00	1	J8P	JEP	J2P	EVP
9	MOLDING A L SIDE	64303-ACD5-E00	1				
10	SKIRT R SIDE	64305-ACD5-E00	1				
11	SKIRT L SIDE	64306-ACD5-E00	1				
12	COVER R BODY	83500-ACD5-E00	1				
13	COVER L BODY	83600-ACD5-E00	1				
14	COVER A RR CENTER	83750-ACD5-E00	1	JBA			
15	CALIPER ASSY RR	43100-AAG3-E00	2				
16	BRACKET FR CALIPER	43210-LGE5-E00	0				
17	CALIPER ASSY FR	45200-LKG7-E00	5	JBP			
18	FENDER COVER R SIDE	61111-ACD5-E00	0				
19	FENDER COVER L SIDE	61112-ACD5-E00	0				
20	BAR ASSY R RR STEP	5070A-ACD5-E00	3	JHA			
21	BAR ASSY L RR STEP	5070B-ACD5-E00	3				
22	BAR R RR STEP	50710-ACD5-E00	3				
23	BAR L RR STEP	50720-ACD5-E00	3				
24	END R STRG HANDLE	53105-ACD5-E00	3	JHS			
25	END L STRG HANDLE	53106-ACD5-E00	3				
DATE OF STARTING-SALES							
DATE OF END-SALES							

NO	MODEL			COLOR CHART OF SK25NC(PT)			
	PHOTO NO			NO. 1	NO. 2	NO. 3	NO. 4
	BASIC COLOR			Mat White	Pearly Black	Mat Silver Crystal	Shiny Red
	CODE			Mat White	Pearly Black	Mat Silver Crystal	Shiny Red
	PARTS NAME	PARTS NO.	VERSION	NH265FA	NH359PA	NH263FA	RR344FA
26	LEVER R STRG HANDLE	53175-LKF5-E00	0	M3A			
27	LEVER L STRG HANDLE	53178-LKF5-E00	0				
28	COVER COMP R CRANK	11330-LFA7-E00	9	MLA			
29	COVER R SIDE	83510-ACD5-E00	0				
30	COVER L SIDE	83610-ACD5-E00	0	N1P	JSP	N1P	
31	COVER FRONT	64301-ACD5-E00	1				
32	COVER R SIDE SKIRT	64335-ACD5-E00	1	N1P			
33	COVER L SIDE SKIRT	64345-ACD5-E00	0				
34	LEG SHIELD UP	81141-ACD5-E00	0	N1P	NHP	N1P	
35	COVER COMP L SIDE	11340-LFA7-E00	4	N1R			
36	COVER.BATTERY	50326-LGJ8-900	5				
37	COVER UNDER	50613-ACD5-E00	0				
38	GRIP R HANDLE	53140-LHJ3-900	3				
39	GRIP L HANDLE	53150-LEA6-900	6				
40	COVER METER FR	53202-ACD5-E00	4				
41	COVER HANDLE UP	53205-ACD5-E00	1				
42	COVER HANDLE LOW	53206-ACD5-E00	1				
43	COVER METER	53214-ACD5-E00	6				
44	INNER FENDER FRONT	61110-ACD5-E00	1				
45	PLUG WIND SCREEN	64223-LEA7-E00	5				
46	PANEL R FLOOR	64310-ACD5-E00	0				
47	LID RESERVE TANK	64311-ACD5-E00	0				
48	MAT R FLOOR	64320-ACD5-E00	0				
49	PANEL L FLOOR	64330-ACD5-E00	0				
50	MAT L FLOOR	64340-ACD5-E00	0				
DATE OF STARTING-SALES							
DATE OF END-SALES							

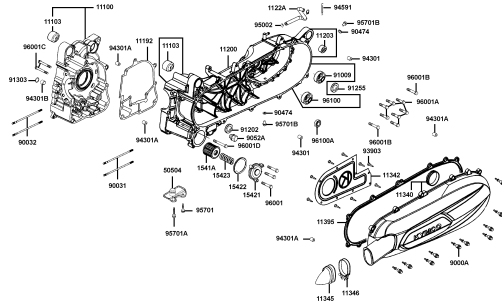
NO	MODEL			COLOR CHART OF SK25NC(PT)			
	PHOTO NO			NO. 1	NO. 2	NO. 3	NO. 4
	BASIC COLOR			Mat White	Pearly Black	Mat Silver Crystal	Shiny Red
	CODE			Mat White	Pearly Black	Mat Silver Crystal	Shiny Red
	PARTS NAME	PARTS NO.	VERSION	NH265FA	NH359PA	NH263FA	RR344FA
51	MAT R LEG SHIELD	64350-ACD5-E00	0	N1R			
52	MAT L LEG SHIELD	64360-ACD5-E00	0				
53	COWL UNDER	64400-ACD5-E00	1				
54	FENDER RR TIRE	80100-ACD5-E01	0				
55	FENDER A RR	80101-ACD5-E00	0				
56	FENDER REAR	80105-ACD5-E00	0				
57	RR FENDER LOW	80106-LKF5-E00	0				
58	COVER LICENSE LIGHT	80107-LKF5-E00	0				
59	COVER CENTER	80151-ACD5-E00	0				
60	LID FUEL CAP MAINT	80152-ACD5-E00	0				
61	LID ASSY FUEL CAP	8015A-ACD5-E00	0				
62	LIDR FR INNER BOX	81122-ACD5-E00	0				
63	COVER R INNER LID	81123-ACD5-E00	1				
64	BOX R FR INNER BOX	81124-ACD5-E00	0				
65	LEG SHIELD	81131-ACD5-E00	0				
66	LID L FR INNER BOX	81132-ACD5-E00	0				
67	COVER L INNER LID	81133-ACD5-E00	1				
68	BOX L FR INNER BOX	81134-ACD5-E00	0				
69	BOX ASSY. R FRONT	8113A-ACD5-E00	7				
70	BOX ASSY. L FRONT	8113B-ACD5-E00	7				
71	LEG SHIELD UP A	81142-ACD5-E00	0				
72	COVER KEY	81151-ACD5-E00	1				
73	COVER R LOCKLESS	81153-ACD5-E00	1				
74	COVER L LOCKLESS	81163-ACD5-E00	1				
75	BOX ASSY LUGGAGE	81260-ACD5-E01	0				
DATE OF STARTING-SALES							
DATE OF END-SALES							

NO	MODEL			COLOR CHART OF SK25NC(PT)			
	PHOTO NO			NO. 1	NO. 2	NO. 3	NO. 4
	BASIC COLOR			Mat White	Pearly Black	Mat Silver Crystal	Shiny Red
	CODE			Mat White	Pearly Black	Mat Silver Crystal	Shiny Red
	PARTS NAME	PARTS NO.	VERSION	NH265FA	NH359PA	NH263FA	RR344FA
76	RR MOLDING R SIDE	83520-ACD5-E00	0	N1R			
77	BOARD B R SIDE	83532-ACD5-E00	1				
78	BOARD B L SIDE	83534-ACD5-E00	1				
79	RR MOLDING L SIDE	83620-ACD5-E00	0				
80	BAND HARNESS WIRE	90656-KUDU-900	0				
81	COVERWATER PUMP	19221-LFA7-E00	3	NEA			
82	BRACKET COMP FR	45210-LKG7-305	0				
83	FORK ASSY FR RH	51400-AAG3-E30	2				
84	BOTTOM CASE R	51420-ACD5-E00	0				
85	FORK ASSY FR LH	51500-AAG3-E30	2				
86	BOTTOM CASE L	51520-ACD5-E00	0				
87	CAP ACG	90084-KKF9-901	0				
88	CAP ASSY	9008A-PTA1-900	3				
89	TAIL CAP MUFFLER	18306-LGE5-E00	3	NEP			
90	CARRIER REAR	81200-ACD5-E00	3				
91	CAP RR GRIP	81220-LKG7-E00	0				
92	PROTECTOR.EXHAUST	18325-AAG3-E03	1	NES			
93	CUSHION ASSY RR R/H	52400-ACD5-E30	0				
94	CUSHION ASSY RR L/H	52500-ACD5-E30	0				
95	WHEEL COMP RR	42601-LEA7-E00	7	NHA			
96	WHEEL ASSY FR	44600-LEA7-305	0				
97	FORK ASSY RR	52000-AAG3-E00	6				
98	BOARD A R SIDE (Met	83530-ACD5-E00	0	NHP			
99	BOARD A L SIDE (Met	83630-ACD5-E00	0				
100	WIND SCREEN	64220-ACD5-E63	1	T01			
DATE OF STARTING-SALES							
DATE OF END-SALES							

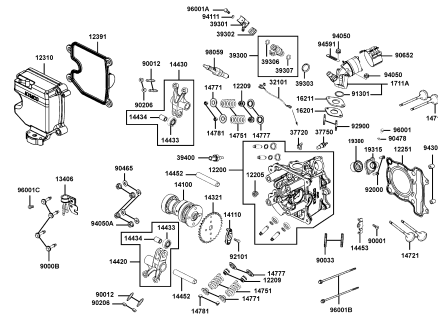
NO	MODEL			COLOR CHART OF SK25NC(PT)			
	PHOTO NO			NO. 1	NO. 2	NO. 3	NO. 4
	BASIC COLOR			Mat White	Pearly Black	Mat Silver Crystal	Shiny Red
	CODE			Mat White	Pearly Black	Mat Silver Crystal	Shiny Red
	PARTS NAME	PARTS NO.	VERSION	NH265FA	NH359PA	NH263FA	RR344FA
101	SEAT ASSY (REACH)	77200-ACD5-339	0	T01			
102	EMB K-LOGO	86102-ALG1-E00	5				
103	EMB BODY COVER	86202-LFA7-E30	3				
104	EMB SKIRT	86332-AAG3-E00	2				
105	EMB MARK KYMCO	87206-ACD5-E00	2				
106	LABEL TIRE	87505-ACD5-E00	2				
107	LABEL CLEANNESS	87508-KKC4-E00	2				
108	CAUTION FILTER	87512-KEBE-E00	1				
109	CAUTION SIDE STAND	87541-GAR1-E00	2				
110	CAUTION MOBILE	87541-KKC2-E00	2				
111	MARK MAINT CAUTION	87542-GAR1-E00	3				
112	LABEL FUEL TANK	87546-ADG5-E00	2				
113	STRIPE LEG SHIELD UP	86730-ACD5-E00	3				
114	MARK DRIVE CAUTION	87560-GFY6-E00	5	T02			
DATE OF STARTING-SALES							
DATE OF END-SALES							

CONTENTS - ENGINE GROUP

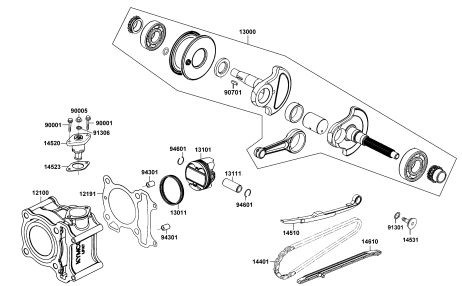
E01 Crank Case



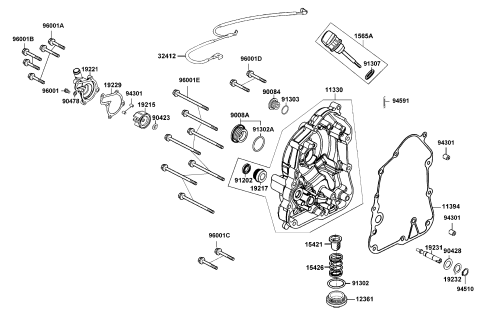
E02 Cylinder Head Cover Cylinder



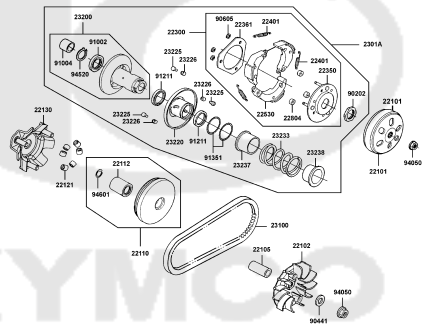
E03 Cylinder Piston Crankshaft



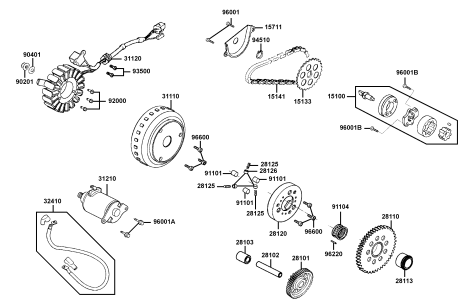
E04 Right Crankcase Cover



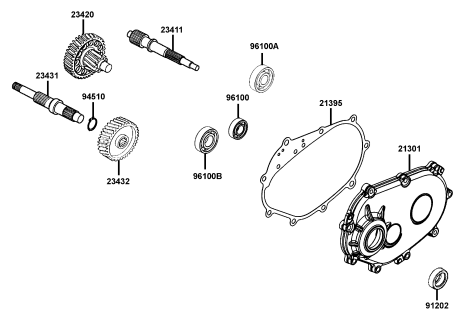
E05 Pulley



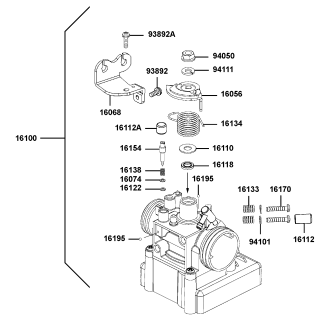
E06 Starting Motor Oil



E07 Transmission

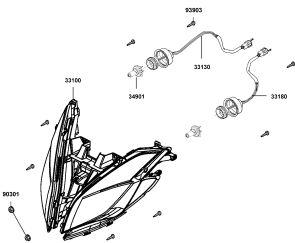


E08 Throttle Body Assy

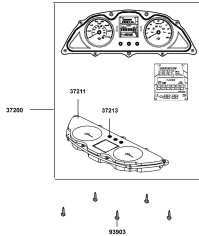


CONTENTS - FRAME GROUP

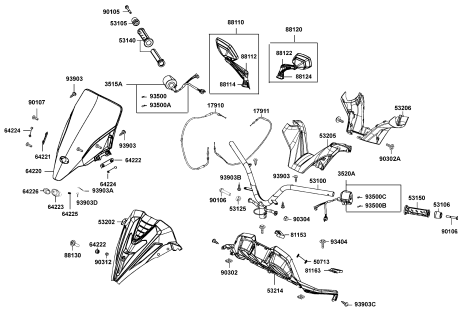
F01 Head Light



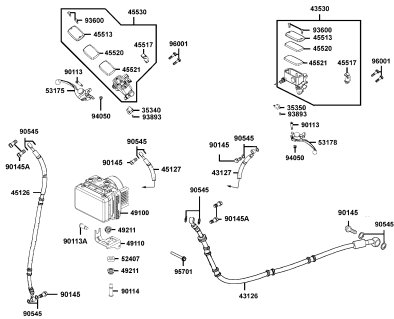
F02 Speedometer



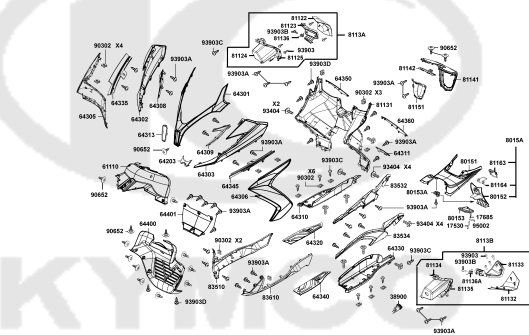
F03 Handle Steering Handle Cover



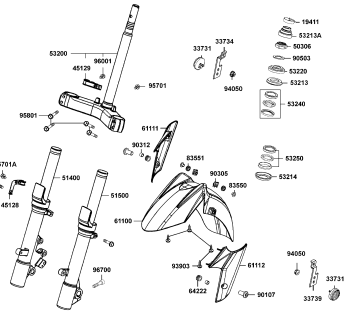
F04 Brake Master Cylinder



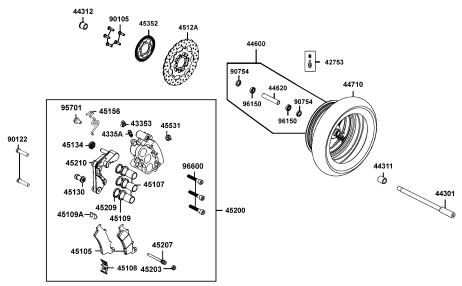
F05 Front Cover Floor Panel



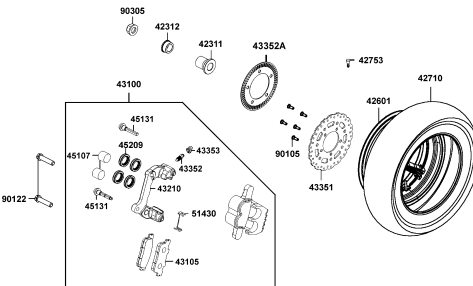
F06 Front Cushion



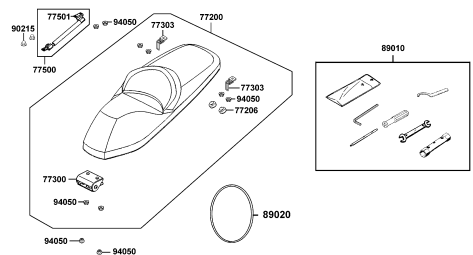
F07 Front Wheel



F08 Rear Wheel

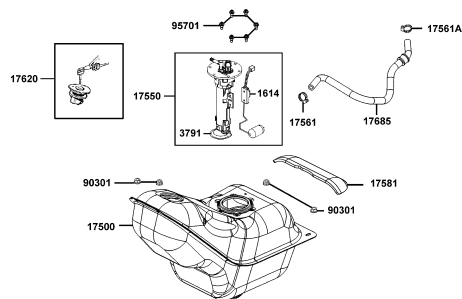


F09 Seat

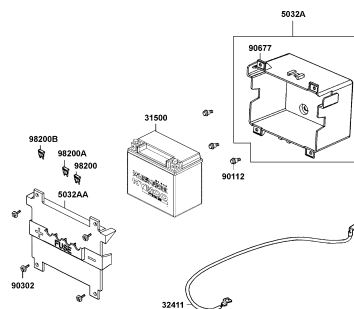


CONTENTS - FRAME GROUP

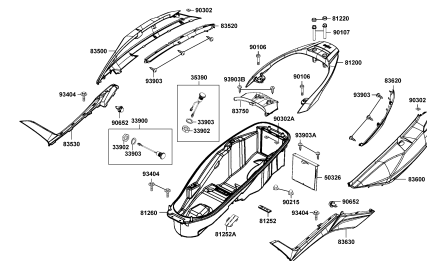
F10 Fuel Tank



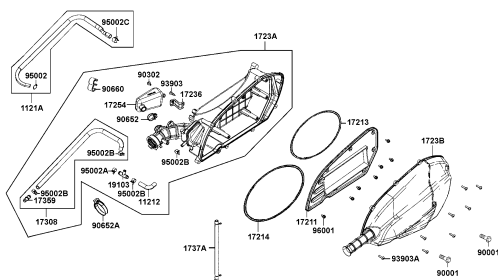
F11 Battery



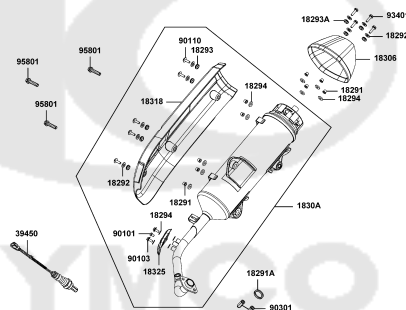
F12 Body Cover Luggage Box



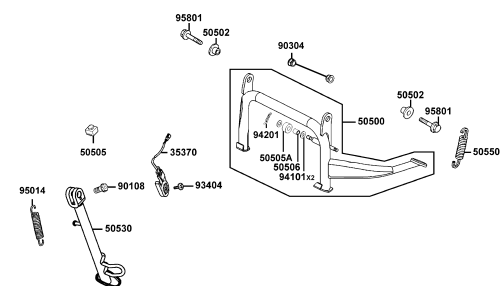
F13 Air Cleaner



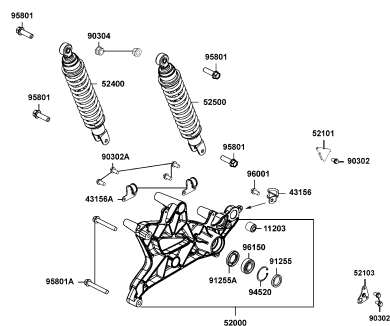
F14 Exhaust Muffler



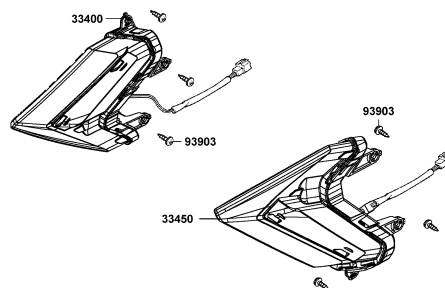
F15 Stand



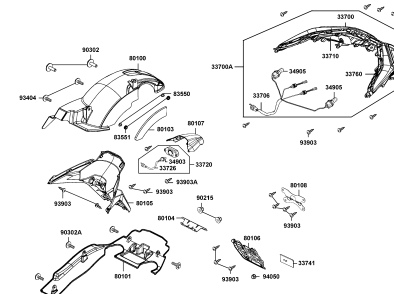
F16 Rear Cushion



F17 Winker Assy Fr



F18 Rear Light Rear Fender

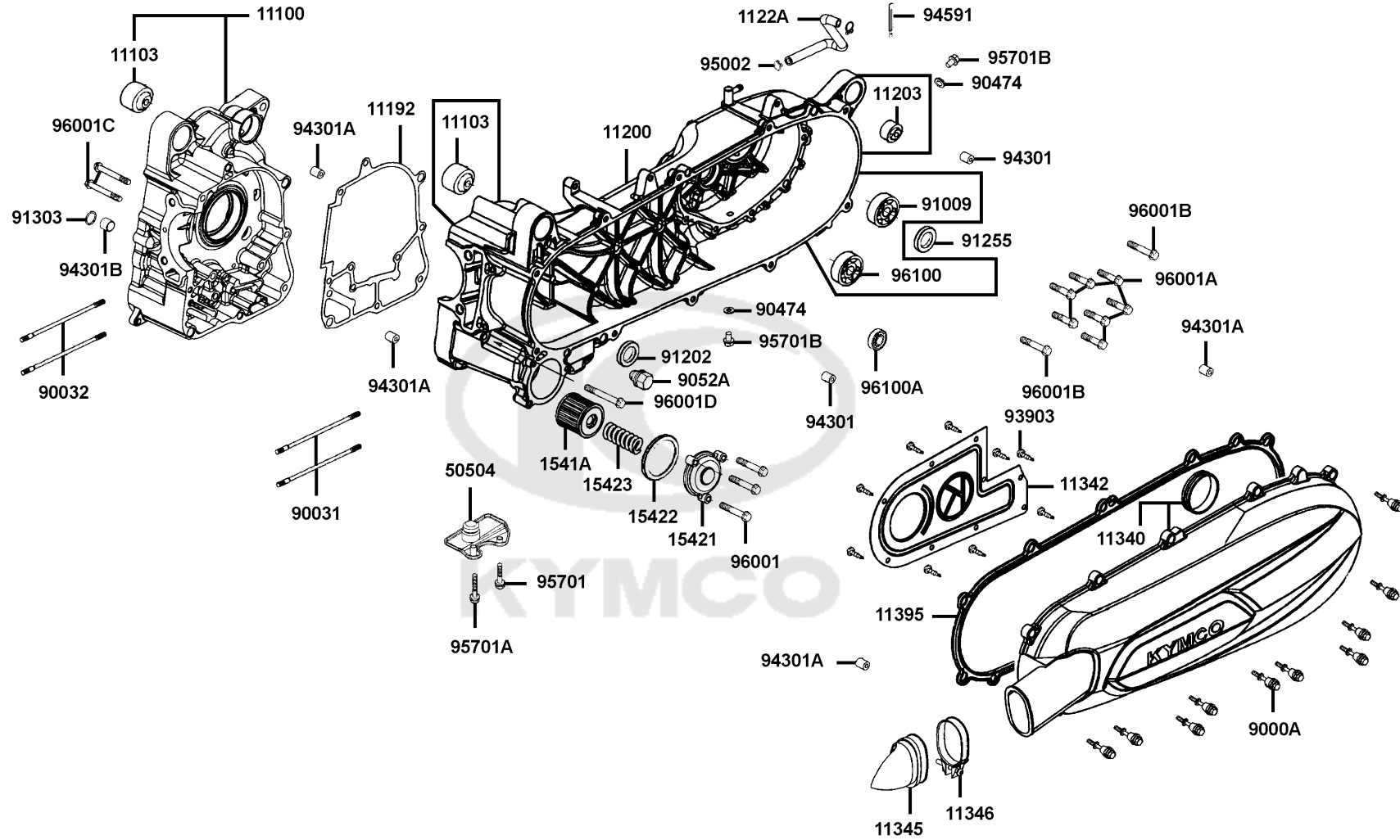


CONTENTS - FRAME GROUP

<p>F19 Wire Harness</p>	<p>F20 Frame Body</p>	<p>F21 Radiator</p>
<p>F22 Caution Label</p>	<p>F23 Emblem/Stripe</p>	<p>F24 Key Comp</p>
<p>F25 Separated Parts Of Fr Fork</p>	<p>F26 Canster Pcv ASSY</p>	<p>F27 LABEL OF E5</p>

E01

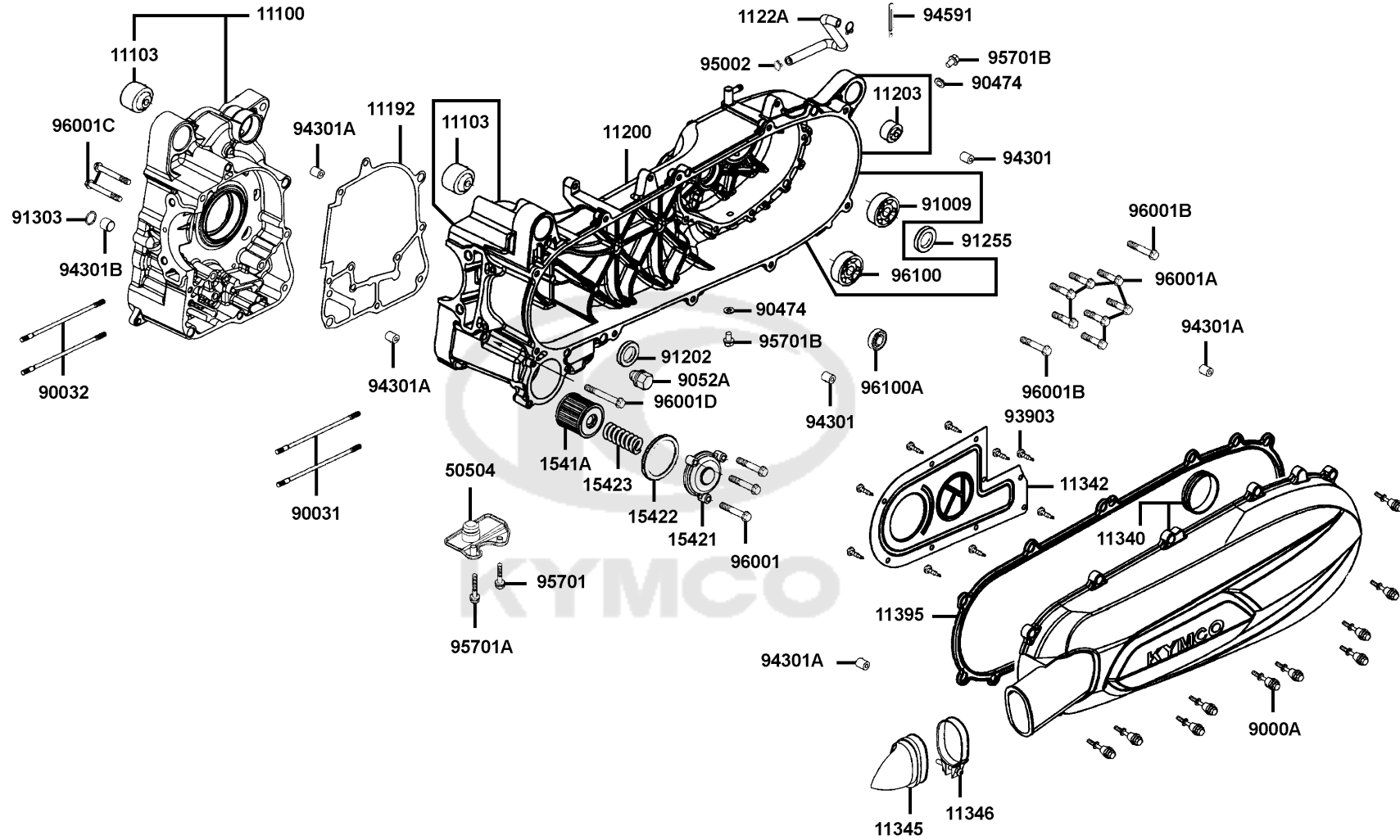
Crank Case



Sales mark	Ref no	Part no	Description	Reg description	Regd no	E01
	11100	11100-LFA7-305	CRANK CASR SET RIGHT	CRANK CASR SET RIGHT	1	
#	11103	11103-KHE7-90A	RUB BUSH ENG HANGER	RUB BUSH ENG HANGER	2	
	11192	11192-LFA7-E00	GASKET CRANK CASE @A	GASKET CRANK CASE @A	1	
	11200	11200-LFA7-305	CRANK CASE ASSY LEFT	CRANK CASE ASSY LEFT	1	
	11203	11203-LBA2-E00	RUB BUSH L CASE	RUB BUSH L CASE	2	
	1122A	1122A-LEB1-900	TUBE ASSY BREATHER	TUBE ASSY BREATHER	1	
	11342	11342-LFA7-900	PLATE L COVER	PLATE L COVER	1	
	11345	11345-LFB5-900	DUCT L COVER	DUCT L COVER	1	
	11346	11346-GFY6-901	BAND L COVER DUCT	BAND L COVER DUCT	1	
	11395	11395-LFA7-E00	GASKET L COVER	GASKET L COVER	1	
	1541A	1541A-LEA7-E00	ELEMENT ASSY OIL FILTER	ELEMENT ASSY OIL FILTER	1	
	15421	15421-KKC3-900	CAP OIL FILTER	CAP OIL FILTER	1	
	15422	15422-KKC3-900	O RING 53.65*2.62	O RING 53.65*2.62	1	
	15423	15423-KKC3-900	SPRING CAP OIL	SPRING CAP OIL	1	
	50504	50504-LFA7-E00	STAY MAIN STAND COMP.	STAY MAIN STAND COMP.	1	
	9000A	9000A-KTDT-900	BOLT ASSY SPECIAL 6X29.5	BOLT ASSY SPECIAL 6X29.5	10	
	90031	90031-KHD6-900	BOLT A STUD 8*218	BOLT A STUD 8*218	2	
	90032	90032-KHD6-900	BOLT B STUD 8*210	BOLT B STUD 8*210	2	
	90474	90474-3C33-001	WASHER 8MM	WASHER 8MM	2	
	9052A	9052A-LEB1-900	BOLT ASSY DRAIN PLUG	BOLT ASSY DRAIN PLUG	1	

E01

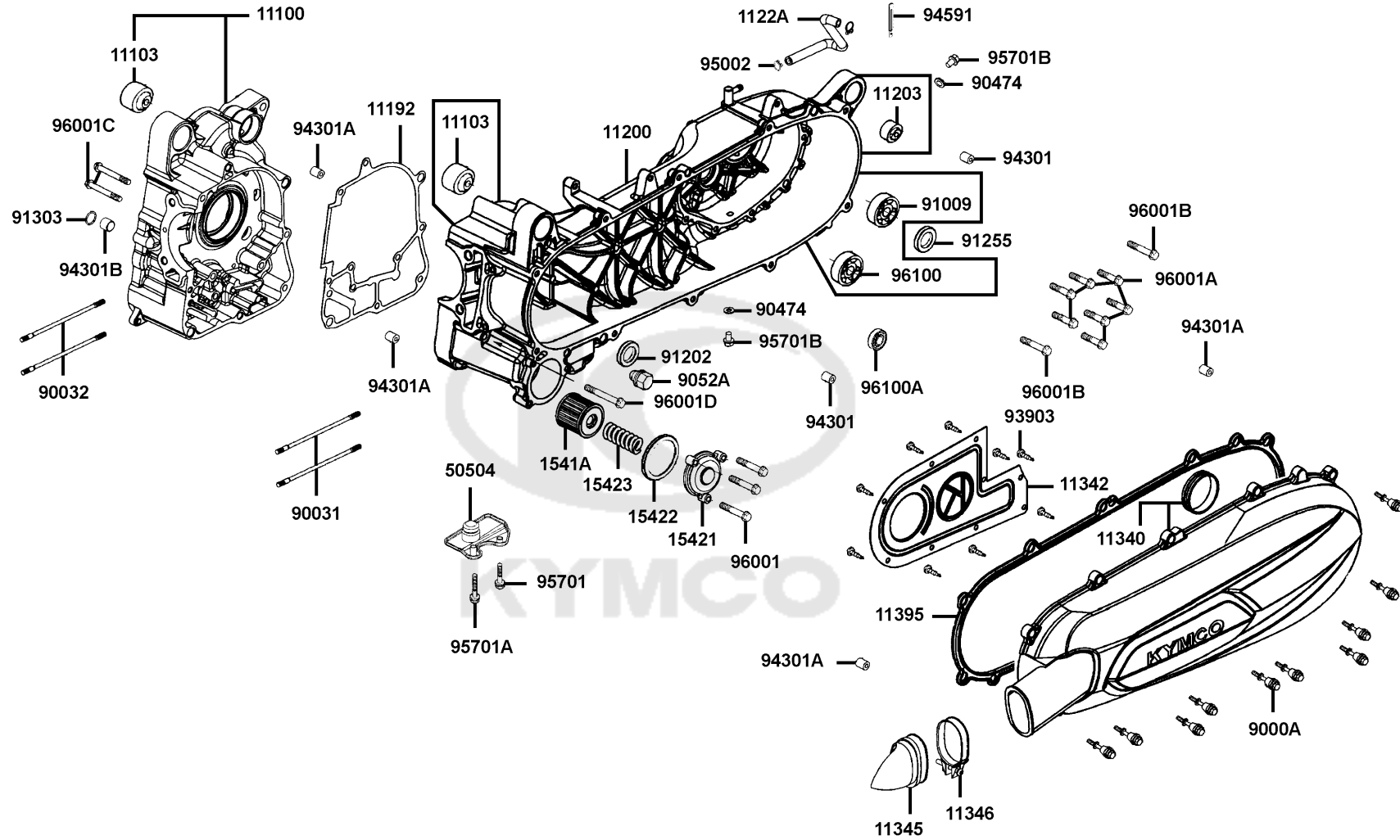
Crank Case



Sales mark	Ref no	Part no	Description	Reg description	Regd no	E01
	91009	91009-KHE7-900	BRG BALL RADIAL 6205LLU	BRG BALL RADIAL 6205LLU	1	
	91202	91202-LEB1-900	OIL SEAL 25*35*5	OIL SEAL 25*35*5	1	
	91255	91255-KHE7-900	OIL SEAL 34*52*7	OIL SEAL 34*52*7	1	
	91255	91255-KHE7-90A	OIL SEAL 34*52*7	OIL SEAL 34*52*7	1	
	91303	91303-KKE5-E00	O-RING 14.8x2.4	O-RING 14.8x2.4	1	
	93903	93903-35360	SCREW TAPPING 5*16	SCREW TAPPING 5*16	9	
	94301	94301-08140	DOWEL PIN 8*14	DOWEL PIN 8*14	2	
	94301A	94301-10160	DOWEL PIN 10*16	DOWEL PIN 10*16	4	
	94301B	94301-KKE5-E00	DOWEL PIN 15x10	DOWEL PIN 15x10	1	
	94591	94591-LEE8-E00	CLIP 2*100	CLIP 2*100	1	
	95002	95002-50000	CLIP C9 TUBE	CLIP C9 TUBE	1	
	95701	95701-06018-06	BOLT FLANGE 6X18	BOLT FLANGE 6X18	1	
	95701A	95701-06025-06	BOLT FLANGE 6*25	BOLT FLANGE 6*25	1	
	95701B	95701-08012-06	BOLT FLANGE 8*12	BOLT FLANGE 8*12	1	
	96001	96001-06016-06	BOLT FLANGE SH 6X16	BOLT FLANGE SH 6*16	1	
	96001A	96001-06025-06	BOLT FLANGE SH 6*25	BOLT FLANGE SH 6*25	1	
	96001B	96001-06032-06	BOLT FLANGE 6*32	BOLT FLANGE 6*32	2	
	96001C	96001-06050-06	BOLT FLANGE SH 6*50	BOLT FLANGE SH 6*50	2	
	96001D	96001-06085-06	BOLT FLANGE 6*85	BOLT FLANGE 6*85	1	
	96100	96100-60020-00	BRG BALL RADIAL 6002	BRG BALL RADIAL 6002	1	

E01

Crank Case



Sales mark	Ref no	Part no	Description	Reg description	Regd no	E01
------------	--------	---------	-------------	-----------------	---------	------------

96100A

96100-62030-00

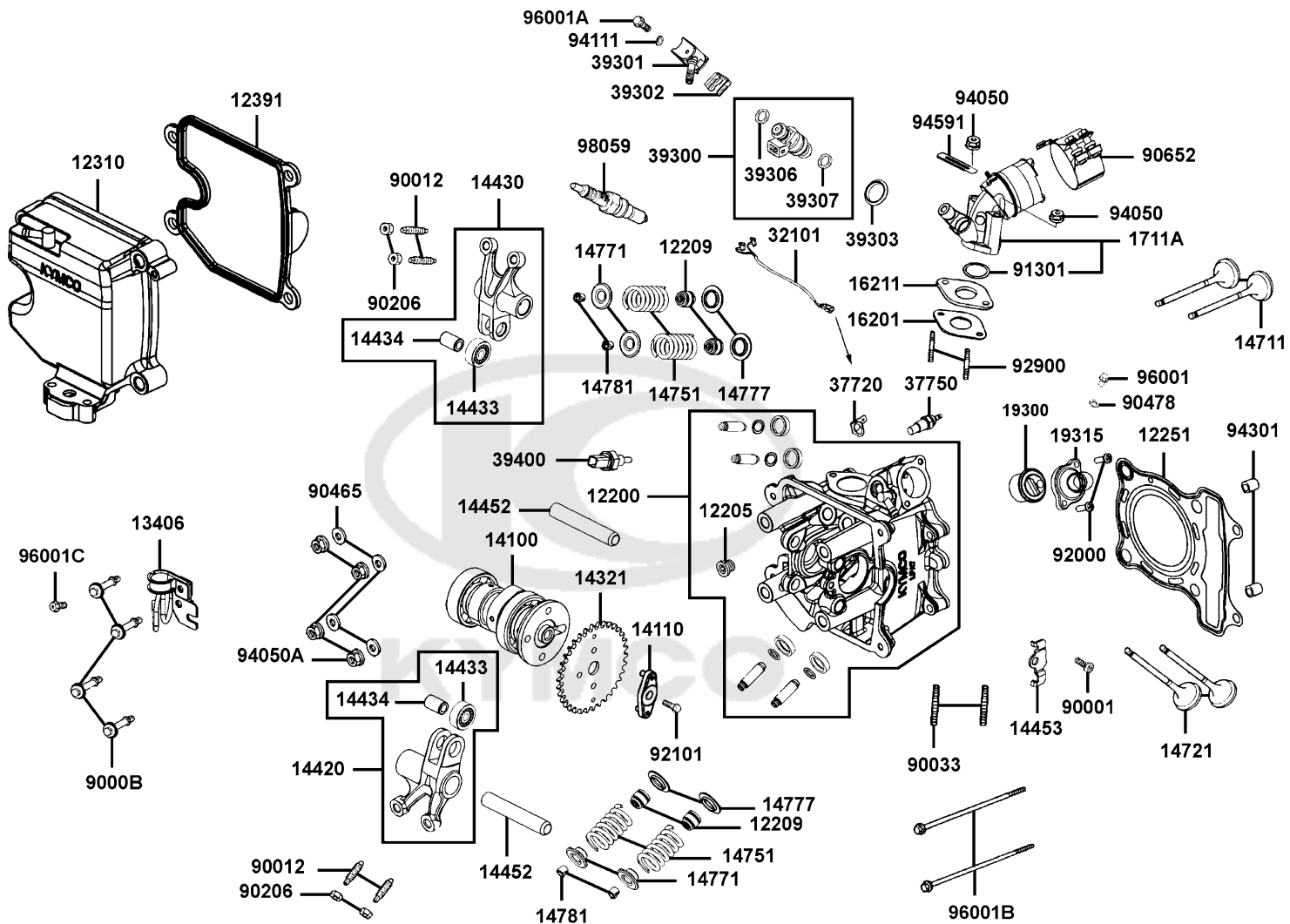
BRG BALL RADIAL 6203

BRG BALL RADIAL 6203

1

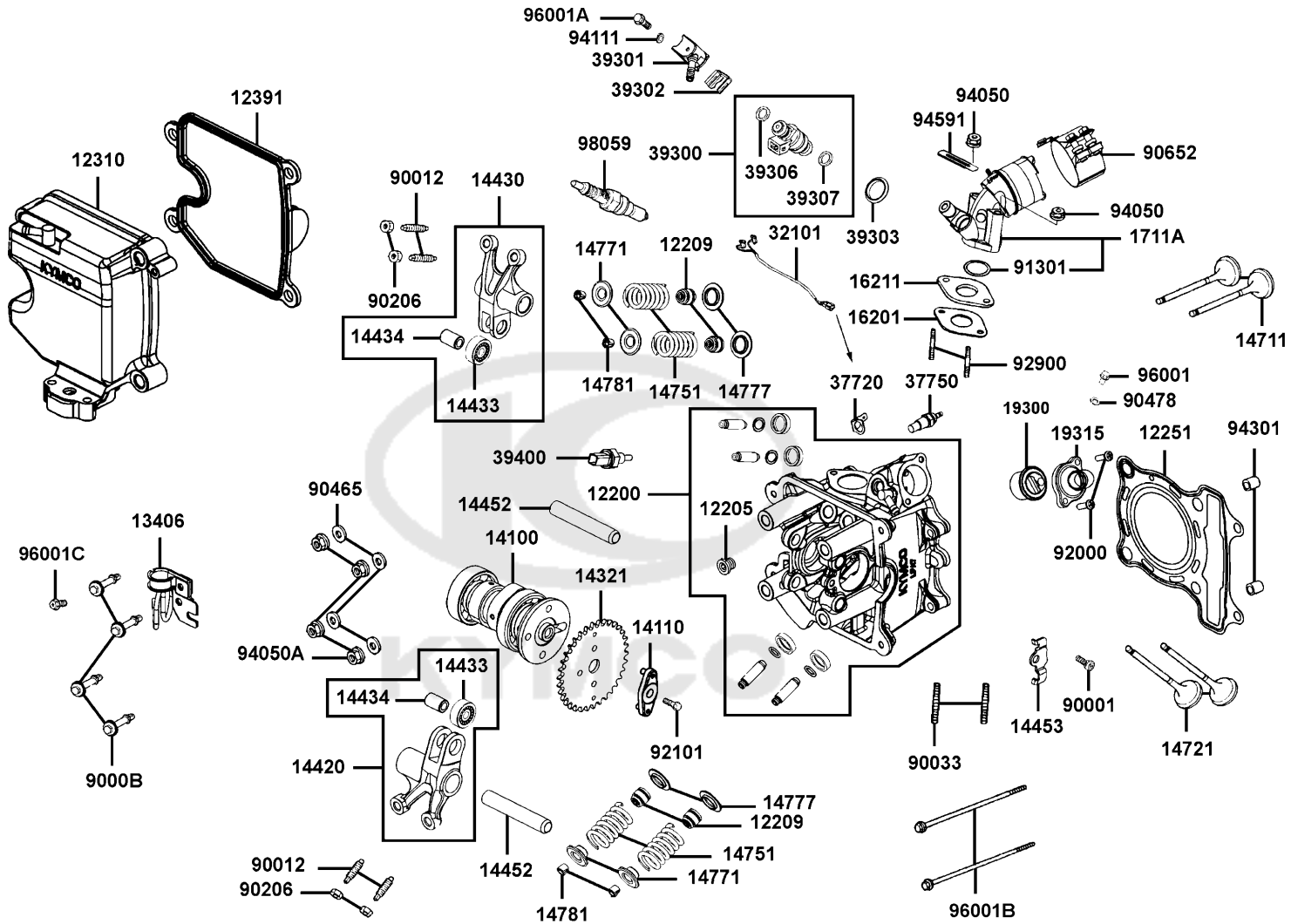


Cylinder Head Cover Cylinder Head



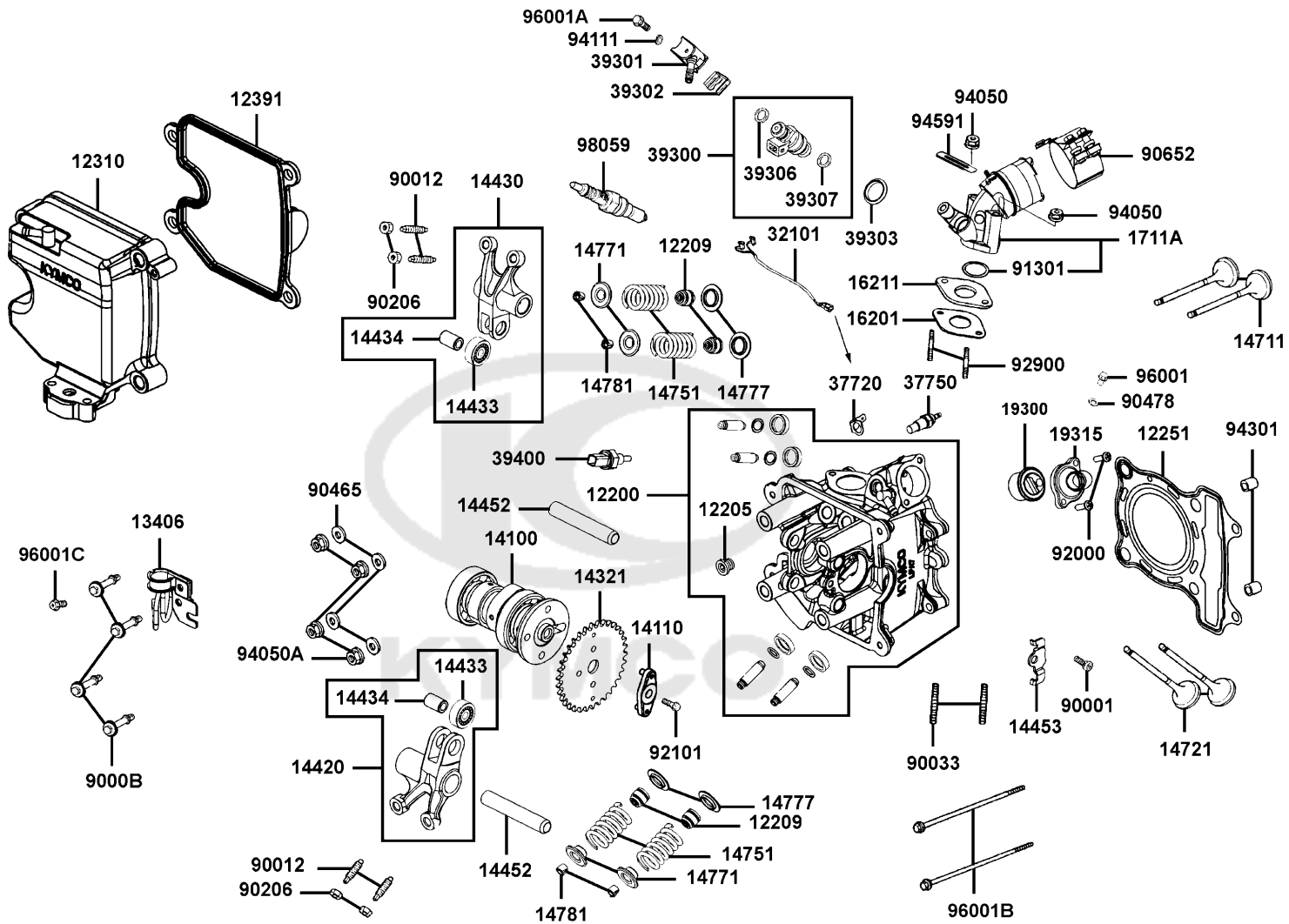
Sales mark	Ref no	Part no	Description	Reg description	Regd no	E02
	12200	12200-ACJ1-E00	HEAD COMP CYLINDER	HEAD COMP.. CYLINDER	1	
	12205	12205-KHE8-301	BOLT SEALING 12MM	BOLT SEALING 12MM	1	
	12209	12209-LEA2-90A	SEAL VALVE STEM	SEAL VALVE STEM	4	
	12251	12251-LFA7-E00	GASKET CYLINDER HEAD	GASKET CYLINDER HEAD	1	
	12310	12310-LFA7-E00	COVER COMP HEAD	COVER COMP HEAD	1	
	12391	12391-LFA7-E00	GASKET HEAD COVER	GASKET HEAD COVER	1	
	13406	13406-LFA7-E00	STAY.FUEL HOSE	STAY.FUEL HOSE	1	
	14100	14100-LFA7-E00	SHAFT COMP CAM	SHAFT COMP CAM	1	
	14110	14110-LEB1-900	FIXTURE CAMSHAFT	FIXTURE CAMSHAFT	1	
	14321	14321-LEB1-900	SPROCKET CAM	SPROCKET CAM	1	
	14420	14420-LEB1-900	ARM COMP EXH VALVE ROCKER	ARM COMP EXH VALVE ROCKER	1	
	14430	14430-LEB1-900	ARM COMP IN VALVE ROCKER	ARM COMP IN VALVE ROCKER	1	
	14433	14433-LEB1-900	ROLLER ASSY ROCKER ARM	ROLLER ASSY ROCKER ARM	1	
	14434	14434-LEB1-900	PIN ROCKER ARM	PIN ROCKER ARM	1	
	14452	14452-LFA7-E00	SHAFT ROCKER ARM	SHAFT ROCKER ARM	1	
	14453	14453-LFA7-E00	PLATE STOPPER	PLATE STOPPER	1	
	14711	14711-LFA7-E00	VALVE INLET	VALVE INLET	2	
	14721	14721-LFA7-E00	VALVE EXHAUST	VALVE EXHAUST	2	
	14751	14751-KHD6-900	SPG VALVE OUTER	SPG VALVE OUTER	4	
	14771	14771-LEA2-900	RETAINER UPPER SPRING	RETAINER UPPER SPRING	4	

Cylinder Head Cover Cylinder Head



Sales mark	Ref no	Part no	Description	Reg description	Regd no	E02
	14777	14777-LFA7-E00	SEAT VALVE SPG	SEAT VALVE SPRING	4	
	14781	14781-KKE5-E00	COTTER VALVE	COTTER VALVE	8	
	16201	16201-ACJ1-E00	GASKET CARB INSULATOR @A	GASKET. CARB INSULATOR A	1	
	16211	16211-ACJ1-E00	INSULATOR CARB	INSULATOR CARB	1	
	1711A	1711A-LFA7-E00	INLET PIPE ASSY	INLET PIPE ASSY	1	
	19300	19300-LFA7-E0A	THERMOSTAT ASSY.	THERMOSTAT ASSY.	1	
	19300	19300-LFA7-E0B	THERMOSTAT ASSY.	THERMOSTAT ASSY.	1	
	19315	19315-LFA7-E00	COVER THERMOSTAT	COVER THERMOSTAT	1	
	32101	32101-LEA7-E00	SUB HARNESS THERMO UNIT	SUB HARNESS THERMO UNIT	1	
	37720	37720-KGB5-900	EARTH TERMINAL THERMO	EARTH TERMINAL THERMO	1	
	37750	37750-PAC1-005	THERMO UNIT ASSY	THERMO UNIT ASSY	1	
	39300	39300-LEB2-800	FUEL INJECTOR	FUEL INJECTOR	1	
	39301	39301-LEB2-910	HOLDER ASSY FUEL INJECTOR	HOLDER ASSY FUEL INJECTOR	1	
	39302	39302-KKE3-900	CLIP SPRING FUEL INJECTOR	CLIP SPRING FUEL INJECTOR	1	
	39303	39303-LEB2-900	SEAL HIGH TENSION FUEL INJECT	SEAL HIGH TENSION FUEL INJECT	1	
	39306	39306-LEB2-305	O-RING A INJECTOR /BLACK	O-RING A INJECTOR /BLACK	1	
	39307	39307-LEB2-305	O-RING B INJECTOR /GREEN	O-RING B INJECTOR /GREEN	1	
	39400	39400-LDF2-800	WATER TEMP SENSOR	WATER TEMP SENSOR	1	
	90001	90001-GFY6-901	SOCKET BOLT 6*10 (B)	SOCKET BOLT 6*10 (B)	1	
	9000B	9000B-KHD6-900	BOLT ASSY SPECIAL 6*41.5	BOLT ASSY SPECIAL 6*41.5	4	

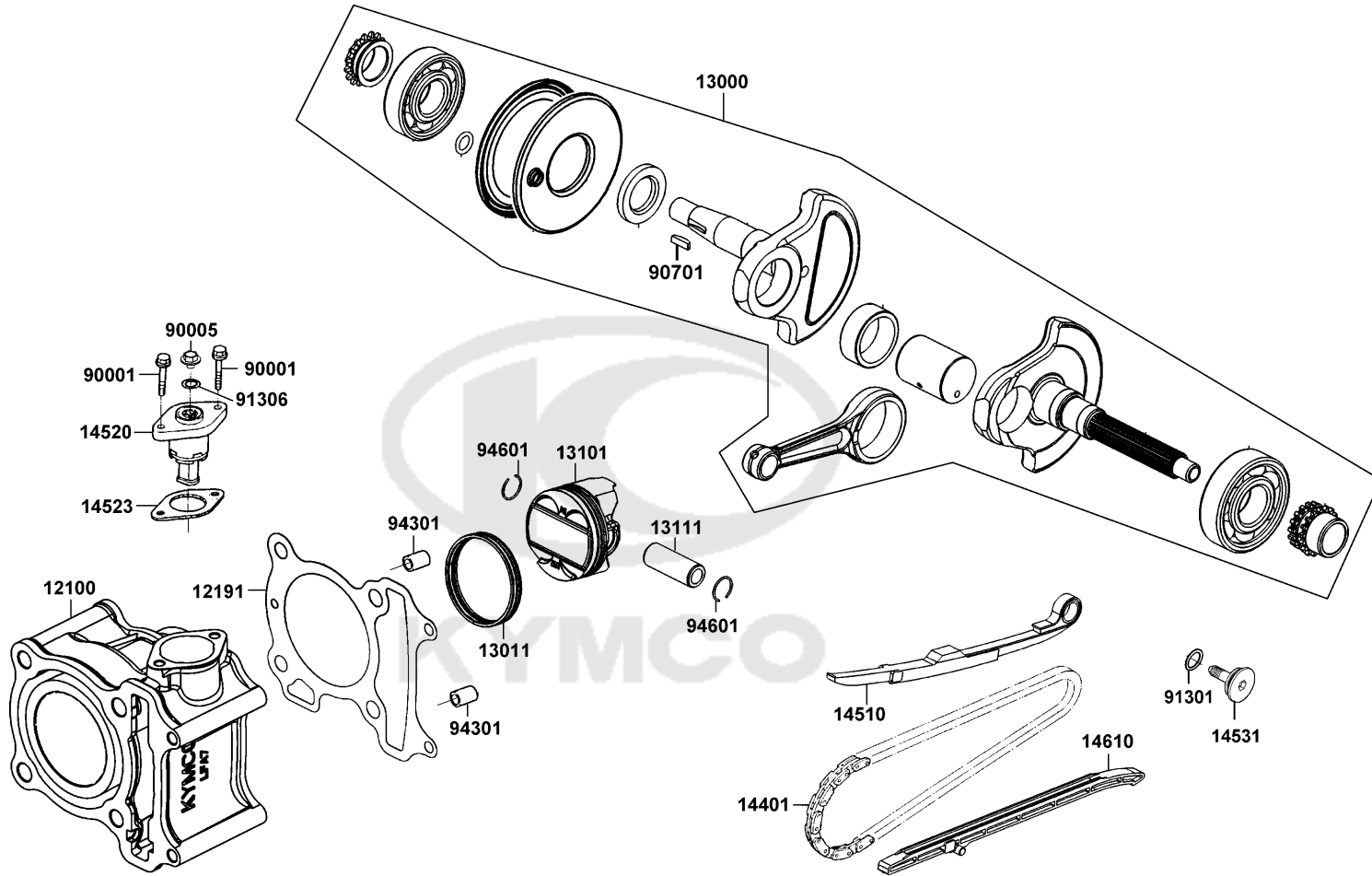
Cylinder Head Cover Cylinder Head



Sales mark	Ref no	Part no	Description	Reg description	Regd no	E02
	90012	90012-3C33-001	SCREW TAPPET ADJUSTING	SCREW TAPPET ADJUSTING	2	
	90033	90033-GFY6-900	BOLT STUD 8*32	BOLT STUD 8*32	2	
	90206	90206-0A01-001	NUT TAPPET ADJG	NUT TAPPET ADJG	2	
	90465	90465-MDC4-001	WASHER 8MM	WASHER 8MM	4	
	90478	90478-7L00-001	WASHER A 6MM	WASHER A 6MM	1	
	90652	90652-LGJ9-900	BAND 48. INLET-PIPE	BAND 48 INLET-PIPE	1	
	91301	91301-LEB1-900	O-RING 30*2	O-RING 30*2	1	
	92000	92000-05016-0G	BOLT HEX 5X16	BOLT HEX 5X16	2	
	92101	92101-06014-0G	BOLT HEX 6*14	BOLT HEX 6*14	1	
	92900	92900-06060-0B	BOLT STUD 6*60	BOLT STUD 6*60	2	
	94050	94050-06080	NUT FLANGE 6MM	NUT FLANGE 6MM	2	
	94050A	94050-08080	NUT FLANGE 8MM	NUT FLANGE 8MM	4	
	94111	94111-06800	WASHER SPRING 6MM	WASHER SPRING 6MM	1	
	94301	94301-10160	DOWEL PIN 10*16	DOWEL PIN 10*16	2	
	94591	94591-KFBF-900	CLIP 2*70	CLIP 2*70	1	
	96001	96001-06010-00	BOLT FLANGE SH 6X10	BOLT FLANGE SH 6X10	1	
	96001A	96001-06014-06	BOLT FLANGE SH 6X14	BOLT FLANGE SH 6X14	1	
	96001B	96001-06100-06	BOLT FLANGE SH 6*100	BOLT FLANGE SH 6*100	1	
	96001C	96001-LAB4-900	BOLT SPECIAL M5X16	BOLT SPECIAL M5X16	1	
	98059	98059-57916-00	SPARK PLUG (CR7E)	SPARK PLUG (CR7E)	1	

E03

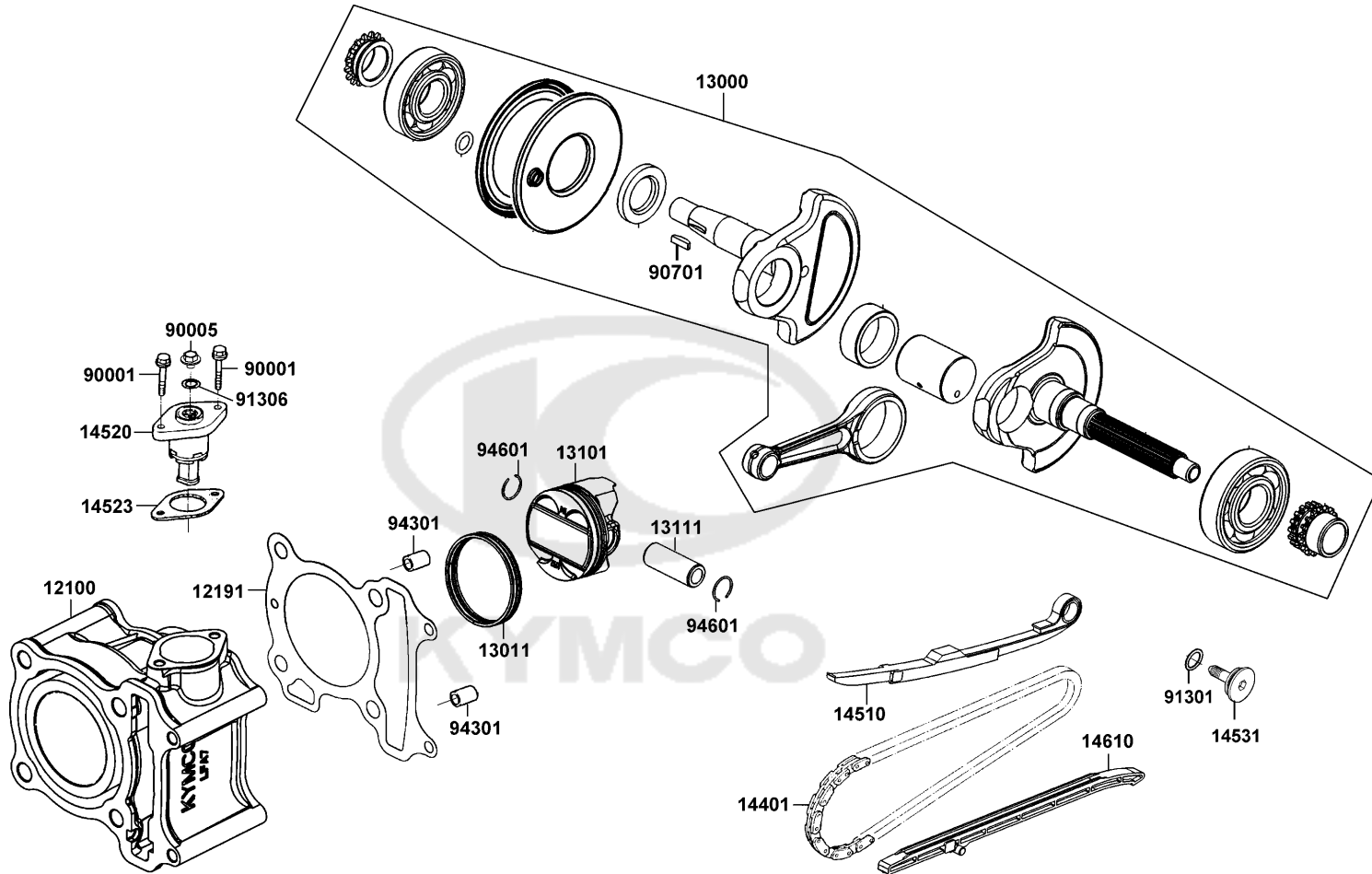
Cylinder Piston Crankshaft



Sales mark	Ref no	Part no	Description	Reg description	Regd no	E03
	12100	12100-LFA7-E00	CYLINDE COMP (A)	CYLINDE COMP (A)	1	
	12191	12191-LFA7-E00	GASKET CYLINDER	GASKET CYLINDER	1	
	13000	13000-LFA7-E00	CRANK SHAFT COMP	CRANK SHAFT COMP	1	
	13011	13011-LEB1-90B	RING SET PISTON	RING SET PISTON	1	
	13101	13101-LFA7-E00	PISTON	PISTON	1	
	13111	13111-LFA7-E00	PIN PISTON	PIN PISTON	1	
	14401	14401-LFA7-E00	CHAIN CAM	CHAINCAM	1	
	14510	14510-LEB1-900	TENSIONER CAM CHAIN	TENSIONER CAM CHAIN	1	
	14510	14510-LEB1-90B	TENSIONER CAM CHAIN	TENSIONER CAM CHAIN	1	
	14520	14520-LFA7-E00	LIFTER ASSY TENSIONER	LIFTER ASSY TENSIONER	1	
#	14523	14523-KED9-920	GASKET TENSIONER LIFTER @A	GASKET TENSIONER LIFTER @A	1	
	14531	14531-GLR0-001	PIVOT CAM CHAIN TENSIONER	PIVOT CAM CHAIN TENSIONER	1	
	14610	14610-LEB1-900	GUIDE COMP CAM CHAIN	GUIDE COMP CAM CHAIN	1	
	14610	14610-LEB1-90B	GUIDE CAM CHAIN	GUIDE CAM CHAIN	1	
	90001	90001-GBHB-661	BOLT FLANGE SH 6*22	BOLT FLANGE SH 6*22	2	
	90005	90005-KED9-900	BOLT SPECIAL 6*6	BOLT SPECIAL 6*6	1	
	90701	90701-HFB6-011	KEY WOODRUFF 25*14*4	KEY WOODRUFF 25*14*4	1	
	91301	91301-GLR0-005	O-RING 15.2*1.5	O-RING 15.2*1.5	1	
	91306	91306-1E05-691	O-RING 1.5*9.5	O-RING 1.5*9.5	1	
	94301	94301-10160	DOWEL PIN 10*16	DOWEL PIN 10*16	2	

E03

Cylinder Piston Crankshaft



Sales mark	Ref no	Part no	Description	Reg description	Regd no	E03
------------	--------	---------	-------------	-----------------	---------	------------

94601

94601-14000

CLIP PISTON PIN 12MM

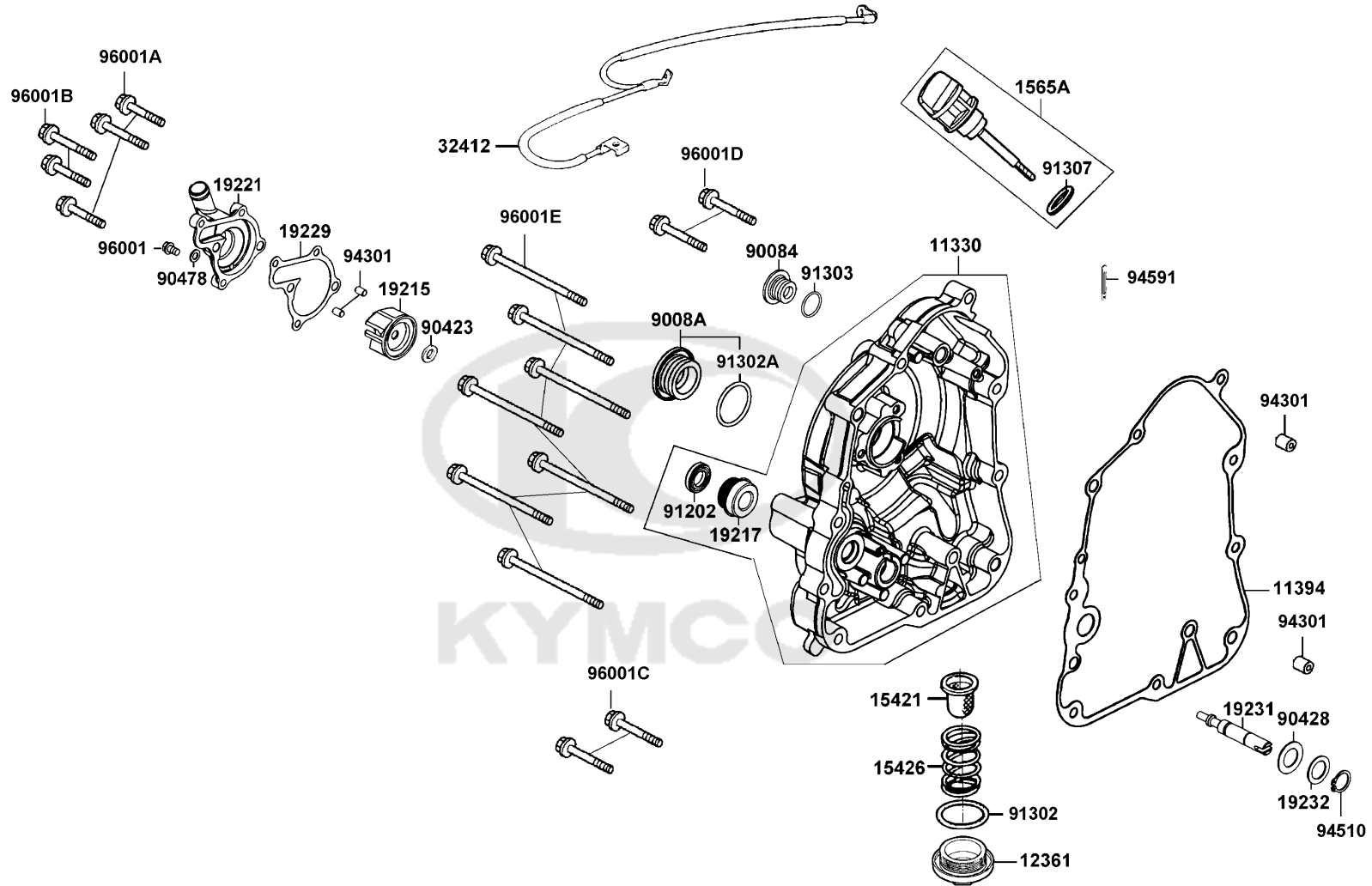
CLIP PISTON PIN 12MM

2



E04

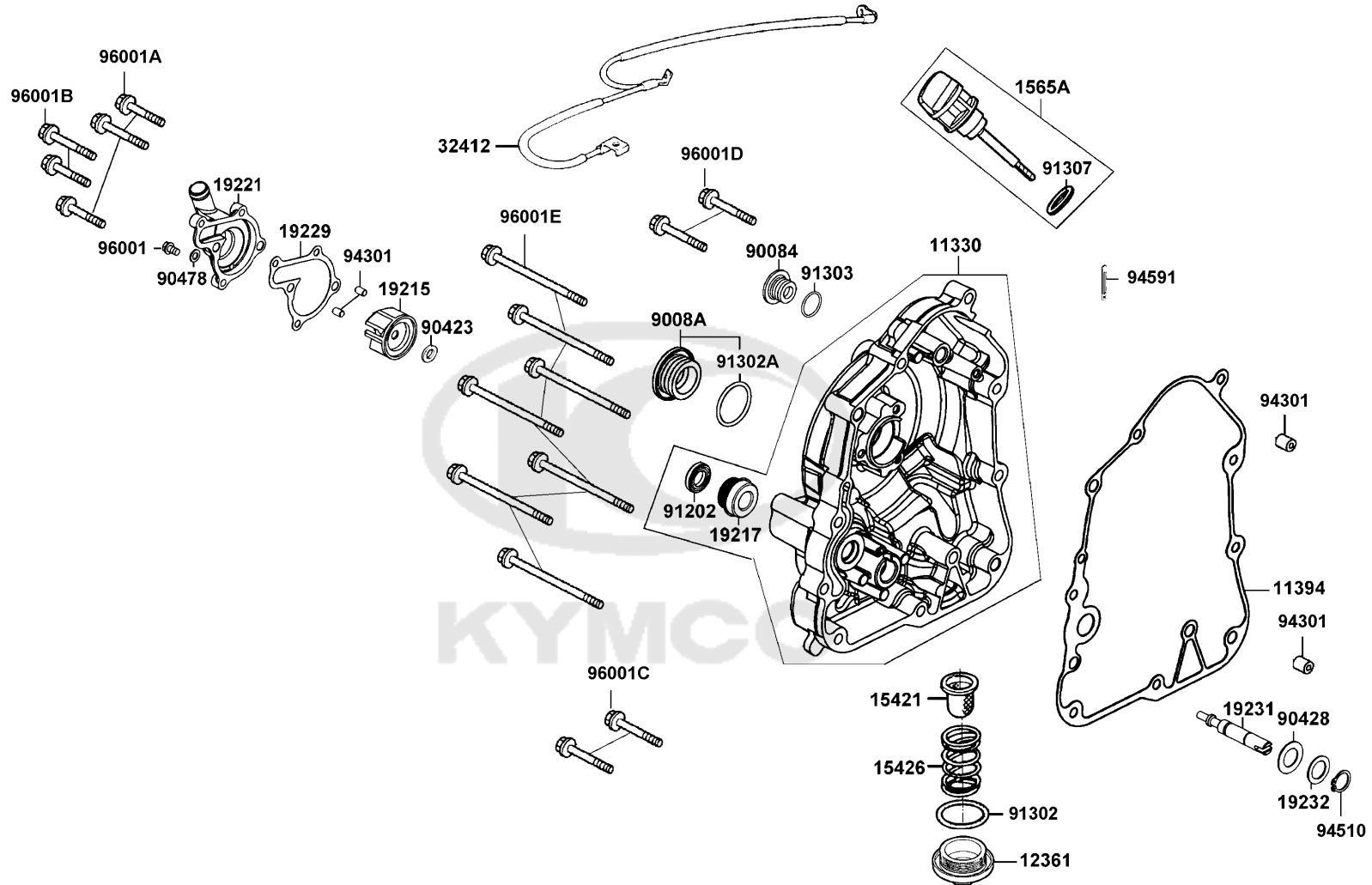
Right Crankcase Cover



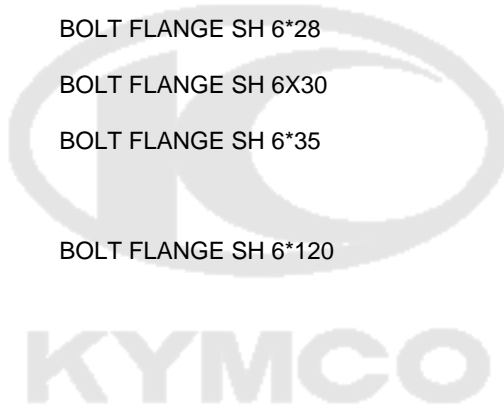
Sales mark	Ref no	Part no	Description	Reg description	Regd no	E04
**	11330	11330-LFA7-E00	COVER COMP R CRANK CASE	COVER COMP R CRANK CASE	1	
	11394	11394-LFA7-E00	GASKET R COVER@A	GASKETR. COVER A	1	
	12361	12361-GFY6-901	HOLE CAP TAPPET ADJUSTING	HOLE CAP TAPPET ADJUSTING	1	
	15421	15421-1G07-001	SCREEN OIL FILTER	SCREEN OIL FILTER	1	
	15426	15426-GAE1-921	SPG OIL FILTER SCREEN	SPG OIL FILTER SCREEN	1	
	1565A	1565A-KUDU-900	GAUGE OIL LEVEL ASSY	GAUGE OIL LEVEL ASSY	1	
	19215	19215-KHE7-900	IMPELLER WATER PUMP	IMPELLER WATER PUMP	1	
	19217	19217-ZPA3-E00	SEAL MECHANICAL	SEAL MECHANICAL	1	
	19229	19229-LFA7-E00	GASKET WATER PUMP	GASKET WATER PUMP	1	
	19231	19231-LFA7-E00	SHAFT WATER PUMP	SHAFTWATER PUMP	1	
	19232	19232-LBA2-E00	WASHER 21*13.8*1.5	WASHER 21*13.8*1.5	1	
	32412	32412-AAG3-E00	CABLE EARTH	CABLE EARTH	1	
**	90084	90084-KKF9-901	CAP AC GENERATOR (Mat Black)	CAP AC GENERATOR (Mat Black)	1	
**	9008A	9008A-PTA1-900	CAP ASSY	CAP ASSY	1	
	90423	90423-KKJ9-001	WASHER 7.2*13*1.2	WASHER 7.2*13*1.2	1	
	90428	90428-9H58-001	WASHER THRUST 14MM B	WASHER THRUST 14MM B	1	
	90478	90478-7L00-001	WASHER A 6MM	WASHER A 6MM	1	
	91202	91202-LKG2-900	OIL SEAL 13.7*24*5	OIL SEAL 13.7*24*5	1	
	91302	91302-0A01-021	O-RING 30.8M/M	O-RING 30.8M/M	1	
	91302A	91302-5G67-004	O-RING 27.4*2.4	O-RING 27.4*2.4	1	

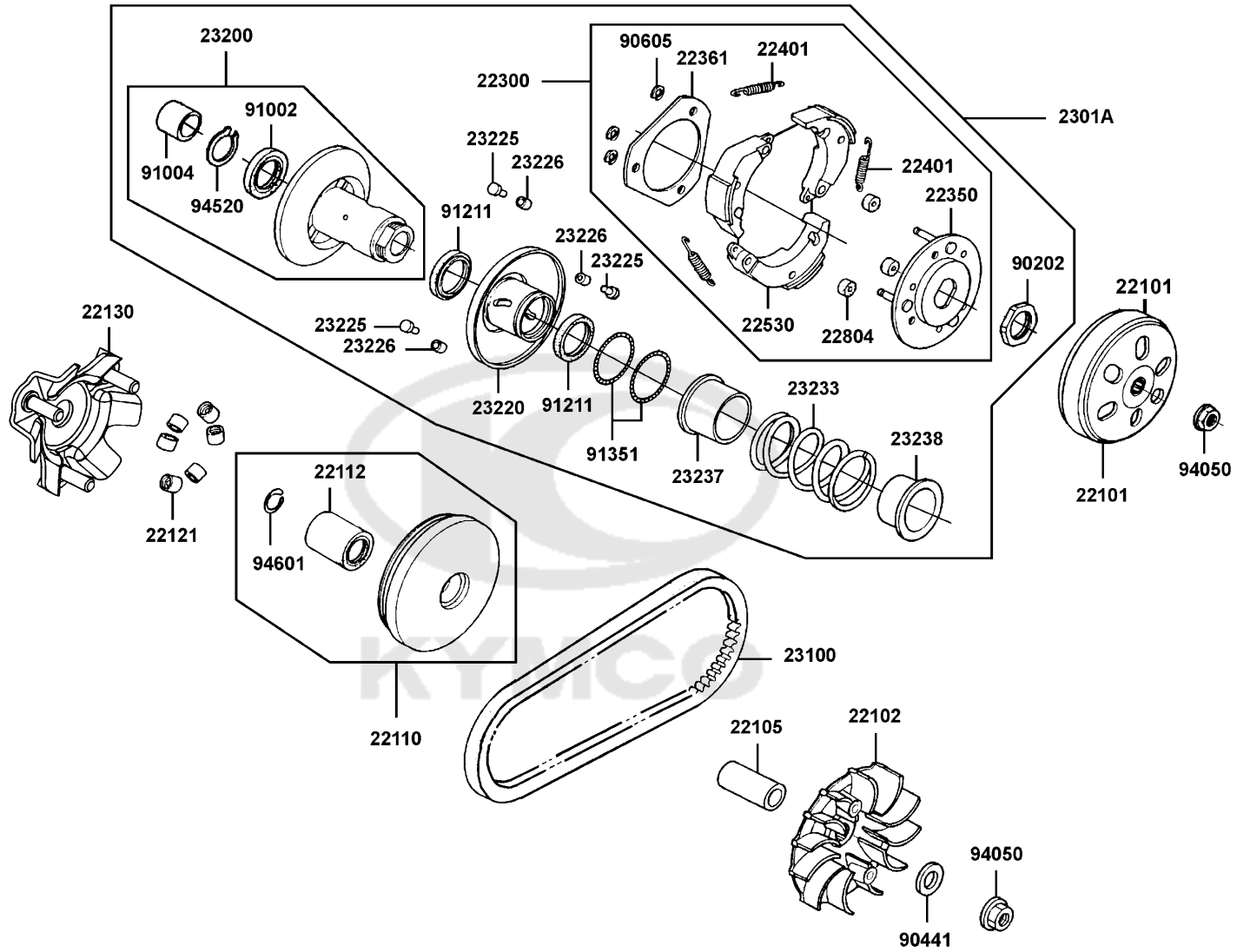
E04

Right Crankcase Cover

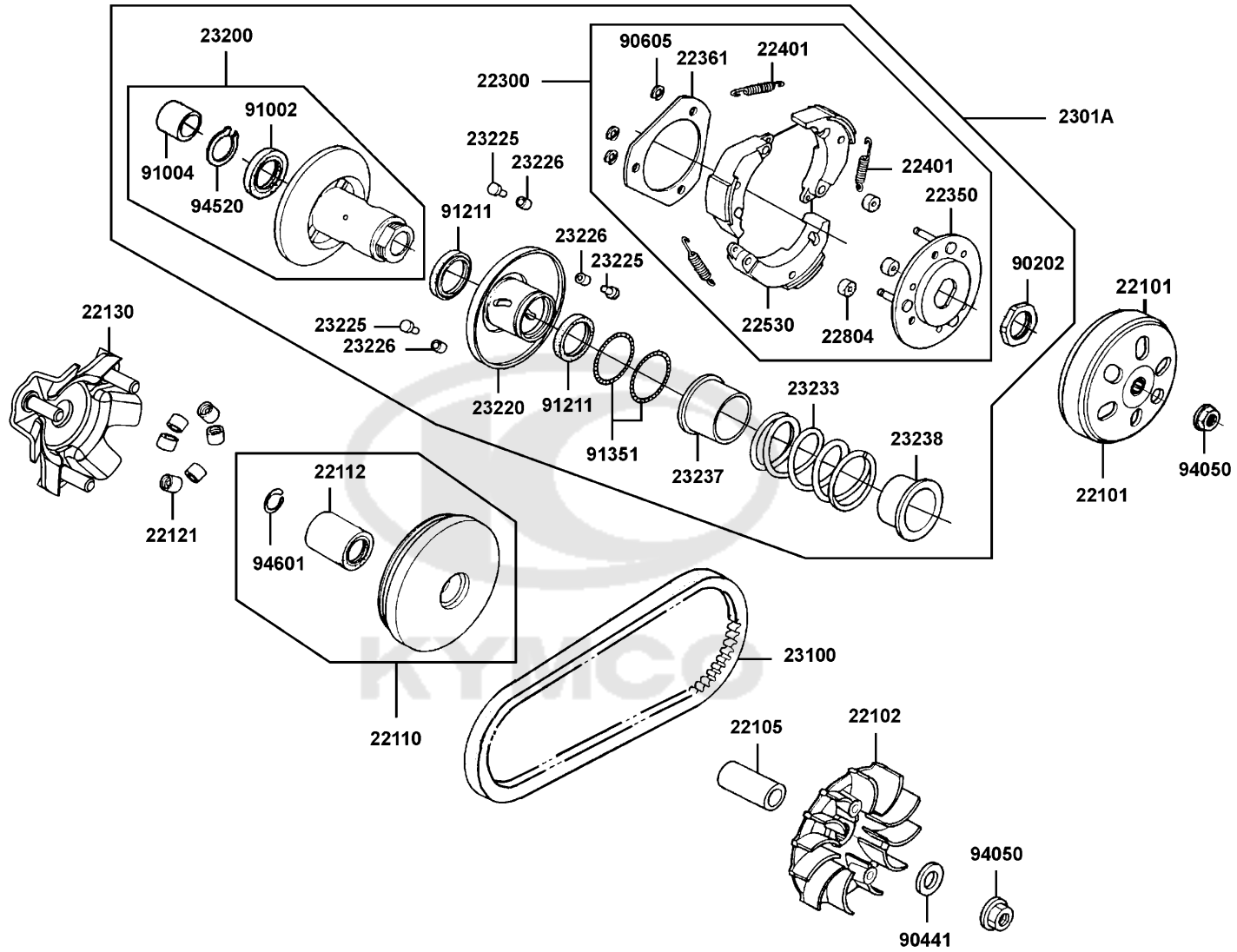


Sales mark	Ref no	Part no	Description	Reg description	Regd no	E04
91303		91303-3G77-001	O-RING 13.8*2.5	O-RING 13.8*2.5	1	
91307		91307-0E35-001	O RING 18*3	O RING 18*3	1	
94301		94301-08140	DOWEL PIN 8*14	DOWEL PIN 8*14	4	
94510		94510-14000	CIR CLIP EXTERNAL 14	CIR CLIP EXTERNAL 14	1	
94591		94591-KFBF-900	CLIP 2*70	CLIP 2*70	1	
96001		96001-06010-00	BOLT FLANGE SH 6X10	BOLT FLANGE SH 6X10	1	
96001A		96001-06022-06	BOLT FLANGE SH 6*22 (G)	BOLT FLANGE SH 6*22 (G)	3	
96001B		96001-06028-06	BOLT FLANGE SH 6*28	BOLT FLANGE SH 6*28	1	
96001C		96001-06030-06	BOLT FLANGE SH 6X30	BOLT FLANGE SH 6X30	2	
96001D		96001-06035-06	BOLT FLANGE SH 6*35	BOLT FLANGE SH 6*35	2	
96001E		96001-06120-06	BOLT FLANGE SH 6*120	BOLT FLANGE SH 6*120	7	

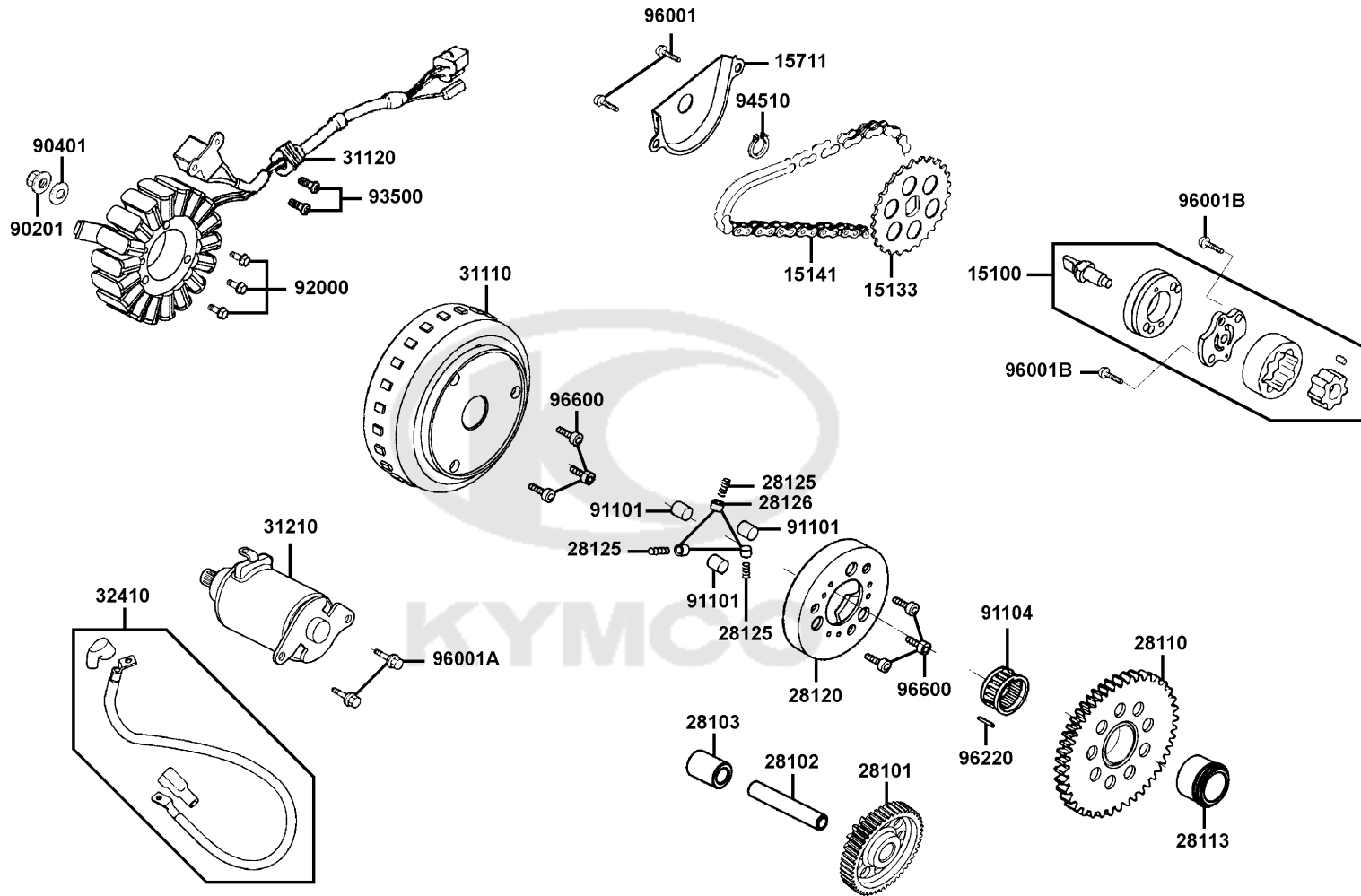




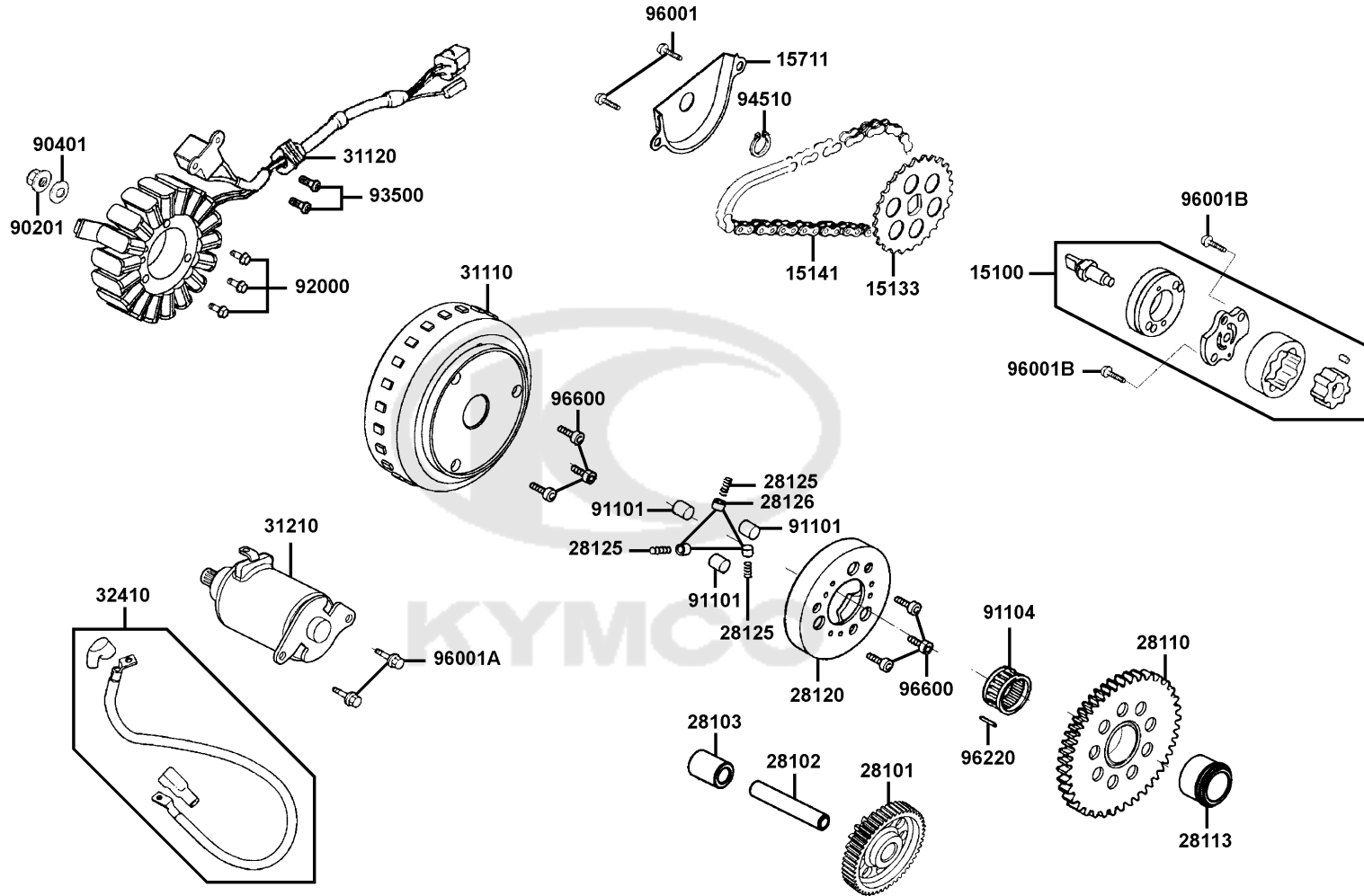
Sales mark	Ref no	Part no	Description	Reg description	Regd no	E05
	22101	22101-KEBE-900	OUTER CLUTCH	OUTER CLUTCH	1	
	22102	22102-ACJ1-E00	FACE COMP DRIVE	FACE COMP DRIVE	1	
#	22105	22105-ACH7-600	BOSS DRIVE FACE	BOSS DRIVE FACE	1	
	22110	22110-AAG1-900	FACE COMP MOVABLE DRIVE	FACE COMP MOVABLE DRIVE	1	
	22112	22112-KAAA-900	COLLAR DRIVE FACE	COLLAR DRIVE FACE	1	
	22121	22121-KKE3-305	ROLLER SET WEIGHT (1SET:6PCS)	ROLLER SET WEIGHT (1SET:6PCS)	1	
	22130	22130-AAG1-910	RAMP PLATE COMP	RAMP PLATE COMP	1	
	22300	22300-ACJ1-E00	PLATE ASSY DRIVE	PLATE ASSY DRIVE	1	
	22350	22350-LEA6-900	PLATE COMP DRIVE	PLATE COMP DRIVE	1	
	22361	22361-KGN7-671	PLATE CLUTCH SIDE	PLATE CLUTCH SIDE	1	
	22401	22401-LLB1-900	SPRING CLUTCH	SPRING CLUTCH	3	
	22530	22530-LKG2-900	WEIGHT. CLUTCH	WEIGHT. CLUTCH	3	
	22804	22804-GBB2-001	RUBBER CLUTCH DAMPER	RUBBER CLUTCH DAMPER	3	
	2301A	2301A-ACJ1-E00	PULLEY SUB ASSY DRIVEN	PULLEY SUB ASSY DRIVEN	1	
	23100	23100-ACJ1-E00	BELT DRIVE	BELT DRIVE	1	
	23200	23200-AAG1-900	FACE ASSY DRIVEN	FACE ASSY DRIVEN	1	
	23220	23220-AAG1-900	FACE COMP MOVABLE DRIVEN	FACE COMP MOVABLE DRIVEN	1	
	23225	23225-GHC8-004	PIN ROLLER GUIDE	PIN ROLLER GUIDE	3	
	23226	23226-GHC8-004	ROLLER GUIDE	ROLLER GUIDE	3	
	23233	23233-LKC6-900	SPG DRIVEN FACE	SPG DRIVEN FACE	1	



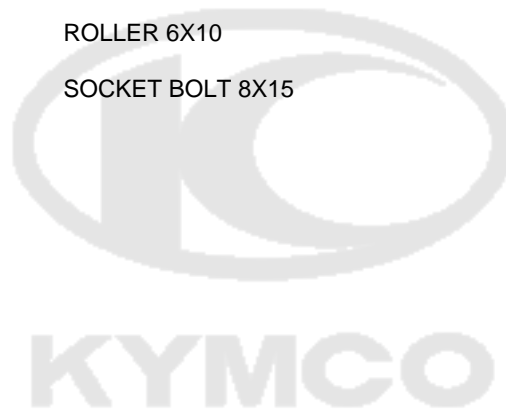
Sales mark	Ref no	Part no	Description	Reg description	Regd no	E05
23237		23237-GFY6-941	COLLAR SEAL	COLLAR SEAL	1	
23238		23238-LKE7-900	COLLAR SPG	COLLAR SPG	1	
90202		90202-KGN7-671	NUT SPECIAL 28MM	NUT SPECIAL 28MM	1	
90441		90441-GFY6-941	WASHER 12.2*29*2.5	WASHER 12.2*29*2.5	1	
90605		90605-1F66-721	CIR CLIP 7MM	CIR CLIP 7MM	3	
91002		91002-GGA7-70A	BRG BALL RADIAL 6902U	BRG BALL RADIAL 6902U	1	
91004		91004-KHE7-900	BRG NDL 22*29*18	BRG NDL 22*29*18	1	
91211		91211-KEBE-900	SEAL DRIVEN FACE 34*41*4	SEAL DRIVEN FACE 34*41*4	2	
91351		91351-6B42-000	O-RING PINION CAP	O-RING PINION CAP	2	
94050		94050-12080	NUT FLANGE 12MM	NUT FLANGE 12MM	2	
94520		94520-28000	CIR CLIP IN 28	CIR CLIP IN 28	1	
94601		94601-33000	CLIP PISTON PIN 33MM	CLIP PISTON PIN 33MM	1	

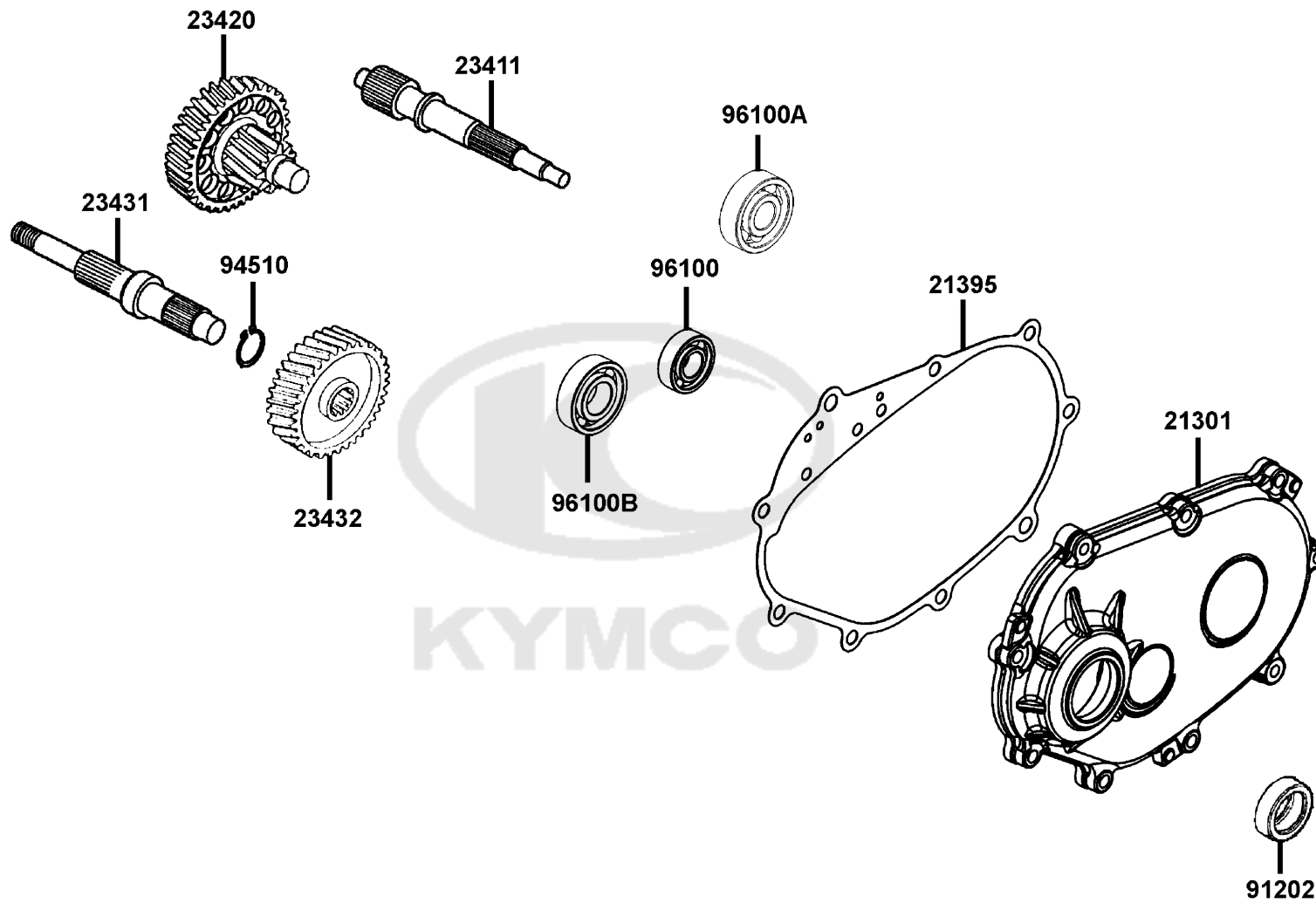


Sales mark	Ref no	Part no	Description	Reg description	Regd no	E06
15100		15100-KEBE-900	PUMP ASSY OIL	PUMP ASSY OIL	1	
15133		15133-KAM1-001	SPROCKET OIL PUMP DRIVE	SPROCKET OIL PUMP DRIVE	1	
15141		15141-KKJ9-004	CHAIN OIL PUMP	CHAIN OIL PUMP	1	
15711		15711-LFA7-E00	SEPARATER OIL	SEPARATER OIL	1	
28101		28101-KKJ9-011	GEAR STARTER REDUCTION	GEAR STARTER REDUCTION	1	
28102		28102-LFA7-E00	SHAFT STARTER REDUCTION GEAR	SHAFT STARTER REDUCTION GEAR	1	
28103		28103-LFA7-E00	COLLAR 9x15.5x21.1	COLLAR 9x15.5x21.1	1	
28110		28110-LFA7-E00	GEAR COMP STARTING CLUTCH	GEAR COMP STARTING CLUTCH	1	
28113		28113-LFA7-E00	BUSH STARTING GEAR	BUSH STARTING GEAR	1	
28120		28120-KEBE-305	OUTER COMP STARTING CLUTCH	OUTER COMP STARTING CLUTCH	1	
28125		28125-4F26-001	SPRING ROLLER STARTER CLUTCH	SPRING ROLLER STARTER CLUTCH	3	
28126		28126-KUDU-900	CAP STARTING ROLLER SPRING	CAP STARTING ROLLER SPRING	3	
31110		31110-LFA7-E0B	FLYWHEEL COMP (D402)	FLYWHEEL COMP (D402)	1	
31120		31120-AAG3-E00	STATOR COMP (D402)	STATOR COMP (D402)	1	
31210		31210-LEB1-90A	MOTOR UNIT START	MOTOR UNIT START	1	
32410		32410-LLB1-900	CABLE START MOTOR	CABLE START MOTOR	1	
90201		90201-KHR8-75A	NUT FLANGE 14MM	NUT FLANGE 14MM	1	
90401		90401-KKJ9-001	WASHER THRUST 14*28*2	WASHER THRUST 14*28*2	1	
91101		91101-1K79-711	ROLLER 10*10	ROLLER 10*10	3	
91104		91104-GFY6-90C-B	BRG NEEDLE/28*32*17/0.002~0.004	BRG NEEDLE/28*32*17/0.002~0.004	1	



Sales mark	Ref no	Part no	Description	Reg description	Regd no	E06
	91104	91104-GFY6-90C-R	BRG NEEDLE 28*32*17	BRG NEEDLE 28*32*17	1	
	92000	92000-LEA6-900	BOLT HEX 5*40	BOLT HEX 5*40	3	
	93500	93500-05016-0F	SCREW PAN 5*16	SCREW PAN 5*16	2	
	94510	94510-10000	CIR CLIP EX 10MM	CIR CLIP EX 10MM	1	
	96001	96001-06012-06	BOLT FLANGE SH 6*12	BOLT FLANGE SH 6*12	1	
	96001A	96001-06018-06	BOLT FLANGE SH 6X18	BOLT FLANGE SH 6*18	1	
	96001B	96001-06028-06	BOLT FLANGE SH 6*28	BOLT FLANGE SH 6*28	1	
	96220	96220-60100	ROLLER 6X10	ROLLER 6X10	1	
	96600	96600-08015-16	SOCKET BOLT 8X15	SOCKET BOLT 8*15	1	

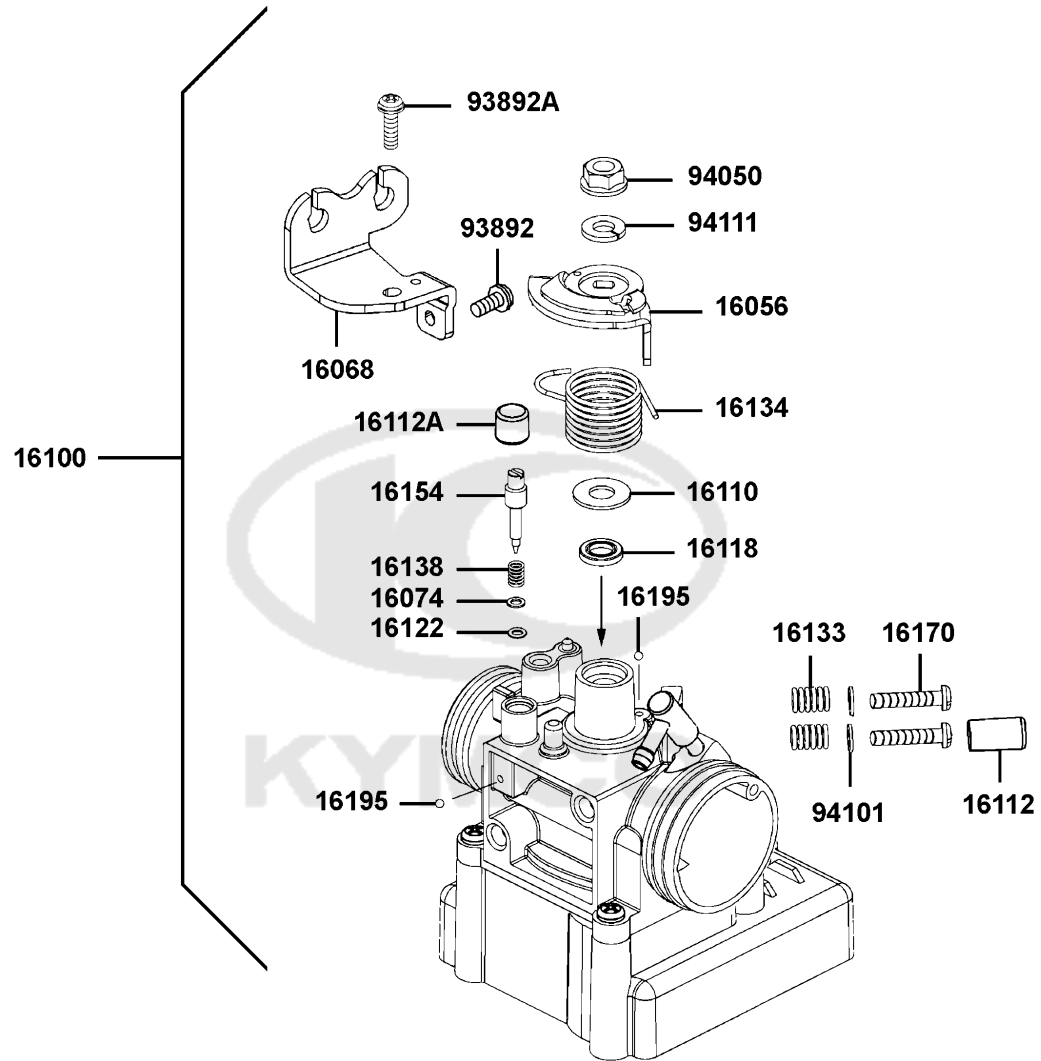




Sales mark	Ref no	Part no	Description	Reg description	Regd no	E07
	21301	21301-LFA7-E00	COVER MISSION	COVER MISSION	1	
	21395	21395-LFA7-E00	GASKET MISSION COVER	GASKET MISSION COVER	1	
	23411	23411-ACJ1-E00	SHAFT DRIVE	SHAFT DRIVE	1	
	23420	23420-ACJ1-E00	SHAFT COMP COUNTER (15T/49T)	SHAFT COMP COUNTER	1	
	23431	23431-LFA7-E00	SHAFT FINAL	SHAFT FINAL	1	
	23432	23432-LGE7-E00	GEAR FINAL	GEAR FINAL	1	
	91202	91202-LFE2-90A	OIL SEAL 22*32*5	OIL SEAL 22*32*5	2	
	94510	94510-25000	CIR CLIP EXTERNAL 25	CIR CLIP EXTERNAL 25	1	
	96100	96100-62020-00	BEARING BALL RADIAL 6202	BEARING BALL RADIAL 6202	1	
	96100A	96100-63030-00	BEARING BALL RADIAL 6303	BEARING BALL RADIAL 6303	1	
	96100B	96100-LFE2-900	BRG BALL RADIAL TMB2/22CC4	BRG BALL RADIAL TMB2/22CC4	1	

E08

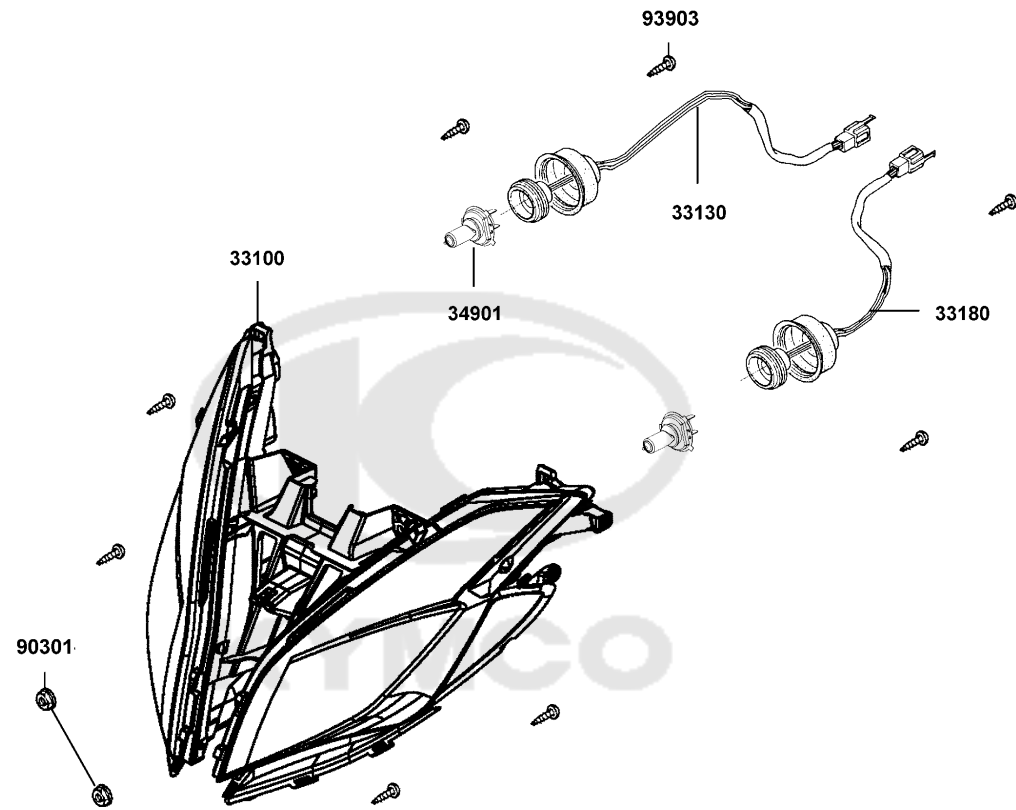
Throttle Body Assy



Sales mark	Ref no	Part no	Description	Reg description	Regd no	E08
	16056	16056-LFA7-E00	LEVER ASSY THROTTLE	LEVER ASSY THROTTLE	1	
	16068	16068-LFA7-E01	PLATE WIRE FIXED	PLATE WIRE FIXED	1	
	16074	16074-KEC3-900	WASHER IDLE SCREW	WASHER IDLE SCREW	1	
	16100	16100-AAG3-E02	THROTTLE BODY ASSY	THROTTLE BODY ASSY	1	
	16110	16110-LFA7-E00	WASHER THROTTLE BODY	WASHER THROTTLE BODY	1	
	16112	16112-KKE3-900	COVER IDLE SCREW	COVER IDLE SCREW	1	
	16112A	16112-LEB2-900	COVER IDLE BYPASS	COVER IDLE BYPASS	1	
	16118	16118-KEC3-900	SEAL THROTTLE SHAFT	SEAL THROTTLE SHAFT	1	
	16122	16122-KEC3-900	O-RING IDLE SCREW	O-RING IDLE SCREW	1	
	16133	16133-KEC3-900	SPG THROTTLE ADJ SCREW	SPG THROTTLE ADJ SCREW	2	
	16134	16134-LFA7-E00	SPG THROTTLE SHAFT	SPG THROTTLE SHAFT	1	
	16138	16138-KEC3-900	SPG IDLE SCREW	SPG IDLE SCREW	1	
	16154	16154-KKE3-900	SCREW IDLE ADJUST	SCREW IDLE ADJUST	1	
	16170	16170-KEC3-900	SCREW THROTTLE ADJUST	SCREW THROTTLE ADJUST	2	
	16195	16195-KEC3-900	BALL 2.1	BALL 2.1	3	
	93892	93892-04010-06	SCREW WASHER 4X10	SCREW WASHER 4X10	1	
	93892A	93892-05010-06	SCREW WASHER 5X10	SCREW WASHER 5X10	1	
	94050	94050-06080	NUT FLANGE 6MM	NUT FLANGE 6MM	1	
	94101	94101-KKE3-900	WASHER PLAIN 4MM	WASHER PLAIN 4MM	2	
	94111	94111-06800	WASHER SPRING 6MM	WASHER SPRING 6MM	1	

F01

Head Light

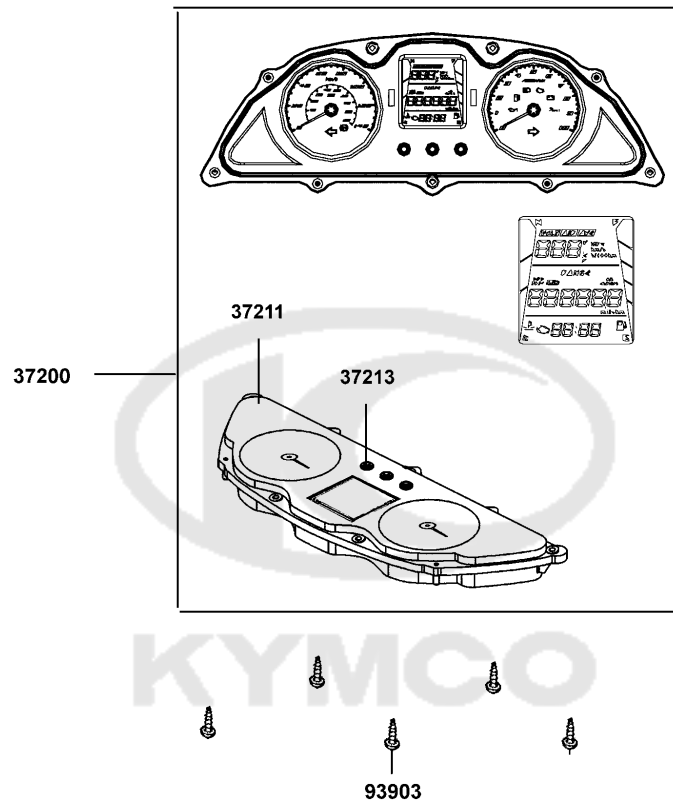


Sales mark	Ref no	Part no	Description	Reg description	Regd no	F01
	33100	33100-ACD5-315	LIGHT UNIT HEAD	LIGHT UNIT HEAD	1	
	33130	33130-LKG7-E00	SOCKET COMP R RUBBER	SOCKET COMP R RUBBER	1	
	33180	33180-LKG7-E00	SOCKET COMP L RUBBER	SOCKET COMP L RUBBER	1	
	34901	34901-LEC8-E00	BULB HEAD LIGHT (12V 55W)	BULB HEAD LIGHT (12V 55W)	2	
	90301	90301-6D34-671	NUT FLANGE 6MM	NUT FLANGE 6MM	2	
	93903	93903-35360	SCREW TAPPING 5*16	SCREW TAPPING 5*16	8	



F02

Speedometer

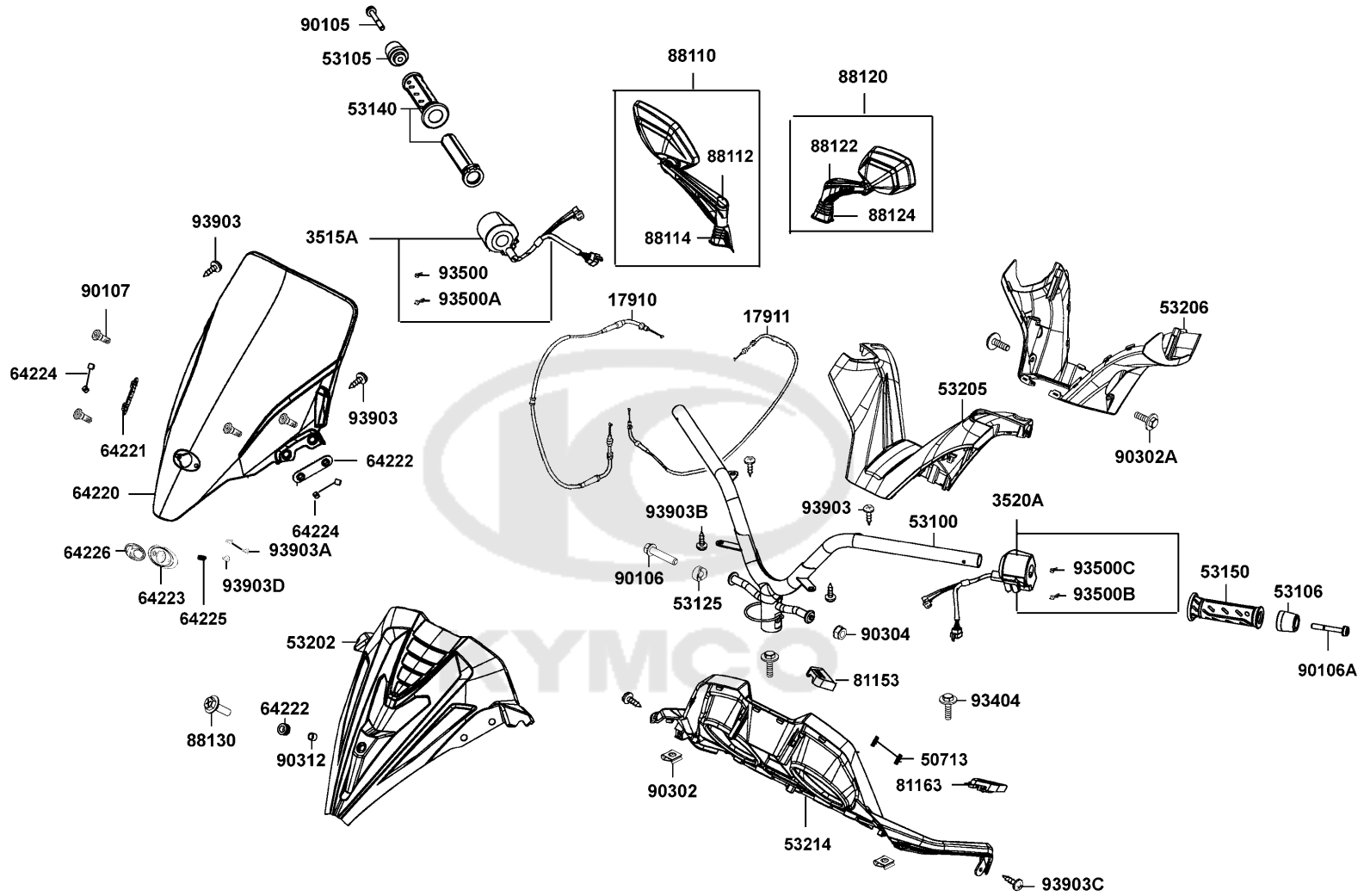


Sales mark	Ref no	Part no	Description	Reg description	Regd no	F02
------------	--------	---------	-------------	-----------------	---------	------------

37200	37200-AAG3-E30	37200-AAG3-E30	METER ASSY SPEED	METER ASSY SPEED	0	
37211	37211-LEA7-E00	37211-LEA7-E00	LENS ASSY	LENS ASSY	1	
37213	37213-KKE5-E00	37213-KKE5-E00	BUTTON	BUTTON	3	
93903	93903-35360	93903-35360	SCREW TAPPING 5*16	SCREW TAPPING 5*16	1	

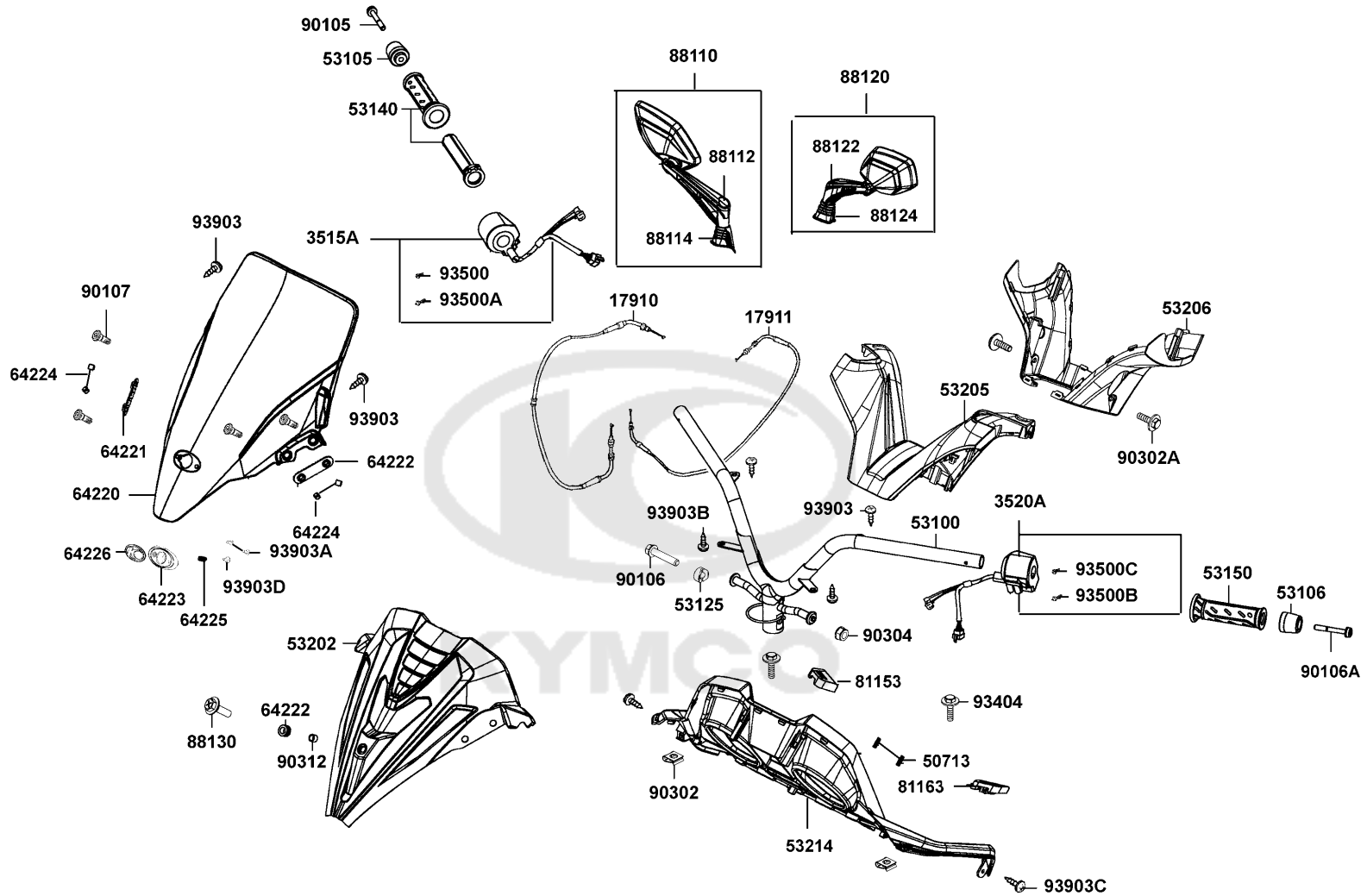


Handle SteeringHandle Cover



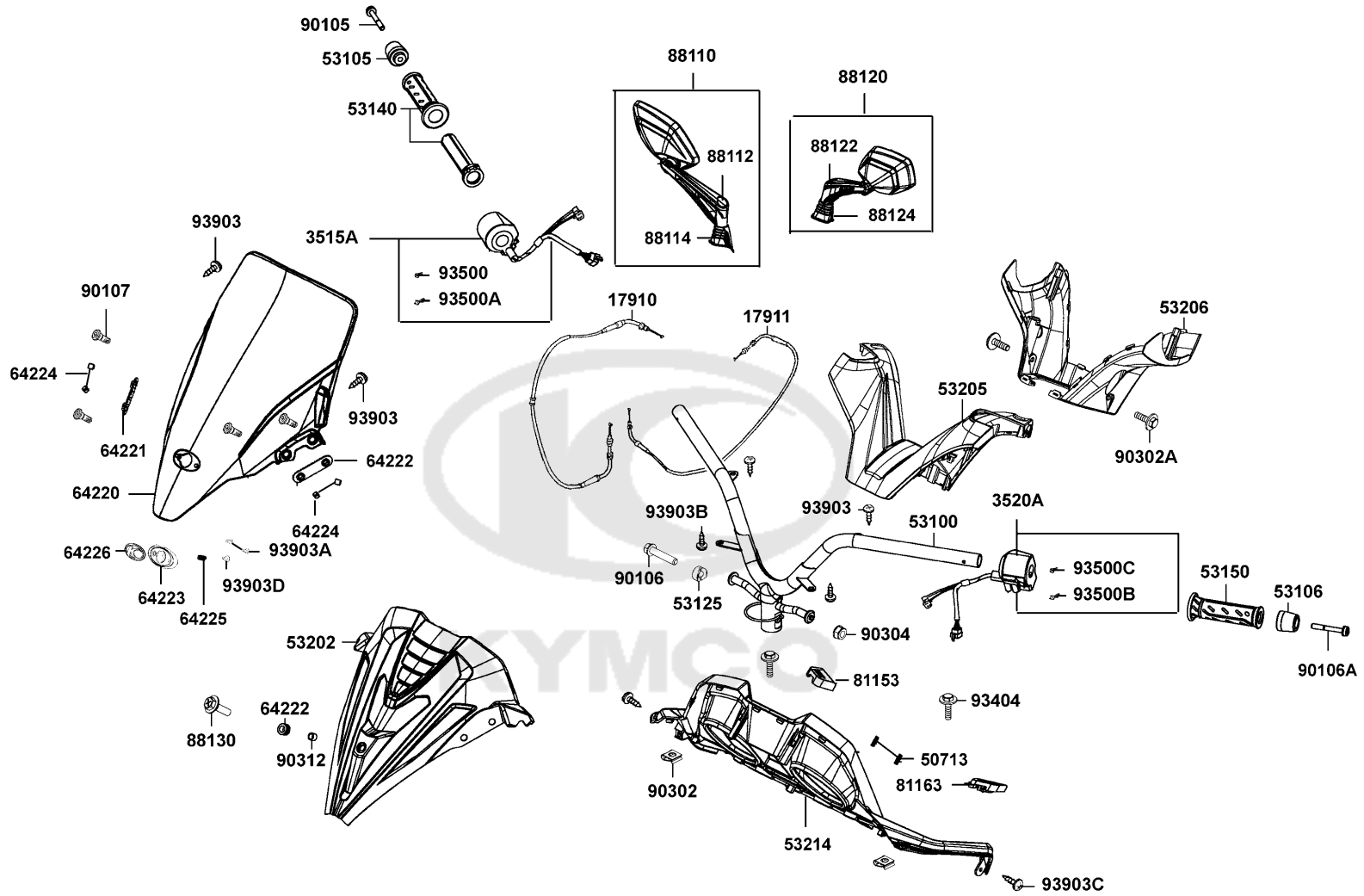
Sales mark	Ref no	Part no	Description	Reg description	Regd no	F03
	17910	17910-AAG3-E00	CABLE A COMP THROT	CABLE A COMP THROT	1	
	17911	17911-AAG3-E00	CABLE B COMP THROT	CABLE B COMP THROT	1	
	3515A	3515A-LDB2-B80	SW ASSY RH HNDL COM(A.H.C.)	SW ASSY RH HNDL COM(A.H.C.)	1	
	3520A	3520A-KEBE-900	SW ASSY L HNDL COMP	SW ASSY L HNDL COMP	1	
	50713	50713-KEB7-900	SPRING	SPRING	2	
	53100	53100-ACD5-E00	HANDLE COMP STRG	HANDLE COMP STRG	1	
**	53105	53105-ACD5-E00	END R HANDLE	END R HANDLE	1	
**	53106	53106-ACD5-E00	END L HANDLE	END L HANDLE	1	
	53125	53125-LEA7-E00	COLLAR HANDLE SET	COLLAR	1	
**	53140	53140-LHJ3-900	GRIP COMP THROT	GRIP R HANDLE	1	
**	53150	53150-LEA6-900	GRIP COMP L HANDLE	GRIP L HANDLE	1	
**	53202	53202-ACD5-E00	COVER METER FR (Black)	COVER METER FR (Black)	1	
**	53205	53205-ACD5-E00	COVER HANDLE UP (Black)	COVER HANDLE UP (Black)	1	
**	53206	53206-ACD5-E00	COVER HANDLE LOW (Black)	COVER HANDLE LOW (Black)	1	
**	53214	53214-ACD5-E00	COVER METER	COVER METER	1	
**	64220	64220-ACD5-E63	WIND SCREEN	WIND SCREEN	1	
	64221	64221-LEA7-E00	RUBBER R WIND SCREEN	RUBBER R WIND SCREEN	1	
	64222	64222-LEA7-E00	RUBBER L WIND SCREEN	RUBBER L WIND SCREEN	1	
	64222	64222-LLJ3-E00	RUBBER WIND SCREEN	RUBBER WIND SCREEN	1	
**	64223	64223-LEA7-E00	PLUG WIND SCREEN	PLUG WIND SCREEN	1	

Handle SteeringHandle Cover



Sales mark	Ref no	Part no	Description	Reg description	Regd no	F03
	64224	64224-LEA7-E00	COLLAR WIND SCREEN	COLLAR WIND SCREEN	4	
	64225	64225-LEA7-E00	SPRING COSMETIC K-LOGO	SPRING COSMETIC K-LOGO	1	
	64226	64226-LEA7-E00	COSMETIC K-LOGO	COSMETIC K-LOGO	1	
**	81153	81153-ACD5-E00	COVER R LOCKLESS	COVER R LOCKLESS	1	
**	81163	81163-ACD5-E00	COVER L LOCKLESS	COVER L LOCKLESS	1	
	88110	88110-ACD5-E30	MIRROR ASSY R BACK	MIRROR ASSY R BACK	1	
	88112	88112-ACD5-E00	STAY COVER R	STAY COVER R	1	
	88114	88114-ACD5-E00	BOOT R MIRROR STAY	BOOT R MIRROR STAY	1	
	88120	88120-ACD5-E30	MIRROR ASSY L BACK	MIRROR ASSY L BACK	1	
	88122	88122-ACD5-E00	STAY COVER L	STAY COVER L	1	
	88124	88124-ACD5-E00	BOOT L MIRROR STAY	BOOT L MIRROR STAY	1	
	88130	88130-KEBE-900	BOLT SPECIAL	BOLT SPECIAL	1	
	90105	90105-KHB4-900	BOLT WASH M8*60	BOLT WASH M8*60	1	
	90106	90106-GEN5-901	BOLT FLANGE 10*50	BOLT FLANGE 10*50	1	
	90106A	90106-KFC2-900	BOLT SPECIAL 8MM	BOLT SPECIAL 8MM	1	
	90107	90107-LEA7-E00	BOLT SPECIAL 8MM	BOLT SPECIAL 8MM	4	
	90302	90302-LKB9-900	NUT SPRING 5MM	NUT SPRING 5MM	2	
	90302A	90302-LLB1-E00	BOLT-WASHER 5*12	BOLT-WASHER 5*12	2	
	90304	90304-LEA1-900	NUT U FLANGE 10MM	NUT U 10MM	1	
	90312	90312-LLJ3-E00	COLLAR WIND SCREEN	COLLAR WIND SCREEN	1	

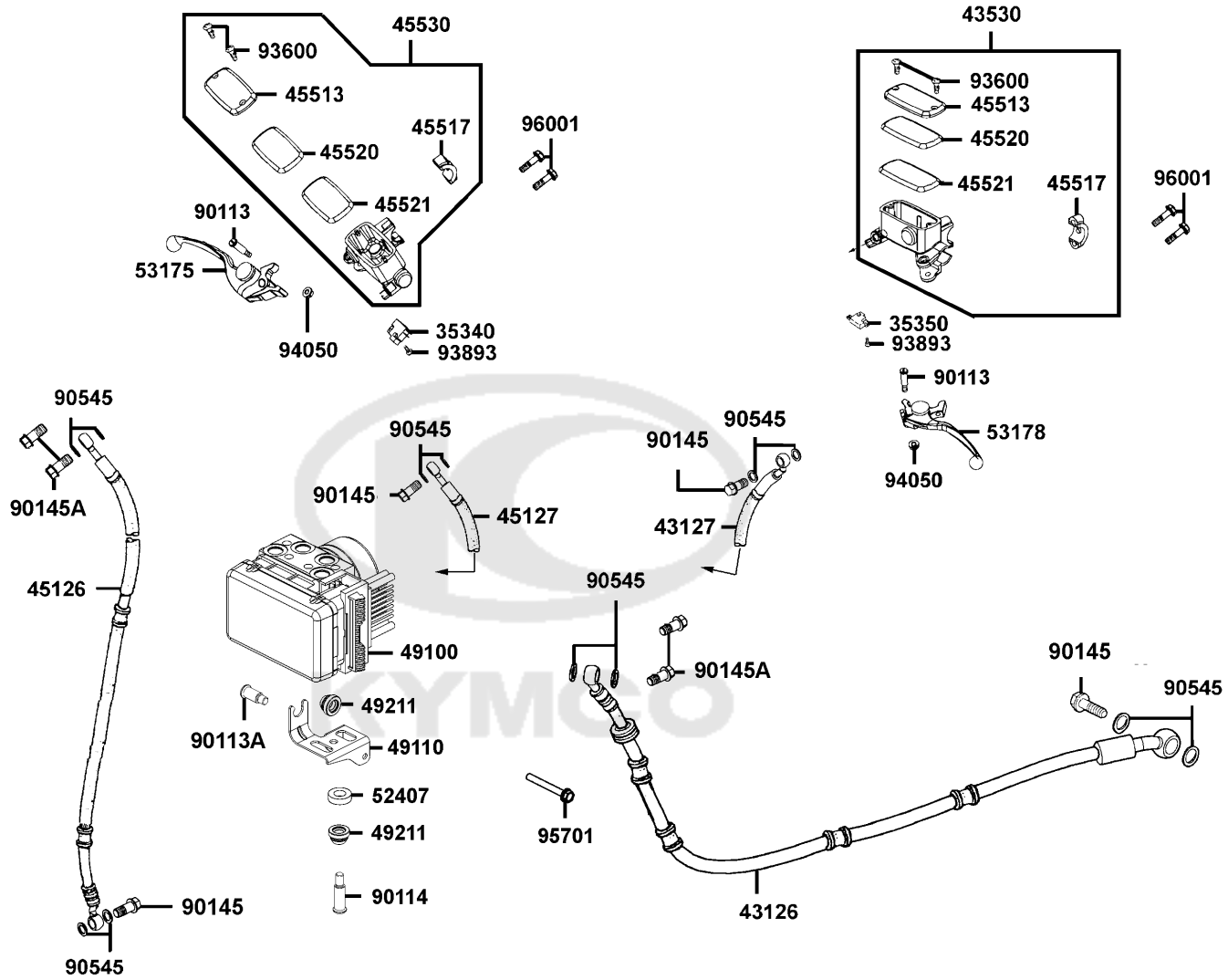
Handle SteeringHandle Cover



Sales mark	Ref no	Part no	Description	Reg description	Regd no	F03
93404		93404-06016-06	BOLT WASHER 6*16	BOLT WASHER 6*16	2	
93500		93500-05016-1B	SCREW PAN 5*16	SCREW PAN 5*16	1	
93500A		93500-05025-1B	SCREW PAN 5*25	SCREW PAN 5*25	1	
93500B		93500-05032-1B	SCREW PAN 5*32	SCREW PAN 5*32	1	
93500C		93500-05045-1B	SCREW PAN 5*45	SCREW PAN 5*45	1	
93903		93903-25260	SCREW TAPPING 5X12	SCREW TAPPING 5X12	4	
93903A		93903-34260	SCREW TAPPING 4*10	SCREW TAPPING 4*10	2	
93903B		93903-35360	SCREW TAPPING 5*16	SCREW TAPPING 5*16	2	
93903C		93903-45360	SCREW TAPPING 5*16	SCREW TAPPING 5*16	2	
93903D		93903-KEB7-900	SCREW WASHER 4*12	SCREW WASHER 4*12	1	

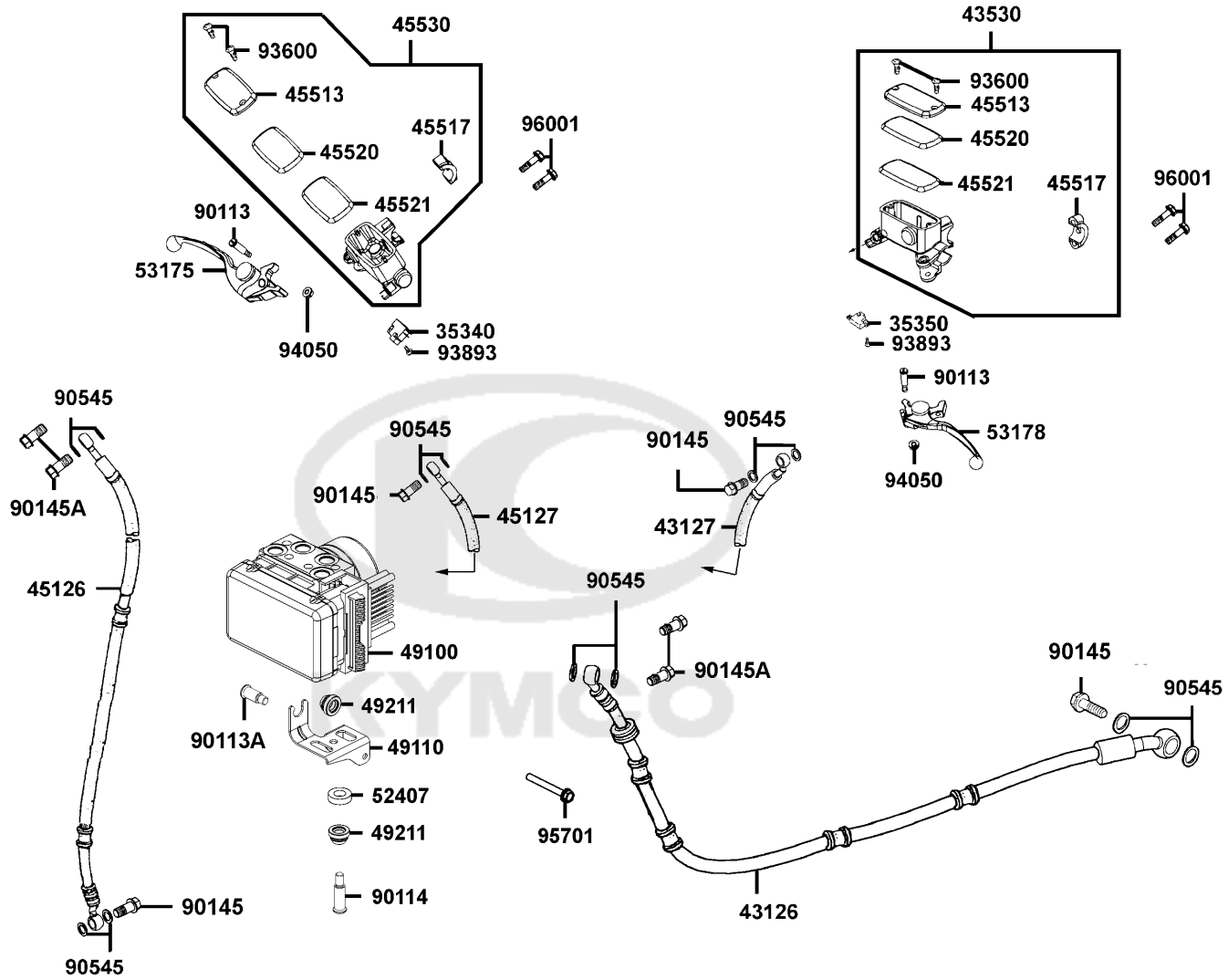


Brake Master Cylinder

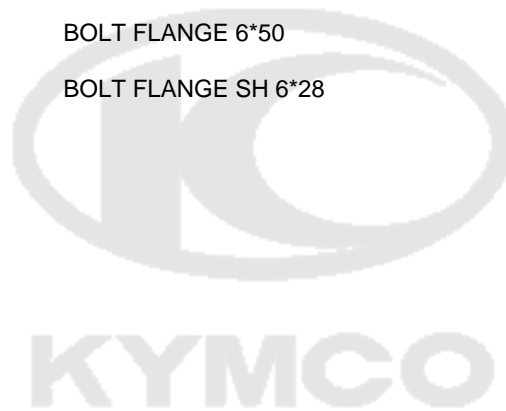


Sales mark	Ref no	Part no	Description	Reg description	Regd no	F04
	35340	35340-LKF5-E01	SW ASSY FR STOP	SW ASSY FR STOP	1	
	35350	35350-LKF5-E01	SW ASSY RR STOP	SW ASSY RR STOP	1	
	43126	43126-ACD5-E01	HOSE ASSY RR BRK(ABS)	HOSE ASSY RR BRK	1	
	43127	43127-ACD5-E01	HOSE ASSY M/C RR BRK(585MM)	HOSE ASSYM/C RR BRK	1	
	43530	43530-LEA7-305	CYLINDER SET MASTER	CYLINDER SET RR MASTER	1	
	45126	45126-ACD5-E01	HOSE ASSY FR BRK(ABS) 620MM	HOSE ASSY FR BRK(ABS)	1	
	45127	45127-ACD5-E01	HOSE ASSY M/C FR BRK (575MM)	HOSE ASSYM/C FR BRK	1	
	45513	45513-LEA7-E00	CAP MASTER CYLINDER	CAP MASTER CYLINDER	1	
	45517	45517-LBA2-E00	HOLDER M/C	HOLDER M/C	1	
	45520	45520-KKA8-900	DIAPHRAGM	DIAPHRAGM	1	
	45521	45521-LEA7-E00	PLATE DIAPHRAGM	PLATE DIAPHRAGM	2	
	45530	45530-LBA2-309	CYLINDER SET FR MASTER	CYLINDER SET FR MASTER	1	
	49100	49100-ACD5-E01	MODULATOR ASSY ABS	MODULATOR ASSY ABS	1	
	49110	49110-LGE5-E01	STAY ABS	STAY ABS	1	
	49211	49211-LFH1-E00	RUBBER BUSH	RUBBER BUSH	2	
	52407	52407-LLB1-900	RUBBER RR CUSH	RUBBER RR CUSH	1	
**	53175	53175-LKF5-E00	LEVER R STRG HANDLE	LEVER R STRG HANDLE	1	
**	53178	53178-LKF5-E00	LEVER L STRG HANDLE	LEVER L STRG HANDLE	1	
	90113	90113-KKA8-900	BOLT L STEERING HANDLE	BOLT L STEERING HANDLE	1	
	90113A	90113-LGE5-E01	BOLT FLANGE 6*20 ABS	BOLT FLANGE 6X20 ABS	1	

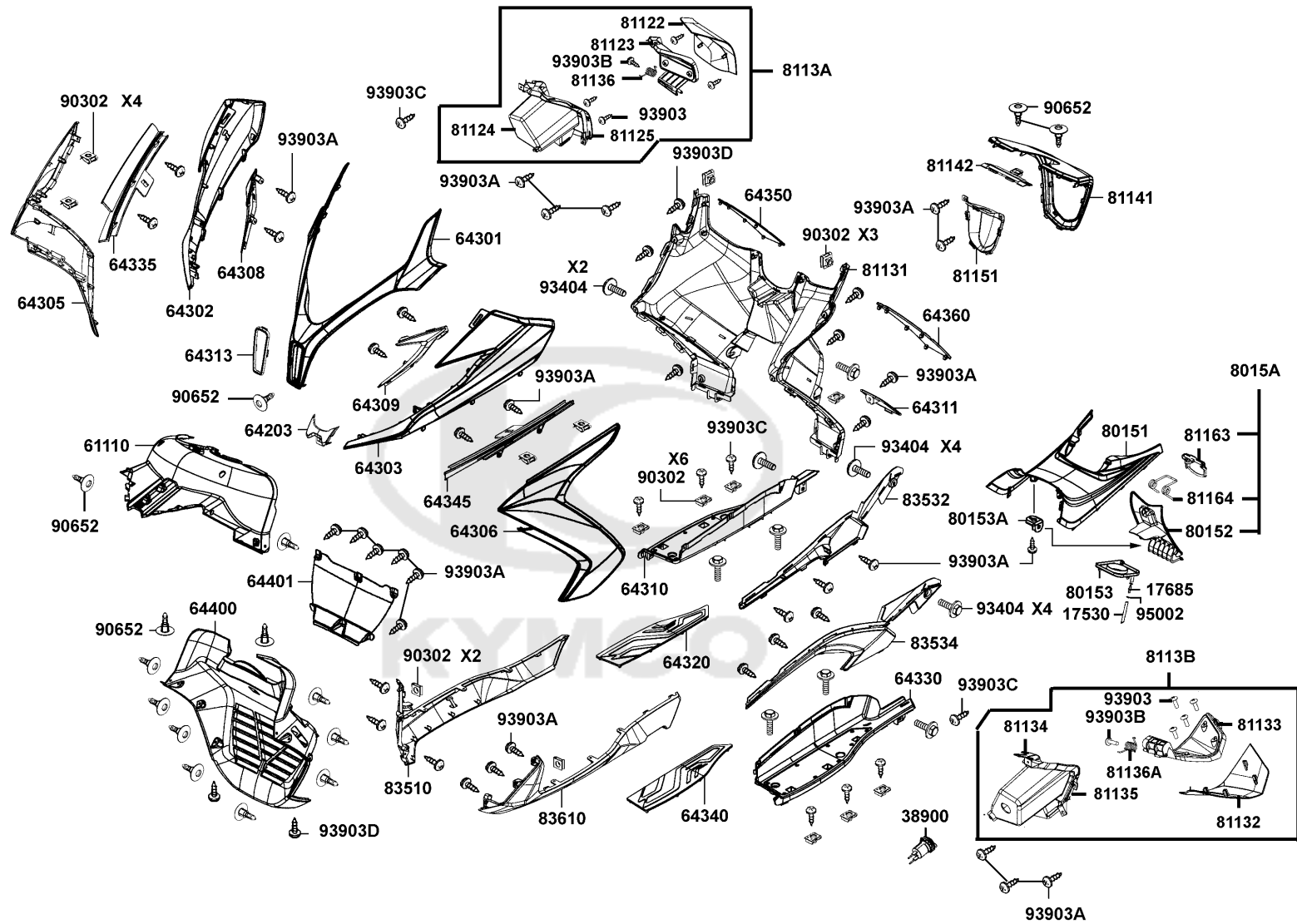
Brake Master Cylinder



Sales mark	Ref no	Part no	Description	Reg description	Regd no	F04
90114		90114-LGE5-E01	BOLT FLANGE 6X30.5 ABS	BOLT FLANGE 6X30.5 ABS	1	
90145		90145-LEA3-E00	OIL BOLT 10*22	OIL BOLT 10*22	4	
90145A		90145-LFH1-E00	OIL BOLT 10x22	OIL BOLT 10X22	4	
90545		90545-3L00-001	WASHER OIL BOLT	WASHER OIL BOLT	16	
93600		93600-04012-1G	SCREW FLAT 4X12	SCREW FLAT 4X12	4	
93893		93893-04012-18	SCREW WASHER 4*12	SCREW WASHER 4*12	1	
94050		94050-06060	NUT FLANGE 6MM	NUT FLANGE 6MM	1	
95701		95701-06050-06	BOLT FLANGE 6*50	BOLT FLANGE 6*50	1	
96001		96001-06028-06	BOLT FLANGE SH 6*28	BOLT FLANGE SH 6*28	4	

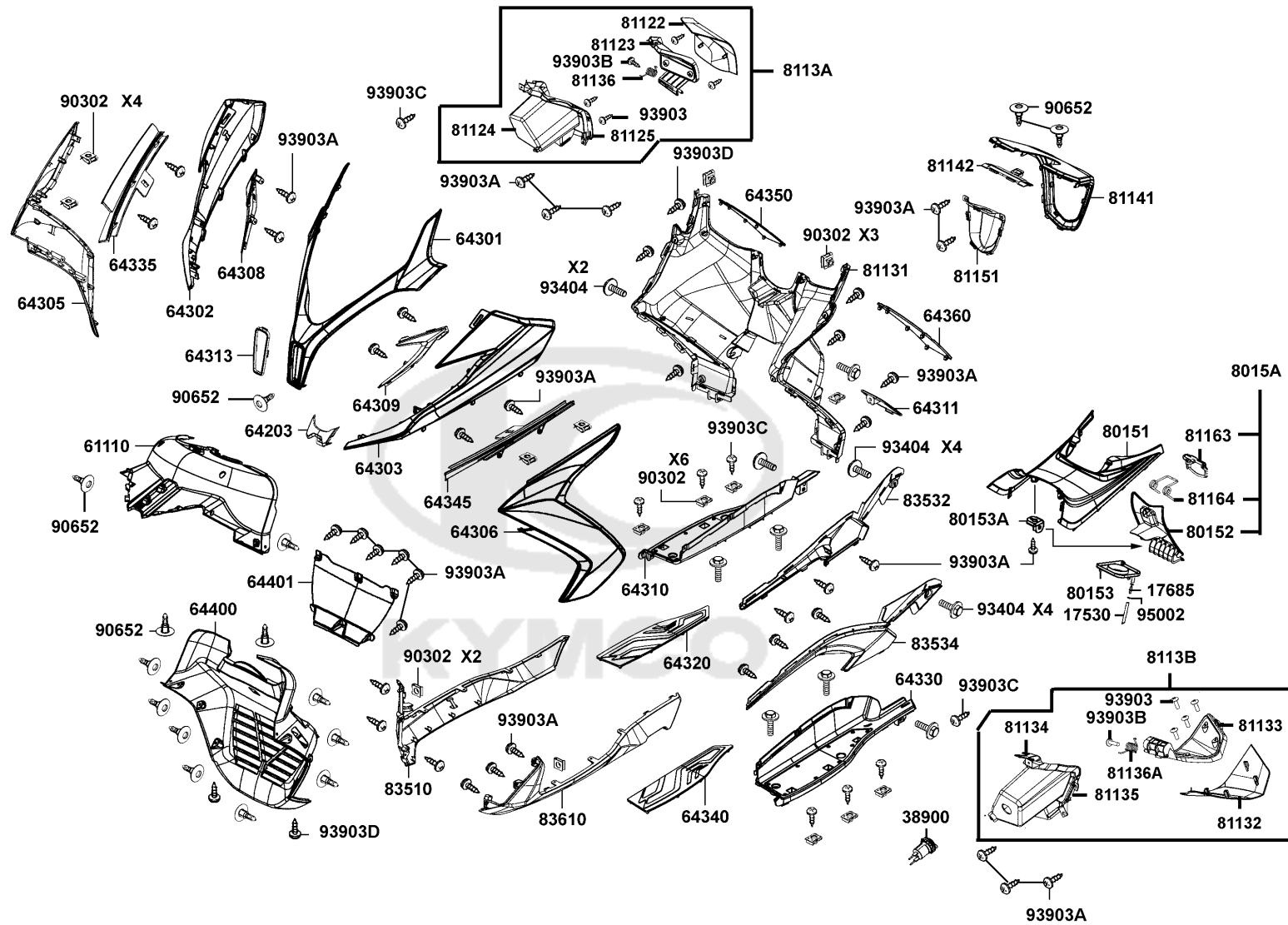


Front Cover/Floor Panel

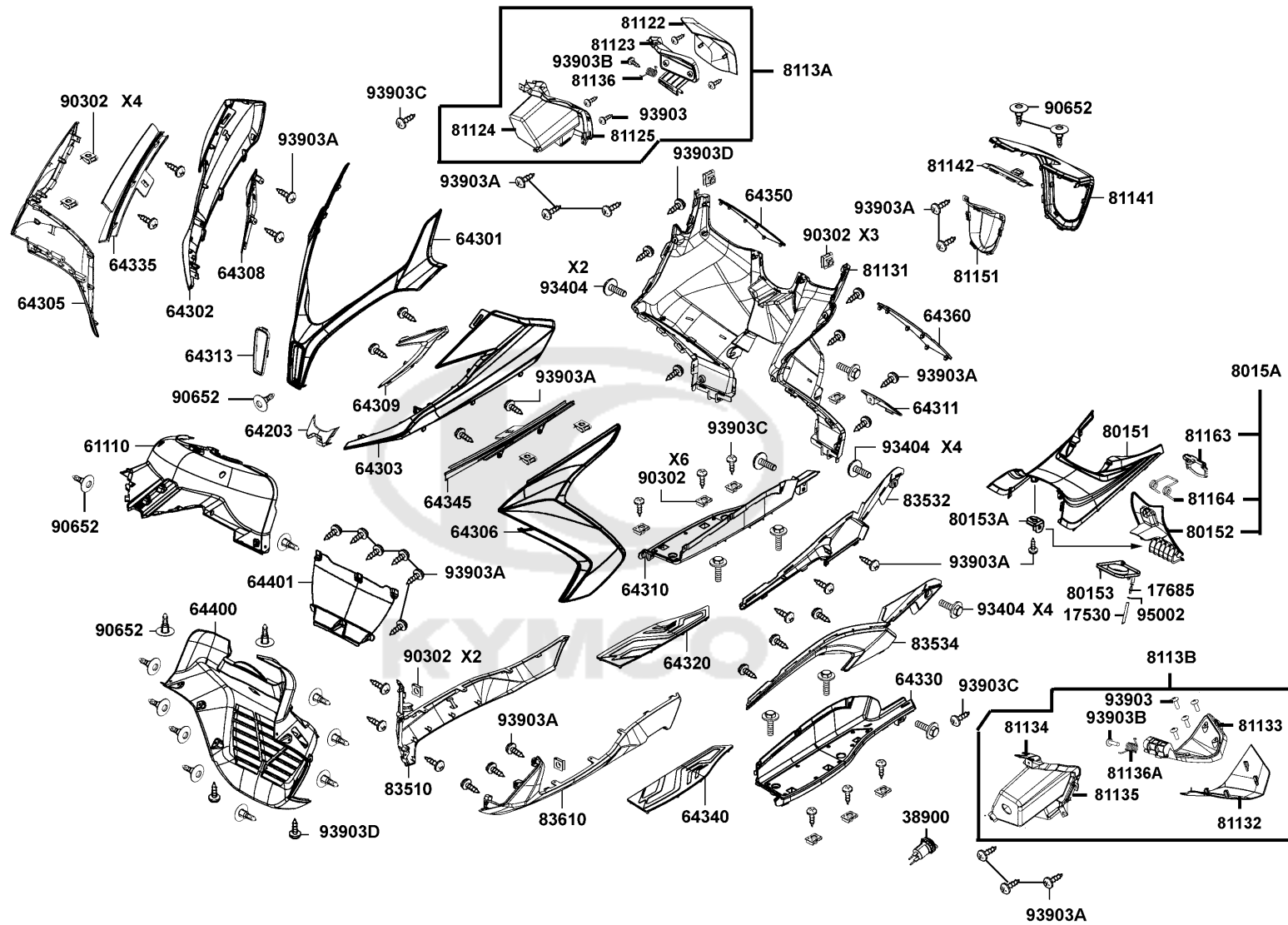


Sales mark	Ref no	Part no	Description	Reg description	Regd no	F05
	17530	17530-KGB5-900	TUBE ASSY DRAIN	TUBE ASSY DRAIN	1	
	17685	17685-KZCZ-900	JOINT TUBE	JOINT TUBE	1	
	38900	38900-ACD5-E00	CONTROLLER USB CHARGER	CONTROLLER USB CHARGER	1	
**	61110	61110-ACD5-E00	INNER FENDER FRONT (Black)	INNER FENDER FRONT (Black)	1	
**	64203	64203-ACD5-E00	CENTER COVER FRONT	CENTER COVER FRONT	1	
**	64301	64301-ACD5-E00	COVER FRONT (Black)	COVER FRONT (Black)	1	
**	64302	64302-ACD5-E00	MOLDING A R SIDE MAT WHITE	MOLDING A R SIDE MAT WHITE	1	
**	64303	64303-ACD5-E00	MOLDING A L SIDE MAT WHITE	MOLDING A L SIDE MAT WHITE	1	
**	64305	64305-ACD5-E00	SKIRT R SIDE (Mat White)	SKIRT R SIDE (Mat White)	1	
**	64306	64306-ACD5-E00	SKIRT R SIDE MAT WHITE	SKIRT R SIDE MAT WHITE	1	
**	64308	64308-ACD5-E00	MOLDING B R SIDE	MOLDING B R SIDE	1	
**	64309	64309-ACD5-E00	MOLDING B L SIDE	MOLDING B L SIDE	1	
**	64310	64310-ACD5-E00	PANEL R FLOOR (Black)	PANEL R FLOOR (Black)	1	
**	64311	64311-ACD5-E00	LID RESERVE TANK (Black)	LID RESERVE TANK (Black)	1	
**	64313	64313-ACD5-E00	TOP COVER FRONT	TOP COVER FRONT	1	
**	64320	64320-ACD5-E00	MAT R FLOOR (Black)	MAT R FLOOR (Black)	1	
**	64330	64330-ACD5-E00	PANEL L FLOOR (Black)	PANEL L FLOOR (Black)	1	
**	64335	64335-ACD5-E00	COVER R SIDE SKIRT (Black)	COVER R SIDE SKIRT (Black)	1	
**	64340	64340-ACD5-E00	MAT L FLOOR (Black)	MAT L FLOOR (Black)	1	
**	64345	64345-ACD5-E00	COVER L SIDE SKIRT (Black)	COVER L SIDE SKIRT (Black)	1	

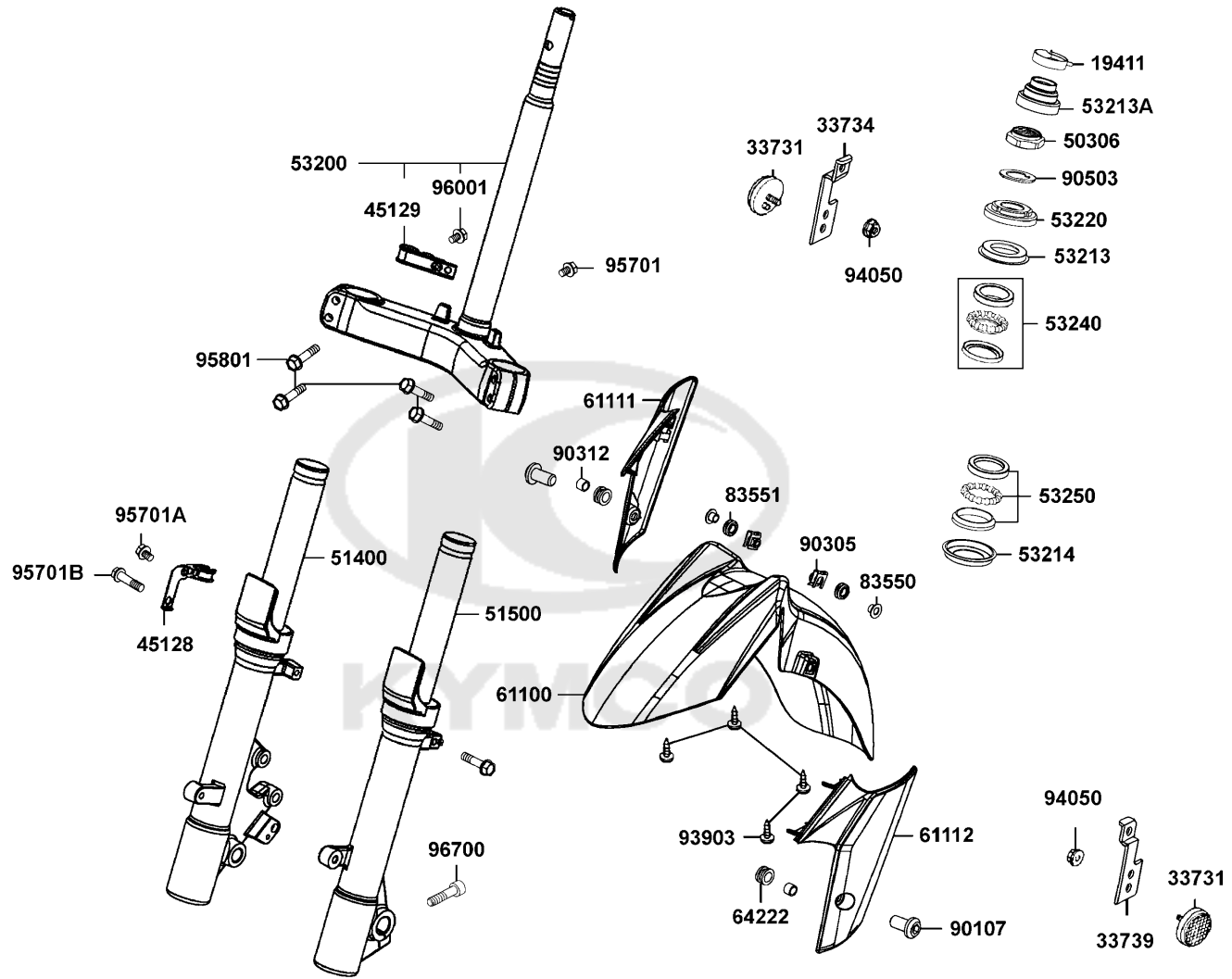
Front Cover/Floor Panel



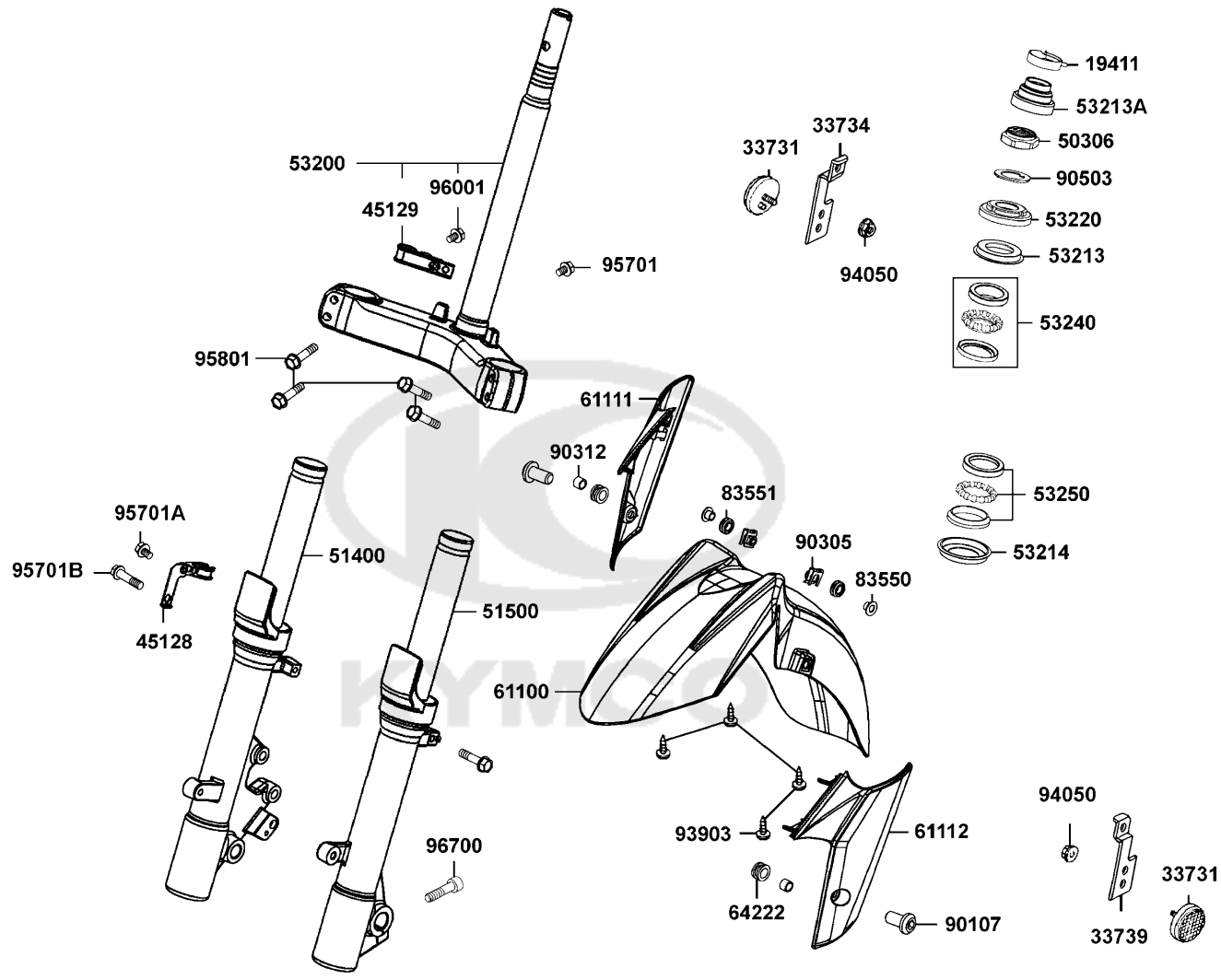
Sales mark	Ref no	Part no	Description	Reg description	Regd no	F05
**	64350	64350-ACD5-E00	MAT R LEG SHIELD (Black)	MAT R LEG SHIELD (Black)	1	
**	64360	64360-ACD5-E00	MAT L LEG SHIELD (Black)	MAT L LEG SHIELD (Black)	1	
**	64400	64400-ACD5-E00	COWL UNDER (Black)	COWL UNDER (Black)	1	
	64401	64401-ZZA6-E00	MESH UNDER COWL	MESH UNDER COWL	1	
**	80151	80151-ACD5-E00	COVER CENTER (Black)	COVER CENTER (Black)	1	
**	80152	80152-ACD5-E00	LID FUEL CAP MAINT (Black)	LID FUEL CAP MAINT (Black)	1	
	80153	80153-LEA7-E00	RUBBER FUEL CAP	RUBBER FUEL CAP	1	
	80153A	80153-LKF5-E00	STAY FUEL COVER	STAY FUEL COVER	1	
**	8015A	8015A-ACD5-E00	LID ASSY FUEL CAP MAINT (Black)	LID ASSY FUEL CAP MAINT (Black)	1	
**	81122	81122-ACD5-E00	LIDR FR INNER BOX (Black)	LIDR FR INNER BOX (Black)	1	
**	81123	81123-ACD5-E00	COVER R INNER LID (Black)	COVER R INNER LID (Black)	1	
**	81124	81124-ACD5-E00	BOX R FR INNER BOX (Black)	BOX R FR INNER BOX (Black)	1	
	81125	81125-ACD5-E00	SEAL R FR INNER BOX	SEAL R FR INNER BOX	1	
**	81131	81131-ACD5-E00	LEG SHIELD (Black)	LEG SHIELD (Black)	1	
**	81132	81132-ACD5-E00	LID L FR INNER BOX (Black)	LID L FR INNER BOX (Black)	1	
**	81133	81133-ACD5-E00	COVER L INNER LID (Black)	COVER L INNER LID (Black)	1	
**	81134	81134-ACD5-E00	BOX L FR INNER BOX (Black)	BOX L FR INNER BOX (Black)	1	
	81135	81135-ACD5-E00	SEAL L FR INNER BOX	SEAL L FR INNER BOX	1	
	81136	81136-ACD5-E00	SPRING FR INNER BOX / R	SPRING FR INNER BOX / R	1	
	81136A	81136-LEA7-E00	SPRING FR INNER BOX L	SPRING FR INNER BOX L	1	



Sales mark	Ref no	Part no	Description	Reg description	Regd no	F05
**	8113A	8113A-ACD5-E00	BOX ASSY. R FRONT	BOX ASSY. R FRONT	1	
**	8113B	8113B-ACD5-E00	BOX ASSY. L FRONT	BOX ASSY. L FRONT	1	
**	81141	81141-ACD5-E00	LEG SHIELD UP	LEG SHIELD UP	1	
**	81142	81142-ACD5-E00	LEG SHIELD UP A	LEG SHIELD UP A	1	
**	81151	81151-ACD5-E00	COVER KEY (Black)	COVER KEY (Black)	1	
	81163	81163-LKJ1-900	LID LATCH LEG SHIELD	LID LATCH LEG SHIELD	1	
	81164	81164-LKJ1-900	LID SPRING LEG SHIELD	LID SPRING LEG SHIELD	1	
**	83510	83510-ACD5-E00	COVER R SIDE (Black)	COVER R SIDE (Black)	1	
**	83532	83532-ACD5-E00	BOARD B R SIDE (Black)	BOARD B R SIDE (Black)	1	
**	83534	83534-ACD5-E00	BOARD B L SIDE (Black)	BOARD B L SIDE (Black)	1	
**	83610	83610-ACD5-E00	COVER L SIDE (Black)	COVER L SIDE (Black)	1	
	90302	90302-LKB9-900	NUT SPRING 5MM	NUT SPRING 5MM	15	
	90652	90652-LFB5-900	CLIP MUDGUARD	CLIP MUDGUARD	15	
	93404	93404-06016-06	BOLT WASHER 6*16	BOLT WASHER 6*16	10	
	93903	93903-24360	SCREW TAPPING 4*12	SCREW TAPPING 4*12	8	
	93903A	93903-25260	SCREW TAPPING 5X12	SCREW TAPPING 5X12	36	
	93903B	93903-34760	SCREW TAPPING 4*30	SCREW TAPPING 4*30	2	
	93903C	93903-45360	SCREW TAPPING 5*16	SCREW TAPPING 5*16	14	
#	93903D	93903-LHJ8-910	SCREW TAPPING 5*14	SCREW TAPPING 5*14	2	
	95002	95002-02080	CLIP B8 TUBE	CLIP B8 TUBE	1	



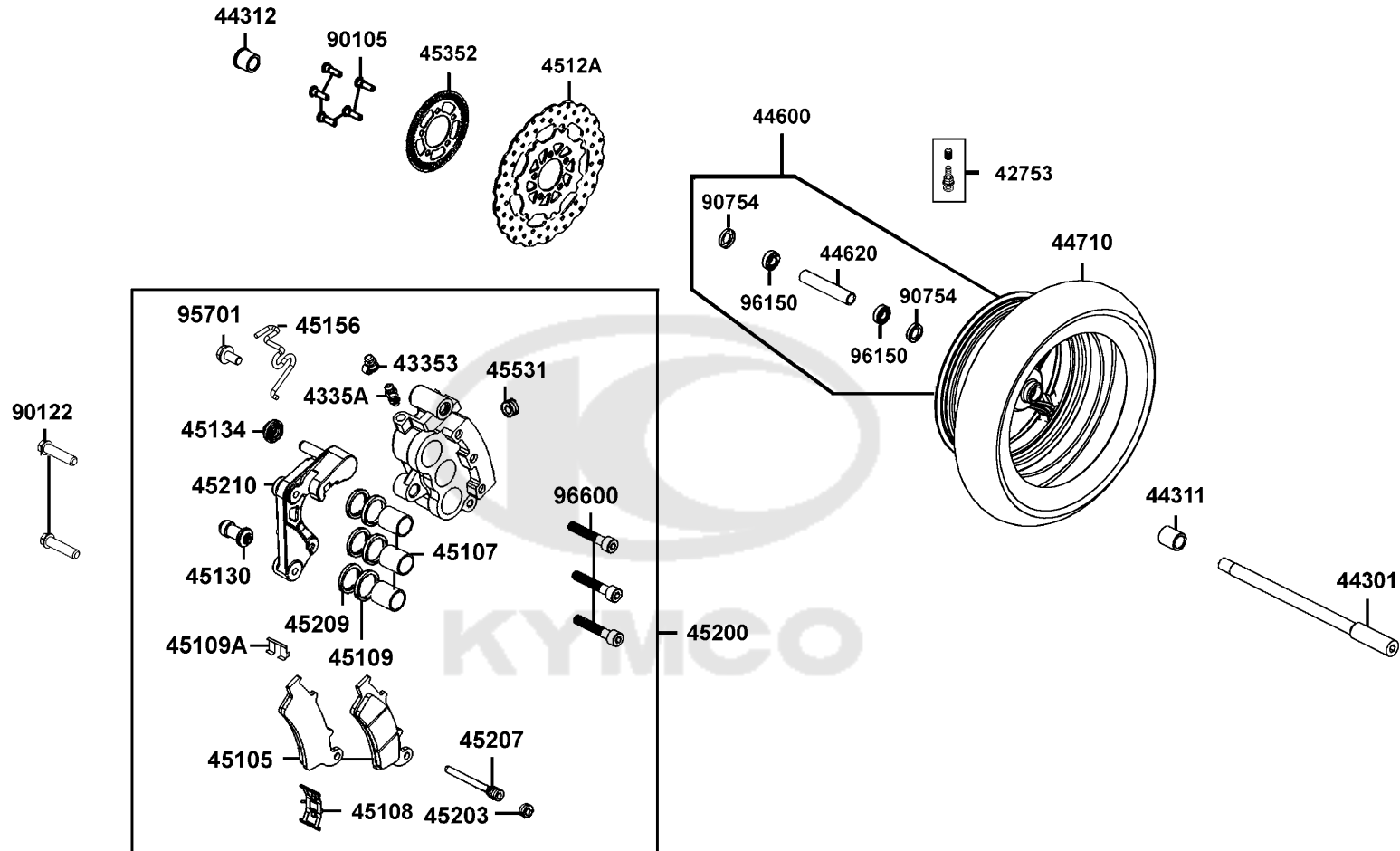
Sales mark	Ref no	Part no	Description	Reg description	Regd no	F06
	19411	19411-LFG2-E00	CLIP ASSY AIR/C DUCT	CLIP ASSY AIR/C DUCT	1	
	33731	33731-KHC5-M00	REFLEX REFLECTOR SIDE	REFLEX REFLECTOR SIDE	2	
	33734	33734-LEA7-M30	STAY R REFLEX REFLECTOR	STAY R REFLEX REFLECTOR	1	
	33739	33739-LEA7-M30	STAY L REFLEX REFLECTOR	STAY L REFLEX REFLECTOR	1	
	45128	45128-LBA2-920	CLAMPER FR BRK HOSE	CLAMPER FR BRK HOSE	1	
	45129	45129-LBA2-900	CLAMPER FR BRK HOSE	CLAMPER FR BRK HOSE	1	
	50306	50306-1F96-001	NUT STRG STEM LOCK	NUT STRG STEM LOCK	1	
**	51400	51400-AAG3-E30	FORK ASSY FR RH	FORK ASSY FR RH	1	
**	51500	51500-AAG3-E30	FORK ASSY FR LH	FORK ASSY FR LH	1	
	53200	53200-ACD5-E00	STEM COMP STRG	STEM COMP STRG	1	
	53213	53213-LBA2-E00	DUST SEAL STRG HEAD TOP	DUST SEAL STRG HEAD TOP	1	
	53213A	53213-LEA7-E00	DUST SEAL. STRG	DUST SEAL STRG	1	
	53214	53214-LBA2-E00	DUST SEAL STRG (HEAD)	DUST SEAL STRG HEAD BOT	1	
	53220	53220-LBA2-E00	THREAD COMP STRG HEAD TOP	THREAD COMP STRG HEAD TOP	1	
	53240	53240-LEA7-90A	BEARING TOP STRG (mark:TP1)	BEARING TOP STRG	1	
	53250	53250-LEA7-90A	BEARING BOT STRG (mark:TP1)	BEARING BOT STRG	1	
**	61100	61100-ACD5-E00	FENDER FRONT MAT WHITE	FENDER FRONT MAT WHITE	1	
**	61111	61111-ACD5-E00	FENDER COVER R SIDE (Mat Black)	FENDER COVER R SIDE (Mat Black)	1	
**	61112	61112-ACD5-E00	FENDER COVER L SIDE (Mat Black)	FENDER COVER L SIDE (Mat Black)	1	
	64222	64222-LLJ3-E00	RUBBER WIND SCREEN	RUBBER WIND SCREEN	2	



Sales mark	Ref no	Part no	Description	Reg description	Regd no	F06
83550		83550-KEC8-900	COLLAR	COLLAR	2	
83551		83551-KEC8-900	GROMMET COVER **KEC8-9000	GROMMET COVER **KEC8-9000 C.2005.09.01	2	
90107		90107-LEA7-E00	BOLT SPECIAL 8MM	BOLT SPECIAL 8MM	2	
90305		90305-LBA2-E00	NUT CLIP 6MM	NUT CLIP 6MM	2	
90312		90312-LLJ3-E00	COLLAR WIND SCREEN	COLLAR WIND SCREEN	2	
90503		90503-LEA7-E00	WASHER STRG STEM NUT	WASHER STRG STEM NUT	1	
93903		93903-25260	SCREW TAPPING 5X12	SCREW TAPPING 5X12	4	
94050		94050-06080	NUT FLANGE 6MM	NUT FLANGE 6MM	2	
95701		95701-06008-06	BOLT FLANGE 6*8	BOLT FLANGE 6*8	1	
95701A		95701-06012-06	BOLT FLANGE 6*12 **07 C.2005.07.01	BOLT FLANGE 6*12 **07 C.2005.07.01	1	
95701B		95701-06045-06	BOLT FLANGE 6*45	BOLT FLANGE 6*45	2	
95801		95801-08040-06	BOLT FLANGE 8*40	BOLT FLANGE 8*40	4	
96001		96001-06012-06	BOLT FLANGE SH 6*12	BOLT FLANGE SH 6*12	1	
96700		96700-KED9-900	BOLT SOCKET 8*30	BOLT SOCKET 8*30	1	

F07

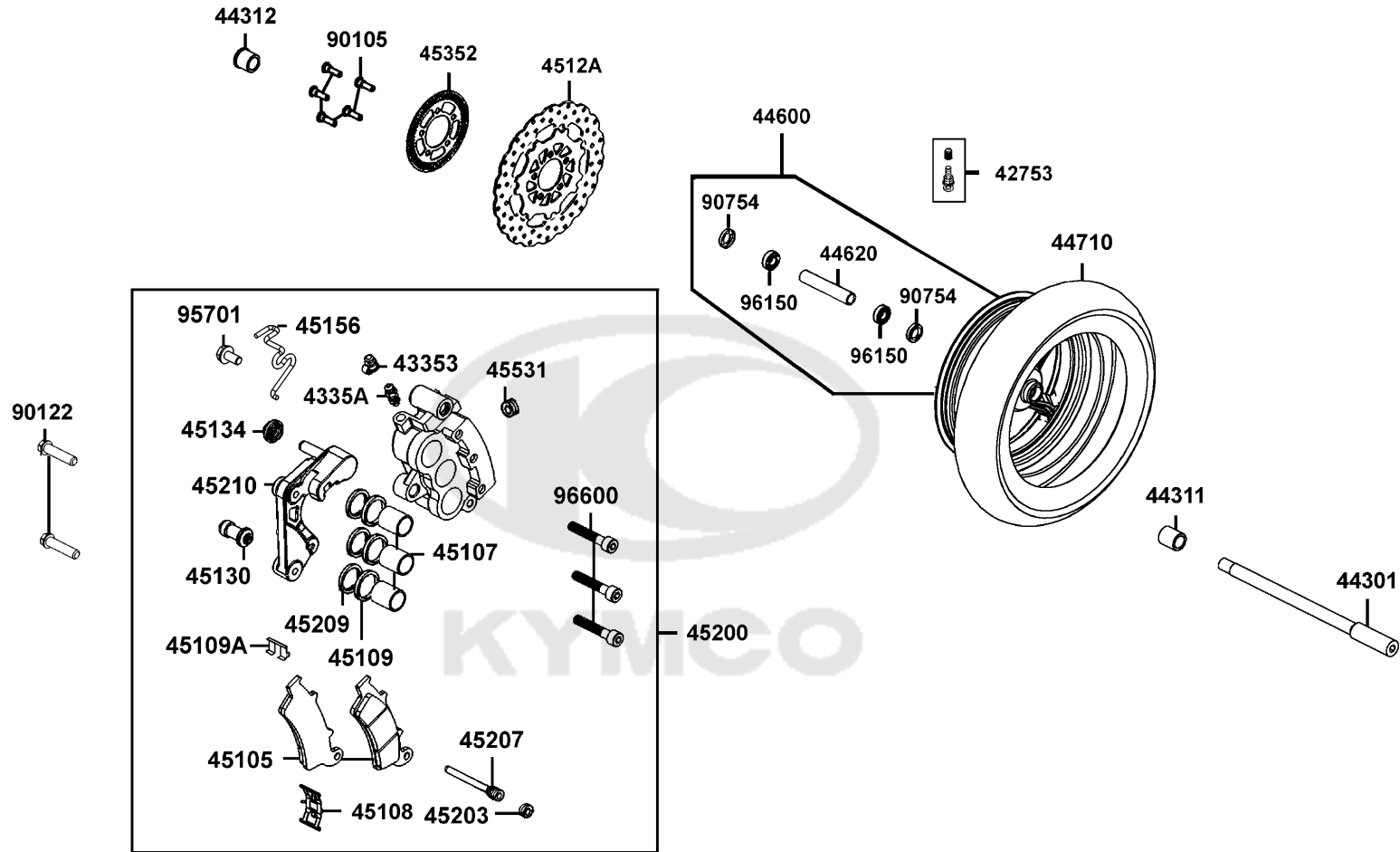
Front Wheel



Sales mark	Ref no	Part no	Description	Reg description	Regd no	F07
	42753	42753-0F06-900	VALVE (PVR-70(B)) & CAP (E)	VALVE (PVR-70(B)) & CAP (E)	1	
	43353	43353-KED9-900	CAP BLEEDER	CAP BLEEDER	1	
	4335A	4335A-LBA2-E01	BLEEDER ASSY	SCREW BLEEDER	1	
	44301	44301-LEA7-950	AXLE FR WHEEL	AXLE FR WHEEL	1	
	44311	44311-LEA7-E00	COLLAR FR WHEEL SIDE	COLLAR FR WHEEL SIDE	1	
	44312	44312-LEA7-E00	COLLAR FR WHEEL SIDE	COLLAR FR WHEEL SIDE	1	
**	44600	44600-LEA7-305	WHEEL ASSY FR	WHEEL ASSY FR	1	
	44620	44620-LEA7-E00	COLLAR FR WHEEL DISTANCE	COLLAR FR WHEEL DIST	1	
	44710	44710-ACD5-E30	TIRE ASSY FR	TIRE ASSY FR	1	
	45105	45105-LGE5-305	PAD SET	PAD ASSY	1	
	45107	45107-LGE5-E00	PISTON C/P	PISTON C/P	3	
	45108	45108-LGE5-E00	SPRING PAD	SPRING PAD	1	
	45109	45109-GBE2-007	DUST SEAL	DUST SEAL	3	
	45109A	45109-LGE5-E00	SLIDE PAD	SLIDE PAD	1	
	4512A	4512A-LEA7-E00	DISK COMP FR BRAKE	DISK COMP FR BRAKE	1	
	45130	45130-LGE5-E00	PUSH BOOT PIN	BUSH PIN	1	
	45134	45134-KED9-900	BOOT B	BOOT B	1	
	45156	45156-LKG7-E00	CLIP SENSOR WIRE	CLIP SENSOR WIRE	1	
**	45200	45200-LKG7-E00	CALIPER ASSY FR (Met Silver)	CALIPER ASSY FR (Met Silver)	1	
	45203	45203-KED9-900	PLUG PIN	PLUG PIN	1	

F07

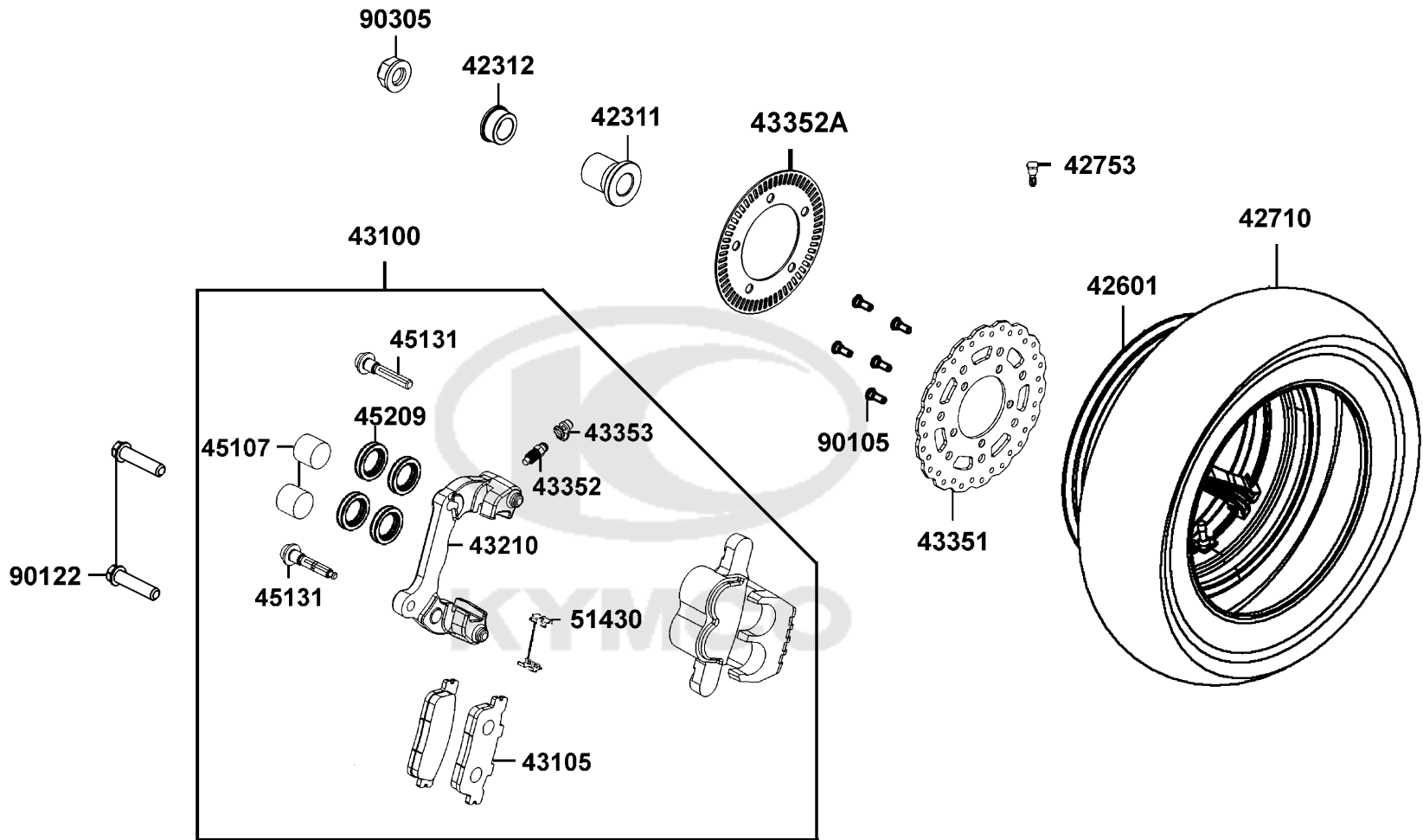
Front Wheel



Sales mark	Ref no	Part no	Description	Reg description	Regd no	F07
	45207	45207-LGE5-E00	PIN HANGER	PIN HANGE	1	
	45209	45209-GBE2-007	SEAL PISTON	SEAL PISTON	3	
**	45210	45210-LKG7-305	BRACKET ASSY FR	BRACKET ASSY FR	1	
	45352	45352-LEA7-E00	TOOTHED RING SENSOR	TOOTHED RING SENSOR	1	
	45531	45531-KED9-900	PLUG	PLUG	1	
	90105	90105-LEA7-E00	BOLT FR DISK 8x30	BOLT FR DISK 8X30	5	
	90122	90122-LEA7-E00	BOLT FLANGE 10X42	BOLT FLANGE 10X42	2	
	90754	90754-LLJ3-E00	DUST SEAL	DUST SEAL	2	
	95701	95701-06012-06	BOLT FLANGE 6*12 **07 C.2005.07.01	BOLT FLANGE 6*12 **07 C.2005.07.01	1	
	96150	96150-60020-10	BEARING BALL RADIAL 6002	BEARING BALL RADIAL 6002	2	
	96600	96600-LGE5-E00	SOCKET BOLT	SOCKET BOLT	3	

F08

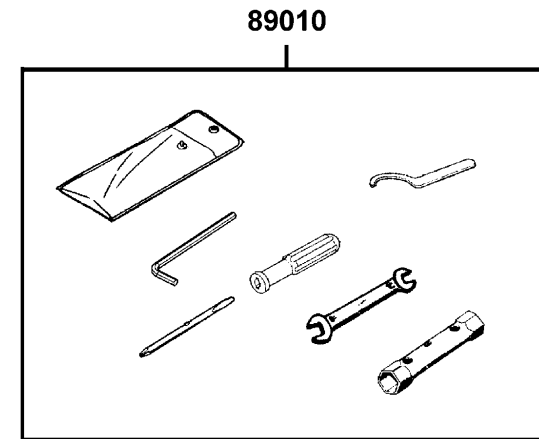
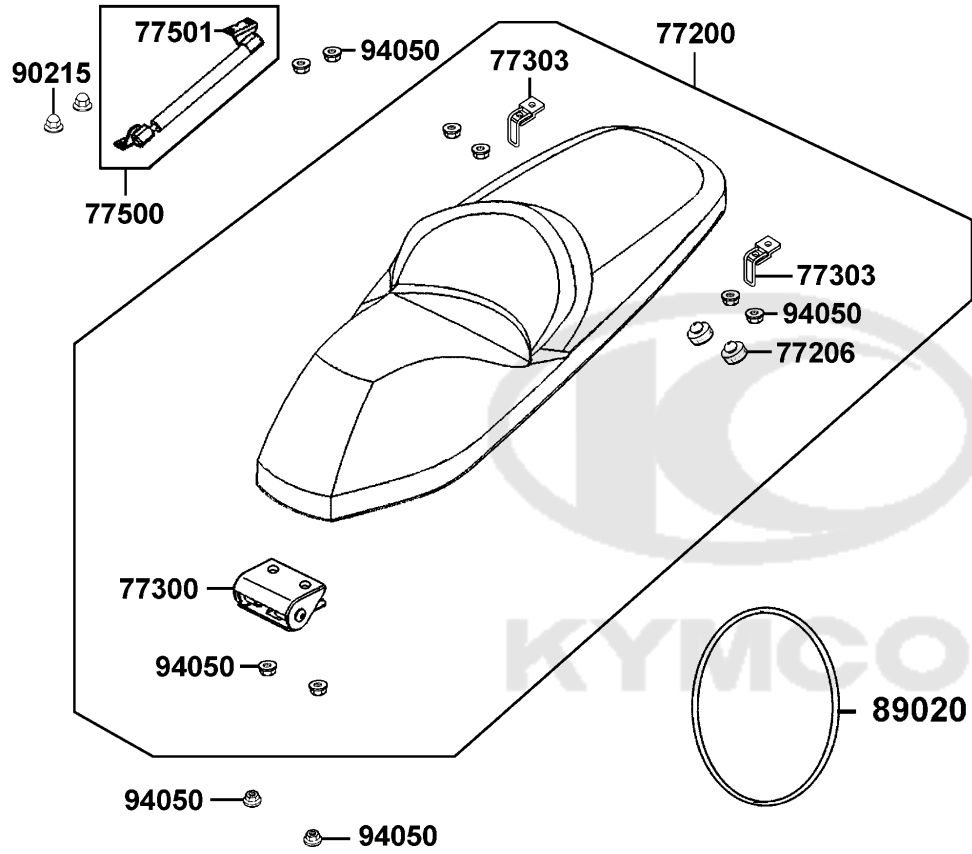
Rear Wheel



Sales mark	Ref no	Part no	Description	Reg description	Regd no	F08
	42311	42311-LEA7-E00	COLLAR RR AXLE SIDE A	COLLAR RR AXLE SIDE A	1	
	42312	42312-LEA7-E00	COLLAR RR AXLE SIDE	COLLAR RR AXLE SIDE	1	
**	42601	42601-LEA7-E00	WHEEL COMP RR	WHEEL COMP RR	1	
	42710	42710-ACD5-E30	TIRE ASSY RR(150/70-13 TL)	TIRE ASSY RR	1	
	42753	42753-0F06-900	VALVE (PVR-70(B)) & CAP (E)	VALVE (PVR-70(B)) & CAP (E)	1	
# **	43100	43100-AAG3-E00	CALIPER ASSY RR	CALIPER ASSY RR	1	
	43105	43105-LGE5-306	PAD SET	PAD SET	1	
**	43210	43210-LGE5-E00	BRACKET FR CALIPER (Met Silver)	BRACKET FR CALIPER (Met Silver)	1	
	43351	43351-LKG7-E00	DISK RR BRAKE	DISK RR BRAKE	1	
	43352	43352-KKD6-E90	SCREW BLEEDER	SCREW BLEEDER	1	
	43352A	43352-LEA7-E01	TOOTHED RING SENSOR	READ PLATE RR	1	
	43353	43353-4A61-77A	CAP BLEEDER	CAP BLEEDER	1	
	45107	45107-KED9-E00	PISTON	PISTON	2	
	45131	45131-LGE5-E00	PIN BOLT	PIN BOLT	2	
	45209	45209-KED9-900	SEAL PISTON	SEAL PISTON	4	
	51430	51430-LGE5-E00	SLIDE PAD	SLIDE PAD	2	
	90105	90105-LEA7-E00	BOLT FR DISK 8x30	BOLT FR DISK 8X30	5	
	90122	90122-LEA7-E00	BOLT FLANGE 10X42	BOLT FLANGE 10X42	2	
	90305	90305-KKAK-900	NUT U 16MM	NUT U 16MM	1	

F09

Seat

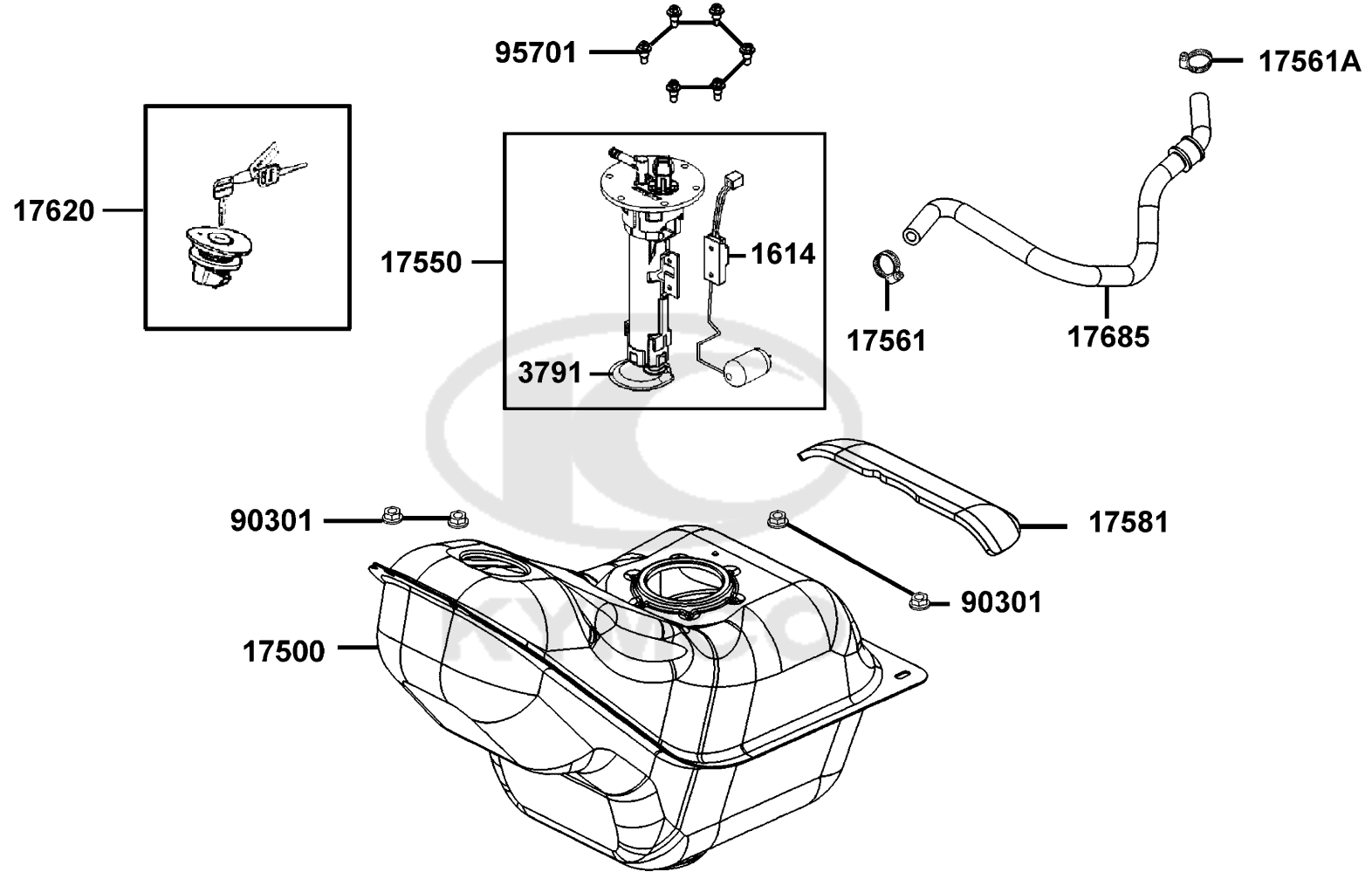


Sales mark	Ref no	Part no	Description	Reg description	Regd no	F09
**	77200	77200-ACD5-339	SEAT ASSY (REACH)	SEAT ASSY (REACH)	1	
	77206	77206-KEB7-900	RUBBER SEAT CUSH	RUBBER SEAT CUSH	2	
	77300	77300-ACD5-E00	HINGE COMP SEAT	HINGE COMP SEAT	1	
	77303	77303-ZZA6-E00	HOOK SEAT LOCK	HOOKSEAT LOCK	2	
	77500	77500-LEA7-E00	DAMPER CAS	DAMPER CAS	1	
	77501	77501-LBA2-E00	STAY GAS DAMPER	STAY GAS DAMPER	1	
	89010	89010-ACD5-E00	TOOL SET	TOOL SET	1	
	89020	89020-KKC4-900	BAND TOOL SET	BAND TOOL SET	1	
	90215	90215-KKC4-900	NUT CAP 6MM	NUT CAP 6MM	2	
	94050	94050-06060	NUT FLANGE 6MM	NUT FLANGE 6MM	10	

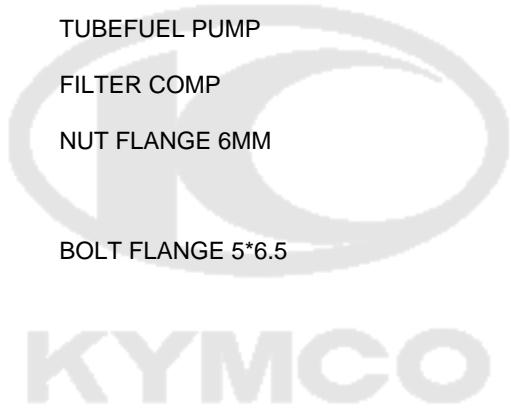


F10

Fuel Tank

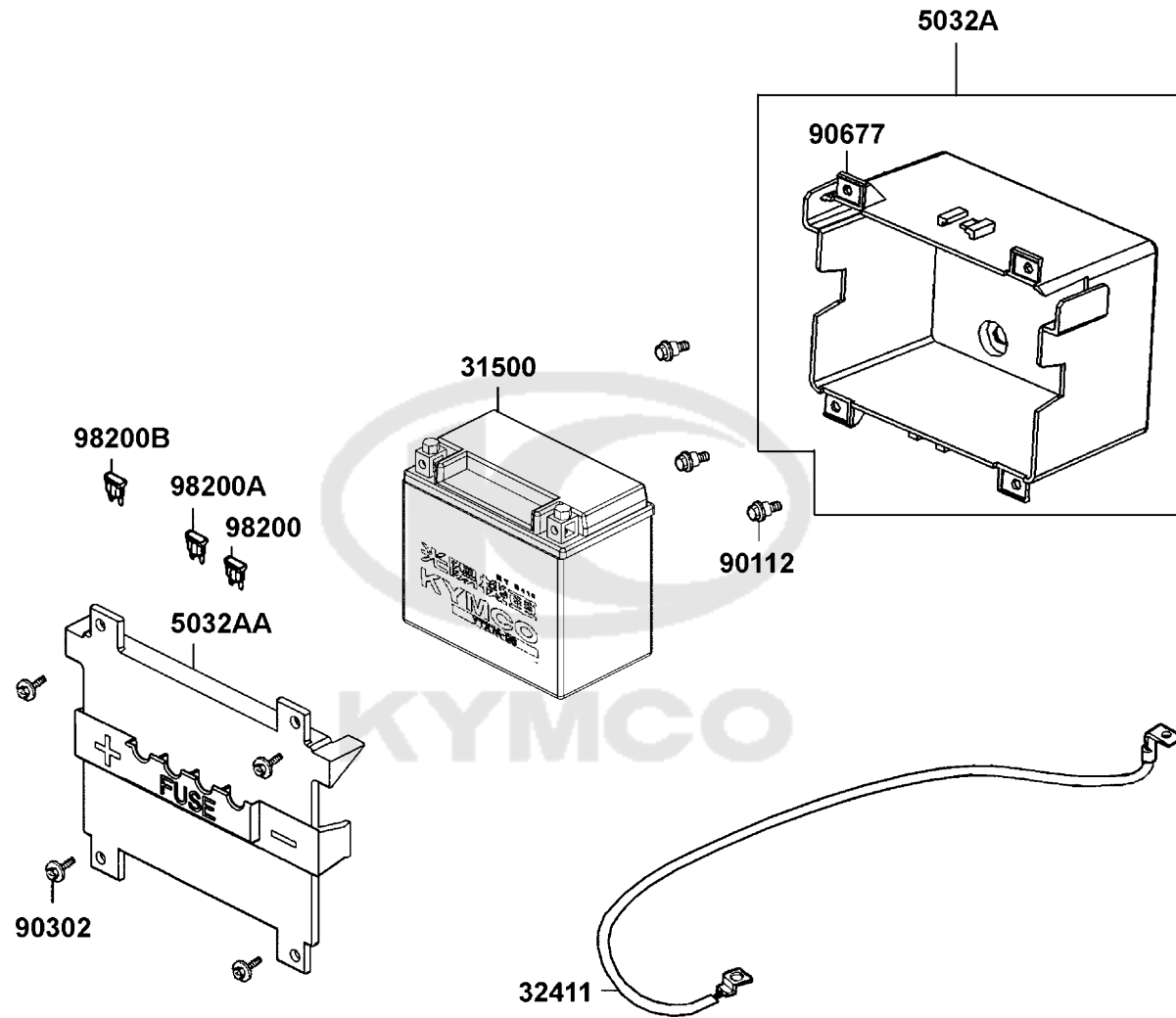


Sales mark	Ref no	Part no	Description	Reg description	Regd no	F10
	1614	1614-A22C-0000-Y	FUEL LEVER SENSOR COMP	FUEL LEVER SENSOR COMP	1	
	17500	17500-LEA7-900	TANK COMP. FUEL	TANK COMP. FUEL	1	
	17550	17550-LEA7-800	FUEL PUMP MODULE ASSY	FUEL PUMP ASSY	1	
	17561	17561-LHG8-E00	CLIP 13.0	CLIP 13	1	
	17561A	17561-LKB9-900	CLIP 12.5	CLIP 12.5	1	
	17581	17581-LEA7-E00	SPONGE FUEL TANK	SPONGE FUEL TANK	1	
	17620	17620-LEA7-315-M2	CAP COMP FUEL FILLER	CAP COMP FUEL FILLER	1	
	17685	17685-LFA7-E00	TUBEFUEL PUMP	TUBE FUEL PUMP	1	
	3791	3791-HN80-0000	FILTER COMP	FILTER COMP	1	
	90301	90301-6D34-671	NUT FLANGE 6MM	NUT FLANGE 6MM	4	
	95701	95701-LDF2-800	BOLT FLANGE 5*6.5	BOLT FLANGE 5*6.5	6	

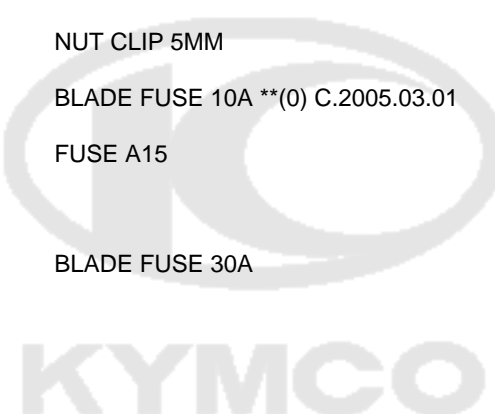


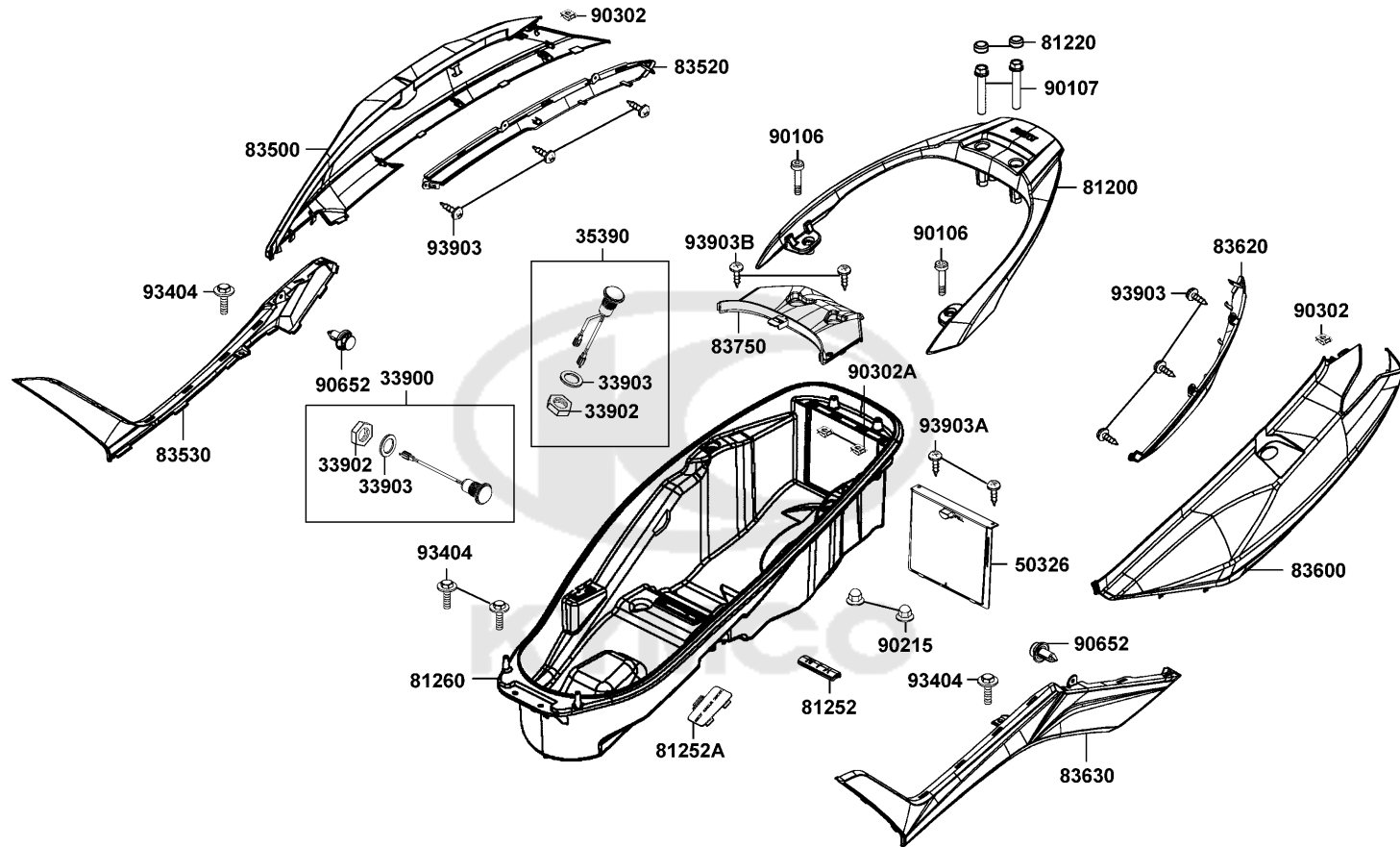
F11

Battery

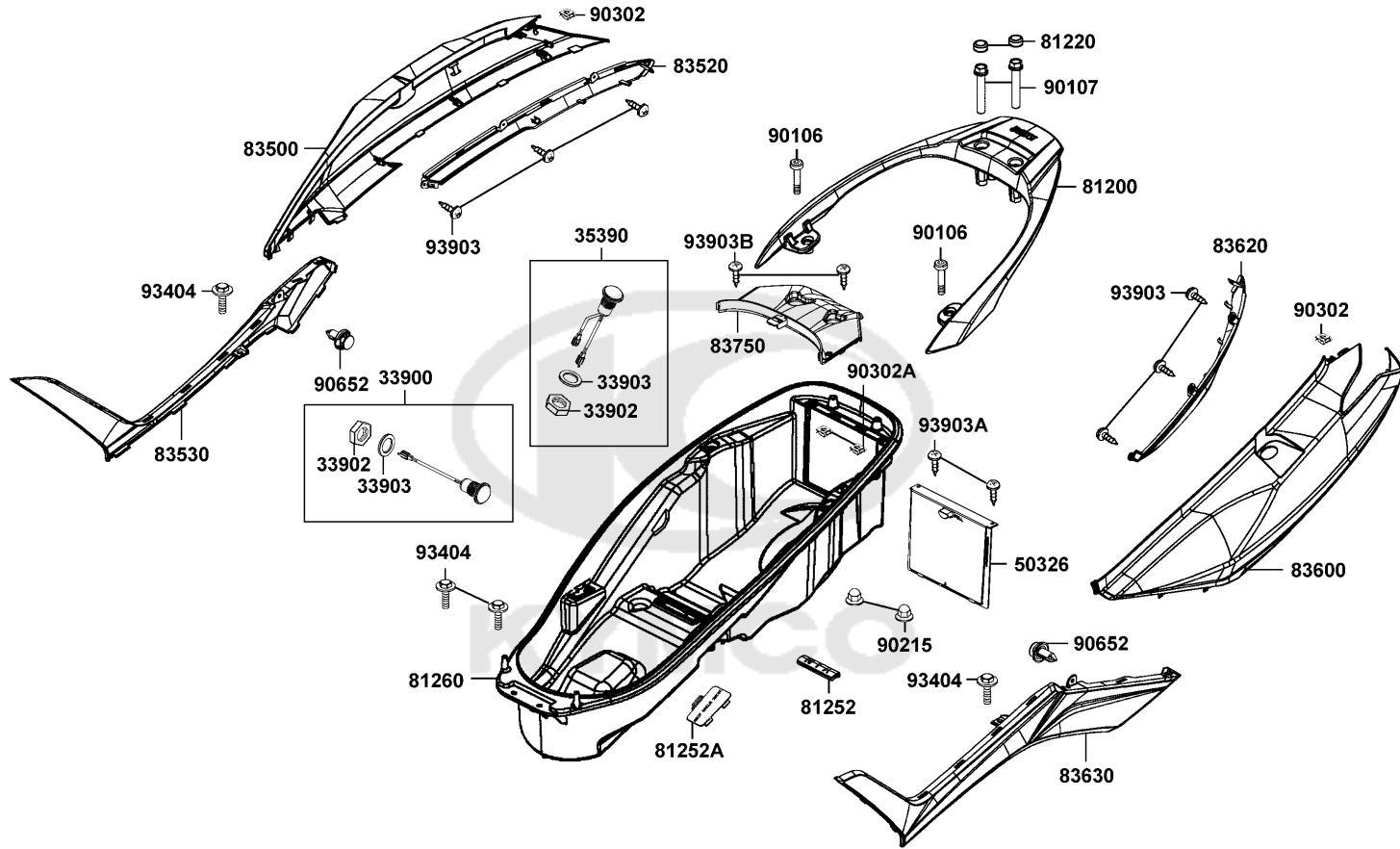


Sales mark	Ref no	Part no	Description	Reg description	Regd no	F11
31500		31500-KFAF-90A	BATTERY YTX9-BS	BATTERY YTX9-BS	1	
31500		31500-KFAF-90B	BATTERY GTX9-BS	BATTERY GTX9-BS	1	
32411		32411-ACD5-E00	CABLE BAT	CABLE BAT	1	
5032A		5032A-LEA5-E00	CASE ASSY BATTERY	CASE ASSY BATTERY	1	
5032AA		5032A-LEA7-E00	COVER ASSY BATTERY	COVER ASSY BATTERY	1	
90112		90112-KNBN-901	BOLT FLANGE 6MM	BOLT FLANGE 6MM	3	
90302		90302-GFY6-940	BOLT-WASH 5*16	BOLT-WASH 5*16	4	
90677		90677-GAR1-004	NUT CLIP 5MM	NUT CLIP 5MM	4	
98200		98200-31000	BLADE FUSE 10A **(0) C.2005.03.01	BLADE FUSE 10A **(0) C.2005.03.01	1	
98200A		98200-31500	FUSE A15	FUSE A15	1	
98200B		98200-33000	BLADE FUSE 30A	BLADE FUSE 30A	1	





Sales mark	Ref no	Part no	Description	Reg description	Regd no	F12
	33900	33900-LKF5-E00	LIGHT ASSY LUGGAGE BOX	LIGHT ASSY LUGGAGE BOX	1	
	33902	33902-LHG7-E00	NUT SCREW	NUT SCREW	1	
	33903	33903-LHG7-E00	PACKING	PACKING	1	
	35390	35390-LKF5-E00	SENSOR LUGGAGE BOX LIGHT	SENSOR LUGGAGE BOX LIGHT	1	
**	50326	50326-LGJ8-900	COVER BATTERY LUGGAGE	COVER BATTERY LUGGAGE	1	
**	81200	81200-ACD5-E00	CARRIER REAR	CARRIER REAR	1	
**	81220	81220-LKG7-E00	CAP RR GRIP	CAP RR GRIP	2	
	81252	81252-KKE5-E00	PLUG LUGGAGE BOX	PLUG LUGGAGE BOX	1	
	81252A	81252-LEA7-E00	COVER P.D.A. MAINT	COVER P.D.A. MAINT	1	
**	81260	81260-ACD5-E01	BOX ASSY LUGGAGE	BOX ASSY LUGGAGE	1	
**	83500	83500-ACD5-E00	COVER R BODY WHITE MAT	COVER R BODY WHITE MAT	1	
**	83520	83520-ACD5-E00	RR MOLDING R SIDE (Black)	RR MOLDING R SIDE (Black)	1	
**	83530	83530-ACD5-E00	BOARD A R SIDE	BOARD A R SIDE	1	
**	83600	83600-ACD5-E00	COVER L BODY WHITE MAT	COVER L BODY WHITE MAT	1	
**	83620	83620-ACD5-E00	RR MOLDING L SIDE (Black)	RR MOLDING L SIDE (Black)	1	
**	83630	83630-ACD5-E00	BOARD A L SIDE	BOARD A L SIDE	1	
**	83750	83750-ACD5-E00	COVER A RR CENTER WHITE MAT	COVER A RR CENTER WHITE MAT	1	
	90106	90106-KFAF-900	BOLT SPECIAL	BOLT SPECIAL	2	
	90107	90107-ACD5-E00	BOLT SPECIAL 8MM	BOLT SPECIAL 8MM	2	
	90215	90215-KKC4-900	NUT CAP 6MM	NUT CAP 6MM	2	

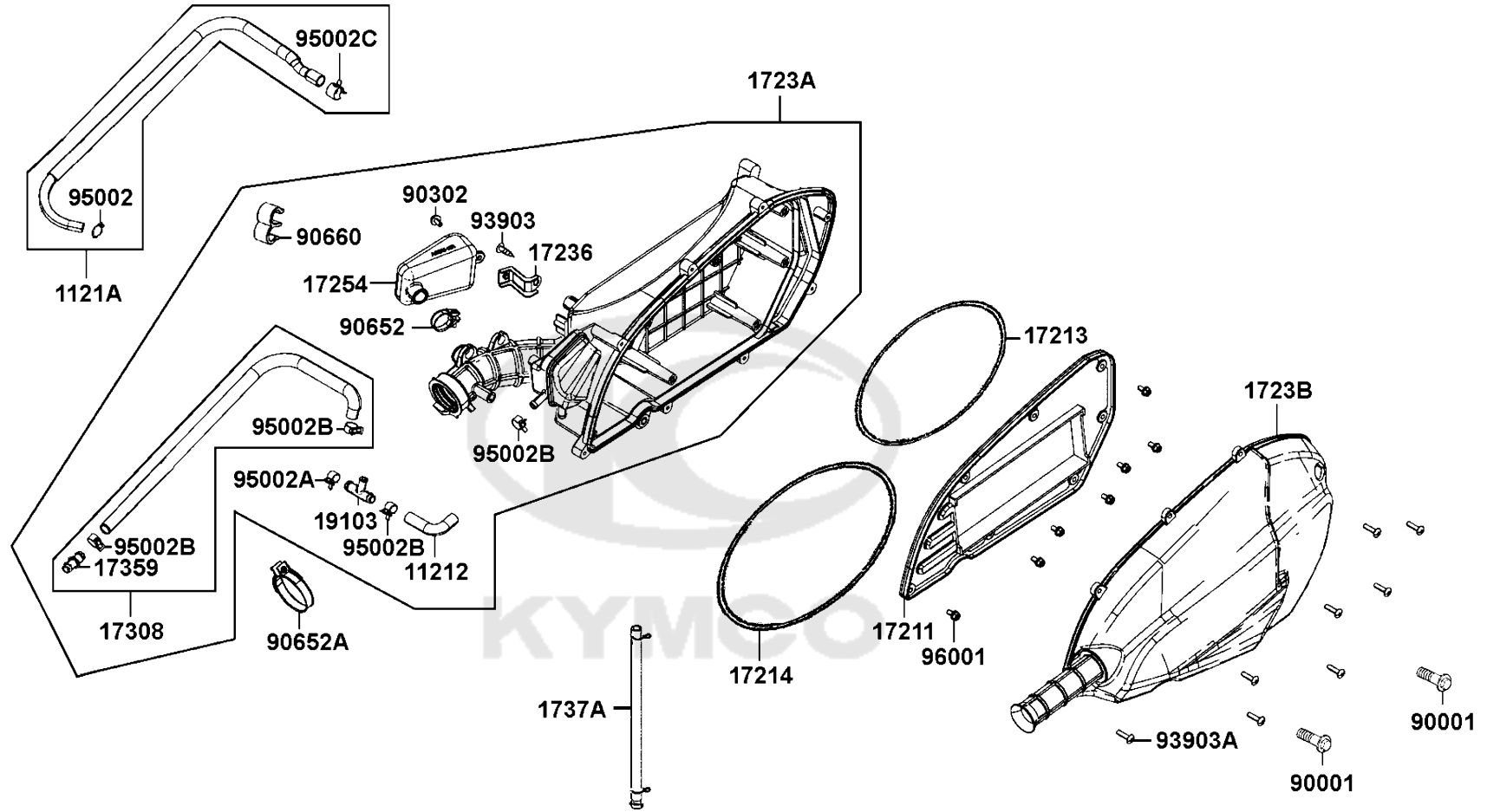


Sales mark	Ref no	Part no	Description	Reg description	Regd no	F12
90302		90302-LKB9-900	NUT SPRING 5MM	NUT SPRING 5MM	2	
90302A		90302-SDA4-004	NUT SPRING 4MM	NUT SPRING 4MM	2	
90652		90652-LCA4-E00	CLIP MUDGUARD	CLIP MUDGUARD	2	
93404		93404-06016-06	BOLT WASHER 6*16	BOLT WASHER 6*16	4	
93903		93903-25260	SCREW TAPPING 5X12	SCREW TAPPING 5X12	6	
93903A		93903-34360	SCREW TAPPING 4X12	SCREW TAPPING 4X12	2	
93903B		93903-45360	SCREW TAPPING 5*16	SCREW TAPPING 5*16	2	



F13

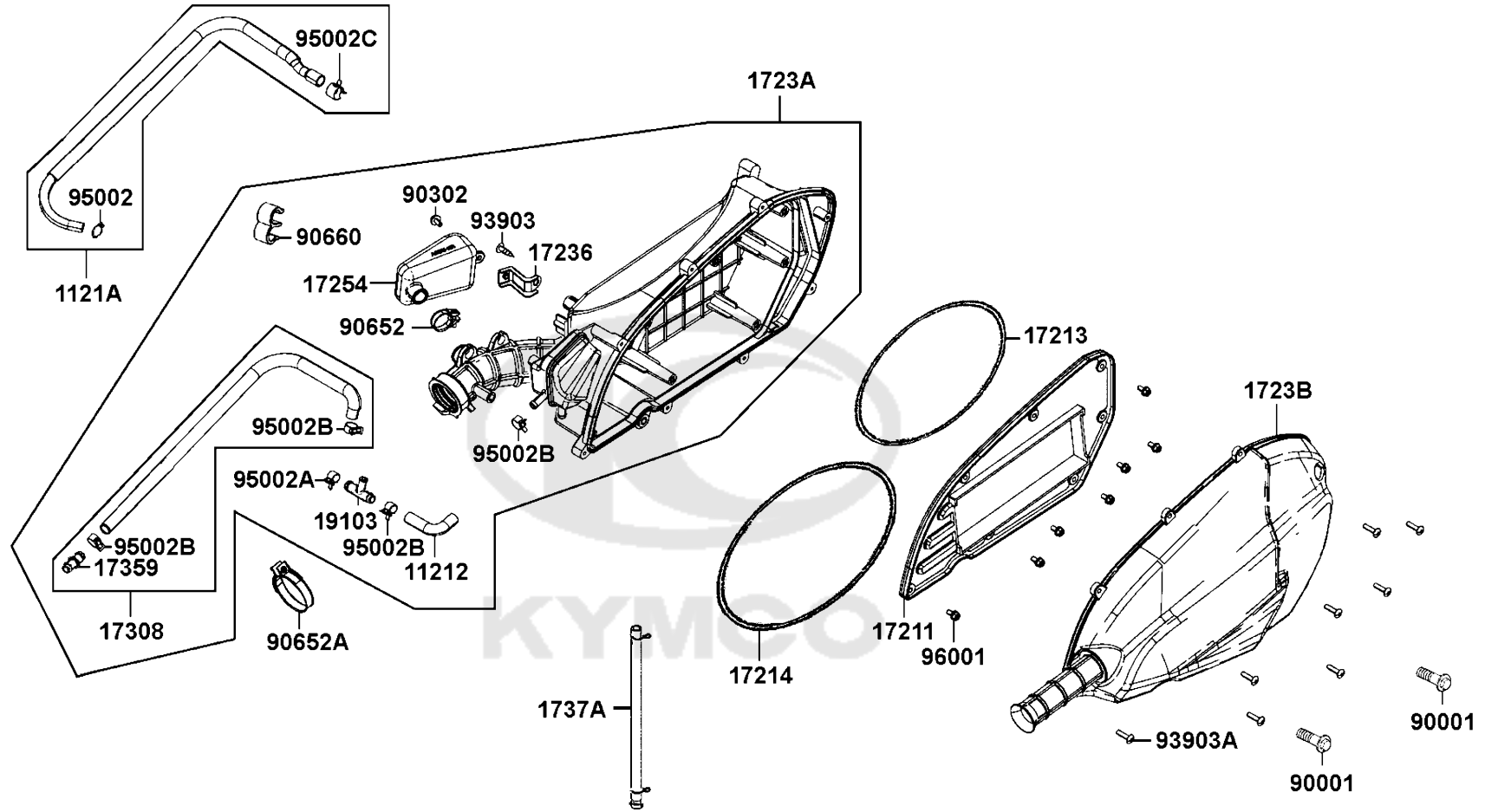
Air Cleaner



Sales mark	Ref no	Part no	Description	Reg description	Regd no	F13
	11212	11212-ACJ1-E00	TUBE BLOW BY	TUBE BLOW BY	1	
	1121A	1121A-ZWA3-E00	TUBE BREATHER	TUBE BREATHER	1	
	17211	17211-LFA7-E00	ELEMENT. AIR/C	ELEMENT. AIR/C	1	
	17213	17213-LEA7-E00	SEAL ELEMENT AIR/C	SEAL ELEMENT AIR/C	1	
	17214	17214-LEA7-E00	SEAL CASE AIR/C	SEAL CASE AIR/C	1	
	17236	17236-ACJ1-E00	PLATE CHAMBER FIX	PLATE CHAMBER FIX	1	
	1723A	1723A-ACJ1-E00	CASE AIR/C COMP	CASE AIR/C COMP	1	
	1723B	1723B-LFA7-E00	COVER ASSY AIR/C	COVER ASSY AIR/C	1	
	17254	17254-ACD5-B80	CHAMBER NOICE SILENCE	CHAMBER NOICE SILENCE	1	
	17308	17308-ACJ1-E00	TUBE ASSY CANISTER-AIR/C	TUBE ASSY CANISTER-AIR/C	1	
	17359	17359-4K19-671	JOINT BREATHER TUBE	JOINT BREATHER TUBE	1	
	1737A	1737A-KUDU-900	V TUBE ASSY	V TUBE ASSY	1	
	19103	19103-KAAA-900	JOINT 3 WAY 8	JOINT 3 WAY 8	1	
	90001	90001-GBHB-681	BOLT FLANGE SHF 6*28	BOLT FLANGE SHF 6*28	2	
	90302	90302-LLB1-E00	BOLT-WASHER 5*12	BOLT-WASHER 5*12	1	
	90652	90652-ACD5-B80	BAND D21.5 CHAMBER	BAND D21.5 CHAMBER	1	
	90652A	90652-GFY6-901	BAND 49 AIR/C CONNECTING TUBE	BAND 49 AIR/C CONNECTING TUBE	1	
	90660	90660-LDE9-E00	CLAMP TUBE	CLAMP TUBE	1	
	93903	93903-25360	SCREW TAPPING 5*16	SCREW TAPPING 5*16	1	
	93903A	93903-25460	SCREW TAPPING 5*20 **93903-25480	SCREW TAPPING 5*20 **93903-25480 C.2005	8	

F13

Air Cleaner



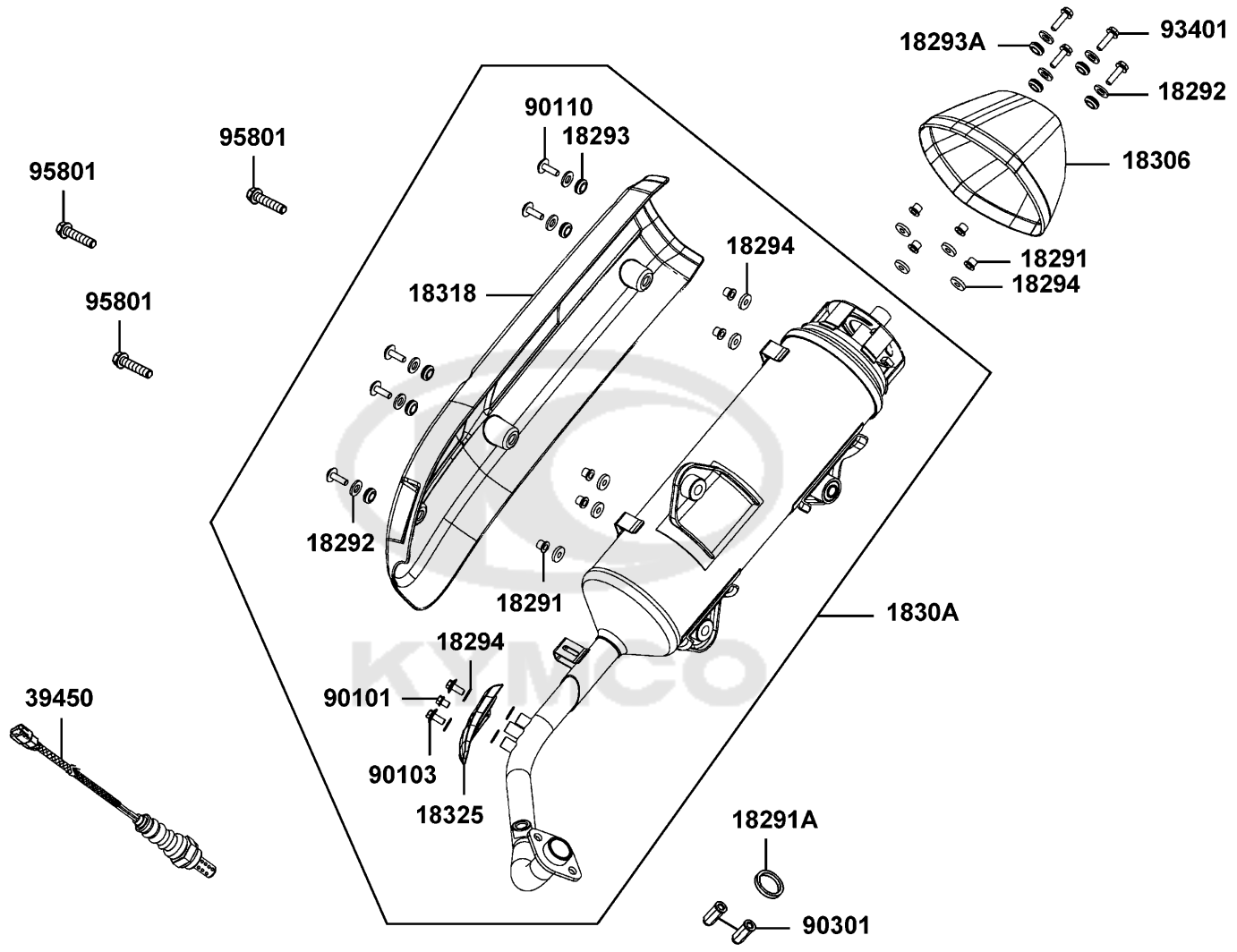
Sales mark	Ref no	Part no	Description	Reg description	Regd no	F13
------------	--------	---------	-------------	-----------------	---------	------------

95002		95002-02100	CLIP B15 TUBE	CLIP B15 TUBE	1	
95002A		95002-41150-00	CLIP D11.5 TUBE	CLIP D11.5 TUBE	1	
95002B		95002-41250-00	CLIP D12.5 TUBE	CLIP D12.5 TUBE	2	
95002C		95002-LKF5-E00	CLAMP D14.6 TUBE	CLAMP D14.6 TUBE	1	
96001		96001-GFY6-900	BOLT SPECIAL 5X10	BOLT SPECIAL 5X10	7	



F14

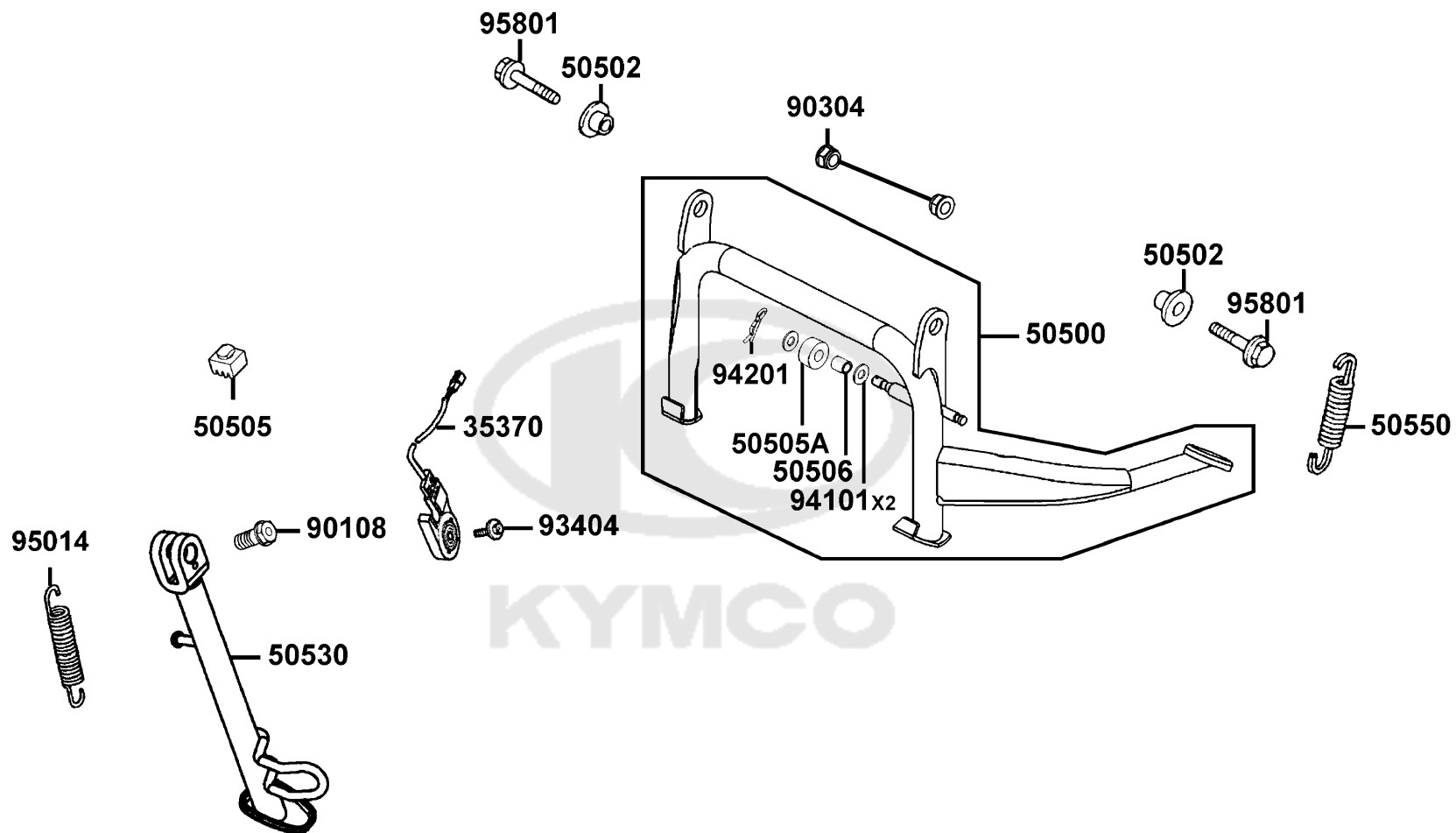
Exhaust Muffler



Sales mark	Ref no	Part no	Description	Reg description	Regd no	F14
	18291	18291-KEBE-900	COLLAR	COLLAR	9	
	18291A	18291-LBA7-900	GASKET EXH PIPE	GASKET EXH PIPE	1	
	18292	18292-KEBE-900	PACKING PROTECTOR	PACKING PROTECTOR	9	
	18293	18293-KEBE-900	RUBBER PKG PROTR	RUBBER PKG PROTR	5	
	18293A	18293-LGE5-900	RUBBER PKG PROTR	RUBBER PKG PROTR	4	
	18294	18294-KEBE-900	PACKING PROTECTOR	PACKING PROTECTOR	9	
	18294	18294-KTCT-900	PACKING PROTECTOR	PACKING PROTECTOR	4	
**	18306	18306-LGE5-E00	TAIL CAP,MUFFLER	TAIL CAP,MUFFLER	1	
**	1830A	1830A-AAG3-E04	MUFFLER ASSY EXHAUST	MUFFLER ASSY EXHAUST	1	
**	18318	18318-LGE7-E01	PROTECTOR MUFF	PROTECTOR MUFF	1	
**	18325	18325-AAG3-E03	PROTECTOR.EXHAUST	PROTECTOR.EXHAUST	1	
	39450	39450-LEA6-800	O2 SENSOR	O2 SENSOR	1	
	90101	90101-LEA7-E00	BOLT FLANGE SH 6X8	BOLT FLANGE SH 6X8	2	
	90103	90103-LGE5-E00	BOLT WASHER 6X14	BOLT WASHER 6X14	1	
	90110	90110-KHD8-900	SCREW SPECIAL 6*20	SCREW SPECIAL 6*20	5	
	90301	90301-GFY6-901	NUT CAP 8MM **(1) C.2008.10.28	NUT CAP 8MM **(1) C.2008.10.28	2	
	93401	93401-06022-07	BOLT WASHER 6*22	BOLT WASHER 6*22	4	
	95801	95801-10045-06	BOLT FLANGE 10*45	BOLT FLANGE 10*45	3	

F15

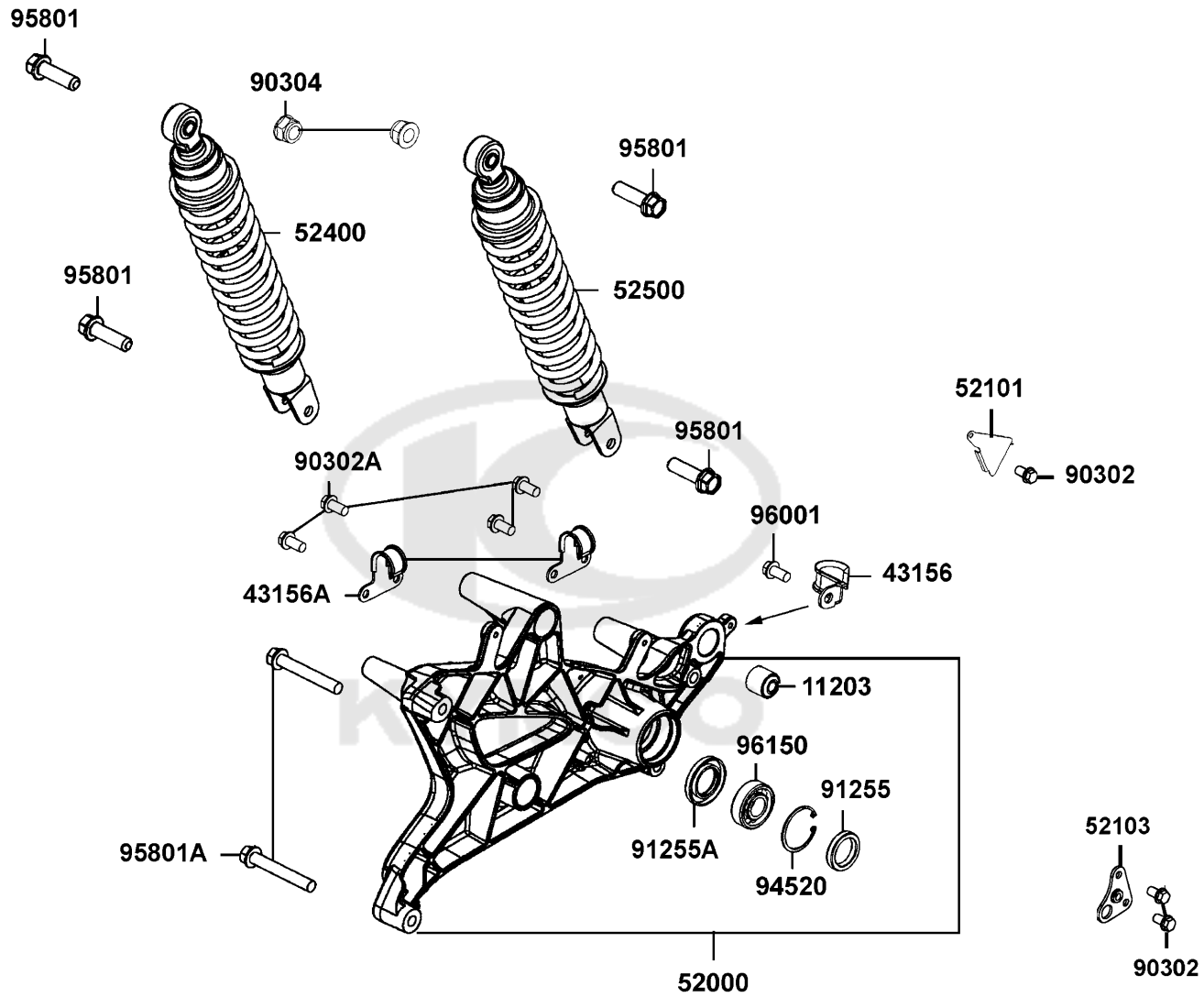
Stand



Sales mark	Ref no	Part no	Description	Reg description	Regd no	F15
35370		35370-LLJ3-E00	SW UNIT SIDE STAND	SW UNIT SIDE STAND	1	
50500		50500-AAG3-E00	STAND COMP MAIN	STAND COMP MAIN	1	
50502		50502-LDF7-E10	COLLAR MAIN STAND	COLLAR MAIN STAND	2	
50505		50505-KEBE-900	STOPPER RUBBER	STOPPER RUBBER	1	
50505A		50505-LEA7-E00	STOPPER RUBBER	STOPPER RUBBER	1	
50506		50506-KHE7-E00	COLLAR STOPPER RUBBER	COLLAR STOPPER RUBBER	1	
50530		50530-ZZA6-E00	BAR SIDE STAND	BAR SIDE STAND	1	
50550		50550-KKC2-E00	SPG ASSY MAIN STAND	SPG ASSY MAIN STAND	1	
90108		90108-KKC4-900	SCREW SIDE STAND PIVOT	SCREW SIDE STAND PIVOT	1	
90304		90304-LEA1-900	NUT U FLANGE 10MM	NUT U 10MM	2	
93404		93404-06016-06	BOLT WASHER 6*16	BOLT WASHER 6*16	1	
94101		94101-08600	WASH PLAIN 8MM	WASH PLAIN 8MM	2	
94201		94201-20180	PIN SPLIT 2.0*18	PIN SPLIT 2.0*18	1	
95014		95014-72204	SPG B1 SIDE STAND	SPG B1 SIDE STAND	1	
95801		95801-10030-06	BOLT FLANGE 10X30	BOLT FLANGE 10X30	2	

F16

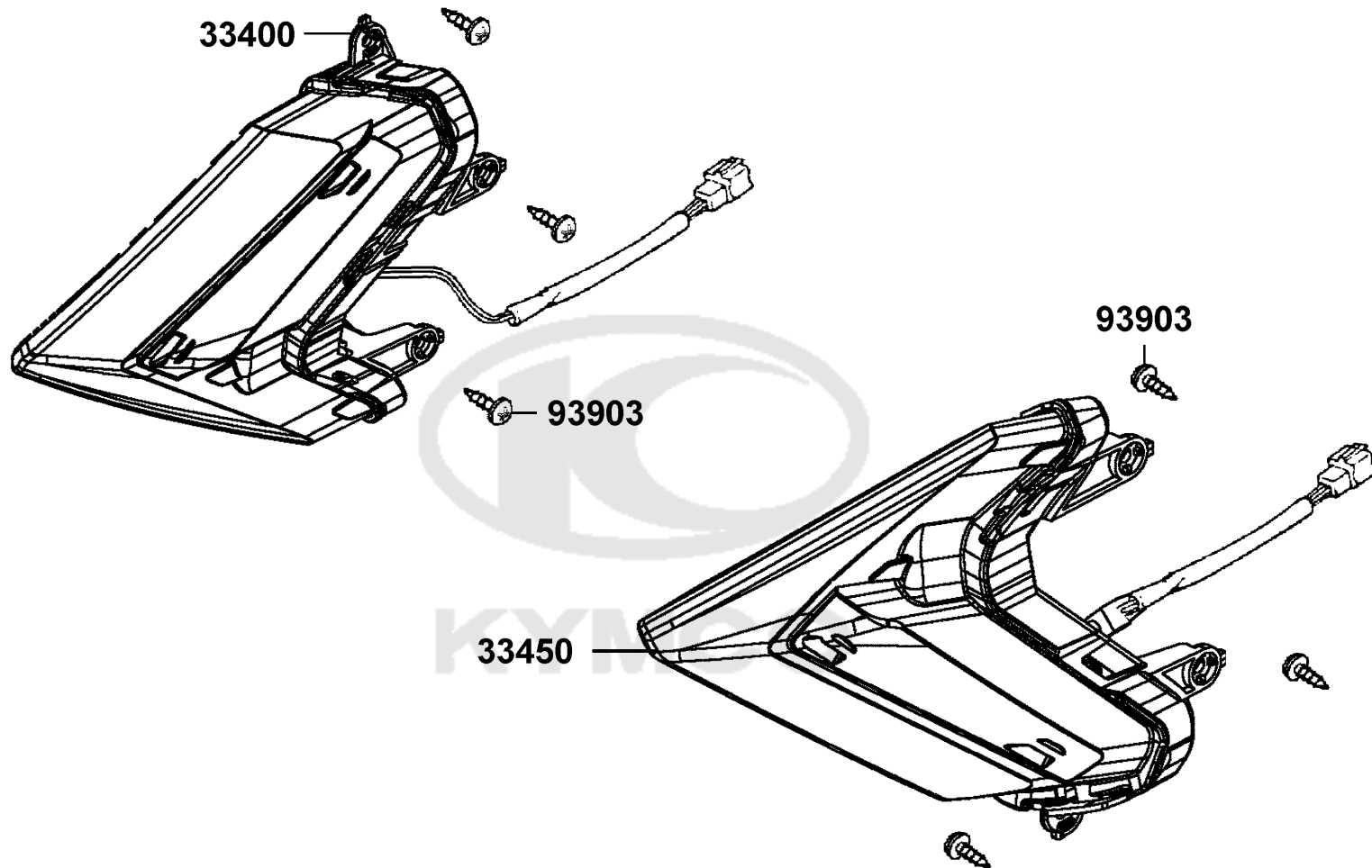
Rear Cushion



Sales mark	Ref no	Part no	Description	Reg description	Regd no	F16
	11203	11203-LBA2-E00	RUB BUSH L CASE	RUB BUSH L CASE	1	
	43156	43156-LDB2-900	CLAMPER HOSE RR	CLAMPER HOSE RR	1	
	43156A	43156-LEA7-E00	CLAMPER HOSE RR	CLAMPER HOSE RR	1	
**	52000	52000-AAG3-E00	FORK ASSY RR	FORK ASSY RR	1	
	52101	52101-LGE5-E01	STAY RR SPEED SENSOR	STAY RR SPEED SENSOR	1	
	52103	52103-ACD5-E01	STAY ABS SENSOR	STAY ABS SENSOR	1	
**	52400	52400-ACD5-E30	CUSHION ASSY RR R/H	CUSHION ASSY RR R/H	1	
**	52500	52500-ACD5-E30	CUSHION ASSY RR L/H	CUSHION ASSY RR L/H	1	
	90302	90302-LBF2-900	BOLT-WASH M5X10	BOLT-WASH M5X10	3	
	90302A	90302-LLB1-E00	BOLT-WASHER 5*12	BOLT-WASHER 5*12	4	
	90304	90304-LEA1-900	NUT U FLANGE 10MM	NUT U 10MM	2	
	91255	91255-LGE5-E00	OIL SEAL 30*48*7	OIL SEAL 30*48*7	1	
	91255A	91255-LLB1-900	OIL SEAL 30*40*7	OIL SEAL 30*40*7	1	
	94520	94520-47000	CIR CLIP IN 47	CIR CLIP IN 47	1	
	95801	95801-10040-06	BOLT FLANGE 10X40	BOLT FLANGE 10*40	4	
	95801A	95801-10075-06	BOLT FLANGE 10x75 (G)	BOLT FLANGE 10x75	2	
	96001	96001-06012-06	BOLT FLANGE SH 6*12	BOLT FLANGE SH 6*12	1	
	96150	96150-62040-10	BEARING BALL RADIAL 6204	BEARING BALL RADIAL 6204	1	

F17

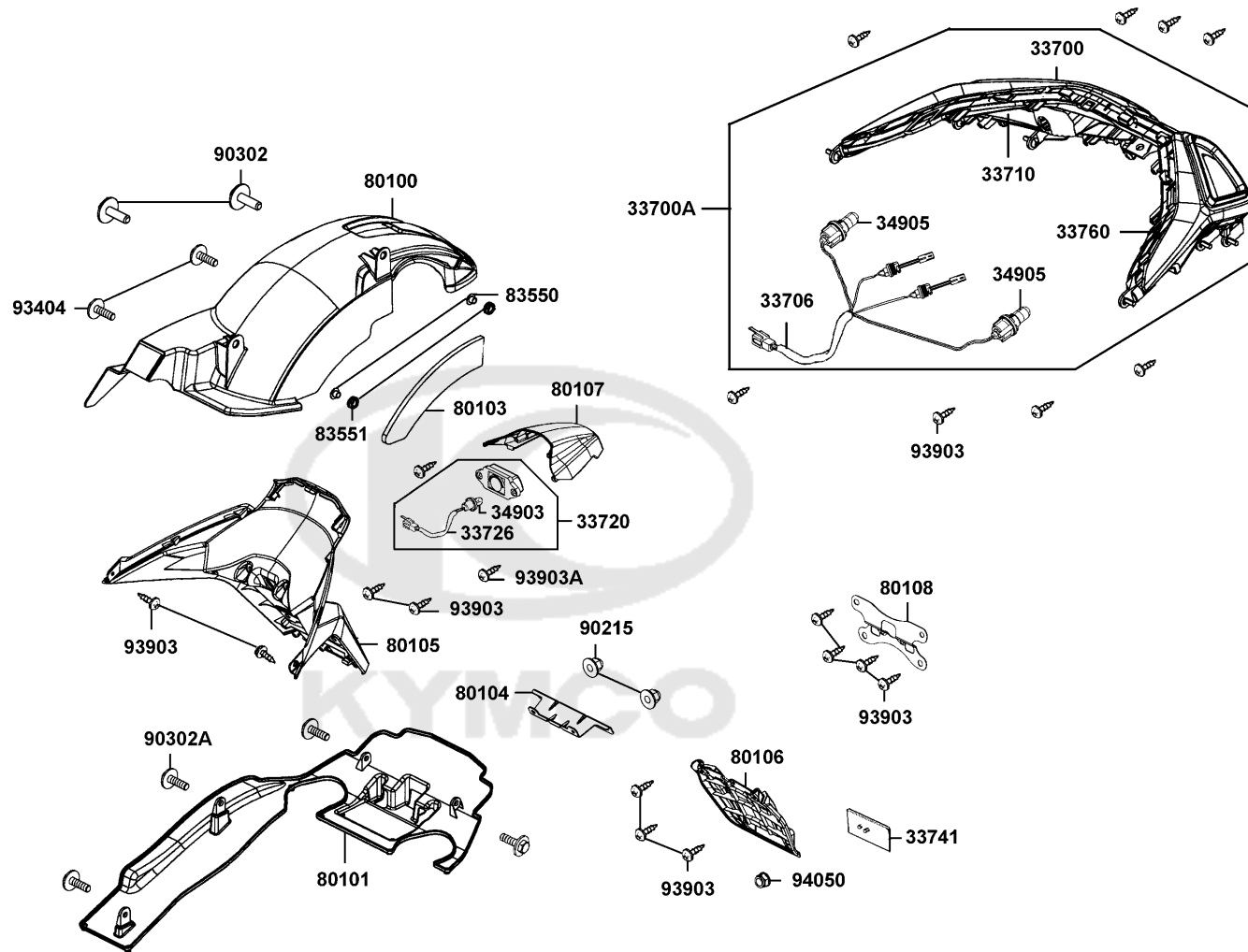
Winker Assy Fr



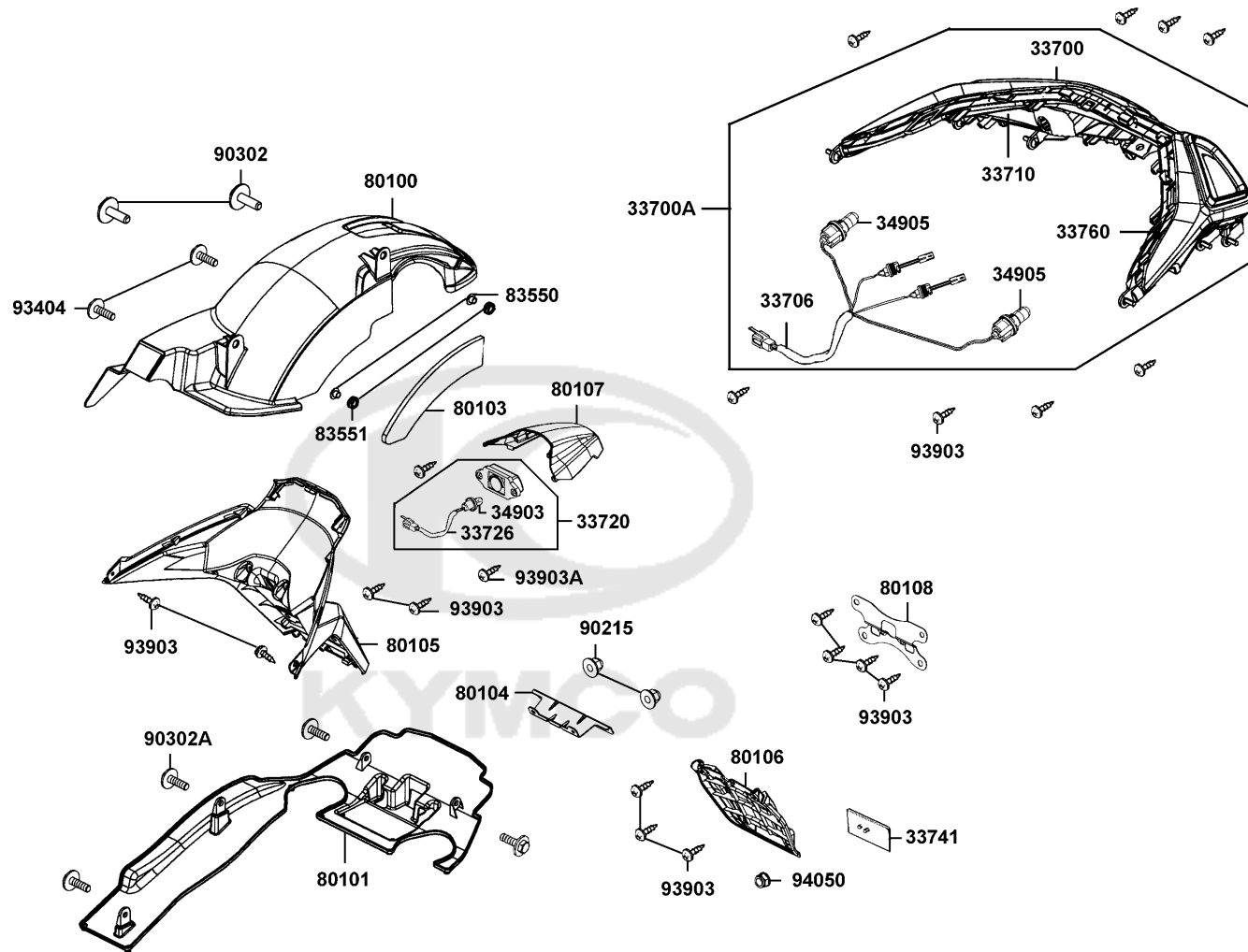
Sales mark	Ref no	Part no	Description	Reg description	Regd no	F17
------------	--------	---------	-------------	-----------------	---------	------------

33400		33400-ACD5-E00	WINKER ASSY R FR	WINKER ASSY R FR	1	
33450		33450-ACD5-E00	WINKER ASSY L FR	WINKER ASSY L FR	1	
93903		93903-25260	SCREW TAPPING 5X12	SCREW TAPPING 5X12	6	



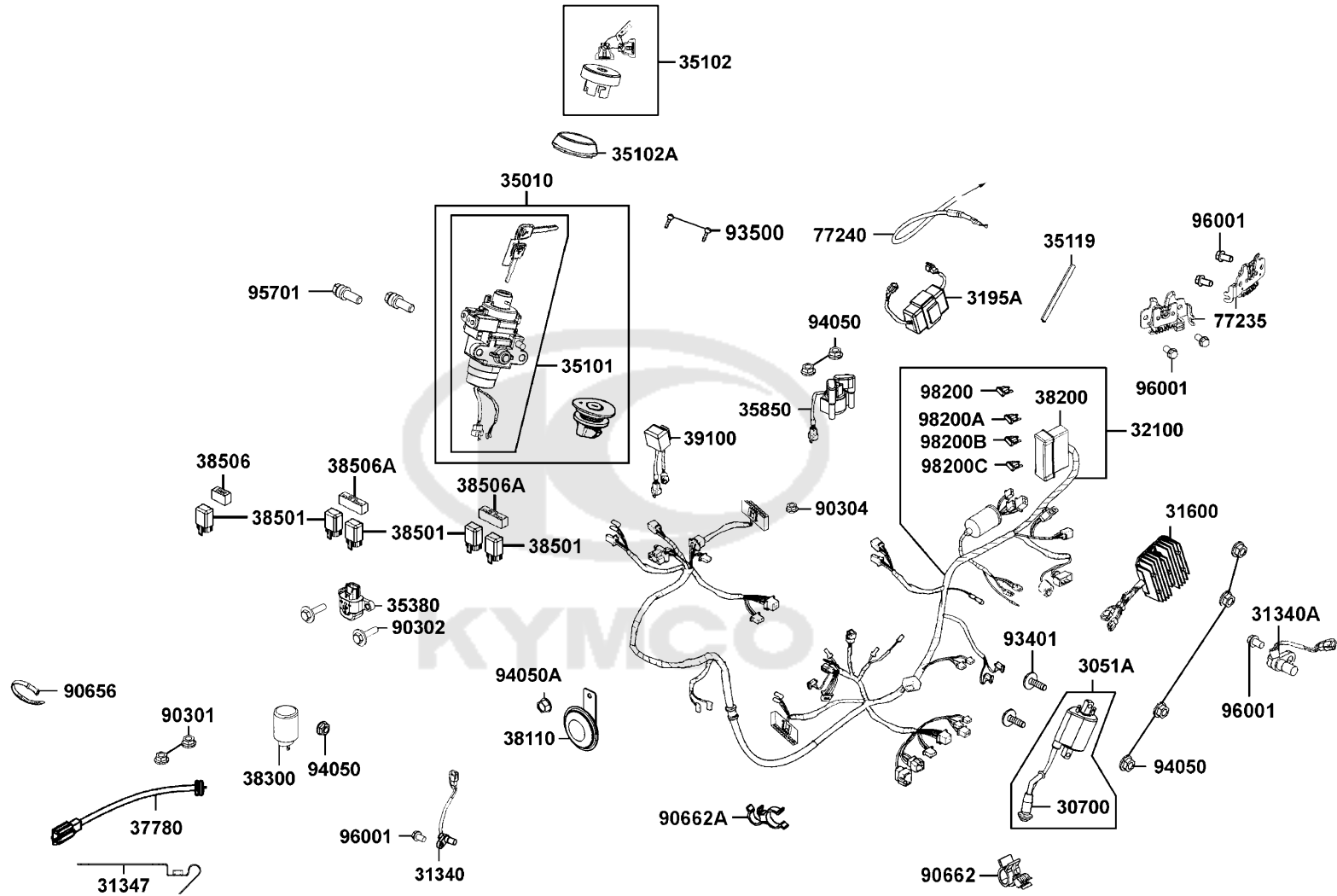


Sales mark	Ref no	Part no	Description	Reg description	Regd no	F18
	33700	33700-ACD5-316	LIGHT UNIT	LIGHT UNIT	1	
	33700A	33700-ACD5-E30	LIGHT ASSY RR COMB	LIGHT ASSY RR COMB	1	
	33706	33706-ACD5-E00	SOCKET COMP	SOCKET COMP	1	
	33710	33710-ACD5-315	LIGHT ASSY R TAIL	LIGHT ASSY R TAIL	1	
	33720	33720-LBB5-E00	LIGHT ASSY LICENSE	LIGHT ASSY LICENSE	1	
	33726	33726-LBB5-E00	SCOKET COMP	SCOKET COMP	1	
	33741	33741-KHC5-M00	REFLEX REFLECTOR	REFLEX REFLECTOR	1	
	33760	33760-ACD5-315	LIGHT ASSY L TAIL	LIGHT ASSY L TAIL	1	
	34903	34903-KPCP-900	BULB POSITION LIGHT 12V5W **KCP-	BULB POSITION LIGHT 12V5W **KCP-9000	1	
	34905	34905-LCA5-E00	BULB WINKER (12V 10W)	BULB WINKER (12V 10W)	2	
**	80100	80100-ACD5-E01	FENDER FR TIRE	FENDER FR TIRE	1	
**	80101	80101-ACD5-E00	FENDER A RR (Black)	FENDER A RR (Black)	1	
	80103	80103-LEA7-E00	SPONGE TAPE FENDER	SPONGE TAPE FENDER	1	
	80104	80104-LKG7-E00	STAY NO. PLATE	STAY NO. PLATE	1	
**	80105	80105-ACD5-E00	FENDER REAR (Black)	FENDER REAR (Black)	1	
**	80106	80106-LKF5-E00	RR FENDER LOW	RR FENDER LOW	1	
**	80107	80107-LKF5-E00	COVER LICENSE LIGHT	COVER LICENSE LIGHT	1	
	80108	80108-LKG7-E00	STAY RR FENDER	STAY RR FENDER	1	
	83550	83550-KEC8-900	COLLAR	COLLAR	4	
	83551	83551-KEC8-900	GROMMET COVER **KEC8-9000	GROMMET COVER **KEC8-9000 C.2005.09.01	4	

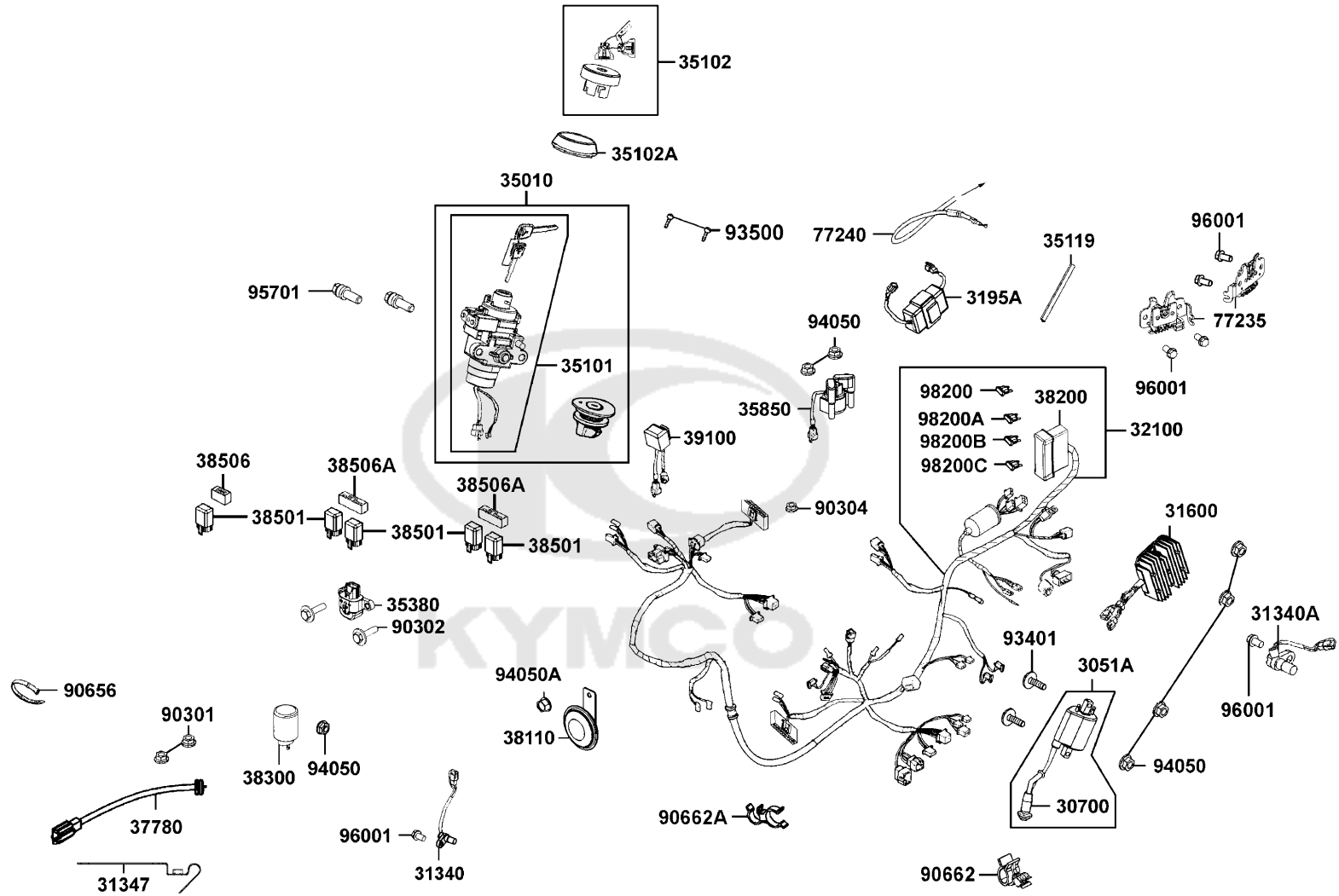


Sales mark	Ref no	Part no	Description	Reg description	Regd no	F18
90215		90215-KKC4-900	NUT CAP 6MM	NUT CAP 6MM	2	
90302		90302-GBR2-001	BOLT WASH 5*16	BOLT WASH 5*16	2	
90302A		90302-PWA5-900	BOLT-WASH 5*12	BOLT-WASH 5*12	4	
93404		93404-06016-06	BOLT WASHER 6*16	BOLT WASHER 6*16	3	
93903		93903-25260	SCREW TAPPING 5X12	SCREW TAPPING 5X12	19	
93903A		93903-34360	SCREW TAPPING 4X12	SCREW TAPPING 4X12	7	
94050		94050-05080	NUT FLANGE 5MM	NUT FLANGE 5MM	1	

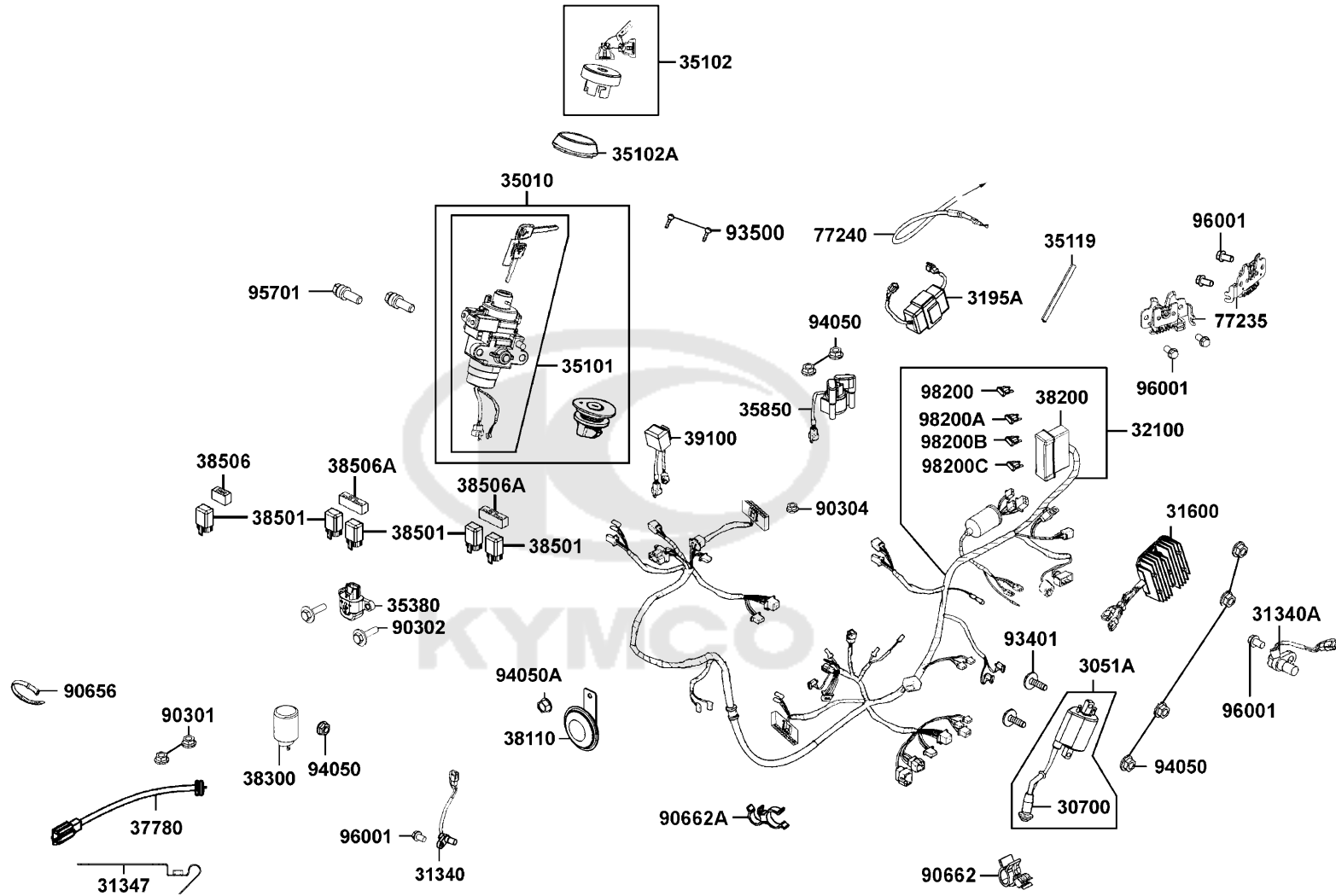




Sales mark	Ref no	Part no	Description	Reg description	Regd no	F19
	3051A	3051A-LKG5-E00	COIL ASSY IGN	COIL ASSY IGN	1	
	30700	30700-LGM5-900	CAP ASSY NOISE SUPPERSOR	CAP ASSY NOISE SUPPRESOR	1	
	31340	31340-LEA7-E00	SENSOR FR WHEEL SPEED	SENSOR FR WHEEL SPEED	1	
	31340A	31340-LFH1-E00	SENSOR RR WHEEL SPEED	SENSOR RR WHEEL SPEED	1	
	31347	31347-ACD5-E00	CLAMPER SPEED SENSOR	CLAMPER SPEED SENSOR	1	
	31600	31600-PRB8-900	REG RECT COMP	REG RECT COMP	1	
	3195A	3195A-ACD5-E00	CONTROL ASSY..HAZARD	CONTROL ASSY..HAZARD	1	
	32100	32100-AAG3-E02	HARNESS WIRE	HARNESS WIRE	1	
	35010	35010-ACD5-325	KEY SET COMB	KEY SET COMB	1	
	35101	35101-ACD5-315	KEY SET LOCK& COMB	KEY SET LOCK& COMB	1	
	35102	35102-ACD5-315	SHUTTER SET MAGNETIC LOCK	SHUTTER SET MAGNETIC LOCK	1	
	35102A	35102-ACD5-E00	COLLAR MAIN SW	COLLAR MAIN SW	1	
	35119	35119-KHC4-90B	COVER SEAT CABLE	COVER SEAT CABLE	1	
	35380	35380-ABE1-E00	SENSOR ANGLE DETECT (D106)	SENSOR ANGLE DETECT	1	
	35850	35850-KHB4-90A	SET START MAG (D402)	SET START MAG (D402)	1	
	37780	37780-ACD5-E00	SENSOR ASSY. ROOM TEMP	SENSOR ASSY. ROOM TEMP	1	
	38110	38110-KHB4-E0A	HORN COMP (D405)	HORN COMP (D405)	1	
	38110	38110-KHB4-E0B	HORN COMP (D203)	HORN COMP (D203)	1	
	38200	38200-KHE7-900	BOX COMP FUSE	BOX COMP FUSE	1	
	38300	38300-LFB6-700	RELAY ASSY WINKER	RELAY ASSY.. WINKER	1	



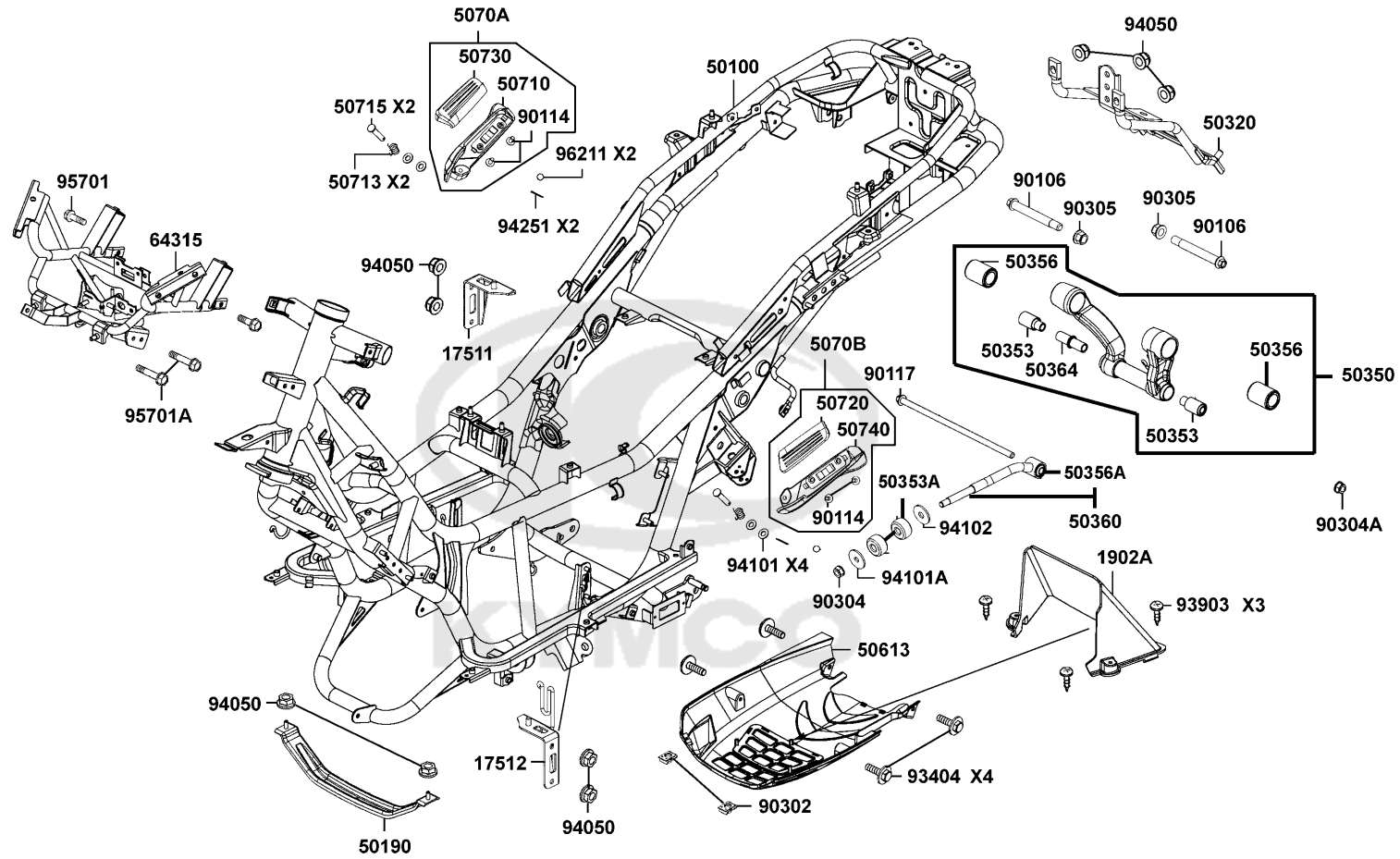
Sales mark	Ref no	Part no	Description	Reg description	Regd no	F19
	38501	38501-LGL3-90A	RELAY COMP LIGHT	RELAY COMP LIGHT	5	
	38506	38506-KHD8-900	CUSHION START RELAY	CUSHION START RELAY	1	
	38506A	38506-LFB6-900	CUSHION.RELAY	CUSHION.RELAY	2	
	39100	39100-ACD5-E00	EMI FILTER FAN MOTOR	EMI FILTER FAN MOTOR	1	
	77235	77235-ZZA6-E00	SEAT CATCH COMP	SEAT CATCH COMP	2	
	77240	77240-ACD5-E30	CABLE ASSY SEAT LOCK	CABLE ASSY SEAT LOCK	1	
	90301	90301-6D34-671	NUT FLANGE 6MM	NUT FLANGE 6MM	2	
	90302	90302-GFY6-940	BOLT-WASH 5*16	BOLT-WASH 5*16	2	
	90304	90304-ZZA6-E00	NUT CAP 6MM	NUT CAP 6MM	1	
**	90656	90656-KUDU-900	BAND HARNESS WIRE **KUDU-900	BAND HARNESS WIRE **KUDU-900 C.2005.05.	1	
	90662	90662-ACD5-E00	HARNESS CLAMP D27-D8	HARNESS CLAMP D27-D8	1	
	90662A	90662-ZZA6-E01	HARNESS CLAMP D23-D18	HARNESS CLAMP D23-D18	1	
	93401	93401-04025-06	BOLT WASHER 4X25	BOLT WASHER 4*25	1	
	93500	93500-KHC4-90A	SCREW PAN 5*10	SCREW PAN 5*10	2	
	94050	94050-06060	NUT FLANGE 6MM	NUT FLANGE 6MM	5	
	94050A	94050-08060	NUT FLANGE 8MM	NUT FLANGE 8MM	1	
	95701	95701-LEA5-E00	BOLT TORQUE 8*25 **(0) C.2007.01.22	BOLT TORQUE 8*25 **(0) C.2007.01.22	2	
	96001	96001-06012-06	BOLT FLANGE SH 6*12	BOLT FLANGE SH 6*12	4	
	98200	98200-31000	BLADE FUSE 10A **(0) C.2005.03.01	BLADE FUSE 10A **(0) C.2005.03.01	2	
	98200A	98200-31500	FUSE A15	FUSE A15	2	



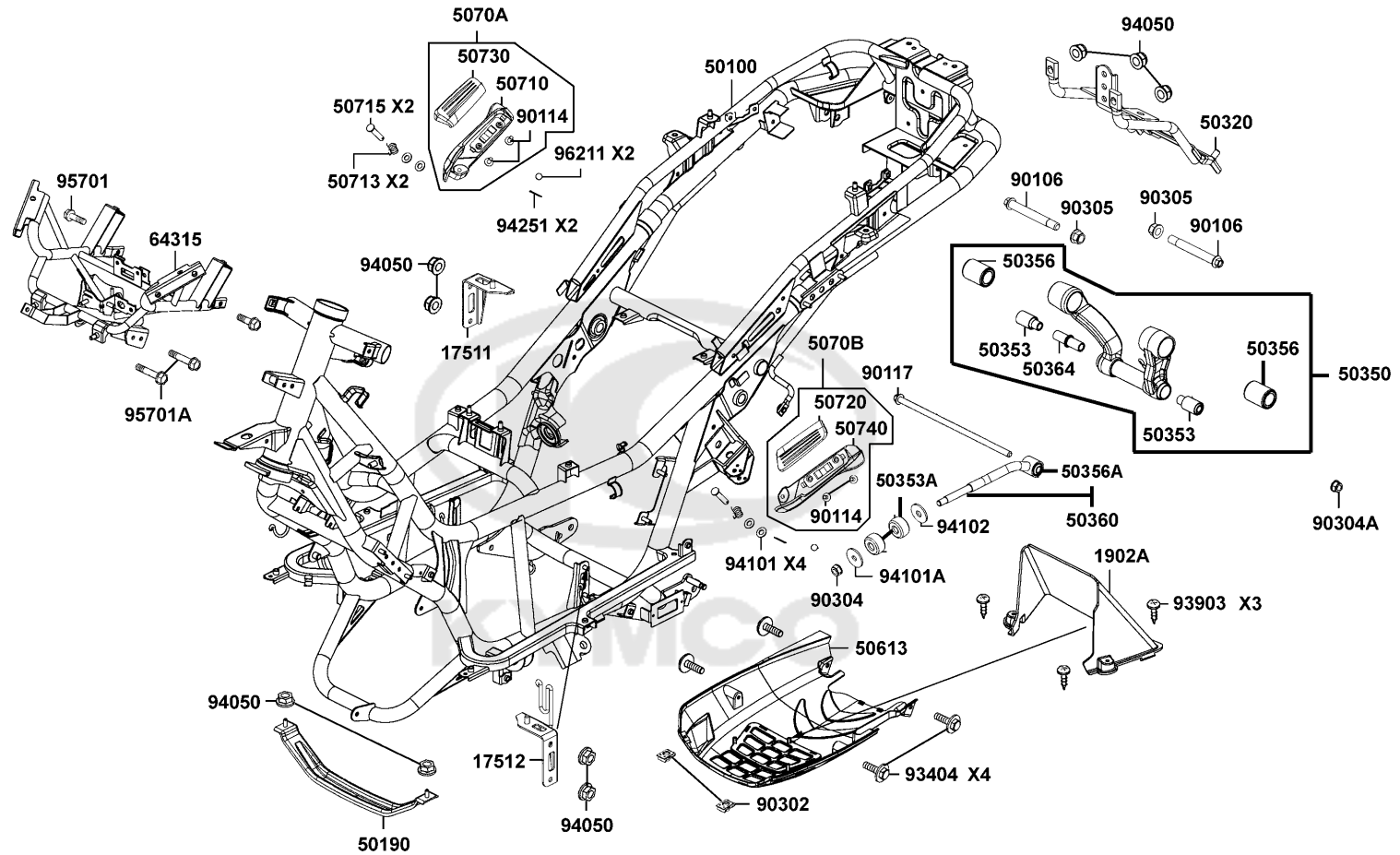
Sales mark	Ref no	Part no	Description	Reg description	Regd no	F19
------------	--------	---------	-------------	-----------------	---------	------------

	98200B	98200-32500	BLADE FUSE 25A	BLADE FUSE 25A	1	
	98200C	98200-33000	BLADE FUSE 30A	BLADE FUSE 30A	1	

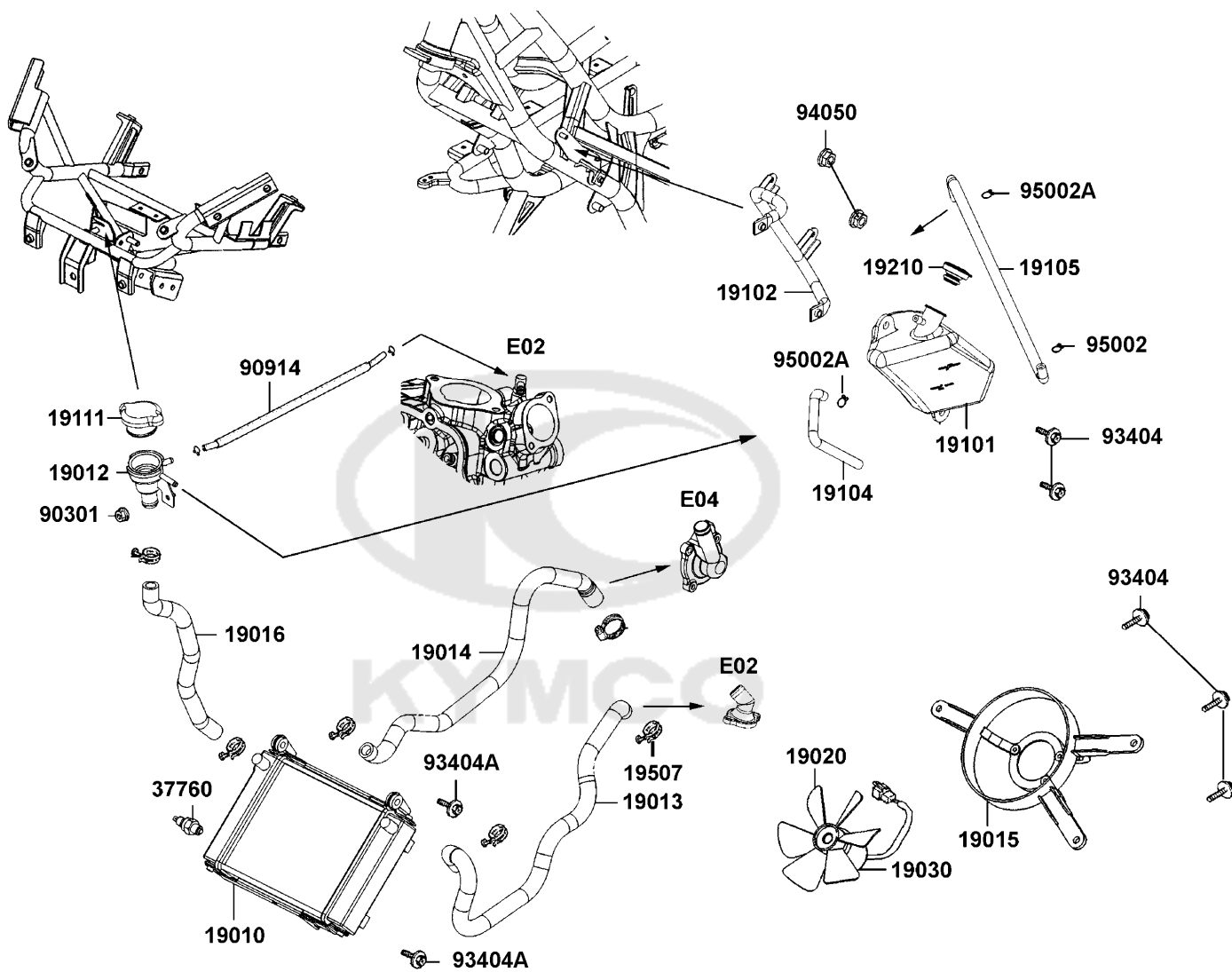




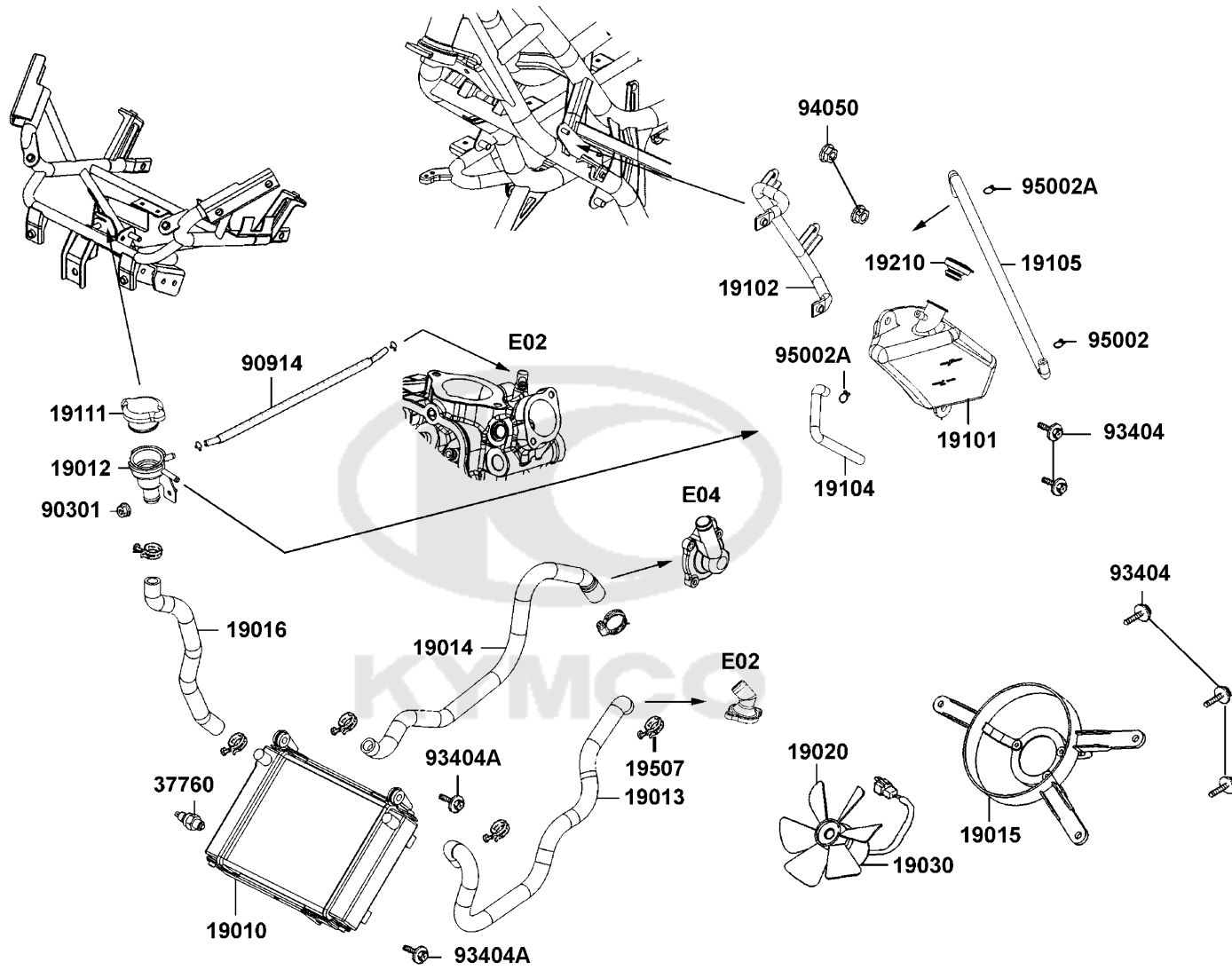
Sales mark	Ref no	Part no	Description	Reg description	Regd no	F20
	17511	17511-ACD5-E00	STAY R FUEL TANK	STAY R FUEL TANK	1	
	17512	17512-ACD5-E00	STAY L FUEL TANK	STAY L FUEL TANK	1	
	1902A	1902A-ACD5-E00	COVER ASSY RADIATOR	COVER ASSY RADIATOR	1	
#	50100	50100-AAG3-315	BODY ASSY FRAME	BODY ASSY FRAME	1	
	50190	50190-LEA7-E00	PROTECTOR UNDER COVER	PROTECTOR UNDER COVER	1	
	50320	50320-ACD5-E00	STAY REAR FENDER	STAY REAR FENDER	1	
	50350	50350-LFA7-E00	HANGER ASSY. ENG	HANGER ASSY. ENG	1	
	50353	50353-KGN7-901	BUSH A ENG HANGER	BUSH A ENG HANGER	2	
	50353A	50353-LEA7-E00	RUBBER STOPPER	RUBBER STOPPER	2	
	50356	50356-LFA7-E00	RUB BUSH ENG HANGER	RUB BUSH ENG HANGER	2	
	50356A	50356-LFA7-E01	RUB BUSH TIE ROD	RUB BUSH TIE ROD	1	
	50360	50360-LFA7-E00	TIE ROD ASSY. ENG HANGER	TIE ROD ASSY. ENG HANGER	1	
	50364	50364-KEBE-900	COLLAR B ENG HANGER	COLLAR B ENG HANGER	1	
**	50613	50613-ACD5-E00	COVER UNDER (Black)	COVER UNDER (Black)	1	
**	5070A	5070A-ACD5-E00	BAR ASSY R RR STEP (Flat Silver)	BAR ASSY R RR STEP (Flat Silver)	1	
**	5070B	5070B-ACD5-E00	BAR ASSY L RR STEP (Flat Silver)	BAR ASSY L RR STEP (Flat Silver)	1	
**	50710	50710-ACD5-E00	BAR R RR STEP (Flat Silver)	BAR R RR STEP (Flat Silver)	1	
	50713	50713-KEB7-900	SPRING	SPRING	2	
	50715	50715-KEB7-900	PIN RR STEP	PIN RR STEP	2	
**	50720	50720-ACD5-E00	BAR L RR STEP (Flat Silver)	BAR L RR STEP (Flat Silver)	1	



Sales mark	Ref no	Part no	Description	Reg description	Regd no	F20
50730		50730-LKG7-E00	RUEEER COMP R RR STEP	RUEEER COMP R RR STEP	1	
50740		50740-LKG7-E00	RUBBER COMP L RR STEP	RUBBER COMP L RR STEP	1	
64315		64315-ACD5-E00	BRKT FR COVER	BRKT FR COVER	1	
90106		90106-LEA7-E00	BOLT FLANGE 15*118	BOLT FLANGE 15X118	2	
90114		90114-KED9-900	SCREW PAN 6*12	SCREW PAN 6*12	2	
90117		90117-KED9-950	BOLT FLANGER 10*265	BOLT FLANGER 10X265	1	
90302		90302-LKB9-900	NUT SPRING 5MM	NUT SPRING 5MM	2	
90304		90304-LBD4-900	NUT U FLANGE 10MM	NUT U FLANGE 10MM	1	
90304A		90304-LEA1-900	NUT U FLANGE 10MM	NUT U 10MM	1	
90305		90305-LBD4-900	NUT U 14MM	NUT U 14MM	2	
93404		93404-06016-06	BOLT WASHER 6*16	BOLT WASHER 6*16	4	
93903		93903-25260	SCREW TAPPING 5X12	SCREW TAPPING 5X12	3	
94050		94050-06060	NUT FLANGE 6MM	NUT FLANGE 6MM	9	
94101		94101-06000	WASHER PLAIN 6MM	WASHER PLAIN 6MM	4	
94101A		94101-LBA2-E00	WASHER PLATE 10.5*38*3.0	WASHER PLATE 10.5*38*3.0	1	
94102		94102-LBA2-E00	WASHER PLAIN 38*12.5*3	WASHER PLAIN 38*12.5*3	1	
94251		94251-08400	PIN LOCK 8MM	PIN LOCK 8MM	2	
95701		95701-06016-06	BOLT FLANGE 6*16 (K)	BOLT FLANGE 6*16 (K)	2	
95701A		95701-06045-06	BOLT FLANGE 6*45	BOLT FLANGE 6*45	2	
96211		96211-08000	BALL STEEL #8	BALL STEEL #8	2	



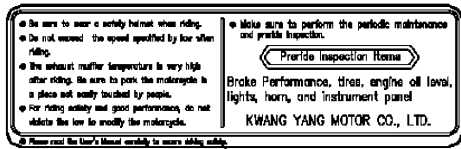
Sales mark	Ref no	Part no	Description	Reg description	Regd no	F21
19010		19010-LFA7-E00	RADIATOR COMP	RADIATOR COMP	1	
19012		19012-KHD8-900	UNIT RADIATOR	UNIT RADIATOR	1	
19013		19013-LFA7-E00	HOSE WATER INLET	HOSE WATER INLET	1	
19014		19014-AAG3-E00	HOSE WATER OUTLET	HOSE WATER OUTLET	1	
19015		19015-LEA5-E00	SHROUD COMP	SHROUD COMP	1	
19016		19016-LEA7-E01	HOSEWATER-UNIT CAP	HOSE WATER-UNIT CAP	1	
19020		19020-KED9-900	FAN COOLING	FAN COOLING	1	
19030		19030-KHD8-900	MOTOR	MOTOR	1	
19101		19101-ACD5-E00	TANK RESERVE	TANK RESERVE	1	
19102		19102-ACD5-E00	STAY.RES TANK	STAY.RES TANK	1	
19104		19104-ACD5-E00	HOSE ASSY DRAIN	HOSE ASSY DRAIN	1	
19105		19105-LEA7-E00	HOSE ASSY RESERVE	HOSE ASSY RESERVE	1	
19111		19111-PRB3-900	CAP COMP RADIATOR	CAP COMP RADIATOR	1	
19210		19210-KKC4-900	CAP RESERVE TANK	CAP RESERVE TANK	1	
19507		19507-LDB5-E00	CLAMP D 28	CLAMP D 28	6	
37760		37760-KHD8-900	SW ASSY THERMO	SW ASSY THERMO	1	
90301		90301-6D34-671	NUT FLANGE 6MM	NUT FLANGE 6MM	1	
90914		90914-LFA7-E00	TUBE ASSY WATER	TUBE ASSY WATER	1	
93404		93404-06016-06	BOLT WASHER 6*16	BOLT WASHER 6*16	5	
93404A		93404-06025-06	BOLT WASHER 6*25	BOLT WASHER 6*25	2	



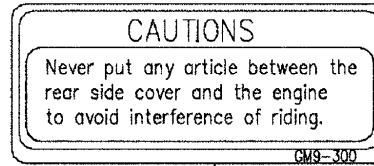
Sales mark	Ref no	Part no	Description	Reg description	Regd no	F21
------------	--------	---------	-------------	-----------------	---------	------------

94050	94050-06060	94050-06060	NUT FLANGE 6MM	NUT FLANGE 6MM	2	
95002	95002-02100	95002-02100	CLIP B15 TUBE	CLIP B15 TUBE	1	
95002A	95002-70000	95002-70000	CLIP C11 TUBE	CLIP C11 TUBE	2	

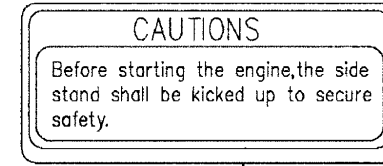




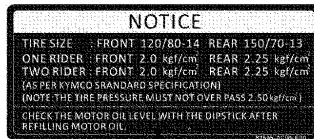
87560



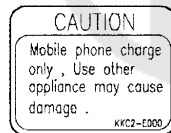
87542



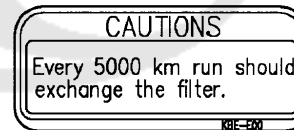
87541



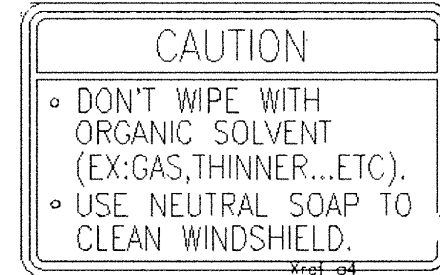
87505



87541A



87512



87508

Sales mark	Ref no	Part no	Description	Reg description	Regd no	F22
**	87505	87505-ACD5-E00	LABEL TIRE	LABEL TIRE	1	
**	87508	87508-KKC4-E00	LABEL CLEANNESS CAUTION	LABEL CLEANNESS CAUTION	1	
**	87512	87512-KEBE-E00	CAUTION FILTER	CAUTION FILTER	1	
**	87541	87541-GAR1-E00	CAUTION SIDE STAND	CAUTION SIDE STAND	1	
**	87541A	87541-KKC2-E00	CAUTION MOBILE PHONE	CAUTION MOBILE PHONE	1	
**	87542	87542-GAR1-E00	MARK MAINT CAUTION	MARK MAINT CAUTION	1	
**	87560	87560-GFY6-E00	MARK DRIVE CAUTION	MARK DRIVE CAUTION	1	





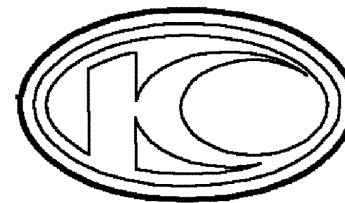
86202



86332



86730



86102



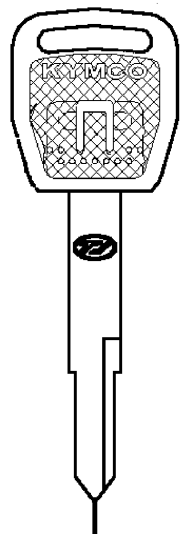
87206

Sales mark	Ref no	Part no	Description	Reg description	Regd no	F23
**	86202	86202-LFA7-E30	EMB BODY COVER	EMB BODY COVER	2	
**	86332	86332-AAG3-E00	EMB SKIRT	EMB SKIRT	2	
**	86730	86730-ACD5-E00	STRIPE LEG SHIELD UP	STRIPE LEG SHIELD UP	2	
**	87206	87206-ACD5-E00	EMB MARK KYMCO	EMB MARK KYMCO	1	

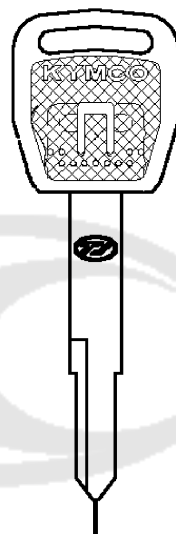


F24

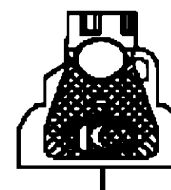
Key Comp



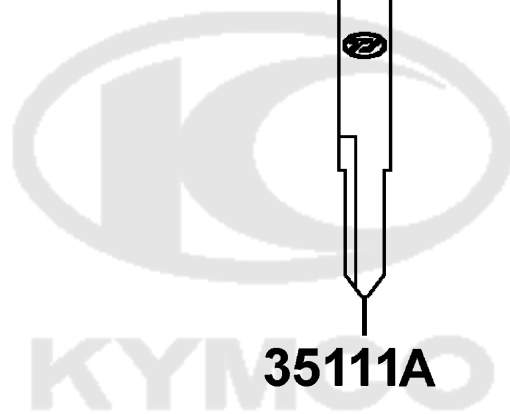
35111



35111A



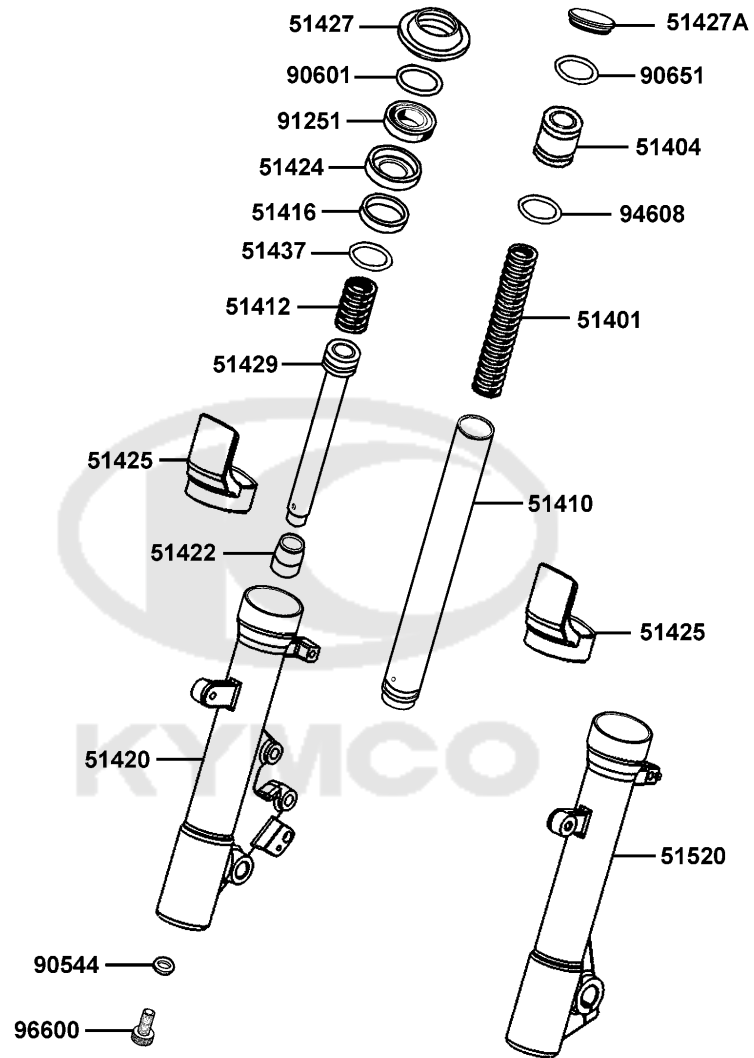
35111B



Sales mark	Ref no	Part no	Description	Reg description	Regd no	F24
	35111	35111-LDC1-305-M2	KEY COMP (R TANGENT PLANE/TJ)	KEY COMP (R TANGENT PLANE/TJ)	1	
	35111A	35111-LDC1-306-M2	KEY COMP (L TANGENT PLANE/TJ)	KEY COMP (L TANGENT PLANE/TJ)	1	
	35111B	35111-LEA1-307-M2	KEY COMP SHOTTER MAGNETIC (TJ)	KEY COMP SHOTTER MAGNETIC (TJ)	1	



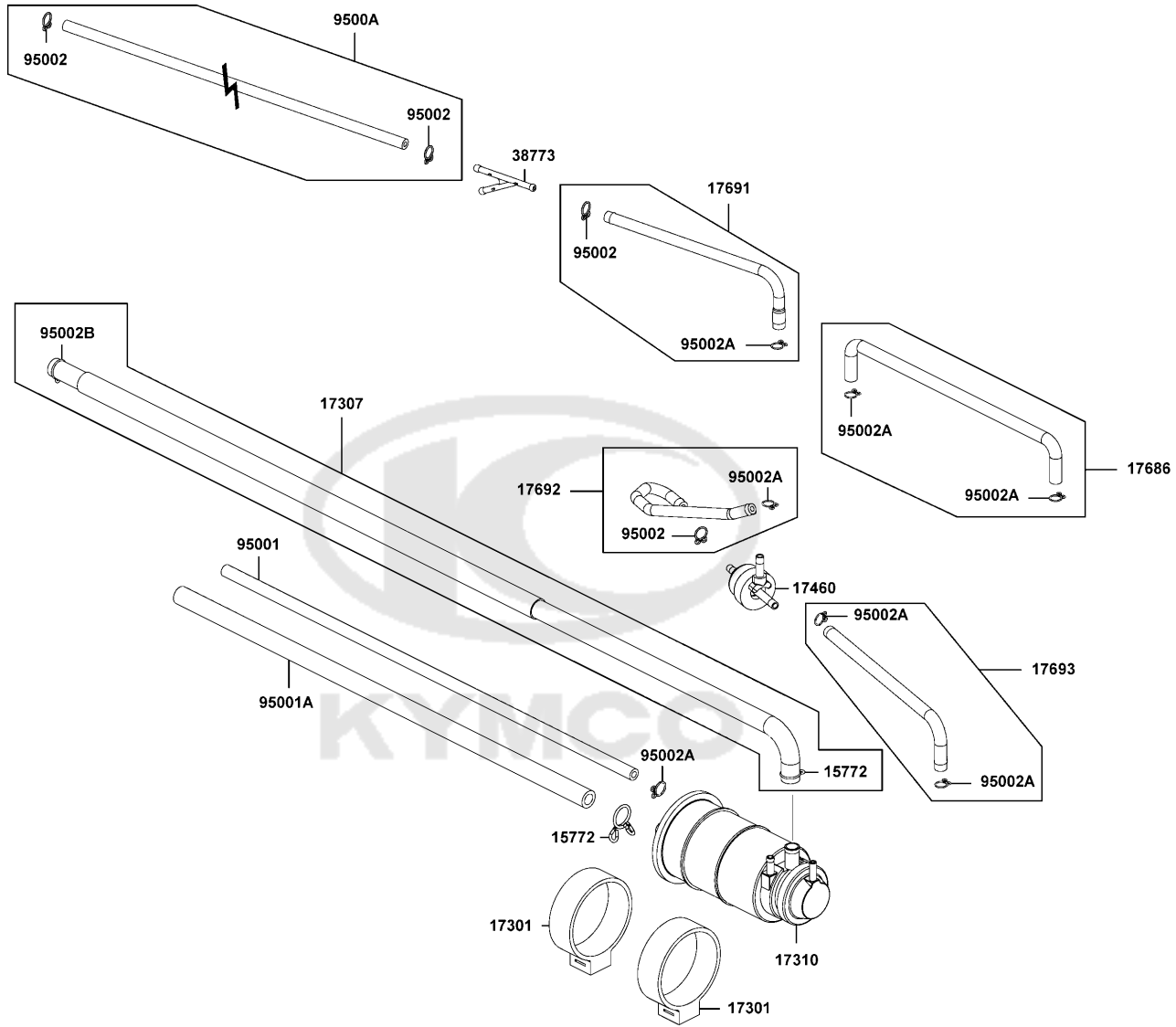
Separated Parts Of Fr Fork



Sales mark	Ref no	Part no	Description	Reg description	Regd no	F25
	51401	51401-LDH1-E00	SPRING	SPRING	2	
	51404	51404-LDH1-E00	SPRING COLLAR	SPRING COLLAR	2	
	51410	51410-LEA7-E00	FORK PIPE COMP	FORK PIPE COMP	2	
	51412	51412-LLJ3-E00	REBOUND SPRING	REBOUND SPRING	2	
	51416	51416-LDH1-E00	GUIDE BUSH	GUIDE BUSH	2	
**	51420	51420-ACD5-E00	BOTTOM CASE R	BOTTOM CASE R	1	
	51422	51422-KED9-900	OIL LOCK PIECE	OIL LOCK PIECE	2	
	51424	51424-LDH1-E00	SPACER	SPACER	2	
	51425	51425-LEA7-E00	FORK FENDER	FORK FENDER	2	
	51427	51427-LDH1-E00	DUST SEAL	DUST SEAL	2	
	51427A	51427-LLJ3-E00	FORK BOLT CAP	FORK BOLT CAP	2	
	51429	51429-AAG3-E30	PIPE SEAT COMP	PIPE SEAT COMP	2	
	51437	51437-LDH1-E00	PISTON RING	PISTON RING	2	
**	51520	51520-ACD5-E00	BOTTOM CASE L	BOTTOM CASE L	1	
	90544	90544-KEC8-900	PACKING	PACKING	2	
	90601	90601-LLJ3-E00	OIL SEAL STOPPER RING	OIL SEAL STOPPER RING	2	
	90651	90651-LLJ3-E00	STOPPER RING	STOPPER RING	2	
	91251	91251-LLJ3-E00	OIL SEAL	OIL SEAL	2	
	94608	94608-LLJ3-E00	O-RING	O-RING	2	
	96600	96600-LBA2-E00	SOCKET BOLT	SOCKET BOLT	2	

F26

Canster Pcv ASSY



Sales mark	Ref no	Part no	Description	Reg description	Regd no	F26
	15772	15772-5L00-013	CLIP B14.5 TUBE	CLIP B14.5 TUBE	2	
#	17301	17301-GFY6-940	RUBBER CANISTER MOUNT	RUBBER CANISTER MOUNT	2	
	17307	17307-AAG3-E00	TUBE A ASSY CANISTER AIR/C	TUBE A ASSY CANISTER AIR/C	1	
#	17310	17310-KED9-90A	CANISTER COMP	CANISTER COMP	1	
	17460	17460-KED9-M31	VALVE COMP VAPOR CONTROL	VALVE COMP VAPOR CONTROL	1	
	17686	17686-LFA7-E32	TUBE FUEL FILLER	TUBE FUEL FILLER	1	
	17691	17691-LFA7-E32	TUBE ASSY	TUBE ASSY	1	
	17692	17692-LFA7-E32	TUBE ASSY	TUBE ASSY	1	
	17693	17693-LFA7-E32	TUBE ASSY	TUBE ASSY	1	
	38773	38773-KEC3-900	JOINT ASSY TANK CAP	JOINT ASSY TANK CAP	1	
	95001	95001-45330-40	TUBE FUEL 4.5*330	TUBE FUEL 4.5*330	1	
	95001A	95001-80330-40	TUBE FUEL 8.0*330	TUBE FUEL 8.0*330	1	
	95002	95002-02070	CLIP B7 TUBE	CLIP B7 TUBE	3	
	95002A	95002-02080	CLIP B8 TUBE	CLIP B8 TUBE	2	
	95002B	95002-41250-00	CLIP D12.5 TUBE	CLIP D12.5 TUBE	1	
	9500A	9500A-LFA7-E32	TUBE ASSY INLET PIPE-CANISTER	TUBE ASSY INLET PIPE-CANISTER	1	



87546

KYMCO

Sales mark	Ref no	Part no	Description	Reg description	Regd no	F27
------------	--------	---------	-------------	-----------------	---------	------------

# **	87546	87546-ADG5-E00	LABEL FUEL TANK	LABEL FUEL TANK	1	
------	-------	----------------	-----------------	-----------------	---	--



PART NO. INDEX

PART NO.	VERSION	PAGE	PART NO.	VERSION	PAGE	PART NO.	VERSION	PAGE
1000	0	F10	11395-LFA7-E00	3	E01	14321-LEB1-900	4	E02
			12000			14401-LFA7-E00	6	E03
						14420-LEB1-900	4	E02
1614-A22C-0000-Y			12100-LFA7-E00	7	E03	14430-LEB1-900	4	E02
3000	0	F10	12191-LFA7-E00	1	E03	14433-LEB1-900	2	E02
			12200-ACJ1-E00	5	E02	14434-LEB1-900	1	E02
			12205-KHE8-301	5	E02	14452-LFA7-E00	3	E02
3791-HN80-0000			12209-LEA2-90A	2	E02	14453-LFA7-E00	5	E02
11000	0	E01	12251-LFA7-E00	2	E02	14510-LEB1-900	2	E03
			12310-LFA7-E00	6	E02	14510-LEB1-90B	1	E03
			12361-GFY6-901	1	E04	14520-LFA7-E00	1	E03
11100-LFA7-305			12391-LFA7-E00	2	E02	14523-KED9-920	1	E03
11103-KHE7-90A	1	E01				14531-GLR0-001	1	E03
11192-LFA7-E00	4	E01	13000			14610-LEB1-900	1	E03
11200-LFA7-305	0	E01				14610-LEB1-90B	2	E03
11203-LBA2-E00	2	E01	13000-LFA7-E00	15	E03	14711-LFA7-E00	3	E02
11203-LBA2-E00	2	F16	13011-LEB1-90B	0	E03	14721-LFA7-E00	3	E02
11212-ACJ1-E00	1	F13	13101-LFA7-E00	9	E03	14751-KHD6-900	2	E02
1121A-ZWA3-E00	1	F13	13111-LFA7-E00	3	E03	14771-LEA2-900	2	E02
1122A-LEB1-900	6	E01	13406-LFA7-E00	4	E02	14777-LFA7-E00	2	E02
11330-LFA7-E00	9	E04				14781-KKE5-E00	2	E02
11340-LFA7-E00	4	E01	14000					
11342-LFA7-900	1	E01				15000		
11345-LFB5-900	2	E01	14100-LFA7-E00	6	E02	15100-KEBE-900	0	E06
11346-GFY6-901	0	E01	14110-LEB1-900	3	E02	15133-KAM1-001	1	E06
11394-LFA7-E00	6	E04						

PART NO. INDEX

PART NO.	VERSION	PAGE	PART NO.	VERSION	PAGE	PART NO.	VERSION	PAGE
15141-KKJ9-004	0	E06	16170-KEC3-900	0	E08	17550-LEA7-800	5	F10
1541A-LEA7-E00	6	E01	16195-KEC3-900	0	E08	17561-LHG8-E00	1	F10
15421-1G07-001	1	E04	16201-ACJ1-E00	2	E02	17561-LKB9-900	1	F10
15421-KKC3-900	1	E01	16211-ACJ1-E00	1	E02	17581-LEA7-E00	1	F10
15422-KKC3-900	3	E01				17620-LEA7-315-M2	0	F10
15423-KKC3-900	1	E01	17000			17685-KZCZ-900	0	F05
15426-GAE1-921	0	E04				17685-LFA7-E00	6	F10
1565A-KUDU-900	0	E04	1711A-LFA7-E00	9	E02	17686-LFA7-E32	0	F26
15711-LFA7-E00	2	E06	17211-LFA7-E00	1	F13	17691-LFA7-E32	0	F26
15772-5L00-013	1	F26	17213-LEA7-E00	2	F13	17692-LFA7-E32	0	F26
16000			17214-LEA7-E00	2	F13	17693-LFA7-E32	0	F26
			17236-ACJ1-E00	2	F13	17910-AAG3-E00	2	F03
			1723A-ACJ1-E00	0	F13	17911-AAG3-E00	1	F03
16056-LFA7-E00	5	E08	1723B-LFA7-E00	2	F13			
16068-LFA7-E01	1	E08	17254-ACD5-B80	0	F13	18000		
16074-KEC3-900	4	E08	17301-GFY6-940	3	F26			
16100-AAG3-E02	3	E08	17307-AAG3-E00	0	F26	18291-KEBE-900	1	F14
16110-LFA7-E00	4	E08	17308-ACJ1-E00	0	F13	18291-LBA7-900	2	F14
16112-KKE3-900	1	E08	17310-KED9-90A	3	F26	18292-KEBE-900	1	F14
16112-LEB2-900	1	E08	17359-4K19-671	0	F13	18293-KEBE-900	1	F14
16118-KEC3-900	0	E08	1737A-KUDU-900	0	F13	18293-LGE5-900	0	F14
16122-KEC3-900	1	E08	17460-KED9-M31	0	F26	18294-KEBE-900	1	F14
16133-KEC3-900	1	E08	17500-LEA7-900	7	F10	18294-KTCT-900	1	F14
16134-LFA7-E00	4	E08	17511-ACD5-E00	1	F20	18306-LGE5-E00	3	F14
16138-KEC3-900	1	E08	17512-ACD5-E00	1	F20	1830A-AAG3-E04	0	F14
16154-KKE3-900	4	E08	17530-KGB5-900	1	F05	18318-LGE7-E01	0	F14

PART NO. INDEX

PART NO.	VERSION	PAGE	PART NO.	VERSION	PAGE	PART NO.	VERSION	PAGE	
18325-AAG3-E03	0	F14	19232-LBA2-E00	2	E04	22804-GBB2-001	0	E05	
18325-AAG3-E03	1	F14	19300-LFA7-E0A	1	E02	23000			
19000			19300-LFA7-E0B	2	E02				
			19315-LFA7-E00	6	E02				
			19411-LFG2-E00	1	F06		2301A-ACJ1-E00	4	E05
			19507-LDB5-E00	1	F21		23100-ACJ1-E00	1	E05
	19010-LFA7-E00	0	F21			23200-AAG1-900	0	E05	
19012-KHD8-900	4	F21	21000		23220-AAG1-900	0	E05		
19013-LFA7-E00	6	F21			23225-GHC8-004	0	E05		
19014-AAG3-E00	0	F21			23226-GHC8-004	0	E05		
19015-LEA5-E00	1	F21		21301-LFA7-E00	2	E07	23233-LKC6-900	1	E05
19016-LEA7-E01	4	F21		21395-LFA7-E00	2	E07	23237-GFY6-941	0	E05
19020-KED9-900	1	F21	22000		23238-LKE7-900	1	E05		
1902A-ACD5-E00	0	F20			23411-ACJ1-E00	2	E07		
19030-KHD8-900	2	F21			23420-ACJ1-E00	1	E07		
19101-ACD5-E00	0	F21		22101-KEBE-900	1	E05	23431-LFA7-E00	6	E07
19102-ACD5-E00	2	F21		22102-ACJ1-E00	2	E05	23432-LGE7-E00	2	E07
19103-KAAA-900	0	F13	22105-ACH7-600	2	E05	28000			
19104-ACD5-E00	0	F21	22110-AAG1-900	0	E05				
19105-LEA7-E00	2	F21	22112-KAAA-900	0	E05				
19111-PRB3-900	2	F21	22121-KKE3-305	0	E05		28101-KKJ9-011	0	E06
19210-KKC4-900	0	F21	22130-AAG1-910	2	E05		28102-LFA7-E00	1	E06
19215-KHE7-900	0	E04	22300-ACJ1-E00	2	E05	28103-LFA7-E00	2	E06	
19217-ZPA3-E00	2	E04	22350-LEA6-900	2	E05	28110-LFA7-E00	4	E06	
19221-LFA7-E00	3	E04	22361-KGN7-671	1	E05	28113-LFA7-E00	6	E06	
19229-LFA7-E00	1	E04	22401-LLB1-900	1	E05	28120-KEBE-305	0	E06	
19231-LFA7-E00	3	E04	22530-LKG2-900	2	E05				

PART NO. INDEX

PART NO.	VERSION	PAGE	PART NO.	VERSION	PAGE	PART NO.	VERSION	PAGE
28125-4F26-001	0	E06	32411-ACD5-E00	1	F11			
28126-KUDU-900	1	E06	32412-AAG3-E00	1	E04	34000		
30000			33000			34901-LEC8-E00	0	F01
3051A-LKG5-E00	4	F19	33100-ACD5-315	0	F01	34903-KPCP-900	0	F18
30700-LGM5-900	3	F19	33130-LKG7-E00	0	F01	34905-LCA5-E00	0	F18
31000			33180-LKG7-E00	0	F01	35000		
31110-LFA7-E0B	3	E06	33400-ACD5-E00	4	F17	35010-ACD5-325	0	F19
31120-AAG3-E00	1	E06	33450-ACD5-E00	4	F17	35101-ACD5-315	0	F19
31210-LEB1-90A	4	E06	33700-ACD5-316	0	F18	35102-ACD5-315	0	F19
31340-LEA7-E00	3	F19	33700-ACD5-E30	0	F18	35102-ACD5-E00	0	F19
31340-LFH1-E00	1	F19	33706-ACD5-E00	0	F18	35111-LDC1-305-M2	0	F24
31347-ACD5-E00	0	F19	33710-ACD5-315	0	F18	35111-LDC1-306-M2	0	F24
31500-KFAF-90A	9	F11	33720-LBB5-E00	3	F18	35111-LEA1-307-M2	0	F24
31500-KFAF-90B	9	F11	33726-LBB5-E00	1	F18	35119-KHC4-90B	0	F19
31600-PRB8-900	2	F19	33731-KHC5-M00	2	F06	3515A-LDB2-B80	0	F03
3195A-ACD5-E00	1	F19	33734-LEA7-M30	0	F06	3520A-KEBE-900	3	F03
32000			33739-LEA7-M30	0	F06	35340-LKF5-E01	2	F04
32100-AAG3-E02	4	F19	33741-KHC5-M00	1	F18	35350-LKF5-E01	1	F04
32101-LEA7-E00	1	E02	33760-ACD5-315	0	F18	35370-LLJ3-E00	5	F15
32410-LLB1-900	2	E06	33900-LKF5-E00	3	F12	35380-ABE1-E00	2	F19
			33902-LHG7-E00	0	F12	35390-LKF5-E00	4	F12
			33903-LHG7-E00	0	F12	35850-KHB4-90A	5	F19

PART NO. INDEX

PART NO.	VERSION	PAGE	PART NO.	VERSION	PAGE	PART NO.	VERSION	PAGE
37000			39300-LEB2-800	1	E02	43210-LGE5-E00	0	F08
			39301-LEB2-910	4	E02	43351-LKG7-E00	0	F08
			39302-KKE3-900	2	E02	43352-KKD6-E90	1	F08
37200-AAG3-E30	0	F02	39303-LEB2-900	2	E02	43352-LEA7-E01	4	F08
37211-LEA7-E00	0	F02	39306-LEB2-305	0	E02	43353-4A61-77A	0	F08
37213-KKE5-E00	0	F02	39307-LEB2-305	0	E02	43353-KED9-900	0	F07
37720-KGB5-900	0	E02	39400-LDF2-800	3	E02	4335A-LBA2-E01	2	F07
37750-PAC1-005	0	E02	39450-LEA6-800	5	F14	43530-LEA7-305	1	F04
37760-KHD8-900	1	F21						
37780-ACD5-E00	1	F19	42000			44000		
38000			42311-LEA7-E00	3	F08	44301-LEA7-950	0	F07
			42312-LEA7-E00	1	F08	44311-LEA7-E00	2	F07
38110-KHB4-E0A	2	F19	42601-LEA7-E00	7	F08	44312-LEA7-E00	4	F07
38110-KHB4-E0B	3	F19	42710-ACD5-E30	3	F08	44600-LEA7-305	0	F07
38200-KHE7-900	0	F19	42753-0F06-900	1	F07	44620-LEA7-E00	3	F07
38300-LFB6-700	2	F19	42753-0F06-900	1	F08	44710-ACD5-E30	4	F07
38501-LGL3-90A	4	F19						
38506-KHD8-900	0	F19	43000			45000		
38506-LFB6-900	0	F19	43100-AAG3-E00	2	F08	45105-LGE5-305	0	F07
38773-KEC3-900	0	F26	43105-LGE5-306	0	F08	45107-KED9-E00	0	F08
38900-ACD5-E00	7	F05	43126-ACD5-E01	9	F04	45107-LGE5-E00	0	F07
39000			43127-ACD5-E01	4	F04	45108-LGE5-E00	0	F07
			43156-LDB2-900	2	F16	45109-GBE2-007	0	F07
39100-ACD5-E00	0	F19	43156-LEA7-E00	2	F16	45109-LGE5-E00	0	F07

PART NO. INDEX

PART NO.	VERSION	PAGE	PART NO.	VERSION	PAGE	PART NO.	VERSION	PAGE	
45126-ACD5-E01	3	F04	49110-LGE5-E01	0	F04	50550-KKC2-E00	0	F15	
45127-ACD5-E01	3	F04	49211-LFH1-E00	1	F04	50613-ACD5-E00	0	F20	
45128-LBA2-920	3	F06	50000			5070A-ACD5-E00	0	F20	
45129-LBA2-900	2	F06		5070A-ACD5-E00	3	F20			
4512A-LEA7-E00	7	F07		5070B-ACD5-E00	0	F20			
45130-LGE5-E00	0	F07		5070B-ACD5-E00	3	F20			
45131-LGE5-E00	0	F08		50100-AAG3-315	0	F20	50710-ACD5-E00	3	F20
45134-KED9-900	0	F07		50190-LEA7-E00	2	F20	50713-KEB7-900	0	F03
45156-LKG7-E00	0	F07		50306-1F96-001	0	F06	50713-KEB7-900	0	F20
45200-LKG7-E00	5	F07		50320-ACD5-E00	0	F20	50715-KEB7-900	0	F20
45203-KED9-900	0	F07		50326-LGJ8-900	5	F12	50720-ACD5-E00	3	F20
45207-LGE5-E00	0	F07		5032A-LEA5-E00	3	F11	50730-LKG7-E00	0	F20
45209-GBE2-007	0	F07	5032A-LEA7-E00	2	F11	50740-LKG7-E00	0	F20	
45209-KED9-900	0	F08	50350-LFA7-E00	0	F20				
45210-LKG7-305	0	F07	50353-KGN7-901	0	F20	51000			
45352-LEA7-E00	4	F07	50353-LEA7-E00	1	F20				
45513-LEA7-E00	1	F04	50356-LFA7-E00	1	F20	51400-AAG3-E30	2	F06	
45517-LBA2-E00	2	F04	50356-LFA7-E01	1	F20	51401-LDH1-E00	0	F25	
45520-KKA8-900	0	F04	50360-LFA7-E00	1	F20	51404-LDH1-E00	0	F25	
45521-LEA7-E00	1	F04	50364-KEBE-900	1	F20	51410-LEA7-E00	0	F25	
45530-LBA2-309	0	F04	50500-AAG3-E00	1	F15	51412-LLJ3-E00	0	F25	
45531-KED9-900	0	F07	50502-LDF7-E10	0	F15	51416-LDH1-E00	0	F25	
			50504-LFA7-E00	3	E01	51420-ACD5-E00	0	F25	
49000			50505-KEBE-900	0	F15	51422-KED9-900	0	F25	
			50505-LEA7-E00	1	F15	51424-LDH1-E00	0	F25	
			50506-KHE7-E00	0	F15	51425-LEA7-E00	2	F25	
49100-ACD5-E01	0	F04	50530-ZZA6-E00	2	F15				

PART NO. INDEX

PART NO.	VERSION	PAGE	PART NO.	VERSION	PAGE	PART NO.	VERSION	PAGE
51427-LDH1-E00	0	F25	53178-LKF5-E00	0	F04	64222-LLJ3-E00	1	F03
51427-LLJ3-E00	0	F25	53200-ACD5-E00	3	F06	64222-LLJ3-E00	1	F06
51429-AAG3-E30	0	F25	53202-ACD5-E00	4	F03	64223-LEA7-E00	5	F03
51430-LGE5-E00	0	F08	53205-ACD5-E00	1	F03	64224-LEA7-E00	1	F03
51437-LDH1-E00	0	F25	53206-ACD5-E00	1	F03	64225-LEA7-E00	2	F03
51500-AAG3-E30	2	F06	53213-LBA2-E00	2	F06	64226-LEA7-E00	2	F03
51520-ACD5-E00	0	F25	53213-LEA7-E00	1	F06	64301-ACD5-E00	1	F05
			53214-ACD5-E00	6	F03	64302-ACD5-E00	1	F05
52000			53214-LBA2-E00	2	F06	64303-ACD5-E00	1	F05
			53220-LBA2-E00	4	F06	64305-ACD5-E00	1	F05
52000-AAG3-E00	6	F16	53240-LEA7-90A	2	F06	64306-ACD5-E00	1	F05
52101-LGE5-E01	0	F16	53250-LEA7-90A	2	F06	64308-ACD5-E00	0	F05
52103-ACD5-E01	0	F16				64309-ACD5-E00	0	F05
52400-ACD5-E30	0	F16	61000			64310-ACD5-E00	0	F05
52407-LLB1-900	1	F04				64311-ACD5-E00	0	F05
52500-ACD5-E30	0	F16	61100-ACD5-E00	0	F06	64313-ACD5-E00	1	F05
			61110-ACD5-E00	1	F05	64315-ACD5-E00	4	F20
53000			61111-ACD5-E00	0	F06	64320-ACD5-E00	0	F05
			61112-ACD5-E00	0	F06	64330-ACD5-E00	0	F05
53100-ACD5-E00	1	F03				64335-ACD5-E00	1	F05
53105-ACD5-E00	3	F03	64000			64340-ACD5-E00	0	F05
53106-ACD5-E00	3	F03				64345-ACD5-E00	0	F05
53125-LEA7-E00	2	F03	64203-ACD5-E00	0	F05	64350-ACD5-E00	0	F05
53140-LHJ3-900	3	F03	64220-ACD5-E63	1	F03	64360-ACD5-E00	0	F05
53150-LEA6-900	6	F03	64221-LEA7-E00	2	F03	64400-ACD5-E00	1	F05
53175-LKF5-E00	0	F04	64222-LEA7-E00	2	F03	64401-ZZA6-E00	0	F05

PART NO. INDEX

PART NO.	VERSION	PAGE	PART NO.	VERSION	PAGE	PART NO.	VERSION	PAGE
77000			8015A-ACD5-E00	0	F05	81252-KKE5-E00	2	F12
			81000			81252-LEA7-E00	1	F12
						81260-ACD5-E01	0	F12
77200-ACD5-339	0	F09				83000		
77206-KEB7-900	0	F09	81122-ACD5-E00	0	F05			
77235-ZZA6-E00	1	F19	81123-ACD5-E00	1	F05			
77240-ACD5-E30	2	F19	81124-ACD5-E00	0	F05	83500-ACD5-E00	1	F12
77300-ACD5-E00	1	F09	81125-ACD5-E00	0	F05	83510-ACD5-E00	0	F05
77303-ZZA6-E00	4	F09	81131-ACD5-E00	0	F05	83520-ACD5-E00	0	F12
77500-LEA7-E00	2	F09	81132-ACD5-E00	0	F05	83530-ACD5-E00	0	F12
77501-LBA2-E00	1	F09	81133-ACD5-E00	1	F05	83532-ACD5-E00	1	F05
			81134-ACD5-E00	0	F05	83534-ACD5-E00	1	F05
80000			81135-ACD5-E00	0	F05	83550-KEC8-900	4	F06
			81136-ACD5-E00	1	F05	83550-KEC8-900	4	F18
80100-ACD5-E01	0	F18	81136-LEA7-E00	2	F05	83551-KEC8-900	4	F06
80101-ACD5-E00	0	F18	8113A-ACD5-E00	7	F05	83551-KEC8-900	4	F18
80103-LEA7-E00	2	F18	8113B-ACD5-E00	7	F05	83600-ACD5-E00	1	F12
80104-LKG7-E00	0	F18	81141-ACD5-E00	0	F05	83610-ACD5-E00	0	F05
80105-ACD5-E00	0	F18	81142-ACD5-E00	0	F05	83620-ACD5-E00	0	F12
80106-LKF5-E00	0	F18	81151-ACD5-E00	1	F05	83630-ACD5-E00	0	F12
80107-LKF5-E00	0	F18	81153-ACD5-E00	1	F03	83750-ACD5-E00	1	F12
80108-LKG7-E00	0	F18	81163-ACD5-E00	1	F03			
80151-ACD5-E00	0	F05	81163-LKJ1-900	3	F05	86000		
80152-ACD5-E00	0	F05	81164-LKJ1-900	0	F05			
80153-LEA7-E00	3	F05	81200-ACD5-E00	3	F12	86102-ALG1-E00	2	F23
80153-LKF5-E00	1	F05	81220-LKG7-E00	0	F12	86102-ALG1-E00	5	F23

PART NO. INDEX

PART NO.	VERSION	PAGE	PART NO.	VERSION	PAGE	PART NO.	VERSION	PAGE
86202-LFA7-E30	3	F23				90106-KFAF-900	2	F12
86332-AAG3-E00	2	F23	89000			90106-KFC2-900	2	F03
86730-ACD5-E00	3	F23				90106-LEA7-E00	1	F20
87000			89010-ACD5-E00	3	F09	90107-ACD5-E00	0	F12
			89020-KKC4-900	1	F09	90107-LEA7-E00	4	F03
						90107-LEA7-E00	4	F06
87206-ACD5-E00	2	F23	90000			90108-KKC4-900	1	F15
87505-ACD5-E00	2	F22				90110-KHD8-900	0	F14
87508-KKC4-E00	2	F22	90001-GBHB-661	3	E03	90112-KNBN-901	1	F11
87512-KEBE-E00	1	F22	90001-GBHB-681	3	F13	90113-KKA8-900	0	F04
87541-GAR1-E00	2	F22	90001-GFY6-901	5	E02	90113-LGE5-E01	0	F04
87541-KKC2-E00	2	F22	90005-KED9-900	2	E03	90114-KED9-900	3	F20
87542-GAR1-E00	3	F22	9000A-KTDT-900	1	E01	90114-LGE5-E01	0	F04
87546-ADG5-E00	2	F27	9000B-KHD6-900	2	E02	90117-KED9-950	1	F20
87560-GFY6-E00	5	F22	90012-3C33-001	1	E02	90122-LEA7-E00	2	F07
88000			90031-KHD6-900	2	E01	90122-LEA7-E00	2	F08
			90032-KHD6-900	2	E01	90145-LEA3-E00	1	F04
			90033-GFY6-900	1	E02	90145-LFH1-E00	1	F04
88110-ACD5-E30	0	F03	90084-KKF9-901	0	E04	90201-KHR8-75A	1	E06
88112-ACD5-E00	0	F03	9008A-PTA1-900	3	E04	90202-KGN7-671	0	E05
88114-ACD5-E00	0	F03	90101-LEA7-E00	1	F14	90206-0A01-001	4	E02
88120-ACD5-E30	0	F03	90103-LGE5-E00	1	F14	90215-KKC4-900	2	F09
88122-ACD5-E00	0	F03	90105-KHB4-900	0	F03	90215-KKC4-900	2	F12
88124-ACD5-E00	0	F03	90105-LEA7-E00	1	F07	90215-KKC4-900	2	F18
88130-KEBE-900	1	F03	90105-LEA7-E00	1	F08	90301-6D34-671	1	F01
			90106-GEN5-901	1	F03	90301-6D34-671	1	F10

PART NO. INDEX

PART NO.	VERSION	PAGE	PART NO.	VERSION	PAGE	PART NO.	VERSION	PAGE
90301-6D34-671	1	F19	90312-LLJ3-E00	1	F06	90701-HFB6-011	2	E03
90301-6D34-671	1	F21	90401-KKJ9-001	0	E06	90754-LLJ3-E00	1	F07
90301-GFY6-901	2	F14	90423-KKJ9-001	0	E04	90914-LFA7-E00	1	F21
90302-GBR2-001	2	F18	90428-9H58-001	0	E04			
90302-GFY6-940	2	F11	90441-GFY6-941	0	E05	91000		
90302-GFY6-940	2	F19	90465-MDC4-001	0	E02			
90302-LBF2-900	2	F16	90474-3C33-001	1	E01	91002-GGA7-70A	0	E05
90302-LKB9-900	4	F03	90478-7L00-001	0	E02	91004-KHE7-900	1	E05
90302-LKB9-900	4	F05	90478-7L00-001	0	E04	91009-KHE7-900	0	E01
90302-LKB9-900	4	F12	90503-LEA7-E00	2	F06	91101-1K79-711	1	E06
90302-LKB9-900	4	F20	9052A-LEB1-900	2	E01	91104-GFY6-90C-B	0	E06
90302-LLB1-E00	2	F03	90544-KEC8-900	0	F25	91104-GFY6-90C-R	0	E06
90302-LLB1-E00	2	F13	90545-3L00-001	2	F04	91202-LEB1-900	2	E01
90302-LLB1-E00	2	F16	90601-LLJ3-E00	0	F25	91202-LFE2-90A	4	E07
90302-PWA5-900	1	F18	90605-1F66-721	0	E05	91202-LKG2-900	1	E04
90302-SDA4-004	3	F12	90651-LLJ3-E00	0	F25	91211-KEBE-900	0	E05
90304-LBD4-900	2	F20	90652-ACD5-B80	0	F13	91251-LLJ3-E00	0	F25
90304-LEA1-900	1	F03	90652-GFY6-901	1	F13	91255-KHE7-900	2	E01
90304-LEA1-900	1	F15	90652-LCA4-E00	6	F12	91255-KHE7-90A	2	E01
90304-LEA1-900	1	F16	90652-LFB5-900	3	F05	91255-LGE5-E00	1	F16
90304-LEA1-900	1	F20	90652-LGJ9-900	2	E02	91255-LLB1-900	2	F16
90304-ZZA6-E00	0	F19	90656-KUDU-900	0	F19	91301-GLR0-005	1	E03
90305-KKAK-900	0	F08	90660-LDE9-E00	1	F13	91301-LEB1-900	1	E02
90305-LBA2-E00	1	F06	90662-ACD5-E00	1	F19	91302-0A01-021	0	E04
90305-LBD4-900	1	F20	90662-ZZA6-E01	0	F19	91302-5G67-004	0	E04
90312-LLJ3-E00	1	F03	90677-GAR1-004	2	F11	91303-3G77-001	0	E04

PART NO. INDEX

PART NO.	VERSION	PAGE	PART NO.	VERSION	PAGE	PART NO.	VERSION	PAGE
91303-KKE5-E00	2	E01	93500-05025-1B	0	F03	93903-45360	0	F03
91306-1E05-691	0	E03	93500-05032-1B	0	F03	93903-45360	0	F05
91307-0E35-001	1	E04	93500-05045-1B	0	F03	93903-45360	0	F12
91351-6B42-000	0	E05	93500-KHC4-90A	0	F19	93903-KEB7-900	1	F03
			93600-04012-1G	0	F04	93903-LHJ8-910	1	F05
92000			93892-04010-06	0	E08			
			93892-05010-06	0	E08	94000		
92000-05016-0G	0	E02	93893-04012-18	0	F04			
92000-LEA6-900	2	E06	93903-24360	0	F05	94050-05080	0	F18
92101-06014-0G	0	E02	93903-25260	1	F03	94050-06060	1	F04
92900-06060-0B	0	E02	93903-25260	1	F05	94050-06060	1	F09
			93903-25260	1	F06	94050-06060	1	F19
93000			93903-25260	1	F12	94050-06060	1	F20
			93903-25260	1	F17	94050-06060	1	F21
93401-04025-06	0	F19	93903-25260	1	F18	94050-06080	2	E02
93401-06022-07	0	F14	93903-25260	1	F20	94050-06080	2	E08
93404-06016-06	1	F03	93903-25360	0	F13	94050-06080	2	F06
93404-06016-06	1	F05	93903-25460	0	F13	94050-08060	0	F19
93404-06016-06	1	F12	93903-34260	0	F03	94050-08080	0	E02
93404-06016-06	1	F15	93903-34360	0	F12	94050-12080	0	E05
93404-06016-06	1	F18	93903-34360	0	F18	94101-06000	0	F20
93404-06016-06	1	F20	93903-34760	0	F05	94101-08600	0	F15
93404-06016-06	1	F21	93903-35360	0	E01	94101-KKE3-900	1	E08
93404-06025-06	0	F21	93903-35360	0	F01	94101-LBA2-E00	1	F20
93500-05016-0F	0	E06	93903-35360	0	F02	94102-LBA2-E00	1	F20
93500-05016-1B	0	F03	93903-35360	0	F03	94111-06800	0	E02

PART NO. INDEX

PART NO.	VERSION	PAGE	PART NO.	VERSION	PAGE	PART NO.	VERSION	PAGE
94111-06800	0	E08	95002-02080	0	F05	95801-10040-06	0	F16
94201-20180	0	F15	95002-02080	0	F26	95801-10045-06	2	F14
94251-08400	0	F20	95002-02100	0	F13	95801-10075-06	0	F16
94301-08140	4	E01	95002-02100	0	F21			
94301-08140	4	E04	95002-41150-00	0	F13	96000		
94301-10160	0	E01	95002-41250-00	0	F13			
94301-10160	0	E02	95002-41250-00	0	F26	96001-06010-00	0	E02
94301-10160	0	E03	95002-50000	0	E01	96001-06010-00	0	E04
94301-KKE5-E00	3	E01	95002-70000	0	F21	96001-06012-06	0	E06
94510-10000	0	E06	95002-LKF5-E00	2	F13	96001-06012-06	0	F06
94510-14000	0	E04	9500A-LFA7-E32	0	F26	96001-06012-06	0	F16
94510-25000	0	E07	95014-72204	0	F15	96001-06012-06	0	F19
94520-28000	0	E05	95701-06008-06	1	F06	96001-06014-06	0	E02
94520-47000	0	F16	95701-06012-06	1	F06	96001-06016-06	0	E01
94591-KFBF-900	2	E02	95701-06012-06	1	F07	96001-06018-06	0	E06
94591-KFBF-900	2	E04	95701-06016-06	1	F20	96001-06022-06	1	E04
94591-LEE8-E00	1	E01	95701-06018-06	0	E01	96001-06025-06	0	E01
94601-14000	0	E03	95701-06025-06	2	E01	96001-06028-06	0	E04
94601-33000	0	E05	95701-06045-06	0	F06	96001-06028-06	0	E06
94608-LLJ3-E00	0	F25	95701-06045-06	0	F20	96001-06028-06	0	F04
			95701-06050-06	0	F04	96001-06030-06	0	E04
95000			95701-08012-06	0	E01	96001-06032-06	0	E01
			95701-LDF2-800	2	F10	96001-06035-06	0	E04
95001-45330-40	0	F26	95701-LEA5-E00	1	F19	96001-06050-06	0	E01
95001-80330-40	0	F26	95801-08040-06	0	F06	96001-06085-06	1	E01
95002-02070	2	F26	95801-10030-06	0	F15	96001-06100-06	0	E02

PART NO. INDEX

PART NO.	VERSION	PAGE	PART NO.	VERSION	PAGE	PART NO.	VERSION	PAGE
96001-06120-06	1	E04	98200-33000	0	F19			
96001-GFY6-900	2	F13						
96001-LAB4-900	3	E02						
96100-60020-00	0	E01						
96100-62020-00	0	E07						
96100-62030-00	0	E01						
96100-63030-00	0	E07						
96100-LFE2-900	1	E07						
96150-60020-10	0	F07						
96150-62040-10	0	F16						
96211-08000	19	F20						
96220-60100	0	E06						
96600-08015-16	0	E06						
96600-LBA2-E00	0	F25						
96600-LGE5-E00	0	F07						
96700-KED9-900	3	F06						
98000								
98059-57916-00	2	E02						
98200-31000	1	F11						
98200-31000	1	F19						
98200-31500	1	F11						
98200-31500	1	F19						
98200-32500	0	F19						
98200-33000	0	F11						