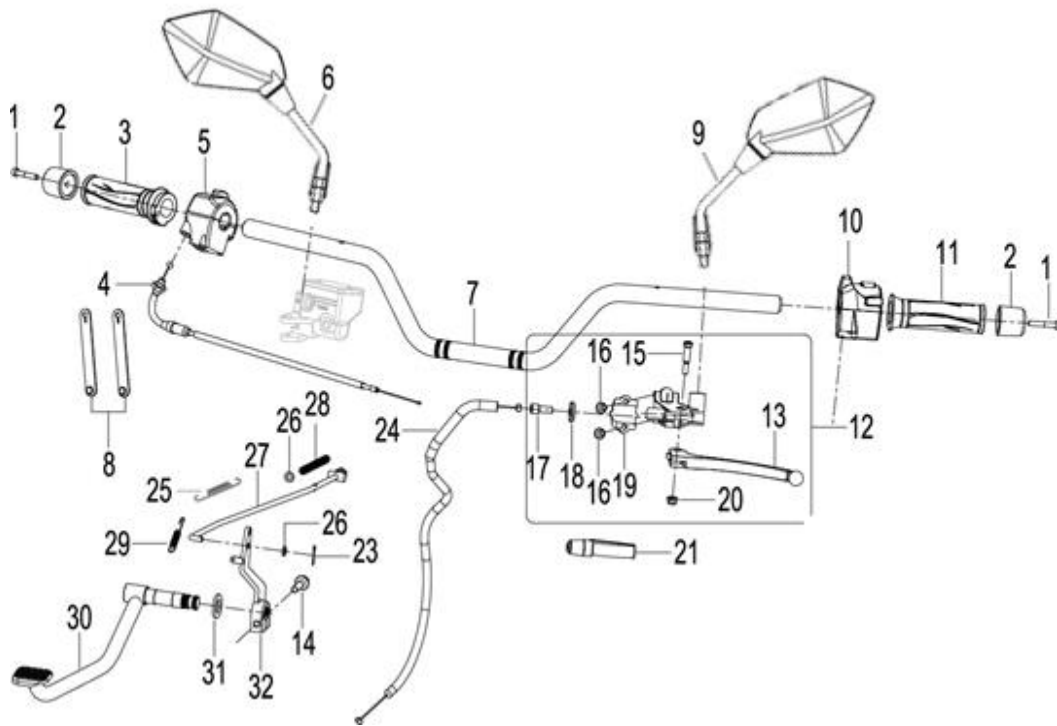


RKS 125 SPORT EVO E4



RKS 125 SPORT EVO E4

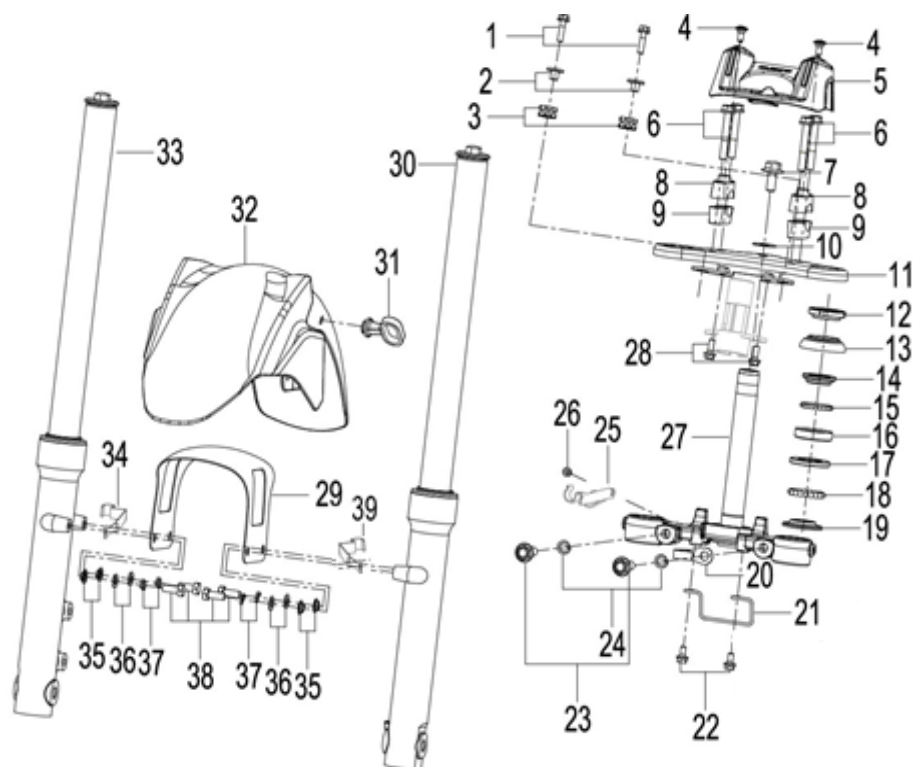
F01 CONTROL ASSY



Nº	CÓDIGO	DESCRIÇÃO	Qt.	OBSERVAÇÕES
1	B0205060356H	INNER HEXAGON SCREW M6x35	2	
2	40031J000022	HANDLE BAR WEIGHT	2	
3	40210J670010	HANDLE GRIP, R	1	
4	40300J830002	CABLE ASSY., THROTTLE	1	
5	40600M140000	HANDLE SWITCH COMP, R	1	LUZES AUTOMÁTICAS
6	40480U210000	MIRROR ASSY., RR. VIEW, R.	1	
7	40100K670012	HANDLERBAR ASSY	1	
8	49371T620000	WIRE CLAMP, AIR CUT VALVE	2	
9	40450U210000	MIRROR ASSY., RR. VIEW,L	1	
10	40500J820001	HANDLE SWITCH COMP, L	1	
11	40001J670010	BUSHING, STEERING HANDLE,L	1	
12	40080J800000	CLUTCH LEVER ASSY	1	
13	40084J800000	CLUTCH LEVER	1	
14	B0109080306H	BOLT M8X30	1	
15	40083K010000	BRAKE LEVER PIVOT SCREW	1	
16	B01070602565	BOLT M6x25	2	
17	45083K010000	SPIRALTUBE,ADJUSTING	1	
18	55064K010000	NUT	1	
19	45023K010000	COVER, FIX	1	
20	B0417060004H	NUT M6	1	
21	40017J130000	RUBBER BOOT, CLUTCH CABLE	1	
23	B090002018AH	COTTER PIN 2x18	1	

RKS 125 SPORT EVO E4

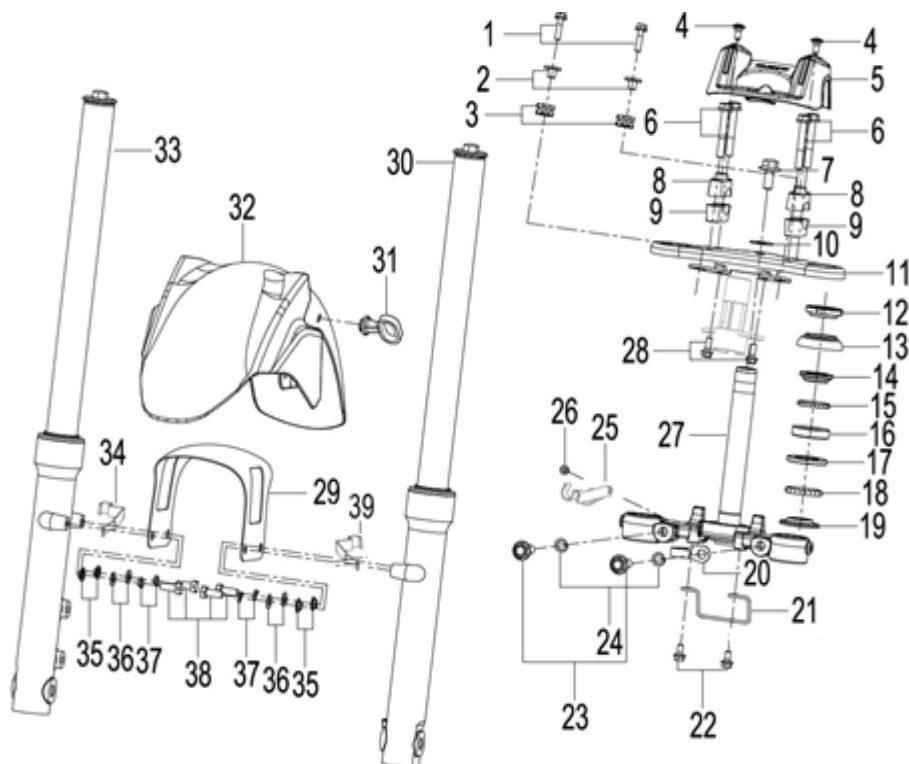
F02 FORK ASSY



Nº	CÓDIGO	DESCRIÇÃO	Qt.	OBSERVAÇÕES
1	B0109060306H	PARAFUSO M6x30	2	
2	65913J820000	BUSH, COVER	2	
3	65618J820000	RUBBER CUSHION, GUARD BOARD	2	
4	B0284060150A	BOLT M6x15.2	2	
5	43005J820000	UPPER STEERING, DUST PROOF COVER	1	
6	B0109080556H	BOLT M8X55	4	
7	43049J000000	BOLT M10x1.25x23	1	
8	43014J020001	SEAT, HANDLERBAR, UPPER	2	
9	43013J000000	SEAT, HANDLE BAR, LOWER	2	
10	43025K670000	GASKET	1	
11	43450J820001	UPPER CONNCTION BOARD	1	
12	43008G130010	STEERING SPECIAL NUT	1	
13	43005G130000	UPPER STEERING, DUST PROOF COVER	1	
14	43001G130000	UPPER STEERING BALL RACE, TOP	1	
15	B06010140000	STEEL BALL 3/16"	23	
16	43002G130000	UPPER STEERING BALL RACE, BOTTOM	1	
17	43003N040000	LOWER STEERING BALL RACE, TOP	1	
18	B06010200000	STEEL BALL 1/4"	19	
19	43004J000000	LOWER STEERING BALL RACE, BOTTOM	1	
20	43057J000070	CLIP, WIRE HARNESS	1	
21	43035J300000	CLIP, WIRE	1	
22	B0109060086H	BOLT M6X8	2	
23	B0159100356H	BOLT M10x1.25x35	2	
24	B0700000100H	SPRING WASHER 10	2	

RKS 125 SPORT EVO E4

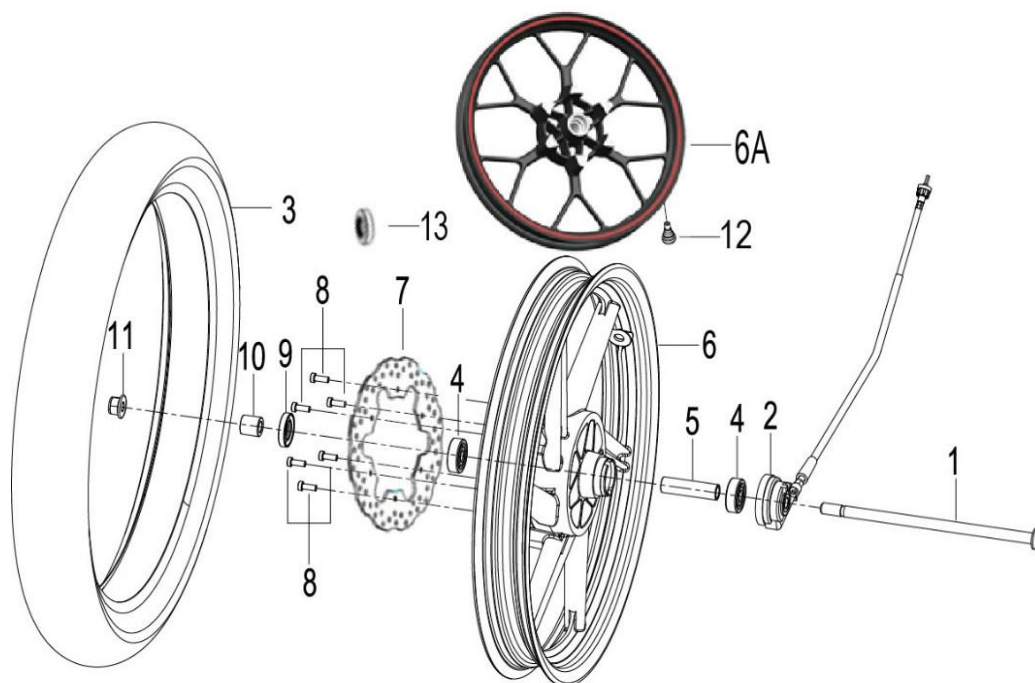
F02 FORK ASSY



N°	CÓDIGO	DESCRIÇÃO	Qt.	OBSERVAÇÕES
25	43150T090100	CLAMP, WIRE	1	
26	B1311060120H	SCREW W/WASHER M6x12	1	
27	43100J820000	LOWER BRIDGE	1	
28	B0109060166H	BOLT M6X12	2	
29	65121J820000	REINFORCE PLATE, FR FENDER	1	
30	43200J82HT00	SUSPENSION, FRONT LH	1	
31	65113J000000	RETAINER RING	1	
32	65101J820160	MUDGUARD, FRONT, WHITE/MATTE BLACK WF/B4	1	S/ AUTOCOLANTES
32	65101J820110	MUDGUARD, FRONT, BLACK/MATTE BLACK BC/B4	1	S/ AUTOCOLANTES
32	65101J820210	MUDGUARD, FRONT, BLUE/MATTE BLACK E4/B4	1	S/ AUTOCOLANTES
32	65101J820220	MUDGUARD, FRONT, RED/MATTE BLACK F9/B4	1	S/ AUTOCOLANTES
33	43300J82HT00	SUSPENSION, FRONT RH	1	
34	65112J820000	HOSE CLAMP, BRAKE HOSE	1	
35	08021J830000	SPECIAL WASHER	4	
36	B0703000080H	WASHER 8	4	
37	B0700000080H	WASHER 8	4	
38	B0102080206H	BOLT M8X20	4	
39	43021J820002	SPEEDOMETER HOLDER CABLE	1	

RKS 125 SPORT EVO E4

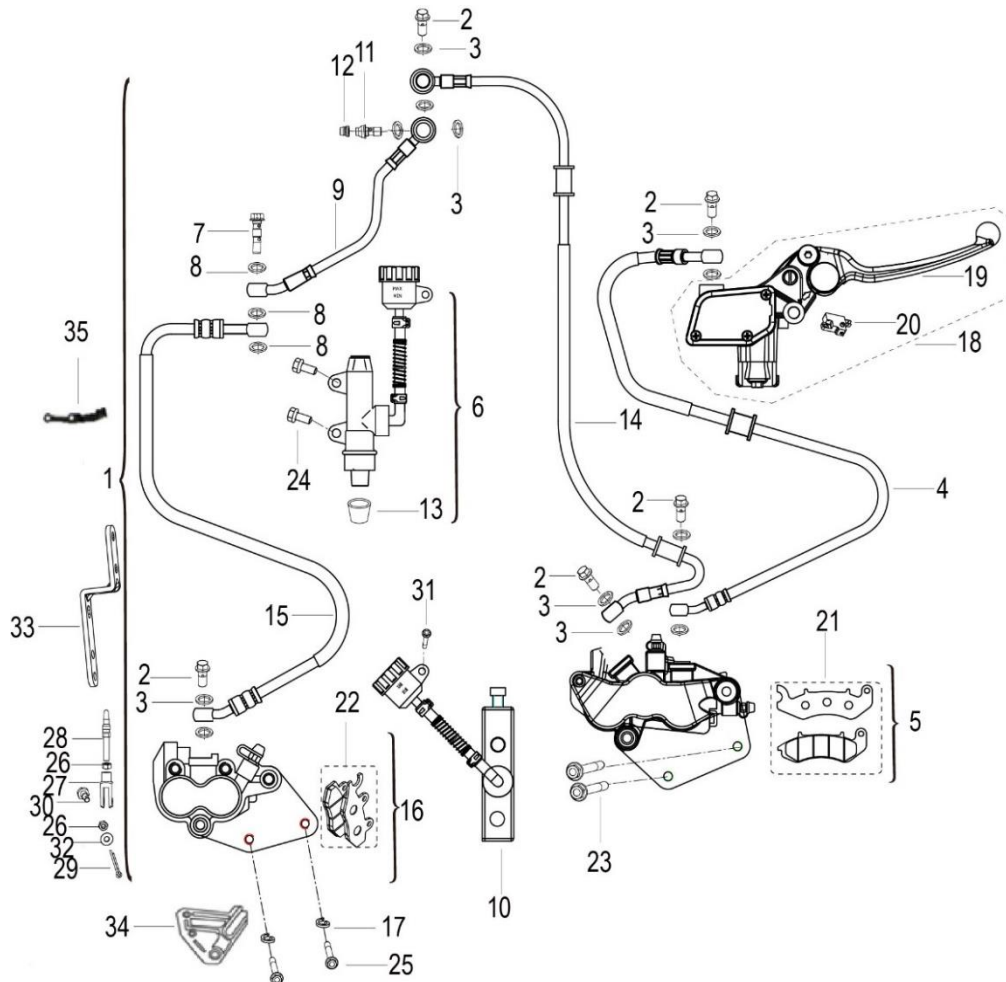
F03 FRONT WHEEL ASSY



Nº	CÓDIGO	DESCRIÇÃO	Qt.	OBSERVAÇÕES
1	44004T090201	FRONT WHEEL SHAFT	1	
2	44200J820001	SPEEDO SENSOR GEARBOX	1	
3	2780100	TIRE 90/90-17	1	PIRELLI
4	B12016030100	BALL BEARING 6301-2RS	2	
5	44006J820000	MID. BUSH, FRONT WHEEL	1	
6A	44101J820004	RIM, FRONT	1	
7	45033J820102	FRONT BRAKE DISK,GOLDEN	1	
8	45036D010000	BOLT, BRAKE DISK	6	
9	44300J000000	OIL SEAL	1	
10	44016J820000	BUSH, FRONT WHEEL, RIGHT	1	
11	B0417121254H	NUT M12	1	
12	B1403Z201100	RIM VALVE	1	
13	44300K100000	OIL SEAL, FR. WHEEL	1	

RKS 125 SPORT EVO E4

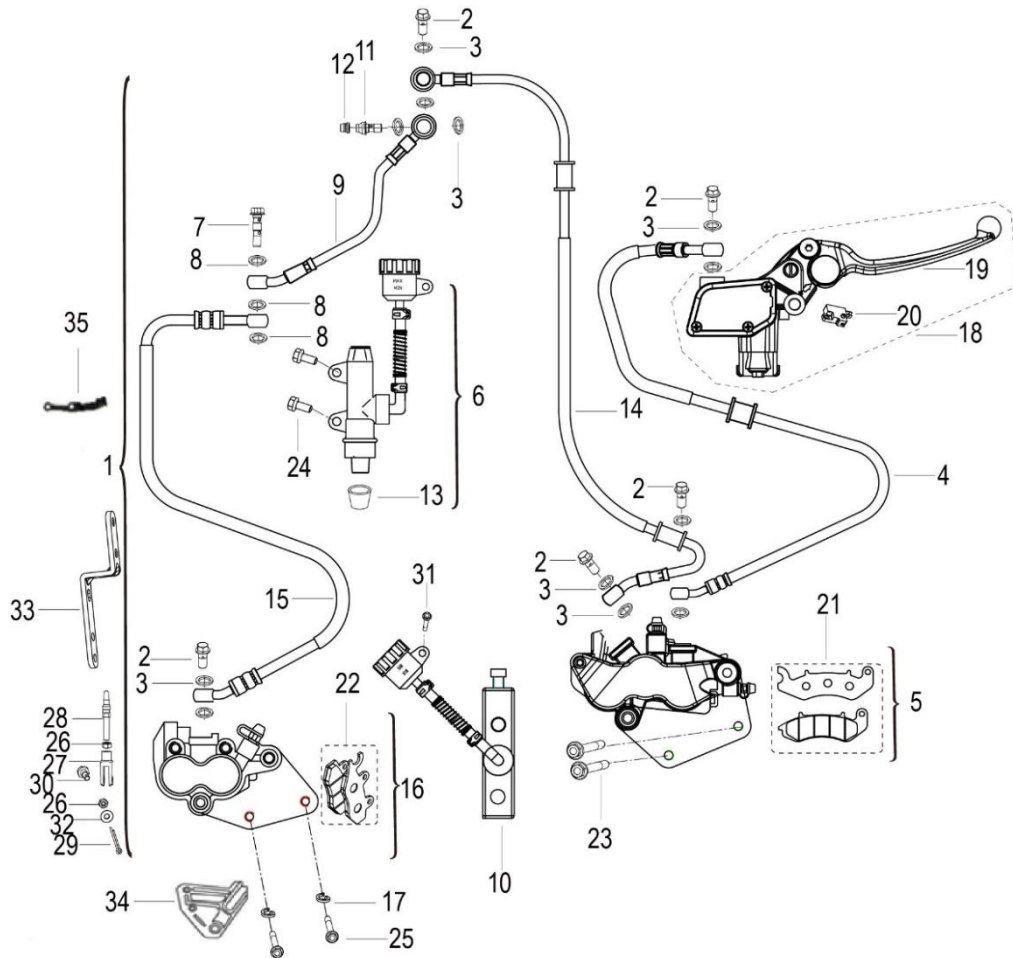
F04 FRONT & REAR DISK BRAKE ASSY



Nº	CÓDIGO	DESCRIÇÃO	Qt.	OBSERVAÇÕES
1	55A00J830002	FRONT&REAR DISC BRAKE ASSY.	1	
2	45037J000000	BOLT	5	
3	45180J000000	WASHER	12	
4	45200J830000	FRONT BRAKE HOSE ASSY	1	
5	45500J820011	FRONT LEFT DISC BRAKE CALIPER ASSY.GOLDEN	1	
6	55400J800001	REAR MASTER CYLINDER ASSY	1	
7	45037P150001	BRAKE HOSE BANJO BOLT	1	
8	45180P300000	WASHER	3	
9	55210J830000	CBS BRAKE HOSE ASSY.I	1	
10	55400J800002	CBS MASTER CYLINDER ASSY.	1	
11	45037P300000	BRAKE HOSE BANJO BOLT	1	
12	45019N100000	VALVE	1	
13	55003J410000	DUSTPROOF COVER	1	
14	55240J830000	CBS REAR BRAKE HOSE ASSY.II	1	
15	55270J830000	CBS REAR BRAKE HOSE ASSY.III	1	
16	55600J000020	REAR DISC BRAKE CALIPER ASSY.GOLDEN	1	
17	B07000000805	WASHER 8MM	2	
18	45400J820000	FRONT MASTER CYLINDER ASSY	1	
19	45020J800000	FRONT BRAKE LEVER	1	

RKS 125 SPORT EVO E4

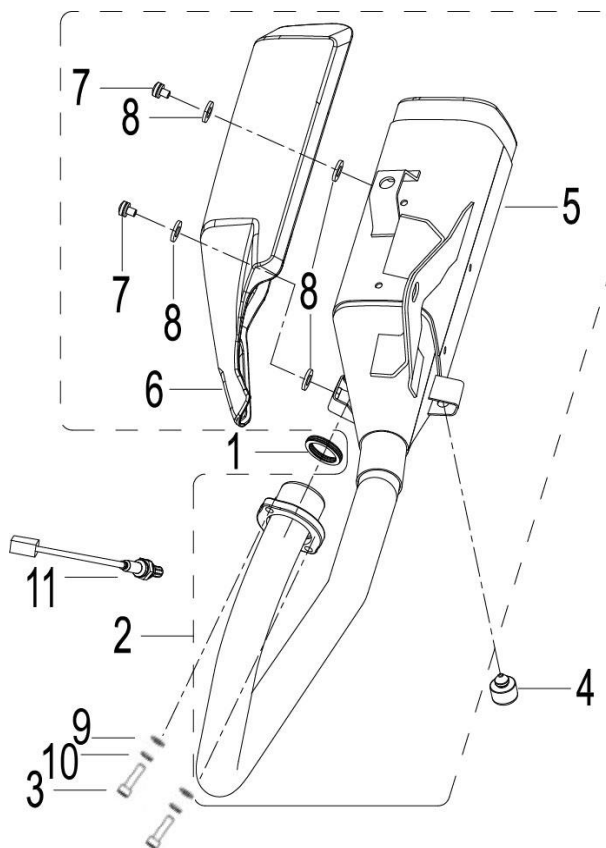
F04 FRONT & REAR DISK BRAKE ASSY



Nº	CÓDIGO	DESCRIÇÃO	Qt.	OBSERVAÇÕES
20	45300J000010	FRONT BRAKE SWITCH	1	
21	45110T740000	FRONT BRAKE PADS	1	
22	45110T400000	REAR BRAKE PADS	1	
23	45039J560200	BOLT M8x30	2	
24	B0107060206H	BOLT M6x20	2	
25	B0109080256H	BOLT M8x25	2	
26	B0400060005H	NUT M6	2	
27	40716M030000	DRAWHEAD	1	
28	55502D010000	ROD END YOKE	1	
29	B090002018AH	COTTER PIN 2x18	1	
30	40717D010100	FIXED BOLT	1	
31	B0109060126H	BOLT M6x12	2	
32	B0703000060H	WASHER 6MM	1	
33	58031J780000	CBS FIXING BOARD	1	
34	55301J000000	BRAKE PLATE FIXING SEAT	1	
35	55038N050000	CLIP, REAR DISK BRAKE	1	

RKS 125 SPORT EVO E4

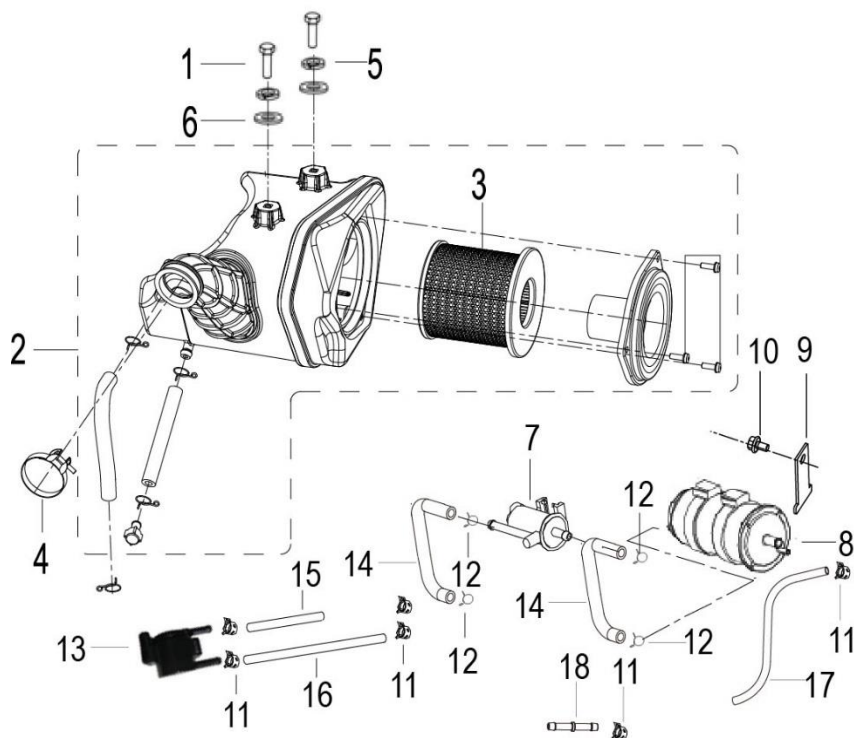
F05 MUFFLER ASSY.



Nº	CÓDIGO	DESCRIÇÃO	Qt.	OBSERVAÇÕES
1	47800J060000	GASKET, EXHAUST PIPE	1	
3	B0205080306L	ALLEN BOLT M8x30	2	
4	47026J000000	RUBBER CUSHION, MUFFLER	1	
5	47100U210003	MUFFLER COMP.with catalyzer	1	
6	47023N22HT00	MUFFLER DECORATED COVER,GREY HT	1	
7	B1304060160H	SCREW W/WASHER M6x16	2	
8	08022N050000	WASHER	4	
9	B07030000804	WASHER	2	
10	B07000000804	WASHER 8	2	
11	280023420000	OXYGEN SENSOR	1	

RKS 125 SPORT EVO E4

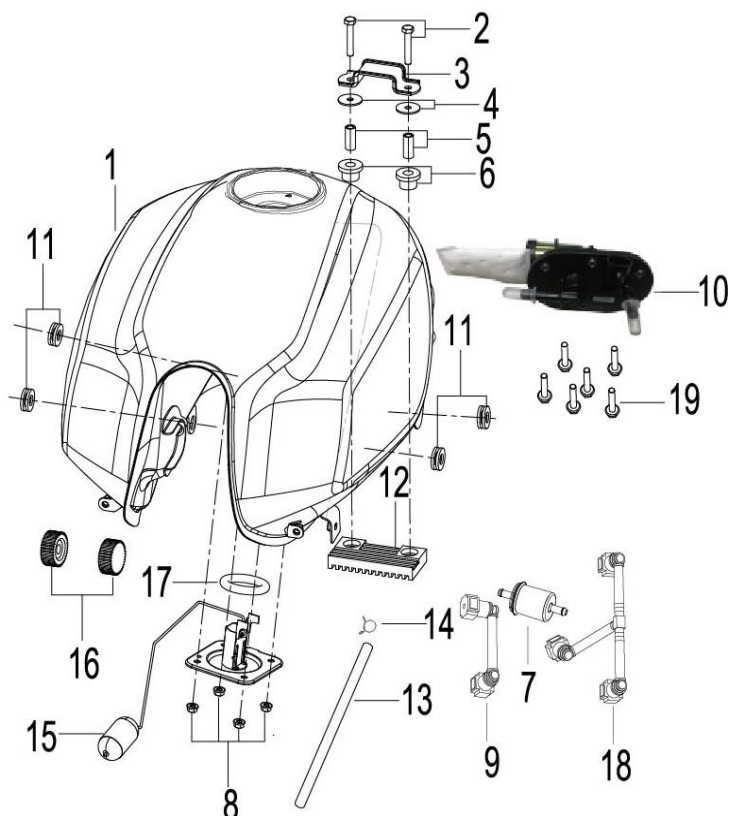
F06 AIR CLEANER ASSY



Nº	CÓDIGO	DESCRIÇÃO	Qt.	OBSERVAÇÕES
1	B0101060162H	BOLT M6X12	2	
2	49100U210001	AIR FILTER ASSY.EFI	1	
3	49200U210000	FILTER ASSY.,material:paper	1	
4	110043090013	CLIP ASSY	1	
5	B0700000060H	SPRING WASHER 6	2	
6	B0703000060H	WASHER 6	2	
7	49710N070000	VALVE EGR	1	
8	49910J680000	CHARCOAL CANISTER	1	
9	57055J690000	CHARCOAL CANISTER BOARD	1	
10	B0109060126H	BOLT M6x12	1	
11	49016B350010	PLATE CLAMP $\phi 8.5 \times 8 \times 0.6$	6	
12	B17010105003	WIRE CLIP $\phi 10.5$	1	
13	50260J820000	VEHICLE DOWN SENSOR	1	
14	49922P100000	PIPE	2	
15	B16010C21401	PIPE 4.5x8.5x140	1	
16	B16010C23201	PIPE 4.5x8.5x320	1	
17	B16010C24001	PIPE 4.5x8.5x400	1	
18	50008K670000	PIPE,THROUGH TWO-DIRECTION	1	

RKS 125 SPORT EVO E4

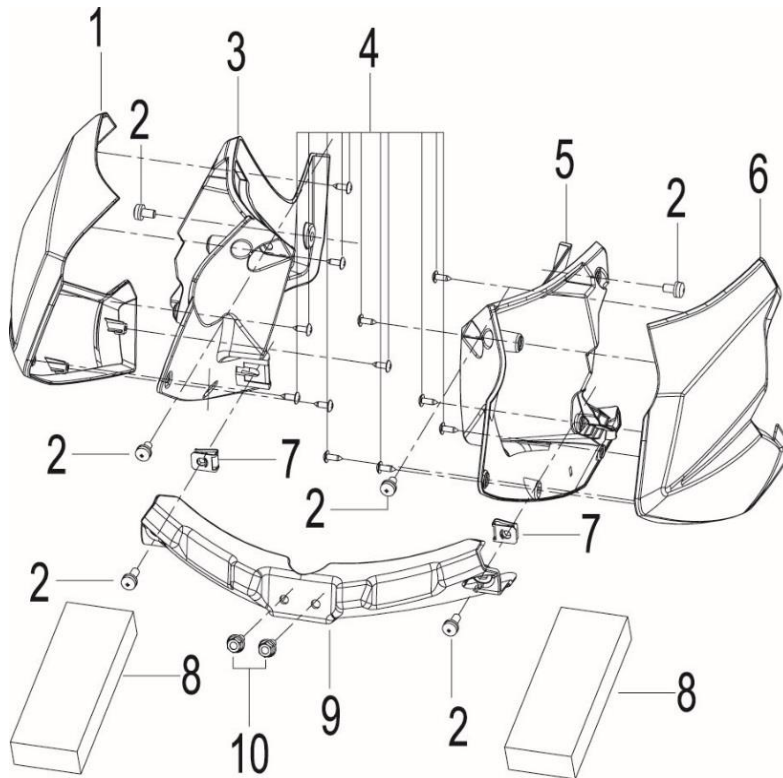
F07 FUEL TANK ASSY



Nº	CÓDIGO	DESCRIÇÃO	Qt.	OBSERVAÇÕES
1	50100U21WF01	FUEL TANK ASSY.,WHITE WF	1	S/ AUTOCOLANTES
1	50100U21BC01	FUEL TANK ASSY.,GRAPHITE BLACK BC	1	S/ AUTOCOLANTES
1	50100U21E401	FUEL TANK ASSY.,BLUE E4	1	S/ AUTOCOLANTES
1	50100U21F901	FUEL TANK ASSY.,RED F9	1	S/ AUTOCOLANTES
1	50100U21092Z	FUEL TANK ASSY.,BLACK BC,with RKS KEEWAY	1	C/ AUTO (RKS 125 SPORT EVO E4)
1	50100U21093Z	FUEL TANK ASSY.,BLUE E4,with RKS KEEWAY	1	C/ AUTO (RKS 125 SPORT EVO E4)
1	50100U21094Z	FUEL TANK ASSY.,RED F9,with RKS KEEWAY	1	C/ AUTO (RKS 125 SPORT EVO E4)
2	B0100060356H	BOLT M6x35	2	
3	50138K980000	MOUNTING, SEAT, FRONT	1	
4	08023J000020	WASHER, MOUNTING	2	
5	50221J000001	CUSHION, FUEL TANK	2	
6	50222J000001	RUBBER SLEEVE	2	
7	50340N070000	FUEL FILTER	1	
8	B0407060005H	NUT M6	4	
9	50080J830000	PIPE II	1	
10	50400J830000	FUEL PUMP ASSY.	1	
11	65618J800000	RUBBER CUSHION, GUARD BOARD	4	
12	50006J000001	MOUNTING PAD, FUEL TANK	1	
13	B16010724001	TUBE $\Phi 7 \times 11 \times 400$	1	
14	B17010105003	WIRE CLIP $\Phi 10.5$	1	
15	50800J820000	FUEL SENSOR ASSY	1	
16	50005J820000	MOUNTING PAD, FUEL TANK	2	
17	50002K020000	RUBBER CUSHION	1	
18	50070J830000	PIPE I	1	
19	B0109050166H	BOLT M5x16	6	

RKS 125 SPORT EVO E4

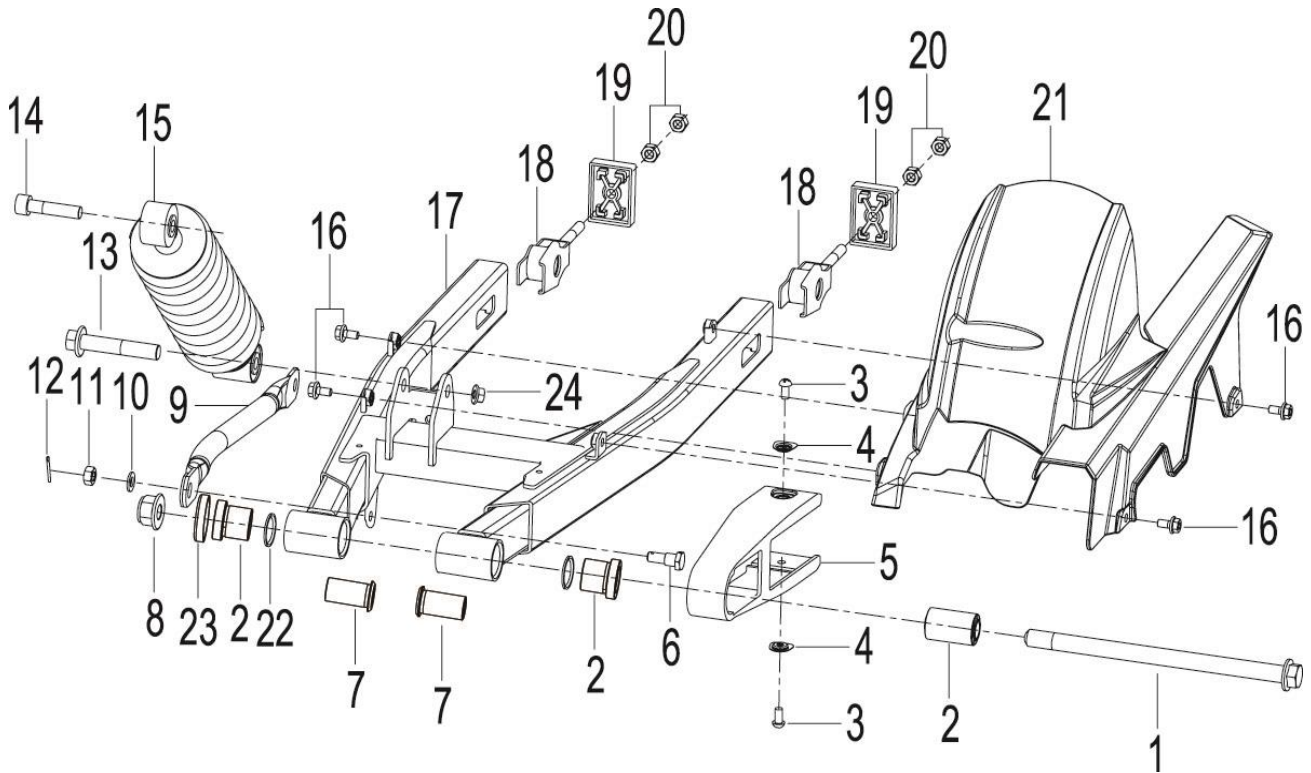
F08 COVER,FUEL TANK ASSY



Nº	CÓDIGO	DESCRIÇÃO	Qt.	OBSERVAÇÕES
1	50016U21WF00	SIDE COVER, FUEL TANK,RH.,WHITE WF	1	S/ AUTOCOLANTE
1	50016U21BC00	SIDE COVER, FUEL TANK,RH.,GRAPHITE BLACK BC	1	S/ AUTOCOLANTE
1	50016U21E400	SIDE COVER, FUEL TANK,RH.,BLUE E4	1	S/ AUTOCOLANTE
1	50016U21F900	SIDE COVER, FUEL TANK,RH.,RED F9	1	S/ AUTOCOLANTE
2	B0206060122H	SCREW M6x12	6	
3	65672U210000	INNER PLATE, FUEL TANK, RH	1	
4	B0507420130H	TAPPING SCREW ST4.2x13	12	
5	65671U210000	INNER PLATE, FUEL TANK, LH	1	
6	50015U21WF00	SIDE COVER, FUEL TANK,LH.,WHITE WF	1	S/ AUTOCOLANTE
6	50015U21BC00	SIDE COVER, FUEL TANK,LH.,GRAPHITE BLACK BC	1	S/ AUTOCOLANTE
6	50015U21E400	SIDE COVER, FUEL TANK,LH.,BLUE E4	1	S/ AUTOCOLANTE
6	50015U21F900	SIDE COVER, FUEL TANK,LH.,RED F9	1	S/ AUTOCOLANTE
7	65625J560000	CLIP NUT M6	2	
8	50026U200000	RUBBER STRIPE	2	
9	65673U210000	INNER PLATE LINKAGE, FUEL TANK	1	
10	B0109060126H	BOLT M6X12	2	

RKS 125 SPORT EVO E4

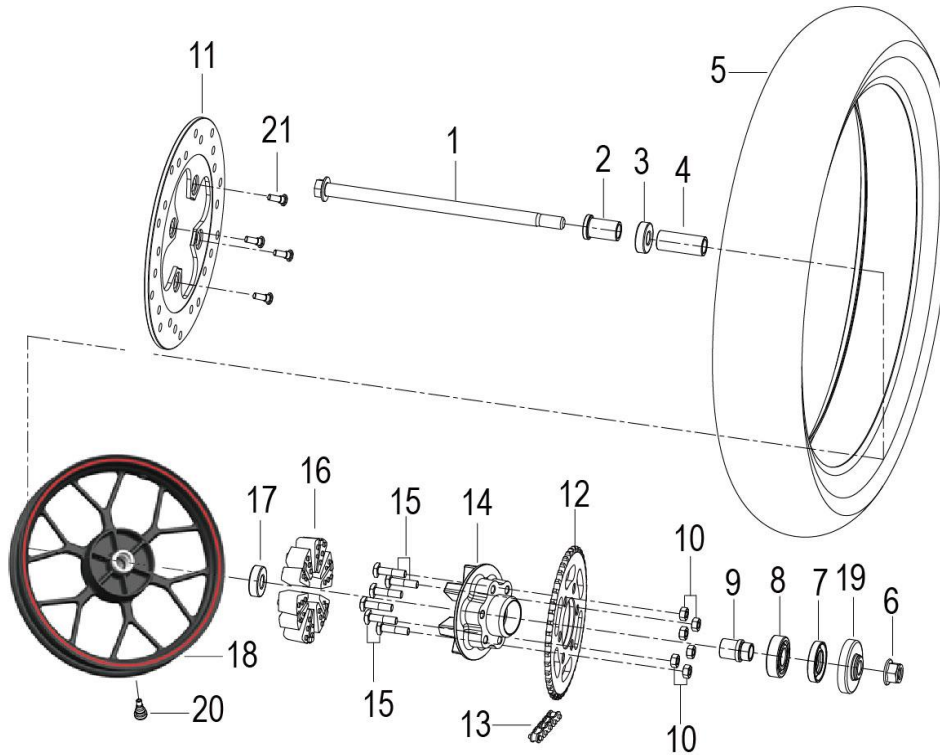
F09 REAR SWINGING ARM ASSY



Nº	CÓDIGO	DESCRIÇÃO	Qt.	OBSERVAÇÕES
1	53001J000100	PIVOT SHAFT, REAR SWING ARM	1	
2	53013J060006	BUSH	2	
3	B0200060122H	BOLT M6X12	2	
4	53018J800000	SPACER	2	
5	53004U210000	CHAIN BUFFER	1	
7	53005J060006	BUSH, MIDDLE	2	
8	B0417141504H	NUT M14	1	
13	08011U200100	BOLT, SUSPENSION	1	
14	B0255100508H	BOLT M10X1.25X50	1	
15	63800U210001	RR.SHOCK ABSORBER ASSY.	1	
16	08018B910100	BOLT M8x20	4	
17	53100U210001	SWING ARM ASSY,for rear disk brake	1	
18	53230N030030	CHAIN ADJUSTER,green	2	
19	53234N030020	PRESS PLATE, ADJUSTER, DRIVE CHAIN	2	
20	B0400080005H	NUT M8	4	
21	60101U210000	CHAIN COVER	1	
22	53210J060000	OIL SEAL	2	
23	53220J060000	DUST SEAL COMP.	2	
24	B0417101254H	NUT	1	

RKS 125 SPORT EVO E4

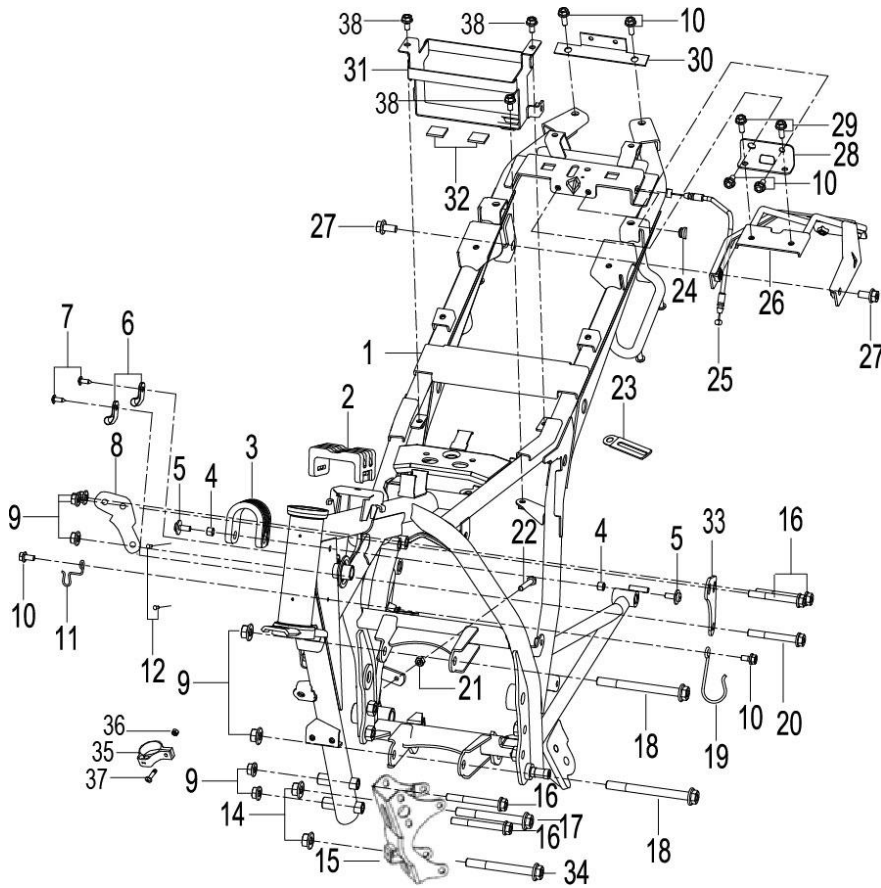
F10 REAR WHEEL ASSY



Nº	CÓDIGO	DESCRIÇÃO	Qt.	OBSERVAÇÕES
1	54004J040101	WHEEL AXLE, REAR	1	
2	54005J000001	BUSH,RIGHT, REAR WHEEL	1	
3	B12016030200	BALL BEARING 6302-2RS	1	
4	54006J000001	MIDDLE SPACER, REAR WHEEL	1	
5		TIRE 120/80-17	1	
6	B0417141504H	NUT M14	1	
7	60200J000001	DUST SEAL COMP.	1	
8	B12016020400	BALL BEARING, 6204-2RS	1	
9	60006J000000	BUSH, DRIVEN SPROCKET	1	
10	B04171012544	SELF LOCK NUT M10x1.25	6	
11	55033J000101	REAR BRAKE DISC,GOLDEN	1	
12	60002K740000	DRIVEN SPROCKET 43	1	
13	B1502W1128B0	CHAIN 428HG-1x128	1	
14	60001L170000	HUB, DRIVEN SPROCKET	1	
15	60015M190000	STUD BOLT, DRIVEN SPROCKET,M10x1.25x42	6	
16	54024N210000	BUFFER BLOCK, REAR WHEEL	6	
17	B12016020200	BALL BEARING, 6202-2RS	1	
18	54100J820004	REAR RIM ASSY.,MATTE BLACK	1	
19	54010J820000	LEFT SPACER, REAR WHEEL	1	
20	B1403Z201100	RIM VALVE	1	
21	45036K010000	BOLT 8X24MM	4	
	KRKSS-TK	KIT TRANSMISSÃO	1	
	KRKSS-TKP	KIT TRANSMISSÃO PERFORMANCE	1	CORRENTE O-RINGS

RKS 125 SPORT EVO E4

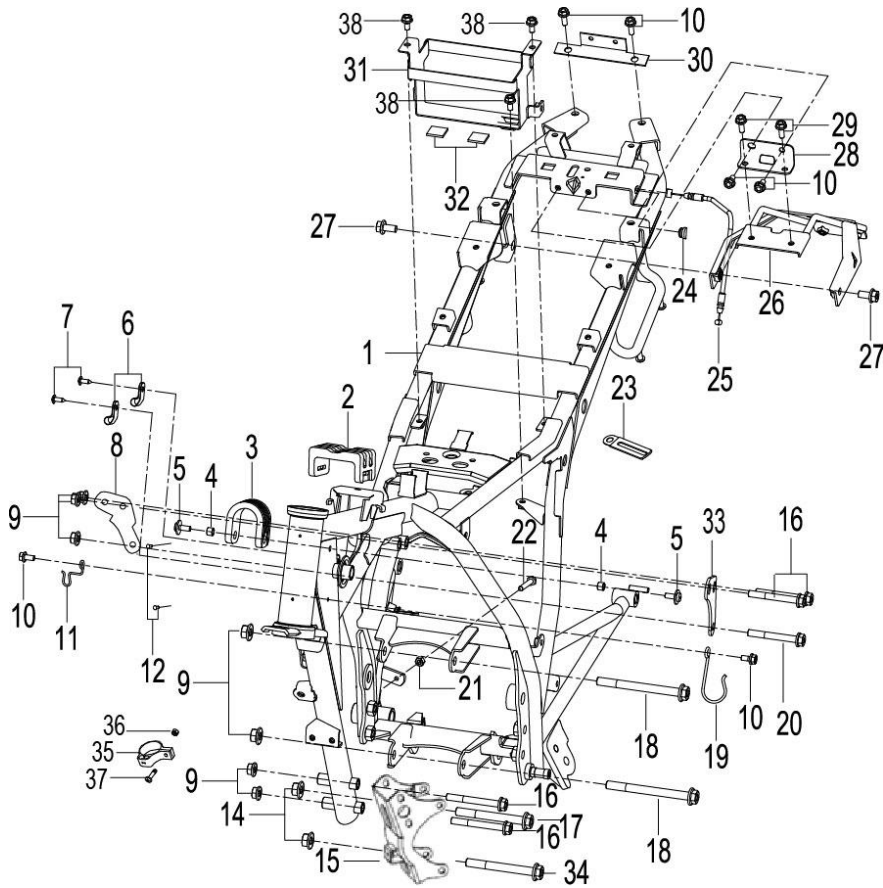
F11 FRAME BODY ASSY



Nº	CÓDIGO	DESCRIÇÃO	Qt.	OBSERVAÇÕES
1	57100U210004	FRAME ASSY.EFI	1	
2	57169K670000	RUBBER CUSHION, FUEL TANK	1	
3	50005K670000	MOUNTING PAD, FUEL TANK	1	
4	08061K670000	BUSH	2	
5	B1306060160H	SCREW WITH WASHER, M6x16	2	
6	43070J670010	CLAMP,CLUTCH CABLE	2	
7	B0507480130H	TAPPING SCREW ST4.8x13	2	
8	57009J060070	BRACKET ASSY.,ENGINE (LEFT&RR)	1	
9	B0407080005H	NUT M8	7	
10	B0109060126H	BOLT M6X12	6	
11	57012J560000	THROTTLE CABLE CLAMP	1	
12	B10000300600	SIGN RIVETS 3x6	2	
14	B0418101255H	NUT M10 X 1.25	2	
15	57020J830001	BRACKET ASSY.,ENGINE (FRONT)	1	
16	B0109080706H	BOLT M8x70	4	
17	B0159101006H	BOLT M10x1.25x100	2	
18	B0109080886H	BOLTM8*88	2	
19	57131J820000	CLAMP, WIRE HARNESS	1	
20	B0109080556H	BOLT M8X55	1	
21	B0400060005H	NUT M6	1	
22	B0101060402H	BOLT M6x40	1	
23	58430J000000	CLIP	1	

RKS 125 SPORT EVO E4

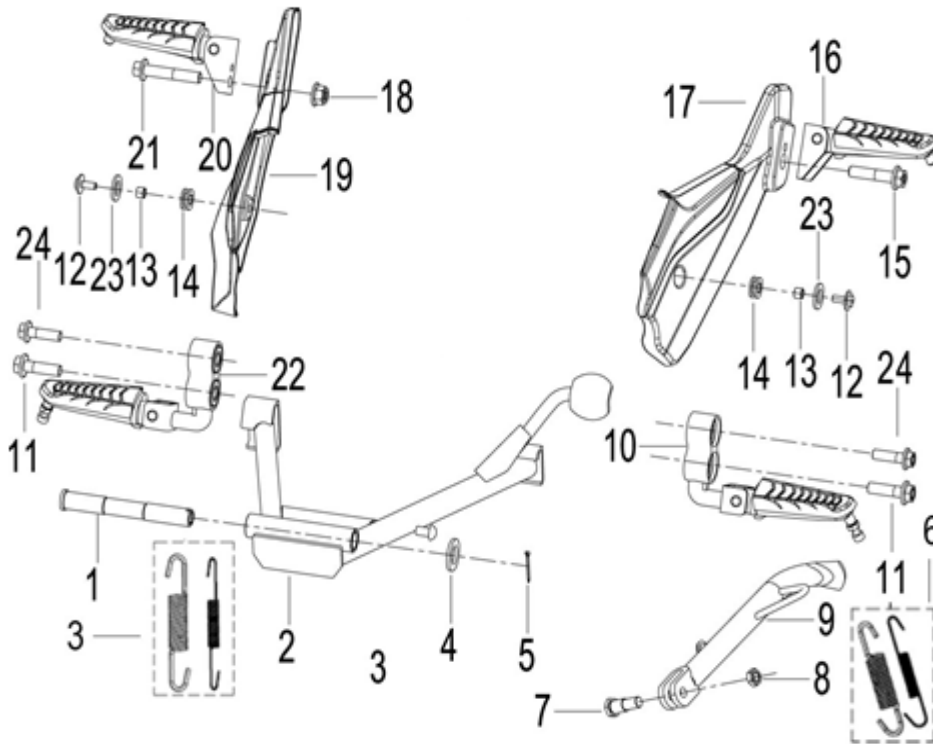
F11 FRAME BODY ASSY



Nº	CÓDIGO	DESCRIÇÃO	Qt.	OBSERVAÇÕES
24	57038J110002	RUBBER PLUG, SEAT CABLE	1	
25	58900H180000	CABLE COMP, SEAT LOCK	1	
26	65770U210000	BRACKET ASSY., REAR FENDER	1	
27	B0109080166H	BOLT M8X16	2	
28	65721U210000	REINFORCEMENT PLATE, REAR MUDGUARD	1	
29	B0109060166H	BOLT M6X12	2	
30	08307J820000	BRACKET, TAIL LIGHT	1	
31	58820U210001	BRACKET COMP, BATTERY	1	
32	58752J00000A	SPONGE PAD, BATTERY	2	
33	57008J060070	BRACKET ASSY.,ENGINE (UPPER RIGHT)	1	
34	B0159101136H	BOLT M10x1.25x113	1	
35	57013J000000	CABLE WIRE CLIP	1	
36	B0400050005H	NUT M5	1	
37	B0200050252H	BOLT M5x25	1	
38	B0107060126H	BOLT M6X12	3	

RKS 125 SPORT EVO E4

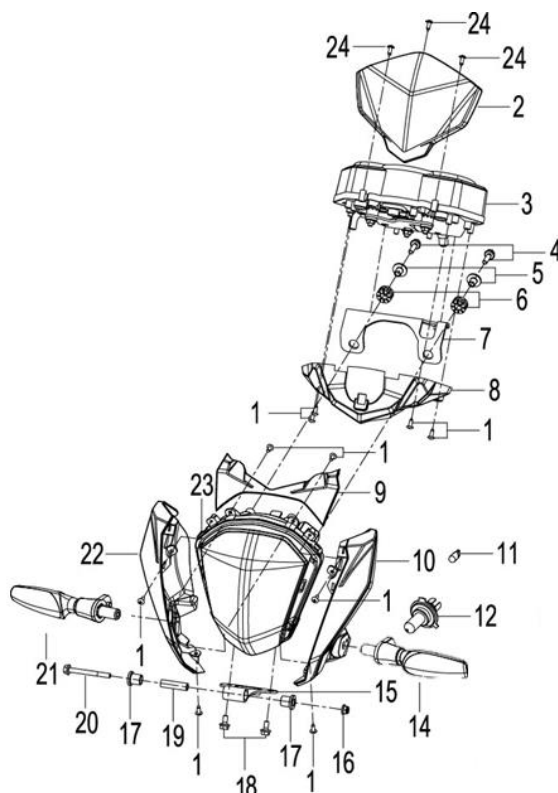
F12 PEDAL ASSY



Nº	CÓDIGO	DESCRIÇÃO	Qt.	OBSERVAÇÕES
1	58501J000010	AXLE. MAIN STAND	1	
2	58520L160000	MID STAND ASSY.	1	
3	58510J830000	SPRING ASSY., MAIN STAND	1	
4	B0701000160H	WASHER 16	1	
5	B090003025AH	COTTER PIN 3X25	1	
6	57010J830000	SPRING ASSY, SIDE STAND	1	
7	57005J000202	BOLT, SIDE STAND	1	
8	B0406101256H	NUT M10 X 1.25	1	
9	58700J830001	SIDE STAND COMP.	1	
10	58220K790000	FOOTREST COMP, FRONT, LEFT	1	
11	B0159100256H	BOLT M10x1.25x25	2	
12	B0109060256H	BOLT M6x25	2	
13	65627J820000	BUSH, REAR COVER	2	
14	65618J820000	RUBBER CUSHION, GUARD BOARD	2	
15	B0109100456H	BOLT M10x45	1	
16	58260K670000	FOOTREST COMP, REAR, LEFT	1	
17	58211J82BA00	SIDE COVER, LEFT,SATIN BLACK BA	1	PRETO MATE
18	B0418101255H	NUT M10 X 1.25	1	
19	58311J82BA02	GARNISH COVER,RIGHT,SATIN BLACK BA	1	PRETO MATE
20	58280K670000	FOOTREST COMP, REAR, RIGHT	1	
21	B0159100556H	BOLT M10x1.25x55	1	
22	58240K790000	FOOTREST COMP, FRONT, RIGHT	1	
23	B0702000060H	WASHER 6	2	
24	B0109080256H	BOLT M8x25	2	

RKS 125 SPORT EVO E4

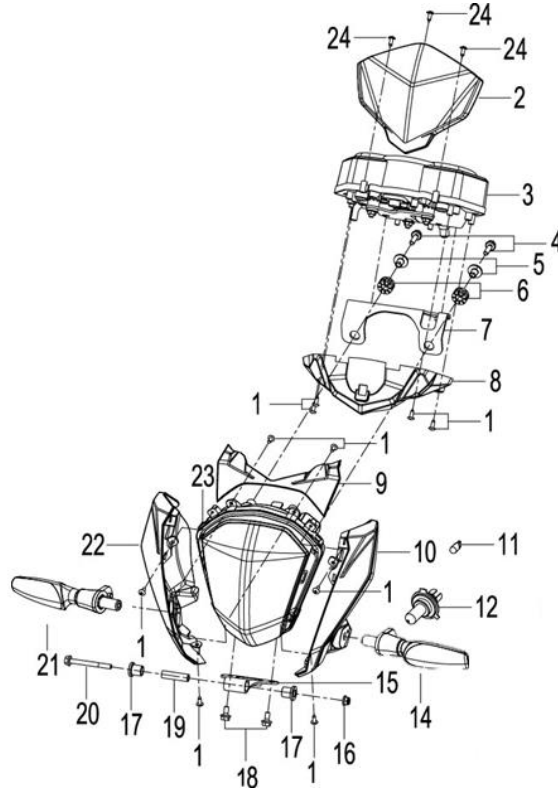
F13 FRONT COVER ASSY



N°	CÓDIGO	DESCRIÇÃO	Qt.	OBSERVAÇÕES
1	B0500420130H	SCREW ST4.2x13	9	
2	65203U21BH00	WINDSHIELD, METER	1	
3	70000U200006	DASHBOARD ASSY	1	
4	B0109060206H	BOLT M6X20	2	
5	65913J820000	BUSH, COVER	2	
6	65618J820000	RUBBER CUSHION, GUARD BOARD	2	
7	08330U210000	BRACKET, HEADLIGHT	1	
8	65543U210000	MOUNTING PLATE, METER	1	
9	65541U210000	MOUNTING PLATE, COWLING	1	
10	65521U210050	MOUNTING PLATE, LH,WHITE/BLACK WF/B4	1	
10	65521U210010	MOUNTING PLATE, LH,GRAPHITE BLACK BC/B4	1	
10	65521U210020	MOUNTING PLATE, LH,BLUE/MATTE BLACK E4/B4	1	
10	65521U210030	MOUNTING PLATE, LH,RED/MATTE BLACK F9/B4	1	
11	B24010321180	BULB 12V3W	1	
12	B240103200F0	BULB 12V35/35W	1	
14	81100V020000	FRONT LEFT TURN SIGNAL LIGHT	1	LED
15	08345U210000	BRACKET, HEADLIGHT, LOWER	1	
16	B0417060004H	U-NUT M10	1	
17	08524P250000	CUSHION, HEADLIGHT	1	
18	B0109060166H	BOLT M6X12	2	
19	08523P250000	MOUNTING BUSH, HEADLIGHT, LOWER	1	
20	B0109060556H	BOLT M6x55	1	
21	81300V020000	FRONT RIGHT TURN SIGNAL LIGHT	1	LED
22	65531U210050	MOUNTING PLATE, RH, WF/BG DBS WHITE	1	

RKS 125 SPORT EVO E4

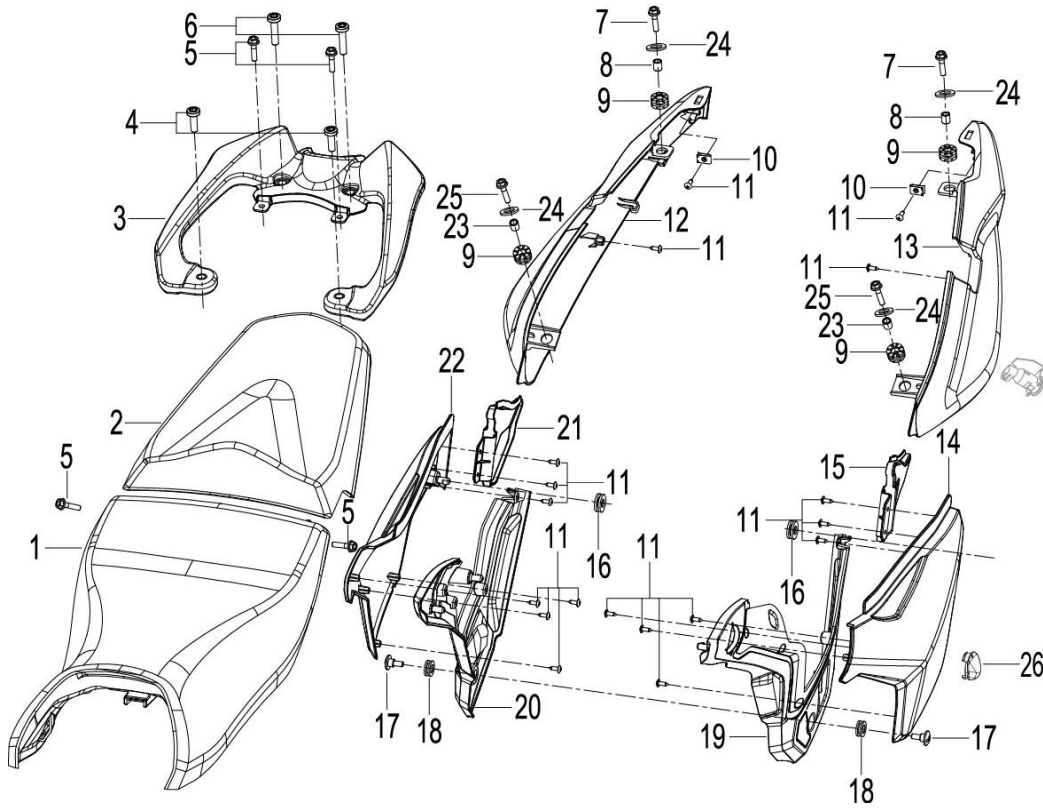
F13 FRONT COVER ASSY



N°	CÓDIGO	DESCRIÇÃO	Qt.	OBSERVAÇÕES
22	65531U210010	MOUNTING PLATE, RH,GRAPHITE BLACK BC/B4	1	
22	65531U210020	MOUNTING PLATE, RH,BLUE/MATTE BLACK E4/B4	1	
22	65531U210030	MOUNTING PLATE, RH,RED/MATTE BLACK F9/B4	1	
23	80000U210000	HEAD LIGHT	1	
24	B0507400120H	TAPPING SCREW ST4X12	3	

RKS 125 SPORT EVO E4

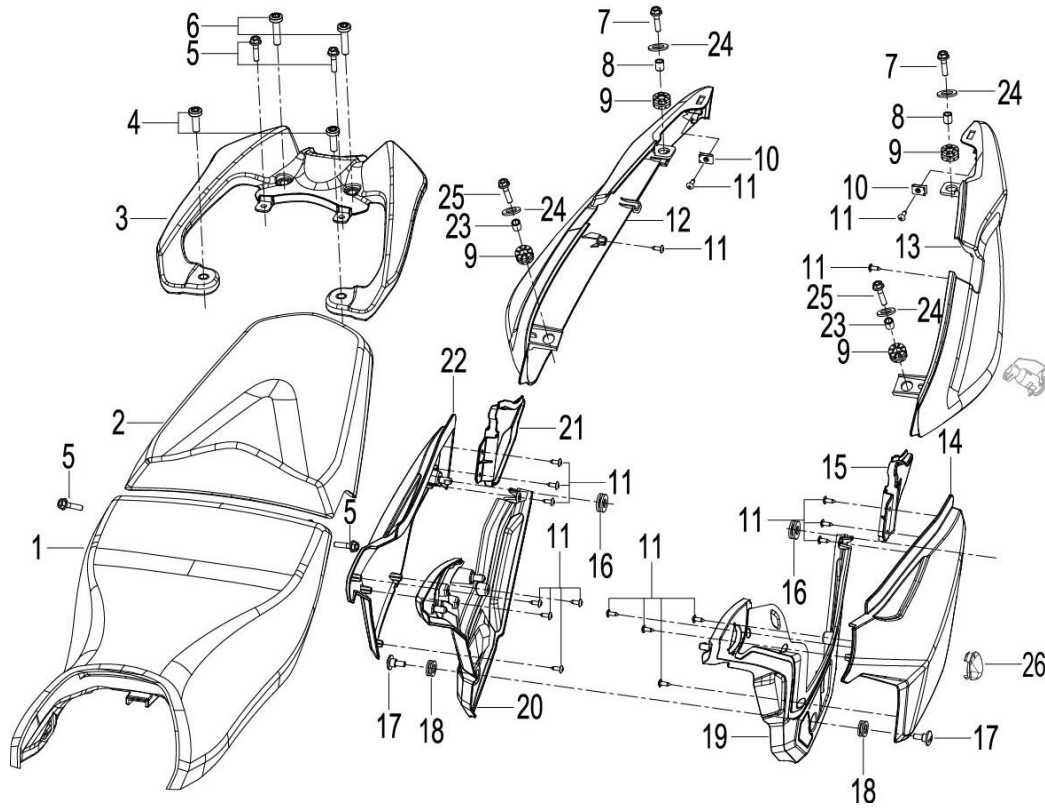
F14 SIDE COVER & SEAT & REAR CARRIER



Nº	CÓDIGO	DESCRIÇÃO	Qt.	OBSERVAÇÕES
1	51100U210030	FRONT SEAT ASSY.,WITHOUT MARK,39# LEATHER	1	
2	51200U210030	REAR SEAT ASSY.,WITHOUT MARK,39# LEATHER	1	
3	52002J82BA00	REAR CARRIER,SATIN BLACK BA	1	
4	52018J800000	BOLT I, RR CARRIER	2	
5	B0109060166H	BOLT M6X12	4	
6	52019J800000	BOLT II, RR CARRIER	2	
7	B0109060256H	BOLT M6x25	2	
8	65627J820000	BUSH, REAR COVER	4	
9	47028G220000	RUBBER SLEEVE	4	
10	65801T020001	CLIP NUT ST4.2	2	
11	B0500420130H	SCREW ST4.2x13	18	
12	65902J82WF00	TAIL COVER,RH.,WHITE WF,without sticker	1	S/ AUTOCOLANTE
12	65902J82BC00	TAIL COVER,RH., BLACK BC,without sticker	1	S/ AUTOCOLANTE
12	65902J82E400	TAIL COVER,RH.,BLUE E4,without sticker	1	S/ AUTOCOLANTE
12	65902J82TY00	COVER,PROTECTIVE,RH RED TY	1	S/ AUTOCOLANTE
13	65901J82WF00	TAIL COVER,LH.,WHITE WF	1	S/ AUTOCOLANTE
13	65901J82BC00	TAIL COVER,LH.,GRAPHITE BLACK BC	1	S/ AUTOCOLANTE
13	65901J82E400	TAIL COVER,LH.,BLUE E4	1	S/ AUTOCOLANTE
13	65901J82TY00	COVER,PROTECTIVE,LHRED TY	1	S/ AUTOCOLANTE
14	65601U21BA00	SIDE COVER,LH.,SATIN BLACK BA,without sticker	1	S/ AUTOCOLANTE
15	65629U21BG00	GARNISH PLATE, SIDE COVER, LH, REAR	1	
16	65618J000000	RUBBER PAD, COVER	2	

RKS 125 SPORT EVO E4

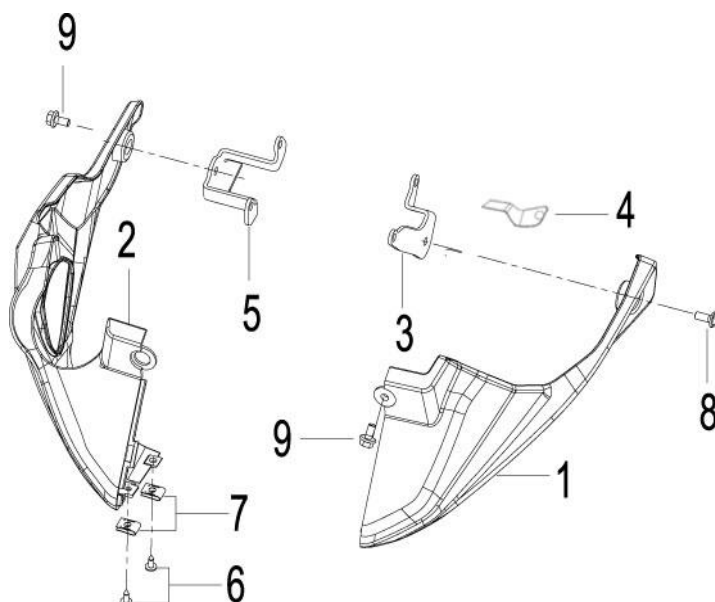
F14 SIDE COVER & SEAT & REAR CARRIER



Nº	CÓDIGO	DESCRIÇÃO	Qt.	OBSERVAÇÕES
17	08001J800000	SCREW	2	
18	65618J820000	RUBBER CUSHION, GUARD BOARD	2	
19	65621U210000	GARNISH PLATE, SIDE COVER, LEFT	1	
20	65622U210000	GARNISH PLATE, SIDE COVER, RIGHT	1	
21	65631U21BG00	GARNISH PLATE, SIDE COVER, RH, REAR	1	
22	65602U21BA00	SIDE COVER,RH.,SATIN BLACK BA,without sticker	1	S/ AUTOCOLANTE
23	65913J820000	BUSH, COVER	2	
24	B0702000060H	WASHER 6	4	
25	B0109060206H	BOLT M6X20	2	
26	65608U210000	DECORATIVE COVER	1	

RKS 125 SPORT EVO E4

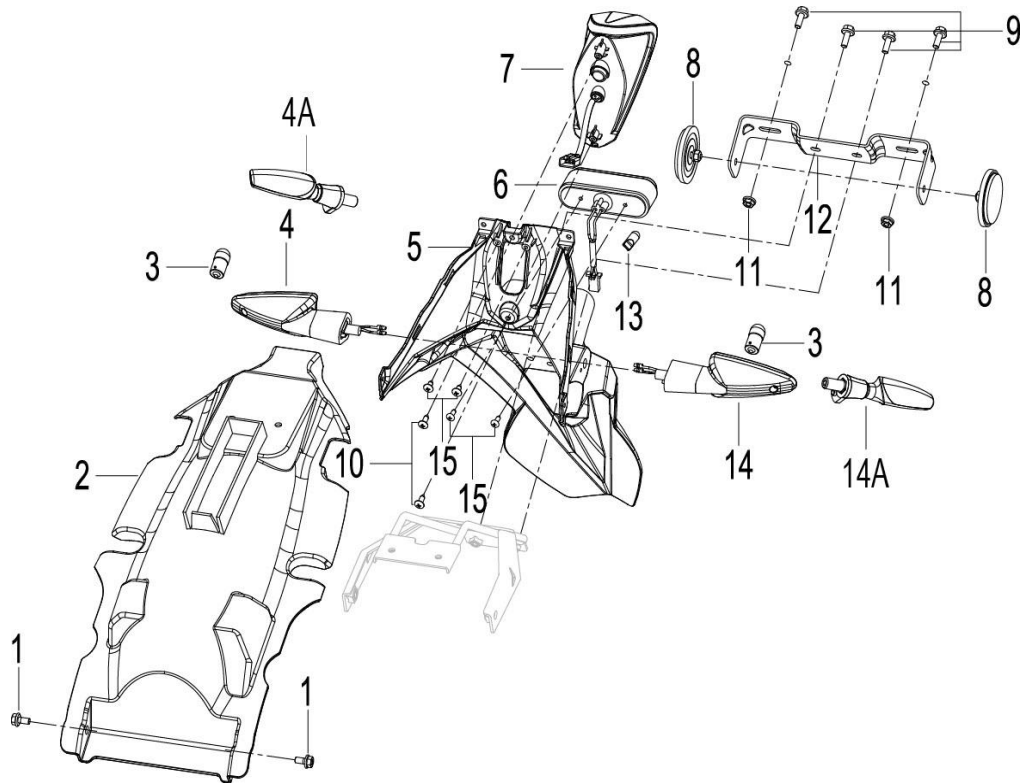
F15 BOTTOM COVER



Nº	CÓDIGO	DESCRIÇÃO	Qt.	OBSERVAÇÕES
1	65406J83BC00	UNDER SPOILER,LEFT,GRAPHITE BLACK BC	1	S/ AUTOCOLANTE
2	65407J83BC00	UNDER SPOILER,RIGHT,GRAPHITE BLACK BC	1	S/ AUTOCOLANTE
3	65430J830000	BRACKET, UNDER SPOILER, LH	1	
4	65436J830000	INSULATOR PAD, UNDER SPOILER	1	
5	65440J830000	BRACKET, UNDER SPOILER, RH	1	
6	B0500420130H	SCREW ST4.2x13	2	
7	65801T020001	CLIP NUT ST4.2	2	
8	B0109060166H	BOLT M6X16	1	
9	B0109060206H	BOLT M6X20	2	

RKS 125 SPORT EVO E4

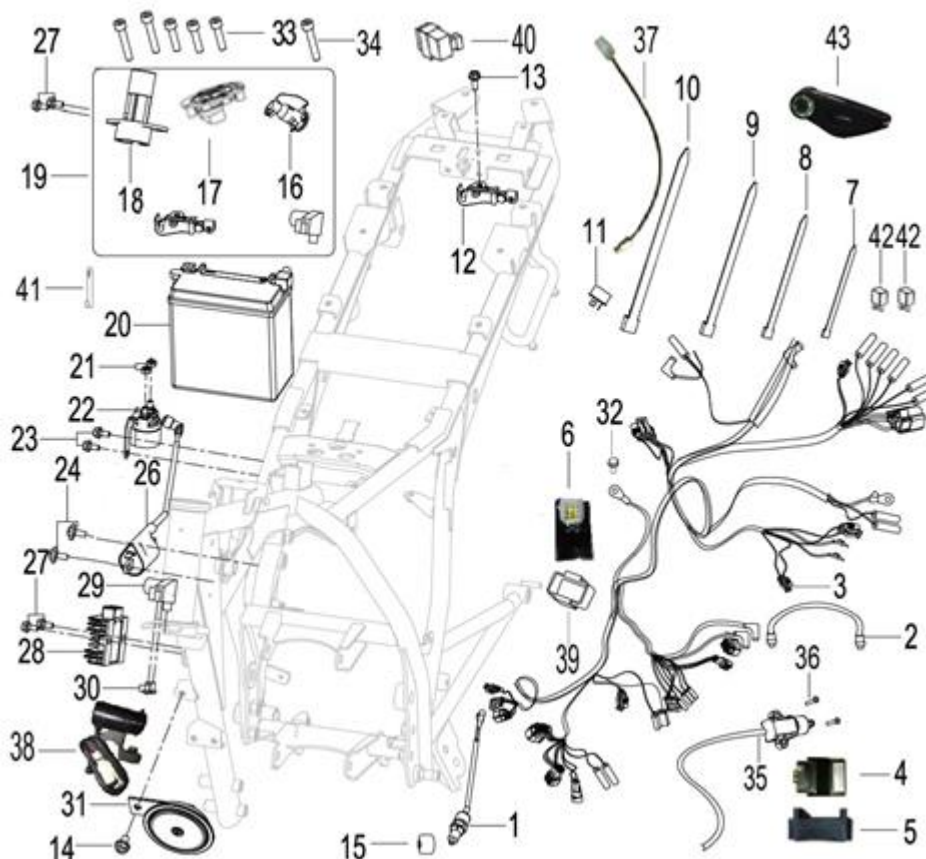
F16 REAR FENDER ASSY



Nº	CÓDIGO	DESCRIÇÃO	Qt.	OBSERVAÇÕES
1	B0109060126H	BOLT M6X12	2	
2	65731U210000	FORESIDE ASSY., RR. FENDER	1	
4	81700P160000	REAR RIGHT TURN SIGNAL LIGHT	1	LED
5	65701U210000	REAR FENDER	1	
6	82900D010000	REAR LICENSE PLATE LAMP	1	
7	82000J800000	REAR LIGHT	1	
8	86300N060000	SIDE REFLECTOR	2	
9	B0109060166H	BOLT M6X12	4	
10	B0500480160H	SCREW ST4.8x16	2	
11	B0407060005H	NUT M6	2	
12	08252N210000	MOUNTING PLATE, REAR LICENSE	1	
13	B24013120000	BULB W5W	1	
14	81500P160000	REAR LEFT TURN SIGNAL LIGHT	1	LED
15	B0507420130H	TAPPING SCREW ST4.2x13	4	

RKS 125 SPORT EVO E4

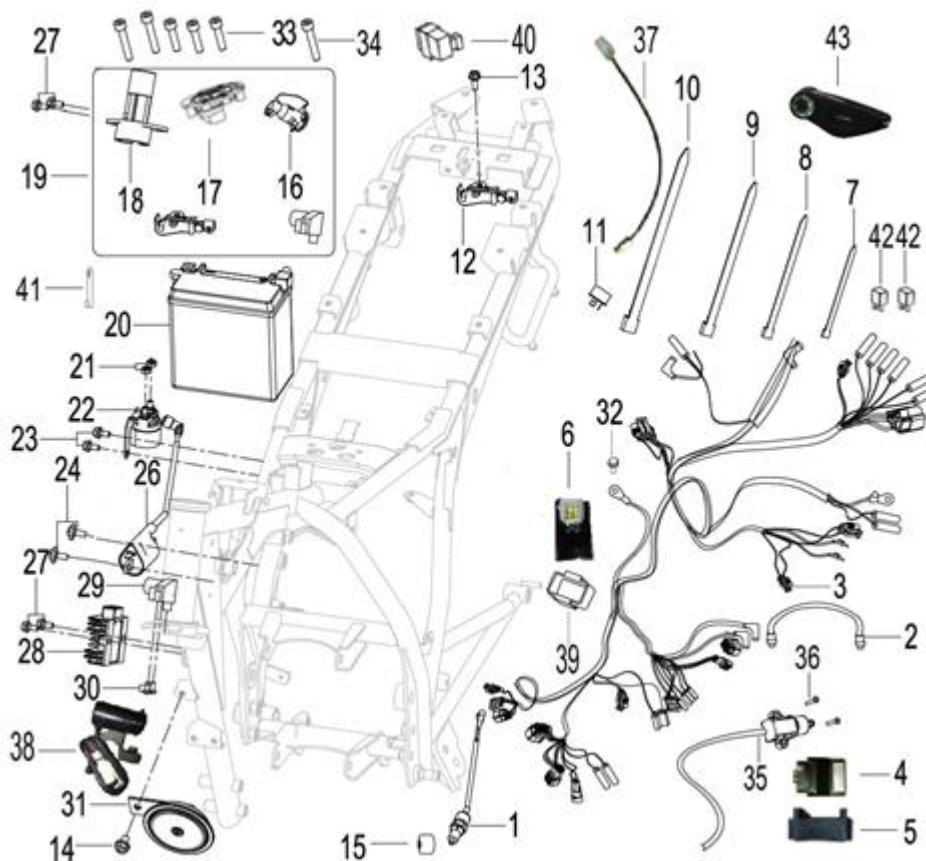
F17 ELECTRICAL EQUIPMENT ASSY



Nº	CÓDIGO	DESCRIÇÃO	Qt.	OBSERVAÇÕES
1	91030K670000	SWITCH, REAR BRAKE	1	
2	92500U200000	GROUND WIRE	1	
3	92000L170008	WIRE HARNESS ASSY	1	
4	96C00J800000	ECU	1	
5	50026J830000	ECU MOUNTING RUBBER	1	
6	96400H390001	FLASHER	1	
7	96001J000000	BAND, 150MM	6	
8	96002J000000	BAND, 200MM	2	
9	96003J000000	BAND, 250MM	2	
10	96004J000000	BAND, 300MM	1	
11	96700K060000	START DIODE	2	
12	58800J210000	SEAT ASSY,LOCK	1	
13	B0109060126H	BOLT M6X12	1	
14	B0109080166H	BOLT M8X16	2	
15	02693J000000	RUBBER BOOT, BRAKE SWITCH	1	
16	88800J820000	SEAT ASSY,LOCK	1	
17	88400J820005	CAP COMP,FUEL TANK	1	
18	88100J83000A	MAIN SWITCH ASSY.,key with keeway	1	
19	88000J83000C	LOCK SETS,key with keeway	1	
20	96100K320000	BATTERY	1	
21	B0407060005H	NUT M6	2	
22	94100J000002	START MAG. SWITCH COMP	1	

RKS 125 SPORT EVO E4

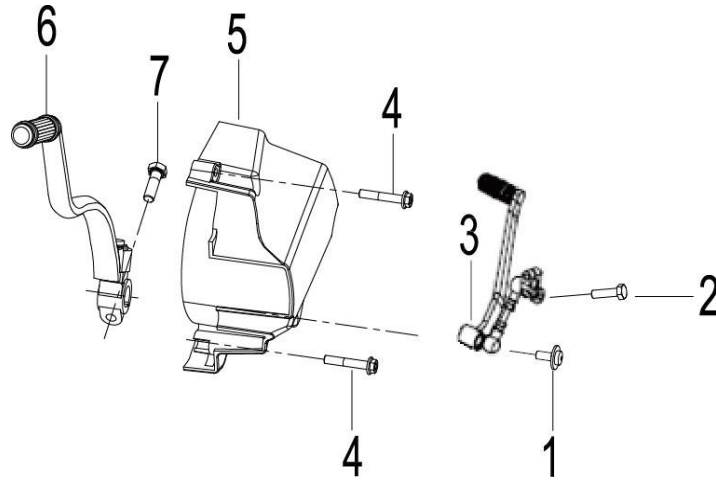
F17 ELECTRICAL EQUIPMENT ASSY



Nº	CÓDIGO	DESCRIÇÃO	Qt.	OBSERVAÇÕES
23	B0107060126H	BOLT M6x12	2	
24	B1304050200H	SCREW WITH WASHER, M5x20	2	
26	96200J060001	IG. COIL COMP	1	
27	B0109060166H	BOLT M6X16	4	
28	299064010000	RECTIFIER.	1	
29	88300J000000	FRAME LOCK,key	1	
30	B1304050120H	SCREW WITH WASHER, M5x12	1	
31	95100J820000	HORN	1	
32	B1317060120H	BOLT M6X12	1	
33	B0280050140A	INNER HEXAGON SCREW M5X14	3	
34	B0280050300A	INNER HEXAGON SCREW M5X30	3	
35	91170N070000	FLAMEOUT SWITCH,SIDE STAND	1	
36	B0200050162H	SCREW M5x16	2	
37	280013320000	TEMPRETURE SENSOR	1	
38	99700P100001	USB CHARGER	1	
39	96007B720000	JACKET	1	
40	94400N140000	CONTROLLER,mark:250T-4	1	
41	96003P250000	RUBBER BAND	5	
42	94100J800000	RELAY	2	
43	88910S01090X	BLANK KEY	1	

RKS 125 SPORT EVO E4

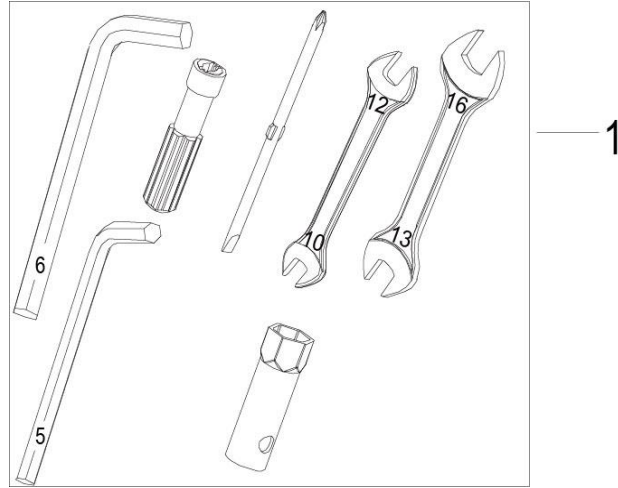
F18 ENGINE AND ATTACHMENT ASSY



N°	CÓDIGO	DESCRIÇÃO	Qt.	OBSERVAÇÕES
1	B1306060160H	SCREW WITH WASHER, M6x16	1	
2	B0103060226H	BOLT M6x22	1	
3	08370J830001	GEAR-SHIFT PEDAL LEVER ASSY	1	
4	B0107060306H	BOLT M6x30	3	
5	169053090140	LEFT BACK COVER	1	

RKS 125 SPORT EVO E4

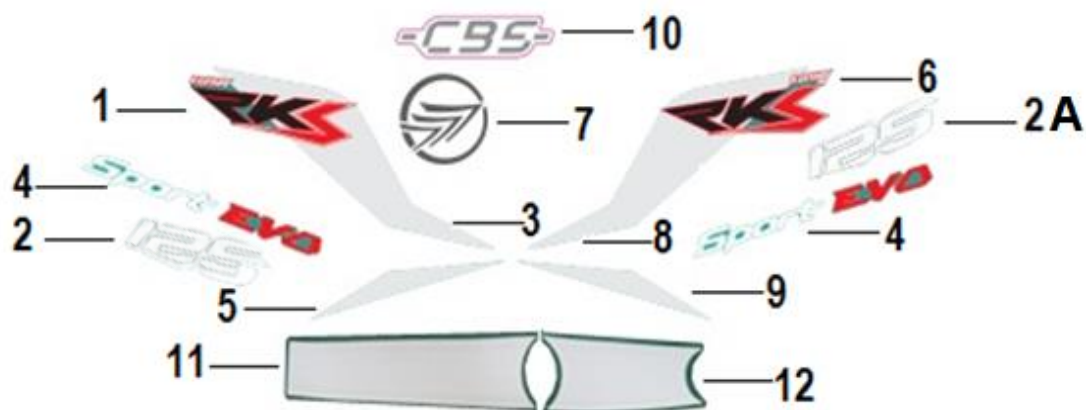
F19 TOOL KIT ASSY



N°	CÓDIGO	DESCRIÇÃO	Qt.	OBSERVAÇÕES
1	02100K670001	TOOL KIT	1	

RKS 125 SPORT EVO E4

F20_1 STICKER, FOR RED F9



Nº	CÓDIGO	DESCRIÇÃO	Qt.	OBSERVAÇÕES
1	05532L17F90A	RIGHT STICKER,FUEL TANK	1	
2	05571U21F905	LEFT, WHITE 125 STICKER	1	
2A	05572U21F905	RIGHT, WHITE 125 STICKER	1	
3	05534L17F908	RIGHT STICKER I,FUEL TANK SIDE COVER	1	
4	05511U21F905	SPORT EVO STICKER	1	
5	05536L17F908	RIGHT STICKER II,FUEL TANK SIDE COVER	1	
6	05531L17F90A	LEFT STICKER,FUEL TANK	1	
7	05501U21BC02	SILVER KEEWAY LOGO	1	
8	05533L17F908	LEFT STICKER I,FUEL TANK SIDE COVER	1	
9	05535L17F908	LEFT STICKER II,FUEL TANK SIDE COVER	1	
10	05503J80BC00	GREY CBS STICKER	1	
11	05538L17F901	STICKER,FUEL TANK,UNDER	1	
12	05531L17F901	STICKER,FUEL TANK,UPPER	1	

RKS 125 SPORT EVO E4

F20_2 STICKER, GRAPHITE BLACK BC



Nº	CÓDIGO	DESCRIÇÃO	Qt.	OBSERVAÇÕES
1	05532L17BC0A	RIGHT STICKER,FUEL TANK	1	
2	05571U21F905	LEFT, WHITE 125 STICKER	1	
2A	05572U21F905	RIGHT, WHITE 125 STICKER	1	
3	05534L17BC08	RIGHT STICKER I,FUEL TANK SIDE COVER	1	
4	05511U21F905	SPORT EVO STICKER	1	
5	05536L17BC08	RIGHT STICKER II,FUEL TANK SIDE COVER	1	
6	05531L17BC0A	LEFT STICKER,FUEL TANK	1	
7	05501U21BC02	SILVER KEEWAY LOGO	1	
8	05533L17BC08	LEFT STICKER I,FUEL TANK SIDE COVER	1	
9	05535L17BC08	LEFT STICKER II,FUEL TANK SIDE COVER	1	
10	05503J80BC00	GREY CBS STICKER	1	
11	05535L17BC03	STICKER,FUEL TANK,UNDER	1	
12	05536L17BC03	STICKER,FUEL TANK,UPPER	1	

RKS 125 SPORT EVO E4

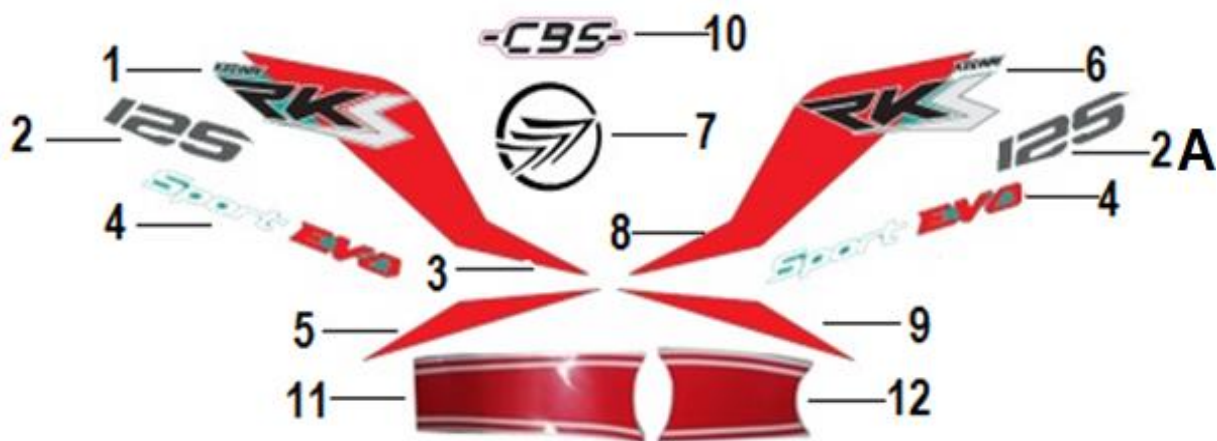
F20_3 STICKER, FOR BLUE E4



Nº	CÓDIGO	DESCRIÇÃO	Qt.	OBSERVAÇÕES
1	05532L17E40A	RIGHT STICKER,FUEL TANK	1	
2	05571U21F905	LEFT, WHITE 125 STICKER	1	
2A	05572U21F905	RIGHT, WHITE 125 STICKER	1	
3	05534L17BC08	RIGHT STICKER I,FUEL TANK SIDE COVER	1	
4	05511U21F905	SPORT EVO STICKER	1	
5	05536L17BC08	RIGHT STICKER II,FUEL TANK SIDE COVER	1	
6	05531L17E40A	LEFT STICKER,FUEL TANK	1	
7	05501U21BC02	SILVER KEEWAY LOGO	1	
8	05533L17BC08	LEFT STICKER I,FUEL TANK SIDE COVER	1	
9	05535L17BC08	LEFT STICKER II,FUEL TANK SIDE COVER	1	
10	05503J80BC00	GREY CBS STICKER	1	
11	05535L17BC03	STICKER,FUEL TANK,UNDER	1	
12	05536L17BC03	STICKER,FUEL TANK,UPPER	1	

RKS 125 SPORT EVO E4

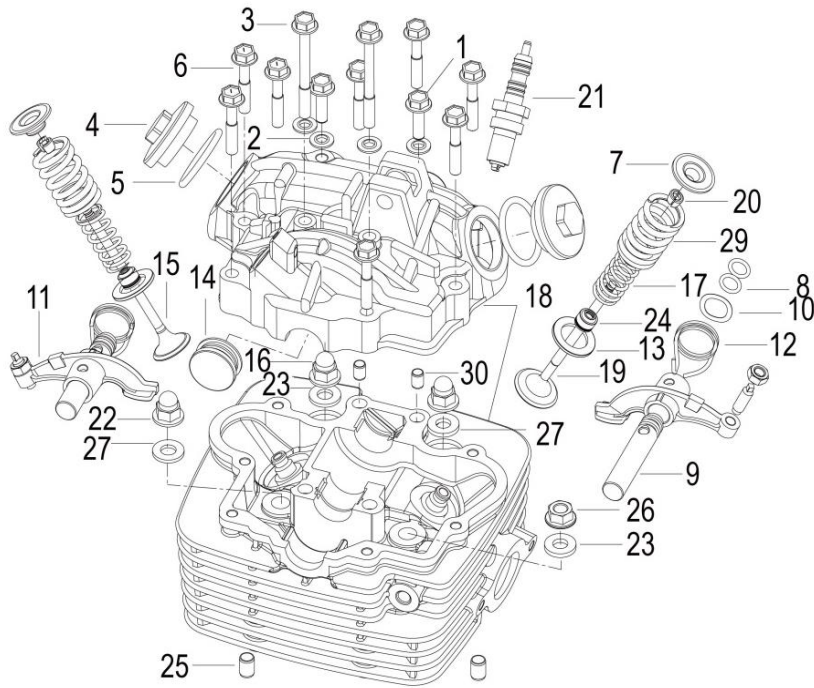
F20_4 STICKER,FOR WHITE WF



Nº	CÓDIGO	DESCRIÇÃO	Qt.	OBSERVAÇÕES
1	05532L17WF0A	RIGHT STICKER,FUEL TANK	1	
2	05571U21WF05	LEFT, GREY 125 STICKER	1	
2A	05572U21WF05	RIGHT, GREY 125 STICKER	1	
3	05534L17BC08	RIGHT STICKER I,FUEL TANK SIDE COVER	1	
4	05511U21F905	SPORT EVO STICKER	1	
5	05536L17BC08	RIGHT STICKER II,FUEL TANK SIDE COVER	1	
6	05531L17WF0A	LEFT STICKER,FUEL TANK	1	
7	05501U21WF02	BLACK KEEWAY LOGO	1	
8	05533L17BC08	LEFT STICKER I,FUEL TANK SIDE COVER	1	
9	05535L17BC08	LEFT STICKER II,FUEL TANK SIDE COVER	1	
10	05503J80WF00	BLACK CBS STICKER	1	
11	05535L17BC03	STICKER,FUEL TANK,UNDER	1	
12	05536L17BC03	STICKER,FUEL TANK,UPPER	1	

RKS 125 SPORT EVO E4

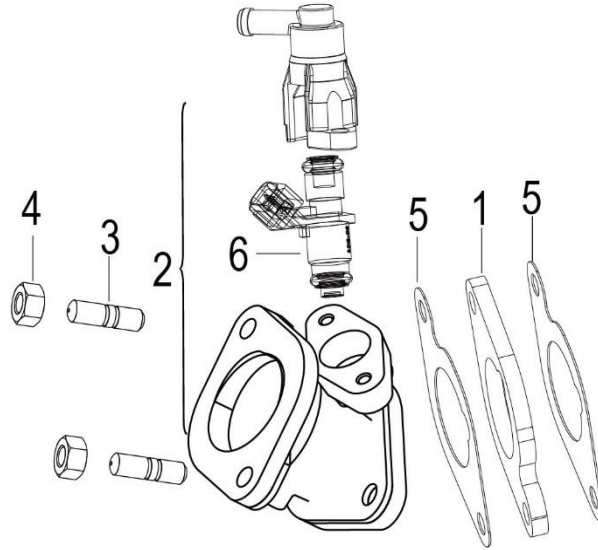
E01 COVER CYLINDER HEAD ASSY



Nº	CÓDIGO	DESCRIÇÃO	Qt.	OBSERVAÇÕES
1	120143090000	BOLT M6x21	2	
2	120133090002	WASHER	4	
3	10005309001X	BOLT M6x60	2	
4	120012140020	VAVLE HEAD	2	
5	100033090000	O RING 30.5x3.3	2	
6	10006309001X	BOLT M6X35	8	
7	120013090002	GASKET,UP SPRING	2	
8	B190100860A0	O RING 8.6x1.9	4	
9	129163090000	AXLE, VALVE ROCKER ARM	2	
10	120033090000	WASHER,SPRING	2	
11	12913309002X	ADJUSTING	2	
12	120163090000	ROCKER SPRING	2	
13	129213090003	GASKET,OUTER SPRING,ø1.5	2	
14	100043090010	CYLINDER COVER JAMMING	1	
15	129193090002	VALVE,EXHAUST	1	
16	120083090120	CAP NUT M8	2	
17	129264180000	SPRING,OUTER	2	
18	109013090020	COVER&CYLINDER HEAD ASSY,GRAY	1	
19	129183090002	VALVE,INTAKE	1	
20	129223230000	COTTER,VALVE	4	
21	299073070010	SPARK PLUG M12x1.25	1	
22	12008309011X	CAP NUT M8	1	
23	120093090000	WASHER 8	2	
24	120013050000	OIL SEAL	2	
25	120103090000	PIN	2	
26	12012309012X	NUT M8	1	
27	120113090000	WASHER 8	2	
29	129254180000	SPRING,INNER	2	
30	150022140000	PIN,DOWEL,ø7Xø8X12	2	

RKS 125 SPORT EVO E4

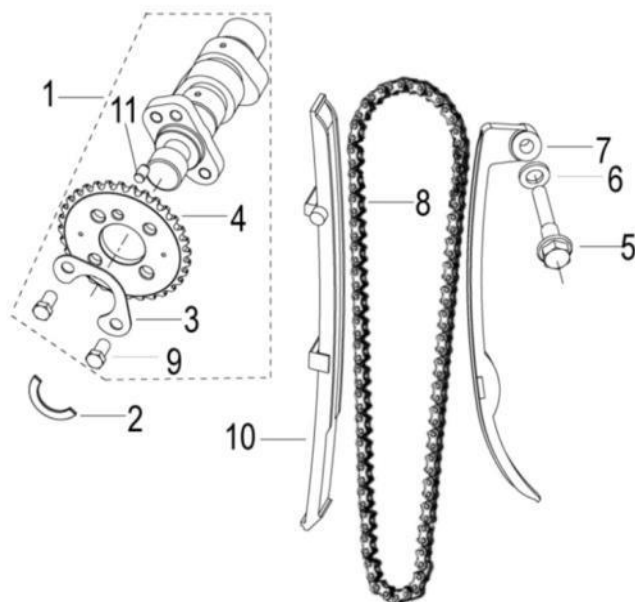
E02 INSULATOR, CARBURETOR ASSY



Nº	CÓDIGO	DESCRIÇÃO	Qt.	OBSERVAÇÕES
1	119073210000	CUSHION	1	
2	119123090000	PIPE ASSY, INTAKE	1	
3	12007305001X	STUD BOLT	2	
4	B04050600064	NUT M6	1	
5	110013210000	GASKET	2	
6	100073210000	FUEL INJECTOR	1	

RKS 125 SPORT EVO E4

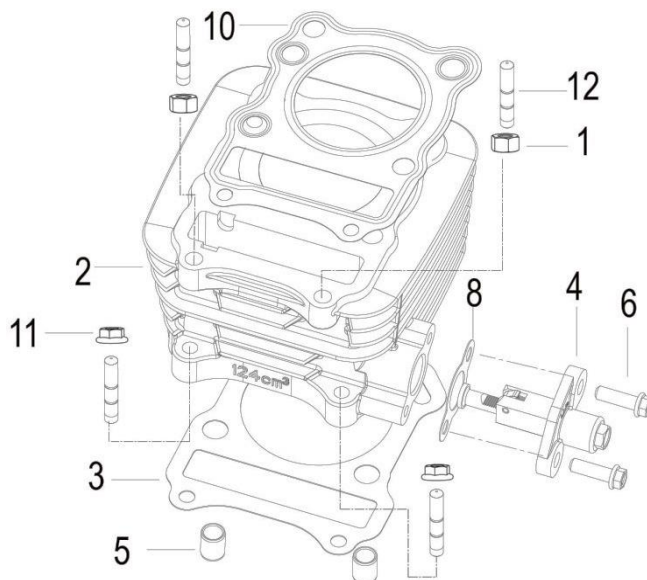
E02 INTAKE&EXHAUST MECHANISM



Nº	CÓDIGO	DESCRIÇÃO	Qt.	OBSERVAÇÕES
1	129074180000	CAMSHAFT ASSY	1	
2	120043090000	WASHER	1	
3	120343090000	WASHER	1	
4	120353090000	CHAIN WHEEL	1	
5	140023090000	BOLT	1	
6	140033090000	WASHER	1	
7	140013090002	COMPONENTS OF THE RIGHT CHAIN GUIDE PLATE	1	
8	129023090002	TIMING CHAIN	1	
9	120203090000	BOLT	2	
10	140063090002	CHAIN LEFT GUIDE PLATE	1	
11	B090105008B0	PIN	1	

RKS 125 SPORT EVO E4

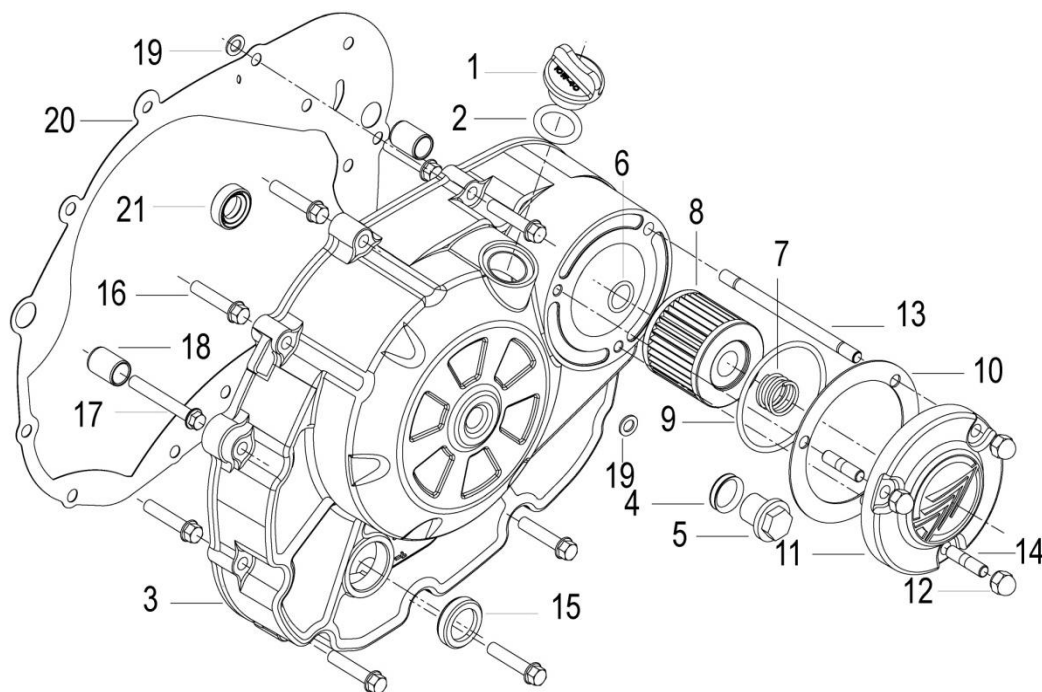
E04 CYLINDER



Nº	CÓDIGO	DESCRIÇÃO	Qt.	OBSERVAÇÕES
1	B04050600064	NUT M6	2	
2	139013210070	EFI CYLINDE,GRAY	1	
3	139023090032	GASKET,CYLINDER,in black	1	
4	149033090010	TENSIONER ASSY GRAY	1	
5	130023090000	PIN,DOWEL	2	
6	13001309001X	BOLT M6X20	2	
8	130113090012	SEAL SPACER	1	
10	109073090000	CYLINDER HEAD GASKET	1	
11	B04070600054	HEXAGON NUTS WITH FLANGE M6	2	
12	12007309001X	STUD BOLT	4	

RKS 125 SPORT EVO E4

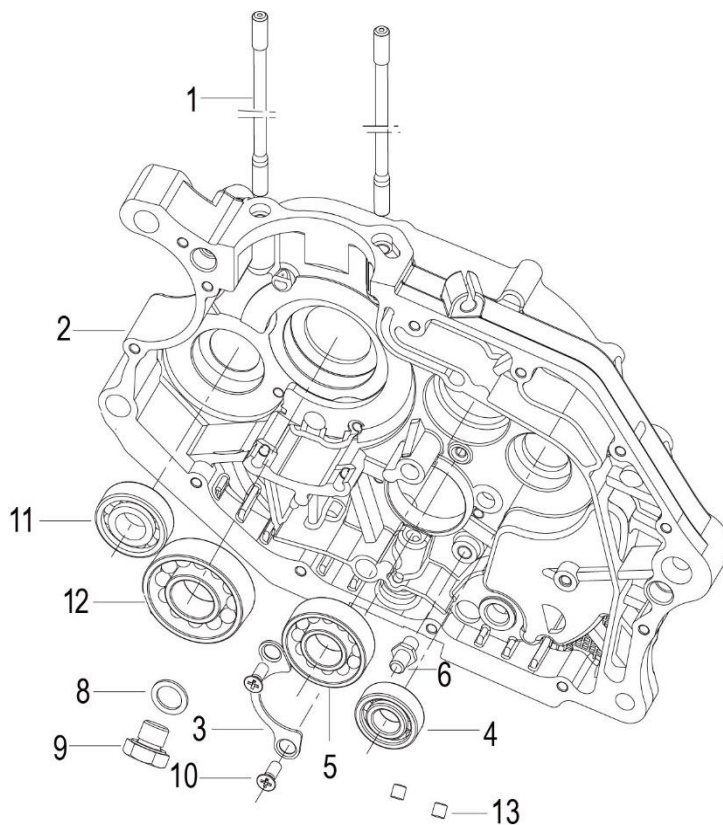
E05 CLUTCH COVER ASSY



Nº	CÓDIGO	DESCRIÇÃO	Qt.	OBSERVAÇÕES
1	160063090000	OIL FILLER THREAD PLUG	1	
2	B190101700C0	O RING17x3.55	1	
3	169103090190	COVER,CLUTCH GRAY	1	
4	160253090000	O RING φ12	1	
5	160203090002	PLUG M12	1	
6	B190101250A0	O RING12.5x1.8	1	
7	160033090000	SPRING	1	
8	160043090000	PAPER FILTER ELEMENT MODULE	1	
9	B190105260B0	O RING52.6x2.4	1	
10	160373210010	MACHINE FILTERS COVERS THE FILLING PIECE	1	
11	160393090090	MACHINE FILTERS THE LID GRAY	1	
12	B04220600034	COVERS THE NUT M6	3	
13	16005309001X	DOUBLE SCREW BOLT	1	
14	B0300060126H	DOUBLE SCREW BOLT M6x12	2	
15	160083090000	OIL INDICATOR ASSY	1	
16	B01070603264	BOLT M6x32	9	
17	B01070604564	BOLT M6x45	1	
18	150043090000	PIN,DOWEL	2	
19	150013070000	WASHER 6	2	
20	169113210010	GASKET,COVER RH	1	
21	160023090000	OIL SEAL	1	

RKS 125 SPORT EVO E4

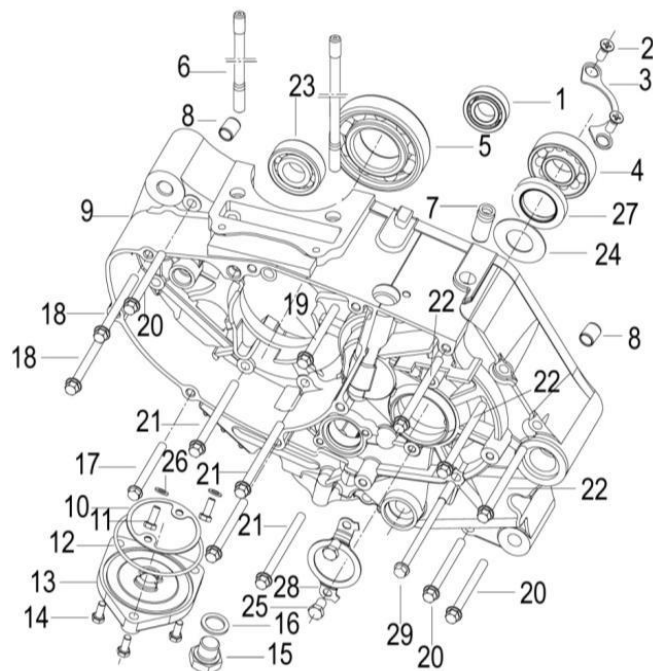
E06 RIGHT CRANKCASE ASSY



Nº	CÓDIGO	DESCRIÇÃO	Qt.	OBSERVAÇÕES
1	15911309002X	STIDBOLT,CYLINDER 8x173	2	
2	159033210040	CRANKCASE,RIGHT GRAY,with plug	1	ATÉ ABRIL DE 2018
2	159033210180	CRANKCASE,RIGHT GRAY,with plug	1	APÓS ABRIL DE 2018
3	150113090000	GEAR	1	
4	B12016020204	BERING6202/P6	1	
5	B12016020403	BEARING6204/P6	1	
6	150123090000	SET BOLT	1	
8	150093090000	GASKET SEAL	1	
9	15008309013X	SPIRAL PLUG M14x1.25x11.5	1	
10	B0201060126H	SCREW M6X12	2	
11	B12016020301	BERING 6203	1	
12	B12016020601	BEARING	1	APÓS ABRIL DE 2018
13	150166090000	CONE PLUG M10x1	2	

RKS 125 SPORT EVO E4

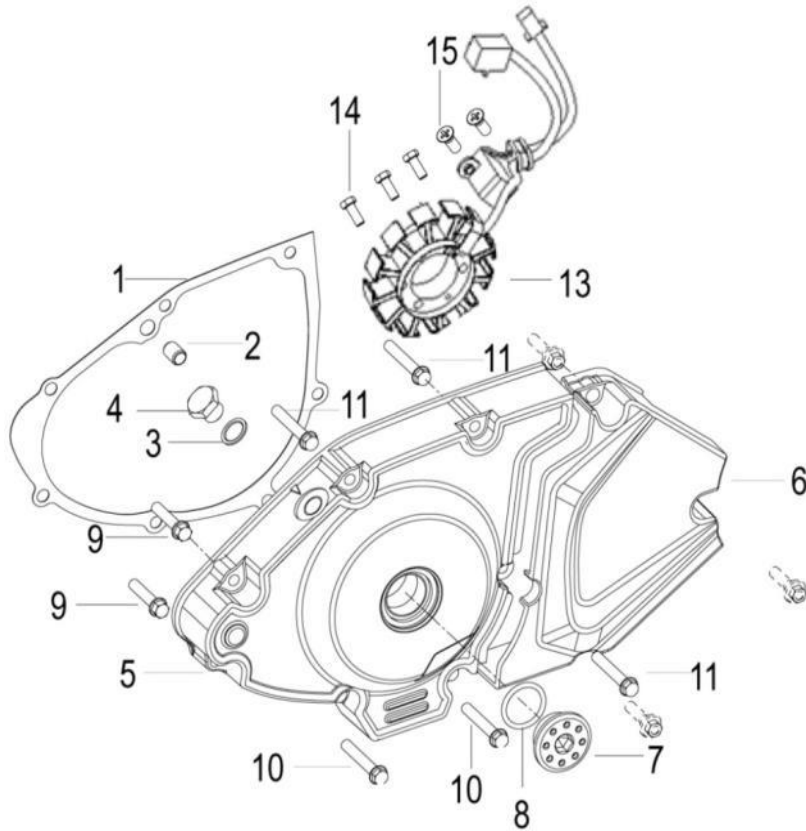
E07 LEFT CRANKCASE ASSY



Nº	CÓDIGO	DESCRIÇÃO	Qt.	OBSERVAÇÕES
1	B12016000203	BERING 6002-RS/P6	1	
2	B0201060126H	TEN CHARACTER TROUGHS SINK A BOLT M6x12	2	
3	150113090000	GEAR	1	
4	B12016020403	BEARING6204/P6	1	
5	150304230000	BERING 6207/P53 Z2	1	
6	15910309002X	AIR CYLINDER STUD	2	
7	150153090000	HOSE,BREATHER	1	
8	150043090000	PIN,DOWEL	2	
9	159023210090	LEFT CRANKCASE ASSY., GRAY	1	
10	150103090000	OIL SET	1	
11	B0103050126H	HEXAGONAL HEAD TAP BOLT M5x12	1	
12	B190106050B0	O RING 60.5x2.4	1	
13	150023090090	MESH LID GRAY	1	
14	B0107060206H	BOLT M6x20	3	
15	16009309012X	SPIRAL PLUG M14x1.25x14.5	1	
16	150093090000	GASKET SEAL	1	
17	B01070605564	BOLT M6x55	1	
18	B0107060656H	BOLT M6x65	2	
19	B0107060606H	BOLT M6x60	1	
20	B01070606064	BOLT M6x60	4	
21	B0107060756H	BOLT M6x75	3	
22	B01070607564	BOLT M6x75	3	
23	B12016020301	BEARING 6203	1	
24	210083090000	WASHER 20	1	
25	B0103060106H	BOLT M6x10	2	
26	100084050000	WASHER 5	2	
27	210073090000	OIL SEAL 27X40X6	1	
28	210093090000	SEAL PACKING COVER	1	
29	10001305011X	BOLT M6x95	1	

RKS 125 SPORT EVO E4

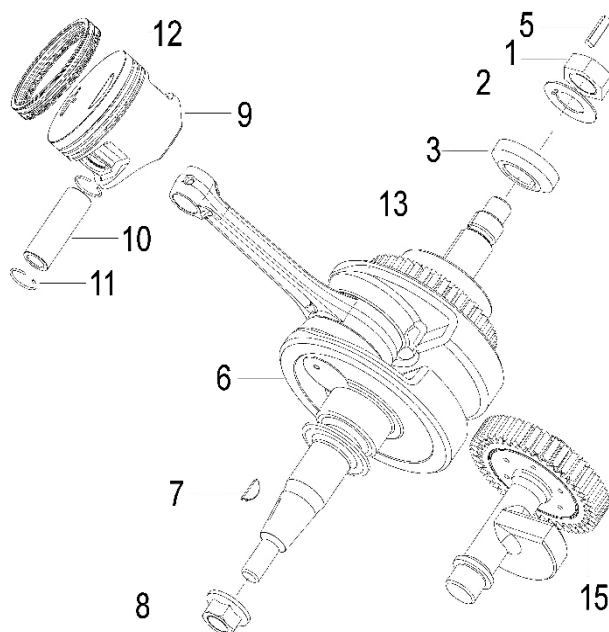
E08 MAGNETO COVER



N°	CÓDIGO	DESCRIÇÃO	Qt.	OBSERVAÇÕES
1	169073210010	GASKET,COVER MAGNETO	1	
2	150112070000	PIN,DOWEL	2	
3	160253090000	O RING φ12	1	
4	160203090002	PLUG	1	
5	169063090090	COVER,MAGNETO GRAY	1	
6	169053090140	COVER,SPROCKET GRAY	1	
7	160383090020	SEAL COVER,GREY	1	
8	B190102240C0	O RING22.4x3.55	1	
9	B01070603064	BOLT M6x30	2	
10	B01070603864	BOLT M6x38	2	
11	B01070604064	BOLT M6x40	3	
13	299033090000	STATOR ASSY. COMP.	1	
14	B0205050256H	SCREW M5x2	2	
15	B0204040122H	SCREW M4x12	2	

RKS 125 SPORT EVO E4

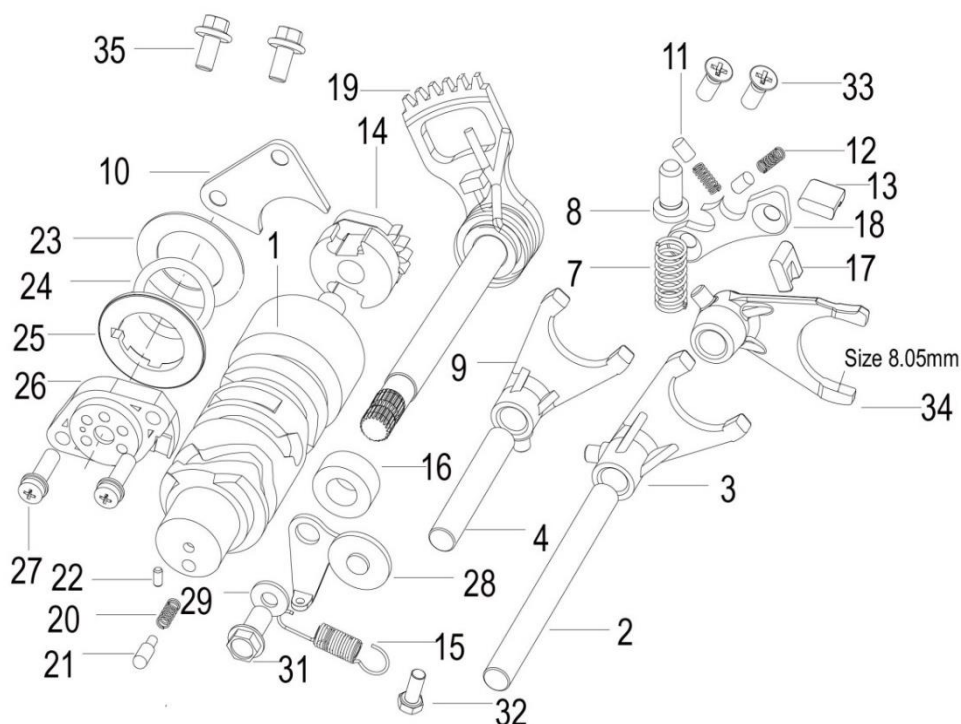
E09 CRANKSHAFT CONROD & PISTON ASSY



Nº	CÓDIGO	DESCRIÇÃO	Qt.	OBSERVAÇÕES
1	170013090100	NUT M16X1.5	1	
2	170023090000	WASHER	1	
3	269063090000	OIL PUMP, GEAR DRIVE	1	
5	170041170000	KEY 4x20	1	
6	179013210002	CRANKSHAFT&CONNECTING ROD ASSY	1	ATÉ ABRIL DE 2018
6	179013210022	CRANKSHAFT&CONNECTING ROD ASSY	1	APÓS ABRIL DE 2018
7	B11810305013	KEY	1	
8	240013060110	NUT M12x1.25	1	
9	179133090003	PISTON	1	
10	179143090002	PIN,PISTON	1	
11	179153090000	CIRCLIPΦ14	2	
12	17009309003Z	RING ASSY	1	
13	179303210000	GEAR DRIVE	1	ATÉ ABRIL DE 2018
13	179263210012	GEAR DRIVE	1	APÓS ABRIL DE 2018
15	179243210005	BALANCE SHAFT ASSY	1	ATÉ ABRIL DE 2018
15	179243210015	BALANCE SHAFT ASSY	1	APÓS ABRIL DE 2018

RKS 125 SPORT EVO E4

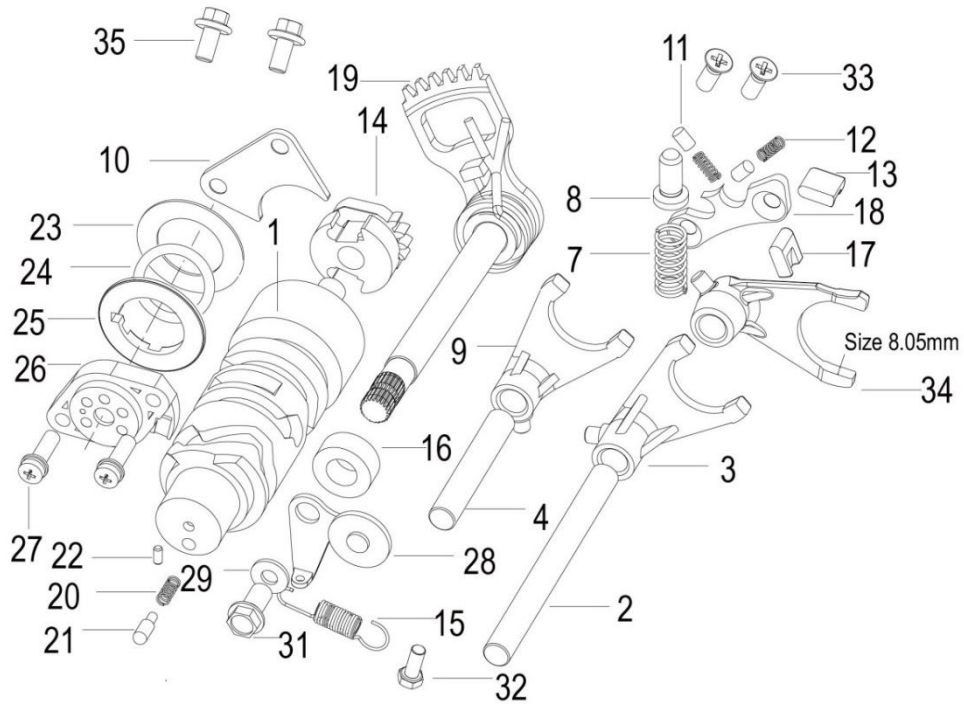
E11 GEAR SHIFT MECHANISM



Nº	CÓDIGO	DESCRIÇÃO	Qt.	OBSERVAÇÕES
1	250043090000	DRUM, GEAR SHIFT	1	
2	219093090000	SHAFT,GEAR SHIFT	1	
3	219103090000	FORK	1	
4	219083090000	SHAFT, SHIFT FORK	1	
7	210393090000	LATCH SPRING	1	
8	210383090000	NEUTRAL LATCH	1	
9	219113090000	FORK	1	
10	250063090020	ON NOTCH WHEEL THRUSTPLATE	1	
11	210303090000	NOTCH WHEEL BACK-UP POST	2	
12	210283090000	RATCHET SPRING	2	
13	210273090000	RIGHT PAWL	1	
14	250083090000	CHANGES THE FILES NOTCH WHEEL MODULE	1	
15	210363090022	ABUT ARM EXTENSION SPRING	1	
16	210373090000	OIL SEAL	1	
17	210293090000	LEFT PAWL	1	
18	250033090000	UNDER NOTCH WHEEL THRUSTPLATE	1	
19	219063210000	SHAFT, GEAR SHIFT	1	
20	210313090000	SPRING	1	
21	210323090000	ANTENNA	1	
22	B091404006B0	PIN B4x6	1	
23	250073090000	WASHER	1	
24	B190102580B0	O RING25.8x2.65	1	
25	210253090030	CHANGES GRADE OF DRUM BACK PLATE	1	
26	210263090002	FILES POSITION CONTACT DEVICE	1	
27	B1308050200H	SCREW W/WASHER M5x20	2	
28	210353090002	ABUT ARM MODULE	1	
29	210343090000	WASHERS 6	1	

RKS 125 SPORT EVO E4

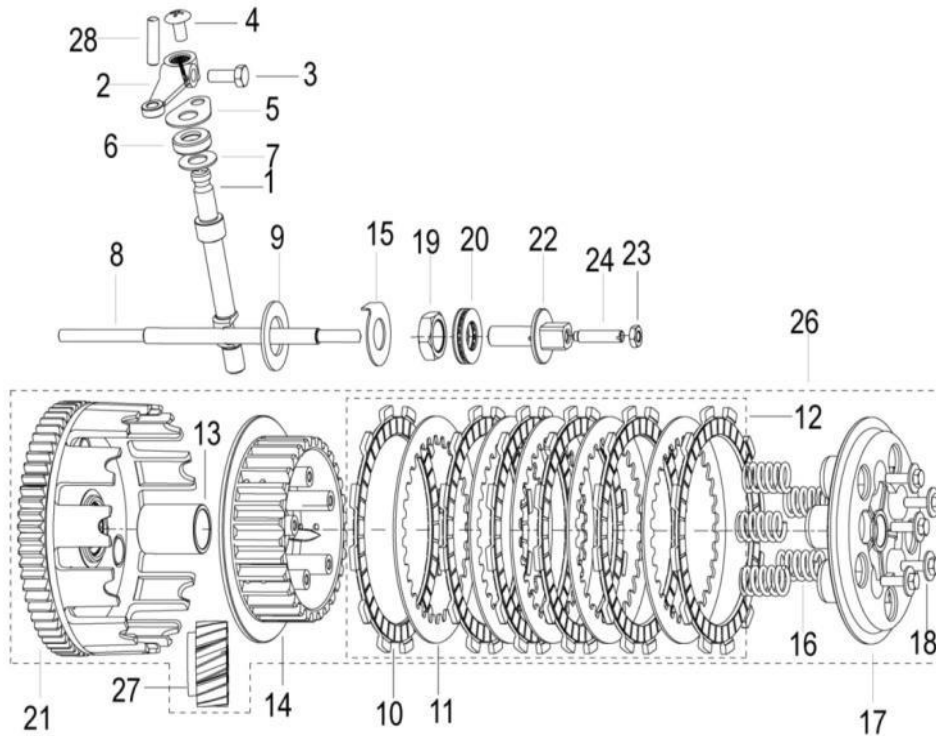
E11 GEAR SHIFT MECHANISM



N°	CÓDIGO	DESCRIÇÃO	Qt.	OBSERVAÇÕES
31	210333090000	MOVE BOLT M6	1	
32	150263090100	BOLTS M4X10	1	
33	B0201060126H	SCREW M6X12	2	
34	219103390000	FORK,LEFT	1	
35	B0107060126H	BOLT M6X12	2	

RKS 125 SPORT EVO E4

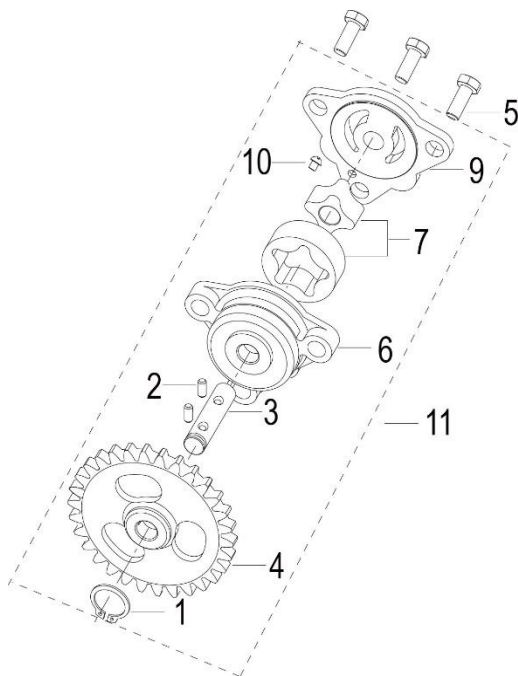
E12 CLUTCH ASSY



Nº	CÓDIGO	DESCRIÇÃO	Qt.	OBSERVAÇÕES
1	129083090000	CLUTCH RELEASE SHAFT	1	
2	209073090000	SEPARATION RELEASE LEVER	1	
3	B0101060162H	BOLT M6x16	1	
4	B02060601224	CROSS TROUGH FLAT CUP HEAD SCREW M6x12	1	
5	20017309004X	CLIP	1	
6	200023090000	TUMBLER AXIS OIL SEAL	1	
7	200013090000	WASHER, THRUST	2	
8	200013210000	PUSH ROD	1	
9	200043090000	WASHER, THRUST	1	
10	200083090000	PLATE, DRIVE	5	
11	200093090000	PLATE, DRIVE	4	
12	200473090000	CLUTCH ASSY	1	
13	200053090000	SPACER	1	
14	200073090000	HUB, CLUTCH SLEEVE	1	
15	200163090000	LOCKING WASHER	1	
16	200113090000	SPRING	5	
17	200103090000	PRESSURE PLATE	1	
18	B13010501605	SCREW W/WASHER M5x16	5	
19	200153090000	PIECE, DIRVE	1	
20	200123090000	NEEDLE BEARING	1	
21	200063090000	GEAR, PRIMARY DRIVE	1	
22	200143090000	SEAT, BEARING	1	
23	B04050600064	NUT M6	1	
24	20013309001X	SCREW M6	1	
26	209013210000	CLUTCH ASSY	1	
27	170393210000	GEAR DRIVE	1	
28	B090406014AH	SHAFT M6x14	1	

RKS 125 SPORT EVO E4

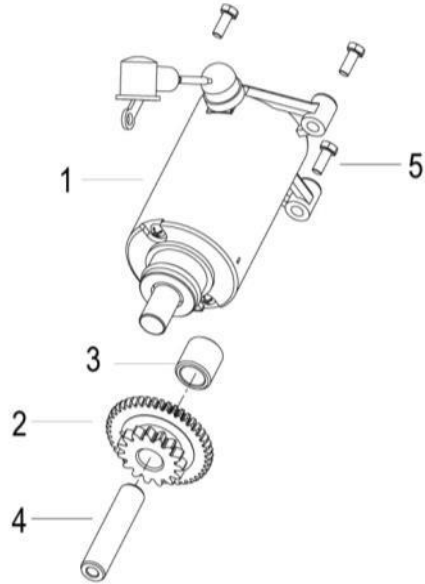
E13 OIL PUMP ASSY



Nº	CÓDIGO	DESCRIÇÃO	Qt.	OBSERVAÇÕES
1	B08030000601	RING 6	1	
2	B09012501220	PIN B2.5x12	2	
3	260063090000	OIL PUMP SHAFT	1	
4	260053090000	GEAR OIL PUMP	1	
5	B0107060256H	BOLT M6x25	3	
6	260043090000	OIL PUMP BODY	1	
7	269043090000	OIL PUMP INNER&OUTER ROTOR	1	
9	260013090000	OIL PUMP EXTERNAL ROTOR	1	
10	B02000300522	SCREW	1	
11	269003090000	OIL PUMP ASSY	1	

RKS 125 SPORT EVO E4

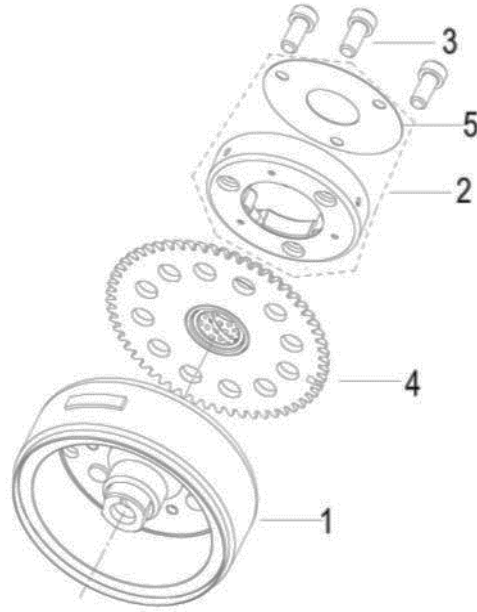
E14 STARTING MOTOR ASSY



N°	CÓDIGO	DESCRIÇÃO	Qt.	OBSERVAÇÕES
1	249013210010	STARTER MOTOR ASSY.COMP.GRAY	1	
2	249043090000	START TURN IDLENESS	1	
3	240013090000	BUSHING BLOCK	1	
4	240023090000	HINGE PIN	1	
5	B01070602564	BOLT M6x25	2	

RKS 125 SPORT EVO E4

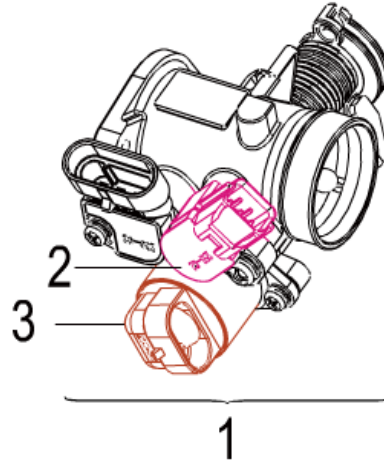
E15 MAGNETO ASSY



Nº	CÓDIGO	DESCRIÇÃO	Qt.	OBSERVAÇÕES
1	299023090020	EFI ROTOR ASSY.	1	
2	249093230000	GEAR, STARTER	1	
3	240063090000	BOLT M6x14	3	
4	240043090020	DRIVEN GEAR, STARTER	1	
5	240013240000	WASHER	1	

RKS 125 SPORT EVO E4

E16 THROTTLE ASSY



N°	CÓDIGO	DESCRIÇÃO	Qt.	OBSERVAÇÕES
1	289003210000	THROTTLE ASSY	1	
2	280023130000	THROTTLE LOCATION SENSOR	1	
3	280013130000	STEPPER MOTOR	1	