

DRAGON 250



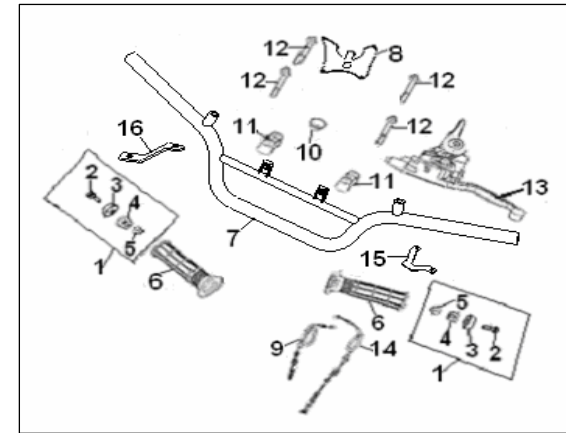
DRAGON 250

F01 STEERING I

No	Part#		Qty
1	40030H60X000	BALANCE BLOCK COMP.	2
2	B02010606025	SCREW M6×60	2
3	40031H60X000	BALANCE BLOCK	2
4	40033H60X000	PLUG RUBBER	2
5	B04070600053	NUT M6	2
6	40001H60X000	GRIP, LEFT	2
7	40100N0CS001	HANDLE BAR	1
8	40105N0CS000	PLATE, PROTECTOR	1
9	40750N00S00A	CABLE, STAY UP	1
10	43025N00S00A	DUST CAP	1
11	43014N00S000	HOLDER, HANDLE	2
12	B01090805565	BOLT M8×55	4
13	40090N00S000	LEFT LEVER COMP.	1
14	40300N0CS000	CABLE, THROTTLE	1
15	40801N0CS000	TURN LIGHT BRACKET , L.	1
16	40802N0CS000	TURN LIGHT BRACKET , R.	1

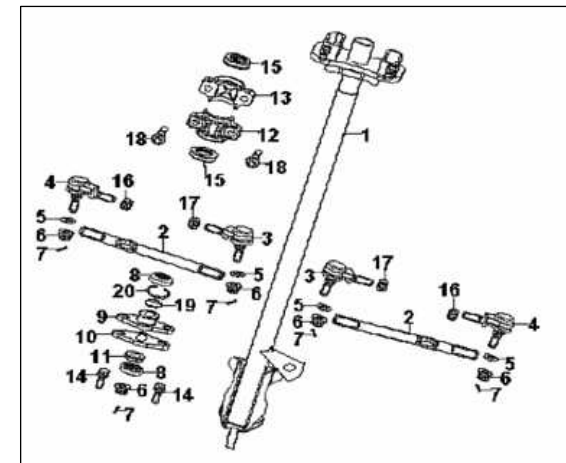
NOTES

SEASON



F02 STEERING II

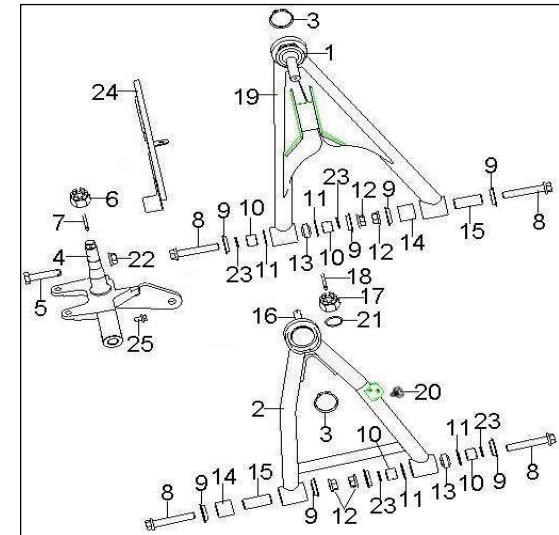
No	Part#		Qty
1	40920N0CS001	COLUMN, STEERING	1
2	40043N00S000	ROD, TIE	2
3	40950N00S000	JOINT, UNIVERSAL A	2
4	43170N00S000	JOINT, UNIVERSAL B	2
5	B07030001005	WASHER 10	4
6	B04091012555	CASTLE NUT M10×1.25	5
7	B090002022A2	SPLIT PIN φ2×18	5
8	43031N00S000	DUST COVER, GIMBAL	2
9	40940N00S00A	BEARING SEAT ASSY.	1
10	43034N00S000	RUBBER, ABSORBER	1
11	40028N00S000	SPACER	1
12	43033N00S000	COVER, STEERING COLUMN	1
13	43032N00S000	SEAT, STEERING COLUMN	1
14	B13170802505	BOLT M8×25	2
15	43028N00S000	SEAL RING	2
16	B04001012555	NUT L.H. M10×1.25 (screw to left)	2
17	B04001012555	NUT M10×1.25	2
18	B01090804565	BOLT M8×45	2
19	67370N00S000	JOINT BEARING	1
20	B08050002405	CIRCLIP φ24	1



DRAGON 250

F03 RIGHT ROCKER

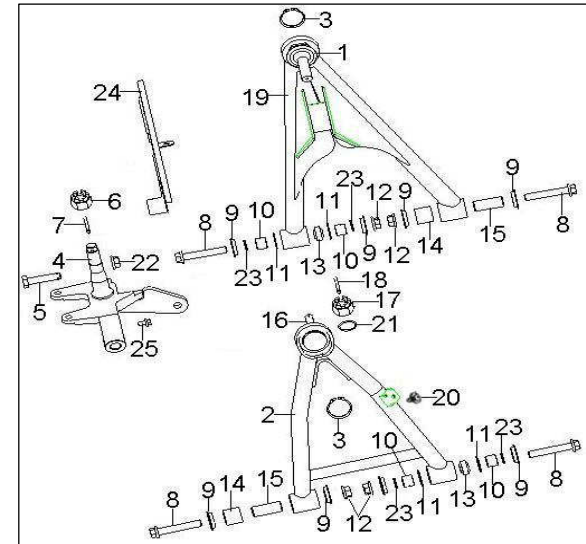
No	Part#		Qty
1	67380N00S000	LOWER GIMBAL ASSY	1
2	67320N00S000	UPPER ARM COMP.(RIGHT)	1
3	B080100030A1	CIRCLIP $\phi 30$	2
4	67310N00S000	STEERING KNUCKLE ASSY (RIGHT)	1
5	67305N00S000	FIXING BOLT	1
6	B04111615054	CASTLE NUT M16 \times 1.5	1
7	B090004028A2	SPLIT PIN $\phi 4 \times 28$	1
8	67306N00S000	BOLT	4
9	67340N00S000	AIRPROOF RING ASSY.	8
10	67301N00S000	SPACER I	4
11	B080000024A1	CIRCLIP $\phi 24$	4
12	B04170800055	NUT M8	4
13	67370N00S000	JOINT BEARING	2
14	B1210K690100	BEARING 16 \times 24 \times 22	2
15	67302N00S000	SPACER II	2
16	67390N00S000	UPPER GIMBAL ASSY	1
17	B04091012555	CASTLE NUT M10 \times 1.25	1
18	B090002022A2	SPLIT PIN $\phi 2 \times 22$	1
19	67350N00S000	LOWER ARM COMP.(RIGHT)	1
20	B13060601205	SCREW W/WASHER M6 \times 12	1
21	B07030001005	WASHER 10	1
22	B04171012555	NUT M10 \times 1.25	1
23	B190101000A0	O RING $\phi 10 \times 1.8$	4
24	67360N00S000	RIGHT PPOTECTION ASSY	1
25	B01090601065	BOLT M6 \times 10	1



DRAGON 250

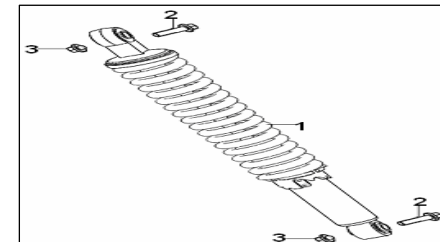
F04 LEFT ROCKER

No	Part#		Qty
1	67380N00S000	LOWER GIMBAL ASSY	1
2	67220N00S000	UPPER ARM COMP. (LEFT)	1
3	B080100030A1	CIRCLIP $\phi 30$	2
4	67210N00S000	STEERING KNUCKLE ASSY (LEFT)	1
5	67305N00S000	FIXING BOLT	1
6	B04111615054	CASTLE NUT M16 \times 1.5	1
7	B090004028A2	SPLIT PIN $\phi 4 \times 28$	1
8	67306N00S000	BOLT	4
9	67340N00S000	AIRPROOF RING ASSY.	8
10	67301N00S000	SPACER I	4
11	B080000024A1	CIRCLIP $\phi 24$	4
12	B04170800055	NUT M8	4
13	67370N00S000	JOINT BEARING	2
14	B1210K690100	BEARING 16 \times 24 \times 22	2
15	67302N00S000	SPACER II	2
16	67390N00S000	UPPER GIMBAL ASSY	1
17	B04091012555	CASTLE NUT M10 \times 1.25	1
18	B090002022A2	SPLIT PIN $\phi 2 \times 22$	1
19	67250N00S000	LOWER ARM COMP. (LEFT)	1
20	B13060601205	SCREW W/WASHER M6 \times 12	1
21	B07030001005	WASHER 10	1
22	B04171012555	NUT M10 \times 1.25	1
23	B190101000A0	O RING $\phi 10 \times 1.8$	4
24	67260N00S000	LEFT PPOTECTION ASSY	1
25	B01090601065	BOLT M6 \times 10	1



F05 FRONT ABSORBER

No	Part#		Qty
1	43200N00S000	FRONT ABSORBER ASSY.	2
2	B01091004565	BOLT M10 \times 1.25 \times 45	4
3	B04171012555	NUT M10 \times 1.25	4



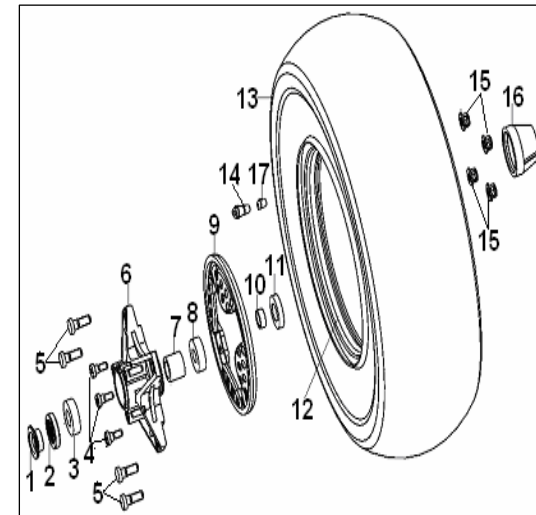
DRAGON 250

F06 FRONT WHEEL

No	Part#		Qty
1	44016N00S000	BUSH , INNER	2
2	44300N00S000	OIL SEAL ASSY	2
3	B12016190500	BEARING 61905-2RZ	2
4	45036N00S000	BOLT, BRAKE DISC	6
5	44018N0CS000	BOLT, FRONT WHEEL	8
5A	44018N00S000	BOLT, FRONT WHEEL	8
6	44102N0CS000	HUB, FRONT WHEEL	2
6A	44102N00S000	HUB, FRONT WHEEL	2
7	44006N00S000	BUSH, MIDDLE	2
8	B12016020300	BEARING 6203-2RS	2
9	44021N00S000	GUARD	2
10	44005N00S000	BUSH, OUTER	2
11	B2201FB22407	SEAL 22×40×7	2
12	44100N0CS000	FRONT RIM ASSY	2
12A	44100N00S000	FRONT RIM ASSY	2
13	B140621007AA	TYRE 21×7-10	2
13A	B140622007AA	TYRE 22×7-10	2
14	B1403Z201100	VALVE Z2-01-1	2
15	B04171010052	NUT M10×1	8
16	60018N00S000	COVER, DUSTPROOF	2
17	B1404Z2011C0	CAP, VALVE	2

P/ JANTE ALUMÍNIO
P/ JANTE FERRO
P/ JANTE ALUMÍNIO
P/ JANTE FERRO

ALUMÍNIO
FERRO
OFF ROAD
ON ROAD



DRAGON 250

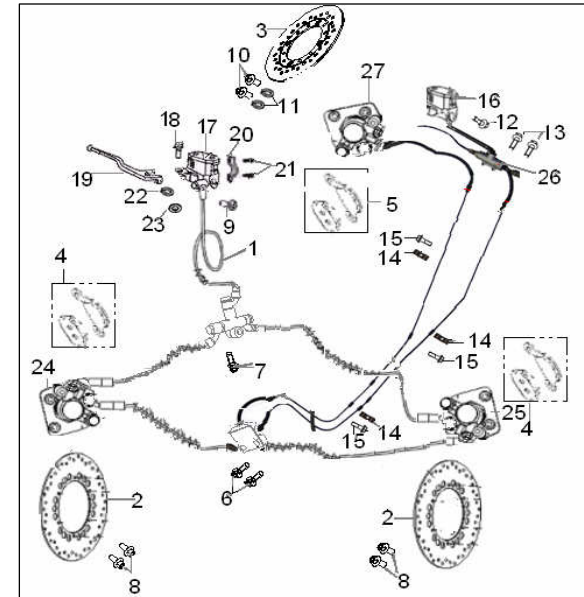
F07 DISK BRAKE ASSY.

No	Part#		Qty
1	55000N0CS001	FRONT DISK BRAKE ASSY.	1
1	55000N0CS002	FRONT DISK BRAKE ASSY.	1
2	45033N00S000	FRONT BRAKE DISC	2
3	55033N00S000	REAR BRAKE DISC	1
4	45110N0CS000	BRAKE PAD ASSY. FRONT	2
5	55120N0CS000	BRAKE PAD ASSY. REAR	1
6	B01090803565	BOLT M8×35	1
7	B01090803065	BOLT M8×30	1
8	B01090801265	BOLT M8×12	4
9	B13060601205	SCREW W/WASHER M6×12	1
10	B01090801665	BOLT M8×16	2
11	B07000800005	WASHER 8	2
12	B01090601665	BOLT M6×16	1
13	B01090602565	BOLT M6×25	2
14	55038N0CS000	PLATE , BRAKE PIPE	3
15	B01070601665	BOLT M6×16	3
16	55140N0CS000	CYLINDER ASSY , MASTER	1
17	45400N0CS000	CYLINDER ASSY , MASTER	1
18	45024J1CT000	LEVER BOLT	1
19	45022N0CS000	BRAKE LEVER	1
20	45023J1CT000	MOUNTING SEAT	1
21	B01070602365	BOLT	2
22	B07000000605	WASHER 6	1
23	B04020600065	NUT M6	1
24	45500N0CS000	RIGHT BRAKE CALIPER ASSY	1
25	45600N0CS000	LEFT BRAKE CALIPER ASSY	1
26	55400N0CS000	MASTER CYLINDER ASSY	1
27	55500N0CS000	BRAKE CALIPER ASSY	1

S/ INTERRUPTOR TRAVÃO FRT
C/ INTERRUPTOR TRAVÃO FRT

2006-2007
2008

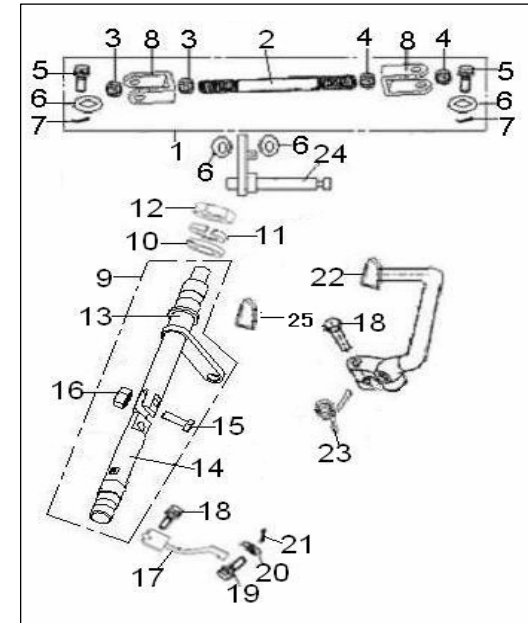
JOGO
JOGO



DRAGON 250

F08 BRAKE CONTROL SYSTEM

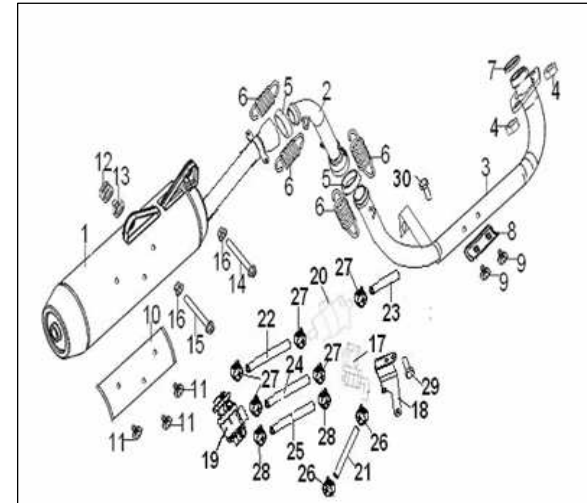
No	Part#		Qty
1	40270N00S000	CONNECTING POLE COMP.	1
2	40281N00S000	CONNECTING POLE	1
3	B04000800053	NUT LH. M8 (screw to left)	2
4	B04000800053	NUT M8	2
5	40746N00S000	CONNECT PIN	2
6	40976N00S000	RUBBER CUSHION, I	6
7	B090002016A3	SPLIT PIN $\phi 2 \times 16$	2
8	40282N00S000	BIG BRACKET	2
9	40800N00S000	ROCKER ASSY., REAR BRAKE	1
10	B07030001205	WASHER 12	1
11	B07000001205	WASHER 12	1
12	B04001200055	NUT M12	1
13	40820N00S000	ROCKER AXLE COMP1,BRAKE	1
14	40810N00S000	ROCKER AXLE 2,BRAKE	1
15	B01030602563	BOLT M6 \times 25	1
16	B04000600053	NUT M6	1
17	40760N00S000	ROCKER 2, REAR BRAKE	1
18	B01020803065	BOLT M8 \times 30	2
19	B090408024A3	PIN AXLE $\phi 8 \times 24$	1
20	B07030000803	WASHER 8	1
21	B09002501613	SPLIT PIN $\phi 2.5 \times 16$	1
22	40710W230001	BRAKE LEVER COMP.	1
23	40705N00S000	TURNING SPRING	1
24	40740N00S000	BRAKE LEVER BROCKER	1
25	40700N050000	BRAKE LEVER LATEX UNDERLAY	1



DRAGON 250

F09. MUFFLER ASSY.

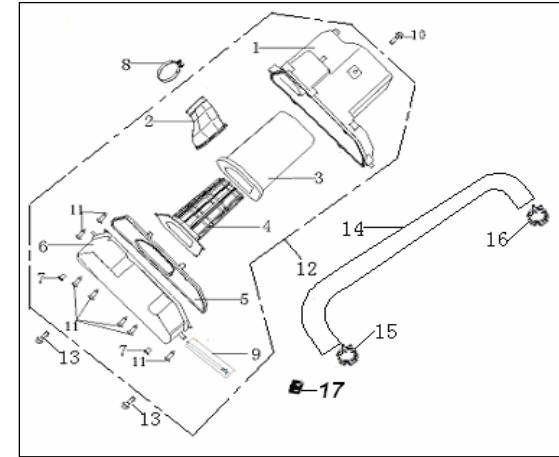
NO.	CODE		QTY.
1	47200N0CS001	MUFFLER JOINTING ASSY.	1
2	47106N0CS001	VENT-PIPE, II	1
3	47107W230003	VENT-PIPE, III	1
4	B04000800055	NUT M8	2
5	47035N00S000	GRAPHITE BUSH	2
6	47041N00S000	SPRING, PULLING	4
7	47800N0GT000	GASKET ASSY.	1
8	47760N00S000	DECORATION PLATE 1	1
9	B13040601004	SCREW W/WASHER M6×10	2
10	47780N00S000	DECORATION PLATE 2	1
11	B13040501004	SCREW W/WASHER M5×10	3
12	47335N00S000	WREATH,RUBBER	1
13	47702N00S000	BUSH	1
14	B01591006865	BOLT M10×1.25×68	1
15	B01591008065	BOLT M10×1.25×80	1
16	B04181012555	NUT M10×1.25	2
17	157.14.1.2C	ONE WAY VALVE	1
18	57051B0ES000	PLATE, ONE WAY VALVE	1
19	157.14.2	SECONDARY INTAKE VALVE	1
20	49870B0ES000	AIR CLEARNER, SMALL	1
21	49082W110000	OVENPROOF PIPE φ17×φ9×310	1
22	49852N0CS000	RUBBER PIPE φ18×φ13×75	1
23	49853N0CS000	RUBBER PIPE φ18×φ13×60	1
24	49854N0CS000	RUBBER PIPE φ18×φ13×400	1
25	49854N0CS000	RUBBER PIPE φ7.5×φ3.5×250	1
26	49855B0ES000	CLIP I, φ16.5	2
27	49805BMBT000	CLIP II,φ17.5	5
28	49017J00P000	CLIP,φ7.5	2
29	B01090601265	BOLT M6×12	1
30	B01090801665	BOLT M8×16	1



DRAGON 250

F10 AIR CLEANER

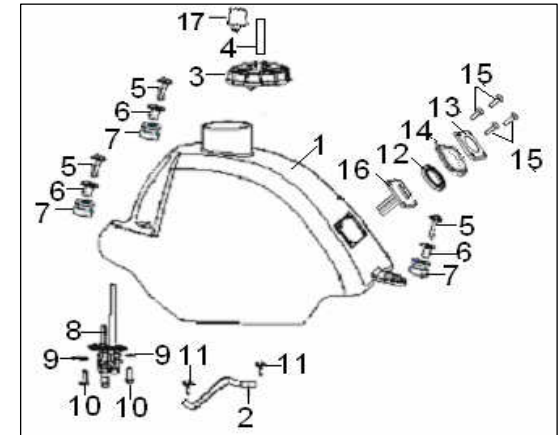
No	Part#		Qty
1	49101N0CS000	CASE, AIR CLEANER	1
2	49005N0CS000	VENTHOLE	1
3	49202N0CS000	SPONGE	1
4	49201N0CS000	SPONGE PLANK	1
5	49212N0CS000	MID. CLAPBOARD	1
6	49001N0CS000	SIDE COVER AIR CLEANER	1
7	49004N0CS000	BUSH	2
8	49350N0GT000	CLAMP ASSY	1
9	49009N0CS000	FLOWN LINE	1
10	B01090601265	BOLT M6×12	1
11	B05004201300	SCREW ST4.2X13	7
12	49100N0CS000	AIR CLEANER COMP.	1
13	B01090602565	BOLT M6×25	2
14	202208.005000	HOSE PIPE , RUBBER	1
15	225234.003000	CLAMP 25	1
16	49805N0JP000	CLAMP 17.5	1
17	65803JOET000	NUT M6	1



F11 FUEL TANK

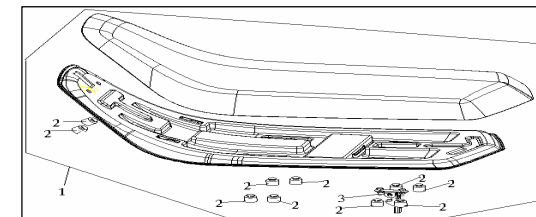
NO.	CODE		QTY.
1	50101N0CS000	FUEL TANK	1
2	B16010522001	OIL PIPE $\phi 5 \times \phi 9 \times 200$	1
3	50200N00S000	TANK COVER ASSY.	1
4	B16010520601	HOSE PIPE $\phi 5 \times \phi 9 \times 60$	1
5	B13060603504	SCREW W/WASHER M6×35	3
6	50006N00S000	BUSH	3
7	50005N00S000	RUBBER BLANKET	3
8	50300N00S000	FUEL COCK ASSY.	1
9	50017J00P000	WASHER	2
10	B01020601663	BOLT M6×16	2
11	50307J00P000	CLIP $\phi 8$	2
12	50002B20T000	GLUE MAT	1
13	50003B20T000	SENSOR BOARD	1
15	B13140601405	BOLT ASSY. M6×14	4
16	50800W230000	SENSOR ASSY.	1
17	50400G0AS000	UNILATERAL VALVE	1

NOTES



F12 SEAT ASSY.

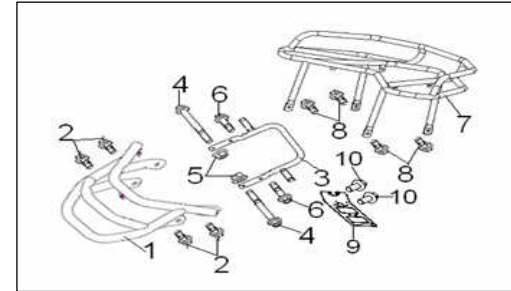
No	Part#		Qty
1	51000N0CS000	SEAT ASSY.	1
2	51103N0CS000	CUSHION RUBBER	10
3	51070G00S000	FIXED PLATE ASSY.	1



DRAGON 250

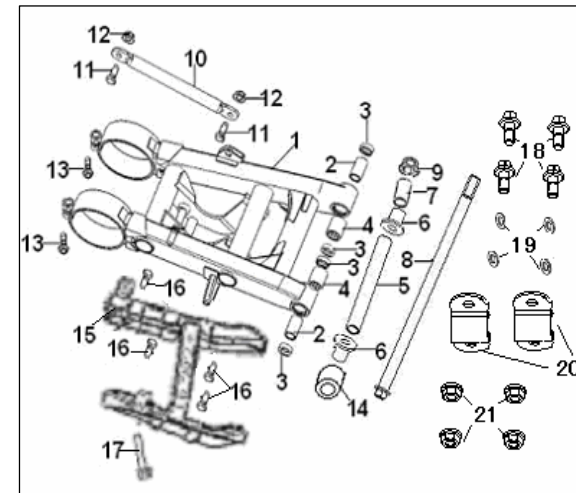
F13 LUGGAGE CARRIER ASSY.

No	Part#		Qty
1	59100N0CS000	BUMPER ASSY.	1
2	B01091001665	BOLT M10×16	4
3	52510N0CS001	REAR HANDRAIL	1
4	B01090807065	BOLT M8×70	2
5	B04170800055	NUT M8	2
6	B01090802065	BOLT M8×20	2
7	52100N0CS000	LUGGAGE CARRIER, REAR	1
8	B01091002065	BOLT M10×20	4
9	08200N0CS000	LICENSE PLATE BRACKET	1
10	B01090801665	BOLT M8×16	2



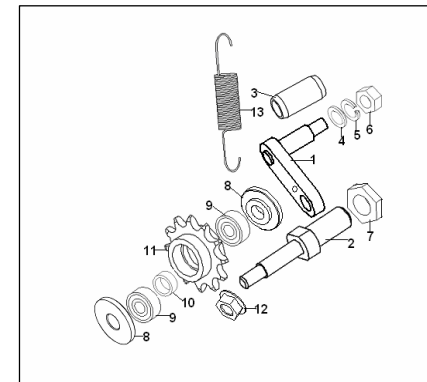
F14 REAR SWINGING ARM

No	Part#		Qty
1	53100N0CS001	REAR SWINGING ARM	1
2	53202N00S00A	BUSH	2
3	53210N00S00A	OIL SEAL, BEARING	4
4	B1210K202625	BEARING 20×26×25	2
5	57026N00S00A	SPACER, FIRST	1
6	57027N00S00A	SPACER, SECOND	2
7	40978N00S000	BUSH	1
8	58306N00S00A	BOLT, REAR SWING ARM	1
9	B04171800055	NUT M18×1.5	1
10	53204N00S000	TORQUE LINK	1
11	B01591012565	BOLT M10×1.25×25	2
12	B04171012555	NUT M10×1.25	2
13	B01091004065	BOLT M10×40	2
14	53212N00S001	BUSH, NYLON	1
15	60100N00S000	CASE, SPROCKET JOINTING	1
16	B01090601265	BOLT M6×12	4
17	B01090604065	BOLT M6×40	1



F15 CHAIN STRETCH MACHINISM

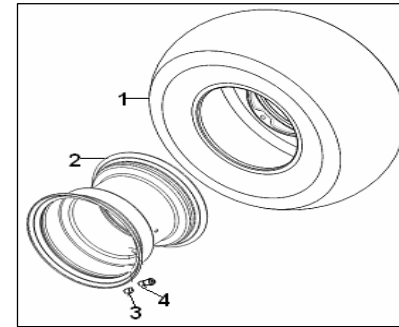
No	Part#		Qty
1	60310N00S000	STRETCH PLATE COMP	1
2	60301N00S000	AXLE, FIXXING	1
3	60308N00S000	BUSH, III	1
4	B07030001005	WASHER 10	1
5	B07000001005	WASHER 10	1
6	B04011012555	NUT M10×1.25	1
7	B04031415013	NUT M14×1.5	1
8	60305N00S000	CUSHION	2
9	B12016000000	BEARING 6000-2RS	2
10	60306N00S000	CUSHION, MIDDLE	1
11	60303N00S000	WHEEL, STRETCHING	1
12	B04170800055	NUT M8	1
13	60304N00S000	TENSION SPRING	1



DRAGON 250

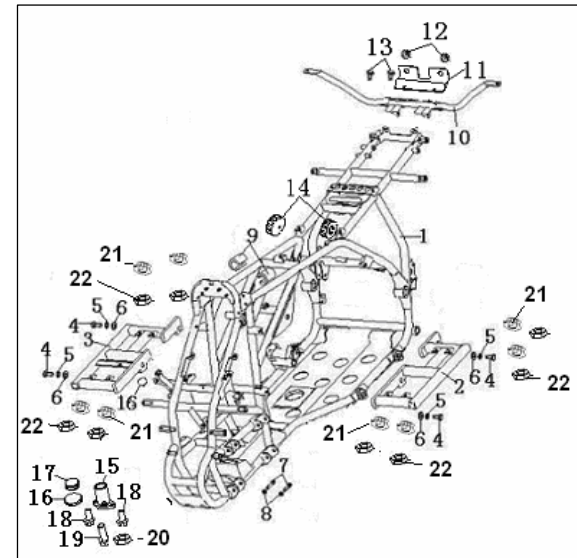
F16 REAR WHEEL ASSY.

No	Part#		Qty
1	B140622011AA	TIRE, 22×11-10	2
1A	B140622010AA	TIRE, 22×10-10	2
2	54100N0CS000	REAR RIM ASSY.	2
2A	54100N00S000	REAR RIM ASSY.	2
3	B1404Z2011C0	CAP, VALVE	2
4	B1403Z201100	VALVE Z2-01-1	2



F17 FRAME ASSY.

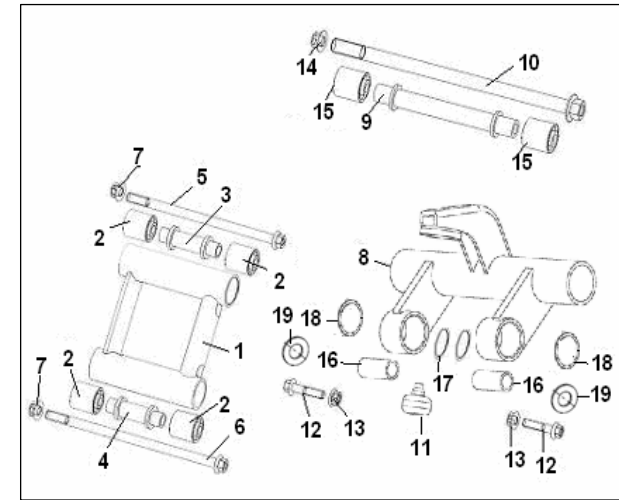
No	Part#		Qty
1	57100N0CS002	FRAME JOINTING COMP.	1
2	58230N0CS000	BRACKET JOINTING COMP. L.	1
3	58240N0CS000	BRACKET JOINTING COMP. R.	1
4	B01021203065	BOLT M12×1.5×30	4
5	B07030001205	WASHER 12	4
6	B07000001205	WASHER 12	4
7	B01030803565	BOLT M8×35	2
8	B04000800055	NUT M8	2
9	57014N00S000	DAMPER WASHER	2
10	58390N0CS000	BRACKET, REAR FENDER	1
11	08301N0CS000	PLATE, TAIL LAMP	1
12	57033G00S000	RUBBER CUSHION	2
13	B01090601265	BOLT M6×12	2
14	57013N0CS000	CUSHION, SEAT	2
15	57030N00S000	FIXING BUSH	1
16	58093N00S000	BRACKET	2
17	B12122820000	BEARING51200	1
18	B13170802505	BOLT M8×25	2
19	58096N00S000	BOLT	1
20	B04031212515	NUT M12×1.25	1
21	65160N00S000	BRACKET	8
22	B04070600055	NUT M6	8



DRAGON 250

F18 ENGINE BRACKET

No	Part#		Qty
1	58320N00S000	ENGINE BRACKET COMP	1
2	58340N00S000	BUSH	4
3	58350N00S000	SPACER FIRST	1
4	58380N00S000	SPACER SECOND	1
5	57023N00S000	BOLT, ENGINE BRACKET	1
6	58305N00S000	SHAFT, ENGINE	1
7	B04171012553	NUT M10×1.25	2
8	58330N0CS000	ENGINE BRACKET , REAR	1
9	58310N00S00B	SPACER , MIDDLE	1
10	58306N00S00B	FIXING BOLT II	1
11	58302JOET000	RUBBER, ENGINE BRACKET	1
12	B01090806565	BOLT M8×65	2
13	B04070800054	NUT M8	2
14	B04171212554	NUT M12×1.25	1
15	58410N00S000	BUSH I	2
16	58350N0CS000	BUSH II	2
17	58337N0CS000	WASHERI	2
18	58338N0CS000	WASHERII	2
19	43044K2GP000	WASHER	2



DRAGON 250

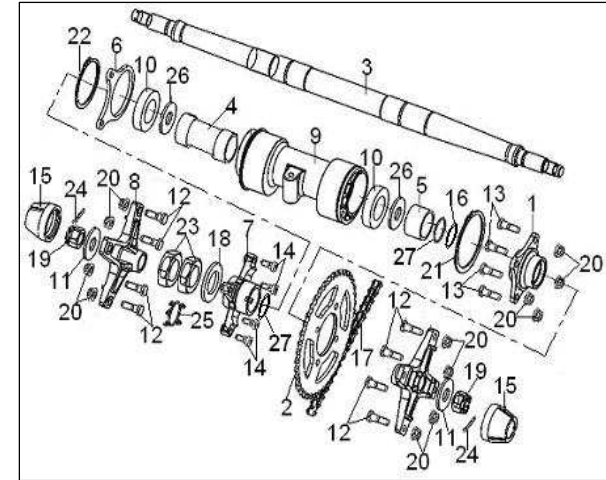
F19 DRIVE SYSTEM

No	Part#		Qty
1	60001N00S000	HUB,CHAIN WHEEL	1
2	60002N00S001	CHAIN WHEEL	1
3	60003N00S000	DRIVE AXIS	1
4	60006N00S000	GAINI I	1
5	60007N00S000	GAINI II	1
6	60008N00S000	SEAT , BRAKE CLAMP	1
7	60009N00S000	SEAT, BRAKE DISC	1
8	60011N00S000	SEAT, REAR WHEEL	2
9	60012N00S000	ADJUSTER, CHAIN	1
10	B12016000800	BEARING 6008-2RS	2
11	60014N00S000	WASHER	2
12	60015N0CS000	FIXING BOLT I	8
12	60015N00S000	FIXING BOLT I	8
13	60020N00S000	BOLT, CHAIN	4
14	45036N00S000	BOLT, BRAKE DISC	4
15	60018N00S000	COVER, DUSTPROOF	2
16	60019N00S000	CLIP	1
17	B1500E1080B0	CHAIN 12MA-1×80	1
18	B07010003605	WASHER 36GB91-86	1
19	B04092015054	CASTLE NUT M20×1.5GB5782	2
20	B04171010052	NUT M10×1	12
21	B080200095A1	CIRCLIP φ95	1
22	B080200078A1	CIRCLIP φ78 GB6187	1
23	60021N00S000	NUT M36×1GB5787	2
24	B090004036A2	SPLIT PIN φ4×36	2
25	60004N00S001	WASHER, LOCK	1
26	60200N00S000	DUST SEALCOMP.	2
27	B190104000B0	O RING φ40×φ2.65	2

33 DENTES

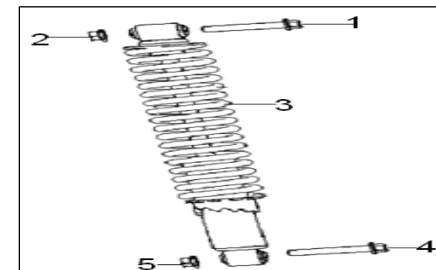
P/ JANTE ALUMÍNIO

P/ JANTE FERRO



F20 REAR ABSORBER

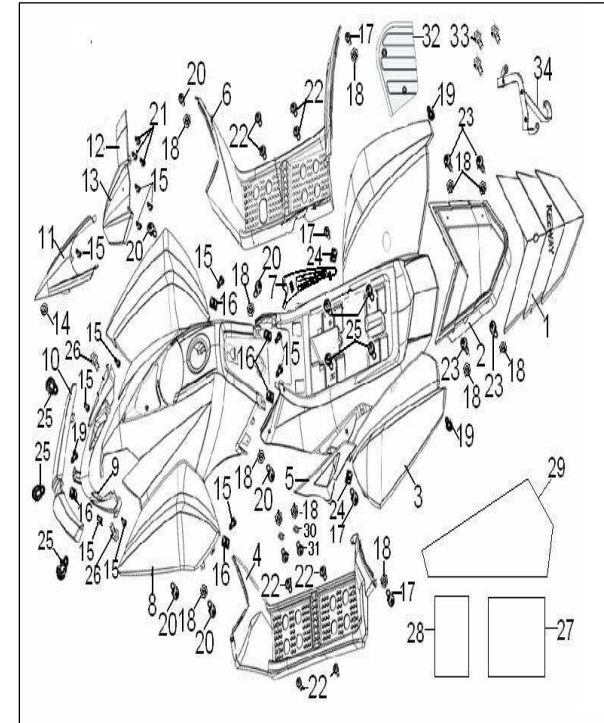
No	Part#		Qty
1	B01591006065	BOLT M10×1.25×60	1
2	B04171012555	NUT M10×1.25	1
3	63100N0CS000	REAR ABSORBER ASSY.	1
4	B01591207565	BOLT M12×1.25×75	1
5	B40171212555	NUT M12×1.25	1



DRAGON 250

F21 FRAME COVER ASSY.

No	Part#		Qty	
1	02132N0CSBA0	BOX COVER,TOOLS	1	TODOS OS MODELOS
2	02131N0CSBA0	TOOLS BOX COMP.	1	TODOS OS MODELOS
3	65701N0CSB20	REAR FENDER	1	PRT
3	65701N0CSENO	REAR FENDER	1	AZ
4	65402N0CS000	FOOTREST COVER, LH	1	
5	65621N0CSBA0	LEFT BACK FENDER DECORATED PLATE	1	TODOS OS MODELOS
6	65422N0CS000	FOOTREST COVER, RH	1	
7	65622N0CSBA0	RIGHT BACK FENDER DECORATED PLATE	1	TODOS OS MODELOS
8	65101N0CSB20	FRONT FENDER	1	PRT
8	65101N0CSENO	FRONT FENDER	1	AZ
9	65103N0CSBA0	FRONT FENDER SUPPORT PLATE	1	TODOS OS MODELOS
10	65511N0CSCD0	FRONT DECORATED PLATE	1	TODOS OS MODELOS
11	65115N0CSBA0	FRONT FENDER PLATE	1	TODOS OS MODELOS
12	65203N0CSBA0	SPEEDOMETER COVER	1	TODOS OS MODELOS
13	65201N0CSB20	SMALL HOOD	1	PRT
13	65201N0CSENO	SMALL HOOD	1	AZ
14	65207N0CS000	CUSHION , FIXING COVER	1	
15	B05004201605	SCREW ST4.2×16	10	
16	65801BMAT000	CLIP NUT	4	
17	B13060602005	SCREW W/WASHER M6×20	4	
18	B04070600055	NUT M6	12	
19	B05004801905	SCREW ST4.8×19	3	
20	B13060601605	SCREW W/WASHER M6×16	6	
21	B05003501005	SCREW ST3.5×9.5	3	
22	B02060601825	SCREW M6×18	8	
23	08014J4AT000	BOLT 2 , M6×20	4	
24	65803J0ET000	SPRING NUT 6mm	2	
25	B13060601205	SCREW W/WASHER M6×12	7	
26	B01091001665	BOLT M10×16	2	
27	65610N0CS000	HEAT INSULATION CUSHION I	1	
28	65620N0CS000	HEAT INSULATION CUSHION II	1	
29	65630N0CS000	HEAT INSULATION CUSHION III	1	
30	B02060602025	SCREW M6×20	2	
31	B07020000605	WASHER 6	2	
32	53161N0CS000	DECORATION PLATE CHAIN	1	
33	B01090601664	BOLT M6×16	3	
34	57150N0CS000	MOUNTING BRACKET COMPONENT , CHAIN	1	



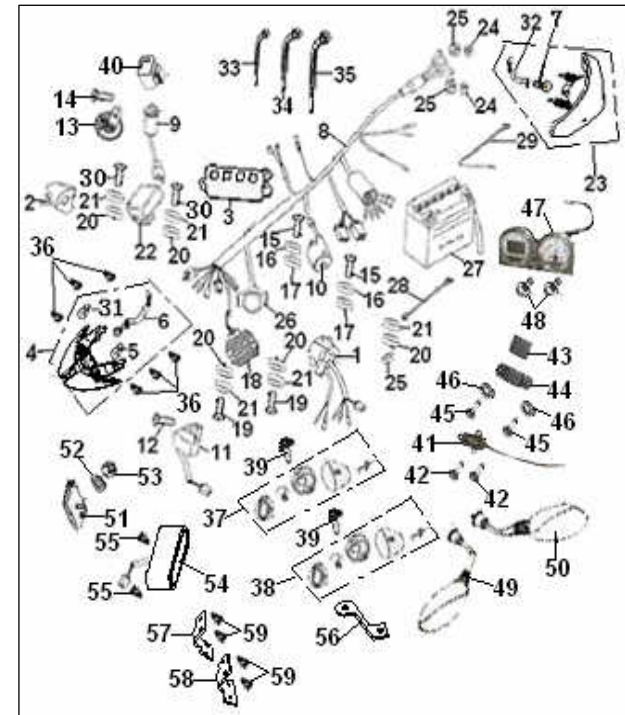
DRAGON 250

F22 ELECTRIC ASSY.

No	Part#		Qty
1	40500N0CS001	SWITCH ASSY., HANDLE L.	1
2	40600N00S000	SWITCH ASSY., HANDLE R.	1
3	79300N00S000	INDICATOR ASSY.	1
4	80000N0CS001	HEADLIGHT ASSY.	1
5	B24013720000	HEADLIGHT BULB 12V 18/18W	2
6	80100N0CS000	WIRING ASSY. HEAD LIGHT	1
7	B24013820000	TAIL LIGHT BULB 12V 10/5W	1
8	92000N0CS000	HARNESS ASSY., WIRING	1
8	92000N0CS003	HARNESS ASSY., WIRING	1
9	88300N0CS000	LOCK ASSY.	1
10	96200N0GT000	COIL, IGNITION	1
11	94800N00S001	CONTROL, GEAR SHIFT	1
12	B01010602023	BOLT M6×20	1
13	95000BMDT000	HORN ASSY.	1
14	B01090601265	BOLT M6×12	1
15	B02000502023	SCREW M5×20	2
16	B07000000503	WASHER 5	2
17	B07030000503	WASHER 5	2
18	98801N0FP000	RECTIFIER	1
19	B01010602523	BOLT M6×25	2
20	B07030000603	WASHER 6	5
21	B07000000603	WASHER 6	5
22	97701N0GT000	C.D.I	1
23	82000N0CS001	TAIL LAMP	1
24	B07020000603	WASHER 6	2
25	B04070600053	NUT M6	4
26	94000N00S001	RELAY, STARTER	1
27	96100J00P000	BATTERY	1
28	92900N00S000	MOTOR WIRING	1
29	96900N00S000	WIRE, EARTH	1
30	B01010602023	BOLT M6×20	2

PROVA DE ÁGUA

12N9-4B-1

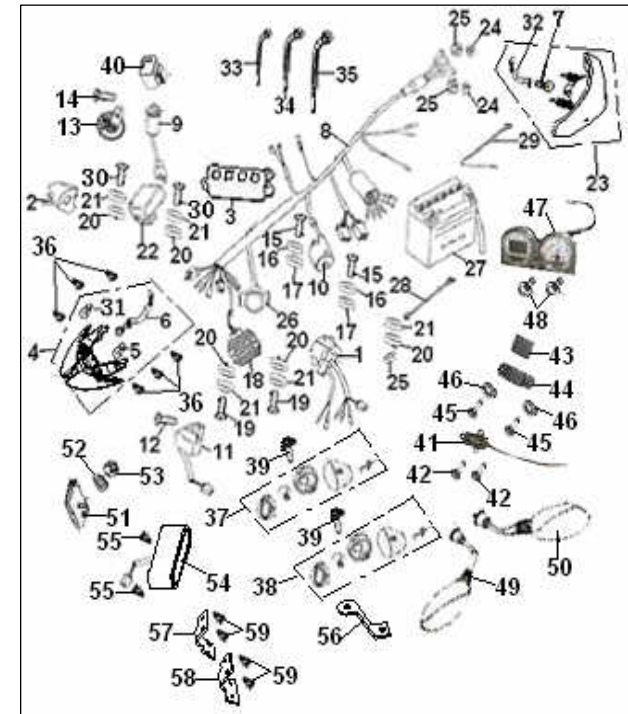


DRAGON 250

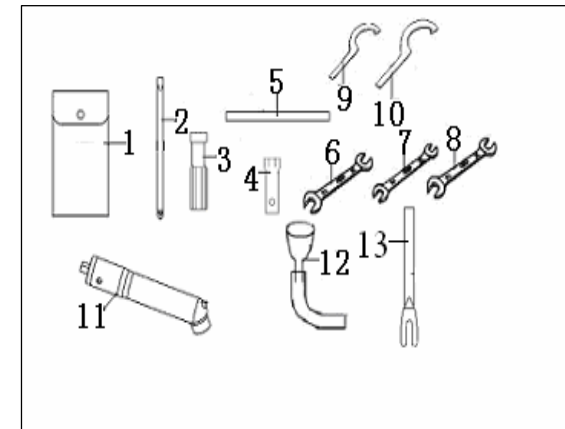
31	B24013120000	BULB , SIDELIGHTS	2
32	82900N0CS000	WIRING ASSY. , TAIL LIGHT	1
33	96002K00P000	BAND 8×150mm	12
34	96003K00P000	BAND 8×200mm	6
35	96001K00P000	BAND 8×250mm	2
36	B05004201605	SCREW ST4.2×16	6
37	81100B0ES000	FRONT TURN LIGHT , L.	2
38	81300B0ES000	FRONT TURN LIGHT , R.	2
39	B13140501405	SCREW W/WASHER M5×14	4
40	96400K00P000	FLASHER	1
41	78000N0CS000	SENSOR ASSY.	1
42	B02000301003	SCREW M3×10	2
43	78071B0ES000	MAGNET	1
44	78072B0ES000	CAP (PLASTIC)	1
45	B02000502025	SCREW M5×20	2
46	B04070500055	NUT M5	2
47	70000N0CS000	SPEEDOMETER COMP.	1
48	B01090601265	BOLT M6×12	2
49	40460GB0T000	REAR VIEW MIRROR ASSY.	1
50	40470N0CS000	REAR VIEW MIRROR ASSY.	1
51	86500B0ES000	REFLECTOR	2
52	B04000500053	NUT M5	2
53	B07020000503	WASHER 5	2
54	82500N0CS000	LIGHT , LICENSE PLATE	1
55	B05074201605	SCREW ST4.2×16	2
56	43048G0AS000	TURN LIGHT BRACKET , F.R.	2
57	08471N0CS000	REFLECTOR BRACKET, L.	1
57	08471W230001	REFLECTOR BRACKET, L.	1
58	08481N0CS000	REFLECTOR BRACKET, R.	1
58	08481W230001	REFLECTOR BRACKET, R.	1
59	B05074801905	SCREW ST4.8×19	4

F23 TOOL KIT

No	Part#		Qty
1	02101N00S000	BAG, TOOLS	1
2	02103J00P000	DRIVER SCREW	1
3	02106J00P000	HANDLE	1
4	02102N00S000	WRENCH. BOX	1
5	02110N00S000	ADJUST HANDLE , φ10×180	1
6	B20011001203	SPANNER 10×12	1
7	B20011301603	SPANNER 13×16	1
8	B20011401703	SPANNER 14×17	1
9	02108N00S000	ADJUSTER , R25	1
10	02109N00S000	ADJUSTER , R37.5	1
11	02150N00S000	BAROMETER	1
12	02114B910000	FILTER (WITH PLASTIC PIPE)	1
13	02101J00P000	HANDLE , SPARK PLUG SOCKET	1



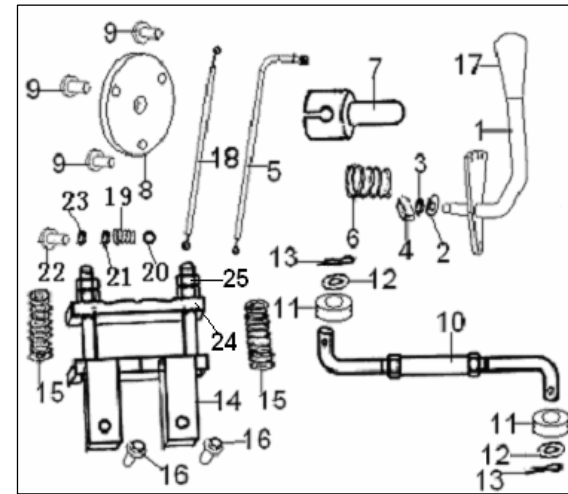
2006-2007
2008
2006-2007
2008



DRAGON 250

F24 TRANSPOSITING MACHINE

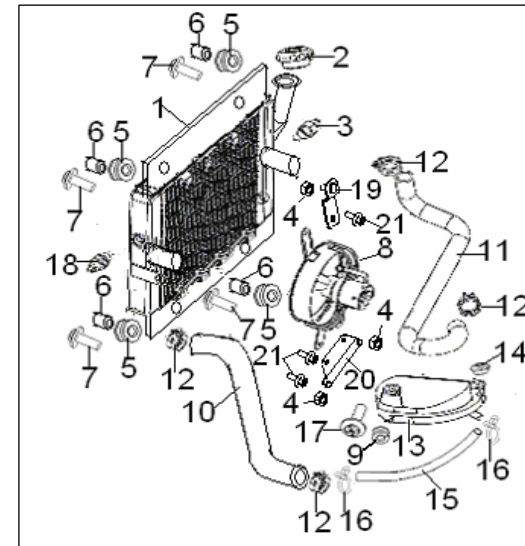
No	Part#		Qty
1	40960N0CS00A	HANDLE COMP , GEAR SHIFT	1
2	B07020000803	WASHER 8	1
3	B07000000803	WASHER 8	1
4	B04000800054	NUT M8	1
5	40770N0CS000	GEAR SHIFT WIRE	1
6	40968N00S000	SPRING, PRESSING	2
7	40964N00S000	PIN , ORIENTATING	2
8	40966N00S000	PLATE, FIXING	2
9	B02000501223	SCREW M5×12	6
10	40970N0CS000	POLE COMP , GEAR SHIFT	1
11	40975N00S000	RUBBER CUSHION	2
12	B07030000803	WASHER 8	2
13	B09002501613	SPLIT PIN φ2.5×16	2
14	40990N0CS000	BRACKET ASSY. , GEAR SHIFT POLE	1
15	40983N00S000	SPRING	2
16	B01090601663	BOLT M6×16	2
17	40990N00S000	RUBBER GRIP	1
18	40780N0CS000	GEAR SHIFT WIRE , 2	1
19	40967N00S00A	SPRING	1
20	B06010320000	BALL φ9.525	1
21	40965N00S00A	WASHER	1
22	B01090602564	BOLT M6×25	1
23	B04000600054	NUT M6	1
24	40982N00S000	BRACKET , GEAR SHIFT POLE 2	1
25	B04000800053	NUT M8	4
26	B07000000603	WASHET 6	2



DRAGON 250

F25 COOLING SYSTEM

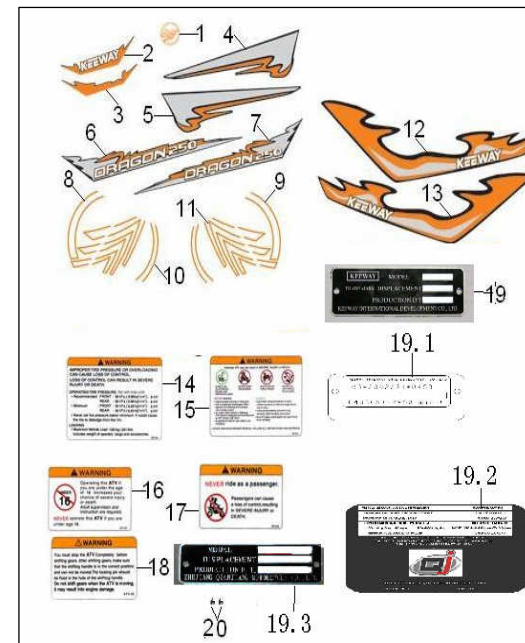
No	Part#		Qty
1	20680N0TF00A	WATER TANK	1
2	20630N0TF000	CAP, WATE RTANK	1
3	30531N03F000	SENSOR TEMPERATURE (98□)	1
4	B04000600055	NUT M6	3
5	14030N00S000	RUBBER COVER	4
6	20632N03F000	CUSHION	4
7	B13060602505	SCREW W/WASHER M6×25	4
8	20700N00S000	FAN (waterproof)	1
9	57033G00S000	RUBBER CUSHION	1
10	20609N0TF000	TUBE, LEFT	1
11	20608N0TF000	TUBE, RIGHT	1
12	225234003000	CLIP	4
13	65908N00S000	ASSISTANT WATER TANK	1
14	64910N00S000	CAP COMP., WATER TANK	1
15	20603N0TF000	TUBE, EFFUSING	1
16	225234.001000	CLIP 10-16MM	2
17	B13060601605	SCREW W/WASHER M6×16	1
18	20616N0TF000	SENSOR TEMPERATURE (75□)	1
19	43634N00S000	FAN BRACKET , UPPER	1
20	43644N00S000	FAN BRACKET , DOWN	1
21	B01090601265	BOLT M6×12	3



F26.1 STICKER (YELLOW, FOR BLACK B2 ATV250-C)

No	Part#		Qty
1	05583N0CS000	STICKER , SMALL HOOD	1
2	05584N0CS000	STICKER 1 , SMALL HOOD	1
3	05585N0CS000	STICKER 2 , SMALL HOOD	1
4	05523N0CS000	STICKER , FRONT FENDER , LEFT	1
5	05524N0CS000	STICKER , FRONT FENDER , RIGHT	1
6	05525N0CS000	STICKER , FRONT FENDER , LEFT , 1	1
7	05526N0CS000	STICKER , FRONT FENDER , RIGHT , 1	1
8	05513N0CS000	STICKER 1 , SIDER COVER , LEFT	1
9	05514N0CS000	STICKER 1 , SIDER COVER , RIGHT	1
10	05515N0CS000	STICKER 2 , SIDER COVER , LEFT	1
11	05516N0CS000	STICKER 2 , SIDER COVER , RIGHT	1
12	05574N0CS000	STICKER , REAR FENDER , LEFT	1
13	05575N0CS000	STICKER , REAR FENDER , RIGHT	1
14	05533N00S000	WARNING STICKER , I	1
15	05534N00S000	WARNIGN STICKER , II	1
16	05535N00S000	WARNIGN STICKER , III	1
17	05536N00S000	WARNING STICKER , IV	1
18	05537N00S000	WARNING STICKER , V	1
19	57001N0CS001	FRAME BODY NO.	1
20	B100432007P0	PIN 3.2×7MM	2

PRT



DRAGON 250

F26.2 STICKER (BLACK, FOR BLUE EN ATV250-C)

No	Part#		Qty
1	05583N0CS001	STICKER , SMALL HOOD	1
2	05584N0CS001	STICKER 1 , SMALL HOOD	1
3	05585N0CS001	STICKER 2 , SMALL HOOD	1
4	05523N0CS001	STICKER , FRONT FENDER , LEFT	1
5	05524N0CS001	STICKER , FRONT FENDER , RIGHT	1
6	05525N0CS001	STICKER , FRONT FENDER , LEFT , 1	1
7	05526N0CS001	STICKER , FRONT FENDER , RIGHT , 1	1
8	05513N0CS001	STICKER 1 , SIDER COVER , LEFT	1
9	05514N0CS001	STICKER 1 , SIDER COVER , RIGHT	1
10	05515N0CS001	STICKER 2 , SIDER COVER , LEFT	1
11	05516N0CS001	STICKER 2 , SIDER COVER , RIGHT	1
12	05574N0CS001	STICKER , REAR FENDER , LEFT	1
13	05575N0CS001	STICKER , REAR FENDER , RIGHT	1
14	05533N00S000	WARNING STICKER , I	1
15	05534N00S000	WARNIGN STICKER , II	1
16	05535N00S000	WARNIGN STICKER , III	1
17	05536N00S000	WARNING STICKER , IV	1
18	05537N00S000	WARNING STICKER , V	1
19	57001N0CS001	FRAME BODY NO.	1
20	B100432007P0	PIN 3.2×7MM	2

AZ



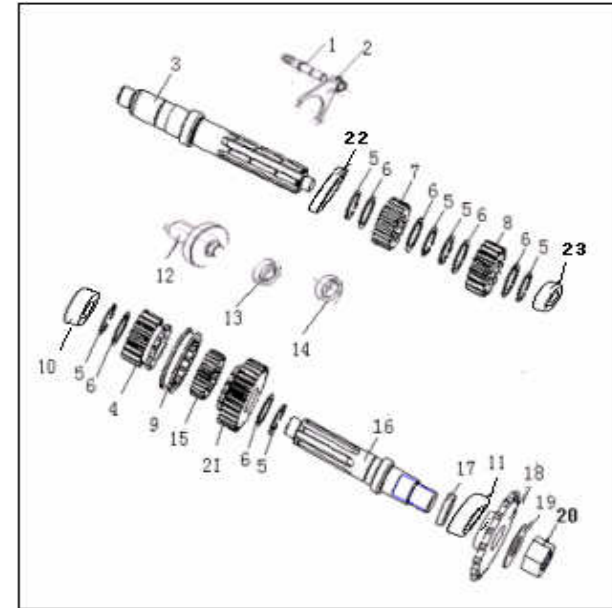
DRAGON 250

E01 TRANSMISSION ASSY

NO	CODE		QTY
1	210303.809000	FORK AXLE	1
2	210302.809000	SHIFT FORK	1
3	215300.809000	TRANSITION SHAFT	1
4	215302.810000	DRIVEN GEAR,GEAR SHIFT	1
5	B08010002500	CIRCLIP	6
6	17231N07F00C	WASHER	6
7	215301.809000	DRIVE GEAR	1
8	215304.809000	DRIVE GEAR, REVERSE	1
9	17883N07F00C	CIRCLE,GEAR SHIFT	1
10	B12016620350	BEARING	1
11	B12016600550	BEARING	1
12	215307.809000	IDLER WHEEL SHAFT	1
13	312600040000	BEARING 6004	1
14	312600040000	BEARING 6004	1
15	17882N07F00C	DRIVE GEAR,OUTPUT SHAFT	1
16	17303N07F00C	OUTPUT SHAFT	1
17	317303252071	OIL SEAL	1
18	215311.810000	SPROCKET WHEEL	1
19	17344N07F000	WASHER, LOCK	1
20	17330N07F000	NUT	1
21	215305.810000	DRIVEN GEAR,REVERSE	1
22	17317G02F000	OIL SEAL	1
23	B12016620150	BEARING	1

NOTES

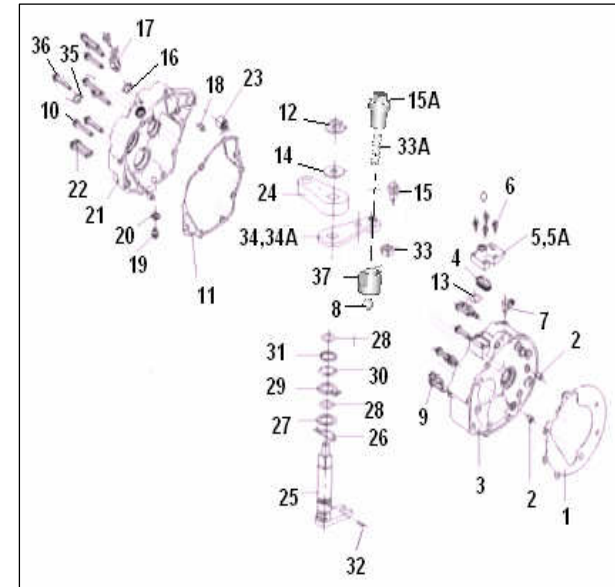
Season



DRAGON 250

E02 GEAR BOX ASSY

NO	CODE		QTY		
1	215203.810000	GASKET,GEAR-BOX	1		
2	26208J01F000	PIN,DOWEL	2		
3	215200.809000	GEARBOX	1		
4	26115N07F001	INDICATOR	1		
5	18119N07F001	UNDERPIN	1	modelo antigo	2006-2007
5A	215202002000	UNDERPIN	1	novo modelo	2008
6	B01070601862	BOLT M6*18	4		
7	26401N03F000	TIE-IN	1		
8	306010340000	STELL BALL	1	novo modelo	2008
9	B01070803264	BOLT M8*32	8		
10	301310805065	BOLT M8*50	2		
11	215203.006000	GASKET	1		
12	304420600065	NUT M6	1		
13	30714H03F000	SPRING WASHER	1		
14	B07030000600	FLAT GASKET	1		
15	17877N07F000	BLOCK FINGER	1		
15A	210333002000	BOLT,	1	novo modelo	2008
16	315114024010	O-RING14X2.4	1		
17	206407.004081	OIL PLUG	1		
18	26208J01F000	PIN ,DOWEL	1		
19	206211.002472	BOLT, ANTI-OIL	1		
20	20761K08F000	GASKET,ANTI_OIL	1		
21	215201.809000	GEAR-BOX,COVER	1		
22	B01070804562	BOLT M8*45	7		
23	26108G02F000	BUSH,ENGINE MOUNTING	1		
24	17863N07F001	ROCKER	1		
25	215104.809000	UP DIAL FORK ASSY	1		
26	17855N07F000	CLIP PIN	1		
27	307991050052	WASHER	1		
28	315108719010	O RING	2		
29	210119.001000	LOCALIZER	1		
30	17888N07F001	ACETABULIFORM GASKET	1		
31	B08010001200	WASHER	1		
32	215316.002000	PIN	1		
33	B04000600074	NUT	1		
33A	215314001000	SPRING	3	novo modelo	2008
34	20119.001000	BLOCKSMELLER	1	modelo antigo	2006-2007
34A	215401007000	BLOCKSMELLER	1	novo modelo	2008
35	307992012120	washer	1		
36	B01070601262	BOLT	1		
37	210207001000	BUSH	1	novo modelo	2008

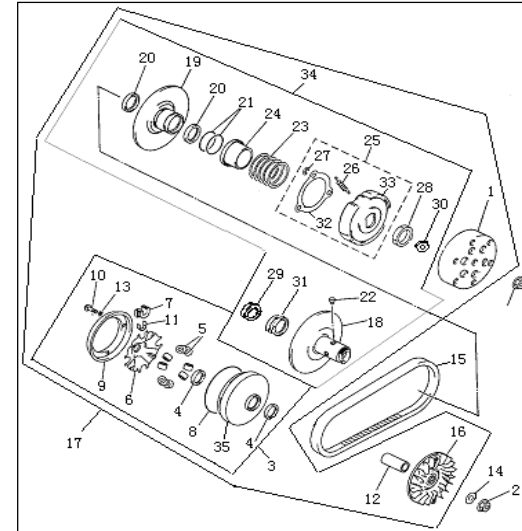


DRAGON 250

E03 CLUTCH ASSY

NO	CODE		QTY
1	24232N03F000	HOUSING, clutch	1
2	15228N03F000	NUT	3
3	24101N03F000	FACE, movable drive	1
4	24216N03F000	OIL SEAL	2
5	24120N03F000	ROLLER	8
6	24151N03F000	PLATE, movable drive	1
7	24219N03F000	DAMPER	4
8	24215N03F000	O RING	1
9	24105N03F920	COVER	1
10	B02000401223	SCREW	4
11	24246N03F000	KICKSTAND	4
12	24140N03F000	COLLAR	1
13	24106N03F000	WASHER	4
14	30799301186B	WASHER	1
15	24160N03F000	V BELT, drive	1
16	24111N03F000	FACE, fixed driven	1
36	24000N03F000	CVT ASM	1
18	24211N03F000	SHAFT ASSY, driven	1
19	24212N03F000	SHAFT ASSY, RIVEN	1
20	24248N03F000	OIL SEAL	2
21	24249N03F000	O RING	2
22	24214N03F000	PIN	4
23	24240N03F000	CLUTCH SPRING	1
24	24250N03F000	SHAFT, DRIVEN	1
25	24270N03F000	CLUTCH ASSY, SHOE	1
26	24224N03F000	CLUTCH,	3
27	B08030000900	CIRCLIP	3
28	B12016190350	BEARING	1
29	24203N03F000	OIL SEAL	1
30	24242N03F000	NUT	1
31	24247N03F000	BEARING	1
32	24922N03F000	HOLDER	1
33	24223N03F000	CLUTCH, SHOES	3
34	24210N03F000	SHAFT ASSY	1
35	24107N03F000	FACE, movable drive	1

UNIDADE

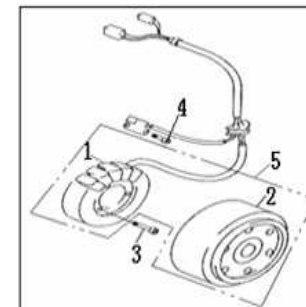


E04 MAGNETO ASSY

NO	CODE		QTY
1	34310N03F000	COIL ASSY	1
2	34301N03F000	FLY WHEEL ASSY	1
3	B01030502563	SCREW	3
4	B01070601263	SCREW	2
5	299015050010	MAGNETO ASSY	1
	34300N03F000	MAGNETO ASSY	1

PROVA DE ÁGUA

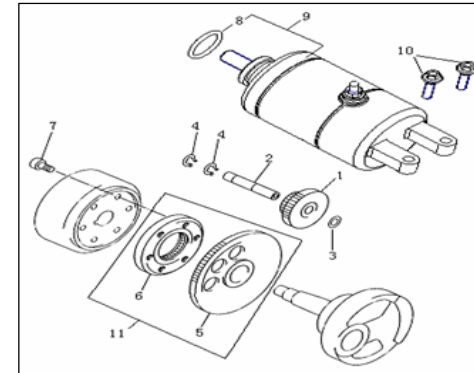
2007-2008
2006



DRAGON 250

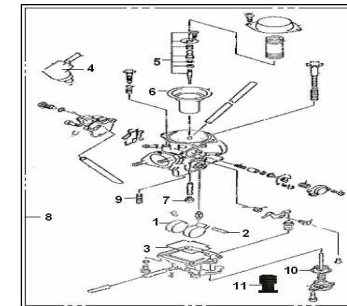
E05 ELECTRIC START GEARS

NO	CODE		QTY
1	34120N03F000	GEAR,starter	1
2	34127N03F000	SHAFT	1
3	34130N03F000	WASHER	1
4	B08010001200	CLIP	2
5	34151N03F000	BIG GEAR	1
6	34110N03F000	CLUTCH COMP	1
7	B02050801663	SCREW	6
8	34106N03F000	O RING	1
9	34200N03F000	STARTING MOTOR ASSY	1
10	B01070602564	BOLT	2
11	34500N03F000	START CLUTCH ASSY	1



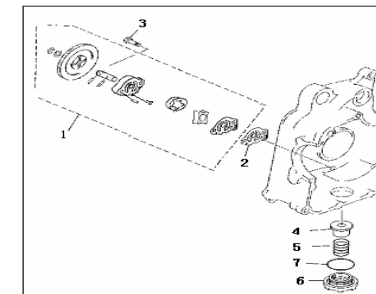
E06 CARBURETOR ASSY

NO	CODE		QTY
1	32622N03F000	FLOAT	1
2	32621N03F000	FLOAT PIN	1
3	32701N03F000	GASKET,float chamber	1
4	32612N03F000	ENRICH VALVE	1
5	32508N03F000	NEEDLE ASSY,iet	1
6	32506N03F000	PISTON VALVE	1
7	32617N03F000	MAIN JET	1
8	224100.012000	CARBURETOR ASSY	1
9	32618N03F000	IDLE JET	1
10	32718N03F000	DIAPHRAGM PLATE ASSY	1
11	3380901T0000	COVER ,DUSTPROOF	1



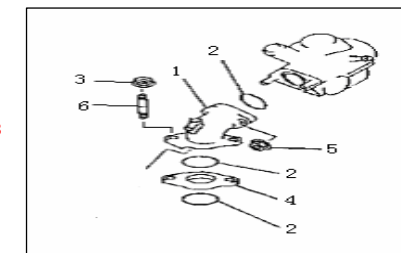
E07 OIL PUMP ASSY

NO	CODE		QTY
1	19000N03F000	OIL PUMP COMP	1
2	19101N03F000	GASKET	1
3	19116N03F000	SCREW	2
4	26300N03F000	FILTER COMP	1
5	26305N03F000	SPRING	1
6	206211.003082	BOLT,oil filter	1
7	26307N03F000	O RING	1



E08 INTAKE PIPE ASSY

NO	CODE		QTY
1	202100.039000	INTAKE PIPE COMP.	1
	202200.053000	INTAKE PIPE COMP.	1
2	32103N03F000	O RING	3
3	B04080000854	NUT	2
4	32207N03F000	GASKET,heat insulation	1
5	B04070000653	NUT	2
6	201216.010472	BOLT	2



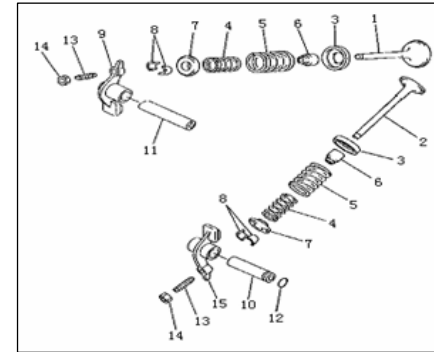
PROVA DE ÁGUA

2006
2007-2008

DRAGON 250

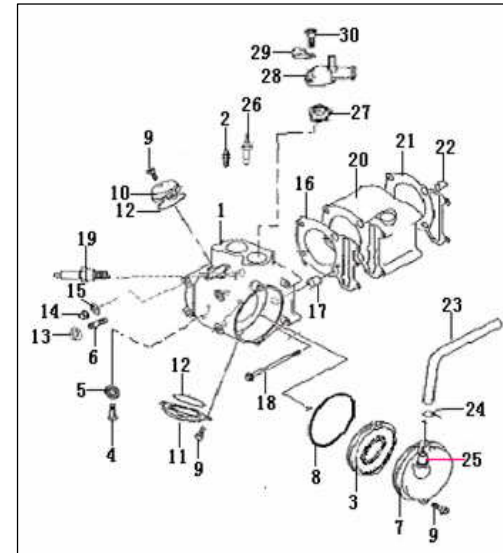
E09 INTAKE & EXHAUST MECHANISM ASSY

NO	CODE		QTY
1	30103N03F000	VAVLE, intake	1
2	30201N03F000	VALVE, exhaust	1
3	30105N03F000	SEAT	2
4	30102N03F000	SPRING, valve inner	2
5	30101N03F000	SPRING, valve outer	2
6	30104N03F000	OIL SEAL	2
7	30106N03F000	SEAT	2
8	30108N03F000	COTTER, valve	4
9	30120N03F000	ARM ,valve rocker,intake	2
10	30223N03F000	SHAFT, valve rocker	1
11	30121N03F000	SHAFT, valve rocker	1
12	30107N03F000	O RING	1
13	30303N03F000	SCREW, adjusting	2
14	30302N03F000	NUT, adjusting	2
15	30220N03F000	ARM ,valve rocker,EXHAUST	1



E10 CYLINDER & CYLINDER HEAD ASSY

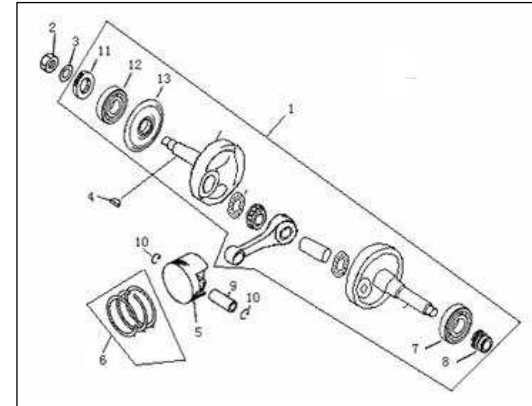
NO	CODE		QTY
1	30500N03F000	CYLINDER HEAD ASSY	1
2	10689N03F000	HOSE,BREATHER	1
3	30794N03F000	ASM,BREATHER	1
4	201207.001472	BOLT, OIL PRESS LEVEL	1
5	30208N03F000	WASHER	1
6	201216.003472	BOLT	2
7	30529N03F00B	CAP,CHAIN SPROCKET	1
8	30530N03F000	O RING	1
9	B01070602064	SCREW M6X20	7
10	30115N03F000	CAP,INTAKE ADJUSTING	1
11	201100.035082	CAP, exHaust adjusting	1
12	30116N03F000	O RING 58X2.4	2
13	B04170800071	NUT M8	2
14	30509N03F000	CAP NUT M8	4
15	30526N03F000	WASHER ϕ 7.5(Cu)	4
16	30503N03F000	GASKET,CYLINDER HEAD	1
17	27105N03F000	PIN DOWEL	2
18	30520N03F000	BOLT M6X120	2
19	30506J01F000	SPARK PLUG	1
20	27101N03FF10	CYLINDER	1
21	27102N03F000	GASKET,CYLINDER	1
22	26208J01F000	PIN DOWEL 10X14	2
23	225232.012000	OIL PIPE	1
24	201227.003472	CIRCLIP	1
25	30705N03F00B	HOSE,BREATHER	1
26	30531N03F001	SENSOR,WATER TEMPERATURE	1
27	20617N03F000	TEMPRATURE SENSOR	1
28	20618N03F000	SENSOR COMP	1
29	20621N03F000	HOLDER	1
30	B01070602064	SCREW M6X20	2



DRAGON 250

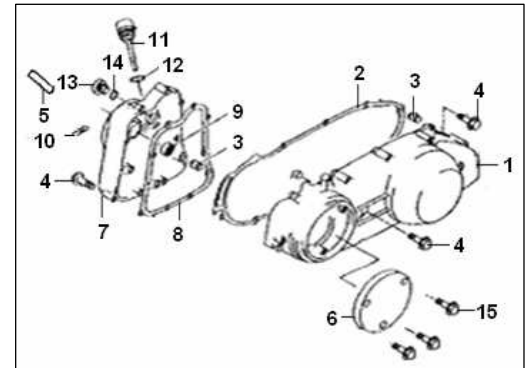
E11 CRANKSHAFT & CON ROD PISTON ASSY

NO	CODE		QTY
1	15200N07F000	CONNECTING ROD ASSY	1
2	15206N03F000	LOCK NUT	1
3	15233N03F000	WASHER	1
4	15101N03F000	KEY	1
5	15107N03FF10	PISTON	1
6	15120N03F000	PISTON RING ASSY	1
7	B12016630653	BEARING 6306	1
8	15238N03F000	CHAIN SPROCKET, timing	1
9	15105N03F000	PIN	1
10	15106N03F000	CIRCLIP, piston pin	2
11	15207N03F000	GEAR	1
12	312663280040	BEARING D63/28	1
13	15227N03F000	OIL RETURNER	1



E12 CRANKCASE COVER ASSY

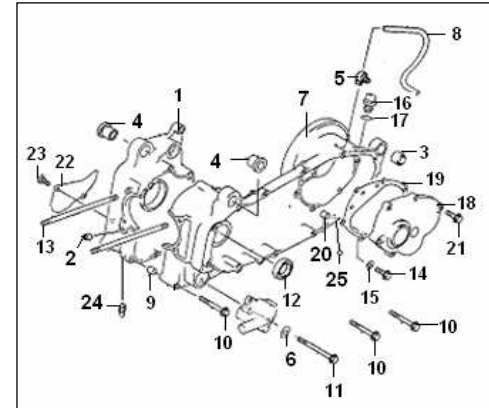
NO	CODE		QTY
1	207200.027082	LEFT COVER	1
2	14109N03F000	WASHER	1
3	26208J01F000	PIN,dowel	2
4	14223N03F000	BOLT	21
5	30705N03F000	HOSE	1
6	14130N03F000	AIR FILTER NET,head	1
7	14200N03F00B	RIGHT COVER	1
8	14204N03F000	WASHER,right cover	1
9	14221N03F000	OIL SEAL	1
10	26208J01F000	PIN,dowel	2
11	207304.004472	GAUGE,oil level	1
12	14215N03F000	O RING	1
13	207205.008082	COVER,observe	1
14	14208N03F000	O RING	1
15	B01070602063	BOLT	3
16	26207J01F000	STOPPER	1



DRAGON 250

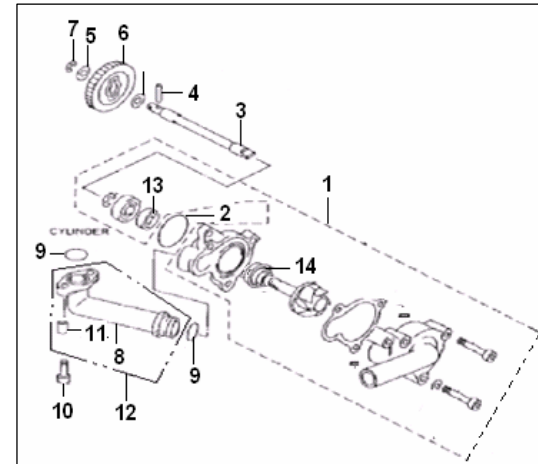
E13 CRANKCASE ASSY

NO	CODE		QTY	REM
1	206300.018082	CRANKCASE ASSY,RH	1	
2	10250N03F000	HOSE	1	
3	26108G02F000	BUSH,ENGINE MOUNTING	1	
4	26108N03F000	SHOCK ABSORBER	2	
5	26126N03F000	PLUG	1	
6	30208N03F000	WASHER	2	
7	206200.020082	CRANKCASE ASSY,LH	1	
8	26402N03F000	HOSE	1	
9	26208J01F000	PIN,dowel	2	
10	26121N03F000	BOLT	4	
11	26122N03F000	BOLT	5	
12	26130N03F000	OIL SEAL	1	
13	26107N03F910	STUD BOLT,sylinder	4	
14	B01070801663	BOLT	1	
15	26124H03F000	WASHER	1	
16	206407.004081	OIL PLUG	1	
17	26132N03F000	O RING	1	
18	18101N03F000	COVER,gear case	1	
19	18100N03F000	WASHER,cover	1	
20	26208J01F000	PIN,dowel	2	
21	26221N03F000	BOLT	6	
22	26214N03F000	COVER PLATE	1	
23	B02050601463	SCREW	2	
24	10698N03F000	HOSE	1	
25	10583N03F000	STOPPER	1	



E14 WATER PUMP ASSY

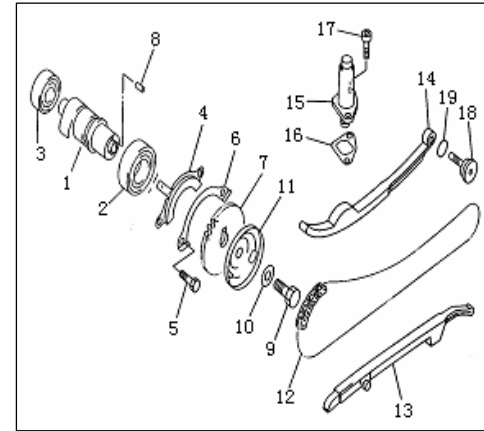
NO	CODE		QTY
1	20500N03F000	WATER PUMP	1
2	20501N03F000	O RING	1
3	20506N03F000	SHAFT,WATER PUMP	1
4	B090103022B0	PIN	1
5	20507N03F000	WASHER	2
6	20508N03F000	GEAR,WATER pump	1
7	B08030000600	CIRCLIP	1
8	20510N03F000	PIPE,drain	1
9	20511N03F000	O SEAL	2
10	B01070601664	SCREW	2
11	20524N03F000	SPACER	2
12	10499N03F000	PIPE ASM	1
13	270035050000	OIL SEAL	1
14	270355050000	OIL SEAL ASSY	1



DRAGON 250

E15 CLUTCH COVER ASSY

NO	CODE		QTY
1	30400N03F002	CAMSHAFT COMP	1
2	B12016600550	BEARING	1
3	B12016620250	BEARING 6202/P5	1
4	30417N03F000	PLATE	1
5	B01030601263	BOLT	2
6	30409N03F000	WASHER	1
7	30404N03F000	CHAIN SPROCKET ,camshaft	1
8	B090504012A0	PIN	1
9	27328N03F000	BOLT	1
10	27310N03F000	WASHER	1
11	27339N03F000	CAP, chain sprocket	1
12	27327N03F000	CHAIN	1
13	27440N03F000	SUB-GUAID CHAIN PLATE	1
14	27430N03F000	GUAID CHAIN PLATE	1
15	27300B08F000	TENSIONER	1
16	27304N03F000	WASHER	1
17	B01070601664	SCREW	2
18	27306N03F000	SCREW, stopper	1
19	27302N03F000	O RING	1



E16 TRANSMISSION ASSY

NO	CODE		QTY
1	17804N07F001	SHAFT, idle	1
2	17803N03F000	GEAR	1
3	17805N03F000	WASHER	2
4	26136N03F000	BEARING	2
5	317302542063	OIL SEAL	1
6	17318N07F001	GEAR	1
7	B08010002500	CIRCLIP	1
8	17322N03F000	WASHER	1
9	B12016630350	BEARING	1
10	312602051420	BEARING	1
11	26142N03F000	OIL SEAL	1
12	B12016630250	BEARING	1
13	17201N03F000	SHAFT	1
14	B12016620550	BEARING	1

