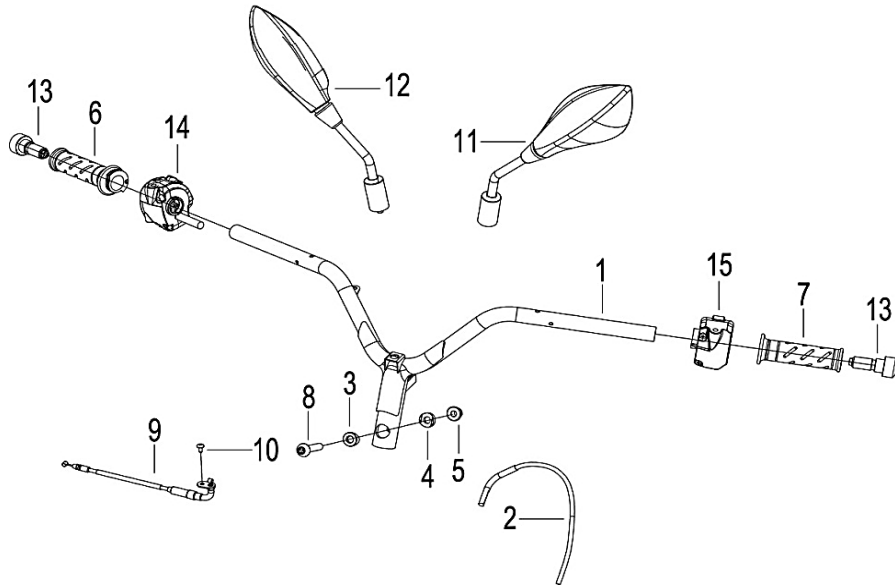


## CITYBLADE 125 E4



# CITYBLADE 125 E4

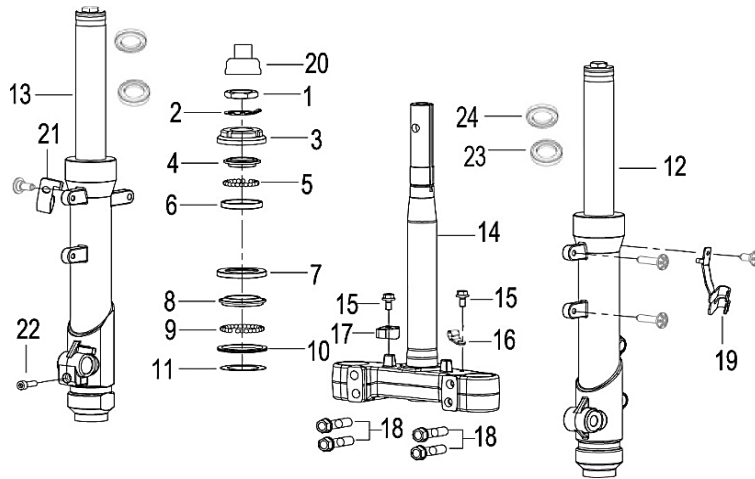
## F01 CONTROL ASSY



Nº	CÓDIGO	DESCRIÇÃO	Qt.	OBSERVAÇÕES
1	40100T800100	HANDLEBAR ASSY	1	
2	40300T800005	CABLE ASSY., THROTTLE	1	
3	40024T800000	A FIXED SET OF I DIRECTION	1	
4	40028T800000	A FIXED SET OF II DIRECTION	1	
5	B0417101254H	NUT M10X1.25	1	
6	40210N120000	HANDLEBAR ASSY., RH.	1	
7	40001H010001	BUSHING, STEERING HANDLE,LH	1	
8	08014T800100	FIX BOLT,HANDLERBAR	1	
9	40680T800010	SEAT CUSHION WIRE COMPONENTS	1	
10	B0200050102H	SCREW M5x10	1	
11	40450N120001	MIRROR ASSY., RR. VIEW, LH.	1	
12	40480N120001	MIRROR ASSY., RR. VIEW, RH.	1	
13	40030H170000	BALANCER ASSY.	2	
14	40600N120001	SWITCH ASSY.,RH.	1	
15	40500N120000	SWITCH ASSY.,LH.	1	

## CITYBLADE 125 E4

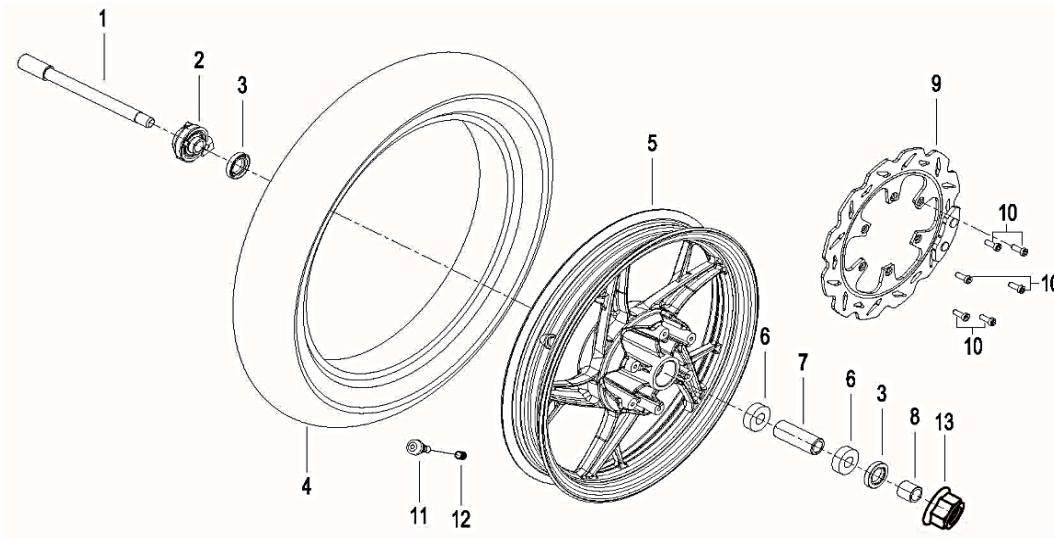
### F02 FORK



Nº	CÓDIGO	DESCRIÇÃO	Qt.	OBSERVAÇÕES
1	43009G120020	LOCK NUT	1	
2	43007T090000	WASHER	1	
3	43008G120000	GLAND NUT	1	
4	43001G120000	STEEL BOWL,UPPER,OUTSIDE	1	
5	B06010140000	STEEL BALL 3/16"	22	
6	43002G120000	STEEL BOWL,UPPER,INNER	1	
7	43003G120000	STEEL BOWL,UNDER	1	
8	43004G120000	STEEL BOWL,UNDER,INNER	1	
9	B06010140000	STEEL BALL 3/16"	28	
10	43028G120000	RING, ANTI-DUST	1	
11	43018G120100	WASHER	1	
12	43200T800000	FRONT LEFT ABSORBER ASSY,GRAY HT	1	
13	43300T800000	FRONT RIGHT ABSORBER ASSY,GRAY HT	1	
14	43100T800000	UNDER BRACKET COMP.ASSY	1	
15	B0109060126H	BOLT M6x12	4	
16	43070D010020	CLAMP II, ODOMETER CABLE	1	
17	43035T800000	CLIP II,SPEEDOMETER WIRE	1	
18	B0159100506H	BOLT M10x1.25x50	4	
19	45361T800000	CLAMP,FRONT DISK BRAKE	1	
20	43005T800000	DUST COVER	1	
21	65116B490000	CLIP,SPEEDOMETER WIRE	1	
22	B0205060166H	SCREW M6x16	1	
23	43260T800000	OIL SEAL	2	
24	43290T800000	DUST SEAL	2	

# CITYBLADE 125 E4

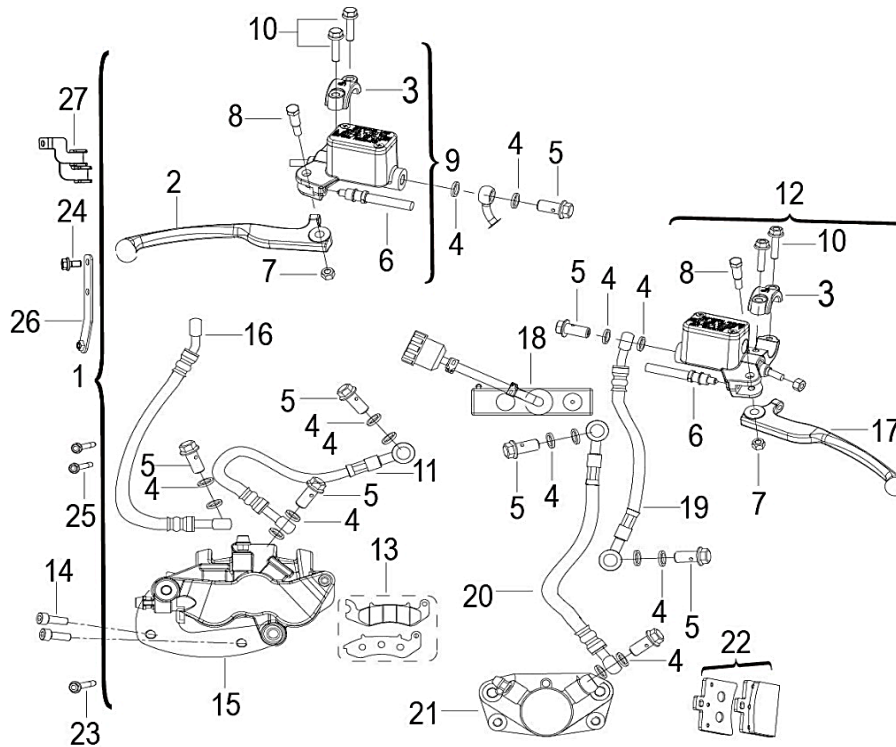
## F03 FRONT WHEEL



N°	CÓDIGO	DESCRIÇÃO	Qt.	OBSERVAÇÕES
1	44004T800100	FRONT WHEEL SHAFT M14x1.5x183	1	
2	44200T800000	SEAT ASSY,GEAR	1	
3	44300B910000	OIL SEAL ASSY,FRONT WHEEL	2	
4	B140104F1400	TIRE 90/90-14	1	
5	44101T800000	FRONT WHEEL,GRAY HT	1	
6	B12016020200	BEARING 6202-2RS	2	
7	44006T800000	SPACER,FRONT WHEEL	1	
8	44005N140000	SLEEVE, FRONT WHEEL	1	
9	45033T800000	FRONT BRAKE DISC	1	
10	45036D010200	BOLT M6x16	6	
11	B1403Z201100	VALVE	1	
12	B1404Z2011A0	CAP, VALVE	1	
13	B0417141504H	NUT M14x1.5	1	

# CITYBLADE 125 E4

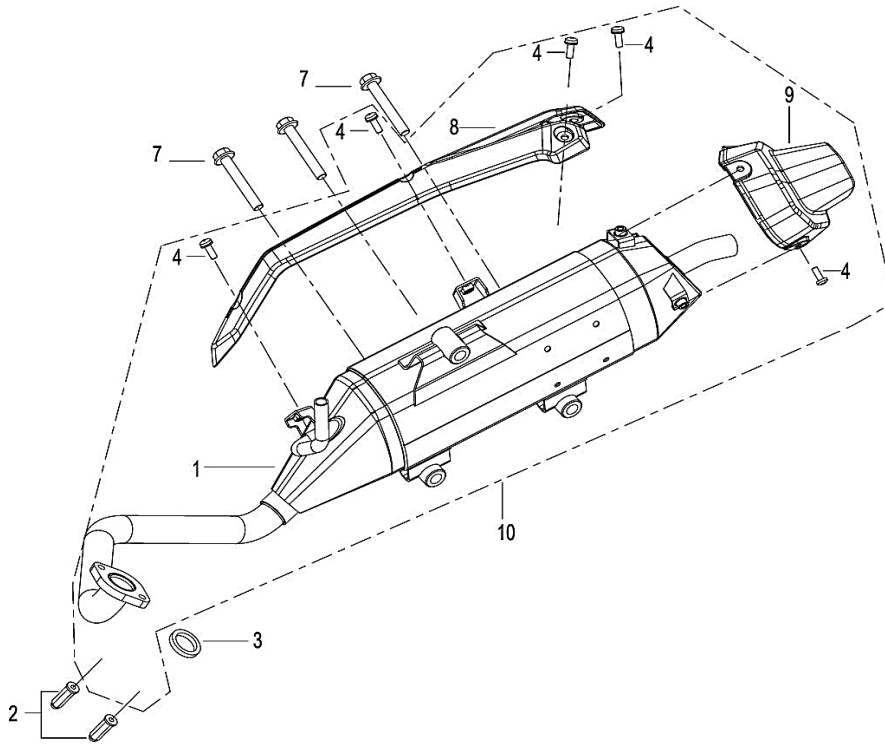
## F04 BRAKE SYSTEM



N°	CÓDIGO	DESCRIÇÃO	Qt.	OBSERVAÇÕES
1	55A00T800000	CBS DISK BRAKE ASSY	1	
2	45022N120001	FRONT BRAKE LEVER	1	
3	45023N120000	FRONT BRAKE MASTER CYLINDER HOLDER	2	
4	55180J410000	WASHER	16	
5	55037J410000	BOLT	8	
6	45300N140000	FRONT BRAKE SWITCH	2	
7	B04170600065	NUT M6	2	
8	45024N140000	BRAKE LEVER PIVOT SCREW	2	
9	45400T800010	FRONT MASTER CYLINDER ASSY	1	
10	B01070602565	BOLT M6x25	4	
11	55240T80000C	REAR BRAKE HOSE II	1	
12	55400T800010	REAR MASTER CYLINDER ASSY.	1	
13	45110T800000	FRONT BRAKE PADS	1	
14	B0205080226H	SCREW M8x22	2	
15	45500T800000	FRONT LEFT CALIPER ASSY.	1	
16	45200T80000C	FRONT BRAKE HOSE	1	
17	55022N120001	REAR BRAKE LEVER	1	
18	55400J280001	CBS MASTER CYLINDER ASSY	1	
19	55210T80000C	REAR BRAKE HOSE I	1	
20	55270T80000C	REAR BRAKE HOSE III	1	
21	55500N140000	REAR CALIPER ASSY	1	
22	55120J410000	REAR BRAKE PADS	2	
23	B0109080356H	BOLT M8x35	2	
24	B0109050126H	BOLT M5x12	1	
25	B0109060356H	BOLT M6x35	2	
26	58780T800005	OIL CUP BRACKET	1	
27	65110T800005	CLIP	1	

# CITYBLADE 125 E4

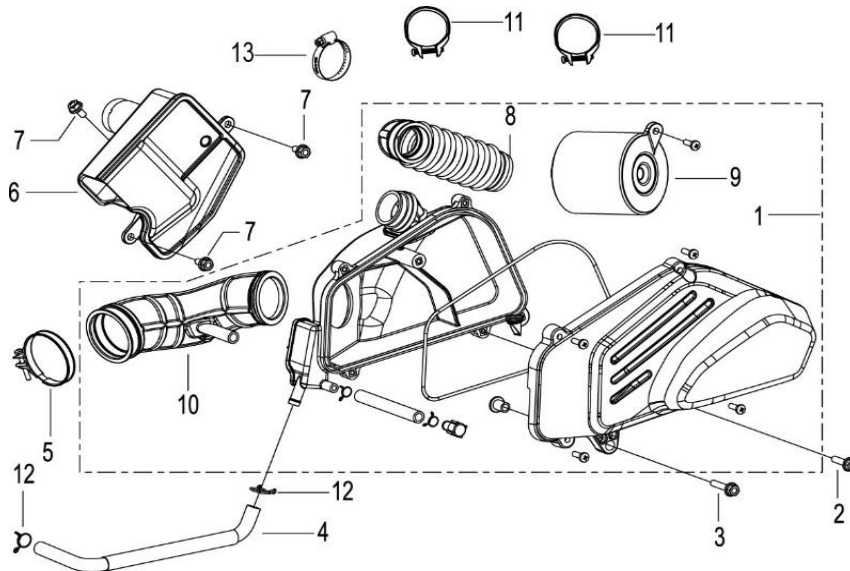
## F05 MUFFLER



N°	CÓDIGO	DESCRIÇÃO	Qt.	OBSERVAÇÕES
1	47100T800005	MUFFLER ASSY. ,with catalyzer	1	
2	47006T090100	COVER NUT M6	2	
3	47800G120000	EXHAUST PIPE GASKET	1	
4	B1304060160A	SCREW W/WASHER M6x16	5	
7	B0159100706H	BOLT M10x1.25x70	3	
8	47023K98HT00	DECORATING PLATE I,MUFFLER,GREY HT	1	
9	47024K98HT00	DECORATING PLATE II,MUFFLER,GREY HT	1	
10	47100T80005Z	MUFFLER ASSY. COMP,with catalyzer	1	

## CITYBLADE 125 E4

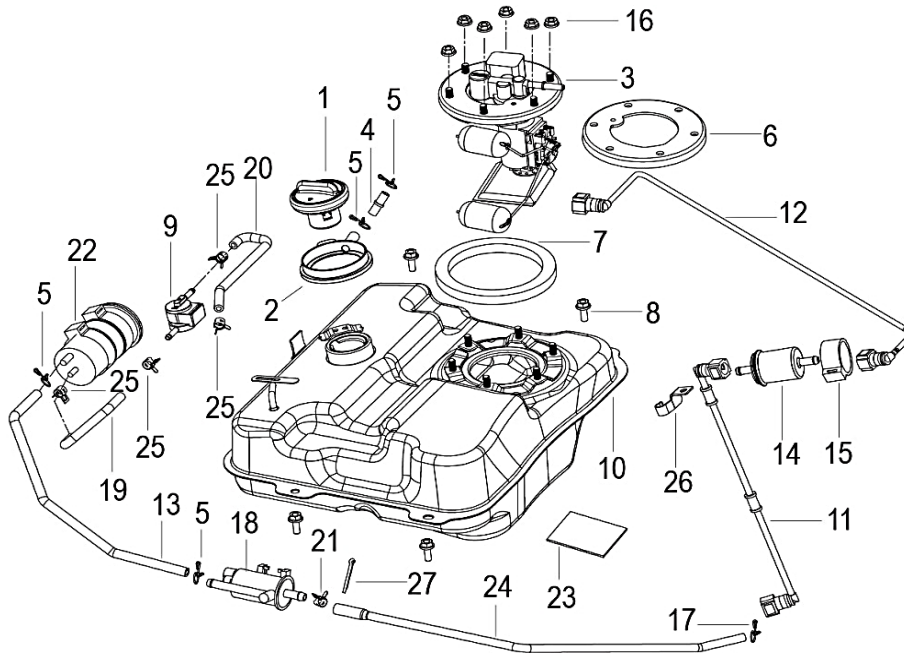
### F06 AIR FILTER



N°	CÓDIGO	DESCRIÇÃO	Qt.	OBSERVAÇÕES
1	49100T800011	AIR CLEANER ASSY,mark:e13 QJ AF-T80	1	
2	B0109060256H	BOLT M6x25	1	
3	B0109060306H	BOLT M6x30	1	
4	49020T800001	WASTE GAS RECOVERY TUBE COMPONENTS	1	
5	49350T090000	CLAMP	1	
6	49250T800000	MAZE BOX COMPONENT	1	
7	B0109060126H	BOLT M6x12	3	
8	49271T800000	CORRUGATED TUBE	1	
9	49200T800000	FILTER ASSY	1	
10	49005T800000	PIPE.AIR OUTLET	1	
11	49016G120000	CLAMP	2	
12	B17010125003	CLIP $\Phi$ 12.5	2	
13	49350T800000	CLAMP 32-44	1	

# CITYBLADE 125 E4

## F07 FUEL TANK

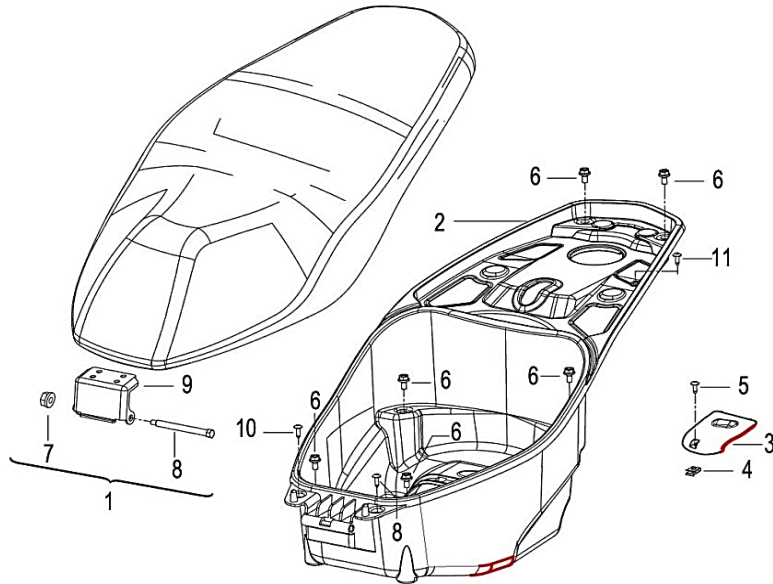


N°	CÓDIGO	DESCRIÇÃO	Qt.	OBSERVAÇÕES
1	50200T850002	CAP,FUEL TANK	1	
2	50011T820000	WATERPROOF GASKET	1	
3	50400T800005	FUEL PUMP ASSY.	1	
4	64008G220000	WATERPROOF PAD CONNECTING PIPE	1	
5	B17010105003	CLIP $\Phi$ 10.5	4	
6	50411T820000	MOUNTING BOARD	1	
7	50412T820000	FUEL PUMP SEAL	1	
8	B0109060166H	BOLT M6x16	4	
9	50260T730000	VEHICLE-DOWN SENSOR	1	
10	50100T800005	FUEL TANK ASSY	1	
11	50070T800005	PIPE I	6	
12	50080T800005	PIPE II	1	
13	50301W020000	PIPE 4.5x10x330	1	
14	50340T820000	FILTER ASSY	1	
15	50391N070000	FILTER PROTECTIVE COVERING	1	
16	B0407060005H	NUT M6	1	
17	B17010105003	CLIP $\Phi$ 10.5	1	
18	49710N070000	VALVE EGR	1	
19	49902T800005	PIPE 8.5x4.5x107	1	
20	49905T800000	PIPE $\Phi$ 4.5x $\Phi$ 8.5x186	1	
21	49908J860000	CLAMP $\phi$ 9.5x8x0.6	1	
22	49910T760000	CHARCOAL CANISTER	1	
23	65436T490000	RUBBER CUSHION I	1	
24	B16010724301	PIPE $\phi$ 7x $\phi$ 11x430	1	
25	49016B350010	CLAMP $\phi$ 8.5x8x0.6	4	
26	43035T800000	CLIP II,SPEEDOMETER WIRE	1	
27	B090002018AH	COTTER PIN	1	



# CITYBLADE 125 E4

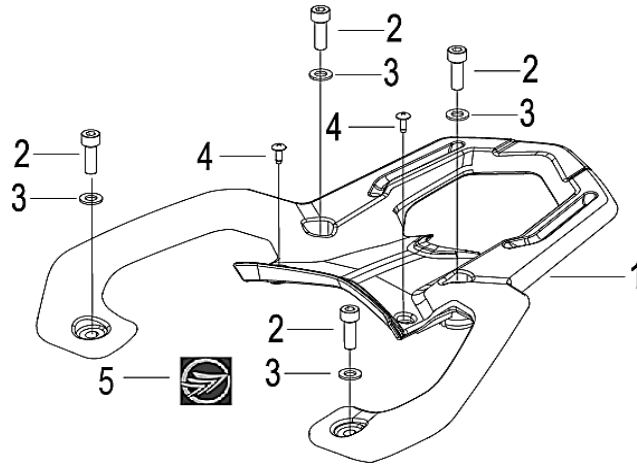
## F08 SEAT



Nº	CÓDIGO	DESCRIÇÃO	Qt.	OBSERVAÇÕES
1	51100T800011	SEAT ASSY	1	
2	51004T800005	HELMET BOX	1	
3	51005T800005	BOTTOM COVER	1	
4	65801T020201	INSERT ST4.2	1	
5	B0507420130H	SCREW ST4.2x13	1	
6	B0109060126H	BOLT M6x12	6	
7	B0407060005H	NUT M6	1	
8	51081T800000	FIXING BOARD	1	
9	51085T800000	PIN	1	
10	B0507420160H	SCREW ST4.2x16	2	
11	B0507420101H	SCREW ST4.2x10	1	

# CITYBLADE 125 E4

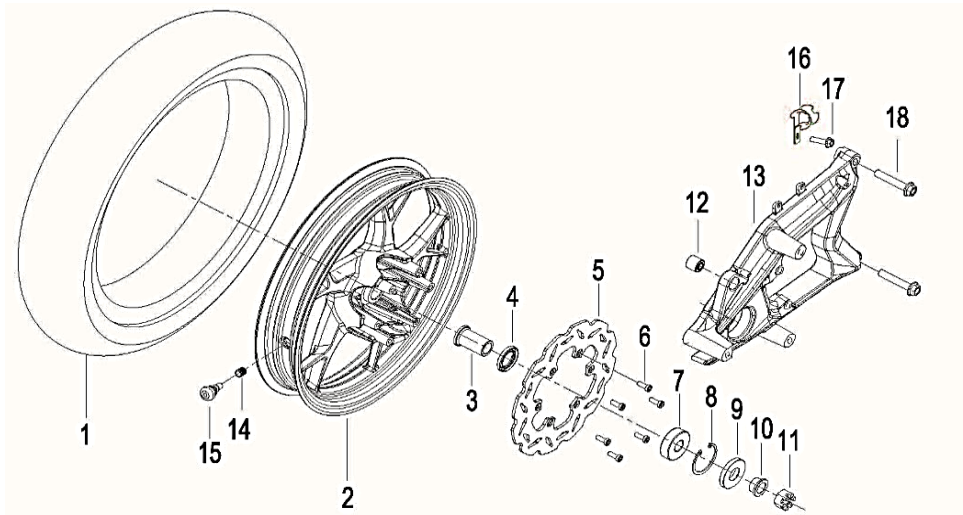
## F09 REAR CARRIER



N°	CÓDIGO	DESCRIÇÃO	Qt.	OBSERVAÇÕES
1	52002T80HT00	REAR CARRIER ASSY,GRAY HT	1	
2	B0205080256K	SCREW M8x25	4	
3	B0703000080A	WASHER 8	4	
4	B0507420130H	SCREW ST4.2x13	2	
5	05501T800001	LABEL	1	

# CITYBLADE 125 E4

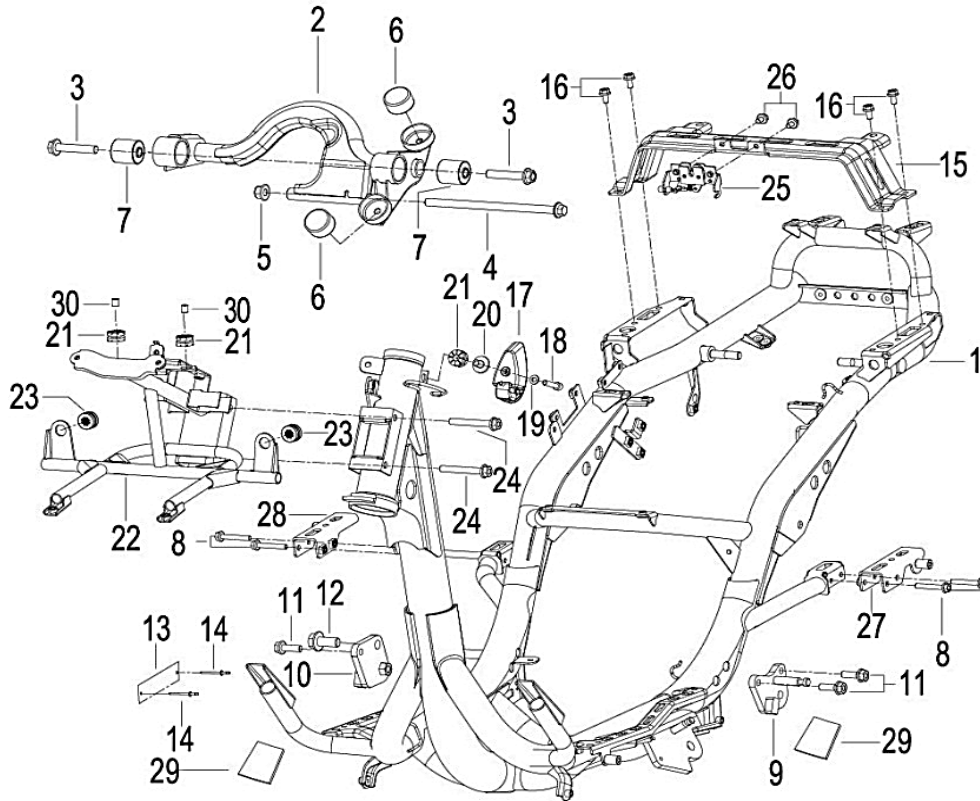
## F10 REAR WHEEL



Nº	CÓDIGO	DESCRIÇÃO	Qt.	OBSERVAÇÕES
1		TIRE 100/90-14	1	
2	54100T800000	REAR WHEEL ASSY.GRAY HT	1	
3	54016T800000	SLEEVE,LEFT	1	
4	60200G130000	DUST-COVER	1	
5	55033T800000	BRAKE DISC,REAR	1	
6	45036D010000	BOLT M6x16	6	
7	B12016030300	BEARING 6303-2RS	1	
8	B08000004701	HOLE WITH ELASTIC RING PHI 47	1	
9	B2204FB22477	SEALING RING FB22-47-7	1	
10	54605T800000	SLEEVE,RIGHT	1	
11	B0417161504H	NUT M16x1.5	1	
12	54630T430000	BUSH	1	
13	54611T800000	HANGS TAIWAN	1	
14	B1404Z2011A0	CAP, VALVE	1	
15	B1403Z201100	VALVE	1	
16	45044T430000	CLAMP AFTER	1	
17	B0109060126H	BOLT M6x12	1	
18	B0109100506H	BOLT M10x50	2	
18	B0159100506H	BOLT M10x1.25x50	2	

# CITYBLADE 125 E4

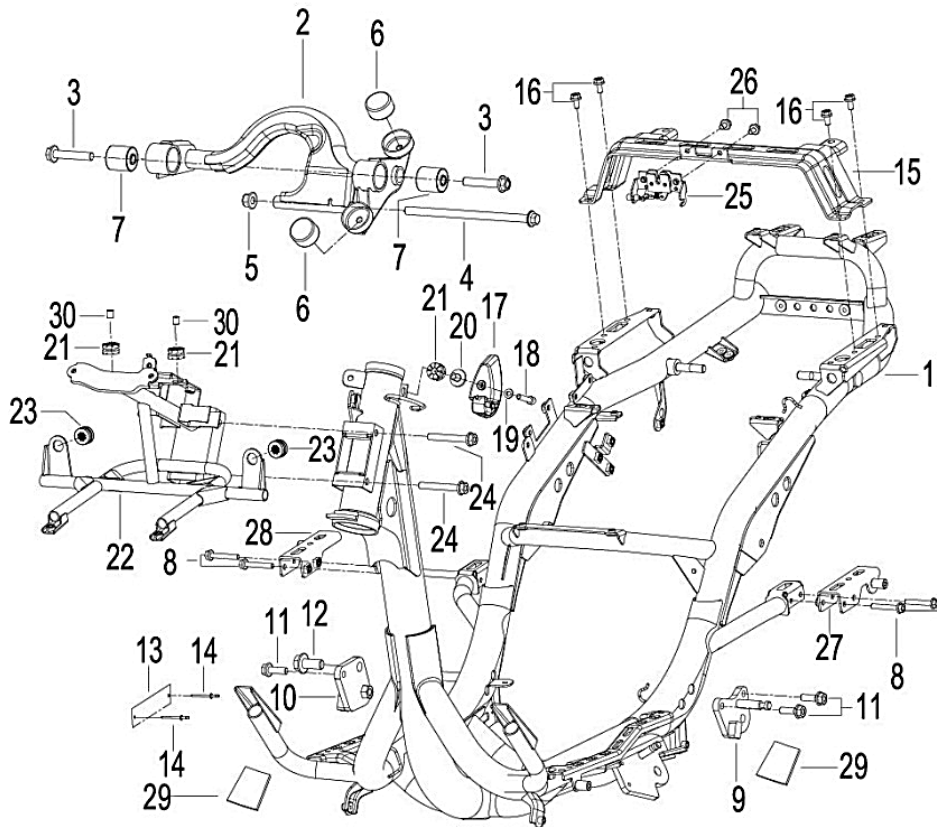
## F11 FRAME



N°	CÓDIGO	DESCRIÇÃO	Qt.	OBSERVAÇÕES
1	57100T800005	FRAME ASSY	1	
2	58320T800000	E/G BRKT COMP.	1	
3	B0159100556H	BOLT M10x1.25x55	2	
4	53001T020200	SHAFT	1	
5	B0417101254H	NUT M10X1.25	1	
6	58302T430000	BUFFER BLOCK	2	
7	58350T430000	SPACER	2	
8	B0109060406H	BOLT M6x40	4	
9	57040T800000	BRACKET,MAIN STAND,LEFT	1	
10	57070T800000	BRACKET,MAIN STAND,RIGHT	1	
11	B0109080256H	BOLT M8x25	3	
12	B0159120276H	BOLT M12x1.25x27	1	
13	57001T800005	FRAME BODY NO. PLATE	1	
14	B100432007P0	RIVET 3.2x7	2	
15	57080T800005	TANK PRESSURE PLATE COMPONENT	1	
16	B0109060166H	BOLT M6x16	4	
17	03310T820000	HELMET HOOK	1	
18	B0205060306H	BOLT M6x30	1	
19	B0703000060H	WASHER 6	1	
20	82018H010050	BUSHING	1	
21	65618J820000	CUSHION,RUBBER	3	
22	59400T800005	FRONT COVER BRACKET ASSY	1	
23	65313T430007	CUSHION	2	
24	B0109080606H	BOLT M8x60	2	
25	58800T800100	SEAT CATCH COMP.	1	

# CITYBLADE 125 E4

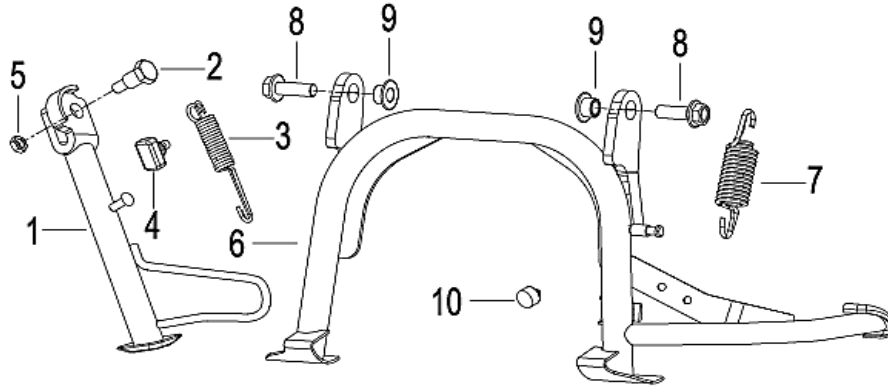
## F11 FRAME



N°	CÓDIGO	DESCRIÇÃO	Qt.	OBSERVAÇÕES
26	B02810601262	BOLT M6x12	2	
27	58450T800000	BRACKET,LEFT FOOT	1	
28	58460T800000	BRACKET,RIGHT FOOT	1	
29	50007J410000	RUBBER CUSHION	2	
30	65913J820000	GUARD BUSHING	2	

## CITYBLADE 125 E4

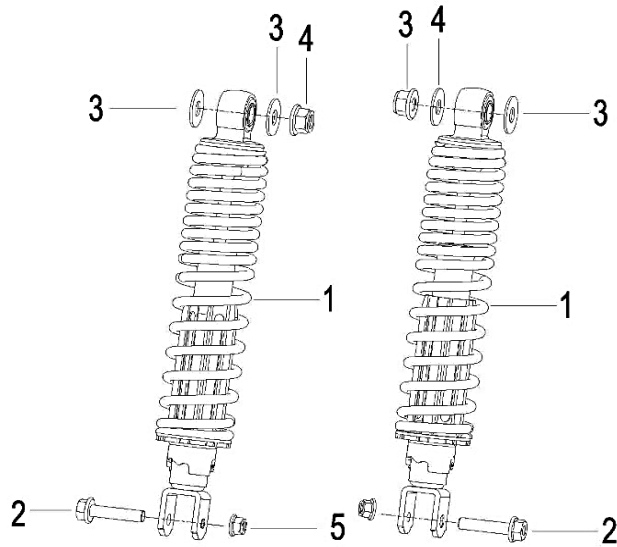
### F12 STAND ASSY



N°	CÓDIGO	DESCRIÇÃO	Qt.	OBSERVAÇÕES
1	58700T800000	SIDE STAND ASSY	1	
2	57005B410101	BOLT	1	
3	57010N100000	SPRING ASSY,SIDE STAND	1	
4	57215N100000	SINGLE BUFFER RUBBER	1	
5	B0402080001H	NUT M8	1	
6	58520T800000	MAIN STAND ASSY	1	
7	58510T430006	SPRING ASSY,MAIN STAND	1	
8	B0159100306H	BOLT M10x1.25x30	2	
9	58511T430000	BUSH	2	
10	47026J000000	BUFFER BLOCK	1	

# CITYBLADE 125 E4

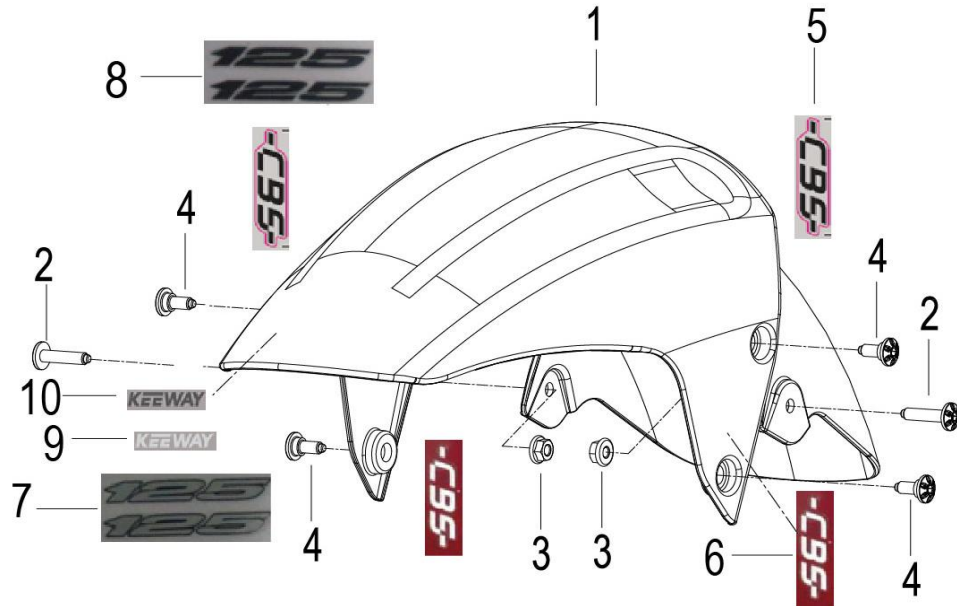
## F13 REAR ABSORVER



Nº	CÓDIGO	DESCRIÇÃO	Qt.	OBSERVAÇÕES
1	63800T800000	REAR ABSORBER ASSY	2	
2	B0109080356H	BOLT M8×35	2	
3	63013J000031	WAHSER φ10.5×φ26×1.5	4	
4	B0417101254H	NUT M10×1.25	2	
5	B0407080005H	NUT M8	2	

# CITYBLADE 125 E4

## F14 FRONT FENDER

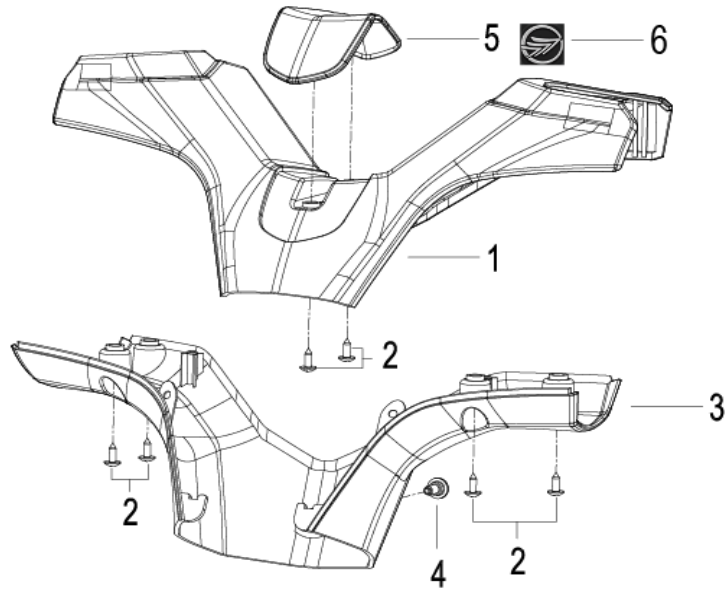


N°	CÓDIGO	DESCRIÇÃO	Qt.	OBSERVAÇÕES
1	65101T80BC00	FRONT FENDER ,GRAPHITE BLACK BC	1	PRETO
1	65101T80WF00	FRONT FENDER ,WHITE WF	1	BRANCO
1	65101T80E400	FRONT FENDER ,BLUE E4	1	AZUL
1	65101T80F200	FRONT FENDER ,GEM RED F2	1	VERMELHO
1	65101T80H400	FRONT FENDER ,GREY H4	1	CINZA H4
1	65101T80K400	FRONT FENDER ,BLUE K4	1	AZUL MATE
2	B0284060250A	SCREW M6x25	2	
3	B0407060005H	NUT M6	2	
4	B0284060150A	SCREW M6x15.2	4	
5	05503J80CJ00	BLACK CBS STICKER	2	
6	05503J80BC00	CBS STICKER	2	
7	05521T80F202	125 STICKER,in silver	2	
8	05521T80WF02	125STICKER,in black	2	
9	05503T43K409	KEEWAY STICKER	1	
10	05503T43WF09	KEEWAY STICKER	1	



## CITYBLADE 125 E4

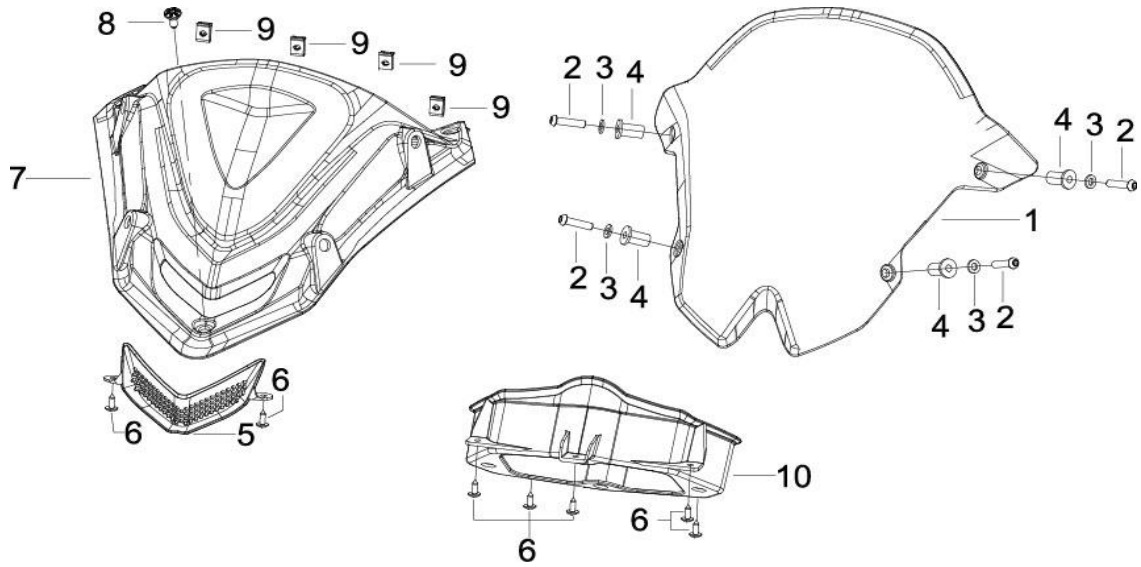
### F15 HANDLEBAR COVER



Nº	CÓDIGO	DESCRIÇÃO	Qt.	OBSERVAÇÕES
1	65201T80000	FRONT SHIELD	1	
2	B0507420130H	SCREW ST4.2X13	8	
3	65202T80000	REAR SHIELD	1	
4	B0284060150A	SCREW M6x15.2	1	
5	65212T80BC00	DECORATION COVER,GRAPHITE BLACK BC	1	PRETO
5	65212T80WF00	DECORATION COVER,WHITE WF	1	BRANCO
5	65212T80E400	DECORATION COVER,BLUE E4	1	AZUL
5	65212T80F200	DECORATION COVER,GEM RED F2	1	VERMELHO
5	65212T80H400	DECORATION COVER,GREY H4	1	CINZA H4
5	65212T80K400	DECORATION COVER,BLUE K4	1	AZUL MATE
6	05501T800001	LABEL	1	

# CITYBLADE 125 E4

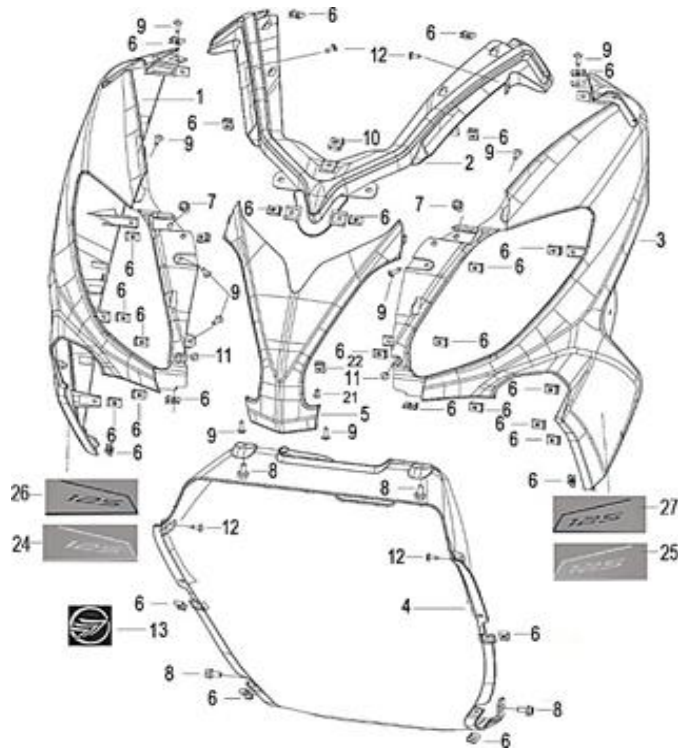
## F16 WINDSHIELD



Nº	CÓDIGO	DESCRIÇÃO	Qt.	OBSERVAÇÕES
1	65503T800000	WINDSHIELD	1	
2	B0218060256H	SCREW M6x25	4	
3	B0703000060H	WASHER 5	4	
4	65850T490000	HEAVE TIGHT SET OF COMPONENTS	4	
5	65308T800000	GRID	1	
6	B0507420130H	SCREW ST4.2X13	7	
7	65302T800000	UNDER PLATE	1	
8	B0284060150A	SCREW M6x15.2	1	
9	65801T020201	INSERT ST4.2	4	
10	65315T800000	INSTRUMENT'S COVER	1	

# CITYBLADE 125 E4

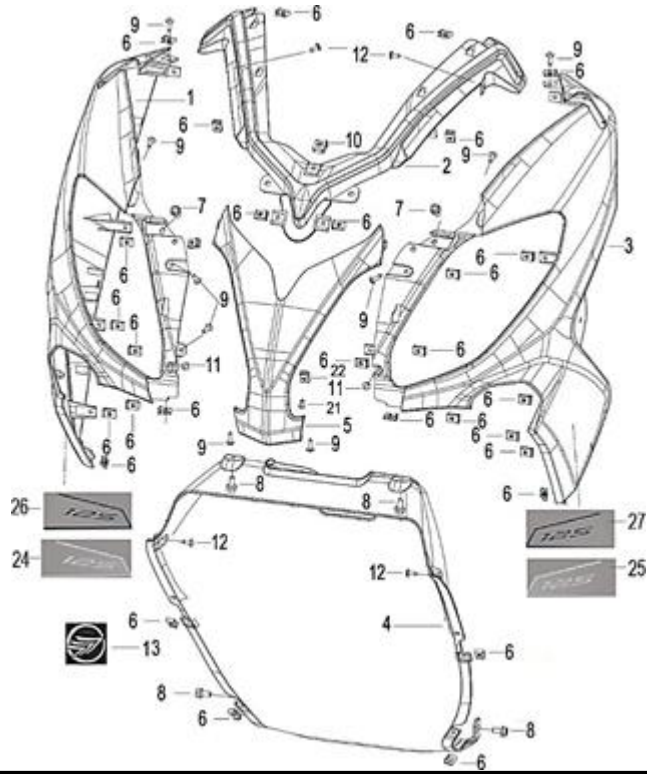
## F17 FRONT COVER



Nº	CÓDIGO	DESCRIÇÃO	Qt.	OBSERVAÇÕES
1	65317T80BC00	RIGHT CONNECTION PLATE,GRAPHITE BLACK BC	1	PRETO
1	65317T80WF00	RIGHT CONNECTION PLATE,WHITE WF	1	BRANCO
1	65317T80E400	RIGHT CONNECTION PLATE,BLUE E4	1	AZUL
1	65317T80H400	RIGHT CONNECTION PLATE,GREY H4	1	VERMELHO
1	65317T80F200	RIGHT CONNECTION PLATE,GEM RED F2	1	CINZA H4
1	65317T80K400	RIGHT CONNECTION PLATE,BLUE K4	1	AZUL MATE
2	65303T80HT00	DECORATIVE COVER,FRONT FACE,GRAY HT	1	
3	65316T80BC00	LEFT CONNECTION PLATE,GRAPHITE BLACK BC	1	PRETO
3	65316T80WF00	LEFT CONNECTION PLATE,WHITE WF	1	BRANCO
3	65316T80E400	LEFT CONNECTION PLATE,BLUE E4	1	AZUL
3	65316T80F200	LEFT CONNECTION PLATE,GEM RED F2	1	VERMELHO
3	65316T80H400	LEFT CONNECTION PLATE,GREY H4	1	CINZA H4
3	65316T80K400	LEFT CONNECTION PLATE,BLUE K4	1	AZUL MATE
4	65304T800000	AND FLOOR PLATE	1	
5	65301T80BC00	FRONT FACE PLATE,GRAPHITE BLACK BC	1	PRETO
5	65301T80WF00	FRONT FACE PLATE,WHITE WF	1	BRANCO
5	65301T80E400	FRONT FACE PLATE,BLUE E4	1	AZUL
5	65301T80F200	FRONT FACE PLATE,GEM RED F2	1	VERMELHO
5	65301T80H400	FRONT FACE PLATE,GREY H4	1	CINZA H4
5	65301T80K400	FRONT FACE PLATE,BLUE J4	1	AZUL MATE
6	65801T020201	INSERT ST4.2	27	
7	B0109060166H	BOLT M6x16	2	
8	B0109060126H	BOLT M6x12	4	
9	B0507420160H	SCREW ST4.2x16	9	
10	65625J560000	CARD NUT M6	1	
11	B0507420100H	SCREW ST4.2x9.5	2	
12	B0507420130H	SCREW ST4.2X13	2	

# CITYBLADE 125 E4

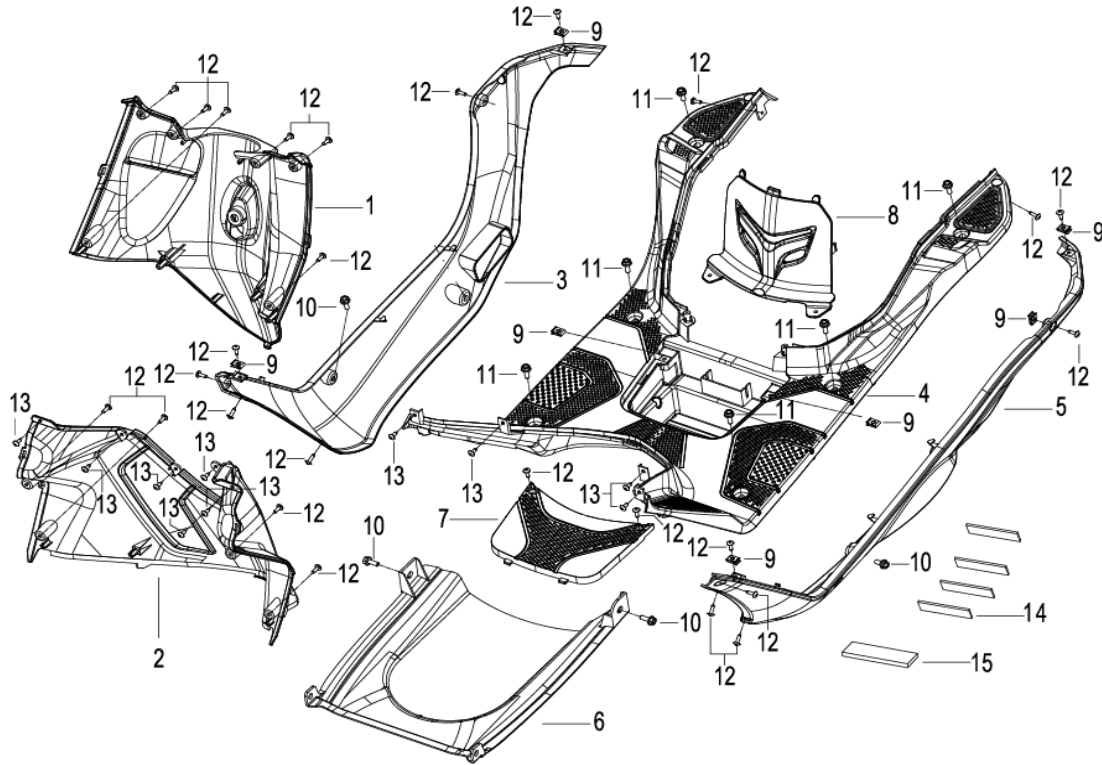
## F17 FRONT COVER



N°	CÓDIGO	DESCRIÇÃO	Qt.	OBSERVAÇÕES
13	05521K690000	STICKER,KEEWAY LOGO	1	
21	B0200050122H	SCREW M5x12	1	
22	08053G120100	NUT	1	
24	05522T80BC05	RIGHT 125 STICKER	1	
25	05521T80BC05	LEFT 125 STICKER	1	
26	05522T80WF05	RIGHT 125 STICKER	1	
27	05521T80WF05	LEFT 125 STICKER	1	

# CITYBLADE 125 E4

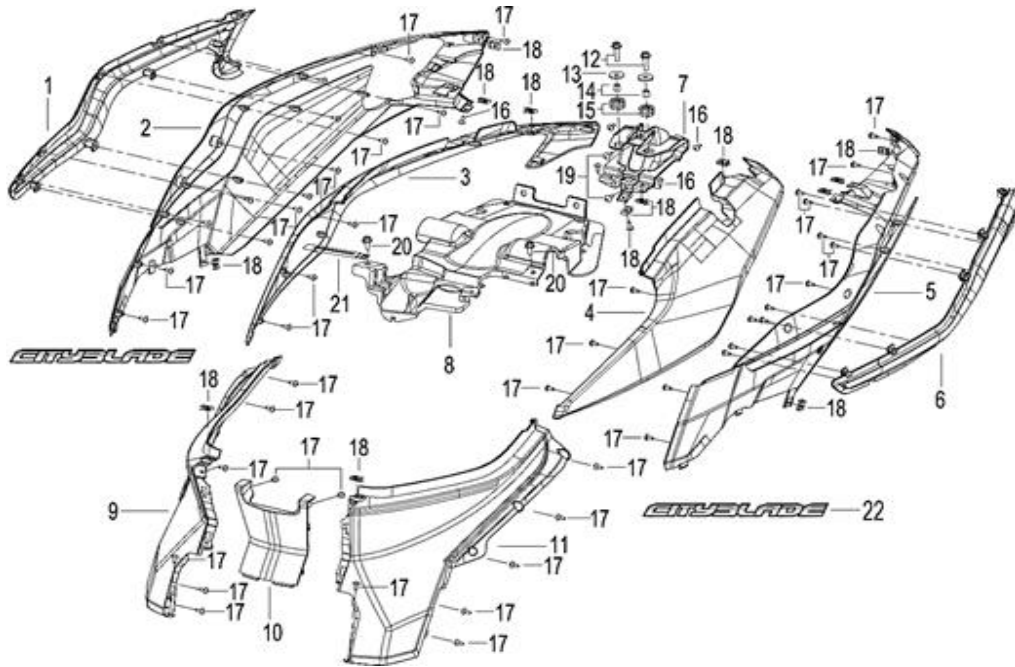
## F18 FOOT PROTECTIVE SHIELD



N°	CÓDIGO	DESCRIÇÃO	Qt.	OBSERVAÇÕES
1	65422T80HT01	FOOT PROTECTION PLATE II ,GRAY HT	1	
2	65402T800000	FOOT PROTECTION PLATE I	1	
3	65409T80BC00	GUARD STRIP, R.GRAPHITE BLACK BC	1	PRETO
3	65409T80WF00	GUARD STRIP, R.WHITE WF	1	BRANCO
3	65409T80E400	GUARD STRIP, R.BLUE E4	1	AZUL
3	65409T80F200	GUARD STRIP, R.GEM RED F2	1	VERMELHO
3	65409T80H400	GUARD STRIP, R.GREY H4	1	CINZA H4
3	65409T80K400	GUARD STRIP, R.BLUE K4	1	AZUL MATE
4	65401T800000	FOOTREST BOARD	1	
5	65408T80BC00	GUARD STRIP, LH.GRAPHITE BLACK BC	1	PRETO
5	65408T80WF00	GUARD STRIP, LH.WHITE WF	1	BRANCO
5	65408T80E400	GUARD STRIP, LH.BLUE E4	1	AZUL
5	65408T80H400	GUARD STRIP, LH.GREY H4	1	VERMELHO
5	65408T80F200	GUARD STRIP, LH.GEM RED F2	1	CINZA H4
5	65408T80K400	GUARD STRIP, LH.BLUE K4	1	AZUL MATE
6	65406T800000	CROWN(BOTTOM COWL, FRAME, FENDER)	1	
7	65416T800000	COVER, BATTERY CASE	1	
8	65417T800000	THE SPARK PLUG COVER PLATE	1	
9	65801T020201	INSERT ST4.2	8	
10	B0109060126H	BOLT M6x12	4	
11	B0109060166H	BOLT M6x16	6	
12	B0507420160H	SCREW ST4.2X16	26	
13	B0507420130H	SCREW ST4.2X13	10	
14	65764T490000	CUSHION,SPONGE	4	
15	58752P250000	BATTERY CUSHION	4	

# CITYBLADE 125 E4

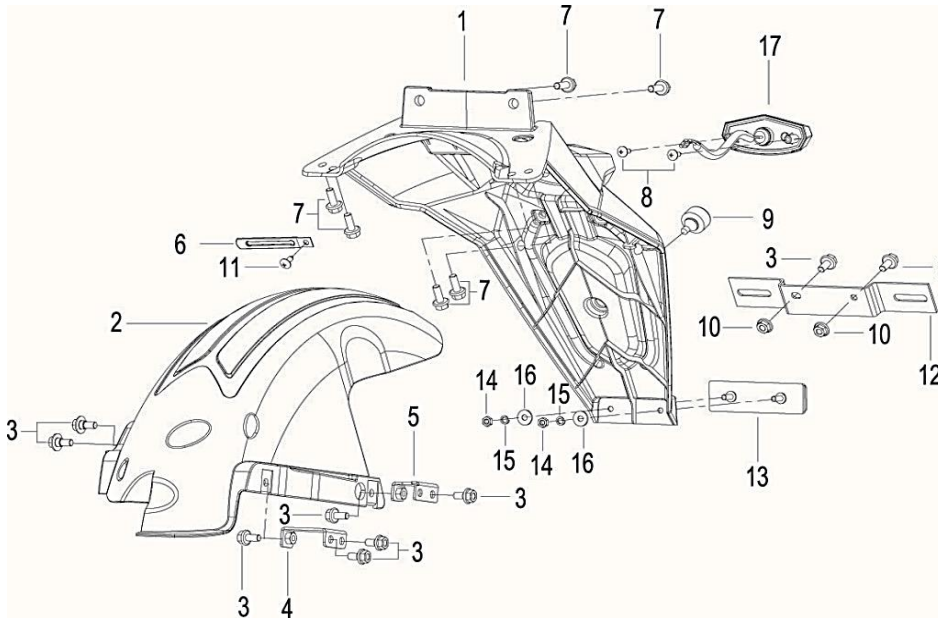
## F19 SIDE COVER



Nº	CÓDIGO	DESCRIÇÃO	Qt.	OBSERVAÇÕES
1	65622T80HT00	ARTICLE DECORATION,RIHGT,GRAY HT	1	
2	65604T80BG00	SIDE COVER,RIGHT,UNDER,MATTE BLACK BG	1	
3	65602T80BC00	SIDE COVER,RIGHT,GRAPHITE BLACK BC	1	PRETO
3	65602T80WF00	SIDE COVER,RIGHT,WHITE WF	1	BRANCO
3	65602T80E400	SIDE COVER,RIGHT,BLUE E4	1	AZUL
3	65602T80H400	SIDE COVER,RIGHT,GREY H4	1	VERMELHO
3	65602T80F200	SIDE COVER,RIGHT,GEM RED F2	1	CINZA H4
3	65602T80K400	SIDE COVER,RIGHT,BLUE K4	1	AZUL MATE
4	65601T80BC00	SIDE COVER,LEFT,GRAPHITE BLACK BC	1	PRETO
4	65601T80WF00	SIDE COVER,LEFT,WHITE WF	1	BRANCO
4	65601T80E400	SIDE COVER,LEFT,BLUE E4	1	AZUL
4	65601T80H400	SIDE COVER,LEFT,GREY H4	1	VERMELHO
4	65601T80F200	SIDE COVER,LEFT,GEM RED F2	1	CINZA H4
4	65601T80K400	SIDE COVER,LEFT,BLUE K4	1	AZUL MATE
5	65603T80BG00	SIDE COVER,LEFT,UNDER,MATTE BLACK BG	1	
6	65621T80HT00	ARTICLE DECORATION,LEFT,GRAY HT	1	
7	57294T800000	TAIL LIGHT FIXED PLATE	1	
8	50182T800000	TANK UNDER THE BAFFLE	1	
9	65633T800000	RIGHT FRONT GUARD BOARD	1	
10	65605T800000	CONNECTING PLATE	1	
11	65632T800000	FRONT LEFT GUARD BOARD	1	
12	B0109060256H	BOLT M6x25	2	
13	B0709000060H	WASHER 6	2	
14	65913J820000	BUSHING	2	
15	65618J820000	CUSHION,RUBBER	2	
16	B0507420160H	SCREW ST4.2X16	5	
17	B0507420130H	SCREW ST4.2X13	38	
18	65801T020201	INSERT ST4.2	10	
19	B0507480130H	SCREW ST4.8X13	2	
20	B0109060126H	BOLT M6x12	2	
21	58430J000000	CLIP	1	
22	05511T800000	CITYBLADE LABEL	2	

# CITYBLADE 125 E4

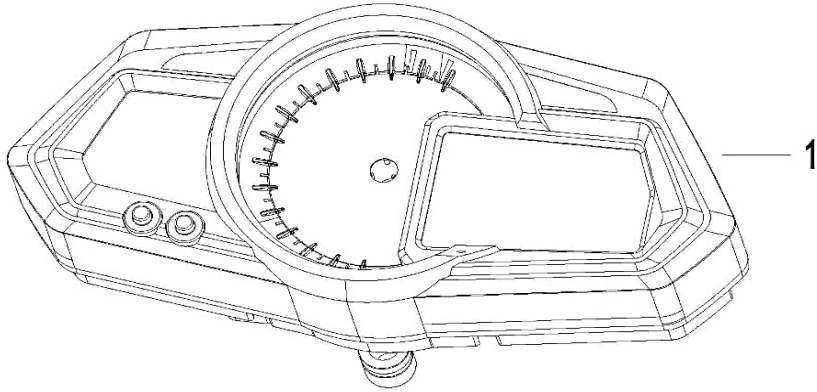
## F20 REAR FENDER



N°	CÓDIGO	DESCRIÇÃO	Qt.	OBSERVAÇÕES
1	65701T800000	REAR FENDER	1	
2	65761T800000	AFTER THE FENDER	1	
3	B0109060126H	BOLT M6x12	9	
4	65770T800000	BRACKET,REAR FENDER,FRONT	1	
5	65780T800000	BRACKET,REAR FENDER,REAR	1	
6	58430J000000	WIRE CLIP COMPONENT	1	
7	B0109060166H	BOLT M6x16	6	
8	B0507420160H	SCREW ST4.2X16	2	
9	58507H170000	IN THE LAST LIMIT BLOCK	1	
10	B0407060005H	NUT M6	2	
11	B0507420130H	SCREW ST4.2x13	1	
12	08252T090000	BRACKET,LICENCE PLATE	1	
13	86500B720001	REFLECTOR, REAR	1	
14	B04000500053	NUT M5	2	
15	B07000000503	SPRING WASHER 5	2	
16	B07020000505	WASHER 5	2	
17	82900T750002	LAMP ,LICENSE PLATE	1	

# CITYBLADE 125 E4

## F21 SPEEDOMETER

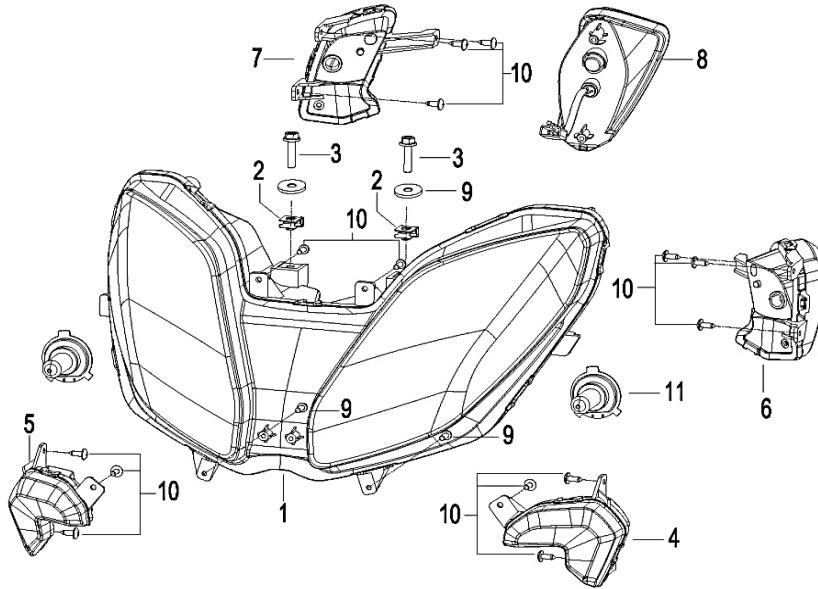


N°	CÓDIGO	DESCRIÇÃO	Qt.	OBSERVAÇÕES
1	7000T80001	SPEEDOMETER ASSY	1	



# CITYBLADE 125 E4

## F22 LIGHTS

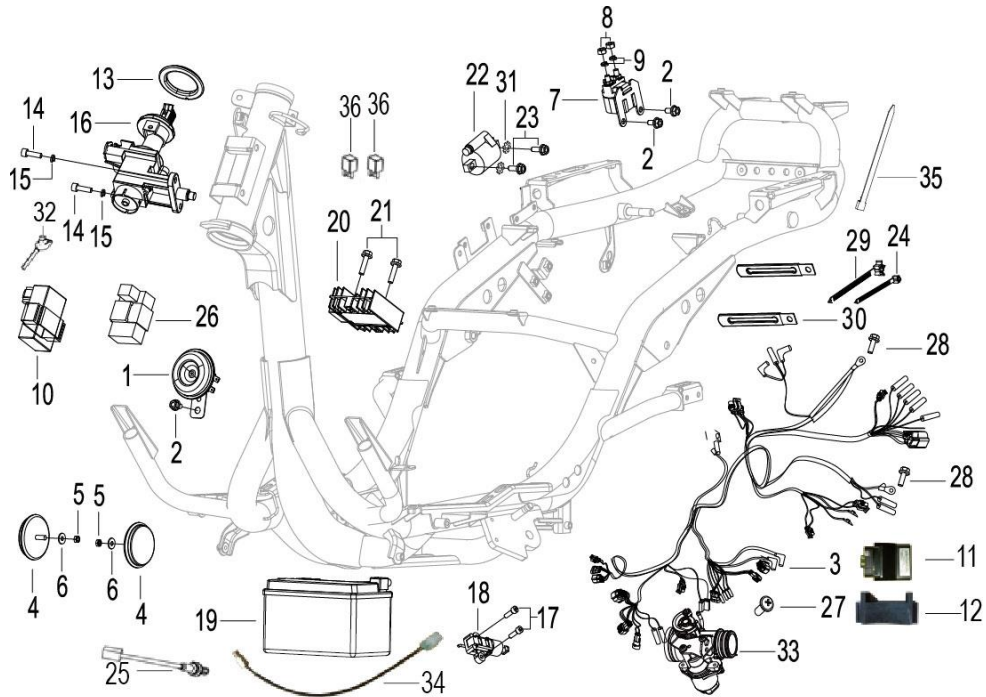


N°	CÓDIGO	DESCRIÇÃO	Qt.	OBSERVAÇÕES
1	80000T800000	HEAD LIGHT	1	
2	65625J560000	NUT M6	2	
3	B0109060256H	BOLT M6X25	2	
4	81100T800000	TURN SIGNAL,FRONT LEFT	1	
5	81300T800000	TURN SIGNAL,FRONT RIGHT	1	
6	81500T800000	TURN SIGNAL,REAR LEFT	1	
7	81700T800000	TURN SIGNAL,REAR RIGHT	1	
8	82000J800000	REAR LAMP,WITH WATERPROOF SOCKET	1	
9	B0709000060H	WASHER 6	2	
10	B0507420130H	SCREW ST4.2x13	18	
11	B24010320000	BULB 12V35/35W	2	



# CITYBLADE 125 E4

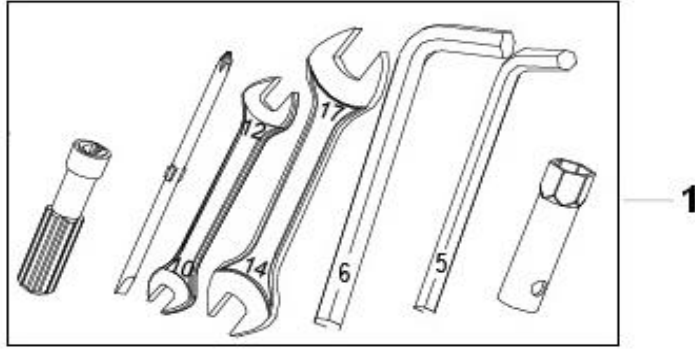
## F23 ELECTRICAL EQUIPMENT



N°	CÓDIGO	DESCRIÇÃO	Qt.	OBSERVAÇÕES
30	58430J000000	WIRE CLIP COMPONENT	2	
31	B0721000050H	WASHER 5	1	
32	88900T750000	KEY	1	
33	289003320000	THROTTLE ASSY	1	
34	280013320000	TEMPRETURE SENSOR	1	
35	96003J000000	BAND 250mm	1	
36	94100J800000	FUEL PUMP RELAY	2	

# CITYBLADE 125 E4

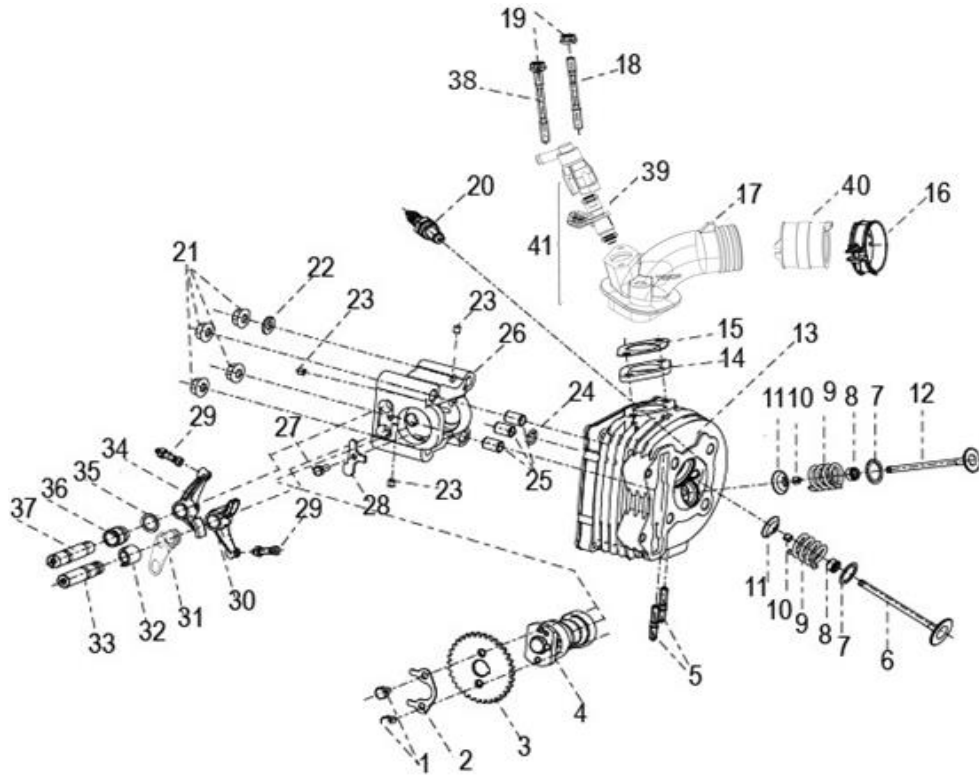
## F24 TOOL KIT



N°	CÓDIGO	DESCRIÇÃO	Qt.	OBSERVAÇÕES
1	02100K290003	TOOL KIT ASSY	1	

# CITYBLADE 125 E4

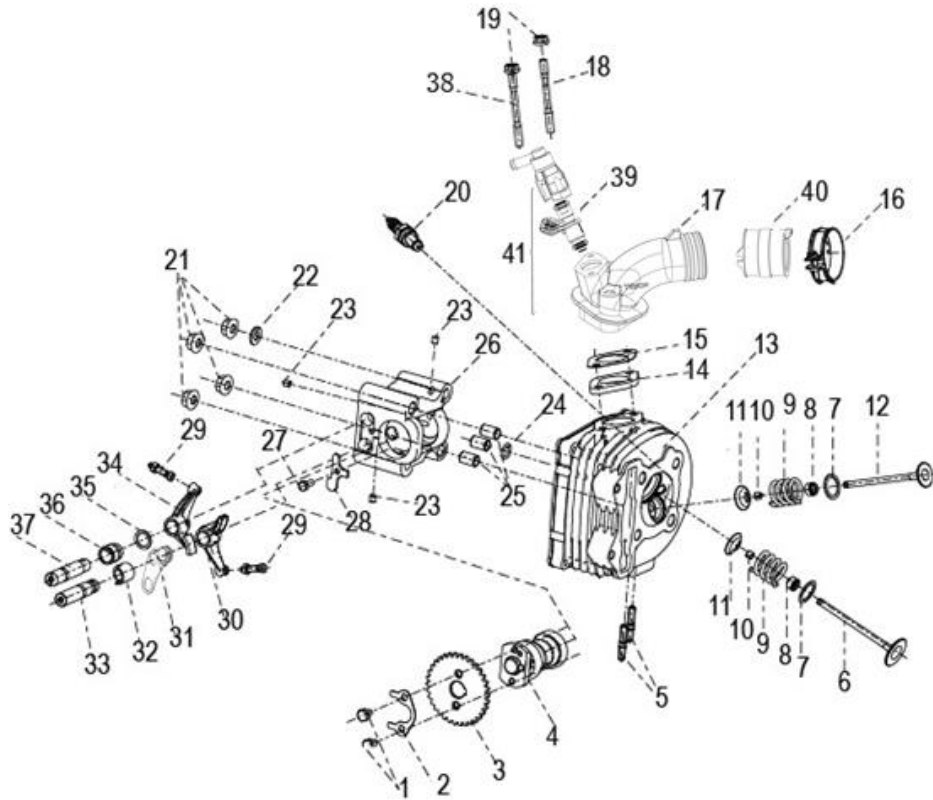
## E01 CYLINDER HEAD



N°	CÓDIGO	DESCRIÇÃO	Qt.	OBSERVAÇÕES
1	B0103060086H	BOLT M6x8	2	
2	120103140000	GASKET	1	
3	129031190002	CHAIN WHEEL	1	
4	129093180000	CAMSHAFT ASSY	1	
5	12007305001X	STUD BOLT	2	
6	129183140000	INTAKE VALVE	1	
7	121003140000	VALVE SPRING WASHERS	2	
8	120013050000	VALVE SEAL	2	
9	129253140000	VALVE SPRING	2	
10	129223240002	COTTER, VALVE	4	
11	120113140003	VALVE SPRING ATTENDANCE	2	
12	129193140000	EXHAUST	1	
13	109053140010	CYLINDER HEAD, without secondary air intake system	1	
14	110023140000	CRABUERTUR INSUATOR	1	
15	110033140010	CRABUERTUR INSUATOR PAD	1	
16	11002305002X	FIXATION CLAMP	1	
17	119013140015	PIPE, INTAKE	1	
18	B0300060456H	BOLT M6X45	1	
19	B0407060005H	NUT M6	1	
20	299073160000	SPARK PLUG	1	
21	B0407080007H	NUT M8	4	
22	B0703000080H	WASHER 8	4	
23	120013140000	PLUG	3	
24	B190103000A0	O RING 30x1.8	1	
25	150093050000	PIN, DOWEL	3	

# CITYBLADE 125 E4

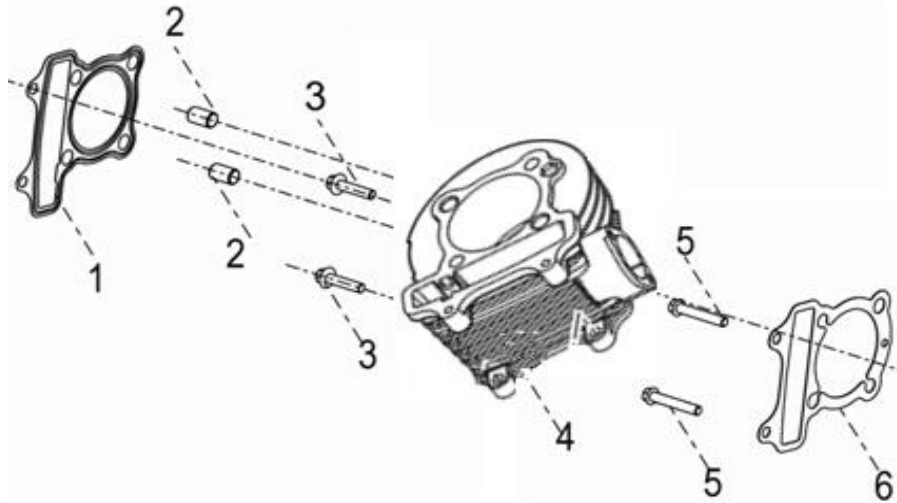
## E01 CYLINDER HEAD



N°	CÓDIGO	DESCRIÇÃO	Qt.	OBSERVAÇÕES
26	129123140003	CAM HOLDER BRACKET	1	
27	B0109050126H	BOLT M5x12	1	
28	120063140000	LIMIT BOARD	1	
29	120203140000	ADJUSTING SCREW ASSY, VALVE	2	
30	120053140010	EXHAUST VALVE ROCKER ARM	1	
31	120023140001	PLATE,STOPPER	1	
32	120033140000	BUSH,EXHAUST ROCKER ARM SHAFT	1	
33	129173140000	EXHAUST ROCKER	1	
34	129143140010	INTAKE VALVE ROCKER ARM	1	
35	120073140000	WASHER	1	
36	120143140000	INTAKE ROCKER ARM SHAFT	1	
37	129163140000	INTAKE ROCKER	1	
38	11004314012X	BOLT M6x47	1	
39	100073210000	FUEL INJECTOR	1	
40	270463130000	CONNECT PIPE	1	
41	110043470000	INTAKE PIPE&FUEL INJECTOR	1	

## CITYBLADE 125 E4

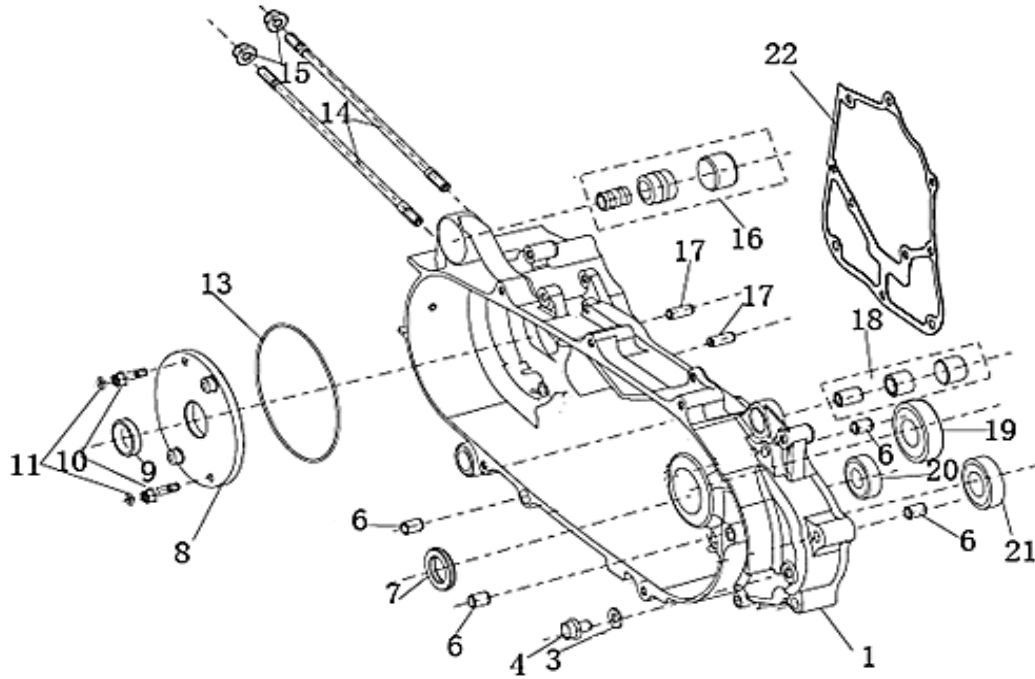
### E02 CYLINDER



Nº	CÓDIGO	DESCRIÇÃO	Qt.	OBSERVAÇÕES
1	10907305001X	CYLINDER GASKET	1	
2	150093050000	PIN,DOWEL	2	
3	B0107060256H	BOLT M6x25	2	
4	139013180010	CYLINDER	1	
5	B0205060406H	SCREW M6x40	2	
6	139023060020	GASKET,CYLINDER	1	

## CITYBLADE 125 E4

### E03 LEFT CRANKCASE

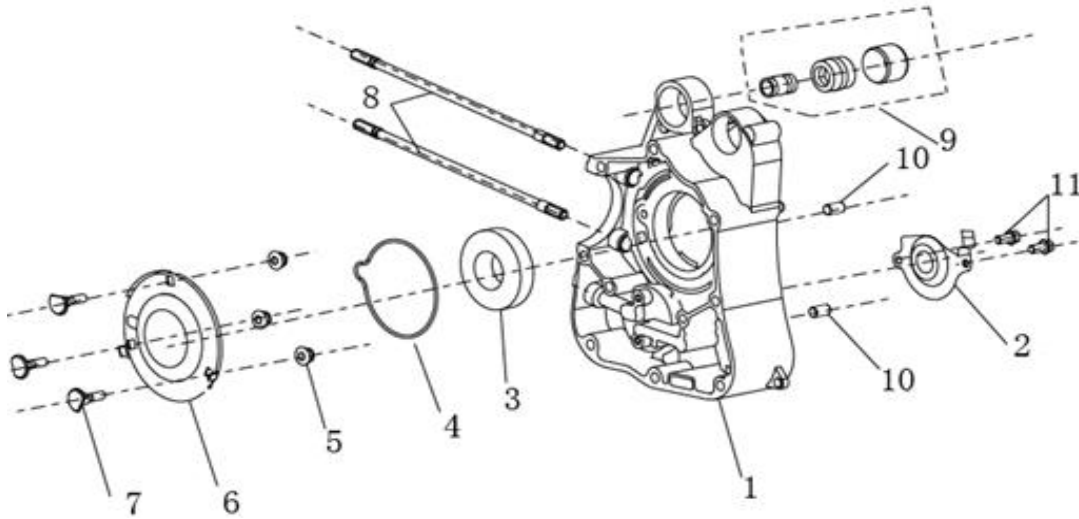


N°	CÓDIGO	DESCRIÇÃO	Qt.	OBSERVAÇÕES
1	159023470001	LEFT CRANKCASE	1	
3	210013050000	WASHER	2	
4	B0109080126H	BOLT M8X12	1	
6	150083070000	PIN,DOWEL	4	
7	150033160000	OIL SEAL 22*35*5	1	
8	169063060010	SMALL COVER	1	
9	160013060000	OIL SEAL	1	
10	B0107060186H	BOLT M6X18	2	
11	B190100570A0	O RING 5.7*1.8	2	
13	150042140000	O RING	1	
14	15910314003X	BOLT	2	
15	B0407080007H	NUT M8	2	
16	150123050000	BUSH	1	
17	150103060010	PIN,DOWEL	2	
18	150093160000	BUSH	1	
19	B12016622202	BEARING	1	
20	B12016020204	BEARING 6202/P6	1	
21	B12016000405	BEARING 6004/P6	1	
22	150173060020	GASKET,CRANKCASE	1	



# CITYBLADE 125 E4

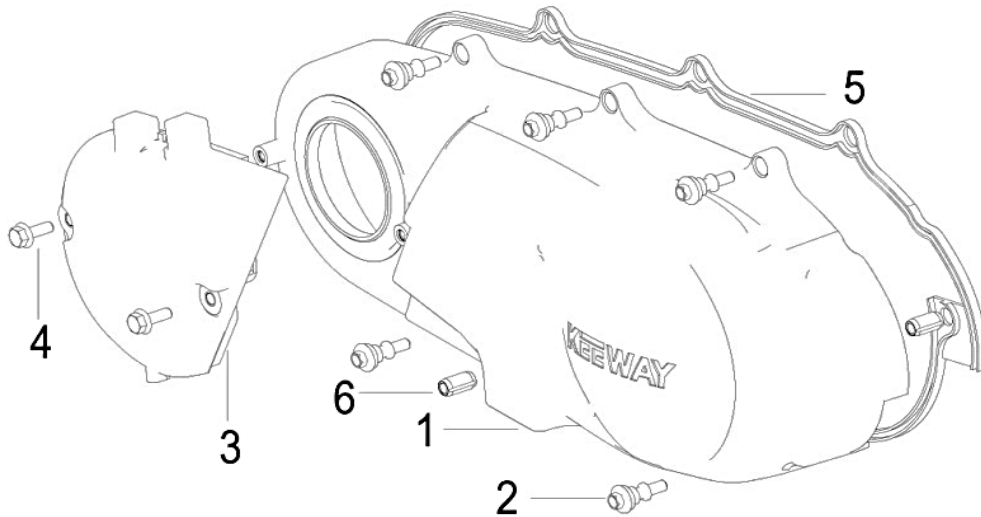
## E04 RIGHT CRANKCASE



N°	CÓDIGO	DESCRIÇÃO	Qt.	OBSERVAÇÕES
1	159033060000	RIGHT CRANKCASE ASSY.	1	
2	15015306002X	DISK, OIL SEPARATOR	1	
3	150163060010	ROLLING BEARINGS 6305X2-Z/P53Z2	1	
4	150143060000	SEAL RING	1	
5	B0417060004H	NUT M6	3	
6	150123060000	FILTER PLATE ASSY	1	
7	150133060010	BOLT	3	
8	15911314003X	BOLT	2	
9	150123050000	BEFORE INSTALLATION. ELASTIC	1	
10	160073070000	PIN,DOWEL	2	
11	B0107060126H	BOLT M6X12	2	

# CITYBLADE 125 E4

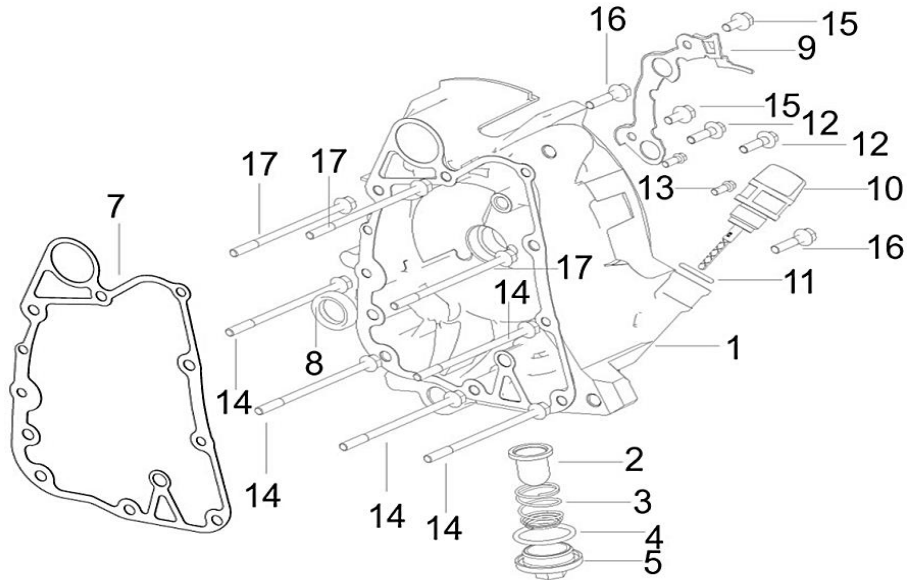
## E05 LEFT COVER



N°	CÓDIGO	DESCRIÇÃO	Qt.	OBSERVAÇÕES
1	169023160910	COVER,LEFT,GRAY,mark:KEEWAY	1	
2	16008316002X	SCREW ASSY	5	
3	160023160000	AIR FILTER ASSY	1	
4	B0107060166H	BOLT M6x16	2	
5	160013160000	BOX COVER GASKETS	1	
6	160113160000	PIN,DOWEL	2	

# CITYBLADE 125 E4

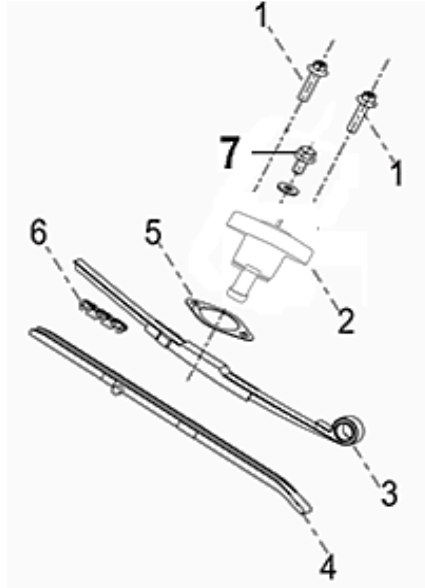
## E06 RIGHT COVER



N°	CÓDIGO	DESCRIÇÃO	Qt.	OBSERVAÇÕES
1	169103470000	RIGHT COVER	1	
2	150093070000	OIL FILTER ASSY	1	
3	160013050000	SCREEN, OIL FILTER	1	
4	160023050000	O RING	1	
5	16004305001X	CAP, VALVE	1	
7	150073060020	GASKET,RIGHT COVER	1	
8	160013060000	OIL SEAL	1	
9	150063060010	A, C, G WIRE CLIP	1	
10	160023470000	THE OIL RULER	1	
11	160063070000	BEARING	1	
12	B0107060206H	BOLT M6x20	2	
13	B0109050128H	BOLT M5x12	2	
14	17001305011X	BOLT	5	
15	B0107060126H	BOLT M6X12	2	
16	B0107060256H	BOLT M6X25	2	
17	17001305002X	BOLT	3	

## CITYBLADE 125 E4

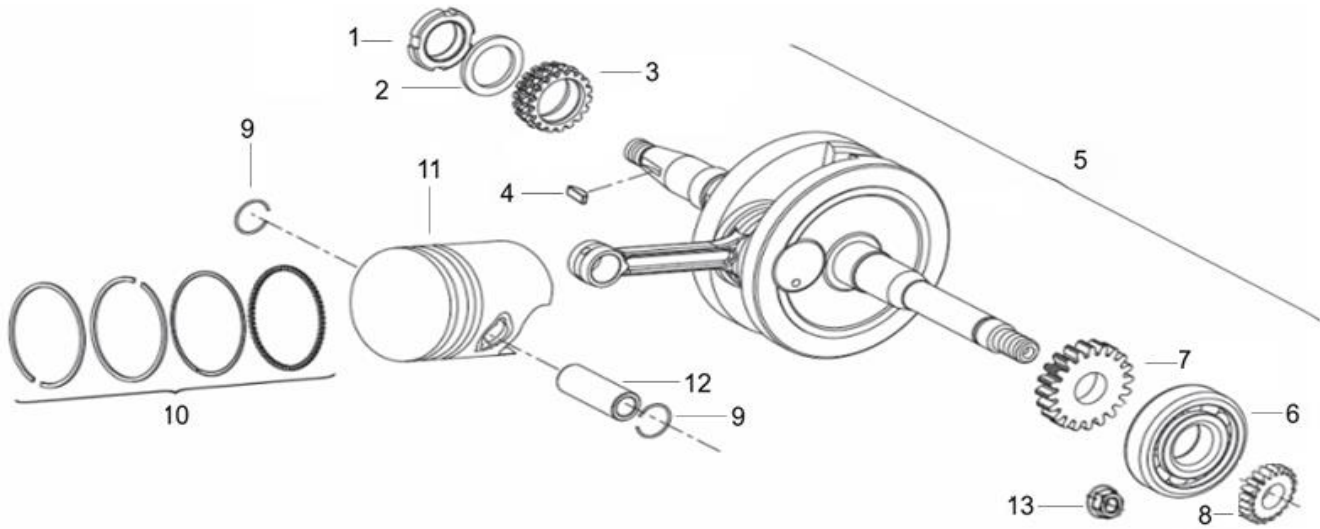
### E07 CHAIN TENSIONER



N°	CÓDIGO	DESCRIÇÃO	Qt.	OBSERVAÇÕES
1	B0107060226H	BOLT M6x22	2	
2	149033140010	TENSIONER ASSY.	1	
3	210013060010	GUIDE ASSY.	1	
4	210033060010	CHAIN PLATE	1	
5	140013050040	GASKET	1	
6	140023140010	CHAIN	1	
7	14005305001X	SCREW	1	

# CITYBLADE 125 E4

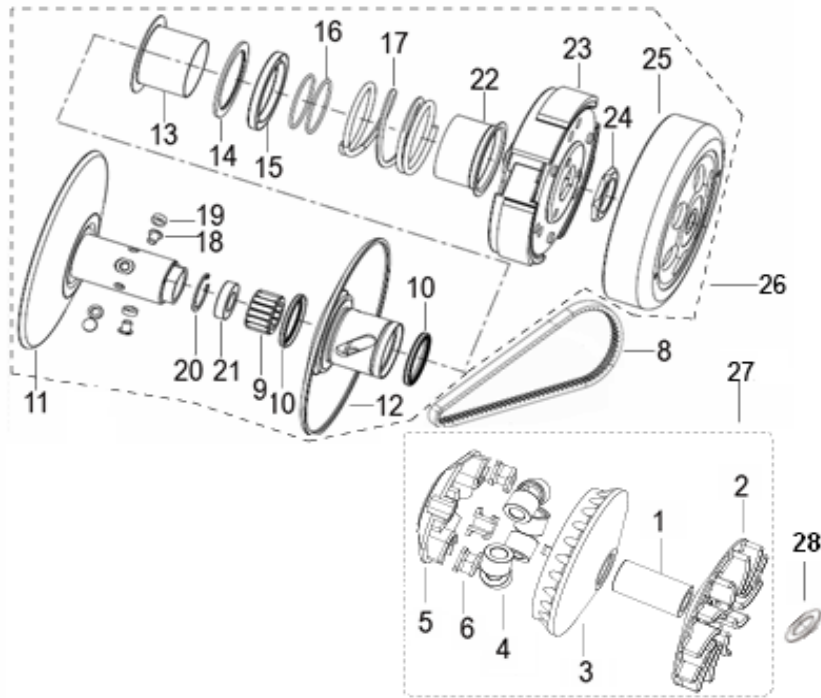
## E08 CRANKSHAFT AND PISTON



Nº	CÓDIGO	DESCRIÇÃO	Qt.	OBSERVAÇÕES
1	22006305001X	NUT,LOCK	1	
2	260013060000	WASHER	1	
3	269113060000	SPROKET,OIL PUMP DRIVE	1	
4	260093070000	KEY	1	
5	179103180000	CRANKSHAFT ASSY	1	
6	170133060000	BEARING	1	
7	129323060000	SPROKET,CAM CHAIN	1	
8	249023060000	GEAR,STARTER DRIVEN	1	
9	179153070000	CLIP,PISTON PIN	2	
10	17918305005Z	PISION RING SET	1	
11	179133140000	PISTON	1	
12	179143050000	PIN PISTON	1	
13	240013060110	NUT	1	

# CITYBLADE 125 E4

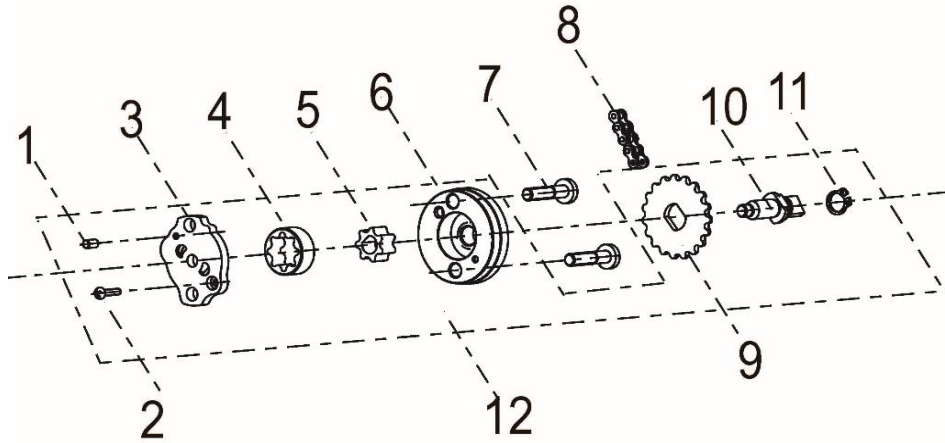
## E09 CLUTCH



Nº	CÓDIGO	DESCRIÇÃO	Qt.	OBSERVAÇÕES
1	220023060000	BOSS B,DRIVE FACE	1	
2	220033060000	FACE,DRIVE	1	
3	220043060000	FACE,MOVABLE DRIVE	1	
4	200153060010	ROLLER,WEIGHT,14g	6	
5	200023170000	PLATE,RAMP	1	
6	220053060000	PIECE,SLIDE	3	
8	200013160000	BELT,DRIVE	1	
9	200373160000	BEARING	1	
10	200093050000	SEAL,DRIVEN FACE	2	
11	200133160000	FACE SET,DRIVEN	1	
12	200173160000	FACE SET,MOVABLE DRIVEN	1	
13	200093160000	COLLAR,SEAL	1	
14	200103160000	WASHER,COLLAR,SEAL	1	
15	200113160000	SEAT,DRIVEN SPRING	1	
16	200103050000	O-RING	2	
17	200113050000	SPRING,DRIVEN FACE	1	
18	200083050000	PIN,ROLLER GUIDE	3	
19	200063050000	ROLLER,GUIDE	3	
20	B08000002801	CIRCLIP	1	
21	B12016190205	BEARING	1	
22	200123160000	COLLAR,SPRING	1	
23	200183160020	WEIGHT SET, CLUTCH,spring diameter 1.8mm	1	
24	200123050000	NUT,SPECIAL	1	
25	200163050000	CLUTCH OUTER	1	
26	209003160070	CLUTCH ASSY,REAR,spring diameter 1.8mm	1	
27	209003060040	CLUTCH ASSY,FRONT,14g	1	
28	129213390000	WASHER	1	

## CITYBLADE 125 E4

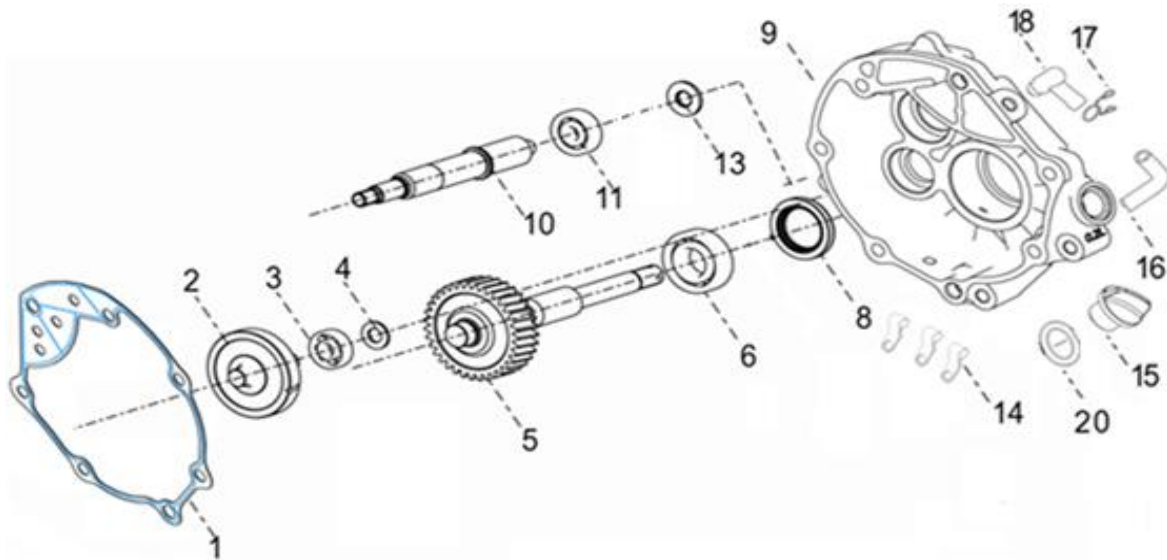
### E10 OIL PUMP



Nº	CÓDIGO	DESCRIÇÃO	Qt.	OBSERVAÇÕES
1	260063060000	PIN	1	
2	B02000301223	SCREW	1	
3	269103060000	OIL PUMP COVER	1	
4	260022140000	OUTER ROTOR	1	
5	260032140000	INNER ROTOR	1	
6	260013180000	OIL PUMP BODY	1	
7	B0204060256H	SCREW M6x25	2	
8	269053060000	OIL PUMP CHAIN	1	
9	269113060010	PUMP GEAR	1	
10	269083060000	OIL-PRESSURE PUMP SHAFT	1	
11	B08010001000	WASHER	1	
12	269013180000	OIL PUMP ASSEMBLY	1	

## CITYBLADE 125 E4

### E11 GEAR SHIFT MECHANISM

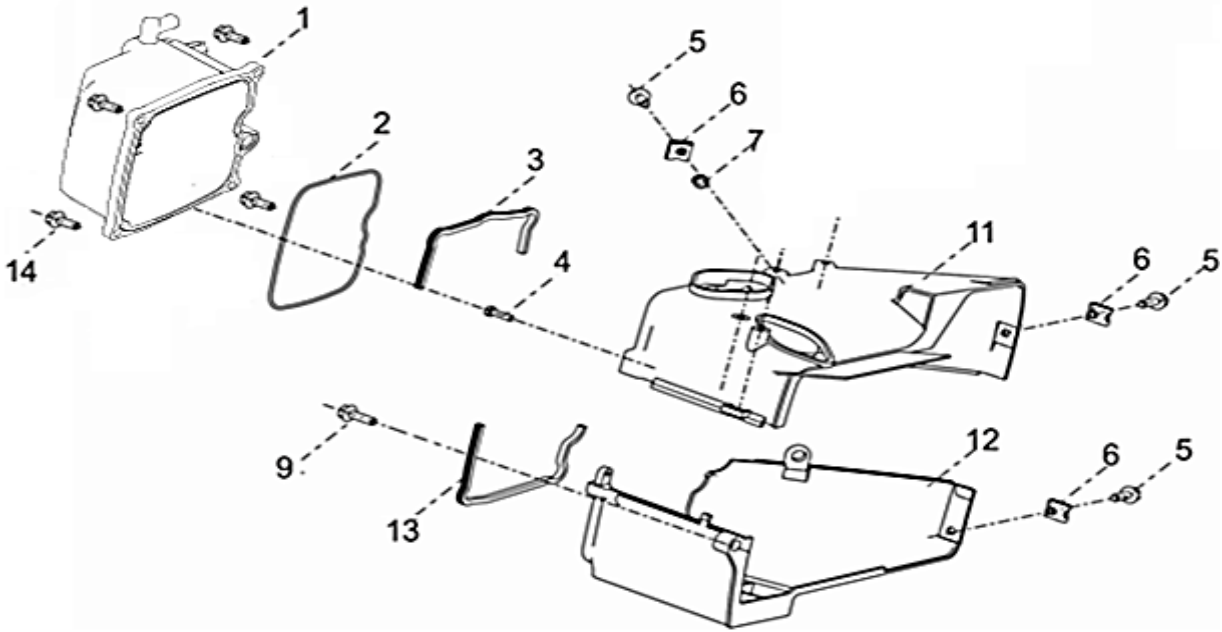


Nº	CÓDIGO	DESCRIÇÃO	Qt.	OBSERVAÇÕES
1	220033470010	GEARBOX GASKET	1	
2	220063470010	MIDDLE GEAR ASSY	1	
3	B12016020101	ROLLING BEARING 6201/P6	1	
4	220033160000	WASHER 23x12.2x2	1	
5	220053470000	GEARBOX GROOVE 41TEETH	1	
6	B12016020506	ROLLING BEARING 6205-2RS	1	
8	170054050000	OIL SEAL	1	
9	220013470000	GEARBOX	1	
10	229043470010	GEARBOX INPUTSHAFT,13 TEETH	1	
11	B12016030101	ROLLING BEARINGS 6301/P6	1	
13	25005305001X	TAPER WASHER	1	
14	220056210000	CLIP	3	
15	160023070000	CAP	1	
16	220066210000	TUBE	1	
17	11002214001X	CLIP	1	
18	150061270000	PIPE	1	
20	160063070000	O RING18X3.5	1	



## CITYBLADE 125 E4

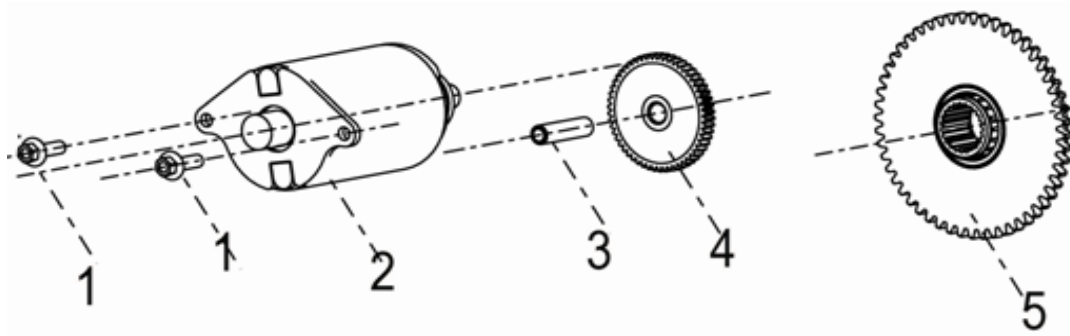
### E12 CYLINDER HEAD-COOLING FAN COVER



N°	CÓDIGO	DESCRIÇÃO	Qt.	OBSERVAÇÕES
1	100013470010	HEAD COVER COMP	1	
2	100063140000	RUBBER SEALS	1	
3	270033140003	SEAL SHROUD UPPER	1	
4	B0514480160H	SCREW ST4.8x16	1	
5	B0107060186H	BOLT M6x18	3	
6	270023060000	FIXED BANDS	3	
7	270103060000	DOWEL	1	
9	B0107060206H	BOLT M6x20	1	
11	270013180020	SHROUD,UPPER	1	
12	270023180000	SHROUD,LOWER	1	
13	270043140003	SEAL,SHOURD LOWER	1	
14	B0107060186H	BOLT M6x18	4	

## CITYBLADE 125 E4

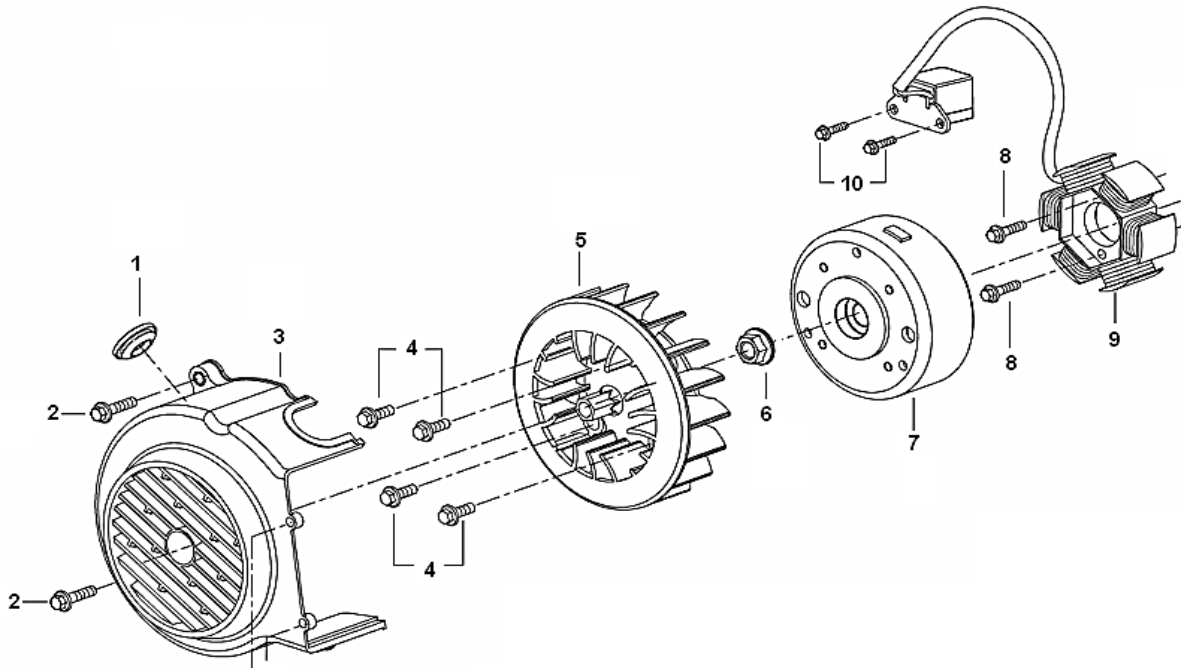
### E13 ELECTRIC STARTER



N°	CÓDIGO	DESCRIÇÃO	Qt.	OBSERVAÇÕES
1	B0107060186H	BOLT M6x18	2	
2	249013470000	MOTOR ASSEMBLY, STARTING	1	
3	249053060000	STARTER IDLE GEAR SHAFT	1	
4	249043060000	STARTER IDLE GEAR	1	
5	249003060040	STARTER MOTOR CLUTCH	1	

# CITYBLADE 125 E4

## E14 MAGNETO



N°	CÓDIGO	DESCRIÇÃO	Qt.	OBSERVAÇÕES
1	270143060010	OIL WINDOW BLOCKING	2	
2	B0107060256H	BOLT M6X25	2	
3	270133060010	CONVEYOR	1	
4	B0107060166H	BOLT M6X16	4	
5	279023060010	FAN SET	1	
6	240013060110	NUT M12x1.25	1	
7	299023180020	FLY WHEEL SET	1	
8	B0107060256H	BOLT M6x25	2	
9	299033180000	COIL SET	1	
10	B0109050128H	BOLT M5x12	2	