

# PARTS CATALOGUE



## SCOOTERS

TA10EA(PT)

New Like 50 E5



Release Date : 2022/09/22  
Print Date : 2022/10/24

## ABOUT THIS PARTS LIST

- This parts list is compiled all service parts for model TA10EA(PT).
- Any difference between color chart and motorcycle will be revised according to motorcycle.
- The Mark:
  1. Marking "\*\*\*" must add color code in the end before ordering parts.
  2. Marking "#" are parts with modification, Please find the details from e-Parts system.
- When modification or additions to this parts list are made a revised edition at an appropriate time.



# CONTENTS

● ABOUT THIS PARTS LIST .....	1
● COLOR CHART OF TA10EA(PT) .....	3
● CONTENTS-ENGINE GROUP .....	6
● CONTENTS-FRAME GROUP .....	7
● ENGINE PARTS LIST .....	10
● FRAME PARTS LIST .....	36
● PART NO. INDEX .....	92

NO	MODEL			COLOR CHART OF TA10EA(PT)			
	PHOTO NO			NO. 1	NO. 2		
	BASIC COLOR			Blue	Met Silver		
	CODE			Blue	Met Silver		
	PARTS NAME	PARTS NO.	VERSION	CB640MA	NH067FA		
1	COVER HANDLE FR	53205-ACC1-E10	0	77P	J1P		
2	COVER HANDLE RR	53206-ACC1-E10	1				
3	COVER SWITCH	53208-ACC1-E10	1				
4	COVER L SIDE HANDLE	53209-ACC1-E10	1				
5	FENDER FR	61100-ACC1-E10	1				
6	FENDER B FR	61101-ACC1-E10	1				
7	COVER FR	64301-ACC1-E10	1				
8	SKIRT R SIDE	64305-ACC1-E10	1				
9	SKIRT L SIDE	64306-ACC1-E10	1				
10	COVER CENTER	80152-ACC1-E10	1				
11	LEG SHIELD	81131-ACC1-E10	1				
12	LID INNER BOX	81141-ACC1-E10	1				
13	BODY COVER R	83500-ACC1-E10	1				
14	BODY COVER L	83600-ACC1-E10	1				
15	COVER HEAD LIGHT	53207-ACC1-E10	0	F1P			
16	LID FR.COVER LOW	64304-ACC1-E10	0				
17	COVER FR DEC TOP	64307-ACC1-E10	0				
18	COVER FR DEC R	64313-ACC1-E10	0				
19	COVER FR DEC L	64314-ACC1-E10	0				
20	COVER FLOOR DEC R	64317-ACC1-E10	0				
21	COVER FLOOR DEC L	64318-ACC1-E10	0				
22	FENDER REAR UP	80105-ACC1-E10	0				
23	"LID, COVER LEG	81142-ACC1-E11	0				
24	COVER BATTERY	81201-AKB7-C00	0				
25	MIRROR ASSY R BACK	88110-ACC1-E10	1				
DATE OF STARTING-SALES							
DATE OF END-SALES							

NO	MODEL			COLOR CHART OF TA10EA(PT)			
	PHOTO NO			NO. 1	NO. 2		
	BASIC COLOR			Blue	Met Silver		
	CODE			Blue	Met Silver		
	PARTS NAME	PARTS NO.	VERSION	CB640MA	NH067FA		
26	MIRROR ASSY L BACK	88120-ACC1-E10	1	F1P			
27	MUFFLER ASSY EXH	1830A-ACB9-EZ5	0	J1P			
28	PTOTECTOR MUFFLER	18318-ACC1-E10	0				
29	COVER METER	53204-ACC1-E10	0				
30	"HEAT GUARD, FUEL	17582-ACC1-E10	1	N1R			
31	LID R RR COMB	33718-ACC1-E10	1				
32	LID L RR COMB	33719-ACC1-E10	1				
33	"COVER , BATTERY"	50326-ACB9-E10	1				
34	BATTERY CASE ASSY	50329-ACB9-E10	1				
35	UNDER COVER	50613-ACC1-E10	1				
36	STAND COVER	50623-ACC1-E10	1				
37	FENDER FR INNER	61110-ACC1-E10	1				
38	COVER PUMP	64311-ACC1-E10	1				
39	PLUG FLOOR	64316-LCB9-C10	5				
40	"ASSY., PANEL FLOOR"	6431A-ACC1-E10	1				
41	FLOOR PANEL UP	64320-ACC1-E10	1				
42	UNDER COWL	64400-ACC1-E10	1				
43	FENDER RR. TIRE	80100-LGR3-E10	1				
44	FENDER RR INNER	80101-ACB9-E10	1				
45	FENDER RR LOW	80106-ACC1-E10	1				
46	"COVER, CENTER"	80151-ACC1-E10	1				
47	BOX LUGGAGE	81260-ACB9-E10	1				
48	REAR CENTER COVER	83750-ACC1-E10	1				
49	COVER L SIDE	11340-LBD6-C00	0	N8A			
50	FORK ASSY FR R	51400-ACC1-E10	1				
DATE OF STARTING-SALES							
DATE OF END-SALES							



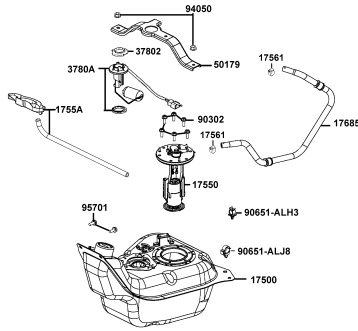




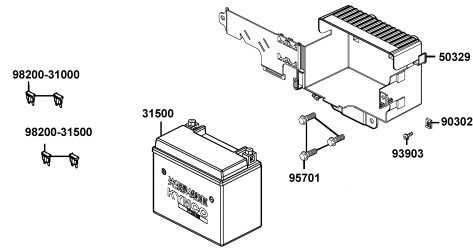


## CONTENTS - FRAME GROUP

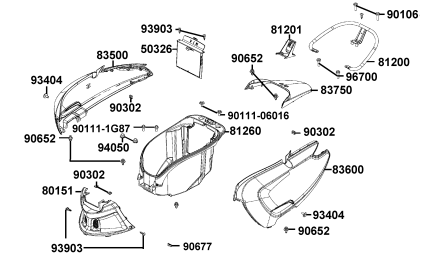
### F10 Fuel Tank



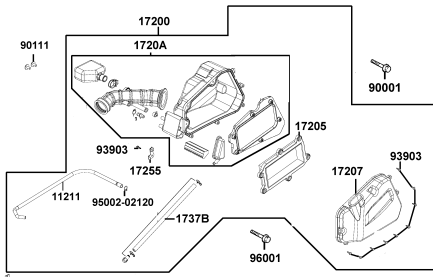
### F11 Battery



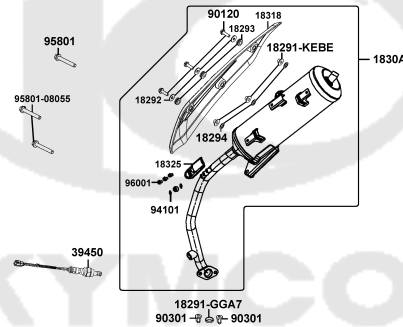
### F12 Body Cover Luggage Box



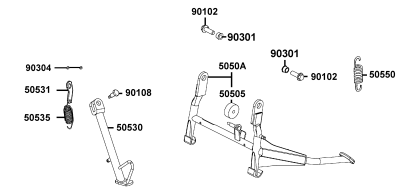
### F13 Air Cleaner



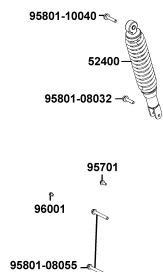
### F14 Exhaust Muffler



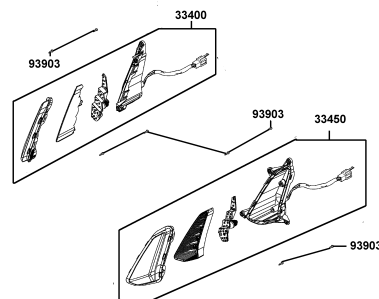
### F15 Stand Kick Starter Arm



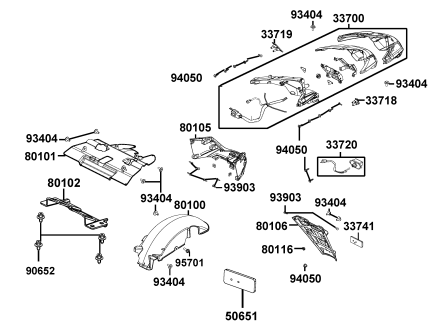
### F16 Rear Cushion



### F17 Front Winker

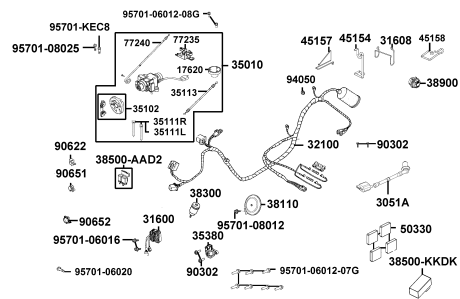


### F18 Tail Light

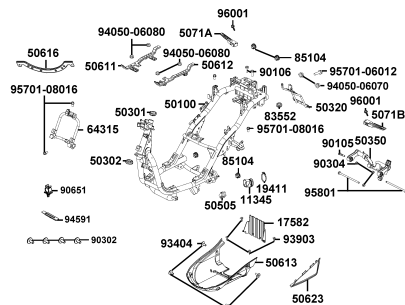


## CONTENTS - FRAME GROUP

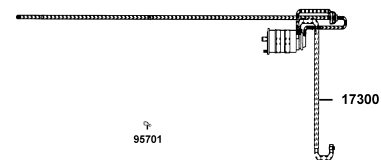
### F19 Wire Harness



### F20 Frame Body



### F21 CANISTER-PCV ASSY

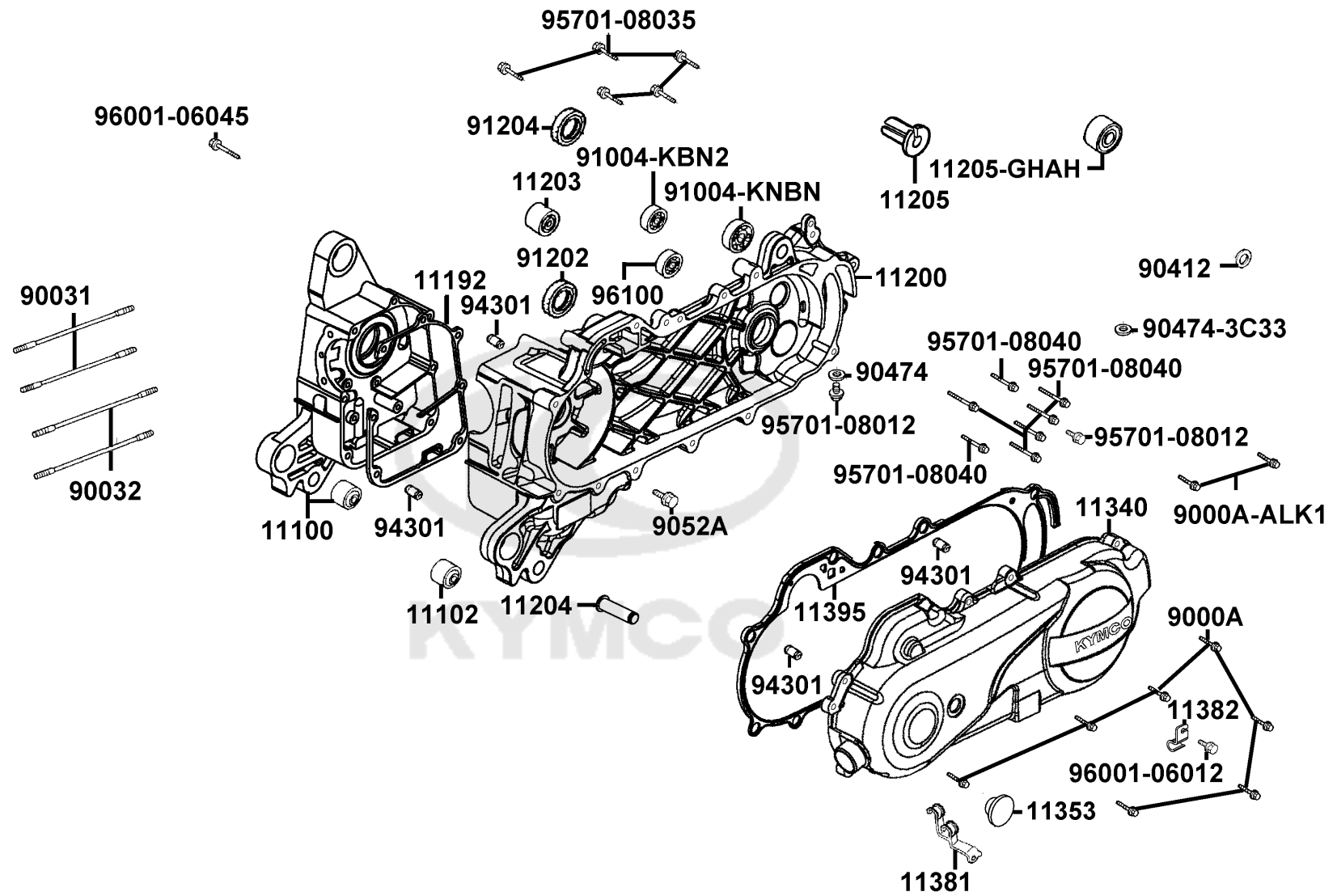


### F22 Emblem Stripe



E01

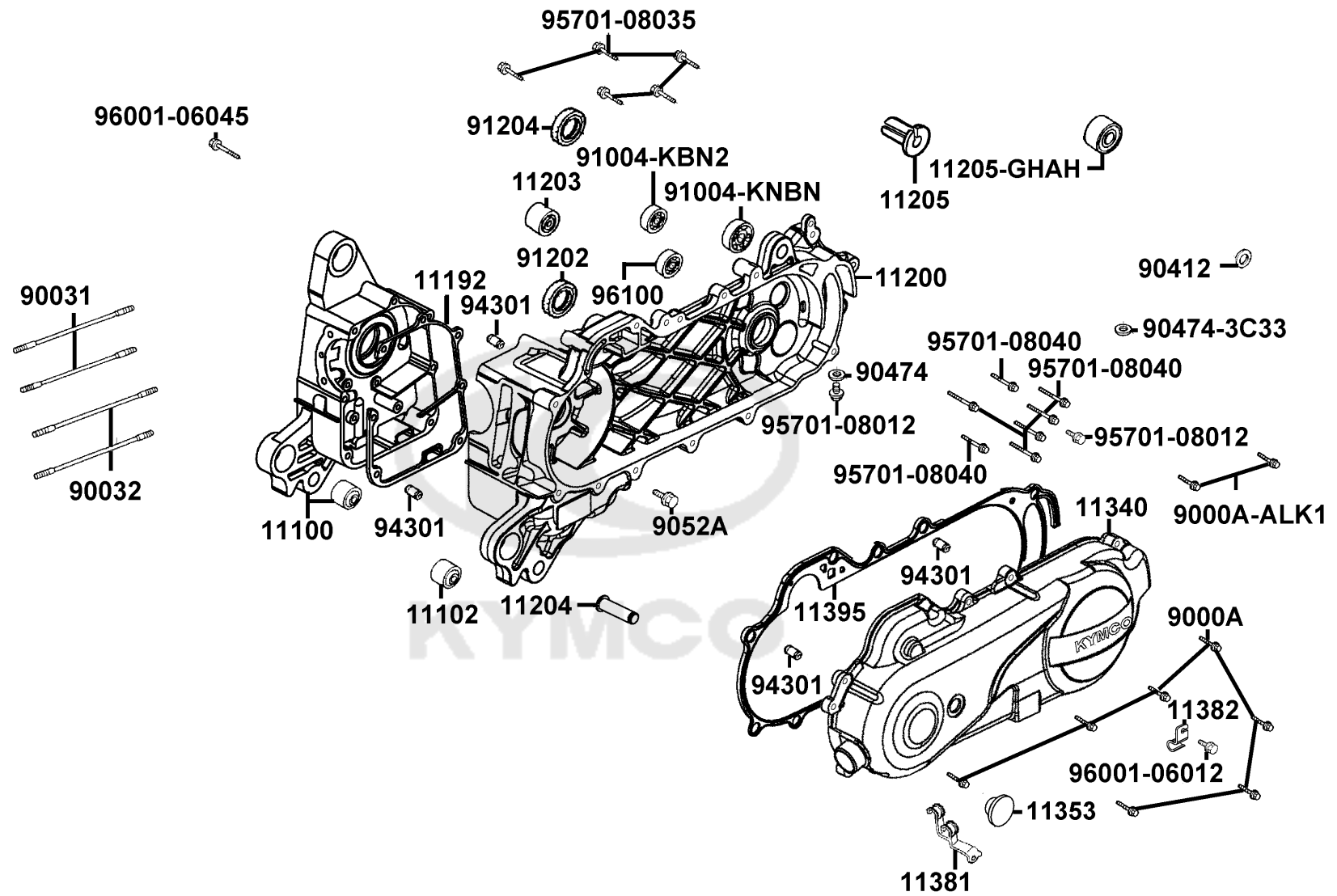
Crank Case



Sales mark	Ref no	Part no	Description	Reg description	Regd no	E01
	11100	11100-KGBG-C00	CRANK CASE COMP.,R	CRANK CASE COMP RIGHT	1	
	11102	11102-1G87-C00	RUB BUSH ENG HANGER	RUB BUSH ENG HANGER	2	
	11192	11192-KGBG-E90	GASKET,CRANK CASE@A	GASKET CRANK CASE@A	1	
	11200	11200-LBD6-C00	CRANK CASE COMP LEFT	CRANK CASE COMP LEFT	1	
	11203	11203-GGC7-W10	UNDER RUBBER BUSH REAR CUSHION	UNDER RUBBER BUSH REAR CUSHION	1	
	11204	11204-KNBN-C00	PIN SPG HOOK	PIN SPG HOOK	1	
	11205-GHAH	11205-GHAH-C00	BUSH 8*12*8	BUSH 8*12*8	2	
	11205	11205-LAB4-C00	BUSH M STAND	BUSH M STAND	1	
**	11340	11340-LBD6-C00	COVER COMP L CRANK CASE	COVER COMP L CRANK CASE	1	
	11353	11353-LEA6-C00	RUBBER PLUG ,L COVER KICK	RUBBER PLUG L COVER KICK	1	
	11381	11381-KHC4-C00	CLAMPER THROTTLE CABLE	CLAMPER THROTTLE CABLE	1	
	11382	11382-LBD6-C00	CLAMPER BRAKE CABLE	CLAMPER BRAKE CABLE	1	
	11395	11395-LBD6-C00	GASKET L COVER	GASKET L COVER	1	
	9000A-ALK1	9000A-ALK1-E15	BOLT ASSY SPECIAL	BOLT ASSY SPECIAL	1	
	9000A	9000A-KTDT-C02	BOLT ASSY SPECIAL 6*27	BOLT ASSY SPECIAL 6*29.5(G)	7	
	90031	90031-KGBG-C01	BOLT A STUD 7*168	BOLT A STUD 7*168	2	
	90032	90032-KGBG-C01	BOLT A STUD 7*176	BOLT A STUD 7*176	2	
	90412	90412-3K29-C00	WASHER THRUST 10M/M	WASHER THRUST 10M/M	1	
	90474	90474-1G47-C00	WASHER 10.5MM	WASHER 10.5MM	1	
	90474-3C33	90474-3C33-C00	WASHER 8MM (T*2)	WASHER 8MM (T*2)	1	

E01

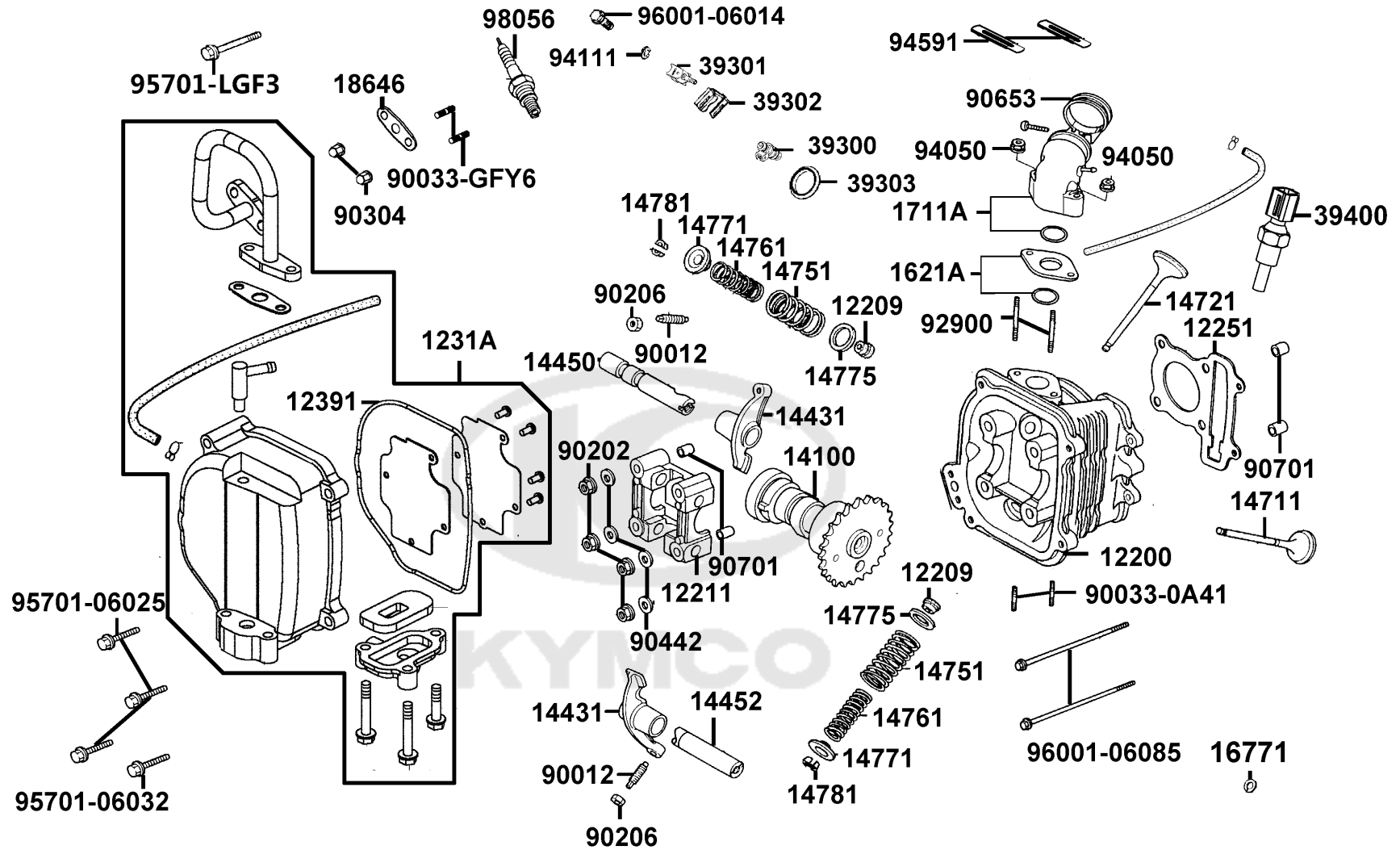
Crank Case



Sales mark	Ref no	Part no	Description	Reg description	Regd no	E01
9052A		9052A-PUA3-B50	BOLT ASSY DRAIN PLUG 12*15	BOLT ASSY DRAIN PLUG 12*15	1	
91004-KBN2		91004-KBN2-C00	BRG BALL RADIAL 6201	BRG BALL RADIAL 6201	1	
91004-KNBN		91004-KNBN-C00	BRG BALL RADIAL 6203 SPC	BRG BALL RADIAL 6203 SPC	1	
91202		91202-GFY6-90C	OIL SEAL 19.8*30*5	OIL SEAL 19.8*30*5	1	
91204		91204-KNBN-C00	OIL SEAL 17*30*6	OIL SEAL 17*30*6	1	
94301		94301-08140	DOWEL PIN 8*14	DOWEL PIN 8*14	4	
95701-08012		95701-08012-08G	BOLT FLANGE 8X12(C)	BOLT FLANGE 8X12(C)	2	
95701-08035		95701-08035-08G	BOLT FLANGE 8*35 (C)	BOLT FLANGE 8*35	5	
95701-08040		95701-08040-08G	BOLT FLANGE 8*40	BOLT FLANGE 8*40	2	
96001-06012		96001-06012-02	BOLT FLANGE SH 6*12	BOLT FLANGE SH 6*12	1	
96001-06045		96001-06045-08G	BOLT FLANGE SH 6x45 (C)	BOLT FLANGE SH 6*45 (C)	1	
96100		96100-62033-00	BEARING BALL RADIAL 6203	BEARING BALL RADIAL 6203	1	

E02

# Cylinder Head

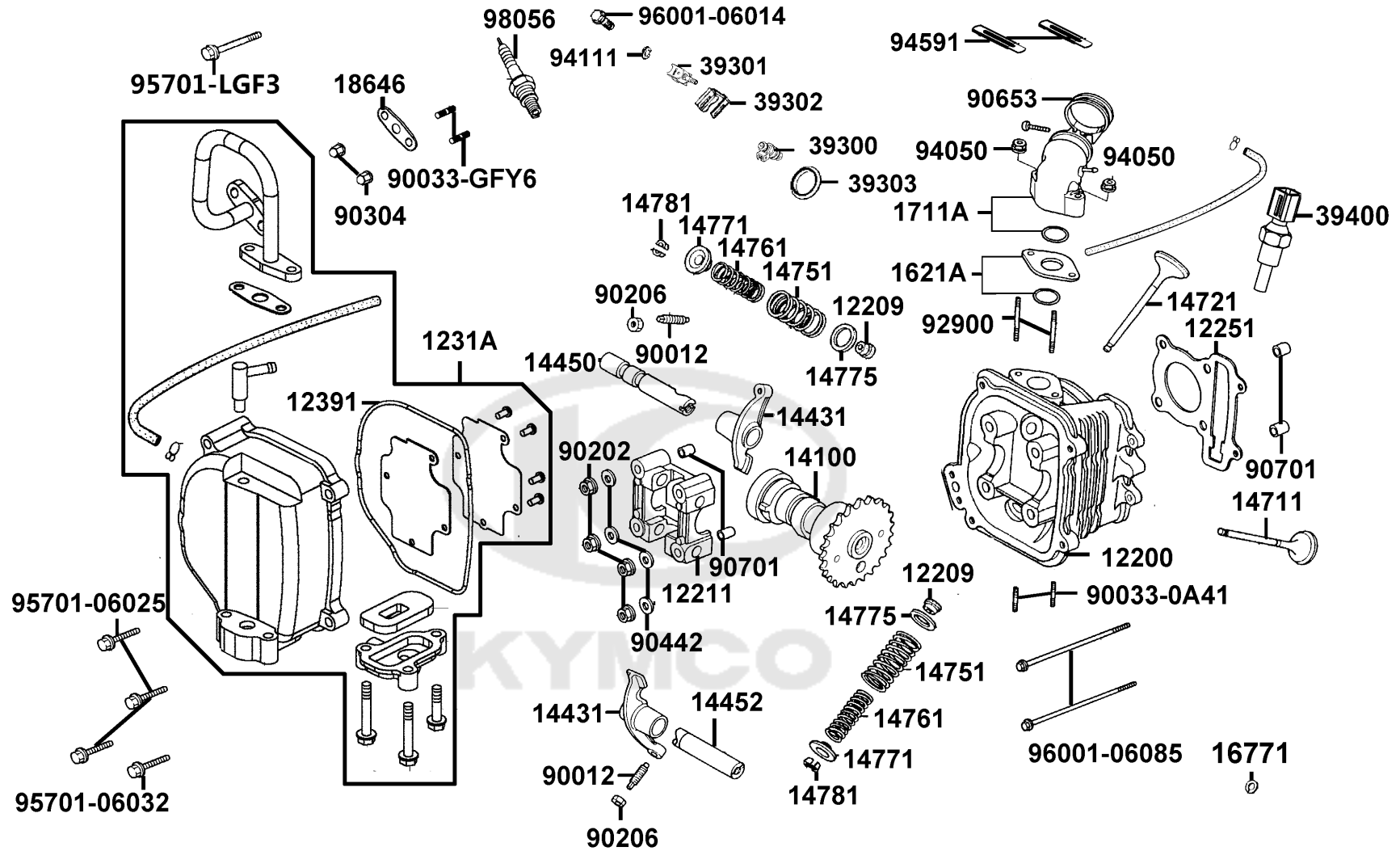


Sales mark	Ref no	Part no	Description	Reg description	Regd no	<b>E02</b>
12200		12200-ADB2-C00	HEAD COMP CYLINDER	HEAD COMP CYLINDER	1	
12209		12209-GDB4-C00	SEAL VALVE STEM	SEAL VALVE STEM	1	
12211		12211-KGBG-C00	HOLDER,CAM SHAFT	HOLDER CAM SHAFT	1	
12251		12251-KGBG-C00	GASKET CYLINDER HEAD	GASKET CYLINDER HEAD	2	
1231A		1231A-KHC5-C00	COVER ASSY HEAD	COVER ASSY HEAD	1	
12391		12391-KEE1-C00	GASKET HEAD COVER	GASKET HEAD COVER	1	
14100		14100-ACB9-EZ5	SHAFT COMP CAM	SHAFT COMP.. CAM	1	
14431		14431-KGBG-W10	ARM VALVE ROCKER	ARM VALVE ROCKER	1	
14450		14450-KGBG-W10	SHAFT COMP IN ROCKER ARM	SHAFT COMP IN ROCKER ARM	1	
14452		14452-KGBG-W10	SHAFT EXH ROCKER ARM	SHAFT EXH ROCKER ARM	1	
14711		14711-KGBG-C00	VALVE INLET	VALVE INLET	1	
14721		14721-KGBG-C00	VALVE EXHAUST	VALVE EXHAUST	1	
14751		14751-KGBG-C00	SPRING VALVE OUTER	SPRING VALVE OUTER	1	
14761		14761-KGBG-C00	SPRING VALVE INNER	SPRING VALVE INNER	1	
14771		14771-GDB4-C00	RETAINER VALVE SPRING	RETAINER VALVE SPRING	1	
14775		14775-MFA6-C00	SEAT VALVE SPG OUTER	SEAT VALVE SPG OUTER	1	
14781		14781-MFA6-C00	COTTER VALVE	COTTER VALVE	1	
1621A		1621A-ADB2-EZ5	INSULATOR ASSY., INLET	INSULATOR CARB ASSY	1	
16771		16771-LGL3-900	BOLT ASSY SPECIAL	BOLT ASSY SPECIAL	1	
1711A		1711A-ACB9-EZ5	PIPE ASSY.,INLET	PIPE ASSY INLET	1	



E02

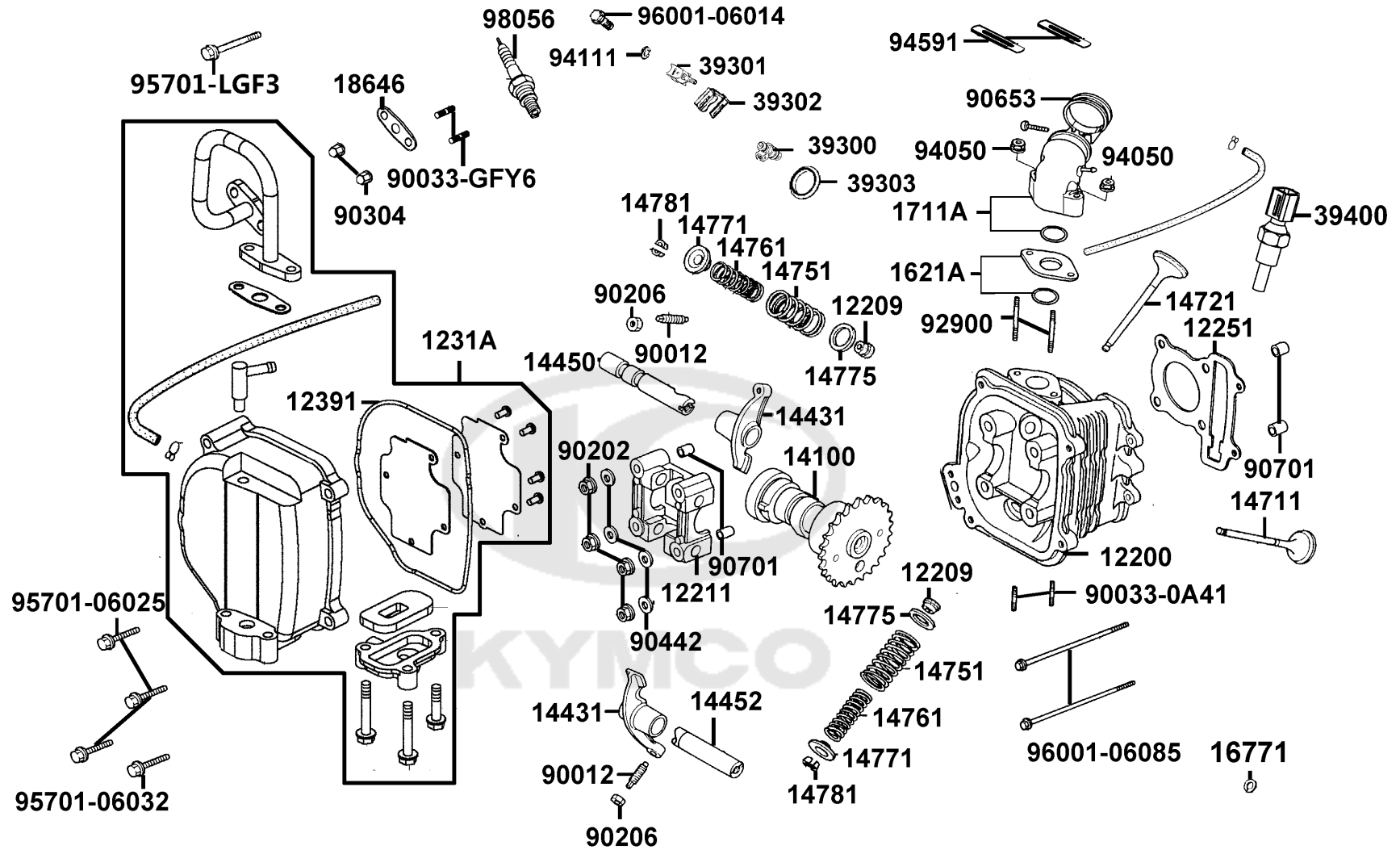
# Cylinder Head



Sales mark	Ref no	Part no	Description	Reg description	Regd no	E02
	18646	18646-LDC8-E10	GASKET A/I PIPE	GASKET A/I PIPE	1	
	39300	39300-ACB9-EZ5	INJECTOR, FUEL	INJECTOR UNIT FUEL	1	
	39301	39301-ACB9-EZ5	HOLDER ASSY FUEL	CUP COMP FUEL INJECTOR	1	
	39302	39302-KKE3-C00	CLIP SPRING FUEL INJECTOR	CLIP SPRING FUEL INJECTOR	1	
	39303	39303-LEB2-C00	SEAL,HIGH TENSION FUEL INJECT	SEAL,HIGH TENSION FUEL INJECT	1	
	39400	39400-LHJ3-900	SENSOR. HEAD TEMPERATURE	SENSOR. HEAD TEMPERATURE	1	
	90012	90012-3C33-C00	SCREW TAPPET ADJUSTING	SCREW TAPPET ADJUSTING	1	
	90033-0A41	90033-0A41-C01	BOLT STUD 6*32	BOLT STUD 6*32	2	
	90033-GFY6	90033-GFY6-C11	BOLT STUD 6*16	BOLT STUD 6*16	2	
	90202	90202-GFF6-C00	NUT FLANGE 7MM	NUT FLANGE 7MM	1	
	90206	90206-0A01-C00	NUT TAPPET ADJG	NUT TAPPET ADJG	4	
	90304	90304-4H38-C00	NUT HEX CAP 6MM	NUT HEX CAP 6MM	2	
	90442	90442-GFF6-C01	WASHER SEALING 7MM 7.2*14*2.5	WASHER SEALING 7MM 7.2*14*2.5	4	
	90653	90653-ALK1-E15	BAND INSULATOR	BAND INSULATOR	1	
	90701	90701-GFF6-C00	PIN DOWEL SPECIAL 8*14	PIN DOWEL SPECIAL 8*14	4	
	92900	92900-06050-08G	SANG TOU LUO MU	BOLT STUD 6*50	4	
	94050	94050-06080-G	NUT FLANGE 6MM	NUT FLANGE 6MM	2	
	94111	94111-06800-G	WASHER SPG 6MM(C)	WASHER SPG 6MM(C)	1	
	94591	94591-KFBF-C00	CLIP 2*71	CLIP 2*70	2	
	95701-06025	95701-06025-08G	BOLT FLANGE 6*25	BOLT FLANGE 6*25	1	

E02

# Cylinder Head

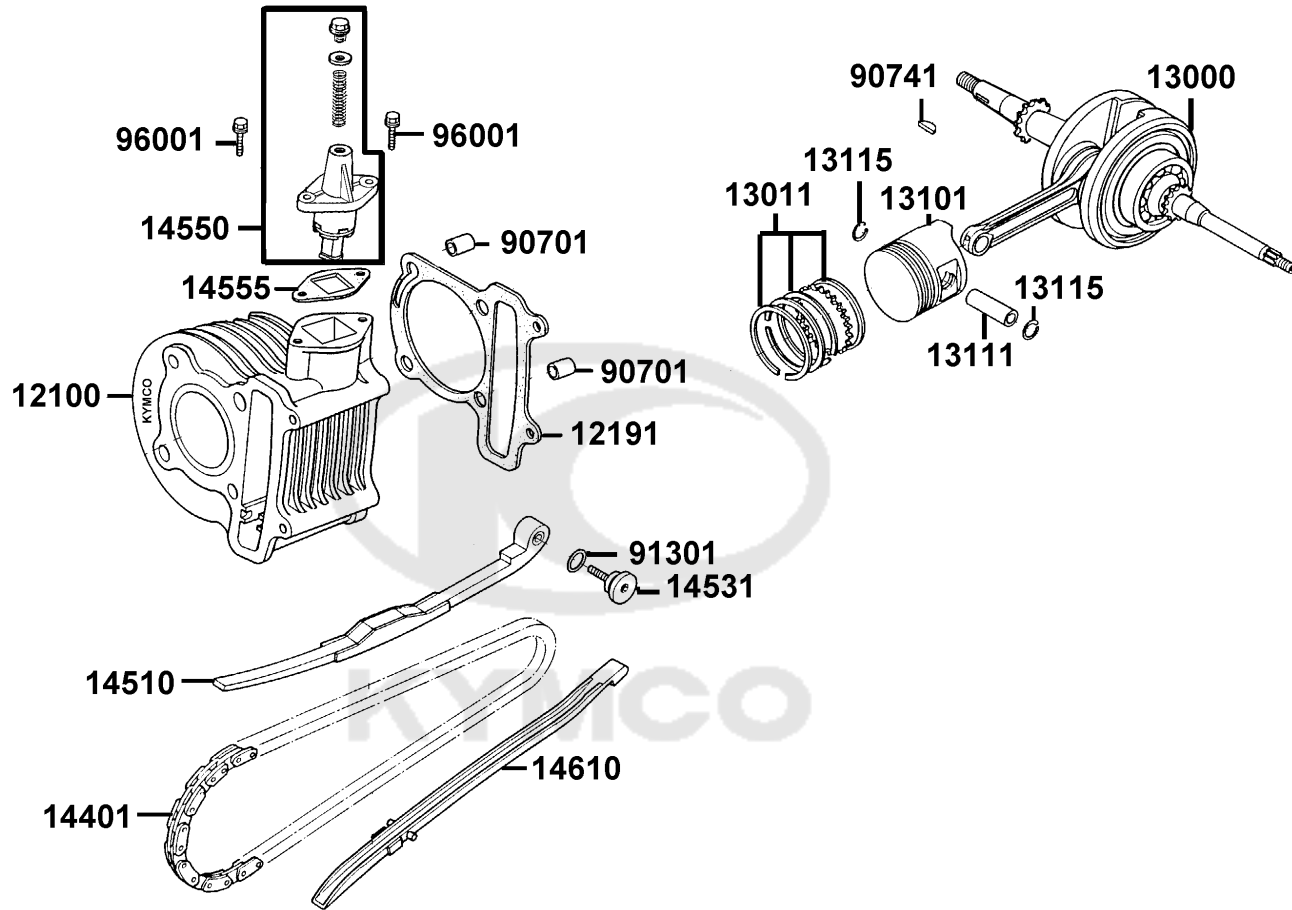


Sales mark	Ref no	Part no	Description	Reg description	Regd no	<b>E02</b>
------------	--------	---------	-------------	-----------------	---------	------------

95701-06032	95701-06032-08G	95701-06032-08G	BOLT FLANGE 6*32	BOLT FLANGE 6*32	3	
95701-LGF3	95701-LGF3-E90	95701-LGF3-E90	BOLT TORQUE 6X50	BOLT FLANGE 6*50	1	
96001-06014	96001-06014-08G	96001-06014-08G	BOLT FLANGE SH 6*14 (C)	BOLT FLANGE SH 6*14 (C)	1	
96001-06085	96001-06085-08G	96001-06085-08G	BOLT FLANGE 6*85	BOLT FLANGE SH 6*85(C)	2	
98056	98056-5671R-00	98056-5671R-00	SPARK PLUG (CR6HSA)	SPARK PLUG CR6HSA	1	



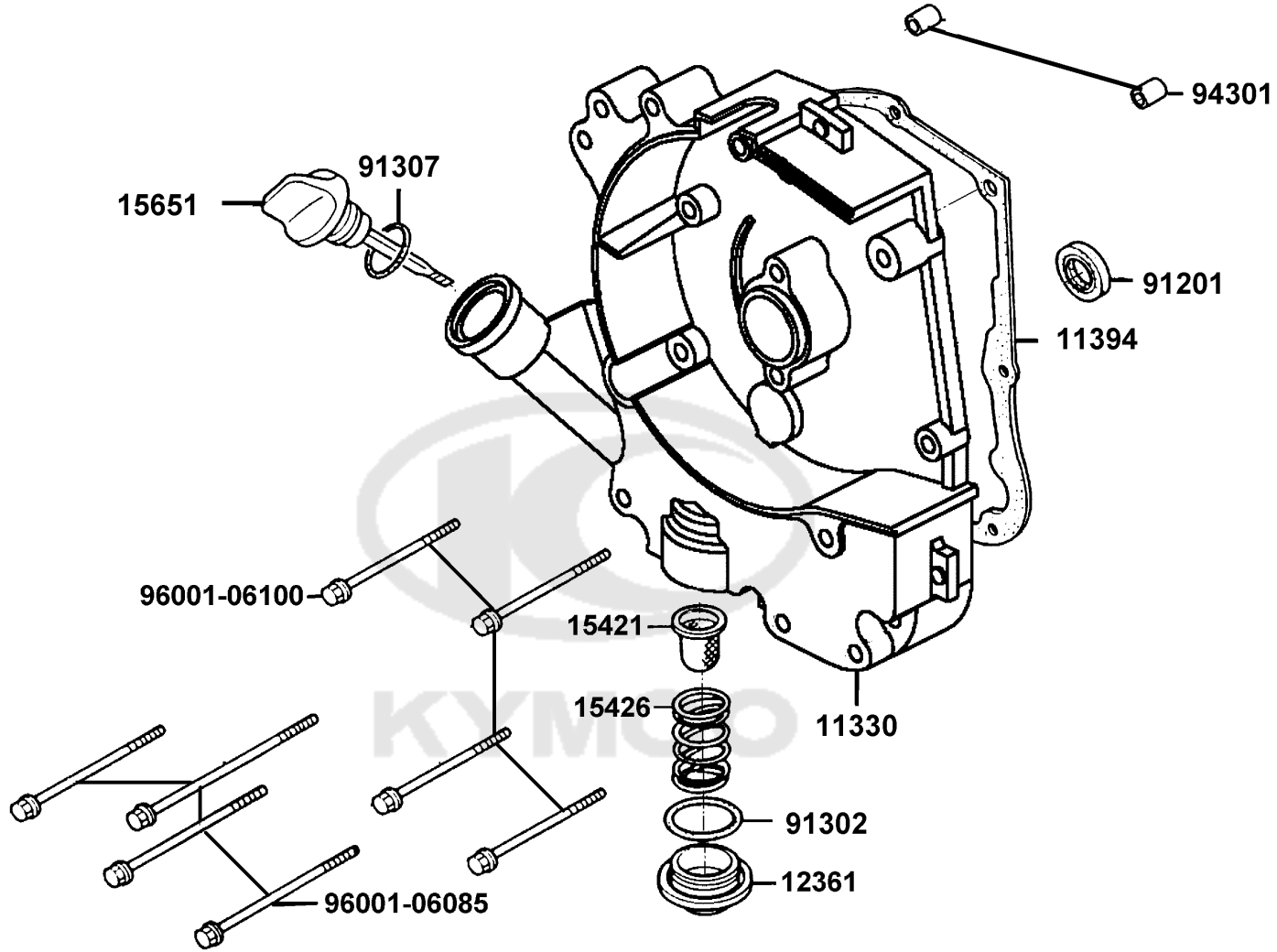
Cylinder Piston Crankshaft



Sales mark	Ref no	Part no	Description	Reg description	Regd no	<b>E03</b>
12100		12100-KGBG-C01	CYLINDER COMP	CYLINDER COMP	1	
12191		12191-KGBG-E90	GASKET CYLINDER @A	GASKET CYLINDER @A	1	
13000		13000-LDC5-C00	CRANK SHAFT COMP	CRANK SHAFT COMP	1	
13011		13011-LBC9-C00	RING PISTON ASSY	RING PISTON ASSY	1	
13101		13101-LBC9-900	PISTON	PISTON	1	
13111		13111-KGBG-C00	PIN,PISTON	PIN PISTON	1	
13115		13115-0A01-C00	PISTON PIN CLIP	PISTON CLIP PIN	2	
14401		14401-KGBG-C00	CHAIN CAM	CHAIN CAM	1	
14510		14510-KGBG-C00	TENSIONER CAM CHAIN	TENSIONER CAM CHAIN	1	
14531		14531-GLR0-W11	PIVOT CAM CHAIN TENSIONER	PIVOT CAM CHAIN TENSIONER	1	
14550		14550-LDC8-C10	ADJUSTER CAM CHAIN	ADJUSTER CAM CHAIN	1	
14555		14555-KKJ9-E90	GASKET CAM SHAIN ADJUSTER	GASKET CAM SHAIN ADJUSTER	1	
14610		14610-KGBG-C00	GUIDE COMP CAM CHAIN	GUIDE COMP CAM CHAIN	1	
90701		90701-GFF6-C00	PIN DOWEL SPECIAL 8*14	PIN DOWEL SPECIAL 8*14	2	
90741		90741-0E35-C00	KEY WOODRUFF	KEY WOODRUFF	1	
91301		91301-GLR0-W10	O-RING 15.2*1.5	O-RING 15.2*1.5	1	
96001		96001-06018-08G	BOLT FLANGE SH 6*18 (C)	BOLT FLANGE SH 6*18 (C)	2	

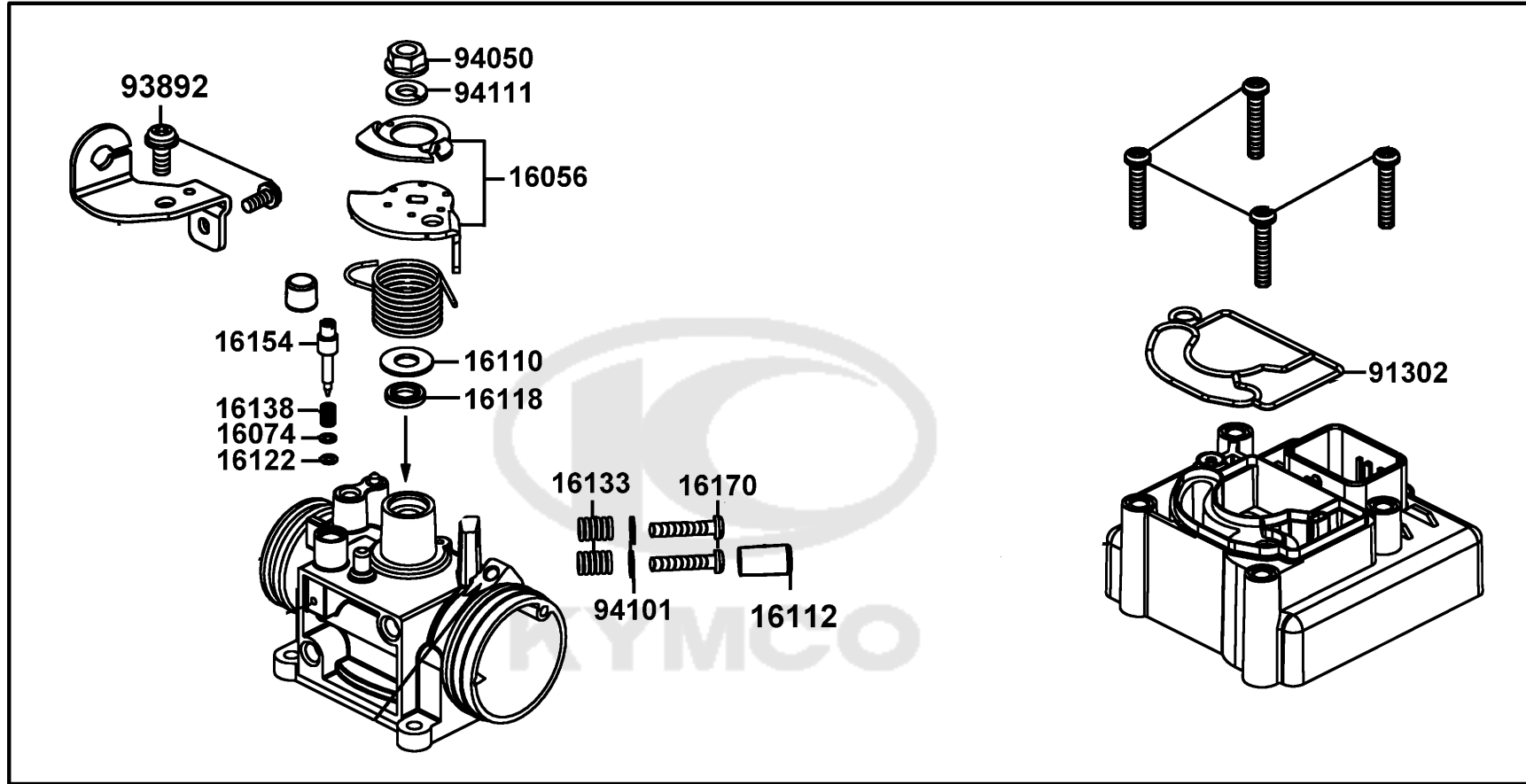
E04

# Right Crankcase Cover



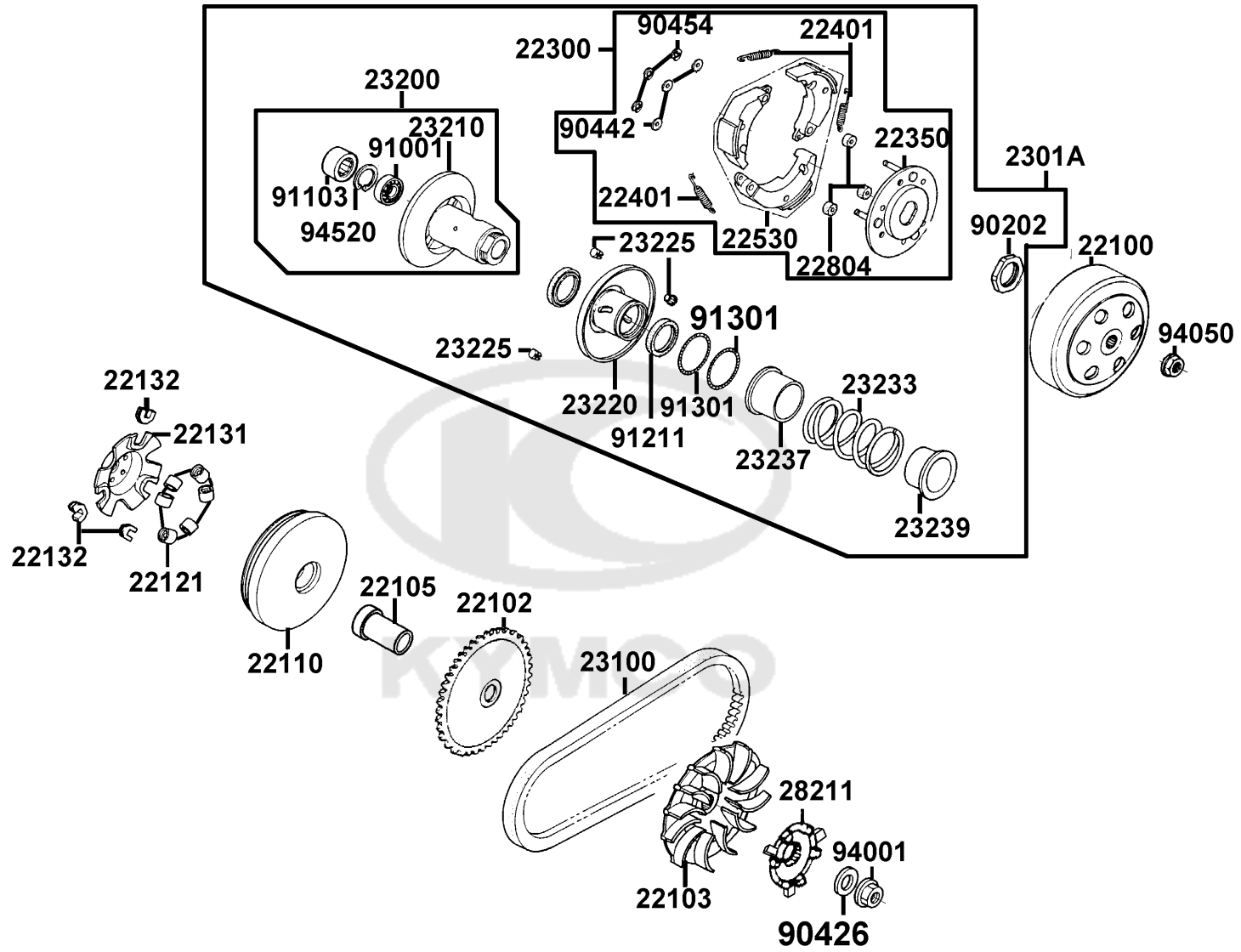
Sales mark	Ref no	Part no	Description	Reg description	Regd no	<b>E04</b>
11330		11330-LBD6-C00	COVER COMP R CRANK CASE	COVER COMP R CRANK CASE	1	
11394		11394-KGBG-E90	GASKET R COVER@A	GASKET.R COVER	1	
12361		12361-GFY6-C00	HOLE CAP TAPPET ADJUSTING	HOLE CAP TAPPET ADJUSTING	1	
15421		15421-1G07-C00	SCREEN OIL FILTER	SCREEN OIL FILTER	1	
15426		15426-GAE1-C00	SPG OIL FILTER SCREEN	SPG OIL FILTER SCREEN	1	
15651		15651-LDC8-C10	GAUGE OIL LEVEL	GAUGE OIL LEVEL	1	
91201		91201-KGBG-C00	OIL SEAL 16.4*30*5	OIL SEAL 16.4*30*5	1	
91302		91302-0A01-C00	O-RING 30.8MM	O-RING 30.8MM	1	
91307		91307-0E35-W10	O-RING 18*3	O-RING 18*3	1	
94301		94301-08140	DOWEL PIN 8*14	DOWEL PIN 8*14	2	
96001-06085		96001-06085-08G	BOLT FLANGE 6*85	BOLT FLANGE SH 6*85(C)	4	
96001-06100		96001-06100-08G	BOLT FLANGE SH 6x100 (C)	BOLT FLANGE SH 6x100 (C)	4	



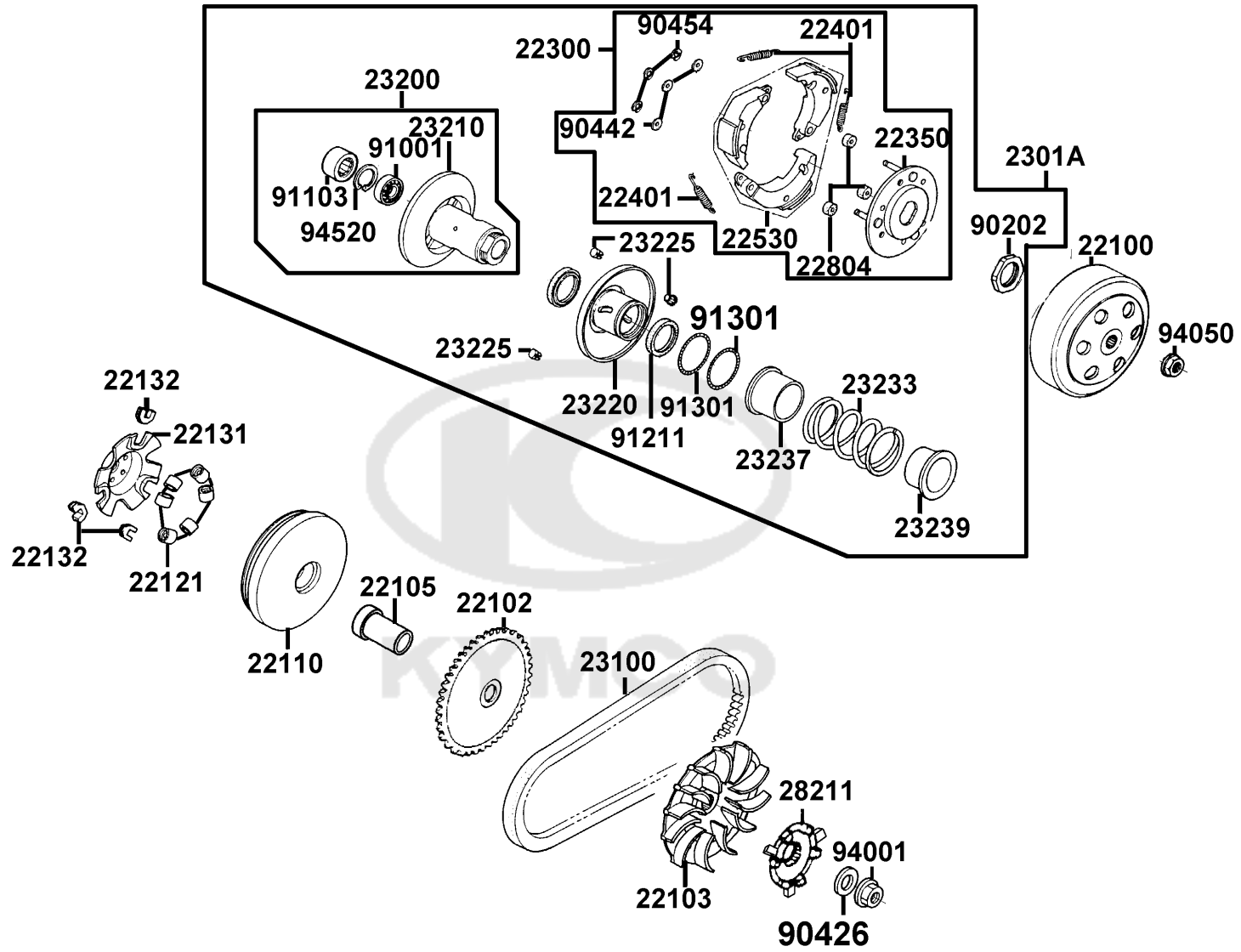


16100

Sales mark	Ref no	Part no	Description	Reg description	Regd no	E05
16056		16056-LEB2-C00	LEVER ASSY..THROTTLE	LEVER ASSY..THROTTLE	1	
16074		16074-KEC3-C00	WASHER IDLE ADJUST SCREW	WASHER IDLE ADJUST SCREW	1	
16100		16100-ACB9-EZ5	THROTTLE BODY ASSY	THROTTLE BODY ASSY	1	
16110		16110-KEC3-900	WASHER THROTTLE ASSY	WASHER THROTTLE COMP	1	
16112		16112-KKE3-C00	COVER IDLE SCREW	COVER IDLE SCREW	1	
16118		16118-KGC5-C00	SEAL THROTTLE SHAFT	SEAL THROTTLE SHAFT	1	
16122		16122-KEC3-C00	O-RING IDLE SCREW	O-RING IDLE SCREW	1	
16133		16133-KEC3-C00	SPG THROTTLE ADJ SCREW	SPG THROTTLE ADJ SCREW	1	
16138		16138-KEC3-C00	SPG IDLE ADJ SCREW	SPG IDLE ADJ SCREW	1	
16154		16154-KKE3-C00	SCREW IDLE ADJUST	SCREW IDLE ADJUST	1	
16170		16170-KEC3-C00	SCREW THROTTLE ADJUST	SCREW THROTTLE ADJUST	1	
91302		91302-LEB2-C00	SEAL THROTTLE-ECU	SEAL THROTTLE-ECU	1	
93892		93892-05010-08	SCREW WASHER 5X10	SCREW WASHER 5X10	2	
94050		94050-06080	NUT FLANGE 6MM	NUT FLANGE 6MM	1	
94101		94101-KKE3-C00	WASHER SPG 4MM	WASHER SPG 4MM	2	
94111		94111-06800	WASHER SPRING 6MM	WASHER SPRING 6MM	1	

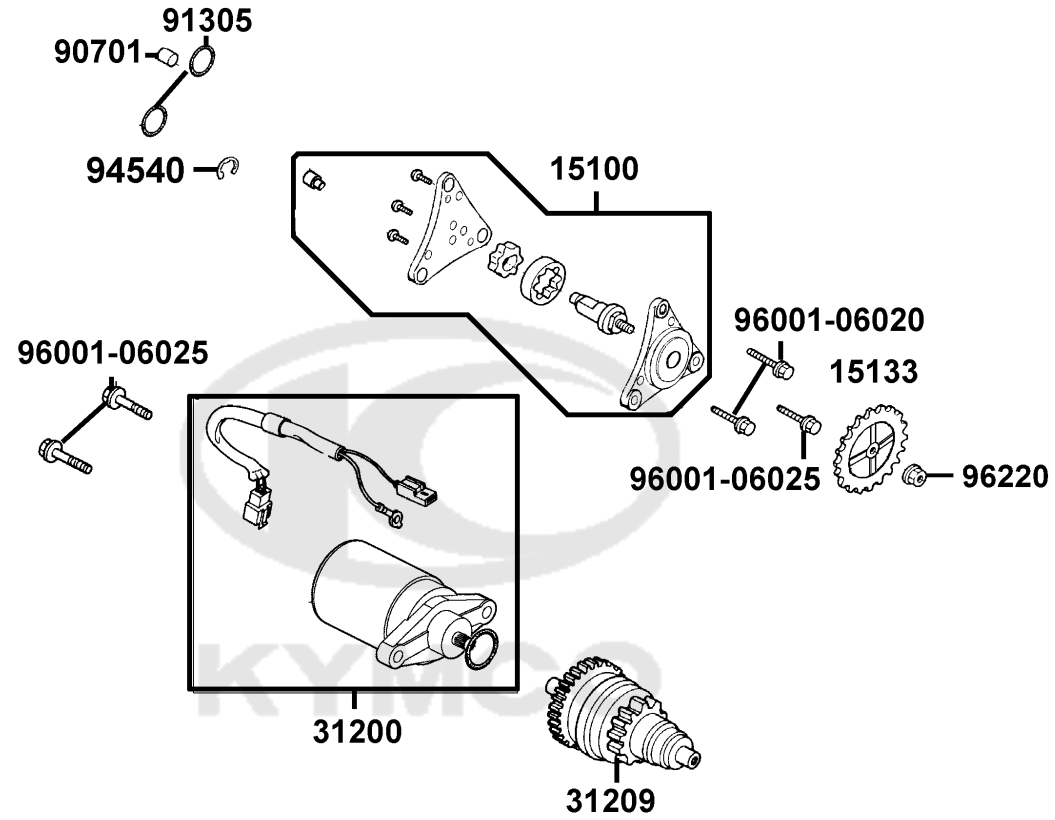


Sales mark	Ref no	Part no	Description	Reg description	Regd no	E06
	22100	22100-LDC8-E10	CLUTCH OUTER	CLUTCH OUTER	1	
	22102	22102-LDC8-E10	FACE DRIVE	FACE DRIVE	1	
	22103	22103-KEB7-C00	FAN CVT COOLING	FACE CVT COOLING	1	
	22105	22105-KGBG-C00	BOSS DRIVE FACE	BOSS DRIVE FACE	1	
	22110	22110-LDC8-E10	FACE COMP MOVABLE DRIVE	FACE COMP MOVABLE DRIVE	1	
	22121	22121-LDC8-405	ROLLER COMP. WEIGHT(EZ5)	ROLLER SET WEIGHT (1SET:6PCS)6G*6	6	
	22131	22131-GHAH-C00	PLATE RAMP	PLATE RAMP	1	
	22132	22132-GLW0-315	PIECE SLIDE	PIECE SLIDE	1	
	22300	22300-GGAG-C00	PLATE ASSY DRIVE	PLATE ASSY DRIVE	1	
	22350	22350-GKAK-C00	PLATE COMP DRIVE	PLATE COMP DRIVE	1	
	22401	22401-GJAJ-C00	SPRING CLUTCH	SPRING CLUTCH	3	
	22530	22530-GKAK-C00	WEIGHT CLUTCH	WEIGHT CLUTCH	1	
	22804	22804-1H48-C00	RUBBER CLUTCH DUMPER	RUBBER CLUTCH DUMPER	3	
	2301A	2301A-LEA3-C00	PULLEY ASSY DRIVEN	PULLEY SUB ASSY	1	
	23100	23100-KEB7-C00	BELT DRIVE	BELT DRIVE	1	
	23200	23200-GAR1-C00	FACE ASSY DRIVEN	FACE ASSY DRIVEN	1	
	23210	23210-GAR1-C00	FACE COMP DRIVEN	FACE COMP DRIVEN H1	1	
	23220	23220-KEE1-C00	FACE COMP MOVABLE	FACE COMP MOVABLE	1	
	23225	23225-GAR1-C00	PIN GUIDE	PIN GUIDE	3	
	23233	23233-LEA3-C00	SPG DRIVEN FACE	SPG DRIVEN FACE	1	

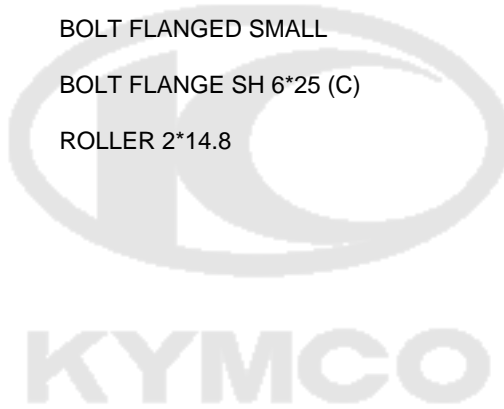


Sales mark	Ref no	Part no	Description	Reg description	Regd no	<b>E06</b>
23237		23237-GAR1-C00	COLLAR SEAL	COLLAR SEAL	1	
23239		23239-LEA3-C00	GUIDE SPG	COLLAR SPG	1	
28211		28211-KEB7-W10	RATCHET KICK STARTER	RATCHET KICK STARTER	1	
90202		90202-1G87-C00	NUT SPECIAL 28MM	NUT SPECIAL 28MM	1	
90426		90426-KNBN-C01	WASHER SPECIAL 12MM	WASHER SPECIAL 12MM	1	
90442		90442-0D44-C00	WASHER THRUST 6M/M	WASHER THRUST 6M/M	3	
90454		90454-GBB2-C00	CIR CLIP 6MM	CIR CLIP 6MM	3	
91001		91001-GGA7-C00	BRG RADIAL BALL 6901U	BRG RADIAL BALL 6901U	1	
91103		91103-GAR1-C00	BRG NEEDLE 17*25*18 WS	BRG NEEDLE 17*25*18 WS	1	
91211		91211-GHK8-C00	OIL SEAL 34*39*3	OIL SEAL 34*39*3	1	
91301		91301-KEA5-C00	O 36*1.5	O-RING 36*1.5	1	
94001		94001-12280-0SG	NUT HEX 12MM(C)	NUT HEX 12MM(C)	1	
94050		94050-10080-G	NUT FLANGE 10MM (C)	NUT FLANGE 10MM (C)	1	
94520		94520-24000	CIR CLIP IN 24	CIR CLIP IN 24	3	

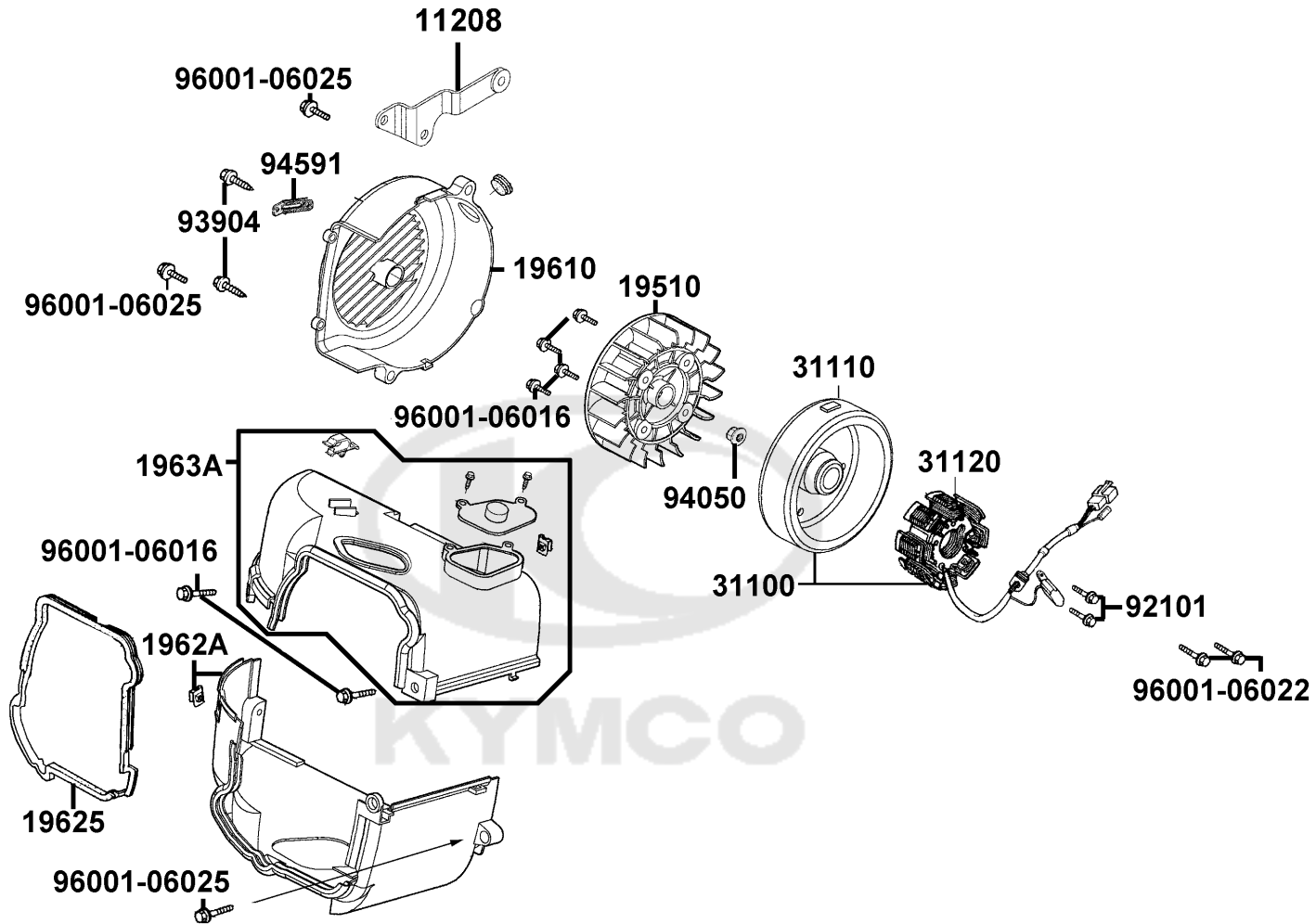
Starting Motor Oil Pump



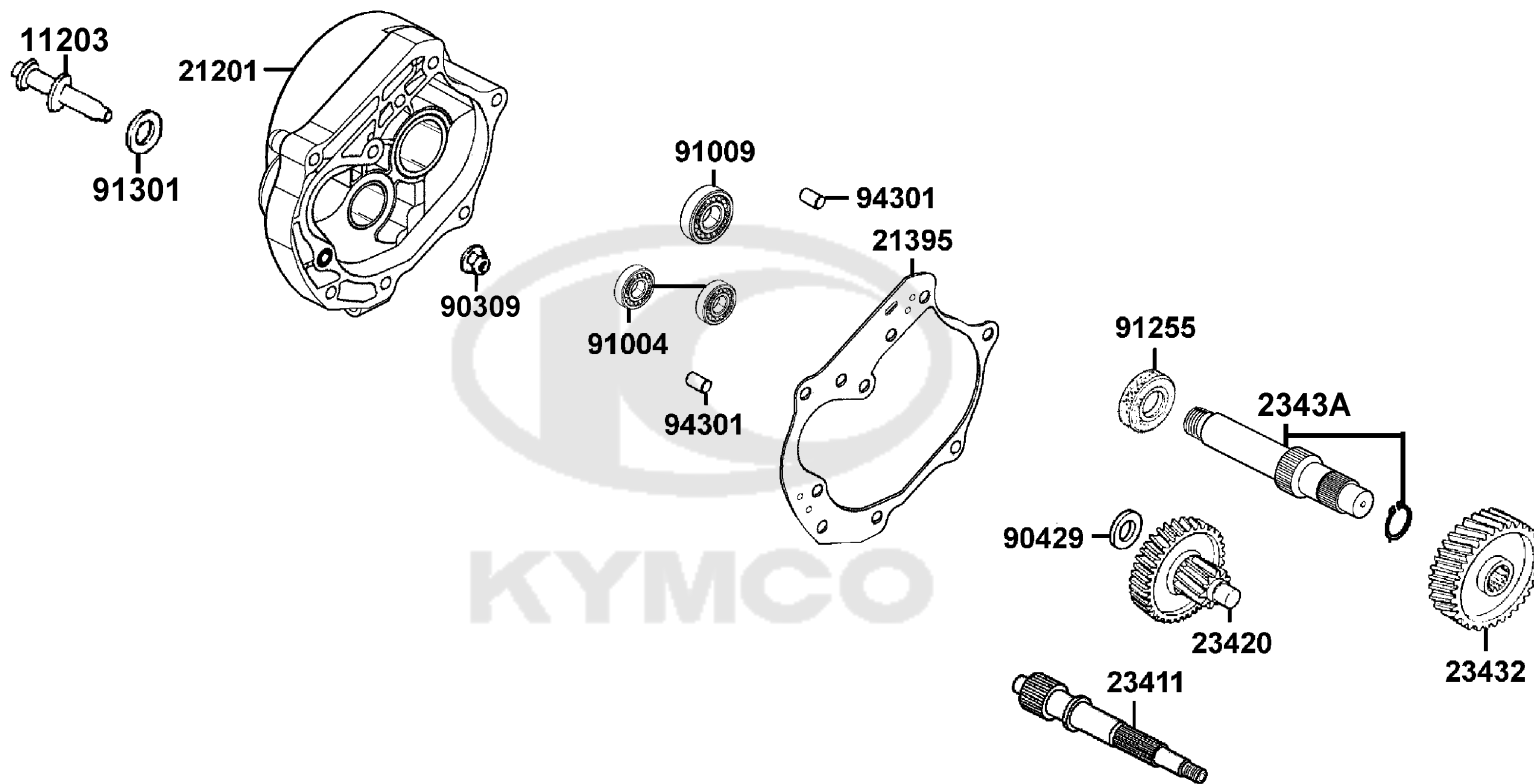
Sales mark	Ref no	Part no	Description	Reg description	Regd no	<b>E07</b>
15100		15100-LDC5-C00	PUMP ASSY OIL	PUMP ASSY OIL	1	
15133		15133-LDC5-C00	GEAR OIL PUMP DRIVEN	"GEAR, OIL PUMP DRIVEN"	1	
31200		31200-ACB9-E10	MOTOR ASSY START	MOTOR ASSY START	1	
31209		31209-KEE1-C01	PINION ASSY STARTER	PINION ASSY STARTER	1	
90701		90701-HDC4-C00	DOWEL PIN 8*12	DOWEL PIN 8*12	1	
91305		91305-0H28-C00	O-RING 9*1.6	O-RING 9*1.6	2	
94540		94540-06018	E RING 6	E RING 6	1	
96001-06020		96001-06020-08G	BOLT FLANGED SMALL	BOLT FLANGED SMALL	2	
96001-06025		96001-06025-08G	BOLT FLANGE SH 6*25 (C)	BOLT FLANGE SH 6*25 (Cr3+)	3	
96220		96220-LDC5-C00	ROLLER 2*14.8	ROLLER 2*14.8	1	







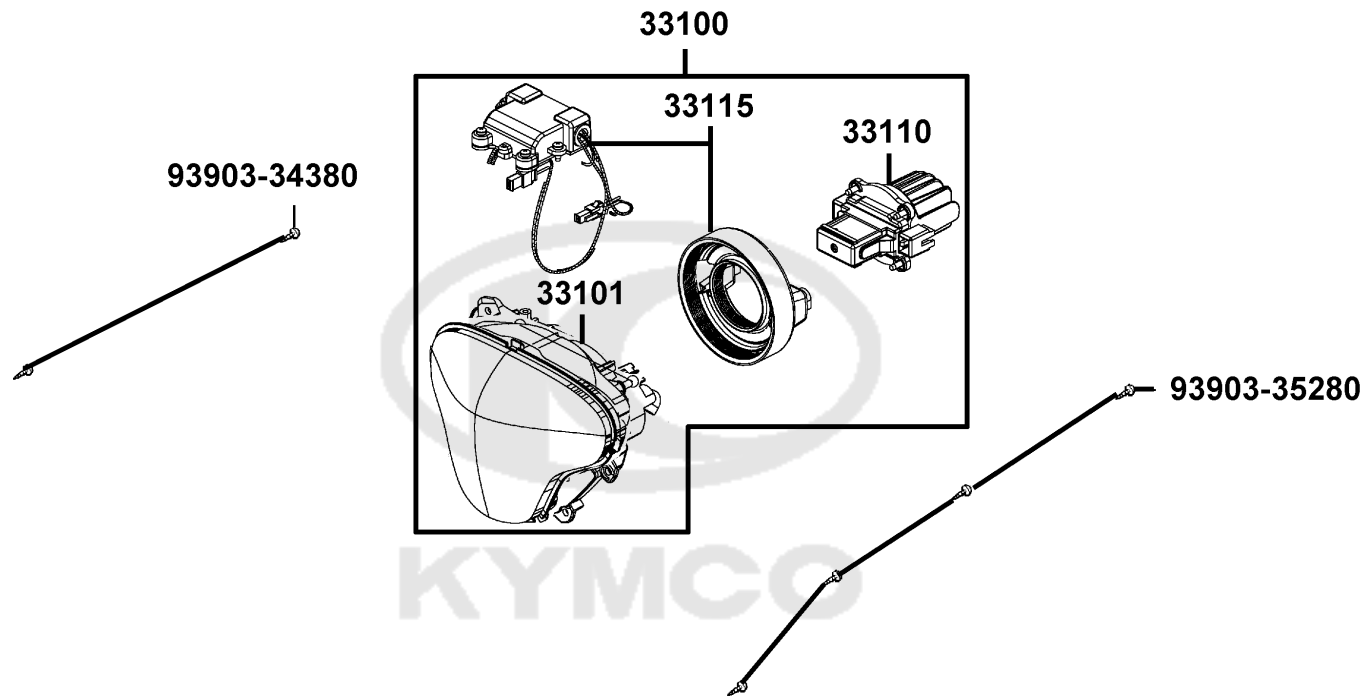
Sales mark	Ref no	Part no	Description	Reg description	Regd no	<b>E08</b>
11208		11208-LEJ2-E10	STAY RR TIRE FENDER	STAY RR TIRE FENDER	1	
19510		19510-LDC5-C00	FAN COMP COOLING	FAN COMP COOLING	1	
19610		19610-LFC2-E10	COVER COMP FAN	COVER COMP FAN	1	
19625		19625-KEE1-C00	SEAL SHROUD	SEAL SHROUD	1	
1962A		1962A-KEE1-C00	SHROCD ASSY A	SHROCD ASSY A	1	
1963A		1963A-ACB9-E10	SHROUD ASSY B	SHROUD ASSY B	1	
31100		31100-ACB9-E10	AC GEN ASS'Y	AC GEN ASS'Y	1	
31110		31110-ADB2-C00	"ROTOR, FLYWHEEL"	"ROTOR, FLYWHEEL"	1	
31120		31120-ACB9-E10	STATOR COMP	STATOR COMP	1	
92101		92101-05012-0HG	BOLT HEX 5*12	BOLT HEX 5*12	2	
93904		93904-35380-G	SCREW TAPPING 5*16(K)	SCREW TAPPING 5*16(K)	1	
94050		94050-10080-G	NUT FLANGE 10MM (C)	NUT FLANGE 10MM (C)	1	
94591		94591-LDC8-E10	CLIP BIND	CLIP BIND	1	
96001-06016		96001-06016-08G	BOLT FLANGE SH 6x16 (C)	BOLT FLANGE SH 6*16 (CR3+)	6	
96001-06022		96001-06022-08G	BOLT FLANGE 6*22	BOLT FLANGE 6*22	2	
96001-06025		96001-06025-08G	BOLT FLANGE SH 6*25 (C)	BOLT FLANGE SH 6*25 (Cr3+)	2	



Sales mark	Ref no	Part no	Description	Reg description	Regd no	<b>E09</b>
11203		11203-KAM1-C00	PIN BRAKE SHOE ANCHOR	PIN BRAKE SHOE ANCHOR	1	
21201		21201-KFA1-900	MISSION CASE BODY	MISSION CASE BODY	1	
21395		21395-KNBN-E90	GASKET MISSION CASE	GASKET MISSION CASE	1	
23411		23411-ALC8-E60	SHAFT DRIVE	SHAFT DRIVE	1	
23420		23420-ALC8-E60	SHAFT COMP COUNTER	SHAFT COMP COUNTER	1	
23432		23432-ALC8-E60	GEAR FINAL	GEAR FINAL	1	
2343A		2343A-KNBN-C00	SHAFT FINAL	SHAFT FINAL	1	
90309		90309-PUA3-B50	NUT FLANGE 8MM	NUT FLANGE 8MM	1	
90429		90429-KNBN-C00	WASHER SIDE 12MM	WASHER SIDE 12MM	1	
91004		91004-KBN2-C00	BRG BALL RADIAL 6201	BRG BALL RADIAL 6201	2	
91009		91009-GLE0-004	BRG BALL RADIAL 6004 UU	BRG BALL RADIAL 6004 UU	1	
91255		91255-LDC8-E10	OIL SEAL 27*42*7(C?)	OIL SEAL 27*42*7(C?)	1	
91301		91301-0C53-W10	O RING 7.5*1.5	O RING 7.5*1.5	1	
94301		94301-10200	DOWEL PIN 10*20	DOWEL PIN 10*20	2	

F01

Head Light

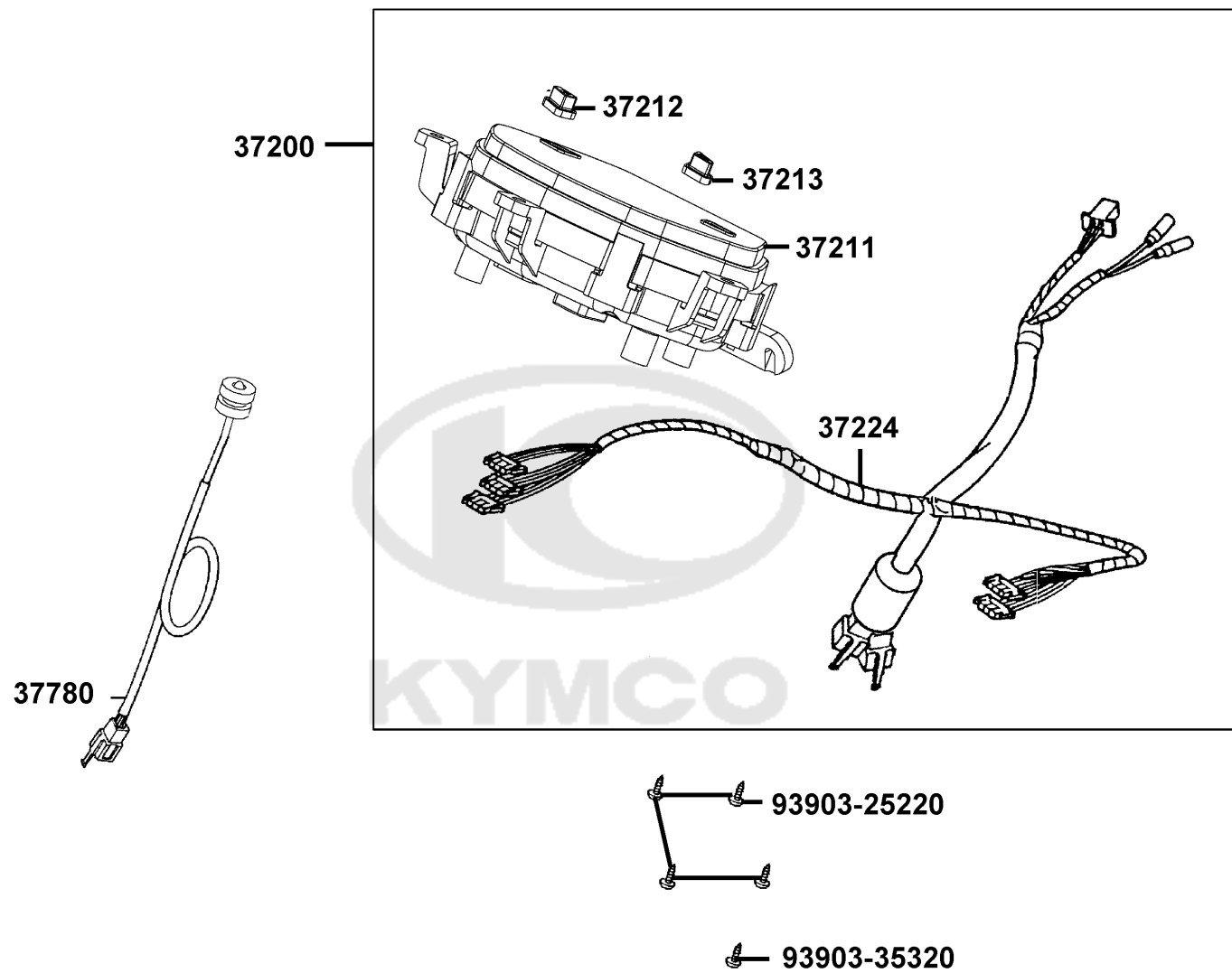


Sales mark	Ref no	Part no	Description	Reg description	Regd no	F01
	33100	33100-ACC1-E10	LIGHT ASSY HEAD	LIGHT ASSY HEAD	1	
	33101	33101-ACC1-E10	UNIT HEAD LIGHT	UNIT HEAD LIGHT	1	
	33110	33110-ACC1-E10	LIGHT SOURCE COMP HEAD LIGHT(LED)	LIGHT SOURCE COMP HEAD LIGHT	1	
	33115	33115-ACC1-E10	DRIVER COMP HEAD LIGHT(LED)	DRIVER COMP HEAD LIGHT(LED)	1	
	93903-34380	93903-34380-G	SCREW TAPPING 4x12	SCREW TAPPING 4x12	2	
	93903-35280	93903-35280-G	SCREW TAPPING 5*12 (K)	SCREW TAPPING 5*12 (KG)	1	



F02

# Speedometer

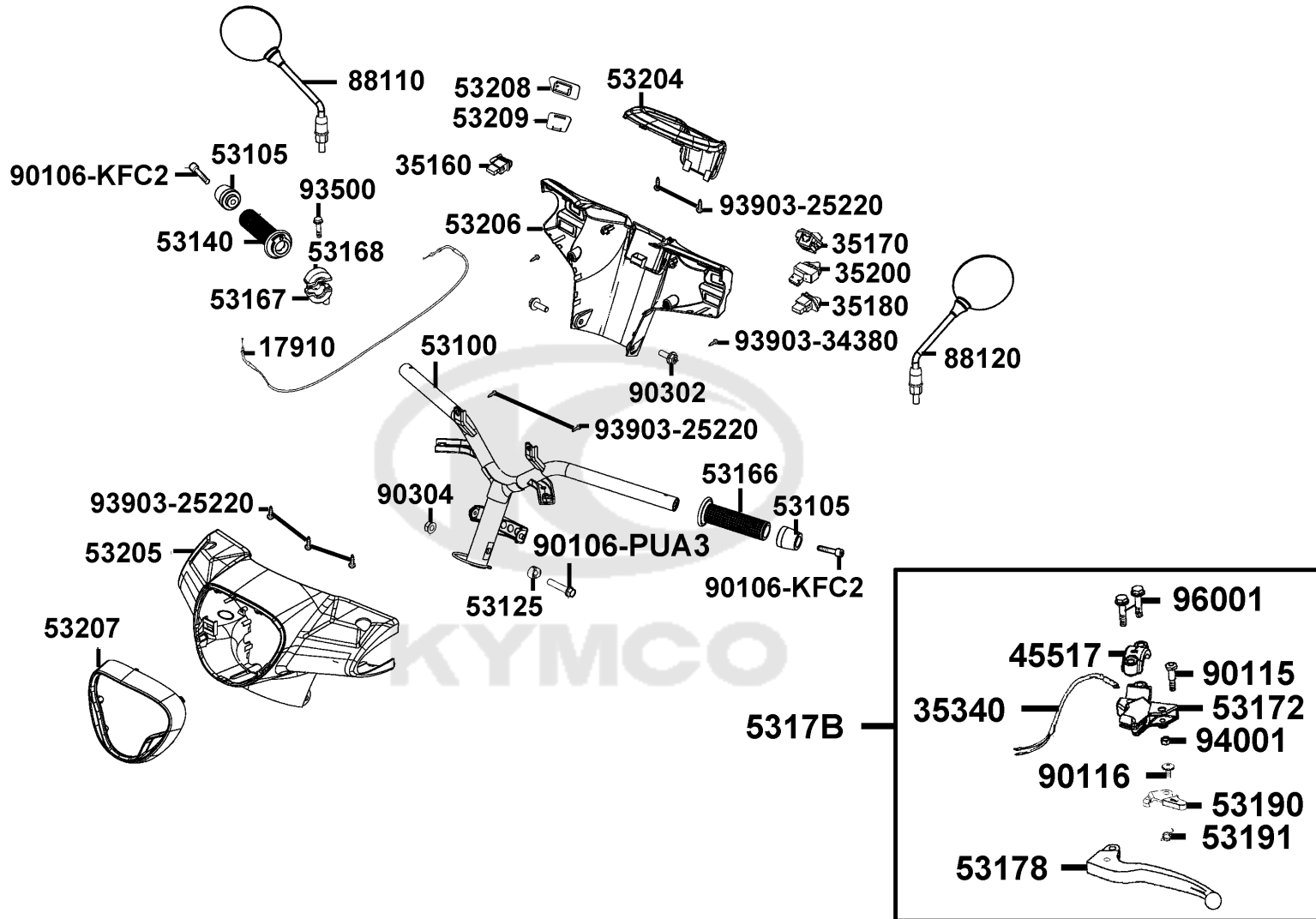


Sales mark	Ref no	Part no	Description	Reg description	Regd no	F02
	37200	37200-ACB9-E10	"METER ASS'Y. SPEED"	"METER ASS'Y. SPEED"	1	
	37211	37211-ACC1-E10	LENS	LENS	1	
	37212	37212-ACC1-E10	BUTTON MODE	BUTTON MODE	1	
	37213	37213-ACC1-E10	BUTTON ADJ	BUTTON ADJ	1	
	37224	37224-ACC1-E10	"METER COMP.,METER"	"METER COMP.,METER"	1	
	37780	37780-ACD5-E00	SENSOR ASSY. ROOM TEMP	SENSOR ASSY. ROOM TEMP	1	
	93903-25220	93903-25220-G	SCREW TAPPING 5*12	SCREW TAPPING 5*12	1	
	93903-35320	93903-35320-G	SCREW TAPPING 5*16	SCREW TAPPING 5*16	1	



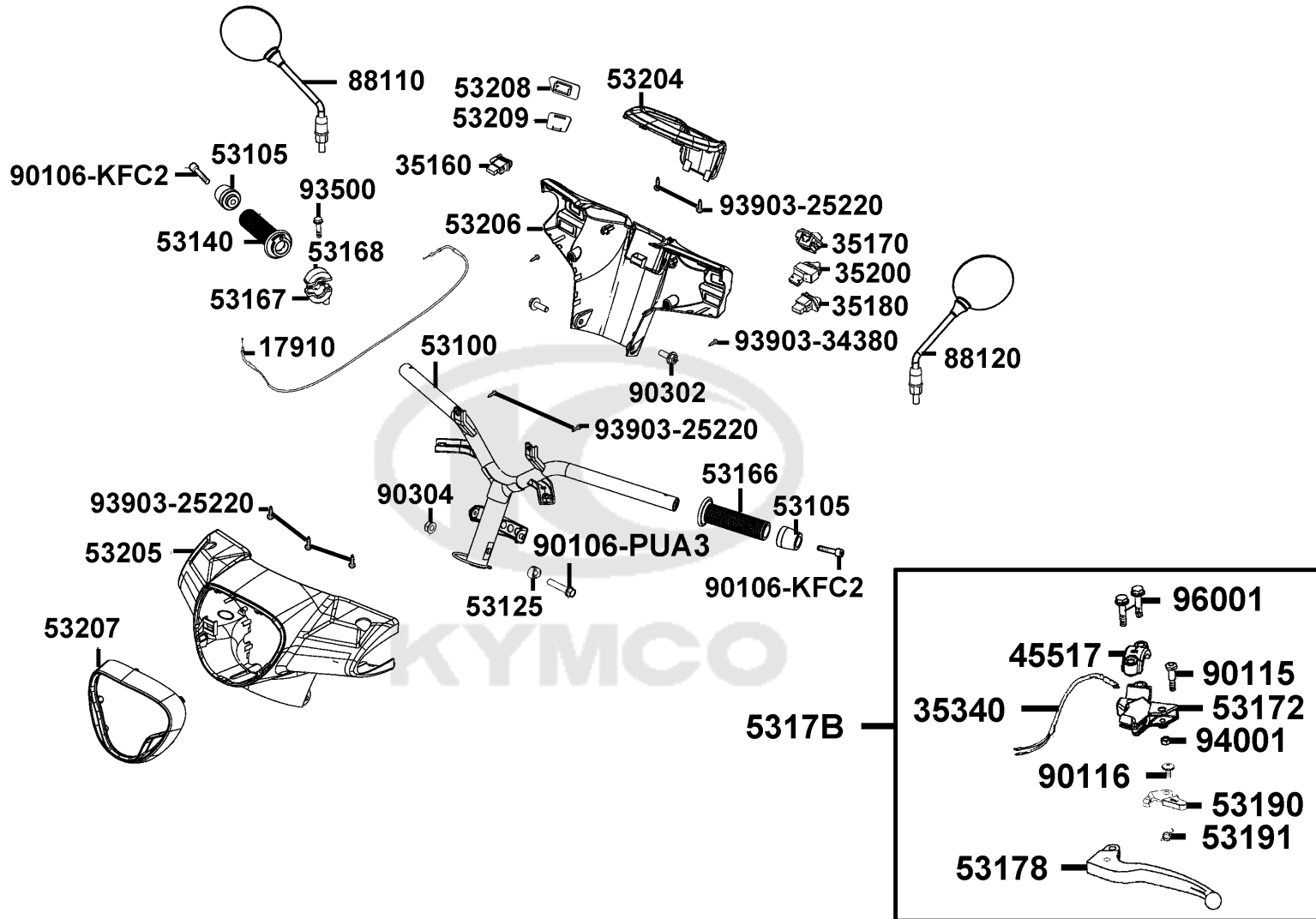


Handle Steering Handle Cover



Sales mark	Ref no	Part no	Description	Reg description	Regd no	F03
	17910	17910-ACB9-E10	CABLE COMP THROT	CABLE COMP THROT	1	
	35160	35160-GFY6-C00	SW UNIT START	SW UNIT START	1	
	35170	35170-KNBN-C00	SW UNIT DIMMER	SW UNIT DIMMER	1	
	35180	35180-GFY6-C00	SW UNIT HORN	SW UNIT HORN	1	
	35200	35200-GFY6-C00	SW. ASSY. LH HNDL COMP.	SW. ASSY. LH HNDL COMP.	1	
	35340	35340-KFLF-C00	SW ASSY FR STOP	SW ASSY FR STOP	1	
	45517	45517-GFY6-900	HOLDER HNDL BRKT	HOLDER HNDL BRKT	1	
	53100	53100-ACC1-E10	HANDLE COMP STRG	HANDLE COMP STRG	1	
	53105	53105-LGR5-E10	END, R HANDLE	END R HANDLE	2	
	53125	53125-GEN5-C00	COLLAR HANDLE SET	COLLAR HANDLE SET	1	
	53140	53140-ACC1-E10	GRIP COMP THROT	GRIP COMP THROT	1	
	53166	53166-ACC1-E10	GRIP L HANDLE	GRIP L HANDLE	1	
	53167	53167-GBN2-C00	HOUSING UND THROT	HOUSING UND THROT	1	
	53168	53168-GBN2-C00	HOUSING UP THROT	HOUSING UP THROT	1	
	53172	53172-LGR3-E10	BRKT HANDLE L	BRKT HANDLE L	1	
	53178	53178-LGR3-E10	LEVEL L STRG HANDLE	"LEVEL,L STRG HANDLE"	1	
	5317B	5317B-LGR3-E10	BRKT ASSY L HNDL(PARK)	"BRKT ASSY, L HNDL(PARK)"	1	
	53190	53190-GFY6-C00	LEVER COMP P/BRK	LEVER COMP P/BRK	1	
	53191	53191-GFY6-C00	SPG PKB LEVER	SPG PKB LEVER	1	
**	53204	53204-ACC1-E10	COVER METER	COVER METER	1	

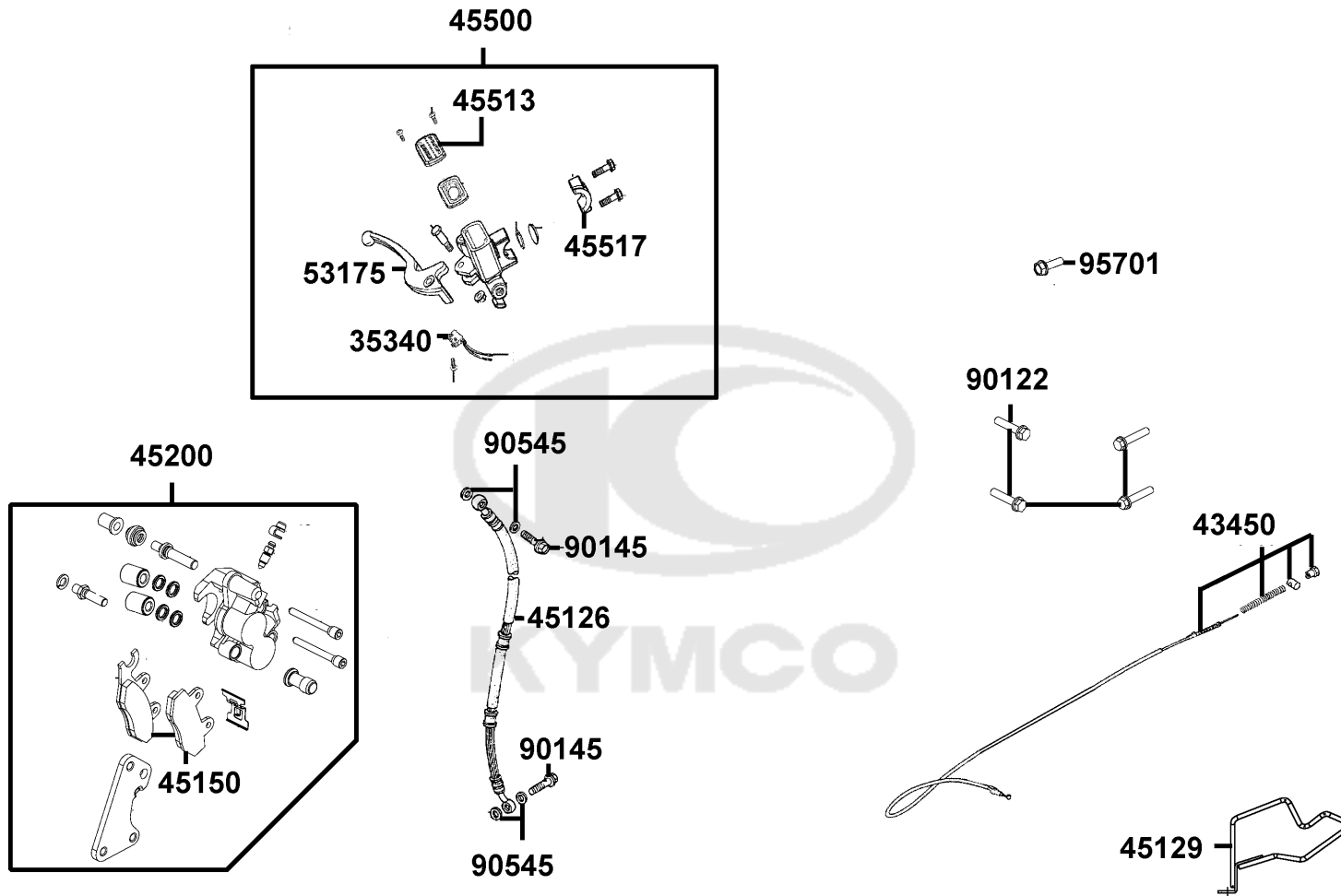
Handle Steering Handle Cover



Sales mark	Ref no	Part no	Description	Reg description	Regd no	F03
**	53205	53205-ACC1-E10	COVER HANDLE FR (DARK BLUEBERRY)	COVER HANDLE FR (DARK BLUEBERRY)	1	
**	53206	53206-ACC1-E10	COVER HANDLE RR (DARK BLUEBERRY)	COVER HANDLE RR (DARK BLUEBERRY)	1	
**	53207	53207-ACC1-E10	COVER HEAD LIGHT	COVER HEAD LIGHT	1	
**	53208	53208-ACC1-E10	COVER R SIDE HANDLE	COVER R SIDE HANDLE	1	
**	53209	53209-ACC1-E10	COVER L SIDE HANDLE	COVER L SIDE HANDLE	1	
**	88110	88110-ACC1-E10	MIRROR ASSY R BACK	MIRROR ASSY R BACK	1	
**	88120	88120-ACC1-E10	MIRROR ASSY L BACK	MIRROR ASSY L BACK	1	
	90106-KFC2	90106-KFC2-900	BOLT SPECIAL 8MM	BOLT SPECIAL 8MM	2	
	90106-PUA3	90106-PUA3-B50	BOLT FLANGE 10*50	BOLT FLANGE 10*50	2	
	90115	90115-GLE0-C00	BOLT HNDL LEVER PIVOT	BOLT HNDL LEVER PIVOT	1	
	90116	90116-GGS7-C00	SCREW P/BRK LEVER PIVOT	SCREW P/BRK LEVER PIVOT	1	
	90302	90302-PUA3-B51	BOLT-WASH 5*12	BOLT-WASH 5*12	2	
	90304	90304-PUA3-B50	NUT U 10MM (C)	NUT U 10MM (C)	1	
	93500	93500-05022-07G	SCREW PAN 5*22	SCREW PAN 5*22	1	
	93903-25220	93903-25220-G	SCREW TAPPING 5*12	SCREW TAPPING 5*12	1	
	93903-34380	93903-34380-G	SCREW TAPPING 4x12	SCREW TAPPING 4x12	2	
	94001	94001-05080-0S	NUT HEX 5MM	NUT HEX 5MM	1	
	96001	96001-06025-06	BOLT FLANGE SH 6*25	BOLT FLANGE SH 6*25	1	

F04

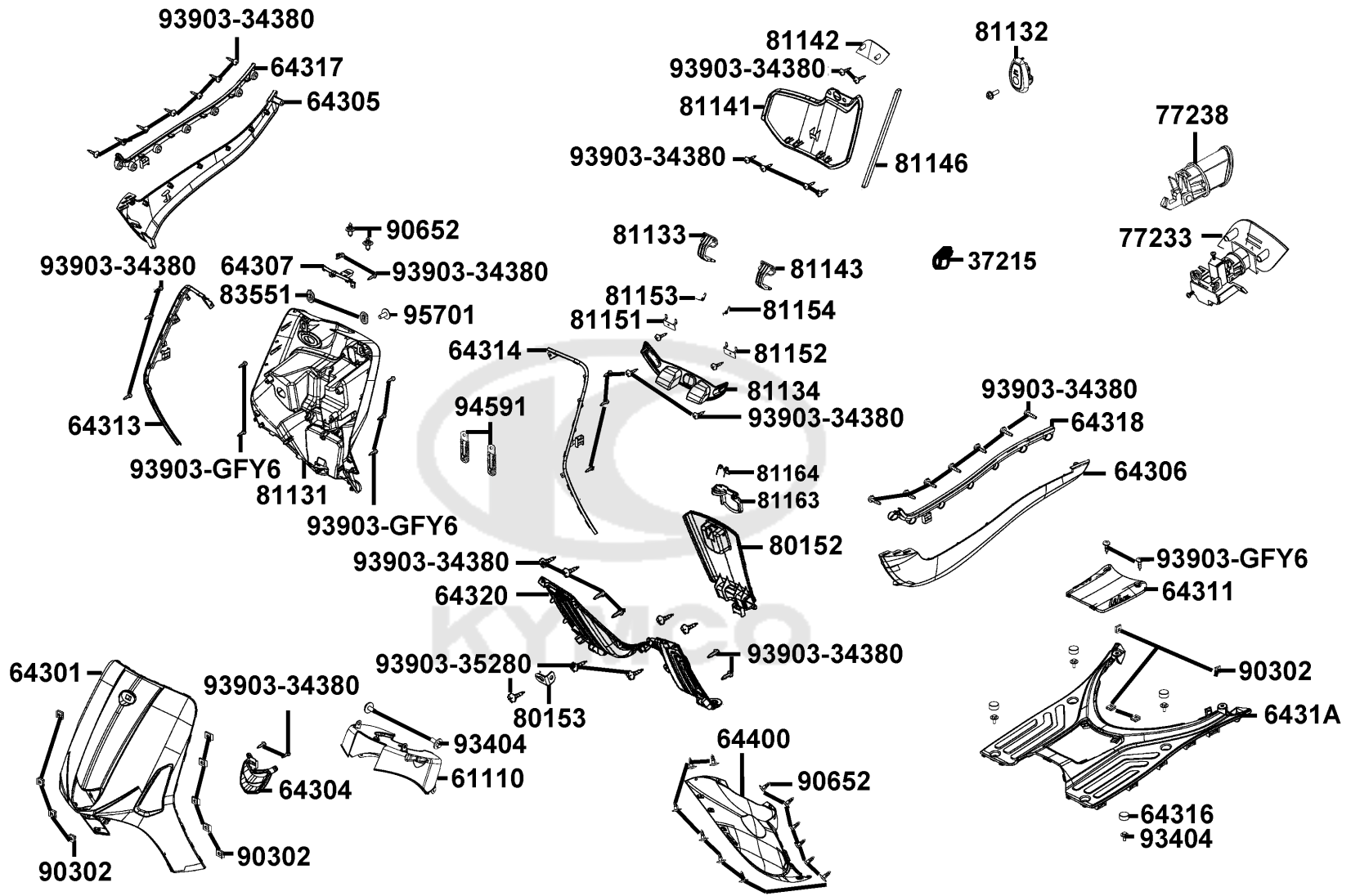
Brake Master Cylinder



Sales mark	Ref no	Part no	Description	Reg description	Regd no	<b>F04</b>
35340		35340-KNBN-C00	SW ASSY FR STOP	SW ASSY FR STOP	1	
43450		43450-ACB9-E10	CABLE COMP FR BRK	CABLE COMP FR BRK	1	
45126		45126-ACB9-E10	HOSE ASSY FR BRK	HOSE ASSY FR BRK	1	
45129		45129-ACC1-E10	CLAMPER FR BRAKE	CLAMPER FR BRK HOSE	1	
45150		45150-AEA7-305	PAD ASSY	PAD COMP A+B	1	
45200		45200-AEA7-E10	CALIPER ASSY, FR	CALIPER ASSY, FR	1	
45500		45500-LGR5-E10	M/C ASSY FR	M/C ASSY FR	1	
45513		45513-LEB2-900	CAP. M/C	CAP. M/C	1	
45517		45517-KFAF-910	HOLDER M/C	HOLDER M/C	1	
90122		90122-KHC7-C01	BOLT FLANGE 8*38	BOLT FLANGE 8*38	4	
90145		90145-MKS9-61A	OIL BOLT 10*22	OIL BOLT 10*22	2	
90545		90545-3L00-C00	WASHER OIL BOLT	WASHER OIL BOLT	1	
95701		95701-06020-08G	BOLT FLANGE 6*20	BOLT FLANGE 6*20 (C)	1	

F05

Front Cover Front Fender



Sales mark	Ref no	Part no	Description	Reg description	Regd no	F05
	37215	37215-LGM9-C00	CLAMP	CLAMP	1	
**	61110	61110-ACC1-E10	FENDER FR INNER	FENDER FR INNER	1	
**	64301	64301-ACC1-E10	COVER FR (DARK BLUEBERRY)	COVER FR (DARK BLUEBERRY)	1	
**	64304	64304-ACC1-E10	LID FR.COVER LOW	LID FR.COVER LOW	1	
**	64305	64305-ACC1-E10	SKIRT R SIDE (DARK BLUEBERRY)	SKIRT R SIDE (DARK BLUEBERRY)	1	
**	64306	64306-ACC1-E10	SKIRT L SIDE (DARK BLUEBERRY)	SKIRT L SIDE (DARK BLUEBERRY)	1	
**	64307	64307-ACC1-E10	COVER FR DEC TOP	COVER FR DEC TOP	1	
**	64311	64311-ACC1-E10	COVER PUMP	COVER PUMP	1	
**	64313	64313-ACC1-E10	COVER FR DEC R	COVER FR DEC R	1	
**	64314	64314-ACC1-E10	COVER FR DEC L	COVER FR DEC L	1	
**	64316	64316-LCB9-C10	PLUG FLOOR	PLUG FLOOR	4	
**	64317	64317-ACC1-E10	COVER FLOOR DEC R	COVER FLOOR DEC R	1	
**	64318	64318-ACC1-E10	COVER FLOOR DEC L	COVER FLOOR DEC L	1	
**	6431A	6431A-ACC1-E10	"ASSY., PANEL FLOOR"	FLOOR PANEL	1	
**	64320	64320-ACC1-E10	FLOOR PANEL UP	FLOOR PANEL UP	1	
**	64400	64400-ACC1-E10	COWL UNDER	COWL UNDER	1	
	77233	77233-ACC1-E10	INNER BOX KEY	INNER BOX KEY	1	
	77238	77238-ACC1-E11	HOOK COMP PUSH	HOOK COMP PUSH LOCK	1	
**	80152	80152-ACC1-E10	COVER CENTER (DARK BLUEBERRY)	COVER CENTER (DARK BLUEBERRY)	1	
	80153	80153-ACC1-E10	"STAY , FUEL COVER"	"STAY , FUEL COVER"	1	

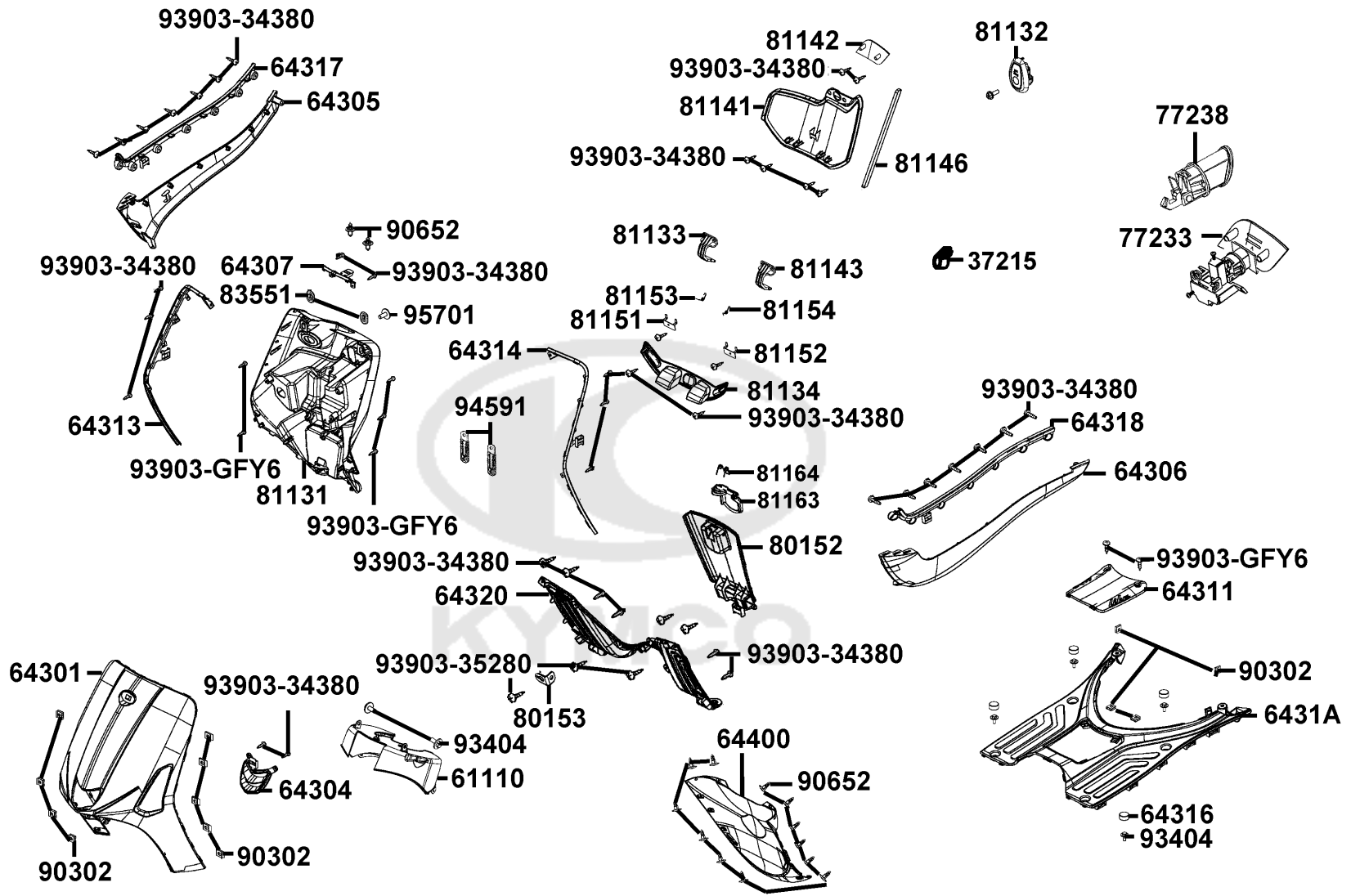




Sales mark	Ref no	Part no	Description	Reg description	Regd no	F05
**	81131	81131-ACC1-E10	LEG SHIELD (DARK BLUEBERRY)	LEG SHIELD (DARK BLUEBERRY)	1	
	81132	81132-ACC1-E10	HOOK LUGAGGE	HOOK LUGAGGE	1	
	81133	81133-ACC1-E10	HINDE R COVER LEG SHIE	HINDE R COVER LEG SHIE	1	
	81134	81134-ACC1-E10	PLATE INNER BOX	PLATE INNER BOX	1	
**	81141	81141-ACC1-E10	LID INNER BOX (DARK BLUEBERRY)	LID INNER BOX (DARK BLUEBERRY)	1	
**	81142	81142-ACC1-E11	LID PUSH PRESS	LID PUSH PRESS	1	
	81143	81143-ACC1-E10	HINGE L COVER LEGSHIE	HINGE L COVER LEGSHIE	1	
	81146	81146-ACC1-E10	FOAM STRIP	FOAM STRIP	1	
	81151	81151-ACC1-E10	STAY R LID INNER BOX	STAY R LID INNER BOX	1	
	81152	81152-ACC1-E10	STAY L LID INNER BOX	STAY L LID INNER BOX	1	
	81153	81153-ACC1-E10	SPRING R COVER LEG SHIE	SPRING R COVER LEG SHIE	1	
	81154	81154-ACC1-E10	SPRING L COVER LEG SHIE	SPRING L COVER LEG SHIE	1	
	81163	81163-LKJ1-900	LID LATCH LEG SHIELD	LID LATCH LEG SHIELD	1	
	81164	81164-LKJ1-900	LID SPRING LEG SHIELD	LID SPRING LEG SHIELD	1	
	83551	83551-ACC1-E10	GROMMET COVER	GROMMET COVER	2	
	90302	90302-SDA4-C01	"NUT,SPPING 4MM"	"NUT,SPPING 4MM"	13	
	90652	90652-LFB5-C00	"CLIP,MUDGUARD"	"CLIP,MUDGUARD"	12	
	93404	93404-06012-07G	BOLT-WASH 6x12	BOLT-WASH 6x12	4	
	93903-34380	93903-34380-G	SCREW TAPPING 4x12	SCREW TAPPING 4x12	47	
	93903-35280	93903-35280-G	SCREW TAPPING 5*12 (K)	SCREW TAPPING 5*12 (KG)	1	

F05

Front Cover Front Fender



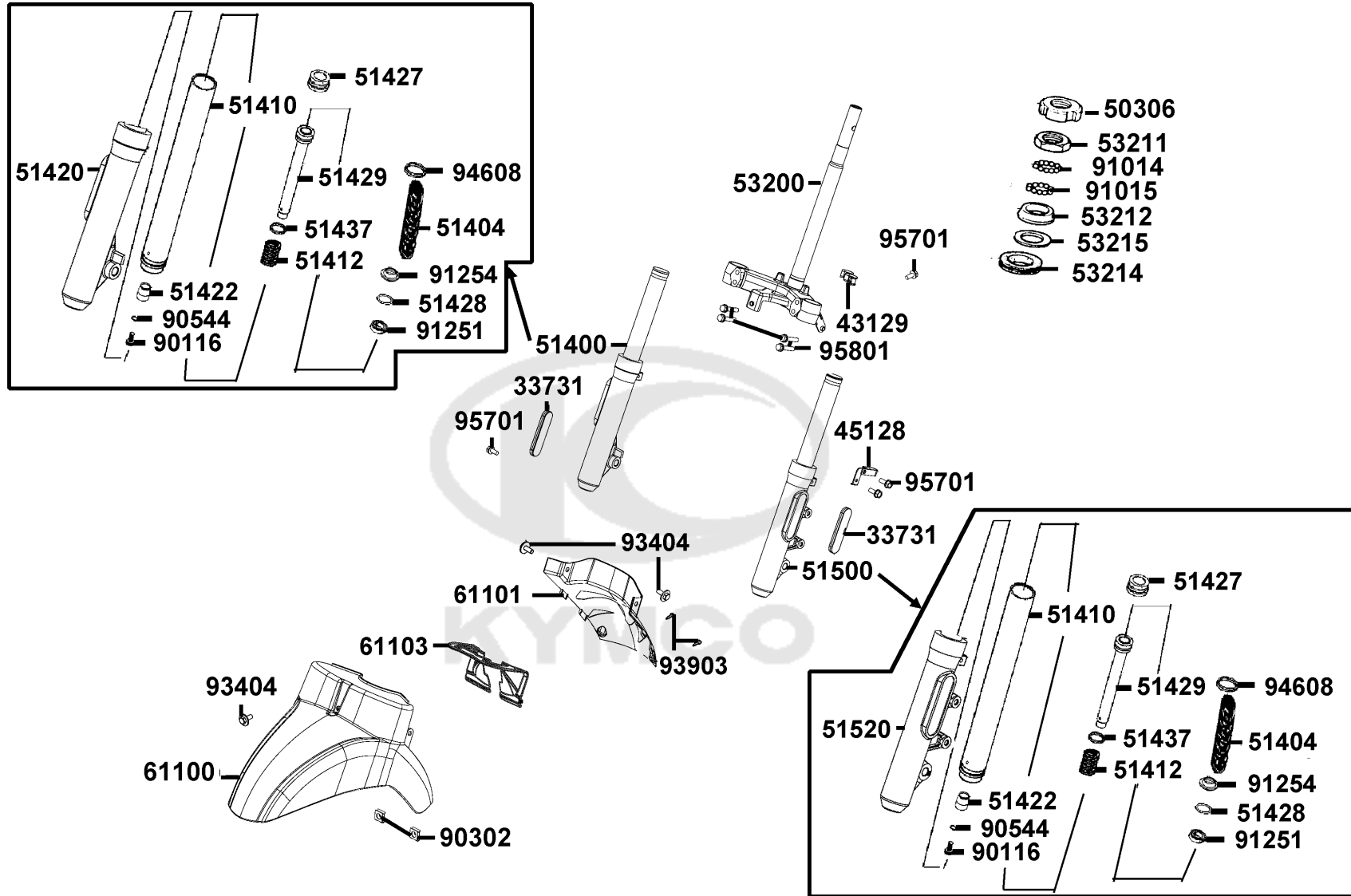
Sales mark	Ref no	Part no	Description	Reg description	Regd no	<b>F05</b>
------------	--------	---------	-------------	-----------------	---------	------------

93903-GFY6		93903-GFY6-C01	SCREW TAPPING 4*14(K)	"SCREW,TAPPING4*14"	7	
94591		94591-LGR5-E10	CLIP 1*100	CLIP 1*100	2	
95701		95701-06014-07G	BOLT FLANGE 6*14 (K)	BOLT FLANGE 6*14 (K)	1	



F06

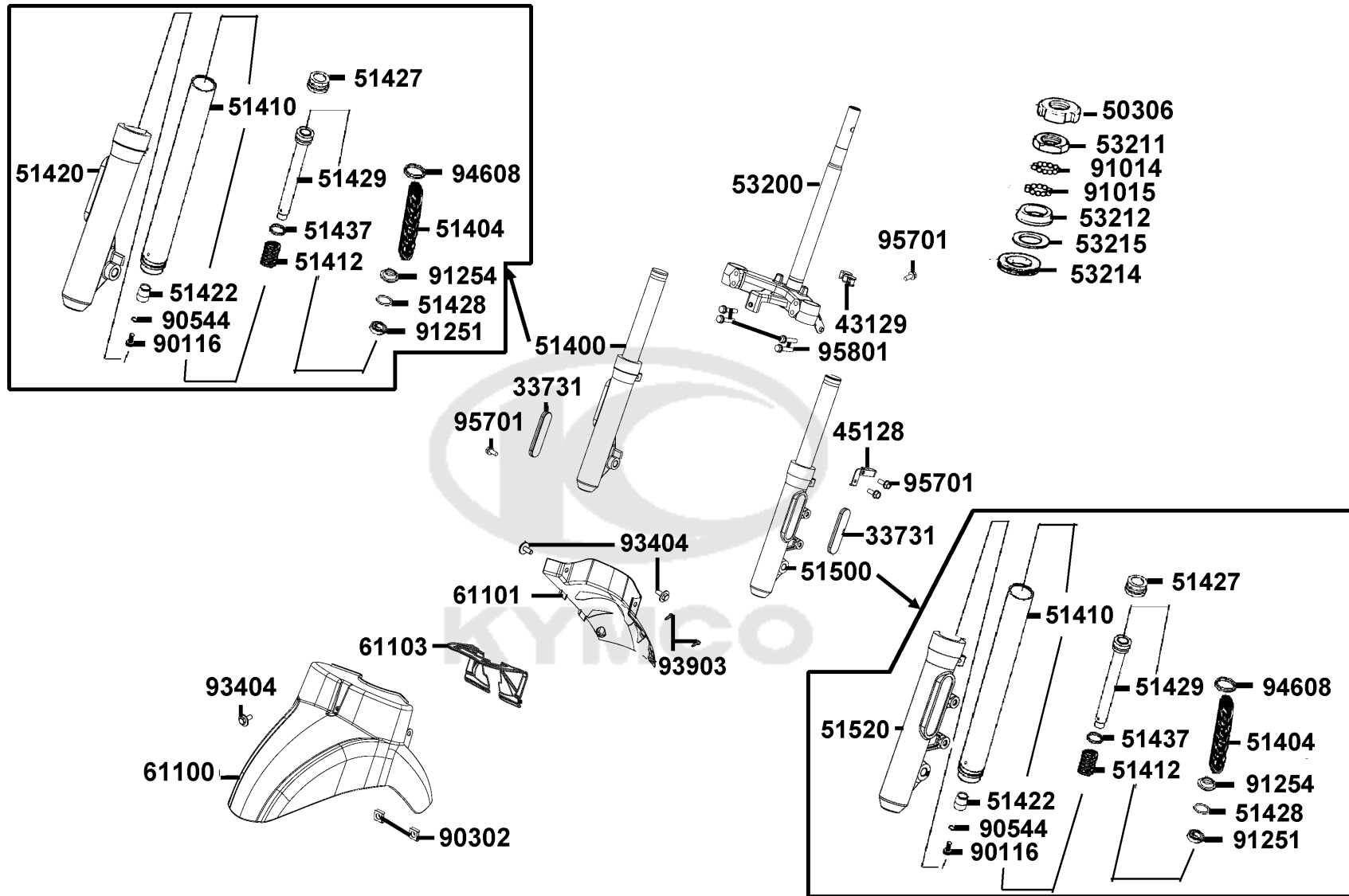
### Stem Steering Front Cushion



Sales mark	Ref no	Part no	Description	Reg description	Regd no	F06
	33731	33731-ALH3-EZ0	REFLEX REFLECTOR SIDE	REFLEX REFLECTOR SIDE	2	
	43129	43129-ALD9-E14	CLAMPER BRK HOSE	CLAMPER BRK HOSE	1	
	45128	45128-ACC1-E10	CLAMPER FR BRK HOSE	CLAMPER FR BRK HOSE	1	
	50306	50306-1F96-C00	NUT STRG STEM LOCK	NUT STRG STEM LOCK	1	
**	51400	51400-ACC1-E10	FORK ASSY FR R	FORK ASSY FR R	1	
	51404	51404-ACC1-E10	SPRING COLLAR	SPRING	2	
	51410	51410-ACC1-E10	FORK PIPE COMP	FORK PIPE COMP	2	
	51412	51412-LEJ2-E10	REBOUND SPRING	REBOUND SPRING	2	
**	51420	51420-ACC1-E10	BOTTOM CASE RH	BOTTOM CASE RH	1	
	51422	51422-LEJ2-E10	OIL LOCK PIECE	OIL LOCK PIECE	2	
	51427	51427-LEJ2-E10	FORK BOLT	FORK BOLT	2	
	51428	51428-LEJ2-E10	OIL SEAL STOP RING	OIL SEAL STOP RING	2	
	51429	51429-ACC1-E10	PIPE SEAT COMP	PIPE SEAT	2	
	51437	51437-LEJ2-E10	PISTON RING	PISTON RING	2	
**	51500	51500-ACC1-E10	FORK ASSY FR L	FORK ASSY FR L	1	
**	51520	51520-ACC1-E10	BOTTOM CASE RH	BOTTOM CASE RH	1	
	53200	53200-ACC1-E10	STEM COMP STRG	STEM COMP STRG	1	
	53211	53211-GFY6-C00	RACE STRG. CONE TOP	RACE STRG. CONE TOP	1	
	53212	53212-2L50-C00	RACE STRG. BOTTOM CONE	RACE STRG. BOTTOM CONE	1	
	53214	53214-2L50-C00	DUST SEAL STRG HEAD	DUST SEAL STRG. HEAD BOT	1	

F06

# Stem Steering Front Cushion

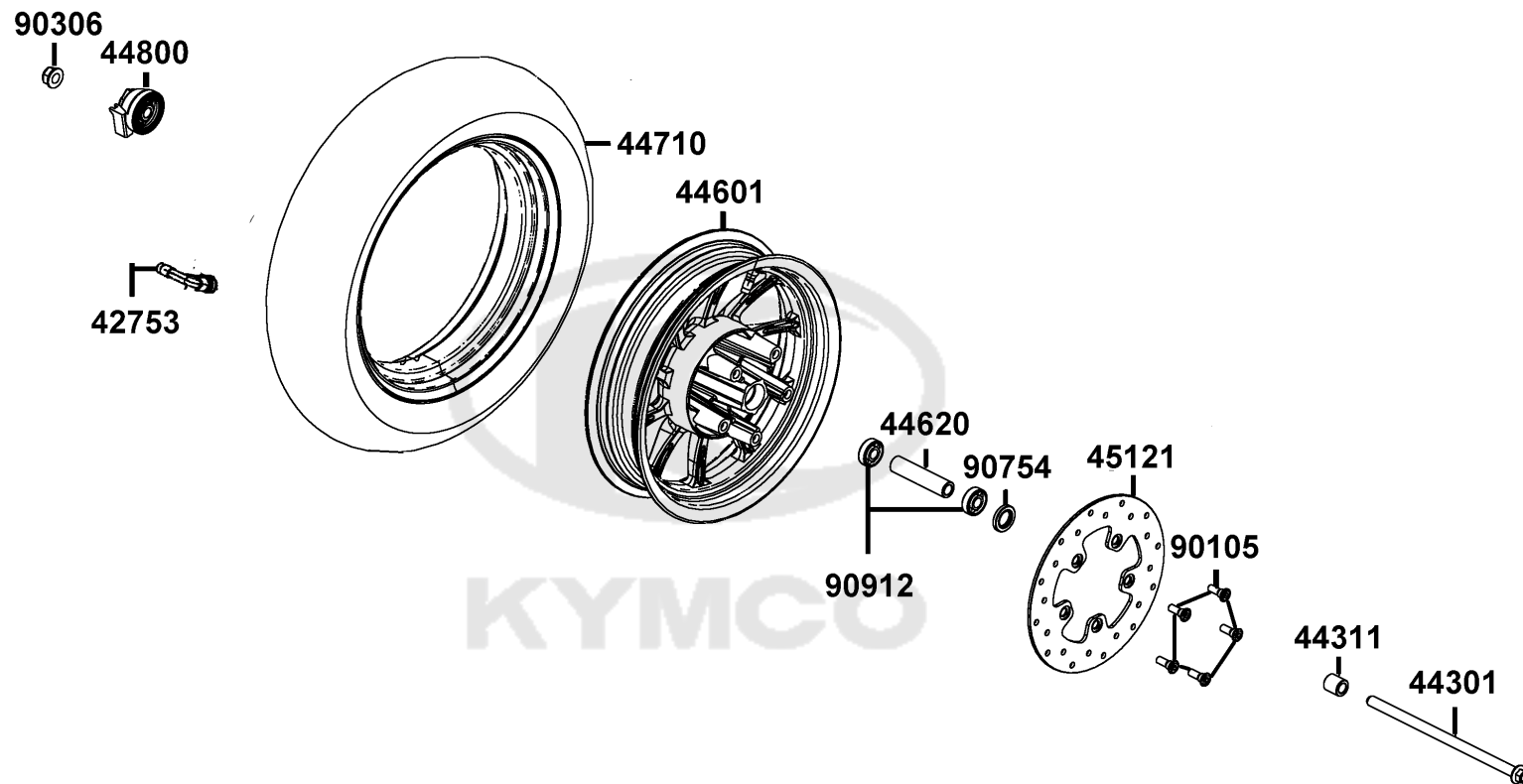


Sales mark	Ref no	Part no	Description	Reg description	Regd no	F06
	53215	53215-2L50-C00	WASHER STRG HDL DUST-SEAL	"WASHER,STRG. HEAD DUST SEAL"	1	
**	61100	61100-ACC1-E10	FENDER FR (DARK BLUEBERRY)	FENDER FR (DARK BLUEBERRY)	1	
**	61101	61101-ACC1-E10	FENDER B FR (DARK BLUEBERRY)	FENDER B FR (DARK BLUEBERRY)	1	
	61103	61103-ACC1-E10	PLATE SPLASH BOARD	PLATE SPLASH BOARD	1	
	90116	90116-LEJ2-E10	BOLT	BOLT	2	
	90302	90302-SDA4-C01	"NUT,SPPING 4MM"	"NUT,SPPING 4MM"	2	
	90544	90544-LEJ2-E10	PACKINGCUB	PACKINGCUB	2	
	91014	91014-LLJ3-C00	CAGE STRG TOPP	CAGE STRG TOPP	1	
	91015	91015-LLJ3-C00	CAGE STRG BOT	CAGE STRG BOT	1	
	91251	91251-LEJ2-E10	OIL SEAL	OIL SEAL	2	
	91254	91254-LEJ2-E10	DUST SEAL	DUST SEAL	2	
	93404	93404-06012-07G	BOLT-WASH 6x12	BOLT-WASH 6x12	3	
	93903	93903-GFY6-C01	SCREW TAPPING 4*14(K)	"SCREW,TAPPING4*14"	2	
	94608	94608-LEJ2-E10	O-RING 23X2.4	O-RING 23X2.4	2	
	95701	95701-06012-07G	BOLT FLANGE 6X12(KG)	BOLT FLANGE 6X12(KG)	1	
	95801	95801-08040-08G	BOLT FLANGE 8*40	BOLT FLANGE 8*40	1	

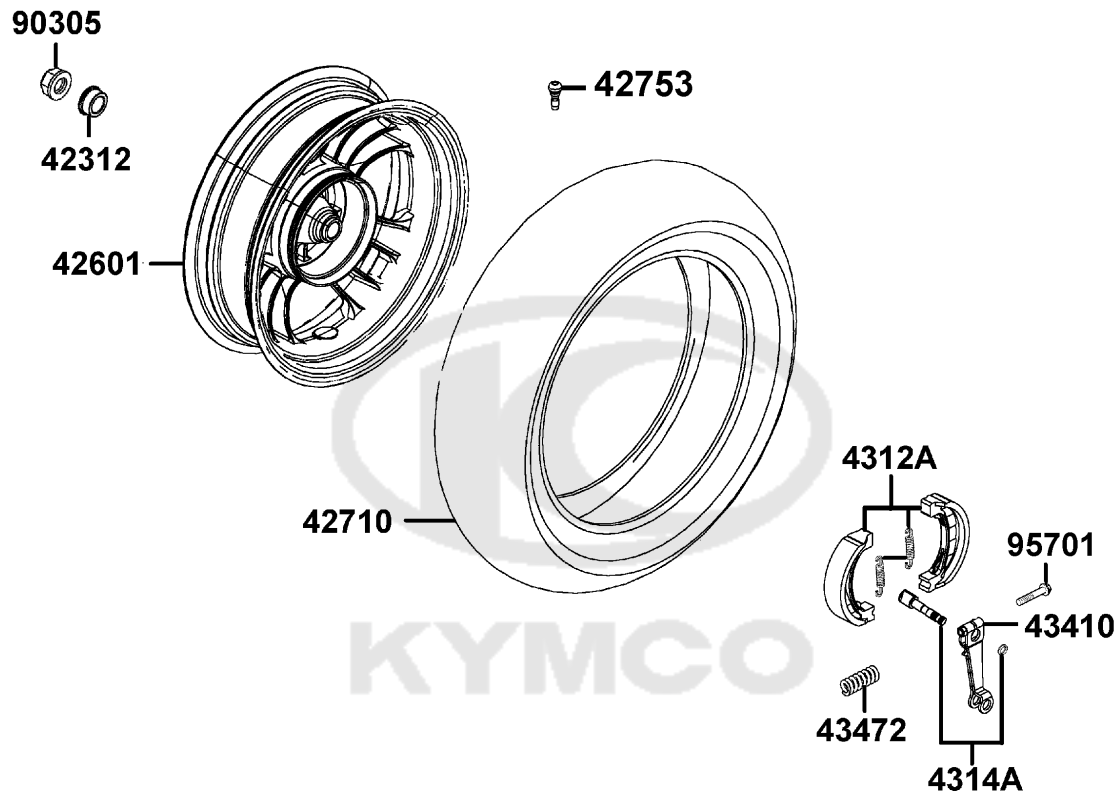


F07

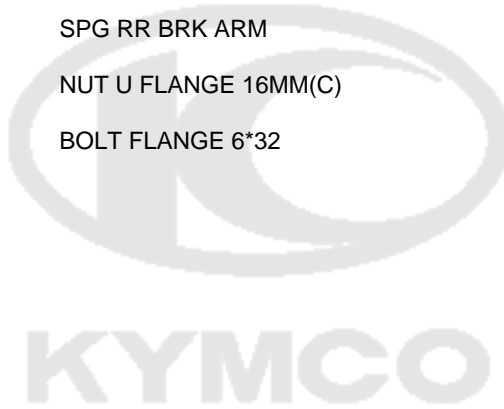
Front Wheel



Sales mark	Ref no	Part no	Description	Reg description	Regd no	F07
	42753	42753-0F06-C00	VALAE RIM	VALAE RIM	1	
	44301	44301-LEJ2-E13	AXLE FR WHEEL 12*243(K)	AXLE FR WHEEL 12*243(K)	1	
	44311	44311-KEBE-C00	COLLAR FR WHEEL SIDE	COLLAR FR WHEEL SIDE	1	
**	44601	44601-ACC1-E11	WHEEL FR CAST	WHEEL FR CAST	1	
	44620	44620-KHD8-C00	COLLAR FR AXLE DISTANCE	COLLAR FR AXLE DISTANCE	1	
	44710	44710-ACC1-E10	TIRE ASSY FR(110/70-12 )	TIRE ASSY FR(110/70-12 )	1	
	44800	44800-ACC1-E10	GEAR BOX ASSY	GEAR BOX ASSY	1	
	45121	45121-LGR5-E80	DISK FR BRK	"DISK , FR BRAKE"	1	
	90105	90105-KCR3-C02	BOLT FR DISK 8*24	BOLT FR DISK 8*24	5	
	90306	90306-LKL5-E31	NUT U FLANGE 12MM(K)	NUT U FLANGE 12MM(K)	1	
	90754	90754-GHC8-C00	DUST SEAL 20*32*5	DUST SEAL 20*32*5	1	
	90912	90912-KFLF-C00	BEARING 6201 LLU	BEARING 6201 LLU	2	

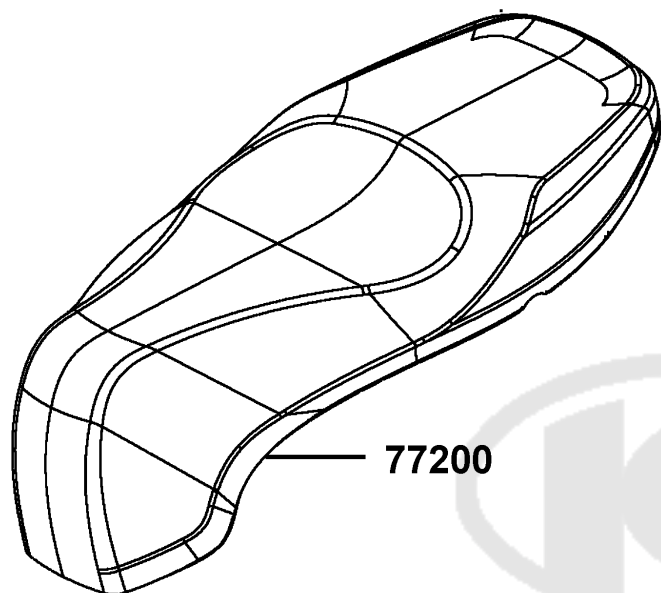


Sales mark	Ref no	Part no	Description	Reg description	Regd no	<b>F08</b>
	42312	42312-KHB4-C00	CLOLLAR RR AXLE SIDE	CLOLLAR RR AXLE SIDE	1	
**	42601	42601-ACB9-E11	WHEEL COMP RR CAST	WHEEL COMP RR CAST	1	
	42710	42710-LGS6-C1B	TIRE ASSY RR	TIRE ASSY RR	1	
	42753	42753-0A01-C00	VALVE (TR 412) & CAP (C)	VALVE (TR 412) & CAP (C)	1	
	4312A	4312A-KXCX-C00	SHOE ASSY RR BRAKE	SHOE ASSY RR BRAKE	1	
	4314A	4314A-KKD6-E00	CAM ASSY RR BRAKE	CAM ASSY RR BRAKE	1	
	43410	43410-KFA1-C00	ARM RR BRK	ARM REAR BRAKE	1	
	43472	43472-KHG8-C00	SPG RR BRK ARM	SPG RR BRK ARM	1	
	90305	90305-KFW6-C00	NUT U FLANGE 16MM(C)	NUT U FLANGE 16MM(C)	1	
	95701	95701-06032-08G	BOLT FLANGE 6*32	BOLT FLANGE 6*32	1	

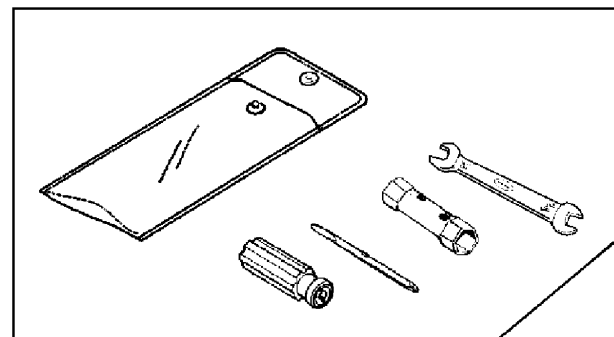


F09

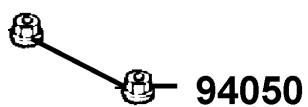
Seat



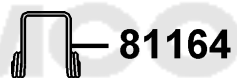
77200



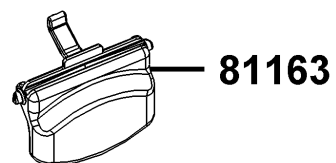
89010



94050



81164



81163

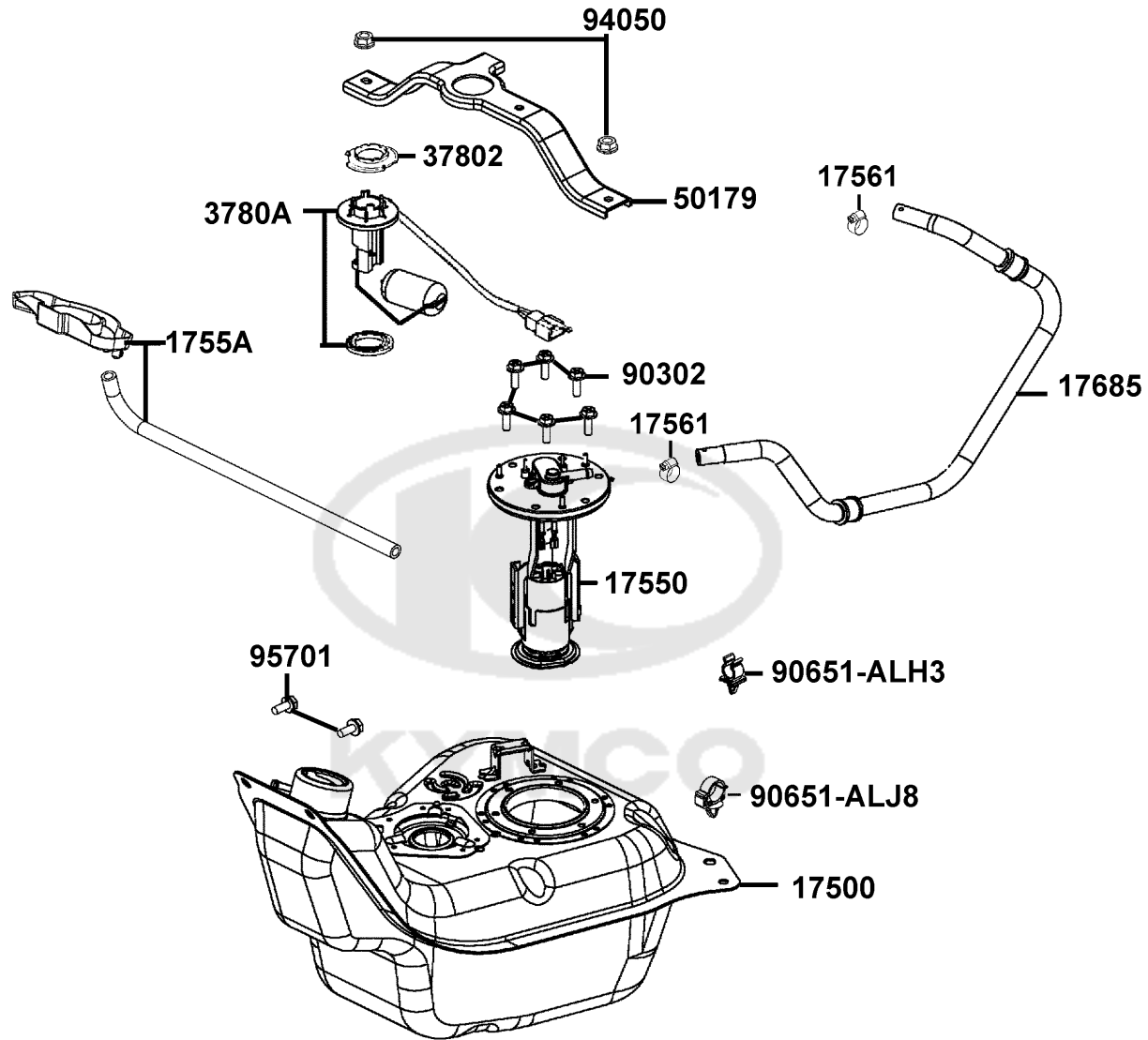
Sales mark	Ref no	Part no	Description	Reg description	Regd no	<b>F09</b>
------------	--------	---------	-------------	-----------------	---------	------------

**	77200	77200-ACC1-E10	SEAT ASSY	SEAT ASSY	1	
	81163	81163-LKJ1-900	LID LATCH LEG SHIELD	LID LATCH LEG SHIELD	1	
	81164	81164-LKJ1-900	LID SPRING LEG SHIELD	LID SPRING LEG SHIELD	1	
	89010	89010-KGBG-C00	TOOL SET	TOOL SET	1	
	94050	94050-06080	NUT FLANGE 6MM	NUT FLANGE 6MM	2	



F10

Fuel Tank



Sales mark	Ref no	Part no	Description	Reg description	Regd no	<b>F10</b>
17500		17500-ACC1-E10	TANK COMP FUEL	TANK COMP FUEL	1	
17550		17550-ACC1-E10	FUEL PUMP ASSY	FUEL PUMP ASSY	1	
1755A		1755A-ACC1-E10	FUEL PUMP ASSY	FUEL PUMP ASSY	1	
17561		17561-LGK8-900	CLIP 12.0	CLIP 12.0	2	
17685		17685-ACB9-E10	"TUBE.FUEL"	"TUBE.FUEL"	1	
37802		37802-GGA7-C00	RET FUEL UNIT	RET FUEL UNIT	1	
3780A		3780A-ACC1-E10	FUEL UNIT ASSY	FUEL UNIT ASSY	1	
50179		50179-ACC1-E10	BRKT FLOOR PANEL	BRKT FLOOR PANEL	1	
90302		90302-PUA3-B51	BOLT-WASH 5*12	BOLT-WASH 5*12	6	
90651-ALH3		90651-ALH3-700	CLIP WIRE HARN	CLIP WIREE HARN	2	
90651-ALJ8		90651-ALJ8-E10	CLIP CABLE	CLIP CABLE	1	
94050		94050-06080-G	NUT FLANGE 6MM	NUT FLANGE 6MM	2	
95701		95701-06012-08G	BOLT FLANGE 6*12	BOLT FLANGE 6*12	2	



F11

Battery

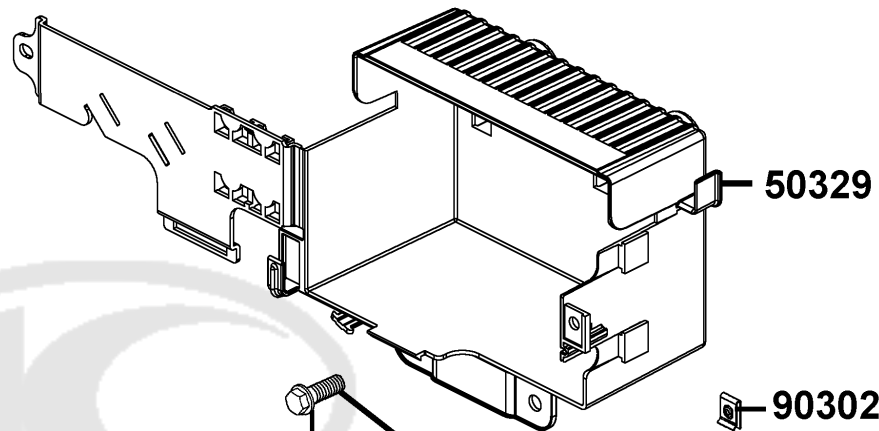
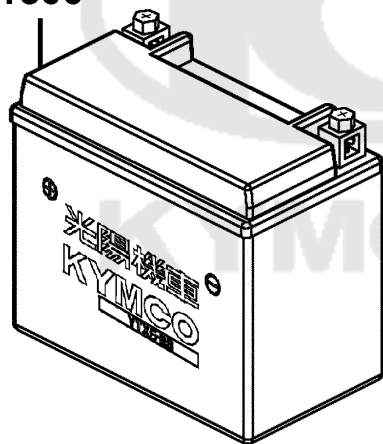
98200-31000



98200-31500



31500



50329

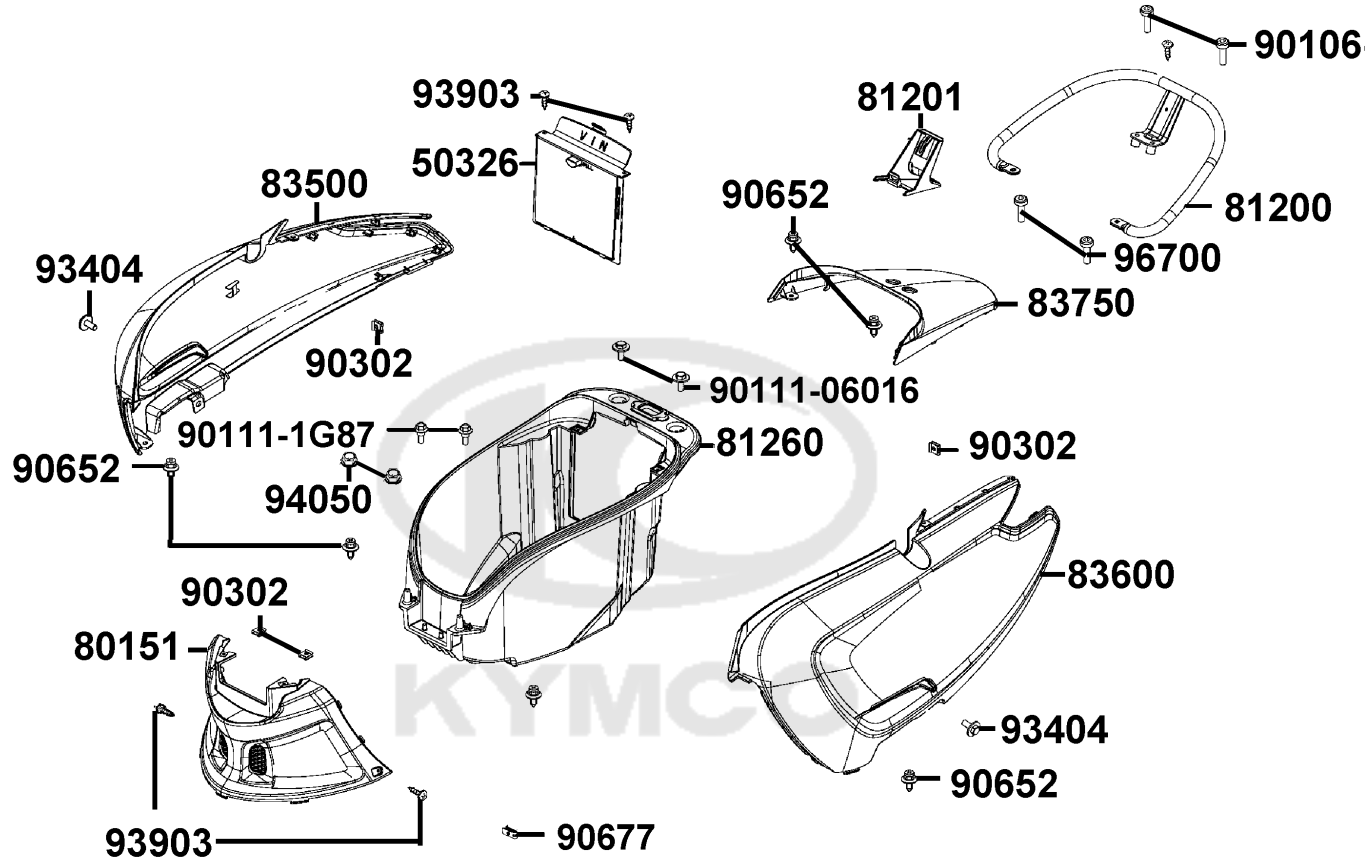
90302

93903

95701

Sales mark	Ref no	Part no	Description	Reg description	Regd no	F11
	31500	31500-ALC8-EZ0	BATTERY YTX7A-BS	YT7A-4 BATTERY	1	
**	50329	50329-ACB9-E10	COVER ASSY BATTERY	COVER ASSY BATTERY	1	
	90302	90302-SDA4-C01	"NUT,SPPING 4MM"	"NUT,SPPING 4MM"	1	
	93903	93903-GFY6-C01	SCREW TAPPING 4*14(K)	"SCREW,TAPPING4*14"	1	
	95701	95701-06012-08G	BOLT FLANGE 6*12	BOLT FLANGE 6*12	3	
	98200-31000	98200-31000	BLADE FUSE 10A **(0) C.2005.03.01	BLADE FUSE 10A **(0) C.2005.03.01	2	
	98200-31500	98200-31500	FUSE A15	FUSE A15	2	

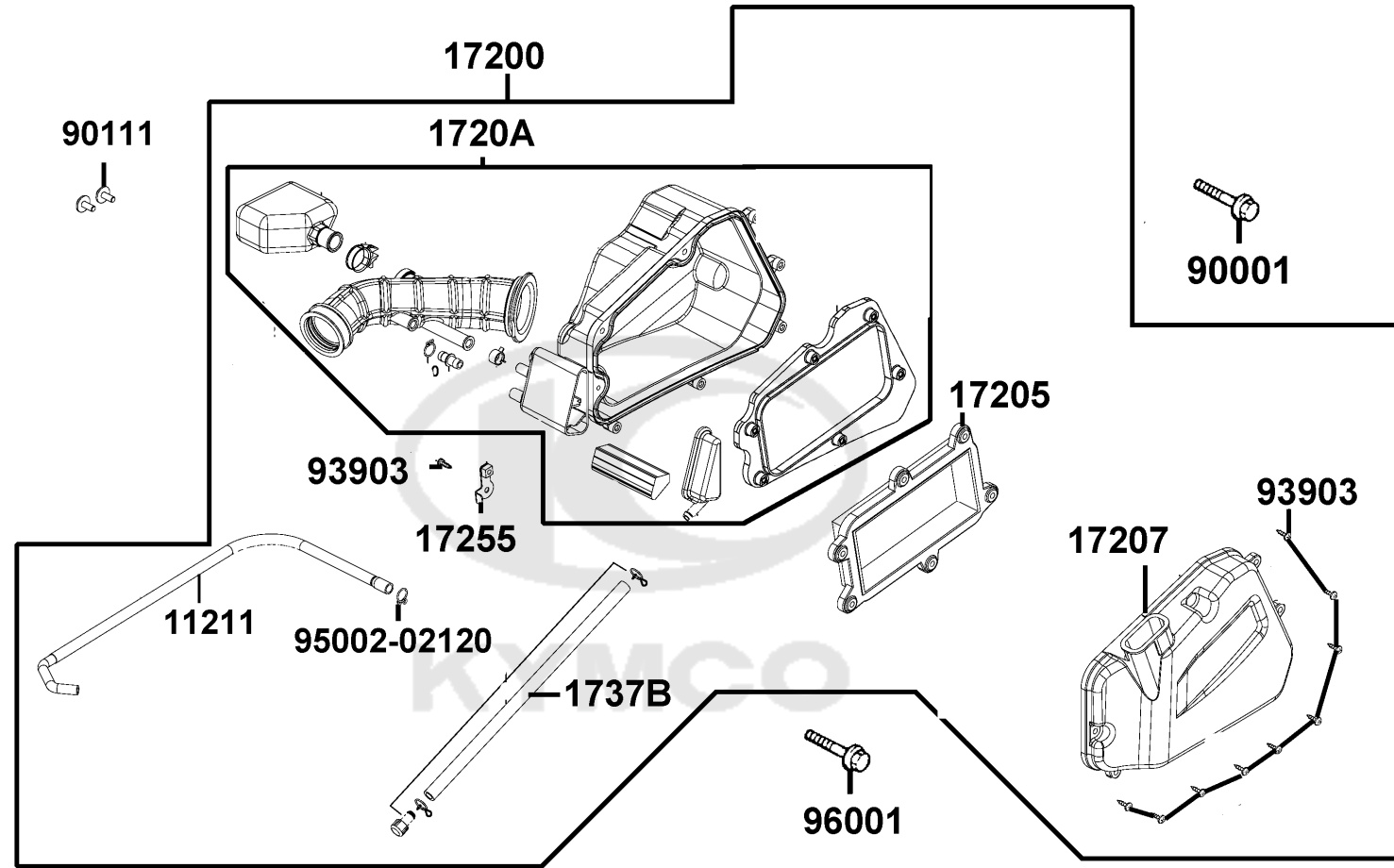




Sales mark	Ref no	Part no	Description	Reg description	Regd no	F12
**	50326	50326-ACB9-E10	COVER BATTERY	COVER BATTERY	1	
**	80151	80151-ACC1-E10	COVER CENTER	COVER CENTER	1	
	81200	81200-ACC1-E10	CARRIER RR ASSY	CARRIER RR ASSY	1	
**	81201	81201-AKB7-C00	CARRIER COVER	CARRIER COVER	1	
**	81260	81260-ACB9-E10	BOX LUGGAGE	BOX LUGGAGE	1	
**	83500	83500-ACC1-E10	COVER R BODY (DARK BLUEBERRY)	COVER R BODY (DARK BLUEBERRY)	1	
**	83600	83600-ACC1-E10	COVER L BODY (DARK BLUEBERRY)	COVER L BODY (DARK BLUEBERRY)	1	
**	83750	83750-ACC1-E10	REAR CENTER COVER	REAR CENTER COVER	1	
	90106	90106-KFAF-C10	BOLT SPECIAL 8MM	BOLT SPECIAL 8MM	2	
	90111-06016	90111-06016-07G	BOLT FLANGE 6*16 (K)	BOLT FLANGE 6*16 (K)	2	
	90111-1G87	90111-1G87-C01	BOLT FLANGE 6MM	BOLT FLANGE 6MM	2	
	90302	90302-SDA4-C01	"NUT,SPPING 4MM"	"NUT,SPPING 4MM"	3	
	90652	90652-LCA4-C10	CLIP MUDGUARD	CLIP MUDGUARD	4	
	90677	90677-GAR1-C01	NUT CLIP 5MM	NUT CLIP 5MM	1	
	93404	93404-06012-07G	BOLT-WASH 6x12	BOLT-WASH 6x12	2	
	93903	93903-GFY6-C01	SCREW TAPPING 4*14(K)	"SCREW,TAPPING4*14"	5	
	94050	94050-06080-G	NUT FLANGE 6MM	NUT FLANGE 6MM	2	
	96700	96700-08016-02	SOCKET BOLT 8*16(G)	BOLT FLANGE SH 8*16(CR)	2	

F13

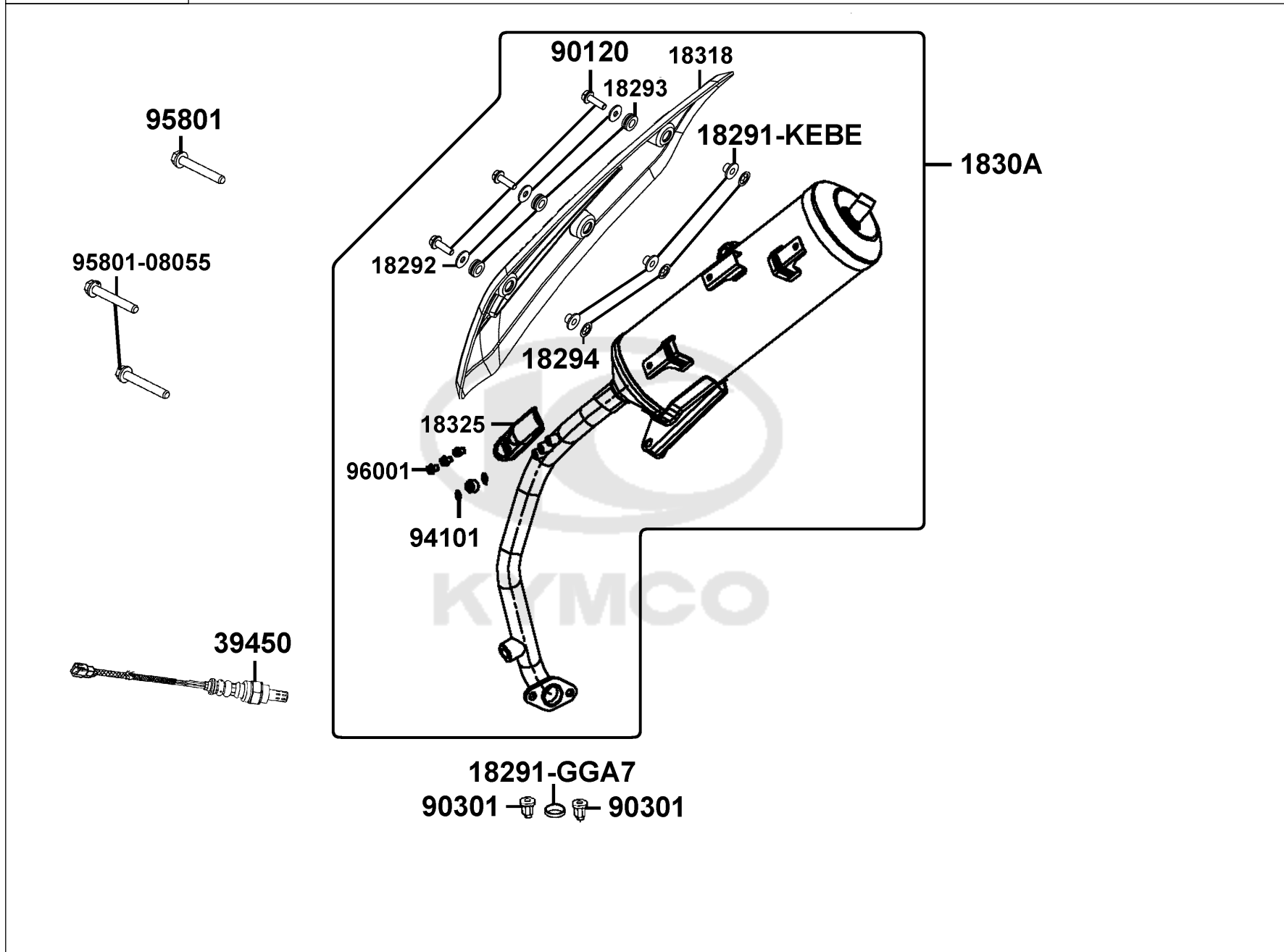
Air Cleaner



Sales mark	Ref no	Part no	Description	Reg description	Regd no	F13
11211		11211-LBD6-E00	TUBE BREATHER	TUBE BREATHER	1	
17200		17200-ACB9-C00	AIR/C ASSY	AIR/C ASSY	1	
17205		17205-LGR3-E10	ELEMENT COMP AIR/C	ELEMENT COMP AIR/C	1	
17207		17207-LGR3-E10	COVER AIR/C	COVER AIR/C	1	
1720A		1720A-ACB9-E10	CASE ASSY AIR/C	ACSW ASSY AIR/C	1	
17255		17255-LEA3-901	BAND CONNECT TUBE	BAND CONNECT TUBE	1	
1737B		1737B-KHC4-C00	V TUBE ASSY	V TUBE ASSY	1	
90001		90001-GBHB-C13	BOLT FLANGE SHF 6*40	BOLT FLANGE SHF 6*40	1	
90111		90111-06016-07G	BOLT FLANGE 6*16 (K)	BOLT FLANGE 6*16 (K)	2	
93903		93903-25480	SCREW TAPPING 5*20 (K)	SCREW TAPPING 5*20 (K)	1	
95002-02120		95002-02120	CLIP B12 TUBE	CLIP B12 TUBE	1	
96001		96001-06035-08G	BOLT FLANGE SH 6*35	BOLT M6x35	1	

F14

Exhaust Muffler

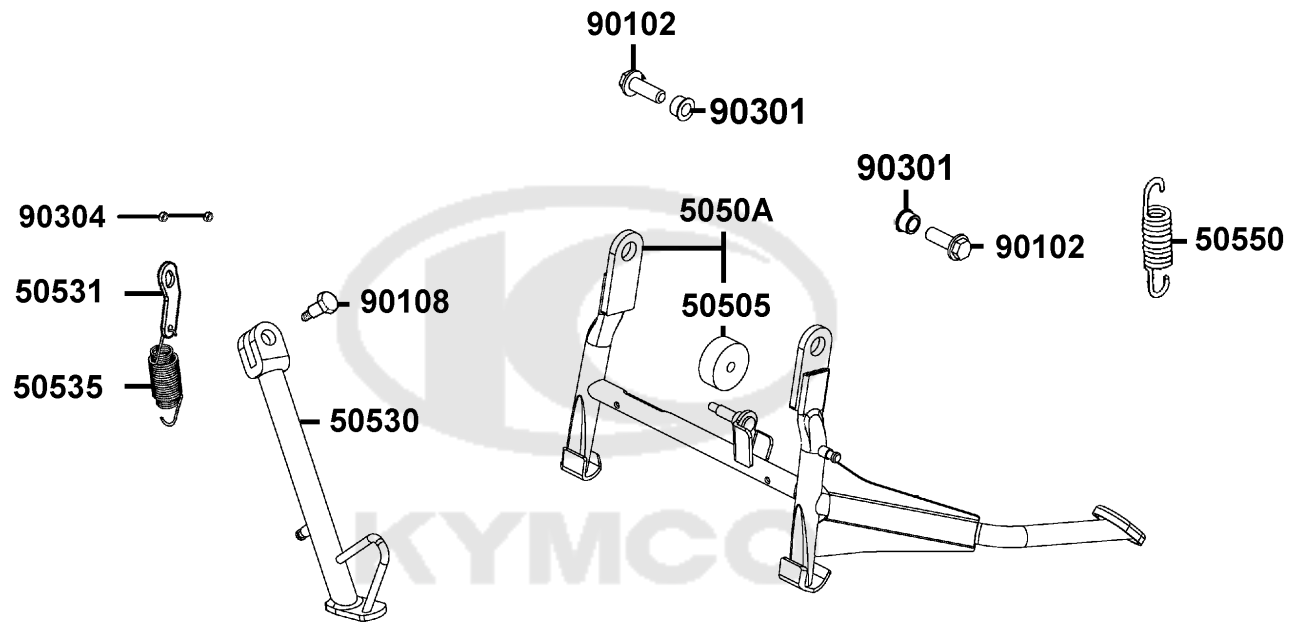


Sales mark	Ref no	Part no	Description	Reg description	Regd no	F14
	18291-GGA7	18291-GGA7-C01	GASKET EXH PIPE	GASKET EXH PIPE	1	
	18291-KEBE	18291-KEBE-C00	COLLAR	COLLAR	1	
	18292	18292-KEBE-C00	PACKING PROTECTOR	PACKING PROTECTOR	3	
	18293	18293-KEBE-C00	RUBBER PKG PROTR	RUBBER PRK PROTR	1	
	18294	18294-PUA3-B50	PACKING PTOTECTOR	PACKING PROTECTOR	4	
**	1830A	1830A-ACB9-EZ5	MUFFLER ASSY EXH	MUFFLER ASSY EXH	1	
**	18318	18318-ACC1-E10	PROTECTOR MUFF	PROTECTOR MUFF	1	
	18325	18325-ACC1-E10	PROTECTOR EXH PIPE	PROTECTOR EXH PIPE	1	
	39450	39450-ZVA6-M00	O2 SENSOR	O2 SENSOR	1	
	90120	90120-LFC8-C00	SOCKET BOLT SPECIAL 6*28	SOCKET BOLT SPECIAL 6*28	4	
	90301	90301-KGBG-C01	NUT CAP 6MM	NUT CAP 6MM	1	
	94101	94101-06700	WASHER PLAIN 6MM	WASHER PLAIN 6MM	4	
	95801-08055	95801-08055-07G	BOLT FLANGE 8*55	BOLT FLANGE 8*55	2	
	95801	95801-KGB5-C01	BOLT TORX M8*60	BOLT TORX M8*60	1	
	96001	96001-06008-06	BOLT FLANGE SH 6*8	BOLT FLANGE SH	4	



F15

Stand Kick Starter Arm

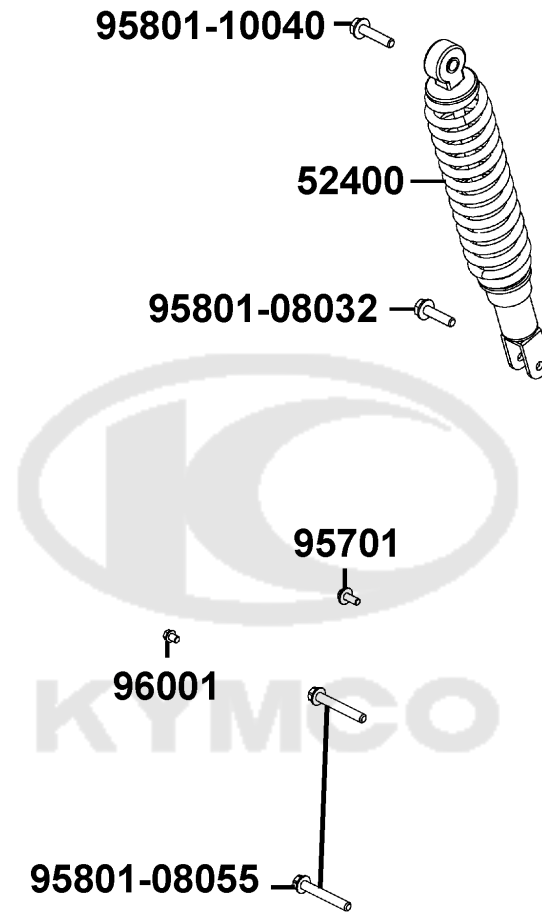


Sales mark	Ref no	Part no	Description	Reg description	Regd no	<b>F15</b>
50505		50505-LAD9-900	STOPPER RUBBER	STOPPER RUBBER	1	
5050A		5050A-ACB9-E10	STAND COMP MAIN	STAND COMP MAIN	1	
50530		50530-ACC1-E10	SIDE STAND COMP	SIDE STAND COMP	1	
50531		50531-KEB7-C00	PLATE SPRING STOPPER	PLATE SPRING STOPPER	1	
50535		50535-KEB7-W10	SPRING COMP SIDE STAND	SPRING COMP SIDE STAND	1	
50550		50550-KEB7-C00	SPG MAIN STAND COMP	SPG ASSY MAIN STAND	1	
90102		90102-GLE0-C00	BOLT HINGE PIVOT	BOLT HINGE PIVOT	2	
90108		90108-KUDU-E00	SCREW SIDE STAND PIVOT	SCREW SIDE STAND PIVOT	1	
90301		90301-4C73-C01	NUT U 6MM(C)	NUT U 6MM(C)	2	
90304		90304-GHE8-C01	NUT U 10MM (C)	NUT U 10MM(C)	2	



F16

Rear Cushion



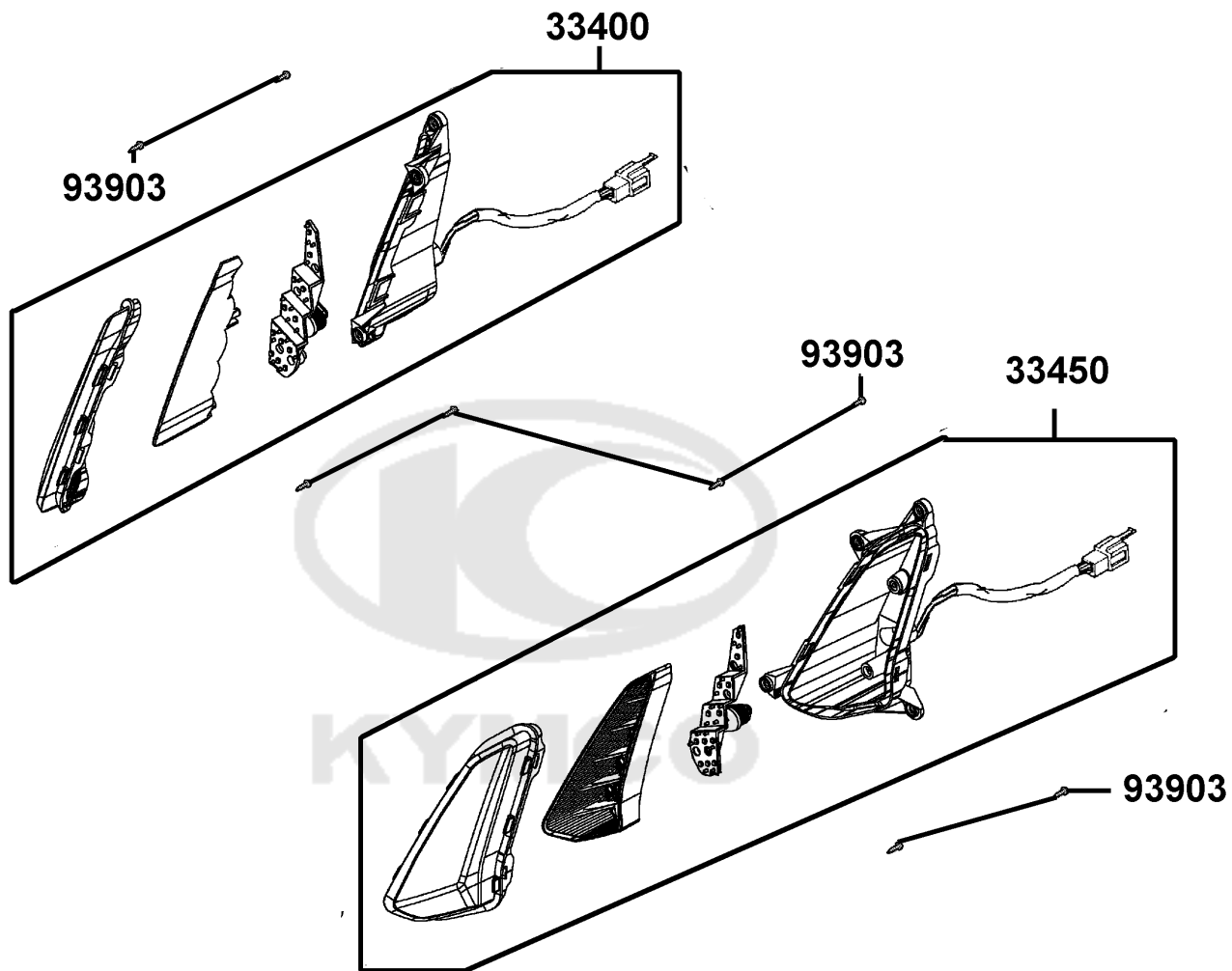
Sales mark	Ref no	Part no	Description	Reg description	Regd no	<b>F16</b>
------------	--------	---------	-------------	-----------------	---------	------------

95701		95701-06016-07G	BOLT FLANGE SH 6*16 (KG)	BOLT FLANGE SH 6*16 (KG)	1	
95801-08032		95801-08032-07G	BOLT FLANGE 8*32(K)	BOLT FLANGE 8*32(K)	2	
95801-08055		95801-08055-07G	BOLT FLANGE 8*55	BOLT FLANGE 8*55	2	
95801-10040		95801-10040-08G	BOLT FLANGE 10*40	BOLT FLANGE	2	
96001		96001-06012-07G	BOLT FLANGE 6*12(G)	BOLT FLANGE SH 6*12 (KG)	1	



F17

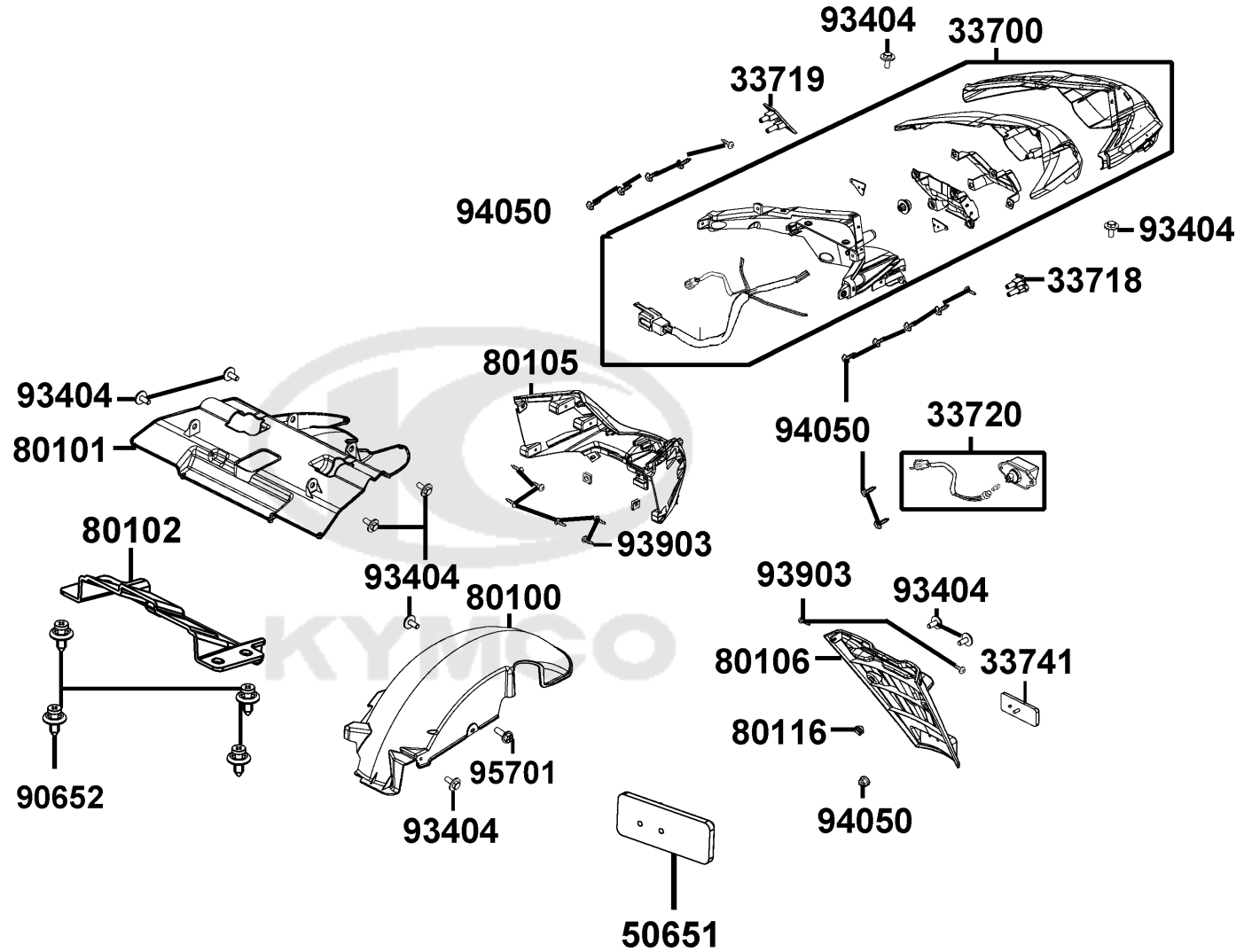
Front Winker



Sales mark	Ref no	Part no	Description	Reg description	Regd no	<b>F17</b>
------------	--------	---------	-------------	-----------------	---------	------------

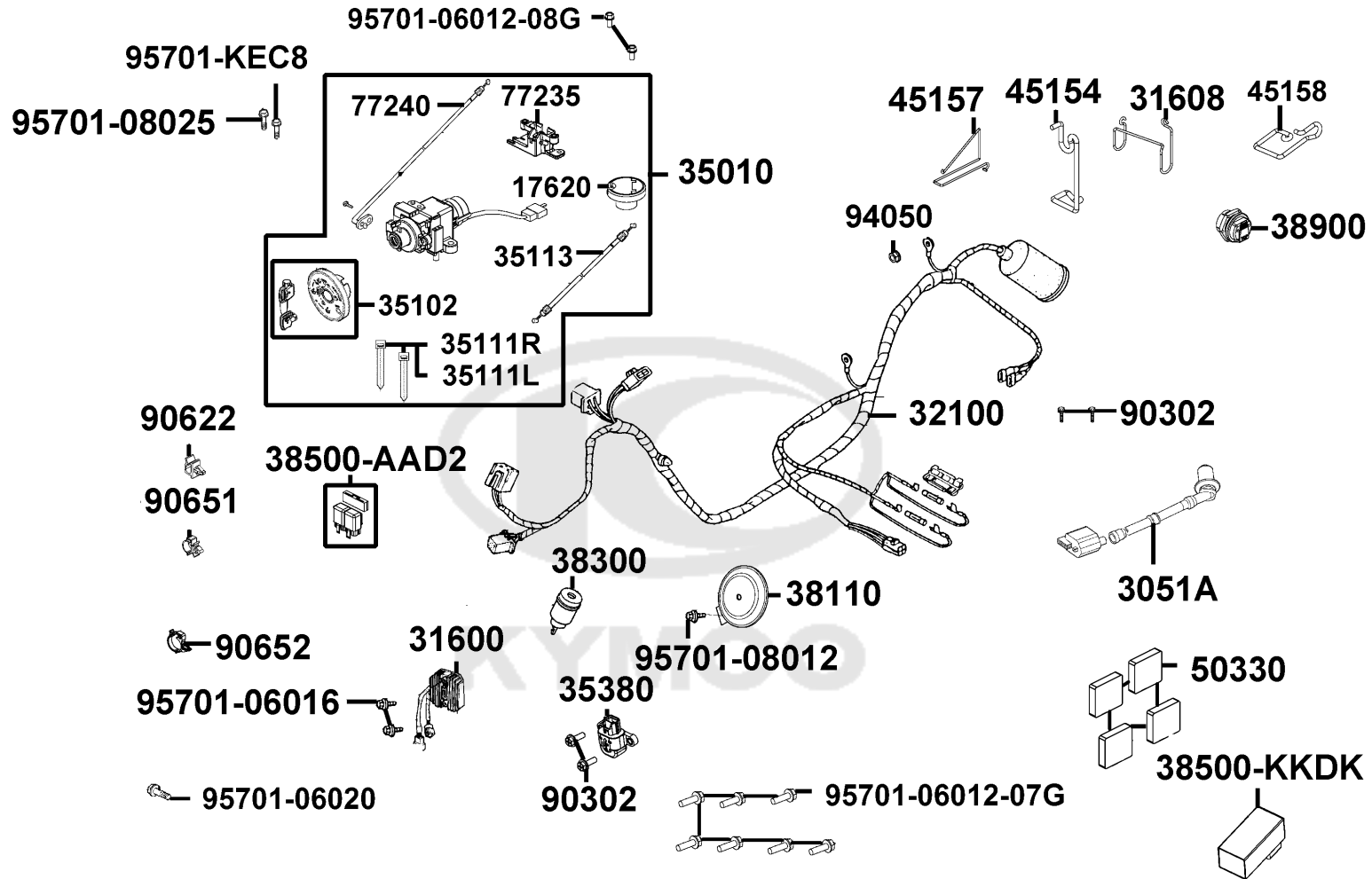
33400		33400-ACC1-E10	WINKER ASSY R FR	WINKER ASSY R FR	1	
33450		33450-ACC1-E10	WINKER ASSY L FR	WINKER ASSY L FR	1	
93903		93903-34380-G	SCREW TAPPING 4x12	SCREW TAPPING 4x12	8	



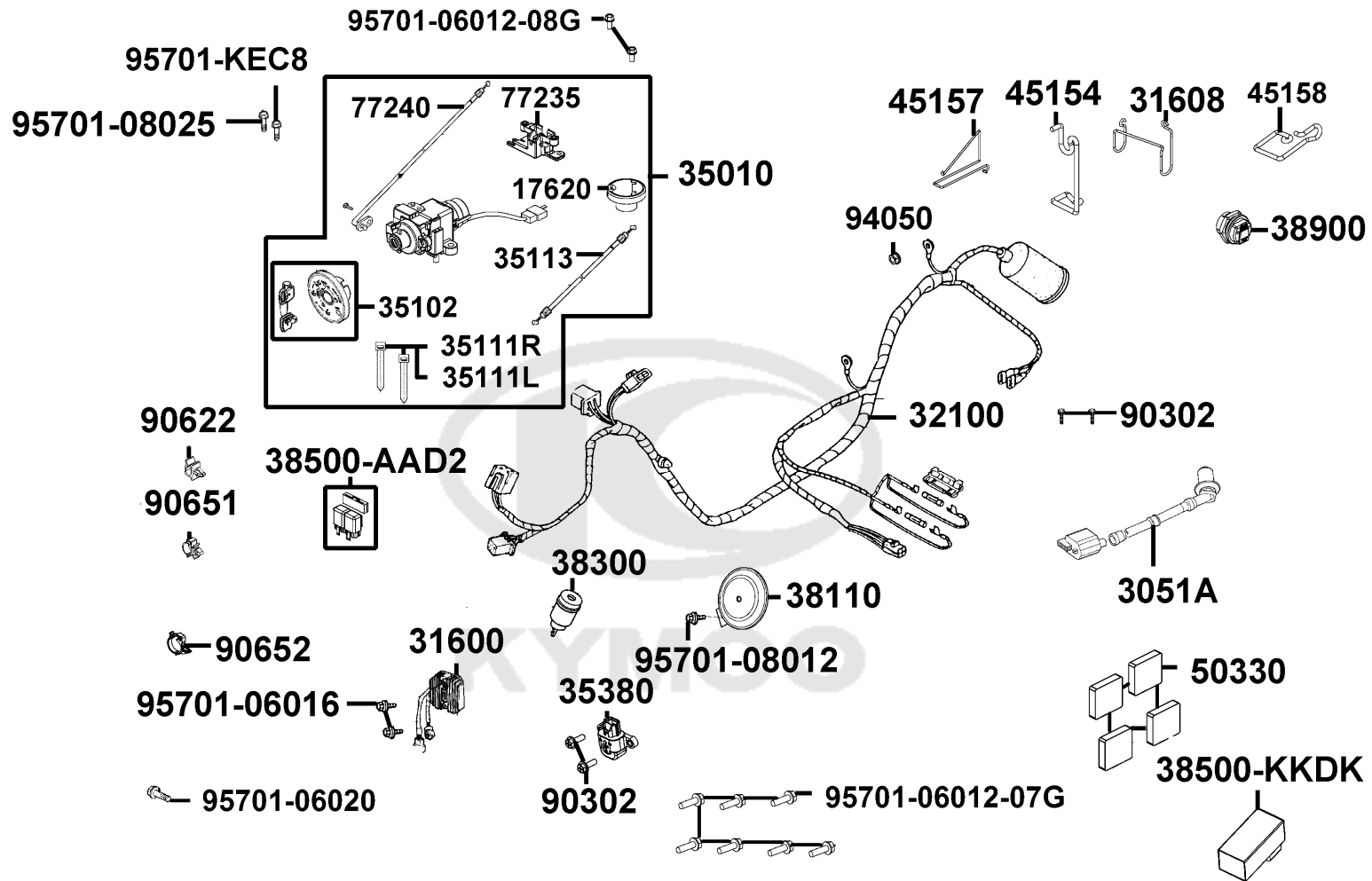


Sales mark	Ref no	Part no	Description	Reg description	Regd no	F18
	33700	33700-ACC1-E10	LIGHT ASSY RR COMB	LIGHT ASSY RR COMB	1	
**	33718	33718-ACC1-E10	LID R RR	LID R RR	1	
**	33719	33719-ACC1-E10	LID L RR	LID L RR	1	
	33720	33720-LGB5-E10	LIGHT ASSY LICENSE	LIGHT ASSY LICENSE	1	
	33741	33741-LEH3-EZ0	REFLEX REFLECTOR	REFLEX REFLECTOR	1	
	50651	50651-LFC4-E10	STAY RR FENDER BALANCE	STAY RR FENDER BALANCE	1	
**	80100	80100-LGR3-E10	FENDER RR TIRE	FENDER RR TIRE	1	
**	80101	80101-ACB9-E10	FENDER RR INNER	FENDER RR INNER	1	
	80102	80102-ACC1-E10	PLATE SPLASH BOARD	PLATE SPLASH BOARD	1	
**	80105	80105-ACC1-E10	FENDER REAR UP	FENDER REAR UP	1	
**	80106	80106-ACC1-E10	FENDER RR LOW	FENDER RR LOW	1	
	80116	80116-ACC1-E10	"RUBBER,LICENSE PLATE STOP"	"RUBBER,LICENSE PLATE STOP"	1	
	90652	90652-LCA4-C10	CLIP MUDGUARD	CLIP MUDGUARD	4	
	93404	93404-06012-07G	BOLT-WASH 6x12	BOLT-WASH 6x12	10	
	93903	93903-34380-G	SCREW TAPPING 4x12	SCREW TAPPING 4x12	13	
	94050	94050-05080-G	NUT FLANGE 5MM	NUT FLANGE 5MM	1	
	95701	95701-06016-07G	BOLT FLANGE SH 6*16 (KG)	BOLT FLANGE SH 6*16 (KG)	1	

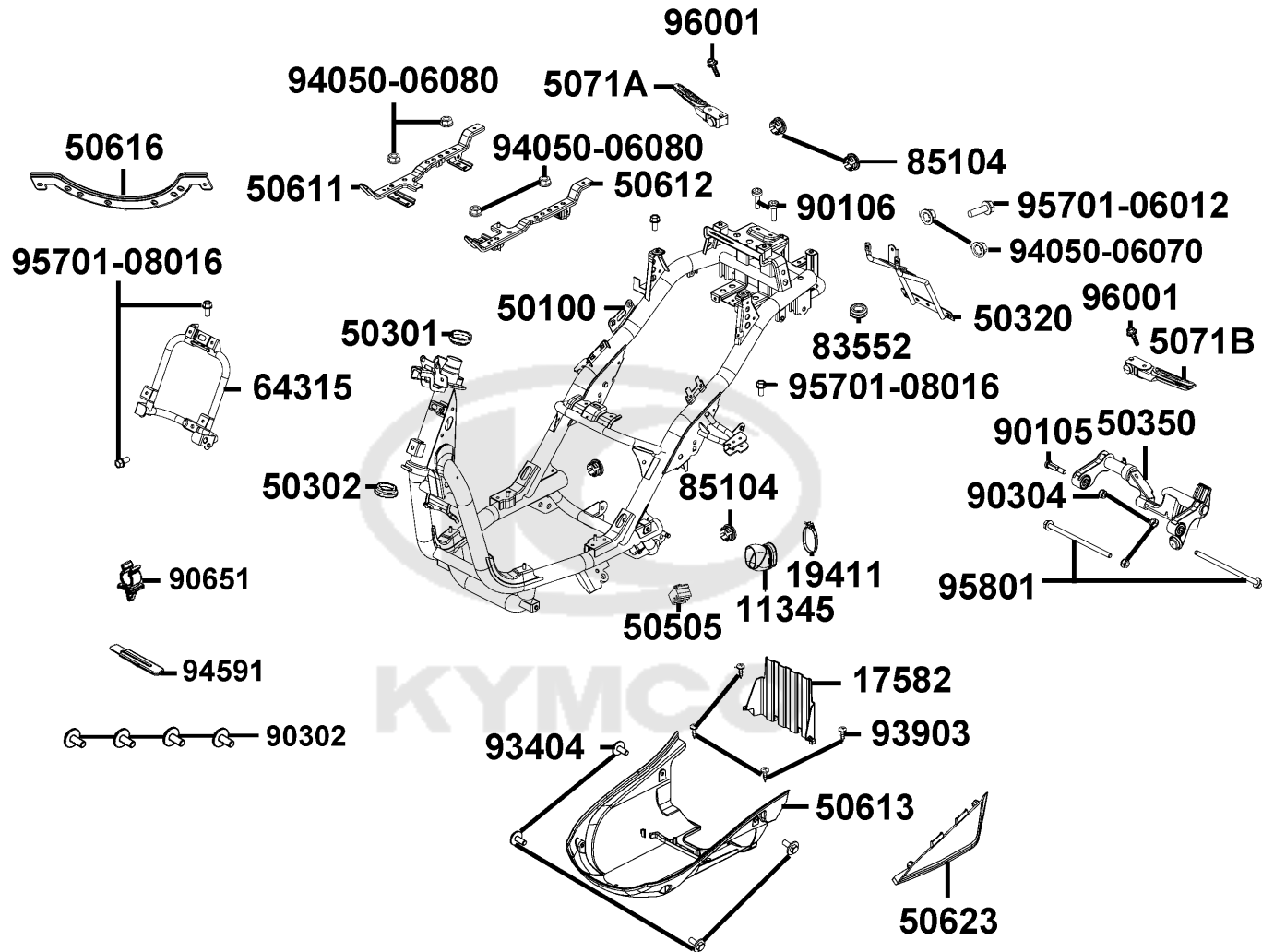




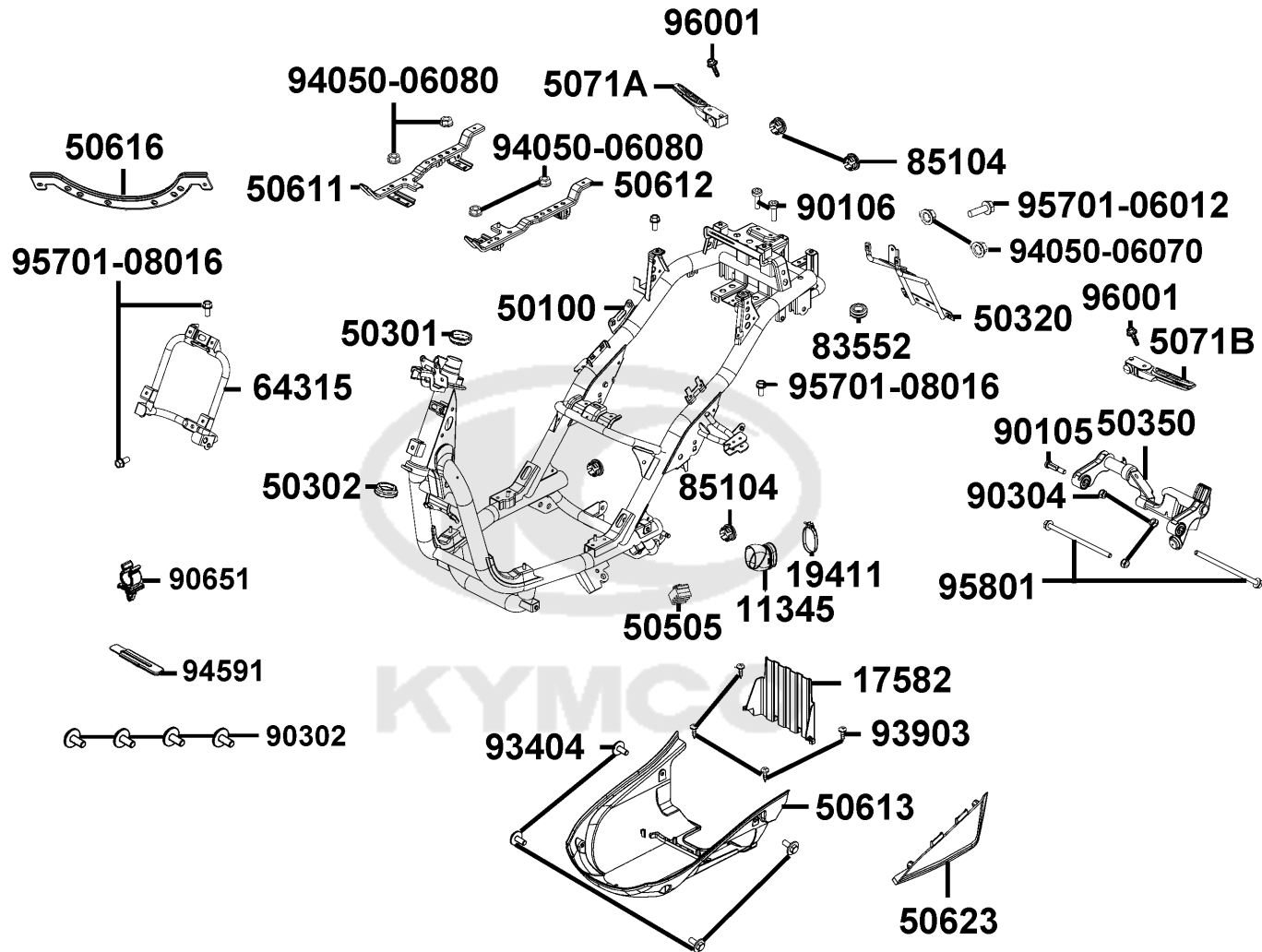
Sales mark	Ref no	Part no	Description	Reg description	Regd no	<b>F19</b>
17620		17620-ALJ9-E10	CAP COMP FUEL FILLER	CAP COMP FUEL FILLER	1	
3051A		3051A-ACB9-E10	COIL ASSY IGN	COIL ASSY IGN	1	
31600		31600-ACC1-E10	REG REC COMP	REG REC COMP	1	
31608		31608-ACC1-E10	CLIP WIRE	CLIP WIRE	1	
32100		32100-ACB9-E10	HARNESS WIRE	HARNESS WIRE	1	
35010		35010-ACB9-E10	KEY SET	KEY SET	1	
35102		35102-ACC1-E10	SHUTTER MAGNETIC LOCK	SHUTTER MAGNETIC LOCK	1	
35111L		35111-LDC1-305	KEY COMP (R TANGENT PLANE/SD)	KEY COMP (R TANGENT PLANE/SD)	1	
35111R		35111-LDC1-306	KEY COMP (L TANGENT PLANE/SD)	KEY COMP (L TANGENT PLANE/SD)	1	
35113		35113-ACC1-E10	CABLE COMP INNER BOX LOCK	CABLE COMP INNER BOX LOCK	1	
35380		35380-ABE1-C00	SENSOR ANGLE	SENSOR ANGLE	1	
38110		38110-KKC3-90B	HORN COMP	HORN COMP	1	
38300		38300-ACC1-E10	RELAY ASS'Y WINKER	RELAY ASS'Y WINKER	1	
38500-AAD2		38500-AAD2-C00	RELAY ASSY LIGHT	RELAY ASSY START	1	
38500-KKDK		38500-KKDK-C00	RELAY ASSY START	SET START MAG	1	
38900		38900-ACC1-E10	CONTROLLER USB CHARGER	CONTROLLER USB CHARGER	1	
45154		45154-ACC1-E10	CLIP WIRE	CLIP WIRE	1	
45157		45157-ACC1-E10	CLIP WIRE	CLIP WIRE	1	
45158		45158-ACC1-E10	CLIP WIRE	CLIP WIRE	1	
50330		50330-ALK5-C00	SEAL BATTER FRONT	SEAL BATTER FRONT	1	



Sales mark	Ref no	Part no	Description	Reg description	Regd no	F19
77235		77235-KGC4-C00	SEAT CATCH	SEAT CATCH	1	
77240		77240-ACC1-E10	CABLE SEAT LOCK	CABLE SEAT LOCK	1	
90302		90302-GFY6-C11	BOLT-WASH 5*16	BOLT-WASH 5*16	1	
90622		90622-LHJ8-900	CLAMP	CLAMP	2	
90651		90651-LKE6-900	CLIP CABLE	CLIP CABLE	2	
90652		90652-LHJ6-900	CLIP CABLE	CLIP CABLE	1	
94050		94050-06080-G	NUT FLANGE 6MM	NUT FLANGE 6MM	3	
95701-06012-07G		95701-06012-07G	BOLT FLANGE 6X12(KG)	BOLT FLANGE 6X12(KG)	1	
95701-06012-08G		95701-06012-08G	BOLT FLANGE 6*12	BOLT FLANGE 6*12	2	
95701-06016		95701-06016-08G	BOLT FLANGE 6*16 (C)	BOLT FLANGE 6*16 (C)	2	
95701-06020		95701-06020-07G	BOLT FLANGE 6*20 (C)	BOLT FLANGE 6*20 (K)	1	
95701-08012		95701-08012-08G	BOLT FLANGE 8X12(C)	BOLT FLANGE 8X12(C)	1	
95701-08025		95701-08025-08G	BOLT FLANGE	BOLT FLANGE 8*25 (C)	1	
95701-KEC8		95701-KEC8-E01	BOLT FLANGE 8*19	BOLT FLANGE 8*19	1	



Sales mark	Ref no	Part no	Description	Reg description	Regd no	F20
	11345	11345-ACB9-E10	DUCT L COVER	DUCT L COVER	1	
**	17582	17582-ACC1-E10	HEAT GUARD FUEL TANKE	HEAT GUARD FUEL TANKE	1	
	19411	19411-KNBN-C00	CLIP HOSE	CLIP HOSE	1	
	50100	50100-ACB9-EZ5	BODY COMP FRAME	BODY COMP FRAME	1	
	50301	50301-KGN7-C00	RACE UPPER STRG BALL	RACE UP STRG BALL	1	
	50302	50302-2H68-C00	RACE (STRG BOT) BALL	RACE (STRG BOT) BALL	1	
	50320	50320-ACC1-E10	STAY REAR FENDER	STAY REAR FENDER	1	
	50350	50350-ACB9-E10	ENG HANGER COMP	ENG HANGER COMP	1	
	50505	50505-LDC8-E10	STOPPER RUBBER	STOPPER RUBBER	1	
	50611	50611-ACC1-E10	RNFCT R FLOOR	RNFCT R FLOOR	1	
	50612	50612-ACC1-E10	RNFCT L FLOOR	RNFCT L FLOOR	1	
**	50613	50613-ACC1-E10	COVER UNDER	COVER UNDER	1	
	50616	50616-ACC1-E10	STAY C,FLOOR PANEL	"STAY C,FLOOR PANEL"	1	
**	50623	50623-ACC1-E10	COVER UNDER	COVER UNDER	1	
	5071A	5071A-ACC1-E10	BAR STEP R ASSY	BAR STEP R ASSY	1	
	5071B	5071B-ACC1-E10	BAR STEP L ASSY	BAR STEP L ASSY	1	
	64315	64315-ACC1-E10	"CARRIER FR,CONNECT"	"CARRIER FR,CONNECT"	1	
	83552	83552-ACC1-E10	GROMMET COVER	GROMMET COVER	1	
	85104	85104-ALJ8-E10	STOPPER	STOPPER	4	
	90105	90105-LEJ2-E10	SQUARE BOLT/320MM	SQUARE BOLT/320MM	1	

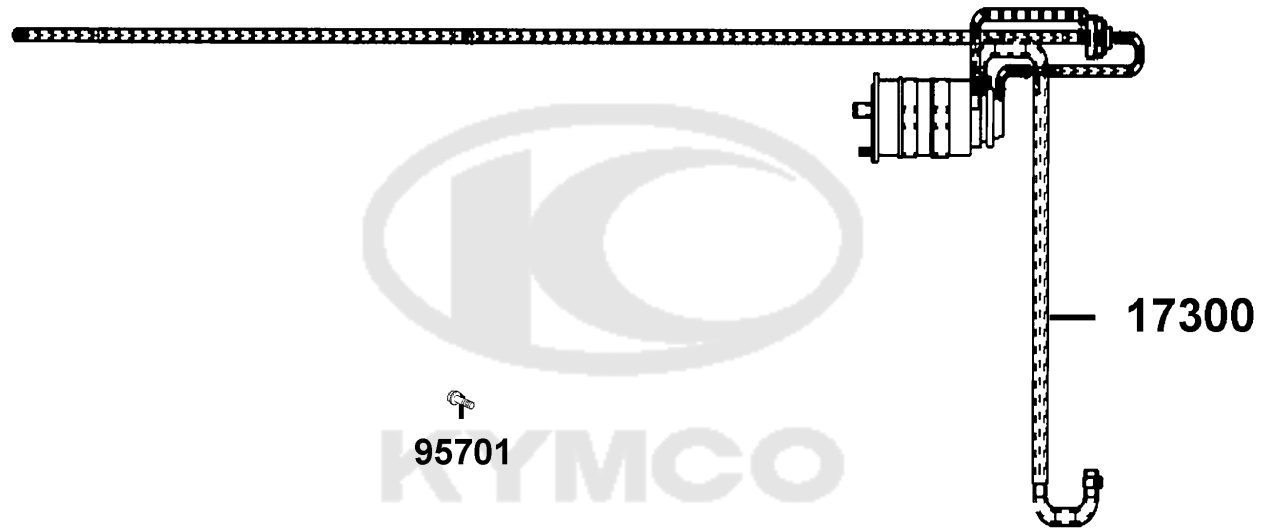


Sales mark	Ref no	Part no	Description	Reg description	Regd no	<b>F20</b>
90106		90106-KFAF-C10	BOLT SPECIAL 8MM	BOLT SPECIAL 8MM	2	
90302		90302-GFY6-C11	BOLT-WASH 5*16	BOLT-WASH 5*16	4	
90304		90304-GHE8-C01	NUT U 10MM (C)	NUT U 10MM(C)	3	
90651		90651-ALH3-700	CLIP WIRE HARN	CLIP WIREE HARN	1	
93404		93404-06012-07G	BOLT-WASH 6x12	BOLT-WASH 6x12	4	
93903		93903-25220-G	SCREW TAPPING 5*12	SCREW TAPPING 5*12	1	
94050-06070		94050-06070-G	NUT FLANGE 6MM (KG)	NUT FLANGE 6MM (G)	2	
94050-06080		94050-06080-G	NUT FLANGE 6MM	NUT FLANGE 6MM	4	
94591		94591-KFBF-C00	CLIP 2*71	CLIP 2*70	1	
95701-06012		95701-06012-07G	BOLT FLANGE 6X12(KG)	BOLT FLANGE 6X12(KG)	1	
95701-08016		95701-08016-07G	BOLT FLANGE 8*16 (K)	BOLT FLANGE 8*16 (K)	4	
95801		95801-10070-08G	BOLT FLANGE 10*70 (C)	BOLT FLANGE 8*50(G)	2	
96001		96001-06032-07G	BOLT FLANGE SH6*32	BOLT FLANGE 6*32(G)	2	



F21

CANISTER-PCV ASSY



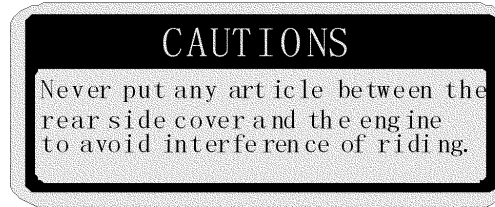
Sales mark	Ref no	Part no	Description	Reg description	Regd no	<b>F21</b>
------------	--------	---------	-------------	-----------------	---------	------------

17300		17300-ACB9-EZ5	CANISTER-PCV ASSY	CANISTER-PCV ASSY	1	
95701		95701-06010-08G	BOLT FLANGE 6*10	BOLT FLANGE 6*10	1	

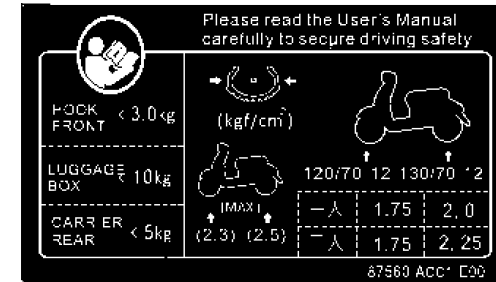




87140



87542



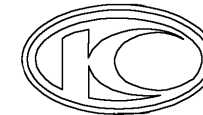
87560



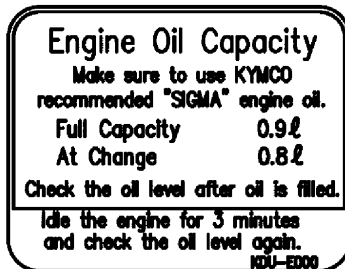
86202



86102-ACC1



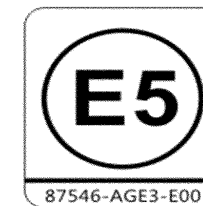
86102-ALG1



87541-KGBG



87541-GAR1



87546

Sales mark	Ref no	Part no	Description	Reg description	Regd no	<b>F22</b>
**	86102-ACC1	86102-ACC1-C00	EMB K-LOGO 28.5MM	EMB K-LOGO 28.5MM	1	
**	86102-ALG1	86102-ALG1-E00	EMB K-LOGO	EMB K-LOGO	1	
**	86202	86202-ACC1-E10	EMB BODY COVER	EMB BODY COVER	2	
**	87140	87140-ACB9-E00	EMB MARK 50 TAPE A	EMB MARK 50 TAPE A	1	
**	87541-GAR1	87541-GAR1-C01	CAUTION SIDE STAND	CAUTION SIDE STAND	1	
**	87541-KGBG	87541-KGBG-E01	LABEL OIL CAP	LABEL OIL CAP	1	
**	87542	87542-GAR1-C01	MARK MAINT CAUTION R	MARK MAINT CAUTION R	1	
**	87546	87546-AGE3-E00	LABEL FUEL TANK	LABEL FUEL TANK	1	
**	87560	87560-ACC1-E00	MARK DRIVE CAUTION	MARK DRIVE CAUTION	1	



## PART NO. INDEX

PART NO.	VERSION	PAGE	PART NO.	VERSION	PAGE	PART NO.	VERSION	PAGE
<b>11000</b>			12191-KGBG-E90	1	E03	14550-LDC8-C10	1	E03
11100-KGBG-C00	8	E01	12200-ADB2-C00	1	E02	14555-KKJ9-E90	1	E03
11102-1G87-C00	3	E01	12209-GDB4-C00	2	E02	14610-KGBG-C00	1	E03
11192-KGBG-E90	1	E01	12211-KGBG-C00	1	E02	14711-KGBG-C00	0	E02
11200-LBD6-C00	1	E01	12251-KGBG-C00	1	E02	14721-KGBG-C00	0	E02
11203-GGC7-W10	2	E01	1231A-KHC5-C00	1	E02	14751-KGBG-C00	0	E02
11203-KAM1-C00	0	E09	12361-GFY6-C00	5	E04	14761-KGBG-C00	1	E02
11204-KNBN-C00	1	E01	12391-KEE1-C00	0	E02	14771-GDB4-C00	2	E02
11205-GHAH-C00	1	E01	<b>13000</b>			14775-MFA6-C00	5	E02
11205-LAB4-C00	1	E01	13000-LDC5-C00	6	E03	14781-MFA6-C00	4	E02
11208-LEJ2-E10	1	E08	13011-LBC9-C00	0	E03	<b>15000</b>		
11211-LBD6-E00	2	F13	13101-LBC9-900	2	E03	15100-LDC5-C00	3	E07
11330-LBD6-C00	1	E04	13111-KGBG-C00	1	E03	15133-LDC5-C00	2	E07
11340-LBD6-C00	0	E01	13115-0A01-C00	2	E03	15421-1G07-C00	1	E04
11345-ACB9-E10	1	F20	<b>14000</b>			15426-GAE1-C00	1	E04
11353-LEA6-C00	1	E01	14100-ACB9-EZ5	0	E02	15651-LDC8-C10	1	E04
11381-KHC4-C00	1	E01	14401-KGBG-C00	1	E03	<b>16000</b>		
11382-LBD6-C00	1	E01	14431-KGBG-W10	1	E02	16056-LEB2-C00	0	E05
11394-KGBG-E90	1	E04	14450-KGBG-W10	1	E02	16074-KEC3-C00	3	E05
11395-LBD6-C00	1	E01	14452-KGBG-W10	1	E02	16100-ACB9-EZ5	0	E05
<b>12000</b>			14510-KGBG-C00	1	E03	16110-KEC3-900	1	E05
12100-KGBG-C01	3	E03	14531-GLR0-W11	1	E03	16112-KKE3-C00	0	E05

## PART NO. INDEX

PART NO.	VERSION	PAGE	PART NO.	VERSION	PAGE	PART NO.	VERSION	PAGE
16118-KGC5-C00	0	E05	17910-ACB9-E10	1	F03	21395-KNBN-E90	1	E09
16122-KEC3-C00	0	E05						
16133-KEC3-C00	0	E05	<b>18000</b>			<b>22000</b>		
16138-KEC3-C00	0	E05						
16154-KKE3-C00	0	E05	18291-GGA7-C01	1	F14	22100-LDC8-E10	1	E06
16170-KEC3-C00	0	E05	18291-KEBE-C00	1	F14	22102-LDC8-E10	1	E06
1621A-ADB2-EZ5	0	E02	18292-KEBE-C00	0	F14	22103-KEB7-C00	1	E06
16771-LGL3-900	1	E02	18293-KEBE-C00	1	F14	22105-KGBG-C00	1	E06
			18294-PUA3-B50	1	F14	22110-LDC8-E10	2	E06
<b>17000</b>			1830A-ACB9-EZ5	0	F14	22121-LDC8-405	0	E06
			18318-ACC1-E10	0	F14	22131-GHAH-C00	1	E06
1711A-ACB9-EZ5	0	E02	18325-ACC1-E10	1	F14	22132-GLW0-315	0	E06
17200-ACB9-C00	0	F13	18646-LDC8-E10	1	E02	22300-GGAG-C00	1	E06
17205-LGR3-E10	0	F13				22350-GKAK-C00	1	E06
17207-LGR3-E10	0	F13	<b>19000</b>			22401-GJAJ-C00	1	E06
1720A-ACB9-E10	1	F13				22530-GKAK-C00	1	E06
17255-LEA3-901	1	F13	19411-KNBN-C00	2	F20	22804-1H48-C00	1	E06
17300-ACB9-EZ5	0	F21	19510-LDC5-C00	1	E08			
1737B-KHC4-C00	0	F13	19610-LFC2-E10	2	E08	<b>23000</b>		
17500-ACC1-E10	1	F10	19625-KEE1-C00	1	E08			
17550-ACC1-E10	1	F10	1962A-KEE1-C00	1	E08	2301A-LEA3-C00	1	E06
1755A-ACC1-E10	1	F10	1963A-ACB9-E10	1	E08	23100-KEB7-C00	1	E06
17561-LGK8-900	1	F10				23200-GAR1-C00	1	E06
17582-ACC1-E10	1	F20	<b>21000</b>			23210-GAR1-C00	1	E06
17620-ALJ9-E10	0	F19				23220-KEE1-C00	1	E06
17685-ACB9-E10	1	F10	21201-KFA1-900	1	E09	23225-GAR1-C00	1	E06

## PART NO. INDEX

PART NO.	VERSION	PAGE	PART NO.	VERSION	PAGE	PART NO.	VERSION	PAGE
23233-LEA3-C00	1	E06				35113-ACC1-E10	0	F19
23237-GAR1-C00	1	E06	<b>32000</b>			35160-GFY6-C00	5	F03
23239-LEA3-C00	1	E06				35170-KNBN-C00	5	F03
23411-ALC8-E60	1	E09	32100-ACB9-E10	1	F19	35180-GFY6-C00	2	F03
23420-ALC8-E60	3	E09				35200-GFY6-C00	5	F03
23432-ALC8-E60	2	E09	<b>33000</b>			35340-KFLF-C00	2	F03
2343A-KNBN-C00	1	E09				35340-KNBN-C00	1	F04
			33100-ACC1-E10	1	F01	35380-ABE1-C00	0	F19
<b>28000</b>			33101-ACC1-E10	0	F01			
			33110-ACC1-E10	0	F01	<b>37000</b>		
28211-KEB7-W10	1	E06	33115-ACC1-E10	0	F01			
			33400-ACC1-E10	1	F17	37200-ACB9-E10	1	F02
<b>30000</b>			33450-ACC1-E10	1	F17	37211-ACC1-E10	0	F02
			33700-ACC1-E10	1	F18	37212-ACC1-E10	1	F02
3051A-ACB9-E10	1	F19	33718-ACC1-E10	1	F18	37213-ACC1-E10	0	F02
			33719-ACC1-E10	1	F18	37215-LGM9-C00	1	F05
<b>31000</b>			33720-LGB5-E10	1	F18	37224-ACC1-E10	0	F02
			33731-ALH3-EZ0	0	F06	37780-ACD5-E00	1	F02
31100-ACB9-E10	1	E08	33741-LEH3-EZ0	1	F18	37802-GGA7-C00	1	F10
31110-ADB2-C00	1	E08				3780A-ACC1-E10	1	F10
31120-ACB9-E10	1	E08	<b>35000</b>					
31200-ACB9-E10	1	E07				<b>38000</b>		
31209-KEE1-C01	2	E07	35010-ACB9-E10	1	F19			
31500-ALC8-EZ0	0	F11	35102-ACC1-E10	1	F19	38110-KKC3-90B	4	F19
31600-ACC1-E10	1	F19	35111-LDC1-305	0	F19	38300-ACC1-E10	1	F19
31608-ACC1-E10	1	F19	35111-LDC1-306	0	F19	38500-AAD2-C00	5	F19

## PART NO. INDEX

PART NO.	VERSION	PAGE	PART NO.	VERSION	PAGE	PART NO.	VERSION	PAGE
38500-KKDK-C00	5	F19	43450-ACB9-E10	1	F04	45517-KFAF-910	1	F04
38900-ACC1-E10	1	F19	43472-KHG8-C00	1	F08			
<b>39000</b>			<b>44000</b>			<b>50000</b>		
39300-ACB9-EZ5	0	E02	44301-LEJ2-E13	1	F07	50100-ACB9-EZ5	0	F20
39301-ACB9-EZ5	0	E02	44311-KEBE-C00	1	F07	50179-ACC1-E10	1	F10
39302-KKE3-C00	1	E02	44601-ACC1-E11	0	F07	50301-KGN7-C00	2	F20
39303-LEB2-C00	1	E02	44620-KHD8-C00	1	F07	50302-2H68-C00	2	F20
39400-LHJ3-900	1	E02	44710-ACC1-E10	1	F07	50306-1F96-C00	1	F06
39450-ZVA6-M00	0	F14	44800-ACC1-E10	1	F07	50320-ACC1-E10	1	F20
<b>42000</b>			<b>45000</b>			50326-ACB9-E10	1	F12
42312-KHB4-C00	1	F08	45121-LGR5-E80	1	F07	50329-ACB9-E10	1	F11
42601-ACB9-E11	1	F08	45126-ACB9-E10	1	F04	50330-ALK5-C00	1	F19
42710-LGS6-C1B	0	F08	45128-ACC1-E10	1	F06	50350-ACB9-E10	1	F20
42753-0A01-C00	1	F08	45129-ACC1-E10	1	F04	50505-LAD9-900	3	F15
42753-0F06-C00	0	F07	45150-AEA7-305	0	F04	50505-LDC8-E10	2	F20
<b>43000</b>			45154-ACC1-E10	1	F19	5050A-ACB9-E10	0	F15
43129-ALD9-E14	1	F06	45157-ACC1-E10	1	F19	50530-ACC1-E10	1	F15
4312A-KXCX-C00	8	F08	45158-ACC1-E10	1	F19	50531-KEB7-C00	1	F15
4314A-KKD6-E00	2	F08	45200-AEA7-E10	0	F04	50535-KEB7-W10	3	F15
43410-KFA1-C00	8	F08	45500-LGR5-E10	1	F04	50550-KEB7-C00	1	F15
			45513-LEB2-900	1	F04	50611-ACC1-E10	1	F20
			45517-GFY6-900	5	F03	50612-ACC1-E10	1	F20
						50613-ACC1-E10	1	F20
						50616-ACC1-E10	1	F20
						50623-ACC1-E10	0	F20



## PART NO. INDEX

PART NO.	VERSION	PAGE	PART NO.	VERSION	PAGE	PART NO.	VERSION	PAGE
50623-ACC1-E10	1	F20				53211-GFY6-C00	1	F06
50651-LFC4-E10	1	F18	<b>53000</b>			53212-2L50-C00	1	F06
5071A-ACC1-E10	1	F20				53214-2L50-C00	5	F06
5071B-ACC1-E10	1	F20	53100-ACC1-E10	1	F03	53215-2L50-C00	1	F06
<b>51000</b>			53105-LGR5-E10	1	F03	<b>61000</b>		
			53125-GEN5-C00	1	F03			
			53140-ACC1-E10	1	F03			
51400-ACC1-E10	1	F06	53166-ACC1-E10	1	F03	61100-ACC1-E10	1	F06
51404-ACC1-E10	0	F06	53167-GBN2-C00	1	F03	61100-ACC1-E10	4	F06
51410-ACC1-E10	0	F06	53168-GBN2-C00	1	F03	61101-ACC1-E10	0	F06
51412-LEJ2-E10	0	F06	53172-LGR3-E10	1	F03	61101-ACC1-E10	1	F06
51420-ACC1-E10	0	F06	53175-KXBX-E00	1	F04	61103-ACC1-E10	1	F06
51422-LEJ2-E10	0	F06	53178-LGR3-E10	0	F03	61110-ACC1-E10	1	F05
51427-LEJ2-E10	0	F06	5317B-LGR3-E10	2	F03			
51428-LEJ2-E10	0	F06	53190-GFY6-C00	0	F03	<b>64000</b>		
51429-ACC1-E10	0	F06	53191-GFY6-C00	2	F03			
51437-LEJ2-E10	0	F06	53200-ACC1-E10	0	F06	64301-ACC1-E10	0	F05
51500-ACC1-E10	1	F06	53204-ACC1-E10	0	F03	64301-ACC1-E10	1	F05
51520-ACC1-E10	0	F06	53205-ACC1-E10	0	F03	64304-ACC1-E10	0	F05
<b>52000</b>			53206-ACC1-E10	0	F03	64305-ACC1-E10	0	F05
			53206-ACC1-E10	1	F03	64305-ACC1-E10	1	F05
			53207-ACC1-E10	0	F03	64306-ACC1-E10	0	F05
52400-ACB9-E10	1	F16	53208-ACC1-E10	0	F03	64306-ACC1-E10	1	F05
			53208-ACC1-E10	1	F03	64307-ACC1-E10	0	F05
			53209-ACC1-E10	0	F03	64311-ACC1-E10	1	F05
			53209-ACC1-E10	1	F03	64313-ACC1-E10	0	F05

## PART NO. INDEX

PART NO.	VERSION	PAGE	PART NO.	VERSION	PAGE	PART NO.	VERSION	PAGE
64314-ACC1-E10	0	F05	80152-ACC1-E10	0	F05	81260-ACB9-E10	1	F12
64315-ACC1-E10	1	F20	80152-ACC1-E10	1	F05			
64316-LCB9-C10	5	F05	80153-ACC1-E10	1	F05	<b>83000</b>		
64317-ACC1-E10	0	F05						
64318-ACC1-E10	0	F05	<b>81000</b>			83500-ACC1-E10	1	F12
6431A-ACC1-E10	1	F05				83551-ACC1-E10	1	F05
64320-ACC1-E10	1	F05	81131-ACC1-E10	0	F05	83552-ACC1-E10	1	F20
64400-ACC1-E10	1	F05	81131-ACC1-E10	1	F05	83600-ACC1-E10	1	F12
			81132-ACC1-E10	2	F05	83750-ACC1-E10	1	F12
<b>77000</b>			81133-ACC1-E10	1	F05			
			81134-ACC1-E10	1	F05	<b>85000</b>		
77200-ACC1-E10	1	F09	81141-ACC1-E10	0	F05			
77233-ACC1-E10	1	F05	81141-ACC1-E10	1	F05	85104-ALJ8-E10	1	F20
77235-KGC4-C00	2	F19	81142-ACC1-E11	0	F05			
77238-ACC1-E11	1	F05	81143-ACC1-E10	1	F05	<b>86000</b>		
77240-ACC1-E10	0	F19	81146-ACC1-E10	1	F05			
			81151-ACC1-E10	1	F05	86102-ACC1-C00	0	F22
<b>80000</b>			81152-ACC1-E10	1	F05	86102-ALG1-E00	2	F22
			81153-ACC1-E10	1	F05	86202-ACC1-E10	0	F22
80100-LGR3-E10	1	F18	81154-ACC1-E10	1	F05			
80101-ACB9-E10	1	F18	81163-LKJ1-900	1	F05	<b>87000</b>		
80102-ACC1-E10	1	F18	81163-LKJ1-900	1	F09			
80105-ACC1-E10	0	F18	81164-LKJ1-900	1	F05	87140-ACB9-E00	1	F22
80106-ACC1-E10	1	F18	81164-LKJ1-900	1	F09	87541-GAR1-C01	1	F22
80116-ACC1-E10	1	F18	81200-ACC1-E10	1	F12	87541-KGBG-E01	0	F22
80151-ACC1-E10	1	F12	81201-AKB7-C00	0	F12	87541-KGBG-E01	1	F22

## PART NO. INDEX

PART NO.	VERSION	PAGE	PART NO.	VERSION	PAGE	PART NO.	VERSION	PAGE
87542-GAR1-C01	2	F22	90106-KFAF-C10	4	F12	90302-SDA4-C01	0	F12
87546-AGE3-E00	0	F22	90106-KFAF-C10	4	F20	90304-4H38-C00	1	E02
87560-ACC1-E00	1	F22	90106-KFC2-900	2	F03	90304-GHE8-C01	0	F15
<b>88000</b>			90106-PUA3-B50	0	F03	90304-GHE8-C01	0	F20
			90108-KUDU-E00	1	F15	90304-PUA3-B50	0	F03
			90111-06016-07G	0	F12	90305-KFW6-C00	1	F08
88110-ACC1-E10	1	F03	90111-06016-07G	0	F13	90306-LKL5-E31	0	F07
88120-ACC1-E10	1	F03	90111-1G87-C01	1	F12	90309-PUA3-B50	0	E09
<b>89000</b>			90115-GLE0-C00	6	F03	90412-3K29-C00	5	E01
			90116-GGS7-C00	2	F03	90426-KNBN-C01	1	E06
			90116-LEJ2-E10	0	F06	90429-KNBN-C00	1	E09
89010-KGBG-C00	1	F09	90120-LFC8-C00	1	F14	90442-0D44-C00	1	E06
<b>90000</b>			90122-KHC7-C01	1	F04	90442-GFF6-C01	1	E02
			90145-MKS9-61A	1	F04	90454-GBB2-C00	1	E06
			90202-1G87-C00	1	E06	90474-1G47-C00	1	E01
90001-GBHB-C13	1	F13	90202-GFF6-C00	1	E02	90474-3C33-C00	1	E01
9000A-ALK1-E15	0	E01	90206-0A01-C00	2	E02	9052A-PUA3-B50	1	E01
9000A-KTDT-C02	1	E01	90301-4C73-C01	0	F15	90544-LEJ2-E10	0	F06
90012-3C33-C00	1	E02	90301-KGBG-C01	0	F14	90545-3L00-C00	2	F04
90031-KGBG-C01	1	E01	90302-GFY6-C11	1	F19	90622-LHJ8-900	1	F19
90032-KGBG-C01	1	E01	90302-GFY6-C11	1	F20	90651-ALH3-700	1	F10
90033-0A41-C01	1	E02	90302-PUA3-B51	1	F03	90651-ALH3-700	1	F20
90033-GFY6-C11	1	E02	90302-PUA3-B51	1	F10	90651-ALJ8-E10	1	F10
90102-GLE0-C00	1	F15	90302-SDA4-C01	0	F05	90651-LKE6-900	1	F19
90105-KCR3-C02	1	F07	90302-SDA4-C01	0	F06	90652-LCA4-C10	6	F12
90105-LEJ2-E10	0	F20	90302-SDA4-C01	0	F11	90652-LCA4-C10	6	F18

## PART NO. INDEX

PART NO.	VERSION	PAGE	PART NO.	VERSION	PAGE	PART NO.	VERSION	PAGE
90652-LFB5-C00	1	F05	91254-LEJ2-E10	0	F06	93903-25220-G	0	F20
90652-LHJ6-900	1	F19	91255-LDC8-E10	5	E09	93903-25480	1	F13
90653-ALK1-E15	0	E02	91301-0C53-W10	0	E09	93903-34380-G	0	F01
90677-GAR1-C01	1	F12	91301-GLR0-W10	1	E03	93903-34380-G	0	F03
90701-GFF6-C00	1	E02	91301-KEA5-C00	1	E06	93903-34380-G	0	F05
90701-GFF6-C00	1	E03	91302-0A01-C00	10	E04	93903-34380-G	0	F17
90701-HDC4-C00	1	E07	91302-LEB2-C00	0	E05	93903-34380-G	0	F18
90741-0E35-C00	0	E03	91305-0H28-C00	1	E07	93903-35280-G	1	F01
90754-GHC8-C00	1	F07	91307-0E35-W10	1	E04	93903-35280-G	1	F05
90912-KFLF-C00	1	F07				93903-35320-G	1	F02
			<b>92000</b>			93903-GFY6-C01	1	F05
<b>91000</b>						93903-GFY6-C01	1	F06
			92101-05012-0HG	1	E08	93903-GFY6-C01	1	F11
91001-GGA7-C00	1	E06	92900-06050-08G	1	E02	93903-GFY6-C01	1	F12
91004-KBN2-C00	1	E01				93904-35380-G	0	E08
91004-KBN2-C00	1	E09	<b>93000</b>					
91004-KNBN-C00	1	E01				<b>94000</b>		
91009-GLE0-004	1	E09	93404-06012-07G	0	F05			
91014-LLJ3-C00	1	F06	93404-06012-07G	0	F06	94001-05080-0S	0	F03
91015-LLJ3-C00	1	F06	93404-06012-07G	0	F12	94001-12280-0SG	1	E06
91103-GAR1-C00	1	E06	93404-06012-07G	0	F18	94050-05080-G	1	F18
91201-KGBG-C00	1	E04	93404-06012-07G	0	F20	94050-06070-G	0	F20
91202-GFY6-90C	1	E01	93500-05022-07G	0	F03	94050-06080	2	E05
91204-KNBN-C00	1	E01	93892-05010-08	0	E05	94050-06080	2	F09
91211-GHK8-C00	1	E06	93903-25220-G	0	F02	94050-06080-G	1	E02
91251-LEJ2-E10	0	F06	93903-25220-G	0	F03	94050-06080-G	1	F10

## PART NO. INDEX

PART NO.	VERSION	PAGE	PART NO.	VERSION	PAGE	PART NO.	VERSION	PAGE
94050-06080-G	1	F12	95701-06012-07G	1	F20	95801-10070-08G	1	F20
94050-06080-G	1	F19	95701-06012-08G	1	F10	95801-KGB5-C01	1	F14
94050-06080-G	1	F20	95701-06012-08G	1	F11			
94050-10080-G	1	E06	95701-06012-08G	1	F19	<b>96000</b>		
94050-10080-G	1	E08	95701-06014-07G	1	F05			
94101-06700	1	F14	95701-06016-07G	1	F16	96001-06008-06	1	F14
94101-KKE3-C00	0	E05	95701-06016-07G	1	F18	96001-06012-02	3	E01
94111-06800	1	E05	95701-06016-08G	1	F19	96001-06012-07G	1	F16
94111-06800-G	0	E02	95701-06020-07G	1	F19	96001-06014-08G	0	E02
94301-08140	4	E01	95701-06020-08G	1	F04	96001-06016-08G	1	E08
94301-08140	4	E04	95701-06025-08G	1	E02	96001-06018-08G	1	E03
94301-10200	4	E09	95701-06032-08G	1	E02	96001-06020-08G	1	E07
94520-24000	1	E06	95701-06032-08G	1	F08	96001-06022-08G	1	E08
94540-06018	2	E07	95701-08012-08G	1	E01	96001-06025-06	1	F03
94591-KFBF-C00	1	E02	95701-08012-08G	1	F19	96001-06025-08G	1	E07
94591-KFBF-C00	1	F20	95701-08016-07G	1	F20	96001-06025-08G	1	E08
94591-LDC8-E10	1	E08	95701-08025-08G	1	F19	96001-06032-07G	1	F20
94591-LGR5-E10	1	F05	95701-08035-08G	1	E01	96001-06035-08G	1	F13
94608-LEJ2-E10	0	F06	95701-08040-08G	1	E01	96001-06045-08G	1	E01
			95701-KEC8-E01	0	F19	96001-06085-08G	1	E02
<b>95000</b>			95701-LGF3-E90	0	E02	96001-06085-08G	1	E04
			95801-08032-07G	1	F16	96001-06100-08G	1	E04
95002-02120	1	F13	95801-08040-08G	1	F06	96100-62033-00	1	E01
95701-06010-08G	0	F21	95801-08055-07G	1	F14	96220-LDC5-C00	1	E07
95701-06012-07G	1	F06	95801-08055-07G	1	F16	96700-08016-02	0	F12
95701-06012-07G	1	F19	95801-10040-08G	1	F16			

## PART NO. INDEX

PART NO.	VERSION	PAGE	PART NO.	VERSION	PAGE	PART NO.	VERSION	PAGE
<b>98000</b>								
98056-5671R-00	1	E02						
98200-31000	1	F11						
98200-31500	1	F11						

