

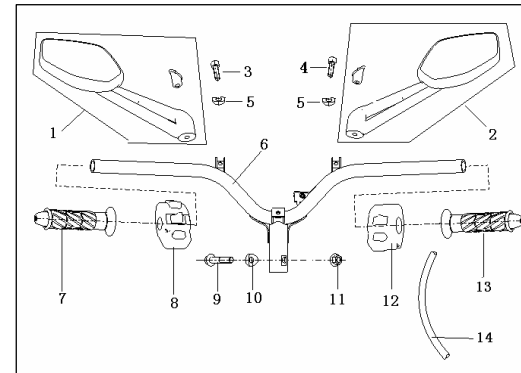
HACKER 50



HACKER 50

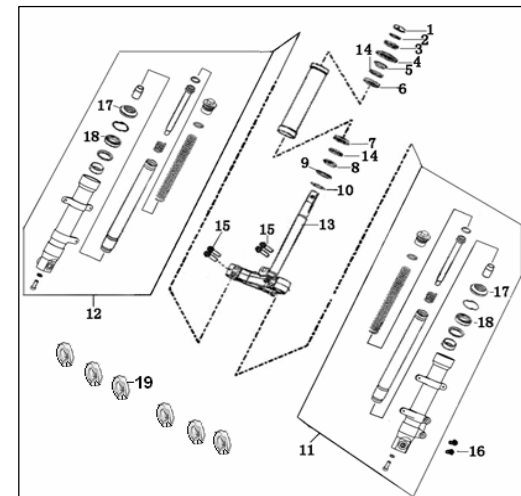
F01.CONTROL ASSY.

NO.	PART NO.	EN DESCRIPTION	QTY	NOTES
1	40450B430000	BACK MIRROR ASSY., LH.	1	
2	40480B430000	BACK MIRROR ASSY., RH.	1	
3	B02050802565	SCREW M8X25	1	
4	40186BNAT000	SCREW M8X25	1	
5	B07000000805	SPRING WASHER 8	2	
6	40100J4CT000	HANDLE BAR	1	
7	40001J4AT000	BACK MIRROR ASSY., LH.	1	
8	40500J4AT001	LEFT HANDLE SWITCH ,1 ASSY.	1	
9	B01591005065	FLANGE BOLT M10X1.25X50	1	
10	40113J4AT000	INSTALLER I	1	
11	B04171012555	NUT M10X1.25	1	
12	40600J4AT000	RIGHT HANDLE SWITCH, 2 ASSY.	1	
13	40210B430000	GRIP ASSY., THROTTLE	1	
14	40300B430000	CABLE ASSY , THROTTLE	1	



F02.FRONT FORK ASSY.

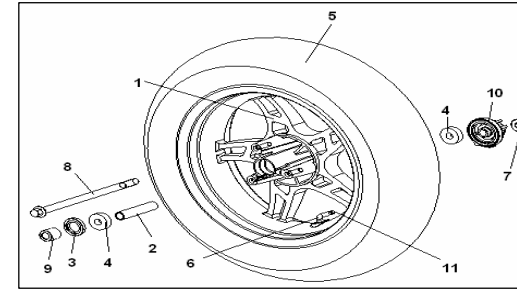
NO.	PART NO.	EN DESCRIPTION	QTY	NOTES
1	43008J4AT000	LOCK NUT	1	
2	43007J4AT000	STOPPER WASHER	1	
3	43017J4AT000	NUT	1	
4	43005J4AT000	DUST COVER	1	
5	43001J4AT000	RACE, STEERING OUTER, UPPER	1	
6	43002J4AT000	RACE, STEERING INNER, UPPER	1	
7	43003J4AT000	RACE, STEERING INNER, LOWER	1	
8	43004J4AT000	RACE, STEERING OUTER, LOWER	1	
9	43019J4AT000	RUBBER JOINT	1	
10	43018J4AT000	WASHER	1	
11	43200T42BA00	CUSHION ASSY.,L.(BLACK BA)	1	
12	43300T42BA00	CUSHION ASSY.,R.(SILVER/BLACK)	1	
13	43100J4CT000	BRACKET ASSY., LOWER	1	
14	B06010200000	BALL, STEEL 1/4"	35	
15	B01401005065	BOLT M10×1.25×50	4	
16	B01090803065	BOLT M8×30	2	
17	43290K00P000	COVER, ANTI-DUST	2	
18	43260K00P000	OIL SEAL	2	
19	47936S010000	NYLON,GASKET	6	



HACKER 50

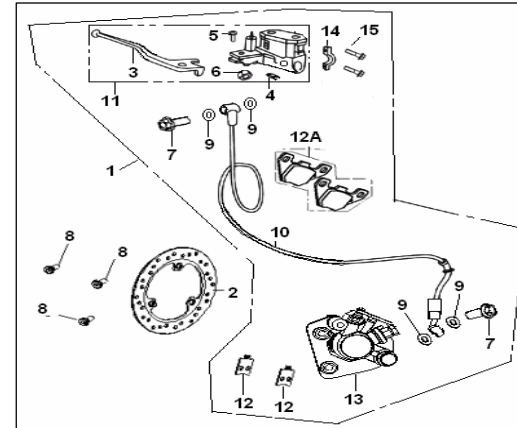
F03 FRONT WHEEL ASSY.

NO.	PART NO.	EN DESCRIPTION	QTY	NOTES
1	44101B43BH00	RIM COMP.3.5X12 "(BLACK BH)	1	
2	44600B430000	DISTANCE COLLAR COMP.	1	
3	44300B910000	OIL SEAL 22X35X7, R.	1	
4	B12016020100	BALL BEARING 6201-2RS	2	
5	B140507D1212	TIRE 120/70-12	1	
6	B1403Z201120	RIM VALVE	1	
7	B04171212554	U NUT 12X1.25MM	1	
8	44004T090001	FR. WHEEL AXLE	1	
9	44005B430000	COLLAR	1	
10	44200T42BH00	SPEEDOMETER GEAR COMP.BLACK BH	1	
11	B1404Z2011C0	CAP, VALVE	1	



F04_1 FRONT DISK BRAKE ASSY.

NO.	PART NO.	EN DESCRIPTION	QTY	NOTES
1	45900B430000	FRONT DISC BRAKE ASSY.	1	
2	45033B920000	BRAKE DISK (BLACK)	1	
3	45022J4AT000	LEVER, FR. BRAKE	1	
4	45300J4AT000	SWITCH, BRAKE	1	
5	45024J1CT000	BOLT	1	
6	B04170600055	NUT M6	1	
7	45037J4AT000	BOLT	2	
8	45036N050001	BOLT	3	
9	45029J4AT000	WASHER	4	
10	45200B430000	HOSE ASSY, FR. BRAKE	1	
11	45400T420000	MASTER CYLINDER ASSY (FRONT)	1	
12A	45110B20T000	BRAKE PAD KIT MARK : WTC JB	1	
13	45500B20TB31	CALIPER ASSY. (BLACK)	1	
14	45023J4AT000	MASTER CYLINDER BRACKET	1	
15	B01090602065	BOLT M6x23	2	

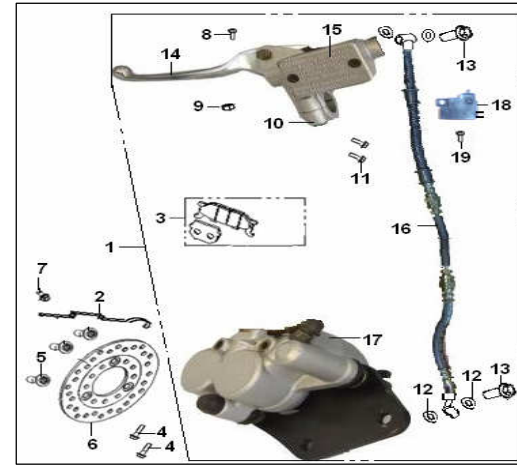


JOGO

HACKER 50

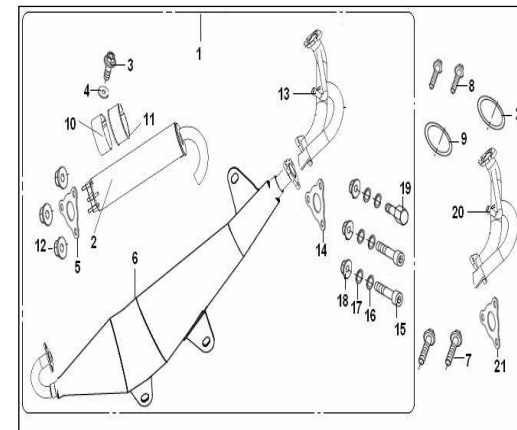
F04_2 REAR DISK BRAKE

NO.	PART NO.	EN DESCRIPTION	QTY	NOTES
1	55900B430000	DISK BRAKE ASSY.REAR	1	
2	54035T420000	DISC BRAKE THREAD FR	1	
3	45120B510000	BRAKE PAD KIT ASSY. (1SET)	1	JOGO
4	B01090802265	BOLT 8X22MM	2	
5	45036N050001	BOLT 8X20MM	3	
6	55033B920000	BRAKE DISC BLACK	1	
7	B01090601265	BOLT 6X12MM	1	
8	55024T400000	LEVER MOUNTING SCREW	1	
9	B04170600065	NUT 6MM	1	
10	45023T010000	MASTER CYLINDER BRACKET	1	
11	B01070602365	BOLT 6X23MM	1	
12	45180J000000	WASHER	4	
13	45037J000000	BANJO BOLT	2	
14	55022J4CT000	LEVER BRAKE LH	1	
15	55400B430000	RESERVOIR CUM MASTER CYLINDER	1	
16	55200B430000	HOSE,BRAKE FLUID	1	
17	55500B430000	CALIPER ASSY , BRAKE	1	
18	55300T430000	REAR STOP SWITCH ASSY.	1	
19	B02040401225	SCREW M4X12MM	1	



F05 MUFFLER

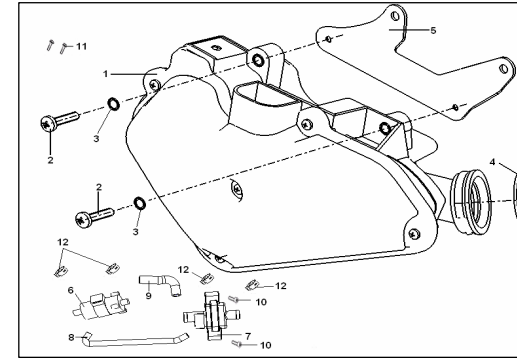
NO.	PART NO.	EN DESCRIPTION	QTY	NOTES
1	47100B43001Z	Two-segment type MUFFLER ASSY.	1	
2	47300B920001	MUFFLER CANISTER ASSY.	1	
3	B01090602064	BOLT 6X20MM	1	
4	B07000000604	WASHER 6MM	1	
5	47490BM0T005	CUSHION	1	
6	47200B430002	MUFFLER CANISTER ASSY.	1	
7	B01090803065	BOLT 8X30MM	2	
8	B01090601665	BOLT 6X16MM	2	
9	47800B0DT000	GASKET, EXHAUST PIPE	1	
10	47833B2GT005	ADIABATIC RUBBER	1	
11	48831B2GT005	MUFFLER HOOP	1	
12	47006J0AP000	NUT 6MM	3	
13	47500B430000	EXHAUST PIPE COMP.	1	
14	47490BMBT000	GASKET, FLANGE	1	
15	B02050602565	SCREW M6X25	2	
16	B07000000605	SPRING WASHER 6	3	
17	B07030000605	WASHER 6	3	
18	B04000600055	NUT 6MM	3	
19	08002BM0T001	SCREW M6X25	1	
20	47500B430001	EXHAUST PIPE COMP	1	
21	47490BMBT000	GASKET, FLANGE	1	
22	47800B00T000	GROMMET, EXHAUST PIPE	1	



HACKER 50

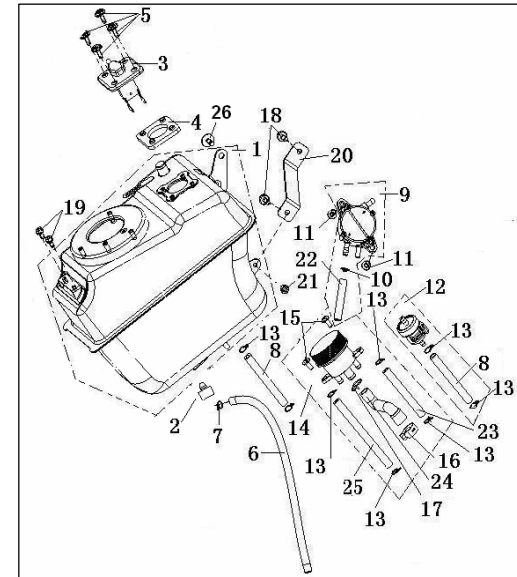
F06 AIR CLEANER ASSY.

NO.	PART NO.	EN DESCRIPTION	QTY	NOTES
1	49100B430000	AIR CLEANER ASSY.	1	
2	B01070602564	BOLT M6×25	2	
3	B07020000605	WASHER 6	2	
4	49350B070000	CLIP	1	
5	49360B430000	BRACKET, AIR CLEANER	1	
6	49870B140000	small air filter	1	
7	110011070000	valve,one-way	1	
8	49852B430000	connecting pipe	1	
9	49932B400000	rubber cushion,tube (II)	1	
10	B01090603565	BOLT M6×35	2	
11	B02000602525	screw M6X25	2	
12	49016J000000	clip φ18.5	4	



F07 FUEL TANK ASSY.

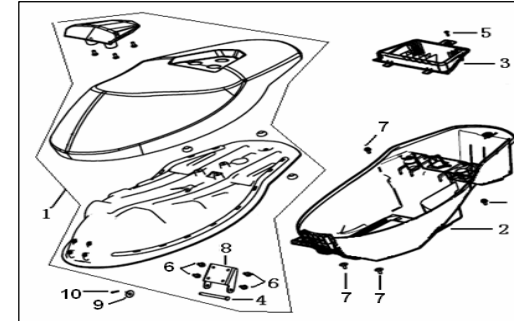
NO.	PART NO.	EN DESCRIPTION	QTY	NOTES
1	50100T420001	body ASSY., fuel tank	1	
2	47026J000000	mounting pad, fuel tank	1	
3	50800T420001	fuel sensor ASSY.	1	
4	50004BM0T000	rubber pad, sensor, oil level indicator	1	
5	08011B920009	SCREW W/WASHER M5X14	4	
6	B16010633001	drain pipe φ6×3×300	1	
7	B17010100003	clip φ10	1	
8	B16010521701	oil tube φ5×2×170	2	
9	50850B410001	oil pump ASSY.	1	
10	B17010085003	clip φ8.5	1	
11	B01090601665	BOLT M6×16	2	
12	50340J0ET000	filter ASSY.	1	
13	B17010090003	clip φ9	1	
14	50050JS0T001	OIL CUP ASSY.	1	
15	B02060501225	screw M5X12	2	
16	49016J00P000	clip φ18.5	1	
17	B17010150003	clip φ15	1	
18	B01090501065	bolt M5×10	2	
19	B01090501265	bolt M5×12	2	
20	50160T420001	joint plate	1	
21	B04000600055	nut M6	1	
22	B16010422201	oil tube φ4×2×220	1	
23	B16010528001	oil tube φ4×2×800	1	
24	50305T420000	vacuum tube	1	
25	B16010526501	oil tube φ5×2×650	1	
26	B01090601265	bolt M6×12	1	



HACKER 50

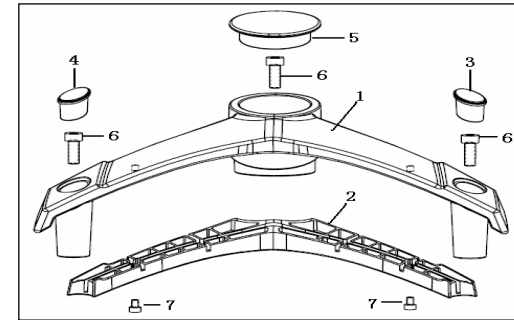
F08 SEAT ASSY.

NO.	PART NO.	EN DESCRIPTION	QTY	NOTES
1	51100J4CT000	SEAT ASSY.	1	
2	51004B430000	HELMET BOX	1	
3	65813B430000	CAP , ACCUMULATOR BOX	1	
4	51001J4CT000	SHAFT, SEAT FITTING	1	
5	08001H080000	TAPPING SCREW M6×16	1	
6	B01090601263	BOLT M6×12	4	
7	08001N0GT000	SCREW	4	
8	51003J4CT000	INSTALL BOARD , SEAT	1	
9	B07030000803	WASHER 8	1	
10	B090002018A3	PIN 2×18	1	



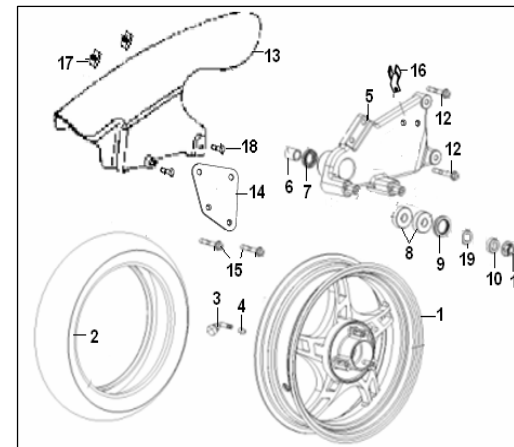
F09 REAR HANDLE ASSY.

NO.	PART NO.	EN DESCRIPTION	QTY	NOTES
1	52011T42HZ00	REAR HANDLE (GREY HZ)	1	
2	52016J4CT000	CAP , REAR HANDLE	1	
3	52017J4CT000	WATERPROOF CAP □	1	
4	52018J4CT000	WATERPROOF CAP □	1	
5	52019J4CT000	WATERPROOF CAP □	1	
6	B02050803065	SCREW M8×30	3	
7	B02050500865	SCREW M5×8	2	



F10 REAR WHEEL

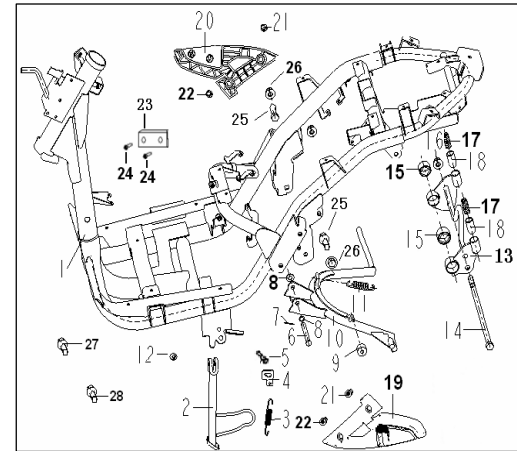
NO.	PART NO.	EN DESCRIPTION	QTY	NOTES
1	54100B92BH00	RR .RIMCOMP.3.5X12" (BLACK BH)	1	
2	B140508D1212	TIRE 130/70-12 (E MARK)	1	
3	B1403Z201120	RIM VALVE Z2-01-1	1	
4	B1404Z2011C0	CAP, VALVE	1	
5	47601B920000	MUFFLER BRACKET	1	
6	54016B920000	COLLAR	1	
7	44300B910000	OIL SEAL	1	
8	B12016030200	BALL BEARING6302-2RS	2	
9	44300J040000	OIL SEAL	1	
10	54005B230002	COLLAR	1	
11	B04171415055	NUT 14X1.5MM	1	
12	B01090804065	BOLT8X40MM	2	
13	65701B910002	REAR FENDER	1	
14	65770B920000	RR , FENDER BRACKET ,	1	
15	B01090802065	BOLT M8×20MM	2	
16	45052T430000	HOLDER, BRAKE HOSE 2	1	
17	65803T020000	SPRING NUT M6	2	
18	B01090801665	BOLT M8X16MM	2	
19	B08000004201	KEEP OFF	1	



HACKER 50

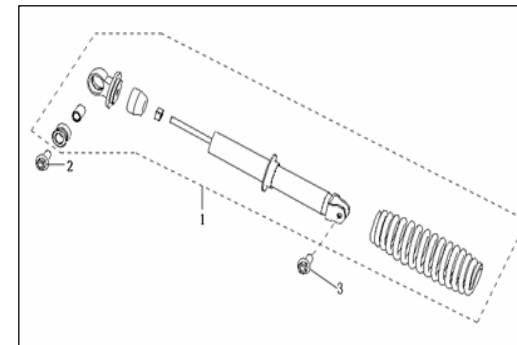
F11 FRAME ASSY.

NO.	PART NO.	EN DESCRIPTION	QTY	NOTES
1	57100B430000	FRAME BODY COMP.	1	
2	58700T420000	SIDE STAND COMP.	1	
3	57010B910001	TENSION SPRING	1	
4	57006B910000	SPRING HOOK, SIDE STAND	1	
5	57005J130000	BOLT, SIDE STAND	1	
6	58501B450050	PIN (GOLD COLORDE)	1	
7	B090002018A3	COTTER PIN 2×18	1	
8	B07030001005	WASHER 10	2	
9	58507BM0T000	CUSHION GUM	1	
10	58520B300001	MAIN STAND COMP.	1	
11	58510B910000	MAIN STAND SPRING ASSY.	1	
12	B04020800015	NUT M8	1	
13	58300B430000	HOLDER COMP., ENGINE	1	
14	58303B910000	SHAFT, ENGINE BRACKET	1	
15	58350B910000	sleeve gasket ASSY.	2	
16	B04171212555	NUT M12×1.25	1	
17	58344B310000	SPRING	2	
18	58342B310000	STOPPER	2	
19	58290T42HZ00	PEDAL ASSY. , L.(GREY HZ)	1	
20	58280T42HZ00	PEDAL ASSY. , R.(GREY HZ)	1	
21	B02050602065	SCREW M6×20	2	
22	B02050603065	SCREW M6×30	2	
23	57001B430000	FRAME PLATE	1	
24	B100432007P0	RIVET 3.2×7	2	
25	08013B910000	mounting bolt,hanger,power	2	
26	B04171012555	NUT M10X1.25	2	
27	B01090601265	bolt M6X12	1	
28	B01070602565	bolt M6X25	1	



F12 REAR ABSORBER ASSY.

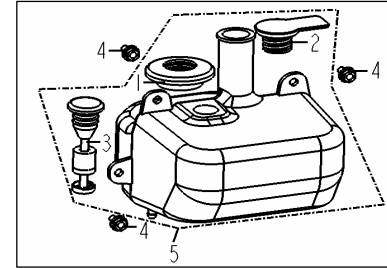
NO.	PART NO.	EN DESCRIPTION	QTY	NOTES
1	63800B43E600	REAR SHOCK ABSORBER COMP BLUE E6	1	
	63800B43R800	REAR SHOCK ABSORBER COMP RED R8	1	AZ/BRA PRT/BRA
2	B01591004065	BOLT M10×1.25×40	1	
3	B01090803065	BOLT M8×30	1	



HACKER 50

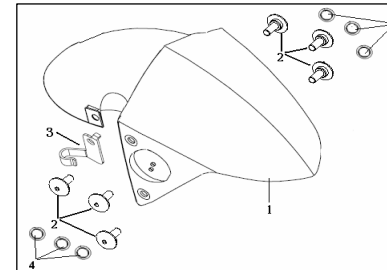
F13 OIL TANK.

NO.	PART NO.	EN DESCRIPTION	QTY	NOTES
1	64012B300000	RUBBER, OIL GUIDE	1	
2	64090B310000	CAP, OIL TANK	1	
3	64100B910000	OIL LEVER GAUGE ASSY.	1	
4	B01090601265	BOLT M6×12	3	
5	64001B430000	OIL TANK ASSY.	1	



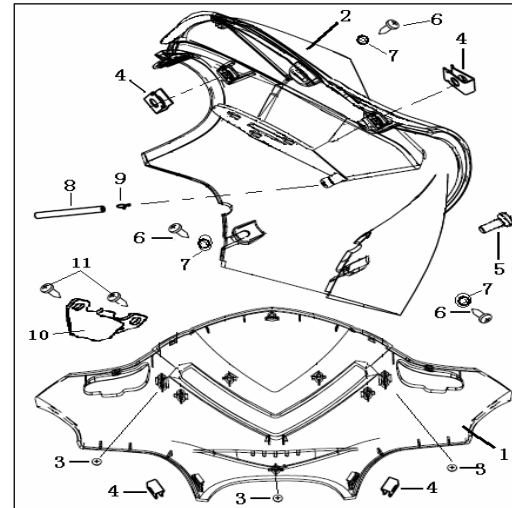
F14 FRONT FENDER

NO.	PART NO.	EN DESCRIPTION	QTY	NOTES
1	65101T42WF00	FRONT FENDER (WHITE WF)	1	
2	B0284060150A	SCREW M6×15.2	6	
3	65116J4CT000	ODOMETER LINE NIP	1	
4	47936S010000	NYLON	6	



F15 HANDLE COVER

NO.	PART NO.	EN DESCRIPTION	QTY	NOTES
1	65201T420010	HANDLE COVER, FRONT(BLUE/BLACK E6/B5)	1	
1	65201T420030	HANDLE COVER, FRONT(BLACK BA/B5)	1	
2	65202T42B500	HANDLE COVER, REAR(BLACK B5)	1	
3	B05074201305	TAPPING SCREW ST4.2×13	3	
4	65801J0ET001	CLIP . SCREW ST4.2	4	
5	B13010501205	SCREW M5×12	1	
6	B05004201305	TAPPING SCREW ST4.2×13	4	
7	B07030000405	WASHER 4	2	
8	B16010621901	DRAIN HOSE □ φ6×2×190	1	
9	B17010100003	STEEL WIRE HOOP φ10	1	
10	65214B43E600	SMALL COVER,FLUID BRAKE BLUE E6	1	
	65214B43BA00	SMALL COVER,FLUID BRAKE BLACK BA	1	
11	B05073001005	TAPPING SCREW ST3×10	2	



AZ/BRA
PRT/BRA

HACKER 50

F16 FRONT COVER

NO.	PART NO.	EN DESCRIPTION	QTY
1	65302T42E600	FRONT COVER (BLUE E6)	1
	65302T42BA00	FRONT COVER (BLACK BA)	1
2	65301T42B500	CAP, FRONT COVER (BLACK B5)	1
3	65316T42E600	COUPLING COVER , L. (BLUE E6)	1
	65316T42BA00	COUPLING COVER , L. (BLACK BA)	1
	65316T42004Z	COUPLING COVER , L. (BLUE E6)	1
	65316T42005Z	COUPLING COVER , L. (BLACK BA)	1
4	65317T42E600	COUPLING COVER , R. (BLUE E6)	1
	65317T42BA00	COUPLING COVER , R. (BLACK BA)	1
	65317T42004Z	COUPLING COVER , R. (BLUE E6)	1
	65317T42005Z	COUPLING COVER , R. (BLACK BA)	1
5	65307J4CT000	CAP , COUPLING COVER , L.	1
6	65308J4CT000	CAP , COUPLING COVER , R.	1
7	B05074201305	TAPPING SCREW ST4.2×13	8
8	B05074201605	TAPPING SCREW ST4.2×16	10
9	65801J0ET001	CLIP , SCREW ST4.2	16
10	B05074201905	TAPPING SCREW ST4.2×19	3
11	B01090801265	BOLT M8×12	1
12	B05004201605	TAPPING SCREW ST4.2×16	2
13	B07030000405	WASHER 4	3

NOTES

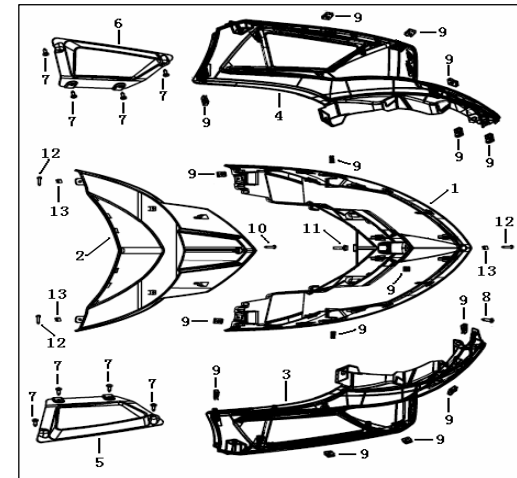
AZ/BRA
PRT/BRA

AZ/BRA
PRT/BRA

AZ/BRA C/ AUTOCOLANTES
PRT/BRA C/ AUTOCOLANTES

AZ/BRA
PRT/BRA

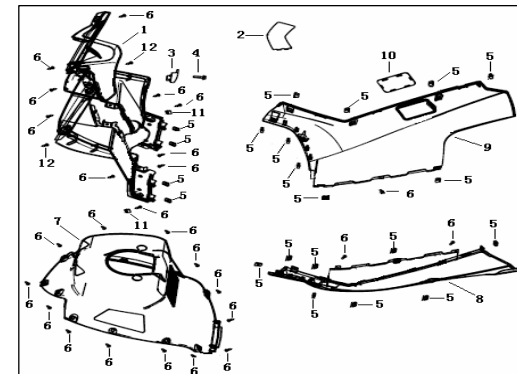
AZ/BRA C/ AUTOCOLANTES
PRT/BRA C/ AUTOCOLANTES



F17 LEG SHIELD

NO.	PART NO.	EN DESCRIPTION	QTY
1	65402J4CT000	LEG SHIELD	1
2	65435J4CT000	NECK CAP	1
3	65421J4CT000	HOOK , HELMET	1
4	B01090602065	BOLT M6×20	1
5	65801J0ET001	CLIP , SCREW ST4.2	25
6	B05074201605	TAPPING SCREW ST4.2×16	26
7	65106J4CT000	FRONT INSIDE FENDER	1
8	65406J4CT000	BOTTOM COVER , L.	1
9	65407J4CT000	BOTTOM COVER , R.	1
10	65403J4CT000	INSPECTION COVER, FRAME NO.	1
11	B07020000405	WASHER 4	2
12	B05074201905	TAPPING SCREW ST4.2×19	2

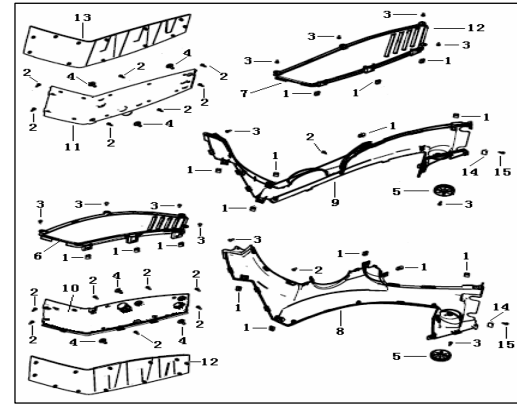
NOTES



HACKER 50

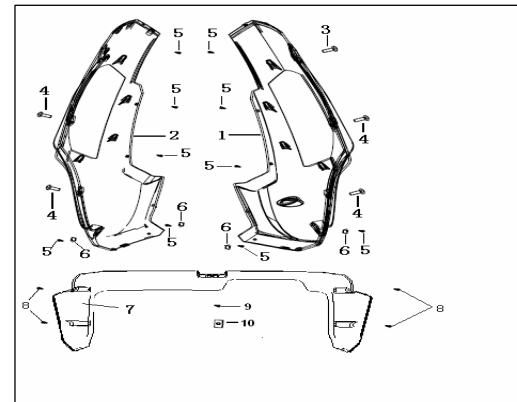
F18 LEG SHIELD

NO.	PART NO.	EN DESCRIPTION	QTY	NOTES
1	65801J0ET001	CLIP , SCREW ST4.2	16	
2	B05074201605	TAPPING SCREW ST4.2×16	17	
3	B05074201305	TAPPING SCREW ST4.2×13	10	
4	B13060601605	SCREW W/WASHER M6×16	6	
5	65434T42HZ00	DECORATE CAP (GREY HZ)	2	
6	65461J4CT000	SIDE COVER, OIL BOX , L.	1	
7	65462J4CT000	SIDE COVER, OIL BOX , R.	1	
8	65463T42HZ00	UPSIDE COVER , OIL BOX , L. (GREY HZ)	1	
9	65464T42HZ00	UPSIDE COVER , OIL BOX , R. (GREY HZ)	1	
10	65401J4CT000	FOOTREST , L.	1	
11	65405J4CT000	FOOTREST , R.	1	
12	65413J4CT000	FOOTREST RUBBER , L.	1	
13	65414J4CT000	FOOTREST RUBBER , R.	1	
14	B07030000405	WASHER 4	2	
15	B05004201605	TAPPING SCREW ST4.2×16	2	



F19 FRAME COVER

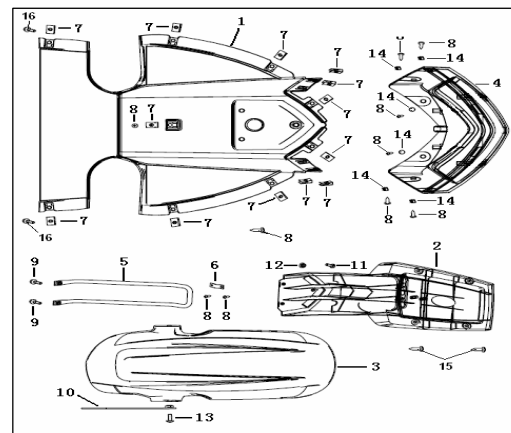
NO.	PART NO.	EN DESCRIPTION	QTY	NOTES
1	65601T42WF00	SIDE COVER, L.(WHITE WF)	1	S/ AUTOCOLANTE AZ/BRA C/ AUTOCOLANTE PRT/BRA C/ AUTOCOLANTE S/ AUTOCOLANTE AZ/BRA C/ AUTOCOLANTE PRT/BRA C/ AUTOCOLANTE
	65601T42007Z	SIDE COVER, L.(WHITE WF)	1	
	65601T42008Z	SIDE COVER, L.(WHITE WF)	1	
	65602T42WF00	SIDE COVER, R.(WHITE WF)	1	
2	65602T42007Z	SIDE COVER, R.(WHITE WF)	1	S/ AUTOCOLANTE AZ/BRA C/ AUTOCOLANTE PRT/BRA C/ AUTOCOLANTE
	65602T42008Z	SIDE COVER, R.(WHITE WF)	1	
	65602T42008Z	SIDE COVER, R.(WHITE WF)	1	
3	B02060601225	SCREW M6×12	1	
4	B13010501205	SCREW M5×12	4	
5	B05004201605	TAPPING SCREW ST4.2×16	10	
6	B07030000405	WASHER 4	4	
7	65621B430000	DECORATIVE BOARD, GUARD BOARD	1	
8	B13010601605	SCREW W/WASHER M6×16	4	
9	B05004201605	TAPPING SCREW ST4.2×16	1	
10	65801J0ET001	CLIP , SCREW ST4.2	1	



HACKER 50

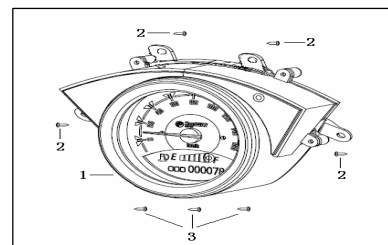
F20 REAR FENDER

NO.	PART NO.	EN DESCRIPTION	QTY	NOTES
1	65715B43B500	REAR BOTTOM LINK COVER(BLACK B5)	1	
2	65701J4CT000	REAR FENDER	1	
3	65761J4CT000	REAR LOWER FENDER	1	
4	82012T42HZ00	TAILLIGHT CASE(GREY HZ)	1	
5	65720J4CT000	REAR FENDER BRACKET	1	
6	65717J4CT000	LIMITING BOARD	1	
7	65801J0ET001	CLIP , SCREW ST4.2	13	
8	B05004201305	TAPPING SCREW ST4.2×13	11	
9	B01090602065	BOLT M6×20	2	
10	65770J4CT000	REAR LOWER FENDER BRACKET ASSY.	1	
11	B01090601665	BOLT M6×16	1	
12	B04000600055	NUT M6	1	
13	B02060601225	SCREW M6×12	1	
14	B07030000405	WASHER 4	6	
15	B05074001605	SCREW ST4×16	2	
16	B01090603065	BOLT M6×30	2	



F21 SPEEDOMETER ASSY.

NO.	PART NO.	EN DESCRIPTION	QTY	NOTES
1	70000B43HZ00	SPEEDOMETER ASSY.(GREY HZ)	1	
2	B05074201305	TAPPING SCREW ST4.2×13	4	
3	B05074201605	TAPPING SCREW ST4.2×16	3	

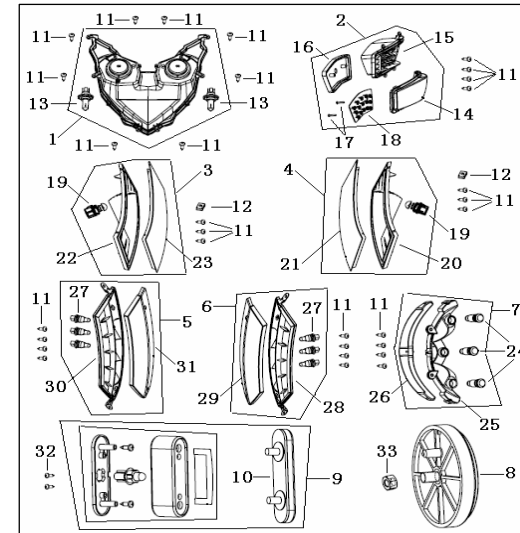


HACKER 50

F22 ELECTRIC I

NO.	PART NO.	EN DESCRIPTION	QTY
1	80000J4CT000	HEAD LAMP ASSY.	1
2	82000J4CT000	TAIL LAMP ASSY.	1
3	81100J4CT000	LAMP ASSY. , FRONT TURN SIGNAL L.	1
4	81300J4CT000	LAMP ASSY. , FRONT TURN SIGNAL R.	1
5	81700J4CT000	LAMP ASSY. , REAR TURN SIGNAL R.	1
6	81500J4CT000	LAMP ASSY. , REAR TURN SIGNAL L.	1
7	80900J4CT000	FRONT PARKING LAMP ASSY.	1
8	86300BMBT000	SIDE REFLECTOR	2
9	82900T420000	REAR LICENSE LAMP ASSY.	1
10	86500BN0T000	REAR REFLECTOR	1
11	B05074201305	TAPPING SCREW ST4.2×13	30
12	65801J0ET001	CLIP , SCREW ST4.2	2
13	B24010320000	BULB , HEAD LAMP	2
14	82040J4CT000	COVER , HEAD LAMP	1
15	82002J4CT000	BOWL , REPERCUSSION , TAIL LAMP	1
16	82001J4CT000	SEAT , TAIL LAMP	1
17	B05002902205	TAPPING SCREW ST2.9×22	2
18	82033J4CT000	CIRCUIT BOARD , TAIL LAMP	1
19	B24014020002	BULB , FRONT TURN SIGNAL	2
20	81304J4CT000	BOWL , REPERCUSSION , FRONT TURN SIGNAL R. LAMP	1
21	81302J4CT000	COVER , FRONT TURN SIGNAL R. LAMP	1
22	81104J4CT000	BOWL , REPERCUSSION , FRONT TURN SIGNAL L. LAMP	1
23	81102J4CT000	COVER , FRONT TURN SIGNAL L. LAMP	1
24	B24012920000	FRONT PARKING BULB 12V3W	3
25	80905J4CT000	SEAT , FRONT PARKING LAMP	1
26	80901J4CT000	COVER , FRONT PARKING LAMP	1
27	B24014220002	BULB , REAR TURN SIGNAL	6
28	81504J4CT000	BOWL , REPERCUSSION , REAR TURN SIGNAL L. LAMP	1
29	81502J4CT000	COVER , REAR TURN SIGNAL L. LAMP	1
30	81704J4CT000	BOWL , REPERCUSSION , REAR TURN SIGNAL R. LAMP	1
31	81702J4CT000	COVER , REAR TURN SIGNAL R. LAMP	1
32	B05074201605	TAPPING SCREW ST4.2×16	2
33	B04000500055	BOLT M5	2

NOTES

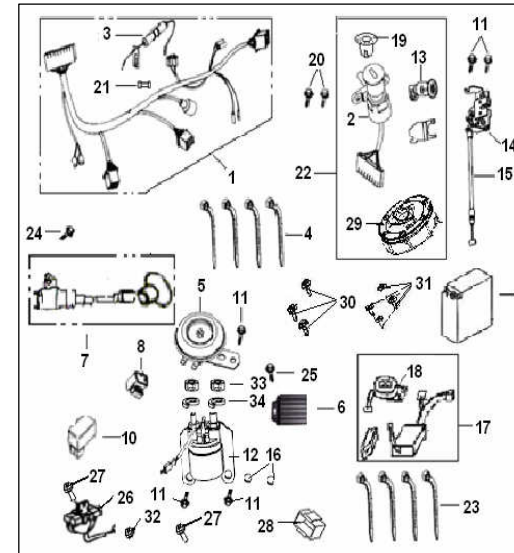


HACKER 50

F23 ELECTRIC II

NO.	PART NO.	EN DESCRIPTION	QTY	NOTES
1	92000B430001	HARNES, WIRING	1	
2	88100J4CT000	LOCK ASSY., POWER	1	
3	96800J4AT000	FUSE COMP.	1	
4	96003J00P000	BAND 250	4	
5	95000J0ET000	HORN ASSY.	1	
6	299051040080	REFLECTOR ASSY., FRONT	1	
7	96200B310000	COIL ASSY. , IGNITION	1	
8	96400K00P001	RELAY, TURN SIGNAL MANUAL TYPE	1	
9	96100B030010	BATTERY ASSY. 12V,3AH (YTX4L-BS)	1	
10	299051040030	C.D.I	1	
11	B01090601265	BOLT M6×12	5	
12	94100J000002	RELAY, STARTER	1	
13	88800J4CT000	LOCK ASSY., SEAT	1	
14	58800J4CT000	LOCK SEAT ASSY. , SEAT	1	
15	58900BSAT000	LOCK LINE ASSY. , SEAT	1	
16	B07030000605	SPRING WASHER 6	2	
17	95700J4CT000	ANNUNCIATOR,VOICE ASSY.	1	
18	95730BMBT002	ALARM SYSTEM HORN	1	
19	88101J4AT000	DECORATION, LOCK	1	
20	B01090601665	SCREW M6×16	2	
21	96810J4AT000	FUSE	2	
22	88000J4CT000	LOCK ASSY.	1	
23	96002J00P000	BAND 200	4	
24	B01090601665	BOLT M6×20	1	
25	B01090601665	BOLT M6×16	1	
26	96600BMBT000	RESISTOR COMP.	1	
27	B01090601265	BOLT M6X12	2	
28	96007J040000	CUSHION C.D.I.	1	
29	50200T420001	cover ASSY., fuel tank	1	
30	B02050503024	SCREW M5×30	3	
31	B02050501264	SCREW M5×12	4	
32	B040706000055	NUT M6	1	
33	B040006000055	NUT M6	2	
34	B07000000605	SPRING WASHER 6	2	

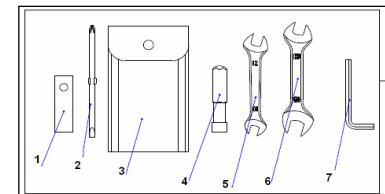
NOTES



F24 TOOL KIT

NO.	PART NO.	EN DESCRIPTION	QTY	NOTES
1	02102G010000	SOCKET, SPARK PLUG	1	
2	02103J00000000	SCREW DRIVER	1	
3	02110J00000000	TOOL BAG	1	
4	02160J00000000	HANDLE	1	
5	B20011001203	WRENCH 10-12	1	
6	B20011301603	WRENCH 13-16	1	
7	B200206000000	SPANNER	1	
8	02100T030001	TOOL ASSY.	1	

NOTES



HACKER 50

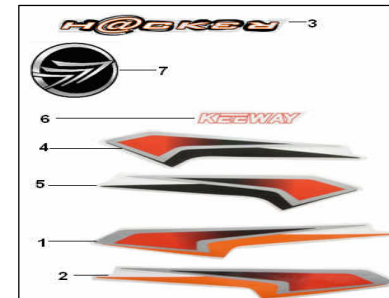
F25/1 STICKER used for blue/white E6/WF vehicle

NO.	PART NO.	EN DESCRIPTION	QTY	NOTES
1	05511B430000	STICKER I SIDE COVER LH.	1	
2	05512B430000	STICKER I SIDE COVER RH.	1	
3	05515B43E600	STICKER II,SIDE COVER LH.RH.	2	
4	05521B430000	STICKER I,CONNECTING PLATE LH.	1	
5	05522B430000	STICKER I,CONNECTING PLATE RH.	1	
6	05525B430000	STICKER II , COUPLING COVER LH.RH.	2	
7	05525BMBT000	STICKER , FRONT COVER	1	



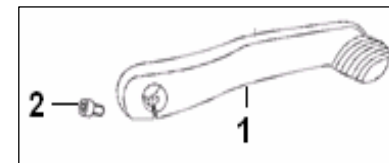
F25/2 STICKER used for black/white BA/WF vehicle

NO.	PART NO.	EN DESCRIPTION	QTY	NOTES
1	05511B43BA00	STICKER I SIDE COVER LH.	1	
2	05512B43BA00	STICKER I SIDE COVER RH.	1	
3	05515B43BA00	STICKER II,SIDE COVER LH.RH.	2	
4	05521B43BA00	STICKER I,CONNECTING PLATE LH.	1	
5	05522B43BA00	STICKER I,CONNECTING PLATE RH.	1	
6	05525B43BA00	STICKER II , COUPLING COVER LH.RH.	2	
7	05525BMBT000	STICKER , FRONT COVER	1	



F26 ENGINE ATTACHMENT

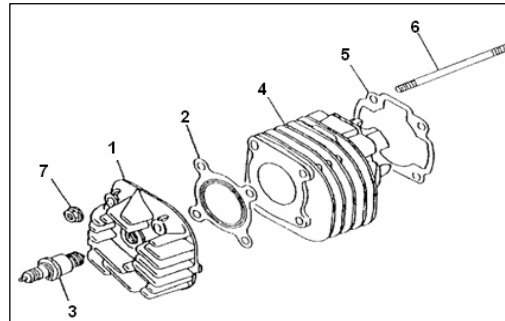
NO.	PART NO.	EN DESCRIPTION	QTY	NOTES
1	08351BM0THU0	STARTING SHAFT (SILVER GRAY)	1	
2	B02050602565	SCREW 6X25MM	1	



HACKER 50

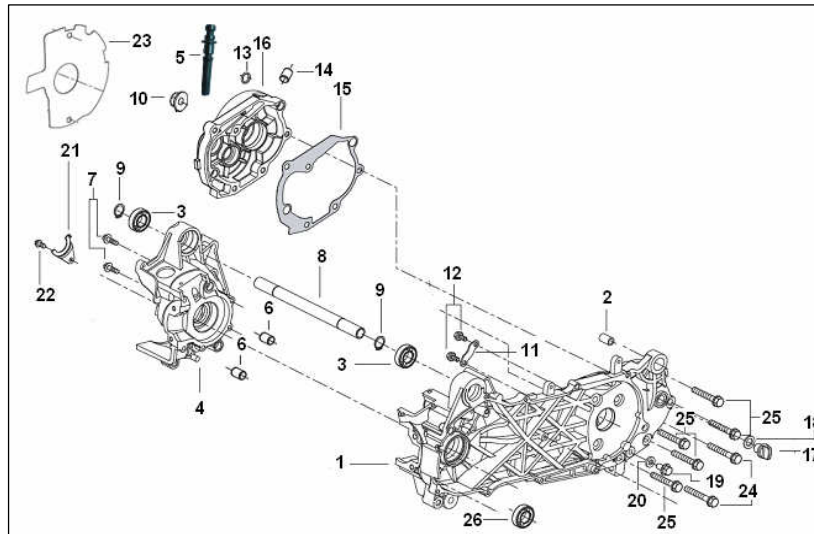
E01 .CYLINDER HEAD ASSY

NO.	PART NO.	EN DESCRIPTION	QTY	NOTES
1	30701B01F000	HEAD , CYLINDER	1	
2	30507B01F000	GASKET , CYLINDER HEAD	1	
3	201204.013000	SPARK PLUG	1	
4	27101B01F00A	CYLINDER	1	
5	204204.001000	GASKET , CYLINDER	1	
6	26107B01F910	STUD BOLT	4	
7	304290700062	NUT	4	



E02.CRANKCASE ASSY

NO.	PART NO.	EN DESCRIPTION	QTY	NOTES
1	206200.045000	CRANKCASE,LH	1	
2	26108G02F000	BUSH,ENGINE MOUNTING	1	
3	B12016600300	BEARING 6003-2RS	2	
4	159051070010	CRANKCASE,RH	1	
5	26142G02F000	BRAKE SHOE	1	
6	26123G02F000	DOWEL PIN	2	
7	301310603565	PAN HEAD SCREW	6	
8	26109B09F000	AXLE,engine mount	1	
9	B08010001700	CIRCLIP	2	
10	B04070812553	NUT	1	
11	26214B09F000	BEARING HOLDER	1	
12	B01070601262	PAN HEAD SCREW	2	
13	14222J01F000	O-RING	1	
14	26123G02F000	DOWEL PIN	2	
15	214201.004000	MISSION CASE GASKET	1	
16	18101B09F000	COVER, GEAR BOX	1	
17	206407.004081	OIL PLUG	1	
18	26102G02F000	O RING	1	
19	301310801605	FLANGE BOLT	1	
20	18105H03F000	PLATE WASHER	1	
21	26214G02F910	OIL SEAL HOLDER	1	
22	301310601263	PAN HEAD SCREW	1	
23	206321.001000	GASKET	1	
24	301310805565	SCREW M8X55	2	
25	301310805065	SCREW M8X50	5	
26	207234.001000	bush	1	

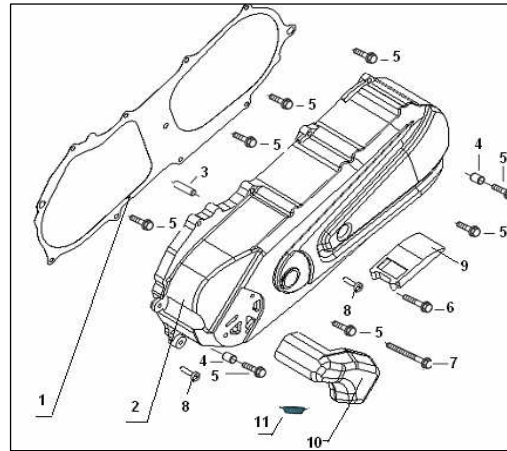


HACKER 50

E03. SIDECOVER ASSY

NO.	PART NO.	EN DESCRIPTION	QTY
1	207208.017000	GASKET,L CRANKCASE	1
2	169021070013	L CRANKCASE COVER	1
3	26128G02F000	IDLE GEAR	1
4	26208J01F000	DOWEL PIN	2
5	301310602565	PAN HEAD SCREW M6X25	8
6	301310603565	PAN HEAD SCREW M6X35	1
7	301310606565	PAN HEAD SCREW M6X65	1
8	3052035014F5	SCREW ST3.5X14	6
9	14149B09F000	AIR DUCT-OUTLET	1
10	14148B09F000	AIR DUCT-INLET	1
11	14150B09F000	FILTER ASSY	1

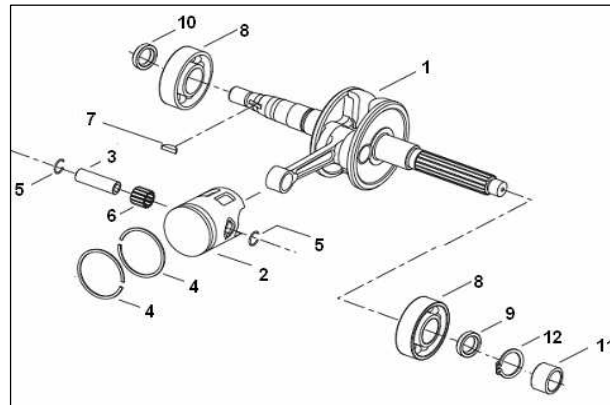
NOTES



E04.PISTON CRANKSHAFT CONNECTING ROD ASS

NO.	PART NO.	EN DESCRIPTION	QTY
1	208100.022000	CRANKSHAFT , ASSY	1
2	15100B01F00B	PISTON ASSY	1
3	15105B16F000	PISTON PIN	1
4	15103B01F000	PISTON RING ASSY	2
5	15111G02F000	CIRCLIP	2
6	15110B16F000	NEEDLE BEARING	1
7	15101B01F000	WOODRUFF KEY	1
8	B12016620453	BALL BEARING	2
9	15213G02F000	OIL SEAL	1
10	26215G02F000	OIL SEAL ASSY	1
11	15214G02F000	COLLAR	1
12	17308G02F000	CIRCLIP	1

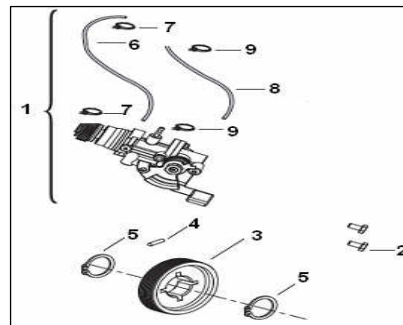
NOTES



E05. OIL PUMP ASSY

NO.	PART NO.	EN DESCRIPTION	QTY
1	269011070080	OIL PUMP ASSY	1
2	B02000501463	SCREW	2
3	15211G02F000	PUMP DRIVE GEAR	1
4	B090103014C0	PIN	1
5	15106G02F910	CIRCLIP	2
6	270062080010	HOSE,OIL INLET 330mm	1
7	19213G02F00A	HOSE CLIP	2
8	221405.104000	HOSE,OIL OUTLET 400mm	1
9	19217G02F00A	HOSE CLIP	2

NOTES

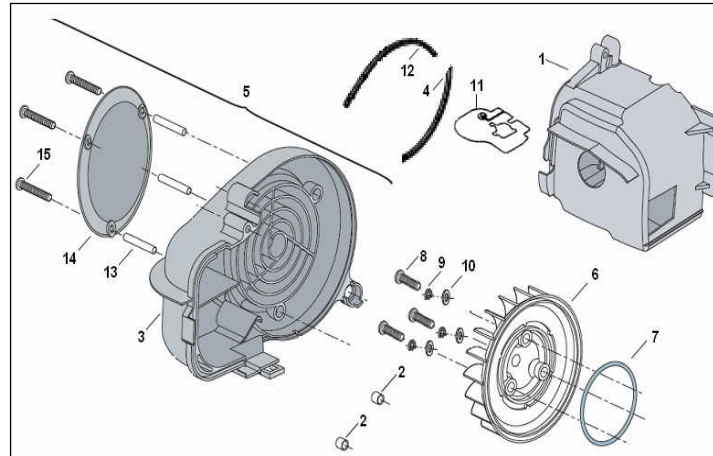


HACKER 50

E06. AIR COOLING SYSTEM

NO.	PART NO.	EN DESCRIPTION	QTY
1	20301B01F000	COWLING,cylinder	1
2	20303G02F000	GROMMET	2
3	20201B09F000	COELING,fan (AVL)	1
4	20208G02F000	BEADING (RUBBER)	1
5	222103.014000	COVER ASSY (FAN)	1
6	20401B01F000	FAN ASSY	1
7	20402G02F000	RUBBER RING 70X3.1	1
8	B02000601663	SCREW M6X16	3
9	B07000000600	SPRING WASHER $\phi 6$	3
10	B07030000600	WASHER $\phi 6$	3
11	20102G02F000	DUST COVER (RUBBER)	1
12	20206G02F000	BEADING (RUBBER)	1
13	20208B09F000	COLLOR	3
14	222304.101000	COVER	1
15	B02000403524	SCREW M4X35	3

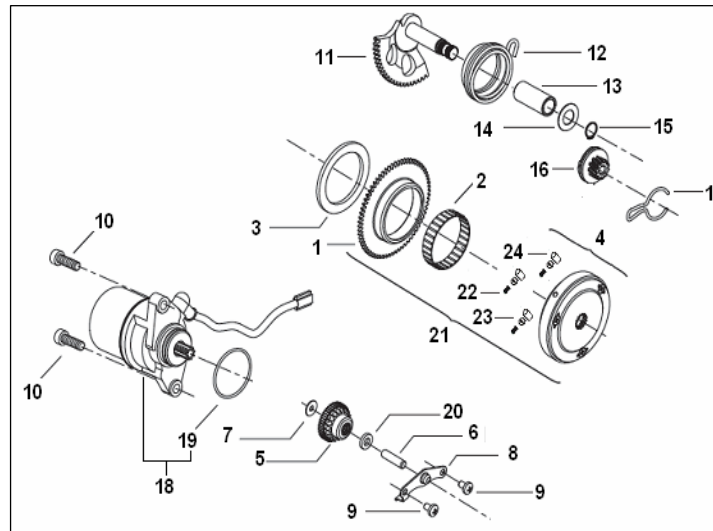
NOTES



E07.KICK STARTER ASSY

NO.	PART NO.	EN DESCRIPTION	QTY
1	34120G02F000	START GEAR ASSY	1
2	34121G02F000	NEEDLE BEARING	1
3	34123G02F000	THRUST WASHER	1
4	34110G02F00A	START HOLDER ASSY	1
5	34126G02F000	DRIVEN GEAR,STARTER	1
6	26128G02F000	IDLE GEAR SHAFT	1
7	34122G02F000	PLATE WASHER	1
8	34125G02F000	IDLE GEAR HOLDER	1
9	B01070601063	SCREW	2
10	302040602065	SCREW	2
11	216100.003000	SHAFT, kick starter	1
12	17407G02F000	SPRING	1
13	216217.004000	BUSH	1
14	307991005552	WASHER ,kick starter	1
15	308090150003	CIRCLIP	1
16	17415G02F000	KICK PINION ASSY	1
17	17418G02F930	CLIP	1
18	218100.017472	STARTING MOTOR ASSY	1
19	B190102120B0	O-RING	1
20	34130G02F000	PLATE WASHER	1
21	217100.100000	START CLUTCH ASSY	1
22	34404G02F00A	SPRING	3
23	34405G02F00A	CAP	3
24	34402G02F00A	ROLLER	3

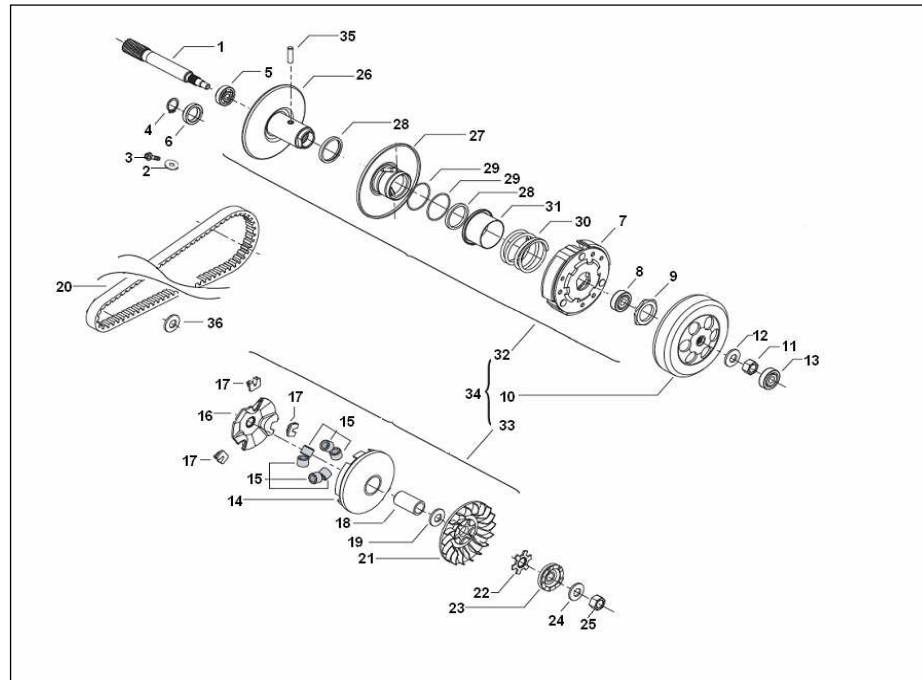
NOTES



HACKER 50

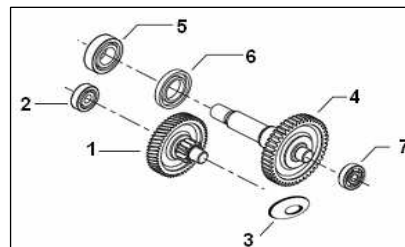
E08.CLUTCH ASSY

NO.	PART NO.	EN DESCRIPTION	QTY	NOTES
1	24201B09F000	PRIMARY DRIVE SHAFT	1	
2	18114G02F000	PLATE WASHER	1	
3	B01090801263	PAN HEAD SCREW	1	
4	B08010001700	CIRCLIP	1	
5	B12016620300	BEARING 6203	1	
6	24203B09F000	OIL SEAL	1	
7	24301B01F000	CLUTCH ASSY,shoe	1	
8	24245G02F000	ROLLER BEARING	1	
9	24303G02F000	NUT	1	
10	24700G02F000	CLUTCH DRUM	1	
11	24305G02F940	NUT	1	
12	24243G02F000	RING	1	
13	24209G02F000	BEARING 638Z	1	
14	24101G02F000	FACE,movable drive	1	
15	213119.004000	ROLLER (4g)	6	
16	24103G02F000	PLATE,movable drive	1	
17	24104G02F000	DAMPER	3	
18	24105G02F000	COLLER	1	
19	24106B01F000	WASHER	1	
20	24107B01F000	V BELT , DRIVE	1	
21	24108G02F000	FACE , FIXED DRIVE	1	
22	24109G02F000	PLATE , WOODRUFF KEY	1	
23	213203.001161	STARTING DISC	1	
24	15112G02F010	WASHER , SPRING	1	
25	B04031212553	NUT	1	
26	24204G02F000	FACE , FIXED DRIVEN	1	
27	24205G02F000	FACE , MOVABLE DRIVEN	1	
28	24206G02F000	OIL SEAL	1	
29	24207G02F000	O-RING	2	
30	24308B01F000	SPRING	1	
31	24309G02F930	SEAT , SPRING	1	
32	24200B01F000	DRIVEN PULLEY and CLUTCH ASSY	1	
33	24100B09F000	DRIVE ASSY	1	
34	213100.009000	SHIFT ASSY (4g)	1	
35	24208G02F000	PIN , GUIDE	2	
36	200011070013	WASHER (7.5)	1	



E09. TRANSMISSION SYSTEM ASSY

NO.	PART NO.	EN DESCRIPTION	QTY	NOTES
1	17800B09F000	SHAFT , IDLE	1	
2	B12016620000	BEARING 6200	1	
3	17732J01F000	WASHER , thrust	1	
4	220131070000	SHAFT , REAR BOX	1	
5	B12016600400	NEEDLE BEARING	1	
6	17317B09F000	OIL SEAL	1	
7	B12016620200	NEEDLE BEARING	1	

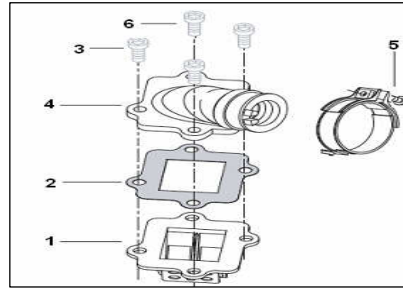


HACKER 50

E10. REED VALVE ASSY

NO.	PART NO.	EN DESCRIPTION	QTY
1	32300G02F000	REED VALVE ASSY	1
2	202306.002000	VALVE SEAT GASKET	1
3	302040602065	SCREW	3
4	110011160000	PIPE, intake	1
5	202104.006472	CLIP	1
6	206412.001472	SCREW	1

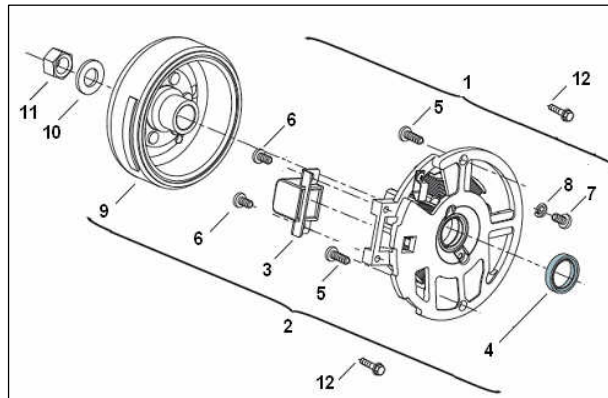
NOTES



E11. MAGNETO ASSY

NO.	PART NO.	EN DESCRIPTION	QTY
1	299031070001	COIL ASSY	1
2	299011070001	MAGNETO ASSY 17°	1
3	34330G02F000	PULSE TRIGGER	1
4	34350G02F000	OIL SEAT	1
5	B02000502522	SCREW	2
6	B02000501262	SCREW	2
7	B02000400622	SCREW	1
8	B07000000400	SPRING WASHER	1
9	299022080014	FLY WHEEL ASSY 17°	1
10	B07030001200	WASHER	1
11	15228H03F000	NUT	1
12	B01070601664	NUT	2

NOTES



E12. CARBURETOR ASSY

NO.	PART NO.	EN DESCRIPTION	QTY
1	32510B01F000	NEEDLE, jet	1
2	32511B01F000	VALVE, PISTON	1
3	224202.104000	JET, main 60	1
4	224107.011000	ENRICH VALVE	1
5	32619B01F000	PIN, float	1
6	32620B01F000	FLOAT	1
7	32701B01F000	GASKET	1
8	3390005E0470	CARBURETOR ASSY	1
9	224203.100000	JET, idle 22.5	1
10	32508B01F000	CLIPMM, V shape	1
11	32617B01F000	VALVE NEEDLE	1

NOTES

