

## M550L EURO 4



VIN: LL8AETHW\*\*\*\*\*

**ÍNDICE**  
**QUADRO**

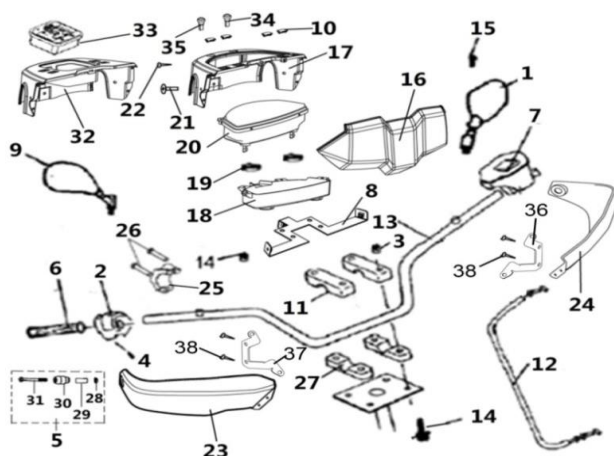
<b>ESQ</b>		<b>PAG</b>
B1	HANDLEBAR	4
B2	FUEL TANK (FOR DOWN PUMP)	5
B2.1	FUEL TANK (FOR TOP PUMP)	6
B3	REAR FENDERS	7
B3.1	REAR FENDERS	8
B4	FRONT BODY & FRAM	9
B4.1	FRONT BODY & FRAM	10
B5	SHOCK ABSORBER FRONT	11
B5.1	SHOCK ABSORBER FRONT	12
B6	REAR ARM	13
B7	WHEEL FRONT	14
B8	WHEEL REAR	15
B9	SHIFT ROD	16
B10	FRONT AND REAR GEAR-BOX	17
B11	FRONT LEFT DRIVE AXLE (FOR 4WD)	18
B12	FRONT RIGHT DRIVE AXLE (FOR 4WD)	19
B13	REAR LEFT DRIVE AXLE (XL)	20
B14	REAR RIGHT DRIVE AXLE (XL)	21
B15	FRONT AND REAR KNUCKLE ASSY	22
B15.1	FRONT AND REAR KNUCKLE ASSY (MARK "SJX" 4AV-4611A-00, 4AV-4611B-00)	23
B16	STEERING COLUMN	24
B17	ELECTRICAL SYSTEM	25
B18	BRAKING SYSTEM (FOR EURO 4)	26
B18.1	BRAKING SYSTEM (FOR EURO 4)	27
B18.2	BRAKE CALIPER, R.FR OF EUROPE BRAKING SYSTEM	28
B18.3	BRAKE CALIPER, L.FR OF EUROPE BRAKING SYSTEM	29
B18.4	BRAKE CALIPER, L.RR OF EUROPE BRAKING SYSTEM	30
B18.5	BRAKE CALIPER, R.RR OF EUROPE BRAKING SYSTEM	31
B18.6	AUXILIARY BRAKE (FOR EURO 4)	32
B19	PEDAL, BRAKE	33
B20	BUMPER & RACK	34

## ÍNDICE

ESQ	MOTOR	PAG
E1	ENGINE	35
E2	FRONT GEAR-BOX	36
E2.1	FRONT GEAR-BOX	37
E3	REAR GEAR-BOX	38
E3.1	REAR GEAR-BOX	39
E4	EPS (OPTIONAL)	40
E5	CYLINDER HEAD COVER	41
E6	CYLINDER HEAD	42
E7	CAMSHAFT	43
E8	CYLINDER	44
E9	CRANKSHAFT COMP	45
E9.1	CRANKSHAFT COMP (Model 2016)	46
E10	LEFT CRANKCASE	47
E11	RIGHT CRANKCASE	48
E12	CVT HOUSING	49
E13	CVT COVER	50
E14	LEFT CRANKCASE COVER	51
E14.1	LEFT CRANKCASE COVER (New Model 2016)	52
E15	GENERATOR	53
E16	ELECTRIC STARTER	54
E17	CLUTCH	55
E18	TRANSMISSION I	56
E18.1	TRANSMISSION II	57
E18.2	TRANSMISSION III	58
E19	OIL PUMP	59
E20	WATER PUMP	60
E21	LEFT SIDE COVER	61
E21.1	LEFT SIDE COVER (New Model 2016)	62
E22	FUEL INJECTION ASSY	63
E23	OIL RADIATOR	64
E23.1	OIL RADIATOR (New Model 2016)	65
E24	CVT AIR SHROUD	66
E25	AIR CLEANER	67
E26	EXHAUST	68
E27	RADIATOR	69
E28	SPECIAL SERVICE TOOL	70

## M550L EURO 4

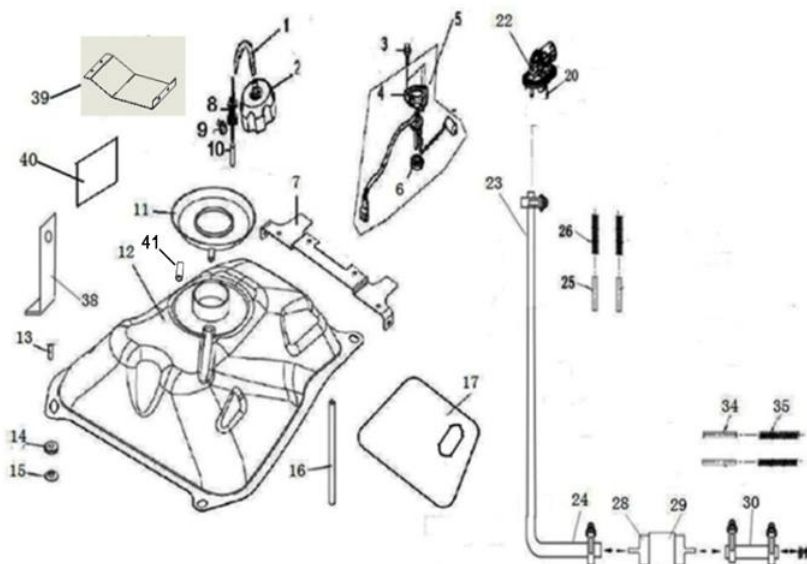
### B1 HANDLEBAR



Nº	CÓDIGO	DESCRIÇÃO	Qt.	OBSERVAÇÕES
1	LH00036101	REAR VIEW MIRROR LEFT (ONLY FOR EUROPE) (MARK L-E9-00.1145)	1	
2	LH00035734	THROTTLE CONTROL	1	
3	LH00010079	NUT M8	9	
4	LH0010140B	BOLT M6X12	1	
5	LH00072037	NEW GUARD, HANDLEBAR END (MATCH WITH NEW HANDLEBAR)	2	
6	LH00035727	GRIP	2	
7	LH0035090E	SWITCH (FOR EUROPE)	1	
8	LH00036020	SPEEDOMETER BRACKET	1	
9	LH00036103	REAR VIEW MIRROR RIGHT ( ONLY FOR EUROPE) (MARK R-E9-00.1145)	1	
10	LH00025010	SPEEDOMETER COVER CAP (FOR EUROPE)	4	
11	LH0020112a	HANDLEBAR CLAMP	2	
12	LH00036423	THROTTLE CABLE	1	
13	LH00036099	HANDLEBAR (NEW MODEL)(MATCH WITH NEW GUARD,HANDLEBAR END ASSY)	1	
14	LH00010531	BOLT M8X72	4	
15	LH00025013	SCREW M6X12	2	
16	LH0361161H	FRONT SPEEDOMETER COVER (BLACK) (INJECTION MODEL)	1	
16	LH0361162G	FRONT SPEEDOMETER COVER (RED) (INJECTION MODEL)	1	
16	LH0361166F	FRONT SPEEDOMETER COVER (WHITE) (INJECTION MODEL)	1	
16	LH0361164P	FRONT SPEEDOMETER COVER (SAND) (INJECTION MODEL)	1	
17	LH00036117	REAR SPEEDOMETER COVER	1	
18	LH00036115	HANDLEBAR COVER RIGHT	1	
19	LH00022351	RUBBER WASHER	2	
20	LH00036202	LCD SPEEDOMETER, EFI, BIGGER (EUROPE)	1	
21	LH00010420	SCREW M6X16	12	
22	LH00010520	SCREW ST4.8X12	4	
23	LH00036109	HANDLEBAR COVER RIGHT	1	
24	LH00036108	HANDLEBAR COVER LEFT	1	
25	LH00025526	DOWN HOLDER, REAR VIEW MIRROR	1	
26	LH00010008	BOLT M6X20	2	
27	LH00070703	HANDLEBAR DOWN CLAMP	2	
28	LH00010913	NUT M6	2	
29	LH00072035	TENSIONING BLOCK	2	
30	LH00072036	BALANCE WEIGHT	2	
31	LH00010940	SCREW M6X70	2	
32	LH00036114	Small instrument cover	1	
33	LH00036203	LCD SPEEDOMETER, EFI, SMALLER. OPTIONS (EUROPE)	1	
34	LH00073329	A key function		
35	LH00036153	The two key function		
36	LH00036157	BRACKET, HANDLEBAR COVER LEFT	1	
37	LH00036158	BRACKET, HANDLEBAR COVER RIGHT	1	
38	LH00010973	THE HOLLOW RIVET	4	

## M550L EURO 4

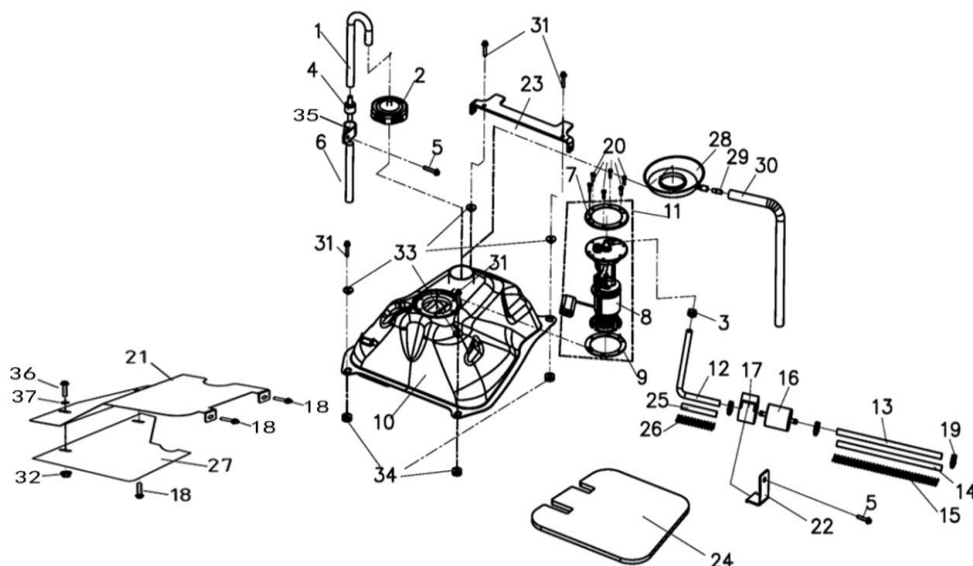
### B2 FUEL TANK (FOR DOWN PUMP)



Nº	CÓDIGO	DESCRIÇÃO	Qt.	OBSERVAÇÕES
1	LH00035501	VENT PIPE	1	
2	LH00070725	FUEL-TANK CAP	1	
3	LH00010183	BOLT M6X16	4	
4	LH00035085	PLATE, UNIT SET	1	
5	LH00036134	FUEL UNIT SET ASSY	1	
6	LH00035086	GASKET, BASE	1	
7	LH0036023a	MOUNTING BRACKET, SEAT	1	
8	LH00025037	DUMPING VALVE	1	
9	LH00010820	BOLT M5X10	1	
10	LH00070734	TUBE	1	
11	LH00036078	FLUID PAN	1	
12	LH0036061a	FUEL TANK	1	
13	LH00010110	BOLT M6X20	4	
14	LH00036064	Fuel tank buffer sleeve	4	
15	LH00036065	Fuel tank buffer sleeve	4	
16	LH00035501	Vent pipe	1	
17	LH00036063	FUEL TANK ADIABATIC PELLICLE	1	
19	LH00071658	HOSE CLAMPS 8/14	4	
20	LH00010976	SCREW M4X16	8	
22	LH00036177	VALVE, TANK, FUEL (NEW)	1	
23	LH00036178	Oil pump outlet pipe	1	
24	LH00036068	Connecting tubing 1	1	
25	LH00036179	Oil pipe insulation film	1	
26	LH00036180	Oil pipe protective sleeve	1	
27	LH00036181	CUSHION, FUEL TANK CAP (USED FOR NEW VALVE,TANK, FUEL)	1	
28	LH00070842	FUEL FILTER	1	
29	LH00070845	FUEL FILTER INSTALLATION	1	
30	LH00028095	TUBE, FUEL-TANK CAP	1	
34	LH00036073	Connecting pipe 2 insulation film	1	
35	LH00036077	Connecting pipe 2 protection sleeve	1	
38	LH00036142	Filter mounting insert	1	
39	LH00035754	fuel tank protection plate	2	
40	LH00035755	fuel tank protective plate heat insulation film	2	

## M550L EURO 4

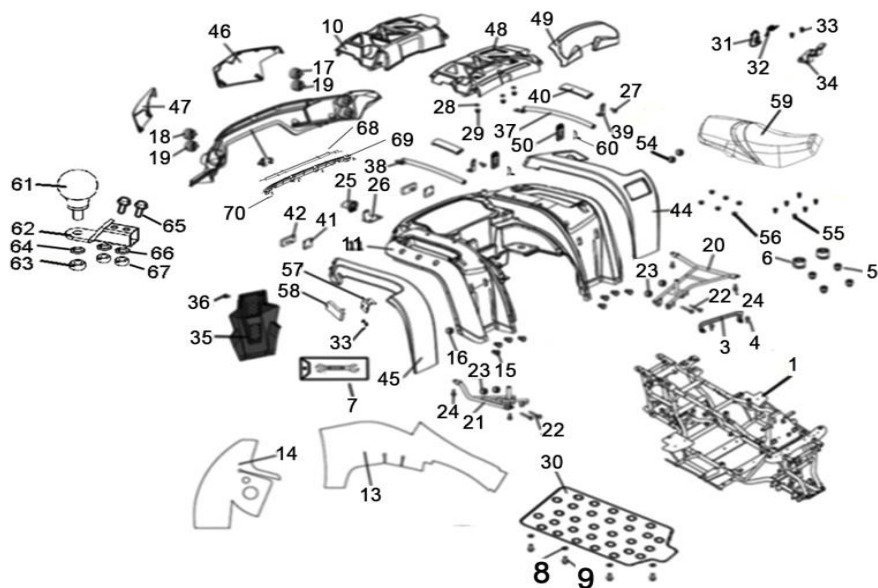
### B2.1 FUEL TANK (FOR TOP PUMP)



Nº	CÓDIGO	DESCRIÇÃO	Qt.	OBSERVAÇÕES
1	LH00028095	TUBE,FUEL CAP BREATHER	1	
2	LH00070725	FUEL CAP	1	
3	LH00084428	SINGLE EAR CLAMP (φ4.5)	1	
4	LH00025037	DUMPING VALVE	1	
5	LH00011219	BOLT M6X12	2	
6	LH00070734	TUBE	1	
7	LH00072251	PLATE	1	
8	LH0000000/	PUMP BODY	1	
9	LH00036440	RUBBER WASHER	1	
10	LH00036441	FUEL TANK	1	
11	LH00036442	VALVE,TANK, FUEL	1	
12	LH00036443	FUEL HOSE 1	1	
13	LH00036069	FUEL HOSE 2	1	
14	LH00036073	FUEL LINE ADIABATIC PELLICLE	1	
15	LH00036077	FUEL LINE SPRING	1	
16	LH00070842	FUEL FILTER	1	
17	LH00070845	FUEL FILTER INSTALLATION	1	
18	LH00011080	BOLT M6X20	6	
19	LH00071658	HOSE CLAMPS 8/14	3	
20	LH00010201	SCREW M5X16	6	
21	LH00035830	PLATE,VALVE,TANK, FUEL	1	
22	LH00036142	PLATE, FUEL FILTER	1	
23	LH00036023	MOUNTING BRACKET, SEAT	1	
24	LH00036464	FUEL TANK ADIABATIC PELLICLE	1	
25	LH00036465	FUEL LINE ADIABATIC PELLICLE	1	
26	LH00036466	FUEL LINE SPRING	1	
27	LH00035755	ADIABATIC PELLICLE, VALVE,TANK, FUEL	1	
28	LH00036078	FLUID PAN	1	
29	LH00060210	JOINT	1	
30	LH00035501	BREATHER PIPE (φ5Xφ9X450)	1	
31	LH00011069	BOLT M6X35	6	
32	LH00010004	NUT M6	2	
33	LH00036064	Fuel tank buffer sleeve	4	
34	LH00036065	Fuel tank buffer sleeve	4	
35	LH0880.021	DUMP VALVE FIXING PLATE	1	
36	LH00011098	BOLT M6X40	1	
37	LH00010006	WASHER 6	1	

## M550L EURO 4

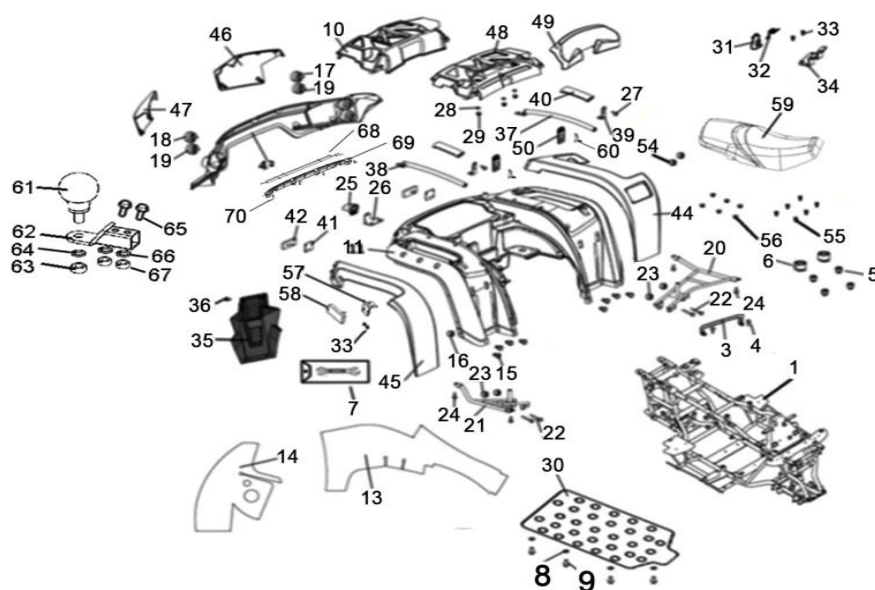
### B3 REAR FENDERS



Nº	CÓDIGO	DESCRIÇÃO	Qt.	OBSERVAÇÕES
1	LH0036407a	Frame welding assembly	1	
2	LH00036412	FRONT SEAT	1	
3	LH00036081	LATCH ASSEMBLY	1	
4	LH00010110	SCREW M6X20	2	
5	LH00025042	RUBBER, SEAT SETTING 1	4	
6	LH00070445	RUBBER, SEAT SETTING 2	2	
7	LH00025044	TOOL	1	
8	LH00020331	WASHER 6	8	
9	LH00010191	BOLT M6X18	8	
10	LH00036042	TOOL BOX CAP	1	
11	LH00036036	REAR FENDER	1	
11	LH0036036a	REAR FENDER (TWO HOLE USED FOR ASSEMBLE REAR RACK)	1	
12	LH00036251	FOOTREST RIGHT ADIABATIC PELLICLE (FOR EUROPE 4)	1	
13	LH00036045	REAR MUD ADIABATIC PELLICLE 1	1	
14	LH00036046	REAR MUD ADIABATIC PELLICLE 2	1	
15	LH00010420	SCREW M6X16	12	
16	LH00010913	NUT 6	12	
17	LH00036125	LEFT REAR INDICATION LIGHT	1	
18	LH00036127	RIGHT REAR INDICATION LIGHT	1	
19	LH00036132	TAILLIGHT	1	
20	LH00036416	TRESTLE LEFT	1	
21	LH00036417	TRESTLE RIGHT	1	
22	LH00025056	BOLT M8X70	4	
23	LH00010067	NUT 8	4	
24	LH00010183	BOLT M6X16	4	
25	LH00036131	LICENSE LIGHT		
26	LH00036430	License plate lamp mounting plate		
27	LH00010140	BOLT M6X12	2	
28	LH00010006	WASHER 6	2	
29	LH00010004	NUT 6	2	
30	LH00036427	PLASTIC PLANT	1	
31	LH00070788	HOOK BRACKET, SEAT LOCK	1	
32	LH00070802	SPRING	1	
33	LH00010178	SCREW ST4.2X13	25	
34	LH00070803	Cushion plate	1	
35	LH00035498	REAR DECORATION COVER	1	

## M550L EURO 4

### B3.1 REAR FENDERS

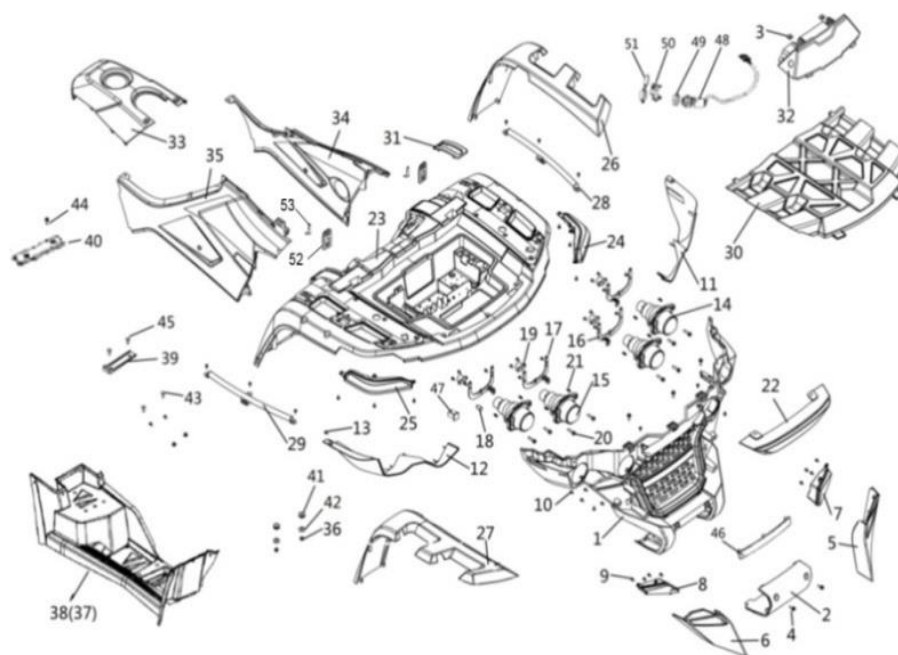


Nº	CÓDIGO	DESCRIÇÃO	Qt.	OBSERVAÇÕES
36	LH00010140	BOLT M6X12	4	
37	LH00036088	Left rear arm assembly	1	
38	LH00036089	Right rear arm tube assembly	1	
39	LH00036090	Connecting plate of arm tube	2	
40	LH00036083	Arm rubber sleeve	2	
41	LH00036018	Rear reflector mounting plate	2	
42	LH00040319	Rear reflector	2	
43	LH00035870	Rear light frame	1	
44	LH0360376C	Rear left trim cover 1	1	
45	LH0360386C	Rear right trim cover 1	1	
46	LH0360396C	Rear left trim cover 2	1	
47	LH0360406C	Rear right trim cover 2	1	
48	LH00036043	Back tool box cover	1	
49	LH00036080	Short back	1	
50	LH00036082	Toolbox lock	2	
51	LH00036413	REAR SEAT	1	
52	LH00036414	LITTLE COVER	1	
53	LH00036415	SEAT COVER	1	
54	LH00010913	NUT 6	2	
55	LH0010140B	BOLT M6X12	8	
56	LH00070960	NUT	6	
57	LH00035759	SIDE REFLECTOR, PLATE	2	
58	LH00035760	SIDE REFLECTOR	2	
59	LH00036252	INTEGRAL SEAT	1	
60	LH00036267	Plate, Toolbox lock	2	
61	LH00025294	PULL THE BALL (E13 55R-014154)	1	
62	LH00025295	THE TRACTION BALL WELDING COMPONENTS	1	
63	LH00011059	NUT M16	1	
64	LH00027050	WASHER 16	1	
65	LH00010947	BOLT 16X95	2	
66	LH00011060	WASHER 16	2	
67	LH00010874	NUT M16	2	
68	LH00035871	LED LAMP BAND (BLUE) (ALTERNATIVE)	1	
68	LH00035903	LED LAMP BAND (RED) (ALTERNATIVE)	1	
69	LH00035878	LAMP BELT MOUNTING PLATE	1	
70	LH00011195	SCREW ST4.8X13	8	



## M550L EURO 4

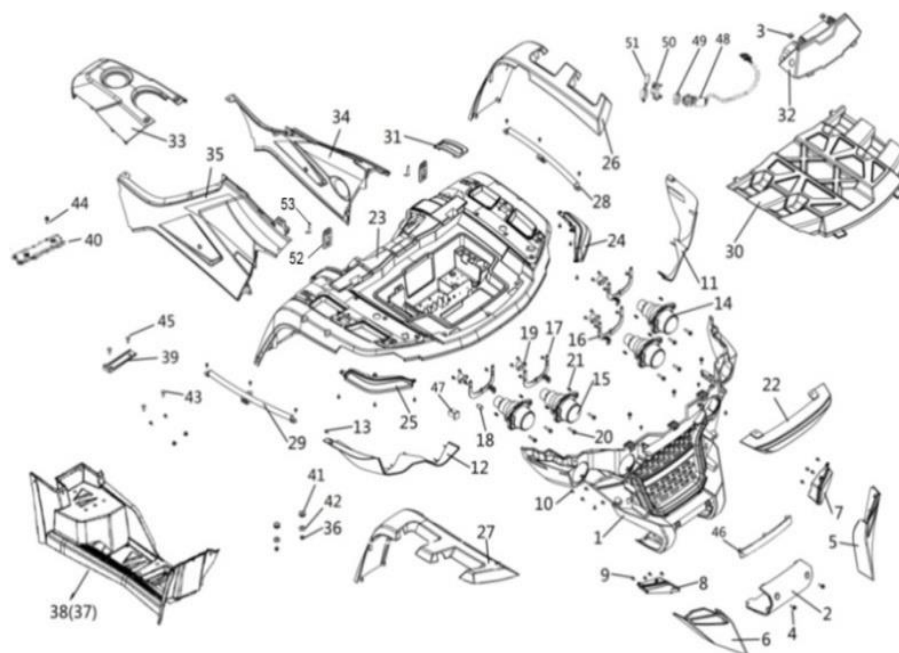
### B4 FRONT BODY & FRAM



Nº	CÓDIGO	DESCRIÇÃO	Qt.	OBSERVAÇÕES
1	LH00036024	Front ventilation grid	1	
2	LH00036025	Tractor cover plate	1	
3	LH00070960	Flexible mounting nut	20	
4	LH00010183	BOLT M6X16	13	
5	LH0360266C	Front lower left decorative cover	1	
6	LH0360276C	Front lower right decorative cover	1	
7	LH00036129	The front left Rihang lamp	1	
8	LH00036130	The front right Rihang lamp	1	
9	LH00010178	SCREW ST4.8X13	12	
10	LH00010009	SCREW ST4.8X16	48	
11	LH0360281H	LEFT FRONT HEADLIGHT FRAME (BLACK)	1	INJECTION MODEL
11	LH0360282G	LEFT FRONT HEADLIGHT FRAME (RED)	1	INJECTION MODEL
11	LH0360286F	LEFT FRONT HEADLIGHT FRAME (WHITE)	1	INJECTION MODEL
11	LH0360284P	LEFT FRONT HEADLIGHT FRAME (SAND)	1	INJECTION MODEL
12	LH0360291H	RIGHT FRONT HEADLIGHT FRAME (BLACK)	1	INJECTION MODEL
12	LH0360292G	RIGHT FRONT HEADLIGHT FRAME (RED)	1	INJECTION MODEL
12	LH0360296F	RIGHT FRONT HEADLIGHT FRAME (WHITE)	1	INJECTION MODEL
12	LH0360294P	RIGHT FRONT HEADLIGHT FRAME (SAND)	1	INJECTION MODEL
13	LH00010178	SCREW ST4.2X13	2	
14	LH00027455	HIGH BEAM	2	
15	LH00027456	DIPPED HEADLIGHT	2	
16	LH00036058	Left headlight bracket assembly	2	
17	LH00036059	Right headlight bracket assembly	2	
18	LH00071927	FRONT INDICATOR LIGHT BULB 12V 10W (ONLY FOR EUROPE) (YELLOW)	4	
19	LH00027371	BALL JOINT, HEADLIGHT	4	
20	LH00027372	ADJUSTMENT BOLT, HEADLIGHT	8	
21	LH00027373	SPRING	8	
22	LH0360306C	Front decorative cover	1	
23	LH00036031	Front cover	1	
24	LH00036124	FRONT INDICATOR LIGHT L (ONLY FOR EUROPE)	1	
25	LH00036126	FRONT INDICATOR LIGHT R (ONLY FOR EUROPE)	1	
26	LH0360326C	FRONT LEFT TRIM COVER (USED FOR NO ASSEMBLE FRONT RACK) (SILVER PAINT)	1	
26	LH36032A6C	FRONT LEFT TRIM COVER (USED FOR ASSEMBLE FRONT RACK) (SILVER PAINTING)	1	

## M550L EURO 4

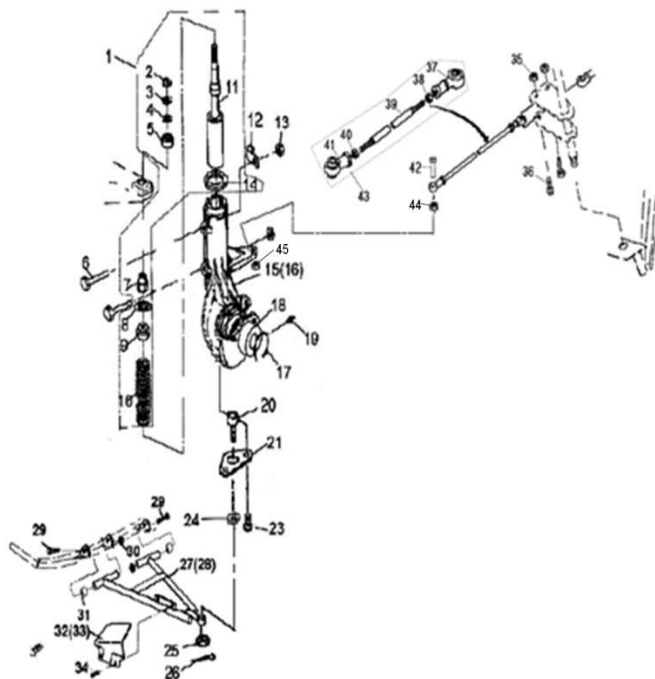
### B4.1 FRONT BODY & FRAM



Nº	CÓDIGO	DESCRIÇÃO	Qt.	OBSERVAÇÕES
27	LH0360336C	FRONT RIGHT TRIM COVER (USED FOR NO ASSEMBLE FRONTRACK) (SILVER PAINTING)	1	
27	LH36033A6C	FRONT RIGHT TRIM COVER (USED FOR ASSEMBLE FRONTRACK) (SILVER PAINTING)	1	
28	LH00036091	The front cover of the left supporting tube assembly	1	
29	LH00036092	The front cover of the right supporting tube assembly	1	
30	LH00036034	Front tool box cover	1	
31	LH00036110	Shift gear cover plate	1	
32	LH00036047	Front cover of fuel tank	1	
33	LH0364471H	TOP COVER OF FUEL TANK (OVERHEAD FUEL PUMP) (BLACK)	1	INJECTION MODEL
33	LH0364472G	TOP COVER OF FUEL TANK (OVERHEAD FUEL PUMP) (RED)	1	INJECTION MODEL
33	LH0364476F	TOP COVER OF FUEL TANK (OVERHEAD FUEL PUMP) (WHITE)	1	INJECTION MODEL
33	LH0364474P	TOP COVER OF FUEL TANK (OVERHEAD FUEL PUMP) (SAND)	1	INJECTION MODEL
34	LH0360491H	SIDE COVER L (BLACK)	1	INJECTION MODEL
34	LH0360492G	SIDE COVER L (RED)	1	INJECTION MODEL
34	LH0360496F	SIDE COVER L (WHITE)	1	INJECTION MODEL
34	LH0360494P	SIDE COVER L (SAND)	1	INJECTION MODEL
35	LH0360501H	SIDE COVER R (BLACK)	1	INJECTION MODEL
35	LH0360502G	SIDE COVER R (RED)	1	INJECTION MODEL
35	LH0360506F	SIDE COVER R (WHITE)	1	INJECTION MODEL
36	LH00010004	NUT 6	30	
37	LH00036425	FOOTREST LEFT	1	
38	LH00036426	FOOTREST RIGHT	1	
39	LH00070336	STEP	2	
40	LH00070300	RUBBER WASHER	4	
41	LH00036064	Fuel tank buffer sleeve	10	
42	LH00036065	Fuel tank buffer sleeve	10	
43	LH00010420	SCREW M6X30	34	
44	LH00010110	BOLT M6X20	4	
45	LH00010177	BOLT M6X40	4	
46	LH00036035	Front trim panel	1	
47	LH00025608	RUBBER COVER	6	
48	LH00027457	IGNITION SWITCH WITH KEY (USED FOR WATERPROOF)	1	
49	LH00025004	THREADED NUT	1	
50	LH00025003	KEY BLANK	1	
51	LH00027257	IGNITION SWITCH COVER	1	

## M550L EURO 4

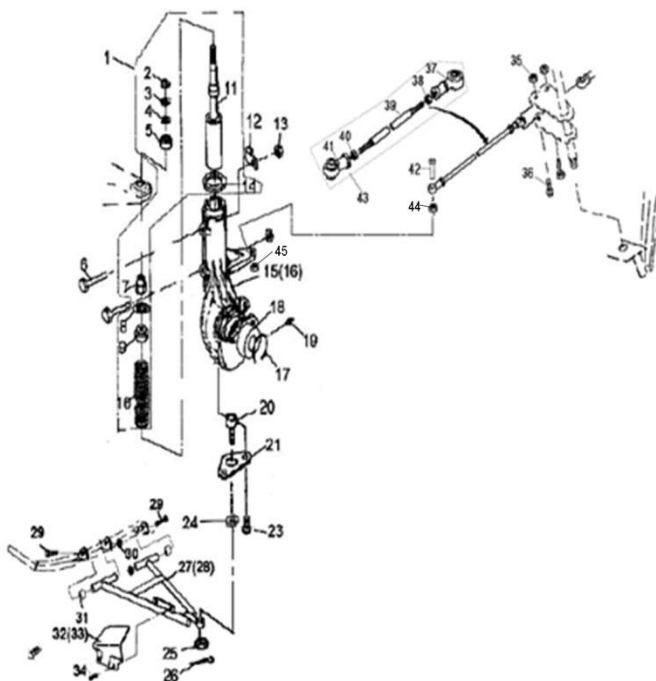
### B5 SHOCK ABSORBER FRONT



Nº	CÓDIGO	DESCRIÇÃO	Qt.	OBSERVAÇÕES
1	LH00036159	FRONT SHOCK ABSORBER ASSEMBLY	2	
2	LH00010091	NUT M14X1.5	2	
3	LH00021802	WASHR 14	2	
4	LH00021803	SPACER RUBBER	2	
5	LH00021804	UPPER PIVOT BALL	2	
6	LH00010093	BOLT M8X55	4	
7	LH00021806	NUT M14X1.5	2	
8	LH00021807	LOWER PIVOT BALL	2	
9	LH00021808	SPRING RETAINER	2	
10	LH00036160	SPRING	2	
11	LH00026908	STRUT BUMPER	2	
12	LH00032104	CLAMP	2	
13	LH00010079	NUT M8	4	
14	LH00021813	SPRING RETAINER	2	
15	LH00035019	STRUT BODY LEFT	1	
16	LH00035016	STRUT BODY RIGHT	1	
17	LH00026912	CIRCLIP	2	
18	LH00026913	BEARING	2	
19	LH00027074	GREASE FITTING	2	
20	LH00020512	BALL JOINT STUD	2	
21	LH00020513	BALL JOINT MOUNTING BRACKET	2	
23	LH00010022	BOLT M6X12	4	
24	LH00010019	WASHER	2	
25	LH00027067	NUT M10X1.25	2	

## M550L EURO 4

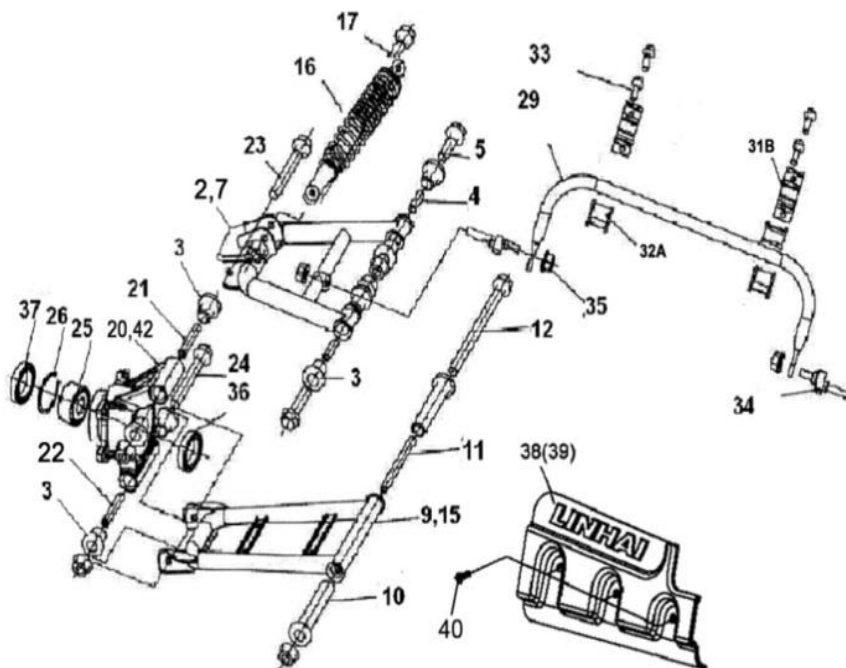
### B5.1 SHOCK ABSORBER FRONT



Nº	CÓDIGO	DESCRIÇÃO	Qt.	OBSERVAÇÕES
26	LH00010501	COTTER PIN 2.5X25	2	
27	LH0020518F	A-ARM LEFT	1	
28	LH0020627F	A-ARM RIGHT	1	
29	LH00027077	A-ARM PIVOT SHAFT	2	
30	LH00010136	NUT M12X1.25	4	
31	LH0020524f	BUSHING	4	
32	LH00020519	A - ARM SHIELD LEFT	1	
33	LH00020628	A - ARM SHIELD RIGHT	1	
34	LH00010001	SCREW M5X12	4	
35	LH00010015	NUT M10X1.25	2	
36	LH00010016	BOLT M10X1.25X55	2	
37	LH00020503	TIE ROD END A	2	
38	LH00010017	JAM NUT (RIGHT)	2	
39	LH00036147	TIE ROD (NEW MODEL)	2	
40	LH00020506	JAM NUT (LEFT)	2	
41	LH00020507	TIE ROD END B	2	
42	LH00035722	BOLT	2	
43	LH00036146	TIE ROD ASSY (NEW MODEL)	2	
44	LH00035017	FRONT T TYPE	1	
45	LH00035018	DOWN T TYPE	1	

## M550L EURO 4

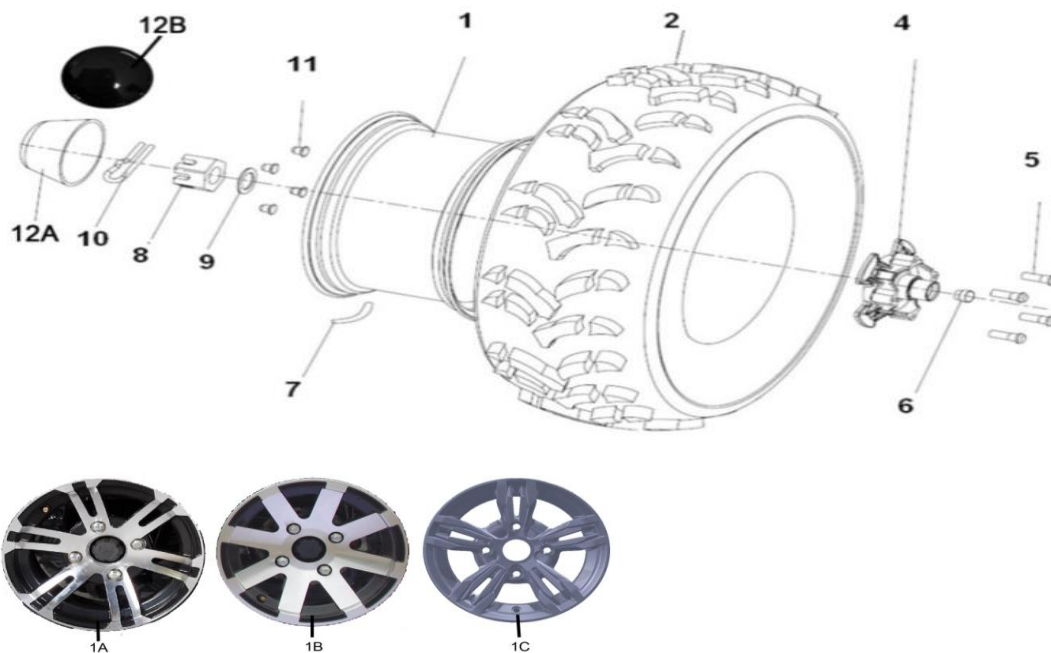
### B6 REAR ARM



Nº	CÓDIGO	DESCRIÇÃO	Qt.	OBSERVAÇÕES
2	LH00027324	ARM , L.RR	1	
3	LH00070682	BUSH 1, ARM , R.RR	16	
4	LH00070683	COLLAR	4	
5	LH00070684	BOLT M10X1.25X80	4	
7	LH00027325	ARM ,R.RR	1	
9	LH00027326	ARM SET,L.RR	1	
10	LH00070665	BUSH 2, ARM ,R.RR	4	
11	LH00070687	COLLAR,ARM	2	
12	LH00070688	BOLT M10 M1.25 M230	2	
15	LH00027327	ARM SET, R.RR	1	
16	LH00036161	SHOCK ABSORBER, RR	2	
17	LH00070012	BOLT M10X1.25X52	4	
20	LH00036136	KNUCKLE, L.RR (CAST STEEL)	1	
21	LH00070692	COLLAR, RR. KNUCKLE, (UPPER)	2	
22	LH00070693	COLLAR, RR. KNUCKLE, (LOWER)	2	
23	LH00070694	BOLT, KNUCKLE, (UPPER)	2	
24	LH00070695	BOLT, KNUCKLE, (LOWER)	2	
25	LH00070674	BEARING AU0712	2	
26	LH00070055	CIRCLIP 58	2	
29	LH00035385	SPRING,RR.STABILIZER	1	
31B	LH00035523	HOLDER,STABILIZER BUSH (NEW MODEL)	2	
32A	LH00027091	BUSH,RR.STABILIZER (NEW MODEL)	2	
33	LH00010081	BOLT M8X20	4	
34	LH00070699	LINK,RR. STABILIZER	2	
35	LH00010015	NUT M10X1.25	18	
36	LH00070675	SEAL 61.5 43 11	2	
37	LH00070676	SEAL 58 41.2 11	2	
38	LH00070977	ARM PROTECT, L	1	
39	LH00070976	ARM PROTECT, R	1	
40	LH00010001	BOLT M5x12	6	
42	LH00036135	KNUCKLE, R.RR (CAST STEEL)	1	

## M550L EURO 4

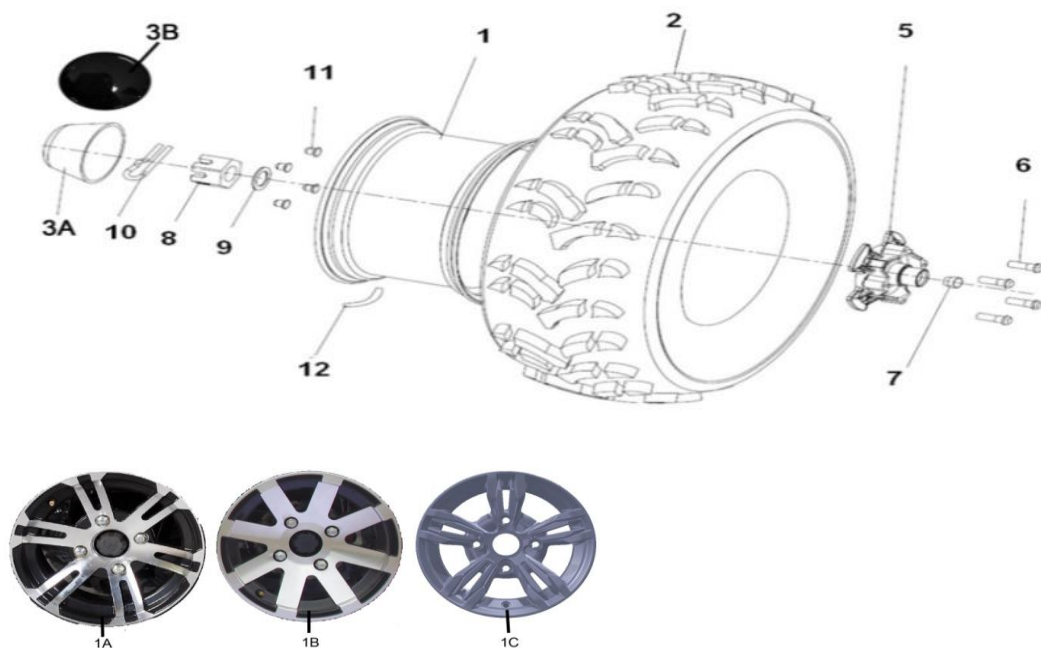
### B7 WHEEL FRONT



Nº	CÓDIGO	DESCRIÇÃO	Qt.	OBSERVAÇÕES
1A	LH00035508	WHEEL SUB-ASSY, FR (ALUMINIUM) (FRANCE)	2	
1B	LH00035723	WHEEL SUB-ASSY, FR (ALUMINIUM)	2	
1C	LH00036154	WHEEL SUB-ASSY, FR (ALUMINIUM)	2	
1	LH00027330	WHEEL SUB-ASSY, FR (IRON) (FRANCE) (SIMPLE)	2	
2	LH0027319t	TIRE FRONT AT25X8-12 6PR (WANDA P350)	2	
2	LH00035509	TIRE FRONT AT25X8-12 43J (WANDA P390) (E4-75R-0006366)	2	
2	LH00027615	TIRE FRONT AT25X8-12 47F (WANDA P377) (E4-75R-0008830)	2	
2	LH00027617	TIRE FRONT "SUN.F" LOGO (25X8-12 65J)	2	
2	LH00036435	Front tyre AT25X8-12 73F 4PR (DURO) (E4-75R-0012911)	2	
4	LH00027285	HUB ASSY SHRT	2	
5	LH00070714	BOLT M12X1.25	16	
6	LH00070718	SEAL	2	
7	LH0020807A	VALVE, RIM (TR412)	4	
8	LH00070721	BOLT SLOTTED	4	
9	LH00070722	WASHER	2	
10	LH00010945	PIN 4X32	2	
11	LH00027411	NUT, WHEEL	8	
12A	LH00070717	CAP, WHEEL CENTER	2	
12B	LH00036162	CAP, WHEEL SUB-ASSY (OPTIONAL) (MATCH WITH "1C" WHEEL SUB-ASSY, FR)	2	

## M550L EURO 4

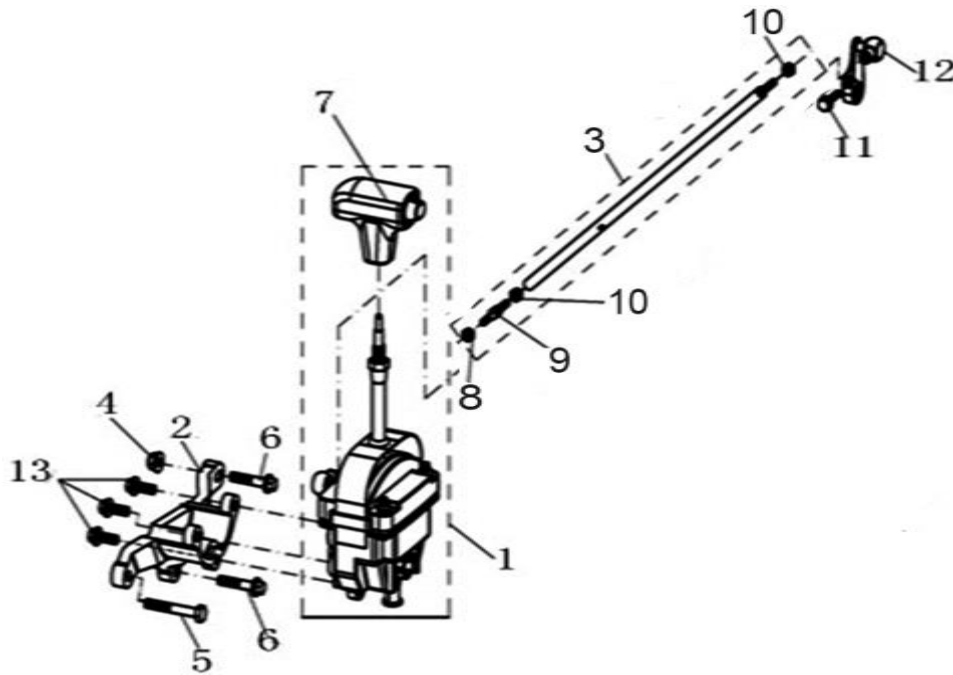
### B8 WHEEL REAR



Nº	CÓDIGO	DESCRIÇÃO	Qt.	OBSERVAÇÕES
1A	LH00035510	WHEEL SUB-ASSY, RR (ALUMINIUM)	2	
1B	LH00035717	WHEEL SUB-ASSY, RR(ALUMINIUM)	2	
1C	LH00036155	WHEEL SUB-ASSY, RR (ALUMINIUM)	2	
1	LH00027331	WHEEL SUB-ASSY, RR (IRON) (FRANCE) (SIMPLE)	2	
2	LH00035006	TIRE, RR AT25X10-12 6PR (WANDA P350)	2	
2	LH00035511	TIRE, RR AT25X10-12 50J (WANDA P390) (E4-75R-0006367)	2	
2	LH00027618	TIRE, RR AT25X10-12 65F (WANDA P377) (E4-75R-0008831)	2	
2	LH00027620	TIRE FRONT "SUN.F" LOGO (25X10-12 70J)	2	
2	LH00036436	Rear tyre AT25X10-12 79F 4PR (DURO) (E4-75R-0012912)	2	
3A	LH00070717	CAP, WHEEL CENTER	2	
3B	LH00036162	CAP, WHEEL SUB-ASSY (OPTIONAL) (MATCH WITH "1C" WHEEL SUB-ASSY, RR)	2	
5	LH00070719	HUB, RR WHEEL	2	
6	LH00070714	BOLT M12X1.25	16	
7	LH00070718	SEAL	4	
8	LH00070721	BOLT SLOTTED	2	
9	LH00070722	WASHER	2	
10	LH00010945	PIN 4X32	2	
11	LH00027411	NUT, WHEEL	8	
12	LH0020807A	VALVE, RIM (TR412)	4	

## M550L EURO 4

### B9 SHIFT ROD

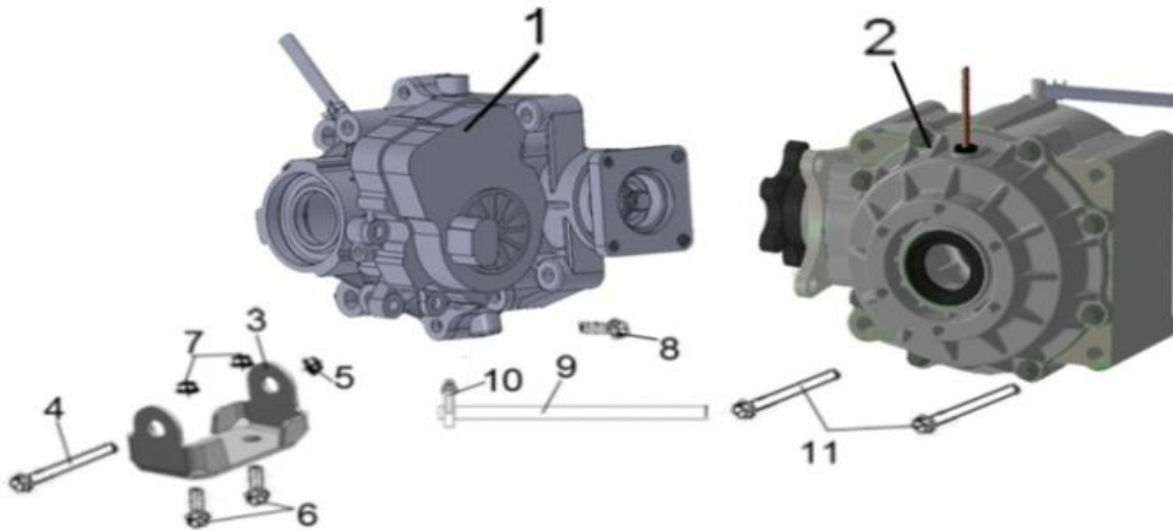


Nº	CÓDIGO	DESCRIÇÃO	Qt.	OBSERVAÇÕES
1	LH0035008a	SHIFTER ASSY MOUNTING	1	
2	LH00035010	SHIFTER MOUNTING BRACKET	1	
3	LH00036269	SHIFTER MOUNTING ROD	1	
4	LH00010067	NUT M8	2	
5	LH00011070	BOLT M8X70	1	
6	LH00011045	BOLT M8X40	2	
7	LH00026368	THE SHIFTING HANDLE	1	
8	LH00011200	NUT M8	2	
9	LH00036451	TIE ROD 2	1	
10	LH0011200L	NUT M8	1	
11	LH00010187	BOLT M6X1×25	1	
12	LH00036452	SHIFT ROCKER ARM COMPONENTS	1	
13	LH00010783	BOLT M8X20	3	



## M550L EURO 4

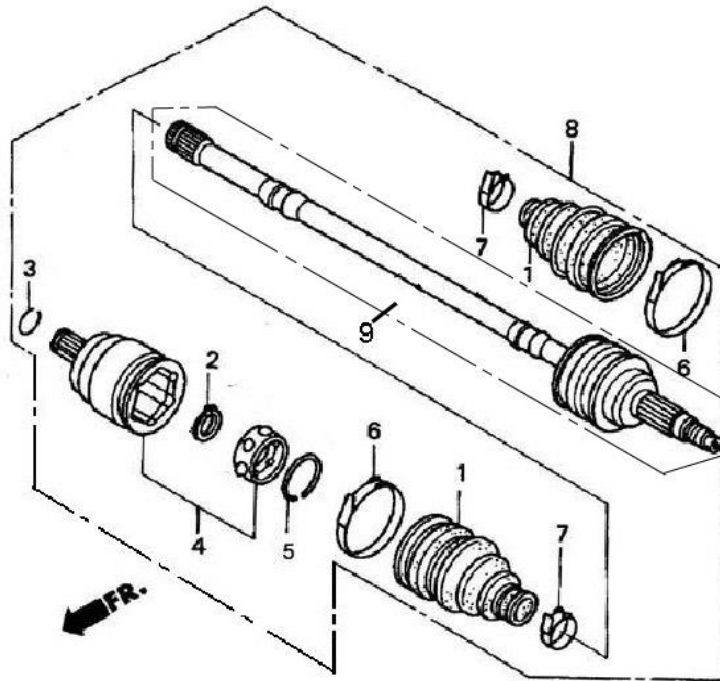
### B10 FRONT AND REAR GEAR-BOX



N°	CÓDIGO	DESCRIÇÃO	Qt.	OBSERVAÇÕES
1	LH00026319	FRONT GEAR-BOX ASSY	1	
2	LH00035780	REAR GEAR-BOX ASSY	1	
3	LH00035500	BRACKET, FRONT GEAR-BOX ASSY	1	
4	LH00010924	BOLT M10X1.25X90	1	
5	LH00010015	NUT M10X1.25	1	
6	LH00010168	BOLT M8X1.25X16	2	
7	LH00010079	NUT M8X1.25	2	
8	LH00010283	BOLT M10X1.25X35	2	
9	LH00035501	PIPE $\phi 5 \times \phi 9 \times 450$	2	
10	LH00022924	CLAMP 8	2	
11	LH00010925	BOLT M10X1.25X110	2	

## M550L EURO 4

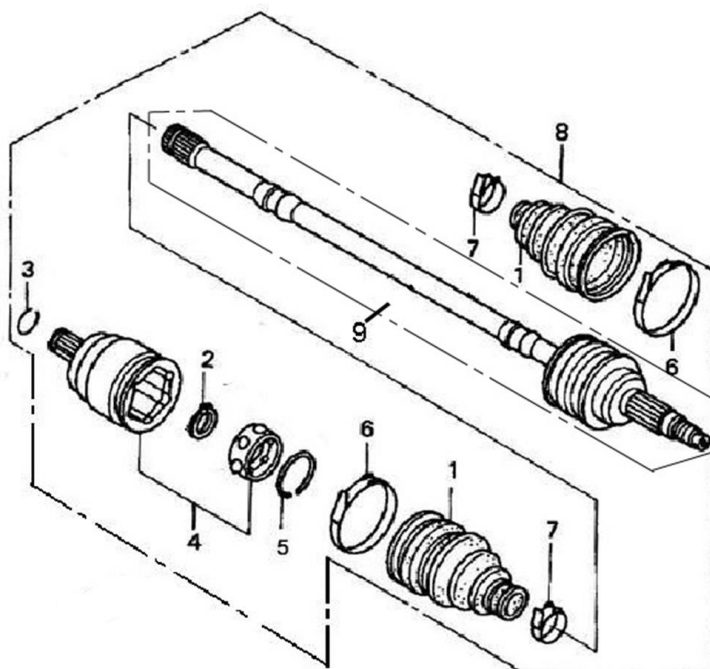
### B11 FRONT LEFT DRIVE AXLE (FOR 4WD)



Nº	CÓDIGO	DESCRIÇÃO	Qt.	OBSERVAÇÕES
1	LH00035038	OUTER BOARD BOOT	1	
2	LH00035044	CIRCLIP	1	
3	LH00035046	ATOPPER RING 19.2	1	
4	LH00035904	JOINT, INBOARD (CONTAIN INBOARD AXLE STEEL BALL BRACKET STEEL BALL AND GEAR WHEEL	1	
5	LH00035039	STOPPER RING	1	
6	LH00035040	BOOT BAND B	1	
7	LH00035037	BOOT BAND A	1	
8	LH00035030	FRONT LEFT DRIVE AXLE	1	
9	LH00035032	DRIVE AXLE/OUTER CV JOINT ASSEMBLY	1	

## M550L EURO 4

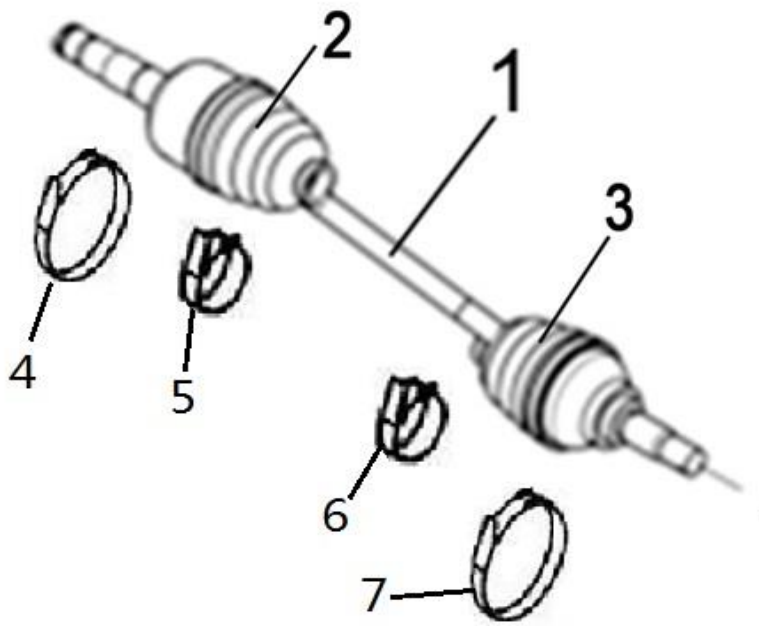
### B12 FRONT RIGHT DRIVE AXLE (FOR 4WD)



Nº	CÓDIGO	DESCRIÇÃO	Qt.	OBSERVAÇÕES
1	LH00035038	OUTER BOARD BOOT	1	
2	LH00035044	CIRCLIP	1	
3	LH00035046	ATOPPER RING 19.2	1	
4	LH00035041	JOUNT,INBOARD(CONTAIN INBOARD AXLE STEEL BALL BRACKET STEEL BALL AND GEAR WHEEL	1	
5	LH00035039	STOPPER RING	1	
6	LH00035040	BOOT BAND B	1	
7	LH00035037	BOOT BAND A	1	
8	LH00035031	FRONT RIGHT DRIVE AXLE	1	
9	LH00035033	DRIVE AXLE/OUTER CV JOINT ASSEMBLY	1	

## M550L EURO 4

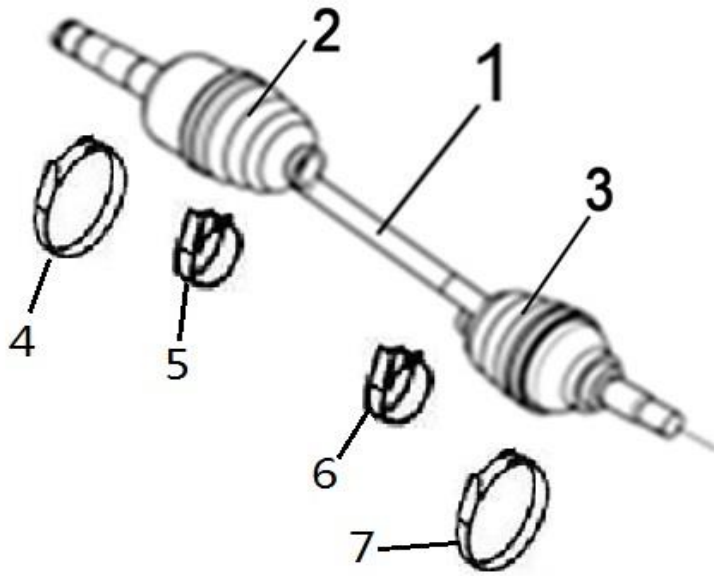
### B13 REAR LEFT DRIVE AXLE (XL)



Nº	CÓDIGO	DESCRIÇÃO	Qt.	OBSERVAÇÕES
1	LH00035814	REAR LEFT DRIVE AXLE (MARK "XL 4AV rear left", MATCH WITH NEW MODEL REAL AXL)	1	
2	LH00036164	INTER BOARD BOOT	1	
3	LH00036165	OUTER BOARD BOOT	1	
4	LH00036166	INTER BOOT BAND B	1	
5	LH00036167	INTER BOOT BAND A	1	
6	LH00036168	OUTER BOOT BAND B	1	
7	LH00036169	OUTER BOOT BAND A	1	

## M550L EURO 4

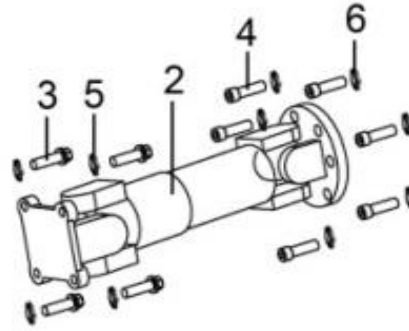
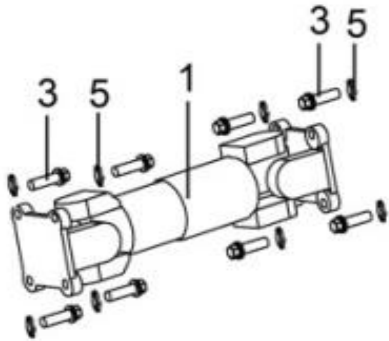
### B14 REAR RIGHT DRIVE AXLE (XL)



Nº	CÓDIGO	DESCRIÇÃO	Qt.	OBSERVAÇÕES
1	LH00035818	REAR RIGHT DRIVE AXLE (MARK "XL 4AV rear right", MATCH WITH NEW MODEL REAL AXL )	1	
2	LH00036164	INTER BOARD BOOT	1	
3	LH00036165	OUTER BOARD BOOT	1	
4	LH00036166	INTER BOOT BAND B	1	
5	LH00036167	INTER BOOT BAND A	1	
6	LH00036168	OUTER BOOT BAND B	1	
7	LH00036169	OUTER BOOT BAND A	1	

## M550L EURO 4

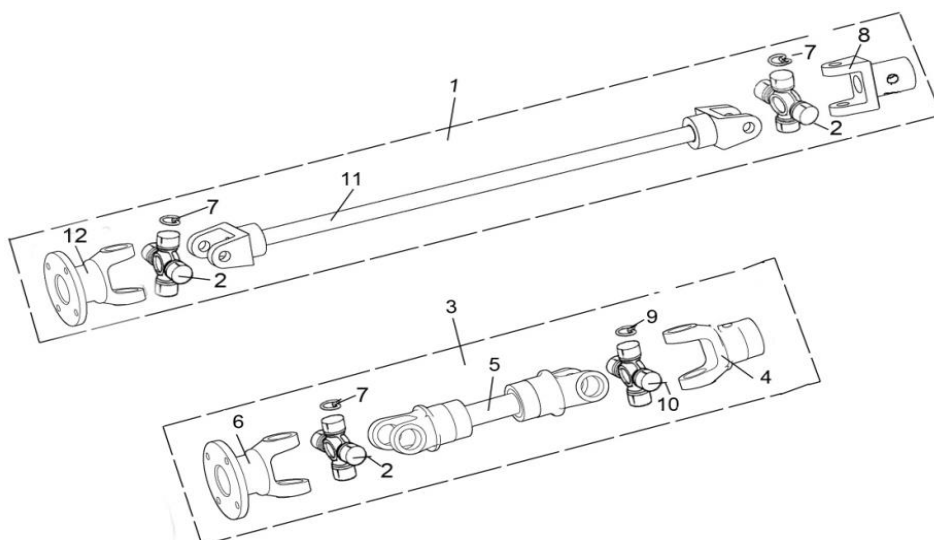
### B15 FRONT AND REAR KNUCKLE ASSY



Nº	CÓDIGO	DESCRIÇÃO	Qt.	OBSERVAÇÕES
1	LH00035081	FRONT KNUCKLE (Replaced by LH00036488)	±	
1	LH00036150	FRONT KNUCKLE (MARK "XL")	1	
1	LH00036488	FRONT KNUCKLE (WITH OIL CUP) NEW	1	
2	LH00036279	REAR KNUCKLE (Replaced by LH00036489)	±	
2	LH00036151	REAR KNUCKLE (MARK "XL")	1	
2	LH00036489	REAR KNUCKLE (WITH OIL CUP) NEW	1	
3	LH00010926	BOLT M8X1.0X25	12	
4	LH00010927	BOLT M10X1.25X32	6	
5	LH00010106	SPRING WASHER 8	12	
6	LH00010027	SPRING WASHER 10	6	

## M550L EURO 4

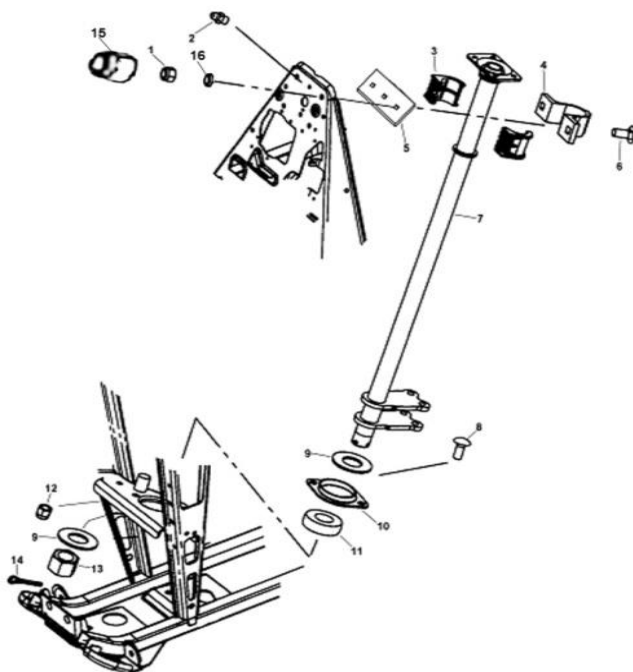
### B15.1 FRONT AND REAR KNUCKLE ASSY (MARK "SJX" 4AV-4611A-00, 4AV-4611B-00)



Nº	CÓDIGO	DESCRIÇÃO	Qt.	OBSERVAÇÕES
1	LH00035081	FRONT KNUCKLE (MARK "SJX")	1	
2	LH00036182	SPIDER KITS $\phi$ 25 (INCLUDE SPIDER BODY, SPIDER BEARING, GREASE NIPPLE)	3	
3	LH00036279	REAR KNUCKLE	1	
4	LH00036184	SLIDING FORK 2 (Connected to the rear axle)	1	
5	LH00036185	REAR FORK WELDMENTS	1	
6	LH00036186	SLIDING FORK 1 (connected to the engine)	1	
7	LH00036195	CIRCLIP $\phi$ 25	3	
8	LH00036183	SLIDING FORK 3 (connected to the engine)	1	
9	LH00036194	CIRCLIP $\phi$ 22	1	
10	LH0036182b	SPIDER KITS $\phi$ 22 (INCLUDE SPIDER BODY, SPIDER BEARING, GREASE NIPPLE)	1	
11	LH00036187	REAR FORK WELDMENTS 2	1	
12	LH00036188	SLIDING FORK 4 (Connected to the front axle)	1	

## M550L EURO 4

### B16 STEERING COLUMN

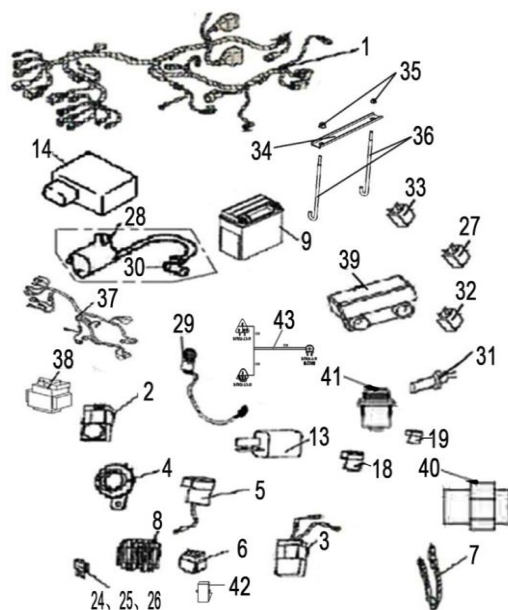


Nº	CÓDIGO	DESCRIÇÃO	Qt.	OBSERVAÇÕES
1	LH00010079	NUT M8	2	
2	LH00010026	GREASE FITTING	1	
3	LH00021903	BUSHING	2	
4	LH00021904	STEERING CLAMP REAR	1	
5	LH00021905	STEERING CLAMP FRONT	1	
6	LH00021906	BOLT	2	
7	LH0035020a	STEERING COLUMN (ONLY USED FOR ATV WITHOUT EPS)	1	
8	LH00021906	BOLT	2	
9	LH00021909	WASHER	2	
10	LH00021910	BEARING RETAINER	1	
11	LH00021911	BEARING	1	
12	LH00010079	NUT M8	2	
13	LH00010100	STEERING COLUMN RETAINER NUT	1	
14	LH00010101	COTTER PIN	1	
15	LH00027256	PROTECT COVER	2	
16	LH00010106	SPRING WASHER	2	



## M550L EURO 4

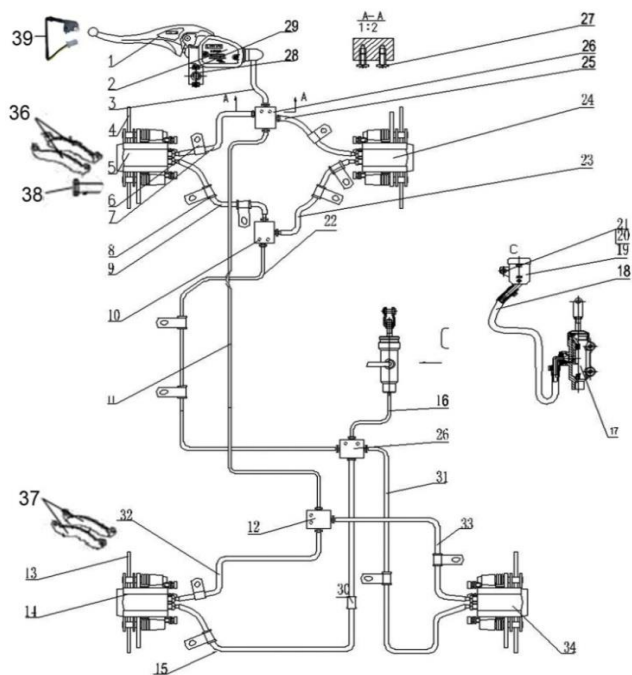
### B17 ELECTRICAL SYSTEM



Nº	CÓDIGO	DESCRIÇÃO	Qt.	OBSERVAÇÕES
1	LH00036253	WIRING HARNESS(FOR EUROPE 4)	1	
2	LH00035088	REVERSE GEAR WARNING	1	
3	LH0022002a	REVERSE SPEED LIMITER ( FOR 50TH MODEL)	1	
4	LH00070404	HORN	1	
5	LH00073326	FLASHER RELAY ASSY	1	
6	LH00071602	STARTER RELAY	1	
7	LH00025530	TIE	20	
8	LH00071603	REGULATOR RECTIFIER	1	
9	MG20HL-BS-C	BATTERY	1	
13	LH00032021	CAPACITOR	1	
14	LH00035783	ECU	1	
18	LH00025517	RUBBER SHEATH 1		
19	LH00025519	RUBBER SHEATH 2		
24	LH00022019	7.5 AMP FUSE	1	
25	LH00022020	15 AMP FUSE	2	
26	LH00022021	3 AMP FUSE	1	
27	LH00032021	CAPACITOR	1	
28	LH0070822D	IGNITION COIL AND WIRE	1	
	LH00036120			
29	LH00071973	ACCESSORY SOCKET ASSY	1	
30	LH00022024	CAP, IGNITION COIL	1	
31	LH0070405f	BRAKE SWITCH (USED FOR WATERPROOF PLUG IN UNIT)	1	
32	LH00035083	AUXILIARY RELAY	4	
33	LH00050280	START RELAY (CONTROL FAN)	1	
33	LH00050280	START RELAY (OLD) (CONTROL HIGH BEAM AND DIPPED BEAM)	2	
33	LH00035656	START RELAY (NEW) (CONTROL HIGH BEAM AND DIPPED BEAM)	3	
34	LH00036057	Battery clamp	1	
35	LH00010079	NUT 8	2	
36	LH00036056	Battery fastening pull rod	2	
37	LH00036123	EFI WIRE	1	
38	LH00071474	EFI RELAY	1	
39	LH00070968	ELECTRICAL DUMPAGE SWITCH	1	
40	LH00036838	REAR DIFFERENTIAL CONTROLLER	1	
41	LH00035819	REAR DIFFERENTIAL SWITCH	1	
42	LH00035861	RELAY BRACKET	1	
43	LH00072306	LED LIGHT HARNESS	1	

# M550L EURO 4

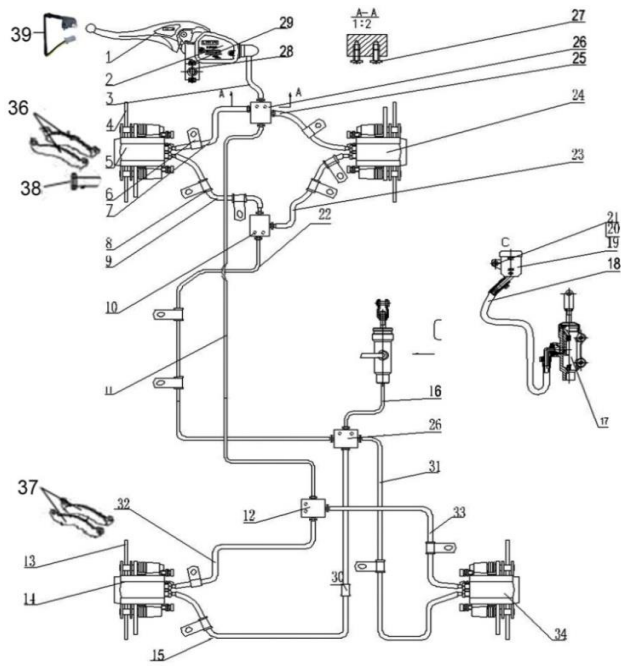
## B18 BRAKING SYSTEM (FOR EURO 4)



Nº	CÓDIGO	DESCRIÇÃO	Qt.	OBSERVAÇÕES
1	LH02211120	BRAKE LEVER	1	
	LH00036095	BRAKE LEVER (PASSIVATION)		
2	LH00027320	MASTER CYLINDER WITH BRAKE LEVER	1	
2	LH00036170	MASTER CYLINDER WITH BRAKE LEVER (PASSIVATION)		
3	LH00022102	HAND BRAKE HOSE	1	
4	LH00027321	FRONT BRAKE DISC	2	
5	LH00027409	BRAKE CALIPER LEFT,FRONT	1	
6	LH00032104	CLAMP	2	
7	LH00022229	FRONT BRAKE HOSE 2	1	
8	LH00032105	RUBBER TUBE1	3	
9	LH00027313	FRONT BRAKE HOSE 1	1	
10	LH00032107	BRAKE LINE COUPLER	1	
11	LH0036419a	TUBE DISKBRAKE REAR	1	
12	LH00032107	BRAKE LINE COUPLER	1	
13	LH00070537	REAR BRAKE DISC	2	
14	LH00070520	BRAKE CALIPER LEFT,REAR	1	
15	LH00035070	REAR BRAKE HOSE 2	1	
16	LH00036418	REAR BRAKE HOSE 3	1	
17	LH00035786	FOOT BRAKE CYLINDER	1	
18	LH00036270	RESERVOIR HOSE	1	
19	LH00035787	RESERVOIR	1	
20	LH00010109	NUT M5	1	

# M550L EURO 4

## B18.1 BRAKING SYSTEM (FOR EURO 4)

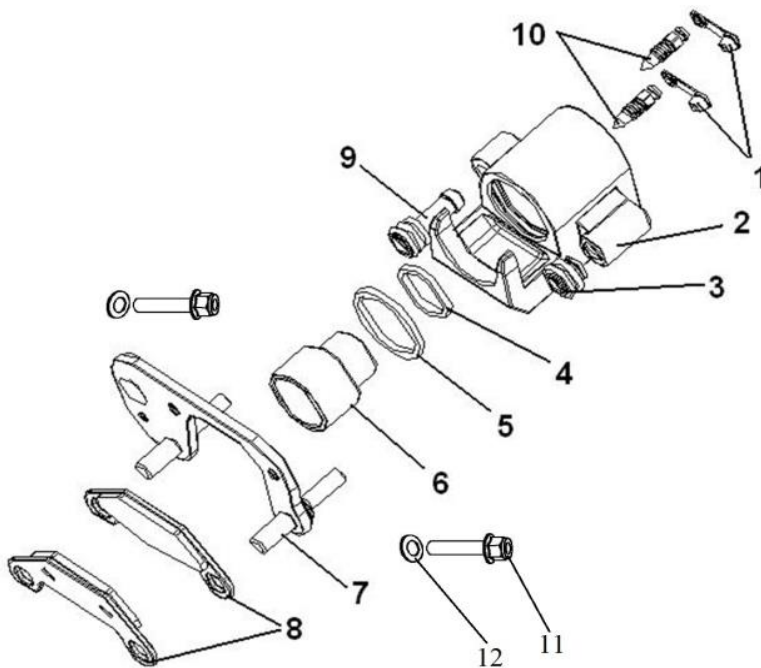


35

Nº	CÓDIGO	DESCRIÇÃO	Qt.	OBSERVAÇÕES
21	LH00010108	BOLT M5X12	1	
22	LH00036420	TUBE DISKBRAKE, FOOT BRAKE	1	
23	LH00032233	FRONT BRAKE HOSE2	1	
24	LH00027410	BRAKE CALIPER RIGHT	1	
25	LH00070483	FRONT BRAKE HOSE3	1	
26	LH00070548	FOUR LINE COUPLER	2	
27	LH00010111	BOLT M5X15	4	
28	LH00027283	BOLT M6X22	2	
28	LH00036171	BOLT M6X22 (PASSIVATION)	2	
29	LH00027277	CAP	1	
29	LH00036172	CAP (PASSIVATION)	1	
30	LH00035534	RUBBER SHEATH	5	
31	LH00035788	REAR BRAKE HOSE 4	1	
32	LH00035789	REAR BRAKE HOSE 5	1	
33	LH00035790	REAR BRAKE HOSE 6	1	
34	LH00035791	BRAKE CALIPER RIGHT, REAR	1	
35	LH00035711	SERVICE KIT	1	
36	LH00022245	INSIDE AND OUTSIDE PAD, FRONT	4	
37	LH00022245	INSIDE AND OUTSIDE PAD, REAR	2	
38	LH00027212	BOLT M8X20	12	
39	LH00022243	STORP SWITCH FRONT	1	

## M550L EURO 4

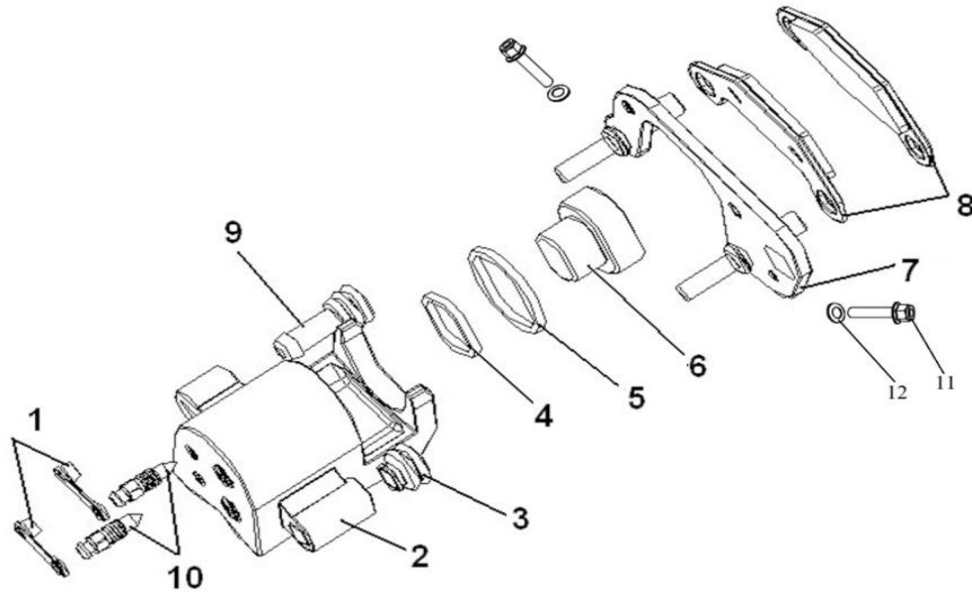
### B18.2 BRAKE CALIPER, R.FR OF EUROPE BRAKING SYSTEM



Nº	CÓDIGO	DESCRIÇÃO	Qt.	OBSERVAÇÕES
1	LH00035538	DUSTPROOF COVER OF BLOWHOLE	2	
2	LH00035539	CALIPER BODY, R, FR	1	
3	LH00035540	DUSTPROOF COVER OF THE BELOW AXLE	1	
4	LH00035541	BIG SEALING RING 27	1	
5	LH00035542	BIG SEALING RING 38	1	
6	LH00035543	CALIPER PISTON	1	
7	LH00035544	BRACKET	1	
8	LH00022245	INSIDE AND OUTSIDE PAD	2	
9	LH00035545	DUSTPROOF COVER OF THE ABOVE AXLE	1	
10	LH00035546	BLOWHOLE	2	
11	LH00035547	BOLT M5X12-L	2	
12	LH00035548	WASHER 12	2	

## M550L EURO 4

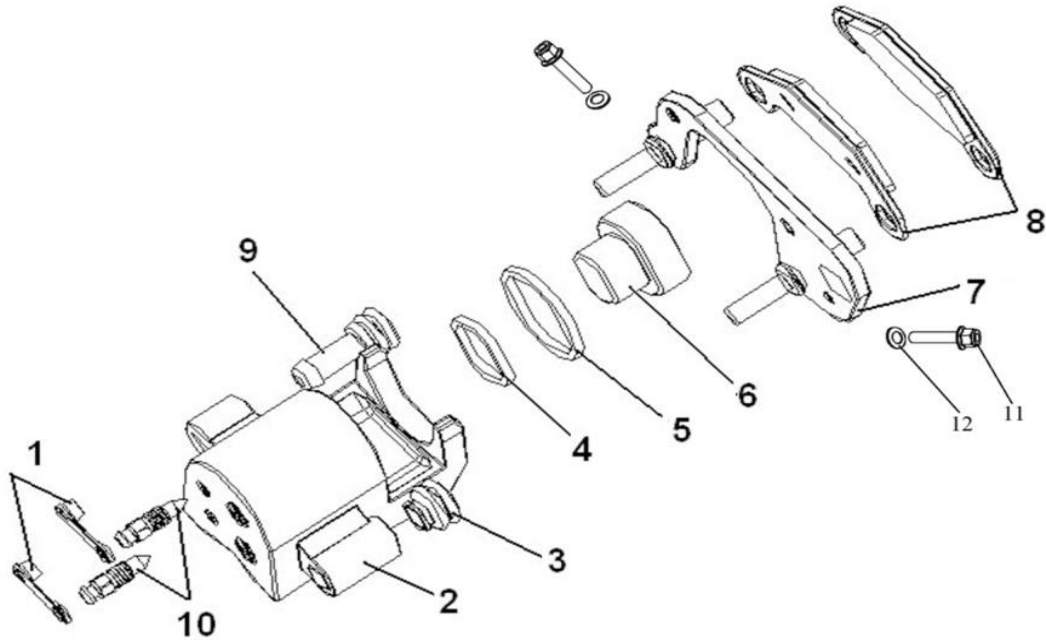
### B18.3 BRAKE CALIPER, L.FR OF EUROPE BRAKING SYSTEM



Nº	CÓDIGO	DESCRIÇÃO	Qt.	OBSERVAÇÕES
1	LH00035538	DUSTPROOF COVER OF BLOWHOLE	2	
2	LH00035549	CALIPER BODY,L,FR	1	
3	LH00035540	DUSTPROOF COVER OF THE BELOW AXLE	1	
4	LH00035541	BIG SEALING RING 27	1	
5	LH00035542	BIG SEALING RING 38	1	
6	LH00035543	CALIPER PISTON	1	
7	LH00035544	BRACKET	1	
8	LH00022245	INSIDE AND OUTSIDE PAD	2	
9	LH00035545	DUSTPROOF COVER OF THE ABOVEAXLE	1	
10	LH00035546	BLOWHOLE	2	
11	LH00035547	BOLT M5X12-L	2	
12	LH00035548	WASHER 12	2	

## M550L EURO 4

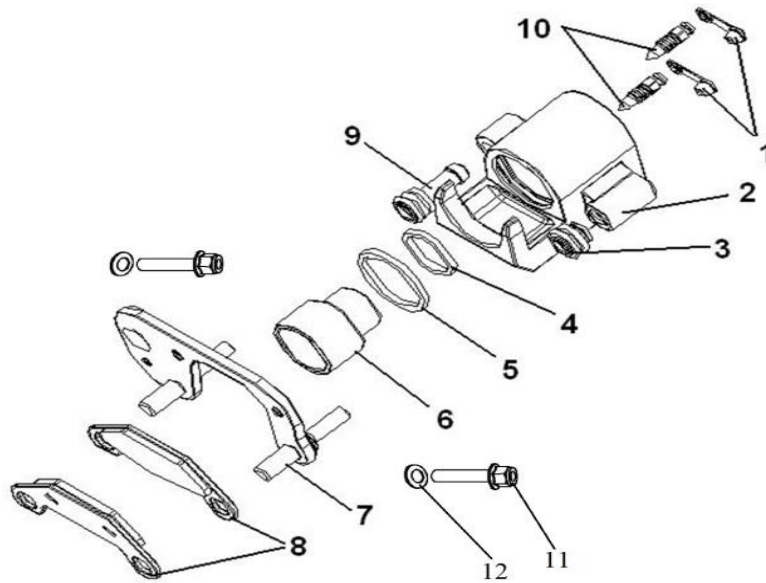
### B18.4 BRAKE CALIPER, L.RR OF EUROPE BRAKING SYSTEM



Nº	CÓDIGO	DESCRIÇÃO	Qt.	OBSERVAÇÕES
1	LH00035538	DUSTPROOF COVER OF BLOWHOLE	2	
2	LH00035549	CALIPER BODY,R,FR	1	
3	LH00035540	DUSTPROOF COVER OF THE BELOW AXLE	1	
4	LH00035541	BIG SEALING RING 27	1	
5	LH00035542	BIG SEALING RING 38	1	
6	LH00035543	CALIPER PISTON	1	
7	LH00035550	BRACKET	1	
8	LH00022245	INSIDE AND OUTSIDE PAD	2	
9	LH00035545	DUSTPROOF COVER OF THE ABOVE AXLE	1	
10	LH00035546	BLOWHOLE	2	
11	LH00035547	BOLT M5X12-L	2	
12	LH00035548	WASHER 12	2	

## M550L EURO 4

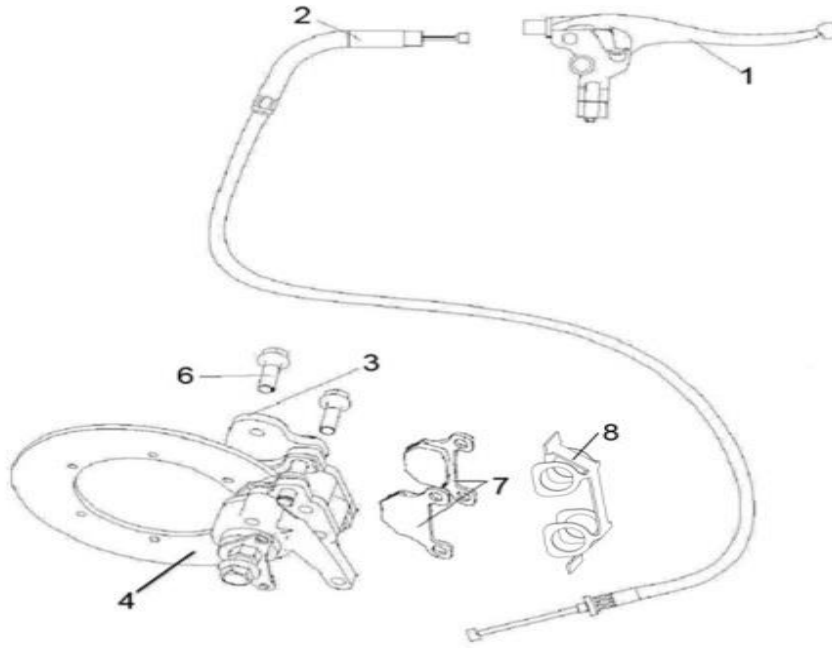
### B18.5 BRAKE CALIPER,R.RR OF EUROPE BRAKING SYSTEM



Nº	CÓDIGO	DESCRIÇÃO	Qt.	OBSERVAÇÕES
1	LH00035538	DUSTPROOF COVER OF BLOWHOLE	2	
2	LH00035539	CALIPER BODY,R,FR	1	
3	LH00035540	DUSTPROOF COVER OF THE BELOW AXLE	1	
4	LH00035541	BIG SEALING RING 27	1	
5	LH00035542	BIG SEALING RING 38	1	
6	LH00035543	CALIPER PISTON	1	
7	LH00035544	BRACKET	1	
8	LH00022245	INSIDE AND OUTSIDE PAD	2	
9	LH00035545	DUSTPROOF COVER OF THE ABOVEAXLE	1	
10	LH00035546	BLOWHOLE	2	
11	LH00035547	BOLT M5X12-L	2	
12	LH00035548	WASHER 12	2	

## M550L EURO 4

### B18.6 AUXILIARY BRAKE (FOR EURO 4)

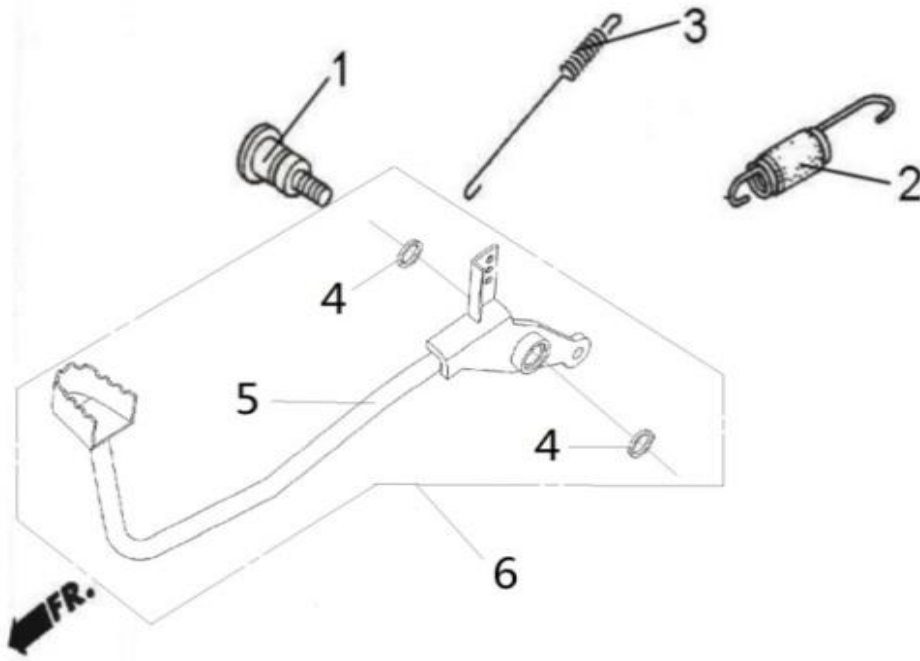


Nº	CÓDIGO	DESCRIÇÃO	Qt.	OBSERVAÇÕES
1	LH00070636	MASTER CYLINDER (WITH LEVER)	1	
	LH00036094	MASTER CYLINDER (WITH LEVER) (PASSIVATION)	1	
2	LH00036424	BRACK CABLE	1	
3	LH00035074	BRACK CALIPER	1	
4	LH00035075	DISK BRAKE	1	
6	LH00010218	BOLT M8X40	2	
7	LH00026291	BRAKE PAD	2	
8	LH00035530	LIMIT SPRING PLATE	1	



## M550L EURO 4

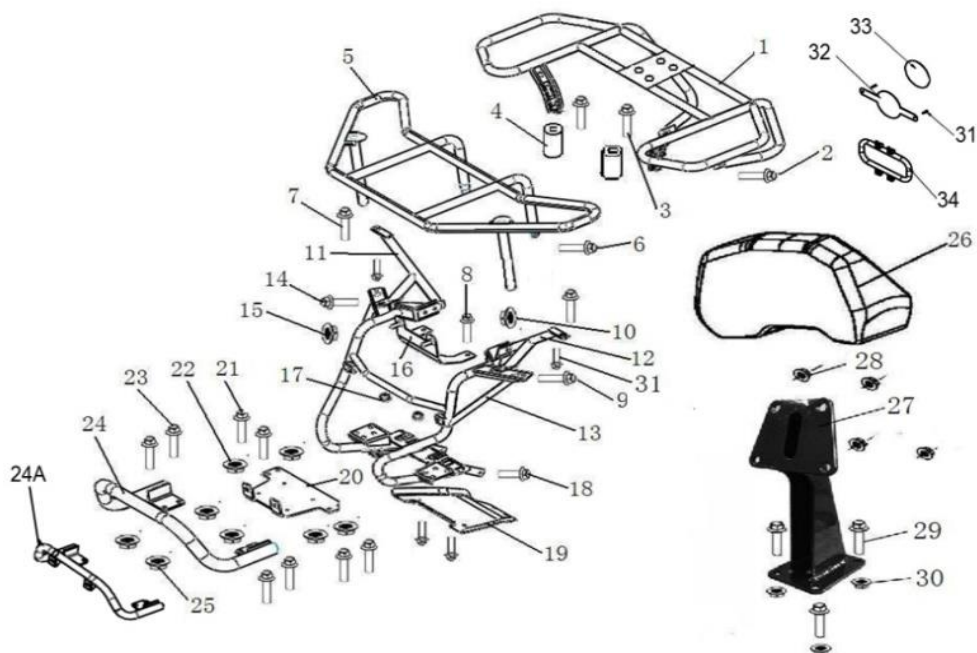
### B19 PEDAL, BRAKE



Nº	CÓDIGO	DESCRIÇÃO	Qt.	OBSERVAÇÕES
1	LH00070542	SHAFT, BRAKE PIVOT	1	
2	LH00070541	SPRING, STOP SWITCH	1	
3	LH00026885	SPRING ASSY (NEW MODEL)	1	
4	LH00070540	DUST SEAL	2	
5	LH00036421	PEDAL BRAKE	1	
6	LH00036422	PEDAL BRAKE ASSY	1	

## M550L EURO 4

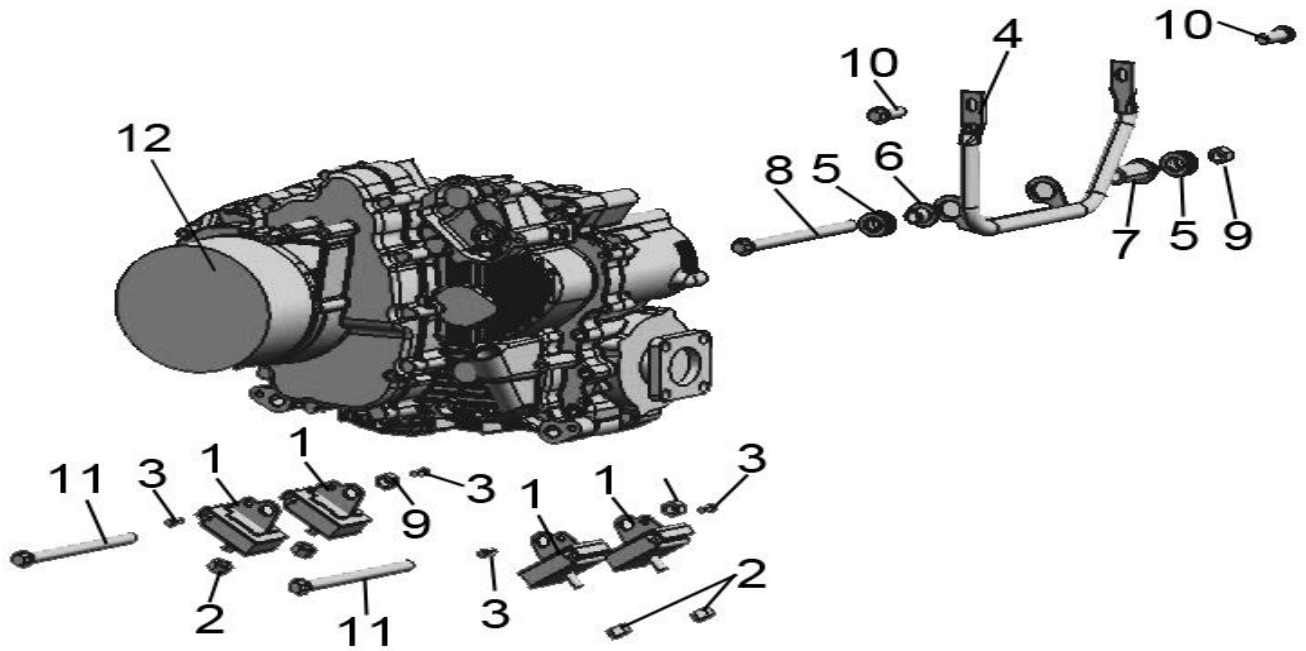
### B20 BUMPER & RACK



Nº	CÓDIGO	DESCRIÇÃO	Qt.	OBSERVAÇÕES
1	LH00036084	REAR RACK (FOR EUROPE)	1	
2	LH00010059	BOLTM8X25	4	
3	LH00010511	BOLTM8X55	2	
4	LH00036085	Rear rack mounting spacer	2	
5	LH00036093	FRONT RACK (FOR EUROPE)	1	
6	LH00010081	BOLT M8X20	2	
7	LH00010059	BOLTM8X25	2	
8	LH00010081	BOLT M8X20	2	
9	LH00010055	BOLTM8X45	4	
10	LH00010079	NUT M8	4	
11	LH00036112	Right Y shaped support tube	1	
12	LH00036111	Left Y shaped support tube	1	
13	LH00036022	Front part support assembly	1	
14	LH00010059	BOLTM8X25	2	
15	LH00010079	NUT M8	2	
16	LH00036051	Mounting plate on water tank	1	
17	LH00036054	Supporting rubber ring under water tank	2	
18	LH00010081	BOLT M8X20	2	
19	LH00036113	Front bottom guard	1	
20	LH00036119	BRACKET, PULLING	1	
21	LH00010081	BOLT M8X20	4	
22	LH00010079	NUT M8	4	
23	LH00010081	BOLT M8X20	4	
24	LH00036118	FRONT BUMPER (FOR FRANCE)	1	
24A	LH0036118a	FRONT BUMPER	1	
25	LH00010079	NUT M8	4	
26	LH00035383	BACKREST	1	
26	LH00035721	BACKREST (SKIN TYPE)	1	
27	LH00035384	REAR BACKREST WELD ASSEMBLY	1	
28	LH00010919	NUT M8	4	
29	LH00010059	BOLT M8X25	4	
30	LH00010079	NUT M8	4	
31	LH00010110	BOLT M6X20	4	
32	LH0035793a	BRACKET, SPEED LIMIT	1	
33	LH00036207	STICKERS, SPEED LIMIT (80km/h)	1	
34	LH00036208	PROTECTION IN WELDING ASSY (EXCEPT FOR FRANCE)	1	

# M550L EURO 4

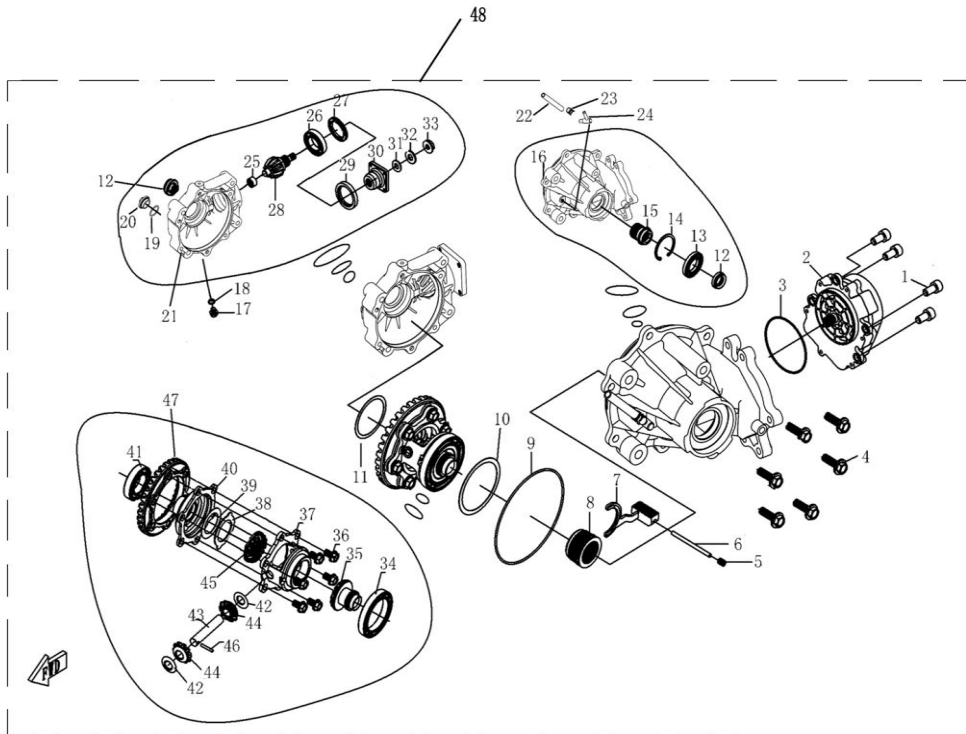
E1 ENGINE



Nº	CÓDIGO	DESCRIÇÃO	Qt.	OBSERVAÇÕES
1	LH00035503	BUSHING ENGING BRACKET	4	
2	LH0010015A	NUT M10X1.25	4	
3	LH00010928	BOLT M6X16	4	
4	LH00035504	FRONT ENGINE MOUNT BRACKET	1	
5	LH00035505	RUBBER BUSHING	2	
6	LH00035506	SPACER 1	1	
7	LH00035507	SPACER 2	1	
8	LH00010929	BOLT M12X1.25X170	1	
9	LH00010136	NUT M12X1.25	3	
10	LH00010183	BOLT M8X16	2	
11	LH00010930	BOLT M12X1.25X150	2	
12	LH0035524e	ENGING ASSY.	1	

# M550L EURO 4

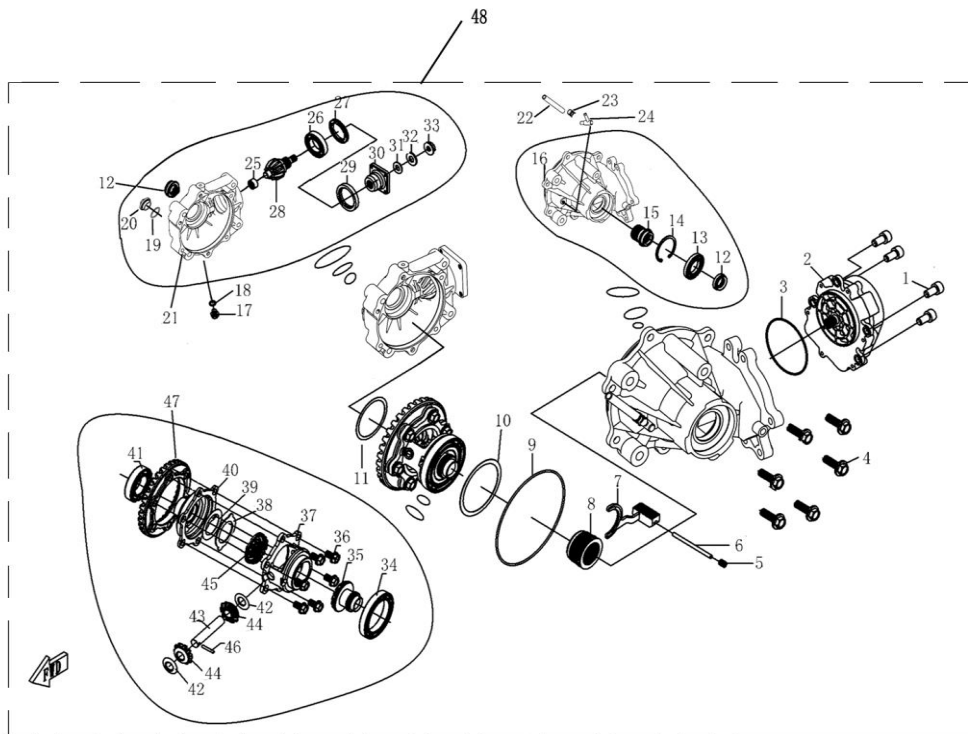
## E2 FRONT GEAR-BOX



Nº	CÓDIGO	DESCRIÇÃO	Qt.	OBSERVAÇÕES
1	LH00035391	Screw	4	
2	LH00035388	Gear Motor	1	
3	LH00035389	O-Ring $\phi 81.2 \times 1.9$	1	
4	LH00010059	Bolt	6	
5	LH00010954	Screw	1	
6	LH00010957	Pin Shaft	1	
7	LH00026314	Shift Fork	1	
8	LH00026315	Drive Clutch	1	
9	LH00035401	O-Ring $\phi 141 \times 2.4$	1	
10	LH00026322	Adjust Shim(83×71)	As needed	
11	LH00026323	Adjust Shim(61×48)	As needed	
12	LH00035410	Oil Seal	2	
13	LH00010960	Bearing 16007	1	
14	LH00035412	Retainer 62	1	
15	LH00026316	Drive Clutch Cover	1	
16	LH00026321	Case Cover, Front Axle	1	
17	LH00010953	Drain Bolt	1	
18	LH00073021	Washer 10	1	
19	LH00050082	O-Ring $\phi 30.5 \times 3$	1	
20	LH00024305	Fill Plug	1	
21	LH00026320	Gear Case, Front Axle	1	
22	LH00021111	Breather Pipe	1	
23	LH00025107	Clip	1	
24	LH00021112	Hose Fitting	1	
25	LH00035429	Needle Bearing	1	

## M550L EURO 4

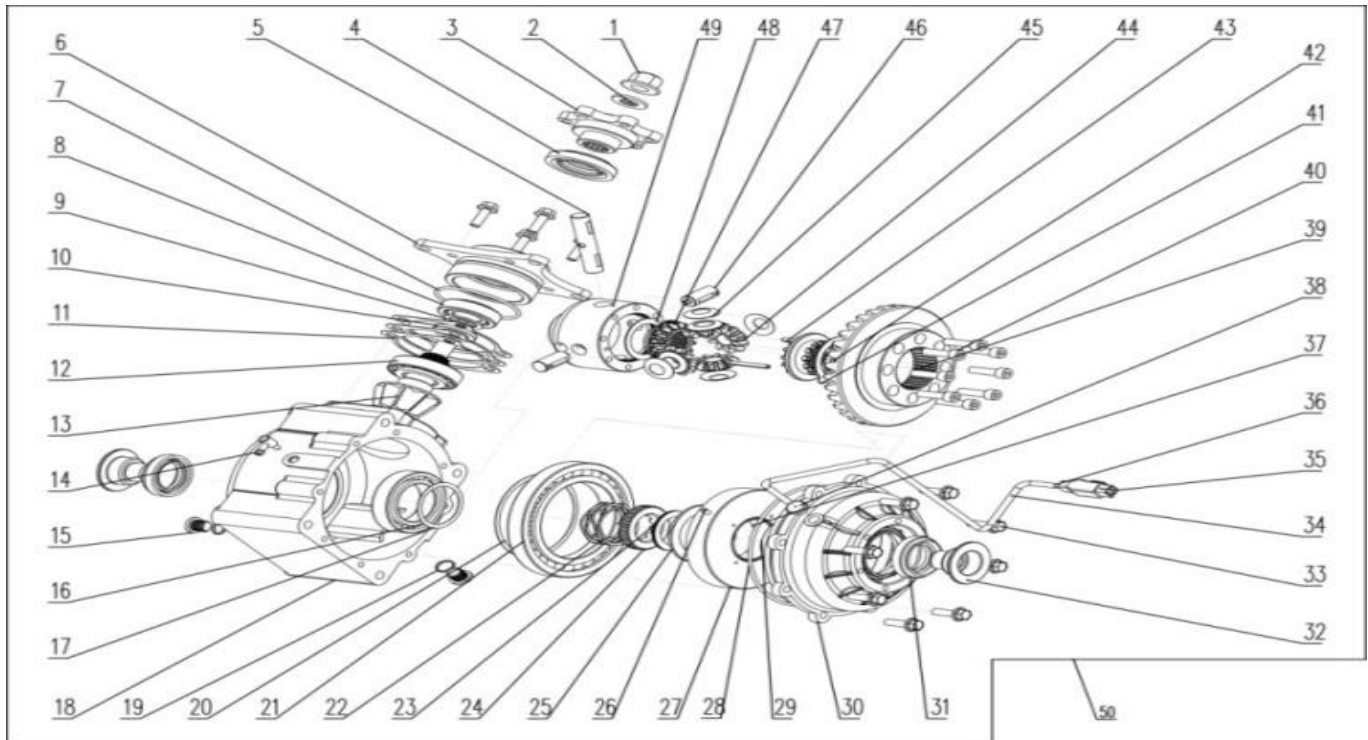
### E2.1 FRONT GEAR-BOX



Nº	CÓDIGO	DESCRIÇÃO	Qt.	OBSERVAÇÕES
26	LH00035424	Bearing 6007	1	
27	LH00026317	Bearing Retainer	1	
28	LH00026328	Bevel Gear - Driving	1	
29	LH00035423	Oil Seal	1	
30	LH00026330	Coupler	1	
31	LH00035428	O-Ring	1	
32	LH00026324	Nut Washer	1	
33	LH00026318	Nut	1	
34	LH00010959	Bearing 61912	1	
35	LH00035434	Drive Gear	1	
36	LH00026331	Bolt	6	
37	LH00026332	Bracket,Differential	1	
38	LH00026326	Shim	1	
39	LH00026325	Washer	1	
40	LH00026334	Top Bracket, Differential Gear	1	
41	LH00035424	Bearing 6007	1	
42	LH00026327	Wearing Ring	2	
43	LH00026333	Gear Shaft (Center), Differential	1	
44	LH00035437	Gear (Center), Differential	2	
45	LH00035440	Driven Gear	1	
46	LH00010956	Pin	1	
47	LH00026329	Bevel Gear - Driven	1	
48	LH00026319	Front Gear - box Assy	1	

## M550L EURO 4

### E3 REAR GEAR-BOX

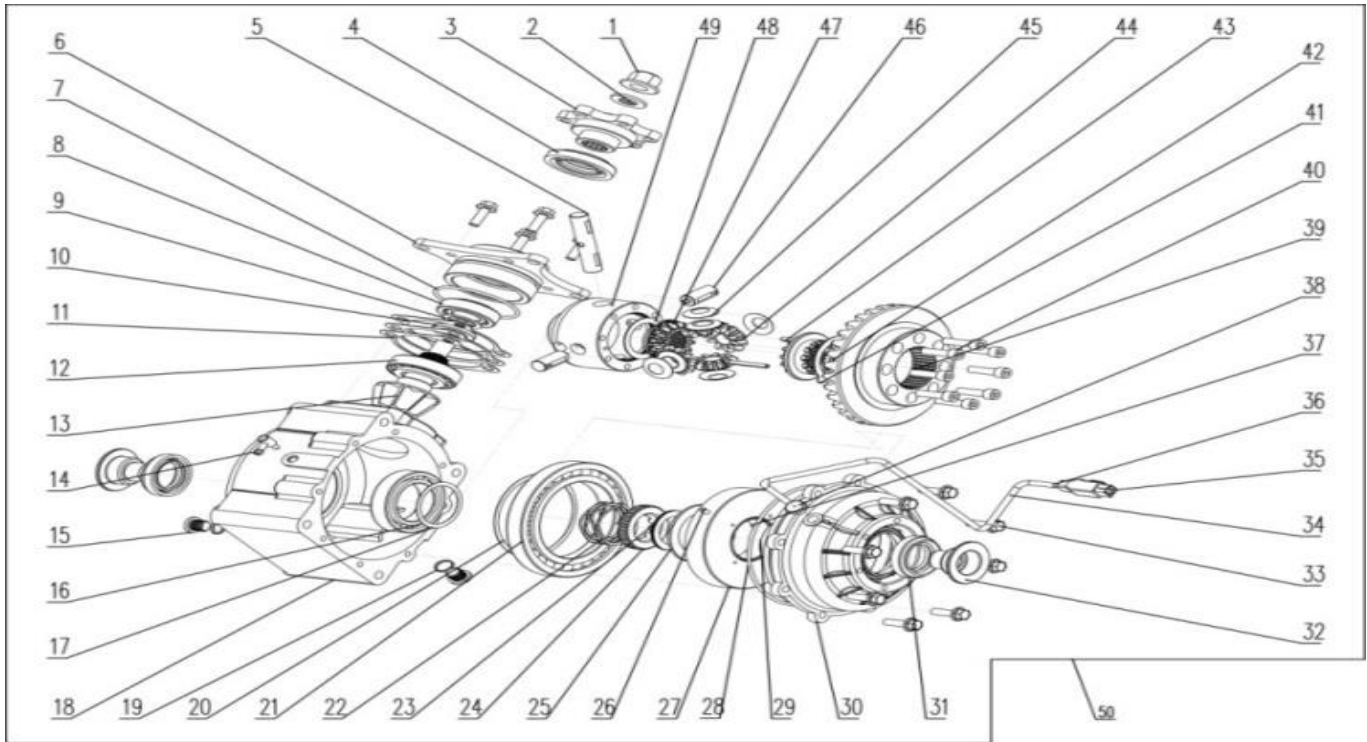


Nº	CÓDIGO	DESCRIÇÃO	Qt.	OBSERVAÇÕES
1	LH00011010	FLANGE NUT M16X1.5	1	
2	LH00011011	PAD M16	1	
3	LH00036213	ENTER THE CONNECTION PLATE	1	
4	LH00036214	SEAL 34.5-61-9-13.5	1	
5	LH00036215	LONG AXIS OF THE PLANET	1	
6	LH00036216	ENTER THE BEARING SEAT-STRAIGHT TEETH	1	
7	LH00036217	INPUT SHAFT O-RING 72X3.2	1	
8	LH00011012	BEARING 30205	1	
9	LH00036218	ADJUSTING GASKET 25-35	1	
10	LH00036219	BEARING SLEEVE	1	
11	LH00036220	ENTER THE BEARING SPACER	3	
12	LH00011013	BEARING 30206	1	
13	LH00036221	9-STRAIGHT BEVEL GEAR	1	
14	LH00036222	EXHAUST PIPE	1	
15	LH00036223	OIL HOLE BOLT	2	
16	LH00010569	BEARING 6010	1	
17	LH00036224	DIFFERENTIAL-BEARING GASKET	1	
18	LH00036225	REAR AXLE HOUSING	1	
19	LH00036226	OIL DRAIN GASKET	2	
20	LH00036227	LARGE BEARING-ADJUSTING SHIMS	1	
21	LH00011014	BEARING 16020	1	
22	LH00036228	WAVE SPRINGS	1	
23	LH00036229	FLAT ROLLERS-52	1	
24	LH00036230	CROWN CLUTCH DISC	1	
25	LH00036231	CLUTCH COVER	1	



## M550L EURO 4

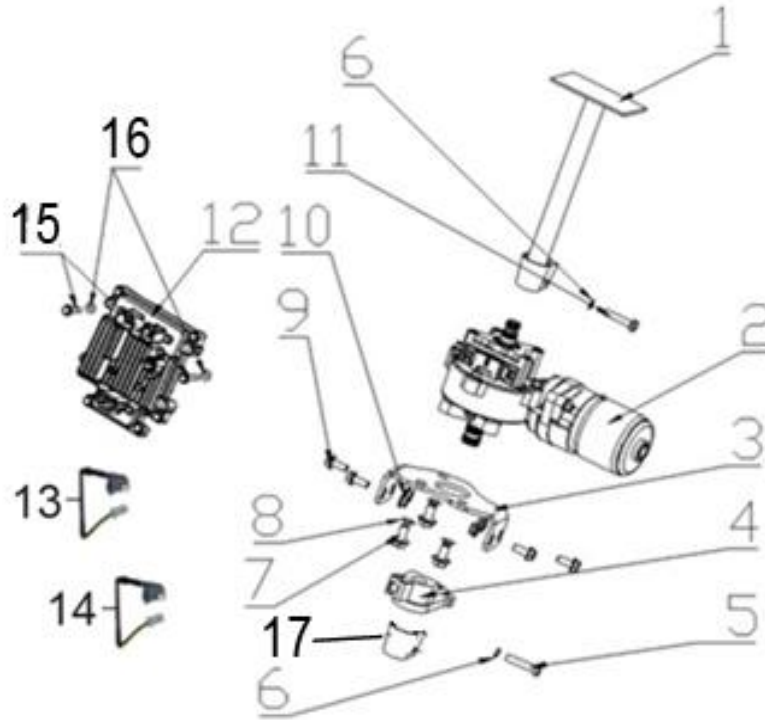
### E3.1 REAR GEAR-BOX



Nº	CÓDIGO	DESCRIÇÃO	Qt.	OBSERVAÇÕES
26	LH00036232	COIL	1	
27	LH00036233	ELECTROMAGNETIC CLUTCH HOUSING	1	
28	LH00011015	O RINGS 152X3.2	1	
29	LH00010960	BEARING 16007	1	
30	LH00036234	REAR AXLE BOX COVER	1	
31	LH00036235	LIP TYPE OIL SEAL 54-35-9	2	
32	LH00036236	OIL SEAL PLUG	2	
33	LH00011016	HEXAGON FLANGE BOLTS	12	
34	LH00036237	FIBERGLASS SLEEVING	1	
35	LH00036238	WATERPROOF PLUG	1	
36	LH00036239	HIGH TEMPERATURE LAED WIRE	1	
37	LH00036240	STAINLESS STEEL BUSHES	1	
38	LH00036241	RUBBER CORD PLUG	1	
39	LH00036242	THE DRIVEN GEAR-STRAIGHT TEETH	1	
40	LH00011017	HEXAGON BOLTS M8X30	8	
41	LH00036243	CROWN AXLE GASKET	1	
42	LH00036244	END TOOTH BEVEL GEARS	1	
43	LH00011018	OPEN END CYLINDRICAL PIN	2	
44	LH00036245	PLANETARY GEAR	4	
45	LH00036246	SPHERICAL GASKET	4	
46	LH00036247	PLANETS SHORT AXIS	2	
47	LH00036248	HALF AXLE GEAR	1	
48	LH00036249	AXLE SPACERS	1	
49	LH00036250	DIFFERENTIAL CASE	1	
50	LH00035780	REAR GEAR-BOX	1	

## M550L EURO 4

E4 EPS (OPTIONAL)

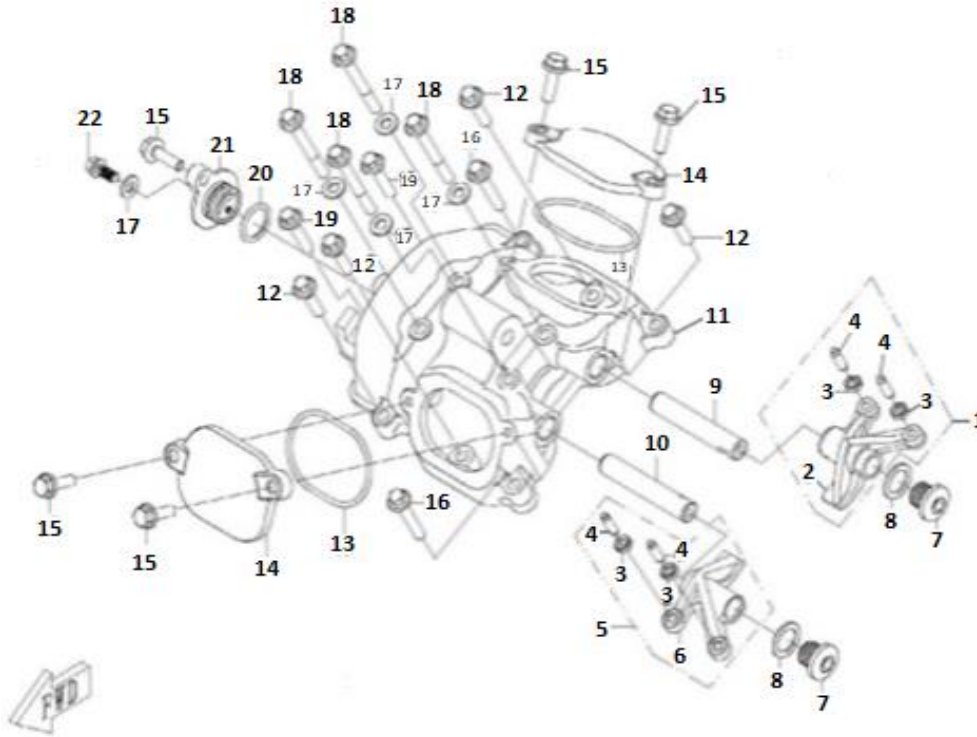


Nº	CÓDIGO	DESCRIÇÃO	Qt.	OBSERVAÇÕES
1	LH00036254	UPPER STEERING COLUMN	1	
2	LH00036255	EPS ASSY.	1	
3	LH00036256	PLATE EPS ASSY.	1	
4	LH00036257	LOWER STEERING COLUMN	1	
5	LH0010177B	BOLT M6X40	1	
6	LH00011019	WASHER 6	4	
7	LH00011020	BOLT M10X1.5X20	3	
8	LH00011021	WASHER 10	3	
9	LH00010783	BOLT M8X20	4	
10	LH00010882	NUT M8	4	
11	LH00010182	BOLT M6X30	3	
12	LH00036258	EPS CONTROLLER	1	
13	LH0070407a	EPS POWER WIRE	1	
14	LH00036259	EPS SIGNALING LINE	1	
15	LH00010182	BOLT M6X30	2	
16	LH00011019	WASHER 6	2	
17	LH00036271	BALL BEARING MOUNTING NUT	1	



## M550L EURO 4

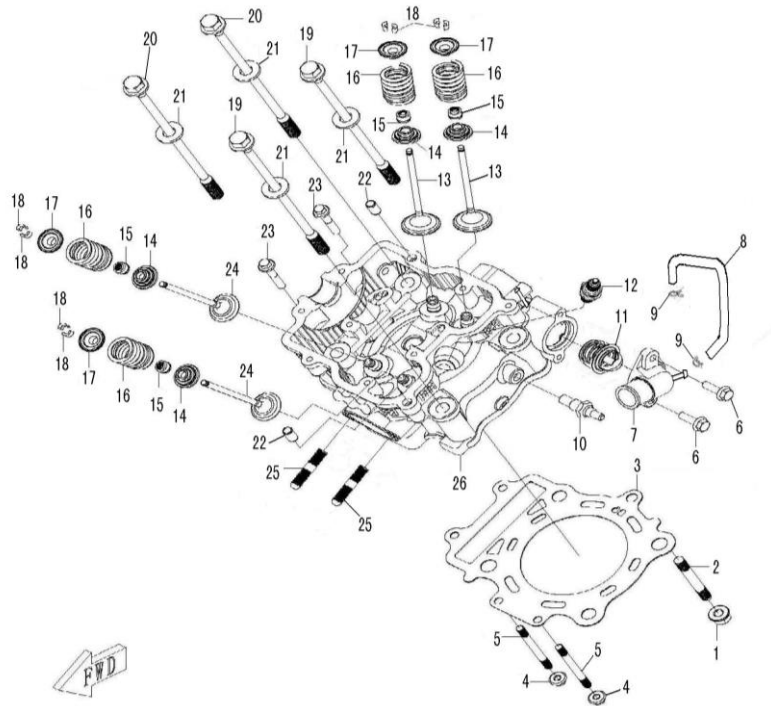
### E5 CYLINDER HEAD COVER



Nº	CÓDIGO	DESCRIÇÃO	Qt.	OBSERVAÇÕES
1	LH00035143	INTAKE ROCKER ARM COMP	1	
2	LH00035144	INTAKE ROCKER ARM VALVE	1	
3	LH00035146	ADJUSTING NUT VALVE	4	
4	LH00035147	ADJUSTING SCREW VALVE	4	
5	LH00035148	EXHAUST ROCKER ARM COMP	1	
6	LH00035149	EXHAUST ROCKER ARM VALVE	1	
7	LH00035150	BOLT M14X1.25X12	2	
8	LH00035215	WASHER 14	2	
9	LH00035142	INTAKE ROCKER SHAFT	1	
10	LH00035145	EXHAUST ROCKER SHAFT	1	
11	LH00035110	CYLINDER HEAD COVER	1	
12	LH00010187	BOLT M6X25	4	
13	LH00035111	GASKET	2	
14	LH00035107	VALVE ADJUST COVER	2	
15	LH00010110	BOLT M6X20	5	
16	LH00010186	BOLT M6X35	2	
17	LH00035108	WASHER 6	5	
18	LH00010530	BOLT M6X55	4	
19	LH00010182	BOLT M6X30	2	
20	LH00035113	O-RING 18X2.4	1	
21	LH00035112	SEAL COVER	1	
22	LH00010140	BOLT M6X12	1	

## M550L EURO 4

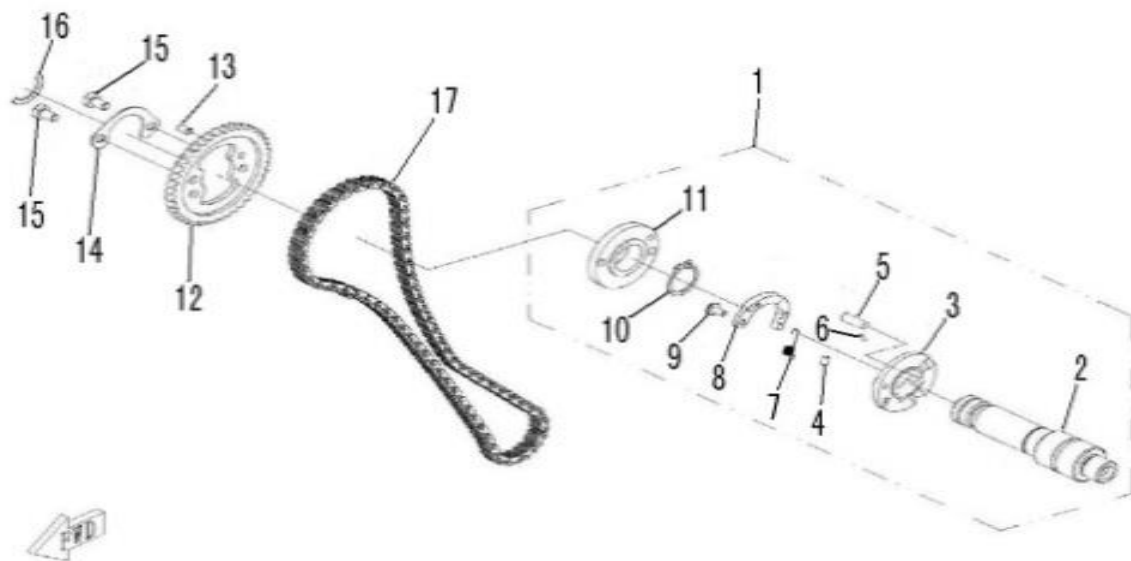
### E6 CYLINDER HEAD



Nº	CÓDIGO	DESCRIÇÃO	Qt.	OBSERVAÇÕES
1	LH00010067	THRUST NUT M8	1	
2	LH00035097	STUD M8X68	1	
3	LH00035106	GASKET,CYLINDER HEAD	1	
4	LH00010004	THRUST NUT M6	2	
5	LH00035098	STUD M6X72	2	
6	LH00010278	BOLT M6X22	2	
7	LH00035103	WATER OUTLET JOINT, CYLINDER HEAD	1	
8	LH00035104	PIPE,CYLINDER HEAD	1	
9	LH00035109	CLIP 7.5	2	
10	LH0035095e	WATER TEMPERATURE SENSOR	1	
11	LH00035171	THERMOSTAT	1	
12	LH00035105	SPARK PLUG DPR7EA-9(NGK)	1	
13	LH00035135	INTAKE VALVE	2	
14	LH00035137	SEAT SPRING VALVE	4	
15	LH00035140	SEAL VALVE STEM	4	
16	LH00035136	SPRING VALVE	4	
17	LH00035138	RETAINER SPRING VALVE	4	
18	LH00035139	COTTER VALVE	8	
19	LH00035100	CYLINDER BOLT M10X1.25X190	2	
20	LH00035101	CYLINDER BOLT M10X1.25X200	2	
21	LH00035102	WASHER, CYLINDER BOLT	4	
22	LH00050076	DOWEL PIN 8x14	2	
23	LH00010186	BOLT M6X35	2	
24	LH00035141	EXHAUST VALVE	2	
25	LH00035099	STUD M8X42	2	
26	LH0035096e	CYLINDER HEAD	1	

## M550L EURO 4

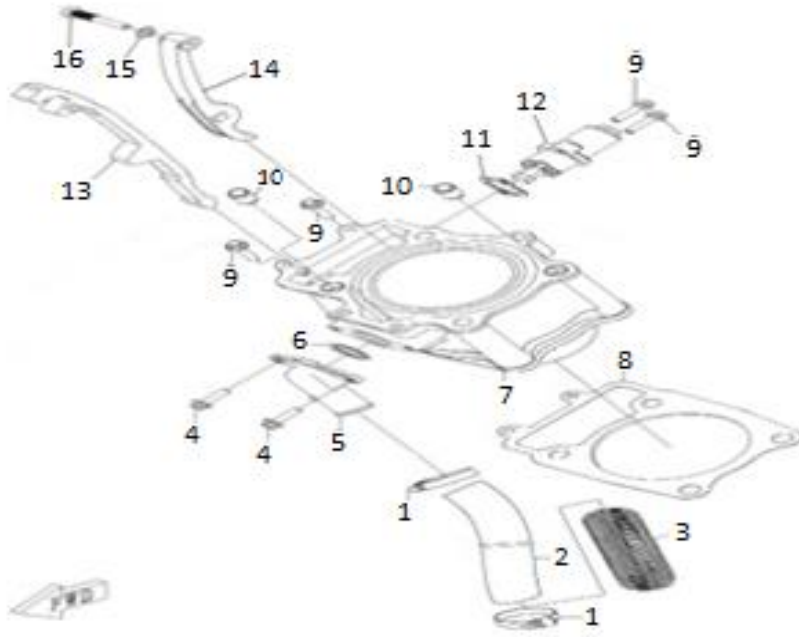
### E7 CAMSHAFT



Nº	CÓDIGO	DESCRIÇÃO	Qt.	OBSERVAÇÕES
1	LH00035156	CAMSHAFT ASSEMBLY	1	
2	LH00035151	CAMSHAFT	1	
3	LH00035168	LIMIT CAM	1	
4	LH00035167	DOWEL PIN, DECOMPRESSOR	1	
5	LH00035170	DECOMPRESSOR CAM	1	
6	LH00035169	DEFLECTOR ROD	1	
7	LH00035164	DECOMPRESSOR SPRING	1	
8	LH00035165	DECOMPRESSOR ROCKER ARM	1	
9	LH00035166	DECOMPRESSOR ROCKER ARM WRIST	1	
10	LH00010841	RETAINER 22	1	
11	LH00035155	FLANGE, CAMSHAFT	1	
12	LH00035154	TIMING SPROCKET	1	
13	LH00010835	DOWEL PIN, TIMING SPROCKET	1	
14	LH00035153	RETAINER	1	
15	LH00010828	BOLT M6X10	2	
16	LH00035152	CAMSHAFT SPACER	1	
17	LH00035163	TIMING CHAIN	1	

## M550L EURO 4

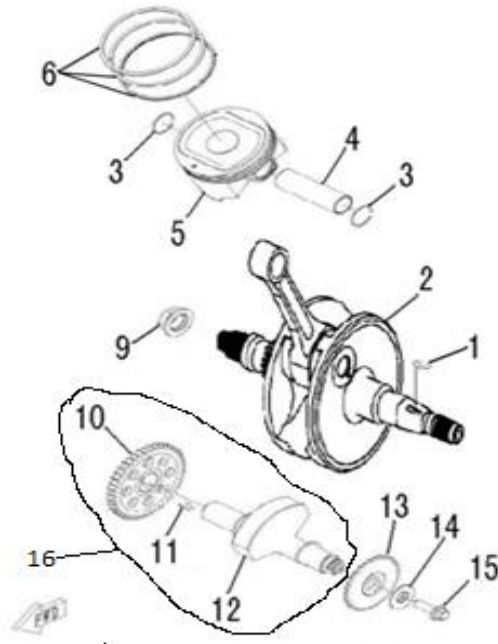
### E8 CYLINDER



Nº	CÓDIGO	DESCRIÇÃO	Qt.	OBSERVAÇÕES
1	LH00035343	CLAMP 20/32	2	
2	LH00035116	WATER INLET HOSE	1	
3	LH00035117	SLEEVE, WATER HOSE	1	
4	LH00010278	BOLT M6X22	2	
5	LH00035114	JOINT, WATER INLET	1	
6	LH00035115	O-RING 24X2.5	1	
7	LH00035119	CYLINDER	1	
8	LH00035120	GASKET, CYLINDER	1	
9	LH00010187	BOLT M6X25	4	
10	LH00035118	DOWEL PIN 13X18	2	
11	LH00035158	GASKET, TENSIONER	1	
12	LH00035157	TENSIONER	1	
13	LH00035159	TIMING CHAIN GUIDE	1	
14	LH00035160	TENSIONER PLATE	1	
15	LH00035162	WASHER 8	1	
16	LH00035161	BOLT, TENSIONER PLATE	1	

## M550L EURO 4

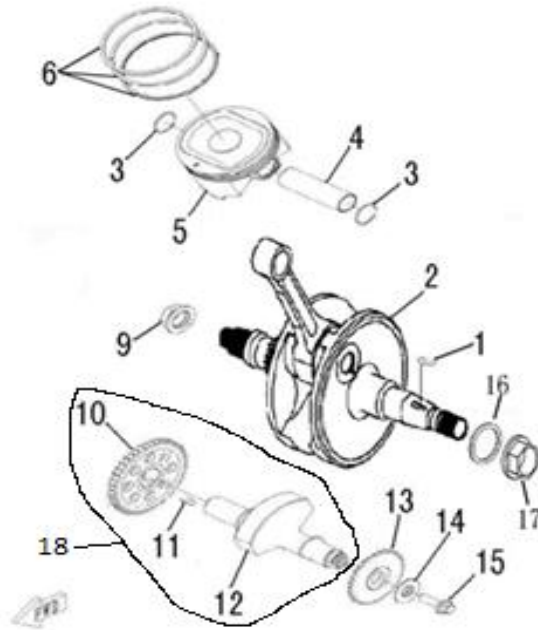
### E9 CRANKSHAFT COMP



Nº	CÓDIGO	DESCRIÇÃO	Qt.	OBSERVAÇÕES
1	LH00035133	KEY	1	
2	LH00035121	CRANKSHAFT	1	
3	LH00035129	CLIP, PISTON PIN	2	
4	LH00035128	PISTON PIN	1	
5	LH00035127	PISTON	1	
6	LH00035124	PISTON RING	1	
9	LH00035122	NUT M18X1.5 (L)	1	
10	LH00035131	GEAR, BALANCER SHAFT	1	
11	LH00035123	KEY	1	
12	LH00035130	BALANCER SHAFT	1	
13	LH00035132	SPROCKET, BALANCE SHAFT	1	
14	LH00035134	WASHER 10.2X28X2	1	
15	LH00010028	BOLT M10X25	1	
16	LH0035130A	BALANCER SHAFT ASSY	1	

## M550L EURO 4

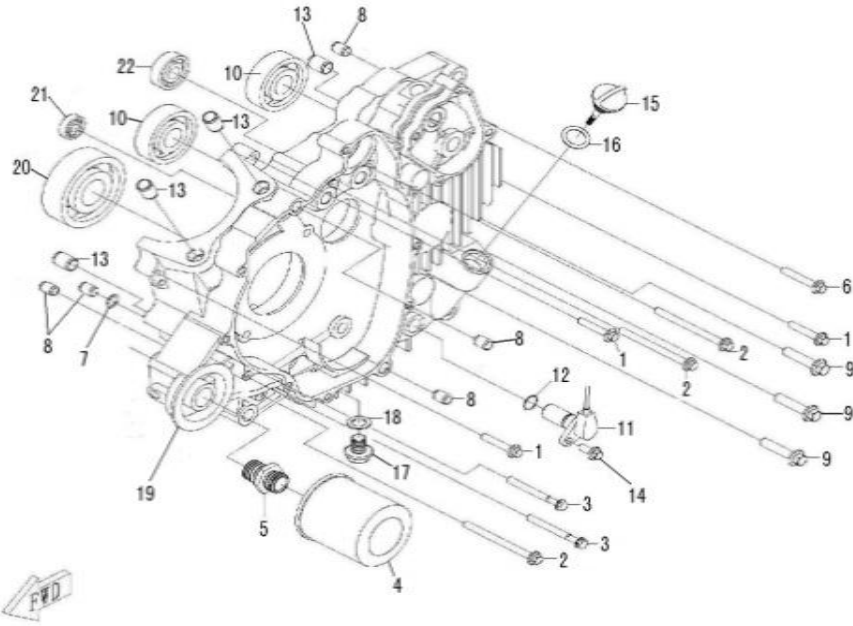
### E9.1 CRANKSHAFT COMP (Model 2016)



Nº	CÓDIGO	DESCRIÇÃO	Qt.	OBSERVAÇÕES
1	LH00035133	KEY	1	
2	LH0035121a	CRANKSHAFT (NEW MODEL)	1	
3	LH00035129	CLIP, PISTON PIN	2	
4	LH00035128	PISTON PIN	1	
5	LH00035127	PISTON	1	
6	LH00035124	PISTON RING	1	
9	LH00035122	NUT M18X1.5 (L)	1	
10	LH00035131	GEAR, BALANCER SHAFT	1	
11	LH00035123	KEY	1	
12	LH00035130	BALANCER SHAFT	1	
13	LH00035132	SPROCKET, BALANCE SHAFT	1	
14	LH00035134	WASHER 10.2X28X2	1	
15	LH00010028	BOLT M10X25	1	
16	LH00071689	WASHER 16.6	1	
17	LH00071688	NUT M16X1.5	1	
18	LH0035130A	BALANCER SHAFT ASSY	1	

## M550L EURO 4

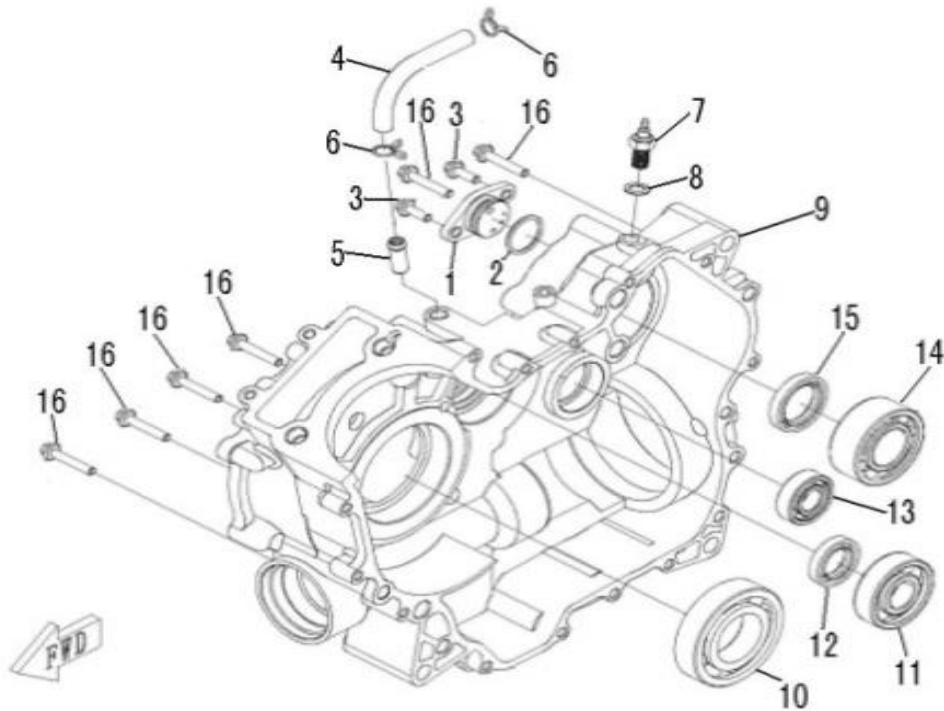
### E10 LEFT CRANKCASE



Nº	CÓDIGO	DESCRIÇÃO	Qt.	OBSERVAÇÕES
1	LH00010186	BOLT M6×35	3	
2	LH00010827	BOLT M6×80	3	
3	LH00010005	BOLT M6×60	2	
4	LH00035223	OIL FILTER	1	
5	LH00035213	BOLT, OIL FILTER	1	
6	LH00010177	BOLT M6×40	1	
7	LH00010843	O-RING 10X1.8	1	
8	LH00035094	DOWEL PIN 10×14	5	
9	LH00035221	BOLT M8×38	3	
10	LH00010846	BEARING 6303C3	2	
11	LH00035337	SPEED SENSOR	1	
12	LH00035225	O-RING 14×1.44	1	
13	LH00035118	DOWEL PIN 13×18	4	
14	LH00010189	BOLT M6×16	1	
15	LH00035224	OIL DIP ROD	1	
16	LH00010844	O-RING 18×3.55	1	
17	LH00050105	DRAIN BOLT M12×1.5	1	
18	LH01309283	WASHER 12	1	
19	LH00035216	LEFT CRANKCASE	1	
20	LH00010847	BEARING 6307	1	
21	LH00010848	BEARING 63/22	1	
22	LH00010849	BEARING 6202	1	

## M550L EURO 4

### E11 RIGHT CRANKCASE

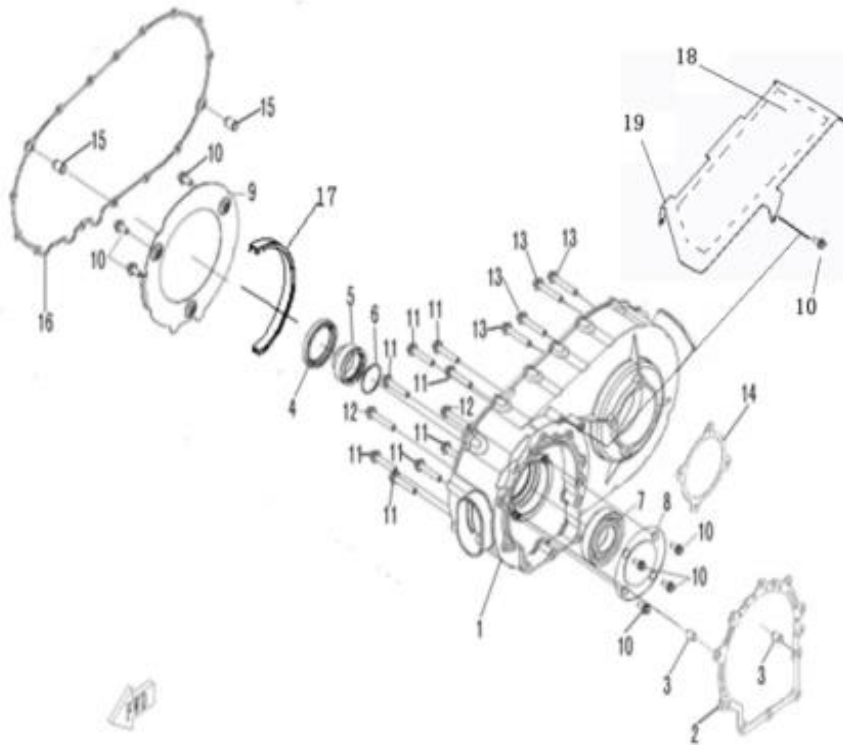


Nº	CÓDIGO	DESCRIÇÃO	Qt.	OBSERVAÇÕES
1	LH00035338	GEAR POSITION SENSOR	1	
2	LH00035226	O-RING 26x2.5	1	
3	LH00010191	BOLT M6x18	2	
4	LH00035220	BREATHER HOSE	1	
5	LH00035219	JOINT, BREATHER HOSE	1	
6	LH00010845	CLAMP A12	2	
7	LH00035339	REVERSE GEAR SENSOR	1	
8	LH00035227	WASHER 10	1	
9	LH00035217	RIGHT CRANKCASE	1	
10	LH00010850	BEARING 6208	1	
11	LH00010848	BEARING 63/22	1	
12	LH00035218	OIL SEAL 22x38x7	1	
13	LH00010851	BEARING 6203RS	1	
14	LH00010860	BEARING 5206C3	1	
15	LH00035222	OIL SEAL 30x45x8	1	
16	LH00010186	BOLT M6x35	6	



## M550L EURO 4

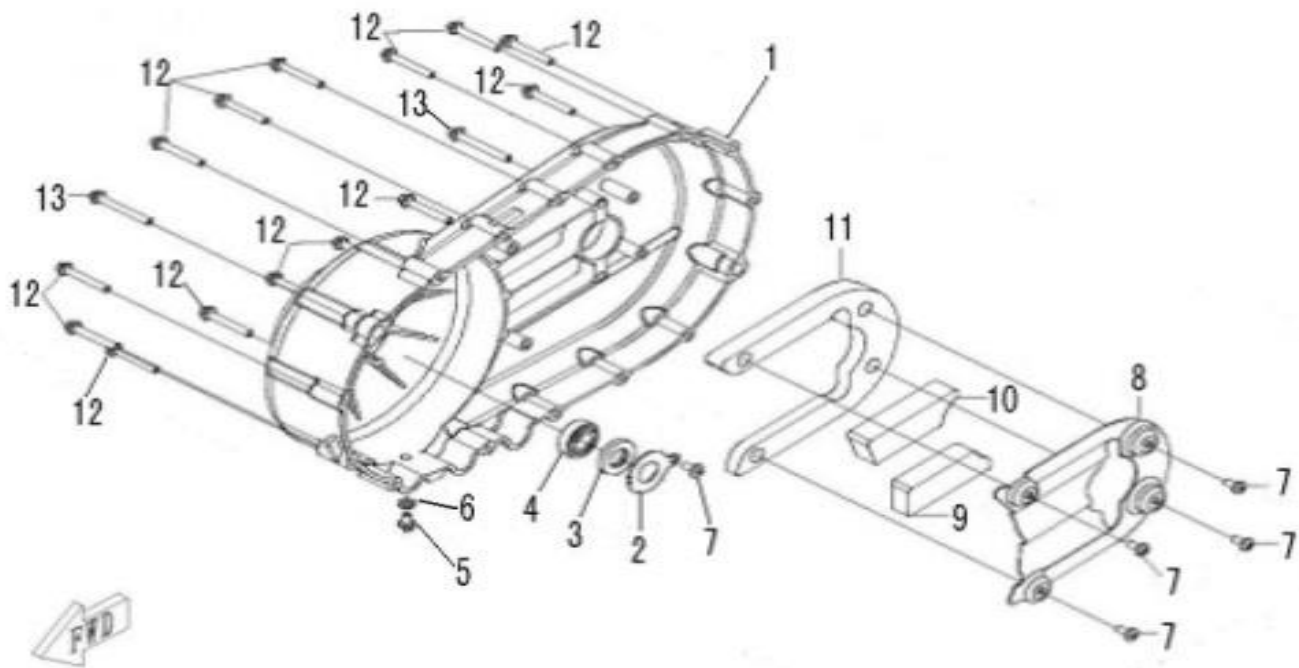
### E12 CVT HOUSING



Nº	CÓDIGO	DESCRIÇÃO	Qt.	OBSERVAÇÕES
1	LH00035235	CVT HOUSING	1	
2	LH00035238	GASKET 1, CVT HOUSING	1	
3	LH00035094	DOWEL PIN 10×14	2	
4	LH00035251	OIL SEAL 54×70×8	1	
5	LH00035228	SPACER, DRIVE SHAFT	1	
6	LH00035229	O-RING 39×2.3	1	
7	LH00010852	BEARING 6208RS	1	
8	LH00035236	BEARING RETAINER, CVT	1	
9	LH00035237	PLATE, AIR INTAKE	1	
10	LH00010140	BOLT M6×12	8	
11	LH00035233	BOLT M8×45	8	
12	LH00035232	BOLT M8×50	2	
13	LH00010187	BOLT M6×25	4	
14	LH00035239	GASKET 2, CVT HOUSING	1	
15	LH00035118	DOWEL PIN 13×18	2	
16	LH00035231	GASKET, CVT COVER	1	
17	LH00035533	RUBBER STRIP	1	
18	LH00035794	CVT Heat insulation film	1	
19	LH00035795	CVT Heat insulation board	1	

## M550L EURO 4

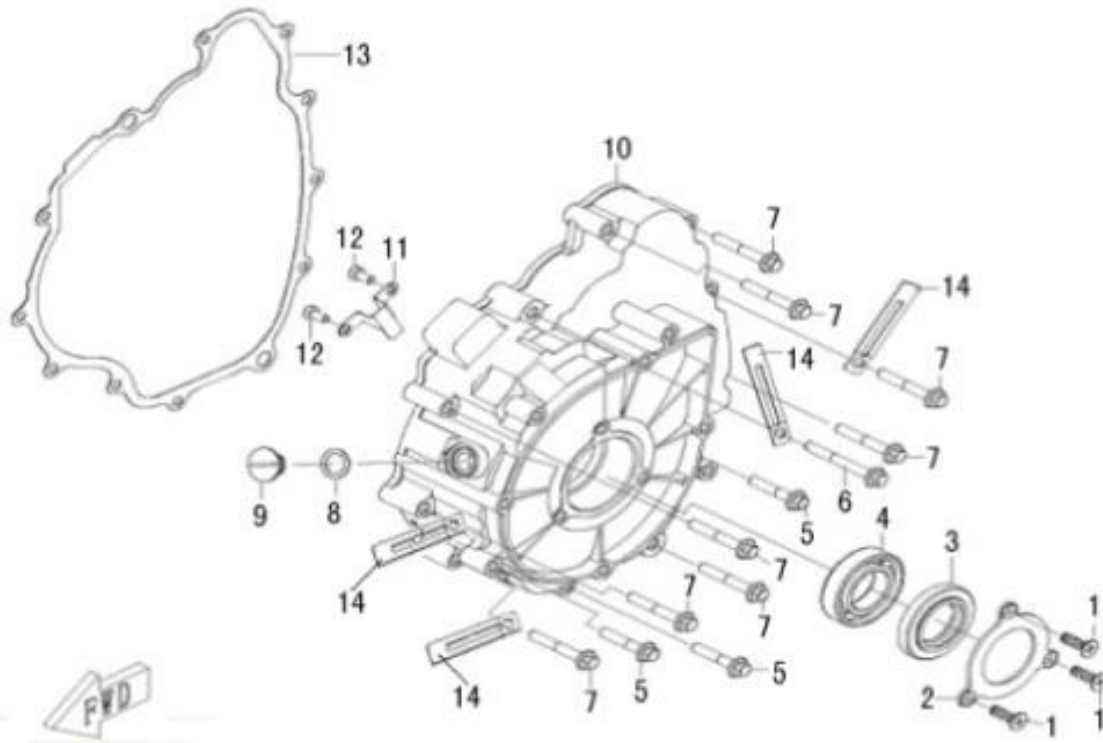
### E13 CVT COVER



Nº	CÓDIGO	DESCRIÇÃO	Qt.	OBSERVAÇÕES
1	LH00035230	CVT COVER	1	
2	LH00035253	LIMITATOR, OIL SEAL	1	
3	LH00035252	OIL SEAL 17×35×5	1	
4	LH00010853	BEARING 6003/P6	1	
5	LH00010826	BOLT M6×10	1	
6	LH00035108	WASHER 6	1	
7	LH00026262	SCREW M6×12	5	
8	LH00035254	DAMPER PLATE	1	
9	LH00035257	RUBBER DAMPER 3	1	
10	LH00035255	RUBBER DAMPER 1	1	
11	LH00035256	RUBBER DAMPER 2	1	
12	LH00029503	BOLT M6×45	14	
13	LH00010530	BOLT M6×55	2	

## M550L EURO 4

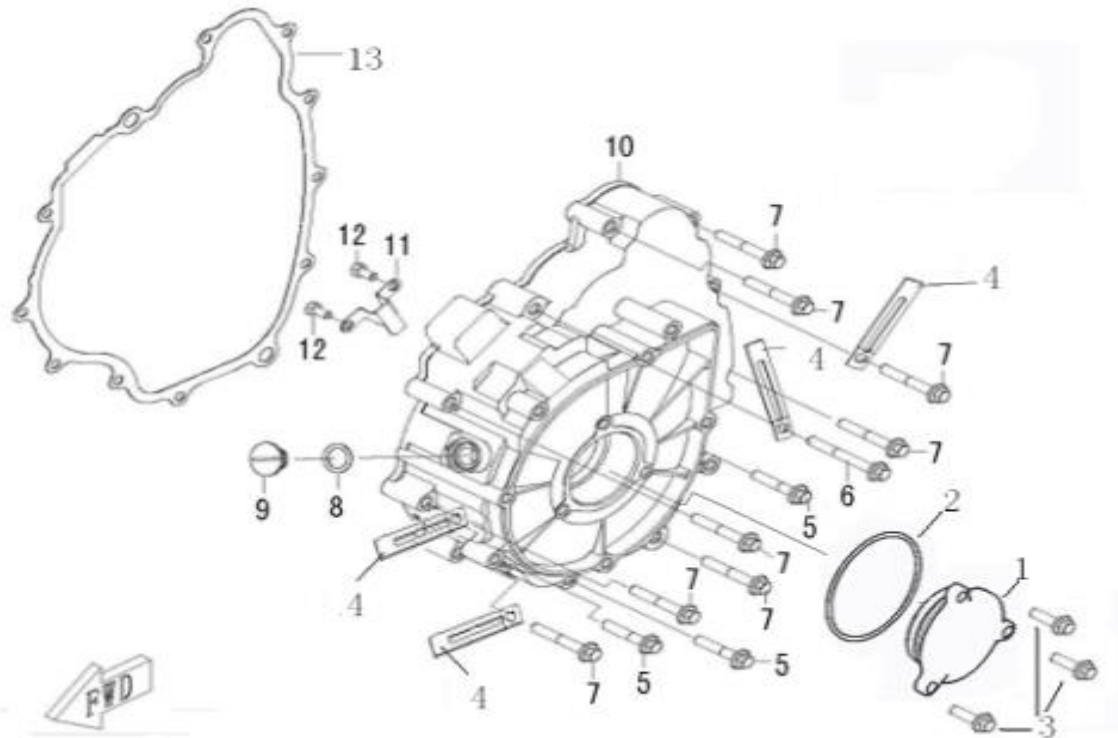
### E14 LEFT CRANKCASE COVER



N°	CÓDIGO	DESCRIÇÃO	Qt.	OBSERVAÇÕES
1	LH00010832	SCREW M6×10	3	
2	LH00035245	HOLDER, OIL SEAL	1	
3	LH00035248	OIL SEAL 28×52×7	1	
4	LH00010854	BEARING 60/28	1	
5	LH00010329	BOLT M6×32	3	
6	LH00010349	BOLT M6×50	1	
7	LH00010177	BOLT M6×40	8	
8	LH00035250	O-RING 12×2.8	1	
9	LH00035249	PLUG, INSPECTION	1	
10	LH00035234	LEFT CRANKCASE COVER	1	
11	LH00035246	LEAD HOLDER	1	
12	LH00010829	BOLT M5×10	2	
13	LH00035244	GASKET, LEFT CRANKCASE COVER	1	
14	LH00035247	CABLE CLAMP	4	

## M550L EURO 4

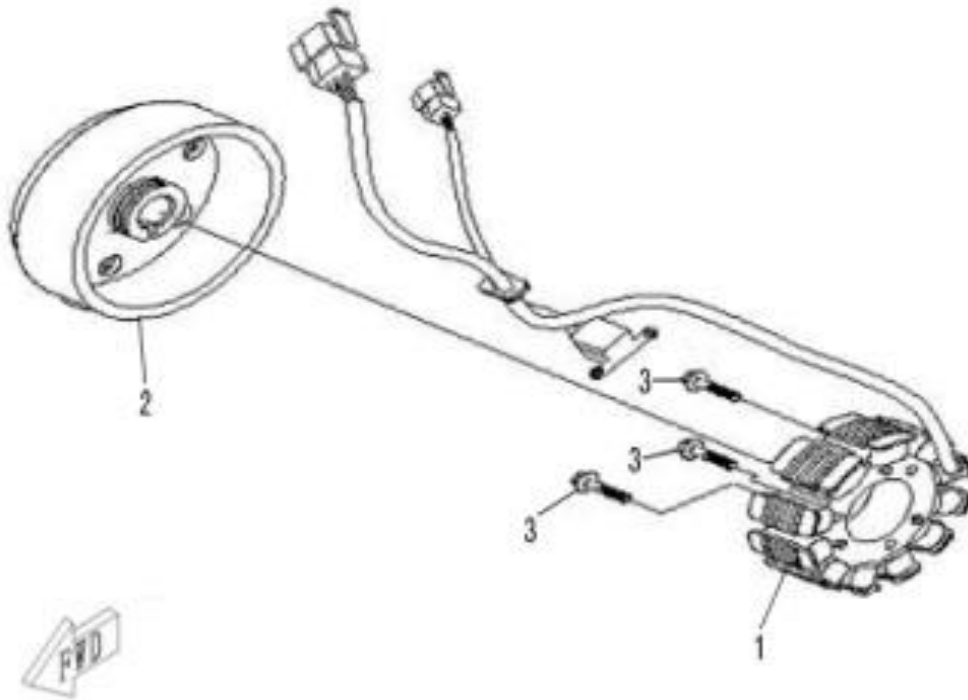
### E14.1 LEFT CRANKCASE COVER (New Model 2016)



N°	CÓDIGO	DESCRIÇÃO	Qt.	OBSERVAÇÕES
1	LH00035537	END CAP	1	
2	LH00010039	O-RING 46.5X2.65	1	
3	LH00010140	BOLT M6×12	3	
4	LH00035247	CABLE CLAMP	4	
5	LH00010329	BOLT M6×32	3	
6	LH00010349	BOLT M6×50	1	
7	LH00010177	BOLT M6×40	8	
8	LH00035250	O-RING 12x2.8	1	
9	LH00035249	PLUG, INSPECTION	1	
10	LH00035234	LEFT CRANKCASE COVER	1	
11	LH00035246	LEAD HOLDER	1	
12	LH00010829	BOLT M5x10	2	
13	LH00035244	GASKET, LEFT CRANKCASE COVER	1	

## M550L EURO 4

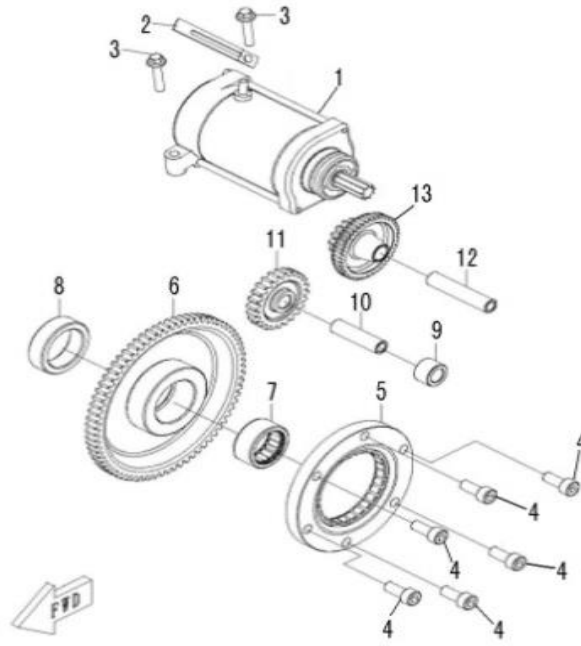
### E15 GENERATOR



N°	CÓDIGO	DESCRIÇÃO	Qt.	OBSERVAÇÕES
1	LH0035334e	STATOR ASSY	1	
2	LH0035335e	ROTOR ASSY	1	
3	LH00010182	BOLT M6×30	3	

## M550L EURO 4

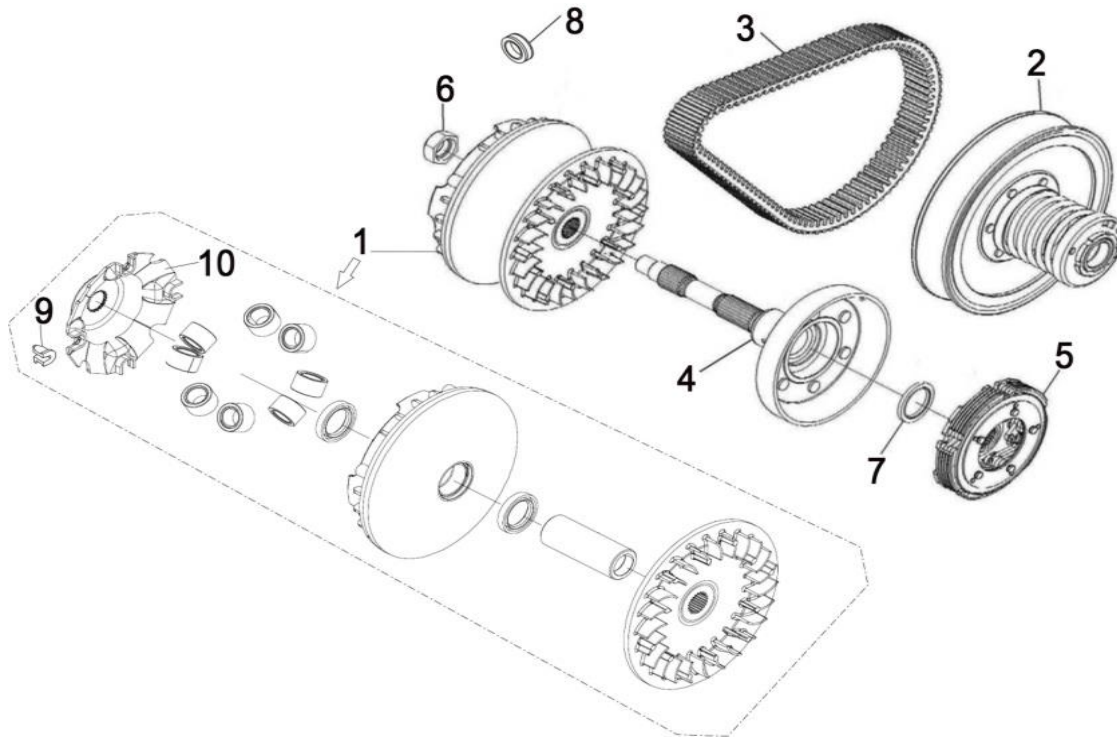
### E16 ELECTRIC STARTER



Nº	CÓDIGO	DESCRIÇÃO	Qt.	OBSERVAÇÕES
1	LH00035336	STARTING MOTOR	1	
2	LH00035247	CABLE CLAMP	1	
3	LH00010182	BOLT M6×30	2	
4	LH00010830	SCREW M8×20	6	
5	LH00035265	STATER CLUTCH	1	
6	LH00035260	OUTPUT GEAR ASSY	1	
7	LH00010859	NEEDLE BEARING RNA49/22	1	
8	LH00035259	SPACER	1	
9	LH00035264	IDLE GEAR BUSHING	1	
10	LH00035262	IDLE GEAR SHAFT	1	
11	LH00035263	IDLE GEAR	1	
12	LH00035261	AXLE, DUAL GEAR	1	
13	LH00035258	DUAL GEAR	1	

## M550L EURO 4

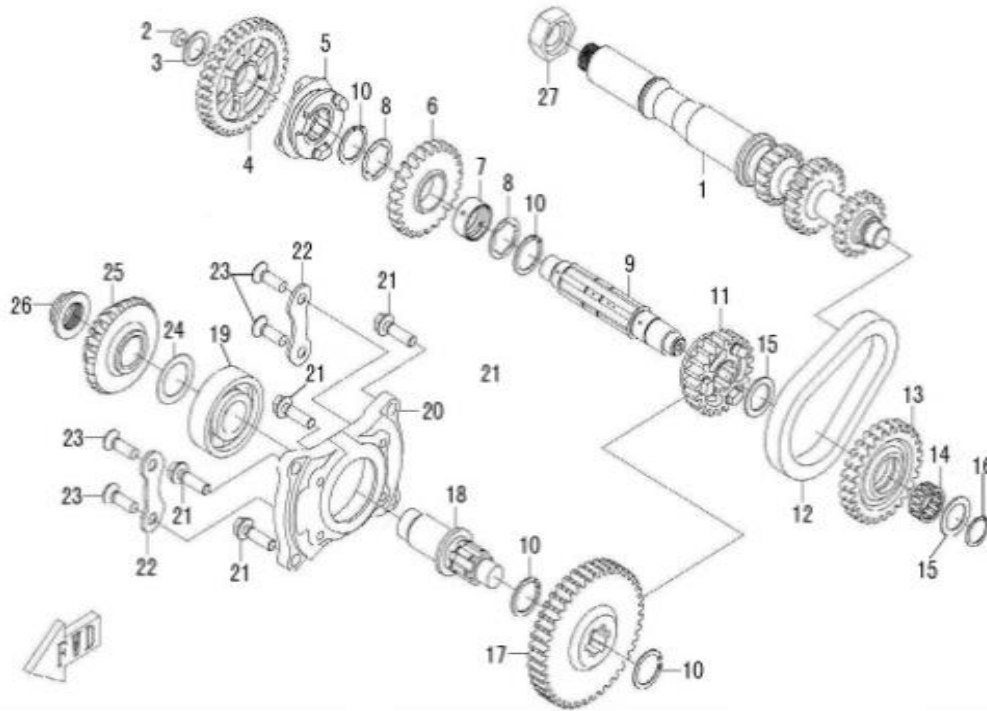
### E17 CLUTCH



Nº	CÓDIGO	DESCRIÇÃO	Qt.	OBSERVAÇÕES
1	LH00035298	DRIVE ASSY COMP	1	
2	LH00035299	DRIVEN ASSY COMP	1	
2	LH0035299a	DRIVEN ASSY COMP (MARK "R1210")	1	
3	LH00035297	V-BELT	1	
4	LH00035295	CLUTCH HOUSING ASSY	1	
5	LH00035296	CLUTCH CARRIER ASSY	1	
6	LH00035294	NUT M20x1.5	1	
7	LH00035293	OIL SEAL 38x46x4/6, END FACE	1	
8	LH00035668	ROLLER	8	
9	LH00035932	SPACER1	4	
10	LH00035933	CAM	1	

## M550L EURO 4

### E18 TRANSMISSION I

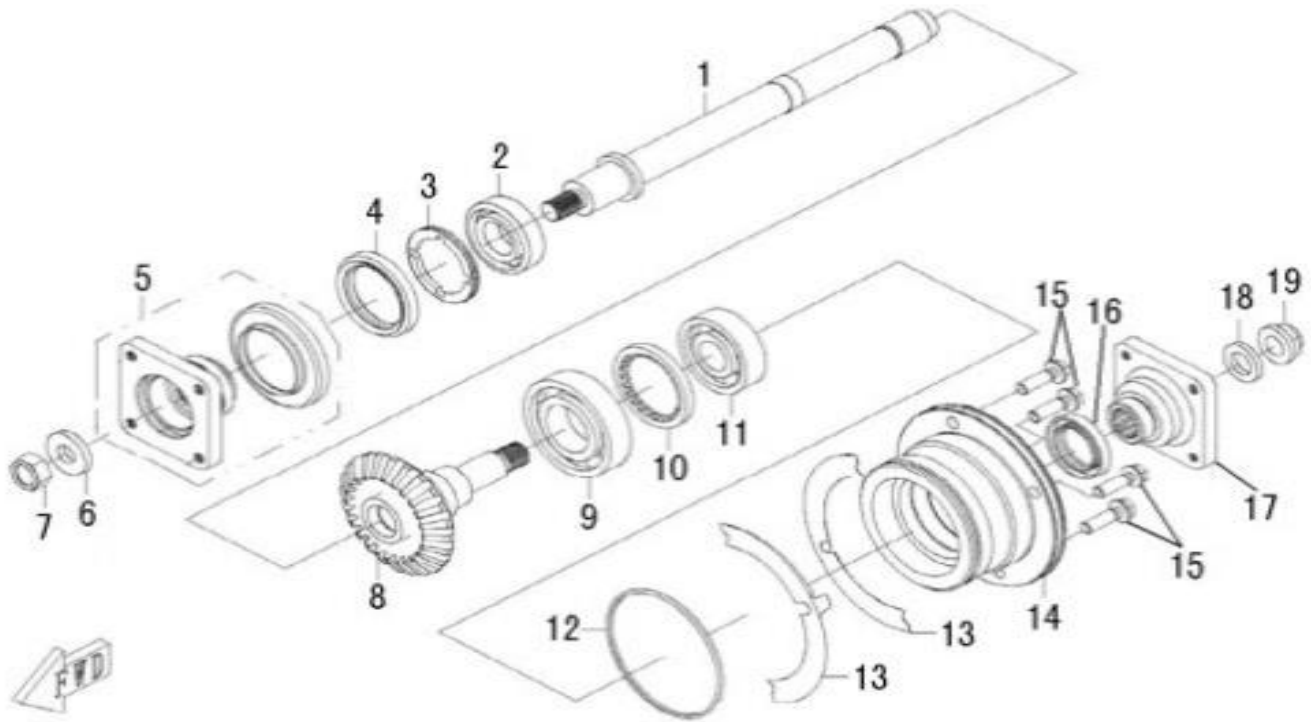


Nº	CÓDIGO	DESCRIÇÃO	Qt.	OBSERVAÇÕES
1	LH00035320	MAIN SHAFT. GEARSHIFT	1	
2	LH00035309	BELL PLUG 12	1	
3	LH00035307	WASHER 17.5×26×1	1	
4	LH00035318	DRIVEN GEAR, LOW RANGE	1	
5	LH00035314	SLIDING BUSH, GEARSHIFT	1	
6	LH00035316	DRIVEN GEAR, HIGH RANGE	1	
7	LH00035317	BUSHING, DRIVEN HIGH RANGE GEAR	1	
8	LH00035310	SPLINE WASHER	2	
9	LH00035315	DRIVEN SHAFT	1	
10	LH00035311	CIRCLIP 25	2	
11	LH00035308	DRIVEN OUTPUT GEAR	1	
12	LH00035313	CHAIN, REVERSE GEAR	1	
13	LH00035319	SPROCKET, REVERSE GEAR	1	
14	LH00010858	NEEDLE BEARING K20X26X12	1	
15	LH00035312	WASHER 20.5×30×1.5	2	
16	LH00024407	CIRCLIP 20	1	
17	LH00035271	OUTPUT DRIVEN GEAR	1	
18	LH00035276	DRIVE BEVEL GEAR SHAFT	1	
19	LH00010855	BEARING 6305C3	1	
20	LH00035274	BEARING SEAT,DRIVE BEVEL GEAR	1	
21	LH00035286	BOLT M8×28	4	
22	LH00035287	BEARING LIMIT	2	
23	LH00010276	SCREW M8×25	4	
24	LH00035277	ADJUST WASHER, DRIVE BEVEL GEAR	1	
25	LH00035272	DRIVE BEVEL GEAR	1	
26	LH00035275	LOCKNUT, BEVEL GEAR	1	
27	LH00035294	NUT M20x1.5	1	



## M550L EURO 4

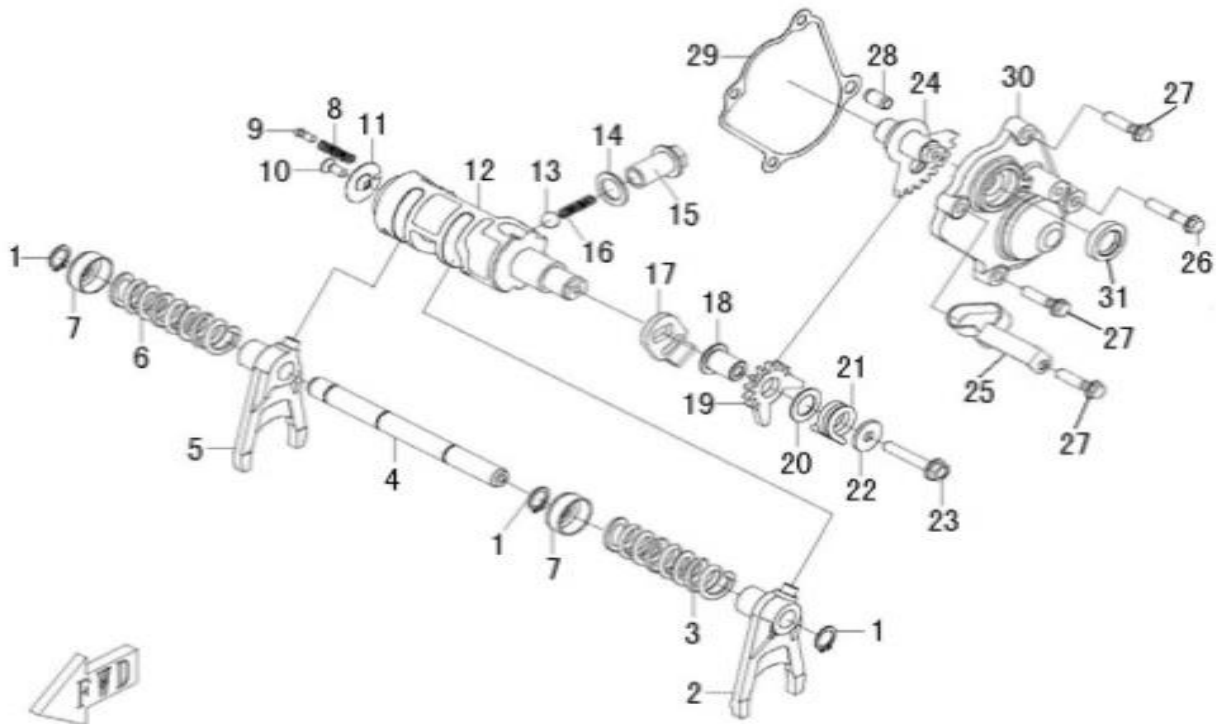
### E18.1 TRANSMISSION II



N°	CÓDIGO	DESCRIÇÃO	Qt.	OBSERVAÇÕES
1	LH00035288	FRONT OUTPUT SHAFT	1	
2	LH0010267N	BEARING 6205	1	
3	LH00035291	BEARING RETAINER, FRONT OUTPUT SHAFT	1	
4	LH00035289	OIL SEAL 44×60×6.7/10	1	
5	LH00035290	COUPLER, FRONT TRANSMISSION OUTPUT	1	
6	LH00035292	WASHER,FRONT TRANSMISSION OUTPUT SHAFT NUT	1	
7	LH00010837	NUT M14×1.5-10	1	
8	LH00035273	DRIVEN BEVEL GEAR	1	
9	LH00010856	BEARING 6207/P63	1	
10	LH00035282	BEARING LIMIT NUT	1	
11	LH00010848	BEARING 63/22	1	
12	LH00035279	O-RING 88×2.4	1	
13	LH00035280	ADJUST WASHER, DRIVEN BEVEL GEAR	2	
14	LH00035278	BEARING SEAT, DRIVEN BEVEL GEAR	1	
15	LH00035286	BOLT M8×28	4	
16	LH00035281	OIL SEAL 30×46×7	1	
17	LH00035283	COUPLER, REAR TRANSMISSION OUTPUT	1	
18	LH00035284	WASHER, REAR OUTPUT SHAFT NUT	1	
19	LH00035285	NUT, REAR OUTPUT SHAFT	1	

## M550L EURO 4

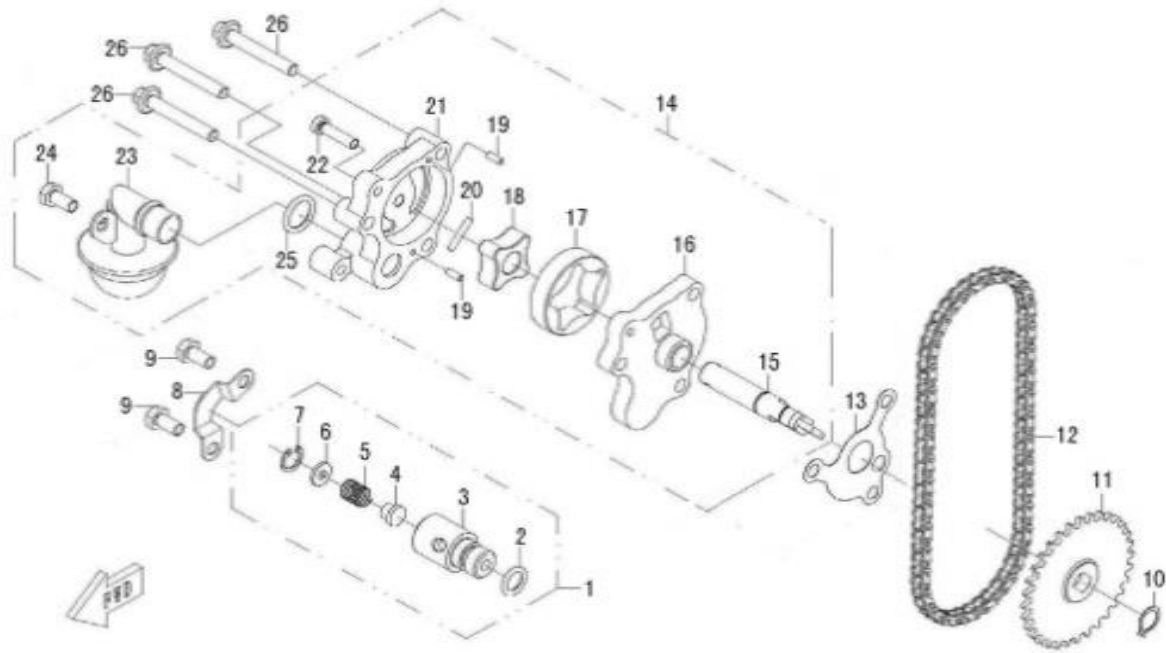
### E18.2 TRANSMISSION III



Nº	CÓDIGO	DESCRIÇÃO	Qt.	OBSERVAÇÕES
1	LH00010129	CIRCLIP 12	3	
2	LH00035330	LEFT SHIFT FORK	1	
3	LH00035327	SPRING 1, SHIFT FORK	1	
4	LH00035333	GUIDE BAR	1	
5	LH00035329	RIGHT SHIFT FORK	1	
6	LH00035328	SPRING 2, SHIFT FORK	1	
7	LH00035326	SPRING SEAT	2	
8	LH00035322	SPRING, GEAR CONTACTOR	1	
9	LH00035321	GEAR CONTACTOR	1	
10	LH00010135	SCREW M5×12	1	
11	LH00035323	LIMIT WASHER	1	
12	LH00035331	SHIFT CAM	1	
13	LH00010842	FRICTION BALL 3/8	1	
14	LH00035324	WASHER 14×22×1	1	
15	LH00035325	HOLE BOLT M14×1.5	1	
16	LH00035332	LIMIT SPRING	1	
17	LH00035303	WASHER, DRIVEN SECTOR GEAR	1	
18	LH00035302	SHAFT, DRIVEN SECTOR GEAR	1	
19	LH00035301	DRIVEN SECTOR GEAR	1	
20	LH00035304	WASHER 13.5×22×1	1	
21	LH00035305	TORSION SPRING, DRIVEN SECTOR GEAR	1	
22	LH00035306	WASHER 6.6×20×2	1	
23	LH00010186	BOLT M6×35	1	
24	LH00035300	WELD PART, DRIVE SECTOR GEAR	1	
25	LH00035243	CLIP	1	
26	LH00010329	BOLT M6×32	1	
27	LH00010187	BOLT M6×25	3	
28	LH00050076	DOWEL PIN 8×14	1	
29	LH00035241	GASKET, SECTOR GEAR HOUSING	1	
30	LH00035240	COVER, SECTOR GEAR HOUSING	1	
31	LH00035242	OIL SEAL 15×25×5	1	

## M550L EURO 4

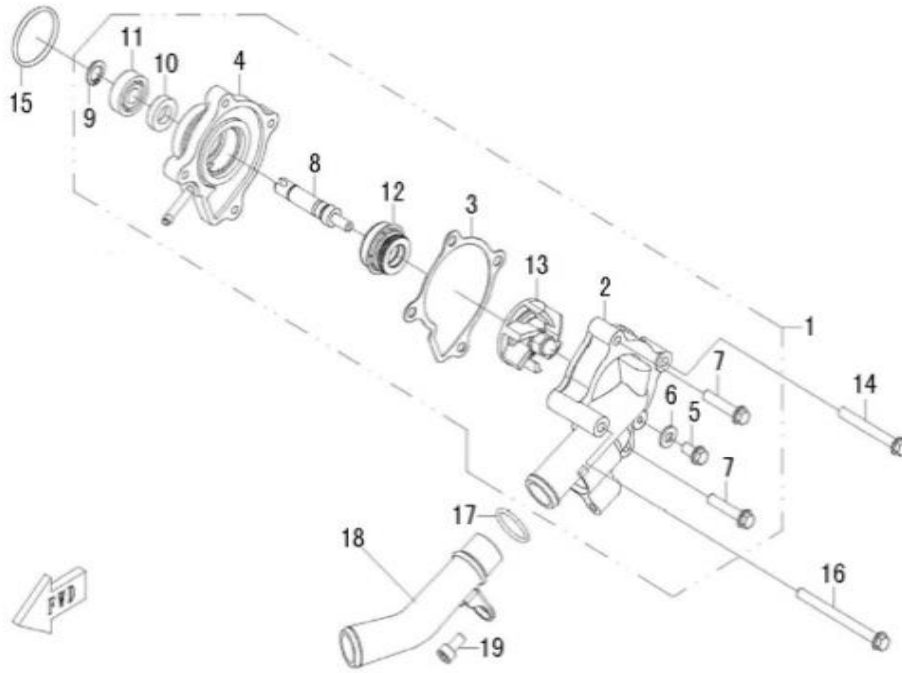
### E19 OIL PUMP



Nº	CÓDIGO	DESCRIÇÃO	Qt.	OBSERVAÇÕES
1	LH00035197	RELIEF VALVE	1	
2	LH00035200	O-RING 10×2.3	1	
3	LH00035198	RELIEF VALVE BODY	1	
4	LH00035199	OIL PLUG, RELIEF VALVE	1	
5	LH00035201	SPRING RELIEF VALVE	1	
6	LH00035202	SPRING WASHER	1	
7	LH00010838	CIRCLIP 12	1	
8	LH00035203	PRESSURE STRIP,RELIEF VALVE	1	
9	LH00010140	BOLT M6×12	2	
10	LH00010840	CIRCLIP 11	1	
11	LH00035191	SPROCKET, OIL PUMP	1	
12	LH00035196	CHAIN, OIL PUMP	1	
13	LH00035206	GASKET, OIL PUMP	1	
14	LH00035195	OIL PUMP	1	
15	LH00035192	SHAFT, OIL PUMP	1	
16	LH00035187	COVER, OIL PUMP	1	
17	LH00035189	OUTER ROTOR,OIL PUMP	1	
18	LH00035190	INNER ROTOR,OIL PUMP	1	
19	LH00035193	DOWEL PIN	2	
20	LH00035194	STRAIGHT PIN	1	
21	LH00035188	OIL PUMP HOUSING	1	
22	LH00010857	SCREW M5×20	1	
23	LH00035204	OIL STRAINER	1	
24	LH00010210	BOLT M6×14	1	
25	LH00035205	O-RING 14×2.5	1	
26	LH00010177	BOLT M6×40	3	

## M550L EURO 4

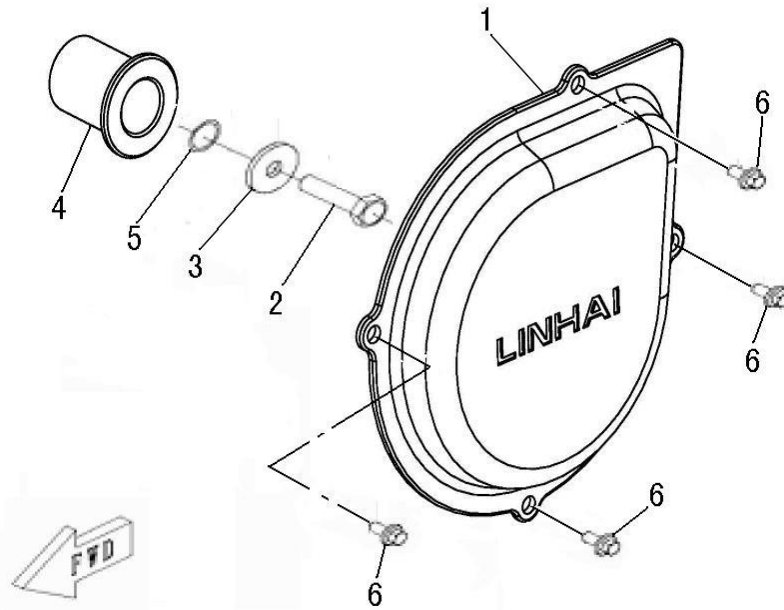
### E20 WATER PUMP



Nº	CÓDIGO	DESCRIÇÃO	Qt.	OBSERVAÇÕES
1	LH00035179	WATER PUMP ASSY	1	
2	LH00035173	WATER PUMP COVER	1	
3	LH00035176	GASKET	1	
4	LH00035172	WATER PUMP HOUSING	1	
5	LH00010140	BOLT M6x12	1	
6	LH00035108	WASHER 6	1	
7	LH00010182	BOLT M6x30	2	
8	LH00035175	WATER PUMP SHAFT	1	
9	LH00010839	CIRCLIP 10	1	
10	LH00035177	OIL SEAL 10x20x5	1	
11	LH00070020	BEARING 6000	1	
12	LH00035178	WATER SEAL	1	
13	LH00035180	IMPELLER	1	
14	LH00010349	BOLT M6x50	1	
15	LH00035174	O-RING 34x2.5	1	
16	LH00010160	BOLT M6x70	1	
17	LH00035182	O-RING 21x2.5	1	
18	LH00035181	WATER OUTLET PIPE	1	
19	LH00010831	SCREW M6x10	1	

## M550L EURO 4

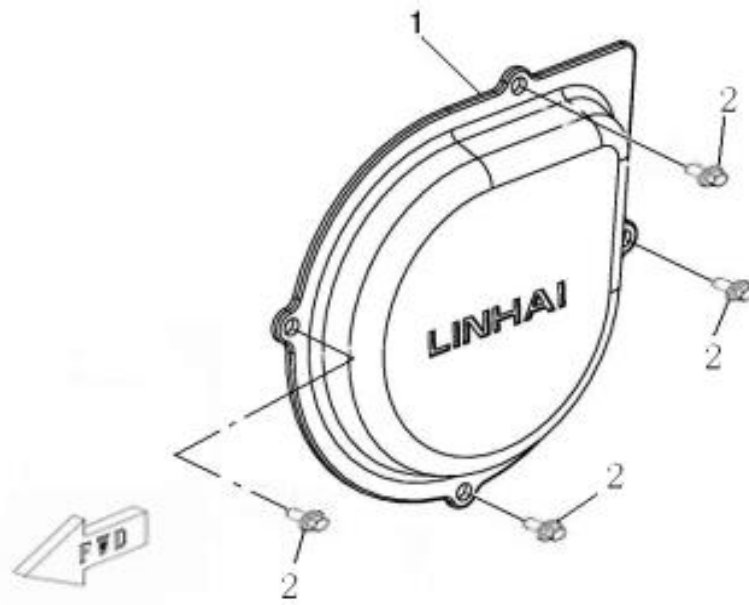
### E21 LEFT SIDE COVER



Nº	CÓDIGO	DESCRIÇÃO	Qt.	OBSERVAÇÕES
1	LH00035270	LEFT SIDE COVER	1	
2	LH00035267	BOLT M10×1.25×40	1	
3	LH00035268	WASHER 10.2×32×3	1	
4	LH00035266	SPLINED SPACER	1	
5	LH00035269	O-RING 16.1×3.2	1	
6	LH00010140	BOLT M6×12	4	

## M550L EURO 4

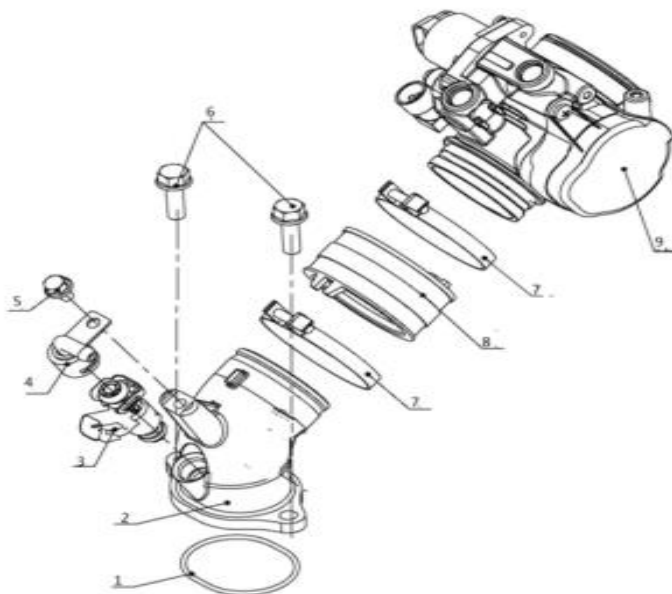
### E21.1 LEFT SIDE COVER (New Model 2016)



Nº	CÓDIGO	DESCRIÇÃO	Qt.	OBSERVAÇÕES
1	LH00035270	LEFT SIDE COVER	1	
2	LH00010140	BOLT M6×12	4	

## M550L EURO 4

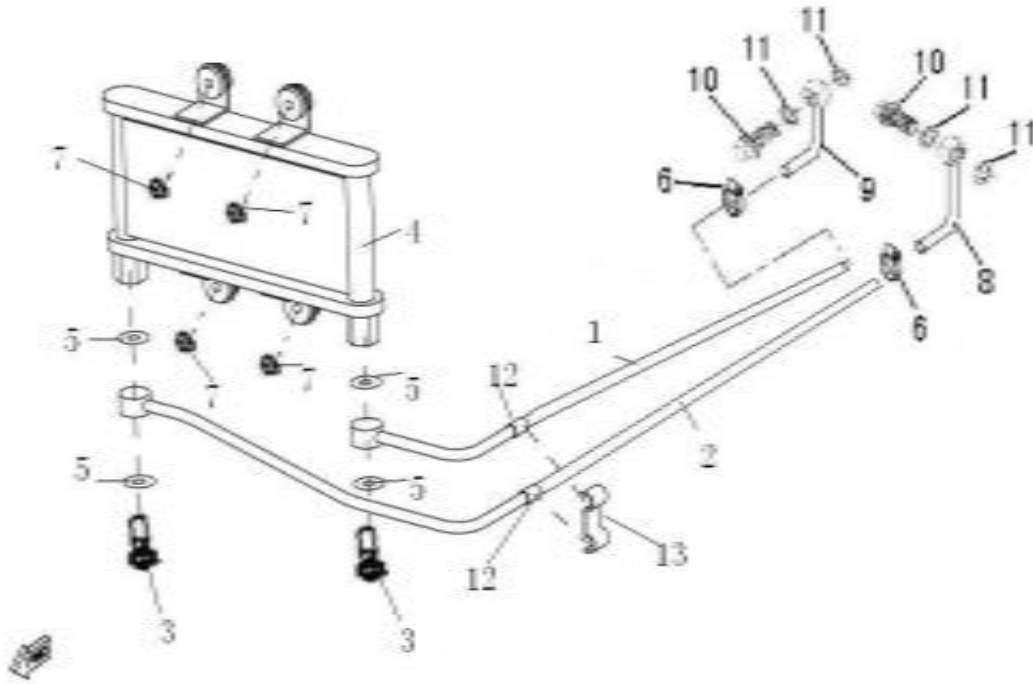
### E22 FUEL INJECTION ASSY



Nº	CÓDIGO	DESCRIÇÃO	Qt.	OBSERVAÇÕES
1	LH00035207	O-RING 40x2.4	1	
2	LH00035744	JOINT, CARBURETOR	1	
3	LH00035745	INJECTOR	1	
4	LH00073352	INJECTOR CAP	1	
5	LH0010716W	BOLT M6X10	1	
6	LH0010183B	BOLT M6X16	2	
7	LH00071844	CLIP 64	2	
8	LH00071849	JOINT,FEED HOSE	1	
9	LH00036200	THROTTLE BODY ASSEMBLY (MARK "D46F-1")	1	

## M550L EURO 4

### E23 OIL RADIATOR

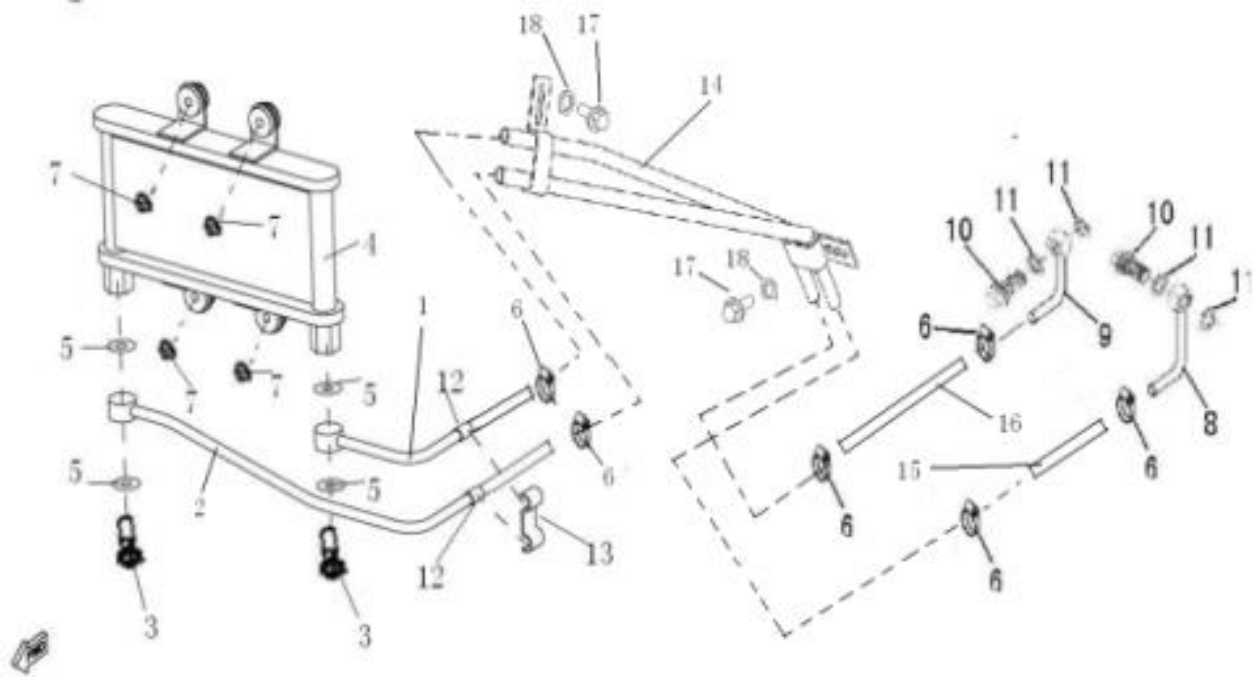


Nº	CÓDIGO	DESCRIÇÃO	Qt.	OBSERVAÇÕES
1	LH00036013	PIPE A (OLD MODEL)	1	
2	LH00036012	PIPE B (OLD MODEL)	1	
3	LH00035379	DRAIN PLUG	2	
4	LH00029850	OIL RADIATOR	1	
5	LH00035341	WASHER	4	
6	LH00010774	CLAMP 12/20	2	
7	LH00010836	NUT 6	4	
8	LH00035183	JOUNT A	1	
9	LH00035186	JOUNT B	1	
10	LH00035214	HINGE BOLT M14×1.5	2	
11	LH00035215	WASHER 14	4	
12	LH00036015	OLD MODEL CUSHION COLLAR	2	
13	LH00036014	OLD MODEL DEAD PLATE	1	



## M550L EURO 4

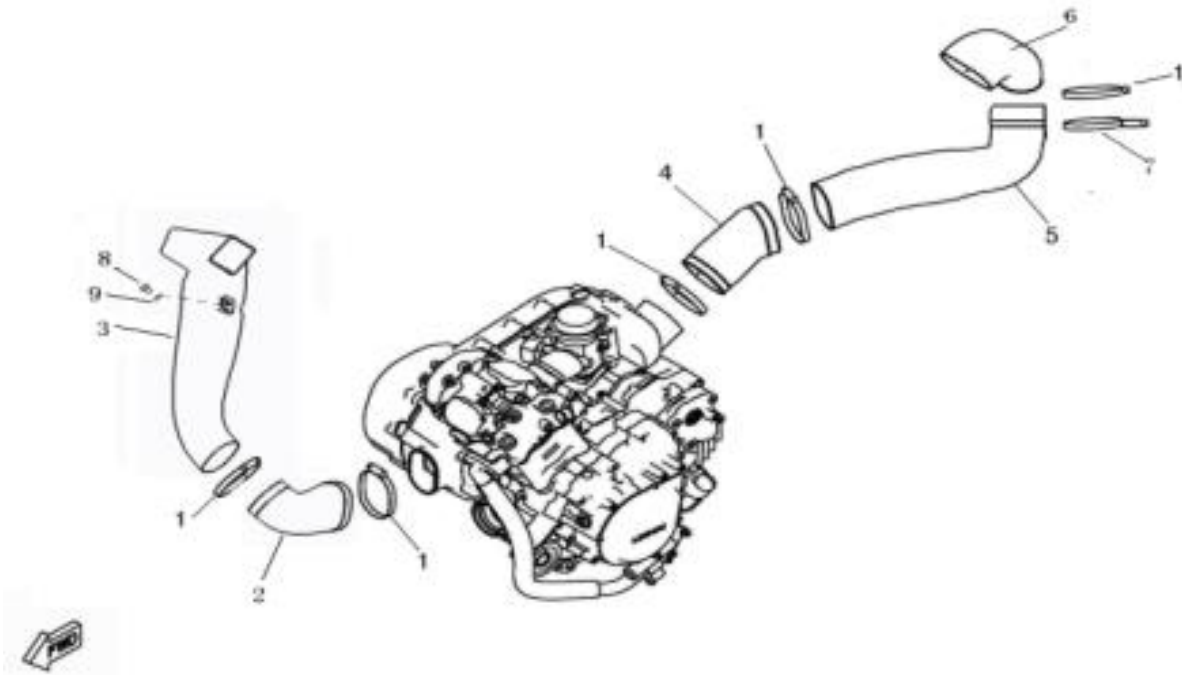
### E23.1 OIL RADIATOR (New Model 2016)



Nº	CÓDIGO	DESCRIÇÃO	Qt.	OBSERVAÇÕES
1	LH0036013a	PIPE A (195mm)	1	
2	LH0036012a	PIPE B (195mm)	1	
3	LH00035379	DRAIN PLUG	2	
4	LH00029850	OIL RADIATOR	1	
5	LH00035341	WASHER	4	
6	LH00010774	CLAMP 12/20	6	
7	LH00010836	NUT 6	4	
8	LH00035183	JOUNT A	1	
9	LH00035186	JOUNT B	1	
10	LH00035214	HINGE BOLT M14×1.5	2	
11	LH00035215	WASHER 14	4	
12	LH00036015	OLD MODEL CUSHION COLLAR	2	
13	LH00036014	OLD MODEL DEAD PLATE	1	
14	LH00036174	Oil cooling pipe	1	
15	LH00036175	PIPE C (120mm)	1	
16	LH00036176	PIPE D (190mm)	1	
17	LH0010183W	BOLT M6×16	2	
18	LH00010011	WASHER 6	2	

## M550L EURO 4

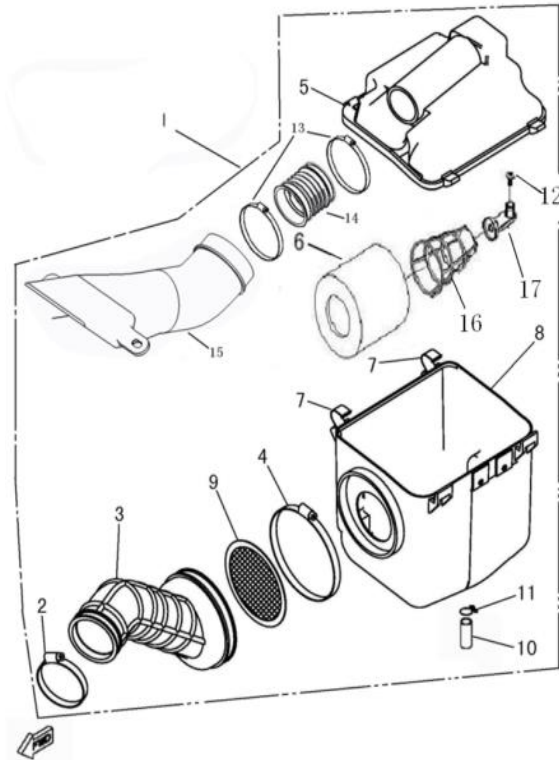
### E24 CVT AIR SHROUD



Nº	CÓDIGO	DESCRIÇÃO	Qt.	OBSERVAÇÕES
1	LH00035670	CLAMP 80	6	
2	LH00036260	RUBBER JOINT AIR SHROUD 1, CVT	1	
3	LH00036261	AIR SHROUD 1, CVT	1	
4	LH00035348	RUBBER JOINT AIR SHROUD 2, CVT	1	
5	LH00036004	AIR SHROUD 2, CVT	1	
6	LH00036007	RUBBER JOINT AIR SHROUD 3, CVT	1	
7	LH00036006	AIR SHROUD 2, CVT CLAMPING BAND	1	
8	LH00010110	BOLT M6X20	1	
9	LH00010011	WASHER PLATE 6	1	

## M550L EURO 4

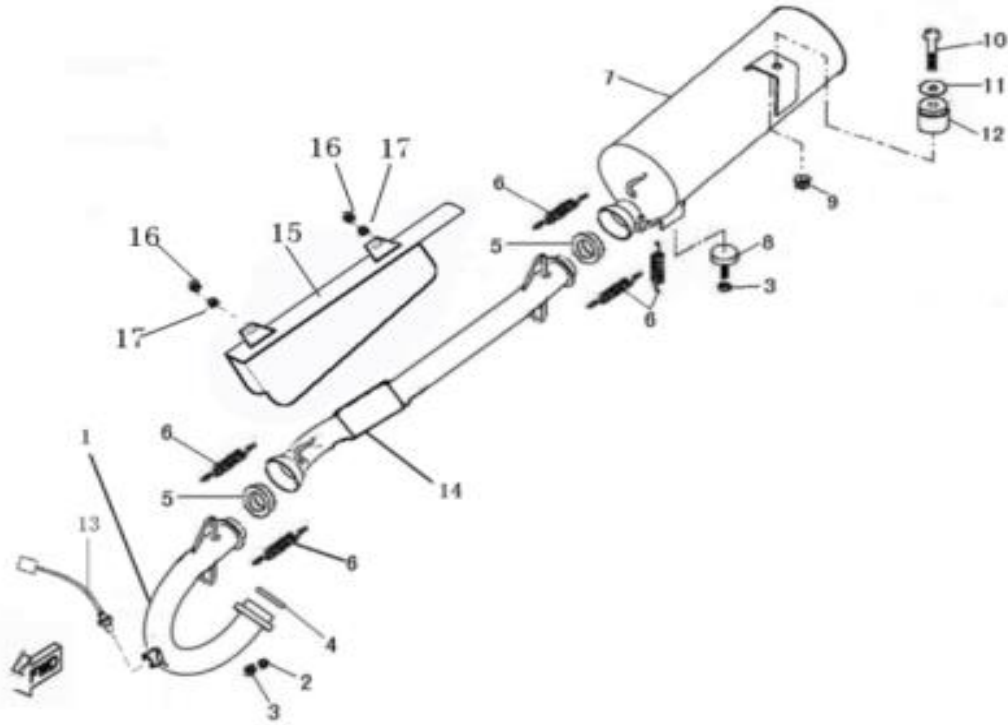
### E25 AIR CLEANER



Nº	CÓDIGO	DESCRIÇÃO	Qt.	OBSERVAÇÕES
1	LH00036262	AIR CLEANER ASSY	1	
2	LH00035747	CLIP 1	1	
3	LH0035358e	FEED HOSE	1	
4	LH00035359	CLIP 2	1	
5	LH00035360	COVER, AIR CLEANER	1	
6	LH00035361	ELEMENT COMP AIR CLEANER	1	
7	LH00035362	CLIP, AIR CLEANER COVER	2	
8	LH00035363	CASE, AIR CLEANER	1	
9	LH00035364	FILTER	1	
10	LH00035365	HOSE 2, AIR CLEANER	1	
11	LH00035366	SPRING CLIP	1	
12	LH00035367	SCREW	1	
13	LH00026346	CLIP 3	2	
14	LH00026345	HOSE3,AIR CLEANER	1	
15	LH00036263	HOSE4,AIR CLEANER	1	
16	LH00035551	AIR CLEANER SUPPORT	1	
17	LH00035552	MOUNTING PLATE	1	

## M550L EURO 4

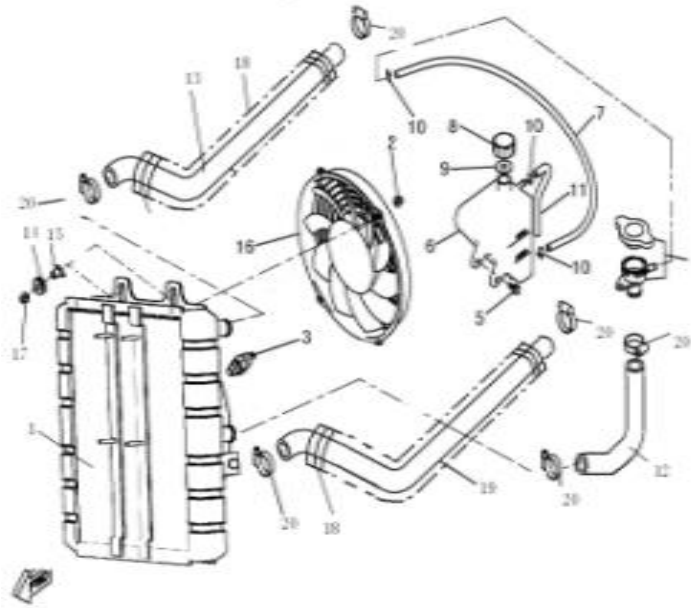
### E26 EXHAUST



Nº	CÓDIGO	DESCRIÇÃO	Qt.	OBSERVAÇÕES
1	LH00036264	EXHAUST PIPE	1	
2	LH00010106	WASHER 8	2	
3	LH00010099	NUT M8	3	
4	LH00035369	EXHAUST PIPE GASKET	1	
5	LH00035370	JOINT	2	
6	LH00023408	SPRING	5	
7	LH00035802	MUFFLER	1	
8	LH00035345	MUFFLER SUPPORT BOTTOM	1	
9	LH00010015	NUT M10X1.25	1	
10	LH00010120	BOLT FLANGE M10X1.25X62	1	
11	LH00010117	WASHER PLATE 10	1	
12	LH00035344	MUFFLER SUPPORT	1	
13	LH00070826	SENSOR	1	
14	LH00036265	EXHAUST PIPE	1	
15	LH00036266	SAFETY GUARD	1	
16	LH00010110	BOLT M6X20	2	
17	LH00010011	WASHER PLATE 6	2	

## M550L EURO 4

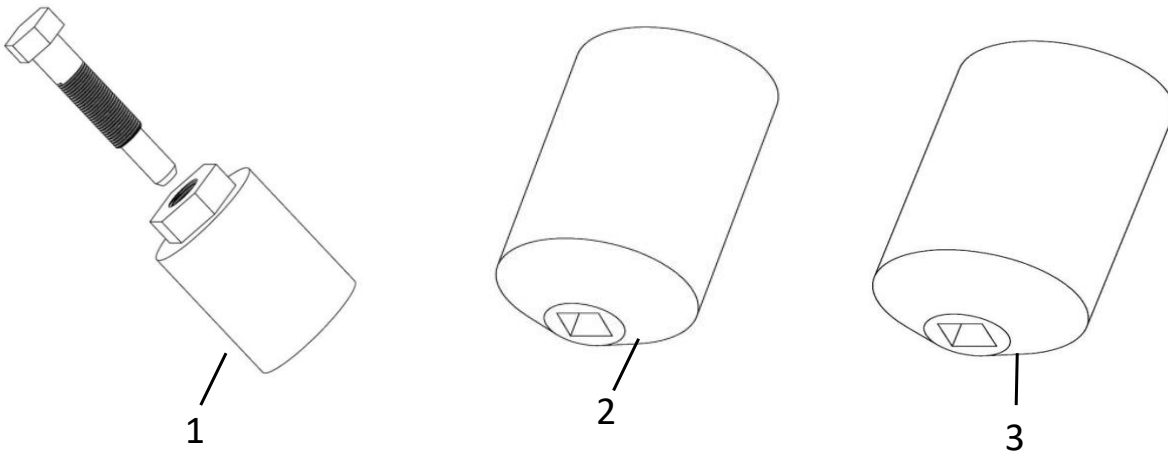
### E27 RADIATOR



Nº	CÓDIGO	DESCRIÇÃO	Qt.	OBSERVAÇÕES
1	LH00036008	RADIATOR	1	
2	LH00010103	NUT M6	4	
3	LH00022919	THERMOSTAT SWITCH ASSY	1	
4	LH0022907a	SAFETY VALVE	1	
5	LH00010140	BOLT M6X12	2	
6	LH00070340	TANK RECOVERY	1	
7	LH00036055	PIPE, SAFETY VALVE	1	
8	LH00070338	COVER,TANK RECOVERY	1	
9	LH00070339	WASHER,TANK RECOVERY	1	
10	LH00022924	CLIP	3	
11	LH00070342	PIPE, TANK RECOVERY	1	
12	LH00036009	HOSE, RADIATOR	1	
13	LH00036010	HOSE, FEED	1	
14	LH00036053	RADIATOR SIDE GROMMET	2	
15	LH00036052	COLLAR	2	
16	LH00035354	BLOWER ASSY	1	
17	LH00010004	NUT M6	2	
18	LH00035352	SLEEVE	2	
19	LH00036011	HOSE,RETURN	1	
20	LH00070344	CLAMP 20/32	6	

## M550L EURO 4

### E28 SPECIAL SERVICE TOOL



Nº	CÓDIGO	DESCRIÇÃO	Qt.	OBSERVAÇÕES
1	LH00080129	Rotor ASSY puller	1	
2	LH00080130	BEARING RETAINER, FRONT OUTPUT SHAFT, NUT WRENCH	1	
3	LH00080131	BEARING LIMIT NUT, NUT WRENCH	1	