

# PARTS CATALOGUE



## SCOOTERS

KN10AE(PT)

AGILITY 50



Release Date : 2021/03/15  
Print Date : 2022/07/13

## ABOUT THIS PARTS LIST

- This parts list is compiled all service parts for model KN10AE(PT).
- Any difference between color chart and motorcycle will be revised according to motorcycle.
- The Mark:
  1. Marking "\*\*\*" must add color code in the end before ordering parts.
  2. Marking "#" are parts with modification, Please find the details from e-Parts system.
- When modification or additions to this parts list are made a revised edition at an appropriate time.



# CONTENTS

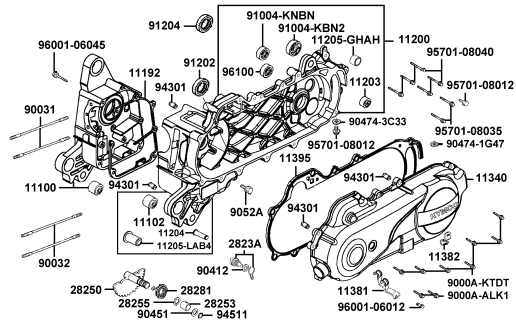
● ABOUT THIS PARTS LIST .....	1
● COLOR CHART OF KN10AE(PT) .....	3
● CONTENTS-ENGINE GROUP .....	5
● CONTENTS-FRAME GROUP .....	6
● ENGINE PARTS LIST .....	9
● FRAME PARTS LIST .....	35
● PART NO. INDEX .....	85

NO	MODEL			COLOR CHART OF KN10AE(PT)			
	PHOTO NO			NO. 1			
	BASIC COLOR			white/black			
	CODE			white/black			
	PARTS NAME	PARTS NO.	VERSION	NH001SA			
1	COVER HANDLE FR	53205-AAC7-E60	0	N1P			
2	FENDER FR	61100-LDC8-E10	0				
3	COVER FR	64301-LCB9-C10	0				
4	COVER R BODY	83500-LDF6-B20	0				
5	COVER L BODY	83600-LDF6-B20	0				
6	COVER BATTERY	50326-LCB9-C10	0	N1R			
7	COVER UNDER	50613-LCB9-C11	0				
8	GRIP COMP THROT	53140-KNBN-C00	1				
9	GRIP L HANDLE	53166-KNBN-C00	1				
10	COVE RHANDLE RR	53206-AAC7-E60	0				
11	PANEL FLOOR	64310-LCB9-C10	0				
12	PLUG FLOOR	64316-LCB9-C10	5				
13	FENDER RR TIRE	80100-LDC8-E10	0				
14	FENDER RR INNER	80101-LCB9-C10	1				
15	FENDER RR	80105-LDC8-E10	0				
16	FENDER RR LOW	80106-LDC8-E10	0				
17	COVER CENTER	80151-LCB9-C10	0				
18	LEG SHIELD	81131-AAC7-E60	0				
19	GAP LEG SHIELD UP	81132-AAC7-E60	0				
20	LID LEG SHIELD	81132-LCB9-C10	1				
21	HOOK LUGGAGE	81132-LDC8-E10	1				
22	BOX LUGGAGE	81250-LCB9-C10	2				
23	LID CARB MAINT	81251-LCB9-C10	0				
24	COVER L SIDE	11340-LBD6-C00	2	NEA			
25	WHEEL COMP RR CAST	42601-KEB7-C00	1				
DATE OF STARTING-SALES							
DATE OF END-SALES							

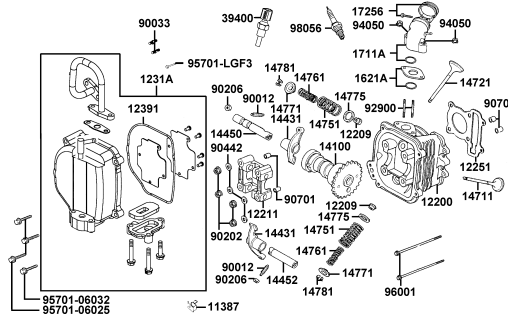
NO	MODEL			COLOR CHART OF KN10AE(PT)			
	PHOTO NO			NO. 1			
	BASIC COLOR			white/black			
	CODE			white/black			
	PARTS NAME	PARTS NO.	VERSION	NH001SA			
26	WHEEL FR CAST	44601-KEB7-E0E	0	NEA			
27	CUSHION ASSY RR	52400-LDC8-E10	2	NES			
28	FORK ASSY R	51400-LDC8-E10	4	NGA			
29	FORK ASSY L FR	51500-LDC8-E10	4				
30	CALIPER ASSY FR	45200-KKD6-E90	2	NJA			
31	SEAT ASSY	77200-LDF7-E10	0	T01			
32	EMB BODY COVER	86202-LDC8-A60	0				
33	STRIPE MARK KYMCO	87160-AAC7-E60	0				
34	LABEL TIRE	87505-LDC8-E10	3				
35	CAUTION SIDE STAND	87541-GAR1-C01	1				
36	LABEL OIL CAP	87541-KGBG-E01	1				
37	MARK MAINT CAUTION	87542-GAR1-C01	2				
38	LABEL FUEL TANK	87546-AGE3-E00	0				
39	KYMCO	87556-KCLC-C00	2				
40	MARK DRIVE CAUTION	87560-GFY6-E11	3				
DATE OF STARTING-SALES							
DATE OF END-SALES							

# CONTENTS - ENGINE GROUP

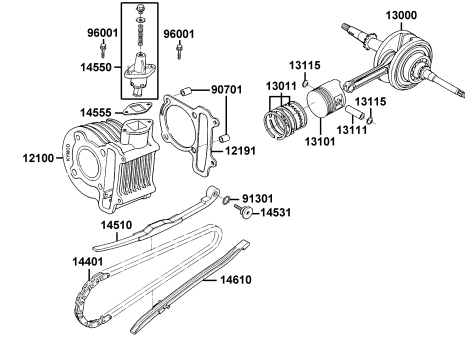
**E01 Crank Case**



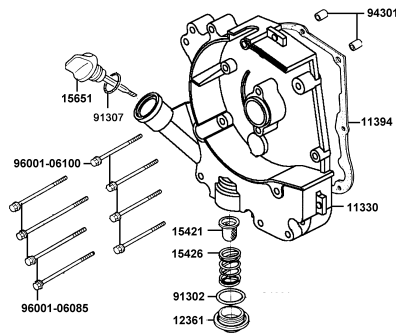
**E02 Cylinder Head**



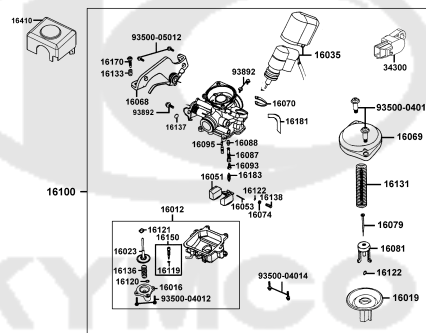
**E03 Cylinder Piston Crankshaft**



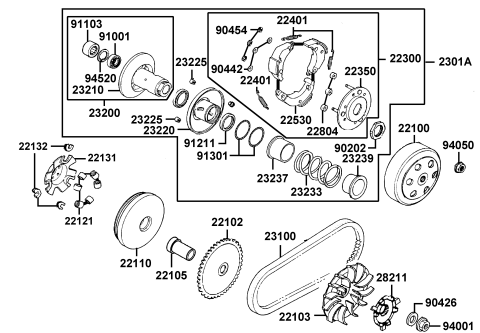
**E04 Right Crankcase Cover**



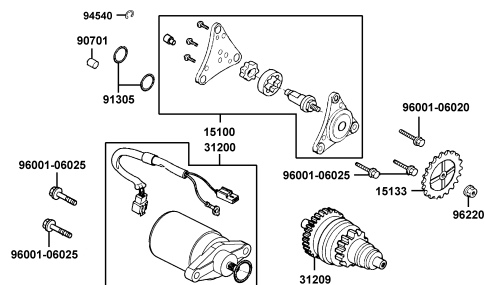
**E05 Carburetor**



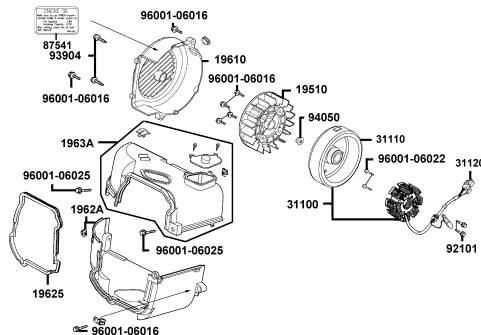
**E06 Driven Pulley**



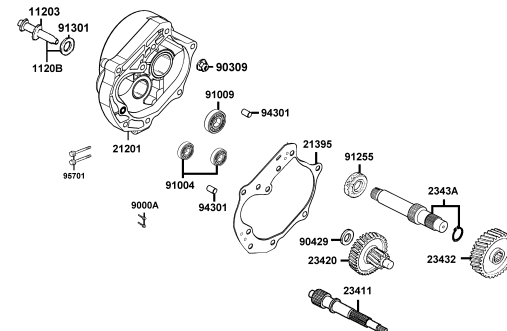
**E07 Starting Motor Oil Pump**



**E08 Fan Cover Generator**

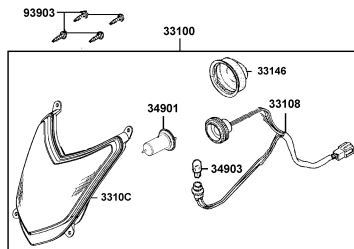


**E09 Transmission**

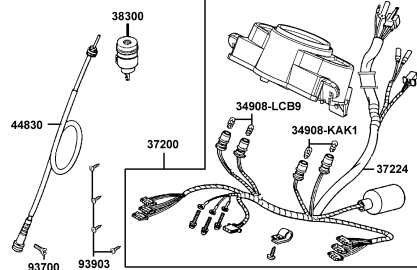


# CONTENTS - FRAME GROUP

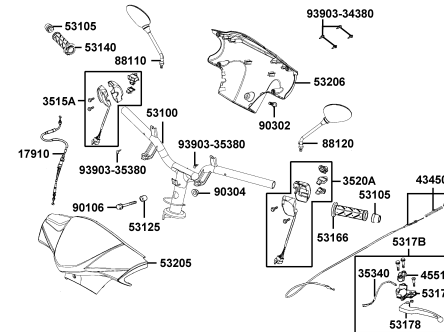
**F01** Head Light



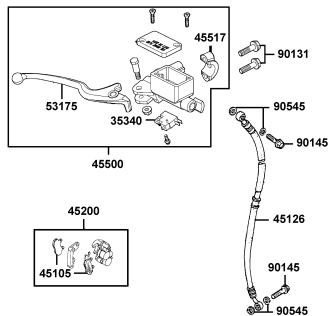
**F02** Speedometer



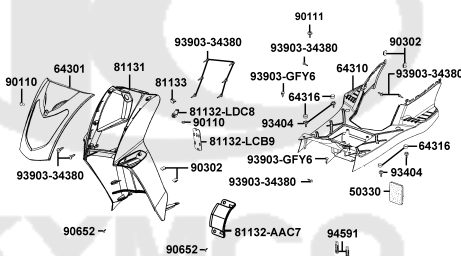
**F03** Handle Steering Handle Cover



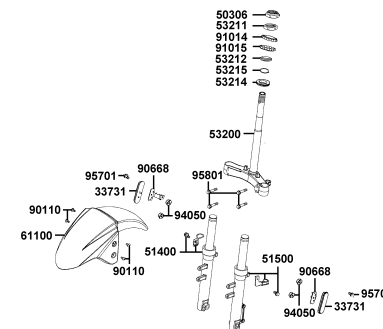
**F04** Brake Master Cylinder



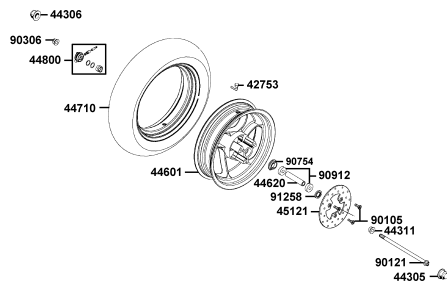
**F05** Front Cover Front Fender



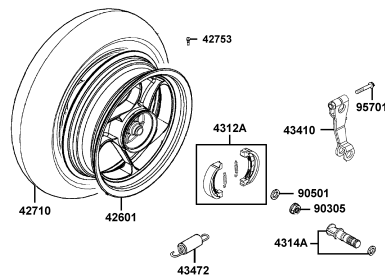
**F06** Stem Steering Front Cushion



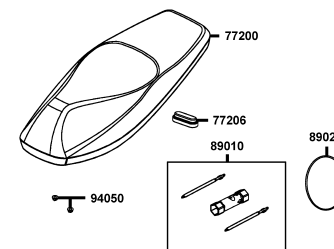
**F07** Front Wheel



**F08** Rear Wheel

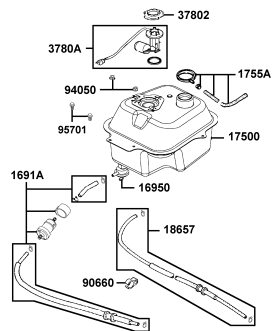


**F09** Seat

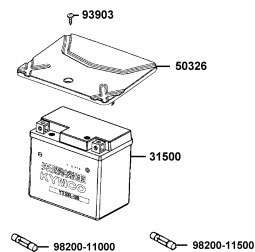


## CONTENTS - FRAME GROUP

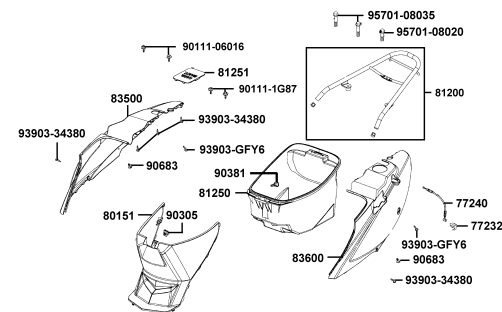
**F10 Fuel Tank**



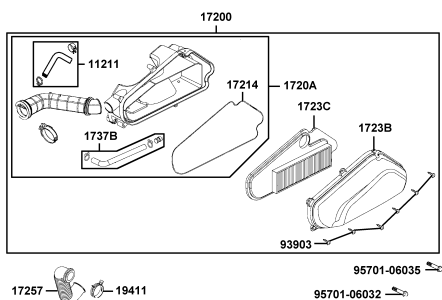
**F11 Battery**



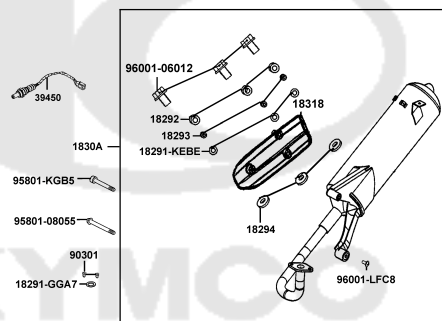
**F12 Body Cover Luggage Box**



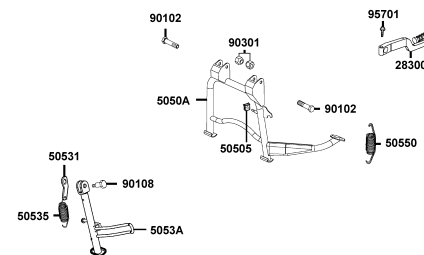
**F13 Air Cleaner**



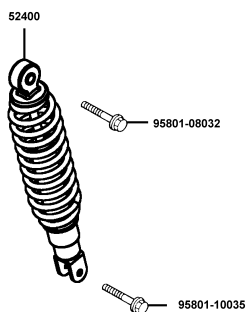
**F14 Exhaust Muffler**



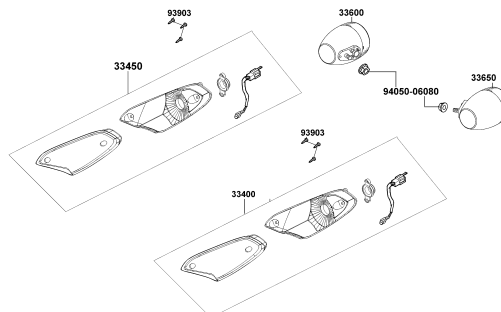
**F15 Stand Kick Starter Arm**



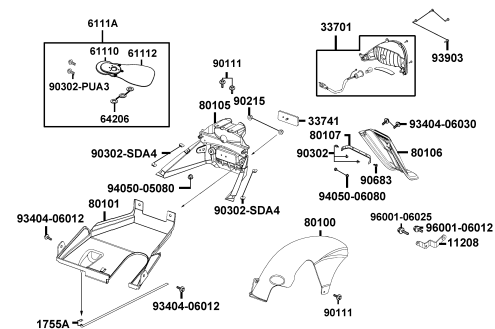
**F16 Rear Cushion**



**F17 Front Winker**



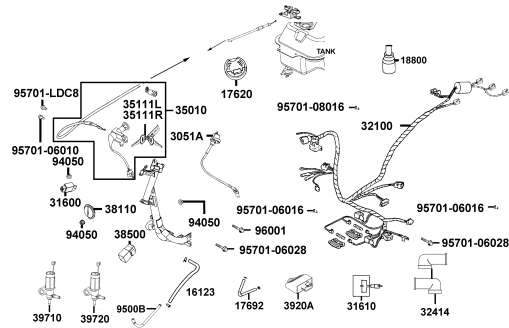
**F18 Tail Light**



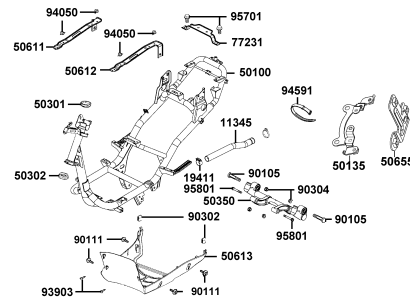


# CONTENTS - FRAME GROUP

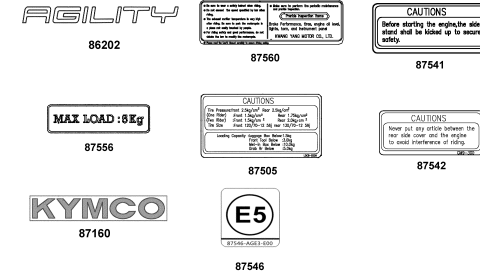
## F19 Wire Harness



## F20 Frame Body

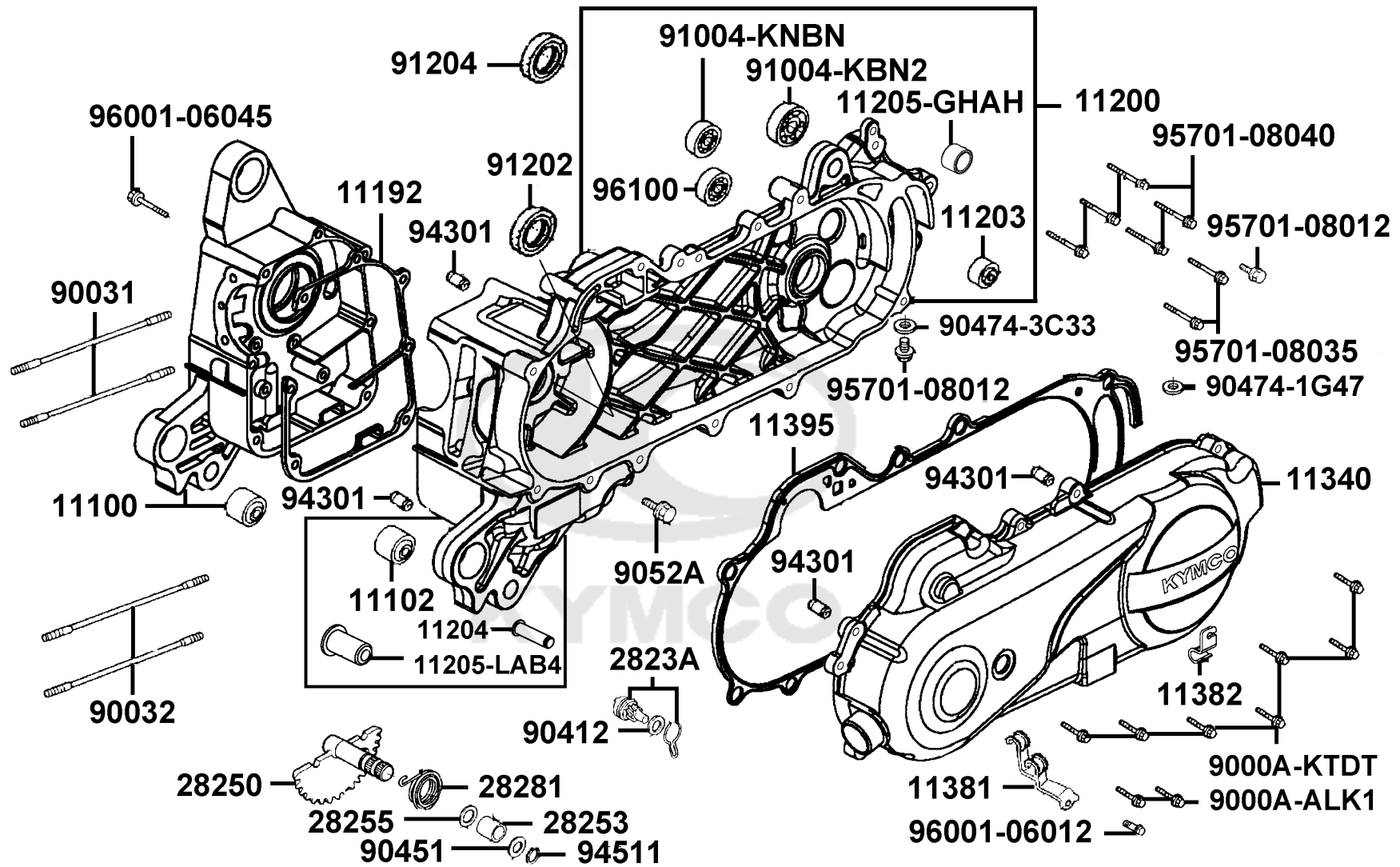


## F21 Emblem Stripe



E01

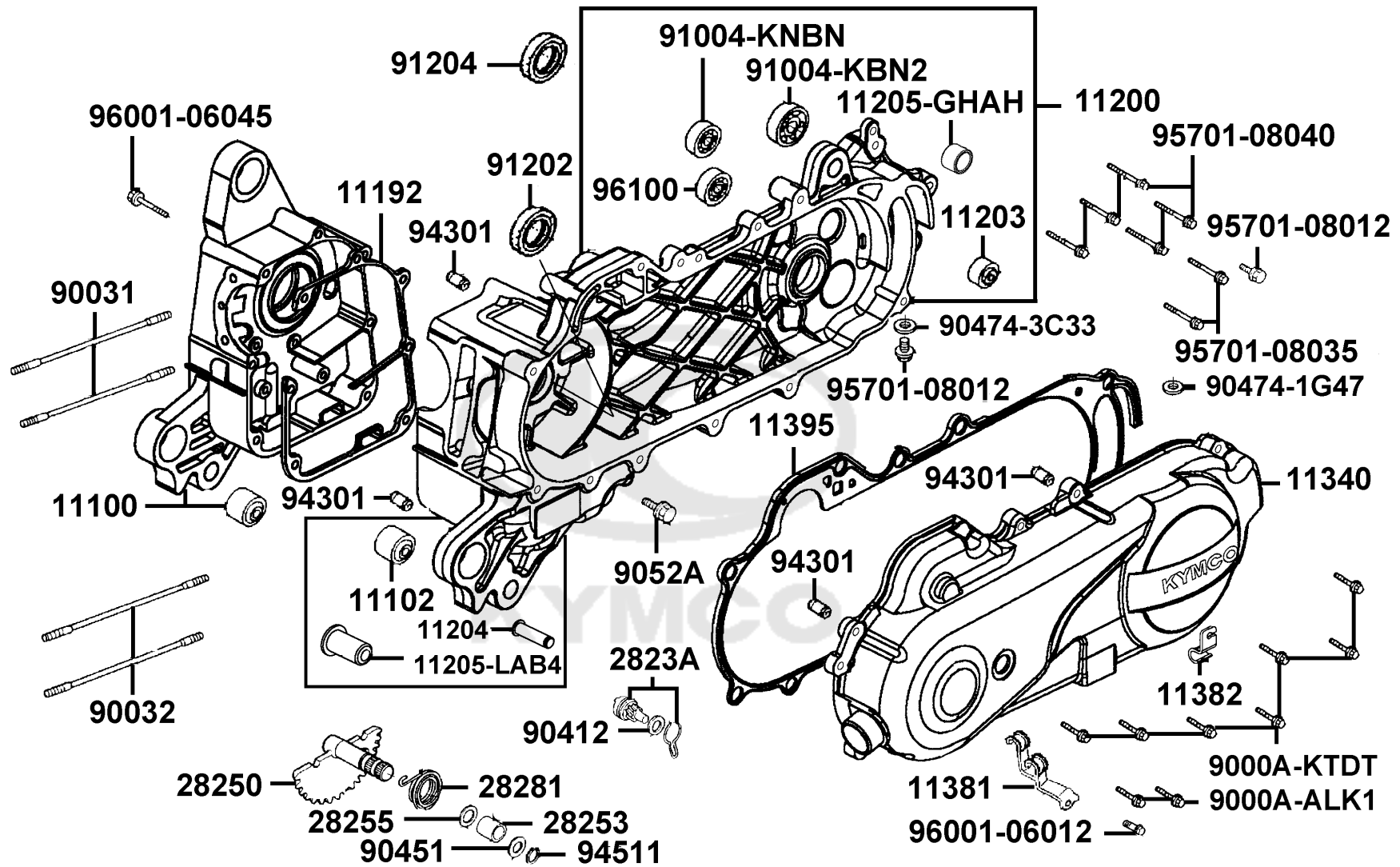
Crank Case



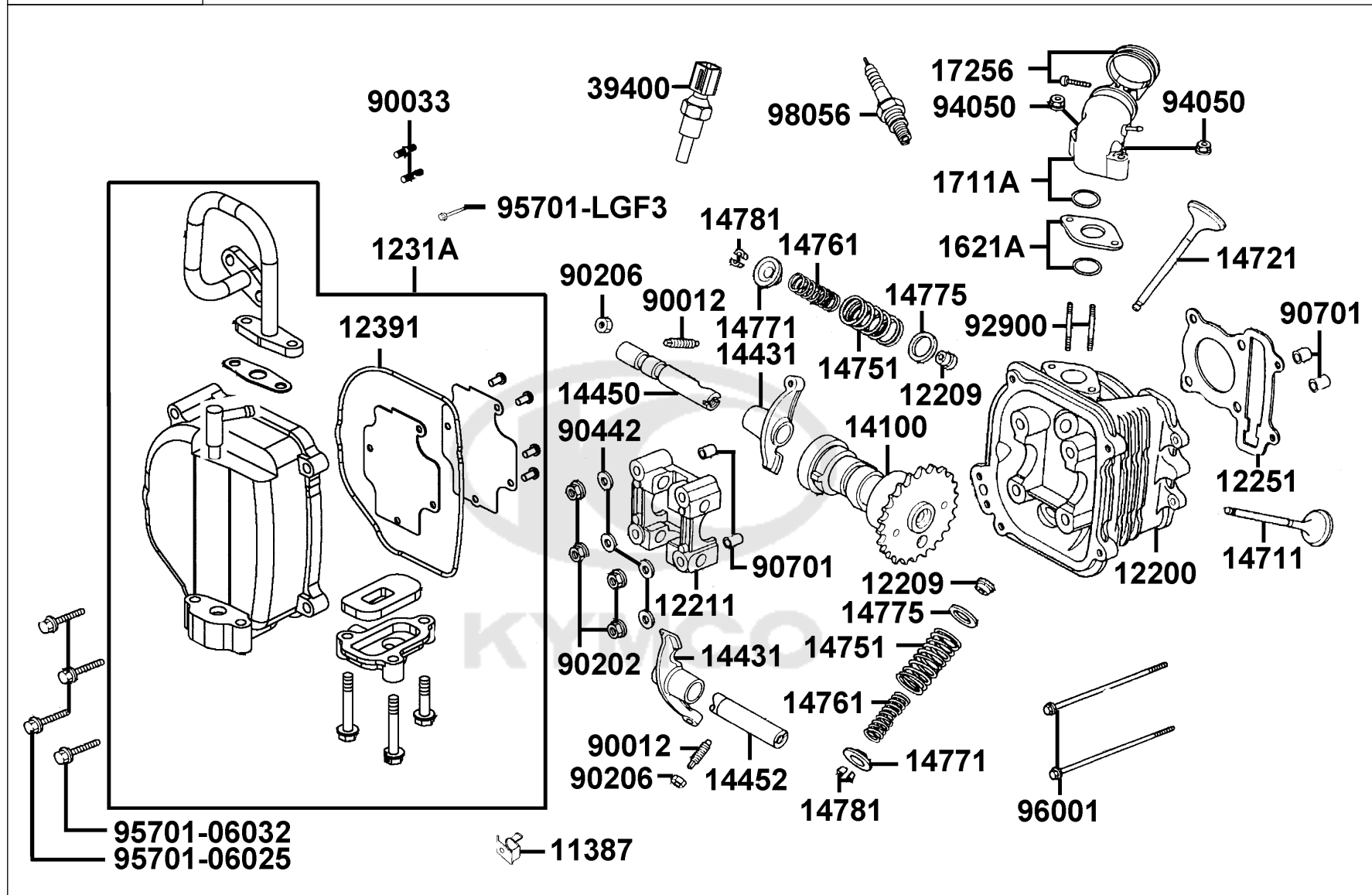
Sales mark	Ref no	Part no	Description	Reg description	Regd no	E01
	11100	11100-KGBG-C00	CRANK CASE COMP.,R	CRANK CASE COMP RIGHT	1	
	11102	11102-1G87-C00	RUB BUSH ENG HANGER	RUB BUSH ENG HANGER	1	
	11192	11192-KGBG-E90	GASKET,CRANK CASE@A	GASKET CRANK CASE@A	1	
	11200	11200-LBD6-C00	CRANK CASE COMP LEFT	CRANK CASE COMP LEFT	1	
	11203	11203-GGC7-W10	UNDER RUBBER BUSH REAR CUSHION	UNDER RUBBER BUSH REAR CUSHION	1	
	11204	11204-KNBN-C00	PIN SPG HOOK	PIN SPG HOOK	1	
	11205-GHAH	11205-GHAH-C00	BUSH 8*12*8	BUSH 8*12*8	2	
	11205-LAB4	11205-LAB4-C00	BUSH M STAND	BUSH M STAND	2	
**	11340	11340-LBD6-C00	COVER COMP L CRANK CASE	COVER COMP L CRANK CASE	1	
	11381	11381-KHC4-C00	CLAMPER THROTTLE CABLE	CLAMPER THROTTLE CABLE	1	
	11382	11382-LBD6-C00	CLAMPER BRAKE CABLE	CLAMPER BRAKE CABLE	1	
	11395	11395-LBD6-C00	GASKET L COVER	GASKET L COVER	1	
	2823A	2823A-LBD6-C00	GEAR ASSY KICK DRIVEN	GEAR ASSY KICK DRIVEN	1	
	28250	28250-GBN2-C00	SPINDLE COMP KICK STARTER	SPINDLE COMP KICK STARTER	1	
	28253	28253-GBN2-C00	BUSH KICK SPINDLE	BUSH KICK SPDL	1	
	28255	28255-GFS6-C00	COLLAR KICK BOSS	COLLAR KICK BOSS	1	
	28281	28281-GBN2-C00	SPRING KICK RETURN	SPRING KICK RETURN	1	
	9000A-ALK1	9000A-ALK1-E15	BOLT ASSY SPECIAL	BOLT ASSY SPECIAL	2	
	9000A-KTDT	9000A-KTDT-C02	BOLT ASSY SPECIAL 6*27	BOLT ASSY SPECIAL 6*29.5(G)	7	
	90031	90031-KGBG-C01	BOLT A STUD 7*168	BOLT A STUD 7*168	1	

E01

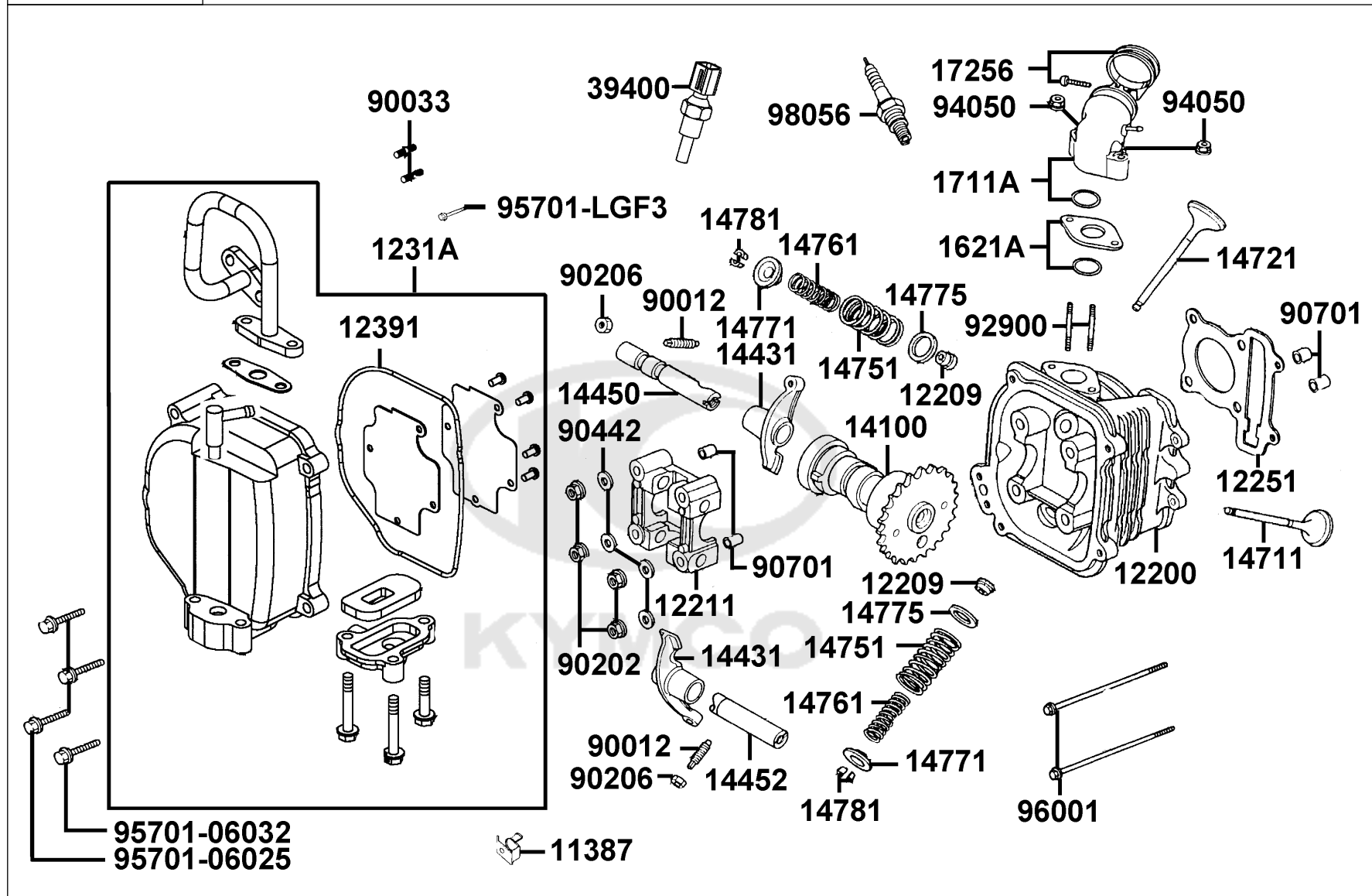
Crank Case



Sales mark	Ref no	Part no	Description	Reg description	Regd no	E01
	90032	90032-KGBG-C01	BOLT A STUD 7*176	BOLT A STUD 7*176	1	
	90412	90412-3K29-C00	WASHER THRUST 10M/M	WASHER THRUST 10M/M	1	
	90451	90451-GBN2-C00	WASHER KICK SPINDLE	WASHER KICK SPINDLE	1	
	90474-1G47	90474-1G47-C00	WASHER 10.5MM	WASHER 10.5MM	1	
	90474-3C33	90474-3C33-C00	WASHER 8MM (T*2)	WASHER 8MM (T*2)	1	
	9052A	9052A-PUA3-B50	BOLT ASSY DRAIN PLUG 12*15	BOLT ASSY DRAIN PLUG 12*15	1	
	91004-KBN2	91004-KBN2-C00	BRG BALL RADIAL 6201	BRG BALL RADIAL 6201	1	
	91004-KNBN	91004-KNBN-C00	BRG BALL RADIAL 6203 SPC	BRG BALL RADIAL 6203 SPC	1	
#	91202	91202-GFY6-90C	OIL SEAL 19.8*30*5	OIL SEAL 19.8*30*5	1	
	91204	91204-KNBN-C00	OIL SEAL 17*30*6	OIL SEAL 17*30*6	1	
	94301	94301-08140	DOWEL PIN 8*14	DOWEL PIN 8*14	4	
	94511	94511-14000	CIR CLIP EX 14	CIR CLIP EX 14	1	
	95701-08012	95701-08012-08G	BOLT FLANGE 8X12(C)	BOLT FLANGE 8X12(C)	2	
	95701-08035	95701-08035-08G	BOLT FLANGE 8*35 (C)	BOLT FLANGE 8*35	5	
	95701-08040	95701-08040-08G	BOLT FLANGE 8*40	BOLT FLANGE 8*40	1	
	96001-06012	96001-06012-02	BOLT FLANGE SH 6*12	BOLT FLANGE SH 6*12	1	
	96001-06045	96001-06045-08G	BOLT FLANGE SH 6x45 (C)	BOLT FLANGE SH 6*45 (C)	1	
	96100	96100-62033-00	BEARING BALL RADIAL 6203	BEARING BALL RADIAL 6203	1	



Sales mark	Ref no	Part no	Description	Reg description	Regd no	<b>E02</b>
	11387	11387-KGBG-C00	CLAMPER BREATHER TUBE	CLAMPER BREATHER TUBE	1	
	12200	12200-KGBG-C00	HEAD COMP CYLN	HEAD COMP CYLN	1	
	12209	12209-GDB4-C00	SEAL VALVE STEM	SEAL VALVE STEM	1	
	12211	12211-KGBG-C00	HOLDER,CAM SHAFT	HOLDER CAM SHAFT	1	
	12251	12251-KGBG-C00	GASKET CYLINDER HEAD	GASKET CYLINDER HEAD	1	
	1231A	1231A-KHC5-C00	COVER ASSY HEAD	COVER ASSY HEAD	1	
	12391	12391-KEE1-C00	GASKET HEAD COVER	GASKET HEAD COVER	1	
#	14100	14100-ADB2-C0A	SHAFT COMP CAM	SHAFT COMP.. CAM	1	
	14431	14431-KGBG-W10	ARM VALVE ROCKER	ARM VALVE ROCKER	2	
	14450	14450-KGBG-W10	SHAFT COMP IN ROCKER ARM	SHAFT COMP IN ROCKER ARM	1	
	14452	14452-KGBG-W10	SHAFT EXH ROCKER ARM	SHAFT EXH ROCKER ARM	1	
	14711	14711-KGBG-C00	VALVE INLET	VALVE INLET	1	
	14721	14721-KGBG-C00	VALVE EXHAUST	VALVE EXHAUST	1	
	14751	14751-KGBG-C00	SPRING VALVE OUTER	SPRING VALVE OUTER	1	
	14761	14761-KGBG-C00	SPRING VALVE INNER	SPRING VALVE INNER	1	
	14771	14771-GDB4-C00	RETAINER VALVE SPRING	RETAINER VALVE SPRING	1	
	14775	14775-MFA6-C00	SEAT VALVE SPG OUTER	SEAT VALVE SPG OUTER	1	
	14781	14781-MFA6-C00	COTTER VALVE	COTTER VALVE	1	
	1621A	1621A-KGBG-C00	INSULATOR CARB ASSY	INSULATOR CARB ASSY	1	
	1711A	1711A-AFC5-E60	PIPE ASSY INLET	PIPE ASSY INLET	1	

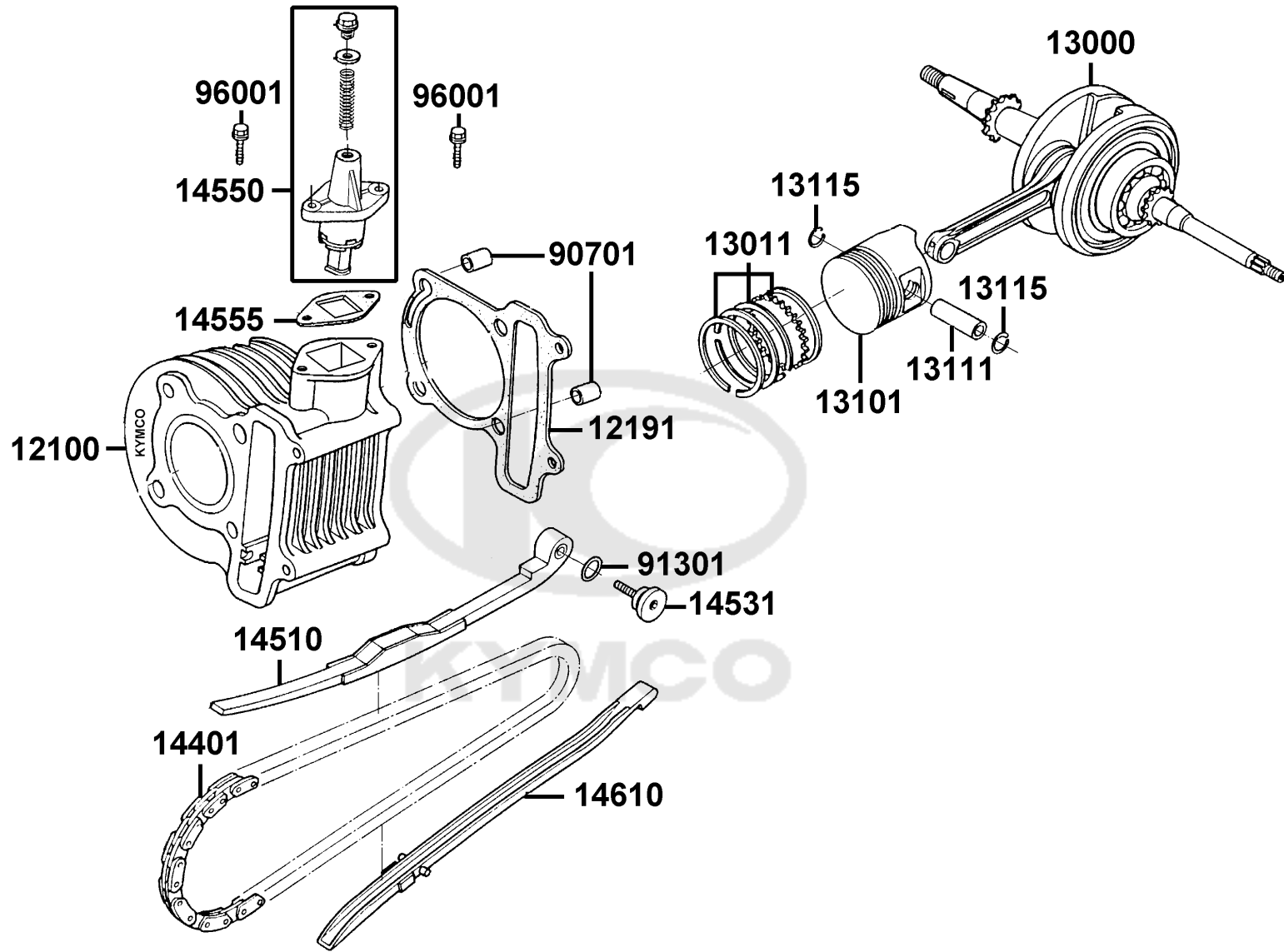




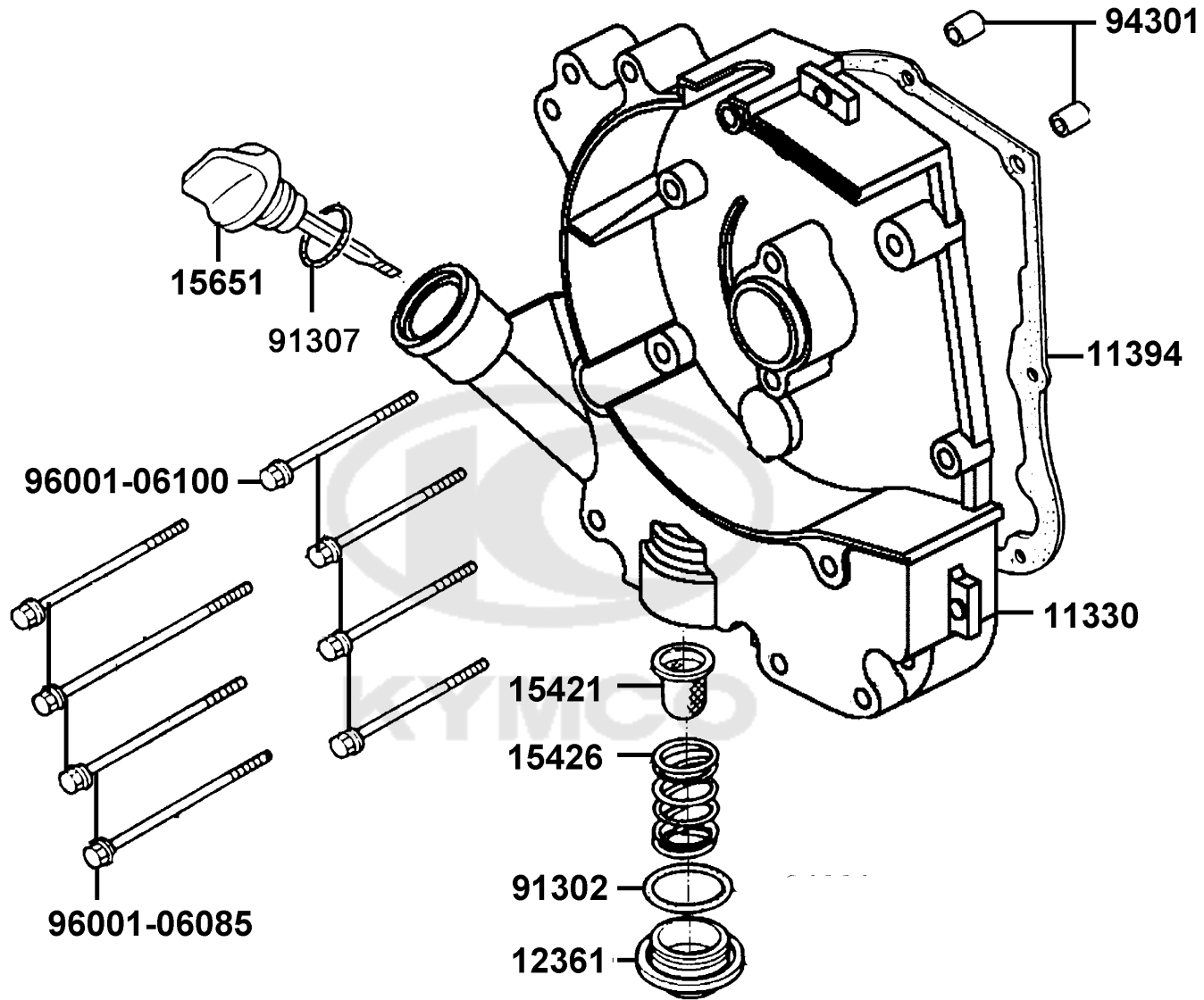
Sales mark	Ref no	Part no	Description	Reg description	Regd no	E02
17256		17256-ALK1-E15	BAND INSULATOR	BAND INSULATOR	1	
39400		39400-ACH5-E10	SENSOR.HEAD TEMPERATURE	"SENSOR,HEAD TEMPERATURE"	1	
90012		90012-3C33-C00	SCREW TAPPET ADJUSTING	SCREW TAPPET ADJUSTING	1	
90033		90033-GFY6-C11	BOLT STUD 6*16	BOLT STUD 6*16	1	
90202		90202-GFF6-C00	NUT FLANGE 7MM	NUT FLANGE 7MM	2	
90206		90206-0A01-C00	NUT TAPPET ADJG	NUT TAPPET ADJG	1	
90442		90442-GFF6-C01	WASHER SEALING 7MM 7.2*14*2.5	WASHER SEALING 7MM 7.2*14*2.5	1	
90701		90701-GFF6-C00	PIN DOWEL SPECIAL 8*14	PIN DOWEL SPECIAL 8*14	1	
92900		92900-06050-0BG	BOLT STUD 6*50	BOLT STUD 6*50	1	
94050		94050-06080-G	NUT FLANGE 6MM	NUT FLANGE 6MM	2	
95701-06025		95701-06025-08G	BOLT FLANGE 6*25	BOLT FLANGE 6*25	3	
95701-06032		95701-06032-08G	BOLT FLANGE 6*32	BOLT FLANGE 6*32	1	
95701-LGF3		95701-LGF3-E90	BOLT TORQUE 6X50	BOLT FLANGE 6*50	1	
96001		96001-06085-08G	BOLT FLANGE 6*85	BOLT FLANGE SH 6*85(C)	2	
98056		98056-5671R-00	SPARK PLUG (CR6HSA)	SPARK PLUG CR6HSA	1	

E03

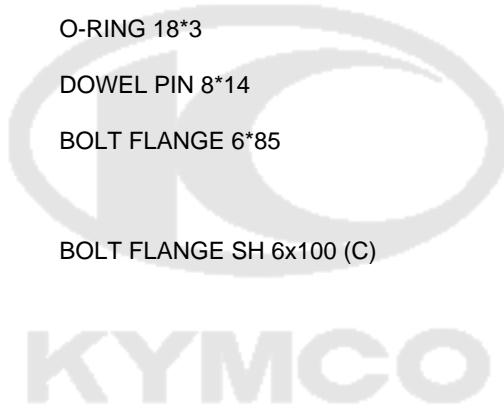
# Cylinder Piston Crankshaft



Sales mark	Ref no	Part no	Description	Reg description	Regd no	<b>E03</b>
12100		12100-KGBG-C01	CYLINDER COMP	CYLINDER COMP	1	
12191		12191-KGBG-E90	GASKET CYLINDER @A	GASKET CYLINDER @A	1	
13000		13000-LDC5-C00	CRANK SHAFT COMP	CRANK SHAFT COMP	1	
13011		13011-LBC9-900	RING SET PISTON	RING PISTON ASSY	1	
13101		13101-LBC9-900	PISTON	PISTON	1	
13111		13111-KGBG-C00	PIN,PISTON	PIN PISTON	1	
13115		13115-0A01-C00	PISTON PIN CLIP	PISTON CLIP PIN	1	
14401		14401-KGBG-C00	CHAIN CAM	CHAIN CAM	1	
14510		14510-KGBG-C00	TENSIONER CAM CHAIN	TENSIONER CAM CHAIN	1	
14531		14531-GLR0-W11	PIVOT CAM CHAIN TENSIONER	PIVOT CAM CHAIN TENSIONER	1	
14550		14550-LDC8-C10	ADJUSTER CAM CHAIN	ADJUSTER CAM CHAIN	1	
14555		14555-KKJ9-E90	GASKET CAM SHAIN ADJUSTER	GASKET CAM SHAIN ADJUSTER	1	
14610		14610-KGBG-C00	GUIDE COMP CAM CHAIN	GUIDE COMP CAM CHAIN	1	
90701		90701-GFF6-C00	PIN DOWEL SPECIAL 8*14	PIN DOWEL SPECIAL 8*14	1	
91301		91301-GLR0-W10	O-RING 15.2*1.5	O-RING 15.2*1.5	1	
96001		96001-06018-08G	BOLT FLANGE SH 6*18 (C)	BOLT FLANGE SH 6*18 (C)	2	

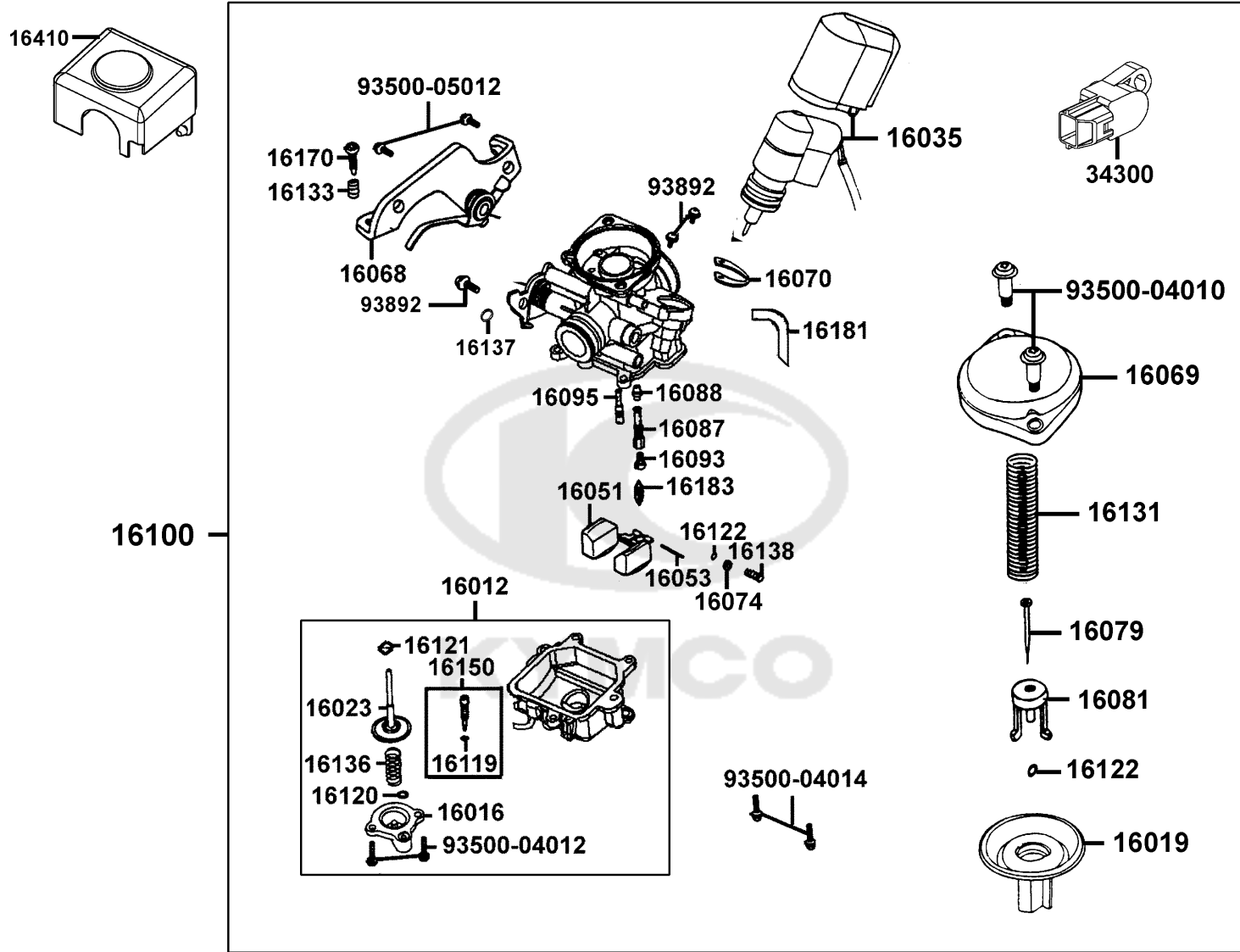


Sales mark	Ref no	Part no	Description	Reg description	Regd no	<b>E04</b>
11330		11330-LBD6-C00	COVER COMP R CRANK CASE	COVER COMP R CRANK CASE	1	
11394		11394-KGBG-E90	GASKET R COVER@A	GASKET.R COVER	1	
12361		12361-GFY6-C00	HOLE CAP TAPPET ADJUSTING	HOLE CAP TAPPET ADJUSTING	1	
15421		15421-1G07-C00	SCREEN OIL FILTER	SCREEN OIL FILTER	1	
15426		15426-GAE1-C00	SPG OIL FILTER SCREEN	SPG OIL FILTER SCREEN	1	
15651		15651-LDC8-C10	GAUGE OIL LEVEL	GAUGE OIL LEVEL	1	
91302		91302-0A01-C00	O-RING 30.8MM	O-RING 30.8MM	1	
91307		91307-0E35-W10	O-RING 18*3	O-RING 18*3	1	
94301		94301-08140	DOWEL PIN 8*14	DOWEL PIN 8*14	2	
96001-06085		96001-06085-08G	BOLT FLANGE 6*85	BOLT FLANGE SH 6*85(C)	1	
96001-06100		96001-06100-08G	BOLT FLANGE SH 6x100 (C)	BOLT FLANGE SH 6x100 (C)	4	



E05

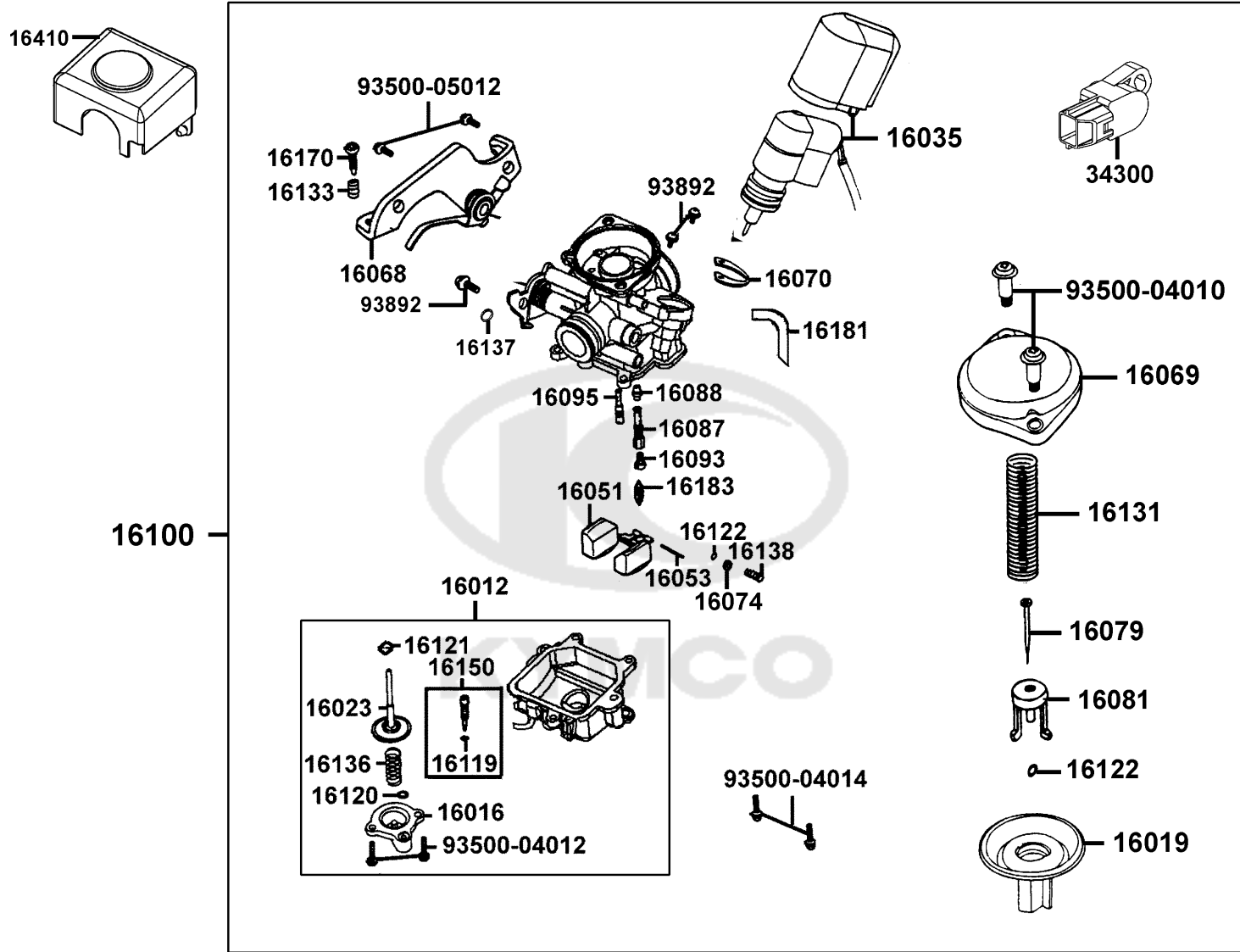
Carburetor



Sales mark	Ref no	Part no	Description	Reg description	Regd no	E05
	16012	16012-ACH5-E11	CHAMBER ASSY FLOAT	CHAMBER ASSY FLOAT	1	
	16016	16016-KGC5-900	COVER ACCP	COVER ACCP	1	
	16019	16019-KGC5-C00	VALVE ASSY PISTON	VALVE ASSY PISTON	1	
	16023	16023-KGC5-900	DIAPHRAGM ASSY ACCP	DIAPHRAGM ASSY ACCP	1	
	16035	16035-AAE9-BA2	UNIT BY-ST	UNIT BY-ST	1	
	16051	16051-KGC5-90A	BODY FLOAT	BODY FLOAT	1	
	16053	16053-KEC5-900	PIN FLOAT	PIN FLOAT	1	
	16068	16068-KGC5-C00	PLATE WIRE FIXED COMPL	PLATE WIRE FIXED COMPL	1	
	16069	16069-KGC5-C00	COVER PISTON VALVE DIAPHRAGM	COVER PISTON VALVE DIAPHRAGM	1	
	16070	16070-KEC3-900	STOPPER BY-ST	STOPPER BY-ST	1	
	16074	16074-KEC3-C00	WASHER IDLE ADJUST SCRW	WASHER IDLE ADJUST SCRW	1	
	16079	16079-ACH5-E11	NEEDLE ASSY, JET	NEEDLE ASSY JET	1	
	16081	16081-KGC5-900	STOPPER JET NEEDLE SPG	STOPPER JET NEEDLE SPG	1	
	16087	16087-AAE9-BA2	TUBE MAIN EMULSION	TUBE MAIN EMULSION	1	
	16088	16088-KEC5-900	JET NEEDLE	JET NEEDLE	1	
	16093	16093-5084-000	JET MAIN	JET MAIN	1	
	16095	16095-ACH5-E11	JET SLOW	JET SLOW	1	
	16100	16100-ACH5-E11	CARBURETOR ASSY	CARBURETOR ASSY	1	
	16119	16119-KEC3-900	O-RING	O-RING	1	
	16120	16120-KEC3-C00	O-RING ACCP	O-RING ACCP	1	

E05

Carburetor

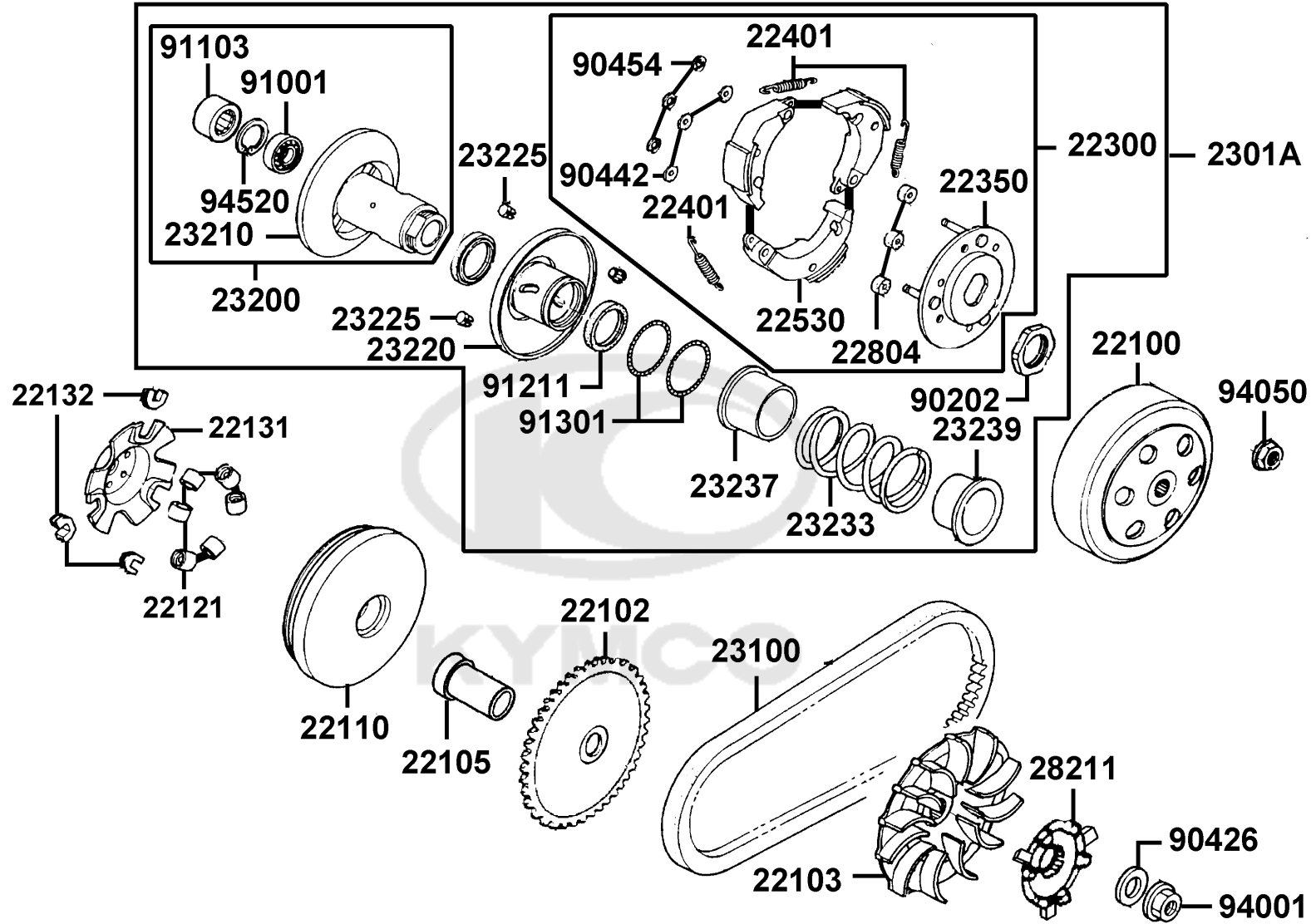




Sales mark	Ref no	Part no	Description	Reg description	Regd no	<b>E05</b>
	16121	16121-KEC3-900	BELLOWS ACCP ROD	BELLOWS ACCP ROD	1	
	16122	16122-KEC3-C00	O-RING IDLE SCREW	O-RING IDLE SCREW	1	
	16131	16131-ACH5-E11	SPRING VACUUM PISTON	SPRING VACUUM PISTON	1	
	16133	16133-KGC5-900	SPRING THROTTLE ADJUST SCREW	SPRING THROTTLE ADJUST SCREW	1	
	16136	16136-KGC5-900	SPRING ACCP DIAPHRAGM	SPRING ACCP DIAPHRAGM	1	
	16137	16137-KGC5-C00	VALVE ASSY PISTON	VALVE ASSY PISTON	1	
	16138	16138-KGC5-900	SPRING IDLE ADJUST SCREW	SPRING IDLE ADJUST SCREW	1	
	16138	16138-KGC5-C00	SPRING IDLE ADJUST SCREW	SPRING IDLE ADJUST SCREW	1	
	16150	16150-KEC3-C00	SCREW COMP DRAIN	SCREW COMP DRAIN	1	
	16170	16170-KGC5-C00	SCREW THROTTLE ADJUST	SCREW THROTTLE ADJUST	1	
	16181	16181-KEC3-C00	TUBE AIR VENT	TUBE AIR VENT	1	
	16183	16183-KEC3-C00	VALVE COMPL.FLOAT	VALVE COMPL.FLOAT	1	
	16410	16410-KGBG-E00	RUBBER COVER CARB ASSY	RUBBER COVER CARB ASSY	1	
	34300	34300-KKE3-900	THROTTLE POSITION SENSOR	THROTTLE POSITION SENSOR	1	
	93500-04010	93500-04010-1A	SCREW 4*10	SCREW PAN 4*10(B)	1	
	93500-04012	93500-04012-1A	SCREW 4*12	SCREW PAN 4*12(B)	1	
	93500-04014	93500-04014-1A	SCREW PAN 4*14(B)	SCREW PAN 4*14(B)	1	
	93500-05012	93500-05012-1A	SCREW 5*12	SCREW PAN 5*12(B)	1	
	93892	93892-04008-18	SCREW WASHER 4*8	SCREW WASHER 4*8	1	

E06

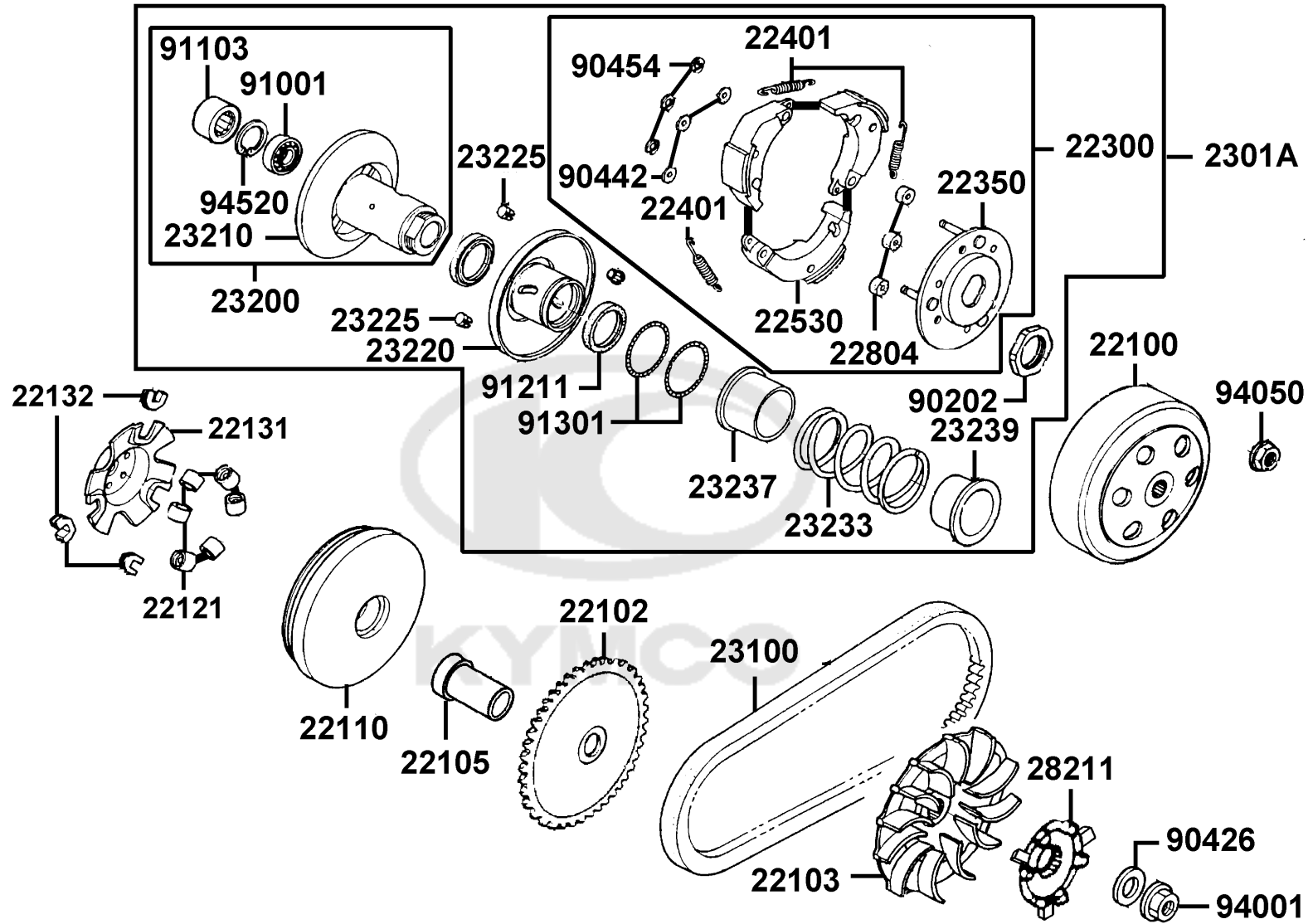
### Driven Pulley



Sales mark	Ref no	Part no	Description	Reg description	Regd no	<b>E06</b>
22100		22100-LDC8-E10	CLUTCH OUTER	CLUTCH OUTER	1	
22102		22102-LDC8-E10	FACE DRIVE	FACE DRIVE	1	
22103		22103-KEB7-C00	FAN CVT COOLING	FACE CVT COOLING	1	
22105		22105-KGBG-C00	BOSS DRIVE FACE	BOSS DRIVE FACE	1	
22110		22110-LDC8-E10	FACE COMP MOVABLE DRIVE	FACE COMP MOVABLE DRIVE	1	
22121		22121-LBD6-315	ROLLER SET WEIGHT (1SET:6PCS)	ROLLER SET WEIGHT (1SET:6PCS)	1	
22131		22131-GHAH-C00	PLATE RAMP	PLATE RAMP	1	
22132		22132-GLW0-315	PIECE SLIDE	PIECE SLIDE	1	
22300		22300-GGAG-C00	PLATE ASSY DRIVE	PLATE ASSY DRIVE	1	
22350		22350-GKAK-C00	PLATE COMP DRIVE	PLATE COMP DRIVE	1	
22401		22401-GJAJ-C00	SPRING CLUTCH	SPRING CLUTCH	1	
22530		22530-GKAK-C00	WEIGHT CLUTCH	WEIGHT CLUTCH	1	
22804		22804-1H48-C00	RUBBER CLUTCH DUMPER	RUBBER CLUTCH DUMPER	1	
2301A		2301A-LEA3-C00	PULLEY ASSY DRIVEN	PULLEY SUB ASSY	1	
23100		23100-KEB7-C00	BELT DRIVE	BELT DRIVE	1	
23200		23200-GAR1-C00	FACE ASSY DRIVEN	FACE ASSY DRIVEN	1	
23210		23210-GAR1-C00	FACE COMP DRIVEN	FACE COMP DRIVEN H1	1	
23220		23220-KEE1-C00	FACE COMP MOVABLE	FACE COMP MOVABLE	1	
23225		23225-GAR1-C00	PIN GUIDE	PIN GUIDE	1	
23233		23233-LEA3-C00	SPG DRIVEN FACE	SPG DRIVEN FACE	1	

E06

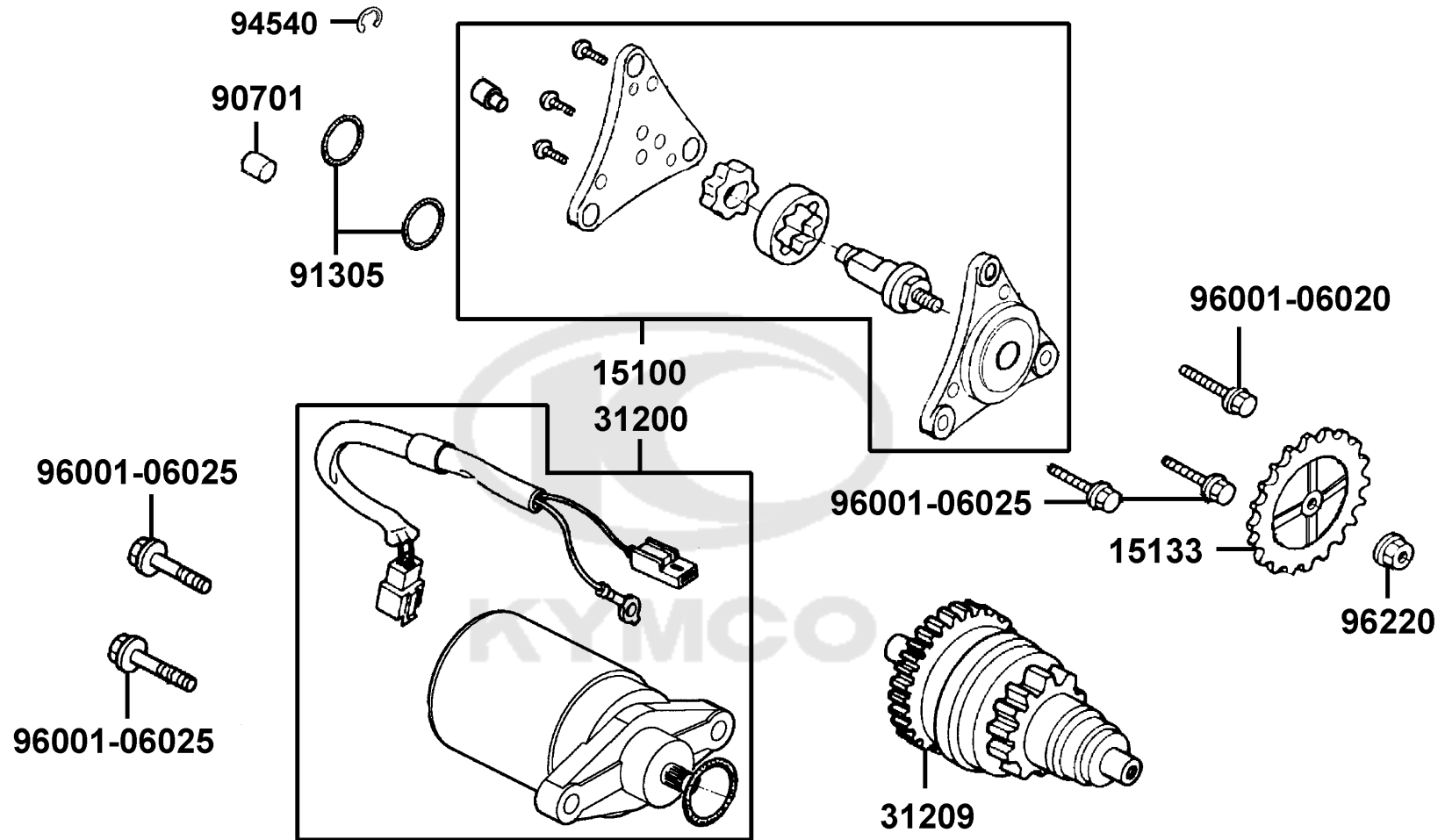
Driven Pulley



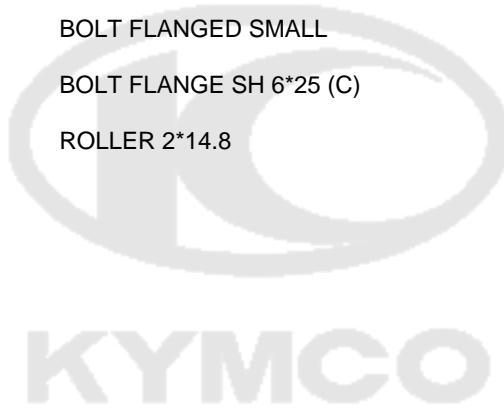
Sales mark	Ref no	Part no	Description	Reg description	Regd no	<b>E06</b>
23237		23237-GAR1-C00	COLLAR SEAL	COLLAR SEAL	1	
23239		23239-LEA3-C00	GUIDE SPG	COLLAR SPG	1	
28211		28211-KEB7-W10	RATCHET KICK STARTER	RATCHET KICK STARTER	1	
90202		90202-1G87-C00	NUT SPECIAL 28MM	NUT SPECIAL 28MM	1	
90426		90426-KNBN-C01	WASHER SPECIAL 12MM	WASHER SPECIAL 12MM	1	
90442		90442-0D44-C00	WASHER THRUST 6M/M	WASHER THRUST 6M/M	1	
90454		90454-GBB2-C00	CIR CLIP 6MM	CIR CLIP 6MM	1	
91001		91001-GGA7-C00	BRG RADIAL BALL 6901U	BRG RADIAL BALL 6901U	1	
91103		91103-GAR1-C00	BRG NEEDLE 17*25*18 WS	BRG NEEDLE 17*25*18 WS	1	
91211		91211-GHK8-C00	OIL SEAL 34*39*3	OIL SEAL 34*39*3	1	
91301		91301-KEA5-C00	O 36*1.5	O-RING 36*1.5	1	
94001		94001-12280-0SG	NUT HEX 12MM(C)	NUT HEX 12MM(C)	1	
94050		94050-10080-G	NUT FLANGE 10MM (C)	NUT FLANGE 10MM (C)	1	
94520		94520-24000	CIR CLIP IN 24	CIR CLIP IN 24	1	

E07

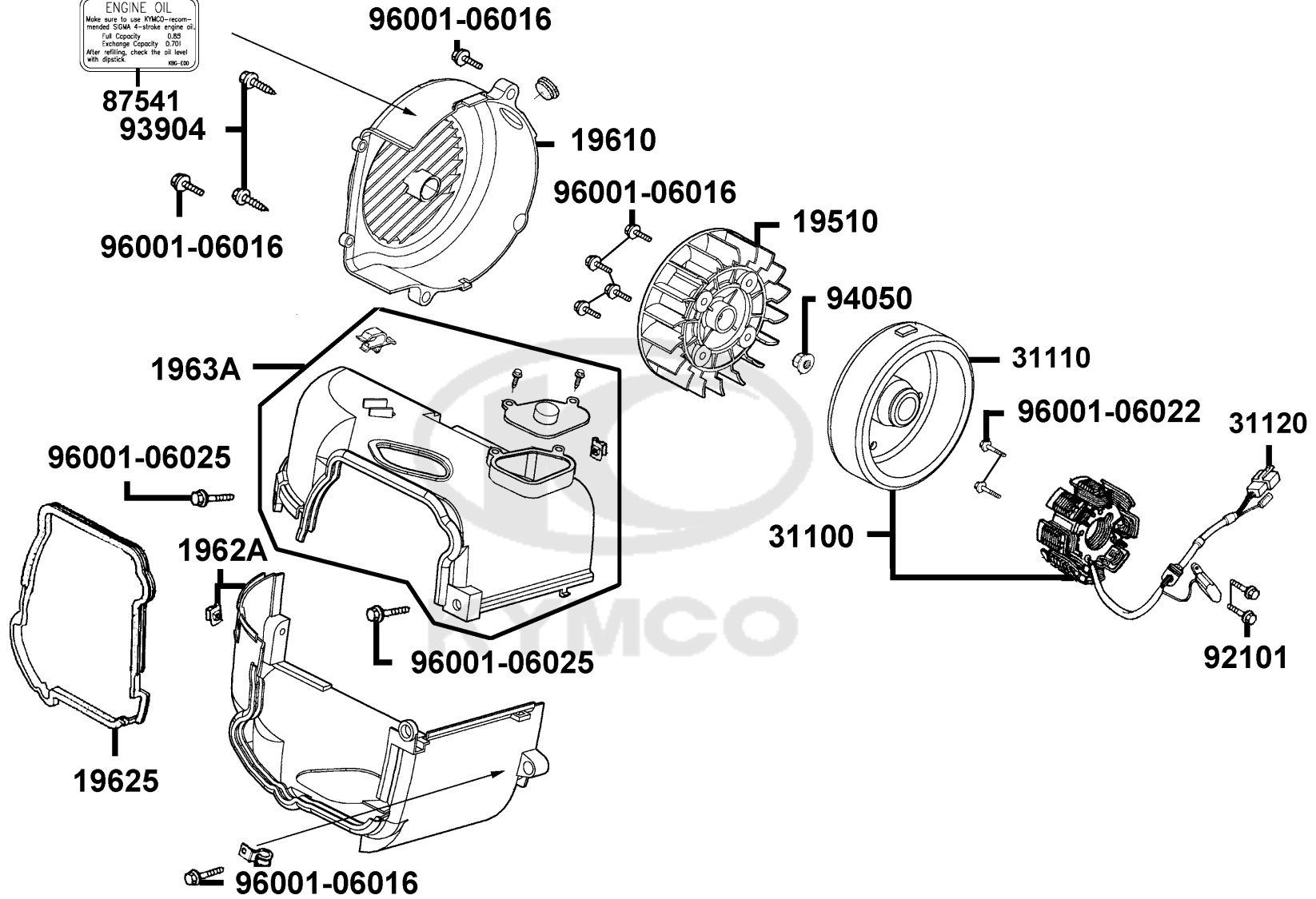
# Starting Motor Oil Pump



Sales mark	Ref no	Part no	Description	Reg description	Regd no	<b>E07</b>
15100		15100-LDC5-C00	PUMP ASSY OIL	PUMP ASSY OIL	1	
15133		15133-LDC5-C00	GEAR OIL PUMP DRIVEN	"GEAR, OIL PUMP DRIVEN"	1	
31200		31200-LEJ2-E10	MOTOR ASSY START	MOTOR ASSY START	1	
31209		31209-KEE1-C01	PINION ASSY STARTER	PINION ASSY STARTER	1	
90701		90701-HDC4-C00	DOWEL PIN 8*12	DOWEL PIN 8*12	1	
91305		91305-0H28-C00	O-RING 9*1.6	O-RING 9*1.6	2	
94540		94540-06018	E RING 6	E RING 6	1	
96001-06020		96001-06020-08G	BOLT FLANGED SMALL	BOLT FLANGED SMALL	2	
96001-06025		96001-06025-08G	BOLT FLANGE SH 6*25 (C)	BOLT FLANGE SH 6*25 (Cr3+)	3	
96220		96220-LDC5-C00	ROLLER 2*14.8	ROLLER 2*14.8	1	



ENGINE OIL  
Make sure to use YAMCO-recom-  
mended SIGMA 4-stroke engine oil.  
Full Capacity 0.85  
Exchange Capacity 0.70L  
After refilling, check the oil level  
with dipstick. 19G-000

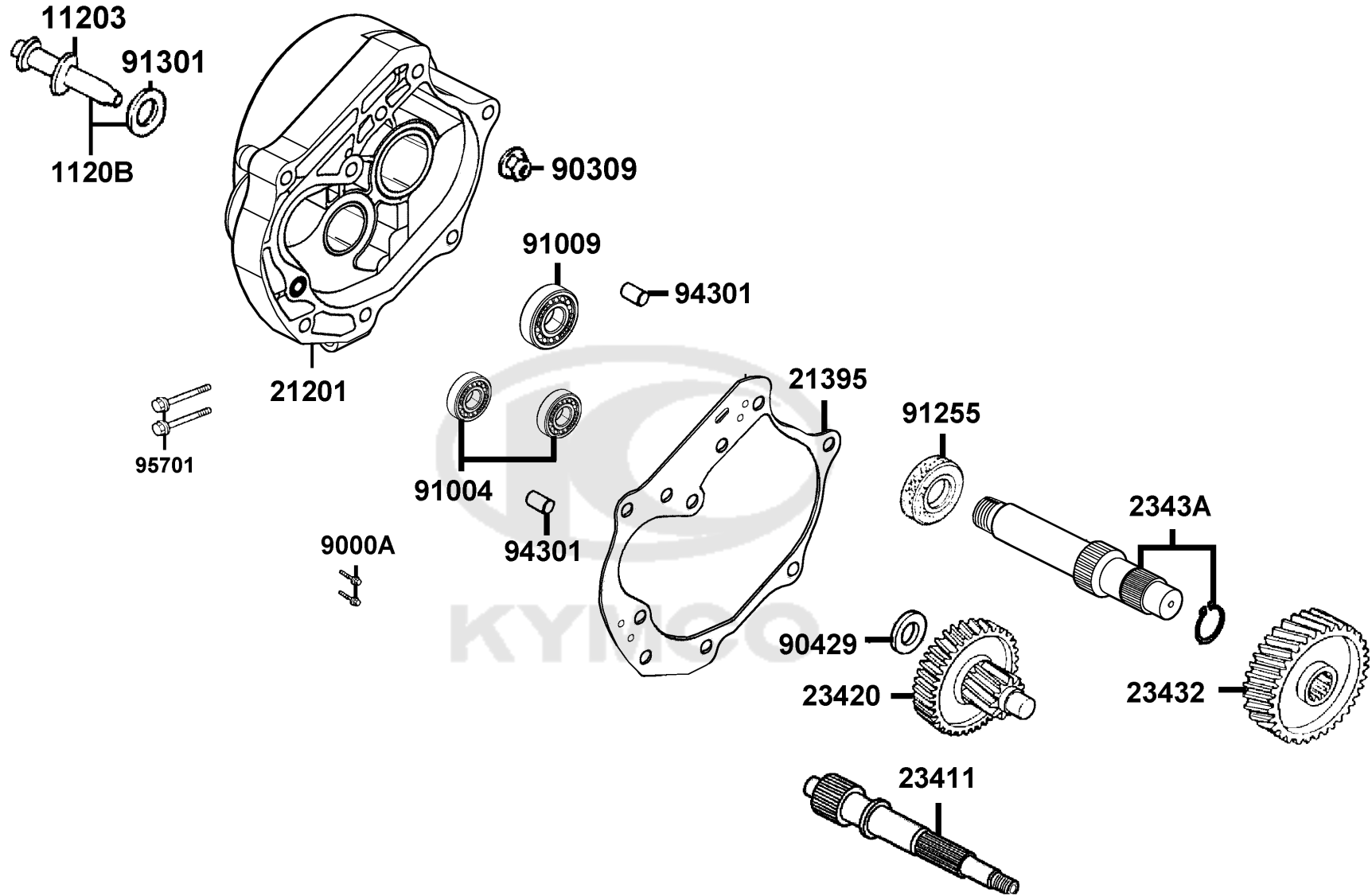




Sales mark	Ref no	Part no	Description	Reg description	Regd no	<b>E08</b>
	19510	19510-LDC5-C00	FAN COMP COOLING	FAN COMP COOLING	1	
	19610	19610-LFC2-E10	COVER COMP FAN	COVER COMP FAN	1	
	19625	19625-KEE1-C00	SEAL SHROUND	SEAL SHROUND	1	
	1962A	1962A-KEE1-C00	SHROCD ASSY A	SHROCD ASSY A	1	
	1963A	1963A-ACH5-E10	SHROUD ASSY B	SHROUD ASSY B	1	
	31100	31100-ACH5-E10	AC GEN ASSY	AC GEN ASSY	1	
	31110	31110-LEJ2-M30	FLYWHEEL COMP	FLYWHEEL COMP	1	
	31120	31120-ACH5-E10	STATOR COMP	STATOR COMP	1	
**	87541	87541-KGBG-E01	LABEL OIL CAP	LABEL OIL CAP	1	
	92101	92101-05012-0HG	BOLT HEX 5*12	BOLT HEX 5*12	2	
	93904	93904-35380-G	SCREW TAPPING 5*16(K)	SCREW TAPPING 5*16(K)	2	
	94050	94050-10080-G	NUT FLANGE 10MM (C)	NUT FLANGE 10MM (C)	1	
	96001-06016	96001-06016-08G	BOLT FLANGE SH 6x16 (C)	BOLT FLANGE SH 6*16 (CR3+)	6	
	96001-06022	96001-06022-08G	BOLT FLANGE 6*22	BOLT FLANGE 6*22	2	
	96001-06025	96001-06025-08G	BOLT FLANGE SH 6*25 (C)	BOLT FLANGE SH 6*25 (Cr3+)	2	

E09

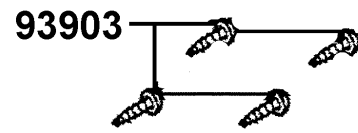
Transmission



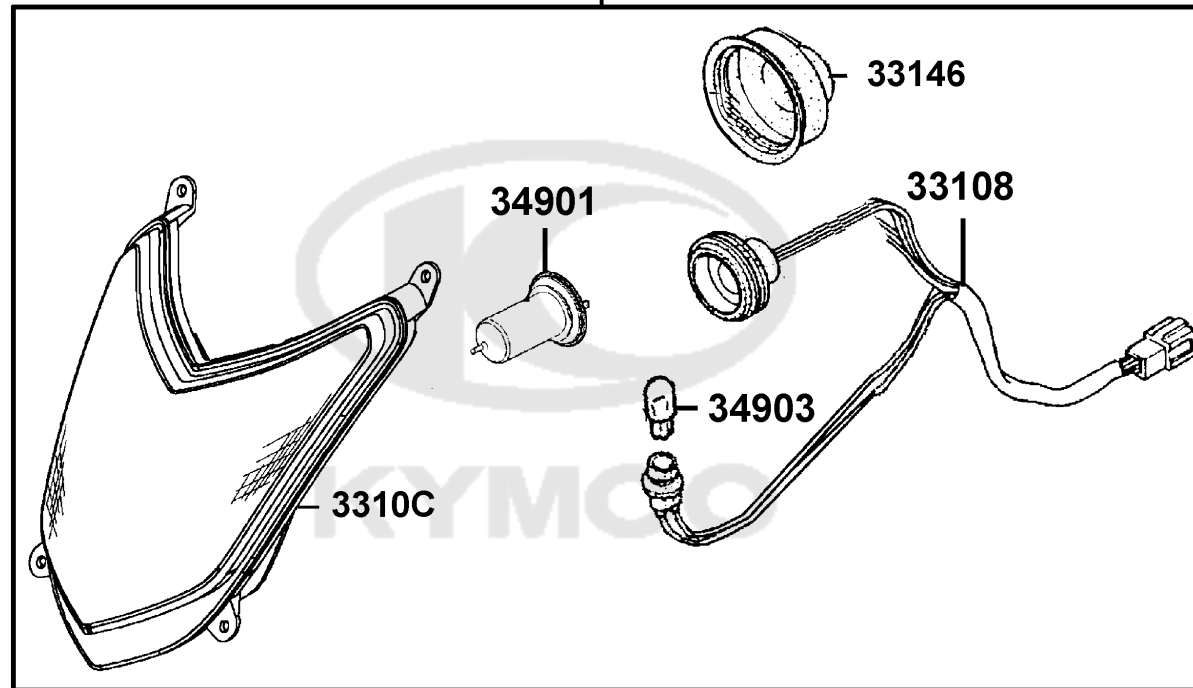
Sales mark	Ref no	Part no	Description	Reg description	Regd no	<b>E09</b>
	11203	11203-KAM1-C00	PIN BRAKE SHOE ANCHOR	PIN BRAKE SHOE ANCHOR	1	
	1120B	1120B-KGN7-C00	PIN ASSY ANCHOR	PIN ASSY ANCHOR	1	
	21201	21201-KFA1-900	MISSION CASE BODY	MISSION CASE BODY	1	
	21395	21395-KNBN-E90	GASKET MISSION CASE	GASKET MISSION CASE	1	
	23411	23411-ALC8-E60	SHAFT DRIVE	SHAFT DRIVE	1	
	23420	23420-ALC8-E60	SHAFT COMP COUNTER	SHAFT COMP COUNTER	1	
	23432	23432-ALC8-E60	GEAR FINAL	GEAR FINAL	1	
	2343A	2343A-KNBN-C00	SHAFT FINAL	SHAFT FINAL	1	
	9000A	9000A-ALK1-E15	BOLT ASSY SPECIAL	BOLT ASSY SPECIAL	2	
	90309	90309-PUA3-B50	NUT FLANGE 8MM	NUT FLANGE 8MM	1	
	90429	90429-KNBN-C00	WASHER SIDE 12MM	WASHER SIDE 12MM	1	
	91004	91004-KBN2-C00	BRG BALL RADIAL 6201	BRG BALL RADIAL 6201	1	
	91009	91009-GLE0-C00	BRG BALL RADIAL 6004 UU	BRG BALL RADIAL 6004 UU	1	
	91255	91255-LDC8-E10	OIL SEAL 27*42*7(C?)	OIL SEAL 27*42*7(C?)	1	
	91301	91301-0C53-W10	O RING 7.5*1.5	O RING 7.5*1.5	1	
	94301	94301-10200	DOWEL PIN 10*20	DOWEL PIN 10*20	2	
	95701	95701-LGF3-E90	BOLT TORQUE 6X50	BOLT FLANGE 6*50	2	


F01

Head Light



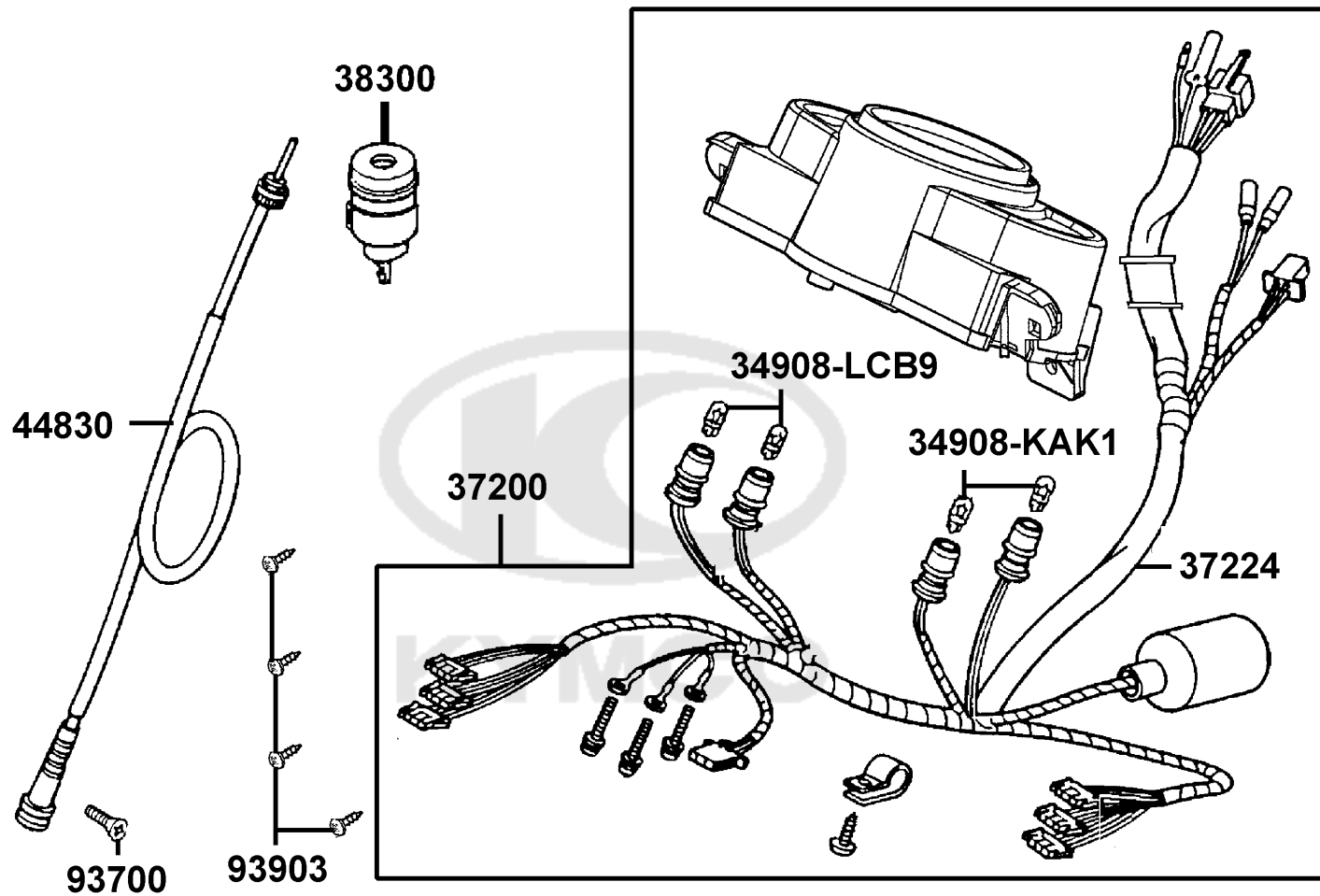
33100



Sales mark	Ref no	Part no	Description	Reg description	Regd no	<b>F01</b>
	33100	33100-LDC8-E15	LIGHT ASSY HEAD	LIGHT ASSY HEAD	1	
	33108	33108-LDC8-E10	SOCKET COMP	SOCKET COMP	1	
	3310C	3310C-LDC8-E10	LENS&SOCKET	LENS&SOCKET	1	
	33146	33146-LDC8-E10	COVER WATERPROOF	COVER WATERPROOF	1	
	34901	34901-LDC8-E10	BULB HEAD LIGHT	BULB HEAD LIGHT	1	
	34903	34903-LDC8-E10	BULB POSITION	BULB POSITION	1	
	93903	93903-25220-G	SCREW TAPPING 5*12	SCREW TAPPING 5*12	4	
						

F02

Speedometer

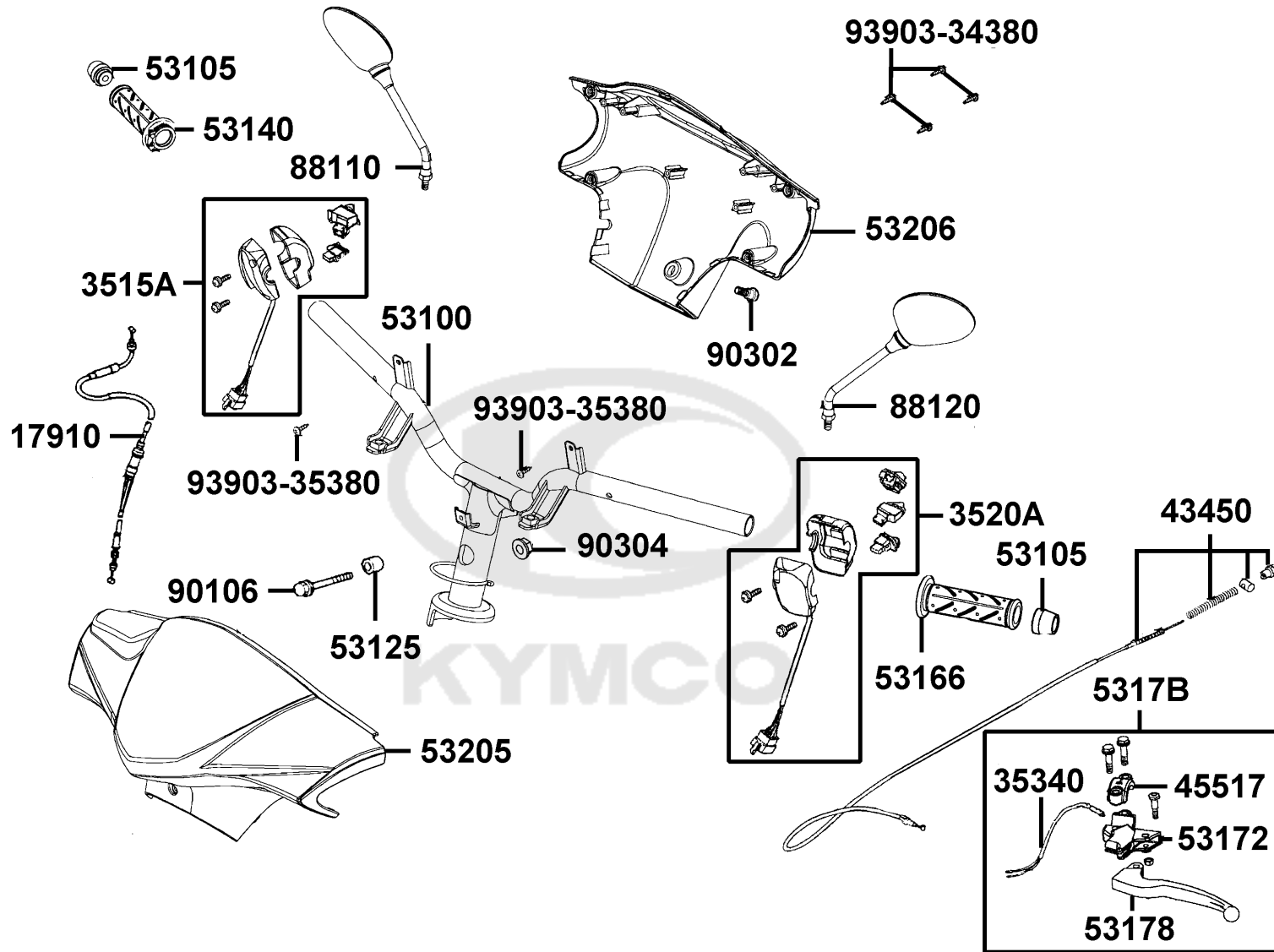


Sales mark	Ref no	Part no	Description	Reg description	Regd no	F02
34908-KAK1		34908-KAK1-900	BULB,WEDGE BASE	"BULB,WEDGE BASE"	1	
34908-LCB9		34908-LCB9-C10	BULB WEDGE BASE T10 12V 1.7W	BULB WEDGE BASE T10 12V 1.7W	1	
37200		37200-ACH5-E11	METER ASSY SPEED	METER ASSY SPEED	1	
37224		37224-ACH5-E11	METER CORD COMP	METER CORD COMP	1	
38300		38300-KECE-W10	RELAY ASSY WINKER	RELAY ASSY WINKER	1	
44830		44830-AAC7-E60	CABLE COMP SPDMT	CABLE COMP SPDMT	1	
93700		93700-05018-OHG	SCREW OVAL 5*18	SCREW OVAL 5*18	1	
93903		93903-35380-G	SCREW TAPPING 5*16 (K)	SCREW TAPPING 5*16	4	



F03

# Handle Steering Handle Cover

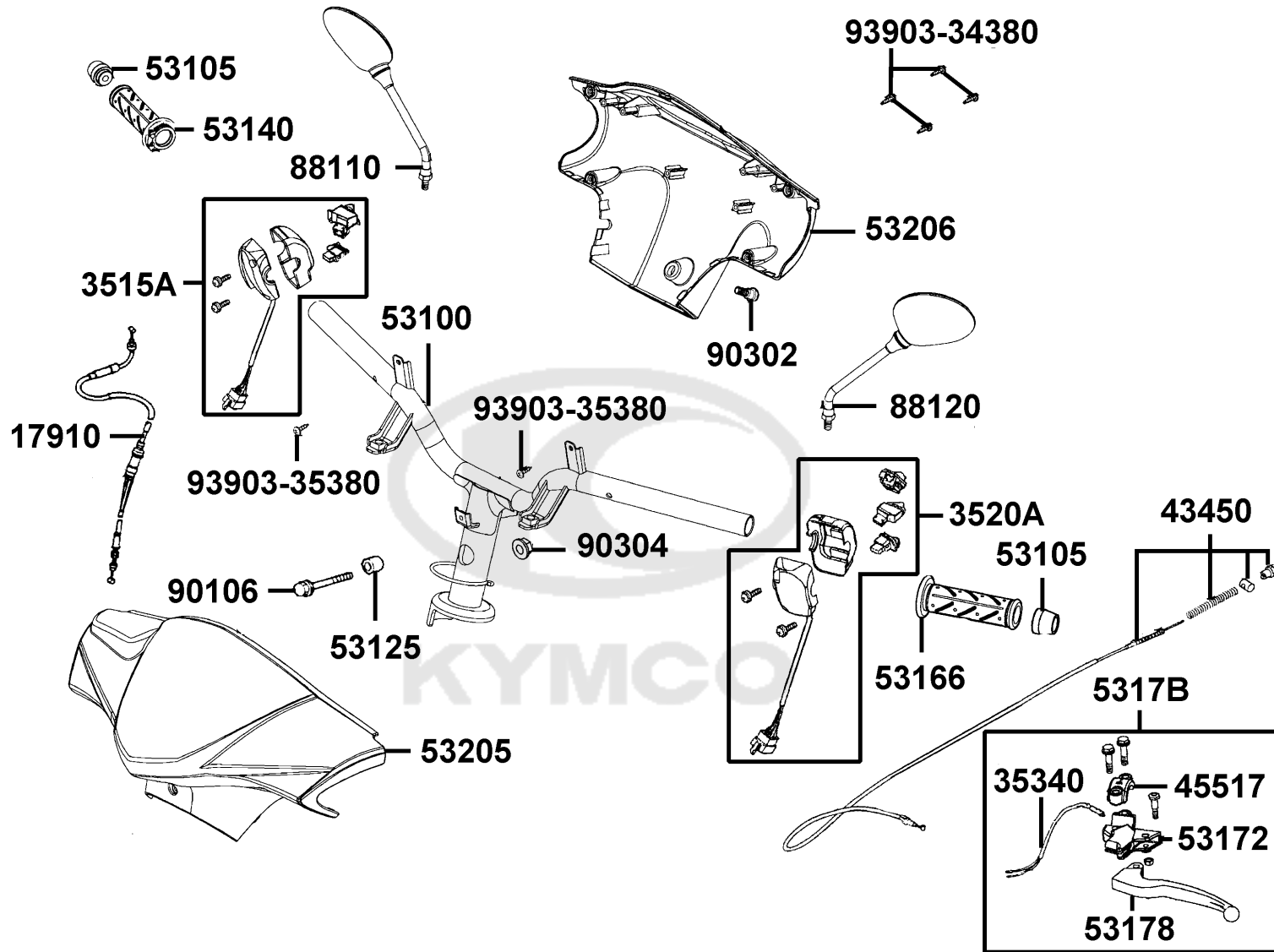




Sales mark	Ref no	Part no	Description	Reg description	Regd no	F03
	17910	17910-AAF1-E60	CABLE COMP THROTTLE	CABLE COMP THROTTLE	1	
	3515A	3515A-LDF7-B20	SW ASSY RH HNDL COMP	SW ASSY RH HNDL COMP	1	
	3520A	3520A-LGB5-E11	"SW ASS'Y..LH HANDLE COMP"	"SW ASS'Y..LH HANDLE COMP"	1	
	35340	35340-KKJ9-C00	SW ASSY FR STOP	SW ASSY FR STOP	1	
	43450	43450-AAF1-E60	CABLE COMP RR BRK	CABLE COMP RR BRK	1	
	45517	45517-GFY6-C00	HOLDER MASTER CYLINDER	HOLDER MASTER CYLINDER	1	
	53100	53100-AAC7-E60	HANDLE COMP STG	HANDLE COMP STG	1	
	53105	53105-KNBN-C00	END STRG HANDLE	END STRG HANDLE	1	
	53125	53125-GEN5-C00	COLLAR HANDLE SET	COLLAR HANDLE SET	1	
**	53140	53140-KNBN-C00	GRIP COMP THROT	GRIP COMP THROT	1	
**	53166	53166-KNBN-C00	GRIP L HANDLE	GRIP L HANDLE	1	
	53172	53172-KTCT-C00	BRKT HNDL L	BRKT HNDL L	1	
	53178	53178-GKAK-C00	LEVER L STRG HANDLE	LEVER L STRG HANDLE	1	
	5317B	5317B-KEB7-900	BRKT ASSY HANDLE LH	BRKT ASSY HANDLE LH	1	
**	53205	53205-AAC7-E60	COVER HANDLE FR BLACK	COVER HANDLE FR BLACK	1	
**	53206	53206-AAC7-E60	COBER HANDLE RR	COBER HANDLE RR	1	
	88110	88110-LCB9-C11	MIRROR ASSY R BACK	MIRROR ASSY R BACK	1	
	88120	88120-LCB9-C11	MIRROR ASSY L BACK	MIRROR ASSY L BACK	1	
	90106	90106-PUA3-B50	BOLT FLANGE 10*50	BOLT FLANGE 10*50	1	
	90302	90302-PUA3-B51	BOLT-WASH 5*12	BOLT-WASH 5*12	1	

F03

# Handle Steering Handle Cover



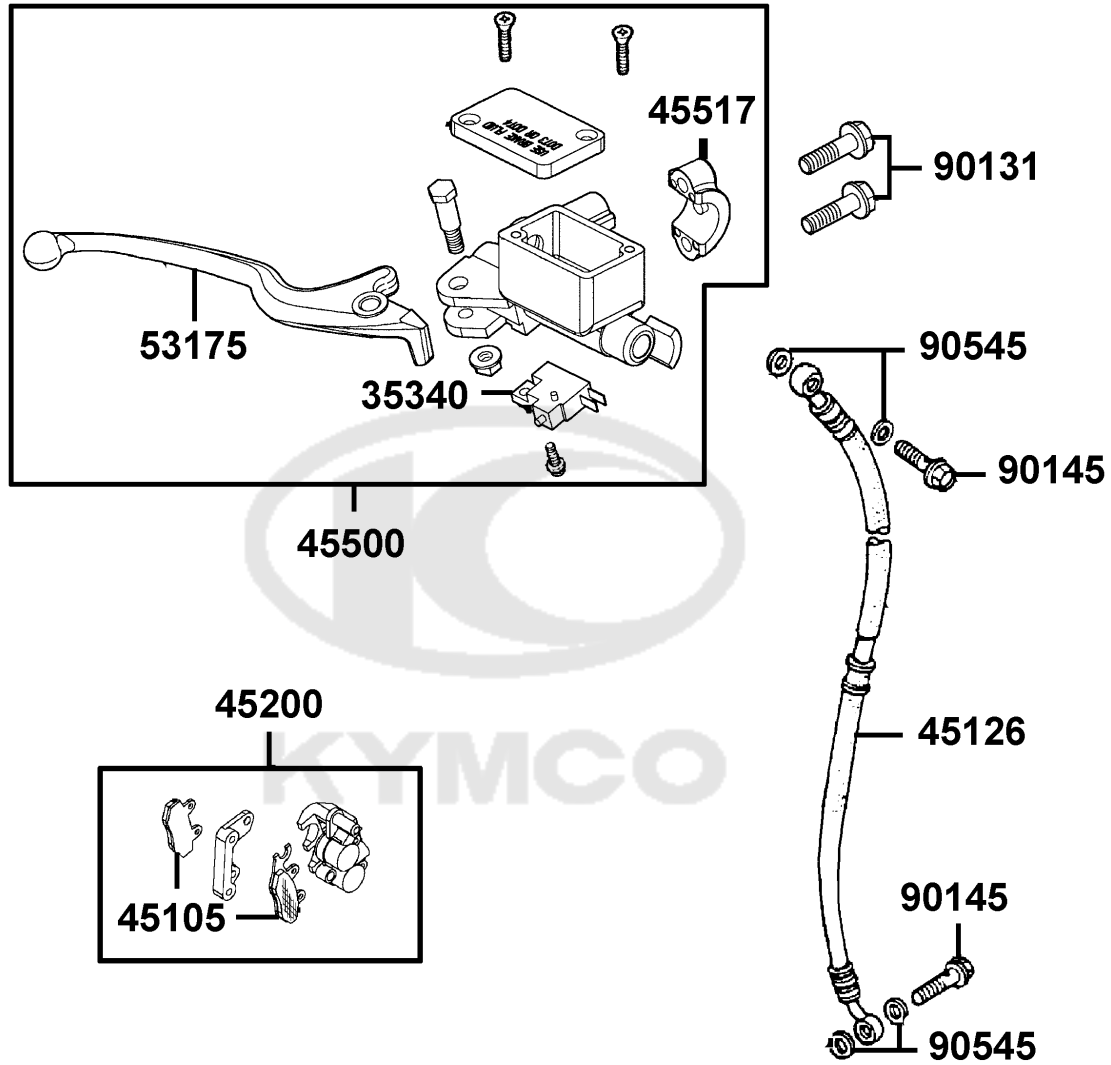
Sales mark	Ref no	Part no	Description	Reg description	Regd no	<b>F03</b>
------------	--------	---------	-------------	-----------------	---------	------------

	90304	90304-PUA3-B50	NUT U 10MM (C)	NUT U 10MM (C)	1	
	93903-34380	93903-34380-G	SCREW TAPPING 4x12	SCREW TAPPING 4x12	4	
	93903-35380	93903-35380-G	SCREW TAPPING 5*16 (K)	SCREW TAPPING 5*16	2	



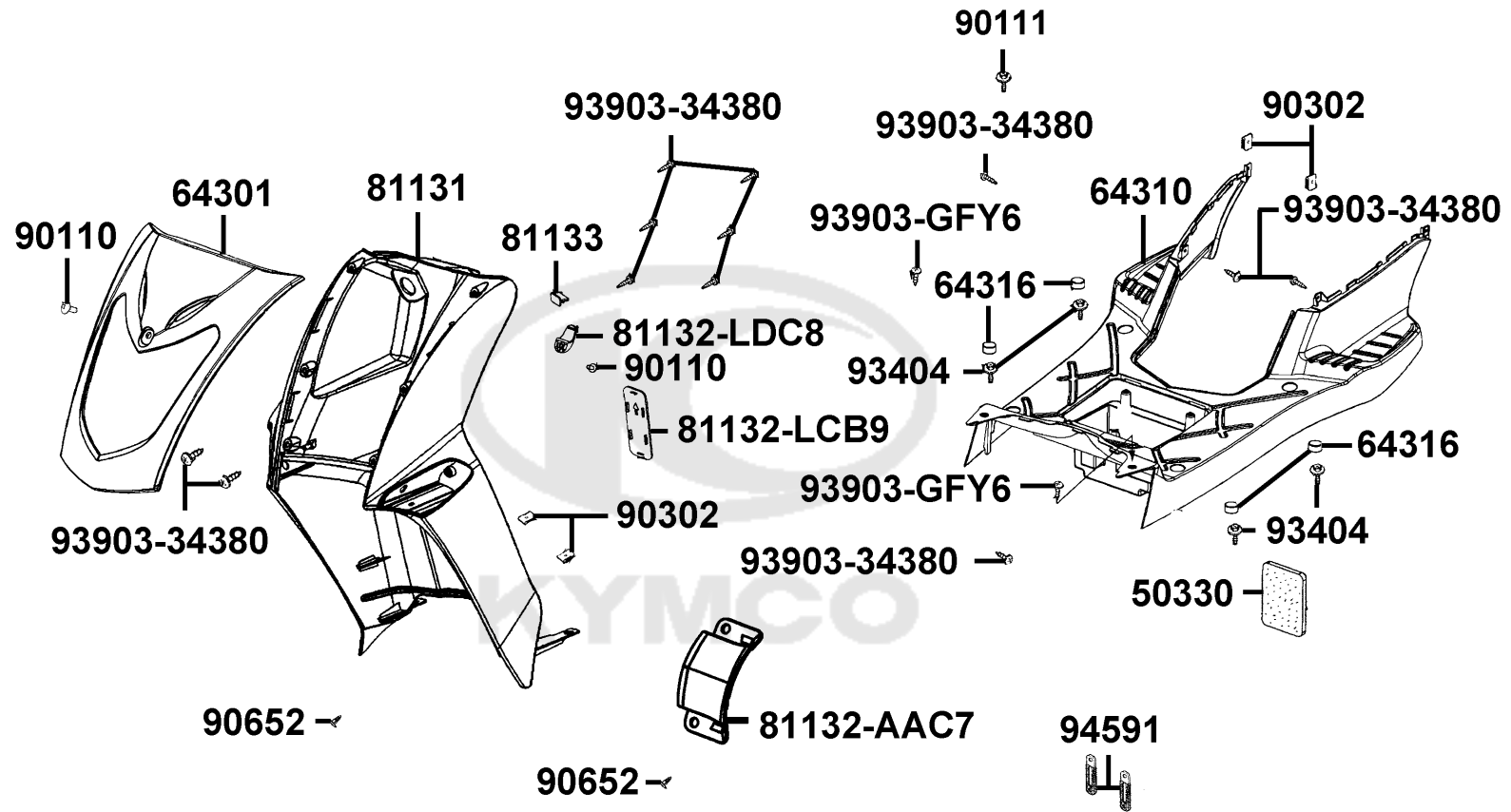
F04

Brake Master Cylinder



Sales mark	Ref no	Part no	Description	Reg description	Regd no	<b>F04</b>
	35340	35340-KNBN-C00	SW ASSY FR STOP	SW ASSY FR STOP	1	
	45105	45105-KKD6-305	PAD COMP A+B	PAD COMP A+B	1	
	45126	45126-LDC8-E90	HOSE ASSY FR BRAKE	HOSE ASSY FR BRAKE	1	
**	45200	45200-KKD6-E90	CALIPER ASSY FR	CALIPER ASSY FR	1	
	45517	45517-KFAF-910	HOLDER M/C	HOLDER M/C	1	
	90131	90131-GLW0-C02	BOLT FLANGE 8*35	BOLT FLANGE 8*35	2	
	90145	90145-9A61-C00	OIL BOLT 10*22	OIL BOLT 10*22	2	
	90545	90545-3L00-C00	WASHER OIL BOLT	WASHER OIL BOLT	1	

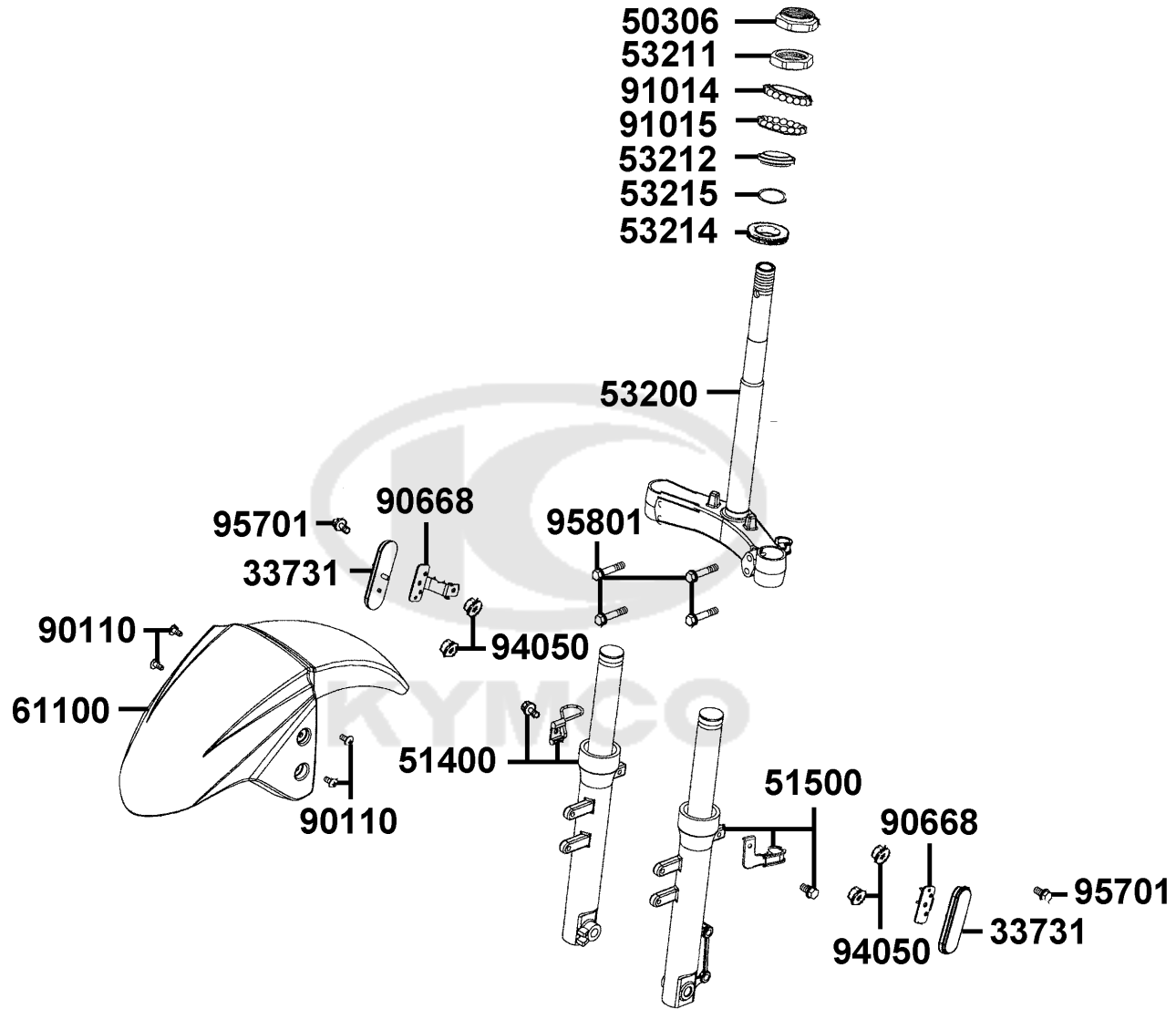




Sales mark	Ref no	Part no	Description	Reg description	Regd no	F05
	50330	50330-KEBE-C00	SEAL BATTERY FRONT	SEAL BATTERY FRONT	1	
**	64301	64301-LCB9-C10	COVER FR	COVER FR	1	
**	64310	64310-LCB9-C10	PANEL FLOOR	PANEL FLOOR	1	
**	64316	64316-LCB9-C10	PLUG FLOOR	PLUG FLOOR	4	
**	81131	81131-AAC7-E60	LEG SHIELD	LEG SHIELD	1	
**	81132-AAC7	81132-AAC7-E60	LID LEG SHIELD	GAP LEG SHIELD UP	1	
**	81132-LCB9	81132-LCB9-C10	LID LEG SHIELD	LID LEG SHIELD	1	
**	81132-LDC8	81132-LDC8-E10	HOOK LUGGAGE	HOOK LUGGAGE	1	
	81133	81133-KNBN-C00	STOPPER LUGGAGE	STOPPER LUGGAGE	1	
	90110	90110-GLW0-C00	SCREW SPECIFIED 6*14	SCREW SPECIAL 6*14(CR)	1	
	90111	90111-06016-07G	BOLT FLANGE 6*16 (K)	BOLT FLANGE 6*16 (K)	1	
	90302	90302-SDA4-C01	"NUT,SPPING 4MM"	"NUT,SPPING 4MM"	1	
	90652	90652-LFB5-C00	"CLIP,MUDGUARD"	"CLIP,MUDGUARD"	2	
	93404	93404-06020-07G	BOLT-WASH 6x20	BOLT-WASH 6x20	4	
	93903-34380	93903-34380-G	SCREW TAPPING 4x12	SCREW TAPPING 4x12	10	
	93903-GFY6	93903-GFY6-C01	SCREW TAPPING 4*14(K)	"SCREW,TAPPING4*14"	1	
	94591	94591-25000	CLIP BIND	CLIP BIND	2	

F06

Stem Steering Front Cushion

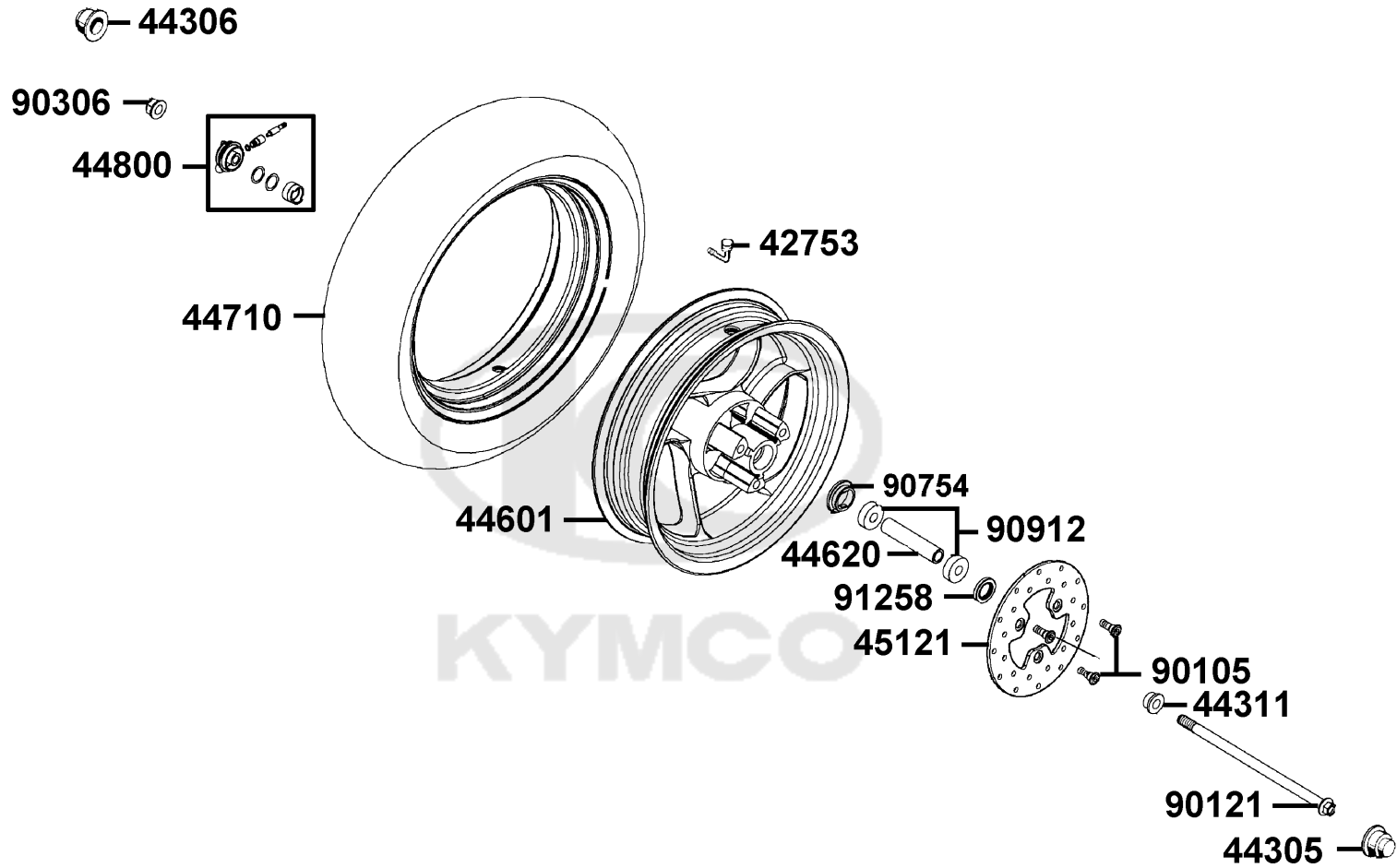




Sales mark	Ref no	Part no	Description	Reg description	Regd no	F06
#	33731	33731-KGB5-EZ0	REFLEX REFLECTOR SIDE	REFLEX REFLECTOR SIDE	1	
	50306	50306-1F96-C00	NUT STRG STEM LOCK	NUT STRG STEM LOCK	1	
**	51400	51400-LDC8-E10	FORK ASSY R FR	FORK ASSY R FR	1	
**	51500	51500-LDC8-E10	FORK ASSY L FR	FORK ASSY L FR	1	
	53200	53200-LDC8-E91	STEM COMP STRG	STEM COMP STRG	1	
	53211	53211-GFY6-C00	RACE STRG. CONE TOP	RACE STRG. CONE TOP	1	
	53212	53212-2L50-C00	RACE STRG. BOTTOM CONE	RACE STRG. BOTTOM CONE	1	
	53214	53214-2L50-C00	DUST SEAL STRG HEAD	DUST SEAL STRG. HEAD BOT	1	
	53215	53215-2L50-C00	WASHER STRG HDL DUST-SEAL	"WASHER,STRG. HEAD DUST SEAL"	1	
**	61100	61100-LDC8-E10	FENDER FR (BLACK)	FENDER FR (BLACK)	1	
	90110	90110-KEB7-C01	SCREW SPECIAL 6*14	SCREW FLAT U LOCK	1	
	90668	90668-LDC8-E10	STAY SIDE REFLECTOR	STAY SIDE REFLECTOR	2	
	91014	91014-LLJ3-C00	CAGE STRG TOPP	CAGE STRG TOPP	1	
	91015	91015-LLJ3-C00	CAGE STRG BOT	CAGE STRG BOT	1	
	94050	94050-05080-G	NUT FLANGE 5MM	NUT FLANGE 5MM	1	
	95701	95701-06012-08G	BOLT FLANGE 6*12	BOLT FLANGE 6*12	2	
	95801	95801-08040-08G	BOLT FLANGE 8*40	BOLT FLANGE 8*40	4	

F07

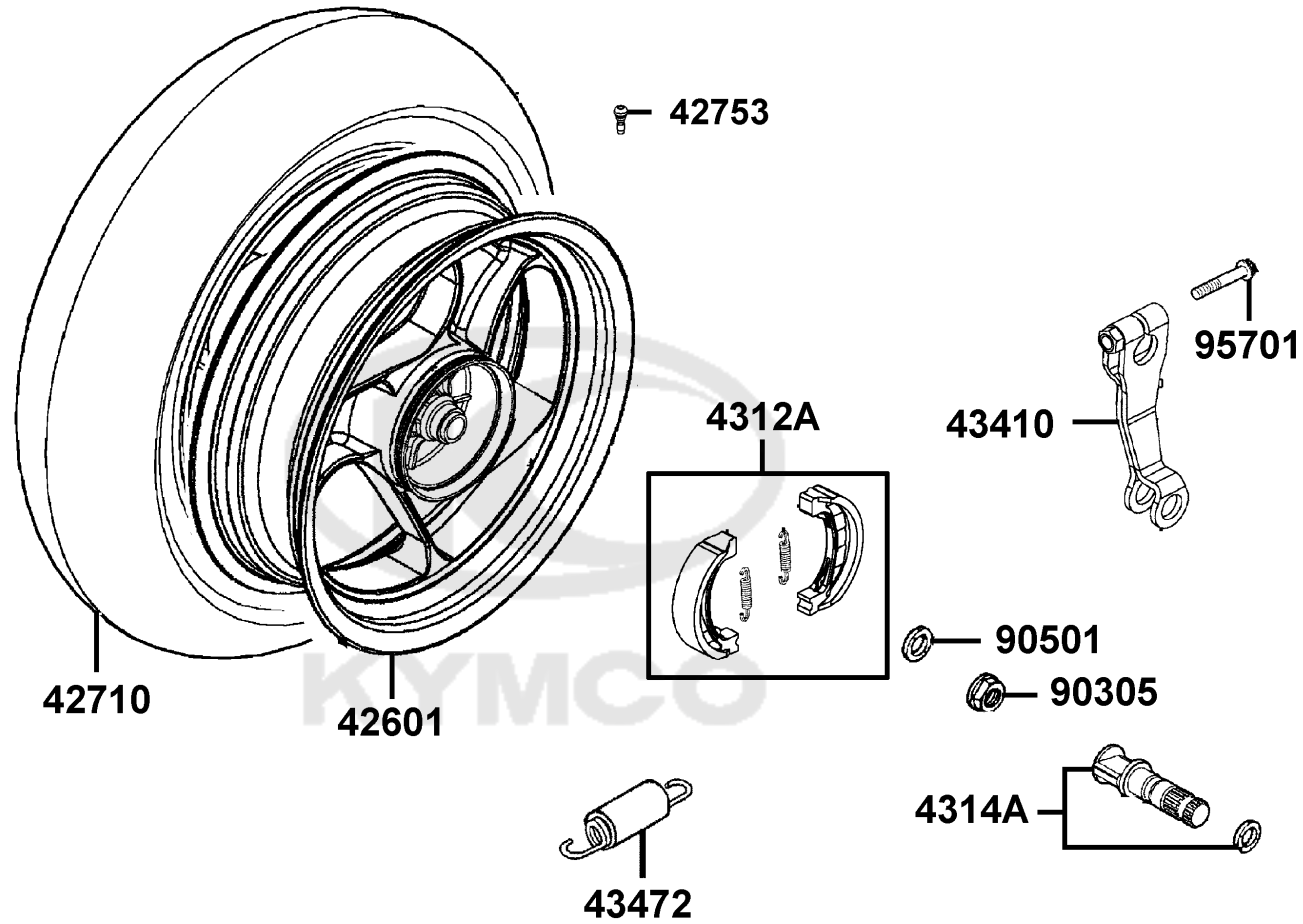
Front Wheel



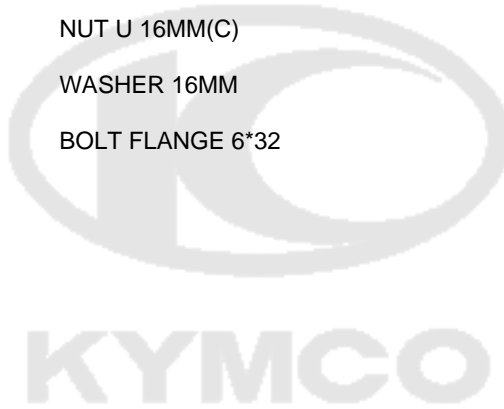
Sales mark	Ref no	Part no	Description	Reg description	Regd no	<b>F07</b>
	42753	42753-0F06-C00	VALAE RIM	VALAE RIM	1	
	44305	44305-KGE2-E00	AXLE PROTECTOR L	AXLE PROTECTOR L	1	
	44306	44306-KGE2-E00	AXLE PROTECTOR R	AXLE PROTECTOR R	1	
	44311	44311-GLW0-W10	COLLAR FR WHEEL SIDE	COLLAR FR WHEEL SIDE	1	
**	44601	44601-KEB7-E0E	WHEEL FR CAST	WHEEL FR CAST	1	
	44620	44620-KEB7-C00	COLLAR FR DIST	COLLAR FR DIST	1	
	44710	44710-LGS6-C10	TIRE ASSY FR	TIRE ASSY FR	1	
	44800	44800-LDC8-E10	GEAR BOX ASSY SPDMT	GEAR BOX ASSY SPDMT	1	
	45121	45121-LBD5-C00	DISK FR BRK	DISK FR BRK	1	
	90105	90105-KCR3-C02	BOLT FR DISK 8*24	BOLT FR DISK 8*24	2	
	90121	90121-KBE2-C01	BOLT RR FORK PIVOT M12*255	BOLT RR FORK PIVOT M12*255	1	
	90306	90306-KLF0-C02	NUT FLANGE 12MM(B)	NUT FLANGE 12MM(B)	1	
	90754	90754-GHC8-C00	DUST SEAL 20*32*5	DUST SEAL 20*32*5	1	
	90912	90912-GHC8-C00	BEARING 6201 (U)	BEARING 6201 (U)	1	
	91258	91258-KAM1-C00	SEAL SPDMT GEAR BOX	SEAL SPDMT GEAR BOX	1	

F08

Rear Wheel

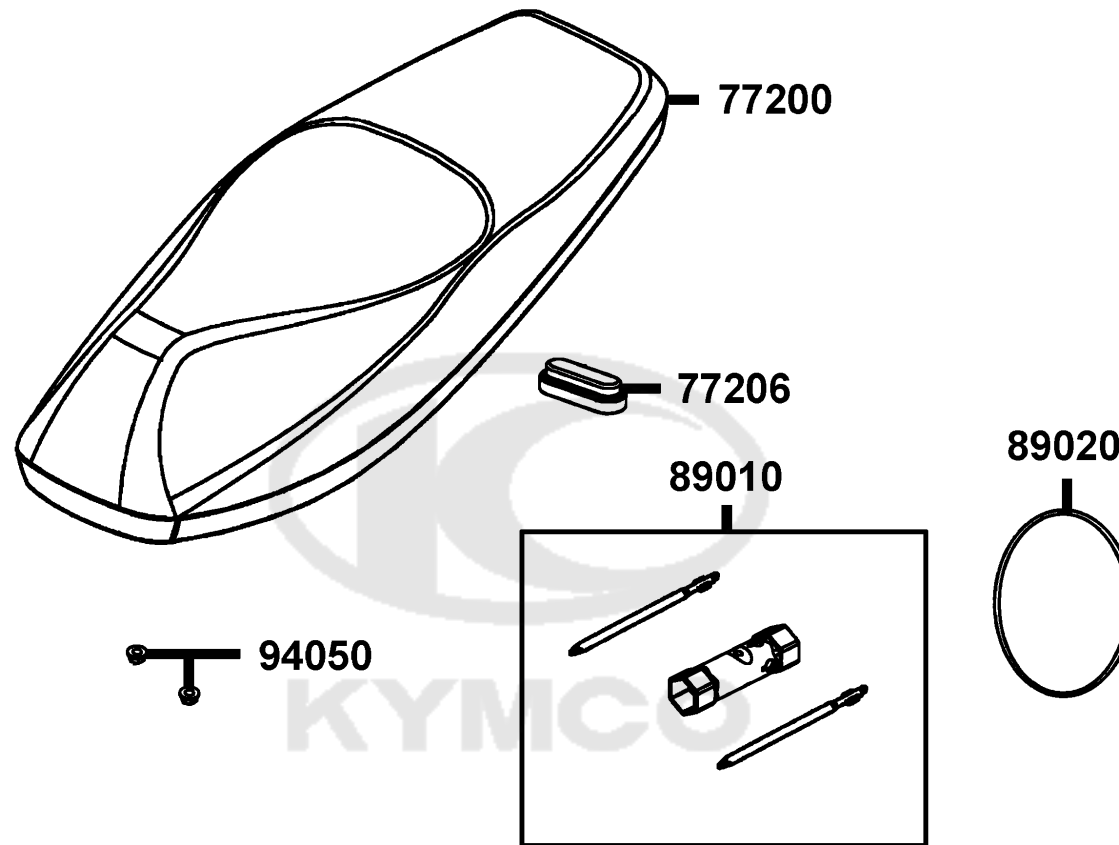


Sales mark	Ref no	Part no	Description	Reg description	Regd no	F08
**	42601	42601-KEB7-C00	WHEEL COMP RR CAST	WHEEL COMP RR CAST	1	
	42710	42710-LGS6-C10	TIRE ASSY RR	TIRE ASSY. RR.	1	
	42753	42753-0A01-C00	VALVE (TR 412) & CAP (C)	VALVE (TR 412) & CAP (C)	1	
	4312A	4312A-KXCX-C00	SHOE ASSY RR BRAKE	SHOE ASSY RR BRAKE	1	
	4314A	4314A-KKD6-E00	CAM ASSY RR BRAKE	CAM ASSY RR BRAKE	1	
	43410	43410-KFA1-C00	ARM RR BRK	ARM REAR BRAKE	1	
	43472	43472-KHG8-C00	SPG RR BRK ARM	SPG RR BRK ARM	1	
	90305	90305-PUA3-B51	NUT U 16MM(C)	NUT U 16MM(C)	1	
	90501	90501-KNBN-C01	WASHER 16MM	WASHER 16MM	1	
	95701	95701-06032-08G	BOLT FLANGE 6*32	BOLT FLANGE 6*32	1	



F09

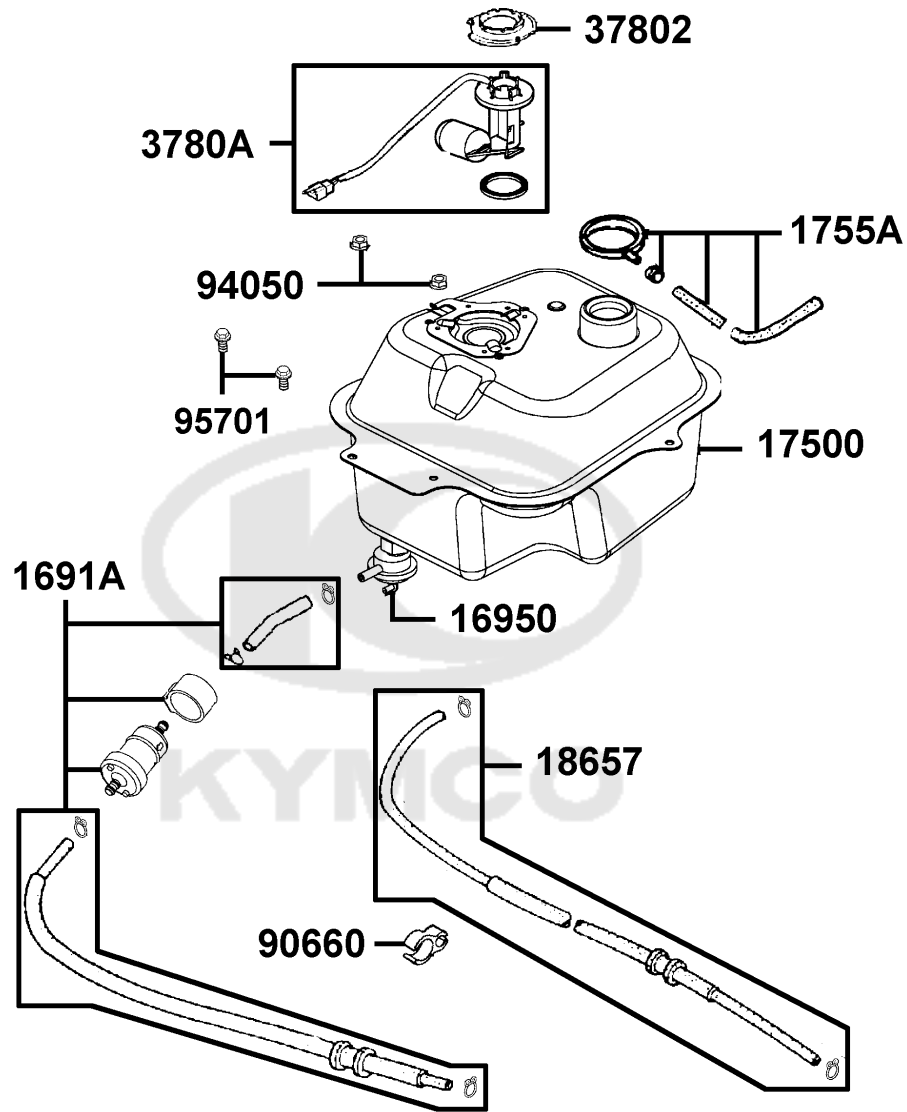
Seat



Sales mark	Ref no	Part no	Description	Reg description	Regd no	<b>F09</b>
------------	--------	---------	-------------	-----------------	---------	------------

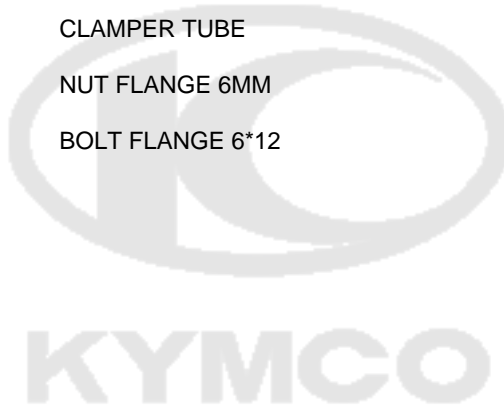
**	77200	77200-LDF7-E10	SEAT ASSY	SEAT ASSY	1	
	77206	77206-LCB9-C10	RUBBER SEAT CUSHION	RUBBER SEAT CUSHION	1	
	89010	89010-KGBG-C00	TOOL SET	TOOL SET	1	
	89020	89020-KKC4-C00	BAND TOOL SET	BAND TOOL SET	1	
	94050	94050-06080-G	NUT FLANGE 6MM	NUT FLANGE 6MM	1	





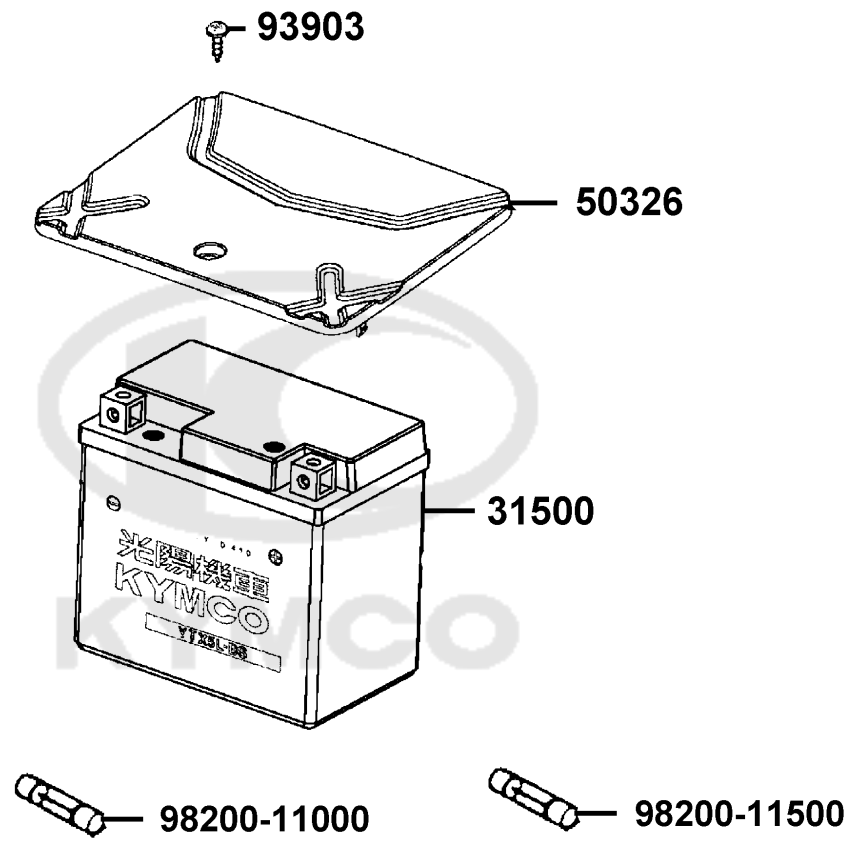


Sales mark	Ref no	Part no	Description	Reg description	Regd no	<b>F10</b>
1691A		1691A-ACH5-E60	TUBE COMP FUEL.,STRAINER-CARB	TUBE COMP FUEL.,STRAINER-CARB	1	
16950		16950-KKJ9-C00	AUTO COCK ASSY FUEL	AUTO COCK ASSY FUEL	1	
17500		17500-LCB9-C10	TANK COMP THROT	TANK COMP THROT	1	
1755A		1755A-KKD5-C10	TRAY ASSY FUEL CAP	TRAY ASSY FUEL CAP	1	
18657		18657-LEJ3-E10	TUBE AICV-INLET PIPE	TUBE AICV-INLET PIPE	1	
37802		37802-GGA7-C00	RET FUEL UNIT	RET FUEL UNIT	1	
3780A		3780A-LDC8-E10	FUEL UNIT ASSY	FUEL UNIT ASSY	1	
90660		90660-KGBG-C00	CLAMPER TUBE	CLAMPER TUBE	1	
94050		94050-06080-G	NUT FLANGE 6MM	NUT FLANGE 6MM	2	
95701		95701-06012-08G	BOLT FLANGE 6*12	BOLT FLANGE 6*12	2	



F11

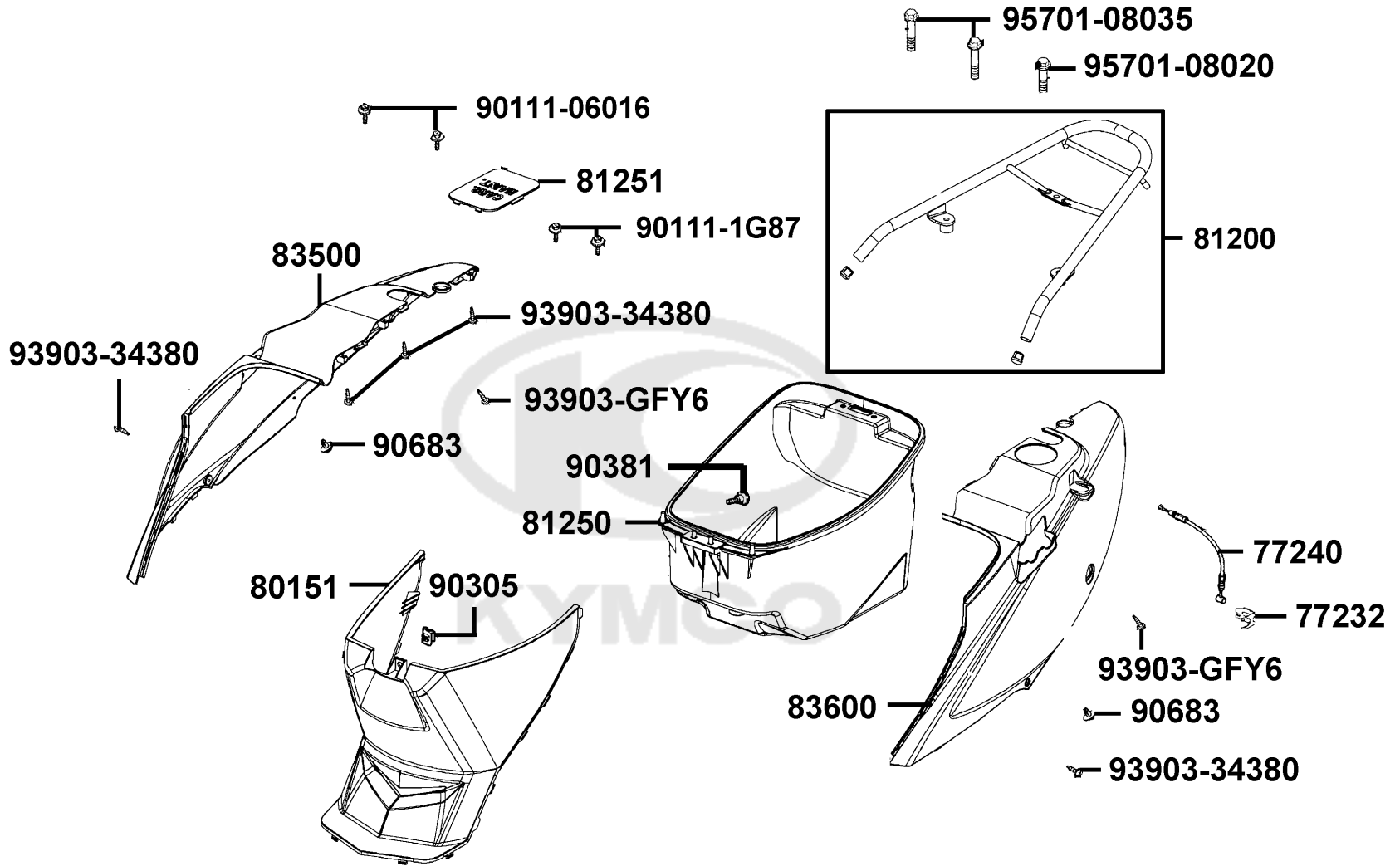
Battery



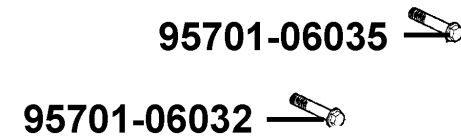
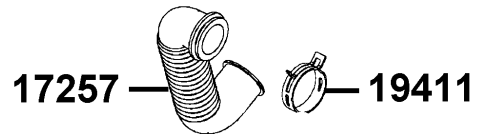
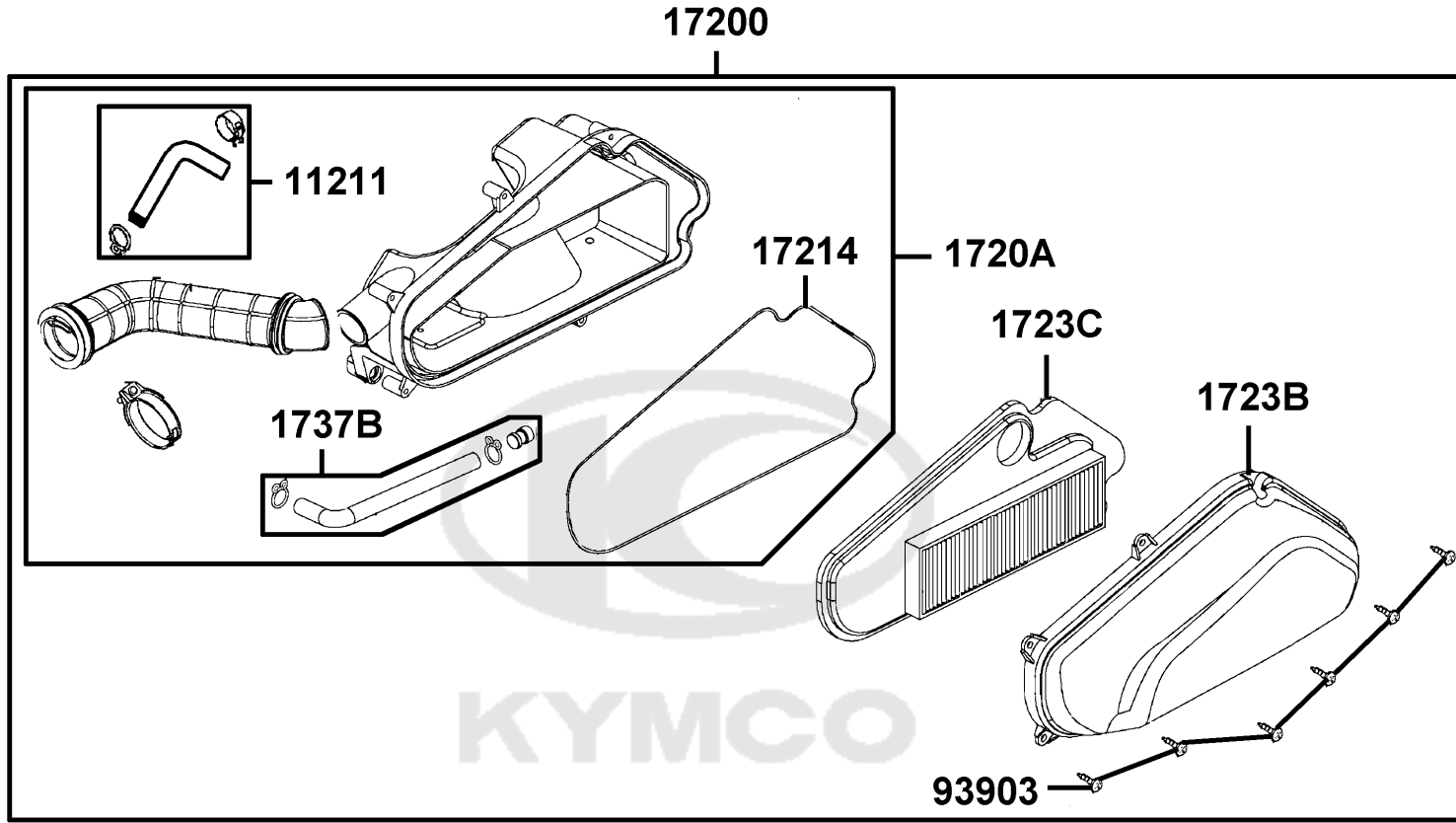
Sales mark	Ref no	Part no	Description	Reg description	Regd no	<b>F11</b>
------------	--------	---------	-------------	-----------------	---------	------------

	31500	31500-ALC8-E60	BATTERY YTX7A-BS	BATTERY	1	
**	50326	50326-LCB9-C10	COVER BATTERY	COVER BATTERY	1	
	93903	93903-35380-G	SCREW TAPPING 5*16 (K)	SCREW TAPPING 5*16	1	
	98200-11000	98200-11000	FUSE A10	FUSE 10A	1	
	98200-11500	98200-11500	FUSE A15	FUSE A15	1	





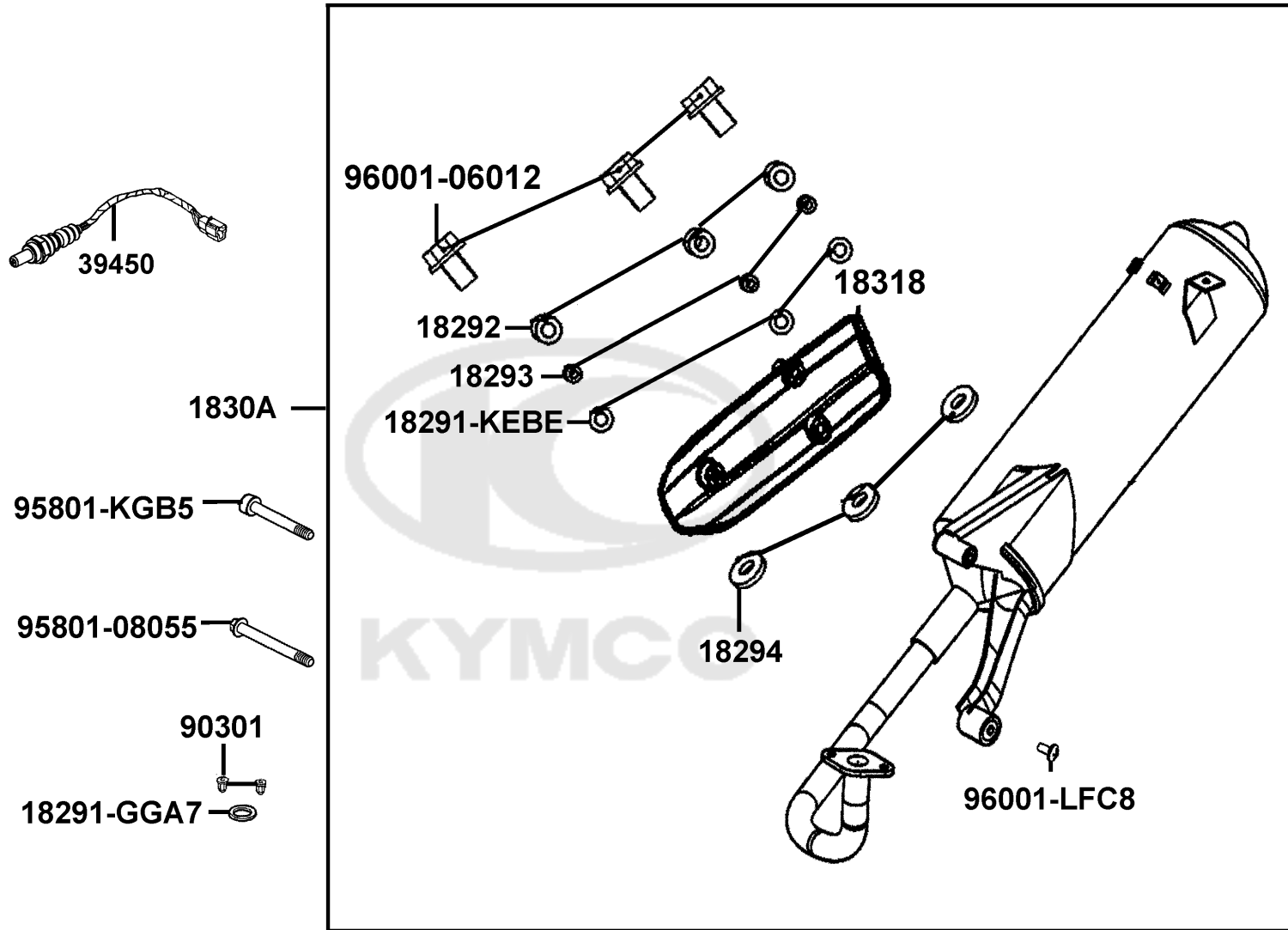
Sales mark	Ref no	Part no	Description	Reg description	Regd no	F12
	77232	77232-KCAC-C00	SET SPG SEAT LOCK	SET SPG SEAT LOCK	1	
	77240	77240-LDC8-E10	CABLE COMP SEAT LOCK	CABLE COMP SEAT LOCK	1	
**	80151	80151-LCB9-C10	COVER CENTER (BLACK)	COVER CENTER (BLACK)	1	
	81200	81200-LCB9-E60	CARRIER ASSY LUGGER	CARRIER ASSY LUGGER	1	
**	81250	81250-LCB9-C10	BOX LUGGAGE (BLACK)	BOX LUGGAGE (BLACK)	1	
**	81251	81251-LCB9-C10	LID CARB MAINT	LID CARB MAINT	1	
**	83500	83500-LDF6-B20	COVER R BODY	COVER R BODY	1	
**	83600	83600-LDF6-B20	COVER L BODY	COVER L BODY	1	
	90111-06016	90111-06016-07G	BOLT FLANGE 6*16 (K)	BOLT FLANGE 6*16 (K)	2	
	90111-1G87	90111-1G87-C01	BOLT FLANGE 6MM	BOLT FLANGE 6MM	1	
	90305	90305-GHK8-C01	NUT CLIP 6MM	NUT CLIP 6MM	1	
	90381	90381-GEZ5-C01	SCREW SPECIAL 6*17	SCREW SPECIAL 6*17	1	
	90683	90683-GAR1-C00	CLIP BODY COVER	CLIP BODY COVER	1	
	93903-34380	93903-34380-G	SCREW TAPPING 4x12	SCREW TAPPING 4x12	5	
	93903-GFY6	93903-GFY6-C01	SCREW TAPPING 4*14(K)	"SCREW,TAPPING4*14"	1	
	95701-08020	95701-08020-07G	BOLT FLANGE 8*20 (K)	BOLT FLANGE 8*20 (K)	1	
	95701-08035	95701-08035-07G	BOLT FLANGE 8*35	BOLT FLANGE 8*35 (C)	2	



Sales mark	Ref no	Part no	Description	Reg description	Regd no	<b>F13</b>
11211		11211-LBD6-E00	TUBE BREATHER	TUBE BREATHER	1	
17200		17200-LDC8-E11	AIR/C ASSY.	AIR/C ASSY	1	
1720A		1720A-LDC8-E11	CASE ASSY AIR/C	CASE ASSY AIR/C	1	
17214		17214-LBD6-E00	DUCT AIR/C CONN	SEAL AIR/C CASE	1	
1723B		1723B-LBD6-E00	COVER ASSY AIR/C	COVER ASSY AIR/C	1	
1723C		1723C-LBD6-E00	ELEMENT ASSY AIR/C	ELEMENT ASSY AIR/C	1	
17257		17257-LDC8-E00	DUCT AIR/C COVER	DUCT AIR/C COVER	1	
1737B		1737B-KHC4-C00	V TUBE ASSY	V TUBE ASSY	1	
19411		19411-KNBN-C10	CLIP HOSE	CLIP HOSE	1	
93903		93903-25480	SCREW TAPPING 5*20 (K)	SCREW TAPPING 5*20 (K)	7	
95701-06032		95701-06032-08G	BOLT FLANGE 6*32	BOLT FLANGE 6*32	1	
95701-06035		95701-06035-08G	BOLT FLANGE 6*35	BOLT FLANGE 6*35 (C)	1	

F14

Exhaust Muffler

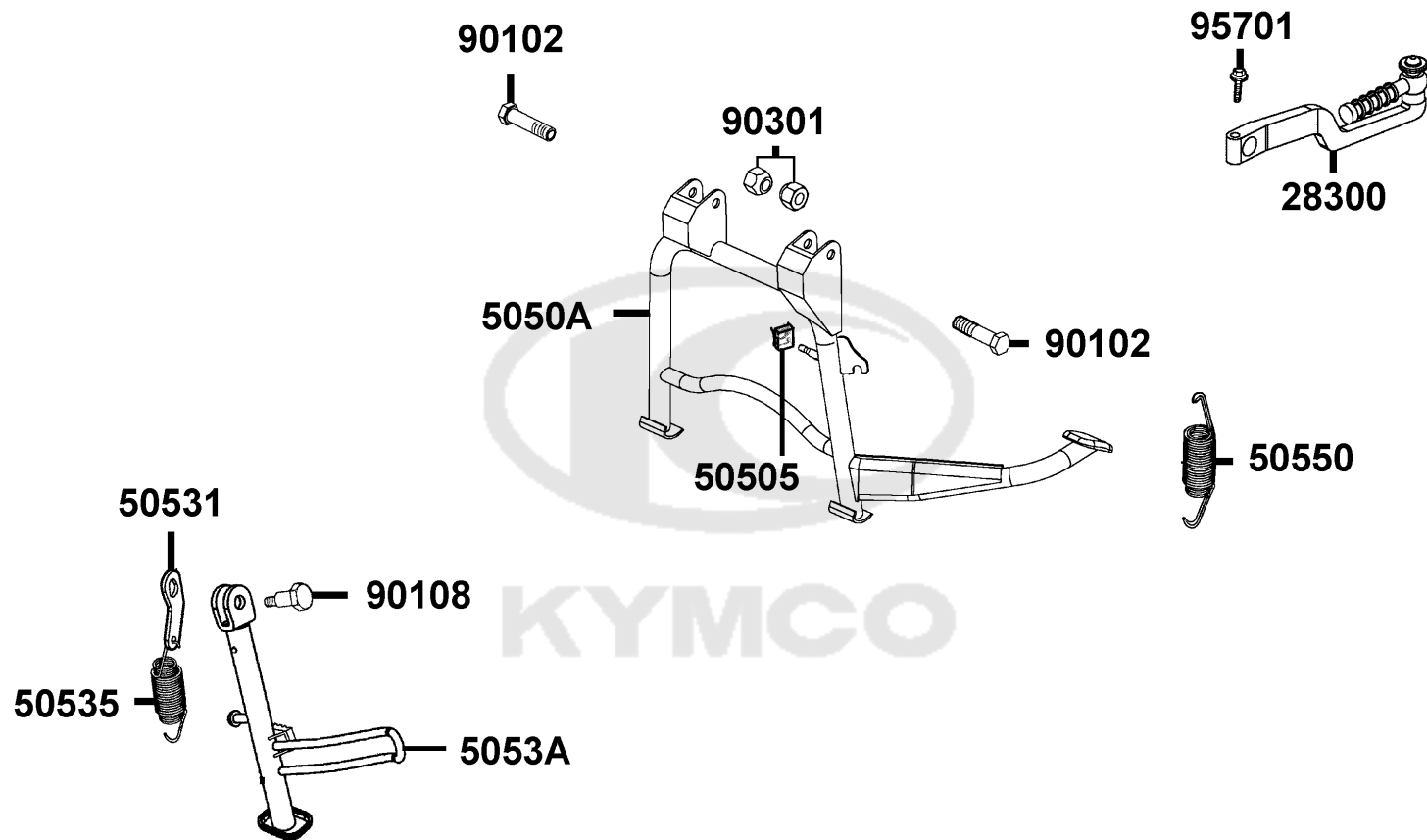




Sales mark	Ref no	Part no	Description	Reg description	Regd no	<b>F14</b>
	18291-GGA7	18291-GGA7-C01	GASKET EXH PIPE	GASKET EXH PIPE	1	
	18291-KEBE	18291-KEBE-C00	COLLAR	COLLAR	3	
	18292	18292-KEBE-C00	PACKING PROTECTOR	PACKING PROTECTOR	3	
	18293	18293-KEBE-C00	RUBBER PKG PROTR	RUBBER PRK PROTR	3	
	18294	18294-PUA3-B50	PACKING PTOTECTOR	PACKING PROTECTOR	1	
	1830A	1830A-LDC8-E65	MUFFLER ASSY EXH	MUFFLER ASSY EXH	1	
	18318	18318-LDF7-E10	PROTECTOR MUFFLER	PROTECTOR MUFFLER	1	
	39450	39450-ACH5-E10	O2 SENSOR	O2 SENSOR	1	
	90301	90301-KGBG-C01	NUT CAP 6MM	NUT CAP 6MM	1	
	95801-08055	95801-08055-07G	BOLT FLANGE 8*55	BOLT FLANGE 8*55	1	
	95801-KGB5	95801-KGB5-C01	BOLT TORX M8*60	BOLT TORX M8*60	1	
	96001-06012	96001-06012-02	BOLT FLANGE SH 6*12	BOLT FLANGE SH 6*12	3	
	96001-LFC8	96001-LFC8-C00	"BOLT,FLANGE SH M6*10"	"BOLT,FLANGE SH M6*10"	1	

F15

Stand Kick Starter Arm

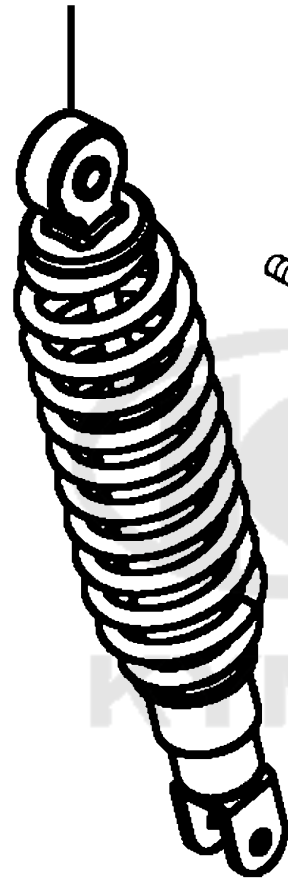


Sales mark	Ref no	Part no	Description	Reg description	Regd no	<b>F15</b>
	28300	28300-KNBN-C00	ARM ASSY KICK STARTER	ARM ASSY KICK STARTER	1	
	50505	50505-LDC8-E10	STOPPER RUBBER	STOPPER RUBBER	1	
	5050A	5050A-LDC8-E10	STAND COMP MAIN	STAND COMP MAIN	1	
	50531	50531-KEB7-C00	PLATE SPRING STOPPER	PLATE SPRING STOPPER	1	
	50535	50535-KEB7-W10	SPRING COMP SIDE STAND	SPRING COMP SIDE STAND	1	
	5053A	5053A-LDC8-E10	STAND ASSY SIDE	STAND ASSY SIDE	1	
	50550	50550-KEB7-C00	SPG MAIN STAND COMP	SPG ASSY MAIN STAND	1	
	90102	90102-GLE0-C00	BOLT HINGE PIVOT	BOLT HINGE PIVOT	2	
	90108	90108-KEB7-E01	SCREW SIDE STAND PIVOT	SCREW SIDE STAND PIVOT	1	
	90301	90301-4C73-C01	NUT U 6MM(C)	NUT U 6MM(C)	1	
	95701	95701-06022-07G	BOLT FLANGE 6*22 (K)	BOLT FLANGE 6*22 (K)	1	

F16

Rear Cushion

52400



95801-08032



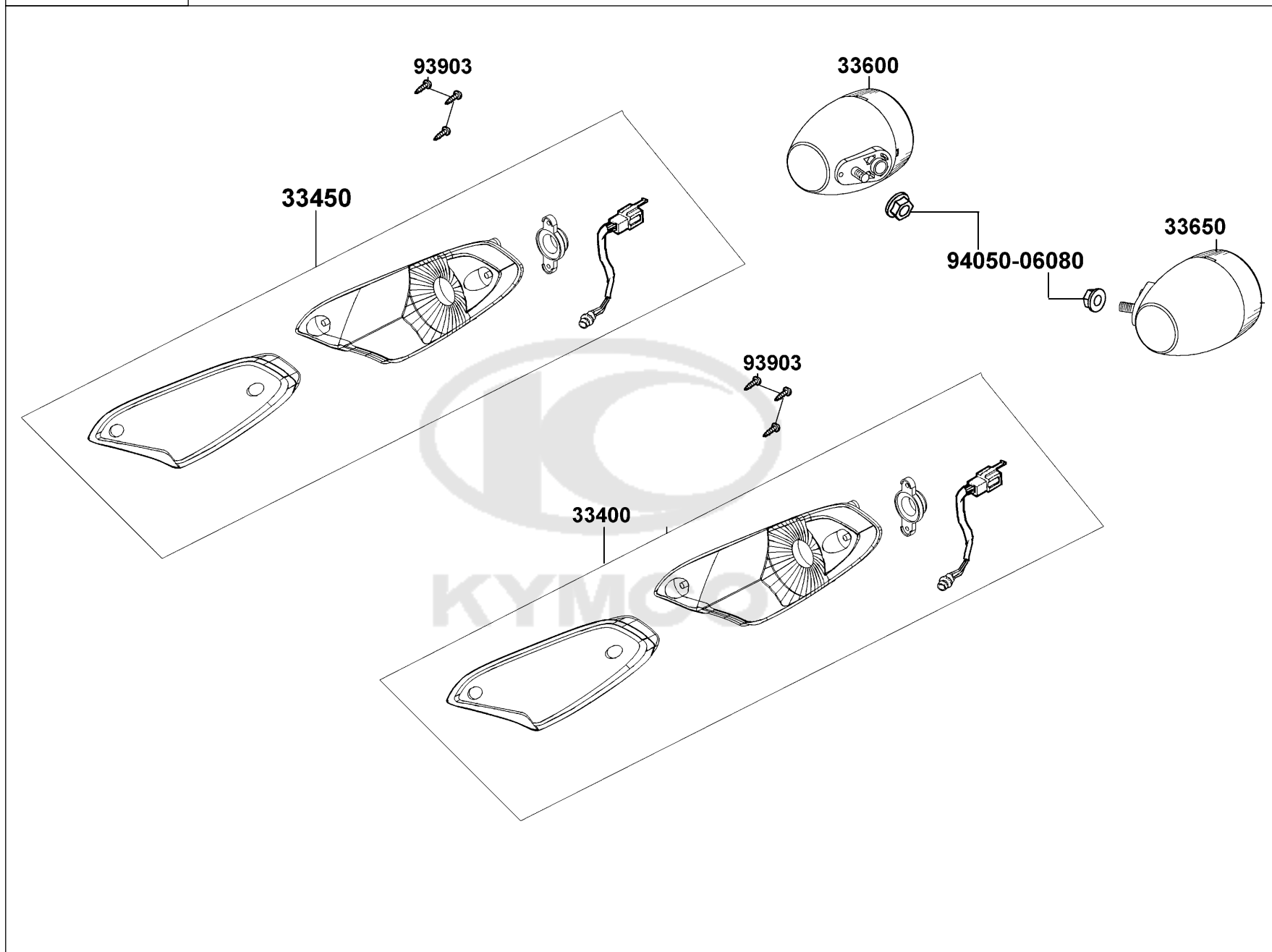
95801-10035

Sales mark	Ref no	Part no	Description	Reg description	Regd no	<b>F16</b>
**	52400	52400-LDC8-E10	CUSHION ASSY RR (MAT BLACK)	CUSHION ASSY RR (MAT BLACK)	1	
	95801-08032	95801-08032-08G	BOLT FLANGE 8*32(C)	BOLT FLANGE 8X32	1	
	95801-10035	95801-10035-08G	BOLT FLANGE 10X35	BOLT FLANGE 10X35	1	



F17

Front Winker

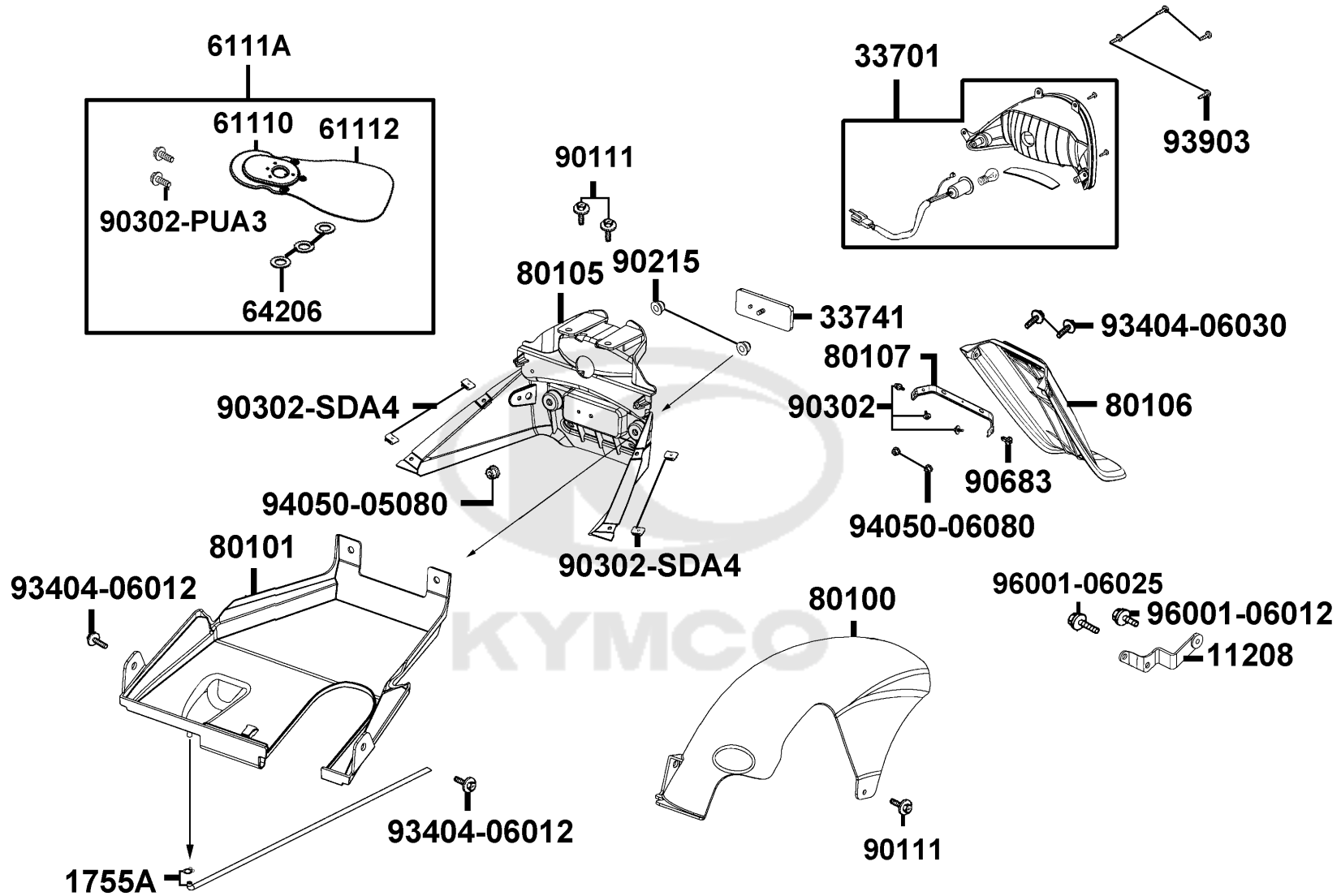


Sales mark	Ref no	Part no	Description	Reg description	Regd no	F17
	33400	33400-LEC5-B20	WINKER ASSY R FR	WINKER ASSY R FR	1	
	33450	33450-LEC5-B20	WINKER ASSY L FR	WINKER ASSY L FR	2	
	33600	33600-LDC8-E10	WINKER ASSY RH RR	WINKER ASSY RH RR	1	
	33650	33650-LDC8-E10	WINKER ASSY LH RR	WINKER ASSY LH RR	1	
	93903	93903-34380-G	SCREW TAPPING 4x12	SCREW TAPPING 4x12	6	
	94050	94050-05080-G	NUT FLANGE 5MM	NUT FLANGE 5MM	2	



F18

Tail Light

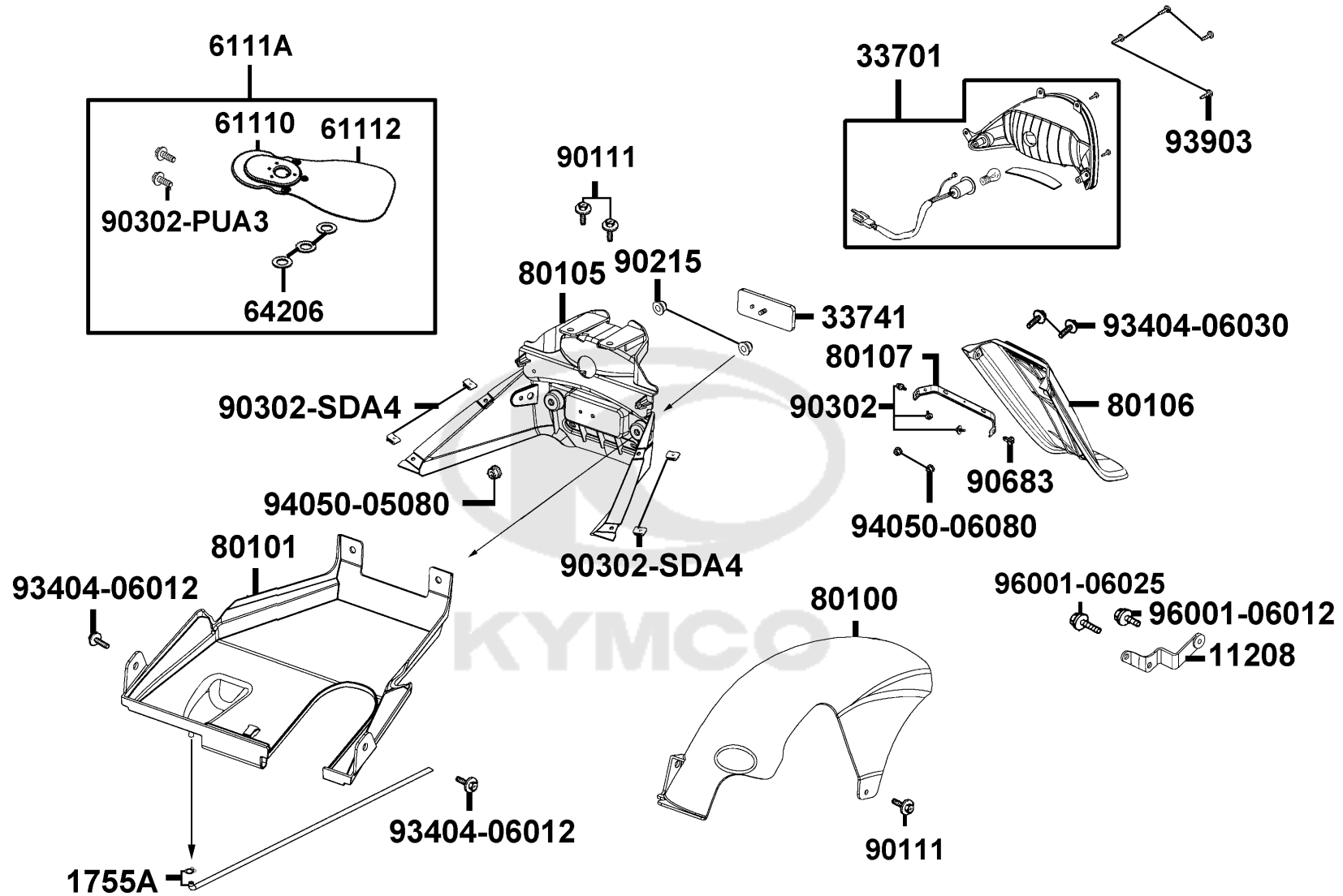





Sales mark	Ref no	Part no	Description	Reg description	Regd no	F18
	11208	11208-LBD6-C00	STAY RR TIRE FENDER	STAY RR TIRE FENDER	1	
	1755A	1755A-LDC8-E10	TUBE ASSY FUEL DRAIN	TUBE ASSY FUEL DRAIN	1	
	33701	33701-LDC8-E10	UNIT TAIL LIGHT	UNIT TAIL LIGHT	1	
	33741	33741-KEBE-C00	REFLEX REFLECTOR	REFLEX REFLECTOR	1	
	61110	61110-LDC8-E90	FENDER FR INNER	FENDER FR INNER	1	
	61112	61112-LDC8-E90	PLATE FR INNER SPLASH GUARD	PLATE FR INNER SPLASH GUARD	1	
	6111A	6111A-LDC8-E90	FENDERMFR. INNER ASSY	FENDERMFR. INNER ASSY	1	
	64206	64206-MLJ0-C01	NUT SPEED 4MM	NUT SPEED 4MM	3	
**	80100	80100-LDC8-E10	FENDER RR TIRE	FENDER RR TIRE	1	
**	80101	80101-LCB9-C10	FENDER RR INNER	FENDER RR INNER	1	
**	80105	80105-LDC8-E10	FENDER RR	FENDER RR	1	
**	80106	80106-LDC8-E10	FENDER RR LOW	FENDER RR LOW	1	
	80107	80107-LDC8-E10	STAY RR FENDER	STAY RR FENDER	1	
	90111	90111-06016-07G	BOLT FLANGE 6*16 (K)	BOLT FLANGE 6*16 (K)	4	
	90215	90215-KKC4-C00	NUT CAP 6MM	NUT CAP 6MM	1	
	90302-PUA3	90302-PUA3-B51	BOLT-WASH 5*12	BOLT-WASH 5*12	1	
	90302-SDA4	90302-SDA4-C01	"NUT,SPPING 4MM"	"NUT,SPPING 4MM"	1	
	90683	90683-GAR1-C00	CLIP BODY COVER	CLIP BODY COVER	1	
	93404-06012	93404-06012-07G	BOLT WASHER 6*12 (K)	BOLT WASHER 6*12 (K)	2	
	93404-06030	93404-06030-07G	BOLT WASHER 6*30 (K)	BOLT WASHER 6*30 (K)	2	

F18

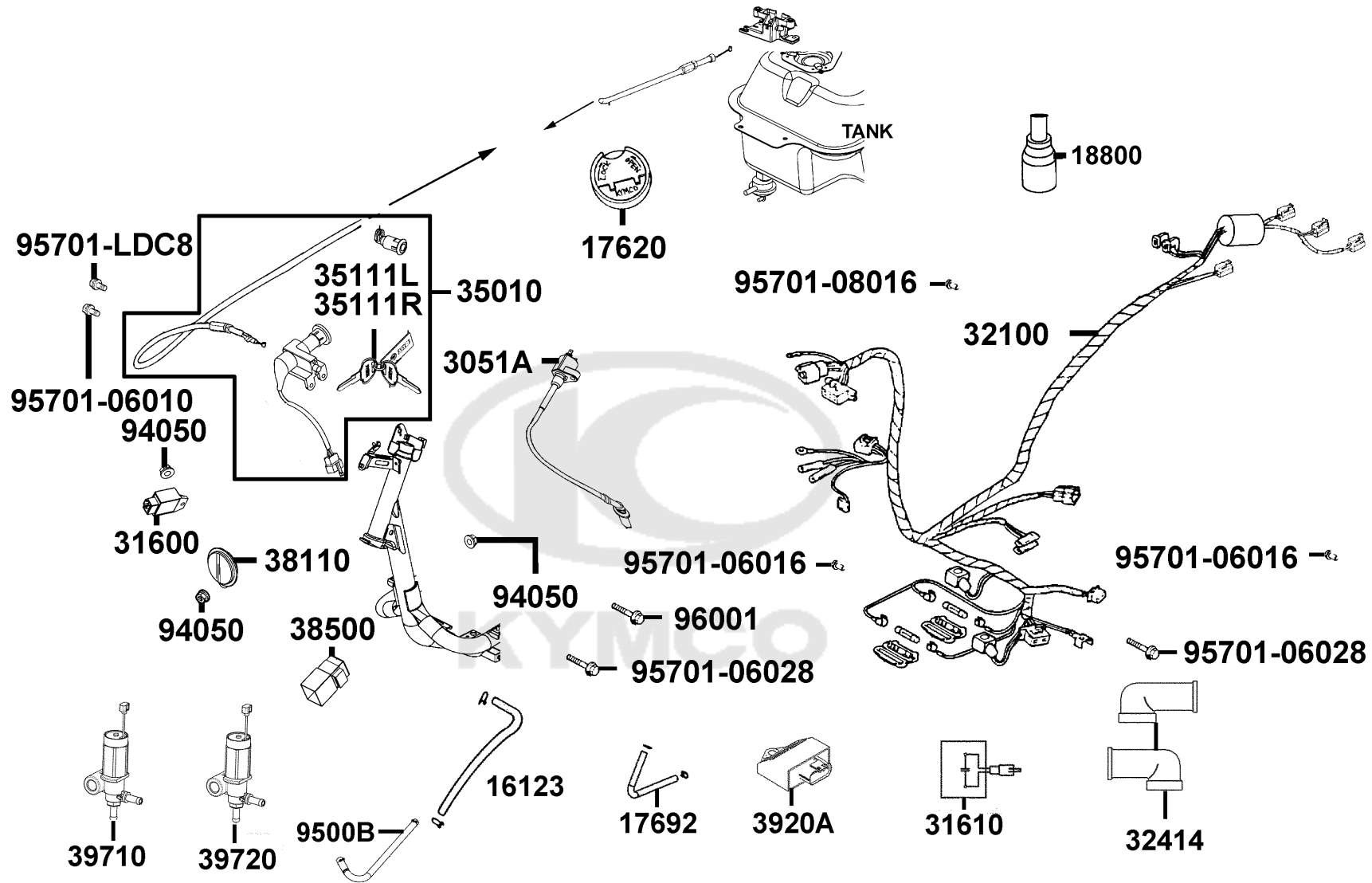
Tail Light



Sales mark	Ref no	Part no	Description	Reg description	Regd no	<b>F18</b>
	93903	93903-34380-G	SCREW TAPPING 4x12	SCREW TAPPING 4x12	4	
	94050-05080	94050-05080-G	NUT FLANGE 5MM	NUT FLANGE 5MM	1	
	94050-06080	94050-06080-G	NUT FLANGE 6MM	NUT FLANGE 6MM	2	
	96001-06012	96001-06012-08G	BOLT FLANGE SH 6X12 (C)	BOLT FLANGE SH 6X12 (C)	1	
	96001-06025	96001-06025-08G	BOLT FLANGE SH 6*25 (C)	BOLT FLANGE SH 6*25 (Cr3+)	1	
						

F19

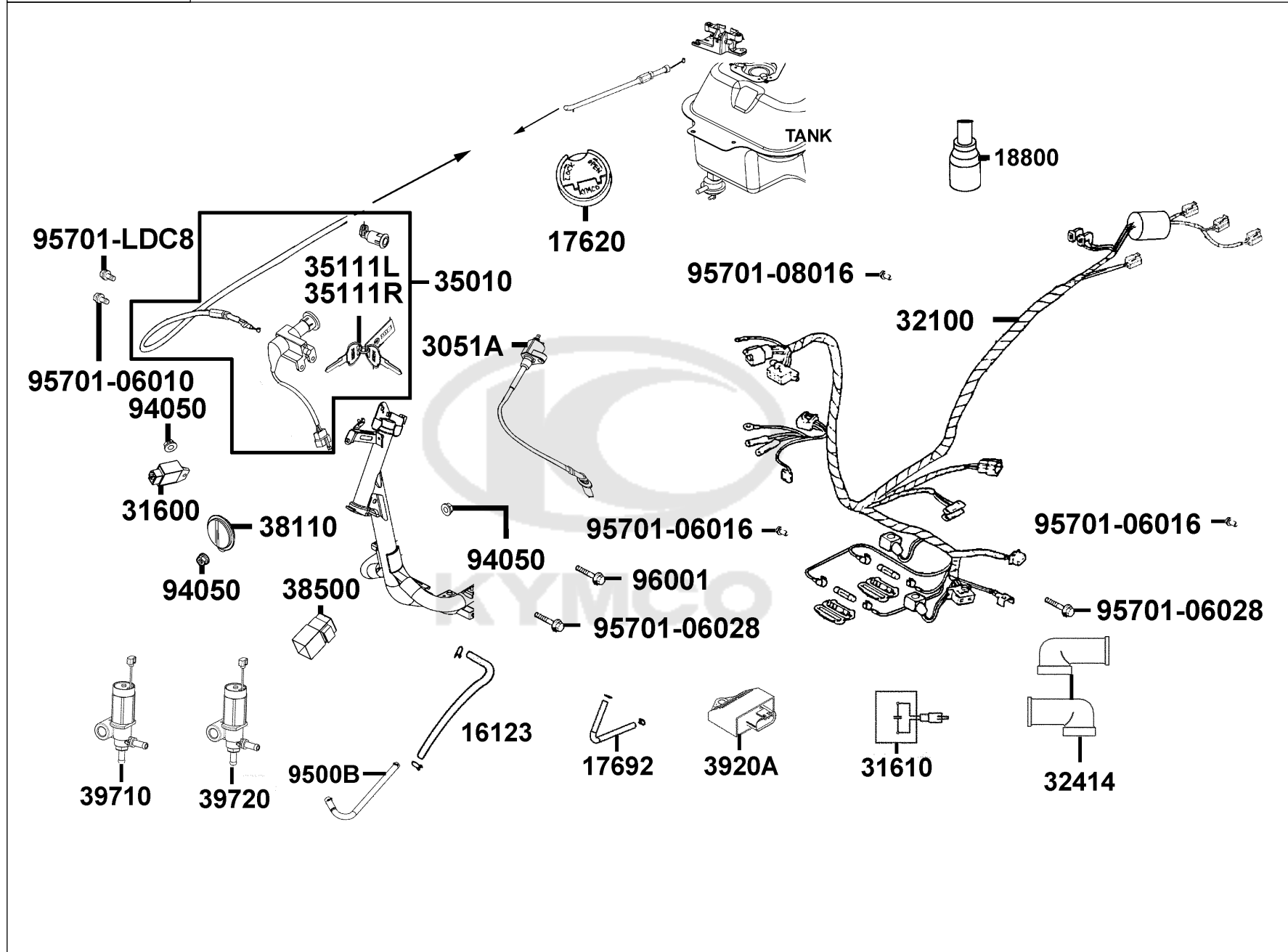
Wire Harness



Sales mark	Ref no	Part no	Description	Reg description	Regd no	F19
	16123	16123-ACH5-E10	TUBE COMP	TUBE COMP	1	
	17620	17620-LDF7-E10	CAP COMP FUEL FILLER	CAP COMP FUEL FILLER	1	
	17692	17692-LEB5-C00	TUBE FCV	TUBE FCV	2	
	18800	18800-ACH5-E10	AIR FILTER	AIR FILTER SV	1	
	3051A	3051A-ACH5-E10	COIL ASSY IGN	COIL ASSY IGN	1	
	31600	31600-LCD3-C01	REG REC COMP (DC)	REG REC COMP(DC)	1	
	31610	31610-ACH5-E10	FILTER CAPACTOP	FILTER CAPACTOP	1	
	32100	32100-LDC8-E65	HARNESS WIRE	HARNESS WIRE	1	
	32414	32414-ACH5-E10	COVER	COVER	1	
	35010	35010-LDC8-E92	KEY SET	KEY SET	1	
	35111R	35111-KUDU-305	BLANK KEY R	BLACK KEY R	1	
	35111L	35111-KUDU-306	BLANK KEY L	BLACK KEY L	1	
	38110	38110-KEB7-90A	HORN COMP (supplier:D405)	HORN COMP (supplier:D405)	1	
	38500	38500-KKDK-C00	RELAY ASSY START	SET START MAG	1	
	3920A	3920A-ACH5-E10	ECU	"MODULE ASSY.,ECU(ECS)"	1	
	39710	39710-ACH5-E10	VALVE CRTL..A/F RATIO(IDLE)	"VALVE CRTL.,A/F RATIO(IDLE)"	1	
	39720	39720-ACH5-E10	VALVE CRTL..A/F RATIO(MAIN)	"VALVE CRTL.,A/F RATIO(MAIN)"	1	
	94050	94050-06080-G	NUT FLANGE 6MM	NUT FLANGE 6MM	2	
	9500B	9500B-LKL5-E30	"TUBE ASSY.,AUTOCOCK VACUUM"	"TUBE ASSY.,AUTOCOCK VACUUM"	1	
	95701-06010	95701-06010-08G	BOLT FLANGE 6*10	BOLT FLANGE 6*10	1	

F19

Wire Harness



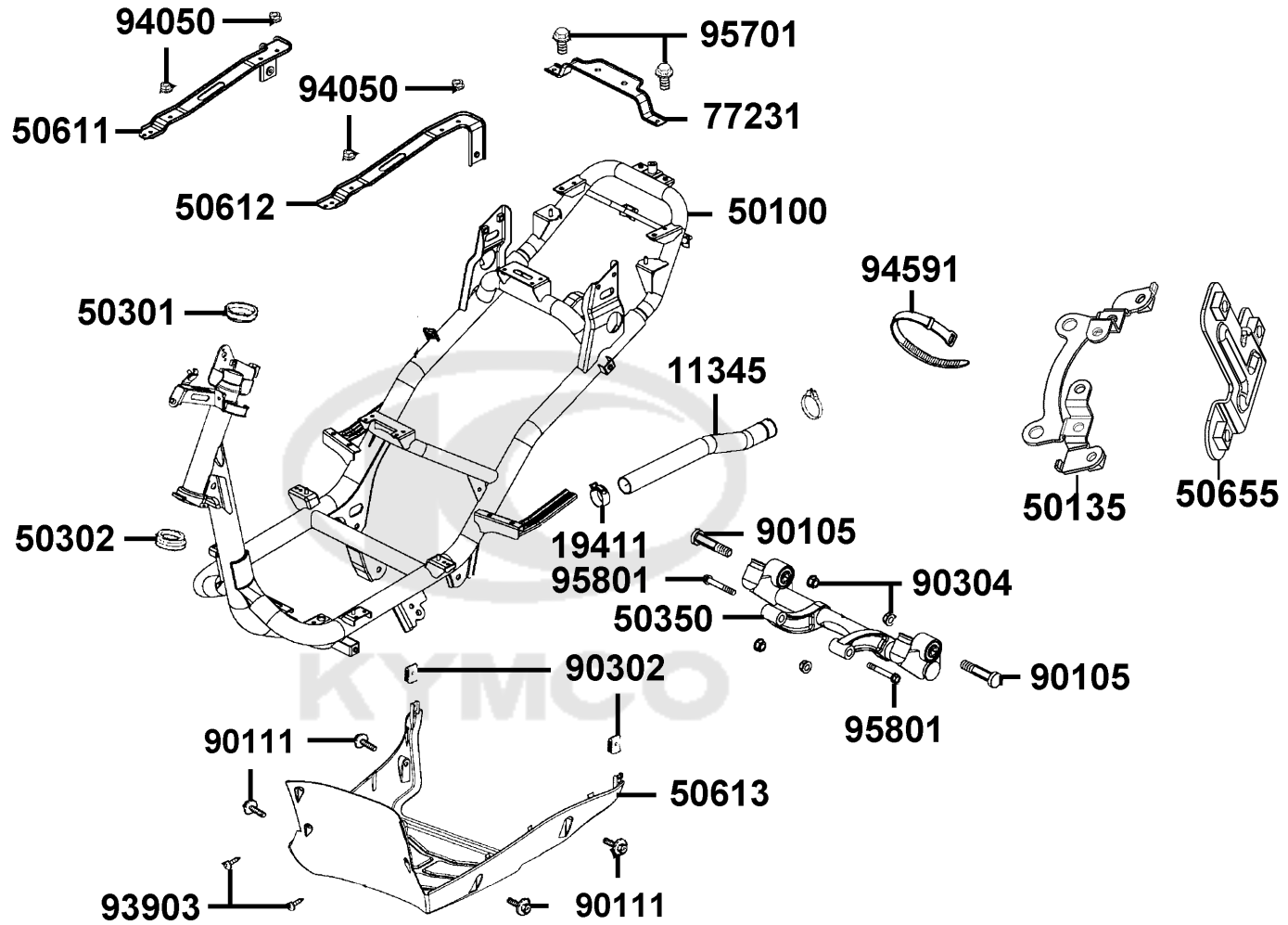
Sales mark	Ref no	Part no	Description	Reg description	Regd no	<b>F19</b>
------------	--------	---------	-------------	-----------------	---------	------------

	95701-06016	95701-06016-08G	BOLT FLANGE 6*16 (C)	BOLT FLANGE 6*16 (C)	3	
	95701-06028	95701-06028-07G	BOLT FLANGE 6*28 (K)	BOLT FLANGE 6X28(KG)	2	
	95701-08016	95701-08016-07G	BOLT FLANGE 8*16 (K)	BOLT FLANGE 8*16 (K)	1	
	95701-LDC8	95701-LDC8-E11	BOLT TORQUE 6x16	BOLT TORQUE 6x16	1	
	96001	96001-06016-08G	BOLT FLANGE SH 6x16 (C)	BOLT FLANGE SH 6*16 (CR3+)	1	



F20

Frame Body

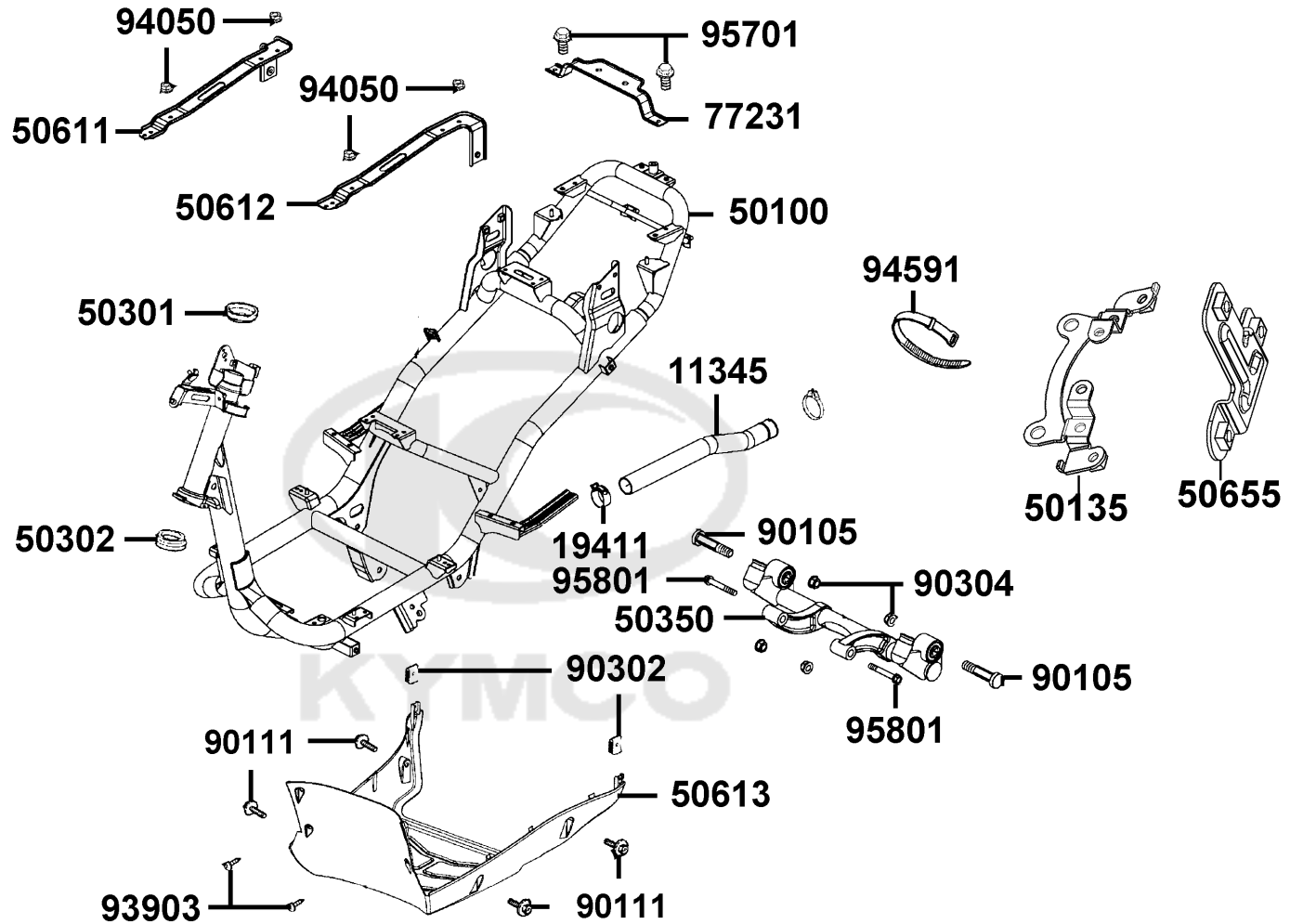




Sales mark	Ref no	Part no	Description	Reg description	Regd no	F20
	11345	11345-ALA9-E70	DUCT L COVER	DUCT L COVER	1	
	19411	19411-KNBN-C10	CLIP HOSE	CLIP HOSE	1	
	50100	50100-LDC8-E95	BODY COMP FRAME	BODY COMP FRAME	1	
	50135	50135-ACH5-E10	STAY AICV SET	STAY AICV SET	1	
	50301	50301-KGN7-C00	RACE UPPER STRG BALL	RACE UP STRG BALL	1	
	50302	50302-2H68-C00	RACE (STRG BOT) BALL	RACE (STRG BOT) BALL	1	
	50350	50350-LDC8-E10	HANGER ASSY ENG	HANGER ASSY ENG	1	
	50611	50611-LCB9-C10	RNFCT R FLOOR	RNFCT R FLOOR	1	
	50612	50612-LCB9-C10	RNFCT L FLOOR	RNFCT L FLOOR	1	
**	50613	50613-LCB9-C11	COVER UNDER	COVER UNDER	1	
	50655	50655-ACH5-E10	STAY. REG. REC.	"STAY, REG. REC."	1	
	77231	77231-LCB9-C10	STAY SEAT RUBBER	STAY SEAT RUBBER	1	
	90105	90105-LDC8-E11	SQUARE BOLT M10*50(K)	SQUARE BOLT M10*50(K)	1	
	90111	90111-06016-07G	BOLT FLANGE 6*16 (K)	BOLT FLANGE 6*16 (K)	4	
	90302	90302-SDA4-C01	"NUT,SPPING 4MM"	"NUT,SPPING 4MM"	1	
	90304	90304-PUA3-B50	NUT U 10MM (C)	NUT U 10MM (C)	1	
	93903	93903-34380-G	SCREW TAPPING 4x12	SCREW TAPPING 4x12	4	
	94050	94050-06080-G	NUT FLANGE 6MM	NUT FLANGE 6MM	4	
	94591	94591-LDC8-E10	CLIP BIND	CLIP BIND	1	
	95701	95701-06012-08G	BOLT FLANGE 6*12	BOLT FLANGE 6*12	2	

F20

Frame Body



Sales mark	Ref no	Part no	Description	Reg description	Regd no	<b>F20</b>
------------	--------	---------	-------------	-----------------	---------	------------

95801

95801-10070-08G

BOLT FLANGE 10\*70 (C)

BOLT FLANGE 8\*50(G)

2



AGILITY

86202

● Be sure to wear a safety helmet when riding.  
 ● Do not exceed the speed specified by law when riding.  
 ● The exhaust muffler temperature is very high after riding. Be sure to park the motorcycle in a place not easily touched by people.  
 ● For riding safety and good performance, do not violate the law to modify the motorcycle.

● Make sure to perform the periodic maintenance and provide inspection.  
 Provide inspection items  
 Brake Performance, tires, engine oil level, lights, horn, and instrument panel.  
 KWANG YANG MOTOR CO., LTD.

● Please read the User's Manual carefully to ensure riding safety.

87560

**CAUTIONS**

Before starting the engine, the side stand shall be kicked up to secure safety.

87541

**MAX LOAD : 8Kg**

87556

**CAUTIONS**

Tire Pressure: front 2.5kg/cm<sup>2</sup> Rear 2.5kg/cm<sup>2</sup>  
 (One Rider) : Front 1.5kg/cm<sup>2</sup> Rear 1.75kg/cm<sup>2</sup>  
 (Two Rider) : Front 1.5kg/cm<sup>2</sup> Rear 2.0kg/cm<sup>2</sup>  
 Tire Size : Front 120/70-12 56j rear 130/70-12 59j

Loading Capacity : Luggage Box Below: 1.5kg  
 Front Tool Below : 3.0kg  
 Met-In Box Below : 10.0kg  
 Grab Rr Below : 5.0kg

LDCB-E000

87505

**CAUTIONS**

Never put any article between the rear side cover and the engine to avoid interference of riding.

GMB-300

87542

KYMCO

87160

**E5**

87546-AGE3-E00

87546

Sales mark	Ref no	Part no	Description	Reg description	Regd no	F21
**	86202	86202-LDC8-A60	EMB BODY COVER	EMB BODY COVER	2	
**	87160	87160-AAC7-E60	STRIPE KYMCO MARK	STRIPE KYMCO MARK	2	
**	87505	87505-LDC8-E10	LABEL TIRE	LABEL TIRE	1	
**	87541	87541-GAR1-C01	CAUTION SIDE STAND	CAUTION SIDE STAND	1	
**	87542	87542-GAR1-C01	MARK MAINT CAUTION R	MARK MAINT CAUTION R	1	
**	87546	87546-AGE3-E00	LABEL FUEL TANK	LABEL FUEL TANK	1	
**	87556	87556-KCLC-C00	MARK KYMCO	KYMCO	1	
**	87560	87560-GFY6-E11	MARK DRIVE CAUTION	MARK DRIVE CAUTION	1	



## PART NO. INDEX

PART NO.	VERSION	PAGE	PART NO.	VERSION	PAGE	PART NO.	VERSION	PAGE
<b>11000</b>			<b>12000</b>			14450-KGBG-W10	1	E02
11100-KGBG-C00	8	E01	12100-KGBG-C01	3	E03	14452-KGBG-W10	1	E02
11102-1G87-C00	3	E01	12191-KGBG-E90	1	E03	14510-KGBG-C00	1	E03
11192-KGBG-E90	1	E01	12200-KGBG-C00	1	E02	14531-GLR0-W11	1	E03
11200-LBD6-C00	1	E01	12209-GDB4-C00	2	E02	14550-LDC8-C10	1	E03
11203-GGC7-W10	2	E01	12211-KGBG-C00	1	E02	14555-KKJ9-E90	1	E03
11203-KAM1-C00	0	E09	12251-KGBG-C00	1	E02	14610-KGBG-C00	1	E03
11204-KNBN-C00	1	E01	1231A-KHC5-C00	1	E02	14711-KGBG-C00	0	E02
11205-GHAH-C00	1	E01	12361-GFY6-C00	5	E04	14721-KGBG-C00	0	E02
11205-LAB4-C00	1	E01	12391-KEE1-C00	0	E02	14751-KGBG-C00	0	E02
11208-LBD6-C00	1	F18				14761-KGBG-C00	1	E02
1120B-KGN7-C00	1	E09	<b>13000</b>			14771-GDB4-C00	2	E02
11211-LBD6-E00	2	F13				14775-MFA6-C00	5	E02
11330-LBD6-C00	1	E04	13000-LDC5-C00	6	E03	14781-MFA6-C00	4	E02
11340-LBD6-C00	0	E01	13011-LBC9-900	1	E03	<b>15000</b>		
11340-LBD6-C00	2	E01	13101-LBC9-900	2	E03	15100-LDC5-C00	3	E07
11345-ALA9-E70	1	F20	13111-KGBG-C00	1	E03	15133-LDC5-C00	2	E07
11381-KHC4-C00	1	E01	13115-0A01-C00	2	E03	15421-1G07-C00	1	E04
11382-LBD6-C00	1	E01				15426-GAE1-C00	1	E04
11387-KGBG-C00	1	E02	<b>14000</b>			15651-LDC8-C10	1	E04
11394-KGBG-E90	1	E04				<b>16000</b>		
11395-LBD6-C00	1	E01	14100-ADB2-C0A	0	E02			
			14401-KGBG-C00	1	E03			
			14431-KGBG-W10	1	E02	16012-ACH5-E11	0	E05

## PART NO. INDEX

PART NO.	VERSION	PAGE	PART NO.	VERSION	PAGE	PART NO.	VERSION	PAGE
16016-KGC5-900	1	E05	16138-KGC5-900	0	E05	17692-LEB5-C00	0	F19
16019-KGC5-C00	0	E05	16138-KGC5-C00	0	E05	17910-AAF1-E60	0	F03
16023-KGC5-900	1	E05	16150-KEC3-C00	0	E05			
16035-AAE9-BA2	0	E05	16170-KGC5-C00	2	E05	<b>18000</b>		
16051-KGC5-90A	4	E05	16181-KEC3-C00	1	E05			
16053-KEC5-900	0	E05	16183-KEC3-C00	0	E05	18291-GGA7-C01	1	F14
16068-KGC5-C00	6	E05	1621A-KGBG-C00	2	E02	18291-KEBE-C00	1	F14
16069-KGC5-C00	4	E05	16410-KGBG-E00	1	E05	18292-KEBE-C00	0	F14
16070-KEC3-900	0	E05	1691A-ACH5-E60	1	F10	18293-KEBE-C00	1	F14
16074-KEC3-C00	3	E05	16950-KKJ9-C00	4	F10	18294-PUA3-B50	1	F14
16079-ACH5-E11	0	E05				1830A-LDC8-E65	1	F14
16081-KGC5-900	1	E05	<b>17000</b>			18318-LDF7-E10	0	F14
16087-AAE9-BA2	0	E05				18657-LEJ3-E10	1	F10
16088-KEC5-900	0	E05	1711A-AFC5-E60	1	E02	18800-ACH5-E10	0	F19
16093-5084-000	0	E05	17200-LDC8-E11	1	F13			
16095-ACH5-E11	0	E05	1720A-LDC8-E11	0	F13	<b>19000</b>		
16100-ACH5-E11	0	E05	17214-LBD6-E00	1	F13			
16119-KEC3-900	1	E05	1723B-LBD6-E00	1	F13	19411-KNBN-C10	2	F13
16120-KEC3-C00	0	E05	1723C-LBD6-E00	0	F13	19411-KNBN-C10	2	F20
16121-KEC3-900	0	E05	17256-ALK1-E15	1	E02	19510-LDC5-C00	1	E08
16122-KEC3-C00	0	E05	17257-LDC8-E00	1	F13	19610-LFC2-E10	2	E08
16123-ACH5-E10	0	F19	1737B-KHC4-C00	0	F13	19625-KEE1-C00	1	E08
16131-ACH5-E11	0	E05	17500-LCB9-C10	3	F10	1962A-KEE1-C00	1	E08
16133-KGC5-900	1	E05	1755A-KKD5-C10	1	F10	1963A-ACH5-E10	1	E08
16136-KGC5-900	1	E05	1755A-LDC8-E10	1	F18			
16137-KGC5-C00	0	E05	17620-LDF7-E10	0	F19			

## PART NO. INDEX

PART NO.	VERSION	PAGE	PART NO.	VERSION	PAGE	PART NO.	VERSION	PAGE
<b>21000</b>			23200-GAR1-C00	1	E06	<b>31000</b>		
21201-KFA1-900	1	E09	23210-GAR1-C00	1	E06	31100-ACH5-E10	0	E08
21395-KNBN-E90	1	E09	23220-KEE1-C00	1	E06	31110-LEJ2-M30	0	E08
<b>22000</b>			23225-GAR1-C00	1	E06	31120-ACH5-E10	0	E08
22100-LDC8-E10	1	E06	23233-LEA3-C00	1	E06	31200-LEJ2-E10	1	E07
22102-LDC8-E10	1	E06	23237-GAR1-C00	1	E06	31209-KEE1-C01	2	E07
22103-KEB7-C00	1	E06	23239-LEA3-C00	1	E06	31500-ALC8-E60	5	F11
22105-KGBG-C00	1	E06	23411-ALC8-E60	1	E09	31600-LCD3-C01	3	F19
22110-LDC8-E10	2	E06	23420-ALC8-E60	3	E09	31610-ACH5-E10	0	F19
22121-LBD6-315	0	E06	23432-ALC8-E60	2	E09	<b>32000</b>		
22131-GHAH-C00	1	E06	2343A-KNBN-C00	1	E09	32100-LDC8-E65	1	F19
22132-GLW0-315	0	E06	<b>28000</b>			32414-ACH5-E10	0	F19
22300-GGAG-C00	1	E06	28211-KEB7-W10	1	E06	<b>33000</b>		
22350-GKAK-C00	1	E06	2823A-LBD6-C00	2	E01	33100-LDC8-E15	0	F01
22401-GJAJ-C00	1	E06	28250-GBN2-C00	0	E01	33108-LDC8-E10	0	F01
22530-GKAK-C00	1	E06	28253-GBN2-C00	5	E01	3310C-LDC8-E10	0	F01
22804-1H48-C00	1	E06	28255-GFS6-C00	5	E01	33146-LDC8-E10	0	F01
<b>23000</b>			28281-GBN2-C00	1	E01	33400-LEC5-B20	1	F17
2301A-LEA3-C00	1	E06	28300-KNBN-C00	3	F15	33450-LEC5-B20	1	F17
23100-KEB7-C00	1	E06	<b>30000</b>			33600-LDC8-E10	3	F17
			3051A-ACH5-E10	0	F19			



## PART NO. INDEX

PART NO.	VERSION	PAGE	PART NO.	VERSION	PAGE	PART NO.	VERSION	PAGE
33650-LDC8-E10	1	F17	37224-ACH5-E11	1	F02			
33701-LDC8-E10	2	F18	37802-GGA7-C00	1	F10	<b>43000</b>		
33731-KGB5-EZ0	0	F06	3780A-LDC8-E10	0	F10			
33741-KEBE-C00	0	F18				4312A-KXCX-C00	8	F08
<b>34000</b>			<b>38000</b>			4314A-KKD6-E00	2	F08
						43410-KFA1-C00	8	F08
			38110-KEB7-90A	2	F19	43450-AAF1-E60	4	F03
34300-KKE3-900	3	E05	38300-KECE-W10	2	F02	43472-KHG8-C00	1	F08
34901-LDC8-E10	1	F01	38500-KKDK-C00	5	F19	<b>44000</b>		
34903-LDC8-E10	1	F01						
34908-KAK1-900	1	F02	<b>39000</b>					
34908-LCB9-C10	0	F02				44305-KGE2-E00	9	F07
<b>35000</b>			3920A-ACH5-E10	0	F19	44306-KGE2-E00	9	F07
			39400-ACH5-E10	0	E02	44311-GLW0-W10	1	F07
			39450-ACH5-E10	0	F14	44601-KEB7-E0E	0	F07
35010-LDC8-E92	0	F19	39710-ACH5-E10	0	F19	44620-KEB7-C00	0	F07
35111-KUDU-305	0	F19	39720-ACH5-E10	0	F19	44710-LGS6-C10	2	F07
35111-KUDU-306	0	F19				44800-LDC8-E10	1	F07
3515A-LDF7-B20	3	F03	<b>42000</b>			44830-AAC7-E60	3	F02
3520A-LGB5-E11	0	F03				<b>45000</b>		
35340-KKJ9-C00	0	F03	42601-KEB7-C00	1	F08			
35340-KNBN-C00	1	F04	42710-LGS6-C10	3	F08			
<b>37000</b>			42753-0A01-C00	1	F08	45105-KKD6-305	1	F04
			42753-0F06-C00	0	F07	45121-LBD5-C00	2	F07
						45126-LDC8-E90	0	F04
37200-ACH5-E11	0	F02				45200-KKD6-E90	2	F04

## PART NO. INDEX

PART NO.	VERSION	PAGE	PART NO.	VERSION	PAGE	PART NO.	VERSION	PAGE
45500-LDC8-E10	3	F04				53211-GFY6-C00	1	F06
45517-GFY6-C00	1	F03	<b>51000</b>			53212-2L50-C00	1	F06
45517-KFAF-910	1	F04				53214-2L50-C00	5	F06
<b>50000</b>			51400-LDC8-E10	4	F06	53215-2L50-C00	1	F06
50100-LDC8-E95	1	F20	51500-LDC8-E10	0	F06	<b>61000</b>		
50135-ACH5-E10	0	F20	51500-LDC8-E10	4	F06	61100-LDC8-E10	0	F06
50301-KGN7-C00	2	F20	<b>52000</b>			61110-LDC8-E90	0	F18
50302-2H68-C00	2	F20	52400-LDC8-E10	2	F16	61112-LDC8-E90	0	F18
50306-1F96-C00	1	F06	<b>53000</b>			6111A-LDC8-E90	0	F18
50326-LCB9-C10	0	F11				<b>64000</b>		
50330-KEBE-C00	1	F05	53100-AAC7-E60	2	F03	64206-MLJ0-C01	0	F18
50350-LDC8-E10	3	F20	53105-KNBN-C00	2	F03	64301-LCB9-C10	0	F05
50505-LDC8-E10	2	F15	53125-GEN5-C00	1	F03	64310-LCB9-C10	0	F05
5050A-LDC8-E10	0	F15	53140-KNBN-C00	0	F03	64316-LCB9-C10	5	F05
50531-KEB7-C00	1	F15	53140-KNBN-C00	1	F03	<b>77000</b>		
50535-KEB7-W10	3	F15	53140-KNBN-C00	1	F03	77200-LDF7-E10	0	F09
5053A-LDC8-E10	1	F15	53166-KNBN-C00	1	F03	77206-LCB9-C10	0	F09
50550-KEB7-C00	1	F15	53172-KTCT-C00	0	F03	77231-LCB9-C10	0	F20
50611-LCB9-C10	1	F20	53175-KXBX-E00	1	F04	77232-KCAC-C00	2	F12
50612-LCB9-C10	1	F20	53178-GKAK-C00	0	F03	77240-LDC8-E10	1	F12
50613-LCB9-C11	0	F20	5317B-KEB7-900	2	F03			
50655-ACH5-E10	0	F20	53200-LDC8-E91	6	F06			
			53205-AAC7-E60	0	F03			
			53206-AAC7-E60	0	F03			

## PART NO. INDEX

PART NO.	VERSION	PAGE	PART NO.	VERSION	PAGE	PART NO.	VERSION	PAGE
<b>80000</b>			83600-LDF6-B20	0	F12	<b>89000</b>		
80100-LDC8-E10	0	F18	<b>86000</b>			89010-KGBG-C00	1	F09
80101-LCB9-C10	0	F18	86202-LDC8-A60	0	F21	89020-KKC4-C00	1	F09
80101-LCB9-C10	1	F18	<b>87000</b>			<b>90000</b>		
80105-LDC8-E10	0	F18	87160-AAC7-E60	0	F21	9000A-ALK1-E15	0	E01
80106-LDC8-E10	0	F18	87505-LDC8-E10	2	F21	9000A-ALK1-E15	0	E09
80107-LDC8-E10	1	F18	87505-LDC8-E10	3	F21	9000A-KTDT-C02	1	E01
80151-LCB9-C10	0	F12	87541-GAR1-C01	1	F21	90012-3C33-C00	1	E02
<b>81000</b>			87541-KGBG-E01	0	E08	90031-KGBG-C01	1	E01
81131-AAC7-E60	0	F05	87541-KGBG-E01	1	E08	90032-KGBG-C01	1	E01
81132-AAC7-E60	0	F05	87542-GAR1-C01	2	F21	90033-GFY6-C11	1	E02
81132-LCB9-C10	1	F05	87546-AGE3-E00	0	F21	90102-GLE0-C00	1	F15
81132-LDC8-E10	1	F05	87556-KCLC-C00	0	F21	90105-KCR3-C02	1	F07
81133-KNBN-C00	1	F05	87556-KCLC-C00	2	F21	90105-LDC8-E11	0	F20
81200-LCB9-E60	0	F12	87560-GFY6-E11	3	F21	90106-PUA3-B50	0	F03
81250-LCB9-C10	1	F12	<b>88000</b>			90108-KEB7-E01	1	F15
81250-LCB9-C10	2	F12	88110-LCB9-C11	0	F03	90110-GLW0-C00	0	F05
81251-LCB9-C10	0	F12	88120-LCB9-C11	0	F03	90110-KEB7-C01	1	F06
<b>83000</b>						90111-06016-07G	0	F05
83500-LDF6-B20	0	F12				90111-06016-07G	0	F12
						90111-06016-07G	0	F18
						90111-06016-07G	0	F20

## PART NO. INDEX

PART NO.	VERSION	PAGE	PART NO.	VERSION	PAGE	PART NO.	VERSION	PAGE
90111-1G87-C01	1	F12	90442-GFF6-C01	1	E02	91014-LLJ3-C00	1	F06
90121-KBE2-C01	1	F07	90451-GBN2-C00	10	E01	91015-LLJ3-C00	1	F06
90131-GLW0-C02	1	F04	90454-GBB2-C00	1	E06	91103-GAR1-C00	1	E06
90145-9A61-C00	1	F04	90474-1G47-C00	1	E01	91202-GFY6-90C	1	E01
90202-1G87-C00	1	E06	90474-3C33-C00	1	E01	91204-KNBN-C00	1	E01
90202-GFF6-C00	1	E02	90501-KNBN-C01	1	F08	91211-GHK8-C00	1	E06
90206-0A01-C00	2	E02	9052A-PUA3-B50	1	E01	91255-LDC8-E10	5	E09
90215-KKC4-C00	1	F18	90545-3L00-C00	2	F04	91258-KAM1-C00	1	F07
90301-4C73-C01	0	F15	90652-LFB5-C00	1	F05	91301-0C53-W10	0	E09
90301-KGBG-C01	0	F14	90660-KGBG-C00	1	F10	91301-GLR0-W10	1	E03
90302-PUA3-B51	1	F03	90668-LDC8-E10	1	F06	91301-KEA5-C00	1	E06
90302-PUA3-B51	1	F18	90683-GAR1-C00	4	F12	91302-0A01-C00	10	E04
90302-SDA4-C01	0	F05	90683-GAR1-C00	4	F18	91305-0H28-C00	1	E07
90302-SDA4-C01	0	F18	90701-GFF6-C00	1	E02	91307-0E35-W10	1	E04
90302-SDA4-C01	0	F20	90701-GFF6-C00	1	E03			
90304-PUA3-B50	0	F03	90701-HDC4-C00	1	E07	<b>92000</b>		
90304-PUA3-B50	0	F20	90754-GHC8-C00	1	F07			
90305-GHK8-C01	0	F12	90912-GHC8-C00	1	F07	92101-05012-0HG	1	E08
90305-PUA3-B51	1	F08				92900-06050-0BG	0	E02
90306-KLF0-C02	0	F07	<b>91000</b>					
90309-PUA3-B50	0	E09				<b>93000</b>		
90381-GEZ5-C01	1	F12	91001-GGA7-C00	1	E06			
90412-3K29-C00	5	E01	91004-KBN2-C00	1	E01	93404-06012-07G	0	F18
90426-KNBN-C01	1	E06	91004-KBN2-C00	1	E09	93404-06020-07G	1	F05
90429-KNBN-C00	1	E09	91004-KNBN-C00	1	E01	93404-06030-07G	1	F18
90442-0D44-C00	1	E06	91009-GLE0-C00	1	E09	93500-04010-1A	0	E05

## PART NO. INDEX

PART NO.	VERSION	PAGE	PART NO.	VERSION	PAGE	PART NO.	VERSION	PAGE
93500-04012-1A	0	E05	94050-06080-G	1	E02	95701-06025-08G	1	E02
93500-04014-1A	0	E05	94050-06080-G	1	F09	95701-06028-07G	1	F19
93500-05012-1A	0	E05	94050-06080-G	1	F10	95701-06032-08G	1	E02
93700-05018-0HG	1	F02	94050-06080-G	1	F18	95701-06032-08G	1	F08
93892-04008-18	0	E05	94050-06080-G	1	F19	95701-06032-08G	1	F13
93903-25220-G	0	F01	94050-06080-G	1	F20	95701-06035-08G	1	F13
93903-25480	1	F13	94050-10080-G	1	E06	95701-08012-08G	1	E01
93903-34380-G	0	F03	94050-10080-G	1	E08	95701-08016-07G	1	F19
93903-34380-G	0	F05	94301-08140	4	E01	95701-08020-07G	1	F12
93903-34380-G	0	F12	94301-08140	4	E04	95701-08035-07G	1	F12
93903-34380-G	0	F17	94301-10200	4	E09	95701-08035-08G	1	E01
93903-34380-G	0	F18	94511-14000	10	E01	95701-08040-08G	1	E01
93903-34380-G	0	F20	94520-24000	1	E06	95701-LDC8-E11	0	F19
93903-35380-G	1	F02	94540-06018	2	E07	95701-LGF3-E90	0	E02
93903-35380-G	1	F03	94591-25000	1	F05	95701-LGF3-E90	0	E09
93903-35380-G	1	F11	94591-LDC8-E10	1	F20	95801-08032-08G	1	F16
93903-GFY6-C01	1	F05				95801-08040-08G	1	F06
93903-GFY6-C01	1	F12	<b>95000</b>			95801-08055-07G	1	F14
93904-35380-G	0	E08				95801-10035-08G	0	F16
			9500B-LKL5-E30	0	F19	95801-10070-08G	1	F20
<b>94000</b>			95701-06010-08G	0	F19	95801-KGB5-C01	1	F14
			95701-06012-08G	1	F06			
94001-12280-0SG	1	E06	95701-06012-08G	1	F10	<b>96000</b>		
94050-05080-G	1	F06	95701-06012-08G	1	F20			
94050-05080-G	1	F17	95701-06016-08G	1	F19	96001-06012-02	3	E01
94050-05080-G	1	F18	95701-06022-07G	1	F15	96001-06012-02	3	F14

## PART NO. INDEX

PART NO.	VERSION	PAGE	PART NO.	VERSION	PAGE	PART NO.	VERSION	PAGE
96001-06012-08G	1	F18						
96001-06016-08G	1	E08						
96001-06016-08G	1	F19						
96001-06018-08G	1	E03						
96001-06020-08G	1	E07						
96001-06022-08G	1	E08						
96001-06025-08G	1	E07						
96001-06025-08G	1	E08						
96001-06025-08G	1	F18						
96001-06045-08G	1	E01						
96001-06085-08G	1	E02						
96001-06085-08G	1	E04						
96001-06100-08G	1	E04						
96001-LFC8-C00	0	F14						
96100-62033-00	1	E01						
96220-LDC5-C00	1	E07						
<b>98000</b>								
98056-5671R-00	1	E02						
98200-11000	1	F11						
98200-11500	2	F11						