

LH800D (U-2D T1a)



VIN: LL8RJYEW*****

ÍNDICE
QUADRO

ESQ		PAG
1	FRAME	5
2	FRAME ROOF	6
3_1	FRONT FENDER	7
3_2	FRONT FENDER	8
4	HOOD LATCH	9
5_1	FLOOR FENDER	10
5_2	HOOD LATCH	11
6	PANEL BOX	12
7	PLATE	13
8	FRONT SUSPENSION	14
9	REAR SUSPENSION	15
10_1	STEERING	16
10_2	STEERING	17
11	PEDAL WIRE	18
12	FRONT WHEEL LH SIDE	19
13	SHAFT HALF B (TWO SPLIEN)	20
14	FRONT WHEEL RH SIDE FRONT	21
15	SHAFT HALF A (ONE SPLIEN)	22
16	REAR WHEEL LH SIDE	23
17	SHAFT HALF A (ONE SPLIEN)	24
18	REAR WHEEL RH SIDE	25
19	SHAFT HALF B (TWO SPLIEN)	26
20	FUEL TANK	27
21	PASSENGER SEAT	28
22	DRIVER SEAT	29
23	GEAR SELECTOR	30
24	PROPSHAFT	31
25	HOOK	32
26	BUMPER	33
27_1	BOX ASSY	34
27_2	BOX ASSY	35
28	BRAKE SYSTEM	36
29	BRAKE, MASTER CYLINDER MOUNTING	37
30	PARK BRAKE ASM.	38
31	REAR VIEW MIRROR ASSY	39
32	SEAT BELT	40
33	LAMP	41
34_1	ELECTRICAL SYSTEM	42
34_2	ELECTRICAL SYSTEM	43
34_2	ELECTRICAL SYSTEM	44

ÍNDICE

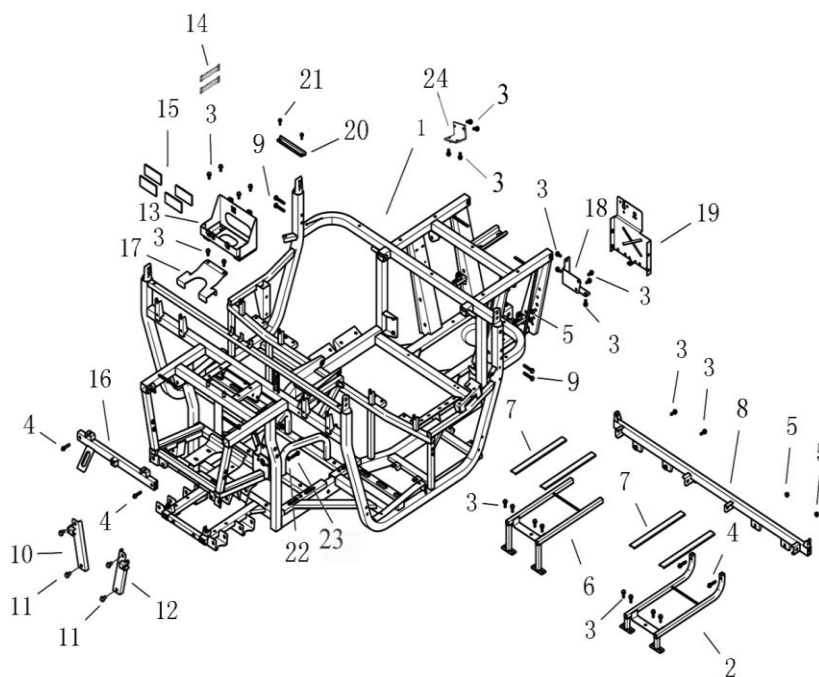
ESQ	MOTOR	PAG
1	REAR GEARCASE	45
1	REAR GEARCASE	46
2	FRONT GEARCASE	47
2	FRONT GEARCASE	48
3	TRANSMISSION	49
3	TRANSMISSION	50
3	TRANSMISSION	51
4	ENGINE & TRANSMISSION MOUNTING PARTS	52
5	CVT ASSY	53
6	OPTIONS (CVT DISASSEMBLE TOOL)	54
7	CVT COVER ASSY	55
8	AIR INTAKE	56
9	EXHAUST ASSEMBLY	57
10	COOLING SYSTEM	58

ÍNDICE

ESQ	EQUIPAMENTO OPCIONAL	PAG
11_1	OPTIONS	60
11_2	OPTIONS	61
11_3	OPTIONS	62
11_4	OPTIONS E (Integral seat and backrest assembly)	63
11_5	OPTIONS F (Winch Assy)	64
11_6	OPTIONS A (Stereo Assy & B.Work Light)	65
11_7	OPTIONS H (EPS assembly)	66
11_8	OPTIONS H (Cushion support component)	67
11_9	OPTIONS	68
11_10	OPTIONS (electric lift for rear cargo)	69
11_11	OPTIONS (removable rear cargo)	70
11_12	OPTIONS (removable rear cargo)	71
11_13	OPTIONS (removable rear cargo) - REAR WINDSHIELD	72
11_14	FRONT WINDSHIELD WITH WIPER	73
11_15	LEFT DOOR	74
11_16	RIGHT DOOR	75

LH800D EURO 4

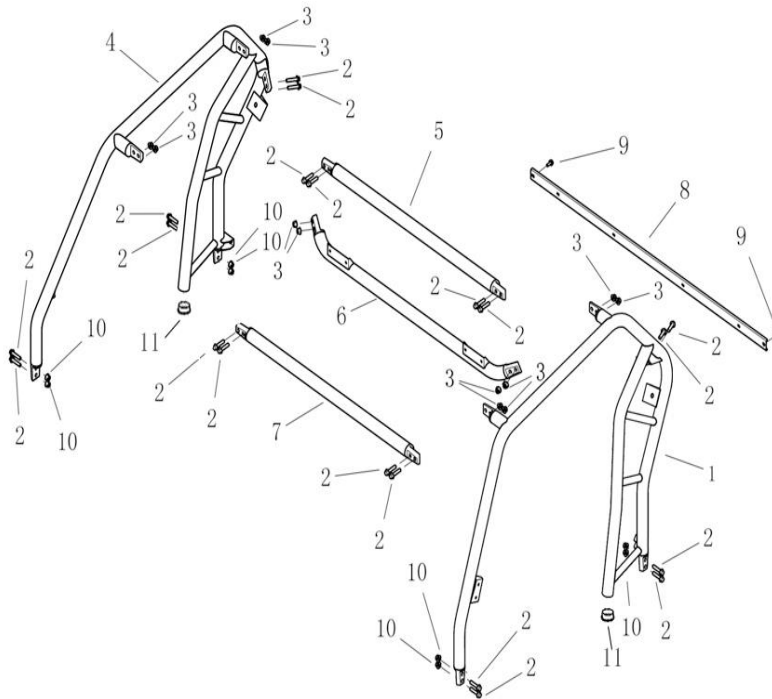
1 - FRAME



Nº	CÓDIGO	DESCRIÇÃO	Qt.	OBS
1	LH00084436	Frame	1	
2	LH00084437	Bracket	1	
	LH00084438	Bracket, L		
3	LH00010081	Hexagon Flange Bolt M8x1.25x20	25	
4	LH00010218	Hexagon Flange Bolt M8x1.25x40	4	
5	LH00010794	Hexagon Nut M8x1.25	4	
6	LH00084439	Bracket, R	1	
7	LH00073106	Rubber Damper	4	
8	LH00084440	Bracket	1	
9	LH00010780	Hexagon Flange Bolt M8x1.25x55	4	
10	LH00073107	Bracket, Support, RH	1	
11	LH00010785	Hexagon Flange Bolt M10x1.25x20	4	
12	LH00073108	Bracket, Support, LH	1	
13	LH00073307	Battery Box	1	
14	LH00073396	Battery Belt	2	
15	LH00073395	Sponge	4	
16	LH00073110	Bracket, Support, Upper	1	
17	LH00073094	Bracket, Radiator	1	
18	LH00084151	Licence Bracket 1	1	
19	LH00084152	Licence Bracket 2	1	
20	LH00084226	Bracket	1	
21	LH00010081	Hexagon Flange Bolt M8x20	2	
22	LH00010099	Hexagon Nut M8x1.25	1	
23	LH00026255	Hexagon Flange Bolt M8x1.25x28	1	
24	LH00084246	Bracket, Rear Gearbox	1	

LH800D EURO 4

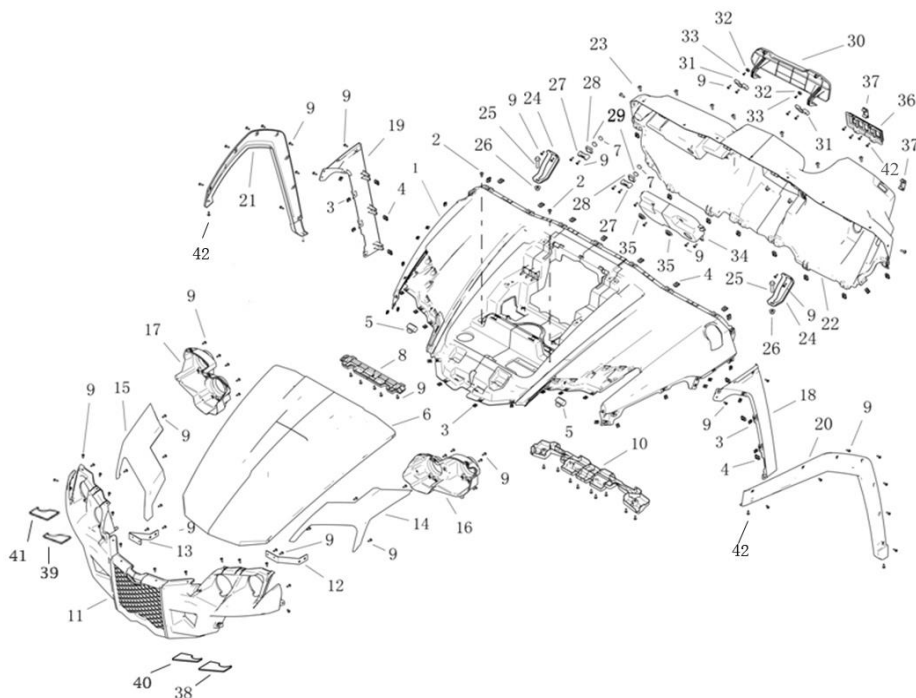
2 - FRAME ROOF



Nº	CÓDIGO	DESCRIÇÃO	Qt.	OBS
1	LH00084215	Member, Roof Frame 1	1	
2	LH00011147	Hexagon Flange Bolt M10×1.25×45	20	
3	LH00010795	Hex Nut with Flange M10×1.25 - Prevailing Torque	12	
4	LH00084216	Member, Roof Frame 2	1	
5	LH00073300	Member, Roof Frame 3	1	
6	LH00073301	Member, Roof Frame 4	1	
7	LH00073303	Member, Roof Frame 5	1	
8	LH00073302	Bracket, Seat	1	
9	LH00010783	Hex Flange Bolt M8×1.25×20	2	
10	LH00010800	Hex Nut M10×1.25 - Prevailing Torque	8	
11	LH00026763	Plug	2	

LH800D EURO 4

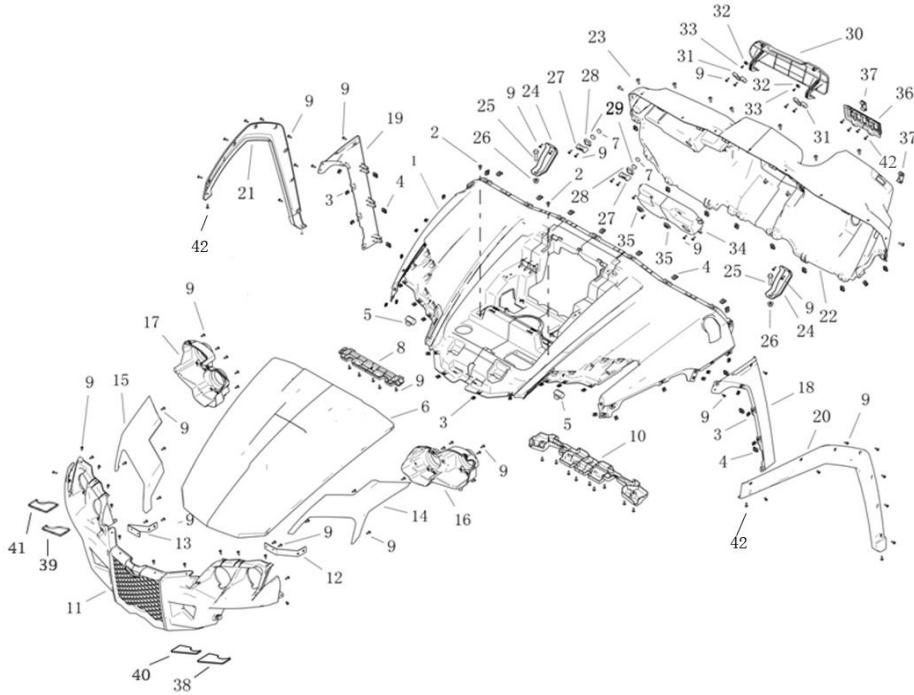
3_1 - FRONT FENDER



Nº	CÓDIGO	DESCRIÇÃO	Qt.	OBS
1	LH0073209w	Fixed Hood, White	1	
1	LH0073209r	Fixed Hood, Red	1	
2	LH00073054	Screw M6×16	2	
3	LH00022346	Spring Nut ST4.8	29	
4	LH00070960	Spring Nut M6	26	
5	LH00073210	Rubber, Hood	2	
6	LH0073211w	Removable Hood, White	1	
6	LH0073211r	Removable Hood, Red	1	
7	LH00073407	Sticker, Magnet	2	
8	LH00073212	Retainer, Removable Hood	1	
9	LH00010009	Cross Recessed Pan Head Tapping Screw ST4.8×16	90	
10	LH00073213	Stronger, Fixed Hood	1	
11	LH00073214	Grill, Front	1	
12	LH00073215	LH Bracket, Grill	1	
13	LH00073216	RH Bracket, Grill	1	
14	LH00073217	LH Front Cover	1	
15	LH00073218	RH Front Cover	1	
16	LH00073219	LH Headlight Cover	1	
17	LH00073220	RH Headlight Cover	1	
18	LH0073221w	LH Lower Front Mudguards, White	1	
18	LH0073221r	LH Lower Front Mudguards, Red	1	

LH800D EURO 4

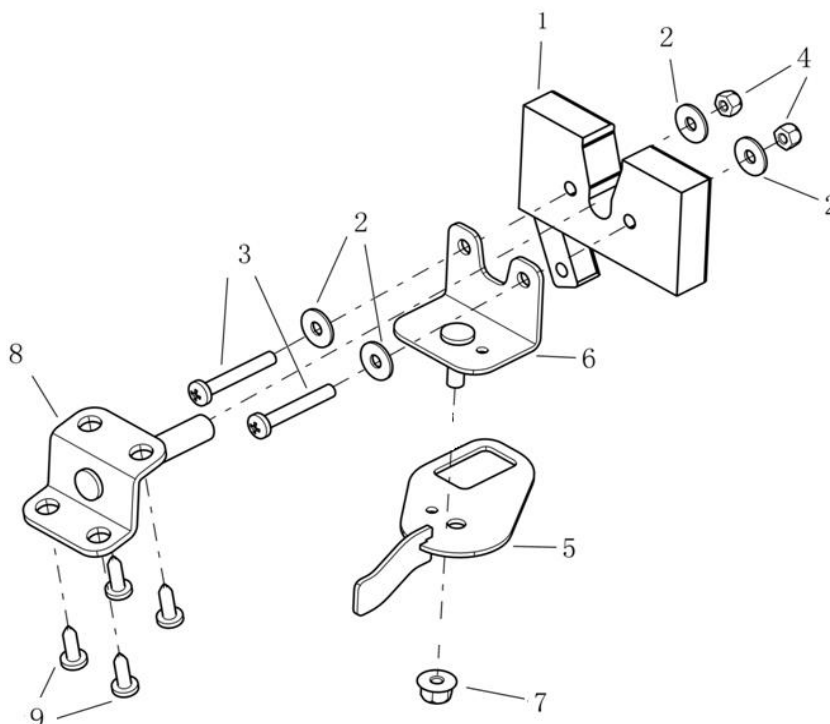
3_2 - FRONT FENDER



Nº	CÓDIGO	DESCRIÇÃO	Qt.	OBS
19	LH0073222w	RH Lower Front Mudguards, White	1	
19	LH0073222r	RH Lower Front Mudguards, Red	1	
20	LH00073223	LH Upper Front Mudguards	1	
21	LH00073224	RH Upper Front Mudguards	1	
22	LH00084188	Panel, Instrument	1	
23	LH00073056	Screw M6×20	9	
24	LH00073226	Bracket, Instrument Panel	2	
25	LH00010786	Hexagon Flange Bolt M10×1.25×40 8.8	2	
26	LH00010795	Nut Fine Pitch M10×1.25 - Prevailing Torque Type All-metal Hex	2	
27	LH00073227	Cover, Magnet	2	
28	LH00073228	Holder, Magnet	2	
29	LH00073229	Magnet	2	
30	LH00073230	Cover, Glovebox	1	
31	LH00073231	Retainer, Glovebox Cover	2	
32	LH00073232	Steel Block	2	
33	LH00010787	Cross Recessed Countersunk Head Screw M4×10	2	
34	LH00073233	Cover, Meter	1	
35	LH00022351	Rubber, Meter	2	
36	LH00073234	Panel, Switch Mounting	1	
36	LH00084205	Panel, Switch Mounting, for stereo	1	
37	LH00073048	Cap, Electrical Switch	6	
38	LH00073406	Aluminum Film2, LH	1	
39	LH00073403	Aluminum Film1, RH	1	
40	LH00073404	Aluminum Film1, LH	1	
41	LH00073405	Aluminum Film2, RH	1	
42	LH00010178	Cross Recessed Pan Head Tapping Screw ST4.2×13	6	

LH800D EURO 4

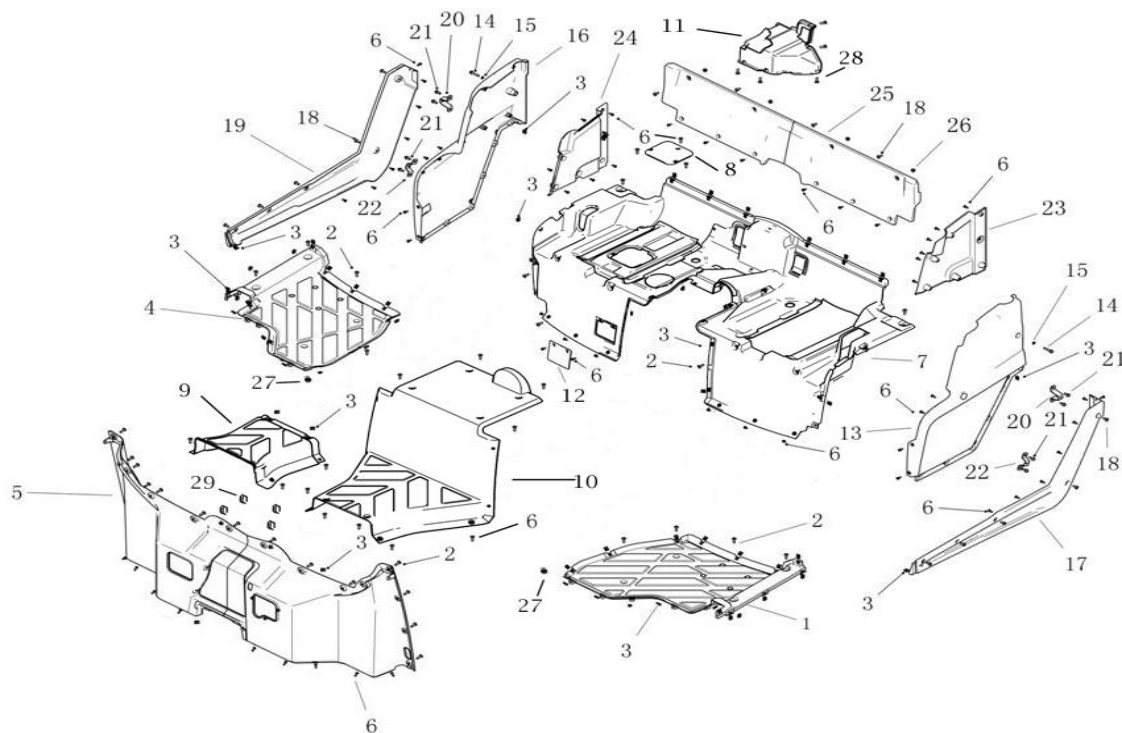
4 - HOOD LATCH



Nº	CÓDIGO	DESCRIÇÃO	Qt.	OBS
1	LH00073053	Lock, Removable Hood	1	
2	LH00010207	Washer 5 (5.3×15×1.2)	4	
3	LH00010427	Cross Recessed Pan Head Screw M5×35	2	
4	LH00010797	Nut M5 - Prevailing Torque All-metal	2	
5	LH00073236	Lever, Removable Hood Lock	1	
6	LH00073237	Bracket, Lever	1	
7	LH00010793	Hexagon Nut M6 - Prevailing Torque Type All-Metal	1	
8	LH00073239	Latch, Removable Hood	1	
9	LH00010009	Cross Recessed Pan Head Tapping Screw ST4.8×16	4	

LH800D EURO 4

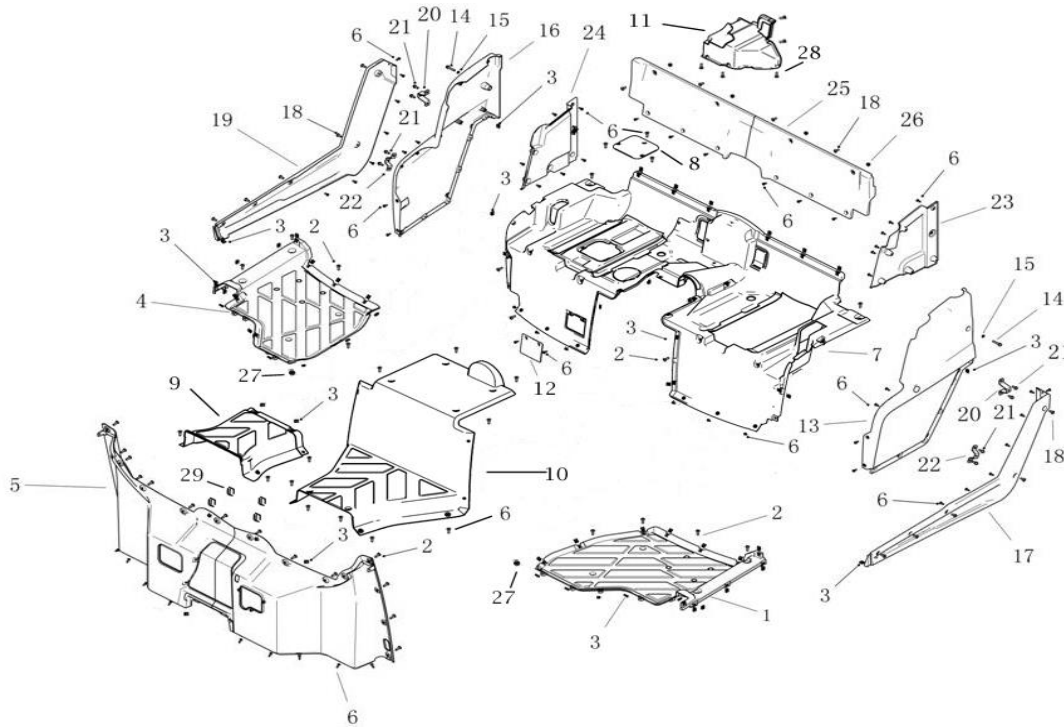
5_1 - FLOOR FENDER



Nº	CÓDIGO	DESCRIÇÃO	Qt.	OBS
1	LH00073240	LH Lower Floor	1	
2	LH00073056	Screw M6×20	31	
3	LH00022346	Spring Nut ST4.8	57	
4	LH00073241	RH Lower Floor	1	
5	LH00084204	Upper Floor	1	
6	LH00010009	Cross Recessed Pan Head Tapping Screw ST4.8×16	83	
7	LH00084203	Rear Floor	1	
8	LH00084121	Cover, Brake	1	
9	LH00084189	Front Cover, Footrest	1	
10	LH00084190	Rear Cover, Footrest	1	
11	LH00084191	Cover, Engine	1	
12	LH00073260	Cap, Rear Floor	1	
13	LH0073248w	LH Fender, White	1	
13	LH0073248r	LH Fender, Red	1	
14	LH0010186B	Hexagon Head Bolt M6×35	2	
15	LH00010801	Washer 6.4×11×1.6	2	

LH800D EURO 4

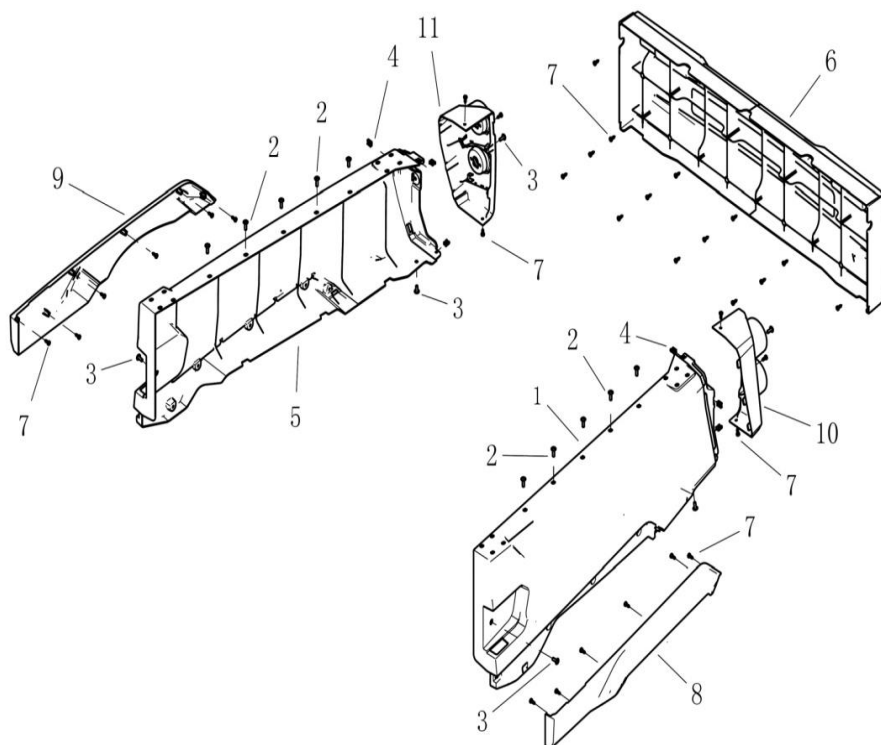
5_2 - FLOOR FENDER



N°	CÓDIGO	DESCRIÇÃO	Qt.	OBS
16	LH0073249w	RH Fender, White	1	
16	LH0073249r	RH Fender, Red	1	
17	LH00084206	LH Side Cover	1	
18	LH00073054	Screw M6x16	14	
19	LH00084207	RH Side Cover	1	
20	LH00073252	Bracket 1, Side Cover	2	
21	LH00020227	Hexagon Flange Bolt M6x12 8.8	8	
22	LH00073253	Bracket 2, Side Cover	2	
23	LH00073254	Inner, LH Fender	1	
24	LH00073255	Inner, RH Fender	1	
25	LH00073256	Rear Cover	1	
26	LH00010793	Hexagon Nut M6 - Prevailing Torque Type All-Metal	4	
27	LH00022349	Rubber	2	
28	LH00010178	Cross Recessed Pan Head Tapping Screw ST4.2x13	6	
29	LH00084262	Rubber 2	4	

LH800D EURO 4

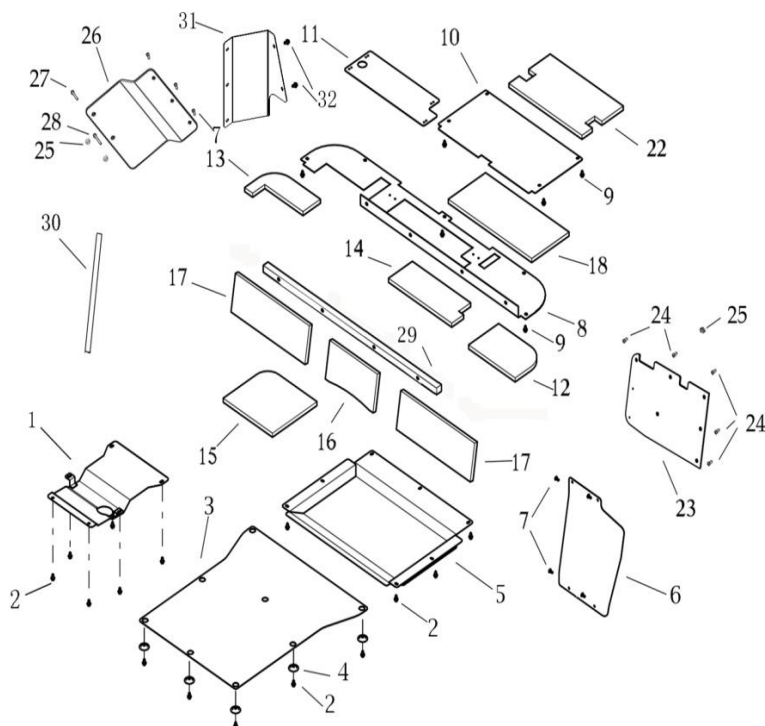
6 - PANEL BOX



N°	CÓDIGO	DESCRIÇÃO	Qt.	OBS
1	LH0073261w	LH Panel, White Box	1	
1	LH0073261r	LH Panel, Red Box	1	
2	LH00026760	Plastic Screw	10	
3	LH00073054	Screw M6×16	6	
4	LH00022346	Spring Nut ST4.8	6	
5	LH0073262w	RH Panel, White Box	1	
5	LH0073262r	RH Panel, Red Box	1	
6	LH0073408w	Rear Panel, White Box, Without Linhai Logo	1	
6	LH0073408r	Rear Panel, Red Box, Without Linhai Logo	1	
7	LH00010009	Cross Recessed Pan Head Tapping Screw ST4.8×16	32	
8	LH00073264	LH Rear Mudguard	1	
9	LH00073265	RH Rear Mudguard	1	
10	LH00073266	LH Rear Facia	1	
11	LH00073267	RH Rear Facia	1	

LH800D EURO 4

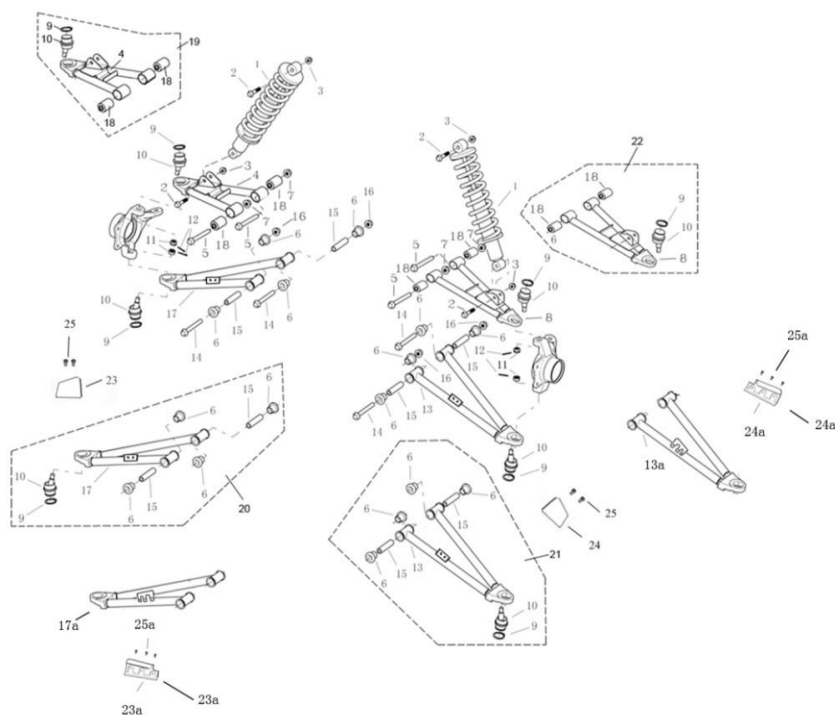
7 - PLATE



Nº	CÓDIGO	DESCRIÇÃO	Qt.	OBS
1	LH00073268	Plate, Front	1	
2	LH00020227	Hexagon Flange Bolt M6×12 8.8	21	
3	LH00084192	Plate, Middle	1	
4	LH00020331	Mounting Washer	8	
5	LH00084193	Plate, Rear	1	
6	LH00084194	Plate, Fuel Tank	1	
7	LH00073054	Screw M6×16	7	
8	LH00084195	Insulating Panels 1	1	
9	LH00026760	Plastic Screw	13	
10	LH00084196	Insulating Panels 2	1	
11	LH00084197	Insulating Panels 3	1	
12	LH00084198	Sound-absorbing sponge 1	1	
13	LH00084199	Sound-absorbing sponge 2	1	
14	LH00084200	Sound-absorbing sponge 3	1	
15	LH00084186	Sound-absorbing sponge 5	1	
16	LH00073416	Sound-absorbing sponge 6	1	
17	LH00073412	Sound-absorbing sponge 7	2	
18	LH00084201	Sound-absorbing sponge 8	1	
19	LH00073413	Sound-absorbing sponge 9	2	
20	LH00073414	Sound-absorbing sponge 10	2	
21	LH00073415	Sound-absorbing sponge 11	1	
22	LH00084202	Sound-absorbing sponge 12	1	
23	LH00084247	Plate	1	
24	LH00073056	Screw M6×20	5	
25	LH00010793	Hexagon Nut M6 - Prevailing Torque Type All-Metal	3	
26	LH00084248	Plate, Engine	1	
27	LH0010177B	Hexagon Flange Bolt M6×40	1	
28	LH00010918	Hexagon Flange Bolt M6×55	1	
29	LH00073487	Sound-absorbing sponge 13	1	
30	LH00084261	Heat Insulation Membrane	1	
31	LH00084326	Plate 2	1	
32	LH00010110	Hexagon Flange Bolt M6×20	2	

LH800D EURO 4

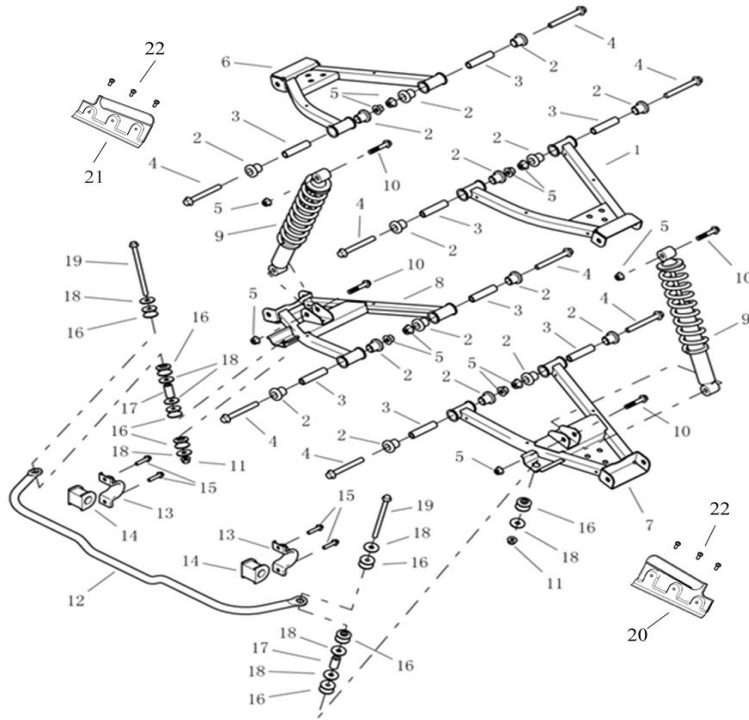
8 - FRONT SUSPENSION



Nº	CÓDIGO	DESCRIÇÃO	Qt.	OBS
1	LH0073122a	Front Shock Absorber Assy 2	2	
2	LH00010513	Hexagon Flange Bolt M10×1.25×55 10.9	4	
3	LH00010795	Hexagon Nut Fine Pitch M10×1.25 - Prevailing Torque Type All-metal	4	
4	LH00073129	Arm Upper Frt Rh	1	
5	LH0020522f	Shaft	4	
6	LH00073063	Bushing Arm	8	
7	LH00010136	Hexagon Nut Fine Pitch M12×1.25 - Prevailing Torque Type All-metal	4	
8	LH00073126	Arm Upper Frt Lh	1	
9	LH00070046	Circlip 34	4	
10	LH00071403	Ball Joint	4	
11	LH00070679	Slotted Castle Nut M12×1.25	4	
12	LH00010792	Cotter Pin 2.5×25	4	
13	LH00073131	Arm Lwr Frt Lh	1	
14	LH00073333	Hexagon Flange Bolt M12×1.25×100 10.9	4	
15	LH00073133	Shaft Pivot 75mm	4	
16	LH00010796	Hexagon Nut Fine Pitch M12×1.25 - Prevailing Torque Type All-metal	4	
17	LH00073132	Arm Lwr Frt Rh	1	
18	LH0020524F	Bushing Arm, H	4	
19	LH00073341	Arm Upper Frt Rh Assy	1	
20	LH00073340	Arm Lwr Frt Rh Assy	1	
21	LH00073342	Arm Lwr Frt Lh Assy	1	
22	LH00073343	Arm Upper Frt Lh Assy	1	
23	LH00084249	Cover, Arm Lwr Frt Rh	1	
24	LH00084250	Cover, Arm Lwr Frt Lh	1	

LH800D EURO 4

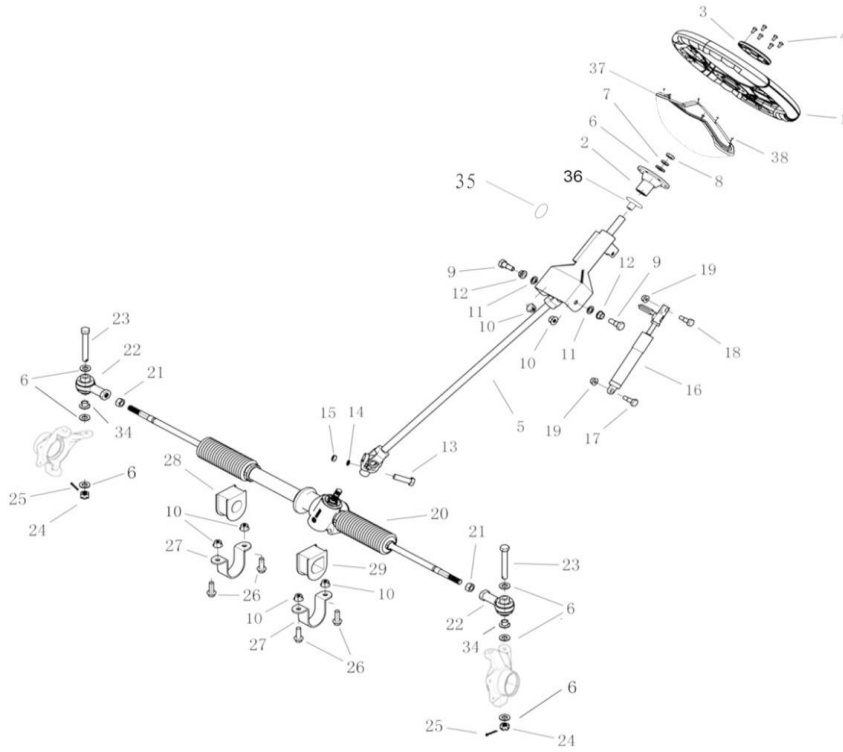
9 - REAR SUSPENSION



Nº	CÓDIGO	DESCRIÇÃO	Qt.	OBS
1	LH00073113	Arm Upper Rear Lh	1	
2	LH00073063	Bushing Arm	16	
3	LH00073133	Shaft Pivot 75mm	8	
4	LH00073333	Hexagon Flange Bolt M12×1.25×100 10.9	8	
5	LH00010796	Hexagon Nut Fine Pitch M12×1.25 - Prevailing Torque Type All-metal	12	
6	LH00073114	Arm Upper Rear Rh	1	
7	LH00084158	Arm Lwr Rear Lh	1	
8	LH00084159	Arm Lwr Rear Rh	1	
9	LH00084160	Rear Shock Absorber Assy	2	
10	LH00084088	Bolt M12×1.25×65	4	
11	LH00010796	Hexagon Nut Fine Pitch M12×1.25 - Prevailing Torque Type All-metal	2	
12	LH00073297	Stabilizer Bar	1	
13	LH00027090	Bracket Stabilizer	2	
14	LH00027091	Bushing Stabilizer	2	
15	LH00010783	Hexagon Flange Bolt M8×1.25×20 9.8	4	
16	LH00073061	Bush Collar Stabilizer	8	
17	LH00073185	Sleeve 35mm	2	
18	LH00010806	Washer 10 (11×34×3)	8	
19	LH00073186	Hexagon Flange Bolt M10×1.25×153 10.9	2	
20	LH00084251	Cover, Arm Lwr Frt Rh	1	
21	LH00084252	Cover, Arm Lwr Frt Lh	1	
22	LH00010201	Cross Recessed Pan Head Screw M5×16	6	

LH800D EURO 4

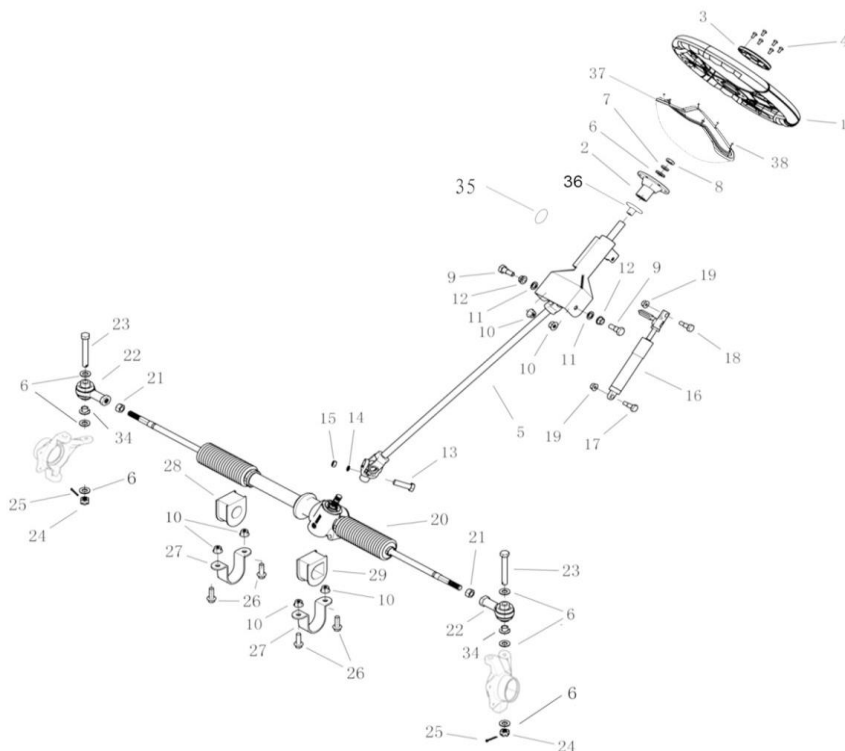
10_1 - STEERING



N°	CÓDIGO	DESCRIÇÃO	Qt.	OBS
1	LH00026925	Steering Wheel	1	
2	LH00026932	Steering Wheel Holder	1	
3	LH00026934	Steering Cover	1	
4	LH00073072	Cross Recessed Pan Head Screw M5×10	6	
5	LH00073142	Steering Column	1	
6	LH00010032	Washer 12	7	
7	LH00010054	Spring Lock Washer 12	1	
8	LH00026257	Hexagon Thin Nut M12×1.25	1	
9	LH00073143	Shoulder Bolt M10×1.25×30	2	
10	LH00010795	Hexagon Nut Fine Pitch M10×1.25 - Prevailing Torque Type All-metal	6	
11	LH00010803	Washer 12	2	
12	LH00073125	Bushing For Adjustable Steering Wheel	2	
13	LH00026255	Hexagon Head Bolt M8×1.25×40	1	
14	LH00010106	Spring Lock Washer 8	1	
15	LH00010099	Hexagon Nut M8×1.25	1	
16	LH00073118	Adjustment Cylinder	1	
17	LH00073120	Shoulder Bolt M8×1.25×26	1	
18	LH00073119	Shoulder Bolt M8×1.25×30	1	
19	LH00010776	Hexagon Nut M8×1.25 - Prevailing Torque Type All-Metal	2	
20	LH00073123	Steering Assy	1	

LH800D EURO 4

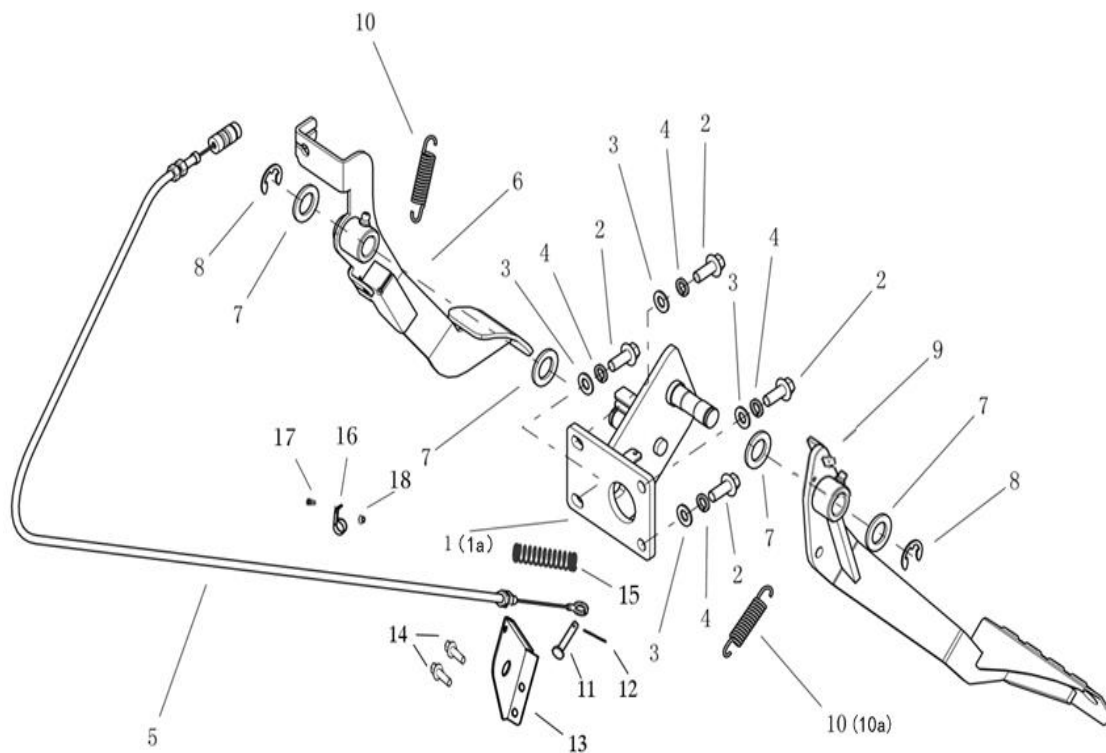
10_2 - STEERING



N°	CÓDIGO	DESCRIÇÃO	Qt.	OBS
21	LH00010799	Hexagon Nut Fine Pitch M12×1.25	2	
22	LH00073050	Tie Rod End	2	
23	LH00073124	Hex Bolts With Split Pin Hole M12×1.25×87	2	
24	LH00070679	Slotted Castle Nut M12×1.25	2	
25	LH00010772	Cotter Pin 3.2×22	2	
26	LH00010784	Hexagon Flange Bolt M10×1.25×30 8.8	4	
27	LH00026935	Bracket For Steering Gear	2	
28	LH00026936	Rubber Bush A For Steering Gear	1	
29	LH00026937	Rubber Bush B For Steering Gear	1	
30	LH00084120	Bracket For Steering Lock	1	
31	LH00025013	Cross Recessed Pan Head Screw M6×10	4	
32	LH00010308	Spring Lock Washer 6	4	
33	LH00010804	Washer 6.4×11×1.6	4	
34	LH00073121	Bushing	2	
35	LH00084427	Circular sticker	1	
36	LH00084523	Rubber cover	1	
37	LH00084524	Wind holster	1	
38	LH00010009	Cross Recessed Pan Head Tapping Screw ST4.8×16	6	

LH800D EURO 4

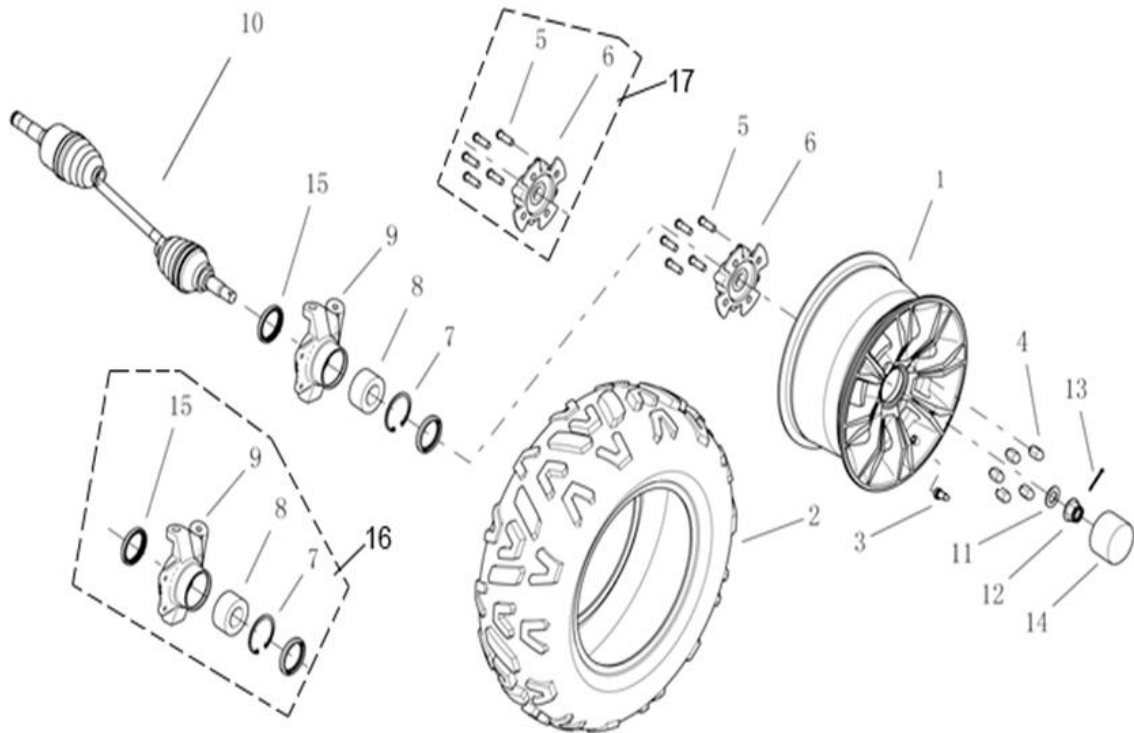
11 - PEDAL WIRE



N°	CÓDIGO	DESCRIÇÃO	Qt.	OBS
1	LH00073207	Pedal Mount Bracket	1	
2	LH00010783	Hexagon Flange Bolt M8x1.25x20 9.8	4	
3	LH00010068	Washer 8.4x16x1.6	4	
4	LH00010106	Spring lock washer 8	4	
5	LH00084180	Throttle Cable	1	
6	LH00073206	Accelerate Pedal Assy	1	
7	LH00010037	Washer 16	4	
8	LH00010811	Lock Washer 12 For Shafts	2	
9	LH00073203	Brake Pedal Assy	1	
10	LH00073204	Pedal Spring	2(1)	
11	LH00084230	Pin	1	
12	LH00010094	Cotter Pin 2x20	1	
13	LH00084181	Bracket, Throttle Cable	1	
14	LH00010873	Bolt M10X1.5X20	2	
15	LH00084253	Spring, Throttle Cable	1	
16	LH00084263	Clip	1	
17	LH00073054	Screw M6x16	1	
18	LH00010793	Hexagon Nut M6 - Prevailing Torque Type All-Metal	1	

LH800D EURO 4

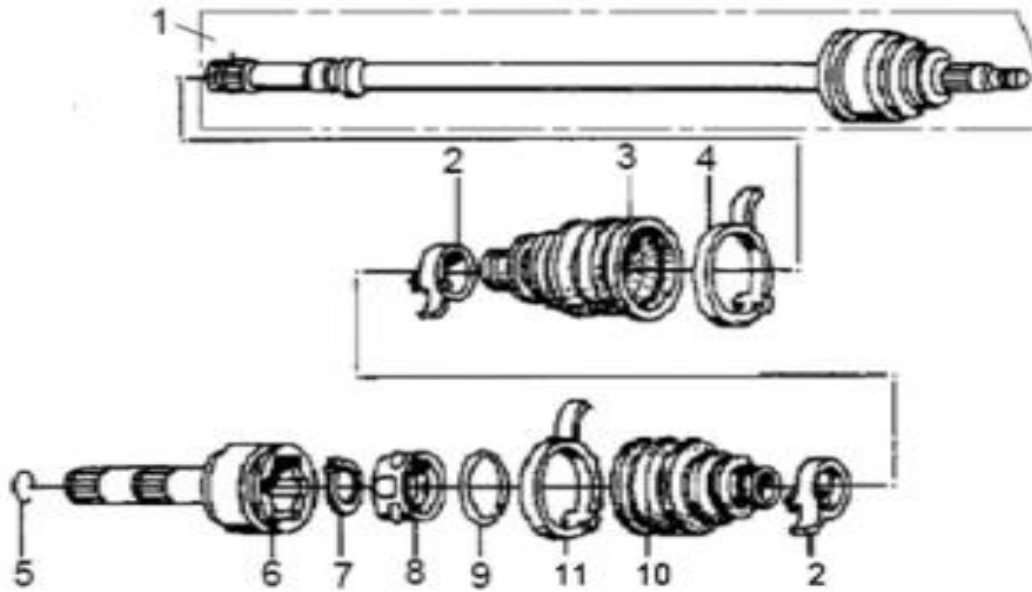
12 - FRONT WHEEL LH SIDE



N°	CÓDIGO	DESCRIÇÃO	Qt.	OBS
1	LH0084176A	Rim Front 14x7.5 Steel ,Black	1	
2	LH00073178	Tire Front 26x9-14	1	
3	LH0020807a	Valve Rim	1	
4	LH00073337	Nut M12x1.25 For Rim	5	
5	LH00073335	Stud M12x1.25x25	5	
6	LH00084095	Hub For Steel Wheel	1	
7	LH00010807	Ring Retainer 72	1	
8	LH00073339	Bearing 39x72x37	1	
9	LH00084441	Carrier Bearing Wheel Lh	1	
10	LH00073184	Shaft Half B (Two Spline)	1	
11	LH00073060	Washer 23x40x3	1	
12	LH00073336	Nut M22x1.5	1	
13	LH00010791	Cotter Pin 4x35	1	
14	LH00084060	Cap For Steel Wheel	1	
15	LH00073182	Oil Seal 54x72x6.5_10	2	

LH800D EURO 4

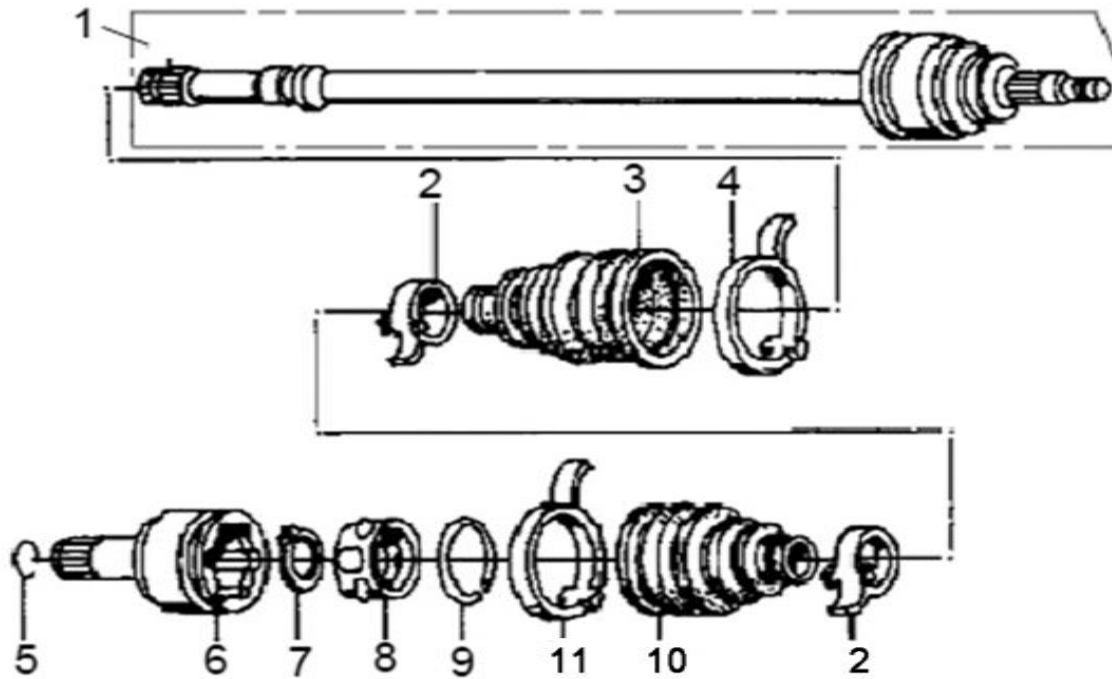
13 - SHAFT HALF B (TWO SPLIEN)



Nº	CÓDIGO	DESCRIÇÃO	Qt.	OBS
1	LH00084367	DRIVE AXLE/OUTER CV JOINT ASSEMBLY	1	
2	LH00084368	BOOT BAND	2	
3	LH00084369	OUTER BOARD BOOT	2	
4	LH00084370	BOOT BAND	1	
5	LH00084371	STOPPER RING C	1	
6	LH00084372	OUTER CV JOINT	1	
7	LH00084373	CIRCLIP	1	
8	LH00084374	STEEL BALL BRACKET STEEL BALL AND GEAR WHEEL	1	
9	LH00084375	STOPPER RING	1	
10	LH00084376	OUTER BOARD BOOT	1	
11	LH00084377	BOOT BAND	1	

LH800D EURO 4

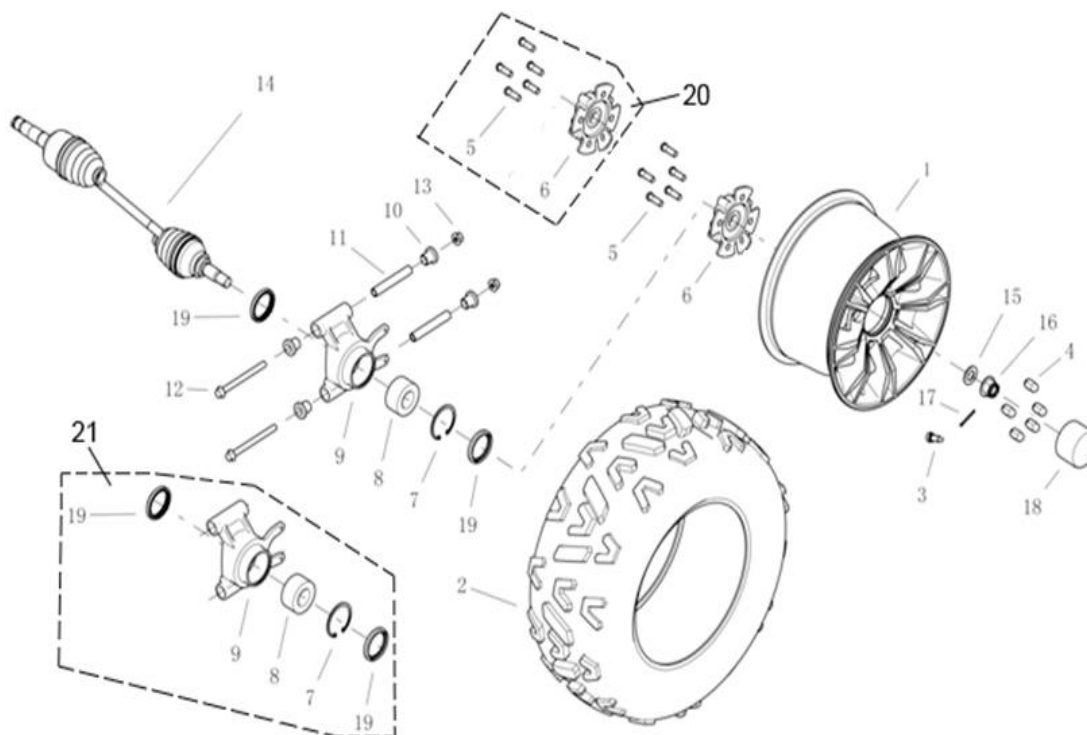
15 - SHAFT HALF A (ONE SPLIEN)



Nº	CÓDIGO	DESCRIÇÃO	Qt.	OBS
1	LH00084367	DRIVE AXLE/OUTER CV JOINT ASSEMBLY	1	
2	LH00084368	BOOT BAND	2	
3	LH00084369	OUTER BOARD BOOT	2	
4	LH00084370	BOOT BAND	1	
5	LH00084371	STOPPER RING C	1	
6	LH00084379	OUTER CV JOINT	1	
7	LH00084373	CIRCLIP	1	
8	LH00084374	STEEL BALL BRACKET STEEL BALL AND GEAR WHEEL	1	
9	LH00084375	STOPPER RING	1	
10	LH00084376	OUTER BOARD BOOT	1	
11	LH00084377	BOOT BAND	1	

LH800D EURO 4

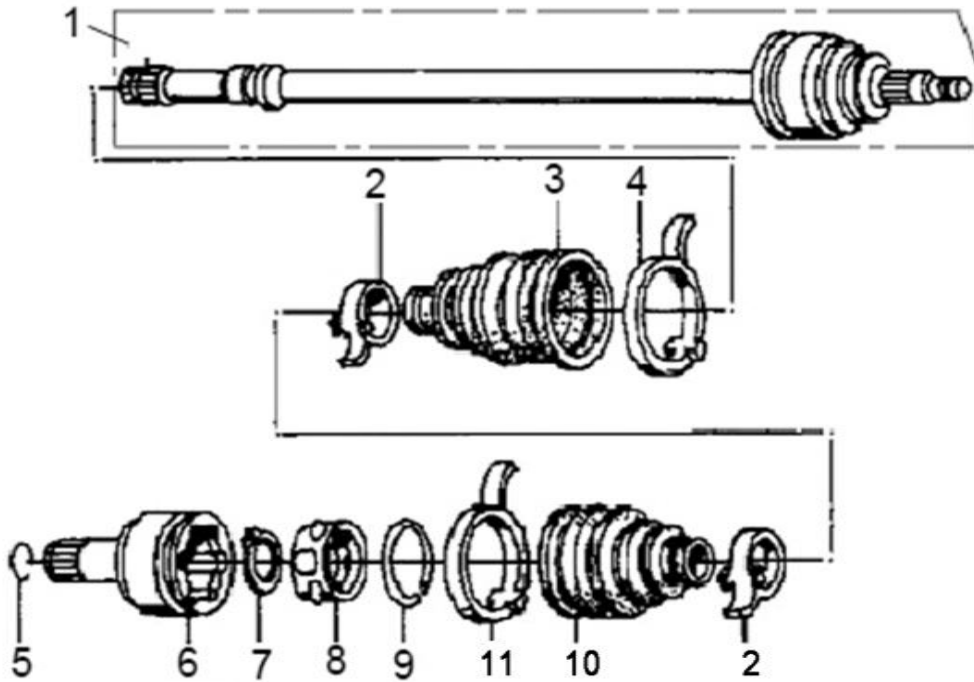
16 - REAR WHEEL LH SIDE



Nº	CÓDIGO	DESCRIÇÃO	Qt.	OBS
1	LH0084177A	Rim Rear 14x8 Steel ,Black	1	
2	LH00073183	Tire Rear 26x11-14	1	
3	LH0020807a	Valve Rim	1	
4	LH00073337	Nut M12x1.25 For Rim	5	
5	LH00073335	Stud M12x1.25x25	5	
6	LH00084095	Hub For Steel Wheel	1	
7	LH00010807	Ring Retainer 72	1	
8	LH00073339	Bearing 39x72x37	1	
9	LH00084443	Carrier Bearing Wheel Rear Lh	1	
10	LH00073063	Bushing Arm	4	
11	LH00073049	Shaft Pivot 114.5mm	2	
12	LH00073334	Hexagon Flange Bolt M12x1.25x140 10.9	2	
13	LH00010136	Prevailing Torque Type All-metal Hexagon Nut Fine Pitch M12x1.25	2	
14	LH00073179	Shaft Half A (One Splien)	1	
15	LH00073060	Washer 23x40x3	1	
16	LH00073336	Nut M22x1.5	1	
17	LH00010791	Cotter Pin 4x35	1	
18	LH00084060	Cap For Steel Wheel (Cap For Cast Wheel)	1	
19	LH00073182	Oil Seal 54x72x6.5_10	2	

LH800D EURO 4

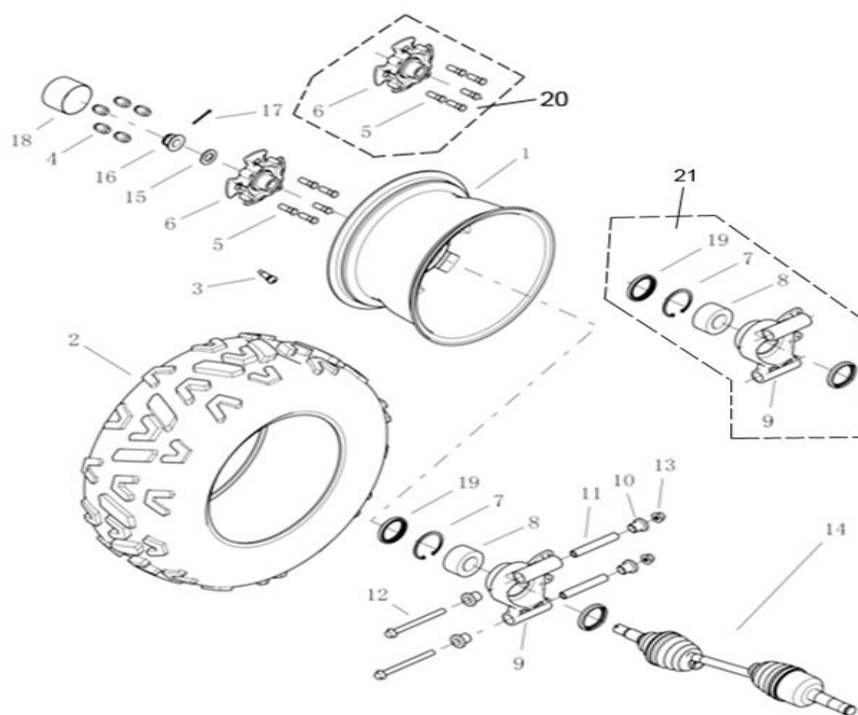
17 - SHAFT HALF A (ONE SPLIEN)



N°	CÓDIGO	DESCRIÇÃO	Qt.	OBS
1	LH00084367	DRIVE AXLE/OUTER CV JOINT ASSEMBLY		
2	LH00084368	BOOT BAND		
3	LH00084369	OUTER BOARD BOOT		
4	LH00084370	BOOT BAND		
5	LH00084371	STOPPER RING C		
6	LH00084379	OUTER CV JOINT		
7	LH00084373	CIRCLIP		
8	LH00084374	STEEL BALL BRACKET STEEL BALL AND GEAR WHEEL		
9	LH00084375	STOPPER RING		
10	LH00084376	OUTER BOARD BOOT		
11	LH00084377	BOOT BAND		

LH800D EURO 4

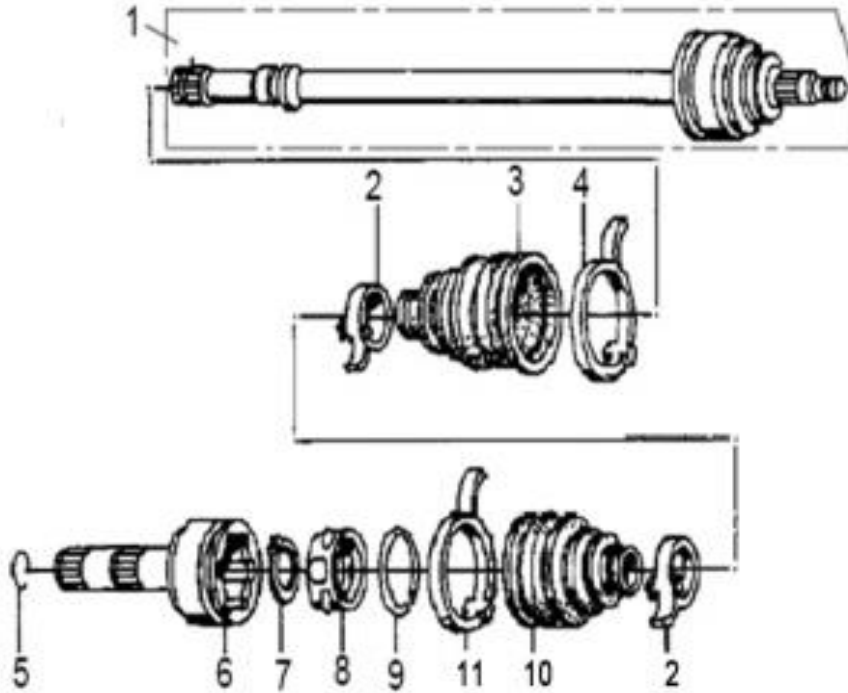
18 - REAR WHEEL RH SIDE



N°	CÓDIGO	DESCRIÇÃO	Qt.	OBS
1	LH0084177A	Rim Rear 14x8 Steel ,Black	1	
2	LH00073183	Tire Rear 26x11-14	1	
3	LH0020807a	Valve Rim	1	
4	LH00073337	Nut M12x1.25 For Rim	5	
5	LH00073335	Stud M12x1.25x25	5	
6	LH00084095	Hub For Steel Wheel	1	
7	LH00010807	Ring Retainer 72	1	
8	LH00073339	Bearing 39x72x37	1	
9	LH00084444	Carrier Bearing Wheel Rear Rh	1	
10	LH00073063	Bushing Arm	4	
11	LH00073049	Shaft Pivot 114.5mm	2	
12	LH00073334	Hexagon Flange Bolt M12x1.25x140 10.9	2	
13	LH00010136	Hexagon Nut Fine Pitch M12x1.25 - Prevailing Torque Type All-metal	2	
14	LH00073184	Shaft Half B (Two Spline)	1	
15	LH00073060	Washer 23x40x3	1	
16	LH00073336	Nut M22x1.5	1	
17	LH00010791	Cotter Pin 4x35	1	
18	LH00084060	Cap For Steel Wheel (Cap For Cast Wheel)	1	
19	LH00073182	Oil Seal 54x72x6.5_10	2	

LH800D EURO 4

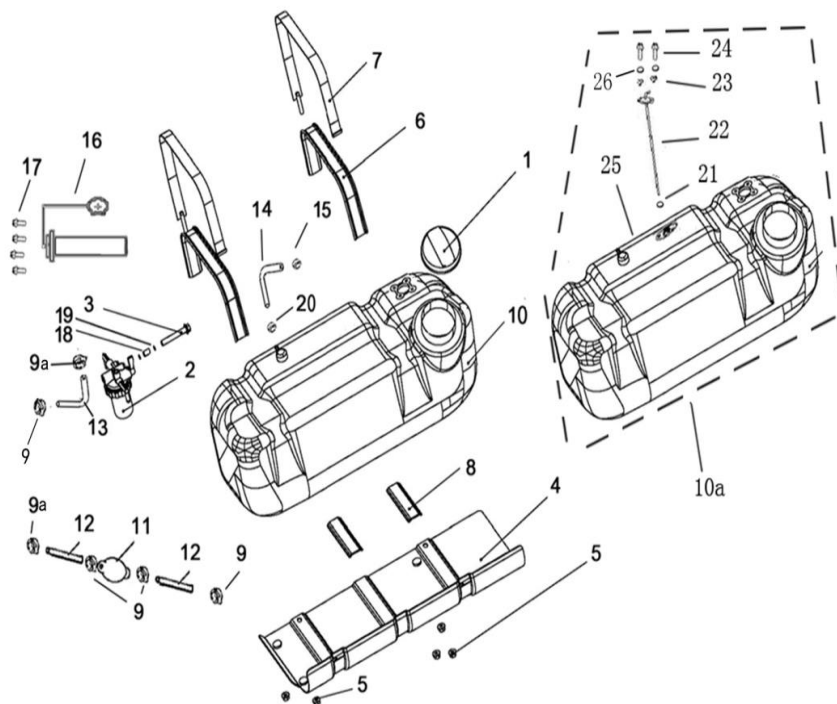
19 - SHAFT HALF B (TWO SPLIEN)



N°	CÓDIGO	DESCRIÇÃO	Qt.	OBS
1	LH00084367	DRIVE AXLE/OUTER CV JOINT ASSEMBLY	1	
2	LH00084368	BOOT BAND	2	
3	LH00084369	OUTER BOARD BOOT	1	
4	LH00084370	BOOT BAND	1	
5	LH00084371	STOPPER RING C	1	
6	LH00084372	OUTER CV JOINT	1	
7	LH00084373	CIRCLIP	1	
8	LH00084374	STEEL BALL BRACKET STEEL BALL AND GEAR WHEEL	1	
9	LH00084375	STOPPER RING	1	
10	LH00084376	OUTER BOARD BOOT	1	
11	LH00084377	BOOT BAND	1	

LH800D EURO 4

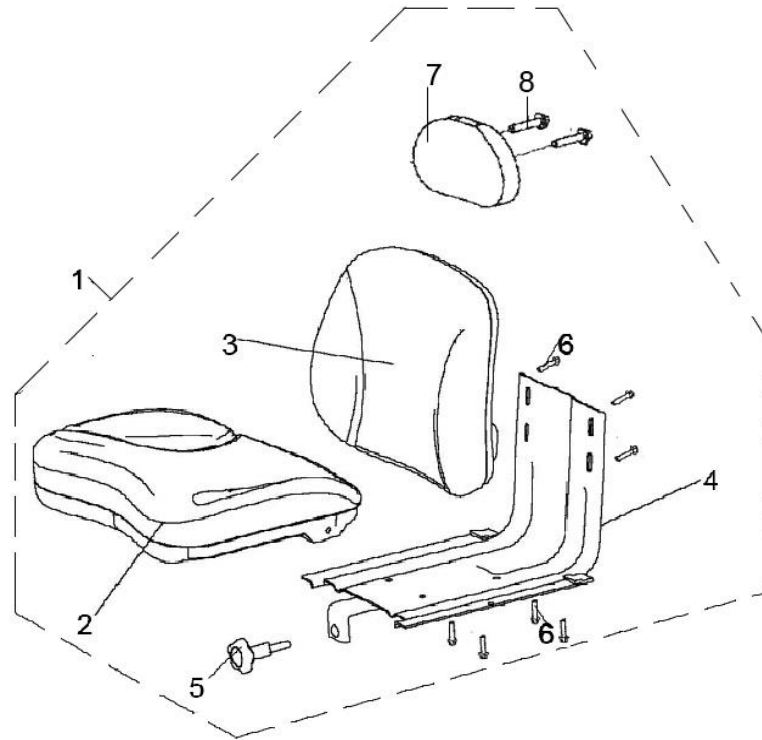
20 - FUEL TANK



N°	CÓDIGO	DESCRIÇÃO	Qt.	OBS
1	LH00084092	Fuel Cap	1	
2	LH00084165	Oil Water Separator	1	
3	LH00010084	Bolt M8X1.25X70	1	
4	LH00084169	Bracket, Fuel Tank	1	
5	LH00010776	Nut M8	6	
6	LH00073052	Damper,Plate	2	
7	LH00084089	STAY, FUEL TANK (NEW MODEL)	2	
8	LH00010776	Nut M8	2	
8	LH00073051	Cushion,Fuel Tank Bracket	2	
9a	LH00084428	Clamp 2	2	
10a	LH0084089a	Fuel Tank Assy	1	
11	LH00084166	Pumping Device	1	
12	LH00084167	Pipe 1	2	
13	LH00084091	Pipe 2	1	
14	LH00084168	Return Tube	1	
15	LH00043522	Clamp 2	1	
16	LH00084115	Fuel Sensor	1	
17	LH00010108	Bolt M5X12	4	
18	LH00070447	Damper	1	
19	LH00026009	Washer 8	2	
20	LH00043521	Clamp 3	1	
21	LH00070729	O-RING	1	
22	LH00084307	OUTLER	1	
23	LH00070742	COLLAR, FUEL TANK SETTING	2	
24	LH00010189	Hexagon Flange Bolt M6x16	2	
25	LH00084308	Fuel Tank 2	1	
26	LH00010801	Washer 6.4x11x1.6	2	

LH800D EURO 4

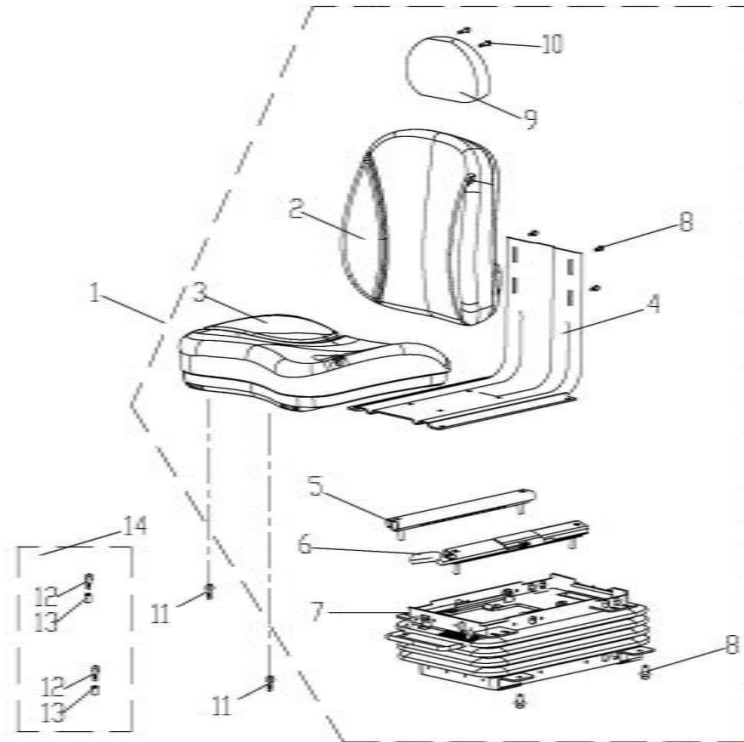
21 - PASSENGER SEAT



N°	CÓDIGO	DESCRIÇÃO	Qt.	OBS
1	LH00084452	SEAT COMP,R	1	
2	LH00084453	SEAT	1	
3	LH00084454	BACK REST	1	
4	LH00084455	BRACKET,RIGHT SEAT	1	
5	LH00084456	FIXED KNOB	1	
6	LH00010936	BOLT M8X1.25X20	8	
7	LH00026967	HEAD REST,R	1	
8	LH00073054	BOLT M6X16	2	

LH800D EURO 4

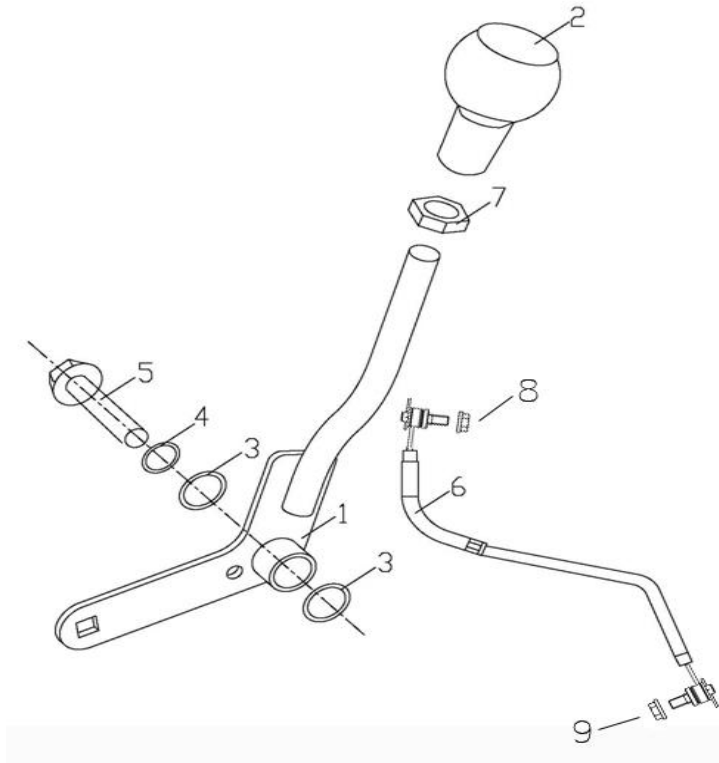
22 - DRIVER SEAT



Nº	CÓDIGO	DESCRIÇÃO	Qt.	OBS
1	LH00084457	SEAT COMP,L	1	
2	LH00084454	BACK REST	1	
3	LH00084453	SEAT	1	
4	LH00084458	BRACKET,LEFT SEAT	1	
5	LH00084459	SLIDE RAIL 1	1	
6	LH00084460	SLIDE RAIL 2	1	
7	LH00084461	HEIGHT ADJUST ASSY	1	
8	LH00070038	BOLT M8X1.25X20	8	
9	LH00026966	HEAD REST,L	1	
10	LH00073054	BOLT M6X16	2	
11	LH00010628	BOLT M6X20	2	
12	LH00010628	BOLT M6X35	2	
13	LH00084462	COLLAR	2	
14	LH00084463	SEAT BOOSTER TEMPORARY ATATUS	2	

LH800D EURO 4

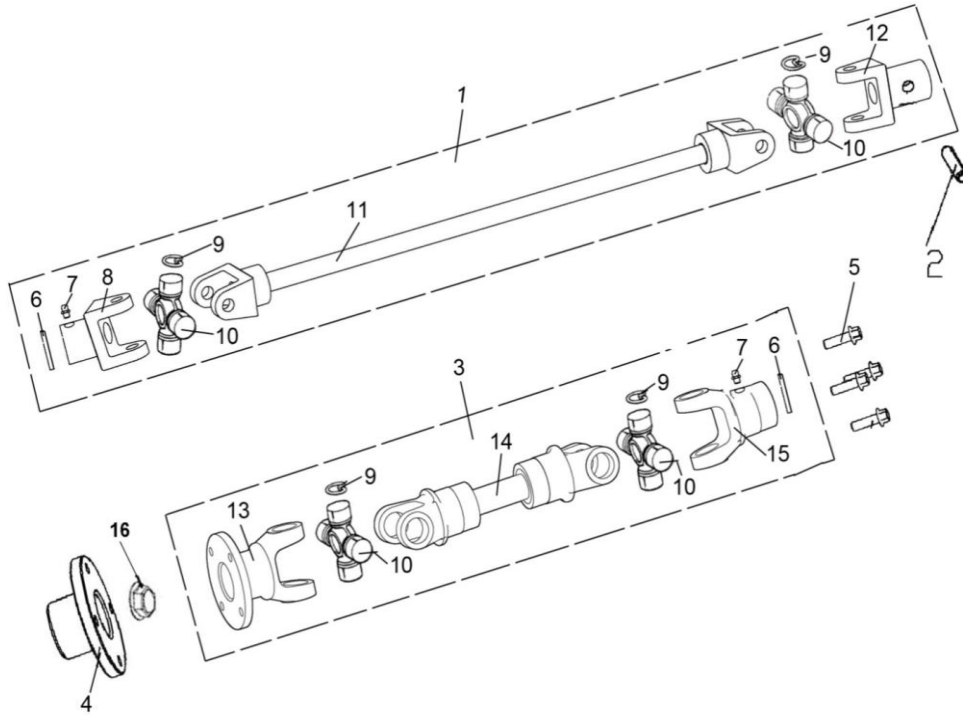
23 - GEAR SELECTOR



N°	CÓDIGO	DESCRIÇÃO	Qt.	OBS
1	LH00084148	Shifter Lever Assy	1	
2	LH00084080	Knob	1	
3	LH00084081	Washer	2	
4	LH00010863	Washer 6 (6.6X22X2)	1	
5	LH0010716W	Bolt M6X10	1	
6	LH00084149	Cable,Shifter	1	
7	LH00010876	Nut M12	1	
8	LH00010067	Nut M8	1	
9	LH00010794	Hexagon Nut M8 - Prevailing Torque Type All-metal	1	

LH800D EURO 4

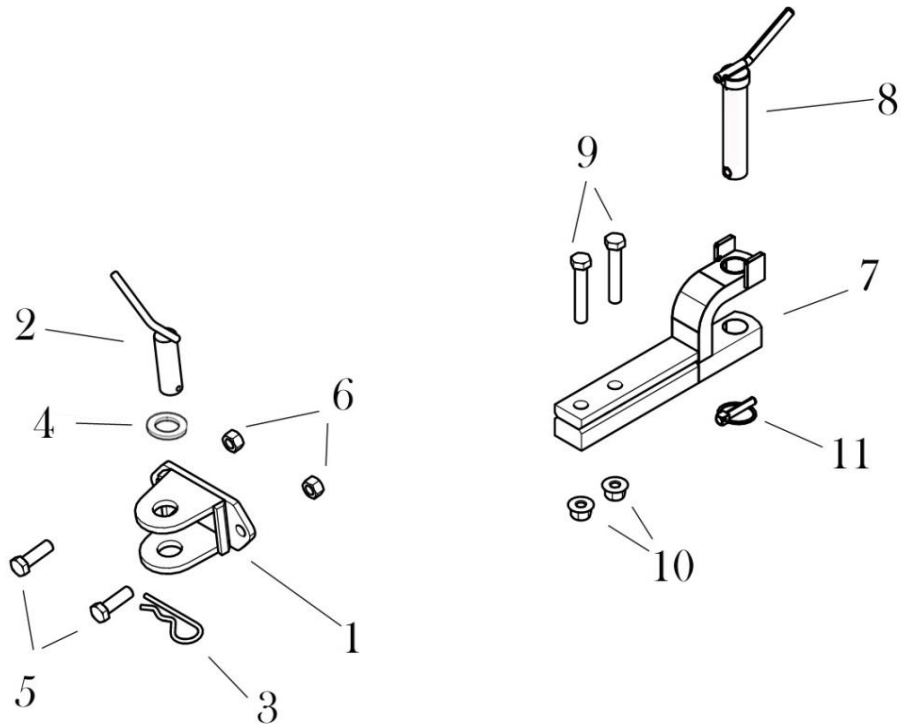
24 - PROPSHAFT



Nº	CÓDIGO	DESCRIÇÃO	Qt.	OBS
1	LH00084213	Front Prop Shaft	1	
2	LH00020716	Pin 8	1	
3	LH00084109	Rear Prop Shaft	1	
4	LH00084111	Spline Coupling	1	
5	LH00073331	Bolt	1	
6	LH00010861	Bolt	4	
7	LH00027074	Grease Fitting M6	1	
8	LH00084104	Sliding Fork 1	1	
9	LH00010884	Circlip φ24	4	
10	LH00084110	Spider Kits (Include Spider Body,Spider Bearing,Grease Nipple)	4	
11	LH00084212	Front Fork Weldments	4	
12	LH00084105	Spline Connection Fork	1	
13	LH00084106	Flange Fork	1	
14	LH00084107	Rear Fork Weldments	1	
15	LH00084108	Sliding Fork2	1	
16	LH00070296	Nut M16X1.5	1	

LH800D EURO 4

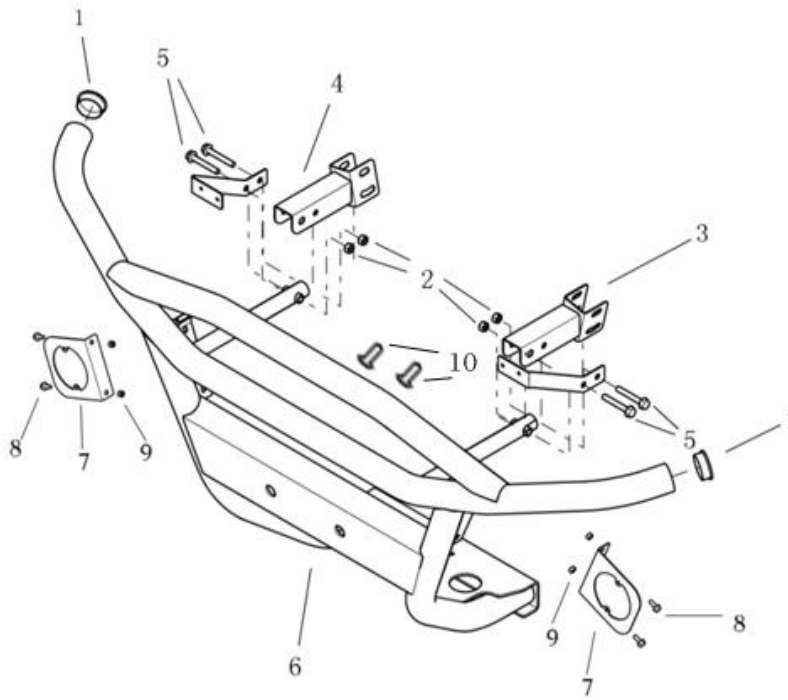
25 - HOOK



N°	CÓDIGO	DESCRIÇÃO	Qt.	OBS
1	LH00084234	Front Hook	1	
2	LH00084235	Pin Front Hook	1	
3	LH00010862	"R" Pin 6X115	1	
4	LH00084231	Rubber Damper	1	
5	LH00010868	Hexagon Head Bolt M16x50	2	
6	LH00010874	Hex Nut M16	2	
7	LH00084101	Rear Hook	1	
8	LH00084102	Pin Rear Hook	1	
9	LH00010865	Hexagon Flange Bolt M16x85	2	
10	LH00010518	Hexagon Nut M16 - Prevailing Torque Type All-metal	2	
11	LH00084103	Pin Lock	1	

LH800D EURO 4

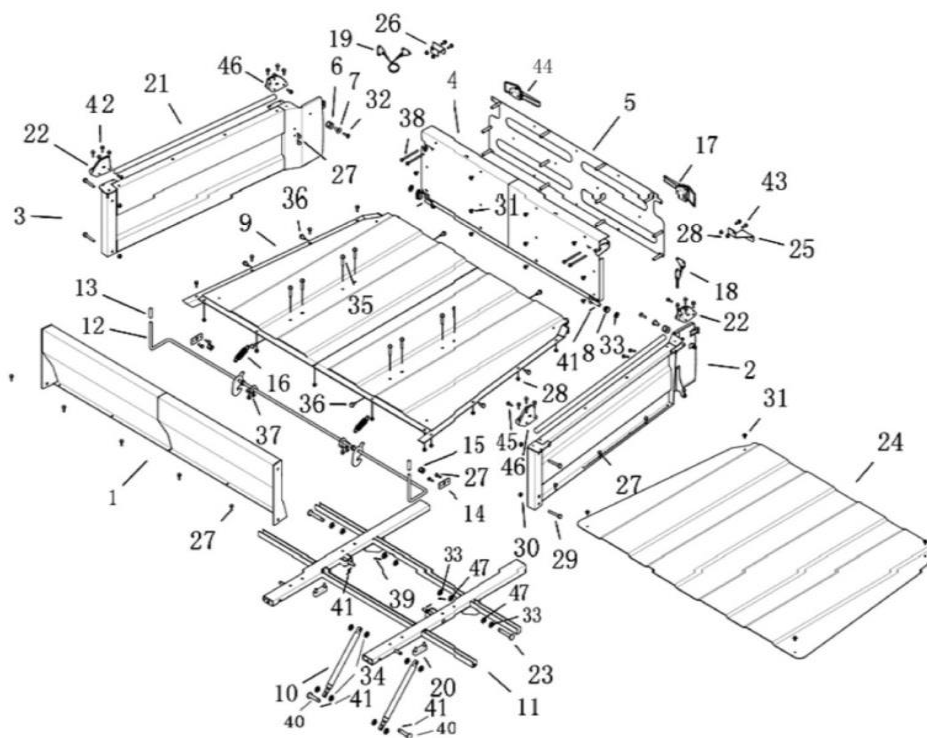
26 - BUMPER



N°	CÓDIGO	DESCRIÇÃO	Qt.	OBS
1	LH00026763	Plug	2	
2	LH00010794	Hexagon Nut M8 - Prevailing Torque Type All-metal	4	
3	LH00073283	Bracket, L	1	
4	LH00073285	Bracket, R	1	
5	LH00010511	Hexagon Flange Bolt M8x55	4	
6	LH00073286	Front Bumper	1	
7	LH00084208	Bracket,Turn Indicate Light	2	
8	LH00010189	Hexagon Flange Bolt M6x16	4	
9	LH00010004	Hexagon Nut M6 - Prevailing Torque Type All-Metal	4	
10	LH00010922	Bolt M10X1.5X30	2	

LH800D EURO 4

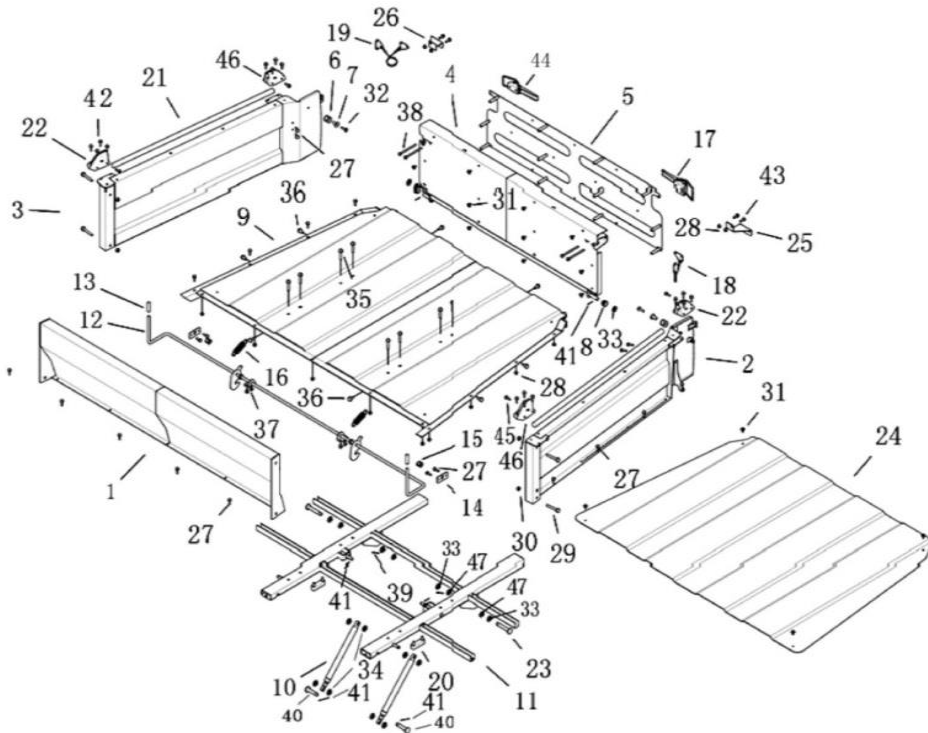
27_1 - BOX ASSY



Nº	CÓDIGO	DESCRIÇÃO	Qt.	OBS
1	LH00073171	Box Cover,FR	1	
2	LH00073172	Box Cover,L	1	
3	LH00073162	Box Cover,R	1	
4	LH00073173	Rear Cargos	1	
5	LH00073166	Stronger, Box Door	1	
6	LH00073087	Rubber Sheath	2	
7	LH00073088	Interlock Sheath	2	
8	LH00073058	Nylon Sheath	2	
9	LH00073163	Box Floor Cover	1	
10	LH00026784	Damper	2	
11	LH00073165	Welded Box Support	1	
12	LH00073175	Cargo Handle Ass'y	1	
13	LH00026786	Cap,Protector End	2	
14	LH00026782	Holder,Latch	2	
15	LH00026783	Rubber Sheath	2	
16	LH00026778	Pedal Spring	2	
17	LH00073432	Latch (left)	1	
18	LH00026768	Upper Retainer Cable, L	1	
19	LH00026769	Upper Retainer Cable, R	1	
20	LH00073059	Rubber Stopper	2	

LH800D EURO 4

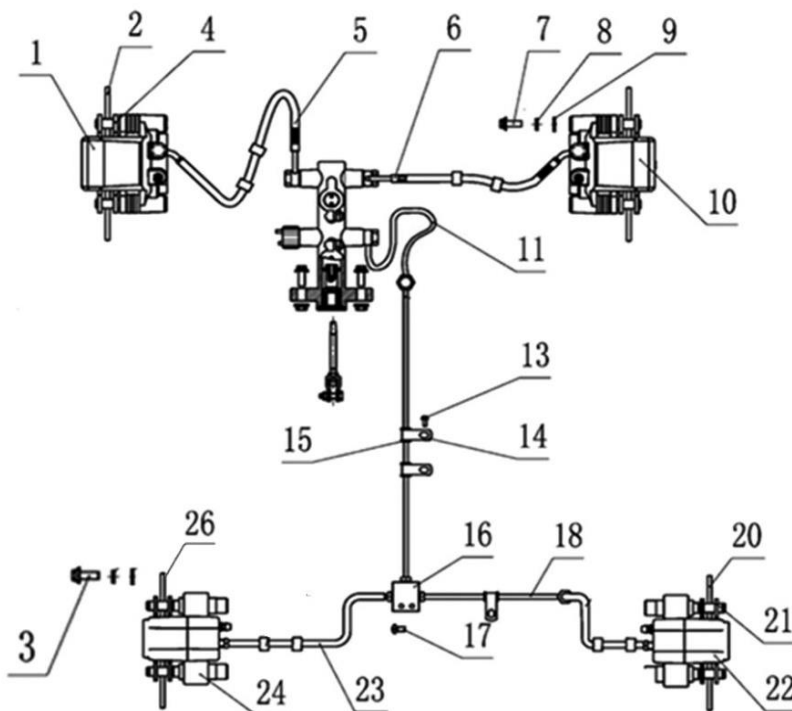
27_2 - BOX ASSY



N°	CÓDIGO	DESCRIÇÃO	Qt.	OBS
21	LH00073176	Welded Rail	2	
22	LH00073177	Holder,Welded Rail 1	2	
23	LH00073489	Pin	2	
24	LH00073167	Mat 1	1	
24	LH0073167A	Mat 2	1	
25	LH00073168	Reflector Bracket,L	1	
26	LH00073169	Reflector Bracket,R	1	
27	LH00010110	Hexagon Flange Bolt M6x20	21	
28	LH00010004	Hexagon Nut M6 - Prevailing Torque Type All-metal	17	
29	LH00010511	Hexagon Flange Bolt M8X1.25X55	4	
30	LH00010079	Hexagon Nut M8 - Prevailing Torque Type All-metal	4	
31	LH00073054	Screw M6x16	16	
32	LH00073055	Screw M6X30	2	
33	LH00010032	Plain washers 12	6	
34	LH00010019	Plain washers 10	6	
35	LH00073490	Bolt M8X25	8	
36	LH00010168	Hexagon Flange Bolt M8X1.25X16	8	
37	LH0010140W	Hexagon Flange Bolt M6x12	4	
38	LH00010782	Hexagon Flange Bolt M6X90	4	
39	LH00011009	Cotter Pin 4X30	2	
40	LH00073161	Pin	2	
41	LH00010021	Cotter Pin 2.5X20	6	
42	LH0010008G	Bolt M6X20	16	
43	LH00010189	Bolt M6X16	4	
44	LH00073517	Latch (right)	1	
45	LH00010923	Bolt M6X7	4	
46	LH00073491	Holder,Welded Rail 1	2	
47	LH00073492	Rubber Damper	4	

LH800D EURO 4

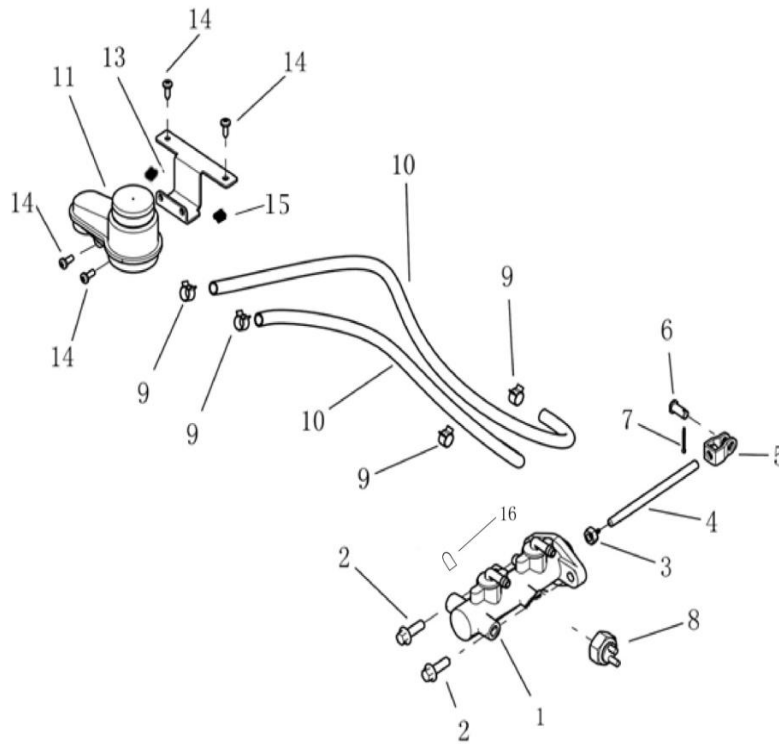
28 - BRAKE SYSTEM



Nº	CÓDIGO	DESCRIÇÃO	Qt.	OBS
1	LH00086323	Front Brake Caliper, LH	1	
2	LH00086324	Front Disk	2	
3	LH00086325	Hexagon Flange Bolt M10×1.25×22 8.8	4	
4	LH00086326	Front Brake Pad	4	
5	LH00086327	Front Brake Line, LH	1	
6	LH00086328	Front Brake Line, RH	1	
7	LH00011346	Hexagon Bolt M8×1.25×25 10.9	8	
8	LH00010027	Spring Lock Washer 8	8	
9	LH00010019	Washer 10.4	4	
10	LH00086329	Front Brake Caliper, RH	1	
11	LH00086330	Master Cylinder Line 1, Rear	1	
13	LH00011463	Hexagon Flange Bolt M6×16 8.8	5	
14	LH00021811	Clamp, Mounting Brake Line	5	
15	LH00032105	Rubber Tube, Mounting Brake Line	5	
16	LH00070546	Fitting, Tee	1	
17	LH00011472	Cross Recessed Pan Head Screw M5×35	2	
18	LH00086331	Rear Brake Line 1, RH	1	
20	LH00086332	Rear Disc	2	
21	LH00086333	Rear Brake Pad, RH	2	
22	LH00086334	Rear Brake Caliper, RH	1	
23	LH00073196	Rear Brake Line, LH	1	
24	LH00086335	Rear Brake Caliper, LH	1	
26	LH00086454	Rear Brake Pad, LH	2	

LH800D EURO 4

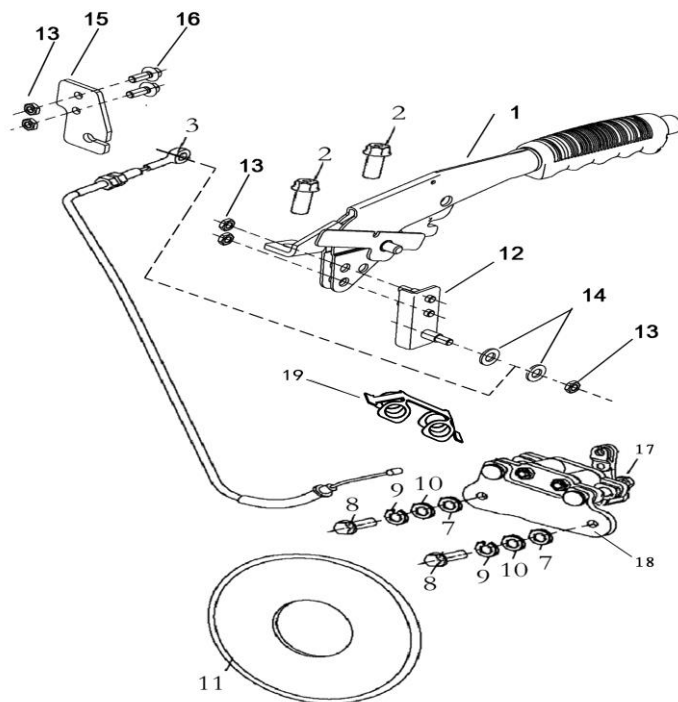
29 - BRAKE, MASTER CYLINDER MOUNTING



N°	CÓDIGO	DESCRIÇÃO	Qt.	OBS
1	LH00084445	Master Cylinder	1	
2	LH00010059	Hexagon Flange Bolt M8x1.25x25 8.8	2	
3	LH00010099	Hex Nut M8x1.25	1	
4	LH00084446	Push Rod	1	
5	LH00073090	Clevis	1	
6	LH00073091	Clevis Pin	1	
7	LH00010094	Cotter Pin 2x20	1	
8	LH00073068	Sensor, Brake	1	
9	LH00073069	Clamp, Line	4	
10	LH00073070	Line , Reservoir	1	
11	LH00084447	Brake Reservoir	1	
13	LH00073189	Bracket, Reservoir	1	
14	LH00010009	Cross Recessed Pan Head Tapping Screw ST4.8x16	4	
15	LH00022346	Spring Nut ST4.8	2	
16	LH00084295	Rubber protective sleeve	1	

LH800D EURO 4

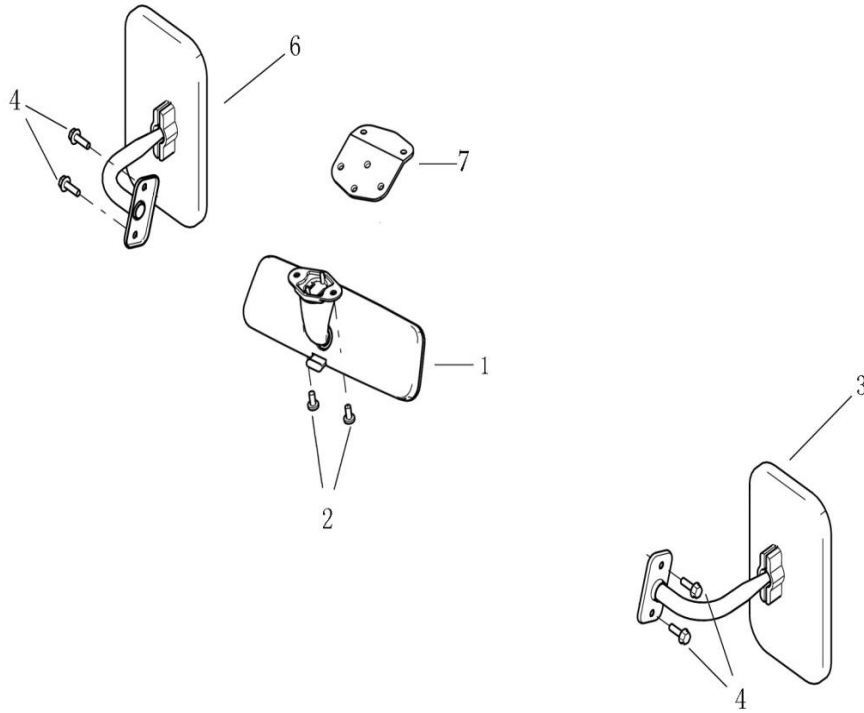
30 - PARK BRAKE ASM.



Nº	CÓDIGO	DESCRIÇÃO	Qt.	OBS
1	LH00084119	Park Brake Lever	1	
2	LH00010059	Hexagon Flange Bolt M8x1.25X20 8.8	2	
3	LH00073202	Park Brake Cable	1	
4	LH00073073	Shoulder Bolt For Park Brake Cable	1	
5	LH00010004	Hexagon Nut M6 - Prevailing Torque Type All-Metal	1	
6	LH00070638	Park Brake Caliper Asm.	1	
7	LH00024210	Washer	2	
8	LH00010059	Hexagon Flange Bolt M8X25	2	
9	LH00010106	Spring Washer	2	
10	LH00010068	Washer	2	
11	LH00084096	Park Brake Disc	1	
12	LH00073578	Parking cable transition support components (port)	1	
13	LH00010104	Hexagon Nut M6 - Prevailing Torque Type All-metal	5	
14	LH00010068	Plain Washer 8	2	
15	LH00073579	Parking cable fixed plate	1	
16	LH0010183W	Hexagon Flange Bolt M6x16	2	
17	LH00084424	Brake (ALIPER)	1	
18	LH00026292	Brake (PAD)	2	
19	LH00071113	LIMIT SPRING PLATE	1	

LH800D EURO 4

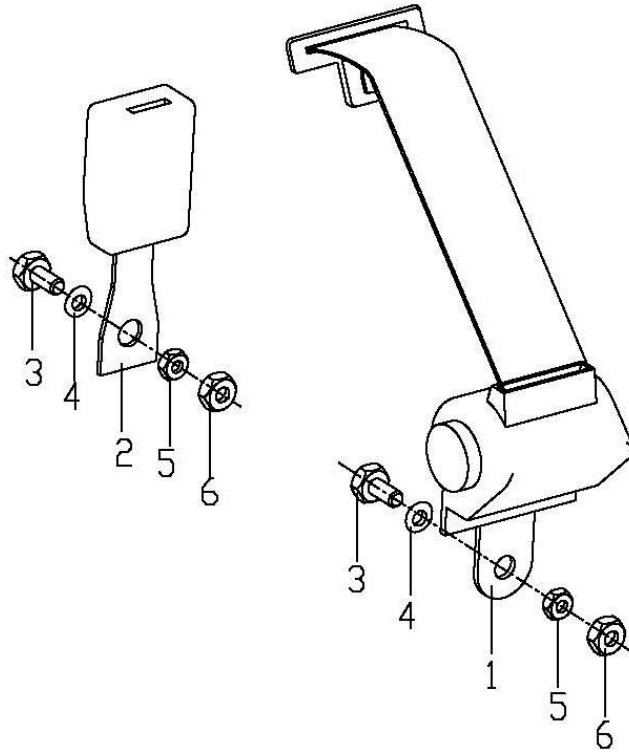
31 - REAR VIEW MIRROR ASSY



Nº	CÓDIGO	DESCRIÇÃO	Qt.	OBS
1	LH00026890	Center Mirror Kit	1	
2	LH00026262	Cross Recessed Pan Head Screw M6×12	2	
3	LH00084448	Left Mirror Kit (Big size)	1	
3	LH00084099	Left Mirror Kit (Normal size)	1	
4	LH00010110	Hexagon Flange Bolt M6×20	4	
6	LH00084449	Right Mirror Kit (Big size)	1	
6	LH00084100	Right Mirror Kit (Normal size)	1	
7	LH00073444	Bracket, Center Mirror Kit	1	

LH800D EURO 4

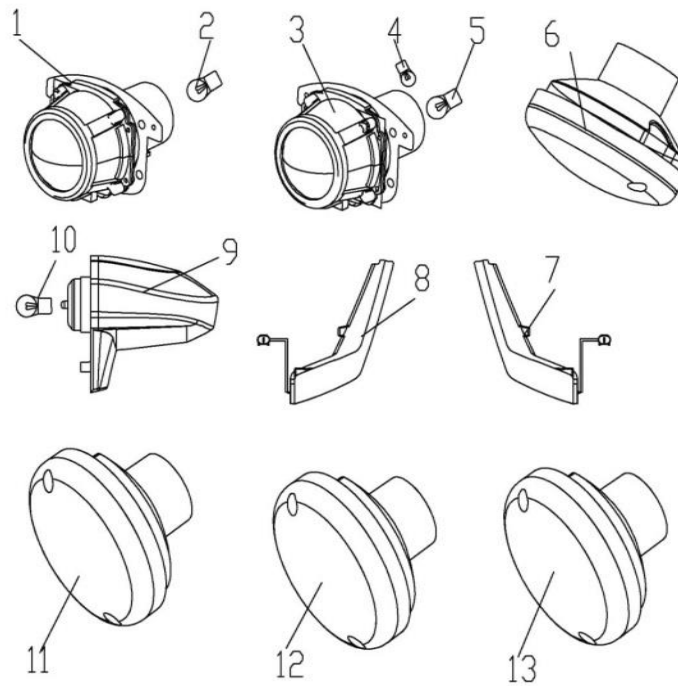
32 - SEAT BELT



Nº	CÓDIGO	DESCRIÇÃO	Qt.	OBS
1	LH00084093	Belt	2	
2	LH00084094	Lock,Belt	2	
3	LH00026916	Bolt	4	
4	LH00026917	Spring Washer	8	
5	LH00026918	Washer	8	
6	LH00026919	Nut	8	

LH800D EURO 4

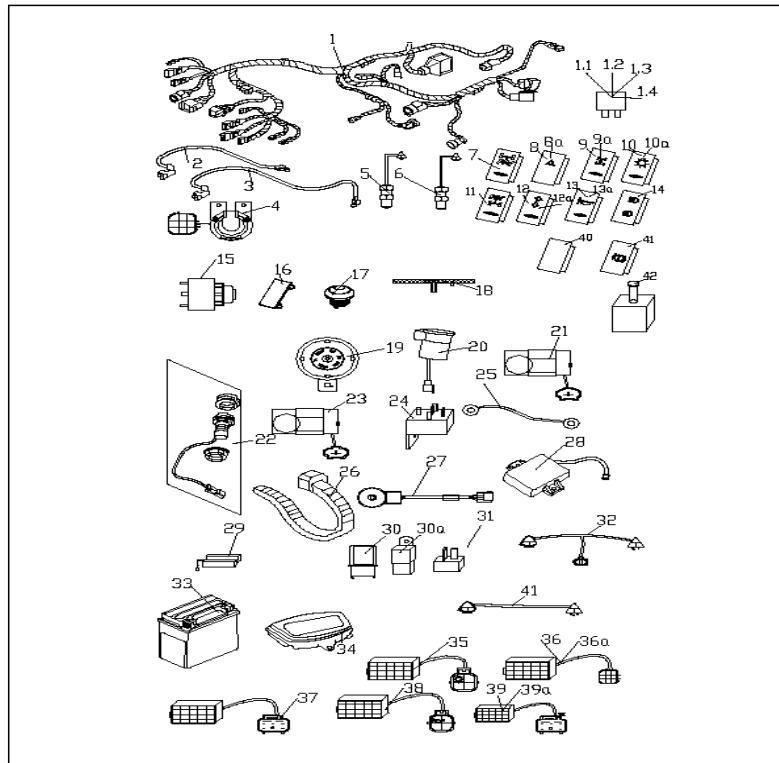
33 - LAMP



Nº	CÓDIGO	DESCRIÇÃO	Qt.	OBS
1	LH00083373	DIPPED HEADLIGHT	2	
2	LH00084225	BULB 12V 55W/55W HS	2	
3	LH00084224	HIGH BEAM	2	
4	LH00084225	BULB 12V 55W/55W HS	2	
5	LH00071928	BULB 5W 12V	2	
6	LH00084302	TURN INDICATE LIGHT, FR	1	
	LH00084303	TURN INDICATE LIGHT, FR	1	
7	LH00073317	LED DECORATIVE LIGHT, L, FR	1	
8	LH00073318	LED DECORATIVE LIGHT, R, FR	1	
9	LH00083459	LENS, LICENSE LIGHT	1	
10	LH00071928	BULB 5W 12V	2	
11	LH00073324	TURN INDICATE LIGHT, L, RR	1	
12	LH00073319	TURN INDICATE LIGHT, R, RR	1	
13	LH00073320	TAIL LAMP	2	

LH800D EURO 4

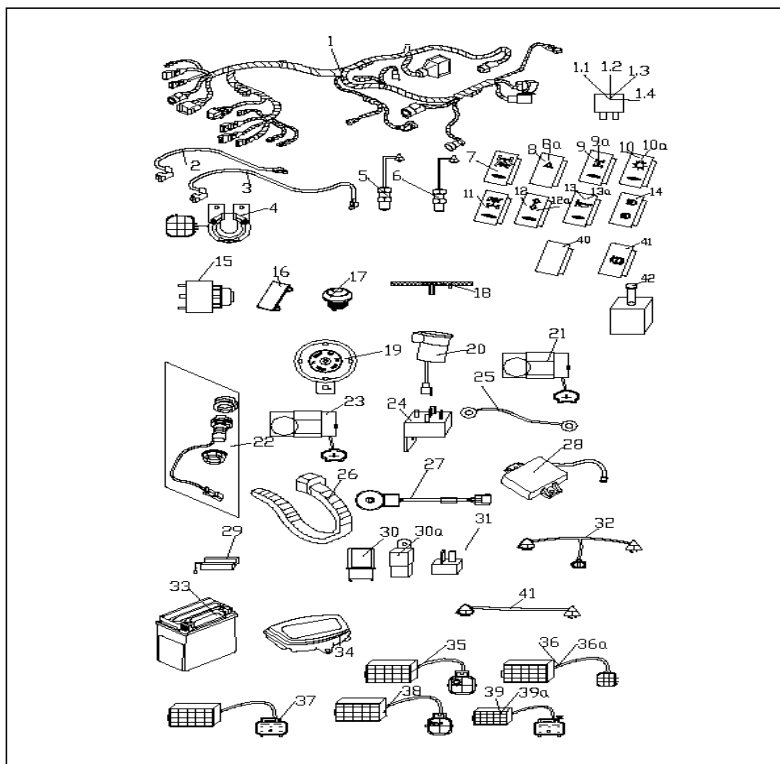
34_1 - ELECTRICAL SYSTEM



Nº	CÓDIGO	DESCRIÇÃO	Qt.	OBS
1	LH00084219	WIRING HARNESS (T1a)	1	
1,1	LH00084273	FUSE WIRE	5	
1,2	LH00084274	FUSE WIRE	4	
1,3	LH00084275	FUSE WIRE	2	
1,4	LH00084276	FUSE WIRE	1	
2	LH00073311	STARTER POSITIVE WIRE 1	1	
3	LH00084220	STARTER POSITIVE WIRE 2	1	
4	LH00083363	trailer cable socket	1	
6	LH00073435	SPEED SENSOR	1	
7	LH00073306	REAR DIFFERENTIAL LOCK SWITCH	1	
8	LH0073075C	EMERGENCY SWITCH	1	
9	LH0073078C	2WD/4WD SWITCH	1	
10	LH0073081C	LIGHT SWITCH	1	
11	LH00073305	FRONT DIFFERENTIAL LOCK SWITCH	1	
12	LH00047072	TURNING LIGHTS SWITCH	1	
13	LH0073076C	HORN SWITCH	1	
14	LH00073436	HI/ LO BEAM SWITCH	1	
15	LH00083375	POWER DOOR LOCKS	1	
16	LH00073048	SWITCH COVER		
17	LH00073329	BUTTON	2	
18	LH00040319	REAR REFLECTOR	2	
19	LH00070404	HORN	1	
20	LH00084221	FLASHER RELAY ASSY	1	

LH800D EURO 4

34_2 - ELECTRICAL SYSTEM



N°	CÓDIGO	DESCRIÇÃO	Qt.	OBS
21	LH00071976	REVERSE GEAR WARNING	1	
22	LH00070400	ACCESSORY SOCKET ASSY	1	
23	LH00073327	rear Differential Lock WARNING	2	
24	LH00073442	fan realy	1	
25	LH00084217	Start motor ground wire	1	
26	LH00025530	TIE	20	
27	LH00084426	FILE DISPLAY SWITCH	1	
28	LH00071934	ELECTROMAGNETIC VALVE SWITCH	3	
29	LH00073077	Dual function switch	1	
30	LH00050280	RELAY	4	
30a	LH00035656	RELAY (domestic)	2	
31	LH00073330	DIODE PROTECTOR	2	
32	LH00073437	SENSOR CABLE	1	
34a	LH0084222b	LCD METER	1	
35	LH00073304	LIGHT SWITCH transition wire	1	
36	LH0073438c	EMERGENCY SWITCH transition wire	1	
37	LH00073439	Turning Lights Switch Transition Wire	1	
38	LH00073440	HORN SWITCH transition wire	1	
39	LH00084218	2WD/4WD SWITCH transition wire	1	
39b	LH00084277	4WD-FRONT Differential Lock Switch transition wire	1	
40	LH00084278	PRONT Differential Lock-4WD Switch	1	
41	LH00084450	Disc brake indicator light	1	
42	LH00084451	Limit Switch	4	

LH800D EURO 4



there are four cables (new model-84218a)



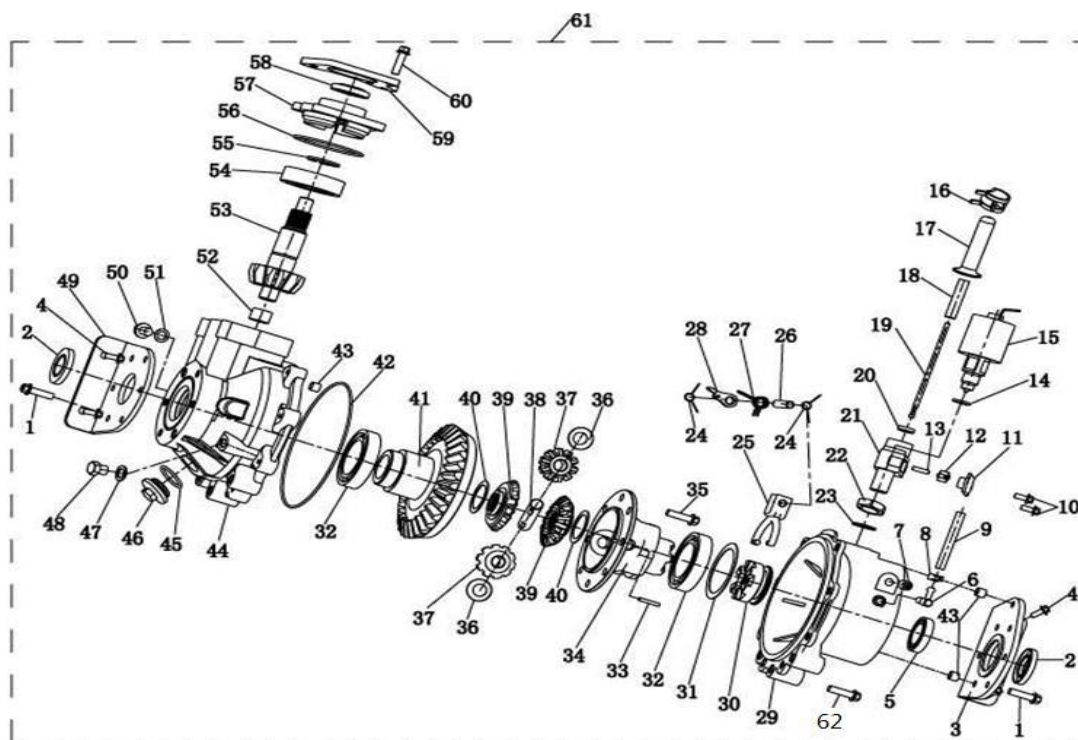
there are five cables (old model-84218)



Posição do rótulo

LH800D EURO 4

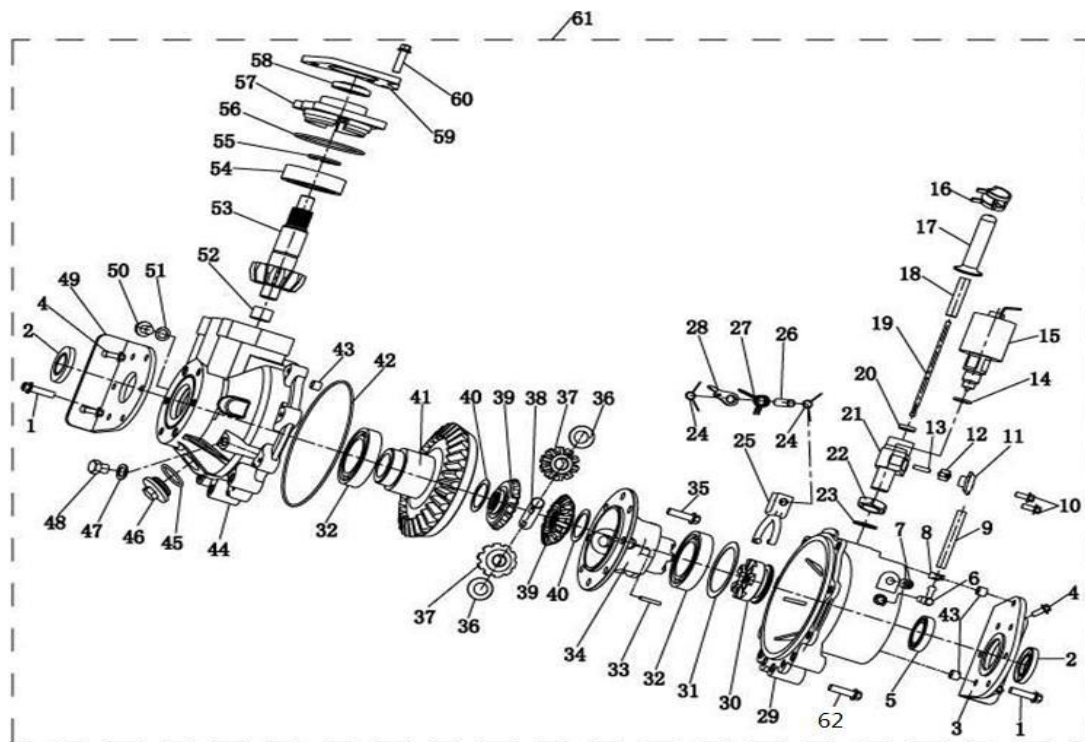
1 - REAR GEARCASE



Nº	CÓDIGO	DESCRIÇÃO	Qt.	OBS
1	LH00010059	Hexagon Flange Bolt M8x25	13	
2	LH00073016	Oil Seal 30X50X6.5	2	
3	LH00084057	Fitting Holder-With Bearing	1	
4	LH00010124	Hexagon Flange Bolt M8x1.25x35	4	
5	LH00010808	Bearing 206	1	
6	LH00021112	Hose Fitting	1	
7	LH00073037	Inner Six Angle Plug	2	
8	LH00025107	Clip	1	
9	LH00021111	Vent Tube	1	
10	LH00010010	Hexagon Flange Bolt M6x15	2	
11	LH00073023	Cover, Converter	1	
12	LH00073026	Rock Arm	1	
13	LH00010789	Parallel Pin	1	
14	LH00073013	O-Ring	1	
15	LH00071978	Diff Solenoid	1	
16	LH00071358	Clip	1	
17	LH00073292	Rubber protective sleeve	1	
18	LH00073025	Thread Adjusting Sleeve	1	
19	LH00073028	Rod, Converter	1	
20	LH00073024	OIL SEAL 12X20X5	1	
21	LH00073022	Case, Converter	1	
22	LH00073019	Nut M20x1.5	1	
23	LH00073027	Washer	1	
24	LH00073040	Shift Return Spring	2	
25	LH00073041	Shift Yoke	1	
26	LH00073039	Shift Bar	1	
27	LH00073038	Shift Lever Spring	1	
28	LH00073029	Shift Lever	1	
29	LH00084056	Carrier Cover Half	1	
30	LH00073030	Clutch Gear	1	
31	LH00021106	Diff Case Thrust-Washer	as needed	

LH800D EURO 4

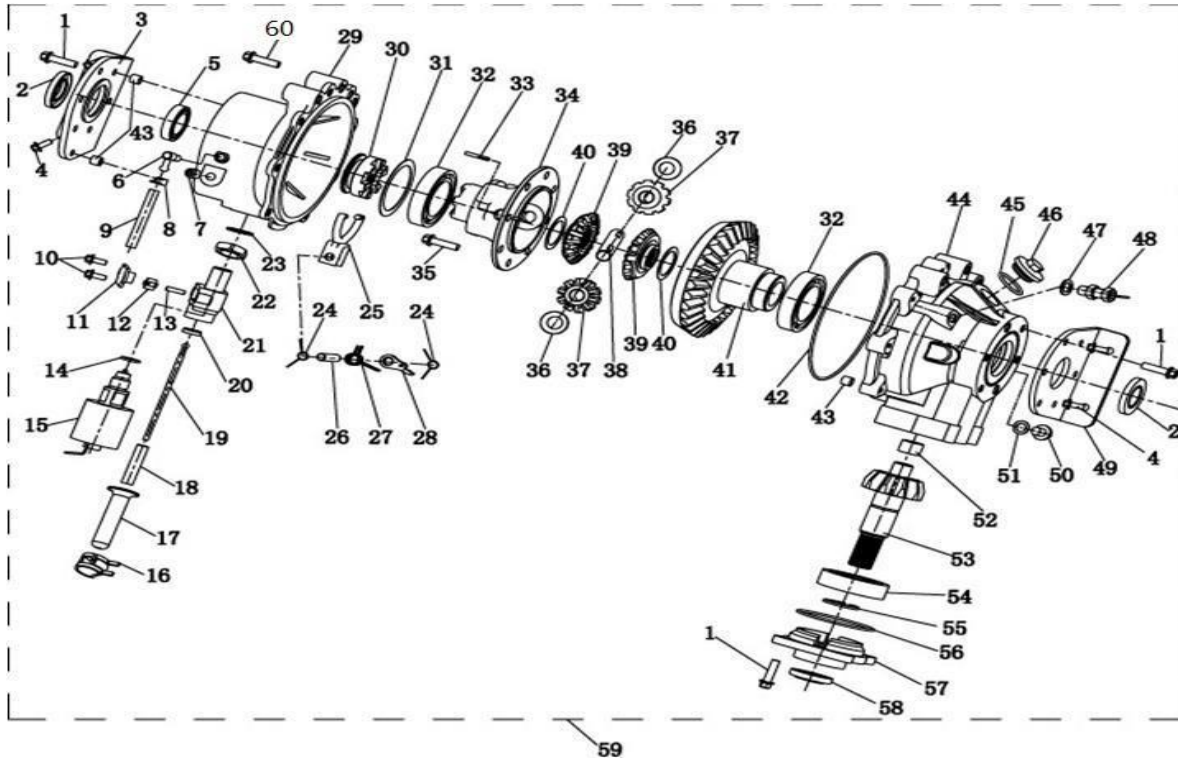
1 - REAR GEARCASE



Nº	CÓDIGO	DESCRIÇÃO	Qt.	OBS
32	LH00010056	Bearing 110	2	
33	LH00010788	Diff Roll Pin	1	
34	LH00073033	Diff Case	1	
34	LH00084551	Diff Case (20CrMnTi) NEW	1	
35	LH00084059	Hexagon Flange Bolt M10×20	8	
36	LH00073036	Pinion Mate Thrust-Washer	2	
37	LH00073035	Diff Pinion Mate Gear	2	
38	LH00073032	Diff Cross Pin	1	
39	LH00073031	Diff Side Gear	2	
40	LH00073034	Side Gear Thrust-Washer	2	
41	LH00073018	Bevel Gear -Driven	1	
42	LH00021105	O-Ring 176X2.65-Housing Halves	1	
43	LH00021104	Locating Pin	3	
44	LH00084054	Carrier Housing Half	1	
45	LH00050082	O-Ring	1	
46	LH00024305	Fill Plug	1	
47	LH00029613	Plain Washer	1	
48	LH00073138	Six Hexagon Bolt M12X1.25X12	1	
49	LH00084055	Fitting Holder	1	
50	LH00073020	Drain Plug	1	
51	LH00073021	Aluminium Washer	1	
52	LH00010810	Liner Bushing	1	
53	LH00073014	Bevel Gear -Driving	1	
54	LH00010809	Bearing 6306ST	1	
55	LH00021120	circlip For Shaft	1	
56	LH0020901A	O-Ring 79X2.65	1	
57	LH00073017	Input Cover-Carrier Housing Half	1	
58	LH00073015	Oil Seal 30X45X7	1	
59	LH00084265	Mount Bracket-Parking Braking	1	
60	LH00010078	Hexagon Flange Bolt M8×30	4	
61	LH00084164	Rear Gearcase ASSY.	1	
61	LH00084552	Rear Gearcase ASSY. Diff Case (20CrMnTi) (NEW)	1	
62	LH00010060	Hexagon Flange Bolt M8×28	8	

LH800D EURO 4

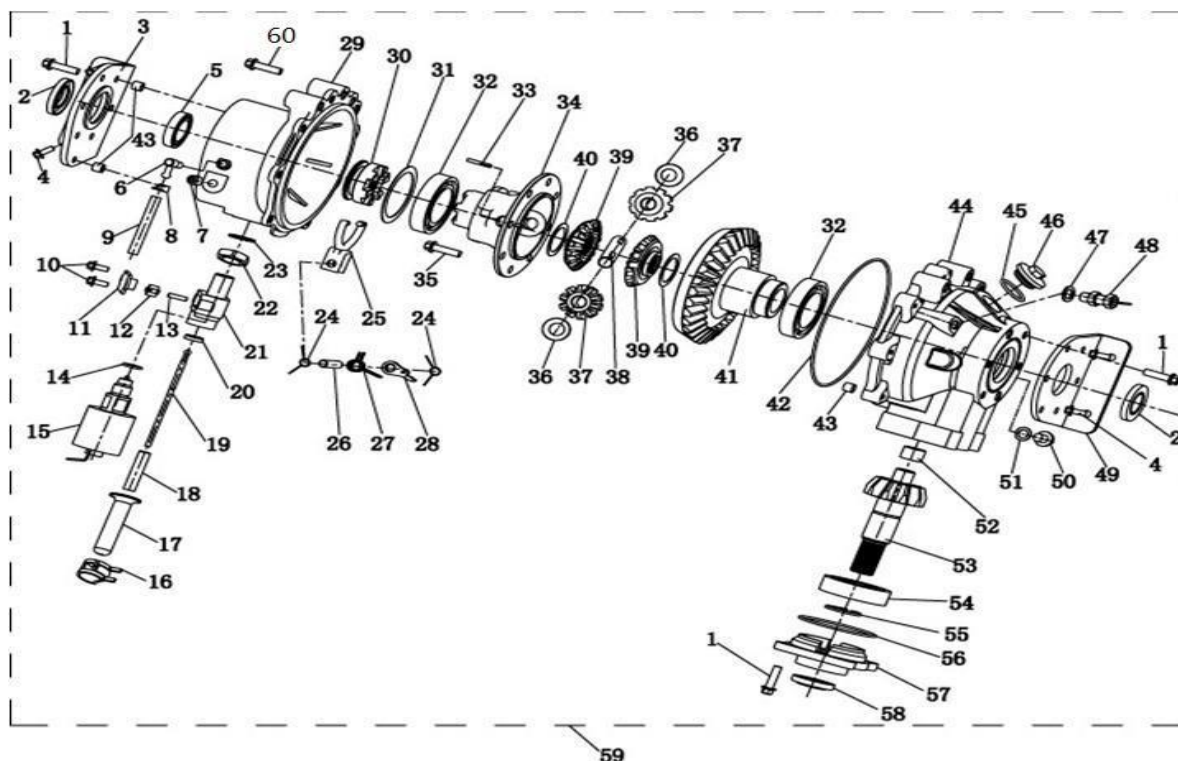
2 - FRONT GEARCASE



N°	CÓDIGO	DESCRIÇÃO	Qt.	OBS
1	LH00010059	Hexagon Flange Bolt M8x25	17	
2	LH00073016	Oil Seal 30X50X6.5	2	
3	LH00084210	Fitting Holder-With Bearing	1	
4	LH00010124	Hexagon Flange Bolt M8x1.25x35	4	
5	LH00010808	Bearing 206	1	
6	LH00021112	Hose Fitting	1	
7	LH00073037	Inner Six Angle Plug	2	
8	LH00025107	Clip	1	
9	LH00021111	Vent Tube	1	
10	LH00010010	Hexagon Flange Bolt M6x15	2	
11	LH00073023	Cover, Converter	1	
12	LH00073026	Rock Arm	1	
13	LH00010789	Parallel Pin	1	
14	LH00073013	O-Ring	1	
15	LH00071978	Diff Solenoid	1	
16	LH00071358	Clip	1	
17	LH00073292	Rubber protective sleeve	1	
18	LH00073025	Thread Adjusting Sleeve	1	
19	LH00073028	Rod, Converter	1	
20	LH00073024	OIL SEAL 12X20X5	1	
21	LH00073022	Case, Converter	1	
22	LH00073019	Nut M20x1.5	1	
23	LH00073027	Washer	1	
24	LH00073040	Shift Return Spring	2	
25	LH00073041	Shift Yoke	1	
26	LH00073039	Shift Bar	1	
27	LH00073038	Shift Lever Spring	1	
28	LH00073029	Shift Lever	1	
29	LH00084056	Carrier Cover Half	1	
30	LH00073030	Clutch Gear	1	

LH800D EURO 4

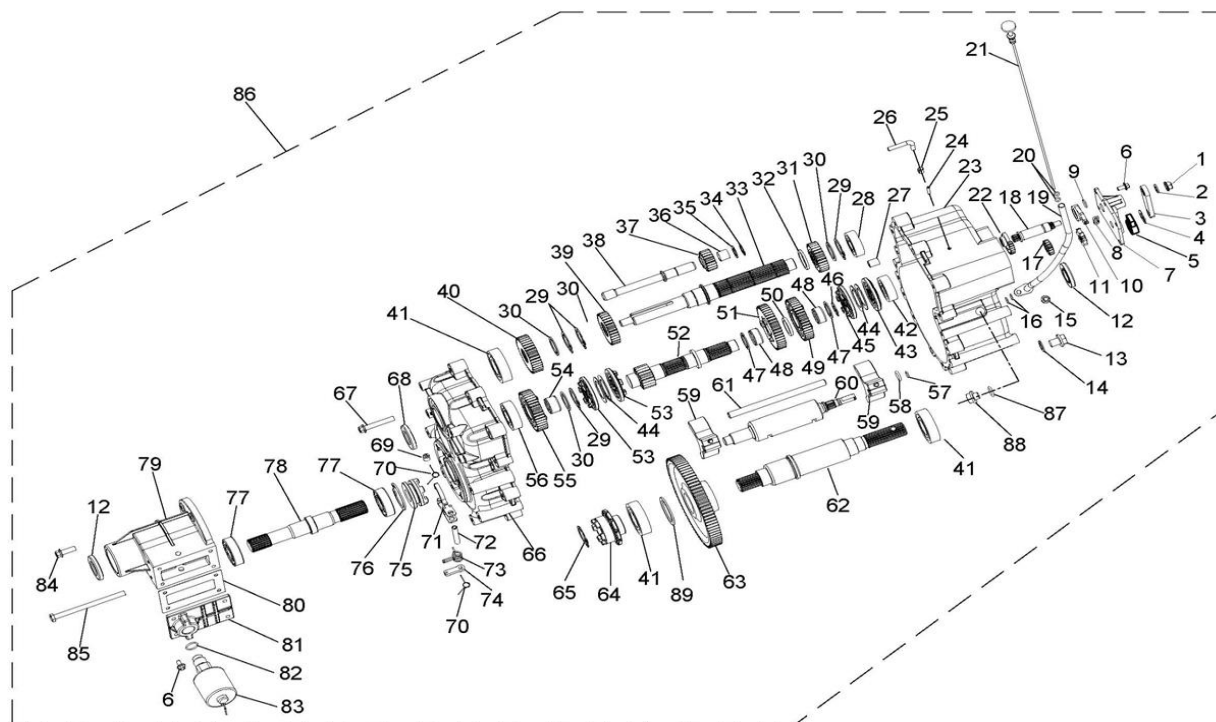
2 - FRONT GEARCASE



N°	CÓDIGO	DESCRIÇÃO	Qt.	OBS
31	LH00021106	Diff Case Thrust-Washer	as needed	
32	LH00010056	Bearing 110	2	
33	LH00010788	Diff Roll Pin	1	
34	LH00073033	Diff Case	1	
34	LH00084551	Diff Case (20CrMnTi) NEW	1	
35	LH00084059	Hexagon Flange Bolt M10×20	8	
36	LH00073036	Pinion Mate Thrust-Washer	2	
37	LH00073035	Diff Pinion Mate Gear	2	
38	LH00073032	Diff Cross Pin	1	
39	LH00073031	Diff Side Gear	2	
40	LH00073034	Side Gear Thrust-Washer	2	
41	LH00073018	Bevel Gear -Driven	1	
42	LH00021105	O-Ring 176X2.65-Housing Halves	1	
43	LH00021104	Locating Pin	3	
44	LH00084054	Carrier Housing Half	1	
45	LH00050082	O-Ring	1	
46	LH00024305	Fill Plug	1	
47	LH00029613	Plain Washer	1	
48	LH00073435	Gear Sensor	1	
49	LH00084209	Fitting Holder	1	
50	LH00073020	Drain Plug	1	
51	LH00073021	Aluminium Washer	1	
52	LH00010810	Liner Bushing	1	
53	LH00084211	Bevel Gear -Driving	1	
54	LH00010809	Bearing 6306ST	1	
55	LH00021120	circlip For Shaft	1	
56	LH0020901A	O-Ring 79X2.65	1	
57	LH00073017	Cover-Carrier Housing Half	1	
58	LH00073015	Oil Seal 30X45X7	1	
59	LH00084214	Front Gearcase ASSY.	1	
59	LH00084553	Front Gearcase ASSY. Diff Case (20CrMnTi) (NEW)	1	
60	LH00010060	Hexagon Flange Bolt M8×28	8	

LH800D EURO 4

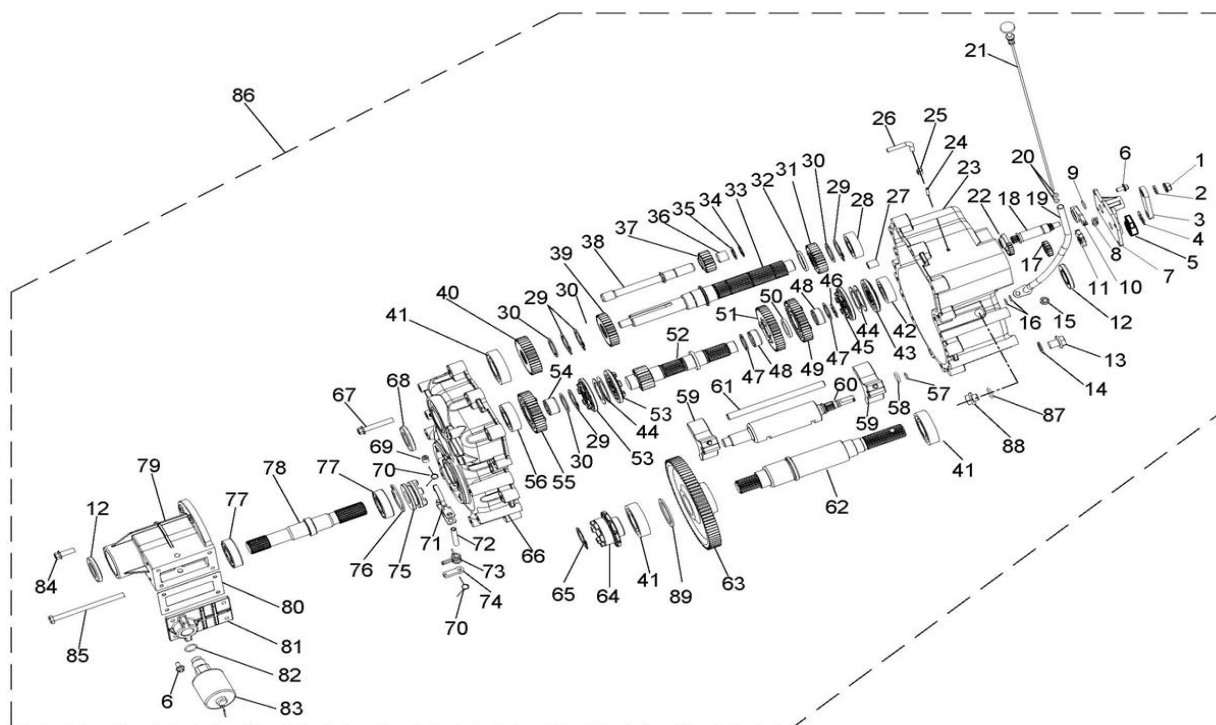
3 - TRANSMISSION



Nº	CÓDIGO	DESCRIÇÃO	Qt.	OBS
1	LH00010067	Nut M8	1	
2	LH00010068	Washer 8	1	
3	LH00084001	Shift Bracket	1	
4	LH00010767	Circlip 11	1	
5	LH00084050	Gear Shift Component	1	
6	LH0010183W	Bolt M6X16	9	
7	LH00084002	Cover	1	
8	LH00084003	Spring	1	
9	LH00010887	O-Ring 13.2X1.8	1	
10	LH00084004	Stop Swing Lever, Gear Shift	1	
11	LH00084005	Camshaft, Gear Shift	1	
12	LH00021201	Oil Seal 25x47x8	1	
13	LH00050105	Bolt	1	
14	LH01309283	Washer	1	
15	LH00010140	Bolt M6x12	1	
16	LH00010291	O-Ring 10x1.8	2	
17	LH00084006	Driven Gear, Gear Shift	1	
18	LH00084007	Shaft, Gear Shift	1	
19	LH00084048	Guide Tube, Oil Dip-Stick	1	
20	LH00084019	O-Ring 6.4x1.8	2	
21	LH00084049	Oil Dip-Stick Component	1	
22	LH00084008	Drive Gear, Gear Shift	1	
23	LH00084042	Case, Gear Box	1	
24	LH00021340	Vent Tube Fitting	1	
25	LH00029530	Spring Clip	1	
26	LH00021339	Vent Tube	1	
27	LH00021104	Pin Dowel	2	
28	LH00010062	Bearing 6204	1	
29	LH00010769	Circlip 28	4	
30	LH00084023	Washer 28.5A	4	

LH800D EURO 4

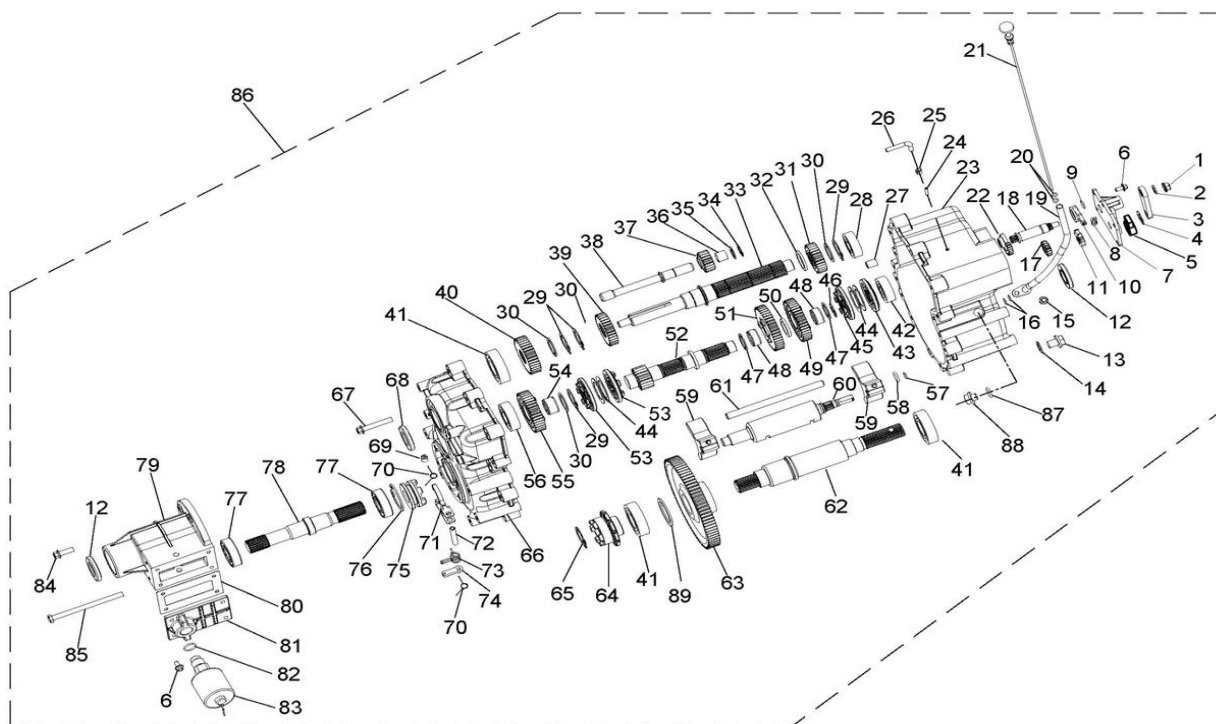
3 - TRANSMISSION



Nº	CÓDIGO	DESCRIÇÃO	Qt.	OBS
31	LH00084026	Drive Gear, Reverse	1	
32	LH00084025	Washer 28.5B	1	
33	LH00084161	Shaft	1	
34	LH00010768	Circlip 15	1	
35	LH00084028	Washer 15.5	1	
36	LH00084017	Bushings	1	
37	LH00084018	Gear Counter, Reverse	1	
38	LH00084029	Shaft Counter, Reverse	1	
39	LH00084024	Drive Gear, Low Speed	1	
40	LH00084022	Drive Gear, High Speed	1	
41	LH00010808	Bearing 6206	3	
42	LH00026013	Bearing 6303	1	
43	LH00084031	Engagement B	1	
44	LH00084027	Spring Washer	2	
45	LH00084030	Engagement A	1	
46	LH00010064	Circlip 25	1	
47	LH00021219	Washer 25.5B	2	
48	LH00084038	Bearing 25X29X13	2	
49	LH00084039	Driven Gear, Reverse	1	
50	LH00084034	Washer 25.5A	1	
51	LH00084037	Driven Gear, Low Speed	1	
52	LH00084033	Side Shaft	1	
53	LH00084032	Engagement C	2	
54	LH00084036	Bearing 28X33X17	1	
55	LH00084035	Driven Gear, High Speed	1	
56	LH00010061	Bearing 6205C3	1	
57	LH00021615	O-Ring 9.5X1.8	1	
58	LH00084052	O-Ring 14.5X3	1	
59	LH00084020	Shift Fork	2	
60	LH00084051	Drum, Fork Shift	1	

LH800D EURO 4

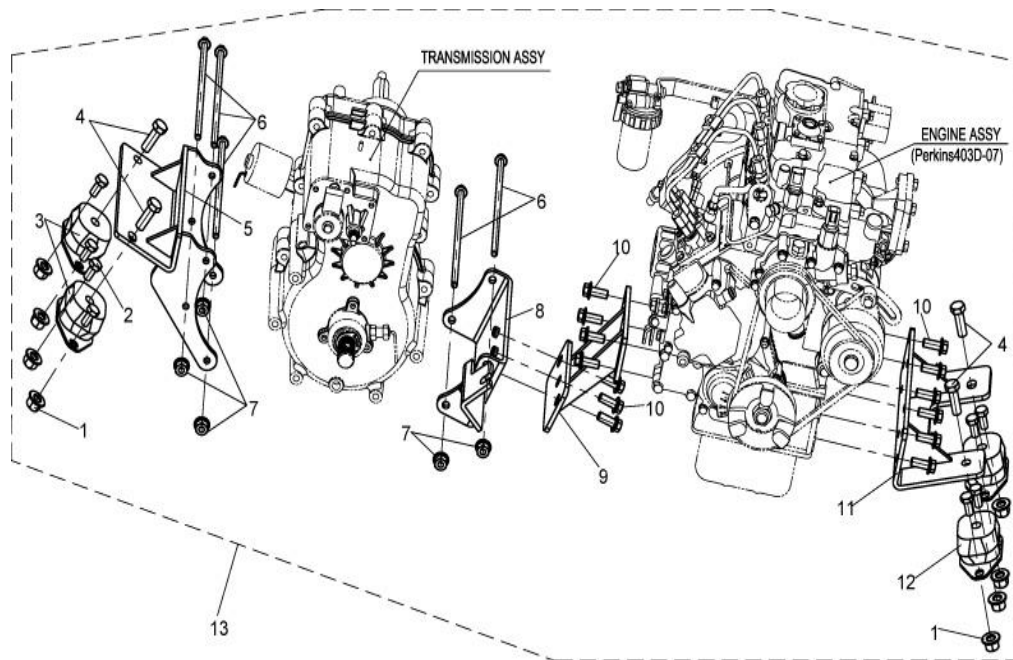
3 - TRANSMISSION



Nº	CÓDIGO	DESCRIÇÃO	Qt.	OBS
61	LH00084053	Guide Shaft, Shift Fork	1	
62	LH00084040	Output Shaft	1	
63	LH00084041	Gear, Output	1	
64	LH00084009	Engagement B, Front Drive	1	
65	LH00010164	Circlip 24	1	
66	LH00084043	Cover, Gear Box Case	1	
67	LH00010403	Bolt M8X50	12	
68	LH00084045	Oil Seal 28X40X7	1	
69	LH00084010	Plug Pin, Fork Shift Shaft	1	
70	LH00084011	Spring	2	
71	LH00084012	Fork Shift Comp.	1	
72	LH00084013	Shaft, Fork Shift	1	
73	LH00084014	Srping, Lever Of Fork Shift	1	
74	LH00084015	Lever, Fork Shift	1	
75	LH00084016	Engagement A, Front Drive	1	
76	LH00010885	Circlip 52	1	
77	LH00010778	Bearing 6205	2	
78	LH00084021	Shaft, Front Drive	1	
79	LH00084044	Case, Front Drive	1	
80	LH00084047	Gasket	1	
81	LH00084046	Cover	1	
82	LH00073013	Seal	1	
83	LH00071978	Solenoid	1	
84	LH00010739	Bolt M8X25	4	
85	LH00010871	Bolt M8X120	1	
86	LH00084163	Transmission Assy	1	
87	LH00029511	O-Ring 18x2.65	1	
88	LH00070235	Cover,Oil	1	
89	LH00084314	Washer 40	1	

LH800D EURO 4

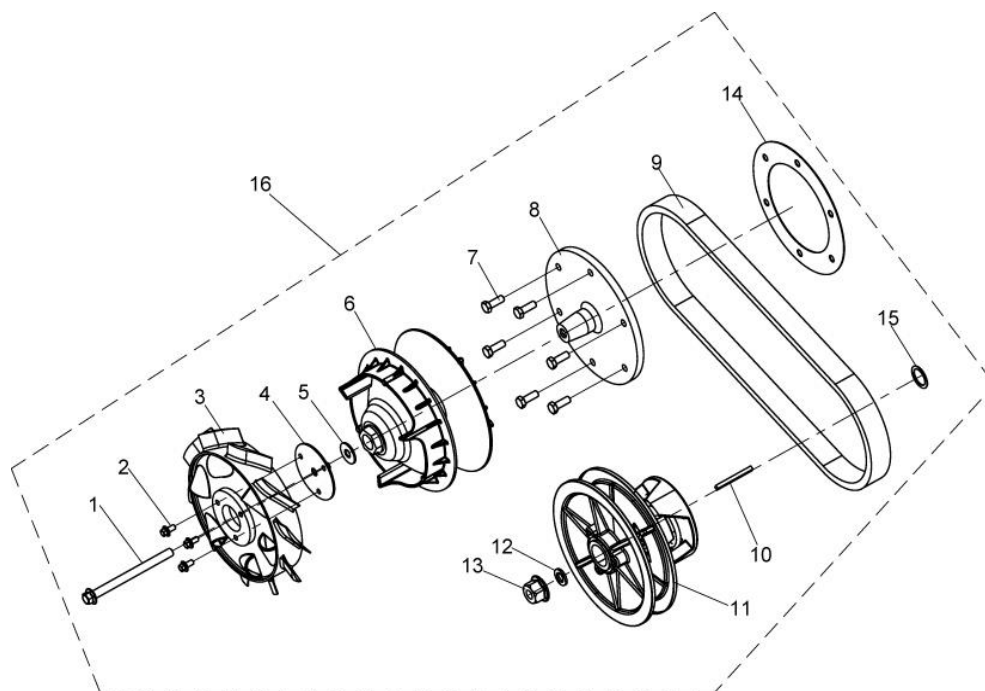
4 - ENGINE & TRANSMISSION MOUNTING PARTS



Nº	CÓDIGO	DESCRIÇÃO	Qt.	OBS
1	LH00010883	Nut M10X1.5	8	
2	LH00010869	Bolt M10X1.5X20	8	
3	LH00084083	Damper,Transmission Assy	2	
4	LH00010870	Bolt M12X1.75X35	4	
5	LH00084154	Transmission Mounting Bracket	1	
6	LH00084082	Axle,Transmission Mounting Bracket	5	
7	LH00010882	Nut M8	5	
8	LH00084157	Fitting Board Comp.2	1	
9	LH00084156	Fitting Board Comp.1	1	
10	LH00010873	Bolt M10X1.5X20	15	
11	LH00084155	Engine Mounting Bracket	1	
12	LH00084084	Damper,Engine Assy	2	
13	LH00084153	Engine&Transmisson Mounting Parts	1	

LH800D EURO 4

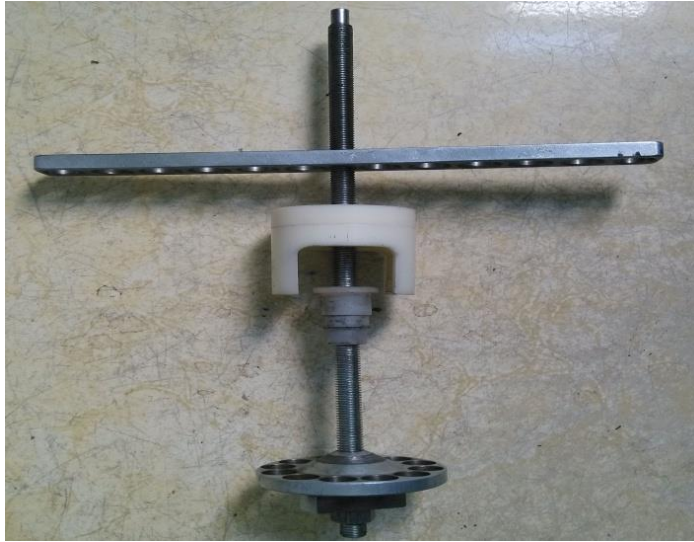
5 - CVT ASSY



Nº	CÓDIGO	DESCRIÇÃO	Qt.	OBS
1	LH0084069a	Bolt M10X132	1	
2	LH0010140B	Bolt M6X12	3	
3	LH00084072	Fan Comp., CVT	1	
4	LH00084073	Board Comp., Drive Pulley	1	
5	LH00084071	Adjust Washer	1	
6	LH00084067	Drive Pulley Comp.	1	
7	LH00010035	Bolt M8X20	6	
8	LH0084162a	Shaft	1	
9	LH00084079	Belt	1	
10	LH00084070	Key, B4.7X55	1	
11	LH00084068	Driven Pulley Comp.	1	
12	LH00028053	Washer 12	1	
13	LH00010136	Nut M12X1.25	1	
14	LH00084383	Adjusting shim1	as needed	
15	LH00084384	Adjusting shim2	as needed	
16	LH0084147b	CVT Assy	1	

LH800D EURO 4

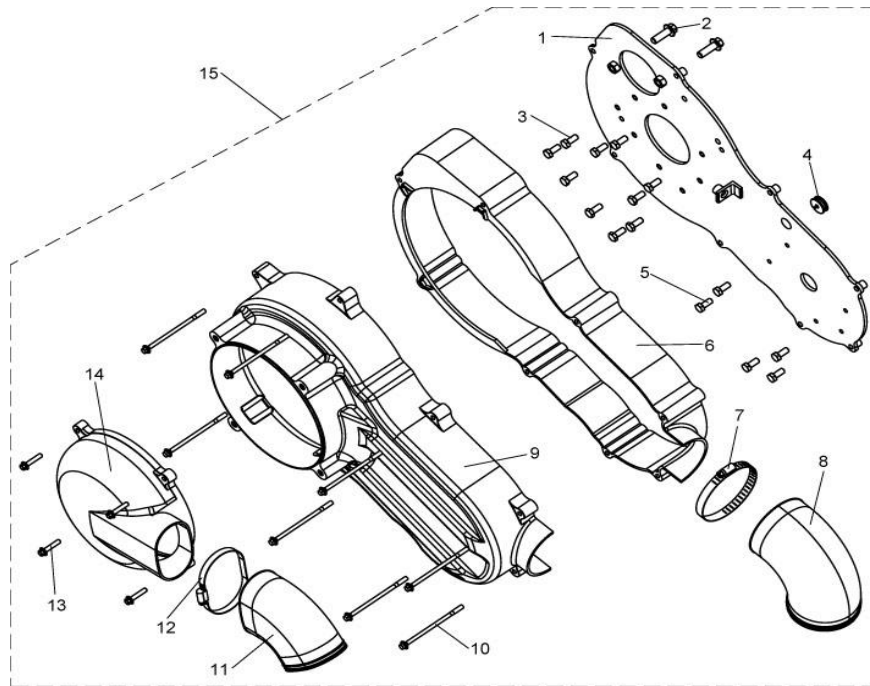
6 - OPTIONS (CVT DISASSEMBLE TOOL)



N°	CÓDIGO	DESCRIÇÃO	Qt.	OBS
1	LH00072014	Driven pulley spring compressor	1	

LH800D EURO 4

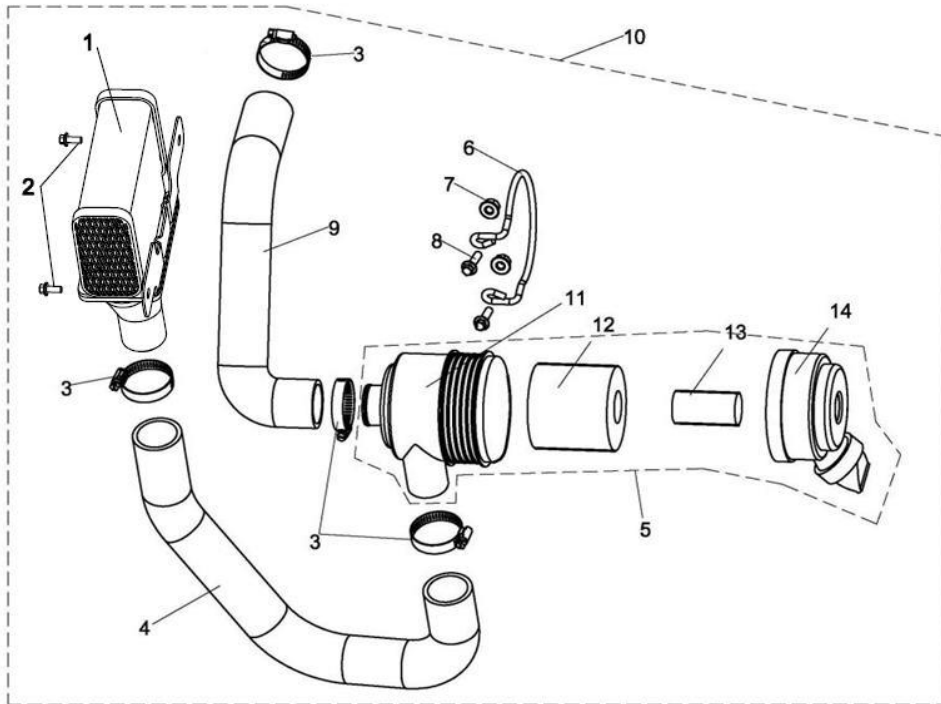
7 - CVT COVER ASSY



Nº	CÓDIGO	DESCRIÇÃO	Qt.	OBS
1	LH00084142	Fitting Board	1	
2	LH00010282	Bolt M10X30	2	
3	LH00010866	Bolt M8X18	10	
4	LH00084145	Rubber Sleeve	1	
5	LH00010035	Bolt M8X20	5	
6	LH00084144	Down Cover .CVT	1	
7	LH00084078	Clamp B	1	
8	LH00084077	Outlet Plastic Pipe	1	
9	LH00084143	Upper Cover Comp. CVT	1	
10	LH00027208	Bolt M6X110	8	
11	LH00084075	Intake Plastic Pipe	1	
12	LH00084076	Clamp A	1	
13	LH00010182	Bolt M6X30	4	
14	LH00084074	Top Cover, CVT	1	
15	LH00084146	CVT Cover Assy	1	

LH800D EURO 4

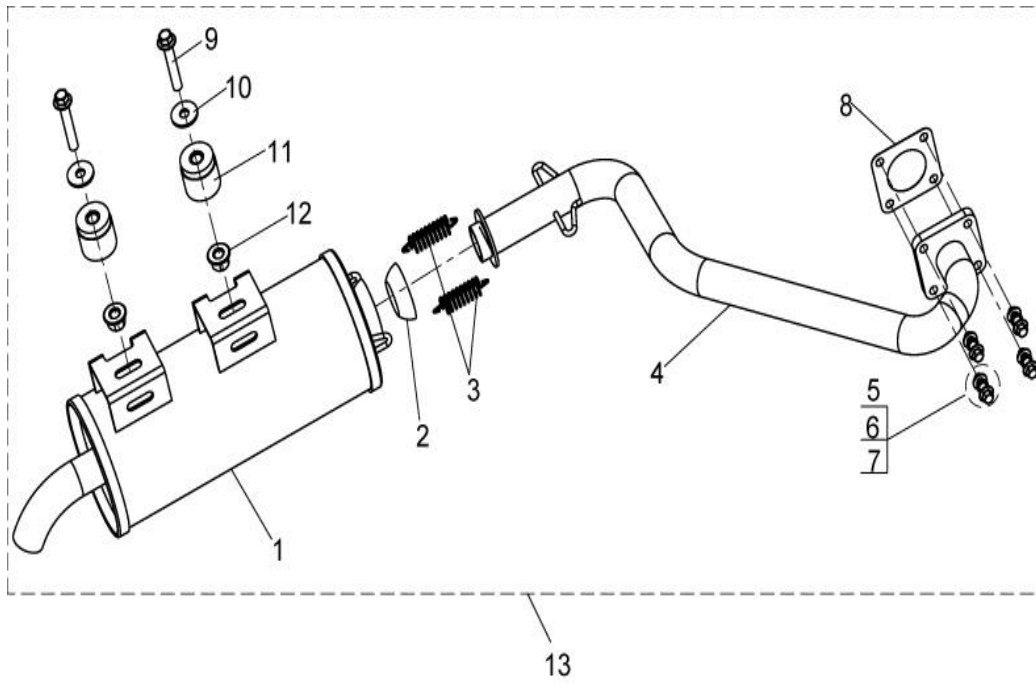
8 - AIR INTAKE



Nº	CÓDIGO	DESCRIÇÃO	Qt.	OBS
1	LH00084296	Air Intake Baffling Box	1	
2	LH00010010	Bolt M6X15	2	
3	LH00084063	Clamp (Φ40-Φ60)	4	
4	LH00084137	Inlet Hose	1	
5	LH00084064	Air Cleaner Components (With Filter Element)	1	
6	LH00084065	Clamp	1	
7	LH00010880	Nut M8	2	
8	LH00010078	Bolt M8X30	2	
9	LH00084136	Outlet Hose	1	
10	LH00084134	Air Intake Assy	1	
11	LH00084267	The Air Filter Housing	1	
12	LH00084268	Air Filter Element	1	
13	LH00084269	The Security Air Filter Element	1	
14	LH00084270	The Air Filter Housing	1	

LH800D EURO 4

9 - EXHAUST ASSEMBLY



Nº	CÓDIGO	DESCRIÇÃO	Qt.	OBS
1	LH00084141	Muffler	1	
2	LH00084066	Spherical Washer	1	
3	LH00023408	Spring	2	
4	LH00084139	Exhaust Pipe	1	
5	LH00010425	Bolt M8X22	4	
6	LH00010106	Spring Washer 8	4	
7	LH00010068	Washer 8	4	
8	LH00084140	Gasket,Muffler	1	
9	LH00010813	Bolt M10X1.25X62	2	
10	LH00010117	Washer 10 (11×30×2.5)	2	
11	LH00035344	Silence Bumper Components	2	
12	LH00010815	Nut M10X1.25	2	
13	LH00084138	Exhaust Assy	1	

LH800D EURO 4

10 - COOLING SYSTEM



Nº	CÓDIGO	DESCRIÇÃO	Qt.	OBS
1	LH00084129	Radiator	1	
2	LH00022907	Safety Valve	1	
3	LH00073395	Spong 1	2	
4	LH00071952	Clip ϕ 9.8	2	
5	LH00071819	Pipe,Safety Valve	1	
6	LH00010737	O-Ring 13.2X1.8	1	
7	LH00084297	Temperature Thermo Switch	1	
8	LH00070338	Cover,Recovery Tank	1	
9	LH00070342	Pipe,Recovery Tank	1	
10	LH00022924	Clip ϕ 8.6	1	
11	LH00070340	Recovery Tank	1	
12	LH00084086	Spong 2	1	
13	LH00072027	Clamp 21/44	8	
14	LH00084125	Outlet Hose, Radiator	1	
15	LH00010183	Bolt M6X16	13	
16	LH00084133	R-Clip, Aluminum Pipe 1&2 Fitting	6	
17	LH0084127A	Aluminum Pipe 1	1	
18	LH00010783	Bolt M8X20	1	
19	LH00084131	R-Clip, Engine Inlet Hose Fitting	1	
20	LH00084123	Engine Inlet Hose	1	
21	LH00084272	Engine Outlet Hose 2	1	
22	LH01309254	Washer	1	
23	LH00084130	Overflow Pipe	1	
24	LH00084132	R-Clip, Engine Outlet Hose Fitting	1	
25	LH00084128	Aluminum Pipe 2	1	
26	LH00010110	Bolt M6X20	4	
27	LH00071816	Installing Lug	4	
28	LH00070960	Plastic Flexible Installation Nut	4	
29	LH00084087	Fan Moter	1	
30	LH00073004	Fan Moter Shroud	1	
31	LH00084126	Inlet Hose, Radiator	1	
32	LH00084122	Cooling System Assy	1	
33	LH00084124	Engine Outlet Hose	1	
34	LH00084306	Protective net	1	Optional
35	LH00010764	Clamp 21/32	2	
36	LH00070811	THE COOLING FLUID TEMPERATURE SENSOR	1	

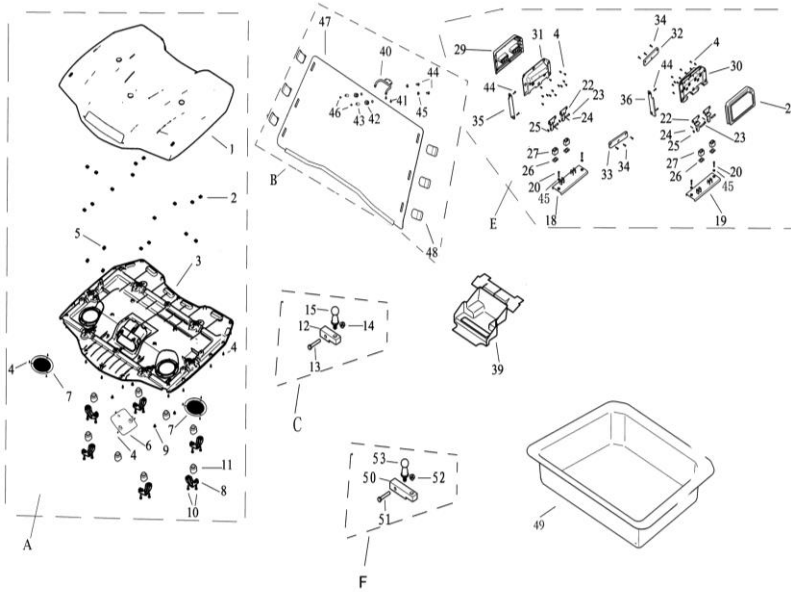
LH800D (U-2D T1a)

EQUIPAMENTO OPCIONAL



LH800D EURO 4

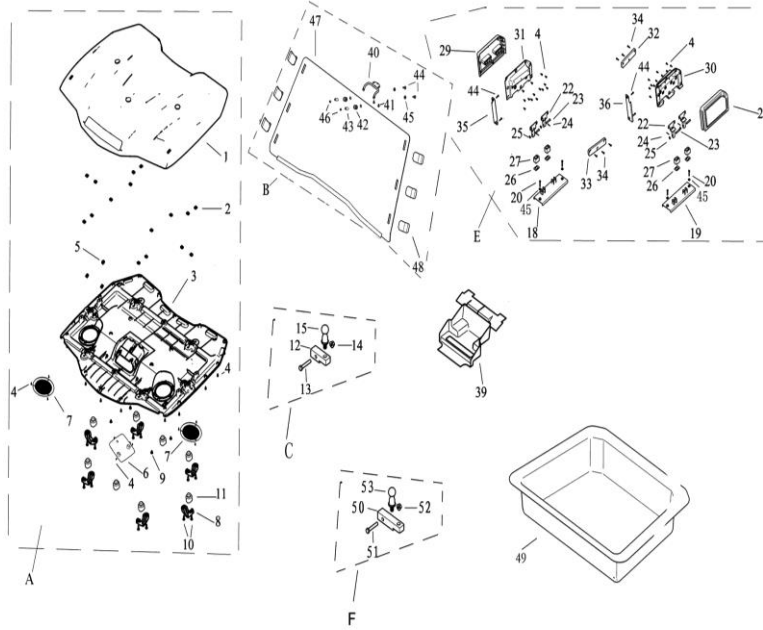
11_1 - OPTIONS



Nº	CÓDIGO	DESCRIÇÃO	Qt.	OBS
A	LH00073501	Roof Panel Assy	1	
1	LH00073446	Upper Roof Panel	1	
2	LH00070960	Spring Nut M6	16	
3	LH00073447	Lwr Roof Panel	1	
4	LH00010009	Cross Recessed Pan Head Tapping Screw ST4.8×16	25	
5	LH00022346	Spring Nut ST4.8	3	
6	LH00073448	Cover, Ceiling Lamp	1	
7	LH00073449	Cover,Loudspeaker	2	
8	LH00073450	Shifter Holder	6	
9	LH00073054	Screw M6×16	4	
10	LH00073055	Screw M6×30	12	
11	LH00073451	Rubber,Frame Roof	8	
C		Tractor Assy	1	
12	LH00084116	Bracket, Tractor	1	
13	LH00010865	Hexagon Flange Bolt M16×85	1	
14	LH00010881	Hexagon Nut With Flange M16 - Prevailing Torque	1	
15	LH00073453	Ball, Tractor	1	

LH800D EURO 4

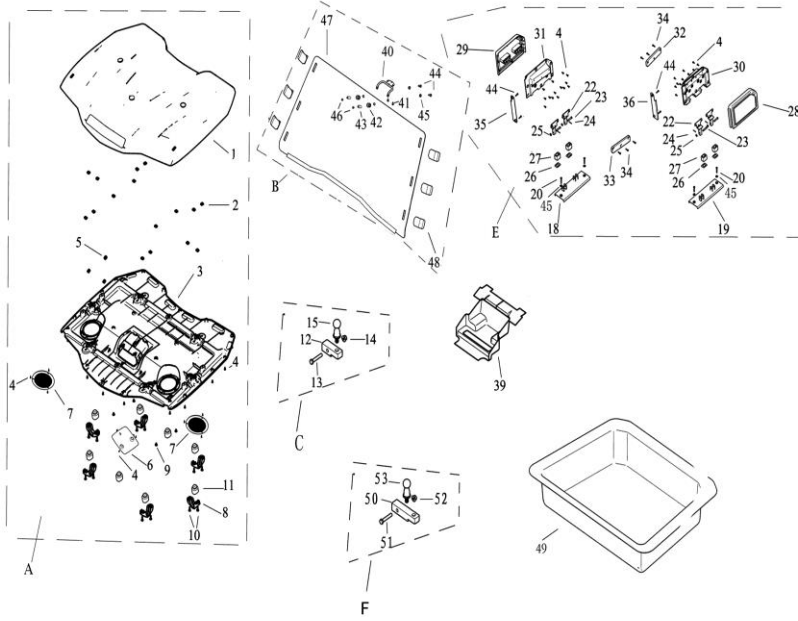
11_2 - OPTIONS



Nº	CÓDIGO	DESCRIÇÃO	Qt.	OBS
E	LH00073505	Small Fender Assy	1	
18	LH00073455	Bracket 1, RH Small Fender	1	
19	LH00073456	Bracket 1,LH Small Fender	1	
20	LH00010817	Cross Recessed Pan Head Screw M6×40	4	
45	LH00010011	Washer 6 (6.4×18×1.6)	4	
22	LH00073457	Hinge	4	
23	LH00073458	Pin	4	
24	LH00010094	Cotter Pin 2×20	4	
25	LH00010068	Washer 8	4	
26	LH00073459	Bracket, Small Fender	4	
27	LH00073460	Rubber,Small Fender	4	
28	LH00073461	Small Fender,LH	1	
29	LH00073462	Small Fender,RH	1	
30	LH00073463	Inner, LH Small Fender	1	
31	LH00073464	Inner, RH Small Fender	1	
4	LH00010009	Cross Recessed Pan Head Tapping Screw ST4.8×16	28	
32	LH00073465	Rubber, LH Small Fender	1	
33	LH00073466	Rubber, RH Small Fender	1	
34	LH00010534	Cross Recessed Pan Head Tapping Screw ST4.8×25	6	
35	LH00073467	Bracket 2, RH Small Fender	1	
36	LH00073468	Bracket 2, LH Small Fender	1	
44	LH00073473	Screw M6×25	4	

LH800D EURO 4

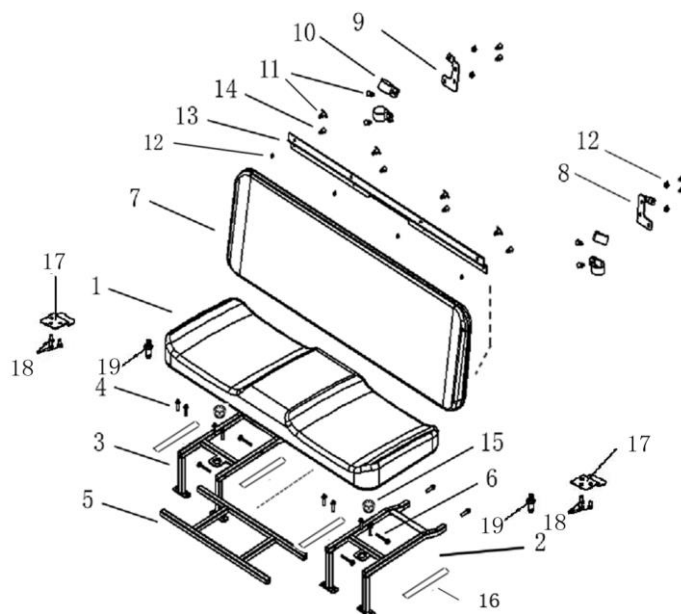
11_3 - OPTIONS



Nº	CÓDIGO	DESCRIÇÃO	Qt.	OBS
B	LH0073502C	Windshield Assy, PC	1	
40	LH00073472	Bracket,Windshield	1	
41	LH00026262	Cross Recessed Pan Head Screw M6X12	2	
42	LH00070449	Rubber Sheath	2	
43	LH00070543	Bushing	2	
44	LH00073473	Screw M6×25	2	
45	LH00010011	Washer 6 (6.4×18×1.6)	2	
46	LH00026269	Nut M6	2	
47	LH00084299	Windshield (PC)	1	
48	LH00073475	Holder, Windshield	6	
39	LH00073471	Felt,Fixed Hood	1	
49	LH00084258	Box	1	
F	LH00084388	Tractor Assy (extended edition)	1	
50	LH00084389	Bracket, Tractor (extended edition)	1	
51	LH00010865	Hexagon Flange Bolt M16×85	1	
52	LH00010881	Prevailing Torque Hexagon Nut With Flange M16	1	
53	LH00073453	Ball,Tractor	1	

LH800D EURO 4

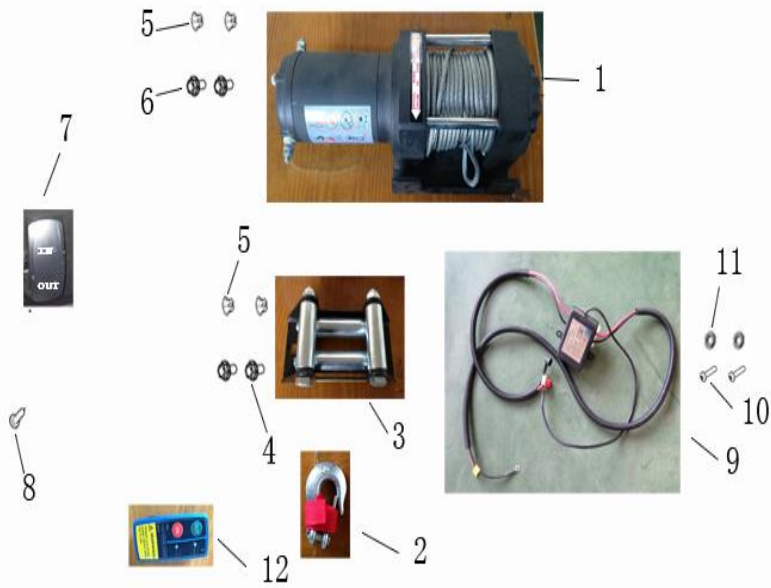
11_4 - Options E (Integral seat and backrest assembly)



Nº	CÓDIGO	DESCRIÇÃO	Qt.	OBS
E	LH00084279	Integral seat and backrest assembly	1	
1	LH0084280a	Integral seat assembly	1	
2	LH00084281	Assembly welding of long cushion (left)	1	
3	LH00084282	Assembly welding of long cushion (right)	1	
4	LH00010081	Bolt	12	
5	LH00084283	Long seat bracket is connected with the welding assembly	1	
6	LH00010124	Bolt	4	
7	LH00084284	The integral type backrest assembly	1	
8	LH00084285	Long backrest on the mounting plate (left)	1	
9	LH00084286	Long backrest on the mounting plate (right)	1	
10	LH00084256	Ceiling fixing clip	4	
11	LH00073056	Bolt	12	
12	LH00010793	Nut	8	
13	LH00084287	Long back mounting plate welding assembly	1	
14	LH0010186B	Bolt	4	
15	LH00026721	Fixed rubber	2	
16	LH00073106	Rubber Damper	4	
17	LH00084313	Bracket, Bench Seat	2	
18	LH00073054	Bolt M6X16	6	
19	LH00026968	Pin, Fix	2	

LH800D EURO 4

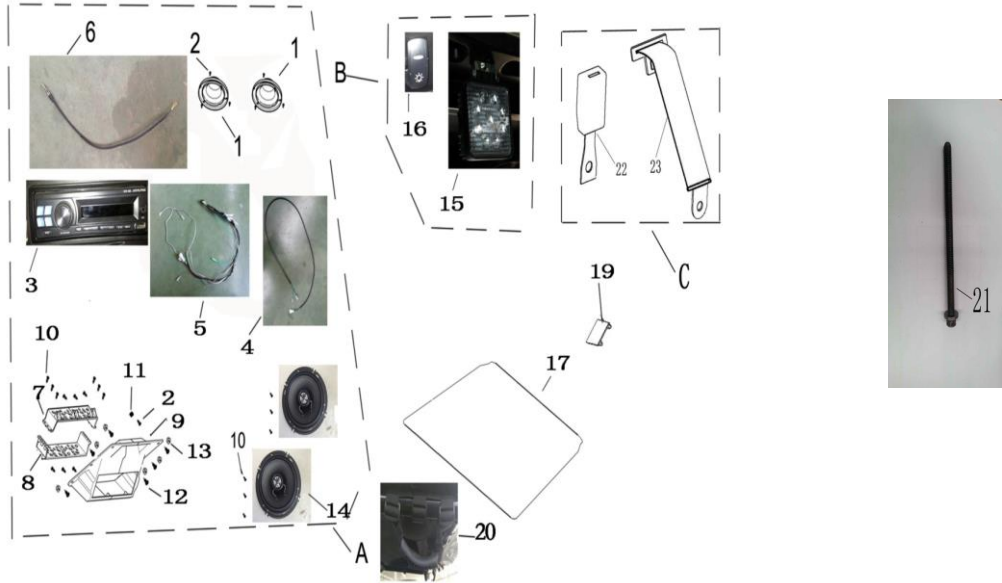
11_5 - Options F (Winch Assy)



Nº	CÓDIGO	DESCRIÇÃO	Qt.	OBS
F	LH00073543	Winch Assy	1	
1	LH00073544	winch	1	
2	LH00073545	Tow Hook	1	
3	LH00073546	Slideway	1	
4	LH00010081	Hexagon Flange Bolt M8x20	2	
5	LH00010794	Prevailing Torque Type All-metal Hexagon Nut M8	4	
6	LH00010105	Hexagon Flange Bolt M8x25	2	
7	LH00073547	Switch	1	
8	LH00010009	Cross Recessed Pan Head Tapping Screw ST4.8x16	1	
9	LH00073548	Controller (Order with Remote Control (4CF-77533-00))	1	
10	LH00010201	Cross Recessed Pan Head Screw M5x16	2	
11	LH00010002	Washer 8	2	
12	LH00073549	Remote Control (Order with Controller (4CF-77532-00))	1	

LH800D EURO 4

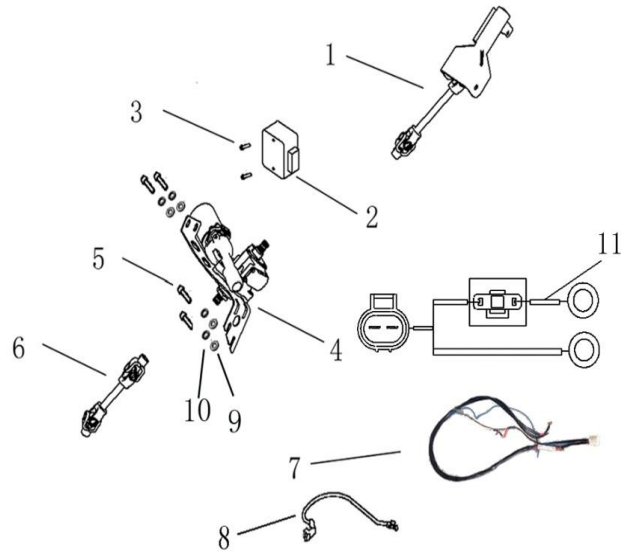
11_6 - Options A (Stereo Assy & B.Work Light)



Nº	CÓDIGO	DESCRIÇÃO	Qt.	OBS
A	LH00084301	Stereo Assy		
1	LH00073469	Holder,Loudspeaker	2	
2	LH00010009	Cross Recessed Pan Head Tapping Screw ST4.8×16	7	
3	LH00073550	Car Player	1	
4	LH00073551	Wiring Harness 2,Player	1	
5	LH00073552	Wiring Harness 2,Roof Panel	1	
6	LH00073593	Antenna	1	
7	LH00073553	Upper Holder, Car Player	1	
8	LH00073554	Lwr Holder, Car Player	1	
9	LH00073555	Holder	1	
10	LH00010178	Cross Recessed Pan Head Tapping Screw ST4.2×13	18	
11	LH00022346	Spring Nut ST4.8	1	
12	LH00073054	Screw M6×16	6	
13	LH00010793	Prevailing Torque Type All-metal Hexagon Nut M6	6	
14	LH00073556	Sound the horn	2	
B	LH00073557	work Light	1	
15	LH00073558	work Light	1	
16	LH00073081	Switch Assy	1	
17	LH0073167A	Box Mat	1	
19	LH00073048	Cap, Electrical Switch	1	
20	LH00073559	The soft passengers handle	1	
21	LH00084327	Driving Wheel Puller	1	
C	LH00084380	Intermediate Belt Components (only for Integral seat backrest)	1	
22	LH00084381	In The Middle Of Lock Assembly	1	
23	LH00084382	Intermediate Belt Combination	1	

LH800D EURO 4

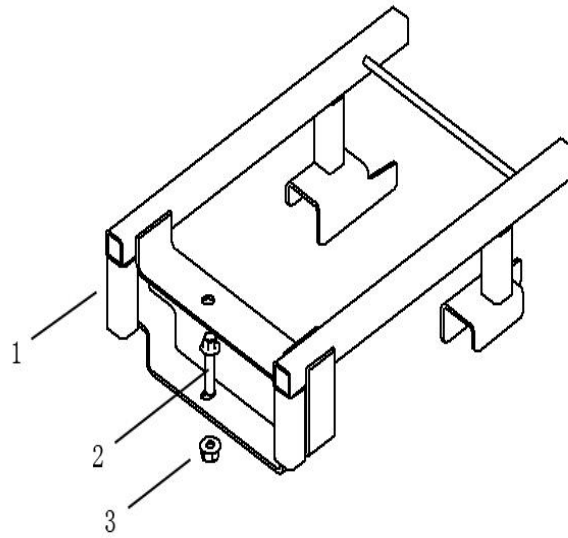
11_7 - Options H (EPS assembly)



Nº	CÓDIGO	DESCRIÇÃO	Qt.	OBS
H	LH00073560	EPS assembly		
1	LH00073561	Steering transmission device (EPS version)	1	
2	LH00073562	EPS controller assembly	1	
3	LH00020227	Bolt M6x12	2	
4	LH00073563	Control motor assembly	1	
5	LH00010081	Bolt M8x20	4	
6	LH00073564	EPS drive shaft assembly	1	
7	LH00073565	EPS controller for vehicle cable	1	
8	LH00073566	Wire, EPS Sensor	1	
9	LH00026009	Washer 8	4	
10	LH00010944	Spring Washer 8	4	
11	LH00084557	Wire, controller assembly (Waterproof)	1	

LH800D EURO 4

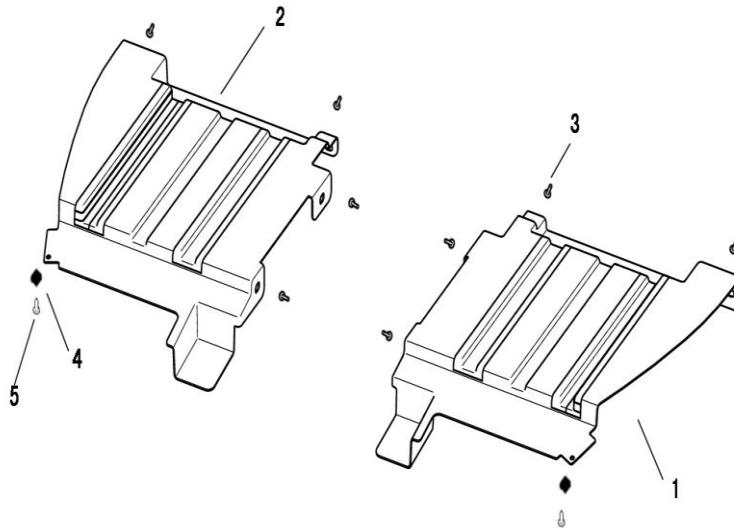
11_8 - Options H (Cushion support component)



Nº	CÓDIGO	DESCRIÇÃO	Qt.	OBS
H	LH00084304	Cushion support component		
1	LH00084305	Seat cushion support frame for welding components	1	
2	LH00010081	Bolt	1	
3	LH00010794	nut	1	

LH800D EURO 4

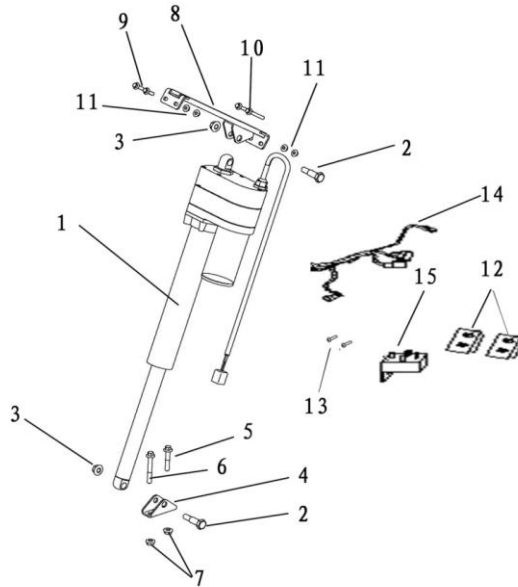
11_9 - Options



Nº	CÓDIGO	DESCRIÇÃO	Qt.	OBS
F	LH00073567	Manger Assy	1	
1	LH00073568	Manger, LH	1	
2	LH00073569	Manger, RH	1	
3	LH00073056	Screw M6×20	8	
4	LH00022346	Spring Nut ST4.8	2	
5	LH00010009	Cross Recessed Pan Head Tapping Screw ST4.8×16	2	

LH800D EURO 4

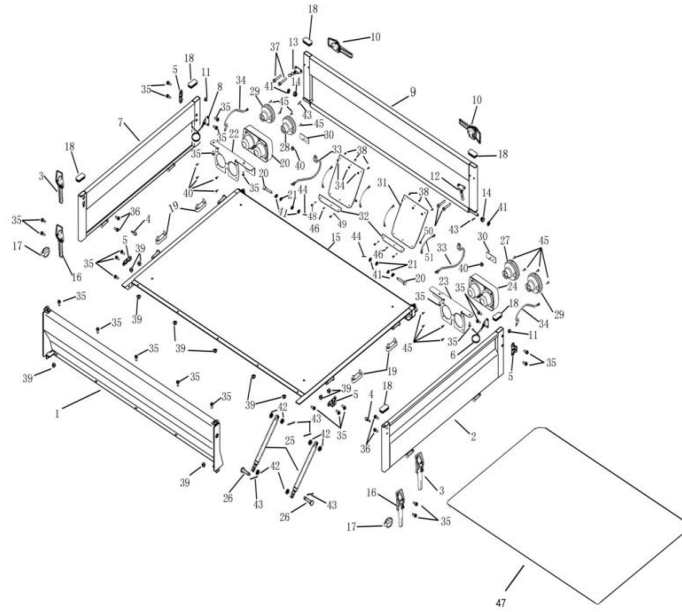
11_10 - Options (electric lift for rear cargo)



Nº	CÓDIGO	DESCRIÇÃO	Qt.	OBS
M	LH00084390	The electric push rod parts	1	
1	LH00084391	After the container electric push rod assembly	1	
2	LH00084392	Shoulder Bolt M10×1.25×45	2	
3	LH00010136	Nut M10	2	
4	LH00084393	The supporting seat is arranged under the electric putter	1	
5	LH00010055	Hexagon Flange Bolt M8×45	1	
6	LH00010961	Hexagon Flange Bolt M8×60	1	
7	LH00010079	Prevailing Torque Type All-metal Hexagon Nut Fine Pitch M8	2	
8	LH00084394	The supporting seat assembly is mounted on the electric push rod	1	
9	LH00000000	Hexagon Flange Bolt M6×45	2	
10	LH00010110	Hexagon Flange Bolt M6×20	2	
11	LH00010793	Prevailing Torque Type All-metal Hexagon Nut Fine Pitch M6	4	
12	LH00084395	Lift switch	1	
13	LH00010201	Cross Recessed Pan Head Screw M5×16	2	
14	LH00084396	Lift control cable	1	
15	LH00084519	Fan relay	2	

LH800D EURO 4

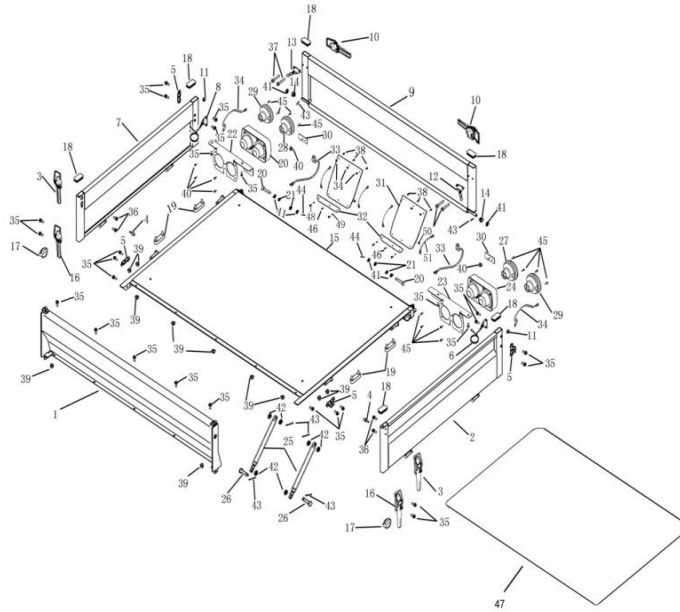
11_11 - Options (removable rear cargo)



Nº	CÓDIGO	DESCRIÇÃO	Qt.	OBS
M	LH00084397	Removable iron cargo tank assembly	1	
1	LH00073059	Front cover welded assembly III	1	
2	LH00084399	The left side plate welded assembly III	1	
3	LH00084400	Rail cargo box handle assembly	2	
4	LH00084401	Side rubber stopper	2	
5	LH00000000	hook	4	
6	LH00084403	Box Gaila Suo (left)	1	
7	LH00084404	The right side plate welded assembly III	1	
8	LH00084405	Box Gaila Suo (right)	1	
9	LH00084406	Rear cover assembly III	1	
10	LH00055046	Handle 1	2	
11	LH00055048	Rear cover rubber stopper	2	
12	LH00084409	Lasso plate (left)	1	
13	LH00084410	Lasso plate (right)	1	
14	LH00073058	Nylon Sheath	2	
15	LH00084411	Box Floor Cover II	1	
16	LH00084412	Handle	2	
17	LH00084103	Pin Lock	2	
18	LH00084414	The closure	6	
19	LH00073059	Rubber Stopper	4	
20	LH00073489	Pin	2	
21	LH00073492	Rubber Damper	4	
22	LH00084417	Bracket,taillight,RH	1	
23	LH00084418	Bracket,taillight,LH	1	
24	LH00083378	Taillight cover	2	
25	LH00026784	Gas Spring	2	
26	LH00073161	Pin	2	

LH800D EURO 4

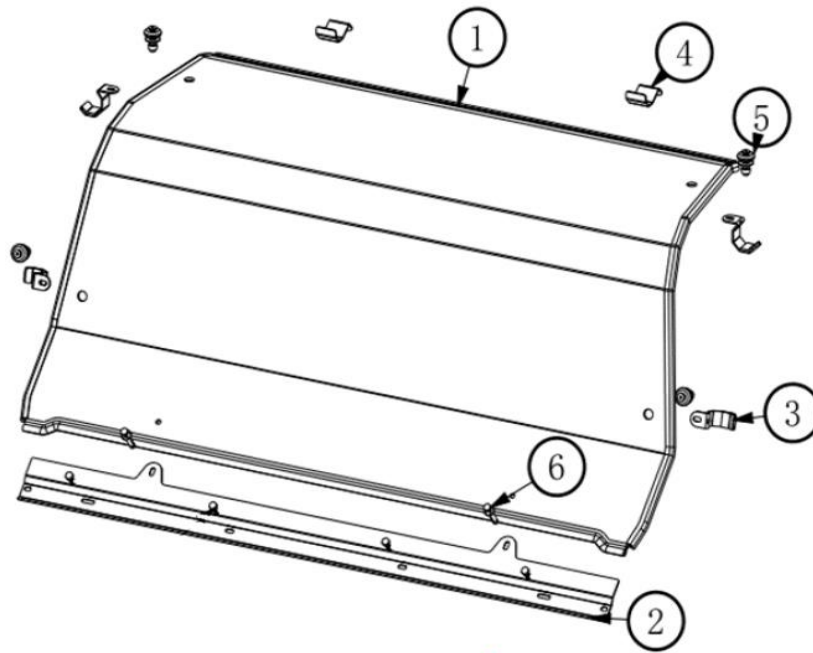
11_12 - Options (removable rear cargo)



Nº	CÓDIGO	DESCRIÇÃO	Qt.	OBS
27	LH00084302	Indicator libght,LH	1	
28	LH00084303	Indicator libght,RH	1	
29	LH00084419	Taillight	2	
30	LH00040319	rear, reflector	2	
31	LH00084420	Rubber mudguard	2	
32	LH00084421	Bracket,Rubber mudguard	2	
33	LH00084422	Wire. after Indicator libght,	2	
34	LH00084423	Wire. Taillight	2	
35	LH00010189	Hexagon Flange Bolt M6x16	27	
36	LH0010140W	Hexagon Flange Bolt M6x12	4	
37	LH0010186B	Hexagon Head Bolt M6x35	4	
38	LH00010110	Hexagon Flange Bolt M6x20	6	
39	LH00010004	Prevailing Torque Type All-metal Hexagon Nut M6	17	
40	LH00010797	Prevailing Torque Type All-metal Hexagon Nut M5	2	
41	LH00010032	Plain washers 12	6	
42	LH00010019	Plain washers 10	6	
43	LH00010772	Cotter Pin 3.2X22	6	
44	LH00011009	Cotter Pin 4X30	2	
45	LH00010009	Cross Recessed Pan Head Tapping Screw ST4.8x16	16	
46	LH00010966	Core pulling rivets	2	
47	LH00084430	Mat	1	
48	LH00010753	SCREW M4X16	4	
49	LH00010071	Plain washers 4	4	
50	LH00011044	NUT M4	4	
51	LH00084435	Rubber mudguard Line	4	

LH800D EURO 4

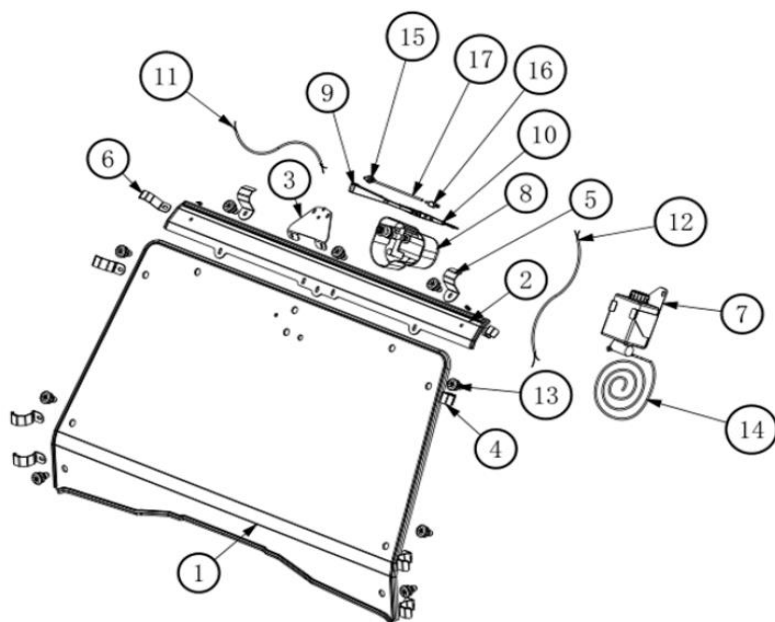
11_13 - Options (removable rear cargo) - REAR WINDSHIELD



Nº	CÓDIGO	DESCRIÇÃO	Qt.	OBS
1	LH00084464	PC glass with seal	1	
2	LH00084465	Low Crossbar	1	
3	LH00084466	Glass bracket	4	
4	LH00084467	Roof bracket	2	
5	LH00084468	Glass fixing	4	
6	LH00084469	Fixing pawl	2	

LH800D EURO 4

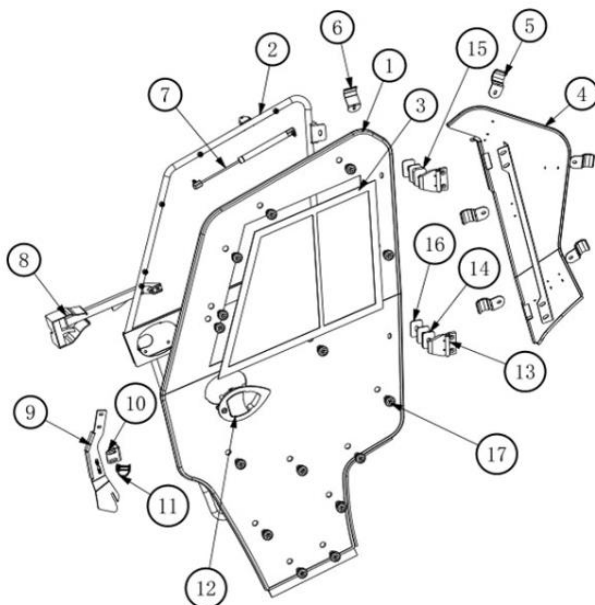
11_14 - FRONT WINDSHIELD WITH WIPER



Nº	CÓDIGO	DESCRIÇÃO	Qt.	OBS
1	LH00084470	PC glass with seal	1	
2	LH00084471	Crossbar with seal	1	
3	LH00084472	Central fixing	1	
4	LH00084473	Glass bracket	6	
5	LH00084474	Roof bracket	2	
6	LH00084475	Crossbar bracket	2	
7	LH00084476	Washer tank with support	1	
8	LH00084477	Wiper motor	1	
9	LH00084478	Wiper arm	1	
10	LH00084479	Wiper blade	1	
11	LH00084480	Wiper harness	1	
12	LH00084481	Wiper tank harness	1	
13	LH00084482	Glass Fixing	12	
14	LH00084483	Washer tank pipe	1	
15	LH00084484	Washer conector (on glass)	1	
16	LH00084485	Washer conector (on arm)	1	
17	LH00084486	Washer tank pipe	1	

LH800D EURO 4

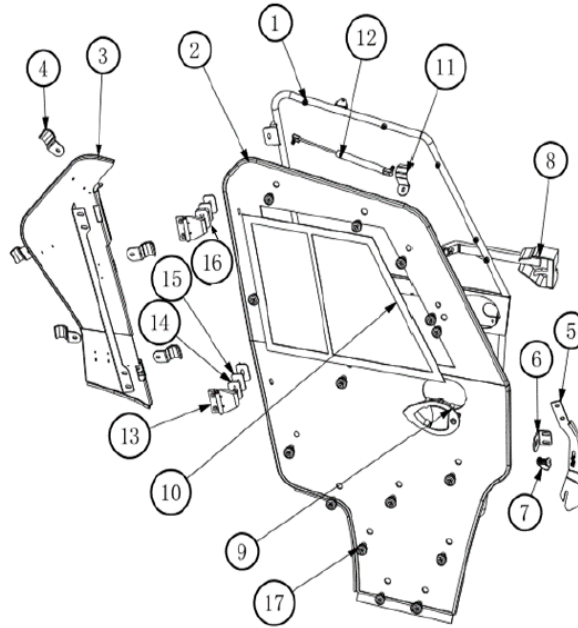
11_15 - LEFT DOOR



Nº	CÓDIGO	DESCRIÇÃO	Qt.	OBS
1	LH00084487	PC glass with seal	1	
2	LH00084488	Door frame	1	
3	LH00084489	Sliding window	1	
4	LH00084490	Rear part with seal	1	
5	LH00084491	Rear part bracket	5	
6	LH00084492	Roof bracket	1	
7	LH00084493	Gas cylinder	1	
8	LH00084494	Handle lock	1	
9	LH00084495	Support Strike fixing	1	
10	LH00084496	Strike Support	1	
11	LH00084497	Door strike	1	
12	LH00084498	Outside lock	1	
13	LH00084499	Hinge	2	
14	LH00084500	Low Hinge hold	1	
15	LH00084501	Top Hinge hold	1	
16	LH00084502	Hinge seal	4	
17	LH00084503	Glass fixing	17	

LH800D EURO 4

11_16 - RIGHT DOOR



Nº	CÓDIGO	DESCRIÇÃO	Qt.	OBS
1	LH00084504	Door frame	1	
2	LH00084505	PC glass with seal	1	
3	LH00084506	Rear part with seal	1	
4	LH00084507	Rear part bracket	5	
5	LH00084508	Support Strike fixing	1	
6	LH00084509	Strike Support	1	
7	LH00084510	Door strike	1	
8	LH00084511	Handle lock	1	
9	LH00084512	Outside lock	1	
10	LH00084513	Sliding window	1	
13	LH00084514	Roof bracket	1	
14	LH00084515	Gas cylinder	1	
15	LH00084516	Hinge seal	4	
16	LH00084517	Top Hinge hold	1	
17	LH00084518	Glass fixing	17	