

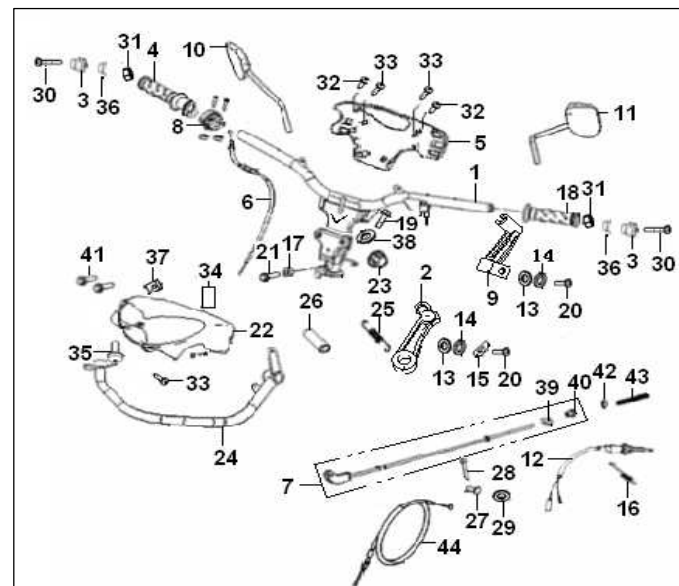
**KEEWAY PARTNER 110**



## KEEWAY PARTNER 110

### F01 HANDLEBAR

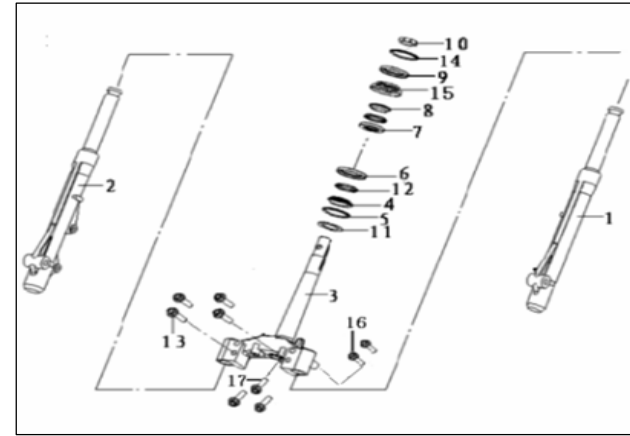
NO.	CODE		QTY.	
1	40100H90X001	HANDLE BAR	1	
2	40591H90X000	CHOKE SEAT	1	
3	40030H50X000	BALANCER	2	
4	40210H50X000	RIGHT GRIP	1	
5	65202H50XCF1	COVER,RR.HANDLE	1	CZ
	65202H50XB11	COVER,RR.HANDLE	1	PRT
6	40330H90X001	THROTTLE CABLE	1	
7	40270H50X000	BRAKE LEVER ASSY.	1	
8	40320H50X000	BRACKET,THROTTLE CABLE	1	
9	40592H90X000	CHOKE HANDLE	1	
10	40470BMBTB27	BACK MIRROR,RIGHT	1	
11	40460BMBTB27	BACK MIRROR,LEFT	1	
12	91600G40X000	REAR BRAKE SWITCH ASSY.	1	
13	B07030000505	WASHER 5MM(GREEN)	2	
14	B07000000505	WASHER 5MM(GREEN)	2	
15	B07120000804	WASHER	1	
16	40019H50X000	SPRING,STOPLIGHT	1	
17	40025H50X000	COLLAR	1	
18	40001H50X000	LEFT GRIP	1	
19	40150H50X000	BOLT	1	
20	B02000501225	BOLT 5X12MM (GREEN)	2	
21	B01091005065	BOLT 10×1.25X50MM	1	
22	65201H50XCF1	COVER,FR.HANDLE	1	CZ
	65201H50XB11	COVER,FR.HANDLE	1	PRT
23	B04171012564	LOCKNUT 10×1.25MM	1	
24	40710H90X001	BRAKE PEDAL ASSY	1	
25	40702H50X000	SPRING,BRAKE PEDAL	1	
26	40705H50X000	SLEEVE, SPRING	1	
27	B090460018A4	PIN 6×18MM	1	
28	B090002018A2	PIN 2×18MM	1	
29	B07010000604	WASHER 6MM	1	
30	B02010606505	SCREW 6X65MM	2	
31	B04070600065	NUT 6MM	2	
32	B05074201305	TAPPING SCREW 4.2X13MM	2	
33	B05074201605	TAPPING SCREW 4.2X16MM	4	
34	65212H030000	DECORATEING COVER,FRONT COVER	1	
35	B05004803504	SCREW 4.8X35MM	2	
36	40033H50X000	TENSION BLOCK	2	
37	65624H50X000	CARDLIKE NUT	2	
38	08336H50X000	GASKET	1	
39	40715H50X000	POLE	1	
40	40271H50X000	SCREW	1	
41	B01070803064	BOLT8X30MM	2	
42	40272H50X000	WASHER	1	
43	40274H50X000	SPRING, RR. BRAKE ROD	1	
44	40350H90X000	CHOKE CABLE	1	



## KEEWAY PARTNER 110

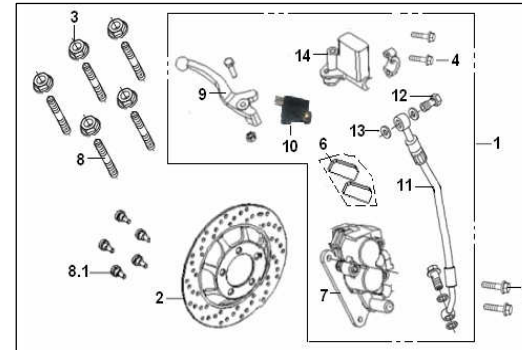
### F02 FRONT FORK ASSY.

NO.	CODE		QTY.
1	43200H50X001	FRONT ABSORBER ASSY, L.	1
2	43300H50X001	FRONT ABSORBER ASSY, R.	1
3	43100H50X000	STEERING STEM ASSY.	1
4	43004H50X000	RACE, LOWER,BOTTOM BEAR	1
5	43006H50X000	DUST SEAL	1
6	43003H50X000	RACE, UPER,BOTTOM BEAR	1
7	43002H50X000	RACE, LOWER, TOP BEAR	1
8	43001H50X000	RACE, UPPER, TOP BEAR	1
9	43008H50X000	NUT ASSY, LOCK	1
10	43017H50X000	NUT, LOCK	1
11	43018H50X000	WASHER	1
12	B06010140000	BALL, STEEL 3/16"	51 UNIDADE
13	B01401004565	BOLT 10×1.25×45MM	4
14	43007H50X000	WASHER	1
15	43005H50X000	DUST CAP	1
16	B01070601664	BOLT 6×16MM	2
17	B01030601665	BOLT 6×16MM	3



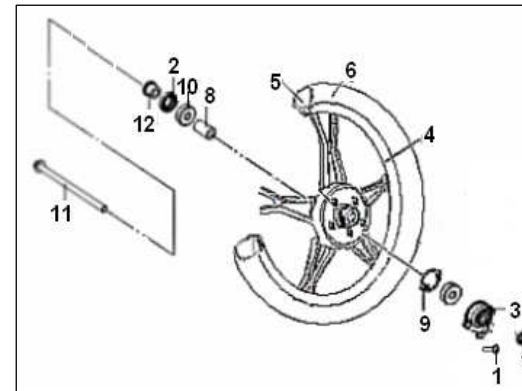
### F03 DISK BRAKE ASSY.

NO.	CODE		QTY.
1	45000H50X000	DISC BRAKE ASSY.	1
2	45033H50X000	FRONT BRAKE DISC	1
3	B04170800055	BOLT 8MM ( GREEN)	5
4	B01070602565	BOLT 6×25MM	2
5	B01090803065	BOLT 8×30MM	2
6	45120T400000	BRAKE PAD KIT	1 JOGO
7	45001B20T000	BRAKE CYLINDER ASSY.	1
8	08001H100005	BOLT 8X35MM	5
9	45023B20T000	DISC BRAKE LEVER	1
10	45300H90X000	FRONT STOP SWITCH ASSY	1
11	45200H030000	BRAKE HOSE	1
12	45037J000000	UNION BOLT	2
13	45038J000000	SEAL	4
14	45400H10B300	MASTER CYLINDER COMP	1



### F04 FRONT WHEEL ASSY.

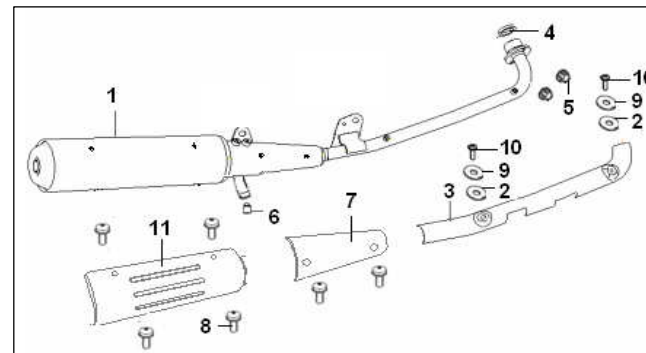
NO.	CODE		QTY.
1	B02020501624	SCREW 5×16MM	1
2	44700H50X000	OIL SEAL,FRONT PANEL	1
3	44200H50X000	SPEEDOMETER GEAR COMP	1
4	44101H90X000	RIM,FRONT WHEEL 1.4X17	1
5	B140225017AA	TUBE 2.50-17	1
6	B140125017AA	TIRE 2.50-17 E11 75R-000752	1
7	B04171212565	NUT 12×1.25MM	1
8	44006H50X000	SPACER, MID,FRONT WHEEL	1
9	44023H60X000	DRIVER PLATE	1
10	B12016030100	BEARING 6301	2
11	44004H100050	SHAFT, FRONT WHEEL ( GREEN)	1
12	44005H030050	RIGHT BUSH, FRONT WHEEL	1



## KEEWAY PARTNER 110

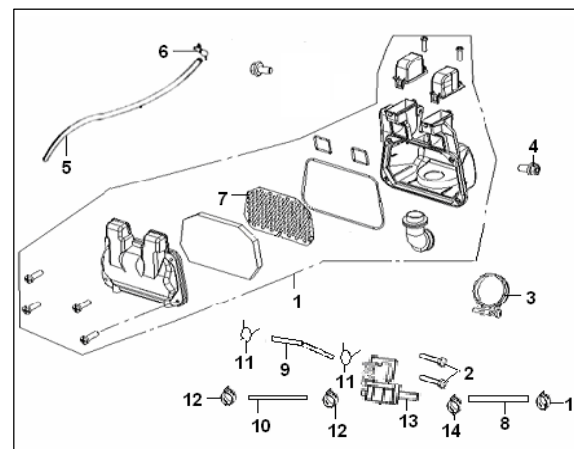
### F05 MUFFLER ASSY.

NO.	CODE		QTY.
1	47100H90X001	MUFFLER ASSY. E9 EX-XEH9	1 EURO 2
1	47100H90X004	MUFFLER ASSY. E9 EX-XEH9	1 EURO 3
2	B07030000504	WASHER 5MM	2
3	47009H90X000	COVER, MUFFLER	1
4	47800G40X000	GASKET, EXHAUST PIPE	1
5	47006G40X000	NUT, CAP 6MM	2
6	47026BMBT000	GASKET	1
7	47023H90X003	SIDE COVER ,MUFFLER	1 USADO C/ ESCAPE EURO 3
8	B13040601004	SCREW M6×10	6 USADO C/ ESCAPE EURO 3
9	B07000000504	WASHER 5MM	2
10	B02000501024	SCREW 5×10MM	2
11	47761H90X003	ORNAMENT COVER,MUFFLER	1 USADO C/ ESCAPE EURO 3



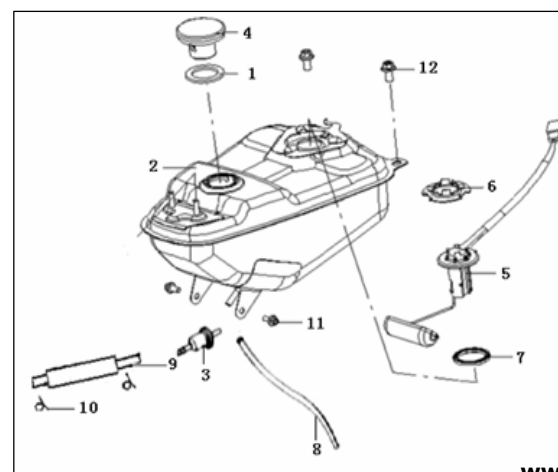
### F06 AIR CLEANER ASSY.

NO.	CODE		QTY.
1	49100H60X001	AIR CLEANER e9 AF-XEH9	1
2	B01090602065	SCREW M6×20	2
3	49350H60X000	CLAMP ASSY.	1
4	B13060601205	BOLT 6×12MM	2
5	B16010425001	PIPE, AIR-IN	1 2006-2007
	224644.002000	BALANCING PIPE	1 2008
6	49007H60X000	CLIP	1
7	49200H60X000	FILTER CORE	1
8	49803H90X000	HOSE II 330MM	1
9	49801H90X000	HOSE I 340MM	1
10	49802H90X000	HOSE 230MM	1
11	49804H90X000	SPRING LOCK φ15	2
12	49855B0ES000	SPRING I,LOCK φ16.5	2
13	49840G40X000	COMBINATION VALVE	1
14	49806N0JP000	SPRING I,LOCK φ7	2



### F07 FUEL TANK

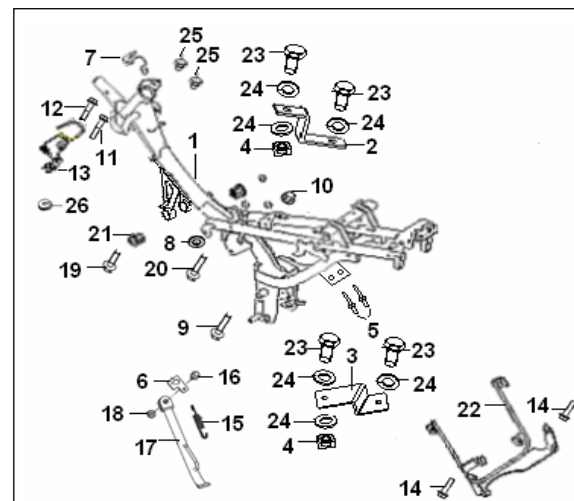
NO.	CODE		QTY.
1	50202H50X000	WASHER	1
2	50100H100001	FUEL TANK ASSY.	1
3	50340H50X000	FUEL FILTER ASSY	1
4	50200H50X000	COCK, FUEL TANK	1
5	50800H50X000	GAUGE, FUEL LEVEL	1
6	50003H50X000	PLATE, GAUGE	1
7	50002H50X000	CUSHION	1
8	B16010C23301	HOSE 1 ( 4.5×2×330MM )	1
9	B16010C21201	HOSE 2 ( 4.5×2×120MM )	1
10	50306H60X000	CLIP8	2
11	B01090601265	BOLT 6×12MM	2
12	B01090801465	BOLT 8×12MM	2



## KEEWAY PARTNER 110

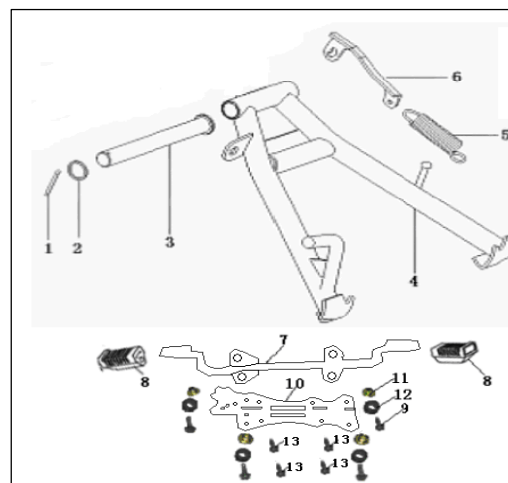
### F08 FRAME ASSY.

NO.	CODE		QTY.
1	57100H90X001	FRAME JOINTING COMP.	1
2	08527H90X000	TURNNING LAMP FIXING PLATE R	1
3	08526H90X000	TURNNING LAMP FIXING PLATEL	1
4	B04070512565	NUT	2
5	B100432007P0	PIN 3.2×7MM	2
6	57006BM0T000	HOOK	1
7	58440H90X000	CLIP ASSY II	1
8	57014H50X000	WASHER	3
9	B01090810264	BOLT 8X102MM	1
10	B04070800004	NUT 8MM	3
11	B01090803564	BOLT 8X35MM	1
12	B01090803064	BOLT 8X30MM	1
13	58430H90X000	CLIP ASSY I	1
14	B01090601263	BOLT 6X12MM	2
15	57010H50X001	SPRING,SIDE STAND ASSY	1
16	57005H50X001	BOLT	1
17	58710H50X001	SIDE STAND ASSY.	1
18	B04001000064	NUT 10X1.25MM	1
19	B01090809064	BOLT 8X90MM	1
20	B01070811064	BOLT 8X110MM	1
21	58340H90X000	SPACER	2
22	03320H90X000	BRACKET ASSY.,SIDE COVER	1
23	B02000501265	BOLT M5 X12	4
24	B07020000505	WASHER 5MM	6
25	B02010601023	BOLT 6X10MM	2
26	65618J130001	WASHER RUBBER	1



### F09 FRAME ASSY. II

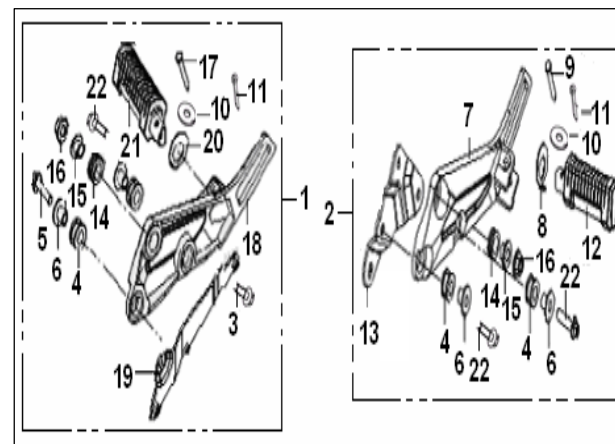
NO.	CODE		QTY.
1	B090030025A2	COTTER PIN 3×25MM	1
2	58508H50X000	WASHER	1
3	57001H50X000	SHAFT,MAIN STAND	1
4	58520H90X000	SIDE STAND ASSY	1
5	58510H50X001	SPRING,MAIN STAND ASSY	1
6	58503H50X000	HOOK,SPRING	1
7	58610G40X001	BAR COMP. FRONT FOOTREST	1
8	58221H60X000	RUBBER, FOOTREST	2
9	B01090802565	BOLT 8×25MM	4
10	58630J0AP001	BRACKET, FRONT FOOTREST	1
11	58601G40X000	BUSH	4
12	58602G40X000	RUBBER, CUSHION	4
13	B01090801665	SCREW 8X16	4



## KEEWAY PARTNER 110

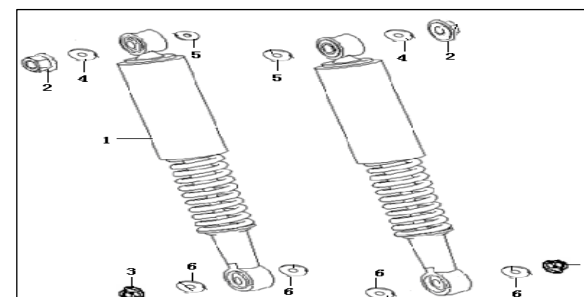
### F10 FRAME ASSY. III

NO.	CODE		QTY.
1	58400H60X000	BRACKET ASSY., RIGHT	1
2	58200H60X000	BRACKET ASSY., LEFT	1
3	B01090801625	BOLT 8×16MM	1
4	58214H60X000	GASKET	4
5	B01090803525	BOLT 8×35MM	1
6	58216H60X000	SPACER	4
7	58210H60X000	BRACKET, LEFT ( ALUMINIUM)	1
8	58263H60X000	WASHER	1
9	58213H60X000	PIN	1
10	B07010000605	WASHER 6	2
11	B09001601614	COTTER PIN 1.6×16	2
12	58260H60X000	FOOTREST ASSY., LEFT	1
13	57610H60X001	FIXING ASSY.,LEFT BRACKET	1
14	58311H60X000	GASKET	2
15	58315H60X000	SPACER	2
16	B04171012565	NUT 10X1.25MM	2
17	58213H60X000	PIN	1
18	58310H60X000	BRACKET, RIGHT ( ALUMINIUM)	1
19	57620H60X001	FIXING ASSY.,RIGHT BRACKET	1
20	58263H60X000	WASHER	1
21	58280H60X000	FOOTREST ASSY., RIGHT	1
22	B01090803065	BOLT 8×30MM	3



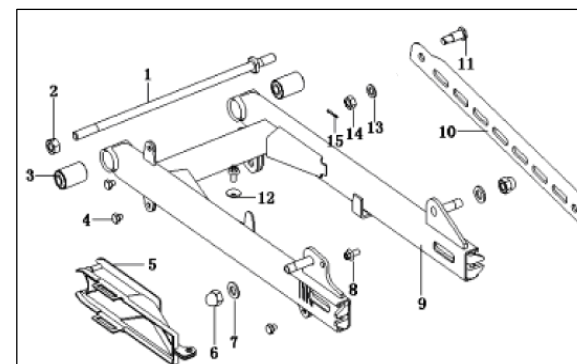
### F11 REAR ABSORBER ASSY.

NO.	CODE		QTY.
1	63000H50X000	REAR CUSHION	2
2	B04071012544	NUT 10×1.25MM	2
3	B04221012544	NUT 10×1.25MM	2
4	63013G40X000	WASHER 10	2
5	63014G40X000	WASHER 10	2
6	B07020001004	WASHER 10	4



### F12 REAR SWINGING ARM

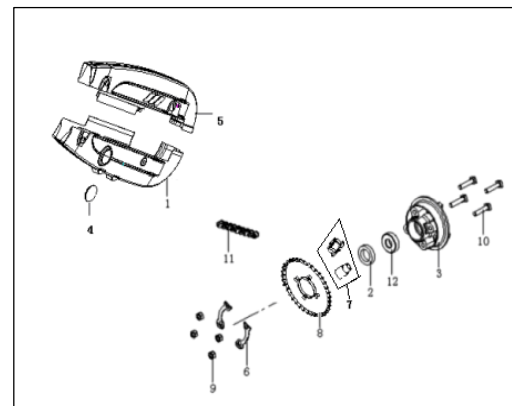
NO.	CODE		QTY.
1	53001H100050	SHAFT, PIVOT(GREEN)	1
2	08011G120004	NUT 10X1.25MM	1
3	53200H50X000	BUSH ASSY.	2
4	B01090601064	BOLT 6X10MM	3
5	53004H50X000	BUFFER, CHAIN TOUCH DEFENSE	1
6	B04000800004	NUT 8MM	1
7	B090002018A3	COTTER PIN 2X18MM	1
8	B01090600564	BOLT 6X5MM	2
9	53100H50X000	REAR SWINGING ARM	1
10	53301H50X000	TORQUE LINK	1
11	53002H50X000	BOLT	1
12	53013H50X000	WASHER	1
13	B07020000804	WASHER 8MM	1
14	B04000800004	NUT 8MM	1
15	B090002018A3	COTTER PIN 2X18MM	1



## KEEWAY PARTNER 110

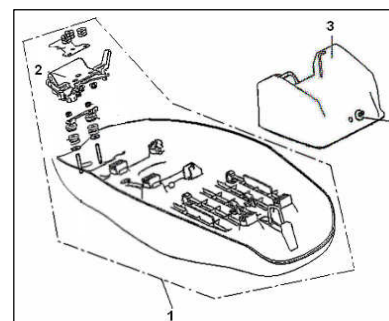
### F13 DRIVE CHAIN ASSY.

NO.	CODE		QTY.
1	60120H50X000	SPOCKET HOUSING,LOWER	1
2	60200G00P000	DUST SEAL	1
3	60001H90XC11	DRUM,SPROCKET MOUNTING	1
4	60018H50X000	COVER	1
5	60110H50XC10	SPOCKET HOUSING, TOP	1
6	60004G00P000	WASHER, LOCK	2
7	60006H90X000	RETAINER, REAR SPROCKET DRUM	1
8	60002H90X002	SPROCKET 37 TOOTH(MARK : 40)	1
9	B04000800054	NUT 8MM	4
10	B01120803564	BOLT 8×35MM	4
11	B1502F1102B0	CHAIN, DRIVE 420-1×102	1
12	B12046020300	BEARING 6203	1



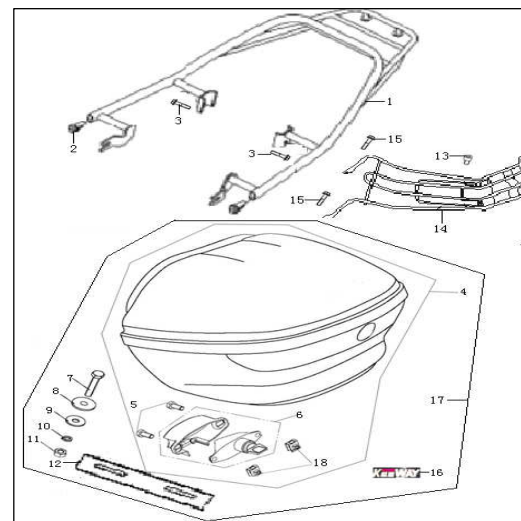
### F14 SEAT ASSY.

NO.	CODE		QTY.
1	51000H50X000	SEAT ASSY	1
2	51080H50X000	SEAT ASSY	1
3	51004H50X000	HELM	1
4	B13060601605	BOLT 6×16MM	1



### F15 REAR HANDLE ASSY.

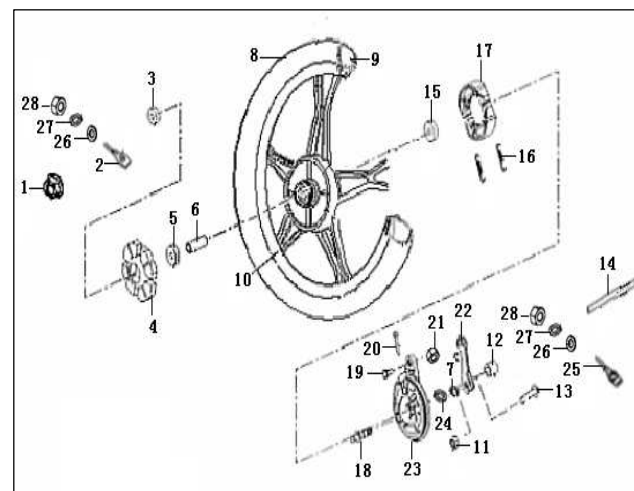
NO.	CODE		QTY.
1	52100H90X001	REAR HANDLE ASSY.	1
2	52003G40X000	COVER, RR. HANDLE	2
3	B01090802064	BOLT 8×20MM	2
4	52210BMBTCF0	BACK BOX	1 CZ
	52210BMBTB10	BACK BOX	1 PRT
5	B01070601663	BOLT 6X16MM	2
6	88600BMBT000	BACK BOX LOCK	1
7	B01010604033	BOLT 6×40MM	4
8	52221BMBT000	WASHER	4
9	B07020000603	WASHER 6MM	4
10	B07000000603	SPRING WASHER 6MM	4
11	B04000600043	NUT 6MM	4
12	52225H90X000	BACK BOX FIXING BOARD	2
13	B02060601625	BOLT 6X16MM	1
14	52810H90X000	FILE CARRIER ASSY.	1
15	B01090602565	BOLT 6X25MM	2
16	05591BMBT000	BACK BOX STICKER	1
17	52200J4ATCF0	BACK BOX ASSY	1 CZ
17	52200J4ATB10	BACK BOX ASSY	1 PRT
18	52910BMBT000	NUT, CLIPPING M6	2



## KEEWAY PARTNER 110

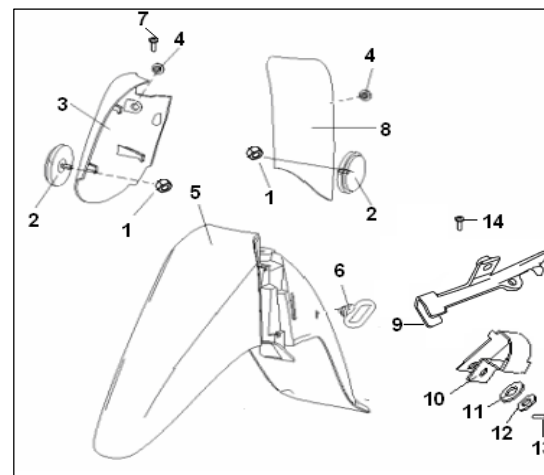
### F16 REAR WHEEL ASSY.

NO.	CODE		QTY.
1	B04171212565	NUT 12×1.25MM	1
2	54233H50X000	ADJUSTER, CHAIN.	1
3	54016H030050	SPACER,L.	1
4	54024G00P000	ABSORBER	1
5	B12046620163	BEARING 180201	1
6	54006G00P000	SPACER	1
7	54002H50X000	ABRASION INDICATOR,REAR	1
8	B140127517BA	TIRE 2.75-17	1
9	B140227517BA	TUBE 2.75-17	1
10	54100H90X000	RIM, REAR WHEEL 1.4X17	1
11	B04070600025	NUT 6MM	1
12	54005H100050	SPACER,R	1
13	B01090603565	BOLT 6×35MM	1
14	54004H100050	AXLE	1
15	B12046630163	BEARING 180301	1
16	54001G00P000	SPRING	2
17	54100G00P000	BRAKE SHOE	1 JOGO
18	54003G00P000	SHAFT	1
19	54071G00P000	BOLT	1
20	B090020018A3	SPLIT PIN 2×18MM	1
21	B04020800064	NUT 8MM	1
22	54007G00P000	LEVEL,BRAKE	1
23	54400G00P000	PANEL ASSY	1
24	B190101320B0	RING 13.2×2.65MM	1
25	54230H50X000	ADJUSTER,LH ( 铬)	1
26	B07030000605	WASHER 6MM	2
27	B07000000605	WASHER 6MM	2
28	B04000600065	NUT 6MM	2



### F17 FRONT FENDER ASSY.

NO.	CODE		QTY.
1	B04010600063	NUT 6MM	2
2	86100J00P001	REFLECTOR YELLOW	2
3	65102H50XCF0	PLATE,RIGHT	1 CZ
	65102H50XB10	PLATE,RIGHT	1 PRT
4	65105G40P000	BUSH	2
5	65101H50XCF0	FRONT FENDER	1 CZ
	65101H50XB10	FRONT FENDER	1 PRT
6	65111H50X000	HOLDER	1
7	B01090601264	SCREW 6X12	1
8	65103H50XCF0	PLATE,LEFT	1 CZ
	65103H50XB10	PLATE,LEFT	1 PRT
9	65115H90X000	DISC BRAKE THREAD	1
10	65170H90X000	DISC BRAKE THREAD HOOP	1
11	B07030000605	WASHER 6MM	1
12	B07000000605	SPRING WASHER 6MM	1
13	B02000601225	BOLT 6X12MM	1
14	B01090601664	BOLT 6X16MM	1

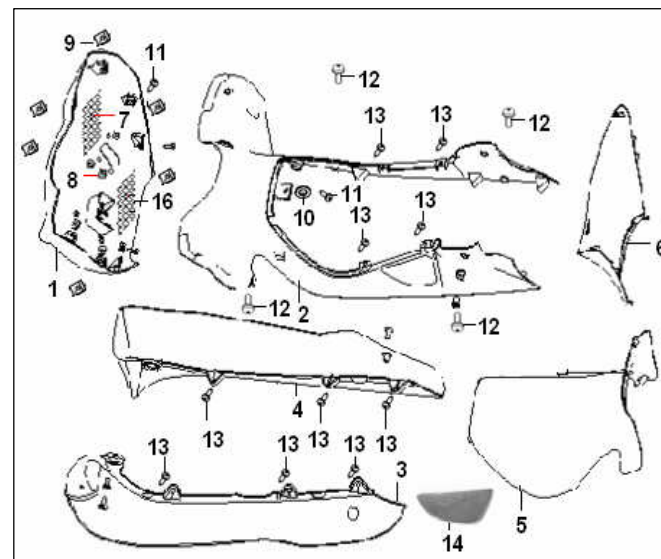




## KEEWAY PARTNER 110

### F18 REAR FENDER ASSY.

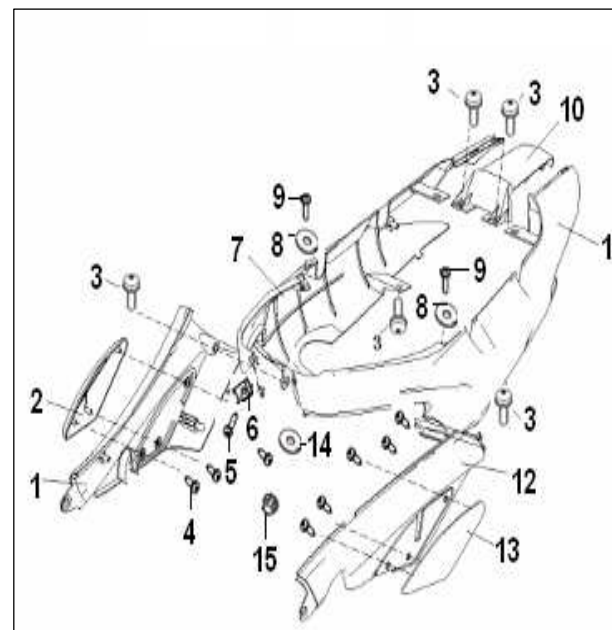
NO.	CODE		QTY.	
1	65301H50XCF2	FACE,FR.COVER	1	CZ
	65301H50XB12	FACE,FR.COVER	1	PRT
	65301H10010Z	FACE,FR.COVER	1	CZ C/ AUTOCOLANTES
	65301H10011Z	FACE,FR.COVER	1	PRT C/ AUTOCOLANTES
2	65402H50XCF0	SHIELD,FOOT	1	CZ
	65402H50XB10	SHIELD,FOOT	1	PRT
3	65408H50XCF0	WIND PLATE,LEFT	1	CZ
	65408H50XB10	WIND PLATE,LEFT	1	PRT
4	65409H50XCF0	WIND PLATE,RIGHT	1	CZ
	65409H50XB10	WIND PLATE,RIGHT	1	PRT
5	65419H50X000	FR.COVER,FOOT SHIELD	1	
6	65426H50X000	RR.COVER,FOOT SHIELD	1	
7	65487H030000	PROTECTOR RIGHT	1	
8	65311J0AT000	SPEED NUT	6	
9	57032G40X000	CARDLIKE NUT	6	
10	B07020000505	WASHER 5MM	1	
11	B05074801605	SCREW 4.8X16MM	7	
12	B13060602005	SCREW & WASHER 6X20MM	4	
13	B05074201305	SCREW 4.2X13MM	10	
14	65204H90XCF0	LEFT COVER	1	CZ
	65204H90XB10	LEFT COVER	1	PRT
15	65486H030000	PROTECTOR LEFT	1	



## KEEWAY PARTNER 110

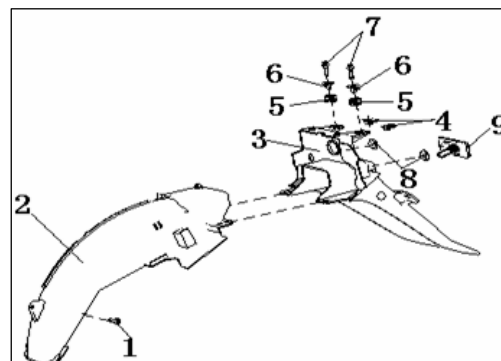
### F19 FRAME COVER ASSY.

NO.	CODE		QTY.	
1	65633H50XCF0	COVER,SIDE,R	1	CZ
	65633H50XB10	COVER,SIDE,R	1	PRT
	65633H10010Z	COVER,SIDE,R	1	CZ C/ AUTOCOLANTES
	65633H10011Z	COVER,SIDE,R	1	PRT C/ AUTOCOLANTES
2	65604H50XCF0	PROTECT PLATE SIDE,R	1	TODOS OS MODELOS
3	B13060602005	SCREW & WASHER 6×20MM	5	
4	B05074201305	TAPPING SCREW 4.2×13MM	8	
5	B05004801605	TAPPING SCREW 4.8×16MM	1	
6	65623H50X000	NUT	1	
7	65602H50XCF0	PROTECT PLATE,R	1	CZ
	65602H50XB10	PROTECT PLATE,R	1	PRT
	65602H10019Z	PROTECT PLATE,R	1	CZ C/ AUTOCOLANTES
	65602H10020Z	PROTECT PLATE,R	1	PRT C/ AUTOCOLANTES
8	B07020000505	WASHER 5MM	2	
9	B02000501225	SCREW 5×12MM	2	
10	65626H50XCF0	PROTECT PLATE,RR	1	CZ
	65626H50XB10	PROTECT PLATE,RR	1	PRT
11	65601H50XCF0	PROTECT PLATE,L	1	CZ
	65601H50XB10	PROTECT PLATE,L	1	PRT
	65601H10019Z	PROTECT PLATE,L	1	CZ C/ AUTOCOLANTES
	65601H10020Z	PROTECT PLATE,L	1	PRT C/ AUTOCOLANTES
12	65632H50XCF0	COVER,SIDE,L	1	CZ
	65632H50XB10	COVER,SIDE,L	1	PRT
	65632H10010Z	COVER,SIDE,L	1	CZ C/ AUTOCOLANTES
	65632H10011Z	COVER,SIDE,L	1	PRT C/ AUTOCOLANTES
13	65603H50XCF0	PROTECT PLATE SIDE,L	1	TODOS OS MODELOS
14	B07020000505	WASHER	1	
15	B04220500065	NUT	1	



### F20 REAR FENDER ASSY.

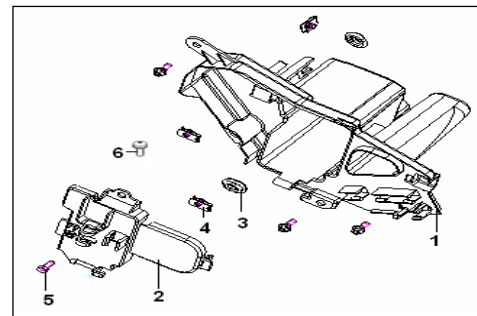
NO.	CODE		QTY.	
1	B01070601625	BOLT 6×16MM	1	
2	65701H50X000	REAR FENDER,FRONT	1	
3	65709H50X000	REAR FENDER,REAR	1	
4	65803H50X000	NUT	2	
5	65713H50X000	GASKET	2	
6	65800H50X000	SPACER	2	
7	B02000602523	SCREW 6×25MM	2	
8	65714H50X000	GASKET	2	
9	86500H50X001	REFLECTOR E11 020613	1	



## KEEWAY PARTNER 110

### F21 TOOL KIT ASSY.

NO.	CODE		QTY.
1	58750H50X000	CASE,BATTERY	1
2	65813H50X000	HINGE,BATTERY	1
3	65804H50X000	RUBBER COLLAR	2
4	65623H50X000	NUT,CLIP	3
5	B13060601204	SCREW & WASHER 6X12MM	4
6	B13060601604	SCREW & WASHER 6X16MM	1



### F22 ELECTRICAL EQUIPMENT ASSY.

NO.	CODE		QTY.
1	70000H50X000	SPEEDOMETER ASSY.	1
	70000H50X001	SPEEDOMETER ASSY.	1
2	75000H50X000	SPEEDOMETER WIRING	1
3	72900H50X001	SPEEDOMETER CABLE	1
4	80000H50X001	HEAD LAMP	1
5	96100G0BP000	BATTERY	1
6	88100H50X00A	LOCK ASSY. STEERING	1
7	B07030001005	WASHER 10MM	2
8	88800H50X000	LOCK, SEAT ASSY.	1
9	82000H50XRA1	LAMP ASSY, REAR	1
10	92000H90X003	HARNESS, WIRING	1
	92000H90X000	HARNESS, WIRING	1
	92000H030005	HARNESS, WIRING (PROVA DE ÁGUA)	1
	92000H030007	HARNESS, WIRING (PROVA DE ÁGUA)	1
11	95000H50XB31	HORN	1
12	96200H50X000	COIL ASSY., IGNITION	1
13	98801J0AP001	RECTIFIER ASSY.	1
14	96400K00P001	FLASHER MANUAL TYPE	1
15	97701H60X000	C.D.I	1
16	96007H60X000	BRACKET, C.D.I	1
17	96800H50X000	FUSE ASSY.	1
18	94000H50X000	RELAY	1
18A	94100J000002	RELAY	1
19	57403H50X000	BRACKET	1
19A	57403H030000	BRACKET	1
20	96004H50X000	BAND 300MM	2
21	96900H90X000	GROUND WIRE	1
22	96005J000000	BATTERY JACKET	1
23	B01090601665	BOLT 6x16MM	1
24	B02000602023	SCREW 6x20MM	2
25	B07000000603	WASHER 6MM	2
26	B07030000603	WASHER 6MM	2
27	B02000601625	SCREW 6x16MM	1
28	B07000000605	WASHER 6MM	1
29	B07030000605	WASHER 6MM	1

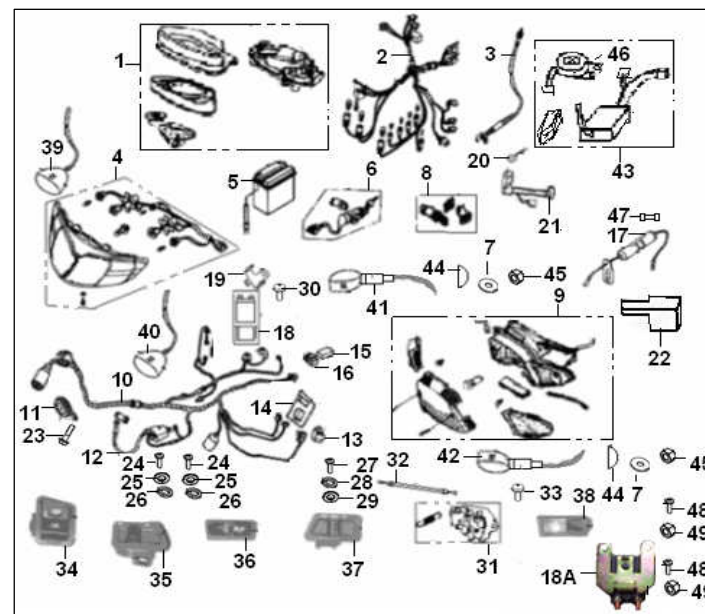
KM/H  
KM/H E MPH

YB5L-B

USADO ATÉ 2008.9.19  
NÃO É À PROVA DE ÁGUA

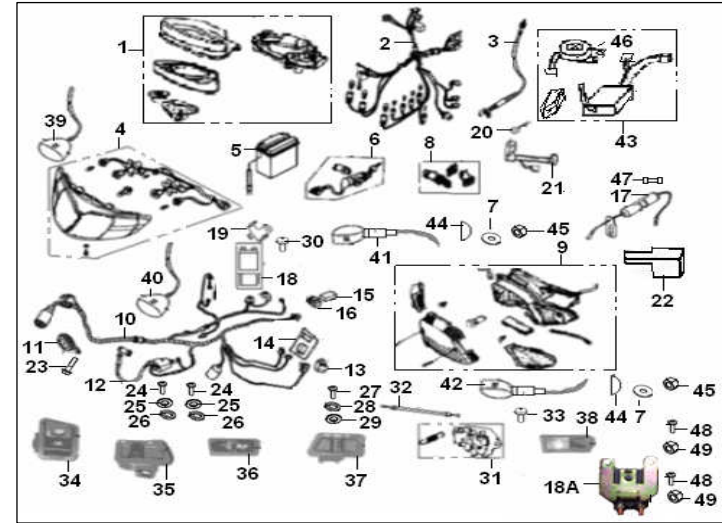
P/ MAGNETO ASSY 6 POLOS, APARTIR VIN  
LBBXEH9018B499143 USADO C/ 94100J000002  
P/ MAGNETO ASSY 8 POLUS, APARTIR VIN  
LBBXEH9018B500717

USADO ATÉ 2008.9.19  
USADO APÓS 2008.9.19  
USADO ATÉ 2008.9.19  
USADO APÓS 2008.9.19



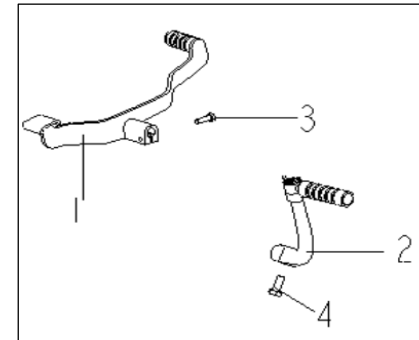
## KEEWAY PARTNER 110

30	B13060601605	SCREW &WASHER. 6X16MM	1	
31	58800H50X000	BRACKET LOCK ASSY.	1	
32	58900H50X000	CABLE ASSY.	1	
33	B13140601605	BOLT ASSY. 6X16MM	2	
34	91300H50X000	SWITCH,CHANGING LIGHT	1	
35	91200H50X000	SWITCH,TURNING	1	
36	91100H50X000	SWITCH,LOUDSPEAKER	1	
37	91800H50X000	GENERAL SWITCH,LIGHTING	1	
38	91400H50X000	SWITCH,STARUP	1	
39	81300B20T001	FLASHER LIGHT ASSY.	2	
40	81100B20T001	FLASHER LIGHT ASSY.	2	
41	81700B20T001	FLASHER LIGHT ASSY.	2	
42	81500B20T001	FLASHER LIGHT ASSY.	2	
43	95700J4AT000	ALARM SYSTEM ASSY	1	
44	81703H90X000	WASHER	2	
45	B04061012555	NUT 10X1.25MM	2	
46	95730J4AT000	HORN ALARM SYSTEM	1	
47	96810H50X000	FUSE	1	
48	B02010601023	SCREW 6×10MM	2	USADO C/ 94100J000002
49	B04000600053	NUT 6	2	USADO C/ 94100J000002



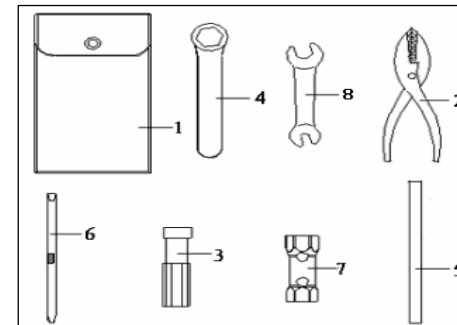
### F23 ENGINE ATTACHMENT

NO.	CODE		QTY.
1	08370H90X000	LEVER, GEAR SHIFT	1
2	08350H90X000	KICK STARTER COMP.	1
3	B01010602064	BOLT, HEX 6×20MM	1
4	B01090803565	BOLT, HEX 8×35MM	1



### F24 TOOL KIT ASSY.

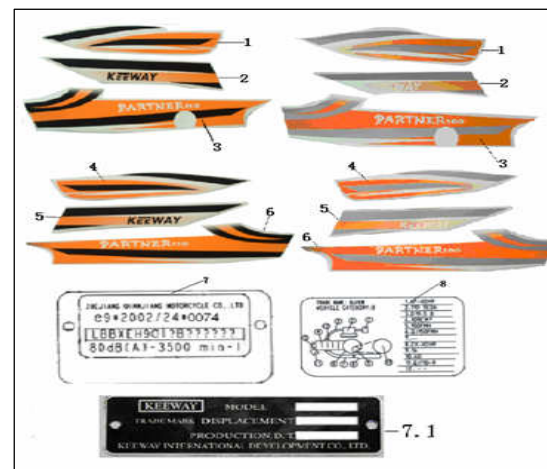
NO.	CODE		QTY.
1	02110H50X000	BAG,TOOLS	1
2	02109H50X000	PLIERS 135	1
3	02104H50X000	GRIP	1
4	02106H50X000	WRENCH 19MM	1
5	02101H50X000	BARB,HANDLE	1
6	02103H50X000	SHAFT,SCREW DRIVER	1
7	02102H50X000	WRENCH,SPARK PLUG	1
8	B20011001203	SPANNER 10-12	1



## KEEWAY PARTNER 110

### F25 STICKER

NO.	CODE		QTY.	
1	05521H90X003	LEFT STICKER,FORNT COVER	1	CZ
	05521H90X004	LEFT STICKER,FORNT COVER	1	PRT
2	05524H90X003	STICKER,LEFT COVER	1	CZ
	05524H90X004	STICKER,LEFT COVER	1	PRT
3	05511H90X005	STICKER,SIDE COVER LH	1	CZ
	05511H90X006	STICKER,SIDE COVER LH	1	PRT
4	05522H90X003	RIGHT STICKER,FORNT COVER	1	CZ
	05522H90X004	RIGHT STICKER,FORNT COVER	1	PRT
5	05525H90X003	STICKER 5	1	CZ
	05525H90X004	STICKER 5	1	PRT
6	05512H90X005	STICKER,RIGHT COVER	1	CZ
	05512H90X006	STICKER,RIGHT COVER	1	PRT
7	57001H90X002	FRAME NAMEPLATE	1	EURO 2
	57001H90X005	FRAME NAMEPLATE	1	EURO 3
8	57002H90X001	NAMEPLATE	1	EURO 2
	57002H90X003	NAMEPLATE	1	EURO 3



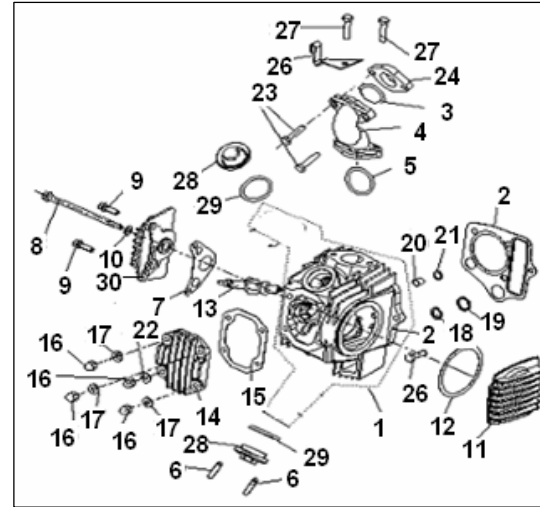
## KEEWAY PARTNER 110

### E01 CYLINDER HEAD ASSY

NO	CODE		QTY
1	30500H06F001	CYLINDER HEAD COMP	1
2	30503H06F001	GASKET	1
3	32103G03F000	O RING 25*2.4	1
4	30710H06F000	PIPE,intake	1
5	30107J02F001	O RING 27.4*2.4	1
6	30209J02F000	STUD	2
7	30751G03F000	WASHER, R-head	1
8	301990611065	BOLT M6X110	1
9	B01070602563	BOLT M6X25	2
10	30725G03F000	WASHER	1
11	30723H06F000	L-HEAD	1
12	30724H06F000	WASHER, L-head	1
13	30506H03F000	SPARK PLUG	1
14	30701G03F000	CYLINDER HEAD	1
15	30707G03F000	WASHER	1
16	30509G03F940	CAP NUT	4
17	30526G03F000	WASHER	3
18	30524G03F000	BUSH	1
19	30522G03F000	SEAL	1
20	30525G03F910	BUSH	1
21	30523G03F000	SEAL	1
22	30515G03F000	WASHER	1
23	B01030603024	BOLT M6X30	2
24	32101G03F000	SEPERATOR PLATE	1
25	30719G03F910	CLIP	1
26	B01120602643	BOLT M6X26	1
27	B01030602563	BOLT M6X25	2
28	30114G03F000	VAVLE HEAD	1
29	30107J02F000	O RING 30.8*3.2	2
30	100013010020	R-head COMP	1

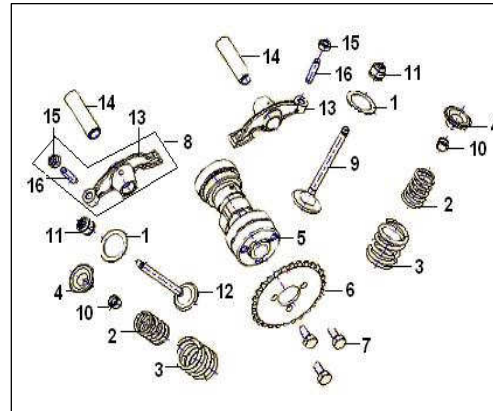
A7RTC

NOTES



### E02 INTAKE & EXHAUST MECHANISM

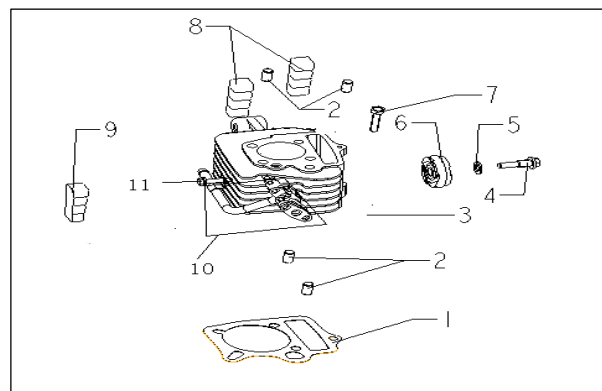
NO	CODE		QTY	REM
1	30105J05F000	RETAINER, valve spring	2	
2	30102H03F930	SPRING, valve inner	2	
3	30101H03F930	SPRING, valve outer	2	
4	30106J05F000	SEAT, valve spring	2	
5	30400G03F000	CAMSHAFT ASSY	1	
6	30404H06F001	SPROCKET, camshaft	1	
7	B01030501263	BOLT M5X12	3	
8	203101.006000	Valve rocker assy.	2	
9	30103G03F000	VALVE, intake	1	
10	30108H02F000	COTTER, valve	4	
11	30104H03F000	OIL SEAL, valve	2	
12	30201G03FU10	VALVE, exhaust	1	
13	30301G03F000	ARM, valve rocker	2	
14	30306G03F000	SHAFT, valve rocker	2	
15	30302H03F930	NUT, adjusting	2	
16	30303H03F000	SCREW, adjusting	2	



## KEEWAY PARTNER 110

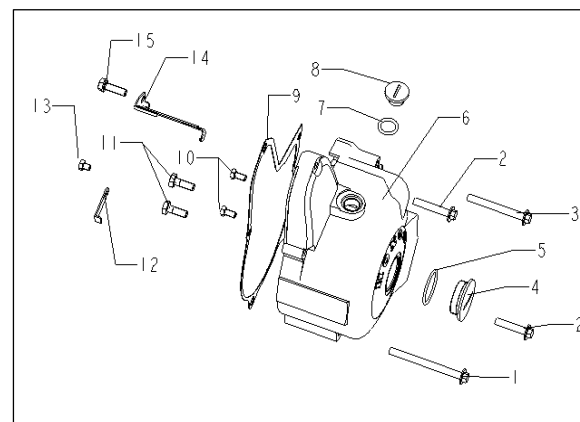
### E03 CYLINDER ASSY

NO	CODE		QTY	REM
1	27102G03F000	GASKET, cylinder	1	
2	26208G03F000	PIN 8 X12	4	
3	27101H06FF10	CYLINDER	1	
4	27104H06F920	SHAFT, chain guide	1	
5	24103G03F000	WASHER	1	
6	27318H06F000	CHAIN GUIDE COMP	1	
7	B01120602043	BOLT M6X28	1	
8	27114H06F00B	DAMPING BLOCK I	1	
9	27114H06F001	DAMPING BLOCK II	2	
10	229111.005000	PIPE ASSY	1	
11	301330602562	BOLT M6X25	1	



### E04 MAGNETO COVER

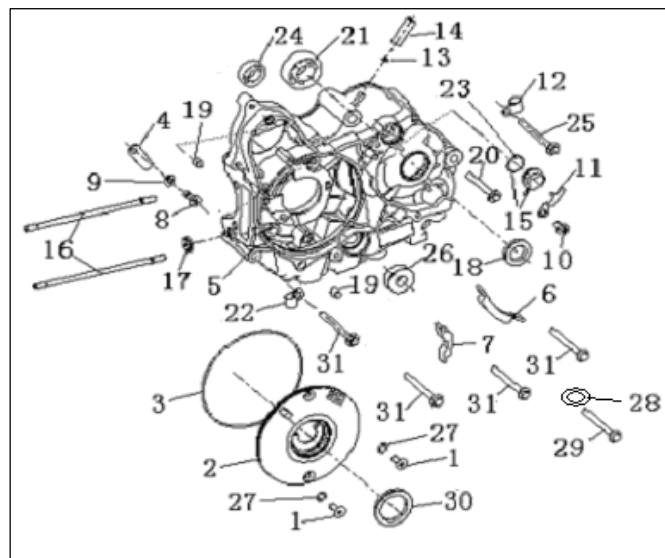
NO	CODE		QTY	REM
1	B01070606563	BOLT M6X65	1	
2	B01070603263	BOLT M6X32	2	
3	B01070605063	BOLT M6X50	1	
4	14104J01F000	PLUG, cover magneto	1	
5	14115J01F000	O RING 27*2.4	1	
6	14101H06F000	COVER, magneto	1	
7	14116J01F000	O RING 13.8*2.5	1	
8	14105J01F000	PLUG, observation hole	1	
9	14103G03F000	GASKET, cover magneto	1	
10	B02040501223	SCREW M5X12	2	
11	B02040602223	SCREW M6X22	2	
12	14124H06F000	PRESSURING PLATE	1	
13	B02040500623	SCREW M5*6	1	
14	14124H06F910	CLIP	1	
15	B02040601623	SCREW M6X16	2	



## KEEWAY PARTNER 110

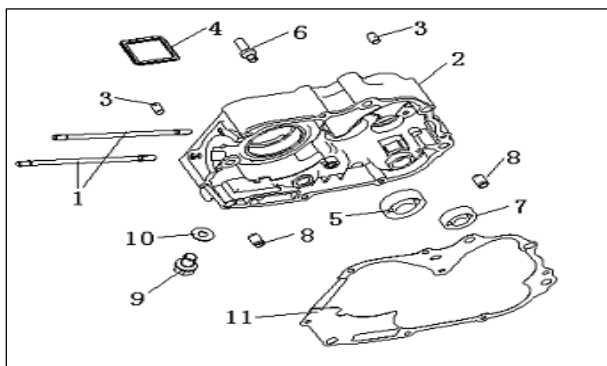
### E05 LEFT CRANKCASE ASSY

NO	CODE		QTY	REM
1	B02010601623	BOLT M6x16	2	
2	26101G03F000	DISK, oil separator	1	
3	26102G03F000	O RING	1	
4	26103G03F000	STOPPER	1	
5	26110H06F001	CRANKCASE, LH	1	
6	26113G03F000	GUIDE A, starting chain	1	
7	26114G03F000	GUIDE B, starting chain	1	
8	B01030601663	BOLT M6x16	1	
9	B07000000600	WASHER 6	1	
10	302270602062	BOLT M6x20	1	
11	26104G03F910	STOPPER	1	
12	26105G03F910	CLAMP	1	
13	26403G03F910	CLAMP	1	
14	26134G03F00B	HOSE breather	1	
15	26115H06F001	SHIFT TANSDUCER	1	
16	26107H06F000	STUD BOLT (B)	2	
17	26106G03F000	GASKET	1	
18	26129G03F000	OIL SEAL 17x29x5	1	
19	26123G03F000	DOWER PIN 8X12	2	
20	B01070605063	BOLT M6x50	1	
21	B12016620350	BEARING 6203	1	
22	26602G03F000	CLAMP	1	
23	26141G08F000	O RING 14X1.6	1	
24	26136N04F000	BEARING 6001Z	1	
25	B01070606063	BOLT M6x60	2	
26	26116G03F000	OIL SEAL 11.6x24x10	1	
27	26117G03F000	O RING 6.8X1.9	2	
28	30725G03F000	WASHER	1	
29	B01070607064	BOLT M6x70	1	
30	26130G03F000	OIL SEAL 30x42x4.5	1	
31	B01070606563	BOLT M6x65	4	



### E06 RIGHT CRANKCASE ASSY

NO	CODE		QTY	REM
1	26206H06F000	STUD BOLT, cylinderA	2	
2	26210H06F000	CRANKCASE, right	1	
3	26218G02F000	DOWER PIN	2	
4	26300G03F000	OIL SET	1	
5	B12016620350	BEARING 6203	1	
6	26219K02F000	SCREW	1	
7	B12016620150	BEARING6201	1	
8	26208G03F000	DOWER PIN	2	
9	26202G03F910	PLUG, drain	1	
10	26204G03F000	WASHER	1	
11	26201H06F000	GASKET, crankcase	1	

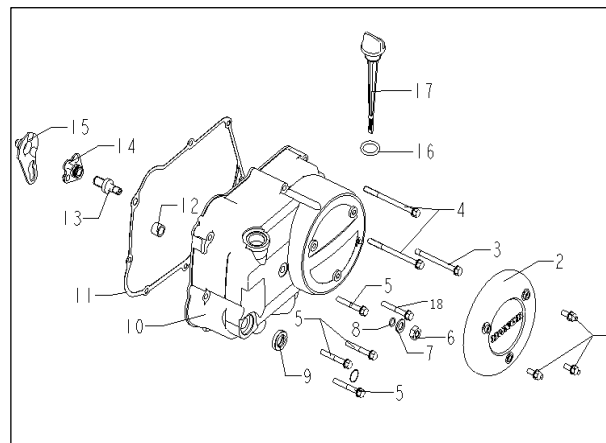




## KEEWAY PARTNER 110

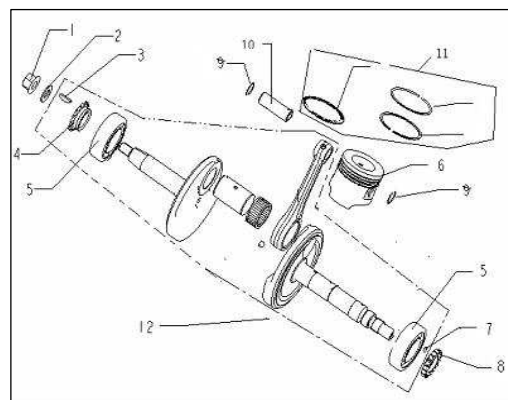
### E07 CLUTCH COVER ASSY

NO	CODE		QTY	REM
1	B01070601264	BOLT M6X12	3	
2	14212H06F000	COVER, clutch	1	
3	B01070606563	BOLT M6X65	1	
4	B01070608063	BOLT M6X80	2	
5	B01070604063	BOLT M6X40	4	
6	B04000600053	NUT M8	1	
7	B07010000800	WASHER 8	1	
8	26117G03F000	O RING 6.8X1.9	1	
9	14221G03F000	OIL SEAL 13.7X24X5	1	
10	14201H06F000	COVER, right	1	
11	14204H06F000	GASKET, cover LH	1	
12	26217H06F000	BEARIN10X14X10	1	
13	24909G03F093	ADJUSTING BOLT	1	
14	24908H06F000	CLUTCH LIFT ROD ASSY	1	
15	14225H06F000	ROD,clutch cable	1	
16	14215J01F000	O RING 18X3.5	1	
17	14216J01F000	GAUGE, oil level	1	
18	301310603862	BOLT M6X38	1	



### E08 CRANKSHAFT CONROD & PISTON ASSY

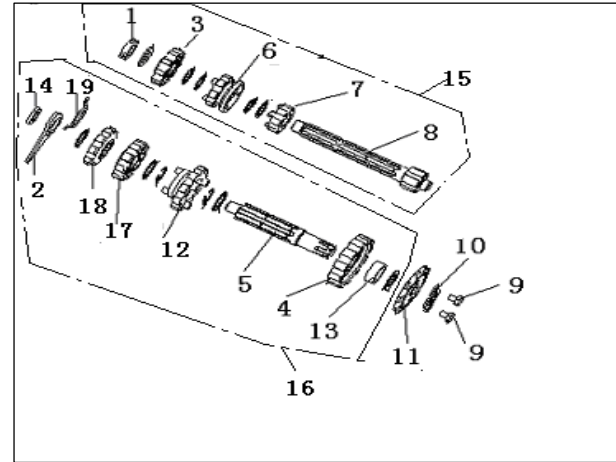
NO	CODE		QTY	REM
1	15206G03F910	NUT	1	
2	15108G03F920	WASHER	1	
3	15101J01F000	KEY	1	
4	27102H06F000	CHAIN WHEEL	1	
5	B12016630453	ROLLING BEARING 6304/P53	2	
6	15106H06F000	PISTON	1	
7	B090103005C0	PIN C3X5	1	
8	27220H063F000	DRIVE GEAR, oil pump	1	
9	15106K02F000	CLIP	2	
10	15105G03FF10	PIN,piston	1	
11	15120G03F000	piston ring assy	1set	order by set
12	15200H06F000	CRANKSHAFT ASSY	1	



## KEEWAY PARTNER 110

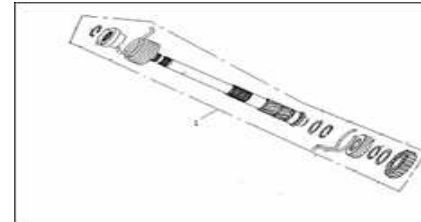
### E09 COUNTER&DRIVE SHAFT ASSY

NO	CODE		QTY	REM
1	17221G09F000	NUT	1	
2	17314G09F000	PLATE,shift cam	1	
3	17205G09F000	GEAR,4th dirve	1	
4	17305G09F000	GEAR,1st drive	1	
5	17303H06F000	SHAFT,drive	1	
6	17204G09F000	GEAR,3rd drive	1	
7	17202G09F000	GEAR,2nd drive	1	
8	17201G09F000	SHAFT,counter	1	
9	B01030600862	BOLT M6X8	2	
10	17301G03F910	WASHER,lock	1	
11	17302G03F000	SPROCKET,lock	1	
12	17309G09F000	GEAR,2nd driven	1	
13	17306G08F000	SLEEVE	1	
14	17315G09F000	SLEEVE	1	
15	219213010000	DRIVER SHAFT ASSY	1	
16	17200G09F000	COUNTER SHAFT ASSY	1	
17	17311G09F000	GEAR,3rd driven	1	
18	17312G09F000	GEAR,4th driven	1	
19	17313G09F930	SPRING	1	



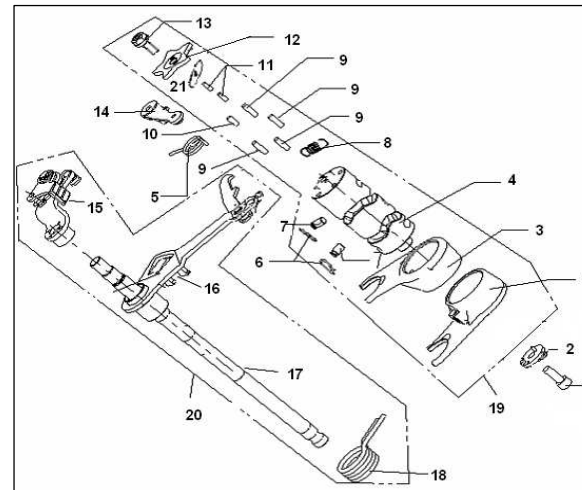
### E10 KICK STARTER MECHANISM

NO	CODE		QTY	REM
1	17400G03F00C	STARTER SHAFT	1	



### E11 GEAR SHIFT ASSY

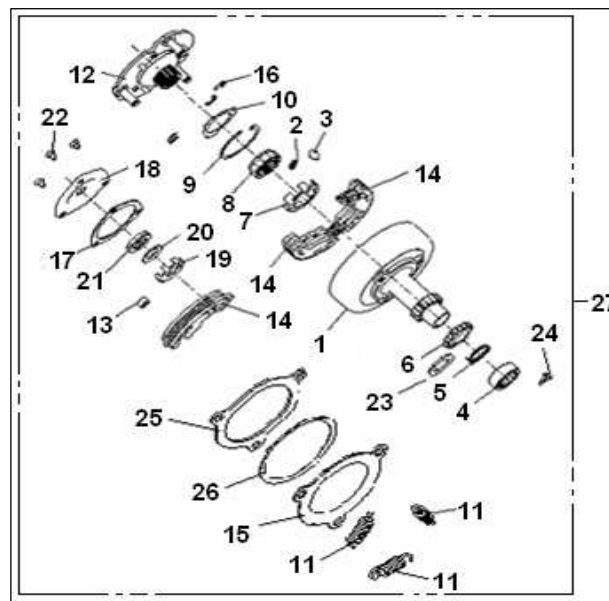
NO	CODE		QTY	REM
1	B02050601663	SCREW	1	
2	17608G03F000	WASHER COMP	1	
3	17605G03F000	FORK, gear shift	2	
4	17604G09F930	DRUM, gear shift	1	
5	17502G03F930	SPRING, stopper	1	
6	17606G03F000	CLIP	2	
7	17607G03F000	PIN, straight	2	
8	17702G03F930	SPRING	1	
9	17613G03F000	PIN, stopper 4X13	4	
10	17618G09F000	PIN, stopper 4X9	1	
11	17601G09F000	PIN, stopper 3X8.5	2	
12	17602G09F000	PLATE	1	
13	B01070601662	BOLT M6X16	1	
14	17500G09F000	WHEEL ASSY	1	
15	17706H06F000	DIAL BALL ASSY	1	
16	17710G09F000	ARM ASSY	1	
17	17703G09F000	SHAFT, gear shift	1	
18	17701G10F930	SPRING, return	1	
19	17600G09F000	DRUM, gear shift	1	
20	17700H06F000	SHAFT, gear shift	1	
21	17620G09F000	WASHER,SLEEVE	1	



## KEEWAY PARTNER 110

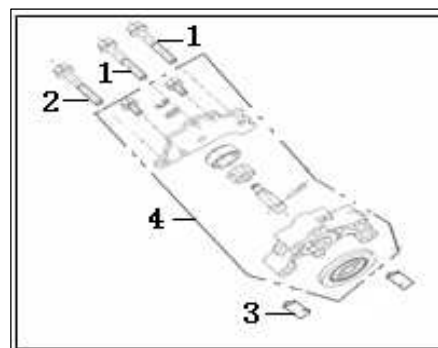
### E12 PRIMARY CLUTCH ASSY

NO	CODE		QTY	REM
1	24301H06F000	GEAR ASSY,primary drive	1	
2	24302G09F000	SPRING	6	
3	24303G09F000	ROLLER 5g	6	UNIDADE
4	24304H06F000	SLEEVE	1	
5	24305H06F000	SPRING	1	
6	24306H06F000	GEAR primary drive	1	
7	24308G09F000	ROLLER KEEPER	1	
8	24309G09F000	STAR GEAR	1	
9	24315G09F930	CIRCLIP	1	
10	24316G09F000	WASHER	1	
11	24321H06F000	SPRING	3	
12	24322H06F000	HOUSING,clutch assy	1	
13	24327G09F000	DAMPER	3	
14	24330H06F000	SHOE,clutch	3	
15	24340H06F000	UNDERSIDE COVER	1	
16	308110060000	CIRCLIP 6	3	
17	24332G09F000	GASKET	1	
18	24333G09F920	COVER,clutch assy	1	
19	24334G09F920	WASHER	1	
20	24335G03F930	WASHER	1	
21	24336G03F000	NUT	1	
22	B02000500863	SCREW M5X8	3	
23	24315H06F000	WASHER	1	
24	24311G09F000	BLOCK PIN	1	
25	24338H06F000	ABOVE COVER	1	
26	24339H06F000	DISH REED	1	
27	209003010000	PRIMARY CLUTCH ASSY	1	



### E13 OIL PUMP ASSY

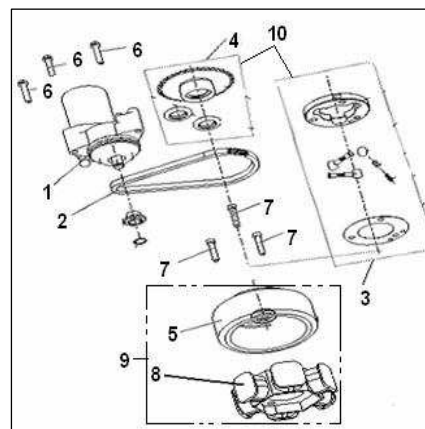
NO	CODE		QTY	REM
1	B01070604063	BOLT M6X40	2	
2	B01070603263	BOLT M6X32	1	
3	26123H06F000	DOWER PIN 8X8.8	2	
4	19000H06F000	oil pump ASSY	1	



## KEEWAY PARTNER 110

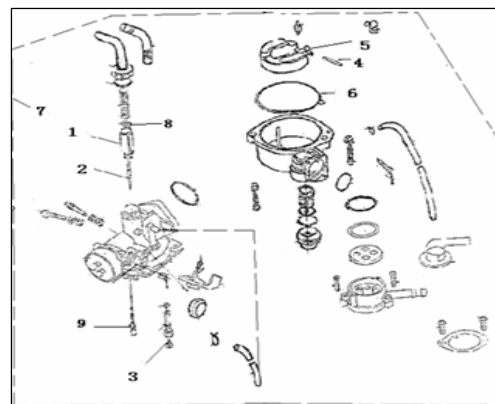
### E14 ELECTRONIC STARTING ASSY

NO	CODE		QTY	REM
1	34200G03F000	MOTOR ASSY , starting(330~390mm)	1	EURO 2
1	249012140060	MOTOR ASSY , starting(630~690mm)	1	EURO 3
2	34118G03F000	CHAIN	1	
3	34110G03F000	CLUTCH SET , starter	1	
4	34101G03F000	GEAR COMP , starter clutch	1	
5	34301H06F001	ROTOR ASSY six poles	1	6 POLOS
5	299022140002	ROTOR ASSY eight poles	1	8 POLOS;APARTIR VIN LBBXEH9019B509717
6	B01070604563	BOLT M6*45	3	
7	B02050601663	BOLT M6X16	3	
8	34310H06F001	STOPPER ASSY six poles	1	6 POLOS
8	299032140002	COIL ASSY eight poles	1	8 POLOS;APARTIR VIN LBBXEH9019B509717
9	299013010000	MAGNETO ASSY six poles	1	6 POLOS
9	299012140002	MAGNETO ASSY eight poles	1	8 POLOS;APARTIR VIN LBBXEH9019B509717
10	34400G03F001	EXCEEDABLE CLUTCH ASSY	1	



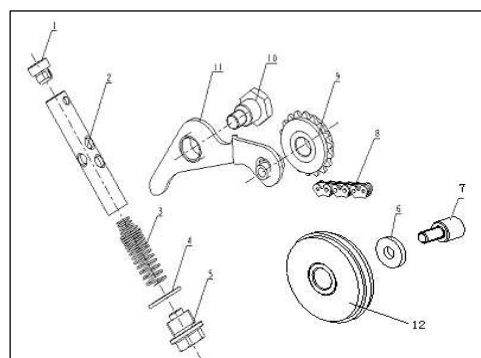
### E15 CARBURETOR ASSY

NO	CODE		QTY	REM
1	32506G03F000	VALVE PISTON	1	
2	32508H06F000	NEEDLE JET	1	
3	32617G03F000	Main Jet (108#)	1	EURO 2
3	224202.073000	Main Jet (125#)	1	EURO 3
4	32621G03F000	FLOAT PIN	1	
5	32622G03F000	FLOAT	1	
6	32701G03F000	SEAL	1	
7	32500H06F000	CARBURETOR ASSY	1	EURO 2
7	3390001E0070	CARBURETOR ASSY	1	EURO 3
8	32505G03F000	V-shaped clip	1	
9	32618G03F000	Idle Jet	1	



### E16 CAM CHAIN & TENSIONER

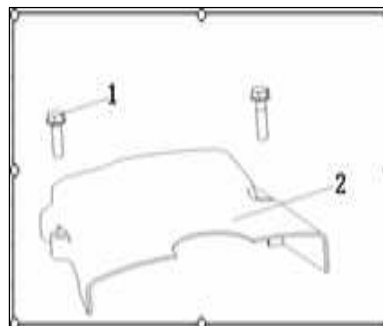
NO	CODE		QTY	REM
1	27311G03F000	CAP	1	
2	27210G03F000	SHAFT	1	
3	27309G03F000	SPRING	1	
4	27310G03F000	WASHER	1	
5	27308G03F000	PLUGE	1	
6	27310H06F000	WASHER	1	
7	27308H06F000	PLUGE	1	
8	27321H06F000	CHAIN,camshaft drive	1	
9	27320G03F000	SPROCKET,chain tensioner	1	
10	30312G03F930	AXLE,chain tensioner	1	
11	27230G03F000	ARM,chain tensioner	1	
12	27220H06F000	CHAIN SPROCKET,lub dump	1	



## KEEWAY PARTNER 110

### E17 BACK COVER ASSY,LH crankcase

NO	CODE		QTY	REM
1	B01070602864	SCREW M6x28	2	
2	14102H06F000	COVER, sprocket	1	



### E18 CLUTCH ASSY

NO	CODE		QTY	REM
1	24650G09F000	SPACER	1	
2	24420G09F930	WASHER	1	
3	24421G09F000	CLOSING RING	1	
4	24140H06F000	DOS shell BUSHING	1	
5	24419G09F000	CLUTCH crust CASSY	1	
6	24626G09F000	HUB,clutch sleeve	1	
7	24700G09F000	PLATE,drive	4	
8	24701G09F000	PLATE,driven	3	
9	24630G09F000	HUB , clutch sleeve	1	
10	B01070602062	BOIL M6X20	4	
11	24611G09F930	SPRING,clutch	4	
12	B12016600000	BEARING 6000	1	
13	24623G09F000	PLATE,clutch pressure	1	
14	B01030601662	BOLT M6*16	2	
15	24640G09F000	OIL COVER CASSY	1	
16	24000G09F000	CLUTCH ASSY	1	

