

PARTS CATALOGUE



SCOOTERS

SK25SF(PT)

DT X 125



Release Date : 2023/03/17
Print Date : 2023/04/20

ABOUT THIS PARTS LIST

- This parts list is compiled all service parts for model SK25SF(PT).
- Any difference between color chart and motorcycle will be revised according to motorcycle.
- The Mark:
 1. Marking "***" must add color code in the end before ordering parts.
 2. Marking "#" are parts with modification, Please find the details from e-Parts system.
- When modification or additions to this parts list are made a revised edition at an appropriate time.



CONTENTS

● ABOUT THIS PARTS LIST	1
● COLOR CHART OF SK25SF(PT)	3
● CONTENTS-ENGINE GROUP	8
● CONTENTS-FRAME GROUP	9
● ENGINE PARTS LIST	12
● FRAME PARTS LIST	42
● PART NO. INDEX	112

NO	MODEL			COLOR CHART OF SK25SF(PT)			
	PHOTO NO			NO. 1	NO. 2	NO. 3	
	BASIC COLOR			Mat Black	Mat Black	Mat Black	
	CODE			Mat Black	Mat Black	Mat Black	
	PARTS NAME	PARTS NO.	VERSION	NH294FAB	NH294FBB	NH294FAA	
1	BAR ASSY R	5070A-ALD9-E10	0	HJA			
2	BAR ASSY L	5070B-ALD9-E10	0	HJA			
3	SKIRT R SIDE	64305-AHG1-E00	0	HJP			
4	SKIRT L SIDE	64306-AHG1-E00	0	HJP			
5	BRACKET FR CALIPER	43210-LGE5-E00	0	JBA			
6	COVER FR A	64301-AHG1-E00	0	JBP			
7	MOLDING R FRONT A	64302-AHG1-E00	0	JBP			
8	MOLDING L FRONT A	64303-AHG1-E00	0	JBP			
9	COVER SIDE R (Dark	83500-AHG1-E00	0	JBP			
10	BOARD A R SIDE	83530-AHG1-E00	0	JBP			
11	COVER SIDE L (Dark	83600-AHG1-E00	0	JBP			
12	BOARD A L SIDE	83630-AHG1-E00	0	JBP			
13	PROTECTOR.MUFFLER	18318-AHG3-E00	1	D46	JHP		
14	COVER BODY R	83510-AHG1-E00	0	JJP			
15	COVER BODY L	83610-AHG1-E00	0	JJP			
16	LEVER R STRG HANDLE	53175-LKF5-E00	0	M3A			
17	LEVER L STRG HANDLE	53178-LKF5-E00	0	M3A			
18	COVER COMP R CRANK	11330-LFA7-E00	9	MLA			
19	COVER COMP L SIDE	11340-LFA7-E00	4	MLA			
20	COVER.RADIATOR	19025-ABD2-C01	0	N1R			
21	CASE BATTERY	50325-AHG1-E00	0	N1R			
22	COVER ASSY BATTERY	50327-AHG1-E00	0	N1R			
23	COVER UNDER	50613-AHG1-E00	0	N1R			
24	GRIP R HANDLE	53140-LHJ3-900	3	N1R			
25	GRIP L HANDLE	53150-LEA6-900	6	N1R			
DATE OF STARTING-SALES							
DATE OF END-SALES							

NO	MODEL			COLOR CHART OF SK25SF(PT)			
	PHOTO NO			NO. 1	NO. 2	NO. 3	
	BASIC COLOR			Mat Black	Mat Black	Mat Black	
	CODE			Mat Black	Mat Black	Mat Black	
	PARTS NAME	PARTS NO.	VERSION	NH294FAB	NH294FBB	NH294FAA	
26	COVER METER	53204-AHG1-E00	0	N1R			
27	HANDLE COVER LOW	53206-AHG1-E00	0				
28	PROTECTOR R HANDLE	53207-AHG1-E00	0				
29	PROTECTOR L HANDLE	53208-AHG1-E00	0				
30	INTERFACE R	53209-AHG1-E00	0				
31	COVER HANDLE UP	5320A-AHG1-E00	0				
32	INTERFACE L	53210-AHG1-E00	0				
33	HINGE HANDLE TOP	53225-AHG1-E00	0				
34	FENDER A FR	61100-AHG1-E00	0				
35	FENDER FR INNER	61110-AHG1-E00	0				
36	COVER FR C	64304-AHG1-E00	0				
37	COVER FR B	64309-AHG1-E00	0				
38	FLOOR PANEL R	64310-AHG1-E00	0				
39	MOLDING R FRONT B	64312-AHG1-E00	0				
40	MOLDING L FRONT B	64313-AHG1-E00	0				
41	SKIRT B L SIDE	64316-AHG1-E00	0				
42	SKIRT B R SIDE	64317-AHG1-E00	0				
43	PANEL L FLOOR	64330-AHG1-E00	0				
44	MAT R LEG SHIELD	64350-AHG1-E00	0				
45	MAT R FLOOR	64351-AHG1-E00	0				
46	MAT L LEG SHIELD	64360-AHG1-E00	0				
47	MAT L FLOOR	64361-AHG1-E00	0				
48	COWL UNDER	64400-AHG1-E00	0				
49	FENDER TIRE RR	80100-AHG1-E00	0				
50	FENDER RR INNER	80101-AHG1-E00	0				
DATE OF STARTING-SALES							
DATE OF END-SALES							

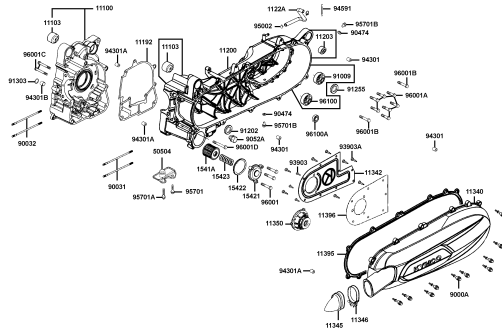
NO	MODEL			COLOR CHART OF SK25SF(PT)					
	PHOTO NO			NO. 1	NO. 2	NO. 3			
	BASIC COLOR			Mat Black	Mat Black	Mat Black			
	CODE			Mat Black	Mat Black	Mat Black			
	PARTS NAME	PARTS NO.	VERSION	NH294FAB	NH294FBB	NH294FAA			
51	FENDER RR	80105-AHG1-E00	0	N1R					
52	COVER LICENSE LIGHT	80107-AHG1-E00	0						
53	COVER CENTER	80151-AHG1-E00	0						
54	COVER FUEL	80152-AHG1-E00	0						
55	HINGE FUEL COVER	80153-AHG1-E00	0						
56	COVER SEAT	80154-AHG1-E00	0						
57	HOLDER FUEL COVER	80155-AHG1-E00	0						
58	COVER ASSY. FUEL	8015A-AHG1-E00	0						
59	LEG SHIELD	81131-AHG1-E00	0						
60	HOLDER BOX HINGE	81134-AHG1-E00	0						
61	BOX INNER FR.	81135-AHG1-E00	0						
62	BOX ASSY. L FRONT	8113A-AHG1-E00	0						
63	BUTTOM ASSY. BOX	8113B-AHG1-E00	0						
64	LID R BOX FR	81142-AHG1-E00	0						
65	BOX ASSY LUGGAGE	81250-AHG1-E00	1						
66	BOARD C R SIDE	83534-AHG1-E00	0						
67	BOARD C L SIDE	83634-AHG1-E00	0						
68	END R HANDLE	53105-LEA7-E00	4				N1S		
69	END L HANDLE	53106-LEA7-E00	4						
70	COVERWATER PUMP	19221-LFA7-E00	3				NEA		
71	WHEEL CAST RR	42601-AHG1-E00	0						
72	CALIPER ASSY RR	43100-LGE5-E01	3						
73	WHEEL FR CAST	44601-AHG1-E00	0						
74	CALIPER ASSY FR	45200-LKG7-E00	5						
75	BRACKET COMP FR	45210-LKG7-305	0						
DATE OF STARTING-SALES									
DATE OF END-SALES									

NO	MODEL			COLOR CHART OF SK25SF(PT)						
	PHOTO NO			NO. 1	NO. 2	NO. 3				
	BASIC COLOR			Mat Black	Mat Black	Mat Black				
	CODE			Mat Black	Mat Black	Mat Black				
	PARTS NAME	PARTS NO.	VERSION	NH294FAB	NH294FBB	NH294FAA				
76	FORK ASSY R FR	51400-AHG1-E30	1	NEA						
77	BOTTOM CASE R	51420-AHG1-E00	0							
78	FORK ASSY LH FR	51500-AHG1-E30	1							
79	BOTTOM CASE L	51520-ABD2-C00	0							
80	FORK ASSY RR	52000-AHG1-E00	1							
81	CAP ACG	90084-KKF9-901	0							
82	CAP ASSY	9008A-PTA1-900	3							
83	TAIL CAP MUFFLER	18306-AHG3-E00	0				NEP			
84	CUSHION ASSY REAR	52400-AGE2-E00	0				T01			
85	CUSHION ASSY REAR	52400-AHG1-E30	1							
86	FILM HANDLE COVER	53245-AHG1-900	1							
87	SEAT ASSY	77200-AHG5-E00	4							
88	EMB DTX	86020-AHG5-E00	1							
89	EMB K-LOGO ASSY	8610A-LGC6-E00	0							
90	STRIPE FR MOLD	86281-AHG5-E10	0							
91	EMB 125	86288-AHG1-E00	0							
92	EMB TCS	87311-AHG5-E00	1							
93	LABEL FUEL TANK	87546-ADG5-E00	2	T02						
94	MARK DRIVE CAUTION	87560-AHG5-E00	1							
95	STRIPE R BODY COVER	86221-AHG1-E00	1				T01		T02	
96	STRIPE L BODY COVER	86231-AHG1-E00	1							
97	CAUTION FEDERAL LAW	87508-ABD2-E00	0							
98	RR CARRIER R	81200-AHG1-900	0				X4A		ZBA	
99	RR CARRIER L	81300-AHG1-900	0							
100	COVER HANDLE TOP	53215-AHG1-E00	0				X4P		ZBP	
DATE OF STARTING-SALES										
DATE OF END-SALES										

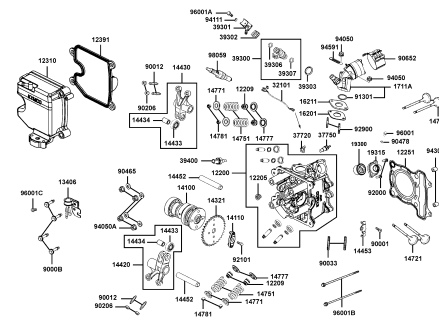
NO	MODEL			COLOR CHART OF SK25SF(PT)			
	PHOTO NO			NO. 1	NO. 2	NO. 3	
	BASIC COLOR			Mat Black	Mat Black	Mat Black	
	CODE			Mat Black	Mat Black	Mat Black	
	PARTS NAME	PARTS NO.	VERSION	NH294FAB	NH294FBB	NH294FAA	
101	MOLDING R FRONT C	64307-AHG1-E00	0	X4P	ZBP		
102	MOLDING L FRONT C	64308-AHG1-E00	0				
103	COVER A KEY	81151-AHG1-E00	0				
104	COVER KEY B	81161-AHG1-E00	0				
105	"BOARD B, R"	83532-AHG1-E00	0				
106	"BOARD B, L"	83632-AHG1-E00	0				
107	COVER RR CENTER	83750-AHG1-E00	0				
DATE OF STARTING-SALES							
DATE OF END-SALES							

CONTENTS - ENGINE GROUP

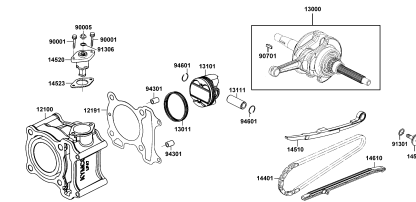
E01 Crank Case



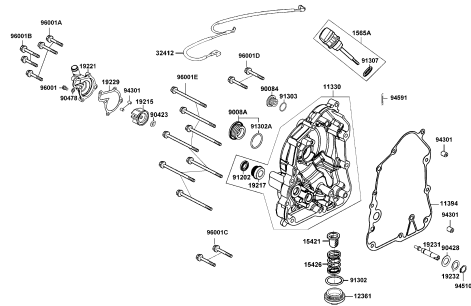
E02 Cylinder Head Cover Cylinder



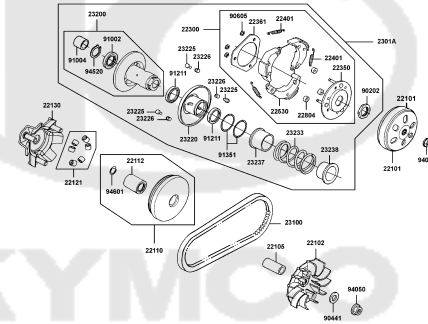
E03 Cylinder Piston Crankshaft



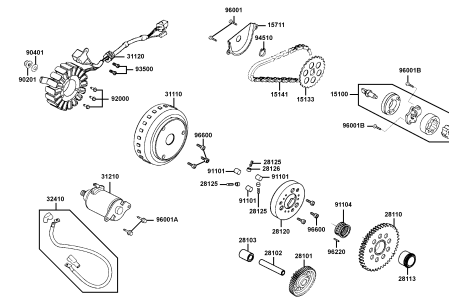
E04 Right Crankcase Cover Water



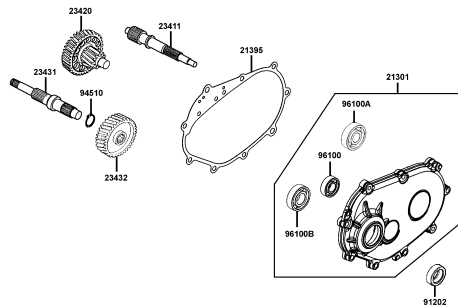
E05 Pulley



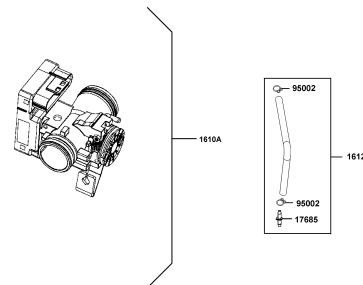
E06 Starting Motor Generator



E07 Transmission

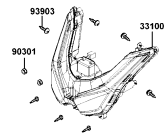


E08 Throttle Body Assy

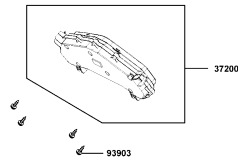


CONTENTS - FRAME GROUP

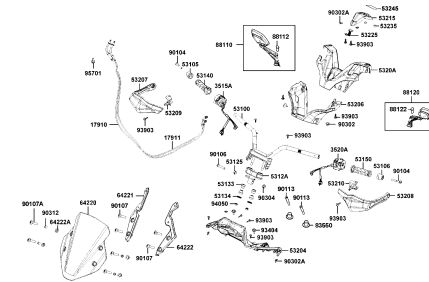
F01 Head Light



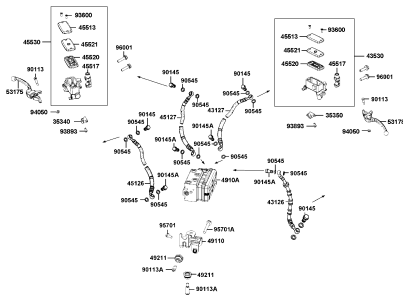
F02 Speed meter



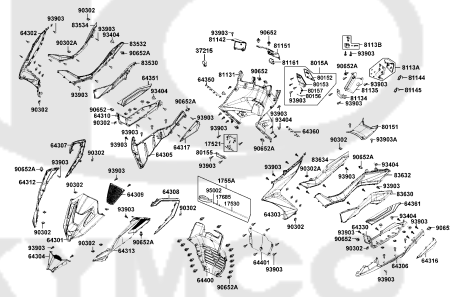
F03 Handle Steering



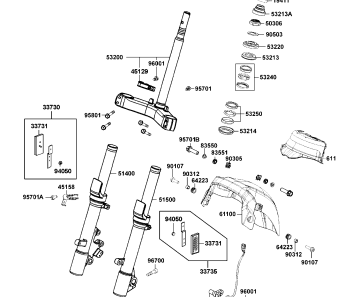
F04 Master Cylinder



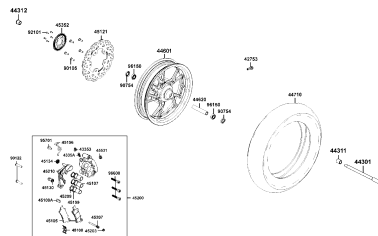
F05 Front Cover Front Inner Box



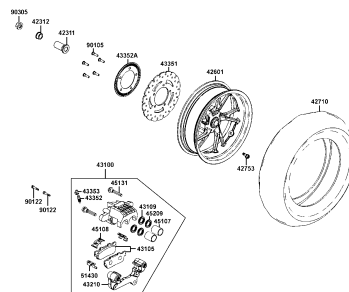
F06 Stem Steering Front Fork



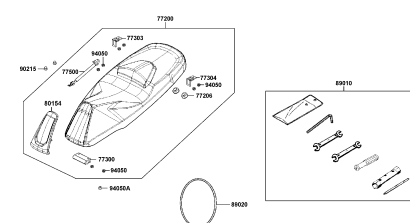
F07 Front Wheel



F08 Rear Wheel

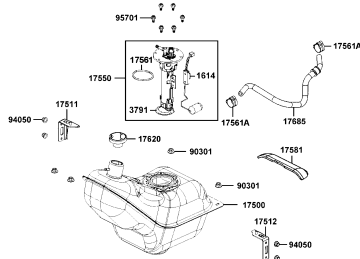


F09 Seat

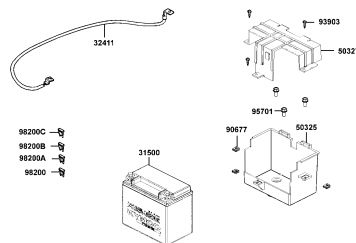


CONTENTS - FRAME GROUP

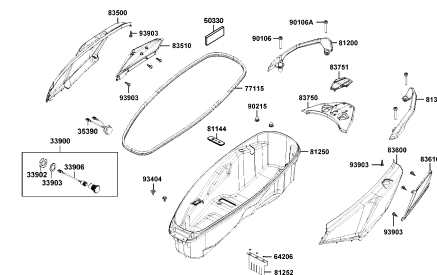
F10 Fuel Tank



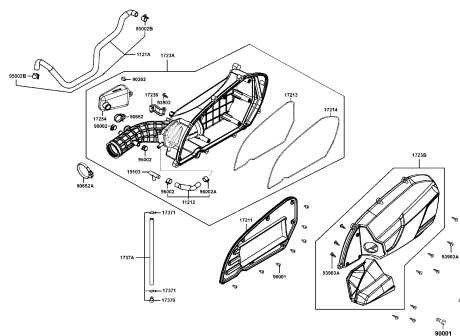
F11 Battery



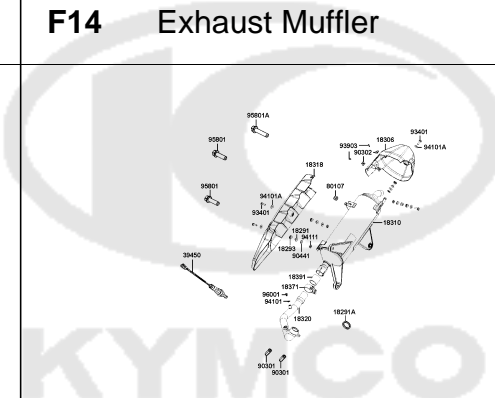
F12 Body Cover Luggage Box



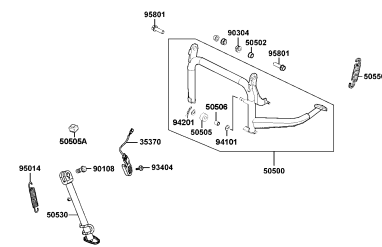
F13 Air Cleaner



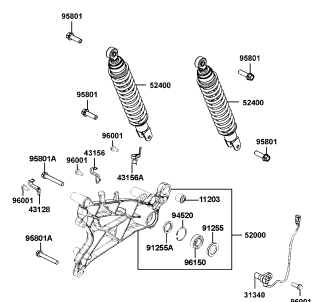
F14 Exhaust Muffler



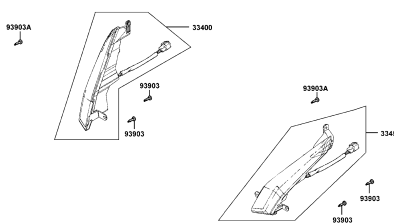
F15 Stand



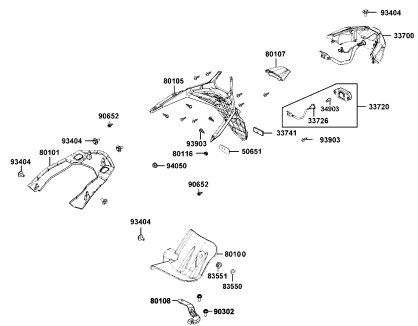
F16 Rear Cushion Rear Fork



F17 Front Winker

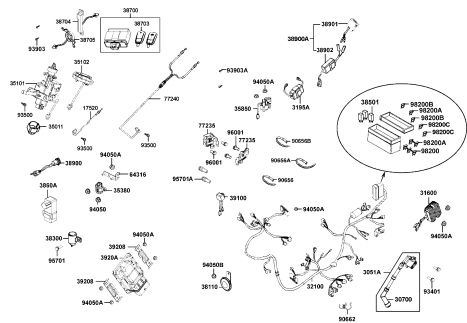


F18 Light Tail

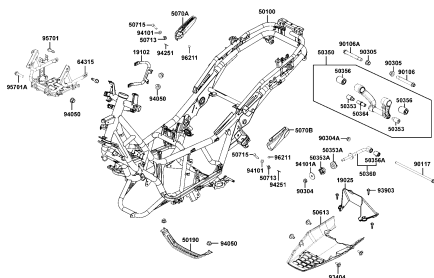


CONTENTS - FRAME GROUP

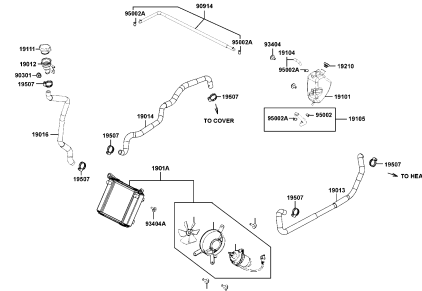
F19 Harness Wire



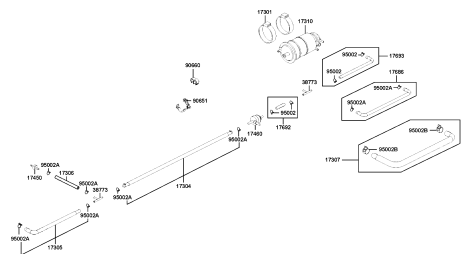
F20 Frame Body



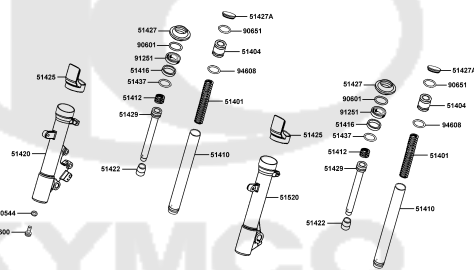
F21 Radiator



F22 Canister



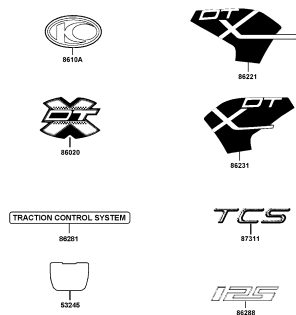
F23 Separated Parts Of Fr Fork



F24 Caution Label

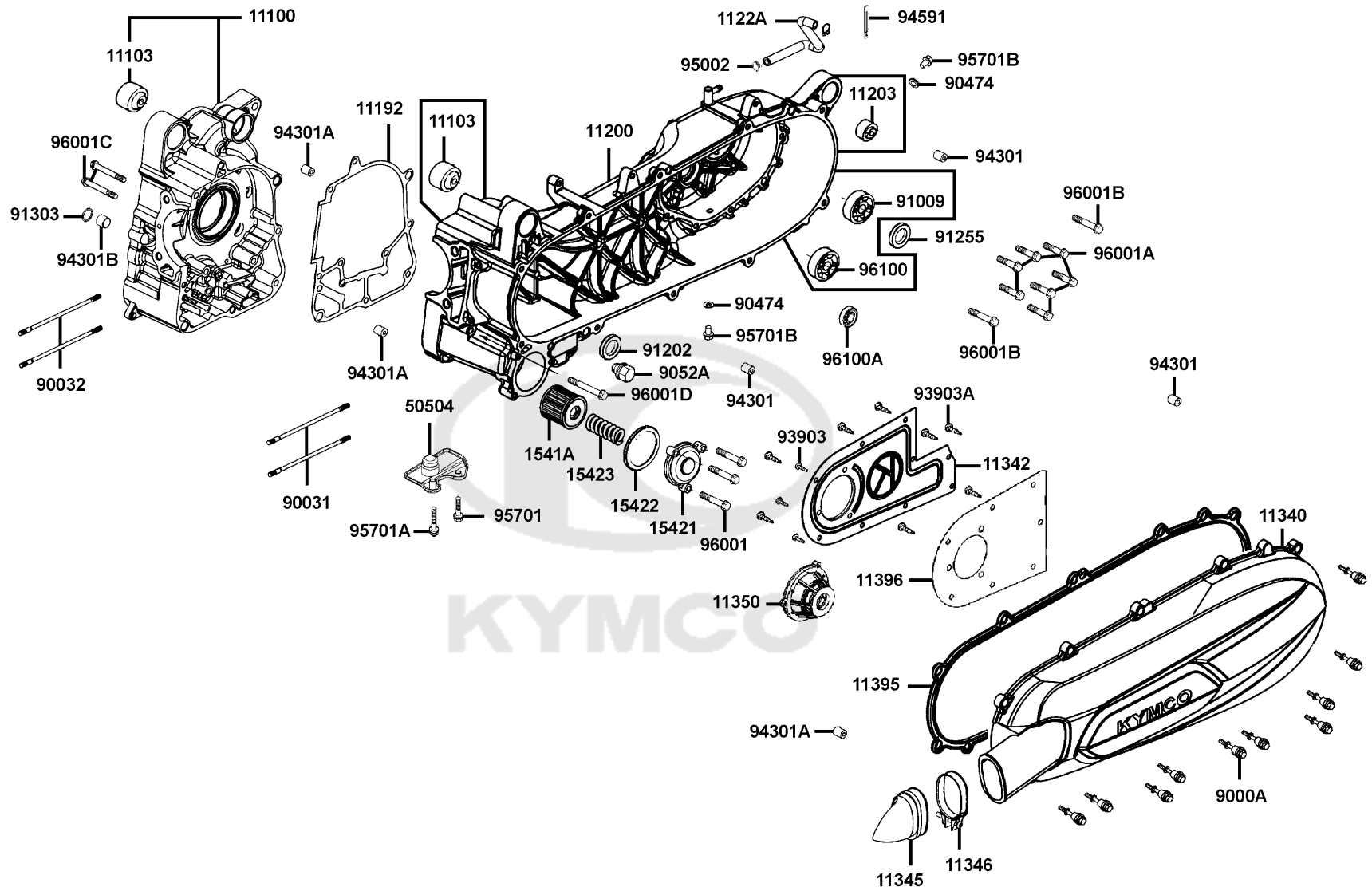


F25 Emblem Stripe



E01

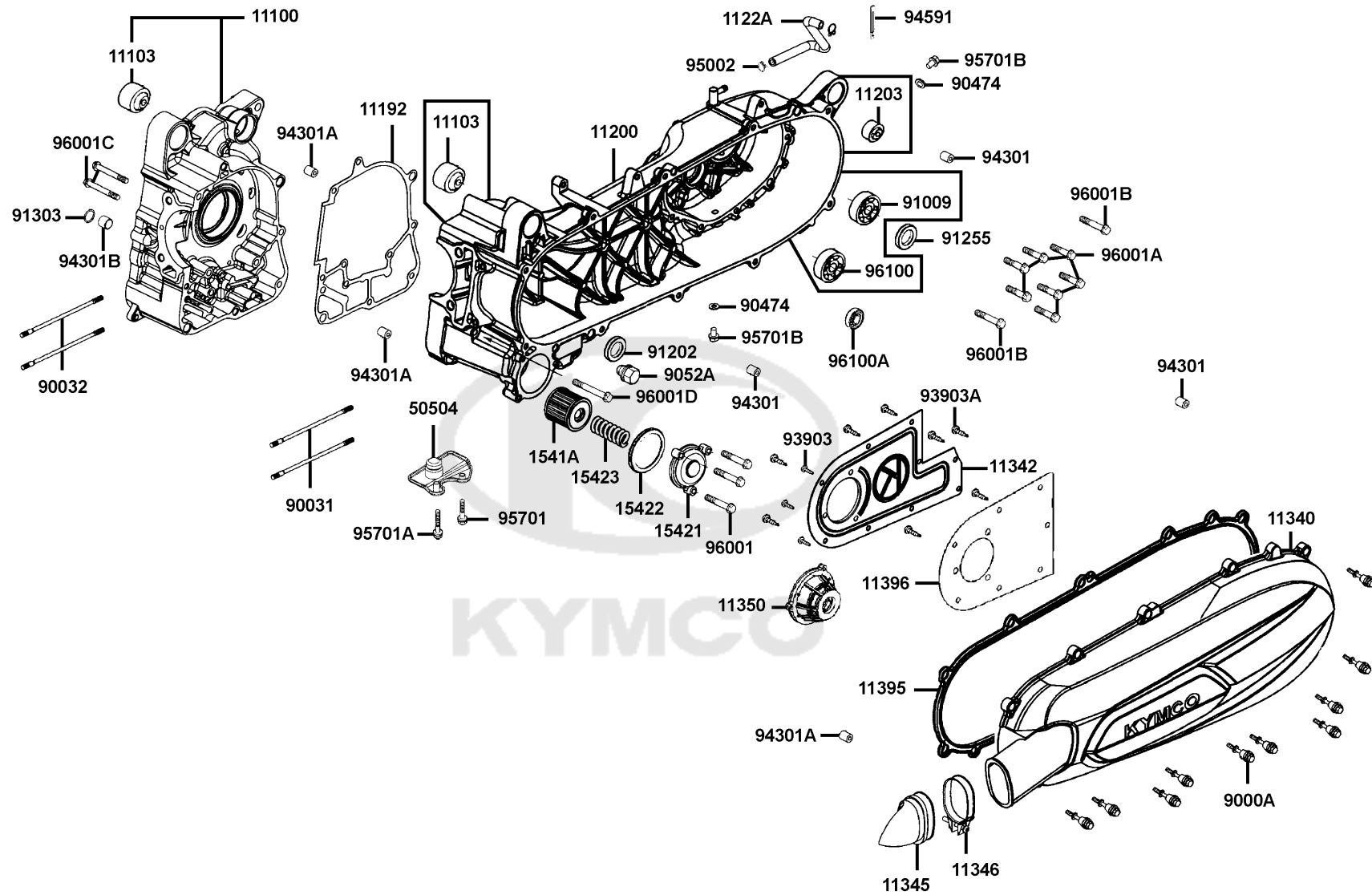
Crank Case



Sales mark	Ref no	Part no	Description	Reg description	Regd no	E01
	11100	11100-LFA7-305	CRANK CASR SET RIGHT	CRANK CASR SET RIGHT	1	
	11103	11103-KHE7-900	RUB BUSH ENG HANGER	RUB BUSH ENG HANGER	2	
	11192	11192-LFA7-E00	GASKET CRANK CASE @A	GASKET CRANK CASE @A	1	
	11200	11200-LFA7-305	CRANK CASE ASSY LEFT	CRANK CASE ASSY LEFT	1	
	11203	11203-LBA2-E00	RUB BUSH L CASE	RUB BUSH L CASE	1	
	1122A	1122A-LEB1-900	TUBE ASSY BREATHER	TUBE ASSY BREATHER	1	
	11342	11342-LFA7-900	PLATE L COVER	PLATE L COVER	1	
	11345	11345-LFB5-900	DUCT L COVER	DUCT L COVER	1	
	11346	11346-GFY6-901	BAND L COVER DUCT	BAND L COVER DUCT	1	
	11350	11350-LFB5-900	ELEMENT COMP L COVER	ELEMENT COMP L COVER	1	
	11395	11395-LFA7-E00	GASKET L COVER	GASKET L COVER	1	
	11396	11396-LFA7-900	GASKET L COVER PLATE	GASKET L COVER PLATE	1	
	1541A	1541A-LEA7-E00	ELEMENT ASSY OIL FILTER	ELEMENT ASSY OIL FILTER	1	
	15421	15421-KKC3-900	CAP OIL FILTER	CAP OIL FILTER	1	
	15422	15422-KKC3-900	O RING 53.65*2.62	O RING 53.65*2.62	1	
	15423	15423-KKC3-900	SPRING CAP OIL	SPRING CAP OIL	1	
	50504	50504-LFA7-E00	STAY MAIN STAND COMP.	STAY MAIN STAND COMP.	1	
	9000A	9000A-KTDT-900	BOLT ASSY SPECIAL 6X29.5	BOLT ASSY SPECIAL 6X29.5	10	
	90031	90031-KHD6-900	BOLT A STUD 8*218	BOLT A STUD 8*218	2	
	90032	90032-KHD6-900	BOLT B STUD 8*210	BOLT B STUD 8*210	2	

E01

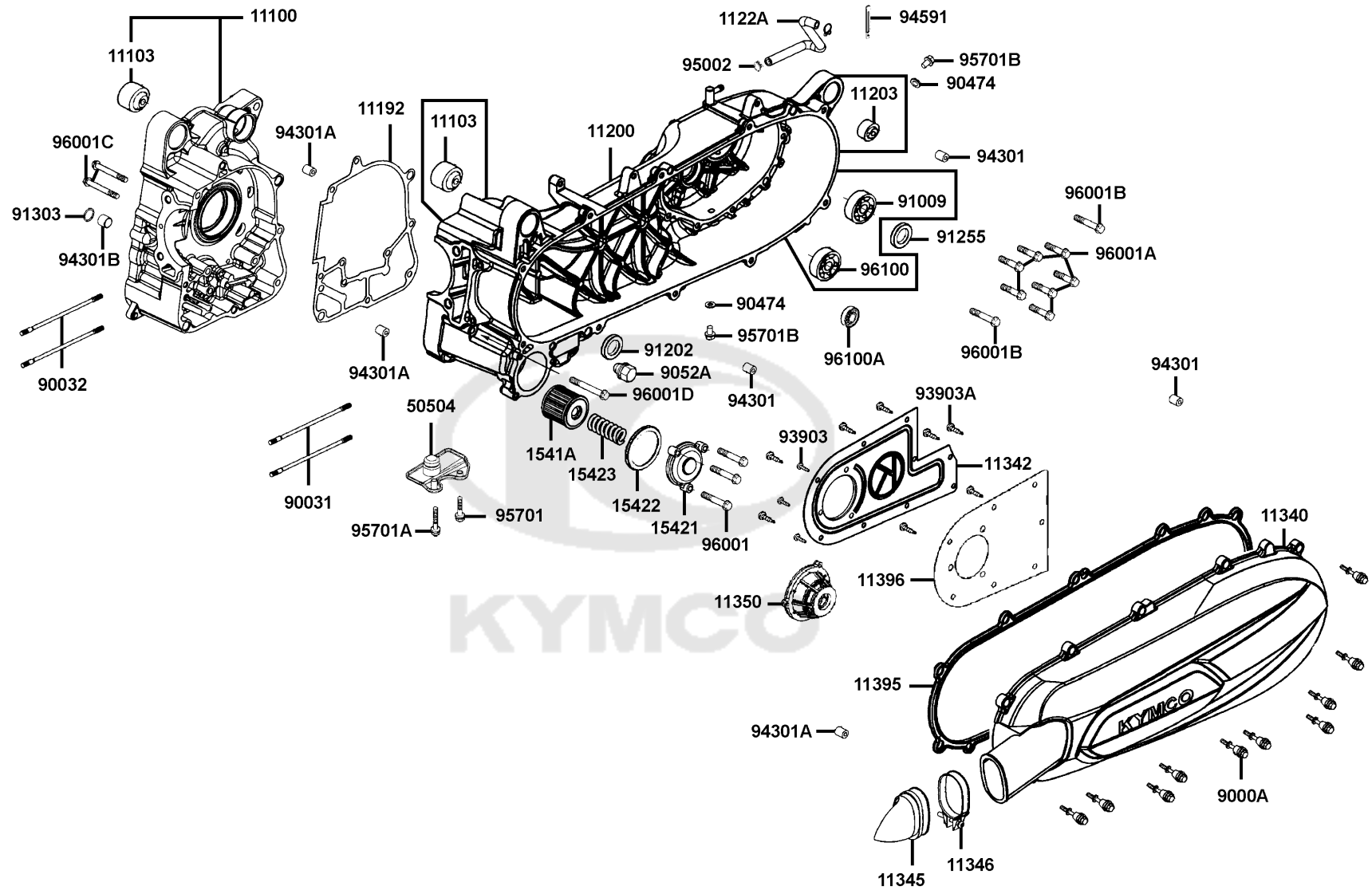
Crank Case



Sales mark	Ref no	Part no	Description	Reg description	Regd no	E01
90474		90474-3C33-001	WASHER 8MM	WASHER 8MM	1	
9052A		9052A-LEB1-900	BOLT ASSY DRAIN PLUG	BOLT ASSY DRAIN PLUG	1	
91009		91009-KHE7-900	BRG BALL RADIAL 6205LLU	BRG BALL RADIAL 6205LLU	1	
91202		91202-LEB1-900	OIL SEAL 25*35*5	OIL SEAL 25*35*5	1	
91255		91255-KHE7-90A	OIL SEAL 34*52*7	OIL SEAL 34*52*7	1	
91303		91303-KKE5-E00	O-RING 14.8x2.4	O-RING 14.8x2.4	1	
93903		93903-25260	SCREW TAPPING 5*12	SCREW TAPPING 5*12	3	
93903A		93903-25360	SCREW TAPPING 5*16	SCREW TAPPING 5*16	2	
94301		94301-08140	DOWEL PIN 8*14	DOWEL PIN 8*14	1	
94301A		94301-10160	DOWEL PIN 10*16	DOWEL PIN 10*16	2	
94301B		94301-KKE5-E00	DOWEL PIN 15x10	DOWEL PIN 15x10	1	
94591		94591-LEE8-E00	CLIP 2*100	CLIP 2*100	1	
95002		95002-50000	CLIP C9 TUBE	CLIP C9 TUBE	1	
95701		95701-06018-06	BOLT FLANGE 6X18	BOLT FLANGE 6X18	1	
95701A		95701-06025-06	BOLT FLANGE 6*25	BOLT FLANGE 6*25	1	
95701B		95701-08012-06	BOLT FLANGE 8*12	BOLT FLANGE 8*12	2	
96001		96001-06016-06	BOLT FLANGE SH 6X16	BOLT FLANGE SH 6*16	1	
96001A		96001-06025-06	BOLT FLANGE SH 6*25	BOLT FLANGE SH 6*25	1	
96001B		96001-06032-06	BOLT FLANGE 6*32	BOLT FLANGE 6*32	2	
96001C		96001-06050-06	BOLT FLANGE SH 6*50	BOLT FLANGE SH 6*50	2	

E01

Crank Case

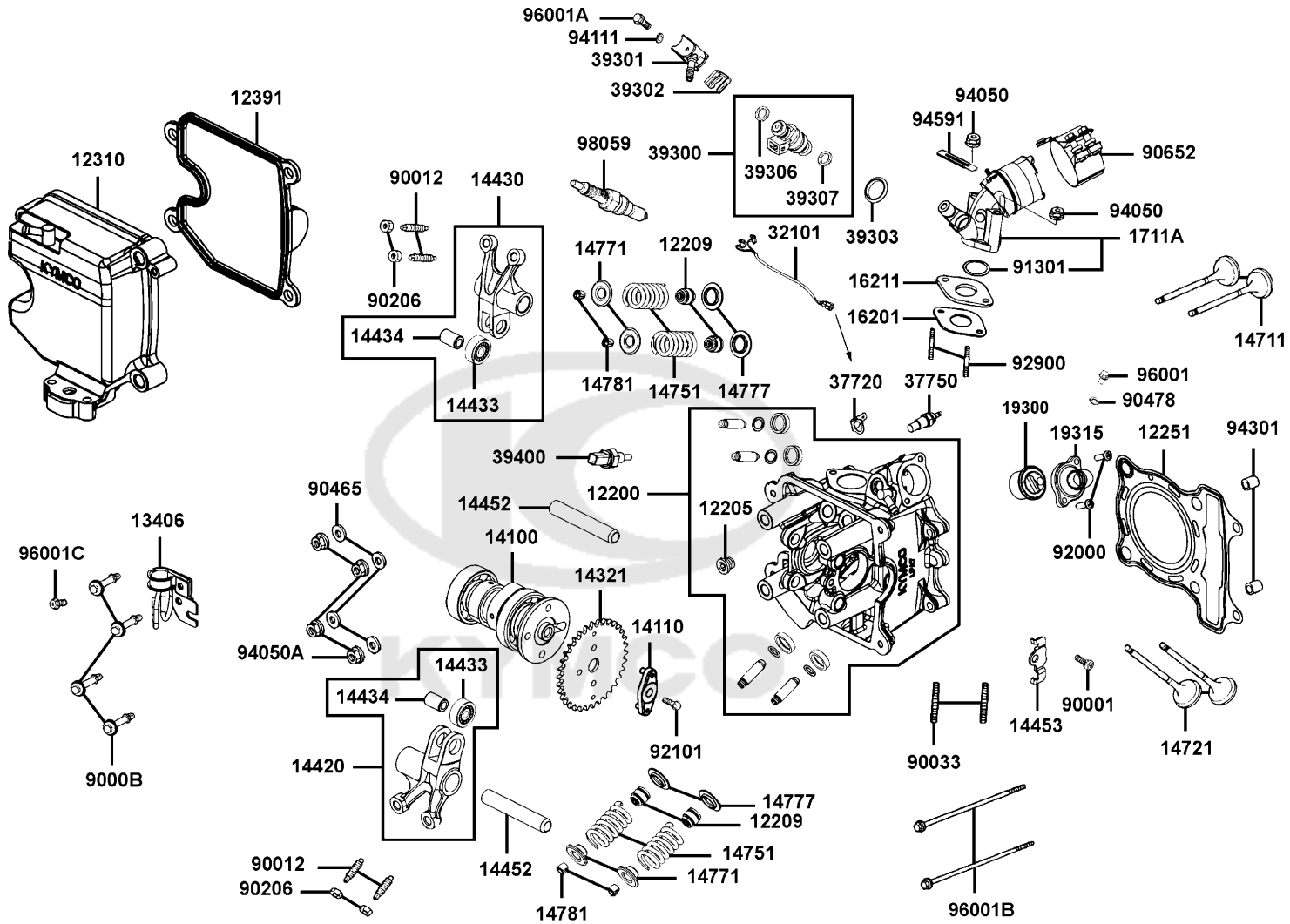


Sales mark	Ref no	Part no	Description	Reg description	Regd no	E01
------------	--------	---------	-------------	-----------------	---------	------------

96001D	96001-06085-06	96001-06085-06	BOLT FLANGE 6*85	BOLT FLANGE 6*85	1	
96100	96100-60020-00	96100-60020-00	BRG BALL RADIAL 6002	BRG BALL RADIAL 6002	1	
96100A	96100-62030-00	96100-62030-00	BRG BALL RADIAL 6203	BRG BALL RADIAL 6203	1	

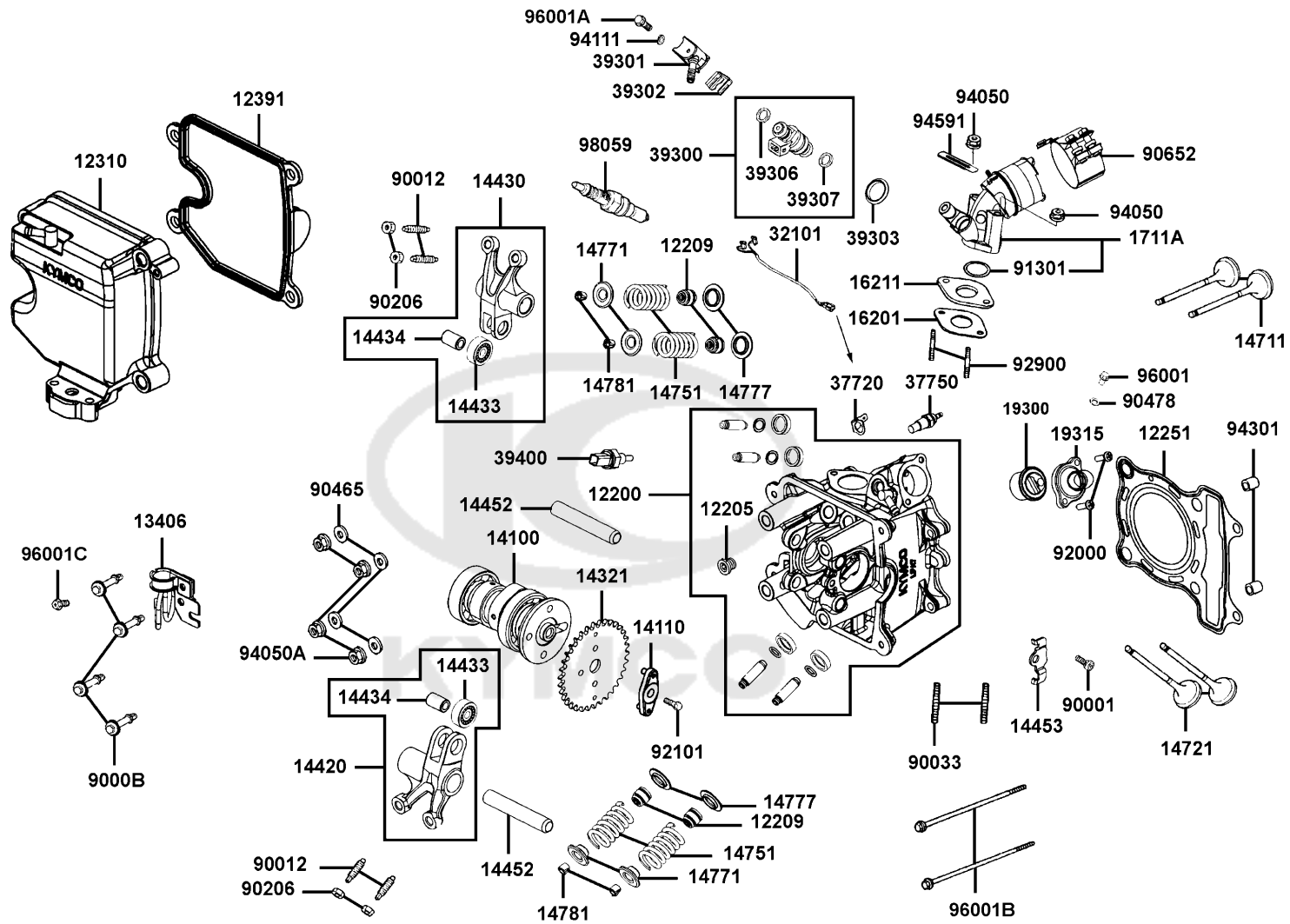


Cylinder Head Cover Cylinder Head



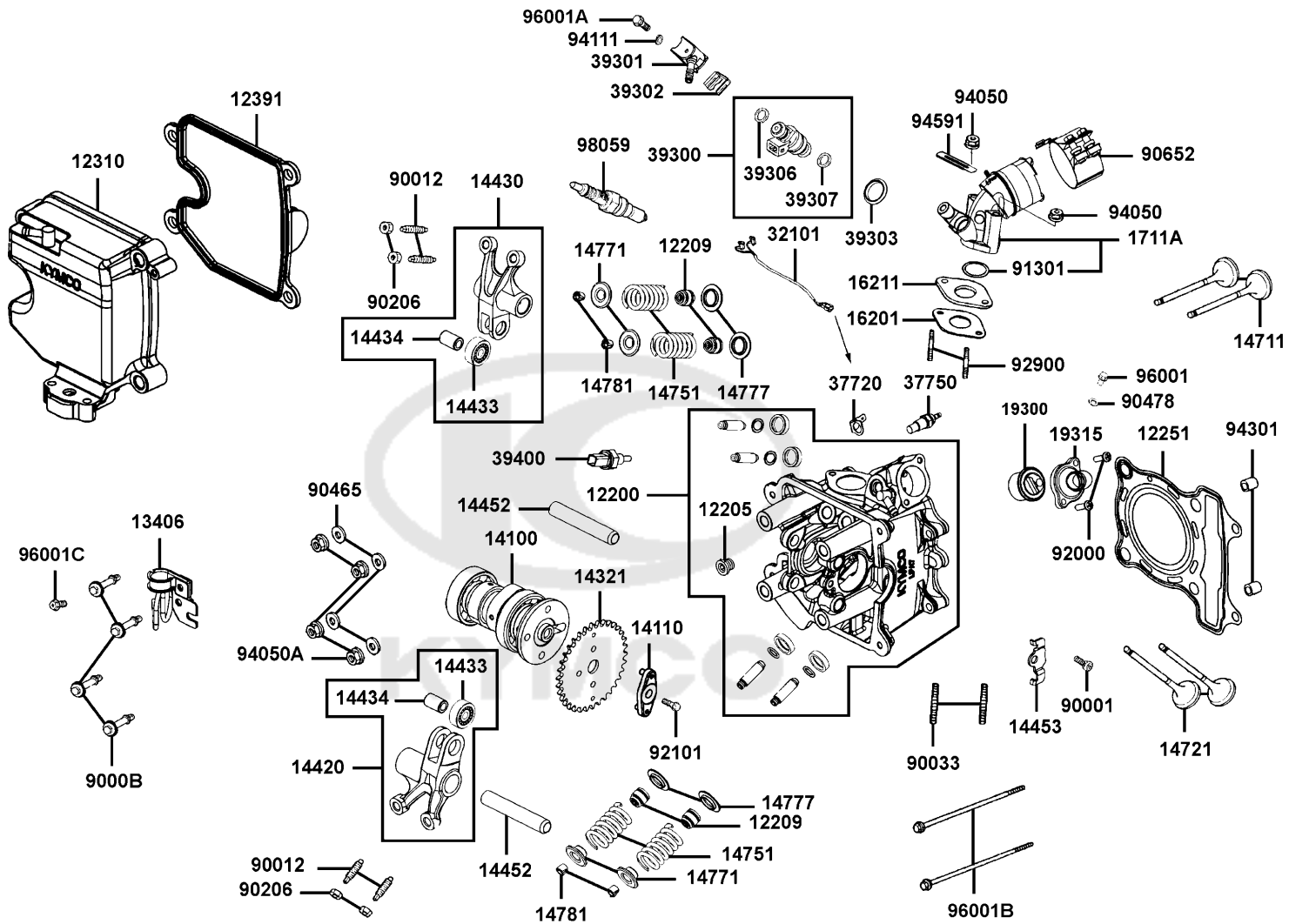
Sales mark	Ref no	Part no	Description	Reg description	Regd no	E02
12200		12200-AHG1-305	HEAD COMP CYL N	HEAD COMP CYL N	1	
12205		12205-KHE8-301	BOLT SEALING 12MM	BOLT SEALING 12MM	1	
12209		12209-LEA2-90A	SEAL VALVE STEM	SEAL VALVE STEM	4	
12251		12251-LFA7-E00	GASKET CYLINDER HEAD	GASKET CYLINDER HEAD	1	
12310		12310-LFA7-E00	COVER COMP HEAD	COVER COMP HEAD	1	
12391		12391-LFA7-E00	GASKET HEAD COVER	GASKET HEAD COVER	1	
13406		13406-LFA7-E00	STAY.FUEL HOSE	STAY.FUEL HOSE	1	
14100		14100-AAG3-EZ5	SHAFT COMP CAM	"SHAFT COMP., CAM"	1	
14110		14110-LEB1-900	FIXTURE CAMSHAFT	FIXTURE CAMSHAFT	1	
14321		14321-LEB1-900	SPROCKET CAM	SPROCKET CAM	1	
14420		14420-LEB1-900	ARM COMP EXH VALVE ROCKER	ARM COMP EXH VALVE ROCKER	1	
14430		14430-LEB1-900	ARM COMP IN VALVE ROCKER	ARM COMP IN VALVE ROCKER	1	
14433		14433-LEB1-900	ROLLER ASSY ROCKER ARM	ROLLER ASSY ROCKER ARM	2	
14434		14434-LEB1-900	PIN ROCKER ARM	PIN ROCKER ARM	2	
14452		14452-LFA7-E00	SHAFT ROCKER ARM	SHAFT ROCKER ARM	1	
14453		14453-LFA7-E00	PLATE STOPPER	PLATE STOPPER	1	
14711		14711-LFA7-E00	VALVE INLET	VALVE INLET	2	
14721		14721-LFA7-E00	VALVE EXHAUST	VALVE EXHAUST	2	
14751		14751-KHD6-900	SPG VALVE OUTER	SPG VALVE OUTER	4	
14771		14771-LEA2-900	RETAINER UPPER SPRING	RETAINER UPPER SPRING	4	

Cylinder Head Cover Cylinder Head



Sales mark	Ref no	Part no	Description	Reg description	Regd no	E02
14777		14777-LFA7-E00	SEAT VALVE SPG	SEAT VALVE SPRING	4	
14781		14781-KKE5-E00	COTTER VALVE	COTTER VALVE	8	
16201		16201-AAG3-EZ5	GASKET CARB INSULATOR @A	"GASKET, CARB INSULATOR @A"	1	
16211		16211-AAG3-EZ5	INSULATOR CARB	"INSULATOR, CARB"	1	
1711A		1711A-AAG3-EZ5	PIPE ASSY INLET	"PIPE ASSY.,INLET"	1	
19300		19300-LFA7-E0A	THERMOSTAT ASSY.	THERMOSTAT ASSY.	1	
19315		19315-LFA7-E00	COVER THERMOSTAT	COVER THERMOSTAT	1	
32101		32101-LEA7-E00	SUB HARNESS THERMO UNIT	SUB HARNESS THERMO UNIT	1	
37720		37720-KGB5-900	EARTH TERMINAL THERMO	EARTH TERMINAL THERMO	1	
37750		37750-PAC1-005	THERMO UNIT ASSY	THERMO UNIT ASSY	1	
39300		39300-LEB2-800	FUEL INJECTOR	FUEL INJECTOR	1	
39301		39301-AAG3-EZ5	HOLDER ASSY FUEL INJECTOR	"HOLDER ASSY.,FUEL INJECTOR"	1	
39302		39302-KKE3-900	CLIP SPRING FUEL INJECTOR	CLIP SPRING FUEL INJECTOR	1	
39303		39303-LEB2-900	SEAL HIGH TENSION FUEL INJECT	SEAL HIGH TENSION FUEL INJECT	1	
39306		39306-LEB2-305	O-RING A INJECTOR /BLACK	O-RING A INJECTOR /BLACK	1	
39307		39307-LEB2-305	O-RING B INJECTOR /GREEN	O-RING B INJECTOR /GREEN	1	
39400		39400-LDF2-800	WATER TEMP SENSOR	WATER TEMP SENSOR	1	
90001		90001-GFY6-901	SOCKET BOLT 6*10 (B)	SOCKET BOLT 6*10 (B)	1	
9000B		9000B-KHD6-900	BOLT ASSY SPECIAL 6*41.5	BOLT ASSY SPECIAL 6*41.5	2	
90012		90012-3C33-001	SCREW TAPPET ADJUSTING	SCREW TAPPET ADJUSTING	4	

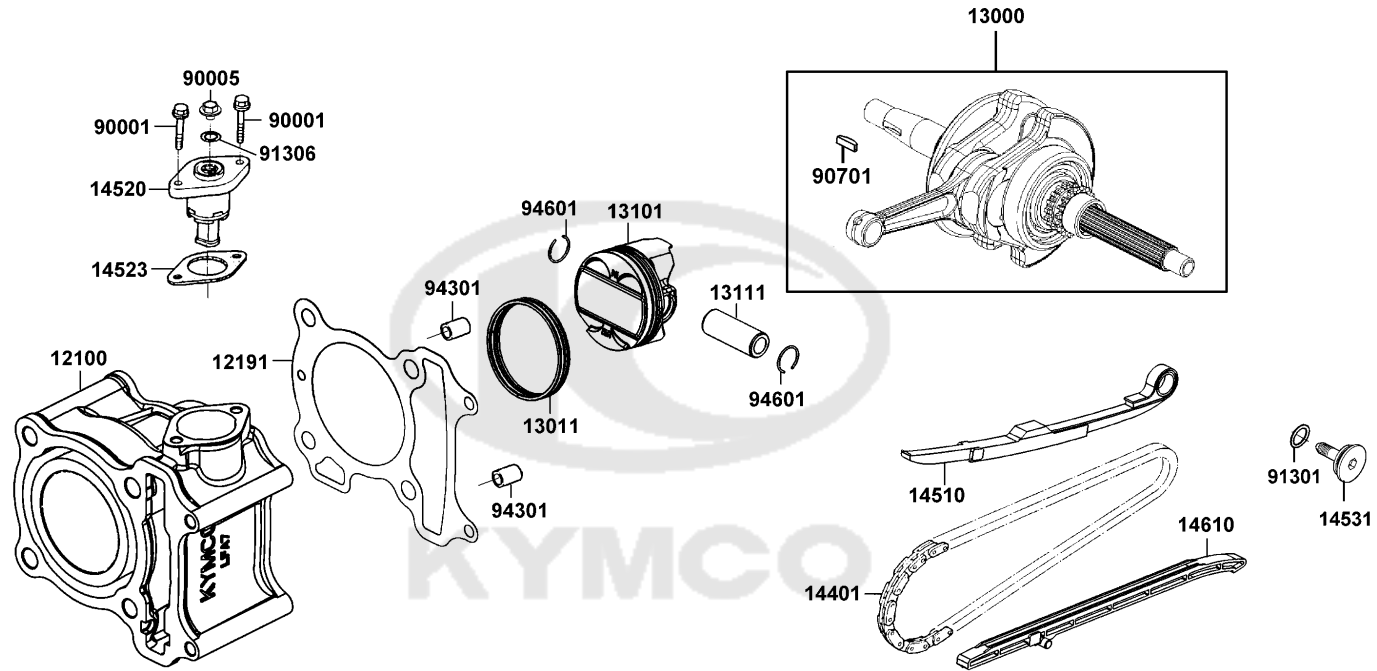
Cylinder Head Cover Cylinder Head



Sales mark	Ref no	Part no	Description	Reg description	Regd no	E02
	90033	90033-GFY6-900	BOLT STUD 8*32	BOLT STUD 8*32	2	
	90206	90206-0A01-001	NUT TAPPET ADJG	NUT TAPPET ADJG	4	
	90465	90465-MDC4-001	WASHER 8MM	WASHER 8MM	4	
	90478	90478-7L00-001	WASHER A 6MM	WASHER A 6MM	1	
	90652	90652-ALB8-900	BAND 48.INLET-PIPE	"BAND 48, INLET-PIPE"	1	
	91301	91301-LEB1-900	O-RING 30*2	O-RING 30*2	1	
	92000	92000-05016-0G	BOLT HEX 5X16	BOLT HEX 5X16	2	
	92101	92101-06014-0G	BOLT HEX 6*14	BOLT HEX 6*14	1	
	92900	92900-06060-0B	BOLT STUD 6*60	BOLT STUD 6*60	2	
	94050	94050-06080	NUT FLANGE 6MM	NUT FLANGE 6MM	2	
	94050A	94050-08080	NUT FLANGE 8MM	NUT FLANGE 8MM	4	
	94111	94111-06800	WASHER SPRING 6MM	WASHER SPRING 6MM	1	
	94301	94301-10160	DOWEL PIN 10*16	DOWEL PIN 10*16	2	
	94591	94591-KFBF-900	CLIP 2*70	CLIP 2*70	1	
	96001	96001-06010-06	BOLT FLANGE 6*10	BOLT FLANGE 6*10	3	
	96001A	96001-06016-08G	BOLT FLANGE SH 6x16 (C)	BOLT FLANGE SH 6*16 (CR3+)	1	
	96001B	96001-06100-06	BOLT FLANGE SH 6*100	BOLT FLANGE SH 6*100	1	
	96001C	96001-LAB4-900	BOLT SPECIAL M5X16	BOLT SPECIAL M5X16	1	
	98059	98059-5791R-00	SPARK PLUG CPR7EA-9	SPARK PLUG CPR7EA-9	1	

E03

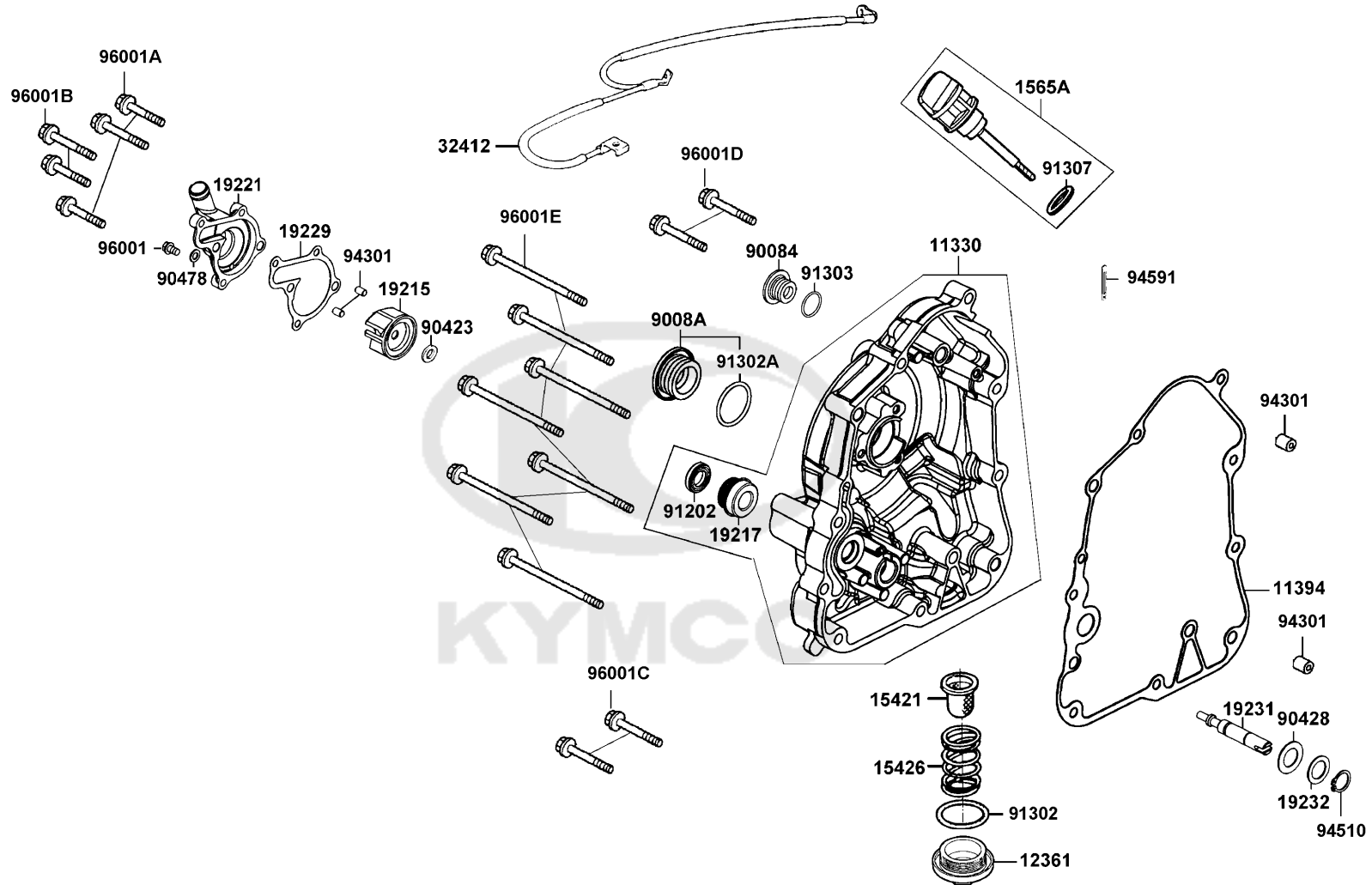
Cylinder Piston Crankshaft



Sales mark	Ref no	Part no	Description	Reg description	Regd no	E03
12100		12100-LFA7-E00	CYLINDE COMP (A)	CYLINDE COMP (A)	1	
12191		12191-LFA7-E00	GASKET CYLINDER	GASKET CYLINDER	1	
13000		13000-LFA7-E00	CRANK SHAFT COMP	CRANK SHAFT COMP	1	
13011		13011-LEB1-90B	RING SET PISTON	RING SET PISTON	1	
13101		13101-AAG3-EZ5	PISTON	PISTON	1	
13111		13111-LFA7-E00	PIN PISTON	PIN PISTON	1	
14401		14401-LFA7-E00	CHAIN CAM	CHAINCAM	1	
14510		14510-LEB1-900	TENSIONER CAM CHAIN	TENSIONER CAM CHAIN	1	
14520		14520-LFA7-E00	LIFTER ASSY TENSIONER	LIFTER ASSY TENSIONER	1	
14523		14523-KED9-920	GASKET TENSIONER LIFTER @A	GASKET TENSIONER LIFTER @A	1	
14531		14531-GLR0-001	PIVOT CAM CHAIN TENSIONER	PIVOT CAM CHAIN TENSIONER	1	
14610		14610-LEB1-900	GUIDE CAM CHAIN	GUIDE CAM CHAIN	1	
90001		90001-GBHB-661	BOLT FLANGE SH 6*22	BOLT FLANGE SH 6*22	2	
90005		90005-KED9-900	BOLT SPECIAL 6*6	BOLT SPECIAL 6*6	1	
90701		90701-HFB6-011	KEY WOODRUFF 25*14*4	KEY WOODRUFF 25*14*4	1	
91301		91301-GLR0-005	O-RING 15.2*1.5	O-RING 15.2*1.5	1	
91306		91306-1E05-691	O-RING 1.5*9.5	O-RING 1.5*9.5	1	
94301		94301-10160	DOWEL PIN 10*16	DOWEL PIN 10*16	2	
94601		94601-14000	CLIP PISTON PIN 12MM	CLIP PISTON PIN 12MM	2	

E04

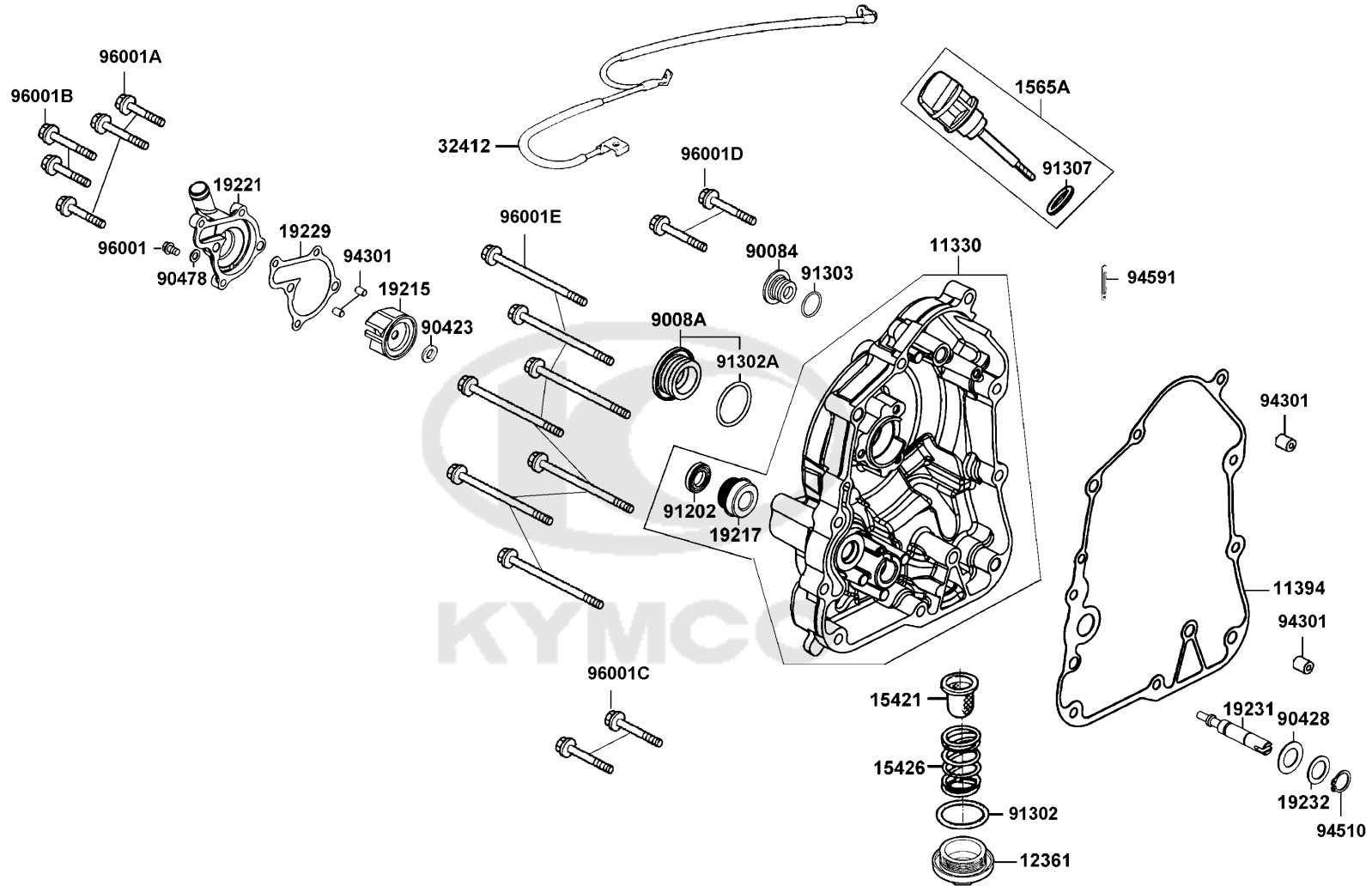
Right Crankcase Cover Water Pump



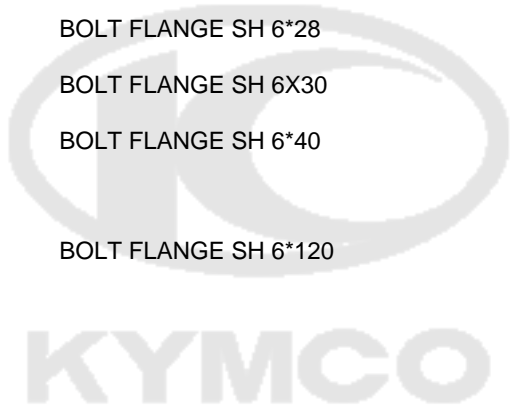
Sales mark	Ref no	Part no	Description	Reg description	Regd no	E04
**	11330	11330-LFA7-E00	COVER COMP R CRANK CASE	COVER COMP R CRANK CASE	1	
	11394	11394-LFA7-E00	GASKET R COVER@A	GASKETR. COVER A	1	
	12361	12361-GFY6-901	HOLE CAP TAPPET ADJUSTING	HOLE CAP TAPPET ADJUSTING	1	
	15421	15421-1G07-001	SCREEN OIL FILTER	SCREEN OIL FILTER	1	
	15426	15426-GAE1-921	SPG OIL FILTER SCREEN	SPG OIL FILTER SCREEN	1	
	1565A	1565A-KUDU-900	GAUGE OIL LEVEL ASSY	GAUGE OIL LEVEL ASSY	1	
	19215	19215-KHE7-900	IMPELLER WATER PUMP	IMPELLER WATER PUMP	1	
	19217	19217-ZPA3-E00	SEAL MECHANICAL	SEAL MECHANICAL	1	
	19229	19229-LFA7-E00	GASKET WATER PUMP	GASKET WATER PUMP	1	
	19231	19231-LFA7-E00	SHAFT WATER PUMP	SHAFTWATER PUMP	1	
	19232	19232-LBA2-E00	WASHER 21*13.8*1.5	WASHER 21*13.8*1.5	1	
	32412	32412-AHG1-E00	CABLE. EARTH	CABLE. EARTH	1	
**	90084	90084-KKF9-901	CAP AC GENERATOR (Mat Black)	CAP AC GENERATOR (Mat Black)	1	
**	9008A	9008A-PTA1-900	CAP ASSY	CAP ASSY	1	
	90423	90423-KKJ9-001	WASHER 7.2*13*1.2	WASHER 7.2*13*1.2	1	
	90428	90428-9H58-001	WASHER THRUST 14MM B	WASHER THRUST 14MM B	1	
	90478	90478-7L00-001	WASHER A 6MM	WASHER A 6MM	1	
	91202	91202-LKG2-900	OIL SEAL 13.7*24*5	OIL SEAL 13.7*24*5	1	
	91302	91302-0A01-021	O-RING 30.8M/M	O-RING 30.8M/M	1	
	91302A	91302-5G67-004	O-RING 27.4*2.4	O-RING 27.4*2.4	1	

E04

Right Crankcase Cover Water Pump

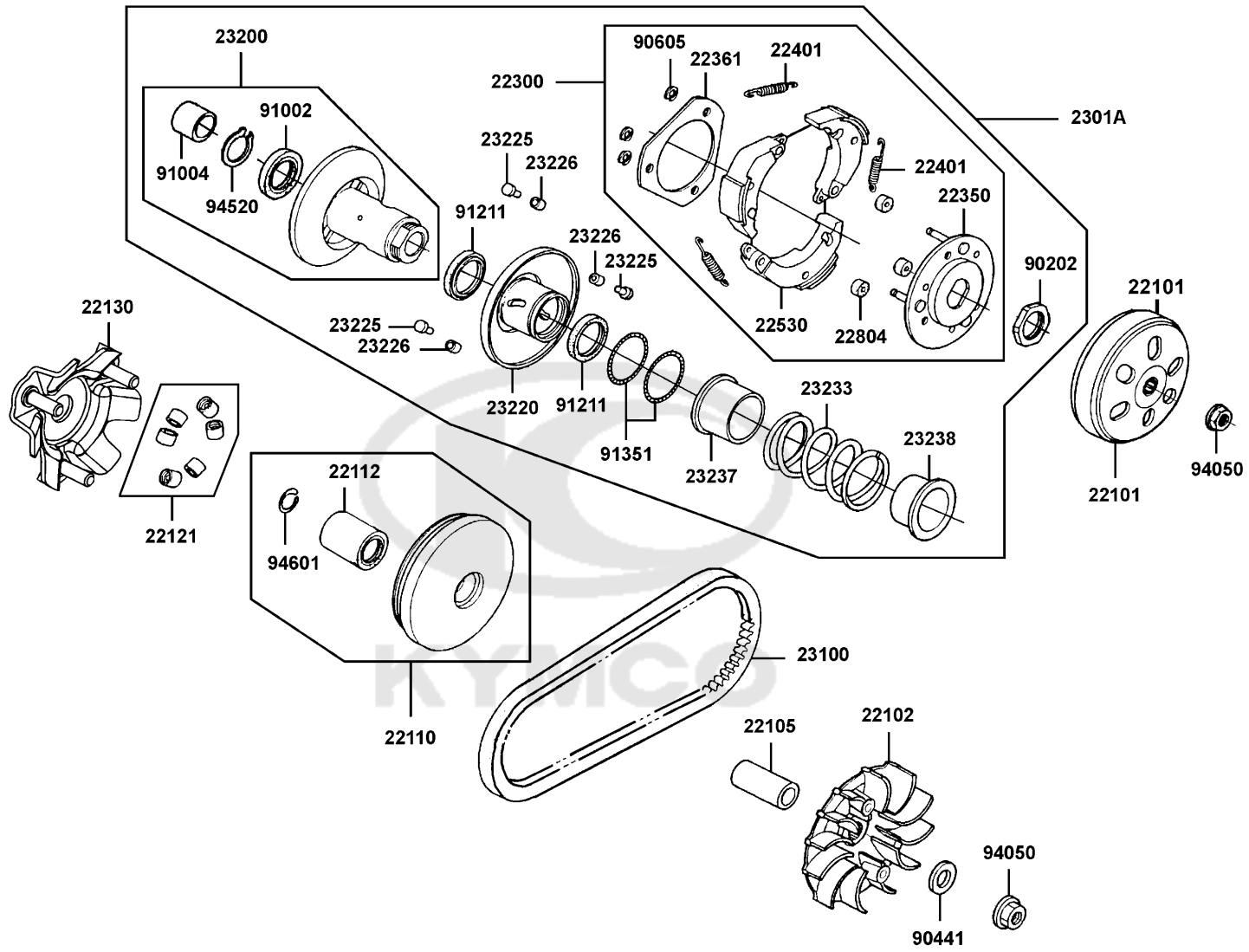


Sales mark	Ref no	Part no	Description	Reg description	Regd no	E04
91303		91303-3G77-001	O-RING 13.8*2.5	O-RING 13.8*2.5	1	
91307		91307-0E35-001	O RING 18*3	O RING 18*3	1	
94301		94301-08140	DOWEL PIN 8*14	DOWEL PIN 8*14	2	
94510		94510-14000	CIR CLIP EXTERNAL 14	CIR CLIP EXTERNAL 14	1	
94591		94591-KFBF-900	CLIP 2*70	CLIP 2*70	1	
96001		96001-06010-00	BOLT FLANGE SH 6X10	BOLT FLANGE SH 6X10	1	
96001A		96001-06022-06	BOLT FLANGE SH 6*22 (G)	BOLT FLANGE SH 6*22 (G)	3	
96001B		96001-06028-06	BOLT FLANGE SH 6*28	BOLT FLANGE SH 6*28	11	
96001C		96001-06030-06	BOLT FLANGE SH 6X30	BOLT FLANGE SH 6X30	1	
96001D		96001-06040-06	BOLT FLANGE SH 6*40	BOLT FLANGE SH 6*40	2	
96001E		96001-06120-06	BOLT FLANGE SH 6*120	BOLT FLANGE SH 6*120	1	

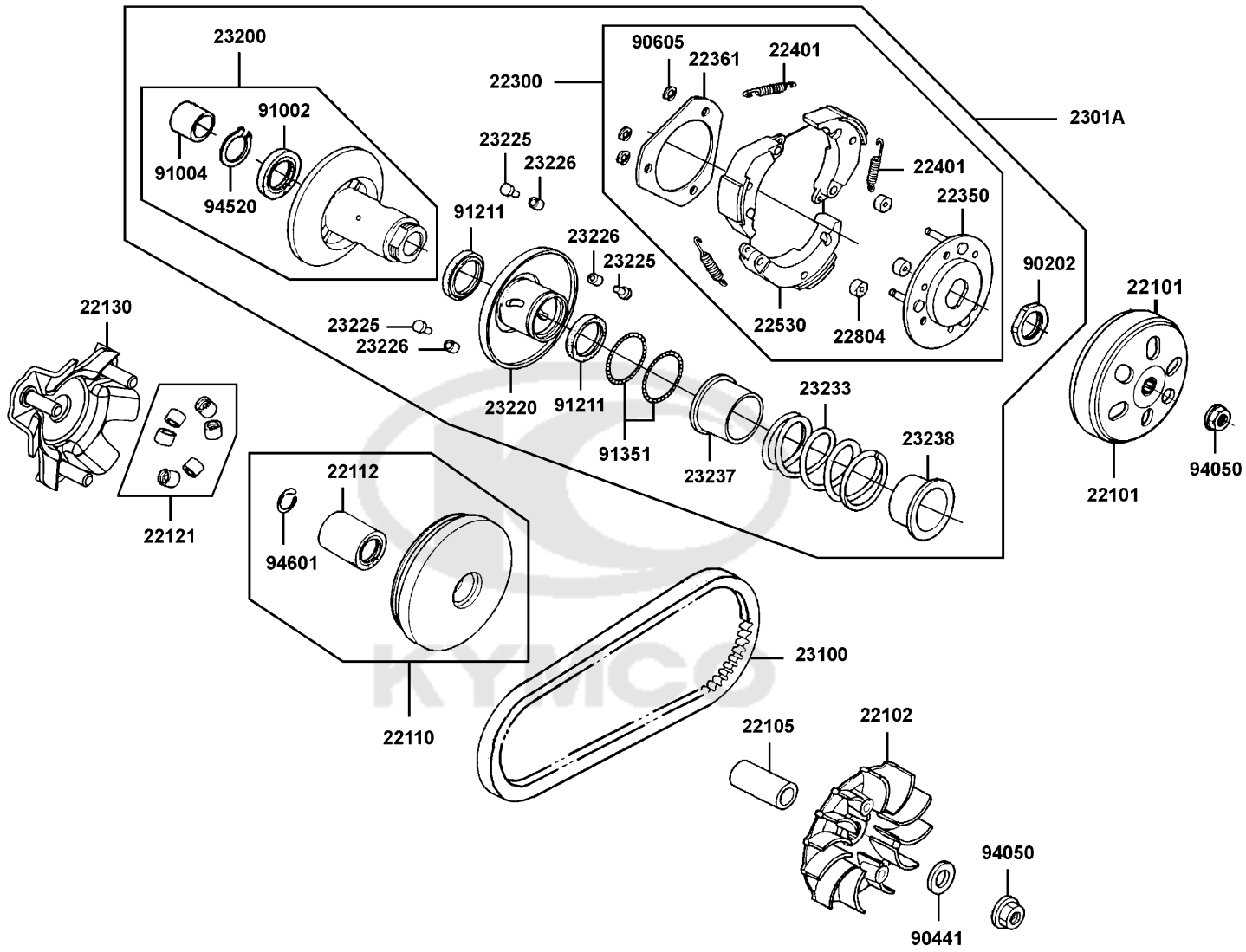


E05

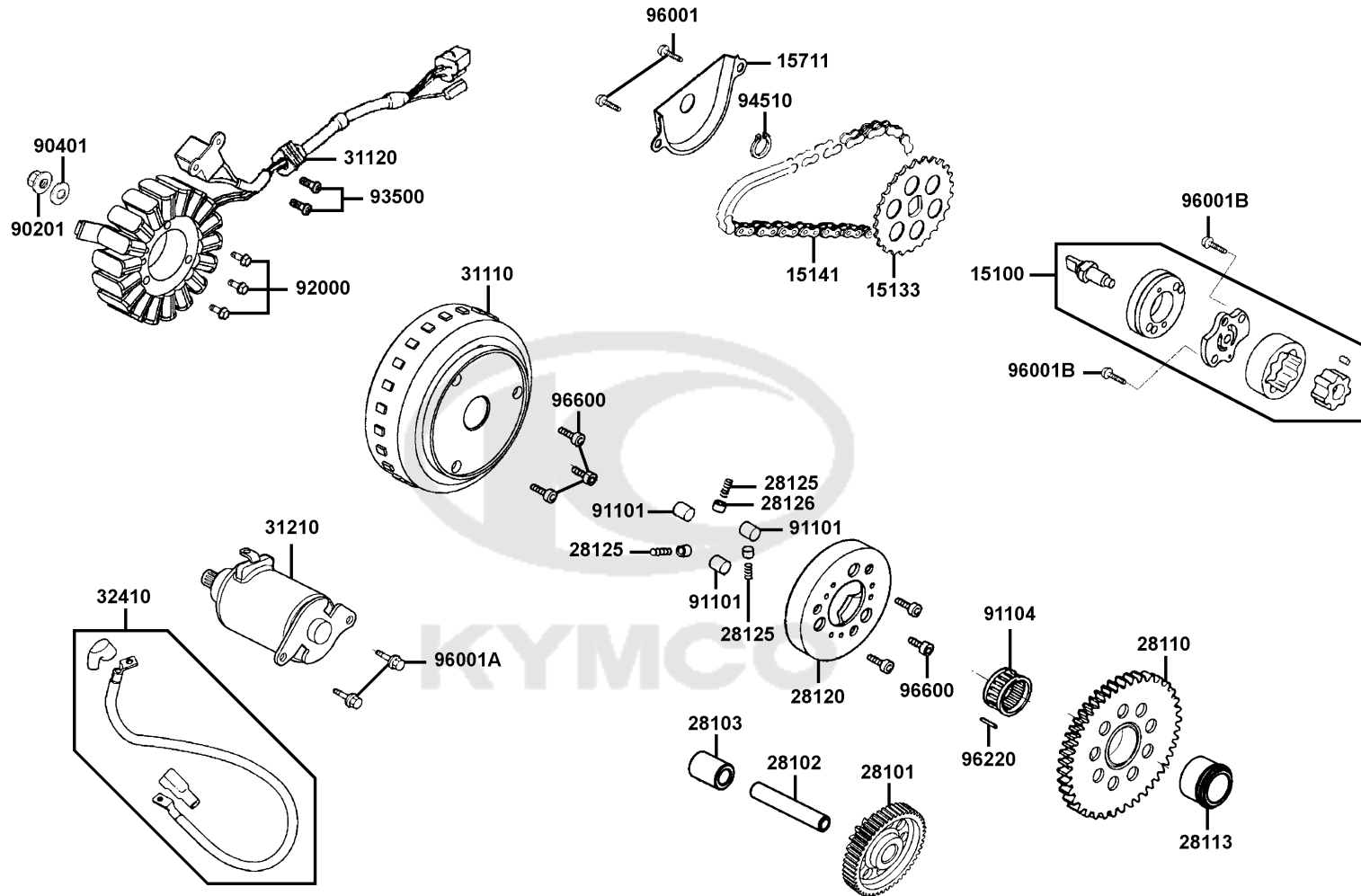
Pulley



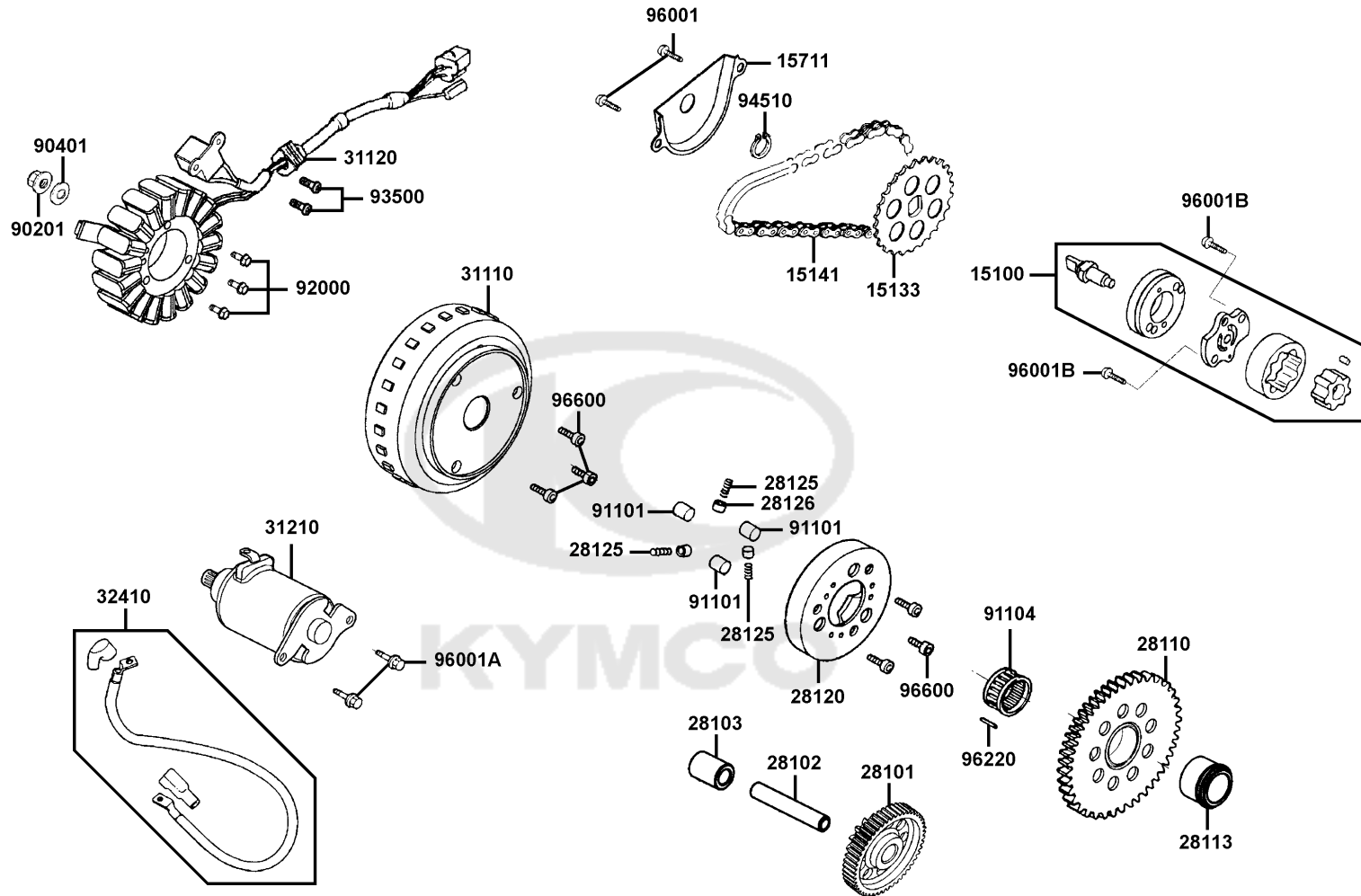
Sales mark	Ref no	Part no	Description	Reg description	Regd no	E05
	22101	22101-KEBE-900	OUTER CLUTCH	OUTER CLUTCH	1	
	22102	22102-ACJ1-E00	FACE COMP DRIVE	FACE COMP DRIVE	1	
	22105	22105-ACH7-600	BOSS DRIVE FACE	BOSS DRIVE FACE	1	
	22110	22110-AAG1-900	FACE COMP MOVABLE DRIVE	FACE COMP MOVABLE DRIVE	1	
	22112	22112-KAAA-900	COLLAR DRIVE FACE	COLLAR DRIVE FACE	1	
	22121	22121-KKE3-305	ROLLER SET WEIGHT (1SET:6PCS)	ROLLER SET WEIGHT (1SET:6PCS)	1	
	22130	22130-AAG1-910	RAMP PLATE COMP	RAMP PLATE COMP	1	
	22300	22300-ACJ1-E00	PLATE ASSY DRIVE	PLATE ASSY DRIVE	1	
	22350	22350-LEA6-900	PLATE COMP DRIVE	PLATE COMP DRIVE	1	
	22361	22361-KGN7-671	PLATE CLUTCH SIDE	PLATE CLUTCH SIDE	1	
	22401	22401-LLB1-900	SPRING CLUTCH	SPRING CLUTCH	3	
	22530	22530-LKG2-900	WEIGHT. CLUTCH	WEIGHT. CLUTCH	3	
	22804	22804-GBB2-001	RUBBER CLUTCH DAMPER	RUBBER CLUTCH DAMPER	3	
	2301A	2301A-ACJ1-E00	PULLEY SUB ASSY DRIVEN	PULLEY SUB ASSY DRIVEN	1	
	23100	23100-ACJ1-E00	BELT DRIVE	BELT DRIVE	1	
	23200	23200-AAG1-900	FACE ASSY DRIVEN	FACE ASSY DRIVEN	1	
	23220	23220-AAG1-900	FACE COMP MOVABLE DRIVEN	FACE COMP MOVABLE DRIVEN	1	
	23225	23225-GHC8-004	PIN ROLLER GUIDE	PIN ROLLER GUIDE	1	
	23226	23226-GHC8-004	ROLLER GUIDE	ROLLER GUIDE	3	
	23233	23233-LKC6-900	SPG DRIVEN FACE	SPG DRIVEN FACE	1	



Sales mark	Ref no	Part no	Description	Reg description	Regd no	E05
23237		23237-GFY6-941	COLLAR SEAL	COLLAR SEAL	1	
23238		23238-LKE7-900	COLLAR SPG	COLLAR SPG	1	
90202		90202-KGN7-671	NUT SPECIAL 28MM	NUT SPECIAL 28MM	1	
90441		90441-GFY6-941	WASHER 12.2*29*2.5	WASHER 12.2*29*2.5	1	
90605		90605-1F66-721	CIR CLIP 7MM	CIR CLIP 7MM	3	
91002		91002-GGA7-70A	BRG BALL RADIAL 6902U	BRG BALL RADIAL 6902U	1	
91004		91004-KHE7-900	BRG NDL 22*29*18	BRG NDL 22*29*18	1	
91211		91211-KEBE-900	SEAL DRIVEN FACE 34*41*4	SEAL DRIVEN FACE 34*41*4	2	
91351		91351-6B42-000	O-RING PINION CAP	O-RING PINION CAP	2	
94050		94050-12080	NUT FLANGE 12MM	NUT FLANGE 12MM	2	
94520		94520-28000	CIR CLIP IN 28	CIR CLIP IN 28	1	
94601		94601-33000	CLIP PISTON PIN 33MM	CLIP PISTON PIN 33MM	1	

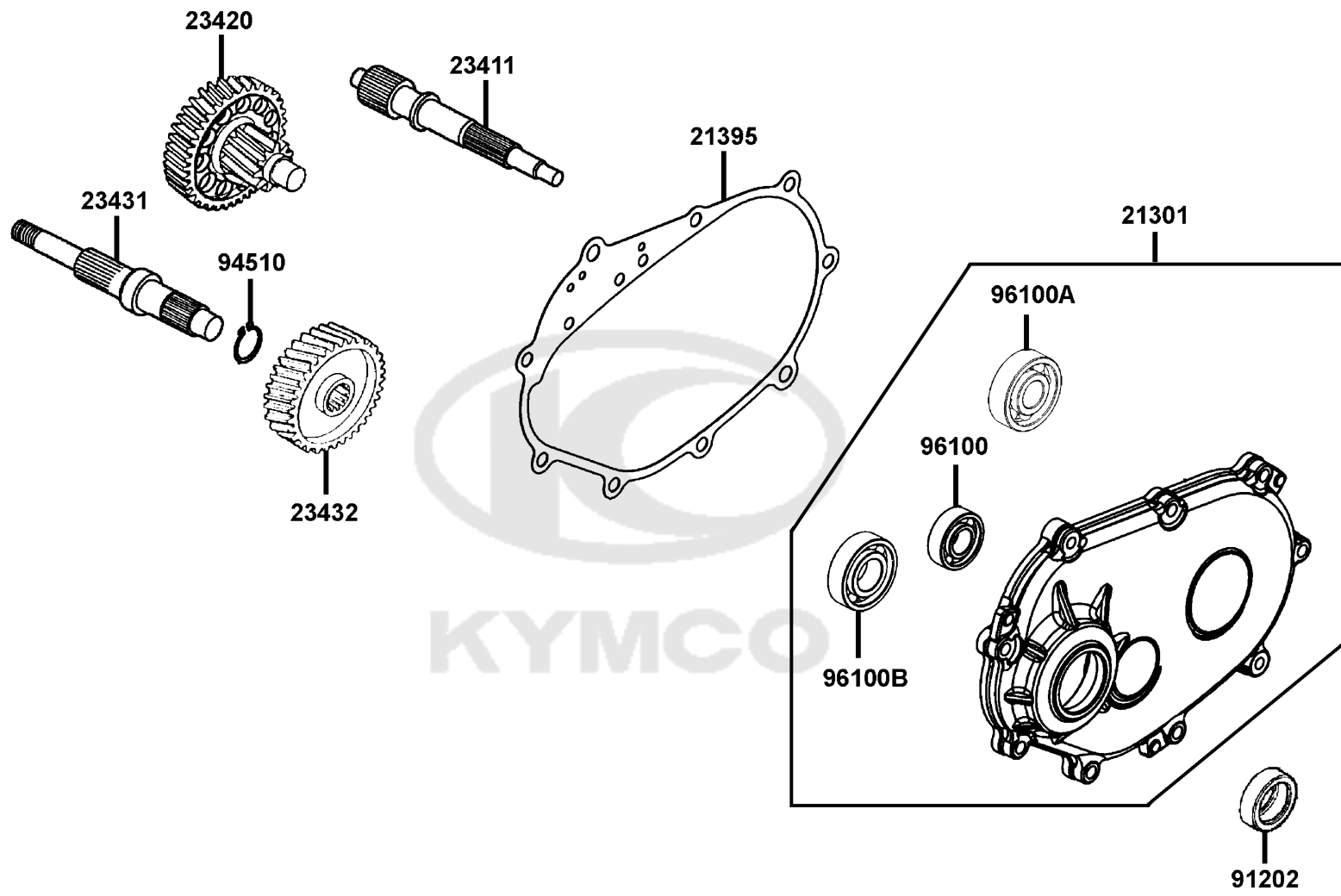


Sales mark	Ref no	Part no	Description	Reg description	Regd no	E06
	15100	15100-KEBE-900	PUMP ASSY OIL	PUMP ASSY OIL	1	
	15133	15133-KAM1-001	SPROCKET OIL PUMP DRIVE	SPROCKET OIL PUMP DRIVE	1	
	15141	15141-KKJ9-004	CHAIN OIL PUMP	CHAIN OIL PUMP	1	
	15711	15711-LFA7-E00	SEPARATER OIL	SEPARATER OIL	1	
	28101	28101-KKJ9-011	GEAR STARTER REDUCTION	GEAR STARTER REDUCTION	1	
	28102	28102-LFA7-E00	SHAFT STARTER REDUCTION GEAR	SHAFT STARTER REDUCTION GEAR	1	
	28103	28103-LFA7-E00	COLLAR 9x15.5x21.1	COLLAR 9x15.5x21.1	1	
	28110	28110-LFA7-E00	GEAR COMP STARTING CLUTCH	GEAR COMP STARTING CLUTCH	1	
	28113	28113-LFA7-E00	BUSH STARTING GEAR	BUSH STARTING GEAR	1	
	28120	28120-KEBE-305	OUTER COMP STARTING CLUTCH	OUTER COMP STARTING CLUTCH	1	
	28125	28125-4F26-001	SPRING ROLLER STARTER CLUTCH	SPRING ROLLER STARTER CLUTCH	3	
	28126	28126-KUDU-900	CAP STARTING ROLLER SPRING	CAP STARTING ROLLER SPRING	3	
	31110	31110-LFA7-E0B	FLYWHEEL COMP (D402)	FLYWHEEL COMP (D402)	1	
	31120	31120-AAG3-E00	STATOR COMP (D402)	STATOR COMP (D402)	1	
	31210	31210-LEB1-90A	MOTOR UNIT START	MOTOR UNIT START	1	
	32410	32410-AHG1-E00	CABLE START MOTOR	CABLE START MOTOR	1	
	90201	90201-KHR8-75A	NUT FLANGE 14MM	NUT FLANGE 14MM	1	
	90401	90401-KKJ9-001	WASHER THRUST 14*28*2	WASHER THRUST 14*28*2	1	
	91101	91101-1K79-711	ROLLER 10*10	ROLLER 10*10	3	
	91104	91104-GFY6-90C-B	BRG NEEDLE/28*32*17/0.002~0.004	BRG NEEDLE/28*32*17/0.002~0.004	1	



Sales mark	Ref no	Part no	Description	Reg description	Regd no	E06
	91104	91104-GFY6-90C-R	BRG NEEDLE 28*32*17	BRG NEEDLE 28*32*17	1	
	92000	92000-LEA6-900	BOLT HEX 5*40	BOLT HEX 5*40	3	
	93500	93500-05016-0F	SCREW PAN 5*16	SCREW PAN 5*16	2	
	94510	94510-10000	CIR CLIP EX 10MM	CIR CLIP EX 10MM	1	
	96001	96001-06012-06	BOLT FLANGE SH 6*12	BOLT FLANGE SH 6*12	2	
	96001A	96001-06018-06	BOLT FLANGE SH 6X18	BOLT FLANGE SH 6*18	2	
	96001B	96001-06028-06	BOLT FLANGE SH 6*28	BOLT FLANGE SH 6*28	2	
	96220	96220-60100	ROLLER 6*10	ROLLER 6*10	1	
	96600	96600-08015-16	SOCKET BOLT 8X15	SOCKET BOLT 8*15	3	

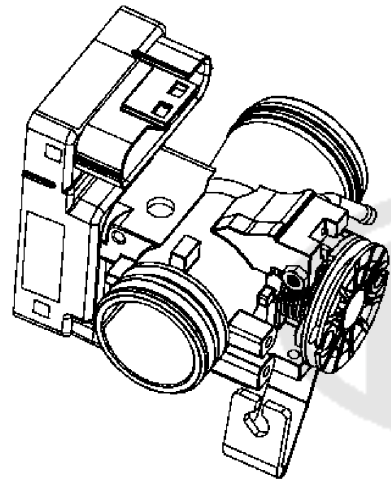




Sales mark	Ref no	Part no	Description	Reg description	Regd no	E07
	21301	21301-LFA7-305	COVER SET MISSION	COVER SET MISSION	1	
	21395	21395-LFA7-E00	GASKET MISSION COVER	GASKET MISSION COVER	1	
	23411	23411-ACJ1-E00	SHAFT DRIVE	SHAFT DRIVE	1	
	23420	23420-ACJ1-E00	SHAFT COMP COUNTER (15T/49T)	SHAFT COMP COUNTER	1	
	23431	23431-LFA7-E00	SHAFT FINAL	SHAFT FINAL	1	
	23432	23432-LGE7-E00	GEAR FINAL	GEAR FINAL	1	
	91202	91202-LFE2-90A	OIL SEAL 22*32*5	OIL SEAL 22*32*5	1	
	94510	94510-25000	CIR CLIP EXTERNAL 25	CIR CLIP EXTERNAL 25	1	
	96100	96100-62020-00	BEARING BALL RADIAL 6202	BEARING BALL RADIAL 6202	1	
	96100A	96100-63030-00	BEARING BALL RADIAL 6303	BEARING BALL RADIAL 6303	1	
	96100B	96100-LFE2-900	BRG BALL RADIAL TMB2/22CC4	BRG BALL RADIAL TMB2/22CC4	1	

E08

Throttle Body Assy



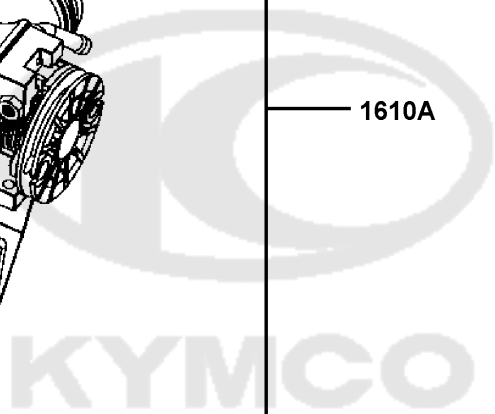
1610A

95002

16123

95002

17685



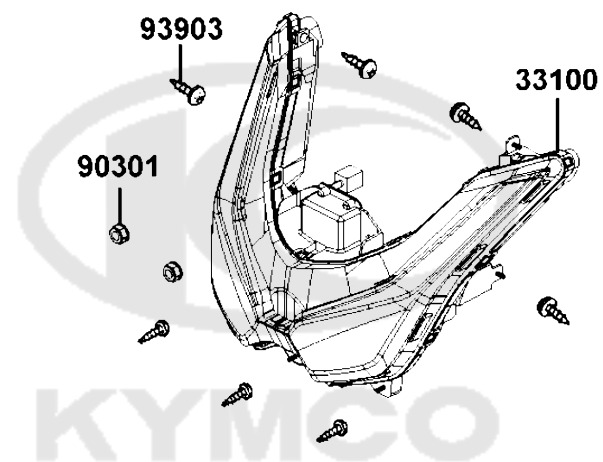
Sales mark	Ref no	Part no	Description	Reg description	Regd no	E08
------------	--------	---------	-------------	-----------------	---------	------------

1610A	1610A-AHG1-E13	1610A-AHG1-E13	ASSY THROTTLE BODY & ECU	ASSY THROTTLE BODY & ECU	1	
16123	16123-LFA7-E01	16123-LFA7-E01	TUBE COMPL 3.5X490	TUBE COMPL 3.5X490	1	
17685	17685-GFY6-940	17685-GFY6-940	JOINT COCK CARB TUBE	JOINT COCK CARB TUBE	1	
95002	95002-02070	95002-02070	CLIP B7 TUBE	CLIP B7 TUBE	2	



F01

Head Light

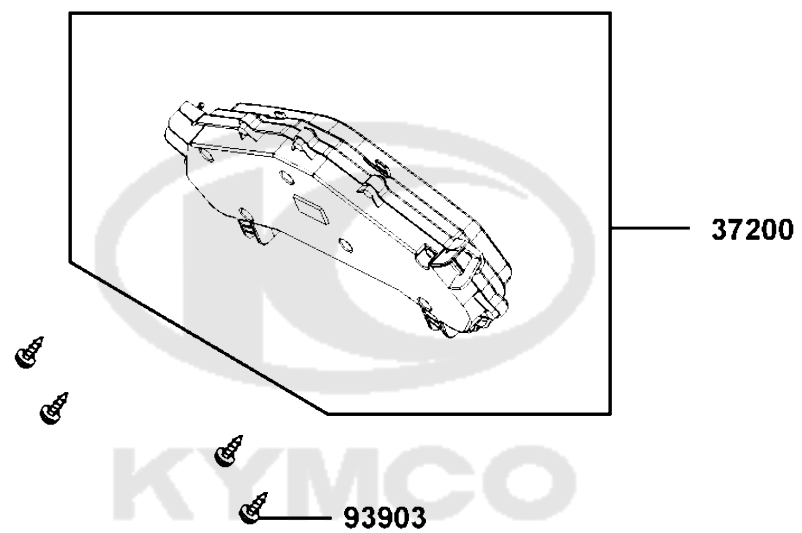


Sales mark	Ref no	Part no	Description	Reg description	Regd no	F01
	33100	33100-AHG1-E00	LIGHT ASSY HEAD	LIGHT ASSY HEAD	1	
	90301	90301-6D34-671	NUT FLANGE 6MM	NUT FLANGE 6MM	2	
	93903	93903-35260	SCREW TAPPING 5*12	SCREW TAPPING 5*12	7	



F02

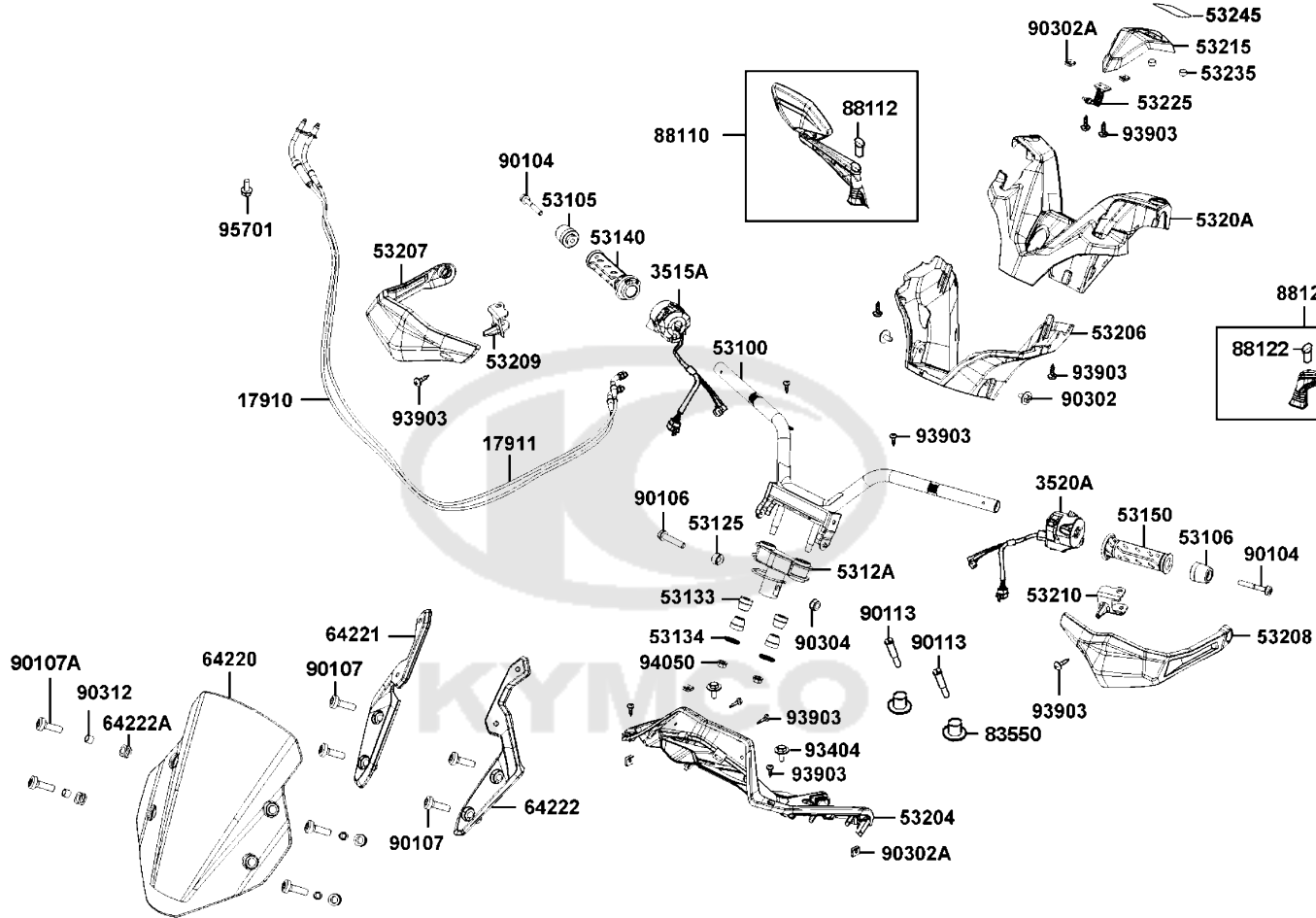
Speed meter



Sales mark	Ref no	Part no	Description	Reg description	Regd no	F02
------------	--------	---------	-------------	-----------------	---------	------------

37200		37200-AHG1-E13	METER ASSY SPEED	METER ASSY SPEED	1	
93903		93903-34380-G	SCREW TAPPING 4x12	SCREW TAPPING 4x12	4	

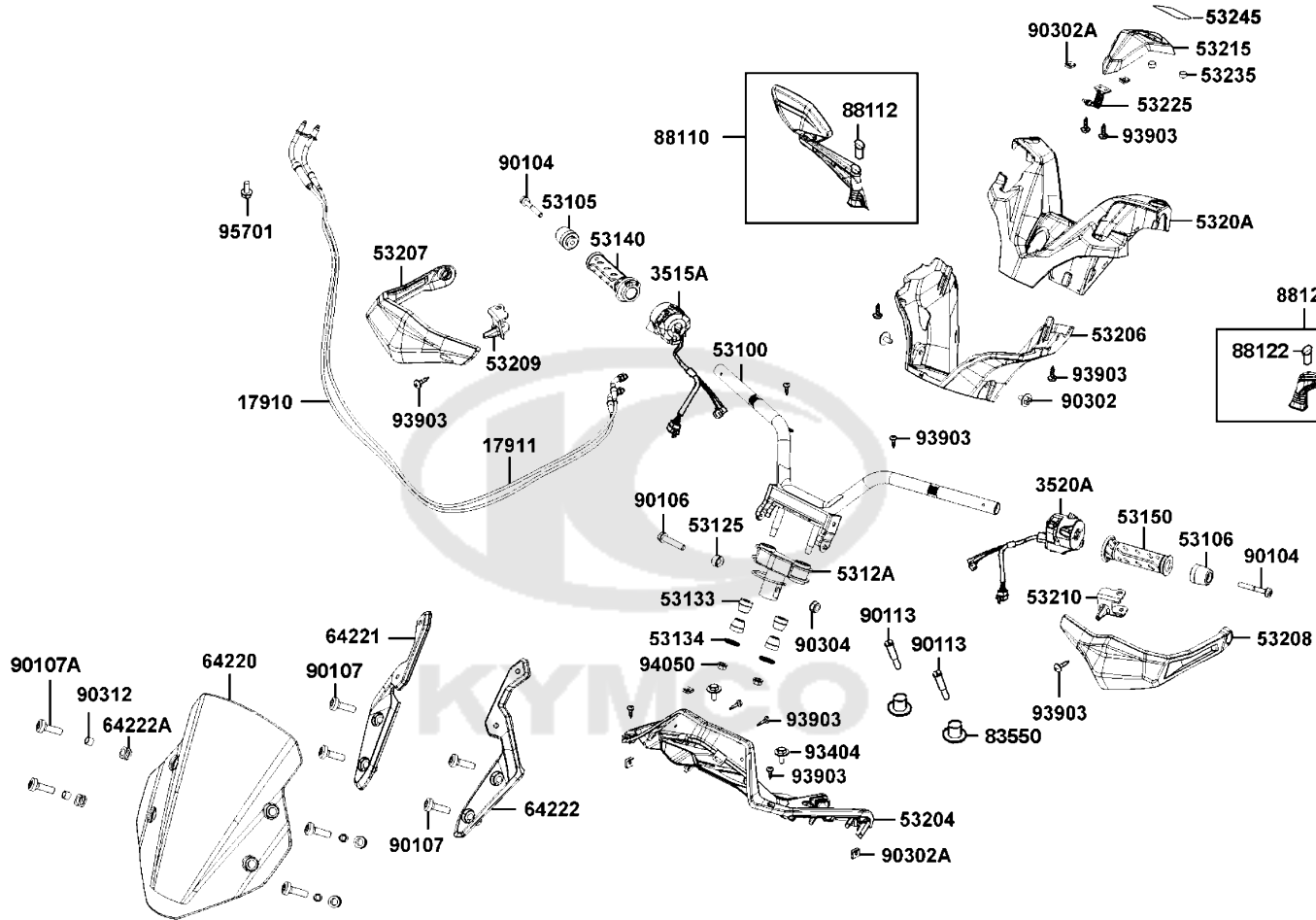




Sales mark	Ref no	Part no	Description	Reg description	Regd no	F03
	17910	17910-AHG1-E00	CABLE COMP THROT	CABLE COMP THROT	1	
	17911	17911-AHG1-E00	CABLE B COMP. THROT	CABLE B COMP. THROT	1	
	3515A	3515A-AHG1-E01	SW ASSY RH HANDLE COMP	SW ASSY RH HANDLE COMP	1	
	3520A	3520A-ACD5-E01	SW ASSY LH HANDLE COMP	SW ASSY LH HANDEL COMP	1	
	53100	53100-AHG1-E00	STRG COMP. HANDLE	STRG COMP. HANDLE	1	
**	53105	53105-LEA7-E00	END R HANDLE	END R HANDLE	1	
**	53106	53106-LEA7-E00	END L HANDLE (Black)	END L HANDLE (Black)	1	
	53125	53125-LEA7-E00	COLLAR HANDLE SET	COLLAR	1	
	5312A	5312A-ABD2-E00	HOLDER COMP HANDLE	HOLDER COMP HANDLE	1	
	53133	53133-3H98-941	RUBBER HANDLE CUSHION **398-9400	RUBBER HANDLE CUSHION **398-9400	4	
	53134	53134-2C83-001	HANDLE CUSHION WASHER	HANDLE CUSHION WASHER	2	
**	53140	53140-LHJ3-900	GRIP COMP THROT	GRIP R HANDLE	1	
**	53150	53150-LEA6-900	GRIP COMP L HANDLE	GRIP L HANDLE	1	
**	5320A	5320A-AHG1-E00	COVER HANDLE UP	COVER HANDLE UP	1	
**	53215	53215-AHG1-E00	COVER HANDLE TOP	COVER HANDLE TOP	1	
	53235	53235-AHG1-E00	MAGNET	MAGNET	2	
**	53245	53245-AHG1-900	FILM HANDLE COVER	FILM HANDLE COVER	1	
	64220	64220-AHG1-E00	WIND SCREEN	WIND SCREEN	1	
	64221	64221-AHG1-E00	STAY R WIND SCREEN	STAY R WIND SCREEN	1	
	64222	64222-AHG1-E00	STAY L WIND SCREEN	STAY L WIND SCREEN	1	

F03

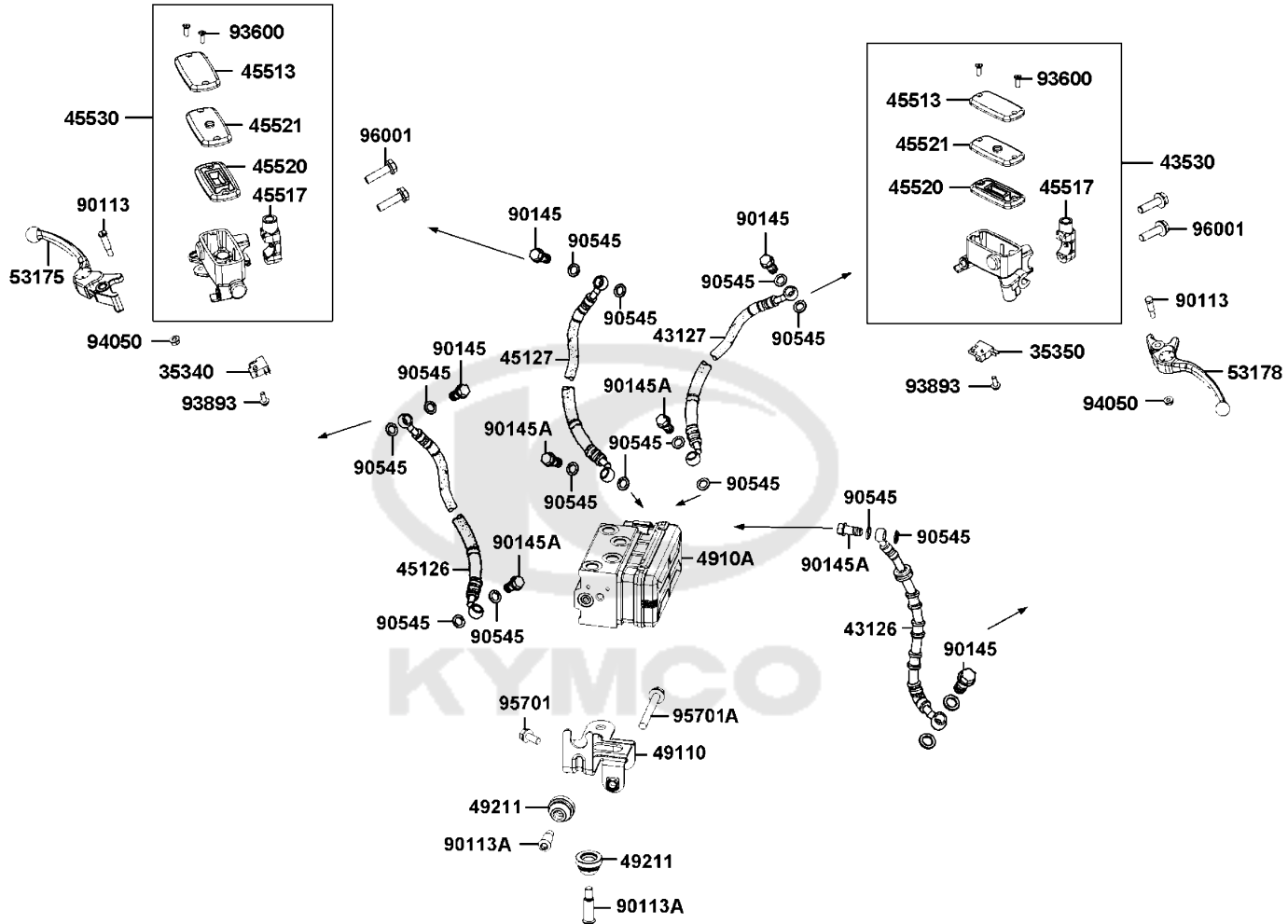
Handle Steering



Sales mark	Ref no	Part no	Description	Reg description	Regd no	F03
	64222A	64222-LLJ3-E00	RUBBER WIND SCREEN	RUBBER WIND SCREEN	4	
	83550	83550-AHG1-E00	COLLAR	COLLAR	2	
	88110	88110-AHG1-E00	MIRROR ASSY R BACK	MIRROR ASSY R BACK	1	
	88112	88112-ACD5-E00	STAY COVER R	STAY COVER R	1	
	88120	88120-AHG1-E00	MIRROR ASSY L BACK	MIRROR ASSY L BACK	1	
	88122	88122-ACD5-E00	STAY COVER L	STAY COVER L	1	
	90104	90104-LEA7-E00	BOLT WASH M8*60	BOLT WASH M8*60	2	
	90106	90106-GEN5-901	BOLT FLANGE 10*50	BOLT FLANGE 10*50	1	
	90107	90107-AHG1-E00	BOLT SPECIAL 8*32	BOLT SPECIAL 8*32	4	
	90107A	90107-ZZA6-E00	BOLT SPECIAL 8*26	BOLT SPECIAL 8*26	4	
	90113	90113-AHG5-E00	BOLT L STEERING HANDLE	BOLT L STEERING HANDLE	2	
	90302	90302-LLB1-E02	BOLT-WASH 5X12(KG)	BOLT-WASH 5X12(KG)	2	
	90302A	90302-SDA4-004	NUT SPRING 4MM	NUT SPRING 4MM	5	
	90304	90304-LEA1-900	NUT U FLANGE 10MM	NUT U 10MM	1	
	90312	90312-LLJ3-E00	COLLAR WIND SCREEN	COLLAR WIND SCREEN	4	
	93404	93404-06012-06	BOLT WASHER 6*12 (G)	BOLT WASHER 6*12 (G)	2	
	93903	93903-34380-G	SCREW TAPPING 4x12	SCREW TAPPING 4x12	12	
	94050	94050-10060	NUT FLANGE 10MM	NUT FLANGE 10MM	2	
	95701	95701-06012-06	BOLT FLANGE 6*12 **07 C.2005.07.01	BOLT FLANGE 6*12 **07 C.2005.07.01	1	

F04

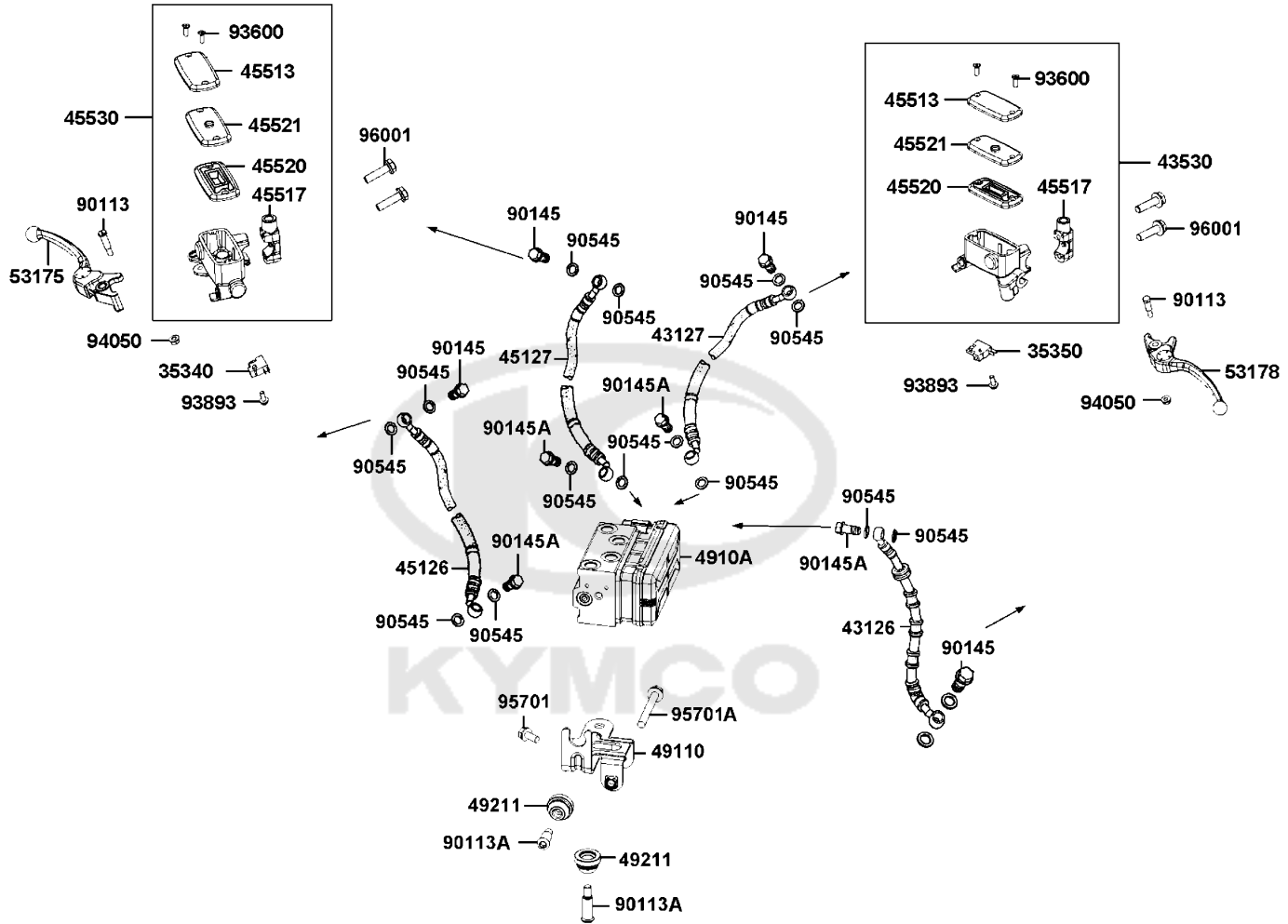
Master Cylinder



Sales mark	Ref no	Part no	Description	Reg description	Regd no	F04
	35340	35340-LKF5-E01	SW ASSY FR STOP	SW ASSY FR STOP	1	
	35350	35350-LKF5-E01	SW ASSY RR STOP	SW ASSY RR STOP	1	
	43126	43126-AHG1-E00	HOSE COMP RR BRAKE (1797 mm)	HOSE COMP RR BRAKE (1797 mm)	1	
	43127	43127-AHG1-E00	HOSE COMP RR BRAKE (432 mm)	HOSE COMP RR BRAKE (432 mm)	1	
	43530	43530-LEA7-305	CYLINDER SET MASTER	CYLINDER SET RR MASTER	1	
	45126	45126-AHG1-E00	HOSE COMP FR BRK (535 mm)	HOSE COMP FR BRK (535 mm)	1	
	45127	45127-AHG1-E00	HOSE ASSY FR BRK M/C (415 mm)	HOSE ASSY FR BRK M/C (415 mm)	1	
	45513	45513-LEA7-E00	CAP MASTER CYLINDER	CAP MASTER CYLINDER	2	
	45517	45517-LBA2-E00	HOLDER M/C	HOLDER M/C	2	
	45520	45520-KKA8-900	DIAPHRAGM	DIAPHRAGM	2	
	45521	45521-LEA7-E00	PLATE DIAPHRAGM	PLATE DIAPHRAGM	2	
	45530	45530-LBA2-309	CYLINDER SET FR MASTER	CYLINDER SET FR MASTER	1	
	4910A	4910A-AHG1-E00	MODULATOR ASSY ABS WITH VARAINT	MODULATOR ASSY ABS WITH VARAINT	1	
	49110	49110-AGE2-E00	STAY ABS	STAY ABS	1	
	49211	49211-LFH1-E00	RUBBER BUSH	RUBBER BUSH	2	
**	53175	53175-LKF5-E00	LEVER R STRG HANDLE	LEVER R STRG HANDLE	1	
**	53178	53178-LKF5-E00	LEVER L STRG HANDLE	LEVER L STRG HANDLE	1	
	90113	90113-KKA8-900	BOLT L STEERING HANDLE	BOLT L STEERING HANDLE	2	
	90113A	90113-LGE5-E01	BOLT FLANGE 6*20 ABS	BOLT FLANGE 6X20 ABS	2	
	90145	90145-LEA3-E00	OIL BOLT 10*22	OIL BOLT 10*22	4	

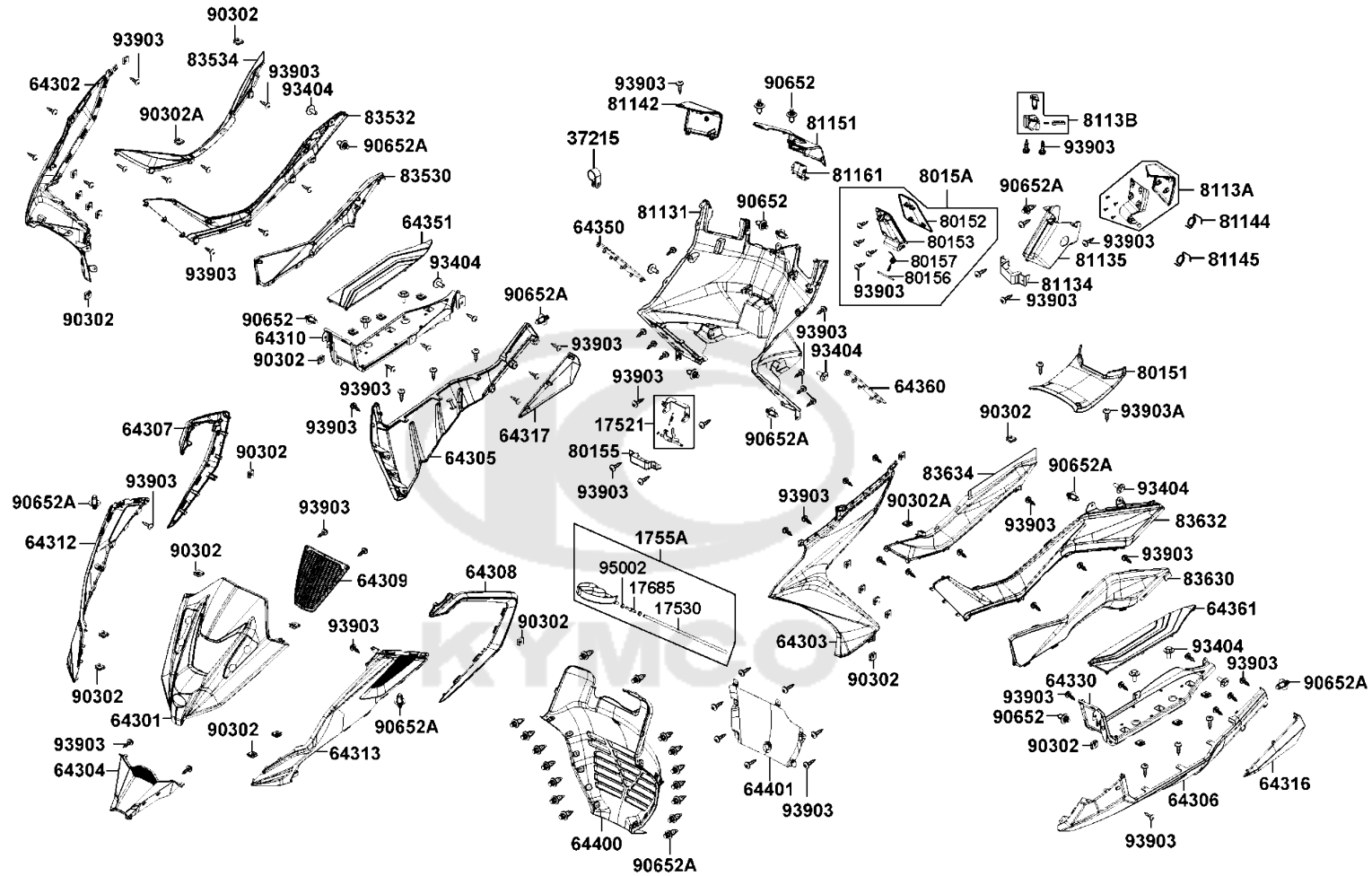
F04

Master Cylinder

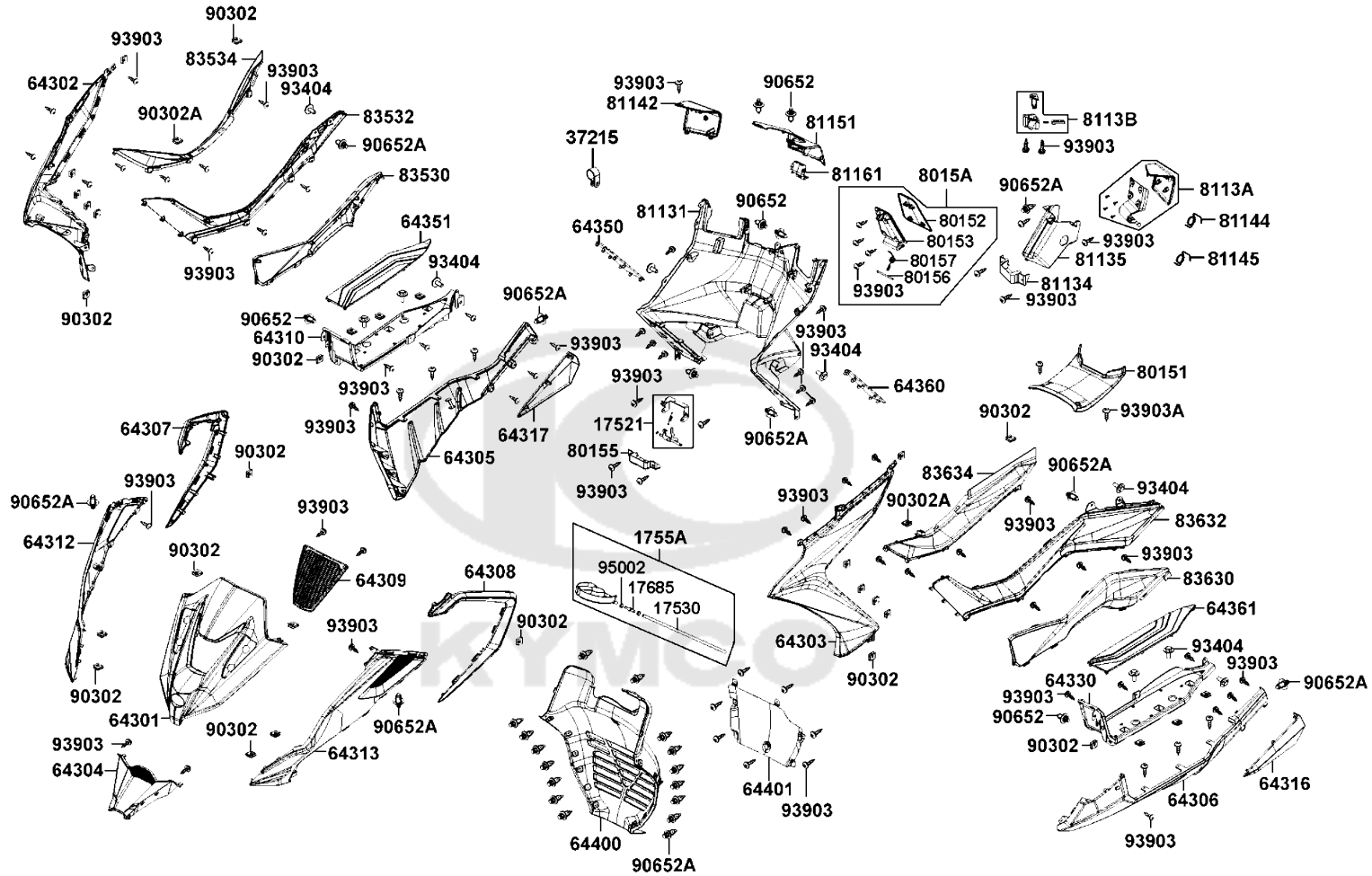


Sales mark	Ref no	Part no	Description	Reg description	Regd no	F04
90145A		90145-LFH1-E00	OIL BOLT 10x22	OIL BOLT 10X22	4	
90545		90545-3L00-001	WASHER OIL BOLT	WASHER OIL BOLT	16	
93600		93600-04012-1G	SCREW FLAT 4*12	SCREW FLAT 4*12	4	
93893		93893-04012-18	SCREW WASHER 4*12	SCREW WASHER 4*12	2	
94050		94050-06060	NUT FLANGE 6MM	NUT FLANGE 6MM	2	
95701		95701-06012-06	BOLT FLANGE 6*12 **07 C.2005.07.01	BOLT FLANGE 6*12 **07 C.2005.07.01	1	
95701A		95701-06050-06	BOLT FLANGE 6*50	BOLT FLANGE 6*50	1	
96001		96001-06028-06	BOLT FLANGE SH 6*28	BOLT FLANGE SH 6*28	4	





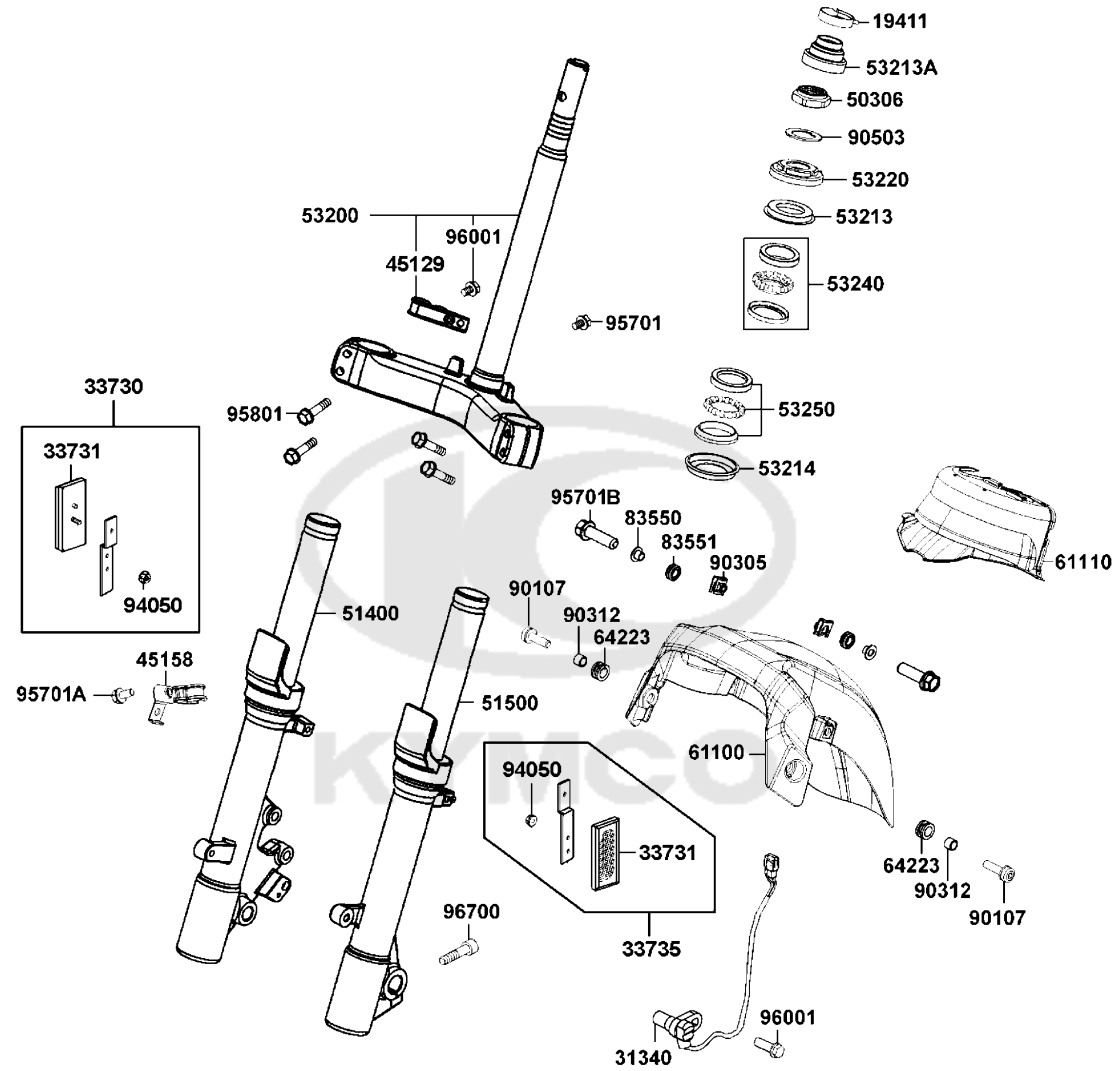
Sales mark	Ref no	Part no	Description	Reg description	Regd no	F05
	17521	17521-AHG1-E00	CATCH FUEL COVER	CATCH FUEL COVER	1	
	17530	17530-AEH2-M40	TUBE ASSY FUEL DRAIN	TUBE ASSY FUEL DRAIN	1	
	1755A	1755A-AHG1-E00	TRAY ASSY.FUEL CAP	TRAY ASSY.FUEL CAP	1	
	17685	17685-GFY6-940	JOINT COCK CARB TUBE	JOINT COCK CARB TUBE	1	
	37215	37215-LHJ3-900	CLAMPER	CLAMPER	1	
**	64301	64301-AHG1-E00	COVER FR A	COVER FR A	1	
**	64302	64302-AHG1-E00	MOLDING R FRONT A	MOLDING R FRONT A	1	
**	64303	64303-AHG1-E00	MOLDING L FRONT A	MOLDING L FRONT A	1	
**	64305	64305-AHG1-E00	SKIRT R SIDE	SKIRT R SIDE	1	
**	64306	64306-AHG1-E00	SKIRT L SIDE	SKIRT L SIDE	1	
**	64307	64307-AHG1-E00	MOLDING R FRONT C	MOLDING R FRONT C	1	
**	64308	64308-AHG1-E00	MOLDING L FRONT C	MOLDING L FRONT C	1	
	64401	64401-AHG1-E00	MESH UNDER COWL	MESH UNDER COWL	1	
	80156	80156-AHG1-E00	PIN FUEL COVER	PIN FUEL COVER	1	
	80157	80157-AHG1-E00	SPRING FUEL COVER	SPRING FUEL COVER	1	
**	81131	81131-AHG1-E00	LEG SHIELD	LEG SHIELD	1	
	81144	81144-AHG1-900	SPRING	SPRING	1	
	81145	81145-AHG1-900	SPRING	SPRING	1	
**	81151	81151-AHG1-E00	COVER A KEY	COVER A KEY	1	
**	81161	81161-AHG1-E00	COVER KEY B	COVER KEY B	1	



Sales mark	Ref no	Part no	Description	Reg description	Regd no	F05
**	83530	83530-AHG1-E00	BOARD A R SIDE	BOARD A R SIDE	1	
**	83532	83532-AHG1-E00	BOARD B R SIDE	BOARD B R SIDE	1	
**	83630	83630-AHG1-E00	BOARD A L SIDE	BOARD A L SIDE	1	
**	83632	83632-AHG1-E00	BOARD B L SIDE	BOARD B L SIDE	1	
	90302	90302-LKB9-900	NUT SPRING 5MM	NUT SPRING 5MM	2	
	90302A	90302-SDA4-004	NUT SPRING 4MM	NUT SPRING 4MM	30	
	90652	90652-LCA4-E00	CLIP MUDGUARD	CLIP MUDGUARD	6	
	90652A	90652-LFB5-900	CLIP MUDGUARD	CLIP MUDGUARD	25	
	93404	93404-06012-06	BOLT WASHER 6*12 (G)	BOLT WASHER 6*12 (G)	10	
	93903	93903-34380-G	SCREW TAPPING 4x12	SCREW TAPPING 4x12	68	
	93903A	93903-LHJ8-930	SCREW TAPPING 5X14 (KG)	SCREW TAPPING 5X14 (KG)	2	
	95002	95002-02070	CLIP B7 TUBE	CLIP B7 TUBE	2	

F06

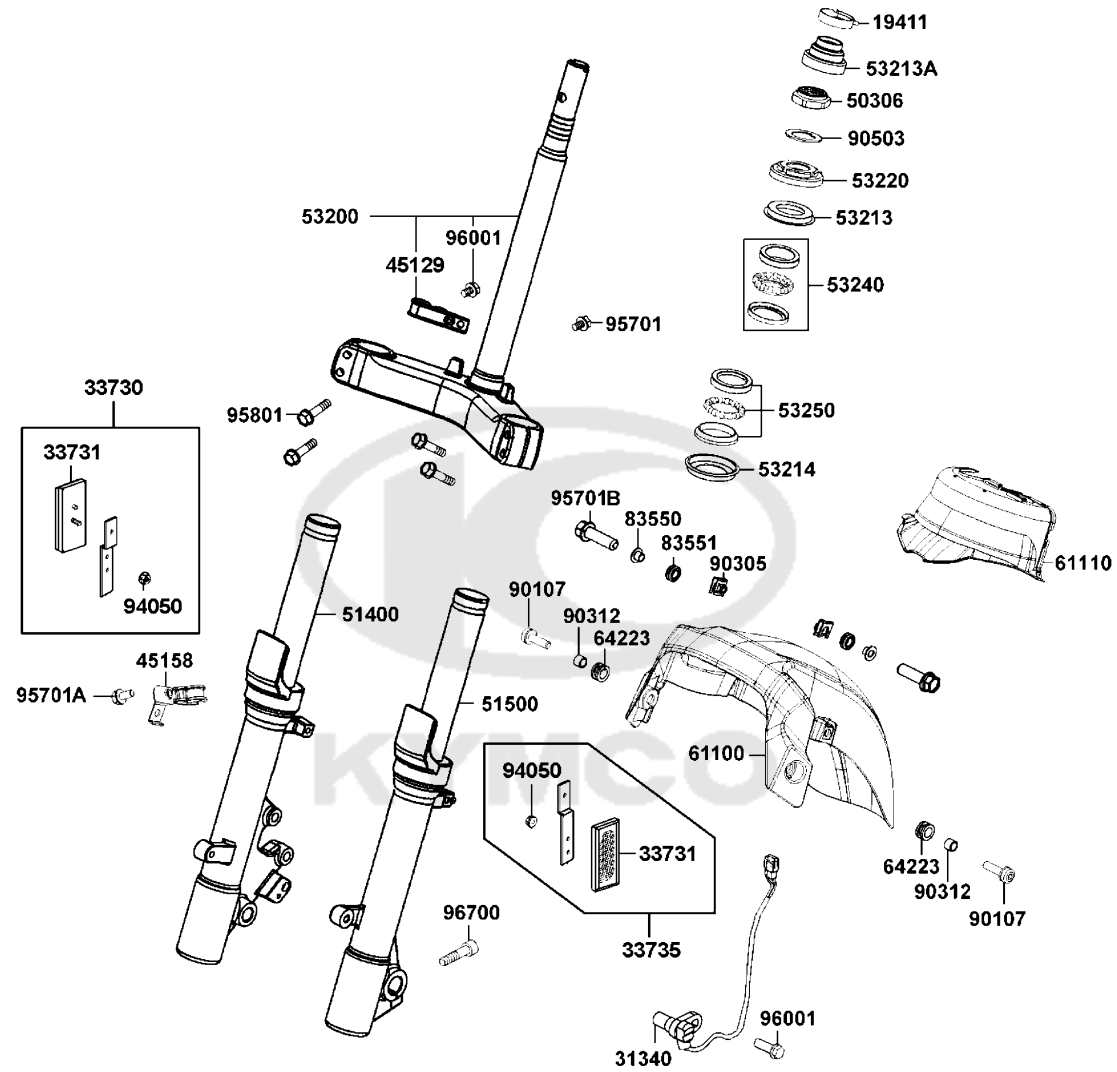
Stem Steering Front Fork



Sales mark	Ref no	Part no	Description	Reg description	Regd no	F06
	19411	19411-LFG2-E00	CLIP ASSY AIR/C DUCT	CLIP ASSY AIR/C DUCT	1	
	31340	31340-LFH1-E00	SENSOR RR WHEEL SPEED	SENSOR RR WHEEL SPEED	1	
	33730	33730-AHG1-E00	REFLECTOR ASSY R SIDE	REFLECTOR ASSY R SIDE	1	
	33731	33731-AHG1-E00	REFLEX REFLECTOR (AMBER)	REFLEX REFLECTOR (AMBER)	2	
	33735	33735-AHG1-E00	REFLECTOR ASSY L SIDE	REFLECTOR ASSY L SIDE	1	
	45129	45129-LBA2-900	CLAMPER FR BRK HOSE	CLAMPER FR BRK HOSE	1	
	45158	45158-AGE2-E00	FR BRK HOSE	FR BRK HOSE	1	
	50306	50306-1F96-001	NUT STRG STEM LOCK	NUT STRG STEM LOCK	1	
**	51400	51400-AHG1-E30	FORK ASSY R FR	FORK ASSY R FR	1	
**	51500	51500-AHG1-E30	FORK ASSY LH FR	FORK ASSY LH FR	1	
	53200	53200-ACD5-E00	STEM COMP STRG	STEM COMP STRG	1	
	53213	53213-LBA2-E00	DUST SEAL STRG HEAD TOP	DUST SEAL STRG HEAD TOP	1	
	53213A	53213-LEA7-E00	DUST SEAL. STRG	DUST SEAL. STRG	1	
	53214	53214-LBA2-E00	DUST SEAL STRG (HEAD)	DUST SEAL STRG HEAD BOT	1	
	53220	53220-LBA2-E00	THREAD COMP STRG HEAD TOP	THREAD COMP STRG HEAD TOP	1	
	53240	53240-LEA7-90A	BEARING TOP STRG (mark:TP1)	BEARING TOP STRG	1	
	53250	53250-LEA7-90A	BEARING BOT STRG (mark:TP1)	BEARING BOT STRG	1	
**	61100	61100-AHG1-E00	FENDER A FR	FENDER A FR	1	
	64223	64223-AHG1-E00	RUBBER	RUBBER	2	
	83550	83550-KEC8-900	COLLAR	COLLAR	2	

F06

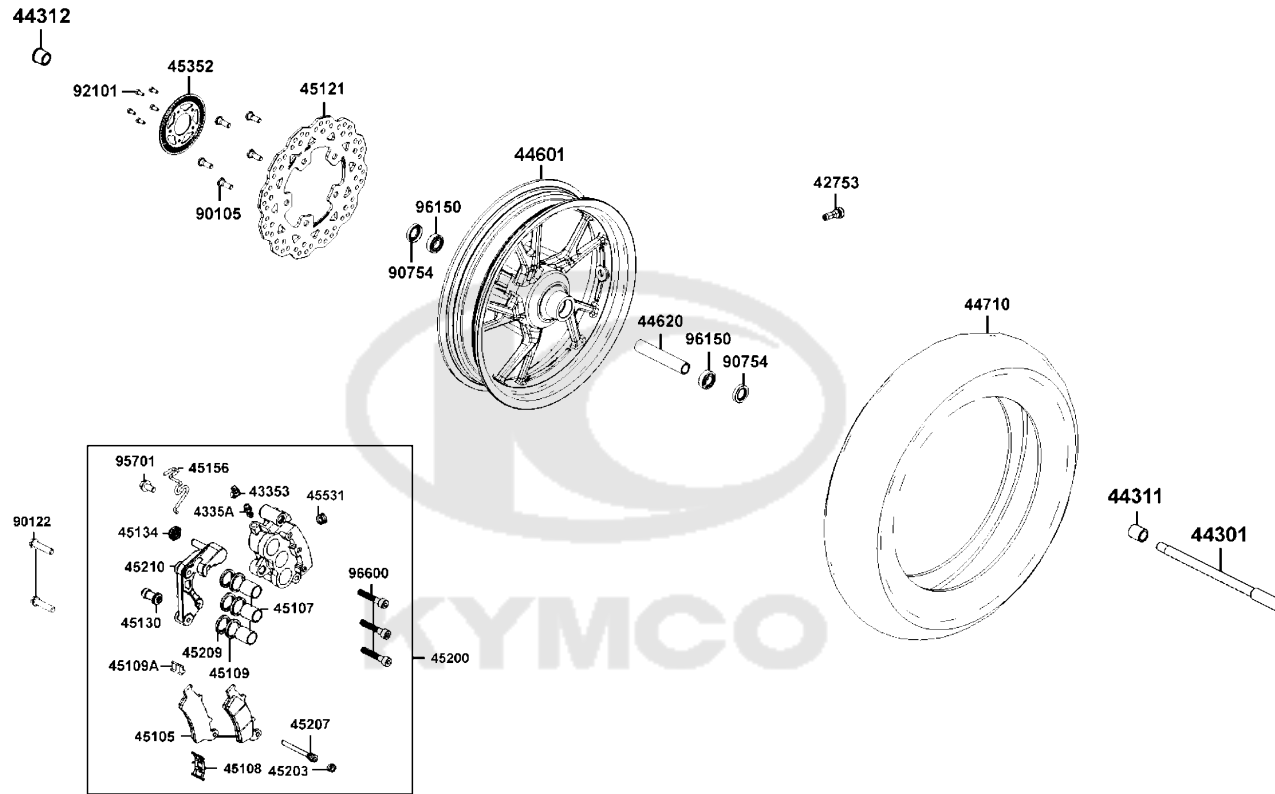
Stem Steering Front Fork



Sales mark	Ref no	Part no	Description	Reg description	Regd no	F06
83551		83551-KEC8-900	GROMMET COVER **KEC8-9000	GROMMET COVER **KEC8-9000 C.2005.09.01	2	
90107		90107-LEA7-E00	BOLT SPECIAL 8MM	BOLT SPECIAL 8MM	2	
90305		90305-LBA2-E00	NUT CLIP 6MM	NUT CLIP 6MM	2	
90312		90312-AHG1-E00	IRON BUSHING	IRON BUSHING	2	
90503		90503-LEA7-E00	WASHER STRG STEM NUT	WASHER STRG STEM NUT	1	
94050		94050-05060	NUT FLANGE 5MM	NUT FLANGE 5MM	2	
95701		95701-06010-06	BOLT FLANGE 6*10	BOLT FLANGE 6*10	1	
95701A		95701-06012-06	BOLT FLANGE 6*12 **07 C.2005.07.01	BOLT FLANGE 6*12 **07 C.2005.07.01	1	
95701B		95701-06045-06	BOLT FLANGE 6*45	BOLT FLANGE 6*45	2	
95801		95801-08040-06	BOLT FLANGE 8*40	BOLT FLANGE 8*40	4	
96001		96001-06012-06	BOLT FLANGE SH 6*12	BOLT FLANGE SH 6*12	1	
96700		96700-KED9-900	BOLT SOCKET 8*30	BOLT SOCKET 8*30	1	

F07

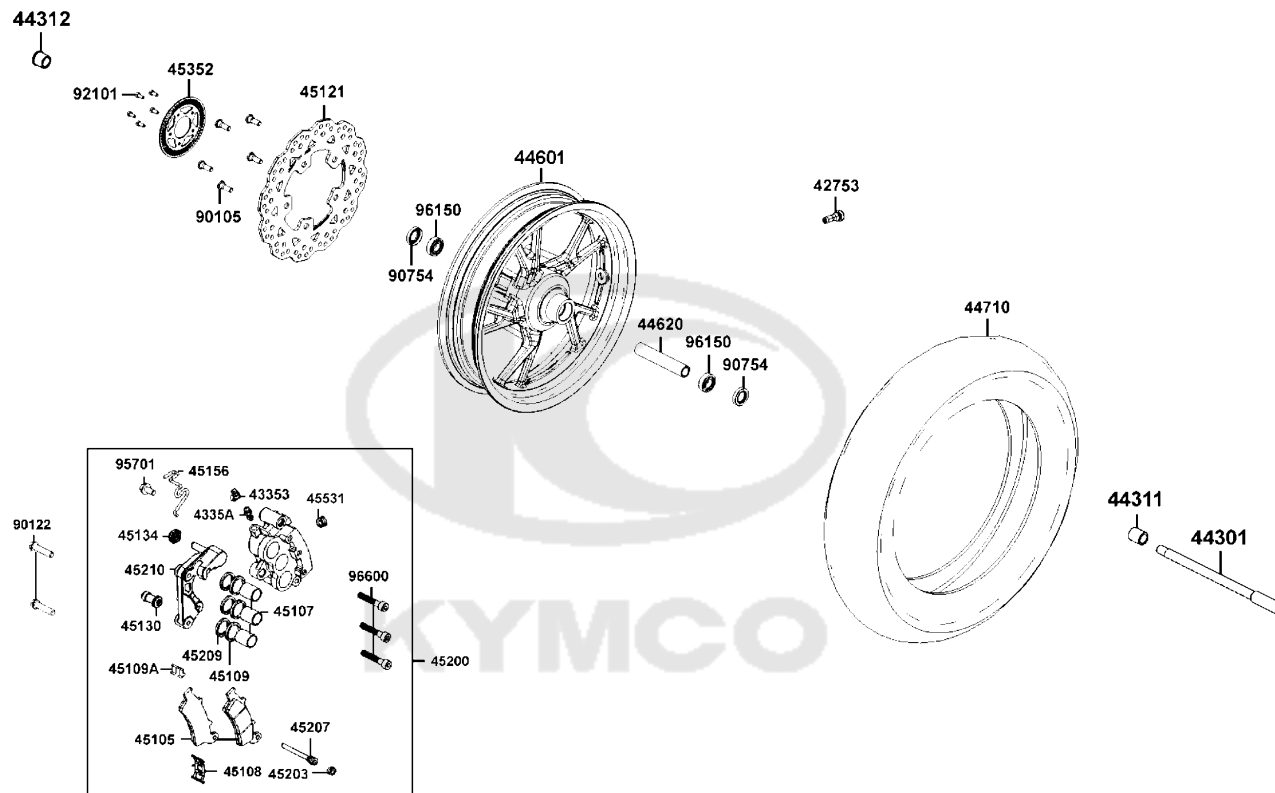
Front Wheel



Sales mark	Ref no	Part no	Description	Reg description	Regd no	F07
	42753	42753-KNBN-90B	VALAE RIM (TR412)	VALAE RIM (TR412)	1	
	43353	43353-KED9-900	CAP BLEEDER	CAP BLEEDER	1	
	4335A	4335A-LBA2-E01	BLEEDER ASSY	SCREW BLEEDER	1	
	44301	44301-LEA7-E00	AXLE FR WHEEL M14*282MM	AXLE FR WHEEL 14*282	1	
	44311	44311-LEA7-E00	COLLAR FR WHEEL SIDE	COLLAR FR WHEEL SIDE	1	
	44312	44312-LEA7-E00	COLLAR FR WHEEL SIDE	COLLAR FR WHEEL SIDE	1	
	44620	44620-LEA7-E00	COLLAR FR WHEEL DISTANCE	COLLAR FR WHEEL DIST	1	
	44710	44710-AHG5-E00	TIRE ASSY FR 120/80-14 58S	TIRE ASSY FR 120/80-14 58S	1	
	45105	45105-LGE5-305	PAD SET	PAD SET	1	
	45107	45107-LGE5-E00	PISTON C/P (Ø25.4MM)	PISTON C/P (Ø25.4MM)	3	
	45108	45108-LGE5-E00	SPRING PAD	SPRING PAD	1	
	45109	45109-GBE2-007	DUST SEAL	DUST SEAL	3	
	45109A	45109-LGE5-E00	SLIDE PAD	SLIDE PAD	1	
	45121	45121-AHG1-E00	DISK FR BRAKE	DISK FR BRAKE	1	
	45130	45130-LGE5-E00	PUSH BOOT PIN	BUSH PIN	1	
	45134	45134-KED9-900	BOOT B	BOOT B	1	
	45156	45156-LKG7-E00	CLIP SENSOR WIRE	CLIP SENSOR WIRE	1	
**	45200	45200-LKG7-E00	CALIPER ASSY FR	CALIPER ASSY FR	1	
	45203	45203-KED9-900	PLUG PIN	PLUG PIN	1	
	45207	45207-LGE5-E00	PIN HANGER	PIN HANGE	1	

F07

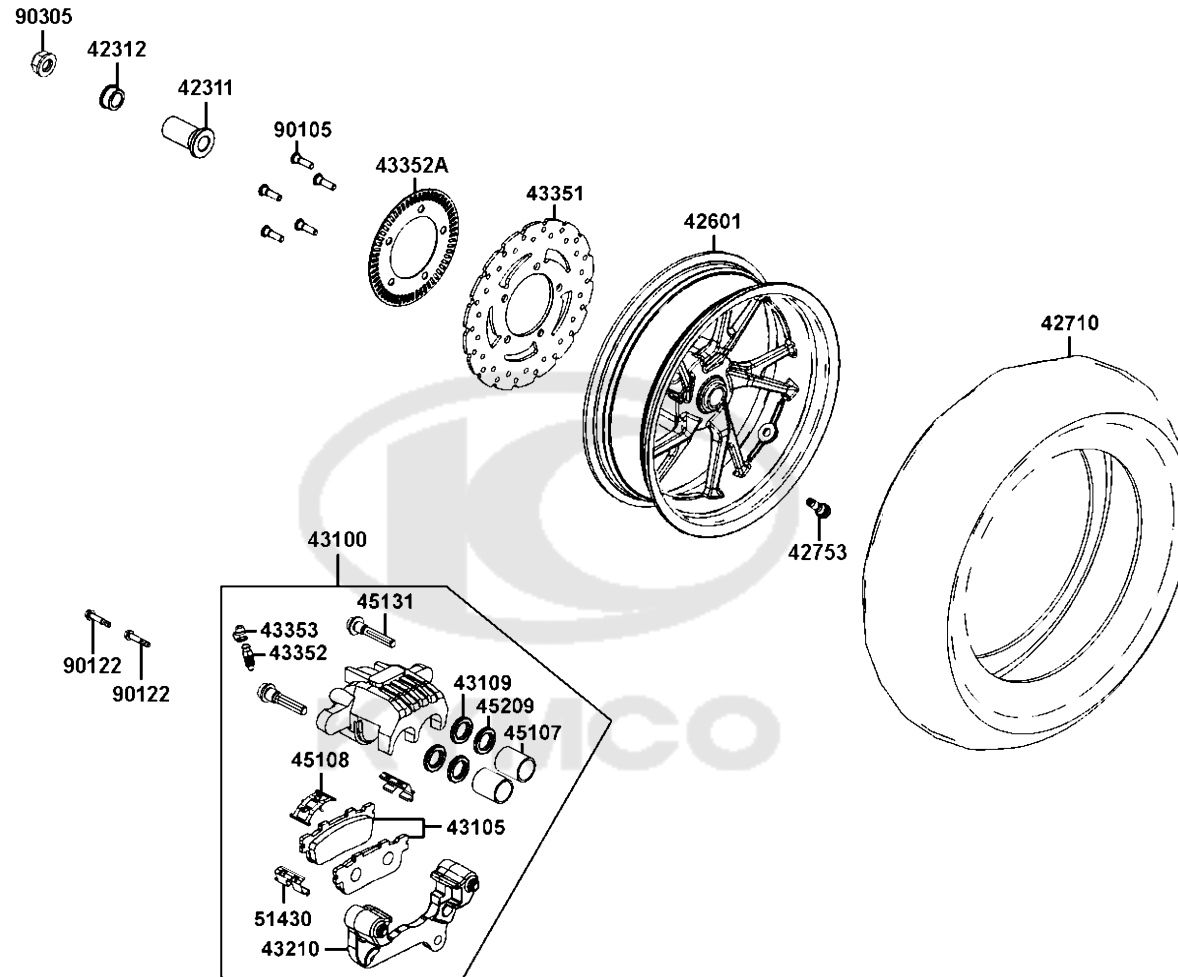
Front Wheel



Sales mark	Ref no	Part no	Description	Reg description	Regd no	F07
	45209	45209-GBE2-007	SEAL PISTON	SEAL PISTON	1	
**	45210	45210-LKG7-305	BRACKET ASSY FR	BRACKET ASSY FR	1	
	45352	45352-LGE5-E00	TOOTHED RING SENSOR	TOOTHED RING SENSOR	1	
	45531	45531-KED9-900	PLUG	PLUG	1	
	90105	90105-KCR3-010	BOLT FR DISK 8*24	BOLT FR DISK 8X24	3	
	90122	90122-LEA7-E00	BOLT FLANGE 10X42	BOLT FLANGE 10X42	2	
	90754	90754-LLJ3-E00	DUST SEAL	DUST SEAL	2	
	92101	92101-05012-0G	BOLT HEX 5X12	BOLT HEX 5*12	5	
	95701	95701-06012-06	BOLT FLANGE 6*12 **07 C.2005.07.01	BOLT FLANGE 6*12 **07 C.2005.07.01	1	
	96150	96150-60020-10	BEARING BALL RADIAL 6002	BEARING BALL RADIAL 6002	2	
	96600	96600-LGE5-E00	SOCKET BOLT	SOCKET BOLT	3	

F08

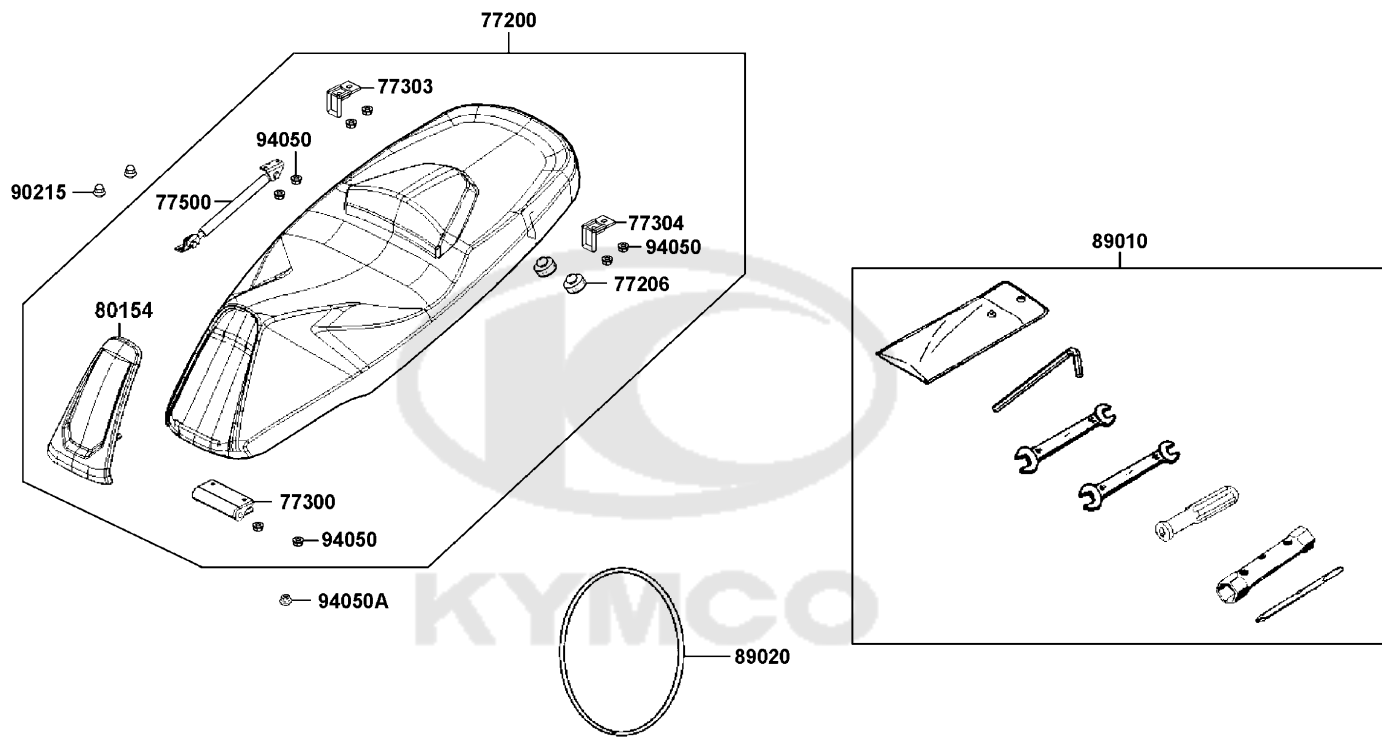
Rear Wheel



Sales mark	Ref no	Part no	Description	Reg description	Regd no	F08
	42311	42311-LEA7-E00	COLLAR RR AXLE SIDE A	COLLAR RR AXLE SIDE A	1	
	42312	42312-LEA7-E00	COLLAR RR AXLE SIDE	COLLAR RR AXLE SIDE	1	
	42710	42710-AHG5-E00	TIRE ASSY RR 150/70-13 64S	TIRE ASSY RR 150/70-13 64S	1	
	42753	42753-KNBN-90B	VALAE RIM (TR412)	VALAE RIM (TR412)	1	
**	43100	43100-LGE5-E01	CALIPER ASSY RR	CALIPER ASSY RR	1	
	43105	43105-LGE5-306	PAD SET	PAD SET	1	
	43109	43109-MCA3-007	DUST SEAL	DUST SEAL	2	
**	43210	43210-LGE5-E00	BRACKET FR CALIPER (Met Silver)	BRACKET FR CALIPER (Met Silver)	1	
	43351	43351-ABD2-C00	"DISK. RR BRAKE"	DISK FR BRK	1	
	43352	43352-KKD6-E90	SCREW BLEEDER	SCREW BLEEDER	1	
	43352A	43352-LEA7-E01	TOOTHED RING SENSOR	READ PLATE RR	1	
	43353	43353-4A61-77A	CAP BLEEDER	CAP BLEEDER	1	
	45107	45107-KED9-E00	PISTON C/P (Ø27MM)	PISTON C/P (Ø27MM)	2	
	45108	45108-LGE5-E01	SPRING PAD	PAD SPRING	1	
	45131	45131-LGE5-E00	PIN BOLT	PIN BOLT	2	
	45209	45209-KED9-900	SEAL PISTON	SEAL PISTON	2	
	51430	51430-LGE5-E00	SLIDE PAD	SLIDE PAD	2	
	90105	90105-LEA7-E00	BOLT FR DISK 8x30	BOLT FR DISK 8X30	5	
	90122	90122-LEA7-E00	BOLT FLANGE 10X42	BOLT FLANGE 10X42	2	
	90305	90305-KKAK-900	NUT U 16MM	NUT U 16MM	1	

F09

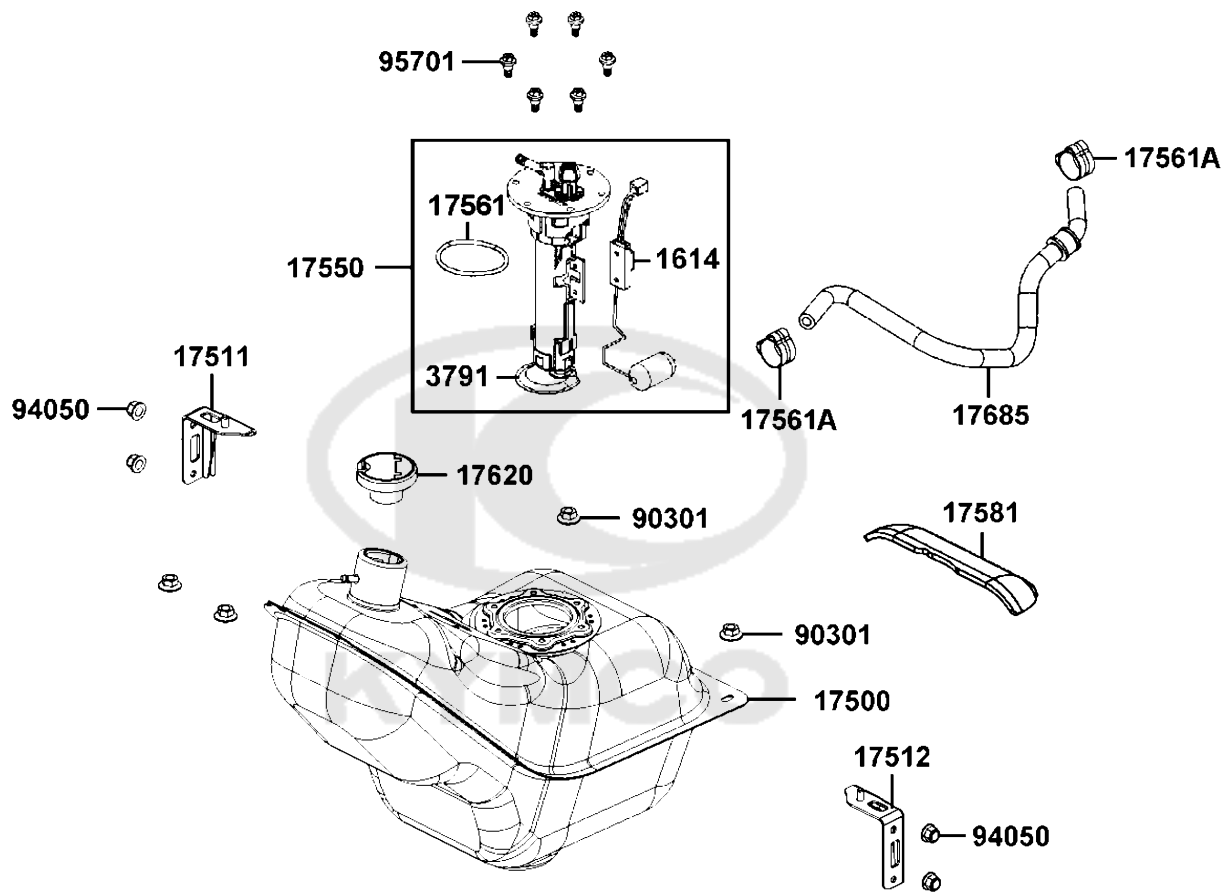
Seat



Sales mark	Ref no	Part no	Description	Reg description	Regd no	F09
**	77200	77200-AHG5-E00	SEAT ASSY	SEAT ASSY	1	
	77206	77206-KEB7-900	RUBBER SEAT CUSH	RUBBER SEAT CUSH	2	
	77300	77300-LEA7-E00	HINGE COMP SEAT	HINGE COMP SEAT	1	
	77303	77303-AGE2-E00	HOOK SEAT LOCK R	HOOK SEAT LOCK R	1	
	77304	77304-AGE2-E00	HOOK SEAT LOCK L	HOOK SEAT LOCK L	1	
	77500	77500-AHG5-E01	ASSY GAS. DAMPER	ASSY GAS. DAMPER	1	
**	80154	80154-AHG1-E00	COVER SEAT	COVER SEAT	1	
	89010	89010-AHG1-900	TOOL SET	TOOL SET	1	
	89020	89020-KKC4-900	BAND TOOL SET	BAND TOOL SET	1	
	90215	90215-KKC4-900	NUT CAP 6MM	NUT CAP 6MM	2	
	94050	94050-06070-G	NUT FLANGE 6MM (KG)	NUT FLANGE 6MM (G)	2	
	94050A	94050-06080	NUT FLANGE 6MM	NUT FLANGE 6MM	11	

F10

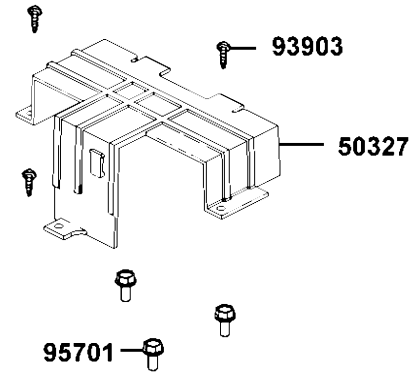
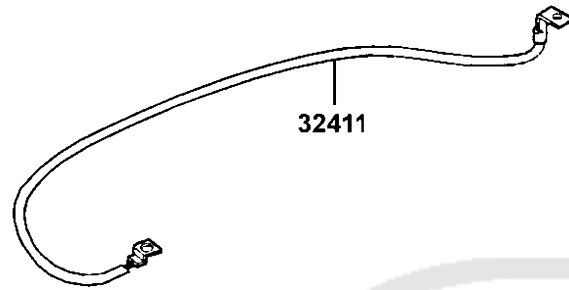
Fuel Tank







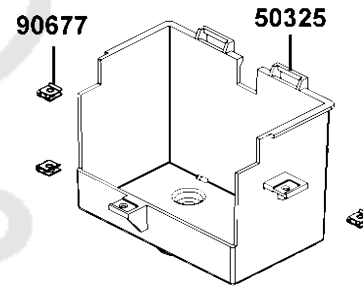
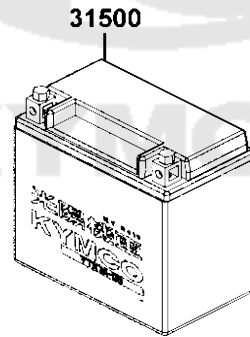
Sales mark	Ref no	Part no	Description	Reg description	Regd no	F10
1614		1614-A22C-0000-Y	FUEL LEVER SENSOR COMP	FUEL LEVER SENSOR COMP	1	
17500		17500-AGE2-E00	TANK COMP FUEL	TANK COMP FUEL	1	
17511		17511-ACJ1-E00	STAY R FUEL TANK	STAY R FUEL TANK	1	
17512		17512-ABD2-C00	STAY L FUEL TANK	STAY L FUEL TANK	1	
17550		17550-LEA7-800	FUEL PUMP MODULE ASSY	FUEL PUMP ASSY	1	
17561		17561-LDF2-900	O-RING	O-RING	1	
17561A		17561-LHG8-E00	CLIP 13.0	CLIP 13	1	
17581		17581-LEA7-E00	SPONGE FUEL TANK	SPONGE FUEL TANK	1	
17620		17620-LFC3-E15	CAP COMP FUEL FILLER	CAP COMP FUEL FILLER	1	
17685		17685-LFA7-E00	TUBEFUEL PUMP	TUBE FUEL PUMP	1	
3791		3791-HN80-0000	FILTER COMP	FILTER COMP	1	
90301		90301-6D34-671	NUT FLANGE 6MM	NUT FLANGE 6MM	4	
94050		94050-06060	NUT FLANGE 6MM	NUT FLANGE 6MM	4	
95701		95701-LDF2-800	BOLT FLANGE 5*6.5	BOLT FLANGE 5*6.5	6	

F11

Battery

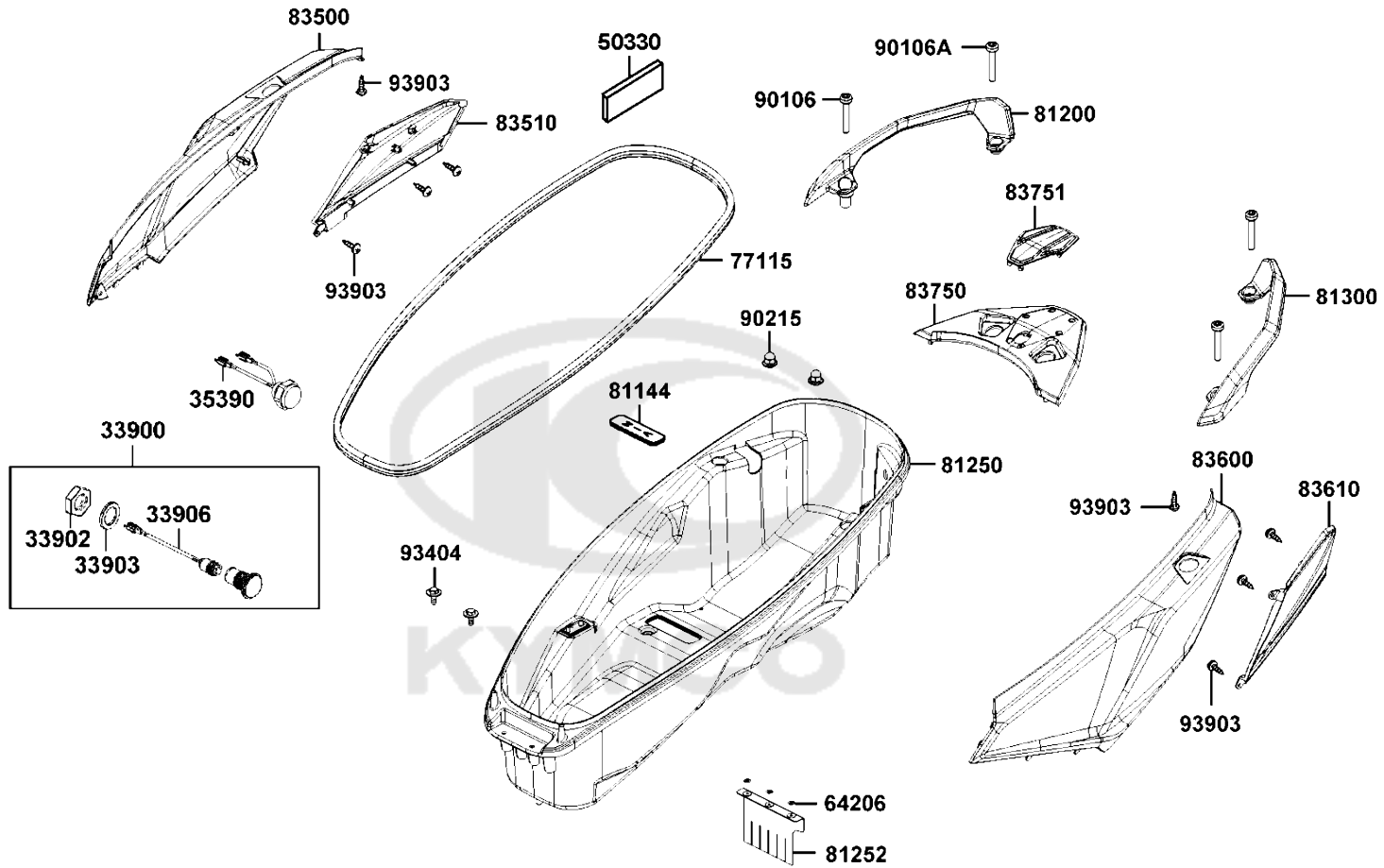


- 98200C 
- 98200B 
- 98200A 
- 98200 



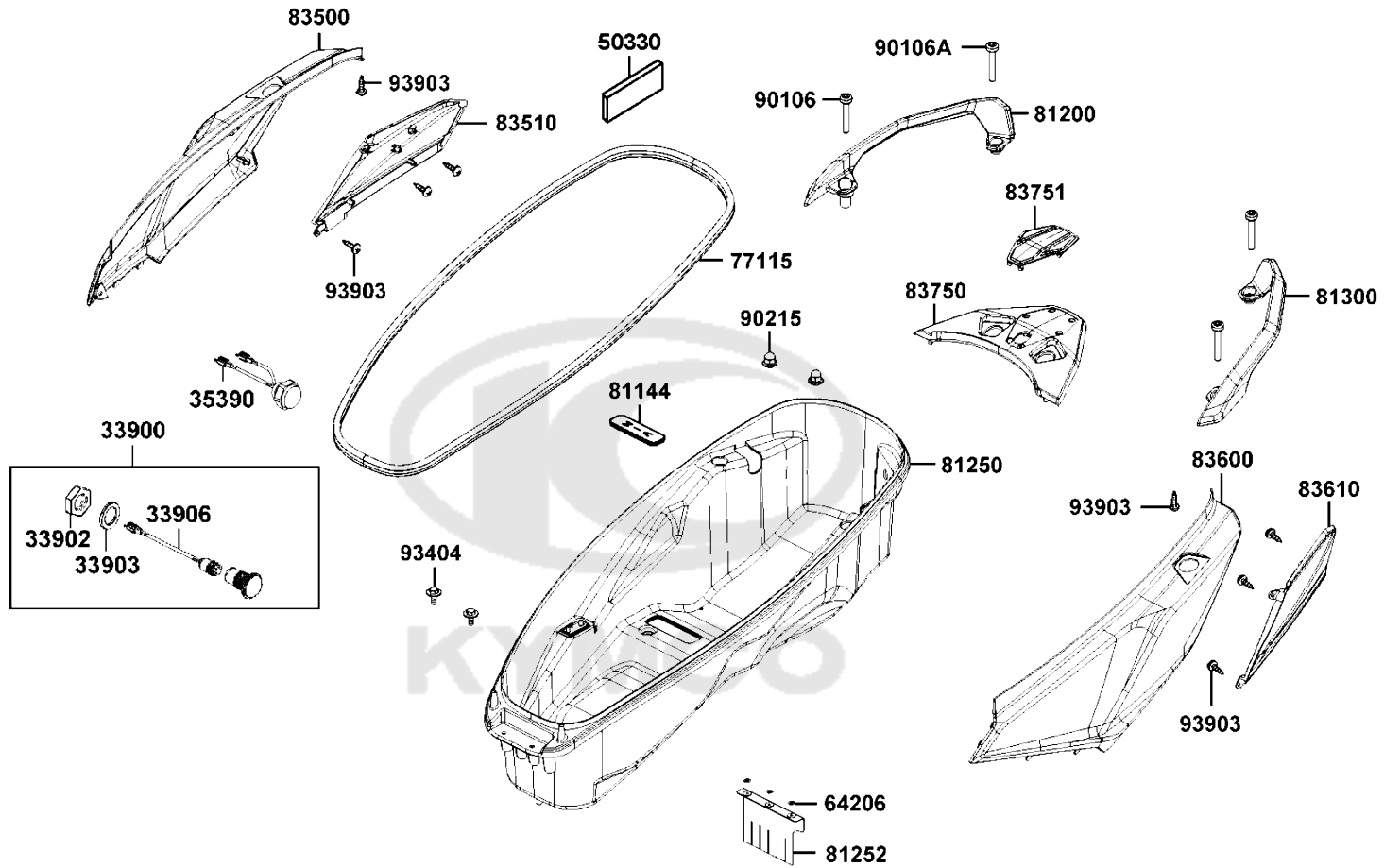
Sales mark	Ref no	Part no	Description	Reg description	Regd no	F11
	31500	31500-KFAF-90B	BATTERY GTX9-BS	BATTERY GTX9-BS	1	
	32411	32411-AHG1-E00	CABLE BAT	CABLE BAT	1	
**	50325	50325-AHG1-E00	CASE BATTERY	CASE BATTERY	1	
**	50327	50327-AHG1-E00	COVER ASSY BATTERY	COVER ASSY BATTERY	1	
	90677	90677-GAR1-004	NUT CLIP 5MM	NUT CLIP 5MM	3	
	93903	93903-34380-G	SCREW TAPPING 4x12	SCREW TAPPING 4x12	3	
	95701	95701-06012-06	BOLT FLANGE 6*12 **07 C.2005.07.01	BOLT FLANGE 6*12 **07 C.2005.07.01	3	
	98200	98200-31000	BLADE FUSE 10A **(0) C.2005.03.01	BLADE FUSE 10A **(0) C.2005.03.01	1	
	98200A	98200-31500	FUSE A15	FUSE A15	1	
	98200B	98200-32500	BLADE FUSE 25A	BLADE FUSE 25A	1	
	98200C	98200-33000	BLADE FUSE 30A	BLADE FUSE 30A	1	


Body Cover Luggage Box



Sales mark	Ref no	Part no	Description	Reg description	Regd no	F12
	33900	33900-LKF5-E00	LIGHT ASSY LUGGAGE BOX	LIGHT ASSY LUGGAGE BOX	1	
	33902	33902-LHG7-E00	NUT SCREW	NUT SCREW	1	
	33903	33903-LHG7-E00	PACKING	PACKING	1	
	33906	33906-LHG7-E00	SOCKET ASSY	SOCKET ASSY	1	
	35390	35390-AHG1-E00	SENSOR LUGGAGE BOX LIGHT	SENSOR LUGGAGE BOX LIGHT	1	
	50330	50330-AFB5-900	SPONGE FRAME	SPONGE FRAME	1	
	64206	64206-MLJ0-001	NUT SPEED 4MM	NUT SPEED 4MM	3	
	77115	77115-AHG5-E00	RUBBER SEAL	RUBBER SEAL	1	
	81144	81144-ALJ8-E10	LID LEG SHIELD	LID LEG SHIELD	1	
**	81200	81200-AHG1-900	RR CARRIER R	RR CARRIER R	1	
**	81250	81250-AHG1-E00	BOX ASSY LUGGAGE	BOX ASSY LUGGAGE	1	
	81252	81252-AHG1-E00	PLATE SPLASH BOARD	PLATE SPLASH BOARD	1	
**	81300	81300-AHG1-900	RR CARRIER L	RR CARRIER L	1	
**	83500	83500-AHG1-E00	COVER SIDE R	COVER SIDE R	1	
**	83510	83510-AHG1-E00	COVER BODY R	COVER BODY R	1	
**	83600	83600-AHG1-E00	COVER SIDE L	COVER SIDE L	1	
**	83610	83610-AHG1-E00	COVER BODY L	COVER BODY L	1	
**	83750	83750-AHG1-E00	COVER RR CENTER	COVER RR CENTER	1	
	83751	83751-AHG1-E00	RUBBER CENTER COVER RR	RUBBER CENTER COVER RR	1	
	90106	90106-KFC2-900	BOLT SPECIAL 8MM	BOLT SPECIAL 8MM	2	

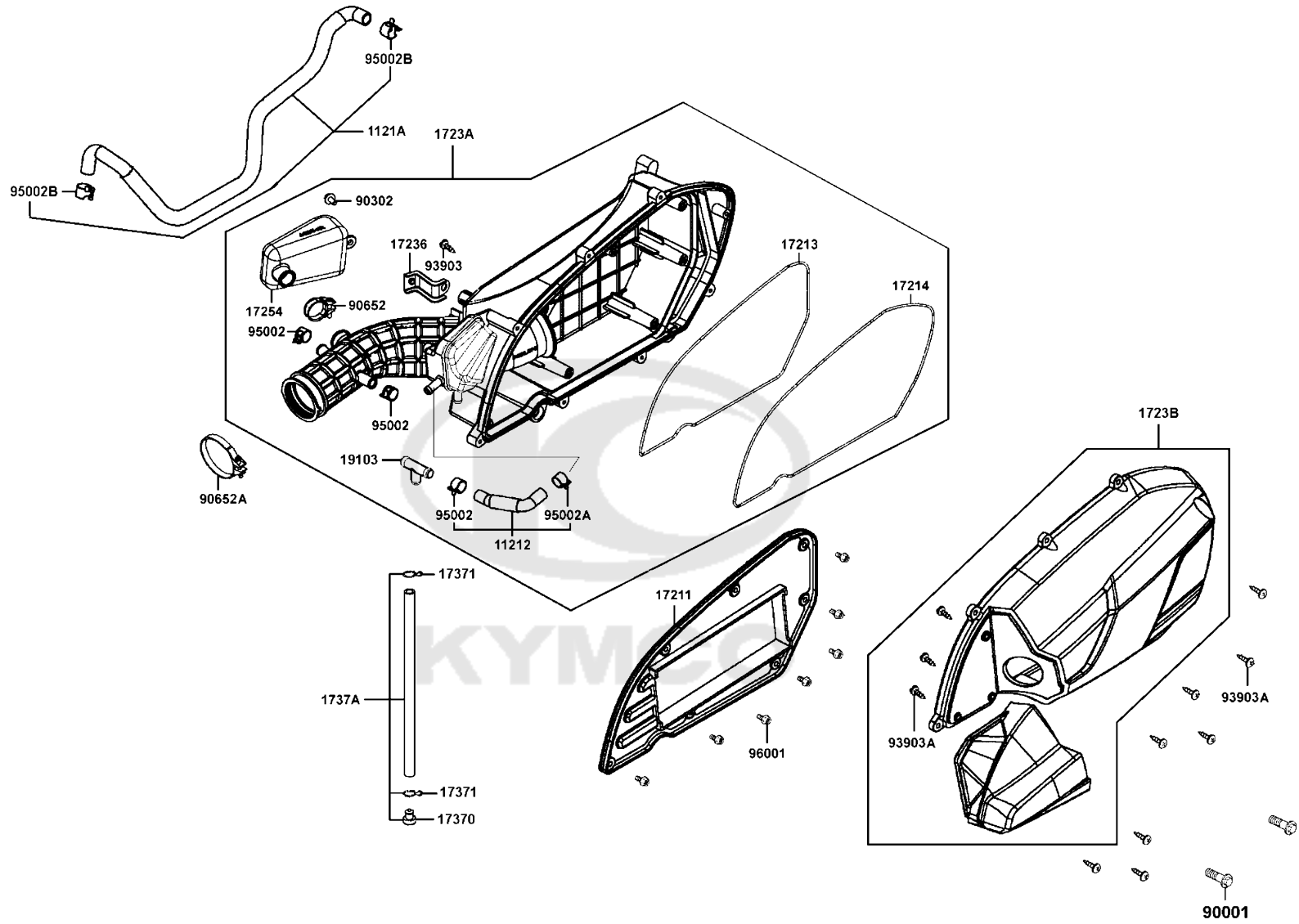
Body Cover Luggage Box



Sales mark	Ref no	Part no	Description	Reg description	Regd no	F12
	90106A	90106-KUDU-900	BOLT SPECIAL 8MM	BOLT SPECIAL 8MM	2	
	90215	90215-LHJ8-910	NUT CAP 6MM	NUT CAP 6MM	2	
	93404	93404-AGD7-900	BOLT WASHER 6*16 (KG)	BOLT WASHER 6*16	2	
	93903	93903-34380-G	SCREW TAPPING 4x12	SCREW TAPPING 4x12	8	
						

F13

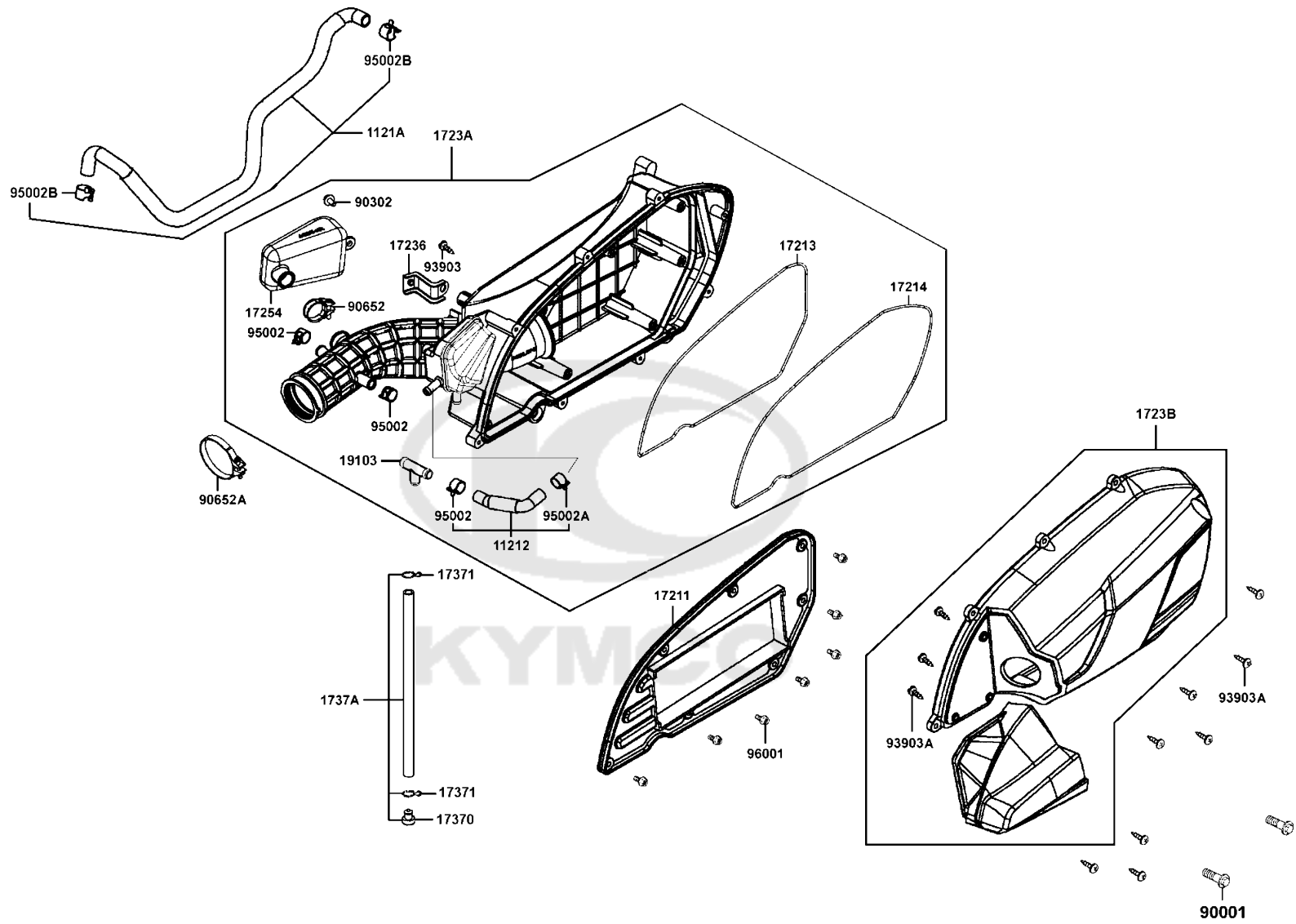
Air Cleaner



Sales mark	Ref no	Part no	Description	Reg description	Regd no	F13
	11212	11212-ACJ1-E00	TUBE BLOW BY	TUBE BLOW BY	1	
	1121A	1121A-ZWA3-E00	TUBE BREATHER	TUBE BREATHER	1	
	17211	17211-LEA7-E00	ELEMENT AIR/C	ELEMENT AIR/C	1	
	17213	17213-LEA7-E01	SEAL ELEMENT AIR/C	SEAL ELEMENT AIR/C	1	
	17214	17214-LEA7-E00	SEAL CASE AIR/C	SEAL CASE AIR/C	1	
	17236	17236-ACJ1-E00	PLATE CHAMBER FIX	PLATE CHAMBER FIX	1	
	1723A	1723A-ACJ1-E00	CASE AIR/C COMP	CASE AIR/C COMP	1	
	1723B	1723B-AHG5-E00	COVER COMP AIR/C	COVER COMP AIR/C	1	
	17254	17254-ACD5-B80	CHAMBER NOICE SILENCE	CHAMBER NOICE SILENCE	1	
	17370	17370-4K19-701	PLUG BREATHER TUBE	PLUG BREATHER TUBE	1	
	17371	17371-1D74-671	CLIP BREATHER TUBE	CLIP BREATHER TUBE	2	
	1737A	1737A-KUDU-900	V TUBE ASSY	V TUBE ASSY	1	
	19103	19103-KAAA-900	JOINT 3 WAY 8	JOINT 3 WAY 8	1	
	90001	90001-GBHB-681	BOLT FLANGE SHF 6*28	BOLT FLANGE SHF 6*28	2	
	90302	90302-LLB1-E00	BOLT-WASHER 5*12	BOLT-WASHER 5*12	1	
	90652	90652-ACD5-B80	BAND D21.5 CHAMBER	BAND D21.5 CHAMBER	1	
	90652A	90652-GFY6-901	BAND 49 AIR/C CONNECTING TUBE	BAND 49 AIR/C CONNECTING TUBE	1	
	93903	93903-25360	SCREW TAPPING 5*16	SCREW TAPPING 5*16	1	
	93903A	93903-25460	SCREW TAPPING 5*20 **93903-25480	SCREW TAPPING 5*20 **93903-25480 C.2005	8	
	95002	95002-41150-00	CLIP D11.5 TUBE	CLIP D11.5 TUBE	3	

F13

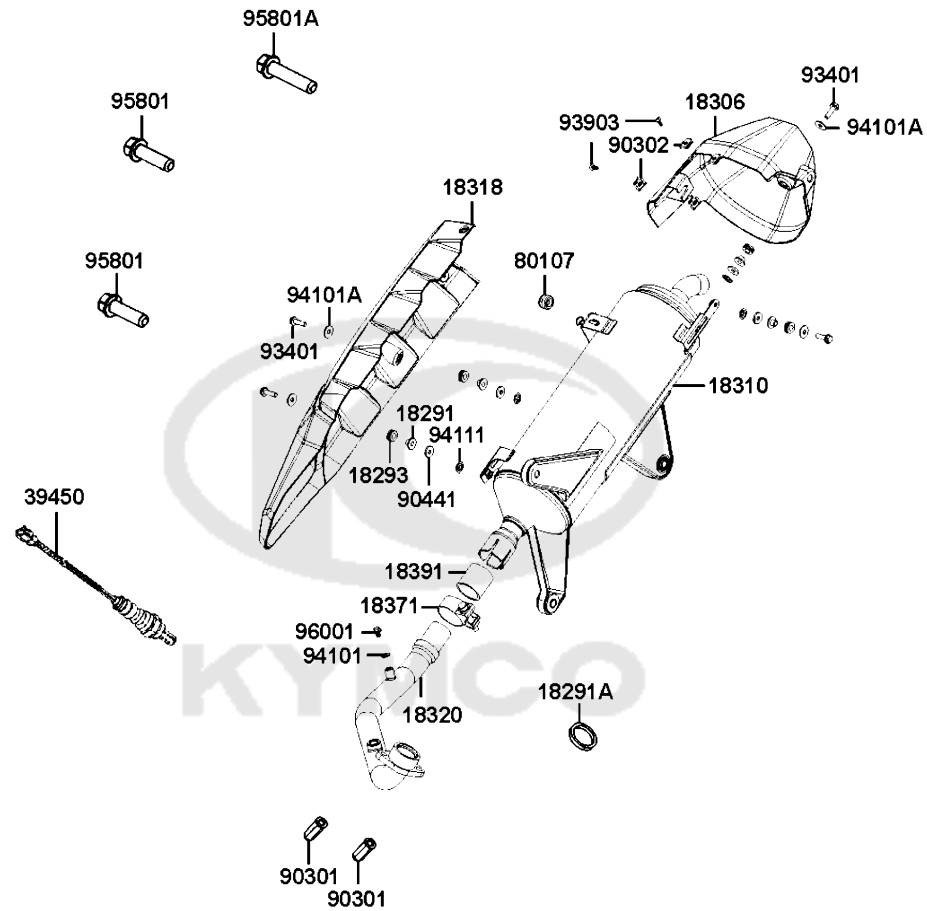
Air Cleaner



Sales mark	Ref no	Part no	Description	Reg description	Regd no	F13
------------	--------	---------	-------------	-----------------	---------	------------

95002A	95002-41250-00	95002-41250-00	CLIP D12.5 TUBE	CLIP D12.5 TUBE	1	
95002B	95002-KED9-M31	95002-KED9-M31	CLAMP D14.8 TUBE	CLAMP D14.8 TUBE	2	
96001	96001-GFY6-900	96001-GFY6-900	BOLT SPECIAL 5X10	BOLT SPECIAL 5X10	7	

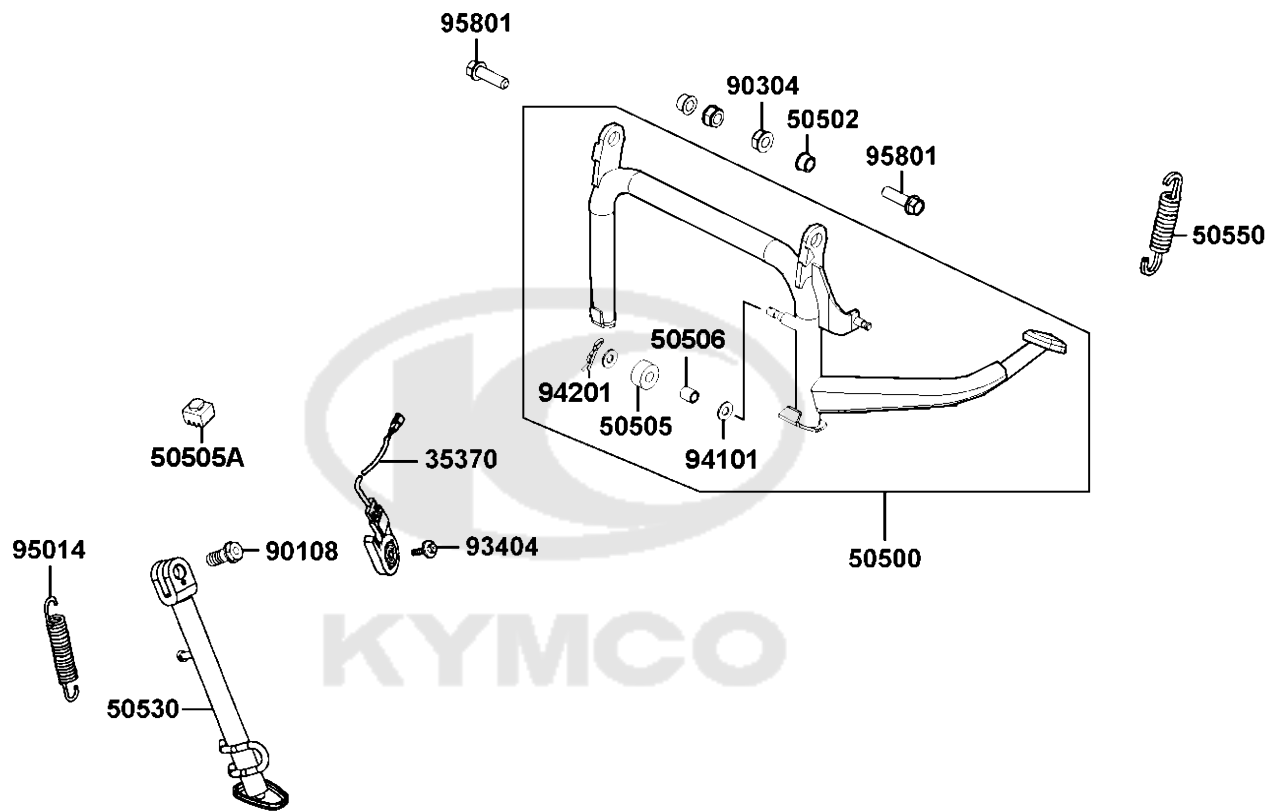




Sales mark	Ref no	Part no	Description	Reg description	Regd no	F14
	18291	18291-LKG2-90A	COLLAR	COLLAR	4	
	18291A	18291-PWB1-900	SEAL EXHAUST PIPE	SEAL EXHAUST PIPE	1	
	18293	18293-LHJ8-900	RUBBER PKG PROTR	RUBBER PKG PROTR	4	
	18310	18310-AHG1-E00	MUFFLER COMP	MUFFLER COMP	1	
**	18318	18318-AHG3-E00	PROTECTOR.MUFFLER	PROTECTOR.MUFFLER	1	
	18320	18320-AHG1-E00	PIPE EXHAUST	PIPE.EXHAUST	1	
	18371	18371-LEA7-E00	BAND MUFFLER	BAND MUFFLER	1	
	18391	18391-LDB2-E00	GASKET	GASKET	1	
	39450	39450-ZVA6-M00	O2 SENSOR	O2 SENSOR	1	
	90301	90301-GFY6-901	NUT CAP 8MM *(1) C.2008.10.28	NUT CAP 8MM *(1) C.2008.10.28	2	
	90302	90302-SDA4-004	NUT SPRING 4MM	NUT SPRING 4MM	2	
	90441	90441-ACD5-E00	WASHER PLATE	WASHER PLATE	4	
	93401	93401-LEA7-900	BOLT WASHER 6X22	BOLT WASHER 6X22	4	
	93903	93903-343J0	SCREW TAPPING 4*12	SCREW TAPPING 4*12	2	
	94101	94101-06700	WASHER PLAIN 6MM	WASHER PLAIN 6MM	1	
	94101A	94101-ACD5-E00	WASHER PLAIN 6.5*18*1.5	WASHER PLAIN 6.5*18*1.5	4	
	94111	94111-ACD5-E00	WASHER.SPG	WASHER SPG 6MM	4	
	95801	95801-10050-06	BOLT FLANGE 10*50	BOLT FLANGE 10*50	2	
	95801A	95801-10055-06	BOLT FLANGE 10*55	BOLT FLANGE 10*55	1	
	96001	96001-06008-07	BOLT FLANGE SH 6*8	BOLT FLANGE SH 6*8	1	

F15

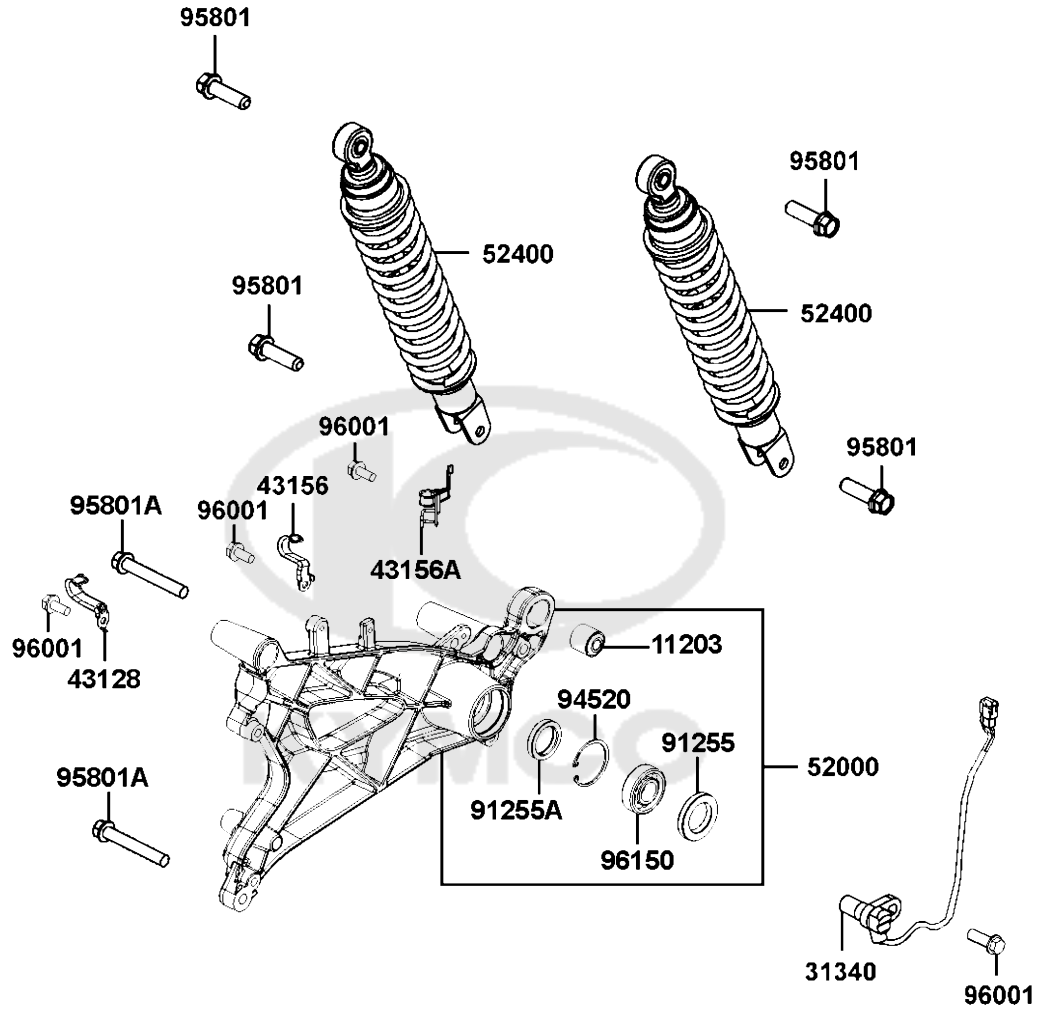
Stand



Sales mark	Ref no	Part no	Description	Reg description	Regd no	F15
	35370	35370-LLJ3-E00	SW UNIT SIDE STAND	SW UNIT SIDE STAND	1	
	50500	50500-AAG3-E00	STAND COMP MAIN	STAND COMP MAIN	1	
	50502	50502-LDF7-E10	COLLAR MAIN STAND	COLLAR MAIN STAND	2	
	50505	50505-LEA7-E00	STOPPER RUBBER	STOPPER RUBBER	1	
	50505A	50505-PUA3-B50	STOPPER RUBBER	STOPPER RUBBER	1	
	50506	50506-KHE7-E00	COLLAR STOPPER RUBBER	COLLAR STOPPER RUBBER	1	
	50530	50530-ABD2-C00	BAR SIDE STAND	BAR SIDE STAND	1	
	50550	50550-KKC2-E00	SPG ASSY MAIN STAND	SPG ASSY MAIN STAND	1	
	90108	90108-KKC4-900	SCREW SIDE STAND PIVOT	SCREW SIDE STAND PIVOT	1	
	90304	90304-LEA1-900	NUT U FLANGE 10MM	NUT U 10MM	2	
	93404	93404-06016-06	BOLT WASHER 6*16	BOLT WASHER 6*16	1	
	94101	94101-08600	WASH PLAIN 8MM	WASH PLAIN 8MM	2	
	94201	94201-20180	PIN SPLIT 2.0*18	PIN SPLIT 2.0*18	1	
	95014	95014-72204	SPG B1 SIDE STAND	SPG B1 SIDE STAND	1	
	95801	95801-10030-06	BOLT FLANGE 10X30	BOLT FLANGE 10X30	2	

F16

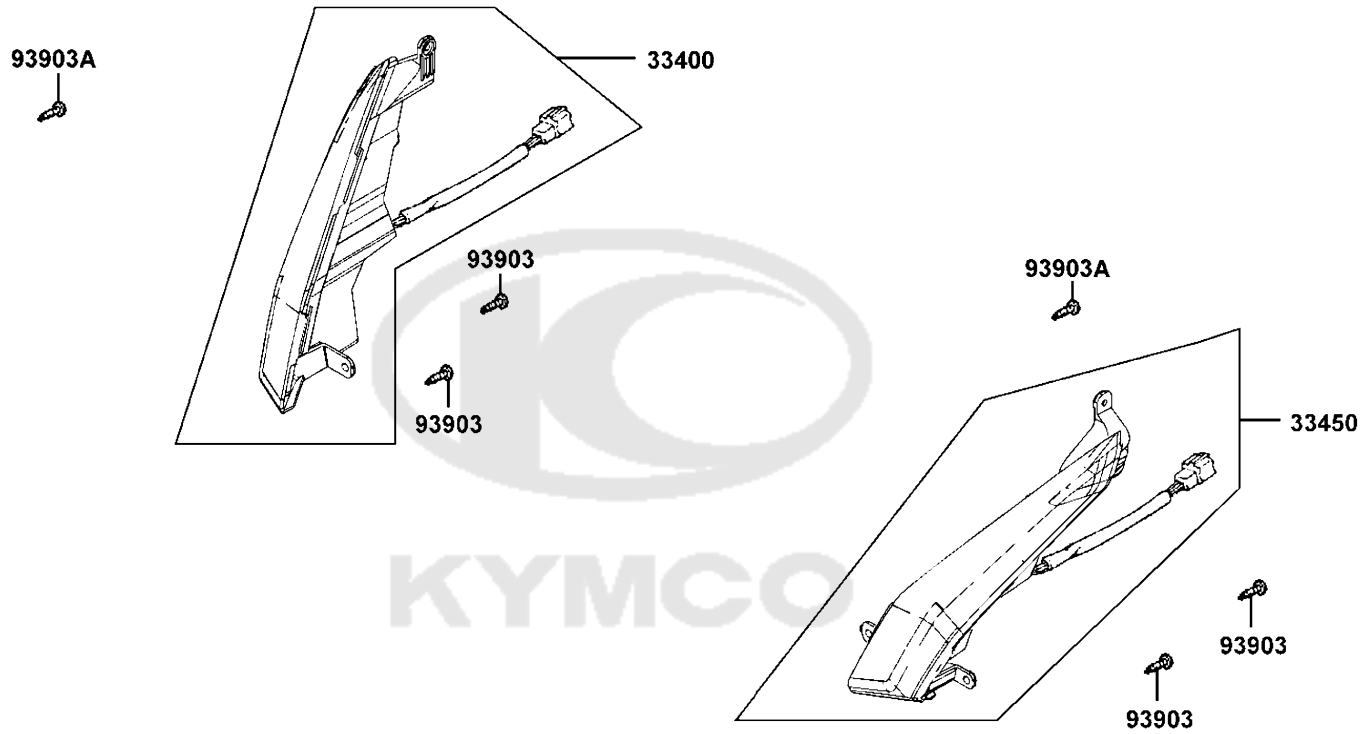
Rear Cushion Rear Fork



Sales mark	Ref no	Part no	Description	Reg description	Regd no	F16
	11203	11203-LBA2-E00	RUB BUSH L CASE	RUB BUSH L CASE	1	
	31340	31340-LFH1-E00	SENSOR RR WHEEL SPEED	SENSOR RR WHEEL SPEED	1	
	43128	43128-AHG1-E00	CLAMPER HOSE RR	CLAMPER HOSE RR	1	
	43156	43156-AHG1-E00	STAY RR BRAKE HOSE	STAY RR BRAKE HOSE	1	
	43156A	43156-LDB2-900	CLAMPER HOSE RR	CLAMPER HOSE RR	1	
**	52000	52000-AHG1-E00	FORK ASSY RR	FORK ASSY RR	1	
**	52400	52400-AGE2-E00	CUSHION ASSY REAR	CUSHION ASSY REAR	2	
**	52400	52400-AHG1-E30	CUSHION ASSY REAR	CUSHION ASSY REAR	2	
	91255	91255-LGE5-E00	OIL SEAL 30*48*7	OIL SEAL 30*48*7	1	
	91255A	91255-LLB1-900	OIL SEAL 30*40*7	OIL SEAL 30*40*7	1	
	94520	94520-47000	CIR CLIP IN 47	CIR CLIP IN 47	1	
	95801	95801-10040-06	BOLT FLANGE 10X40	BOLT FLANGE 10X40	4	
	95801A	95801-10070-06	BOLT FLANGE 10*70	BOLT FLANGE 10*70	2	
	96001	96001-06012-06	BOLT FLANGE SH 6*12	BOLT FLANGE SH 6*12	2	
	96150	96150-62040-10	BEARING BALL RADIAL 6204	BEARING BALL RADIAL 6204	1	

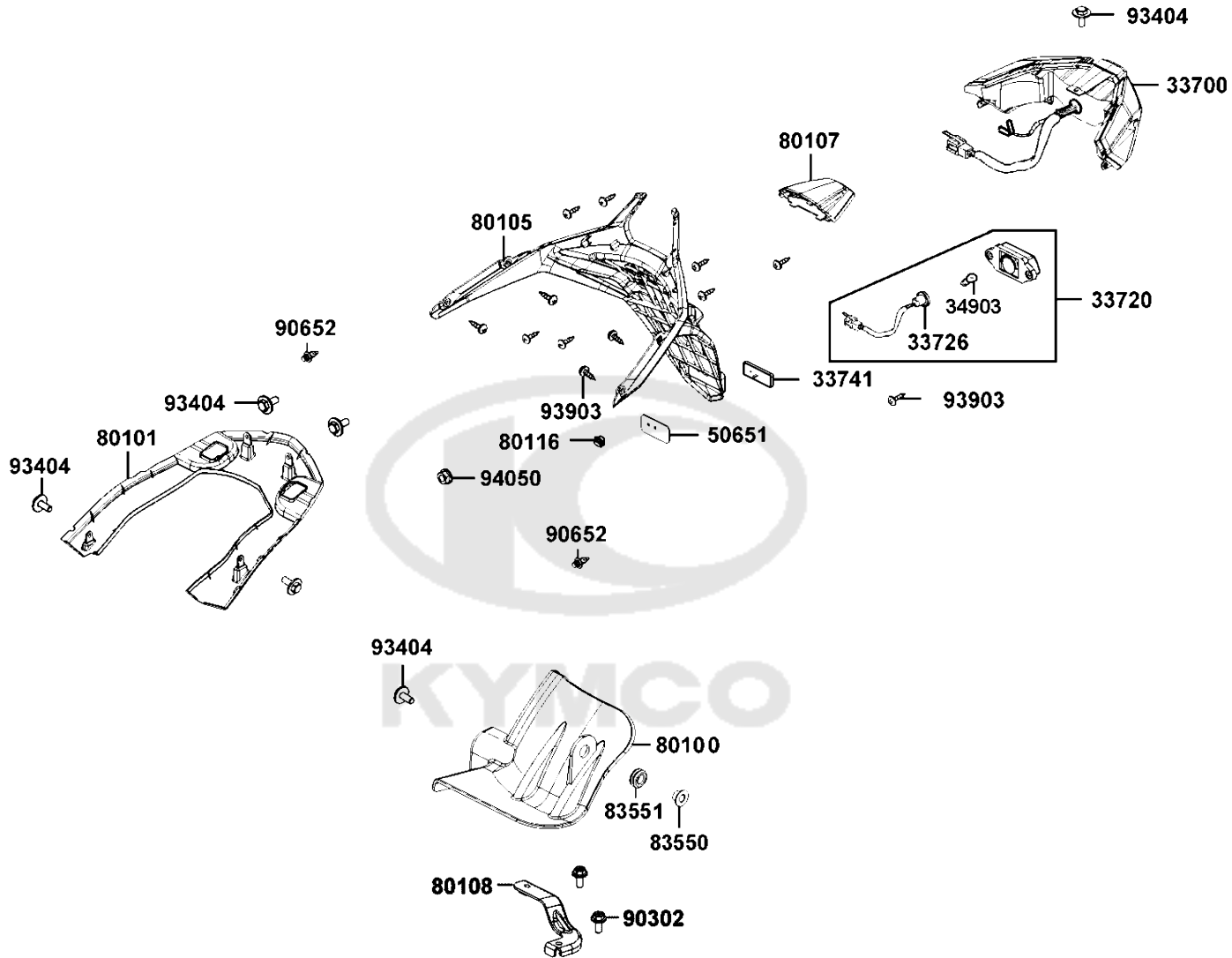
F17

Front Winker

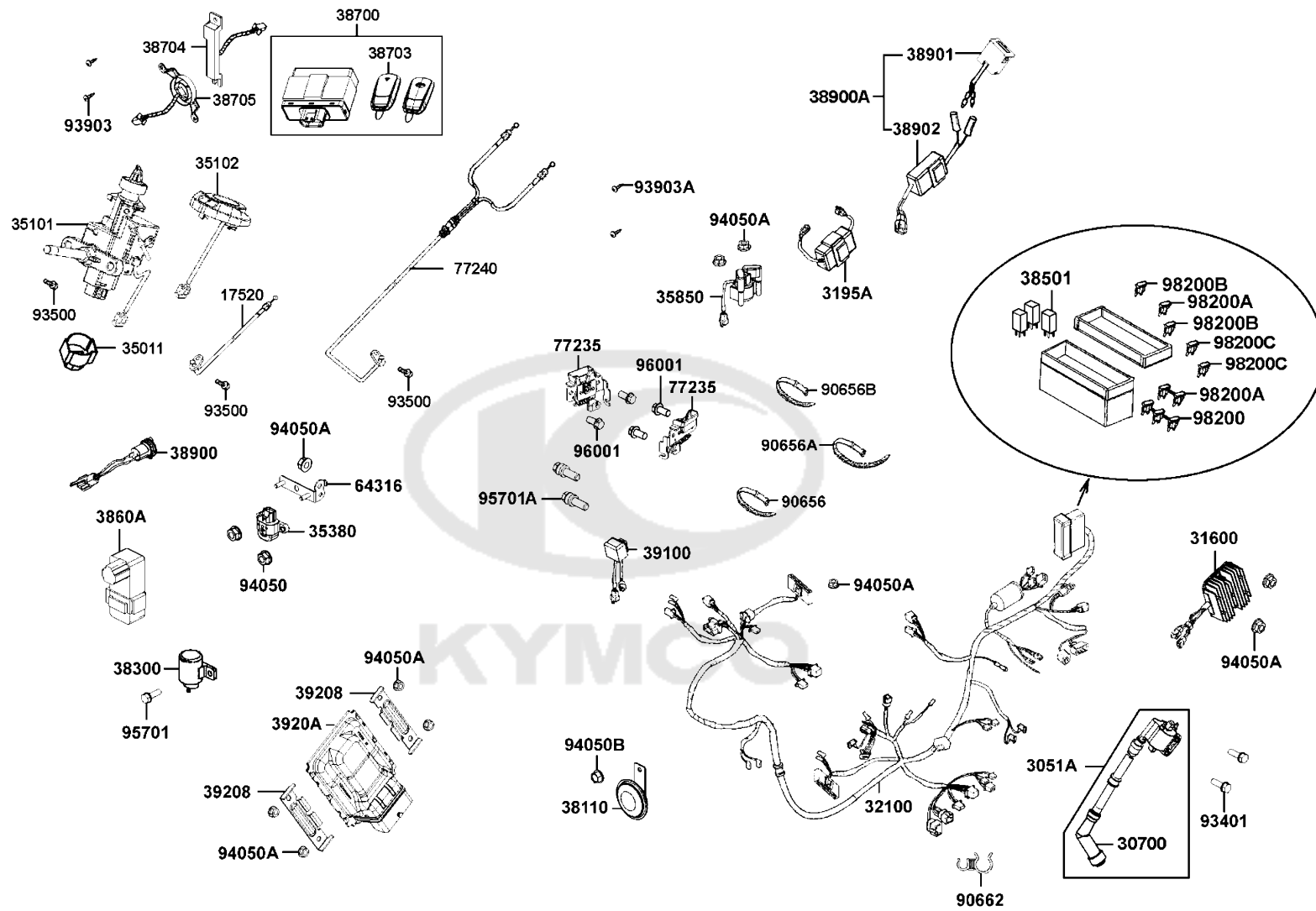


Sales mark	Ref no	Part no	Description	Reg description	Regd no	F17
	33400	33400-AHG1-E00	WINKER ASSY R FR	WINKER ASSY R FR	1	
	33450	33450-AHG1-E00	WINKER ASSY L FR	WINKER ASSY L FR	1	
	93903	93903-34380-G	SCREW TAPPING 4x12	SCREW TAPPING 4x12	4	
	93903A	93903-35260	SCREW TAPPING 5*12	SCREW TAPPING 5*12	2	

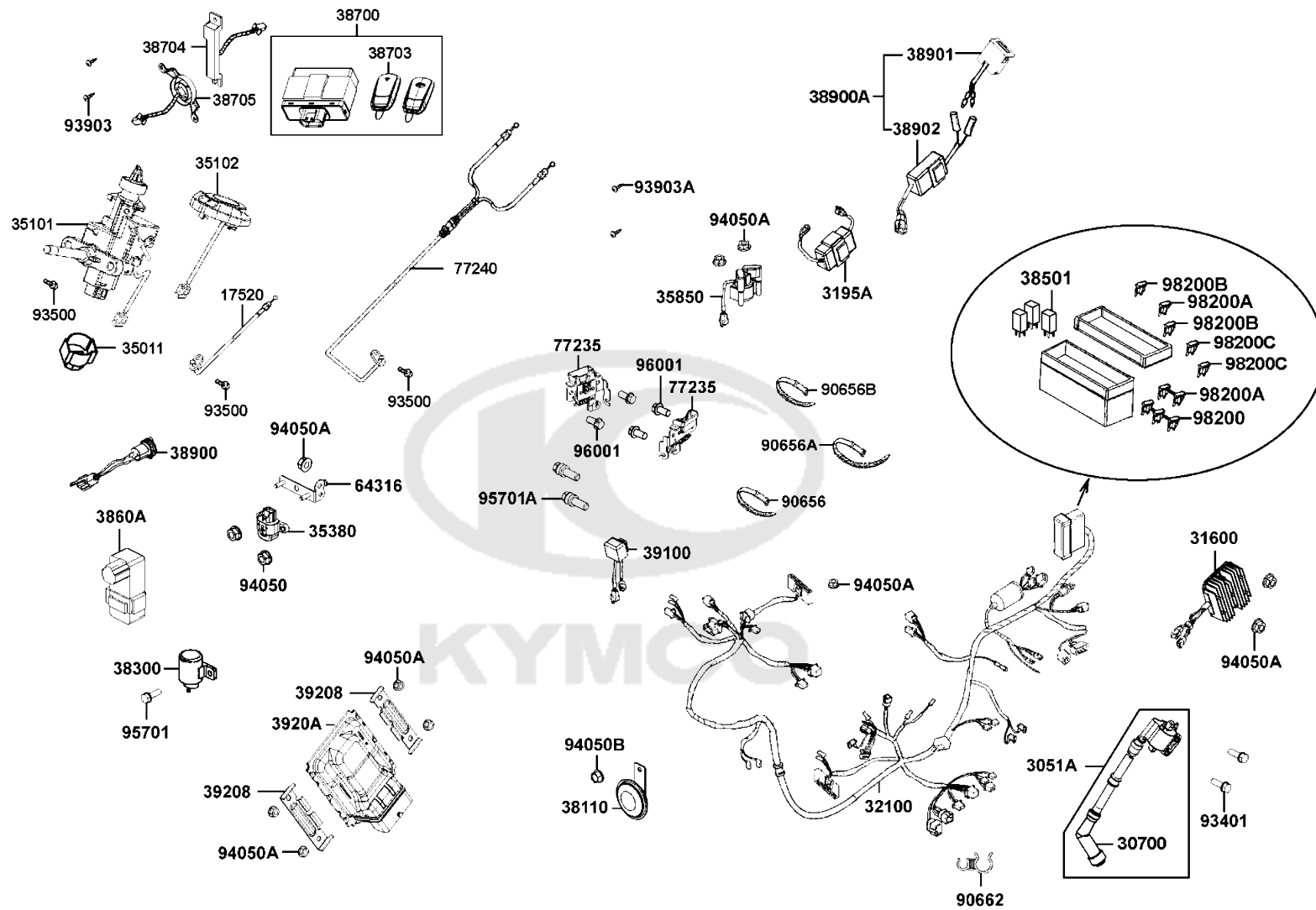




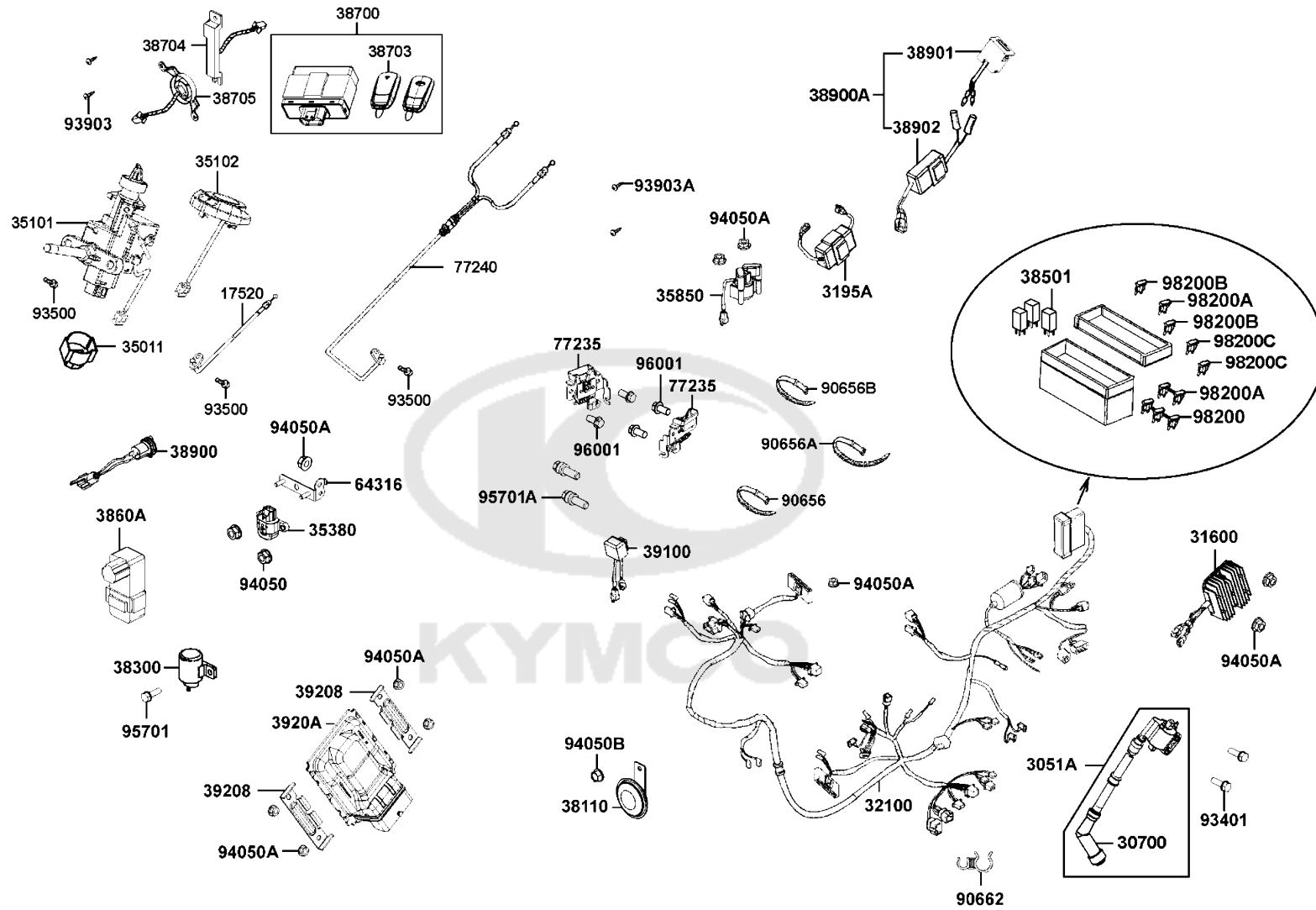
Sales mark	Ref no	Part no	Description	Reg description	Regd no	F18
	33700	33700-AHG1-E00	LIGHT ASSY RR COMP	LIGHT ASSY RR COMP	1	
	33720	33720-LGB5-E10	LIGHT ASSY LICENSE	LIGHT ASSY LICENSE	1	
	33726	33726-LBB5-E00	SCOKET COMP	SCOKET COMP	1	
	33741	33741-KHC5-M00	REFLEX REFLECTOR	REFLEX REFLECTOR	1	
	34903	34903-KPCP-900	BULB POSITION LIGHT 12V5W **KCP-	BULB POSITION LIGHT 12V5W **KCP-9000	1	
	50651	50651-LFC4-E10	STAY RR FENDER BALANCE	STAY RR FENDER BALANCE	1	
**	80100	80100-AHG1-E00	FENDER TIRE RR	FENDER TIRE RR	1	
	80108	80108-AHG1-E00	STAY	STAY	1	
	80116	80116-ACC1-E10	RUBBER LICENSE PLATE STOP	RUBBER LICENSE PLATE STOP	1	
	83550	83550-KEC8-900	COLLAR	COLLAR	1	
	83551	83551-KEC8-900	GROMMET COVER **KEC8-9000	GROMMET COVER **KEC8-9000 C.2005.09.01	1	
	90302	90302-GFY6-921	BOLT-WASH 5*12 (KG)	BOLT-WASH 5*12 (KG)	1	
	90652	90652-LCA4-E00	CLIP MUDGUARD	CLIP MUDGUARD	1	
	93404	93404-06012-06	BOLT WASHER 6*12 (G)	BOLT WASHER 6*12 (G)	6	
	93903	93903-34380-G	SCREW TAPPING 4x12	SCREW TAPPING 4x12	12	
	94050	94050-05060	NUT FLANGE 5MM	NUT FLANGE 5MM	1	



Sales mark	Ref no	Part no	Description	Reg description	Regd no	F19
	17520	17520-AHG1-E00	CABLE COMP FUEL FILLER CAP	CABLE COMP FUEL FILLER CAP	1	
	3051A	3051A-ACJ1-900	COIL ASSY IGN	COIL ASSY IGN	1	
	30700	30700-LGM5-900	CAP ASSY NOISE SUPPERSOR	CAP ASSY NOISE SUPPRESOR	1	
	31600	31600-ABD2-900	REG REC COMP	REG REC COMP	1	
	3195A	3195A-AGE2-E00	HAZARD CONTROL ASSY	HAZARD CONTROL ASSY	1	
	32100	32100-AHG1-E13	HARNES WIRE	HARNES WIRE	1	
	35011	35011-AGE2-E00	CUSHION KEYLESS	CUSHION KEYLESS	1	
	35101	35101-AHG1-E00	KEY SET LOCK& COMB	KEY SET LOCK& COMB	1	
	35102	35102-AGE2-E00	COLLAR MAIN SW	COLLAR MAIN SW	1	
	35380	35380-ABE1-E00	SENSOR ANGLE DETECT (D106)	SENSOR ANGLE DETECT	1	
	35850	35850-KKAK-900	SET START MAG	SET START MAG	1	
	38110	38110-KFAF-90B	HORN COMP	HORN COMP	1	
	38300	38300-AEB9-E00	RELAY ASSY WINKER	RELAY ASSY WINKER	1	
	38501	38501-PRB2-900	RELAY(303-IAH-C-RI)	RELAY(303-IAH-C-RI)	4	
	3860A	3860A-AEH2-M40	CONTROL ASSY LIGHTING	CONTROL ASSY LIGHTING	1	
	38700	38700-AGE2-305	KEYLESS SET	KEYLESS SET	1	
	38703	38703-AGE2-E00	KEY COMP. CHIP	KEY COMP. CHIP	2	
	38704	38704-AGE2-E00	ANTENNA COMP. LONG RANGE	ANTENNA COMP. LONG RANGE	1	
	38705	38705-AGJ5-E00	ANTENNA COMP SHORT RANGE	ANTENNA COMP SHORT RANGE	1	
	38900	38900-ACC1-E10	CONTROLLER USB CHARGER	CONTROLLER USB CHARGER	1	

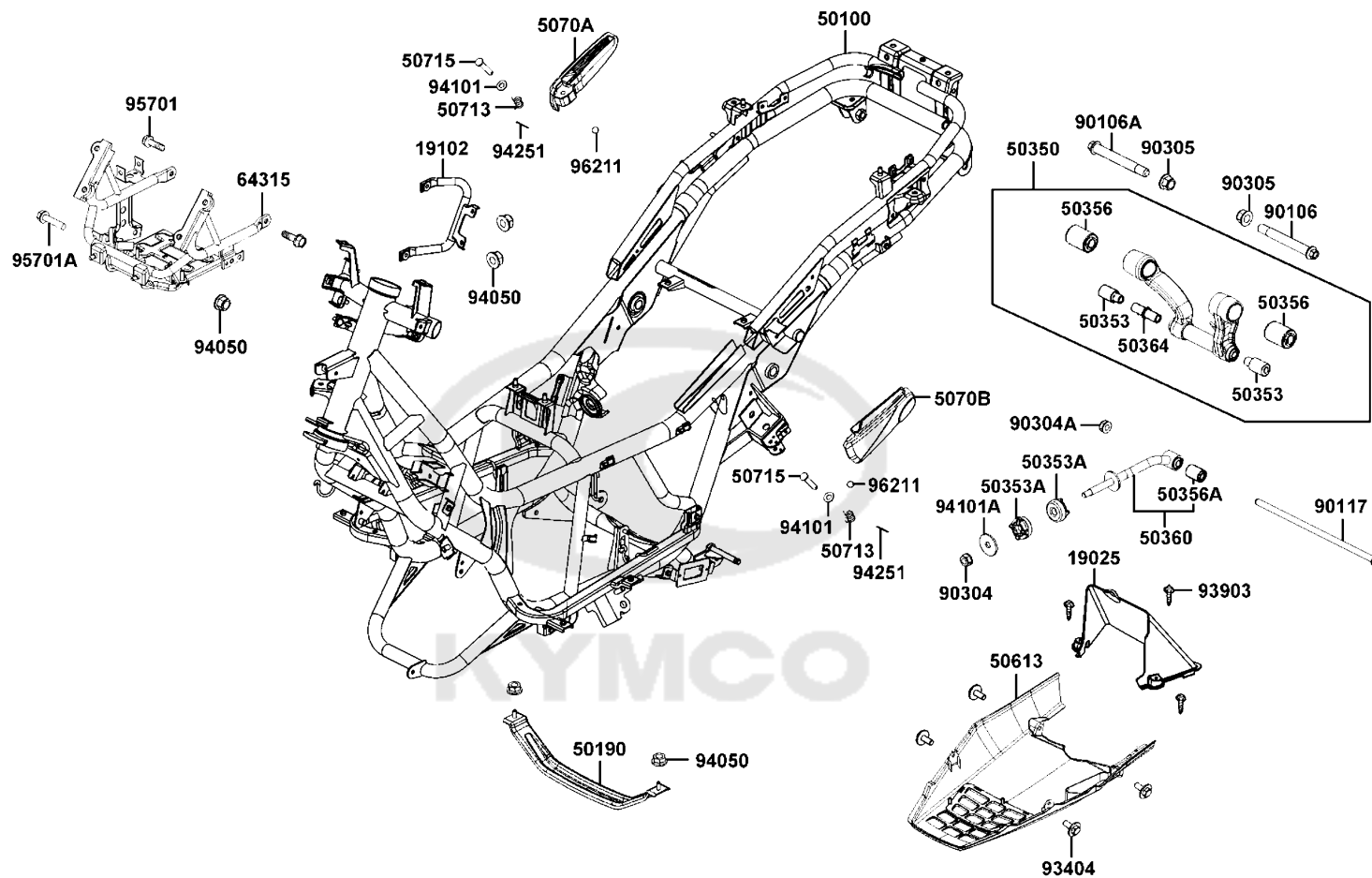


Sales mark	Ref no	Part no	Description	Reg description	Regd no	F19
	38900A	38900-AGE7-C00	SOCKET	SOCKET	1	
	38901	38901-AGE7-C00	USB	USB	1	
	38902	38902-AGE7-C00	CONTROL USB	CONTROL USB	1	
	39100	39100-ABD6-C00	EMI FILTER FAN MOTOR	EMI FILTER FAN MOTOR	1	
	39208	39208-AGJ5-E00	HOLDER M4C ECU	HOLDER M4C ECU	2	
	3920A	3920A-AHG5-E00	CONTROLLER BATTERY BOX	CONTROLLER BATTERY BOX	1	
	64316	64316-AFC1-E60	STAY SENSOR	STAY SENSOR	1	
	77235	77235-ZZA6-E00	SEAT CATCH COMP	SEAT CATCH COMP	2	
	77240	77240-AGE2-E00	CABLE SEAT LOCK	CABLE SEAT LOCK	1	
	90656	90656-KCBC-900	BAND OIL HANDLE 8X146	BAND OIL HANDLE 8X146	1	
	90656B	90656-ZZA6-E00	BAND OIL HANDLE	BAND HARNESS WIRE 12X129	2	
	90662	90662-ABD2-E00	HARNESS CLAMP D18-D11	HARNESS CLAMP D18-D11	1	
	93401	93401-04025-06	BOLT WASHER 4X25	BOLT WASHER 4*25	2	
	93500	93500-KHC4-90B	SCREW PAN 5*10	SCREW PAN 5*10	3	
	93903	93903-34380-G	SCREW TAPPING 4x12	SCREW TAPPING 4x12	2	
	93903A	93903-35260	SCREW TAPPING 5*12	SCREW TAPPING 5*12	2	
	94050	94050-05060	NUT FLANGE 5MM	NUT FLANGE 5MM	2	
	94050A	94050-06060	NUT FLANGE 6MM	NUT FLANGE 6MM	10	
	94050B	94050-08060	NUT FLANGE 8MM	NUT FLANGE 8MM	1	
	95701	95701-06012-06	BOLT FLANGE 6*12 **07 C.2005.07.01	BOLT FLANGE 6*12 **07 C.2005.07.01	1	

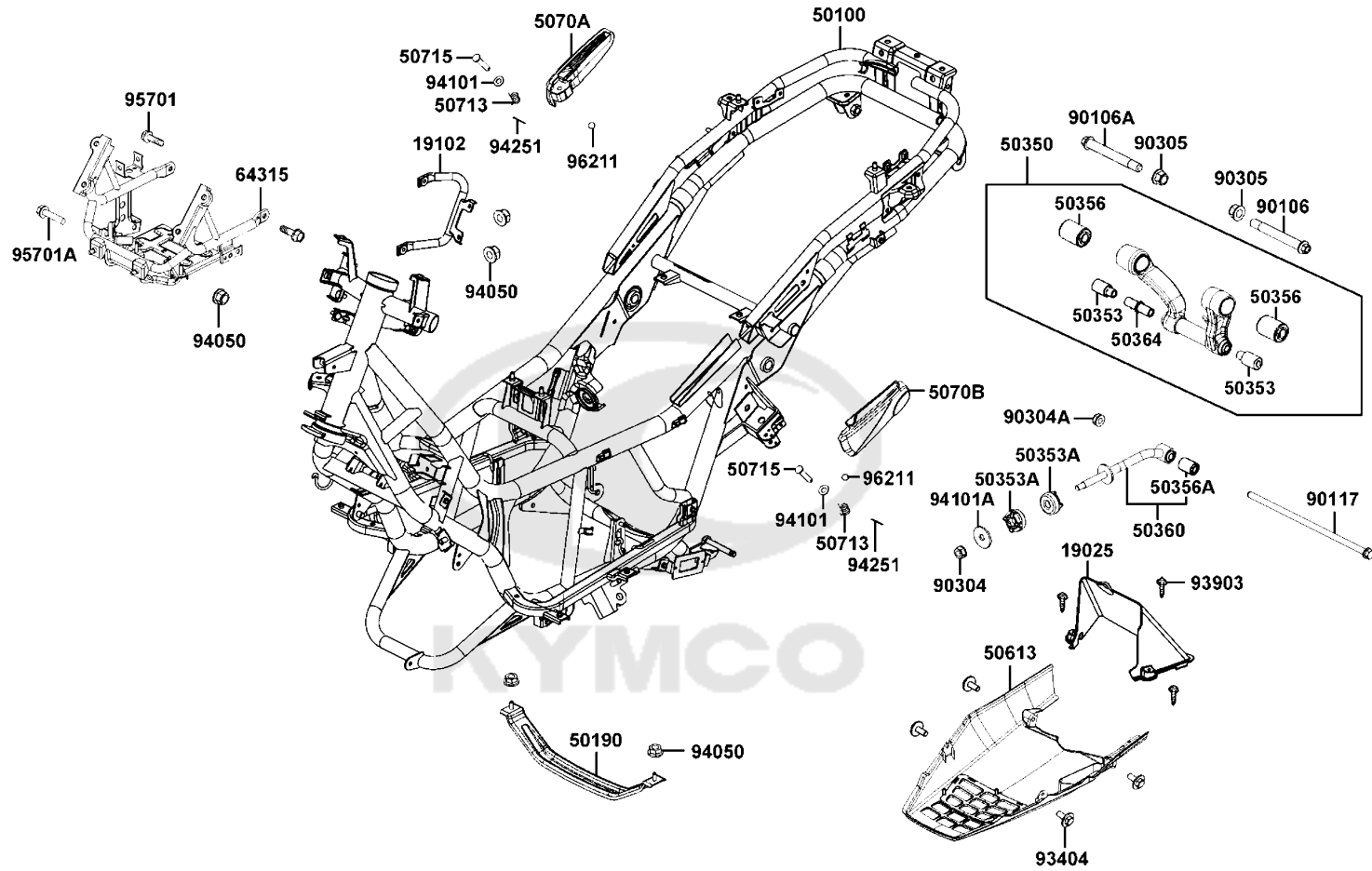


Sales mark	Ref no	Part no	Description	Reg description	Regd no	F19
95701A		95701-LEA5-E00	BOLT TORQUE 8*25 **(0) C.2007.01.22	BOLT TORQUE 8*25 **(0) C.2007.01.22	2	
96001		96001-06012-06	BOLT FLANGE SH 6*12	BOLT FLANGE SH 6*12	4	
98200		98200-41000	FUSE 10A	FUSE 10A	3	
98200A		98200-41500	FUSE 15A	FUSE 15A	3	
98200B		98200-42500	FUSE A25	FUSE A25	2	
98200C		98200-43000	FUSE 30A (MINI)	FUSE 30A (MINI)	2	

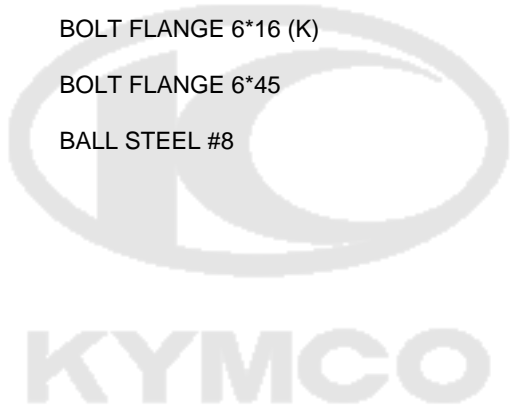




Sales mark	Ref no	Part no	Description	Reg description	Regd no	F20
	19102	19102-AHG1-E00	STAY RES TANK	STAY RES TANK	1	
	50100	50100-AHG1-305	BODY COMP FRAME	BODY COMP FRAME	1	
	50190	50190-LEA7-E00	PROTECTOR UNDER COVER	PROTECTOR UNDER COVER	1	
	50350	50350-LFA7-E00	HANGER ASSY. ENG	HANGER ASSY. ENG	1	
	50353	50353-KGN7-901	BUSH A ENG HANGER	BUSH A ENG HANGER	2	
	50353A	50353-LEA7-E00	RUBBER STOPPER	RUBBER STOPPER	2	
	50356	50356-LFA7-E00	RUB BUSH ENG HANGER	RUB BUSH ENG HANGER	2	
	50356A	50356-LFA7-E01	RUB BUSH TIE ROD	RUB BUSH TIE ROD	1	
	50360	50360-LFA7-E00	TIE ROD ASSY. ENG HANGER	TIE ROD ASSY. ENG HANGER	1	
	50364	50364-KEBE-900	COLLAR B ENG HANGER	COLLAR B ENG HANGER	1	
**	5070A	5070A-ALD9-E10	BAR ASSY R	BAR ASSY R	1	
**	5070B	5070B-ALD9-E10	BAR ASSY L	BAR ASSY L	1	
	50713	50713-KEB7-900	SPRING	SPRING	2	
	50715	50715-KEB7-900	PIN RR STEP	PIN RR STEP	2	
	64315	64315-AHG1-E00	STAY FR COVER	STAY FR COVER	1	
	90106	90106-LEA7-E00	BOLT FLANGE 15*118	BOLT FLANGE 15X118	1	
	90106A	90106-LKF5-E00	BOLT FLANGE 15X122(M14)	BOLT FLANGE 15X122(M14)	1	
	90117	90117-KED9-950	BOLT FLANGER 10*265	BOLT FLANGER 10X265	1	
	90304	90304-LBD4-900	NUT U FLANGE 10MM	NUT U FLANGE 10MM	1	
	90304A	90304-LEA1-900	NUT U FLANGE 10MM	NUT U 10MM	1	

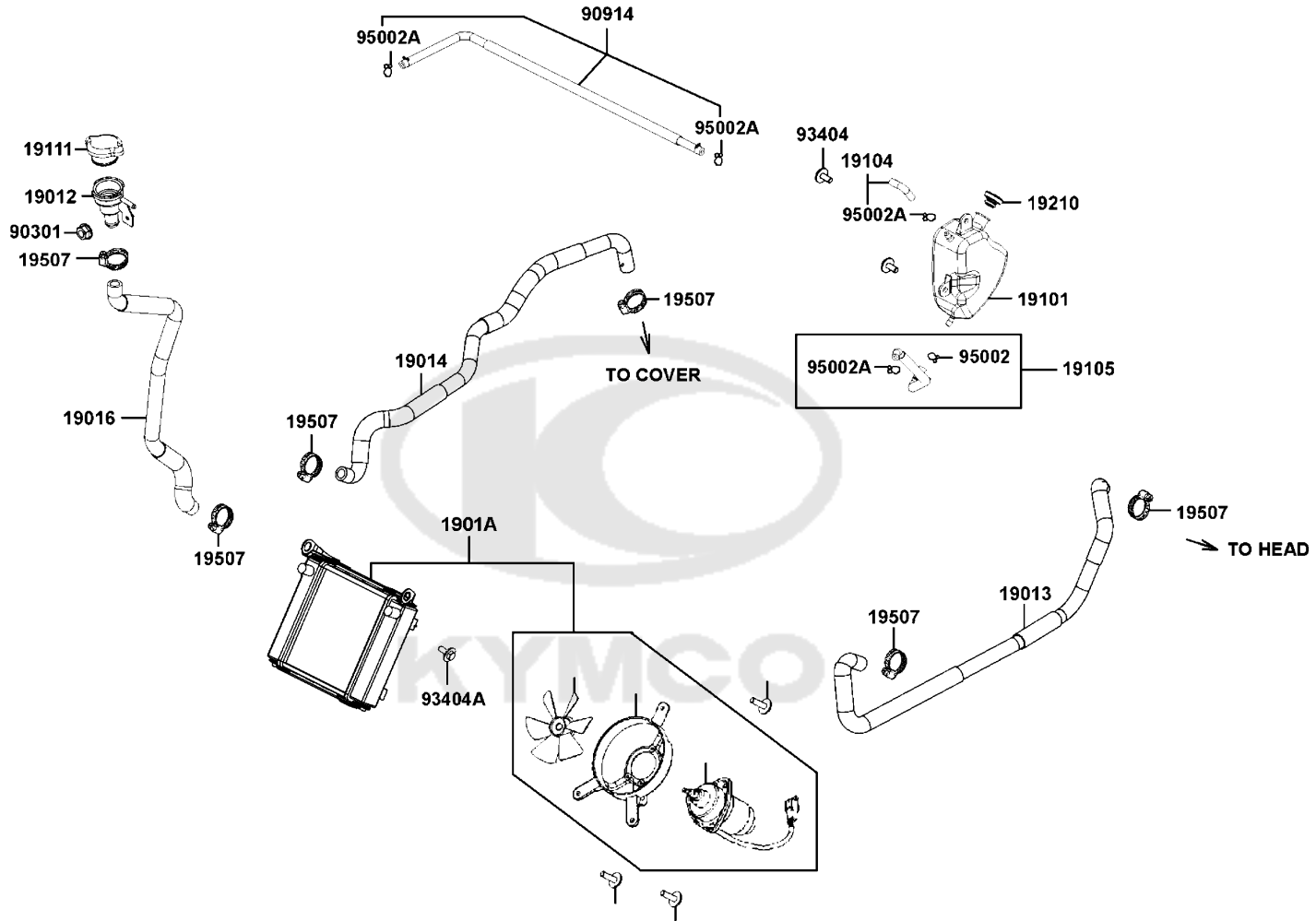


Sales mark	Ref no	Part no	Description	Reg description	Regd no	F20
90305		90305-LBD4-900	NUT U 14MM	NUT U 14MM	2	
93404		93404-06012-06	BOLT WASHER 6*12 (G)	BOLT WASHER 6*12 (G)	4	
93903		93903-35260	SCREW TAPPING 5*12	SCREW TAPPING 5*12	3	
94050		94050-06060	NUT FLANGE 6MM	NUT FLANGE 6MM	5	
94101		94101-06000	WASHER PLAIN 6MM	WASHER PLAIN 6MM	2	
94101A		94101-LBA2-E00	WASHER PLATE 10.5*38*3.0	WASHER PLATE 10.5*38*3.0	1	
94251		94251-08400	PIN LOCK 8MM	PIN LOCK 8MM	2	
95701		95701-06016-06	BOLT FLANGE 6*16 (K)	BOLT FLANGE 6*16 (K)	2	
95701A		95701-06045-06	BOLT FLANGE 6*45	BOLT FLANGE 6*45	1	
96211		96211-08000	BALL STEEL #8	BALL STEEL #8	2	

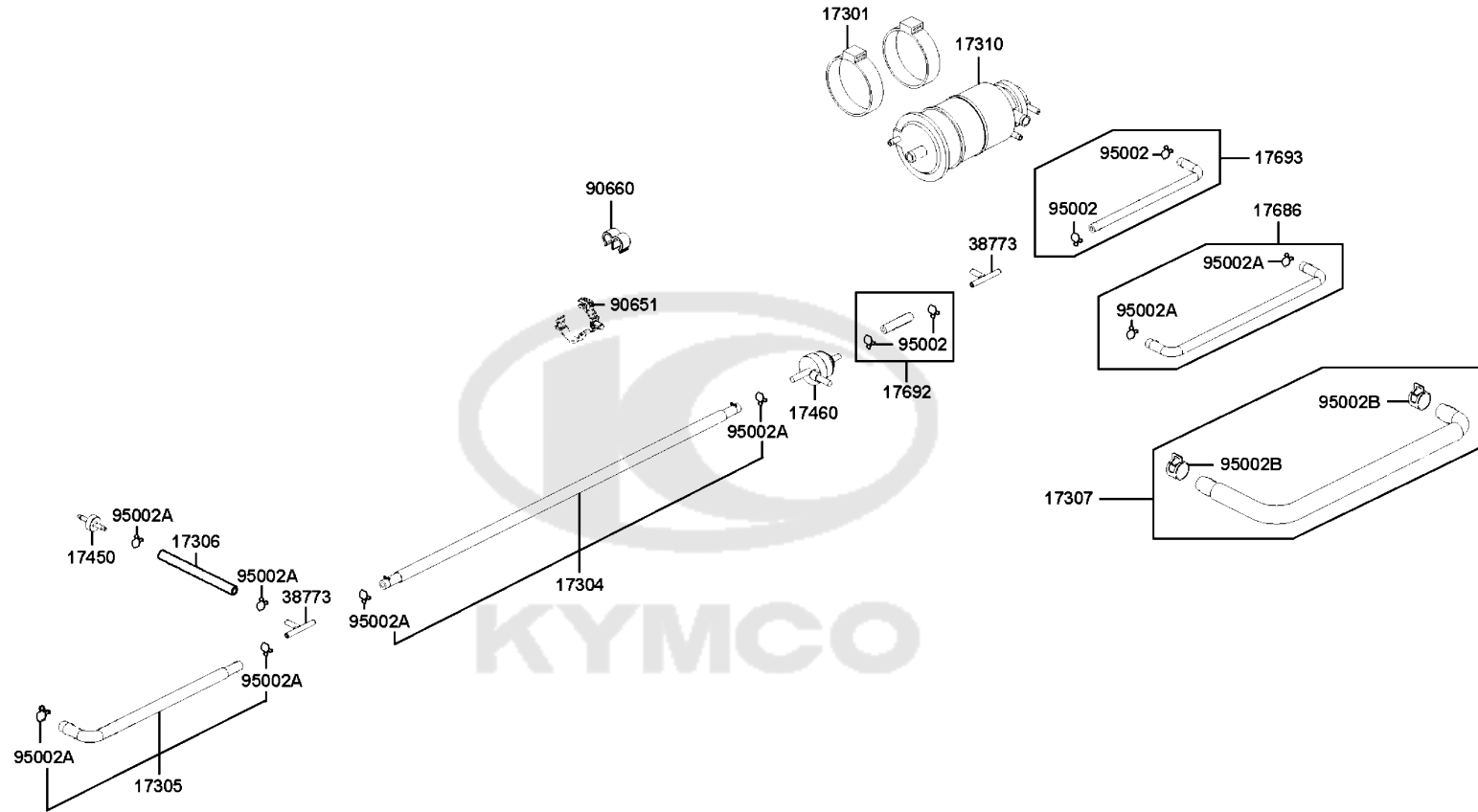


F21

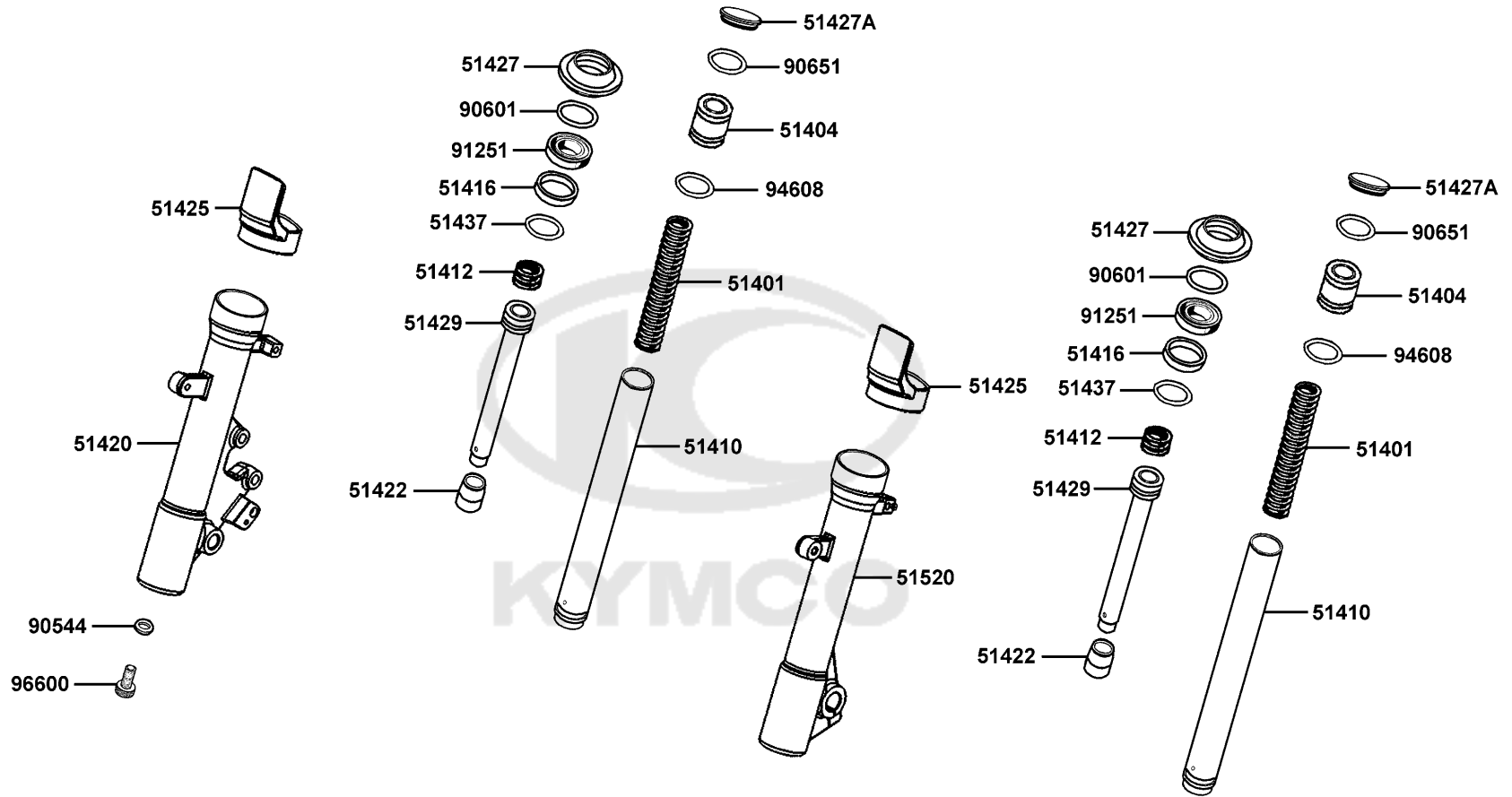
Radiator



Sales mark	Ref no	Part no	Description	Reg description	Regd no	F21
19012		19012-KHD8-900	UNIT RADIATOR	UNIT RADIATOR	1	
19013		19013-AHG1-E00	HOSE WATER INLET	HOSE WATER INLET	1	
19014		19014-AHG1-E00	HOSE WATER OUTET	HOSE WATER OUTET	1	
19016		19016-AHG1-E00	HOSE WATER-UNIT CAP	HOSE WATER-UNIT CAP	1	
1901A		1901A-ABD2-C00	RADIATOR ASSY.	RADIATOR ASSY.	1	
19101		19101-AHG1-E00	TANK ASSY RESERVE	TANK ASSY RESERVE	1	
19104		19104-AGE2-E00	HOSE WATER	HOSE WATER	1	
19105		19105-AHG1-E00	HOSE ASSY RESERVE TANK	HOSE ASSY RESERVE TANK	1	
19111		19111-PRB3-E00	CAP COMP RADIATOR	CAP COMP RADIATOR	1	
19210		19210-KKC4-900	CAP RESERVE TANK	CAP RESERVE TANK	1	
19507		19507-LDB5-E00	CLAMP D 28	CLAMP D 28	6	
90301		90301-6D34-671	NUT FLANGE 6MM	NUT FLANGE 6MM	1	
90914		90914-AHG1-E00	TUBE ASSY WATER	TUBE ASSY WATER	1	
93404		93404-06016-06	BOLT WASHER 6*16	BOLT WASHER 6*16	2	
93404A		93404-06025-06	BOLT WASHER 6*25	BOLT WASHER 6*25	1	
95002		95002-02100	CLIP B15 TUBE	CLIP B15 TUBE	1	
95002A		95002-70000	CLIP C11 TUBE	CLIP C11 TUBE	4	



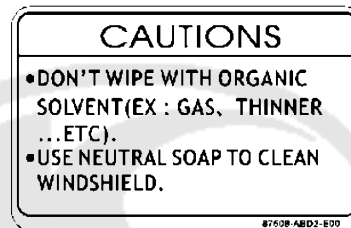
Sales mark	Ref no	Part no	Description	Reg description	Regd no	F22
17301		17301-LEA7-M31	RUBBER CANISTER MOUNT	RUBBER CANISTER MOUNT	2	
17304		17304-AHG5-E00	TUBE ASSY	TUBE ASSY	1	
17305		17305-AHG5-E00	TUBE JOINT TO TANK	TUBE JOINT TO TANK	1	
17306		17306-AHG5-E00	TUBE FUEL	TUBE FUEL	1	
17307		17307-AHG1-900	TUBE A ASSY CANISTER - AIR/C	TUBE A ASSY CANISTER - AIR/C	1	
17310		17310-KED9-90A	CANISTER COMP	CANISTER COMP	1	
17450		17450-AHG5-E00	VALVE COMP ONE WAY	VALVE COMP ONE WAY	1	
17460		17460-AGA6-M01	VALVE COMP VAPOR CONTROL	VALVE COMP VAPOR CONTROL	1	
17686		17686-AHG5-E00	TUBE FUELVALVE- CANISTER	TUBE FUELVALVE- CANISTER	1	
17692		17692-AHG5-E00	TUBE ASSY VALVE-JOINT	TUBE ASSY VALVE-JOINT	1	
17693		17693-AHG5-E00	TUBE ASSY CANISTER-JOINT	TUBE ASSY CANISTER-JOINT	1	
38773		38773-PKB9-001	JOINT 3 WAY 3.5	JOINT 3 WAY 3.5	2	
90651		90651-LKB3-700	CLIP WIRE HARN	CLIP WIRE HARN	1	
90660		90660-LDE9-E00	CLAMP TUBE	CLAMP TUBE	1	
95002		95002-02070	CLIP B7 TUBE	CLIP B7 TUBE	2	
95002A		95002-02080	CLIP B8 TUBE	CLIP B8 TUBE	10	
95002B		95002-41250-08	CLAMP D12.5 TUBE	CLAMP D12.5 TUBE	2	



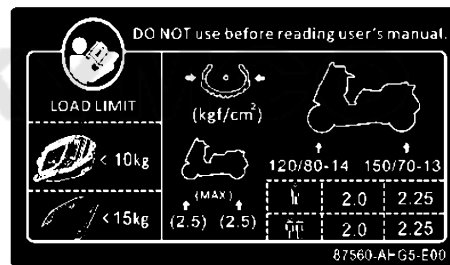
Sales mark	Ref no	Part no	Description	Reg description	Regd no	F23
51401		51401-AHG1-E30	SPRING	SPRING	2	
51404		51404-LDH1-C00	SPRING COLLAR	SPRING COLLAR	2	
51410		51410-LEA7-C00	FORK PIPE COMP	FORK PIPE COMP	2	
51412		51412-LLJ3-C00	REBOUND SPRING	REBOUND SPRING	2	
51416		51416-LDH1-C00	GUIDE BUSH	GUIDE BUSH	2	
51422		51422-KED9-C00	OIL LOCK PIECE	OIL LOCK PIECE	2	
51425		51425-LEA7-C00	FORK FENDER	FORK FENDER	2	
51427		51427-LDH1-C00	DUST SEAL	DUST SEAL	2	
51427A		51427-LLJ3-C00	FORK BOLT CAP	FORK BOLT CAP	2	
51429		51429-ABD2-E00	PIPE SEAT COMP	PIPE SEAT COMP	2	
51437		51437-LDH1-C00	PISTON RING	PISTON RING	2	
90544		90544-KEC8-900	PACKING	PACKING	2	
90601		90601-LLJ3-C00	OIL SEAL STOPPER RING	RING OIL-SEAL STOPPER	2	
90651		90651-LLJ3-C00	STOPPER RING	STOPPER RING	2	
91251		91251-LLJ3-C00	OIL SEAL	OIL SEAL	2	
94608		94608-LLJ3-C00	O-RING	O-RING	2	
96600		96600-LBA2-E00	SOCKET BOLT	SOCKET BOLT	2	



87546



87508



87560

Sales mark	Ref no	Part no	Description	Reg description	Regd no	F24
------------	--------	---------	-------------	-----------------	---------	------------

**	87508	87508-ABD2-E00	LABEL CLEANNESS CAUTION	LABEL CLEANNESS CAUTION	1	
**	87546	87546-ADG5-E00	LABEL FUEL TANK	LABEL FUEL TANK	1	





8610A



86221



86020



86231

TRACTION CONTROL SYSTEM

86281

TCS

87311



53245

125

86288

Sales mark	Ref no	Part no	Description	Reg description	Regd no	F25
**	53245	53245-AHG1-900	FILM HANDLE COVER	FILM HANDLE COVER	1	
**	8610A	8610A-LGC6-E00	EMB K-LOGO ASSY	EMB K-LOGO ASSY	1	
**	86221	86221-AHG1-E00	STRIPE R BODY COVER (DTX)	STRIPE R BODY COVER (DTX)	1	
**	86231	86231-AHG1-E00	STRIPE L BODY COVER (DTX)	STRIPE L BODY COVER (DTX)	1	
**	86288	86288-AHG1-E00	EMB 125	EMB 125	2	
**	87311	87311-AHG5-E00	EMB TCS	EMB TCS	2	



PART NO. INDEX

PART NO.	VERSION	PAGE	PART NO.	VERSION	PAGE	PART NO.	VERSION	PAGE
1000			11394-LFA7-E00	6	E04	14000		
			11395-LFA7-E00	3	E01			
			11396-LFA7-900	3	E01			
1614-A22C-0000-Y	0	F10	12000			14100-AAG3-EZ5	1	E02
3000			12100-LFA7-E00	7	E03	14110-LEB1-900	3	E02
			12191-LFA7-E00	1	E03	14321-LEB1-900	4	E02
3791-HN80-0000	0	F10	12200-AHG1-305	0	E02	14401-LFA7-E00	6	E03
11000			12205-KHE8-301	5	E02	14420-LEB1-900	4	E02
			12209-LEA2-90A	2	E02	14430-LEB1-900	4	E02
11100-LFA7-305	0	E01	12251-LFA7-E00	3	E02	14433-LEB1-900	2	E02
11103-KHE7-900	2	E01	12310-LFA7-E00	6	E02	14434-LEB1-900	1	E02
11192-LFA7-E00	4	E01	12361-GFY6-901	1	E04	14452-LFA7-E00	3	E02
11200-LFA7-305	0	E01	12391-LFA7-E00	2	E02	14453-LFA7-E00	5	E02
11203-LBA2-E00	2	E01				14510-LEB1-900	2	E03
11203-LBA2-E00	2	F16	13000			14520-LFA7-E00	1	E03
11212-ACJ1-E00	1	F13				14523-KED9-920	1	E03
1121A-ZWA3-E00	1	F13	13000-LFA7-E00	15	E03	14531-GLR0-001	1	E03
1122A-LEB1-900	6	E01	13011-LEB1-90B	0	E03	14610-LEB1-900	1	E03
11330-LFA7-E00	9	E04	13101-AAG3-EZ5	2	E03	14711-LFA7-E00	3	E02
11340-LFA7-E00	4	E01	13111-LFA7-E00	3	E03	14721-LFA7-E00	3	E02
11342-LFA7-900	1	E01	13406-LFA7-E00	4	E02	14751-KHD6-900	2	E02
11345-LFB5-900	2	E01				14771-LEA2-900	2	E02
11346-GFY6-901	0	E01				14777-LFA7-E00	2	E02
11350-LFB5-900	1	E01				14781-KKE5-E00	2	E02

PART NO. INDEX

PART NO.	VERSION	PAGE	PART NO.	VERSION	PAGE	PART NO.	VERSION	PAGE	
15000			17213-LEA7-E01	2	F13	17561-LHG8-E00	1	F10	
			17214-LEA7-E00	2	F13	17581-LEA7-E00	1	F10	
			17236-ACJ1-E00	2	F13	17620-LFC3-E15	0	F10	
	15100-KEBE-900	0	E06	1723A-ACJ1-E00	0	F13	17685-GFY6-940	6	E08
	15133-KAM1-001	1	E06	1723B-AHG5-E00	0	F13	17685-GFY6-940	6	F05
	15141-KKJ9-004	0	E06	17254-ACD5-B80	0	F13	17685-LFA7-E00	6	F10
	1541A-LEA7-E00	6	E01	17301-LEA7-M31	0	F22	17686-AHG5-E00	1	F22
	15421-1G07-001	1	E04	17304-AHG5-E00	0	F22	17692-AHG5-E00	0	F22
	15421-KKC3-900	1	E01	17305-AHG5-E00	2	F22	17693-AHG5-E00	1	F22
	15422-KKC3-900	3	E01	17306-AHG5-E00	0	F22	17910-AHG1-E00	0	F03
	15423-KKC3-900	1	E01	17307-AHG1-900	0	F22	17911-AHG1-E00	0	F03
	15426-GAE1-921	0	E04	17310-KED9-90A	3	F22			
1565A-KUDU-900	0	E04	17370-4K19-701	1	F13	18000			
15711-LFA7-E00	2	E06	17371-1D74-671	0	F13				
			1737A-KUDU-900	0	F13		18291-LKG2-90A	1	F14
			17450-AHG5-E00	0	F22		18291-PWB1-900	4	F14
			17460-AGA6-M01	0	F22		18293-LHJ8-900	2	F14
			17500-AGE2-E00	0	F10		18306-AHG3-E00	0	F14
			17511-ACJ1-E00	0	F10		18310-AHG1-E00	1	F14
			17512-ABD2-C00	0	F10		18318-AHG3-E00	1	F14
			17520-AHG1-E00	6	F19		18320-AHG1-E00	5	F14
			17521-AHG1-E00	1	F05		18371-LEA7-E00	1	F14
			17530-AEH2-M40	0	F05		18391-LDB2-E00	1	F14
			17550-LEA7-800	5	F10				
			1755A-AHG1-E00	0	F05				
1711A-AAG3-EZ5	2	E02	17561-LDF2-900	0	F10				
17211-LEA7-E00	1	F13							

PART NO. INDEX

PART NO.	VERSION	PAGE	PART NO.	VERSION	PAGE	PART NO.	VERSION	PAGE
19000			21000			23200-AAG1-900	0	E05
19012-KHD8-900	4	F21	21301-LFA7-305	0	E07	23220-AAG1-900	0	E05
19013-AHG1-E00	0	F21	21395-LFA7-E00	2	E07	23225-GHC8-004	0	E05
19014-AHG1-E00	0	F21				23226-GHC8-004	0	E05
19016-AHG1-E00	0	F21	22000			23233-LKC6-900	1	E05
1901A-ABD2-C00	3	F21				23237-GFY6-941	0	E05
19025-ABD2-C01	0	F20	22101-KEBE-900	1	E05	23238-LKE7-900	1	E05
19101-AHG1-E00	0	F21	22102-ACJ1-E00	2	E05	23411-ACJ1-E00	2	E07
19102-AHG1-E00	0	F20	22105-ACH7-600	2	E05	23420-ACJ1-E00	1	E07
19103-KAAA-900	0	F13	22110-AAG1-900	0	E05	23431-LFA7-E00	6	E07
19104-AGE2-E00	1	F21	22112-KAAA-900	0	E05	23432-LGE7-E00	2	E07
19105-AHG1-E00	0	F21	22121-KKE3-305	0	E05	28000		
19111-PRB3-E00	1	F21	22130-AAG1-910	2	E05	28101-KKJ9-011	0	E06
19210-KKC4-900	0	F21	22300-ACJ1-E00	2	E05	28102-LFA7-E00	1	E06
19215-KHE7-900	0	E04	22350-LEA6-900	2	E05	28103-LFA7-E00	2	E06
19217-ZPA3-E00	2	E04	22361-KGN7-671	1	E05	28110-LFA7-E00	4	E06
19221-LFA7-E00	3	E04	22401-LLB1-900	1	E05	28113-LFA7-E00	6	E06
19229-LFA7-E00	1	E04	22530-LKG2-900	2	E05	28120-KEBE-305	0	E06
19231-LFA7-E00	3	E04	22804-GBB2-001	0	E05	28125-4F26-001	0	E06
19232-LBA2-E00	2	E04				28126-KUDU-900	1	E06
19300-LFA7-E0A	1	E02	23000					
19315-LFA7-E00	6	E02				30000		
19411-LFG2-E00	1	F06	2301A-ACJ1-E00	4	E05			
19507-LDB5-E00	1	F21	23100-ACJ1-E00	1	E05	3051A-ACJ1-900	0	F19

PART NO. INDEX

PART NO.	VERSION	PAGE	PART NO.	VERSION	PAGE	PART NO.	VERSION	PAGE
30700-LGM5-900	3	F19	33700-AHG1-E00	1	F18	35380-ABE1-E00	2	F19
31000			33720-LGB5-E10	0	F18	35390-AHG1-E00	3	F12
			33726-LBB5-E00	1	F18	35850-KKAK-900	1	F19
			33730-AHG1-E00	1	F06	37000		
	31110-LFA7-E0B	3	E06	33731-AHG1-E00	0		F06	
31120-AAG3-E00	1	E06	33735-AHG1-E00	1	F06			
31210-LEB1-90A	4	E06	33741-KHC5-M00	1	F18		37200-AHG1-E13	2
31340-LFH1-E00	1	F06	33900-LKF5-E00	3	F12	37215-LHJ3-900	1	F05
31340-LFH1-E00	1	F16	33902-LHG7-E00	0	F12	37720-KGB5-900	0	E02
31500-KFAF-90B	9	F11	33903-LHG7-E00	0	F12	37750-PAC1-005	0	E02
31600-ABD2-900	0	F19	33906-LHG7-E00	0	F12	38000		
3195A-AGE2-E00	0	F19	34000					
32000								
	32100-AHG1-E13	0	F19	34903-KPCP-900	0		F18	38110-KFAF-90B
32101-LEA7-E00	1	E02	35000			38300-AEB9-E00	0	F19
32410-AHG1-E00	0	E06				38501-PRB2-900	0	F19
32411-AHG1-E00	1	F11				3860A-AEH2-M40	0	F19
32412-AHG1-E00	0	E04				38700-AGE2-305	0	F19
33000			35011-AGE2-E00	0	F19	38703-AGE2-E00	6	F19
			35101-AHG1-E00	2	F19	38704-AGE2-E00	4	F19
			35102-AGE2-E00	6	F19	38705-AGJ5-E00	0	F19
			3515A-AHG1-E01	0	F03	38773-PKB9-001	0	F22
		3520A-ACD5-E01	3	F03	38900-ACC1-E10	3	F19	
33100-AHG1-E00	0	F01	35340-LKF5-E01	2	F04	38900-AGE7-C00	1	F19
33400-AHG1-E00	0	F17	35350-LKF5-E01	1	F04	38901-AGE7-C00	0	F19
33450-AHG1-E00	0	F17	35370-LLJ3-E00	5	F15	38902-AGE7-C00	0	F19

PART NO. INDEX

PART NO.	VERSION	PAGE	PART NO.	VERSION	PAGE	PART NO.	VERSION	PAGE
39000			43000			44620-LEA7-E00	3	F07
						44710-AHG5-E00	0	F07
39100-ABD6-C00	0	F19	43100-LGE5-E01	3	F08	45000		
39208-AGJ5-E00	0	F19	43105-LGE5-306	0	F08			
3920A-AHG5-E00	4	F19	43109-MCA3-007	0	F08	45105-LGE5-305	0	F07
39300-LEB2-800	1	E02	43126-AHG1-E00	0	F04	45107-KED9-E00	0	F08
39301-AAG3-EZ5	1	E02	43127-AHG1-E00	0	F04	45107-LGE5-E00	0	F07
39302-KKE3-900	2	E02	43128-AHG1-E00	0	F16	45108-LGE5-E00	0	F07
39303-LEB2-900	2	E02	43156-AHG1-E00	0	F16	45108-LGE5-E01	0	F08
39306-LEB2-305	0	E02	43156-LDB2-900	2	F16	45109-GBE2-007	0	F07
39307-LEB2-305	0	E02	43210-LGE5-E00	0	F08	45109-LGE5-E00	0	F07
39400-LDF2-800	3	E02	43351-ABD2-C00	0	F08	45121-AHG1-E00	1	F07
39450-ZVA6-M00	1	F14	43352-KKD6-E90	1	F08	45126-AHG1-E00	0	F04
42000			43352-LEA7-E01	4	F08	45127-AHG1-E00	0	F04
			43353-4A61-77A	0	F08	45129-LBA2-900	2	F06
			43353-KED9-900	0	F07	45130-LGE5-E00	0	F07
42311-LEA7-E00	3	F08	4335A-LBA2-E01	2	F07	45131-LGE5-E00	0	F08
42312-LEA7-E00	1	F08	43530-LEA7-305	1	F04	45134-KED9-900	0	F07
42601-AHG1-E00	0	F08				45156-LKG7-E00	0	F07
42710-AHG5-E00	0	F08	44000			45158-AGE2-E00	0	F06
42753-KNBN-90B	1	F07				45200-LKG7-E00	5	F07
42753-KNBN-90B	1	F08	44301-LEA7-E00	3	F07	45203-KED9-900	0	F07
			44311-LEA7-E00	2	F07	45207-LGE5-E00	0	F07
			44312-LEA7-E00	4	F07	45209-GBE2-007	0	F07
			44601-AHG1-E00	0	F07	45209-KED9-900	0	F08

PART NO. INDEX

PART NO.	VERSION	PAGE	PART NO.	VERSION	PAGE	PART NO.	VERSION	PAGE
45210-LKG7-305	0	F07	50356-LFA7-E00	1	F20	51416-LDH1-C00	0	F23
45352-LGE5-E00	1	F07	50356-LFA7-E01	1	F20	51420-AHG1-E00	0	F23
45513-LEA7-E00	1	F04	50360-LFA7-E00	1	F20	51422-KED9-C00	0	F23
45517-LBA2-E00	2	F04	50364-KEBE-900	1	F20	51425-LEA7-C00	2	F23
45520-KKA8-900	0	F04	50500-AAG3-E00	1	F15	51427-LDH1-C00	0	F23
45521-LEA7-E00	1	F04	50502-LDF7-E10	0	F15	51427-LLJ3-C00	0	F23
45530-LBA2-309	0	F04	50504-LFA7-E00	3	E01	51429-ABD2-E00	0	F23
45531-KED9-900	0	F07	50505-LEA7-E00	1	F15	51430-LGE5-E00	0	F08
			50505-PUA3-B50	0	F15	51437-LDH1-C00	0	F23
49000			50506-KHE7-E00	0	F15	51500-AHG1-E30	1	F06
			50530-ABD2-C00	0	F15	51520-ABD2-C00	0	F23
4910A-AHG1-E00	0	F04	50550-KKC2-E00	0	F15			
49110-AGE2-E00	0	F04	50613-AHG1-E00	0	F20	52000		
49211-LFH1-E00	1	F04	50651-LFC4-E10	0	F18			
			5070A-ALD9-E10	0	F20	52000-AHG1-E00	1	F16
50000			5070B-ALD9-E10	0	F20	52400-AGE2-E00	0	F16
			50713-KEB7-900	0	F20	52400-AHG1-E30	1	F16
50100-AHG1-305	0	F20	50715-KEB7-900	0	F20			
50190-LEA7-E00	2	F20				53000		
50306-1F96-001	0	F06	51000					
50325-AHG1-E00	0	F11				53100-AHG1-E00	4	F03
50327-AHG1-E00	0	F11	51400-AHG1-E30	1	F06	53105-LEA7-E00	4	F03
50330-AFB5-900	1	F12	51401-AHG1-E30	0	F23	53106-LEA7-E00	4	F03
50350-LFA7-E00	0	F20	51404-LDH1-C00	0	F23	53125-LEA7-E00	2	F03
50353-KGN7-901	0	F20	51410-LEA7-C00	0	F23	5312A-ABD2-E00	0	F03
50353-LEA7-E00	1	F20	51412-LLJ3-C00	0	F23	53133-3H98-941	0	F03

PART NO. INDEX

PART NO.	VERSION	PAGE	PART NO.	VERSION	PAGE	PART NO.	VERSION	PAGE
53134-2C83-001	0	F03				64315-AHG1-E00	2	F20
53140-LHJ3-900	3	F03	61000			64316-AFC1-E60	0	F19
53150-LEA6-900	6	F03				64316-AHG1-E00	0	F05
53175-LKF5-E00	0	F04	61100-AHG1-E00	0	F06	64317-AHG1-E00	0	F05
53178-LKF5-E00	0	F04	61110-AHG1-E00	0	F06	64330-AHG1-E00	0	F05
53200-ACD5-E00	3	F06				64350-AHG1-E00	0	F05
53204-AHG1-E00	0	F03	64000			64351-AHG1-E00	0	F05
53206-AHG1-E00	0	F03				64360-AHG1-E00	0	F05
53207-AHG1-E00	0	F03	64206-MLJ0-001	1	F12	64361-AHG1-E00	0	F05
53208-AHG1-E00	0	F03	64220-AHG1-E00	0	F03	64400-AHG1-E00	0	F05
53209-AHG1-E00	0	F03	64221-AHG1-E00	0	F03	64401-AHG1-E00	0	F05
5320A-AHG1-E00	0	F03	64222-AHG1-E00	0	F03			
53210-AHG1-E00	0	F03	64222-LLJ3-E00	1	F03	77000		
53213-LBA2-E00	2	F06	64223-AHG1-E00	0	F06			
53213-LEA7-E00	1	F06	64301-AHG1-E00	0	F05	77115-AHG5-E00	4	F12
53214-LBA2-E00	2	F06	64302-AHG1-E00	0	F05	77200-AHG5-E00	4	F09
53215-AHG1-E00	0	F03	64303-AHG1-E00	0	F05	77206-KEB7-900	0	F09
53220-LBA2-E00	4	F06	64304-AHG1-E00	0	F05	77235-ZZA6-E00	1	F19
53225-AHG1-E00	0	F03	64305-AHG1-E00	0	F05	77240-AGE2-E00	3	F19
53235-AHG1-E00	0	F03	64306-AHG1-E00	0	F05	77300-LEA7-E00	1	F09
53240-LEA7-90A	2	F06	64307-AHG1-E00	0	F05	77303-AGE2-E00	0	F09
53245-AHG1-900	1	F03	64308-AHG1-E00	0	F05	77304-AGE2-E00	0	F09
53245-AHG1-900	1	F25	64309-AHG1-E00	0	F05	77500-AHG5-E01	1	F09
53250-LEA7-90A	2	F06	64310-AHG1-E00	0	F05			
			64312-AHG1-E00	0	F05			
			64313-AHG1-E00	0	F05			

PART NO. INDEX

PART NO.	VERSION	PAGE	PART NO.	VERSION	PAGE	PART NO.	VERSION	PAGE	
80000			81142-AHG1-E00	0	F05	83632-AHG1-E00	0	F05	
			81144-AHG1-900	3	F05	83634-AHG1-E00	0	F05	
			81144-ALJ8-E10	1	F12	83750-AHG1-E00	0	F12	
	80100-AHG1-E00	0	F18	81145-AHG1-900	1	F05	83751-AHG1-E00	0	F12
	80101-AHG1-E00	0	F18	81151-AHG1-E00	0	F05			
	80105-AHG1-E00	0	F18	81161-AHG1-E00	0	F05	86000		
	80107-AHG1-E00	0	F18	81200-AHG1-900	0	F12			
	80107-KHLH-900	0	F14	81250-AHG1-E00	1	F12	86020-AHG5-E00	1	F25
	80108-AHG1-E00	0	F18	81252-AHG1-E00	0	F12	8610A-LGC6-E00	0	F25
	80116-ACC1-E10	0	F18	81300-AHG1-900	0	F12	86221-AHG1-E00	1	F25
	80151-AHG1-E00	0	F05	83000			86231-AHG1-E00	1	F25
	80152-AHG1-E00	0	F05				86281-AHG5-E10	0	F25
	80153-AHG1-E00	0	F05				86288-AHG1-E00	0	F25
	80154-AHG1-E00	0	F09	83500-AHG1-E00	0	F12			
	80155-AHG1-E00	0	F05	83510-AHG1-E00	0	F12	87000		
	80156-AHG1-E00	0	F05	83530-AHG1-E00	0	F05			
	80157-AHG1-E00	0	F05	83532-AHG1-E00	0	F05	87311-AHG5-E00	1	F25
8015A-AHG1-E00	0	F05	83534-AHG1-E00	0	F05	87508-ABD2-E00	0	F24	
			83550-AHG1-E00	0	F03	87546-ADG5-E00	2	F24	
81000			83550-KEC8-900	4	F06	87560-AHG5-E00	1	F24	
			83550-KEC8-900	4	F18				
81131-AHG1-E00	0	F05	83551-KEC8-900	4	F06	88000			
81134-AHG1-E00	0	F05	83551-KEC8-900	4	F18				
81135-AHG1-E00	0	F05	83600-AHG1-E00	0	F12	88110-AHG1-E00	1	F03	
8113A-AHG1-E00	0	F05	83610-AHG1-E00	0	F12	88112-ACD5-E00	0	F03	
8113B-AHG1-E00	0	F05	83630-AHG1-E00	0	F05	88120-AHG1-E00	1	F03	

PART NO. INDEX

PART NO.	VERSION	PAGE	PART NO.	VERSION	PAGE	PART NO.	VERSION	PAGE
88122-ACD5-E00	0	F03	90106-KUDU-900	1	F12	90302-LLB1-E00	2	F13
89000			90106-LEA7-E00	1	F20	90302-LLB1-E02	0	F03
			90106-LKF5-E00	2	F20	90302-SDA4-004	3	F03
			90107-AHG1-E00	0	F03	90302-SDA4-004	3	F05
89010-AHG1-900	0	F09	90107-LEA7-E00	4	F06	90302-SDA4-004	3	F14
89020-KKC4-900	1	F09	90107-ZZA6-E00	4	F03	90304-LBD4-900	2	F20
90000			90108-KKC4-900	1	F15	90304-LEA1-900	1	F03
			90113-AHG5-E00	0	F03	90304-LEA1-900	1	F15
			90113-KKA8-900	0	F04	90304-LEA1-900	1	F20
90001-GBHB-661	3	E03	90113-LGE5-E01	0	F04	90305-KKAK-900	0	F08
90001-GBHB-681	3	F13	90117-KED9-950	1	F20	90305-LBA2-E00	1	F06
90001-GFY6-901	5	E02	90122-LEA7-E00	2	F07	90305-LBD4-900	1	F20
90005-KED9-900	2	E03	90122-LEA7-E00	2	F08	90312-AHG1-E00	0	F06
9000A-KTDT-900	1	E01	90145-LEA3-E00	1	F04	90312-LLJ3-E00	1	F03
9000B-KHD6-900	2	E02	90145-LFH1-E00	1	F04	90401-KKJ9-001	0	E06
90012-3C33-001	1	E02	90201-KHR8-75A	1	E06	90423-KKJ9-001	0	E04
90031-KHD6-900	2	E01	90202-KGN7-671	0	E05	90428-9H58-001	0	E04
90032-KHD6-900	2	E01	90206-0A01-001	4	E02	90441-ACD5-E00	0	F14
90033-GFY6-900	1	E02	90215-KKC4-900	2	F09	90441-GFY6-941	0	E05
90084-KKF9-901	0	E04	90215-LHJ8-910	2	F12	90465-MDC4-001	0	E02
9008A-PTA1-900	3	E04	90301-6D34-671	1	F01	90474-3C33-001	1	E01
90104-LEA7-E00	3	F03	90301-6D34-671	1	F10	90478-7L00-001	0	E02
90105-KCR3-010	1	F07	90301-6D34-671	1	F21	90478-7L00-001	0	E04
90105-LEA7-E00	1	F08	90301-GFY6-901	2	F14	90503-LEA7-E00	2	F06
90106-GEN5-901	1	F03	90302-GFY6-921	0	F18	9052A-LEB1-900	2	E01
90106-KFC2-900	2	F12	90302-LKB9-900	4	F05	90544-KEC8-900	0	F23

PART NO. INDEX

PART NO.	VERSION	PAGE	PART NO.	VERSION	PAGE	PART NO.	VERSION	PAGE
90545-3L00-001	2	F04	91101-1K79-711	1	E06	92101-06014-0G	0	E02
90601-LLJ3-C00	0	F23	91104-GFY6-90C-B	0	E06	92900-06060-0B	0	E02
90605-1F66-721	0	E05	91104-GFY6-90C-R	0	E06			
90651-LKB3-700	0	F22	91202-LEB1-900	2	E01	93000		
90651-LLJ3-C00	0	F23	91202-LFE2-90A	4	E07			
90652-ACD5-B80	0	F13	91202-LKG2-900	1	E04	93401-04025-06	0	F19
90652-ALB8-900	2	E02	91211-KEBE-900	0	E05	93401-LEA7-900	1	F14
90652-GFY6-901	1	F13	91251-LLJ3-C00	0	F23	93404-06012-06	1	F03
90652-LCA4-E00	6	F05	91255-KHE7-90A	2	E01	93404-06012-06	1	F05
90652-LCA4-E00	6	F18	91255-LGE5-E00	1	F16	93404-06012-06	1	F18
90652-LFB5-900	3	F05	91255-LLB1-900	2	F16	93404-06012-06	1	F20
90656-KCBC-900	0	F19	91301-GLR0-005	1	E03	93404-06016-06	1	F15
90656-KUDU-900	0	F19	91301-LEB1-900	1	E02	93404-06016-06	1	F21
90656-ZZA6-E00	1	F19	91302-0A01-021	0	E04	93404-06025-06	0	F21
90660-LDE9-E00	1	F22	91302-5G67-004	0	E04	93404-AGD7-900	1	F12
90662-ABD2-E00	0	F19	91303-3G77-001	0	E04	93500-05016-0F	0	E06
90677-GAR1-004	2	F11	91303-KKE5-E00	2	E01	93500-KHC4-90B	0	F19
90701-HFB6-011	2	E03	91306-1E05-691	0	E03	93600-04012-1G	0	F04
90754-LLJ3-E00	1	F07	91307-0E35-001	1	E04	93893-04012-18	0	F04
90914-AHG1-E00	0	F21	91351-6B42-000	0	E05	93903-25260	1	E01
						93903-25360	0	E01
91000			92000			93903-25360	0	F13
						93903-25460	0	F13
91002-GGA7-70A	0	E05	92000-05016-0G	0	E02	93903-34380-G	0	F02
91004-KHE7-900	1	E05	92000-LEA6-900	2	E06	93903-34380-G	0	F03
91009-KHE7-900	0	E01	92101-05012-0G	0	F07	93903-34380-G	0	F05

PART NO. INDEX

PART NO.	VERSION	PAGE	PART NO.	VERSION	PAGE	PART NO.	VERSION	PAGE
93903-34380-G	0	F11	94050-10060	0	F03	94601-33000	0	E05
93903-34380-G	0	F12	94050-12080	0	E05	94608-LLJ3-C00	0	F23
93903-34380-G	0	F17	94101-06000	0	F20			
93903-34380-G	0	F18	94101-06700	0	F14	95000		
93903-34380-G	0	F19	94101-08600	0	F15			
93903-343J0	0	F14	94101-ACD5-E00	0	F14	95002-02070	2	E08
93903-35260	0	F01	94101-LBA2-E00	1	F20	95002-02070	2	F05
93903-35260	0	F17	94111-06800	0	E02	95002-02070	2	F22
93903-35260	0	F19	94111-ACD5-E00	1	F14	95002-02080	0	F22
93903-35260	0	F20	94201-20180	0	F15	95002-02100	0	F21
93903-LHJ8-930	0	F05	94251-08400	0	F20	95002-41150-00	0	F13
			94301-08140	4	E01	95002-41250-00	0	F13
94000			94301-08140	4	E04	95002-41250-08	0	F22
			94301-10160	0	E01	95002-50000	0	E01
94050-05060	2	F06	94301-10160	0	E02	95002-70000	0	F21
94050-05060	2	F18	94301-10160	0	E03	95002-KED9-M31	4	F13
94050-05060	2	F19	94301-KKE5-E00	3	E01	95014-72204	0	F15
94050-06060	1	F04	94510-10000	0	E06	95701-06010-06	1	F06
94050-06060	1	F10	94510-14000	0	E04	95701-06012-06	1	F03
94050-06060	1	F19	94510-25000	0	E07	95701-06012-06	1	F04
94050-06060	1	F20	94520-28000	0	E05	95701-06012-06	1	F06
94050-06070-G	1	F09	94520-47000	0	F16	95701-06012-06	1	F07
94050-06080	2	E02	94591-KFBF-900	2	E02	95701-06012-06	1	F11
94050-06080	2	F09	94591-KFBF-900	2	E04	95701-06012-06	1	F19
94050-08060	0	F19	94591-LEE8-E00	1	E01	95701-06016-06	1	F20
94050-08080	0	E02	94601-14000	0	E03	95701-06018-06	0	E01

PART NO. INDEX

PART NO.	VERSION	PAGE	PART NO.	VERSION	PAGE	PART NO.	VERSION	PAGE
95701-06025-06	2	E01	96001-06022-06	1	E04	96700-KED9-900	3	F06
95701-06045-06	0	F06	96001-06025-06	0	E01			
95701-06045-06	0	F20	96001-06028-06	0	E04	98000		
95701-06050-06	0	F04	96001-06028-06	0	E06			
95701-08012-06	0	E01	96001-06028-06	0	F04	98059-5791R-00	2	E02
95701-LDF2-800	2	F10	96001-06030-06	0	E04	98200-31000	1	F11
95701-LEA5-E00	1	F19	96001-06032-06	0	E01	98200-31500	1	F11
95801-08040-06	0	F06	96001-06040-06	0	E04	98200-32500	0	F11
95801-10030-06	0	F15	96001-06050-06	0	E01	98200-33000	0	F11
95801-10040-06	0	F16	96001-06085-06	1	E01	98200-41000	1	F19
95801-10050-06	1	F14	96001-06100-06	0	E02	98200-41500	1	F19
95801-10055-06	0	F14	96001-06120-06	1	E04	98200-42500	0	F19
95801-10070-06	1	F16	96001-GFY6-900	2	F13	98200-43000	0	F19
			96001-LAB4-900	3	E02			
96000			96100-60020-00	0	E01			
			96100-62020-00	0	E07			
96001-06008-07	0	F14	96100-62030-00	0	E01			
96001-06010-00	0	E04	96100-63030-00	0	E07			
96001-06010-06	0	E02	96100-LFE2-900	1	E07			
96001-06012-06	0	E06	96150-60020-10	0	F07			
96001-06012-06	0	F06	96150-62040-10	0	F16			
96001-06012-06	0	F16	96211-08000	19	F20			
96001-06012-06	0	F19	96220-60100	0	E06			
96001-06016-06	0	E01	96600-08015-16	0	E06			
96001-06016-08G	1	E02	96600-LBA2-E00	0	F23			
96001-06018-06	0	E06	96600-LGE5-E00	0	F07			