

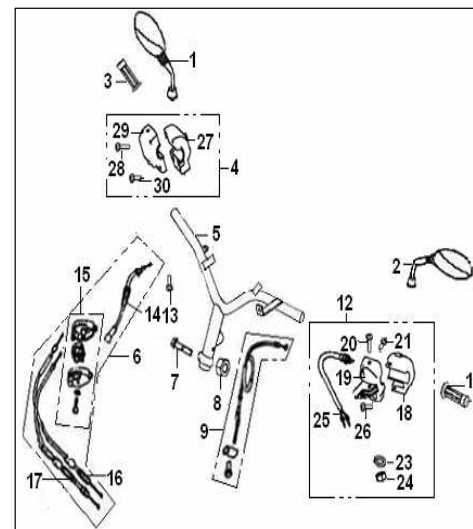
HURRICANE 50 2T (2009)



HURRICANE 50 2T (2009)

F01 CONTROL ASSY.

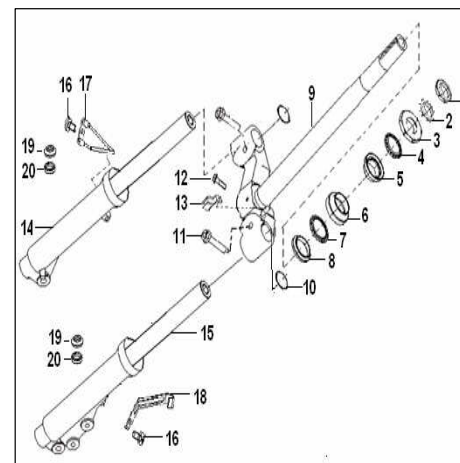
NO.	PART NO.	EN DESCRIPTION	QTY	NOTES
1	40470BMBT000	REAR VIEW MIRROR ASSY.RH.	1	
2	40460BMBT000	REAR VIEW MIRROR ASSY.LH.	1	
3	40212J4AT000	GRIP ASSY., THROTTLE	1	
4	40600BM0T000	RIGHT HANDLE SWITCH, RH. ASSY.	1	
5	40100B20TG81	JOINTING ASSY., HANDLE BAR	1	
6	40300B20T001	CABLE ASSY., THROTTLE	1	
7	B01091004565	BOLT M10X1.25X45	1	
8	B04171012565	NUT M10X1.25	1	
9	40270B20T001	CABLE COMP. , REAR. BRAKE	1	
10	40008BM0T000	PROTECTOR,, REAR. BRAKE CABLE	1	
11	40001J4AT000	GRIP, LH.	1	
12	40500BM0T000	LEFT HANDLE SWITCH ,1 ASSY.	1	
13	B02000501025	SCREW M5X10	1	
14	40306B20T000	CABLE THROTTLE	1	
15	40340B20T001	JUNCTION BOX	1	
16	40308B20T000	OIL PUMP LINE	1	
17	40307B20T001	CARBURETOR LINE	1	
18	40510BM0T000	LEFT HANDLE SWITCH	1	
19	40520BM0T000	L. SWITCH FIXING SEAT	1	
20	B02000502525	PAN HEAD SCREW 5X25	1	
21	40004BMAT000	SCREW M5	1	
22	40002BM0T000	LEFT LEVER	1	
23	B07000000505	WASHER SPRING 5	1	
24	B04000500065	NUT M5	1	
25	91700BMAT000	STOP SWITCH ASSY.	1	
26	B02000502025	PAN HEAD SCREW M5X20	1	
27	40610BM0T000	RIGHT HANDLE SWITCH, RH.	1	
28	B02000502525	PAN HEAD SCREW M5X25	1	
29	40620BM0T000	SWITCH FIXING R.	1	
30	B02000502025	PAN HEAD SCREW M5X20	1	



HURRICANE 50 2T (2009)

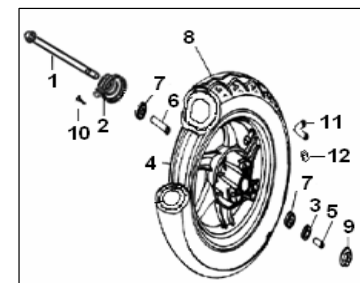
F02 FRONT FORK ASSY.

NO.	PART NO.	EN DESCRIPTION	QTY	NOTES
1	43008J0ET000	PRESS NUT	1	
2	43007B20T000	WASHER	1	
3	43001B20T000	UPPER STEEL BOWL, UPPER BEARING	1	
4	B06010110000	STEEL BALL Φ 3.969	25	
5	43002B20T000	LOWER STEEL BOWL, UPPER BEARING	1	
6	43003B20T000	UPPER STEEL BOWL, LOWER BEARING	1	
7	B06010140000	STEEL BALL Φ 4.763	21	
8	43004B20T000	LOWER STEEL BOWL, LOWER BEARING	1	
9	43100B20T001	UNDER BRACKET COMP	1	
10	43215BMAT000	CLIP	2	
11	B01591003065	FLANGE BOLT M10X1.25X30	2	
12	B01590601265	FLANGE BOLT M6X12	1	
13	43035BMBT000	HOLDER, BRAKE HOSE 2	1	
14	43300B03BA00	R.H. FR. FORK ASSY.	1	
15	43200B03BA00	L.H. FR. FORK ASSY.	1	
16	B01070601665	BLOT M6X16	2	
17	43150BMAT000	CABLE HOLDER	1	
18	43021BM0T003	BRAKE HOSE HOLDER, 1	1	
19	43290H00X000	COVER , ANTI-DUST	2	
20	43260H00X000	OIL SEAL	2	



F03 FRONT WHEEL ASSY.

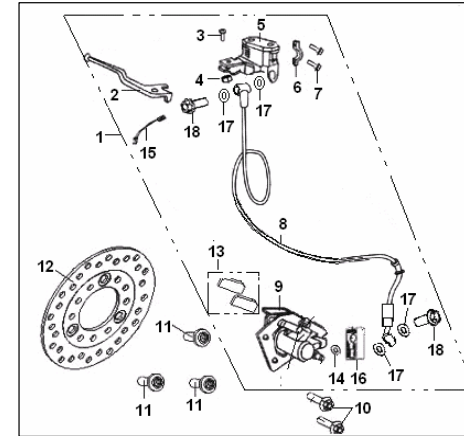
NO.	PART NO.	EN DESCRIPTION	QTY	NOTES
1	44005B20T001	AXLE, FRONT WHEEL	1	
2	44200B20TBH1	SEAT ASSY., GEAR WHEEL	1	
3	44300B20T000	OIL SEAL	1	
4	44100B03BH06	WHEEL HUB, FRONT	1	
5	44004B20T000	BUSHING RING	1	
6	44006B20TT10	SPACER, BEARING	1	
7	B12040100900	BEARING 6200-2RS	2	
8	B140135010AA	TIRE 3.50-10	1	
9	B04171012564	NUT M10X1.25	1	
10	B02020501624	SCREW M5X16	1	
11	B1403Z201110	VALVE	1	
12	B1404Z2011C0	CAP, VALVE	1	



HURRICANE 50 2T (2009)

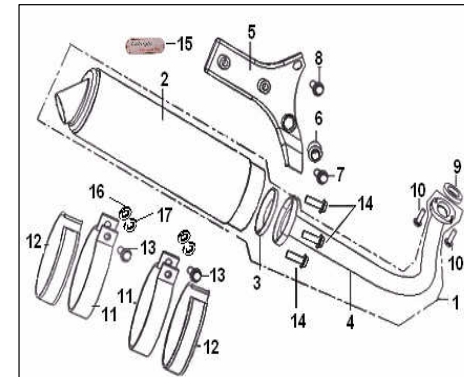
F04 DISC BRAKE ASSY.

NO.	PART NO.	EN DESCRIPTION	QTY	NOTES
1	45000B20T002	DISK BRAKE ASSY.	1	
2	45022J3AT000	DISC BRAKE LEVER	1	
3	45024J1CT000	LEVER MOUNTING SCREW M6	1	
4	B04160600065	NUT M6	1	
5	45400BMBTB30	CYLINDER COMP.	1	
6	45023J1DT000	MASTER CYLINDER BRACKET	1	
7	B01070602365	BOLT M6X25	1	
8	45200B20T002	BRAKE HOSE ASSY.	1	
9	45500B20T002	CALIPER ASSY.	1	
10	45039J4FT000	BOLT M8X36	2	
11	45036B20T000	BOLT	3	
12	45033B20T000	BRAKE DISC	1	
13	45110B20T000	BRAKE PAD KIT	1	JOGO
14	45654B20T000	WASHER	2	
15	45300J3AT000	STOP SWITCH ASSY.	1	
16	45700B20T000	A.B.S(BLACK)	1	
17	45653B20T000	WASHER	2	
18	45651BMBT000	FLANGE BOLT	1	



F05.1 CYLINDRIC MUFFLER ASSY.

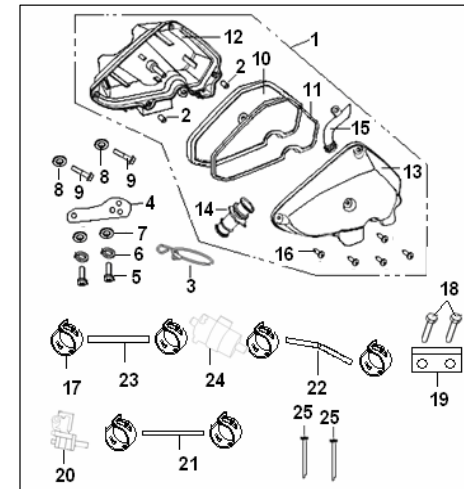
NO.	PART NO.	EN DESCRIPTION	QTY	NOTES
1	47100B0300AZ	Cylindric MUFFLER ASSY.	1	
2	47200B20T007	MUFFLERCANISTERASSY.	1	
3	47121B20T000	SEAL WASHER	1	
4	47500B030000	EXHAUST PIPE ASSY.	1	
5	47123B20T000	MUFFLER FIXING PLATE	1	
6	47039B20T000	MUFFLER BUSH	1	
7	B01070803065	BOLT M 8×30	1	
8	B01070802065	BOLT M8×20	1	
9	47800B20T000	GASKET, EXHAUST PIPE	1	
10	B01070601665	BOLT M6×16	2	
11	47041B20T000	MUFFLER HOOP	2	
12	47042B20T000	ADIABATIC RUBBER	2	
13	B01090805564	BOLT 8×55MM	2	
14	B01070802065	BOLT M8×20	3	
15	47023B20T004	CATALYTIC MARK BOARD	1	
16	B07030000804	WASHER 8MM	2	
17	B07000000804	WASHER 8MM	2	
TUNING	47121B20T002	SEAL WASHER	1	
	47800B20T002	GASKET, EXHAUST PIPE	1	
	47105B030000	EXHAUST PIPE ASSY	1	



HURRICANE 50 2T (2009)

F06 AIR CLEANER ASSY.

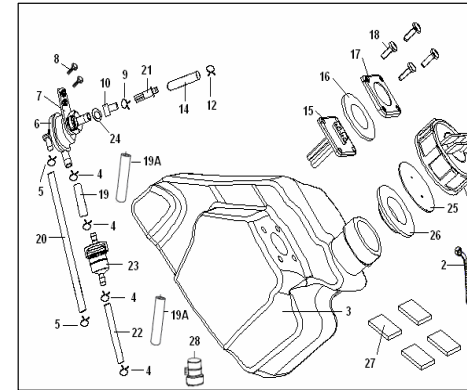
NO.	PART NO.	EN DESCRIPTION	QTY	NOTES
1	49500B20T003	AIR CLEANER	1	
2	49004B20T000	BUSH	2	
3	49350B20T000	CLIP	1	
4	49361B20T001	PLATE	1	
5	B02000501665	SCREW M5X16	2	
6	B07000000505	WASHER SPRING 5	2	
7	B07030000505	WASHER 5	2	
8	B07020000605	WASHER 6	2	
9	B01190603065	BOLT M6X30	2	
10	49202B20T000	FILTER	1	
11	49103B20T000	SEAL LOOP	1	
12	49101B20T000	CASE, AIR CLEANER	1	
13	49401B20T000	CAP, AIR CLEANER	1	
14	49005B20T000	PIPE,AIR OUT	1	
15	49002B20T001	PIPE,AIR IN ϕ 11.5	1	
16	B05074201905	TAPPING SCREW ST4.2X19	5	
17	49805BMBT000	SPRING \square LOCK ϕ 17.5	6	
18	B01090601265	SCREW 6X12MM	2	
19	57051B2GT000	PLATE ,ONE WAY VALVE	1	
20	49840B0ES000	ONE WAY VALVE II	1	
21	49851B20T000	HOSE 570MM	1	
22	49852B2GT000	HOSE 240MM	1	
23	49853B2GT000	HOSE II 185MM	1	
24	49870B2GT000	AIR CLEANER,SMALL	1	
25	96001B20T000	BAND	2	



HURRICANE 50 2T (2009)

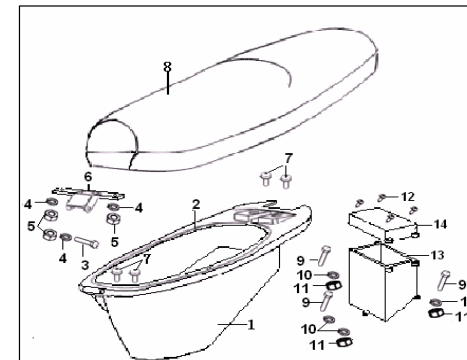
F07 FUEL TANK ASSY.

NO.	PART NO.	EN DESCRIPTION	QTY	NOTES
1	50201B0ET000	LIP FUEL TANK	1	
2	50910B0ET000	TIE ASSY. FUEL TANK	1	
3	50100B0ETT10	BODY, FUEL TANK	1	
4	50307BM0T000	CLIPφ8	4	
5	50306BM0T000	CLIPφ7	2	
6	50300B0ET000	SWITCH ASSY	1	
7	50313B20T000	PLATE.FUEL COCK	1	
8	B02000501064	SCREW M5×10	2	
9	50308B20T000	CLIPφ16	1	
10	50311B20T000	COUPLER.FUEL COCK	4	
12	50309B20T000	CLIPφ11	1	
14	50301B20T000	FILTER CASE	1	
15	50800B0ETT10	SENSOR ASSY.	1	
16	50004B0ETT10	GLUE MAT	1	
17	50003B0ETG80	SENSOR BOARD	1	
18	B13140601405	BOLT ASSY. M6X14	4	
19	50302B20T000	HOSE IIφ4.5×φ8.5×60	1	
20	50303B20T000	HOSE IIIφ4×φ8×175	1	
21	50352B20T000	FUEL FILTER	1	
22	50304B20T000	HOSE φ4.5×φ8.5×150	1	
23	50340J0ET000	FILTER, FUEL	1	
24	50312B0ET000	RUBBER SEAL	1	
25	50203B0ET000	LIP OIL TANK PLASTIC CUSHION	1	
26	50202B0ET000	LIP OIL TANK SEAL	1	
27	50920B0ET000	CUSHION	4	
28	50391J0ET000	GASKET	1	



F08 SEAT ASSY.

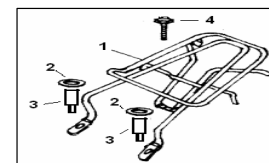
NO.	PART NO.	EN DESCRIPTION	QTY	NOTES
1	51004B20T000	HELMET BOX	1	
2	51012B20T000	AIRPROOF.BAR	1	
3	51001B20T000	BOLT	1	
4	B07000000603	WASHER SPRING 6	3	
5	B04000600053	NUT M6	3	
6	51005B20T000	MOUNTING PANEL ,SEAT	1	
7	B13060601664	SCREW M6X16	4	
8	51100B03000B	SEAT COMP.	1	VRM, PRT
	51100B03001B	SEAT COMP.	1	BRA, AZ
9	B01010501664	BOLT M5X16	3	
10	B07020000504	WASHER 5	4	
11	B04000500054	NUT M5	3	
12	B05072901605	TAPPING SCREW ST2.9X16	4	
13	65816B20T000	CASE.BATTERY	1	
14	65813B20T001	CAP.BATTERY	1	



HURRICANE 50 2T (2009)

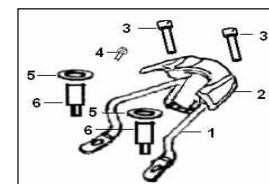
F09.1 CARRIER ASSY. (FERRO)

NO.	PART NO.	EN DESCRIPTION	QTY	NOTES
1	52011B20T000	REAR CARRIER	1	
2	51014B20T000	DECORATIVE,COVER	2	
3	51016B20T000	SPECIAL SCREW	2	
4	B01070601665	BOLT M6X16	1	



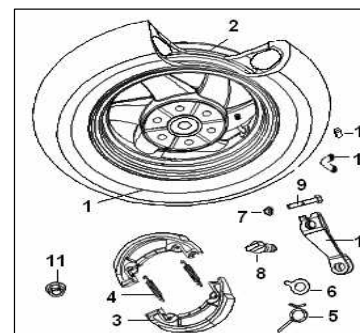
F09.2 CARRIER ASSY. (ALUMÍNIO)

NO.	PART NO.	EN DESCRIPTION	QTY	NOTES
1	52012B20T000	RR.. CARRIER BRACKET	1	
2	52011B20TBH1	RR..CARRIER ASSY	1	PRT
2	52011B20TE61	RR..CARRIER ASSY	1	AZ
2	52011B20TWF1	RR..CARRIER ASSY	1	BRA
2	52011B20TR81	RR..CARRIER ASSY	1	VRM
3	B02050804564	BOLT 8X45MM	2	
4	B01070601665	BOLT 6X16MM	1	
5	65822J00P000	DECORATIVE , COVER	1	
6	52016B2GT910	SCREW M6X48	2	



F10 REAR WHEEL ASSY.

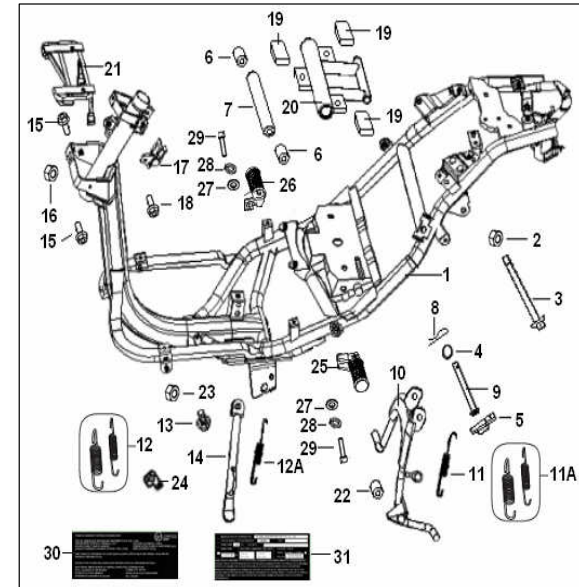
NO.	PART NO.	EN DESCRIPTION	QTY	NOTES
1	B140135010AA	TIRE 3.5-10	1	
2	54100B03BH06	RIM ASSY., REAR WHEEL	1	
3	54200B00T000	SHOE ASSY., REAR BRAKE	1	JOGO
4	54001B00T000	SPRING, BRAKE SHOE	2	
5	54008B0ET000	RETURN SPRING	1	
6	54002B00T000	REAR INDICATOR	1	
7	B04170600064	NUT M6	1	
8	54003B0ET000	CAMSHAFT, REAR BRAKE	1	
9	B01010603024	BOLT M6X30	1	
10	B1403Z201110	VALVE	1	
11	B04171415064	NUT M14X1. 5	1	
12	54007B0ET000	ROCKER,REAR BREAK	1	
13	B1404Z2011C0	CAP, VALVE	1	



HURRICANE 50 2T (2009)

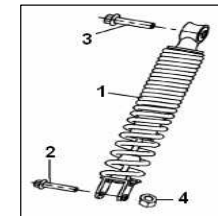
F11 FRAME ASSY.

NO.	PART NO.	EN DESCRIPTION	QTY	NOTES
1	57100B20TT12	JOINTING ASSY., FRAME	1	
2	B04171012564	NUT M10X1.25	1	
3	58301B20T000	AXLE , SUPPORT	1	
4	58505B20T000	PROTECTOR , MAIN STAND	1	
5	58506B20T000	CLIP , BRAKE CABLE	1	
6	58340B20T000	BUFFER, ENGINE BRACKET	2	
7	58343B20T000	CENTER SPACER	1	
8	B09003202823	COTTER PIN	1	
9	58501B410000	SHAFT, MAIN STAND	1	
10	58520B030004	MAIN STAND ASSY	1	
11A	58510BSAT000	SPRING , MAIN STAND	1	
12	57010BM0T001	TENSION SPRING ASSY	1	
13	57005BMBT000	BOLT	1	
14	58700B20TT11	JOINTING ASSY., SINGLE STAND	1	
15	B01090601664	BOLT M6X16	2	
16	B04070600064	NUT M6	1	
17	57007B20T000	POTHOOK, HELMET	1	
18	B01090601664	BOLT M6X16	1	
19	58342B20T000	DAMPER	3	
20	58320BSAT000	SUSPEND FRAME ASSY., ENGINE	1	
21	58200B20TT11	BRACKET ASSY., FRAME FRONT	1	
22	58504B20T000	RUBBER , MAIN STAND	1	
23	B04070800065	U NUT M8	1	
24	57006BM0T000	HOOK	1	
25	58280B20T000	FOOTCAST, ASSY,LEFT	1	
26	58260B20T000	FOOTCAST, ASSY,RIGHT	1	
27	B07030001004	WASHER 10mm	2	
28	B07000001004	WASHER SPRING 10mm	2	
29	B02051002264	BOLT 10X22mm	2	



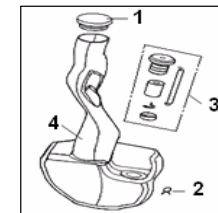
F12 REAR SHOCK ABSORBER ASSY.

NO.	PART NO.	EN DESCRIPTION	QTY	NOTES
1	63100B20TBH1	ABSORBER ASSY.	1	
2	B01070804064	BOLT 8X40MM	1	
3	B01071004064	BOLT 10X1.25X 40MM	1	
4	B04070008064	NUT M8MM	1	



F13 OIL TANK ASSY.

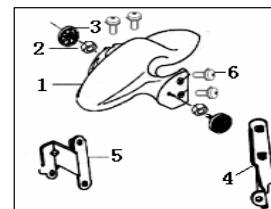
NO.	PART NO.	EN DESCRIPTION	QTY	NOTES
1	64091B20T000	CAP, OIL TANK	1	
2	50307BM0T000	CLIPφ8	2	
3	64100B20T000	SENSOR, OIL POSITION	1	
4	64001B20T000	OIL TANK	1	



HURRICANE 50 2T (2009)

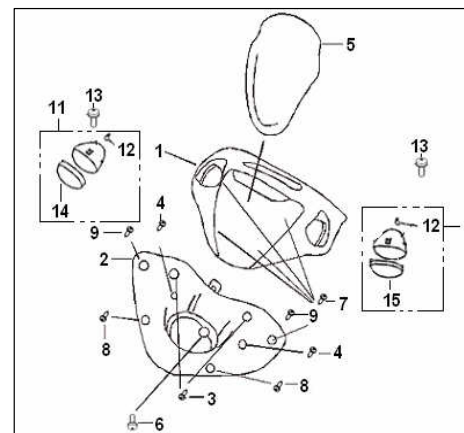
F14 FRONT FENDER ASSY.

NO.	PART NO.	EN DESCRIPTION	QTY	NOTES
1	65101BMBTBH0	FENDER ,FRONT	1	AZ, PRT
	65101BMBTWFO	FENDER ,FRONT	1	VRM, BRA
2	B04070600064	NUT M6	2	
3	86300BMMT000	FRONT REFLECTOR	2	
4	65130B20T000	FENDER ,FRONT, RH.BRACKET	1	
5	65140B20T000	FENDER ,FRONT, LH.BRACKET	1	
6	65114BMBT000	FENDER SCREW,FRONT	4	



F15 HANDLE COVER ASSY.

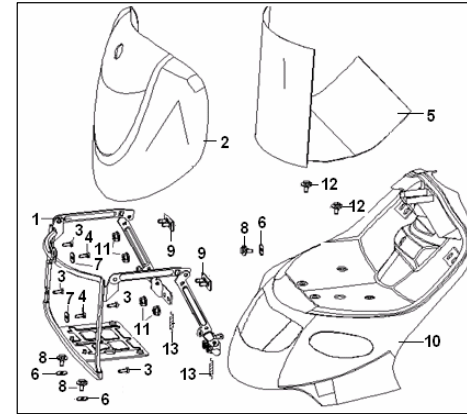
NO.	PART NO.	EN DESCRIPTION	QTY	NOTES
1	65201BMBTBH0	HANDLE COVER, UP	1	PRT, AZ
	65201BMBTWFO	HANDLE COVER, UP	1	VRM, BRA
	65201B92057Z	HANDLE COVER, UP	1	PRT C/ AUTOCOLANTES
	65201B92058Z	HANDLE COVER, UP	1	AZ C/ AUTOCOLANTES
	65201B92059Z	HANDLE COVER, UP	1	VRM, BRA C/ AUTOCOLANTES
2	65203B20T000	HANDLE COVER, DOWN	1	
3	B05075001605	TAPPING SCREW , ST5X16	2	
4	B05074001605	TAPPING SCREW , ST4X16	2	
5	65203BMBT000	METER VISION ASSY.	1	BRA, PRT
	65203BMBTD50	METER VISION ASSY.	1	VRM, AZ
6	B13010501405	SCREW,5X14	1	
7	B05073001005	TAPPING SCREW,ST3X10	4	
8	B05075001205	TAPPING SCREW,ST5X12	2	
9	B05074001205	TAPPING SCREW,ST4X12	2	
10	81100B20T001	FLASHER LIGHT ASSY., 1	1	
11	81300B20T001	FLASHER LIGHT ASSY., 2	1	
12	B24012120000	BULB, 12V/10W	2	
13	08005AE0D000	SCREW W/WASHER 5X11.5	2	
14	81302B20T000	LIGHT COVER, RH.	1	
15	81102B20T000	LIGHT COVER, LH.	1	



HURRICANE 50 2T (2009)

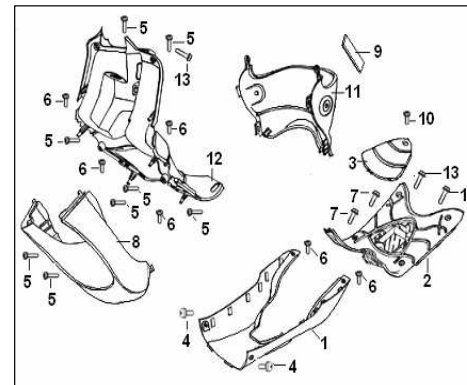
F16 FRONT COVER ASSY.

NO.	PART NO.	EN DESCRIPTION	QTY	NOTES
1	65340B20T000	FRAME, FRONT	1	
2	65301B20TR80	FACEPLATE	1	VRM
	65301B20TBH0	FACEPLATE	1	PRT
	65301B20TE60	FACEPLATE	1	AZ
	65301B20TWF0	FACEPLATE	1	BRA
	65301B03094Z	FACEPLATE	1	VRM C/ AUTOCOLANTES
	65301B03091Z	FACEPLATE	1	PRT C/ AUTOCOLANTES
	65301B03092Z	FACEPLATE	1	AZ C/ AUTOCOLANTES
	65301B03093Z	FACEPLATE	1	BRA C/ AUTOCOLANTES
3	B05074201304	TAPPING SCREW ST4.2X13	4	
4	B05074201604	TAPPING SCREW ST4.2X16	2	
5	65390B20T000	FRONT RACK	1	
6	B07020000605	WASHER 6	3	
7	B07020000504	WASHER 5	2	
8	B01010601664	BOLT M6X16	3	
9	65330B20T000	FIXING SEAT	2	
10	65302B20T000	MOTHERBOARD, FRONT COVER	1	
11	B04070600064	NUT M6	4	
12	B01070602024	BOLT M6X20	2	



F17 LEG SHIELD ASSY.

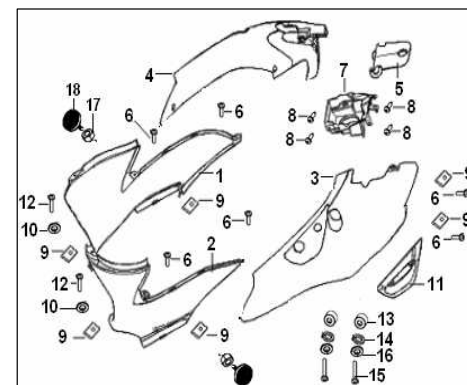
NO.	PART NO.	EN DESCRIPTION	QTY	NOTES
1	65407B20TBH0	COVER LOWER II	1	PRT
	65407B20TR80	COVER LOWER II	1	VRM
	65407B20TWF0	COVER LOWER II	1	BRA
	65407B20TE60	COVER LOWER II	1	AZ
	65407B03036Z	COVER LOWER II	1	PRT C/ AUTOCOLANTES
	65407B03037Z	COVER LOWER II	1	AZ C/ AUTOCOLANTES
	65407B03038Z	COVER LOWER II	1	BRA C/ AUTOCOLANTES
	65407B03039Z	COVER LOWER II	1	VRM C/ AUTOCOLANTES
2	65401B20T000	FOOTPLATE	1	
3	65411B20T000	CAP FOOTPLATE	1	
4	B13060601605	SCREW M6x16	2	
5	B05074201605	TAPPING SCREW , ST4.2X16	8	
6	B05074201305	TAPPING SCREW, ST4.2x13	6	
7	B01070601265	BOLT M6X12	2	
8	65406B20T000	COVER LOWER I	1	
9	65403B20T000	INSPECT COVER	1	
10	B05074802005	SCREW ST4.8x20	1	
11	65404B20T000	COVER,FRONT LUGGAGE BOX	1	
12	65402B20T000	COVER, REAR	1	
13	B01070601665	BOLT M6x16	3	



HURRICANE 50 2T (2009)

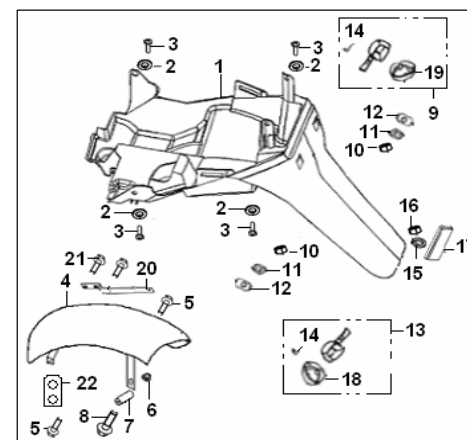
F18 FRAME COVER ASSY.

NO.	PART NO.	EN DESCRIPTION	QTY	NOTES
1	65603B20T000	COVER FRONT RH	1	
2	65601B20T000	COVER FRONT LH	1	
3	65604B20TBH0	COVER REAR LH	1	AZ, PRT
	65604B20TWF0	COVER REAR LH	1	BRA, VRM
	65604B03121Z	COVER REAR LH	1	PRT C/ AUTOCOLANTES
	65604B03122Z	COVER REAR LH	1	AZ C/ AUTOCOLANTES
	65604B03123Z	COVER REAR LH	1	BRA, VRM C/ AUTOCOLANTES
4	65602B20TBH0	COVER REAR RH	1	AZ, PRT
	65602B20TWF0	COVER REAR RH	1	BRA, VRM
	65602B03121Z	COVER REAR RH	1	PRT C/ AUTOCOLANTES
	65602B03122Z	COVER REAR RH	1	AZ C/ AUTOCOLANTES
	65602B03123Z	COVER REAR RH	1	BRA, VRM C/ AUTOCOLANTES
5	65606B20TBH0	COUPLING BOARD	1	AZ, PRT
	65606B20TWF0	COUPLING BOARD	1	BRA, VRM
6	B05070421605	TAPPING SCREW ST4.2×16	6	
7	65615B20T000	BOARD, FUEL TANK FIXING	1	
8	B05070401005	TAPPING SCREW, ST4×10	4	
9	65801B20T000	CARD	6	
10	B07030000504	WASHER 5MM	2	
11	65612B20T000	HANDLE, LH	1	
12	B05074201605	TAPPING SCREW, ST4.2×16	2	
13	65613B20T000	BUSH, HANDLE	2	
14	B07030000604	WASHER 6	2	
15	B02000603064	SCREW M6×25	2	
16	B07000000604	WASHER SPRING 6	2	



F19 REAR FENDER ASSY.

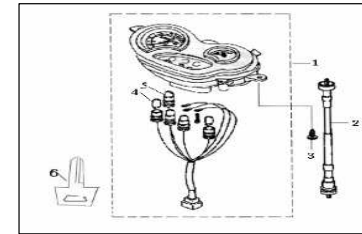
NO.	PART NO.	EN DESCRIPTION	QTY	NOTES
1	65701B20T000	FENDER, REAR	1	
2	B07020000605	WASHER 6	4	
3	B01010601625	BOLT M6×16	4	
4	65702B20T000	TAIL , REAR FENDER	1	
5	B01070601265	BOLT M6X12	2	
6	65810B20T000	FIT NUT ASSY,FENDER	1	
7	65763B20T000	FIT BUSH,FENDER	1	
8	B01090604265	BOLT M6X42	1	
9	81700B20T001	TURN LIGHT,F.R.	1	
10	B04021012554	NUT M10X1.25	2	
11	81703B20T000	RUBBER CUSHION,REAR TURN LIGHT	2	
12	81704B20T000	CUSHION,REAR TURN LIGHT	2	
13	81500B20T001	TURN LIGHT,R.LH.	1	
14	B24012120000	BULB, 12V/10W	2	
15	B07020000505	WASHER 5	1	
16	B04000500065	NUT M5	1	
17	86500B20T000	REAR REFLECTOR	1	
18	81302B20T000	LIGHT COVER, R.	1	
19	81102B20T000	LIGHT COVER, LH.	1	
20	57861B20T001	RR , FENDER BRACKET , R	1	USADO C/ ESCAPE RENDIMENTO
21	B01090601264	BOLT 6X12MM	2	
22	65770B20T000	BRACKET ASSY	1	



HURRICANE 50 2T (2009)

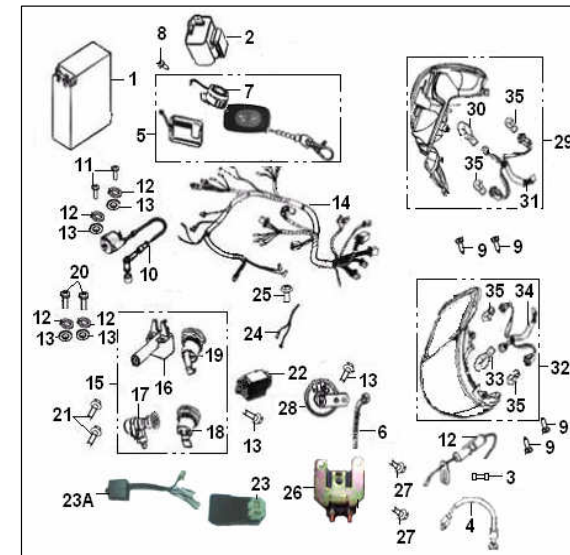
F20 SPEEDOMETER ASSY.

NO.	PART NO.	EN DESCRIPTION	QTY	NOTES
1	70000BMBT004	SPEEDOMETER ASSY.	1	
2	72900J4FT000	CABLE ASSY, SPEEDOMETER	1	
3	B05074001205	TAPPING SCREW ST4X12	3	
4	B24012920000	BULB 12V-3W	2	
5	B24020221100	BULB 12V-2W	3	
6	88900B03000X	KEY NUT	2	



F21 ELECTRICAL EQUIPMENT ASSY.

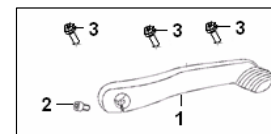
NO.	PART NO.	EN DESCRIPTION	QTY	NOTES
1	96100BM0T000	BATTERY	1	YTX5L-BS
2	96400K00P001	FLASHER	1	
3	96800B20T000	FUSE COMP	1	
4	92200A020001	WIRE	1	
5	95700B20T000	ALARM SYSTEM ASSY	1	
6	96001B20T000	BAND 8X200	4	
7	95730B20T000	ALARM SYSTEM HORN	1	
8	B05004201605	TAPPING SCREW ST4.2X16	1	
9	B05074801305	TAPPING SCREW ST4.8x13	4	
10	96200B20T000	COIL ASSY.,IGNITION	1	
11	B02000602064	SCREW M6x20	2	
12	96810B20T000	FUSE	1	
13	B01090601665	BOLT 6x16MM	2	
14	92000B03001F	HARNESS, WIRING	1	
15	88000B20T00A	LOCK COMP.	1	
16	88800B20T000	SEAT LOCK	1	
17	88100B20T00A	LOCK ASSY. STEERING	1	
18	88400B20T000	LOCK FUEL TANK	1	
19	88200B20T000	LOCK, FRONT LUGGAGE BOX	1	
20	B02000604024	SCREW M6x40	2	
21	B01090601665	BOLT 6x16MM	2	
22	98801J0ET000	RECTIFIER	1	
23	97701BM0T001	C.D.I. UNIT COMP.	1	
24	96900B00T000	WIRE, EARTH	1	
25	B01090601265	BOLT M6X12	1	
26	94100J000002	RELAY ASSY.,STARTER	1	
27	B01090601065	BOLT 6x10MM	2	
28	95000B50T000	HORN ASSY.	1	
29	82008B20T000	TAIL LIGHT ASSY , R.R.	1	
30	B24013820000	TAIL LIGHT BULB 12V/21W/5W	1	
31	82900B20T001	WIRING ASSY. TAIL LIGHT	1	
32	80004B20T000	HEADLIGHT COMP.	1	
33	B24010520000	HEADLIGHT BULB 12V35/35W	1	
34	80020B20T000	WIRING ASSY.HEAD LIGHT	1	
35	B24020321102	INDICATOR BULB 12V/3W	4	



HURRICANE 50 2T (2009)

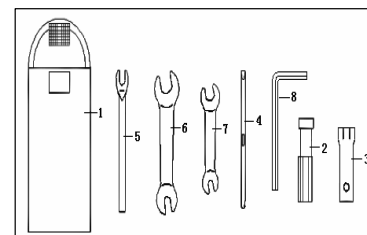
F22 ENGINE ATTACHMENT

NO.	PART NO.	EN DESCRIPTION	QTY	NOTES
1	08351BM0THU0	KICK STARTER ASSY.SILVER GRAY HU	1	
2	B02050602565	BOLT M6X25	1	
3	B01070602564	BOLT 6X25MM	2	



F23 TOOL KIT ASSY.

NO.	PART NO.	EN DESCRIPTION	QTY	NOTES
1	02110G00P000	BAG, TOOL KIT	1	
2	02104G00P000	HANDLE, SCREW DRIVER	1	
3	02101B20T000	SOCKET, SPARK PLUG	1	
4	02103G00P000	DRIVER, DOUBLE-ENDED	1	
5	02108G00P000	WRENCH	1	
6	B20011301603	WRENCH, DOUBLE-ENDED 13-16	1	
7	B20011001203	WRENCH, DOUBLE-ENDED 10-12	1	
8	B20020600003	SOCKET SPANNER 6	1	



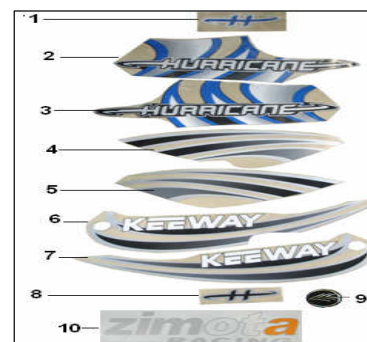
F24.1 STICKER ASSY.

NO.	PART NO.	EN DESCRIPTION	QTY	NOTES
1	05523B03BH0P	STICKER,HANDLE COVER	1	
2	05511B03BH0P	STICKER,SIDE COVER LH REAR.	1	
3	05512B03BH0P	STICKER,SIDE COVER RH REAR.	1	
4	05521B03BH0P	STICKER,FRONT COVER LH.	1	
5	05522B03BH0P	STICKER,FRONT COVER RH.	1	PRT
6	05544B03BH0P	STICKER,LOWER COVER II LH.	1	
7	05545B03BH0P	STICKER,LOWER COVER II RH.	1	
8	05542B03BH0P	STICKER,LOWER COVER I LH. RH.	2	
9	05525BMBT004	MARK ,BIRD BLACK	1	



F24.2 STICKER ASSY.

NO.	PART NO.	EN DESCRIPTION	QTY	NOTES
1	05523B03E60P	STICKER,HANDLE COVER	1	
2	05511B03E60P	STICKER,SIDE COVER LH REAR.	1	
3	05512B03E60P	STICKER,SIDE COVER RH REAR.	1	
4	05521B03E60P	STICKER,FRONT COVER LH.	1	
5	05522B03E60P	STICKER,FRONT COVER RH.	1	AZ
6	05544B03E60P	STICKER,LOWER COVER II LH.	1	
7	05545B03E60P	STICKER,LOWER COVER II RH.	1	
8	05542B03BH0P	STICKER,LOWER COVER I LH. RH.	2	
9	05525BMBT004	MARK ,BIRD BLACK	1	



HURRICANE 50 2T (2009)

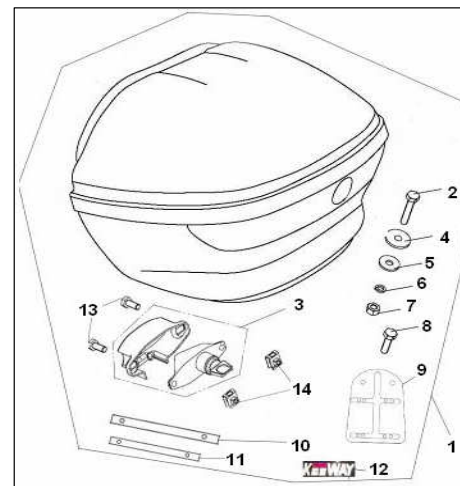
F24.3 STICKER ASSY.

NO.	PART NO.	EN DESCRIPTION	QTY	NOTES
1	05523B03BH0P	STICKER,HANDLE COVER	1	
2	05511B03WF0P	STICKER,SIDE COVER LH REAR.	1	
3	05512B03WF0P	STICKER,SIDE COVER RH REAR.	1	
4	05521B03E60P	STICKER,FRONT COVER LH.	1	
5	05522B03E60P	STICKER,FRONT COVER RH.	1	BRA, VRM
6	05544B03E60P	STICKER,LOWER COVER II LH.	1	
7	05545B03E60P	STICKER,LOWER COVER II RH.	1	
8	05542B03BH0P	STICKER,LOWER COVER I LH. RH.	2	
9	05525BMBT004	MARK ,BIRD BLACK	1	



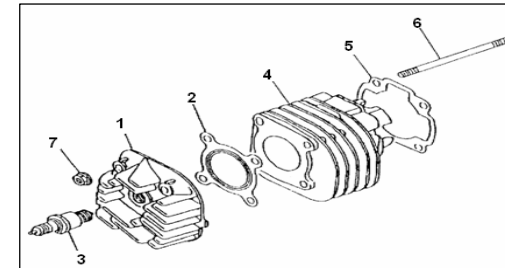
F25 BACK BOX ASSY

NO.	PART NO.	EN DESCRIPTION	QTY	NOTES
1	52200B03WFBA	BACK BOX ASSY	1	VRM, BRA
	52200B03BHBA	BACK BOX ASSY	1	PRT, AZ
2	B01010602524	BOLT M6X25	4	
3	88600BMBT000	BACK BOX LOCK	1	
4	52221BMBT000	WASHER	4	
5	B07020000604	WASHER 6	4	
6	B07000000604	WASHER SPRING , 6	4	
7	B04000600055	NUT M6	4	
8	B01010601224	BOLT 6X12MM	4	
9	52183B20T000	FIX BOARD	1	
10	52181B20T000	FIX BOARD I	1	
11	52182B20T000	FIX BOARD II	1	
12	05591BMBT000	BACK BOX COVER	1	
13	B01070601663	SCREW M6x16	2	
14	52910BMBT000	NUT,CLIPPING M6	2	



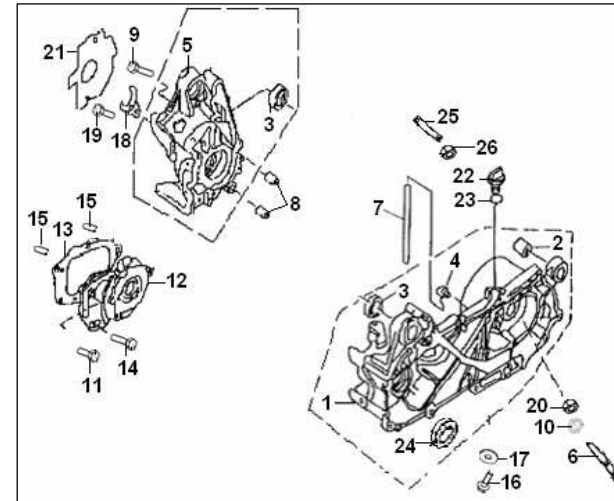
E01 CYLINDER HEAD ASSY

NO.	PART NO.	EN DESCRIPTION	QTY	NOTES
1	30701B01F000	HEAD , CYLINDER	1	
2	30507B01F000	GASKET , CYLINDER HEAD	1	
3	201204.013000	SPARK PLUG	1	
4	27101B01F00A	CYLINDER	1	
5	204204.001000	GASKET , CYLINDER	1	
6	26107B01F910	STUD BOLT	4	
7	304290700062	NUT	4	



E02 CRANKCASE ASSY

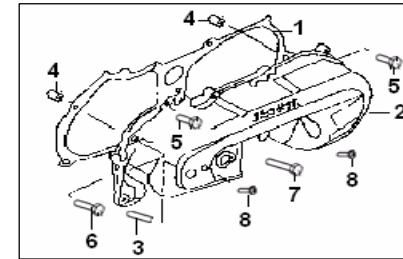
NO.	PART NO.	EN DESCRIPTION	QTY	NOTES
1	26100B01F00B	CRANKCASE , LH	1	
2	26108G02F000	BUSH,ENGINE MOUNTING	1	
3	207230.002000	BUSH,ENGINE MOUNTING	2	
4	26126G02F000	BREATHER PLUG	1	
5	26200B01F000	CRANKCASE , RH	1	
6	26142G02F000	BRAKE SHOE ANCHOR PIN ASSY	1	
7	26105G02F000	HOSE	1	
8	26123G02F000	DOWEL PIN	2	
9	B02270603564	SCREW	6	
10	14222J01F000	O RING6.8X1.9	1	
11	B01070603064	BOLT	2	
12	18101G02F001	COVER, GEAR BOX	1	
13	214201.001000	GASKET , GEAR BOX	1	
14	B01070602264	BOLT	3	
15	26208J01F000	DOWEL PIN	2	
16	301310801605	FLANGE BOLT	1	
17	18105H03F000	WASHER	1	
18	26214G02F000	HOLDER	1	
19	301310601262	BOLT M6X12	1	
20	304290800062	NUT	1	
21	206321.001000	GASKET	1	
22	206407.004083	OIL PLUG	1	
23	26102G02F000	O-RING	1	
24	26112G02F000	SHAFT COLLAR	1	
25	231215.001000	SHAFT	1	
26	B04171012563	NUT	1	



E03 SIDECOVER ASSY

NO.	PART NO.	EN DESCRIPTION	QTY
1	207208.009000	GASKET , SIDE COVER	1
2	169022080030	SIDE COVER	1
3	26128G02F000	SHAFT	1
4	26208J01F000	DOWEL PIN	2
5	301310602565	SCREW M6X25	8
6	301310603565	SCREW	2
7	301310606565	PAN HEAD SCREW	1
8	302460601265	STOPPER	1

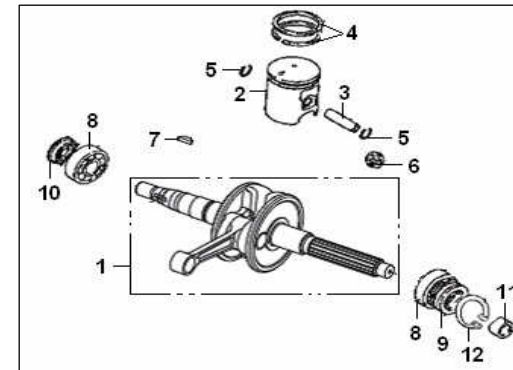
NOTES



E04 PISTON CRANKSHAFT CONNECTING ROD ASSY

NO.	PART NO.	EN DESCRIPTION	QTY
1	208100.022000	CRANKSHAFT , ASSY	1
2	15100B01F00B	PISTON ASSY	1
3	15105B16F000	PISTON PIN	1
4	15103B01F000	PISTON RING ASSY	2
5	15111G02F000	CIRCLIP	2
6	15110B16F000	NEEDLE BEARING	1
7	15101B01F000	WOODRUFF KEY	1
8	B12016620453	BEARING	2
9	15213G02F000	OIL SEAL	1
10	26215G02F000	OIL SEAL ASSY	1
11	15214G02F000	COLLAR	1
12	17308G02F000	CIRCLIP	1

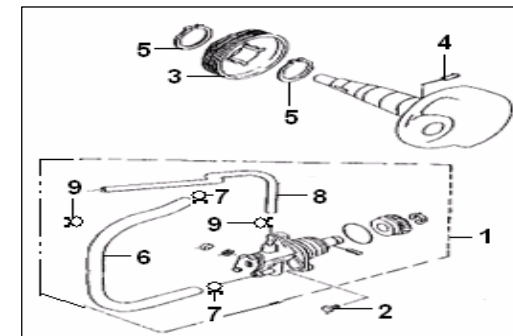
NOTES



E05 OIL PUMP ASSY

NO.	PART NO.	EN DESCRIPTION	QTY
1	219101.006000	OIL PUMP ASSY	1
2	B02000501463	SCREW	2
3	15211G02F000	PUMP DRIVE GEAR	1
4	B090103014C0	PIN	1
5	15106G02F910	CIRCLIP	2
6	221405.103000	HOSE,OIL INLET	1
7	19213G02F00A	HOSE CLIP	2
8	221405.104000	HOSE,OIL OUTLET	1
9	19217G02F00A	HOSE CLIP	2

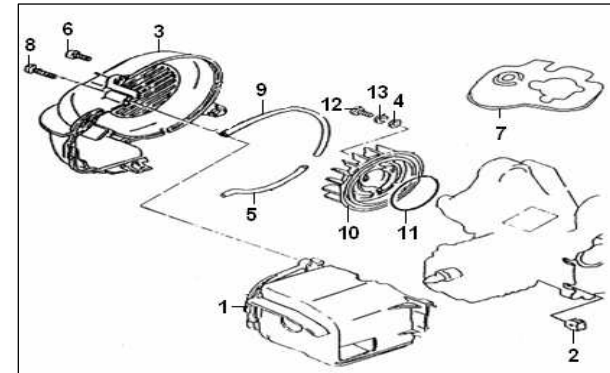
NOTES



E06 AIR COOLING SYSTEM

NO.	PART NO.	EN DESCRIPTION	QTY
1	20301B01F000	COWLING,cylinder	1
2	20303G02F000	GROMMET	2
3	20200B01F000	COVER ASSY (FAN)	1
4	B07030000600	WASHER φ6	3
5	20208G02F000	BEADING (RUBBER)	1
6	302270602065	BOLT M6X20	2
7	20102G02F000	DUST COVER (RUBBER)	1
8	3050355040F5	SCREW ST5.5X40-F	1
9	20206G02F000	BEADING (RUBBER)	1
10	20401B01F000	FAN ASSY	1
11	20402G02F000	RUBBER RING 70X3.1	1
12	301310601665	SCREW M6X16	3
13	B07000000600	SPRING WASHER φ6	3

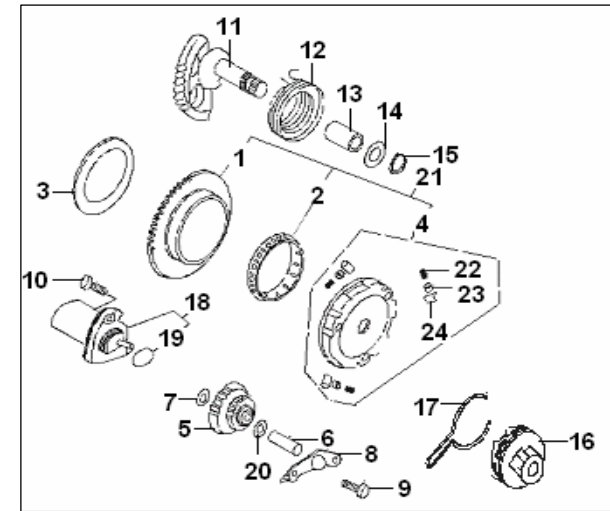
NOTES



E07 KICK STARTER ASSY

NO.	PART NO.	EN DESCRIPTION	QTY
1	34120G02F000	START GEAR ASSY	1
2	34121G02F000	NEEDLE BEARING	1
3	34123G02F000	THRUST WASHER	1
4	34110G02F00A	STARTER CLUTCH ASSY.COMP	1
5	34126G02F000	DRIVEN GEAR,STARTER	1
6	26128G02F000	IDLE GEAR SHAFT	1
7	34122G02F000	PLATE WASHER	1
8	34125G02F000	IDLE GEAR HOLDER	1
9	301310601062	SCREW	2
10	302040602065	SCREW	2
11	216100.004000	SHAFT, kick starter	1
12	17407G02F000	SPRING	1
13	216217.001000	BUSH	1
14	307991005552	WASHER ,kick starter	1
15	308090150003	CIRCLIP	1
16	17415G02F000	KICK PINION ASSY	1
17	17418G02F930	CLIP	1
18	218100.017472	STARTING MOTOR ASSY	1
19	B190102120B0	O-RING	1
20	34130G02F000	PLATE WASHER	1
21	217100.100000	START CLUTCH ASSY, COMP.	1
22	34404G02F00A	SPRING	3
23	34405G02F00A	CAP	3
24	34402G02F00A	ROLLER	3

NOTES

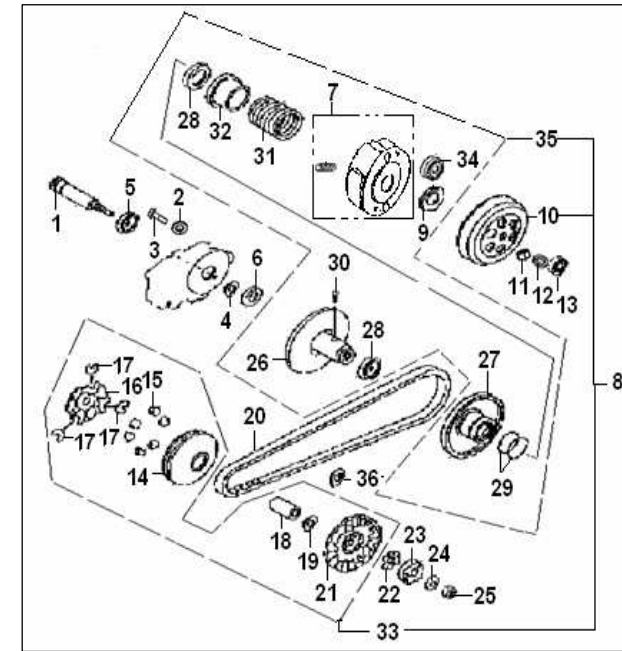


E08 CLUTCH ASSY

NO.	PART NO.	EN DESCRIPTION	QTY
1	24201B01F000	PRIMARY DRIVE SHAFT	1
2	18114G02F000	PLATE WASHER	1
3	B01090801263	PAN HEAD SCREW	1
4	B08010001700	CIRCLIP	1
5	B12016600300	BALL BEARING 6003	1
6	24203G02F000	OIL SEAL	1
7	24301B01F000	CLUTCH ASSY,shoe	1
8	213100.010000	SHIFT ASSY 5g	1
9	24303G02F000	NUT	1
10	24700G02F000	CLUTCH DRUM	1
11	24305G02F940	NUT	1
12	24243G02F000	O-RING	1
13	24209G02F000	BEARING 8X28X8	1
14	24101G02F000	FACE, movable drive	1
15	213119.003000	ROLLER 5g	6
16	24103G02F000	PLATE, movable drive	1
17	24104G02F000	DAMPER	3
18	24105G02F000	COLLAR	1
19	24106B01F000	WASHER	1
20	24107B01F000	V BELT , DRIVE	1
21	24108G02F000	FACE , FIXED DRIVE	1
22	24109G02F000	STAR WASHER	1
23	213203.001161	RATCHET (STARTING)	1
24	15112G02F010	WASHER , SPRING	1
25	B04031212553	NUT	1
26	24204G02F000	FACE , FIXED DRIVEN	1
27	24205G02F000	FACE , MOVABLE DRIVEN	1
28	24206G02F000	OIL SEAL	2
29	24207G02F000	O-RING	2
30	24208G02F000	PIN , GUIDE	2
31	24308B01F000	SPRING	1
32	24309G02F930	SEAT , SPRING	1
33	213100.039000	DRIVE PULLEY COMP.	1
34	24245G02F000	ROLLER BEARING	1
35	24200B01F000	DRIVEN PULLY COMP.	1
36	213207.023000	WASHER	1

NOTES

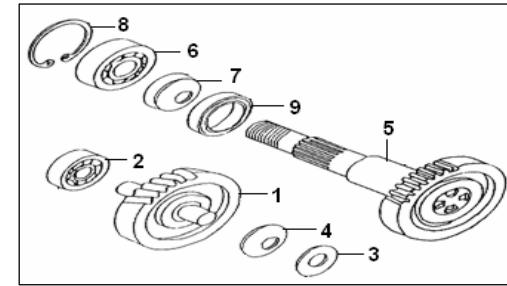
UNIDADE



E09 TRANSMISSION SYSTEM ASSY

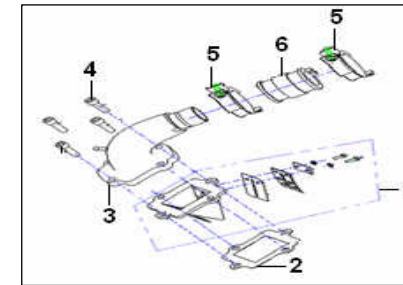
NO.	PART NO.	EN DESCRIPTION	QTY
1	17800B01F000	SHAFT , IDLE	1
2	B12016620100	BEARING 6201	1
3	17509G02F000	PLATE WASHER12	1
4	17802G02F000	WASHER , CONICAL	1
5	17300B01F000	DRIVEN SHAFT (GEAR BOX)	1
6	B12016600400	BEARING	1
7	17317G02F000	OIL SEAL	1
8	17308G02F000	CIRCLIP	1
9	26136G02F000	NEEDLE BEARING	1

NOTES

**E10 REED VALVE ASSY**

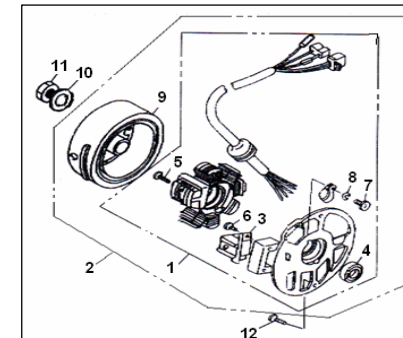
NO.	PART NO.	EN DESCRIPTION	QTY
1	32300A02F000	REED VALVE ASSY	1
2	202306.002000	VALVE SEAT GASKET	1
3	32200B01F000	PIPE,INTAKE	1
4	302040602065	SCREWM6X20	3
5	32202G01F000	CLAMP HOSE ASSY	2
6	32237G01F000	RUBBER PIPE	1
7	206412.001472	SCREW	1

NOTES

**E11 MAGNETO ASSY**

NO.	PART NO.	EN DESCRIPTION	QTY
1	223102.104000	COIL ASSY 17°	1
2	223100.101000	MAGNETO ASSY 17°	1
3	34330G02F000	PULSE TRIGGER	1
4	34350G02F000	OIL SEAT	1
5	B02000502522	SCREW	2
6	B02000501262	SCREW	2
7	B02000400622	SCREW	1
8	B07000000400	SPRING WASHER	1
9	223101.022000	FLY WHEEL ASSY 17°	1
10	B07030001200	WASHER	1
11	15228H03F000	NUT	1
12	B01070601664	NUT	2

NOTES



E12 CARBURETOR ASSY

NO.	PART NO.	EN DESCRIPTION	QTY	NOTES
1	32510B01F000	NEEDLE, jet	1	
2	32511B01F000	VALVE,PISTON	1	
3	224202.104000	JET, main 60#	1	
4	32612B01F000	ENRICH VALVE	1	
5	32619B01F000	PIN, float	1	
6	32620B01F000	FLOAT	1	
7	32701B01F000	GASKET	1	
8	3390005E0370	CARBURETOR ASSY	1	C/ VÁLVULA ENRIQUECIMENTO
	3390005E0380	CARBURETOR ASSY	1	S/ VÁLVULA ENRIQUECIMENTO
9	224203.100000	JET, idle	1	
10	32508B01F000	CLIPMM,V shape	1	
11	32800B09F000	HEATING ASSY	1	
12	32617B01F000	VALVE NEEDLE	1	

