

PARTS CATALOGUE



SCOOTERS

SF10FA(PT)

VITALITY 50



Release Date : 2017/06/22
Print Date : 2022/10/19

ABOUT THIS PARTS LIST

- This parts list is compiled all service parts for model SF10FA(PT).
- Any difference between color chart and motorcycle will be revised according to motorcycle.
- The Mark:
 1. Marking "***" must add color code in the end before ordering parts.
 2. Marking "#" are parts with modification, Please find the details from e-Parts system.
- When modification or additions to this parts list are made a revised edition at an appropriate time.



CONTENTS

● ABOUT THIS PARTS LIST	1
● COLOR CHART OF SF10FA(PT)	3
● CONTENTS-ENGINE GROUP	12
● CONTENTS-FRAME GROUP	14
● ENGINE PARTS LIST	17
● FRAME PARTS LIST	47
● PART NO. INDEX	109

NO	MODEL			COLOR CHART OF SF10FA(PT)			
	PHOTO NO			NO. 1	NO. 2	NO. 3	NO. 4
	BASIC COLOR			Bright Blue	Green	Black	Pearly White
	CODE			Bright Blue	Green	Black	Pearly White
	PARTS NAME	PARTS NO.	VERSION	PB107MA	GG148PA	NH001SA	NH193PA
1	PROTECTOR MUFFLER	18317-KHD8-E00	1	F1S			
2	CUSHION ASSY RR	52400-LBD5-E00	2	M2S			
3	LEVER R STRG HNDL	53175-KFA6-E00	0	M3A			
4	LEVER L STRG HNDL	53178-KXCX-E90	0				
5	COVER BATTERY	50326-KKD6-E00	2	N1R			
6	COVER UNDER	50613-KKD6-E01	1				
7	GRIP COMP THROT	53140-KNBN-960	0				
8	GRIP L HANDLE	53166-KNBN-911	0				
9	COVER RR HANDLE	53206-KFA6-900	1				
10	FLOOR PANEL	64310-KKD6-E00	2				
11	FENDER REAR	80105-LBD5-E01	0				
12	FENDER RR LOW	80106-LBD5-E00	1				
13	FENDER B RR	80107-KEB7-900	1				
14	COVER CENTER	80151-KKD6-E00	0				
15	COVER PLUG MAINT	80152-KKD6-E00	0				
16	COVER LEG SHIELD FR	81131-KKD6-E00	0				
17	LID LEG SHIELD	81132-KKDK-900	1				
18	COVER L SIDE	11341-KKD6-900	1				N8A
19	CARRIER RR	81200-KKD6-E00	1	N8P	N1P	NVP	
20	FORK SET R FR	5140A-LBD5-E00	4	NJA			
21	BOTTOM CASE R	51420-KEB7-800	1				
22	FORK SET L FR	5150A-LBD5-E00	4				
23	BOTTOM CASE L	51520-KEB7-800	0		N1A	NJA	
24	CALIPER ASSY FR	45200-KKD6-E90	3	NJA			
25	WHEEL CAST RR	42601-KEB7-E0E	2	NJA	N1A	R6A	
DATE OF STARTING-SALES							
DATE OF END-SALES							

NO	MODEL			COLOR CHART OF SF10FA(PT)			
	PHOTO NO			NO. 5	NO. 6	NO. 7	NO. 8
	BASIC COLOR			Bright Silver	Dark Gray Metallic	Red	Ruby Red
	CODE			Bright Silver	Dark Gray Metallic	Red	Ruby Red
	PARTS NAME	PARTS NO.	VERSION	NH045MA	NH124MA	RR123PA	RR004CA
1	PROTECTOR MUFFLER	18317-KHD8-E00	1	F1S			
2	CUSHION ASSY RR	52400-LBD5-E00	2	M2S			
3	LEVER R STRG HNDL	53175-KFA6-E00	0	M3A			
4	LEVER L STRG HNDL	53178-KXCX-E90	0				
5	COVER BATTERY	50326-KKD6-E00	2	N1R			
6	COVER UNDER	50613-KKD6-E01	1				
7	GRIP COMP THROT	53140-KNBN-960	0				
8	GRIP L HANDLE	53166-KNBN-911	0				
9	COVER RR HANDLE	53206-KFA6-900	1				
10	FLOOR PANEL	64310-KKD6-E00	2				
11	FENDER REAR	80105-LBD5-E01	0				
12	FENDER RR LOW	80106-LBD5-E00	1				
13	FENDER B RR	80107-KEB7-900	1				
14	COVER CENTER	80151-KKD6-E00	0				
15	COVER PLUG MAINT	80152-KKD6-E00	0				
16	COVER LEG SHIELD FR	81131-KKD6-E00	0				
17	LID LEG SHIELD	81132-KKDK-900	1				
18	COVER L SIDE	11341-KKD6-900	1	N8A			
19	CARRIER RR	81200-KKD6-E00	1	N8P			
20	FORK SET R FR	5140A-LBD5-E00	4	NJA			
21	BOTTOM CASE R	51420-KEB7-800	1				
22	FORK SET L FR	5150A-LBD5-E00	4				
23	BOTTOM CASE L	51520-KEB7-800	0				
24	CALIPER ASSY FR	45200-KKD6-E90	3	NJA			
25	WHEEL CAST RR	42601-KEB7-E0E	2				
DATE OF STARTING-SALES				NJA			R6A
DATE OF END-SALES							

NO	MODEL			COLOR CHART OF SF10FA(PT)			
	PHOTO NO			NO. 9			
	BASIC COLOR			Deep Green Metallic			
	CODE			Deep Green Metallic			
	PARTS NAME	PARTS NO.	VERSION	BG055CA			
1	PROTECTOR MUFFLER	18317-KHD8-E00	1	F1S			
2	CUSHION ASSY RR	52400-LBD5-E00	2	M2S			
3	LEVER R STRG HNDL	53175-KFA6-E00	0	M3A			
4	LEVER L STRG HNDL	53178-KXCX-E90	0				
5	COVER BATTERY	50326-KKD6-E00	2	N1R			
6	COVER UNDER	50613-KKD6-E01	1				
7	GRIP COMP THROT	53140-KNBN-960	0				
8	GRIP L HANDLE	53166-KNBN-911	0				
9	COVER RR HANDLE	53206-KFA6-900	1				
10	FLOOR PANEL	64310-KKD6-E00	2				
11	FENDER REAR	80105-LBD5-E01	0				
12	FENDER RR LOW	80106-LBD5-E00	1				
13	FENDER B RR	80107-KEB7-900	1				
14	COVER CENTER	80151-KKD6-E00	0				
15	COVER PLUG MAINT	80152-KKD6-E00	0				
16	COVER LEG SHIELD FR	81131-KKD6-E00	0				
17	LID LEG SHIELD	81132-KKDK-900	1				
18	COVER L SIDE	11341-KKD6-900	1				
19	CARRIER RR	81200-KKD6-E00	1	N8P			
20	FORK SET R FR	5140A-LBD5-E00	4	NJA			
21	BOTTOM CASE R	51420-KEB7-800	1				
22	FORK SET L FR	5150A-LBD5-E00	4				
23	BOTTOM CASE L	51520-KEB7-800	0				
24	CALIPER ASSY FR	45200-KKD6-E90	3	R6A			
25	WHEEL CAST RR	42601-KEB7-E0E	2				
DATE OF STARTING-SALES							
DATE OF END-SALES							

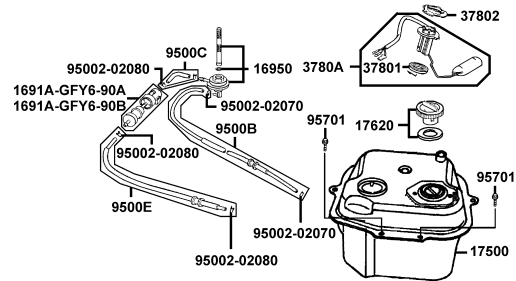
NO	MODEL			COLOR CHART OF SF10FA(PT)							
	PHOTO NO			NO. 1	NO. 2	NO. 3	NO. 4				
	BASIC COLOR			Bright Blue	Green	Black	Pearly White				
	CODE			Bright Blue	Green	Black	Pearly White				
	PARTS NAME	PARTS NO.	VERSION	PB107MA	GG148PA	NH001SA	NH193PA				
26	SEAT ASSY (REACH)	77200-LBD5-E00	4	T01							
27	EMB K-LOGO 30MM	86102-KFA6-E00	3								
28	CAUTION ANTI	87224-LBD5-EZ0	2								
29	STRIPE MARK EURO 2	87311-KKD6-E00	1								
30	LABEL TIRE	87505-KKD7-E00	0								
31	CAUTION SIDE STAND	87541-GAR1-E00	2								
32	MARK MAINT CAUTION	87542-GAR1-E00	3								
33	MARK DRIVE CAUTION	87560-KNBN-E00	1								
34	EMB HANDLE COVER	86030-KFA6-E00	1					T01		T01	
35	EMB BODY COVER	86202-LBD5-E10	1					T01			
36	EMB MARK 2T	87140-LBD5-E00	1								
37	COVER FR HANDLE	53205-LBD5-E00	3								
38	FENDER FR	61100-LBD5-E00	1								
39	COVER FRONT	64301-LBD5-E00	3								
40	MOLDING FR	64302-LBD5-E00	3								
41	SKIRT R SIDE	64305-LBD5-E00	2								
42	SKIRT L SIDE	64306-LBD5-E00	2								
43	COVER R BODY	83500-LBD5-E00	3								
44	COVER L BODY	83600-LBD5-E00	3								
45	WHEEL SET FR	44650-KEB7-315	2	NJA		N1A	R6A				
46	STRIPE FR COVER	86101-LBD5-E90	1	T01							
47	STRIPE K-LOGO 50MM	86102-LBD5-E90	1								
48	STRIPE FLAG MARK	87311-LEA5-B20	1								
49	STRIPE R BODY COVER	86221-LBD5-E90	2	T02							
50	STRIPE L BODY COVER	86231-LBD5-E90	2								
DATE OF STARTING-SALES											
DATE OF END-SALES											

NO	MODEL			COLOR CHART OF SF10FA(PT)			
	PHOTO NO			NO. 5	NO. 6	NO. 7	NO. 8
	BASIC COLOR			Bright Silver	Dark Gray Metallic	Red	Ruby Red
	CODE			Bright Silver	Dark Gray Metallic	Red	Ruby Red
	PARTS NAME	PARTS NO.	VERSION	NH045MA	NH124MA	RR123PA	RR004CA
26	SEAT ASSY (REACH)	77200-LBD5-E00	4	T01			
27	EMB K-LOGO 30MM	86102-KFA6-E00	3				
28	CAUTION ANTI	87224-LBD5-EZ0	2				
29	STRIPE MARK EURO 2	87311-KKD6-E00	1				
30	LABEL TIRE	87505-KKD7-E00	0				
31	CAUTION SIDE STAND	87541-GAR1-E00	2				
32	MARK MAINT CAUTION	87542-GAR1-E00	3				
33	MARK DRIVE CAUTION	87560-KNBN-E00	1				
34	EMB HANDLE COVER	86030-KFA6-E00	1				
35	EMB BODY COVER	86202-LBD5-E10	1				
36	EMB MARK 2T	87140-LBD5-E00	1	N8P NFP R6P R1P			
37	COVER FR HANDLE	53205-LBD5-E00	3				
38	FENDER FR	61100-LBD5-E00	1				
39	COVER FRONT	64301-LBD5-E00	3				
40	MOLDING FR	64302-LBD5-E00	3				
41	SKIRT R SIDE	64305-LBD5-E00	2				
42	SKIRT L SIDE	64306-LBD5-E00	2				
43	COVER R BODY	83500-LBD5-E00	3				
44	COVER L BODY	83600-LBD5-E00	3				
45	WHEEL SET FR	44650-KEB7-315	2				
46	STRIPE FR COVER	86101-LBD5-E90	1				
47	STRIPE K-LOGO 50MM	86102-LBD5-E90	1				
48	STRIPE FLAG MARK	87311-LEA5-B20	1				
49	STRIPE R BODY COVER	86221-LBD5-E90	2				
50	STRIPE L BODY COVER	86231-LBD5-E90	2				
	DATE OF STARTING-SALES						
	DATE OF END-SALES						

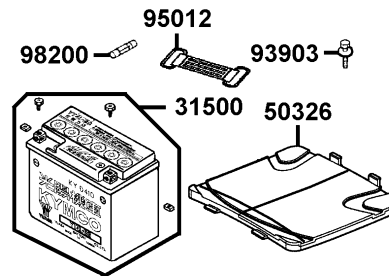
NO	MODEL			COLOR CHART OF SF10FA(PT)			
	PHOTO NO			NO. 9			
	BASIC COLOR			Deep Green Metallic			
	CODE			Deep Green Metallic			
	PARTS NAME	PARTS NO.	VERSION	BG055CA			
26	SEAT ASSY (REACH)	77200-LBD5-E00	4	T01			
27	EMB K-LOGO 30MM	86102-KFA6-E00	3				
28	CAUTION ANTI	87224-LBD5-EZ0	2				
29	STRIPE MARK EURO 2	87311-KKD6-E00	1				
30	LABEL TIRE	87505-KKD7-E00	0				
31	CAUTION SIDE STAND	87541-GAR1-E00	2				
32	MARK MAINT CAUTION	87542-GAR1-E00	3				
33	MARK DRIVE CAUTION	87560-KNBN-E00	1				
34	EMB HANDLE COVER	86030-KFA6-E00	1				
35	EMB BODY COVER	86202-LBD5-E10	1				
36	EMB MARK 2T	87140-LBD5-E00	1	V3P			
37	COVER FR HANDLE	53205-LBD5-E00	3				
38	FENDER FR	61100-LBD5-E00	1				
39	COVER FRONT	64301-LBD5-E00	3				
40	MOLDING FR	64302-LBD5-E00	3				
41	SKIRT R SIDE	64305-LBD5-E00	2				
42	SKIRT L SIDE	64306-LBD5-E00	2				
43	COVER R BODY	83500-LBD5-E00	3				
44	COVER L BODY	83600-LBD5-E00	3				
45	WHEEL SET FR	44650-KEB7-315	2				
46	STRIPE FR COVER	86101-LBD5-E90	1				
47	STRIPE K-LOGO 50MM	86102-LBD5-E90	1				
48	STRIPE FLAG MARK	87311-LEA5-B20	1				
49	STRIPE R BODY COVER	86221-LBD5-E90	2				
50	STRIPE L BODY COVER	86231-LBD5-E90	2				
DATE OF STARTING-SALES							
DATE OF END-SALES							

CONTENTS - FRAME GROUP

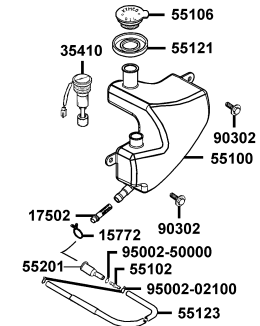
F10 Fuel Tank



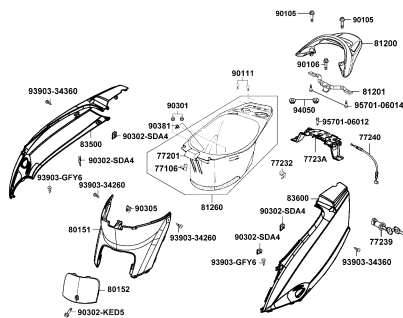
F11 Battery



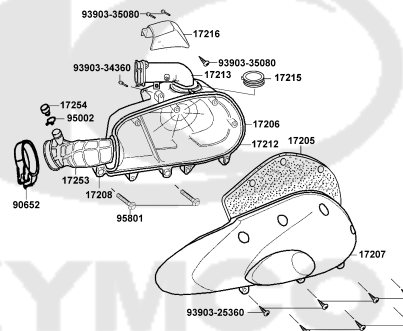
F12 Oil Tank



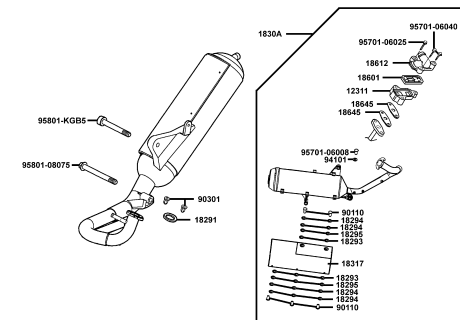
F13 Body Cover Luggage Box



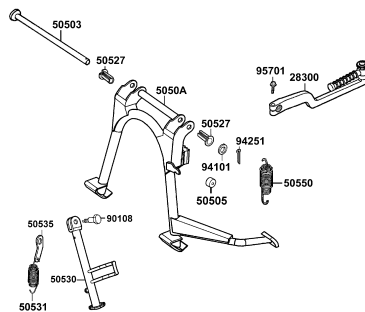
F14 Air Cleaner



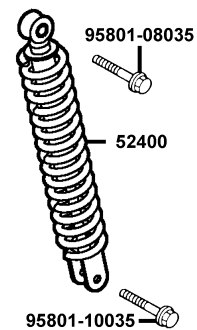
F15 Exhaust Muffler



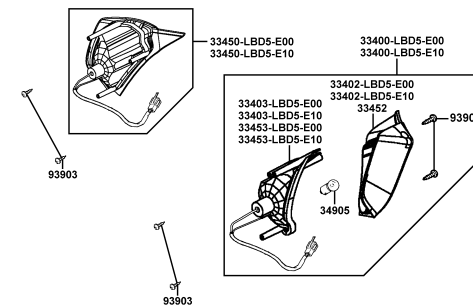
F16 Stand Kick Starter Arm



F17 Rear Cushion

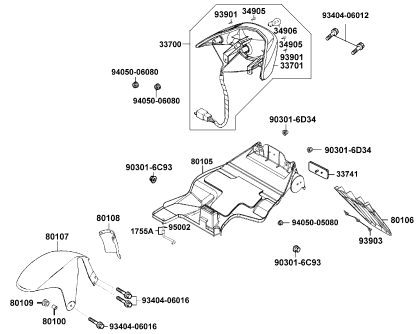


F18 Winker

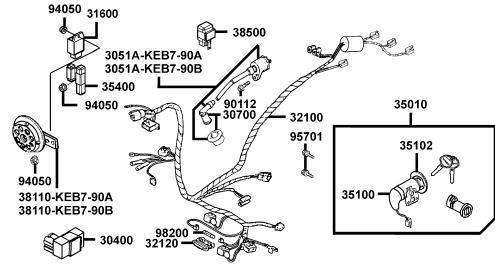


CONTENTS - FRAME GROUP

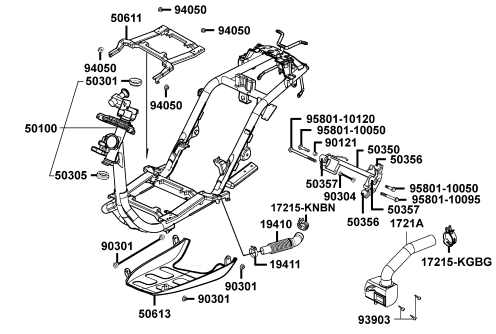
F19 Rear Light/Rear Fender



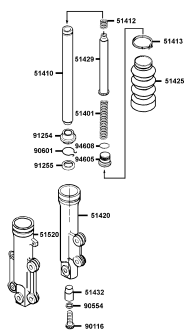
F20 Wire Harness



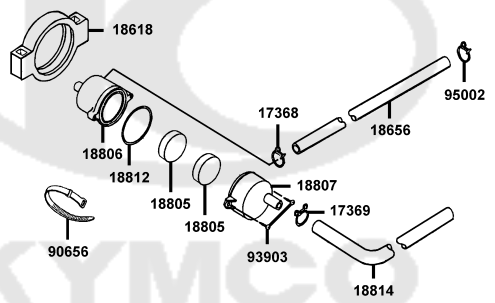
F21 Frame Body



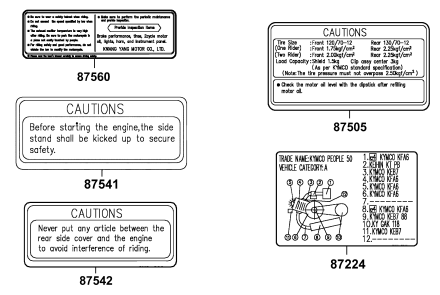
F22 Separated Parts Of Fr Fork



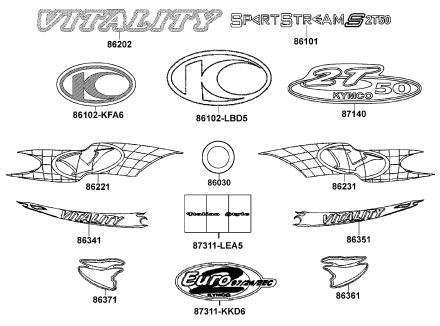
F23 Air Cleaner Two



F24 Caution Label



F25 Emblem/Stripe

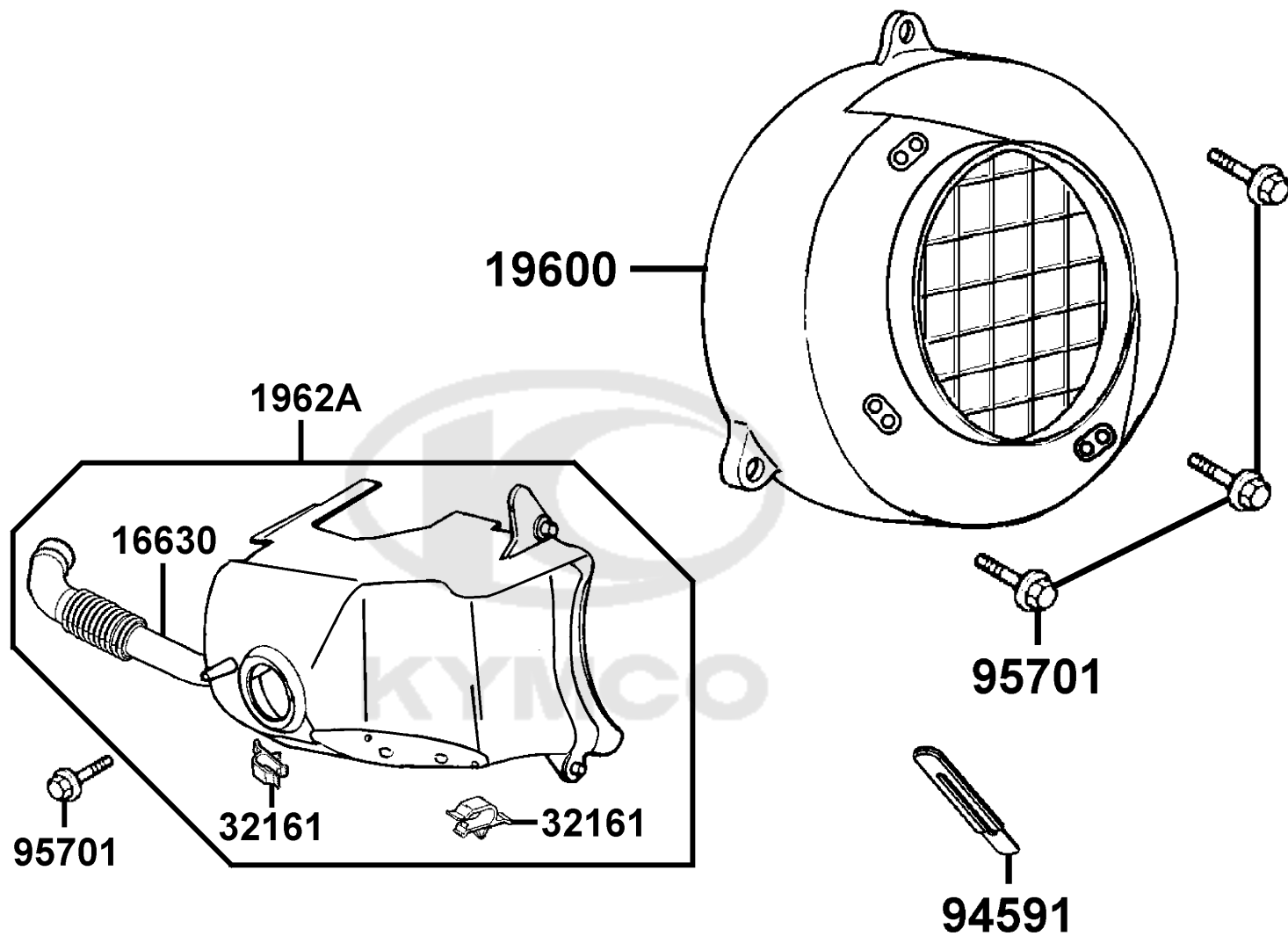


F26 Key



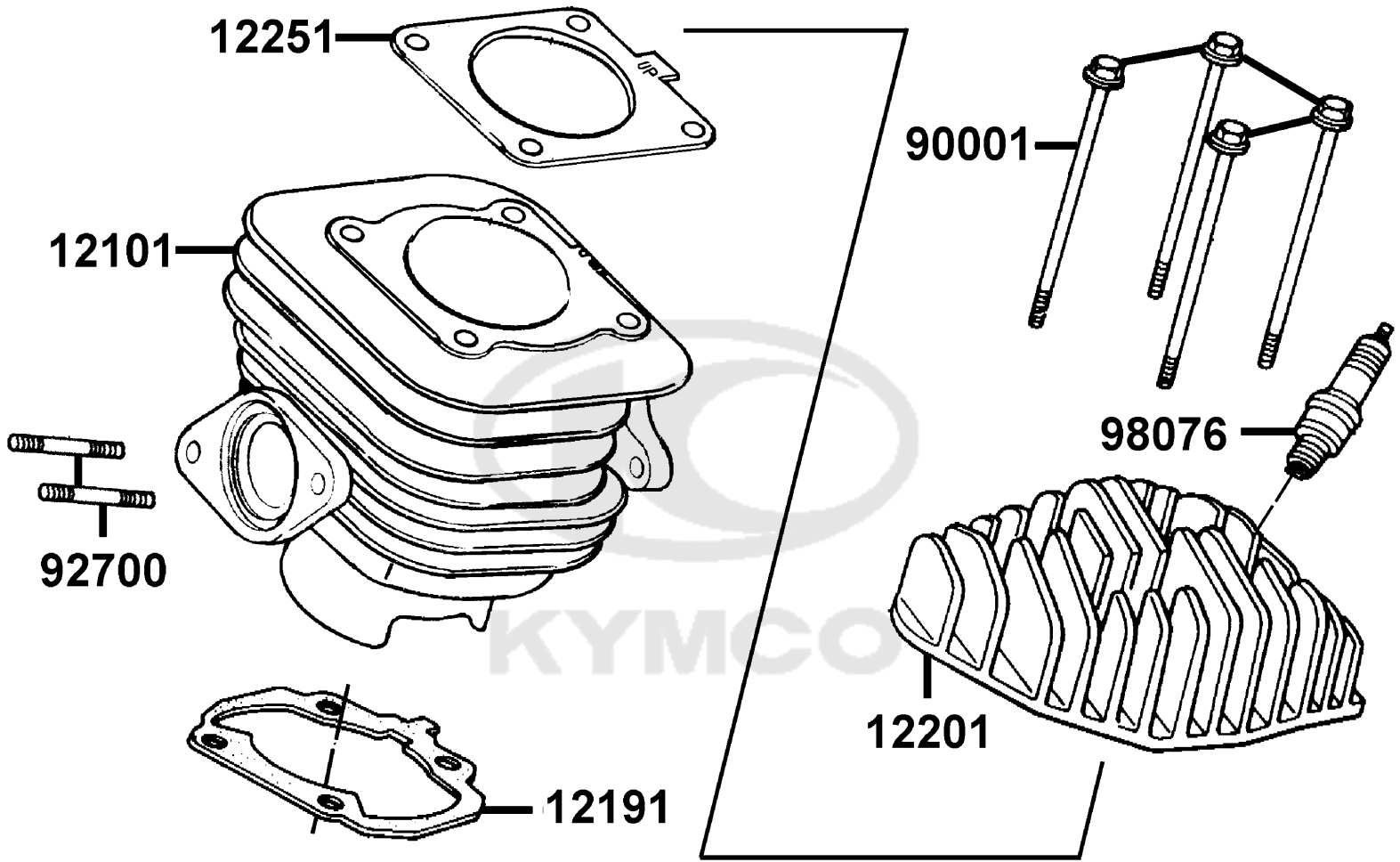
E01

Fan CoverShroud



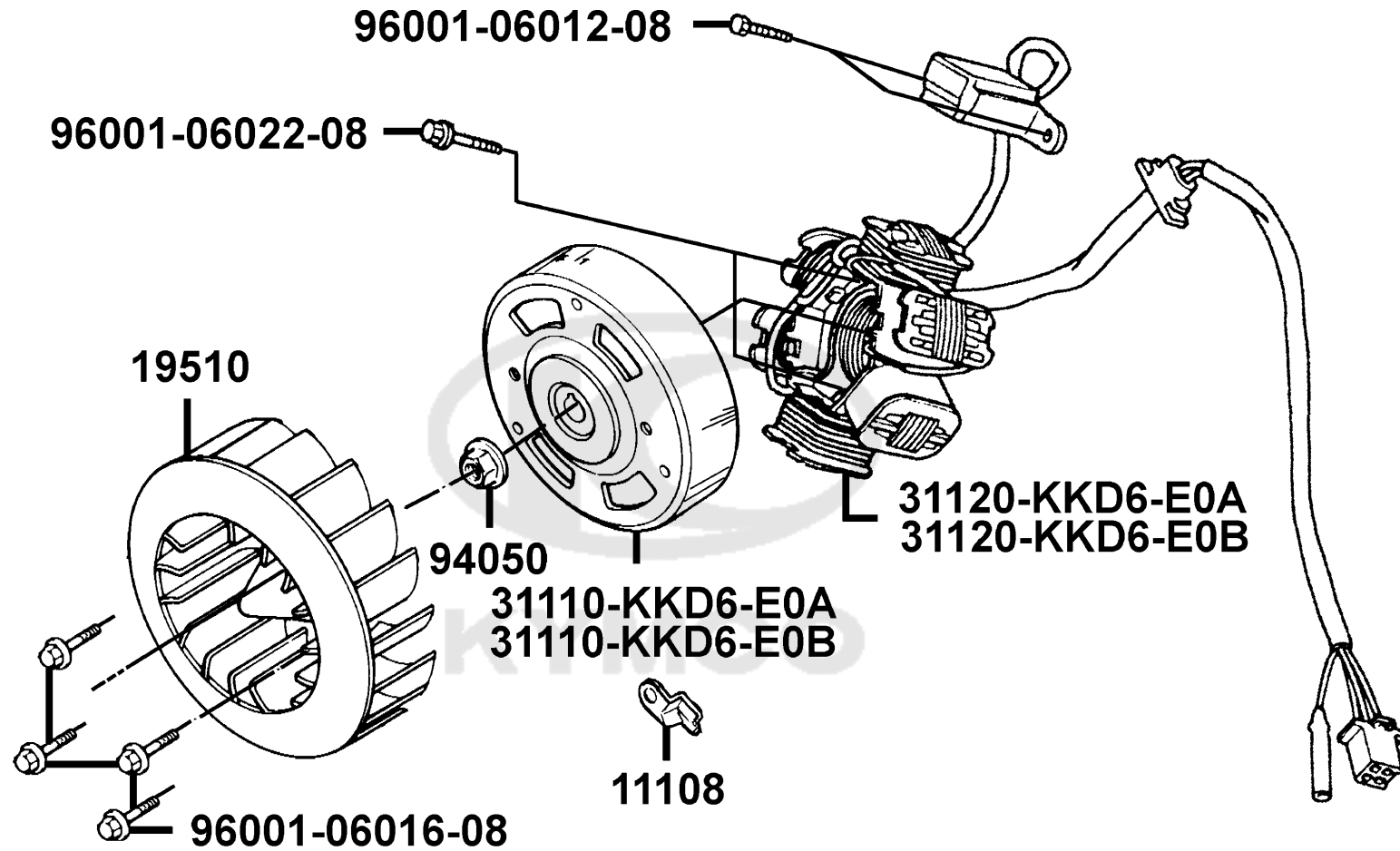
Sales mark	Ref no	Part no	Description	Reg description	Regd no	E01
	16630	16630-KEB7-E00	DUCT HEAT TRANSFER	DUCT HEAT TRANSFER	1	
	19600	19600-KEB7-900	COVER COMP FAN	COVER COMP FAN	1	
	1962A	1962A-KEB7-900	CLIP SET SHROUD	CLIP SET SHROUD	1	
	32161	32161-3C93-004	CLIP HARNESS WIRE	CLIP HARNESS WIRE	2	
#	94591	94591-KFBF-900	CLIP 2*70	CLIP 2*70	1	
#	95701	95701-06025-06	BOLT FLANGE 6*25	BOLT FLANGE 6*25	1	



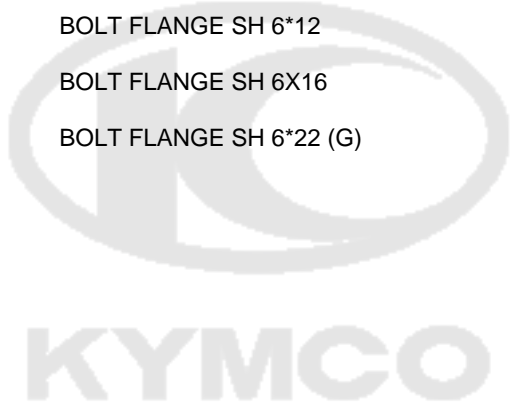


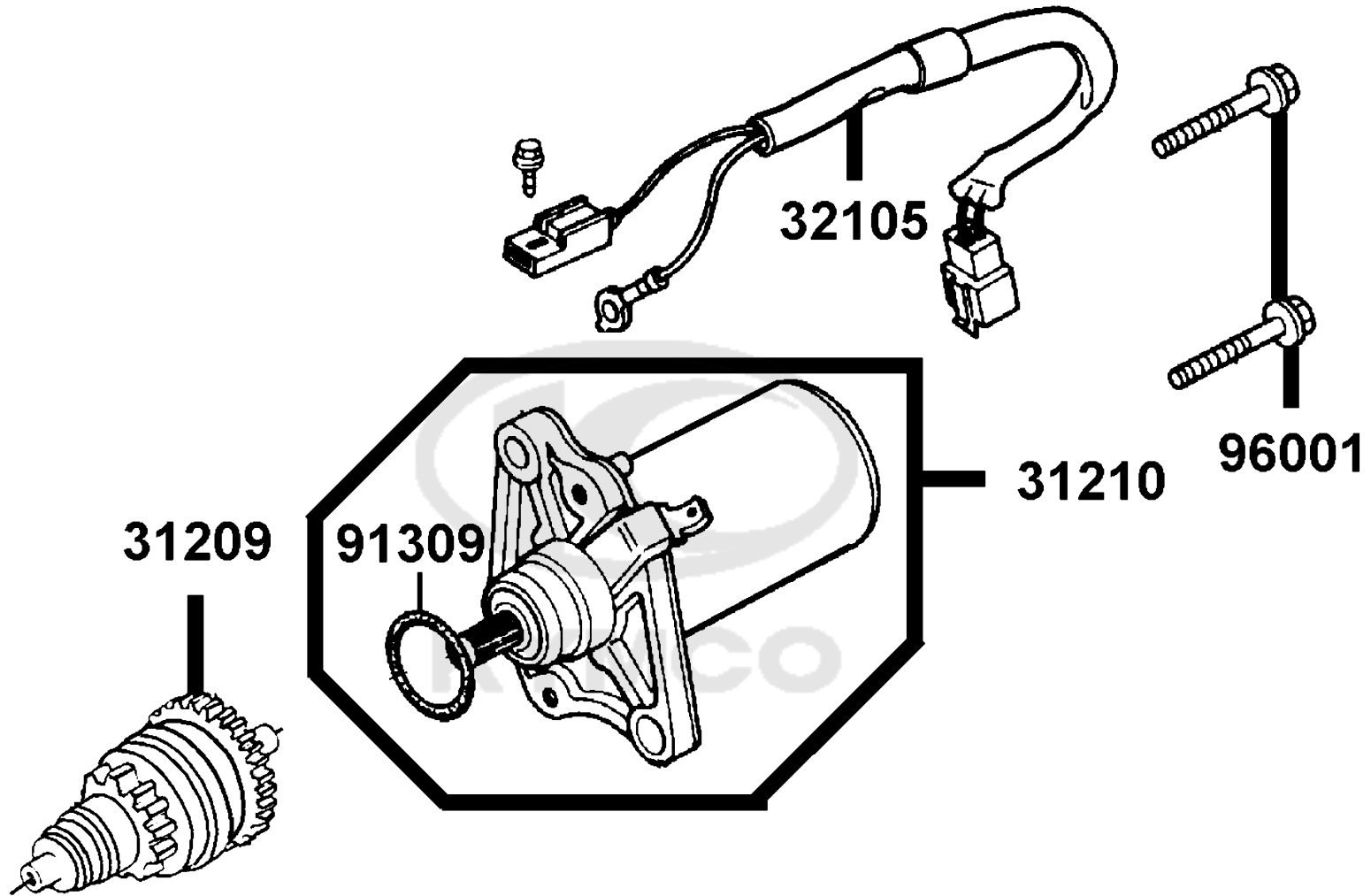
Sales mark	Ref no	Part no	Description	Reg description	Regd no	E02
	12101	12101-KEB7-901	CYLINDER	CYLINDER	1	
#	12191	12191-KEB7-980	GASKET CYLINDER @A	GASKETCYLINDER A	1	
	12201	12201-KEB7-900	HEAD CYLINDER	HEAD CYLINDER	1	
	12251	12251-KEB7-900	GASKET CYLINDER HEAD	GASKET CYLINDER HEAD	1	
	90001	90001-GKAK-901	BOLT FLANGE 7*100 (G)	BOLT FLANGE 7*100 (G)	4	
	92700	92700-06028-1B	BOLT STUD 6*28	BOLT STUD 6*28	2	
	98076	98076-5871G-00	SPARK PLUG (BR8HSA)	SPARK PLUG (BR8HSA)	1	





Sales mark	Ref no	Part no	Description	Reg description	Regd no	E03
	11108	11108-KEB7-900	HOLDER STATOR WIRE	HOLDER STATOR WIRE	1	
	19510	19510-GBW2-901	FAN COMP COOLING	FAN COMP COOLING	1	
	31110-KKD6-E0A	31110-KKD6-E0A	FLYWHEEL COMP (D402)	FLYWHEEL COMP (D402)	1	
	31110-KKD6-E0B	31110-KKD6-E0B	FLYWHEEL COMP (D406)	FLYWHEEL COMP (D406)	1	
	31120-KKD6-E0A	31120-KKD6-E0A	STATOR COMP (D402)	STATOR COMP (D402)	1	
	31120-KKD6-E0B	31120-KKD6-E0B	STATOR COMP (D406)	STATOR COMP (D406)	1	
	94050	94050-10080	NUT FLANGE 10MM	NUT FLANGE 10MM	1	
#	96001-06012-08	96001-06012-06	BOLT FLANGE SH 6*12	BOLT FLANGE SH 6*12	1	
#	96001-06016-08	96001-06016-06	BOLT FLANGE SH 6X16	BOLT FLANGE SH 6*16	1	
#	96001-06022-08	96001-06022-06	BOLT FLANGE SH 6*22 (G)	BOLT FLANGE SH 6*22 (G)	1	



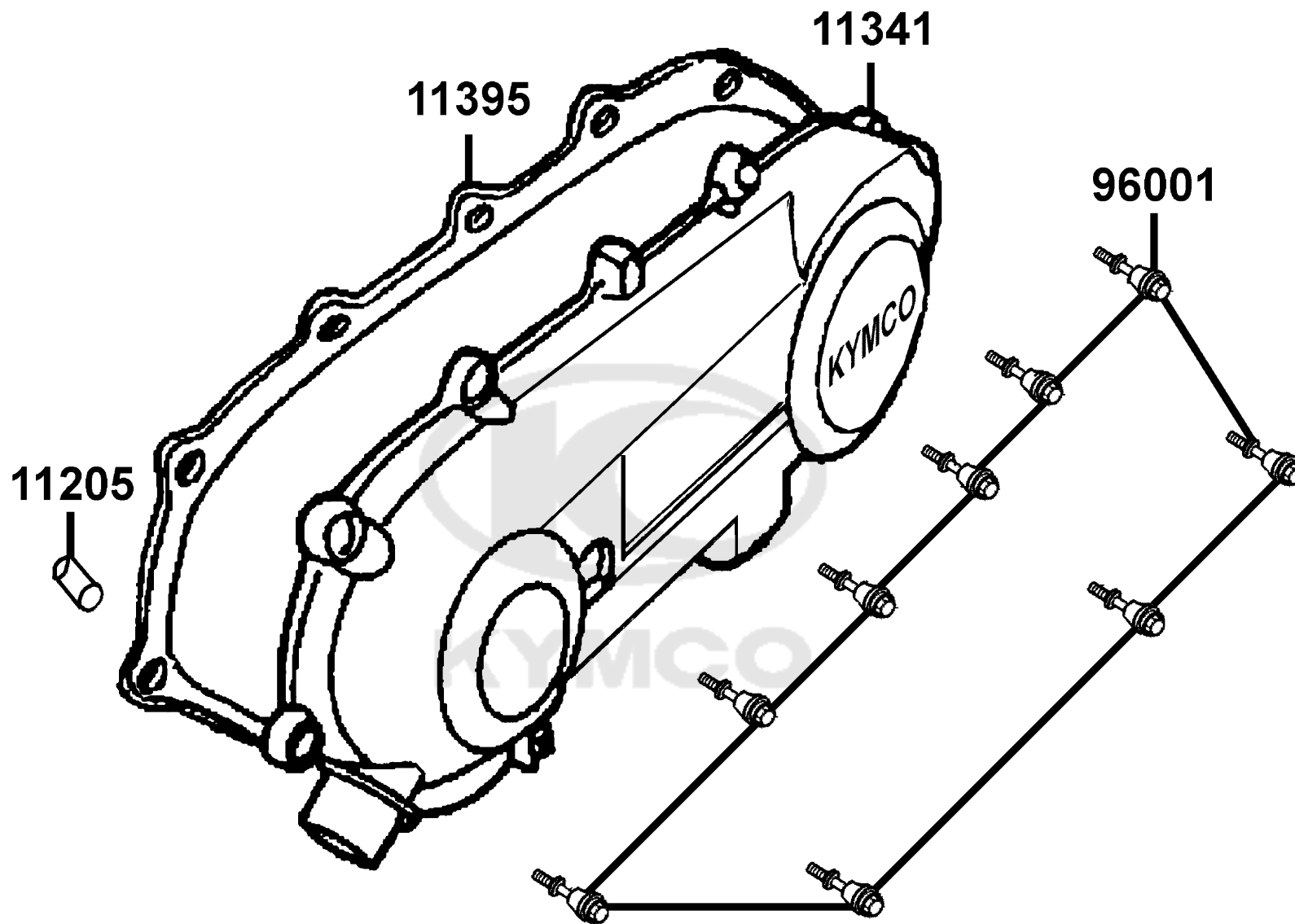


Sales mark	Ref no	Part no	Description	Reg description	Regd no	E04
	31209	31209-GKAK-901	PINION ASSY STARTER	PINION ASSY STARTER	1	
	31210	31210-GKAK-90C	MOTOR UNIT START	MOTOR UNIT START	1	
	32105	32105-KEB7-900	SUB HARNESS	SUB HARNESS	1	
	91309	91309-GKAK-901	O RING	O RING	1	
#	96001	96001-06025-06	BOLT FLANGE SH 6*25	BOLT FLANGE SH 6*25	1	



E05

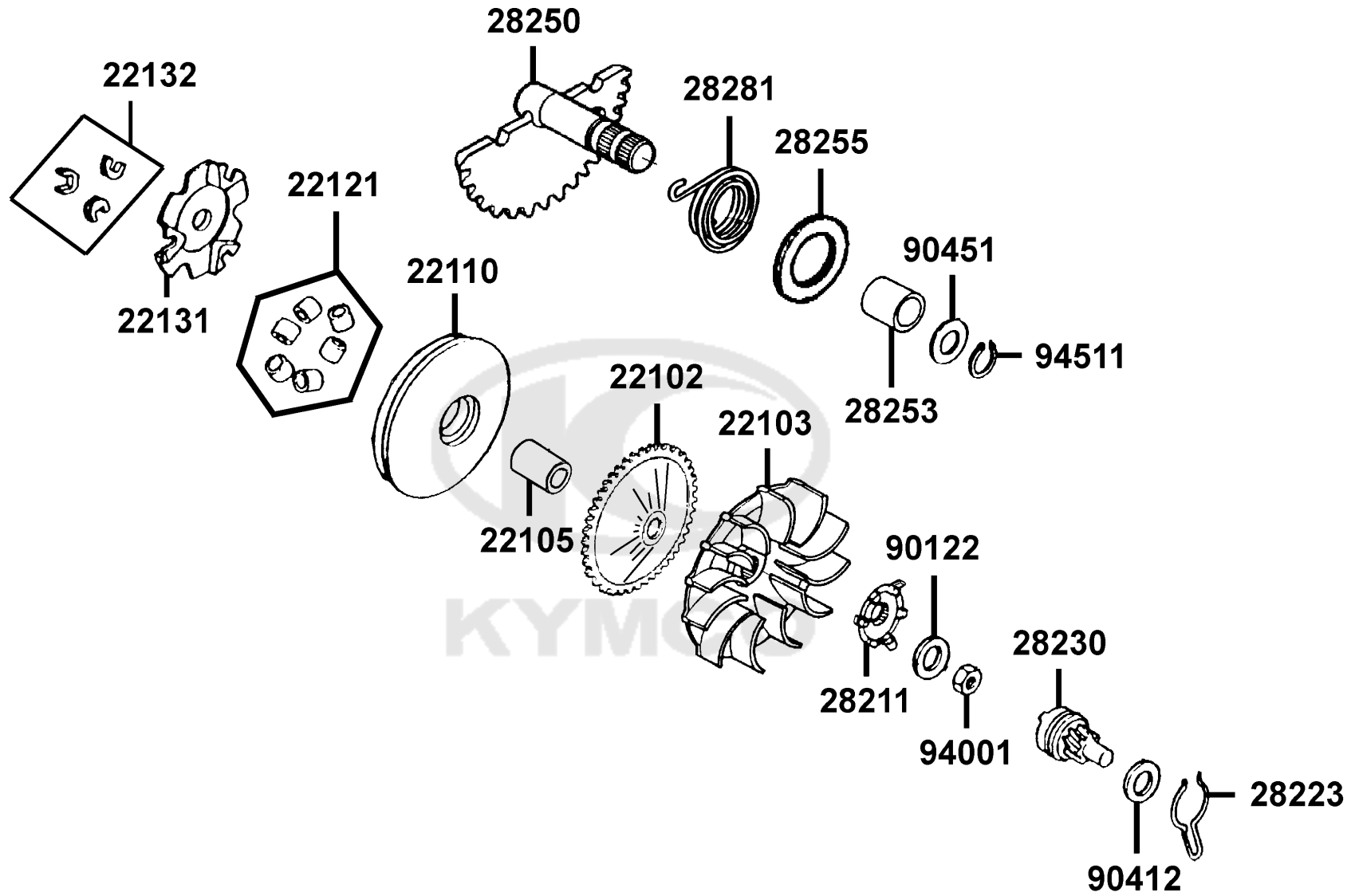
Cover L Side



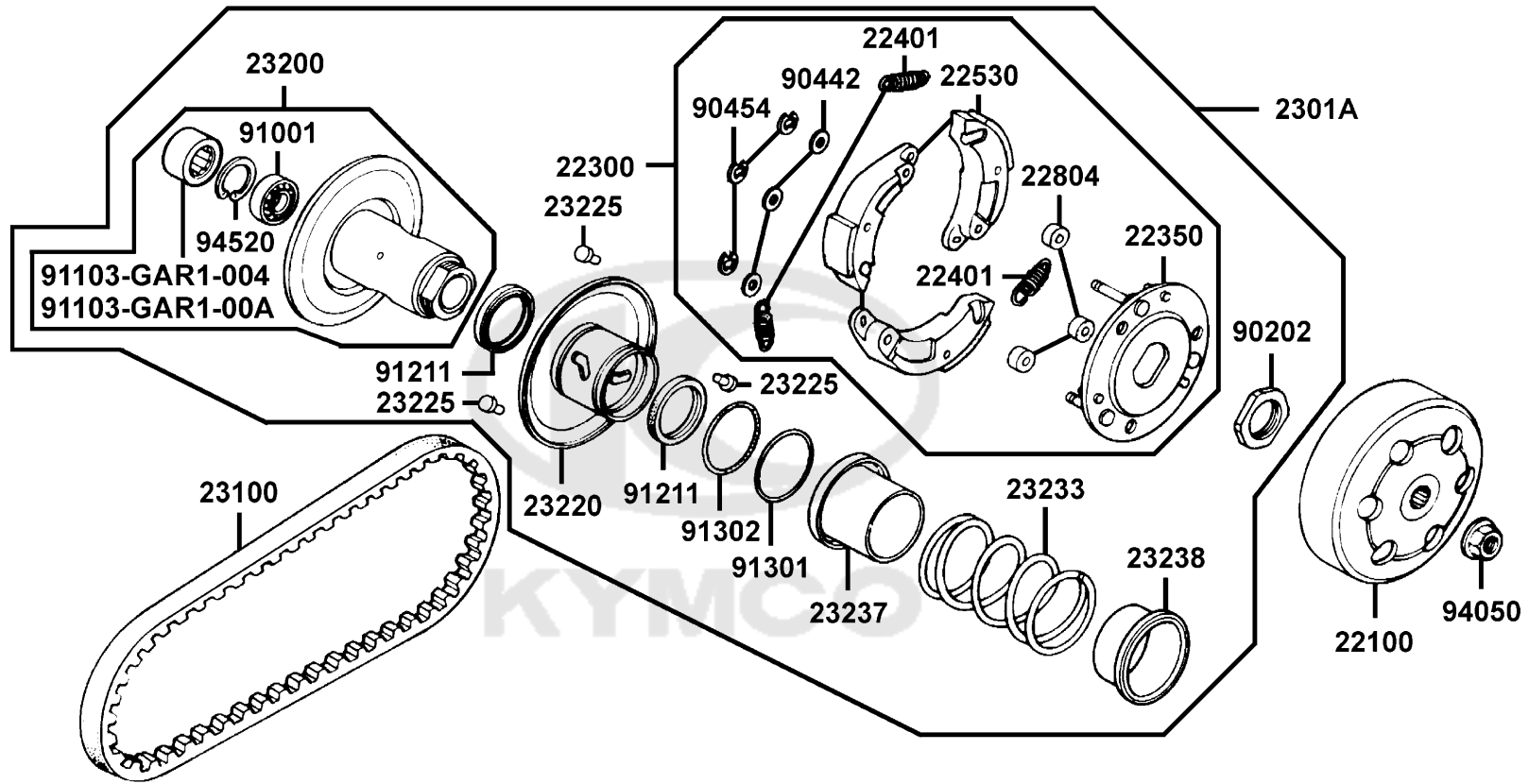
Sales mark	Ref no	Part no	Description	Reg description	Regd no	E05
------------	--------	---------	-------------	-----------------	---------	------------

	11205	11205-GHAH-004	BUSH 8*12*8	BUSH 8*12*8	1	
**	11341	11341-KKD6-900	COVER L SIDE	COVER L SIDE	1	
#	11395	11395-KKD6-980	GASKET L COVER @A	GASKET L COVER A	1	
#	96001	96001-06025-06	BOLT FLANGE SH 6*25	BOLT FLANGE SH 6*25	1	

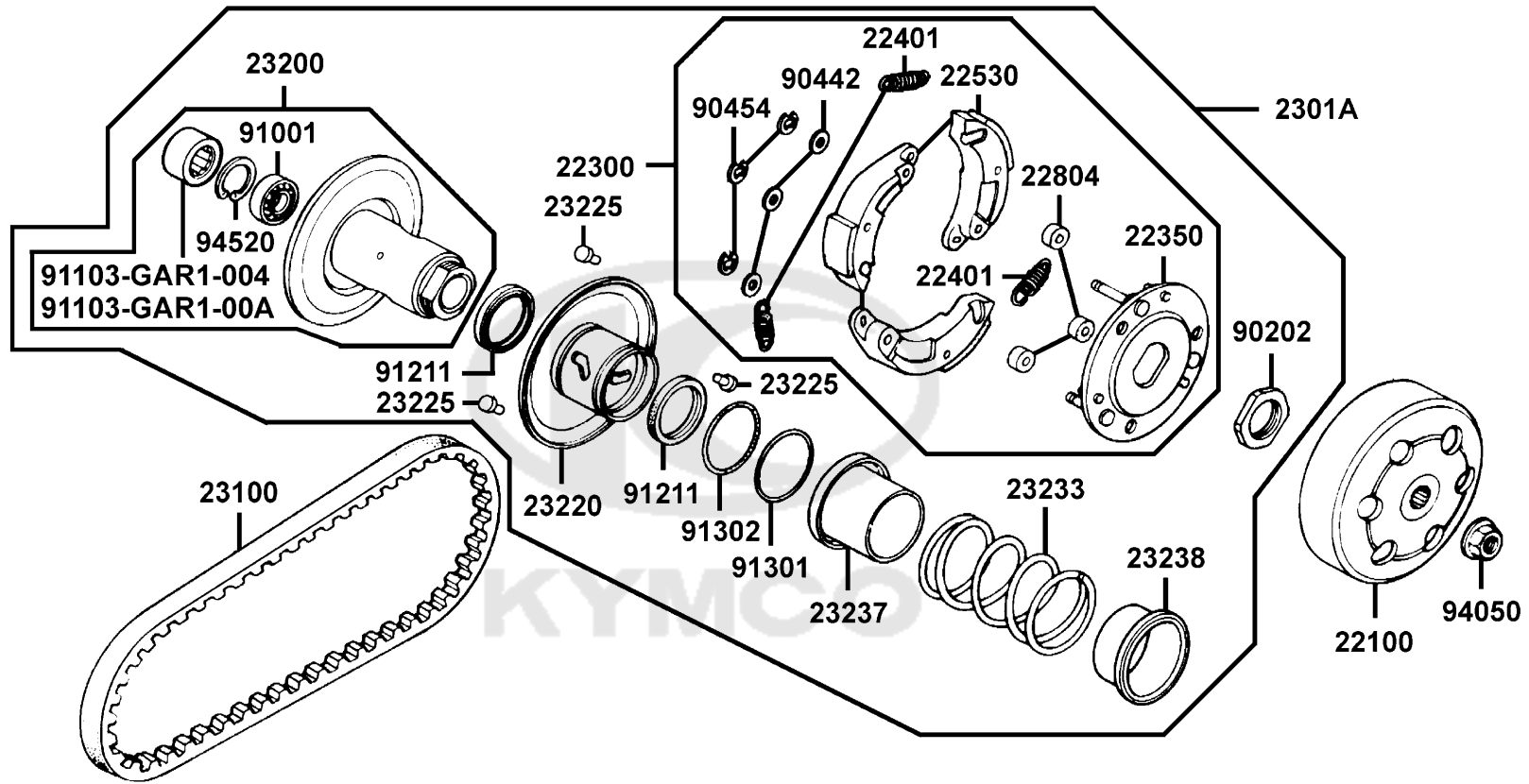





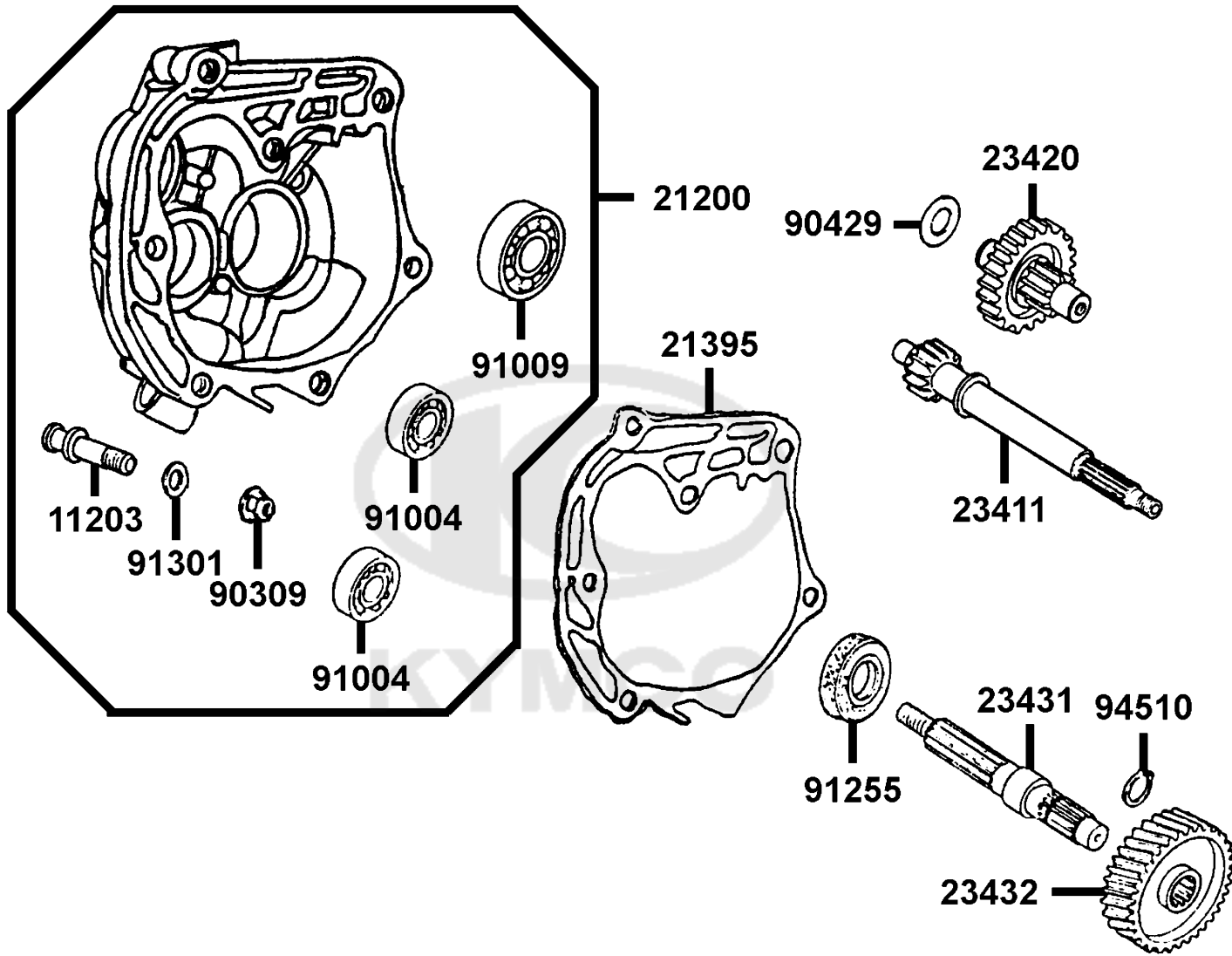
Sales mark	Ref no	Part no	Description	Reg description	Regd no	E06
	22102	22102-KEB7-900	FACE DRIVE	FACE DRIVE	1	
	22103	22103-KEB7-900	FAN CVT COOLING	FAN CVT COOLING	1	
	22105	22105-KFA5-800	BOSS DRIVE FACE	BOSS DRIVE FACE	1	
	22110	22110-KFA1-220	FACE COMP MOVABLE DRIVE	FACE COMP MOVABLE DRIVE	1	
#	22121	22121-GLW0-305	ROLLER SET WEIGHT (1SET:6PCS)	ROLLER SET WEIGHT (1SET:6PCS)	1	
	22131	22131-GHAH-781	PLATE RAMP	PLATE RAMP	1	
#	22132	22132-GLW0-305	PIECE SLIDE(1SET:3PCS)	PIECE SLIDE(1SET:3PCS)	1	
	28211	28211-KEB7-900	RATCHET KICK STARTER	RATCHET KICK STARTER	1	
	28223	28223-KNBN-901	SPG KICK DRIVEN GEAR	SPG KICK DRIVEN GEAR	1	
	28230	28230-GKAK-921	GEAR COMP KICK DRIVEN	GEAR COMP KICK DRIVEN	1	
	28250	28250-KNBN-901	SPINDLE COMP KICK STARTER	SPINDLE COMP KICK STARTER	1	
	28253	28253-GBN2-60A	BUSH KICK SPINDLE	BUSH KICK SPINDLE	1	
	28255	28255-GFS6-001	COLLAR KICK BOSS	COLLAR KICK BOSS	1	
	28281	28281-GBN2-60A	SPRING KICK RETURN	SPRING KICK RETURN	1	
#	90122	90122-GCS3-001	WASHER 12MM	WASHER 12MM	1	
	90412	90412-3K29-001	WASHER THRUST 10M/M	WASHER THRUST 10M/M	1	
	90451	90451-GBN2-601	WASHER KICK SPINDLE	WASHER KICK SPINDLE	1	
	94001	94001-12280-0S	NUT HEX 12MM	NUT HEX 12MM	1	
	94511	94511-14000	CIR CLIP EX 14	CIR CLIP EX 14	1	



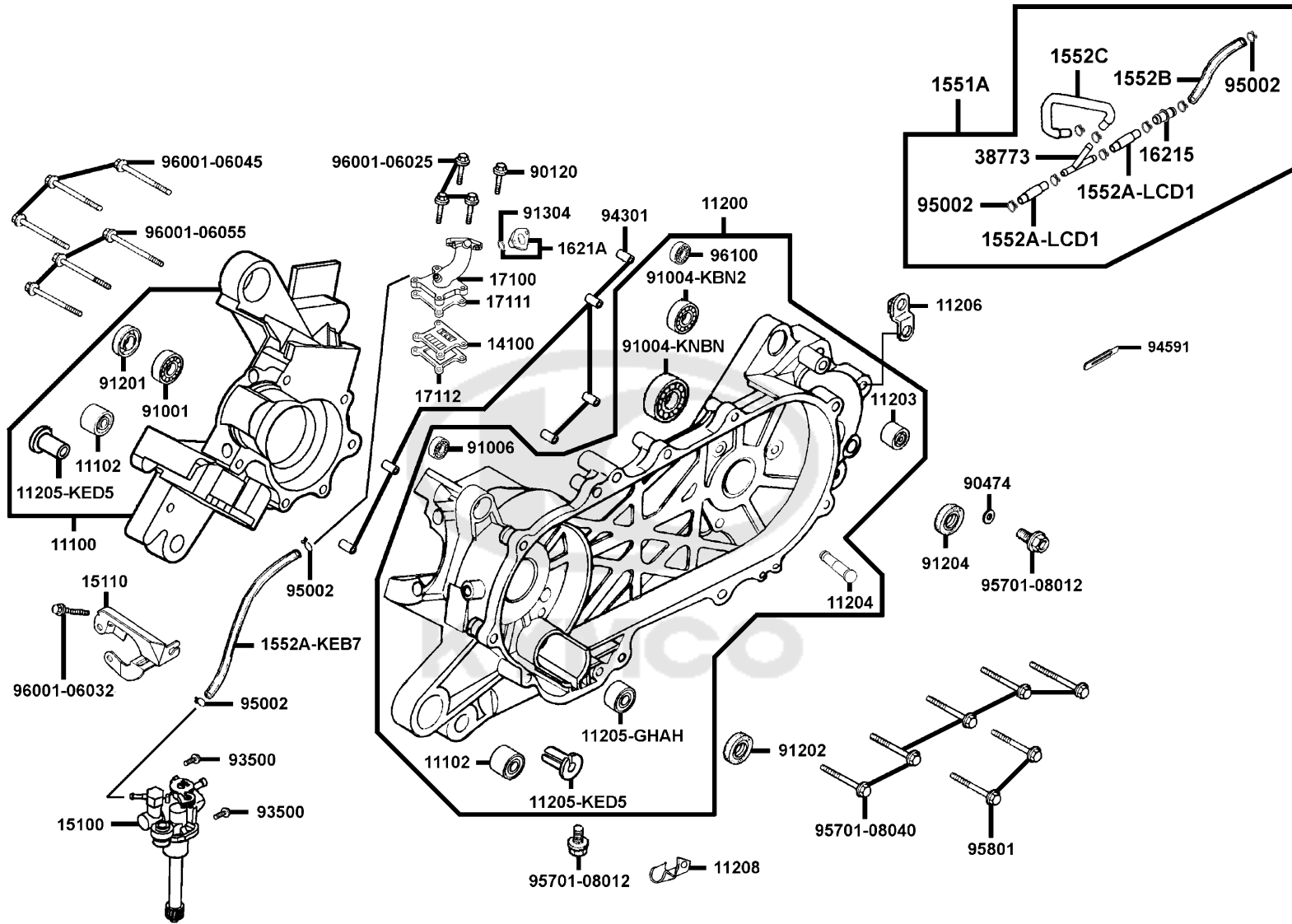
Sales mark	Ref no	Part no	Description	Reg description	Regd no	E07
22100		22100-GAR1-751	CLUTCH OUTER	CLUTCH OUTER	1	
22300		22300-KXCX-900	PLATE ASSY DRIVE	PLATE ASSY DRIVE	1	
22350		22350-GKAK-930	PLATE COMP DRIVE	PLATE COMP DRIVE	1	
22401		22401-GBG2-900	SPRING CLUTCH	SPRING CLUTCH	3	
22530		22530-GKAK-930	WEIGHT CLUTCH	WEIGHT CLUTCH	3	
22804		22804-1H48-001	RUBBER CLUTCH DUMPER	RUBBER CLUTCH DUMPER	3	
2301A		2301A-KEB7-220	PULLEY SUB ASSY	PULLEY SUB ASSY	1	
23100		23100-KEB7-900	BELT DRIVE	BELT DRIVE	1	
23200		23200-GAR1-220	FACE ASSY DRIVEN	FACE ASSY DRIVEN	1	
23220		23220-GKAK-220	FACE COMP MOVABLE DRIVEN	FACE COMP MOVABLE DRIVEN	1	
23225		23225-GAR1-751	PIN GUIDE	PIN GUIDE	3	
23233		23233-GHE8-001	SPG DRIVEN FACE	SPG DRIVEN FACE	1	
23237		23237-GAR1-220	COLLAR SEAL	COLLAR SEAL	1	
23238		23238-GFY6-941	COLLAR SPG	COLLAR SPG	1	
90202		90202-1G87-001	NUT SPECIAL 28MM	NUT SPECIAL 28MM	1	
90442		90442-0D44-001	WASHER THRUST 6M/M	WASHER THRUST 6M/M	3	
90454		90454-GBB2-001	CIR CLIP 6MM	CIR CLIP 6MM	3	
91001		91001-GGA7-70A	BRG RADIAL BALL 6901U	BRG RADIAL BALL 6901U	1	
91103-GAR1-004		91103-GAR1-004	BRG NEEDLE 17*25*18 WS	BRG NEEDLE 17*25*18 WS	1	
91103-GAR1-00A		91103-GAR1-00A	BRG NEEDLE 17*25*18 WS	BRG NEEDLE 17*25*18 WS	1	



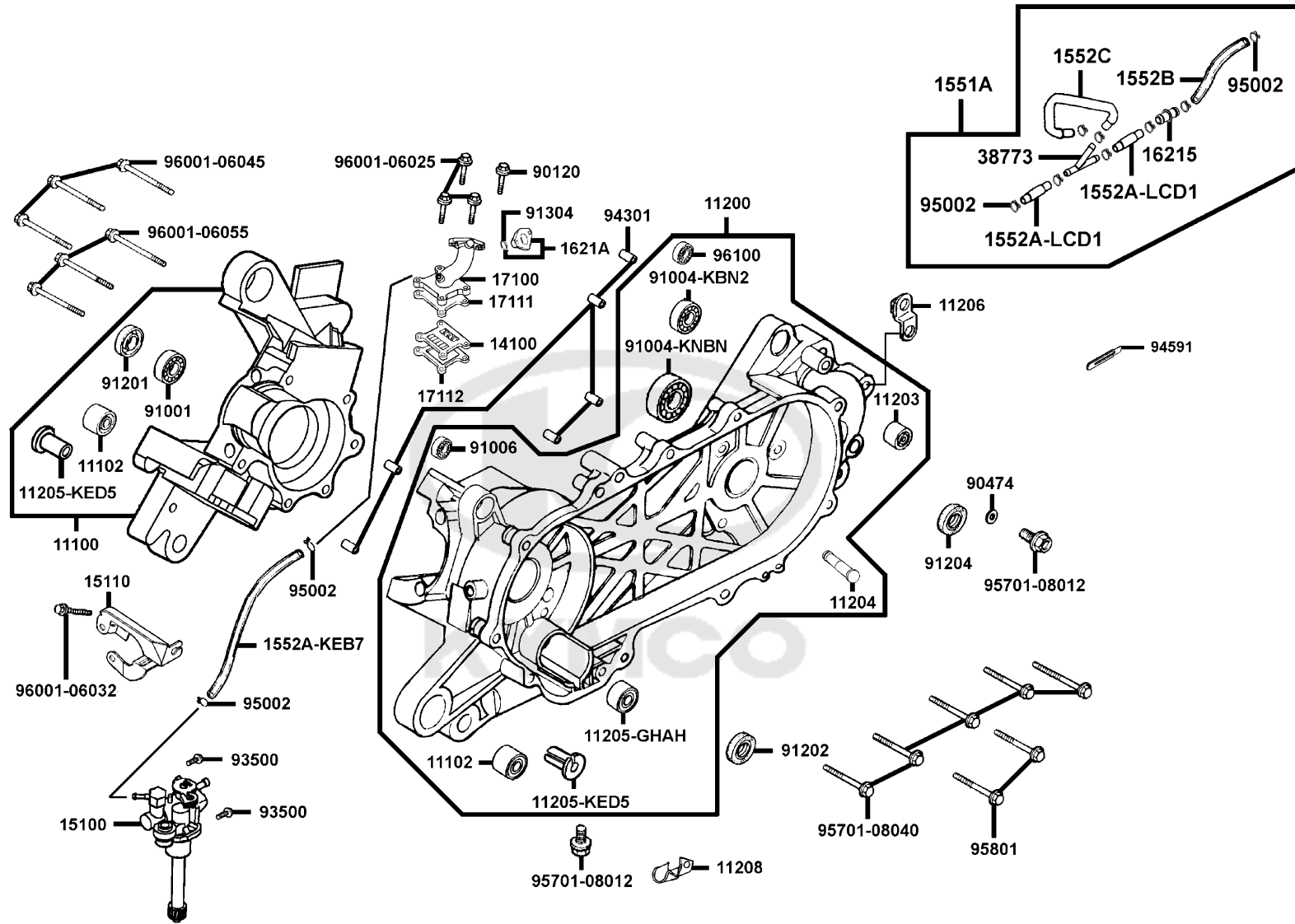
Sales mark	Ref no	Part no	Description	Reg description	Regd no	E07
91211		91211-GHK8-014	OIL SEAL 34*39*3	OIL SEAL 34*39*3	2	
91301		91301-KEA5-742	O-RING 36*1.5	O-RING 36*1.5	1	
91302		91302-PAK9-004	O-RING 39.8*2.2	O-RING 39.8*2.2	1	
94050		94050-10080	NUT FLANGE 10MM	NUT FLANGE 10MM	1	
94520		94520-24000	CIR CLIP IN 24	CIR CLIP IN 24	1	
						



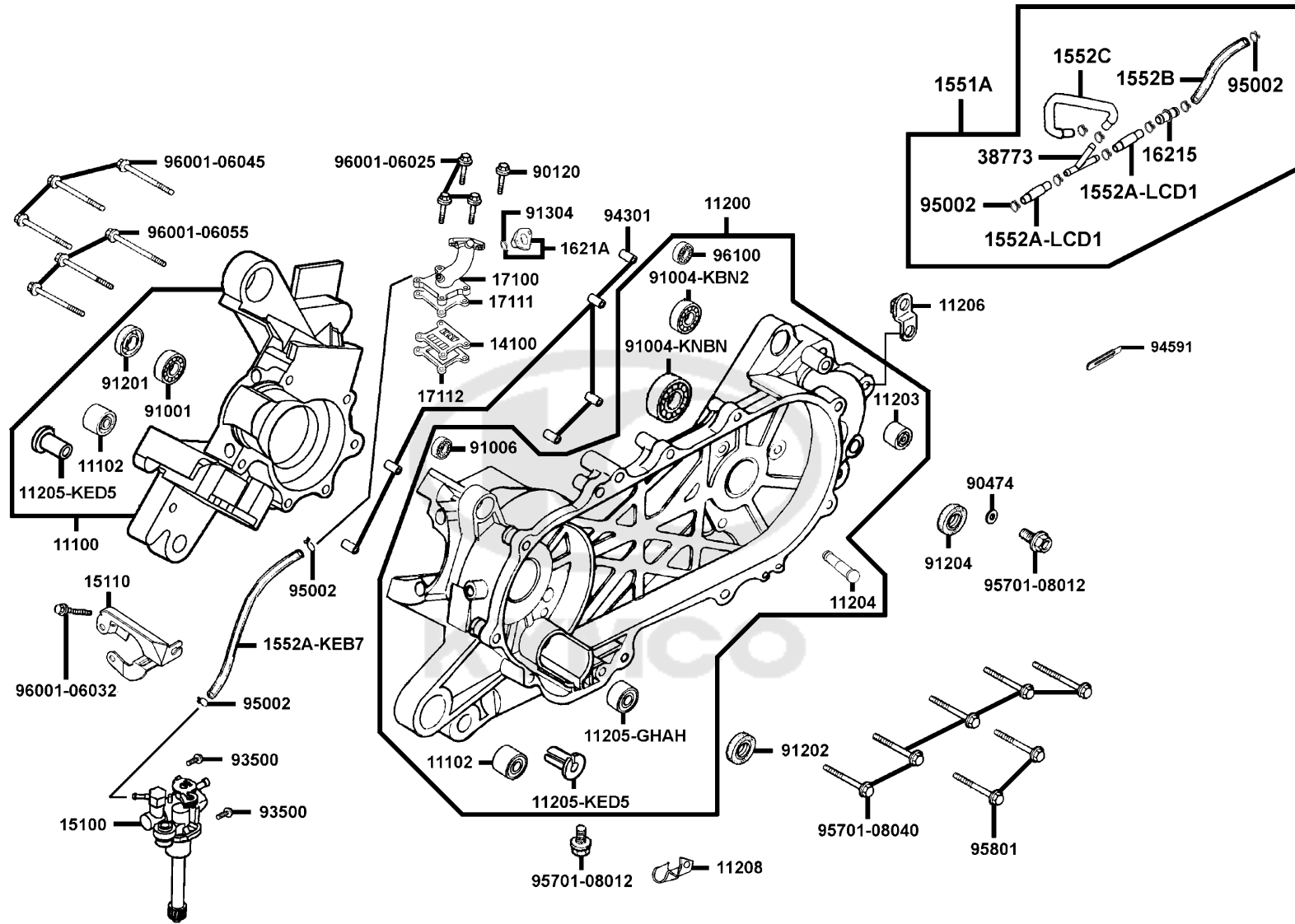
Sales mark	Ref no	Part no	Description	Reg description	Regd no	E08
	11203	11203-KHG8-301	PIN BRAKE SHOE ANCHOR	PIN BRAKE SHOE ANCHOR	1	
	21200	21200-KFA1-305	CASE SET MISSION	CASE SET MISSION	1	
#	21395	21395-LBD3-900	GASKET MISSION CASE A	GASKET MISSION CASE A	2	
	23411	23411-KEB7-900	SHAFT DRIVE	SHAFT DRIVE	1	
	23420	23420-KEB7-900	SHAFT COMP COUNTER	SHAFT COMP COUNTER	1	
	23431	23431-KNBN-901	SHAFT FINAL	SHAFT FINAL	1	
	23432	23432-KEB7-900	GEAR FINAL	GEAR FINAL	1	
#	90309	90309-KLF0-004	NUT FLANGE 8MM	NUT FLANGE 8MM	1	
	90429	90429-KNBN-901	WASHER SIDE 12MM	WASHER SIDE 12MM	1	
	91004	91004-KBN2-90A	BRG BALL RADIAL 6201 (12*32*10)	BRG BALL RADIAL 6201 (12*32*10)	2	
	91009	91009-GLE0-004	BRG BALL RADIAL 6004 UU	BRG BALL RADIAL 6004 UU	1	
	91255	91255-GLE0-006	OIL SEAL 27*42*7	OIL SEAL 27*42*7	1	
	91301	91301-OC53-001	O RING 7.5*1.5	O RING 7.5*1.5	1	
	94510	94510-20000	CIR CLIP EX 20	CIR CLIP EX 20	1	



Sales mark	Ref no	Part no	Description	Reg description	Regd no	E09
	11100	11100-KGB5-305	CRANK CASE SET RIGHT	CRANK CASE SET RIGHT	1	
#	11102	11102-1G87-00A	RUB BUSH ENG HANGER	RUB BUSH ENG HANGER	2	
	11200	11200-KEB7-325	CRANK CASE SET LEFT	CRANK CASE SET LEFT	1	
	11203	11203-GGC7-301	UNDER RUBBER BUSH REAR CUSHION	UNDER RUBBER BUSH REAR CUSHION	1	
	11204	11204-KEB7-900	PIN SPG HOOK	PIN SPG HOOK	1	
	11205-GHAH	11205-GHAH-004	BUSH 8*12*8	BUSH 8*12*8	1	
	11205-KED5	11205-KED5-900	BUSH M STAND	BUSH M STAND	2	
	11206	11206-KEB7-900	STAY RR FENDER	STAY RR FENDER	1	
	11208	11208-GKAK-901	CLAMPER CARB DRAIN	CLAMPER CARB DRAIN	1	
	14100	14100-KEB7-900	VALVE COMP REED	VALVE COMP REED	1	
	15100	15100-KEB7-E00	PUMP ASSY OIL	PUMP ASSY OIL	1	
	15110	15110-KEB7-900	PLATE OIL PUMP SET	PLATE OIL PUMP SET	1	
#	1551A	1551A-LCD1-E00	TUBE ASSY OIL PUMP ASSY	TUBE ASSY OIL PUMP ASSY	1	
	1552A-KEB7	1552A-KEB7-901	TUBE ASSY OIL PASS	TUBE ASSY OIL PASS	1	
	1552A-LCD1	1552A-LCD1-E00	TUBE ASSY OIL PASS	TUBE ASSY OIL PASS	1	
	1552B	1552B-LCD1-E00	TUBE ASSY OIL PASS	TUBE ASSY OIL PASS	1	
	1552C	1552C-LCD1-E00	TUBE ASSY OIL PASS	TUBE ASSY OIL PASS	1	
	16215	16215-LCD1-E00	JOINT	JOINT	1	
	1621A	1621A-GKAK-901	INSULATOR CARB ASSY	INSULATOR CARB ASSY	1	
#	17100	17100-KEB7-901	PIPE COMP INLET	PIPE COMP INLET	1	

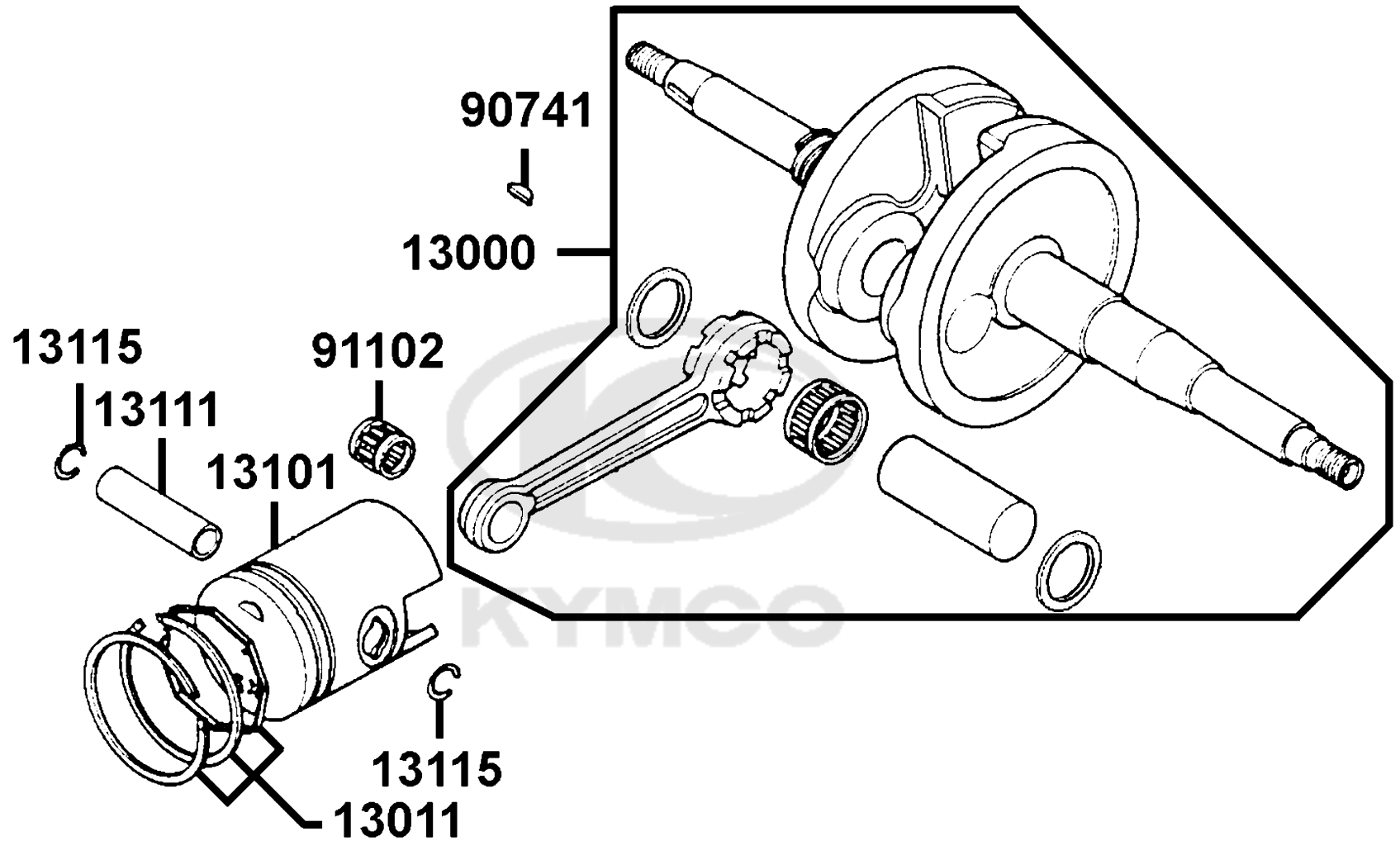


Sales mark	Ref no	Part no	Description	Reg description	Regd no	E09
	17100	17100-KEB7-E00	PIPE COMP INLET	PIPE COMP INLET	1	
#	17111	17111-KEB7-980	GASKET INLET PIPE A @A	GASKETINLET PIPE A A	2	
#	17112	17112-KEB7-980	GASKET INLET PIPE A @B	GASKETINLET PIPE A B	2	
	38773	38773-KEC3-900	JOINT ASSY TANK CAP	JOINT ASSY TANK CAP	1	
	90120	90120-GAR1-J00	SOCKET BOLT SPECIAL 6*28	SOCKET BOLT SPECIAL 6*28	1	
	90474	90474-3C33-001	WASHER 8MM	WASHER 8MM	1	
	91001	91001-GLW0-90A	BRG BALL RADIAL 6204 SPECIAL	BRG BALL RADIAL 6204 SPECIAL	1	
	91004-KBN2	91004-KBN2-90A	BRG BALL RADIAL 6201 (12*32*10)	BRG BALL RADIAL 6201 (12*32*10)	1	
	91004-KNBN	91004-KNBN-92A	BRG BALL RADIAL 6203 SPC 17*40*12	BRG BALL RADIAL 6203 SPC 17*40*12	1	
	91006	91006-KNBN-901	BEARING BALL RADIAL (25*56*12)	BEARING BALL RADIAL (25*56*12)	1	
	91201	91201-KNBN-92A	OIL SEAL 15.6*25.5*7	OIL SEAL 15.6*25.5*7	1	
	91202	91202-KNBN-92A	OIL SEAL 20*31*7	OIL SEAL 20*31*7	1	
	91204	91204-KNBN-90A	OIL SEAL 17*30*6	OIL SEAL 17*30*6	1	
	91304	91304-GLB0-911	O RING 20.6*1.9	O RING 20.6*1.9	1	
#	93500	93500-05012-0F	SCREW PAN 5X12	SCREW PAN 5X12	1	
	94301	94301-10200	DOWEL PIN 10*20	DOWEL PIN 10*20	6	
#	94591	94591-KFBF-900	CLIP 2*70	CLIP 2*70	1	
	95002	95002-02650	CLIP B6.5 TUBE	CLIP B6.5 TUBE	2	
#	95701-08012	95701-08012-06	BOLT FLANGE 8*12	BOLT FLANGE 8*12	1	
#	95701-08040	95701-08040-06	BOLT FLANGE 8x40 (G)	BOLT FLANGE 8x40 (G)	1	



Sales mark	Ref no	Part no	Description	Reg description	Regd no	E09
#	95801	95801-08035-06	BOLT FLANGE 8*35	BOLT FLANGE 8*35	1	
#	96001-06025	96001-06025-06	BOLT FLANGE SH 6*25	BOLT FLANGE SH 6*25	1	
#	96001-06032	96001-06032-06	BOLT FLANGE 6*32	BOLT FLANGE 6*32	1	
#	96001-06045	96001-06045-06	BOLT FLANGE 6X45	BOLT FLANGE 6X45	1	
#	96001-06055	96001-06055-06	BOLT FLANGE 6*55 **07 C.2005.07.01	BOLT FLANGE 6*55 **07 C.2005.07.01	1	
	96100	96100-62033-00	BEARING BALL RADIAL 6203	BEARING BALL RADIAL 6203	1	



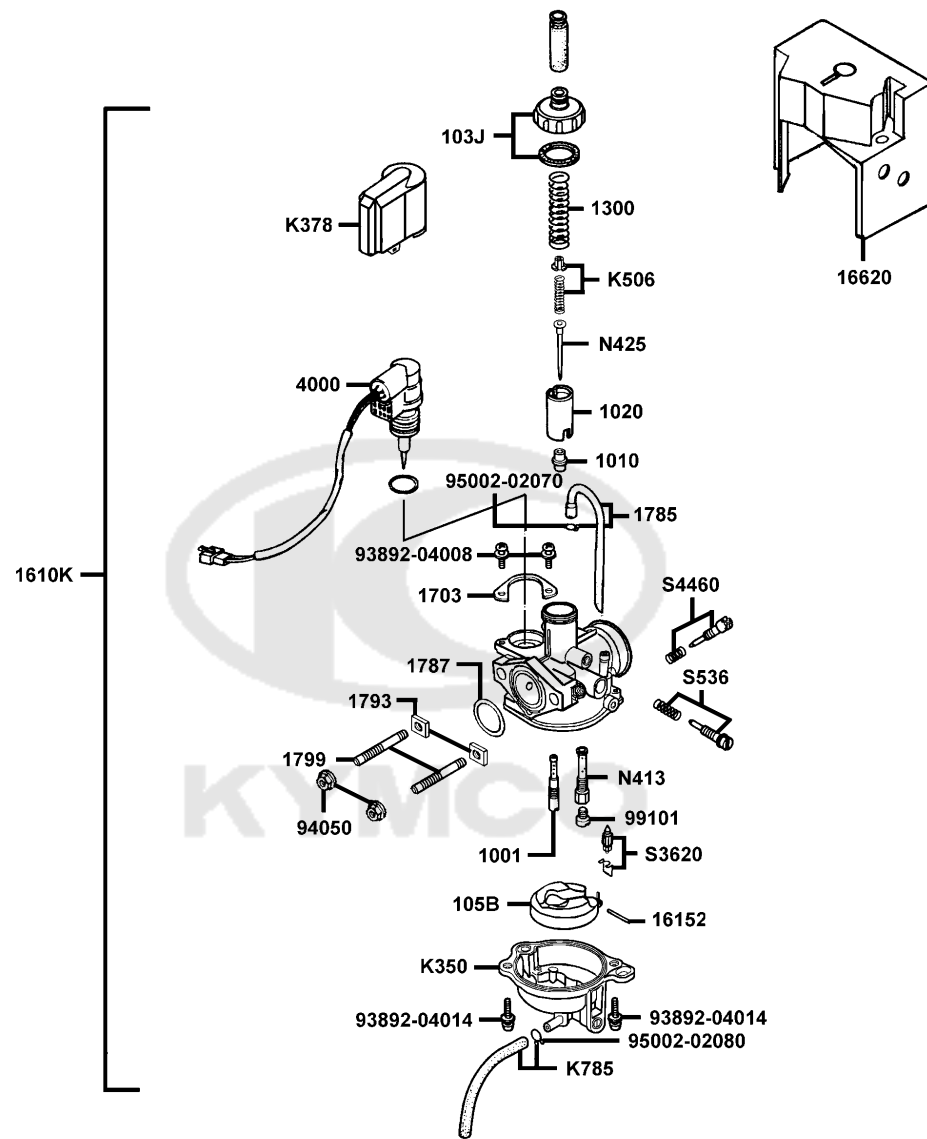


Sales mark	Ref no	Part no	Description	Reg description	Regd no	E10
13000		13000-GKAK-921	CRANK SHAFT COMP	CRANK SHAFT COMP	1	
13011		13011-GLW0-90A	RING ASSY PISTON	RING ASSY PISTON	1	
13101		13101-GLW0-901	PISTON	PISTON	1	
13111		13111-1F66-001	PIN PISTON	PIN PISTON	1	
13115		13115-1F56-001	CLIP PISTON PIN 12MM	CLIP PISTON PIN 12MM	2	
90741		90741-0E35-001	KEY WOODRUFF	KEY WOODRUFF	1	
91102		91102-GLW0-009	BRG CON-ROD S. E.	BRG CON-ROD S. E.	1	



E11

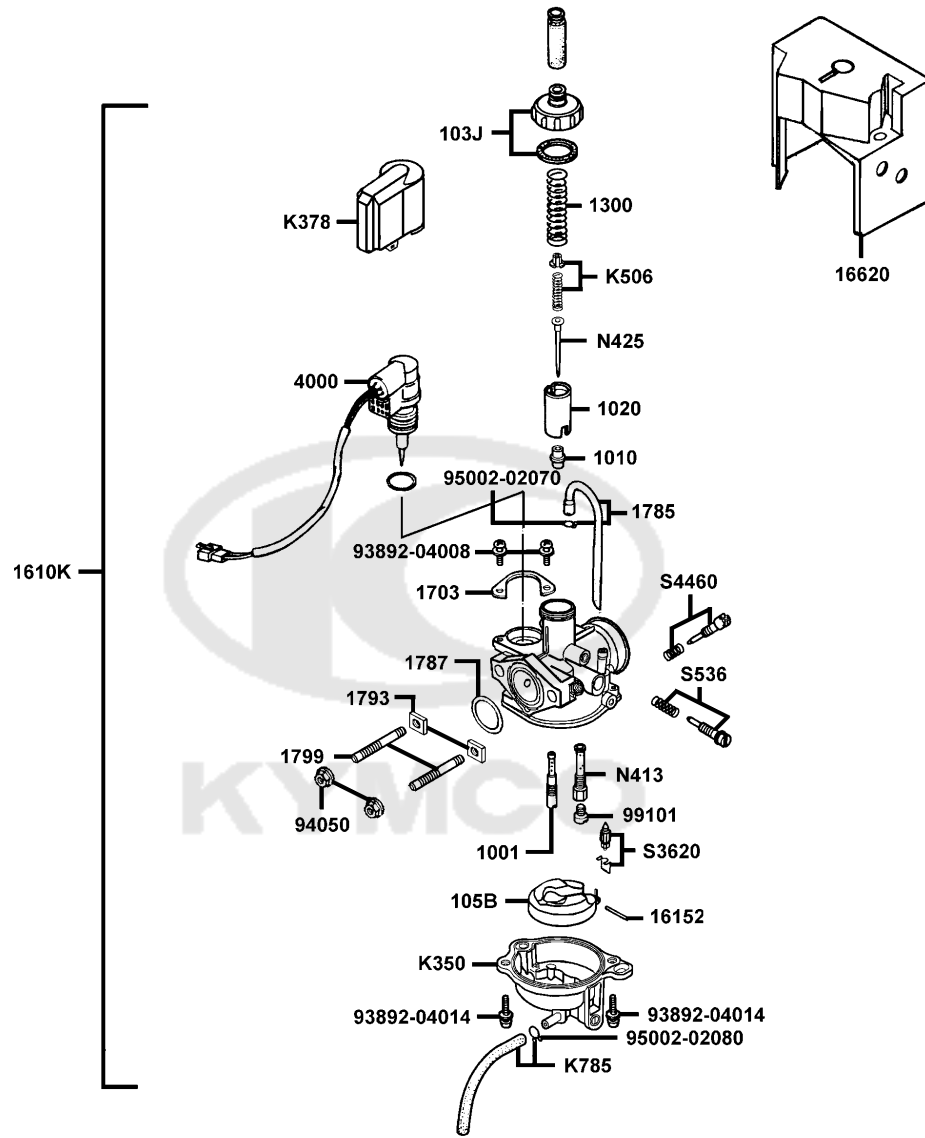
Carburetor



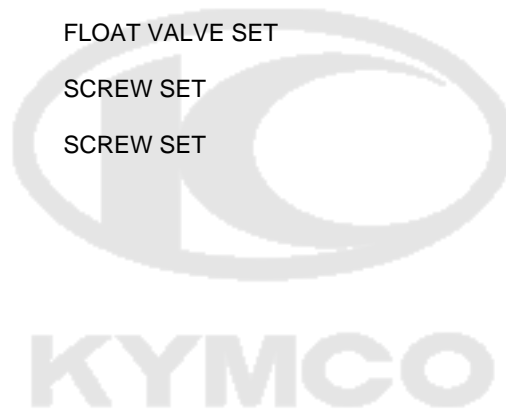
Sales mark	Ref no	Part no	Description	Reg description	Regd no	E11
	1001	1001-GC8H-0351	SLOW JET	SLOW JET	1	
	1010	1010-GAKH-9200	NEEDLE JET	NEEDLE JET	1	
	1020	1020-GAKH-9300	THROTTLE VALVE	THROTTLE VALVE	1	
	103J	103J-073H-9900-SB00	TOP SET	TOP SET	1	
	105B	105B-KBNH-9000	FLOAT COMP	FLOAT COMP	1	
#	1300	1300-GW0H-9000-K	SPG COMPR	SPG COMPR	1	
	1610K	1610K-KKD6-E71	CARBURETOR ASSY	CARBURETOR ASSY	1	
	16152	16152-KG8-9010-M1	ARM PIN	ARM PIN	1	
	16620	16620-KEB7-E00	CAP CARBURETOR	CAP CARBURETOR	1	
	1703	1703-GJ2H-0040	SET PLATE	SET PLATE	1	
	1785	1785-KBNH-9000-SB0	TUBE SET (A.V)	TUBE SET (A.V)	1	
	1787	1787-KG8H-9010	O-RING	O-RING	1	
	1793	1793-144H-9900	HEX NUT	HEX NUT	2	
	1799	1799-KBNH-9000	STUD BOLT	STUD BOLT	2	
	4000	4000-077-0000	AUTO BYSTARTER SET	AUTO BYSTARTER SET	1	
#	93892-04008	93892-04008-16	SCREW WASHER 4X8	SCREW WASHER 4X8	1	
#	93892-04014	93892-04014-18-3	SCREW WASHER 4*14	SCREW WASHER 4*14	1	
	94050	94050-06080	NUT FLANGE 6MM	NUT FLANGE 6MM	2	
	95002-02070	95002-02070	CLIP B7 TUBE	CLIP B7 TUBE	1	
	95002-02080	95002-02080	CLIP B8 TUBE	CLIP B8 TUBE	1	

E11

Carburetor

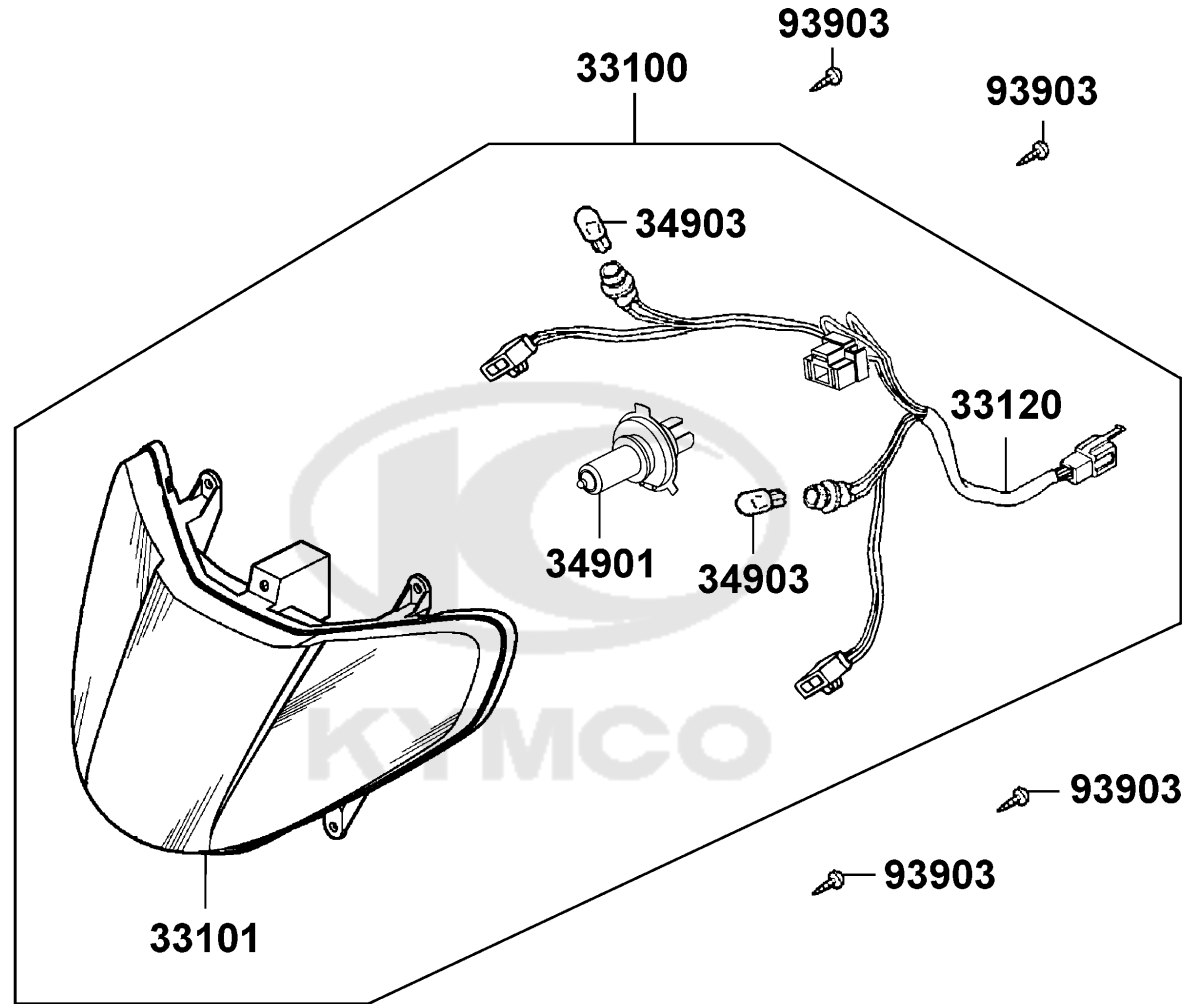


Sales mark	Ref no	Part no	Description	Reg description	Regd no	E11
99101		99101-116-0720	MAIN JET	MAIN JET	1	
K350		K350-KEB-0500	FLOAT CHAMBER SET	FLOAT CHAMBER SET	1	
K378		K378-001	CAP ASSY	CAP ASSY	1	
K506		K506-GW0-0100	VALVE PLATE SET	VALVE PLATE SET	1	
K785		K785-KEB-0300	TUBE SET (DRAIN)	TUBE SET (DRAIN)	1	
N413		N413-32A00	NEEDLE JET HOLDER	NEEDLE JET HOLDER	1	
N425		N425-2RFMJ	JET NEEDLE COMP	JET NEEDLE COMP	1	
S3620		S3620-031-B000	FLOAT VALVE SET	FLOAT VALVE SET	1	
S4460		S4460-213-B001	SCREW SET	SCREW SET	1	
S536		S536-1241	SCREW SET	SCREW SET	1	



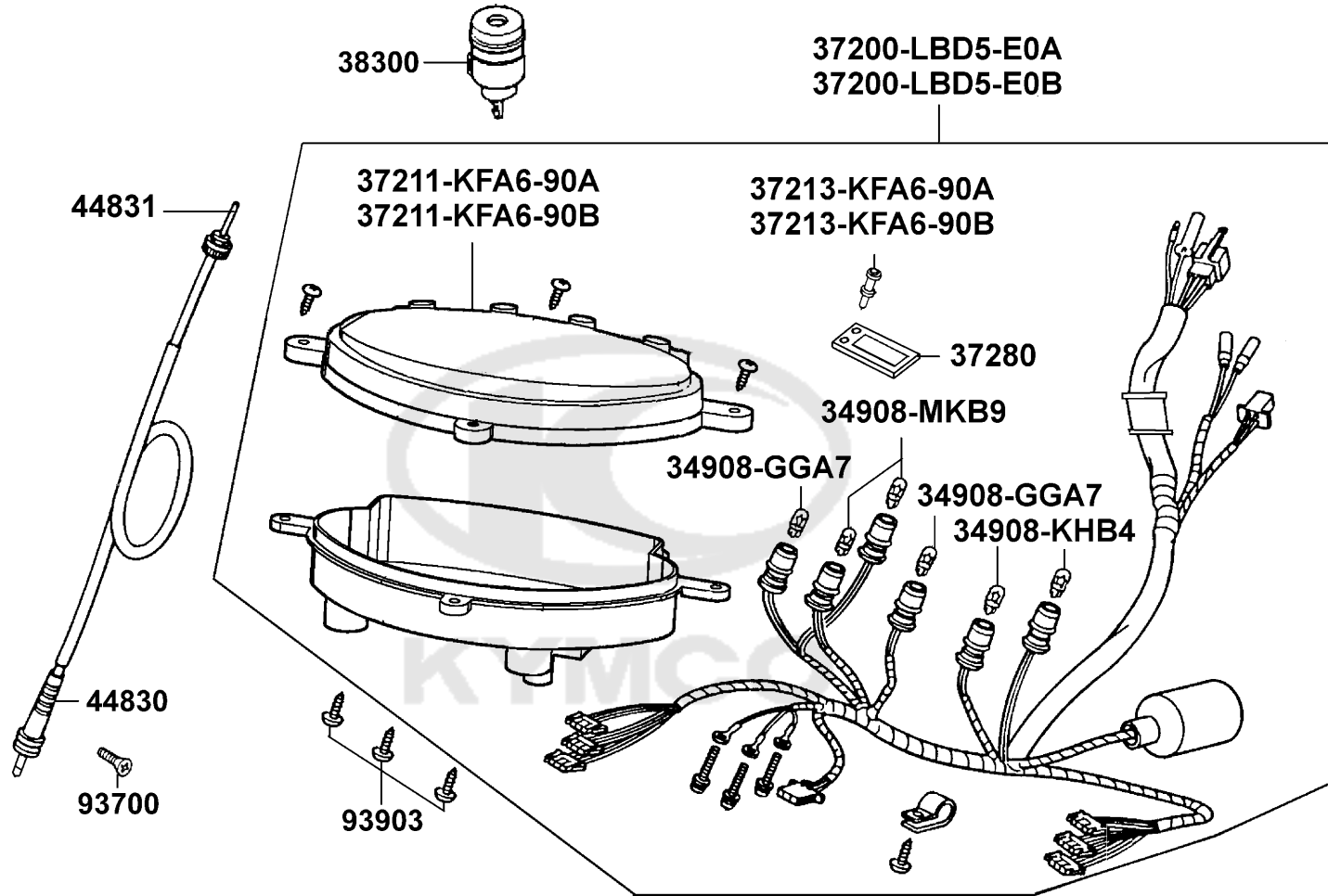
F01

Head Light



Sales mark	Ref no	Part no	Description	Reg description	Regd no	F01
	33100	33100-KGB5-E00	LIGHT ASSY FR COMB	LIGHT ASSY FR COMB	1	
	33101	33101-KGB5-E00	LIGHT COMP FR COMB	LIGHT COMP FR COMB	1	
	33120	33120-KGB5-E00	SOCKET COMP FR COMB	SOCKET COMP FR COMB	1	
	34901	34901-KFA6-900	BULB HEAD LIGHT (HSI 12V 35/35W)	BULB HEAD LIGHT (HSI 12V 35/35W)	1	
	34903	34903-KPCP-900	BULB POSITION LIGHT 12V5W **KCP-	BULB POSITION LIGHT 12V5W **KCP-9000	2	
#	93903	93903-35360	SCREW TAPPING 5*16	SCREW TAPPING 5*16	4	

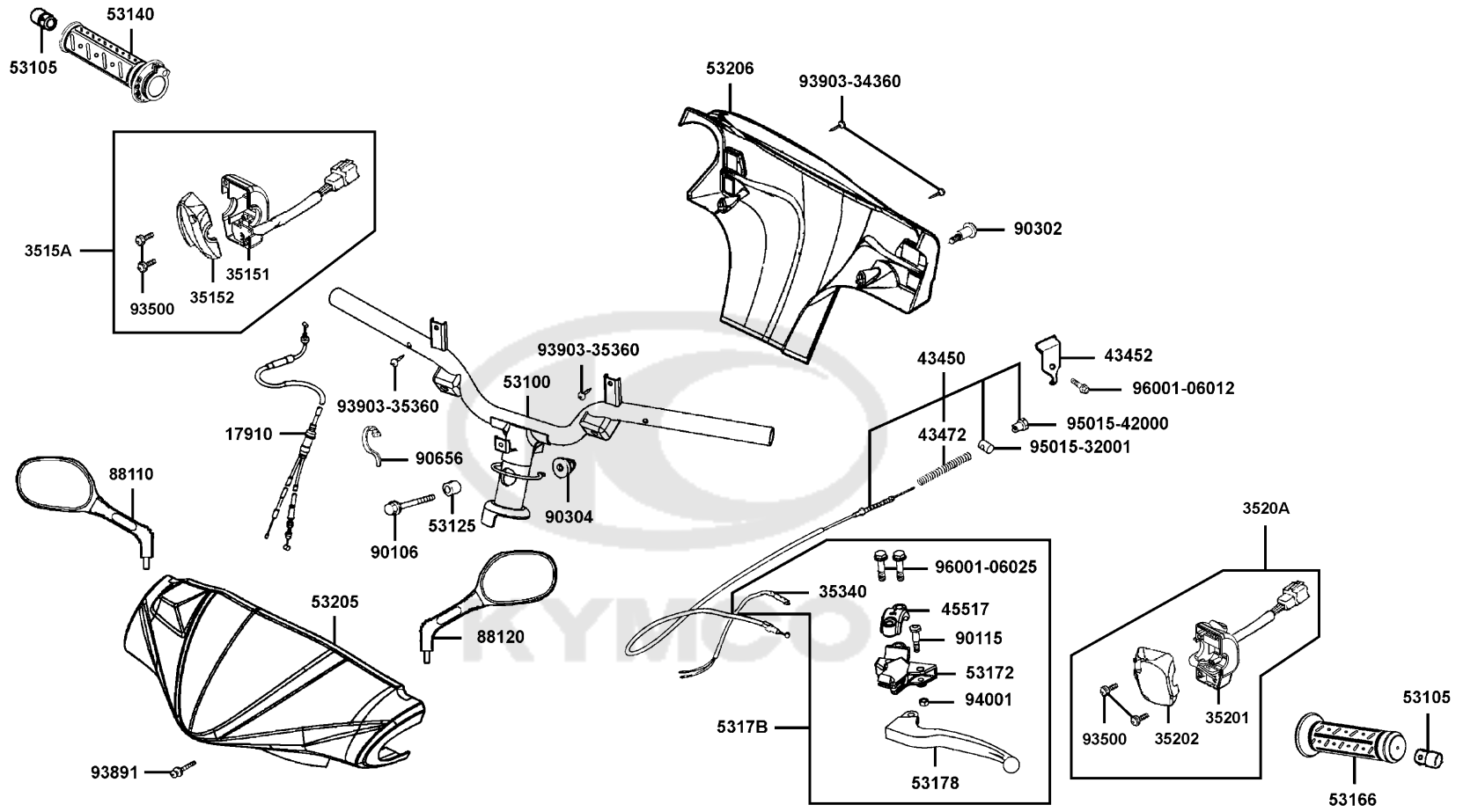




Sales mark	Ref no	Part no	Description	Reg description	Regd no	F02
	34908-GGA7	34908-GGA7-70A	BULB WEDGE BASE 12V*3.4W	BULB WEDGE BASE 12V*3.4W	2	
	34908-KHB4	34908-KHB4-900	BULB WEDGE BASE 12V*1.7W	BULB WEDGE BASE 12V*1.7W	2	
	34908-MKB9	34908-MKB9-87A	BULB WEDGE BASE T10	BULB WEDGE BASE T10	2	
	37200-LBD5-E0A	37200-LBD5-E0A	METER ASSY SPEED (D408)	METER ASSY SPEED (D408)	1	
	37200-LBD5-E0B	37200-LBD5-E0B	METER ASSY SPEED/D403	METER ASSY SPEED/D403	1	
	37211-KFA6-90A	37211-KFA6-90A	LENS ASSY (D408)	LENS ASSY (D408)	1	
	37211-KFA6-90B	37211-KFA6-90B	LENS ASSY/D403	LENS ASSY/D403	1	
	37213-KFA6-90A	37213-KFA6-90A	PACKING (LCD) (D408)	PACKING (LCD) (D408)	1	
	37213-KFA6-90B	37213-KFA6-90B	PACKING (LCD) (D403)	PACKING (LCD) (D403)	1	
	37280	37280-KFA6-900	LCD ASSY (LOCK)	LCD ASSY (LOCK)	1	
	38300	38300-KECE-900	RELAY ASSY WINKER	RELAY ASSY WINKER	1	
	44830	44830-KKD6-E00	CABLE COMP SPDMT	CABLE COMP SPDMT	1	
	44831	44831-KKD6-E00	INNER CABLE	INNER CABLE	1	
#	93700	93700-05018-0F	SCREW OVAL 5*18	SCREW OVAL 5X18	1	
#	93903	93903-35360	SCREW TAPPING 5*16	SCREW TAPPING 5*16	1	

F03

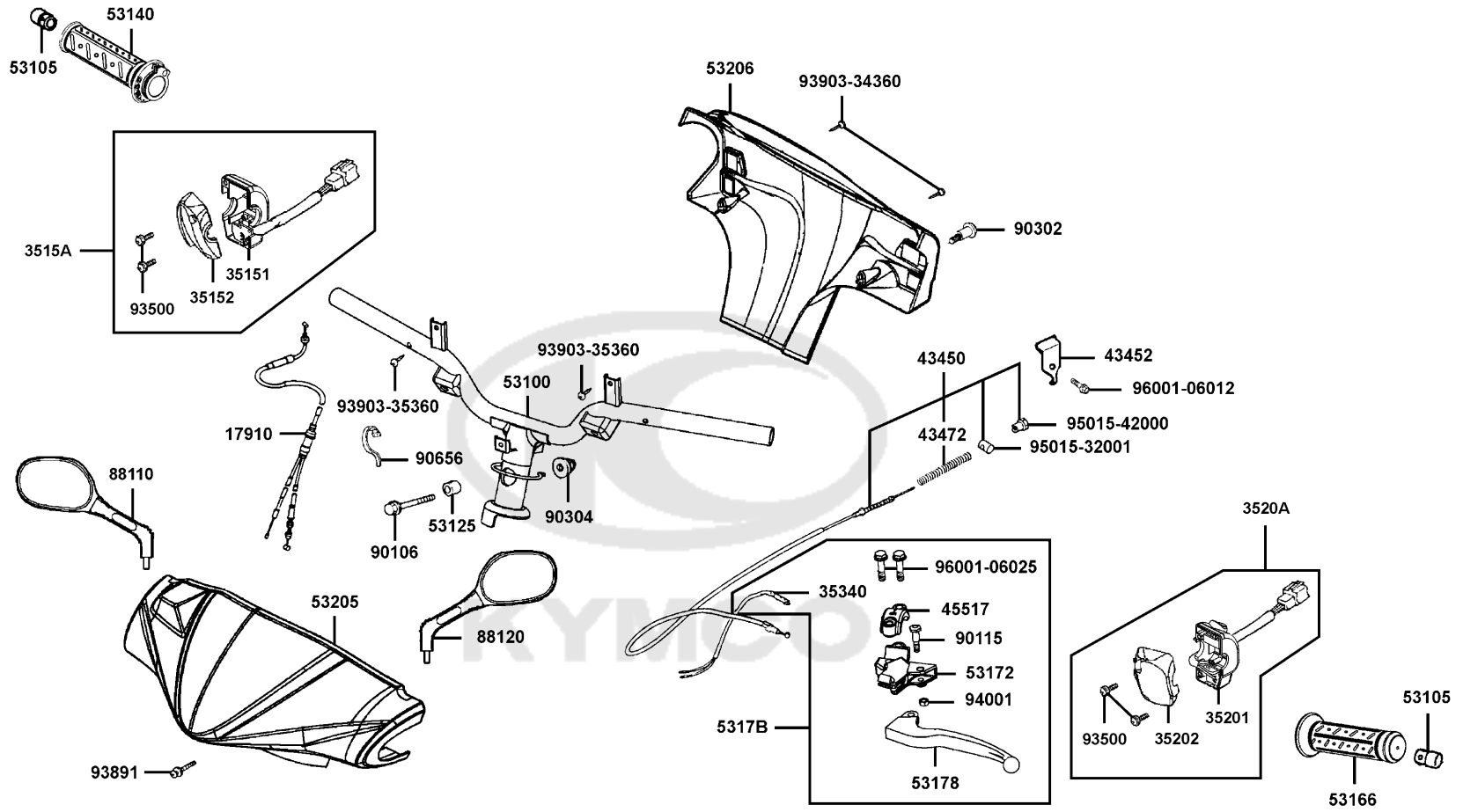
Handle SteeringHandle Cover



Sales mark	Ref no	Part no	Description	Reg description	Regd no	F03
	17910	17910-KKD6-E00	CABLE COMP THROT	CABLE COMP THROT	1	
	35151	35151-KGBG-910	FR CASE RH HNDL COMP SW	FR CASE RH HNDL COMP SW	1	
	35152	35152-KGBG-900	RR CASE RH HNDL COMP SW	RR CASE RH HNDL COMP SW	1	
	3515A	3515A-KGBG-E00	SW ASSY RH HNDL COMP	SW ASSY RH HNDL COMP	1	
#	3515A	3515A-LBD5-EV0	SW ASSY RH HNDL COMP (A.H.C.)	SW ASSY RH HNDL COMP (A.H.C.)	1	
	35201	35201-KGBG-910	FR CASE LH HNDL COMP SW	FR CASE LH HNDL COMP SW	1	
	35202	35202-KGBG-900	RR CASE LH HNDL COMP SW	RR CASE LH HNDL COMP SW	1	
	3520A	3520A-KGBG-E00	SW ASSY LH HNDL COMP	SW ASSY LH HNDL COMP	1	
	35340	35340-KKJ9-010	SW ASSY FR STOP	SW ASSY FR STOP	1	
	43450	43450-KKD6-E00	CABLE COMP RR BRK	CABLE COMP RR BRK	1	
	43452	43452-GKAK-900	CLAMP BRK CABLE	CLAMP BRK CABLE	1	
	43472	43472-1A61-001	SPG RR BRK ARM	SPG RR BRK ARM	1	
	45517	45517-GFY6-900	HOLDER HNDL BRKT	HOLDER HNDL BRKT	1	
	53100	53100-KKD6-E00	HANDLE COMP STRG	HANDLE COMP STRG	1	
	53105	53105-KNBN-910	END STRG HANDLE	END STRG HANDLE	2	
	53125	53125-GEN5-901	COLLAR HANDLE SET	COLLAR HANDLE SET	1	
**	53140	53140-KNBN-960	GRIP COMP THROT	GRIP COMP THROT	1	
**	53166	53166-KNBN-911	GRIP L HANDLE	GRIP L HANDLE	1	
	53172	53172-KTCT-900	BRKT HNDL L	BRKT HNDL L	1	
# **	53178	53178-KXCX-E90	LEVER L STRG HNDL	LEVER L STRG HNDL	1	

F03

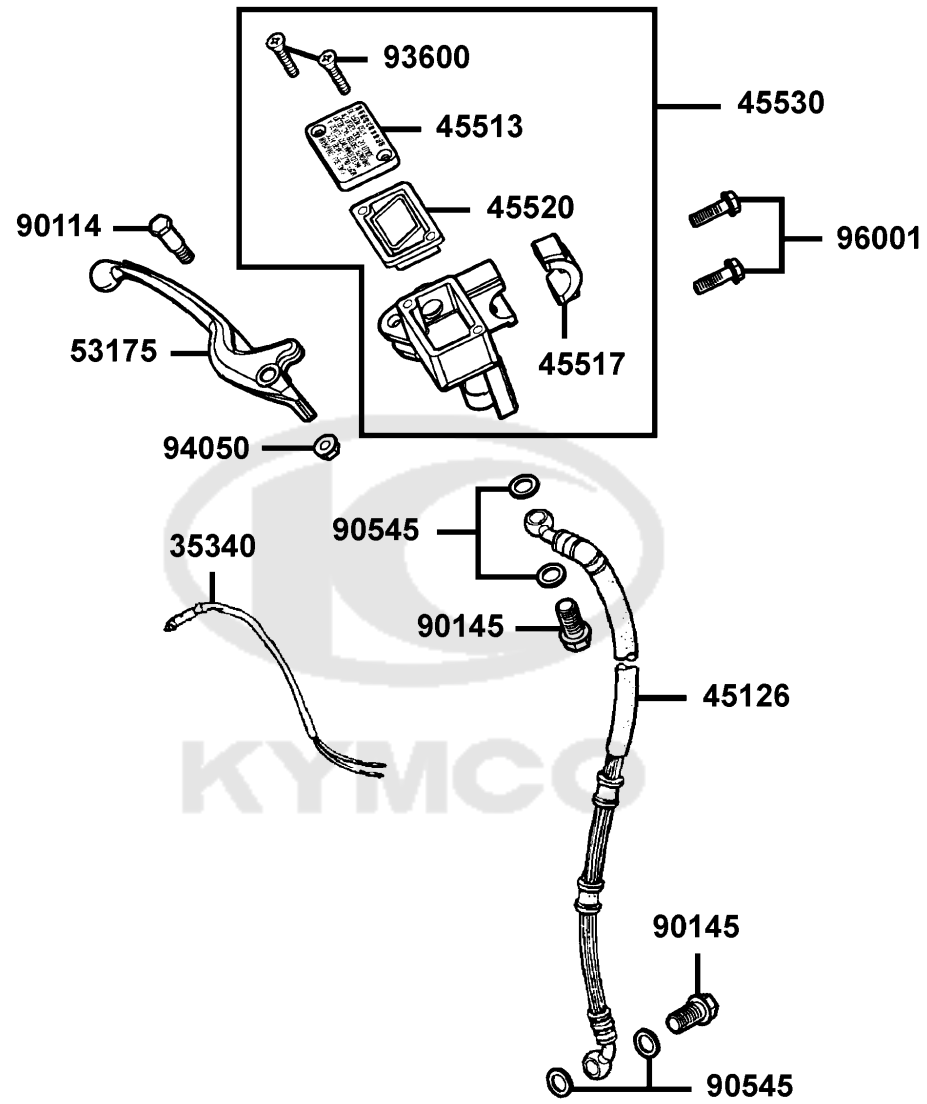
Handle SteeringHandle Cover



Sales mark	Ref no	Part no	Description	Reg description	Regd no	F03
	5317B	5317B-KFA6-E00	BRKT ASSY HNDL L	BRKT ASSY HNDL L	1	
**	53205	53205-LBD5-E00	COVER FR HANDLE	COVER FR HANDLE	1	
**	53206	53206-KFA6-900	COVER RR HANDLE	COVER RR HANDLE	1	
	88110	88110-LBD5-E00	MIRROR ASSY R BACK	MIRROR ASSY R BACK	1	
	88120	88120-LBD5-E00	MIRROR ASSY L BACK	MIRROR ASSY L BACK	1	
	90106	90106-GEN5-901	BOLT FLANGE 10*50	BOLT FLANGE 10*50	1	
	90115	90115-GLE0-001	BOLT HNDL LEVER PIVOT	BOLT HNDL LEVER PIVOT	1	
	90302	90302-KNBN-900	BOLT PAN 5*10	BOLT PAN 5*10	1	
	90304	90304-GHE8-004	NUT U 10MM	NUT U 10MM	1	
#	90656	90656-KCBC-900	BAND OIL HANDLE 8X146	BAND OIL HANDLE 8X146	1	
	93500	93500-KGBG-900	SCREW TAPPING M 5*25L	SCREW TAPPING M 5*25L	4	
	93891	93891-05035-06	BOLT WASH 5*35	BOLT WASH 5*35	1	
	93903-34360	93903-34360	SCREW TAPPING 4X12	SCREW TAPPING 4X12	2	
#	93903-35360	93903-35360	SCREW TAPPING 5*16	SCREW TAPPING 5*16	2	
	94001	94001-05080-0S	NUT HEX 5MM	NUT HEX 5MM	1	
	95015-32001	95015-32001	JOINT B BRAKE ARM	JOINT B BRAKE ARM	1	
	95015-42000	95015-42000	NUT B ADJUST	NUT B ADJUST	1	
#	96001-06012	96001-06012-06	BOLT FLANGE SH 6*12	BOLT FLANGE SH 6*12	1	
#	96001-06025	96001-06025-06	BOLT FLANGE SH 6*25	BOLT FLANGE SH 6*25	2	

F04

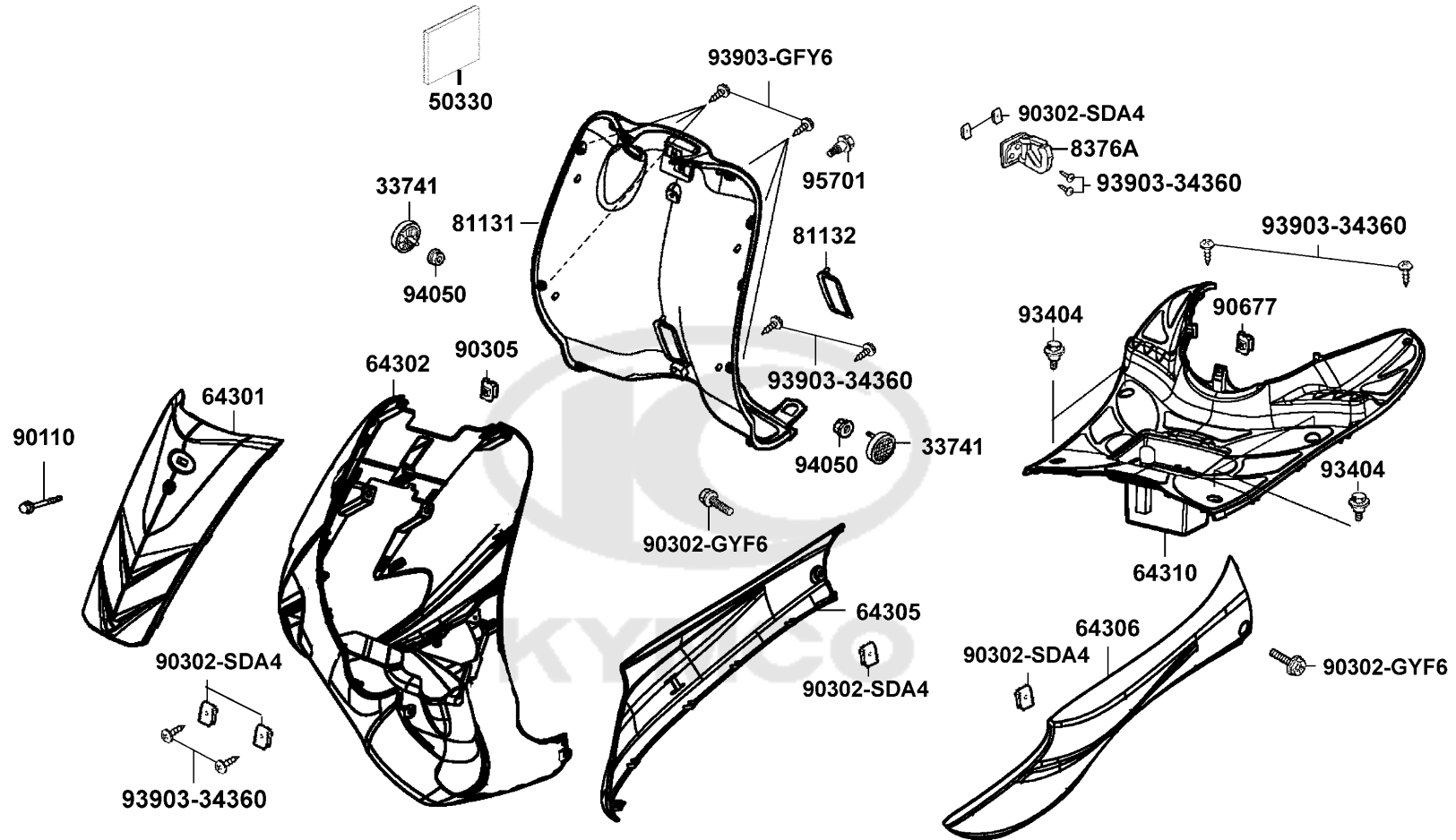
Brake Master Cylinder



Sales mark	Ref no	Part no	Description	Reg description	Regd no	F04
	35340	35340-KFA6-900	SW ASSY FR STOP	SW ASSY FR STOP	1	
	45126	45126-KKD6-E00	HOSE ASSY FR BRK	HOSE ASSY FR BRK	1	
	45513	45513-KFA6-800	CAP M/C	CAP M/C	1	
	45517	45517-KFAF-910	HOLDER M/C	HOLDER M/C	1	
	45520	45520-KFA6-900	DIAPHRAGM	DIAPHRAGM	1	
	45530	45530-KFA6-305	CYLN SET MASTER	CYLN SET MASTER	1	
**	53175	53175-KFA6-E00	LEVER R STRG HNDL	LEVER R STRG HNDL	1	
	90114	90114-1F66-007	BOLT HANDLE LEVER	BOLT HANDLE LEVER	1	
#	90145	90145-LEA3-E00	OIL BOLT 10*22	OIL BOLT 10*22	1	
	90545	90545-3L00-001	WASHER OIL BOLT	WASHER OIL BOLT	4	
	93600	93600-04012-1G	SCREW FLAT 4X12	SCREW FLAT 4X12	2	
	94050	94050-06060	NUT FLANGE 6MM	NUT FLANGE 6MM	1	
#	96001	96001-06022-06	BOLT FLANGE SH 6*22 (G)	BOLT FLANGE SH 6*22 (G)	2	

F05

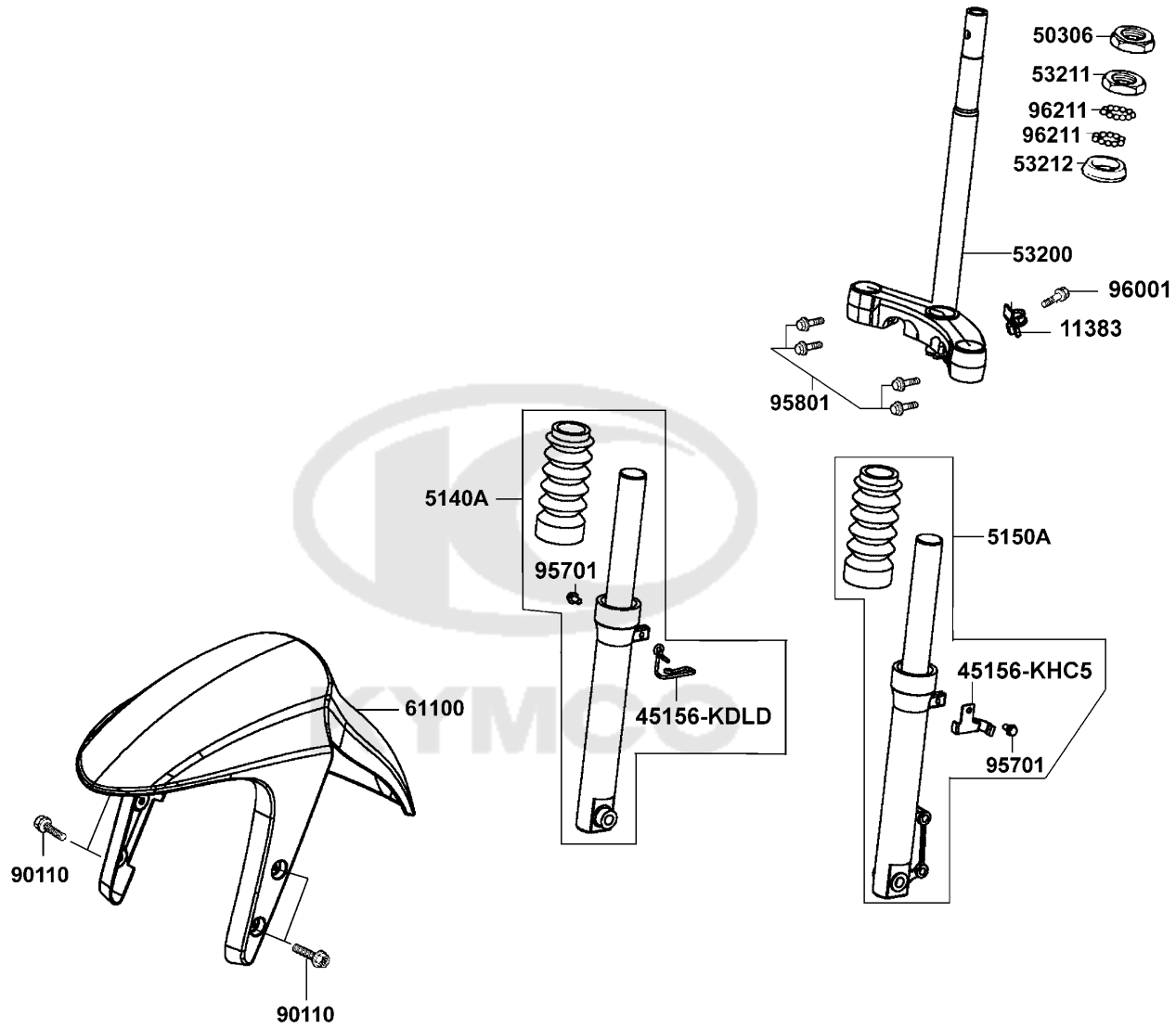
Front CoverFloor Panel



Sales mark	Ref no	Part no	Description	Reg description	Regd no	F05
	33741	33741-GFY6-C30	REFLEX REFLECTOR	REFLEX REFLECTOR	2	
	50330	50330-LEC8-E00	SPONGE.BATTERY	SPONGE.BATTERY	1	
**	64301	64301-LBD5-E00	COVER FR	COVER FR	1	
**	64302	64302-LBD5-E00	MOLDING FR	MOLDING FR	1	
**	64305	64305-LBD5-E00	SKIRT R SIDE **(0)	SKIRT R SIDE **(0)	1	
**	64306	64306-LBD5-E00	SKIRT L SIDE **(0)	SKIRT L SIDE **(0)	1	
**	64310	64310-KKD6-E00	FLOOR PANEL	FLOOR PANEL	1	
**	81131	81131-KKD6-E00	COVER LEG SHIELD FR	COVER LEG SHIELD FR	1	
**	81132	81132-KKDK-900	LID LEG SHIELD	LID LEG SHIELD	1	
	8376A	8376A-KEBE-900	CLIP ASSY CENTER	CLIP ASSY CENTER	1	
	90110	90110-GLW0-001	SCREW SPECIAL 6*14	SCREW SPECIAL 6*14	1	
	90302-GYF6	90302-GFY6-940	BOLT-WASH 5*16	BOLT-WASH 5*16	2	
	90302-SDA4	90302-SDA4-004	NUT SPRING 4MM	NUT SPRING 4MM	6	
	90305	90305-GHK8-001	NUT CLIP 6MM	NUT CLIP 6MM	1	
	90677	90677-GAR1-004	NUT CLIP 5MM	NUT CLIP 5MM	1	
	93404	93404-06020-06	BOLT WASHER 6*20 (G)	BOLT WASHER 6*20 (G)	4	
	93903-34360	93903-34360	SCREW TAPPING 4X12	SCREW TAPPING 4X12	8	
	93903-GFY6	93903-GFY6-900	SCREW TAPPING 4*14	SCREW TAPPING 4*14	6	
	94050	94050-06080	NUT FLANGE 6MM	NUT FLANGE 6MM	2	
#	95701	95701-06012-06	BOLT FLANGE 6*12 **07 C.2005.07.01	BOLT FLANGE 6*12 **07 C.2005.07.01	1	

F06

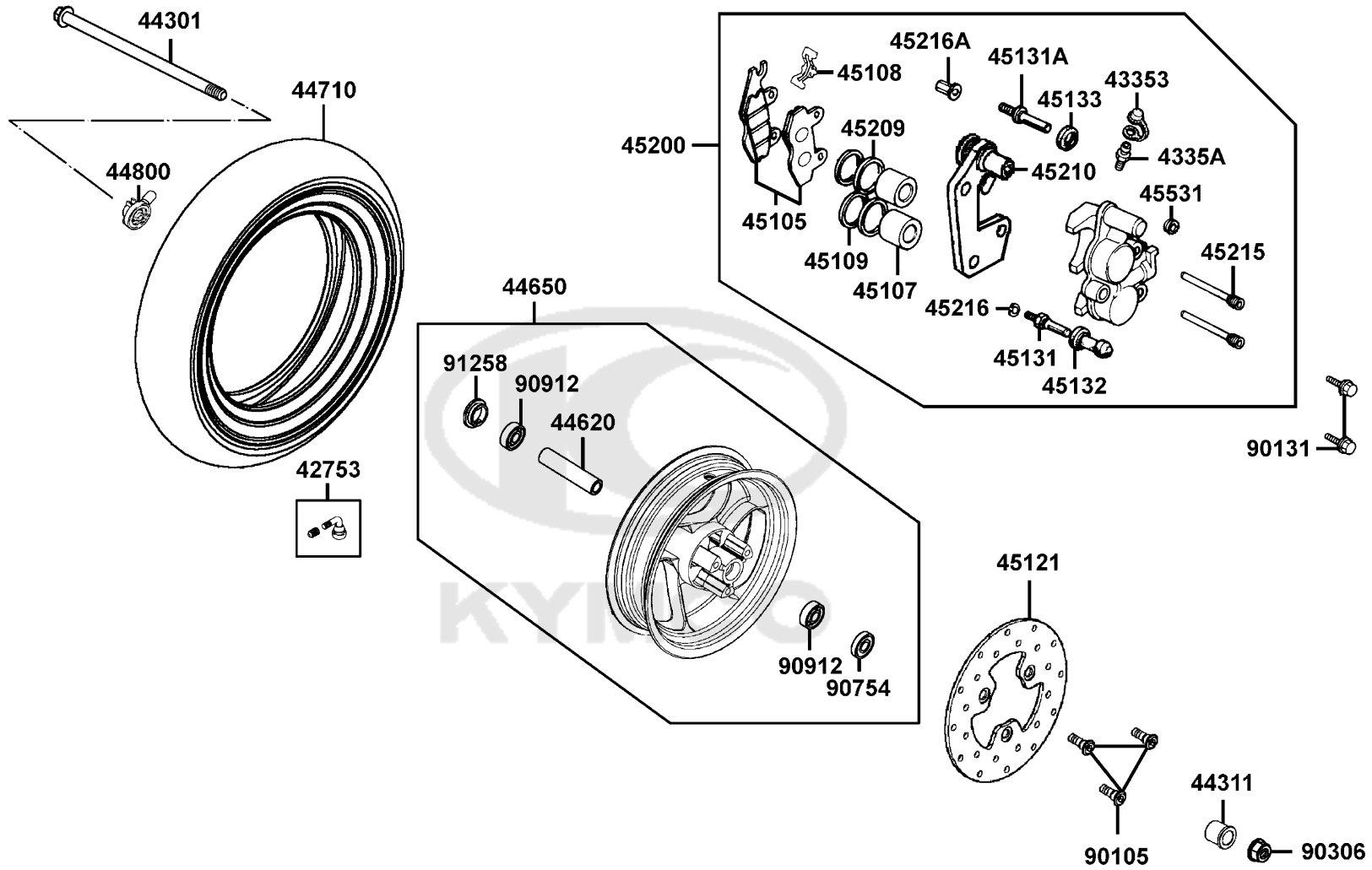
Front Cushion



Sales mark	Ref no	Part no	Description	Reg description	Regd no	F06
	11383	11383-KHE7-900	CLAMPER RR BRK HOSE	CLAMPER RR BRK HOSE	1	
	45156-KDLD	45156-KDLD-901	CLAMPER FR BRAKE HOSE	CLAMPER FR BRAKE HOSE	1	
	45156-KHC5	45156-KHC5-E10	CLAMPER FR BRAKE HOSE	CLAMPER FR BRAKE HOSE	1	
	50306	50306-1F96-001	NUT STRG STEM LOCK	NUT STRG STEM LOCK	1	
**	5140A	5140A-LBD5-E00	FORK SET R FR	FORK SET R FR	1	
**	5150A	5150A-LBD5-E00	FORK SET L FR	FORK SET L FR	1	
	53200	53200-LBD5-E00	STEM COMP STRG	STEM COMP STRG	1	
	53211	53211-GFY6-940	RACE STRG TOP CONE	RACE STRG TOP CONE	1	
	53212	53212-GHC8-004	RACE (STRG BOTTOM) CONE	RACE (STRG BOTTOM) CONE	1	
**	61100	61100-LBD5-E00	FENDER FR	FENDER FR	1	
	90110	90110-KEB7-900	SCREW SPECIAL 6*14	SCREW SPECIAL 6*14	4	
#	95701	95701-06012-06	BOLT FLANGE 6*12 **07 C.2005.07.01	BOLT FLANGE 6*12 **07 C.2005.07.01	1	
#	95801	95801-08040-06	BOLT FLANGE 8*40	BOLT FLANGE 8*40	1	
#	96001	96001-06012-06	BOLT FLANGE SH 6*12	BOLT FLANGE SH 6*12	1	
	96211	96211-05000	BALL STEEL #5	BALL STEEL #5	55	

F07

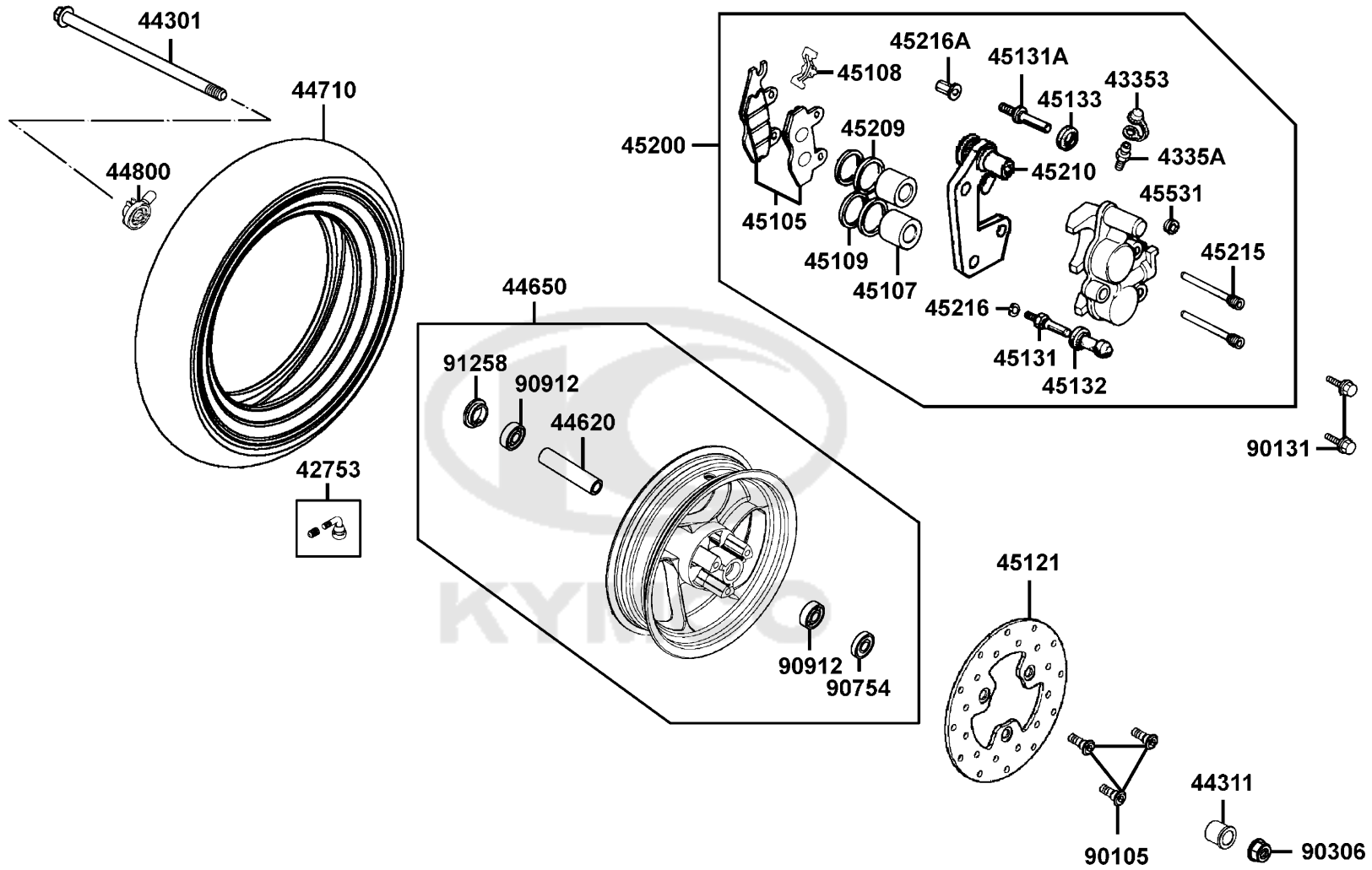
Front Wheel



Sales mark	Ref no	Part no	Description	Reg description	Regd no	F07
	42753	42753-0F06-900	VALVE (PVR-70(B)) & CAP (E)	VALVE (PVR-70(B)) & CAP (E)	1	
	43353	43353-4A61-77A	CAP BLEEDER	CAP BLEEDER	1	
#	4335A	4335A-LBA2-E01	BLEEDER ASSY	SCREW BLEEDER	1	
	44301	44301-KGB5-900	AXLE FR WHEEL M12*255MM	AXLE FR WHEEL M12*255MM	1	
	44311	44311-GLW0-911	COLLAR FR WHEEL SIDE	COLLAR FR WHEEL SIDE	1	
	44620	44620-KEB7-E00	COLLAR FR DIST	COLLAR FR DIST	1	
	44710	44710-KEB7-E1A	TIRE ASSY FR 120/70-12 56J /CHENG	TIRE ASSY FR 120/70-12 56J /CHENG SHIN	1	
	44800	44800-KXCX-E00	GEAR BOX ASSY SPDMT	GEAR BOX ASSY SPDMT	1	
	45105	45105-KKD6-305	PAD COMP A+B	PAD COMP A+B	1	
	45107	45107-MEN5-007	PISTON	PISTON	2	
	45108	45108-MDL4-007	PAD SPG	PAD SPG	1	
	45109	45109-GBE2-007	DUST SEAL	DUST SEAL	2	
	45121	45121-LBD5-E00	DISK FR BRAKE	DISK FR BRAKE	1	
	45131	45131-1F66-017	PIN BOLT	PIN BOLT	1	
	45131A	45131-GBE2-007	PIN BOLT A	PIN BOLT A	1	
	45132	45132-1F66-017	BUSH BOOT PIN	BUSH BOOT PIN	1	
	45133	45133-MCA3-007	BOOT B	BOOT B	1	
	45209	45209-GBE2-007	SEAL PISTON	SEAL PISTON	2	
	45210	45210-KEB7-900	BRACKET FR CALIPER	BRACKET FR CALIPER	1	
	45215	45215-KKD6-E90	PIN HANGER	PIN HANGER	2	

F07

Front Wheel

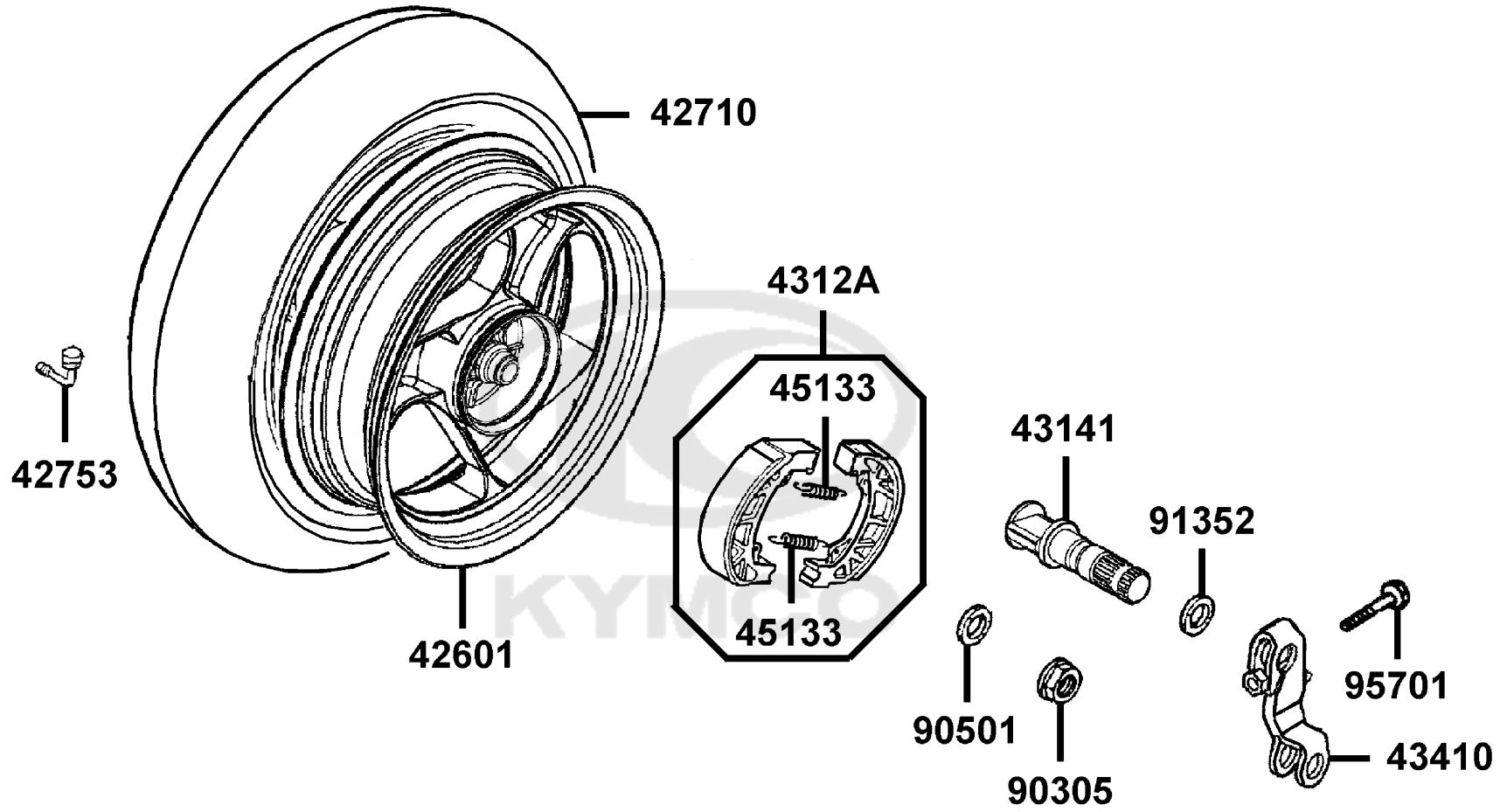


Sales mark	Ref no	Part no	Description	Reg description	Regd no	F07
45216		45216-1F66-007	WASHER WAVE	WASHER WAVE	1	
45216A		45216-KFW6-90A	TORQUE NUT	TORQUE NUT	1	
45531		45531-GAR1-951	PLUG	PLUG	1	
90105		90105-KCR3-001	BOLT FR DISK 8*24	BOLT FR DISK 8*24	3	
90131		90131-GLW0-911	BOLT FLANGE 8*35	BOLT FLANGE 8*35	2	
90306		90306-GLW0-90A	NUT FLANGE 12MM	NUT FLANGE 12MM	1	
90754		90754-GHC8-00A	SEAL DUST 20*32*5	SEAL DUST 20*32*5	1	
90912		90912-GHC8-00A	BEARING 6201 (U)	BEARING 6201 (U)	2	
90912		90912-GHC8-00D	BEARING	BEARING	2	
91258		91258-KAM1-00A	SEAL SPDMT GEAR BOX	SEAL SPDMT GEAR BOX	1	



F08

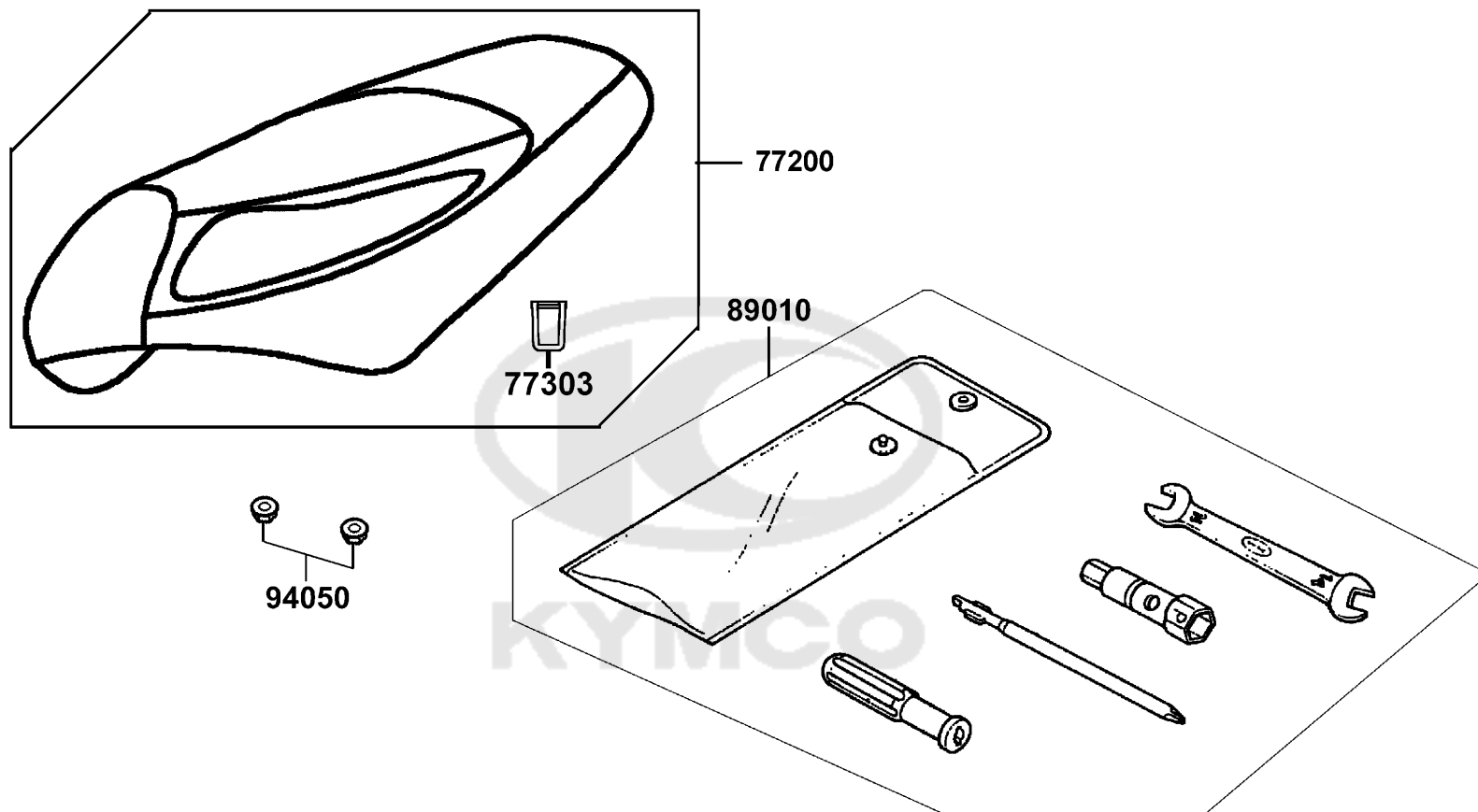
Rear Wheel



Sales mark	Ref no	Part no	Description	Reg description	Regd no	F08
**	42601	42601-KEB7-E0E	WHEEL CAST RR	WHEEL CAST RR	1	
	42710	42710-KEB7-E1A	TIRE ASSY RR /130/70-12 59J /CHENG	TIRE ASSY RR /130/70-12 59J /CHENG SHIN	1	
	42753	42753-KXCX-900	VALVE (PVR-70B) & CAP	VALVE (PVR-70B) & CAP	1	
	4312A	4312A-LAB4-90B	SHOE COMP RR BRAKE	SHOE COMP RR BRAKE	2	
	43141	43141-KKD6-E00	CAM RR BRK	CAM RR BRK	1	
	43410	43410-KFA1-900	ARM COMP RR BRAKE	ARM COMP RR BRAKE	1	
	45133	45133-0H28-001	SPRING BRAKE SHOE	SPRING BRAKE SHOE	2	
	90305	90305-KNBN-90B	NUT U 16MM	NUT U 16MM	1	
	90501	90501-KNBN-901	WASHER 16MM	WASHER 16MM	1	
	91352	91352-KHG8-83B	O-RING 11.3*1.3	O-RING 11.3*1.3	1	
#	95701	95701-06032-06	BOLT FLANGE 6*32	BOLT FLANGE 6*32	1	

F09

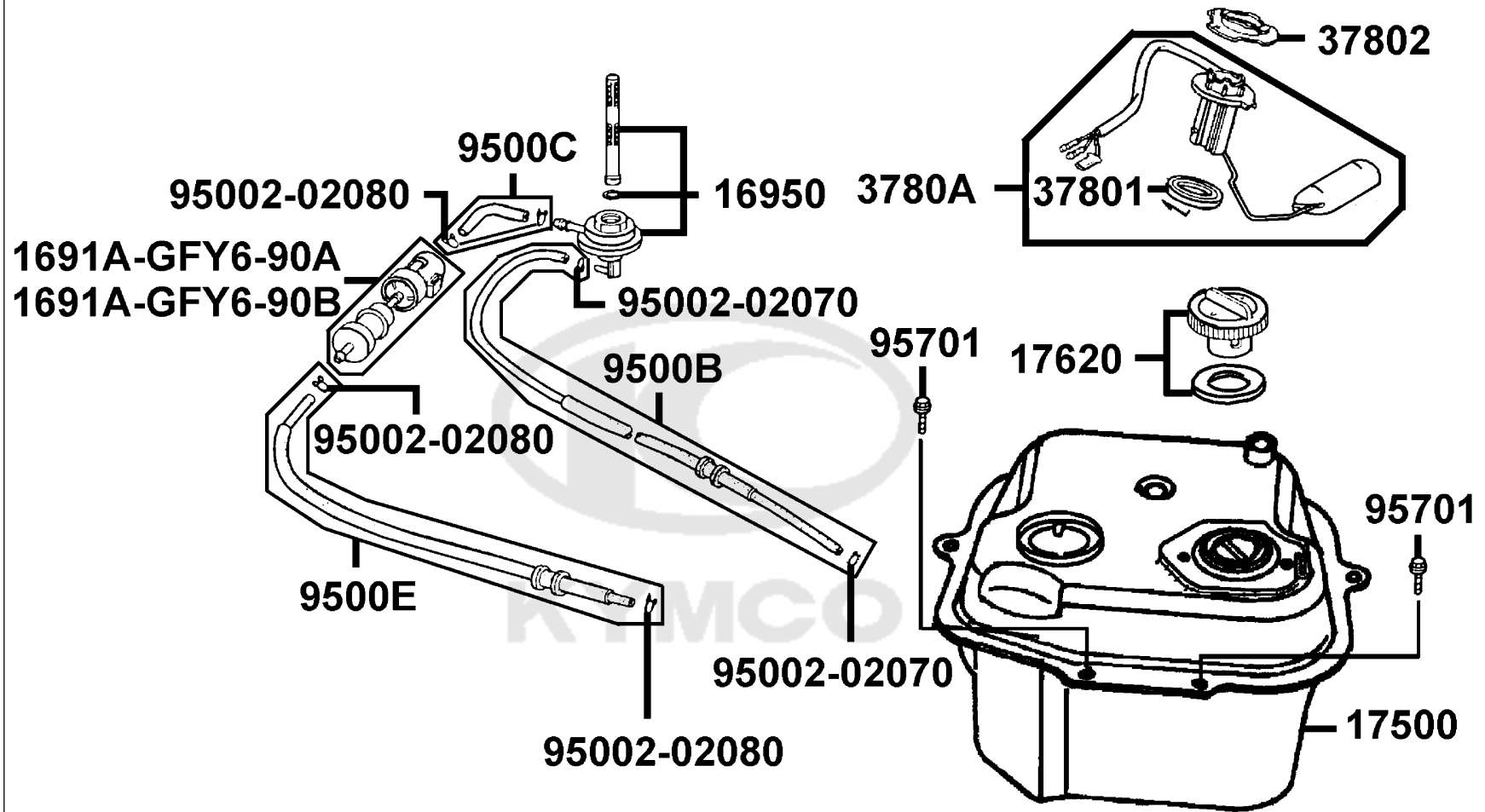
Seat



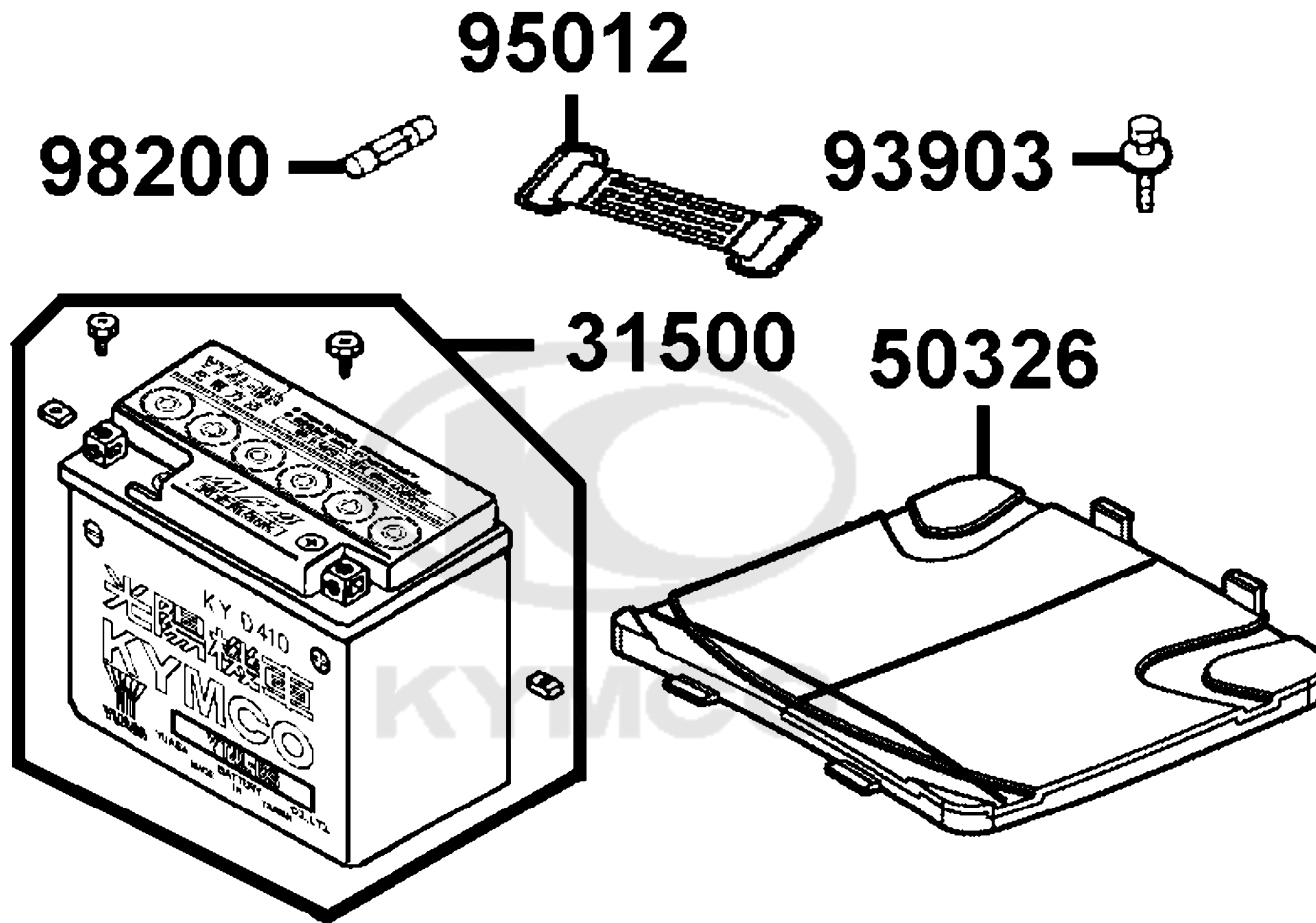
Sales mark	Ref no	Part no	Description	Reg description	Regd no	F09
------------	--------	---------	-------------	-----------------	---------	------------

**	77200	77200-LBD5-E00	SEAT ASSY (REACH)	SEAT ASSY (REACH)	1	
	77303	77303-KKD6-E00	HOOK SEAT LOCK	HOOK SEAT LOCK	1	
	89010	89010-KNBN-900	TOOL SET	TOOL SET	1	
	94050	94050-06080	NUT FLANGE 6MM	NUT FLANGE 6MM	2	





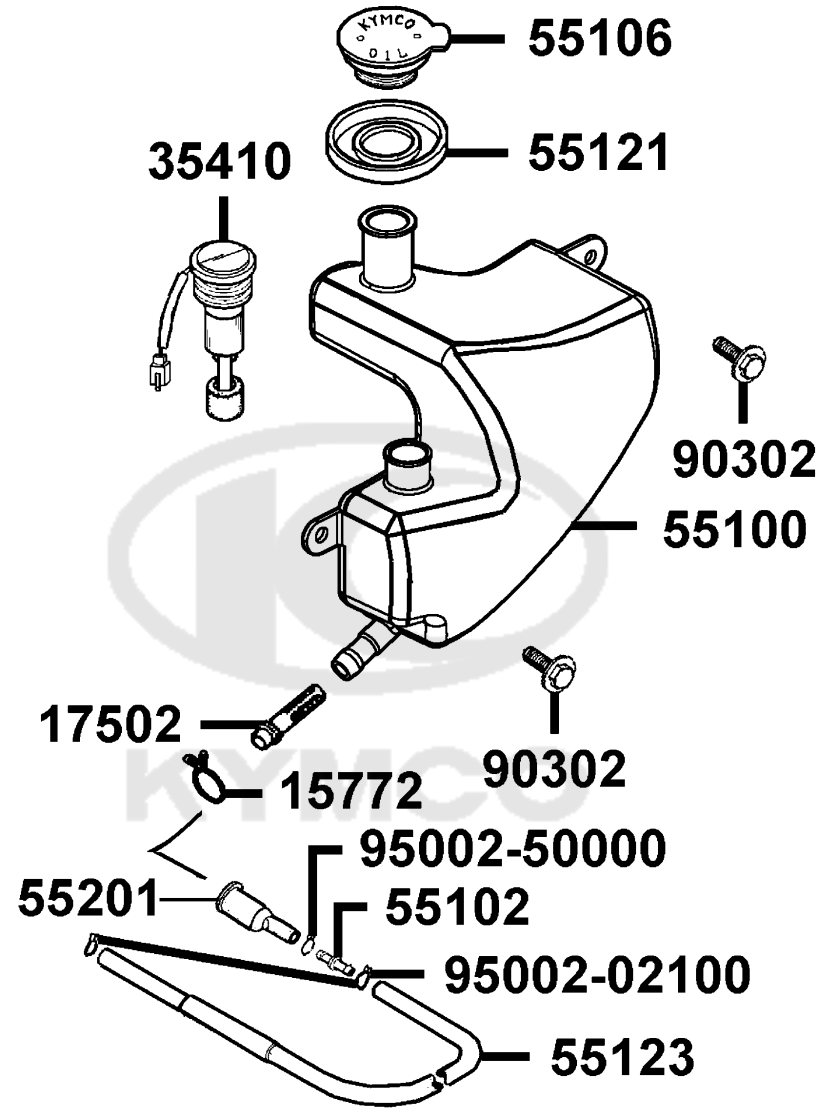
Sales mark	Ref no	Part no	Description	Reg description	Regd no	F10
	1691A-GFY6-90A	1691A-GFY6-90A	STRAINER ASSY FUEL	STRAINER ASSY FUEL	1	
	1691A-GFY6-90B	1691A-GFY6-90B	STRAINER ASSY FUEL	STRAINER ASSY FUEL	1	
	16950	16950-KKJ9-75A	AUTO COCK ASSY FUEL	AUTO COCK ASSY FUEL	1	
	17500	17500-KEB7-E10	TANK COMP FUEL	TANK COMP FUEL	1	
	17620	17620-GGS7-E10	CAP COMP FUEL FILLER	CAP COMP FUEL FILLER	1	
	37801	37801-GGA7-701	PACKING BASE	PACKING BASE	1	
	37802	37802-GGA7-701	RET FUEL UNIT	RET FUEL UNIT	1	
	3780A	3780A-KEB7-900	FUEL UNIT ASSY	FUEL UNIT ASSY	1	
	95002-02070	95002-02070	CLIP B7 TUBE	CLIP B7 TUBE	2	
	95002-02080	95002-02080	CLIP B8 TUBE	CLIP B8 TUBE	4	
	9500B	9500B-KEB7-E00	TUBE ASSY VACUUM	TUBE ASSY VACUUM	1	
	9500C	9500C-KEB7-900	TUBE ASSY FUEL	TUBE ASSY FUEL	1	
	9500E	9500E-KEB7-900	TUBE ASSY FUEL	TUBE ASSY FUEL	1	
#	95701	95701-06012-06	BOLT FLANGE 6*12 **07 C.2005.07.01	BOLT FLANGE 6*12 **07 C.2005.07.01	1	



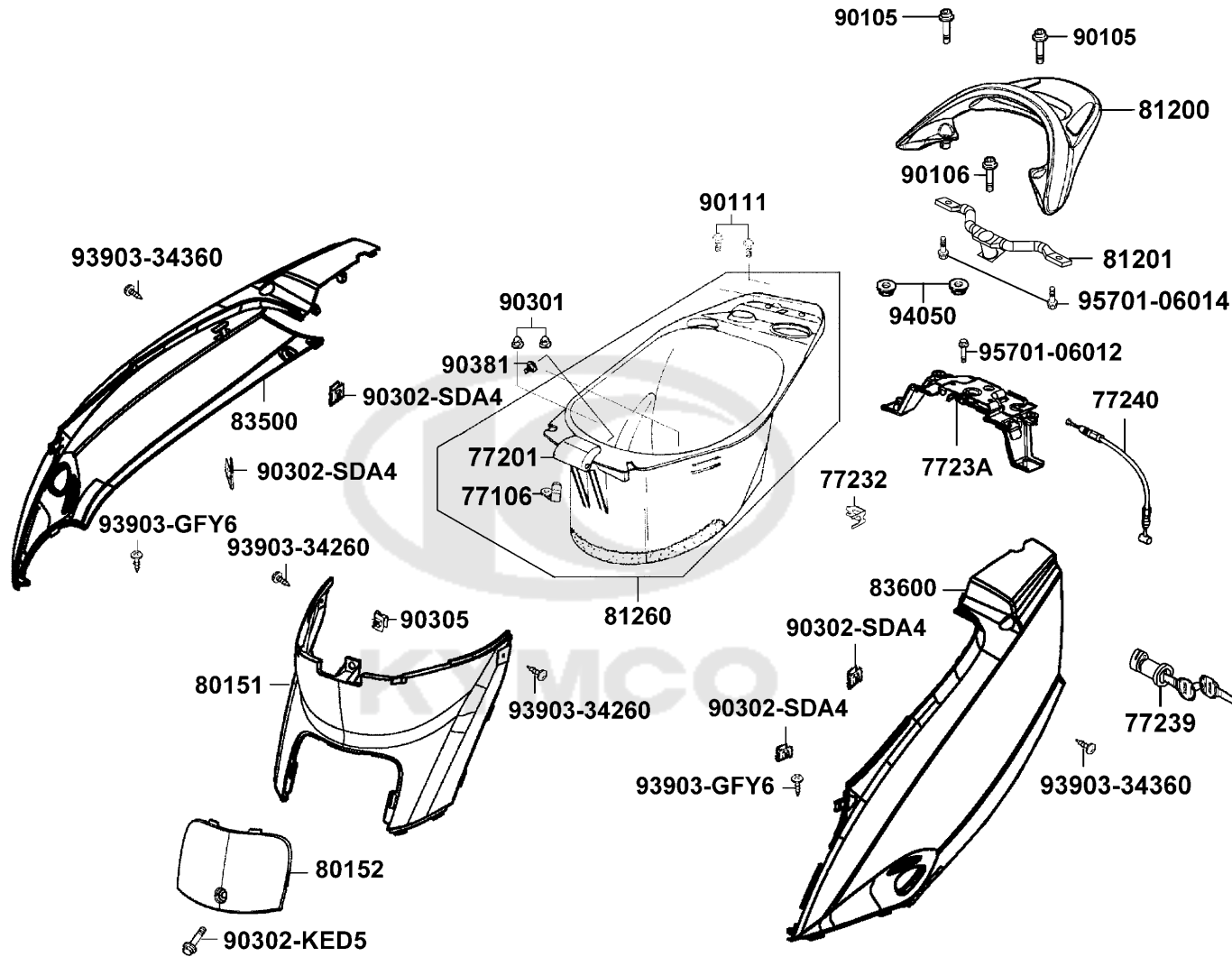
Sales mark	Ref no	Part no	Description	Reg description	Regd no	F11
------------	--------	---------	-------------	-----------------	---------	------------

	31500	31500-KCAC-90A	BATTERY YTX4L-BS	BATTERY YTX4L-BS	1	
**	50326	50326-KKD6-E00	COVER BATTERY	COVER BATTERY	1	
#	93903	93903-35360	SCREW TAPPING 5*16	SCREW TAPPING 5*16	1	
	95012	95012-KKA7-900	TOOL BAND	TOOL BAND	1	
	98200	98200-10700	FUSE A7	FUSE A7	1	

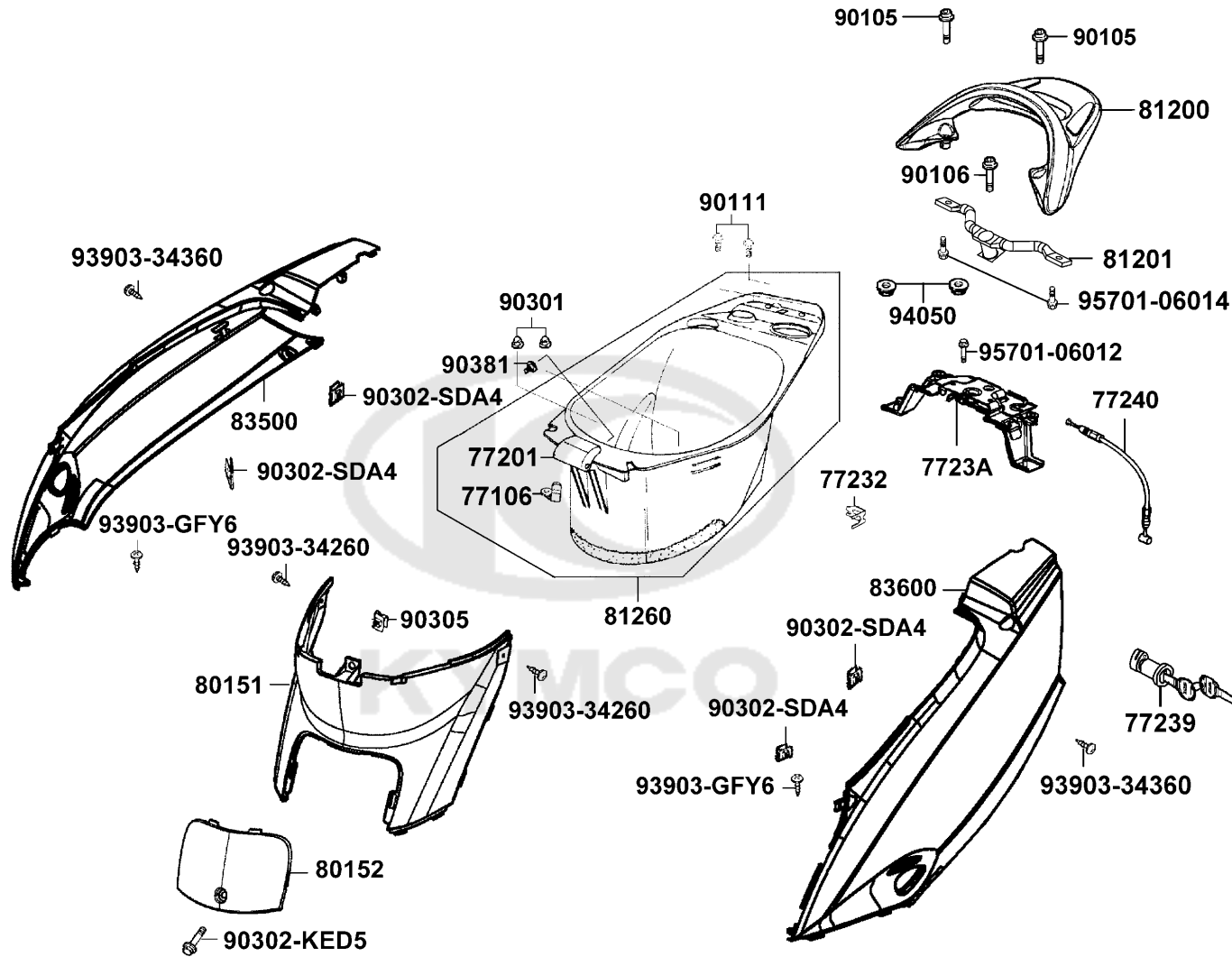




Sales mark	Ref no	Part no	Description	Reg description	Regd no	F12
15772		15772-5A51-001	CLIP BREATHER TUBE	CLIP BREATHER TUBE	1	
17502		17502-1G87-001	OIL STRAINER	OIL STRAINER	1	
35410		35410-KEB7-900	SW COMP OIL LEVEL	SW COMP OIL LEVEL	1	
55100		55100-KEB7-900	TANK OIL	TANK OIL	1	
55102		55102-1F66-001	JOINT OIL TUBE	JOINT OIL TUBE	1	
55106		55106-KEB7-900	CAP ASSY OIL	CAP ASSY OIL	1	
55121		55121-KEB7-900	RUBBER OIL GUIDE	RUBBER OIL GUIDE	1	
55123		55123-KKD6-E00	TUBE 5.3 OIL	TUBE 5.3 OIL	1	
55201		55201-GHC8-001	JOINT OIL STRN	JOINT OIL STRN	1	
90302		90302-GFY6-901	BOLT WASH 5*12 **(1) C.V.	BOLT WASH 5*12 **(1) C.V.	2	
95002-02100		95002-02100	CLIP B15 TUBE	CLIP B15 TUBE	2	
95002-50000		95002-50000	CLIP C9 TUBE	CLIP C9 TUBE	1	

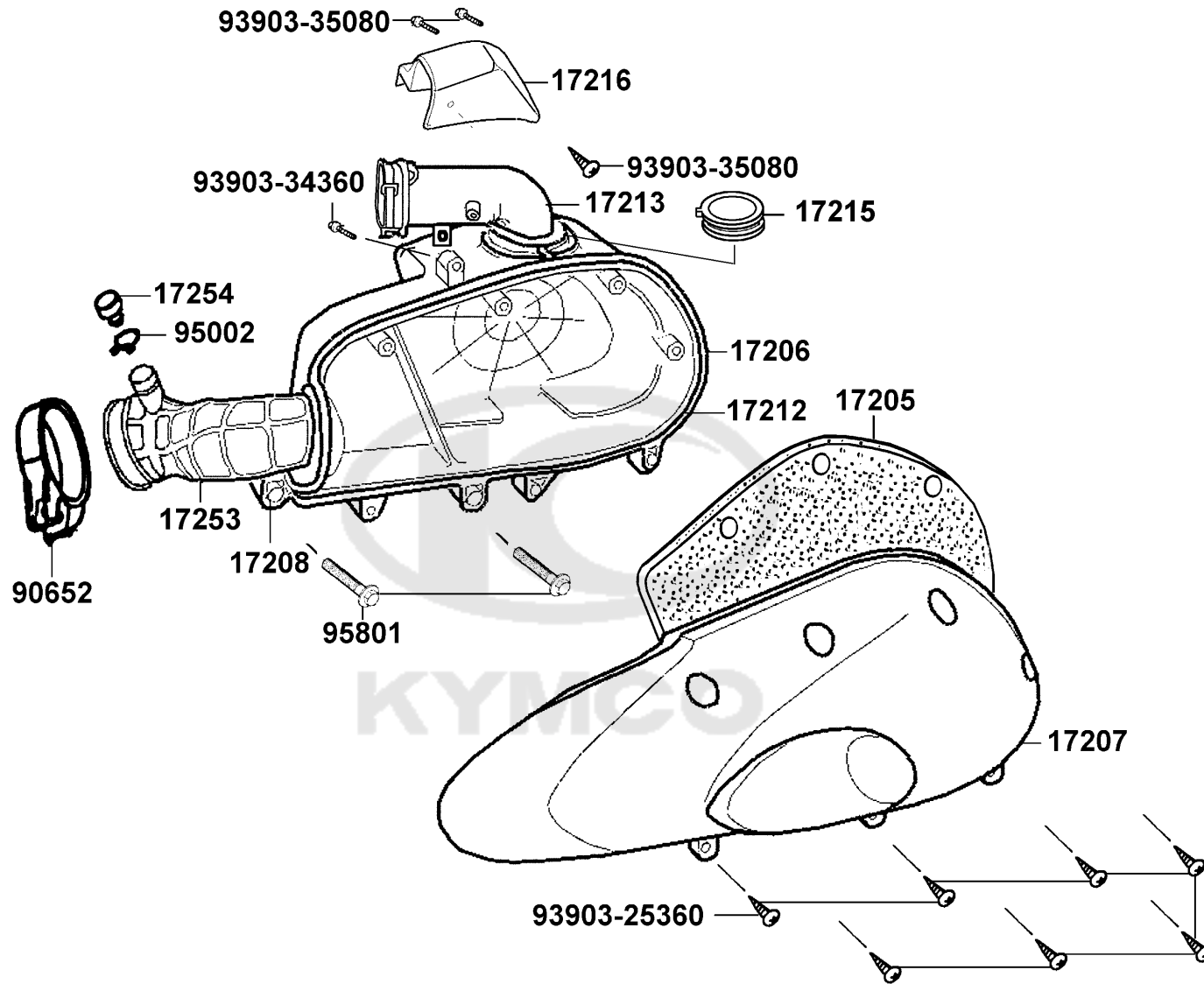


Sales mark	Ref no	Part no	Description	Reg description	Regd no	F13
	77106	77106-KEB7-900	HOOK HELMENT	HOOK HELMENT	1	
	77201	77201-GFS6-001	HINGE SEAT	HINGE SEAT	1	
	77232	77232-KCAC-901	SET SPG SEAT LOCK	SET SPG SEAT LOCK	1	
	77239	77239-GFY6-315-M2	KEY SEAT COMP	KEY SEAT COMP	1	
	7723A	7723A-LBD5-E00	CATCH ASSY SEAT	CATCH ASSY SEAT	1	
	77240	77240-LBD5-E00	CABLE SEAT CATCH	CABLE SEAT CATCH	1	
**	80151	80151-KKD6-E00	COVER CENTER	COVER CENTER	1	
**	80152	80152-KKD6-E00	COVER PLUG MAINT	COVER PLUG MAINT	1	
**	81200	81200-KKD6-E00	CARRIER RR	CARRIER RR	1	
	81201	81201-LBD5-E00	BAR RR CARRIER	BAR RR CARRIER	1	
	81260	81260-KEB7-E00	BOX ASSY LUGGAGE	BOX ASSY LUGGAGE	1	
**	83500	83500-LBD5-E00	COVER R BODY **(0)	COVER R BODY **(0)	1	
**	83600	83600-LBD5-E00	COVER L BODY	COVER L BODY	1	
	90105	90105-KFC2-900	BOLT WASH 8*32	BOLT WASH 8*32	2	
	90106	90106-KKD6-E00	BOLT SPECIAL 8*42	BOLT SPECIAL 8*42	1	
#	90111	90111-LEB1-900	BOLT FLANGE 6MM	BOLT FLANGE 6MM	2	
	90301	90301-6D34-671	NUT FLANGE 6MM	NUT FLANGE 6MM	2	
	90302-KED5	90302-KED5-900	BOLT PAN 5*11	BOLT PAN 5*11	1	
	90302-SDA4	90302-SDA4-004	NUT SPRING 4MM	NUT SPRING 4MM	4	
	90305	90305-GHK8-001	NUT CLIP 6MM	NUT CLIP 6MM	1	



Sales mark	Ref no	Part no	Description	Reg description	Regd no	F13
	90381	90381-GEZ5-001	SCREW SPECIAL 6*17	SCREW SPECIAL 6*17	1	
	93903-34260	93903-34260	SCREW TAPPING 4*10	SCREW TAPPING 4*10	2	
	93903-34360	93903-34360	SCREW TAPPING 4X12	SCREW TAPPING 4X12	2	
	93903-GFY6	93903-GFY6-900	SCREW TAPPING 4*14	SCREW TAPPING 4*14	2	
	94050	94050-06080	NUT FLANGE 6MM	NUT FLANGE 6MM	2	
#	95701-06012	95701-06012-06	BOLT FLANGE 6*12 **07 C.2005.07.01	BOLT FLANGE 6*12 **07 C.2005.07.01	1	
#	95701-06014	95701-06014-06	BOLT FLANGE 6*14	BOLT FLANGE 6*14	1	

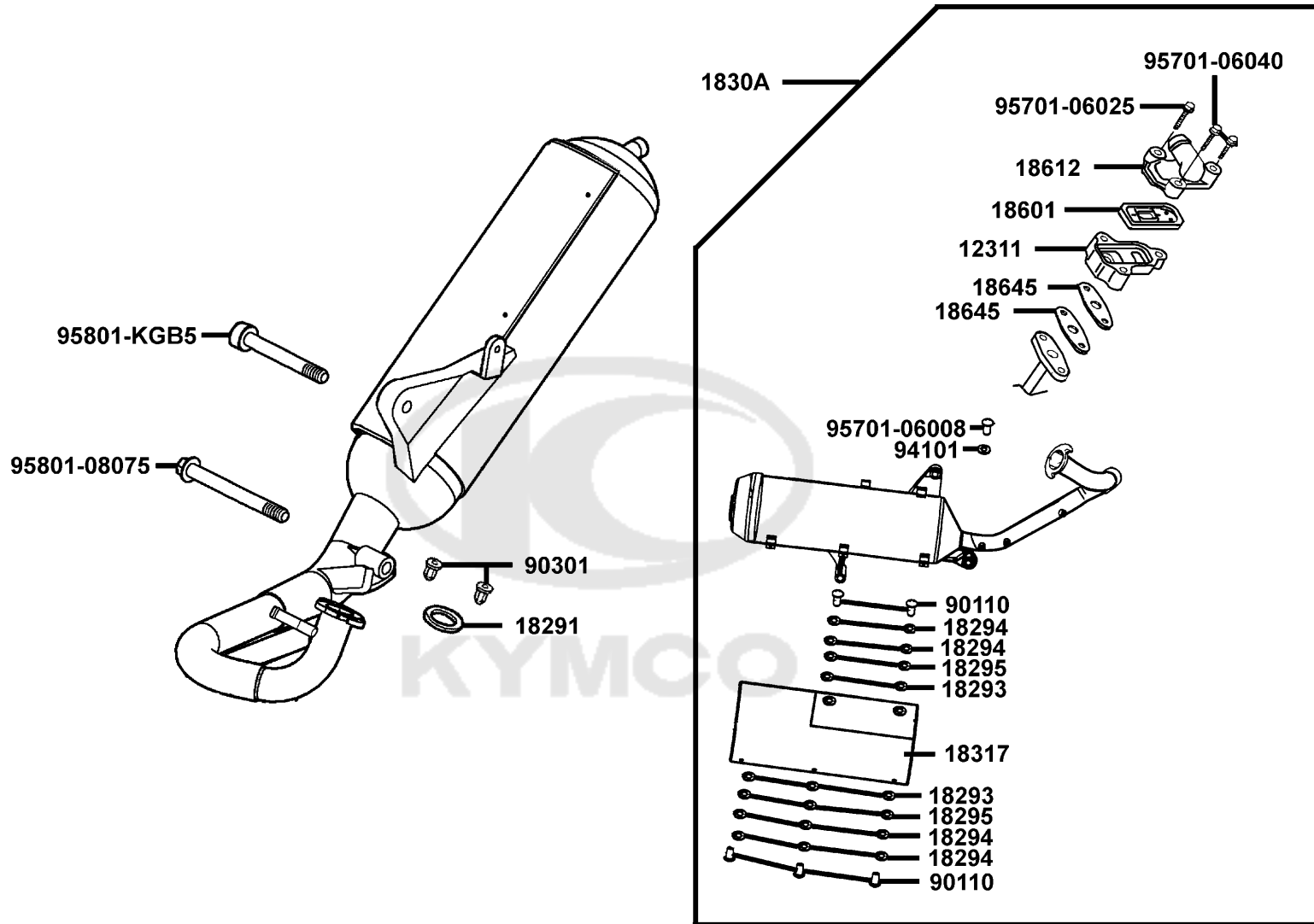




Sales mark	Ref no	Part no	Description	Reg description	Regd no	F14
	17205	17205-KEB7-900	ELEMENT AIR/C	ELEMENT AIR/C	1	
	17206	17206-KEB7-900	CASE AIR/C	CASE AIR/C	1	
	17207	17207-KEB7-900	COVER A/C	COVER A/C	1	
	17208	17208-KEB7-900	COLLAR AIR/C SET	COLLAR AIR/C SET	2	
	17212	17212-KEB7-900	SEAL AIR/C COVER	SEAL AIR/C COVER	1	
	17213	17213-KEB7-900	DUCT AIR/C INLET	DUCT AIR/C INLET	1	
	17215	17215-KEB7-900	CLIP ASSY AIR/C DUCT	CLIP ASSY AIR/C DUCT	1	
	17216	17216-KEB7-900	COVER JOINT	COVER JOINT	1	
	17253	17253-KEB7-900	TUBE AIR/C CONN	TUBE AIR/C CONN	1	
	17254	17254-KACA-P00	PLUG AIR/C CONN TUBE	PLUG AIR/C CONN TUBE	1	
	90652	90652-GBHB-641	BAND 42 AIR/C CONNECTING TUBE	BAND 42 AIR/C CONNECTING TUBE	1	
	93903-25360	93903-25360	SCREW TAPPING 5*16	SCREW TAPPING 5*16	7	
	93903-34360	93903-34360	SCREW TAPPING 4X12	SCREW TAPPING 4X12	1	
	93903-35080	93903-35080	SCREW TAPPING 5*8	SCREW TAPPING 5*8	3	
	95002	95002-02110	CLIP	CLIP	1	
#	95801	95801-06040-06	BOLT FLANGE 6X40	BOLT FLANGE 6*40	1	

F15

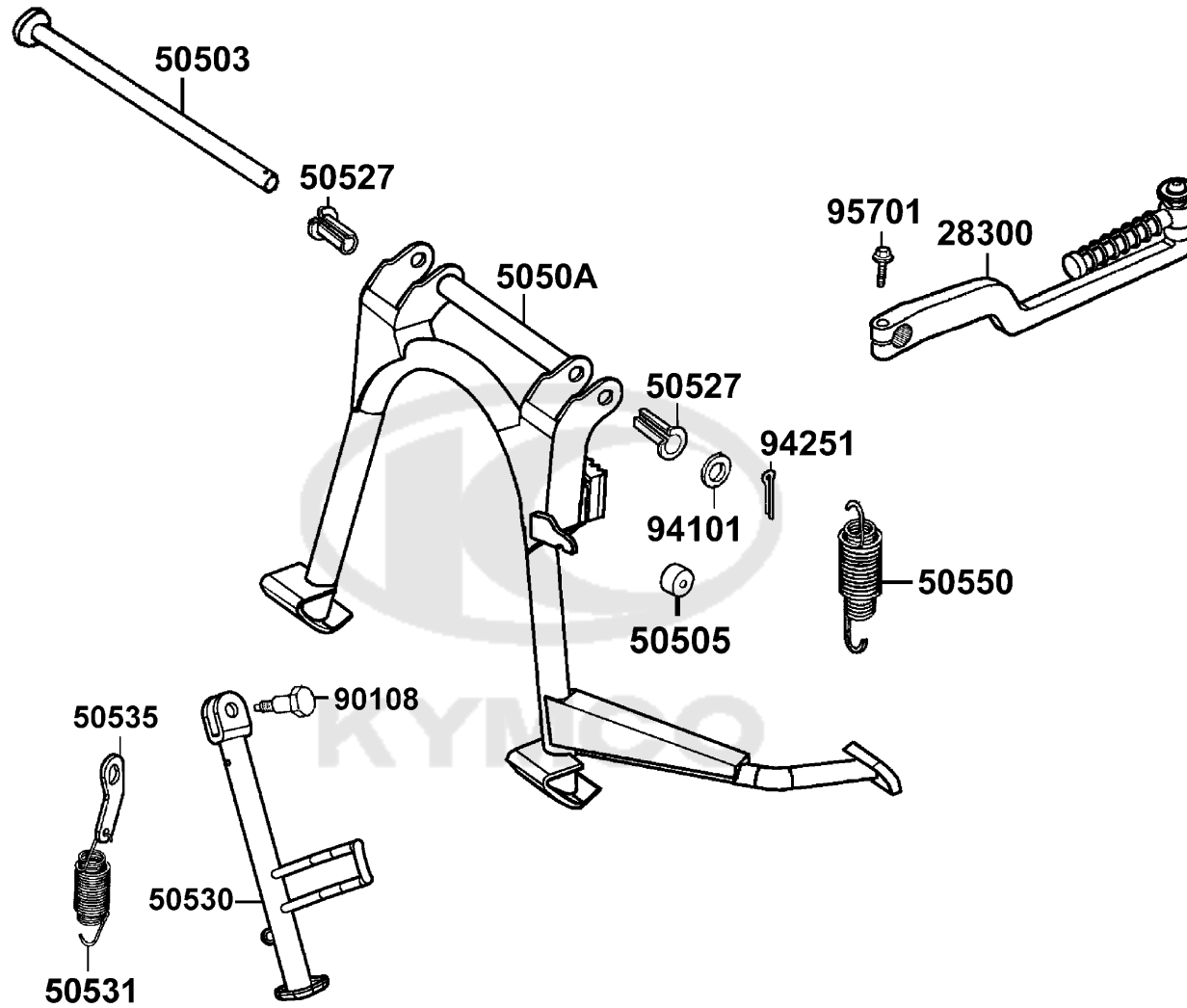
Exhaust Muffler



Sales mark	Ref no	Part no	Description	Reg description	Regd no	F15
	12311	12311-KFB5-900	BODY REED VALVE	BODY REED VALVE	1	
	18291	18291-LBA7-900	GASKET EXH PIPE	GASKET EXH PIPE	1	
	18293	18293-KECE-900	RUBBER A PROTECTOR	RUBBER A PROTECTOR	5	
	18294	18294-KEBE-900	PACKING PROTECTOR	PACKING PROTECTOR	10	
	18295	18295-KECE-900	COLLAR 6MM	COLLAR 6MM	5	
	1830A	1830A-LBD5-E00	MUFFLER ASSY EXH	MUFFLER ASSY EXH/P208	1	
**	18317	18317-KHD8-E00	PROTECTOR MUFFLER	PROTECTOR MUFFLER	1	
	18601	18601-KFB5-900	VALVE COMP REED	VALVE COMP REED	1	
	18612	18612-KFB5-900	COVER REED VALVE	COVER REED VALVE	1	
	18645	18645-KGB5-EZ0	GASKET A/I PIPE	GASKET A/I PIPE	2	
	90110	90110-KHD8-900	SCREW SPECIAL 6*20	SCREW SPECIAL 6*20	5	
	90301	90301-KGBG-900	NUT CAP 6MM	NUT CAP 6MM	2	
	94101	94101-06700	WASHER PLAIN 6MM	WASHER PLAIN 6MM	1	
	95701-06008	95701-06008-06	BOLT FLANGE 6*8	BOLT FLANGE 6*8	1	
#	95701-06025	95701-06025-06	BOLT FLANGE 6*25	BOLT FLANGE 6*25	1	
#	95701-06040	95701-06040-06	BOLT FLANGE 6*40	BOLT FLANGE 6*40	1	
	95801-08075	95801-08075-06	BOLT FLANGE 8*75	BOLT FLANGE 8*75	1	
	95801-KGB5	95801-KGB5-E00	BOLT TORX M8x60 (G)	BOLT TORX M8x60 (G)	1	

F16

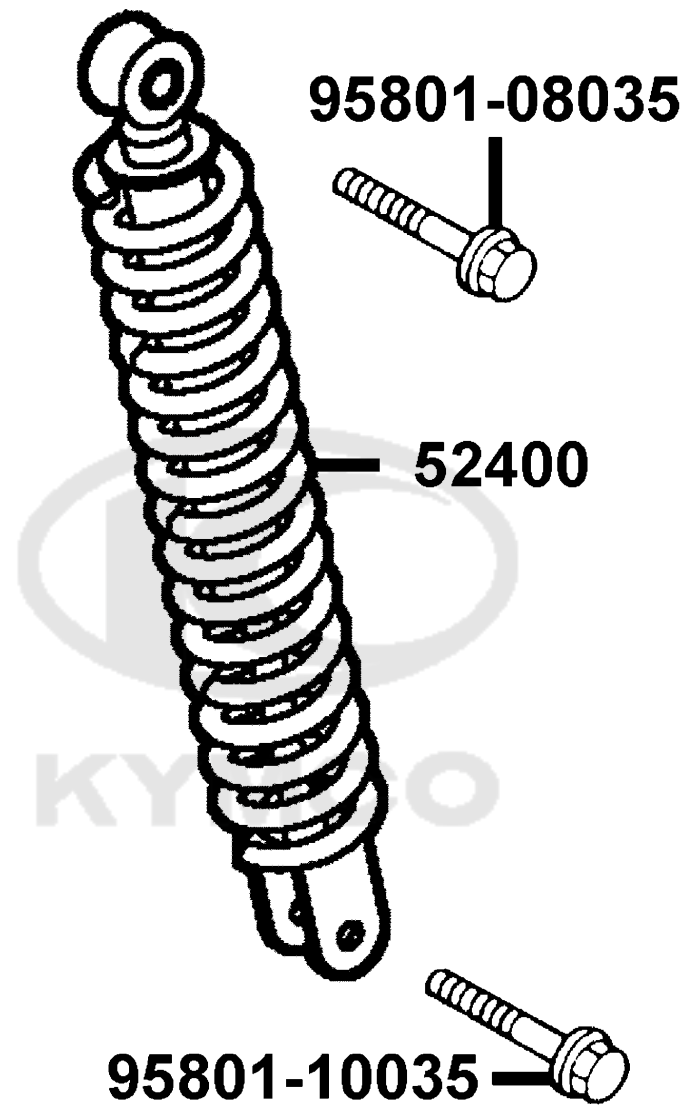
StandKick Starter Arm



Sales mark	Ref no	Part no	Description	Reg description	Regd no	F16
	28300	28300-KNBN-901	ARM ASSY KICK STARTER	ARM ASSY KICK STARTER	1	
	50503	50503-KEB7-900	SHAFT MAIN STAND	SHAFT MAIN STAND	1	
#	50505	50505-LAD9-900	STOPPER RUBBER	STOPPER RUBBER	1	
	5050A	5050A-KKD6-E00	STAND ASSY MAIN	STAND ASSY MAIN	1	
	50527	50527-KED5-900	BUSH OILES	BUSH OILES	2	
	50530	50530-LBD5-E00	STAND COMP SIDE	STAND COMP SIDE	1	
	50531	50531-KEB7-E00	PLATE SPRING STOPPER	PLATE SPRING STOPPER	1	
	50535	50535-KEB7-E00	SPRING COMP SIDE STAND	SPRING COMP SIDE STAND	1	
	50550	50550-KEB7-E00	SPG ASSY MAIN STAND	SPG ASSY MAIN STAND	1	
	90108	90108-KEB7-E00	SCREW SIDE STAND PIVOT	SCREW SIDE STAND PIVOT	1	
	94101	94101-08600	WASH PLAIN 8MM	WASH PLAIN 8MM	1	
	94251	94251-08400	PIN LOCK 8MM	PIN LOCK 8MM	1	
	95701	95701-06022-02	BOLT FLANGE 6*22	BOLT FLANGE 6*22	1	

F17

Rear Cushion



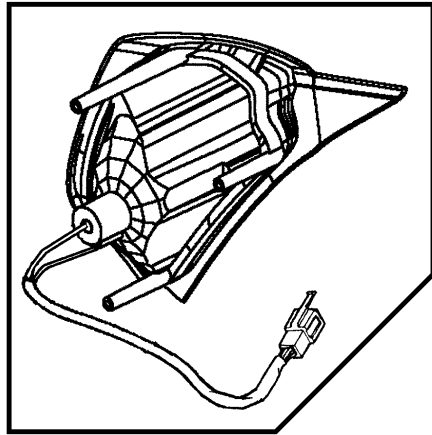
Sales mark	Ref no	Part no	Description	Reg description	Regd no	F17
------------	--------	---------	-------------	-----------------	---------	------------

**	52400	52400-LBD5-E00	CUSHION ASSY RR	CUSHION ASSY RR	1	
#	95801-08035	95801-08035-06	BOLT FLANGE 8*35	BOLT FLANGE 8*35	1	
#	95801-10035	95801-10035-06	BOLT FLANGE 10*35	BOLT FLANGE 10*35	1	



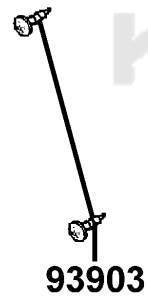
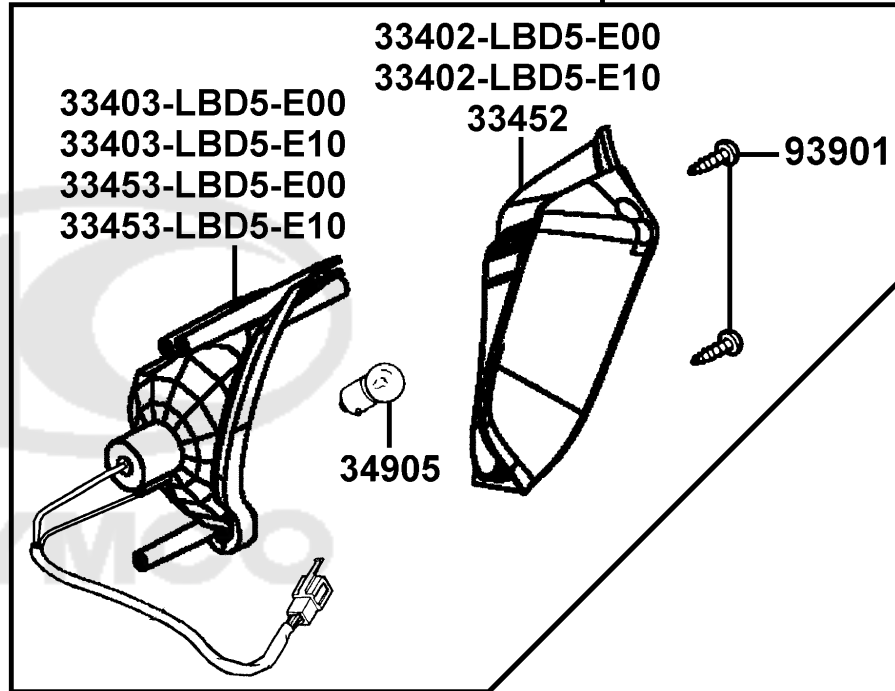
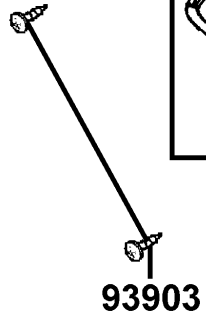
F18

Winker



33450-LBD5-E00
33450-LBD5-E10

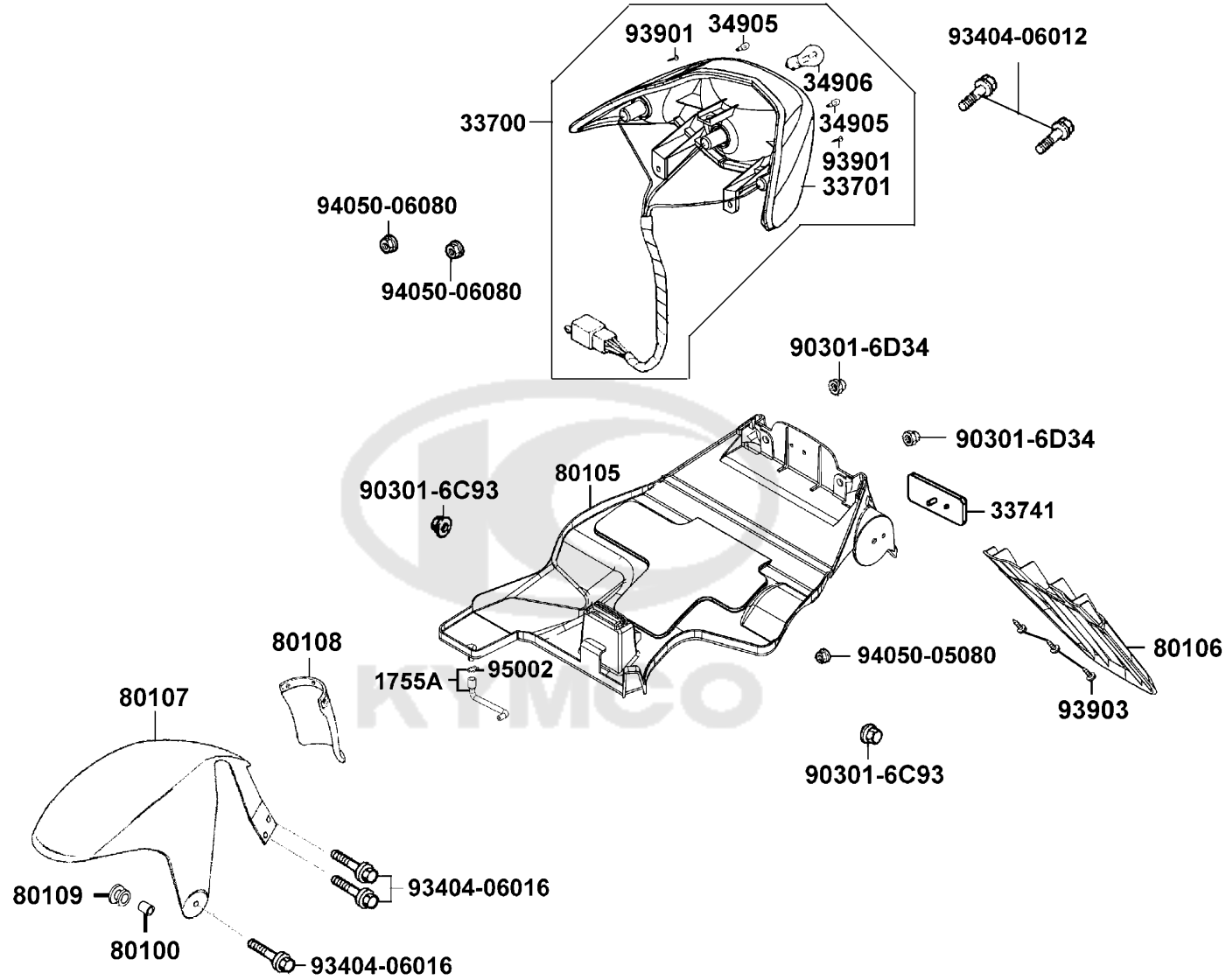
33400-LBD5-E00
33400-LBD5-E10



Sales mark	Ref no	Part no	Description	Reg description	Regd no	F18
	33400-LBD5-E00	33400-LBD5-E00	WINKER ASSY R FR	WINKER ASSY R FR	1	
#	33400-LBD5-E10	33400-LBD5-E10	WINKER ASSY R FR	WINKER ASSY R FR	1	
	33402-LBD5-E00	33402-LBD5-E00	LENS R FR WINKER	LENS R FR WINKER	1	
#	33402-LBD5-E10	33402-LBD5-E10	LENS R FR WINKER	LENS R FR WINKER	1	
	33403-LBD5-E00	33403-LBD5-E00	BASE COMP R FR WINKER	BASE COMP R FR WINKER	1	
	33403-LBD5-E10	33403-LBD5-E10	BASE COMP R FR WINKER	BASE COMP R FR WINKER	1	
	33450-LBD5-E00	33450-LBD5-E00	WINKER ASSY L FR	WINKER ASSY L FR	1	
#	33450-LBD5-E10	33450-LBD5-E10	WINKER ASSY L FR	WINKER ASSY L FR	1	
#	33452	33452-LBD5-E10	LENS L FR WINKER	LENS L FR WINKER	1	
	33453-LBD5-E00	33453-LBD5-E00	BASE COMP L FR WINKER	BASE COMP L FR WINKER	1	
	33453-LBD5-E10	33453-LBD5-E10	BASE COMP L FR WINKER	BASE COMP L FR WINKER	1	
	34905	34905-LBA7-E00	BULB WINKER 12V10W	BULB WINKER 12V10W	2	
#	34905	34905-LCA5-E00	BULB WINKER (12V 10W)	BULB WINKER (12V 10W)	2	
	93901	93901-34220	SCREW TAPPING 4*10	SCREW TAPPING 4*10	4	
	93903	93903-34360	SCREW TAPPING 4X12	SCREW TAPPING 4X12	4	

F19

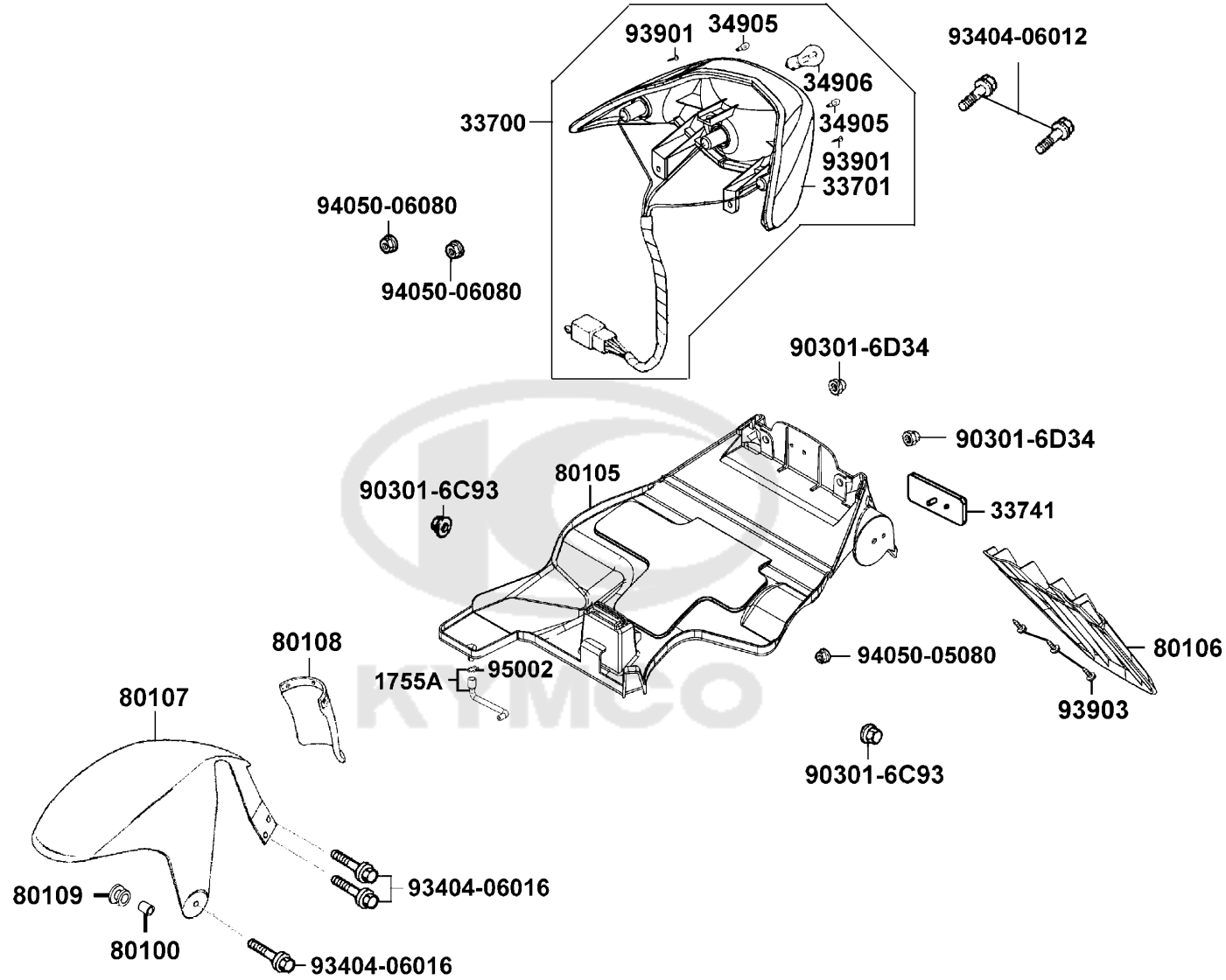
Rear LightRear Fender



Sales mark	Ref no	Part no	Description	Reg description	Regd no	F19
	1755A	1755A-KEB7-900	TUBE ASSY FUEL DRAIN	TUBE ASSY FUEL DRAIN	1	
	33700	33700-LBD5-E01	LIGHT ASSY RR COMB	LIGHT ASSY RR COMB	1	
	33701	33701-LBD5-E01	LENS COMP TAIL LIGHT	LENS COMP TAIL LIGHT	1	
	33741	33741-KEBE-900	REFLEX REFLECTOR	REFLEX REFLECTOR	1	
	33741	33741-KHC5-M00	REFLEX REFLECTOR	REFLEX REFLECTOR	1	
	34905	34905-KPCP-900	BULB WINKER	BULB WINKER	2	
	34906	34906-KPCP-900	BULB TAIL & STOP	BULB TAIL & STOP	1	
	80100	80100-KEB7-900	COLLAR RUBBER	COLLAR RUBBER	1	
# **	80105	80105-LBD5-E01	FENDER REAR	FENDER REAR	1	
# **	80106	80106-LBD5-E00	FENDER RR LOW/NH193	FENDER RR LOW/NH193	1	
**	80107	80107-KEB7-900	FENDER B RR	FENDER B RR	1	
	80108	80108-KEB7-900	PLATE SPLASH GUARD	PLATE SPLASH GUARD	1	
	80109	80109-KEB7-900	RUBBER RR FENDER B	RUBBER RR FENDER B	1	
	90301-6C93	90301-6C93-001	NUT 6MM OPENSTAY	NUT 6MM OPENSTAY	2	
	90301-6D34	90301-6D34-671	NUT FLANGE 6MM	NUT FLANGE 6MM	2	
#	93404-06012	93404-06012-06	BOLT WASHER 6X12	BOLT WASHER 6X12	1	
	93404-06016	93404-06016-06	BOLT WASHER 6*16	BOLT WASHER 6*16	3	
	93901	93901-34420	SCREW TAPPING 4*16	SCREW TAPPING 4*16	2	
	93903	93903-34360	SCREW TAPPING 4X12	SCREW TAPPING 4X12	2	
	94050-05080	94050-05080	NUT FLANGE 5MM	NUT FLANGE 5MM	1	

F19

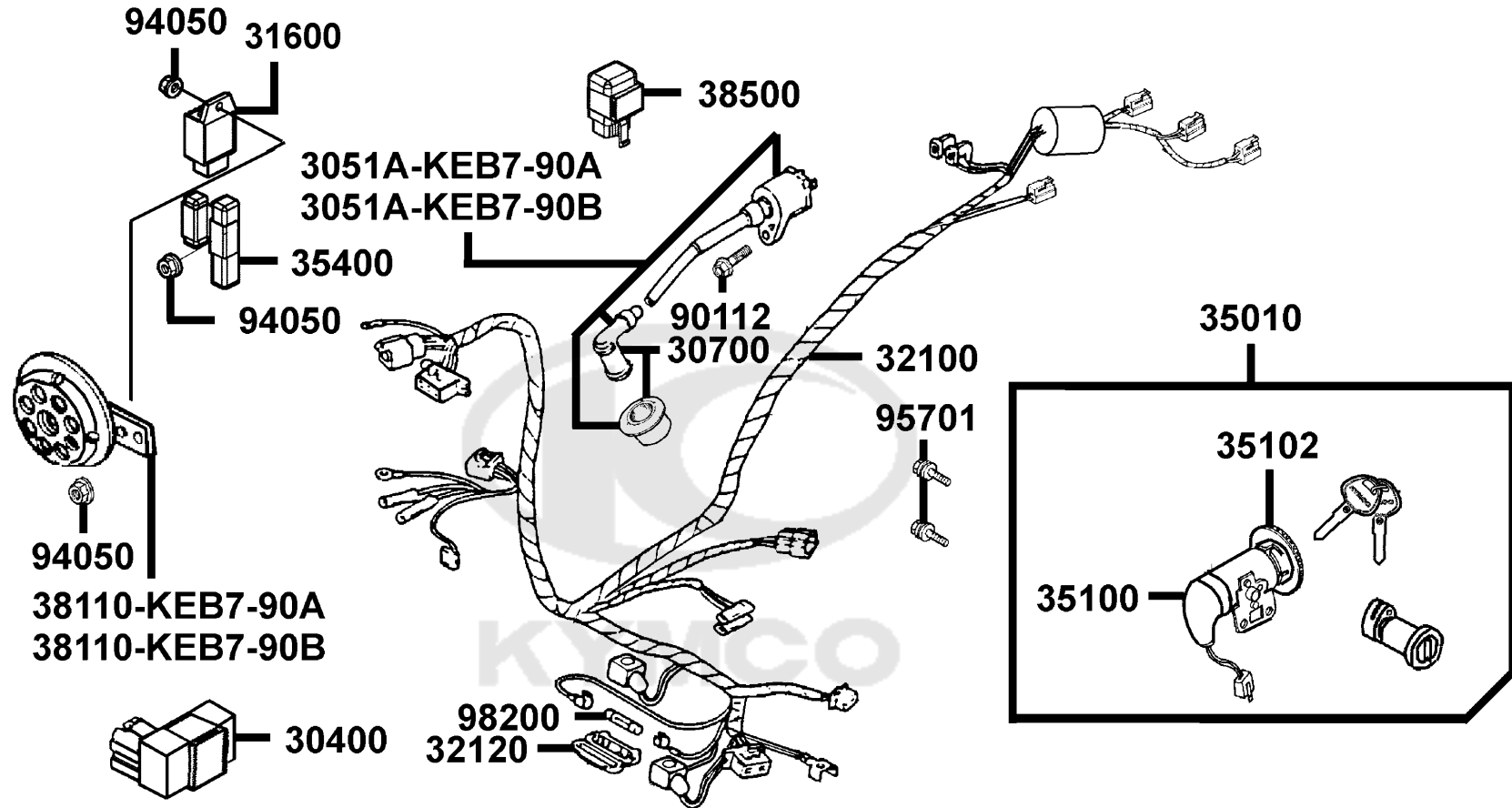
Rear LightRear Fender



Sales mark	Ref no	Part no	Description	Reg description	Regd no	F19
------------	--------	---------	-------------	-----------------	---------	------------

94050-06080	94050-06080	94050-06080	NUT FLANGE 6MM	NUT FLANGE 6MM	2	
95002	95002-02080	95002-02080	CLIP B8 TUBE	CLIP B8 TUBE	1	

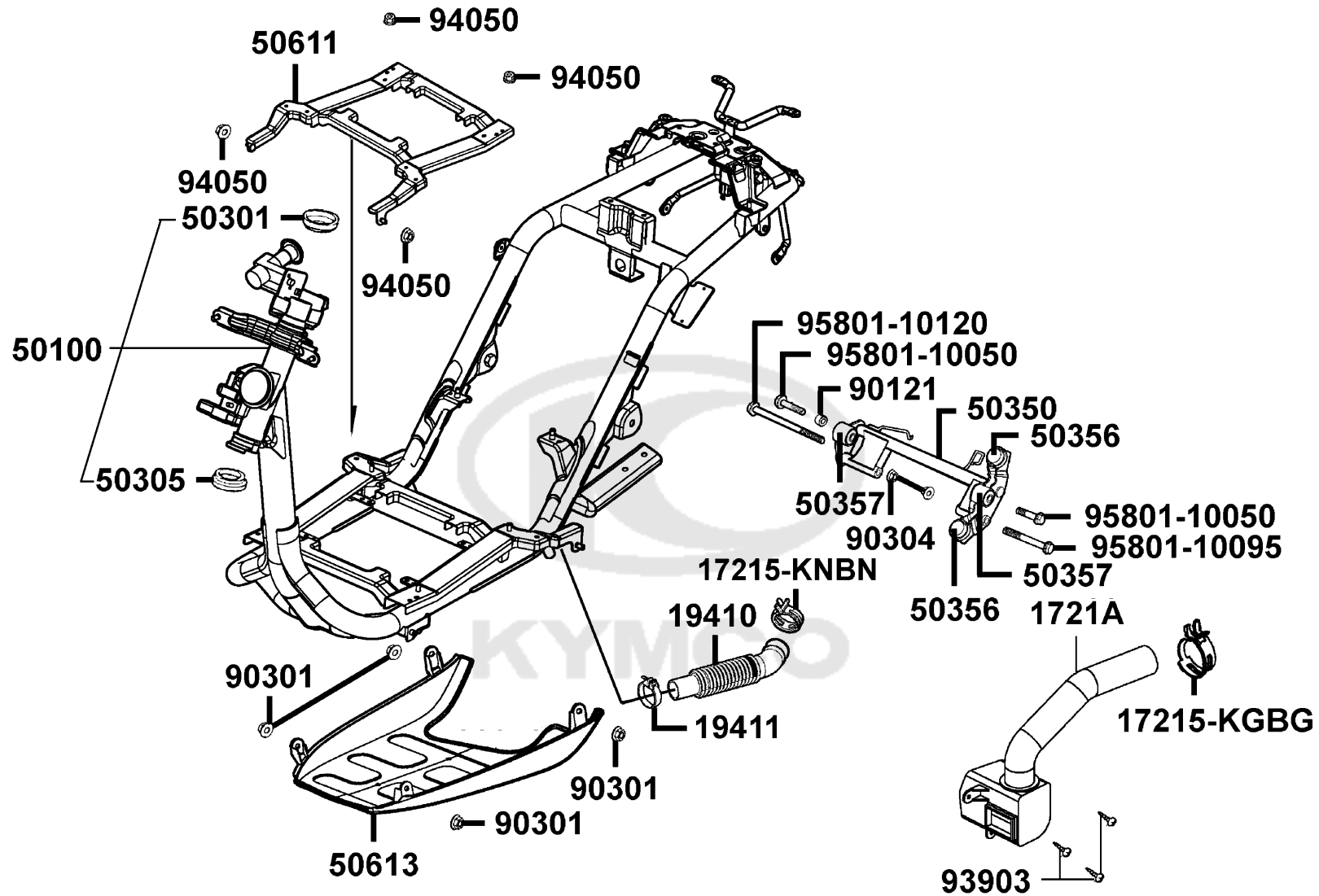




Sales mark	Ref no	Part no	Description	Reg description	Regd no	F20
	30400	30400-GKAK-901	UNIT ASSY CDI	UNIT ASSY CDI	1	
	3051A-KEB7-90A	3051A-KEB7-90A	COIL ASSY IGN (D406)	COIL ASSY IGN (D406)	1	
	3051A-KEB7-90B	3051A-KEB7-90B	COIL ASSY IGN (D106)	COIL ASSY IGN (D106)	1	
	30700	30700-KNBN-901	CAP ASSY NOISE SUPPRESOR	CAP ASSY NOISE SUPPRESOR	1	
	31600	31600-KUDU-900	REG REC COMP	REG REC COMP	1	
	32100	32100-LBD5-E00	HARNESS WIRE	HARNESS WIRE	1	
	32120	32120-1E55-001	CASE FUSE 7A	CASE FUSE 7A	1	
	35010	35010-KKD6-E10	KEY SET	KEY SET	1	
	35100	35100-KEB7-315-M2	SW COMB LOCK	SW COMB LOCK	1	
	35102	35102-KGBG-91B	COLLAR MAIN SW	COLLAR MAIN SW	1	
	35400	35400-KNBN-920	RESISTOR COMP	RESISTOR COMP	1	
	38110-KEB7-90A	38110-KEB7-90A	HORN COMP (supplier:D405)	HORN COMP (supplier:D405)	1	
	38110-KEB7-90B	38110-KEB7-90B	HORN COMP	HORN COMP	1	
	38500	38500-KFA6-900	RELAY ASSY START	RELAY ASSY START	1	
	90112	90112-KRDR-900	BOLT FLANGE 5*22	BOLT FLANGE 5*22	1	
	94050	94050-06080	NUT FLANGE 6MM	NUT FLANGE 6MM	3	
	95701	95701-KEB7-E00	BOLT TORQUE 6*16	BOLT TORQUE 6*16	2	
	98200	98200-10700	FUSE A7	FUSE A7	1	

F21

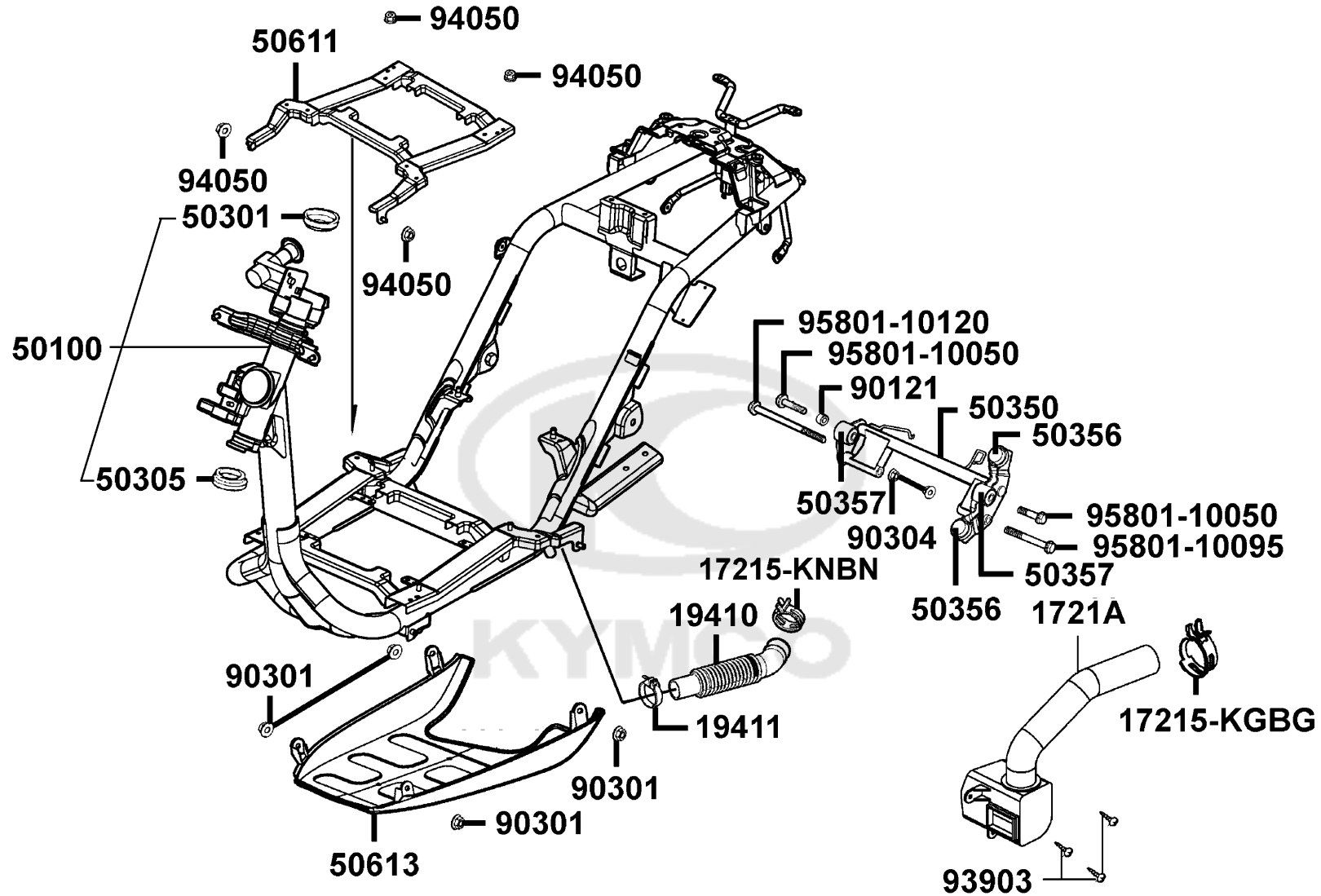
Frame Body



Sales mark	Ref no	Part no	Description	Reg description	Regd no	F21
	17215-KGBG	17215-KGBG-90A	CLIP ASSY A/C DUCT	CLIP ASSY A/C DUCT	1	
	17215-KNBN	17215-KNBN-200	CLIP ASSY AIR/C DUCT	CLIP ASSY AIR/C DUCT	1	
	1721A	1721A-LBD5-E00	DUCT ASSY AIR/C	DUCT ASSY AIR/C	1	
	19410	19410-KEB7-900	DUCT COLLING	DUCT COLLING	1	
	19411	19411-KNBN-900	CLIP HOSE	CLIP HOSE	1	
#	50100	50100-LBD5-305	BODY ASSY FRAME	BODY ASSY FRAME	1	
	50301	50301-GLM0-001	RACE UP STRG BALL	RACE UP STRG BALL	1	
	50305	50305-GHC8-004	RACE (UNDER STR) BALL	RACE (UNDER STR) BALL	1	
	50350	50350-KKD6-E00	HANGER ASSY ENG	HANGER ASSY ENG	1	
	50356	50356-KNBN-200	RUBBER C ENG HANGE STPR	RUBBER C ENG HANGE STPR	2	
	50357	50357-KEB7-900	RUBBER BUSH ENG HANGE	RUBBER BUSH ENG HANGE	2	
	50611	50611-KKD6-E00	RNFCT FLOOR	RNFCT FLOOR	1	
**	50613	50613-KKD6-E01	COVER UNDER	COVER UNDER	1	
	90121	90121-GFY6-901	COLLAR DISTANCE	COLLAR DISTANCE	1	
	90301	90301-6D34-671	NUT FLANGE 6MM	NUT FLANGE 6MM	4	
	90304	90304-GHE8-004	NUT U 10MM	NUT U 10MM	2	
	93903	93903-34360	SCREW TAPPING 4X12	SCREW TAPPING 4X12	3	
	94050	94050-06080	NUT FLANGE 6MM	NUT FLANGE 6MM	4	
	95801-10050	95801-10050-06	BOLT FLANGE 10*50	BOLT FLANGE 10*50	2	
	95801-10095	95801-10095-06	BOLT FLANGE 10*95	BOLT FLANGE 10*95	1	

F21

Frame Body



Sales mark	Ref no	Part no	Description	Reg description	Regd no	F21
------------	--------	---------	-------------	-----------------	---------	------------

95801-10120

95801-10120-06

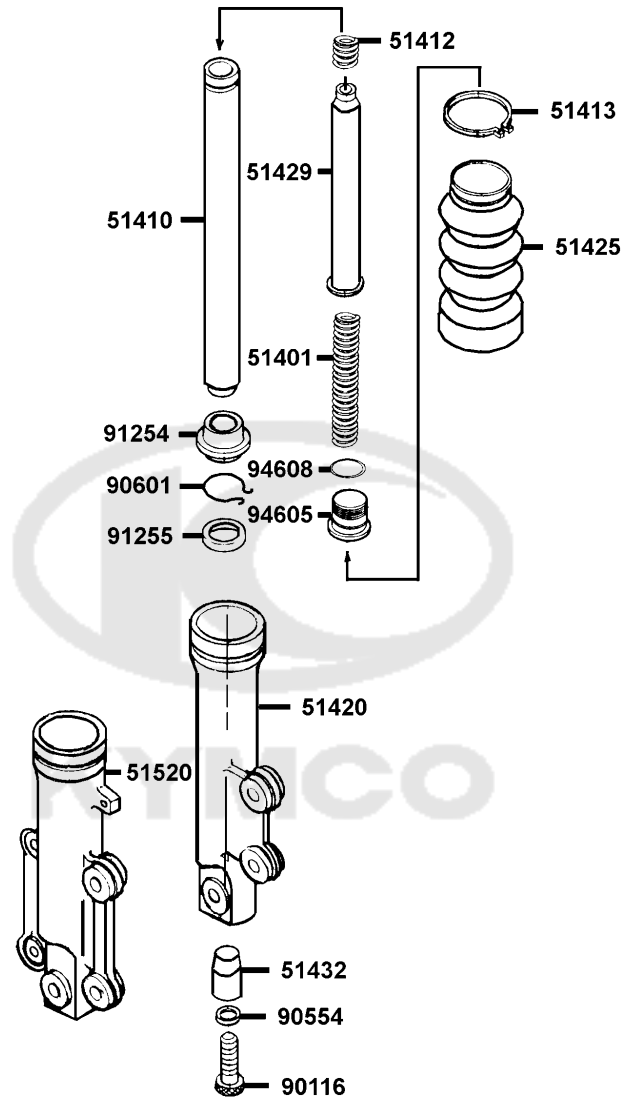
BOLT FLANGE 10*120

BOLT FLANGE 10*120

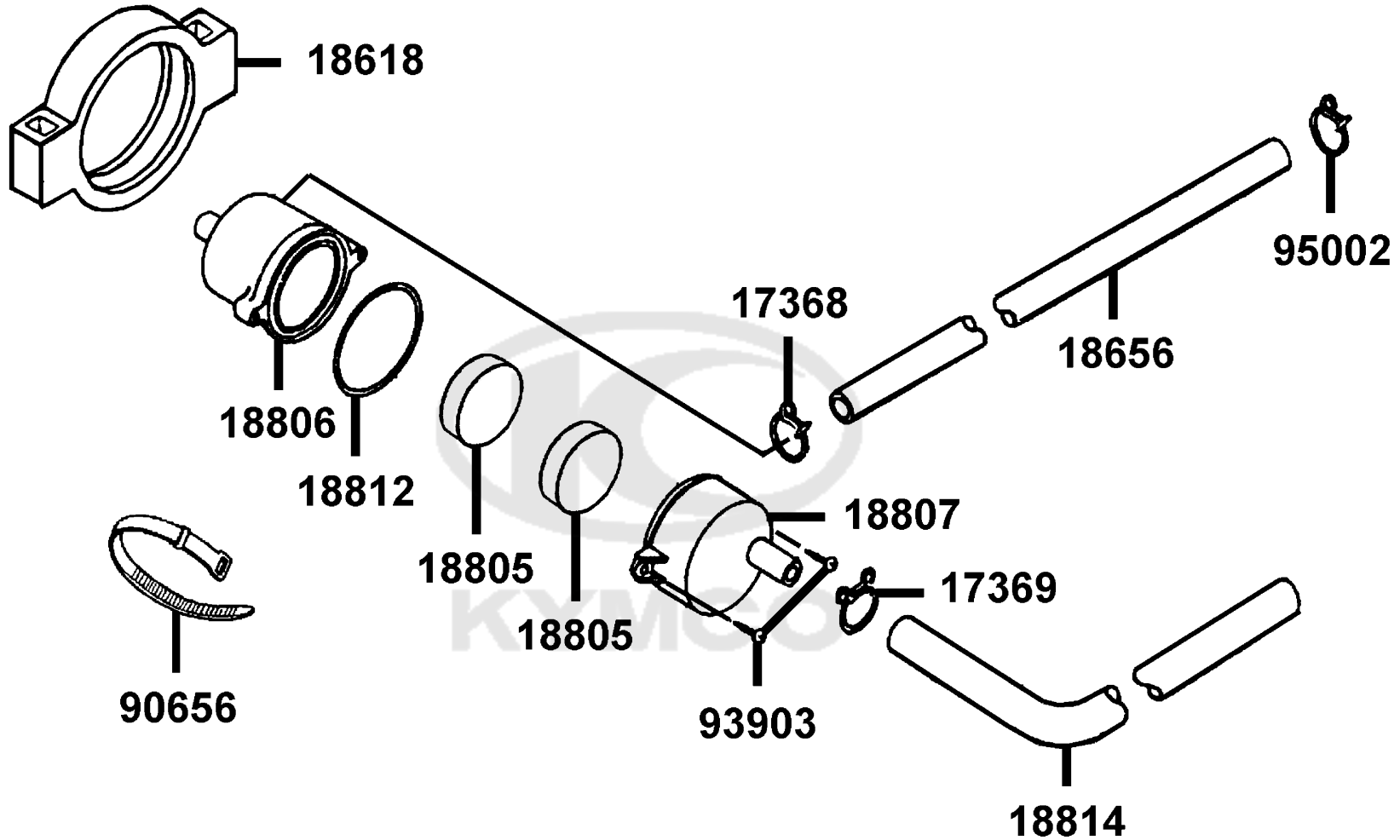
1



Separated Parts Of Fr Fork



Sales mark	Ref no	Part no	Description	Reg description	Regd no	F22
	51401	51401-LBD5-E00	SPRING	SPRING	2	
	51410	51410-LBD5-E00	FORK PIPE COMP	FORK PIPE COMP	2	
	51412	51412-KEB7-900	REBOUND SPRING	REBOUND SPRING	2	
	51413	51413-KEBE-E00	BOOT BAND	BOOT BAND	2	
**	51420	51420-KEB7-800	BOTTOM CASE R	BOTTOM CASE R	1	
	51425	51425-KEB7-900	BOOT	BOOT	2	
	51429	51429-KKD6-E00	PIPE SEAT COMP	PIPE SEAT COMP	2	
	51432	51432-KGM7-911	OIL LOCK PIECE	OIL LOCK PIECE	2	
**	51520	51520-KEB7-800	BOTTOM CASE L	BOTTOM CASE L	1	
	90116	90116-3C83-72A	BOLT	BOLT	2	
	90554	90554-2C83-001	PACKING	PACKING	2	
	90601	90601-3D54-001	RING OIL-SEAL STOPPER	RING OIL-SEAL STOPPER	2	
	91254	91254-KEC5-004	DUST SEAL	DUST SEAL	2	
	91255	91255-4F46-014	SEAL OIL 31X43X10.3	SEAL OIL 31X43X10.3	2	
	94605	94605-KEBE-900	FORK BOLT	FORK BOLT	2	
	94608	94608-30000	O-RING	O-RING	2	



Sales mark	Ref no	Part no	Description	Reg description	Regd no	F23
	17368	17368-KDB4-670	CLIP BREATHER TUBE	CLIP BREATHER TUBE	1	
	17369	17369-KDB4-671	CLIP BREATHER TUBE	CLIP BREATHER TUBE	1	
	18618	18618-KBE2-900	RUBBER AI CLEANER MOUNT	RUBBER AI CLEANER MOUNT	1	
	18656	18656-KKD6-EZ0	TUBE AI/C REED VALVE	TUBE AI/C REED VALVE	1	
	18805	18805-KHB4-910	ELEMENT AI CLEANER	ELEMENT AI CLEANER	2	
	18806	18806-KBE2-900	CASE AI CLEANER	CASE AI CLEANER	1	
	18807	18807-KBE2-900	COVER AI CLEANER	COVER AI CLEANER	1	
	18812	18812-KBE2-900	SEAL AI CLEANER COVER	SEAL AI CLEANER COVER	1	
	18814	18814-LBD5-E00	DUCT AI CLEANER	DUCT AI CLEANER	1	
#	90656	90656-KCBC-900	BAND OIL HANDLE 8X146	BAND OIL HANDLE 8X146	1	
	93903	93903-24360	SCREW TAPPING 4*12	SCREW TAPPING 4*12	2	
	95002	95002-KKD6-E05	CLAMP D18 TUBE	CLAMP D18 TUBE	1	

<p>● Be sure to wear a safety helmet when riding.</p> <p>● Do not exceed the speed specified by law when riding.</p> <p>● The exhaust muffler temperature is very high after riding. Be sure to park the motorcycle in a place not easily touched by people.</p> <p>● For riding safety and good performance, do not violate the law to modify the motorcycle.</p> <p><small>● Please read the User's Manual carefully to secure driving safety.</small></p>	<p>● Make sure to perform the periodic maintenance and periodic inspection.</p> <p style="text-align: center;">▶ Periodic Inspection Items ▶</p> <p>Brake performance, tires, 2cycle motor oil, lights, horn, and instrument panel.</p> <p style="text-align: center;">KWANG YANG MOTOR CO., LTD.</p>
--	---

87560

CAUTIONS		
Tire Size	:Front 120/70-12	Rear 130/70-12
(One Rider)	:Front 1.75kgf/cm ²	Rear 2.25kgf/cm ²
(Two Rider)	:Front 2.00kgf/cm ²	Rear 2.25kgf/cm ²
Load Capacity:	Shield 1.5kg	Clip assy center 3kg
	(As per KYMCO standard specification)	
	(Note: The tire pressure must not overpass 2.50kgf/cm ² .)	
<p>● Check the motor oil level with the dipstick after refilling motor oil.</p>		

87505

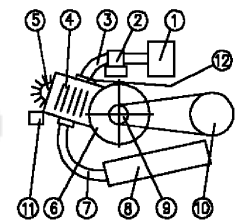
CAUTIONS
<p>Before starting the engine, the side stand shall be kicked up to secure safety.</p>

87541

CAUTIONS
<p>Never put any article between the rear side cover and the engine to avoid interference of riding.</p>

87542

TRADE NAME: KYMCO PEOPLE 50	1. <input checked="" type="checkbox"/> KYMCO KFA6
VEHICLE CATEGORY: A	2. KEHIN KT PB
	3. KYMCO KEB7
	4. KYMCO KFA6
	5. KYMCO KFA6
	6. KYMCO KFA6
	7. -----
	8. <input checked="" type="checkbox"/> KYMCO KFA6
	9. KYMCO KEB7 88
	10. KY GAK 118
	11. KYMCO KEB7
	12. -----



87224

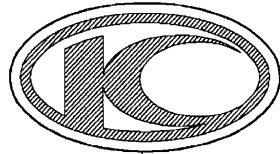
Sales mark	Ref no	Part no	Description	Reg description	Regd no	F24
**	87224	87224-LBD5-EZ0	CAUTION ANTI TAMPERING	CAUTION ANTI TAMPERING	1	
**	87505	87505-KKD7-E00	LABEL TIRE	LABEL TIRE	1	
**	87541	87541-GAR1-E00	CAUTION SIDE STAND	CAUTION SIDE STAND	1	
**	87542	87542-GAR1-E00	MARK MAINT CAUTION	MARK MAINT CAUTION	1	



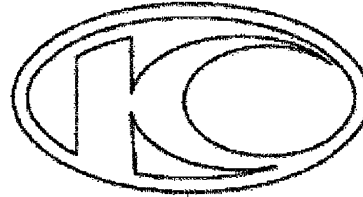
VITALITY SPORTSTREAM **S2T50**

86202

86101



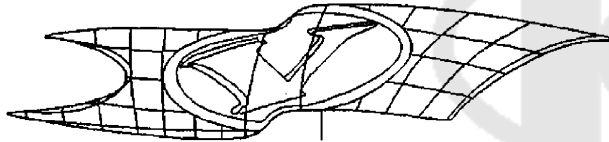
86102-KFA6



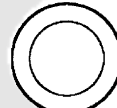
86102-LBD5



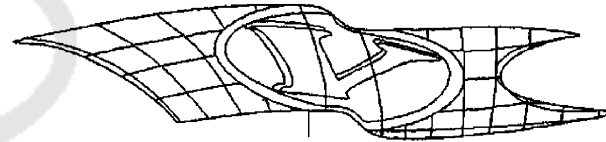
87140



86221



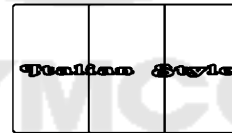
86030



86231



86341



87311-LEA5



86351



86371



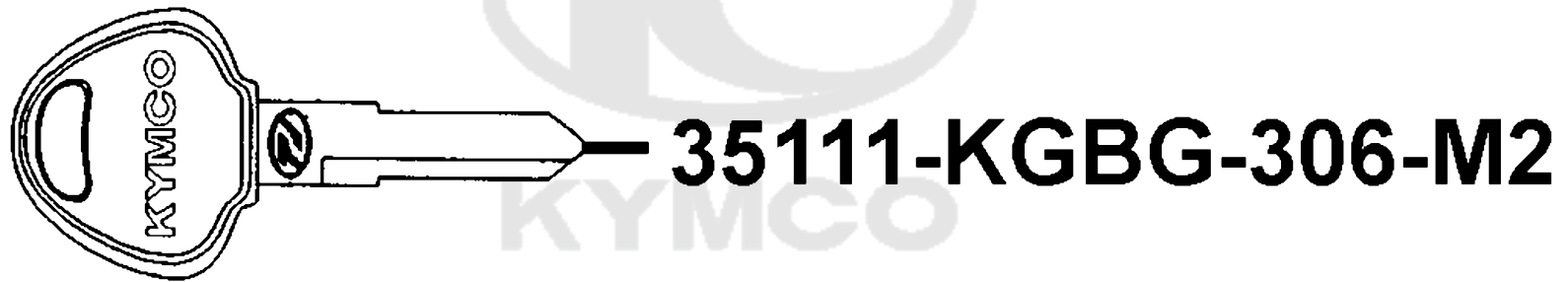
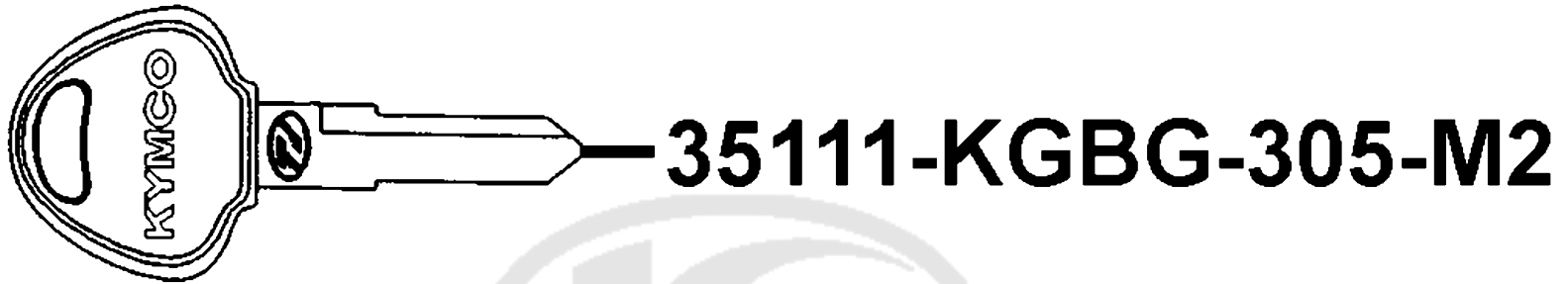
87311-KKD6



86361

Sales mark	Ref no	Part no	Description	Reg description	Regd no	F25
**	86030	86030-KFA6-E00	EMB HANDLE COVER RR	EMB HANDLE COVER RR	4	
**	86102-KFA6	86102-KFA6-E00	EMB K-LOGO 30MM	EMB K-LOGO 30MM	1	
**	86202	86202-LBD5-E10	EMB BODY COVER	EMB BODY COVER	2	
**	87140	87140-LBD5-E00	EMB MARK 2T	EMB MARK 2T	1	
**	87311-KKD6	87311-KKD6-E00	STRIPE MARK EURO 2	STRIPE MARK EURO 2	1	





Sales mark	Ref no	Part no	Description	Reg description	Regd no	F26
------------	--------	---------	-------------	-----------------	---------	------------

35111-KGBG-305-M2	35111-KGBG-305-M2	KEY COMP	KEY COMP	1	
35111-KGBG-306-M2	35111-KGBG-306-M2	KEY COMP	KEY COMP	1	



PART NO. INDEX

PART NO.	VERSION	PAGE	PART NO.	VERSION	PAGE	PART NO.	VERSION	PAGE
1000			11203-KHG8-301	2	E08			
			11204-KEB7-900	0	E09	14000		
			11205-GHAH-004	0	E05			
1001-GC8H-0351	0	E11	11205-GHAH-004	0	E09	14100-KEB7-900	0	E09
1010-GAKH-9200	0	E11	11205-KED5-900	0	E09			
1020-GAKH-9300	0	E11	11206-KEB7-900	0	E09	15000		
103J-073H-9900-SB00	0	E11	11208-GKAK-901	0	E09			
105B-KBNH-9000	0	E11	11341-KKD6-900	1	E05	15100-KEB7-E00	1	E09
1300-GW0H-9000-K	0	E11	11383-KHE7-900	0	F06	15110-KEB7-900	0	E09
1703-GJ2H-0040	0	E11	11395-KKD6-980	2	E05	1551A-LCD1-E00	1	E09
1785-KBNH-9000-SB0	0	E11	12000			1552A-KEB7-901	0	E09
1787-KG8H-9010	0	E11				1552A-LCD1-E00	1	E09
1793-144H-9900	0	E11	12101-KEB7-901	2	E02	1552B-LCD1-E00	1	E09
1799-KBNH-9000	0	E11	12191-KEB7-980	3	E02	1552C-LCD1-E00	1	E09
4000			12201-KEB7-900	1	E02	15772-5A51-001	1	F12
			12251-KEB7-900	0	E02			
4000-077-0000	0	E11	12311-KFB5-900	2	F15	16000		
11000			13000					
11100-KGB5-305	4	E09	13000-GKAK-921	9	E10	1610K-KKD6-E71	0	E11
11102-1G87-00A	1	E09	13011-GLW0-90A	4	E10	16152-KG8-9010-M1	0	E11
11108-KEB7-900	0	E03	13101-GLW0-901	2	E10	16215-LCD1-E00	0	E09
11200-KEB7-325	5	E09	13111-1F66-001	2	E10	1621A-GKAK-901	0	E09
11203-GGC7-301	2	E09	13115-1F56-001	0	E10	16620-KEB7-E00	1	E11
						16630-KEB7-E00	1	E01
						1691A-GFY6-90A	4	F10
						1691A-GFY6-90B	3	F10

PART NO. INDEX

PART NO.	VERSION	PAGE	PART NO.	VERSION	PAGE	PART NO.	VERSION	PAGE
16950-KKJ9-75A	3	F10	17620-GGS7-E10	4	F10	19510-GBW2-901	8	E03
17000			17910-KKD6-E00	0	F03	19600-KEB7-900	0	E01
			18000			1962A-KEB7-900	4	E01
17100-KEB7-901	2	E09				21000		
17100-KEB7-E00	1	E09	18291-LBA7-900	2	F15			
17111-KEB7-980	2	E09	18293-KECE-900	0	F15	21200-KFA1-305	3	E08
17112-KEB7-980	2	E09	18294-KEBE-900	1	F15	21395-LBD3-900	5	E08
17205-KEB7-900	0	F14	18295-KECE-900	0	F15			
17206-KEB7-900	4	F14	1830A-LBD5-E00	3	F15	22000		
17207-KEB7-900	0	F14	18317-KHD8-E00	1	F15			
17208-KEB7-900	0	F14	18601-KFB5-900	0	F15	22100-GAR1-751	1	E07
17212-KEB7-900	0	F14	18612-KFB5-900	1	F15	22102-KEB7-900	0	E06
17213-KEB7-900	2	F14	18618-KBE2-900	0	F23	22103-KEB7-900	0	E06
17215-KEB7-900	0	F14	18645-KGB5-EZ0	1	F15	22105-KFA5-800	0	E06
17215-KGBG-90A	2	F21	18656-KKD6-EZ0	2	F23	22110-KFA1-220	0	E06
17215-KNBN-200	0	F21	18805-KHB4-910	0	F23	22121-GLW0-305	0	E06
17216-KEB7-900	0	F14	18806-KBE2-900	1	F23	22131-GHAH-781	0	E06
1721A-LBD5-E00	1	F21	18807-KBE2-900	3	F23	22132-GLW0-305	0	E06
17253-KEB7-900	0	F14	18812-KBE2-900	0	F23	22300-KXCX-900	2	E07
17254-KACA-P00	0	F14	18814-LBD5-E00	1	F23	22350-GKAK-930	1	E07
17368-KDB4-670	2	F23				22401-GBG2-900	0	E07
17369-KDB4-671	1	F23	19000			22530-GKAK-930	1	E07
17500-KEB7-E10	0	F10				22804-1H48-001	3	E07
17502-1G87-001	0	F12	19410-KEB7-900	2	F21			
1755A-KEB7-900	0	F19	19411-KNBN-900	1	F21			

PART NO. INDEX

PART NO.	VERSION	PAGE	PART NO.	VERSION	PAGE	PART NO.	VERSION	PAGE
23000			30000			33000		
2301A-KEB7-220	1	E07	30400-GKAK-901	0	F20	33100-KGB5-E00	1	F01
23100-KEB7-900	0	E07	3051A-KEB7-90A	4	F20	33101-KGB5-E00	0	F01
23200-GAR1-220	2	E07	3051A-KEB7-90B	2	F20	33120-KGB5-E00	0	F01
23220-GKAK-220	1	E07	30700-KNBN-901	2	F20	33400-LBD5-E00	1	F18
23225-GAR1-751	0	E07				33400-LBD5-E10	1	F18
23233-GHE8-001	2	E07	31000			33402-LBD5-E00	0	F18
23237-GAR1-220	0	E07				33402-LBD5-E10	1	F18
23238-GFY6-941	0	E07	31110-KKD6-E0A	1	E03	33403-LBD5-E00	0	F18
23411-KEB7-900	2	E08	31110-KKD6-E0B	1	E03	33403-LBD5-E10	1	F18
23420-KEB7-900	3	E08	31120-KKD6-E0A	1	E03	33450-LBD5-E00	1	F18
23431-KNBN-901	2	E08	31120-KKD6-E0B	1	E03	33450-LBD5-E10	1	F18
23432-KEB7-900	3	E08	31209-GKAK-901	3	E04	33452-LBD5-E10	1	F18
			31210-GKAK-90C	1	E04	33453-LBD5-E00	0	F18
28000			31500-KCAC-90A	9	F11	33453-LBD5-E10	1	F18
			31600-KUDU-900	2	F20	33700-LBD5-E01	0	F19
28211-KEB7-900	1	E06				33701-LBD5-E01	0	F19
28223-KNBN-901	0	E06	32000			33741-GFY6-C30	1	F05
28230-GKAK-921	0	E06				33741-KEBE-900	3	F19
28250-KNBN-901	1	E06	32100-LBD5-E00	4	F20	33741-KHC5-M00	1	F19
28253-GBN2-60A	0	E06	32105-KEB7-900	0	E04			
28255-GFS6-001	0	E06	32120-1E55-001	0	F20	34000		
28281-GBN2-60A	1	E06	32161-3C93-004	0	E01			
28300-KNBN-901	3	F16				34901-KFA6-900	0	F01

PART NO. INDEX

PART NO.	VERSION	PAGE	PART NO.	VERSION	PAGE	PART NO.	VERSION	PAGE
34903-KPCP-900	0	F01	35410-KEB7-900	0	F12	42710-KEB7-E1A	3	F08
34905-KPCP-900	0	F19				42753-0F06-900	1	F07
34905-LBA7-E00	0	F18	37000			42753-KXCX-900	1	F08
34905-LCA5-E00	0	F18				43000		
34906-KPCP-900	0	F19	37200-LBD5-E0A	3	F02			
34908-GGA7-70A	1	F02	37200-LBD5-E0B	3	F02			
34908-KHB4-900	0	F02	37211-KFA6-90A	0	F02	4312A-LAB4-90B	3	F08
34908-MKB9-87A	0	F02	37211-KFA6-90B	0	F02	43141-KKD6-E00	1	F08
35000			37213-KFA6-90A	0	F02	43353-4A61-77A	0	F07
			37213-KFA6-90B	0	F02	4335A-LBA2-E01	2	F07
			37280-KFA6-900	0	F02	43410-KFA1-900	0	F08
35010-KKD6-E10	1	F20	37801-GGA7-701	1	F10	43450-KKD6-E00	0	F03
35100-KEB7-315-M2	0	F20	37802-GGA7-701	3	F10	43452-GKAK-900	0	F03
35102-KGBG-91B	0	F20	3780A-KEB7-900	3	F10	43472-1A61-001	2	F03
35111-KGBG-305-M2	0	F26	38000			44000		
35111-KGBG-306-M2	0	F26						
35151-KGBG-910	1	F03						
35152-KGBG-900	2	F03	38110-KEB7-90A	2	F20	44301-KGB5-900	2	F07
3515A-KGBG-E00	4	F03	38110-KEB7-90B	5	F20	44311-GLW0-911	0	F07
3515A-LBD5-EV0	1	F03	38300-KECE-900	3	F02	44620-KEB7-E00	0	F07
35201-KGBG-910	1	F03	38500-KFA6-900	0	F20	44650-KEB7-315	2	F07
35202-KGBG-900	3	F03	38773-KEC3-900	0	E09	44710-KEB7-E1A	3	F07
3520A-KGBG-E00	5	F03				44800-KXCX-E00	6	F07
35340-KFA6-900	0	F04	42000			44830-KKD6-E00	1	F02
35340-KKJ9-010	5	F03				44831-KKD6-E00	0	F02
35400-KNBN-920	0	F20	42601-KEB7-E0E	2	F08			

PART NO. INDEX

PART NO.	VERSION	PAGE	PART NO.	VERSION	PAGE	PART NO.	VERSION	PAGE
45000			45530-KFA6-305	0	F04	51000		
			45531-GAR1-951	0	F07			
45105-KKD6-305	0	F07	50000			51401-LBD5-E00	0	F22
45107-MEN5-007	0	F07				5140A-LBD5-E00	4	F06
45108-MDL4-007	2	F07	50100-LBD5-305	0	F21	51410-LBD5-E00	0	F22
45109-GBE2-007	0	F07	50301-GLM0-001	0	F21	51412-KEB7-900	0	F22
45121-LBD5-E00	2	F07	50305-GHC8-004	0	F21	51413-KEBE-E00	0	F22
45126-KKD6-E00	1	F04	50306-1F96-001	0	F06	51420-KEB7-800	1	F22
45131-1F66-017	0	F07	50326-KKD6-E00	2	F11	51425-KEB7-900	0	F22
45131-GBE2-007	1	F07	50330-LEC8-E00	1	F05	51429-KKD6-E00	0	F22
45132-1F66-017	0	F07	50350-KKD6-E00	1	F21	51432-KGM7-911	0	F22
45133-0H28-001	1	F08	50356-KNBN-200	1	F21	5150A-LBD5-E00	4	F06
45133-MCA3-007	0	F07	50357-KEB7-900	1	F21	51520-KEB7-800	0	F22
45156-KDLD-901	2	F06	50503-KEB7-900	1	F16			
45156-KHC5-E10	0	F06	50505-LAD9-900	3	F16	52000		
45200-KKD6-E90	3	F07	5050A-KKD6-E00	6	F16			
45209-GBE2-007	0	F07	50527-KED5-900	0	F16	52400-LBD5-E00	2	F17
45210-KEB7-900	2	F07	50530-LBD5-E00	2	F16			
45215-KKD6-E90	2	F07	50531-KEB7-E00	1	F16	53000		
45216-1F66-007	0	F07	50535-KEB7-E00	3	F16			
45216-KFW6-90A	0	F07	50550-KEB7-E00	1	F16	53100-KKD6-E00	2	F03
45513-KFA6-800	0	F04	50611-KKD6-E00	1	F21	53105-KNBN-910	1	F03
45517-GFY6-900	5	F03	50613-KKD6-E01	1	F21	53125-GEN5-901	2	F03
45517-KFAF-910	0	F04				53140-KNBN-960	0	F03
45520-KFA6-900	1	F04				53166-KNBN-911	0	F03

PART NO. INDEX

PART NO.	VERSION	PAGE	PART NO.	VERSION	PAGE	PART NO.	VERSION	PAGE
53172-KTCT-900	0	F03				80108-KEB7-900	0	F19
53175-KFA6-E00	0	F04	64000			80109-KEB7-900	0	F19
53178-KXCX-E00	0	F03				80151-KKD6-E00	0	F13
53178-KXCX-E90	0	F03	64301-LBD5-E00	3	F05	80152-KKD6-E00	0	F13
5317B-KFA6-E00	3	F03	64302-LBD5-E00	3	F05			
53200-LBD5-E00	3	F06	64305-LBD5-E00	2	F05	81000		
53205-LBD5-E00	3	F03	64306-LBD5-E00	2	F05			
53206-KFA6-900	1	F03	64310-KKD6-E00	2	F05	81131-KKD6-E00	0	F05
53211-GFY6-940	1	F06				81132-KKDK-900	1	F05
53212-GHC8-004	1	F06	77000			81200-KKD6-E00	1	F13
55000			77106-KEB7-900	0	F13	81201-LBD5-E00	2	F13
			77200-LBD5-E00	4	F09	81260-KEB7-E00	3	F13
55100-KEB7-900	0	F12	77201-GFS6-001	0	F13	83000		
55102-1F66-001	0	F12	77232-KCAC-901	2	F13			
55106-KEB7-900	2	F12	77239-GFY6-315-M2	0	F13	83500-LBD5-E00	3	F13
55121-KEB7-900	0	F12	7723A-LBD5-E00	3	F13	83600-LBD5-E00	3	F13
55123-KKD6-E00	0	F12	77240-LBD5-E00	1	F13	8376A-KEBE-900	4	F05
55201-GHC8-001	0	F12	77303-KKD6-E00	1	F09	86000		
61000			80000					
61100-LBD5-E00	1	F06	80100-KEB7-900	0	F19	86030-KFA6-E00	1	F25
			80105-LBD5-E01	0	F19	86101-LBD5-E90	1	F25
			80106-LBD5-E00	1	F19	86102-KFA6-E00	3	F25
			80107-KEB7-900	1	F19	86102-LBD5-E90	1	F25
						86202-LBD5-E10	1	F25

PART NO. INDEX

PART NO.	VERSION	PAGE	PART NO.	VERSION	PAGE	PART NO.	VERSION	PAGE
86221-LBD5-E90	2	F25				90301-6D34-671	1	F21
86231-LBD5-E90	2	F25	90000			90301-KGBG-900	1	F15
86341-LBD5-E90	2	F25				90302-GFY6-901	1	F12
86351-LBD5-E90	2	F25	90001-GKAK-901	2	E02	90302-GFY6-940	2	F05
86361-LBD5-E90	2	F25	90105-KCR3-001	1	F07	90302-KED5-900	2	F13
86371-LBD5-E90	2	F25	90105-KFC2-900	0	F13	90302-KNBN-900	1	F03
			90106-GEN5-901	1	F03	90302-SDA4-004	3	F05
87000			90106-KKD6-E00	0	F13	90302-SDA4-004	3	F13
			90108-KEB7-E00	0	F16	90304-GHE8-004	0	F03
87140-LBD5-E00	1	F25	90110-GLW0-001	0	F05	90304-GHE8-004	0	F21
87224-LBD5-EZ0	2	F24	90110-KEB7-900	1	F06	90305-GHK8-001	1	F05
87311-KKD6-E00	1	F25	90110-KHD8-900	0	F15	90305-GHK8-001	1	F13
87311-LEA5-B20	1	F25	90111-LEB1-900	1	F13	90305-KNBN-90B	1	F08
87505-KKD7-E00	0	F24	90112-KRDR-900	1	F20	90306-GLW0-90A	1	F07
87541-GAR1-E00	2	F24	90114-1F66-007	2	F04	90309-KLF0-004	1	E08
87542-GAR1-E00	3	F24	90115-GLE0-001	0	F03	90381-GEZ5-001	1	F13
87560-KNBN-E00	1	F24	90116-3C83-72A	0	F22	90412-3K29-001	0	E06
			90120-GAR1-J00	0	E09	90429-KNBN-901	0	E08
88000			90121-GFY6-901	1	F21	90442-0D44-001	3	E07
			90122-GCS3-001	0	E06	90451-GBN2-601	0	E06
88110-LBD5-E00	1	F03	90131-GLW0-911	0	F07	90454-GBB2-001	0	E07
88120-LBD5-E00	1	F03	90145-LEA3-E00	1	F04	90474-3C33-001	1	E09
			90202-1G87-001	2	E07	90501-KNBN-901	0	F08
89000			90301-6C93-001	2	F19	90545-3L00-001	2	F04
			90301-6D34-671	1	F13	90554-2C83-001	0	F22
89010-KNBN-900	0	F09	90301-6D34-671	1	F19	90601-3D54-001	0	F22

PART NO. INDEX

PART NO.	VERSION	PAGE	PART NO.	VERSION	PAGE	PART NO.	VERSION	PAGE
90652-GBHB-641	0	F14	91255-4F46-014	0	F22	93901-34220	0	F18
90656-KCBC-900	0	F03	91255-GLE0-006	0	E08	93901-34420	0	F19
90656-KCBC-900	0	F23	91258-KAM1-00A	1	F07	93903-24360	0	F23
90677-GAR1-004	2	F05	91301-0C53-001	0	E08	93903-25360	0	F14
90741-0E35-001	1	E10	91301-KEA5-742	0	E07	93903-34260	0	F13
90754-GHC8-00A	1	F07	91302-PKA9-004	0	E07	93903-34360	0	F03
90912-GHC8-00A	2	F07	91304-GLB0-911	1	E09	93903-34360	0	F05
90912-GHC8-00D	0	F07	91309-GKAK-901	0	E04	93903-34360	0	F13
			91352-KHG8-83B	0	F08	93903-34360	0	F14
91000			92000			93903-34360	0	F18
91001-GGA7-70A	2	E07				93903-34360	0	F19
91001-GLW0-90A	6	E09	92700-06028-1B	0	E02	93903-34360	0	F21
91004-KBN2-90A	0	E08				93903-35080	0	F14
91004-KBN2-90A	0	E09	93000			93903-35360	0	F01
91004-KNBN-92A	0	E09				93903-35360	0	F02
91006-KNBN-901	5	E09	93404-06012-06	1	F19	93903-35360	0	F03
91009-GLE0-004	1	E08	93404-06016-06	1	F19	93903-35360	0	F11
91102-GLW0-009	0	E10	93404-06020-06	1	F05	93903-GFY6-900	1	F05
91103-GAR1-004	0	E07	93500-05012-0F	0	E09	93903-GFY6-900	1	F13
91103-GAR1-00A	0	E07	93500-KGBG-900	0	F03	94000		
91201-KNBN-92A	0	E09	93600-04012-1G	0	F04			
91202-KNBN-92A	0	E09	93700-05018-0F	0	F02	94001-05080-0S	0	F03
91204-KNBN-90A	1	E09	93891-05035-06	0	F03	94001-12280-0S	0	E06
91211-GHK8-014	1	E07	93892-04008-16	0	E11	94050-05080	0	F19
91254-KEC5-004	0	F22	93892-04014-18-3	0	E11	94050-06060	1	F04

PART NO. INDEX

PART NO.	VERSION	PAGE	PART NO.	VERSION	PAGE	PART NO.	VERSION	PAGE
94050-06080	2	E11	95002-02080	0	F10	95701-KEB7-E00	1	F20
94050-06080	2	F05	95002-02080	0	F19	95801-06040-06	0	F14
94050-06080	2	F09	95002-02100	0	F12	95801-08035-06	1	E09
94050-06080	2	F13	95002-02110	0	F14	95801-08035-06	1	F17
94050-06080	2	F19	95002-02650	0	E09	95801-08040-06	0	F06
94050-06080	2	F20	95002-50000	0	F12	95801-08075-06	0	F15
94050-06080	2	F21	95002-KKD6-E05	0	F23	95801-10035-06	0	F17
94050-10080	1	E03	9500B-KEB7-E00	0	F10	95801-10050-06	1	F21
94050-10080	1	E07	9500C-KEB7-900	0	F10	95801-10095-06	0	F21
94101-06700	0	F15	9500E-KEB7-900	0	F10	95801-10120-06	0	F21
94101-08600	0	F16	95012-KKA7-900	1	F11	95801-KGB5-E00	2	F15
94251-08400	0	F16	95015-32001	0	F03			
94301-10200	2	E09	95015-42000	0	F03	96000		
94510-20000	1	E08	95701-06008-06	1	F15			
94511-14000	1	E06	95701-06012-06	1	F05	96001-06012-06	0	E03
94520-24000	1	E07	95701-06012-06	1	F06	96001-06012-06	0	F03
94591-KFBF-900	2	E01	95701-06012-06	1	F10	96001-06012-06	0	F06
94591-KFBF-900	2	E09	95701-06012-06	1	F13	96001-06016-06	0	E03
94605-KEBE-900	1	F22	95701-06014-06	0	F13	96001-06022-06	1	E03
94608-30000	0	F22	95701-06022-02	0	F16	96001-06022-06	1	F04
			95701-06025-06	2	E01	96001-06025-06	0	E04
95000			95701-06025-06	2	F15	96001-06025-06	0	E05
			95701-06032-06	0	F08	96001-06025-06	0	E09
95002-02070	2	E11	95701-06040-06	0	F15	96001-06025-06	0	F03
95002-02070	2	F10	95701-08012-06	0	E09	96001-06032-06	0	E09
95002-02080	0	E11	95701-08040-06	0	E09	96001-06045-06	0	E09

PART NO. INDEX

PART NO.	VERSION	PAGE	PART NO.	VERSION	PAGE	PART NO.	VERSION	PAGE
96001-06055-06	0	E09	S					
96100-62033-00	0	E09						
96211-05000	26	F06						
98000								
			S3620-031-B000	0	E11			
			S4460-213-B001	0	E11			
			S536-1241	0	E11			
98076-5871G-00	0	E02						
98200-10700	0	F11						
98200-10700	0	F20						
99000								
99101-116-0720	0	E11						
K								
K350-KEB-0500	0	E11						
K378-001	0	E11						
K506-GW0-0100	0	E11						
K785-KEB-0300	0	E11						
N								
N413-32A00	0	E11						
N425-2RFMJ	0	E11						