

## ATV200-D T3b



VIN: LL8RBM4F\*\*\*\*\*

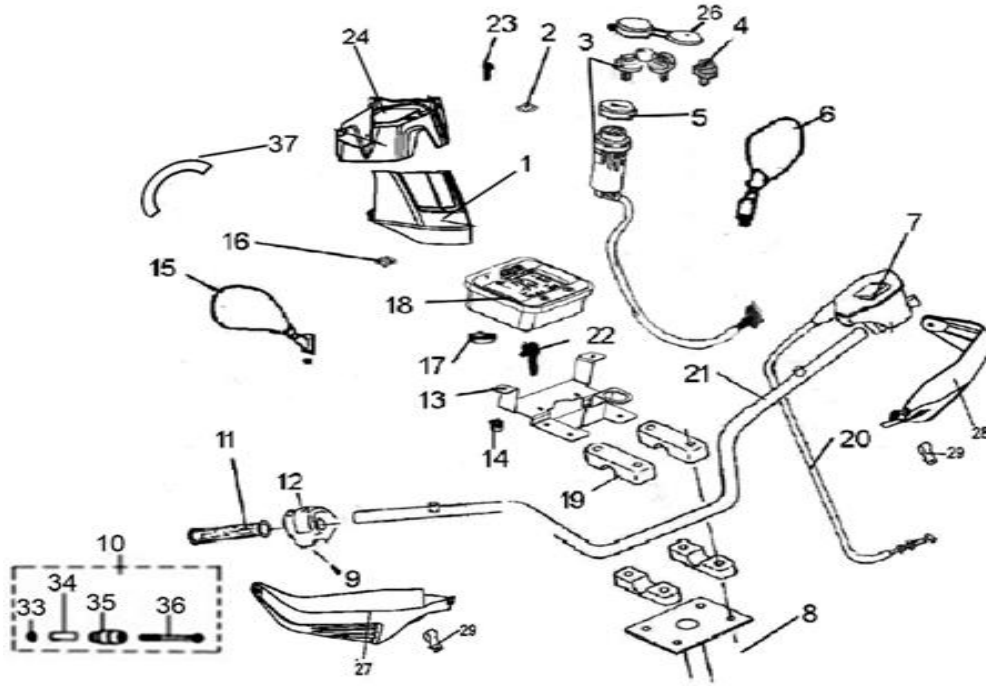
# BUCK 125 E5

## ÍNDICE

ESQ	QUADRO	PAG
B1	HANDLEBAR	3
B2	FUEL TANK	4
B3	REAR FENDERS	5
B4	FRONT BODY & FRAME	6
B4.1	FRONT BODY & FRAME	7
B5	A-ARM	8
B6	SWINGARM ASS	9
B7	WHEEL FRONT	10
B8	SHOCK ABSORBER REAR	11
B9	WHEEL REAR (FOR EUROPE)	12
B10	REAR GEAR-BOX	13
B11	SHIFT ROD	14
B12	SHOCK ABSORBER FRONT	15
B13	STEERING COLUMN	16
B14	ELECTRICAL SYSTEM	17
B15	BRAKING SYSTEM (FOR EUROPE)	18
B16	BRAKING SYSTEM (FOR EUROPE)	19
B17	PEDAL, BRAKE	20
B18	BUMPER & RACK (FOR STANDARD T3)	21
B18.1	BUMPER & RACK (FOR STANDARD T3)	22
<b>ESQ</b>	<b>MOTOR</b>	<b>PAG</b>
E01	ENGINE MOUNT	23
E02	COVER COMP CYLINDER HEAD 1	24
E03	CAMSHAFT COMP	25
E04	HOLDER CAMSHAFT COMP	26
E05	CYLINDER HEAD COMP	27
E06	CARBURETOR	28
E07	STARTING MOTOR	29
E08	AIR CLEANER	30
E09	LEFT CRANKCASE COVER	31
E10	DRIVE PULLEY	32
E11	CYLINDER COMP	33
E12	CRANKSHAFT COMP	34
E13	FAN COVER SHROUD	35
E14	GENERATOR COMP	36
E15	MOTOR STARTER COMP	37
E16	RIGHT CRANKCASE COVER COMP	38
E17	CRANKCASE COMP	39
E18	TRANSMISSION COMP	40
E18.1	TRANSMISSION COMP	41
E19	OIL PUMP COMP	42
E20	CHAIN CAM COMP	43
E21	RADIATOR	44
E22	EXHAUST MUFFLER	45

## ATV200-D T3b

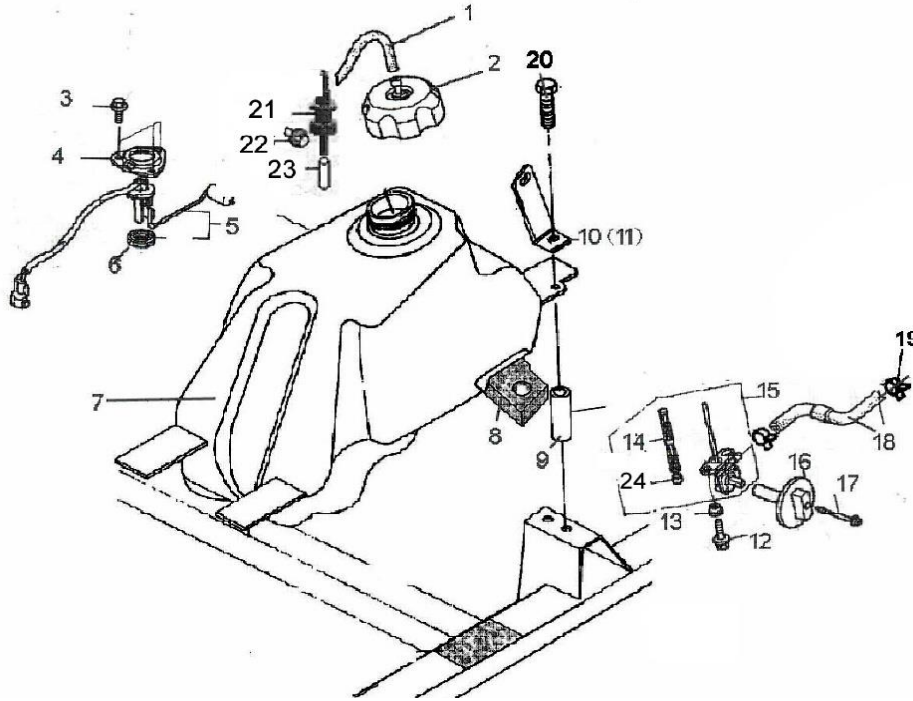
### B1 HANDLEBAR



Nº	CÓDIGO	DESCRIÇÃO	Qt.	OBSERVAÇÕES
1	LH00027415	FRONT SPEEDOMETER COVER	1	
2	LH00027600	EMERGENT SWITCH	1	
3	LH00027601	IGNITION SWITCH WITH KEY	1	
4	LH00025003	KEY BLANK	1	
5	LH00025004	THREADED NUT	1	
6	LH00030118	REAR VIEW MIRROR LEFT	1	
7	LH0020109C	THROTTLE CONTROL (2WD)	1	
8	LH00010079	NUT M8	4	
9	LH00010104	BOLT M6X12	1	
10	LH00072037	NEW GUARD,HANDLEBAR END ASSY.(MATCH WITH NEW HANDLEBAR)	2	
11	LH00030515	GRIP	2	
12	LH00027602	SWITCH ASSY	1	
13	LH00025008	SPEEDOMETER BRACKET	1	
14	LH00010004	NUT M6	2	
15	LH00030117	REAR VIEW MIRROR RIGHT	1	Mirror Up Holder in "B16" pos6
16	LH00025010	SPEEDOMETER COVER CAP	1	
17	LH00070447	WASHER	2	
18	LH00029836	LCD SPEEDOMETER	1	
19	LH0020112a	HANDLEBAR CLAMP	4	
20	LH00029704	THROTTLE CABLE	1	
21	LH0030109f	HANDLEBAR (MATCH WITH NEW GUARD,HANDLEBAR END ASSY.)	1	
22	LH00010139	BOLT M8X65	4	
23	LH00025013	SCREW M6X12	2	
24	LH00027416	REAR SPEEDOMETER COVER	1	
26	LH00027257	IGNITION SWITCH COVER	1	
27	LH00027417	HANDLEBAR COVER RIGHT	1	
28	LH00027418	HANDLEBAR COVER LEFT	1	
29	LH00027419	HANDLE COVER INSTALLATION BELT	2	
33	LH00010913	NUT M6	2	
34	LH00072035	TENSIONING BLOCK	2	
35	LH00072036	BALANCE WEIGHT	2	
36	LH00010940	SCREW M6X70	2	
37	LH00029838	IGNITION SWITCH RATING PLATE	1	

## ATV200-D T3b

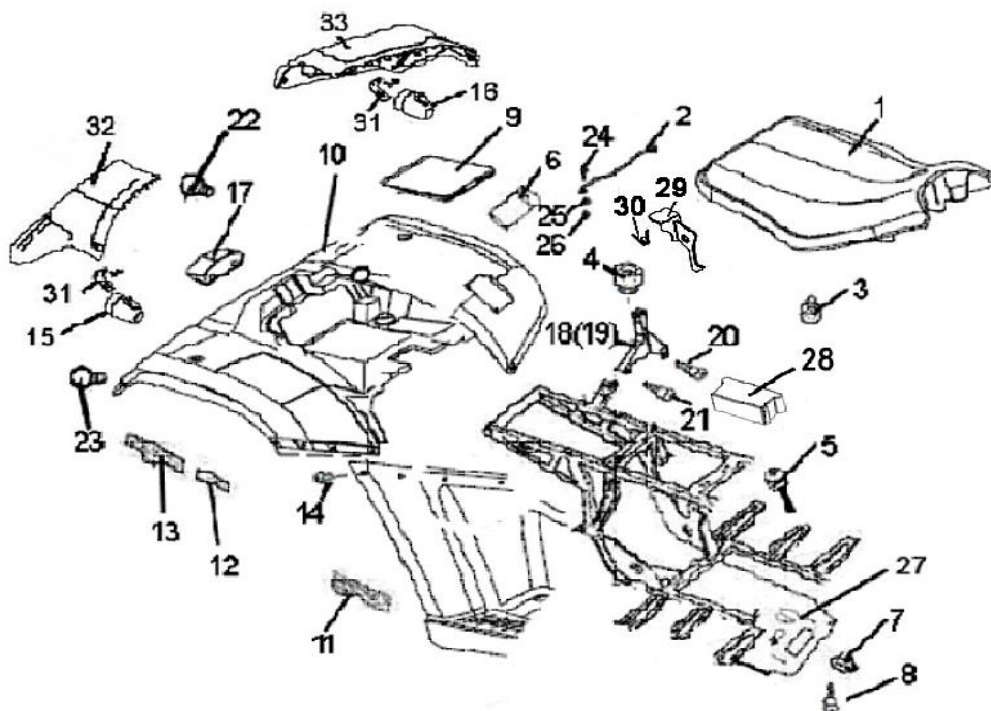
### B2 FUEL TANK



Nº	CÓDIGO	DESCRIÇÃO	Qt.	OBSERVAÇÕES
1	LH00028095	TUBE,FUEL CAP BREATHER	1	
2	LH00070725	FUEL CAP	1	
3	LH00010104	BOLT M6X12	3	
4	LH00025019	PLATE, UNIT SET	1	
5	LH00025020	FUEL UNIT SET ASSY	1	
6	LH00025021	GASKET, BASE	1	
7	LH00025022	FUEL TANK	1	
8	LH00020209	FOAM PAD	1	
9	LH00020210	SPACER	2	
10	LH00025023	MOUNTING BRACKET LEFT	1	
11	LH00025024	MOUNTING BRACKET RIGHT	1	
12	LH00010104	BOLT	2	
13	LH00070742	CALLAR	2	
14	LH00025028	SCREW SET, FUEL STRAINER	1	
15	LH00025029	PETCOCK ASSY	1	
16	LH00025030	LEVER, PETCOCK	1	
17	LH00025031	SCREW-WASHER	1	
18	LH00025032	TUBE,FUEL	1	
19	LH00020218	HOSE CLAMP 1	9	
20	LH00010005	BOLT M6X60	2	
21	LH00025037	VALVE,TANK, FUEL	1	
22	LH00010820	BOLT M5X10	1	
23	LH00070734	TUBE	1	
24	LH00025027	O-RING	1	

## ATV200-D T3b

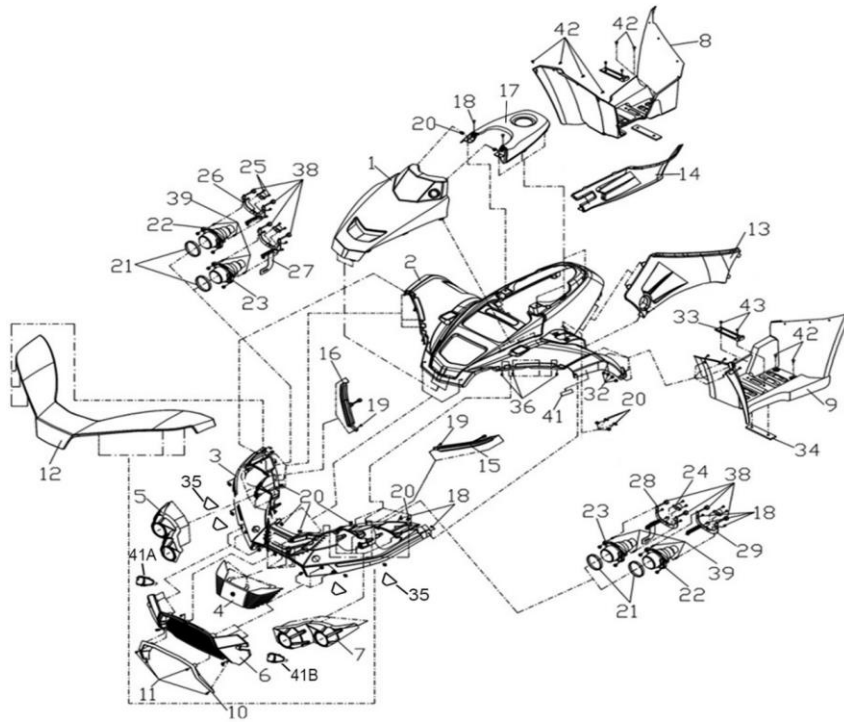
### B3 REAR FENDERS



Nº	CÓDIGO	DESCRIÇÃO	Qt.	OBSERVAÇÕES
1	LH00025040	SEAT	1	
2	LH00025041	LATCH ASSEMBLY	1	
3	LH00025042	RUBBER, SEAT SETTING 1	6	
4	LH00025043	RUBBER, SEAT SETTING 2	2	
5	LH00020316	RUBBER PAD	8	
6	LH00029647	TOOL	1	
7	LH00020331	WASHER 6	7	
8	LH00010191	BOLT M6X18	9	
9	LH0025045a	TOOL BOX CAP (NEW MOD,MUST BE MATCHED W/ 2014 NEW MOULD REAR FENDER)	1	
10	LH0027381a	REAR FENDER (2014 NEW MOULD, MUST BE MATCHED WITH NEW TOOL BOX CAP)	1	
11	LH00025047	FOOTREST RIGHT ADIABATIC PELLICLE	1	
12	LH00025048	REAR MUD ADIABATIC PELLICLE 1	1	
13	LH00025049	REAR MUD ADIABATIC PELLICLE 2	1	
14	LH00010420	SCREW M6X16	8	
15	LH00025286	LEFT REAR INDICATION LIGHT (USED FOR THE WATERPROOF)	1	
16	LH00025287	RIGHT REAR INDICATION LIGHT (USED FOR THE WATERPROOF PLUG UNIT)	1	
17	LH00025280	TAILLIGHT (USED FOR WATERPROOF)	1	
18	LH00025054	TRESTLE RIGHT	1	
19	LH00025055	TRESTLE LEFT	1	
20	LH00025056	BOLT M8X70	2	
21	LH00010055	BOLT M8X45	2	
22	LH00025058	TAILLIGHT BULB 12V 21W/5W	1	
23	LH00025058	REAR INDICATION LIGHT BULB 12V10W	2	
24	LH00010140	BOLT M6X12	2	
25	LH00010006	WASHER 6	2	
26	LH00010004	NUT	2	
27	LH00025062	PLASTIC PLANT	1	
28	LH00029636	BATTERY COVER	1	
29	LH00070788	HOOK BRACKET, SEAT LOCK	1	
30	LH00070789	SPRING	1	
31	LH00027362	REAR INDICATION LIGHT BRACKET	2	
32	LH00027383	TAILLIGHT COVER, R	1	
33	LH00027382	TAILLIGHT COVER, L	1	

## ATV200-D T3b

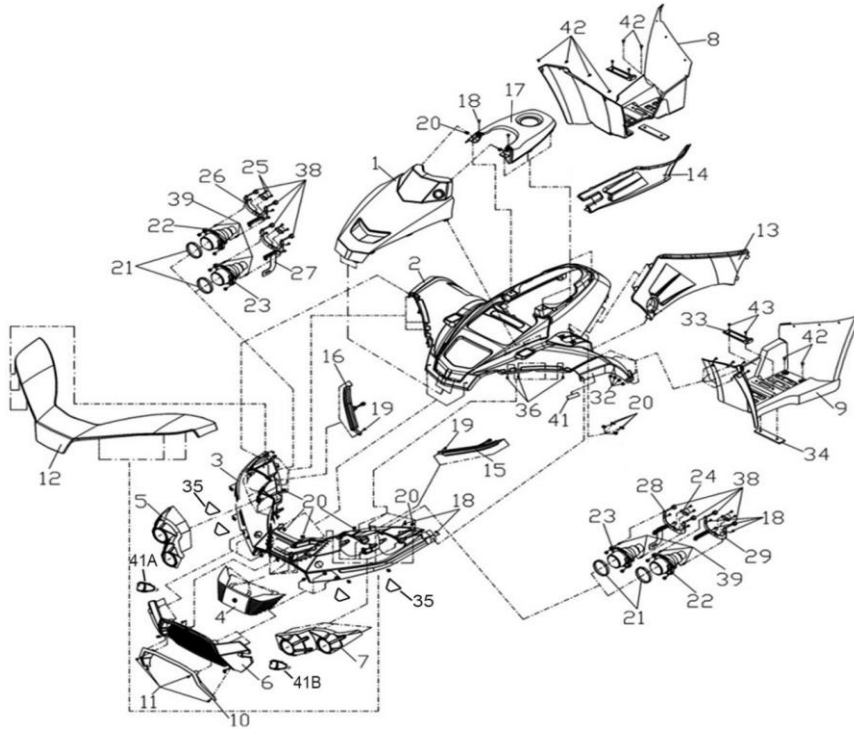
### B4 FRONT BODY&FRAME



Nº	CÓDIGO	DESCRIÇÃO	Qt.	OBSERVAÇÕES
1	LH00025064	FRONT COVER	1	
2	LH00025281	FRONT BODY	1	
3	LH00027420	FRONT BODY COVER	1	
4	LH00027421	FRONT COVER	1	
5	LH00027422	PROTECTOR.R.HEADLIGHT	1	
6	LH00027426	PLATE, FRONT RACK	1	
7	LH00027423	PROTECTOR.L.HEADLIGHT	1	
8	LH00025071	FOOTREST RIGHT	1	
9	LH00025072	FOOTREST LEFT	1	
10	LH00027427	INSERTS, FRONT RACK	1	
11	LH00010009	SCREW ST4.8×16	4	
12	LH00027436	BOARD, FRONT COVER	1	
13	LH00025077	SIDE COVER L	1	
14	LH00025076	SIDE COVER R	1	
15	LH00027434	LED LIGHT, L	1	
16	LH00027435	LED LIGHT, R	1	
17	LH00035561	COVER, FUEL TANK TOP (NEW MODEL)	1	
18	LH00010009	SCREW ST4.8×16	18	
19	LH0010178B	SCREW ST4.2×13	20	
20	LH00022346	NUT ST4.8	22	

## ATV200-D T3b

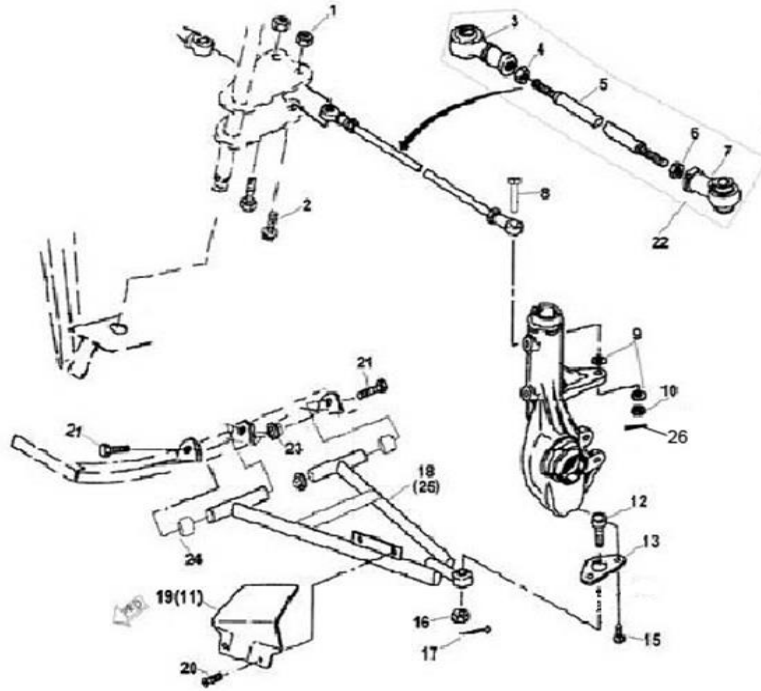
### B4.1 FRONT BODY&FRAME



Nº	CÓDIGO	DESCRIÇÃO	Qt.	OBSERVAÇÕES
21	LH00035842	THE HEADLIGHTS CUSHION	4	
22	LH00027610	HIGH BEAM	2	
23	LH00083373	DIPPED HEADLIGHT	2	
24	LH00027371	BALL JOINT, HEADLIGHT	4	
25	LH00011100	SCREW M4x12	8	
26	LH00027428	HIGH BEAM BRACKET, R	1	
27	LH00027431	DIPPED HEADLIGHT BRACKET, R	1	
28	LH00027433	DIPPED HEADLIGHT BRACKET, L	1	
29	LH00027432	HIGH BEAM BRACKET, L	1	
32	LH00011064	NUT M6	8	
33	LH00070336	STEP (SHORT)	2	
34	LH00070300	RUBBER WASHER	2	
35	LH00027612	REFLECTIVE DECALS, HEADLIGHT	4	
36	LH00010520	SCREW ST4.8X12	6	
38	LH00027372	ADJUSTMENT BOLT, HEADLIGHT	8	
39	LH00027373	SPRING	8	
41A	LH00027495	FRONT INDICATOR LIGHT R (USED FOR WATERPROOF)	1	
41B	LH00027494	FRONT INDICATOR LIGHT L (USED FOR WATERPROOF)	1	
42	LH00010420	SCREW M6X16	16	
43	LH00010127	SCREW M6X20	4	

## ATV200-D T3b

### B5 A-ARM

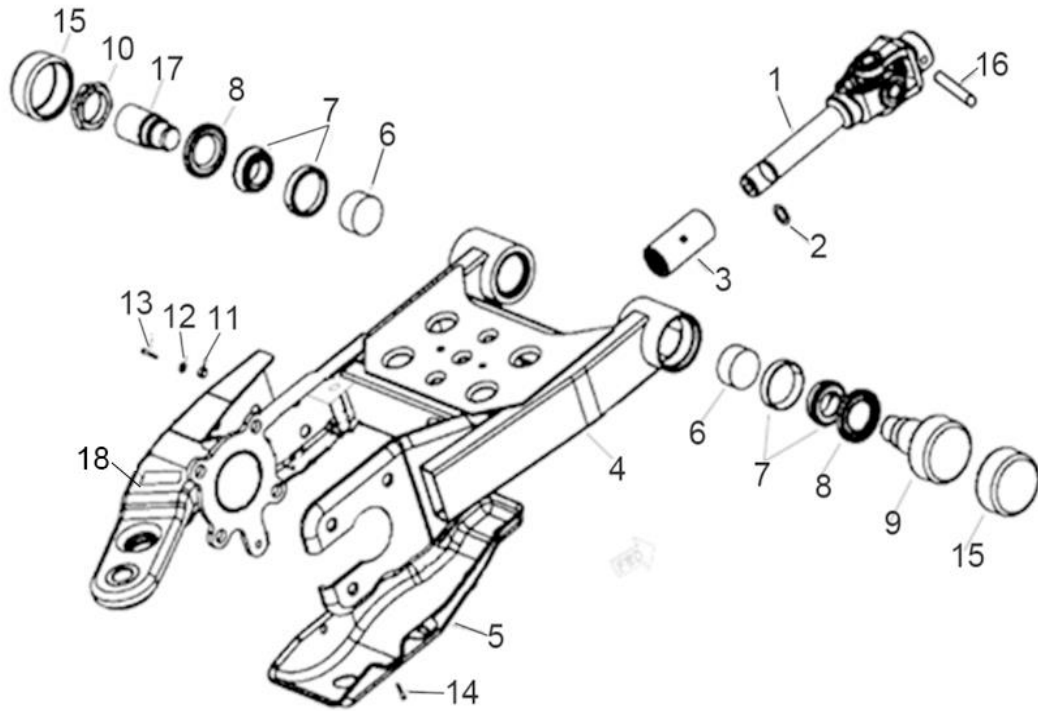


Nº	CÓDIGO	DESCRIÇÃO	Qt.	OBSERVAÇÕES
1	LH00010015	NUT M10X1.25	2	
2	LH00027794	BOLT M10X1.25X57	2	
3	LH00020507	TIE ROD END B (RIGHT)	2	
4	LH00010017	JAM NUT(RIGHT)	2	
5	LH00025095	TIE ROD	2	
6	LH00020506	JAM NUT(LEFT)	2	
7	LH00020503	TIE ROD END A (LEFT)	2	
8	LH00010018	BOLT M10X1.25X55	2	
9	LH00010019	WASHER 10	4	
10	LH00010015	NUT M10X1.25	2	
11	LH00020628	A - ARM SHIELD RIGHT	1	
12	LH00020512	BALL JOINT STUD	2	
13	LH00020513	BALL JOINT MOUNTING BRACKET	2	
15	LH00010022	BOLT M6X12	4	
16	LH00027067	NUT M10X1.25	2	
17	LH00010501	COTTER PIN 2.5X25	2	
18	LH00025096	A-ARM LEFT	1	
19	LH00020519	A - ARM SHIELD LEFT	1	
20	LH00010001	SCREW M5X12	4	
21	LH0020522f	A-ARM PIVOT SHAFT	2	
22	LH0020629B	TIE ROD ASSY	2	
23	LH00010136	NUT M12X1.25	4	
24	LH0020524f	BUSHING	4	
25	LH00025097	A-ARM RIGHT	1	
26	LH00010501	COTTER PIN	4	



## ATV200-D T3b

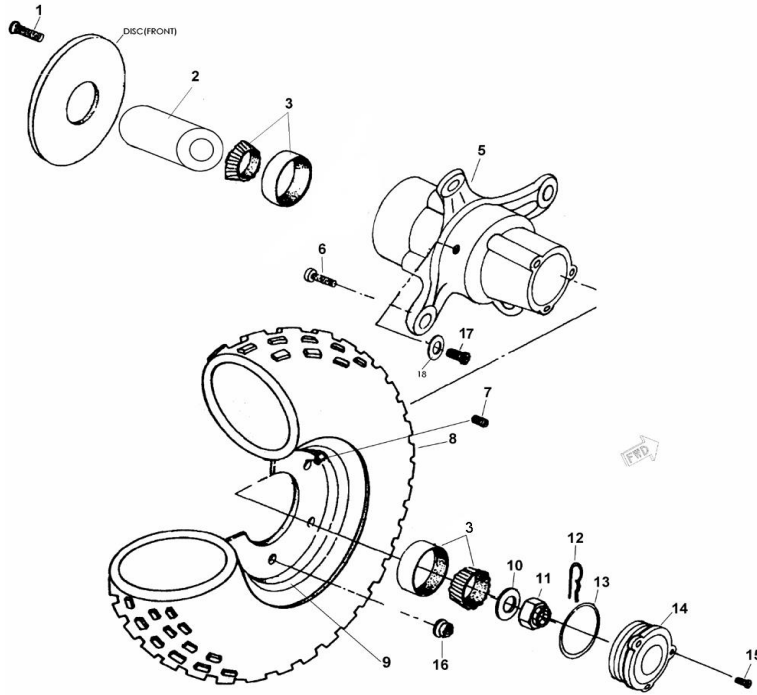
### B6 SWINGARM ASS



Nº	CÓDIGO	DESCRIÇÃO	Qt.	OBSERVAÇÕES
1	LH00025098	REAR PROPSHAFT ASSY	1	
2	LH00010029	O-RING	1	
3	LH00020703	COUPLING-PROP SHAFT GREASED	1	
4	LH00025099	SWINGARM ASSY	1	
5	LH00020705	SKID PLATE REAR	1	
6	LH00020706	SEAL-SWINGARM PIVOT	2	
7	LH00010030	BEAR	2	
8	LH00020708	SEAL	2	
9	LH00020709	SWING ARM PIVOT RIGHT	1	
10	LH00020710	THREADED PIVOT	1	
11	LH00010031	NUT M12	3	
12	LH00010032	WASHER 12	3	
13	LH00010033	BOLT M12X35	3	
14	LH00010034	BOLT M8X12	3	
15	LH00020715	CAP SWINGARM PIVOT	2	
16	LH00020716	ROLL PIN	1	
17	LH00020717	SWINGARM PIVOT LEFT	1	
18	LH00020718	SPONGY GASKET	1	

# ATV200-D T3b

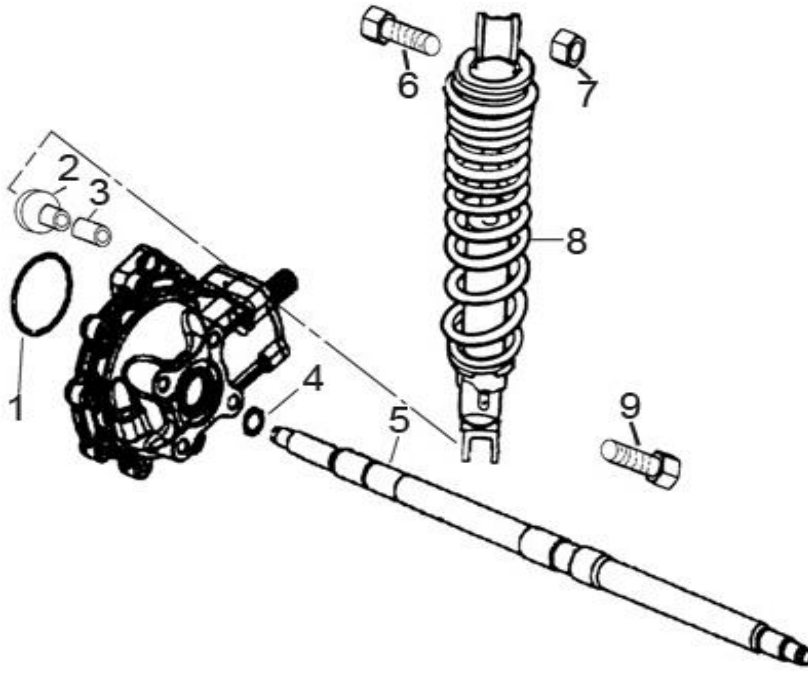
## B7 WHEEL FRONT



Nº	CÓDIGO	DESCRIÇÃO	Qt.	OBSERVAÇÕES
1	LH00010035	BOLT M8X20	8	
2	LH00020802	SPACER	2	
3	LH00010030	BEARING	4	
5	LH00020805	HUB ASSY SHRT	2	
6	LH0020806s	WHEEL STUD (FOR ALUMINUM WHEELS)	8	
7	LH0020807A	VALVE, RIM (TR412) (FOR ALUMINIUM WHEEL)	4	
8	LH00029657	TIRE FRONT AT22X7-10	2	
9	LH0029656S	WHEEL FRONT(ALUMINIUM)	2	
10	LH00010037	WASHER 16	2	
11	LH00020811	SLOTTED NUT M16X1.5	2	
12	LH00010051	COTTER PIN	2	
13	LH00010039	O-RING	2	
14	LH00020814	HUB CAP 2-LOBE AWD	2	
15	LH00010040	SCREW M5X16	6	
16	LH00010015	LUG NUT M10X1.25	8	
17	LH00020817	LUG	1	
18	LH00020818	WASHER	1	

## ATV200-D T3b

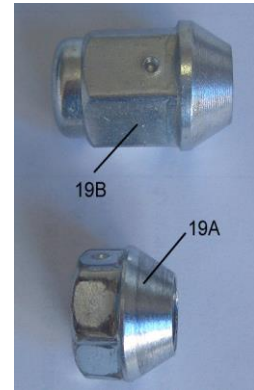
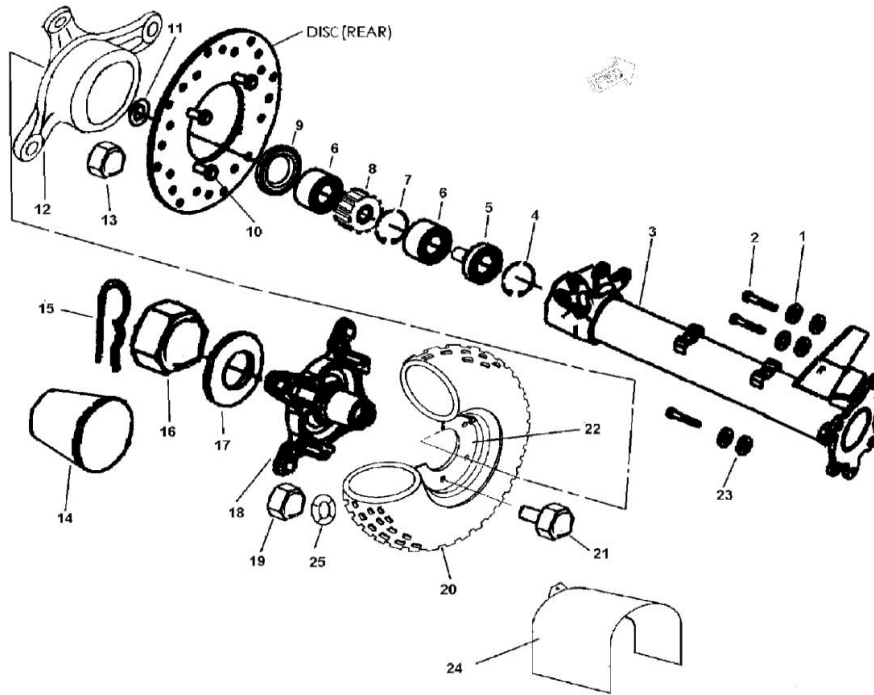
### B8 SHOCK ABSORBER REAR



Nº	CÓDIGO	DESCRIÇÃO	Qt.	OBSERVAÇÕES
1	LH00020901	O-RING 79X4	1	
2	LH00020902	CUSHION PAD	2	
3	LH00020903	SPACER-BEARING	1	
4	LH00010042	O-RING 35.5X3.55	2	
5	LH00025102	REAR AXLE (USED FOR EUROPE)	1	
6	LH00020906	UP BOLT M10X1.25X57	1	
7	LH00010015	NUT M10X1.25	2	
8	LH00025104	SHOCK ABSORBER REAR	1	
9	LH00020909	DOWN BOLT M10X1.25X57	1	

## ATV200-D T3b

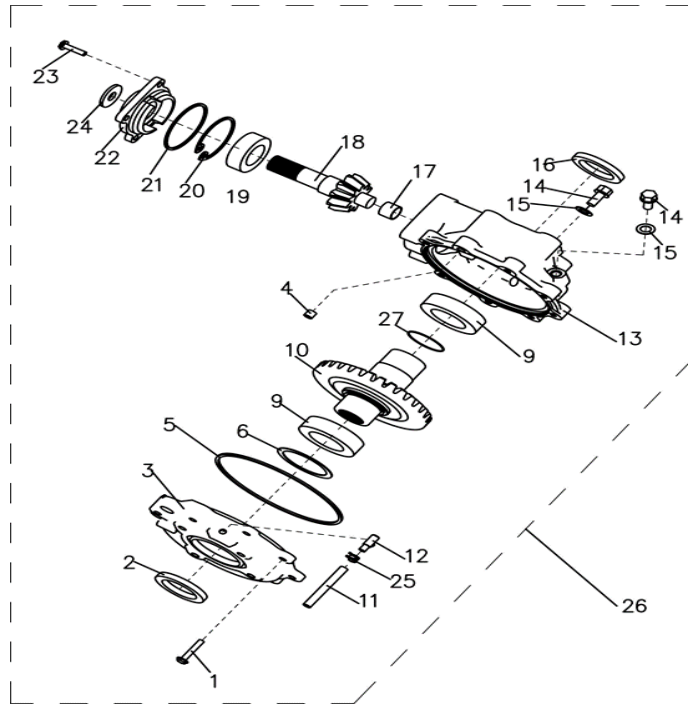
### B9 WHEEL REAR (FOR EUROPE)



Nº	CÓDIGO	DESCRIÇÃO	Qt.	OBSERVAÇÕES
1	LH00010032	WASHER 12	8	
2	LH00010045	BOLT M12X30	8	
3	LH00029823	AXLE TUBE AND HITCH ASSEMBLY	1	
4	LH00021004	RING RETAINER INT	1	
5	LH00021005	SPACER	1	
6	LH00027039	BEARING BALL DBL SEAL 6206-2Z	4	
7	LH00010047	RING RETAINER INT	1	
8	LH00031008	SPACER-BEARING	1	
9	LH00021009	SEAL REAR AXLE	2	
10	LH00010048	BOLTS M10X1.25X20	3	
11	LH00010029	O-RING	1	
12	LH00021012	HUB BRAKE DISC MACH	1	
13	LH00010050	NUT M10X1.25	3	
14A	LH00025106	AXLE CAP, R	2	
14B	LH00021014	AXLE CAP, L	2	
15	LH00010051	COTTER PIN	2	
16	LH00010142	NUT SLOTTED M20X2	2	
17	LH00021017	WASHER	2	
18	LH00021018	WHEEL HUB	2	
19A	LH00021019	LUG NUT M12X1.25	8	
19B	LH00027411	LUG NUT M12X1.25 (FOR ALUMINUM WHEELS) (LONG)	8	
20	LH00029826	TIRE REAR AT22X10-10	2	
21	LH00010053	WHEEL STUD M12X1.25X45	8	
22	LH0021022s	WHEEL REAR(ALUMINIUM)	2	
23	LH00010054	WASHER 12	8	
24	LH00031024	BRAKE HOSE COVER	1	
25	LH00021026	WHEEL WASHER	8	

## ATV200-D T3b

### B10 REAR GEAR-BOX

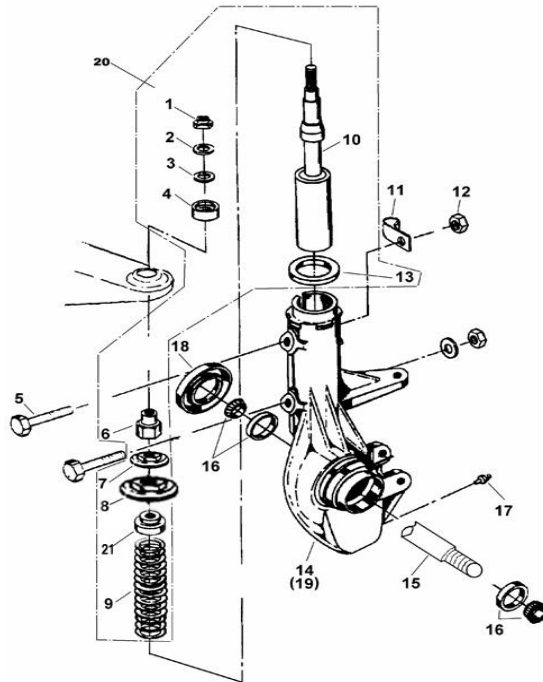


Nº	CÓDIGO	DESCRIÇÃO	Qt.	OBSERVAÇÕES
1	LH00010055	BOLT M8X45	2	
2	LH00021102	SEAL 50X70X8	1	
3	LH00021103	OUTPUT COVER	1	
4	LH00021104	DOWEL PIN	1	
5	LH00021105	O-RING 176X2.65	1	
6	LH00021106	SHIM	1	
9	LH00010056	BEARING 110	2	
10	LH00021110	RING GEAR	1	
11	LH00021111	VENT	1	
12	LH00021112	BEARING	1	
13	LH00021113	DRIVE HOUSING	1	
14	LH00021114	OIL PLUG	2	
15	LH00021115	WASHER	2	
16	LH00021102	SEAL 50X70X8	1	
17	LH00010057	BUSHING P23X20X15	1	
18	LH00021118	PINION SHAFT	1	
19	LH00010058	BEARING 6306ST	1	
20	LH00021120	RETAINER 30	1	
21	LH00020901	O-RING 79X4	1	
22	LH00021122	INPUT COVER	1	
23	LH00010059	BOLT M8X25	10	
24	LH00021124	SEAL 25X35X5	1	
25	LH00025107	CLAMP	1	
26	LH00021125	REAR GEARBOX ASSY	1	
27	LH00010042	O-RING 35.5X3.55	1	



## ATV200-D T3b

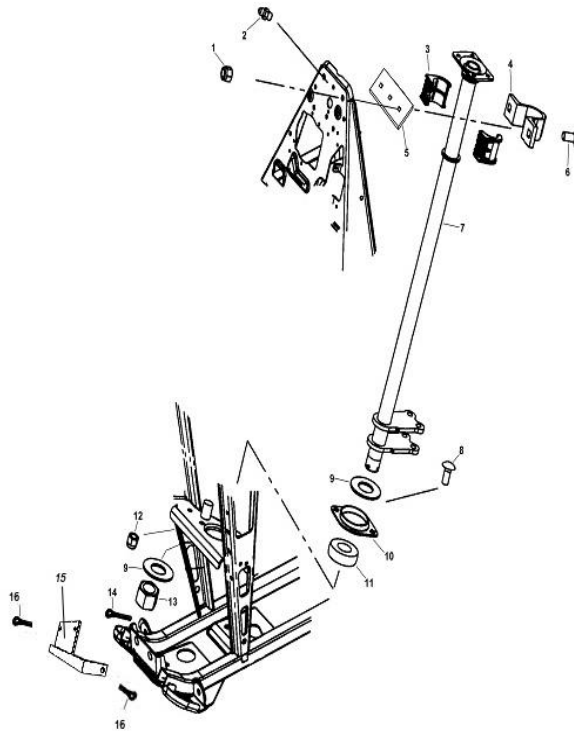
### B12 SHOCK ABSORBER FRONT



Nº	CÓDIGO	DESCRIÇÃO	Qt.	OBSERVAÇÕES
1	LH00010091	NUT M14X1.5	2	
2	LH00021802	WASHER 14	2	
3	LH00021803	SPACER RUBBER	2	
4	LH00021804	UPPER PIVOT BALL	2	
5	LH00010093	BOLT M8X55	4	
6	LH00021806	NUT M14X1.5	2	
7	LH00021807	LOWER PIVOT BALL	2	
8	LH00021808	SPRING RETAINER	2	
9	LH00021809	SPRING	2	
10	LH00025288	STRUT BUMPER	2	
11	LH00021811	CLAMP	2	
12	LH00010079	NUT M8	4	
13	LH00021813	SPRING RETAINER	2	
14	LH00021814	STRUT BODY LEFT	1	
15	LH00021815	SPINDLE BOLT(FOR 2WD)	2	
16	LH00010095	BEARING	4	
17	LH00027074	GREASE FITTING	2	
18	LH00021818	SEAL SLEEVE	2	
19	LH00021819	STRUT BODY RIGHT	1	
20	LH00021820	FRONT SHOCK ABSORBER ASSY	2	
21	LH00025110	CUSHION	2	

## ATV200-D T3b

### B13 STEERING COLUMN

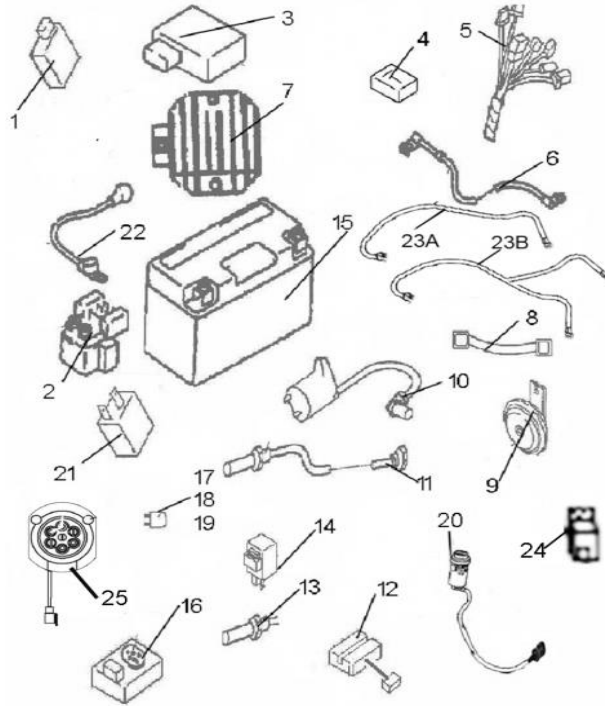


Nº	CÓDIGO	DESCRIÇÃO	Qt.	OBSERVAÇÕES
1	LH00010079	NUT M8	2	
2	LH00010026	GREASE FITTING	1	
3	LH00021903	BUSHING	2	
4	LH00021904	STEERING CLAMP REAR	1	
5	LH00021905	STEERING CLAMP FRONT	1	
6	LH00021906	BOLT	2	
7	LH0021907f	STEERING COLUMN (608 MM LENGTH)	1	
8	LH00021906	BOLT	2	
9	LH00021909	WASHER	2	
10	LH00021910	BEARING RETAINER	1	
11	LH00021911	BEARING	1	
12	LH00010079	NUT M8	2	
13	LH00010100	STEERING COLUMN RETAINER NUT	1	
14	LH00010101	COTTER PIN	1	
15	LH00029626	BRACKET, RADIATOR (FOR 200cc)	1	
16	LH00010104	BOLT M6X12	4	



## ATV200-D T3b

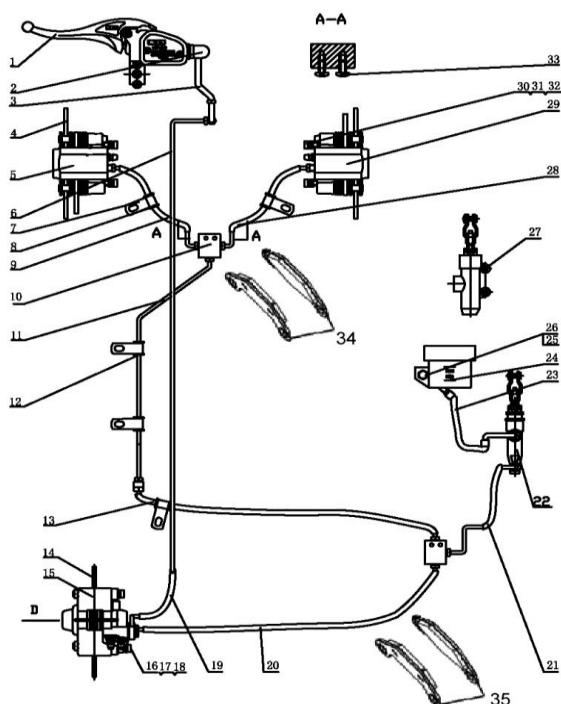
### B14 ELECTRICAL SYSTEM



Nº	CÓDIGO	DESCRIÇÃO	Qt.	OBSERVAÇÕES
1	LH00029624	REVERSE SPEED LIMITER ( FOR LCD)	1	
2	LH00029702	STARTER RELAY	1	
3	LH00029573	CDI	1	
4	LH00025113	PROTECTOR	1	
5	LH0029827b	WIRING HARNESS	1	
6	LH00032006	BATTERY CABLE GROUND	1	
7	LH00029643	REGULATOR RECTIFIER	1	
8	LH00029635	BATTERY BELL	1	
9	LH00032029	HORN(FOR 200CC)	1	
10	LH00029572	IGNITION COIL AND WIRE	1	
11	LH00032020	GEAR SENSOR 1(FIX AT AXLE TUBE AND HITCH ASSEMBLY)	1	
12	LH00032044	RESISTANCE	1	
13	LH0070405a	BRAKE SWITCH (USED FOR WATERPROOF PLUG IN UNIT)	1	
14	LH00026456	FLASHER RELAY ASSY	1	
15	LH00029680	BATTERY	1	
16	LH00032038	REVERSE GEAR WARNING	1	
17	LH00050284	10AMP FUSE	1	
18	LH00022020	15 AMP FUSE	2	
19	LH00022021	3 AMP FUSE	1	
20	LH00070400	SOCKET,ACCESSORY	1	
21	LH00032021	CAPACITOR	1	
22	LH00032003	BATTERY CABLE POSITIVE	1	
23	LH00025602	GEAR SENSOR HARNESS (USED WITH GEAR SENSOR 1)	1	
24	LH00035656	START RELAY (NEW) CONTROL HIGH BEAM AND DIPPED BEAM)	3	
25	LH00084432	TRAILER CONNECTOR	1	

## ATV200-D T3b

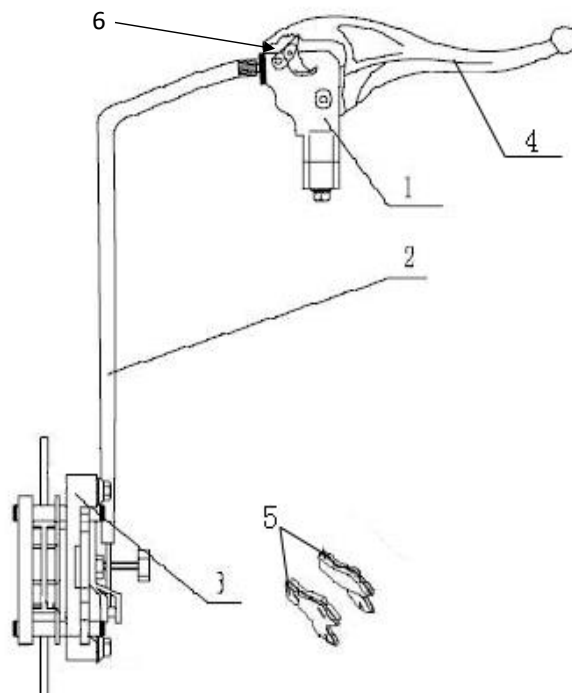
### B15 BRAKING SYSTEM (FOR EUROPE)



Nº	CÓDIGO	DESCRIÇÃO	Qt.	OBSERVAÇÕES
1	LH02211120	BRAKE LEVER L	1	
2	LH00029644	MASTER CYLINDER	1	
3	LH00027683	HAND BRAKE HOSE	1	
4	LH00022226	FRONT BRAKE DISC	2	
5	LH00022114	BRAKE CALIPER LEFT FRONT	1	
6	LH00022103	REAR BRAKE HOSE	1	
7	LH00032104	CLAMP	5	
8	LH00032105	RUBBER TUBE1	3	
9	LH00032103	FRONT BRAKE HOSE1	1	
10	LH00032107	BRAKE LINE COUPLER	2	
11	LH00032108	TUB DISKBRAKE FRONT	1	
12	LH00032109	RUBBER TUBE2	2	
13	LH00022103	REAR BRAKE HOSE	1	
14	LH00032115	REAR DISC BRAKE	1	
15	LH00022105	REAR BRAKE CALIPER	1	
16	LH00010102	BOLT M10X1.25X83	2	
17	LH00010015	NUT M10X1.25	2	
18	LH00010019	WASHER 10	2	
19	LH00025240	REAR BRAKE HOSE 2	1	
20	LH00025242	REAR BRAKE HOSE 3	1	
21	LH00025122	FOOT BRAKE HOSE	1	
22	LH00070481	REAR BRAKE CYLINDER	1	
23	LH00025262	RESERVOIR HOSE	1	
24	LH00025299	RESERVOIR	1	
25	LH00010109	NUT M5	1	
26	LH00010108	BOLT M5X12	1	
27	LH00010110	BOLT M6X20	2	
28	LH00022228	FRONT BRAKE HOSE	1	
29	LH00022227	BRAKE CALIPER RIGHT FRONT	1	
30	LH00010105	BOLT M8X25	4	
31	LH00010106	WASHER 8	4	
32	LH00010068	WASHER 8	4	
33	LH00010111	SCREW M5X15	6	
34	LH3220505a	INSIDE AND OUTSIDE PAD PAD (FOR FRONT BRAKE CALIPER)	4	
35	LH00022111	INSIDE AND OUTSIDE PAD(FOR REAR BRAKE CALIPER)	2	

## ATV200-D T3b

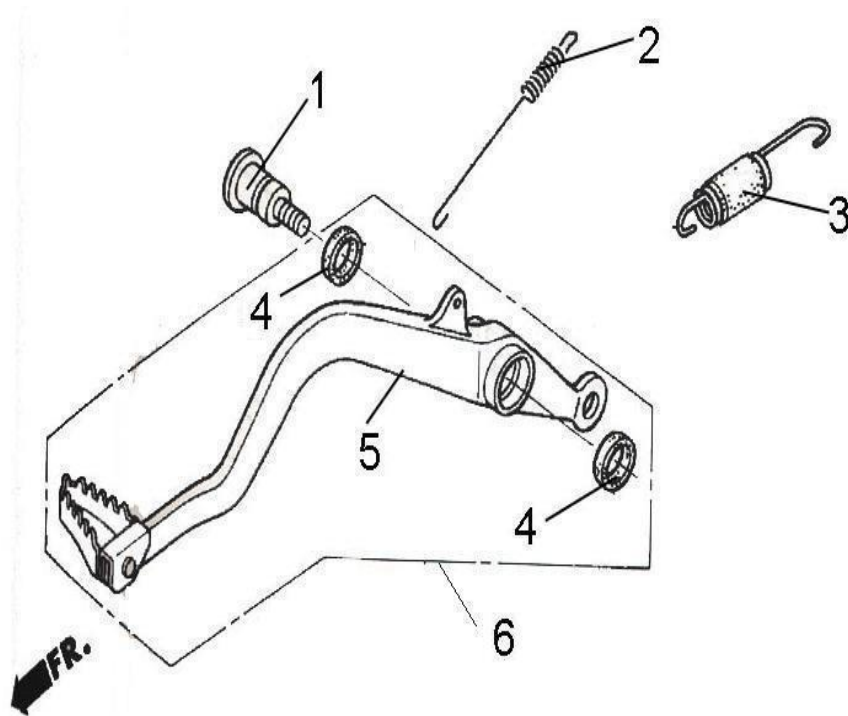
### B16 BRAKING SYSTEM (FOR EUROPE)



Nº	CÓDIGO	DESCRIÇÃO	Qt.	OBSERVAÇÕES
1	LH00070701	MASTER CYLINDER	1	
2	LH00025138	BRAKE CABLE	1	
3	LH00025139	BRAKE CALIPER	1	
4	LH00025140	BRAKE LEVER R	1	
5	LH00022111	INSIDE AND OUTSIDE PAD	1	
6	LH00027277	MIRROR UPPER HOLDER	1	

## ATV200-D T3b

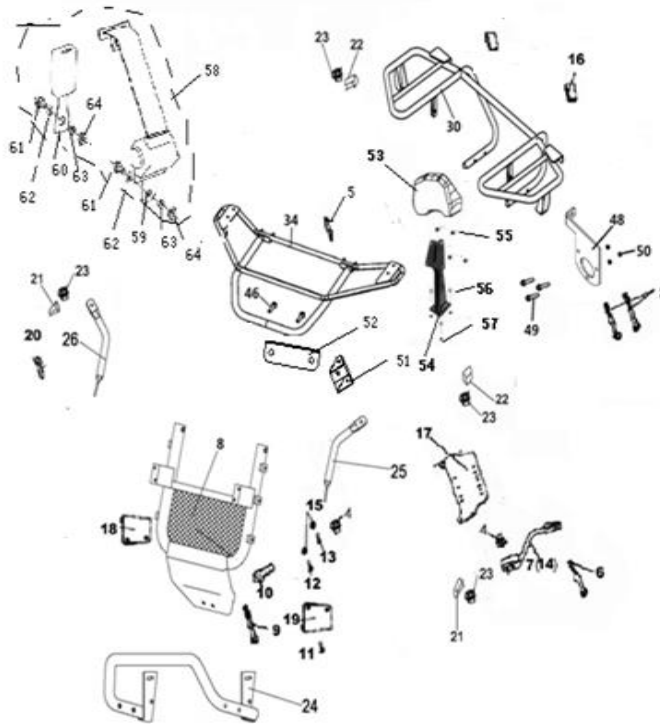
### B17 PEDAL, BRAKE



Nº	CÓDIGO	DESCRIÇÃO	Qt.	OBSERVAÇÕES
1	LH00070542	SHAFT,BRAKE PIVOT	1	
2	LH00032246	SPRING ASSY	1	
3	LH00023408	SPRING,STOP SWITCH	1	
4	LH00070540	DUST SEAL	2	
5	LH00025146	PEDAL BRAKE	1	
6	LH00025147	PEDAL BRAKE ASSY	1	

## ATV200-D T3b

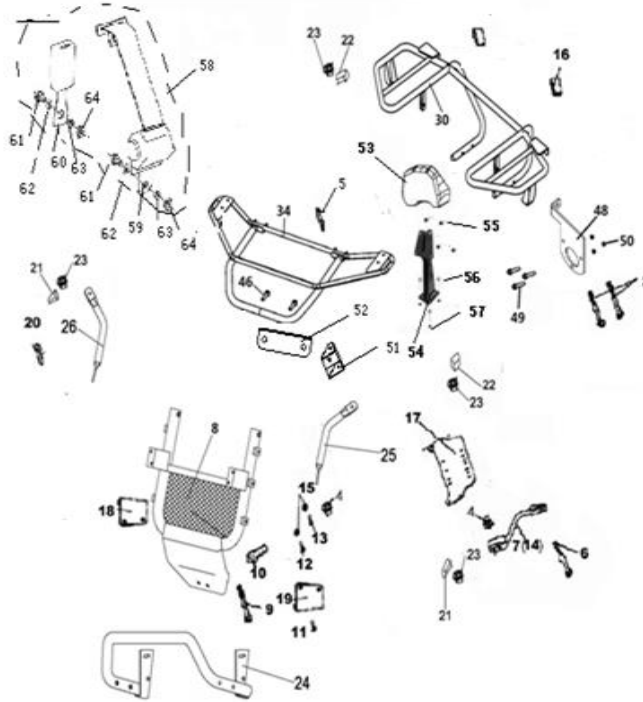
### B18 BUMPER & RACK (FOR STANDARD T3)



Nº	CÓDIGO	DESCRIÇÃO	Qt.	OBSERVAÇÕES
3	LH00010055	BOLTM8X45	4	
4	LH00010079	NUT M8	4	
5	LH00010059	BOLT M8X25	2	
6	LH00010821	BOLT M8X85	2	
7	LH00027440	TRESTLE 1 LEFT (FOR EUROPE)	1	
8	LH00027626	BUMPER BRACKET	1	
9	LH00025056	BOLT M8X70	4	
10	LH00010059	BOLT M8X25	2	
11	LH00029506	BOLT M8X55	4	
12	LH00010081	BOLT M8X20	2	
13	LH00010059	BOLT M8X25	2	
14	LH00027442	TRESTLE 1 RIGHT (FOR EUROPE)	1	
15	LH00026009	WASHER 8	4	
16	LH00035705	FRONT REFLECTER	2	
17	LH00070366	BRACKET,PULLING	1	
18	LH00027387	HOLDER,R.PULLIN BRACKET	1	
19	LH00027386	HOLDER,L.PULLIN BRACKET	1	
20	LH00010140	BOLT M6X12	4	
24	LH00027443	FRONT BUMPER	1	
25	LH00027444	FRONT SUPPORT TUBE,L	1	
26	LH00027445	FRONT SUPPORT TUBE,R	1	
30	LH00025300	REAR RACK (INCL. MOUNTING PLATES FOR REAR SIGNAL LIGHTS AND REAR LIGHTS, MOUNTING POINT FOR SAFETY BELT) (USED FOR CZ, FI, PT)	1	

## ATV200-D T3b

### B18.1 BUMPER & RACK (FOR STANDARD T3)



Nº	CÓDIGO	DESCRIÇÃO	Qt.	OBSERVAÇÕES
34	LH00027439	FRONT RACK (NOT INCL. MOUNTING PLATE FOR FRONT TOWING HITCH)	1	
48	LH00071070	BRACKET,OUTPUT SOCKET	1	
49	LH00010935	SCREW M6X38	3	
50	LH00010004	NUT M6	3	
51	LH00025302	FOTMER DRAG HOOKS CONNECTING PLATE1	1	
52	LH00025303	FOTMER DRAG HOOKS CONNECTING PLATE2	1	
53	LH00035721	BACKREST	1	
54	LH00035384	REAR BACKREST WELD ASSEMBLY	1	
55	LH00010919	NUT M8	4	
56	LH00010059	BOLT M8X25	4	
57	LH00010079	NUT M8	4	
58	LH00084380	BELT COMPONENTS	1	
59	LH00084382	BELT	1	
60	LH00084381	LOCK,BELT	1	
61	LH00026916	BOLT	4	
62	LH00026917	SPRING WASHER	8	
63	LH00026918	WASHER	8	
64	LH00026919	NUT	8	

## ATV200-D T3b

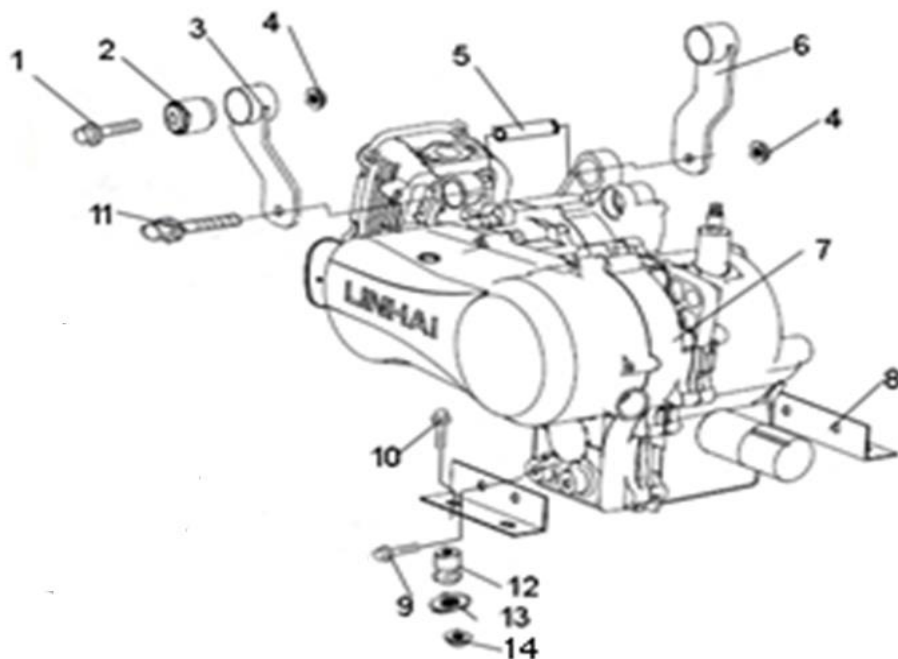
### B19 STICKERS



Nº	CÓDIGO	DESCRIÇÃO	Qt.	OBSERVAÇÕES
1	LH80361BFB	SET AUTOCOLANTES DIANTEIRO ATV200 T3b- PRETO	1	
2	LH80361BRB	SET AUTOCOLANTES TRASEIRO ATV200 T3b- PRETO	1	
3	LH80360RFB	SET AUTOCOLANTES DIANTEIRO ATV200 T3b- VERMELHO	1	
4	LH80360RRB	SET AUTOCOLANTES TRASEIRO ATV200 T3b- VERMELHO	1	
5	LH80359WFB	SET AUTOCOLANTES DIANTEIRO ATV200 T3b- BRANCO	1	
6	LH80359WRB	SET AUTOCOLANTES TRASEIRO ATV200 T3b- BRANCO	1	

## ATV200-D T3b

### E1 ENGINE MOUNT

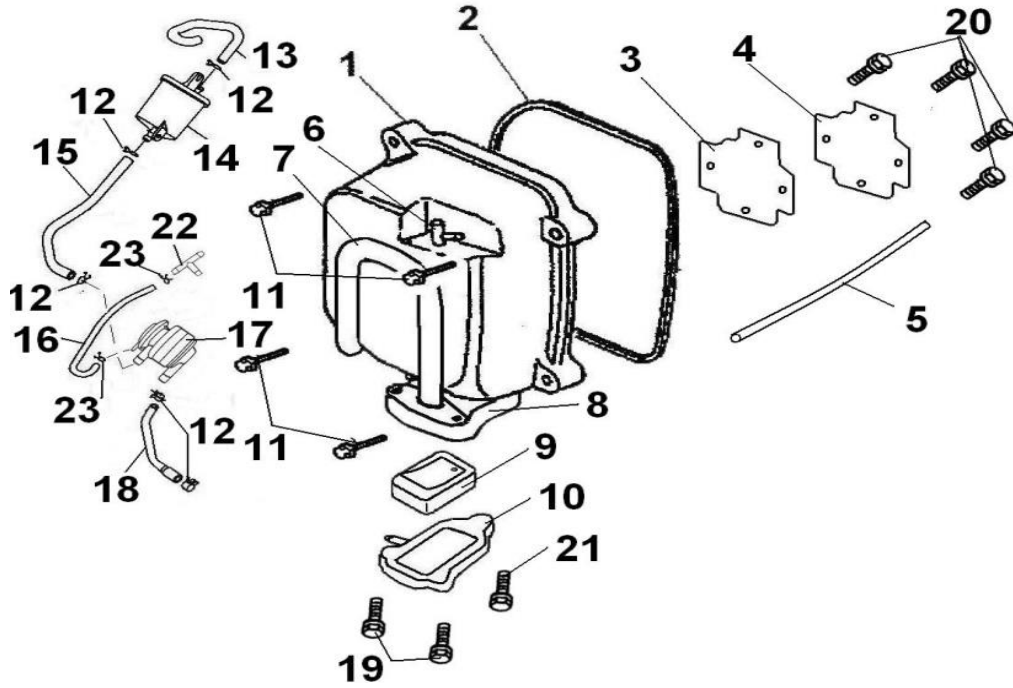


N°	CÓDIGO	DESCRIÇÃO	Qt.	OBSERVAÇÕES
1	LH00010721	BOLT M10X1.25X48	2	
2	LH00029653	RUBBER BUSH	2	
3	LH00029618	ENGINE MOUNT BRACKET L	1	
4	LH00010015	NUT M10X1.25	2	
5	LH00029620	MIDDLE BUSH	1	
6	LH00029617	ENGINE MOUNT BRACKET L	1	
7	LH00029560	ENGINE 200CC	1	
8	LH00029622	GEARCASE BRACKET	2	
9	LH00010500	BOLT M10X25	4	
10	LH00029808	BOLT	4	
11	LH00029621	BOLT M10X1.25X190	1	
12	LH00029619	NUT SPRING	1	
13	LH00029623	WASHER	4	
14	LH00010015	NUT M8X1.25	4	



## ATV200-D T3b

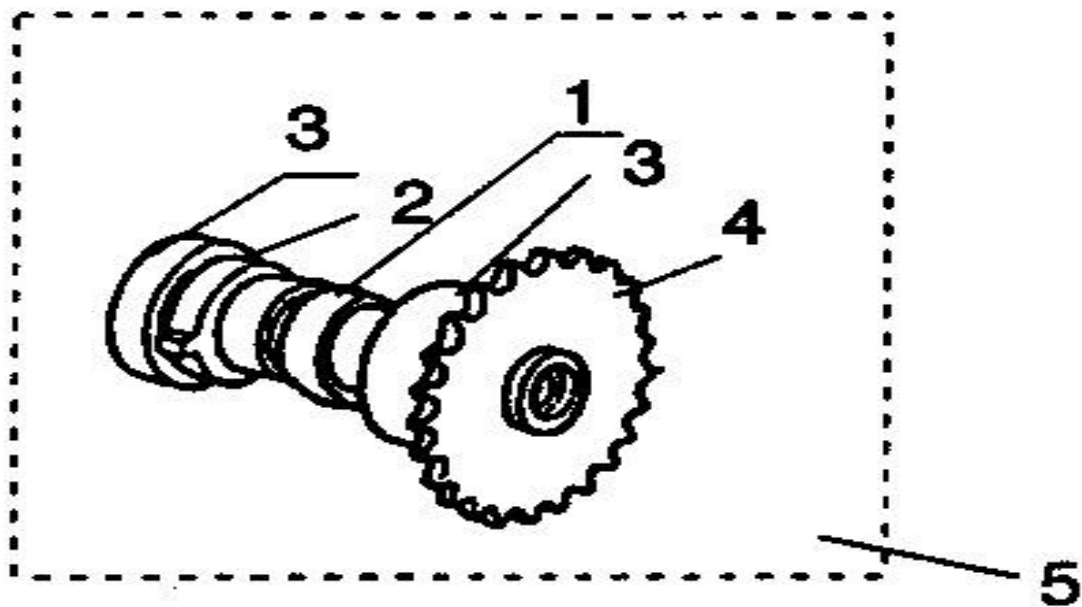
### E2 COVER COMP CYLINDER HEAD 1



N°	CÓDIGO	DESCRIÇÃO	Qt.	OBSERVAÇÕES
1	LH00029561	COVER COMP HEAD	1	
2	LH02531546	GASKET HEAD COVER	1	
3	LH00029578	AERATION HEAD COVER	1	
4	LH00029574	AERATION CAP	1	
5	LH02531589	TUBE BREATHER	1	
6	LH02531003	TIE-IN	1	
7	LH00050358	AERATION TUBE ASSY	1	
8	LH00050373	WASHER	1	
9	LH00050359	AERATION WASHER 2	1	
10	LH00050360	WALVE ASSY	1	
11	LH00010187	BOLT M6X25	4	
12	LH00043519	CLIP 16	5	
13	LH00043518	HOSE BEND A	1	
14	LH00043523	AIR FILTER CASE ASSY	1	
15	LH00050383	HOSE BEND B	1	
16	LH00050362	HOES A	1	
17	LH02603214	AIR INDUCTION SYSTEM ASSY	1	
18	LH00029213	HOSE BEND E	1	
19	LH00010177	BOLT M6X40	2	
20	LH00010165	SCREW M4X6	4	
21	LH00010187	BOLT M6X25	1	
22	LH02603215	TRI-CONNECTER	1	
23	LH02603211	CLIP 7	4	

## ATV200-D T3b

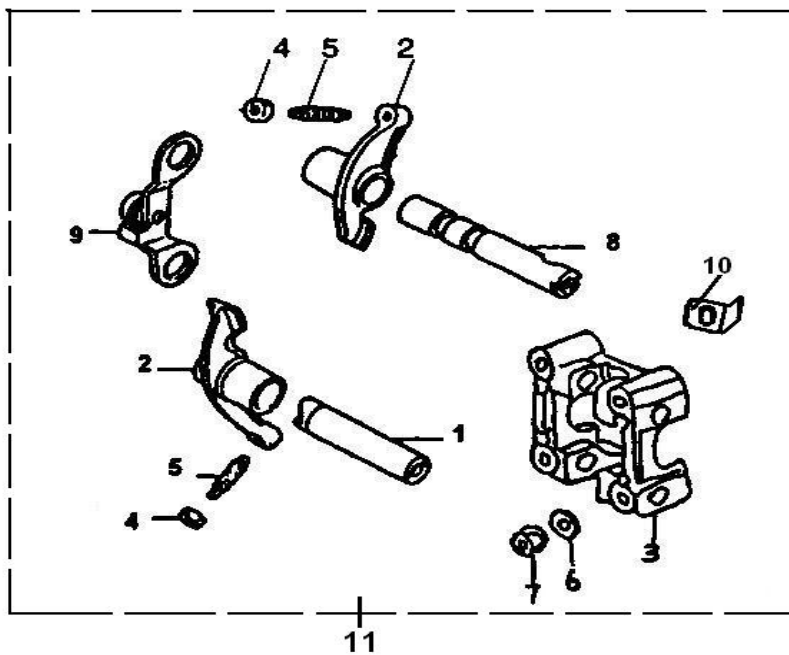
### E3 CAMSHAFT COMP



N°	CÓDIGO	DESCRIÇÃO	Qt.	OBSERVAÇÕES
1	LH02531005	CAMSHAFT	1	
2	LH02531006	AUTO PRESSURE PURGER OUTER RING	1	
3	LH00029510	BEARING 16002	2	
4	LH02531004	TIMING CHAIN COMP	1	
5	LH02531079	CAMSHAFT COMP1	1	

## ATV200-D T3b

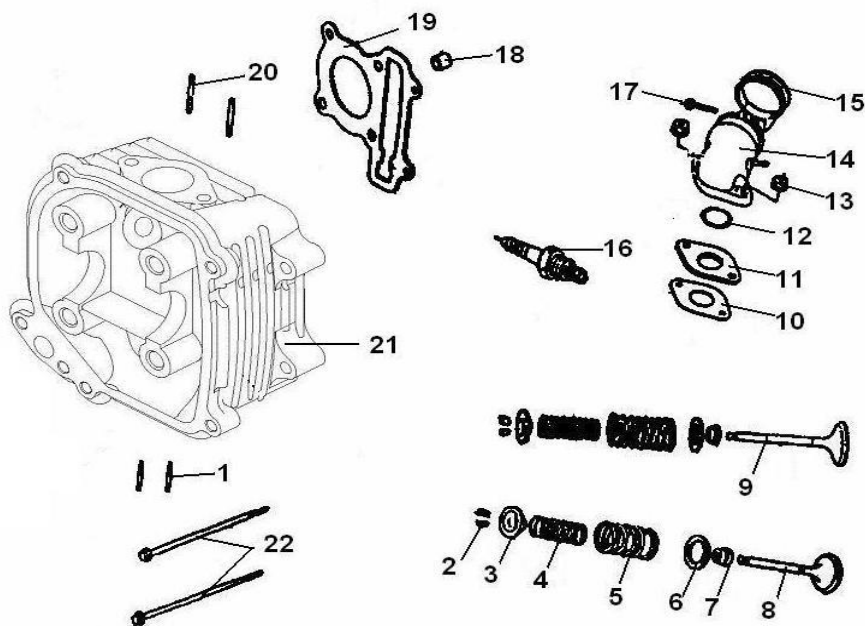
### E4 HOLDER CAMSHAFT COMP



N°	CÓDIGO	DESCRIÇÃO	Qt.	OBSERVAÇÕES
1	LH00029580	SHAFT EX ROCKER ARM (200CC)	1	
2	LH2531011B	ARM VALVE ROCKER	2	
3	LH00029581	HOLDER CAMSHAFT (200CC)	1	
4	LH00026125	NUT TAPPET ADJUSTING	2	
5	LH00026126	SCREW TAPPET ADJUSTING	2	
6	LH01309156	WASHER M8	4	
7	LH01309157	NUT FLANG M8	4	
8	LH02531008	SHAFT COMP IN ROCKER ARM	1	
9	LH02531009	PLATE COMP STOPPER	1	
10	LH00029582	PLATE (200cc)	1	
11	LH00029579	HOLDER CAMSHAFT ASSY (200cc)	1	

## ATV200-D T3b

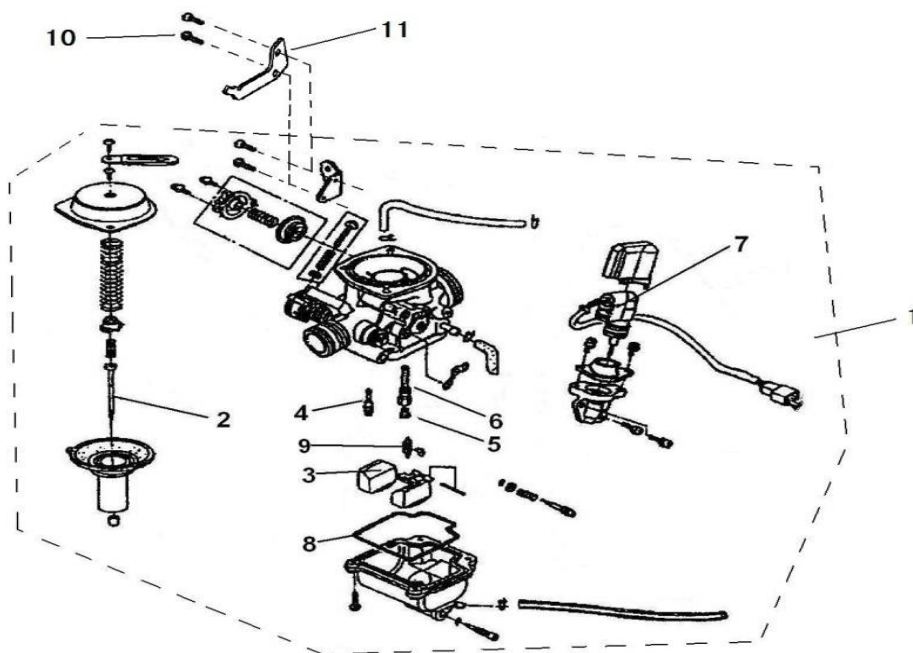
### E5 CYLINDER HEAD COMP



N°	CÓDIGO	DESCRIÇÃO	Qt.	OBSERVAÇÕES
1	LH00050025	BOLT 2 STUD M6X32	2	
2	LH00050010	COTTER VALVE	4	
3	LH00050011	RETAINER VALVE SPRING	2	
4	LH02531539	SPRING VALVE INNER	2	
5	LH02531538	SPRING VALVE OUTER	2	
6	LH00050014	SEAT VALVE SPRING OUTER	2	
7	LH00050015	SEAL VALVE STEM	2	
8	LH2531576B	VALVE EX	1	
9	LH2531577B	VALVE IN	1	
10	LH02531527	GASKET CARBURETOR INSULATOR	1	
11	LH02531015	INSULATOR CARBURETOR	1	
12	LH00010321	O-RING 26.5X1.8	1	
13	LH00010103	NUT FLANGE M6	2	
14	LH02531548	PIPE COMP IN	1	
15	LH02531549	BAND INSULATER	1	
16	LH00029535	PLUG SPARK	1	
17	LH00010372	SCREW 4X25	1	
18	LH02531017	PIN DOWEL 10X16	4	
19	LH00029585	GASKET CYLINDER HEAD (200CC)	1	
20	LH00010166	BOLT 2 STUD M6X50	2	
21	LH00029583	HEAD COMP CYLINDER (200cc)	1	
22	LH00023509	BOLT FLANGE M6X100	2	

## ATV200-D T3b

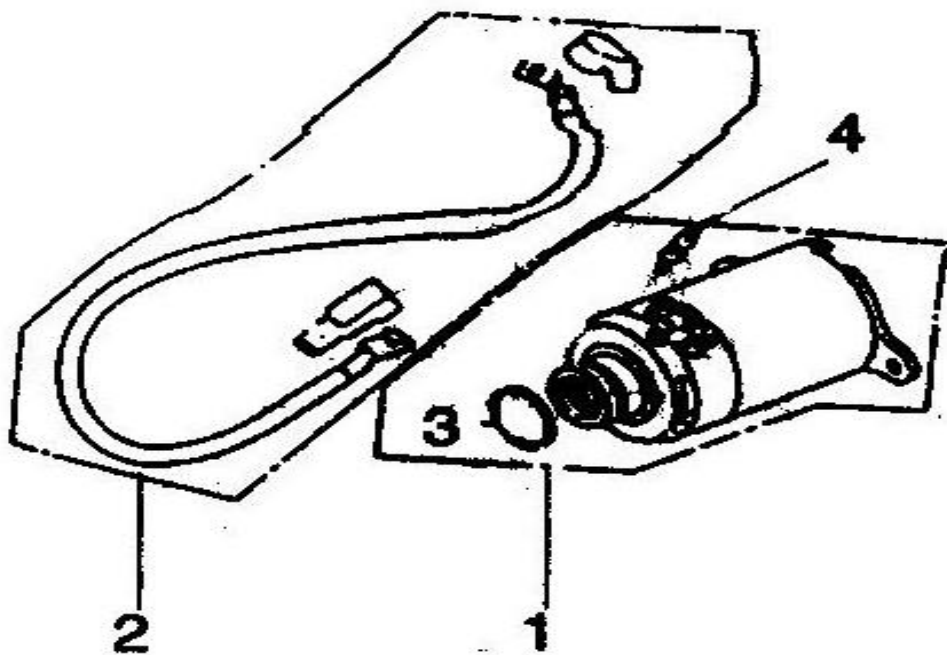
### E6 CARBURETOR



N°	CÓDIGO	DESCRIÇÃO	Qt.	OBSERVAÇÕES
1	LH00029586	CARBURETOR ASSY (200cc)	1	
2	LH00028059	NEEDLE (200cc)	1	
3	LH00028056	SET FLOAT	1	
4	LH00028060	JET SLOW (200cc)	1	
5	LH00028061	JET MAIN	1	
6	LH00028062	HOLDER NEEDLE JET	1	
7	LH00028057	VALVE SET STARTER	1	
8	LH00028063	GASKET	1	
9	LH00028058	VALVE SET FLOAT	1	
10	LH00010201	SCREW 5X16(T3)	2	
11	LH00029847	THE RATE LIMITING PLATE(T3)	1	

# ATV200-D T3b

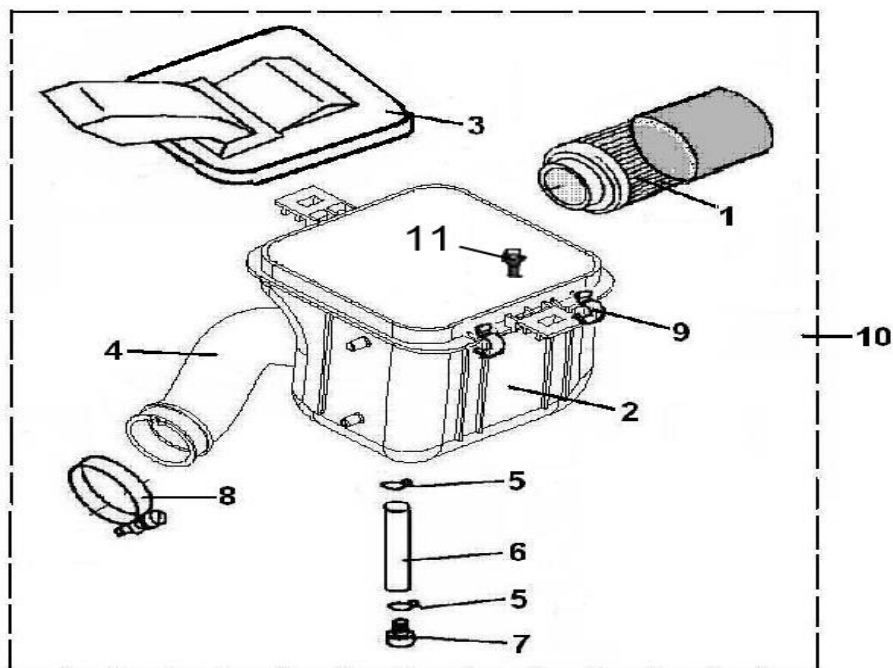
## E7 STARTING MOTOR



N°	CÓDIGO	DESCRIÇÃO	Qt.	OBSERVAÇÕES
1	LH02531507	MOTOR ASSY STARTER	1	
2	LH1309196A	CABLE STARTER	1	
3	LH01309197	O-RING 24X3	1	
4	LH00010507	BOLT M5X8	1	

## ATV200-D T3b

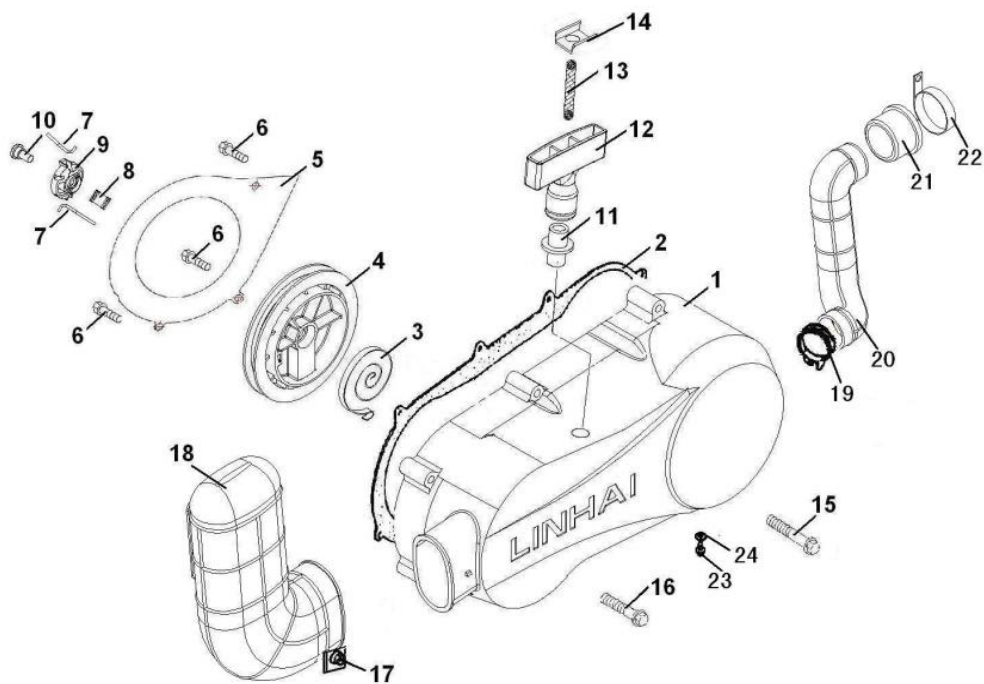
### E8 AIR CLEANER



N°	CÓDIGO	DESCRIÇÃO	Qt.	OBSERVAÇÕES
1	LH00029604	ELEMENT COMP AIR CLEANER	1	
2	LH00029605	AIR CLEANER CASE	1	
3	LH00029606	COVER AIR CLEANER	1	
4	LH00029607	AIR CLEANER IOINT	1	
5	LH01309208	CLAMP TUBE	2	
6	LH01309206	HOSE	1	
7	LH01309211	PLUG BREATHER TUBE	1	
8	LH00050422	BAND AIR CLEANER CONNECTING	1	
9	LH00023208	AIR CLEANER COVER CLIP	4	
10	LH00029603	AIR CLEANER	1	
11	LH00029695	BOLT M6X20	2	

## ATV200-D T3b

### E9 LEFT CRANKCASE COVER

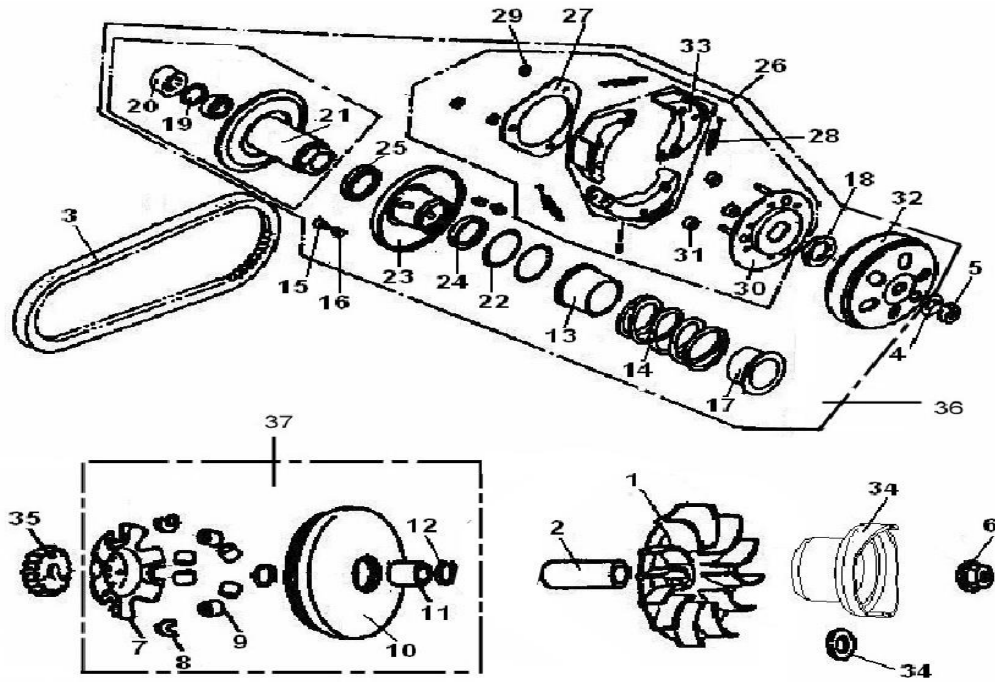


N°	CÓDIGO	DESCRIÇÃO	Qt.	OBSERVAÇÕES
1	LH00029590	COVER LEFT	1	
2	LH00029558	GASKET LEFT COVER	1	
3	LH00029531	STARTER SPRING	1	
4	LH00029594	DRUM SHEAVE	1	
5	LH00029595	PLATE	1	
6	LH00010113	SCREW M5X8	3	
7	LH00029533	DRIVE PAWL	2	
8	LH00029532	SPRING	1	
9	LH00029534	RATCHET GUIDE	1	
10	LH00029596	SCREW	1	
11	LH00029591	BUSH	1	
12	LH00029588	STARTER GRIP	1	
13	LH00029592	STARTER ROPE	1	
14	LH00070775	ROPE CLIP	1	
15	LH00029503	BOLT FLANGE 6X45	2	
16	LH00010177	BOLT FLANGE 6X40	5	
17	LH00029665	CLIP,PIPE 1	1	
18	LH00029597	PIPE 1	1	
19	LH00029667	CLIP 1,PIPE 2	1	
20	LH00029668	PIPE 2	1	
21	LH00029669	PROTECT BUSH	1	
22	LH00029670	CLIP 2,PIPE 2	1	
23	LH00021469	DRAIN BOLT	1	
24	LH00021470	WASHER	1	



# ATV200-D T3b

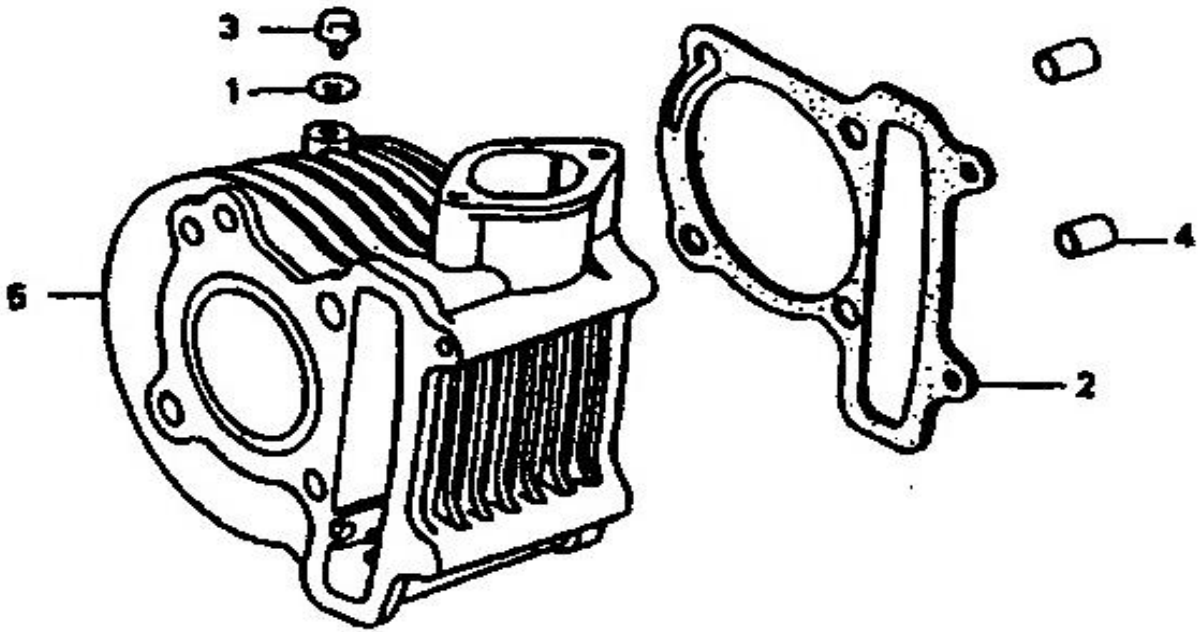
## E10 DRIVE PULLEY



N°	CÓDIGO	DESCRIÇÃO	Qt.	OBSERVAÇÕES
1	LH00029526	FACE DRIVE(200)	1	
2	LH00028051	BOSS DRIVE FACE	1	
3	LH00029529	BELT DRIVE (FOR EUROPE)	1	
4	LH00028053	WASHER PLAIN 12MM	1	
5	LH00028054	NUT FLANGE 12X1.25MM	1	
6	LH00010188	NUT FLANGE 12X1.25MM	1	
7	LH00028029	PLATE RAMP	1	
8	LH00028030	PIECE SLIDE	3	
9	LH0028025A	ROLLER SET WEIGHT(WEIGHT 10g)	6	
10	LH00028026	FACE COMP MOVABLE DRIVE	1	
11	LH00028027	COLLAR DRIVE FACE	1	
12	LH00028028	CLIP 28MM	2	
13	LH00028037	COLLAR SEAL	1	
14	LH00028038	SPRING DRIVEN FACE	1	
15	LH00028039	PIN ROLLER GUIDE	3	
16	LH00028040	ROLLE GUIDE	3	
17	LH00028041	COLLAR SPRING	1	
18	LH00050416	NUT SPECIAL 28MM	1	
19	LH00029518	CIR CLIP IN 28MM	1	
20	LH00028031	BEARIING NEEDLE 20X29X18	1	
21	LH00029698	FACE COMP DRIVEN (200CC)	1	
22	LH00028034	O-RING PINION CAP 38.8X1.8	2	
23	LH00028035	FACE COMP MOVABLE DRIVEN	1	
24	LH00028033	SEAL DRIVEN FACE	2	
25	LH00028036	BEARING BALL RADIAL 28X15X7	1	
26	LH00028043	PLATE ASSY DRIVEN	1	
27	LH00028047	PLATE CLUTCH SIDE	1	
28	LH00028048	SPRING CLUTCH	3	
29	LH00010130	CIR CLIP 6MM	3	
30	LH00028044	PLATE CLUTCH DRIVE	1	
31	LH00028045	SPRING CLUTCH DAMPER	3	
32	LH00029682	OUTER CLUTCH (200CC)	1	
33	LH00029683	WEIGHT SET CLUTCH (200CC)	3	
34	LH00029593	STARTER PULLEY (200)	1	
35	LH02531054	GEAR KICK DRIVEN	1	
36	LH00029685	DRIVEN ASSY(200)	1	
37	LH00029687	DRIVER ASSY(200)	1	

## ATV200-D T3b

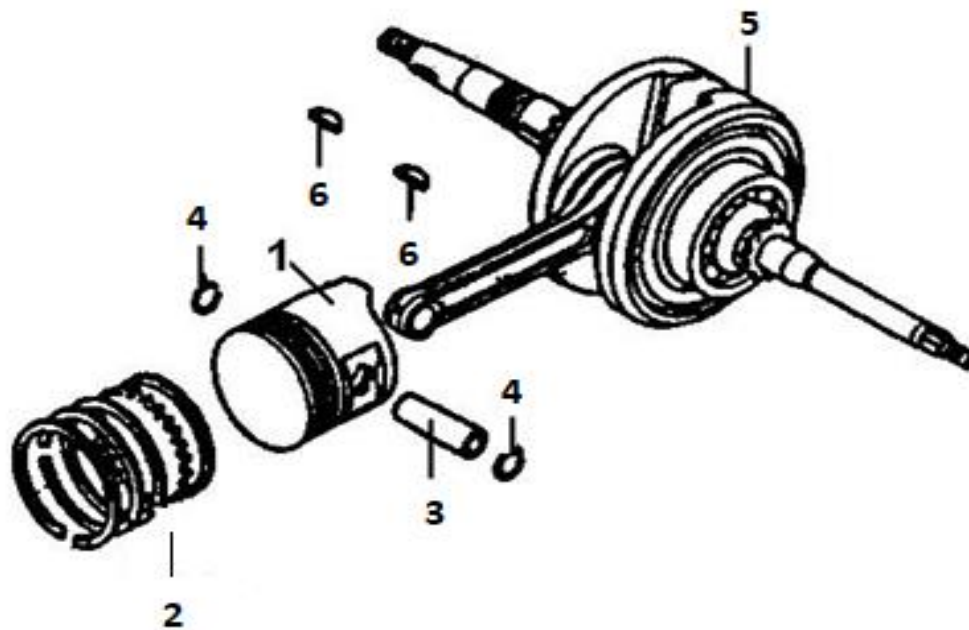
### E11 CYLINDER COMP



N°	CÓDIGO	DESCRIÇÃO	Qt.	OBSERVAÇÕES
1	LH01309254	WASHER SEALING 6.5MM	1	
2	LH00029563	GASKET CYLINDER (200cc)	1	
3	LH00010140	BOLT FLANGE M6X12	1	
4	LH02531017	PIN DOWEL 10X16	2	
5	LH00029562	CYLINDER COMP (200cc)	1	

## ATV200-D T3b

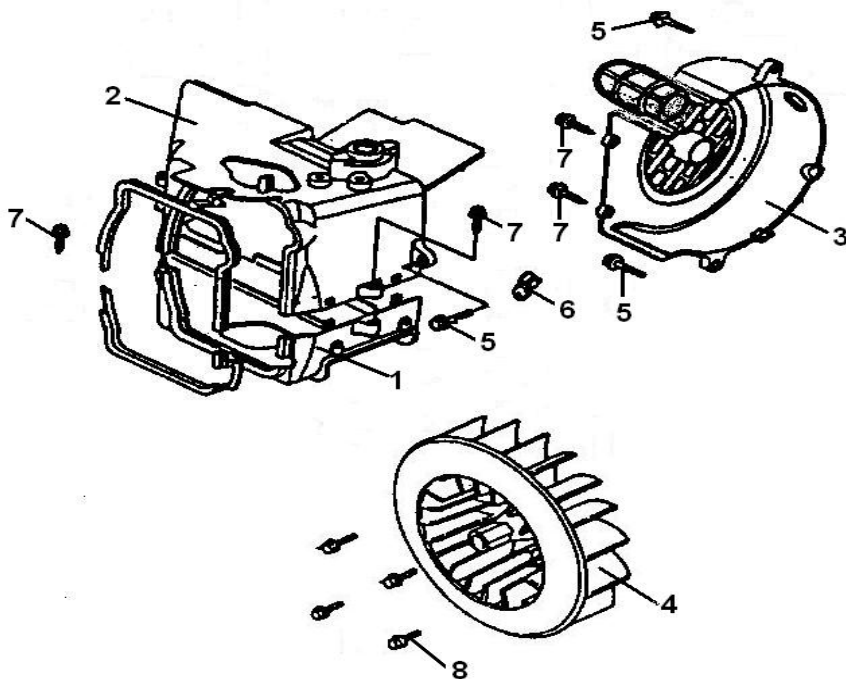
### E12 CRANKSHAFT COMP



N°	CÓDIGO	DESCRIÇÃO	Qt.	OBSERVAÇÕES
1	LH00029659	PISTON (200cc)	1	
2	LH00029564	PISTON RING ASSY (200CC) of	1	
3	LH00029565	PIN PISTON (200cc)	1	
4	LH02531540	CLIP PISTON PIN 15MM	2	
5	LH00029524	CRANK SHAFT COMP (200cc)	1	
6	LH01309263	KEY WOODRUFF	2	

## ATV200-D T3b

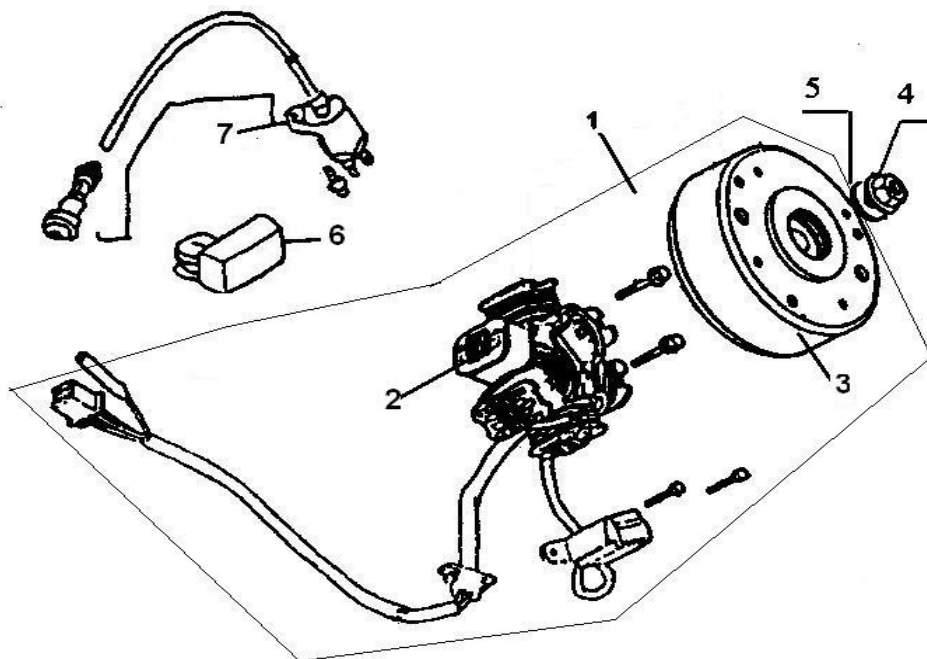
### E13 FAN COVER SHROUD



N°	CÓDIGO	DESCRIÇÃO	Qt.	OBSERVAÇÕES
1	LH00029566	DOWM SHROUD COMP	1	
2	LH00029567	UP SHROUD COMP	1	
3	LH00029568	COVER COMP FAN	1	
4	LH02531035	PAN COMP COOLING	1	
5	LH00010187	BOLT FLANGE M6X25	3	
6	LH00028007	CLAMPER CARB DRAIN TUBE	1	
7	LH00010009	SCREW TAPPING ST4.8X16	4	
8	LH00010191	BOLT FLANGE M6X18	4	

## ATV200-D T3b

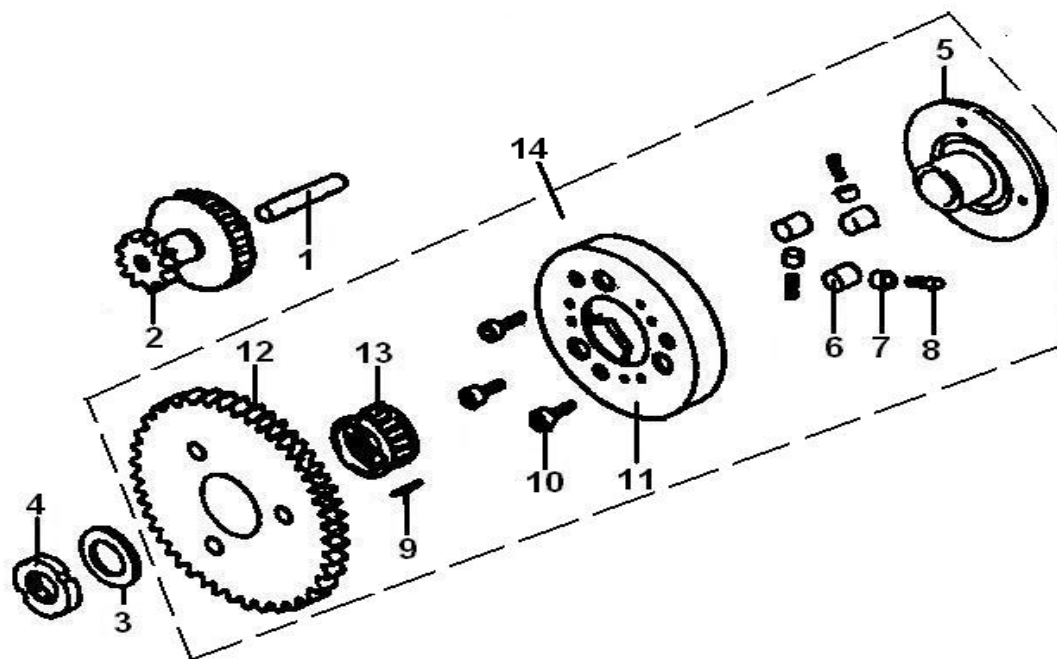
### E14 GENERATOR COMP



N°	CÓDIGO	DESCRIÇÃO	Qt.	OBSERVAÇÕES
1	LH0029569a	GENERATOR ASSY FLYWHEEL (USED FOR WATERPROOF PLUG UNIT)	1	
2	LH00029570	STATOR	1	
2	LH0029570a	STATOR (USED FOR WATERPROOF PLUG UNIT)	1	
3	LH00029571	ROTOR	1	
4	LH01309627	NUT FLANGE 12X1.25	1	
5	LH00010032	WASHER PLAIN 12MM	1	
6	LH00029573	C.D.I UNIT	1	
7	LH00029572	COIL ASSY IGNITION	1	

## ATV200-D T3b

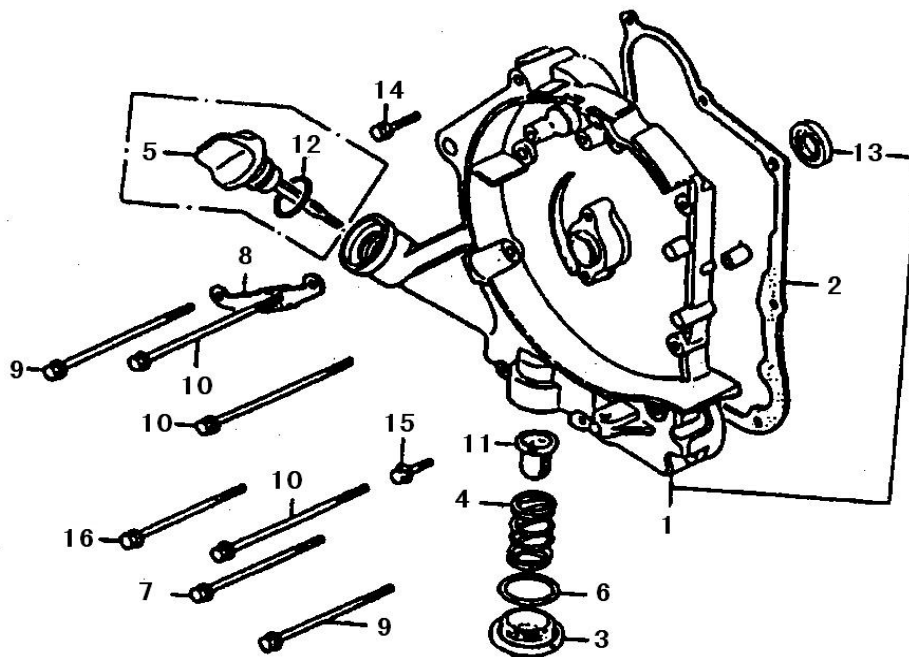
### E15 MOTOR STARTER COMP



N°	CÓDIGO	DESCRIÇÃO	Qt.	OBSERVAÇÕES
1	LH02531036	SHAFT STARTER REDUCTION GEAR	1	
2	LH02531037	GEAR STARTER REDUCTION	1	
3	LH01309269	WASHER THRUST	1	
4	LH01309270	NUT LOCK	1	
5	LH01309271	FLANGE STARTING CLUTCH	1	
6	LH01309272	ROLLER 10X10	3	
7	LH01309273	CAP STATING CLUTCH ROLLER SPRING	3	
8	LH01309274	SPRING STARTING CLUTCH ROLLER	3	
9	LH01309275	PIN DOWEL 5X6	1	
10	LH00029514	BOLT SOCKET 6X10	3	
11	LH01309277	OUTER COMP STARTING CLUTCH	1	
12	LH01309278	GEAR COMP STARTING CLUTCH	1	
13	LH01309279	BEARING NEEDLE 28X32X17	1	
14	LH02531614	STARTER CLUTCH	1	

## ATV200-D T3b

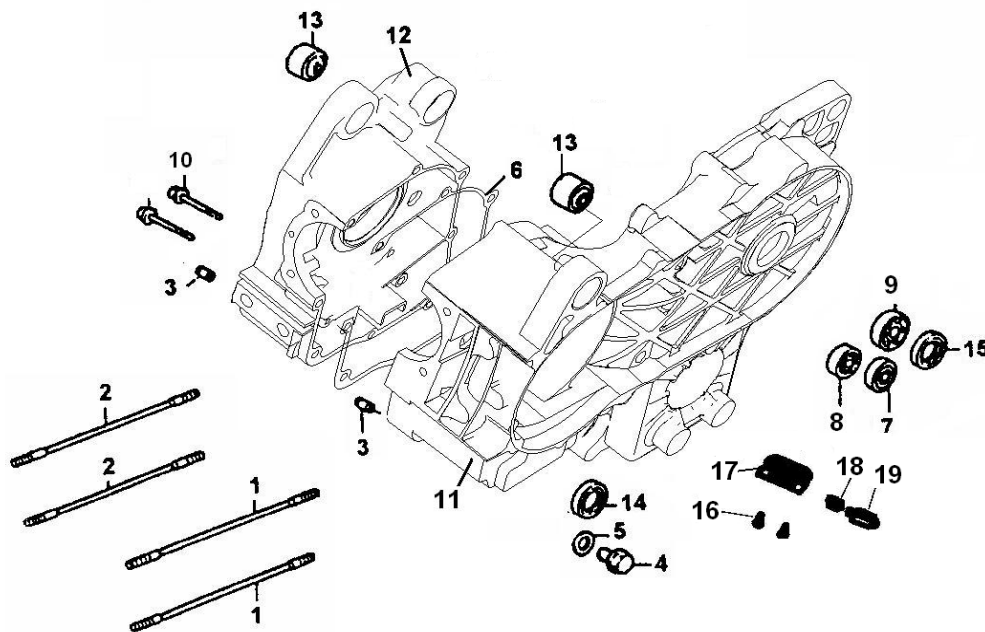
### E16 RIGHT CRANKCASE COVER COMP



N°	CÓDIGO	DESCRIÇÃO	Qt.	OBSERVAÇÕES
1	LH02531038	RIGHT CRANK CASE COVER	1	
2	LH02531532	GASKET R CRANKCASE COVER	1	
3	LH00024305	CAP TAPPET ADJUSTING HOLE	1	
4	LH00050081	SPRING OIL FILTER SCREEN	1	
5	LH00021475	GAUGE OIL LEVEL	1	
6	LH00050082	O-RING	1	
7	LH01309281	BOLT FLANGE 6X110	1	
8	LH02531041	CLAMPER A.C. GENERATOR CORD	1	
9	LH00023509	BOLT FLANGE 6X100	3	
10	LH04080089	BOLT FLANGE 6X95	3	
11	LH00050080	SCREEN OIL FILTER	1	
12	LH00029511	O-RING 18X2.65	1	
13	LH00050104	OIL SEAL 19.8X30X5	1	
14	LH00010186	BOLT FLANGE 6X35	1	
15	LH00010329	BOLT FLANGE 6X32	1	
16	LH00029697	BOLT FLANGE 6X105	1	

## ATV200-D T3b

### E17 CRANKCASE COMP

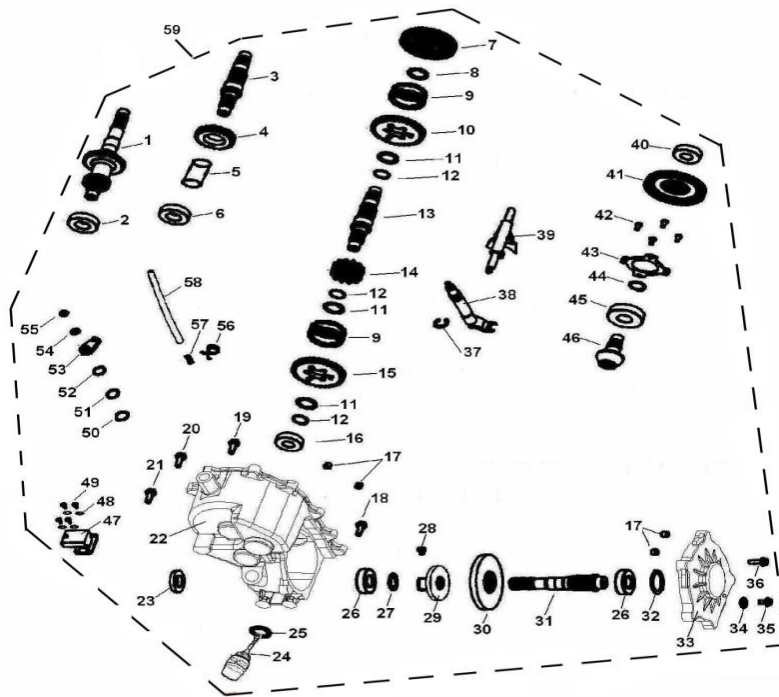


N°	CÓDIGO	DESCRIÇÃO	Qt.	OBSERVAÇÕES
1	LH04080084	BOLT STUD 8X195	2	
2	LH04080085	BOLT STUD 8X187	2	
3	LH00050076	PIN DOWEL 8X14	8	
4	LH00050105	BOLT DRAIN PLUG 12MM	1	
5	LH01309283	WASHER DRAIN PLUG 12MM	1	
6	LH00029577	GASKET CRANKCASE (200cc)	1	
7	LH00010199	BEARING RADIAL BALL	1	
8	LH00010199	BEARING RADIAL BALL	1	
9	LH00010062	BEARING RADIAL BALL	1	
10	LH00010505	BOLT FLANGE 6X50	2	
11	LH00029575	CRANKCASE ASSY LEFT (200cc)	1	
12	LH00029576	CRANKCASE ASSY RIGHT (200cc)	1	
13	LH00050092	BUSH ENGINE HANGER RUBBER	2	
14	LH00050104	OIL SEAL 19.8X30X5	1	
15	LH02531562	OIL SEAL 27X42X7	1	
16	LH00010305	SCREW M5X10	2	
17	LH00029538	INTERLOCK BRACKET	1	
18	LH00029539	SPRING	1	
19	LH00021211	INTERLOCK PIN	1	



# ATV200-D T3b

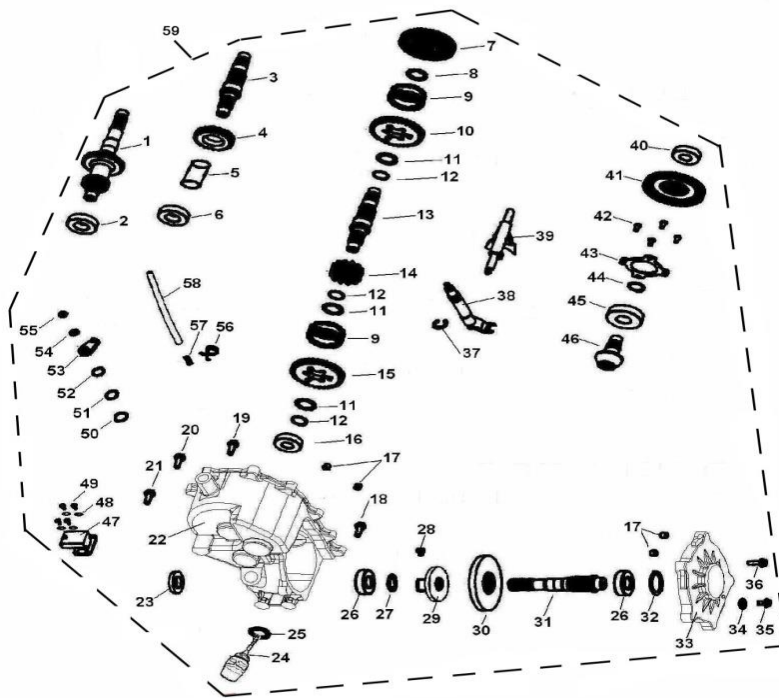
## E18 TRANSMISSION COMP



N°	CÓDIGO	DESCRIÇÃO	Qt.	OBSERVAÇÕES
1	LH00029553	INPUT SHAFT(FOR EUROPE)	1	
2	LH00029520	BEARING 6301	1	
3	LH00029554	SHAFT	1	
4	LH00029552	GEAR	1	
5	LH00029551	BUSH	1	
6	LH00010199	BEARING 6203	1	
7	LH00029555	GEAR	1	
8	LH00029545	THRUST WASHER	1	
9	LH00021218	NEEDLE BEARING 25	2	
10	LH00029546	GEAR (FOR EUROPE)	1	
11	LH00021219	THRUST WASHER	3	
12	LH00010064	SNAP RING	3	
13	LH00029556	SHAFT	1	
14	LH00029671	DOG GEAR	1	
15	LH00029550	GEAR	1	
16	LH00029519	BEARING 6202c3	1	
17	LH00021104	DOWEL PIN	4	
18	LH00010078	BOLT M8X30	2	
19	LH00029540	BOLT M8X35	5	
20	LH00010511	BOLT M8X55	2	
21	LH00010403	BOLT M8X50	1	
22	LH00029543	GEARCASE,RH	1	
23	LH00021201	SEAL 25X47X8	1	
24	LH0050084a	DIPSTICK	1	
25	LH00010122	O RING 18X2.65	1	
26	LH00010061	BEARING 6205c3	2	
27	LH00021461	THRUST WASHER	1	
28	LH00021464	THRUST BUTTON	1	
29	LH00021473	OIL PLATE	1	
30	LH00021462	GEAR	1	
31	LH00070354	SHAFT REAR OUTPUT	1	
32	LH00021465	SHIM 1	1	

## ATV200-D T3b

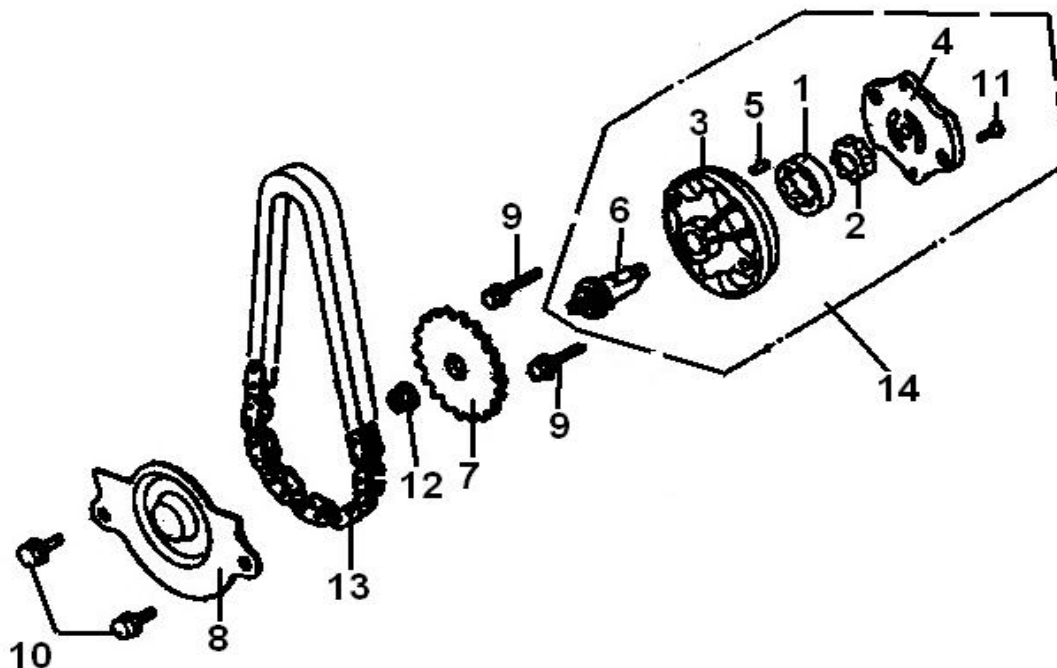
### E18.1 TRANSMISSION COMP



N°	CÓDIGO	DESCRIÇÃO	Qt.	OBSERVAÇÕES
33	LH00029549	COVER	1	
34	LH00021470	WASHER	1	
35	LH00021469	DRAIN PLUG	1	
36	LH00010060	BOLT M8X28	5	
37	LH00010075	SNAP RING	1	
38	LH00029542	SHIFT ROD	1	
39	LH00029544	SHIFT FORK	1	
40	LH00010062	BEARING 6204c3	1	
41	LH00029548	GEAR HELICAL 46T	1	
42	LH00010073	SCREW M6X10	4	
43	LH00021351	BEARING RETAINER PLATE	1	
44	LH00021453	SNAP RING	1	
45	LH00010074	BEARING 6305c3	1	
46	LH00029547	GEAR	1	
47	LH00021344	GEAR INDICATOR SWITCH	1	
48	LH00010071	WASHER 4	4	
49	LH00010007	SCREW M4X10	4	
50	LH00010123	O RING 14X2.65	2	
51	LH00021338	WASHER	1	
52	LH00010069	SNAP RING	1	
53	LH00021336	BELLCRANK	1	
54	LH00010068	WASHER 8	1	
55	LH00010067	NUT M8	1	
56	LH00029530	CLIP	1	
57	LH00021340	VENT TUBE FITTING	1	
58	LH00021339	VENT TUBE	1	
59	LH00029681	TRANSMISSION COMP	1	
60	LH00025649	GEAR INDICATOR SWITCH WASHER	1	

## ATV200-D T3b

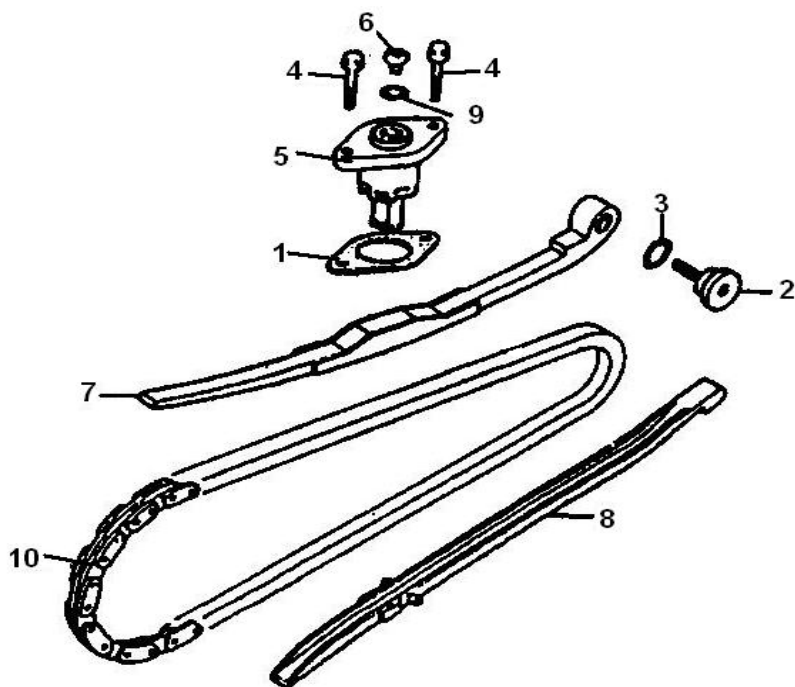
### E19 OIL PUMP COMP



N°	CÓDIGO	DESCRIÇÃO	Qt.	OBSERVAÇÕES
1	LH01309289	ROTOR OIL PUMP OUTER	1	
2	LH01309291	ROTOR OIL PUMP INTER	1	
3	LH01309293	BODY OIL PUMP	1	
4	LH01309294	PLATE OIL PUMP	1	
5	LH01309295	PIN C DOWEL 4X6.5	1	
6	LH01309296	SHAFT OIL PUMP	1	
7	LH02531052	SPROCKET OIL PUMP DRIVEN	1	
8	LH02531053	SEPARTOR OIL	1	
9	LH00010187	BOLT FLANGE 6X25	2	
10	LH00010140	BOLT FLANGE 6X12	2	
11	LH00029515	SCREW PAN 3X10	1	
12	LH00010103	NUT FLANGE M6	1	
13	LH02531515	CHAIN OIL PUMP	1	
14	LH01309298	OIL PUMP COMP	1	

## ATV200-D T3b

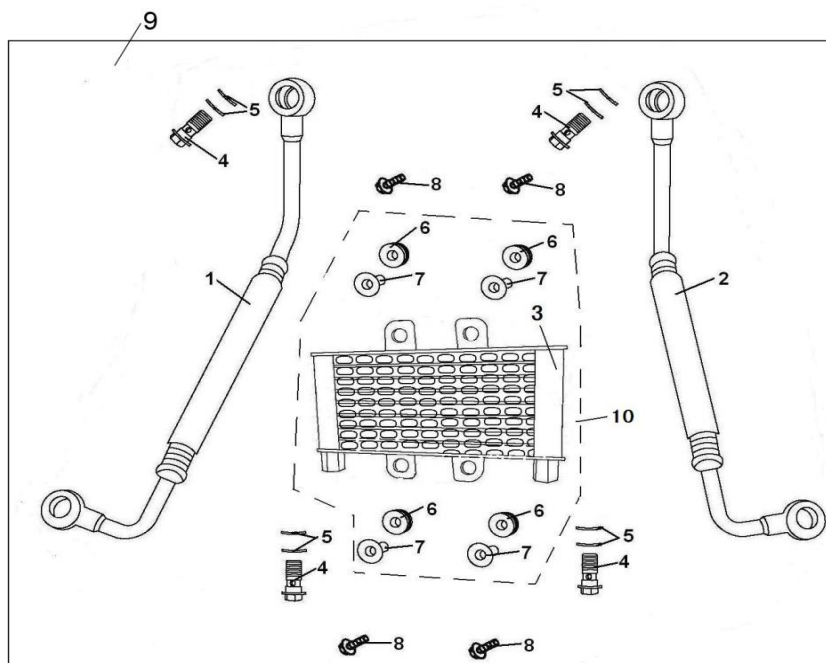
### E20 CHAIN CAM COMP



N°	CÓDIGO	DESCRIÇÃO	Qt.	OBSERVAÇÕES
1	LH02531535	GASKET TENSIONER LIFTER	1	
2	LH00029696	PIVOT CAM CHAON TENSIONER	1	
3	LH00050132	O-RING 15.2X1.5	1	
4	LH00010508	BOLT FLANGE 6X22	2	
5	LH02531518	LIFTER ASSY TENSIONER	1	
6	LH04080097	SCREW PAN	1	
7	LH02531517	TENSIONER CAM CHAIN COMP	1	
8	LH02531519	GUIDE COMP CAM CHAIN	1	
9	LH00029512	O-RING 10X1.8	1	
10	LH02531606	CHAIN CAM	1	

# ATV200-D T3b

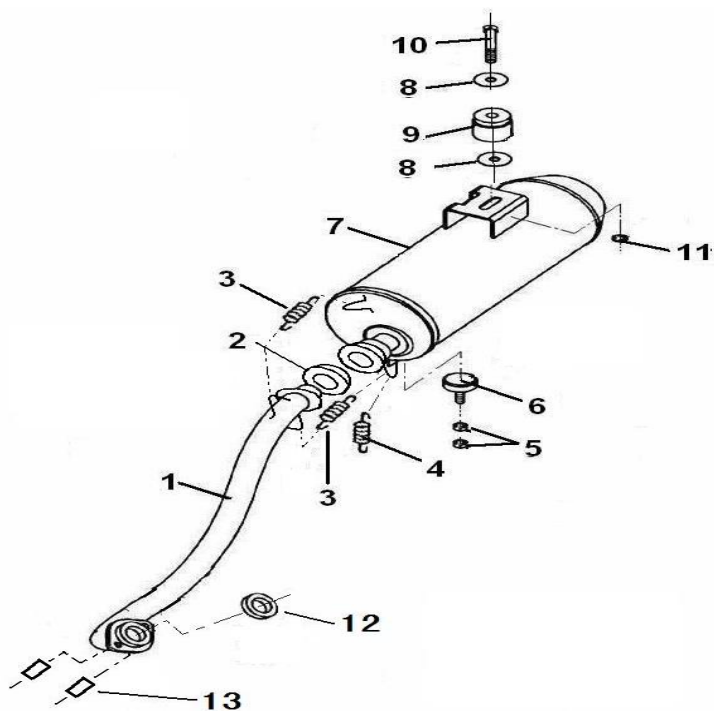
## E21 RADIATOR



N°	CÓDIGO	DESCRIÇÃO	Qt.	OBSERVAÇÕES
1	LH00029610	LEFT OIL HOSE	1	
2	LH00029609	RIGHT OIL HOSE	1	
3	LH00029849	OIL RADIATOR	1	
4	LH00029612	DRAIN PLUG	4	
5	LH00029613	WASHER	8	
6	LH00029614	CUSHION	4	
7	LH00029615	SPACER	4	
8	LH00010187	BOLT M6X25	4	
9	LH00029608	RADIATOR	1	
10	LH00029850	OIL RADIATOR	1	

## ATV200-D T3b

### E22 EXHAUST MUFFLER



Nº	CÓDIGO	DESCRIÇÃO	Qt.	OBSERVAÇÕES
1	LH00029601	EXHAUST PIPE	1	
2	LH00029851	MUFFLER JOINT	1	
3	LH00023408	SPRING	2	
4	LH00029602	SPRING	1	
5	LH00010099	NUT M8	2	
6	LH00023410	MUFFLER SUPPORT BOTTOM	1	
7	LH00029852	MUFFLER (EUROPE)	1	
8	LH00010117	WASHER PLATE 10	2	
9	LH00023415	MUFFLER SUPPORT	1	
10	LH00010120	BOLT FLANGE M10X1.25X62	1	
11	LH00010015	NUT M10X1.25	1	
12	LH01309164	GASKET EX PIPE	1	
13	LH04080100	NUT CAP M6	2	