

PARTS CATALOGUE



ATV

LB50AD(PT)

MXU250



Release Date : 2015/06/21
Print Date : 2022/10/14

ABOUT THIS PARTS LIST

- This parts list is compiled all service parts for model LB50AD(PT).
- Any difference between color chart and motorcycle will be revised according to motorcycle.
- The Mark:
 1. Marking "***" must add color code in the end before ordering parts.
 2. Marking "#" are parts with modification, Please find the details from e-Parts system.
- When modification or additions to this parts list are made a revised edition at an appropriate time.



CONTENTS

● ABOUT THIS PARTS LIST	1
● COLOR CHART OF LB50AD(PT)	3
● CONTENTS-ENGINE GROUP	7
● CONTENTS-FRAME GROUP	8
● ENGINE PARTS LIST	12
● FRAME PARTS LIST	54
● PART NO. INDEX	138

NO	MODEL			COLOR CHART OF LB50AD(PT)			
	PHOTO NO			NO. 1	NO. 2	NO. 3	NO. 4
	BASIC COLOR			Blue	Red	Deep Green	Black
	CODE			Blue	Red	Deep Green	Black
	PARTS NAME	PARTS NO.	VERSION	PB089SA	RR338SA	GG345SA	NH001SA
1	COVER TANK	17700-LCA5-E00	3	C3R	E4R	GWR	N1R
2	COVER HNDL	53205-LCA5-E00	3				
3	COVER HANDLE	53205-LCA5-EV0	1				
4	FENDER FRONT	60100-LCA5-E00	7				
5	FENDER REAR	80100-LCA5-E00	8				
6	MOLDING RR FENDER	80200-LCA5-E00	4				
7	COVER BATTERY	80300-LCA5-E00	1				
8	LEVER L STRG HANDLE	53178-KFC8-E10	0	M2A			
9	COVER COMP R CRANK	11330-LBA7-900	9	M3A			
10	COVER WATER PUMP	19221-KHE7-900	3	M9A			
11	REAR CARRIER	77330-LCA5-E00	7	MAS			
12	FRONT CARRIER	77430-LCA5-E00	4				
13	PIPE COMP FR BUMPER	85100-LCA5-E00	4				
14	DUCT DOOLING AIR	19102-LCA5-E01	1	N1R			
15	GUIDE COVER CHANGE	60120-LCA5-E00	5				
16	COVER FRONT	64301-LCA5-E00	2				
17	BUMPER FRONT	64302-LCA5-E01	1				
18	GRILL R FENDER	64303-LCA5-E01	1				
19	GRILL L FENDER	64304-LCA5-E01	1				
20	MUDGUARD R FLOOR	80121-LCA5-E01	1				
21	MUDGUARD L FLOOR	80122-LCA5-E01	1				
22	COVER.R SIDE	83500-LCA5-E01	1				
23	COVER ASSY.L SIDE	8360A-LCA5-E01	1				
24	HANDLE PIPE STRG	53100-LCA5-E00	3	N1S			
25	COVER LEFT	11341-LBA7-900	7	N8A			
DATE OF STARTING-SALES				2005-05-03	2005-05-03		2005-06-14
DATE OF END-SALES							

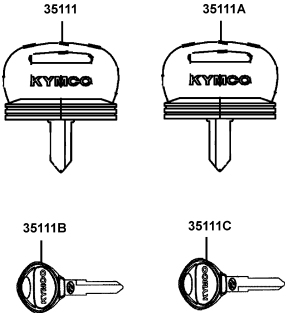
NO	MODEL			COLOR CHART OF LB50AD(PT)			
	PHOTO NO			NO. 5			
	BASIC COLOR			Yellow			
	CODE			Yellow			
	PARTS NAME	PARTS NO.	VERSION	YR159SA			
1	COVER TANK	17700-LCA5-E00	3	YNR			
2	COVER HNDL	53205-LCA5-E00	3				
3	COVER HANDLE	53205-LCA5-EV0	1				
4	FENDER FRONT	60100-LCA5-E00	7				
5	FENDER REAR	80100-LCA5-E00	8				
6	MOLDING RR FENDER	80200-LCA5-E00	4				
7	COVER BATTERY	80300-LCA5-E00	1				
8	LEVER L STRG HANDLE	53178-KFC8-E10	0	M2A			
9	COVER COMP R CRANK	11330-LBA7-900	9	M3A			
10	COVER WATER PUMP	19221-KHE7-900	3	M9A			
11	REAR CARRIER	77330-LCA5-E00	7	MAS			
12	FRONT CARRIER	77430-LCA5-E00	4				
13	PIPE COMP FR BUMPER	85100-LCA5-E00	4				
14	DUCT DOOLING AIR	19102-LCA5-E01	1				
15	GUIDE COVER CHANGE	60120-LCA5-E00	5	N1R			
16	COVER FRONT	64301-LCA5-E00	2				
17	BUMPER FRONT	64302-LCA5-E01	1				
18	GRILL R FENDER	64303-LCA5-E01	1				
19	GRILL L FENDER	64304-LCA5-E01	1				
20	MUDGUARD R FLOOR	80121-LCA5-E01	1				
21	MUDGUARD L FLOOR	80122-LCA5-E01	1				
22	COVER.R SIDE	83500-LCA5-E01	1				
23	COVER ASSY.L SIDE	8360A-LCA5-E01	1				
24	HANDLE PIPE STRG	53100-LCA5-E00	3				
25	COVER LEFT	11341-LBA7-900	7	N8A			
DATE OF STARTING-SALES				2005-05-03			
DATE OF END-SALES							

NO	MODEL			COLOR CHART OF LB50AD(PT)			
	PHOTO NO			NO. 1	NO. 2	NO. 3	NO. 4
	BASIC COLOR			Blue	Red	Deep Green	Black
	CODE			Blue	Red	Deep Green	Black
	PARTS NAME	PARTS NO.	VERSION	PB089SA	RR338SA	GG345SA	NH001SA
26	CALIPER ASSY RR	43100-LCA5-E00	3	NJA			
27	CALIPER ASSY RR	43100-LEC1-E00	4				
28	CALIPER ASSY FR R	45100-LBA7-900	5				
29	CALIPER ASSY FR L	45200-LBA7-900	5				
30	HUB ASSY REAR	42610-LBA7-900	7				
31	HUB ASSY REAR	42610-LKC2-E00	1	NJS			
32	RIM COMP RR WHEEL	42705-LCA5-E00	4				
33	RIM COMP FR WHEEL	44705-LCA5-E00	3				
34	CUSHION ASSY FR	51400-LCA5-E00	2				
35	CUSHION ASSY RR	52400-LCA5-E00	3				
36	SEAT ASSY (REACH)	77200-LCA5-E00	1	R8S			
37	EMB K-LOGO 30MM (PP)	86102-LCA5-900	6				
38	CAUTION SHIFIT GEARS	87322-LBA7-E00	3				
39	LABEL TIRE ON ROAD	87505-LBA7-E01	3				
40	CAUTION MAXIMUM	87514-LCA5-E00	2				
41	CAUTION LIST ON ROAD	87515-LBA7-E01	2				
42	CAUTION DRIVE AGE	87517-LBA7-E00	3				
43	CAUTION CARRIER MAX	87556-LCA5-E00	2				
44	CAUTION CARRIER MAX	87556-LLB1-E01	3				
45	STRIPE R FR FENDER	86523-LCA5-E61	7				
46	STRIPE L FR FENDER	86533-LCA5-E61	7				
47	STRIPE L RR FENDER	86623-LCA5-E61	2				
48	STRIPE L RR FENDER	86633-LCA5-E61	2				
49	STRIPE KYMCO	87532-LBE8-900	3				
50	STRIPE K-LOGO 60MM	87532-LCA5-900	2	T05			
DATE OF STARTING-SALES			2005-05-03				
DATE OF END-SALES							

NO	MODEL			COLOR CHART OF LB50AD(PT)			
	PHOTO NO			NO. 5			
	BASIC COLOR			Yellow			
	CODE			Yellow			
	PARTS NAME	PARTS NO.	VERSION	YR159SA			
26	CALIPER ASSY RR	43100-LCA5-E00	3	NJA			
27	CALIPER ASSY RR	43100-LEC1-E00	4				
28	CALIPER ASSY FR R	45100-LBA7-900	5				
29	CALIPER ASSY FR L	45200-LBA7-900	5				
30	HUB ASSY REAR	42610-LBA7-900	7	NJS			
31	HUB ASSY REAR	42610-LKC2-E00	1				
32	RIM COMP RR WHEEL	42705-LCA5-E00	4				
33	RIM COMP FR WHEEL	44705-LCA5-E00	3				
34	CUSHION ASSY FR	51400-LCA5-E00	2	R8S			
35	CUSHION ASSY RR	52400-LCA5-E00	3				
36	SEAT ASSY (REACH)	77200-LCA5-E00	1	T01			
37	EMB K-LOGO 30MM (PP)	86102-LCA5-900	6				
38	CAUTION SHIFIT GEARS	87322-LBA7-E00	3				
39	LABEL TIRE ON ROAD	87505-LBA7-E01	3				
40	CAUTION MAXIMUM	87514-LCA5-E00	2				
41	CAUTION LIST ON ROAD	87515-LBA7-E01	2				
42	CAUTION DRIVE AGE	87517-LBA7-E00	3				
43	CAUTION CARRIER MAX	87556-LCA5-E00	2				
44	CAUTION CARRIER MAX	87556-LLB1-E01	3				
45	STRIPE R FR FENDER	86523-LCA5-E61	7		T04		
46	STRIPE L FR FENDER	86533-LCA5-E61	7				
47	STRIPE L RR FENDER	86623-LCA5-E61	2				
48	STRIPE L RR FENDER	86633-LCA5-E61	2	T03			
49	STRIPE KYMCO	87532-LBE8-900	3				
50	STRIPE K-LOGO 60MM	87532-LCA5-900	2				
DATE OF STARTING-SALES				2005-05-03			
DATE OF END-SALES							

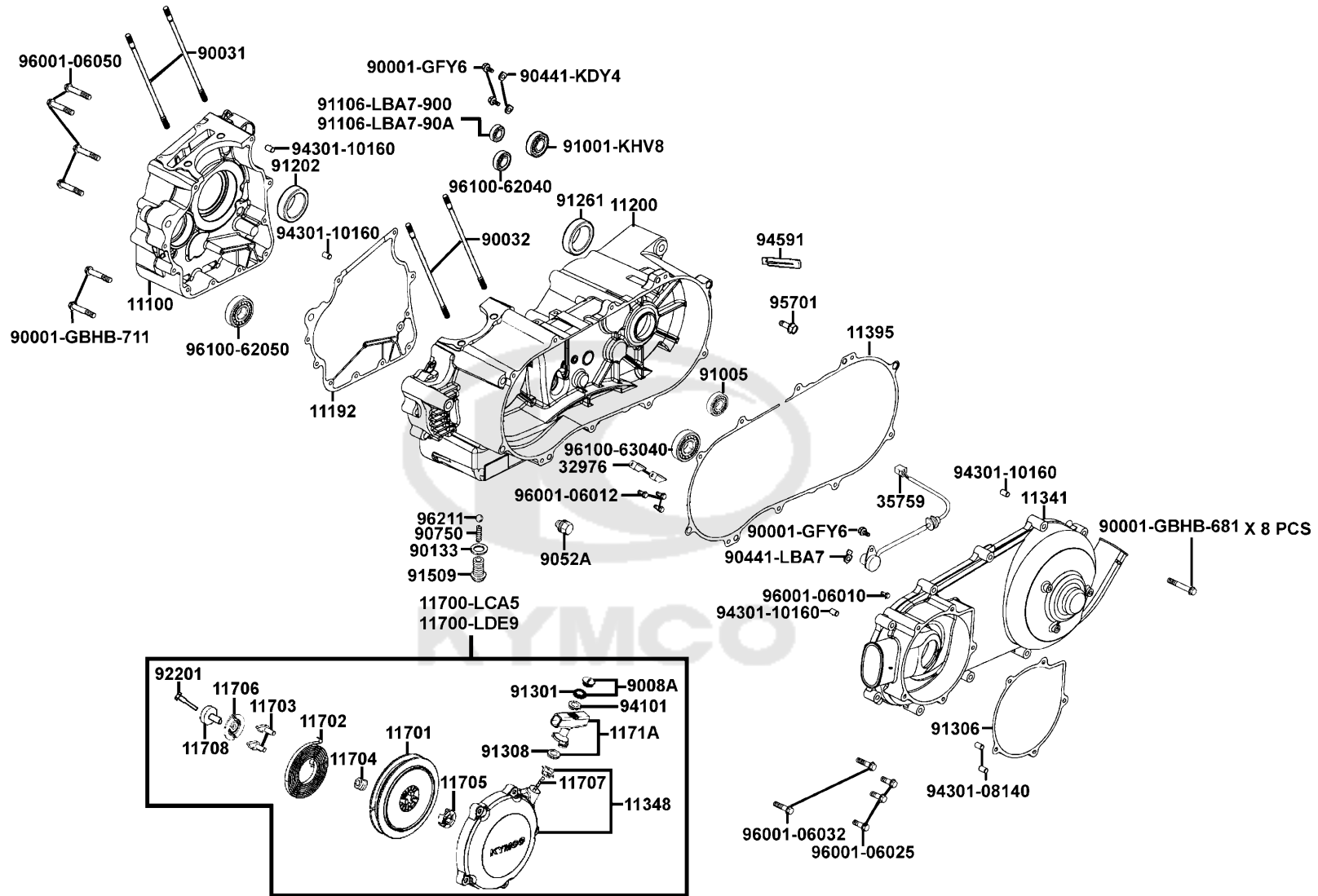
CONTENTS - FRAME GROUP

F28 Key



E01

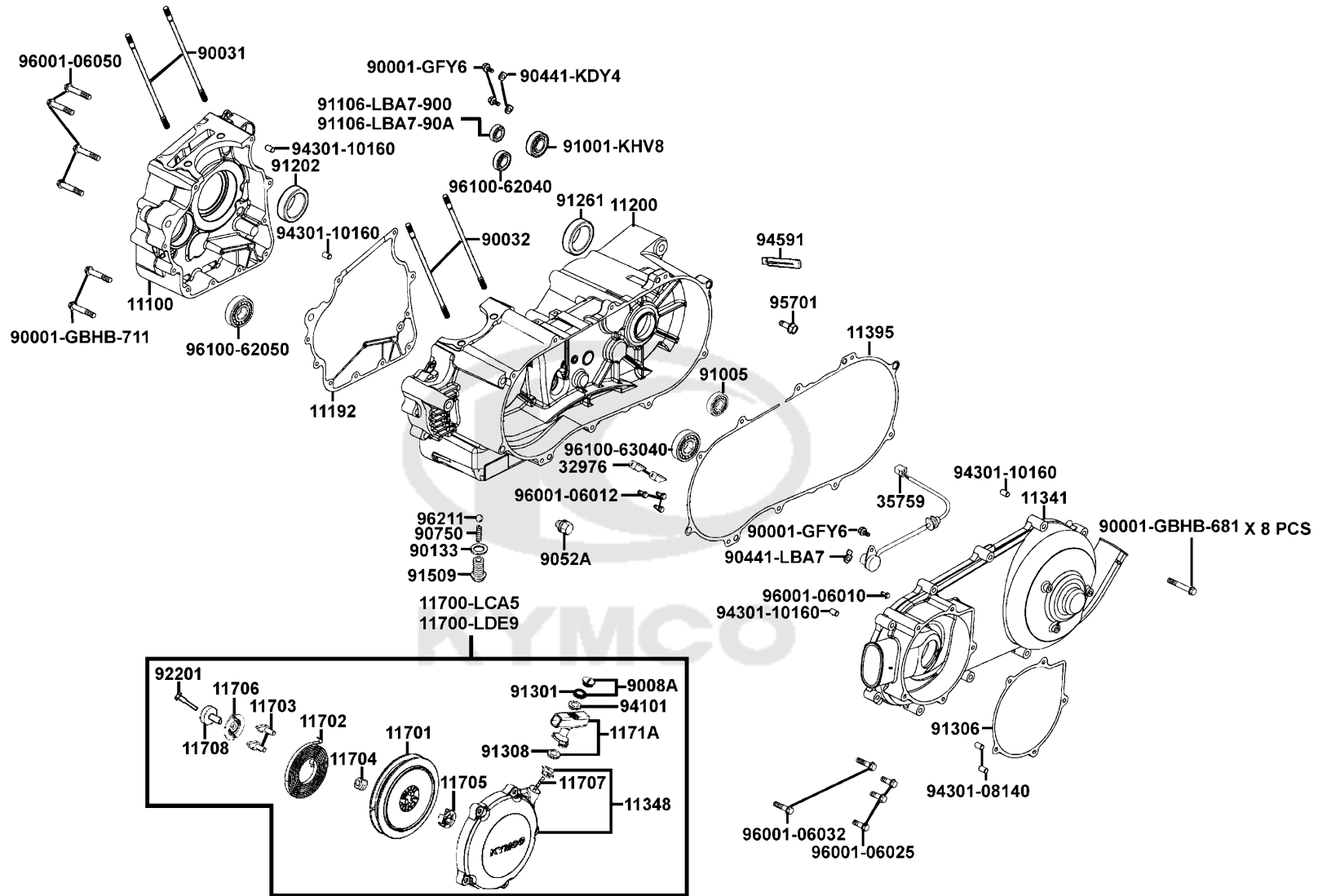
Crank Case



Sales mark	Ref no	Part no	Description	Reg description	Regd no	E01
	11100	11100-LBA7-900	CRANK CASE COMP R	CRANK CASE COMP R	1	
	11192	11192-LBA7-900	GASKET CRANK CASE A	GASKET CRANK CASE A	1	
	11200	11200-LBA7-900	CRANK CASE COMP L	CRANK CASE COMP L	1	
	11348	11348-LCA5-E00	COVER STARTING	COVER STARTING	1	
	11395	11395-LBA7-900	GASKET L COVER @A	GASKET L COVER @A	1	
	11700-LCA5	11700-LCA5-E00	RECOIL STARTING	RECOIL STARTING	1	
#	11700-LDE9	11700-LDE9-E00	RECOIL STARTING	RECOIL STARTING	1	
#	11701	11701-LDE9-E00	REEL STARTING	REEL STARTING	1	
	11702	11702-LCA5-E00	SPIRAL SPG STARTING	SPIRAL SPG STARTING	1	
	11703	11703-LCA5-E00	RACHET STARTING	RACHET STARTING	2	
	11704	11704-LCA5-E00	SPRING RACHET GUIDE	SPRING RACHET GUIDE	1	
	11705	11705-LCA5-E00	SPACER STARTING	SPACER STARTING	1	
	11706	11706-LCA5-E00	RACHET GUIDE STARTING	RACHET GUIDE STARTING	1	
	11707	11707-LCA5-E00	ROPE STARTING	ROPE STARTING	1	
	11708	11708-LCA5-E00	COLLAR	COLLAR	1	
	1171A	1171A-LCA5-E00	HOLDER ASSY STARTING	HOLDER ASSY STARTING	1	
	32976	32976-1G07-001	CLAMPER WIRE HARNESS	CLAMPER WIRE HARNESS	2	
	35759	35759-LBA7-900	SW ASSY GEAR CHANGE	SW ASSY GEAR CHANGE	1	
	90001-GBHB-681	90001-GBHB-681	BOLT FLANGE SHF 6*28	BOLT FLANGE SHF 6*28	8	
	90001-GBHB-711	90001-GBHB-711	BOLT FLANGE SHF 6*40	BOLT FLANGE SHF 6*40	2	

E01

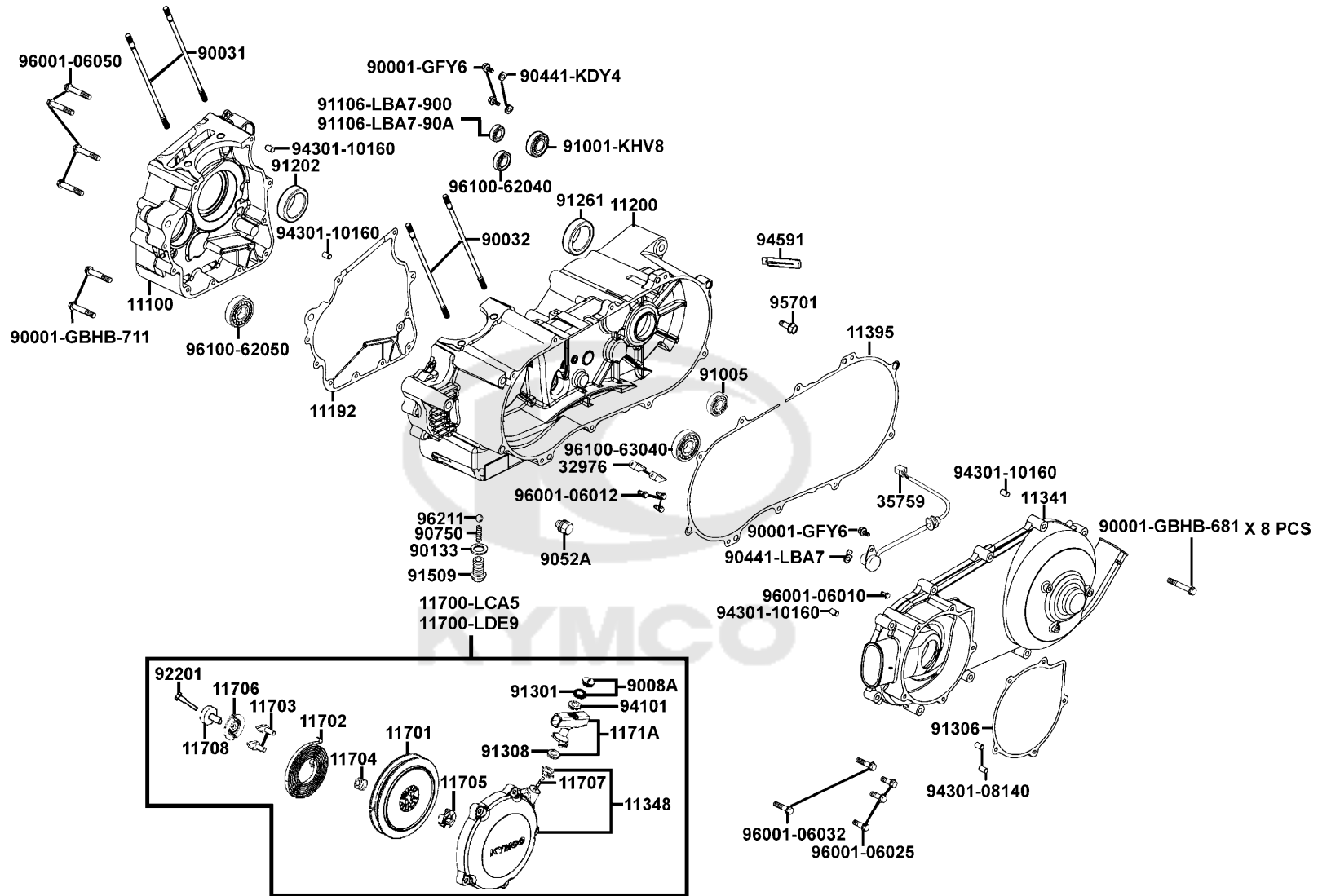
Crank Case



Sales mark	Ref no	Part no	Description	Reg description	Regd no	E01
	90001-GFY6	90001-GFY6-901	SOCKET BOLT 6*10 (B)	SOCKET BOLT 6*10 (B)	3	
	90031	90031-KEBE-900	BOLT A STUD 8MM	BOLT A STUD 8MM	2	
	90032	90032-KEBE-900	BOLT B STUD 8MM	BOLT B STUD 8MM	2	
	9008A	9008A-LCA5-E00	COVER ASSY HOLDER	COVER ASSY HOLDER	1	
	90133	90133-LLB1-900	WASHER BOLT SEAT	WASHER BOLT SEAT	1	
	90441-KDY4	90441-KDY4-901	PLATE BRG HOLD	PLATE BRG HOLD	2	
	90441-LBA7	90441-LBA7-900	PLATE BRG HOLD	PLATE BRG HOLD	1	
	9052A	9052A-GFY6-950	BOLT ASSY DRAIN PLUG	BOLT ASSY DRAIN PLUG	1	
	90750	90750-LLB1-900	SPRING BOLT SEAT INNER	SPRING BOLT SEAT INNER	1	
	91001-KHV8	91001-KHV8-004	BRG BALL RADIAL 6305	BRG BALL RADIAL 6305	1	
	91005	91005-LBA7-900	BRG BALL RADIAL 6005LLU	BRG BALL RADIAL 6005LLU	1	
	91106-LBA7-900	91106-LBA7-900	BRG NEEDLE 20*26*16	BRG NEEDLE 20*26*16	1	
	91106-LBA7-90A	91106-LBA7-90A	BRG NEEDLE 20*26*16	BRG NEEDLE 20*26*16	1	
	91202	91202-KKC4-900	OIL SEAL 27*42*7	OIL SEAL 27*42*7	1	
#	91202	91202-KKC4-90B	OIL SEAL 27X42X7	OIL SEAL 27X42X7	1	
	91261	91261-4E15-004	OIL SEAL 25*40*8	OIL SEAL 25*40*8	1	
	91301	91301-KHE7-900	O-RING 17.8*1.9	O-RING 17.8*1.9	1	
	91306	91306-LBA7-900	GASKET STARTING COVER	GASKET STARTING COVER	1	
	91308	91308-LCA5-E00	O-RING 18.1*3	O-RING 18.1*3	1	
	91509	91509-LLB1-900	BOLT SEAT BALL STOPPER	BOLT SEAT BALL STOPPER	1	

E01

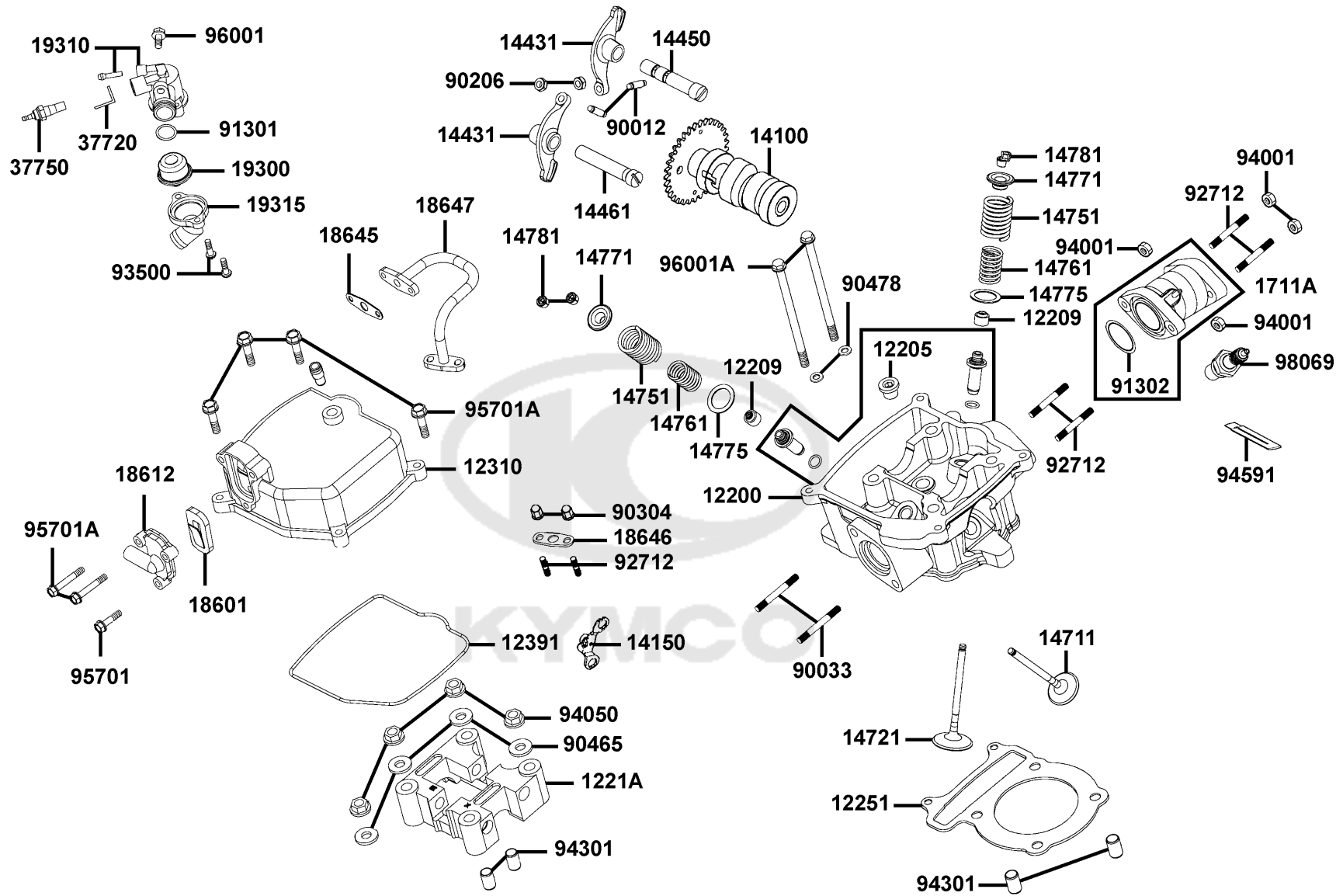
Crank Case



Sales mark	Ref no	Part no	Description	Reg description	Regd no	E01
#	92201	92201-05025-0G	BOLT HEX 5*25	BOLT HEX 5*25	1	
	94101	94101-LCA5-E00	WASHER PLAIN 6MM	WASHER PLAIN 6MM	1	
	94301-08140	94301-08140	DOWEL PIN 8*14	DOWEL PIN 8*14	2	
	94301-10160	94301-10160	DOWEL PIN 10*16	DOWEL PIN 10*16	4	
	94591	94591-LLB1-900	CLIP 2*100	CLIP 2*100	1	
#	95701	95701-08012-06	BOLT FLANGE 8*12	BOLT FLANGE 8*12	1	
#	96001-06010	96001-06010-06	BOLT FLANGE 6*10	BOLT FLANGE 6*10	1	
#	96001-06012	96001-06012-06	BOLT FLANGE SH 6*12	BOLT FLANGE SH 6*12	1	
#	96001-06025	96001-06025-06	BOLT FLANGE SH 6*25	BOLT FLANGE SH 6*25	1	
#	96001-06032	96001-06032-06	BOLT FLANGE 6*32	BOLT FLANGE 6*32	1	
#	96001-06050	96001-06050-06	BOLT FLANGE SH 6*50	BOLT FLANGE SH 6*50	1	
	96100-62040	96100-62040-00	BEARING BALL RADIAL 6204	BEARING BALL RADIAL 6204	1	
	96100-62050	96100-62050-00	BEARING BALL RADIAL 6205	BEARING BALL RADIAL 6205	1	
	96100-63040	96100-63040-00	BRG BALL RADIAL 6304	BRG BALL RADIAL 6304	1	
	96211	96211-12000	BALL STEEL #12	BALL STEEL #12	1	

E02

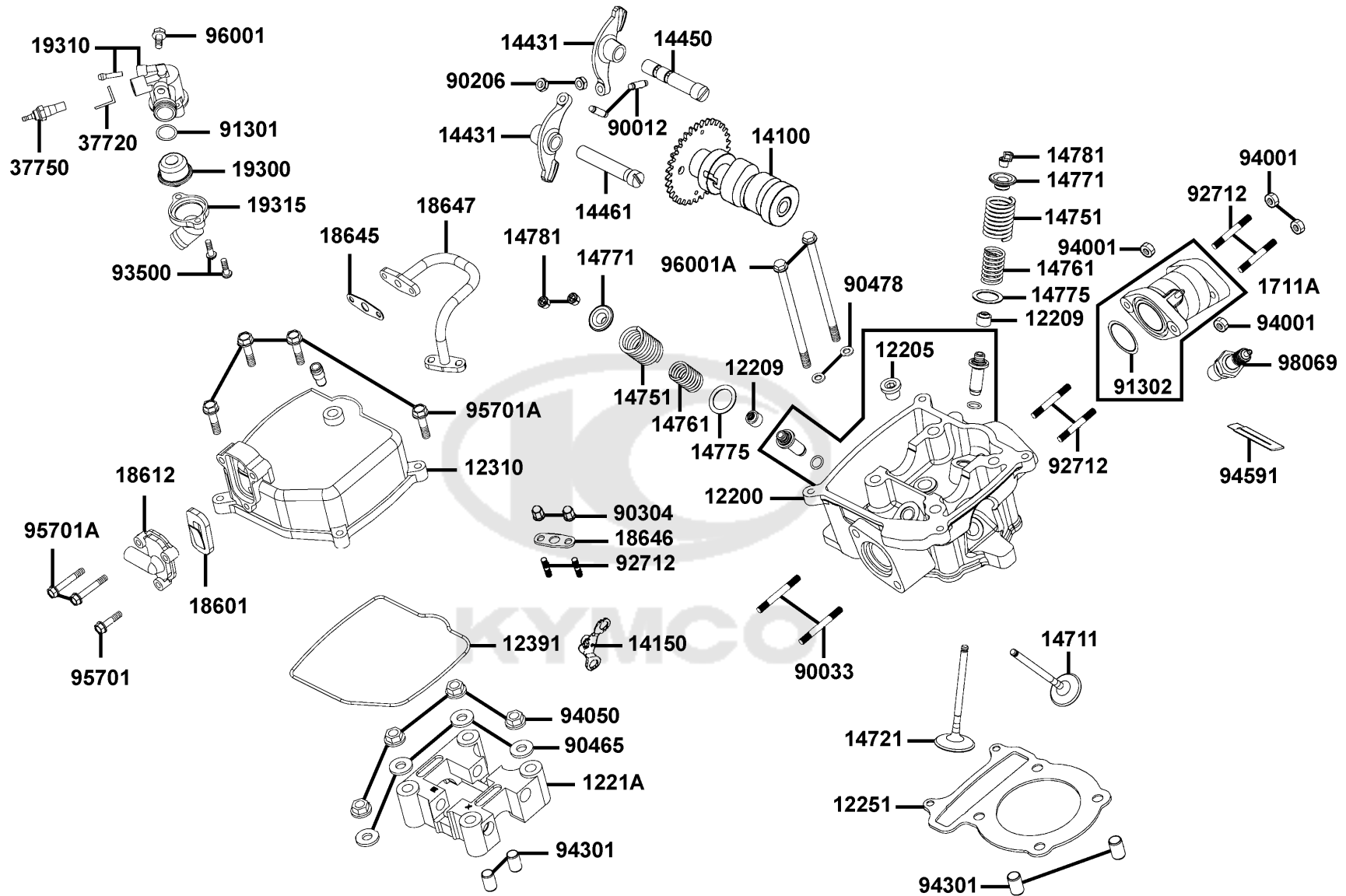
Cylinder Head Cover Cylinder Head



Sales mark	Ref no	Part no	Description	Reg description	Regd no	E02
	12200	12200-KHE7-900	HEAD COMP CYLN	HEAD COMP CYLN	1	
	12205	12205-KHE8-301	BOLT SEALING 12MM	BOLT SEALING 12MM	1	
	12209	12209-GDB4-68B	SEAL VALVE STEM	SEAL VALVE STEM	1	
	1221A	1221A-LBA7-900	HOLDER COMP CAM SHAFT	HOLDER COMP CAM SHAFT	1	
	12251	12251-KHE7-901	GASKET CYLINDER HEAD	GASKET CYLINDER HEAD	1	
	12310	12310-KHE7-900	COVER COMP CYLN HEAD	COVER COMP CYLN HEAD	1	
	12391	12391-KHE7-900	GASKET HEAD COVER	GASKET HEAD COVER	1	
	14100	14100-LCA5-E00	SHAFT COMP CAM	SHAFT COMP CAM	1	
	14150	14150-LBA7-900	PLATE COMP STOPPER	PLATE COMP STOPPER	1	
	14431	14431-KHE7-900	ARM VALVE ROCKER	ARM VALVE ROCKER	2	
	14450	14450-KEBE-900	SHAFT COMP IN ROCKER ARM	SHAFT COMP IN ROCKER ARM	1	
	14461	14461-KHE7-900	SHAFT EX ROCKER	SHAFT EX ROCKER	1	
	14711	14711-KHE7-900	VALVE INLET	VALVE INLET	1	
	14721	14721-KHE7-900	VALVE EXHAUST	VALVE EXHAUST	1	
	14751	14751-KHE7-900	SPG VALVE OUTER	SPG VALVE OUTER	2	
	14761	14761-KHE7-900	SPG VALVE INNER	SPG VALVE INNER	2	
	14771	14771-GDB4-680	RETAINER VALVE SPRING	RETAINER VALVE SPRING	2	
	14775	14775-MFA6-001	SEAT VALVE SPG OUTER	SEAT VALVE SPG OUTER	2	
	14781	14781-MFA6-001	COTTER VALVE	COTTER VALVE	4	
	1711A	1711A-LBA7-E00	PIPE COMP INLET	PIPE COMP INLET	1	

E02

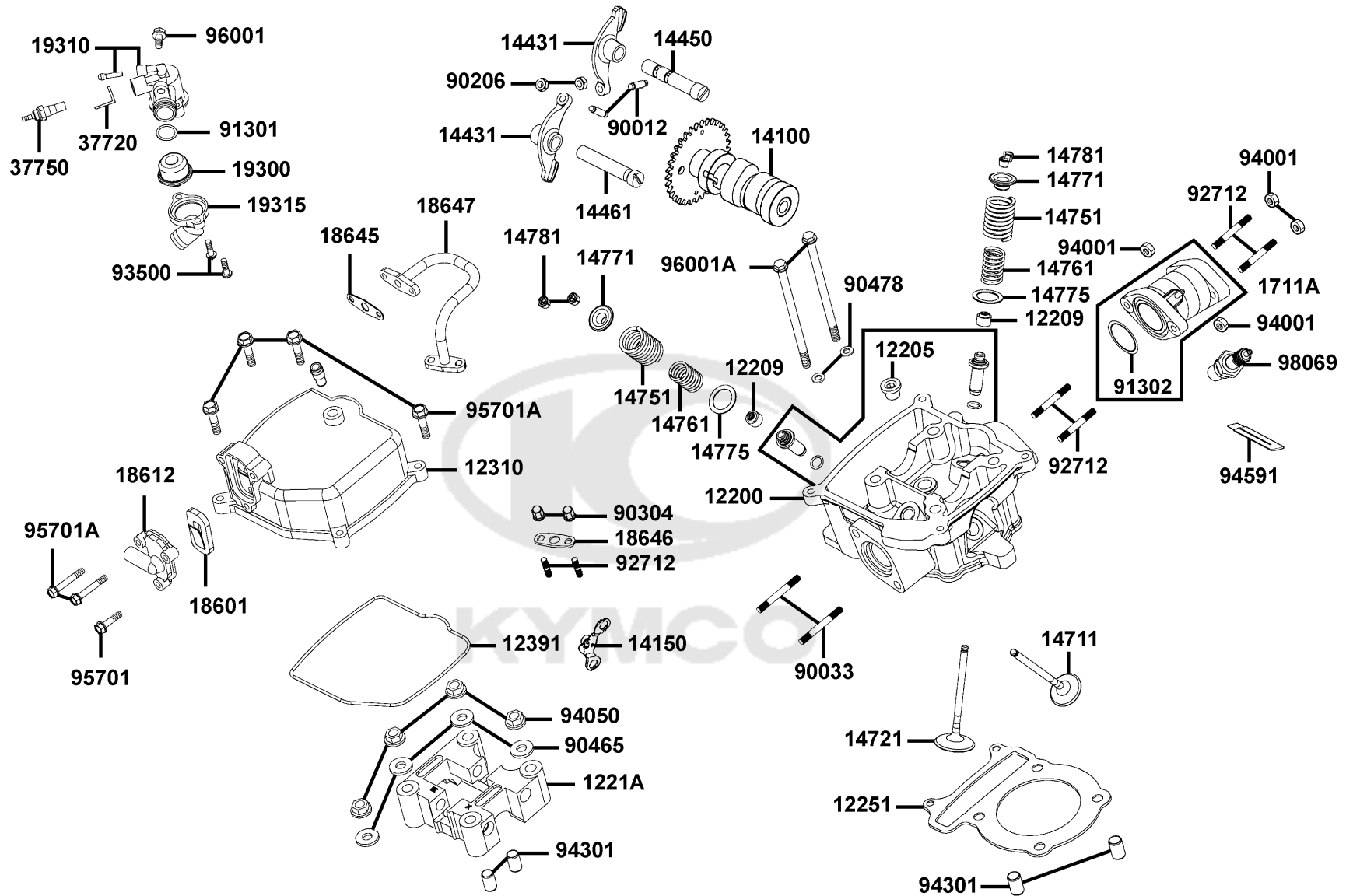
Cylinder Head Cover Cylinder Head



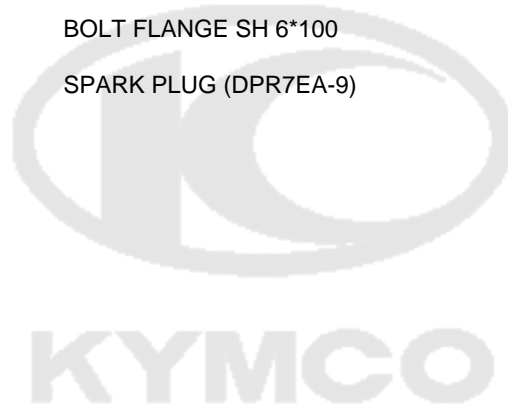
Sales mark	Ref no	Part no	Description	Reg description	Regd no	E02
	18601	18601-MAJ1-791	REED VALVE COMP	REED VALVE COMP	1	
	18612	18612-GFY6-941	COVER REED VALVE	COVER REED VALVE	1	
	18645	18645-GFY6-941	GASKET A/I PIPE	GASKET A/I PIPE	1	
	18646	18646-GFY6-941	GASKET A/I PIPE	GASKET A/I PIPE	1	
	18647	18647-KHE7-900	PIPE COMP AIR	PIPE COMP AIR	1	
	19300	19300-KAE1-004	THERMOSTAT ASSY	THERMOSTAT ASSY	1	
	19310	19310-KHE7-900	CASE COMP THERMOSTAT	CASE COMP THERMOSTAT	1	
	19315	19315-LBA7-900	COVER THERMOSTAT	COVER THERMOSTAT	1	
	37720	37720-KGB5-900	EARTH TERMINAL THERMO	EARTH TERMINAL THERMO	1	
	37750	37750-PAC1-005	THERMO UNIT ASSY	THERMO UNIT ASSY	1	
	90012	90012-3C33-001	SCREW TAPPET ADJUSTING	SCREW TAPPET ADJUSTING	2	
	90033	90033-GFY6-900	BOLT STUD 8*32	BOLT STUD 8*32	2	
	90206	90206-0A01-001	NUT TAPPET ADJG	NUT TAPPET ADJG	2	
	90304	90304-4H38-001	NUT HEX CAP 6MM	NUT HEX CAP 6MM	2	
	90465	90465-MDC4-001	WASHER 8MM	WASHER 8MM	4	
	90478	90478-7L00-001	WASHER A 6MM	WASHER A 6MM	2	
	91301	91301-KHE7-900	O-RING 17.8*1.9	O-RING 17.8*1.9	1	
	91302	91302-2L00-001	O-RING 33.5*3	O-RING 33.5*3	1	
#	92712	92712-06028-0B	BOLT STUD 6*28	BOLT STUD 6*28	5	
#	93500	93500-05016-0F	SCREW PAN 5*16	SCREW PAN 5*16	1	

E02

Cylinder Head Cover Cylinder Head

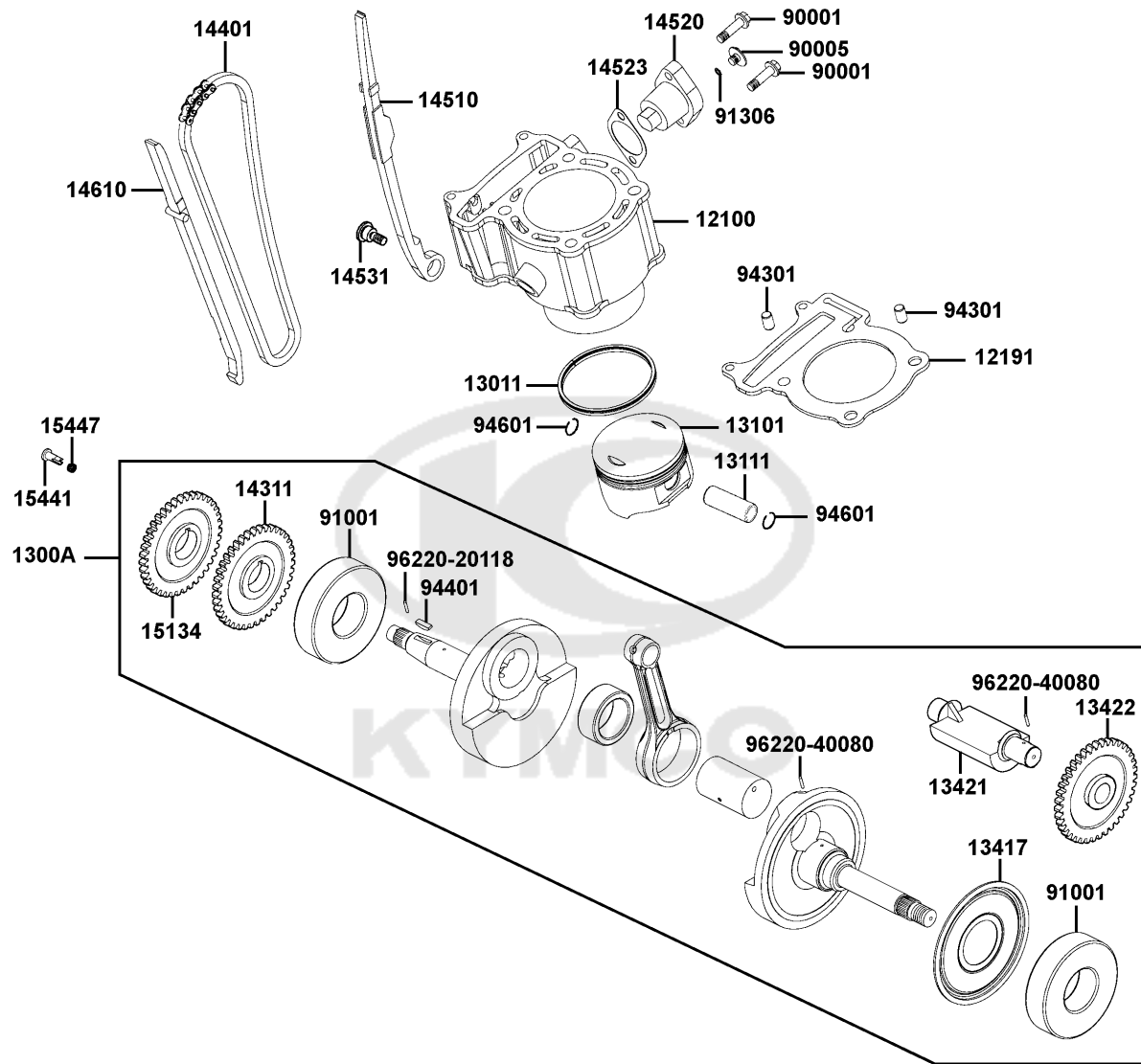


Sales mark	Ref no	Part no	Description	Reg description	Regd no	E02
	94001	94001-06080-0S	NUT HEX 6MM	NUT HEX 6MM	4	
	94050	94050-08080	NUT FLANGE 8MM	NUT FLANGE 8MM	4	
	94301	94301-10160	DOWEL PIN 10*16	DOWEL PIN 10*16	4	
	94591	94591-KFBF-900	CLIP 2*70	CLIP 2*70	1	
#	95701	95701-06025-06	BOLT FLANGE 6*25	BOLT FLANGE 6*25	1	
#	95701A	95701-06040-06	BOLT FLANGE 6*40	BOLT FLANGE 6*40	1	
#	96001	96001-06018-06	BOLT FLANGE SH 6X18	BOLT FLANGE SH 6*18	1	
#	96001A	96001-06100-06	BOLT FLANGE SH 6*100	BOLT FLANGE SH 6*100	1	
	98069	98069-5791R-00	SPARK PLUG (DPR7EA-9)	SPARK PLUG (DPR7EA-9)	1	



E03

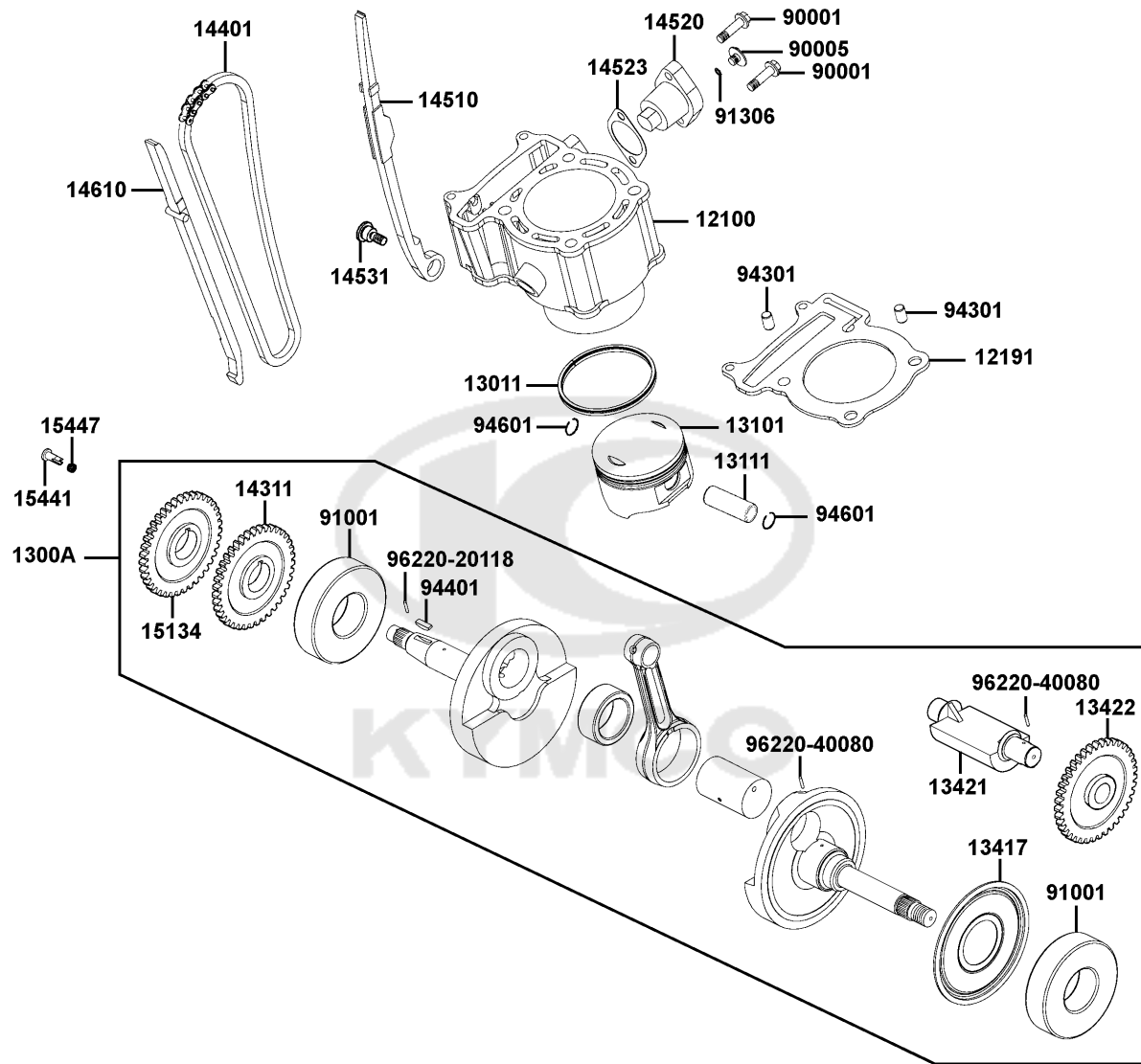
Cylinder Piston Crankshaft



Sales mark	Ref no	Part no	Description	Reg description	Regd no	E03
	12100	12100-KHE7-900	CYLINDER COMP	CYLINDER COMP	1	
	12191	12191-KHE7-910	GASKET CYLINDER	GASKET CYLINDER	1	
	1300A	1300A-PWA1-305	CRANK BALANCER COMP	CRANK BALANCER COMP	1	
	13011	13011-KHE7-900	RING SET PISTON	RING SET PISTON	1	
	13101	13101-KHE7-900	PISTON	PISTON	1	
	13111	13111-KHE7-900	PIN PISTON	PIN PISTON	1	
	13417	13417-LBA7-900	GEAR BALANCER DRIVE	GEAR BALANCER DRIVE	1	
	13421	13421-LBA7-900	SHAFT BALANCER	SHAFT BALANCER	1	
	13422	13422-LBA7-900	GEAR BALANCER DRIVEN	GEAR BALANCER DRIVEN	1	
	14311	14311-KHE7-900	GEAR TIMING	GEAR TIMING	1	
	14401	14401-KHE7-90A	CHAIN CAM (92RH2005-98)	CHAIN CAM (92RH2005-98)	1	
	14401	14401-KHE7-90B	CHAIN CAM	CHAIN CAM	1	
	14510	14510-KHE7-900	TENSIONER CAM CHAIN	TENSIONER CAM CHAIN	1	
#	14520	14520-GFY6-90C	LIFTER ASSY.. TENSIONER	LIFTER ASSY TENSIONER	1	
#	14523	14523-KED9-920	GASKET TENSIONER LIFTER @A	GASKET TENSIONER LIFTER @A	1	
	14531	14531-KHE7-900	PIVOT CAM CHAIN TENSIONER	PIVOT CAM CHAIN TENSIONER	1	
	14610	14610-KHE7-900	GUIDE COMP CAM CHAIN	GUIDE COMP CAM CHAIN	1	
	15134	15134-KHE7-900	GEAR OIL PUMP DRIVE	GEAR OIL PUMP DRIVE	1	
	15441	15441-1K49-001	OIL THROUGH	OIL THROUGH	1	
	15447	15447-1K49-001	SPG OIL THROUGH	SPG OIL THROUGH	1	

E03

Cylinder Piston Crankshaft

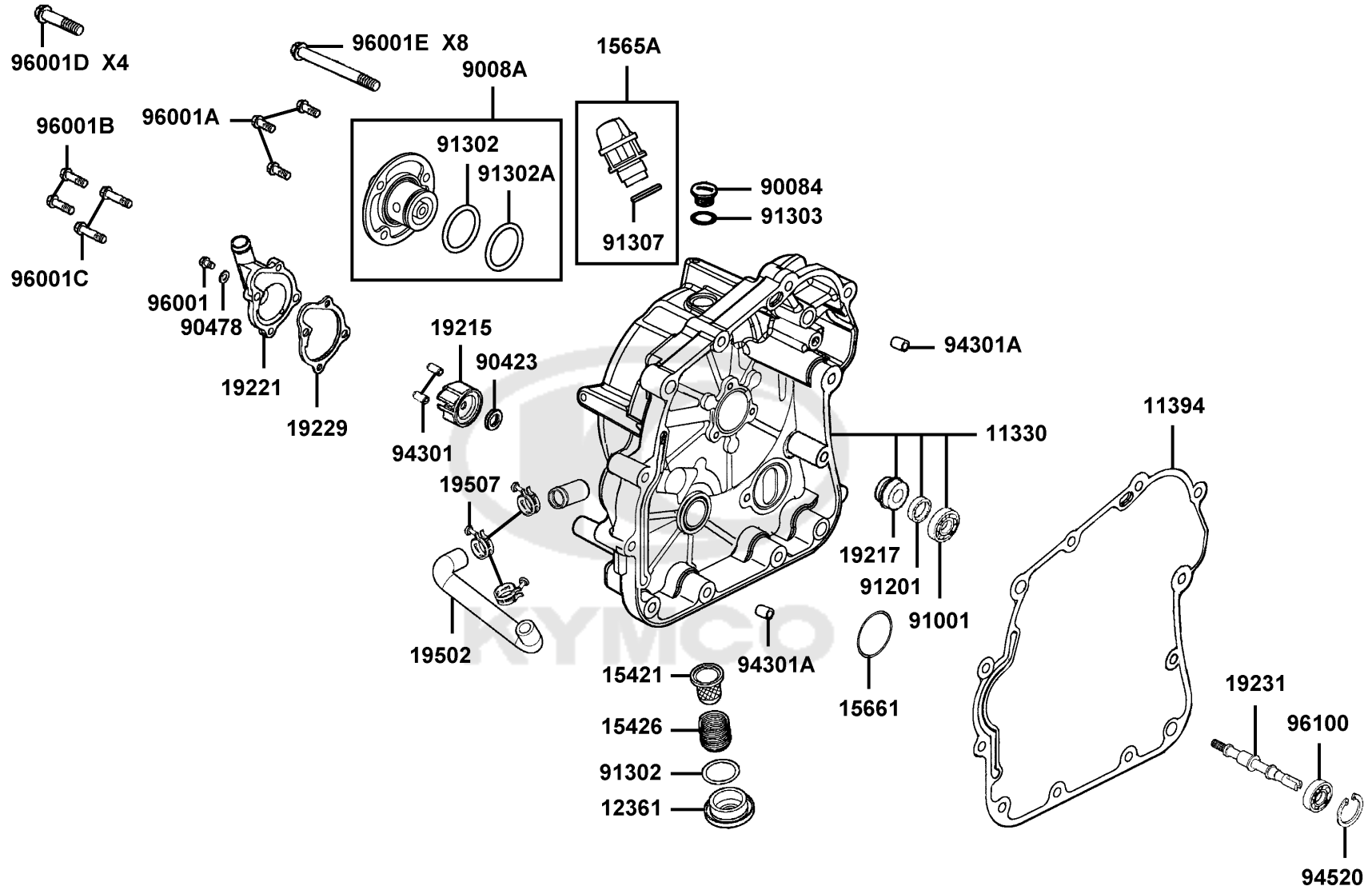


Sales mark	Ref no	Part no	Description	Reg description	Regd no	E03
	90001	90001-GBHB-661	BOLT FLANGE SH 6*22	BOLT FLANGE SH 6*22	2	
#	90005	90005-KED9-900	BOLT SPECIAL 6*6	BOLT SPECIAL 6*6	1	
	91001	91001-KHE7-900	BRG BALL RADIAL TMB307JR2CS19	BRG BALL RADIAL TMB307JR2CS19	2	
	91001	91001-KHE7-90A	BRG BALL RADIAL TMB307JR2CS19	BRG BALL RADIAL TMB307JR2CS19	2	
	91306	91306-1E05-691	O-RING 1.5*9.5	O-RING 1.5*9.5	1	
	94301	94301-10160	DOWEL PIN 10*16	DOWEL PIN 10*16	2	
	94401	94401-25140	WOODRUFF KEY 25*14	WOODRUFF KEY 25*14	1	
	94601	94601-17000	CLIP PISTON PIN 17MM	CLIP PISTON PIN 17MM	2	
	96220-20118	96220-20118	ROLLER 2*11.8	ROLLER 2*11.8	1	
	96220-40080	96220-40080	ROLLER 4*8	ROLLER 4*8	2	



E04

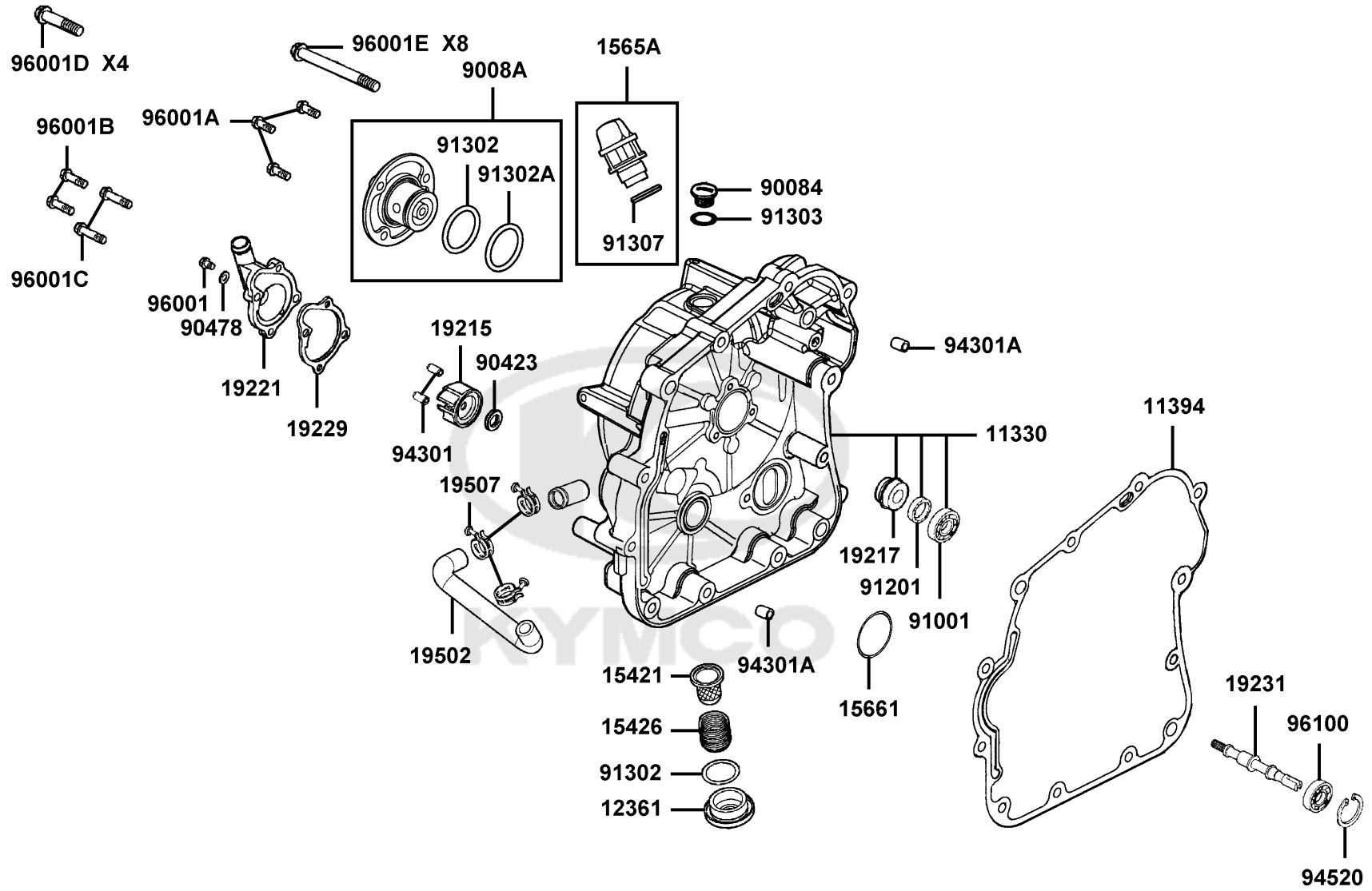
Right Crankcase Cover Water Pump



Sales mark	Ref no	Part no	Description	Reg description	Regd no	E04
**	11330	11330-LBA7-900	COVER COMP R CRANK CASE	COVER COMP R CRANK CASE	1	
	11394	11394-LBA7-900	GASKET R COVER	GASKET R COVER	1	
	12361	12361-GFY6-901	HOLE CAP TAPPET ADJUSTING	HOLE CAP TAPPET ADJUSTING	1	
	15421	15421-1G07-001	SCREEN OIL FILTER	SCREEN OIL FILTER	1	
	15426	15426-GAE1-921	SPG OIL FILTER SCREEN	SPG OIL FILTER SCREEN	1	
	1565A	1565A-KKAK-900	GAUGE OIL LEVEL ASSY	GAUGE OIL LEVEL ASSY	1	
	15661	15661-LBA7-900	FINDER OIL LEVEL	FINDER OIL LEVEL	1	
	19215	19215-KHE7-900	IMPELLER WATER PUMP	IMPELLER WATER PUMP	1	
#	19217	19217-ZPA3-E00	SEAL MECHANICAL	SEAL MECHANICAL	1	
**	19221	19221-KHE7-900	COVER WATER PUMP	COVER WATER PUMP	1	
	19229	19229-LBA7-900	GASKET WATER PUMP	GASKET WATER PUMP	1	
	19231	19231-KKJ9-011	SHAFT WATER PUMP	SHAFT WATER PUMP	1	
	19502	19502-LBA7-900	HOSE B WATER	HOSE B WATER	1	
#	19507	19507-LDB5-E00	CLAMP D 28	CLAMP D 28	2	
	9008A	9008A-LBA7-900	CAP ASSY R COVER	CAP ASSY R COVER	1	
	90423	90423-KKJ9-001	WASHER 7.2*13*1.2	WASHER 7.2*13*1.2	1	
	90478	90478-7L00-001	WASHER A 6MM	WASHER A 6MM	1	
	91001	91001-KKJ9-006	BRG BALL RADIAL 6901	BRG BALL RADIAL 6901	1	
	91201	91201-KKJ9-004	OIL SEAL 12*20*4	OIL SEAL 12*20*4	1	
	91302	91302-0A01-021	O-RING 30.8M/M	O-RING 30.8M/M	2	

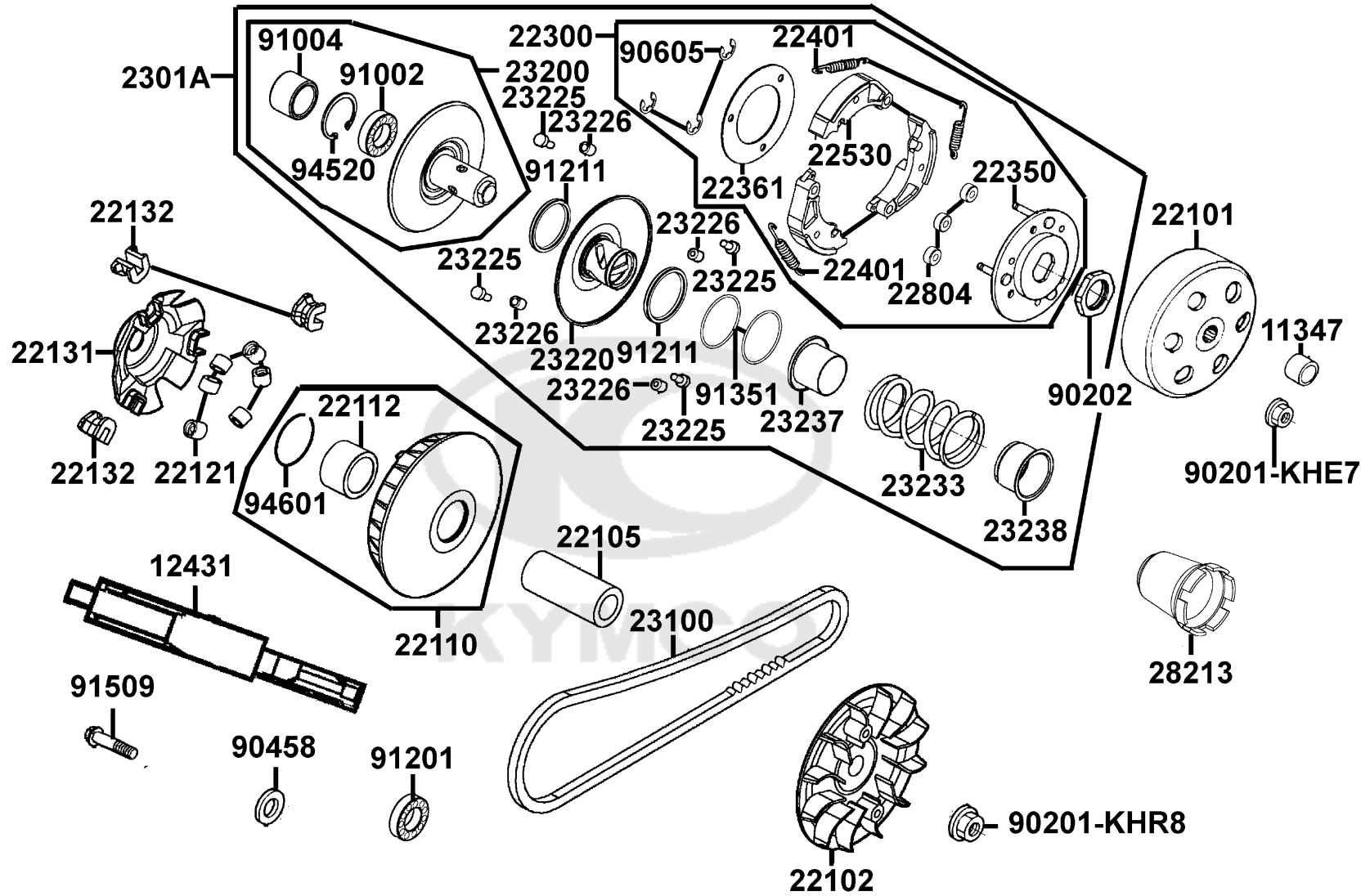
E04

Right Crankcase Cover Water Pump

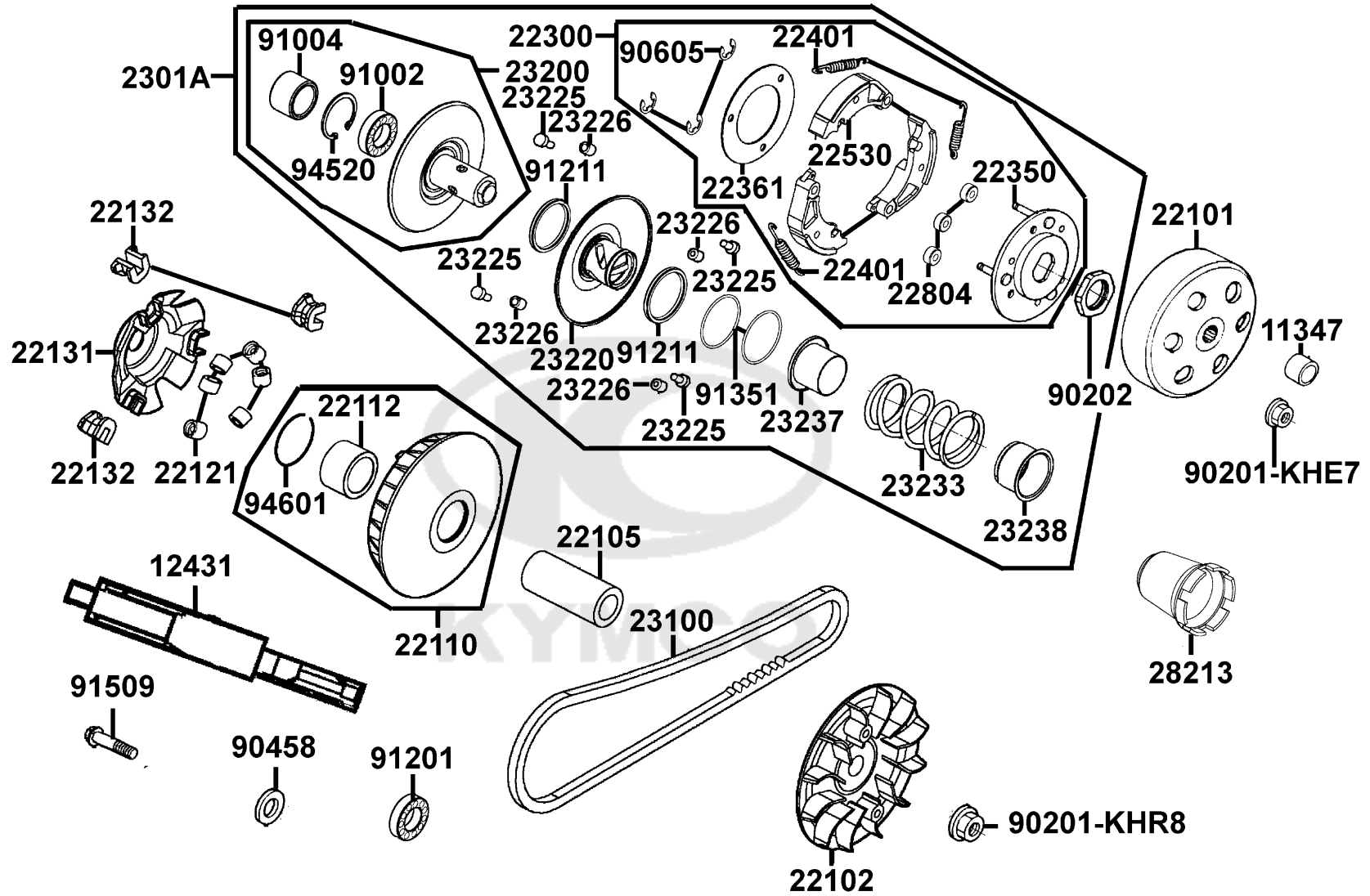


Sales mark	Ref no	Part no	Description	Reg description	Regd no	E04
	91302A	91302-KHE7-900	O-RING 27.4*2.1MM	O-RING 27.4*2.1MM	1	
	91303	91303-3G77-001	O-RING 13.8*2.5	O-RING 13.8*2.5	1	
	91307	91307-0E35-001	O RING 18*3	O RING 18*3	1	
	94301	94301-08140	DOWEL PIN 8*14	DOWEL PIN 8*14	2	
	94301A	94301-10160	DOWEL PIN 10*16	DOWEL PIN 10*16	2	
	94520	94520-26000	CIR CLIP INTERAL 26MM	CIR CLIP INTERAL 26MM	1	
#	96001	96001-06010-06	BOLT FLANGE 6*10	BOLT FLANGE 6*10	1	
#	96001A	96001-06016-06	BOLT FLANGE SH 6X16	BOLT FLANGE SH 6*16	1	
#	96001B	96001-06022-06	BOLT FLANGE SH 6*22 (G)	BOLT FLANGE SH 6*22 (G)	1	
#	96001C	96001-06028-06	BOLT FLANGE SH 6*28	BOLT FLANGE SH 6*28	1	
#	96001D	96001-06045-06	BOLT FLANGE 6X45	BOLT FLANGE 6X45	1	
#	96001E	96001-06125-06	BOLT FLANGE SH 6*125	BOLT FLANGE SH 6*125	1	
	96100	96100-60000-00	BEARING BALL RADIAL 6000	BEARING BALL RADIAL 6000	1	

Transmission Pulley

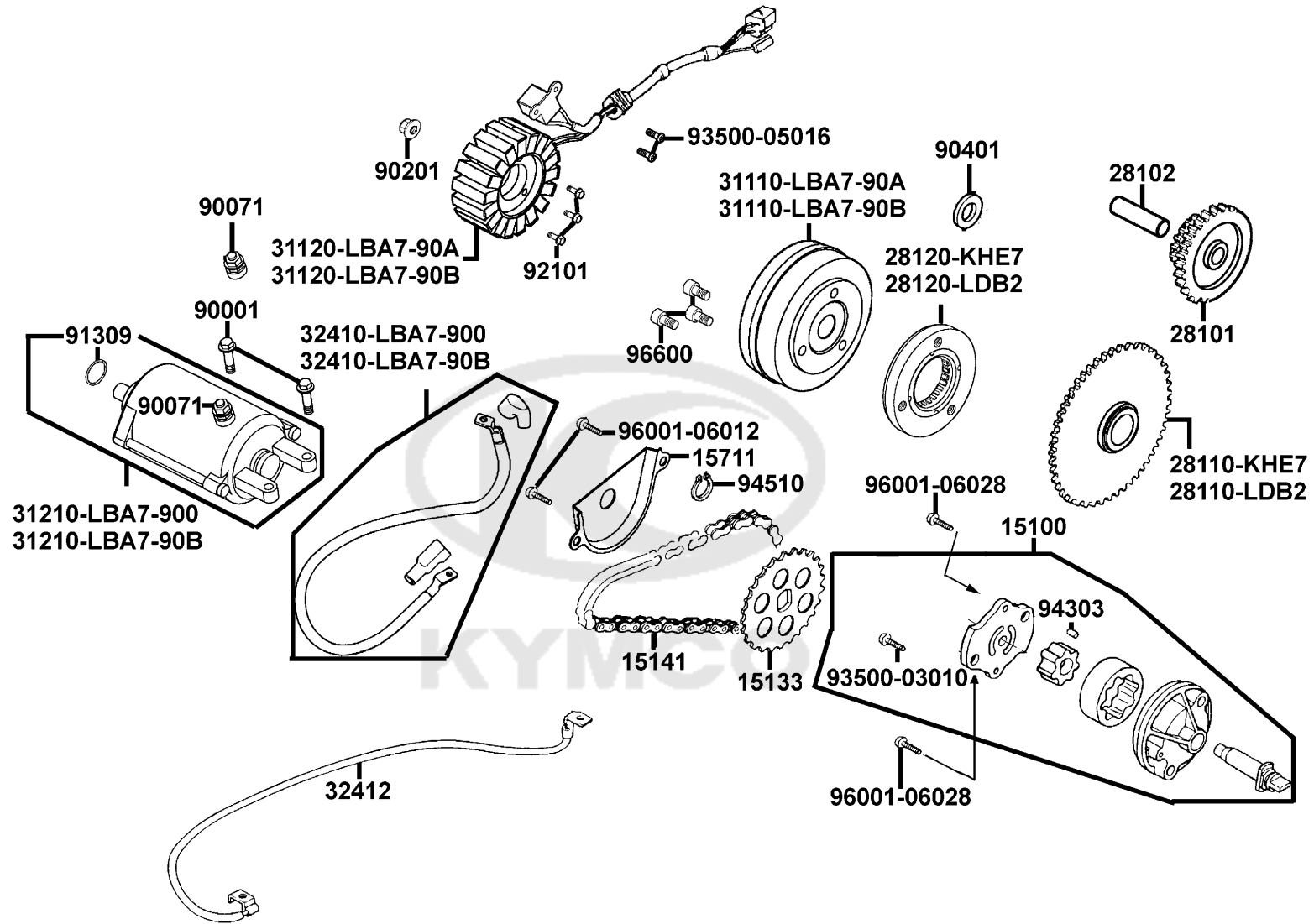


Sales mark	Ref no	Part no	Description	Reg description	Regd no	E05
	11347	11347-LBA7-900	BOSS DRIVE SHAFT	BOSS DRIVE SHAFT	1	
	12431	12431-LBA7-E00	GEAR TACHOMETER	GEAR TACHOMETER	1	
	22101	22101-LBA7-900	OUTER CLUTCH	OUTER CLUTCH	1	
	22102	22102-KHE7-900	FACE DRIVE	FACE DRIVE	1	
	22105	22105-LBA7-900	BOSS DRIVE FACE	BOSS DRIVE FACE	1	
	22110	22110-KHE7-900	FACE COMP MOVABLE DRIVE	FACE COMP MOVABLE DRIVE	1	
	22112	22112-KHE7-900	BUSH 27*33*37	BUSH 27*33*37	1	
#	22121	22121-LBA7-305	ROLLER SET WEIGHT (1SET:6PCS)	ROLLER SET WEIGHT (1SET:6PCS)	1	
	22131	22131-LBA7-900	PLATE RAMP	PLATE RAMP	1	
#	22132	22132-KHE7-305	PIECE SLIDE SET (1SET:3PCS)	PIECE SLIDE	1	
	22300	22300-LBA7-900	PLATE ASSY DRIVE	PLATE ASSY DRIVE	1	
	22350	22350-KHE7-900	PLATE COMP DRIVE	PLATE COMP DRIVE	1	
#	22361	22361-LEA7-E00	PLATE CLUTCH SIDE	PLATE CLUTCH SIDE	1	
	22401	22401-LBA7-900	SPRING CLUTCH	SPRING CLUTCH	3	
	22530	22530-LBA7-900	WEIGHT CLUTCH	WEIGHT CLUTCH	3	
	22804	22804-GBB2-001	RUBBER CLUTCH DAMPER	RUBBER CLUTCH DAMPER	3	
	2301A	2301A-LBA7-900	PULLEY SUB ASSY	PULLEY SUB ASSY	1	
#	23100	23100-KHE7-90B	BELT DRIVE(Maker:MITSUBOSHI)	BELT DRIVE(Maker:MITSUBOSHI)	1	
	23200	23200-KHE7-900	FACE ASSY DRIVEN	FACE ASSY DRIVEN	1	
	23220	23220-LLJ3-E00	FACE COMP MOVABLE DRIVEN	FACE COMP MOVABLE DRIVEN	1	



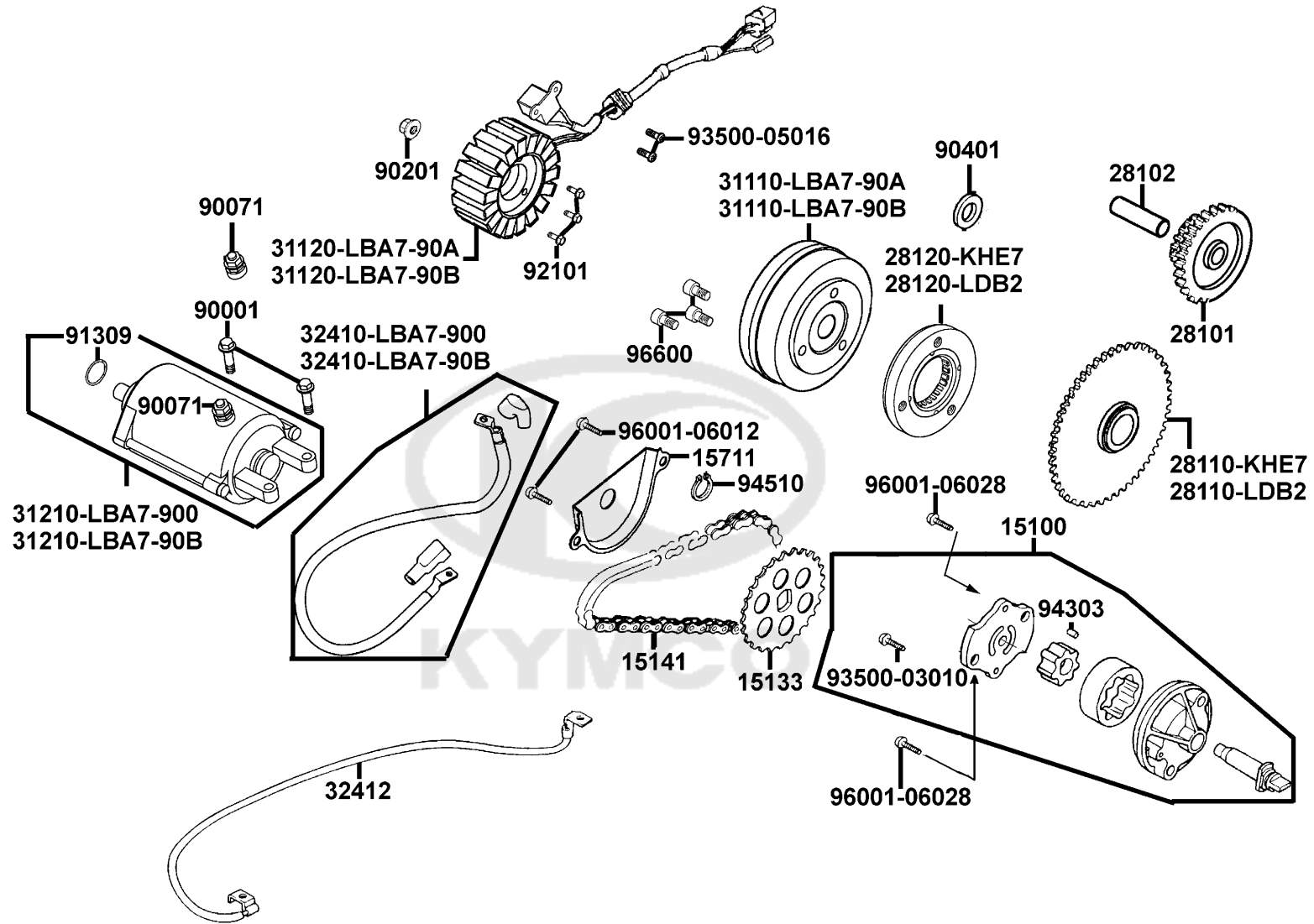
Sales mark	Ref no	Part no	Description	Reg description	Regd no	E05
23225		23225-KHE7-900	PIN ROLLER GUIDE	PIN ROLLER GUIDE	4	
23226		23226-GHC8-004	ROLLER GUIDE	ROLLER GUIDE	4	
23233		23233-LBA7-900	SPG DRIVEN FACE	SPG DRIVEN FACE	1	
23237		23237-KHE7-900	COLLAR SEAL	COLLAR SEAL	1	
23238		23238-KHE7-900	COLLAR SPG	COLLAR SPG	1	
28213		28213-LCA5-E00	PLATE RACHET	PLATE RACHET	1	
90201-KHE7		90201-KHE7-900	NUT C FLANGE M12	NUT C FLANGE M12	1	
90201-KHR8		90201-KHR8-75A	NUT FLANGE 14MM	NUT FLANGE 14MM	1	
90202		90202-1G87-001	NUT SPECIAL 28MM	NUT SPECIAL 28MM	1	
90458		90458-LBA7-E00	THRUST WASHER 8MM	THRUST WASHER 8MM	1	
90605		90605-1F66-721	CIR CLIP 7MM	CIR CLIP 7MM	3	
91002		91002-GGA7-70A	BRG BALL RADIAL 6902U	BRG BALL RADIAL 6902U	1	
91004		91004-KHE7-900	BRG NDL 22*29*18	BRG NDL 22*29*18	1	
91201		91201-9A51-004	OIL SEAL 12*18*3	OIL SEAL 12*18*3	1	
91211		91211-KHE7-900	SEAL DRIVEN FACE	SEAL DRIVEN FACE	2	
91351		91351-KHE7-900	O-RING PINION CAP	O-RING PINION CAP	2	
91509		91509-LBA7-E00	BOLT TACHOMETER	BOLT TACHOMETER	1	
94520		94520-28000	CIR CLIP IN 28	CIR CLIP IN 28	1	
94601		94601-33000	CLIP PISTON PIN 33MM	CLIP PISTON PIN 33MM	1	

Starting Motor Generator

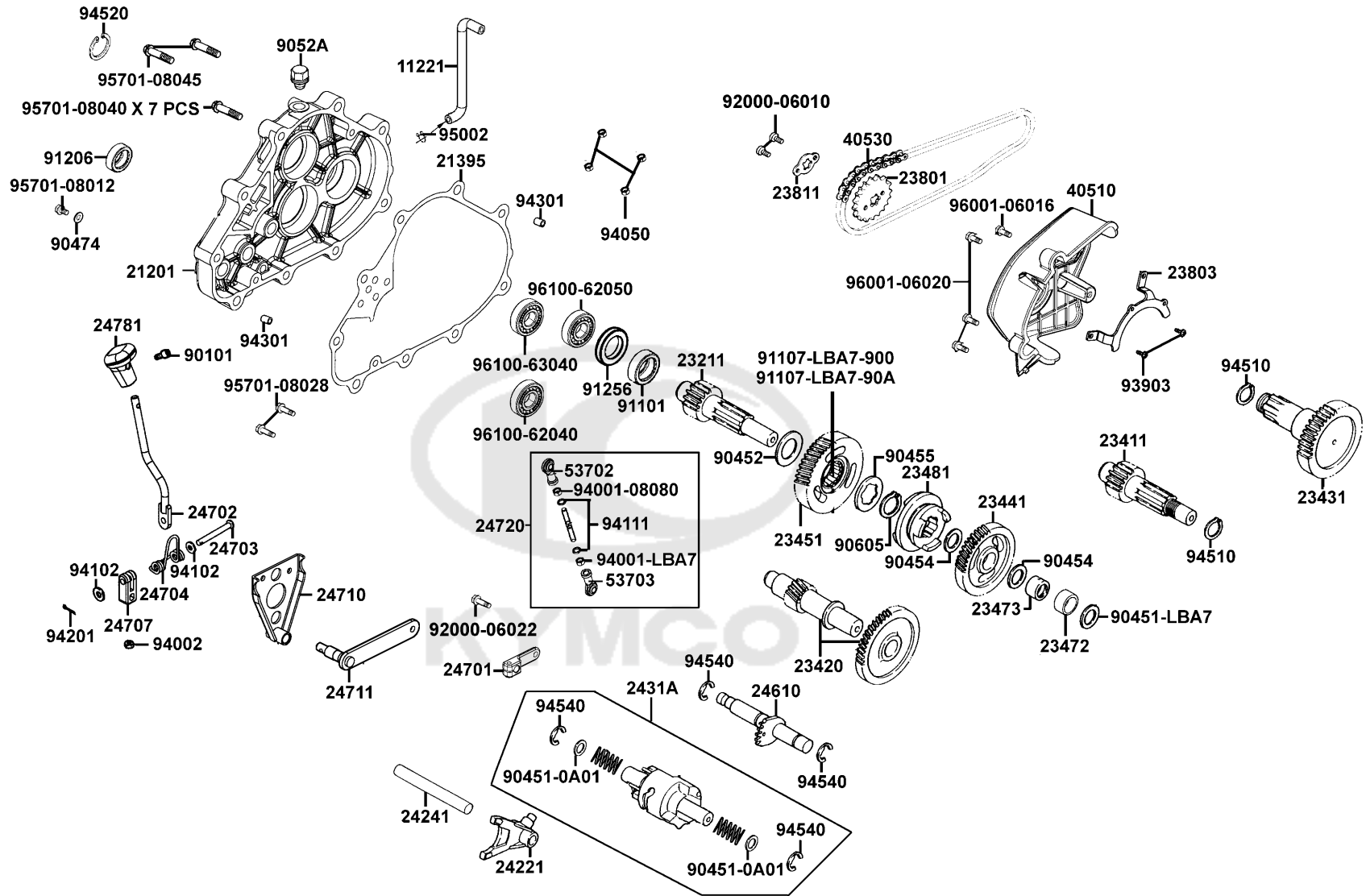


Sales mark	Ref no	Part no	Description	Reg description	Regd no	E06
	15100	15100-LBA7-900	PUMP ASSY OIL	PUMP ASSY OIL	1	
	15133	15133-KAM1-001	SPROCKET OIL PUMP DRIVE	SPROCKET OIL PUMP DRIVE	1	
	15141	15141-KKJ9-004	CHAIN OIL PUMP	CHAIN OIL PUMP	1	
	15711	15711-KHE7-900	SEPARATER OIL	SEPARATER OIL	1	
	28101	28101-KHE7-900	GEAR STARTER REDUCTION	GEAR STARTER REDUCTION	1	
	28102	28102-KHE7-900	SHAFT STARTER REDUCTION GEAR	SHAFT STARTER REDUCTION GEAR	1	
	28110-KHE7	28110-KHE7-900	GEAR COMP STARTING CLUTCH	GEAR COMP STARTING CLUTCH	1	
#	28110-LDB2	28110-LDB2-E00	GEAR COMP STARTING CLUTCH	GEAR COMP STARTING CLUTCH	1	
	28120-KHE7	28120-KHE7-E00	ONE WAY CLUTCH STARTER ASSY	ONE WAY CLUTCH STARTER ASSY	1	
#	28120-LDB2	28120-LDB2-E00	ONE WAY CLUTCH	ONE WAY CLUTCH	1	
	31110-LBA7-90A	31110-LBA7-90A	FLYWHEEL COMP (D406)	FLYWHEEL COMP (D406)	1	
	31110-LBA7-90B	31110-LBA7-90B	FLYWHEEL COMP (D414)	FLYWHEEL COMP (D414)	1	
	31120-LBA7-90A	31120-LBA7-90A	STATOR COMP (D406)	STATOR COMP (D406)	1	
	31120-LBA7-90B	31120-LBA7-90B	STATOR COMP (D414)	STATOR COMP (D414)	1	
	31210-LBA7-900	31210-LBA7-900	MOTOR UNIT STARTER	MOTOR UNIT STARTER	1	
	31210-LBA7-90B	31210-LBA7-90B	MOTOR UNIT STARTER	MOTOR UNIT STARTER	1	
	32410-LBA7-900	32410-LBA7-900	CABLE STARTER MOTOR	CABLE STARTER MOTOR	1	
	32410-LBA7-90B	32410-LBA7-90B	CABLE STARTER MOTOR	CABLE STARTER MOTOR	1	
	32412	32412-LCA5-E00	CABLE EARTH	CABLE EARTH	1	
	90001	90001-GBHB-661	BOLT FLANGE SH 6*22	BOLT FLANGE SH 6*22	2	

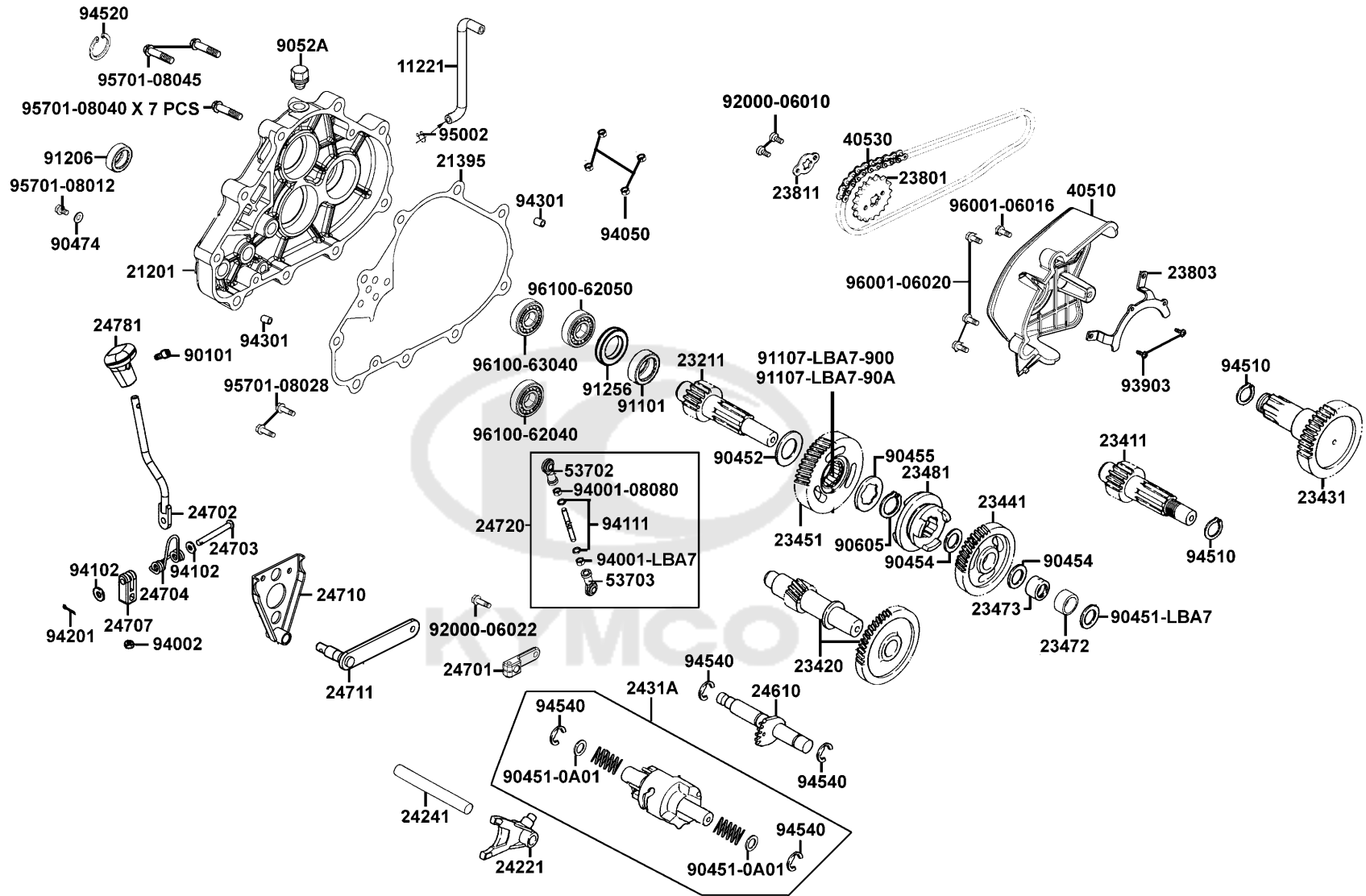
Starting Motor Generator



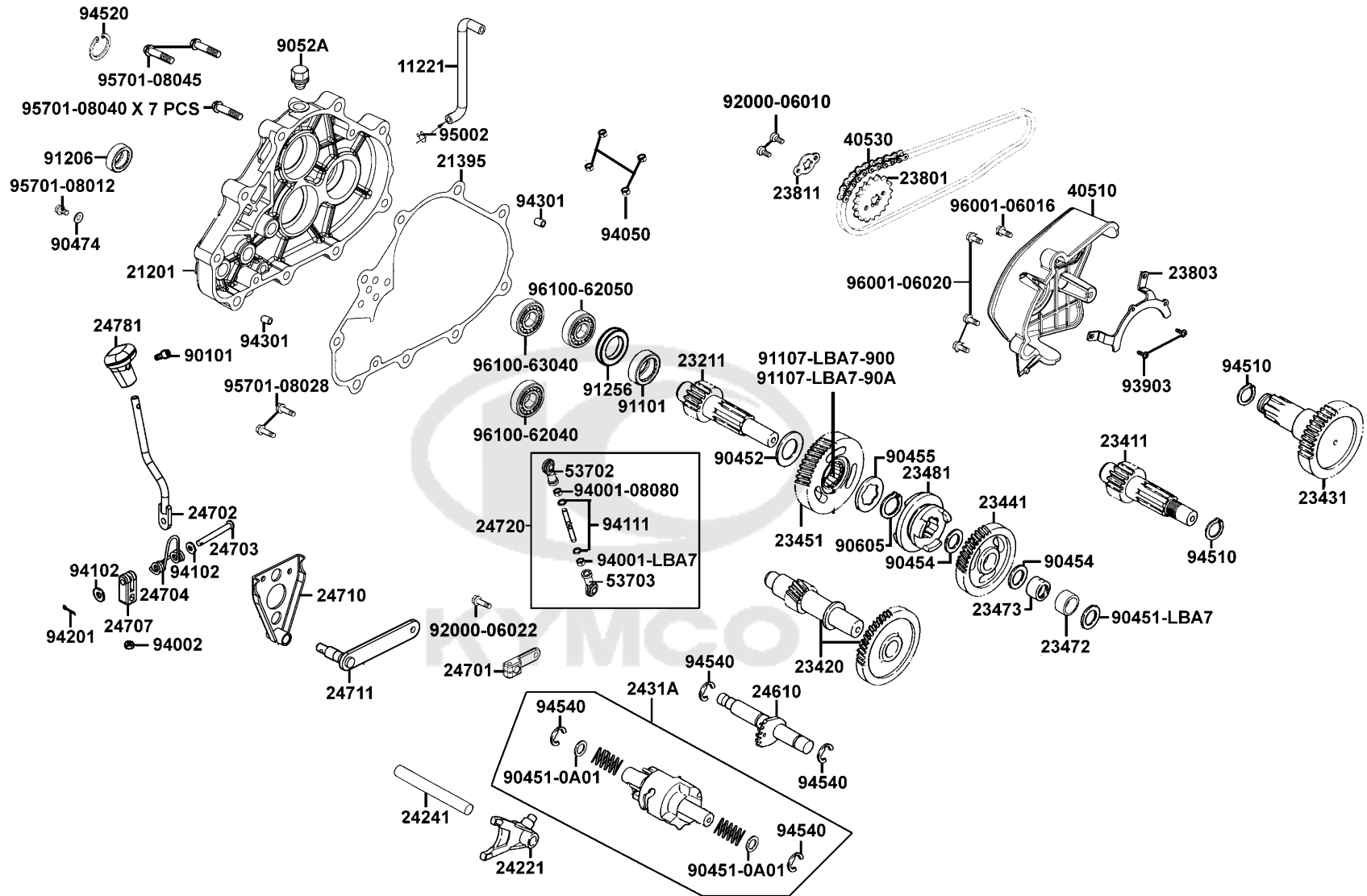
Sales mark	Ref no	Part no	Description	Reg description	Regd no	E06
	90071	90071-MLB0-001	NUT WASH 6MM	NUT WASH 6MM	2	
	90201	90201-KHR8-75A	NUT FLANGE 14MM	NUT FLANGE 14MM	1	
	90401	90401-KKJ9-001	WASHER THRUST 14*28*2	WASHER THRUST 14*28*2	1	
	91309	91309-4E25-004	O-RING 24.4*3.1	O-RING 24.4*3.1	1	
#	92101	92101-05032-0G	BOLT HEX 5*32	BOLT HEX 5*32	1	
#	93500-03010	93500-03010-0F	SCREW PAN 3X10	SCREW PAN 3X10	1	
#	93500-05016	93500-05016-0F	SCREW PAN 5*16	SCREW PAN 5*16	1	
	94303	94303-04065	DOWEL PIN 4*6.5	DOWEL PIN 4*6.5	1	
	94510	94510-10000	CIR CLIP EX 10MM	CIR CLIP EX 10MM	1	
#	96001-06012	96001-06012-06	BOLT FLANGE SH 6*12	BOLT FLANGE SH 6*12	1	
#	96001-06028	96001-06028-06	BOLT FLANGE SH 6*28	BOLT FLANGE SH 6*28	1	
#	96600	96600-08015-16	SOCKET BOLT 8X15	SOCKET BOLT 8*15	1	



Sales mark	Ref no	Part no	Description	Reg description	Regd no	E07
	11221	11221-LBA7-900	TUBE MISSION BREATHER	TUBE MISSION BREATHER	1	
	21201	21201-LCA5-E00	CASE MISSION	CASE MISSION	1	
	21395	21395-LBA7-900	GASKET MISSION CASE @A	GASKET MISSION CASE @A	1	
	23211	23211-LCA5-E00	SHAFT MAIN	SHAFT MAIN	1	
	23411	23411-LBA7-900	SHAFT DRIVE	SHAFT DRIVE	1	
#	23411	23411-PTA3-E00	SHAFT DRIVE	SHAFT DRIVE	1	
	23420	23420-LBA7-900	GEAR COMP COUNTER	GEAR COMP COUNTER	1	
	23431	23431-LCA5-E00	SHAFT FINAL	SHAFT FINAL	1	
	23441	23441-LBA7-900	GEAR FORWARD	GEAR FORWARD	1	
#	23441	23441-PTA3-E00	GEAR FORWARD	GEAR FORWARD	1	
	23451	23451-LBA7-900	GEAR BACKWARD	GEAR BACKWARD	1	
	23472	23472-LBA7-900	COLLAR,20*25*11	COLLAR,20*25*11	1	
	23473	23473-LBA7-900	COLLAR 20*22*11	COLLAR 20*22*11	1	
	23481	23481-LBA7-900	SHIFT MAIN	SHIFT MAIN	1	
	23801	23801-LBA7-900	SPROCKET DRIVE 14T	SPROCKET DRIVE 14T	1	
	23803	23803-LBA7-900	STAY CHAIN	STAY CHAIN	1	
	23811	23811-LBA7-900	PLATE A2 FIXING	PLATE A2 FIXING	1	
	24221	24221-LBA7-900	FORK GEAR SHIFT	FORK GEAR SHIFT	1	
#	24221	24221-PTA3-E00	FORK GEAR SHIFT	FORK GEAR SHIFT	1	
	24241	24241-KGB4-C00	SHAFT GEAR SHIFT FORK GUIDE	SHAFT GEAR SHIFT FORK GUIDE	1	

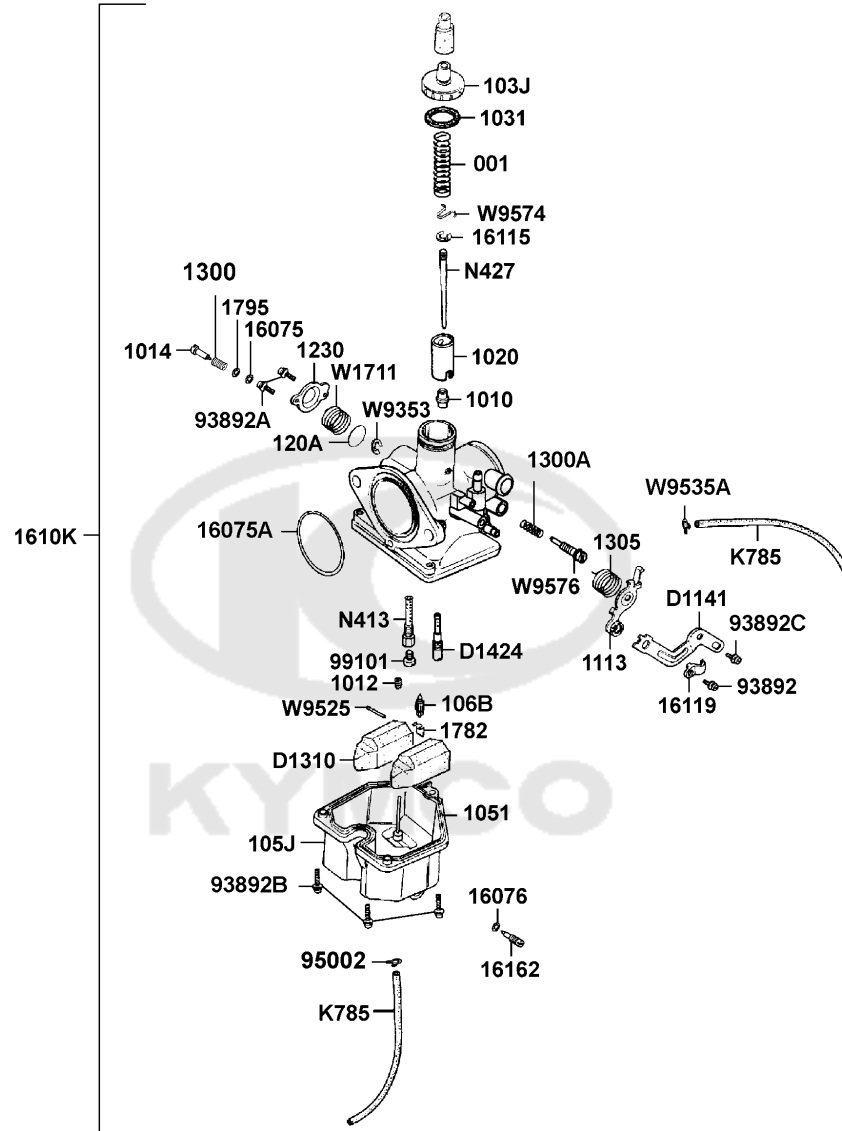


Sales mark	Ref no	Part no	Description	Reg description	Regd no	E07
2431A		2431A-LBA7-900	DRUM ASSY GEAR SHIFT	DRUM ASSY GEAR SHIFT	1	
24610		24610-LLB1-900	SPINDLE ASSY DRUM SHIFT	SPINDLE ASSY DRUM SHIFT	1	
24701		24701-LBA7-900	GEAR CHANGE HANDLE	GEAR CHANGE HANDLE	1	
24702		24702-LCA5-E00	BAR CHANGE HANDLE	BAR CHANGE HANDLE	1	
24703		24703-LLB1-900	PIN CHANGE HANDLE	PIN CHANGE HANDLE	1	
24704		24704-LBA7-900	SPRING CHANGE HANDLE	SPRING CHANGE HANDLE	1	
24707		24707-LBA7-900	BRKT CHANGE HANDLE	BRKT CHANGE HANDLE	1	
24710		24710-LCA5-E00	STAY CHANGE HANDLE ASSY	STAY CHANGE HANDLE ASSY	1	
24711		24711-LCA5-E00	SHAFT COMP CHANGE HANDLE	SHAFT COMP CHANGE HANDLE	1	
24720		24720-LBA7-900	ROD ASSY CHANGE HANDLE	ROD ASSY CHANGE HANDLE	1	
24781		24781-LCA5-E00	COVER CHANGE HNDL	COVER CHANGE HNDL	1	
40510		40510-LBA7-E00	CHAIN COVER	CHAIN COVER	1	
40530		40530-LCA5-E00	CHAIN DRIVE	CHAIN DRIVE	1	
53702		53702-LBA7-900	JOINT R BALL	JOINT R BALL	1	
53703		53703-LBA7-900	JOINT L BALL	JOINT L BALL	1	
90101		90101-LCA5-E00	SOCKET BOLT 5X12	SOCKET BOLT 5X12	1	
90451-0A01		90451-0A01-001	WASHER THRUST 14M/M	WASHER THRUST 14M/M	2	
90451-LBA7		90451-LBA7-900	WASHER THRUST 20MM	WASHER THRUST 20MM	1	
90452		90452-LBA7-900	WASHER THRUST 25MM	WASHER THRUST 25MM	1	
90454		90454-1G07-001	WASHER THRUST 20MM B	WASHER THRUST 20MM B	2	

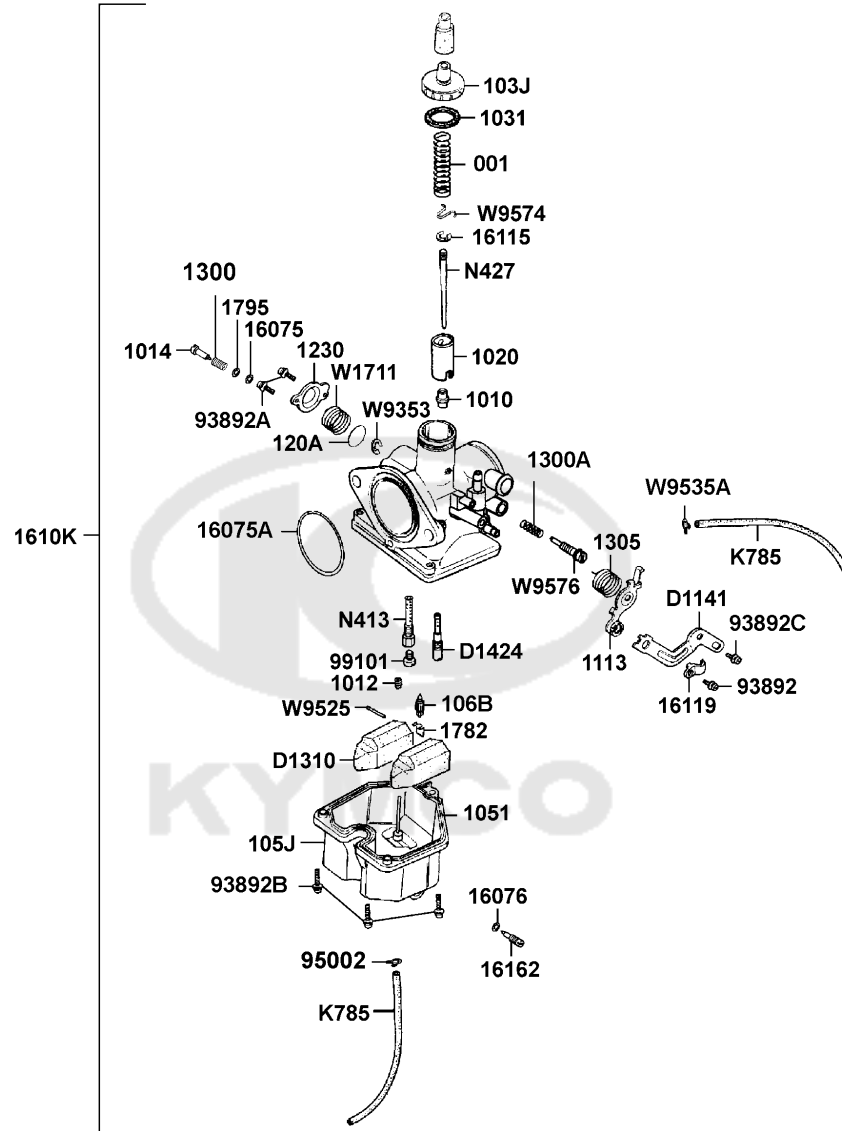


Sales mark	Ref no	Part no	Description	Reg description	Regd no	E07
	90455	90455-LBA7-900	WASHER SPLINE 25MM	WASHER SPLINE 25MM	1	
	90474	90474-3C33-001	WASHER 8MM	WASHER 8MM	1	
	9052A	9052A-GFY6-950	BOLT ASSY DRAIN PLUG	BOLT ASSY DRAIN PLUG	1	
	90605	90605-KED9-900	SET RING 28MM	SET RING 28MM	1	
	91101	91101-LCA5-E0B	BRG NEEDLE 30*42*23	BRG NEEDLE 30*42*23	1	
	91107-LBA7-900	91107-LBA7-900	BRG NEEDLE 25*33*16 (NK25/16R)	BRG NEEDLE 25*33*16 (NK25/16R)	1	
	91107-LBA7-90A	91107-LBA7-90A	BRG NEEDLE 25*33*16	BRG NEEDLE 25*33*16	1	
	91206	91206-2F86-014	OIL SEAL 14*28*7	OIL SEAL 14*28*7	1	
	91256	91256-LLB1-900	OIL SEAL 24.8*52.2*7	OIL SEAL 24.8*52.2*7	1	
#	92000-06010	92000-06010-0G	BOLT HEX 6X10	BOLT HEX 6*10 (G)	1	
#	92000-06022	92000-06022-0G	BOLT HEX 6*22	BOLT HEX 6*22	1	
	93903	93903-35360	SCREW TAPPING 5*16	SCREW TAPPING 5*16	2	
	94001-08080	94001-08080-0S	NUT HEX 8MM	NUT HEX 8MM	1	
	94001-LBA7	94001-LBA7-900	NUT HEX LH 8MM	NUT HEX LH 8MM	1	
#	94002	94002-06060-0S	NUT HEX 6MM	NUT HEX 6MM	1	
	94050	94050-08080	NUT FLANGE 8MM	NUT FLANGE 8MM	4	
	94102	94102-08000	WASHER PLAIN 8MM	WASHER PLAIN 8MM	2	
	94111	94111-08800	WASHER SPG 8MM	WASHER SPG 8MM	2	
	94201	94201-20150	PIN SPLIT 2*15	PIN SPLIT 2*15	1	
	94301	94301-10160	DOWEL PIN 10*16	DOWEL PIN 10*16	2	

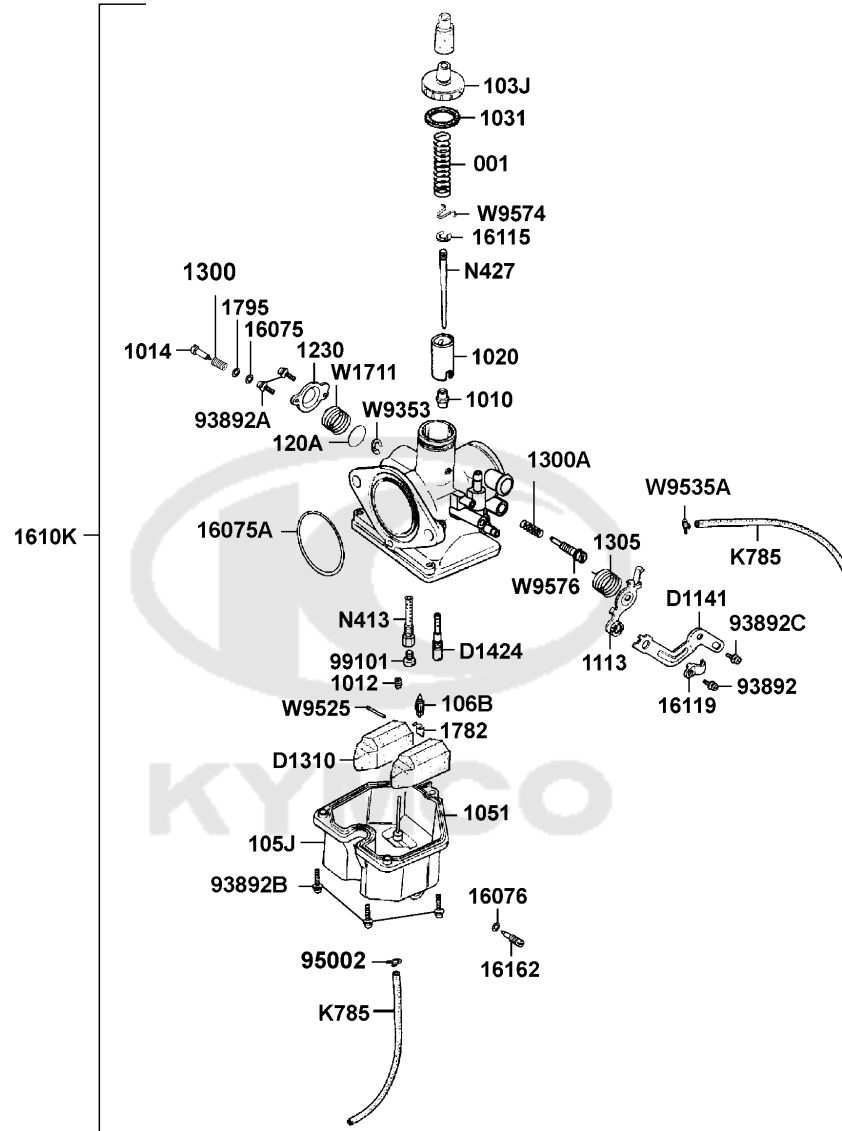
Sales mark	Ref no	Part no	Description	Reg description	Regd no	E07
	94510	94510-25000	CIR CLIP EXTERNAL 25	CIR CLIP EXTERNAL 25	2	
	94520	94520-52000	CIR CLIP IN 52	CIR CLIP IN 52	1	
	94540	94540-12028	E RING 12	E RING 12	4	
	95002	95002-02150	CLIP B14.5 TUBE	CLIP B14.5 TUBE	1	
#	95701-08012	95701-08012-06	BOLT FLANGE 8*12	BOLT FLANGE 8*12	1	
	95701-08028	95701-08028-06	BOLT FLANGE 8*28	BOLT FLANGE 8*28	2	
#	95701-08040	95701-08040-06	BOLT FLANGE 8x40 (G)	BOLT FLANGE 8x40 (G)	1	
#	95701-08045	95701-08045-06	BOLT FLANGE 6*45	BOLT FLANGE 6*45	1	
#	96001-06016	96001-06016-06	BOLT FLANGE SH 6X16	BOLT FLANGE SH 6*16	1	
#	96001-06020	96001-06020-06	BOLT FLANGE SH 6*20	BOLT FLANGE SH 6*20	1	
	96100-62040	96100-62040-00	BEARING BALL RADIAL 6204	BEARING BALL RADIAL 6204	1	
	96100-62050	96100-62050-00	BEARING BALL RADIAL 6205	BEARING BALL RADIAL 6205	1	
	96100-63040	96100-63040-00	BRG BALL RADIAL 6304	BRG BALL RADIAL 6304	1	



Sales mark	Ref no	Part no	Description	Reg description	Regd no	E08
	001	001-C4T2-04000-K	SPG COMPR	SPG COMPR	1	
	1010	1010-43FH-9900	NEEDLE JET	NEEDLE JET	1	
	1012	1012-382H-0140	JET HOLDER	JET HOLDER	1	
	1014	1014-840-2000	ADJUST SCREW	ADJUST SCREW	1	
	1020	1020-54D0-9900	THROTTLE VALVE	THROTTLE VALVE	1	
	1031	1031-KN4H-6511	TOP GASKET	TOP GASKET	1	
	103J	103J-061H-9901	TOP COMP	TOP COMP	1	
	1051	1051-KCSH-9200	FLOAT CHAMBER GASKET	FLOAT CHAMBER GASKET	1	
	105J	105J-092H-9911	F.C.B COMP	F.C.B COMP	1	
#	106B	106B-KPS0-0003	FLOAT VALVE COMP	FLOAT VALVE COMP	1	
	1113	1113-HB7H-6710	CHOKE LEVER	CHOKE LEVER	1	
	120A	120A-106H-9901	DIAPHRAGM COMP	DIAPHRAGM COMP	1	
	1230	1230-846-2000	DIAPHRAGM COVER	DIAPHRAGM COVER	1	
	1300	1300-KG8H-9010	COMPR SPG	COMPR SPG	1	
	1300A	1300-KG8H-Q010	COMPR SPG	COMPR SPG	1	
	1305	1305-491H-9901	TORSION SPG	TORSION SPG	1	
	16075	16075-KG8-9010-M1	O-RING	O-RING	1	
	16075A	16075-PC3-7810-M1	O-RING	O-RING	1	
	16076	16076-ND5-0040	O RING	O RING	1	
	1610K	1610K-LBA7-900	CARBURETOR ASSY	CARBURETOR ASSY	1	



Sales mark	Ref no	Part no	Description	Reg description	Regd no	E08
	16115	16115-169-0040	BAR CLIP	BAR CLIP	1	
	16119	16119-MZ2-6000-K2	STAY PLATE	STAY PLATE	1	
	16162	16162-KG8-9010-M1	DRAIN SCREW PAN	DRAIN SCREW PAN	1	
	1782	1782-013H-9900	SPECIAL CLIP	SPECIAL CLIP	1	
#	1795	1795-KG8H-9011-3	WASHER PLAIN	WASHER PLAIN	1	
#	93892	93892-04008-16	SCREW WASHER 4X8	SCREW WASHER 4X8	1	
	93892A	93892-04010-18-3	SCREW WASHER 4*10	SCREW WASHER 4*10	1	
	93892B	93892-04016-18-3	SCREW WASHER 4X16	SCREW WASHER 4X16	1	
#	93892C	93892-05012-06	SCREW WASHER 5*12	SCREW WASHER 5*12	1	
#	95002	95002-02080	CLIP B8 TUBE	CLIP B8 TUBE	1	
	99101	99101-393-0980	MAIN JET	MAIN JET	1	
	D1141	D1141-A63-0100	WIRE STAY	WIRE STAY	1	
	D1310	D1310-850-0100	FLOAT COMP	FLOAT COMP	1	
	D1424	D1424-KAG-0100	JET	JET	1	
	K785	K785-076-0200	TUBE	TUBE	1	
	N413	N413-15A00	NEEDLE JET HOLDER	NEEDLE JET HOLDER	1	
	N427	N427-BSD00	JET NEEDLE	JET NEEDLE	1	
	W1711	W1711-300-9901	COMPR SPG	COMPR SPG	1	
	W9353	W9353-30000	U-RING	U-RING	1	
	W9525	W9525-25250	ARM PIN	ARM PIN	1	



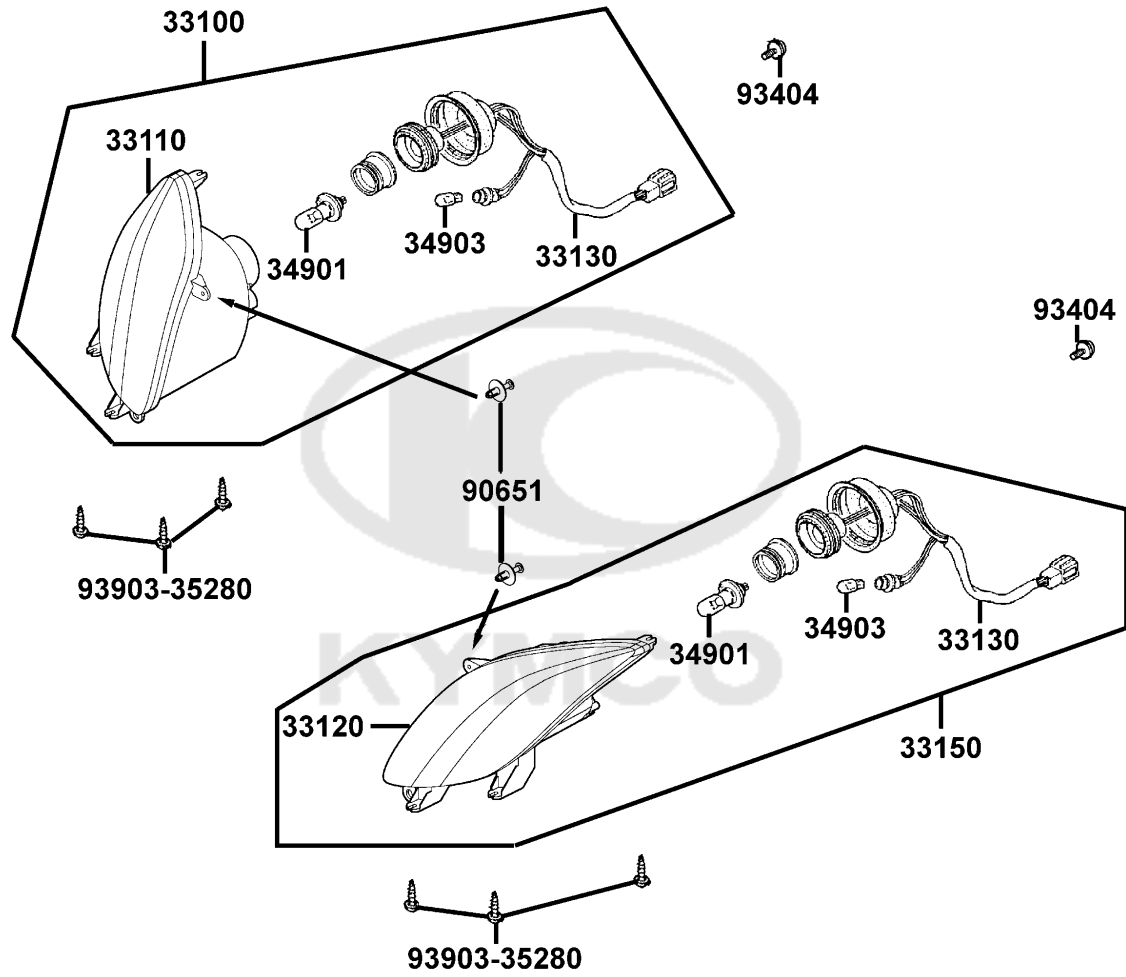
Sales mark	Ref no	Part no	Description	Reg description	Regd no	E08
------------	--------	---------	-------------	-----------------	---------	------------

	W9535A	W9535-35000	CLIP	CLIP	1	
	W9574	W9574-13000	NEEDLE CLIP PLATE	NEEDLE CLIP PLATE	1	
	W9576	W9576-01000	STOP SCREW	STOP SCREW	1	



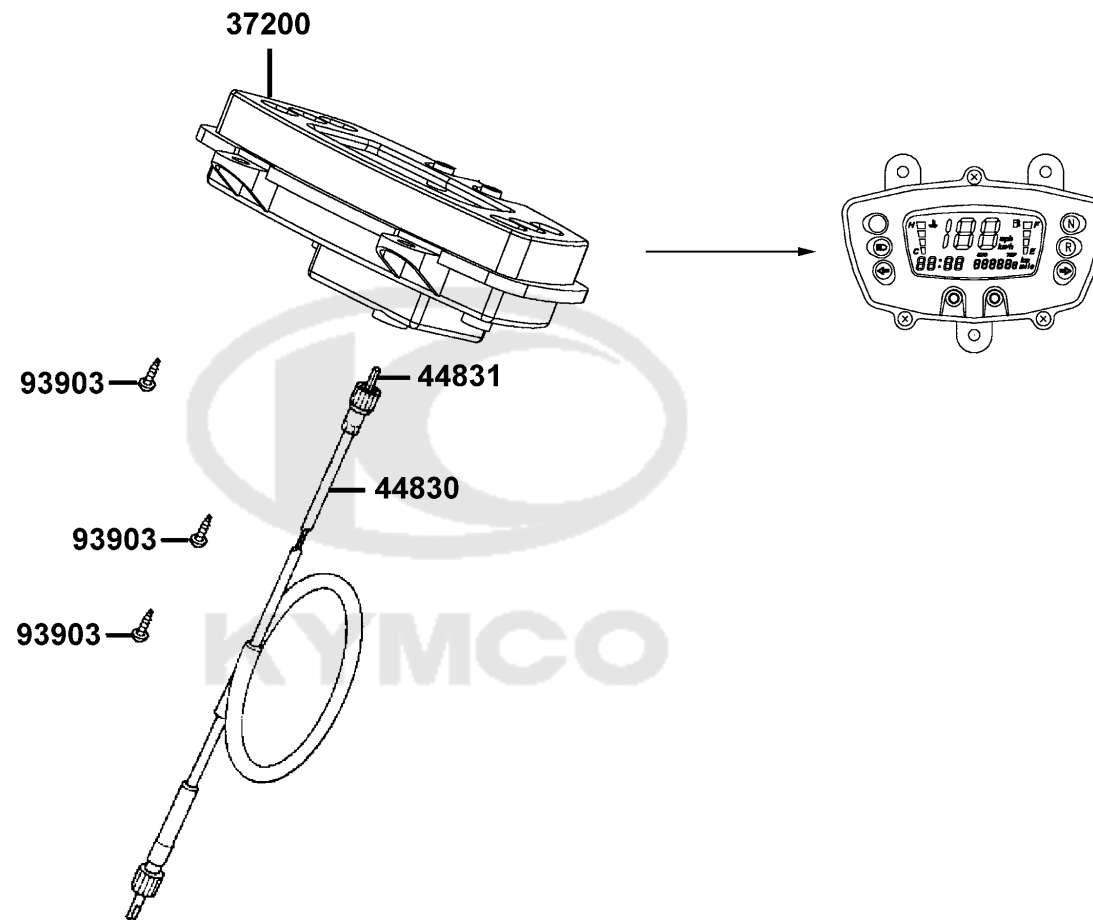
F01

Head Light



Sales mark	Ref no	Part no	Description	Reg description	Regd no	F01
	33100	33100-LCA5-E00	LIGHT ASSY R HEAD	LIGHT ASSY R HEAD	1	
	33110	33110-LCA5-E00	UNIT HEAD LIGHT R	UNIT HEAD LIGHT R	1	
	33120	33120-LCA5-E00	UNIT HEAD LIGHT L	UNIT HEAD LIGHT L	1	
	33130	33130-LCA5-E00	SOCKET COMP	SOCKET COMP	2	
	33150	33150-LCA5-E00	LIGHT ASSY L HEAD	LIGHT ASSY L HEAD	1	
	34901	34901-KFA6-900	BULB HEAD LIGHT (HSI 12V 35/35W)	BULB HEAD LIGHT (HSI 12V 35/35W)	2	
	34903	34903-KPCP-900	BULB POSITION LIGHT 12V5W **KCP-	BULB POSITION LIGHT 12V5W **KCP-9000	2	
	90651	90651-LCA5-E00	CLIP FENDER	CLIP FENDER	2	
	93404	93404-06016-06	BOLT WASHER 6*16	BOLT WASHER 6*16	2	
#	93903	93903-35260	SCREW TAPPING 5*12	SCREW TAPPING 5*12	1	





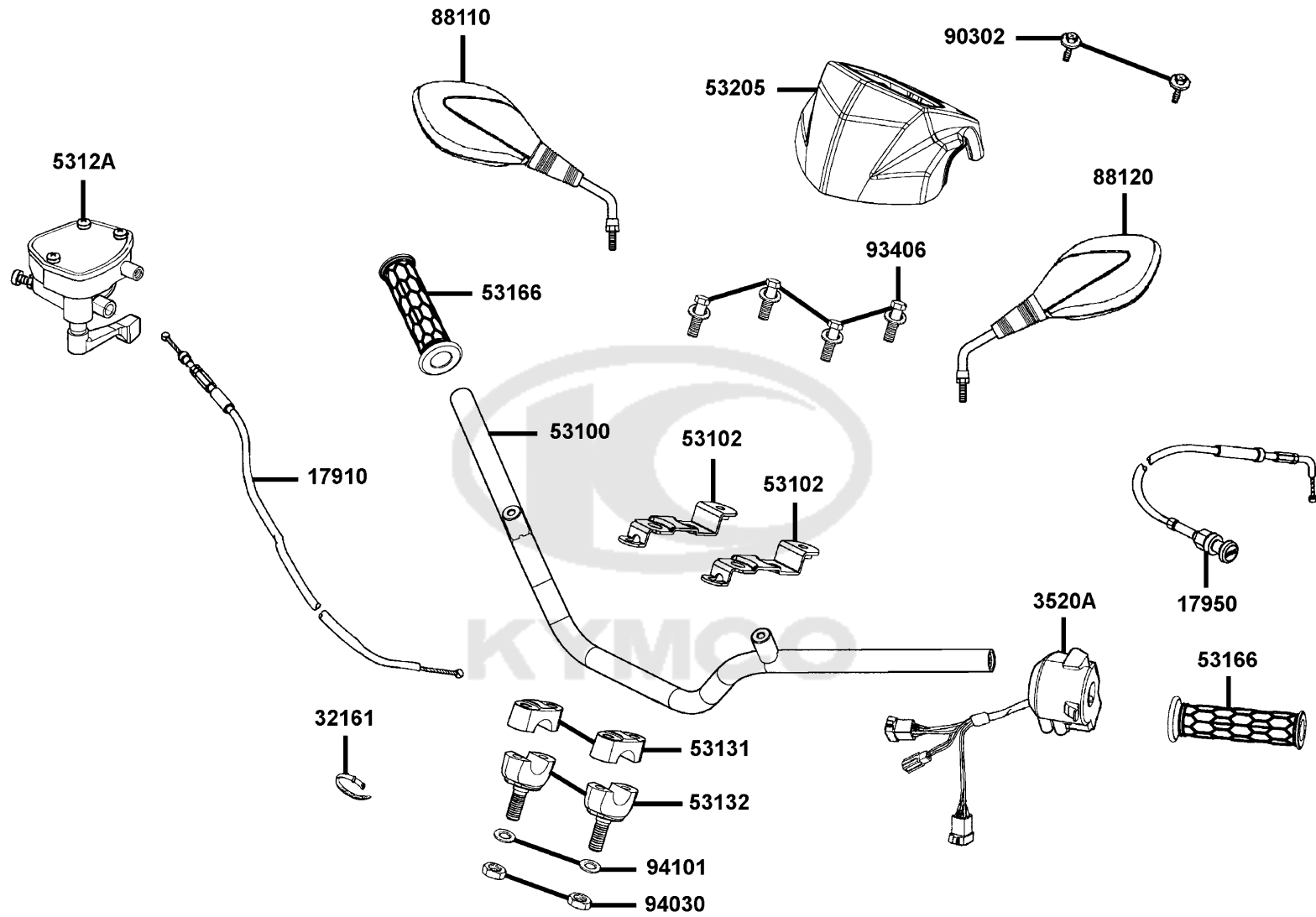
Sales mark	Ref no	Part no	Description	Reg description	Regd no	F02
------------	--------	---------	-------------	-----------------	---------	------------

	37200	37200-LCA5-E0A	METER ASSY SPDMT	METER ASSY SPDMT	1	
	44830	44830-LBA7-E00	CABLE COMP SPOMT	CABLE COMP SPOMT	1	
	44831	44831-LBA7-E00	CABLE INNER	CABLE INNER	1	
#	93903	93903-35260	SCREW TAPPING 5*12	SCREW TAPPING 5*12	1	



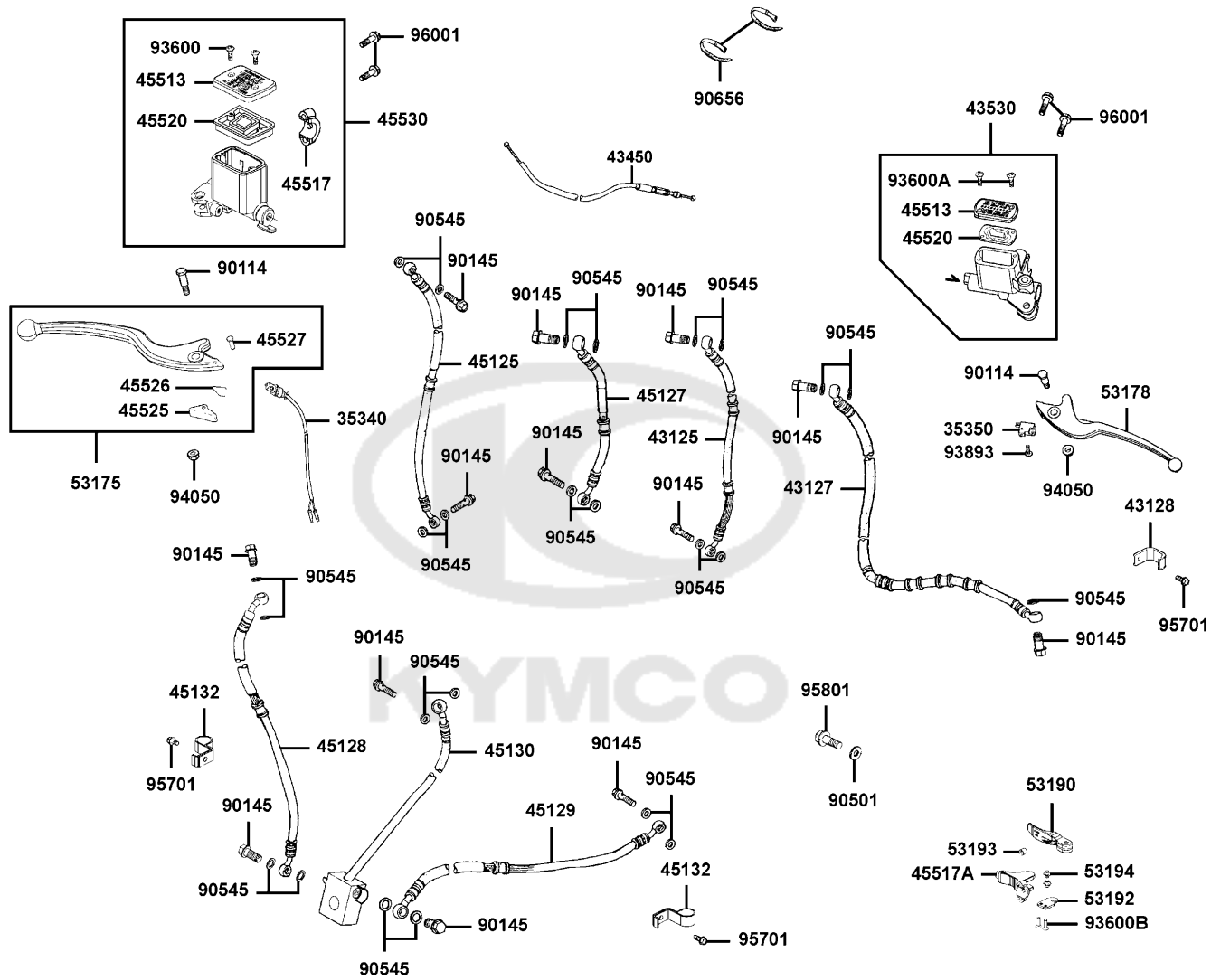
F03

Handle Steering



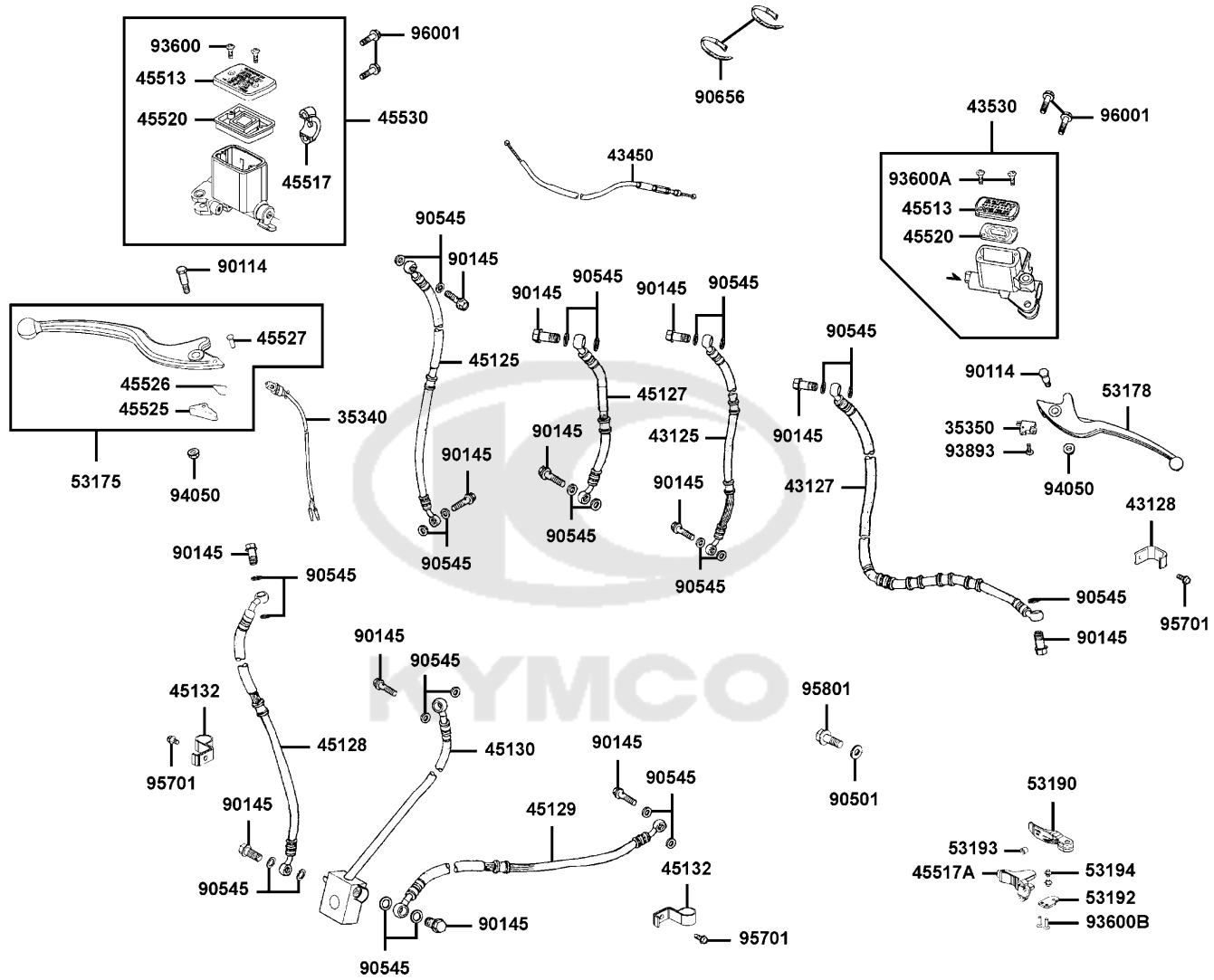
Sales mark	Ref no	Part no	Description	Reg description	Regd no	F03
	17910	17910-LBA7-900	CABLE COMP THROT	CABLE COMP THROT	1	
	17950	17950-LCA5-E00	CABLE COMP CHOKE	CABLE COMP CHOKE	1	
	32161	32161-4D04-001	BAND BI WIRE	BAND BI WIRE	1	
	3520A	3520A-LCA5-E00	SW ASSY LH HANDLE COMP	SW ASSY LH HANDLE COMP	1	
**	53100	53100-LCA5-E00	HANDLE PIPE STRG	HANDLE PIPE STRG	1	
	53102	53102-LBA7-900	STAY HANDLE COVER	STAY HANDLE COVER	2	
	5312A	5312A-LBA7-900	LEVER ASSY THROT	LEVER ASSY THROT	1	
	53131	53131-4K39-001	HOLDER HANDLE PIPE	HOLDER HANDLE PIPE	2	
	53132	53132-LLB1-900	HOLDER UNDER HANDLE PIPE	HOLDER UNDER HANDLE PIPE	2	
	53166	53166-KEC5-001	GRIP L HANDLE	GRIP L HANDLE	2	
**	53205	53205-LCA5-E00	COVER HNDL	COVER HNDL	1	
# **	53205	53205-LCA5-EV0	COVER HANDLE	COVER HANDLE	1	
	88110	88110-LBA7-E00	MIRROR ASSY R BACK	MIRROR ASSY R BACK	1	
	88120	88120-LBA7-E00	MIRROR ASSY L BACK	MIRROR ASSY L BACK	1	
	90302	90302-GFY6-901	BOLT WASH 5*12 **(1) C.V.	BOLT WASH 5*12 **(1) C.V.	2	
	93406	93406-LLB1-900	BOLT-WASHER 8*35	BOLT-WASHER 8*35	4	
	94030	94030-10080	NUT HEX 10MM	NUT HEX 10MM	2	
	94101	94101-10800	WASHER PLAIN 10*22*1.6	WASHER PLAIN 10*22*1.6	2	

Master Cylinder

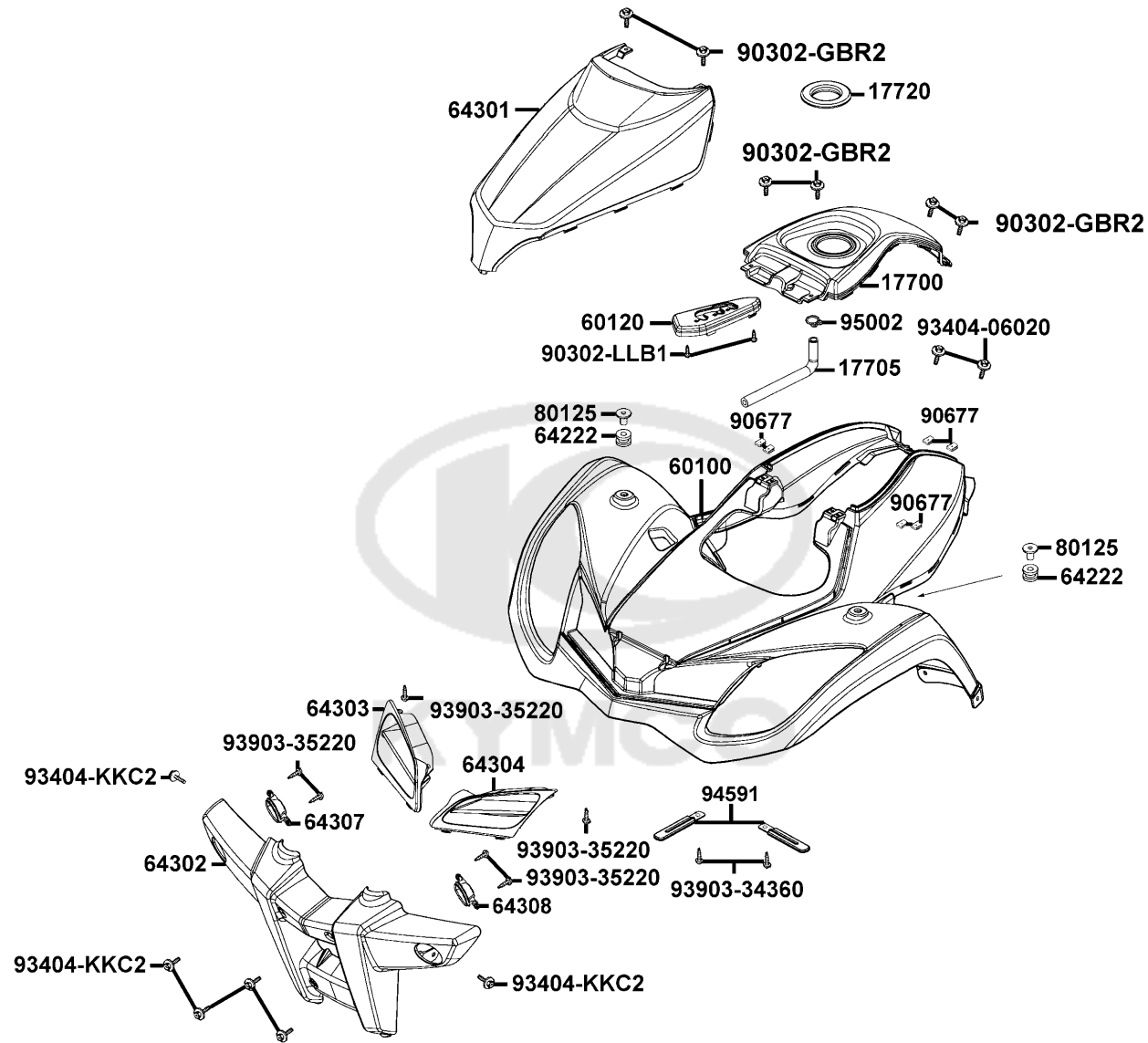


Sales mark	Ref no	Part no	Description	Reg description	Regd no	F04
	35340	35340-LBA7-900	SW ASSY FR STOP	SW ASSY FR STOP	1	
	35350	35350-KNBN-901	SW ASSY RR STOP	SW ASSY RR STOP	1	
	43125	43125-LBA7-E00	HOSE COMP RR BRK	HOSE COMP RR BRK	1	
	43127	43127-LBA7-E00	HOSE COMP RR BRK	HOSE COMP RR BRK	1	
	43128	43128-LBA7-900	CLAMPER RR BRAKE HOSE	CLAMPER RR BRAKE HOSE	1	
#	43450	43450-LEC1-E00	CABLE PARKING BRAKE	CABLE PARKING BRAKE	1	
	43530	43530-KKC4-305	CYLINDER SET RR MASTER	CYLINDER SET RR MASTER	1	
	45125	45125-LBA7-E00	HOSE COMP FR BRK	HOSE COMP FR BRK	1	
	45127	45127-LBA7-900	HOSE ASSY RR BRK	HOSE ASSY RR BRK	1	
	45128	45128-LCA5-E00	HOSE ASSY FR(C/P R) BRK	HOSE ASSY FR(C/P R) BRK	1	
	45129	45129-LCA5-E00	HOSE ASSY FR(C/P L) BRK	HOSE ASSY FR(C/P L) BRK	1	
	45130	45130-LBA7-E00	HOSE ASSY C/P L FR BRK	HOSE ASSY C/P L FR BRK	1	
	45132	45132-LBA7-900	CLAMPER FR BRAKE HOSE	CLAMPER FR BRAKE HOSE	2	
	45513	45513-KKC4-900	CAP M/C	CAP M/C	2	
	45517	45517-KFAF-910	HOLDER M/C	HOLDER M/C	1	
#	45517A	45517-LDE9-E00	HOLDER	HOLDER	2	
	45520	45520-KKC4-900	DIAPHRAGM	DIAPHRAGM	2	
	45525	45525-LBA7-900	STOPPER	STOPPER	1	
	45526	45526-LBA7-900	SPRING	SPRING	1	
	45527	45527-LBA7-900	PIN PARK	PIN PARK	1	

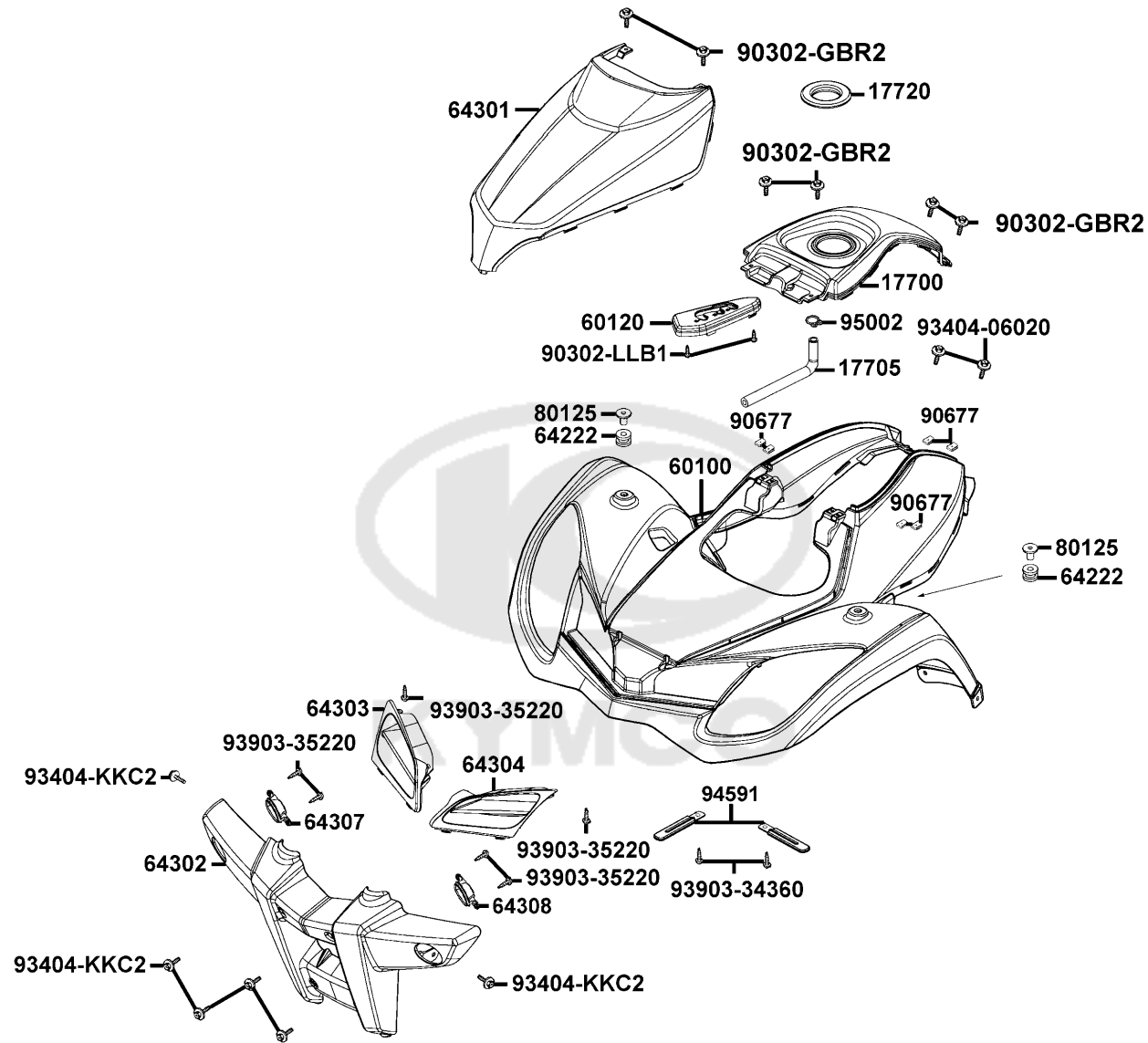
Master Cylinder



Sales mark	Ref no	Part no	Description	Reg description	Regd no	F04
	45530	45530-LBA7-305	CYLINDER SET FR	CYLINDER SET FR	1	
#	53175	53175-LBA7-305	LEVER SET BRK	LEVER SET BRK	1	
**	53178	53178-KFC8-E10	LEVER L STRG HNDL	LEVER L STRG HNDL	1	
#	53190	53190-LDE9-E00	LEVER	LEVER	1	
#	53192	53192-LDE9-E00	BRACKET	BRACKET	1	
#	53193	53193-LDE9-E00	STOPPER	STOPPER	1	
#	53194	53194-LDE9-E00	PIVOT	PIVOT	1	
	90114	90114-1F66-007	BOLT HANDLE LEVER	BOLT HANDLE LEVER	2	
	90145	90145-LEA3-E00	OIL BOLT 10*22	OIL BOLT 10*22	13	
	90501	90501-3L10-001	WASHER 7*12	WASHER 7*12	1	
	90545	90545-3L00-001	WASHER OIL BOLT	WASHER OIL BOLT	26	
#	90656	90656-KCBC-900	BAND OIL HANDLE 8X146	BAND OIL HANDLE 8X146	2	
	93600	93600-04012-1A	SCREW FLAT 4*12	SCREW FLAT 4*12	2	
	93600A	93600-04012-1G	SCREW FLAT 4X12	SCREW FLAT 4X12	2	
#	93600B	93600-LDE9-E00	SCREW FLAT M6	SCREW FLAT M6	2	
	93893	93893-04012-18	SCREW WASHER 4*12	SCREW WASHER 4*12	1	
	94050	94050-06060	NUT FLANGE 6MM	NUT FLANGE 6MM	2	
#	95701	95701-06012-06	BOLT FLANGE 6*12 **07 C.2005.07.01	BOLT FLANGE 6*12 **07 C.2005.07.01	3	
	95801	95801-08035-06	BOLT FLANGE 8*35	BOLT FLANGE 8*35	1	
#	96001	96001-06022-06	BOLT FLANGE SH 6*22 (G)	BOLT FLANGE SH 6*22 (G)	4	



Sales mark	Ref no	Part no	Description	Reg description	Regd no	F05
**	17700	17700-LCA5-E00	COVER TANK	COVER TANK	1	
	17705	17705-LCA5-E00	TUBE ASSY FUEL DRAIN	TUBE ASSY FUEL DRAIN	1	
	17720	17720-LBA7-900	TRAY TANK COVER	TRAY TANK COVER	1	
**	60100	60100-LCA5-E00	FENDER FRONT	FENDER FRONT	1	
**	60120	60120-LCA5-E00	GUIDE COVER CHANGE HANDLE	GUIDE COVER CHANGE HANDLE	1	
	64222	64222-LLJ3-E00	RUBBER WIND SCREEN	RUBBER WIND SCREEN	2	
**	64301	64301-LCA5-E00	COVER FRONT	COVER FRONT	1	
# **	64302	64302-LCA5-E01	BUMPER FRONT	BUMPER FRONT	1	
# **	64303	64303-LCA5-E01	GRILL R FENDER	GRILL R FENDER	1	
# **	64304	64304-LCA5-E01	GRILL L FENDER	GRILL L FENDER	1	
	64307	64307-LCA5-900	CAP R FR BUMPER	CAP R FR BUMPER	1	
	64308	64308-LCA5-900	CAP L FR BUMPER	CAP L FR BUMPER	1	
	80125	80125-LBD4-900	COLLAR FLOOR	COLLAR FLOOR	2	
#	90302-GBR2	90302-GBR2-001	BOLT WASH 5*16	BOLT WASH 5*16	6	
	90302-LLB1	90302-LLB1-E00	BOLT-WASHER 5*12	BOLT-WASHER 5*12	2	
	90677	90677-GAR1-004	NUT CLIP 5MM	NUT CLIP 5MM	6	
	93404-06020	93404-06020-06	BOLT WASHER 6*20 (G)	BOLT WASHER 6*20 (G)	2	
	93404-KKC2	93404-KKC2-900	BOLT WASH 6*16	BOLT WASH 6*16	6	
	93903-34360	93903-34360	SCREW TAPPING 4X12	SCREW TAPPING 4X12	2	
#	93903-35220	93903-35260	SCREW TAPPING 5*12	SCREW TAPPING 5*12	1	



Sales mark	Ref no	Part no	Description	Reg description	Regd no	F05
------------	--------	---------	-------------	-----------------	---------	------------

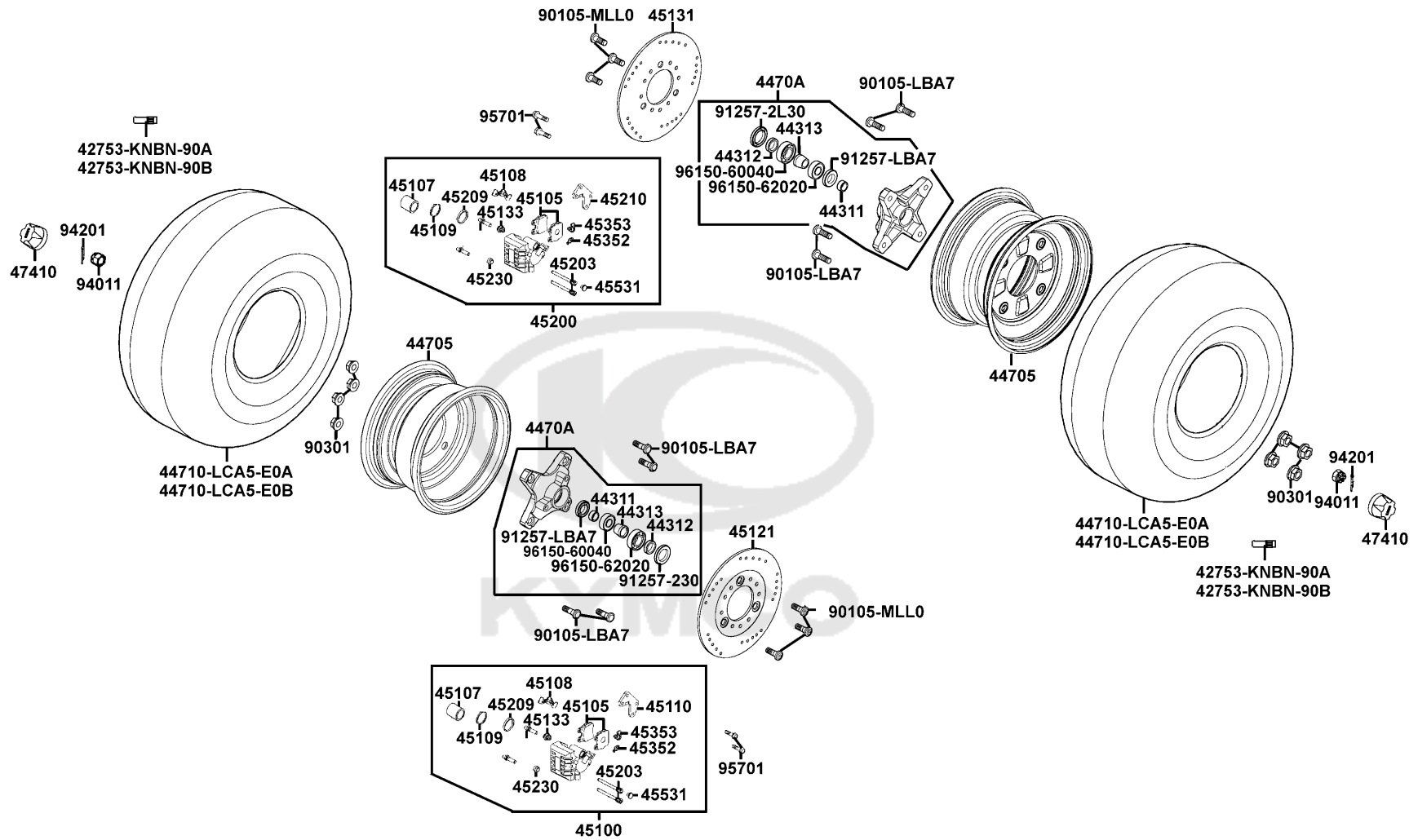
	94591	94591-27000	CLIP 2*70	CLIP 2*70	2	
	95002	95002-02100	CLIP B15 TUBE	CLIP B15 TUBE	1	



Sales mark	Ref no	Part no	Description	Reg description	Regd no	F06
	53200	53200-LBA7-E00	STEM COMP STEERING	STEM COMP STEERING	1	
	53250	53250-LBA7-900	COLLAR STEM BOTTOM	COLLAR STEM BOTTOM	1	
	53251	53251-LCA5-E00	HOLDER STEM STEERING	HOLDER STEM STEERING	2	
	53252	53252-LBA7-900	CLAMPER STEM HOLDER	CLAMPER STEM HOLDER	1	
	53254	53254-LBA7-900	SLEEVE STEM	SLEEVE STEM	1	
	53700	53700-LCA5-E00	ROD ASSY STEERING	ROD ASSY STEERING	2	
	53701	53701-LCA5-E00	ROD COMP STEERING	ROD COMP STEERING	2	
	53702	53702-LLB1-900	JOINT R BALL	JOINT R BALL	2	
	53703	53703-LLB1-900	JOINT L BALL	JOINT L BALL	2	
	53705	53705-LLB1-900	BOOT BALL JOINT	BOOT BALL JOINT	4	
#	90305	90305-MAA1-004	U NUT FLANGE 14MM	U NUT FLANGE 14MM	1	
	94001-LLB1-800	94001-LLB1-800	NUT HEX 10MM	NUT HEX 10MM	2	
	94001-LLB1-900	94001-LLB1-900	NUT HEX 6 MM	NUT HEX 6 MM	2	
	94012	94012-LLB1-900	NUT CASTLE 10MM	NUT CASTLE 10MM	4	
	94101	94101-10800	WASHER PLAIN 10*22*1.6	WASHER PLAIN 10*22*1.6	2	
	94201-25300	94201-25300	PIN SPLIT 2.5*30	PIN SPLIT 2.5*30	4	
	94201-30300	94201-30300	PIN SPLIT 3*30	PIN SPLIT 3*30	1	
	95801	95801-08060-06	BOLT FLANGE 6*60	BOLT FLANGE 6*60	2	

F07

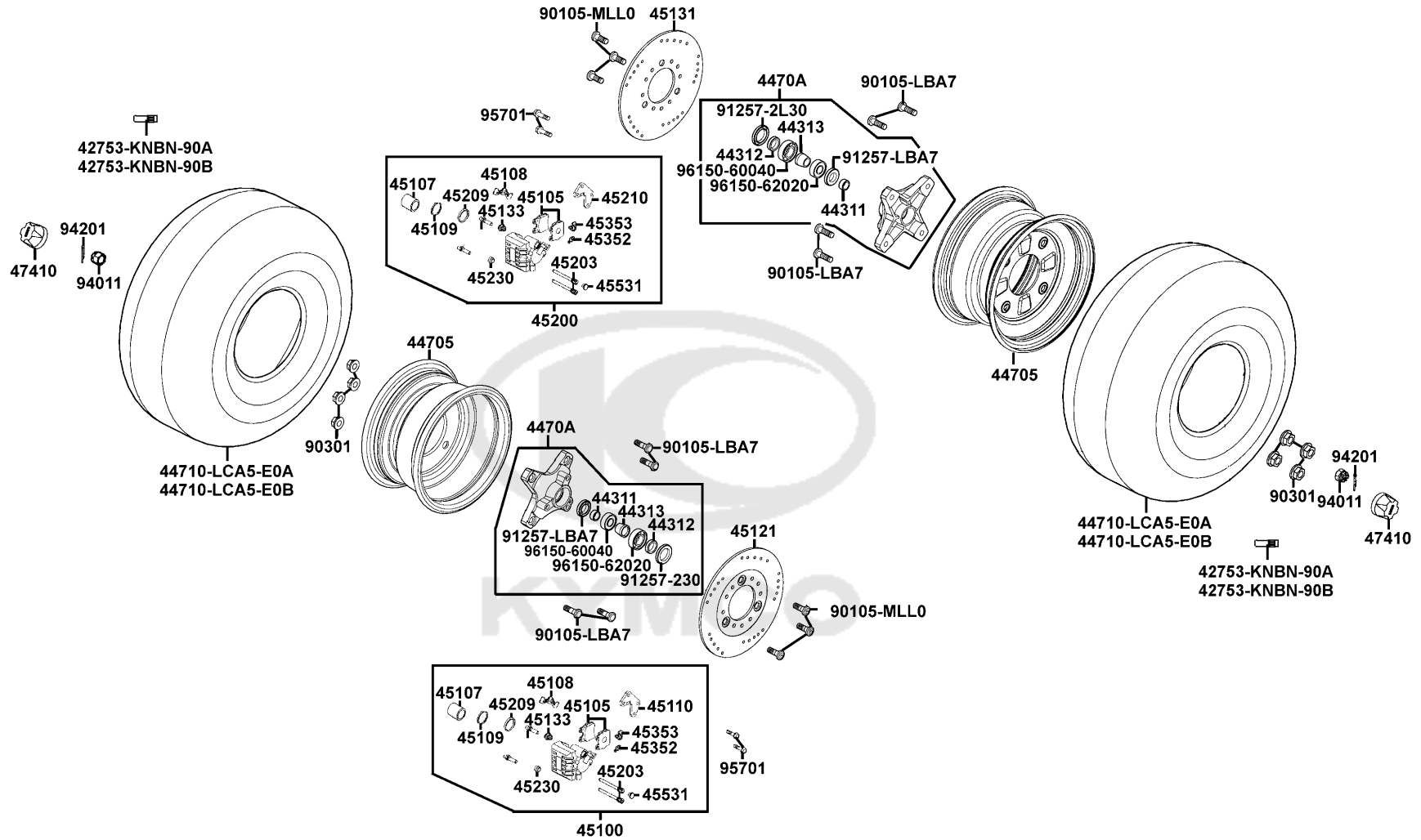
Front Wheel



Sales mark	Ref no	Part no	Description	Reg description	Regd no	F07
#	42753-KNBN-90B	42753-KNBN-90B	VALAE RIM (TR412)	VALAE RIM (TR412)	3	
	44311	44311-LBA7-900	COLLAR FR WHEEL SIDE A	COLLAR FR WHEEL SIDE A	2	
	44312	44312-LBA7-900	COLLAR FR WHEEL SIDE B	COLLAR FR WHEEL SIDE B	2	
	44313	44313-LBA7-900	COLLAR FR WHEEL DIST	COLLAR FR WHEEL DIST	2	
**	44705	44705-LCA5-E00	RIM COMP FR WHEEL	RIM COMP FR WHEEL	2	
	4470A	4470A-LCA5-E00	CONNECTOR ASSY FR	CONNECTOR ASSY FR	2	
	44710-LCA5-E0A	44710-LCA5-E0A	TIRE ASSY FR/KENDA AT22*7-10 4P TL	TIRE ASSY FR/KENDA AT22*7-10 4P TL	2	
	44710-LCA5-E0B	44710-LCA5-E0B	TIRE ASSY FR AT22X7-10 4PR /MAXXIS	TIRE ASSY FR AT22X7-10 4PR /MAXXIS	2	
**	45100	45100-LBA7-900	CALIPER ASSY FR R	CALIPER ASSY FR R	1	
	45105	45105-LBA7-305	PAD SET	PAD SET	2	
#	45107	45107-KFA6-900	PISTON	PISTON	1	
	45108	45108-LBA7-900	SPRING PAD	SPRING PAD	2	
#	45109	45109-KFA6-900	DUST SEAL	DUST SEAL	1	
	45110	45110-LBA7-305	BRACKET R	BRACKET R	1	
#	45121	45121-PRB3-900	DISK FR BRK R	DISK FR BRK R	2	
#	45131	45131-PRB3-900	DISK FR BRK L	DISK FR BRK L	1	
	45133	45133-LBA7-900	BOOT A	BOOT A	2	
**	45200	45200-LBA7-900	CALIPER ASSY FR L	CALIPER ASSY FR L	1	
	45203	45203-LBA7-900	PIN HANGER	PIN HANGER	4	
#	45209	45209-KFA6-900	SEAL PISTON	SEAL PISTON	1	

F07

Front Wheel



Sales mark	Ref no	Part no	Description	Reg description	Regd no	F07
	45210	45210-LBA7-305	BRACKET L	BRACKET L	1	
	45230	45230-LBA7-900	BUSH PIN	BUSH PIN	2	
	45352	45352-LBA7-900	BLEEDER	BLEEDER	2	
	45353	45353-LBA7-900	CAP BLEEDER	CAP BLEEDER	2	
	45531	45531-LBA7-900	PLUG	PLUG	2	
	47410	47410-LCA5-E00	CAP WHEEL SHAFT	CAP WHEEL SHAFT	2	
	90105-LBA7	90105-LBA7-900	BOLT CONNECTOR	BOLT CONNECTOR	8	
	90105-MLL0	90105-MLL0-731	BOLT STEP HOLDER 8*24	BOLT STEP HOLDER 8*24	6	
	90301	90301-LBA7-900	NUT WHEEL 10*14	NUT WHEEL 10*14	8	
	91257-2L30	91257-2L30-006	OIL SEAL 28*42*7	OIL SEAL 28*42*7	2	
	91257-LBA7	91257-LBA7-900	OIL SEAL 20*35*7	OIL SEAL 20*35*7	2	
	94011	94011-LLB1-900	NUT FLANGE CASTLE 14MM	NUT FLANGE CASTLE 14MM	2	
	94201	94201-30300	PIN SPLIT 3*30	PIN SPLIT 3*30	2	
#	95701	95701-08020-06	BOLT FLANGE 8*20MM **07 C.2005.07.01	BOLT FLANGE 8*20MM **07 C.2005.07.01	1	
	96150-60040	96150-60040-10	BEARING BALL RADIAL 6004	BEARING BALL RADIAL 6004	2	
	96150-62020	96150-62020-10	BEARING BALL RADIAL 6202	BEARING BALL RADIAL 6202	2	

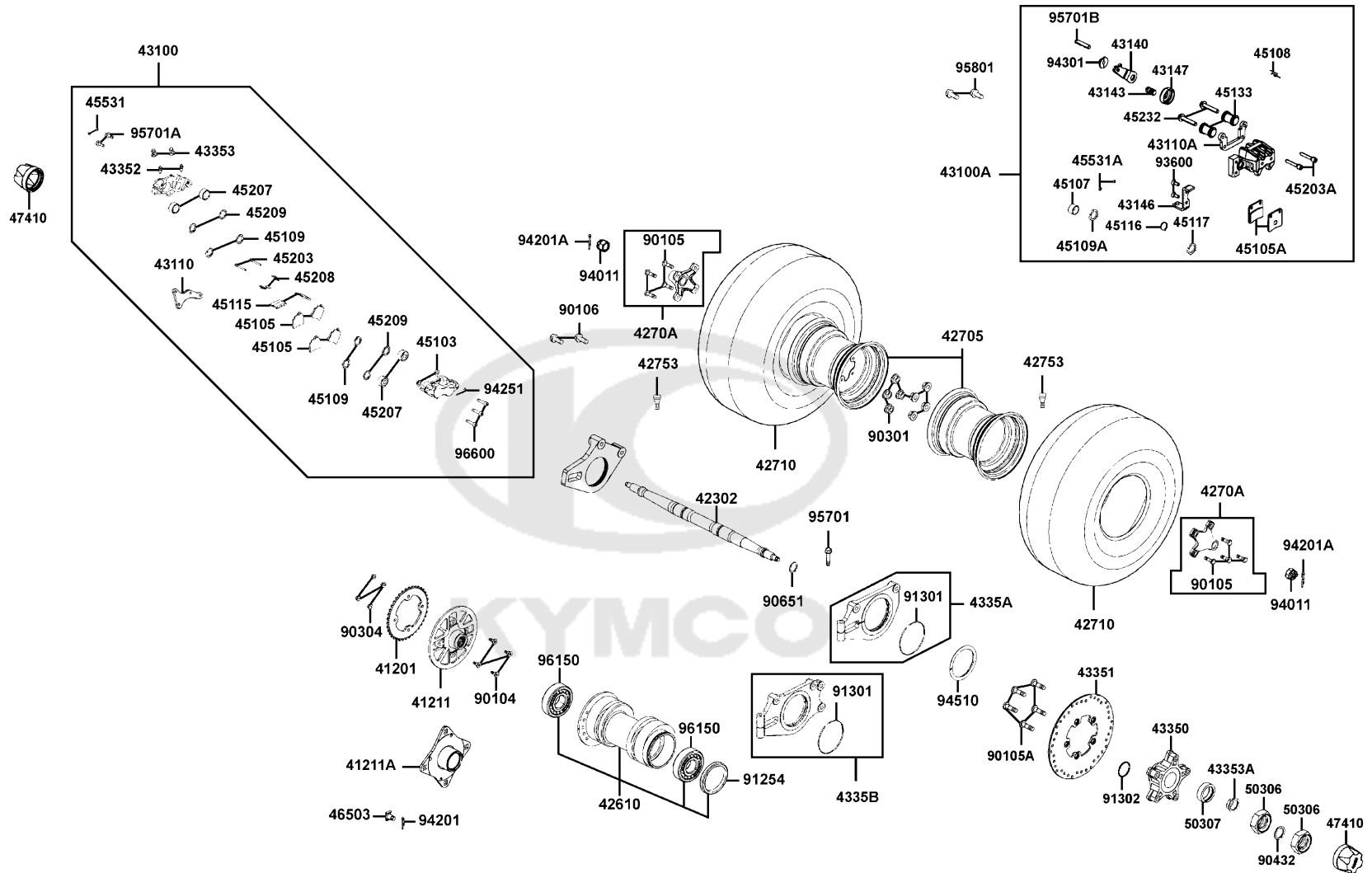
Sales mark	Ref no	Part no	Description	Reg description	Regd no	F08
	41201	41201-LBA7-900	SPRKT FINAL DRIVEN	SPRKT FINAL DRIVEN	1	
	41211	41211-LBA7-900	HOLDER SPROCKET	HOLDER SPROCKET	1	
#	41211A	41211-LDF3-E00	HOLDER SPROCKET	HOLDER SPROCKET	1	
#	41211A	41211-LKC2-E00	HUB COMP SPROCKET	HUB COMP SPROCKET	1	
	42302	42302-LCA5-E00	SHAFT RR WHEEL	SHAFT RR WHEEL	1	
**	42610	42610-LBA7-900	HUB ASSY REAR	HUB ASSY REAR	1	
# **	42610	42610-LKC2-E00	HUB ASSY REAR	HUB ASSY REAR	1	
**	42705	42705-LCA5-E00	RIM COMP RR WHEEL	RIM COMP RR WHEEL	2	
	4270A	4270A-LCA5-E00	CONNECTOR ASSY RR	CONNECTOR ASSY RR	2	
	42710	42710-LCA5-E0A	TIRE ASSY RR/KENDA AT22*10-10 4P	TIRE ASSY RR/KENDA AT22*10-10 4P TL(39N)	2	
	42710	42710-LCA5-E0B	TIRE ASSY RR AT22*10-10 4PR /MAXXIS	TIRE ASSY RR AT22*10-10 4PR /MAXXIS	2	
#	42753	42753-KNBN-90B	VALAE RIM (TR412)	VALAE RIM (TR412)	3	
**	43100	43100-LCA5-E00	CALIPER ASSY RR	CALIPER ASSY RR	1	
# **	43100A	43100-LEC1-E00	CALIPER ASSY RR	CALIPER ASSY RR	1	
	43110	43110-LBA7-900	BRACKET RR	BRACKET RR	1	
#	43110A	43110-LEC1-E00	BRACKET CALIPER	BRACKET CALIPER	1	
#	43140	43140-LEC1-E00	ARM BRAKE	ARM BRAKE	1	
#	43143	43143-LEC1-E00	BOLT DRIVE	BOLT DRIVE	1	
#	43146	43146-LEC1-E00	BRACKET CABLE	BRACKET CABLE	1	
#	43147	43147-LEC1-E00	CAP	CAP	1	

Sales mark	Ref no	Part no	Description	Reg description	Regd no	F08
	43350	43350-LBA7-900	BRACKET BRK DISK	BRACKET BRK DISK	1	
#	43350	43350-LDF3-E00	HUB BRK DISK	HUB BRK DISK	1	
#	43350	43350-LKC2-E00	HUB BRAKE DISK	HUB BRAKE DISK	1	
	43351	43351-LBA7-900	DISK RR BRK	DISK RR BRK	1	
	43352	43352-5H68-004	SCREW BLEEDER	SCREW BLEEDER	2	
	43353	43353-4A61-77A	CAP BLEEDER	CAP BLEEDER	2	
	43353A	43353-LBA7-900	COLLAR RR CALIPER BRKT	COLLAR RR CALIPER BRKT	1	
	4335A	4335A-LBA7-900	BRKT ASSY RR CALIPER	BRKT ASSY RR CALIPER	1	
#	4335B	4335B-LEC1-E00	BRKT ASSY RR CALIPER	BRKT ASSY RR CALIPER	1	
	45103	45103-MGR7-007	SEAL JOINT	SEAL JOINT	2	
	45105	45105-LCA5-305	PAD SET	PAD SET	2	
#	45105A	45105-LEC1-305	PAD SET	PAD SET	1	
#	45107	45107-LEC1-E00	PISTON	PISTON	1	
#	45108	45108-LEC1-E00	SPRING PAD	SPRING PAD	1	
#	45109	45109-KKC4-900	DUST SEAL	DUST SEAL	2	
#	45109A	45109-LEC1-E00	SEAL DUST	SEAL DUST	1	
	45115	45115-KKC4-900	COVER DUST	COVER DUST	2	
	45116	45116-LEC1-E00	CLIP	CLIP	1	
#	45117	45117-LEC1-E00	WASHER	WASHER	1	
#	45133	45133-LEC1-E00	BOOT	BOOT	4	

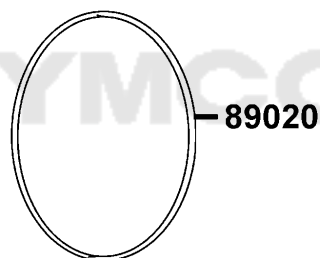
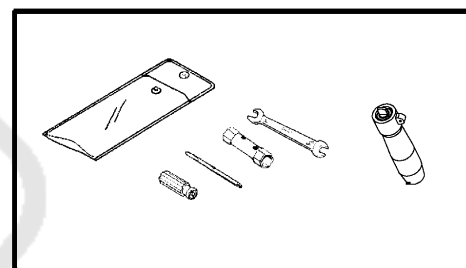
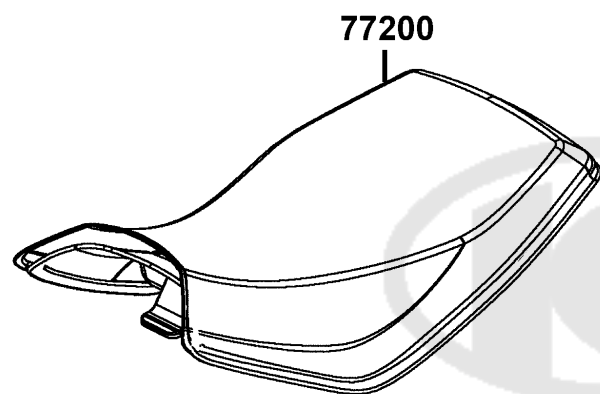
Sales mark	Ref no	Part no	Description	Reg description	Regd no	F08
	45203	45203-KKC4-900	PIN HANGER	PIN HANGER	2	
#	45203A	45203-LEC1-E00	PIN HANGER	PIN HANGER	2	
	45207	45207-KKC4-900	PISTON	PISTON	4	
	45208	45208-KKC4-900	SPRING PAD	SPRING PAD	2	
#	45209	45209-KFA6-900	SEAL PISTON	SEAL PISTON	4	
#	45232	45232-LEC1-E00	PIN BOLT	PIN BOLT	2	
	45531	45531-GAR1-951	PLUG	PLUG	2	
#	45531A	45531-LEC1-E00	PLUG	PLUG	1	
	46503	46503-KCW3-001	PIN COMP BRK ROD	PIN COMP BRK ROD	1	
	47410	47410-LCA5-E00	CAP WHEEL SHAFT	CAP WHEEL SHAFT	2	
	50306	50306-LBA7-900	NUT REAR SHAFT	NUT REAR SHAFT	2	
	50307	50307-LBA7-900	COLLAR REAR SHAFT	COLLAR REAR SHAFT	1	
	90104	90104-LBA7-900	BOLT WELD 10*25	BOLT WELD 10*25	4	
	90105	90105-LBA7-900	BOLT CONNECTOR	BOLT CONNECTOR	8	
	90105A	90105-MLL0-731	BOLT STEP HOLDER 8*24	BOLT STEP HOLDER 8*24	5	
	90106	90106-LBA7-900	BOLT FLANGE 8*25	BOLT FLANGE 8*25	2	
	90301	90301-LBA7-900	NUT WHEEL 10*14	NUT WHEEL 10*14	8	
	90304	90304-GLW0-90A	NUT U FLANGE 10MM	NUT U FLANGE 10MM	4	
	90432	90432-LBA7-900	WASHER LOCK	WASHER LOCK	1	
	90651	90651-LBA7-900	RING SNAP	RING SNAP	1	

F08

Rear Wheel



Sales mark	Ref no	Part no	Description	Reg description	Regd no	F08
	91254	91254-LBA7-900	OIL SEAL 52X68X7	OIL SEAL 52X68X7	2	
#	91254	91254-LKC2-E00	SEAL DUST 52X68X7	SEAL DUST 52X68X7	1	
#	91301	91301-LBA7-900	OIL RING 76*3	OIL RING 76*3	1	
	91302	91302-PKA9-004	O-RING 39.8*2.2	O-RING 39.8*2.2	2	
#	93600	93600-LEC1-E00	SCREW FLAT 6MM	SCREW FLAT 6MM	2	
	94011	94011-LBA7-900	NUT FLANGE CASTLE 16MM	NUT FLANGE CASTLE 16MM	2	
	94201	94201-20120	PIN SPLIT 2*12	PIN SPLIT 2*12	1	
	94201A	94201-30300	PIN SPLIT 3*30	PIN SPLIT 3*30	2	
	94251	94251-08400	PIN LOCK 8MM	PIN LOCK 8MM	2	
#	94301	94301-08060	NUT HEC 8MM	NUT HEC 8MM	1	
	94510	94510-75000	CIR CLIP EX 75	CIR CLIP EX 75	1	
#	95701	95701-06055-06	BOLT FLANGE 6*55	BOLT FLANGE 6*55	1	
#	95701A	95701-08020-06	BOLT FLANGE 8*20MM **07 C.2005.07.01	BOLT FLANGE 8*20MM **07 C.2005.07.01	1	
#	95701B	95701-LEC1-E00	BOLT ADJUST	BOLT ADJUST	1	
#	95801	95801-08020-06	BOLT FLANGE 8*20(G)	BOLT FLANGE 8*20(G)	1	
	96150	96150-60080-10	BEARING BALL RADIAL 6008	BEARING BALL RADIAL 6008	2	
	96600	96600-KKC4-900	SOCKET BOLT	SOCKET BOLT	3	



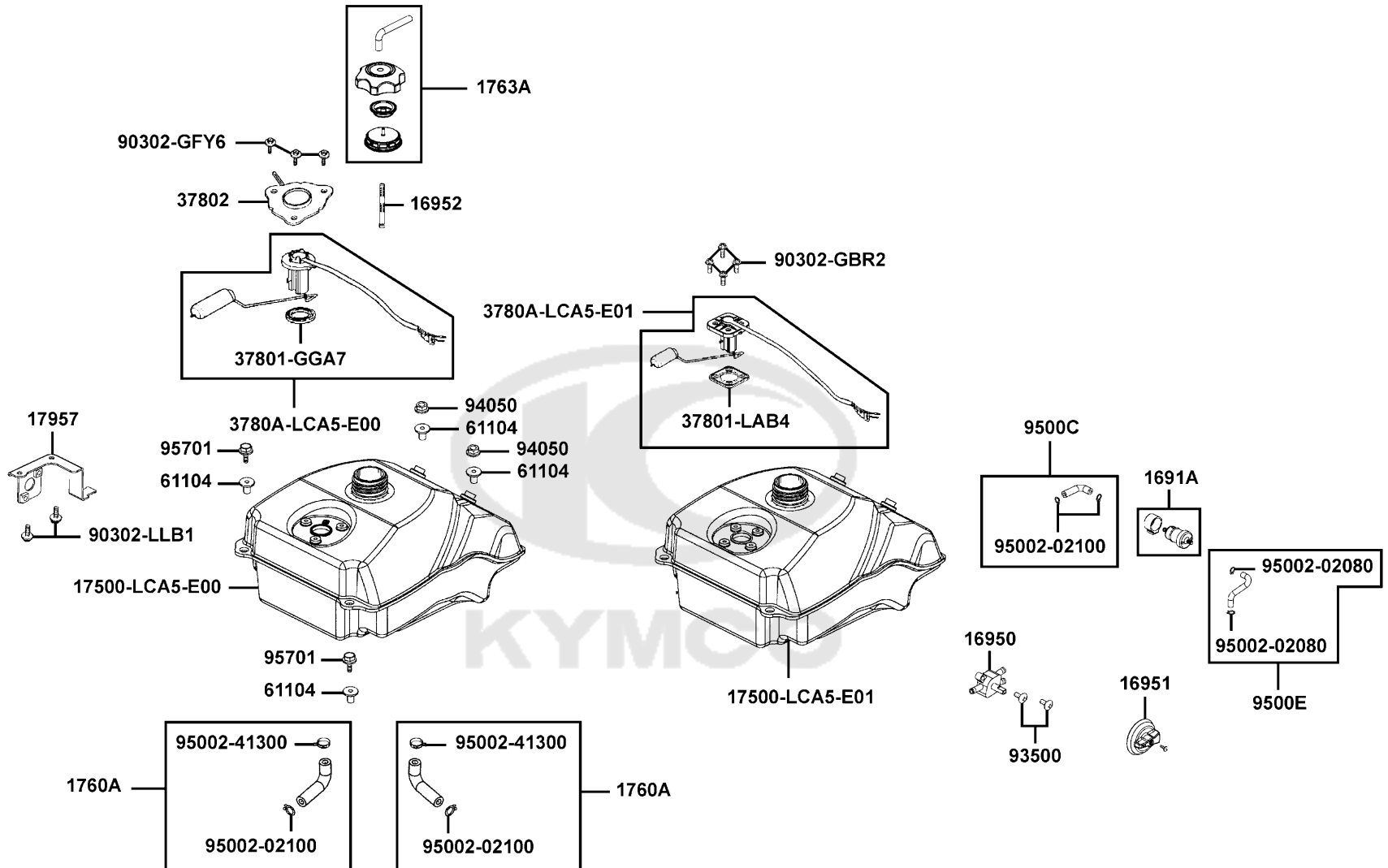
Sales mark	Ref no	Part no	Description	Reg description	Regd no	F09
------------	--------	---------	-------------	-----------------	---------	------------

**	77200	77200-LCA5-E00	SEAT ASSY (REACH)	SEAT ASSY (REACH)	1	
	89010	89010-LBA7-900	TOOL SET	TOOL SET	1	
	89020	89020-KKC4-900	BAND TOOL SET	BAND TOOL SET	1	



F10

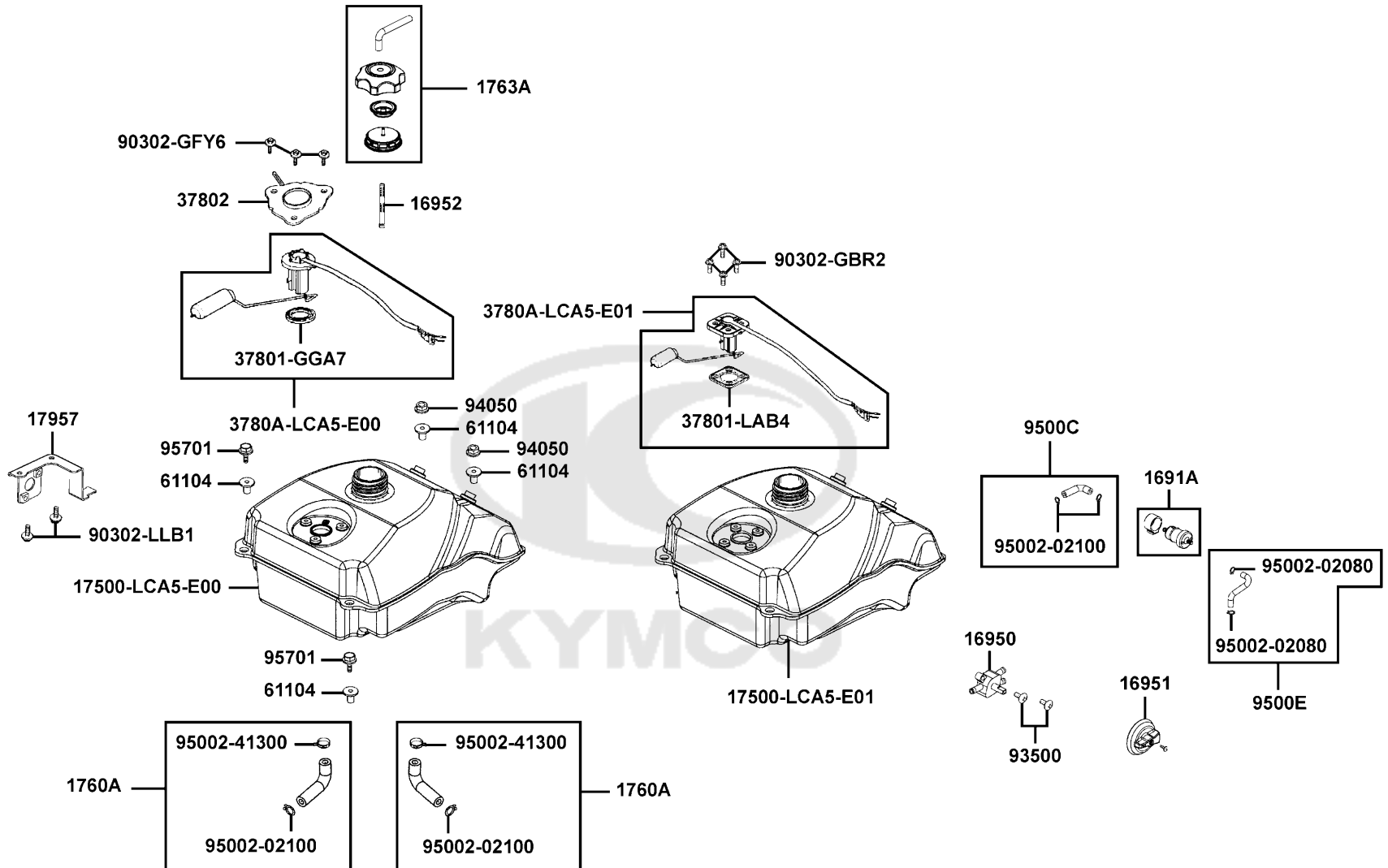
Fuel Tank



Sales mark	Ref no	Part no	Description	Reg description	Regd no	F10
	1691A	1691A-GFY6-90A	STRAINER ASSY FUEL	STRAINER ASSY FUEL	1	
	1691A	1691A-GFY6-90B	STRAINER ASSY FUEL	STRAINER ASSY FUEL	1	
#	16950	16950-LBA7-910	COCK FUEL	COCK FUEL	1	
	16951	16951-LBA7-900	COVER FUEL COCK	COVER FUEL COCK	1	
	16952	16952-LLB1-900	SCREEN FUEL STRAINER	SCREEN FUEL STRAINER	1	
	17500-LCA5-E00	17500-LCA5-E00	TANK COMP FUEL	TANK COMP FUEL	1	
#	17500-LCA5-E01	17500-LCA5-E01	TANK COMP FUEL	TANK COMP FUEL	1	
	1760A	1760A-LBA7-900	TUBE ASSY FUEL TANK	TUBE ASSY FUEL TANK	2	
	1763A	1763A-LCA5-MY0	CAP ASSY FUEL FILLER	CAP ASSY FUEL FILLER	1	
	17957	17957-LBA7-900	STAY FUEL COCK & STRAINER	STAY FUEL COCK & STRAINER	1	
	37801-GGA7	37801-GGA7-701	PACKING BASE	PACKING BASE	1	
	37801-LAB4	37801-LAB4-910	PACKING BASE	PACKING BASE	1	
	37802	37802-KEC8-900	RET FUEL UNIT	RET FUEL UNIT	1	
	3780A-LCA5-E00	3780A-LCA5-E00	FUEL UNIT ASSY	FUEL UNIT ASSY	1	
#	3780A-LCA5-E01	3780A-LCA5-E01	FUEL UNIT ASSY	FUEL UNIT ASSY	1	
	61104	61104-3G57-001	COLLAR FR FENDER	COLLAR FR FENDER	4	
#	90302-GBR2	90302-GBR2-001	BOLT WASH 5*16	BOLT WASH 5*16	4	
	90302-GFY6	90302-GFY6-901	BOLT WASH 5*12 **(1) C.V.	BOLT WASH 5*12 **(1) C.V.	3	
	90302-LLB1	90302-LLB1-E00	BOLT-WASHER 5*12	BOLT-WASHER 5*12	2	
	93500	93500-05016-1B	SCREW PAN 5*16	SCREW PAN 5*16	2	

F10

Fuel Tank

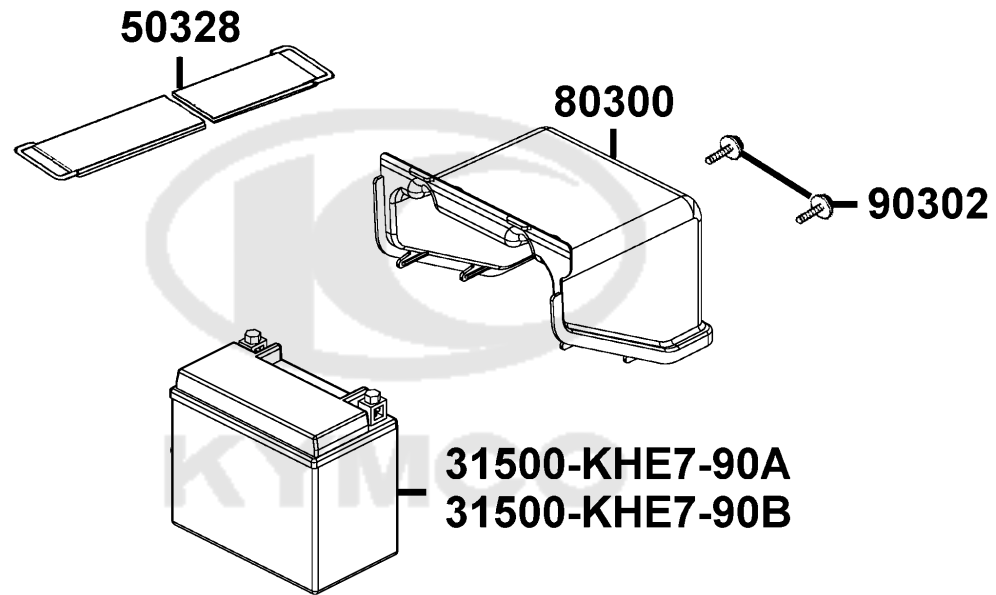


Sales mark	Ref no	Part no	Description	Reg description	Regd no	F10
	94050	94050-06080	NUT FLANGE 6MM	NUT FLANGE 6MM	2	
#	95002-02080	95002-02080	CLIP B8 TUBE	CLIP B8 TUBE	2	
	95002-02100	95002-02100	CLIP B15 TUBE	CLIP B15 TUBE	4	
	95002-41300	95002-41300-00	CLIP D13.0 TUBE	CLIP D13.0 TUBE	2	
	9500C	9500C-LBA7-900	TUBE ASSY FUEL	TUBE ASSY FUEL	1	
	9500E	9500E-LBA7-900	TUBE ASSY FUEL	TUBE ASSY FUEL	1	
	95701	95701-06022-06	BOLT FLANGE 6*22	BOLT FLANGE 6*22	2	



F11

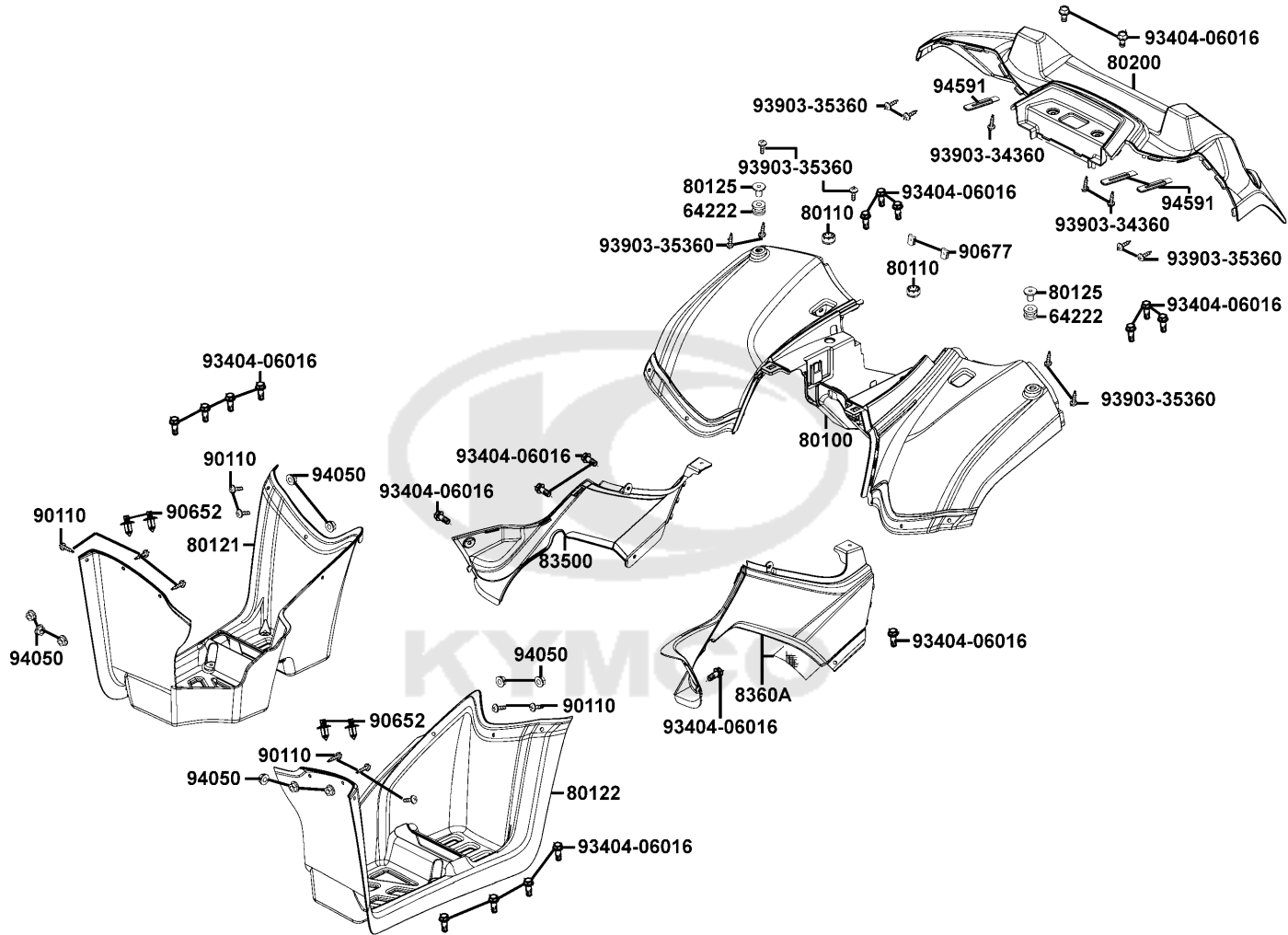
Battery



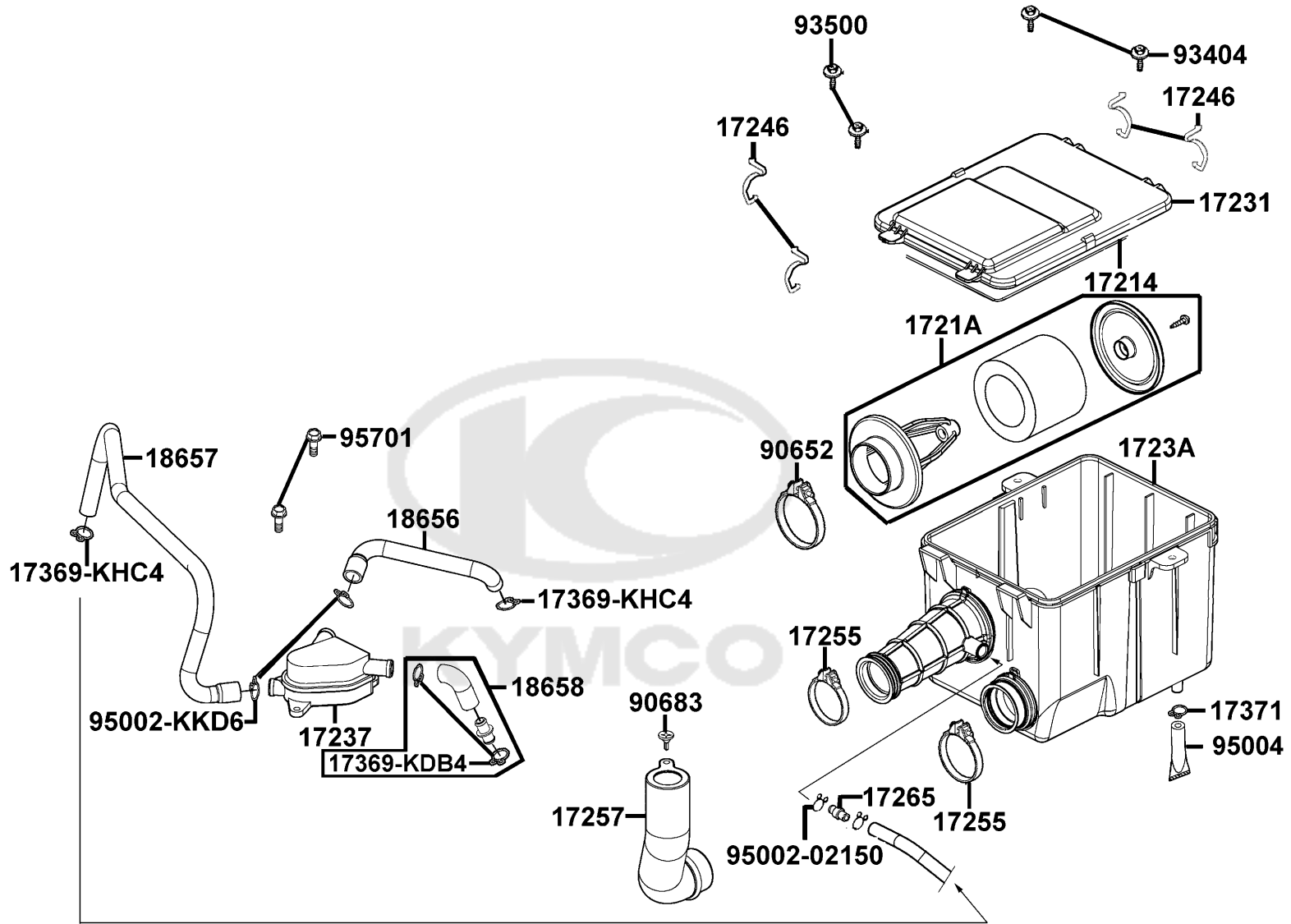
Sales mark	Ref no	Part no	Description	Reg description	Regd no	F11
------------	--------	---------	-------------	-----------------	---------	------------

	31500-KHE7-90A	31500-KHE7-90A	BATTERY YTX12-BS	BATTERY YTX12-BS	1	
	31500-KHE7-90B	31500-KHE7-90B	BATTERY GTX12-BS	BATTERY GTX12-BS	1	
	50328	50328-LCA5-E00	BAND BATTERY	BAND BATTERY	1	
**	80300	80300-LCA5-E00	COVER BATTERY	COVER BATTERY	1	
	90302	90302-LLB1-E00	BOLT-WASHER 5*12	BOLT-WASHER 5*12	2	

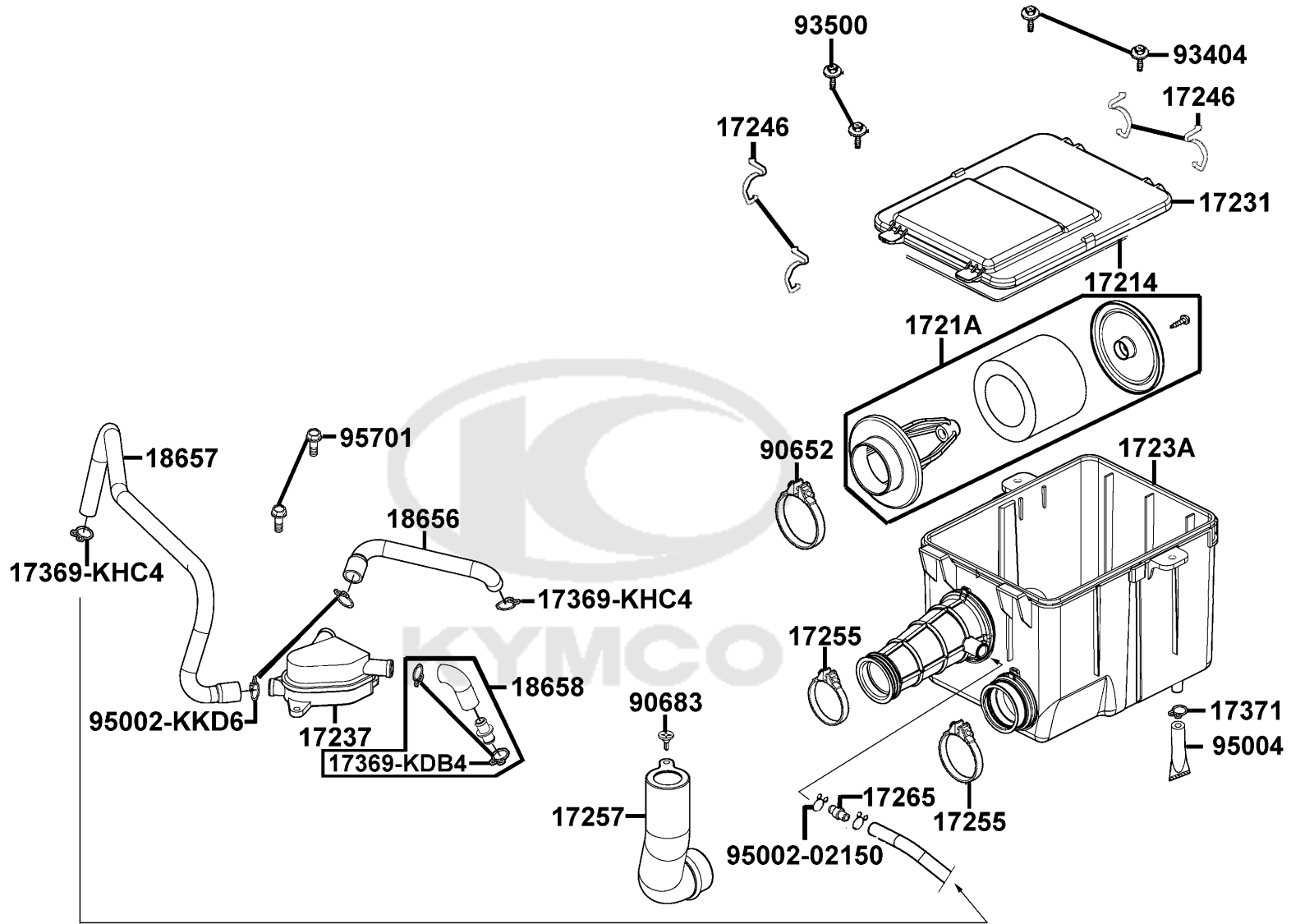




Sales mark	Ref no	Part no	Description	Reg description	Regd no	F12
	64222	64222-LLJ3-E00	RUBBER WIND SCREEN	RUBBER WIND SCREEN	2	
**	80100	80100-LCA5-E00	FENDER REAR	FENDER REAR	1	
	80110	80110-LBA7-900	RUBBER REAR FENDER	RUBBER REAR FENDER	2	
# **	80121	80121-LCA5-E01	MUDGUARD R FLOOR	MUDGUARD R FLOOR	1	
# **	80122	80122-LCA5-E01	MUDGUARD L FLOOR	MUDGUARD L FLOOR	1	
	80125	80125-LBD4-900	COLLAR FLOOR	COLLAR FLOOR	2	
**	80200	80200-LCA5-E00	MOLDING RR FENDER	MOLDING RR FENDER	1	
# **	83500	83500-LCA5-E01	COVER.R SIDE	COVER.R SIDE	1	
# **	8360A	8360A-LCA5-E01	COVER ASSY.L SIDE	COVER ASSY.L SIDE	1	
	90110	90110-LLB1-800	SCREW SPECIAL 6*16	SCREW SPECIAL 6*16	10	
	90652	90652-LCA4-E00	CLIP MUDGUARD	CLIP MUDGUARD	4	
	90677	90677-GAR1-004	NUT CLIP 5MM	NUT CLIP 5MM	2	
	93404	93404-06016-06	BOLT WASHER 6*16	BOLT WASHER 6*16	21	
	93903-34360	93903-34360	SCREW TAPPING 4X12	SCREW TAPPING 4X12	3	
	93903-35360	93903-35360	SCREW TAPPING 5*16	SCREW TAPPING 5*16	10	
#	94050	94050-LDE9-E00	NUT LOCK	NUT LOCK	10	
	94591	94591-27000	CLIP 2*70	CLIP 2*70	3	



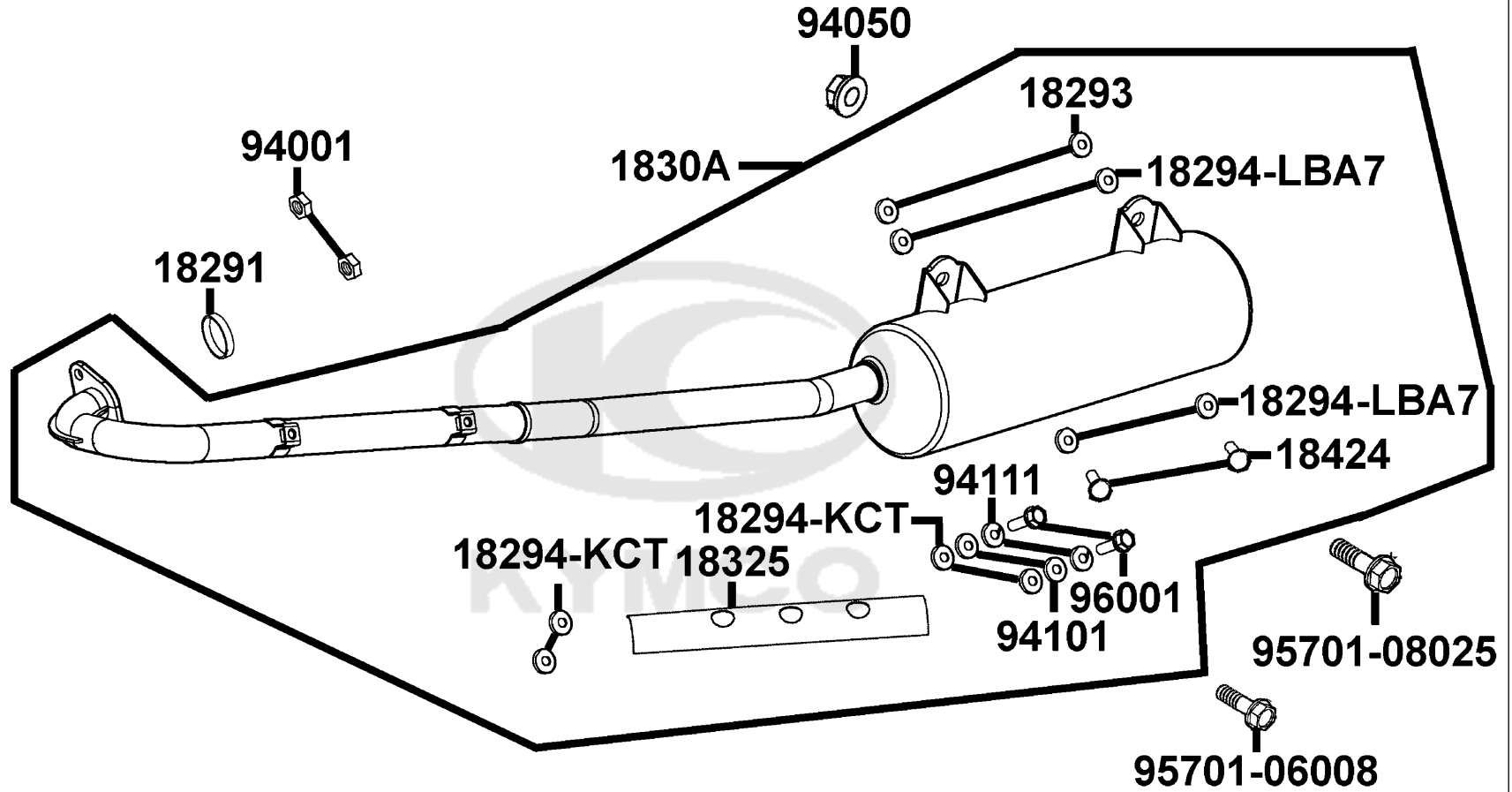
Sales mark	Ref no	Part no	Description	Reg description	Regd no	F13
	17214	17214-LBA7-900	SEAL AIR/C COVER	SEAL AIR/C COVER	1	
	1721A	1721A-LBA7-900	ELEMENT COMP AIR/C	ELEMENT COMP AIR/C	1	
	17231	17231-LBA7-900	COVER AIR/C	COVER AIR/C	1	
	17237	17237-KED9-900	OIL CATCH ASSY	OIL CATCH ASSY	1	
	1723A	1723A-LBA7-900	CASE ASSY AIR/C	CASE ASSY AIR/C	1	
	17246	17246-LBA7-900	CLAMP AIR/C	CLAMP AIR/C	4	
	17255	17255-KKAK-900	BAND A AIR/C CONNECTING TUBE	BAND A AIR/C CONNECTING TUBE	2	
	17257	17257-LBA7-900	DUCT A AIR/C CASE	DUCT A AIR/C CASE	1	
	17265	17265-LBA7-900	JOINT BLOW BY	JOINT BLOW BY	1	
	17369-KDB4	17369-KDB4-671	CLIP BREATHER TUBE	CLIP BREATHER TUBE	2	
	17369-KHC4	17369-KHC4-900	CLIP BREATHER TUBE	CLIP BREATHER TUBE	2	
	17371	17371-1D74-671	CLIP BREATHER TUBE	CLIP BREATHER TUBE	1	
	18656	18656-LBA7-900	TUBE A OIL CATCH	TUBE A OIL CATCH	1	
	18657	18657-LBA7-900	TUBE B OIL CATCH	TUBE B OIL CATCH	1	
	18658	18658-KED9-900	TUBE C OIL CATCH	TUBE C OIL CATCH	1	
	90652	90652-LLJ3-E00	BAND CONNECTING TUBE	BAND CONNECTING TUBE	1	
	90683	90683-GAR1-004	CLIP BODY COVER	CLIP BODY COVER	1	
#	93404	93404-06012-06	BOLT WASHER 6X12	BOLT WASHER 6X12	2	
#	93500	93500-04025-0F	SCREW PAN 4X25	SCREW PAN 4X25	1	
	95002-02150	95002-02150	CLIP B14.5 TUBE	CLIP B14.5 TUBE	1	



Sales mark	Ref no	Part no	Description	Reg description	Regd no	F13
------------	--------	---------	-------------	-----------------	---------	------------

	95002-KKD6	95002-KKD6-E05	CLAMP D18 TUBE	CLAMP D18 TUBE	2	
	95004	95004-LBA7-900	TUBE DRAIN	TUBE DRAIN	1	
#	95701	95701-06012-06	BOLT FLANGE 6*12 **07 C.2005.07.01	BOLT FLANGE 6*12 **07 C.2005.07.01	2	

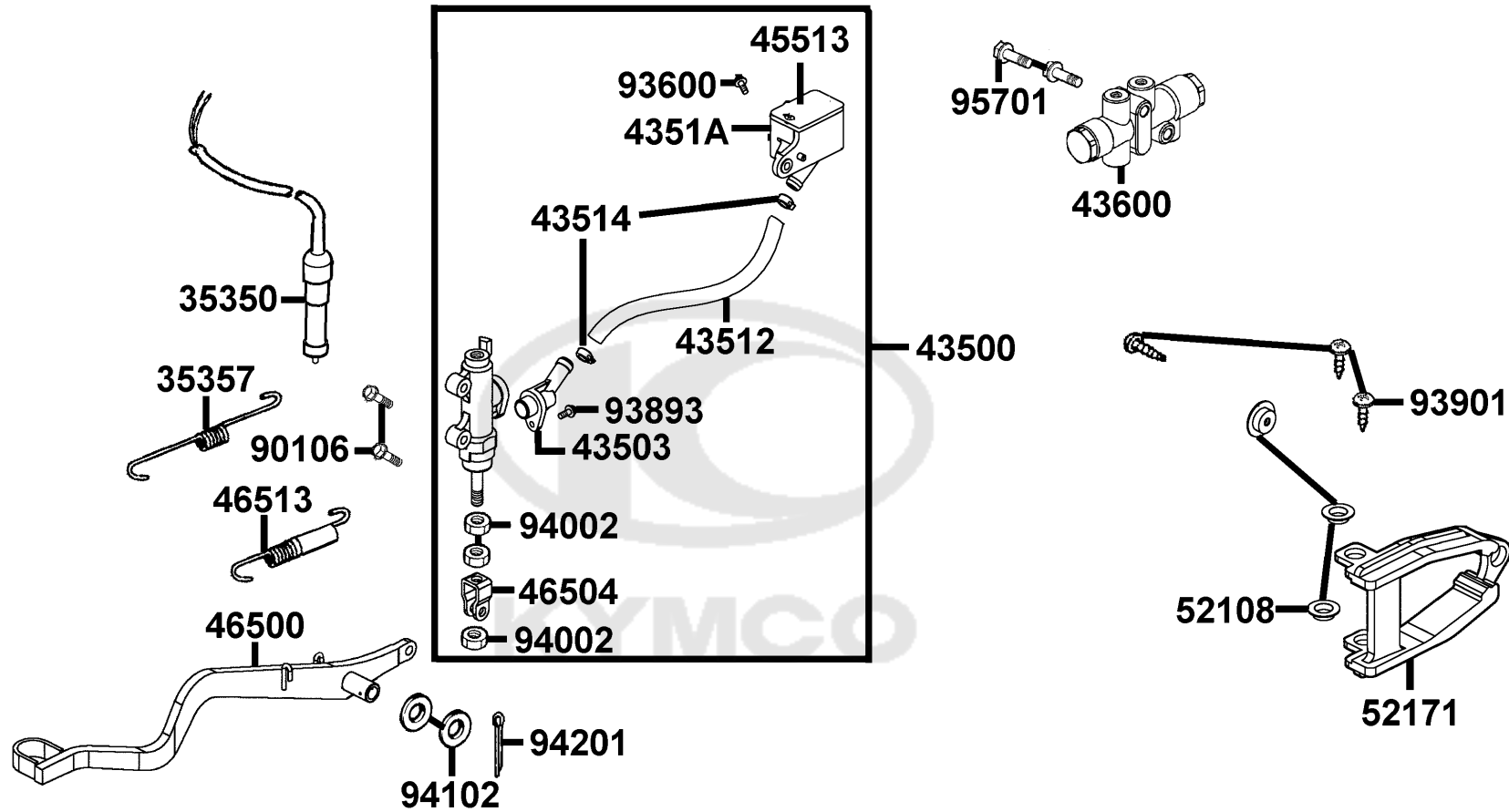




Sales mark	Ref no	Part no	Description	Reg description	Regd no	F14
	18291	18291-LBA7-900	GASKET EXH PIPE	GASKET EXH PIPE	1	
	18293	18293-LBA7-E00	RUBBER MUFFLER STAY	RUBBER MUFFLER STAY	2	
	18294-KTCT	18294-KTCT-900	PACKING PROTECTOR	PACKING PROTECTOR	4	
	18294-LBA7	18294-LBA7-E00	PACKING MUFFLER STAY	PACKING MUFFLER STAY	4	
	1830A	1830A-LCA5-E00	MUFFLER ASSY EXH	MUFFLER ASSY EXH	1	
	18325	18325-LLB1-900	PROTECTOR EXH PIPE	PROTECTOR EXH PIPE	1	
	18424	18424-LBA7-E00	COLLAR MUFF STAY	COLLAR MUFF STAY	2	
	94001	94001-08080-0S	NUT HEX 8MM	NUT HEX 8MM	2	
	94050	94050-08080	NUT FLANGE 8MM	NUT FLANGE 8MM	1	
	94101	94101-06200	WASHER PLAIN 6MM	WASHER PLAIN 6MM	2	
	94111	94111-06800	WASHER SPRING 6MM	WASHER SPRING 6MM	2	
	95701-06008	95701-06008-06	BOLT FLANGE 6*8	BOLT FLANGE 6*8	1	
#	95701-08025	95701-08025-06	BOLT FLANGE 8*25	BOLT FLANGE 8*25	1	
#	96001	96001-06012-06	BOLT FLANGE SH 6*12	BOLT FLANGE SH 6*12	1	

F15

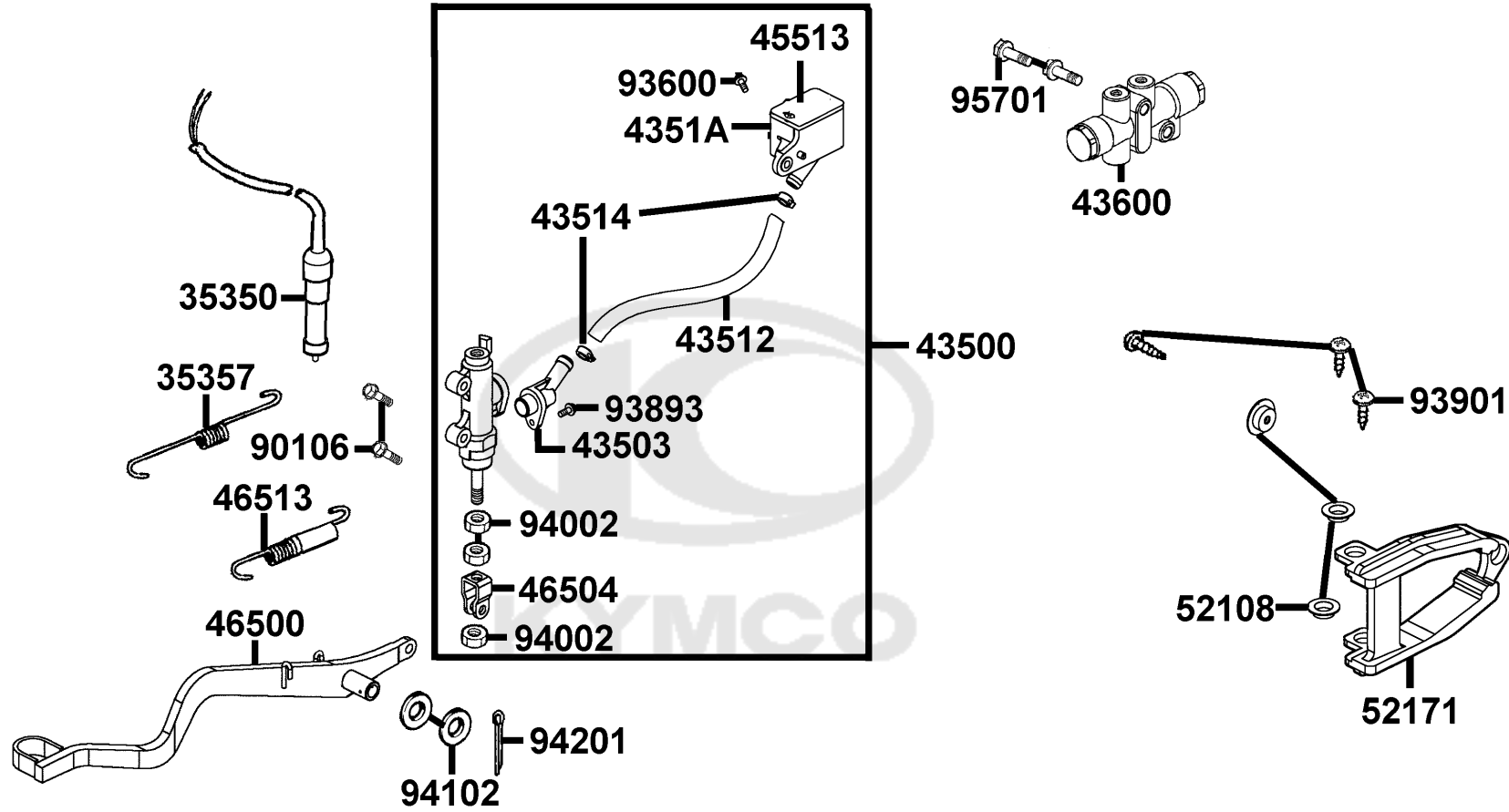
Master Cylinder Rear



Sales mark	Ref no	Part no	Description	Reg description	Regd no	F15
	35350	35350-LBA7-900	REAR STOP SW	REAR STOP SW	1	
	35357	35357-LBA7-900	SPG STOP SW	SPG STOP SW	1	
	43500	43500-LBA7-E00	MASTER CYLINDER ASSY RR	MASTER CYLINDER ASSY RR	1	
	43503	43503-KGC4-E01	CONNECTOR	CONNECTOR	1	
	43512	43512-LBA7-M30	HOSE M/C	HOSE M/C	1	
	43514	43514-4E45-77A	CLAMP M/C OIL HOSE	CLAMP M/C OIL HOSE	2	
	4351A	4351A-KFW6-000	OIL CUP ASSY	OIL CUP ASSY	1	
	43600	43600-LBA7-E00	PGV ASSY	PGV ASSY	1	
	45513	45513-HBA2-007	CAP M/C	CAP M/C	1	
	46500	46500-LCA5-E00	PEDAL COMP RR BRAKE	PEDAL COMP RR BRAKE	1	
	46504	46504-MBB2-007	JOINT BRK ROD	JOINT BRK ROD	1	
	46513	46513-KED9-900	SPG SET BRK PEDAL	SPG SET BRK PEDAL	1	
	52108	52108-KFW6-901	COLLAR CHAIN SLIDER	COLLAR CHAIN SLIDER	3	
	52171	52171-LBA7-900	SLIDER CHAIN	SLIDER CHAIN	1	
	90106	90106-LBA7-900	BOLT FLANGE 8*25	BOLT FLANGE 8*25	2	
	93600	93600-04040-1G	SCREW FLAT 4*40	SCREW FLAT 4*40	1	
	93893	93893-04012-18	SCREW WASHER 4*12	SCREW WASHER 4*12	1	
#	93901	93901-26160	SCREW TAPPING 6*12	SCREW TAPPING 6*12	3	
#	94002	94002-08080-0S	NUT HEX 8MM (C)	NUT HEX 8MM (C)	1	
	94102	94102-14800	WASHER PLAIN 14*26*2.3	WASHER PLAIN 14*26*2.3	2	

F15

Master Cylinder Rear

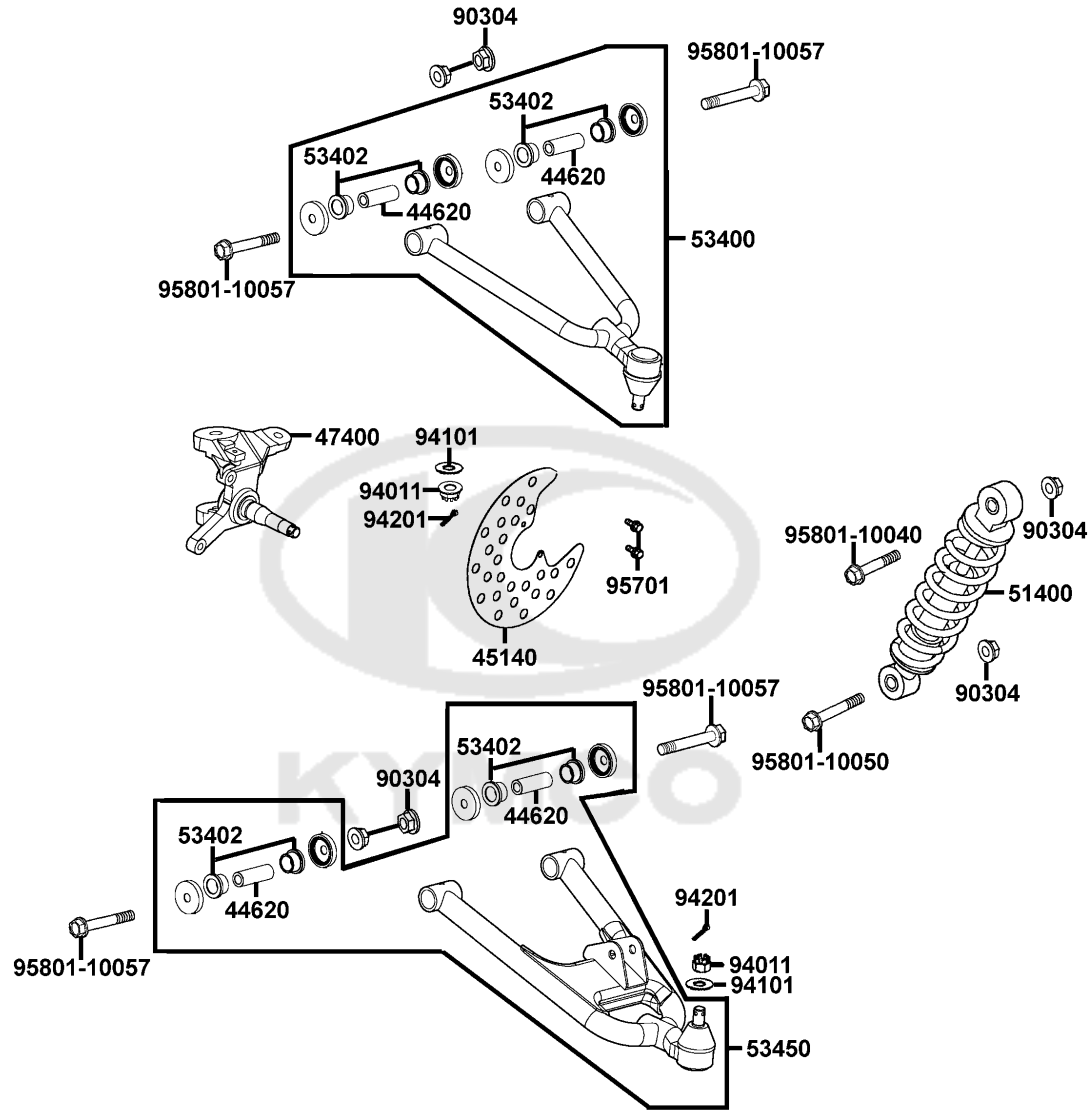


Sales mark	Ref no	Part no	Description	Reg description	Regd no	F15
------------	--------	---------	-------------	-----------------	---------	------------

94201	94201-25300	94201-25300	PIN SPLIT 2.5*30	PIN SPLIT 2.5*30	1	
95701	95701-06035-06	95701-06035-06	BOLT FLANGE 6*35	BOLT FLANGE 6*35	2	

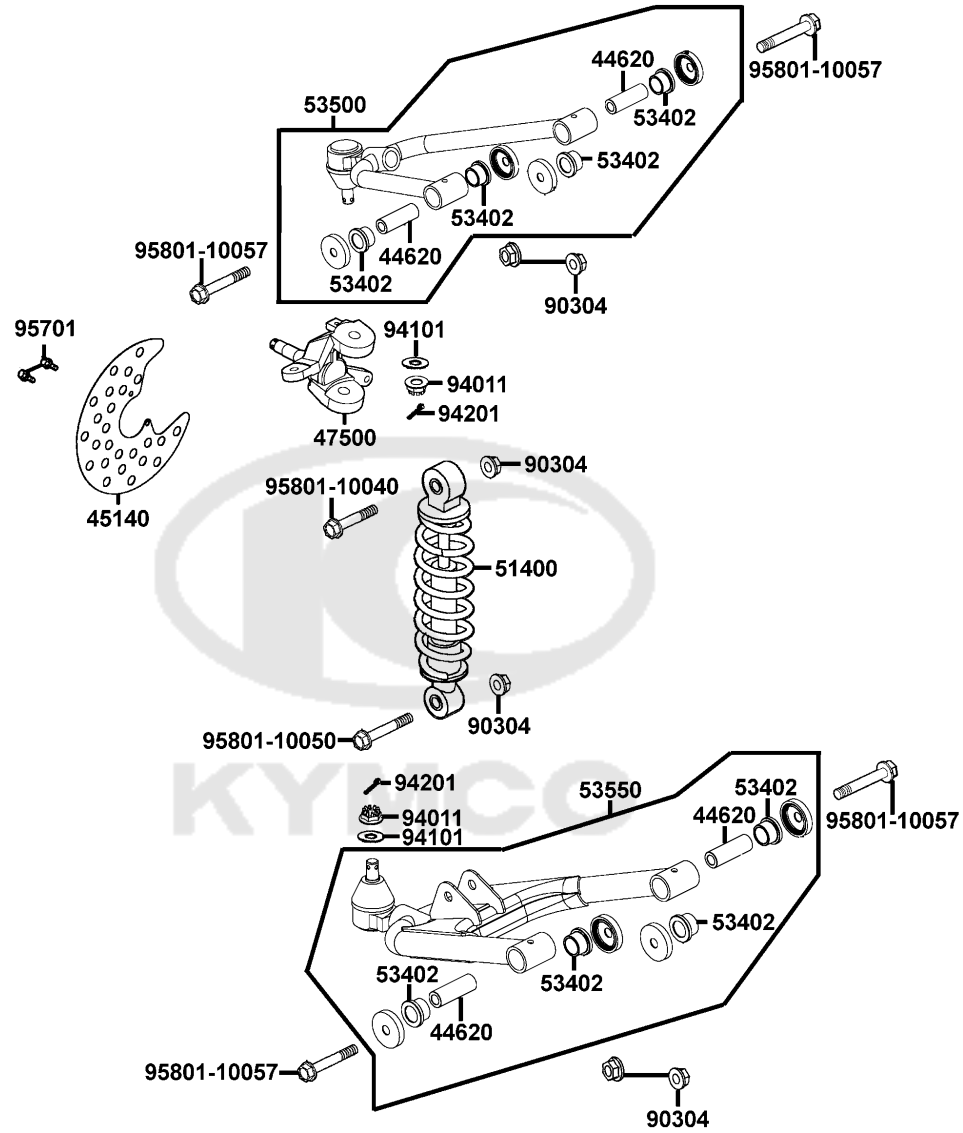


Cushion Right Arm Swing

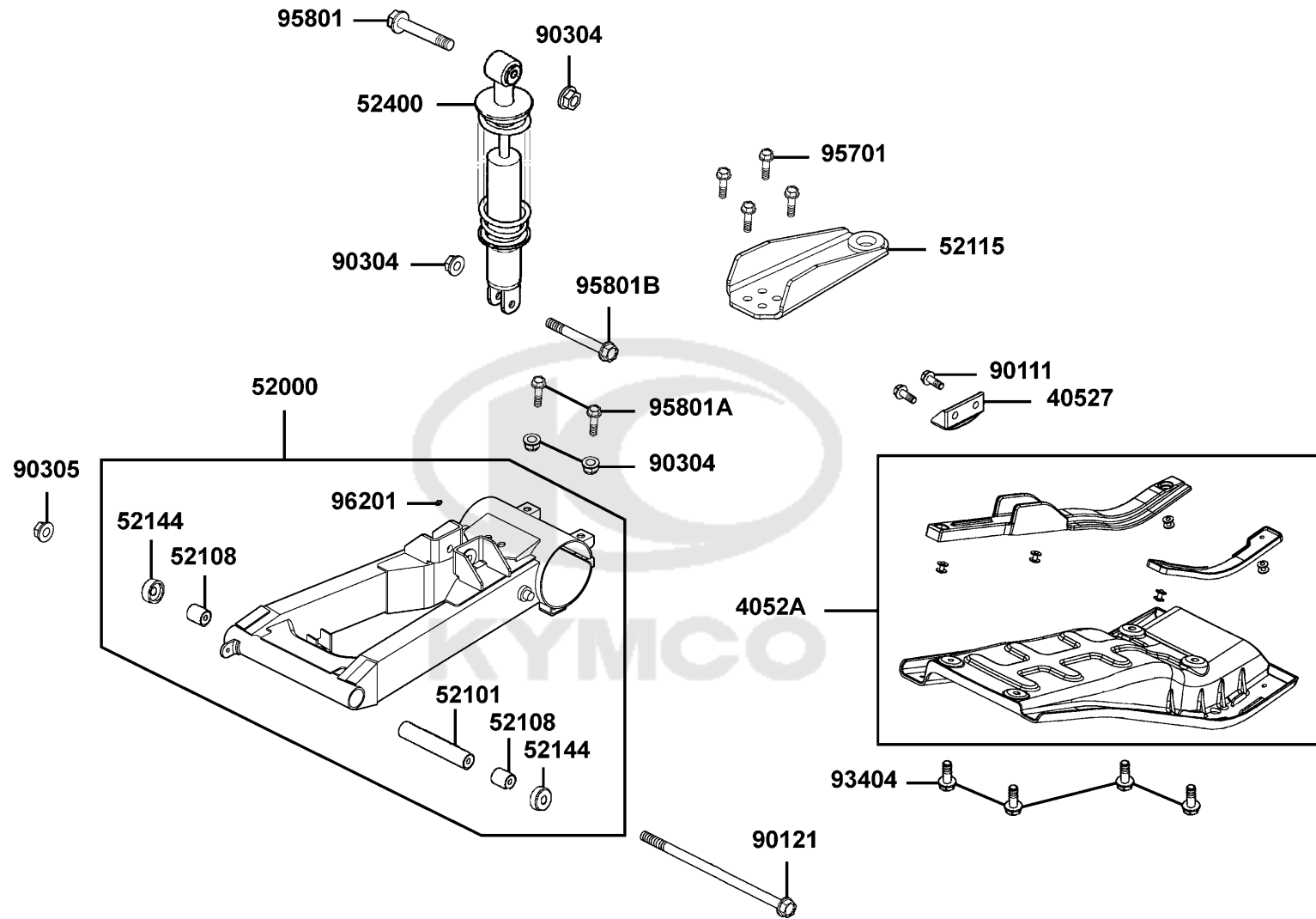


Sales mark	Ref no	Part no	Description	Reg description	Regd no	F16
	44620	44620-LBA7-900	COLLAR SWING ARM	COLLAR SWING ARM	4	
	45140	45140-LCA5-E00	GUARD BRAKE DISK	GUARD BRAKE DISK	1	
	47400	47400-LCA5-E00	KNUCKLE ASSY R STEERING	KNUCKLE ASSY R STEERING	1	
**	51400	51400-LCA5-E00	CUSHION ASSY FR	CUSHION ASSY FR	1	
	53400	53400-LCA5-E00	ARM ASSY R UP SWING	ARM ASSY R UP SWING	1	
	53402	53402-LLB1-900	BUSH SWING ARM	BUSH SWING ARM	8	
	53450	53450-LCA5-E00	ARM ASSY R LOW SWING	ARM ASSY R LOW SWING	1	
	90304	90304-GLW0-90A	NUT U FLANGE 10MM	NUT U FLANGE 10MM	6	
	94011	94011-12080-0S	NUT CASTLE 12MM	NUT CASTLE 12MM	2	
	94101	94101-12800	WASHER PLAIN 12MM	WASHER PLAIN 12MM	2	
	94201	94201-30250	PIN SPLIT 3.0*25	PIN SPLIT 3.0*25	2	
#	95701	95701-06016-06	BOLT FLANGE 6*16 (K)	BOLT FLANGE 6*16 (K)	1	
#	95801-10040	95801-10040-06	BOLT FLANGE 10X40	BOLT FLANGE 10*40	1	
	95801-10050	95801-10050-06	BOLT FLANGE 10*50	BOLT FLANGE 10*50	1	
	95801-10057	95801-10057-06	BOLT FLANGE 10*57	BOLT FLANGE 10*57	4	

Cushion Left Arm Swing



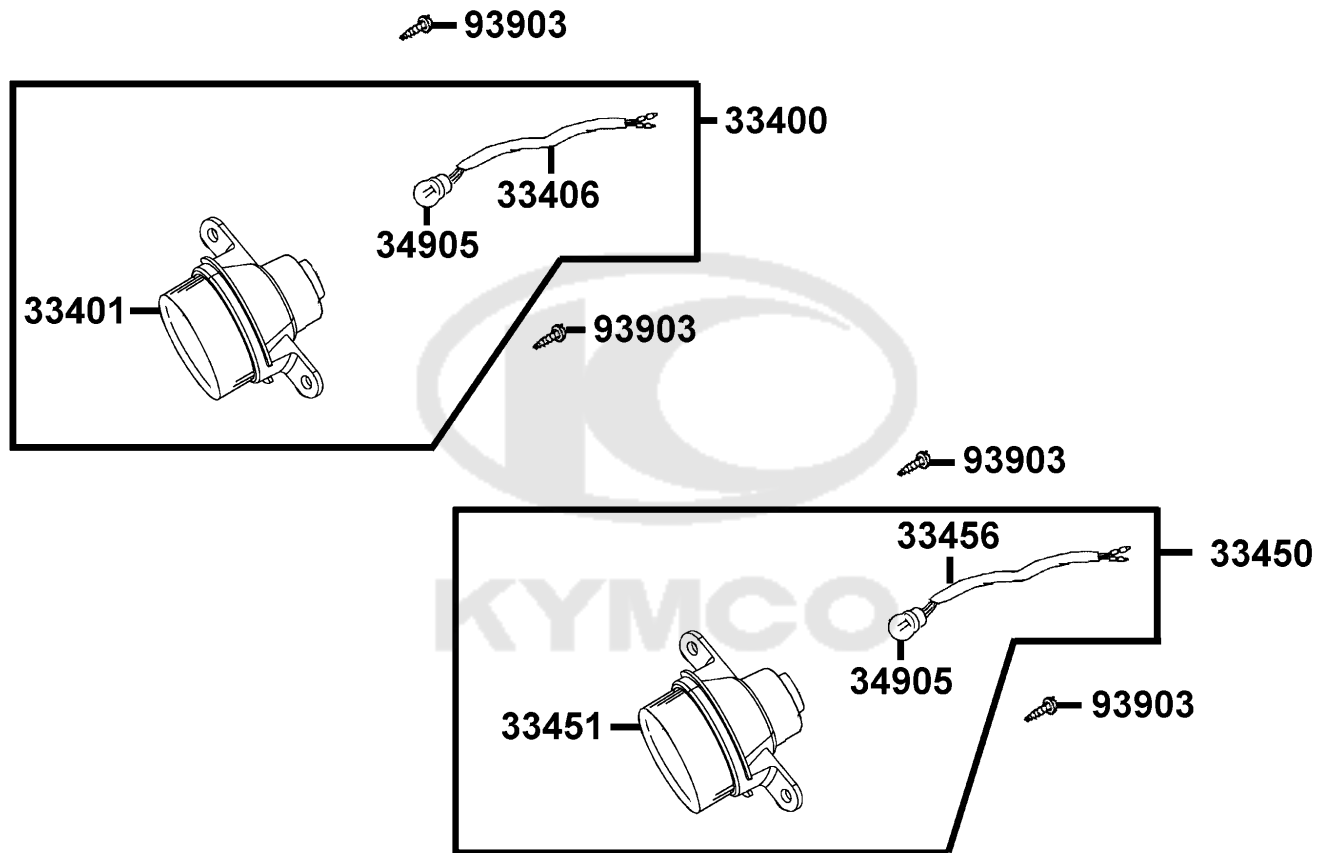
Sales mark	Ref no	Part no	Description	Reg description	Regd no	F17
	44620	44620-LBA7-900	COLLAR SWING ARM	COLLAR SWING ARM	4	
	45140	45140-LCA5-E00	GUARD BRAKE DISK	GUARD BRAKE DISK	1	
	47500	47500-LCA5-E00	KNUCKLE ASSY L STEERING	KNUCKLE ASSY L STEERING	1	
**	51400	51400-LCA5-E00	CUSHION ASSY FR	CUSHION ASSY FR	1	
	53402	53402-LLB1-900	BUSH SWING ARM	BUSH SWING ARM	8	
	53500	53500-LCA5-E00	ARM ASSY LEFT UP SWING	ARM ASSY LEFT UP SWING	1	
	53550	53550-LCA5-E00	ARM ASSY LEFT LOW SWING	ARM ASSY LEFT LOW SWING	1	
	90304	90304-GLW0-90A	NUT U FLANGE 10MM	NUT U FLANGE 10MM	6	
	94011	94011-12080-0S	NUT CASTLE 12MM	NUT CASTLE 12MM	2	
	94101	94101-12800	WASHER PLAIN 12MM	WASHER PLAIN 12MM	2	
	94201	94201-30250	PIN SPLIT 3.0*25	PIN SPLIT 3.0*25	2	
	95701	95701-06010-06	BOLT FLANGE 6*10	BOLT FLANGE 6*10	2	
#	95801-10040	95801-10040-06	BOLT FLANGE 10X40	BOLT FLANGE 10*40	1	
	95801-10050	95801-10050-06	BOLT FLANGE 10*50	BOLT FLANGE 10*50	1	
	95801-10057	95801-10057-06	BOLT FLANGE 10*57	BOLT FLANGE 10*57	4	



Sales mark	Ref no	Part no	Description	Reg description	Regd no	F18
	40527	40527-LBA7-600	SLIDER CHAIN	SLIDER CHAIN	1	
#	4052A	4052A-LCA5-E01	GUARD ASSY REAR FORK	GUARD ASSY REAR FORK	1	
	52000	52000-LCA5-E00	FORK ASSY RR	FORK ASSY RR	1	
#	52000	52000-LCA5-E01	FORK ASSY RR	FORK ASSY RR	1	
	52101	52101-LLB1-900	COLLAR RR FORK DIST	COLLAR RR FORK DIST	1	
	52108	52108-KEE5-004	BUSH RR FORK	BUSH RR FORK	2	
	52115	52115-LCA5-E00	TRAILER RR FORK	TRAILER RR FORK	1	
	52144	52144-LBA7-900	CAP RR FORK DUST SEAL	CAP RR FORK DUST SEAL	2	
**	52400	52400-LCA5-E00	CUSHION ASSY RR	CUSHION ASSY RR	1	
#	90111	90111-KKD7-900	BOLT FLANGE 6*17 (G)	BOLT FLANGE 6*17 (G)	2	
	90121	90121-LBA7-900	BOLT RR FORK PIVOT M14*280MM	BOLT RR FORK PIVOT M14*280MM	1	
	90304	90304-GLW0-90A	NUT U FLANGE 10MM	NUT U FLANGE 10MM	4	
	90305	90305-GHE8-004	NUT U 14MM	NUT U 14MM	1	
	93404	93404-06016-06	BOLT WASHER 6*16	BOLT WASHER 6*16	4	
#	95701	95701-10020-06	BOLT FLANGE 10*20	BOLT FLANGE 10*20	4	
	95801	95801-10057-06	BOLT FLANGE 10*57	BOLT FLANGE 10*57	1	
	95801A	95801-10060-06	BOLT FLANGE 10*60	BOLT FLANGE 10*60	2	
	95801B	95801-10070-06	BOLT FLANGE 10*70	BOLT FLANGE 10*70	1	
	96201	96201-10000	NIPPLE GREASE	NIPPLE GREASE	1	

F19

Winker Position Light

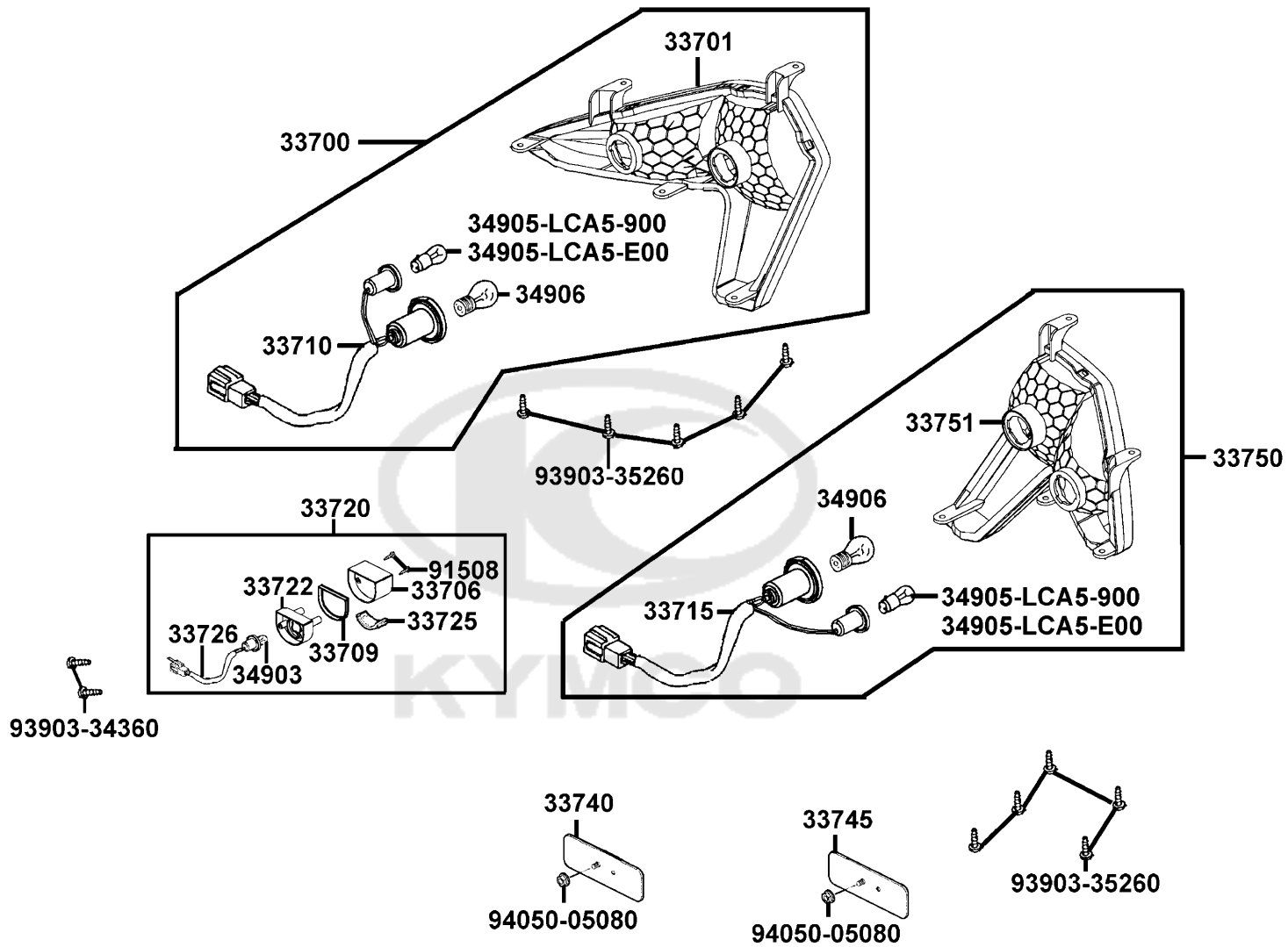


Sales mark	Ref no	Part no	Description	Reg description	Regd no	F19
	33400	33400-LCA5-E00	WINKER ASSY R FR	WINKER ASSY R FR	1	
	33401	33401-LCA5-E00	UNIT WINKER R FR	UNIT WINKER R FR	1	
	33406	33406-LCA5-E00	SOCKET COMP R FR WINKER	SOCKET COMP R FR WINKER	1	
	33450	33450-LCA5-E00	WINKER ASSY L FR	WINKER ASSY L FR	1	
	33451	33451-LCA5-E00	UNIT WINKER L FR	UNIT WINKER L FR	1	
	33456	33456-LCA5-E00	SOCKET COMP L FR WINKER	SOCKET COMP L FR WINKER	1	
	34905	34905-LBA7-E00	BULB WINKER 12V10W	BULB WINKER 12V10W	2	
	93903	93903-35360	SCREW TAPPING 5*16	SCREW TAPPING 5*16	4	



F20

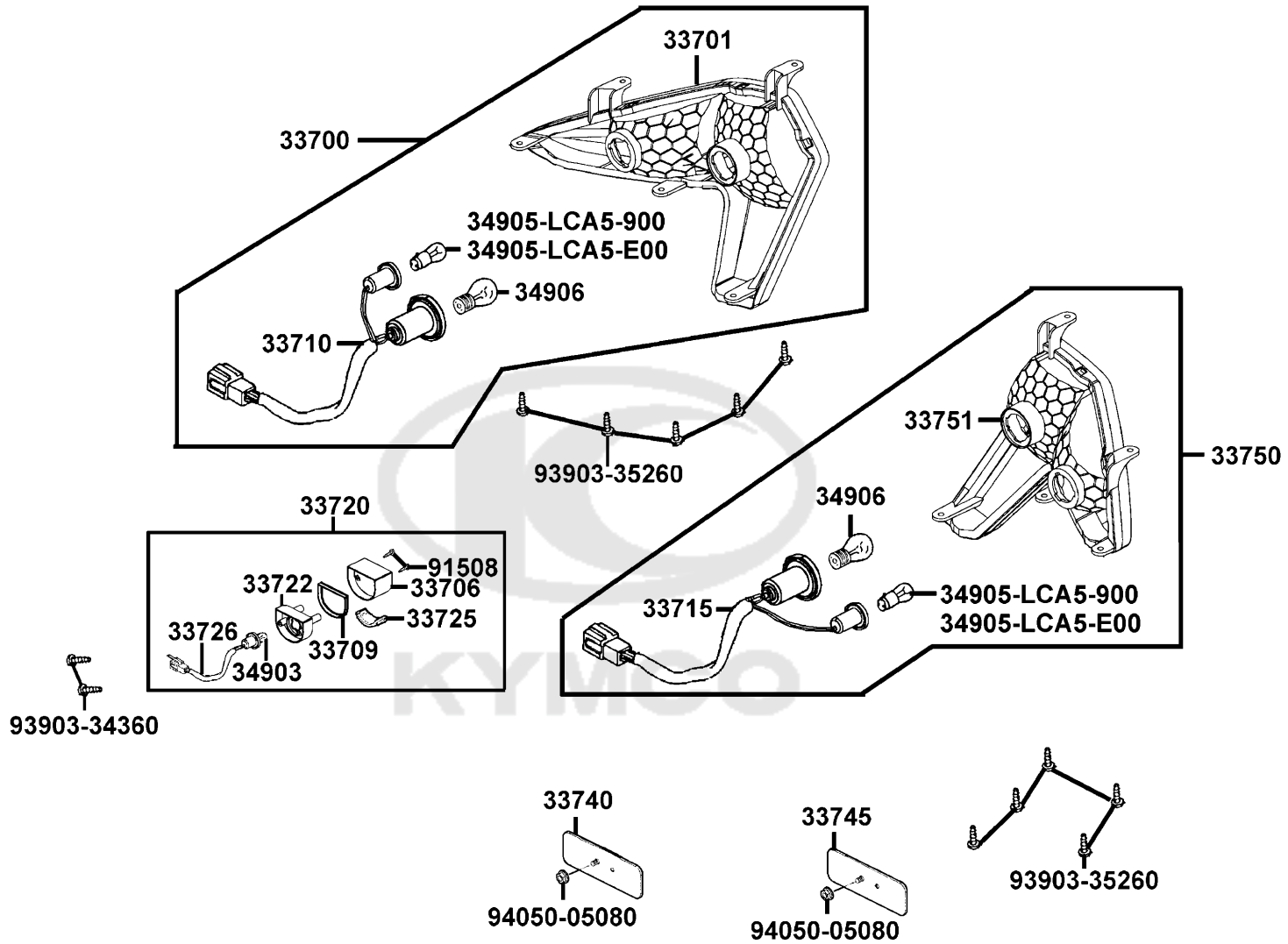
Light Tail



Sales mark	Ref no	Part no	Description	Reg description	Regd no	F20
	33700	33700-LCA5-E00	LIGHT ASSY R RR COMB	LIGHT ASSY R RR COMB	1	
	33701	33701-LCA5-E00	UNIT TAIL LIGHT R	UNIT TAIL LIGHT R	1	
	33706	33706-GCN3-67A	COVER LICENSE	COVER LICENSE	1	
	33709	33709-KBAB-003	PACKING LICENSE	PACKING LICENSE	1	
	33710	33710-LCA5-E00	SOCKET COMP R RR COMB	SOCKET COMP R RR COMB	1	
	33715	33715-LCA5-E00	SOCKET COMP L RR COMB	SOCKET COMP L RR COMB	1	
	33720	33720-LCA5-E00	LIGHT ASSY LICENSE	LIGHT ASSY LICENSE	1	
	33722	33722-KHB4-E00	BASE LICENSE	BASE LICENSE	1	
	33725	33725-KHB4-E00	LENS LICENSE	LENS LICENSE	1	
	33726	33726-LCA5-E00	SOCKET COMP	SOCKET COMP	1	
	33740	33740-LCA5-E00	REFLECTOR ASSY R RR	REFLECTOR ASSY R RR	1	
	33745	33745-LCA5-E00	REFLECTOR ASSY L RR	REFLECTOR ASSY L RR	1	
	33750	33750-LCA5-E00	LIGHT ASSY L RR COMB	LIGHT ASSY L RR COMB	1	
	33751	33751-LCA5-E00	UNIT TAIL LIGHT L	UNIT TAIL LIGHT L	1	
	34903	34903-KPCP-900	BULB POSITION LIGHT 12V5W **KCP-	BULB POSITION LIGHT 12V5W **KCP-9000	1	
	34905-LCA5-900	34905-LCA5-900	BULB POSITION 12V5W	BULB POSITION 12V5W	2	
	34905-LCA5-E00	34905-LCA5-E00	BULB WINKER (12V 10W)	BULB WINKER (12V 10W)	2	
	34906	34906-KPCP-900	BULB TAIL & STOP	BULB TAIL & STOP	2	
	91508	91508-KGV7-67A	SCREW TAPPING 4*14	SCREW TAPPING 4*14	2	
	93903-34360	93903-34360	SCREW TAPPING 4X12	SCREW TAPPING 4X12	2	

F20

Light Tail



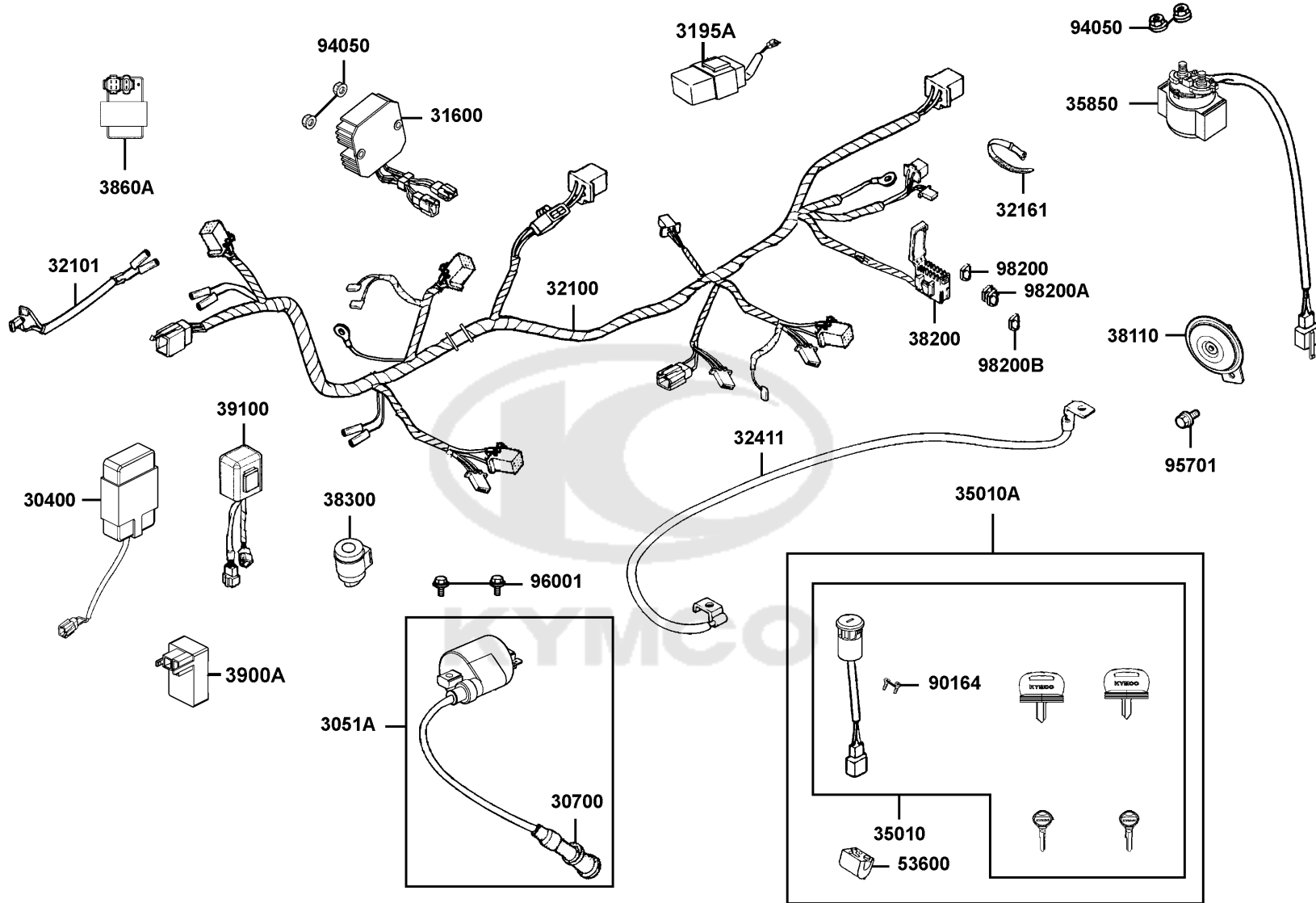
Sales mark	Ref no	Part no	Description	Reg description	Regd no	F20
------------	--------	---------	-------------	-----------------	---------	------------

#	93903-35260	93903-35260	SCREW TAPPING 5*12	SCREW TAPPING 5*12	10	
	94050	94050-05080	NUT FLANGE 5MM	NUT FLANGE 5MM	2	



F21

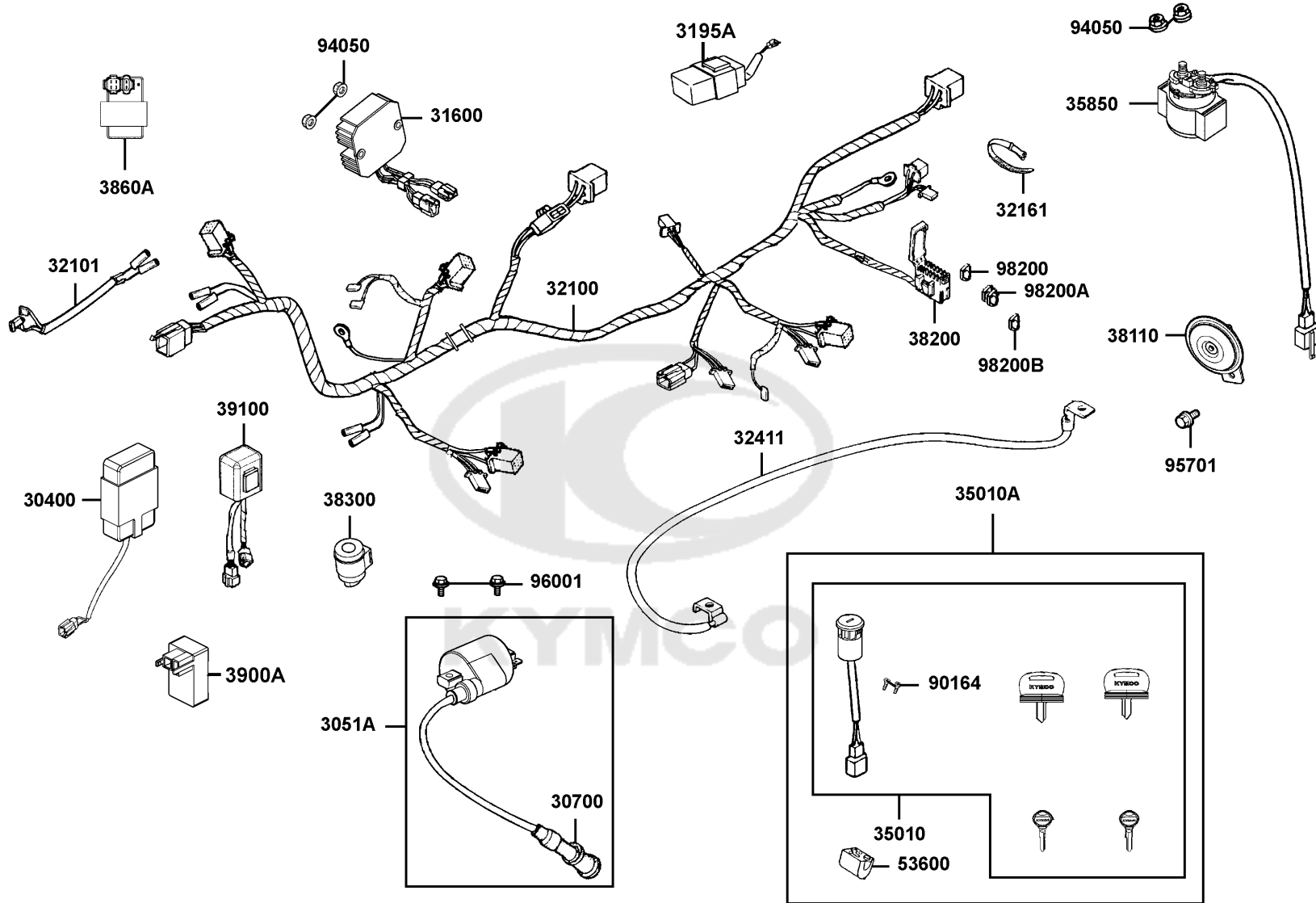
Harness Wire



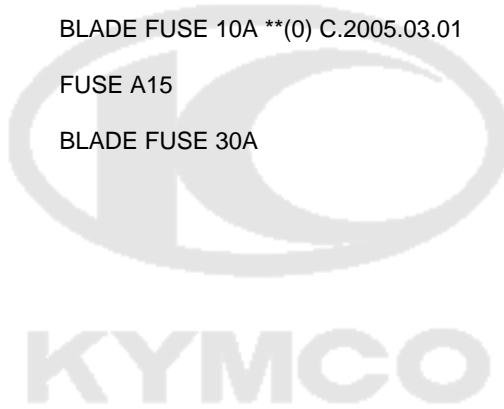
Sales mark	Ref no	Part no	Description	Reg description	Regd no	F21
	30400	30400-LCA5-E00	UNIT ASSY IGNITION	UNIT ASSY IGNITION	1	
	3051A	3051A-KHE7-900	COIL ASSY IGNITION	COIL ASSY IGNITION	1	
#	30700	30700-KHE7-900	CAP ASSY NOISE SUPPR	CAP ASSY NOISE SUPPR	1	
	31600	31600-LBA7-900	REG REC COMP	REG REC COMP	1	
	3195A	3195A-LBA7-E00	HAZARD CONTROL ASSY	HAZARD CONTROL ASSY	1	
	32100	32100-LCA5-E00	HARNESS WIRE	HARNESS WIRE	1	
#	32101	32101-LLB1-MX0	SUB CORD	SUB CORD	1	
	32161	32161-LBA7-900	BAND WIRE	BAND WIRE	1	
	32411	32411-LCA5-E00	CABLE BAT	CABLE BAT	1	
#	35010	35010-LCA5-90A	KEY SET (D206)	KEY SET (D206)	1	
	35010A	35010-LCA5-E0A	KEY SET	KEY SET	1	
	35850	35850-KHB4-90A	SET START MAG (D402)	SET START MAG (D402)	1	
	35850	35850-KHB4-90B	SET START MAG (D406)	SET START MAG (D406)	1	
	38110	38110-KHB4-E0A	HORN COMP (D405)	HORN COMP (D405)	1	
	38110	38110-KHB4-E0B	HORN COMP (D203)	HORN COMP (D203)	1	
	38110	38110-KHB4-E0C	HORN COMP	HORN COMP	1	
	38200	38200-KEBE-900	BOX COMP FUSE	BOX COMP FUSE	1	
	38300	38300-KECE-900	RELAY ASSY WINKER	RELAY ASSY WINKER	1	
	3860A	3860A-LCA5-E01	CONTROL ASSY LIGHTING	CONTROL ASSY LIGHTING	1	
#	3900A	3900A-LBA7-900-421	CONTROL ASSY GEAR CHANGE (D421)	CONTROL ASSY GEAR CHANGE (D421)	1	

F21

Harness Wire

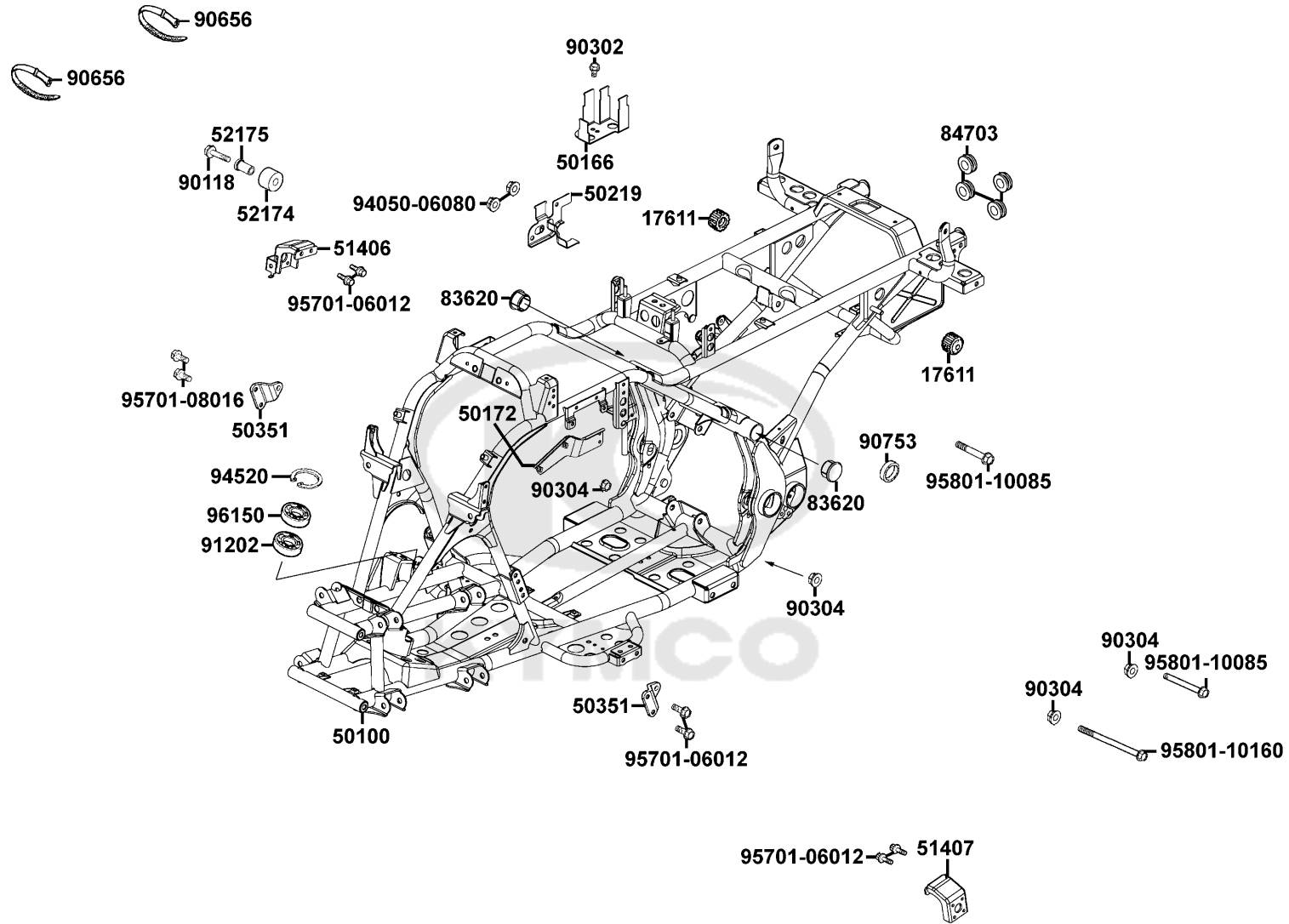


Sales mark	Ref no	Part no	Description	Reg description	Regd no	F21
#	3900A	3900A-LBA7-900-425	CONTROL ASSY GEAR CHANGE (D425)	CONTROL ASSY GEAR CHANGE (D425)	1	
	39100	39100-LBA7-E00	EMI FILTER FAN MOTOR	EMI FILTER FAN MOTOR	1	
	53600	53600-KKAK-E0A	LOCK STEERING HNDL	LOCK STEERING HNDL	1	
	90164	90164-0H28-900	SCREW FLAT U LOCK 6*12	SCREW FLAT U LOCK 6*12	2	
	94050	94050-06080	NUT FLANGE 6MM	NUT FLANGE 6MM	4	
#	95701	95701-08012-06	BOLT FLANGE 8*12	BOLT FLANGE 8*12	1	
#	96001	96001-06016-06	BOLT FLANGE SH 6X16	BOLT FLANGE SH 6*16	1	
	98200	98200-31000	BLADE FUSE 10A **(0) C.2005.03.01	BLADE FUSE 10A **(0) C.2005.03.01	1	
	98200A	98200-31500	FUSE A15	FUSE A15	2	
	98200B	98200-33000	BLADE FUSE 30A	BLADE FUSE 30A	1	



F22

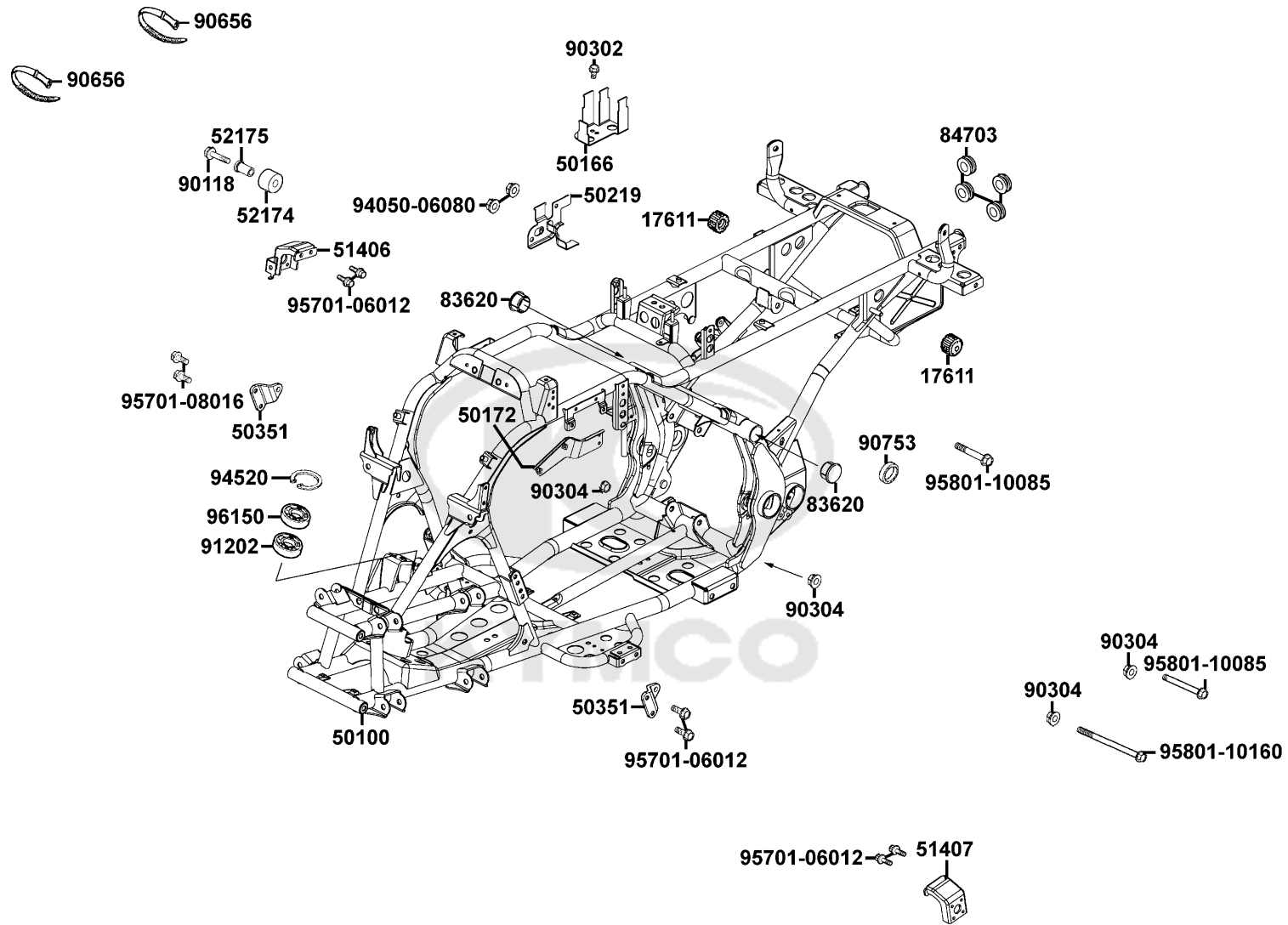
Frame Body



Sales mark	Ref no	Part no	Description	Reg description	Regd no	F22
	17611	17611-2F86-001	CUSHION FRONT FUEL TANK	CUSHION FRONT FUEL TANK	2	
	50100	50100-LCA5-E00	BODY COMP FRAME	BODY COMP FRAME	1	
	50166	50166-LBA7-900	STAY START MAG SW	STAY START MAG SW	1	
	50172	50172-LBA7-900	STAY CATCH TANK	STAY CATCH TANK	1	
	50219	50219-LCA5-E00	STAY WINKER RELAY	STAY WINKER RELAY	1	
	50351	50351-LBA7-900	BRKT ENG HANGER	BRKT ENG HANGER	2	
	51406	51406-LCA5-E00	RH STAY FR CARRIER	RH STAY FR CARRIER	1	
	51407	51407-LCA5-E00	STAY L FR FENDER	STAY L FR FENDER	1	
	52174	52174-LBA7-900	RUBBER CHAIN DRIVE	RUBBER CHAIN DRIVE	1	
	52175	52175-LBA7-900	COLLAR CHAIN RUBBER	COLLAR CHAIN RUBBER	1	
	83620	83620-LBA7-900	CAP PIPE	CAP PIPE	2	
	84703	84703-LLB1-900	RUBBER TAIL LIGHT	RUBBER TAIL LIGHT	4	
#	90118	90118-PVA2-900	BOLT FLANGE 8*38	BOLT FLANGE 8*38	1	
	90302	90302-LLB1-E00	BOLT-WASHER 5*12	BOLT-WASHER 5*12	1	
	90304	90304-GLW0-90A	NUT U FLANGE 10MM	NUT U FLANGE 10MM	4	
#	90656	90656-KCBC-900	BAND OIL HANDLE 8X146	BAND OIL HANDLE 8X146	2	
	90753	90753-GDB4-68A	OIL SEAL 27*40*6	OIL SEAL 27*40*6	1	
	91202	91202-LLB1-900	OIL SEAL 22*35*7	OIL SEAL 22*35*7	1	
	94050	94050-06080	NUT FLANGE 6MM	NUT FLANGE 6MM	2	
	94520	94520-40000	CIR CLIP IN 40	CIR CLIP IN 40	1	

F22

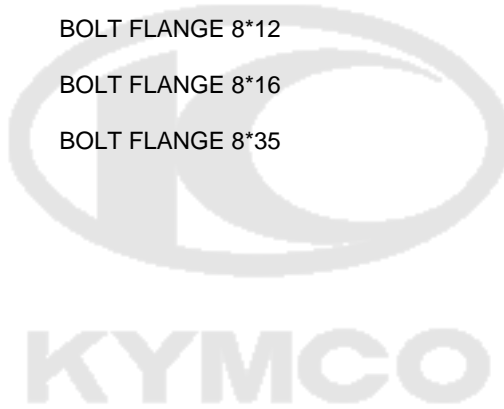
Frame Body



Sales mark	Ref no	Part no	Description	Reg description	Regd no	F22
#	95701-06012	95701-06012-06	BOLT FLANGE 6*12 **07 C.2005.07.01	BOLT FLANGE 6*12 **07 C.2005.07.01	6	
	95701-08016	95701-08016-06	BOLT FLANGE 8*16	BOLT FLANGE 8*16	2	
	95801-10085	95801-10085-06	BOLT FLANGE 10*85	BOLT FLANGE 10*85	2	
	95801-10160	95801-10160-06	BOLT FLANGE 10*160	BOLT FLANGE 10*160	1	
	96150	96150-62030-10	BEARING BALL RADIAL 6203	BEARING BALL RADIAL 6203	1	

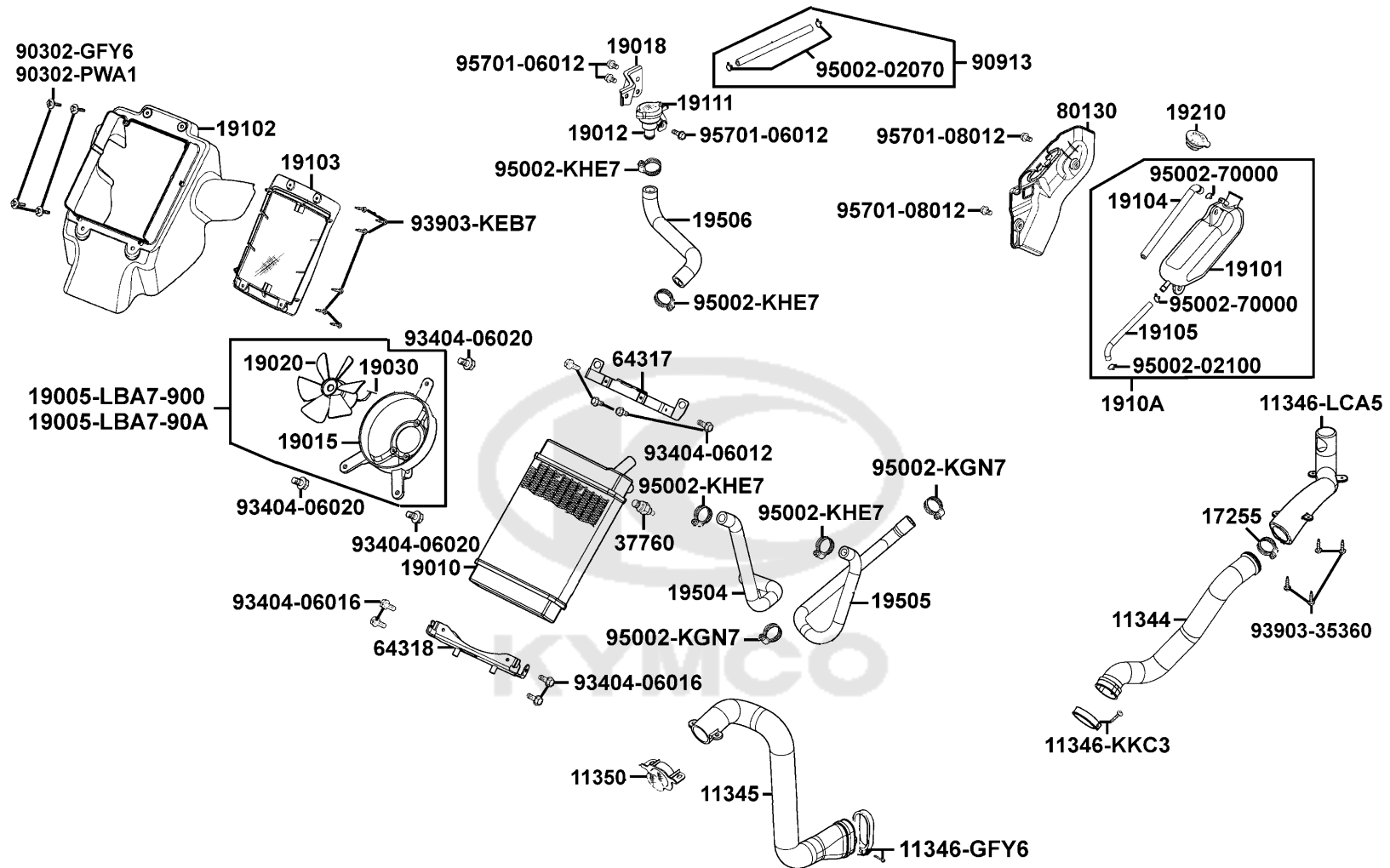


Sales mark	Ref no	Part no	Description	Reg description	Regd no	F23
	50614	50614-LCA5-E00	STAY R FLOOR PANEL	STAY R FLOOR PANEL	1	
	50615	50615-LCA5-E00	STAY L FLOOR PANEL	STAY L FLOOR PANEL	1	
**	77330	77330-LCA5-E00	REAR CARRIER LUGGAGE	REAR CARRIER LUGGAGE	1	
**	77430	77430-LCA5-E00	FRONT CARRIER LUGGAGE	FRONT CARRIER LUGGAGE	1	
	81202	81202-LCA5-E00	STAY NUMBER PLATE	STAY NUMBER PLATE	1	
**	85100	85100-LCA5-E00	PIPE COMP FR BUMPER	PIPE COMP FR BUMPER	1	
	94050	94050-08080	NUT FLANGE 8MM	NUT FLANGE 8MM	2	
#	95701-08012	95701-08012-06	BOLT FLANGE 8*12	BOLT FLANGE 8*12	1	
	95701-08016	95701-08016-06	BOLT FLANGE 8*16	BOLT FLANGE 8*16	12	
	95801	95801-08035-06	BOLT FLANGE 8*35	BOLT FLANGE 8*35	2	



F24

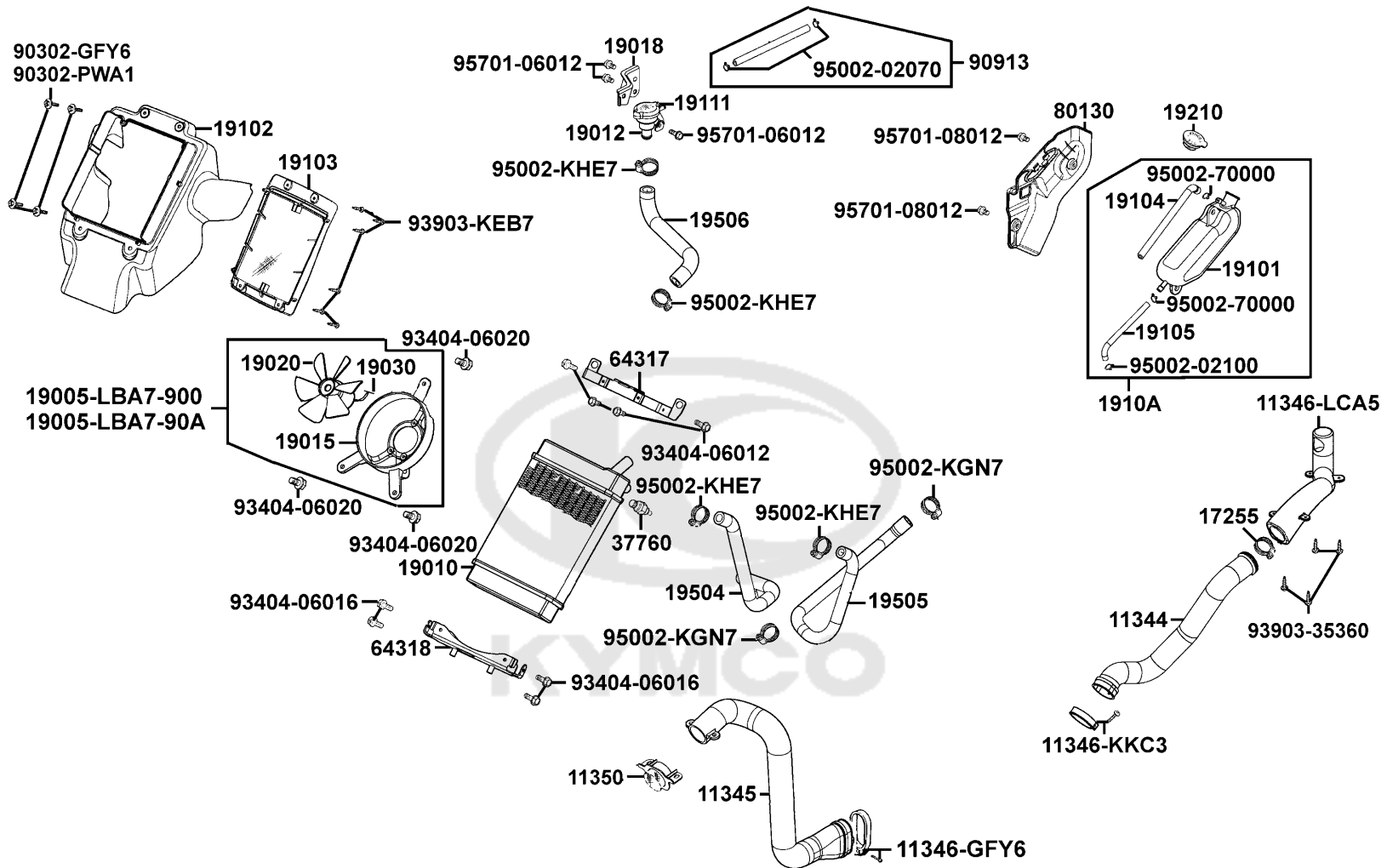
Radiator



Sales mark	Ref no	Part no	Description	Reg description	Regd no	F24
	11344	11344-LCA5-E00	DUCT B L COVER	DUCT B L COVER	1	
	11345	11345-LCA5-E00	DUCT A L COVER	DUCT A L COVER	1	
	11346-GFY6	11346-GFY6-901	BAND L COVER DUCT	BAND L COVER DUCT	1	
	11346-KKC3	11346-KKC3-900	BAND L COVER DUCT	BAND L COVER DUCT	1	
	11346-LCA5	11346-LCA5-E00	DUCT C L COVER	DUCT C L COVER	1	
	11350	11350-LCA5-E00	ELEMENT DUCT A L COVER	ELEMENT DUCT A L COVER	1	
	17255	17255-LCA5-E00	BAND A CONNECTING TUBE	BAND A CONNECTING TUBE	1	
	19005-LBA7-900	19005-LBA7-900	SHROUD ASSY	SHROUD ASSY	1	
	19005-LBA7-90A	19005-LBA7-90A	SHROUD ASSY	SHROUD ASSY	1	
	19010	19010-LBA7-900	RADIATOR COMP	RADIATOR COMP	1	
	19012	19012-KHD8-900	UNIT RADIATOR	UNIT RADIATOR	1	
	19015	19015-KKC4-900	SHROUD COMP	SHROUD COMP	1	
	19018	19018-LBA7-900	STAY UNIT RADIATOR	STAY UNIT RADIATOR	1	
	19020	19020-KHD8-900	FAN COOLING	FAN COOLING	1	
	19030	19030-LBA7-900	MOTOR ASSY FAN	MOTOR ASSY FAN	1	
	19101	19101-LBA7-900	TANK RESERVE	TANK RESERVE	1	
# **	19102	19102-LCA5-E01	DUCT DOOLING AIR	DUCT DOOLING AIR	1	
	19103	19103-LBA7-900	GRID RADIATOR	GRID RADIATOR	1	
	19104	19104-LBA7-900	HOSE ASSY DRAIN	HOSE ASSY DRAIN	1	
	19105	19105-LCA5-E00	HOSE ASSY RESERVE TANK-PRESSURE	HOSE ASSY RESERVE TANK-PRESSURE	1	

F24

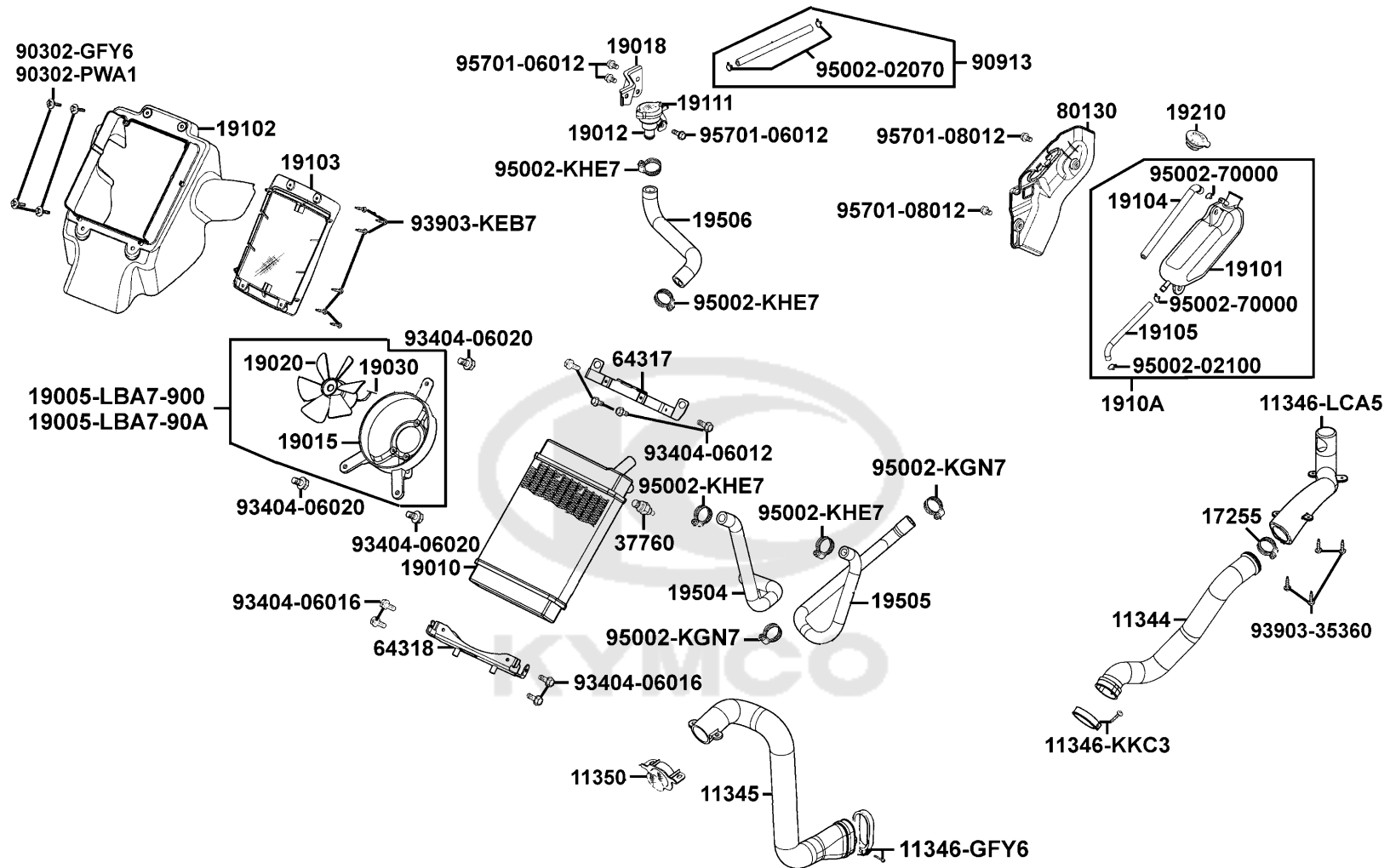
Radiator



Sales mark	Ref no	Part no	Description	Reg description	Regd no	F24
	1910A	1910A-LCA5-E00	TANK ASSY RESERVE	TANK ASSY RESERVE	1	
	19111	19111-GBE2-004	CAP COMP	CAP COMP	1	
	19210	19210-KKC4-900	CAP RESERVE TANK	CAP RESERVE TANK	1	
	19504	19504-LBA7-900	HOSE WATER D RADIATOR-ENG	HOSE WATER D RADIATOR-ENG	1	
	19505	19505-LBA7-900	HOSE WATER F ENG-RADIATOR	HOSE WATER F ENG-RADIATOR	1	
	19506	19506-LBA7-900	HOSE WATER G RADIATOR-PRESSURE	HOSE WATER G RADIATOR-PRESSURE	1	
	37760	37760-KHD8-900	SW ASSY THERMO	SW ASSY THERMO	1	
	64317	64317-LBA7-900	STAY RADIATOR UP	STAY RADIATOR UP	1	
	64318	64318-LBA7-900	STAY RADIATOR BOTTOM	STAY RADIATOR BOTTOM	1	
#	80130	80130-LBA7-910	PROTECTOR MASTER CYLINDER	PROTECTOR MASTER CYLINDER	1	
	90302-GFY6	90302-GFY6-901	BOLT WASH 5*12 **(1) C.V.	BOLT WASH 5*12 **(1) C.V.	4	
#	90302-PWA1	90302-PWA1-900	BOLT-WASH 5*16	BOLT-WASH 5*16	4	
	90913	90913-LBA7-900	TUBE ASSY WATER PUMP-PRESSURE	TUBE ASSY WATER PUMP-PRESSURE VALVE	1	
#	93404-06012	93404-06012-06	BOLT WASHER 6X12	BOLT WASHER 6X12	1	
	93404-06016	93404-06016-06	BOLT WASHER 6*16	BOLT WASHER 6*16	4	
	93404-06020	93404-06020-06	BOLT WASHER 6*20 (G)	BOLT WASHER 6*20 (G)	3	
	93903-35360	93903-35360	SCREW TAPPING 5*16	SCREW TAPPING 5*16	4	
	93903-KEB7	93903-KEB7-900-06	SCREW WASHER 4*12 (G)	SCREW WASHER 4*12 (G)	6	
	95002-02070	95002-02070	CLIP B7 TUBE	CLIP B7 TUBE	2	
	95002-02100	95002-02100	CLIP B15 TUBE	CLIP B15 TUBE	1	

F24

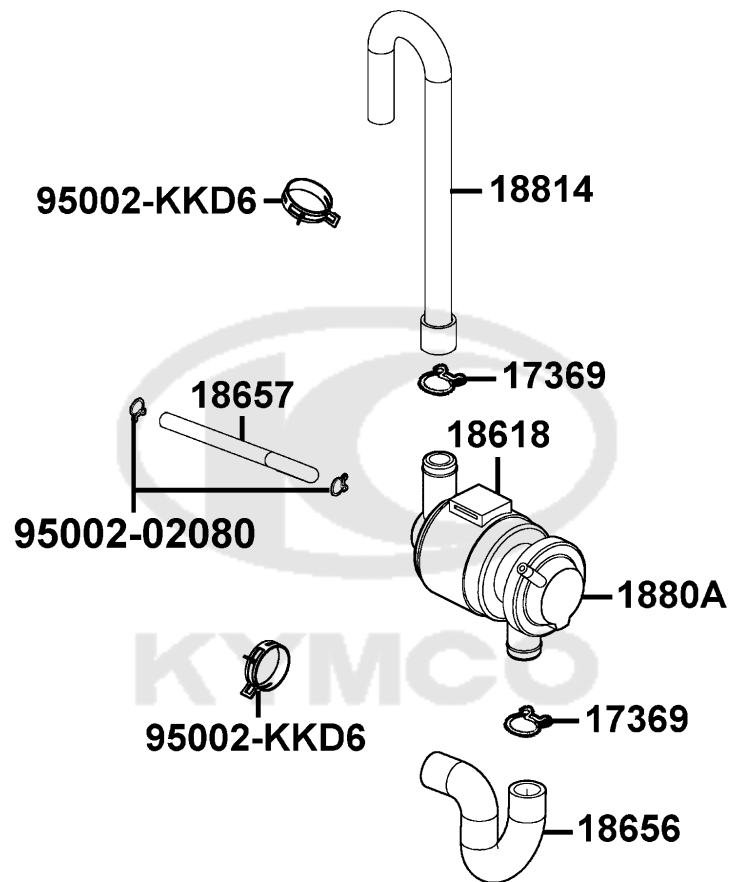
Radiator



Sales mark	Ref no	Part no	Description	Reg description	Regd no	F24
------------	--------	---------	-------------	-----------------	---------	------------

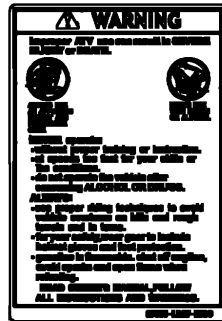
	95002-70000	95002-70000	CLIP C11 TUBE	CLIP C11 TUBE	2	
	95002-KGN7	95002-KGN7-910	CLIP TUBE	CLIP TUBE	2	
	95002-KHE7	95002-KHE7-900	CLIP WATER HOSE	CLIP WATER HOSE	4	
#	95701-06012	95701-06012-06	BOLT FLANGE 6*12 **07 C.2005.07.01	BOLT FLANGE 6*12 **07 C.2005.07.01	1	
#	95701-08012	95701-08012-06	BOLT FLANGE 8*12	BOLT FLANGE 8*12	1	



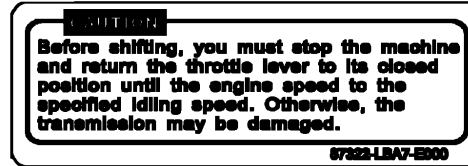


Sales mark	Ref no	Part no	Description	Reg description	Regd no	F25
	17369	17369-KDB4-671	CLIP BREATHER TUBE	CLIP BREATHER TUBE	2	
	18618	18618-LLF5-90A	RUBBER AICV MOUNT	RUBBER AICV MOUNT	1	
	18656	18656-LBA7-E00	DUCT AICV-REED VALVE	DUCT AICV-REED VALVE	1	
	18657	18657-LBA7-E00	TUBE ASSY VACUUM	TUBE ASSY VACUUM	1	
	1880A	1880A-LBA7-E0A	AI/C-AICV ASSY	AI/C-AICV ASSY	1	
	18814	18814-LCA5-E00	DUCT AIR-AICV	DUCT AIR-AICV	1	
#	95002-02080	95002-02080	CLIP B8 TUBE	CLIP B8 TUBE	2	
	95002-KKD6	95002-KKD6-E05	CLAMP D18 TUBE	CLAMP D18 TUBE	2	

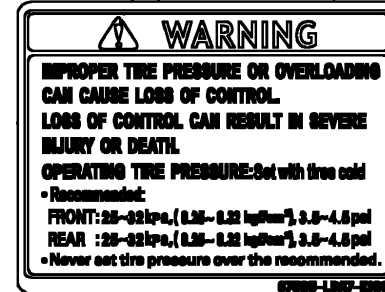




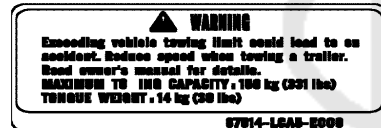
87515



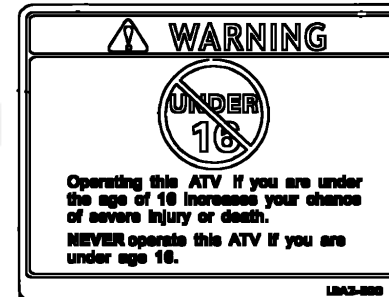
87322



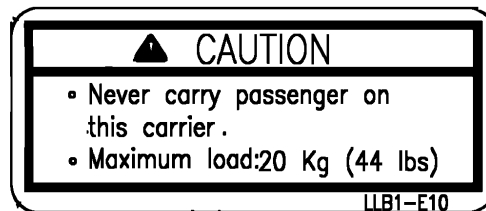
87505



87514



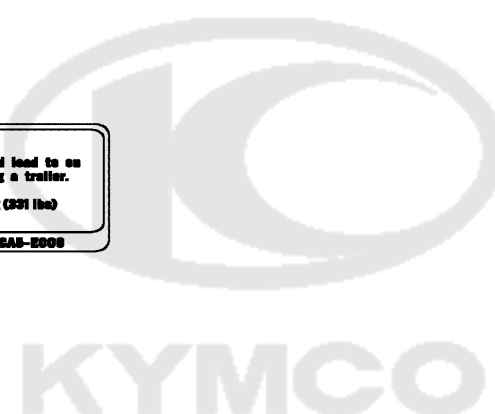
87517



87556-LLB1

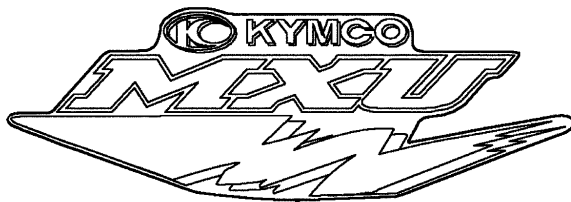


87556-LCA5

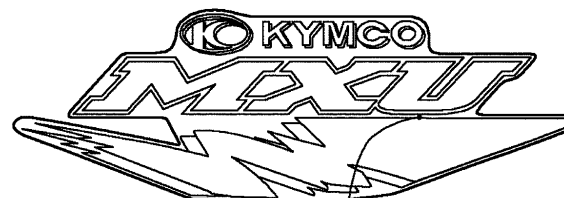


Sales mark	Ref no	Part no	Description	Reg description	Regd no	F26
**	87322	87322-LBA7-E00	CAUTION SHIFIT GEARS	CAUTION SHIFIT GEARS	1	
**	87505	87505-LBA7-E01	LABEL TIRE ON ROAD	LABEL TIRE ON ROAD	1	
**	87514	87514-LCA5-E00	CAUTION MAXIMUM CAPACITY	CAUTION MAXIMUM CAPACITY	1	
**	87515	87515-LBA7-E01	CAUTION LIST ON ROAD	CAUTION LIST ON ROAD	1	
**	87517	87517-LBA7-E00	CAUTION DRIVE AGE	CAUTION DRIVE AGE	1	
**	87556-LCA5	87556-LCA5-E00	CAUTION CARRIER MAX LOAD (30KG)	CAUTION CARRIER MAX LOAD (30KG)	1	
**	87556-LLB1	87556-LLB1-E01	CAUTION DRIVE AGE	CAUTION DRIVE AGE	1	





86533



86523



87532-LBE8



86102



87532-LCA5



86623



86633

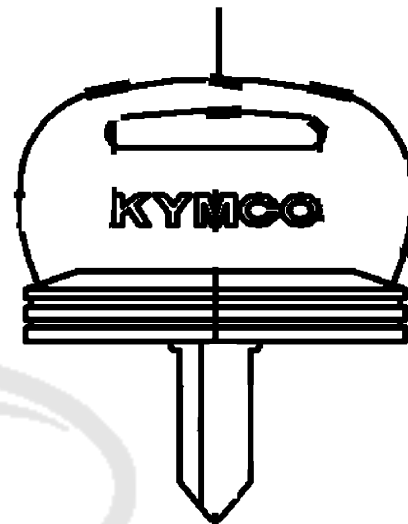
Sales mark	Ref no	Part no	Description	Reg description	Regd no	F27
**	86102	86102-LCA5-900	STRIPE K-LOGO 30MM	STRIPE K-LOGO 30MM	1	
**	86523	86523-LCA5-E61	STRIPE R FR FENDER	STRIPE R FR FENDER	1	
**	86533	86533-LCA5-E61	STRIPE L FR FENDER	STRIPE L FR FENDER	1	
**	86623	86623-LCA5-E61	STRIPE R RR FENDER	STRIPE R RR FENDER	1	
**	86633	86633-LCA5-E61	STRIPE L SIDE COVER/250 **(0) C.	STRIPE L SIDE COVER/250 **(0) C.	1	
**	87532-LBE8	87532-LBE8-900	STRIPE KYMCO	STRIPE KYMCO	1	
**	87532-LCA5	87532-LCA5-900	STRIPE K-LOGO 60MM	STRIPE K-LOGO 60MM	1	



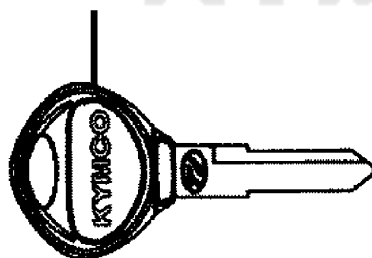
35111



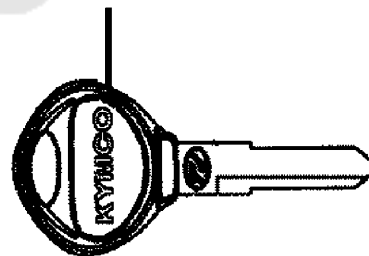
35111A



35111B



35111C



Sales mark	Ref no	Part no	Description	Reg description	Regd no	F28
------------	--------	---------	-------------	-----------------	---------	------------

35111		35111-LCA5-325-M1	KEY COMP(FOR SERVICE)	KEY COMP(FOR SERVICE)	1	
35111A		35111-LCA5-326-M1	KEY COMP(FOR SERVICE)	KEY COMP(FOR SERVICE)	1	
35111B		35111-LLB1-327-M1	KEY COMP (FOR SERVICE)	KEY COMP (FOR SERVICE)	1	
35111C		35111-LLB1-328-M1	KEY COMP (FOR SERVICE)	KEY COMP (FOR SERVICE)	1	



PART NO. INDEX

PART NO.	VERSION	PAGE	PART NO.	VERSION	PAGE	PART NO.	VERSION	PAGE
1000			11221-LBA7-900	1	E07	12000		
1010-43FH-9900	0	E08	11330-LBA7-900	9	E04	12100-KHE7-900	9	E03
1012-382H-0140	0	E08	11341-LBA7-900	7	E01	12191-KHE7-910	2	E03
1014-840-2000	0	E08	11344-LCA5-E00	1	F24	12200-KHE7-900	3	E02
1020-54D0-9900	0	E08	11345-LCA5-E00	2	F24	12205-KHE8-301	5	E02
1031-KN4H-6511	0	E08	11346-GFY6-901	0	F24	12209-GDB4-68B	0	E02
103J-061H-9901	0	E08	11346-KKC3-900	0	F24	1221A-LBA7-900	3	E02
1051-KCSH-9200	0	E08	11346-LCA5-E00	3	F24	12251-KHE7-901	3	E02
105J-092H-9911	0	E08	11347-LBA7-900	5	E05	12310-KHE7-900	3	E02
106B-KPS0-0003	0	E08	11348-LCA5-E00	6	E01	12361-GFY6-901	1	E04
1113-HB7H-6710	0	E08	11350-LCA5-E00	1	F24	12391-KHE7-900	0	E02
120A-106H-9901	0	E08	11394-LBA7-900	5	E04	12431-LBA7-E00	4	E05
1230-846-2000	0	E08	11395-LBA7-900	2	E01			
1300-KG8H-9010	0	E08	11700-LCA5-E00	7	E01	13000		
1300-KG8H-Q010	0	E08	11700-LDE9-E00	0	E01	1300A-PWA1-305	3	E03
1305-491H-9901	0	E08	11701-LDE9-E00	1	E01	13011-KHE7-900	0	E03
1782-013H-9900	0	E08	11702-LCA5-E00	1	E01	13101-KHE7-900	6	E03
1795-KG8H-9011-3	0	E08	11703-LCA5-E00	4	E01	13111-KHE7-900	2	E03
11000			11704-LCA5-E00	1	E01	13417-LBA7-900	3	E03
11100-LBA7-900	4	E01	11705-LCA5-E00	3	E01	13421-LBA7-900	4	E03
11192-LBA7-900	5	E01	11706-LCA5-E00	1	E01	13422-LBA7-900	4	E03
11200-LBA7-900	7	E01	11707-LCA5-E00	1	E01			
			11708-LCA5-E00	1	E01			
			1171A-LCA5-E00	4	E01			

PART NO. INDEX

PART NO.	VERSION	PAGE	PART NO.	VERSION	PAGE	PART NO.	VERSION	PAGE
14000			15000			16950-LBA7-910	2	F10
14100-LCA5-E00	3	E02	15100-LBA7-900	1	E06	16951-LBA7-900	3	F10
14150-LBA7-900	1	E02	15133-KAM1-001	1	E06	16952-LLB1-900	1	F10
14311-KHE7-900	1	E03	15134-KHE7-900	1	E03	17000		
14401-KHE7-90A	0	E03	15141-KKJ9-004	0	E06	1711A-LBA7-E00	1	E02
14401-KHE7-90B	0	E03	15421-1G07-001	1	E04	17214-LBA7-900	3	F13
14431-KHE7-900	0	E02	15426-GAE1-921	0	E04	1721A-LBA7-900	3	F13
14450-KEBE-900	1	E02	15441-1K49-001	0	E03	17231-LBA7-900	5	F13
14461-KHE7-900	0	E02	15447-1K49-001	1	E03	17237-KED9-900	3	F13
14510-KHE7-900	0	E03	1565A-KKAK-900	0	E04	1723A-LBA7-900	4	F13
14520-GFY6-90C	2	E03	15661-LBA7-900	1	E04	17246-LBA7-900	2	F13
14523-KED9-920	1	E03	15711-KHE7-900	0	E06	17255-KKAK-900	0	F13
14531-KHE7-900	1	E03				17255-LCA5-E00	0	F24
14610-KHE7-900	0	E03	16000			17257-LBA7-900	4	F13
14711-KHE7-900	0	E02				17265-LBA7-900	1	F13
14721-KHE7-900	1	E02	16075-KG8-9010-M1	0	E08	17369-KDB4-671	1	F13
14751-KHE7-900	0	E02	16075-PC3-7810-M1	0	E08	17369-KDB4-671	1	F25
14761-KHE7-900	0	E02	16076-ND5-0040	0	E08	17369-KHC4-900	0	F13
14771-GDB4-680	0	E02	1610K-LBA7-900	1	E08	17371-1D74-671	0	F13
14775-MFA6-001	0	E02	16115-169-0040	0	E08	17500-LCA5-E00	0	F10
14781-MFA6-001	0	E02	16119-MZ2-6000-K2	0	E08	17500-LCA5-E01	1	F10
			16162-KG8-9010-M1	0	E08	1760A-LBA7-900	2	F10
			1691A-GFY6-90A	4	F10	17611-2F86-001	0	F22
			1691A-GFY6-90B	3	F10	1763A-LCA5-MY0	1	F10

PART NO. INDEX

PART NO.	VERSION	PAGE	PART NO.	VERSION	PAGE	PART NO.	VERSION	PAGE
17700-LCA5-E00	3	F05	18658-KED9-900	2	F13	19231-KKJ9-011	0	E04
17705-LCA5-E00	1	F05	1880A-LBA7-E0A	3	F25	19300-KAE1-004	1	E02
17720-LBA7-900	1	F05	18814-LCA5-E00	1	F25	19310-KHE7-900	2	E02
17910-LBA7-900	4	F03				19315-LBA7-900	1	E02
17950-LCA5-E00	2	F03	19000			19502-LBA7-900	3	E04
17957-LBA7-900	1	F10				19504-LBA7-900	2	F24
			19005-LBA7-900	6	F24	19505-LBA7-900	2	F24
18000			19005-LBA7-90A	1	F24	19506-LBA7-900	1	F24
			19010-LBA7-900	2	F24	19507-LDB5-E00	1	E04
18291-LBA7-900	2	F14	19012-KHD8-900	4	F24			
18293-LBA7-E00	1	F14	19015-KKC4-900	2	F24	21000		
18294-KTCT-900	1	F14	19018-LBA7-900	1	F24			
18294-LBA7-E00	0	F14	19020-KHD8-900	0	F24	21201-LCA5-E00	2	E07
1830A-LCA5-E00	4	F14	19030-LBA7-900	2	F24	21395-LBA7-900	2	E07
18325-LLB1-900	1	F14	19101-LBA7-900	4	F24			
18424-LBA7-E00	1	F14	19102-LCA5-E01	1	F24	22000		
18601-MAJ1-791	1	E02	19103-LBA7-900	1	F24			
18612-GFY6-941	0	E02	19104-LBA7-900	3	F24	22101-LBA7-900	1	E05
18618-LLF5-90A	2	F25	19105-LCA5-E00	1	F24	22102-KHE7-900	3	E05
18645-GFY6-941	0	E02	1910A-LCA5-E00	1	F24	22105-LBA7-900	2	E05
18646-GFY6-941	0	E02	19111-GBE2-004	1	F24	22110-KHE7-900	6	E05
18647-KHE7-900	1	E02	19210-KKC4-900	0	F24	22112-KHE7-900	1	E05
18656-LBA7-900	3	F13	19215-KHE7-900	0	E04	22121-LBA7-305	0	E05
18656-LBA7-E00	2	F25	19217-ZPA3-E00	2	E04	22131-LBA7-900	1	E05
18657-LBA7-900	6	F13	19221-KHE7-900	3	E04	22132-KHE7-305	3	E05
18657-LBA7-E00	2	F25	19229-LBA7-900	2	E04	22300-LBA7-900	5	E05

PART NO. INDEX

PART NO.	VERSION	PAGE	PART NO.	VERSION	PAGE	PART NO.	VERSION	PAGE
22350-KHE7-900	1	E05	23473-LBA7-900	0	E07	28102-KHE7-900	0	E06
22361-LEA7-E00	1	E05	23481-LBA7-900	6	E07	28110-KHE7-900	4	E06
22401-LBA7-900	4	E05	23801-LBA7-900	2	E07	28110-LDB2-E00	4	E06
22530-LBA7-900	3	E05	23803-LBA7-900	1	E07	28120-KHE7-E00	0	E06
22804-GBB2-001	0	E05	23811-LBA7-900	2	E07	28120-LDB2-E00	0	E06
23000			24000			28213-LCA5-E00	3	E05
2301A-LBA7-900	8	E05	24221-LBA7-900	2	E07	30000		
23100-KHE7-90B	3	E05	24221-PTA3-E00	1	E07	30400-LCA5-E00	2	F21
23200-KHE7-900	7	E05	24241-KGB4-C00	0	E07	3051A-KHE7-900	2	F21
23211-LCA5-E00	1	E07	2431A-LBA7-900	3	E07	30700-KHE7-900	2	F21
23220-LLJ3-E00	5	E05	24610-LLB1-900	4	E07	31000		
23225-KHE7-900	0	E05	24701-LBA7-900	2	E07	31110-LBA7-90A	5	E06
23226-GHC8-004	0	E05	24702-LCA5-E00	2	E07	31110-LBA7-90B	1	E06
23233-LBA7-900	2	E05	24703-LLB1-900	1	E07	31120-LBA7-90A	6	E06
23237-KHE7-900	0	E05	24704-LBA7-900	4	E07	31120-LBA7-90B	1	E06
23238-KHE7-900	0	E05	24707-LBA7-900	6	E07	31210-LBA7-900	2	E06
23411-LBA7-900	5	E07	24710-LCA5-E00	3	E07	31210-LBA7-90B	1	E06
23411-PTA3-E00	2	E07	24711-LCA5-E00	1	E07	31500-KHE7-90A	6	F11
23420-LBA7-900	1	E07	24720-LBA7-900	3	E07	31500-KHE7-90B	6	F11
23431-LCA5-E00	1	E07	24781-LCA5-E00	3	E07	31600-LBA7-900	6	F21
23441-LBA7-900	4	E07	28000			3195A-LBA7-E00	1	F21
23441-PTA3-E00	1	E07						
23451-LBA7-900	3	E07						
23472-LBA7-900	3	E07	28101-KHE7-900	0	E06			

PART NO. INDEX

PART NO.	VERSION	PAGE	PART NO.	VERSION	PAGE	PART NO.	VERSION	PAGE
32000			33700-LCA5-E00	5	F20	35000		
32100-LCA5-E00	6	F21	33701-LCA5-E00	0	F20	35010-LCA5-90A	2	F21
32101-LLB1-MX0	2	F21	33706-GCN3-67A	0	F20	35010-LCA5-E0A	2	F21
32161-4D04-001	2	F03	33709-KBAB-003	0	F20	35111-LCA5-325-M1	0	F28
32161-LBA7-900	0	F21	33710-LCA5-E00	0	F20	35111-LCA5-326-M1	0	F28
32410-LBA7-900	2	E06	33715-LCA5-E00	0	F20	35111-LLB1-327-M1	0	F28
32410-LBA7-90B	0	E06	33720-LCA5-E00	2	F20	35111-LLB1-328-M1	0	F28
32411-LCA5-E00	2	F21	33722-KHB4-E00	0	F20	3520A-LCA5-E00	3	F03
32412-LCA5-E00	2	E06	33725-KHB4-E00	0	F20	35340-LBA7-900	1	F04
32976-1G07-001	1	E01	33726-LCA5-E00	0	F20	35350-KNBN-901	0	F04
33000			33740-LCA5-E00	1	F20	35350-LBA7-900	6	F15
33100-LCA5-E00	5	F01	33745-LCA5-E00	1	F20	35357-LBA7-900	1	F15
33110-LCA5-E00	0	F01	33750-LCA5-E00	5	F20	35759-LBA7-900	8	E01
33120-LCA5-E00	0	F01	33751-LCA5-E00	0	F20	35850-KHB4-90A	5	F21
33130-LCA5-E00	0	F01	34000			35850-KHB4-90B	4	F21
33150-LCA5-E00	5	F01	34901-KFA6-900	0	F01	37000		
33400-LCA5-E00	2	F19	34903-KPCP-900	0	F01	37200-LCA5-E0A	3	F02
33401-LCA5-E00	0	F19	34903-KPCP-900	0	F20	37720-KGB5-900	0	E02
33406-LCA5-E00	0	F19	34905-LBA7-E00	0	F19	37750-PAC1-005	0	E02
33450-LCA5-E00	2	F19	34905-LCA5-900	0	F20	37760-KHD8-900	1	F24
33451-LCA5-E00	0	F19	34905-LCA5-E00	0	F20	37801-GGA7-701	1	F10
33456-LCA5-E00	0	F19	34906-KPCP-900	0	F20	37801-LAB4-910	1	F10

PART NO. INDEX

PART NO.	VERSION	PAGE	PART NO.	VERSION	PAGE	PART NO.	VERSION	PAGE
37802-KEC8-900	0	F10				43125-LBA7-E00	4	F04
3780A-LCA5-E00	0	F10	41000			43127-LBA7-E00	4	F04
3780A-LCA5-E01	1	F10				43128-LBA7-900	1	F04
38000			41201-LBA7-900	3	F08	43140-LEC1-E00	0	F08
			41211-LBA7-900	4	F08	43143-LEC1-E00	0	F08
			41211-LDF3-E00	3	F08	43146-LEC1-E00	0	F08
38110-KHB4-E0A	2	F21	41211-LKC2-E00	1	F08	43147-LEC1-E00	0	F08
38110-KHB4-E0B	3	F21				43350-LBA7-900	0	F08
38110-KHB4-E0C	1	F21	42000			43350-LDF3-E00	2	F08
38200-KEBE-900	0	F21				43350-LKC2-E00	1	F08
38300-KECE-900	3	F21	42302-LCA5-E00	4	F08	43351-LBA7-900	4	F08
3860A-LCA5-E01	3	F21	42610-LBA7-900	7	F08	43352-5H68-004	3	F08
39000			42610-LKC2-E00	1	F08	43353-4A61-77A	0	F08
			42705-LCA5-E00	4	F08	43353-LBA7-900	3	F08
			4270A-LCA5-E00	4	F08	4335A-LBA7-900	5	F08
3900A-LBA7-900-421	2	F21	42710-LCA5-E0A	2	F08	4335B-LEC1-E00	1	F08
3900A-LBA7-900-425	2	F21	42710-LCA5-E0B	1	F08	43450-LEC1-E00	5	F04
39100-LBA7-E00	1	F21	42753-KNBN-90B	1	F07	43500-LBA7-E00	1	F15
40000			42753-KNBN-90B	1	F08	43503-KGC4-E01	2	F15
			43000			43512-LBA7-M30	0	F15
						43514-4E45-77A	0	F15
40510-LBA7-E00	4	E07				4351A-KFW6-000	0	F15
40527-LBA7-600	1	F18	43100-LCA5-E00	3	F08	43530-KKC4-305	1	F04
4052A-LCA5-E01	1	F18	43100-LEC1-E00	4	F08	43600-LBA7-E00	3	F15
40530-LCA5-E00	0	E07	43110-LBA7-900	0	F08			
			43110-LEC1-E00	0	F08			

PART NO. INDEX

PART NO.	VERSION	PAGE	PART NO.	VERSION	PAGE	PART NO.	VERSION	PAGE	
44000			45109-KFA6-900	0	F07	45209-KFA6-900	0	F08	
			45109-KKC4-900	0	F08	45210-LBA7-305	0	F07	
			45109-LEC1-E00	0	F08	45230-LBA7-900	0	F07	
	44311-LBA7-900	1	F07	45110-LBA7-305	0	F07	45232-LEC1-E00	0	F08
	44312-LBA7-900	1	F07	45115-KKC4-900	0	F08	45352-LBA7-900	0	F07
	44313-LBA7-900	1	F07	45116-LEC1-E00	0	F08	45353-LBA7-900	0	F07
	44620-LBA7-900	3	F16	45117-LEC1-E00	0	F08	45513-HBA2-007	0	F15
	44620-LBA7-900	3	F17	45121-PRB3-900	4	F07	45513-KKC4-900	0	F04
	44705-LCA5-E00	3	F07	45125-LBA7-E00	4	F04	45517-KFAF-910	0	F04
	4470A-LCA5-E00	4	F07	45127-LBA7-900	4	F04	45517-LDE9-E00	0	F04
	44710-LCA5-E0A	2	F07	45128-LCA5-E00	3	F04	45520-KKC4-900	0	F04
	44710-LCA5-E0B	1	F07	45129-LCA5-E00	3	F04	45525-LBA7-900	0	F04
	44830-LBA7-E00	5	F02	45130-LBA7-E00	3	F04	45526-LBA7-900	0	F04
	44831-LBA7-E00	0	F02	45131-PRB3-900	4	F07	45527-LBA7-900	0	F04
45000			45132-LBA7-900	1	F04	45530-LBA7-305	0	F04	
			45133-LBA7-900	0	F07	45531-GAR1-951	0	F08	
			45133-LEC1-E00	0	F08	45531-LBA7-900	0	F07	
	45100-LBA7-900	5	F07	45140-LCA5-E00	3	F16	45531-LEC1-E00	0	F08
	45103-MGR7-007	0	F08	45140-LCA5-E00	3	F17			
	45105-LBA7-305	0	F07	45200-LBA7-900	5	F07	46000		
	45105-LCA5-305	0	F08	45203-KKC4-900	0	F08			
	45105-LEC1-305	0	F08	45203-LBA7-900	0	F07	46500-LCA5-E00	3	F15
	45107-KFA6-900	0	F07	45203-LEC1-E00	0	F08	46503-KCW3-001	0	F08
	45107-LEC1-E00	0	F08	45207-KKC4-900	0	F08	46504-MBB2-007	0	F15
	45108-LBA7-900	0	F07	45208-KKC4-900	0	F08	46513-KED9-900	1	F15
	45108-LEC1-E00	0	F08	45209-KFA6-900	0	F07			

PART NO. INDEX

PART NO.	VERSION	PAGE	PART NO.	VERSION	PAGE	PART NO.	VERSION	PAGE
47000			51407-LCA5-E00	2	F22	53178-KFC8-E10	0	F04
			52000			53190-LDE9-E00	0	F04
47400-LCA5-E00	2	F16				53192-LDE9-E00	0	F04
47410-LCA5-E00	2	F07	52000-LCA5-E00	4	F18	53193-LDE9-E00	0	F04
47410-LCA5-E00	2	F08	52000-LCA5-E01	1	F18	53194-LDE9-E00	0	F04
47500-LCA5-E00	2	F17	52101-LLB1-900	2	F18	53200-LBA7-E00	5	F06
			52108-KEE5-004	2	F18	53205-LCA5-E00	3	F03
50000			52108-KFW6-901	1	F15	53205-LCA5-EV0	1	F03
			52115-LCA5-E00	2	F18	53250-LBA7-900	2	F06
50100-LCA5-E00	9	F22	52144-LBA7-900	1	F18	53251-LCA5-E00	1	F06
50166-LBA7-900	3	F22	52171-LBA7-900	3	F15	53252-LBA7-900	4	F06
50172-LBA7-900	2	F22	52174-LBA7-900	3	F22	53254-LBA7-900	3	F06
50219-LCA5-E00	3	F22	52175-LBA7-900	2	F22	53400-LCA5-E00	5	F16
50306-LBA7-900	3	F08	52400-LCA5-E00	2	F18	53402-LLB1-900	2	F16
50307-LBA7-900	2	F08	52400-LCA5-E00	3	F18	53402-LLB1-900	2	F17
50328-LCA5-E00	1	F11				53450-LCA5-E00	5	F16
50351-LBA7-900	1	F22	53000			53500-LCA5-E00	5	F17
50614-LCA5-E00	6	F23				53550-LCA5-E00	5	F17
50615-LCA5-E00	6	F23	53100-LCA5-E00	3	F03	53600-KKAK-E0A	1	F21
			53102-LBA7-900	1	F03	53700-LCA5-E00	4	F06
51000			5312A-LBA7-900	7	F03	53701-LCA5-E00	1	F06
			53131-4K39-001	0	F03	53702-LBA7-900	1	E07
51400-LCA5-E00	2	F16	53132-LLB1-900	6	F03	53702-LLB1-900	8	F06
51400-LCA5-E00	2	F17	53166-KEC5-001	2	F03	53703-LBA7-900	1	E07
51406-LCA5-E00	4	F22	53175-LBA7-305	0	F04	53703-LLB1-900	8	F06
						53705-LLB1-900	3	F06

PART NO. INDEX

PART NO.	VERSION	PAGE	PART NO.	VERSION	PAGE	PART NO.	VERSION	PAGE
			77330-LCA5-E00	7	F23			
			77430-LCA5-E00	4	F23			
			80000			84000		
60100-LCA5-E00	7	F05				84703-LLB1-900	1	F22
60120-LCA5-E00	5	F05						
			81000			85000		
			80100-LCA5-E00	8	F12			
			80110-LBA7-900	1	F12			
			80121-LCA5-E01	1	F12	85100-LCA5-E00	4	F23
61104-3G57-001	0	F10	80122-LCA5-E01	1	F12			
			80125-LBD4-900	1	F05			
			80125-LBD4-900	1	F12	86000		
			80130-LBA7-910	1	F24	86102-LCA5-900	6	F27
64222-LLJ3-E00	1	F05	80200-LCA5-E00	4	F12	86523-LCA5-E61	7	F27
64222-LLJ3-E00	1	F12	80300-LCA5-E00	1	F11	86533-LCA5-E61	7	F27
64301-LCA5-E00	2	F05	80300-LCA5-E00	2	F11	86623-LCA5-E61	2	F27
64302-LCA5-E01	1	F05				86633-LCA5-E61	2	F27
64303-LCA5-E01	1	F05	81000					
64304-LCA5-E01	1	F05				87000		
64307-LCA5-900	2	F05	81202-LCA5-E00	3	F23			
64308-LCA5-900	2	F05				87322-LBA7-E00	3	F26
64317-LBA7-900	3	F24	83000			87505-LBA7-E01	3	F26
64318-LBA7-900	3	F24				87514-LCA5-E00	2	F26
			83500-LCA5-E01	1	F12	87515-LBA7-E01	2	F26
			8360A-LCA5-E01	1	F12	87517-LBA7-E00	3	F26
			83620-LBA7-900	2	F22	87532-LBE8-900	3	F27
						87532-LCA5-900	2	F27
77200-LCA5-E00	1	F09						

PART NO. INDEX

PART NO.	VERSION	PAGE	PART NO.	VERSION	PAGE	PART NO.	VERSION	PAGE
87556-LCA5-E00	2	F26	90084-4H28-001	1	E04	90302-GBR2-001	2	F05
87556-LLB1-E01	3	F26	9008A-LBA7-900	2	E04	90302-GBR2-001	2	F10
88000			9008A-LCA5-E00	1	E01	90302-GFY6-901	1	F03
			90101-LCA5-E00	3	E07	90302-GFY6-901	1	F10
			90104-LBA7-900	3	F08	90302-GFY6-901	1	F24
88110-LBA7-E00	1	F03	90105-LBA7-900	2	F07	90302-LLB1-E00	2	F05
88120-LBA7-E00	1	F03	90105-LBA7-900	2	F08	90302-LLB1-E00	2	F10
89000			90105-MLL0-731	1	F07	90302-LLB1-E00	2	F11
			90105-MLL0-731	1	F08	90302-LLB1-E00	2	F22
			90106-LBA7-900	2	F08	90302-PWA1-900	3	F24
89010-LBA7-900	6	F09	90106-LBA7-900	2	F15	90304-4H38-001	2	E02
89020-KKC4-900	1	F09	90110-LLB1-800	2	F12	90304-GLW0-90A	1	F08
90000			90111-KKD7-900	2	F18	90304-GLW0-90A	1	F16
			90114-1F66-007	2	F04	90304-GLW0-90A	1	F17
			90118-PVA2-900	0	F22	90304-GLW0-90A	1	F18
90001-GBHB-661	3	E03	90121-LBA7-900	3	F18	90304-GLW0-90A	1	F22
90001-GBHB-661	3	E06	90133-LLB1-900	1	E01	90305-GHE8-004	1	F18
90001-GBHB-681	3	E01	90145-LEA3-E00	1	F04	90305-MAA1-004	1	F06
90001-GBHB-711	3	E01	90164-0H28-900	2	F21	90401-KKJ9-001	0	E06
90001-GFY6-901	5	E01	90201-KHE7-900	1	E05	90423-KKJ9-001	0	E04
90005-KED9-900	2	E03	90201-KHR8-75A	1	E05	90432-LBA7-900	1	F08
90012-3C33-001	1	E02	90201-KHR8-75A	1	E06	90441-KDY4-901	0	E01
90031-KEBE-900	0	E01	90202-1G87-001	2	E05	90441-LBA7-900	2	E01
90032-KEBE-900	0	E01	90206-0A01-001	4	E02	90451-0A01-001	1	E07
90033-GFY6-900	1	E02	90301-LBA7-900	1	F07	90451-LBA7-900	1	E07
90071-MLB0-001	1	E06	90301-LBA7-900	1	F08	90452-LBA7-900	1	E07

PART NO. INDEX

PART NO.	VERSION	PAGE	PART NO.	VERSION	PAGE	PART NO.	VERSION	PAGE
90454-1G07-001	0	E07				91257-LBA7-900	1	F07
90455-LBA7-900	1	E07	91000			91261-4E15-004	0	E01
90458-LBA7-E00	1	E05				91301-KHE7-900	0	E01
90465-MDC4-001	0	E02	91001-KHE7-900	0	E03	91301-KHE7-900	0	E02
90474-3C33-001	1	E07	91001-KHE7-90A	0	E03	91301-LBA7-900	0	F08
90478-7L00-001	0	E02	91001-KHV8-004	0	E01	91302-0A01-021	0	E04
90478-7L00-001	0	E04	91001-KKJ9-006	0	E04	91302-2L00-001	0	E02
90501-3L10-001	0	F04	91002-GGA7-70A	0	E05	91302-KHE7-900	0	E04
9052A-GFY6-950	4	E01	91004-KHE7-900	1	E05	91302-PKA9-004	0	F08
9052A-GFY6-950	4	E07	91005-LBA7-900	1	E01	91303-3G77-001	0	E04
90545-3L00-001	2	F04	91101-LCA5-E0B	1	E07	91306-1E05-691	0	E03
90605-1F66-721	0	E05	91106-LBA7-900	1	E01	91306-LBA7-900	3	E01
90605-KED9-900	2	E07	91106-LBA7-90A	0	E01	91307-0E35-001	1	E04
90651-LBA7-900	1	F08	91107-LBA7-900	1	E07	91308-LCA5-E00	1	E01
90651-LCA5-E00	1	F01	91107-LBA7-90A	0	E07	91309-4E25-004	0	E06
90652-LCA4-E00	6	F12	91201-9A51-004	0	E05	91351-KHE7-900	0	E05
90652-LLJ3-E00	0	F13	91201-KKJ9-004	0	E04	91508-KGV7-67A	0	F20
90656-KCBC-900	0	F04	91202-KKC4-900	1	E01	91509-LBA7-E00	3	E05
90656-KCBC-900	0	F22	91202-KKC4-90B	2	E01	91509-LLB1-900	4	E01
90677-GAR1-004	2	F05	91202-LLB1-900	1	F22			
90677-GAR1-004	2	F12	91206-2F86-014	0	E07	92000		
90683-GAR1-004	4	F13	91211-KHE7-900	0	E05			
90750-LLB1-900	2	E01	91254-LBA7-900	2	F08	92000-06010-0G	0	E07
90753-GDB4-68A	0	F22	91254-LKC2-E00	1	F08	92000-06022-0G	0	E07
90913-LBA7-900	1	F24	91256-LLB1-900	1	E07	92101-05032-0G	0	E06
			91257-2L30-006	0	F07	92201-05025-0G	0	E01

PART NO. INDEX

PART NO.	VERSION	PAGE	PART NO.	VERSION	PAGE	PART NO.	VERSION	PAGE
92712-06028-0B	2	E02	93892-04016-18-3	0	E08	94002-06060-0S	0	E07
93000			93892-05012-06	0	E08	94002-08080-0S	0	F15
			93893-04012-18	0	F04	94011-12080-0S	0	F16
			93893-04012-18	0	F15	94011-12080-0S	0	F17
			93901-26160	0	F15	94011-LBA7-900	1	F08
93404-06012-06	1	F13	93903-34360	0	F05	94011-LLB1-900	4	F07
93404-06012-06	1	F24	93903-34360	0	F12	94012-LLB1-900	1	F06
93404-06016-06	1	F01	93903-34360	0	F20	94030-10080	0	F03
93404-06016-06	1	F12	93903-34360	0	F01	94050-05080	0	F20
93404-06016-06	1	F18	93903-35260	0	F02	94050-06060	1	F04
93404-06016-06	1	F24	93903-35260	0	F05	94050-06080	2	F10
93404-06020-06	1	F05	93903-35260	0	F20	94050-06080	2	F21
93404-06020-06	1	F24	93903-35260	0	E07	94050-06080	2	F22
93404-KKC2-900	1	F05	93903-35360	0	F12	94050-08080	0	E02
93406-LLB1-900	0	F03	93903-35360	0	F19	94050-08080	0	E07
93500-03010-0F	0	E06	93903-35360	0	F24	94050-08080	0	F14
93500-04025-0F	0	F13	93903-35360	0	F24	94050-08080	0	F23
93500-05016-0F	0	E02	93903-KEB7-900-06	1		94050-LDE9-E00	1	F12
93500-05016-0F	0	E06				94101-06200	1	F14
93500-05016-1B	0	F10	94000			94101-10800	0	F03
93600-04012-1A	0	F04				94101-10800	0	F06
93600-04012-1G	0	F04	94001-06080-0S	0	E02	94101-12800	0	F16
93600-04040-1G	0	F15	94001-08080-0S	0	E07	94101-12800	0	F17
93600-LDE9-E00	0	F04	94001-08080-0S	0	F14	94101-LCA5-E00	0	E01
93600-LEC1-E00	0	F08	94001-LBA7-900	1	E07	94102-08000	5	E07
93892-04008-16	0	E08	94001-LLB1-800	2	F06	94102-14800	0	F15
93892-04010-18-3	0	E08	94001-LLB1-900	2	F06			

PART NO. INDEX

PART NO.	VERSION	PAGE	PART NO.	VERSION	PAGE	PART NO.	VERSION	PAGE
94111-06800	0	F14	94520-28000	0	E05	95002-KKD6-E05	0	F13
94111-08800	0	E07	94520-40000	0	F22	95002-KKD6-E05	0	F25
94201-20120	0	F08	94520-52000	0	E07	95004-LBA7-900	0	F13
94201-20150	0	E07	94540-12028	0	E07	9500C-LBA7-900	2	F10
94201-25300	0	F06	94591-27000	0	F05	9500E-LBA7-900	2	F10
94201-25300	0	F15	94591-27000	0	F12	95701-06008-06	1	F14
94201-30250	0	F16	94591-KFBB-900	2	E02	95701-06010-06	1	F17
94201-30250	0	F17	94591-LLB1-900	0	E01	95701-06012-06	1	F04
94201-30300	0	F06	94601-17000	0	E03	95701-06012-06	1	F13
94201-30300	0	F07	94601-33000	0	E05	95701-06012-06	1	F22
94201-30300	0	F08				95701-06012-06	1	F24
94251-08400	0	F08	95000			95701-06016-06	1	F16
94301-08060	0	F08				95701-06022-06	1	F10
94301-08140	4	E01	95002-02070	2	F24	95701-06025-06	2	E02
94301-08140	4	E04	95002-02080	0	E08	95701-06035-06	1	F15
94301-10160	0	E01	95002-02080	0	F10	95701-06040-06	0	E02
94301-10160	0	E02	95002-02080	0	F25	95701-06055-06	0	F08
94301-10160	0	E03	95002-02100	0	F05	95701-08012-06	0	E01
94301-10160	0	E04	95002-02100	0	F10	95701-08012-06	0	E07
94301-10160	0	E07	95002-02100	0	F24	95701-08012-06	0	F21
94303-04065	0	E06	95002-02150	0	E07	95701-08012-06	0	F23
94401-25140	4	E03	95002-02150	0	F13	95701-08012-06	0	F24
94510-10000	0	E06	95002-41300-00	0	F10	95701-08016-06	0	F22
94510-25000	0	E07	95002-70000	0	F24	95701-08016-06	0	F23
94510-75000	0	F08	95002-KGN7-910	1	F24	95701-08020-06	1	F07
94520-26000	0	E04	95002-KHE7-900	0	F24	95701-08020-06	1	F08

PART NO. INDEX

PART NO.	VERSION	PAGE	PART NO.	VERSION	PAGE	PART NO.	VERSION	PAGE
95701-08025-06	0	F14	96001-06012-06	0	E01	96150-60080-10	0	F08
95701-08028-06	1	E07	96001-06012-06	0	E06	96150-62020-10	0	F07
95701-08040-06	0	E07	96001-06012-06	0	F14	96150-62030-10	0	F22
95701-08045-06	1	E07	96001-06016-06	0	E04	96201-10000	0	F18
95701-10020-06	0	F18	96001-06016-06	0	E07	96211-12000	0	E01
95701-LEC1-E00	0	F08	96001-06016-06	0	F21	96220-20118	0	E03
95801-08020-06	0	F08	96001-06018-06	0	E02	96220-40080	0	E03
95801-08035-06	1	F04	96001-06020-06	0	E07	96600-08015-16	0	E06
95801-08035-06	1	F23	96001-06022-06	1	E04	96600-KKC4-900	0	F08
95801-08060-06	0	F06	96001-06022-06	1	F04			
95801-10040-06	0	F16	96001-06025-06	0	E01	98000		
95801-10040-06	0	F17	96001-06028-06	0	E04			
95801-10050-06	1	F16	96001-06028-06	0	E06	98069-5791R-00	0	E02
95801-10050-06	1	F17	96001-06032-06	0	E01	98200-31000	1	F21
95801-10057-06	2	F16	96001-06045-06	0	E04	98200-31500	1	F21
95801-10057-06	2	F17	96001-06050-06	0	E01	98200-33000	0	F21
95801-10057-06	2	F18	96001-06100-06	0	E02			
95801-10060-06	0	F18	96001-06125-06	1	E04	99000		
95801-10070-06	1	F18	96100-60000-00	0	E04			
95801-10085-06	1	F22	96100-62040-00	0	E01	99101-393-0980	0	E08
95801-10160-06	0	F22	96100-62040-00	0	E07			
			96100-62050-00	2	E01	001000		
96000			96100-62050-00	2	E07			
			96100-63040-00	1	E01	001-C4T2-04000-K	0	E08
96001-06010-06	0	E01	96100-63040-00	1	E07			
96001-06010-06	0	E04	96150-60040-10	0	F07			

PART NO. INDEX

PART NO.	VERSION	PAGE	PART NO.	VERSION	PAGE	PART NO.	VERSION	PAGE
D								
D1141-A63-0100	0	E08						
D1310-850-0100	0	E08						
D1424-KAG-0100	0	E08						
K								
K785-076-0200	0	E08						
N								
N413-15A00	0	E08						
N427-BSD00	0	E08						
W								
W1711-300-9901	0	E08						
W9353-30000	0	E08						
W9525-25250	0	E08						
W9535-35000	0	E08						
W9574-13000	0	E08						
W9576-01000	0	E08						