

PARTS CATALOGUE



SCOOTERS

SH50DA(PT)

GRAND DINK 250



Release Date : 2017/03/05
Print Date : 2022/07/05

ABOUT THIS PARTS LIST

- This parts list is compiled all service parts for model SH50DA(PT).
- Any difference between color chart and motorcycle will be revised according to motorcycle.
- The Mark:
 1. Marking "***" must add color code in the end before ordering parts.
 2. Marking "#" are parts with modification, Please find the details from e-Parts system.
- When modification or additions to this parts list are made a revised edition at an appropriate time.



CONTENTS

● ABOUT THIS PARTS LIST	1
● COLOR CHART OF SH50DA(PT)	3
● CONTENTS-ENGINE GROUP	9
● CONTENTS-FRAME GROUP	10
● ENGINE PARTS LIST	13
● FRAME PARTS LIST	47
● PART NO. INDEX	123

NO	MODEL			COLOR CHART OF SH50DA(PT)							
	PHOTO NO			NO. 1	NO. 2	NO. 3	NO. 4				
	BASIC COLOR			Deep Blue Metallic	Bright Silver	Dark Gray Metallic	Ruby Red				
	CODE			Deep Blue Metallic	Bright Silver	Dark Gray Metallic	Ruby Red				
	PARTS NAME	PARTS NO.	VERSION	PB183MA	NH045MA	NH124MA	RR004CA				
1	CUSHION ASSY REAR	52400-KKC4-900	3	F1S							
2	LEVER R STRG HANDLE	53175-KFA5-E10	0	M3A							
3	LEVER L STRG HANDLE	53178-KFC8-E10	0								
4	COVER WATER PUMP	19221-KHE7-900	3								
5	COVER BATTERY	50326-KKC4-900	0	M9A							
6	GRIP COMP THROT	53140-KKC4-900	1								
7	GRIP L HANDLE	53166-KGB5-900	1								
8	COVER METER	53204-KKC4-900	2								
9	COVER R HANDLE LOW	53206-KKC4-900	1								
10	COVER L HANDLE LOW	53207-KKC4-900	0								
11	GRID R METER COVER	53214-KKC4-900	0								
12	GRID L METER COVER	53224-KKC4-900	0								
13	FLOOR PANEL	64310-KKC4-900	0								
14	COVER R PILLION STEP	64311-KKC4-900	3								
15	GRID R PILLION STEP	64312-KKC4-900	3					N1R			
16	MAT FLOOR	64320-KKC4-900	0								
17	COVER L PILLION STEP	64321-KKC4-900	3								
18	GRID L PILLION STEP	64322-KKC4-900	1								
19	FENDER RR TIRE	80100-KKC4-900	4								
20	COVER CENTER	80151-KKC4-900	0								
21	LEG SHIELD	81131-KKC4-900	0								
22	LID LEG SHIELD	81132-KEB7-900	1								
23	LID RESERVE	81136-KKC4-900	0								
24	GRID R LEG SHIELD	81137-KKC4-900	0								
25	GRID L LEG SHIELD	81147-KKC4-900	0								
DATE OF STARTING-SALES											
DATE OF END-SALES											

NO	MODEL			COLOR CHART OF SH50DA(PT)			
	PHOTO NO			NO. 5			
	BASIC COLOR			Yellow Green			
	CODE			Yellow Green			
	PARTS NAME	PARTS NO.	VERSION	YG025MA			
1	CUSHION ASSY REAR	52400-KKC4-900	3	F1S			
2	LEVER R STRG HANDLE	53175-KFA5-E10	0	M3A			
3	LEVER L STRG HANDLE	53178-KFC8-E10	0				
4	COVER WATER PUMP	19221-KHE7-900	3	M9A			
5	COVER BATTERY	50326-KKC4-900	0	N1R			
6	GRIP COMP THROT	53140-KKC4-900	1				
7	GRIP L HANDLE	53166-KGB5-900	1				
8	COVER METER	53204-KKC4-900	2				
9	COVER R HANDLE LOW	53206-KKC4-900	1				
10	COVER L HANDLE LOW	53207-KKC4-900	0				
11	GRID R METER COVER	53214-KKC4-900	0				
12	GRID L METER COVER	53224-KKC4-900	0				
13	FLOOR PANEL	64310-KKC4-900	0				
14	COVER R PILLION STEP	64311-KKC4-900	3				
15	GRID R PILLION STEP	64312-KKC4-900	3				
16	MAT FLOOR	64320-KKC4-900	0				
17	COVER L PILLION STEP	64321-KKC4-900	3				
18	GRID L PILLION STEP	64322-KKC4-900	1				
19	FENDER RR TIRE	80100-KKC4-900	4				
20	COVER CENTER	80151-KKC4-900	0				
21	LEG SHIELD	81131-KKC4-900	0				
22	LID LEG SHIELD	81132-KEB7-900	1				
23	LID RESERVE	81136-KKC4-900	0				
24	GRID R LEG SHIELD	81137-KKC4-900	0				
25	GRID L LEG SHIELD	81147-KKC4-900	0				
DATE OF STARTING-SALES							
DATE OF END-SALES							

NO	MODEL			COLOR CHART OF SH50DA(PT)			
	PHOTO NO			NO. 1	NO. 2	NO. 3	NO. 4
	BASIC COLOR			Deep Blue Metallic	Bright Silver	Dark Gray Metallic	Ruby Red
	CODE			Deep Blue Metallic	Bright Silver	Dark Gray Metallic	Ruby Red
	PARTS NAME	PARTS NO.	VERSION	PB183MA	NH045MA	NH124MA	RR004CA
26	SIDE R GRIP	81400-KKC4-900	0	N1R			
27	SIDE L GRIP	81500-KKC4-900	0				
28	DISK RR BRAKE **N1S	43351-KHE7-E00	3	N1S			
29	COVER COMP L COVER	1134A-KHE7-900	3				
30	METER COVER FR	37203-KKC4-900	0	N8P			
31	METER COVER RR	37204-KKC4-900	0				
32	COVER HANDLE UP	53205-KKC4-900	2				
33	GRILL HANDLE UP	53208-KKC4-900	0				
34	FENDER FR **(1)	61110-KHD8-900	2				
35	COVER SCREEN	64301-KKC4-900	0				
36	MOLDING FRONT	64302-KKC4-900	0	BHP			
37	SKIRT R SIDE	64305-KKC4-900	2				
38	SKIRT L SIDE	64306-KKC4-900	2				
39	COWL UNDER	64400-KKC4-900	0				
40	COVER R BODY **900	83500-KKC4-900	0				
41	COVER L BODY **(0)	83600-KKC4-900	1				
42	COVER RR CENTER	83750-KKC4-900	2				
43	MIRROR ASSY R BACK	88110-KKC4-305	0				
44	MIRROR ASSY L BACK	88120-KKC4-305	0				
45	WHEEL RR CAST	42601-KHE7-E00	2				
46	WHEEL RR CAST	42601-KHE7-E0B	1				
47	WHEEL RR CAST	42601-KHE7-E0C	2				
48	CALIPER ASSY RR	43100-KKC4-900	1				
49	WHEEL SET FR	44650-KHD8-305	0				
50	CALIPER ASSY FR	45200-KKC4-900	2				
DATE OF STARTING-SALES							
DATE OF END-SALES							

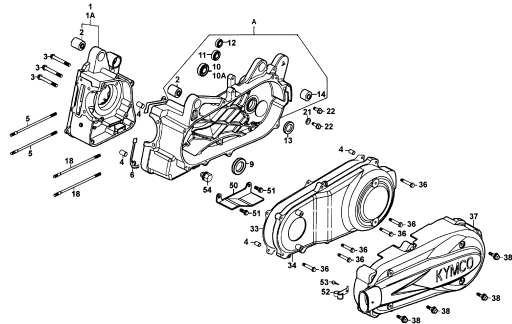
NO	MODEL			COLOR CHART OF SH50DA(PT)			
	PHOTO NO			NO. 5			
	BASIC COLOR			Yellow Green			
	CODE			Yellow Green			
	PARTS NAME	PARTS NO.	VERSION	YG025MA			
26	SIDE R GRIP	81400-KKC4-900	0	N1R			
27	SIDE L GRIP	81500-KKC4-900	0				
28	DISK RR BRAKE **N1S	43351-KHE7-E00	3	N1S			
29	COVER COMP L COVER	1134A-KHE7-900	3	N8P			
30	METER COVER FR	37203-KKC4-900	0				
31	METER COVER RR	37204-KKC4-900	0				
32	COVER HANDLE UP	53205-KKC4-900	2				
33	GRILL HANDLE UP	53208-KKC4-900	0				
34	FENDER FR **(1)	61110-KHD8-900	2				
35	COVER SCREEN	64301-KKC4-900	0				
36	MOLDING FRONT	64302-KKC4-900	0	W3P			
37	SKIRT R SIDE	64305-KKC4-900	2				
38	SKIRT L SIDE	64306-KKC4-900	2				
39	COWL UNDER	64400-KKC4-900	0				
40	COVER R BODY **900	83500-KKC4-900	0				
41	COVER L BODY **(0)	83600-KKC4-900	1				
42	COVER RR CENTER	83750-KKC4-900	2				
43	MIRROR ASSY R BACK	88110-KKC4-305	0				
44	MIRROR ASSY L BACK	88120-KKC4-305	0				
45	WHEEL RR CAST	42601-KHE7-E00	2		NJA		
46	WHEEL RR CAST	42601-KHE7-E0B	1				
47	WHEEL RR CAST	42601-KHE7-E0C	2				
48	CALIPER ASSY RR	43100-KKC4-900	1				
49	WHEEL SET FR	44650-KHD8-305	0				
50	CALIPER ASSY FR	45200-KKC4-900	2				
DATE OF STARTING-SALES							
DATE OF END-SALES							

NO	MODEL			COLOR CHART OF SH50DA(PT)			
	PHOTO NO			NO. 1	NO. 2	NO. 3	NO. 4
	BASIC COLOR			Deep Blue Metallic	Bright Silver	Dark Gray Metallic	Ruby Red
	CODE			Deep Blue Metallic	Bright Silver	Dark Gray Metallic	Ruby Red
	PARTS NAME	PARTS NO.	VERSION	PB183MA	NH045MA	NH124MA	RR004CA
51	FORK ASSY R FR	51400-KKC4-900	2	NJA			
52	BOTTOM CASE R	51420-KKC4-900	0				
53	FORK SET L FR	5150A-KKC4-900	3				
54	BOTTOM CASE L	51520-KKC4-900	0				
55	FORK ASSY REAR	52000-KKC4-900	2				
56	CARRIER RR	8120A-KKC4-900	6				
57	BAND HARNESS WIRE	90656-KUDU-900	0	NMR			
58	SEAT ASSY (REACH)	77200-KKC4-E01	1	T01			
59	SEAT ASSY BACK	77210-KKC4-900	0				
60	SEAT ASSY PAD	77220-KKC4-910	1				
61	EMB HANDLE COVER	86030-KKC4-900	2				
62	EMB K-LOGO 28.5MM	86102-KKC4-900	5				
63	EMB BODY COVER	86202-KKC4-900	1				
64	EMB B BODY COVER	86212-KKC4-900	0				
65	EMB B BODY COVER	87140-KHE7-E00	1				
66	CAUTION USE GAS	87501-KRDR-E00	2				
67	LABEL TIRE	87505-KHE7-E00	1				
68	LABEL CLEANNESS	87508-KKC4-E00	2				
69	CAUTION FILTER	87512-KEBE-E00	1				
70	CAUTION SIDE STAND	87541-GAR1-E00	2				
71	CAUTION MOBILE	87541-KKC2-E00	2				
72	MARK MAINT CAUTION	87542-GAR1-E00	3				
73	MARK DRIVE CAUTION	87560-GFY6-E00	5				
DATE OF STARTING-SALES							
DATE OF END-SALES							

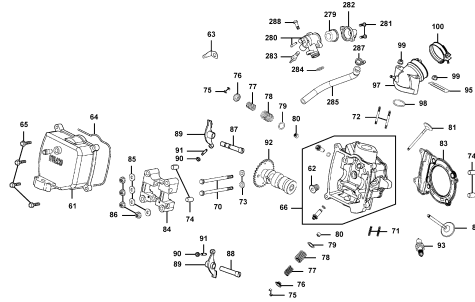
NO	MODEL			COLOR CHART OF SH50DA(PT)			
	PHOTO NO			NO. 5			
	BASIC COLOR			Yellow Green			
	CODE			Yellow Green			
	PARTS NAME	PARTS NO.	VERSION	YG025MA			
51	FORK ASSY R FR	51400-KKC4-900	2	NJA			
52	BOTTOM CASE R	51420-KKC4-900	0				
53	FORK SET L FR	5150A-KKC4-900	3				
54	BOTTOM CASE L	51520-KKC4-900	0				
55	FORK ASSY REAR	52000-KKC4-900	2				
56	CARRIER RR	8120A-KKC4-900	6				
57	BAND HARNESS WIRE	90656-KUDU-900	0	NMR			
58	SEAT ASSY (REACH)	77200-KKC4-E01	1	T01			
59	SEAT ASSY BACK	77210-KKC4-900	0				
60	SEAT ASSY PAD	77220-KKC4-910	1				
61	EMB HANDLE COVER	86030-KKC4-900	2				
62	EMB K-LOGO 28.5MM	86102-KKC4-900	5				
63	EMB BODY COVER	86202-KKC4-900	1				
64	EMB B BODY COVER	86212-KKC4-900	0				
65	EMB B BODY COVER	87140-KHE7-E00	1				
66	CAUTION USE GAS	87501-KRDR-E00	2				
67	LABEL TIRE	87505-KHE7-E00	1				
68	LABEL CLEANNESS	87508-KKC4-E00	2				
69	CAUTION FILTER	87512-KEBE-E00	1				
70	CAUTION SIDE STAND	87541-GAR1-E00	2				
71	CAUTION MOBILE	87541-KKC2-E00	2				
72	MARK MAINT CAUTION	87542-GAR1-E00	3				
73	MARK DRIVE CAUTION	87560-GFY6-E00	5				
DATE OF STARTING-SALES							
DATE OF END-SALES							

CONTENTS - ENGINE GROUP

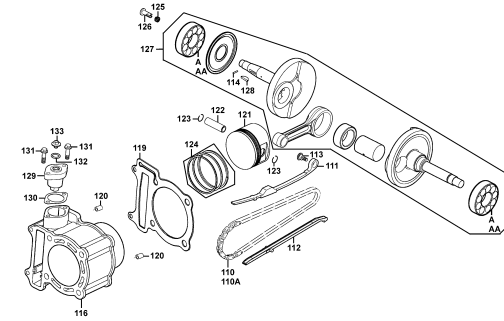
E01 Crank Case



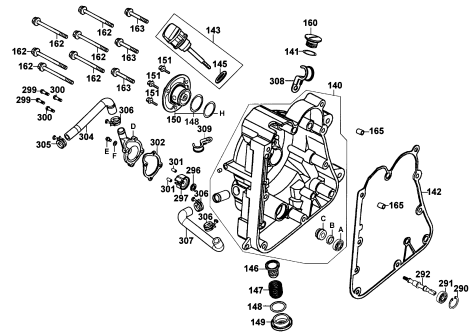
E02 Cylinder Head Cover Cylinder



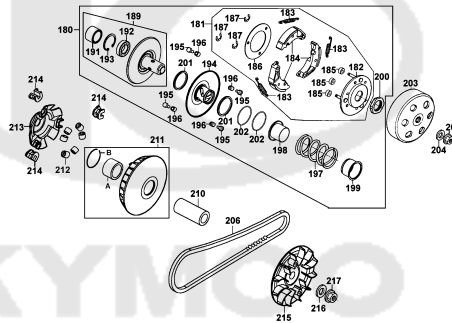
E03 Cylinder Piston Crankshaft



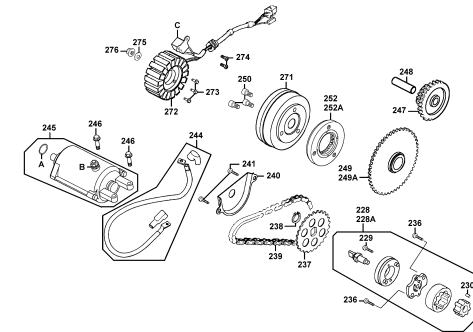
E04 Right Crankcase Cover Water



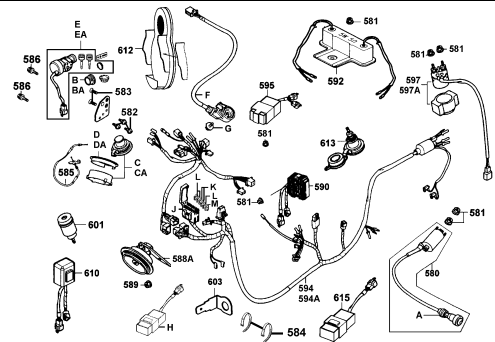
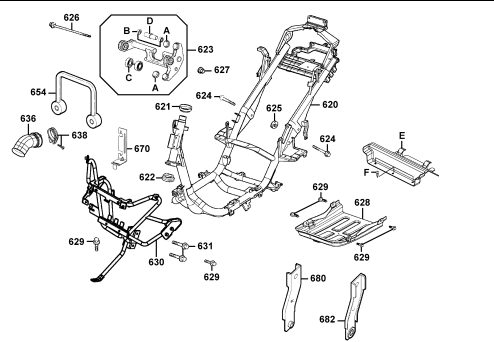
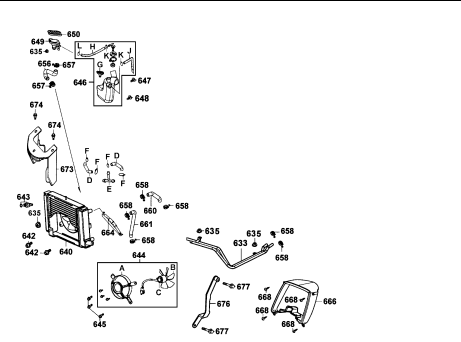
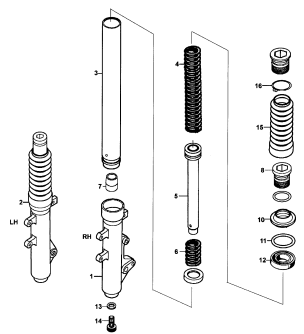
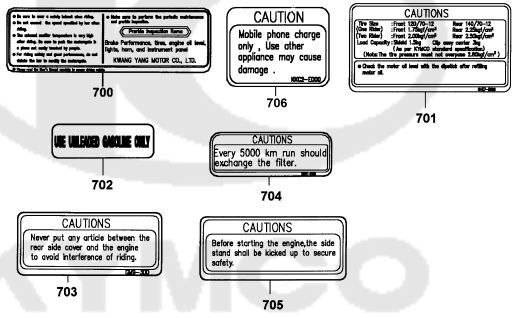
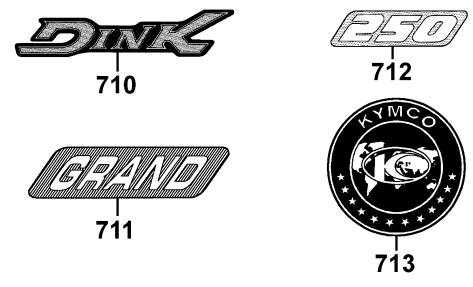
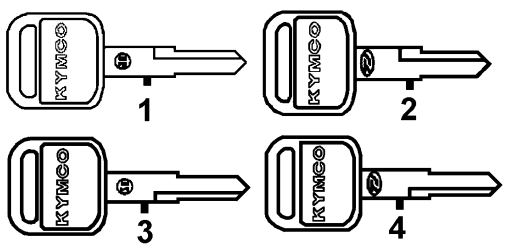
E05 Transmission Pulley



E06 Starting Motor Generator



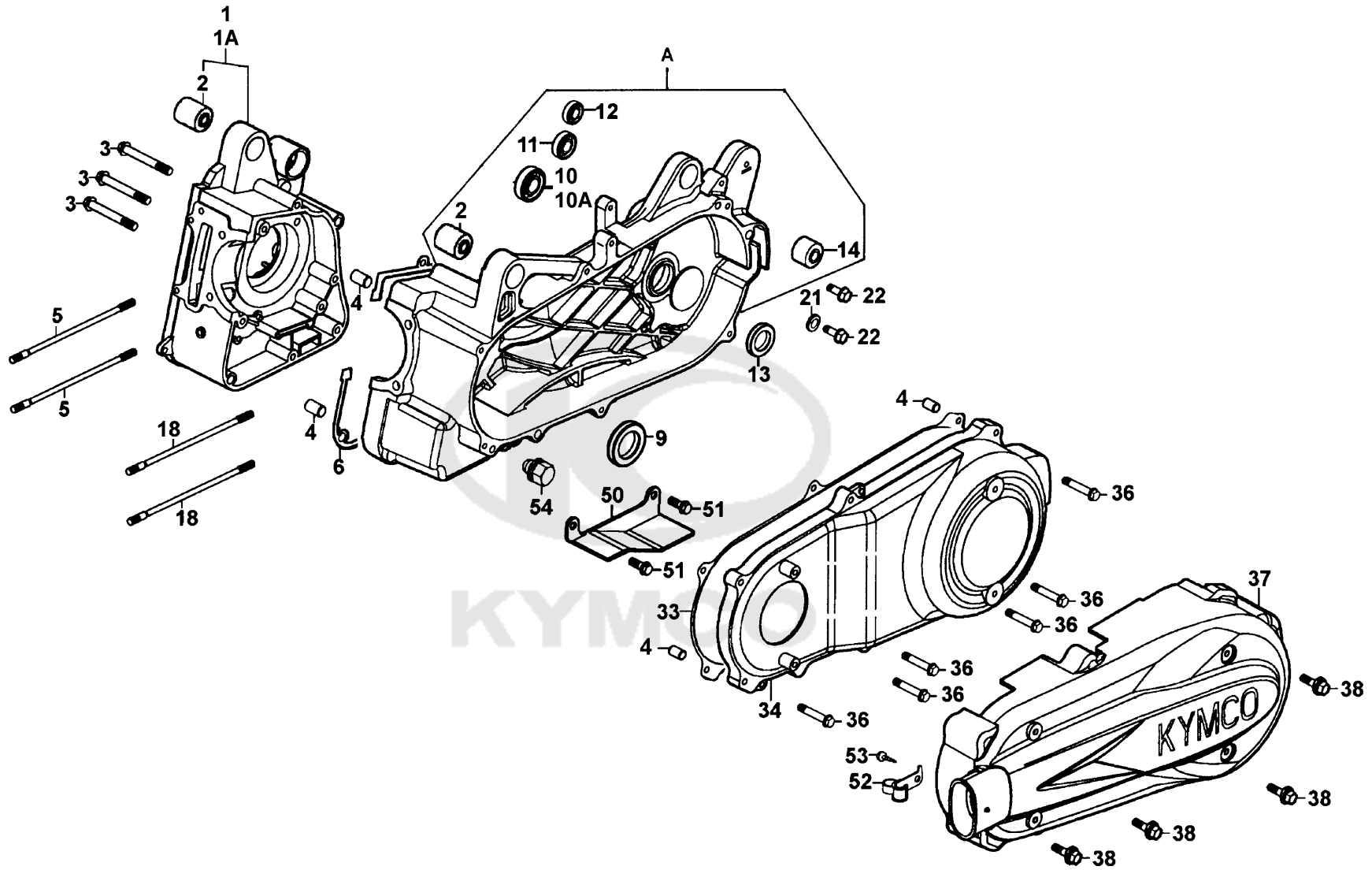
CONTENTS - FRAME GROUP

<p>F19 Wire Harness</p> 	<p>F20 Frame Body</p> 	<p>F21 Radiator</p> 
<p>F22 Separated Parts Of Fr Fork</p> 	<p>F23 Caution Label</p> 	<p>F24 Emblem/Stripe</p> 
<p>F25 KEY</p> 		

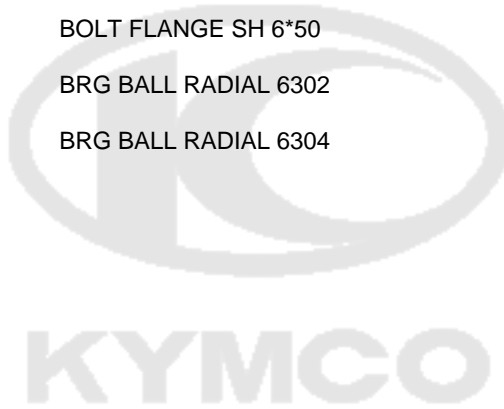
Sales mark	Ref no	Part no	Description	Reg description	Regd no	E01
	1A	11100-KHE7-305	CASE SET R CRANK	CASE SET R CRANK	1	
#	1	11100-LDB2-305	CRANK CASE SET R	CRANK CASE SET R	1	
#	14	11102-1G87-00A	RUB BUSH ENG HANGER	RUB BUSH ENG HANGER	1	
#	2	11103-KHE7-90A	RUB BUSH ENG HANGER	RUB BUSH ENG HANGER	2	
#	6	11192-KHE7-980	GASKET CRANK CASE @A	GASKET CRANK CASE A	2	
	A	11200-KKC4-305	CASE SET L CRANK	CASE SET L CRANK	1	
	34	11341-KHE7-900	COVER LEFT	COVER LEFT	1	
**	37	1134A-KHE7-900	COVER COMP L COVER	COVER COMP L COVER	1	
	52	11383-KUDU-900	CLAMPER BRTH DRAIN TUBE	CLAMPER BRTH DRAIN TUBE	1	
#	33	11395-KHE7-980	GASKET L COVER @A	GASKETL COVER A	2	
	50	50504-KKC4-900	STAY COMP MAIN STAND STOPPER	STAY COMP MAIN STAND STOPPER	1	
	5	90031-KEBE-900	BOLT A STUD 8MM	BOLT A STUD 8MM	2	
	18	90032-KEBE-900	BOLT B STUD 8MM	BOLT B STUD 8MM	2	
	21	90474-3C33-001	WASHER 8MM	WASHER 8MM	1	
	54	9052A-GFY6-950	BOLT ASSY DRAIN PLUG	BOLT ASSY DRAIN PLUG	1	
	10	91003-KHE7-900	BRG BALL RADIAL TMB2/22CCS15	BRG BALL RADIAL TMB2/22CCS15	1	
	10A	91003-KHE7-90A	BRG BALL RADIAL TMB2/22CCS15	BRG BALL RADIAL TMB2/22CCS15	1	
	13	91202-KHE7-900	OIL SEAL 22*34*6	OIL SEAL 22*34*6	1	
	9	91202-KKC4-900	OIL SEAL 27*42*7	OIL SEAL 27*42*7	1	
#	9	91202-KKC4-90B	OIL SEAL 27X42X7	OIL SEAL 27X42X7	1	

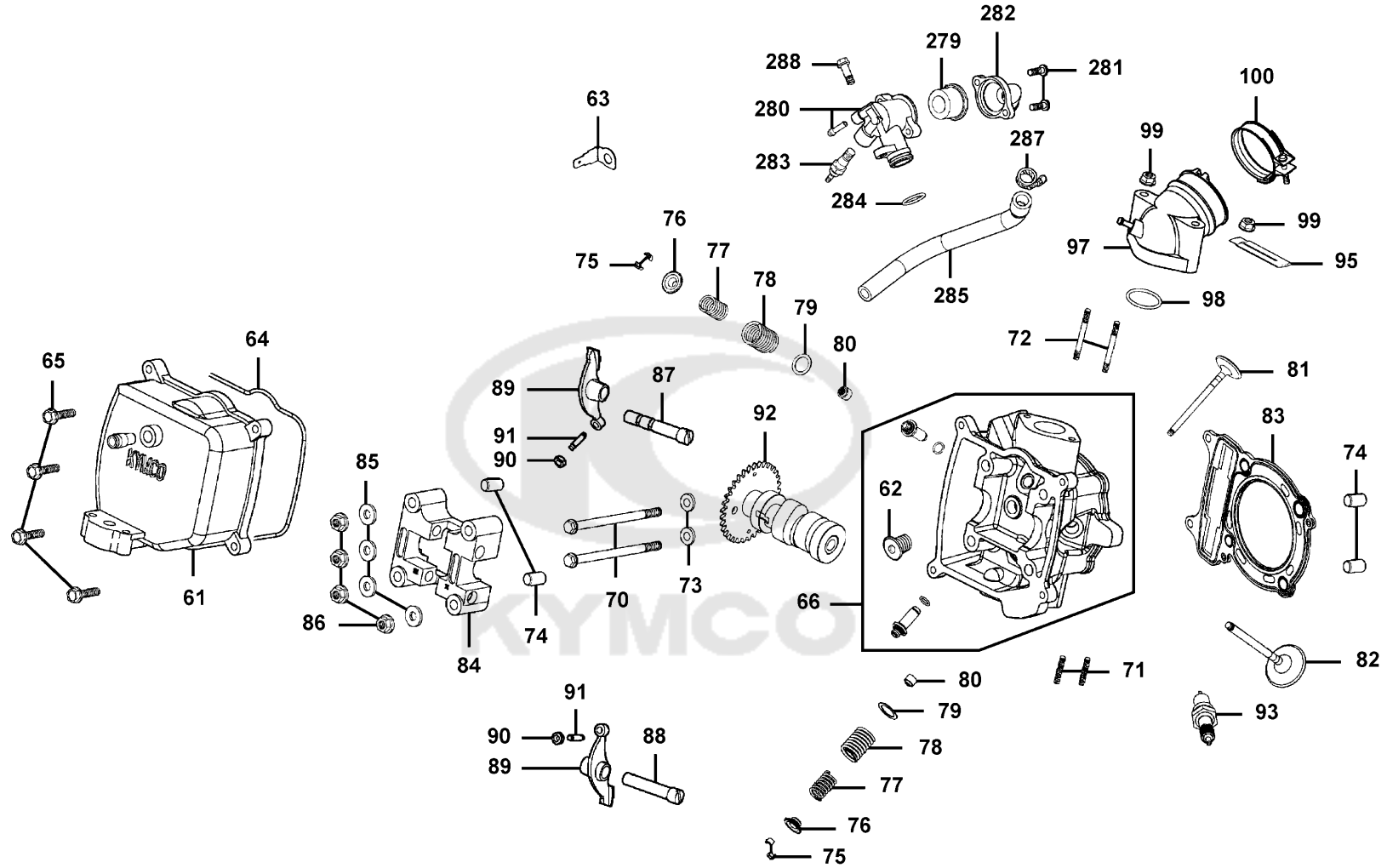
E01

Crank Case

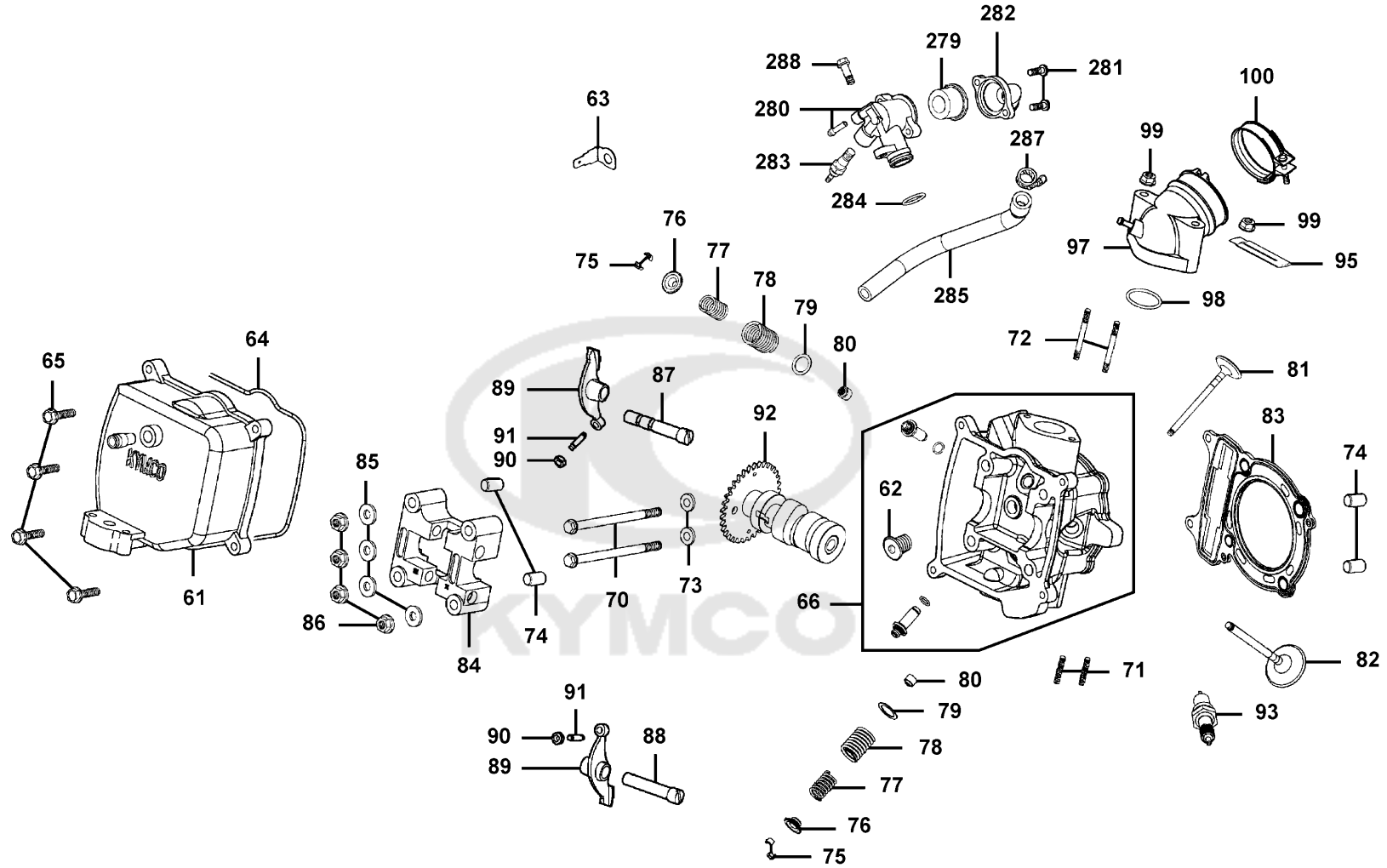


Sales mark	Ref no	Part no	Description	Reg description	Regd no	E01
#	13	91202-LHG7-E00	OIL SEAL 22X34X6	OIL SEAL 22X34X6	1	
	53	93903-45360	SCREW TAPPING 5*16	SCREW TAPPING 5*16	1	
	4	94301-10160	DOWEL PIN 10*16	DOWEL PIN 10*16	4	
	38	95701-06016-02	BOLT FLANGE 6*16	BOLT FLANGE 6*16	4	
#	22	95701-08012-06	BOLT FLANGE 8*12	BOLT FLANGE 8*12	1	
#	51	96001-06016-06	BOLT FLANGE SH 6X16	BOLT FLANGE SH 6*16	1	
#	36	96001-06032-06	BOLT FLANGE 6*32	BOLT FLANGE 6*32	1	
#	3	96001-06050-06	BOLT FLANGE SH 6*50	BOLT FLANGE SH 6*50	1	
	11	96100-63020-00	BRG BALL RADIAL 6302	BRG BALL RADIAL 6302	1	
	12	96100-63040-00	BRG BALL RADIAL 6304	BRG BALL RADIAL 6304	1	



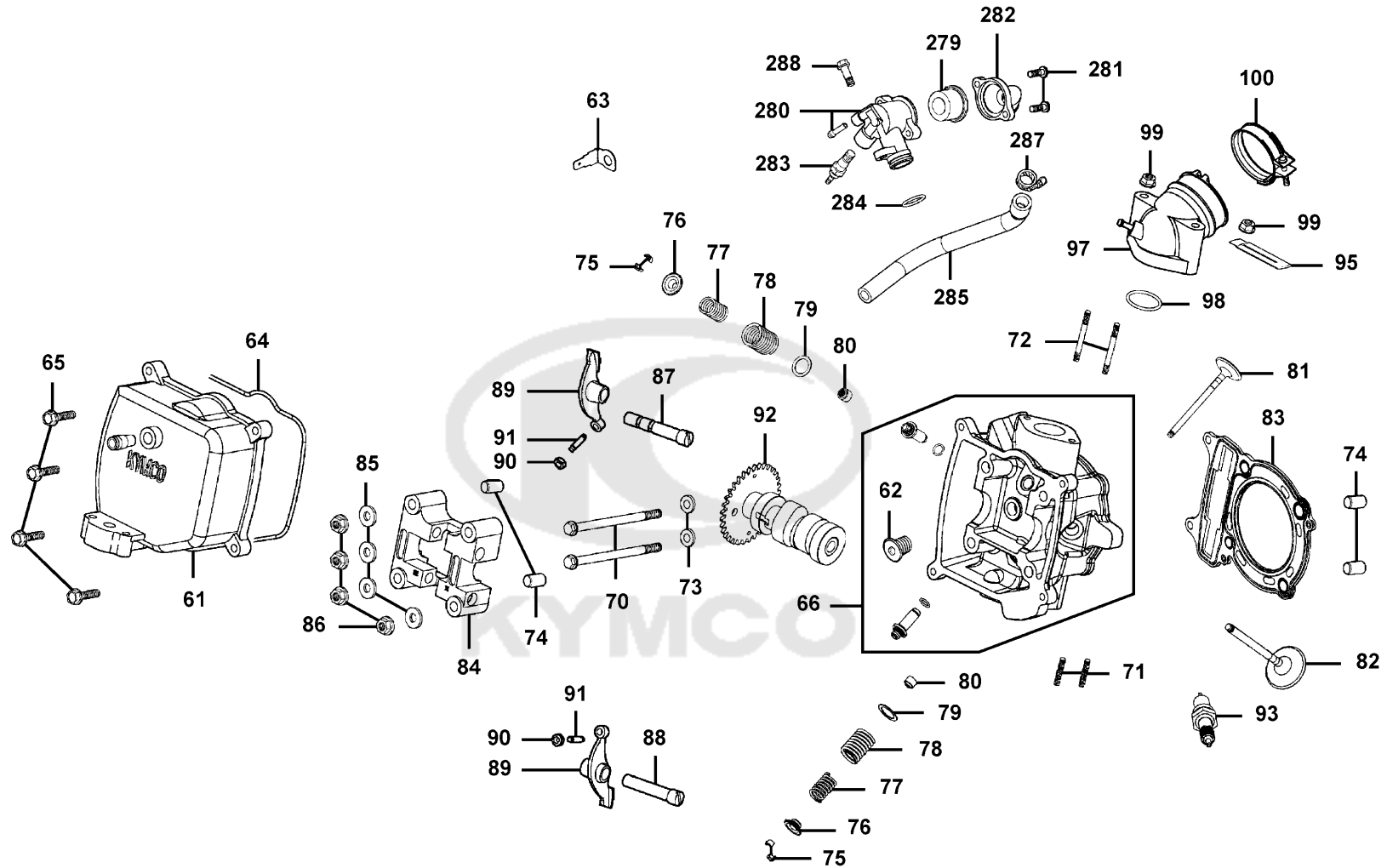


Sales mark	Ref no	Part no	Description	Reg description	Regd no	E02
66		12200-KHE7-E00	HEAD COMP CYLN	HEAD COMP CYLN	1	
62		12205-KHE8-301	BOLT SEALING 12MM	BOLT SEALING 12MM	1	
80		12209-GDB4-68B	SEAL VALVE STEM	SEAL VALVE STEM	1	
84		1221A-KHE7-900	HOLDER COMP CAM SHAFT	HOLDER COMP CAM SHAFT	1	
83		12251-KHE7-901	GASKET CYLINDER HEAD	GASKET CYLINDER HEAD	1	
61		12310-KHE7-E00	COVER COMP CYLN HEAD	COVER COMP CYLN HEAD	1	
64		12391-KHE7-900	GASKET HEAD COVER	GASKET HEAD COVER	1	
92		14100-KHE7-220	SHAFT COMP CAM	SHAFT COMP CAM	1	
89		14431-KHE7-900	ARM VALVE ROCKER	ARM VALVE ROCKER	2	
87		14450-KEBE-900	SHAFT COMP IN ROCKER ARM	SHAFT COMP IN ROCKER ARM	1	
88		14461-KHE7-900	SHAFT EX ROCKER	SHAFT EX ROCKER	1	
81		14711-KHE7-900	VALVE INLET	VALVE INLET	1	
82		14721-KHE7-900	VALVE EXHAUST	VALVE EXHAUST	1	
78		14751-KHE7-900	SPG VALVE OUTER	SPG VALVE OUTER	2	
77		14761-KHE7-900	SPG VALVE INNER	SPG VALVE INNER	2	
76		14771-GDB4-680	RETAINER VALVE SPRING	RETAINER VALVE SPRING	2	
79		14775-MFA6-001	SEAT VALVE SPG OUTER	SEAT VALVE SPG OUTER	2	
75		14781-MFA6-001	COTTER VALVE	COTTER VALVE	4	
97		17110-KHE7-E00	PIPE COMP INLET	PIPE COMP INLET	1	
279		19300-KAE1-004	THERMOSTAT ASSY	THERMOSTAT ASSY	1	



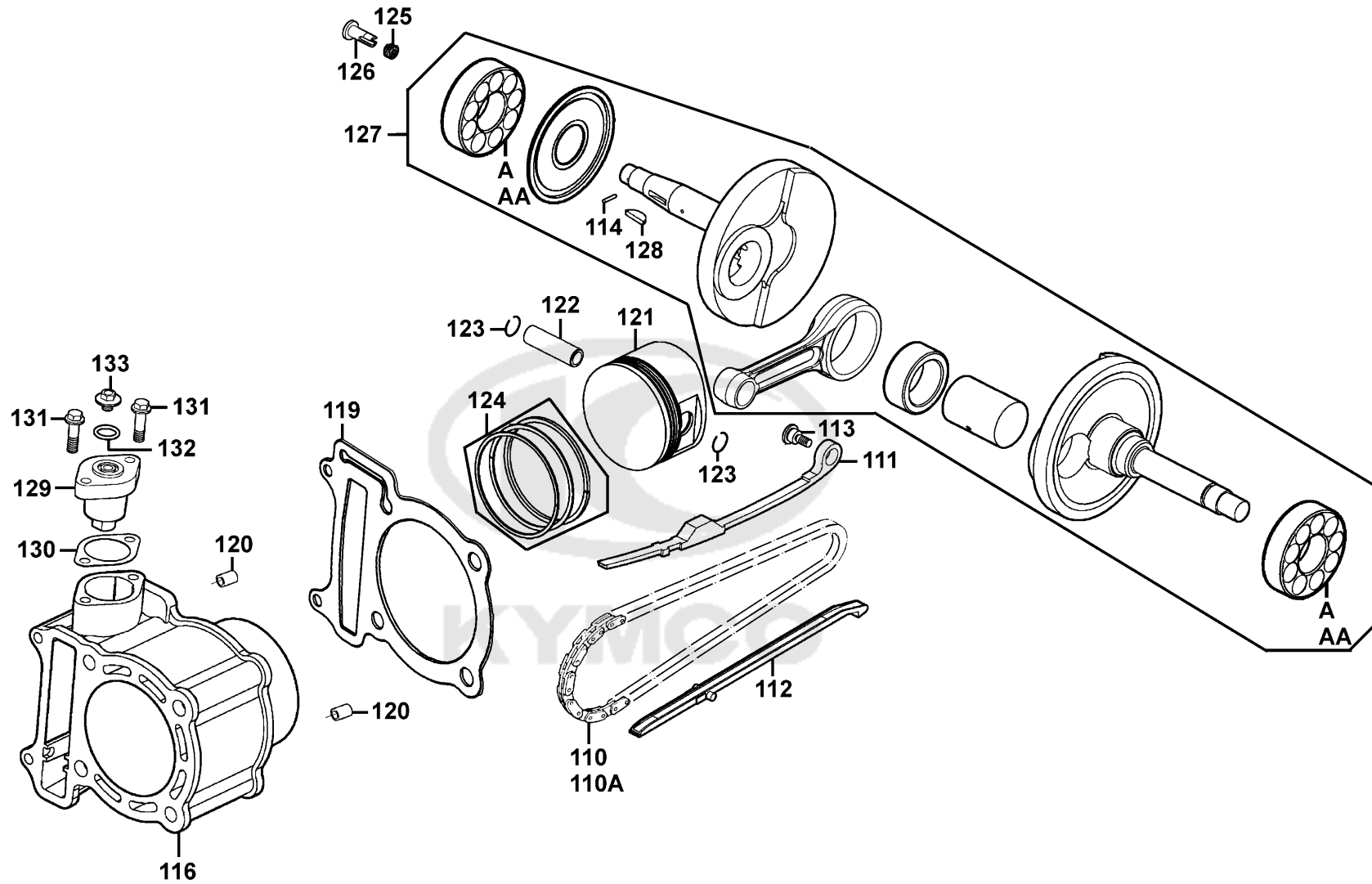
Sales mark	Ref no	Part no	Description	Reg description	Regd no	E02
280		19310-KHE7-900	CASE COMP THERMOSTAT	CASE COMP THERMOSTAT	1	
282		19315-KHE7-900	COVER THERMOSTAT	COVER THERMOSTAT	1	
285		19503-KHE7-900	HOSE C WATER	HOSE C WATER	1	
63		37720-KGB5-900	EARTH TERMINAL THERMO	EARTH TERMINAL THERMO	1	
283		37750-PAC1-005	THERMO UNIT ASSY	THERMO UNIT ASSY	1	
91		90012-3C33-001	SCREW TAPPET ADJUSTING	SCREW TAPPET ADJUSTING	2	
71		90033-GFY6-900	BOLT STUD 8*32	BOLT STUD 8*32	2	
90		90206-0A01-001	NUT TAPPET ADJG	NUT TAPPET ADJG	2	
85		90465-MDC4-001	WASHER 8MM	WASHER 8MM	4	
73		90478-7L00-001	WASHER A 6MM	WASHER A 6MM	2	
100		90652-GFY6-901	BAND 49 AIR/C CONNECTING TUBE	BAND 49 AIR/C CONNECTING TUBE	1	
284		91301-KHE7-900	O-RING 17.8*1.9	O-RING 17.8*1.9	1	
98		91302-2L00-001	O-RING 33.5*3	O-RING 33.5*3	1	
72		92900-06050-0B	BOLT STUD II 6*50	BOLT STUD II 6*50	2	
#	281	93500-05016-0F	SCREW PAN 5*16	SCREW PAN 5*16	1	
99		94050-06080	NUT FLANGE 6MM	NUT FLANGE 6MM	2	
86		94050-08080	NUT FLANGE 8MM	NUT FLANGE 8MM	4	
74		94301-10160	DOWEL PIN 10*16	DOWEL PIN 10*16	4	
95		94591-KFBF-900	CLIP 2*70	CLIP 2*70	1	
287		95002-KHE7-900	CLIP WATER HOSE	CLIP WATER HOSE	1	

Cylinder Head Cover Cylinder Head

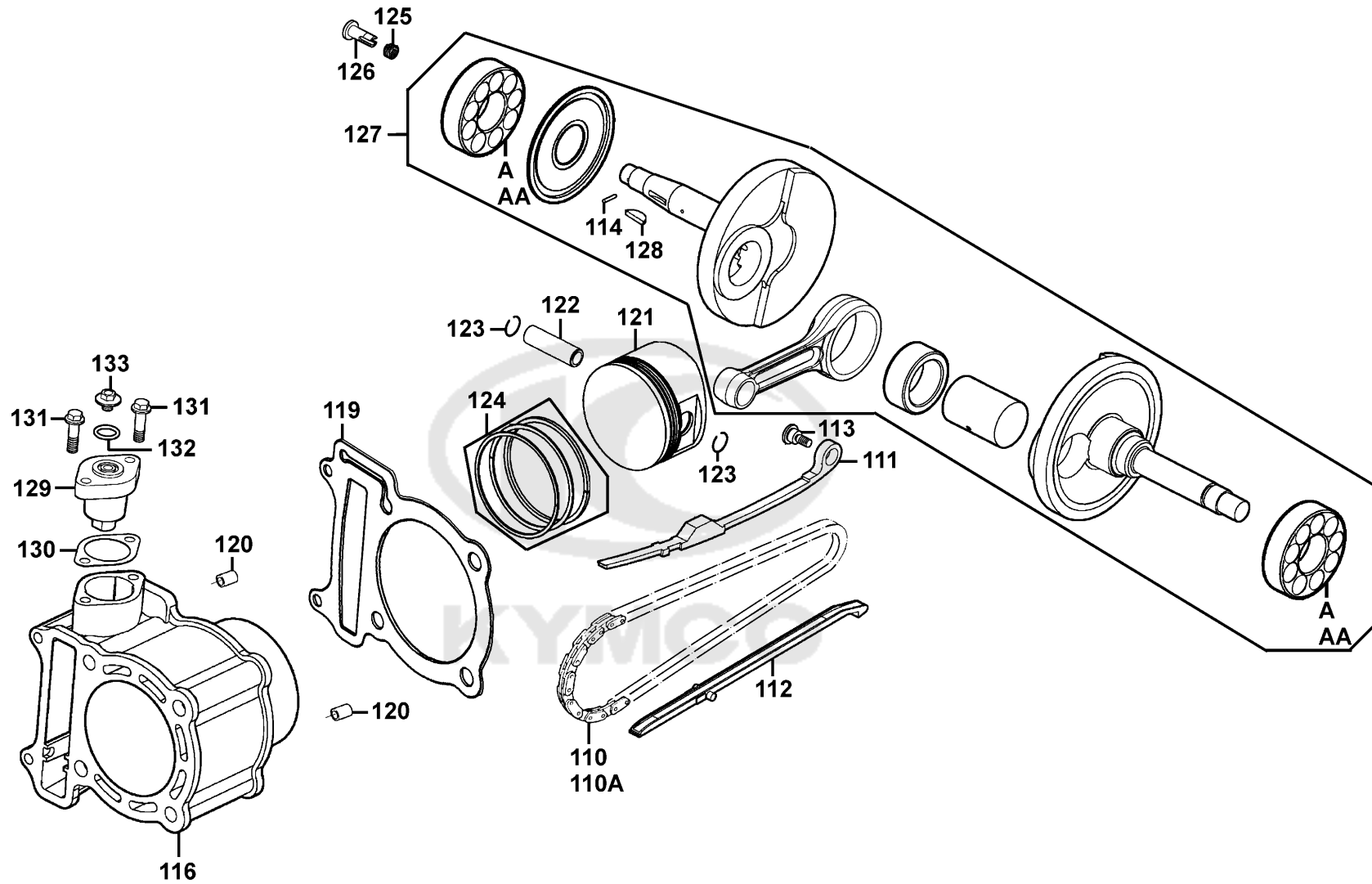



Sales mark	Ref no	Part no	Description	Reg description	Regd no	E02
#	65	95701-06025-06	BOLT FLANGE 6*25	BOLT FLANGE 6*25	1	
#	288	96001-06018-06	BOLT FLANGE SH 6X18	BOLT FLANGE SH 6*18	1	
#	70	96001-06100-06	BOLT FLANGE SH 6*100	BOLT FLANGE SH 6*100	1	
	93	98069-5791R-00	SPARK PLUG (DPR7EA-9)	SPARK PLUG (DPR7EA-9)	1	





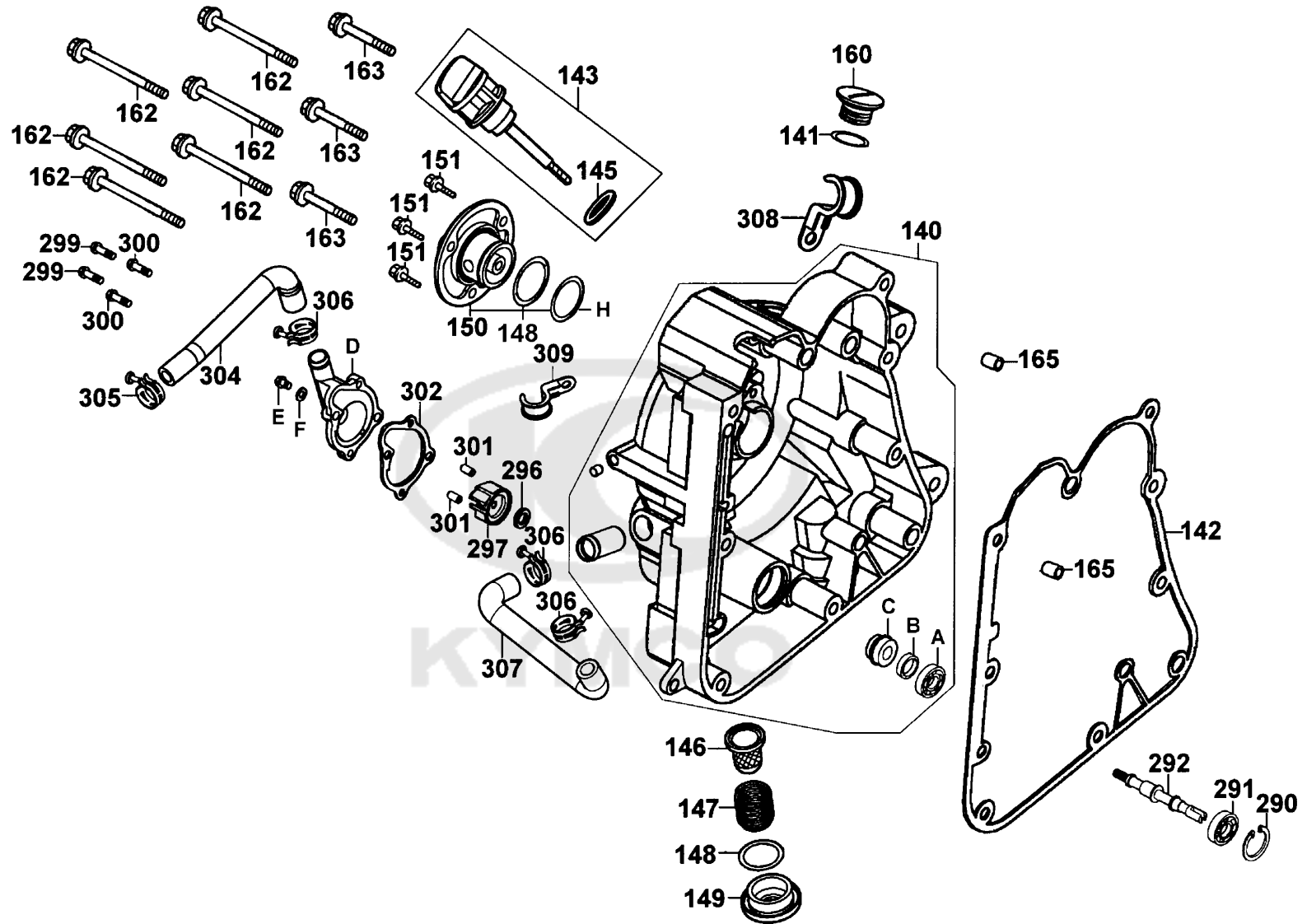
Sales mark	Ref no	Part no	Description	Reg description	Regd no	E03
	116	12100-KHE7-900	CYLINDER COMP	CYLINDER COMP	1	
	119	12191-KHE7-910	GASKET CYLINDER	GASKET CYLINDER	1	
	127	13000-KHE7-900	CRANK SHAFT COMP **(10) C.V.	CRANK SHAFT COMP **(10) C.V.	1	
#	127	13000-KHE7-910	CRANK SHAFT COMP	CRANK SHAFT COMP	1	
	124	13011-KHE7-900	RING SET PISTON	RING SET PISTON	1	
	121	13101-KHE7-900	PISTON	PISTON	1	
	122	13111-KHE7-900	PIN PISTON	PIN PISTON	1	
	110	14401-KHE7-90A	CHAIN CAM (92RH2005-98)	CHAIN CAM (92RH2005-98)	1	
	110A	14401-KHE7-90B	CHAIN CAM	CHAIN CAM	1	
	111	14510-KHE7-900	TENSIONER CAM CHAIN	TENSIONER CAM CHAIN	1	
#	129	14520-GFY6-90C	LIFTER ASSY.. TENSIONER	LIFTER ASSY TENSIONER	1	
#	130	14523-KED9-920	GASKET TENSIONER LIFTER @A	GASKET TENSIONER LIFTER @A	1	
	113	14531-KHE7-900	PIVOT CAM CHAIN TENSIONER	PIVOT CAM CHAIN TENSIONER	1	
	112	14610-KHE7-900	GUIDE COMP CAM CHAIN	GUIDE COMP CAM CHAIN	1	
	126	15441-1K49-001	OIL THROUGH	OIL THROUGH	1	
	125	15447-1K49-001	SPG OIL THROUGH	SPG OIL THROUGH	1	
	131	90001-GBHB-661	BOLT FLANGE SH 6*22	BOLT FLANGE SH 6*22	2	
#	133	90005-KED9-900	BOLT SPECIAL 6*6	BOLT SPECIAL 6*6	1	
A		91001-KHE7-900	BRG BALL RADIAL TMB307JR2CS19	BRG BALL RADIAL TMB307JR2CS19	2	
AA		91001-KHE7-90A	BRG BALL RADIAL TMB307JR2CS19	BRG BALL RADIAL TMB307JR2CS19	2	



Sales mark	Ref no	Part no	Description	Reg description	Regd no	E03
132		91306-1E05-691	O-RING 1.5*9.5	O-RING 1.5*9.5	1	
120		94301-10160	DOWEL PIN 10*16	DOWEL PIN 10*16	2	
128		94401-25140	WOODRUFF KEY 25*14	WOODRUFF KEY 25*14	1	
123		94601-17000	CLIP PISTON PIN 17MM	CLIP PISTON PIN 17MM	2	
114		96220-20118	ROLLER 2*11.8	ROLLER 2*11.8	1	
						

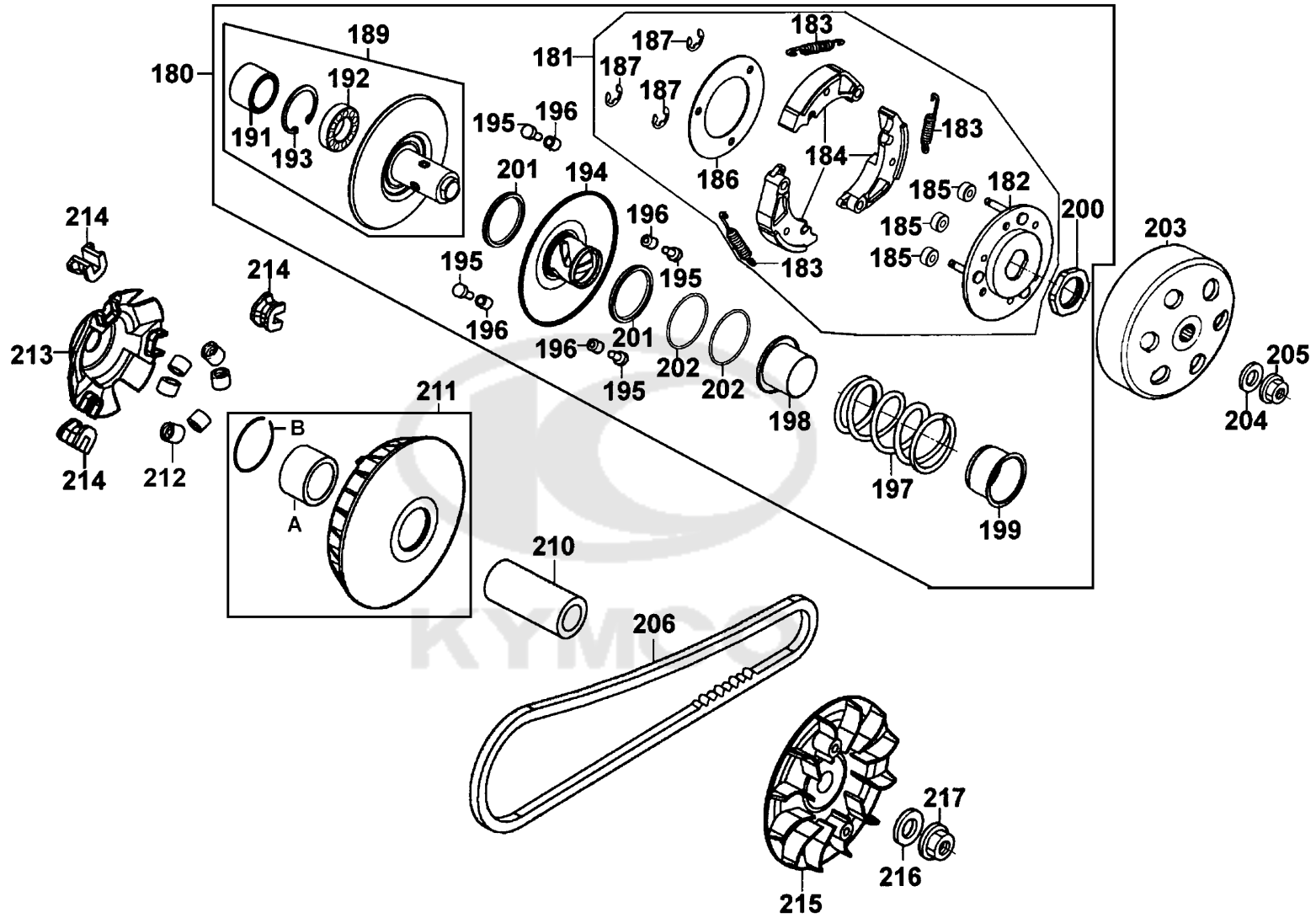
E04

Right Crankcase Cover Water Pump

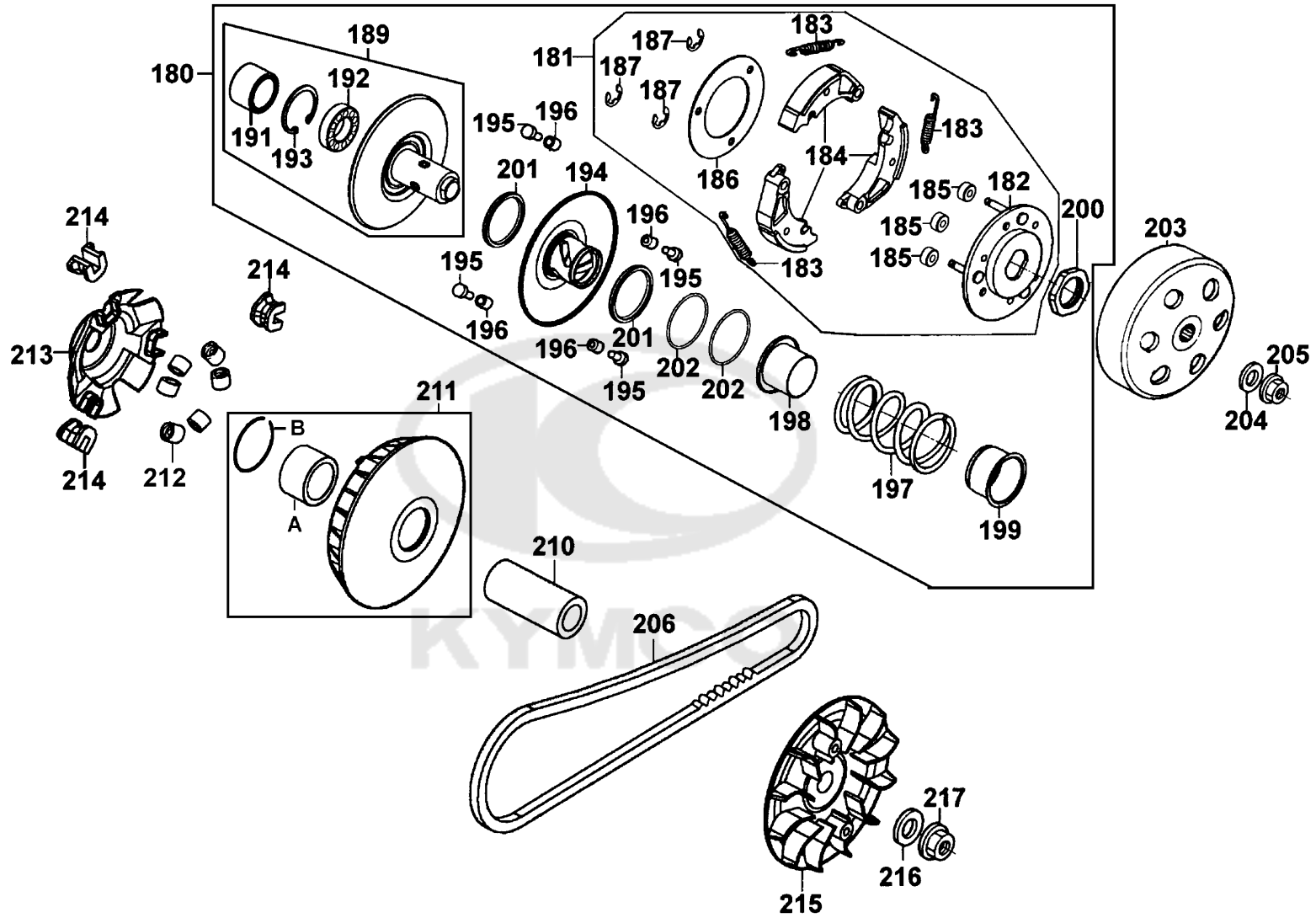


Sales mark	Ref no	Part no	Description	Reg description	Regd no	E04
	140	11330-KHE7-900	COVER COMP R CRANK CASE	COVER COMP R CRANK CASE	1	
	308	11383-KHE7-900	CLAMPER RR BRK HOSE	CLAMPER RR BRK HOSE	1	
	309	11384-KHE7-900	CLAMPER A RR BRK HOSE	CLAMPER A RR BRK HOSE	1	
#	142	11394-KHE7-980	GASKET R COVER @A	GASKET R COVER @A	1	
	149	12361-GFY6-901	HOLE CAP TAPPET ADJUSTING	HOLE CAP TAPPET ADJUSTING	1	
	146	15421-1G07-001	SCREEN OIL FILTER	SCREEN OIL FILTER	1	
	147	15426-GAE1-921	SPG OIL FILTER SCREEN	SPG OIL FILTER SCREEN	1	
	143	1565A-KEBE-900	GAUGE OIL LEVEL ASSY	GAUGE OIL LEVEL ASSY	1	
	297	19215-KHE7-900	IMPELLER WATER PUMP	IMPELLER WATER PUMP	1	
#	C	19217-ZPA3-E00	SEAL MECHANICAL	SEAL MECHANICAL	1	
**	D	19221-KHE7-900	COVER WATER PUMP	COVER WATER PUMP	1	
#	302	19229-LBA7-900	GASKET WATER PUMP	GASKET WATER PUMP	1	
	292	19231-KKJ9-011	SHAFT WATER PUMP	SHAFT WATER PUMP	1	
	304	19501-KHE7-900	HOSE A WATER	HOSE A WATER	1	
	307	19502-KHE7-900	HOSE B WATER	HOSE B WATER	1	
	296	90423-KKJ9-001	WASHER 7.2*13*1.2	WASHER 7.2*13*1.2	1	
F		90478-7L00-001	WASHER A 6MM	WASHER A 6MM	1	
A		91001-KKJ9-006	BRG BALL RADIAL 6901	BRG BALL RADIAL 6901	1	
B		91201-KKJ9-004	OIL SEAL 12*20*4	OIL SEAL 12*20*4	1	
	148	91302-0A01-021	O-RING 30.8M/M	O-RING 30.8M/M	2	

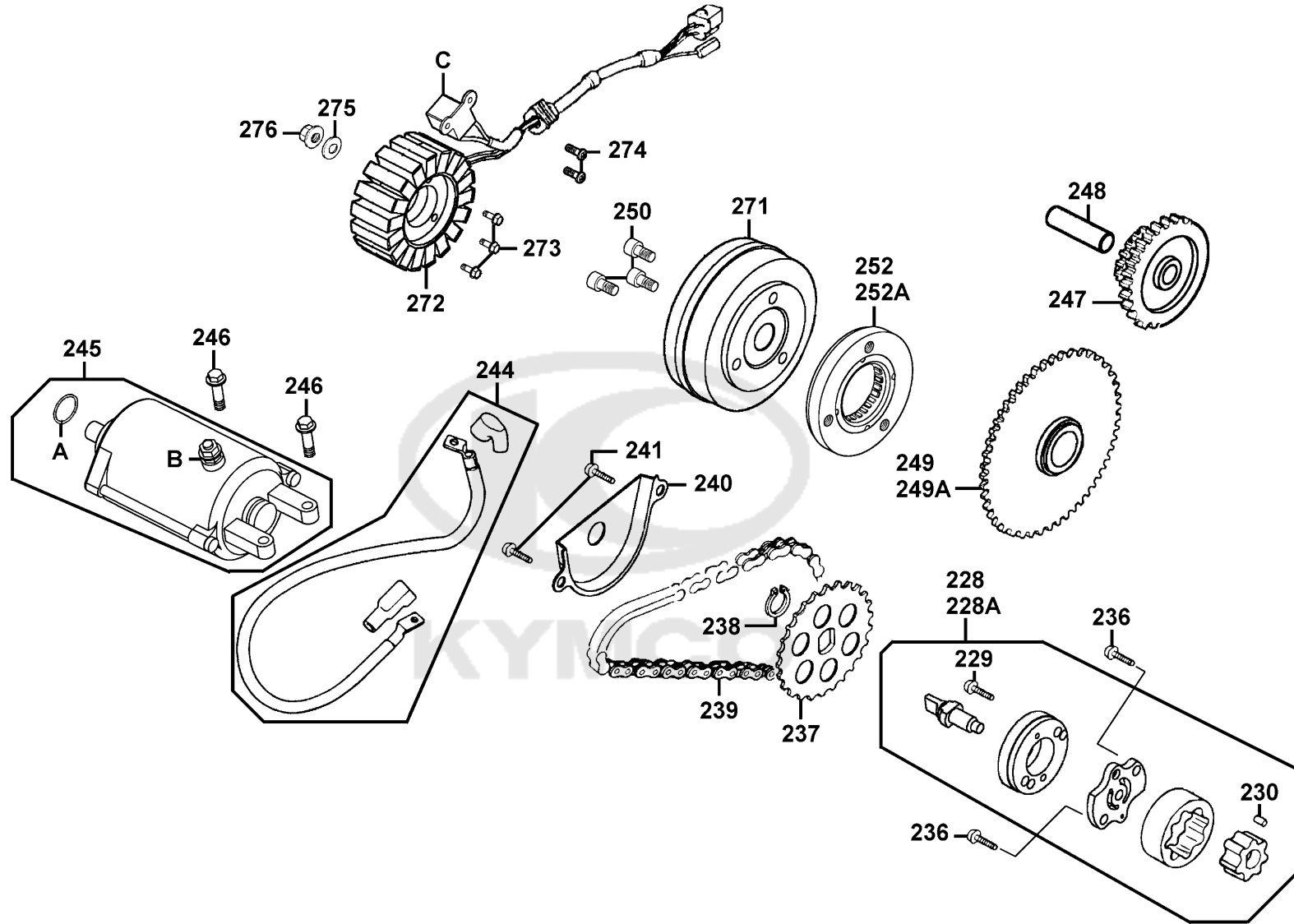
Sales mark	Ref no	Part no	Description	Reg description	Regd no	E04
H		91302-KHE7-900	O-RING 27.4*2.1MM	O-RING 27.4*2.1MM	1	
141		91303-3G77-001	O-RING 13.8*2.5	O-RING 13.8*2.5	1	
145		91307-0E35-001	O RING 18*3	O RING 18*3	1	
301		94301-08140	DOWEL PIN 8*14	DOWEL PIN 8*14	2	
165		94301-10160	DOWEL PIN 10*16	DOWEL PIN 10*16	2	
290		94520-26000	CIR CLIP INTERAL 26MM	CIR CLIP INTERAL 26MM	1	
305		95002-KGN7-910	CLIP TUBE	CLIP TUBE	1	
306		95002-KHE7-900	CLIP WATER HOSE	CLIP WATER HOSE	3	
E		96001-06010-00	BOLT FLANGE SH 6X10	BOLT FLANGE SH 6X10	1	
151		96001-06018-02	BOLT FLANGE SH 6*18	BOLT FLANGE SH 6*18	3	
#	299	96001-06022-06	BOLT FLANGE SH 6*22 (G)	BOLT FLANGE SH 6*22 (G)	1	
#	300	96001-06028-06	BOLT FLANGE SH 6*28	BOLT FLANGE SH 6*28	1	
#	163	96001-06045-06	BOLT FLANGE 6X45	BOLT FLANGE 6X45	1	
#	162	96001-06125-06	BOLT FLANGE SH 6*125	BOLT FLANGE SH 6*125	1	
	291	96100-60000-00	BEARING BALL RADIAL 6000	BEARING BALL RADIAL 6000	1	



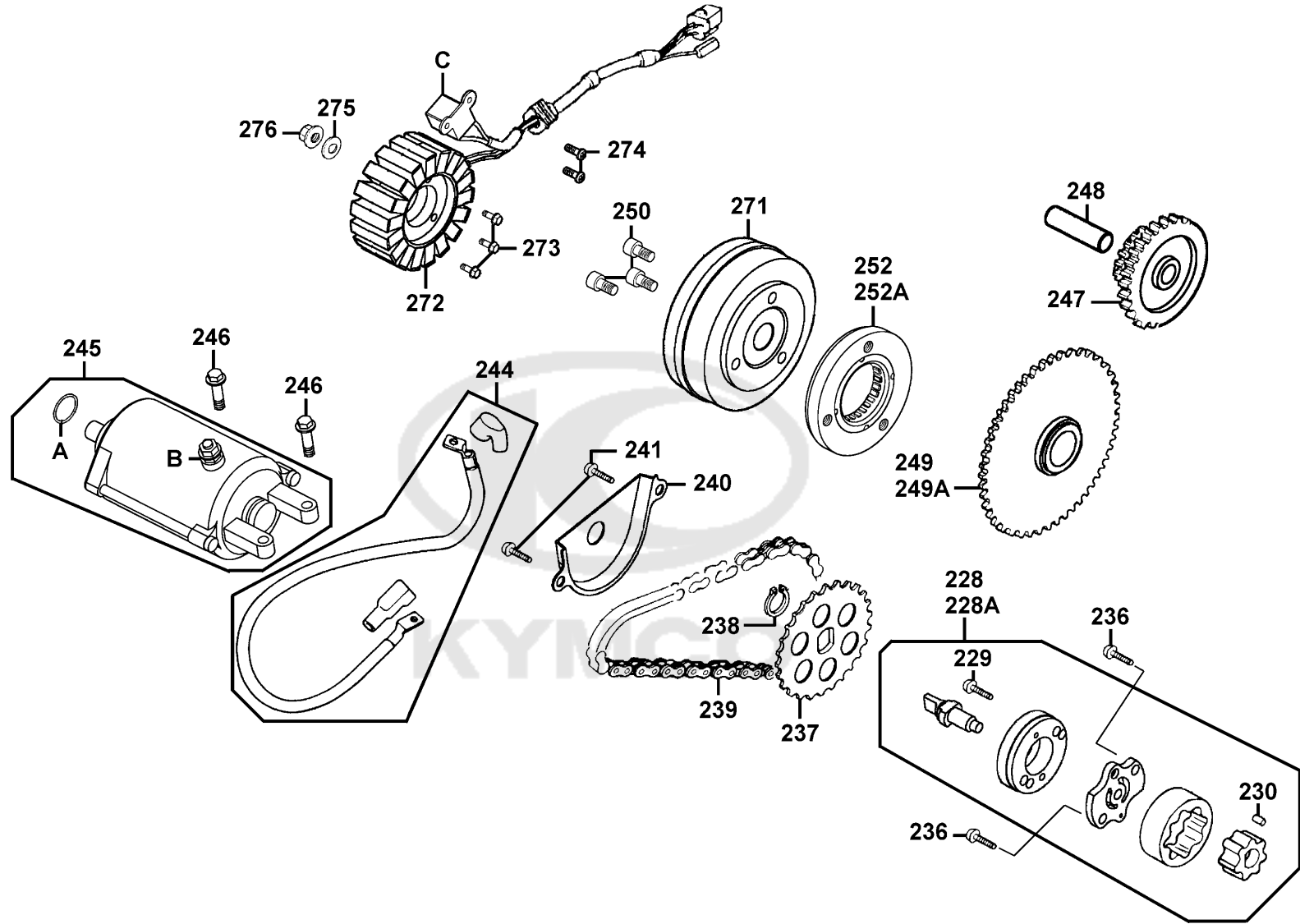
Sales mark	Ref no	Part no	Description	Reg description	Regd no	E05
#	203	22101-LBA7-900	OUTER CLUTCH	OUTER CLUTCH	2	
	215	22102-KHE7-900	FACE DRIVE	FACE DRIVE	1	
	210	22105-KHE7-900	BOSS DRIVE FACE	BOSS DRIVE FACE	1	
#	210	22105-LBA7-900	BOSS DRIVE FACE	BOSS DRIVE FACE	1	
	211	22110-KHE7-900	FACE COMP MOVABLE DRIVE	FACE COMP MOVABLE DRIVE	1	
	A	22112-KHE7-900	BUSH 27*33*37	BUSH 27*33*37	1	
#	212	22121-KHE7-305	ROLLER SET WEIGHT (1SET:6PCS)	ROLLER SET WEIGHT (1SET:6PCS)	1	
	213	22131-KHE7-900	PLATE RAMP	PLATE RAMP	1	
#	213	22131-LBA7-900	PLATE RAMP	PLATE RAMP	1	
#	214	22132-KHE7-305	PIECE SLIDE SET (1SET:3PCS)	PIECE SLIDE	1	
	181	22300-KHE7-900	PLATE ASSY DRIVE	PLATE ASSY DRIVE	1	
#	181	22300-KHE7-910	PLATE ASSY DRIVE	PLATE ASSY DRIVE	1	
	182	22350-KHE7-900	PLATE COMP DRIVE	PLATE COMP DRIVE	1	
#	186	22361-LEA7-E00	PLATE CLUTCH SIDE	PLATE CLUTCH SIDE	1	
	183	22401-KHE7-900	SPRING CLUTCH	SPRING CLUTCH	3	
	184	22530-KHE7-900	WEIGHT CLUTCH	WEIGHT CLUTCH	3	
#	184	22530-KHE7-910	WEIGHT CLUTCH	WEIGHT CLUTCH	3	
	185	22804-GBB2-001	RUBBER CLUTCH DAMPER	RUBBER CLUTCH DAMPER	3	
	180	2301A-LLJ3-E00	PULLEY SUB ASSY	PULLEY SUB ASSY	1	
#	180	2301A-LLJ3-E01	PULLEY SUB ASSY	PULLEY SUB ASSY	1	



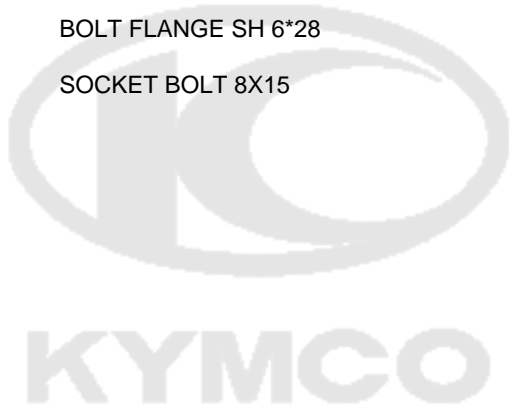
Sales mark	Ref no	Part no	Description	Reg description	Regd no	E05
#	206	23100-KHE7-90B	BELT DRIVE(Maker:MITSUBOSHI)	BELT DRIVE(Maker:MITSUBOSHI)	1	
	189	23200-KHE7-900	FACE ASSY DRIVEN	FACE ASSY DRIVEN	1	
	194	23220-KHE7-900	FACE COMP MOVABLE DRIVEN	FACE COMP MOVABLE DRIVEN	1	
	195	23225-KHE7-900	PIN ROLLER GUIDE	PIN ROLLER GUIDE	4	
	196	23226-GHC8-004	ROLLER GUIDE	ROLLER GUIDE	4	
	197	23233-KHE7-900	SPG DRIVEN FACE	SPG DRIVEN FACE	1	
	198	23237-KHE7-900	COLLAR SEAL	COLLAR SEAL	1	
	199	23238-KHE7-900	COLLAR SPG	COLLAR SPG	1	
	205	90201-KHE7-900	NUT C FLANGE M12	NUT C FLANGE M12	1	
	217	90201-KHR8-75A	NUT FLANGE 14MM	NUT FLANGE 14MM	1	
	200	90202-1G87-001	NUT SPECIAL 28MM	NUT SPECIAL 28MM	1	
	216	90401-KKJ9-001	WASHER THRUST 14*28*2	WASHER THRUST 14*28*2	1	
	204	90441-GFY6-941	WASHER 12.2*29*2.5	WASHER 12.2*29*2.5	1	
	187	90605-1F66-721	CIR CLIP 7MM	CIR CLIP 7MM	3	
	192	91002-GGA7-70A	BRG BALL RADIAL 6902U	BRG BALL RADIAL 6902U	1	
	191	91004-KHE7-900	BRG NDL 22*29*18	BRG NDL 22*29*18	1	
	201	91211-KHE7-900	SEAL DRIVEN FACE	SEAL DRIVEN FACE	2	
	202	91351-KHE7-900	O-RING PINION CAP	O-RING PINION CAP	2	
	193	94520-28000	CIR CLIP IN 28	CIR CLIP IN 28	1	
B		94601-33000	CLIP PISTON PIN 33MM	CLIP PISTON PIN 33MM	1	

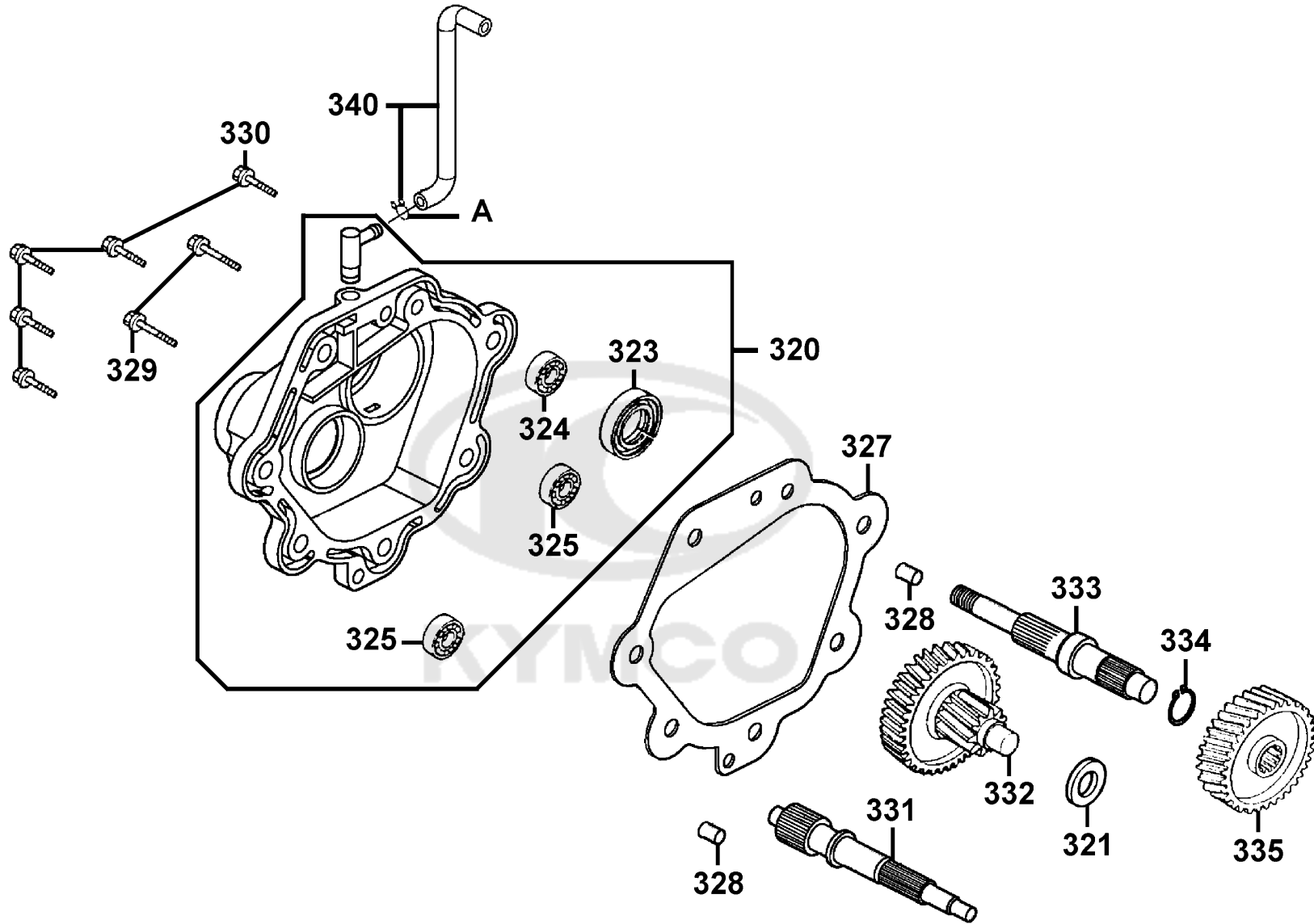


Sales mark	Ref no	Part no	Description	Reg description	Regd no	E06
	228	15100-KEBE-900	PUMP ASSY OIL	PUMP ASSY OIL	1	
#	228A	15100-KKC3-900	PUMP ASSY OIL	PUMP ASSY OIL	1	
	237	15133-KAM1-001	SPROCKET OIL PUMP DRIVE	SPROCKET OIL PUMP DRIVE	1	
	239	15141-KKJ9-004	CHAIN OIL PUMP	CHAIN OIL PUMP	1	
	240	15711-KHE7-900	SEPARATER OIL	SEPARATER OIL	1	
	247	28101-KHE7-900	GEAR STARTER REDUCTION	GEAR STARTER REDUCTION	1	
	248	28102-KHE7-900	SHAFT STARTER REDUCTION GEAR	SHAFT STARTER REDUCTION GEAR	1	
	249	28110-KHE7-900	GEAR COMP STARTING CLUTCH	GEAR COMP STARTING CLUTCH	1	
#	249A	28110-LDB2-E00	GEAR COMP STARTING CLUTCH	GEAR COMP STARTING CLUTCH	1	
	252	28120-KHE7-E00	ONE WAY CLUTCH STARTER ASSY	ONE WAY CLUTCH STARTER ASSY	1	
#	252A	28120-LDB2-E00	ONE WAY CLUTCH	ONE WAY CLUTCH	1	
C		30300-KEBE-900	GEN ASSY PULSE / D406	GEN ASSY PULSE / D406	1	
	271	31110-KHE7-90A	FLYWHEEL COMP (D406)	FLYWHEEL COMP (D406)	1	
	272	31120-KKC4-90A	STATOR COMP D402	STATOR COMP D402	1	
	245	31210-KHE7-90A	MOTOR UNIT STARTER	MOTOR UNIT STARTER	1	
	244	32410-KKC4-900	CABLE STARTER MOTOR	CABLE STARTER MOTOR	1	
	246	90001-GBHB-661	BOLT FLANGE SH 6*22	BOLT FLANGE SH 6*22	2	
B		90071-MLB0-001	NUT WASH 6MM	NUT WASH 6MM	1	
	276	90201-KHR8-75A	NUT FLANGE 14MM	NUT FLANGE 14MM	1	
	275	90401-KKJ9-001	WASHER THRUST 14*28*2	WASHER THRUST 14*28*2	1	



Sales mark	Ref no	Part no	Description	Reg description	Regd no	E06
	A	91309-4E25-004	O-RING 24.4*3.1	O-RING 24.4*3.1	1	
#	273	92101-05032-0G	BOLT HEX 5*32	BOLT HEX 5*32	1	
#	229	93500-03010-0F	SCREW PAN 3X10	SCREW PAN 3X10	1	
#	274	93500-05016-0F	SCREW PAN 5*16	SCREW PAN 5*16	1	
	230	94303-04065	DOWEL PIN 4*6.5	DOWEL PIN 4*6.5	1	
	238	94510-10000	CIR CLIP EX 10MM	CIR CLIP EX 10MM	1	
#	241	96001-06012-06	BOLT FLANGE SH 6*12	BOLT FLANGE SH 6*12	1	
#	236	96001-06028-06	BOLT FLANGE SH 6*28	BOLT FLANGE SH 6*28	1	
#	250	96600-08015-16	SOCKET BOLT 8X15	SOCKET BOLT 8*15	1	

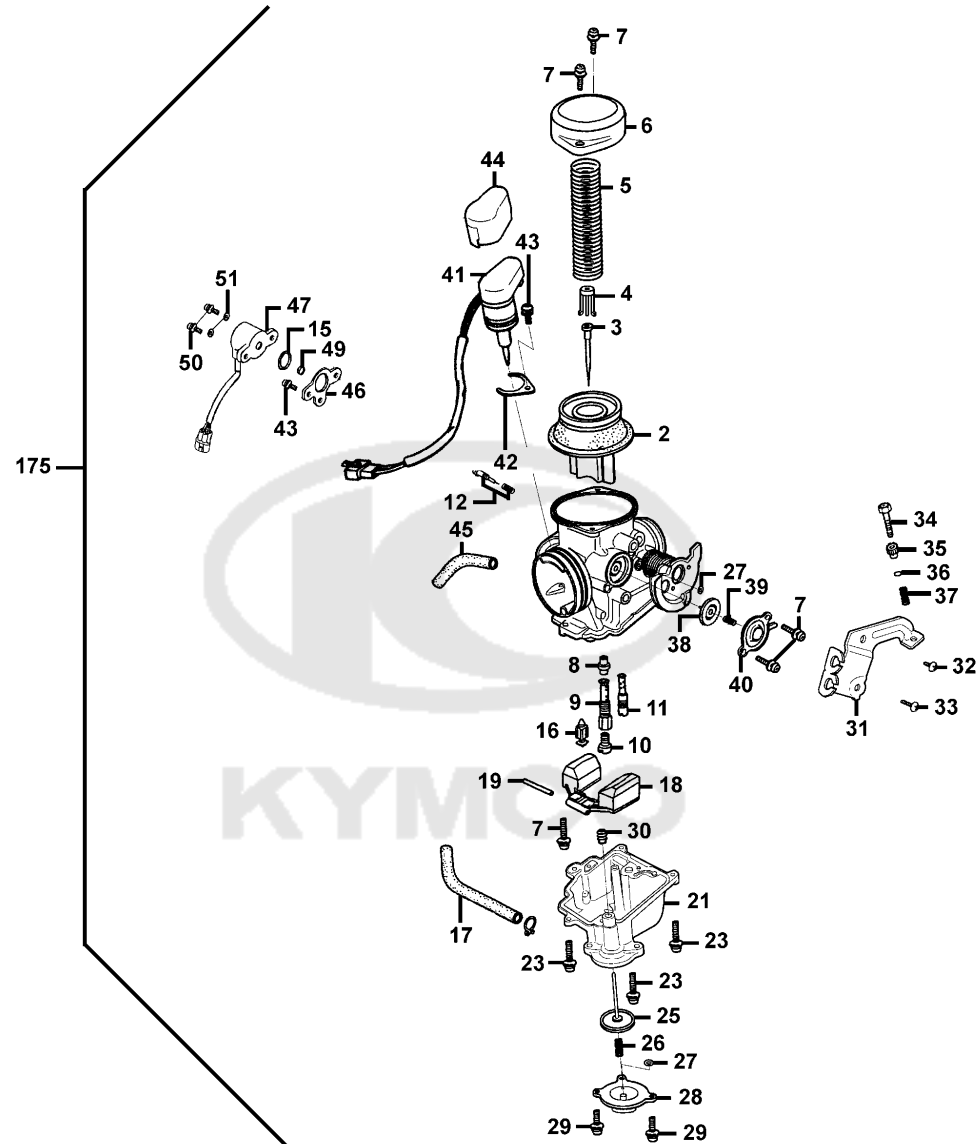




Sales mark	Ref no	Part no	Description	Reg description	Regd no	E07
	340	1122A-KKC4-900	TUBE ASSY MISSION BREATHER	TUBE ASSY MISSION BREATHER	1	
	320	21200-KHE7-305	CASE SET MISSION	CASE SET MISSION	1	
#	327	21395-KHE7-980	GASKET, MISSION COVER @A	GASKET MISSION COVER A	2	
	331	23411-KHE7-900	SHAFT DRIVE	SHAFT DRIVE	1	
#	332	23420-KHE7-910	SHAFT COMP COUNTER	SHAFT COMP COUNTER	1	
	333	23431-KHE7-900	SHAFT FINAL	SHAFT FINAL	1	
#	335	23432-KHE7-910	GEAR FINAL	GEAR FINAL	1	
	321	90441-KKC4-800	WASHER PLAIN 15,5X23X0,5	WASHER PLAIN 15,5X23X0,5	1	
	324	91009-KHE7-900	BRG BALL RADIAL 6205LLU	BRG BALL RADIAL 6205LLU	1	
	323	91255-KHE7-900	OIL SEAL 34*52*7	OIL SEAL 34*52*7	1	
#	323	91255-KHE7-90A	OIL SEAL 34*52*7	OIL SEAL 34*52*7	1	
	328	94301-10160	DOWEL PIN 10*16	DOWEL PIN 10*16	2	
	334	94510-25000	CIR CLIP EXTERNAL 25	CIR CLIP EXTERNAL 25	1	
	A	95002-02080	CLIP B8 TUBE	CLIP B8 TUBE	1	
#	329	95701-08035-06	BOLT FLANGE 8*28	BOLT FLANGE 8*28	1	
#	330	95801-08030-06	BOLT FLANGE 8*30	BOLT FLANGE 8*30	1	
	325	96100-63020-00	BRG BALL RADIAL 6302	BRG BALL RADIAL 6302	2	

E08

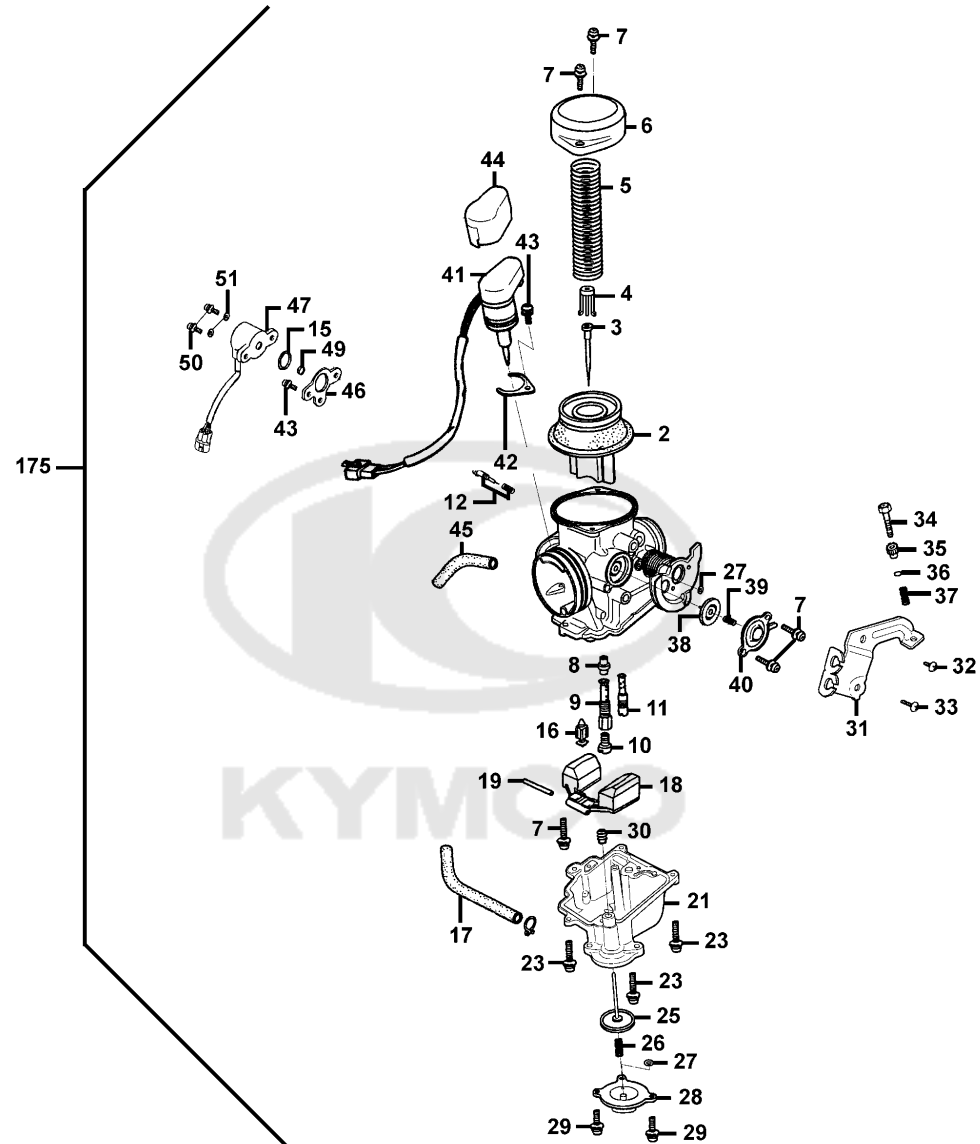
Carburetor



Sales mark	Ref no	Part no	Description	Reg description	Regd no	E08
50		0137-261-36G5	SCREW PAN	SCREW PAN	2	
51		0301-261-36G5	PLAIN WASHER	PLAIN WASHER	2	
30		1028-054-7000	RUBBER CAP	RUBBER CAP	1	
6		1030-892-2101	TOP COMP	TOP COMP	1	
34		1034-869-2001	SCREW SET	SCREW SET	1	
18		1052-862-2101	FLOAT COMP	FLOAT COMP	1	
42		1090-872-2000	SET PLATE	SET PLATE	1	
46		1190-B30-2002	STAY PLATE	STAY PLATE	1	
31		1190-B63-2100	STAY PLATE SET	STAY PLATE SET	1	
25		1201-830-2300	DIAPHRAGM COMP	DIAPHRAGM COMP	1	
4		1229-805-7000	SPG SET	SPG SET	1	
40		1230-850-2000	COVER (ACV)	COVER (ACV)	1	
28		1230-851-2001	COVER (ACCP)	COVER (ACCP)	1	
44		1230-856-7001	COVER	COVER	1	
#		1290-996-2000-3	SPG COMPR	SPG COMPR	1	
26		1290-A07-2000	SPG COMPR	SPG COMPR	1	
5		1290-A28-2000	SPG COMPR	SPG COMPR	1	
2		1402-939-2100	VACUUM PISTON COMP	VACUUM PISTON COMP	1	
37		16053-KT7-0030	SPG	SPG	1	
175		1610K-KKC4-E00	CARBURETOR ASSY	CARBURETOR ASSY	1	

E08

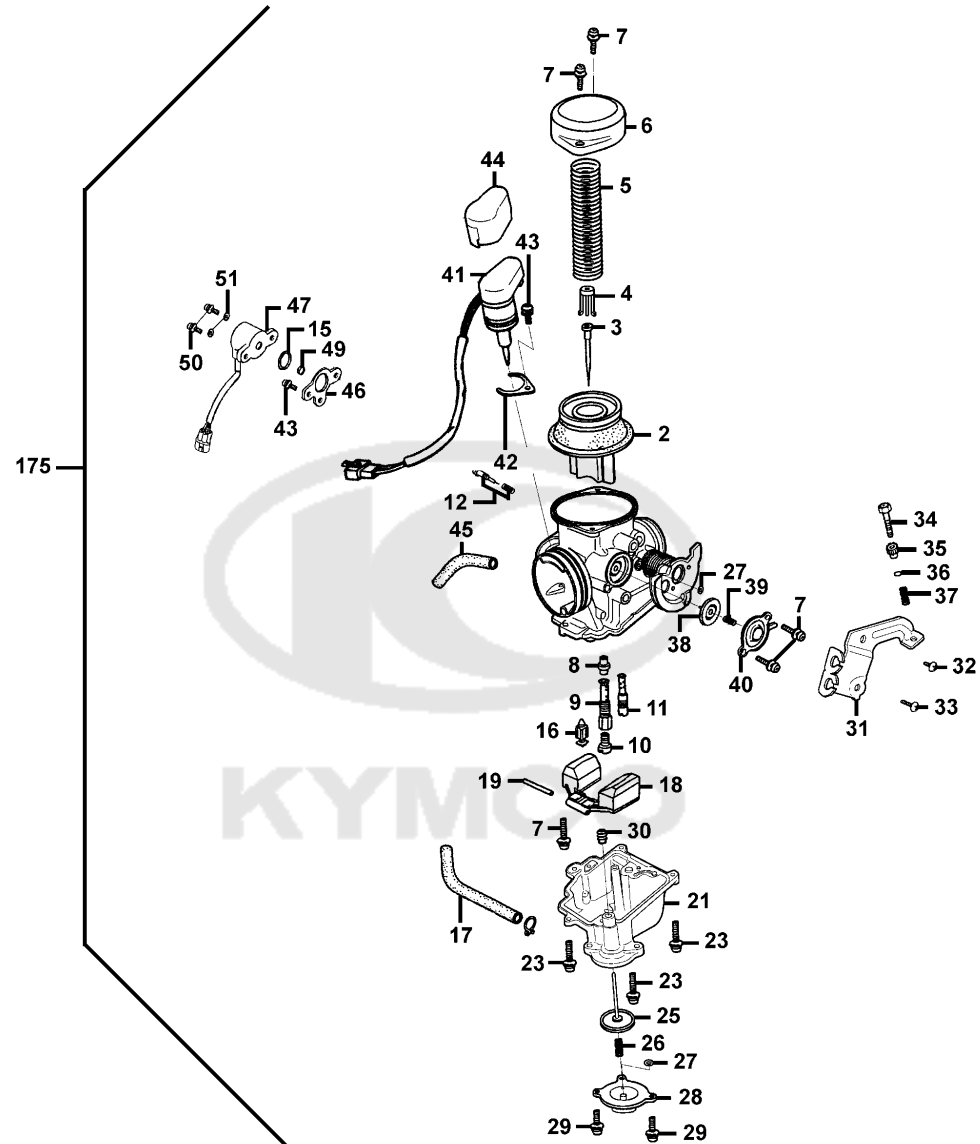
Carburetor



Sales mark	Ref no	Part no	Description	Reg description	Regd no	E08
47		1614-834-2100	THROTTLE SENSOR	THROTTLE SENSOR	1	
49		16145-MZ2-7800	JOINT COLLAR	JOINT COLLAR	1	
45		16199-GFY6-900	TUBE SET	TUBE SET	1	
15		16978-ZB9-0050	O-RING	O-RING	1	
41		4000-276-0000	AUTO BYSTARTER SET	AUTO BYSTARTER SET	1	
32		4115-803-1100	SCREW PAN	SCREW PAN	1	
33		4115-804-1100	SCREW PAN	SCREW PAN	1	
7		93500-04008-1H-3	SCREW PAN	SCREW PAN	5	
29		93500-04010-1H-3	SCREW	SCREW	1	
23		93500-04012-1H-3	SCREW PAN	SCREW PAN	1	
#	43	93892-04008-16	SCREW WASHER 4X8	SCREW WASHER 4X8	1	
	10	99101-116-1020	MAIN JET	MAIN JET	1	
	21	K350-018-1210	FLOAT CHAMBER SET	FLOAT CHAMBER SET	1	
	12	K446-002-0100	SCREW SET	SCREW SET	1	
	9	N413-17E00	NEEDLE JET HOLDER	NEEDLE JET HOLDER	1	
	11	N424-51B38	SLOW JET	SLOW JET	1	
	3	N425-7AG01	JET NEEDLE COMP	JET NEEDLE COMP	1	
	8	N426-33B00	NEEDLE JET	NEEDLE JET	1	
	17	S7860-112-B000	TUBE SET	TUBE SET	1	
	35	W1448-006-9900	ADJUST HOLDER	ADJUST HOLDER	1	

E08

Carburetor

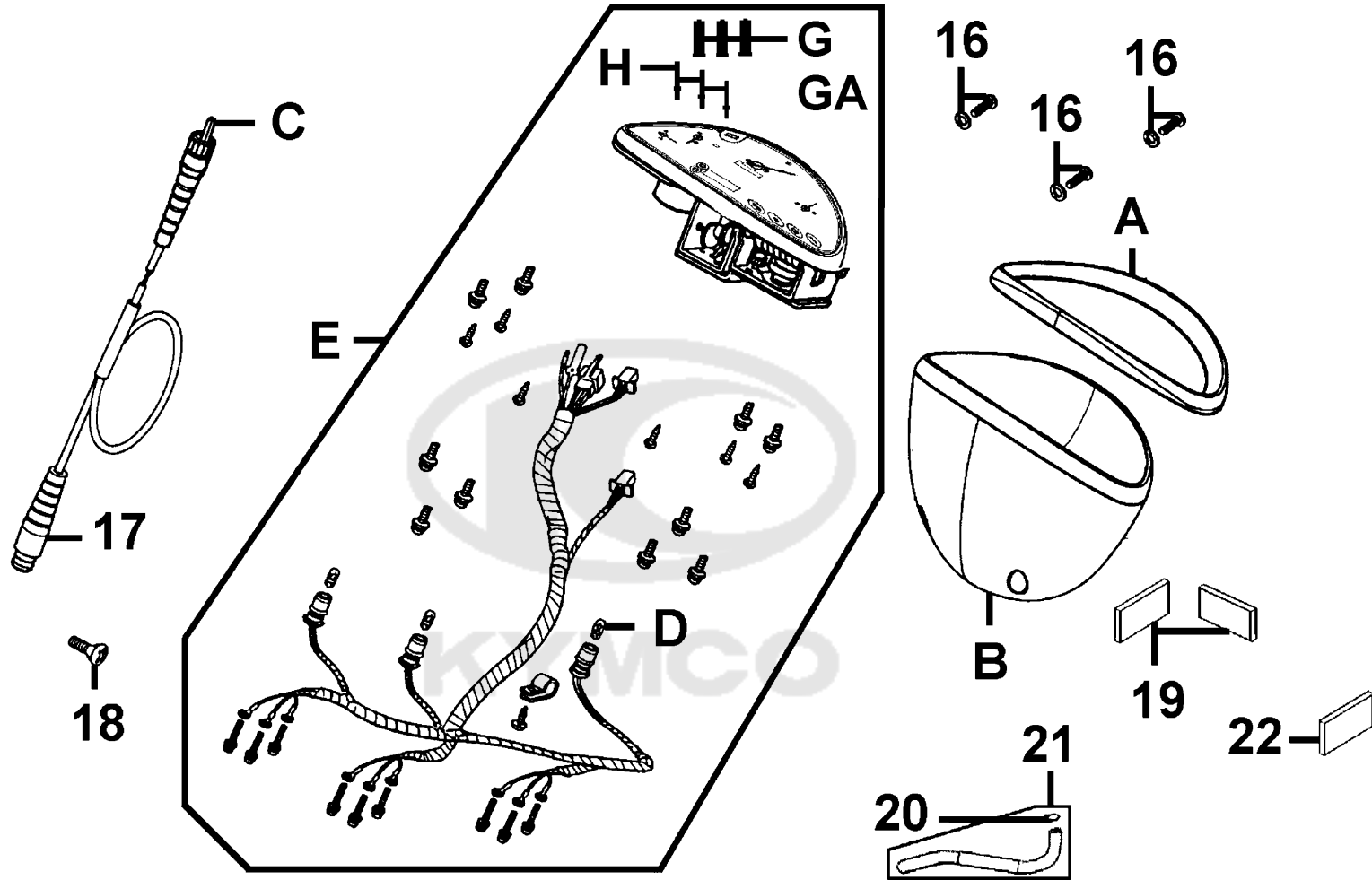


Sales mark	Ref no	Part no	Description	Reg description	Regd no	E08
	38	W1470-MW0-7500	DIAPHRAGM COMP	DIAPHRAGM COMP	1	
	36	W9201-04090	WASHER	WASHER	1	
	27	W9353-36000	U RING	U RING	2	
	19	W9525-25250	ARM PIN	ARM PIN	1	
#	16	Z062-0061	FLOAT VALVE SET	FLOAT VALVE SET	1	

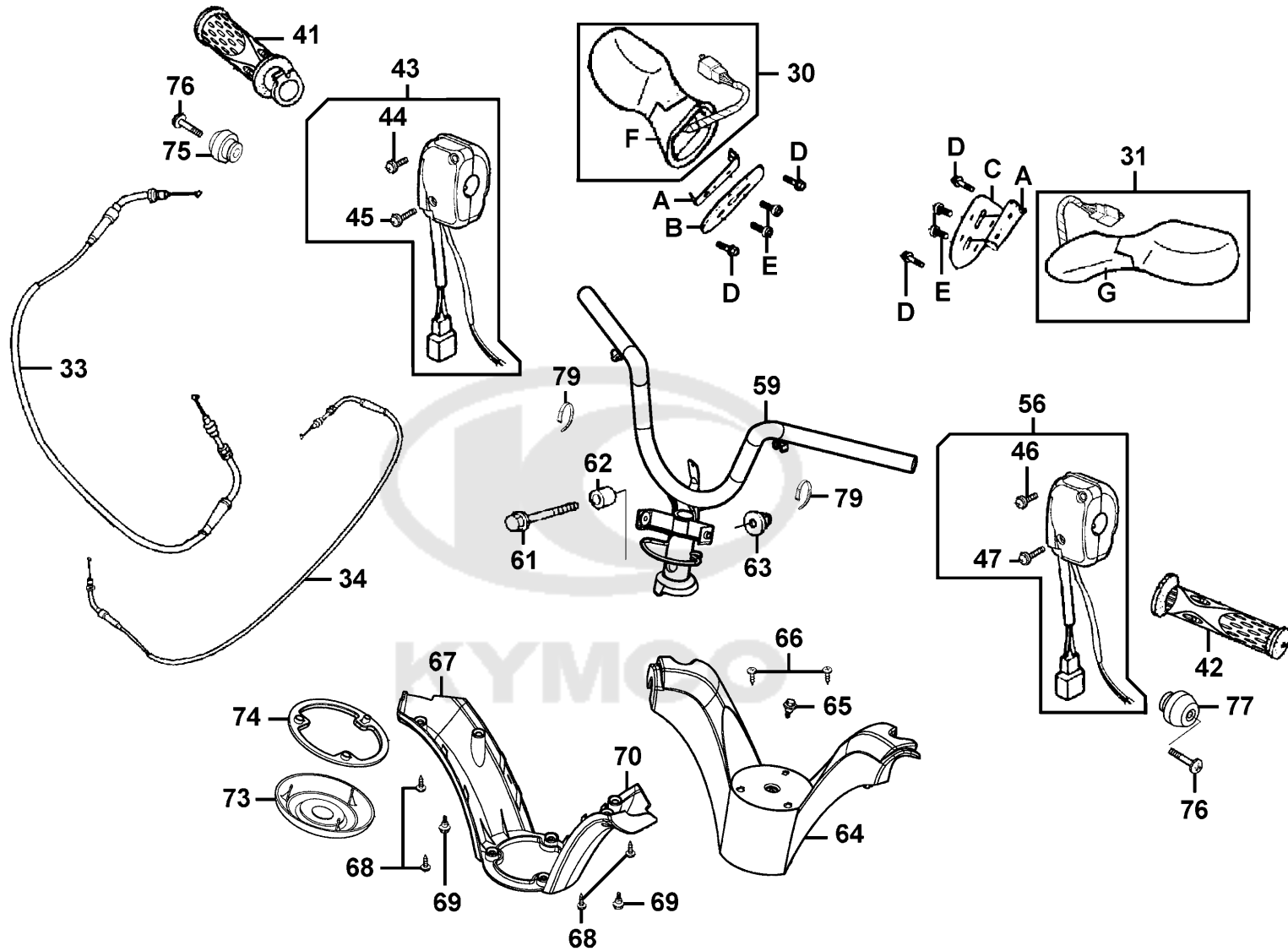


Sales mark	Ref no	Part no	Description	Reg description	Regd no	F01
	1	33100-KKC4-E00	LIGHT ASSY HEAD	LIGHT ASSY HEAD	1	
	E	33107-KKC4-E00	COVER RUBBER	COVER RUBBER	1	
	F	33108-KKC4-E00	COVER RUBBER B **E10 C.2002.03.01	COVER RUBBER B **E10 C.2002.03.01	1	
	B	33120-KKC4-E00	UNIT HEAD LIGHT	UNIT HEAD LIGHT	1	
	A	33130-KKC4-E00	SOCKET COMP HEAD	SOCKET COMP HEAD	1	
	D	34901-KED9-900	BULB HEAD LIGHT (12V 60/55W12342)	BULB HEAD LIGHT (12V 60/55W12342)	1	
	C	34903-KPCP-900	BULB POSITION LIGHT 12V5W **KCP-	BULB POSITION LIGHT 12V5W **KCP-9000	2	
	3	93903-35360	SCREW TAPPING 5*16	SCREW TAPPING 5*16	4	
#	2	95701-06012-06	BOLT FLANGE 6*12 **07 C.2005.07.01	BOLT FLANGE 6*12 **07 C.2005.07.01	1	

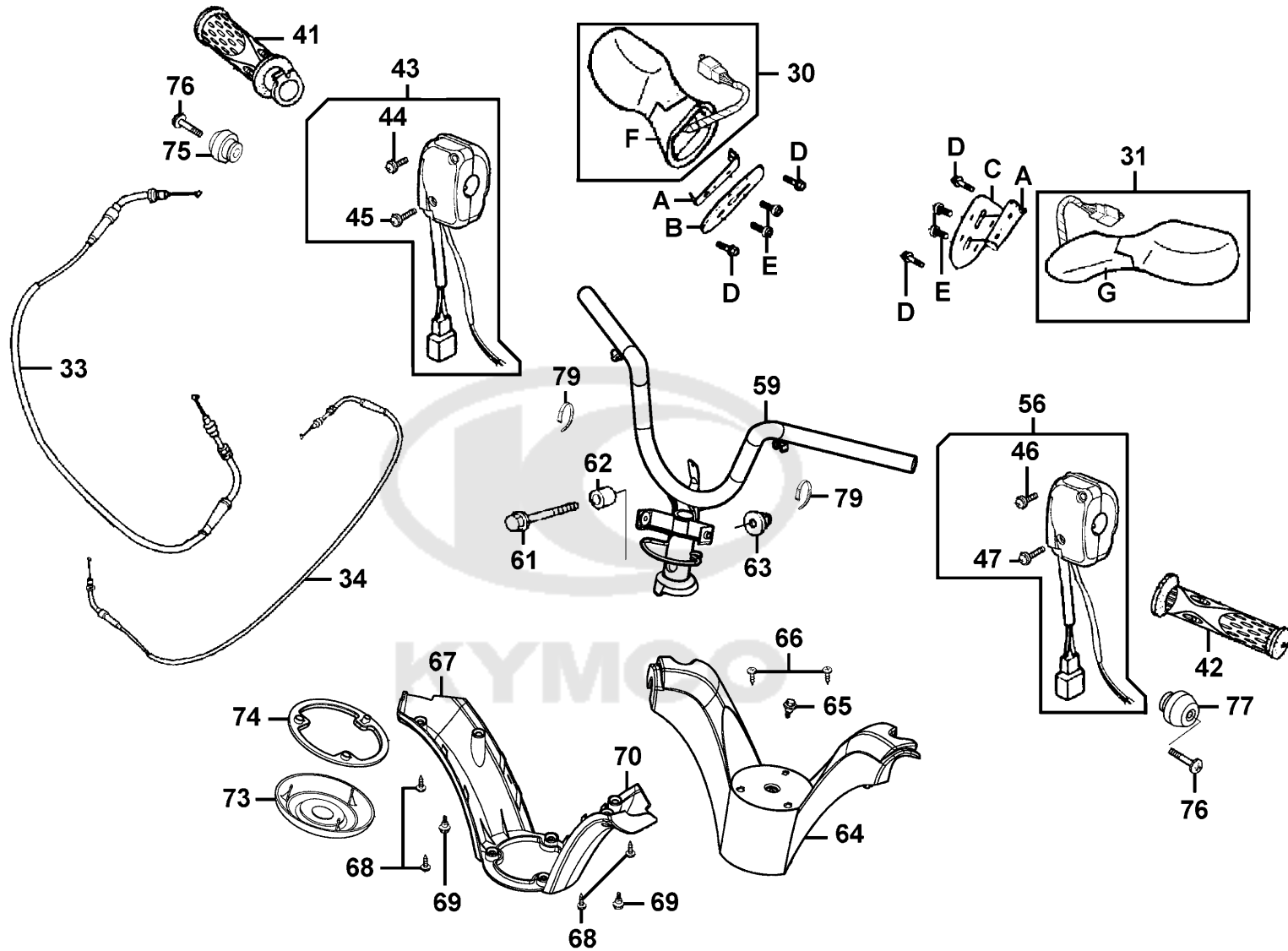




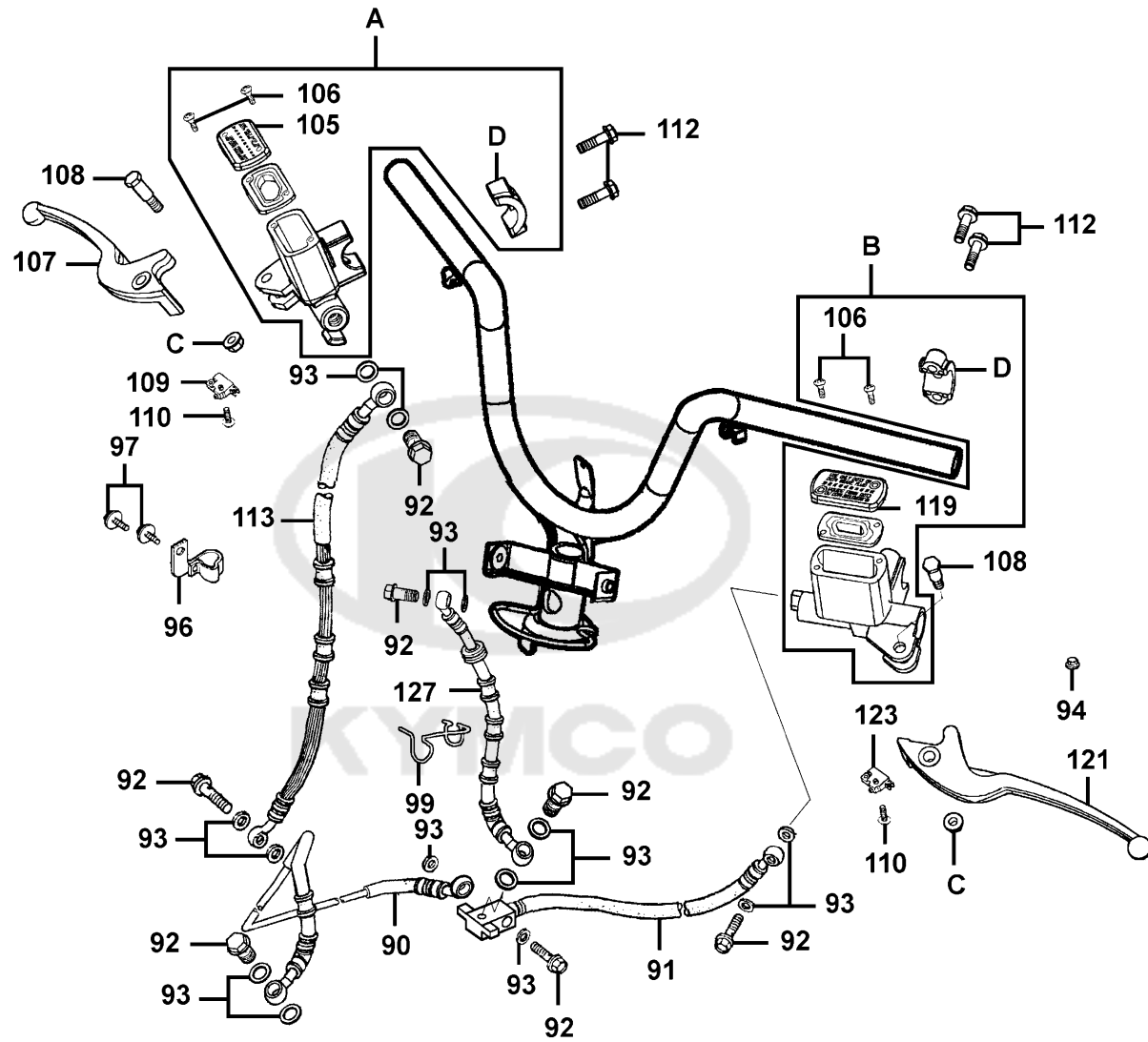
Sales mark	Ref no	Part no	Description	Reg description	Regd no	F02
	D	34909-KEBE-900	BULB WEDGE BASE	BULB WEDGE BASE	3	
	E	37200-KKC4-900	METER ASSY SPEED	METER ASSY SPEED	1	
**	A	37203-KKC4-900	METER COVER FR	METER COVER FR	1	
**	B	37204-KKC4-900	METER COVER RR	METER COVER RR	1	
	G	37213-KKC4-900	CUSHION RUBBER	CUSHION RUBBER	3	
	GA	37213-KKC4-E00	CUSHION RUBBER	CUSHION RUBBER	3	
	H	37214-KKC4-E00	LEVER BOTTON	LEVER BOTTON	3	
	17	44830-KKC4-900	CABLE COMP SPDMT	CABLE COMP SPDMT	1	
	C	44831-KKC4-900	CABLE INNER	CABLE INNER	1	
	19	64327-KKC4-900	SPONGE TAPE METER COVER	SPONGE TAPE METER COVER	2	
	22	64328-KKC4-900	SPONGE TAPE METER COVER	SPONGE TAPE METER COVER	1	
	16	90302-GFY6-940	BOLT-WASH 5*16	BOLT-WASH 5*16	3	
	20	90915-KKC4-900	TUBE DRAIN	TUBE DRAIN	1	
#	18	93700-05018-0F	SCREW OVAL 5*18	SCREW OVAL 5X18	1	
	21	95002-50000	CLIP C9 TUBE	CLIP C9 TUBE	1	



Sales mark	Ref no	Part no	Description	Reg description	Regd no	F03
	33	17910-KKC4-900	CABLE A COMP THROT	CABLE A COMP THROT	1	
	34	17911-KKC4-900	CABLE B COMP THROT	CABLE B COMP THROT	1	
	43	3515A-KKC4-900	SW ASSY RH HANDLE COMP	SW ASSY RH HANDLE COMP	1	
	56	3520A-KEBE-900	SW ASSY L HNDL COMP	SW ASSY L HNDL COMP	1	
	59	53100-KKC4-900	HANDLE COMP STEERING	HANDLE COMP STEERING	1	
	75	53105-KFC8-900	END R STRG HANDLE	END R STRG HANDLE	1	
	77	53106-KFC8-900	END L STRG HANDLE	END L STRG HANDLE	1	
	62	53125-GEN5-901	COLLAR HANDLE SET	COLLAR HANDLE SET	1	
**	41	53140-KKC4-900	GRIP COMP THROT	GRIP COMP THROT	1	
**	42	53166-KGB5-900	GRIP L HANDLE	GRIP L HANDLE	1	
**	64	53205-KKC4-900	COVER HANDLE UP **(0) C.2004.06.16	COVER HANDLE UP **(0) C.2004.06.16	1	
**	67	53206-KKC4-900	COVER R HANDLE LOW	COVER R HANDLE LOW	1	
**	70	53207-KKC4-900	COVER L HANDLE LOW	COVER L HANDLE LOW	1	
**	73	53208-KKC4-900	GRILL HANDLE UP	GRILL HANDLE UP	1	
	74	53209-KKC4-900	PACKING HANDLE UP	PACKING HANDLE UP	1	
# **	30	88110-KKC4-305	MIRROR ASSY R BACK	MIRROR ASSY R BACK	1	
	A	88114-KKC4-900	STAY MIRROR	STAY MIRROR	2	
	B	88115-KKC4-900	PAD R MIRROR	PAD R MIRROR	1	
	F	88116-KKC4-900	BASE R MIRROR	BASE R MIRROR	1	
# **	31	88120-KKC4-305	MIRROR ASSY L BACK	MIRROR ASSY L BACK	1	

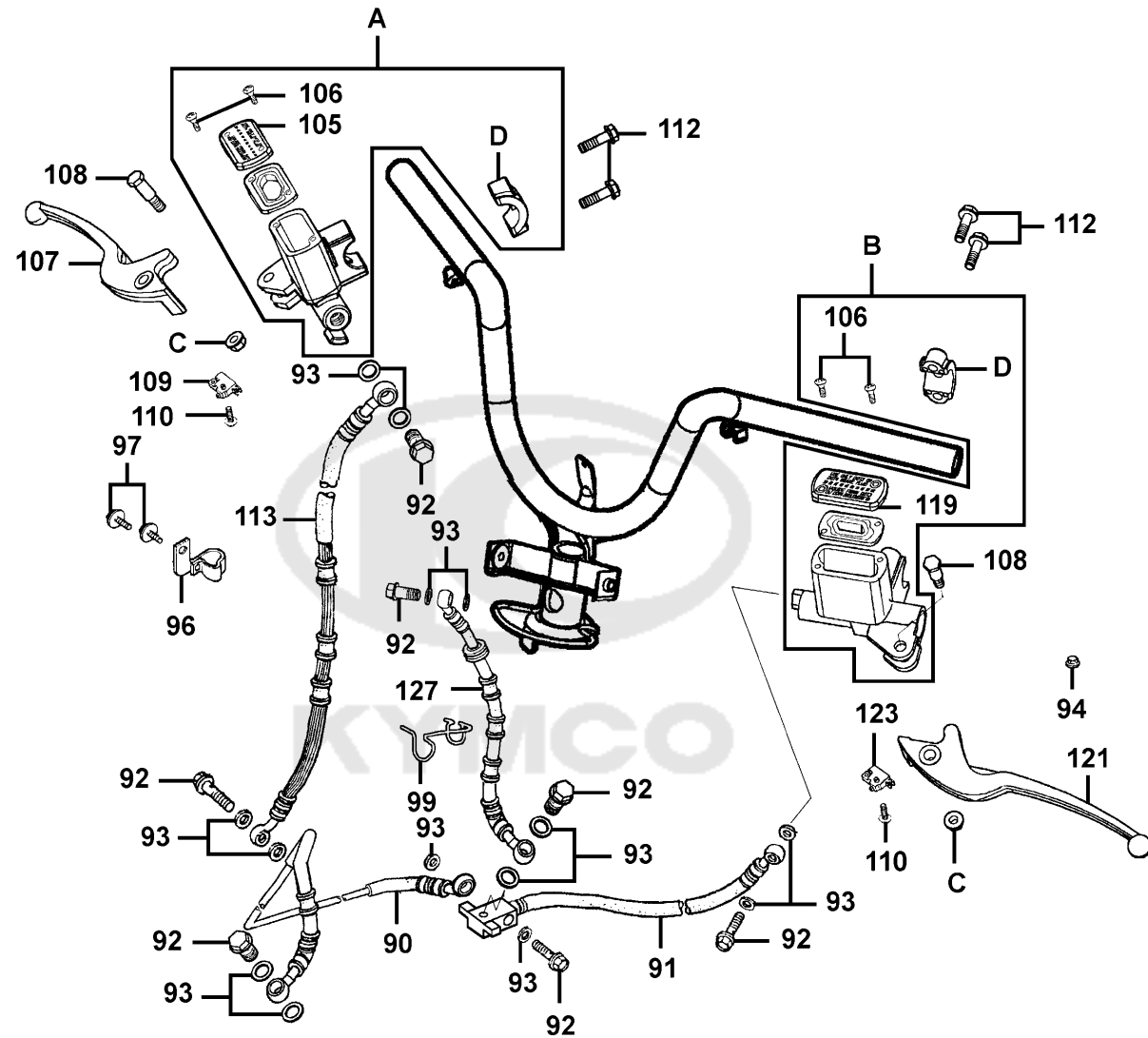


Sales mark	Ref no	Part no	Description	Reg description	Regd no	F03
C		88125-KKC4-900	PAD L MIRROR	PAD L MIRROR	1	
G		88126-KKC4-900	BASE L MIRROR	BASE L MIRROR	1	
D		88130-KKC4-900	BOLT SPECIAL	BOLT SPECIAL	4	
E		88135-KKC4-900	SCREW PAN 5*20	SCREW PAN 5*20	4	
61		90106-GEN5-901	BOLT FLANGE 10*50	BOLT FLANGE 10*50	1	
76		90106-KFC2-900	BOLT SPECIAL 8MM	BOLT SPECIAL 8MM	2	
69		90302-GFY6-901	BOLT WASH 5*12 *(1) C.V.	BOLT WASH 5*12 *(1) C.V.	2	
65		90302-KEC8-900	BOLT PAN 5*9	BOLT PAN 5*9	1	
63		90304-GHE8-004	NUT U 10MM	NUT U 10MM	1	
# 79		90656-KCBC-900	BAND OIL HANDLE 8X146	BAND OIL HANDLE 8X146	1	
44		93500-05016-1B	SCREW PAN 5*16	SCREW PAN 5*16	1	
45		93500-05025-1B	SCREW PAN 5*25	SCREW PAN 5*25	1	
46		93500-05032-1B	SCREW PAN 5*32	SCREW PAN 5*32	1	
47		93500-05045-1B	SCREW PAN 5*45	SCREW PAN 5*45	1	
68		93903-34360	SCREW TAPPING 4X12	SCREW TAPPING 4X12	4	
66		93903-35360	SCREW TAPPING 5*16	SCREW TAPPING 5*16	2	



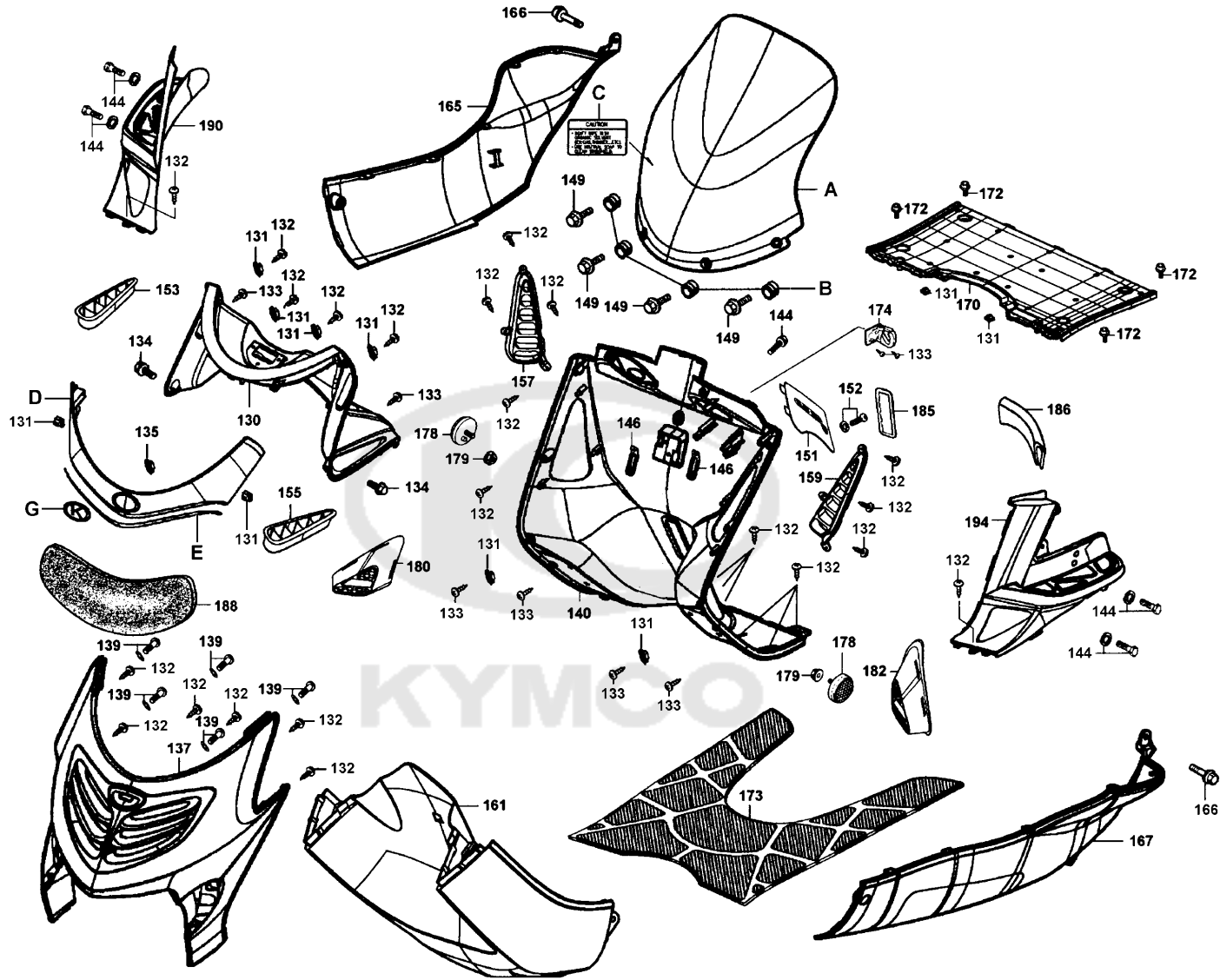
Sales mark	Ref no	Part no	Description	Reg description	Regd no	F04
	109	35340-KNBN-901	SW ASSY FR STOP	SW ASSY FR STOP	1	
	123	35350-KNBN-901	SW ASSY RR STOP	SW ASSY RR STOP	1	
	127	43126-KKC4-900	HOSE ASSY C/P RR BRK	HOSE ASSY C/P RR BRK	1	
	91	43127-KKC4-900	HOSE ASSY M/C RR BRAKE	HOSE ASSY M/C RR BRAKE	1	
	99	43156-KKC4-900	CLAMPER HOSE RR	CLAMPER HOSE RR	1	
	B	43530-KKC4-305	CYLINDER SET RR MASTER	CYLINDER SET RR MASTER	1	
	113	45126-KKC4-900	HOSE ASSY FR BRAKE	HOSE ASSY FR BRAKE	1	
	90	45127-KKC4-900	HOSE ASSY C/P FR BRK	HOSE ASSY C/P FR BRK	1	
	96	45128-KKC4-900	CLAMPER FR BRAKE HOSE	CLAMPER FR BRAKE HOSE	1	
#	105	45513-KHD4-B00	CAP MASTER CYLINDER	CAP MASTER CYLINDER	1	
	119	45513-KKC4-900	CAP M/C	CAP M/C	1	
	D	45517-KFAF-910	HOLDER M/C	HOLDER M/C	2	
	A	45530-KFC8-E00	CYLINDER SET FR MASTER	CYLINDER SET FR MASTER	1	
**	107	53175-KFA5-E10	LEVER R STRG HNDL	LEVER R STRG HNDL	1	
**	121	53178-KFC8-E10	LEVER L STRG HNDL	LEVER L STRG HNDL	1	
	108	90114-1F66-007	BOLT HANDLE LEVER	BOLT HANDLE LEVER	2	
#	92	90145-LEA3-E00	OIL BOLT 10*22	OIL BOLT 10*22	1	
	93	90545-3L00-001	WASHER OIL BOLT	WASHER OIL BOLT	14	
	106	93600-04012-1G	SCREW FLAT 4X12	SCREW FLAT 4X12	4	
	110	93893-04012-18	SCREW WASHER 4*12	SCREW WASHER 4*12	2	

Brake Master Cylinder

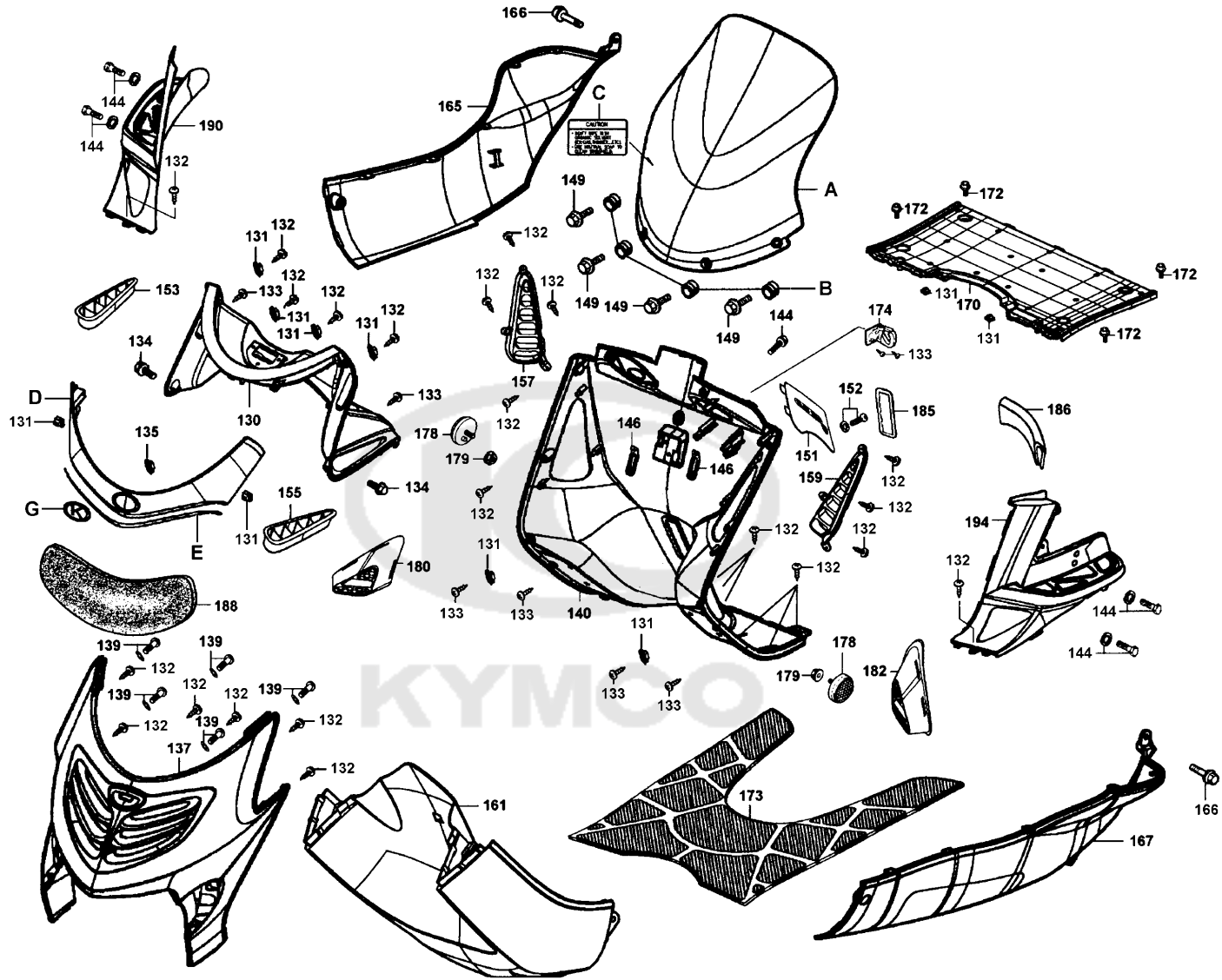


Sales mark	Ref no	Part no	Description	Reg description	Regd no	F04
	C	94050-06060	NUT FLANGE 6MM	NUT FLANGE 6MM	2	
	94	94050-06080	NUT FLANGE 6MM	NUT FLANGE 6MM	1	
#	97	95701-06012-06	BOLT FLANGE 6*12 **07 C.2005.07.01	BOLT FLANGE 6*12 **07 C.2005.07.01	1	
#	112	96001-06022-06	BOLT FLANGE SH 6*22 (G)	BOLT FLANGE SH 6*22 (G)	4	

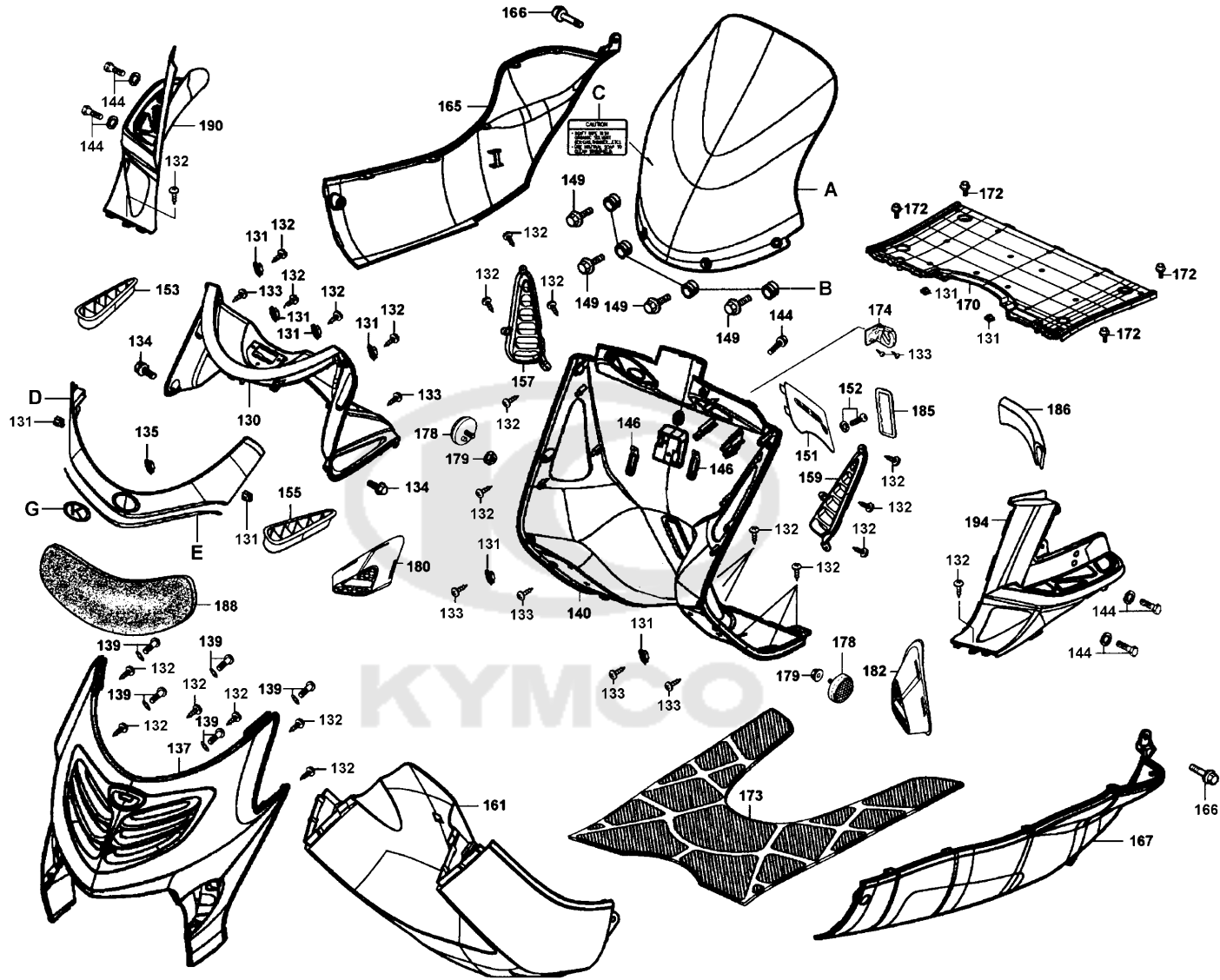




Sales mark	Ref no	Part no	Description	Reg description	Regd no	F05
	178	33741-GFY6-C30	REFLEX REFLECTOR	REFLEX REFLECTOR	2	
**	130	53204-KKC4-900	COVER METER	COVER METER	1	
**	153	53214-KKC4-900	GRID R METER COVER	GRID R METER COVER	1	
**	155	53224-KKC4-900	GRID L METER COVER	GRID L METER COVER	1	
A		64220-KKC4-900	WIND SCREEN	WIND SCREEN	1	
E		64221-KKC4-900	SEAL WIND SCREEN	SEAL WIND SCREEN	1	
B		64222-KKC4-900	RUBBER WIND SCREEN	RUBBER WIND SCREEN	4	
**	D	64301-KKC4-900	COVER SCREEN	COVER SCREEN	1	
**	137	64302-KKC4-900	MOLDING FRONT	MOLDING FRONT	1	
**	165	64305-KKC4-900	SKIRT R SIDE	SKIRT R SIDE	1	
**	167	64306-KKC4-900	SKIRT L SIDE	SKIRT L SIDE	1	
	188	64309-KKC4-900	GRILL FR COVER	GRILL FR COVER	1	
**	170	64310-KKC4-900	FLOOR PANEL	FLOOR PANEL	1	
**	190	64311-KKC4-900	COVER R PILLION STEP	COVER R PILLION STEP	1	
**	180	64312-KKC4-900	GRID R PILLION STEP	GRID R PILLION STEP	1	
	186	64317-KKC4-900	SEAL METER COVER FR	SEAL METER COVER FR	1	
**	173	64320-KKC4-900	MAT FLOOR	MAT FLOOR	1	
**	194	64321-KKC4-900	COVER L PILLION STEP	COVER L PILLION STEP	1	
**	182	64322-KKC4-900	GRID L PILLION STEP	GRID L PILLION STEP	1	
**	161	64400-KKC4-900	COWL UNDER	COWL UNDER	1	



Sales mark	Ref no	Part no	Description	Reg description	Regd no	F05
**	140	81131-KKC4-900	LEG SHIELD	LEG SHIELD	1	
**	185	81132-KEB7-900	LID LEG SHIELD	LID LEG SHIELD	1	
**	151	81136-KKC4-900	LID RESERVE	LID RESERVE	1	
**	157	81137-KKC4-900	GRID R LEG SHIELD	GRID R LEG SHIELD	1	
**	159	81147-KKC4-900	GRID L LEG SHIELD	GRID L LEG SHIELD	1	
	174	8376A-KEBE-900	CLIP ASSY CENTER	CLIP ASSY CENTER	1	
**	G	86102-KKC4-900	EMB K-LOGO 28.5MM	EMB K-LOGO 28.5MM	1	
**	C	87508-KKC4-E00	LABEL CLEANNESS CAUTION	LABEL CLEANNESS CAUTION	1	
	134	90302-GFY6-901	BOLT WASH 5*12 *(1) C.V.	BOLT WASH 5*12 *(1) C.V.	2	
	166	90302-GFY6-940	BOLT-WASH 5*16	BOLT-WASH 5*16	2	
	131	90302-SDA4-004	NUT SPRING 4MM	NUT SPRING 4MM	10	
	135	90677-GAR1-004	NUT CLIP 5MM	NUT CLIP 5MM	1	
	144	93404-06016-06	BOLT WASHER 6*16	BOLT WASHER 6*16	5	
	172	93404-06020-06	BOLT WASHER 6*20 (G)	BOLT WASHER 6*20 (G)	4	
	149	93404-KKC2-900	BOLT WASH 6*16	BOLT WASH 6*16	4	
	152	93891-05012-06	SCREW WASHER 5*12	SCREW WASHER 5*12	1	
	132	93903-34360	SCREW TAPPING 4X12	SCREW TAPPING 4X12	26	
	133	93903-GFY6-900	SCREW TAPPING 4*14	SCREW TAPPING 4*14	8	
	139	93903-KEB7-900-06	SCREW WASHER 4*12 (G)	SCREW WASHER 4*12 (G)	5	
	179	94050-06080	NUT FLANGE 6MM	NUT FLANGE 6MM	2	



Sales mark	Ref no	Part no	Description	Reg description	Regd no	F05
------------	--------	---------	-------------	-----------------	---------	------------

146

94591-27000

CLIP 2*70

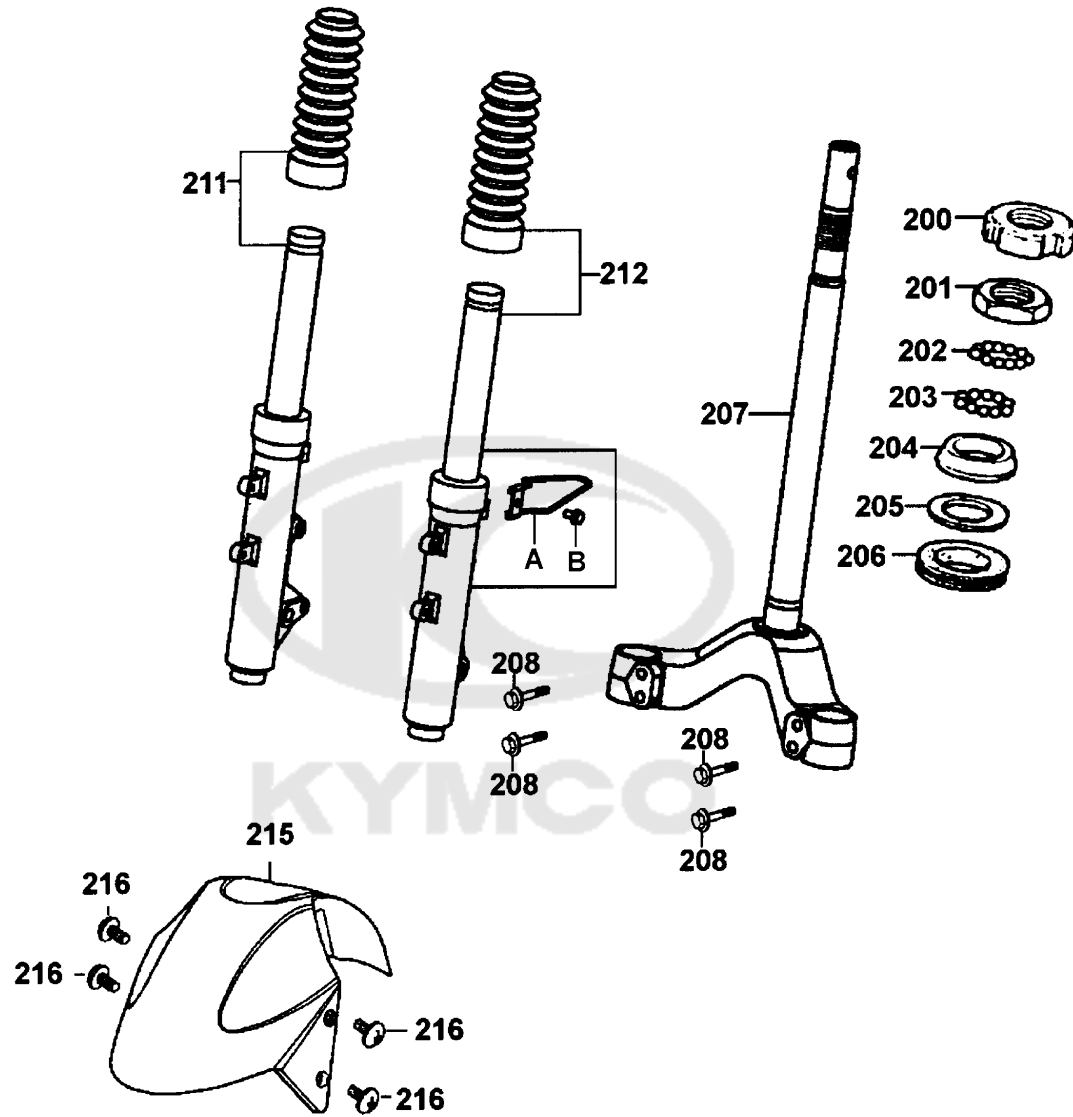
CLIP 2*70

2



F06

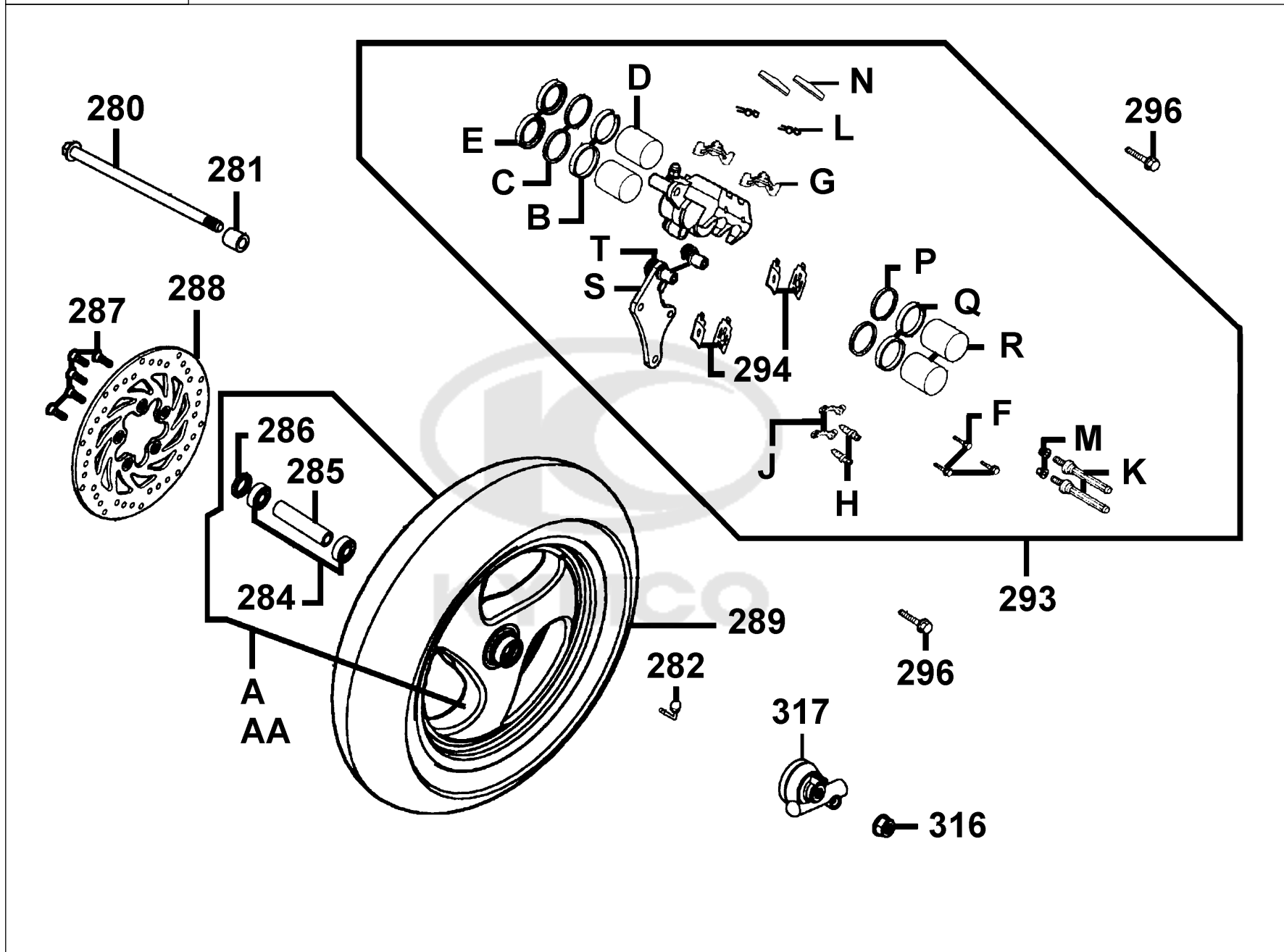
Front Cushion



Sales mark	Ref no	Part no	Description	Reg description	Regd no	F06
	A	45156-KECE-900	CLAMPER FR BRK CABLE	CLAMPER FR BRK CABLE	1	
	200	50306-1F96-001	NUT STRG STEM LOCK	NUT STRG STEM LOCK	1	
	** 211	51400-KKC4-900	FORK ASSY R FR	FORK ASSY R FR	1	
	** 212	5150A-KKC4-900	FORK SET L FR	FORK SET L FR	1	
	207	53200-KKC2-900	STEM COMP STRG	STEM COMP STRG	1	
	201	53211-GFY6-940	RACE STRG TOP CONE	RACE STRG TOP CONE	1	
	204	53212-2L50-011	RACE STRG BOT CONE	RACE STRG BOT CONE	1	
	# 206	53214-LHJ6-900	DUST SEAL STRG	DUST SEAL STRG	1	
	205	53215-2L50-001	WASH STRG HDL DUST-SEAL	WASH STRG HDL DUST-SEAL	1	
	** 215	61110-KHD8-900	FENDER FR *(1) C.2003.09.30	FENDER FR *(1) C.2003.09.30	1	
	216	90110-KEB7-900	SCREW SPECIAL 6*14	SCREW SPECIAL 6*14	4	
	# B	95701-06012-06	BOLT FLANGE 6*12 *(07) C.2005.07.01	BOLT FLANGE 6*12 *(07) C.2005.07.01	1	
	# 208	95801-08040-06	BOLT FLANGE 8*40	BOLT FLANGE 8*40	1	
	202	96211-05000	BALL STEEL #5	BALL STEEL #5	26	
	203	96211-08000	BALL STEEL #8	BALL STEEL #8	19	

F07

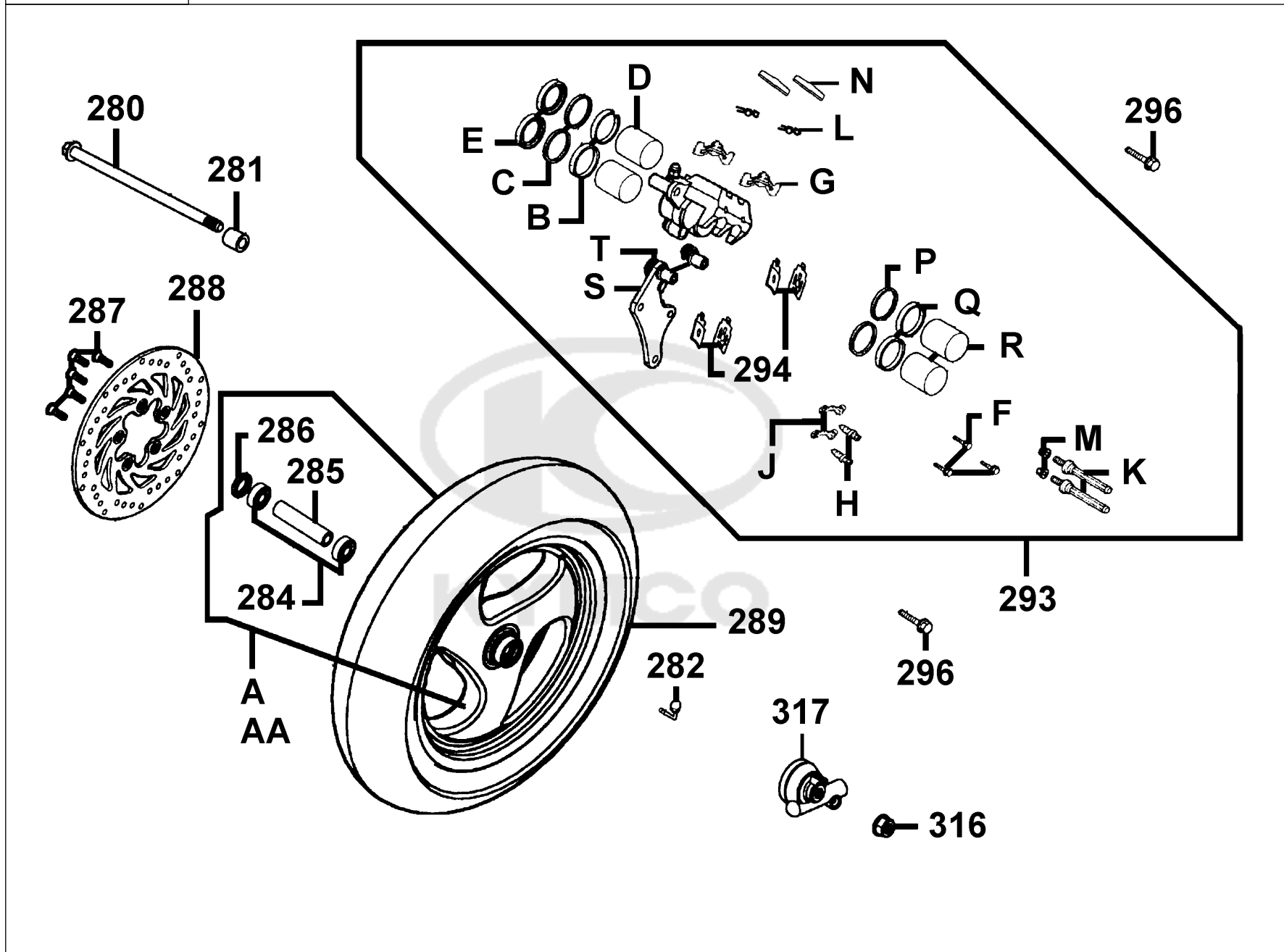
Front Wheel



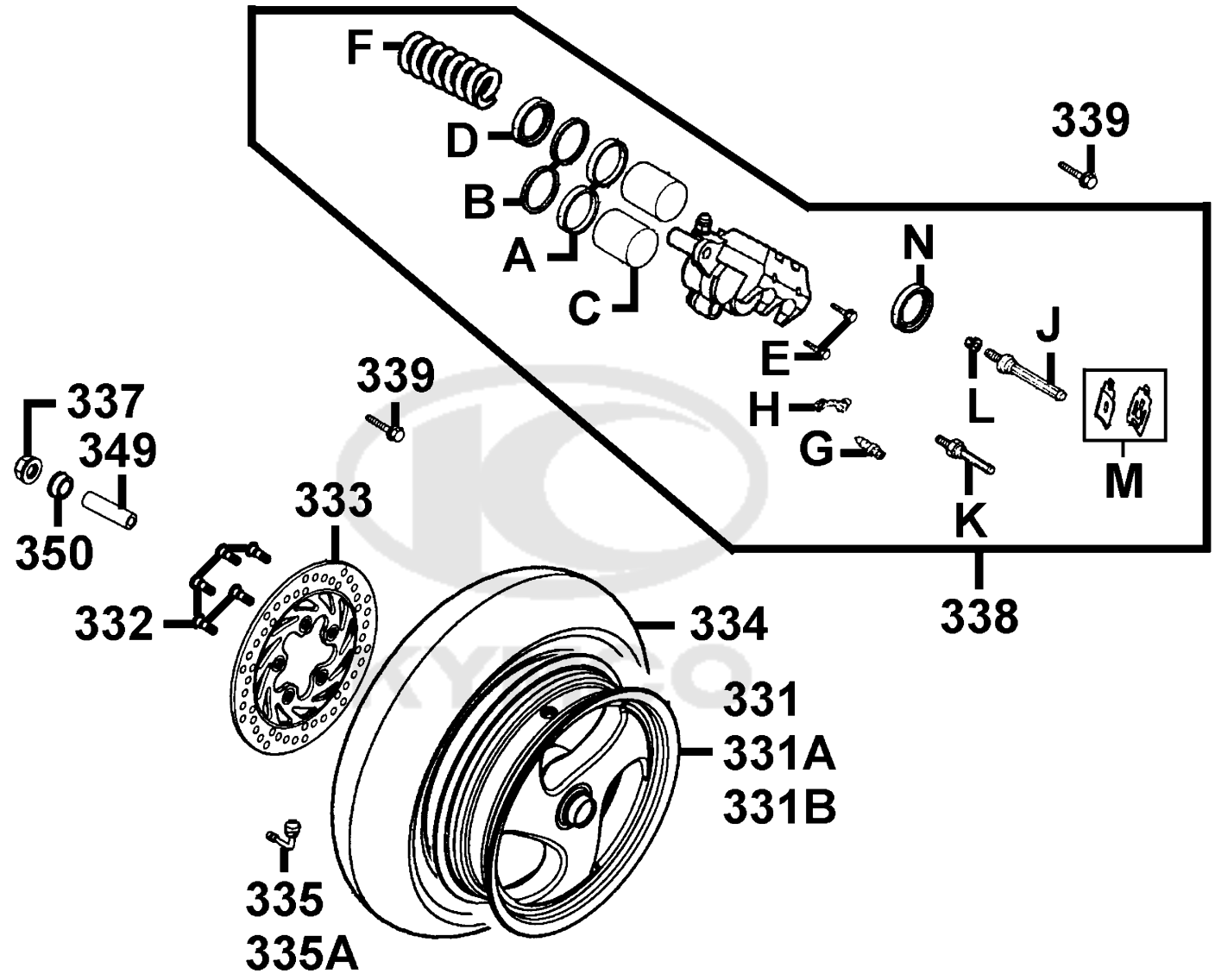
Sales mark	Ref no	Part no	Description	Reg description	Regd no	F07
#	282	42753-KNBN-90B	VALAE RIM (TR412)	VALAE RIM (TR412)	2	
	Q	43109-MCA3-007	DUST SEAL	DUST SEAL	2	
	P	43209-MCA3-007	SEAL PISTON	SEAL PISTON	2	
	H	43352-5H68-004	SCREW BLEEDER	SCREW BLEEDER	2	
	J	43353-4A61-77A	CAP BLEEDER	CAP BLEEDER	2	
	280	44301-KXCX-900	AXLE FR WHEEL M12*240MM	AXLE FR WHEEL M12*240MM	1	
	281	44311-KEBE-900	COLLAR FR WHEEL SIDE	COLLAR FR WHEEL SIDE	1	
	285	44620-KHD8-900	COLLAR FR AXLE DISTANCE	COLLAR FR AXLE DISTANCE	1	
# **	A	44650-KHD8-305	WHEEL SET FR	WHEEL SET FR	2	
	289	44710-KKC4-900	TIRE ASSY FR 120/70-12 58P /CHENG	TIRE ASSY FR 120/70-12 58P /CHENG SHIN	1	
	317	44800-KFA5-900	GEAR BOX ASSY	GEAR BOX ASSY	1	
	E	45103-MGR7-007	SEAL JOINT	SEAL JOINT	2	
	294	45105-KKC4-305	PAD SET	PAD SET	4	
	R	45107-KKC4-900	PISTON	PISTON	2	
#	C	45109-KKC4-900	DUST SEAL	DUST SEAL	2	
	N	45115-KKC4-900	COVER DUST	COVER DUST	2	
**	293	45200-KKC4-900	CALIPER ASSY FR (SILVER)	CALIPER ASSY FR (SILVER)	1	
	K	45203-KKC4-900	PIN HANGER	PIN HANGER	2	
	D	45207-KKC4-900	PISTON	PISTON	2	
	G	45208-KKC4-900	SPRING PAD	SPRING PAD	2	

F07

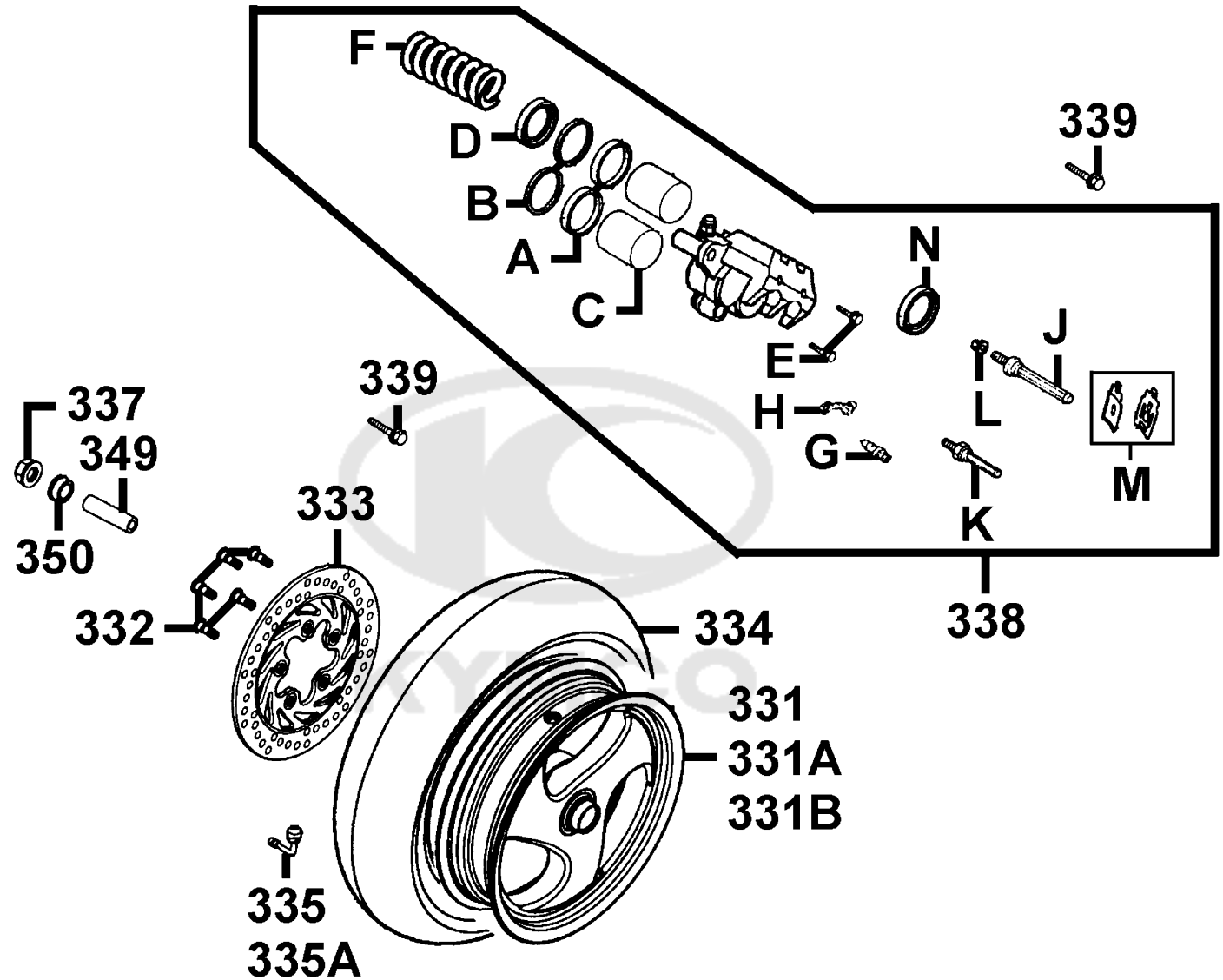
Front Wheel



Sales mark	Ref no	Part no	Description	Reg description	Regd no	F07
B		45209-KFA6-900	SEAL PISTON	SEAL PISTON	2	
S		45210-KKC4-900	BRACKET FR	BRACKET FR	1	
288		45351-KHE7-E00	DISK RR BRAKE	DISK RR BRAKE	1	
M		45531-GAR1-951	PLUG	PLUG	2	
287		90105-KCR3-001	BOLT FR DISK 8*24	BOLT FR DISK 8*24	5	
296		90122-KEBE-900	BOLT FLANGE 8*32	BOLT FLANGE 8*32	2	
316		90306-KLF0-004-SY	NUT FLANGE 12MM	NUT FLANGE 12MM	1	
286		90754-GHC8-00A	SEAL DUST 20*32*5	SEAL DUST 20*32*5	1	
284		90912-KFLF-00A	BEARING 6201 LLU	BEARING 6201 LLU	2	
L		94251-08400	PIN LOCK 8MM	PIN LOCK 8MM	2	
#	T	95701-08020-06	BOLT FLANGE 8*20MM **07 C.2005.07.01	BOLT FLANGE 8*20MM **07 C.2005.07.01	1	
	F	96600-KKC4-900	SOCKET BOLT	SOCKET BOLT	3	

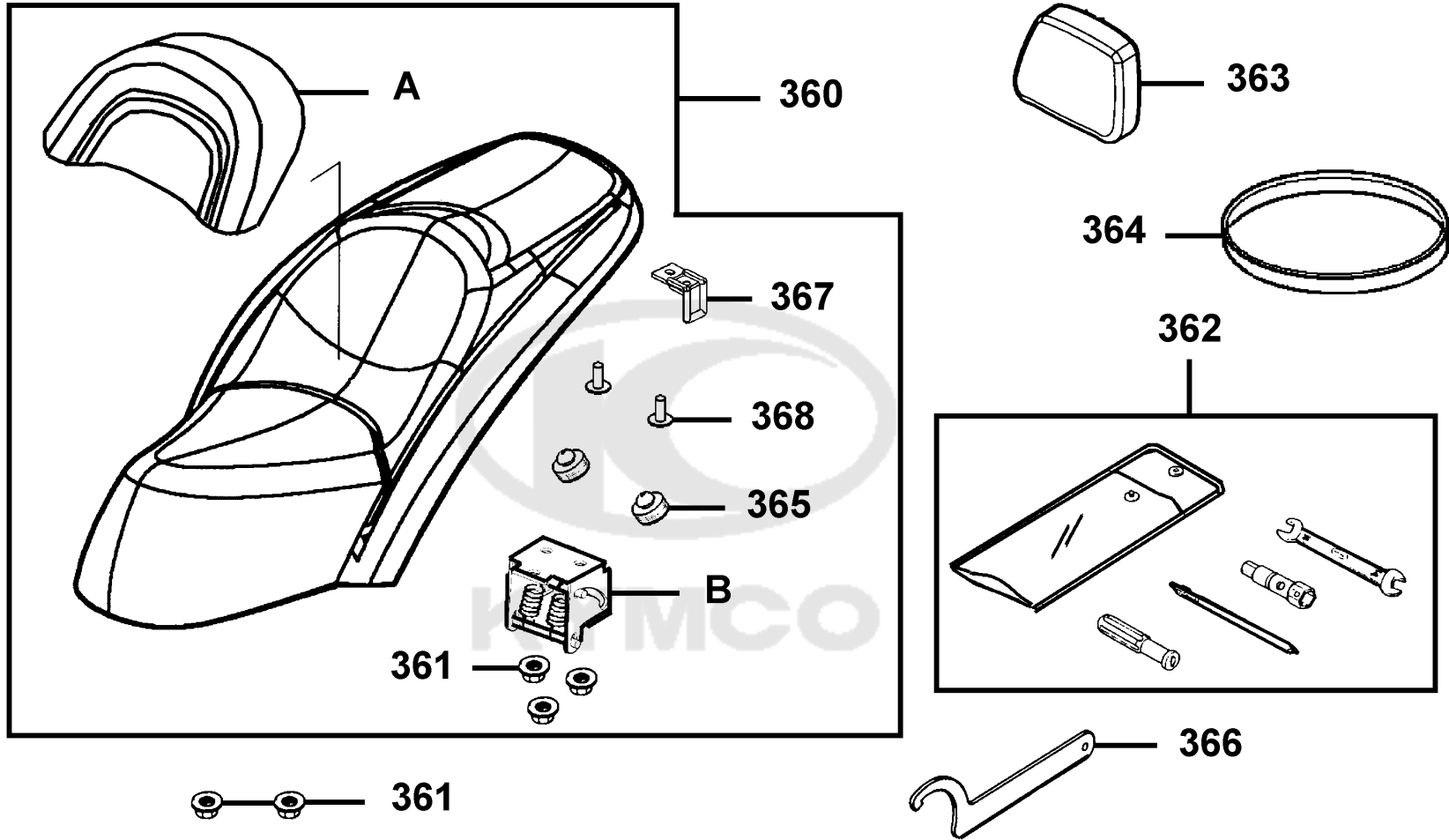


Sales mark	Ref no	Part no	Description	Reg description	Regd no	F08
	349	42311-KHE7-E00	COLLAR RR AXLE A	COLLAR RR AXLE A	1	
	350	42312-KHE7-E00	COLLAR RR AXLE SIDE	COLLAR RR AXLE SIDE	1	
**	331	42601-KHE7-E00	WHEEL RR CAST	WHEEL RR CAST	1	
**	331A	42601-KHE7-E0B	WHEEL RR CAST	WHEEL RR CAST	1	
**	331B	42601-KHE7-E0C	WHEEL RR CAST	WHEEL RR CAST	1	
	334	42710-KKC3-900	TIRE ASSY RR/140/70-12 65P /CHENG	TIRE ASSY RR/140/70-12 65P /CHENG SHIN	1	
#	335A	42753-KNBN-90B	VALAE RIM (TR412)	VALAE RIM (TR412)	2	
**	338	43100-KKC4-900	CALIPER ASSY RR	CALIPER ASSY RR	1	
#	M	43105-KKC4-305	PAD SET	PAD SET	1	
	C	43107-KKC4-900	PISTON	PISTON	2	
	F	43108-KKC4-900	SPRING PAD	SPRING PAD	1	
	B	43109-KKC4-900	DUST SEAL	DUST SEAL	2	
	N	43115-KKC4-900	COVER DUST	COVER DUST	1	
	A	43209-KKC4-900	SEAL PISTON	SEAL PISTON	2	
**	333	43351-KHE7-E00	DISK RR BRAKE	DISK RR BRAKE	1	
	G	43352-5H68-004	SCREW BLEEDER	SCREW BLEEDER	1	
	H	43353-4A61-77A	CAP BLEEDER	CAP BLEEDER	1	
	D	45111-KKC4-900	SEAL	SEAL	1	
	J	45203-KKC4-900	PIN HANGER	PIN HANGER	1	
	L	45531-GAR1-951	PLUG	PLUG	1	

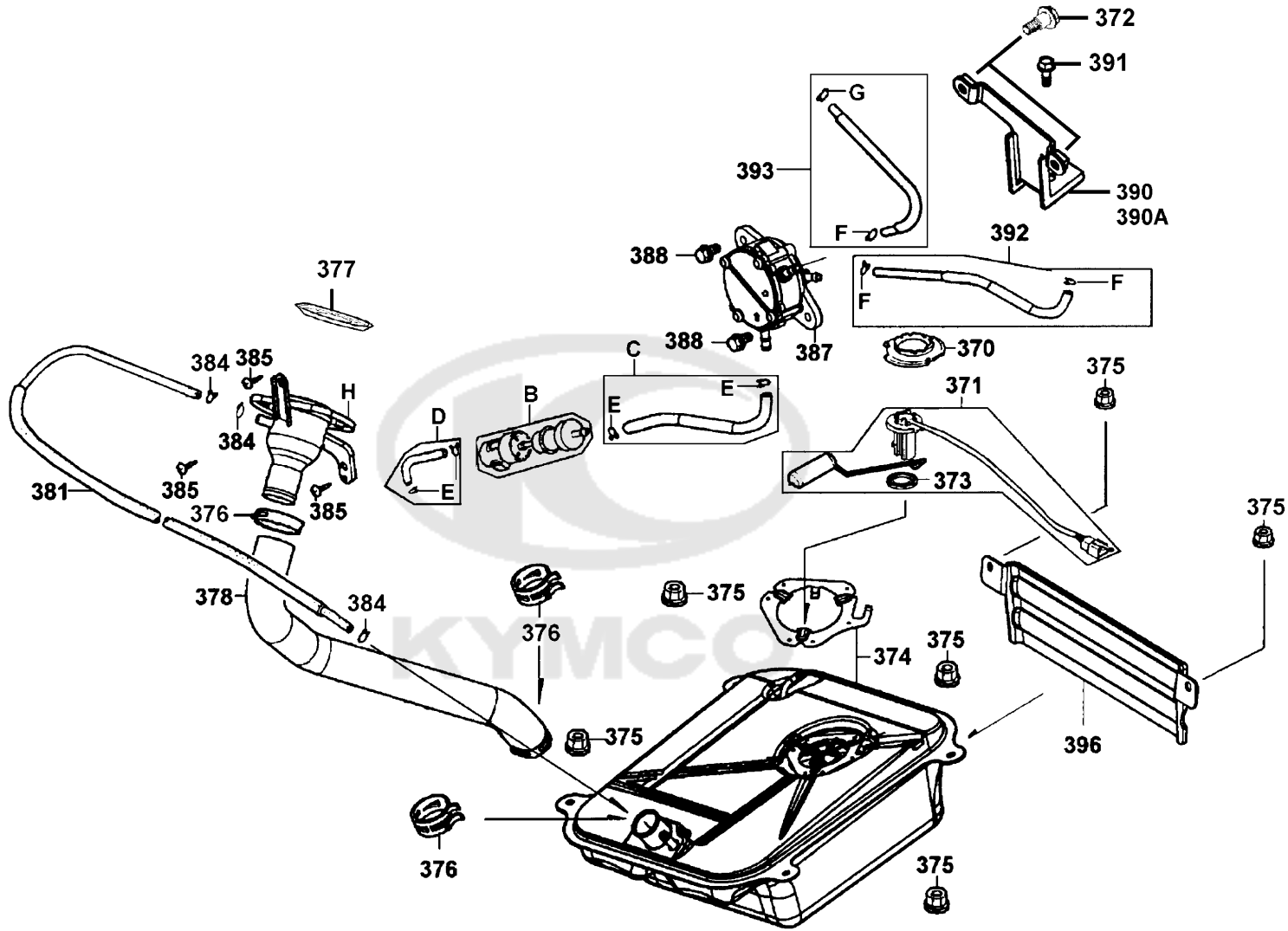


Sales mark	Ref no	Part no	Description	Reg description	Regd no	F08
	332	90105-KCR3-001	BOLT FR DISK 8*24	BOLT FR DISK 8*24	5	
	339	90131-GLW0-911	BOLT FLANGE 8*35	BOLT FLANGE 8*35	2	
	337	90305-KFW6-91A	NUT U 16MM	NUT U 16MM	1	
	K	94251-08400	PIN LOCK 8MM	PIN LOCK 8MM	1	
	E	96600-KKC4-900	SOCKET BOLT	SOCKET BOLT	2	

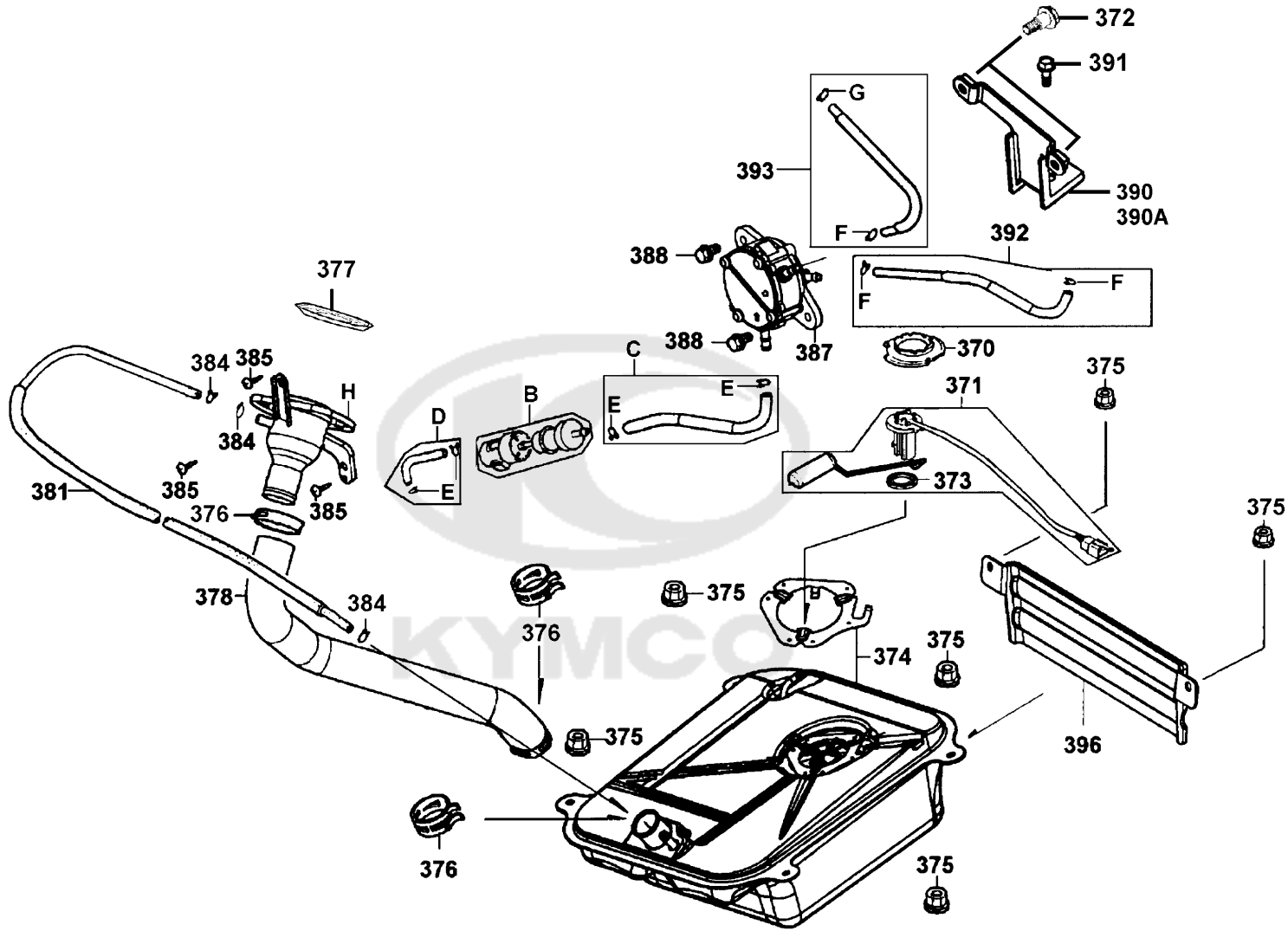




Sales mark	Ref no	Part no	Description	Reg description	Regd no	F09
**	360	77200-KKC4-E01	SEAT ASSY (REACH)	SEAT ASSY (REACH)	1	
	365	77206-KEB7-900	RUBBER SEAT CUSH	RUBBER SEAT CUSH	2	
**	363	77210-KKC4-900	SEAT ASSY BACK (REACH)	SEAT ASSY BACK (REACH)	1	
**	A	77220-KKC4-910	SEAT ASSY PAD (REACH)	SEAT ASSY PAD (REACH)	1	
	B	77300-KKC4-900	HINGE ASSY SEAT	HINGE ASSY SEAT	1	
	367	77303-LLF5-900	HOOK SEAT LOCK	HOOK SEAT LOCK	1	
	362	89010-KKC4-900	TOOL SET	TOOL SET	1	
	366	89013-KFC8-E00	ADJUSTER REAR CUSHION	ADJUSTER REAR CUSHION	1	
	364	89020-KKC4-900	BAND TOOL SET	BAND TOOL SET	1	
	368	90101-KGC4-E00	SCREW SPECIAL 6*15	SCREW SPECIAL 6*15	2	
	361	94050-06080	NUT FLANGE 6MM	NUT FLANGE 6MM	5	



Sales mark	Ref no	Part no	Description	Reg description	Regd no	F10
#	387	16700-KHE7-220	FUEL PUMP ASSY	FUEL PUMP ASSY	1	
	D	16911-KKC4-900	TUBE ASSY TANK TO STRAINER	TUBE ASSY TANK TO STRAINER	1	
	C	16912-KKC4-900	TUBE ASSY STRAINER TO FUEL PUMP	TUBE ASSY STRAINER TO FUEL PUMP	1	
	B	1691A-KEC2-E00	STRAINER ASSY FUEL	STRAINER ASSY FUEL	1	
	374	17500-KKC4-900	TANK COMP FUEL	TANK COMP FUEL	1	
	378	17502-KKC4-900	TUBE FUEL	TUBE FUEL	1	
	H	17510-KKC4-900	PIPE ASSY FUEL FILLER	PIPE ASSY FUEL FILLER	1	
	377	17550-KHC4-900	TRAY FUEL CAP	TRAY FUEL CAP	1	
	393	17682-KKC4-900	TUBE ASSY FUEL VACUUM	TUBE ASSY FUEL VACUUM	1	
	392	17683-KKC4-900	TUBE ASSY FUEL	TUBE ASSY FUEL	1	
	381	17689-KEBE-900	TUBE ASSY TANK TO 3 WJT	TUBE ASSY TANK TO 3 WJT	1	
	376	19411-KBCB-900	CLIP HOSE	CLIP HOSE	3	
	373	37801-GGA7-701	PACKING BASE	PACKING BASE	1	
	370	37802-GGA7-701	RET FUEL UNIT	RET FUEL UNIT	1	
	371	3780A-KKC4-900	FUEL UNIT ASSY	FUEL UNIT ASSY	1	
	390	50139-KKC4-800	BRKT FUEL PUMP	BRKT FUEL PUMP	1	
	390A	50139-KKC4-900	BRK FUEL PUMP	BRK FUEL PUMP	1	
	396	50197-KKC4-900	STAY FLOOR	STAY FLOOR	1	
#	385	93903-35260	SCREW TAPPING 5*12	SCREW TAPPING 5*12	1	
	375	94050-06080	NUT FLANGE 6MM	NUT FLANGE 6MM	6	

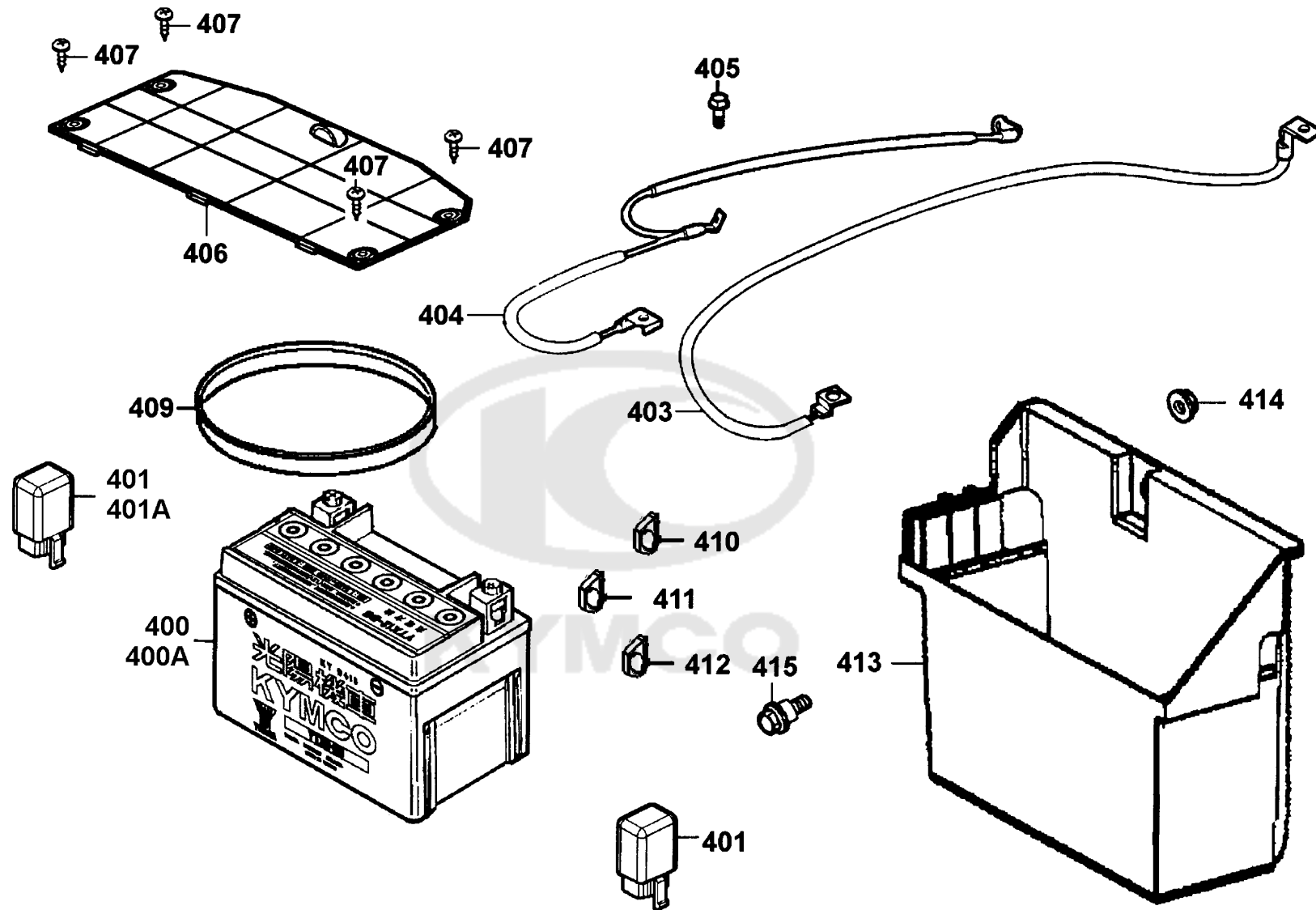


Sales mark	Ref no	Part no	Description	Reg description	Regd no	F10
G		95002-02070	CLIP B7 TUBE	CLIP B7 TUBE	1	
F		95002-02080	CLIP B8 TUBE	CLIP B8 TUBE	3	
E		95002-02100	CLIP B15 TUBE	CLIP B15 TUBE	4	
384		95002-02130	CLIP B12.5 TUBE	CLIP B12.5 TUBE	3	
#	391	95701-06012-06	BOLT FLANGE 6*12 **07 C.2005.07.01	BOLT FLANGE 6*12 **07 C.2005.07.01	1	
#	372	95701-06014-06	BOLT FLANGE 6*14	BOLT FLANGE 6*14	1	
#	388	96001-06014-06	BOLT FLANGE SH 6X14	BOLT FLANGE SH 6X14	1	

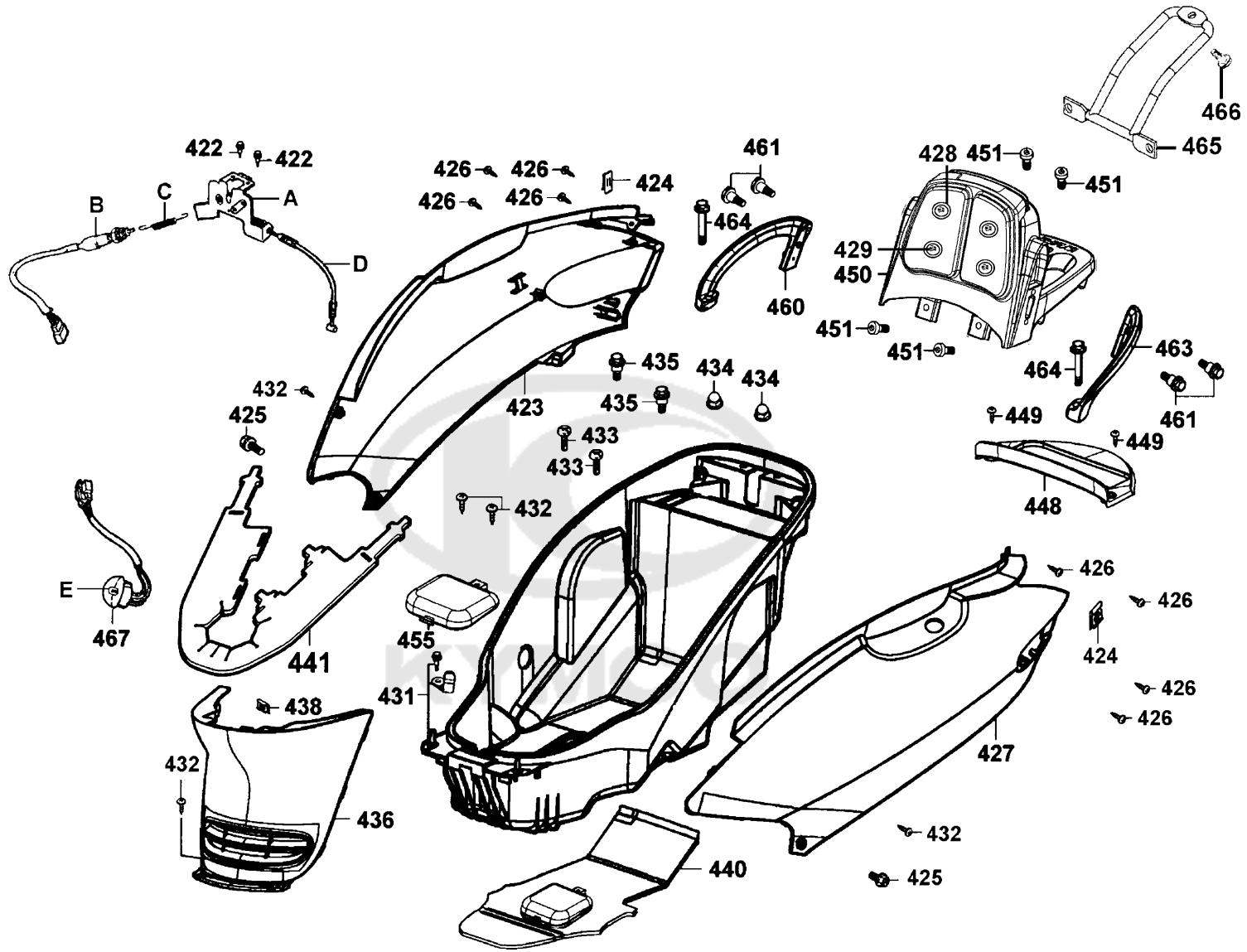


F11

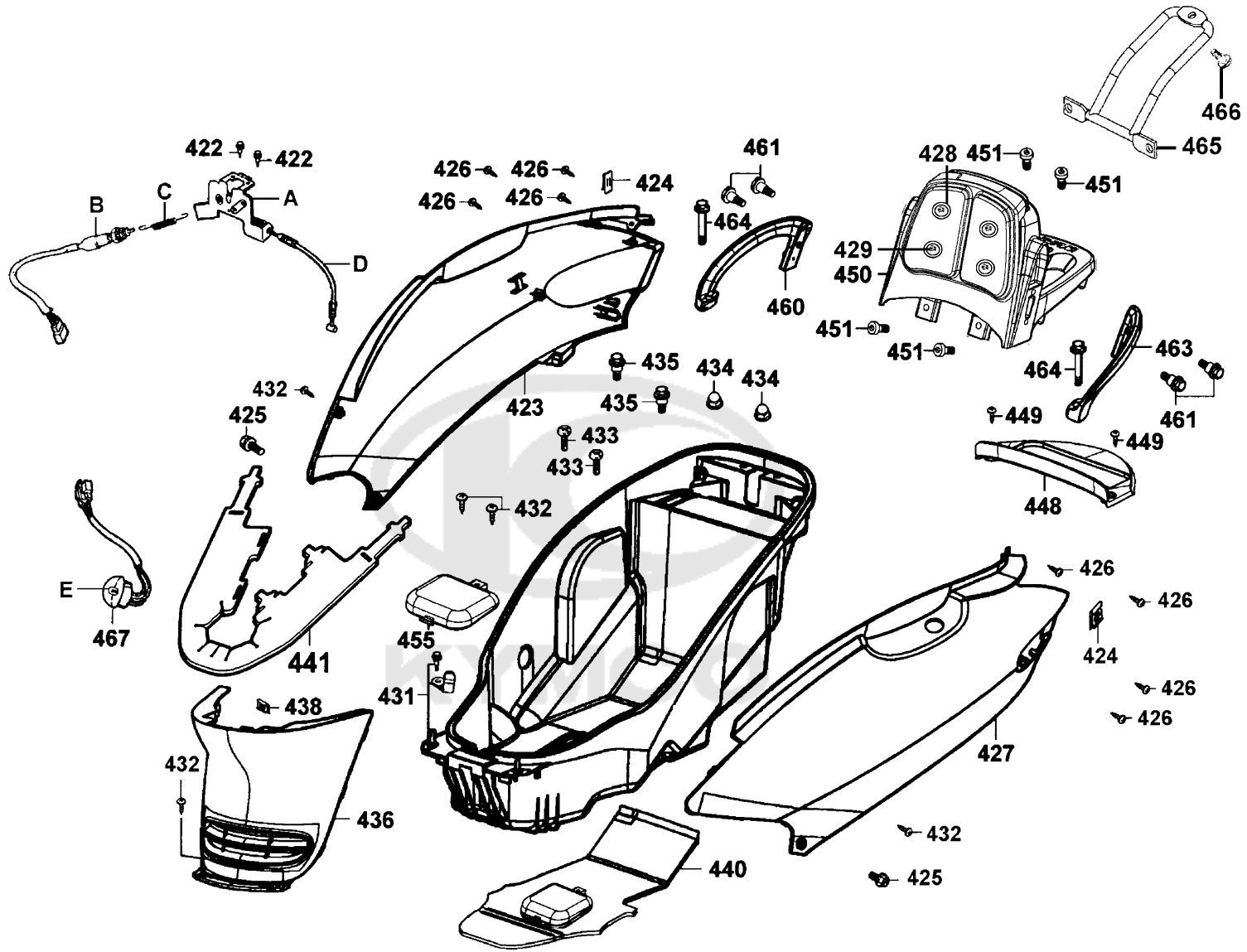
Battery



Sales mark	Ref no	Part no	Description	Reg description	Regd no	F11
#	400	31500-KHE7-90A	BATTERY YTX12-BS	BATTERY YTX12-BS	1	
#	400A	31500-KHE7-90B	BATTERY GTX12-BS	BATTERY GTX12-BS	1	
	403	32411-KKC4-900	CABLE BATTERY	CABLE BATTERY	1	
	404	32412-KKC4-900	CABLE EARTH	CABLE EARTH	1	
#	401A	38500-LGL3-90A	RELAY ASSY LIGHT	RELAY ASSY LIGHT	2	
**	406	50326-KKC4-900	COVER BATTERY	COVER BATTERY	1	
	409	50328-KNBN-200	BAND BATTERY	BAND BATTERY	1	
	413	5032A-KKC4-900	CASE ASSY BATTERY	CASE ASSY BATTERY	1	
	415	90112-KNBN-901	BOLT FLANGE 6MM	BOLT FLANGE 6MM	1	
	407	93903-GFY6-900	SCREW TAPPING 4*14	SCREW TAPPING 4*14	4	
	414	94050-06080	NUT FLANGE 6MM	NUT FLANGE 6MM	1	
#	405	95701-06012-06	BOLT FLANGE 6*12 **07 C.2005.07.01	BOLT FLANGE 6*12 **07 C.2005.07.01	1	
	410	98200-31000	BLADE FUSE 10A **(0) C.2005.03.01	BLADE FUSE 10A **(0) C.2005.03.01	1	
	411	98200-31500	FUSE A15	FUSE A15	1	
	412	98200-33000	BLADE FUSE 30A	BLADE FUSE 30A	1	



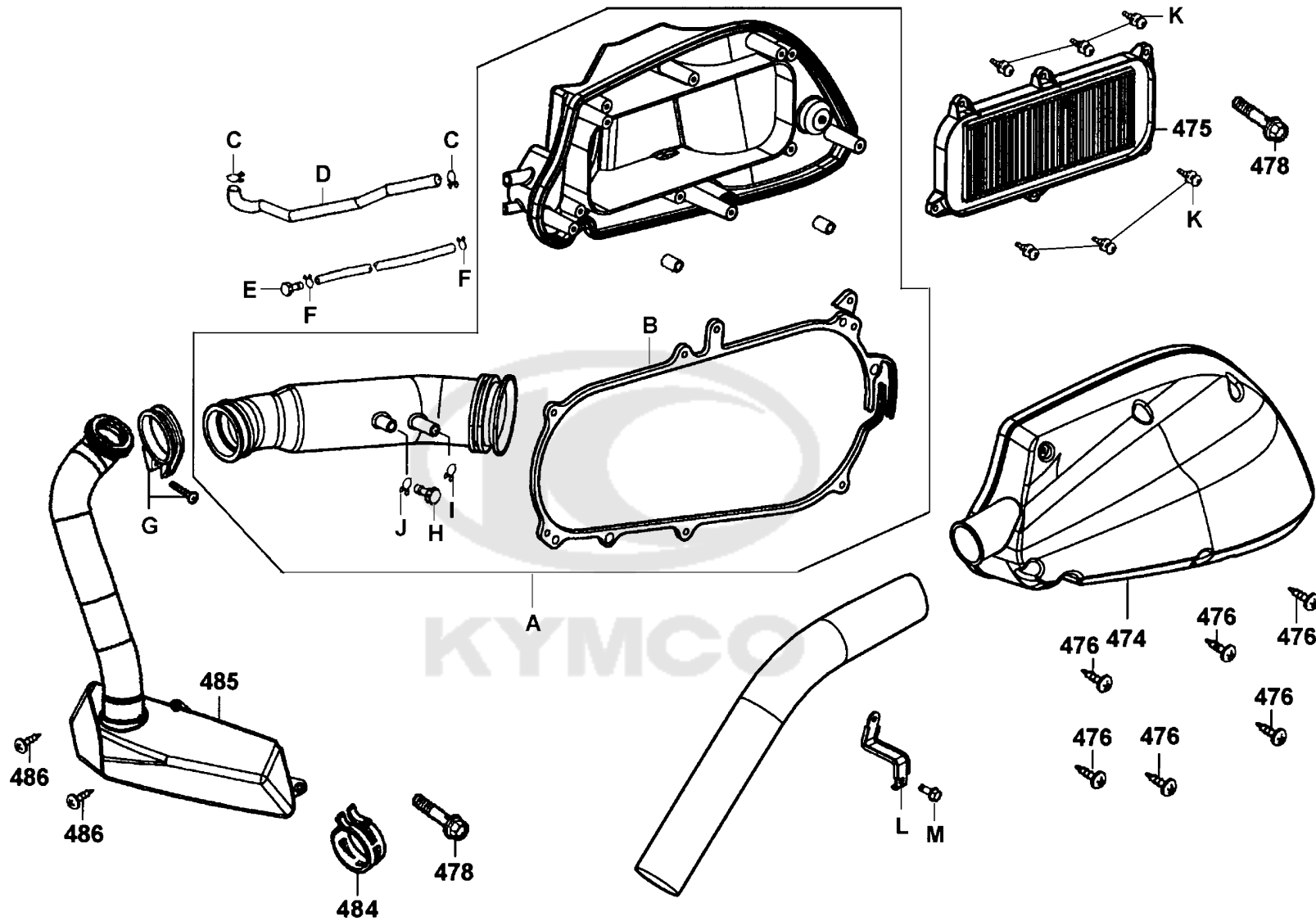
Sales mark	Ref no	Part no	Description	Reg description	Regd no	F12
	467	33900-KFBF-900	LIGHT ASSY LUGGAGE BOX	LIGHT ASSY LUGGAGE BOX	1	
	E	34909-KFBF-900	BULB WEDGE BASE	BULB WEDGE BASE	1	
	B	35360-KFBF-900	SW UNIT LUGGAGE BOX LIGHT	SW UNIT LUGGAGE BOX LIGHT	1	
	C	46514-KFBF-900	SPRING STOP SWITCH	SPRING STOP SWITCH	1	
	A	77235-KKC4-900	CATCH COMP SEAT	CATCH COMP SEAT	1	
	D	77240-KKC4-900	CABLE COMP SEAT LOCK	CABLE COMP SEAT LOCK	1	
**	436	80151-KKC4-900	COVER CENTER	COVER CENTER	1	
	441	81151-KKC4-900	PLATE HEAT GUARD	PLATE HEAT GUARD	1	
	465	81201-KKC4-900	POWER BAR RR CARRIER	POWER BAR RR CARRIER	1	
	428	81202-KKC4-900	UNBRELLALIKE CLASP	UNBRELLALIKE CLASP	4	
**	450	8120A-KKC4-900	CARRIER RR	CARRIER RR	1	
	455	81251-KKC4-900	COVER CABB MAINT	COVER CABB MAINT	1	
	440	81255-KKC4-900	BAG LUGGAGE	BAG LUGGAGE	1	
	431	81260-KKC4-900	BOX ASSY LUGGAGE	BOX ASSY LUGGAGE	1	
**	460	81400-KKC4-900	SIDE R GRIP	SIDE R GRIP	1	
**	463	81500-KKC4-900	SIDE L GRIP	SIDE L GRIP	1	
**	423	83500-KKC4-900	COVER R BODY	COVER R BODY	1	
**	427	83600-KKC4-900	COVER L BODY	COVER L BODY	1	
**	448	83750-KKC4-900	COVER RR CENTER	COVER RR CENTER	1	
	466	90105-KEN5-001	BOLT DISK 6*17	BOLT DISK 6*17	1	



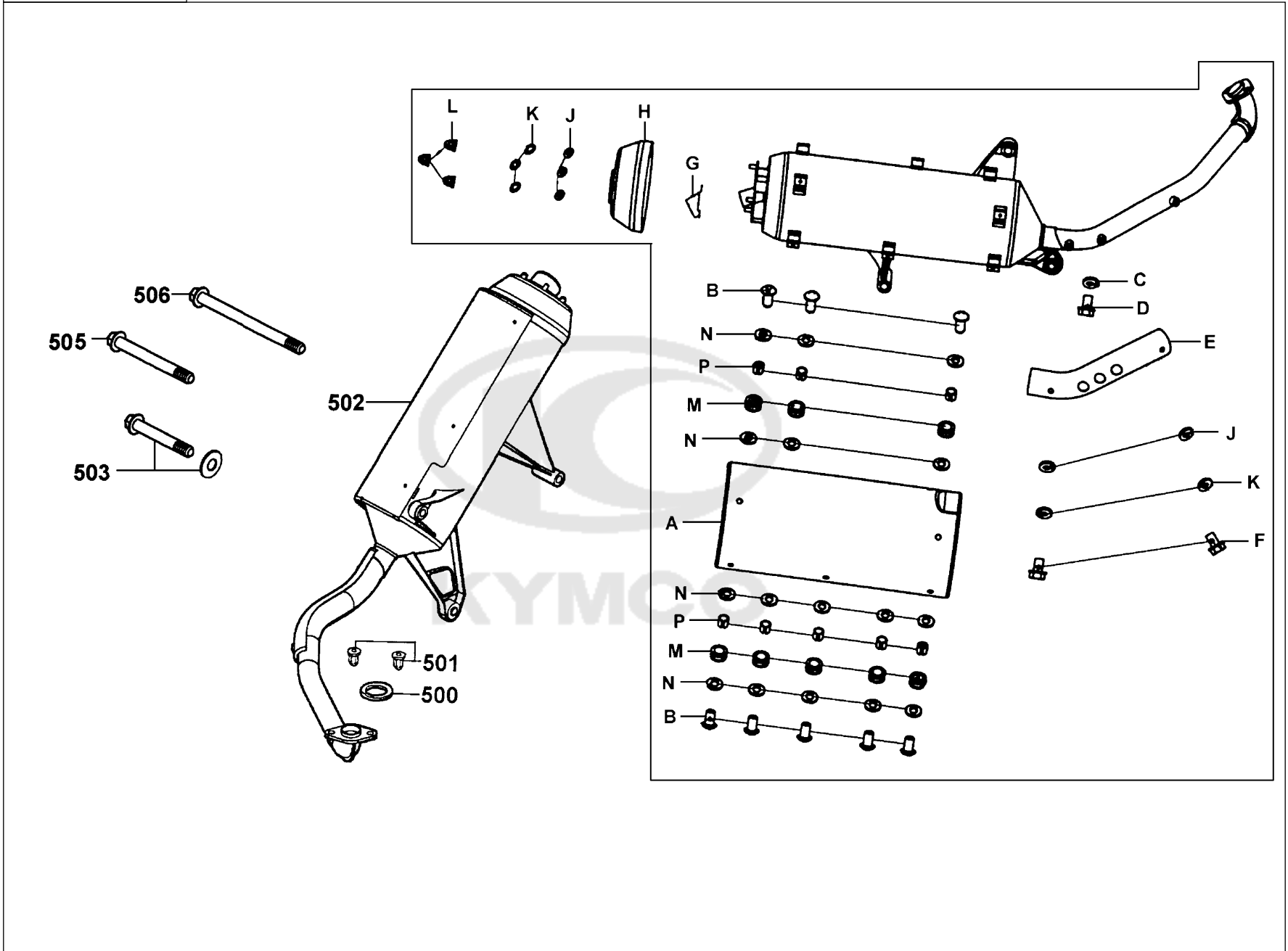
Sales mark	Ref no	Part no	Description	Reg description	Regd no	F12
	461	90105-KNBN-901	BOLT SPECIAL 8MM	BOLT SPECIAL 8MM	4	
	464	90106-KFC2-900	BOLT SPECIAL 8MM	BOLT SPECIAL 8MM	2	
	451	90106-KKC4-900	BOLT WASH 8MM	BOLT WASH 8MM	2	
	435	90111-1G87-001	BOLT FLANGE 6MM	BOLT FLANGE 6MM	2	
	434	90215-KKC4-900	NUT CAP 6MM	NUT CAP 6MM	2	
	425	90302-GFY6-940	BOLT-WASH 5*16	BOLT-WASH 5*16	2	
	424	90302-SDA4-004	NUT SPRING 4MM	NUT SPRING 4MM	2	
	438	90305-GHK8-001	NUT CLIP 6MM	NUT CLIP 6MM	1	
	433	90381-GEZ5-001	SCREW SPECIAL 6*17	SCREW SPECIAL 6*17	2	
#	429	93500-04012-0F	SCREW PAN 4*12	SCREW PAN 4*12	1	
	432	93903-34360	SCREW TAPPING 4X12	SCREW TAPPING 4X12	6	
	426	93903-35360	SCREW TAPPING 5*16	SCREW TAPPING 5*16	8	
	449	93903-GFY6-900	SCREW TAPPING 4*14	SCREW TAPPING 4*14	2	
#	422	95701-06012-06	BOLT FLANGE 6*12 **07 C.2005.07.01	BOLT FLANGE 6*12 **07 C.2005.07.01	1	

F13

Air Cleaner



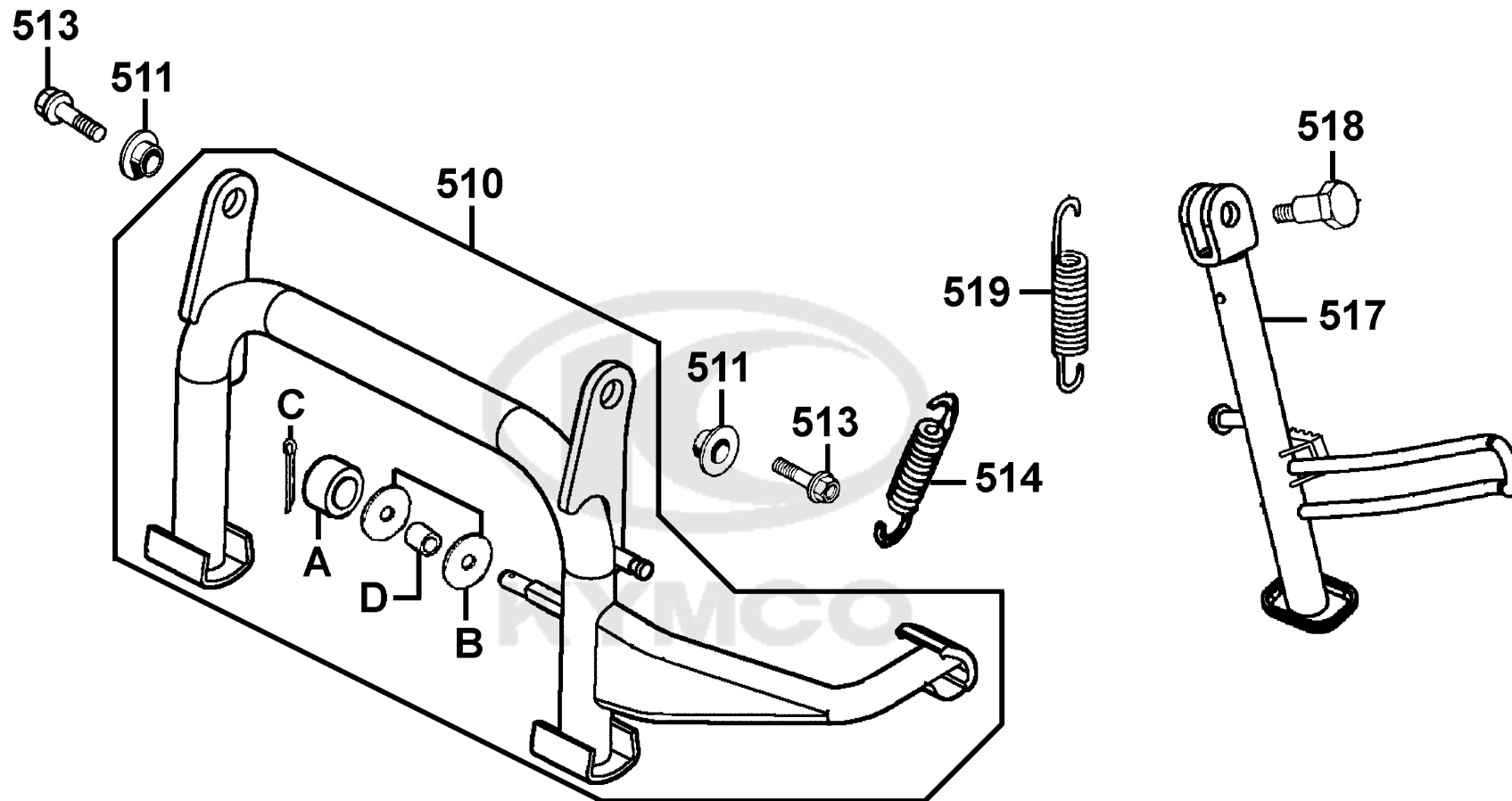
Sales mark	Ref no	Part no	Description	Reg description	Regd no	F13
	L	11207-KKC4-900	STAY RR FENDER	STAY RR FENDER	1	
	D	11211-KKC4-900	TUBE BREATHER	TUBE BREATHER	1	
	B	17214-KKC3-900	SEAL AIR/C COVER	SEAL AIR/C COVER	1	
	484	17215-KGBG-90A	CLIP ASSY A/C DUCT	CLIP ASSY A/C DUCT	1	
	475	1721A-KKC3-900	ELEMENT ASSY AIR/C	ELEMENT ASSY AIR/C	1	
	474	17231-KKC3-900	COVER COMP AIR/C	COVER COMP AIR/C	1	
	A	1723A-KKC4-E00	CASE ASSY AIR/C	CASE ASSY AIR/C	1	
	H	17254-KACA-P00	PLUG AIR/C CONN TUBE	PLUG AIR/C CONN TUBE	1	
	E	17370-4K19-701	PLUG BREATHER TUBE	PLUG BREATHER TUBE	1	
	F	17371-1D74-671	CLIP BREATHER TUBE	CLIP BREATHER TUBE	2	
	485	8360A-KKC4-900	CHAMBER ASSY AIR/C	CHAMBER ASSY AIR/C	1	
#	478	90001-GBHB-681	BOLT FLANGE SHF 6*28	BOLT FLANGE SHF 6*28	1	
	G	90652-KHE7-900	BAND CONNECTING TUBE	BAND CONNECTING TUBE	1	
	I	91407-SGA7-004	CLAMP 17 FUSE HOSE	CLAMP 17 FUSE HOSE	1	
#	K	93891-05016-06	SCREW WASHER 5* 16	SCREW WASHER 5* 16	1	
	476	93903-25460	SCREW TAPPING 5*20 **93903-25480	SCREW TAPPING 5*20 **93903-25480 C.2005	6	
	486	93903-34360	SCREW TAPPING 4X12	SCREW TAPPING 4X12	2	
#	M	93903-35260	SCREW TAPPING 5*12	SCREW TAPPING 5*12	1	
	J	95002-02130	CLIP B12.5 TUBE	CLIP B12.5 TUBE	1	
	C	95002-02150	CLIP B14.5 TUBE	CLIP B14.5 TUBE	2	



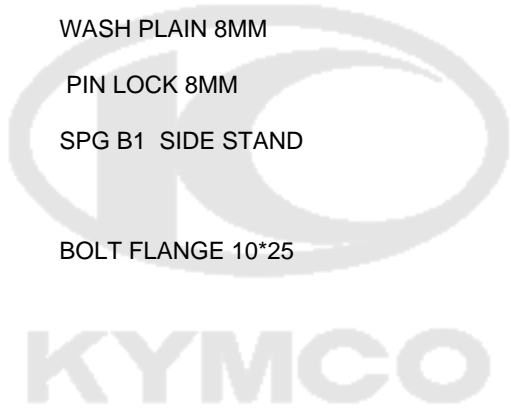
Sales mark	Ref no	Part no	Description	Reg description	Regd no	F14
	500	18291-LBA7-900	GASKET EXH PIPE	GASKET EXH PIPE	1	
	M	18293-KECE-900	RUBBER A PROTECTOR	RUBBER A PROTECTOR	8	
	N	18294-KEBE-900	PACKING PROTECTOR	PACKING PROTECTOR	16	
	P	18295-KECE-900	COLLAR 6MM	COLLAR 6MM	8	
	G	18305-KHD8-900	PROTECTOR TAIL PIPE	PROTECTOR TAIL PIPE	1	
	H	18306-KHE7-900	TAIL CAP MUFFLER	TAIL CAP MUFFLER	1	
	502	1830A-KHE7-E00	MUFFLER ASSY EXH	MUFFLER ASSY EXH	1	
	A	18318-KHE7-E00	PROTECTOR MUFFLER	PROTECTOR MUFFLER	1	
	E	18325-KHE7-900	PROTECTOR EXH PIPE	PROTECTOR EXH PIPE	1	
	503	90021-GFY6-900	BOLT WASHER COMP	BOLT WASHER COMP	1	
	B	90110-KHD8-900	SCREW SPECIAL 6*20	SCREW SPECIAL 6*20	8	
	L	90215-GLM0-910	NUT CAP 6MM	NUT CAP 6MM	3	
	501	90301-GFY6-901	NUT CAP 8MM **(1) C.2008.10.28	NUT CAP 8MM **(1) C.2008.10.28	2	
	J	94101-06200	WASHER PLAIN 6MM	WASHER PLAIN 6MM	5	
	C	94101-06700	WASHER PLAIN 6MM	WASHER PLAIN 6MM	1	
	K	94111-06800	WASHER SPRING 6MM	WASHER SPRING 6MM	5	
	505	95801-08042-06	BOLT FLANGE 8*42	BOLT FLANGE 8*42	1	
#	506	95801-10070-06	BOLT FLANGE 10*70	BOLT FLANGE 10*70	1	
	D	96001-06008-07	BOLT FLANGE SH 6*8	BOLT FLANGE SH 6*8	1	
	F	96001-06010-02	BOLT FLANGE SH 6*10	BOLT FLANGE SH 6*10	2	

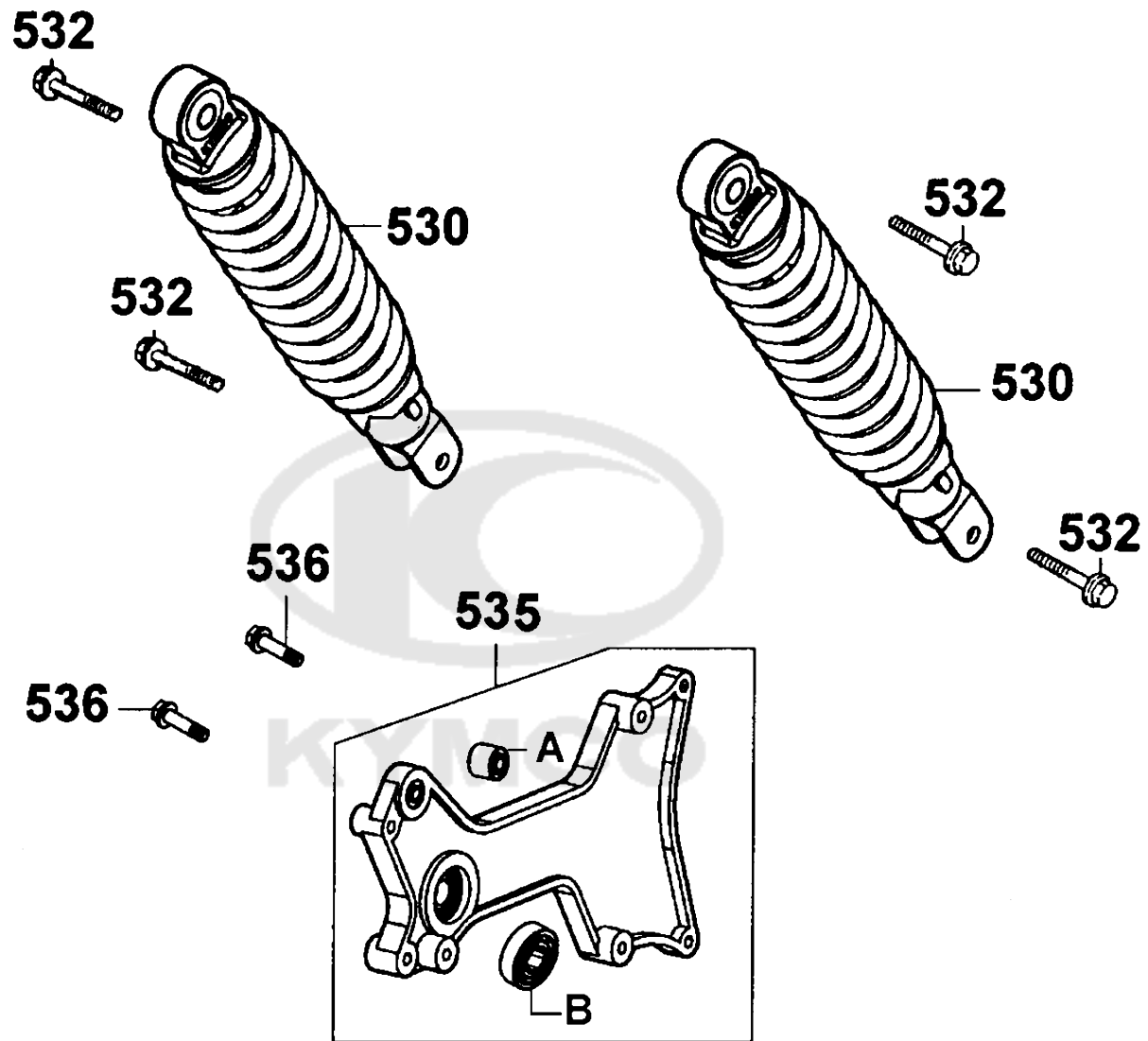
F15

StandKick Starter Arm



Sales mark	Ref no	Part no	Description	Reg description	Regd no	F15
	511	50502-GFY6-901	COLLAR MAIN STAND	COLLAR MAIN STAND	2	
A		50505-KHE7-E00	STOPPER RUBBER	STOPPER RUBBER	1	
D		50506-KHE7-E00	COLLAR STOPPER RUBBER	COLLAR STOPPER RUBBER	1	
	510	5050A-KKC4-900	STAND ASSY MAIN	STAND ASSY MAIN	1	
	517	50530-KKC4-900	BAR SIDE STAND	BAR SIDE STAND	1	
	514	50550-KEB7-E00	SPG ASSY MAIN STAND	SPG ASSY MAIN STAND	1	
	518	90108-KKC4-900	SCREW SIDE STAND PIVOT	SCREW SIDE STAND PIVOT	1	
B		94101-08600	WASH PLAIN 8MM	WASH PLAIN 8MM	2	
C		94251-08400	PIN LOCK 8MM	PIN LOCK 8MM	1	
	519	95014-72204	SPG B1 SIDE STAND	SPG B1 SIDE STAND	1	
#	513	95801-10025-06	BOLT FLANGE 10*25	BOLT FLANGE 10*25	1	



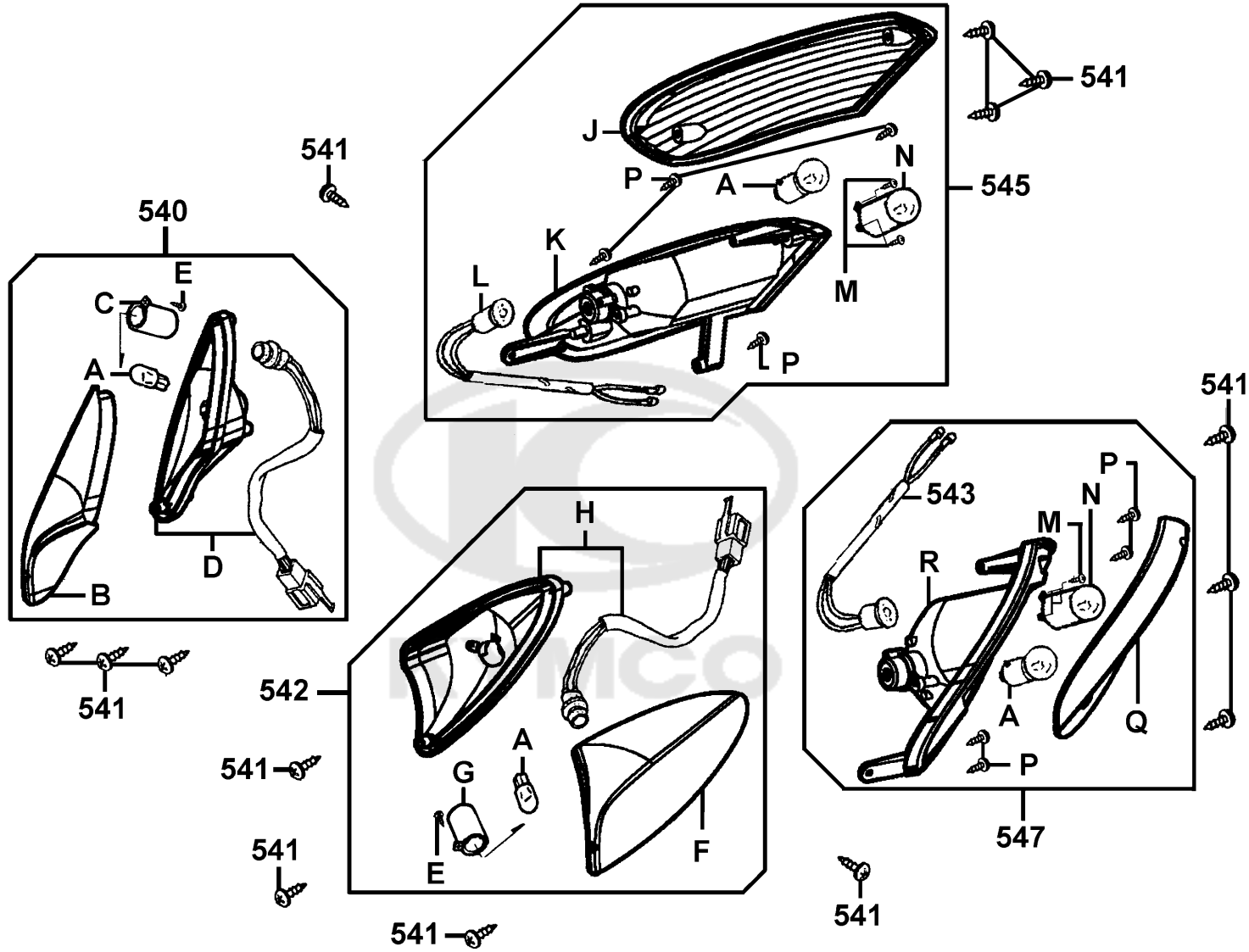


Sales mark	Ref no	Part no	Description	Reg description	Regd no	F16
#	A	11102-1G87-00A	RUB BUSH ENG HANGER	RUB BUSH ENG HANGER	1	
**	535	52000-KKC4-900	FORK ASSY REAR	FORK ASSY REAR	1	
**	530	52400-KKC4-900	CUSHION ASSY REAR	CUSHION ASSY REAR	1	
	536	90131-KFAF-900	BOLT FLANGE 8*42	BOLT FLANGE 8*42	2	
#	532	95801-10035-06	BOLT FLANGE 10*35	BOLT FLANGE 10*35	1	
	B	96150-62040-10	BEARING BALL RADIAL 6204	BEARING BALL RADIAL 6204	1	



F17

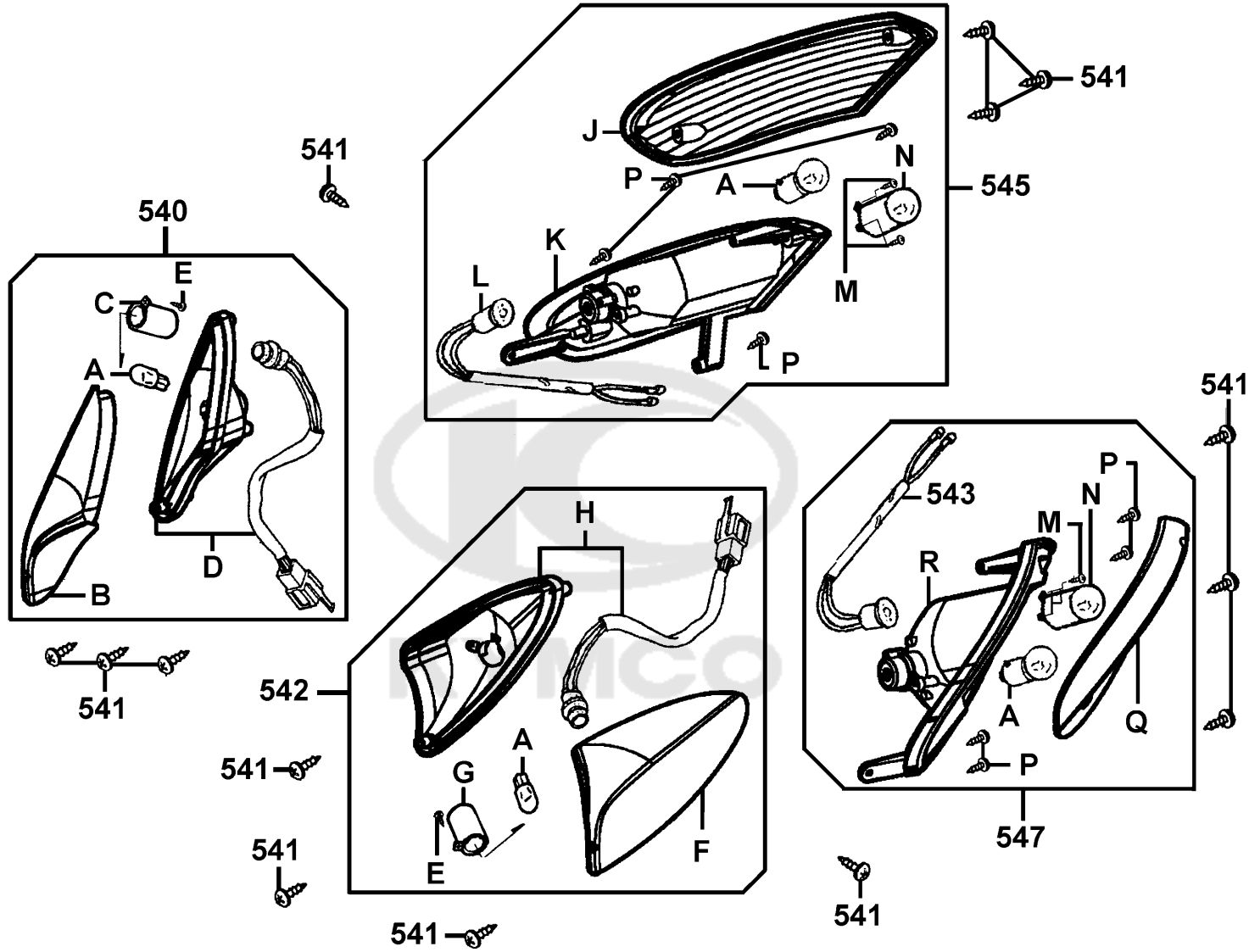
Front Winker RR WINKER



Sales mark	Ref no	Part no	Description	Reg description	Regd no	F17
540		33400-KKC4-E00	WINKER ASSY R FR	WINKER ASSY R FR	1	
B		33402-KKC4-E00	LENS FR WINKER R	LENS FR WINKER R	1	
D		33403-KKC4-E00	BASE COMP R FR WINKER	BASE COMP R FR WINKER	1	
C		33407-KKC4-E00	INNER LENS WINKER R	INNER LENS WINKER R	1	
542		33450-KKC4-E00	WINKER ASSY L FR	WINKER ASSY L FR	1	
F		33452-KKC4-E00	LENS L FR WINKER	LENS L FR WINKER	1	
H		33453-KKC4-E00	BASE COMP L FR WINKER	BASE COMP L FR WINKER	1	
G		33457-KKC4-E00	INNER LENS WINKER L	INNER LENS WINKER L	1	
545		33600-KKC4-E00	WINKER ASSY R RR	WINKER ASSY R RR	1	
J		33602-KKC4-E00	LENS R RR WINKER	LENS R RR WINKER	1	
K		33603-KKC4-E00	BASE R RR WINKER	BASE R RR WINKER	1	
L		33606-KKC4-E00	SOCKET COMP R/L RR WINKER	SOCKET COMP R/L RR WINKER	2	
N		33607-KKD7-E00	INNER LENS WINKER	INNER LENS WINKER	1	
547		33650-KKC4-E00	WINKER ASSY L RR	WINKER ASSY L RR	1	
Q		33652-KKC4-E00	LENS L RR WINKER	LENS L RR WINKER	1	
R		33653-KKC4-E00	BASE L RR WINKER	BASE L RR WINKER	1	
543		33656-KKC4-E00	SOCKET COMP R/L RR WINKER	SOCKET COMP R/L RR WINKER	1	
A		34905-KPCP-900	BULB WINKER	BULB WINKER	4	
P		93901-32220	SCREW TAPPING 3*10	SCREW TAPPING 3*10	8	
E		93901-32310	SCREW TAPPING 3*8	SCREW TAPPING 3*8	2	

F17

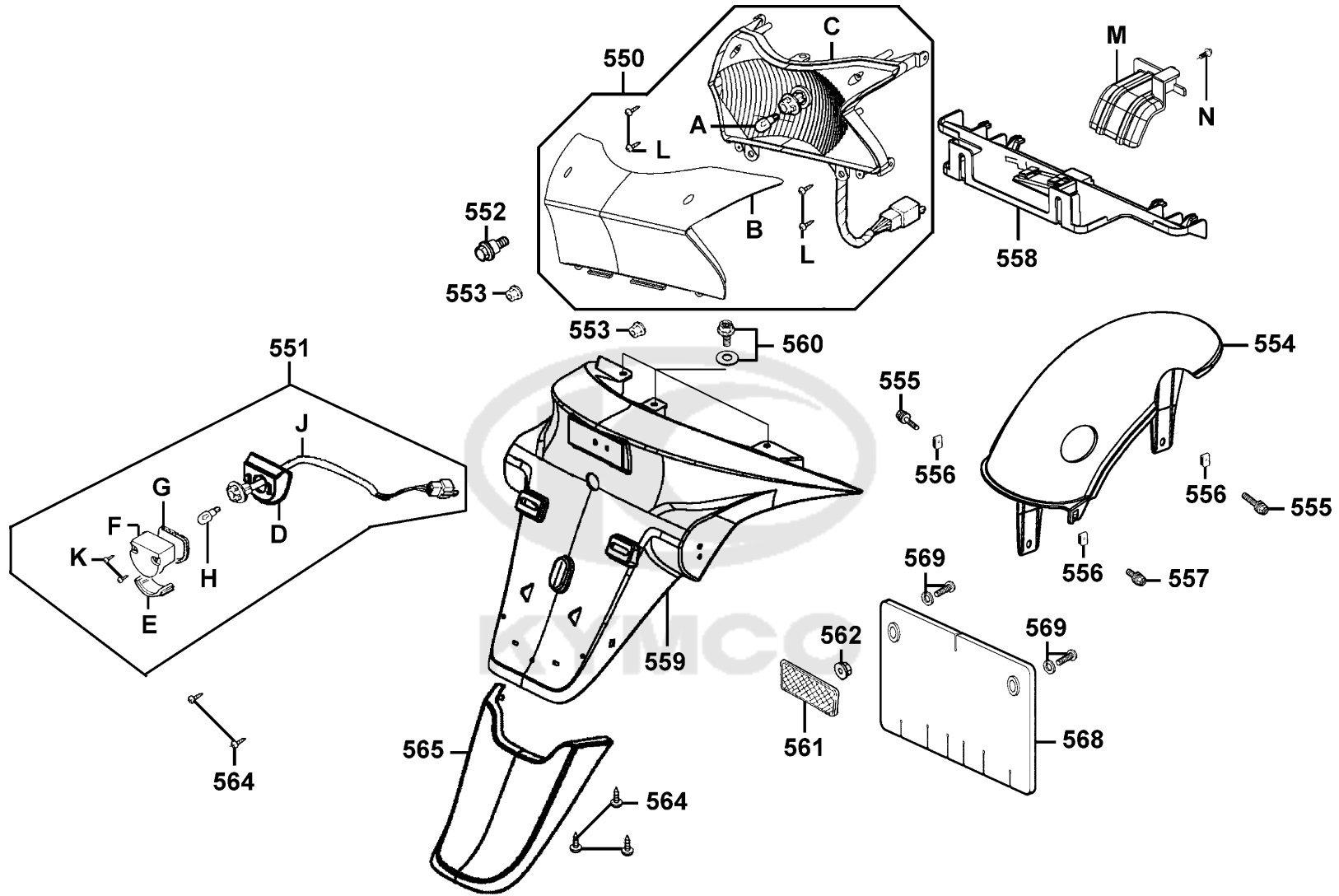
Front Winker RR WINKER



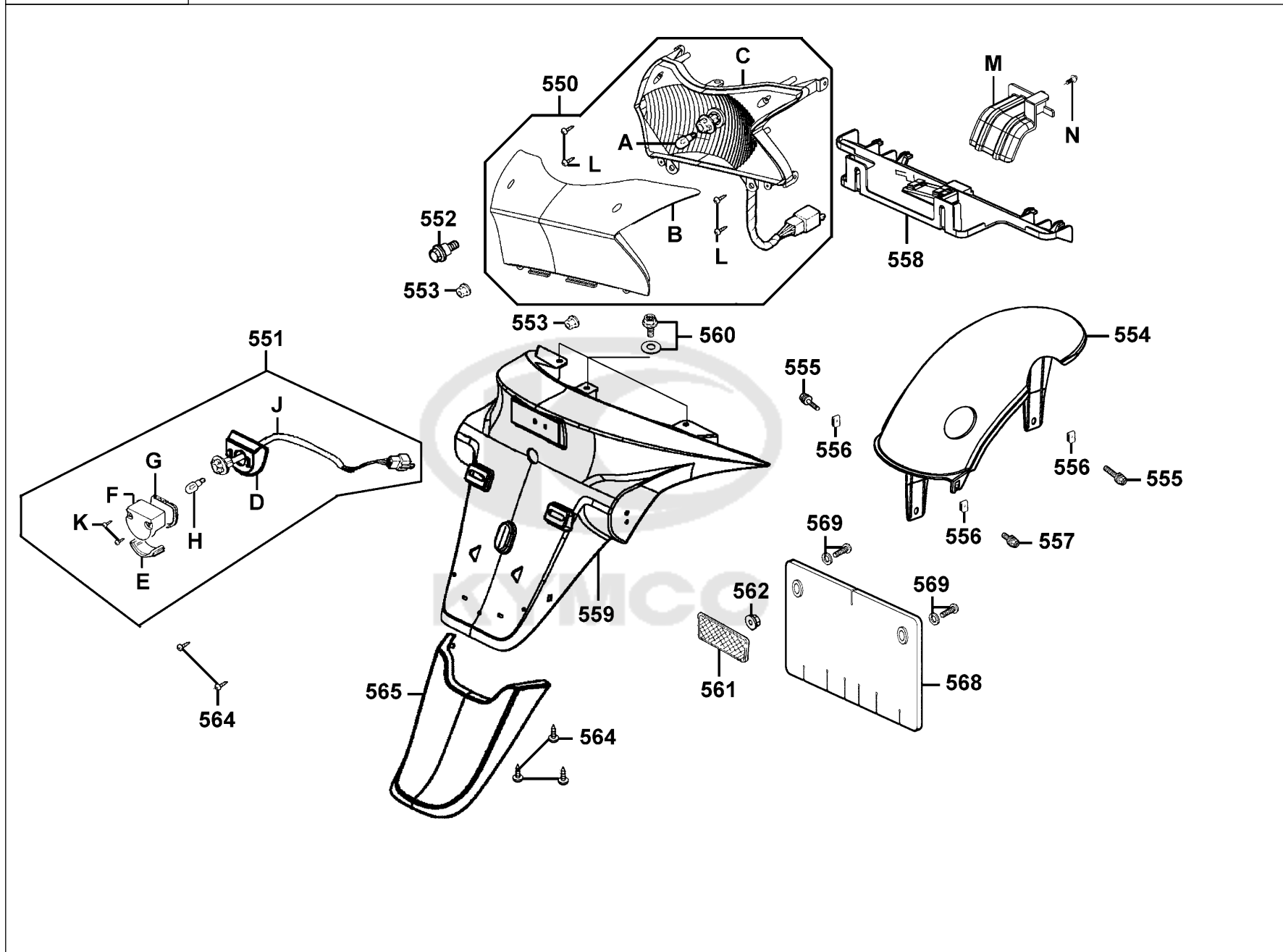
Sales mark	Ref no	Part no	Description	Reg description	Regd no	F17
------------	--------	---------	-------------	-----------------	---------	------------

M		93901-34220	SCREW TAPPING 4*10	SCREW TAPPING 4*10	4	
541		93903-34360	SCREW TAPPING 4X12	SCREW TAPPING 4X12	16	





Sales mark	Ref no	Part no	Description	Reg description	Regd no	F18
	550	33700-KKC4-E00	LIGHT ASSY RR COMB	LIGHT ASSY RR COMB	1	
B		33702-KKC4-E00	LENS TAIL LIGHT	LENS TAIL LIGHT	1	
C		33705-KKC4-E00	BASE COMP TAIL LIGHT	BASE COMP TAIL LIGHT	1	
F		33706-KHB4-E01	COVER LICENSE	COVER LICENSE	1	
G		33709-KBAB-003	PACKING LICENSE	PACKING LICENSE	1	
	551	33720-KHB4-E00	LIGHT ASSY LICENSE	LIGHT ASSY LICENSE	1	
D		33722-KHB4-E00	BASE LICENSE	BASE LICENSE	1	
E		33725-KHB4-E00	LENS LICENSE	LENS LICENSE	1	
J		33726-KHB4-E00	SOCKET COMP	SOCKET COMP	1	
	561	33741-KEBE-900	REFLEX REFLECTOR	REFLEX REFLECTOR	1	
H		34903-KPCP-900	BULB POSITION LIGHT 12V5W **KCP-	BULB POSITION LIGHT 12V5W **KCP-9000	1	
A		34906-KPCP-900	BULB TAIL & STOP	BULB TAIL & STOP	1	
M		43416-KKC4-900	GUARD RR CALIPER	GUARD RR CALIPER	1	
**	554	80100-KKC4-900	FENDER RR TIRE	FENDER RR TIRE	1	
	558	80101-KKC4-900	FENDER RR UP	FENDER RR UP	1	
	568	80102-KKC4-900	PLATE C SPLASH GUARD	PLATE C SPLASH GUARD	1	
	559	80105-KKC4-900	FENDER RR	FENDER RR	1	
	565	80106-KKC4-900	FENDER B RR	FENDER B RR	1	
	560	90112-KNBN-901	BOLT FLANGE 6MM	BOLT FLANGE 6MM	3	
	553	90301-6D34-671	NUT FLANGE 6MM	NUT FLANGE 6MM	2	

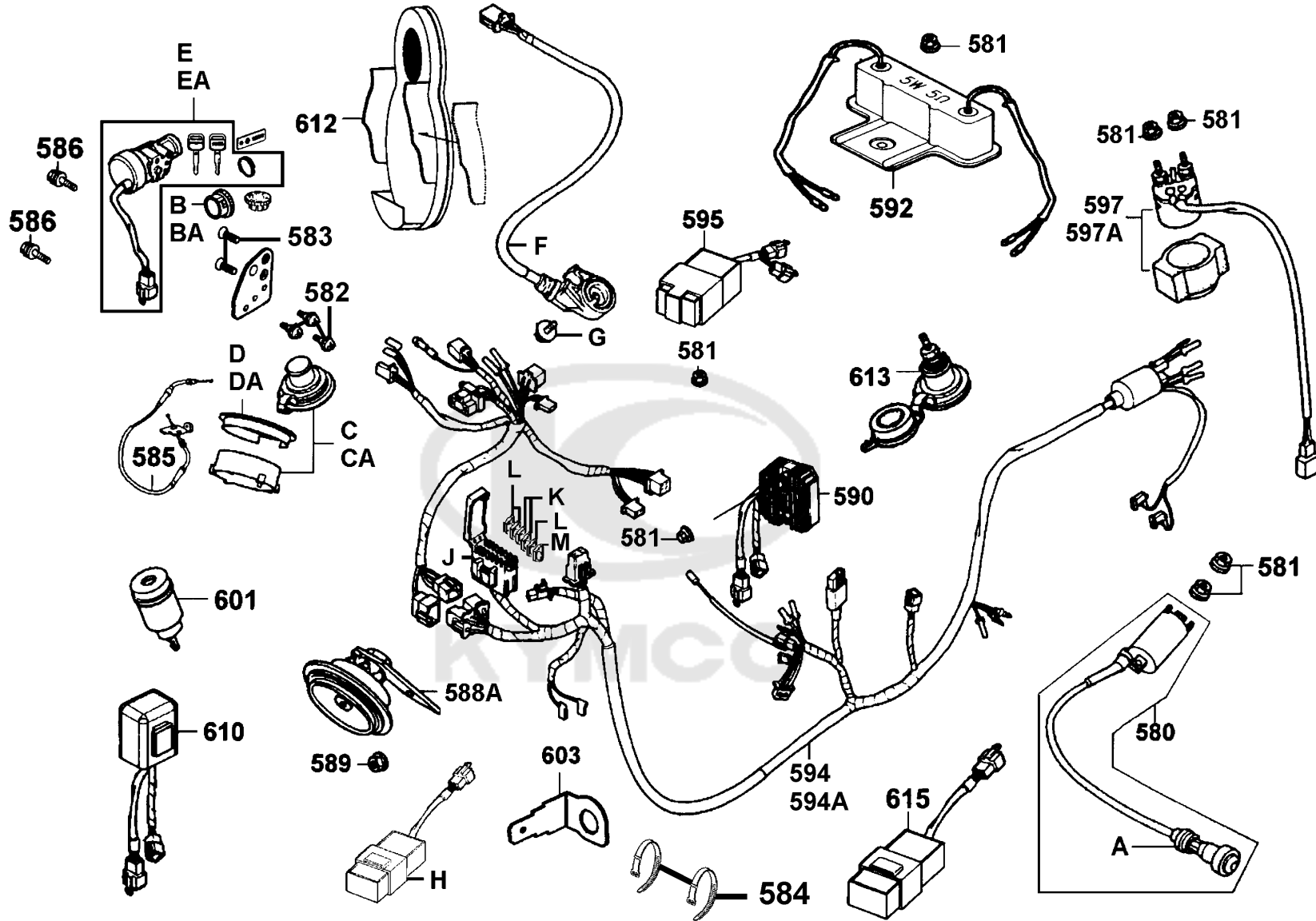


Sales mark	Ref no	Part no	Description	Reg description	Regd no	F18
	557	90302-GFY6-940	BOLT-WASH 5*16	BOLT-WASH 5*16	1	
	555	90302-KFC2-900	BOLT WASHER 5*25	BOLT WASHER 5*25	2	
	556	90677-GAR1-004	NUT CLIP 5MM	NUT CLIP 5MM	3	
	K	91508-KGV7-67A	SCREW TAPPING 4*14	SCREW TAPPING 4*14	2	
	552	93404-06016-06	BOLT WASHER 6*16	BOLT WASHER 6*16	1	
#	N	93891-05030-06	SCREW WASHER 5*30	SCREW WASHER 5*30	1	
	L	93901-34320	SCREW TAPPING 4*12	SCREW TAPPING 4*12	4	
	564	93903-34360	SCREW TAPPING 4X12	SCREW TAPPING 4X12	5	
	569	93903-KEB7-900-06	SCREW WASHER 4*12 (G)	SCREW WASHER 4*12 (G)	2	
	562	94050-05080	NUT FLANGE 5MM	NUT FLANGE 5MM	1	



F19

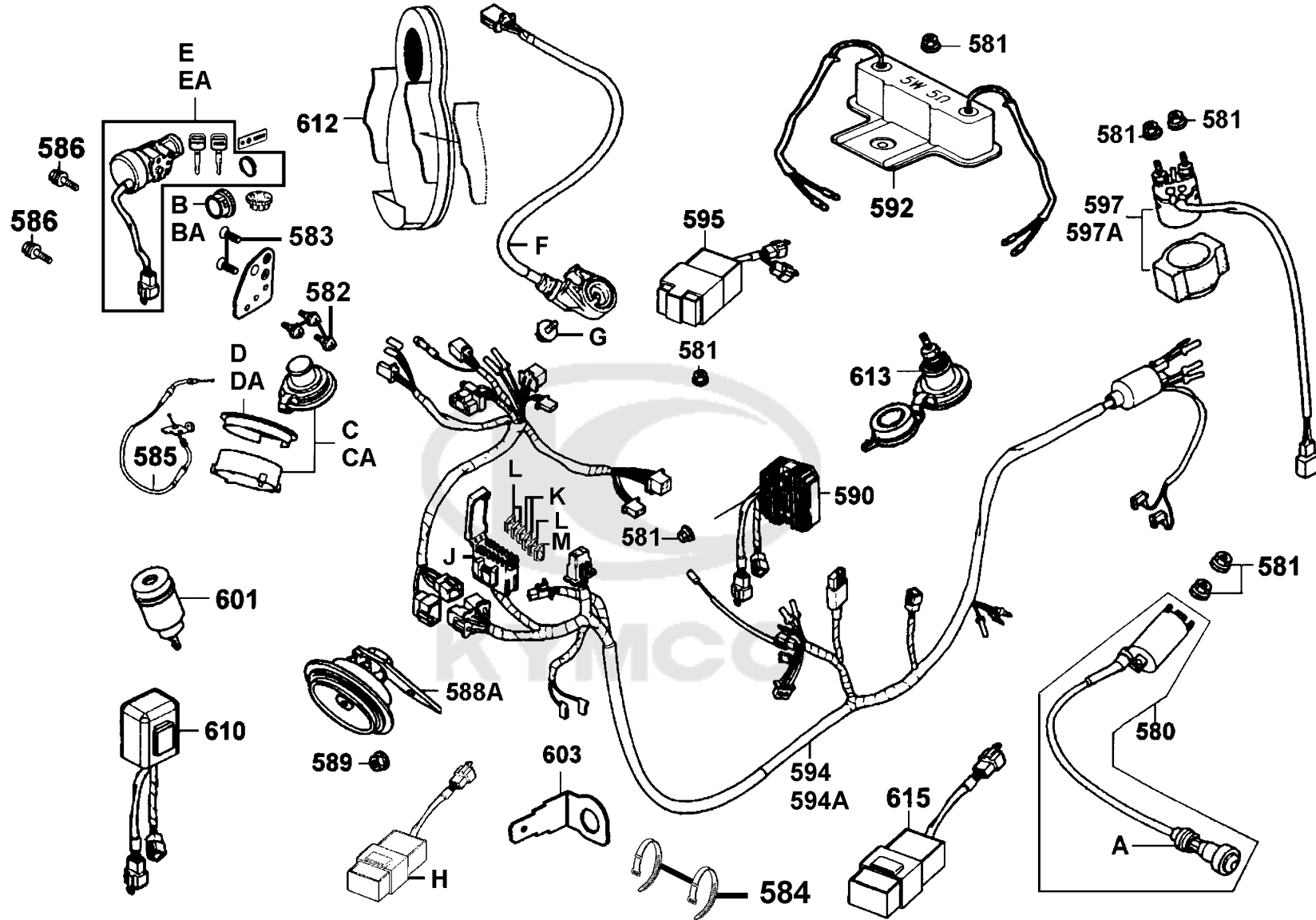
Wire Harness



Sales mark	Ref no	Part no	Description	Reg description	Regd no	F19
	585	17520-KKC4-900	CABLE COMP FUEL CAP	CABLE COMP FUEL CAP	1	
	C	17620-KHC5-E00	CAP COMP FUEL FILLER	CAP COMP FUEL FILLER	1	
	CA	17620-KHC5-E0B	CAP COMP FUEL FILLER	CAP COMP FUEL FILLER	1	
	D	17623-KHC4-90A	COLLAR FUEL CAP	COLLAR FUEL CAP	1	
	DA	17623-KHC4-90B	COLLAR FUEL CAP	COLLAR FUEL CAP	1	
	595	30400-KHE7-900	UNIT CDI	UNIT CDI	1	
	580	3051A-KKC4-900	COIL ASSY IGNITION	COIL ASSY IGNITION	1	
	A	30700-KFC8-E0H	CAP ASSY NOISE SUPPR	CAP ASSY NOISE SUPPR	1	
	590	31600-KAM1-009	REG REC COMP	REG REC COMP	1	
	613	31601-KKC4-900	SOCKET COMP DC12V	SOCKET COMP DC12V	1	
	612	31602-KKC4-900	SOCKET COMP CELL-PHONE	SOCKET COMP CELL-PHONE	1	
	594	32100-KKC4-900	HARNESS WIRE	HARNESS WIRE	1	
	594A	32100-KKC4-910	HARNES WIRE	HARNESS WIRE	1	
	E	35101-KHC4-305	SW SET COMB & LOCK	SW SET COMB & LOCK	1	
	EA	35101-KHC4-305-M2	SW SET COMB & LOCK	SW SET COMB & LOCK	1	
	B	35102-KHC4-900	COLLAR MAIN SW	COLLAR MAIN SW	1	
	BA	35102-KHC4-90B	COLLAR MAIN SW	COLLAR MAIN SW	1	
	F	35370-KEC8-E00	SW UNIT SIDE STAND	SW UNIT SIDE STAND	1	
	592	35400-KHE7-900	RESISTOR COMP	RESISTOR COMP	1	
#	597A	35850-LDA6-90A	SET START MAG	SET START MAG	1	

F19

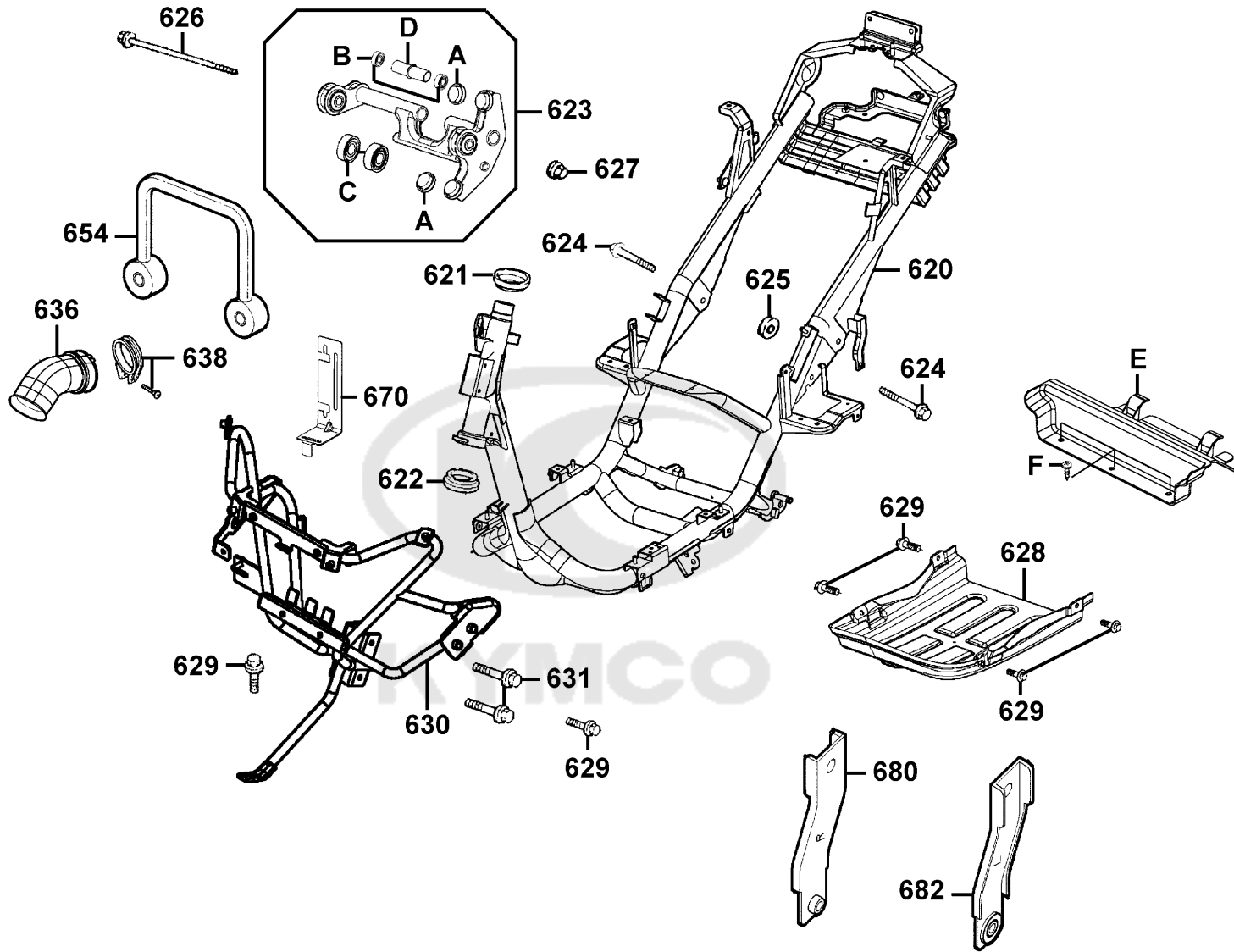
Wire Harness



Sales mark	Ref no	Part no	Description	Reg description	Regd no	F19
#	597	35850-LDA6-90B	SET START MAG (supplier:D406)	SET START MAG (supplier:D406)	1	
	603	37720-KGBG-E00	EARTH TERMINAL HEATER	EARTH TERMINAL HEATER	1	
	H	3800A-KKC4-900	UNIT ASSY ENG STOP	UNIT ASSY ENG STOP	1	
#	588A	38110-KKC3-90B	HORN COMP	HORN COMP	2	
	J	38200-KHE7-900	BOX COMP FUSE	BOX COMP FUSE	1	
	601	38300-KECE-900	RELAY ASSY WINKER	RELAY ASSY WINKER	1	
#	610	39100-KKE5-E01	EMI FILTER MOTOR	EMI FILTER MOTOR	1	
	615	3930A-KKC4-900	BACK MIRROR CTRL ASSY	BACK MIRROR CTRL ASSY	1	
**	584	90656-KUDU-900	BAND HARNESS WIRE	BAND HARNESS WIRE	2	
	G	93404-06016-06	BOLT WASHER 6*16	BOLT WASHER 6*16	1	
	582	93500-04020-0H	SCREW PAN 4*20	SCREW PAN 4*20	3	
	583	93500-KHC4-90A	SCREW PAN 5*10	SCREW PAN 5*10	2	
	581	94050-06080	NUT FLANGE 6MM	NUT FLANGE 6MM	7	
	589	94050-08080	NUT FLANGE 8MM	NUT FLANGE 8MM	1	
	586	95701-KHC5-E00	BOLT TORQUE 8*25	BOLT TORQUE 8*25	2	
	K	98200-31000	BLADE FUSE 10A **(0) C.2005.03.01	BLADE FUSE 10A **(0) C.2005.03.01	2	
	L	98200-31500	FUSE A15	FUSE A15	3	
	M	98200-33000	BLADE FUSE 30A	BLADE FUSE 30A	1	

F20

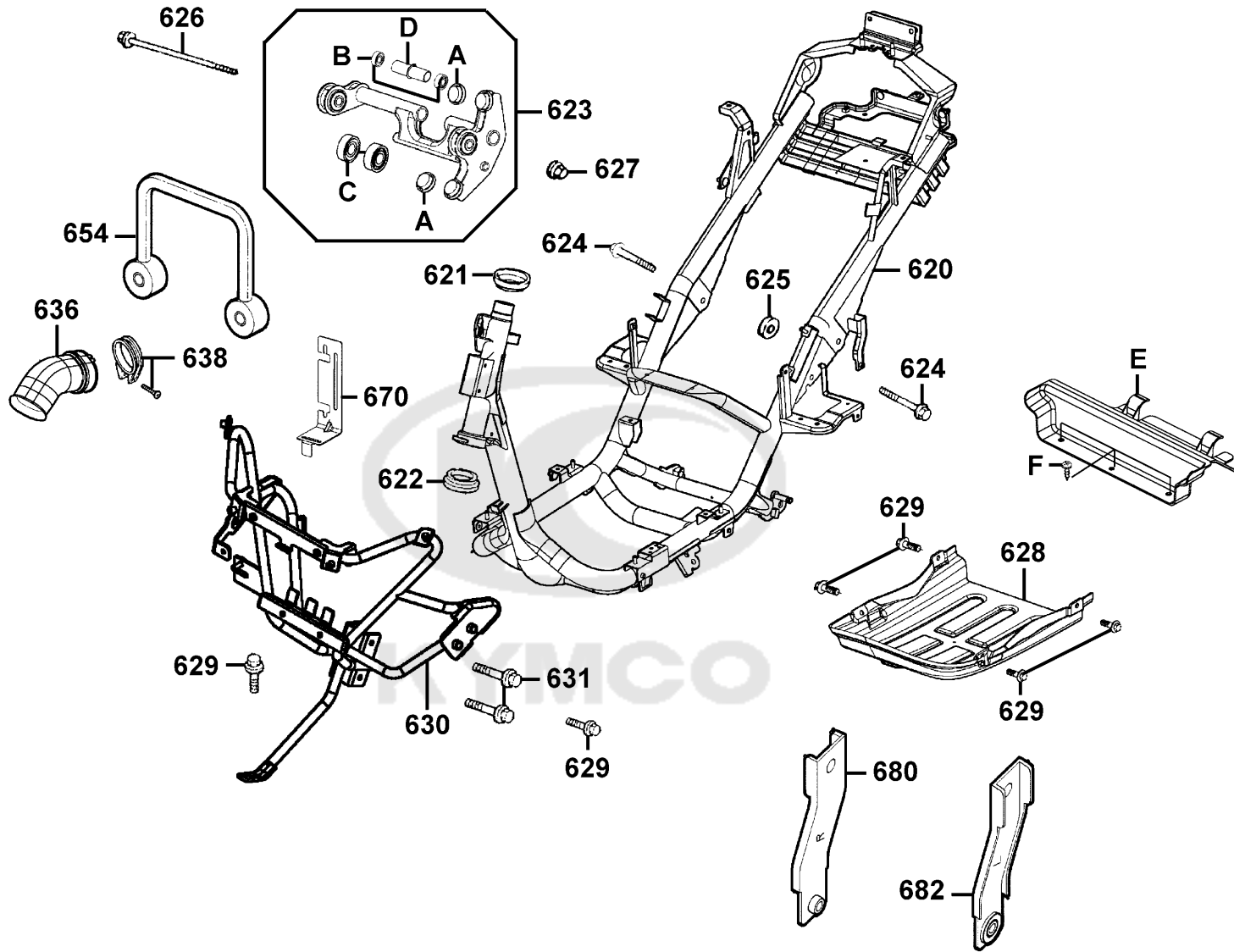
Frame Body



Sales mark	Ref no	Part no	Description	Reg description	Regd no	F20
636		11345-KKC4-900	DUCT L COVER	DUCT L COVER	1	
638		11346-GFY6-901	BAND L COVER DUCT	BAND L COVER DUCT	1	
620		50100-KKC4-E00	BODY COMP FRAME	BODY COMP FRAME	1	
654		50151-KKC4-900	HOOK CARRIER	HOOK CARRIER	1	
680		50185-KKC4-900	STAY R BODY COVER	STAY R BODY COVER	1	
682		50186-KKC4-900	STAY L BODY COVER	STAY L BODY COVER	1	
670		50191-KKC4-900	STAY ALARM SYSTEM	STAY ALARM SYSTEM	1	
621		50301-KGN7-671	RACE UP STRG BALL	RACE UP STRG BALL	1	
622		50302-2H68-011	RACE STRG BOT BALL	RACE STRG BOT BALL	1	
623		50350-KKC4-E00	ENG HANGER COMP	ENG HANGER COMP	1	
A		50352-GFY6-901	RUBBER STOPPER	RUBBER STOPPER	2	
C		50353-KGN7-901	BUSH A ENG HANGER	BUSH A ENG HANGER	2	
B		50356-KHE7-E00	BUSH SWING LOCK	BUSH SWING LOCK	2	
D		50364-KKC4-E00	COLLAR ENG HANGER	COLLAR ENG HANGER	1	
628		50613-KKC4-900	COVER UNDER	COVER UNDER	1	
E		5061A-KKC3-900	DEFLECTION UNDER	DEFLECTION UNDER	1	
630		64315-KKC4-900	STAY FR COVER	STAY FR COVER	1	
626		90105-KGN7-671	BOLT FLANGE 10*235.5	BOLT FLANGE 10*235.5	1	
624		90106-KHE7-E00	BOLT FLANGE 12*59	BOLT FLANGE 12*59	2	
625		90121-KHE7-E00	COLLAR DISTANCE	COLLAR DISTANCE	1	

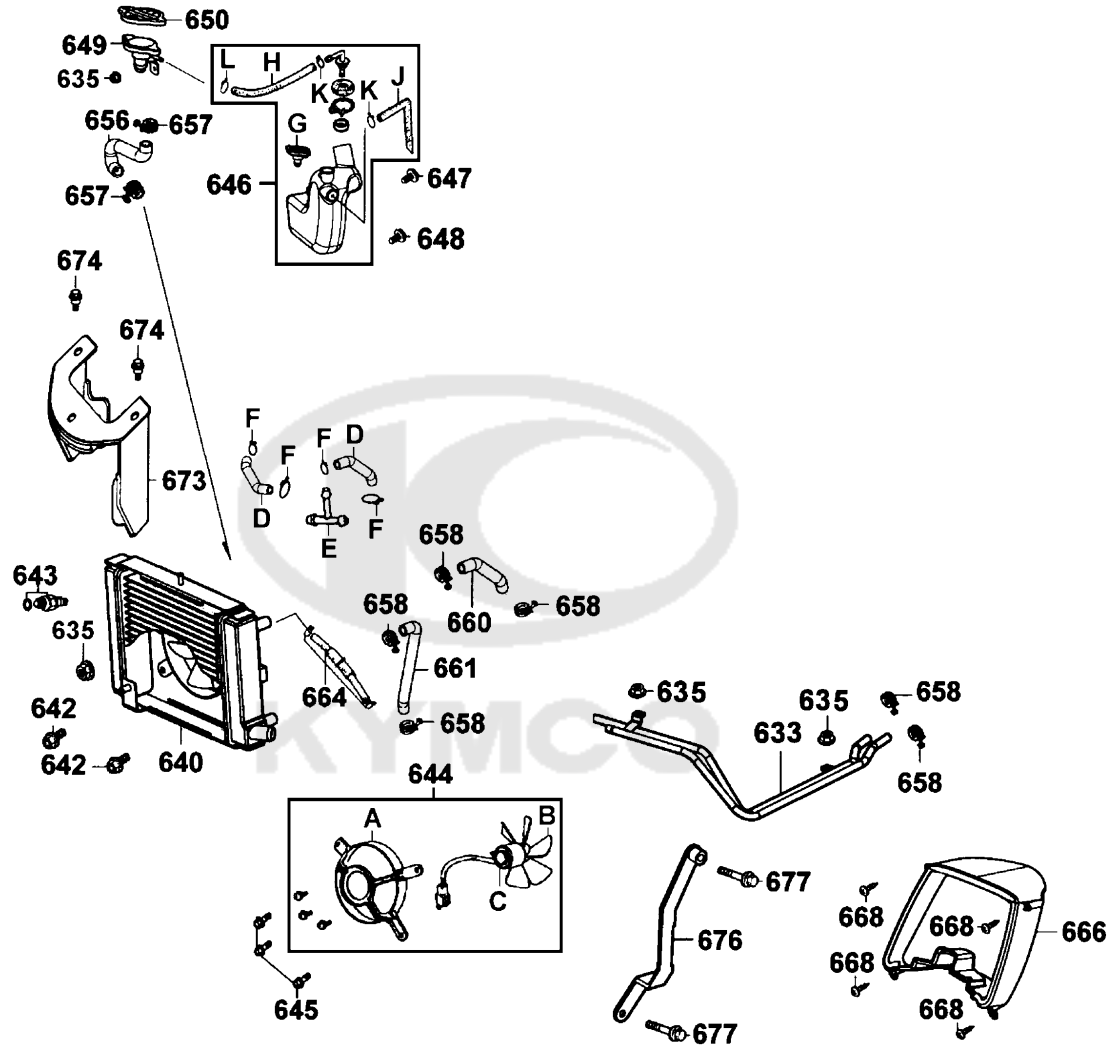
F20

Frame Body

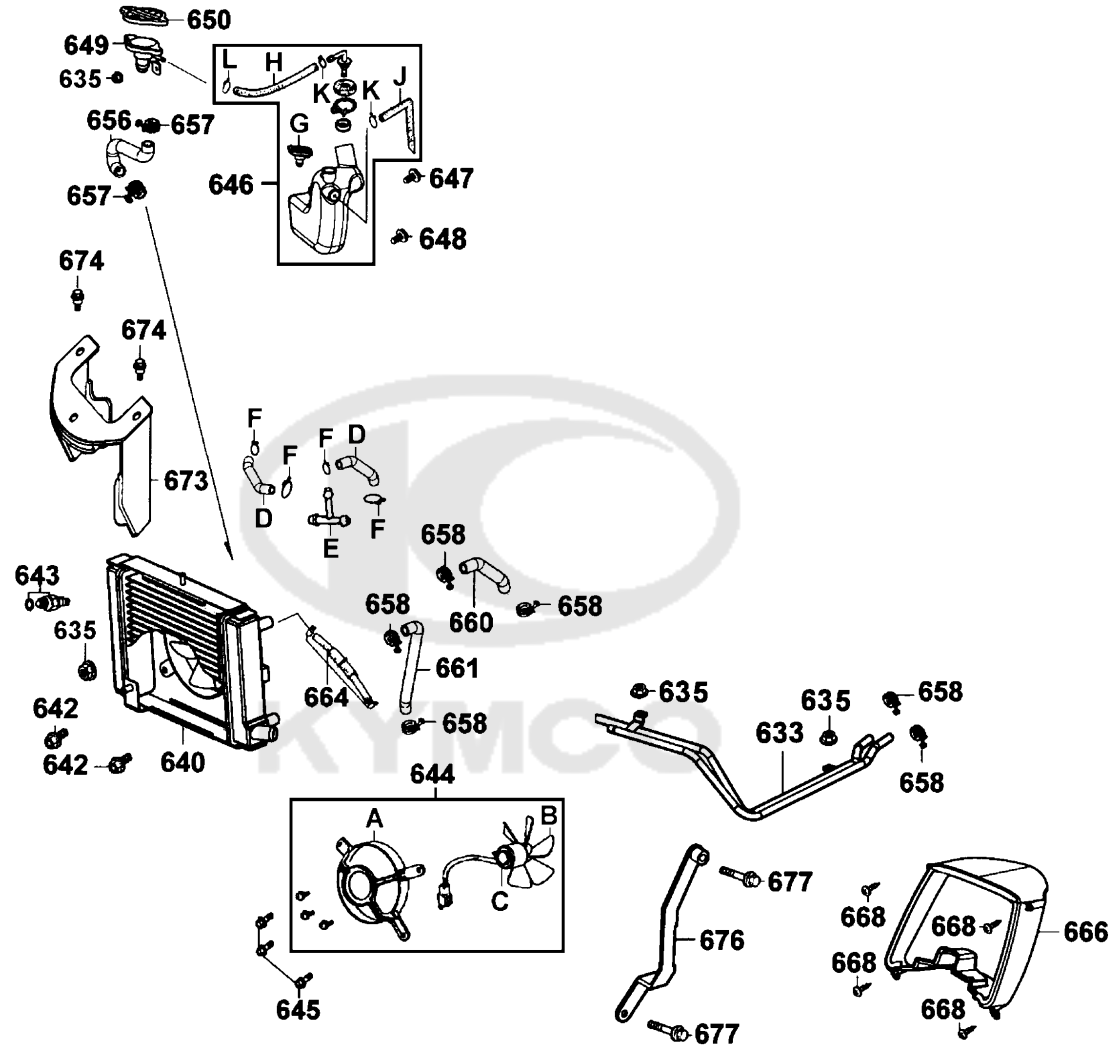


Sales mark	Ref no	Part no	Description	Reg description	Regd no	F20
	627	90304-GHE8-004	NUT U 10MM	NUT U 10MM	1	
	F	93903-34360	SCREW TAPPING 4X12	SCREW TAPPING 4X12	3	
#	629	95701-06012-06	BOLT FLANGE 6*12 **07 C.2005.07.01	BOLT FLANGE 6*12 **07 C.2005.07.01	1	
#	631	95701-08050-06	BOLT FLANGE 8*50	BOLT FLANGE 8*50	1	





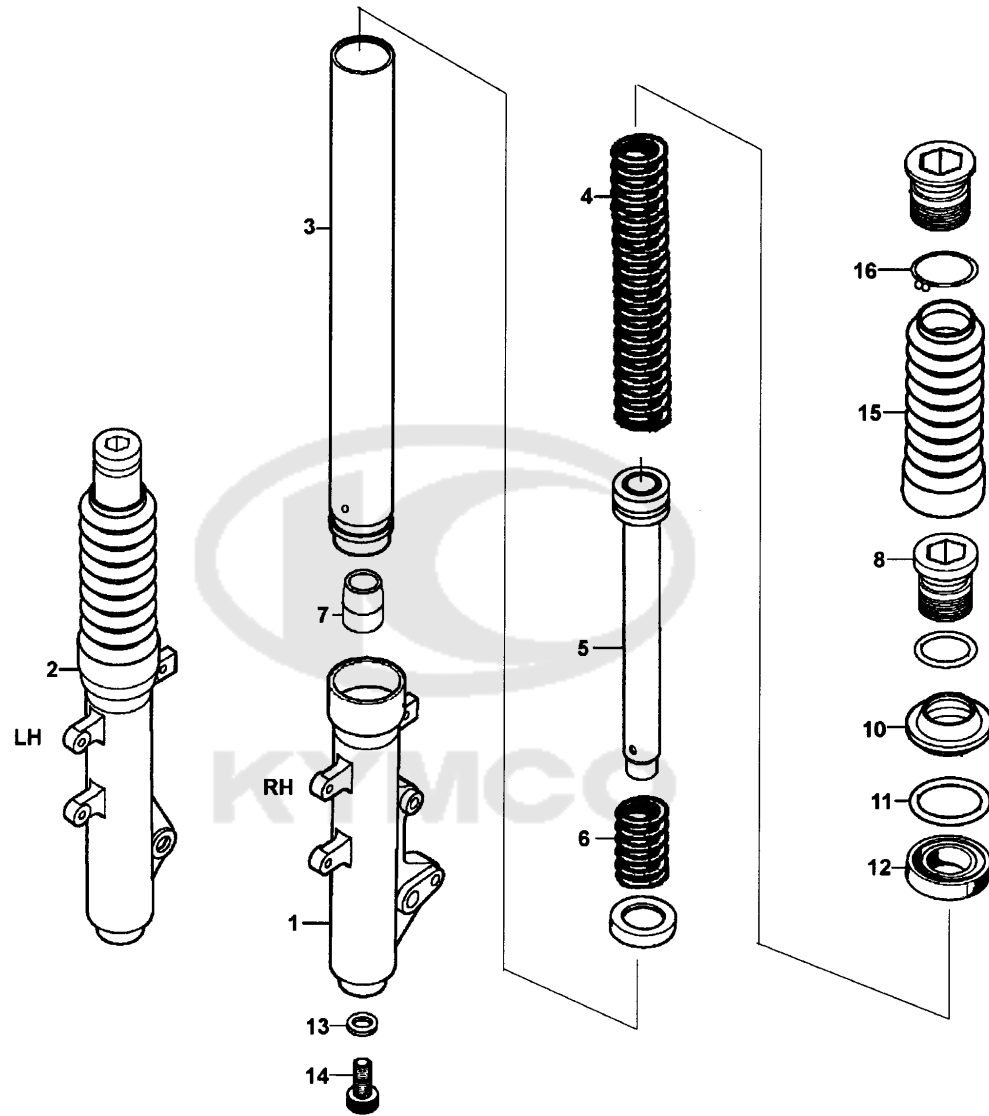
Sales mark	Ref no	Part no	Description	Reg description	Regd no	F21
676		17228-KKC4-900	STAY A/C	STAY A/C	1	
644		19005-KKC4-900	SHROUD ASSY	SHROUD ASSY	1	
640		19010-KKC4-900	RADIATOR COMP	RADIATOR COMP	1	
649		19012-KHD8-900	UNIT RADIATOR	UNIT RADIATOR	1	
A		19015-KKC4-900	SHROUD COMP	SHROUD COMP	1	
B		19020-KED9-900	FAN COOLING	FAN COOLING	1	
C		19030-KHD8-900	MOTOR	MOTOR	1	
646		19101-KKC4-900	TANK RESERVE	TANK RESERVE	1	
666		19102-KKC4-900	DUCT COOLING AIR	DUCT COOLING AIR	1	
J		19104-KKC4-900	HOSE ASSY DRAIN	HOSE ASSY DRAIN	1	
H		19105-KKC4-900	HOSE ASSY RESERVE-COOLER	HOSE ASSY RESERVE-COOLER	1	
650		19111-GBE2-004	CAP COMP	CAP COMP	1	
633		19120-KKC4-900	PIPE COMP WATER	PIPE COMP WATER	1	
G		19210-KKC4-900	CAP RESERVE TANK	CAP RESERVE TANK	1	
660		19504-KKC4-900	HOSE WATER D RADIATOR-PIPE	HOSE WATER D RADIATOR-PIPE	1	
661		19505-KKC4-900	HOSE WATER F PIPE-RADIATOR	HOSE WATER F PIPE-RADIATOR	1	
656		19506-KKC4-900	HOSE WATER G RADIATOR-UNIT	HOSE WATER G RADIATOR-UNIT	1	
643		37760-KHD8-900	SW ASSY THERMO	SW ASSY THERMO	1	
E		38773-PKB9-001	JOINT 3 WAY 3.5	JOINT 3 WAY 3.5	1	
673		64318-KKC4-900	STAY METER	STAY METER	1	



Sales mark	Ref no	Part no	Description	Reg description	Regd no	F21
	647	90302-GBR2-001	BOLT WASH 5*16	BOLT WASH 5*16	1	
	648	90302-GFY6-901	BOLT WASH 5*12 *(1) C.V.	BOLT WASH 5*12 *(1) C.V.	1	
	664	90913-KKC4-900	TUBE ASSY WATER PUMP TO RAD	TUBE ASSY WATER PUMP TO RAD	1	
	674	93404-06016-06	BOLT WASHER 6*16	BOLT WASHER 6*16	2	
	668	93903-34360	SCREW TAPPING 4X12	SCREW TAPPING 4X12	4	
	635	94050-06080	NUT FLANGE 6MM	NUT FLANGE 6MM	4	
	D	95001-35225-40	TUBE FUEL 3.5*225	TUBE FUEL 3.5*225	2	
	F	95002-02070	CLIP B7 TUBE	CLIP B7 TUBE	4	
	L	95002-02100	CLIP B15 TUBE	CLIP B15 TUBE	1	
	K	95002-70000	CLIP C11 TUBE	CLIP C11 TUBE	2	
	658	95002-KGN7-910	CLIP TUBE	CLIP TUBE	6	
	657	95002-KHE7-900	CLIP WATER HOSE	CLIP WATER HOSE	2	
#	677	95701-06012-06	BOLT FLANGE 6*12 *(07) C.2005.07.01	BOLT FLANGE 6*12 *(07) C.2005.07.01	1	
#	645	95701-06016-06	BOLT FLANGE 6*16 (K)	BOLT FLANGE 6*16 (K)	4	

F22

Separated Parts Of Fr Fork



Sales mark	Ref no	Part no	Description	Reg description	Regd no	F22
	4	51401-KHD8-900	SPRING	SPRING	2	
	3	51410-KHD8-900	FORK PIPE COMP	FORK PIPE COMP	2	
	15	51411-KHD8-900	BOOT	BOOT	2	
	6	51412-KHD8-900	REBOUND SPRING	REBOUND SPRING	2	
	16	51413-KHD8-900	BOOT BAND	BOOT BAND	2	
**	1	51420-KKC4-900	BOTTOM CASE R	BOTTOM CASE R	1	
	7	51422-KKC4-900	OIL LOCK PIECE	OIL LOCK PIECE	2	
	12	51423-KKAK-900	OIL SEAL	OIL SEAL	2	
	10	51427-KKAK-900	DUST SEAL	DUST SEAL	2	
	11	51428-KKAK-900	RING OIL SEAL STOPPER	RING OIL SEAL STOPPER	2	
	5	51429-KHD8-900	PIPE SEAT COMP	PIPE SEAT COMP	2	
**	2	51520-KKC4-900	BOTTOM CASE L	BOTTOM CASE L	1	
	14	90116-KHD8-900	BOLT	BOLT	2	
	13	90544-KEC8-900	PACKING	PACKING	2	
	8	94605-KHD8-900	FORK BOLT	FORK BOLT	2	

● Be sure to wear a safety helmet when riding.
 ● Do not exceed the speed specified by law when riding.
 ● The exhaust muffler temperature is very high after riding. Be sure to push the motorcycle in a place not easily touched by people.
 ● For riding safety and good performance, do not change the law to modify the motorcycle.
 ● Please read the user's manual carefully to avoid riding errors.
 ● Make sure to perform the periodic maintenance and periodic inspection.

Periodic Inspection Items

Brake Performance, tires, engine oil level, lights, horn, and instrument panel
 KWANG YANG MOTOR CO., LTD.

700

CAUTION

Mobile phone charge only , Use other appliance may cause damage .
 KMC2-ED00

706

CAUTIONS

Tire Size	: Front 120/70-12	Rear 140/70-12
(One Rider)	: Front 1.75kgf/cm ²	Rear 2.25kgf/cm ²
(Two Rider)	: Front 2.00kgf/cm ²	Rear 2.50kgf/cm ²
Load Capacity	: Shield 1.5kg Clip away center 3kg (As per KYMCO standard specification)	

(Note: The tire pressure must not overpass 2.80kgf/cm²)

● Check the motor oil level with the dipstick after refilling motor oil.

701

USE UNLEADED GASOLINE ONLY

702

CAUTIONS

Every 5000 km run should exchange the filter.

704

CAUTIONS

Never put any article between the rear side cover and the engine to avoid interference of riding.

703

CAUTIONS

Before starting the engine, the side stand shall be kicked up to secure safety.

705

Sales mark	Ref no	Part no	Description	Reg description	Regd no	F23
**	702	87501-KRDR-E00	CAUTION USE GAS ONLY	CAUTION USE GAS ONLY	1	
**	701	87505-KHE7-E00	LABEL TIRE	LABEL TIRE	1	
**	704	87512-KEBE-E00	CAUTION FILTER	CAUTION FILTER	1	
**	705	87541-GAR1-E00	CAUTION SIDE STAND	CAUTION SIDE STAND	1	
**	706	87541-KKC2-E00	CAUTION MOBILE PHONE	CAUTION MOBILE PHONE	1	
**	703	87542-GAR1-E00	MARK MAINT CAUTION	MARK MAINT CAUTION	1	
**	700	87560-GFY6-E00	MARK DRIVE CAUTION	MARK DRIVE CAUTION	1	

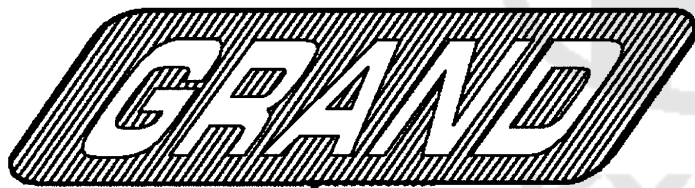




710



712



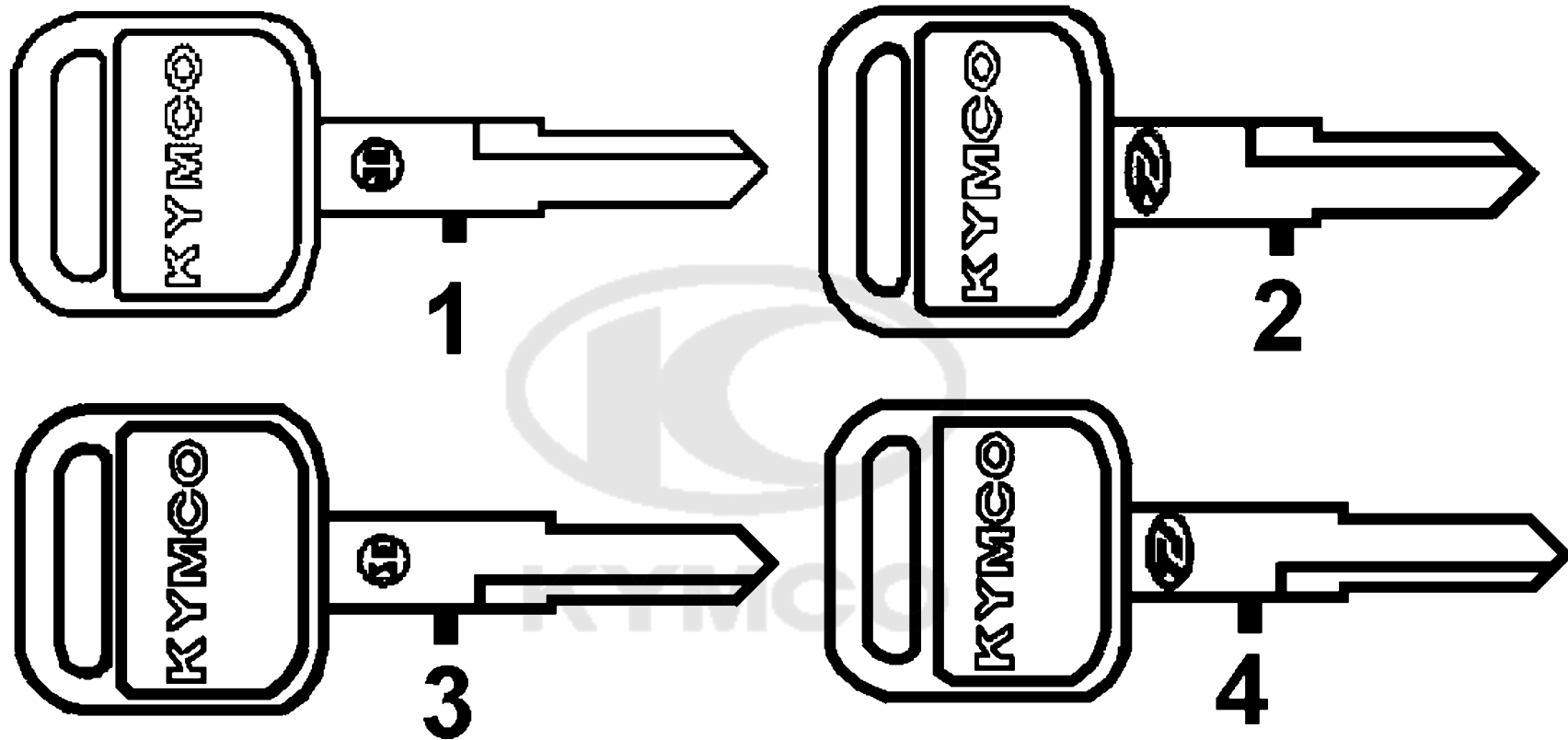
711



713

Sales mark	Ref no	Part no	Description	Reg description	Regd no	F24
**	713	86030-KKC4-900	EMB HANDLE COVER RR	EMB HANDLE COVER RR	1	
**	710	86202-KKC4-900	EMB BODY COVER	EMB BODY COVER	2	
**	711	86212-KKC4-900	EMB B BODY COVER	EMB B BODY COVER	2	
**	712	87140-KHE7-E00	EMB B BODY COVER	EMB B BODY COVER	2	





Sales mark	Ref no	Part no	Description	Reg description	Regd no	F25
1		35111-KHC5-305-M1	KEY COMP (R TANGENT PLANE SD)	KEY COMP (R TANGENT PLANE SD)	2	
2		35111-KHC5-305-M2	KEY COMP (R TANGENT PLANE TJ)	KEY COMP (R TANGENT PLANE TJ)	2	
3		35111-KHC5-306-M1	KEY COMP (L TANGENT PLANE SD)	KEY COMP (L TANGENT PLANE SD)	2	
4		35111-KHC5-306-M2	KEY COMP (L TANGENT PLANE TJ)	KEY COMP (L TANGENT PLANE TJ)	2	



PART NO. INDEX

PART NO.	VERSION	PAGE	PART NO.	VERSION	PAGE	PART NO.	VERSION	PAGE
0000			4000			11384-KHE7-900	1	E04
0137-261-36G5	0	E08	4000-276-0000	0	E08	11394-KHE7-980	7	E04
0301-261-36G5	0	E08	4115-803-1100	0	E08	11395-KHE7-980	2	E01
1000			4115-804-1100	0	E08	12000		
1028-054-7000	0	E08	11000			12100-KHE7-900	9	E03
1030-892-2101	0	E08	11100-KHE7-305	5	E01	12191-KHE7-910	2	E03
1034-869-2001	0	E08	11100-LDB2-305	0	E01	12200-KHE7-E00	2	E02
1052-862-2101	0	E08	11102-1G87-00A	1	E01	12205-KHE8-301	5	E02
1090-872-2000	0	E08	11102-1G87-00A	1	F16	12209-GDB4-68B	0	E02
1190-B30-2002	0	E08	11103-KHE7-90A	1	E01	1221A-KHE7-900	1	E02
1190-B63-2100	0	E08	11192-KHE7-980	2	E01	12251-KHE7-901	2	E02
1201-830-2300	1	E08	11200-KKC4-305	2	E01	12310-KHE7-E00	3	E02
1229-805-7000	0	E08	11207-KKC4-900	3	F13	12361-GFY6-901	1	E04
1230-850-2000	0	E08	11211-KKC4-900	0	F13	12391-KHE7-900	0	E02
1230-851-2001	0	E08	1122A-KKC4-900	0	E07	13000		
1230-856-7001	0	E08	11330-KHE7-900	9	E04	13000-KHE7-900	12	E03
1290-996-2000-3	0	E08	11341-KHE7-900	2	E01	13000-KHE7-910	2	E03
1290-A07-2000	0	E08	11345-KKC4-900	0	F20	13011-KHE7-900	0	E03
1290-A28-2000	0	E08	11346-GFY6-901	0	F20	13101-KHE7-900	6	E03
1402-939-2100	0	E08	1134A-KHE7-900	3	E01	13111-KHE7-900	2	E03
1614-834-2100	0	E08	11383-KHE7-900	0	E04			
			11383-KUDU-900	0	E01			

PART NO. INDEX

PART NO.	VERSION	PAGE	PART NO.	VERSION	PAGE	PART NO.	VERSION	PAGE
14000			15133-KAM1-001	1	E06	1721A-KKC3-900	1	F13
14100-KHE7-220	0	E02	15141-KKJ9-004	0	E06	17228-KKC4-900	0	F21
14401-KHE7-90A	0	E03	15421-1G07-001	1	E04	17231-KKC3-900	5	F13
14401-KHE7-90B	0	E03	15426-GAE1-921	0	E04	1723A-KKC4-E00	3	F13
14431-KHE7-900	0	E02	15441-1K49-001	0	E03	17254-KACA-P00	0	F13
14450-KEBE-900	1	E02	15447-1K49-001	1	E03	17370-4K19-701	1	F13
14461-KHE7-900	0	E02	1565A-KEBE-900	0	E04	17371-1D74-671	0	F13
14510-KHE7-900	0	E03	15711-KHE7-900	0	E06	17500-KKC4-900	4	F10
14520-GFY6-90C	2	E03	16000			17502-KKC4-900	0	F10
14523-KED9-920	1	E03	16053-KT7-0030	0	E08	17510-KKC4-900	0	F10
14531-KHE7-900	1	E03	1610K-KKC4-E00	4	E08	17520-KKC4-900	1	F19
14610-KHE7-900	0	E03	16145-MZ2-7800	0	E08	17550-KHC4-900	0	F10
14711-KHE7-900	0	E02	16199-GFY6-900	0	E08	17620-KHC5-E00	1	F19
14721-KHE7-900	1	E02	16700-KHE7-220	0	F10	17620-KHC5-E0B	1	F19
14751-KHE7-900	0	E02	16911-KKC4-900	0	F10	17623-KHC4-90A	6	F19
14761-KHE7-900	0	E02	16912-KKC4-900	0	F10	17623-KHC4-90B	1	F19
14771-GDB4-680	0	E02	1691A-KEC2-E00	0	F10	17682-KKC4-900	0	F10
14775-MFA6-001	0	E02	16978-ZB9-0050	0	E08	17683-KKC4-900	0	F10
14781-MFA6-001	0	E02	17000			17689-KEBE-900	1	F10
15000			17110-KHE7-E00	0	E02	17910-KKC4-900	2	F03
15100-KEBE-900	0	E06	17214-KKC3-900	0	F13	17911-KKC4-900	2	F03
15100-KKC3-900	3	E06	17215-KGBG-90A	2	F13	18000		
						18291-LBA7-900	2	F14
						18293-KECE-900	0	F14

PART NO. INDEX

PART NO.	VERSION	PAGE	PART NO.	VERSION	PAGE	PART NO.	VERSION	PAGE
18294-KEBE-900	1	F14	19229-LBA7-900	2	E04	22121-KHE7-305	0	E05
18295-KECE-900	0	F14	19231-KKJ9-011	0	E04	22131-KHE7-900	1	E05
18305-KHD8-900	0	F14	19300-KAE1-004	1	E02	22131-LBA7-900	1	E05
18306-KHE7-900	0	F14	19310-KHE7-900	2	E02	22132-KHE7-305	3	E05
1830A-KHE7-E00	7	F14	19315-KHE7-900	0	E02	22300-KHE7-900	4	E05
18318-KHE7-E00	1	F14	19411-KBCB-900	0	F10	22300-KHE7-910	2	E05
18325-KHE7-900	1	F14	19501-KHE7-900	0	E04	22350-KHE7-900	1	E05
			19502-KHE7-900	1	E04	22361-LEA7-E00	1	E05
19000			19503-KHE7-900	1	E02	22401-KHE7-900	2	E05
			19504-KKC4-900	0	F21	22530-KHE7-900	2	E05
19005-KKC4-900	2	F21	19505-KKC4-900	0	F21	22530-KHE7-910	2	E05
19010-KKC4-900	2	F21	19506-KKC4-900	1	F21	22804-GBB2-001	0	E05
19012-KHD8-900	4	F21						
19015-KKC4-900	2	F21	21000			23000		
19020-KED9-900	1	F21						
19030-KHD8-900	2	F21	21200-KHE7-305	0	E07	2301A-LLJ3-E00	7	E05
19101-KKC4-900	0	F21	21395-KHE7-980	3	E07	2301A-LLJ3-E01	1	E05
19102-KKC4-900	0	F21				23100-KHE7-90B	3	E05
19104-KKC4-900	0	F21	22000			23200-KHE7-900	7	E05
19105-KKC4-900	0	F21				23220-KHE7-900	4	E05
19111-GBE2-004	1	F21	22101-LBA7-900	1	E05	23225-KHE7-900	0	E05
19120-KKC4-900	4	F21	22102-KHE7-900	3	E05	23226-GHC8-004	0	E05
19210-KKC4-900	0	F21	22105-KHE7-900	1	E05	23233-KHE7-900	1	E05
19215-KHE7-900	0	E04	22105-LBA7-900	2	E05	23237-KHE7-900	0	E05
19217-ZPA3-E00	2	E04	22110-KHE7-900	6	E05	23238-KHE7-900	0	E05
19221-KHE7-900	3	E04	22112-KHE7-900	1	E05	23411-KHE7-900	6	E07

PART NO. INDEX

PART NO.	VERSION	PAGE	PART NO.	VERSION	PAGE	PART NO.	VERSION	PAGE
23420-KHE7-910	1	E07	31500-KHE7-90B	6	F11	33453-KKC4-E00	0	F17
23431-KHE7-900	2	E07	31600-KAM1-009	1	F19	33457-KKC4-E00	0	F17
23432-KHE7-910	1	E07	31601-KKC4-900	4	F19	33600-KKC4-E00	2	F17
			31602-KKC4-900	0	F19	33602-KKC4-E00	0	F17
28000			32000			33603-KKC4-E00	0	F17
28101-KHE7-900	0	E06				33606-KKC4-E00	0	F17
28102-KHE7-900	0	E06	32100-KKC4-900	5	F19	33607-KKD7-E00	0	F17
28110-KHE7-900	4	E06	32100-KKC4-910	2	F19	33650-KKC4-E00	2	F17
28110-LDB2-E00	4	E06	32410-KKC4-900	1	E06	33652-KKC4-E00	0	F17
28120-KHE7-E00	0	E06	32411-KKC4-900	1	F11	33653-KKC4-E00	0	F17
28120-LDB2-E00	0	E06	32412-KKC4-900	3	F11	33656-KKC4-E00	0	F17
30000			33000			33700-KKC4-E00	1	F18
30300-KEBE-900	2	E06	33100-KKC4-E00	5	F01	33702-KKC4-E00	0	F18
30400-KHE7-900	2	F19	33107-KKC4-E00	0	F01	33705-KKC4-E00	0	F18
3051A-KKC4-900	0	F19	33108-KKC4-E00	0	F01	33706-KHB4-E01	0	F18
30700-KFC8-E0H	1	F19	33120-KKC4-E00	1	F01	33709-KBAB-003	0	F18
31000			33130-KKC4-E00	0	F01	33720-KHB4-E00	4	F18
31110-KHE7-90A	0	E06	33400-KKC4-E00	0	F17	33722-KHB4-E00	0	F18
31120-KKC4-90A	2	E06	33402-KKC4-E00	0	F17	33725-KHB4-E00	0	F18
31210-KHE7-90A	1	E06	33403-KKC4-E00	0	F17	33726-KHB4-E00	0	F18
31500-KHE7-90A	6	F11	33407-KKC4-E00	0	F17	33741-GFY6-C30	1	F05
			33450-KKC4-E00	0	F17	33741-KEBE-900	3	F18
			33452-KKC4-E00	0	F17	33900-KFBF-900	0	F12

PART NO. INDEX

PART NO.	VERSION	PAGE	PART NO.	VERSION	PAGE	PART NO.	VERSION	PAGE
			35370-KEC8-E00	3	F19	38300-KECE-900	3	F19
			35400-KHE7-900	1	F19	38500-LGL3-90A	5	F11
			35850-LDA6-90A	2	F19	38773-PKB9-001	0	F21
			35850-LDA6-90B	3	F19			
						39000		
			37000			39100-KKE5-E01	4	F19
			37200-KKC4-900	3	F02	3930A-KKC4-900	2	F19
			37203-KKC4-900	0	F02			
			37204-KKC4-900	0	F02	42000		
			37213-KKC4-900	0	F02			
			37213-KKC4-E00	0	F02	42311-KHE7-E00	0	F08
			37214-KKC4-E00	0	F02	42312-KHE7-E00	0	F08
			37720-KGB5-900	0	E02	42601-KHE7-E00	2	F08
			37720-KGBG-E00	0	F19	42601-KHE7-E0B	1	F08
			37750-PAC1-005	0	E02	42601-KHE7-E0C	2	F08
			37760-KHD8-900	1	F21	42710-KKC3-900	1	F08
			37801-GGA7-701	1	F10	42753-KNBN-90B	1	F07
			37802-GGA7-701	3	F10	42753-KNBN-90B	1	F08
			3780A-KKC4-900	1	F10			
						43000		
			38000			43100-KKC4-900	1	F08
			3800A-KKC4-900	1	F19	43105-KKC4-305	0	F08
			38110-KKC3-90B	4	F19	43107-KKC4-900	0	F08
			38200-KHE7-900	0	F19	43108-KKC4-900	0	F08
34000								
34901-KED9-900	0	F01						
34903-KPCP-900	0	F01						
34903-KPCP-900	0	F18						
34905-KPCP-900	0	F17						
34906-KPCP-900	0	F18						
34909-KEBE-900	0	F02						
34909-KFBF-900	0	F12						
35000								
35101-KHC4-305	5	F19						
35101-KHC4-305-M2	0	F19						
35102-KHC4-900	2	F19						
35102-KHC4-90B	1	F19						
35111-KHC5-305-M1	0	F25						
35111-KHC5-305-M2	0	F25						
35111-KHC5-306-M1	0	F25						
35111-KHC5-306-M2	0	F25						
3515A-KKC4-900	1	F03						
3520A-KEBE-900	3	F03						
35340-KNBN-901	0	F04						
35350-KNBN-901	0	F04						
35360-KFBF-900	1	F12						

PART NO. INDEX

PART NO.	VERSION	PAGE	PART NO.	VERSION	PAGE	PART NO.	VERSION	PAGE
43109-KKC4-900	0	F08				45531-GAR1-951	0	F08
43109-MCA3-007	0	F07	45000					
43115-KKC4-900	0	F08				46000		
43126-KKC4-900	4	F04	45103-MGR7-007	0	F07			
43127-KKC4-900	0	F04	45105-KKC4-305	0	F07	46514-KFBF-900	0	F12
43156-KKC4-900	2	F04	45107-KKC4-900	0	F07			
43209-KKC4-900	0	F08	45109-KKC4-900	0	F07	50000		
43209-MCA3-007	0	F07	45111-KKC4-900	0	F08			
43351-KHE7-E00	3	F08	45115-KKC4-900	0	F07	50100-KKC4-E00	6	F20
43352-5H68-004	3	F07	45126-KKC4-900	0	F04	50139-KKC4-800	1	F10
43352-5H68-004	3	F08	45127-KKC4-900	0	F04	50139-KKC4-900	0	F10
43353-4A61-77A	0	F07	45128-KKC4-900	0	F04	50151-KKC4-900	0	F20
43353-4A61-77A	0	F08	45156-KECE-900	2	F06	50185-KKC4-900	0	F20
43416-KKC4-900	3	F18	45200-KKC4-900	2	F07	50186-KKC4-900	0	F20
43530-KKC4-305	1	F04	45203-KKC4-900	0	F07	50191-KKC4-900	0	F20
44000			45203-KKC4-900	0	F08	50197-KKC4-900	1	F10
			45207-KKC4-900	0	F07	50301-KGN7-671	2	F20
			45208-KKC4-900	0	F07	50302-2H68-011	2	F20
44301-KXCX-900	4	F07	45209-KFA6-900	0	F07	50306-1F96-001	0	F06
44311-KEBE-900	0	F07	45210-KKC4-900	0	F07	50326-KKC4-900	0	F11
44620-KHD8-900	1	F07	45351-KHE7-E00	1	F07	50328-KNBN-200	0	F11
44650-KHD8-305	0	F07	45513-KHD4-B00	2	F04	5032A-KKC4-900	0	F11
44710-KKC4-900	3	F07	45513-KKC4-900	0	F04	50350-KKC4-E00	0	F20
44800-KFA5-900	2	F07	45517-KFAF-910	0	F04	50352-GFY6-901	0	F20
44830-KKC4-900	3	F02	45530-KFC8-E00	2	F04	50353-KGN7-901	0	F20
44831-KKC4-900	0	F02	45531-GAR1-951	0	F07	50356-KHE7-E00	4	F20

PART NO. INDEX

PART NO.	VERSION	PAGE	PART NO.	VERSION	PAGE	PART NO.	VERSION	PAGE
50364-KKC4-E00	0	F20	51520-KKC4-900	0	F22	53214-KKC4-900	0	F05
50502-GFY6-901	3	F15				53214-LHJ6-900	1	F06
50504-KKC4-900	2	E01	52000			53215-2L50-001	0	F06
50505-KHE7-E00	0	F15				53224-KKC4-900	0	F05
50506-KHE7-E00	0	F15	52000-KKC4-900	2	F16			
5050A-KKC4-900	1	F15	52400-KKC4-900	3	F16	61000		
50530-KKC4-900	1	F15						
50550-KEB7-E00	1	F15	53000			61110-KHD8-900	2	F06
50613-KKC4-900	1	F20						
5061A-KKC3-900	1	F20	53100-KKC4-900	0	F03	64000		
51000			53105-KFC8-900	2	F03			
			53106-KFC8-900	2	F03	64220-KKC4-900	1	F05
			53125-GEN5-901	2	F03	64221-KKC4-900	0	F05
51400-KKC4-900	2	F06	53140-KKC4-900	1	F03	64222-KKC4-900	3	F05
51401-KHD8-900	0	F22	53166-KGB5-900	1	F03	64301-KKC4-900	0	F05
51410-KHD8-900	0	F22	53175-KFA5-E10	0	F04	64302-KKC4-900	0	F05
51411-KHD8-900	0	F22	53178-KFC8-E10	0	F04	64305-KKC4-900	2	F05
51412-KHD8-900	0	F22	53200-KKC2-900	2	F06	64306-KKC4-900	2	F05
51413-KHD8-900	0	F22	53204-KKC4-900	2	F05	64309-KKC4-900	0	F05
51420-KKC4-900	0	F22	53205-KKC4-900	2	F03	64310-KKC4-900	0	F05
51422-KKC4-900	0	F22	53206-KKC4-900	1	F03	64311-KKC4-900	3	F05
51423-KKAK-900	0	F22	53207-KKC4-900	0	F03	64312-KKC4-900	3	F05
51427-KKAK-900	0	F22	53208-KKC4-900	0	F03	64315-KKC4-900	4	F20
51428-KKAK-900	0	F22	53209-KKC4-900	0	F03	64317-KKC4-900	1	F05
51429-KHD8-900	0	F22	53211-GFY6-940	1	F06	64318-KKC4-900	0	F21
5150A-KKC4-900	3	F06	53212-2L50-011	1	F06	64320-KKC4-900	0	F05

PART NO. INDEX

PART NO.	VERSION	PAGE	PART NO.	VERSION	PAGE	PART NO.	VERSION	PAGE
64321-KKC4-900	3	F05						
64322-KKC4-900	1	F05	81000			86000		
64327-KKC4-900	1	F02						
64328-KKC4-900	0	F02	81131-KKC4-900	0	F05	86030-KKC4-900	2	F24
64400-KKC4-900	0	F05	81132-KEB7-900	1	F05	86102-KKC4-900	5	F05
77000			81136-KKC4-900	0	F05	86202-KKC4-900	1	F24
			81137-KKC4-900	0	F05	86212-KKC4-900	0	F24
			81147-KKC4-900	0	F05			
77200-KKC4-E01	1	F09	81151-KKC4-900	0	F12	87000		
77206-KEB7-900	0	F09	81201-KKC4-900	1	F12			
77210-KKC4-900	0	F09	81202-KKC4-900	0	F12	87140-KHE7-E00	1	F24
77220-KKC4-910	1	F09	8120A-KKC4-900	6	F12	87501-KRDR-E00	2	F23
77235-KKC4-900	0	F12	81251-KKC4-900	0	F12	87505-KHE7-E00	1	F23
77240-KKC4-900	1	F12	81255-KKC4-900	0	F12	87508-KKC4-E00	2	F05
77300-KKC4-900	3	F09	81260-KKC4-900	1	F12	87512-KEBE-E00	1	F23
77303-LLF5-900	2	F09	81400-KKC4-900	0	F12	87541-GAR1-E00	2	F23
80000			81500-KKC4-900	0	F12	87541-KKC2-E00	2	F23
			83000			87542-GAR1-E00	3	F23
						87560-GFY6-E00	5	F23
80100-KKC4-900	4	F18				88000		
80101-KKC4-900	1	F18	83500-KKC4-900	0	F12			
80102-KKC4-900	2	F18	83600-KKC4-900	1	F12			
80105-KKC4-900	3	F18	8360A-KKC4-900	0	F13	88110-KKC4-305	0	F03
80106-KKC4-900	0	F18	83750-KKC4-900	2	F12	88114-KKC4-900	3	F03
80151-KKC4-900	0	F12	8376A-KEBE-900	4	F05	88115-KKC4-900	0	F03
						88116-KKC4-900	3	F03

PART NO. INDEX

PART NO.	VERSION	PAGE	PART NO.	VERSION	PAGE	PART NO.	VERSION	PAGE
88120-KKC4-305	0	F03	90101-KGC4-E00	1	F09	90201-KHR8-75A	1	E06
88125-KKC4-900	0	F03	90105-KCR3-001	1	F07	90202-1G87-001	2	E05
88126-KKC4-900	3	F03	90105-KCR3-001	1	F08	90206-0A01-001	4	E02
88130-KKC4-900	0	F03	90105-KEN5-001	0	F12	90215-GLM0-910	1	F14
88135-KKC4-900	1	F03	90105-KGN7-671	1	F20	90215-KKC4-900	2	F12
			90105-KNBN-901	1	F12	90301-6D34-671	1	F18
89000			90106-GEN5-901	1	F03	90301-GFY6-901	2	F14
			90106-KFC2-900	2	F03	90302-GBR2-001	2	F21
89010-KKC4-900	3	F09	90106-KFC2-900	2	F12	90302-GFY6-901	1	F03
89013-KFC8-E00	1	F09	90106-KHE7-E00	1	F20	90302-GFY6-901	1	F05
89020-KKC4-900	1	F09	90106-KKC4-900	0	F12	90302-GFY6-901	1	F21
			90108-KKC4-900	1	F15	90302-GFY6-940	2	F02
90000			90110-KEB7-900	1	F06	90302-GFY6-940	2	F05
			90110-KHD8-900	0	F14	90302-GFY6-940	2	F12
90001-GBHB-661	3	E03	90111-1G87-001	1	F12	90302-GFY6-940	2	F18
90001-GBHB-661	3	E06	90112-KNBN-901	1	F11	90302-KEC8-900	1	F03
90001-GBHB-681	3	F13	90112-KNBN-901	1	F18	90302-KFC2-900	1	F18
90005-KED9-900	2	E03	90114-1F66-007	2	F04	90302-SDA4-004	3	F05
90012-3C33-001	1	E02	90116-KHD8-900	0	F22	90302-SDA4-004	3	F12
90021-GFY6-900	2	F14	90121-KHE7-E00	0	F20	90304-GHE8-004	0	F03
90031-KEBE-900	0	E01	90122-KEBE-900	2	F07	90304-GHE8-004	0	F20
90032-KEBE-900	0	E01	90131-GLW0-911	0	F08	90305-GHK8-001	1	F12
90033-GFY6-900	1	E02	90131-KFAF-900	3	F16	90305-KFW6-91A	1	F08
90071-MLB0-001	1	E06	90145-LEA3-E00	1	F04	90306-KLF0-004-SY	1	F07
90084-4H28-001	1	E04	90201-KHE7-900	1	E05	90381-GEZ5-001	1	F12
9008A-KHE7-900	1	E04	90201-KHR8-75A	1	E05	90401-KKJ9-001	0	E05

PART NO. INDEX

PART NO.	VERSION	PAGE	PART NO.	VERSION	PAGE	PART NO.	VERSION	PAGE
90401-KKJ9-001	0	E06	91001-KHE7-90A	0	E03			
90423-KKJ9-001	0	E04	91001-KKJ9-006	0	E04	92000		
90441-GFY6-941	0	E05	91002-GGA7-70A	0	E05			
90441-KKC4-800	0	E07	91003-KHE7-900	0	E01	92101-05032-0G	0	E06
90465-MDC4-001	0	E02	91003-KHE7-90A	0	E01	92900-06050-0B	0	E02
90474-3C33-001	1	E01	91004-KHE7-900	1	E05			
90478-7L00-001	0	E02	91009-KHE7-900	0	E07	93000		
90478-7L00-001	0	E04	91201-KKJ9-004	0	E04			
9052A-GFY6-950	4	E01	91202-KHE7-900	0	E01	93404-06016-06	1	F05
90544-KEC8-900	0	F22	91202-KKC4-900	1	E01	93404-06016-06	1	F18
90545-3L00-001	2	F04	91202-KKC4-90B	2	E01	93404-06016-06	1	F19
90605-1F66-721	0	E05	91202-LHG7-E00	1	E01	93404-06016-06	1	F21
90652-GFY6-901	1	E02	91211-KHE7-900	0	E05	93404-06020-06	1	F05
90652-KHE7-900	0	F13	91255-KHE7-900	2	E07	93404-KKC2-900	1	F05
90656-KCBC-900	0	F03	91255-KHE7-90A	2	E07	93500-03010-0F	0	E06
90656-KUDU-900	0	F19	91301-KHE7-900	0	E02	93500-04008-1H-3	0	E08
90677-GAR1-004	2	F05	91302-0A01-021	0	E04	93500-04010-1H-3	0	E08
90677-GAR1-004	2	F18	91302-2L00-001	0	E02	93500-04012-0F	0	F12
90754-GHC8-00A	1	F07	91302-KHE7-900	0	E04	93500-04012-1H-3	0	E08
90912-KFLF-00A	1	F07	91303-3G77-001	0	E04	93500-04020-0H	0	F19
90913-KKC4-900	0	F21	91306-1E05-691	0	E03	93500-05016-0F	0	E02
90915-KKC4-900	1	F02	91307-0E35-001	1	E04	93500-05016-0F	0	E06
			91309-4E25-004	0	E06	93500-05016-1B	0	F03
91000			91351-KHE7-900	0	E05	93500-05025-1B	0	F03
			91407-SGA7-004	0	F13	93500-05032-1B	0	F03
91001-KHE7-900	0	E03	91508-KGV7-67A	0	F18	93500-05045-1B	0	F03

PART NO. INDEX

PART NO.	VERSION	PAGE	PART NO.	VERSION	PAGE	PART NO.	VERSION	PAGE
93500-KHC4-90A	0	F19	93903-45360	0	E01	94251-08400	0	F08
93600-04012-1G	0	F04	93903-GFY6-900	1	F05	94251-08400	0	F15
93700-05018-0F	0	F02	93903-GFY6-900	1	F11	94301-08140	4	E04
93891-05012-06	0	F05	93903-GFY6-900	1	F12	94301-10160	0	E01
93891-05016-06	0	F13	93903-KEB7-900-06	1	F05	94301-10160	0	E02
93891-05030-06	0	F18	93903-KEB7-900-06	1	F18	94301-10160	0	E03
93892-04008-16	0	E08				94301-10160	0	E04
93893-04012-18	0	F04	94000			94301-10160	0	E07
93901-32220	0	F17				94303-04065	0	E06
93901-32310	0	F17	94050-05080	0	F18	94401-25140	4	E03
93901-34220	0	F17	94050-06060	1	F04	94510-10000	0	E06
93901-34320	0	F18	94050-06080	2	E02	94510-25000	0	E07
93903-25460	0	F13	94050-06080	2	F04	94520-26000	0	E04
93903-34360	0	F03	94050-06080	2	F05	94520-28000	0	E05
93903-34360	0	F05	94050-06080	2	F09	94591-27000	0	F05
93903-34360	0	F12	94050-06080	2	F10	94591-KFBF-900	2	E02
93903-34360	0	F13	94050-06080	2	F11	94601-17000	0	E03
93903-34360	0	F17	94050-06080	2	F19	94601-33000	0	E05
93903-34360	0	F18	94050-06080	2	F21	94605-KHD8-900	0	F22
93903-34360	0	F20	94050-08080	0	E02			
93903-34360	0	F21	94050-08080	0	F19	95000		
93903-35260	0	F10	94101-06200	1	F14			
93903-35260	0	F13	94101-06700	0	F14	95001-35225-40	0	F21
93903-35360	0	F01	94101-08600	0	F15	95002-02070	2	F10
93903-35360	0	F03	94111-06800	0	F14	95002-02070	2	F21
93903-35360	0	F12	94251-08400	0	F07	95002-02080	0	E07

PART NO. INDEX

PART NO.	VERSION	PAGE	PART NO.	VERSION	PAGE	PART NO.	VERSION	PAGE
95002-02080	0	F10	95701-08012-06	0	E01	96001-06032-06	0	E01
95002-02100	0	F10	95701-08020-06	1	F07	96001-06045-06	0	E04
95002-02100	0	F21	95701-08035-06	1	E07	96001-06050-06	0	E01
95002-02130	0	F10	95701-08050-06	0	F20	96001-06100-06	0	E02
95002-02130	0	F13	95701-KHC5-E00	3	F19	96001-06125-06	1	E04
95002-02150	0	F13	95801-08030-06	0	E07	96100-60000-00	0	E04
95002-50000	0	F02	95801-08040-06	0	F06	96100-63020-00	0	E01
95002-70000	0	F21	95801-08042-06	0	F14	96100-63020-00	0	E07
95002-KGN7-910	1	E04	95801-10025-06	0	F15	96100-63040-00	1	E01
95002-KGN7-910	1	F21	95801-10035-06	0	F16	96150-62040-10	0	F16
95002-KHE7-900	0	E02	95801-10070-06	1	F14	96211-05000	26	F06
95002-KHE7-900	0	E04				96211-08000	19	F06
95002-KHE7-900	0	F21	96000			96220-20118	0	E03
95014-72204	0	F15				96600-08015-16	0	E06
95701-06012-06	1	F01	96001-06008-07	0	F14	96600-KKC4-900	0	F07
95701-06012-06	1	F04	96001-06010-00	0	E04	96600-KKC4-900	0	F08
95701-06012-06	1	F06	96001-06010-02	0	F14			
95701-06012-06	1	F10	96001-06012-06	0	E06	98000		
95701-06012-06	1	F11	96001-06014-06	0	F10			
95701-06012-06	1	F12	96001-06016-06	0	E01	98069-5791R-00	0	E02
95701-06012-06	1	F20	96001-06018-02	0	E04	98200-31000	1	F11
95701-06012-06	1	F21	96001-06018-06	0	E02	98200-31000	1	F19
95701-06014-06	0	F10	96001-06022-06	1	E04	98200-31500	1	F11
95701-06016-02	0	E01	96001-06022-06	1	F04	98200-31500	1	F19
95701-06016-06	1	F21	96001-06028-06	0	E04	98200-33000	0	F11
95701-06025-06	2	E02	96001-06028-06	0	E06	98200-33000	0	F19

PART NO. INDEX

PART NO.	VERSION	PAGE	PART NO.	VERSION	PAGE	PART NO.	VERSION	PAGE
99000			W9353-36000	0	E08			
			W9525-25250	0	E08			
99101-116-1020	0	E08	Z					
K			Z062-0061	0	E08			
K350-018-1210	0	E08						
K446-002-0100	0	E08						
N								
N413-17E00	0	E08						
N424-51B38	0	E08						
N425-7AG01	0	E08						
N426-33B00	0	E08						
S								
S7860-112-B000	0	E08						
W								
W1448-006-9900	0	E08						
W1470-MW0-7500	0	E08						
W9201-04090	0	E08						