

F-ACT 50_F-ACT 50 RACING_FOCUS 50



FOCUS 50



F-ACT 50



F-ACT 50 RACING

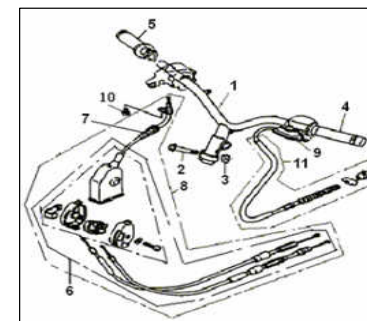
F-ACT 50_F-ACT 50 RACING_FOCUS 50

F01 STEERING

NO.	CODE		QTY.
1	40100BMBT001	HANDLE COMP.	1
2	B01591004565	BOLT 10X1.25X45MM	1
3	B04171012555	U NUT 10X1.25MM	1
4	40001J4AT000	L. GRIP	1
5	40212J4AT000	GRIP ASSY.	1
6	40330BM0T000	CABLEASSY.THROTTLE 2	1
7	40306BM0T000	CABLE THROTTLE 1	1
8	40300BM0T001	CABLE ASSY. THROTTLE	1
9	40008BM0T000	JACKET,RR. BRAKE CABLE	1
10	B02000501025	PAN HEAD SCREW 5X10MM	1
11	40270BMBT000	BRAKE CABLE ASSY.	1

NOTES

modelo

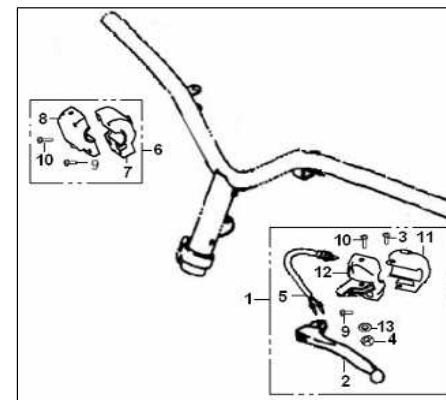


F02 LEVER/HANDLE SWITCH

NO.	CODE		QTY.
1	40500BM0T000	LEFT HANDLE SWITCH ASSY.	1
2	40002BM0T000	LEFT LEVER	1
3	40004BMBT000	LEVER MOUNTING SCREW	1
4	B04000500065	NUT 5MM	1
5	91700BMBT000	STOP SWITCH ASSY.	1
6	40600BM0T000	RIGHT HANDLE SWITCH ASSY.	1
7	40610BM0T000	RIGHT HANDLE SWITCH	1
8	40620BM0T000	R. SWITCH FIXING SEAT	1
9	B02000502025	PAN HEAD SCREW 5X20MM	2
10	B02000502525	PAN HEAD SCREW 5X25MM	2
11	40510BM0T000	LEFT HANDLE SWITCH	1
12	40520BM0T000	L. SWITCH FIXING SEAT	1
13	B07000000505	SPRING WASHER 5MM	1

NOTES

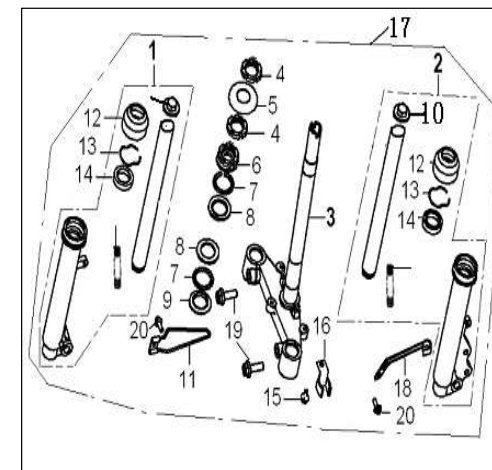
modelo



F-ACT 50_F-ACT 50 RACING_FOCUS 50

F03 FRONT FORK ASSY.

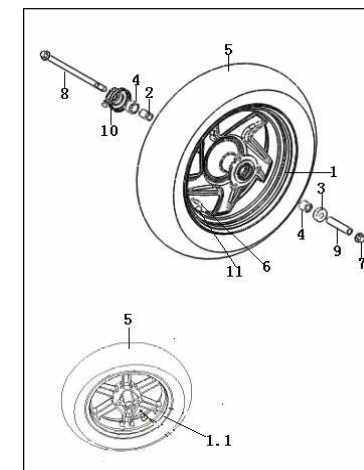
NO.	CODE		QTY.	NOTES	modelo
1	43300BMBT001	FR.R. FORK ASSY.SILVER	1	2006-2007	
1	43300BMBTHU1	FR.R. FORK ASSY.(GRAY)	1	2008	F-act 50
2	43200BMBT001	FR.L. FORK ASSY.SILVER	1	2006-2007	
2	43200BMBTHU1	FR. L. FORK ASSY.(GRAY)	1	2008	F-act 50
3	43100BMBT003	STEM, STEERING	1		
4	43008BMBT000	NUT	2		
5	43005BMBT001	BALL RACE COVER	1		
6	43001BMBT002	BALL RACE, CONNECTING	1		
7	B06010150000	STEEL BALLφ5	42		
8	43003BMBT000	BALL RACE	2	unidade	
9	43004BMBT000	BALL RACE	1		
10	43204BMBT001	CAP BOLT	2		
11	43150BMBT000	CLIP, SPEEDOMETER CABLE	1		
12	43290K00P000	DUST SEAL	2		
13	43207K00P000	CLIP	2		
14	43260K00P000	OIL SEAL	2		
15	B01090601265	BOLT 6X12MM	1		
16	43035BMBT000	HOLDER, BRAKE HOSE 2	1		
17	43000BMBT001	FRONT FORK ASSY.SILVER	1	2006-2007	
17	43000BMBTHU1	FRONT FORK ASSY.(GRAY)	1	2008	F-act 50
18	43021BMBT003	HOLDER, BRAKE HOSE 1	1		
19	B01591003065	BOLT 10X1.25X30MM	2		
20	B01070601665	BOLT 6X16MM	2		



F-ACT 50_F-ACT 50 RACING_FOCUS 50

F04 FRONT WHEEL ASSY.

NO.	CODE	QTY.	NOTES	modelo
	44100BM0TEN0 FR. RIM COMP. 3.5X12"	1	AZ 2007	F-act 50
	44100BM0TBH0 FR. RIM COMP. 3.5X12"	1	PRT E PLATINA 2007	F-act 50
1	44100BM0TBH0 FR. RIM COMP. 3.5X12"	1	TODOS OS MODELOS 2008	F-act 50
	44100BM0TR80 FR. RIM COMP. 3.5X12"	1	VRM E VRM/BRA 2007	F-act 50 Racing
	44100BM0TEH0 FR. RIM COMP. 3.5X12"	1	AZ/AMA 2007	F-act 50 Racing
	44100BM0TB40 FR. RIM COMP. 3.5X12"	1	PRT 2006	Focus 50
	44100BM0TR7A FR. RIM COMP. 3.5X12"	1	VRM 2006 ALUMÍNIO	Focus 50
	44100BM0TY5A FR. RIM COMP. 3.5X12"	1	AMA 2006 ALUMÍNIO	Focus 50
	44100BM0TL9A FR. RIM COMP. 3.5X12"	1	AZ 2006 ALUMÍNIO	Focus 50
1.1	44100BM0TB4A FR. RIM COMP. 3.5X12"	1	PRT 2006 ALUMÍNIO	Focus 50
	44100BM0TENA FR. RIM COMP. 3.5X12"	1	AZ 2007 ALUMÍNIO	F-act 50
	44100BM0TBHA FR. RIM COMP. 3.5X12"	1	PRT E PLATINA 2007 ALUMÍNIO	F-act 50
	44100BM0TR8A FR. RIM COMP. 3.5X12"	1	VRM E VRM/BRA 2007	F-act 50 Racing
	44100BM0TEHA FR. RIM COMP. 3.5X12"	1	AZ/AMA 2007 ALUMÍNIO	F-act 50 Racing
	44100B91BH2A FR. RIM COMP. 3.5X12"	1	TODOS OS MODELOS 2008 ALUMÍNIO	F-act 50
2	44600BM0T910 DISTANCE COLLAR COMP.	1		F-act 50
3	44300BM0T000 OIL SEAL 22X35X7	1		F-act 50
4	B12016020100 BALL BEARING 6201-2RS	2		F-act 50
5	B140507D12AB TIRE 120/70-12(E MARK)	1		F-act 50
6	B1403Z201100 RIM VALVE Z2-01-1	1		F-act 50
7	B04171212563 U NUT 12X1.25MM	1		F-act 50
8	44004G4CT000 FR.WHEEL AXLE	1		F-act 50
9	44005BM0T000 COLLAR	1		F-act 50
	44200BM0T000 SPEEDOMETER GEAR COMP.	1		Focus 50
	44200BM0TEN0 SPEEDOMETER GEAR COMP.	1	AZ 2007	F-act 50
10	44200BM0TBH0 SPEEDOMETER GEAR COMP.	1	PRT E PLATINA 2007, TODOS OS MODELOS 2008	F-act 50
	44200BM0TR80 SPEEDOMETER GEAR COMP.	1	VRM E VRM/BRA 2007	F-act 50 Racing
	44200BM0TEH0 SPEEDOMETER GEAR COMP.	1	AZ/AMA 2007	F-act 50 Racing
11	B1404Z2011C0 CAP, VALVE	1		F-act 50



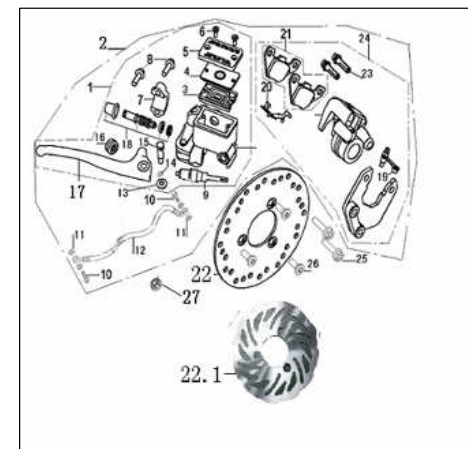
F-ACT 50_F-ACT 50 RACING_FOCUS 50

F05 FRONT DISK BRAKE

NO.	CODE		QTY.
1	45400BMBTB30	CYLINDER COMP.(BLACK)	1
2	45000J4FTRN0	DISC BRAKEASSY, FR.	1
3	45011J1DT000	RESERVOIR DIAPHRAGM	1
4	45013J1DT000	WASHER, CYLINDER	1
5	45012BMBT000	RESERVOIR CAP	1
6	B02010401025	FLAT HEAD SCREW 4X10MM	2
7	45023J1DT000	MASTER CYLINDER BRACKET	1
8	B01070602365	BOLT 6X23MM	2
9	45300J3AT000	STOP SWITCH ASSY.	1
10	45037J00P000	UNION BOLT	2
11	45029J00P000	PLATE WASHER	4
12	45200BMBT000	FR. BRAKE HOSE	1
13	B04160600065	NUT 6MM	1
14	B07000000605	SPRING WASHER 6MM	1
15	45024J1CT000	BOLT M6	1
16	45057GOKP000	TENSION SPRING,LEVER	1
17	45022J3AT000	DISC BRAKE LEVER	1
18	45140J00P000	PISTON ASSY.	1
19	45021J00P000	BREED SCREW CAP	1
20	45017G0CP000	PAD SUPPORT	1
21	45110J4FT000	BRAKE PAD KIT	1 set
22	45033BMBTC20	BRAKE DISC	1
22.1	45033BMBT001	BRAKE DISC, undee/flower type	1
23	45053G0CP000	GUIDE POLE	2
24	45500J4FTRN0	CALIPER ASSY. (RED)	1
25	45039J4FT001	BOLT 8X36MM	2
26	45036BMBT000	BOLT	3
27	B04171012563	U NUT 10X1.25MM	3

NOTES

modelo



JOGO

Focus 50/F-act 50

[F-act 50/F-act 50 Racing](#)

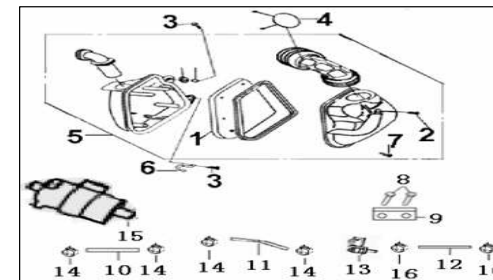
F-ACT 50_F-ACT 50 RACING_FOCUS 50

F07 AIR CLEANER

NO.	CODE		QTY.
1	49200BMBT000	FILTER	1
2	B05074202005	TAPPING SCREW 4.2X20MM	5
3	B01090602065	BOLT 6X20MM	2
4	49016BM0T000	CLIP 42.5	1
5	49000BMBT000	AIR CLEANER ASSY. φ11.5	1
6	49371B0DT000	GUIDE, BRAKE CABLE	1
7	B05074201205	TAPPING SCREW 4.2X1.2MM	4

NOTES

modelo

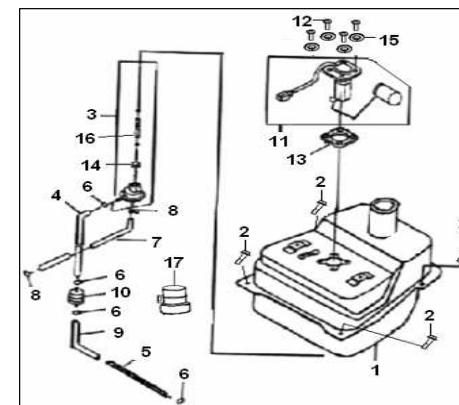


F08 FUEL TANK

NO.	CODE		QTY.
1	50100BMBT002	FUEL TANK COMP.(5.2L)	1
2	B01090601665	BOLT 6X16MM	4
3	50300BM0T000	FUEL COCK ASSY.	1
4	50301BM0T000	FUEL HOSE 1 , φ4.5Xφ8.5X80	1
5	50316BMBT000	SPRING(BLACK)	1
6	50307BM0T000	CLIPφ8	4
7	50302BM0T000	VACUUM HOSE,φ4Xφ8X360	1
8	50306BM0T000	CLIPφ7	2
9	50303BM0T000	FUEL HOSE 2,φ4.5Xφ8.5X250	1
10	50340J0ET000	FUEL FILTER ASSY.	1
11	50800BMBT000	SENDER UNIT	1
12	50801BM0T000	BOLT 5X16MM	4
13	50004BMBT000	SENDER UNIT GASKET	1
14	50312J0ET000	SEAL RING	1
15	B07020000505	WASHER 5MM	4
16	50352BM0T000	FUEL FILTER	1
17	50391J0ET000	GASKET	1

NOTES

modelo

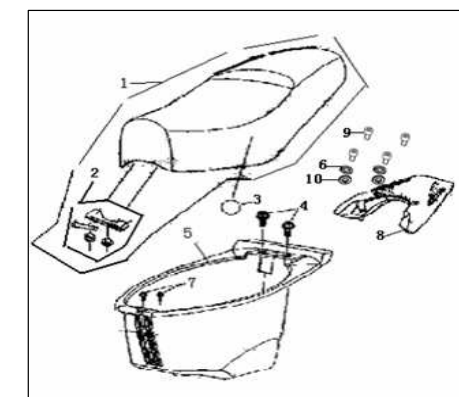


F09 SEAT

NO.	CODE		QTY.
1	51100BMBT007	SEAT ASSY.	1
2	51080BMBT001	SEAT HINGE	1
3	08032BM0T000	O-RING 84.4X3.1	1
4	08011H60X000	BOLT 6X14MM	2
5	51004BMBT001	LUGGAGE BOX	1
6	B07030000805	WASHER 8MM	2
7	08017J4AT000	BOLT W/WASHER 6X20MM	2
	52011BMKTB40	RR.. CARRIER COMP (BLACK B4)	1
	52011BMKTR70	RR.. CARRIER COMP (RED R7)	1
	52011BMKTY50	RR..CARRIER COMP (YELLOW Y5)	1
	52011BMKTL90	RR.. CARRIER COMP (BLUE L9)	1
8	52011BMKTCE0	RR.. CARRIER COMP (SILVER CE)	1
	52011BMKTBA0	RR.. CARRIER COMP (BLACK BA)	1
	52011BMKTCLO	RR.. CARRIER COMP (PLATINA CL)	1
	52011BMKTR80	RR.. CARRIER COMP (RED R8)	1
	52011BMKTEHO	RR.. CARRIER COMP (BLUE EH)	1
9	B02050804565	SCREW 8X45MM	4
10	08027J4AT000	WASHER	2

NOTES

modelo



PRT 2006

VRM 2006

AMA 2006

AZ 2006

AZ 2007

PRT E VRM 2007

PLATINA 2007

VRM/BRA 2007

AZ/AMA 2007

Focus 50

Focus 50

Focus 50

Focus 50

F-act 50

F-act 50

F-act 50

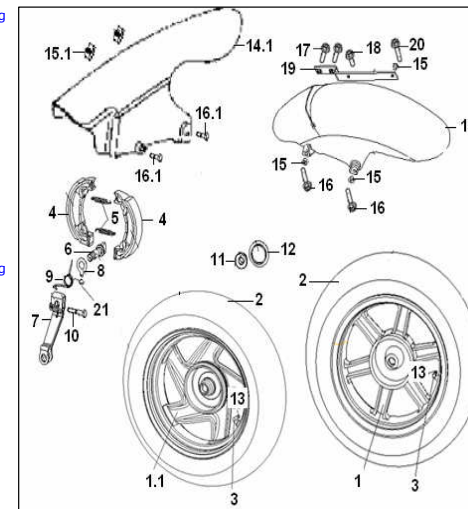
F-act 50 Racing

F-act 50 Racing

F-ACT 50_F-ACT 50 RACING_FOCUS 50

F10 REAR WHEEL

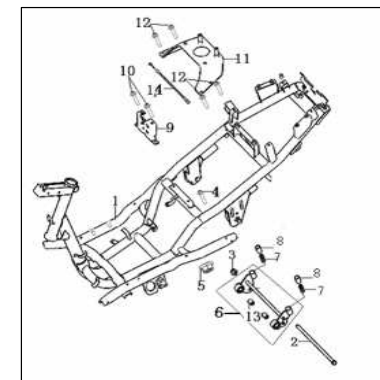
NO.	CODE	QTY.	NOTES	modelo	
	54100BM0TB4A	RR .RIMCOMP.3.5×12" (Matte-BLACK B4)	1	PRT 2006 ALUMÍNIO	Focus 50
	54100BM0TR7A	RR .RIMCOMP.3.5×12" (RED R7)	1	VRM 2006 ALUMÍNIO	Focus 50
	54100BM0TY5A	RR RIMCOMP.3.5×12" (YELLOW Y5)	1	AMA 2006 ALUMÍNIO	Focus 50
	54100BM0TL9A	RR .RIMCOMP.3.5×12" (BLUE L9)	1	AZ 2006 ALUMÍNIO	Focus 50
1	54100BM0TBHA	RR .RIMCOMP.3.5X12" (BLACK BH)	1	PRT E PLATINA 2007 ALUMÍNIO	F-act 50
	54100BM0TR8A	RR .RIMCOMP.3.5X12" (RED R8)	1	VRM E VRM/BRA 2007 ALUMÍNIO	F-act 50/F-act 50 Racing
	54100BM0TENA	RR .RIMCOMP.3.5X12" (BLUE EN)	1	AZ 2007 ALUMÍNIO	F-act 50
	54100BM0TEHA	RR .RIMCOMP.3.5X12" (BLUE EH)	1	AZ/AMA 2007 ALUMÍNIO	F-act 50 Racing
	54100B91BH2A	RR .RIMCOMP.3.5X12" (BLACK BH)	1	TODOS OS MODELOS 2008 (PRT) ALUMÍNIO	F-act 50
	54100BM0TB40	RR .RIMCOMP.3.5×12" (BLACK B4)	1	PRT 2006	Focus 50
	54100BM0TR70	RR .RIMCOMP.3.5×12" (RED R7)	1	VRM 2006	Focus 50
	54100BM0TY50	RR RIMCOMP.3.5×12" (YELLOW Y5)	1	AMA 2006	Focus 50
	54100BM0TL90	RR .RIMCOMP.3.5×12" (BLUE L9)	1	AZ 2006	Focus 50
1.1	54100BM0TBH0	RR .RIMCOMP.3.5X12" (BLACK BH)	1	PRT E PLATINA 2007	F-act 50
	54100BM0TBH0	RR .RIMCOMP.3.5X12" (BLACK BH)	1	TODOS OS MODELOS 2008 (PRT)	F-act 50
	54100BM0TR80	RR .RIMCOMP.3.5X12" (RED R8)	1	VRM E VRM/BRA 2007	F-act 50/F-act 50 Racing
	54100BM0TENO	RR .RIMCOMP.3.5X12" (BLUE EN)	1	AZ 2007	F-act 50
	54100BM0TEH0	RR .RIMCOMP.3.5X12" (BLUE EH)	1	AZ/AMA 2007	F-act 50 Racing
2	B140508D12BB	TIRE 130/70-12	1		
3	B1403Z201100	RIM VALVE Z2-01-1	1		
4	54200BMBT000	BRAKE SHOE KIT	1 set	JOGO	
5	54001BMBT000	SPRING BRAKE SHOE	2		
6	54003BM0T000	CAM SHAFT	1		
7	54007BM0T000	CAM SHAFT LEVER	1		
8	54002BM0T000	INDICATOR PLATE	1		
9	54008BMBT000	TENSION SPRING	1		
10	08012BM0T000	HEX. BOLT 6×30MM	1		
11	B04171615053	U NUT 16×1.5MM	1		
12	54027BM0T000	CAP	1	P/ JANTE ALUMÍNIO	F-act 50/F-act 50 Racing
13	B1404Z2011C0	CAP, VALVE	1		
14	65701BMBT001	REAR FENDER	1		
15	65803J0ET000	SPRING NUT M6	2		
16	B01090602065	BOLT 6×20MM	2		
17	B01090601265	BOLT 6×12MM	2		
20	B01090601665	BOLT 6×16MM	1		
21	B190101000A0	O RING 10×1.9MM	1		



F-ACT 50_F-ACT 50 RACING_FOCUS 50

F11 FRAME BODY

NO.	CODE		QTY.	NOTES	modelo
1	57100BMBT004	FRAME COMP.	1		
2	58303BM0T001	E/G MOUNTING BOLT,M12X1.25X280	1		
3	B04171212565	U NUT 12X1.25MM	1		
4	58301BMBT000	E/G MOUNTING BOLT,	2		
5	B04171012555	U NUT 10X1.25MM	2		
6	58360BMBT000	E/G BRKT COMP.	1		
7	58302B0DT000	DAMPER	2		
8	58304BMBT000	SPRING	2		
9	58800BM0T000	SEAT CATCH COMP.	1		
10	B01090602565	BOLT 6X25MM	2		
11	57080BMKT000	CARRIER BRACKET	1		
12	B01090601265	BOLT 6X12MM	5		
13	58350BMBT000	BUFFER, ENGINE BRACKET	2		
14	58900BMBT000	SEAT CABLE	1		

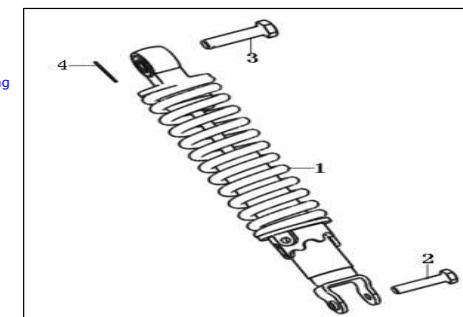


F12 REAR ABSORBER

NO.	CODE		QTY.	NOTES	modelo
1	63100BM0TEN0	RR. ABSORBER COMP.(BLUE EN)	1	AZ 2007	F-act 50
	63100BM0TR80	RR. ABSORBER COMP.(RED R8)	1	VRM E VRM/BRA 2007	F-act 50/F-act 50 Racing
	63100BM0TB00	RR. ABSORBER COMP.(BLACK BA)	1	PRT 2007	F-act 50
	63100BM0TBH0	RR. ABSORBER COMP.(BLACK BH)	1	PLATINA 2007	F-act 50
	63100BM0TM40	RR. ABSORBER COMP.(YELLOW M4)	1	AZ/AMA 2007	F-act 50 Racing
	63100BM0TC10	RR. ABSORBER COMP.(SILVER)	1	TODOS OS MODELOS FOCUS 50	Focus 50
2	63015J0ET000	FLANGE BOLT ,8X31MM	1		
3	B01141004063	BOLT.W/HOLE 10X1.25X40MM	1		
4	63016B0DT000	SPLIT PIN	1		

NOTES
 AZ 2007
 VRM E VRM/BRA 2007
 PRT 2007
 PLATINA 2007
 AZ/AMA 2007
 TODOS OS MODELOS FOCUS 50

modelo
 F-act 50
 F-act 50/F-act 50 Racing
 F-act 50
 F-act 50
 F-act 50 Racing
 Focus 50

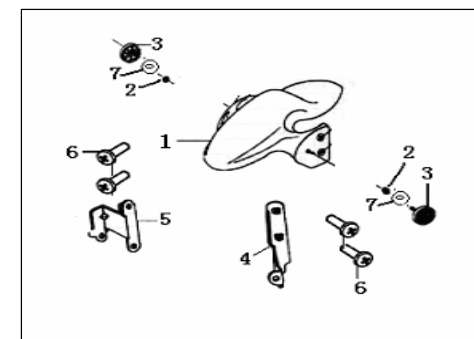


F13 FRONT FENDER

NO.	CODE		QTY.	NOTES	modelo
1	65101BMBTB40	FRONT FENDER,(MATTE BLACK B4)	1	PRT 2006	Focus 50
	65101BMBTR70	FRONT FENDER , (RED R7)	1	VRM 2006	Focus 50
	65101BMBTY50	FRONT FENDER,(YELLOW Y5)	1	AMA 2006	Focus 50
	65101BMBTL90	FRONT FENDER,(BLUE L9)	1	AZ 2006	Focus 50
	65101BMBTCE0	FRONT FENDER, (SILVER CE)	1	AZ 2007	F-act 50
	65101BMBTB00	FRONT FENDER, (BLACK BA)	1	PRT E VRM 2007	F-act 50
	65101BMBTCL0	FRONT FENDER, (PLATINA CL)	1	PLATINA 2007	F-act 50
	65101BMBTR80	FRONT FENDER, (RED R8)	1	VRM/BRA 2007	F-act 50 Racing
	65101BMBTEH0	FRONT FENDER, (BLUE EH)	1	AZ/AMA 2007	F-act 50 Racing
	2	B04000500063	NUT 5MM	2	
3	86300BMMT000	FRONT REFLECTOR	2		
4	65130BMBT000	FRONT FENDER BRACKET, 1	1		
5	65140BMBT000	FRONT FENDER BRACKET, 2	1		
6	65114BMBT000	SCREW W/WASHER M6X16	4		
7	B07030000503	WASHER 5MM	2		

NOTES
 PRT 2006
 VRM 2006
 AMA 2006
 AZ 2006
 AZ 2007
 PRT E VRM 2007
 PLATINA 2007
 VRM/BRA 2007
 AZ/AMA 2007

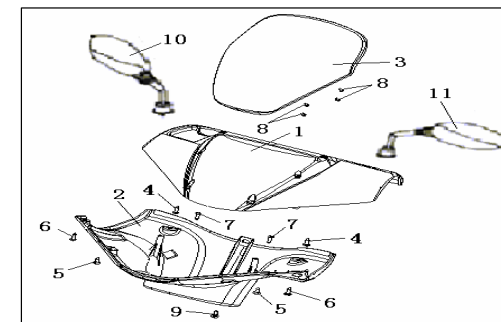
modelo
 Focus 50
 Focus 50
 Focus 50
 Focus 50
 F-act 50
 F-act 50
 F-act 50
 F-act 50 Racing
 F-act 50 Racing



F-ACT 50_F-ACT 50 RACING_FOCUS 50

F14 HANDLE COVER

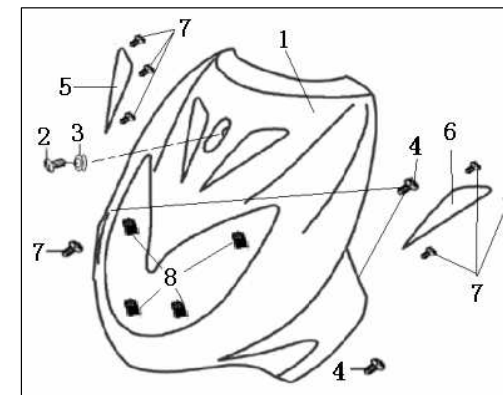
NO.	CODE		QTY.	NOTES	modelo
	65201BMBTB42	HANDLE COVER, 1, (MATTE BLACK B4)	1	PRT 2006	Focus 50
	65201BMBTR72	HANDLE COVER, 1, (RED R7)	1	VRM 2006	Focus 50
	65201BMBTY52	HANDLE COVER, 1, (YELLOW Y5)	1	AMA 2006	Focus 50
	65201BMBTL92	HANDLE COVER, 1, (BLUE L9)	1	AZ 2006	Focus 50
1	65201BMBTCE2	HANDLE COVER, 1, (SILVER CE)	1	AZ 2007	F-act 50
	65201BMBTBA2	HANDLE COVER, 1, (BLACK BA)	1	PRT E VRM 2007	F-act 50
	65201BMBTCL2	HANDLE COVER, 1, (PLATINA CL)	1	PLATINA 2007	F-act 50
	65201BMBTW52	HANDLE COVER, 1, (WHITE W5)	1	VRM/BRA 2007	F-act 50 Racing
	65201BMBTM42	HANDLE COVER, 1, (YELLOW M4)	1	AZ/AMA 2007	F-act 50 Racing
	65201B92001Z	HANDLE COVER, 1, (SILVER CE)	1	c/ autocolantes az 2007	F-act 50
	65201B92002Z	HANDLE COVER, 1, (BLACK BA)	1	c/ autocolantes vrm 2007	F-act 50
1A	65201B92003Z	HANDLE COVER, 1, (PLATINA CL)	1	c/ autocolantes platina 2007	F-act 50
	65201B92004Z	HANDLE COVER, 1, (BLACK BA)	1	c/ autocolantes prt 2007	F-act 50
	65201B92036Z	HANDLE COVER, 1, (YELLOW M4)	1	c/autocolantes az/ama 2007	F-act 50 Racing
	65201B92037Z	HANDLE COVER, 1, (WHITE W5)	1	c/ autocolantes vrm/bra 2007	F-act 50 Racing
2	65202BMBT000	HANDLE COVER, 2	1		
3	65203BMBT000	METER VISION ASSY.	1	PRT	
3	65203BMBTD50	METER VISION ASSY.	1	(FIBRA CARBONO)	
4	B05075001605	TAPPING SCREW 5X16MM	2		
5	B05075001205	TAPPING SCREW 5X12MM	2		
6	B05074001205	TAPPING SCREW 4X12MM	2		
7	B05074001605	TAPPING SCREW 4X16MM	2		
8	B05073001005	TAPPING SCREW 3X10MM	4		
9	B13010501405	SCREW 5X14MM	1		
10	40470BMBT000	REAR VIEW MIRROR ASSY., R	1		F-act 50/F-act 50 Racing
11	40460BMBT000	REAR VIEW MIRROR ASSY., L	1		F-act 50/F-act 50 Racing
10	40470BMBT002	REAR VIEW MIRROR ASSY., R	1	PRT/BR	Focus 50
11	40460BMBT002	REAR VIEW MIRROR ASSY., L	1	PRT/BR	Focus 50



F-ACT 50_F-ACT 50 RACING_FOCUS 50

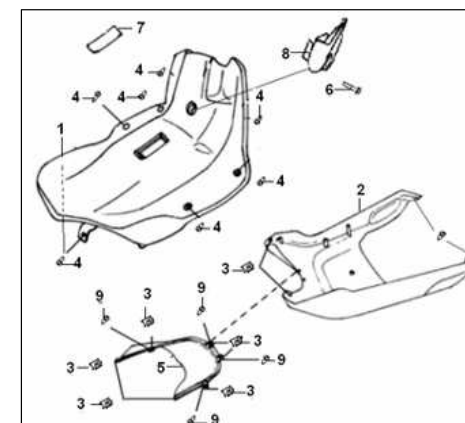
F15 FRONT COVER

NO.	CODE		QTY.	NOTES	modelo
1	65301BMBTB4A	LEG SHIELD, (BLACK MATTE BLACK B4)	1	PRT 2006	Focus 50
	65301BMBTR7A	LEG SHIELD, (RED R7/BA)	1	VRM 2006	Focus 50
	65301BMBTY5A	LEG SHIELD,(YELLOW Y5/BA)	1	AMA 2006	Focus 50
	65301BMBTL9A	LEG SHIELD, (BLUE L9/BA)	1	AZ 2006	Focus 50
	65301BMBTENA	LEG SHIELD, (BLUE EN)	1	AZ 2007	F-act 50
	65301BMBTR8A	LEG SHIELD, (RED R8)	1	VRM 2007	F-act 50
	65301BMBTBAA	LEG SHIELD, (BLACK BA)	1	PRT 2007	F-act 50
	65301BMBTCLA	LEG SHIELD, (PLATINA CL)	1	PLATINA 2007	F-act 50
	65301BMBTW5A	LEG SHIELD, (RED/WHITE R8/W5)	1	VRM/BRA 2007	F-act 50 Racing
	65301BMBTM4A	LEG SHIELD, (YELLOW/BLUE M4/EH)	1	AZ/AMA 2007	F-act 50 Racing
	65301B92010Z	LEG SHIELD, (BLUE EN)	1	c/ autocolantes az 2007	F-act 50
	65301B92011Z	LEG SHIELD, (RED R8)	1	c/ autocolantes vrm 2007	F-act 50
	65301B92012Z	LEG SHIELD, (PLATINA CL)	1	c/ autocolantes platina 2007	F-act 50
	65301B92013Z	LEG SHIELD, (BLACK BA)	1	c/ autocolantes prt 2007	F-act 50
1A	65301B92087Z	LEG SHIELD, (YELLOW/BLUE M4/EH)	1	c/autocolantes az/ama 2007	F-act 50 Racing
	65301B92088Z	LEG SHIELD, (RED/WHITE R8/W5)	1	c/ autocolantes vrm/bra 2007	F-act 50 Racing
2	65314BMBT000	SCREW	1		
3	08027J4AT000	PLASTIC WASHER	1		
4	B05074201605	TAPPING SCREW 4.2X16MM	4		
5	65367BMBT000	COVER,R	1		
6	65366BMBT000	COVER,L	1		
7	B05074001205	TAPPING SCREW 4X12MM	6		
8	65801BMAT000	SPRING NUT 4MM	4		



F16 LEG SHIELD

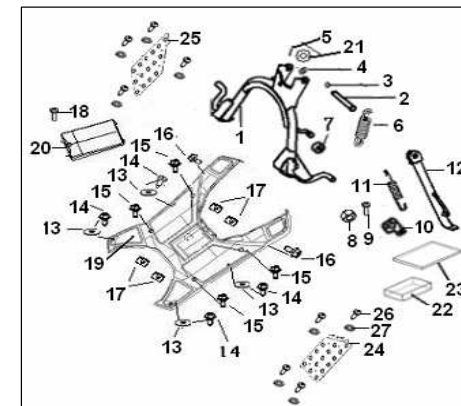
NO.	CODE		QTY.	NOTES	modelo
1	65402BMBT000	LEG SHIELD, 2	1		Focus 50
	65406BMBTCA0	UNDER COVER (SILVER CA)	1	TODOS OS MODELOS FOCUS EXCEPTO PRT	Focus 50
2	65406BMBTB40	UNDER COVER(MATTE BLACK B4)	1	FOCUS 50 PRT	F-act 50
	65406BMBTBAA0	UNDER COVER (BLACK BA)	1	TODOS OS MODELOS F-ACT 50	F-act 50 Racing
	65406BMBTR80	UNDER COVER(RED R8)	1	VRM/BRA 2007	F-act 50 Racing
	65406BMBTEHO	UNDER COVER(BLUE EH)	1	AZ/AMA 2007	F-act 50
	65406B92006Z	UNDER COVER (BLACK BA)	1	c/ autocolantes para todos os modelos F-ACT 50	F-act 50 Racing
	65406B92018Z	UNDER COVER(RED R8)	1	c/ autocolantes vrm/bra 2007	F-act 50 Racing
2A	65406B92039Z	UNDER COVER(BLUE EH)	1	c/autocolantes az/ama 2007	F-act 50 Racing
	65801BMAT000	SPRING NUT ST4	8		
3	65801BMAT000	SPRING NUT ST4	8		
4	B05074801605	TAPPING SCREW 4.8X16MM	8		
5	65407BMKT000	INNER FENDER	1		
6	B01090603065	BOLT 6X30MM	1		
7	65403BMBT000	INSPECT COVER	1		
8	51011BMBT000	HOOK, HELMET	1		
9	B05074201605	TAPPING SCREW 4.2X16MM	8		



F-ACT 50_F-ACT 50 RACING_FOCUS 50

F17 FOOTREST/STAND

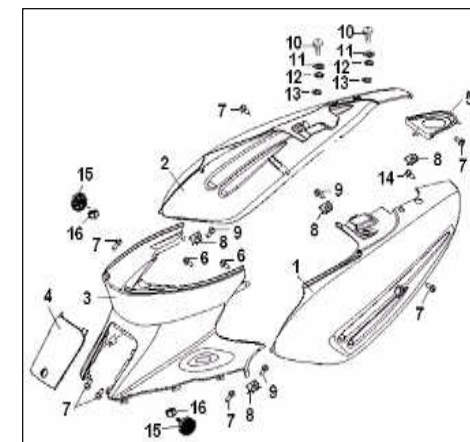
NO.	CODE		QTY.	NOTES	modelo
1	58520BM0T002	MAIN STAND COMP.	1		
2	58590BM0T000	PIN	1		
1A	58520B920001	MAIN STAND COMP.	1		F-act 50
2A	58501B450050	PIN	1	usado apartir Dez. 2008 VIN TSYTABMP29B523765	F-act 50
3	B190101000A0	O-RING 10X1.8	1		
4	58508B0DT000	PLATE WASHER	1		
5	63016B0DT000	SPLIT PIN	1		
6	58510BM0T000	MAIN STAND SPRING ASSY.	1		
7	58507BM0T000	CUSHION, MAIN STAND	1		
8	B04070800065	NUT 8MM	1		
9	57005BMBT000	BOLT, SINGLE STAND	1		
10	57006BM0T000	HOOK SPRING	1		
11	57010BM0T000	SIDE STAND SPRING ASSY.	1		
12	58700BM0T000	SIDE STAND COMP.	1		
13	B07030000505	WASHER 5MM	4		
14	B05074001605	TAPPING SCREW 4X16MM	6		
15	08011H60X000	BOLT 6X14MM	4		
16	B01090601265	BOLT 6X12MM	4		
17	65802BMAT000	SPRING NUT 4.8MM	6		
18	B05075001605	TAPPING SCREW 5X16MM	1		
19	65401BMBT000	FLOOR, BLACK	1		
20	65813BMBT000	BATTERY COVER	1		
21	B07030001005	WASHER 10MM	1		
22	65812BMBT000	BATTERY DAMPER II	1		
23	65811BMBT000	BATTERY DAMPER I	1		
24	65411BMBT000	FOOT PLATE,L	1		
25	65412BMBT000	FOOT PLATE,R	1		
26	B05004201305	SCREW 4.2X13MM	8		
27	57031BMBT000	WASHER	8		



F-ACT 50_F-ACT 50 RACING_FOCUS 50

F18 SIDE COVER

NO.	CODE		QTY.	NOTES	modelo
1	65601BMBTB40	SIDE COVER,1 (MATTE BLACK B4)	1	PRT 2006	Focus 50
	65601BMBTR70	SIDE COVER,1 (RED R7)	1	VRM 2006	Focus 50
	65601BMBTY50	SIDE COVER,1 (YELLOW Y5)	1	AMA 2006	Focus 50
	65601BMBTL90	SIDE COVER,1 (BLUE L9)	1	AZ 2006	Focus 50
	65601BMBTCE0	SIDECOVER,1 (SILVER CE)	1	AZ 2007	F-act 50
	65601BMBTBAA0	SIDECOVER,1 (BLACK BA)	1	VRM E PRT 2007	F-act 50
	65601BMBTCL0	SIDECOVER,1 (PLATINA CL)	1	PLATINA 2007	F-act 50
	65601BMBTW50	SIDECOVER,1 (WHITE W5)	1	VRM/BRA 2007	F-act 50 Racing
	65601BMBTEH0	SIDECOVER,1 (BLUE EH)	1	AZ/AMA 2007	F-act 50 Racing
	65601B92010Z	SIDECOVER,1 (SILVER CE)	1	c/ autocolantes az 2007	F-act 50
1A	65601B92011Z	SIDECOVER,1 (BLACK BA)	1	c/ autocolantes vrm 2007	F-act 50
	65601B92012Z	SIDECOVER,1 (PLATINA CL)	1	c/ autocolantes platina 2007	F-act 50
	65601B92013Z	SIDECOVER,1 (BLACK BA)	1	c/ autocolantes prt 2007	F-act 50
	65601B92110Z	SIDECOVER,1 (BLUE EH)	1	c/ autocolantes az/ama 2007	F-act 50 Racing
	65601B92111Z	SIDECOVER,1 (WHITE W5)	1	c/ autocolantes vrm/bra 2007	F-act 50 Racing
	65602BMBTB40	SIDE COVER, 2 (MATTE BLACK B4)	1	PRT 2006	Focus 50
	65602BMBTR70	SIDE COVER, 2(RED R7)	1	VRM 2006	Focus 50
	65602BMBTY50	SIDE COVER, 2(YELLOW Y5)	1	AMA 2006	Focus 50
	65602BMBTL90	SIDE COVER, 2(BLUE L9)	1	AZ 2006	Focus 50
	65602BMBTCE0	SIDECOVER,2 (SILVER CE)	1	AZ 2007	F-act 50
2	65602BMBTBAA0	SIDECOVER,2 (BLACK BA)	1	VRM E PRT 2007	F-act 50
	65602BMBTCL0	SIDECOVER,2 (PLATINA CL)	1	PLATINA 2007	F-act 50
	65602BMBTW50	SIDECOVER,2 (WHITE W5)	1	VRM/BRA 2007	F-act 50 Racing
	65602BMBTEH0	SIDECOVER,2 (BLUE EH)	1	AZ/AMA 2007	F-act 50 Racing
	65602B92010Z	SIDECOVER,2 (SILVER CE)	1	c/ autocolantes az 2007	F-act 50
	65602B92011Z	SIDECOVER,2 (BLACK BA)	1	c/ autocolantes vrm 2007	F-act 50
	65602B92012Z	SIDECOVER,2 (PLATINA CL)	1	c/ autocolantes platina 2007	F-act 50
	65602B92013Z	SIDECOVER,2 (BLACK BA)	1	c/ autocolantes prt 2007	F-act 50
	65602B92110Z	SIDECOVER,2 (BLUE EH)	1	c/ autocolantes az/ama 2007	F-act 50 Racing
	65602B92111Z	SIDECOVER,2 (WHITE W5)	1	c/ autocolantes vrm/bra 2007	F-act 50 Racing
3	65605BMBT000	SIDE COVER, 3	1		Todos
4	65619BMBT000	SIDE COVER, 4	1		Todos
5	65606BMBTB40	SIDE COVER, 5 (MATTE BLACK B4)	1	PRT 2006	Focus 50
	65606BMBTR70	SIDE COVER, 5 (RED R7)	1	VRM 2006	Focus 50
	65606BMBTY50	SIDE COVER, 5 (YELLOW Y5)	1	AMA 2006	Focus 50
	65606BMBTL90	SIDE COVER, 5 (BLUE L9)	1	AZ 2006	Focus 50
	65606BMBTCE0	SIDE COVER,5 (SILVER CE)	1	AZ 2007	F-act 50
	65606BMBTBAA0	SIDE COVER,5 (BLACK BA)	1	VRM E PRT 2007	F-act 50
	65606BMBTCL0	SIDE COVER,5 (PLATINA CL)	1	PLATINA 2007	F-act 50
	65606BMBTW50	SIDE COVER,5 (WHITE W5)	1	VRM/BRA 2007	F-act 50 Racing
	65606BMBTEH0	SIDE COVER,5 (BLUE EH)	1	AZ/AMA 2007	F-act 50 Racing
	6	B05074001205	TAPPING SCREW 4X12MM	2	
7	B05074801605	TAPPING SCREW 4.8X16MM	7		
8	65802BMAT000	SPRING NUT 4.8MM	4		
9	B05075001205	TAPPING SCREW 5X12MM	4		
10	B02000602025	SCREW 6X20MM	2		
11	08021BMBT000	WASHER	2		
12	65618J00P000	RUBBER WASHER	2		
13	65709BM0T000	BUSH, RR. FENDER	2		
14	B05074801305	TAPPING SCREW 4.8X13MM	1		

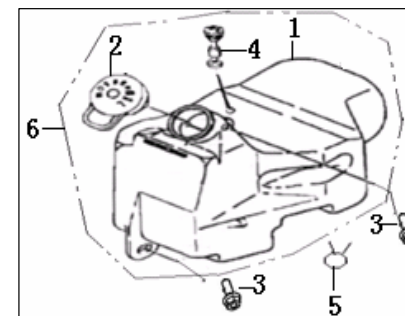


F-ACT 50_F-ACT 50 RACING_FOCUS 50

OIL TANK.

NO.	CODE		QTY.	NOTES
1	64001BMAT000	OIL TANK	1	
2	64090BMAT000	OIL TANK CAP	1	
3	B01090601665	BOLT 6X16MM	2	
4	64100BMAT000	OIL LEVER GAUGE ASSY.	1	
5	50307BM0T000	CLIP φ8	1	
6	64000BMAT000	OIL TANK ASSY.	1	

modelo



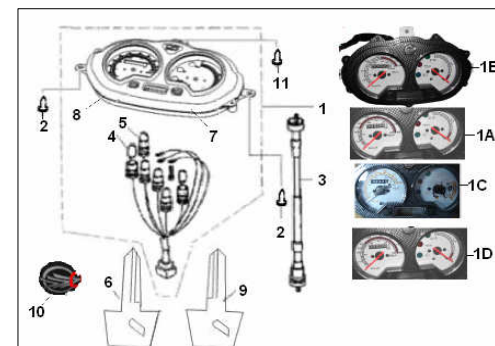
F20.1 ANALOG SPEEDOMETER ASSY.

NO.	CODE		QTY.	NOTES
1	70000BMMTW63	SPEEDOMETER	1	
2	B05074001205	TAPPING SCREW 4X12MM	2	
3	72900BMBT000	SPEEDOMETER CABLE COMP.	1	
4	B24012920000	BULB 12V-3W	3	
5	B24020221100	BULB 12V-2W	3	
6	88900B92000X	KEY NUT (LEFT)	1	
7	70003BMBT004	SPEEDOMETER COVER	1	
8	76000BMBT001	DIGITAL WATCH	1	
9	88900B92001X	KEY NUT(RIGHT)	1	
10	05501J4HT000	STICK	1	
11	B05074001205	TAPPING SCREW 4X12 MM	1	

NOTES
CONTA KMS ANALÓGICO

modelo

Focus 50/F-act 50
Focus 50/F-act 50
Focus 50/F-act 50
Focus 50/F-act 50
Focus 50/F-act 50
Focus 50/F-act 50
Focus 50/F-act 50
Focus 50/F-act 50
Focus 50/F-act 50
Focus 50/F-act 50



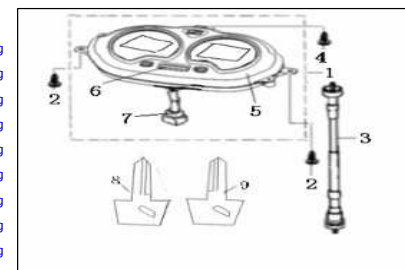
F20.2 DIGITAL SPEEDOMETER ASSY.

NO.	CODE		QTY.	NOTES
1	70000BMBT017	DIGITAL SPEEDOMETER COMP.	1	
2	B05074001205	SCREW 4X12MM	2	
3	72900BMBT000	SPEEDOMETER CABLE COMP.	1	
4	B05074001005	SCREW 4X10	1	
5	70003BMBT002	SPEEDOMETER COVER	1	
6	76000BMBT000	DIGITAL WATCH	1	
7	75000BMBT000	SPEEDOMETER WIRE ASSY	1	
8	88900B92000X	KEY NUT LEFT	1	
9	88900B92001X	KEY NUT RIGHT	1	

NOTES
CONTA KMS DIGITAL

modelo

F-act 50/F-act 50 Racing
F-act 50/F-act 50 Racing
F-act 50/F-act 50 Racing
F-act 50/F-act 50 Racing
F-act 50/F-act 50 Racing
F-act 50/F-act 50 Racing
F-act 50/F-act 50 Racing
F-act 50/F-act 50 Racing

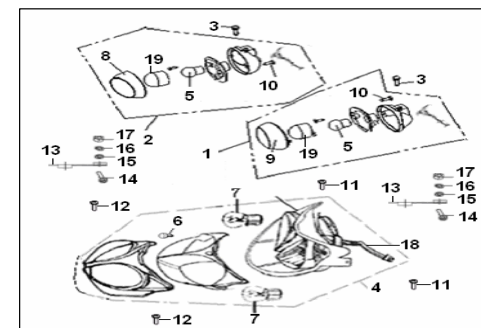


F-ACT 50_F-ACT 50 RACING_FOCUS 50

F21 FLASHER LIGHT/HEAD LIGHT.

NO.	CODE		QTY.	NOTES
1	81100B20T001	FLASHER LIGHT ASSY., F..L.	1	
2	81300B20T001	FLASHER LIGHT ASSY., F..R.	1	
3	08005AE0D000	SCREW W/WASHER 5X11.5MM	2	
4	80000J4AT000	HEAD LIGHT ASSY.	1	
5	B24012120000	BULB, 12V/10W	2	
6	B24012920000	BULB 12V-3W	2	
7	B24010520000	BULB (12V35/35W)	2	
8	81302B20T000	LIGHT COVER, R.	1	
10	08011B20T000	SCREW 3X28MM	2	
11	B05075016005	TAPPING SCREW 5X16MM	2	
12	B05074816005	TAPPING SCREW 5X16MM	2	

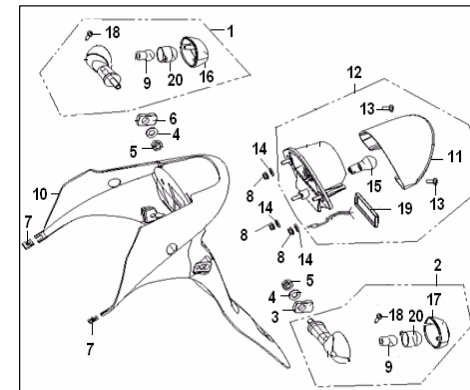
modelo



F22 TAIL LIGHT

NO.	CODE		QTY.	NOTES
1	81700B20T001	TURN LIGHT,R.R.	1	
2	81500B20T001	TURN LIGHT,R.L.	1	
3	81511BM0T000	FLASHER LIGHT CUSHION,L	1	
4	B07030001005	WASHER 10MM	2	
5	B04061012555	NUT 10X1.25MM	2	
6	81708BM0T000	FLASHER LIGHT CUSHION,R	1	
7	65802BM0T000	SPRING NUT 5MM	2	
8	B04070600065	NUT 6MM	3	
9	B24012120000	URNSIGNAL BULB, 12V/10W	2	
10	08202BM0T000	LICENSE BRACKET	1	
11	82008BM0T003	INDICATOR LENS	1	
12	82000BM0T001	TAIL LIGHT ASSY.	1	
13	08009BM0T000	SCREW 4X28MM	2	
14	82011G00P000	RUBBER WASHER	3	
15	B24013820000	TAILLIGHT BULB 12V 21/5W	1	
16	81102B20T000	L. REAR TURNLIGHT COVER	1	
17	81302B20T000	R. REAR TURNLIGHT COVER	1	
18	08011B20T000	SCREW 3X28MM	2	
19	86502BM0T000	RR. REFLECTOR	1	
20	81030B030000	COVER TURN SIGNAL, ORANGE	2	

modelo



F-ACT 50_F-ACT 50 RACING_FOCUS 50

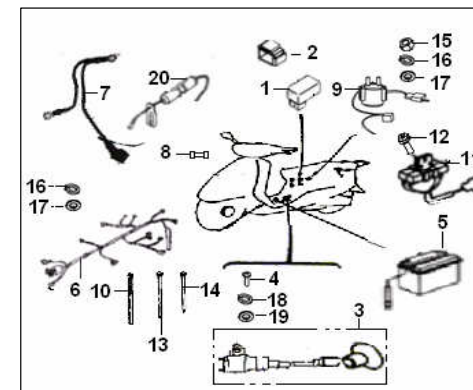
F23 ELECTRICAL EQUIPMENT I

NO.	CODE		QTY.
1	97701BM0T001	C.D.I. UNIT COMP.	1
2	96007BM0T000	CUSHION. C.D.I	1
3	96200BMA000	IGNITION COIL ASSY	1
4	B02000502025	SCREW 5X20MM	1
5	96100BM0T000	BATTERY YTX5L-BS 12V,4AH	1
6	92000BMBT00A	WIRE HARNESS ASSY.	1
6A	92000BMBT00H	WIRE HARNESS ASSY.	1
7	96900BMBT000	WIRE HARNESS	1
8	96810BMA000	FUSE 8A,250V	1
9	94000BMBT000	STARTER RELAY COMP.	1
10	96001K00P000	BAND 8X250	3
11	96600BMA000	RESISTOR COMP.	1
12	B01090601265	BOLT 6X12MM	2
13	96003K00P000	BAND 8X200	3
14	96002K00P000	BAND 8X150	1
15	B04000600055	NUT 6MM	1
16	B07000000605	SPRING WASHER 6MM	2
17	B07030000605	WASHER 6MM	2
18	B07000000505	SPRING WASHER 5MM	1
19	B07030000505	WASHER 5MM	1
20	96800BMA000	FUSE COMP	1

NOTES

modelo

PROVA DE ÁGUA



F24 ELECTRICAL EQUIPMENT II

NO.	CODE		QTY.
1	98801J0ET000	REGULATOR COMP.	1
2	B01090601265	BOLT 6X12MM	4
3	88100BMBT000	MAIN SWITCH ASSY.	1
3	88100BMBT00A	MAIN SWITCH ASSY.	1
4	08002BMBT000	BOLT M6X12	2
5	88000BMBT000	LOCK ASSY.	1
5	88000BMBT00A	LOCK ASSY.	1
6	95000BMDT000	HORN (E MARK)	1
7	88800BMBT000	LOCK ASSY., SEAT	1
8	96500BM0T00B	FLASH&AUDIO PILOT COMP.	1
9	88500BMBT000	LOCK, COVER	1
10	88400BMBT000	LOCK ASSY., FUEL TANK	1
11	B07030000505	WASHER 5MM	2
12	B05074001005	TAPPING SCREW 4X10MM	2
13	88101BMBT000	COVER MAIN SWITCH	1
14	95701JCCT000	BAKT ALARMSYSTEM	1
15	95730BMBT002	ALARM SYSTEM HORN	1
16	95700BMBT002	ALARM ASSY.	1
17	B05074801305	TAPPING SCREW 4.8X13MM	1

NOTES

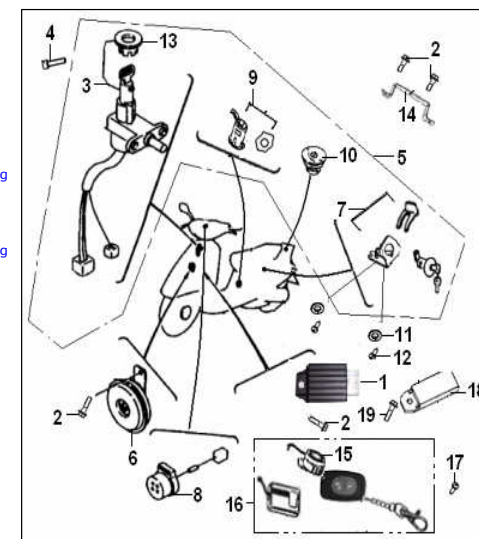
modelo

PROVA DE ÁGUA

PROVA DE ÁGUA

Focus 50
F-act 50/F-act 50 Racing

Focus 50
F-act 50/F-act 50 Racing

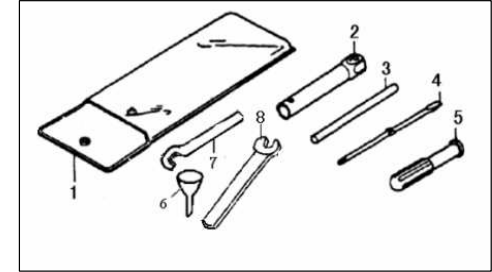


F-ACT 50_F-ACT 50 RACING_FOCUS 50

F25 TOOL KIT

NO.	CODE		QTY.	NOTES
1	02110BM0T000	TOOL BAG	1	
2	02102BM0T000	SPARK PLUG SOCKET	1	
3	02101BM0T000	SPARK PLUG SOCKET HANDLE	1	
4	02103BM0T000	SCREW DRIVER	1	
5	02104BM0T000	HANDLE	1	
6	02114BM0T000	FILTER, OIL TANK	1	
7	02115BM0T000	RR. ABSORBER ADJUSTER	1	
8	02117BMBT000	WRENCH 35	1	

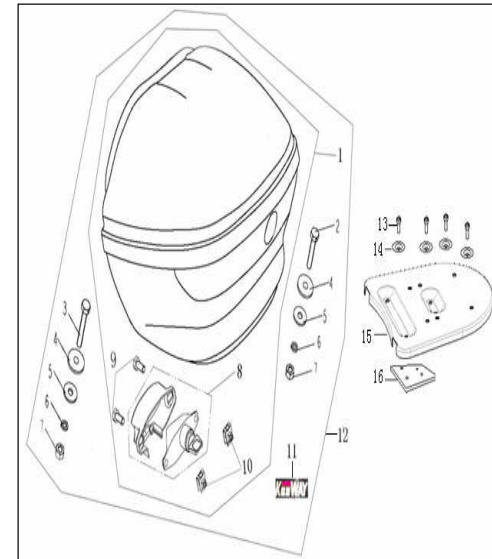
modelo



F26 BACK BOX ASSY

NO.	CODE		QTY.	NOTES
	52210BMBTB40	BACK BOX (MATTE BLACK B4)	±	
	52210BMBTY50	BACK BOX (YELLOW Y5)	±	
	52210BMBTR70	BACK BOX (RED R7)	±	
	52210BMBTL90	BACK BOX (BLUE L9)	±	
	52210BMBTBAA0	BACK BOX (SATIN BLACK BA)	±	
±	52210BMBTENO0	BACK BOX (BLUE EN)	±	
	52210BMBTR80	BACK BOX (RED R8)	±	
	52210BMBTBAA0	BACK BOX (BLACK BA)	±	
	52210BMBTCL0	BACK BOX (PLATINA CL)	±	
	52210BMBTEH0	BACK BOX (BLUE EH)	±	
	52210BMBTM40	BACK BOX (YELLOW M4)	±	
2	B01010603033	BOLT 6X30MM	2	
3	B01010603533	BOLT M6X35	2	
4	52221BMBT000	WASHER	4	
5	B07020000603	WASHER 6MM	4	
6	B07000000603	SPRING WASHER 6MM	4	
7	B04000600043	NUT 6MM	4	
8	88600BMBT000	BACK BOX LOCK	1	
9	B01070601663	SCREW 6X16MM	2	
10	52910BMBT000	NUT,CLIPPING 6MM	2	
11	05591BMBT000	BACK BOX COVER	1	
	52200BMBTB40	BACK BOX ASSY (MATTE BLACK B4)	1	
	52200BMBTY50	BACK BOX ASSY (YELLOW Y5)	1	
	52200BMBTR70	BACK BOX ASSY (RED R7)	1	
	52200BMBTL90	BACK BOX ASSY (BLUE L9)	1	
12	52200BMBTENO0	BACK BOX (BLUE EN)	1	
	52200BMBTR80	BACK BOX (RED R8)	1	
	52200BMBTBAA0	BACK BOX (BLACK BA)	1	
	52200BMBTCL0	BACK BOX (PLATINA CL)	1	
	52200BMBTEH0	BACKBOXASSY (BLUE EH)	1	
	52200BMBTM40	BACKBOXASSY (YELLOW M4)	1	
13	B01010601623	BOLT 6X16MM	4	
14	52221BMBT000	WASHER	4	
15	52180BMBT000	STORAGE BOX, ASSY PLATE	1	
16	52222BMBT000	RUBBER MAT	1	

modelo



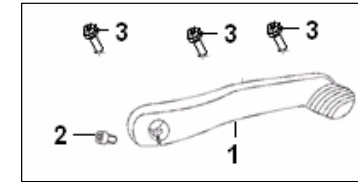
PRT 2006
 AMA 2006
 VRM 2006
 AZ 2006
 AZ 2007
 VRM E VRM/BRA 2007
 PRT 2007
 PLATINA 2007
 AZ/AMA 2007
 AZ/AMA 2007

Focus 50
 Focus 50
 Focus 50
 Focus 50
 F-act 50
 F-act 50/F-act 50 Racing
 F-act 50
 F-act 50
 F-act 50 Racing
 F-act 50 Racing

F-ACT 50_F-ACT 50 RACING_FOCUS 50

F27 ENGINE ATTACHMENT

NO.	CODE		QTY.	NOTES	modelo
1	08351BM0TC10	STARTING SHAFT(SILVER)	1	2007	
1	08351BM0THU0	STARTING SHAFT(GRAY)	1	2008	F-act 50
2	B02050602565	SCREW 6X25MM	1		
3	B01070602564	BOLT 6X25MM	3		



F28.1 STICKER (FOR SATIN-BLACK BA VEHICLE)

NO.	CODE		QTY.	NOTES	modelo
1	05541BMBT007	STICKER LOWER FRONT COVER	2		F-act 50
2	05519BMBTBA7	STICKER SIDE COVER,LH	1		F-act 50
3	05518BMBTBA7	STICKER SIDE COVER ,RH	1		F-act 50
4	05524BMBTBA2	STICKER HANDLE COVER	1		F-act 50
5	05527BMBTBA7	STICKER UPPER FRONT COVER ,LH	1	PRT 2007	F-act 50
6	05528BMBTBA7	STICKER LOWER FRONT COVER,LH	1		F-act 50
7	05526BMBTBA7	STICKER UPPER FRONT COVER ,RH	1		F-act 50
8	05529BMBTBA7	STICKER LOWER FRONT COVER,RH	1		F-act 50
9	05525BMBT004	STICKER	1		F-act 50



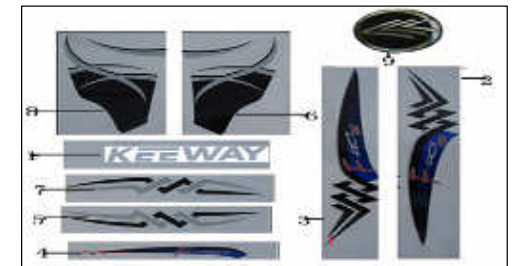
F28.2 STICKER (FOR PLATINA CL VEHICLE)

NO.	CODE		QTY.	NOTES	modelo
1	05541BMBT007	STICKER LOWER FRONT COVER	2		F-act 50
2	05519BMBTCL7	STICKER SIDE COVER,LH	1		F-act 50
3	05518BMBTCL7	STICKER SIDE COVER ,RH	1		F-act 50
4	05524BMBTCL2	STICKER HANDLE COVER	1		F-act 50
5	05527BMBTCL7	STICKER UPPER FRONT COVER ,LH	1	PLATINA 2007	F-act 50
6	05528BMBTCL7	STICKER LOWER FRONT COVER,LH	1		F-act 50
7	05526BMBTCL7	STICKER UPPER FRONT COVER ,RH	1		F-act 50
8	05529BMBTCL7	STICKER LOWER FRONT COVER,RH	1		F-act 50
9	05525BMBT004	STICKER	1		F-act 50



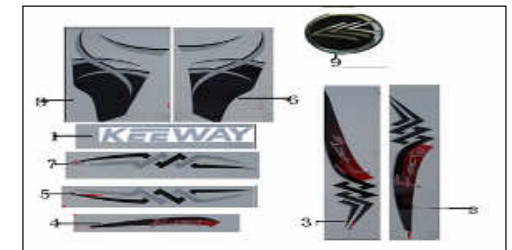
F28.3 STICKER (FOR BLUE EN VEHICLE)

NO.	CODE		QTY.	NOTES	modelo
1	05541BMBT007	STICKER LOWER FRONT COVER	2		F-act 50
2	05519BMBTEN7	STICKER SIDE COVER,LH	1		F-act 50
3	05518BMBTEN7	STICKER SIDE COVER ,RH	1		F-act 50
4	05524BMBTEN2	STICKER HANDLE COVER	1		F-act 50
5	05527BMBTEN7	STICKER UPPER FRONT COVER ,LH	1	AZ 2007	F-act 50
6	05528BMBTEN7	STICKER LOWER FRONT COVER,LH	1		F-act 50
7	05526BMBTEN7	STICKER UPPER FRONT COVER ,RH	1		F-act 50
8	05529BMBTEN7	STICKER LOWER FRONT COVER,RH	1		F-act 50
9	05525BMBT004	STICKER	1		F-act 50



F28.4 STICKER (FOR RED R8 VEHICLE)

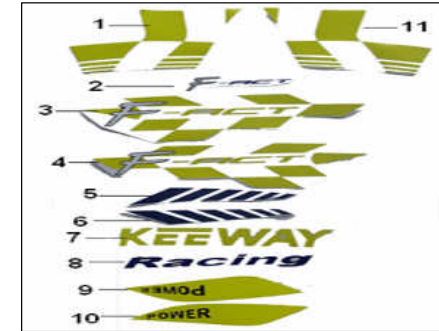
NO.	CODE		QTY.	NOTES	modelo
1	05541BMBT007	STICKER LOWER FRONT COVER	2		F-act 50
2	05519BMBTR87	STICKER SIDE COVER,LH	1		F-act 50
3	05518BMBTR87	STICKER SIDE COVER ,RH	1		F-act 50
4	05524BMBTR82	STICKER HANDLE COVER	1		F-act 50
5	05527BMBTEN7	STICKER UPPER FRONT COVER ,LH	1	VRM 2007	F-act 50
6	05528BMBTEN7	STICKER LOWER FRONT COVER,LH	1		F-act 50
7	05526BMBTEN7	STICKER UPPER FRONT COVER ,RH	1		F-act 50
8	05529BMBTEN7	STICKER LOWER FRONT COVER,RH	1		F-act 50
9	05525BMBT004	STICKER	1		F-act 50



F-ACT 50_F-ACT 50 RACING_FOCUS 50

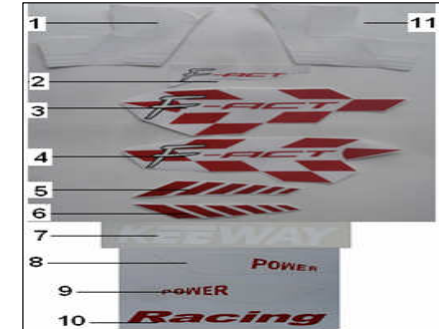
F28.5 STICKER (FOR YELLOW/BLUE M4/EH VEHICLE)

NO.	CODE		QTY.	NOTES	modelo
1	05527BMBTM40	STICKER FRONT COVER LH. 2 (YELLOW)	1		F-act 50 Racing
2	05501BMBTM40	STICKER HANDLE COVER	1		F-act 50 Racing
3	05512BMBTM40	STICKER SIDE COVER RH	1		F-act 50 Racing
4	05511BMBTM40	STICKER SIDE COVER LH	1		F-act 50 Racing
5	05528BMBTM40	STICKER FRONT COVER RH 1	1		F-act 50 Racing
6	05526BMBTM40	STICKER FRONT COVER LH 1	1	AZ/AMA 2007	F-act 50 Racing
7	05541BMBTM40	STICKER UNDER COVER	2		F-act 50 Racing
8	05529BMBT000	STICKER FRONT COVER	2		F-act 50 Racing
9	05549BMBT001	STICKER UNDER COVER RH A	1		F-act 50 Racing
10	05548BMBT001	STICKER UNDER COVER LH A	1		F-act 50 Racing
11	05529BMBTM40	STICKER FRONT COVER RH 2	1		F-act 50 Racing



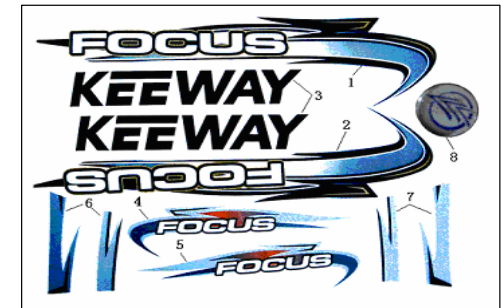
F28.6 STICKER (FOR RED R8/WHITE W5 VEHICLE)

NO.	CODE		QTY.	NOTES	modelo
1	05527BMBTR80	STICKER FRONT COVER LH. 2	1		F-act 50 Racing
2	05501BMBTR80	STICKER HANDLE COVER	1		F-act 50 Racing
3	05512BMBTR80	STICKER SIDE COVER RH	1		F-act 50 Racing
4	05511BMBTR80	STICKER SIDE COVER LH	1		F-act 50 Racing
5	05528BMBTR80	STICKER FRONT COVER RH 1	1		F-act 50 Racing
6	05526BMBTR80	STICKER FRONT COVER LH 1	1	VRM/BRA 2007	F-act 50 Racing
7	05541BMBT007	STICKER UNDER COVER	2		F-act 50 Racing
8	05549BMBT003	STICKER UNDER COVER RH	1		F-act 50 Racing
9	05548BMBT003	STICKER UNDER COVER LH	1		F-act 50 Racing
10	05523BMBT002	STICKER FRONT COVER LH 2	2		F-act 50 Racing
11	05529BMBTR80	STICKER FRONT COVER RH 2	1		F-act 50 Racing



F28.7 STICKER (FOCUS 50)

NO.	CODE		QTY.	NOTES	modelo
1	05512BMBT01A	R , SIDE COVER STICKER	1		Focus 50
2	05511BMBT01A	L , SIDE COVER STICKER	1		Focus 50
3	05541BMBT010	BLACK STICK KEEWAY	2	VRM, AMA E AZ 2006 PRT 2006	Focus 50
	05524J4AT005	SILVER STICK KEEWAY	2		Focus 50
4	05521BMBT01A	STICKER FR.COVER L	1		Focus 50
5	05522BMBT01A	STICKER FR.COVER R	1		Focus 50
6	05523BMBT010	FR.COVER L	1		Focus 50
7	05524BMBT010	FR.COVER R	1		Focus 50
	05525BMBTB40	MARK, BIRD MATTE BLACK B4	1		Focus 50
	05525BMBTR70	MARK, BIRD RED R7	1		Focus 50
	05525BMBTY50	MARK, BIRD YELLOW Y5	1		Focus 50
8	05525BMBTL90	MARK, BIRD BLUE L9	1		Focus 50
	05525BMBTBAA0	MARK, BIRD SATIN BLACK BA	1		Focus 50



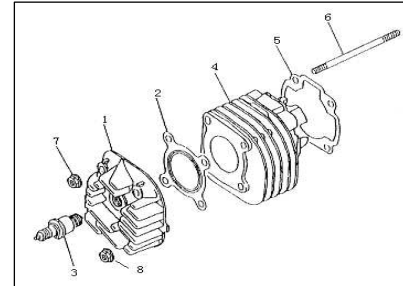
F29 LABEL (FRAME BODY NO/ANTI-TAMPERING , PLATE)

NO.	CODE		QTY.	NOTES	modelo
1.2	57001BMBT010	FRAME BODY NO. PLATE	1	ESCAPE NORMAL	
1.3	57001BMBT014	FRAME BODY NO. PLATE	1	ESCAPE RACING	F-act 50/F-act 50 Racing
2	B100432007P0	RIVET 3.2X7MM	2		
3.2	57002BMBT010	ANTI-TAMPERING PLATE	1	ESCAPE NORMAL	
3.3	57002BMBT014	ANTI-TAMPERING PLATE	1	ESCAPE RACING	F-act 50/F-act 50 Racing

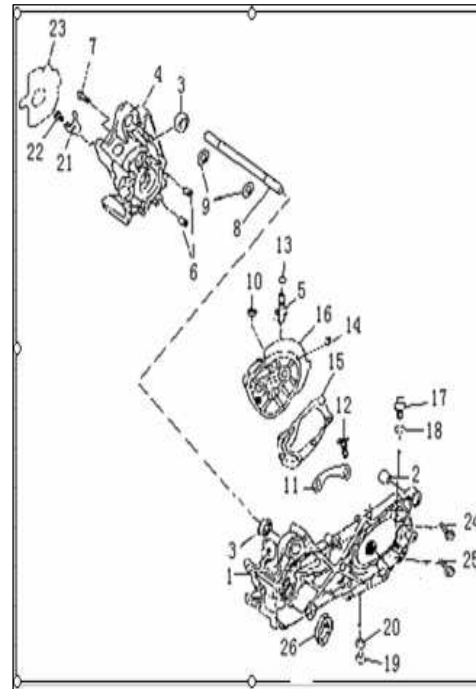


E01 CYLINDER HEAD ASSY

NO.	PART NO.	EN DESCRIPTION	QTY
1	201200.066000	HEAD,CYLINDER	1
2	30507B01F000	GASKET,CYLINDER HEAD	1
3	201204.015000	SPARK PLUG (TYPE:BR7ES)	1
4	204200.041000	CYLINDER	1
5	204204.001000	GASKET,CYLINDER (NON-ASBESTUS)	1
6	26107B01F910	STUD BOLT	4
7	304290700063	NUT M7	4

NOTES**E02 CRANKCASE ASSY**

NO.	PART NO.	EN DESCRIPTION	QTY
1	206200.057000	CRANKCASE,LH	1
2	26108G02F000	BUSH,ENGINE MOUNTING	1
3	B12016600300	BEARING	2
4	26211B09F001	CRANKCASE,RH	1
5	26142G02F000	BRAKE SHOE	1
6	26123G02F000	DOWEL PIN	2
7	301310603565	PAN HEAD SCREW (chromeplated)	6
8	26109B09F000	AXLE,engine mount	1
9	B08010001700	CIRCLIP	2
10	B04070812553	NUT	1
11	26214B09F000	BEARING HOLDER	1
12	B02000601262	PAN HEAD SCREW	2
13	14222J01F000	O-RING	1
14	26123G02F000	DOWEL PIN	2
15	214201.004000	MISSION CASE GASKET	1
16	18101B09F000	COVER, GEAR BOX	1
17	206407.004081	OIL PLUG (black)	1
18	26102G02F000	O RING	1
19	301310801605	FLANGE BOLT (chromeplated)	1
20	18105H03F000	PLATE WASHER	1
21	26214G02F910	OIL SEAL HOLDER	1
22	301310601263	PAN HEAD SCREW M6X12	1
23	206321.001000	GASKET (NON-ASBESTUS)	1
24	301310805565	SCREW M8X55	2
25	301310805065	SCREW M8X50	5
26	207234.001000	BUSH	1

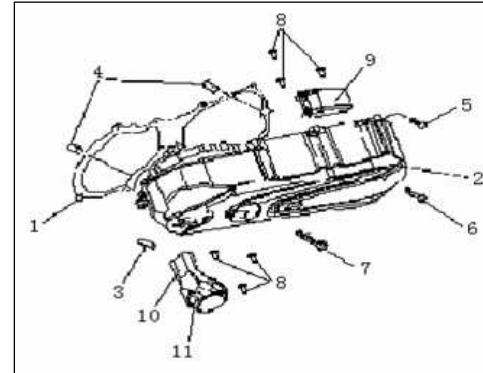
NOTES

E03 SIDECOVER ASSY

NO.	PART NO.	EN DESCRIPTION	QTY
1	207208.017000	GASKET,L CRANKCASE (NON-ASBESTUS)	1
2	207200.120082	L CRANKCASE COVER (silver)	1
2	169021070013	L CRANKCASE COVER(Gray)	1
3	26128G02F000	IDLE GEAR	1
4	26208J01F000	DOWEL PIN	2
5	301310602565	PAN HEAD SCREW M6X25 (chromeplated)	8
6	301310603565	PAN HEAD SCREW M6X35 (chromeplated)	1
7	301310606565	PAN HEAD SCREW M6X65 (chromeplated)	1
8	3052035014F5	SCREW ST3.5X14 (chromeplated)	6
9	14149B09F000	AIR DUCT-OUTLET	1
10	14148B09F000	AIR DUCT-INLET	1
11	14150B09F000	FILTER ASSY	1

NOTES

2006-2007
2008

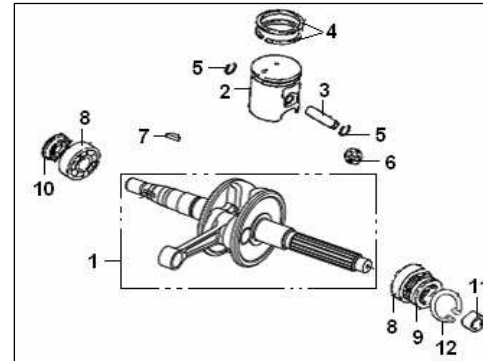


E04 PISTON CRANKSHAFT CONNECTING ROD ASSY

NO.	PART NO.	EN DESCRIPTION	QTY
1	208100.022000	CRANKSHAFT,ASSY (TPI)	1
2	15100B09F000	PISTON ASSY	1
3	15105B16F000	PISTON PIN	1
4	15103B09F000	PISTON RING ASSY	1set
5	15111G02F000	CIRCLIP	2
6	15110B16F000	NEEDLE BEARING	1
7	15101B01F000	WOODRUFF KEY	1
8	B12016620453	BEATRING (TPI)	2
9	15213G02F000	OIL SEAL	1
10	26215G02F000	OIL SEAL ASSY	1
11	15214G02F000	COLLAR	1
12	17308G02F000	CIRCLIP	1

NOTES

JOGO

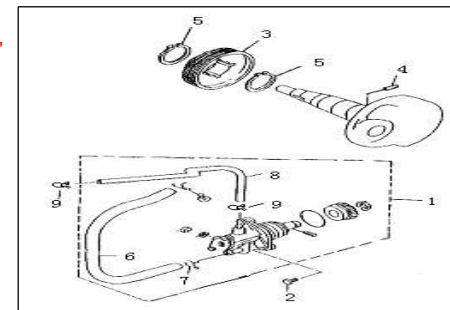


E05 OIL PUMP ASSY

NO.	PART NO.	EN DESCRIPTION	QTY
1	219101.008000	OIL PUMP ASSY (with Mark "502")	1
	269011070040	OIL PUMP ASSY (with Mark "50")	1
2	B02000501463	SCREW	2
3	15211G02F000	PUMP DRIVE GEAR	1
4	B090103014C0	PIN	1
5	15106G02F910	CIRCLIP	2
6	221405.100000	HOSE,OIL INLET	1
7	19213G02F00A	HOSE CLIP (chromeplated)	2
8	221405.101000	HOSE,OIL OUTLET	1
9	19217G02F00A	HOSE CLIP (chromeplated)	2

NOTES

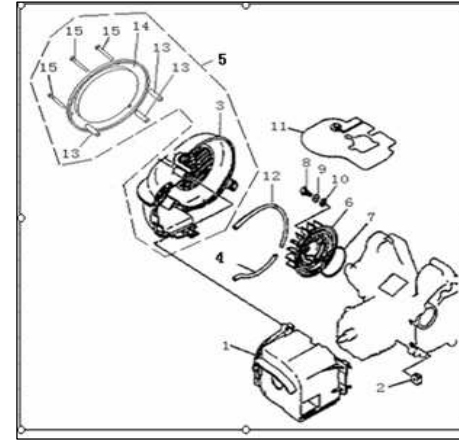
with Mark "502"
with Mark "50"



E06 AIR COOLING SYSTEM

NO.	PART NO.	EN DESCRIPTION	QTY
1	20301B01F000	COWLING,cylinder	1
2	20303G02F000	GROMMET	2
3	20201B09F000	COELING,fan (AVL)	1
4	20208G02F000	MOLD,cowling (110)	1
5	222103.014000	COELING ASSY,fan	1
6	20401B01F000	FAN ASSY	1
7	20402G02F000	RUBBER RING	1
8	B02000601663	SCREW	3
9	B07000000600	SPRING WASHER	3
10	B07030000600	WASHER	3
11	20102G02F000	PLATE	1
12	20206G02F000	MOLD,cowling (220)	1
13	20208B09F000	COLLOR	3
14	222304.101000	COVER.DUSTPROOF	1
15	B02000403524	SCREW M4X35 (chromeplated)	3

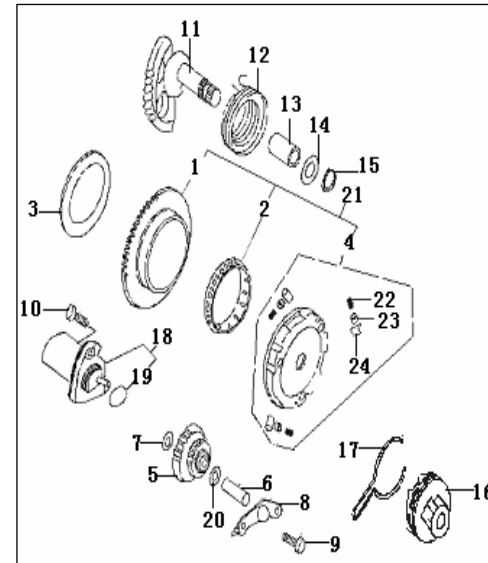
NOTES



E07 KICK STARTER ASSY

NO.	PART NO.	EN DESCRIPTION	QTY
1	34120G02F000	START GEAR ASSY	1
2	34121G02F000	NEEDLE BEARING	1
3	34123G02F000	THRUST WASHER	1
4	34110G02F00A	START HOLDER ASSY	1
5	34126G02F000	DRIVEN GEAR,STARTER	1
6	26128G02F000	IDLE GEAR SHAFT	1
7	34122G02F000	PLATE WASHER	1
8	34125G02F000	IDLE GEAR HOLDER	1
9	B02000601063	SCREW M6X10	2
10	302040602065	SCREW	2
11	216100.003000	SHAFT, kick starter	1
12	17407G02F000	SPRING	1
13	216217.004000	BUSH	1
14	307991005552	WASHER ,kick starter	1
15	308090150003	CIRCLIP	1
16	17415G02F000	KICK PINION ASSY	1
17	17418G02F930	CLIP	1
18	218100.017472	STARTING MOTOR ASSY (chromeplated)	1
19	B190102120B0	O-RING	1
20	34130G02F000	PLATE WASHER	1
21	217100.100000	START CLUTCH ASSY	1
22	34404G02F00A	SPRING	3
23	34405G02F00A	CAP	3
24	34402G02F00A	ROLLER	3

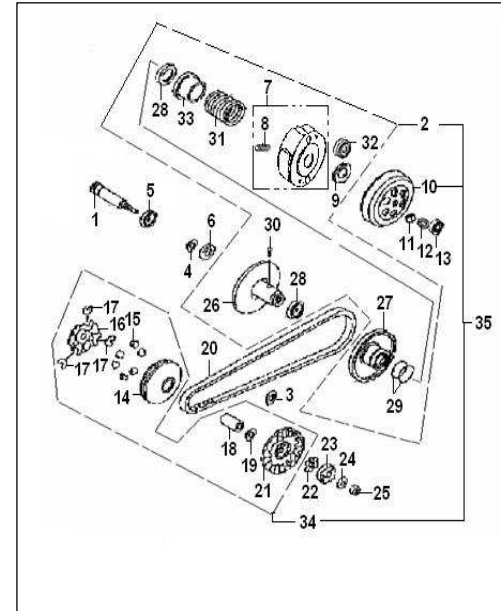
NOTES



E08. CLUTCH ASSY

NO.	PART NO.	EN DESCRIPTION	QTY
1	24201B09F000	PRIMARY DRIVE SHAFT	1
2	24200B01F000	DRIVEN PULLY and CLUTCH ASSY	1
3	213207.023000	WASHER for speed limit (3.5mm) 45km/h	1
4	B08010001700	CIRCLIP	1
5	B12016620300	ROLING BEARING 6203	1
6	24203B09F000	OIL SEAL	1
7	24301B01F000	CLUTCH ASSY,shoe	3
8	24302B01F000	SPRING	3
9	24303G02F000	NUT	1
10	24700G02F000	HOUSING	1
11	24305G02F940	NUT	1
12	24243G02F000	O-RING	1
13	24209G02F000	BEARING 638Z	1
14	24101B09F000	FACE,movable drive	1
15	213119.005000	ROLLER (6.3g, EEC2 Market)	6
16	24103G02F000	PLATE,movable drive	1
17	24104G02F000	DAMPER	3
18	24105G02F000	COLLER	1
19	24106B01F000	WASHER	1
20	24107B01F000	V BELT,DRIVE	1
21	24108B09F000	FACE,FIXED DRIVE	1
22	24109G02F000	PLATE,WOODRUFF KEY	1
23	213203.001161	STARTING DISC	1
24	15112G02F010	WASHER,SPRING	1
25	B04031212553	NUT M12X1.25	1
26	24204G02F000	FACE,FIXED DRIVEN	1
27	24205G02F000	FACE,MOVABLE DRIVEN	1
28	24206G02F000	OIL SEAL	1
29	24207G02F000	O-RING	2
30	24208G02F000	PIN,GUIDE	2
31	24308B01F000	SPRING	1
32	24245G02F000	ROLLER BEARING	1
33	24309G02F930	SEAT,SPRING	1
34	24100B09F000	DRIVE ASSY	1
35	213100.022000	SHIFT ASSY (with 6.3g roller)	1

NOTES



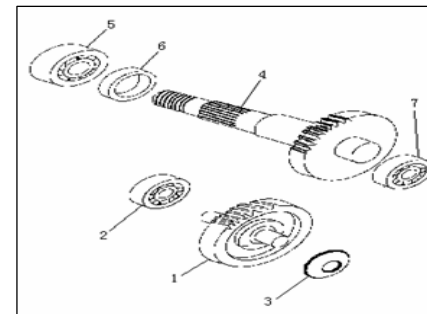
6.3g

6.3g

E09 TRANSMISSION SYSTEM ASSY

NO.	PART NO.	EN DESCRIPTION	QTY
1	17800B09F000	SHAFT,IDLE	1
2	B12016620000	BEARING 6200	1
3	17732J01F000	WASHER,thrust Φ14	1
4	17300B09F000	SHAFT,REAR BOX	1
5	B12016600400	NEEDLE BEARING 6004-2RS	1
6	17317B09F000	OIL SEAL 25X44X7	1
7	B12016620200	NEEDLE BEARING 6202	1

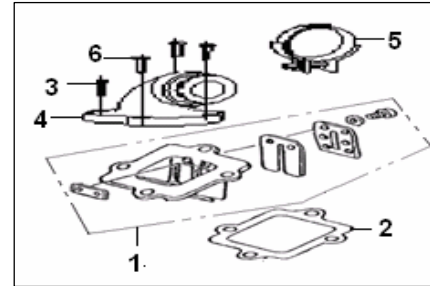
NOTES



E10 REED VALVE ASSY

NO.	PART NO.	EN DESCRIPTION	QTY
1	32300G02F000	REED VALVE ASSY	1
2	202306.002000	VALVE SEAT GASKET (NON-ASBESTUS)	1
3	302040602065	SCREW M6X20	3
4	32200G02F000	PIPE, intake	1
5	202104.006472	CLIP	1
6	206412.001472	SCREW	1

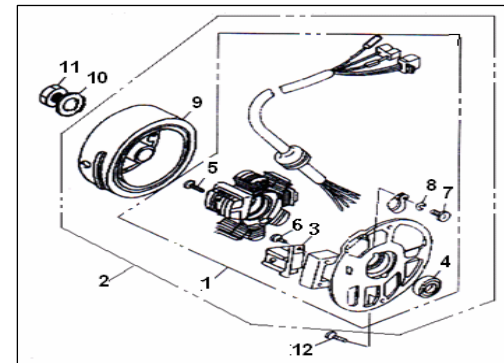
NOTES



E11 MAGNETO ASSY

NO.	PART NO.	EN DESCRIPTION	QTY
1	223102.104000	COIL ASSY	1
2	223100.101000	MAGNETO ASSY (17°)	1
3	34330G02F000	PULSE TRIGGER	1
4	34350G02F000	OIL SEAT	1
5	B02000502522	SCREW	2
6	B02000501262	SCREW	2
7	B02000400622	SCREW	1
8	B07000000400	SPRING WASHER	1
9	223101.022000	FLY WHEEL ASSY (17°)	1
10	B07030001200	WASHER	1
11	15228H03F000	NUT	1
12	B01070601664	NUT	2

NOTES



E12 CARBURETOR ASSY

NO.	PART NO.	EN DESCRIPTION	QTY
1	32510B01F000	NEEDLE JET	1
3	224202.006000	MAIN JET 47.5#	1
3	224202.064000	MAIN JET 50#	1
4	32612B01F000	ENRICH VALVE	1
5	32619B01F000	Float Pin	1
6	32620B01F000	FLOAT	1
7	32701B01F000	GASKET	1
8	224100.047000	CARBURETOR ASSY(MIKUNI)	1
9	32800B09F000	HEATING ASSY	1
10	32801B09F000	L WASHER	1
11	224203.100000	IDLE JET (22.5#)	1
12	32508B01F000	V-shaped Clip	1
13	3315102E0000	OIL PIPE ASSY	1

NOTES

Length 270

