

PARTS CATALOGUE



SCOOTERS

SK80EA(PT)

XCITING VS 400 E5



Release Date : 2023/01/09
Print Date : 2023/04/20

ABOUT THIS PARTS LIST

- This parts list is compiled all service parts for model SK80EA(PT).
- Any difference between color chart and motorcycle will be revised according to motorcycle.
- The Mark:
 1. Marking "***" must add color code in the end before ordering parts.
 2. Marking "#" are parts with modification, Please find the details from e-Parts system.
- When modification or additions to this parts list are made a revised edition at an appropriate time.



CONTENTS

● ABOUT THIS PARTS LIST	1
● COLOR CHART OF SK80EA(PT)	3
● CONTENTS-ENGINE GROUP	7
● CONTENTS-FRAME GROUP	8
● ENGINE PARTS LIST	11
● FRAME PARTS LIST	47
● PART NO. INDEX	127

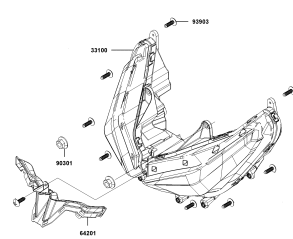
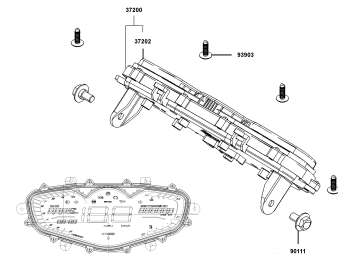
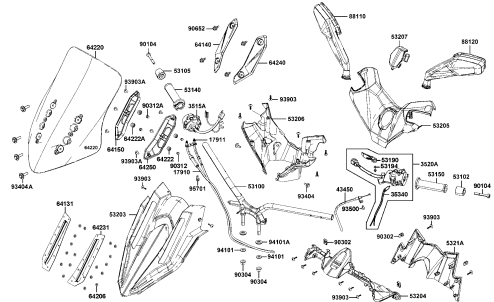
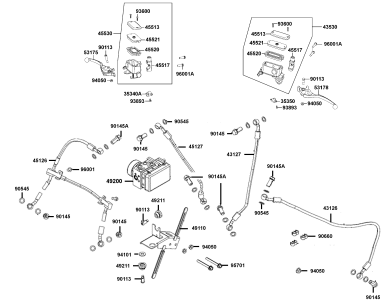
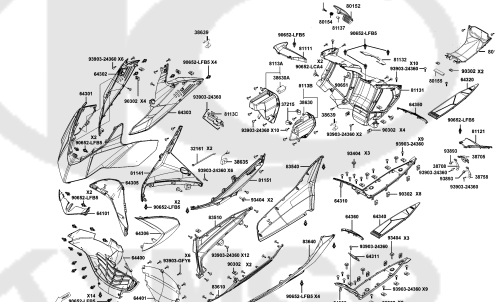
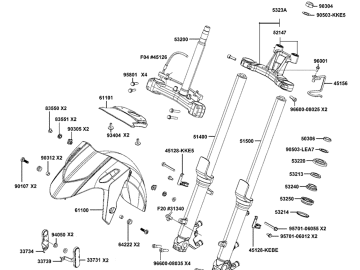
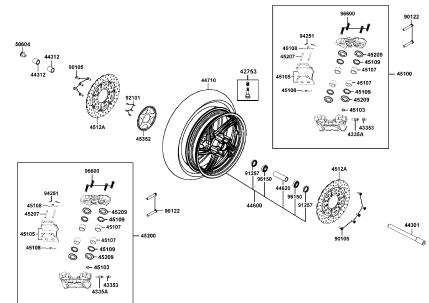
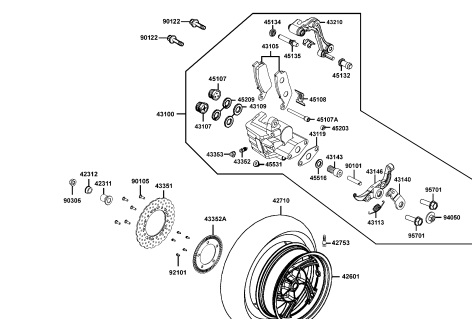
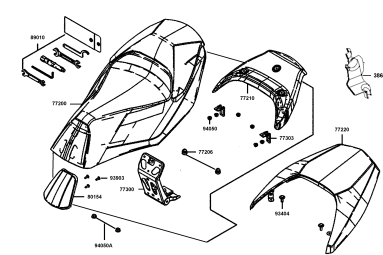
NO	MODEL			COLOR CHART OF SK80EA(PT)			
	PHOTO NO			NO. 1			
	BASIC COLOR			Flat Black			
	CODE			Flat Black			
	PARTS NAME	PARTS NO.	VERSION	NH397FA			
1	GRIP R HANDLE	53140-LHJ3-900	3	H5R			
2	GRIP L HANDLE	53150-LEA6-900	6				
3	FR COVER COMP L	1134B-ADG5-E00	0	JBP			
4	FENDER FRONT	61100-ADG5-E00	1	JJP			
5	COVER C FRONT	64101-BAC8-E00	0				
6	COVER A FRONT	64301-BAC8-E00	0				
7	SKIRT A FR. R SIDE	64305-ADG5-E00	0				
8	SKIRT A FR. L SIDE	64306-ADG5-E00	0				
9	CARRIER R REAR	81200-ADG5-E00	5				
10	CARRIER L REAR	81210-ADG5-E00	5				
11	COVER R BODY	83500-ADG5-E00	0				
12	BOARD A R SIDE	83530-ADG5-E00	0				
13	COVER L BODY	83600-ADG5-E00	0				
14	BOARD A L SIDE	83630-ADG5-E00	0	M2S			
15	COVER RR CENTER	83750-ADG5-E00	1				
16	CUSHION ASSY RR R/H	52400-ADG5-E00	1	M3A			
17	CUSHION ASSY RR L/H	52500-ADG5-E00	1				
18	LEVER R STRG HANDLE	53175-LKF5-E00	0	MLA			
19	LEVER L STRG HANDLE	53178-LKF5-E00	0				
20	COVER COMP R CRANK	11330-ADG5-E00	5	N1A			
21	WHEEL COMP. . RR	42601-LKF5-E00	2				
22	WHEEL SET FR	44600-LKF5-305	0				
23	BATTERY CASE	50327-ADG5-E00	1	N1R			
24	BATTERY COVER	50328-AKC3-E00	1				
25	COVER UNDER	50613-ADG5-E00	0				
DATE OF STARTING-SALES							
DATE OF END-SALES							

NO	MODEL			COLOR CHART OF SK80EA(PT)						
	PHOTO NO			NO. 1						
	BASIC COLOR			Flat Black						
	CODE			Flat Black						
	PARTS NAME	PARTS NO.	VERSION	NH397FA						
26	COVER A METER	53204-ADG5-E00	1	N1R						
27	COVER HANDLE UP	53205-ADG5-E00	1							
28	COVER HANDLE LOW	53206-ADG5-E00	1							
29	COVER B ASSY METER	5321A-ADG5-E00	1							
30	INNER FENDER FRONT	61101-ADG5-E00	0							
31	COVER R WIND	64140-ADG5-E00	1							
32	COVER B FORNT	64201-BAC8-E00	0							
33	COVER L WIND SCREEN	64240-ADG5-E00	1							
34	PANEL R FLOOR	64310-ADG5-E00	0							
35	MAT R FLOOR	64320-ADG5-E00	0							
36	PANEL L FLOOR	64330-ADG5-E00	0							
37	MAT L FLOOR	64340-ADG5-E00	0							
38	MAT R LEG SHIELD	64350-ADG5-E00	0							
39	MAT L LEG SHIELD	64360-ADG5-E00	0							
40	COWL UNDER	64400-ADG5-E00	0							
41	FENDER RR INNER	80101-ADG5-E00	0							
42	FENDER REAR	80105-ADG5-E00	1							
43	COVER A LICENSE	80107-ADG5-E00	0							
44	FENDER ASSY.RR TIRE	8010B-LKF5-E00	6							
45	COVER CENTER	80151-ADG5-E00	1							
46	LID FUEL CAP MAINT	80152-BAC8-E00	0							
47	LID R LEG SHIELD	81111-ADG5-E00	1							
48	LID L LEG SHIELD	81121-ADG5-E00	1							
49	LEG SHIELD UP	81131-BAC8-E00	0							
50	LID LEG SHIELD	81132-BAC8-E00	0							
DATE OF STARTING-SALES										
DATE OF END-SALES										

NO	MODEL			COLOR CHART OF SK80EA(PT)			
	PHOTO NO			NO. 1			
	BASIC COLOR			Flat Black			
	CODE			Flat Black			
	PARTS NAME	PARTS NO.	VERSION	NH397FA			
51	INNER BOX R FRONT	8113A-ADG5-E00	0	N1R			
52	INNER BOX L FRONT	8113B-ADG5-E00	0				
53	COVER BATTERY	81450-ADG5-E00	0				
54	SKIRT A R SIDE	83510-ADG5-E00	0				
55	BOARD B R SIDE	83520-ADG5-E00	0				
56	SKIRT A L SIDE	83610-ADG5-E00	0				
57	BOARD B L SIDE	83620-ADG5-E00	0				
58	BAND HARNESS WIRE	90656-KUDU-900	0				
59	COVER WATER PUMP	19220-LKF5-305	0	NEA			
60	COVER ASSY WATER	1922A-LKF5-E00	5				
61	CALIPER ASSY RR	43100-LKF5-E00	4				
62	CALIPER ASSY FR L/H	45100-LKF5-E00	7				
63	CALIPER ASSY FR R/H	45200-LKF5-E00	7				
64	FORK ASSY. FR R	51400-LKF5-E00	7				
65	BOTTOM CASE R	51421-LKF5-E00	0				
66	FORK ASSY. FR L	51500-LKF5-E00	7				
67	BOTTOM CASE L	51521-LKF5-E00	0				
68	FORK ASSY RR	52000-LKF5-E01	3				
69	FORK A RR CAST	52110-LKF5-E00	0				
70	COVER SEAT	80154-ADG5-E00	0				
71	END HANDLE	53102-LEA5-E00	3	NES			
72	END R STRG HANDLE	53105-LEA5-E00	3				
73	TAIL CAP MUFFLER	18306-ADG5-E00	5	T01			
74	MUFFLER ASSY EXH	1830A-BAC8-E00	0				
75	MUFF. PROTECTOR A	18318-ADG5-E00	5				
DATE OF STARTING-SALES							
DATE OF END-SALES							

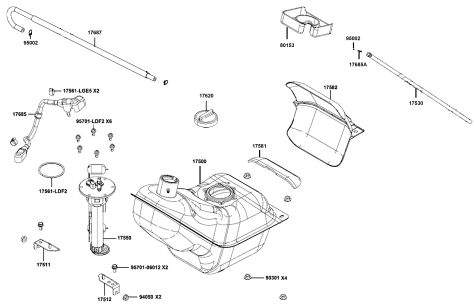
NO	MODEL			COLOR CHART OF SK80EA(PT)			
	PHOTO NO			NO. 1			
	BASIC COLOR			Flat Black			
	CODE			Flat Black			
	PARTS NAME	PARTS NO.	VERSION	NH397FA			
76	PROTECTOR EXHAUST	18325-ADG5-E00	6	T01			
77	COLLAR MAIN	35102-BAC8-E00	0				
78	WIND SCREEN	64220-ADG5-E00	1				
79	SEAT ASSY	77200-BAC8-E00	0				
80	SEAT ASSY BACK	77220-BAC8-E00	0				
81	STRIPE FR FENDER	86408-ACD5-E00	2				
82	EMB K-LOGO	87206-ADG5-E00	3				
83	NOTICE MOBILE PHONE	87541-ZZA6-E00	2				
84	LABEL FUEL TANK	87546-ADG5-E00	2				
85	MARK DRIVER CAUTION	87560-ADG5-E00	2				
86	EMB BODY COVER	86202-BAC8-E00	0				
87	EMB SKIRT	86332-ADG5-E00	3				
88	DUCT. L. COVER	11345-ADG5-E00	5				
89	TOP COVER HANDLE	53207-ADG5-E00	0				
90	MOLDING A R SIDE	64302-BAC8-E00	0				
91	MOLDING A L SIDE	64303-BAC8-E00	0				
92	LEG SHILED R SIDE	81141-BAC8-E00	0				
93	LEG SHILED L SIDE	81151-BAC8-E00	0				
94	COVER R SIDE	83501-ADG5-E00	0				
95	SKIRT B R SIDE	83540-ADG5-E00	0				
96	COVER L SIDE	83601-ADG5-E00	0	ZBP			
97	SKIRT B L SIDE	83640-ADG5-E00	0				
DATE OF STARTING-SALES							
DATE OF END-SALES							

CONTENTS - FRAME GROUP

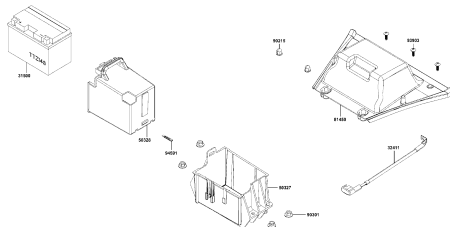
<p>F01 Head Light</p> 	<p>F02 Speed meter</p> 	<p>F03 Handle Steering</p> 
<p>F04 Master Cylinder</p> 	<p>F05 Fender Front</p> 	<p>F06 Stem Steering</p> 
<p>F07 Front Wheel</p> 	<p>F08 Rear Wheel</p> 	<p>F09 Seat</p> 

CONTENTS - FRAME GROUP

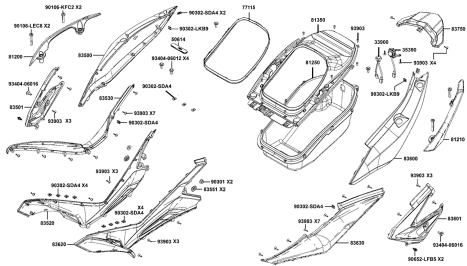
F10 Fuel Tank



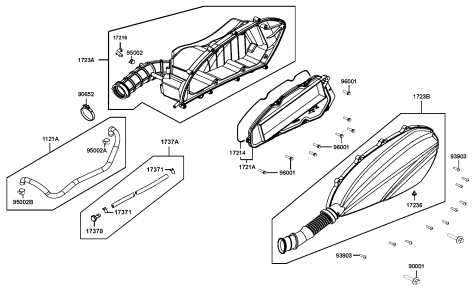
F11 Battery



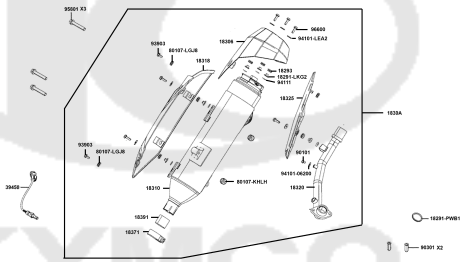
F12 Body Cover Luggage Box



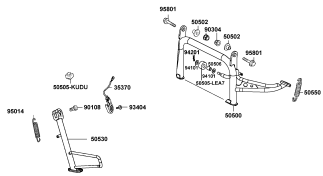
F13 Air Cleaner



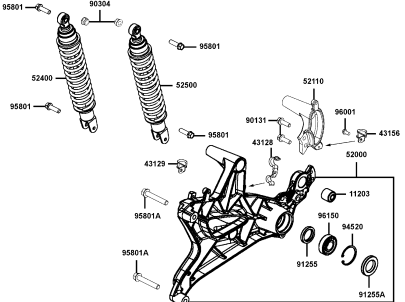
F14 Exhaust Muffler



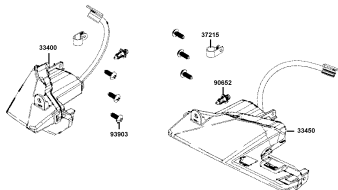
F15 Stand



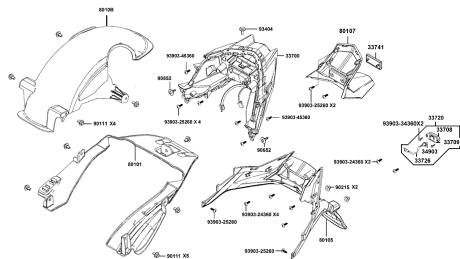
F16 Rr Cushion



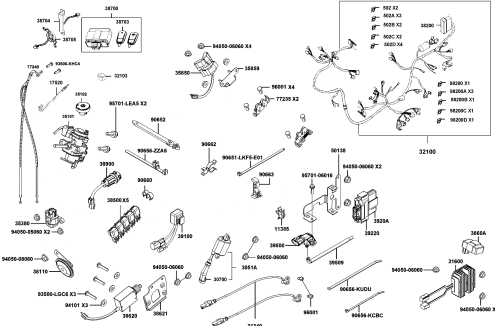
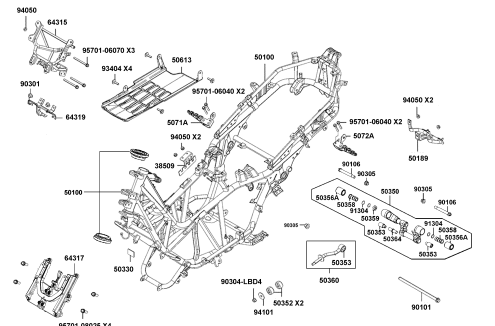
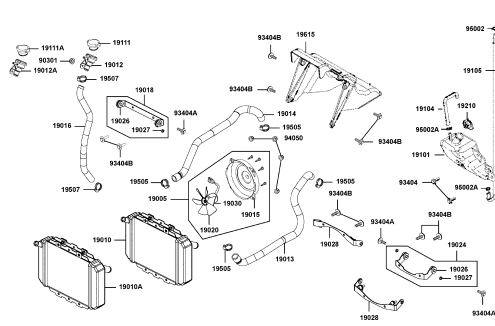
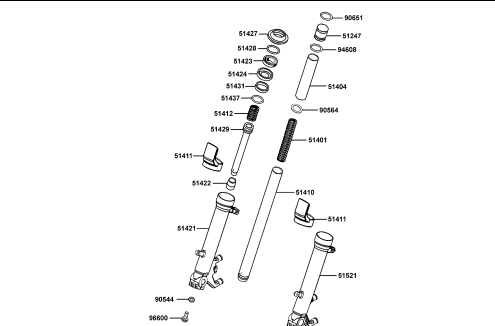
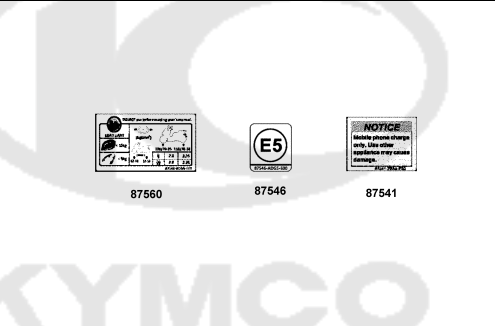
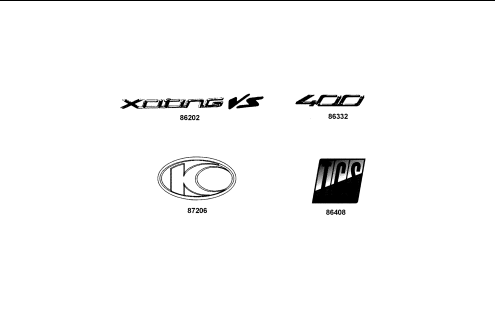
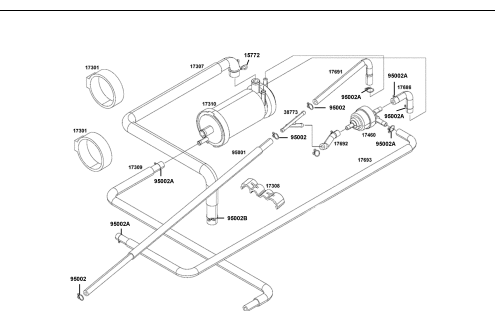
F17 Winker



F18 Light Tail

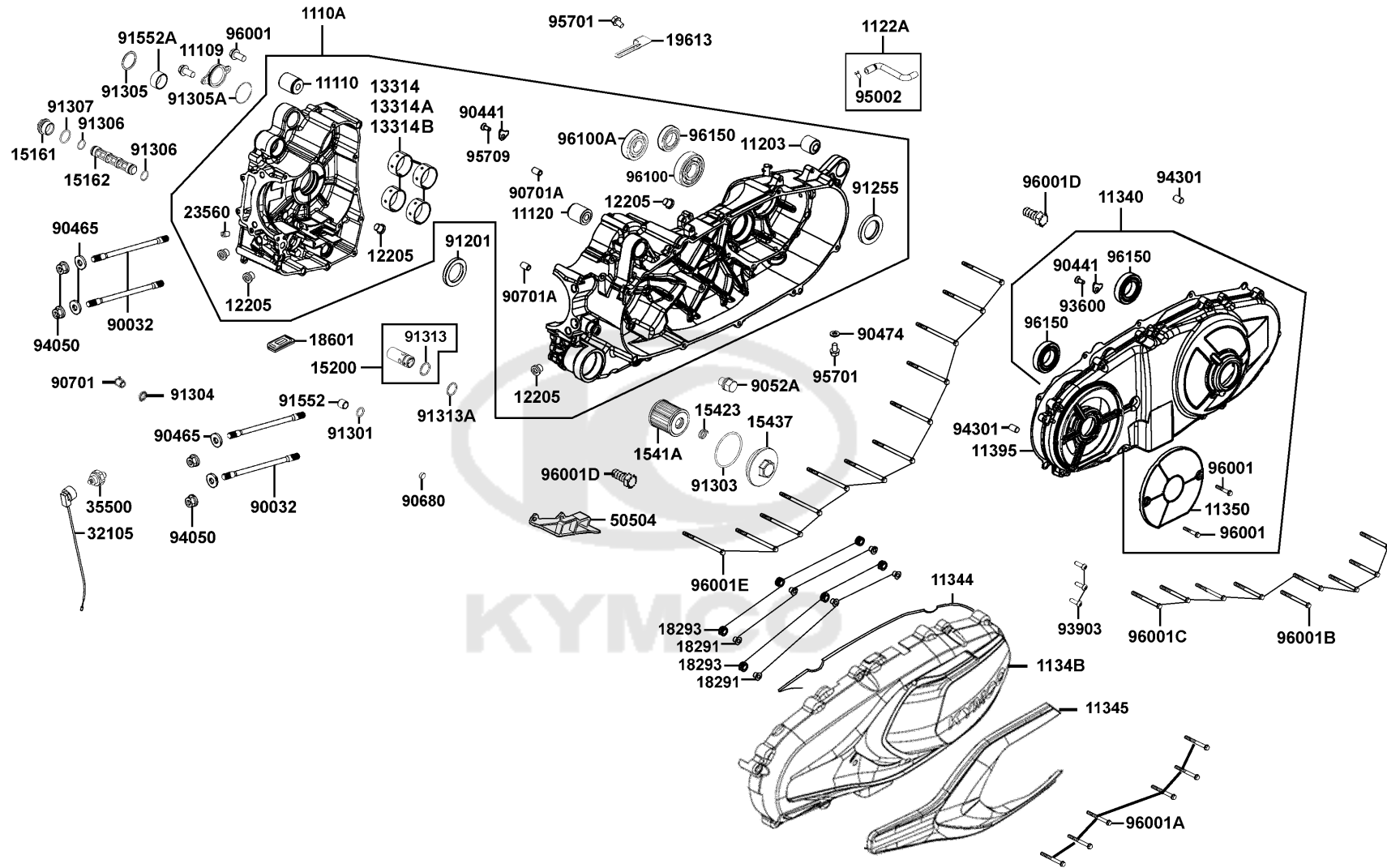


CONTENTS - FRAME GROUP

<p>F19 Harness Wire</p> 	<p>F20 Frame Body</p> 	<p>F21 Radiator</p> 
<p>F22 Separated Parts Of Fr Fork</p> 	<p>F23 Caution Label</p> 	<p>F24 Emblem Stripe</p> 
<p>F25 Canister-Pcv Assy</p> 		

E01

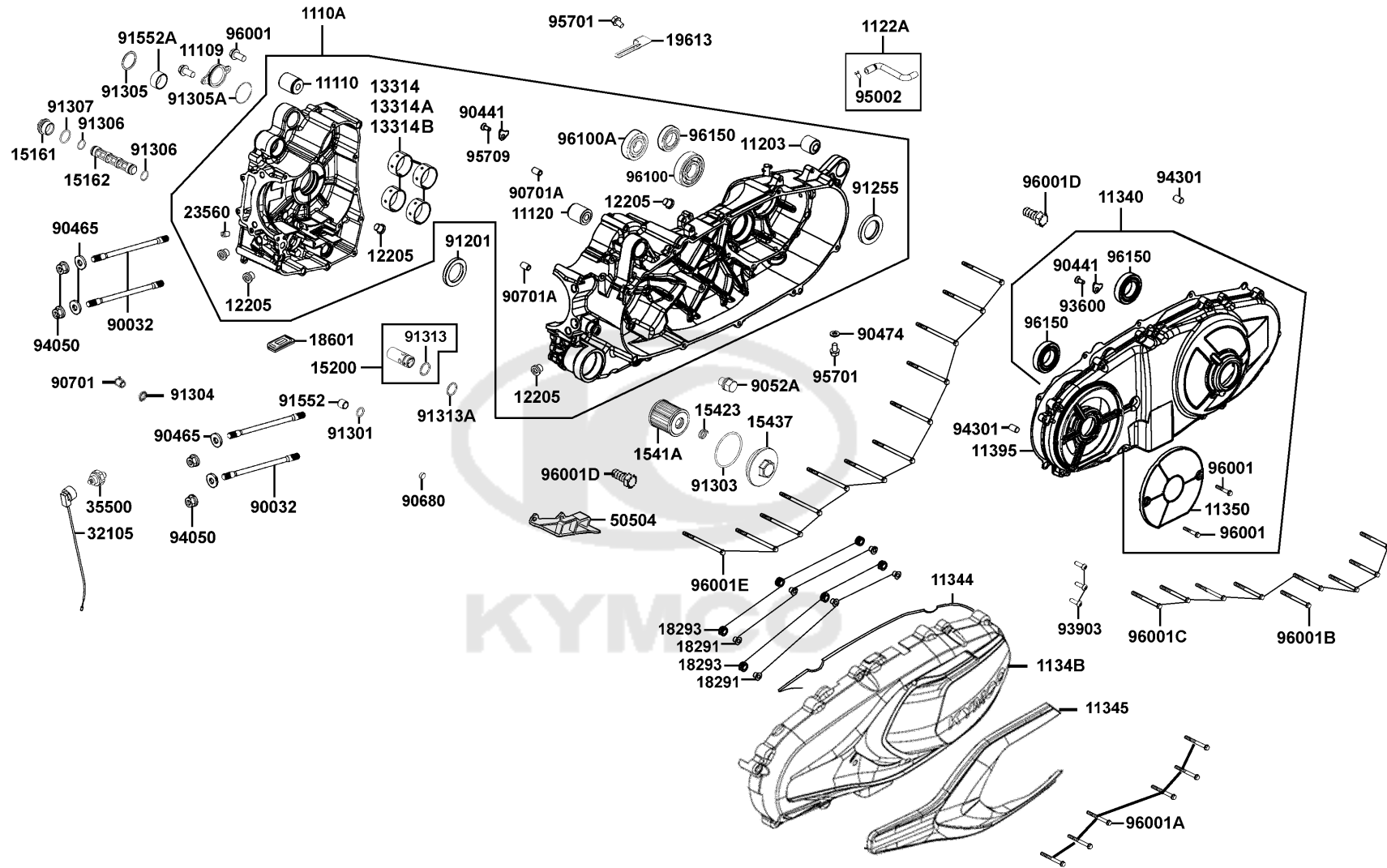
Crank Case



Sales mark	Ref no	Part no	Description	Reg description	Regd no	E01
	11109	11109-LKF5-E00	COVER BLANCE SHAFT	COVER BLANCE SHAFT	1	
	1110A	1110A-ADG5-305	CRANK CASE R/ L ASSY	CRANK CASE R/ L ASSY	1	
	11110	11110-ADG5-E00	BUSH ASSY R ENG HANGER	BUSH ASSY R ENG HANGER	1	
	11120	11120-ADG5-E00	BUSH ASSY L ENG HANGER	BUSH ASSY L ENG HANGER	1	
	11203	11203-LBA2-E00	RUB BUSH L CASE	RUB BUSH L CASE	1	
	1122A	1122A-LEA7-E00	TUBE ASSY BREATHER	TUBE ASSY BREATHER	1	
	11340	11340-ADG5-E00	COVER COMP L.CRANK CASE	COVER COMP.L.CRANK CASE	1	
	11344	11344-ADG5-E00	FOAM TEXTURE A	FOAM TEXTURE A	1	
**	11345	11345-ADG5-E00	SIDE COVER L COVER	SIDE COVER L COVER	1	
**	1134B	1134B-ADG5-E00	FR COVER COMP L COVER	FR COVER COMP L COVER	1	
	11350	11350-LKF5-E00	ELEMENT DUCT. A L. COVER	ELEMENT DUCT. A L. COVER	1	
	11395	11395-ADG5-E00	GASKET L COVER	GASKETL COVER	1	
	12205	12205-LEA7-E00	BOLT SEALING 12MM	BOLT SEALING 12MM	5	
	13314	13314-LKF5-E00-A	BEARING. CRANK SHAFT	BEARING. CRANK SHAFT (RED/1.495~1.498)	4	
	13314A	13314-LKF5-E00-B	BEARING. CRANK SHAFT	BEARING. CRANK SHAFT	4	
	13314B	13314-LKF5-E00-C	BEARING. CRANK SHAFT	BEARING. CRANK SHAFT	4	
	15161	15161-PUA5-E00	PLUG SCREW SECTION FILTER	PLUG SCREW SECTION FILTER	1	
	15162	15162-PUA5-E00	SUCTION FILTER CRANK SIDE	SUCTION FILTER CRANK SIDE	1	
	15200	15200-LKF5-E00	OIL RELIEF VALVE ASSY	OIL RELIEF VALVE ASSY	1	
	1541A	1541A-LEH6-E00	ELEMENT ASSY OIL FILTER	ELEMENT ASSY OIL FILTER	1	

E01

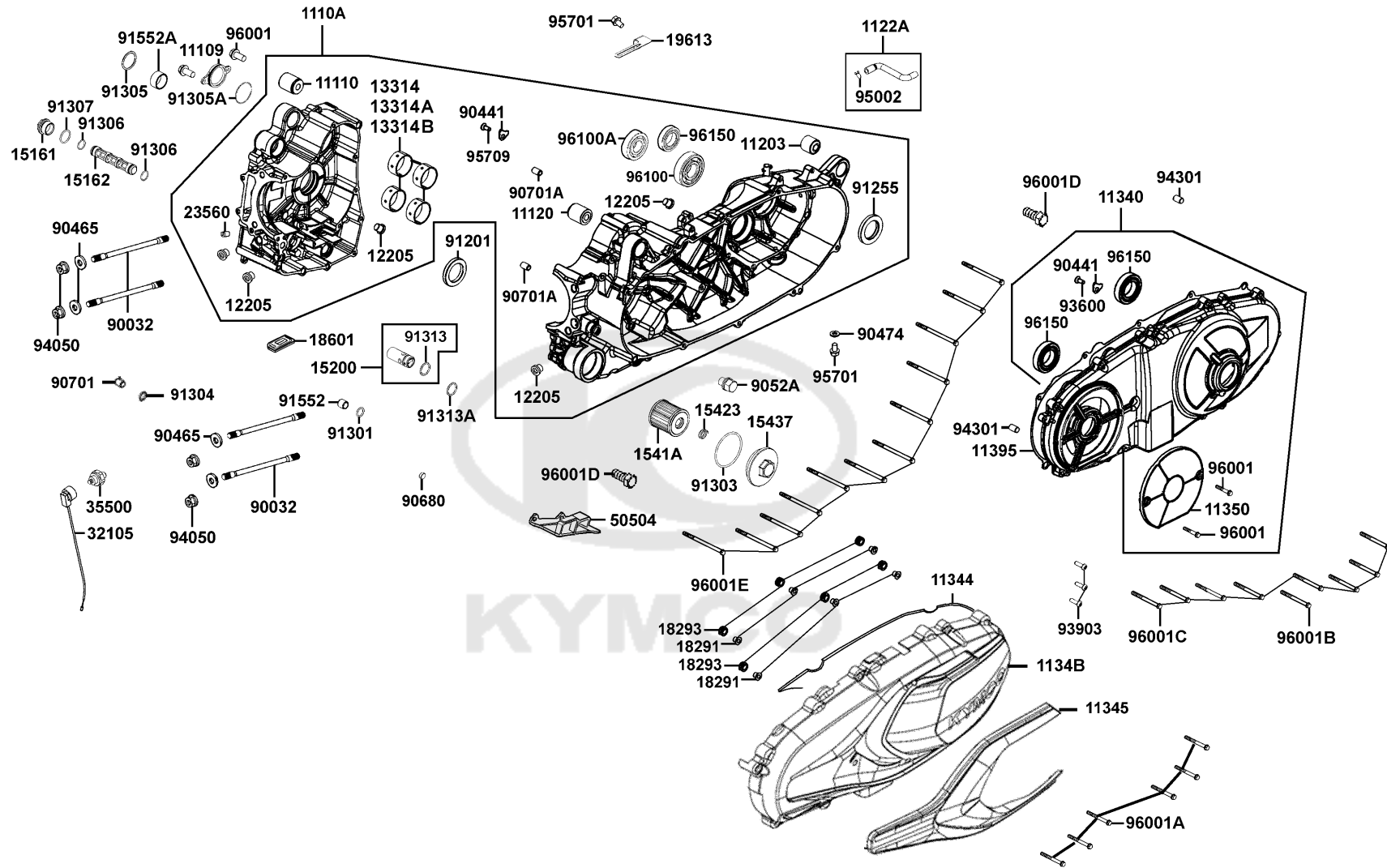
Crank Case



Sales mark	Ref no	Part no	Description	Reg description	Regd no	E01
	15423	15423-KKC3-900	SPRING CAP OIL	SPRING CAP OIL	1	
	15437	15437-LEA7-E00	CAP OIL FILTER	CAP OIL FILTER	1	
	18291	18291-KKC4-900	COLLAR	COLLAR	6	
	18293	18293-KKC4-900	RUBBER	RUBBER	6	
	18601	18601-LKF5-E00	REED VALVE COMP.	REED VALVE COMP.	1	
	19613	19613-LEA7-E00	CLAMPER STARTER MOTOR CORD	CLAMPER STARTER MOTOR CORD	1	
	23560	23560-LBA2-E00	ORIFICE R CASE	ORIFICE R CASE	1	
	32105	32105-LLJ3-E00	SUB HARNESS	SUB HARNESS	1	
	35500	35500-KED9-900	SW ASSY OIL PRESSURE	SW ASSY OIL PRESSURE	1	
	50504	50504-LKF5-E00	STOPPER PLATE.MAIN STAND	STOPPER PLATE.MAIN STAND	1	
	90032	90032-LEA7-E00	BOLT B STUD 10*180	BOLT B STUD 10*180	4	
	90441	90441-LKF5-E00	PLATE BRG HOLD	PLATE BRG HOLD	2	
	90465	90465-LBA2-E00	WASHER 10.2 MM	WASHER 10.2 MM	4	
	90474	90474-3C33-001	WASHER 8MM	WASHER 8MM	1	
	9052A	9052A-LEB1-900	BOLT ASSY DRAIN PLUG	BOLT ASSY DRAIN PLUG	1	
	90680	90680-KED9-900	CONE TYPE PLUG 10X5	CONE TYPE PLUG 10X5	1	
	90701	90701-6K79-001	PIN DOWEL 8*10	PIN DOWEL 8*10	1	
	90701A	90701-9E65-001	PIN DOWEL 10*16	PIN DOWEL 10*16	2	
	91201	91201-LEA7-E00	OIL SEAL 35*50*7	OIL SEAL 35*50*7	1	
	91201	91201-LKF5-E00	OIL SEAL 38*50*7	OIL SEAL 38*50*7	1	

E01

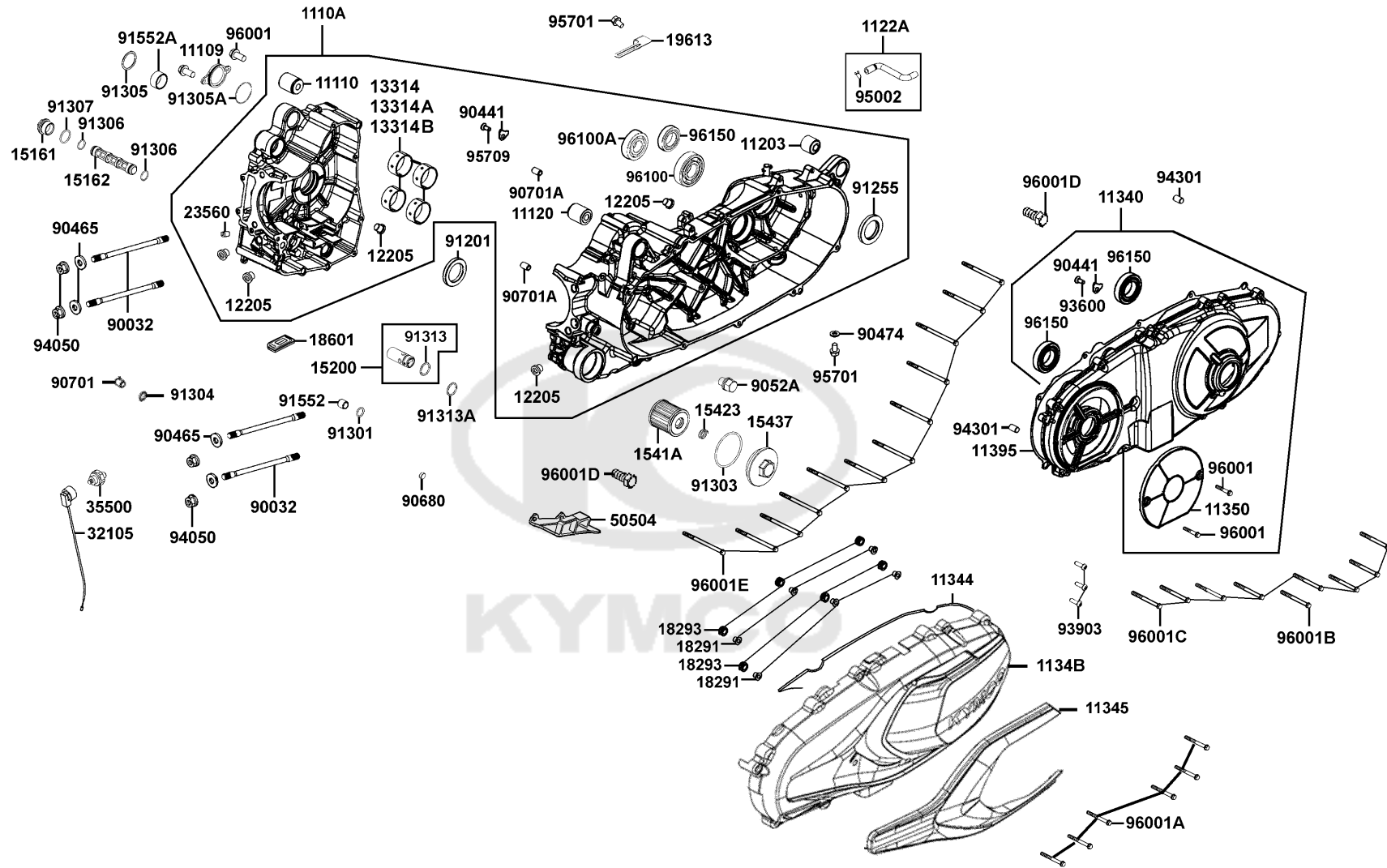
Crank Case



Sales mark	Ref no	Part no	Description	Reg description	Regd no	E01
	91255	91255-LKF5-E00	OIL SEAL 38X56X7	OIL SEAL 38X56X7	1	
	91301	91301-2L00-001	O-RING 10*1.6	O-RING 10*1.6	1	
	91303	91303-LEA7-E00	O-RING 52.5x2.5	O-RING 52.5x2.5	1	
	91304	91304-LEA3-900	O-RING 7.8*1.9	O-RING 7.8*1.9	1	
	91305	91305-LEH6-E00	O RING 19.8x1.9	O RING 19.8x1.9	1	
	91305A	91305-LKF5-E00	O-RING 48*1.8	O-RING 48*1.8	1	
	91306	91306-PUA5-E00	O-RING 13*1.5	O-RING 13*1.5	2	
	91307	91307-PUA5-E00	O-RING 18*2	O-RING 18*2	1	
	91313	91313-KED9-900	O-RING 15.5*1.5	O-RING 15.5*1.5	1	
	91313A	91313-LKF5-E00	O RING 14X2	O RING 14X2	1	
	91552	91552-LEA7-E00	COLLAR.10.5MM	COLLAR.10.5MM	1	
	91552A	91552-LEH6-E00	COLLAR 20mm	COLLAR 20mm	1	
	93600	93600-LKF5-E00	BOLT FLAT SOCKET	BOLT FLAT SOCKET	1	
	93903	93903-25380	SCREW TAPP 5*16	SCREW TAPP 5*16	3	
	94050	94050-10060	NUT FLANGE 10MM	NUT FLANGE 10MM	4	
	94301	94301-10160	DOWEL PIN 10*16	DOWEL PIN 10*16	2	
	95002	95002-50000	CLIP C9 TUBE	CLIP C9 TUBE	2	
	95701	95701-08012-06	BOLT FLANGE 8*12	BOLT FLANGE 8*12	2	
	95709	95709-PRA1-E00	SCREW COUNTERSUNK M6*12	SCREW COUNTERSUNK M6*12	1	
	96001	96001-06012-06	BOLT FLANGE SH 6*12	BOLT FLANGE SH 6*12	1	

E01

Crank Case



Sales mark	Ref no	Part no	Description	Reg description	Regd no	E01
96001A		96001-06020-06	BOLT FLANGE SH 6*20	BOLT FLANGE SH 6*20	6	
96001B		96001-06022-06	BOLT FLANGE SH 6*22 (G)	BOLT FLANGE SH 6*22 (G)	1	
96001C		96001-06030-06	BOLT FLANGE SH 6X30	BOLT FLANGE SH 6X30	1	
96001D		96001-06035-06	BOLT FLANGE SH 6*35	BOLT FLANGE SH 6*35	1	
96001E		96001-06070-06	BOLT FLANGE SH 6*70	BOLT FLANGE SH 6*70	12	
96100		96100-62040-00	BEARING BALL RADIAL 6204	BEARING BALL RADIAL 6204	1	
96100A		96100-63040-00	BRG BALL RADIAL 6304	BRG BALL RADIAL 6304	1	
96150		96150-60060-10	BEARING BALL RADIAL 6006	BEARING BALL RADIAL 6006	4	



Sales mark	Ref no	Part no	Description	Reg description	Regd no	E02
11383		11383-KHE7-900	CLAMPER RR BRK HOSE	CLAMPER RR BRK HOSE	1	
12200		12200-LKF5-E00	HEAD COMP CYLINDER	HEAD COMP.. CYLINDER	1	
12205		12205-KHE8-301	BOLT SEALING 12MM	BOLT SEALING 12MM	5	
12209		12209-GDB4-68B	SEAL VALVE STEM	SEAL VALVE STEM	1	
12251		12251-LKF5-E00	GASKET CYLINDER HEAD	GASKET CYLINDER HEAD	1	
12310		12310-LKF5-E01	COVER COMP HEAD	COVER COMP HEAD	1	
12391		12391-LKF5-900	GASKET CYLINDER HEAD COVER	GASKET CYLINDER HEAD COVER	1	
13406		13406-LEA7-E00	PLATE FUEL INJECTOR	PLATE FUEL INJECTOR	1	
14100		14100-BAC8-E00	SHAFT COMP CAM	SHAFT COMP CAM	1	
14321		14321-LEA7-E00	SPROCKET CAMSHAFT	SPROCKET CAMSHAFT	1	
14420		14420-ABE1-E00	ARM COMP EXH VALVE ROCKER	ARM COMP EXH VALVE ROCKER	1	
14430		14430-ABE1-E00	ARM COMP IN VALVE ROCKER	ARM COMP IN VALVE ROCKER	1	
14433		14433-ACD5-E00	ROLLER ASSY ROCKER ARM	ROLLER ASSY ROCKER ARM	2	
14434		14434-ACD5-E00	PIN. ROCKER ARM	PIN. ROCKER ARM	2	
14452		14452-LKF5-E00	SHAFT. ROCKER ARM	SHAFT. ROCKER ARM	2	
14453		14453-LKF5-E00	SET. PLATE. ROCKER ARM SHAFT	SET. PLATE. ROCKER ARM SHAFT	1	
14711		14711-ABE1-E00	VALVE INLET	VALVE INLET	1	
14721		14721-ABE1-E00	VALVE EXHAUST	VALVE EXHAUST	1	
14751		14751-LKF5-E00	SPRING. VALVE OUTER	SPRING. VALVE OUTER	4	
14761		14761-LKF5-E00	SPRING. VALVE INNER	SPRING. VALVE INNER	4	

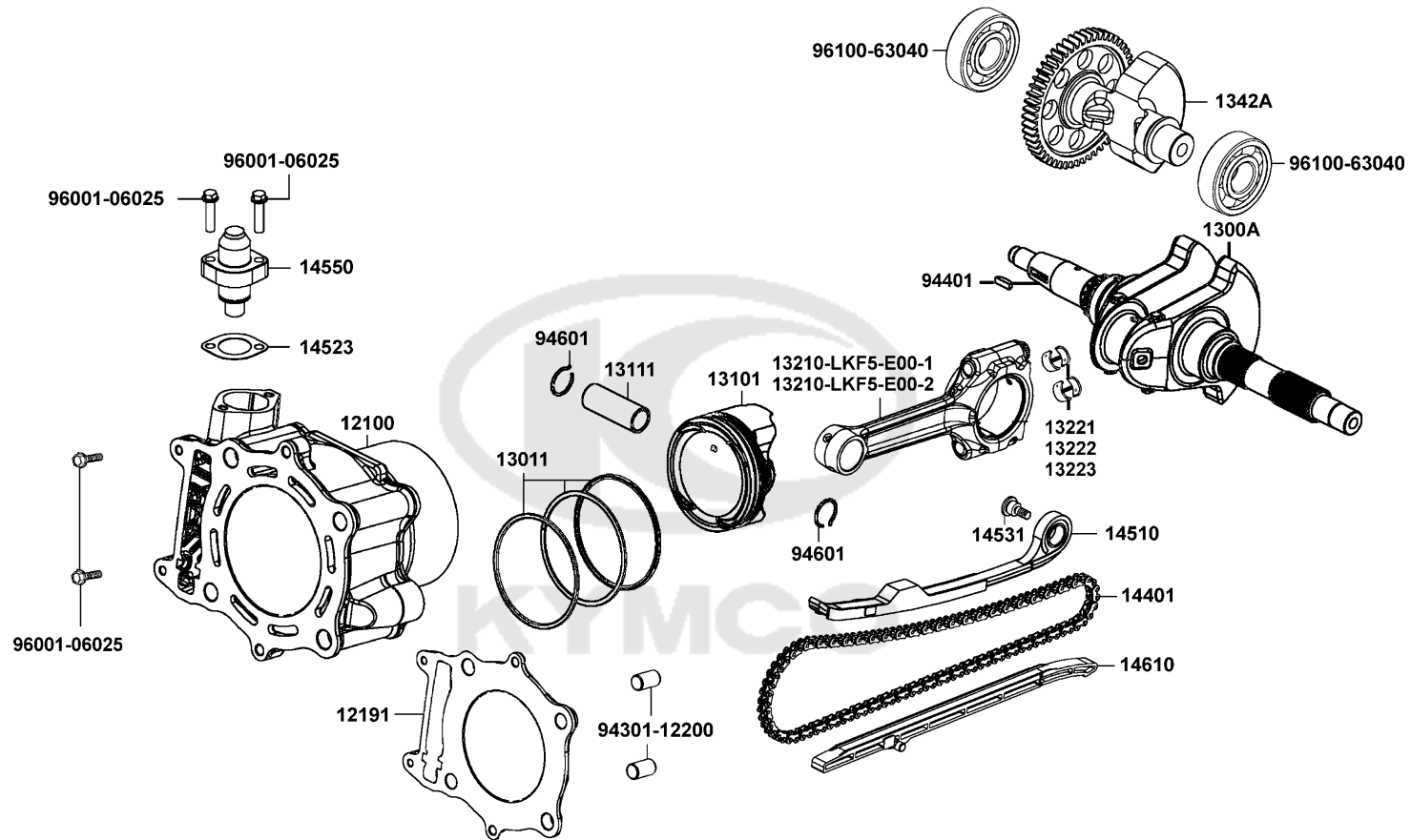
Sales mark	Ref no	Part no	Description	Reg description	Regd no	E02
	14771	14771-LKF5-E00	RETAINER. VALVE SPRING	RETAINER. VALVE SPRING	4	
	14773	14773-LKF5-E00	SHIM	SHIM	4	
	14777	14777-LBA2-E00	SEAT VALVE SPG	SEAT VALVE SPG	4	
	14781	14781-MFA6-001	COTTER VALVE	COTTER VALVE	8	
	16201	16201-LKF5-E00	GASKET. CARB INSULATOR @A	GASKET. CARB INSULATOR A	1	
	16211	16211-LKF5-E00	INSULATOR. CARB	INSULATOR. CARB	1	
	1711A	1711A-LKF5-E00	PIPE ASSY.. INLET	PIPE ASSY.. INLET	1	
	17236	17236-LKF5-E00	STAY OIL CATCH	STAY OIL CATCH	1	
	17237	17237-LKF5-E00	TUBE OIL CATCH	TUBE OIL CATCH	1	
	1723C	1723C-LKF5-E00	OIL CATCH COMP.	OIL CATCH COMP.	1	
	19300	19300-KAE1-004	THERMOSTAT ASSY	THERMOSTAT ASSY	1	
	19315	19315-LKF5-E00	COVER THERMOSTAT	COVER THERMOSTAT	1	
	19421	19421-LKF5-E00	JOINT WATER HOSE	JOINT WATER HOSE	1	
	19502	19502-LKF5-E00	HOSE . B WATER	HOSE . B WATER	1	
	19507	19507-LDB5-E00	CLAMP D 28	CLAMP D 28	2	
	39300	39300-LDG7-M90	INJECTOR UNIT FUEL	INJECTOR UNIT FUEL	1	
	39305	39305-LKF5-E00	HOLDER. FUEL INJECTOR	HOLDER. FUEL INJECTOR	1	
	39400	39400-LDF2-800	WATER TEMP SENSOR	WATER TEMP SENSOR	1	
	90001	90001-GFY6-901	SOCKET BOLT 6*10 (B)	SOCKET BOLT 6*10 (B)	2	
	9000B	9000B-KHD6-900	BOLT ASSY SPECIAL 6*41.5	BOLT ASSY SPECIAL 6*41.5	4	

Sales mark	Ref no	Part no	Description	Reg description	Regd no	E02
	90012	90012-LKF5-E00	SCREW TAPPET ADJUSTING	SCREW TAPPET ADJUSTING	4	
	90033	90033-GFY6-900	BOLT STUD 8*32	BOLT STUD 8*32	2	
	90206	90206-0A01-001	NUT TAPPET ADJG	NUT TAPPET ADJG	4	
	90478	90478-7L00-001	WASHER A 6MM	WASHER A 6MM	1	
	90652	90652-LDG7-900	C-HOPE 50~70	C-HOPE 50~70	1	
	91301	91301-LDF2-M90	O-RING 7.3*2.2 (BLACK)	O-RING 7.3X2.2	1	
	91302	91302-LDF2-M90	SEAL RING	SEAL RING	1	
	91302A	91302-LKF5-E00	SET RUBBER.	SET RUBBER.	1	
	92000	92000-05016-0G	BOLT HEX 5X16	BOLT HEX 5X16	1	
	92900	92900-06040-0E	BOLT STUD 6*40	BOLT STUD 6*40	4	
	94050	94050-06080	NUT FLANGE 6MM	NUT FLANGE 6MM	4	
	94301	94301-08100	DOWEL PIN 8*10	DOWEL PIN 8*10	1	
	94301A	94301-12200	DOWEL PIN 12*20	DOWEL PIN 12*20	2	
	95002	95002-KED9-M31	CLAMP D14.8 TUBE	CLAMP D14.8 TUBE	1	
	95002A	95002-LKF5-E00	CLAMP D14.6 TUBE	CLAMP D14.6 TUBE	1	
	95701-06014	95701-06014-06	BOLT FLANGE 6*14	BOLT FLANGE 6*14	4	
	95701	95701-06016-06	BOLT FLANGE 6*16 (K)	BOLT FLANGE 6*16 (K)	1	
	95709	95709-PRA1-E00	SCREW COUNTERSUNK M6*12	SCREW COUNTERSUNK M6*12	2	
	96001	96001-06010-00	BOLT FLANGE SH 6X10	BOLT FLANGE SH 6X10	2	
	96001A	96001-06016-06	BOLT FLANGE SH 6X16	BOLT FLANGE SH 6*16	2	

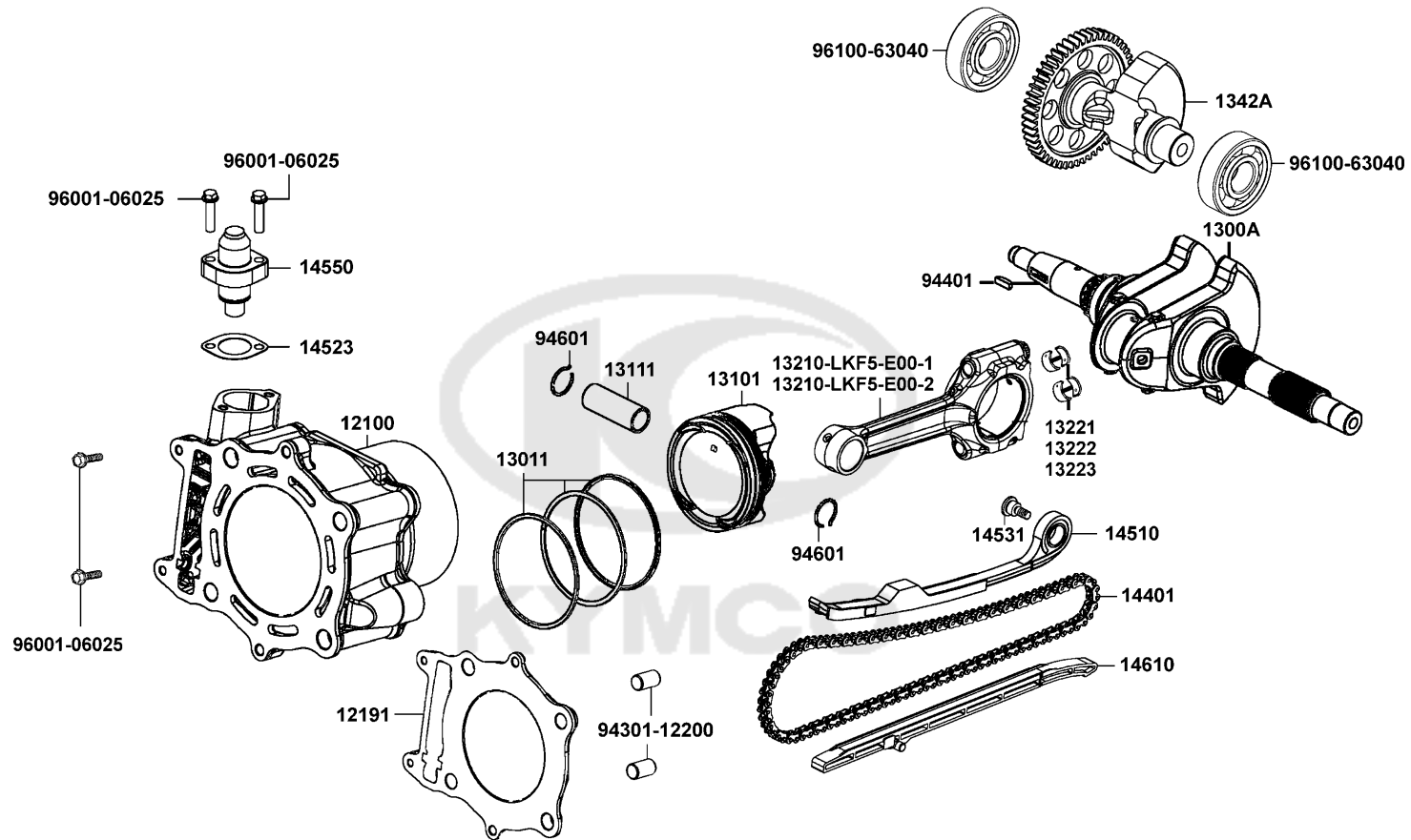
Sales mark	Ref no	Part no	Description	Reg description	Regd no	E02
------------	--------	---------	-------------	-----------------	---------	------------


96001B	96001-06025-06	96001-06025-06	BOLT FLANGE SH 6*25	BOLT FLANGE SH 6*25	2	
98059	98059-57916-00	98059-57916-00	SPARK PLUG (CR7E)	SPARK PLUG (CR7E)	1	





Sales mark	Ref no	Part no	Description	Reg description	Regd no	E03
	12100	12100-LKF5-E00	CYLINDER COMP (A)	CYLINDER COMP.	1	
	12191	12191-LKF5-E00	GASKET CYLINDER @A	GASKET CYLINDER @A	1	
	1300A	1300A-LKF5-E01	CRANK SHAFT COMP	CRANK SHAFT COMP	1	
	13011	13011-ADG5-E00	RING ASSY PISTON	RING ASSY PISTON	1	
	13101	13101-LKF5-E02	PISTON	PISTON	1	
	13111	13111-LKF5-E00	PIN. PISTON	PIN. PISTON	1	
	13210-LKF5-E00-1	13210-LKF5-E00-1	CONN. ROD ASSY 40(0~+0.008)	CONN. ROD ASSY 40(0~+0.008)	1	
	13210-LKF5-E00-2	13210-LKF5-E00-2	CONN. ROD ASSY 40(+0.008~+0.016)	CONN. ROD ASSY 40(+0.008~+0.016)	1	
	13221	13221-ABE1-E00-01	BEARING CONN ROD(RED/1.494~1.498)	BEARING CONN ROD(RED/1.494~1.498)	2	
	13221	13221-ABE1-E00-02	BEARING CONN	BEARING CONN ROD(GREEN/1.490~1.494)	2	
	13221	13221-ABE1-E00-03	BEARING CONN	BEARING CONN ROD(BLACK/1.486~1.490)	2	
	13222	13222-LKF5-E00	BEARING. CONN. ROD(1.491~1.494)	BEARING. CONN. ROD(1.491~1.494)	1	
	13223	13223-LKF5-E00	BEARING. CONN. ROD(1.486~1.490)	BEARING. CONN. ROD(1.486~1.490)	2	
	1342A	1342A-LKF5-E01	SHAFT COMP.. BALANCER	SHAFT COMP.. BALANCER	1	
	14401	14401-PWB1-900	CHAIN CAM	CHAIN CAM	1	
	14510	14510-LKF5-E01	TENSIONER. CAM CHAIN	TENSIONER. CAM CHAIN	1	
	14523	14523-LKF5-E00	GASKET TENSIONER LIFTER @A	GASKET TENSIONER LIFTER @A	1	
	14531	14531-KHE7-900	PIVOT CAM CHAIN TENSIONER	PIVOT CAM CHAIN TENSIONER	1	
	14550	14550-LKF5-E00	ADJUSTER CAM CHAIN	ADJUSTER. CAM CHAIN	1	
	14610	14610-LEA7-E00	GUIDE COMP CAM CHAIN	GUIDE COMP CAM CHAIN	1	

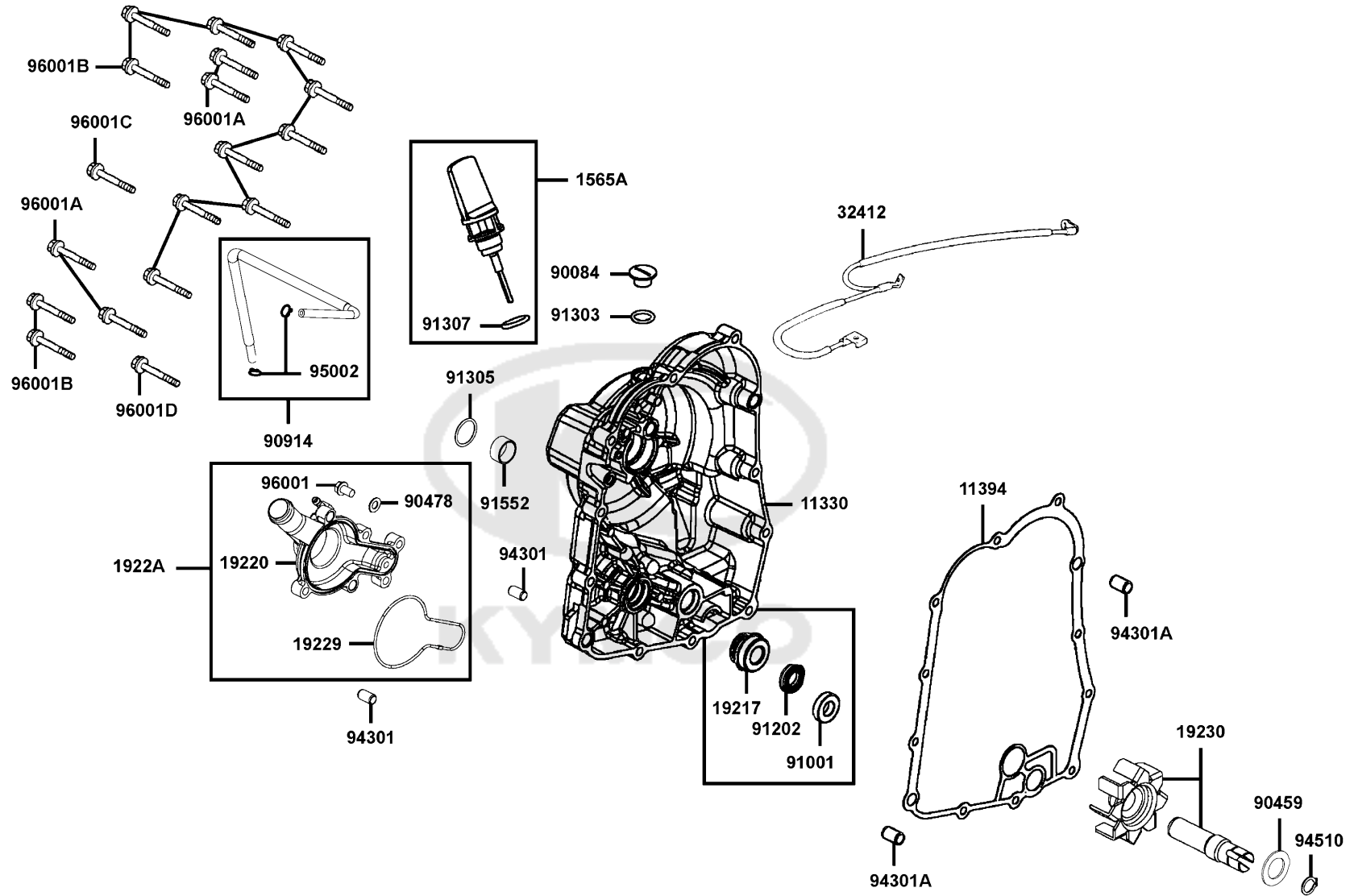


Sales mark	Ref no	Part no	Description	Reg description	Regd no	E03
	94301-12200	94301-12200	DOWEL PIN 12*20	DOWEL PIN 12*20	2	
	94401	94401-25140	WOODRUFF KEY 25*14	WOODRUFF KEY 25*14	1	
	94601	94601-PSA6-E00	CIRCLIP PISTON PIN 20MM	CIRCLIP PISTON PIN 20MM	2	
	96001-06025	96001-06025-06	BOLT FLANGE SH 6*25	BOLT FLANGE SH 6*25	3	
	96100-63040	96100-63040-00	BRG BALL RADIAL 6304	BRG BALL RADIAL 6304	2	
						

Sales mark	Ref no	Part no	Description	Reg description	Regd no	E04
**	11330	11330-ADG5-E00	COVER COMP R CRANK CASE	COVER COMP R CRANK CASE	1	
	11394	11394-ADG5-E00	GASKET R COVER	GASKET R COVER	1	
	1565A	1565A-LBA2-E00	GAUGE OIL LEVEL ASSY	GAUGE OIL LEVEL ASSY	1	
	19217	19217-ZPA3-E00	SEAL MECHANICAL	SEAL MECHANICAL	1	
**	19220	19220-LKF5-305	COVER WATER PUMP	COVER WATER PUMP	1	
	19229	19229-LKF5-E00	O-RING. WATER PUMP	O-RING. WATER PUMP	1	
**	1922A	1922A-LKF5-E00	COVER ASSY WATER PUMP	COVER ASSY WATER PUMP	1	
	19230	19230-LKF5-E00	ASSY WATER PUMP	ASSY WATER PUMP	1	
	32412	32412-ADG5-E00	CABLE EARTH	CABLE EARTH	1	
	90084	90084-KKF9-901	CAP AC GENERATOR	CAP ACG	1	
	90459	90459-LKF5-E00	WASHER 12MM	WASHER 12MM	1	
	90478	90478-7L00-001	WASHER A 6MM	WASHER A 6MM	1	
	90914	90914-LKF5-E00	TUBE ASSY.WATER	TUBE ASSY.WATER	1	
	91001	91001-KKJ9-006	BRG BALL RADIAL 6901	BRG BALL RADIAL 6901	1	
	91202	91202-LKG2-900	OIL SEAL 13.7*24*5	OIL SEAL 13.7*24*5	1	
	91303	91303-3G77-001	O-RING 13.8*2.5	O-RING 13.8*2.5	1	
	91305	91305-LEH6-E00	O RING 19.8x1.9	O RING 19.8x1.9	1	
	91307	91307-0E35-001	O RING 18*3	O RING 18*3	1	
	91552	91552-LEH6-E00	COLLAR 20mm	COLLAR 20mm	1	
	94301	94301-08140	DOWEL PIN 8*14	DOWEL PIN 8*14	2	

E04

Right Crankcase Cover Water Pump

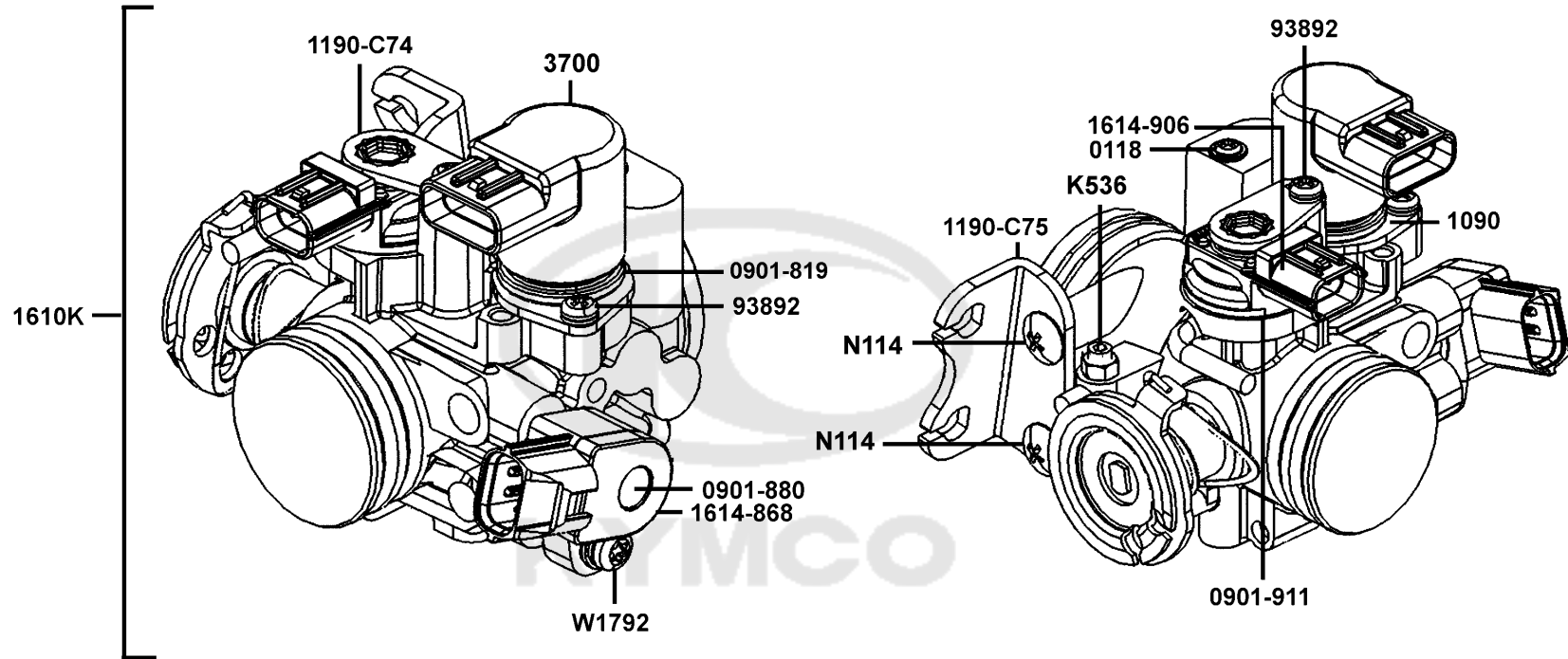


Sales mark	Ref no	Part no	Description	Reg description	Regd no	E04
94301A		94301-10160	DOWEL PIN 10*16	DOWEL PIN 10*16	2	
94510		94510-12000	CIR CLIP EXTERNAL 12	CIR CLIP EXTERNAL 12	1	
95002		95002-02070	CLIP B7 TUBE	CLIP B7 TUBE	2	
96001		96001-06010-00	BOLT FLANGE SH 6X10	BOLT FLANGE SH 6X10	1	
96001A		96001-06022-06	BOLT FLANGE SH 6*22 (G)	BOLT FLANGE SH 6*22 (G)	4	
96001B		96001-06028-06	BOLT FLANGE SH 6*28	BOLT FLANGE SH 6*28	12	
96001C		96001-06035-06	BOLT FLANGE SH 6*35	BOLT FLANGE SH 6*35	1	
96001D		96001-06125-06	BOLT FLANGE SH 6*125	BOLT FLANGE SH 6*125	1	



E05

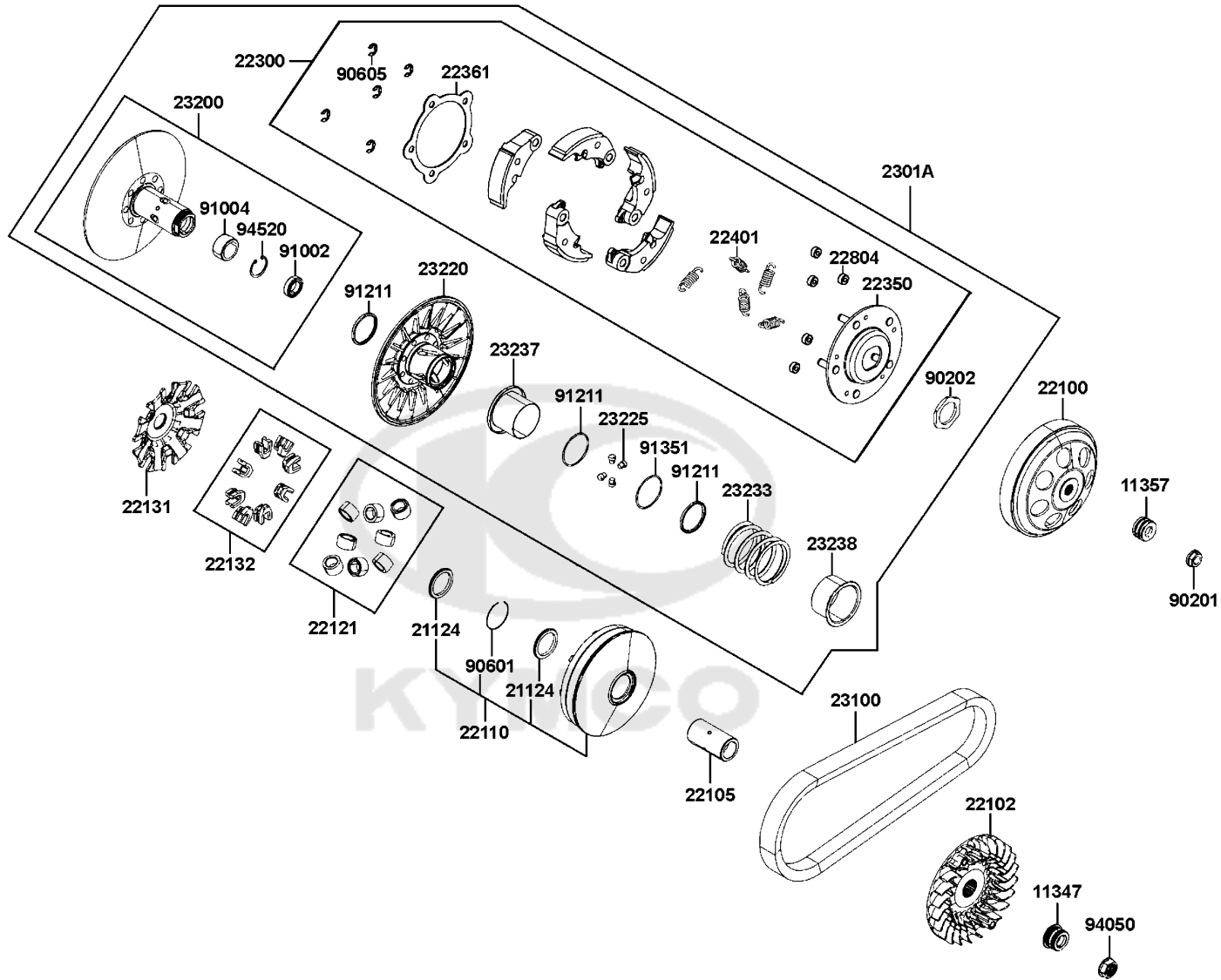
Throttle Body Assy



Sales mark	Ref no	Part no	Description	Reg description	Regd no	E05
0118		0118-814-1100-3	SCREW SET	SCREW SET	1	
0901-819		0901-819-6001	O-RING	O-RING	1	
0901-880		0901-880-6000	O-RING/TPS	O-RING/TPS	1	
0901-911		0901-911-6000	O-RING	O-RING	1	
1090		1090-873-2001	SET PLATE	SET PLATE	1	
1190-C74		1190-C74-2000	STAY PLATE	STAY PLATE	1	
1190-C75		1190-C75-2000	BRACKET / THROTTLE CABLE	BRACKET / THROTTLE CABLE	1	
1610K		1610K-LKF5-900	THROTTLE BODY ASSY	CARBURETOR ASSY.	1	
1614-868		1614-868-0000-S	THROTTLE POSITION SENSER	THROTTLE POSITION SENSER	1	
1614-906		1614-906-0002	MAP SENSOR	MAP SENSOR	1	
3700		3700-A35B-0110	ISC VALVE	ISC VALVE	1	
93892		93892-04008-16	SCREW WASHER 4X8	SCREW WASHER 4X8	1	
K536		K536-174-0200	SCREW SET	SCREW SET	1	
N114		N114-05103-3	SCREW WASHER	SCREW WASHER	2	
W1792		W1792-048-9901	SCREW TORX M5*0.8/TPS	SCREW TORX M5*0.8/TPS	1	

E06

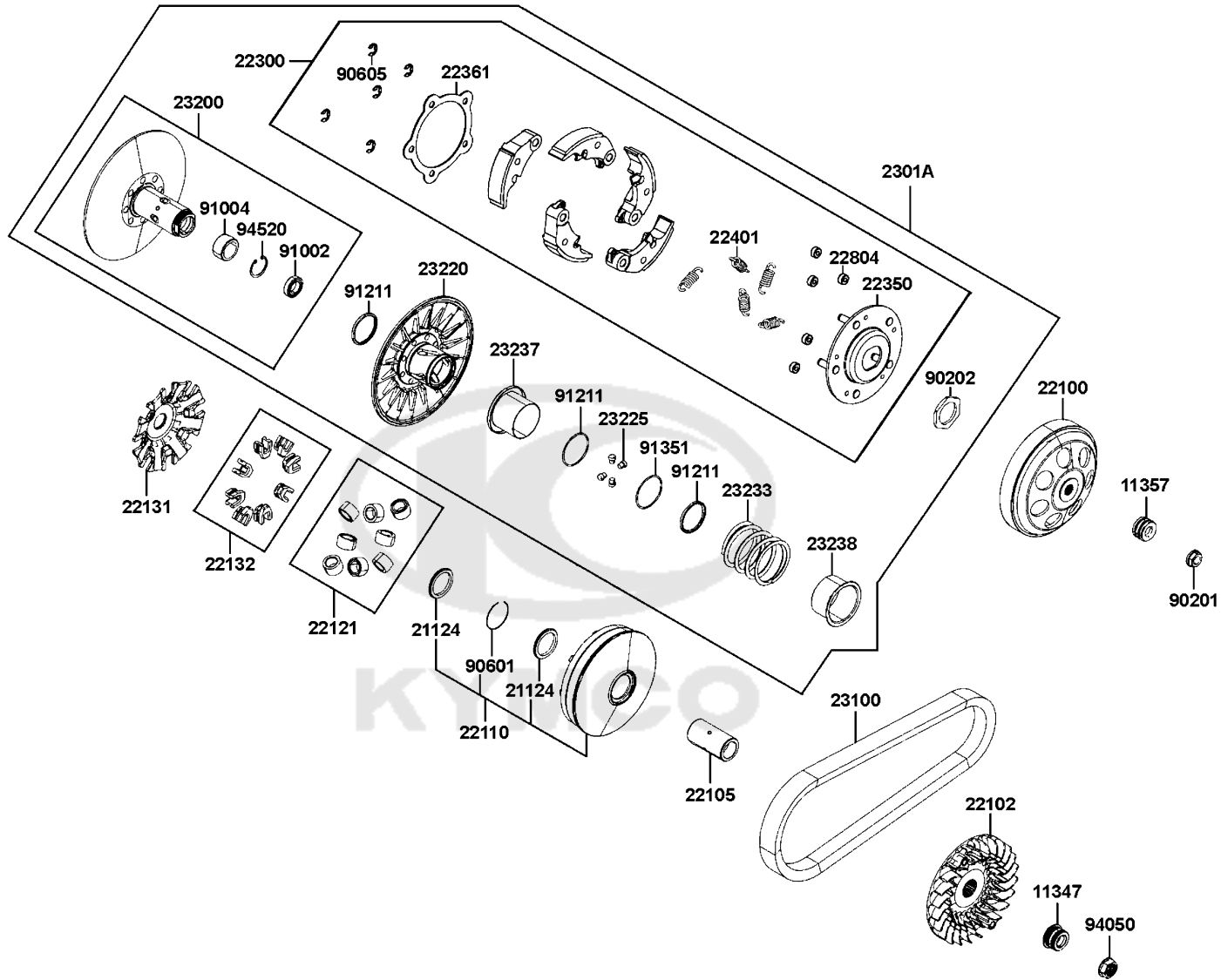
Drive Pulley



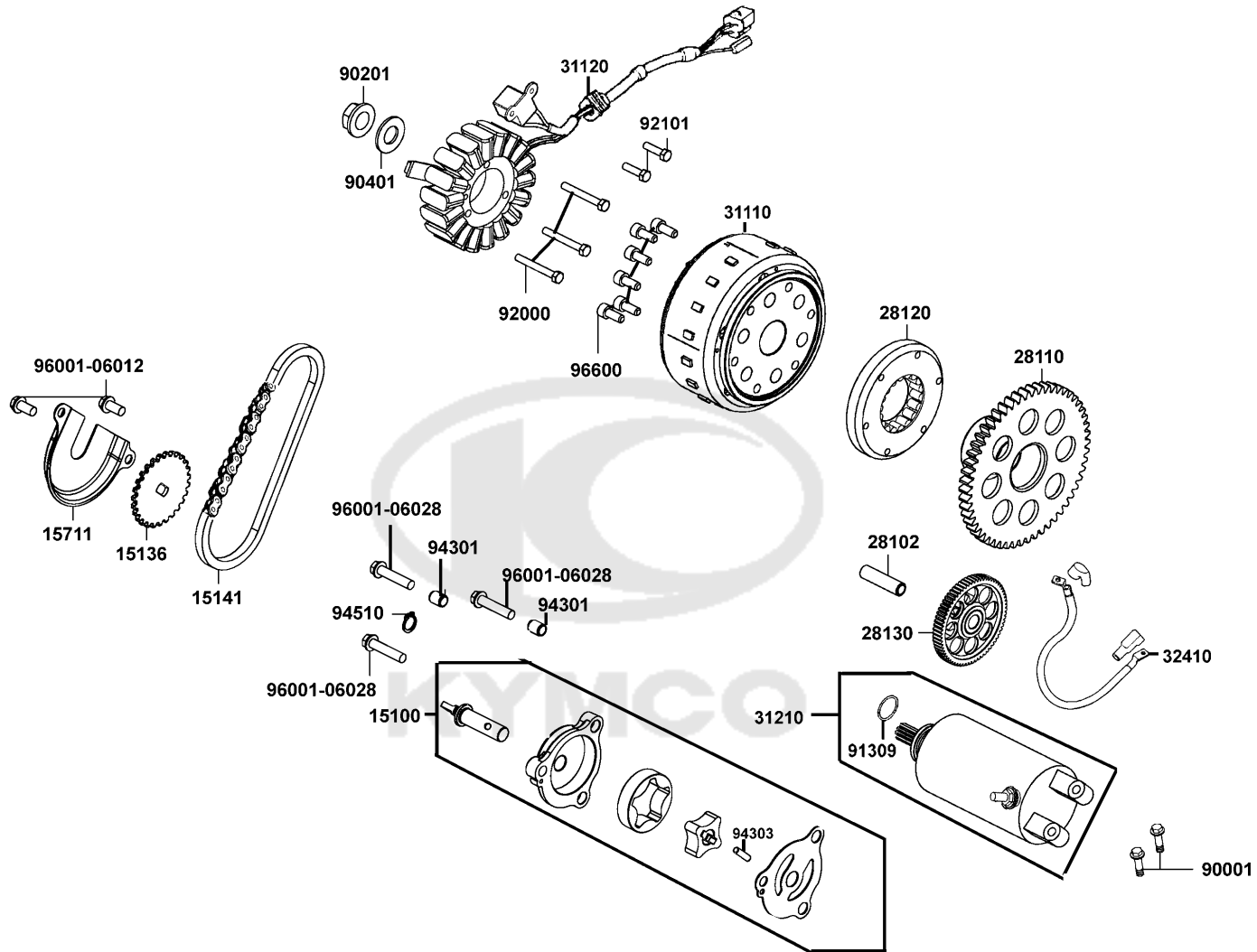
Sales mark	Ref no	Part no	Description	Reg description	Regd no	E06
	11347	11347-LKF5-E00	BOSS DRIVE SHAFT	BOSS DRIVE SHAFT	1	
	11357	11357-LKF5-E00	BOSS DRIVE SHAFT	BOSS DRIVE SHAFT	1	
	21124	21124-LKF5-E00	OIL SEAL 35*45*4	OIL SEAL 35*45*4	2	
	22100	22100-ADG5-E00	OUTER COMP CLUTCH	OUTER COMP CLUTCH	1	
	22102	22102-LKF5-E02	FACE COMP DRIVER	FACE COMP DRIVER	1	
	22105	22105-LKF5-E02	BOSS DRIVE FACE	BOSS DRIVE FACE	1	
	22110	22110-ADG5-E00	FACE COMP MOVABLE DRIVE	FACE COMP MOVABLE DRIVE	1	
	22121	22121-ADG5-305	ROLLER SET WEIGHT(1SET:8 PCS)	ROLLER SET WEIGHT(1SET:8 PCS)	1	
	22131	22131-ADG5-E00	PLATE RAMP	PLATE RAMP	1	
	22132	22132-ADG5-305	PIECE SET SLIDE(1 SET:8 PCS)	PIECE SET SLIDE(1 SET:8 PCS)	1	
	22300	22300-LKF5-E01	PLATE ASSY DRIVE	PLATE ASSY. DRIVE	1	
	22350	22350-LKF5-E01	PLATE COMP. DRIVE	PLATE COMP. DRIVE	1	
	22361	22361-LBA2-E00	PLATE CLUTCH SIDE	PLATE CLUTCH SIDE	1	
	22401	22401-ADG5-E00	SPRING. CLUTCH	SPRING. CLUTCH	5	
	22804	22804-GBB2-001	RUBBER CLUTCH DAMPER	RUBBER CLUTCH DAMPER	3	
	2301A	2301A-ADG5-E00	PULLEY SUB ASSY DRIVEN	PULLEY SUB ASSY DRIVEN	1	
	23100	23100-LKF5-E02	BELT DRIVE (N-6M)	BELT DRIVE (N-6M)	1	
	23200	23200-LKF5-E02	FACE ASSY DRIVEN	FACE ASSY DRIVEN	1	
	23220	23220-ADG5-E00	FACE COMP MOVABLE DRIVEN	FACE COMP MOVABLE DRIVEN	1	
	23225	23225-LKF5-E00	PIN ROLLER GUIDE	PIN ROLLER GUIDE	4	

E06

Drive Pulley

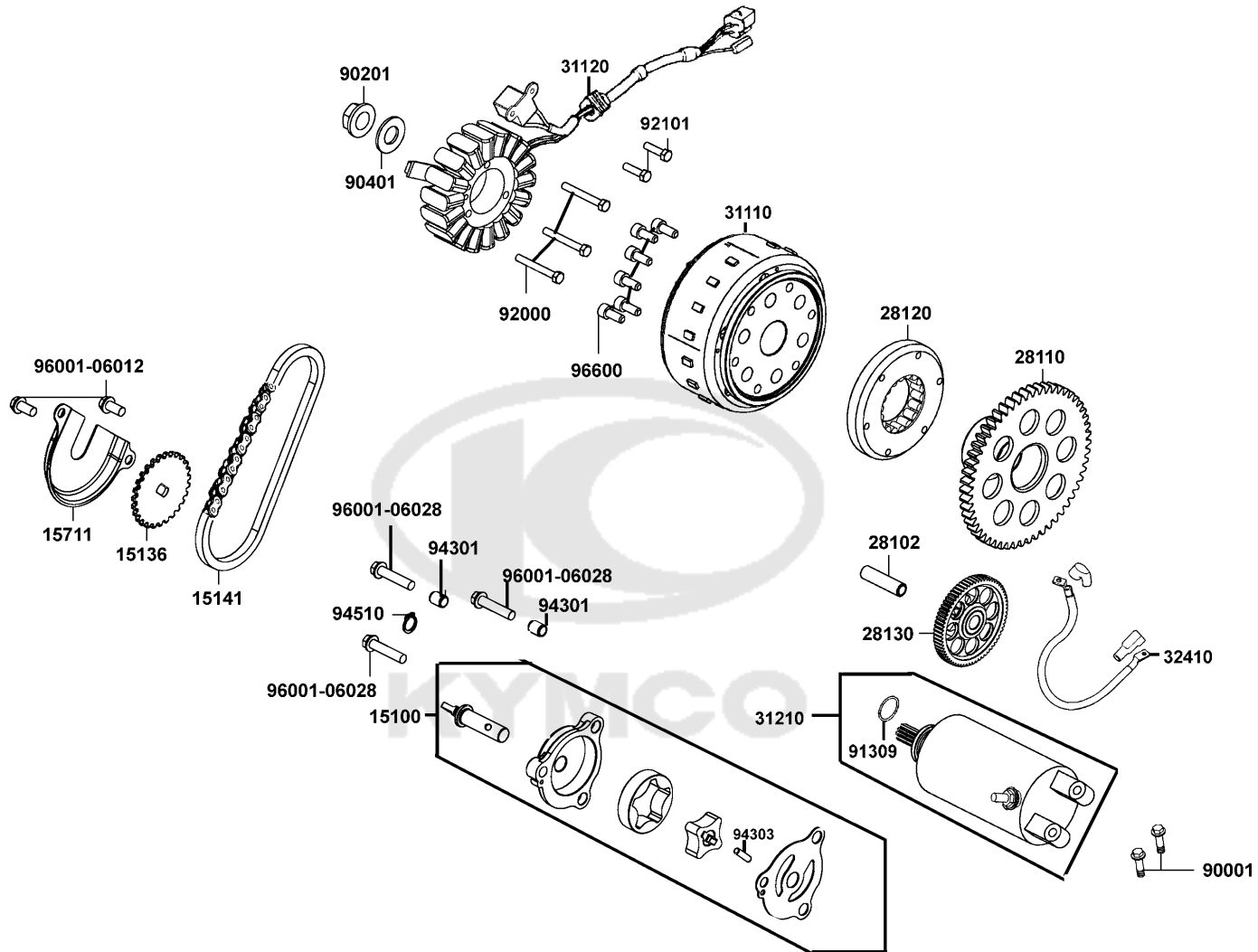


Sales mark	Ref no	Part no	Description	Reg description	Regd no	E06
23233		23233-LEA7-E00	SPG DRIVEN FACE	SPG DRIVEN FACE	1	
23237		23237-LKF5-E00	COLLAR SEAL	COLLAR SEAL	1	
23238		23238-LKF5-E01	COLLAR SPG	COLLAR SPG	1	
90201		90201-LKF5-E00	NUT. HEX	NUT. HEX	1	
90202		90202-LDB5-E00	NUT SPECIAL 36MM	NUT SPECIAL 36MM	1	
90601		90601-LKF5-E00	TUBE NULL	TUBE NULL	1	
90605		90605-1F66-721	CIR CLIP 7MM	CIR CLIP 7MM	3	
91002		91002-LKF5-E00	SET RING	SET RING	1	
91004		91004-LBA2-E00	BRG NDL 25*33*18	BRG NDL 25*33*18	1	
91211		91211-LDB5-E00	SEAL DRIVEN FACE 40.2*47*4	SEAL DRIVEN FACE 40.2*47*4	2	
91351		91351-LDB5-E00	O-RING PINION CAP	O-RING PINION CAP	2	
94050		94050-LKF5-E00	NUT FLANGE 18MM	NUT FLANGE 18MM	1	
94520		94520-30000	CIR CLIP IN 30	CIR CLIP IN 30	1	



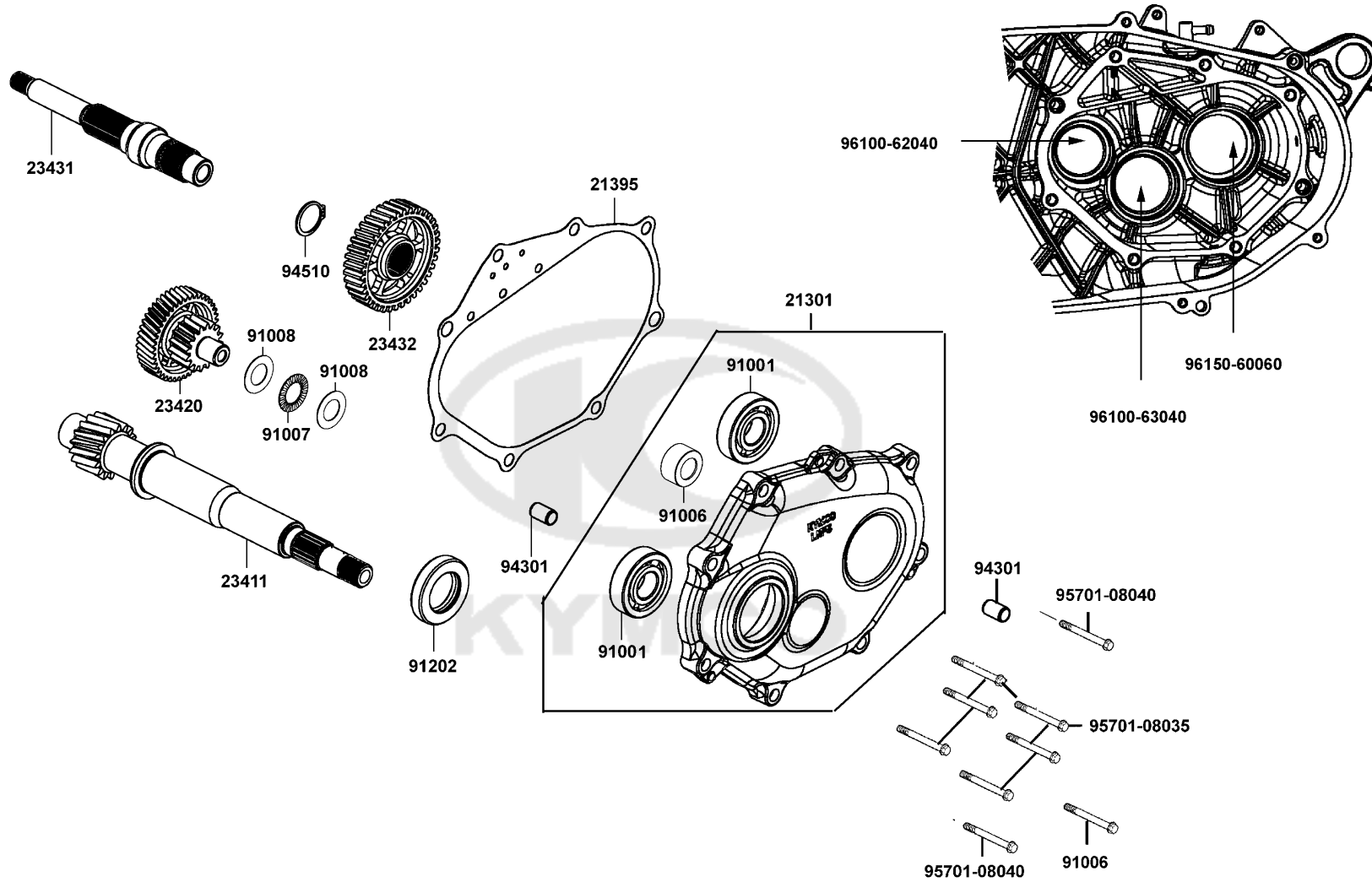
Sales mark	Ref no	Part no	Description	Reg description	Regd no	E07
15100		15100-ADG5-E00	OIL PUMP ASSY	OIL PUMP ASSY	1	
15136		15136-KKE5-E00	SPROCKET W/P DRIVEN	SPROCKET W/P DRIVEN	1	
15141		15141-LKF5-E00	CHAIN. OIL PUMP	CHAIN. OIL PUMP	1	
15711		15711-LKF5-E00	SEPARATOR OIL	SEPARATOR OIL	1	
28102		28102-LEA7-E00	SHAFT STARTER REDUCTION	SHAFT STARTER REDUCTION	1	
28110		28110-LKF5-E00	GEAR COMP.. STARTING CLUTCH	GEAR COMP., STARTING CLUTCH	1	
28120		28120-LKF5-E00	ONE WAY CLUTCH	ONE WAY CLUTCH	1	
28130		28130-LKF5-E00	GEAR COMP.. REDUCTION	GEAR COMP.. REDUCTION	1	
31110		31110-BAC8-E00	FLYWHEEL COMP	FLYWHEEL COMP	1	
31120		31120-ADG5-E00	STATOR COMP (D402)	STATOR COMP (D402)	1	
31210		31210-LKF5-E00	MOTOR UNIT STARTER	MOTOR UNIT STARTER	1	
32410		32410-ADG5-E00	CABLE STARTER MOTOR	CABLE STARTER MOTOR	1	
90001		90001-GBHB-661	BOLT FLANGE SH 6*22	BOLT FLANGE SH 6*22	2	
90201		90201-KHR8-75A	NUT FLANGE 14MM	NUT FLANGE 14MM	1	
90401		90401-KKJ9-001	WASHER THRUST 14*28*2	WASHER THRUST 14*28*2	1	
91309		91309-4E25-004	O-RING 24.4*3.1	O-RING 24.4*3.1	1	
92000		92000-LEA6-900	BOLT HEX 5*40	BOLT HEX 5*40	3	
92101		92101-05012-0G	BOLT HEX 5X12	BOLT HEX 5*12	1	
94301		94301-08100	DOWEL PIN 8*10	DOWEL PIN 8*10	2	
94303		94303-04160	PIN 4x16	PIN 4x16	1	

Starting Motor Generator



Sales mark	Ref no	Part no	Description	Reg description	Regd no	E07
	94510	94510-10000	CIR CLIP EX 10MM	CIR CLIP EX 10MM	1	
	96001-06012	96001-06012-06	BOLT FLANGE SH 6*12	BOLT FLANGE SH 6*12	1	
	96001-06028	96001-06028-06	BOLT FLANGE SH 6*28	BOLT FLANGE SH 6*28	3	
	96600	96600-06015-10	SOCKET BOLT 6*15 (B)	SOCKET BOLT 6*15 (B)	6	

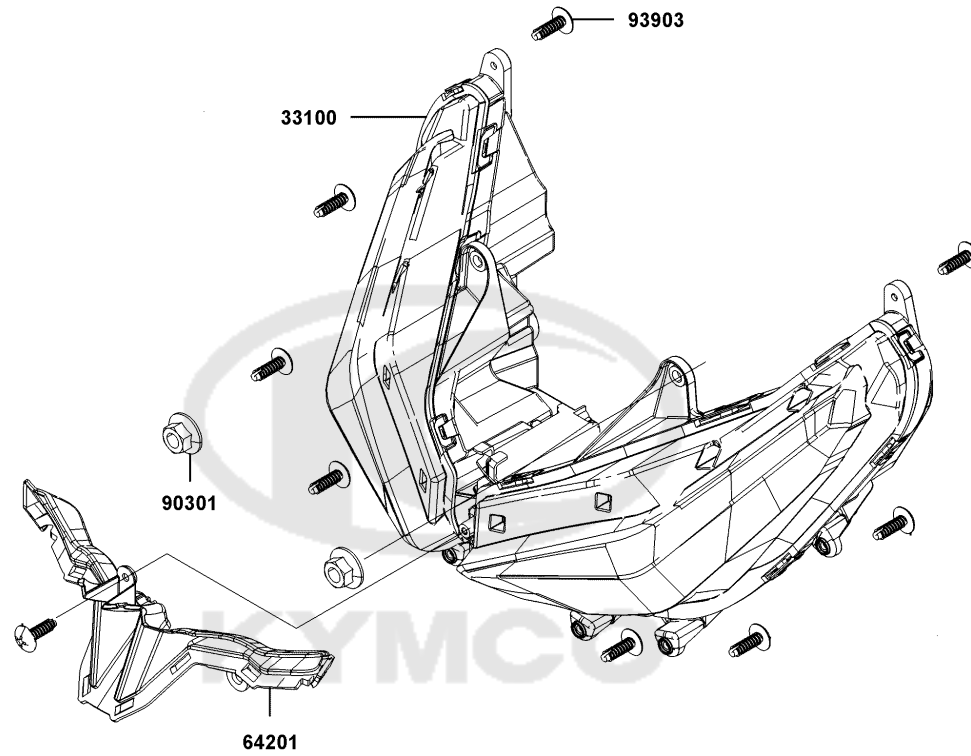




Sales mark	Ref no	Part no	Description	Reg description	Regd no	E08
21301		21301-LKF5-305	COVER. MISSION	COVER. MISSION	1	
21395		21395-LKF5-E00	GASKET MISSION CASE @A	GASKET MISSION CASE @A	1	
23411		23411-LKF5-E02	SHAFT DRIVE	SHAFT DRIVE	1	
23420		23420-LKF5-E00	SHAFT COMP.. COUNTER	SHAFT COMP.. COUNTER	1	
23431		23431-LKF5-E00	SHAFT. FINAL	SHAFT. FINAL	1	
23432		23432-LKF5-E00	GEAR. FINAL	GEAR. FINAL	1	
91001		91001-KHV8-004	BRG BALL RADIAL 6305	BRG BALL RADIAL 6305	1	
91006		91006-LKF5-E00	BEARING NK20X34X18	BEARING NK20X34X18	1	
91007		91007-LKF5-E00	BEARING AXK1104	BEARING AXK1104	1	
91008		91008-LKF5-E00	PLATE .BEARING	PLATE .BEARING	2	
91202		91202-LEA7-E0A	OIL SEAL 25*35*6	OIL SEAL 25*35*6	1	
94301		94301-10160	DOWEL PIN 10*16	DOWEL PIN 10*16	2	
94510		94510-29000	CIR CLIP EX 29	CIR CLIP EX 29	1	
95701-08035		95701-08035-06	BOLT FLANGE 8*35	BOLT FLANGE 8*35	1	
95701-08040		95701-08040-06	BOLT FLANGE 8x40 (G)	BOLT FLANGE 8x40 (G)	1	
96100-62040		96100-62040-00	BEARING BALL RADIAL 6204	BEARING BALL RADIAL 6204	1	
96100-63040		96100-63040-00	BRG BALL RADIAL 6304	BRG BALL RADIAL 6304	1	
96150-60060		96150-60060-10	BEARING BALL RADIAL 6006	BEARING BALL RADIAL 6006	1	

F01

Head Light



Sales mark	Ref no	Part no	Description	Reg description	Regd no	F01
------------	--------	---------	-------------	-----------------	---------	------------

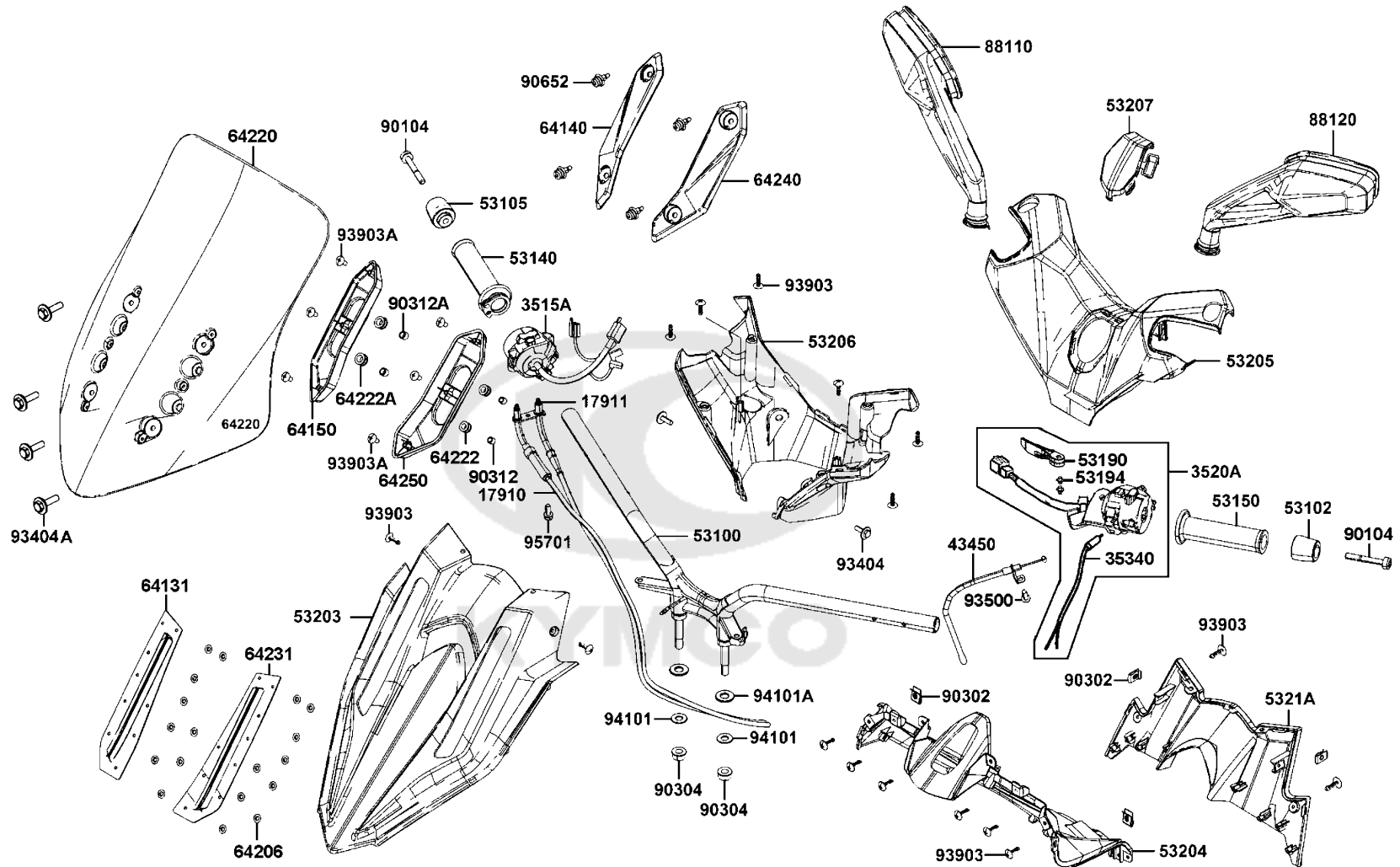
	33100	33100-BAC8-E00	LIGHT ASSY HEAD	LIGHT ASSY HEAD	1	
**	64201	64201-BAC8-E00	COVER B FORNT	COVER B FORNT	1	
	90301	90301-6D34-671	NUT FLANGE 6MM	NUT FLANGE 6MM	2	
	93903	93903-25260	SCREW TAPPING 5*12	SCREW TAPPING 5*12	9	



Sales mark	Ref no	Part no	Description	Reg description	Regd no	F02
------------	--------	---------	-------------	-----------------	---------	------------

37200	37200-BAC8-E00	37200-BAC8-E00	METER ASSY SPEED	METER ASSY SPEED	1	
37202	37202-BAC8-E00	37202-BAC8-E00	LENS	LENS	1	
90111	90111-LEB1-900	90111-LEB1-900	BOLT FLANGE 6MM	BOLT FLANGE 6MM	2	
93903	93903-35360	93903-35360	SCREW TAPPING 5*16	SCREW TAPPING 5*16	6	

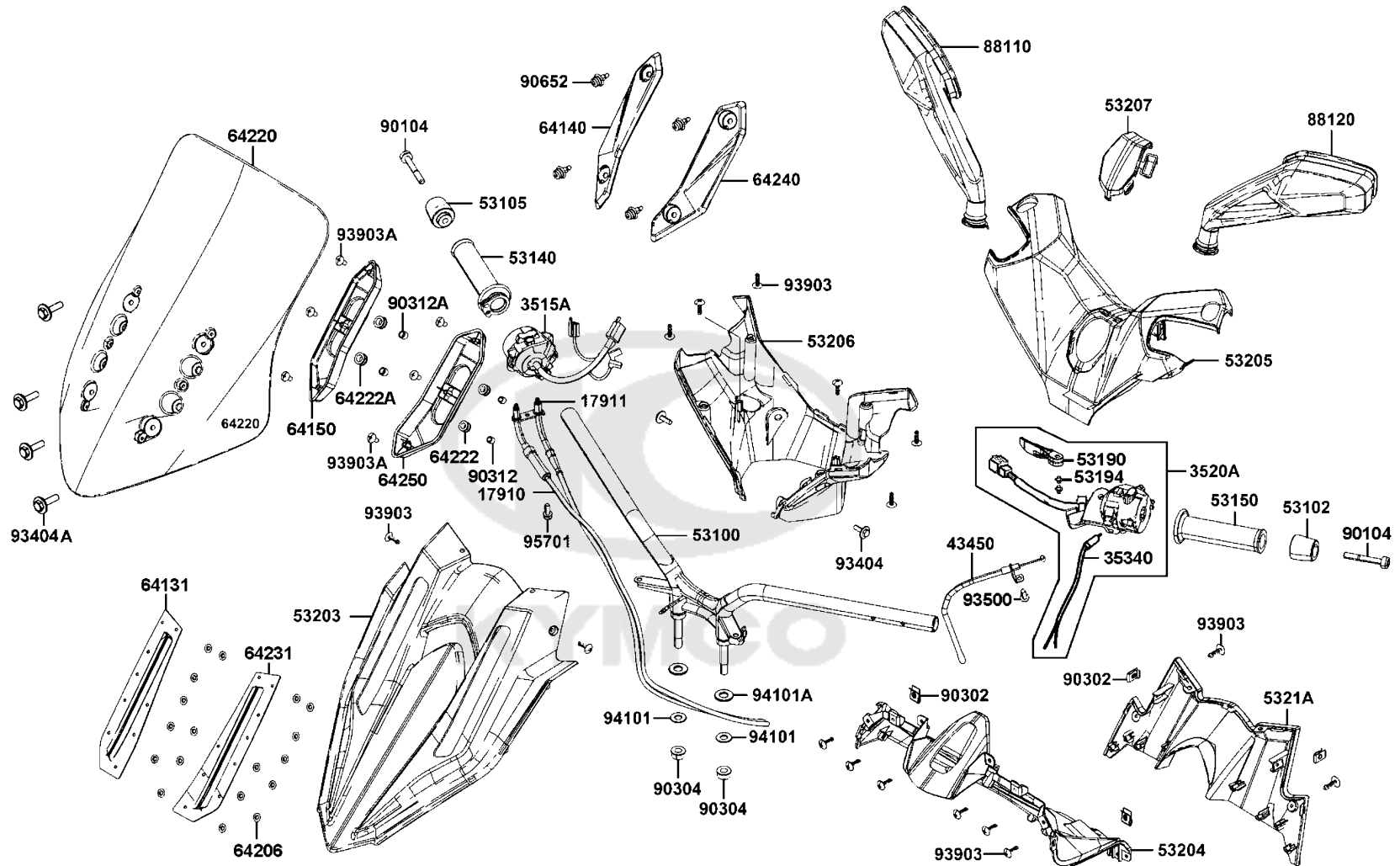




Sales mark	Ref no	Part no	Description	Reg description	Regd no	F03
	17910	17910-ADG5-E00	CABLE A THROT	CABLE A THROT	1	
	17911	17911-ADG5-E00	CABLE B THROT	CABLE B THROT	1	
	3515A	3515A-BAC8-E00	SW ASSY RH HANDLE COMP	SW ASSY RH HANDLE COMP	1	
	3520A	3520A-BAC8-E00	SW ASSY LH HANDLE COMP	SW ASSY LH HANDLE COMP	1	
	35340	35340-ADG5-E00	SW ASSY FRONT STOP	SW ASSY FRONT STOP	1	
	43450	43450-ADG5-E00	CABLE COMP PARKING	CABLE COMP PARKING	1	
	53100	53100-ADG5-E00	HANDLE COMP STRG	HANDLE COMP STRG	1	
**	53102	53102-LEA5-E00	END L STRG HANDLE **(2)	END L STRG HANDLE **(2)	1	
**	53105	53105-LEA5-E00	END R STRG HANDLE **(2) C.2007.01.03	END R STRG HANDLE **(2) C.2007.01.03	1	
**	53140	53140-LHJ3-900	GRIP COMP THROT (Medium Gray)	GRIP COMP THROT (Medium Gray)	1	
**	53150	53150-LEA6-900	GRIP COMP L HANDLE	GRIP COMP L HANDLE	1	
	53190	53190-ADG5-E00	LEVER PARKING BRAKE	LEVER PARKING BRAKE	1	
	53194	53194-LGC6-E00	PIVOT BOSS	PIVOT BOSS	2	
	53203	53203-ADG5-E00	COVER METER FR	COVER METER FR	1	
**	53204	53204-ADG5-E00	COVER A METER	COVER A METER	1	
**	53205	53205-ADG5-E00	COVER HANDLE UP (Black)	COVER HANDLE UP (Black)	1	
**	53206	53206-ADG5-E00	COVER HANDLE LOW (Black)	COVER HANDLE LOW (Black)	1	
**	53207	53207-ADG5-E00	TOP COVER HANDLE COVER	TOP COVER HANDLE COVER	1	
**	5321A	5321A-ADG5-E00	COVER B ASSY METER	COVER B ASSY METER	1	
	64131	64131-ADG5-E00	RUBBER R FR METER COVER	RUBBER R FR METER COVER	1	

F03

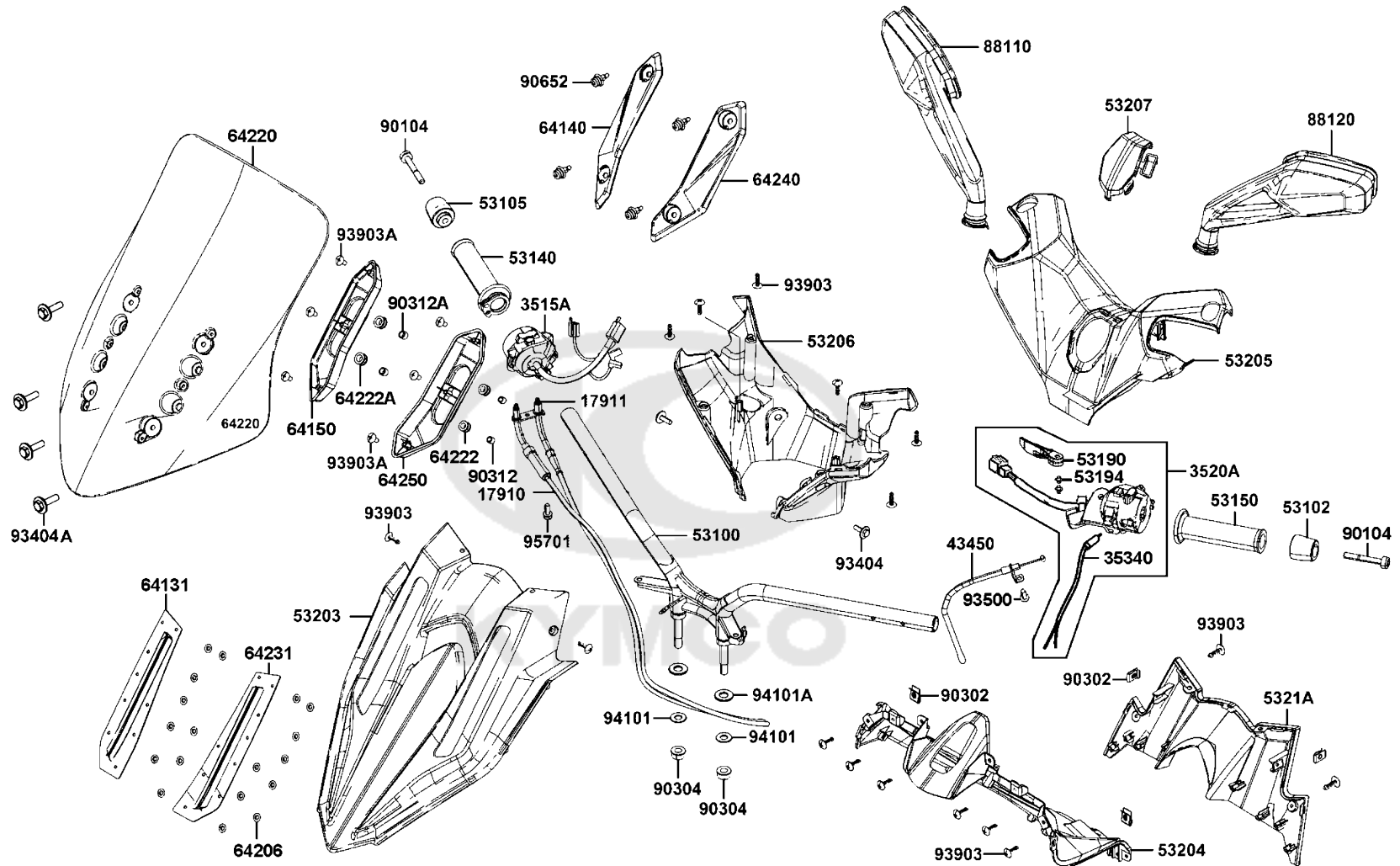
Handle Steering



Sales mark	Ref no	Part no	Description	Reg description	Regd no	F03
**	64140	64140-ADG5-E00	COVER R WIND SCREEN	COVER R WIND SCREEN	1	
	64150	64150-ADG5-E00	COVER R WIND SCREEN LOW	COVER R WIND SCREEN LOW	1	
	64206	64206-MLJ0-001	NUT SPEED 4MM	NUT SPEED 4MM	18	
**	64220	64220-ADG5-E00	WIND SCREEN	WIND SCREEN	1	
	64222	64222-KKC4-900	RUBBER WIND SCREEN	RUBBER WIND SCREEN	2	
	64222A	64222-LLJ3-E00	RUBBER WIND SCREEN	RUBBER WIND SCREEN	2	
	64231	64231-ADG5-E00	RUBBER L FR METER COVER	RUBBER L FR METER COVER	1	
**	64240	64240-ADG5-E00	COVER L WIND SCREEN	COVER L WIND SCREEN	1	
	64250	64250-ADG5-E00	COVER L WIND SCREEN LOW	COVER L WIND SCREEN LOW	1	
	88110	88110-ADG5-E00	MIRROR ASSY. R BACK	MIRROR ASSY. R BACK	1	
	88120	88120-ADG5-E00	MIRROR ASSY. L BACK	MIRROR ASSY. L BACK	1	
	90104	90104-LEA7-E00	BOLT WASH M8*60	BOLT WASH M8*60	2	
	90302	90302-SDA4-004	NUT SPRING 4MM	NUT SPRING 4MM	4	
	90304	90304-LEA1-900	NUT U FLANGE 10MM	NUT U 10MM	2	
	90312	90312-GLF0-001	COLLAR BODY COVER	COLLAR BODY COVER	2	
	90312A	90312-LLJ3-E00	COLLAR WIND SCREEN	COLLAR WIND SCREEN	2	
	90652	90652-LGC6-E00	PUSH RIVET	PUSH RIVET	4	
	93404	93404-06012-06	BOLT WASHER 6*12 (G)	BOLT WASHER 6*12 (G)	2	
	93404A	93404-06020-06	BOLT WASHER 6*20 (G)	BOLT WASHER 6*20 (G)	4	
	93500	93500-05010-0F	SCREW PAN 5X10	SCREW PAN 5X10	1	

F03

Handle Steering



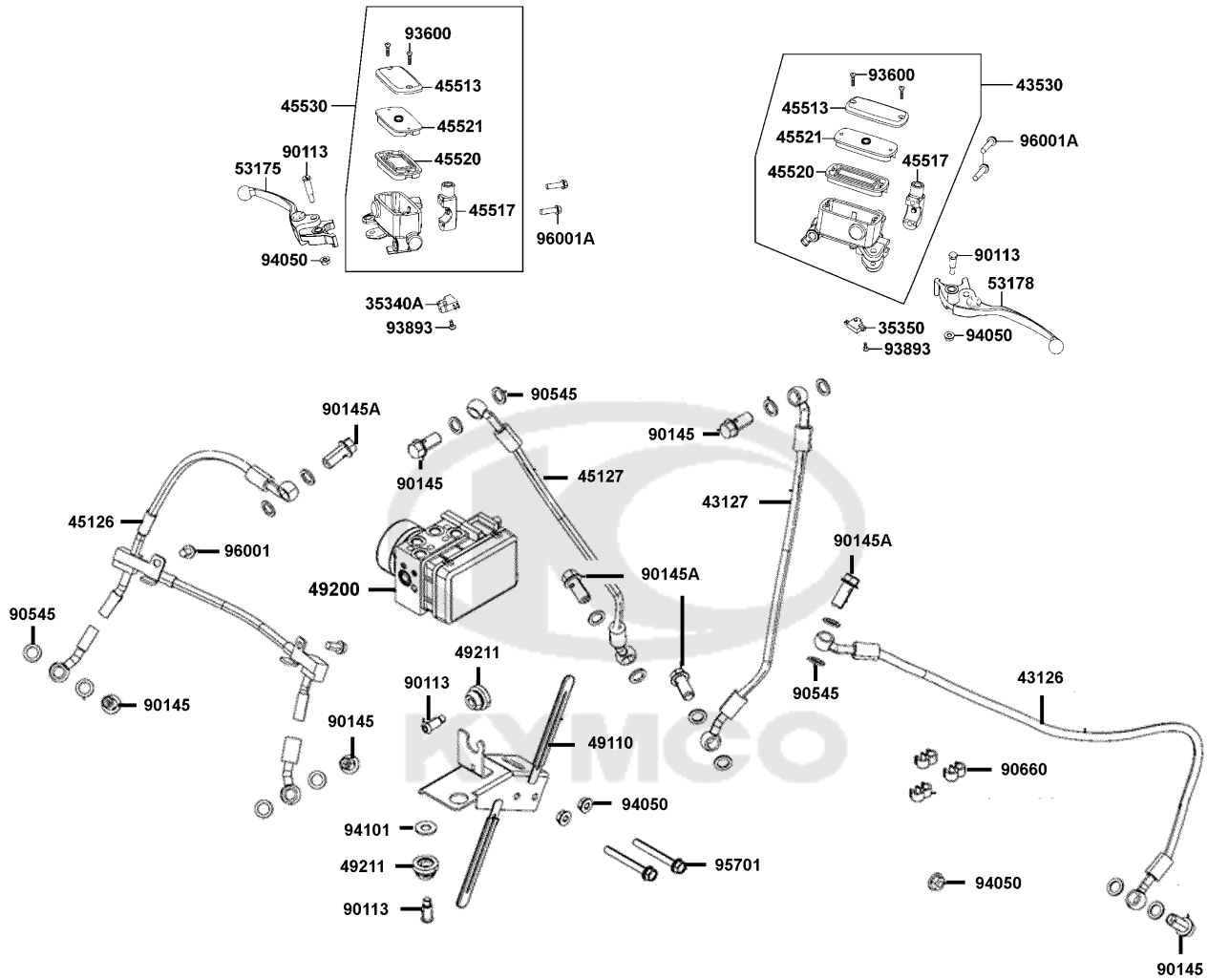
Sales mark	Ref no	Part no	Description	Reg description	Regd no	F03
------------	--------	---------	-------------	-----------------	---------	------------

93903		93903-24360	SCREW TAPPING 4*12	SCREW TAPPING 4*12	16	
93903A		93903-25260	SCREW TAPPING 5*12	SCREW TAPPING 5*12	6	
94101		94101-10000	WASHER PLAIN 10MM	WASHER PLAIN 10MM	2	
94101A		94101-12000	WASHER PLAIN 12 MM	WASHER PLAIN 12 MM	2	
95701		95701-06012-06	BOLT FLANGE 6*12 **07 C.2005.07.01	BOLT FLANGE 6*12 **07 C.2005.07.01	1	



F04

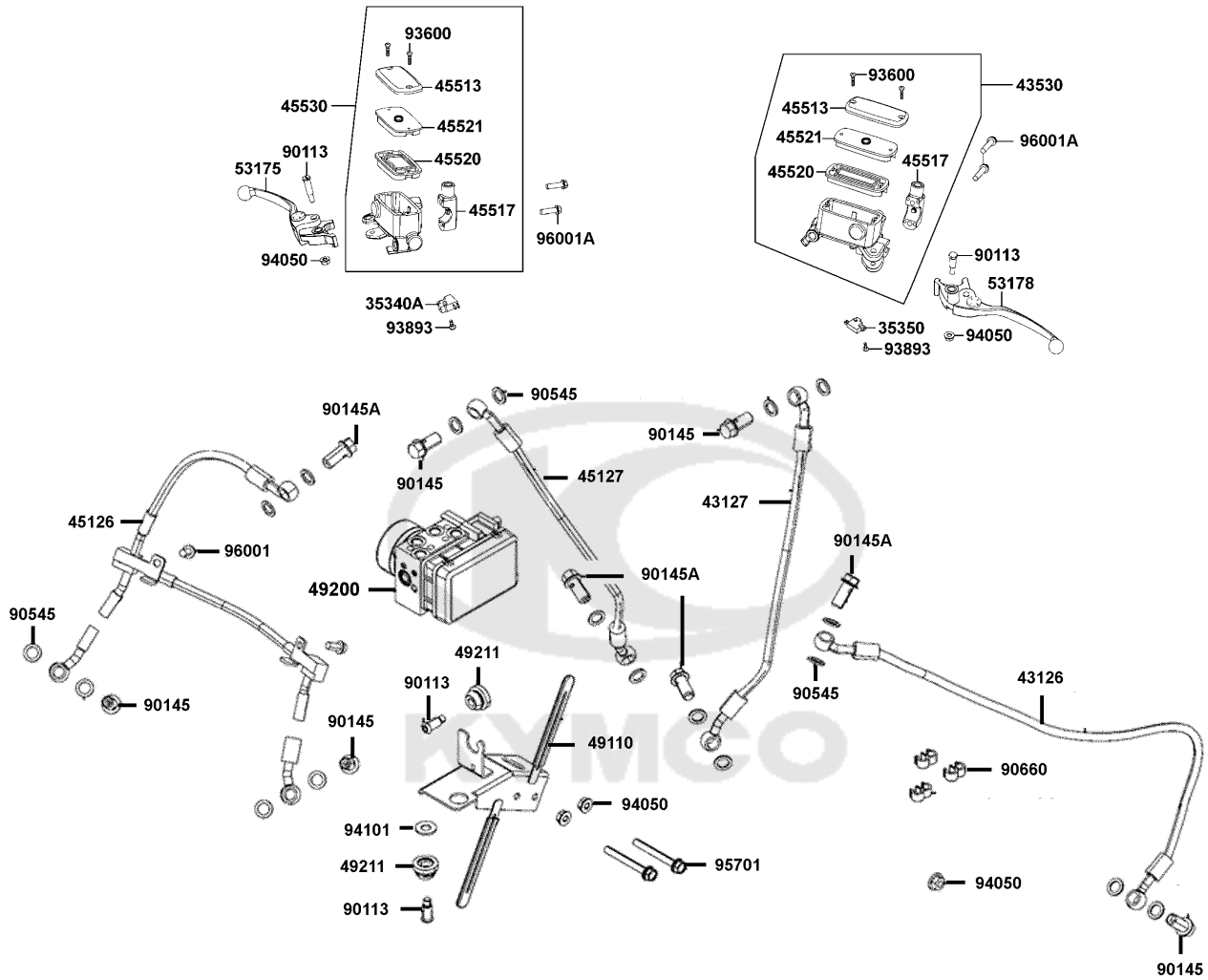
Master Cylinder



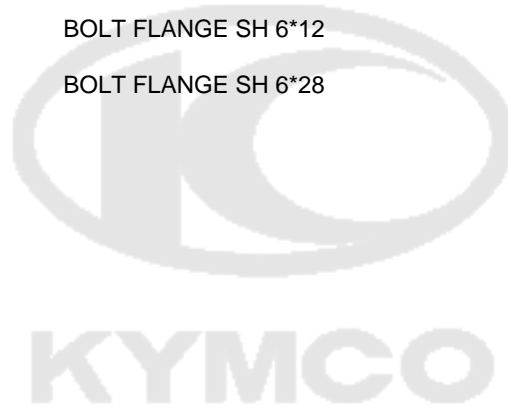
Sales mark	Ref no	Part no	Description	Reg description	Regd no	F04
	35340A	35340-LKF5-E01	SW ASSY FR STOP	SW ASSY FR STOP	1	
	35350	35350-LKF5-E01	SW ASSY RR STOP	SW ASSY RR STOP	1	
	43126	43126-ADG5-E00	HOSE ASSY A RR BRK	HOSE ASSY A RR BRK	1	
	43127	43127-ADG5-E00	HOSE ASSY B RR BRK	HOSE ASSY B RR BRK	1	
	43530	43530-LKF5-305	CYLINDER SET RR MASTER	CYLINDER SET RR MASTER	1	
	45126	45126-ADG5-E00	HOSE ASSY A FR BRK	HOSE ASSY A FR BRK	1	
	45127	45127-ADG5-E00	HOSE ASSY B FR BRK	HOSE ASSY B FR BRK	1	
	45513	45513-LEA7-E00	CAP MASTER CYLINDER	CAP MASTER CYLINDER	2	
	45517	45517-LKF5-E00	HOLDER M/C	HOLDER M/C	2	
	45520	45520-KKA8-900	DIAPHRAGM	DIAPHRAGM	2	
	45521	45521-LEA7-E00	PLATE DIAPHRAGM	PLATE DIAPHRAGM	2	
	45530	45530-LKF5-305	CYLINDER SET FR MASTER	CYLINDER SET FR MASTER	1	
	49110	49110-ADG5-E00	STAY ABS MODULATOR	STAY ABS MODULATOR	1	
	49200	49200-AKC3-E00	MODULATOR ASSY ABS+TCS	MODULATOR ASSY ABS+TCS	1	
	49211	49211-LFH1-E00	RUBBER BUSH	RUBBER BUSH	2	
**	53175	53175-LKF5-E00	LEVER R STRG HANDLE	LEVER R STRG HANDLE	1	
**	53178	53178-LKF5-E00	LEVER L STRG HANDLE	LEVER L STRG HANDLE	1	
	90113	90113-LGE5-E01	BOLT FLANGE 6*20 ABS	BOLT FLANGE 6X20 ABS	2	
	90145	90145-LEA3-E00	OIL BOLT 10*22	OIL BOLT 10*22	5	
	90145A	90145-LFH1-E00	OIL BOLT 10x22	OIL BOLT 10X22	4	

F04

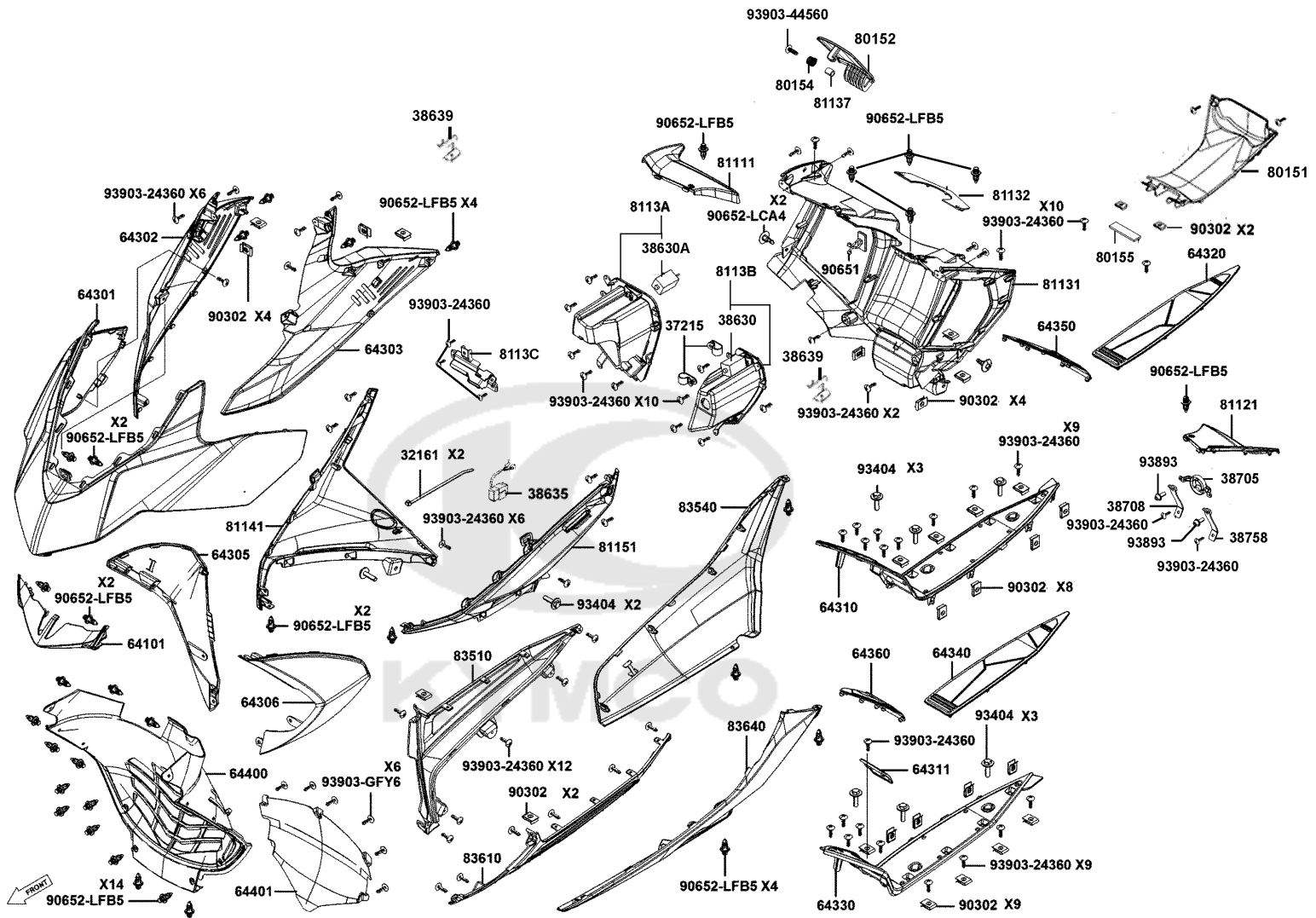
Master Cylinder



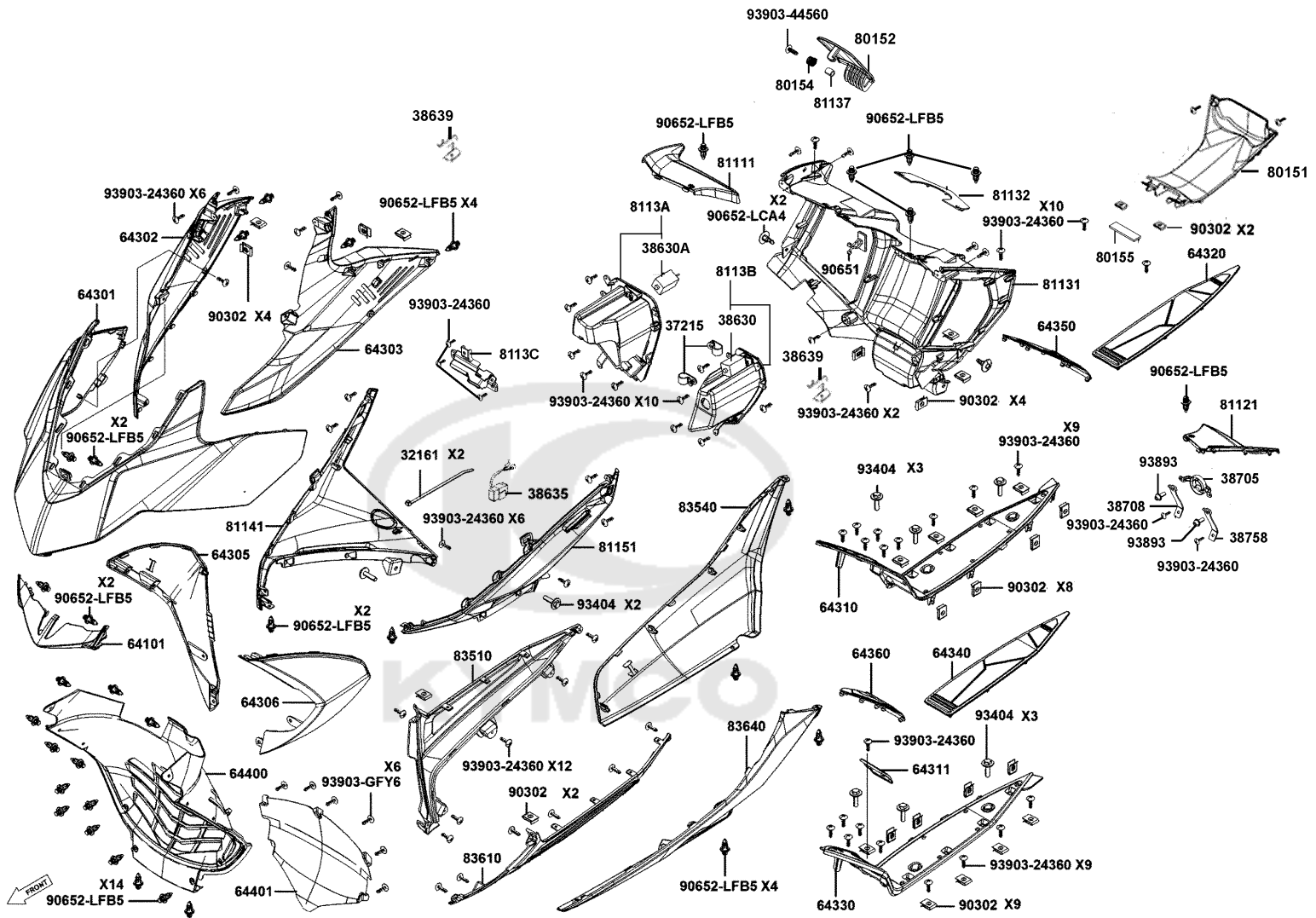
Sales mark	Ref no	Part no	Description	Reg description	Regd no	F04
	90545	90545-3L00-001	WASHER OIL BOLT	WASHER OIL BOLT	18	
	90660	90660-PWA2-900	CLAMP TUBE	CLAMP TUBE	3	
	93600	93600-04012-1G	SCREW FLAT 4*12	SCREW FLAT 4*12	4	
	93893	93893-04012-18	SCREW WASHER 4*12	SCREW WASHER 4*12	2	
	94050	94050-06060	NUT FLANGE 6MM	NUT FLANGE 6MM	3	
	94101	94101-08600	WASH PLAIN 8MM	WASH PLAIN 8MM	1	
	95701	95701-06050-06	BOLT FLANGE 6*50	BOLT FLANGE 6*50	2	
	96001	96001-06012-06	BOLT FLANGE SH 6*12	BOLT FLANGE SH 6*12	2	
	96001A	96001-06028-06	BOLT FLANGE SH 6*28	BOLT FLANGE SH 6*28	4	



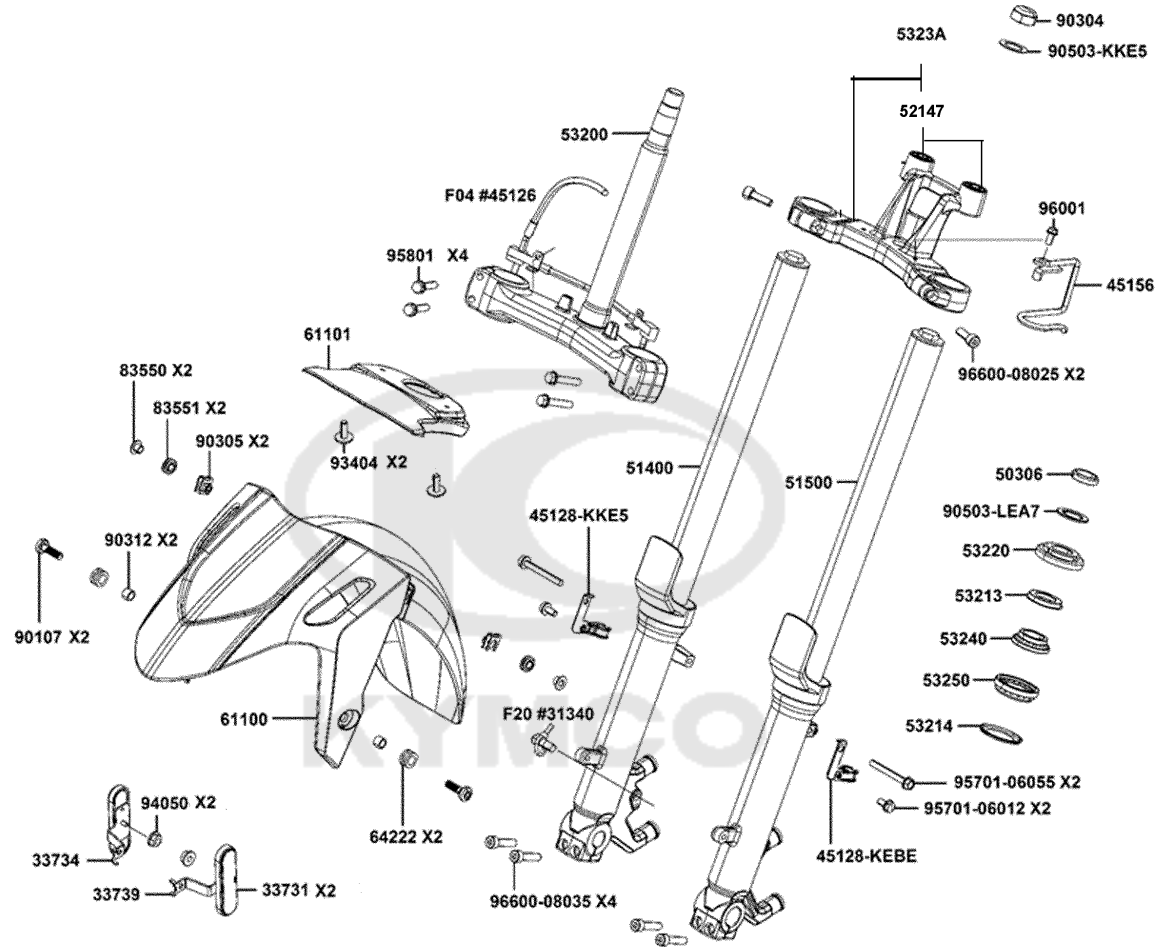
Sales mark	Ref no	Part no	Description	Reg description	Regd no	F05
	32161	32161-LBA7-900	BAND WIRE	BAND WIRE	2	
	37215	37215-LGM9-900	CLAMP	CLAMP	2	
	38630	38630-ADG5-E00	MAGNET VALVE RETENTIVITY	MAGNET VALVE RETENTIVITY	1	
	38630A	38630-ADG5-E01	MAGNET VALVE RETENTIVITY	MAGNET VALVE RETENTIVITY	1	
	38635	38635-ADG5-E00	CONTROLLER MAGNET VALVE	CONTROLLER MAGNET VALVE	1	
	38639	38639-ADG5-E00	STAY LOCK VALVE	STAY LOCK VALVE	2	
	38705	38705-AGJ5-E01	ANTENNA COMP SHORT RANGE	ANTENNA COMP SHORT RANGE	1	
	38708	38708-BAC8-E00	STAY R H SHORT ANTENN	STAY R H SHORT ANTENN	1	
	38758	38758-BAC8-E00	STAY L H SHORT ANTENN	STAY L H SHORT ANTENN	1	
**	64101	64101-BAC8-E00	COVER C FRONT	COVER C FRONT	1	
**	64301	64301-BAC8-E00	COVER A FRONT	COVER A FRONT	1	
**	64302	64302-BAC8-E00	MOLDING A R SIDE	MOLDING A R SIDE	1	
**	64303	64303-BAC8-E00	MOLDING A L SIDE	MOLDING A L SIDE	1	
**	64305	64305-ADG5-E00	SKIRT A FR. R SIDE	SKIRT A FR. R SIDE	1	
**	64306	64306-ADG5-E00	SKIRT A FR. L SIDE	SKIRT A FR. L SIDE	1	
**	64310	64310-ADG5-E00	PANEL R FLOOR (Black)	PANEL R FLOOR (Black)	1	
	64311	64311-ADG5-E00	LID RESERVE TANK	LID RESERVE TANK	1	
**	64320	64320-ADG5-E00	MAT R FLOOR (Black)	MAT R FLOOR (Black)	1	
**	64330	64330-ADG5-E00	PANEL L FLOOR (Black)	PANEL L FLOOR (Black)	1	
**	64340	64340-ADG5-E00	MAT L FLOOR (Black)	MAT L FLOOR (Black)	1	



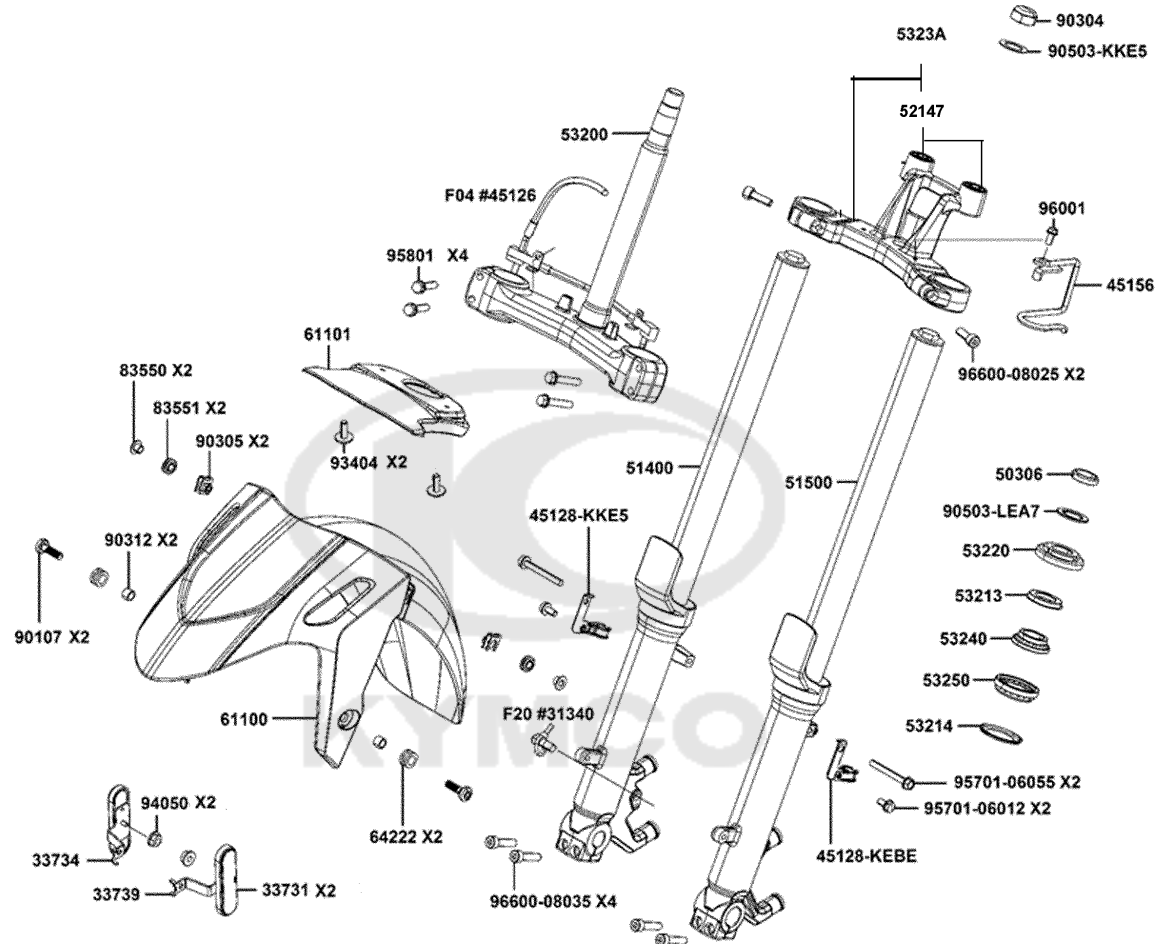
Sales mark	Ref no	Part no	Description	Reg description	Regd no	F05
**	64350	64350-ADG5-E00	MAT R LEG SHIELD (Black)	MAT R LEG SHIELD (Black)	1	
**	64360	64360-ADG5-E00	MAT L LEG SHIELD (Black)	MAT L LEG SHIELD (Black)	1	
**	64400	64400-ADG5-E00	COWL UNDER (Black)	COWL UNDER (Black)	1	
	64401	64401-ADG5-E00	MESH UNDER COWL	MESH UNDER COWL	1	
**	80151	80151-ADG5-E00	COVER CENTER	COVER CENTER	1	
**	80152	80152-BAC8-E00	LID FUEL CAP MAINT	LID FUEL CAP MAINT	1	
	80154	80154-BAC8-E00	SPRING	SPRING	1	
	80155	80155-AKB8-E00	SPONGE B LID FUEL CAP	SPONGE B LID FUEL CAP	1	
**	81111	81111-ADG5-E00	LID R LEG SHIELD	LID R LEG SHIELD	1	
**	81121	81121-ADG5-E00	LID L LEG SHIELD	LID L LEG SHIELD	1	
**	81131	81131-BAC8-E00	LEG SHIELD UP	LEG SHIELD UP	1	
**	81132	81132-BAC8-E00	LID LEG SHIELD	LID LEG SHIELD	1	
	81137	81137-BAC8-E00	COLLAR	COLLAR	1	
**	8113A	8113A-ADG5-E00	INNER BOX R FRONT (Black)	INNER BOX R FRONT (Black)	1	
**	8113B	8113B-ADG5-E00	INNER BOX L FRONT (Black)	INNER BOX L FRONT (Black)	1	
	8113C	8113C-BAC8-E00	LOCK ASSY FR BOX	LOCK ASSY FR BOX	1	
**	81141	81141-BAC8-E00	LEG SHILED R SIDE	LEG SHILED R SIDE	1	
**	81151	81151-BAC8-E00	LEG SHILED L SIDE	LEG SHILED L SIDE	1	
**	83510	83510-ADG5-E00	SKIRT A R SIDE (Black)	SKIRT A R SIDE (Black)	1	
**	83540	83540-ADG5-E00	SKIRT B, R SIDE	SKIRT B, R SIDE	1	



Sales mark	Ref no	Part no	Description	Reg description	Regd no	F05
**	83610	83610-ADG5-E00	SKIRT A L SIDE (Black)	SKIRT A L SIDE (Black)	1	
**	83640	83640-ADG5-E00	SKIRT B L SIDE	SKIRT B L SIDE	1	
	90302	90302-SDA4-004	NUT SPRING 4MM	NUT SPRING 4MM	27	
	90651	90651-LGM9-700	CLIP HARNESS WIRE	CLIP HARNESS WIRE	1	
	90652-LCA4	90652-LCA4-E00	CLIP MUDGUARD	CLIP MUDGUARD	2	
	90652-LFB5	90652-LFB5-900	CLIP MUDGUARD	CLIP MUDGUARD	34	
	93404	93404-06016-06	BOLT WASHER 6*16	BOLT WASHER 6*16	8	
	93893	93893-04012-0G	SCREW WASHER 4*12	SCREW WASHER 4*12	2	
	93903-24360	93903-24360	SCREW TAPPING 4*12	SCREW TAPPING 4*12	72	
	93903-44560	93903-44560	SCREW TAPPING 4*20	SCREW TAPPING 4*20	1	
	93903-GFY6	93903-GFY6-900	SCREW TAPPING 4*14	SCREW TAPPING 4*14	6	



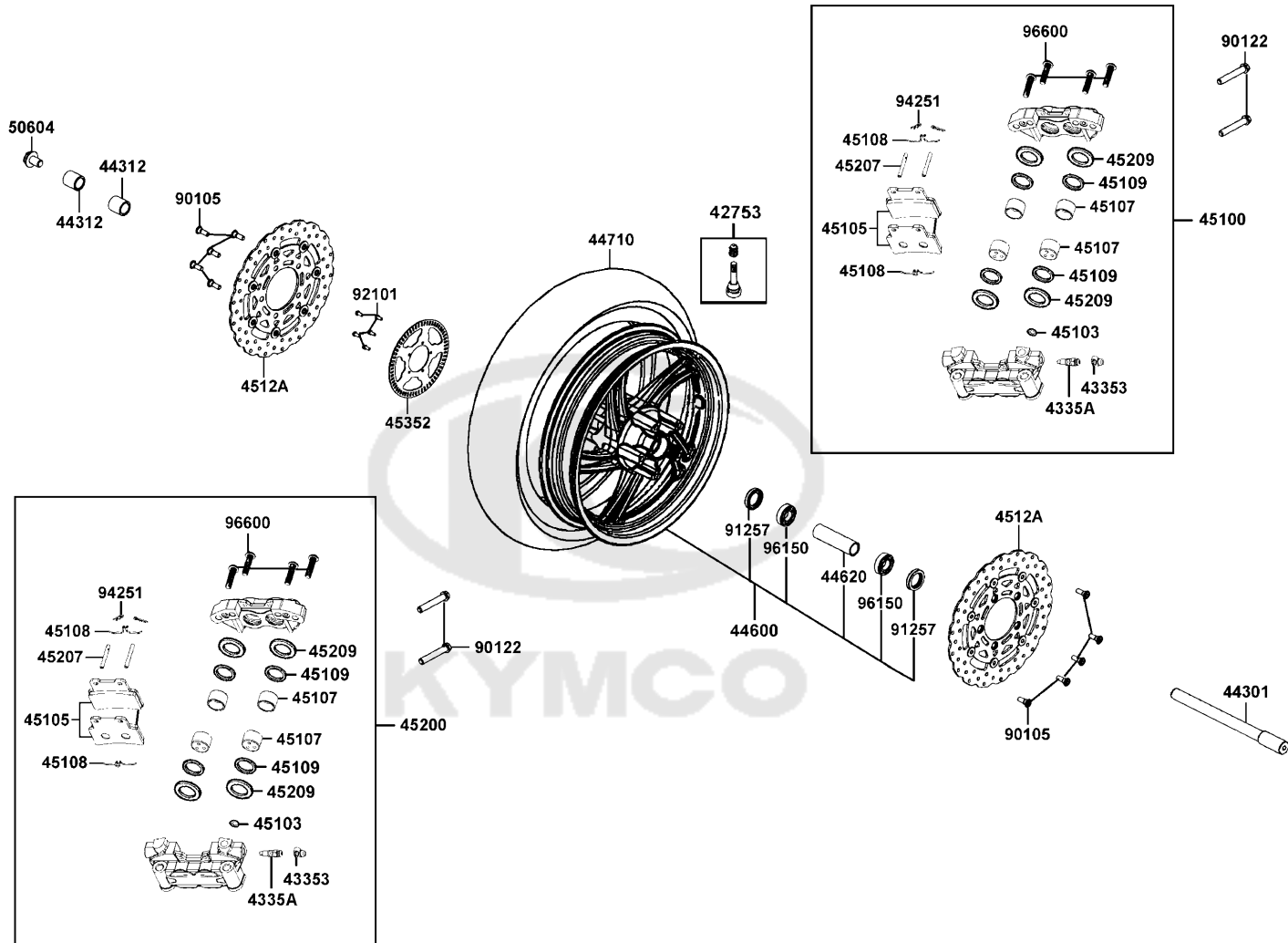
Sales mark	Ref no	Part no	Description	Reg description	Regd no	F06
	33731	33731-PUA6-MX0	REFLEX REFLECTOR	REFLEX REFLECTOR	2	
	33734	33734-ADG5-E00	STAY RH. REFLEX REFLECTOR	STAY RH. REFLEX REFLECTOR	1	
	33739	33739-ADG5-E00	STAY LH. REFLEX REFLECTOR	STAY LH. REFLEX REFLECTOR	1	
	45128-KEBE	45128-KEBE-900	CLAMPER FR BRAKE HOSE	CLAMPER FR BRAKE HOSE	1	
	45128-KKE5	45128-KKE5-E00	CLAMPER FR BRK HOSE	CLAMPER FR BRK HOSE	1	
	45156	45156-ADG5-E00	CLIP COMP FR BRK HOSE	CLIP COMP FR BRK HOSE	1	
	50306	50306-1F96-001	NUT STRG STEM LOCK	NUT STRG STEM LOCK	1	
**	51400	51400-LKF5-E00	FORK ASSY. FR R	FORK ASSY. FR R	1	
**	51500	51500-LKF5-E00	FORK ASSY. FR L	FORK ASSY. FR L	1	
	52147	52147-0H28-301	RUBBER BUSH REAR FORK PIVOT	RUBBER BUSH REAR FORK PIVOT	2	
	53200	53200-ADG5-E00	STEM COMP STRG	STEM COMP STRG	1	
	53213	53213-LBA2-E00	DUST SEAL STRG HEAD TOP	DUST SEAL STRG HEAD TOP	1	
	53214	53214-LBA2-E00	DUST SEAL STRG (HEAD)	DUST SEAL STRG HEAD BOT	1	
	53220	53220-LBA2-E00	THREAD COMP STRG HEAD TOP	THREAD COMP STRG HEAD TOP	2	
	5323A	5323A-ADG5-E00	BRIDGE ASSY FORK TOP	BRIDGE ASSY FORK TOP	1	
	53240	53240-LEA7-90A	BEARING TOP STRG (mark:TP1)	BEARING TOP STRG	1	
	53250	53250-LEA7-90A	BEARING BOT STRG (mark:TP1)	BEARING BOT STRG	1	
**	61100	61100-ADG5-E00	FENDER FRONT (FLAT BLACK)	FENDER FRONT (FLAT BLACK)	1	
**	61101	61101-ADG5-E00	INNER FENDER FRONT (Black)	INNER FENDER FRONT (Black)	1	
	64222	64222-LLJ3-E00	RUBBER WIND SCREEN	RUBBER WIND SCREEN	2	



Sales mark	Ref no	Part no	Description	Reg description	Regd no	F06
83550		83550-KEC8-900	COLLAR	COLLAR	2	
83551		83551-KEC8-900	GROMMET COVER **KEC8-9000	GROMMET COVER **KEC8-9000 C.2005.09.01	2	
90107		90107-LEA7-E00	BOLT SPECIAL 8MM	BOLT SPECIAL 8MM	2	
90304		90304-KKE5-E00	NUT. STRG. STEM	NUT. STRG. STEM	1	
90305		90305-LBA2-E00	NUT CLIP 6MM	NUT CLIP 6MM	2	
90312		90312-LLJ3-E01	COLLAR WIND SCREEN	COLLAR WIND SCREEN	2	
90503-KKE5		90503-KKE5-E00	WASHER STEERING STEM NUT	WASHER STEERING STEM NUT	1	
90503-LEA7		90503-LEA7-E00	WASHER STRG STEM NUT	WASHER STRG STEM NUT	1	
93404		93404-06012-06	BOLT WASHER 6*12 (G)	BOLT WASHER 6*12 (G)	2	
94050		94050-06060	NUT FLANGE 6MM	NUT FLANGE 6MM	2	
95701-06012		95701-06012-06	BOLT FLANGE 6*12 **07 C.2005.07.01	BOLT FLANGE 6*12 **07 C.2005.07.01	2	
95701-06055		95701-06055-06	BOLT FLANGE 6*55	BOLT FLANGE 6*55	2	
95801		95801-08040-06	BOLT FLANGE 8*40	BOLT FLANGE 8*40	4	
96001		96001-06012-06	BOLT FLANGE SH 6*12	BOLT FLANGE SH 6*12	1	
96600-08025		96600-08025-06	SOCKET BOLT 8*25	SOCKET BOLT 8*25	2	
96600-08035		96600-08035-06	SOCKET BOLT 8*35	SOCKET BOLT 8*35	2	

F07

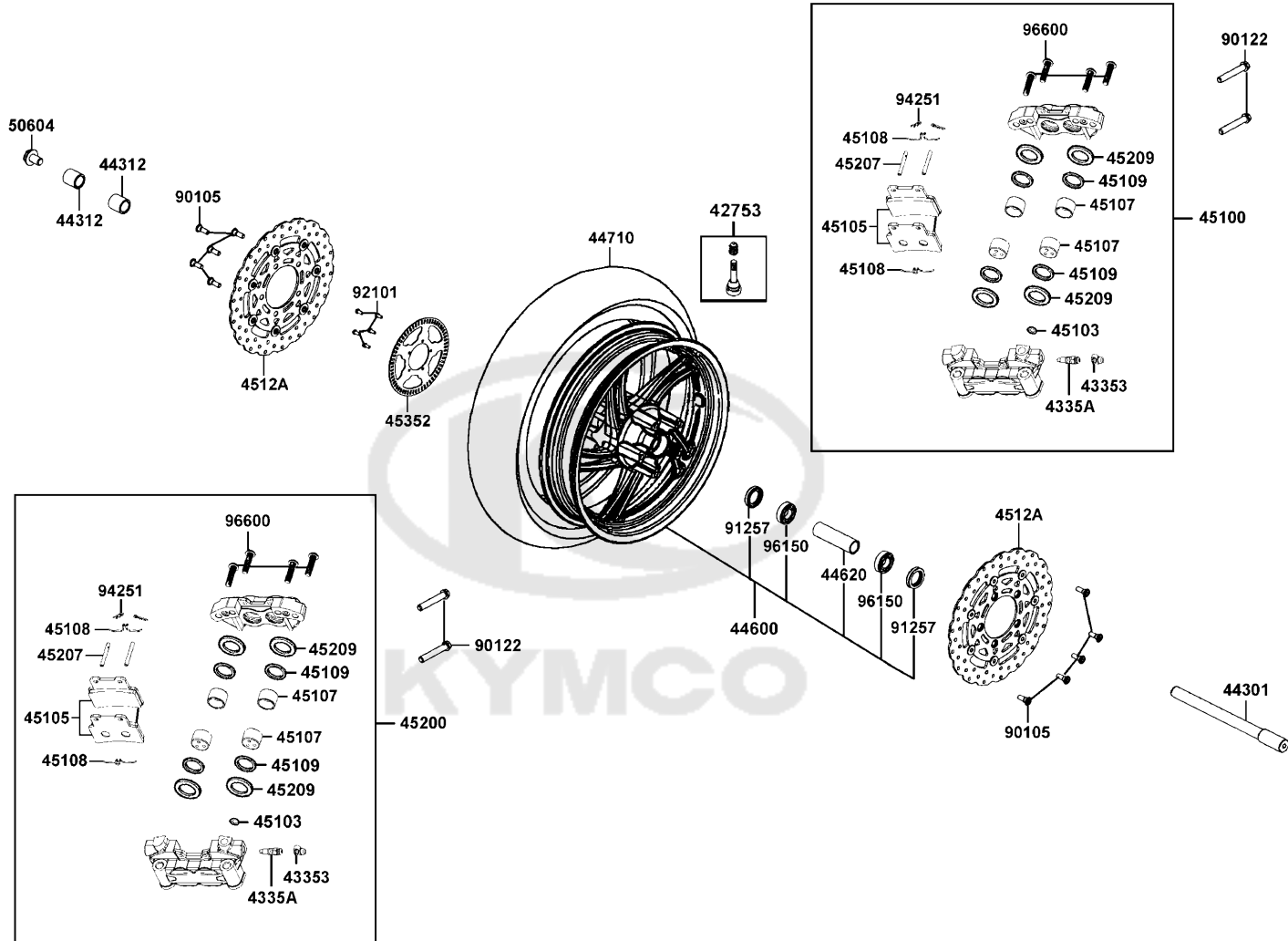
Front Wheel



Sales mark	Ref no	Part no	Description	Reg description	Regd no	F07
	42753	42753-KNBN-90B	VALAE RIM (TR412)	VALAE RIM (TR412)	1	
	43353	43353-KED9-900	CAP BLEEDER	CAP BLEEDER	2	
	4335A	4335A-LBA2-E01	BLEEDER ASSY	SCREW BLEEDER	2	
	44301	44301-LKF5-E00	AXLE. FR WHEEL	AXLE. FR WHEEL	1	
	44312	44312-LKF5-E00	COLLAR. FR WHEEL SIDE L	COLLAR. FR WHEEL SIDE L	2	
**	44600	44600-LKF5-305	WHEEL SET FR (Black)	WHEEL SET FR (Black)	1	
	44620	44620-LBA2-E00	COLLAR FR AXLE DISTANCE	COLLAR FR AXLE DISTANCE	1	
	44710	44710-LKF5-E00	TIRE ASSY FR(120/70-15 56S)	TIRE ASSY FR	1	
**	45100	45100-LKF5-E00	CALIPER ASSY FR L/H	CALIPER ASSY FR L/H	1	
	45103	45103-MGR7-007	SEAL JOINT	SEAL JOINT	2	
	45105	45105-LKF5-305	PAD SET	PAD SET	2	
	45107	45107-LKF5-E00	PISTON C/P (Ø25.4MM)	PISTON C/P (Ø25.4MM)	8	
	45108	45108-LKF5-E00	SPRING PAD	SPRING PAD	8	
	45109	45109-GBE2-007	DUST SEAL	DUST SEAL	8	
	4512A	4512A-LKF5-E00	DISK COMP.. FR BRAKE	DISK COMP.. FR BRAKE	2	
**	45200	45200-LKF5-E00	CALIPER ASSY FR R/H	CALIPER ASSY FR R/H	1	
	45207	45207-LKF5-E00	PIN HANGER	PIN HANGER	2	
	45209	45209-GBE2-007	SEAL PISTON	SEAL PISTON	8	
	45352	45352-LKF5-E00	TOOTHED RING. SENSOR	TOOTHED RING. SENSOR	1	
	50604	50604-KED9-950	BOLT FR AXLE	BOLT FR AXLE	1	

F07

Front Wheel

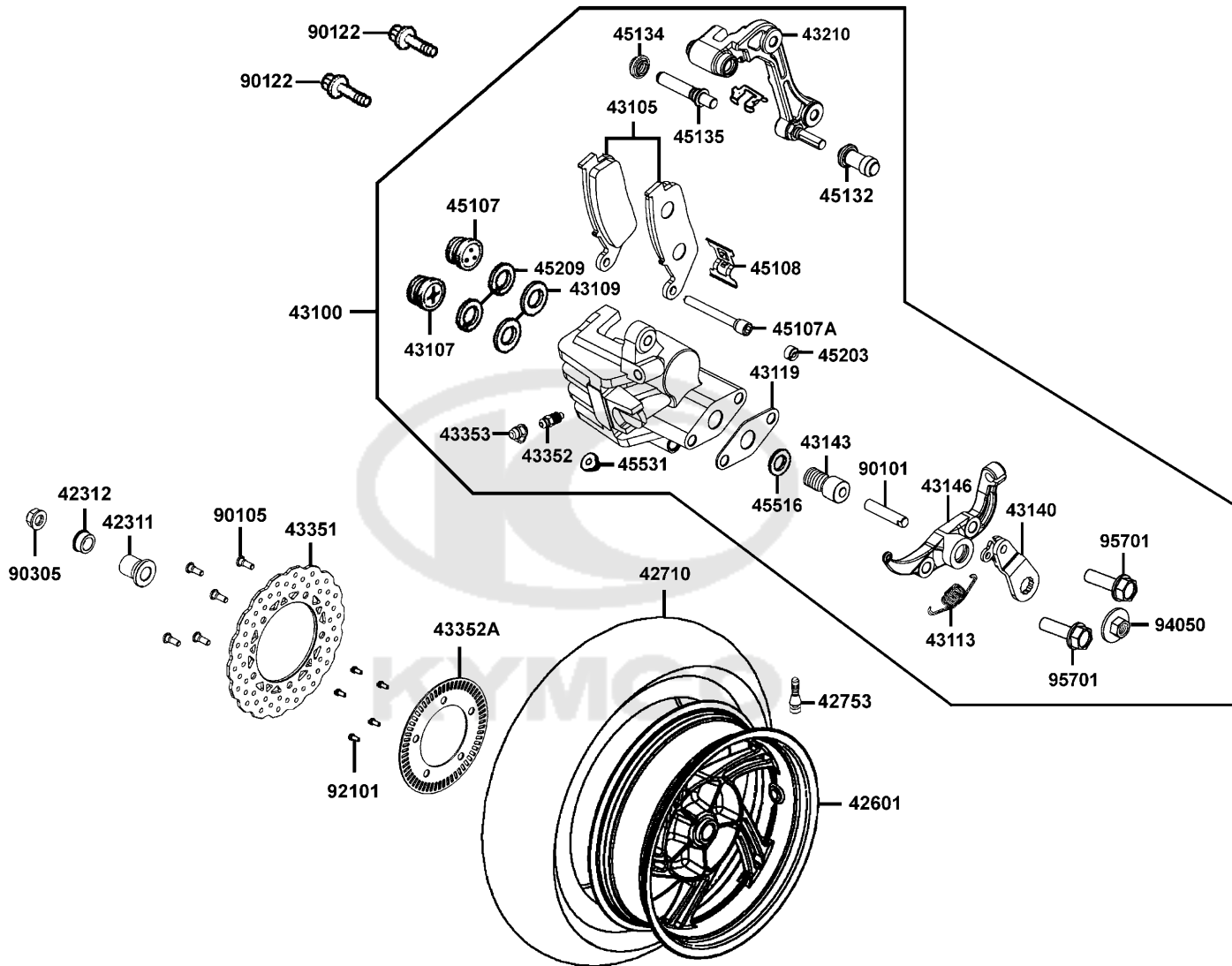


Sales mark	Ref no	Part no	Description	Reg description	Regd no	F07
90105		90105-KCR3-001	BOLT FR DISK 8*24	BOLT FR DISK 8*24	10	
90122		90122-LKF5-E00	BOLT FLANGE 10X58	BOLT FLANGE 10*58	4	
91257		91257-KED9-900	DUST SEAL 28*42*8	DUST SEAL 28*42*8	2	
92101		92101-05012-0G	BOLT HEX 5X12	BOLT HEX 5*12	5	
94251		94251-08400	PIN LOCK 8MM	PIN LOCK 8MM	4	
96150		96150-60040-10	BEARING BALL RADIAL 6004	BEARING BALL RADIAL 6004	2	
96600		96600-KKC4-900	SOCKET BOLT	SOCKET BOLT	8	

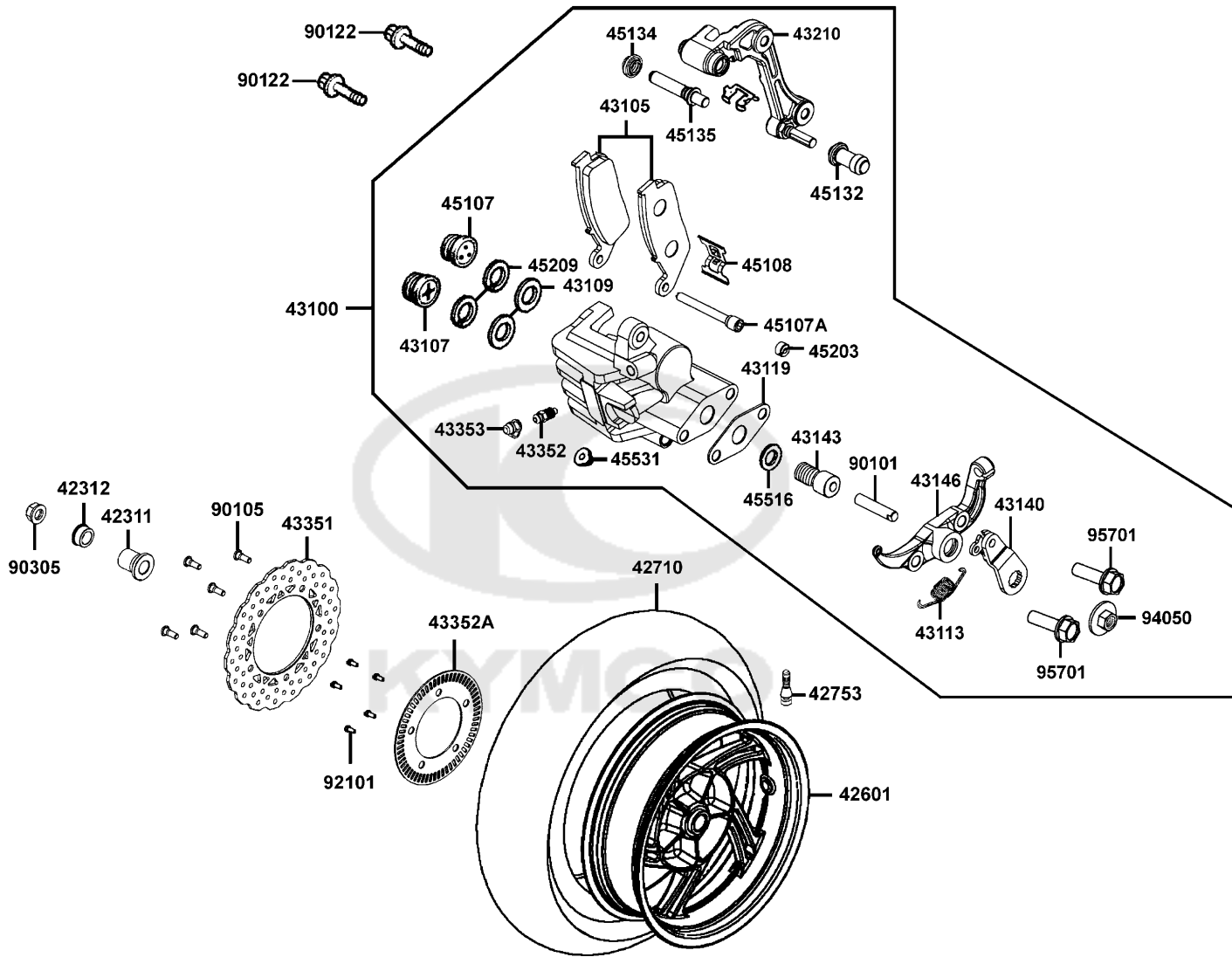


F08

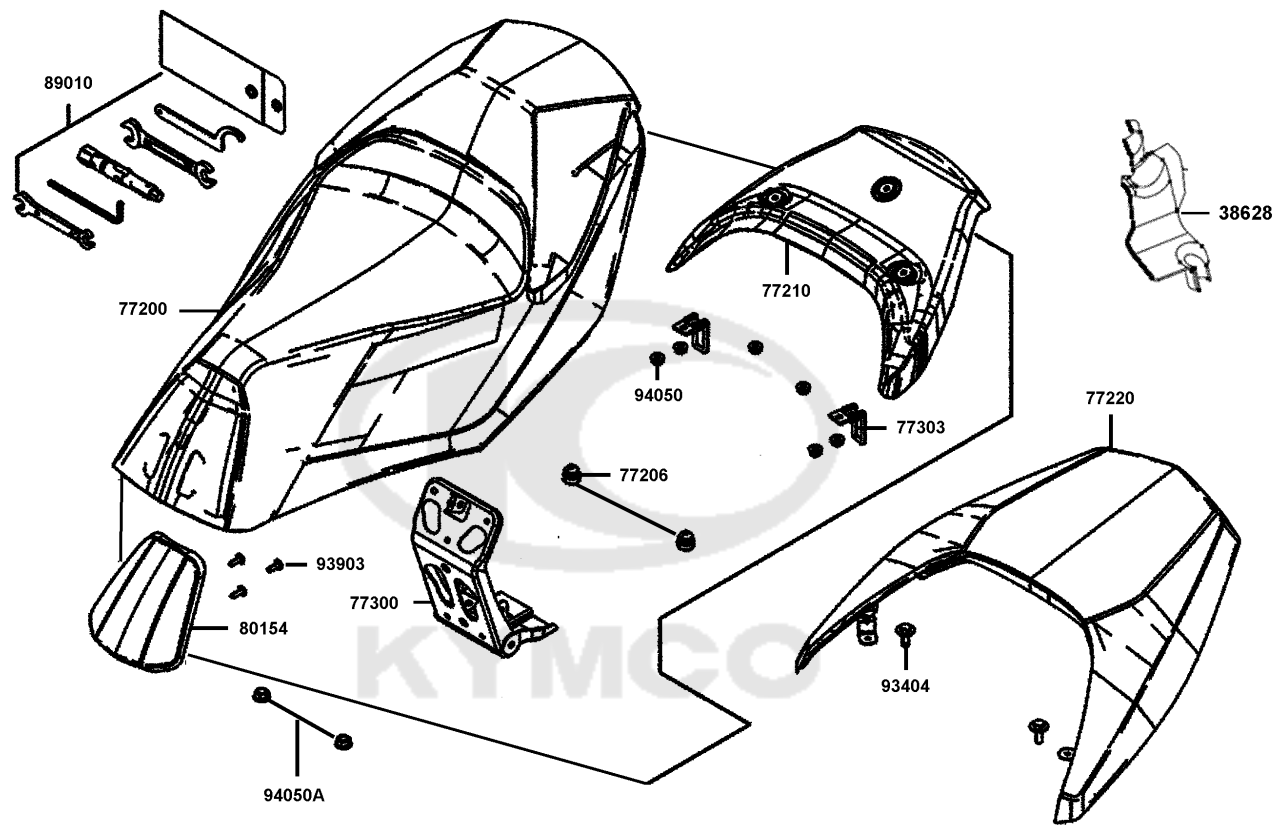
Rear Wheel



Sales mark	Ref no	Part no	Description	Reg description	Regd no	F08
	42311	42311-LEA7-E00	COLLAR RR AXLE SIDE A	COLLAR RR AXLE SIDE A	1	
	42312	42312-LEA7-E00	COLLAR RR AXLE SIDE	COLLAR RR AXLE SIDE	1	
**	42601	42601-LKF5-E00	WHEEL COMP. . RR	WHEEL COMP. . RR	1	
	42710	42710-LKF5-E00	TIRE ASSY RR(150/70-14 66S)	TIRE ASSY RR	1	
	42753	42753-KNBN-90B	VALAE RIM (TR412)	VALAE RIM (TR412)	1	
**	43100	43100-LKF5-E00	CALIPER ASSY RR	CALIPER ASSY RR	1	
	43105	43105-LKF5-305	PAD SET	PAD SET	1	
	43107	43107-LBA2-E00	PISTON ASSY C/P (Ø27MM)	PISTON ASSY C/P (Ø27MM)	1	
	43109	43109-MCA3-007	DUST SEAL	DUST SEAL	2	
	43113	43113-LBA2-E00	SPRING BRAKE ARM	SPRING BRAKE ARM	1	
	43119	43119-LBA2-E00	GASKET WATER PROOF	GASKET WATER PROOF	1	
	43140	43140-LKF5-E00	ARM BRAKE ASSY	ARM BRAKE ASSY	1	
	43143	43143-LBA2-E00	BOLT DRIVE	BOLT DRIVE	1	
	43146	43146-LKF5-E00	BRACKET CABLE	BRACKET CABLE	1	
	43210	43210-LKF5-305	BRACKET RR	BRACKET RR	1	
	43351	43351-LKF5-E00	DISK. RR BRAKE	DISK. RR BRAKE	1	
	43352	43352-KKD6-E90	SCREW BLEEDER	SCREW BLEEDER	1	
	43352A	43352-LKF5-E01	TOOTHED RING SENSOR	TOOTHED RING SENSOR	1	
	43353	43353-KED9-900	CAP BLEEDER	CAP BLEEDER	1	
	45107	45107-LLJ3-E00	PISTON C/P (Ø27MM)	PISTON C/P (Ø27MM)	1	



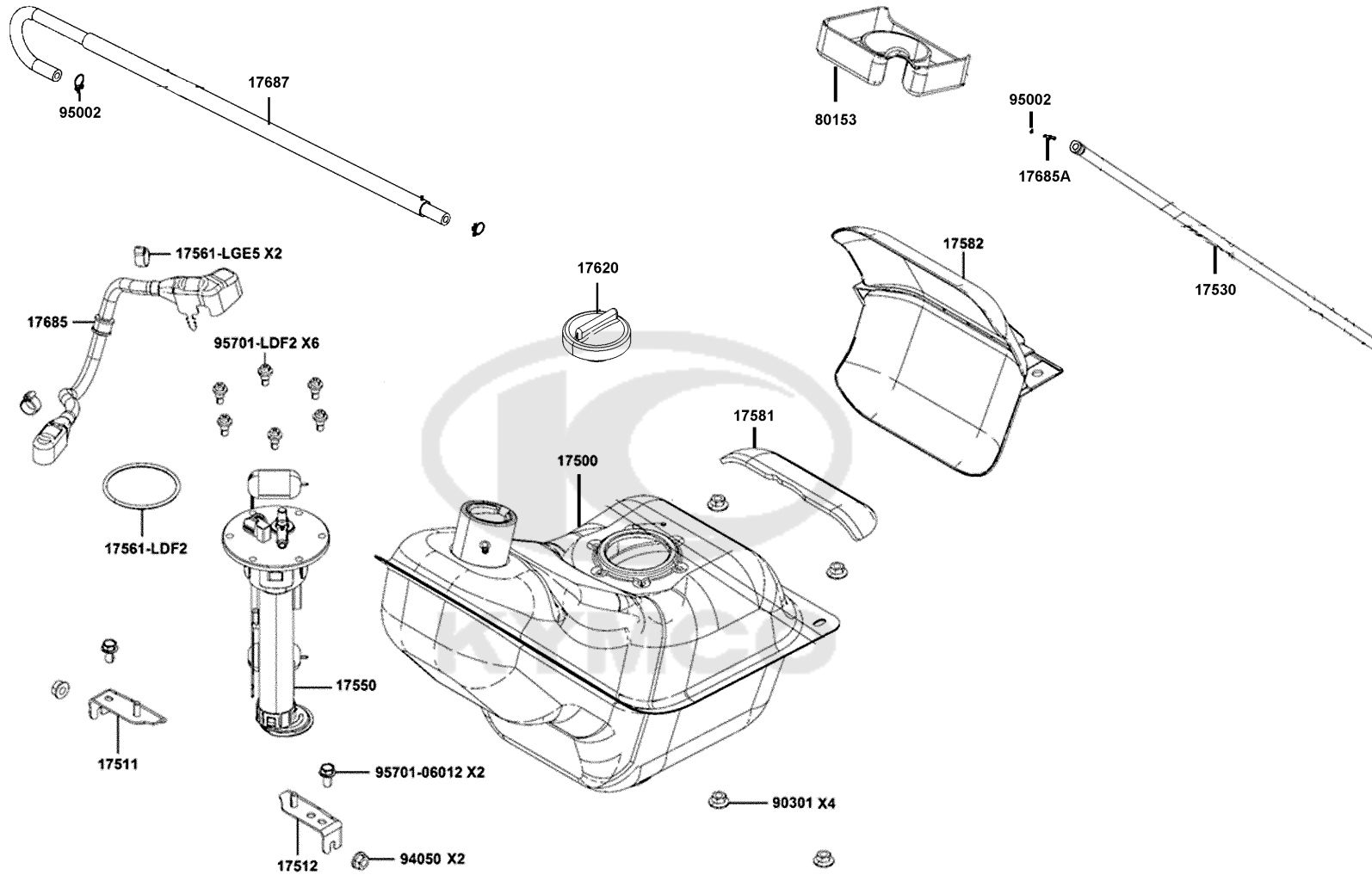
Sales mark	Ref no	Part no	Description	Reg description	Regd no	F08
45107A		45107-LLJ3-E90	PIN HANGE	PIN HANGE	1	
45108		45108-KED9-900	SPRING PAD	SPRING PAD	1	
45132		45132-1F66-017	BUSH BOOT PIN	BUSH BOOT PIN	1	
45134		45134-KED9-900	BOOT B	BOOT B	1	
45135		45135-KED9-900	PIN BOLT A	PIN BOLT A	1	
45203		45203-KED9-900	PLUG PIN	PLUG PIN	1	
45209		45209-KED9-900	SEAL PISTON	SEAL PISTON	2	
45516		45516-LBA2-E00	O RING	O RING	1	
45531		45531-KED9-900	PLUG	PLUG	1	
90101		90101-LBA2-E00	BOLT BUSH ROD	BOLT BUSH ROD	1	
90105		90105-KCR3-001	BOLT FR DISK 8*24	BOLT FR DISK 8*24	5	
90122		90122-LEA7-E00	BOLT FLANGE 10X42	BOLT FLANGE 10X42	2	
90305		90305-KKAK-900	NUT U 16MM	NUT U 16MM	1	
92101		92101-05012-0G	BOLT HEX 5X12	BOLT HEX 5*12	1	
94050		94050-86000	FLANGE NUT M6*1.0	FLANGE NUT M6*1.0	1	
95701		95701-LBA2-E00	BOLT FLANGE	BOLT FLANGE	1	



Sales mark	Ref no	Part no	Description	Reg description	Regd no	F09
	38628	38628-ADG5-E00	PROTECTOR ANTI. THIEF	PROTECTOR ANTI. THIEF	1	
**	77200	77200-BAC8-E00	SEAT ASSY	SEAT ASSY	1	
	77206	77206-LKB9-900	RUBBER SEAT CUSH	RUBBER SEAT CUSH	2	
	77210	77210-ADG5-E00	BACK SEAT ASSY	BACK SEAT ASSY	1	
**	77220	77220-BAC8-E00	SEAT ASSY BACK	SEAT ASSY BACK	1	
	77300	77300-ADG5-E00	SEAT HINGE ASSY	SEAT HINGE ASSY.	1	
	77303	77303-ADG5-E00	HOOK SEAT LOCK	HOOK SEAT LOCK	1	
**	80154	80154-ADG5-E00	COVER SEAT (Mat Black)	COVER SEAT (Mat Black)	1	
	89010	89010-LKF5-E00	TOOL SET	TOOL SET	1	
	93404	93404-06012-06	BOLT WASHER 6*12 (G)	BOLT WASHER 6*12 (G)	2	
	93903	93903-34380-G	SCREW TAPPING 4x12	SCREW TAPPING 4x12	3	
	94050	94050-06080	NUT FLANGE 6MM	NUT FLANGE 6MM	6	
	94050A	94050-08060	NUT FLANGE 8MM	NUT FLANGE 8MM	2	

F10

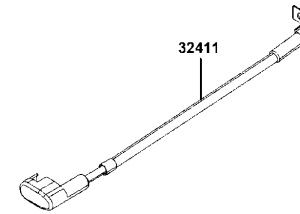
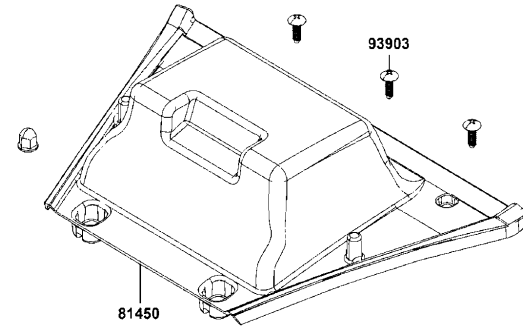
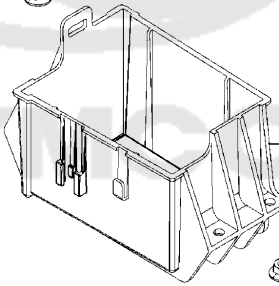
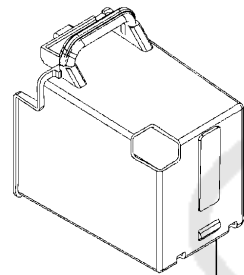
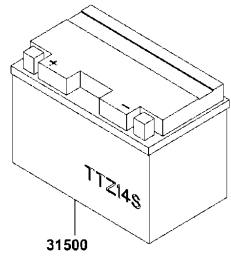
Fuel Tank



Sales mark	Ref no	Part no	Description	Reg description	Regd no	F10
17500		17500-BAC8-E00	TANK COMP FUEL	TANK COMP FUEL	1	
17511		17511-LKF5-E00	STAY R.FUEL TANK	STAY R.FUEL TANK	1	
17512		17512-LKF5-E00	STAY L.FUEL TANK	STAY L.FUEL TANK	1	
17530		17530-KGB5-900	TUBE ASSY DRAIN	TUBE ASSY DRAIN	1	
17550		17550-LKF5-E00	PUMP ASSY FUEL	PUMP ASSY FUEL	1	
17561-LDF2		17561-LDF2-900	O-RING	O-RING	1	
17561-LGE5		17561-LGE5-E00	CLIP 13.5	CLIP 13.5	1	
17581		17581-LEA7-E00	SPONGE FUEL TANK	SPONGE FUEL TANK	1	
17582		17582-LKF5-E00	HEAD GUARD COVER	HEAD GUARD COVER	1	
17620		17620-ADE1-900	CAP FUEL FILLER	CAP FUEL FILLER	1	
17685A		17685-KZCZ-900	JOINT TUBE	JOINT TUBE	1	
17685		17685-LKF5-E00	TUBE.FUEL PUMP	TUBE.FUEL PUMP	1	
17687		17687-LKG7-305	TUBE FUEL COMP	TUBE FUEL COMP	1	
80153		80153-BAC8-E00	TRAY FUEL CAP	TRAY FUEL CAP	1	
90301		90301-6D34-671	NUT FLANGE 6MM	NUT FLANGE 6MM	4	
94050		94050-06060	NUT FLANGE 6MM	NUT FLANGE 6MM	2	
95002		95002-02080	CLIP B8 TUBE	CLIP B8 TUBE	3	
95701-06012		95701-06012-06	BOLT FLANGE 6*12 **07 C.2005.07.01	BOLT FLANGE 6*12 **07 C.2005.07.01	2	
95701-LDF2		95701-LDF2-800	BOLT FLANGE 5*6.5	BOLT FLANGE 5*6.5	6	

F11

Battery

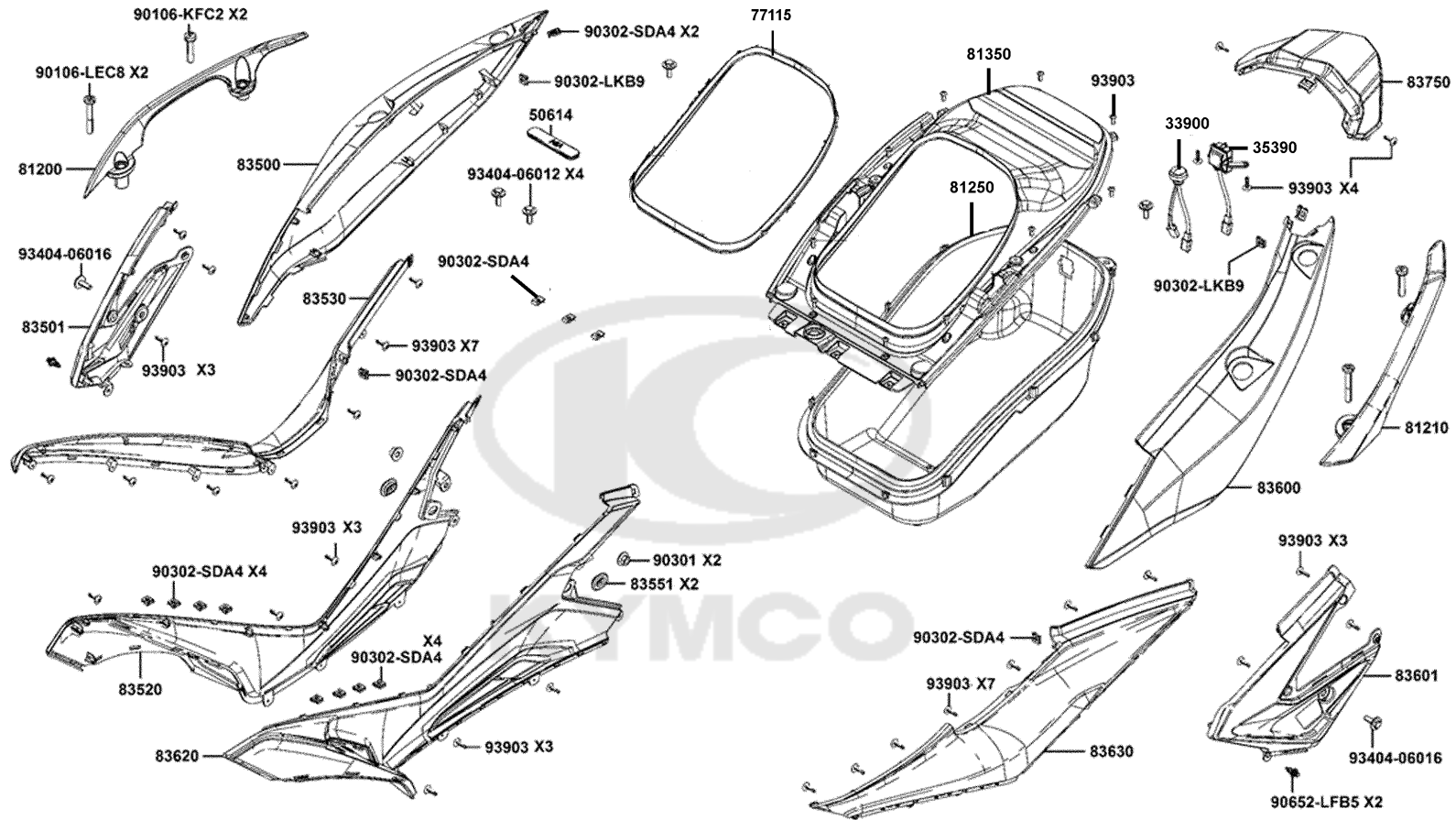


Sales mark	Ref no	Part no	Description	Reg description	Regd no	F11
	31500	31500-LGC6-E01	BATTERY TTZ14S	BATTERY TTZ14S	1	
	32411	32411-ADG5-E00	CABLE BAT	CABLE BAT	1	
**	50327	50327-ADG5-E00	BATTERY CASE	BATTERY CASE	1	
**	50328	50328-AKC3-E00	BATTERY COVER	BATTERY COVER	1	
**	81450	81450-ADG5-E00	COVER BATTERY (Black)	COVER BATTERY (Black)	1	
	90215	90215-ALK5-900	NUT CAP 6MM	NUT CAP 6MM	2	
	90301	90301-6D34-671	NUT FLANGE 6MM	NUT FLANGE 6MM	4	
	93903	93903-GFY6-900	SCREW TAPPING 4*14	SCREW TAPPING 4*14	3	
	94591	94591-KFBF-900	CLIP 2*70	CLIP 2*70	1	

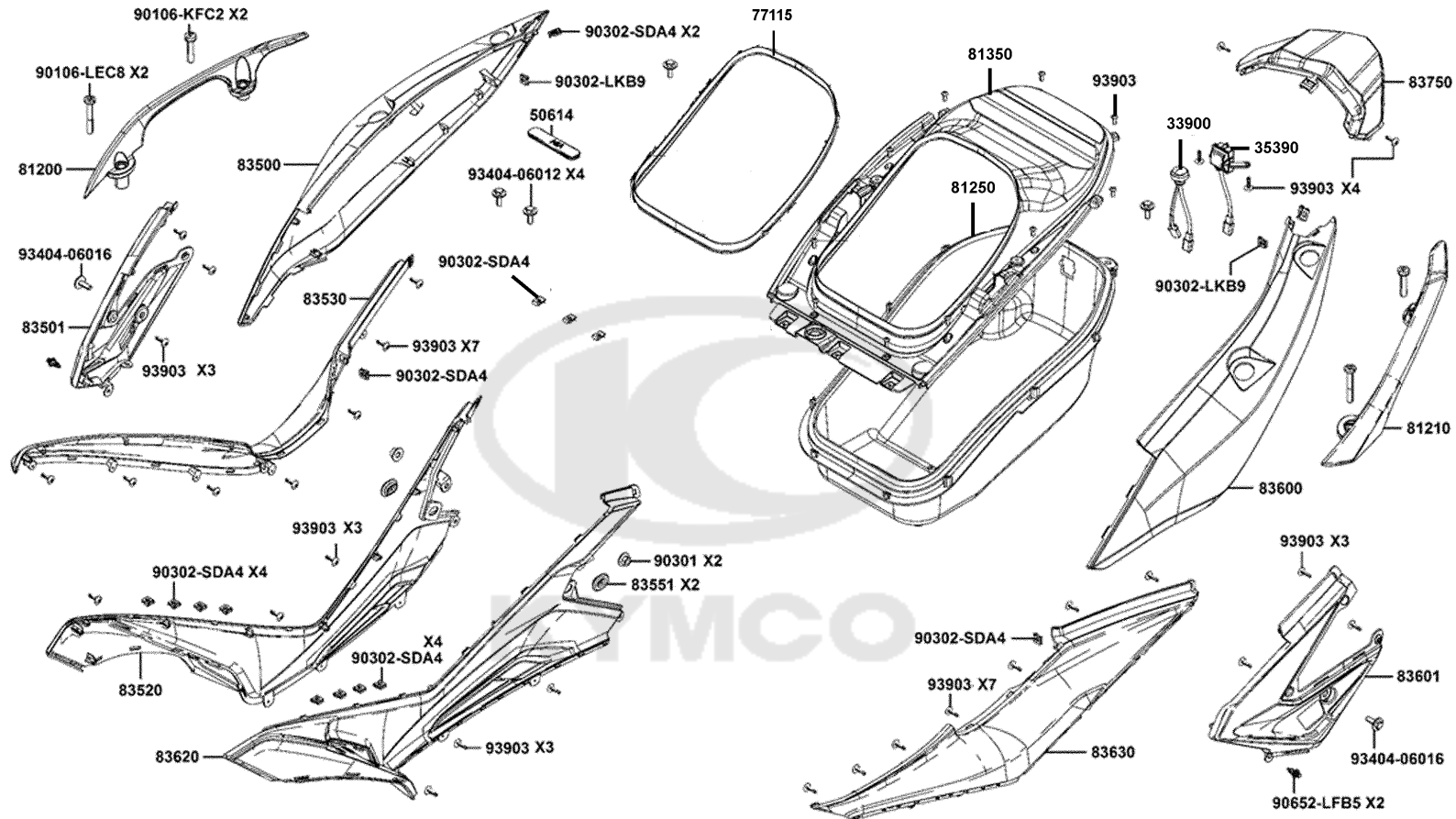


F12

Body Cover Luggage Box

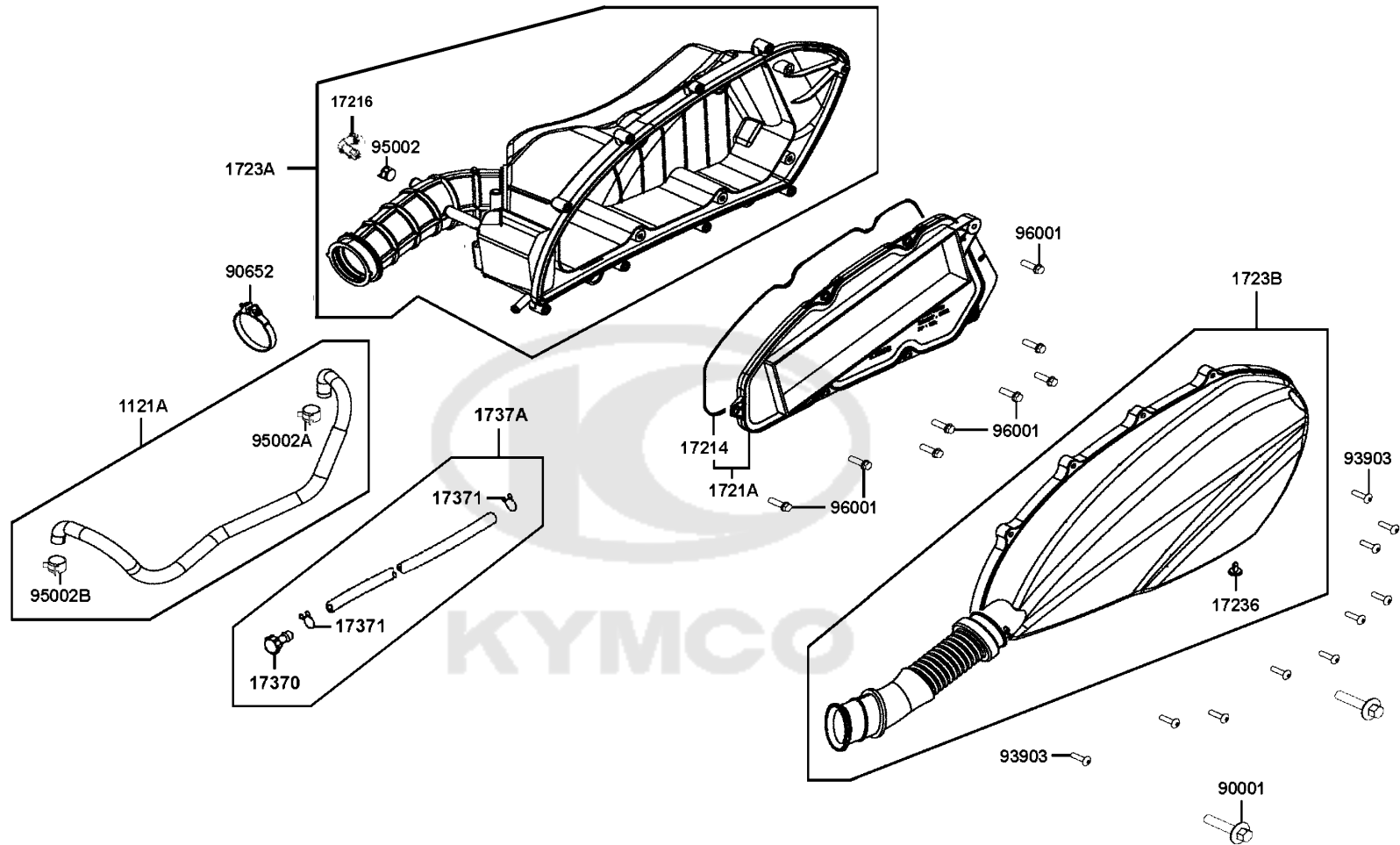


Sales mark	Ref no	Part no	Description	Reg description	Regd no	F12
	33900	33900-LGC6-E00	LIGHT ASSY LUGGAGE BOX	LIGHT ASSY.. LUGGAGE BOX	1	
	35390	35390-LHG7-E00	SENSOR .LUGGAGE BOX LIGHT	SENSOR .LUGGAGE BOX LIGHT	1	
	50614	50614-LKG2-900	RUBBER UNDER COVER	RUBBER UNDER COVER	1	
	77115	77115-ADG5-E00	RUBBER SEAL	RUBBER SEAL	1	
**	81200	81200-ADG5-E00	CARRIER R REAR	CARRIER R REAR	1	
**	81210	81210-ADG5-E00	CARRIER L REAR	CARRIER L REAR	1	
	81250	81250-ADG5-E00	BOX LOW LUGGAGE	BOX LOW LUGGAGE	1	
	81350	81350-ADG5-E00	BOX UP LUGGAGE	BOX UP LUGGAGE	1	
**	83500	83500-ADG5-E00	COVER R BODY	COVER R BODY	1	
**	83501	83501-ADG5-E00	COVER R SIDE	COVER R SIDE	1	
**	83520	83520-ADG5-E00	BOARD B R SIDE (Black)	BOARD B R SIDE (Black)	1	
**	83530	83530-ADG5-E00	BOARD A R SIDE	BOARD A R SIDE	1	
	83551	83551-LGC6-E00	GROMMER COVER	GROMMER COVER	2	
**	83600	83600-ADG5-E00	COVER L BODY	COVER L BODY	1	
**	83601	83601-ADG5-E00	COVER L SIDE	COVER L SIDE	1	
**	83620	83620-ADG5-E00	BOARD B L SIDE (Black)	BOARD B L SIDE (Black)	1	
**	83630	83630-ADG5-E00	BOARD A L SIDE	BOARD A L SIDE	1	
**	83750	83750-ADG5-E00	COVER RR CENTER	COVER RR CENTER	1	
	90106-KFC2	90106-KFC2-900	BOLT SPECIAL 8MM	BOLT SPECIAL 8MM	2	
	90106-LEC8	90106-LEC8-900	BOLT SPECIAL M8	BOLT SPECIAL M8	2	



Sales mark	Ref no	Part no	Description	Reg description	Regd no	F12
90301		90301-6D34-671	NUT FLANGE 6MM	NUT FLANGE 6MM	2	
90302-LKB9		90302-LKB9-900	NUT SPRING 5MM	NUT SPRING 5MM	2	
90302-SDA4		90302-SDA4-004	NUT SPRING 4MM	NUT SPRING 4MM	15	
90652-LFB5		90652-LFB5-900	CLIP MUDGUARD	CLIP MUDGUARD	2	
93404-06012		93404-06012-06	BOLT WASHER 6*12 (G)	BOLT WASHER 6*12 (G)	4	
93404-06016		93404-06016-06	BOLT WASHER 6*16	BOLT WASHER 6*16	2	
93903		93903-24360	SCREW TAPPING 4*12	SCREW TAPPING 4*12	40	

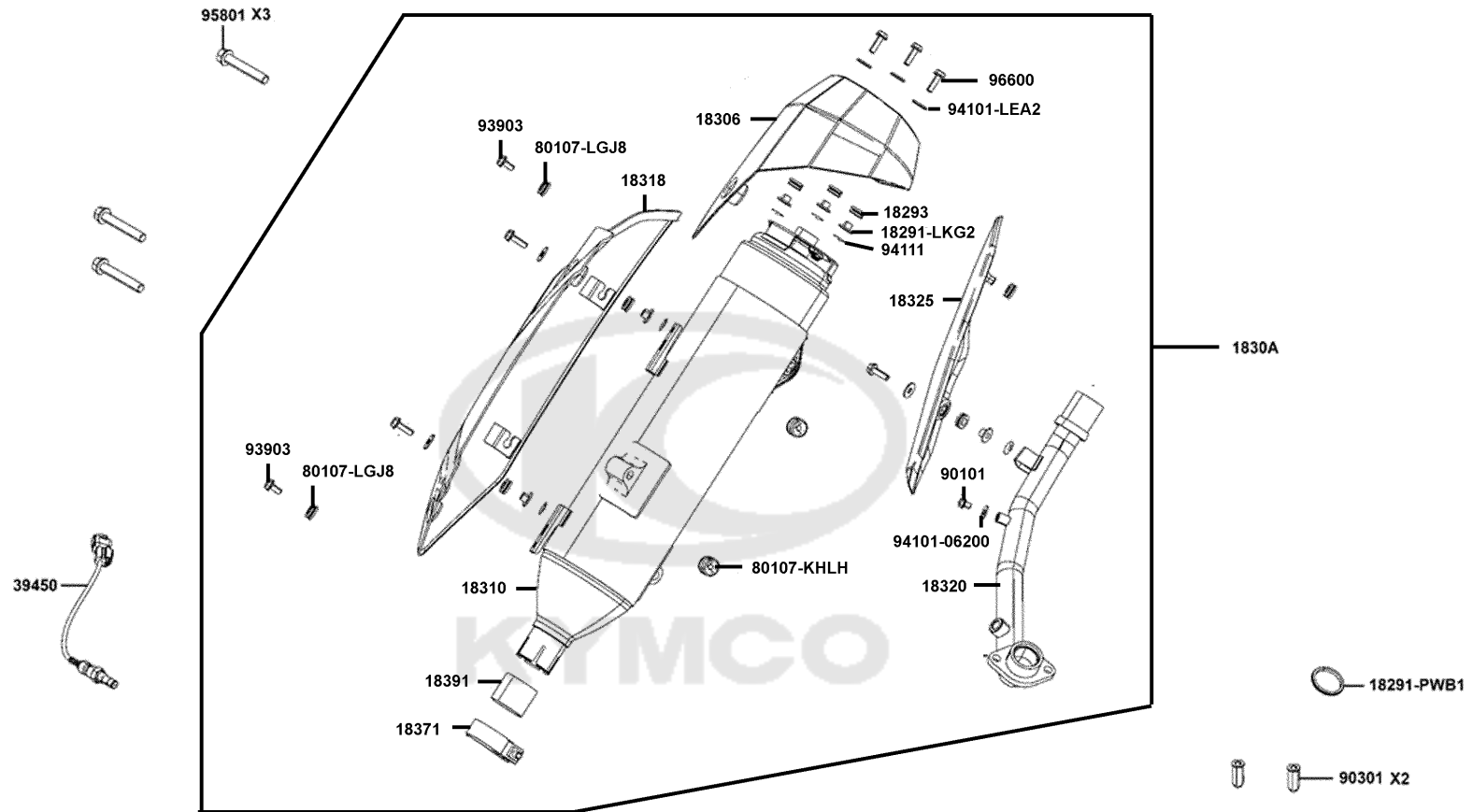




Sales mark	Ref no	Part no	Description	Reg description	Regd no	F13
1121A		1121A-LKF5-E01	TUBE BREATHER	TUBE BREATHER	1	
17214		17214-LDB2-E00	SEAL CASE	SEAL CASE	1	
17216		17216-KHC4-900	L JOINT BREATHER TUBE	L JOINT BREATHER TUBE	1	
1721A		1721A-LKF5-E01	ELEMENT ASSY AIR/C	ELEMENT ASSY AIR/C	1	
17236		17236-KFBF-910	PLATE	PLATE	1	
1723A		1723A-ADG5-B80	CASE ASSY AIR/C	CASE ASSY AIR/C	1	
1723B		1723B-ADG5-E00	COVER ASSY AIR/C	COVER ASSY AIR/C	1	
17370		17370-4K19-701	PLUG BREATHER TUBE	PLUG BREATHER TUBE	1	
17371		17371-1D74-671	CLIP BREATHER TUBE	CLIP BREATHER TUBE	2	
1737A		1737A-LKF5-E01	V TUBE ASSY	V TUBE ASSY	1	
90001		90001-GBHB-681	BOLT FLANGE SHF 6*28	BOLT FLANGE SHF 6*28	2	
90652		90652-LKF5-E00	CLAMP (54)	CLAMP (54)	1	
93903		93903-25460	SCREW TAPPING 5*20 **93903-25480	SCREW TAPPING 5*20 **93903-25480 C.2005	9	
95002		95002-41150-00	CLIP D11.5 TUBE	CLIP D11.5 TUBE	1	
95002A		95002-KED9-M30	CLAMP D14.8 TUBE	CLAMP D14.8 TUBE	2	
95002B		95002-LKF5-E00	CLAMP D14.6 TUBE	CLAMP D14.6 TUBE	2	
96001		96001-GFY6-900	BOLT SPECIAL 5X10	BOLT SPECIAL 5X10	7	

F14

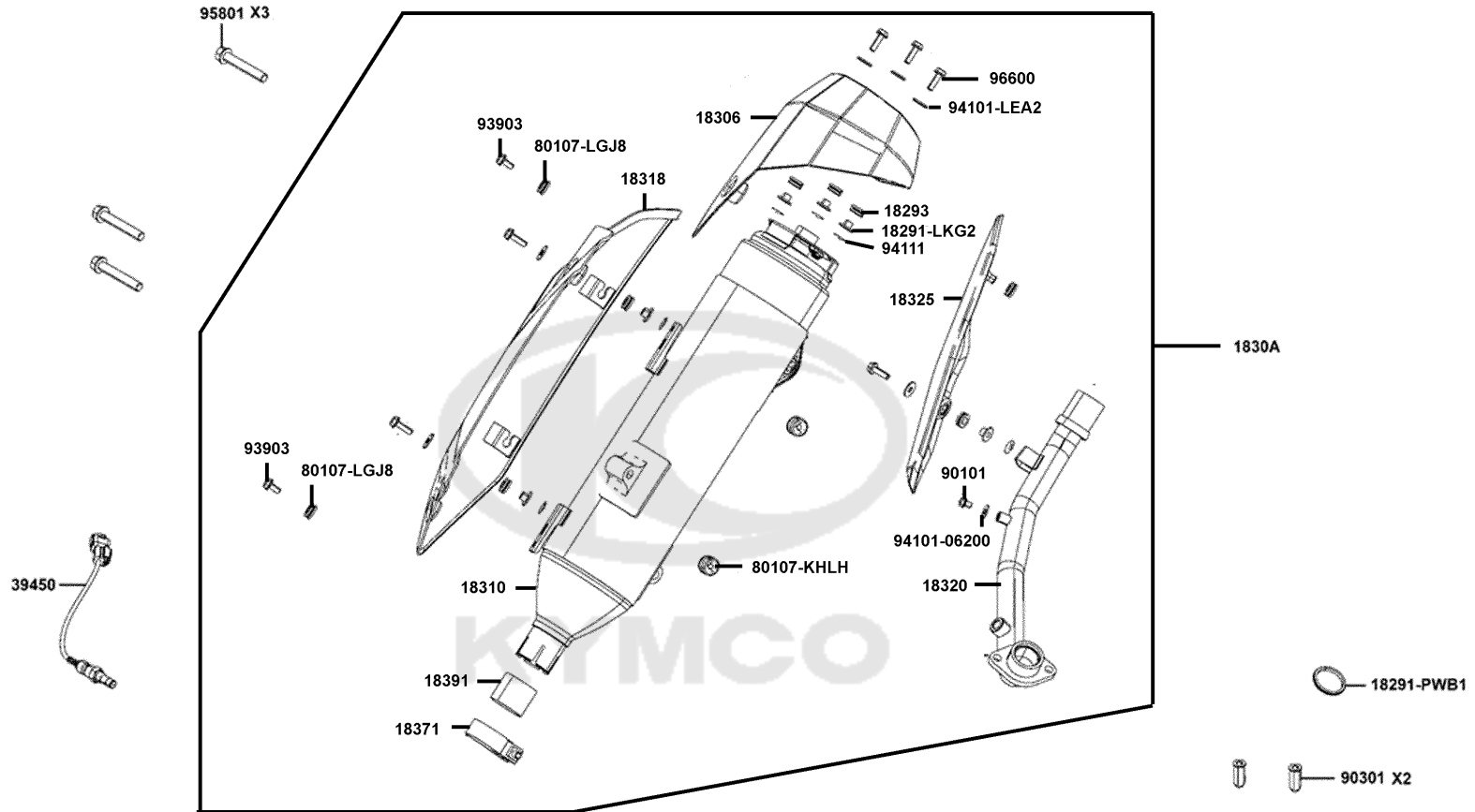
Exhaust Muffler



Sales mark	Ref no	Part no	Description	Reg description	Regd no	F14
	18291-LKG2	18291-LKG2-90A	COLLAR	COLLAR	7	
	18291-PWB1	18291-PWB1-900	SEAL EXHAUST PIPE	SEAL EXHAUST PIPE	1	
	18293	18293-LHJ8-900	RUBBER PKG PROTR	RUBBER PKG PROTR	7	
**	18306	18306-ADG5-E00	TAIL CAP MUFFLER	TAIL CAP MUFFLER	1	
**	1830A	1830A-BAC8-E00	MUFFLER ASSY EXH	MUFFLER ASSY EXH	1	
	18310	18310-BAC8-E00	MUFFLER COMP	MUFFLER COMP	1	
**	18318	18318-ADG5-E00	MUFF. PROTECTOR A	MUFF. PROTECTOR A	1	
	18320	18320-ADG5-E00	PIPE COMP. EXH	PIPE COMP. EXH	1	
**	18325	18325-ADG5-E00	PROTECTOR EXHAUST	PROTECTOR EXHAUST	1	
	18371	18371-LBA2-E00	BAND MUFFLER	BAND MUFFLER	1	
	18391	18391-LKF5-E00	PACKING. MUFFLER	PACKING. MUFFLER	1	
	39450	39450-AEH1-900	O2 SENSOR	O2 SENSOR	1	
	80107-KHLH	80107-KHLH-900	RUBBER A RR FENDER	RUBBER A RR FENDER	2	
	80107-LGJ8	80107-LGJ8-900	RUBBER A RR FENDER	RUBBER A RR FENDER	2	
	90101	90101-LEA7-E00	BOLT FLANGE SH 6X8	BOLT FLANGE SH 6X8	1	
	90301	90301-GFY6-901	NUT CAP 8MM *(1) C.2008.10.28	NUT CAP 8MM *(1) C.2008.10.28	2	
	93903	93903-KEB7-900	SCREW WASHER 4*12	SCREW WASHER 4*12	2	
	94101-06200	94101-06200	WASHER PLAIN 6MM	WASHER PLAIN 6MM	1	
	94101-LEA2	94101-LEA2-900	WASHER PLAIN 6.5*18*105	WASHER PLAIN 6MM	7	
	94111	94111-ACD5-E00	WASHER.SPG	WASHER SPG 6MM	7	

F14

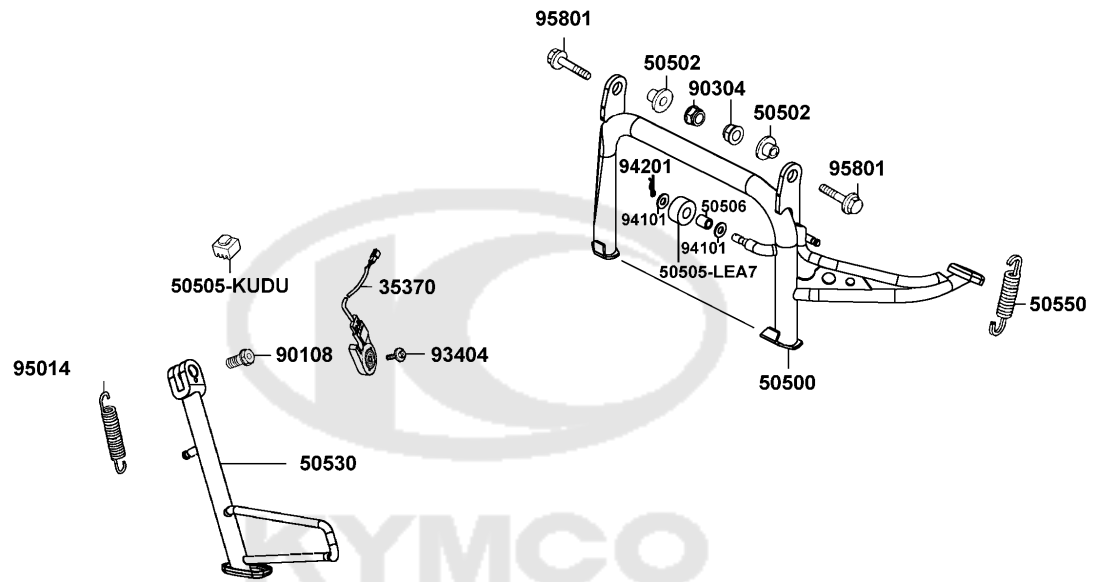
Exhaust Muffler



Sales mark	Ref no	Part no	Description	Reg description	Regd no	F14
------------	--------	---------	-------------	-----------------	---------	------------

95801	95801-10060-06	95801-10060-06	BOLT FLANGE 10*60	BOLT FLANGE 10*60	3	
96600	96600-LEA7-E01	96600-LEA7-E01	SOCKET BOLT	SOCKET BOLT	7	

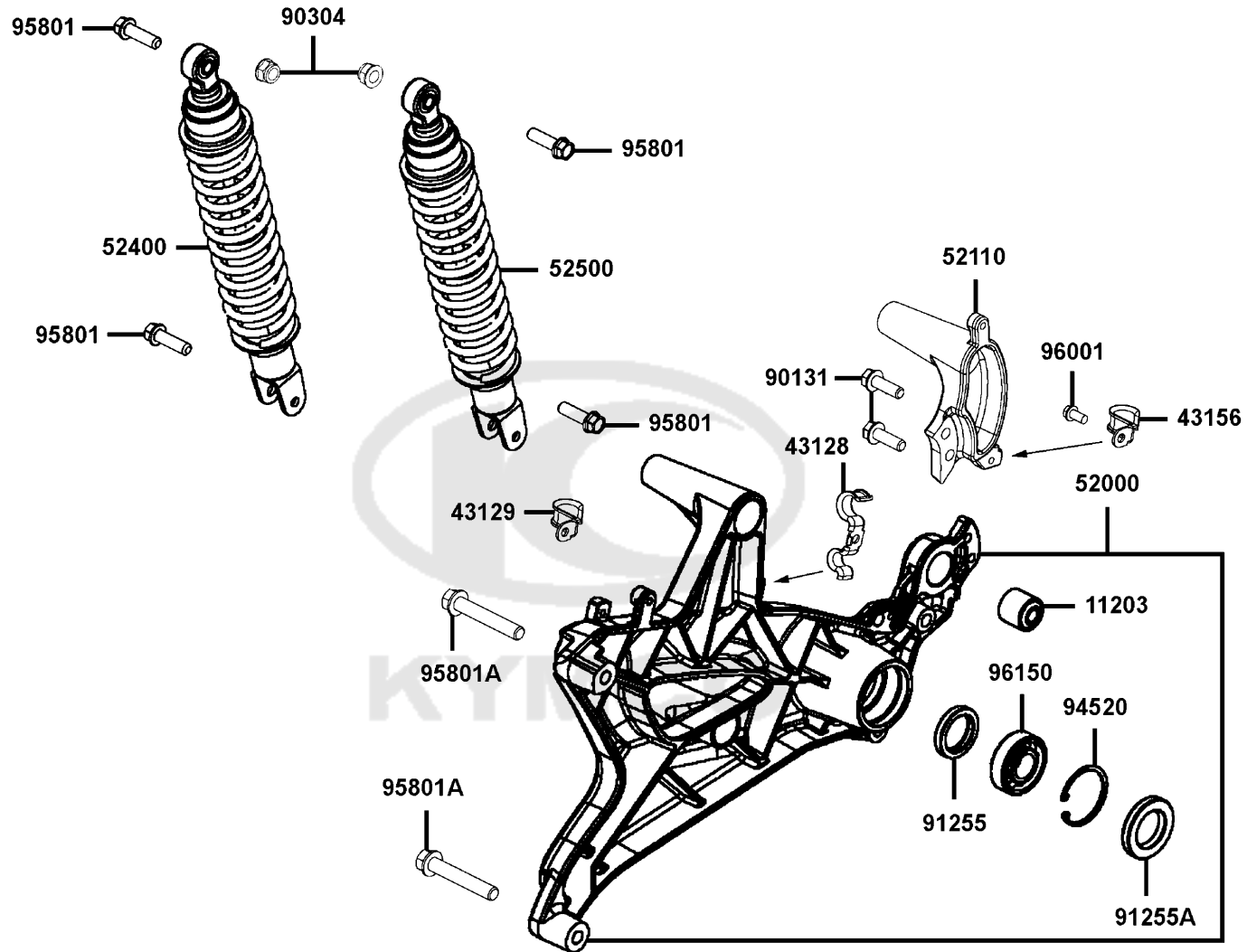




Sales mark	Ref no	Part no	Description	Reg description	Regd no	F15
	35370	35370-LLJ3-E00	SW UNIT SIDE STAND	SW UNIT SIDE STAND	1	
	50500	50500-LKF5-E00	STAND COMP..MAIN	STAND COMP..MAIN	1	
	50502	50502-GFY6-901	COLLAR MAIN STAND	COLLAR MAIN STAND	2	
	50505-KUDU	50505-KUDU-900	STOPPER RUBBER STAND	STOPPER RUBBER STAND	1	
	50505-LEA7	50505-LEA7-E00	STOPPER RUBBER	STOPPER RUBBER	1	
	50506	50506-KHE7-E00	COLLAR STOPPER RUBBER	COLLAR STOPPER RUBBER	1	
	50530	50530-LKF5-E00	STAND COMP..SIDE	STAND COMP..SIDE	1	
	50550	50550-KKC2-E00	SPG ASSY MAIN STAND	SPG ASSY MAIN STAND	1	
	90108	90108-KKC4-900	SCREW SIDE STAND PIVOT	SCREW SIDE STAND PIVOT	1	
	90304	90304-LEA1-900	NUT U FLANGE 10MM	NUT U 10MM	2	
	93404	93404-06016-06	BOLT WASHER 6*16	BOLT WASHER 6*16	1	
	94101	94101-08600	WASH PLAIN 8MM	WASH PLAIN 8MM	2	
	94201	94201-20180	PIN SPLIT 2.0*18	PIN SPLIT 2.0*18	1	
	95014	95014-72204	SPG B1 SIDE STAND	SPG B1 SIDE STAND	1	
	95801	95801-10030-06	BOLT FLANGE 10X30	BOLT FLANGE 10X30	2	

F16

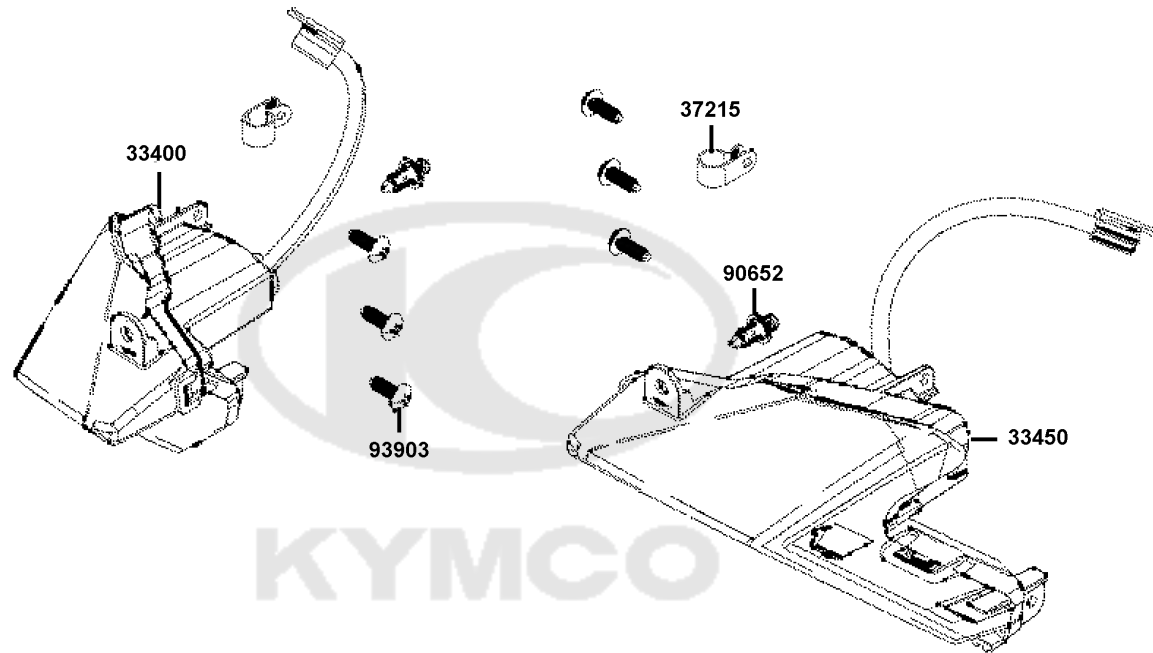
Rr Cushion



Sales mark	Ref no	Part no	Description	Reg description	Regd no	F16
	11203	11203-LBA2-E00	RUB BUSH L CASE	RUB BUSH L CASE	1	
	43128	43128-LKF5-E00	CLAMPER. RR BRK HOSE AND CABLE	CLAMPER. RR BRK HOSE AND CABLE	1	
	43129	43129-LKF5-E00	CLAMPER. RR BRK HOSE & CABLE. 1.B	CLAMPER. RR BRK HOSE & CABLE. 1.B	1	
	43156	43156-LDB2-900	CLAMPER HOSE RR	CLAMPER HOSE RR	1	
**	52000	52000-LKF5-E01	FORK ASSY RR	FORK ASSY RR	1	
**	52110	52110-LKF5-E00	FORK A RR CAST	FORK A RR CAST	1	
**	52400	52400-ADG5-E00	CUSHION ASSY RR R/H	CUSHION ASSY RR R/H	1	
**	52500	52500-ADG5-E00	CUSHION ASSY RR L/H	CUSHION ASSY RR L/H	1	
	90131	90131-KEBE-900	BOLT FLANGE 8*24	BOLT FLANGE 8*24	2	
	90304	90304-LEA1-900	NUT U FLANGE 10MM	NUT U 10MM	2	
	91255	91255-LGE5-E00	OIL SEAL 30*48*7	OIL SEAL 30*48*7	1	
	91255A	91255-LLB1-900	OIL SEAL 30*40*7	OIL SEAL 30*40*7	1	
	94520	94520-47000	CIR CLIP IN 47	CIR CLIP IN 47	1	
	95801	95801-10040-06	BOLT FLANGE 10X40	BOLT FLANGE 10X40	4	
	95801A	95801-10060-06	BOLT FLANGE 10*60	BOLT FLANGE 10*60	2	
	96001	96001-06012-06	BOLT FLANGE SH 6*12	BOLT FLANGE SH 6*12	3	
	96150	96150-62040-10	BEARING BALL RADIAL 6204	BEARING BALL RADIAL 6204	1	

F17

Winker

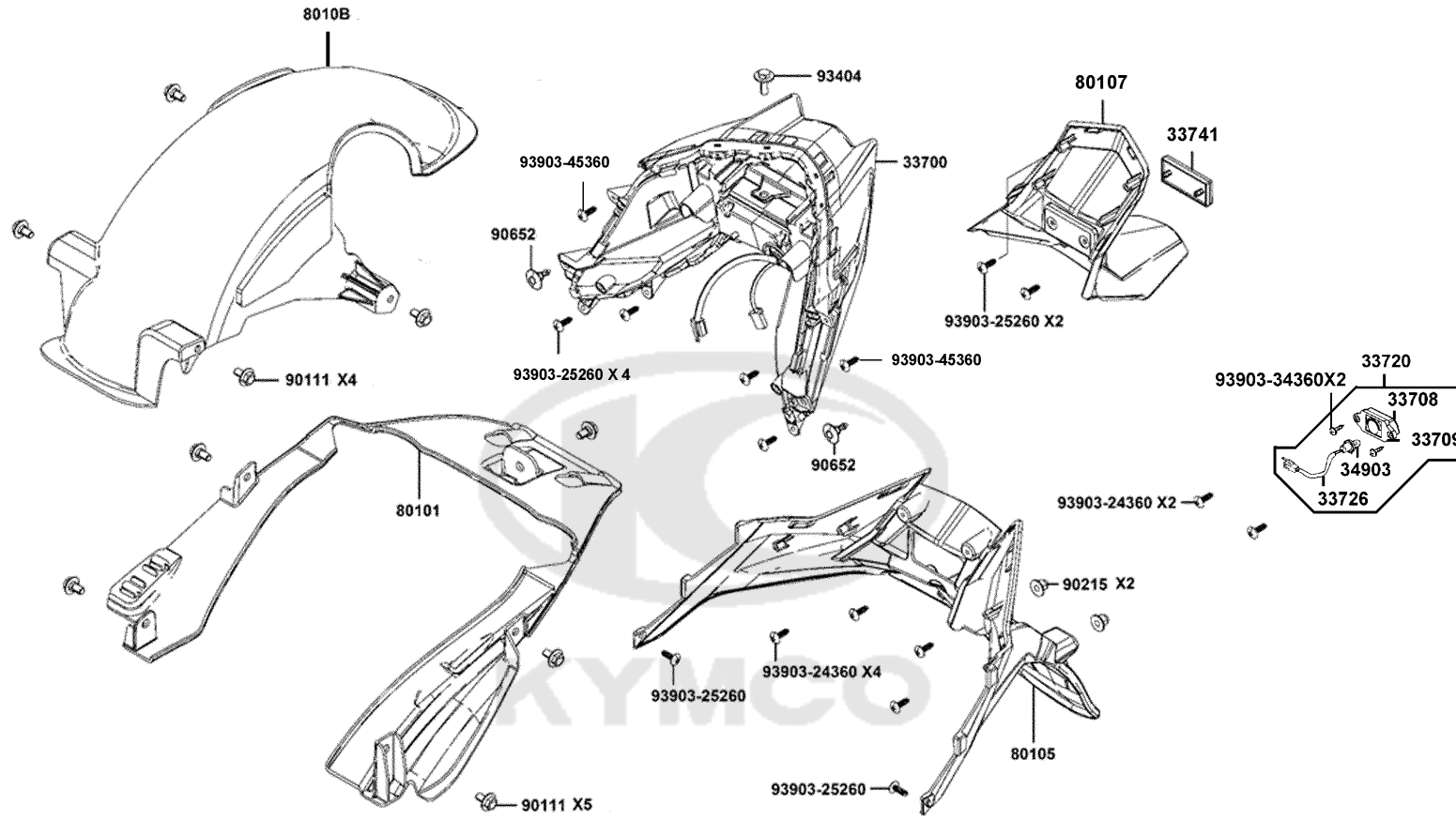


Sales mark	Ref no	Part no	Description	Reg description	Regd no	F17
	33400	33400-ADG5-E00	WINKER ASSY RH.FR	WINKER ASSY RH.FR	1	
	33450	33450-ADG5-E00	WINKER ASSY LH.FR	WINKER ASSY LH.FR	1	
	37215	37215-LHJ3-900	CLAMPER	CLAMPER	2	
	90652	90652-LFB5-900	CLIP MUDGUARD	CLIP MUDGUARD	2	
	93903	93903-35260	SCREW TAPPING 5*12	SCREW TAPPING 5*12	6	



F18

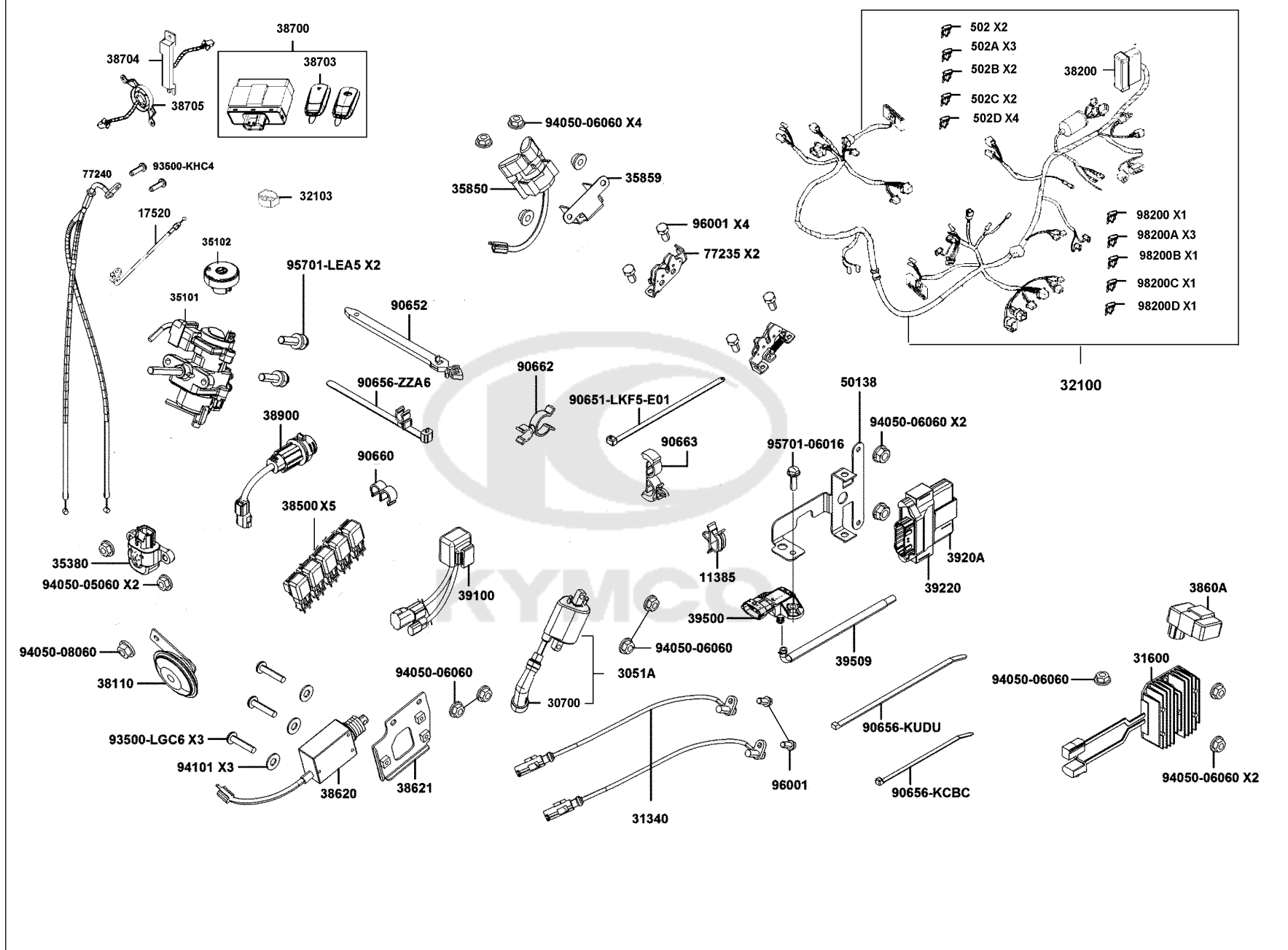
Light Tail



Sales mark	Ref no	Part no	Description	Reg description	Regd no	F18
	33700	33700-ADG5-E00	LIGHT ASSY RR COMB	LIGHT ASSY RR COMB	1	
	33708	33708-KHE7-E00	LENS LICENSE	LENS LICENSE	1	
	33709	33709-KHE7-E00	BASE LICENSE	BASE LICENSE	1	
	33720	33720-LBB5-E00	LIGHT ASSY LICENSE	LIGHT ASSY LICENSE	1	
	33726	33726-LBB5-E00	SCOKET COMP	SCOKET COMP	1	
	33741	33741-ACH7-900	REFLEX REFLECTOR	REFLEX REFLECTOR	1	
	34903	34903-KPCP-900	BULB POSITION LIGHT 12V5W **KCP-	BULB POSITION LIGHT 12V5W **KCP-9000	1	
**	80101	80101-ADG5-E00	FENDER RR INNER (Black)	FENDER RR INNER (Black)	1	
**	80105	80105-ADG5-E00	FENDER REAR	FENDER REAR	1	
**	80107	80107-ADG5-E00	COVER A LICENSE LIGHT (Black)	COVER A LICENSE LIGHT (Black)	1	
**	8010B	8010B-LKF5-E00	FENDER ASSY.RR TIRE	FENDER ASSY.RR TIRE	1	
	90111	90111-LEB1-900	BOLT FLANGE 6MM	BOLT FLANGE 6MM	9	
	90215	90215-KKC4-900	NUT CAP 6MM	NUT CAP 6MM	2	
	90652	90652-LCA4-E00	CLIP MUDGUARD	CLIP MUDGUARD	2	
	93404	93404-06012-06	BOLT WASHER 6*12 (G)	BOLT WASHER 6*12 (G)	1	
	93903-24360	93903-24360	SCREW TAPPING 4*12	SCREW TAPPING 4*12	6	
	93903-25260	93903-25260	SCREW TAPPING 5*12	SCREW TAPPING 5*12	8	
	93903-34360	93903-34360	SCREW TAPPING 4X12	SCREW TAPPING 4X12	2	
	93903-45360	93903-45360	SCREW TAPPING 5*16	SCREW TAPPING 5*16	2	

F19

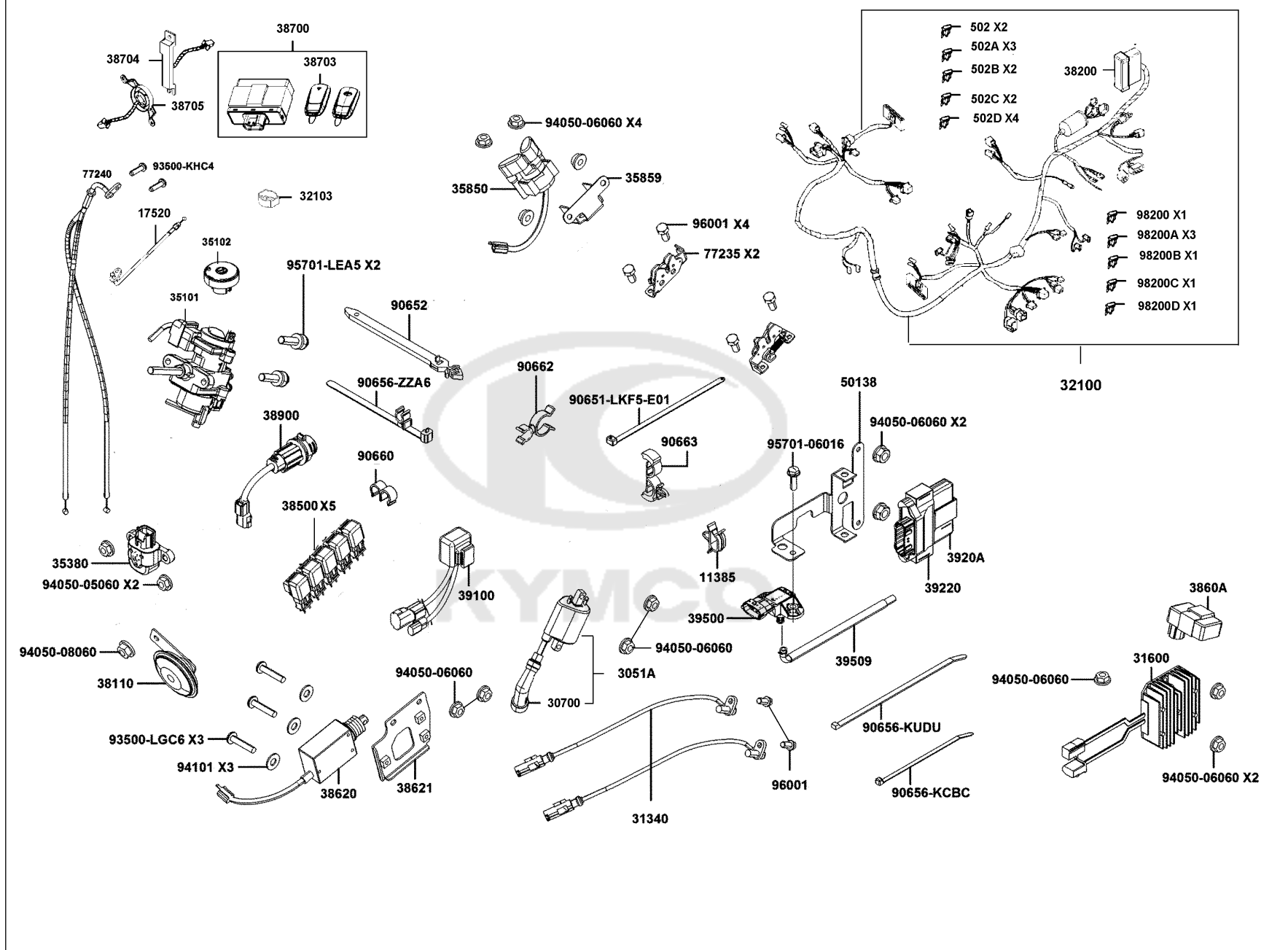
Harness Wire



Sales mark	Ref no	Part no	Description	Reg description	Regd no	F19
	11385	11385-KGBG-900	CLIP VACUUM TUBE	CLIP VACUUM TUBE	1	
	17520	17520-BAC8-E00	CABLE COMP FUEL CAP	CABLE COMP FUEL CAP	1	
	3051A	3051A-LKF5-E00	COIL ASSY IGN	COIL ASSY IGN	1	
	30700	30700-KKE3-900	CAP ASSY NOISE SUPPRESOR	CAP ASSY NOISE SUPPRESOR	1	
	31340	31340-LEA7-E00	SENSOR FR WHEEL SPEED	SENSOR FR WHEEL SPEED	2	
	31600	31600-ZXA6-M01	REG RECT COMP	REG RECT COMP	1	
	32100	32100-BAC8-E00	HARNESS WIRE	HARNESS WIRE	1	
	32103	32103-BAD6-800	COVER DUST	COVER DUST	1	
	35101	35101-BAC8-E00	SW COMB LOCK	SW COMB LOCK	1	
**	35102	35102-BAC8-E00	COLLAR MAIN SW(KEYLESS)	COLLAR MAIN SW(KEYLESS)	1	
	35380	35380-ABE1-E00	SENSOR ANGLE DETECT (D106)	SENSOR ANGLE DETECT	1	
	35850	35850-LKF5-E0A	SW ASSY. START MAG.(D402)	SW ASSY. START MAG.(D402)	1	
	35859	35859-ADG5-E00	STAY START MAG	STAY START MAG	1	
	38110	38110-LDA7-90B	HORN COMP	HORN COMP	1	
	38200	38200-KHE7-900	BOX COMP FUSE	BOX COMP FUSE	1	
	38500	38500-LGL3-90A	RELAY ASSY LIGHT	RELAY ASSY LIGHT	5	
	3860A	3860A-LGC6-E00	CONTROLLER ASS'Y HEAD LIGHT (D423)	CONTROLLER ASS'Y HEAD LIGHT (D423)	1	
	38620	38620-LGC6-E00	LINEAR MOTOR ASS'Y	LINEAR MOTOR ASSY	1	
	38621	38621-ADG5-E00	STAY LINEAR MOTOR	STAY LINEAR MOTOR	1	
	38700	38700-AGE2-305	KEYLESS SET	KEYLESS SET	1	

F19

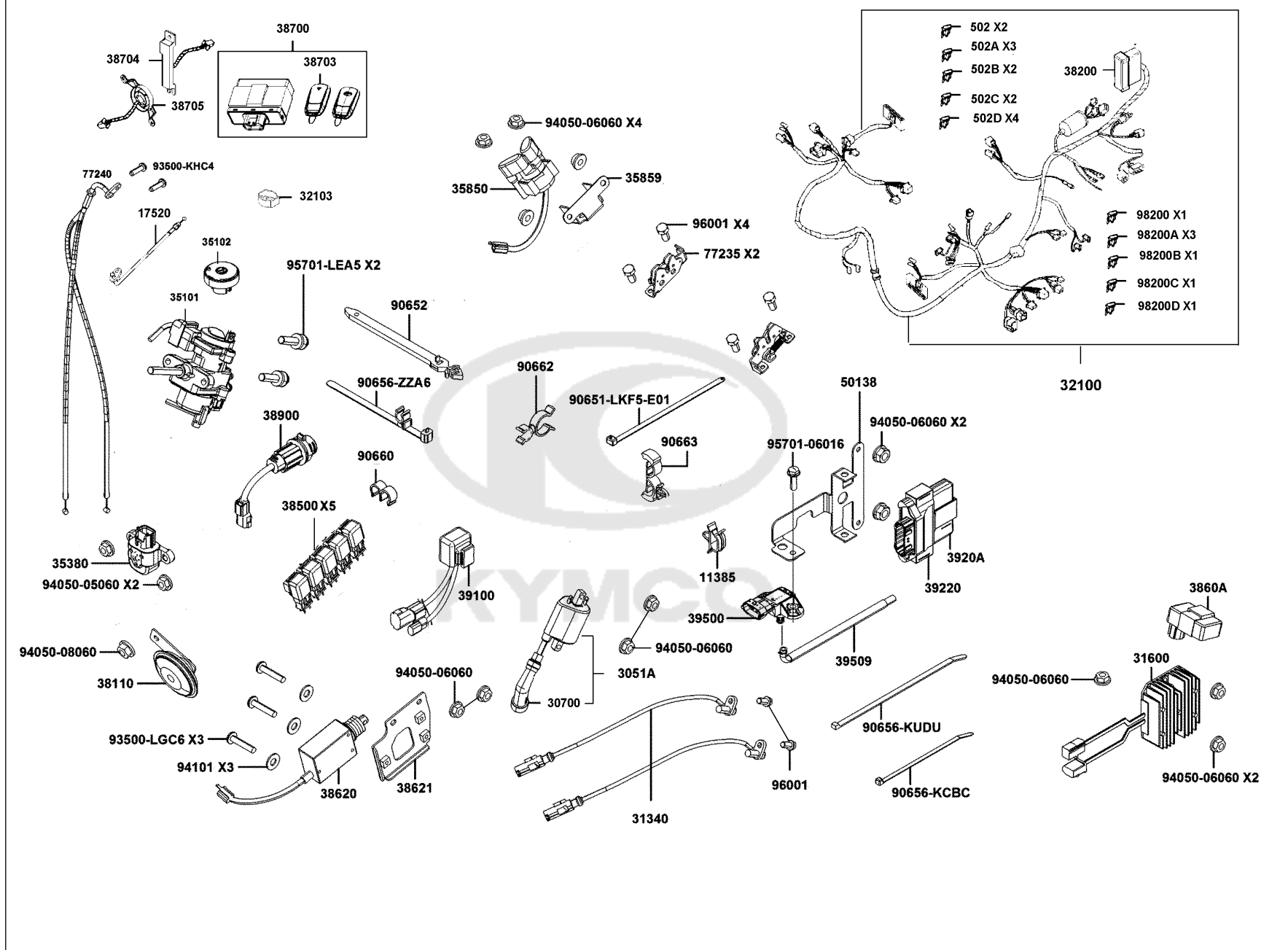
Harness Wire



Sales mark	Ref no	Part no	Description	Reg description	Regd no	F19
38703		38703-AGE2-E00	KEY COMP. CHIP	KEY COMP. CHIP	2	
38704		38704-AGE2-E00	ANTENNA COMP. LONG RANGE	ANTENNA COMP. LONG RANGE	1	
38705		38705-AGJ5-E01	ANTENNA COMP SHORT RANGE	ANTENNA COMP SHORT RANGE	1	
38900		38900-ADG5-E00	CONTROLLER USB CHARGER	CONTROLLER USB CHARGER	1	
39100		39100-LKF5-E00	EMI FILTER. FAN MOTOR	EMI FILTER. FAN MOTOR	1	
3920A		3920A-BAC8-E00	ECU ASSY	ECU ASSY	1	
39220		39220-AKC8-E00	CUSHION CASE ECU	CUSHION CASE ECU	1	
39500		39500-AAC9-900	SENSOR T-MAP	SENSOR T-MAP	1	
39509		39509-AKC8-E00	TUBE T-MAP	TUBE T-MAP	1	
50138		50138-BAC8-E00	STAY ECU	STAY ECU	1	
502		502-00063	BLADE FUSE MINI 30A	BLADE FUSE MINI 30A	2	
502A		502-00149	BLADE FUSE MINI 15A	BLADE FUSE MINI 15A	3	
502B		502-00151	BLADE FUSE MINI 10A	BLADE FUSE MINI 10A	2	
502C		502-00155	BLADE FUSE MINI 25A	BLADE FUSE MINI 25A	2	
502D		502-00164	BLADE FUSE MINI 5A	BLADE FUSE MINI 5A	4	
77235		77235-ADG5-E00	CATCH COMP SEAT	CATCH COMP SEAT	1	
77240		77240-BAC8-E00	CABLE ASSY SEAT LOCK	CABLE ASSY SEAT LOCK	1	
90651-LKF5-E01		90651-LKF5-E01	CLIP WIRE HARN	CLIP WIRE HARN	1	
90652		90652-LGL7-E00	CLIP 8*120	CLIP 8*120	1	
90656-KCBC		90656-KCBC-900	BAND OIL HANDLE 8X146	BAND OIL HANDLE 8X146	20	

F19

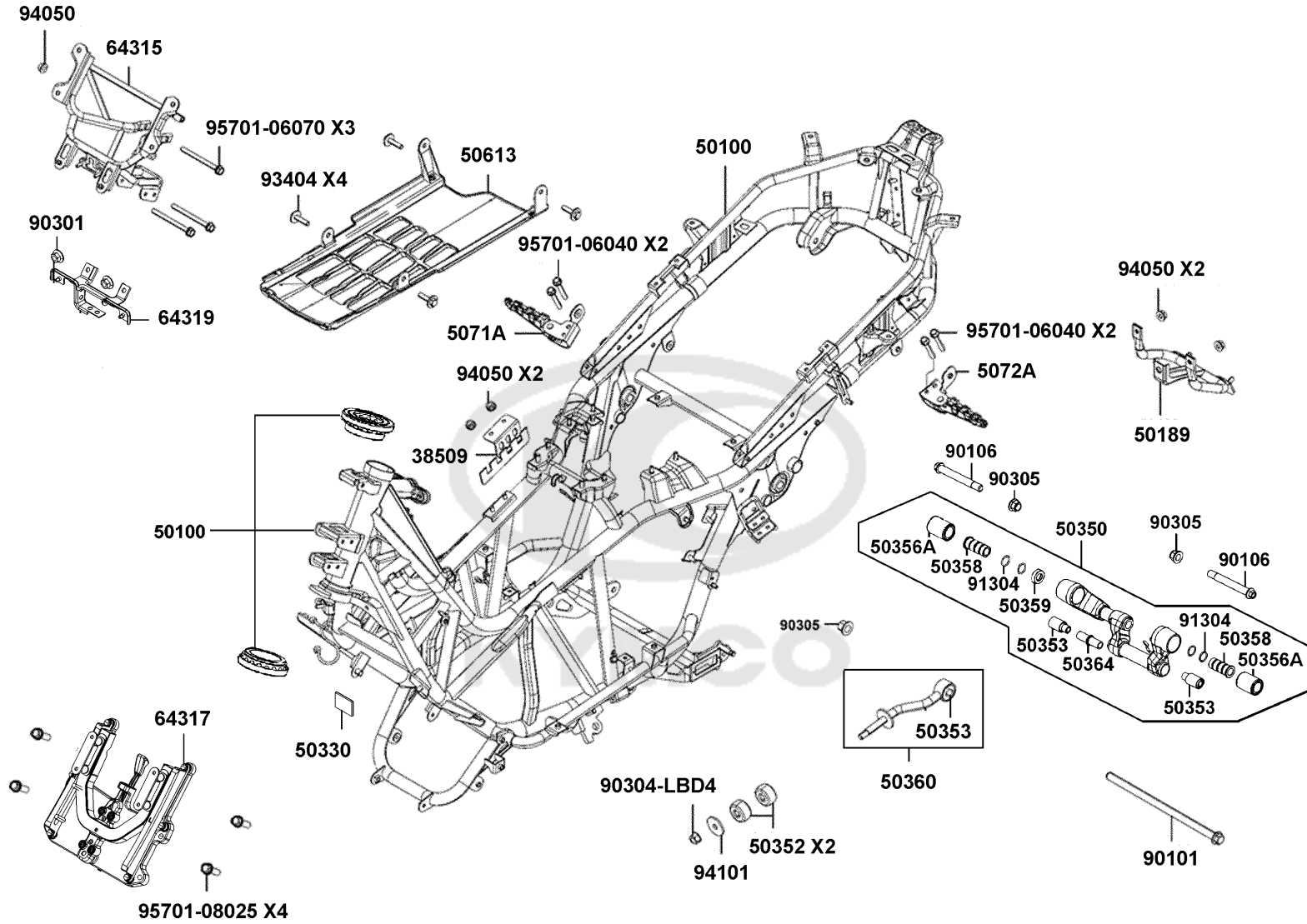
Harness Wire



Sales mark	Ref no	Part no	Description	Reg description	Regd no	F19
**	90656-KUDU	90656-KUDU-900	BAND HARNESS WIRE	BAND HARNESS WIRE	5	
	90656-ZZA6	90656-ZZA6-E03	CABLE STRAP 150-D8	CABLE STRAP 150-D8	1	
	90660	90660-LDE9-E00	CLAMP TUBE	CLAMP TUBE	1	
	90662	90662-LHG7-E00	CLIP WATER HOSE	CLIP WATER HOSE	1	
	90663	90663-AEB9-E00	CLIP	CLIP	1	
	93500-KHC4	93500-KHC4-90A	SCREW PAN 5*10	SCREW PAN 5*10	2	
	93500-LGC6	93500-LGC6-E00	SCREW PAN 4X40	SCREW PAN 4X40	3	
	94050-05060	94050-05060	NUT FLANGE 5MM	NUT FLANGE 5MM	2	
	94050-06060	94050-06060	NUT FLANGE 6MM	NUT FLANGE 6MM	13	
	94050-08060	94050-08060	NUT FLANGE 8MM	NUT FLANGE 8MM	1	
	94101	94101-04800	WASHER PLAIN 4.5*10*0.8	WASHER PLAIN 4.5*10*0.8	3	
	95701-06016	95701-06016-06	BOLT FLANGE 6*16 (K)	BOLT FLANGE 6*16 (K)	1	
	95701-LEA5	95701-LEA5-E00	BOLT TORQUE 8*25 **(0) C.2007.01.22	BOLT TORQUE 8*25 **(0) C.2007.01.22	2	
	96001	96001-06012-06	BOLT FLANGE SH 6*12	BOLT FLANGE SH 6*12	6	
	98200	98200-31000	BLADE FUSE 10A **(0) C.2005.03.01	BLADE FUSE 10A **(0) C.2005.03.01	1	
	98200A	98200-31500	FUSE A15	FUSE A15	3	
	98200B	98200-32000	BLADE FUSE 20A	BLADE FUSE 20A	1	
	98200C	98200-32500	BLADE FUSE 25A	BLADE FUSE 25A	1	
	98200D	98200-33000	BLADE FUSE 30A	BLADE FUSE 30A	1	

F20

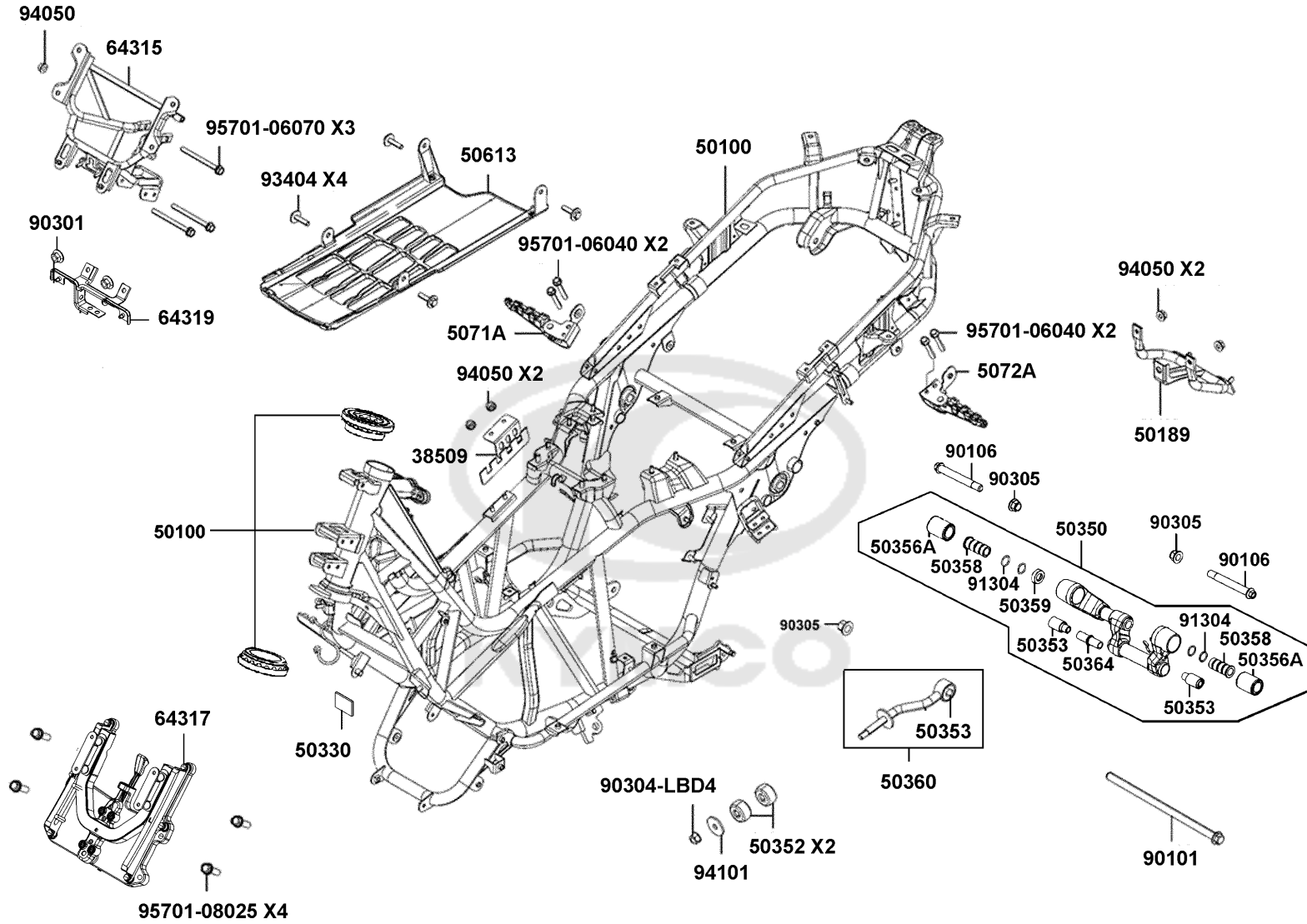
Frame Body



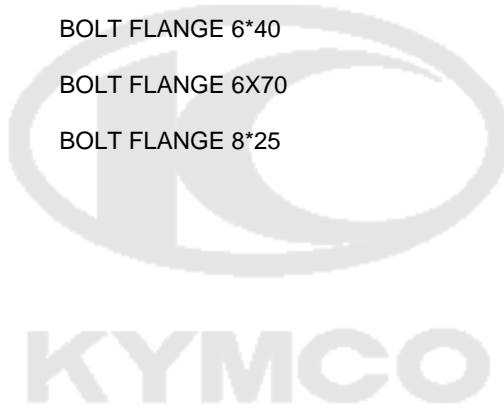
Sales mark	Ref no	Part no	Description	Reg description	Regd no	F20
	38509	38509-ADG5-E00	STAY RELAY	STAY RELAY	1	
	50100	50100-AKC3-315	BODY COMP FRAME (EZ5)	BODY COMP FRAME (EZ5)	1	
	50189	50189-ADG5-E00	STAY RR FENDER	STAY RR FENDER	1	
	50330	50330-ALK5-900	PONGE BATTERY	PONGE BATTERY	1	
	50350	50350-ADG5-E00	HANGER ASSY ENG	HANGER ASSY ENG	1	
	50352	50352-LBA2-E00	RUBBER STOPPER	RUBBER STOPPER	2	
	50353	50353-ADG5-E00	RUBBER BUSH	RUBBER BUSH	3	
	50356A	50356-LHG7-E00	RUBBER BUSH ENG HANGER	RUBBER BUSH ENG HANGER	2	
	50358	50358-LKF5-E01	BUSH INNER SWING LOCK	BUSH INNER SWING LOCK	2	
	50359	50359-LKF5-E01	COLLAR	COLLAR	1	
	50360	50360-ADG5-E00	TIE-ROD ASSY, ENG HANGER	TIE-ROD ASSY ENG HANGER	1	
	50364	50364-ADG5-E00	COLLAR B ENG HANGER	COLLAR B ENG HANGER	1	
**	50613	50613-ADG5-E00	COVER UNDER (Black)	COVER UNDER (Black)	1	
	5071A	5071A-ADG5-E00	BAR ASSY. R PILLION STEP	BAR ASSY. R PILLION STEP	1	
	5072A	5072A-ADG5-E00	BAR ASSY L PILLION STEP	BAR ASSY. LPILLION STEP	1	
	64315	64315-ADG5-E00	BRKT FR COVER	BRKT FR COVER	1	
	64317	64317-ADG5-E00	VISOR BRKT ASSY	VISOR BRKT ASSY	1	
	64319	64319-BAC8-E00	BRKT HEAD LIGHT	BRKT HEAD LIGHT	1	
	90101	90101-ADG5-E00	BOLT FLANGE 14X270(G)	BOLT FLANGE 14X270(G)	1	
	90106	90106-LKF5-E00	BOLT FLANGE 15X122(M14)	BOLT FLANGE 15X122(M14)	2	

F20

Frame Body

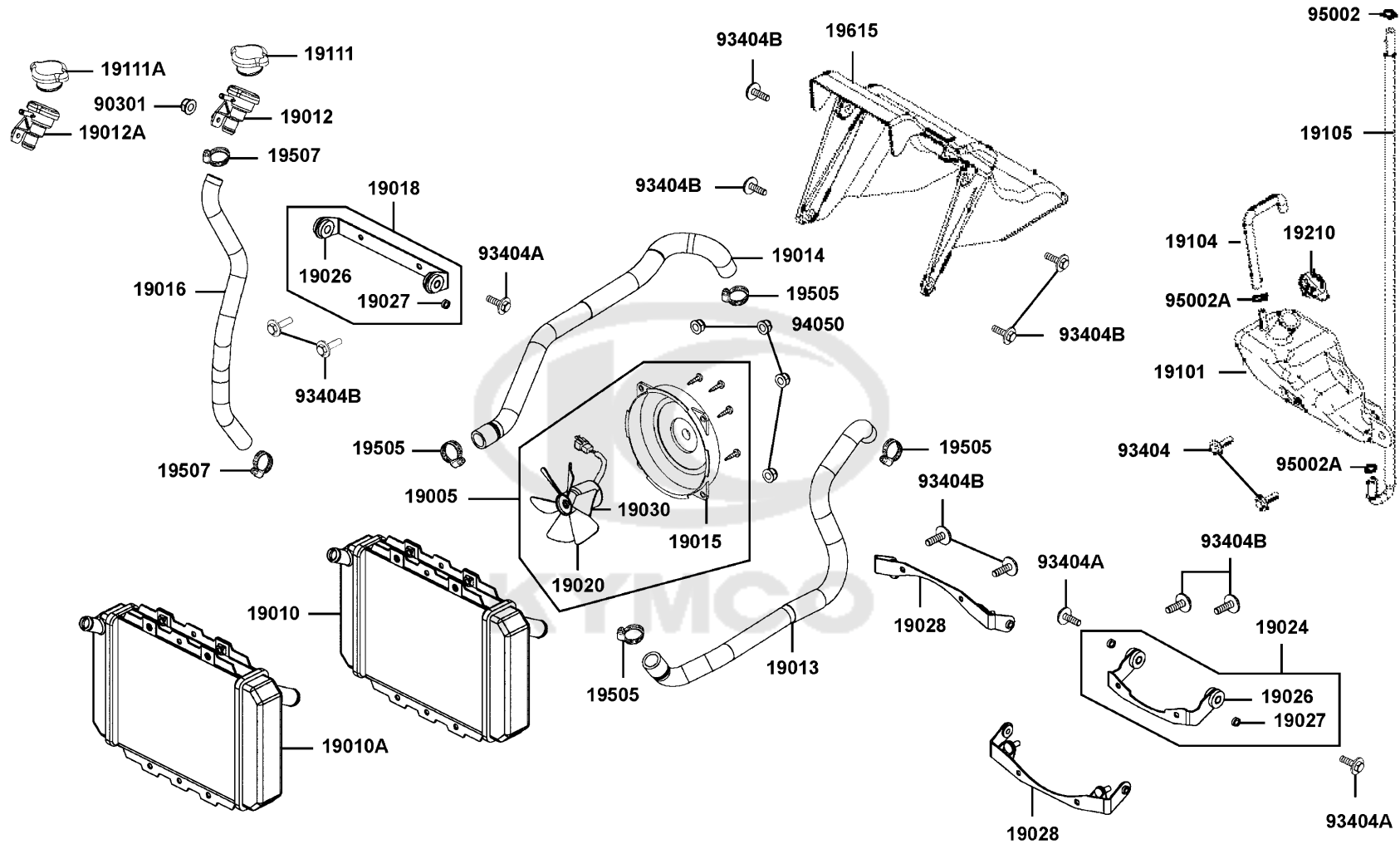


Sales mark	Ref no	Part no	Description	Reg description	Regd no	F20
90301		90301-6D34-671	NUT FLANGE 6MM	NUT FLANGE 6MM	2	
90304-LBD4		90304-LBD4-900	NUT U FLANGE 10MM	NUT U FLANGE 10MM	1	
90305		90305-LBD4-900	NUT U 14MM	NUT U 14MM	3	
91304		91304-LGE5-E00	O-RING 17.8*2.4	O-RING 17.8x2.4	4	
93404		93404-06012-06	BOLT WASHER 6*12 (G)	BOLT WASHER 6*12 (G)	4	
94050		94050-06060	NUT FLANGE 6MM	NUT FLANGE 6MM	5	
94101		94101-LBA2-E00	WASHER PLATE 10.5*38*3.0	WASHER PLATE 10.5*38*3.0	1	
95701-06040		95701-06040-06	BOLT FLANGE 6*40	BOLT FLANGE 6*40	4	
95701-06070		95701-06070-06	BOLT FLANGE 6X70	BOLT FLANGE 6X70	3	
95701-08025		95701-08025-06	BOLT FLANGE 8*25	BOLT FLANGE 8*25	4	



F21

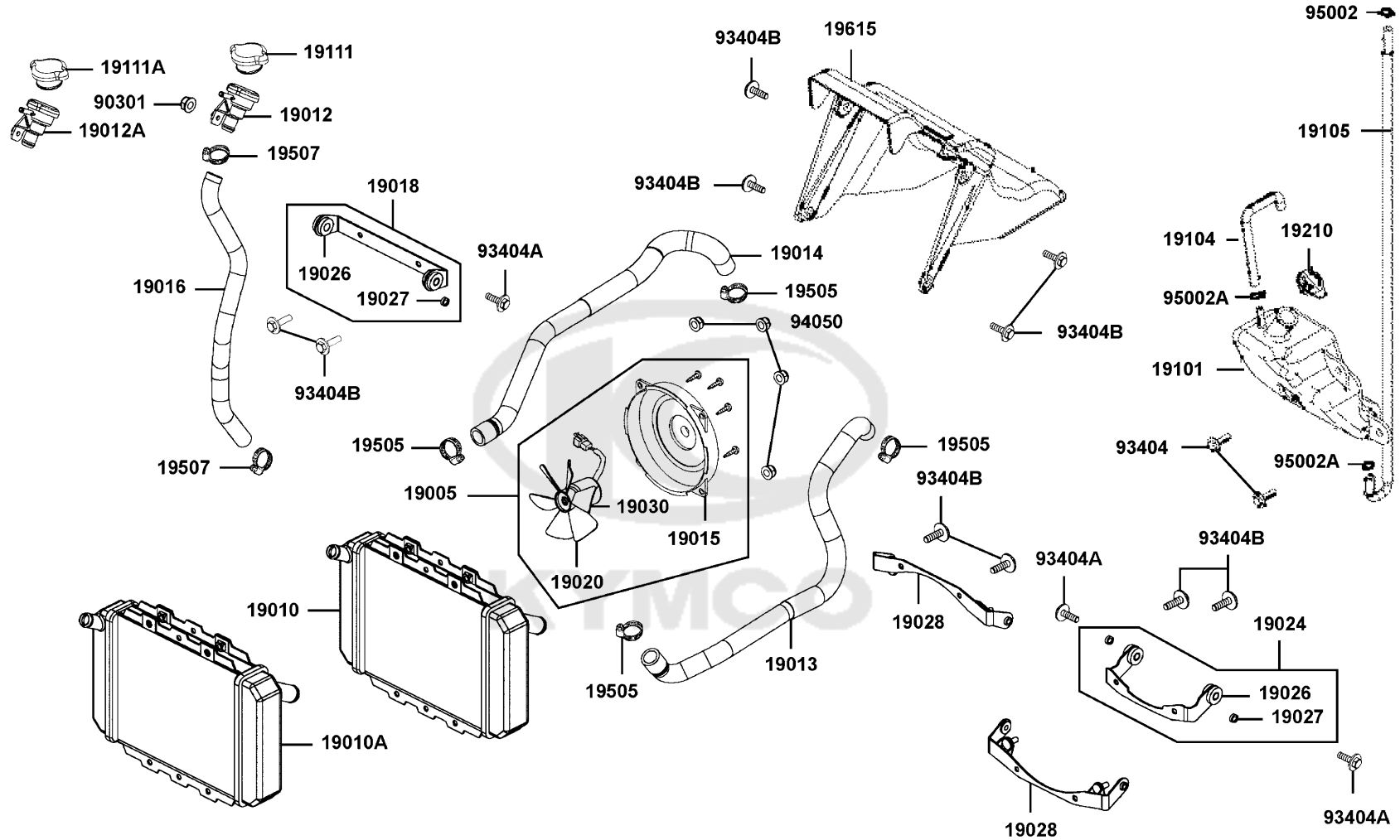
Radiator



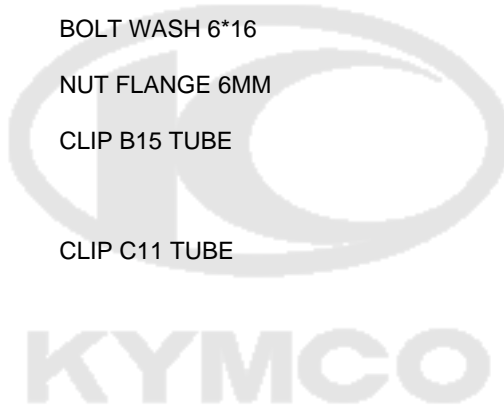
Sales mark	Ref no	Part no	Description	Reg description	Regd no	F21
19005		19005-LKF5-E01	SHROUD ASSY.	SHROUD ASSY.	1	
19010		19010-LKF5-E00	RADIATOR COMP	RADIATOR COMP	1	
19012		19012-LEA7-E05	UNIT RADIATOR	UNIT RADIATOR	1	
19012A		19012-LEA7-E0S	SUPT FILLER NECK	SUPT FILLER NECK	1	
19013		19013-ADG5-E00	HOSE WATER INLET	HOSE WATER INLET	1	
19014		19014-ADG5-E00	HOSE WATER OUTLET	HOSE WATER OUTLET	1	
19015		19015-LBA2-E00	SHROUD COMP	SHROUD COMP	1	
19016		19016-ADG5-E00	HOSE WATER-UNIT CAP	HOSE WATER-UNIT CAP	1	
19018		19018-LKF5-E00	HOLDER UPPER.RADIATOR	HOLDER UPPER.RADIATOR	1	
19020		19020-LBA2-E00	FAN COOLING	FAN COOLING	1	
19024		19024-LKF5-E00	HOLDER LOWER.RADIATOR	HOLDER LOWER.RADIATOR	1	
19026		19026-LKF5-E00	DAMPING RUBBER RADIATOR	DAMPING RUBBER RADIATOR	4	
19027		19027-LKF5-E00	COLLAR RADIATOR	COLLAR RADIATOR	3	
19028		19028-LKF5-E00	STAY.RADIATOR FAN	STAY.RADIATOR FAN	2	
19030		19030-LBA2-E00	MOTOR ASSY FAN	MOTOR ASSY FAN	1	
19101		19101-ADG5-E00	TANK RESERVE	TANK RESERVE	1	
19104		19104-ACD5-E00	HOSE ASSY DRAIN	HOSE ASSY DRAIN	1	
19105		19105-ADG5-E00	HOSE ASSY RESERVE TANK-PRESSURE	HOSE ASSY RESERVE TANK-PRESSURE	1	
19111		19111-PRB3-900	CAP COMP RADIATOR	CAP COMP RADIATOR	1	
19111A		19111-PRB3-90B	CAP COMP RADIATOR	CAP COMP RADIATOR	1	

F21

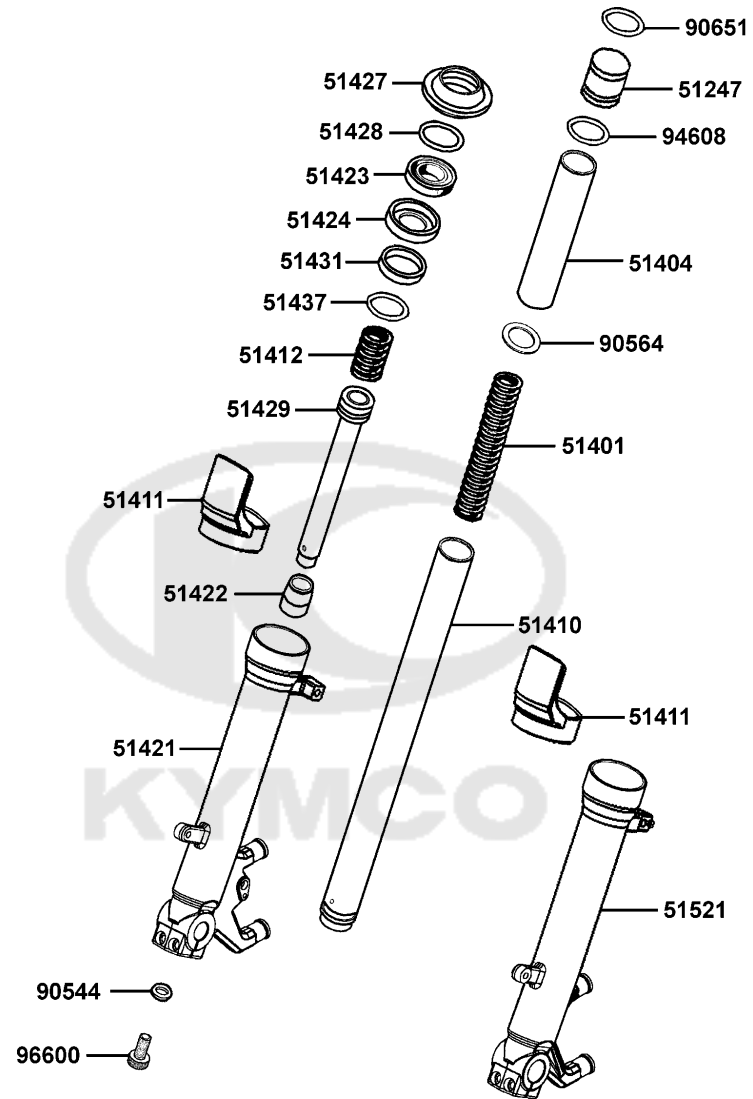
Radiator



Sales mark	Ref no	Part no	Description	Reg description	Regd no	F21
	19210	19210-KKC4-900	CAP RESERVE TANK	CAP RESERVE TANK	1	
	19505	19505-LKF5-E00	CLAMP.D31	CLAMP.D31	4	
	19507	19507-LDB5-E00	CLAMP D 28	CLAMP D 28	2	
	19615	19615-LKF5-E00	COVER.RADLATOR	COVER.RADLATOR	1	
	90301	90301-6D34-671	NUT FLANGE 6MM	NUT FLANGE 6MM	1	
	93404	93404-06012-06	BOLT WASHER 6*12 (G)	BOLT WASHER 6*12 (G)	2	
	93404A	93404-06025-06	BOLT WASHER 6*25	BOLT WASHER 6*25	3	
	93404B	93404-KKC2-900	BOLT WASH 6*16	BOLT WASH 6*16	10	
	94050	94050-06060	NUT FLANGE 6MM	NUT FLANGE 6MM	4	
	95002	95002-02100	CLIP B15 TUBE	CLIP B15 TUBE	1	
	95002A	95002-70000	CLIP C11 TUBE	CLIP C11 TUBE	2	

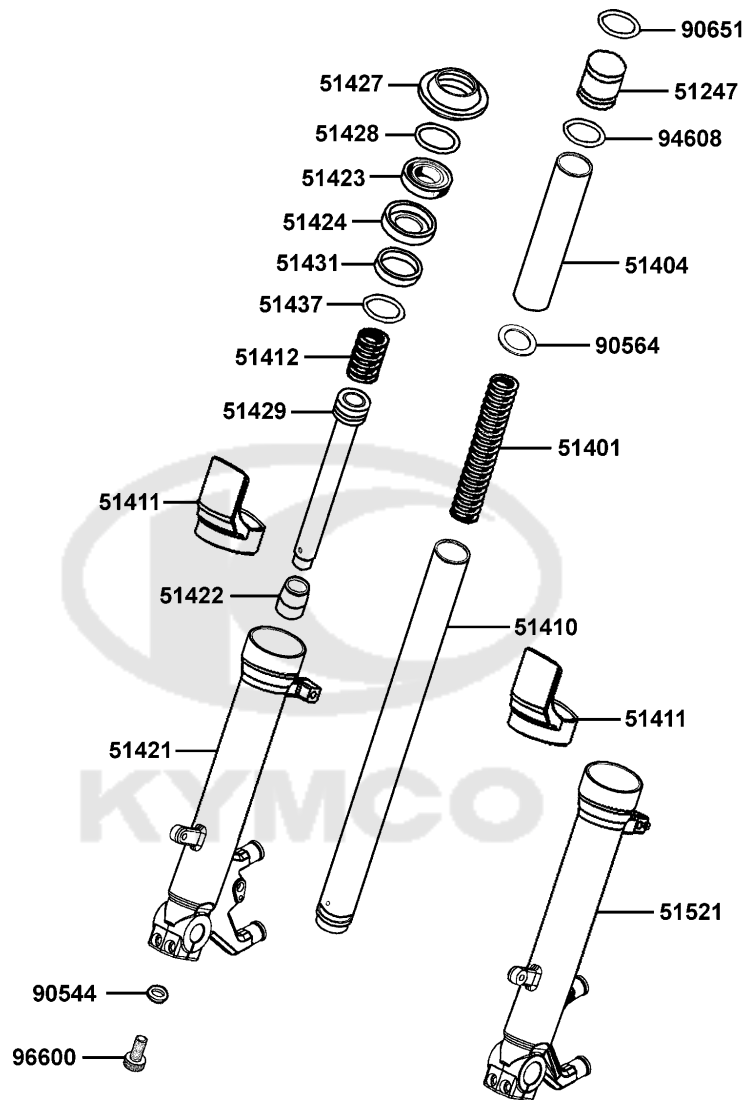


Separated Parts Of Fr Fork



Sales mark	Ref no	Part no	Description	Reg description	Regd no	F22
	51247	51247-LKF5-E00	FORK BOLT CAP	FORK BOLT CAP	2	
	51401	51401-LKF5-E00	SPRING	SPRING	4	
	51404	51404-LKF5-E00	SPRING COLLAR	SPRING COLLAR	2	
	51410	51410-LKF5-E00	FORK PIPE COMP	FORK PIPE COMP	2	
	51411	51411-KKE5-E00	FORK FENDER	FORK FENDER	2	
	51412	51412-LKF5-E00	REBOUND SPRING	REBOUND SPRING	2	
**	51421	51421-LKF5-E00	BOTTOM CASE R	BOTTOM CASE R	1	
	51422	51422-LBA2-E00	OIL LOCK PIECE	OIL LOCK PIECE	2	
	51423	51423-KED9-900	OIL SEAL (OUT DIA.:54MM)	OIL SEAL (OUT DIA.:54MM)	2	
	51424	51424-KED9-900	SPACER	SPACER	2	
	51427	51427-KED9-900	DUST SEAL	DUST SEAL	2	
	51428	51428-KED9-900	OIL SEAL STOPPER RING	OIL SEAL STOPPER RING	2	
	51429	51429-LKF5-E00	PIPE SEAT COMP	PIPE SEAT COMP	2	
	51431	51431-KED9-900	GUIDE BUSH	GUIDE BUSH	2	
	51437	51437-KED9-900	PISTON RING	PISTON RING	2	
**	51521	51521-LKF5-E00	BOTTOM CASE L	BOTTOM CASE L	1	
	90544	90544-KEC8-900	PACKING	PACKING	2	
	90564	90564-KED9-900	PLANE WASHER	PLANE WASHER	2	
	90651	90651-LKF5-900	STOPPER RING	STOPPER RING	2	
	94608	94608-LKF5-E00	O-RING	O-RING	2	

Separated Parts Of Fr Fork



Sales mark	Ref no	Part no	Description	Reg description	Regd no	F22
------------	--------	---------	-------------	-----------------	---------	------------

96600

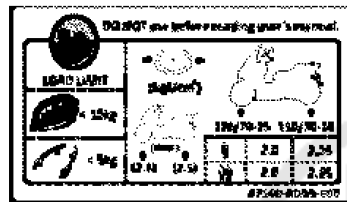
96600-LKF5-E00

BOLT

BOLT

2

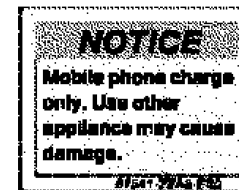




87560



87546



87541

KYMCO

Sales mark	Ref no	Part no	Description	Reg description	Regd no	F23
**	87541	87541-ZZA6-E00	NOTICE MOBILE PHONE	NOTICE MOBILE PHONE	1	
**	87546	87546-ADG5-E00	LABEL FUEL TANK	LABEL FUEL TANK	1	
**	87560	87560-ADG5-E00	MARK DRIVER CAUTION	MARK DRIVER CAUTION	1	

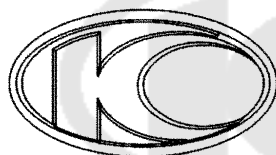




86202



86332



87206



86408

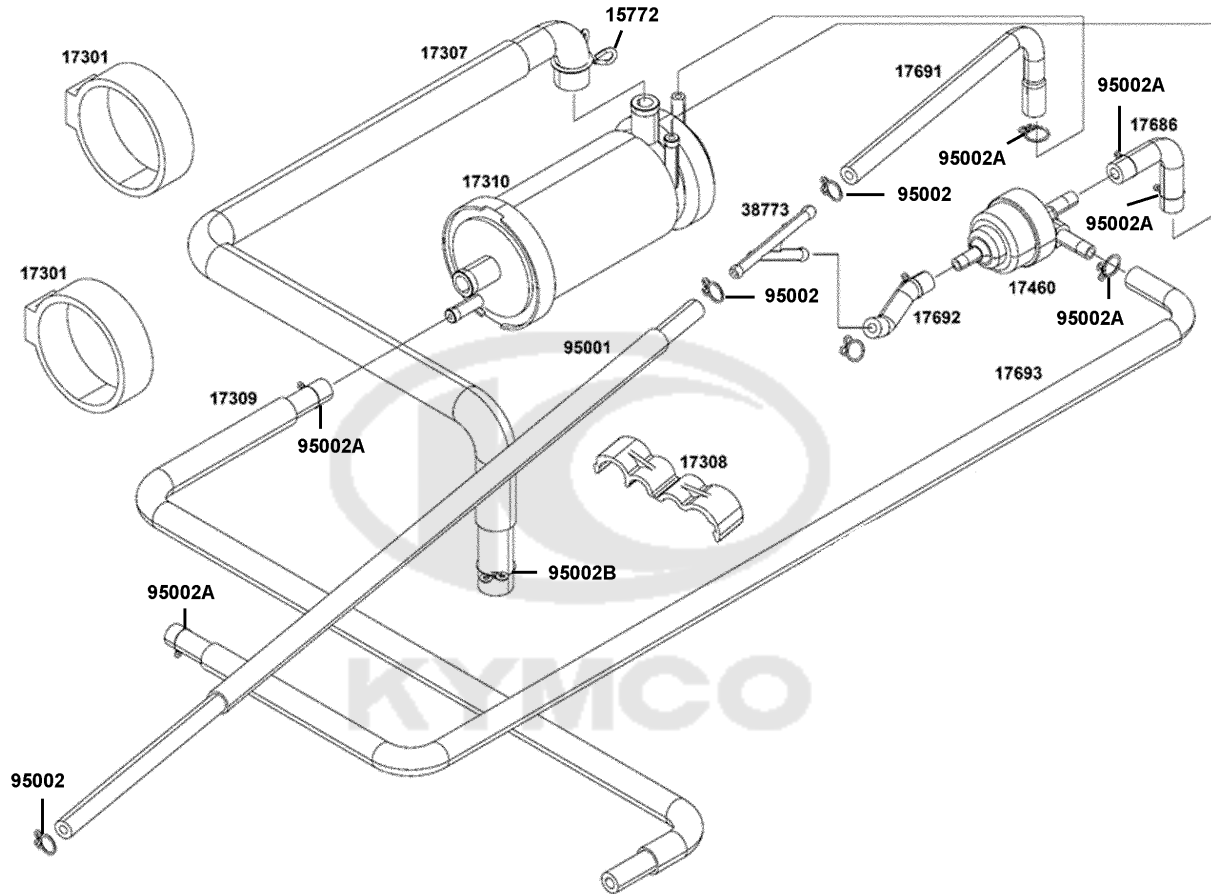


Sales mark	Ref no	Part no	Description	Reg description	Regd no	F24
**	86202	86202-BAC8-E00	EMB BODY COVER	EMB BODY COVER	2	
**	86332	86332-ADG5-E00	EMB SKIRT	EMB SKIRT	2	
**	86408	86408-ACD5-E00	STRIPE FR FENDER	STRIPE FR FENDER	2	
**	87206	87206-ADG5-E00	EMB K-LOGO	EMB K-LOGO	1	



F25

Canister-Pcv Assy



Sales mark	Ref no	Part no	Description	Reg description	Regd no	F25
	15772	15772-5L00-013	CLIP B14.5 TUBE	CLIP B14.5 TUBE	1	
	17301	17301-KNBN-960	RUBBER CANISTER MOUNT	RUBBER CANISTER MOUNT	2	
	17307	17307-LKF5-900	TUBE ASSY.	TUBE ASSY.	1	
	17308	17308-LKF5-900	CLAMP. TUBE	CLAMP. TUBE	1	
	17309	17309-LKF5-900	TUBE. ASSY	TUBE. ASSY	1	
	17310	17310-LKF5-E03	CANISTER COMP	CANISTER COMP	1	
#	17460	17460-AGA6-M01	VALVE COMP VAPOR CONTROL	VALVE COMP VAPOR CONTROL	1	
	17686	17686-LKF5-E03	TUBE FUEL FILLER	TUBE FUEL FILLER	1	
	17691	17691-LKF5-E03	TUBE ASSY	TUBE ASSY	1	
	17692	17692-LKF5-E03	TUBE ASSY	TUBE ASSY	1	
	17693	17693-LKF5-E03	TUBE ASSY	TUBE ASSY	1	
	38773	38773-KEC3-900	JOINT ASSY TANK CAP	JOINT ASSY TANK CAP	1	
	95001	95001-AKC3-900	TUBE ASSY	TUBE ASSY	1	
	95002	95002-02070	CLIP B7 TUBE	CLIP B7 TUBE	3	
	95002A	95002-02080	CLIP B8 TUBE	CLIP B8 TUBE	6	
	95002B	95002-02130	CLIP B12.5 TUBE	CLIP B12.5 TUBE	1	

PART NO. INDEX

PART NO.	VERSION	PAGE	PART NO.	VERSION	PAGE	PART NO.	VERSION	PAGE
			11203-LBA2-E00	2	E01	12310-LKF5-E01	2	E02
			11203-LBA2-E00	2	F16	12391-LKF5-900	2	E02
			1121A-LKF5-E01	3	F13			
			1122A-LEA7-E00	2	E01	13000		
0118-814-1100-3	0	E05	11330-ADG5-E00	5	E04			
0901-819-6001	0	E05	11340-ADG5-E00	4	E01	1300A-LKF5-E01	4	E03
0901-880-6000	0	E05	11344-ADG5-E00	0	E01	13011-ADG5-E00	0	E03
0901-911-6000	0	E05	11345-ADG5-E00	5	E01	13101-LKF5-E02	3	E03
			11347-LKF5-E00	1	E06	13111-LKF5-E00	2	E03
			1134B-ADG5-E00	0	E01	13210-LKF5-E00-1	8	E03
			11350-LKF5-E00	4	E01	13210-LKF5-E00-2	8	E03
1090-873-2001	0	E05	11357-LKF5-E00	1	E06	13221-ABE1-E00-01	1	E03
1190-C74-2000	0	E05	11383-KHE7-900	0	E02	13221-ABE1-E00-02	1	E03
1190-C75-2000	0	E05	11385-KGBG-900	0	F19	13221-ABE1-E00-03	1	E03
1614-868-0000-S	0	E05	11394-ADG5-E00	0	E04	13222-LKF5-E00	0	E03
1614-906-0002	0	E05	11395-ADG5-E00	2	E01	13223-LKF5-E00	0	E03
			12000			13314-LKF5-E00-A	0	E01
						13314-LKF5-E00-B	0	E01
						13314-LKF5-E00-C	0	E01
			12100-LKF5-E00	7	E03	13406-LEA7-E00	2	E02
			12191-LKF5-E00	1	E03	1342A-LKF5-E01	8	E03
			12200-LKF5-E00	9	E02			
			12205-KHE8-301	5	E02	14000		
			12205-LEA7-E00	0	E01			
11109-LKF5-E00	2	E01	12209-GDB4-68B	0	E02	14100-BAC8-E00	0	E02
1110A-ADG5-305	0	E01	12251-LKF5-E00	0	E02	14321-LEA7-E00	8	E02
11110-ADG5-E00	3	E01						
11120-ADG5-E00	3	E01						

PART NO. INDEX

PART NO.	VERSION	PAGE	PART NO.	VERSION	PAGE	PART NO.	VERSION	PAGE
14401-PWB1-900	2	E03	15161-PUA5-E00	5	E01	1723B-ADG5-E00	0	F13
14420-ABE1-E00	0	E02	15162-PUA5-E00	7	E01	1723C-LKF5-E00	7	E02
14430-ABE1-E00	0	E02	15200-LKF5-E00	2	E01	17301-KNBN-960	0	F25
14433-ACD5-E00	0	E02	1541A-LEH6-E00	2	E01	17307-LKF5-900	2	F25
14434-ACD5-E00	0	E02	15423-KKC3-900	1	E01	17308-LKF5-900	2	F25
14452-LKF5-E00	0	E02	15437-LEA7-E00	1	E01	17309-LKF5-900	0	F25
14453-LKF5-E00	1	E02	1565A-LBA2-E00	2	E04	17310-LKF5-E03	0	F25
14510-LKF5-E01	2	E03	15711-LKF5-E00	1	E07	17370-4K19-701	1	F13
14523-LKF5-E00	1	E03	15772-5L00-013	1	F25	17371-1D74-671	0	F13
14531-KHE7-900	1	E03				1737A-LKF5-E01	1	F13
14550-LKF5-E00	2	E03	16000			17460-AGA6-M01	0	F25
14610-LEA7-E00	2	E03				17500-BAC8-E00	0	F10
14711-ABE1-E00	2	E02	1610K-LKF5-900	4	E05	17511-LKF5-E00	2	F10
14721-ABE1-E00	1	E02	16201-LKF5-E00	2	E02	17512-LKF5-E00	2	F10
14751-LKF5-E00	3	E02	16211-LKF5-E00	2	E02	17520-BAC8-E00	0	F19
14761-LKF5-E00	1	E02				17530-KGB5-900	1	F10
14771-LKF5-E00	0	E02	17000			17550-LKF5-E00	2	F10
14773-LKF5-E00	1	E02				17561-LDF2-900	0	F10
14777-LBA2-E00	4	E02	1711A-LKF5-E00	1	E02	17561-LGE5-E00	1	F10
14781-MFA6-001	0	E02	17214-LDB2-E00	1	F13	17581-LEA7-E00	1	F10
			17216-KHC4-900	0	F13	17582-LKF5-E00	2	F10
15000			1721A-LKF5-E01	0	F13	17620-ADE1-900	2	F10
			17236-KFBF-910	1	F13	17685-KZCZ-900	0	F10
15100-ADG5-E00	1	E07	17236-LKF5-E00	0	E02	17685-LKF5-E00	3	F10
15136-KKE5-E00	6	E07	17237-LKF5-E00	4	E02	17686-LKF5-E03	0	F25
15141-LKF5-E00	1	E07	1723A-ADG5-B80	0	F13	17687-LKG7-305	0	F10

PART NO. INDEX

PART NO.	VERSION	PAGE	PART NO.	VERSION	PAGE	PART NO.	VERSION	PAGE
17691-LKF5-E03	0	F25	19010-LKF5-E00	2	F21	19315-LKF5-E00	2	E02
17692-LKF5-E03	0	F25	19012-LEA7-E05	1	F21	19421-LKF5-E00	5	E02
17693-LKF5-E03	0	F25	19012-LEA7-E0S	3	F21	19502-LKF5-E00	3	E02
17910-ADG5-E00	2	F03	19013-ADG5-E00	0	F21	19505-LKF5-E00	0	F21
17911-ADG5-E00	2	F03	19014-ADG5-E00	2	F21	19507-LDB5-E00	1	E02
			19015-LBA2-E00	0	F21	19507-LDB5-E00	1	F21
18000			19016-ADG5-E00	0	F21	19613-LEA7-E00	1	E01
			19018-LKF5-E00	1	F21	19615-LKF5-E00	2	F21
18291-KKC4-900	1	E01	19020-LBA2-E00	0	F21			
18291-LKG2-90A	1	F14	19024-LKF5-E00	0	F21	21000		
18291-PWB1-900	4	F14	19026-LKF5-E00	0	F21			
18293-KKC4-900	0	E01	19027-LKF5-E00	0	F21	21124-LKF5-E00	1	E06
18293-LHJ8-900	2	F14	19028-LKF5-E00	2	F21	21301-LKF5-305	2	E08
18306-ADG5-E00	5	F14	19030-LBA2-E00	0	F21	21395-LKF5-E00	0	E08
1830A-BAC8-E00	0	F14	19101-ADG5-E00	0	F21			
18310-BAC8-E00	0	F14	19104-ACD5-E00	0	F21	22000		
18318-ADG5-E00	5	F14	19105-ADG5-E00	0	F21			
18320-ADG5-E00	5	F14	19111-PRB3-900	2	F21	22100-ADG5-E00	2	E06
18325-ADG5-E00	6	F14	19111-PRB3-90B	3	F21	22102-LKF5-E02	1	E06
18371-LBA2-E00	2	F14	19210-KKC4-900	0	F21	22105-LKF5-E02	3	E06
18391-LKF5-E00	0	F14	19217-ZPA3-E00	2	E04	22110-ADG5-E00	2	E06
18601-LKF5-E00	0	E01	19220-LKF5-305	0	E04	22121-ADG5-305	0	E06
			19229-LKF5-E00	3	E04	22131-ADG5-E00	1	E06
19000			1922A-LKF5-E00	5	E04	22132-ADG5-305	0	E06
			19230-LKF5-E00	1	E04	22300-LKF5-E01	6	E06
19005-LKF5-E01	1	F21	19300-KAE1-004	1	E02	22350-LKF5-E01	4	E06

PART NO. INDEX

PART NO.	VERSION	PAGE	PART NO.	VERSION	PAGE	PART NO.	VERSION	PAGE
22361-LBA2-E00	1	E06						
22401-ADG5-E00	0	E06	30000			33000		
22804-GBB2-001	0	E06						
23000			3051A-LKF5-E00	4	F19	33100-BAC8-E00	0	F01
			30700-KKE3-900	2	F19	33400-ADG5-E00	1	F17
			31000			33450-ADG5-E00	1	F17
2301A-ADG5-E00	8	E06				33700-ADG5-E00	0	F18
23100-LKF5-E02	0	E06				33708-KHE7-E00	0	F18
23200-LKF5-E02	2	E06	31110-BAC8-E00	0	E07	33709-KHE7-E00	0	F18
23220-ADG5-E00	0	E06	31120-ADG5-E00	0	E07	33720-LBB5-E00	4	F18
23225-LKF5-E00	4	E06	31210-LKF5-E00	6	E07	33726-LBB5-E00	1	F18
23233-LEA7-E00	5	E06	31340-LEA7-E00	3	F19	33731-PUA6-MX0	2	F06
23237-LKF5-E00	3	E06	31500-LGC6-E01	1	F11	33734-ADG5-E00	0	F06
23238-LKF5-E01	3	E06	31600-ZXA6-M01	0	F19	33739-ADG5-E00	0	F06
23411-LKF5-E02	0	E08				33741-ACH7-900	0	F18
23420-LKF5-E00	7	E08	32000			33900-LGC6-E00	4	F12
23431-LKF5-E00	4	E08						
23432-LKF5-E00	3	E08	32100-BAC8-E00	2	F19	34000		
23560-LBA2-E00	2	E01	32103-BAD6-800	2	F19			
28000			32105-LLJ3-E00	2	E01	34903-KPCP-900	0	F18
			32161-LBA7-900	0	F05			
			32410-ADG5-E00	0	E07	35000		
28102-LEA7-E00	3	E07	32411-ADG5-E00	2	F11			
28110-LKF5-E00	4	E07	32412-ADG5-E00	1	E04	35101-BAC8-E00	0	F19
28120-LKF5-E00	2	E07				35102-BAC8-E00	0	F19
28130-LKF5-E00	4	E07				3515A-BAC8-E00	0	F03

PART NO. INDEX

PART NO.	VERSION	PAGE	PART NO.	VERSION	PAGE	PART NO.	VERSION	PAGE
3520A-BAC8-E00	0	F03	38621-ADG5-E00	1	F19	39509-AKC8-E00	2	F19
35340-ADG5-E00	3	F03	38628-ADG5-E00	0	F09			
35340-LKF5-E01	2	F04	38630-ADG5-E00	3	F05	42000		
35350-LKF5-E01	1	F04	38630-ADG5-E01	2	F05			
35370-LLJ3-E00	5	F15	38635-ADG5-E00	0	F05	42311-LEA7-E00	3	F08
35380-ABE1-E00	2	F19	38639-ADG5-E00	1	F05	42312-LEA7-E00	1	F08
35390-LHG7-E00	5	F12	38700-AGE2-305	0	F19	42601-LKF5-E00	2	F08
35500-KED9-900	7	E01	38703-AGE2-E00	6	F19	42710-LKF5-E00	2	F08
35850-LKF5-E0A	0	F19	38704-AGE2-E00	4	F19	42753-KNBN-90B	1	F07
35859-ADG5-E00	0	F19	38705-AGJ5-E01	0	F05	42753-KNBN-90B	1	F08
37000			38705-AGJ5-E01	0	F19			
			38708-BAC8-E00	0	F05	43000		
			38758-BAC8-E00	0	F05			
37200-BAC8-E00	2	F02	38773-KEC3-900	0	F25	43100-LKF5-E00	4	F08
37202-BAC8-E00	0	F02	38900-ADG5-E00	1	F19	43105-LKF5-305	0	F08
37215-LGM9-900	0	F05	39000			43107-LBA2-E00	0	F08
37215-LHJ3-900	1	F17				43109-MCA3-007	0	F08
38000						43113-LBA2-E00	0	F08
			39100-LKF5-E00	0	F19	43119-LBA2-E00	0	F08
			3920A-BAC8-E00	0	F19	43126-ADG5-E00	3	F04
38110-LDA7-90B	2	F19	39220-AKC8-E00	0	F19	43127-ADG5-E00	3	F04
38200-KHE7-900	0	F19	39300-LDG7-M90	2	E02	43128-LKF5-E00	1	F16
38500-LGL3-90A	5	F19	39305-LKF5-E00	4	E02	43129-LKF5-E00	1	F16
38509-ADG5-E00	0	F20	39400-LDF2-800	3	E02	43140-LKF5-E00	0	F08
3860A-LGC6-E00	2	F19	39450-AEH1-900	0	F14	43143-LBA2-E00	0	F08
38620-LGC6-E00	3	F19	39500-AAC9-900	1	F19	43146-LKF5-E00	0	F08

PART NO. INDEX

PART NO.	VERSION	PAGE	PART NO.	VERSION	PAGE	PART NO.	VERSION	PAGE
43156-LDB2-900	2	F16	45107-LLJ3-E90	0	F08			
43210-LKF5-305	0	F08	45108-KED9-900	0	F08	49000		
43351-LKF5-E00	1	F08	45108-LKF5-E00	0	F07			
43352-KKD6-E90	1	F08	45109-GBE2-007	0	F07	49110-ADG5-E00	2	F04
43352-LKF5-E01	2	F08	45126-ADG5-E00	3	F04	49200-AKC3-E00	0	F04
43353-KED9-900	0	F07	45127-ADG5-E00	3	F04	49211-LFH1-E00	1	F04
43353-KED9-900	0	F08	45128-KEBE-900	0	F06			
4335A-LBA2-E01	2	F07	45128-KKE5-E00	2	F06	50000		
43450-ADG5-E00	2	F03	4512A-LKF5-E00	4	F07			
43530-LKF5-305	0	F04	45132-1F66-017	0	F08	50100-AKC3-315	0	F20
44000			45134-KED9-900	0	F08	50138-BAC8-E00	1	F19
			45135-KED9-900	0	F08	50189-ADG5-E00	1	F20
			45156-ADG5-E00	3	F06	50306-1F96-001	0	F06
44301-LKF5-E00	1	F07	45200-LKF5-E00	7	F07	50327-ADG5-E00	1	F11
44312-LKF5-E00	0	F07	45203-KED9-900	0	F08	50328-AKC3-E00	1	F11
44600-LKF5-305	0	F07	45207-LKF5-E00	0	F07	50330-ALK5-900	2	F20
44620-LBA2-E00	3	F07	45209-GBE2-007	0	F07	50350-ADG5-E00	3	F20
44710-LKF5-E00	2	F07	45209-KED9-900	0	F08	50352-LBA2-E00	1	F20
45000			45352-LKF5-E00	0	F07	50353-ADG5-E00	0	F20
			45513-LEA7-E00	1	F04	50356-LHG7-E00	2	F20
			45516-LBA2-E00	0	F08	50358-LKF5-E01	4	F20
45100-LKF5-E00	7	F07	45517-LKF5-E00	2	F04	50359-LKF5-E01	1	F20
45103-MGR7-007	0	F07	45520-KKA8-900	0	F04	50360-ADG5-E00	2	F20
45105-LKF5-305	0	F07	45521-LEA7-E00	1	F04	50364-ADG5-E00	1	F20
45107-LKF5-E00	0	F07	45530-LKF5-305	0	F04	50500-LKF5-E00	7	F15
45107-LLJ3-E00	0	F08	45531-KED9-900	0	F08	50502-GFY6-901	3	F15

PART NO. INDEX

PART NO.	VERSION	PAGE	PART NO.	VERSION	PAGE	PART NO.	VERSION	PAGE
50504-LKF5-E00	1	E01	51428-KED9-900	0	F22	53200-ADG5-E00	0	F06
50505-KUDU-900	1	F15	51429-LKF5-E00	0	F22	53203-ADG5-E00	1	F03
50505-LEA7-E00	1	F15	51431-KED9-900	0	F22	53204-ADG5-E00	1	F03
50506-KHE7-E00	0	F15	51437-KED9-900	0	F22	53205-ADG5-E00	1	F03
50530-LKF5-E00	3	F15	51500-LKF5-E00	7	F06	53206-ADG5-E00	1	F03
50550-KKC2-E00	0	F15	51521-LKF5-E00	0	F22	53207-ADG5-E00	0	F03
50604-KED9-950	0	F07				53213-LBA2-E00	2	F06
50613-ADG5-E00	0	F20	52000			53214-LBA2-E00	2	F06
50614-LKG2-900	1	F12				5321A-ADG5-E00	1	F03
5071A-ADG5-E00	3	F20	52000-LKF5-E01	3	F16	53220-LBA2-E00	4	F06
5072A-ADG5-E00	3	F20	52110-LKF5-E00	0	F16	5323A-ADG5-E00	4	F06
51000			52147-0H28-301	2	F06	53240-LEA7-90A	2	F06
			52400-ADG5-E00	1	F16	53250-LEA7-90A	2	F06
			52500-ADG5-E00	1	F16	61000		
51247-LKF5-E00	0	F22						
51400-LKF5-E00	7	F06	53000			61100-ADG5-E00	1	F06
51401-LKF5-E00	0	F22				61101-ADG5-E00	0	F06
51404-LKF5-E00	0	F22	53100-ADG5-E00	5	F03	64000		
51410-LKF5-E00	0	F22	53102-LEA5-E00	3	F03			
51411-KKE5-E00	0	F22	53105-LEA5-E00	3	F03			
51412-LKF5-E00	0	F22	53140-LHJ3-900	3	F03			
51421-LKF5-E00	0	F22	53150-LEA6-900	6	F03	64101-BAC8-E00	0	F05
51422-LBA2-E00	0	F22	53175-LKF5-E00	0	F04	64131-ADG5-E00	0	F03
51423-KED9-900	0	F22	53178-LKF5-E00	0	F04	64140-ADG5-E00	1	F03
51424-KED9-900	0	F22	53190-ADG5-E00	4	F03	64150-ADG5-E00	0	F03
51427-KED9-900	0	F22	53194-LGC6-E00	0	F03	64201-BAC8-E00	0	F01

PART NO. INDEX

PART NO.	VERSION	PAGE	PART NO.	VERSION	PAGE	PART NO.	VERSION	PAGE
64206-MLJ0-001	1	F03				80155-AKB8-E00	1	F05
64220-ADG5-E00	1	F03	77000					
64222-KKC4-900	3	F03				81000		
64222-LLJ3-E00	1	F03	77115-ADG5-E00	0	F12			
64222-LLJ3-E00	1	F06	77200-BAC8-E00	0	F09	81111-ADG5-E00	1	F05
64231-ADG5-E00	0	F03	77206-LKB9-900	1	F09	81121-ADG5-E00	1	F05
64240-ADG5-E00	1	F03	77210-ADG5-E00	0	F09	81131-BAC8-E00	0	F05
64250-ADG5-E00	0	F03	77220-BAC8-E00	0	F09	81132-BAC8-E00	0	F05
64301-BAC8-E00	0	F05	77235-ADG5-E00	4	F19	81137-BAC8-E00	0	F05
64302-BAC8-E00	0	F05	77240-BAC8-E00	0	F19	8113A-ADG5-E00	0	F05
64303-BAC8-E00	0	F05	77300-ADG5-E00	3	F09	8113B-ADG5-E00	0	F05
64305-ADG5-E00	0	F05	77303-ADG5-E00	0	F09	8113C-BAC8-E00	0	F05
64306-ADG5-E00	0	F05				81141-BAC8-E00	0	F05
64310-ADG5-E00	0	F05	80000			81151-BAC8-E00	0	F05
64311-ADG5-E00	0	F05				81200-ADG5-E00	5	F12
64315-ADG5-E00	4	F20	80101-ADG5-E00	0	F18	81210-ADG5-E00	5	F12
64317-ADG5-E00	2	F20	80105-ADG5-E00	1	F18	81250-ADG5-E00	0	F12
64319-BAC8-E00	1	F20	80107-ADG5-E00	0	F18	81350-ADG5-E00	0	F12
64320-ADG5-E00	0	F05	80107-KHLH-900	0	F14	81450-ADG5-E00	0	F11
64330-ADG5-E00	0	F05	80107-LGJ8-900	1	F14			
64340-ADG5-E00	0	F05	8010B-LKF5-E00	6	F18	83000		
64350-ADG5-E00	0	F05	80151-ADG5-E00	1	F05			
64360-ADG5-E00	0	F05	80152-BAC8-E00	0	F05	83500-ADG5-E00	0	F12
64400-ADG5-E00	0	F05	80153-BAC8-E00	0	F10	83501-ADG5-E00	0	F12
64401-ADG5-E00	1	F05	80154-ADG5-E00	0	F09	83510-ADG5-E00	0	F05
			80154-BAC8-E00	1	F05	83520-ADG5-E00	0	F12

PART NO. INDEX

PART NO.	VERSION	PAGE	PART NO.	VERSION	PAGE	PART NO.	VERSION	PAGE
83530-ADG5-E00	0	F12				90106-KFC2-900	2	F12
83540-ADG5-E00	0	F05	88000			90106-LEC8-900	1	F12
83550-KEC8-900	4	F06				90106-LKF5-E00	2	F20
83551-KEC8-900	4	F06	88110-ADG5-E00	2	F03	90107-LEA7-E00	4	F06
83551-LGC6-E00	0	F12	88120-ADG5-E00	2	F03	90108-KKC4-900	1	F15
83600-ADG5-E00	0	F12				90111-LEB1-900	1	F02
83601-ADG5-E00	0	F12	89000			90111-LEB1-900	1	F18
83610-ADG5-E00	0	F05				90113-LGE5-E01	0	F04
83620-ADG5-E00	0	F12	89010-LKF5-E00	3	F09	90122-LEA7-E00	2	F08
83630-ADG5-E00	0	F12				90122-LKF5-E00	1	F07
83640-ADG5-E00	0	F05	90000			90131-KEBE-900	2	F16
83750-ADG5-E00	1	F12				90145-LEA3-E00	1	F04
86000			90001-GBHB-661	3	E07	90145-LFH1-E00	1	F04
			90001-GBHB-681	3	F13	90201-KHR8-75A	1	E07
			90001-GFY6-901	5	E02	90201-LKF5-E00	1	E06
86202-BAC8-E00	0	F24	9000B-KHD6-900	2	E02	90202-LDB5-E00	3	E06
86332-ADG5-E00	3	F24	90012-LKF5-E00	5	E02	90206-0A01-001	4	E02
86408-ACD5-E00	2	F24	90032-LEA7-E00	2	E01	90215-ALK5-900	0	F11
87000			90033-GFY6-900	1	E02	90215-KKC4-900	2	F18
			90084-KKF9-901	0	E04	90301-6D34-671	1	F01
			90101-ADG5-E00	0	F20	90301-6D34-671	1	F10
87206-ADG5-E00	3	F24	90101-LBA2-E00	0	F08	90301-6D34-671	1	F11
87541-ZZA6-E00	2	F23	90101-LEA7-E00	1	F14	90301-6D34-671	1	F12
87546-ADG5-E00	2	F23	90104-LEA7-E00	3	F03	90301-6D34-671	1	F20
87560-ADG5-E00	2	F23	90105-KCR3-001	1	F07	90301-6D34-671	1	F21
			90105-KCR3-001	1	F08	90301-GFY6-901	2	F14

PART NO. INDEX

PART NO.	VERSION	PAGE	PART NO.	VERSION	PAGE	PART NO.	VERSION	PAGE
90302-LKB9-900	4	F12	90545-3L00-001	2	F04	90914-LKF5-E00	2	E04
90302-SDA4-004	3	F03	90564-KED9-900	0	F22	91000		
90302-SDA4-004	3	F05	90601-LKF5-E00	2	E06			
90302-SDA4-004	3	F12	90605-1F66-721	0	E06			
90304-KKE5-E00	1	F06	90651-LGM9-700	0	F05	91001-KHV8-004	0	E08
90304-LBD4-900	2	F20	90651-LKF5-900	0	F22	91001-KKJ9-006	0	E04
90304-LEA1-900	1	F03	90651-LKF5-E01	1	F19	91002-LKF5-E00	1	E06
90304-LEA1-900	1	F15	90652-LCA4-E00	6	F05	91004-LBA2-E00	1	E06
90304-LEA1-900	1	F16	90652-LCA4-E00	6	F18	91006-LKF5-E00	0	E08
90305-KKAK-900	0	F08	90652-LDG7-900	1	E02	91007-LKF5-E00	0	E08
90305-LBA2-E00	1	F06	90652-LFB5-900	3	F05	91008-LKF5-E00	0	E08
90305-LBD4-900	1	F20	90652-LFB5-900	3	F12	91201-LEA7-E00	1	E01
90312-GLF0-001	0	F03	90652-LFB5-900	3	F17	91201-LKF5-E00	1	E01
90312-LLJ3-E00	1	F03	90652-LGC6-E00	0	F03	91202-LEA7-E0A	4	E08
90312-LLJ3-E01	0	F06	90652-LGL7-E00	1	F19	91202-LKG2-900	1	E04
90401-KKJ9-001	0	E07	90652-LKF5-E00	0	F13	91211-LDB5-E00	1	E06
90441-LKF5-E00	0	E01	90656-KCBC-900	0	F19	91255-LGE5-E00	1	F16
90459-LKF5-E00	0	E04	90656-KUDU-900	0	F19	91255-LKF5-E00	1	E01
90465-LBA2-E00	1	E01	90656-ZZA6-E03	0	F19	91255-LLB1-900	2	F16
90474-3C33-001	1	E01	90660-LDE9-E00	1	F19	91257-KED9-900	2	F07
90478-7L00-001	0	E02	90660-PWA2-900	1	F04	91301-2L00-001	0	E01
90478-7L00-001	0	E04	90662-LHG7-E00	1	F19	91301-LDF2-M90	2	E02
90503-KKE5-E00	1	F06	90663-AEB9-E00	0	F19	91302-LDF2-M90	2	E02
90503-LEA7-E00	2	F06	90680-KED9-900	3	E01	91302-LKF5-E00	0	E02
9052A-LEB1-900	2	E01	90701-6K79-001	0	E01	91303-3G77-001	0	E04
90544-KEC8-900	0	F22	90701-9E65-001	0	E01	91303-LEA7-E00	1	E01

PART NO. INDEX

PART NO.	VERSION	PAGE	PART NO.	VERSION	PAGE	PART NO.	VERSION	PAGE
91304-LEA3-900	2	E01				93903-24360	0	F12
91304-LGE5-E00	1	F20	93000			93903-24360	0	F18
91305-LEH6-E00	0	E01				93903-25260	1	F01
91305-LEH6-E00	0	E04	93404-06012-06	1	F03	93903-25260	1	F03
91305-LKF5-E00	0	E01	93404-06012-06	1	F06	93903-25260	1	F18
91306-PUA5-E00	3	E01	93404-06012-06	1	F09	93903-25380	0	E01
91307-0E35-001	1	E04	93404-06012-06	1	F12	93903-25460	0	F13
91307-PUA5-E00	3	E01	93404-06012-06	1	F18	93903-34360	0	F18
91309-4E25-004	0	E07	93404-06012-06	1	F20	93903-34380-G	0	F09
91313-KED9-900	3	E01	93404-06012-06	1	F21	93903-35260	0	F17
91313-LKF5-E00	1	E01	93404-06016-06	1	F05	93903-35360	0	F02
91351-LDB5-E00	1	E06	93404-06016-06	1	F12	93903-44560	0	F05
91552-LEA7-E00	1	E01	93404-06016-06	1	F15	93903-45360	0	F18
91552-LEH6-E00	0	E01	93404-06020-06	1	F03	93903-GFY6-900	1	F05
91552-LEH6-E00	0	E04	93404-06025-06	0	F21	93903-GFY6-900	1	F11
			93404-KKC2-900	1	F21	93903-KEB7-900	1	F14
92000			93500-05010-0F	0	F03			
			93500-KHC4-90A	0	F19	94000		
92000-05016-0G	0	E02	93500-LGC6-E00	0	F19			
92000-LEA6-900	2	E07	93600-04012-1G	0	F04	94050-05060	2	F19
92101-05012-0G	0	E07	93600-LKF5-E00	2	E01	94050-06060	1	F04
92101-05012-0G	0	F07	93892-04008-16	0	E05	94050-06060	1	F06
92101-05012-0G	0	F08	93893-04012-0G	0	F05	94050-06060	1	F10
92900-06040-0E	2	E02	93893-04012-18	0	F04	94050-06060	1	F19
			93903-24360	0	F03	94050-06060	1	F20
			93903-24360	0	F05	94050-06060	1	F21

PART NO. INDEX

PART NO.	VERSION	PAGE	PART NO.	VERSION	PAGE	PART NO.	VERSION	PAGE
94050-06080	2	E02	94303-04160	0	E07	95002-LKF5-E00	2	F13
94050-06080	2	F09	94401-25140	4	E03	95014-72204	0	F15
94050-08060	0	F09	94510-10000	0	E07	95701-06012-06	1	F03
94050-08060	0	F19	94510-12000	0	E04	95701-06012-06	1	F06
94050-10060	0	E01	94510-29000	0	E08	95701-06012-06	1	F10
94050-86000	0	F08	94520-30000	0	E06	95701-06014-06	0	E02
94050-LKF5-E00	1	E06	94520-47000	0	F16	95701-06016-06	1	E02
94101-04800	0	F19	94591-KFBF-900	2	F11	95701-06016-06	1	F19
94101-06200	1	F14	94601-PSA6-E00	3	E03	95701-06040-06	0	F20
94101-08600	0	F04	94608-LKF5-E00	0	F22	95701-06050-06	0	F04
94101-08600	0	F15				95701-06055-06	0	F06
94101-10000	0	F03	95000			95701-06070-06	0	F20
94101-12000	0	F03				95701-08012-06	0	E01
94101-LBA2-E00	1	F20	95001-AKC3-900	1	F25	95701-08025-06	0	F20
94101-LEA2-900	0	F14	95002-02070	2	E04	95701-08035-06	1	E08
94111-ACD5-E00	1	F14	95002-02070	2	F25	95701-08040-06	0	E08
94201-20180	0	F15	95002-02080	0	F10	95701-LBA2-E00	0	F08
94251-08400	0	F07	95002-02080	0	F25	95701-LDF2-800	2	F10
94301-08100	1	E02	95002-02100	0	F21	95701-LEA5-E00	1	F19
94301-08100	1	E07	95002-02130	0	F25	95709-PRA1-E00	4	E01
94301-08140	4	E04	95002-41150-00	0	F13	95709-PRA1-E00	4	E02
94301-10160	0	E01	95002-50000	0	E01	95801-08040-06	0	F06
94301-10160	0	E04	95002-70000	0	F21	95801-10030-06	0	F15
94301-10160	0	E08	95002-KED9-M30	1	F13	95801-10040-06	0	F16
94301-12200	1	E02	95002-KED9-M31	4	E02	95801-10060-06	0	F14
94301-12200	1	E03	95002-LKF5-E00	2	E02	95801-10060-06	0	F16

PART NO. INDEX

PART NO.	VERSION	PAGE	PART NO.	VERSION	PAGE	PART NO.	VERSION	PAGE
96000			96100-62040-00	0	E01	502000		
			96100-62040-00	0	E08			
			96100-63040-00	1	E01			
96001-06010-00	0	E02	96100-63040-00	1	E03	502-00063	0	F19
96001-06010-00	0	E04	96100-63040-00	1	E08	502-00149	0	F19
96001-06012-06	0	E01	96150-60040-10	0	F07	502-00151	0	F19
96001-06012-06	0	E07	96150-60060-10	0	E01	502-00155	0	F19
96001-06012-06	0	F04	96150-60060-10	0	E08	502-00164	0	F19
96001-06012-06	0	F06	96150-62040-10	0	F16			
96001-06012-06	0	F16	96600-06015-10	4	E07	K		
96001-06012-06	0	F19	96600-08025-06	0	F06			
96001-06016-06	0	E02	96600-08035-06	0	F06	K536-174-0200	0	E05
96001-06020-06	0	E01	96600-KKC4-900	0	F07			
96001-06022-06	1	E01	96600-LEA7-E01	1	F14	N		
96001-06022-06	1	E04	96600-LKF5-E00	0	F22			
96001-06025-06	0	E02	98000			N114-05103-3	0	E05
96001-06025-06	0	E03				W		
96001-06028-06	0	E04	98059-57916-00	2	E02			
96001-06028-06	0	F04	98200-31000	1	F19	W1792-048-9901	0	E05
96001-06030-06	0	E01	98200-31500	1	F19			
96001-06035-06	0	E01	98200-32000	0	F19			
96001-06035-06	0	E04	98200-32500	0	F19			
96001-06070-06	0	E01	98200-33000	0	F19			
96001-06125-06	1	E04						
96001-GFY6-900	2	F13						