

PARTS CATALOGUE



ATV

LA60AD(PT)

MXU 300



Release Date : 2017/08/06
Print Date : 2022/07/14

ABOUT THIS PARTS LIST

- This parts list is compiled all service parts for model LA60AD(PT).
- Any difference between color chart and motorcycle will be revised according to motorcycle.
- The Mark:
 1. Marking "***" must add color code in the end before ordering parts.
 2. Marking "#" are parts with modification, Please find the details from e-Parts system.
- When modification or additions to this parts list are made a revised edition at an appropriate time.



CONTENTS

● ABOUT THIS PARTS LIST	1
● COLOR CHART OF LA60AD(PT)	3
● CONTENTS-ENGINE GROUP	9
● CONTENTS-FRAME GROUP	10
● ENGINE PARTS LIST	14
● FRAME PARTS LIST	60
● PART NO. INDEX	146

NO	MODEL			COLOR CHART OF LA60AD(PT)			
	PHOTO NO			NO. 1	NO. 2	NO. 3	NO. 4
	BASIC COLOR			Blue	Red	Deep Green	Black
	CODE			Blue	Red	Deep Green	Black
	PARTS NAME	PARTS NO.	VERSION	PB089SA	RR338SA	GG345SA	NH001SA
1	FENDER FRONT	60100-LCA5-E00	7	C3R	E4R	GWR	N1R
2	FENDER REAR	80100-LCA5-E00	8				
3	MOLDING RR FENDER	80200-LCA5-E00	4				
4	COVER BATTERY	80300-LCA5-E00	1				
5	LEVER L STRG HANDLE	53178-KFC8-E10	0	M2A			
6	COVER WATER PUMP	19221-KHE7-900	3	M9A			
7	ARM ASSY R UP SWING	53400-PWA2-900	3	MAS			
8	ARM ASSY R LOW	53450-LCD9-E00	1				
9	ARM ASSY LEFT UP	53500-PWA2-900	3				
10	ARM ASSY LEFT LOW	53550-LCD9-E00	1				
11	REAR CARRIER	77330-LCA5-E00	7				
12	FRONT CARRIER	77430-LCA5-E00	4				
13	PIPE COMP FR BUMPER	85100-LCA5-E00	4				
14	COVER TANK	17700-LCA5-E00	3				
15	DUCT DOOLING AIR	19102-LCA5-E01	1				
16	COVER HNDL	53205-LCA5-E00	3				
17	COVER HANDLE	53205-LCA5-EV0	1	N1R			
18	GUIDE COVER CHANGE	60120-LCD9-E00	5				
19	COVER FRONT	64301-LCA5-E00	2				
20	BUMPER FRONT	64302-LCA5-E01	1				
21	GRILL R FENDER	64303-LCA5-E01	1				
22	GRILL L FENDER	64304-LCA5-E01	1				
23	MUDGUARD R FLOOR	80121-LCA5-E01	1				
24	MUDGUARD L FLOOR	80122-LCA5-E01	1				
25	COVER.R SIDE	83500-LCA5-E01	1				
DATE OF STARTING-SALES							
DATE OF END-SALES							

NO	MODEL			COLOR CHART OF LA60AD(PT)			
	PHOTO NO			NO. 5			
	BASIC COLOR			Yellow			
	CODE			Yellow			
	PARTS NAME	PARTS NO.	VERSION	YR159SA			
1	FENDER FRONT	60100-LCA5-E00	7	YNR			
2	FENDER REAR	80100-LCA5-E00	8				
3	MOLDING RR FENDER	80200-LCA5-E00	4				
4	COVER BATTERY	80300-LCA5-E00	1				
5	LEVER L STRG HANDLE	53178-KFC8-E10	0	M2A			
6	COVER WATER PUMP	19221-KHE7-900	3	M9A			
7	ARM ASSY R UP SWING	53400-PWA2-900	3	MAS			
8	ARM ASSY R LOW	53450-LCD9-E00	1				
9	ARM ASSY LEFT UP	53500-PWA2-900	3				
10	ARM ASSY LEFT LOW	53550-LCD9-E00	1				
11	REAR CARRIER	77330-LCA5-E00	7				
12	FRONT CARRIER	77430-LCA5-E00	4				
13	PIPE COMP FR BUMPER	85100-LCA5-E00	4				
14	COVER TANK	17700-LCA5-E00	3				
15	DUCT DOOLING AIR	19102-LCA5-E01	1				
16	COVER HNDL	53205-LCA5-E00	3				
17	COVER HANDLE	53205-LCA5-EV0	1	N1R			
18	GUIDE COVER CHANGE	60120-LCD9-E00	5				
19	COVER FRONT	64301-LCA5-E00	2				
20	BUMPER FRONT	64302-LCA5-E01	1				
21	GRILL R FENDER	64303-LCA5-E01	1				
22	GRILL L FENDER	64304-LCA5-E01	1				
23	MUDGUARD R FLOOR	80121-LCA5-E01	1				
24	MUDGUARD L FLOOR	80122-LCA5-E01	1				
25	COVER.R SIDE	83500-LCA5-E01	1				
DATE OF STARTING-SALES							
DATE OF END-SALES							

NO	MODEL			COLOR CHART OF LA60AD(PT)			
	PHOTO NO			NO. 1	NO. 2	NO. 3	NO. 4
	BASIC COLOR			Blue	Red	Deep Green	Black
	CODE			Blue	Red	Deep Green	Black
	PARTS NAME	PARTS NO.	VERSION	PB089SA	RR338SA	GG345SA	NH001SA
26	COVER ASSY.L SIDE	8360A-LCA5-E01	1	N1R			
27	CUSHION ASSY FR	51400-PWA1-900	4	N1S			
28	CUSHION ASSY RR	52400-PWA1-900	4				
29	HANDLE PIPE STRG	53100-LCA5-E00	3				
30	COVER LEFT	11341-LBA7-900	7	N8A			
31	CALIPER ASSY REAR	43100-LDE9-E01	5	NJA			
32	CALIPER ASSY RR	43100-PWA1-900	5				
33	CALIPER ASSY RR	43200-LDE9-E00	4				
34	CALIPER ASSY FR R	45100-LBA7-900	5				
35	CALIPER ASSY FR L	45200-LBA7-900	5				
36	RIM COMP RR WHEEL	42705-LCA5-E00	4	NJS			
37	RIM COMP FR WHEEL	44705-LCA5-E00	3				
38	SEAT ASSY (REACH)	77200-LCA5-E00	1				
39	EMB K-LOGO 30MM (PP)	86102-LCA5-900	6	T01			
40	SW LABEL	86182-LCA5-EVV	3				
41	CAUTION SHIFIT GEARS	87322-LBA7-E00	3				
42	LABEL TIRE ON ROAD	87505-LBA7-E01	3				
43	CAUTION MAXIMUM	87514-LDE9-E00	1				
44	CAUTION LIST ON ROAD	87515-LBA7-E01	2				
45	CAUTION DRIVE AGE	87517-LBA7-E00	3				
46	CAUTION CARRIER MAX	87556-LCA5-E00	2				
47	CAUTION CARRIER MAX	87556-LLB1-E01	3				
48	STRIPE R FR FENDER	86523-LCA5-E61	7				
49	STRIPE L FR FENDER	86533-LCA5-E61	7				
50	STRIPE R RR FENDER	86623-LDE9-E61	2				
DATE OF STARTING-SALES							
DATE OF END-SALES							

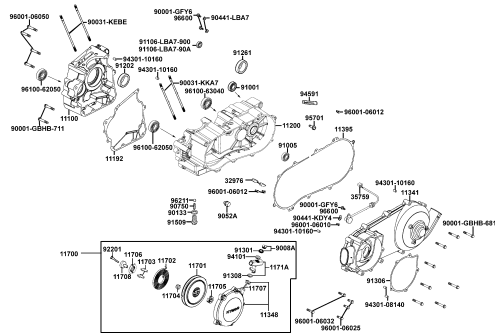
NO	MODEL			COLOR CHART OF LA60AD(PT)			
	PHOTO NO			NO. 5			
	BASIC COLOR			Yellow			
	CODE			Yellow			
	PARTS NAME	PARTS NO.	VERSION	YR159SA			
26	COVER ASSY.L SIDE	8360A-LCA5-E01	1	N1R			
27	CUSHION ASSY FR	51400-PWA1-900	4	N1S			
28	CUSHION ASSY RR	52400-PWA1-900	4				
29	HANDLE PIPE STRG	53100-LCA5-E00	3				
30	COVER LEFT	11341-LBA7-900	7	N8A			
31	CALIPER ASSY REAR	43100-LDE9-E01	5	NJA			
32	CALIPER ASSY RR	43100-PWA1-900	5				
33	CALIPER ASSY RR	43200-LDE9-E00	4				
34	CALIPER ASSY FR R	45100-LBA7-900	5				
35	CALIPER ASSY FR L	45200-LBA7-900	5				
36	RIM COMP RR WHEEL	42705-LCA5-E00	4				
37	RIM COMP FR WHEEL	44705-LCA5-E00	3	NJS			
38	SEAT ASSY (REACH)	77200-LCA5-E00	1				
39	EMB K-LOGO 30MM (PP)	86102-LCA5-900	6				
40	SW LABEL	86182-LCA5-EVV	3				
41	CAUTION SHIFIT GEARS	87322-LBA7-E00	3				
42	LABEL TIRE ON ROAD	87505-LBA7-E01	3				
43	CAUTION MAXIMUM	87514-LDE9-E00	1				
44	CAUTION LIST ON ROAD	87515-LBA7-E01	2				
45	CAUTION DRIVE AGE	87517-LBA7-E00	3				
46	CAUTION CARRIER MAX	87556-LCA5-E00	2				
47	CAUTION CARRIER MAX	87556-LLB1-E01	3	T01			
48	STRIPE R FR FENDER	86523-LCA5-E61	7				
49	STRIPE L FR FENDER	86533-LCA5-E61	7				
50	STRIPE R RR FENDER	86623-LDE9-E61	2	T04			
DATE OF STARTING-SALES							
DATE OF END-SALES							

NO	MODEL			COLOR CHART OF LA60AD(PT)			
	PHOTO NO			NO. 1	NO. 2	NO. 3	NO. 4
	BASIC COLOR			Blue	Red	Deep Green	Black
	CODE			Blue	Red	Deep Green	Black
	PARTS NAME	PARTS NO.	VERSION	PB089SA	RR338SA	GG345SA	NH001SA
51	STRIPE L RR FENDER	86633-LDE9-E61	2	T05	T01	T03	T02
52	STRIPE KYMCO	87532-LBE8-900	3	T03			
53	STRIPE K-LOGO 60MM	87532-LCA5-900	2				
DATE OF STARTING-SALES							
DATE OF END-SALES							

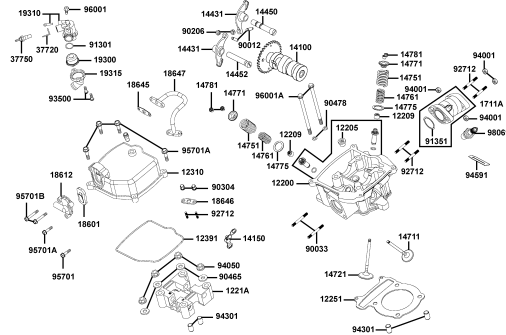
NO	MODEL			COLOR CHART OF LA60AD(PT)			
	PHOTO NO			NO. 5			
	BASIC COLOR			Yellow			
	CODE			Yellow			
	PARTS NAME	PARTS NO.	VERSION	YR159SA			
51	STRIPE L RR FENDER	86633-LDE9-E61	2	T04			
52	STRIPE KYMCO	87532-LBE8-900	3	T03			
53	STRIPE K-LOGO 60MM	87532-LCA5-900	2				
DATE OF STARTING-SALES							
DATE OF END-SALES							

CONTENTS - ENGINE GROUP

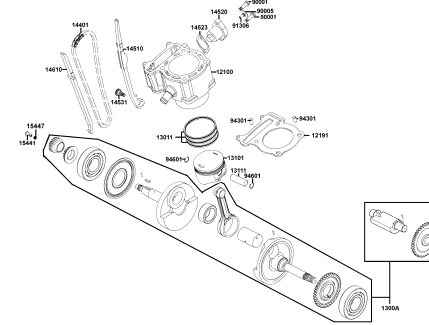
E01 Crank Case



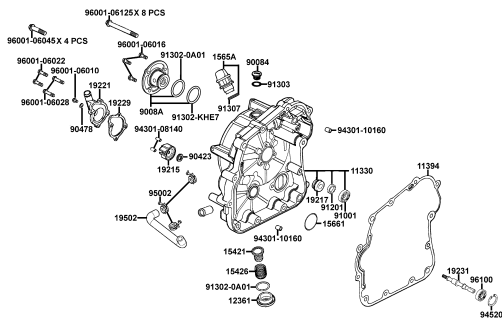
E02 Cylinder Head Cover Cylinder



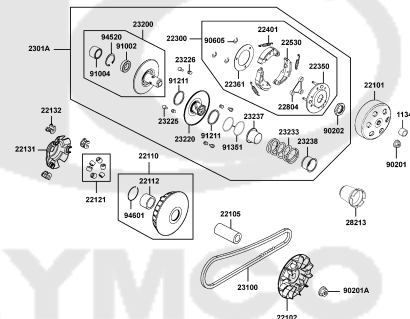
E03 Cylinder Piston Crankshaft



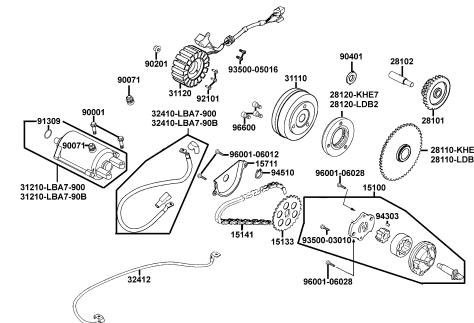
E04 Right Crankcase Cover Water



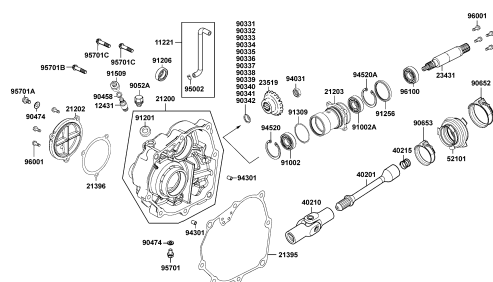
E05 Drive Pulley



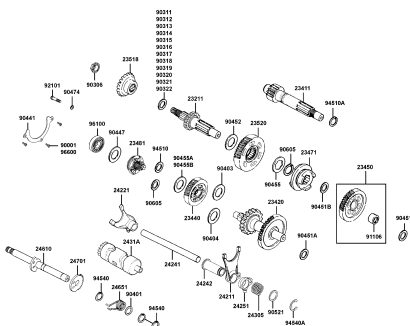
E06 Starting Motor Generator



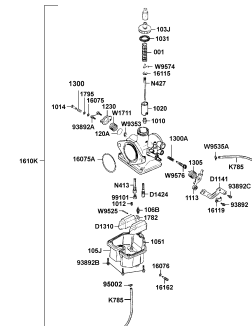
E07 Case Comp Mission



E08 Gear Assy Forward



E09 Carburetor

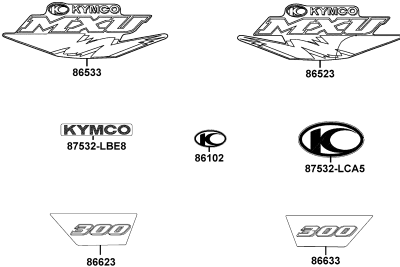


CONTENTS - FRAME GROUP

<p>F19 Side Case Rr Final</p>	<p>F20 Light Winker</p>	<p>F21 Light Tail</p>
<p>F22 Harness Wire</p>	<p>F23 Frame Body</p>	<p>F24 Carrier Luggage</p>
<p>F25 Radiator</p>	<p>F26 Air Injection Cut Valve</p>	<p>F27 Caution Label</p>

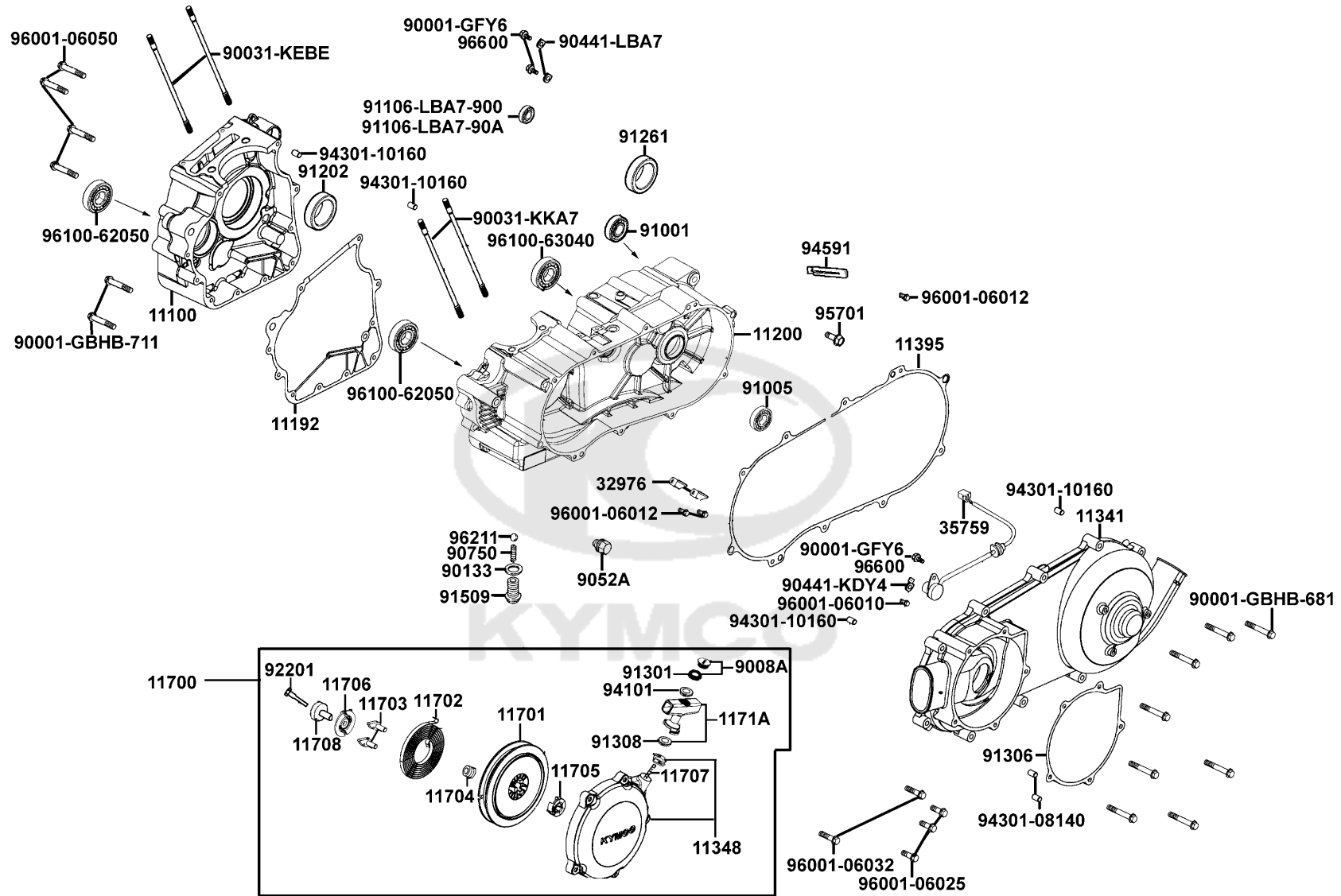
CONTENTS - FRAME GROUP

F28 Emblem Stripe



E01

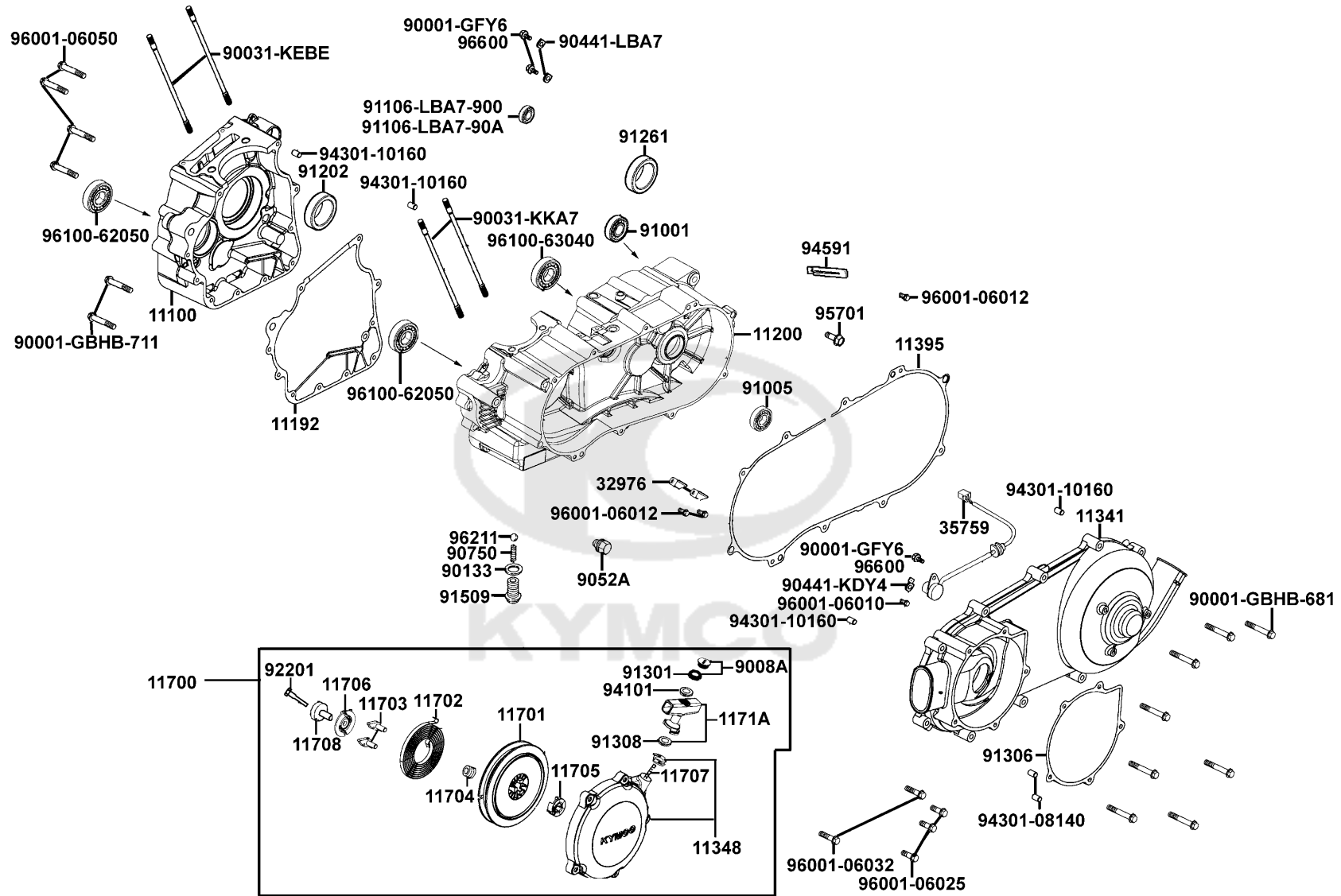
Crank Case



Sales mark	Ref no	Part no	Description	Reg description	Regd no	E01
	11100	11100-LDE9-E00	CRANK CASE COMP RIGHT	CRANK CASE COMP RIGHT	1	
	11192	11192-LBA7-900	GASKET CRANK CASE A	GASKET CRANK CASE A	1	
	11200	11200-LCD9-E00	CRANK CASE COMP LEFT	CRANK CASE COMP LEFT	1	
**	11341	11341-LBA7-900	COVER LEFT	COVER LEFT	1	
	11348	11348-LCA5-E00	COVER STARTING	COVER STARTING	1	
	11395	11395-LBA7-900	GASKET L COVER @A	GASKET L COVER @A	1	
	11700	11700-LCA5-E00	RECOIL STARTING	RECOIL STARTING	1	
#	11700	11700-LDE9-E00	RECOIL STARTING	RECOIL STARTING	1	
#	11701	11701-LDE9-E00	REEL STARTING	REEL STARTING	1	
	11702	11702-LCA5-E00	SPIRAL SPG STARTING	SPIRAL SPG STARTING	1	
	11703	11703-LCA5-E00	RACHET STARTING	RACHET STARTING	2	
	11704	11704-LCA5-E00	SPRING RACHET GUIDE	SPRING RACHET GUIDE	1	
	11705	11705-LCA5-E00	SPACER STARTING	SPACER STARTING	1	
	11706	11706-LCA5-E00	RACHET GUIDE STARTING	RACHET GUIDE STARTING	1	
	11707	11707-LCA5-E00	ROPE STARTING	ROPE STARTING	1	
	11708	11708-LCA5-E00	COLLAR	COLLAR	1	
	1171A	1171A-LCA5-E00	HOLDER ASSY STARTING	HOLDER ASSY STARTING	1	
	32976	32976-1G07-001	CLAMPER WIRE HARNESS	CLAMPER WIRE HARNESS	2	
	35759	35759-LCD9-E00	SW ASSY GEAR CHANGE	SW ASSY GEAR CHANGE	1	
	90001-GBHB-681	90001-GBHB-681	BOLT FLANGE SHF 6*28	BOLT FLANGE SHF 6*28	8	

E01

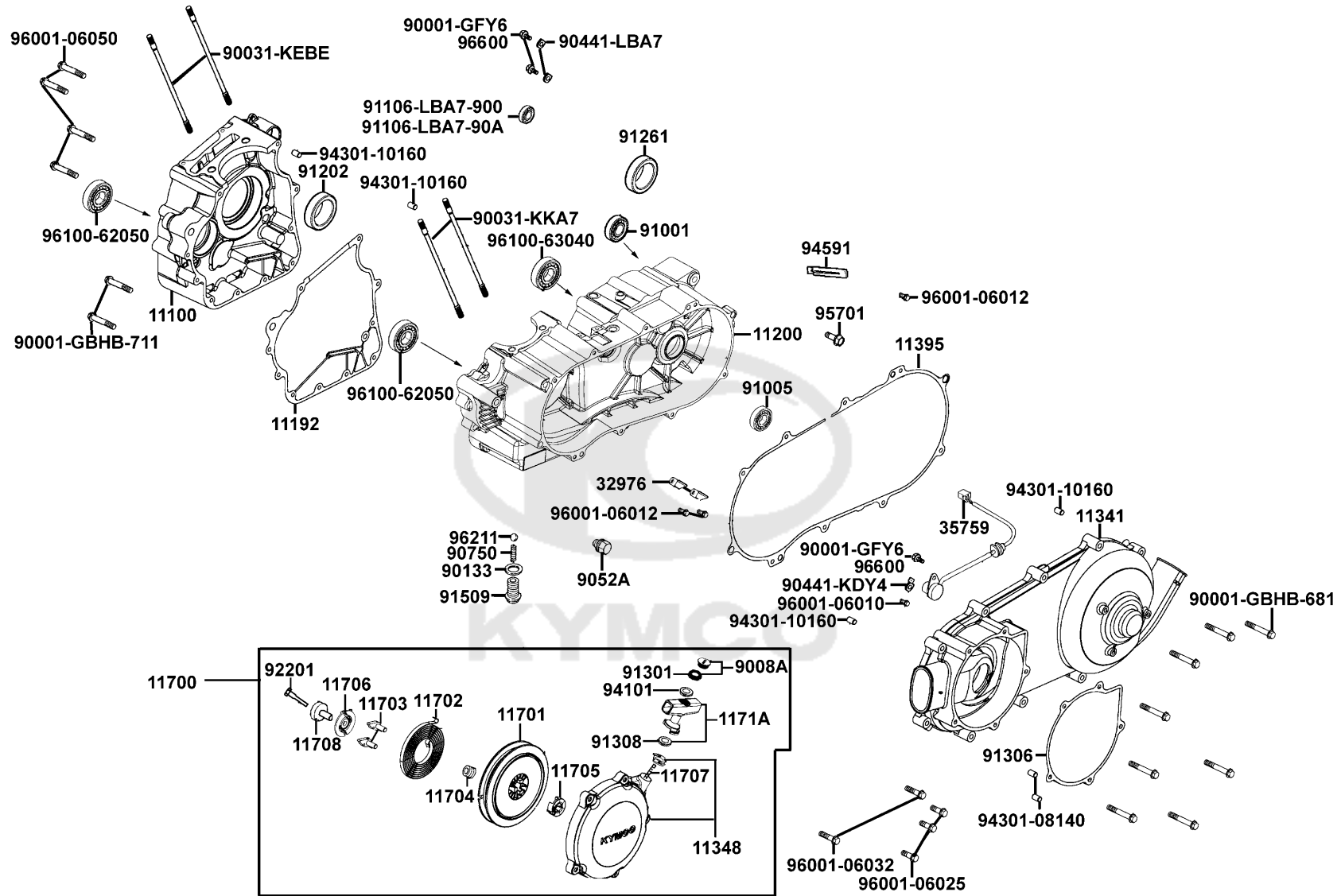
Crank Case



Sales mark	Ref no	Part no	Description	Reg description	Regd no	E01
	90001-GBHB-711	90001-GBHB-711	BOLT FLANGE SHF 6*40	BOLT FLANGE SHF 6*40	2	
	90001-GFY6	90001-GFY6-901	SOCKET BOLT 6*10 (B)	SOCKET BOLT 6*10 (B)	3	
	90031-KEBE	90031-KEBE-900	BOLT A STUD 8MM	BOLT A STUD 8MM	2	
	90031-KKA7	90031-KKA7-900	BOLT STUD	BOLT STUD	2	
	9008A	9008A-LCA5-E00	COVER ASSY HOLDER	COVER ASSY HOLDER	1	
	90133	90133-LLB1-900	WASHER BOLT SEAT	WASHER BOLT SEAT	1	
	90441-KDY4	90441-KDY4-901	PLATE BRG HOLD	PLATE BRG HOLD	1	
	90441-LBA7	90441-LBA7-900	PLATE BRG HOLD	PLATE BRG HOLD	2	
	9052A	9052A-GFY6-950	BOLT ASSY DRAIN PLUG	BOLT ASSY DRAIN PLUG	1	
	90750	90750-LLB1-900	SPRING BOLT SEAT INNER	SPRING BOLT SEAT INNER	1	
	91001	91001-KHV8-004	BRG BALL RADIAL 6305	BRG BALL RADIAL 6305	1	
	91005	91005-LBA7-900	BRG BALL RADIAL 6005LLU	BRG BALL RADIAL 6005LLU	1	
	91106-LBA7-900	91106-LBA7-900	BRG NEEDLE 20*26*16	BRG NEEDLE 20*26*16	1	
	91106-LBA7-90A	91106-LBA7-90A	BRG NEEDLE 20*26*16	BRG NEEDLE 20*26*16	1	
	91202	91202-KKC4-900	OIL SEAL 27*42*7	OIL SEAL 27*42*7	1	
#	91202	91202-KKC4-90B	OIL SEAL 27X42X7	OIL SEAL 27X42X7	1	
	91261	91261-4E15-004	OIL SEAL 25*40*8	OIL SEAL 25*40*8	1	
	91301	91301-KHE7-900	O-RING 17.8*1.9	O-RING 17.8*1.9	1	
	91306	91306-LBA7-900	GASKET STARTING COVER	GASKET STARTING COVER	1	
	91308	91308-LCA5-E00	O-RING 18.1*3	O-RING 18.1*3	1	

E01

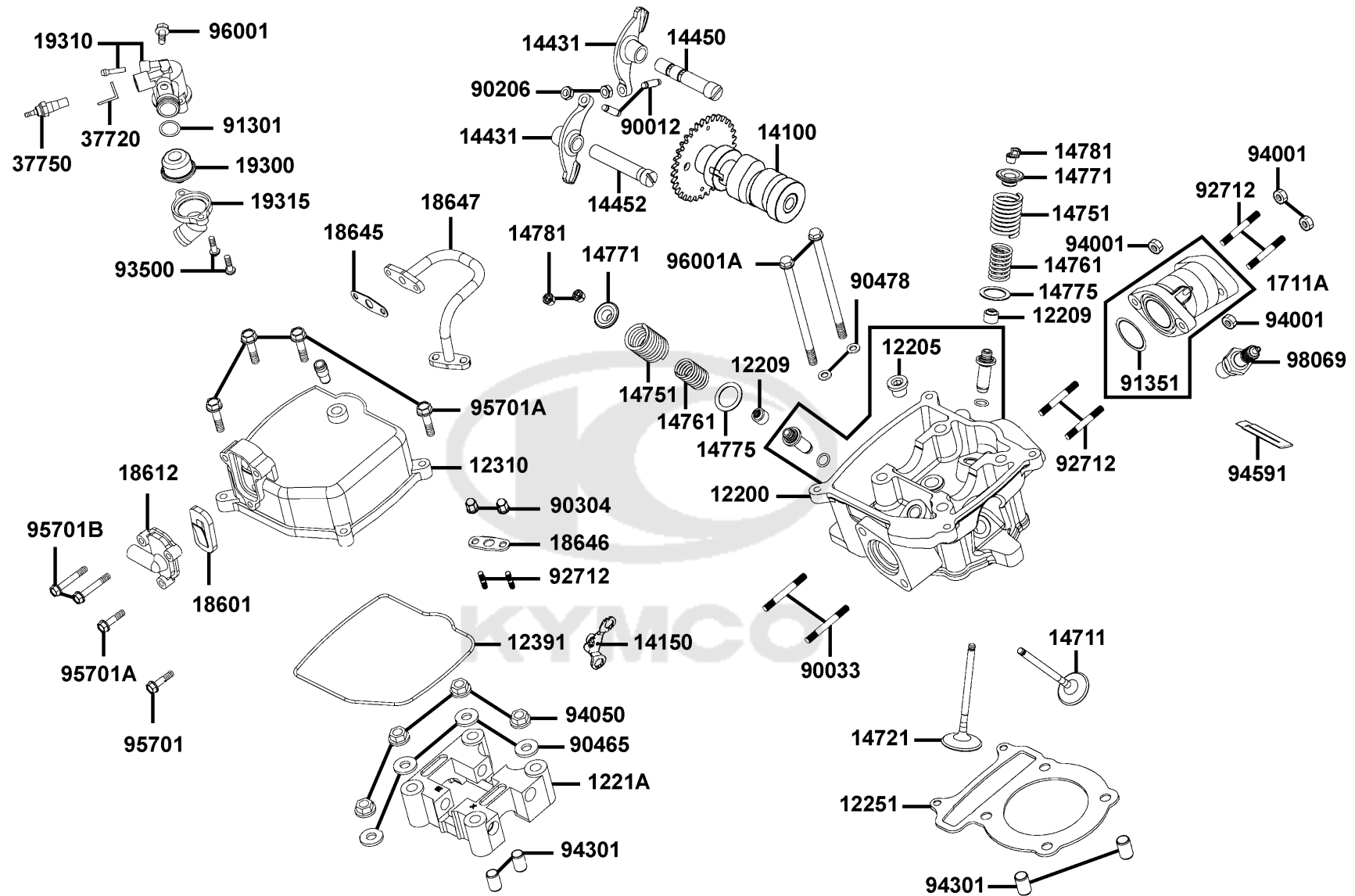
Crank Case



Sales mark	Ref no	Part no	Description	Reg description	Regd no	E01
	91509	91509-LLB1-900	BOLT SEAT BALL STOPPER	BOLT SEAT BALL STOPPER	1	
#	92201	92201-05025-0G	BOLT HEX 5*25	BOLT HEX 5*25	1	
	94101	94101-LCA5-E00	WASHER PLAIN 6MM	WASHER PLAIN 6MM	1	
	94301-08140	94301-08140	DOWEL PIN 8*14	DOWEL PIN 8*14	2	
	94301-10160	94301-10160	DOWEL PIN 10*16	DOWEL PIN 10*16	4	
	94591	94591-LLB1-900	CLIP 2*100	CLIP 2*100	1	
#	95701	95701-08012-06	BOLT FLANGE 8*12	BOLT FLANGE 8*12	1	
#	96001-06010	96001-06010-06	BOLT FLANGE 6*10	BOLT FLANGE 6*10	1	
#	96001-06012	96001-06012-06	BOLT FLANGE SH 6*12	BOLT FLANGE SH 6*12	1	
#	96001-06025	96001-06025-06	BOLT FLANGE SH 6*25	BOLT FLANGE SH 6*25	1	
#	96001-06032	96001-06032-06	BOLT FLANGE 6*32	BOLT FLANGE 6*32	1	
#	96001-06050	96001-06050-06	BOLT FLANGE SH 6*50	BOLT FLANGE SH 6*50	1	
	96100-62050	96100-62050-00	BEARING BALL RADIAL 6205	BEARING BALL RADIAL 6205	2	
	96100-63040	96100-63040-00	BRG BALL RADIAL 6304	BRG BALL RADIAL 6304	1	
	96211	96211-12000	BALL STEEL #12	BALL STEEL #12	1	
#	96600	96600-06012-10	SOCKET BOLT 6*12	SOCKET BOLT 6*12	3	

E02

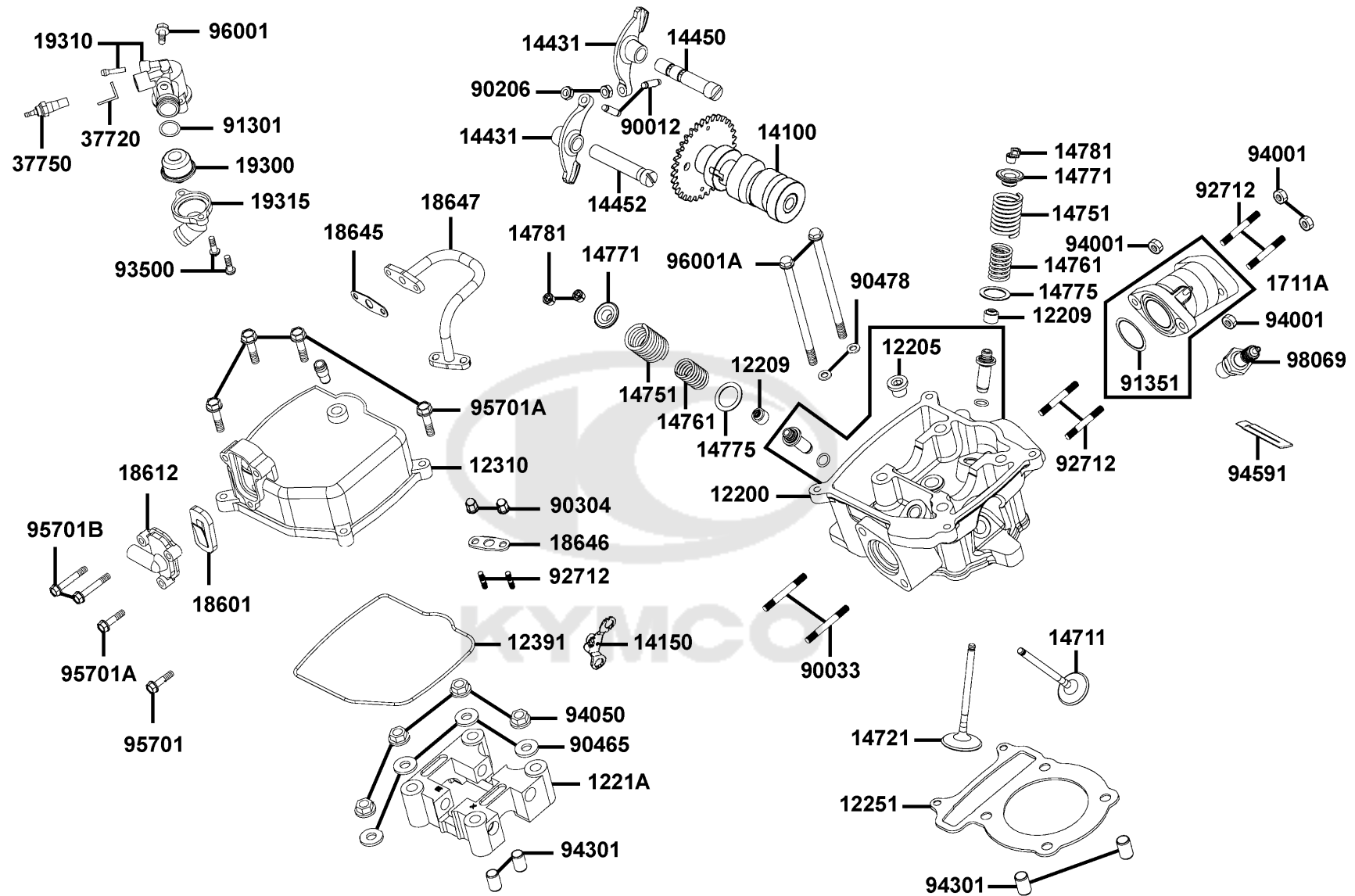
Cylinder Head Cover Cylinder Head



Sales mark	Ref no	Part no	Description	Reg description	Regd no	E02
	12200	12200-LDB2-E00	HEAD COMP CYLN	HEAD COMP CYLN	1	
	12205	12205-KHE8-301	BOLT SEALING 12MM	BOLT SEALING 12MM	1	
	12209	12209-GDB4-68B	SEAL VALVE STEM	SEAL VALVE STEM	1	
	1221A	1221A-LDB2-E00	HOLDER COMP CAM SHAFT	HOLDER COMP CAM SHAFT	1	
	12251	12251-KHE7-901	GASKET CYLINDER HEAD	GASKET CYLINDER HEAD	1	
	12310	12310-LDB2-E00	COVER COMP CYLN HEAD	COVER COMP CYLN HEAD	1	
	12391	12391-LDB2-E00	GASKET HEAD COVER	GASKET HEAD COVER	1	
	14100	14100-LDB2-E00	SHAFT COMP CAM	SHAFT COMP CAM	1	
	14150	14150-LDB2-E00	PLATE COMP STOPPER	PLATE COMP STOPPER	1	
	14431	14431-LDB2-E00	ARM VALVE ROCKER	ARM VALVE ROCKER	2	
	14450	14450-KEBE-900	SHAFT COMP IN ROCKER ARM	SHAFT COMP IN ROCKER ARM	1	
	14452	14452-LDB2-E00	SHAFT EXH ROCKER ARM	SHAFT EXH ROCKER ARM	1	
#	14711	14711-LDF2-900	VALVE INLET	VALVE INLET	1	
	14721	14721-LDB2-E00	VALVE EXHAUST	VALVE EXHAUST	1	
	14751	14751-KHE7-900	SPG VALVE OUTER	SPG VALVE OUTER	2	
	14761	14761-KHE7-900	SPG VALVE INNER	SPG VALVE INNER	2	
	14771	14771-GDB4-680	RETAINER VALVE SPRING	RETAINER VALVE SPRING	2	
	14775	14775-MFA6-001	SEAT VALVE SPG OUTER	SEAT VALVE SPG OUTER	2	
	14781	14781-MFA6-001	COTTER VALVE	COTTER VALVE	4	
	1711A	1711A-LDE9-E00	PIPE ASSY INLET	PIPE ASSY INLET	1	

E02

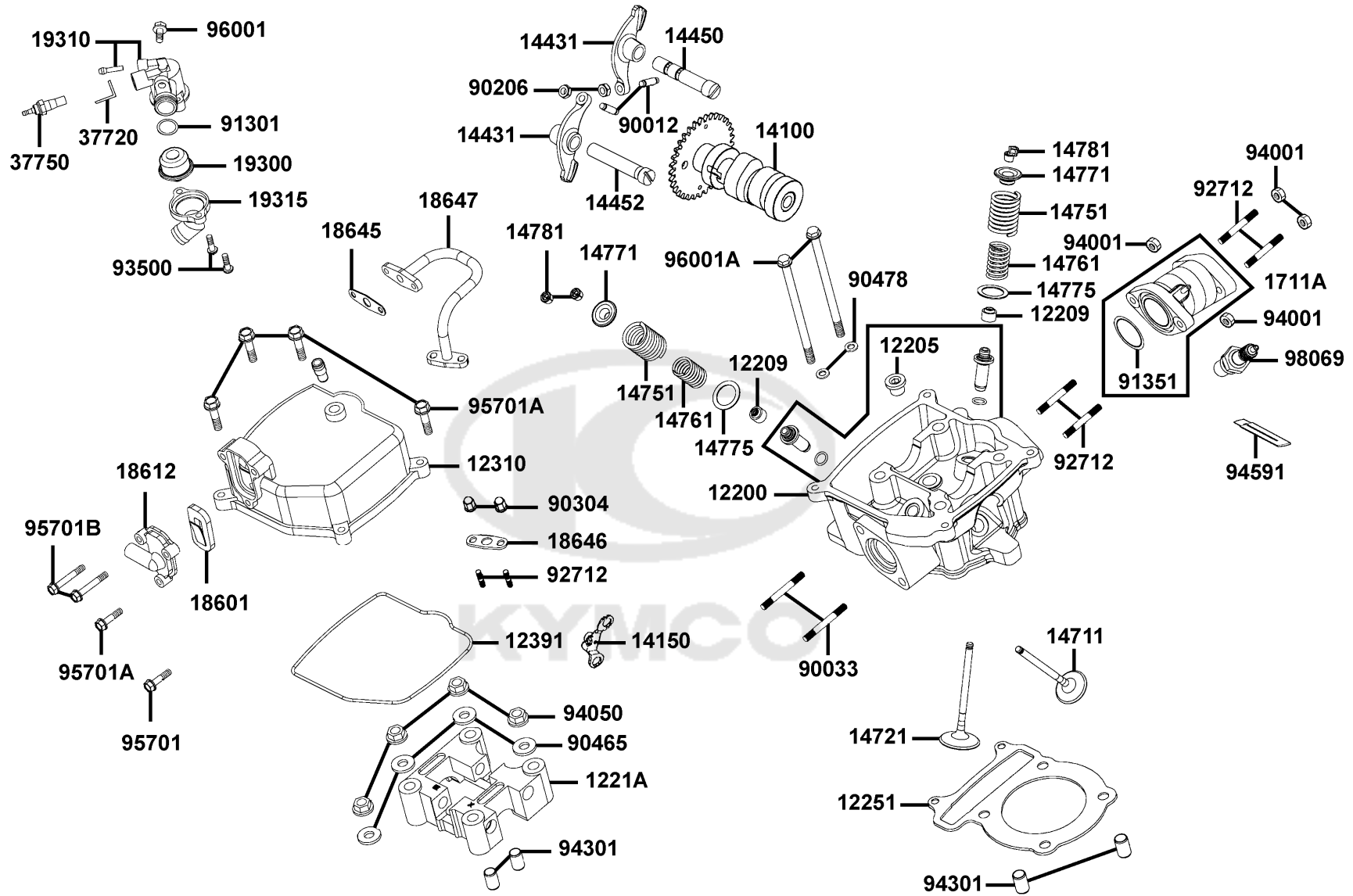
Cylinder Head Cover Cylinder Head



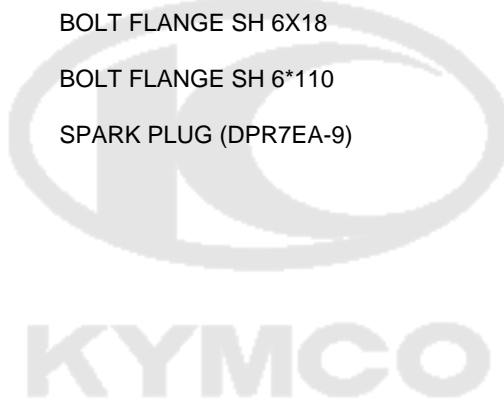
Sales mark	Ref no	Part no	Description	Reg description	Regd no	E02
	18601	18601-MAJ1-791	REED VALVE COMP	REED VALVE COMP	1	
	18612	18612-GFY6-941	COVER REED VALVE	COVER REED VALVE	1	
	18645	18645-GFY6-941	GASKET A/I PIPE	GASKET A/I PIPE	1	
	18646	18646-GFY6-941	GASKET A/I PIPE	GASKET A/I PIPE	1	
	18647	18647-LDB2-900	PIPE COMP AIR	PIPE COMP AIR	1	
	19300	19300-KAE1-004	THERMOSTAT ASSY	THERMOSTAT ASSY	1	
	19310	19310-KHE7-900	CASE COMP THERMOSTAT	CASE COMP THERMOSTAT	1	
	19315	19315-LBA7-900	COVER THERMOSTAT	COVER THERMOSTAT	1	
	37720	37720-KGB5-900	EARTH TERMINAL THERMO	EARTH TERMINAL THERMO	1	
	37750	37750-PAC1-005	THERMO UNIT ASSY	THERMO UNIT ASSY	1	
	90012	90012-3C33-001	SCREW TAPPET ADJUSTING	SCREW TAPPET ADJUSTING	2	
	90033	90033-GFY6-900	BOLT STUD 8*32	BOLT STUD 8*32	2	
	90206	90206-0A01-001	NUT TAPPET ADJG	NUT TAPPET ADJG	2	
	90304	90304-4H38-001	NUT HEX CAP 6MM	NUT HEX CAP 6MM	2	
	90465	90465-MDC4-001	WASHER 8MM	WASHER 8MM	4	
	90478	90478-7L00-001	WASHER A 6MM	WASHER A 6MM	2	
	91301	91301-KHE7-900	O-RING 17.8*1.9	O-RING 17.8*1.9	1	
	91351	91351-GAR1-001	O-RING 38.5*2	O-RING 38.5*2	1	
#	92712	92712-06028-0B	BOLT STUD 6*28	BOLT STUD 6*28	5	
#	93500	93500-05016-0F	SCREW PAN 5*16	SCREW PAN 5*16	1	

E02

Cylinder Head Cover Cylinder Head

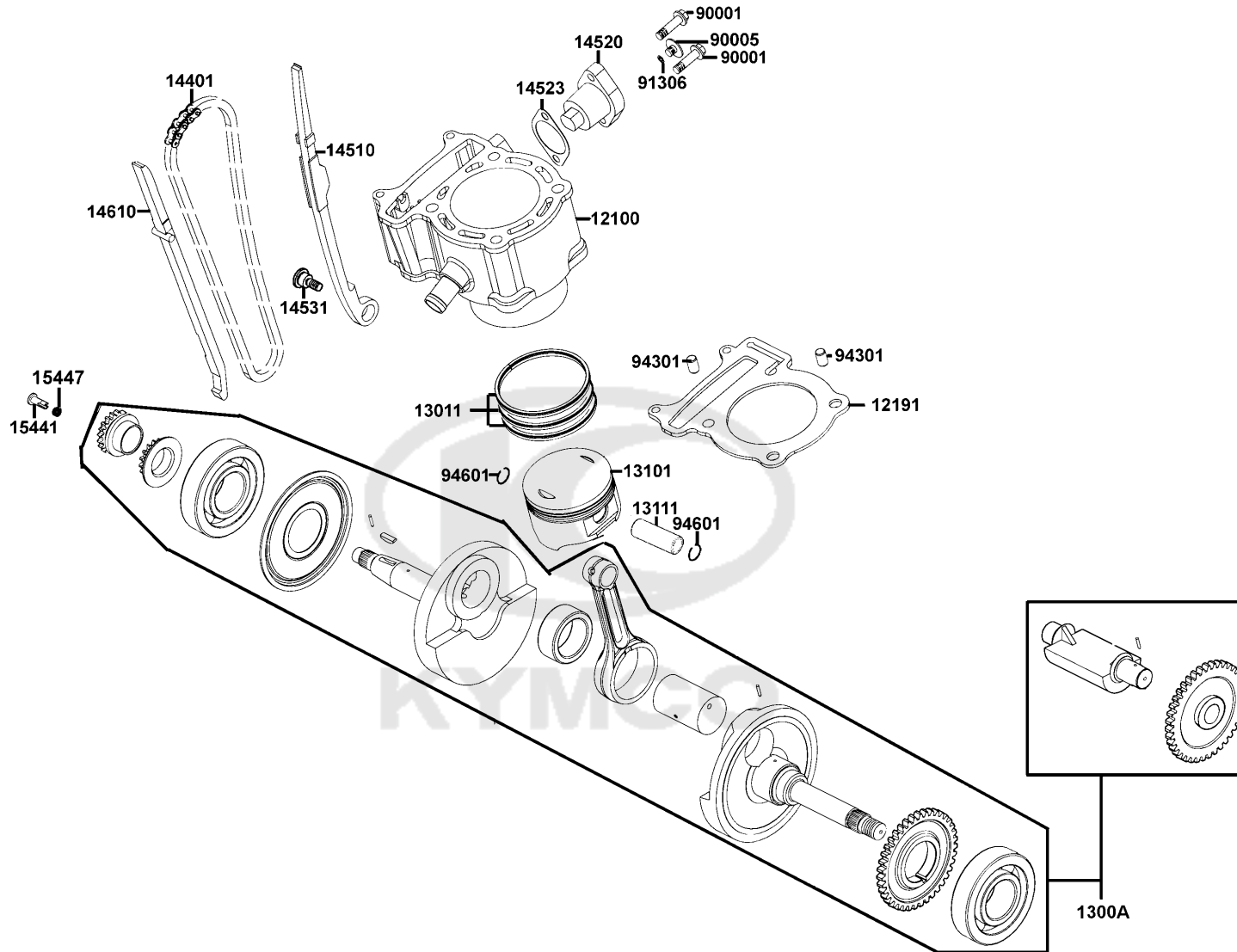


Sales mark	Ref no	Part no	Description	Reg description	Regd no	E02
	94001	94001-06080-0S	NUT HEX 6MM	NUT HEX 6MM	4	
	94050	94050-08080	NUT FLANGE 8MM	NUT FLANGE 8MM	4	
	94301	94301-10160	DOWEL PIN 10*16	DOWEL PIN 10*16	4	
	94591	94591-KFBF-900	CLIP 2*70	CLIP 2*70	1	
	95701	95701-06010-06	BOLT FLANGE 6*10	BOLT FLANGE 6*10	1	
#	95701A	95701-06025-06	BOLT FLANGE 6*25	BOLT FLANGE 6*25	2	
#	95701B	95701-06040-06	BOLT FLANGE 6*40	BOLT FLANGE 6*40	1	
#	96001	96001-06018-06	BOLT FLANGE SH 6X18	BOLT FLANGE SH 6*18	1	
#	96001A	96001-06110-06	BOLT FLANGE SH 6*110	BOLT FLANGE SH 6*110	1	
	98069	98069-5791R-00	SPARK PLUG (DPR7EA-9)	SPARK PLUG (DPR7EA-9)	1	



E03

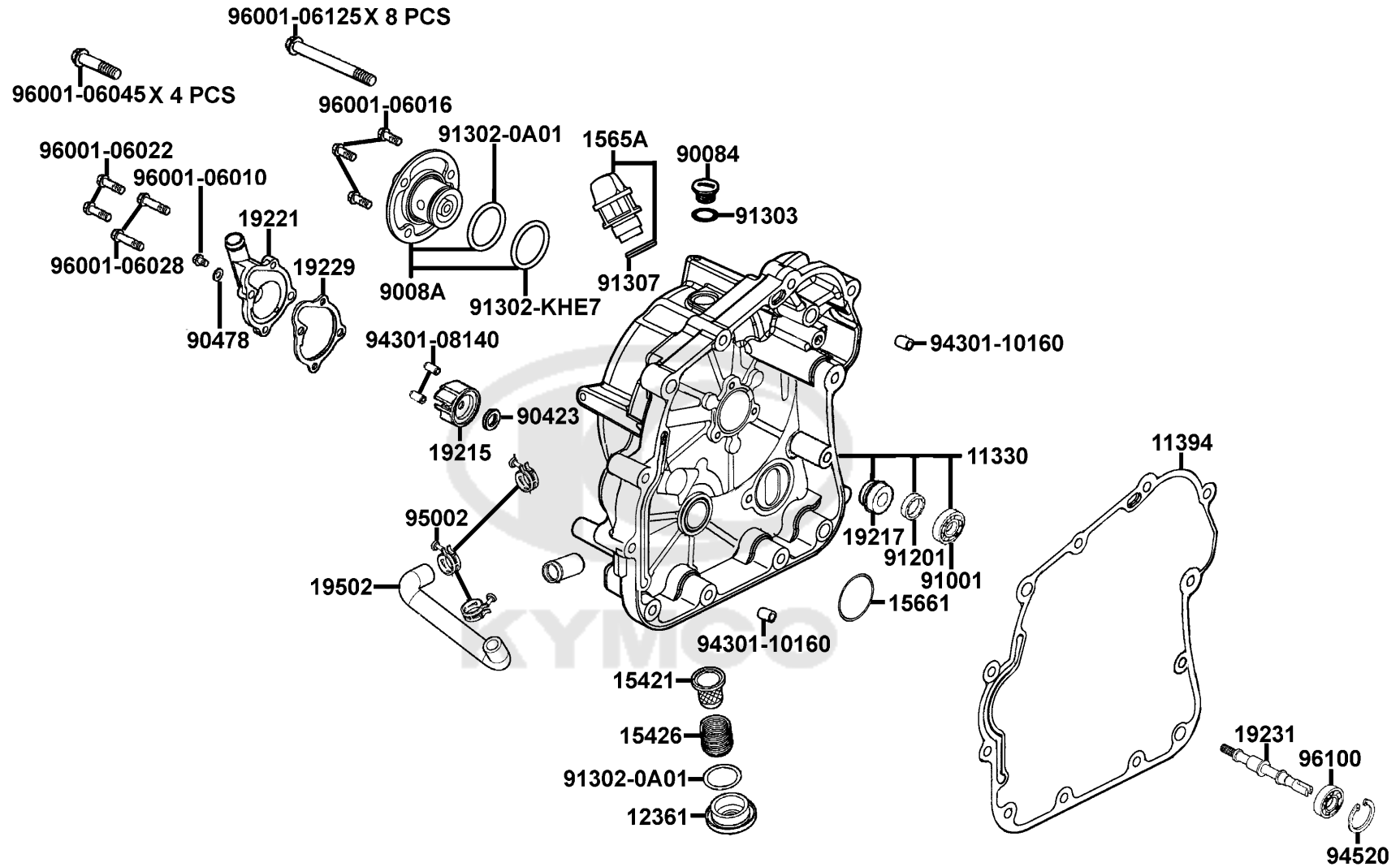
Cylinder Piston Crankshaft



Sales mark	Ref no	Part no	Description	Reg description	Regd no	E03
	12100	12100-LDE9-E00	CYLINDER COMP	CYLINDER COMP	1	
	12191	12191-KHE7-910	GASKET CYLINDER	GASKET CYLINDER	1	
	1300A	1300A-LDE9-305	CRANK BALANCER COMP	CRANK BALANCER COMP	1	
	13011	13011-KHE7-900	RING SET PISTON	RING SET PISTON	1	
	13101	13101-LDB2-E00	PISTON	PISTON	1	
	13111	13111-LDB2-E00	PIN PISTON	PIN PISTON	1	
	14401	14401-LDE9-E00	CHAIN CAM	CHAIN CAM	1	
	14510	14510-LDE9-E00	TENSIONER CAM CHAIN	TENSIONER CAM CHAIN	1	
#	14520	14520-GFY6-90C	LIFTER ASSY.. TENSIONER	LIFTER ASSY TENSIONER	1	
#	14523	14523-KED9-920	GASKET TENSIONER LIFTER @A	GASKET TENSIONER LIFTER @A	1	
	14531	14531-KHE7-900	PIVOT CAM CHAIN TENSIONER	PIVOT CAM CHAIN TENSIONER	1	
	14610	14610-LDE9-E00	GUIDE COMP CAM CHAIN	GUIDE COMP CAM CHAIN	1	
	15441	15441-1K49-001	OIL THROUGH	OIL THROUGH	1	
	15447	15447-1K49-001	SPG OIL THROUGH	SPG OIL THROUGH	1	
	90001	90001-GBHB-661	BOLT FLANGE SH 6*22	BOLT FLANGE SH 6*22	2	
#	90005	90005-KED9-900	BOLT SPECIAL 6*6	BOLT SPECIAL 6*6	1	
	91306	91306-1E05-691	O-RING 1.5*9.5	O-RING 1.5*9.5	1	
	94301	94301-10160	DOWEL PIN 10*16	DOWEL PIN 10*16	2	
	94601	94601-17000	CLIP PISTON PIN 17MM	CLIP PISTON PIN 17MM	2	

E04

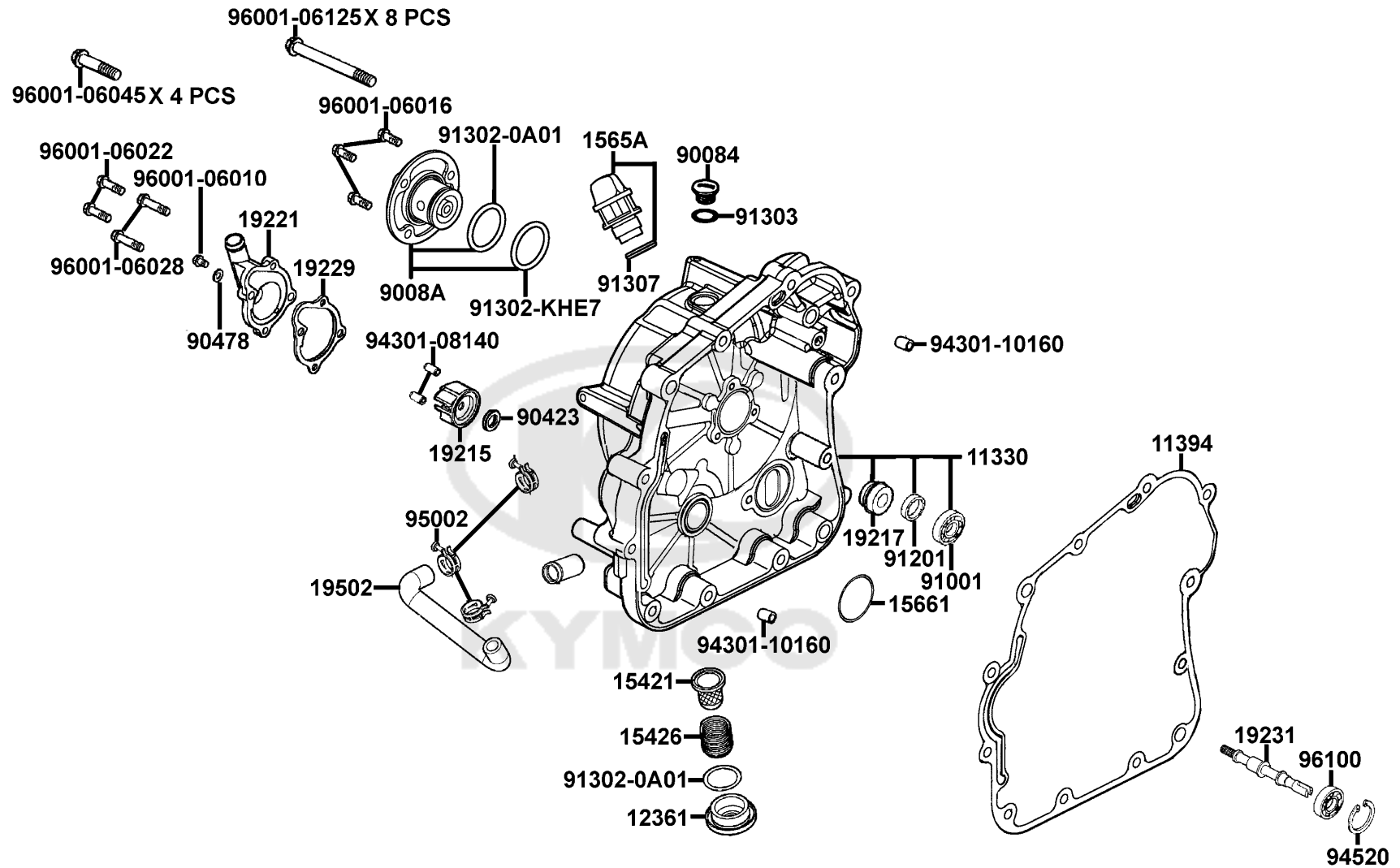
Right Crankcase Cover Water Pump



Sales mark	Ref no	Part no	Description	Reg description	Regd no	E04
	11330	11330-LDE9-E00	COVER COMP R CRANK CASE	COVER COMP R CRANK CASE	1	
	11394	11394-LBA7-900	GASKET R COVER	GASKET R COVER	1	
	12361	12361-GFY6-901	HOLE CAP TAPPET ADJUSTING	HOLE CAP TAPPET ADJUSTING	1	
	15421	15421-1G07-001	SCREEN OIL FILTER	SCREEN OIL FILTER	1	
	15426	15426-GAE1-921	SPG OIL FILTER SCREEN	SPG OIL FILTER SCREEN	1	
	1565A	1565A-KKAK-900	GAUGE OIL LEVEL ASSY	GAUGE OIL LEVEL ASSY	1	
	15661	15661-LBA7-900	FINDER OIL LEVEL	FINDER OIL LEVEL	1	
	19215	19215-KHE7-900	IMPELLER WATER PUMP	IMPELLER WATER PUMP	1	
#	19217	19217-ZPA3-E00	SEAL MECHANICAL	SEAL MECHANICAL	1	
**	19221	19221-KHE7-900	COVER WATER PUMP	COVER WATER PUMP	1	
	19229	19229-LBA7-900	GASKET WATER PUMP	GASKET WATER PUMP	1	
	19231	19231-KKJ9-011	SHAFT WATER PUMP	SHAFT WATER PUMP	1	
	19502	19502-LBA7-900	HOSE B WATER	HOSE B WATER	1	
	9008A	9008A-LBA7-900	CAP ASSY R COVER	CAP ASSY R COVER	1	
	90423	90423-KKJ9-001	WASHER 7.2*13*1.2	WASHER 7.2*13*1.2	1	
	90478	90478-7L00-001	WASHER A 6MM	WASHER A 6MM	1	
	91001	91001-KKJ9-006	BRG BALL RADIAL 6901	BRG BALL RADIAL 6901	1	
	91201	91201-KKJ9-004	OIL SEAL 12*20*4	OIL SEAL 12*20*4	1	
	91302-0A01	91302-0A01-021	O-RING 30.8M/M	O-RING 30.8M/M	2	
	91302-KHE7	91302-KHE7-900	O-RING 27.4*2.1MM	O-RING 27.4*2.1MM	1	

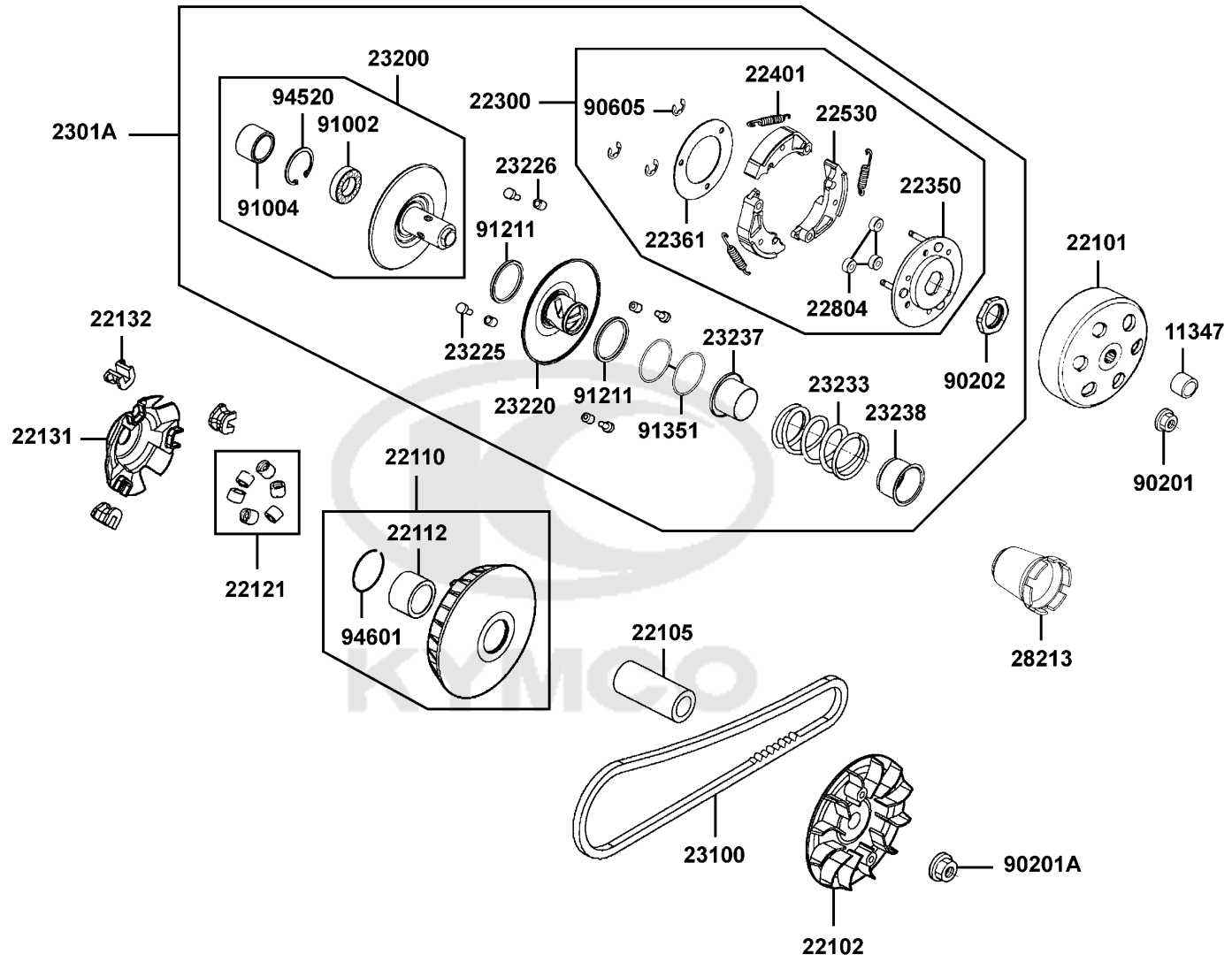
E04

Right Crankcase Cover Water Pump



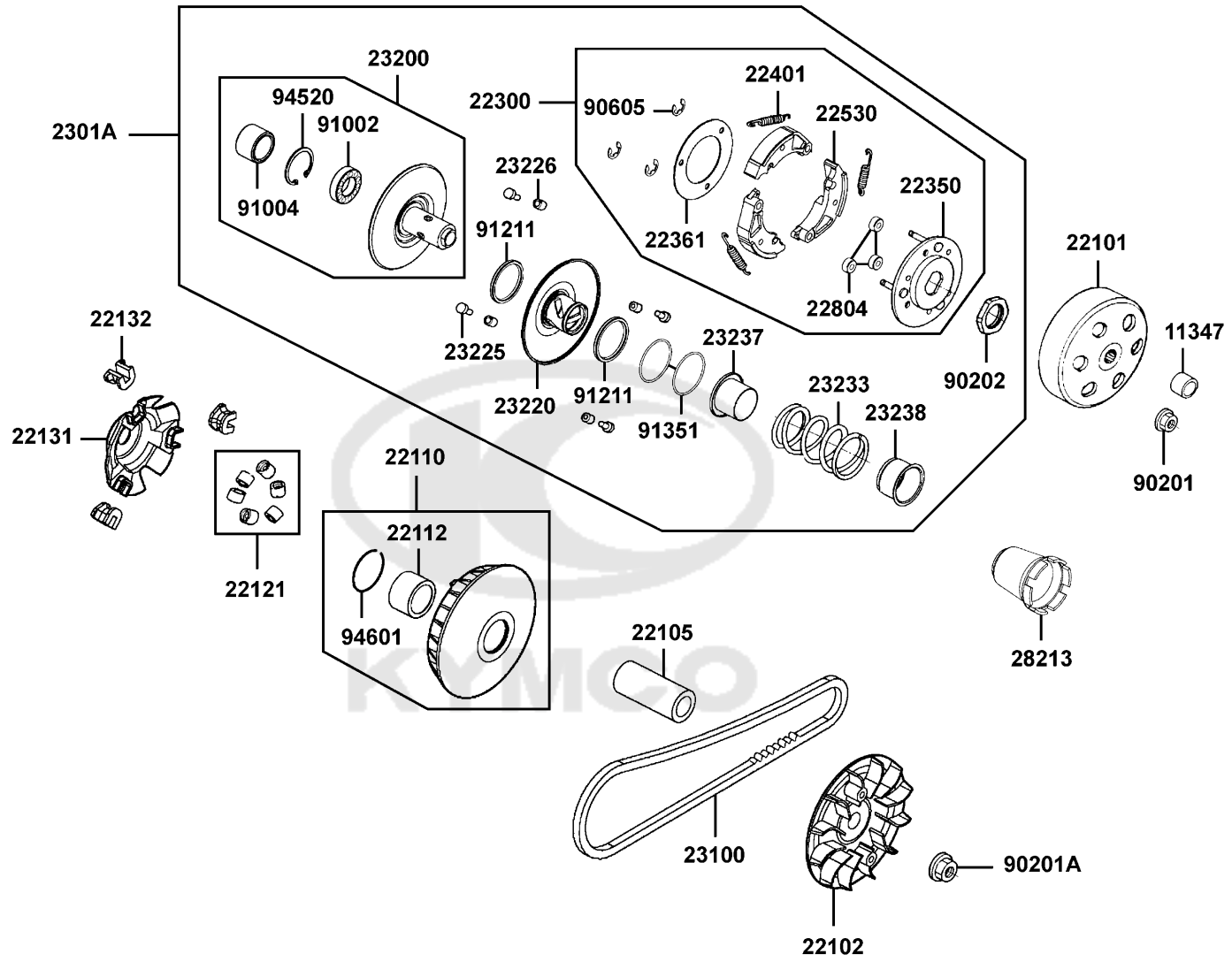
Sales mark	Ref no	Part no	Description	Reg description	Regd no	E04
	91303	91303-3G77-001	O-RING 13.8*2.5	O-RING 13.8*2.5	1	
	91307	91307-0E35-001	O RING 18*3	O RING 18*3	1	
	94301-08140	94301-08140	DOWEL PIN 8*14	DOWEL PIN 8*14	2	
	94301-10160	94301-10160	DOWEL PIN 10*16	DOWEL PIN 10*16	2	
	94520	94520-26000	CIR CLIP INTERAL 26MM	CIR CLIP INTERAL 26MM	1	
	95002	95002-KHE7-900	CLIP WATER HOSE	CLIP WATER HOSE	3	
	96001-06010	96001-06010-00	BOLT FLANGE SH 6X10	BOLT FLANGE SH 6X10	1	
#	96001-06016	96001-06016-06	BOLT FLANGE SH 6X16	BOLT FLANGE SH 6*16	1	
#	96001-06022	96001-06022-06	BOLT FLANGE SH 6*22 (G)	BOLT FLANGE SH 6*22 (G)	1	
#	96001-06028	96001-06028-06	BOLT FLANGE SH 6*28	BOLT FLANGE SH 6*28	1	
#	96001-06045	96001-06045-06	BOLT FLANGE 6X45	BOLT FLANGE 6X45	1	
#	96001-06125	96001-06125-06	BOLT FLANGE SH 6*125	BOLT FLANGE SH 6*125	1	
	96100	96100-60000-00	BEARING BALL RADIAL 6000	BEARING BALL RADIAL 6000	1	

Drive Pulley



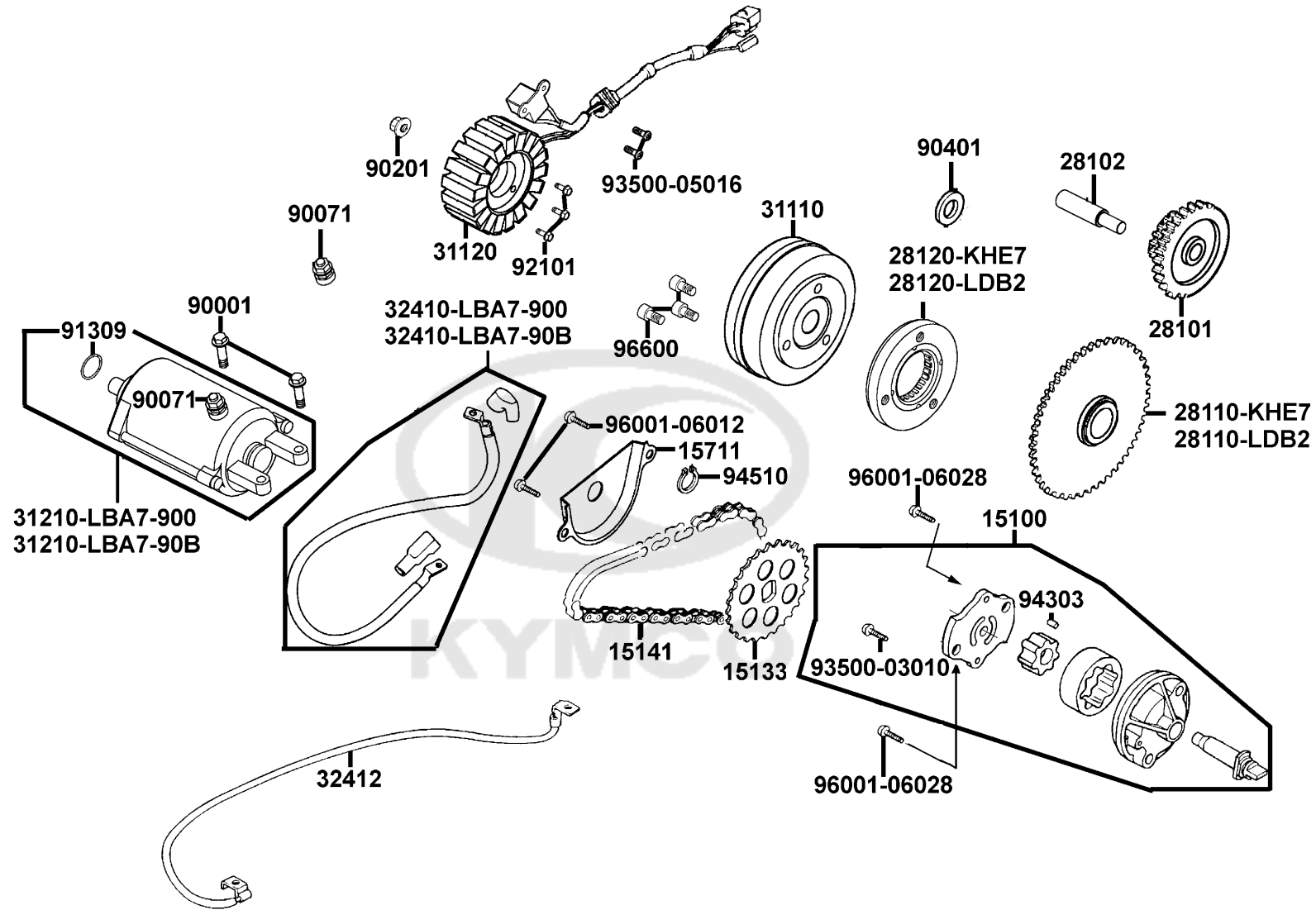
Sales mark	Ref no	Part no	Description	Reg description	Regd no	E05
	11347	11347-LBA7-900	BOSS DRIVE SHAFT	BOSS DRIVE SHAFT	1	
	22101	22101-LBA7-900	OUTER CLUTCH	OUTER CLUTCH	1	
	22102	22102-KHE7-900	FACE DRIVE	FACE DRIVE	1	
	22105	22105-LBA7-900	BOSS DRIVE FACE	BOSS DRIVE FACE	1	
	22110	22110-KHE7-900	FACE COMP MOVABLE DRIVE	FACE COMP MOVABLE DRIVE	1	
	22112	22112-KHE7-900	BUSH 27*33*37	BUSH 27*33*37	1	
#	22121	22121-LBA7-305	ROLLER SET WEIGHT (1SET:6PCS)	ROLLER SET WEIGHT (1SET:6PCS)	1	
	22131	22131-LBA7-900	PLATE RAMP	PLATE RAMP	1	
#	22132	22132-KHE7-305	PIECE SLIDE SET (1SET:3PCS)	PIECE SLIDE	1	
	22300	22300-LBA7-900	PLATE ASSY DRIVE	PLATE ASSY DRIVE	1	
	22350	22350-KHE7-900	PLATE COMP DRIVE	PLATE COMP DRIVE	1	
#	22361	22361-LEA7-E00	PLATE CLUTCH SIDE	PLATE CLUTCH SIDE	1	
	22401	22401-LBA7-900	SPRING CLUTCH	SPRING CLUTCH	3	
	22530	22530-LBA7-900	WEIGHT CLUTCH	WEIGHT CLUTCH	3	
	22804	22804-GBB2-001	RUBBER CLUTCH DAMPER	RUBBER CLUTCH DAMPER	3	
	2301A	2301A-LBA7-900	PULLEY SUB ASSY	PULLEY SUB ASSY	1	
#	23100	23100-KHE7-90B	BELT DRIVE(Maker:MITSUBOSHI)	BELT DRIVE(Maker:MITSUBOSHI)	1	
	23200	23200-KHE7-900	FACE ASSY DRIVEN	FACE ASSY DRIVEN	1	
	23220	23220-LLJ3-E00	FACE COMP MOVABLE DRIVEN	FACE COMP MOVABLE DRIVEN	1	
	23225	23225-KHE7-900	PIN ROLLER GUIDE	PIN ROLLER GUIDE	4	

Drive Pulley



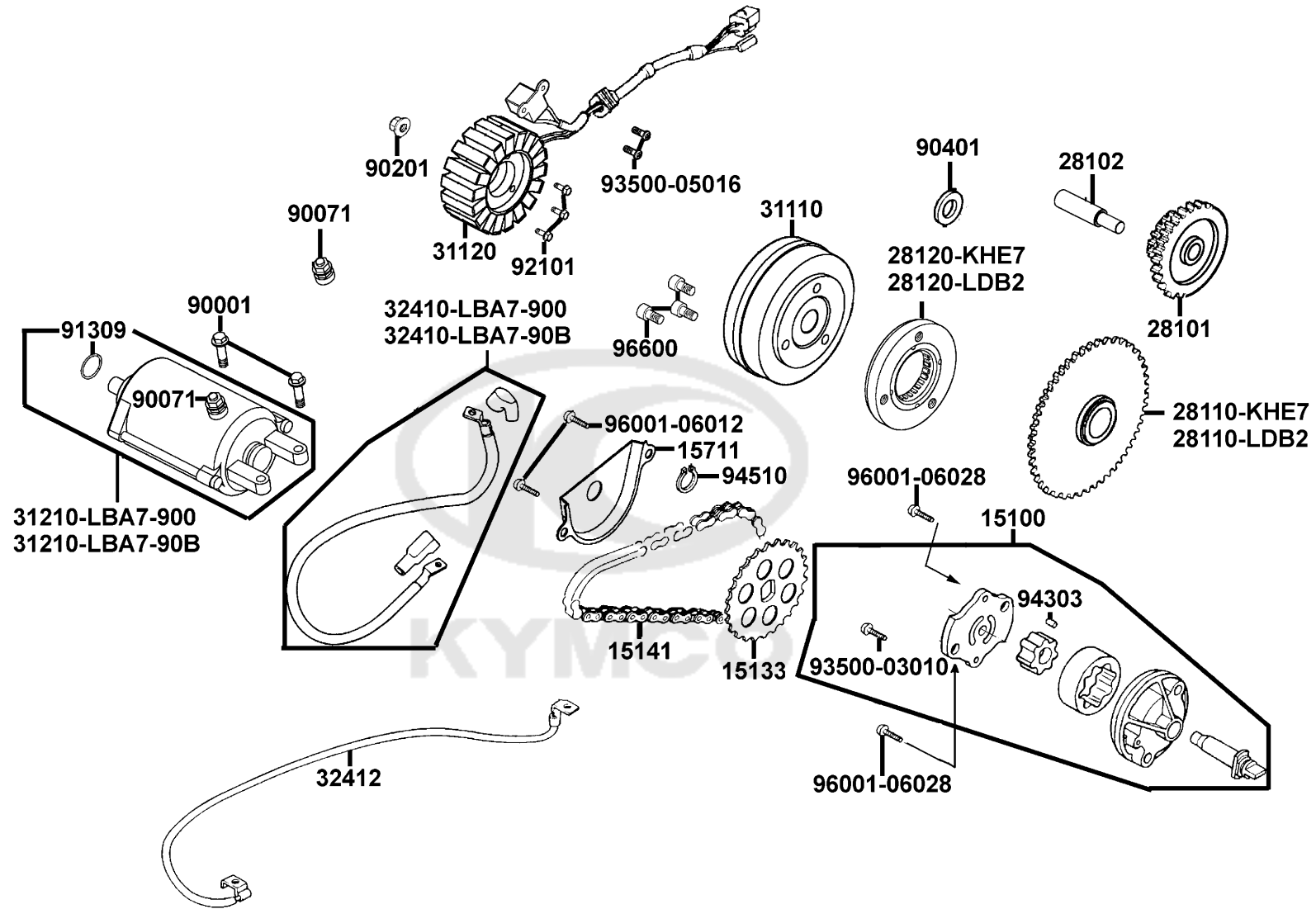
Sales mark	Ref no	Part no	Description	Reg description	Regd no	E05
23226		23226-GHC8-004	ROLLER GUIDE	ROLLER GUIDE	4	
23233		23233-LBA7-900	SPG DRIVEN FACE	SPG DRIVEN FACE	1	
23237		23237-KHE7-900	COLLAR SEAL	COLLAR SEAL	1	
23238		23238-KHE7-900	COLLAR SPG	COLLAR SPG	1	
28213		28213-LCA5-E00	PLATE RACHET	PLATE RACHET	1	
90201		90201-KHE7-900	NUT C FLANGE M12	NUT C FLANGE M12	1	
90201A		90201-KHR8-75A	NUT FLANGE 14MM	NUT FLANGE 14MM	1	
90202		90202-1G87-001	NUT SPECIAL 28MM	NUT SPECIAL 28MM	1	
90605		90605-1F66-721	CIR CLIP 7MM	CIR CLIP 7MM	3	
91002		91002-GGA7-70A	BRG BALL RADIAL 6902U	BRG BALL RADIAL 6902U	1	
91004		91004-KHE7-900	BRG NDL 22*29*18	BRG NDL 22*29*18	1	
91211		91211-KHE7-900	SEAL DRIVEN FACE	SEAL DRIVEN FACE	2	
91351		91351-KHE7-900	O-RING PINION CAP	O-RING PINION CAP	2	
94520		94520-28000	CIR CLIP IN 28	CIR CLIP IN 28	1	
94601		94601-33000	CLIP PISTON PIN 33MM	CLIP PISTON PIN 33MM	1	

Starting Motor Generator

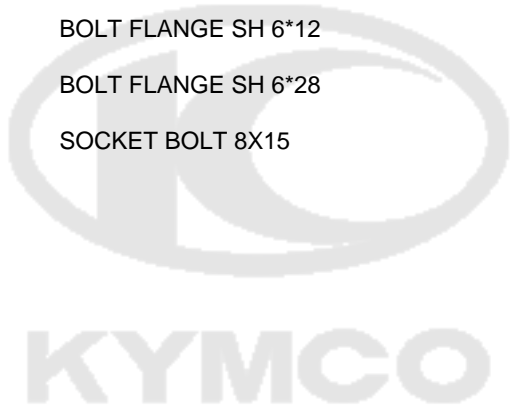


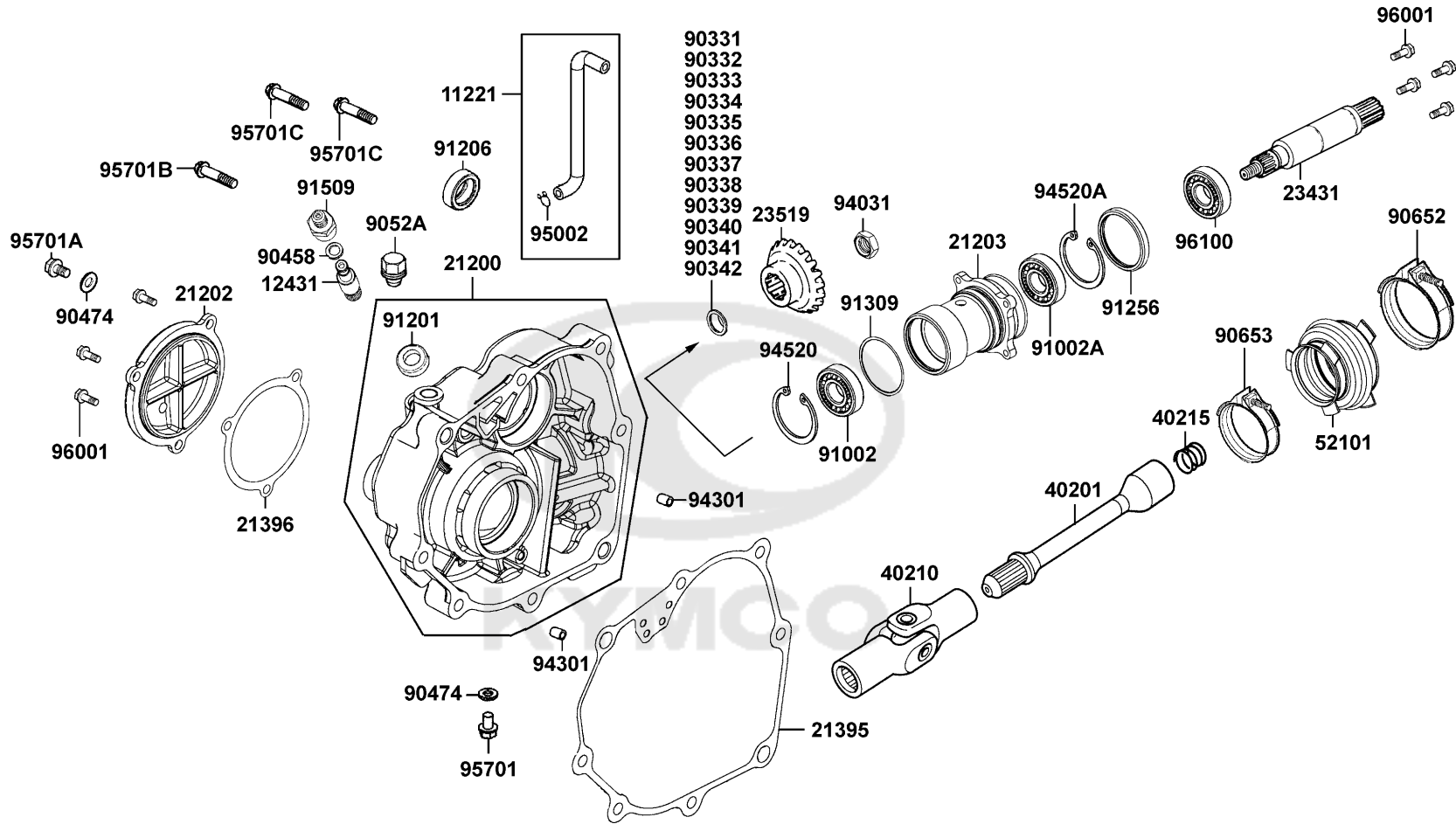
Sales mark	Ref no	Part no	Description	Reg description	Regd no	E06
	15100	15100-LBA7-900	PUMP ASSY OIL	PUMP ASSY OIL	1	
	15133	15133-KAM1-001	SPROCKET OIL PUMP DRIVE	SPROCKET OIL PUMP DRIVE	1	
	15141	15141-LBA2-E00	CHAIN OIL PUMP	CHAIN OIL PUMP	1	
	15711	15711-KHE7-900	SEPARATER OIL	SEPARATER OIL	1	
	28101	28101-KHE7-900	GEAR STARTER REDUCTION	GEAR STARTER REDUCTION	1	
	28102	28102-LDE9-E00	SHAFT STARTER REDUCTION	SHAFT STARTER REDUCTION	1	
	28110-KHE7	28110-KHE7-900	GEAR COMP STARTING CLUTCH	GEAR COMP STARTING CLUTCH	1	
#	28110-LDB2	28110-LDB2-E00	GEAR COMP STARTING CLUTCH	GEAR COMP STARTING CLUTCH	1	
	28120-KHE7	28120-KHE7-E00	ONE WAY CLUTCH STARTER ASSY	ONE WAY CLUTCH STARTER ASSY	1	
#	28120-LDB2	28120-LDB2-E00	ONE WAY CLUTCH	ONE WAY CLUTCH	1	
	31110	31110-LDE9-E00	FLYWHEEL COMP (D406)	FLYWHEEL COMP (D406)	1	
	31120	31120-LDE9-E00	STATOR COMP /D406	STATOR COMP /D406	1	
	31210-LBA7-900	31210-LBA7-900	MOTOR UNIT STARTER	MOTOR UNIT STARTER	1	
	31210-LBA7-90B	31210-LBA7-90B	MOTOR UNIT STARTER	MOTOR UNIT STARTER	1	
	32410-LBA7-900	32410-LBA7-900	CABLE STARTER MOTOR	CABLE STARTER MOTOR	1	
	32410-LBA7-90B	32410-LBA7-90B	CABLE STARTER MOTOR	CABLE STARTER MOTOR	1	
	32412	32412-LCA5-E00	CABLE EARTH	CABLE EARTH	1	
	90001	90001-GBHB-661	BOLT FLANGE SH 6*22	BOLT FLANGE SH 6*22	2	
	90071	90071-MLB0-001	NUT WASH 6MM	NUT WASH 6MM	2	
	90201	90201-KHR8-75A	NUT FLANGE 14MM	NUT FLANGE 14MM	1	

Starting Motor Generator

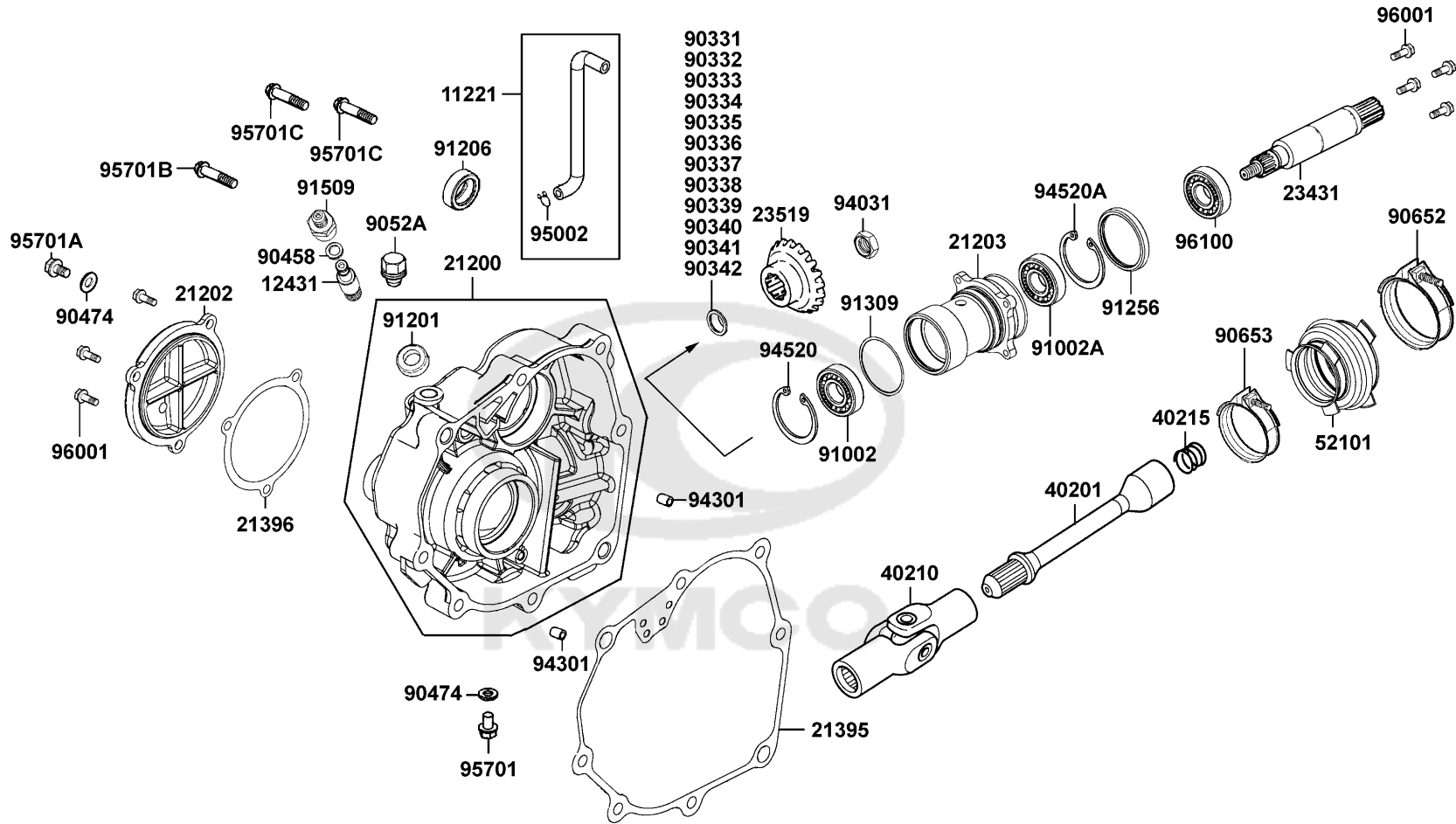


Sales mark	Ref no	Part no	Description	Reg description	Regd no	E06
	90401	90401-KKJ9-001	WASHER THRUST 14*28*2	WASHER THRUST 14*28*2	1	
	91309	91309-4E25-004	O-RING 24.4*3.1	O-RING 24.4*3.1	1	
#	92101	92101-05032-0G	BOLT HEX 5*32	BOLT HEX 5*32	1	
#	93500-03010	93500-03010-0F	SCREW PAN 3X10	SCREW PAN 3X10	1	
#	93500-05016	93500-05016-0F	SCREW PAN 5*16	SCREW PAN 5*16	1	
	94303	94303-04065	DOWEL PIN 4*6.5	DOWEL PIN 4*6.5	1	
	94510	94510-10000	CIR CLIP EX 10MM	CIR CLIP EX 10MM	1	
#	96001-06012	96001-06012-06	BOLT FLANGE SH 6*12	BOLT FLANGE SH 6*12	1	
#	96001-06028	96001-06028-06	BOLT FLANGE SH 6*28	BOLT FLANGE SH 6*28	1	
#	96600	96600-08015-16	SOCKET BOLT 8X15	SOCKET BOLT 8*15	1	

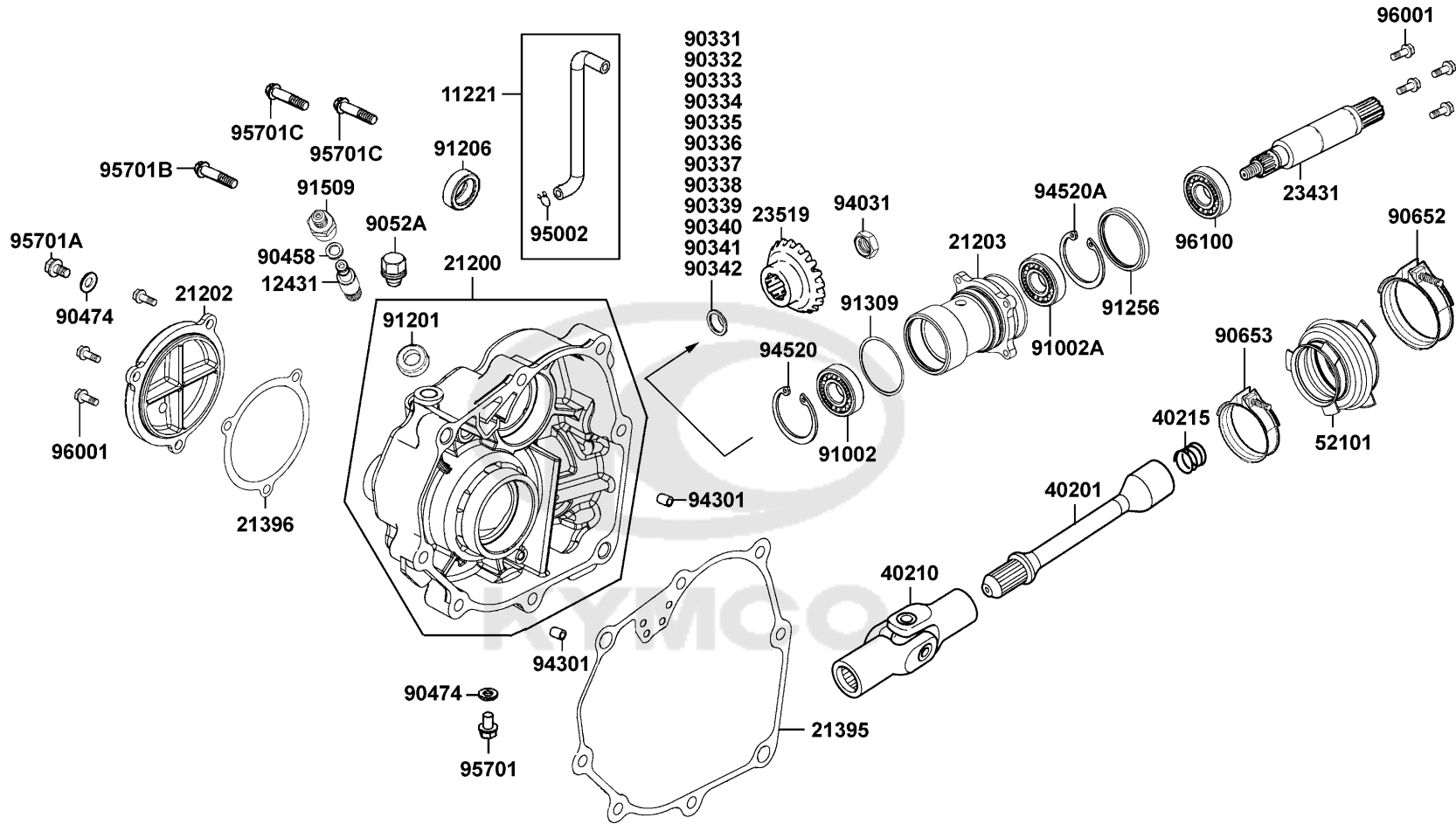




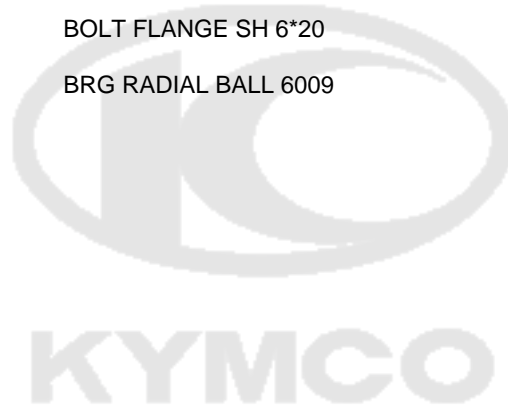
Sales mark	Ref no	Part no	Description	Reg description	Regd no	E07
	11221	11221-LBA7-900	TUBE MISSION BREATHER	TUBE MISSION BREATHER	1	
	12431	12431-LCD9-E00	GEAR TACHOMETER	GEAR TACHOMETER	1	
	21200	21200-LCD9-E00	CASE COMP MISSION	CASE COMP MISSION	1	
	21202	21202-LCD9-E00	CAP MISSION	CAP MISSION	1	
	21203	21203-LCD9-E00	CASE FINAL SHAFT	CASE FINAL SHAFT	1	
	21395	21395-LCD9-E00	GASKET MISSION CASE	GASKET MISSION CASE	1	
	21396	21396-LCD9-E00	GASKET MISSION COVER	GASKET MISSION COVER	1	
	23431	23431-LCD9-E00	SHAFT FINAL	SHAFT FINAL	1	
#	23519	23519-LCD9-E0A	GEAR BEVEL DRIVEN	GEAR BEVEL DRIVEN	1	
	40201	40201-LCD9-E00	SHAFT PROPELLER	SHAFT PROPELLER	1	
	40210	40210-LCD9-E00	JOINT YORK	JOINT YORK	1	
	40215	40215-LCD9-E00	SPG PROPELLER SHAFT	SPG PROPELLER SHAFT	1	
	52101	52101-LCD9-E00	BOOT JOINT	BOOT JOINT	1	
	90331	90331-LCD9-E00	SHIM DRIVEN BEVEL GEAR A	SHIM DRIVEN BEVEL GEAR A	1	
	90332	90332-LCD9-E00	SHIM DRIVEN BEVEL GEAR B	SHIM DRIVEN BEVEL GEAR B	1	
	90333	90333-LCD9-E00	SHIM DRIVEN BEVEL GEAR C	SHIM DRIVEN BEVEL GEAR C	1	
	90334	90334-LCD9-E00	SHIM DRIVEN BEVEL GEAR D	SHIM DRIVEN BEVEL GEAR D	1	
	90335	90335-LCD9-E00	SHIM DRIVEN BEVEL GEAR E	SHIM DRIVEN BEVEL GEAR E	1	
	90336	90336-LCD9-E00	SHIM DRIVEN BEVEL GEAR F	SHIM DRIVEN BEVEL GEAR F	1	
	90337	90337-LCD9-E00	SHIM DRIVEN BEVEL GEAR G	SHIM DRIVEN BEVEL GEAR G	1	



Sales mark	Ref no	Part no	Description	Reg description	Regd no	E07
	90338	90338-LCD9-E00	SHIM DRIVEN BEVEL GEAR H	SHIM DRIVEN BEVEL GEAR H	1	
	90339	90339-LCD9-E00	SHIM DRIVEN BEVEL GEAR I	SHIM DRIVEN BEVEL GEAR I	1	
	90340	90340-LCD9-E00	SHIM DRIVEN BEVEL GEAR J	SHIM DRIVEN BEVEL GEAR J	1	
	90341	90341-LCD9-E00	SHIM DRIVEN BEVEL GEAR K	SHIM DRIVEN BEVEL GEAR K	1	
	90342	90342-LCD9-E00	SHIM DRIVEN BEVEL GEAR L	SHIM DRIVEN BEVEL GEAR L (1.125~1.175)	1	
	90458	90458-LBA7-E00	THRUST WASHER 8MM	THRUST WASHER 8MM	1	
	90474	90474-3C33-001	WASHER 8MM	WASHER 8MM	1	
	9052A	9052A-GFY6-950	BOLT ASSY DRAIN PLUG	BOLT ASSY DRAIN PLUG	1	
	90652	90652-LCD9-E00	BAND 90 CONNECTING TUBE	BAND 90 CONNECTING TUBE	1	
	90653	90653-LCD9-E00	BA 66 BOOT	BA 66 BOOT	1	
	91002	91002-GFY6-90A	BRG BALL RADIAL 63/22 (22*56*15)	BRG BALL RADIAL 63/22 (22*56*15)	1	
	91002	91002-GFY6-90B	BRG BALL RADIAL 63/22	BRG BALL RADIAL 63/22	1	
	91002A	91002-LDE9-E00	BRG BALL RADIAL 62/28	BRG BALL RADIAL 62/28	1	
	91201	91201-9A51-004	OIL SEAL 12*18*3	OIL SEAL 12*18*3	2	
	91206	91206-2F86-014	OIL SEAL 14*28*7	OIL SEAL 14*28*7	1	
	91256	91256-LCD9-E00	OIL SEAL 28*59*7	OIL SEAL 28*59*7	1	
	91309	91309-LCD9-E00	O-RING	O-RING	1	
	91509	91509-LBA7-E00	BOLT TACHOMETER	BOLT TACHOMETER	1	
	94031	94031-LCD9-E00	NUT HEX 16MM	NUT HEX 16MM	1	
	94301	94301-10160	DOWEL PIN 10*16	DOWEL PIN 10*16	2	

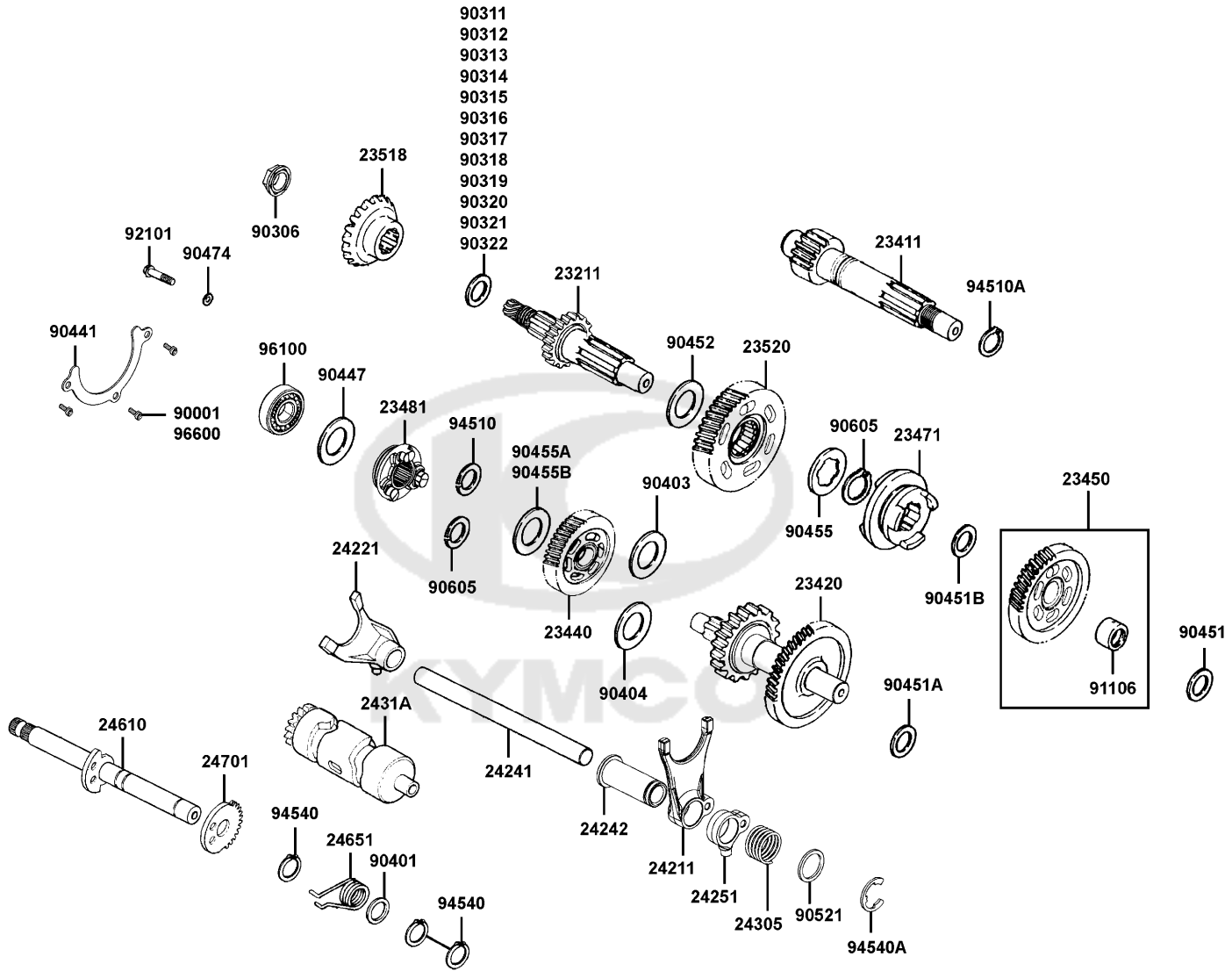


Sales mark	Ref no	Part no	Description	Reg description	Regd no	E07
	94520	94520-56000	CIR CLIP IN 56	CIR CLIP IN 56	1	
	94520A	94520-58000	CIR CLIP IN 58	CIR CLIP IN 58	1	
	95002	95002-02150	CLIP B14.5 TUBE	CLIP B14.5 TUBE	1	
#	95701	95701-08012-06	BOLT FLANGE 8*12	BOLT FLANGE 8*12	1	
#	95701A	95701-08016-06	BOLT FLANGE 8*16	BOLT FLANGE 8*16	1	
#	95701B	95701-08040-06	BOLT FLANGE 8x40 (G)	BOLT FLANGE 8x40 (G)	1	
#	95701C	95701-08045-06	BOLT FLANGE 6*45	BOLT FLANGE 6*45	1	
#	96001	96001-06020-06	BOLT FLANGE SH 6*20	BOLT FLANGE SH 6*20	1	
	96100	96100-60090-00	BRG RADIAL BALL 6009	BRG RADIAL BALL 6009	1	



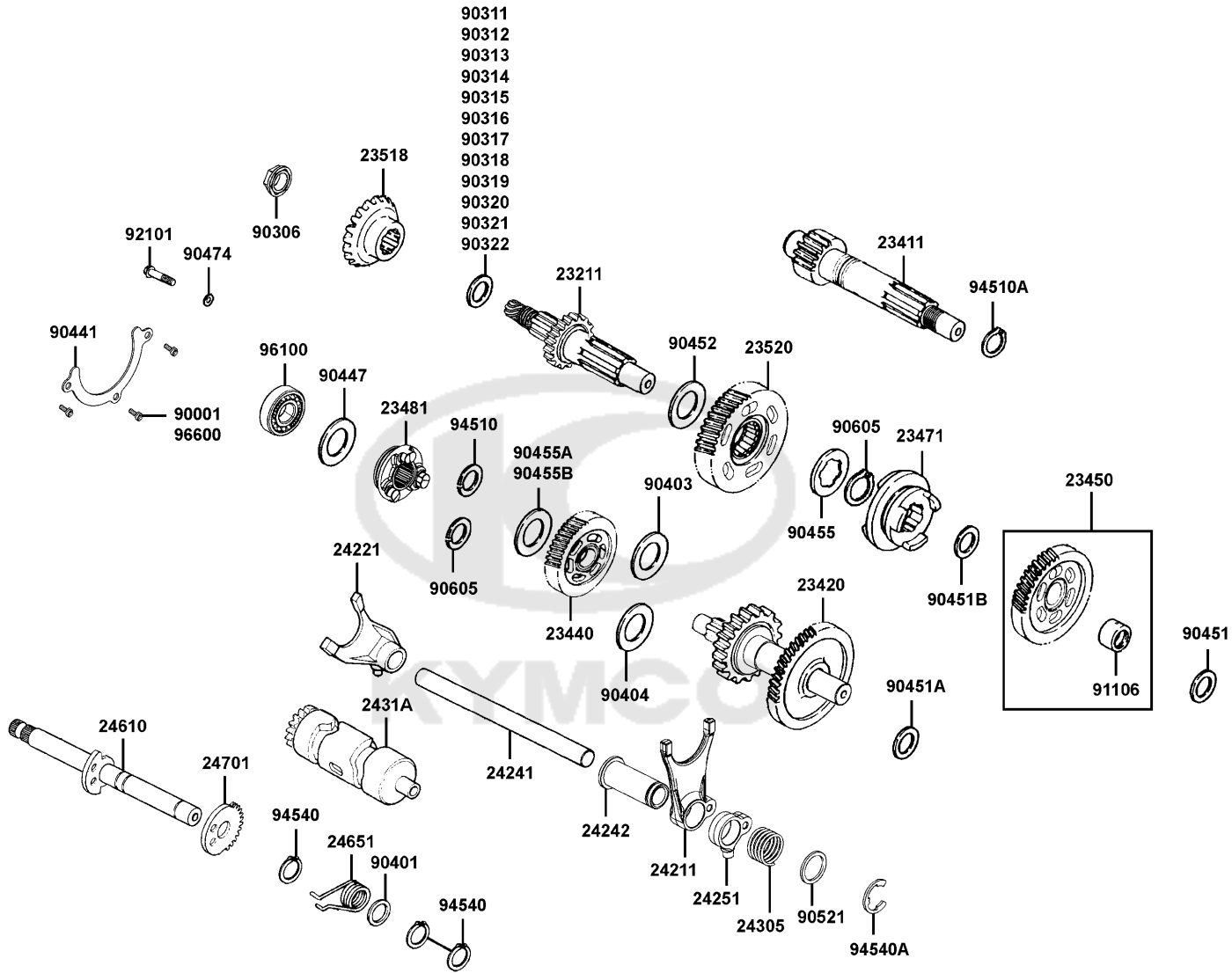
E08

Gear Assy Forward



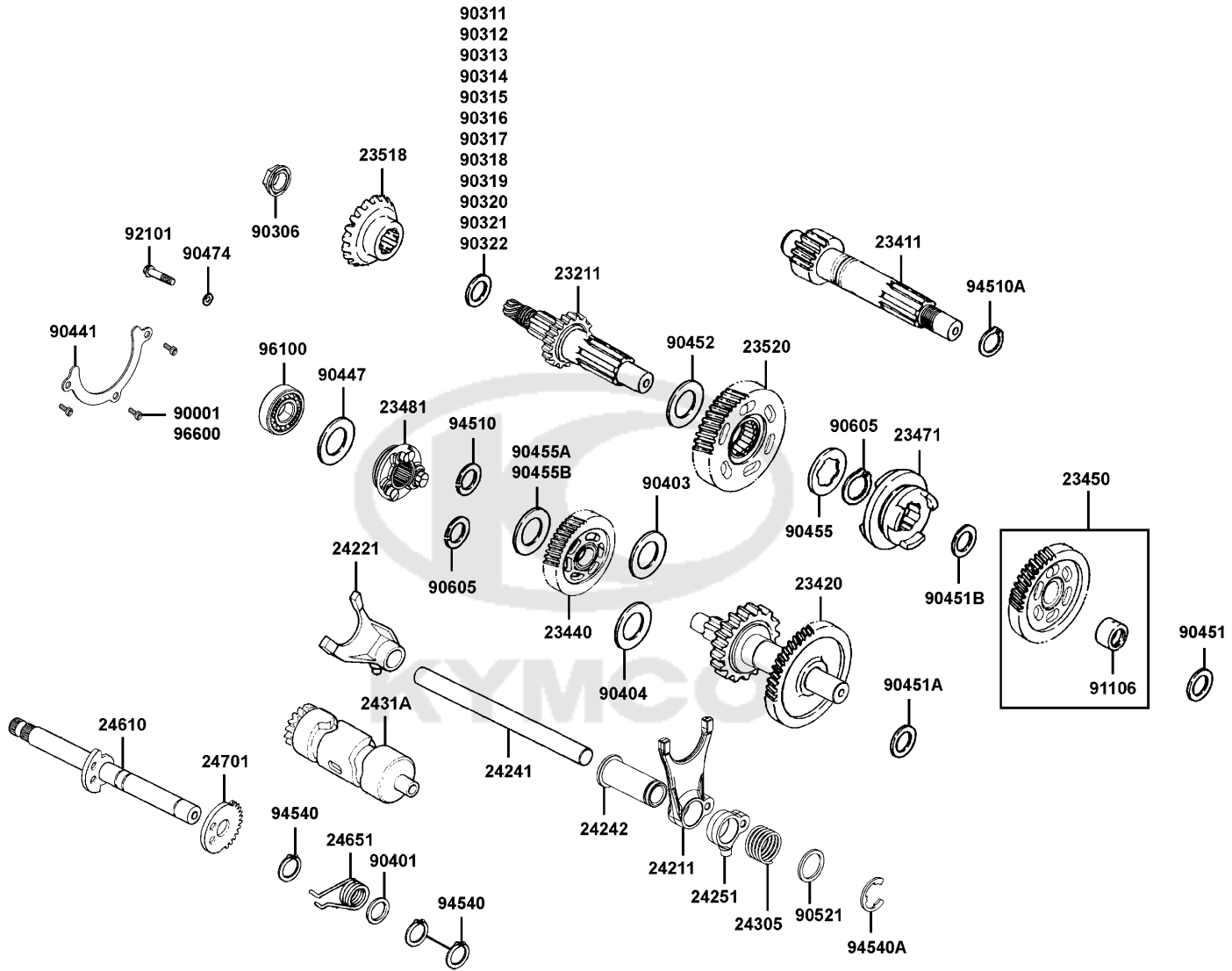
Sales mark	Ref no	Part no	Description	Reg description	Regd no	E08
	23211	23211-LCD9-E00	SHAFT MAIN	SHAFT MAIN	1	
	23411	23411-LCD9-E00	SHAFT DRIVE	SHAFT DRIVE	1	
	23420	23420-LCD9-E00	SHAFT COMP COUNTER	SHAFT COMP COUNTER	1	
#	23420	23420-PWA1-E00	SHAFT COMP COUNTER	SHAFT COMP COUNTER	1	
	23440	23440-LCD9-E00	GEAR ASSY FORWARD	GEAR ASSY FORWARD	1	
#	23440	23440-PWA1-E00	GEAR ASSY FORWARD	GEAR ASSY FORWARD	1	
	23450	23450-LCD9-E00	GEAR BACKWARD	GEAR BACKWARD	1	
	23471	23471-LCD9-E00	SHIFT REVERSE & LOWER	SHIFT REVERSE & LOWER	1	
#	23471	23471-LCD9-E01	SHIFT REVERSE & LOWER	SHIFT REVERSE & LOWER	1	
	23481	23481-LCD9-E00	SHIFT FORWARD	SHIFT FORWARD	1	
#	23481	23481-LCD9-E01	SHIFT FORWARD	SHIFT FORWARD	1	
#	23481	23481-PWA1-E00	SHIFT FORWARD	SHIFT FORWARD	1	
#	23518	23518-LCD9-E0A	GEAR BEVEL DRIVE	GEAR BEVEL DRIVE	1	
	23520	23520-LCD9-E00	GEAR ASSY LOWER DRIVEN	GEAR ASSY LOWER DRIVEN	1	
	24211	24211-LCD9-E00	FORK RIGHT GEAR SHIFT	FORK RIGHT GEAR SHIFT	1	
	24221	24221-LCD9-E00	FORKLEFT GEAR SHIFT	FORKLEFT GEAR SHIFT	1	
	24241	24241-LCD9-E00	SHAFT GEAR SHIFT FORK GUIDE	SHAFT GEAR SHIFT FORK GUIDE	1	
	24242	24242-LCD9-E00	SPRING FORK	SPRING FORK	1	
	24251	24251-LCD9-E00	GUIDE RIGHT FORK	GUIDE RIGHT FORK	1	
#	24305	24305-PWA1-900	SPRING DRUM	SPRING DRUM	1	

Gear Assy Forward



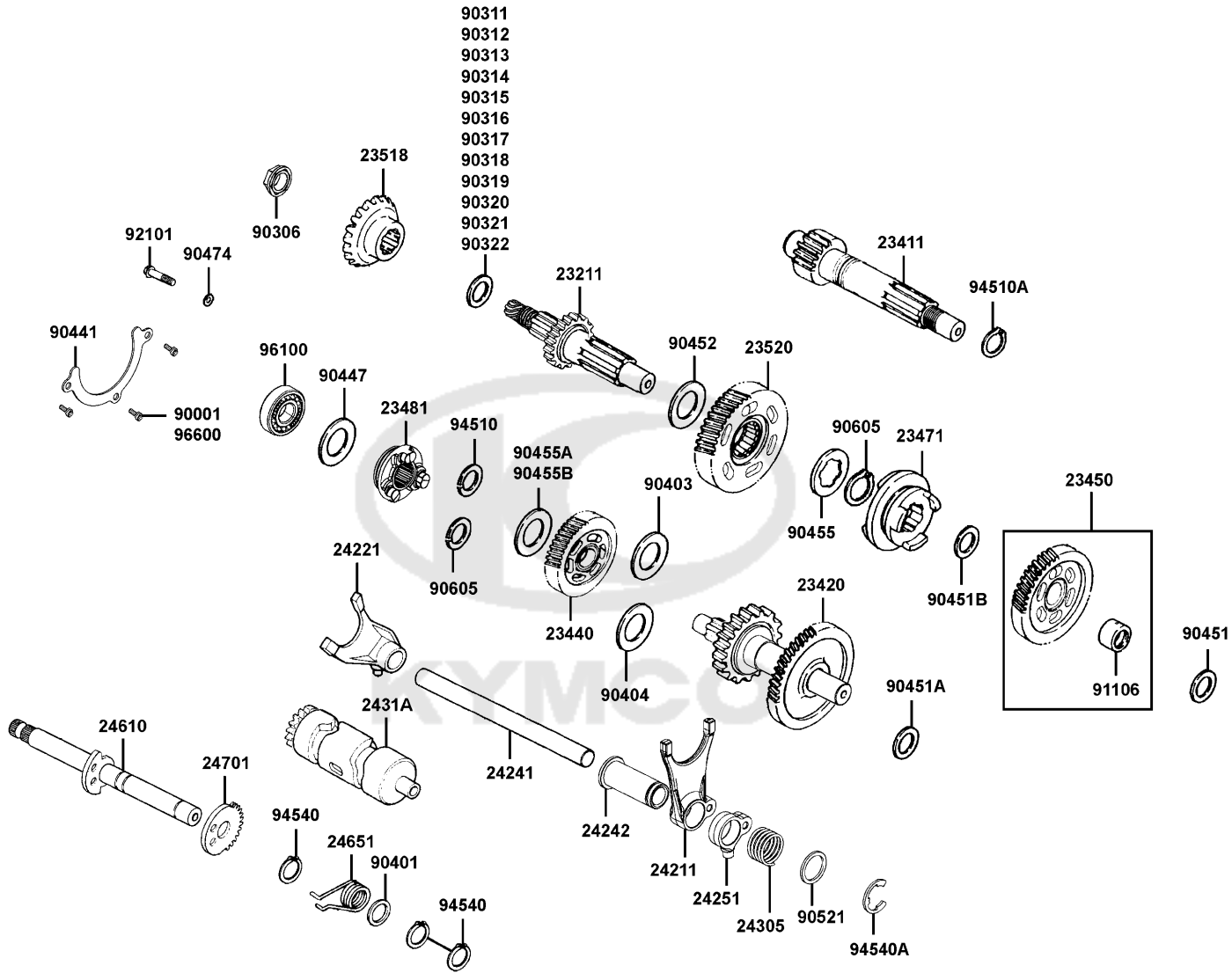
Sales mark	Ref no	Part no	Description	Reg description	Regd no	E08
	2431A	2431A-LCD9-E00	DRUM ASSY GEAR SHIFT	DRUM ASSY GEAR SHIFT	1	
#	2431A	2431A-LCD9-E01	DRUM ASSY GEAR SHIFT	DRUM ASSY GEAR SHIFT	1	
	24610	24610-LCD9-E00	SPINDLE COMP DRUM SHIFT	SPINDLE COMP DRUM SHIFT	1	
	24651	24651-LCD9-E00	SPRING GEAR SHIFT RETURN	SPRING GEAR SHIFT RETURN	1	
	24701	24701-LCD9-E00	GEAR CHANGE HNDL	GEAR CHANGE HNDL	1	
	90001	90001-GFY6-901	SOCKET BOLT 6*10 (B)	SOCKET BOLT 6*10 (B)	2	
	90306	90306-LCD9-E00	NUT 18MM	NUT 18MM	1	
	90311	90311-LCD9-E00	SHIM DRIVEN BEVEL GEAR A 0.6	SHIM DRIVEN BEVEL GEAR A 0.6	1	
	90312	90312-LCD9-E00	SHIM DRIVEN BEVEL GEAR B 0.65	SHIM DRIVEN BEVEL GEAR B 0.65	1	
	90313	90313-LCD9-E00	SHIM DRIVEN BEVEL GEAR C 0.7	SHIM DRIVEN BEVEL GEAR C 0.7	1	
	90314	90314-LCD9-E00	SHIM DRIVEN BEVEL GEAR D 0.75	SHIM DRIVEN BEVEL GEAR D 0.75	1	
	90315	90315-LCD9-E00	SHIM DRIVEN BEVEL GEAR E 0.8	SHIM DRIVEN BEVEL GEAR E 0.8	1	
	90316	90316-LCD9-E00	SHIM DRIVEN BEVEL GEAR F 0.85	SHIM DRIVEN BEVEL GEAR F 0.85	1	
	90317	90317-LCD9-E00	SHIM DRIVEN BEVEL GEAR G 0.9	SHIM DRIVEN BEVEL GEAR G 0.9	1	
	90318	90318-LCD9-E00	SHIM DRIVEN BEVEL GEAR H 0.95	SHIM DRIVEN BEVEL GEAR H 0.95	1	
	90319	90319-LCD9-E00	SHIM DRIVEN BEVEL GEAR I 1.0	SHIM DRIVEN BEVEL GEAR I 1.0	1	
	90320	90320-LCD9-E00	SHIM DRIVEN BEVEL GEAR J 1.05	SHIM DRIVEN BEVEL GEAR J 1.05	1	
	90321	90321-LCD9-E00	SHIM DRIVEN BEVEL GEAR K 1.1	SHIM DRIVEN BEVEL GEAR K 1.1	1	
	90322	90322-LCD9-E00	SHIM DRIVEN BEVEL GEAR L 1.15	SHIM DRIVEN BEVEL GEAR L 1.15	1	
	90401	90401-KKJ9-001	WASHER THRUST 14*28*2	WASHER THRUST 14*28*2	1	

Gear Assy Forward



Sales mark	Ref no	Part no	Description	Reg description	Regd no	E08
#	90403	90403-LCD9-E00	WASHER THRUST 22.2*33*2.6	WASHER THRUST 22.2*33*2.6	1	
#	90404	90404-PWA1-E00	WASHER THRUST 25MM	WASHER THRUST 25MM	1	
#	90441	90441-PWA1-E00	PLATE BRG HOLD	PLATE BRG HOLD	2	
	90447	90447-KED9-900	WASHER THRUST 17.2MM	WASHER THRUST 17.2MM	1	
	90451	90451-LBA7-900	WASHER THRUST 20MM	WASHER THRUST 20MM	2	
#	90451A	90451-LCD9-E00	WASHER THRUST 20MM	WASHER THRUST 20MM	1	
	90451B	90451-LDE9-E00	WASHER THRUST 30*20*3	WASHER THRUST 30*20*3	1	
	90452	90452-LBA7-900	WASHER THRUST 25MM	WASHER THRUST 25MM	1	
	90455	90455-LBA7-900	WASHER SPLINE 25MM	WASHER SPLINE 25MM	1	
	90455A	90455-LDE9-E00	WASHER SPLINE 20MM	WASHER SPLINE 20MM	1	
#	90455B	90455-PWA1-E00	WASHER SPLINE 25*31*1.6	WASHER SPLINE 25*31*1.6	1	
	90474	90474-3C33-001	WASHER 8MM	WASHER 8MM	1	
	90521	90521-0H28-001	DIA WASHER 17*22	DIA WASHER 17*22	1	
#	90605	90605-KED9-900	SET RING 28MM	SET RING 28MM	1	
	91106	91106-LBA7-900	BRG NEEDLE 20*26*16	BRG NEEDLE 20*26*16	1	
	91106	91106-LBA7-90A	BRG NEEDLE 20*26*16	BRG NEEDLE 20*26*16	1	
#	92101	92101-06020-0G	BOLT HEX 6X20	BOLT HEX 6X20	1	
	94510	94510-22000	CIR CLIP EX 22MM	CIR CLIP EX 22MM	1	
	94510A	94510-25000	CIR CLIP EXTERNAL 25	CIR CLIP EXTERNAL 25	1	
	94540	94540-12028	E RING 12	E RING 12	3	

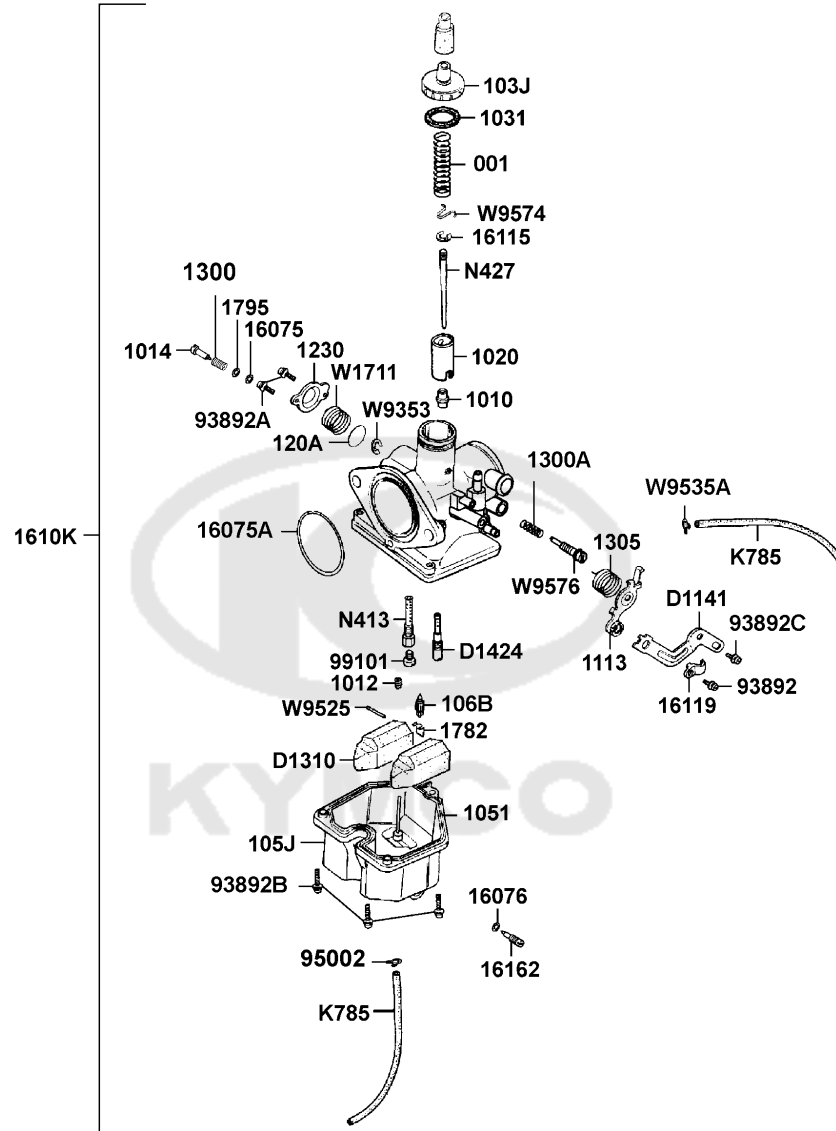
Gear Assy Forward



Sales mark	Ref no	Part no	Description	Reg description	Regd no	E08
------------	--------	---------	-------------	-----------------	---------	------------

	94540A	94540-LCD9-E00	E RING 15 SPECIAL	E RING 15 SPECIAL	1	
	96100	96100-63030-00	BEARING BALL RADIAL 6303	BEARING BALL RADIAL 6303	1	
#	96600	96600-06012-10	SOCKET BOLT 6*12	SOCKET BOLT 6*12	3	

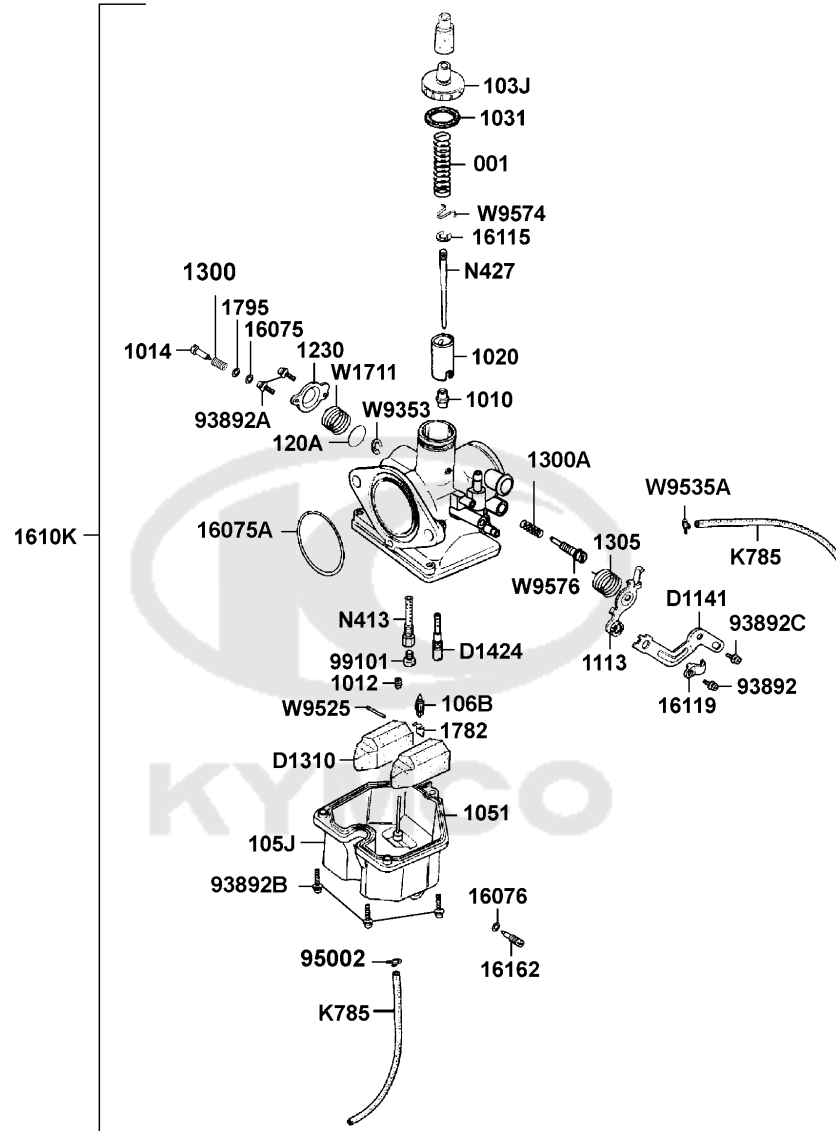




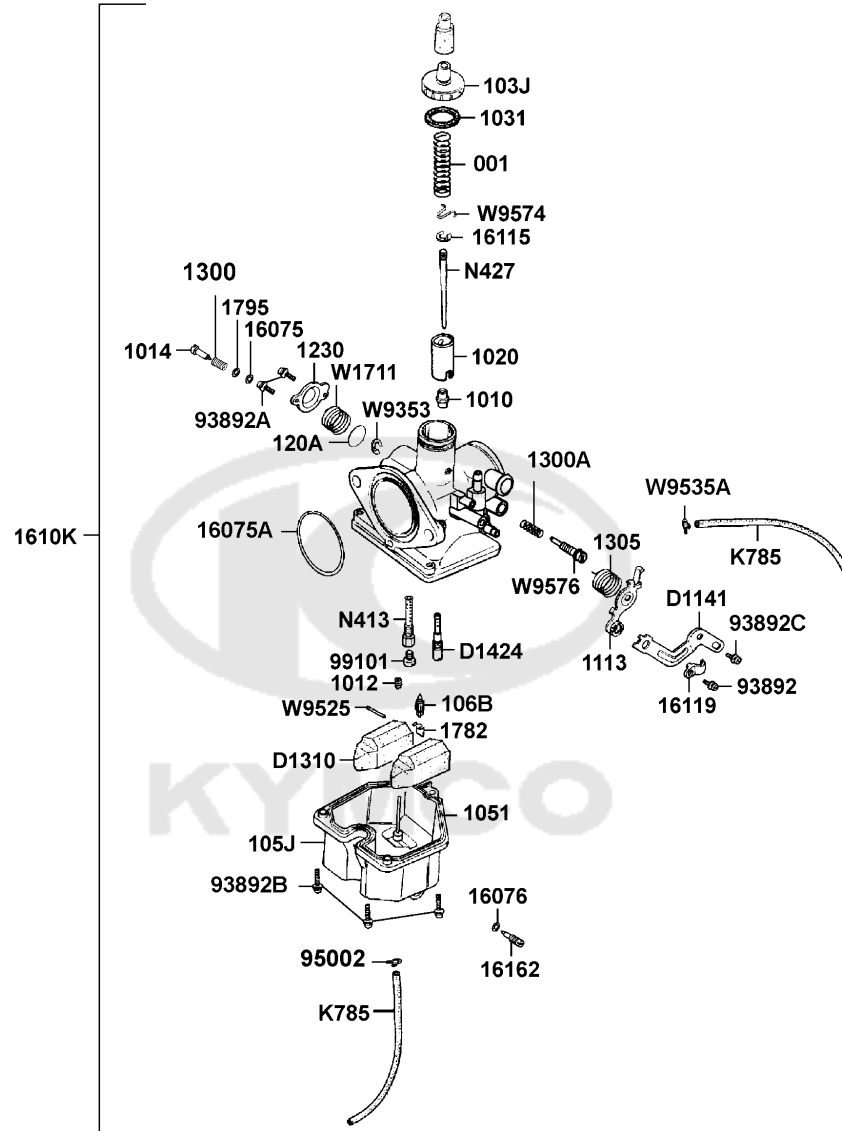
Sales mark	Ref no	Part no	Description	Reg description	Regd no	E09
	001	001-C4T2-04000-K	SPG COMPR	SPG COMPR	1	
	1010	1010-43FH-9900	NEEDLE JET	NEEDLE JET	1	
	1012	1012-382H-0140	JET HOLDER	JET HOLDER	1	
	1014	1014-840-2000	ADJUST SCREW	ADJUST SCREW	1	
	1020	1020-54D0-9900	THROTTLE VALVE	THROTTLE VALVE	1	
	1031	1031-KN4H-6511	TOP GASKET	TOP GASKET	1	
	103J	103J-061H-9901	TOP COMP	TOP COMP	1	
	1051	1051-KCSH-9200	FLOAT CHAMBER GASKET	FLOAT CHAMBER GASKET	1	
	105J	105J-092H-9911	F.C.B COMP	F.C.B COMP	1	
#	106B	106B-KPS0-0003	FLOAT VALVE COMP	FLOAT VALVE COMP	1	
	1113	1113-HB7H-6710	CHOKE LEVER	CHOKE LEVER	1	
	120A	120A-106H-9901	DIAPHRAGM COMP	DIAPHRAGM COMP	1	
	1230	1230-846-2000	DIAPHRAGM COVER	DIAPHRAGM COVER	1	
	1300	1300-KG8H-9010	COMPR SPG	COMPR SPG	1	
	1300A	1300-KG8H-Q010	COMPR SPG	COMPR SPG	1	
	1305	1305-491H-9901	TORSION SPG	TORSION SPG	1	
	16075	16075-KG8-9010-M1	O-RING	O-RING	1	
	16075A	16075-PC3-7810-M1	O-RING	O-RING	1	
	16076	16076-ND5-0040	O RING	O RING	1	
	1610K	1610K-LDE9-900	CARBURETOR ASSY	CARBURETOR ASSY	1	

E09

Carburetor



Sales mark	Ref no	Part no	Description	Reg description	Regd no	E09
	16115	16115-169-0040	BAR CLIP	BAR CLIP	1	
	16119	16119-MZ2-6000-K2	STAY PLATE	STAY PLATE	1	
	16162	16162-KG8-9010-M1	DRAIN SCREW PAN	DRAIN SCREW PAN	1	
	1782	1782-013H-9900	SPECIAL CLIP	SPECIAL CLIP	1	
#	1795	1795-KG8H-9011-3	WASHER PLAIN	WASHER PLAIN	1	
#	93892	93892-04008-16	SCREW WASHER 4X8	SCREW WASHER 4X8	1	
	93892A	93892-04010-18-3	SCREW WASHER 4*10	SCREW WASHER 4*10	1	
	93892B	93892-04016-18-3	SCREW WASHER 4X16	SCREW WASHER 4X16	1	
#	93892C	93892-05012-06	SCREW WASHER 5*12	SCREW WASHER 5*12	1	
#	95002	95002-02080	CLIP B8 TUBE	CLIP B8 TUBE	1	
	99101	99101-393-0980	MAIN JET	MAIN JET	1	
	D1141	D1141-A63-0100	WIRE STAY	WIRE STAY	1	
	D1310	D1310-850-0100	FLOAT COMP	FLOAT COMP	1	
	D1424	D1424-KAG-0100	JET	JET	1	
	K785	K785-076-0200	TUBE	TUBE	2	
	N413	N413-15A00	NEEDLE JET HOLDER	NEEDLE JET HOLDER	1	
	N427	N427-BSD00	JET NEEDLE	JET NEEDLE	1	
	W1711	W1711-300-9901	COMPR SPG	COMPR SPG	1	
	W9353	W9353-30000	U-RING	U-RING	1	
	W9525	W9525-25250	ARM PIN	ARM PIN	1	



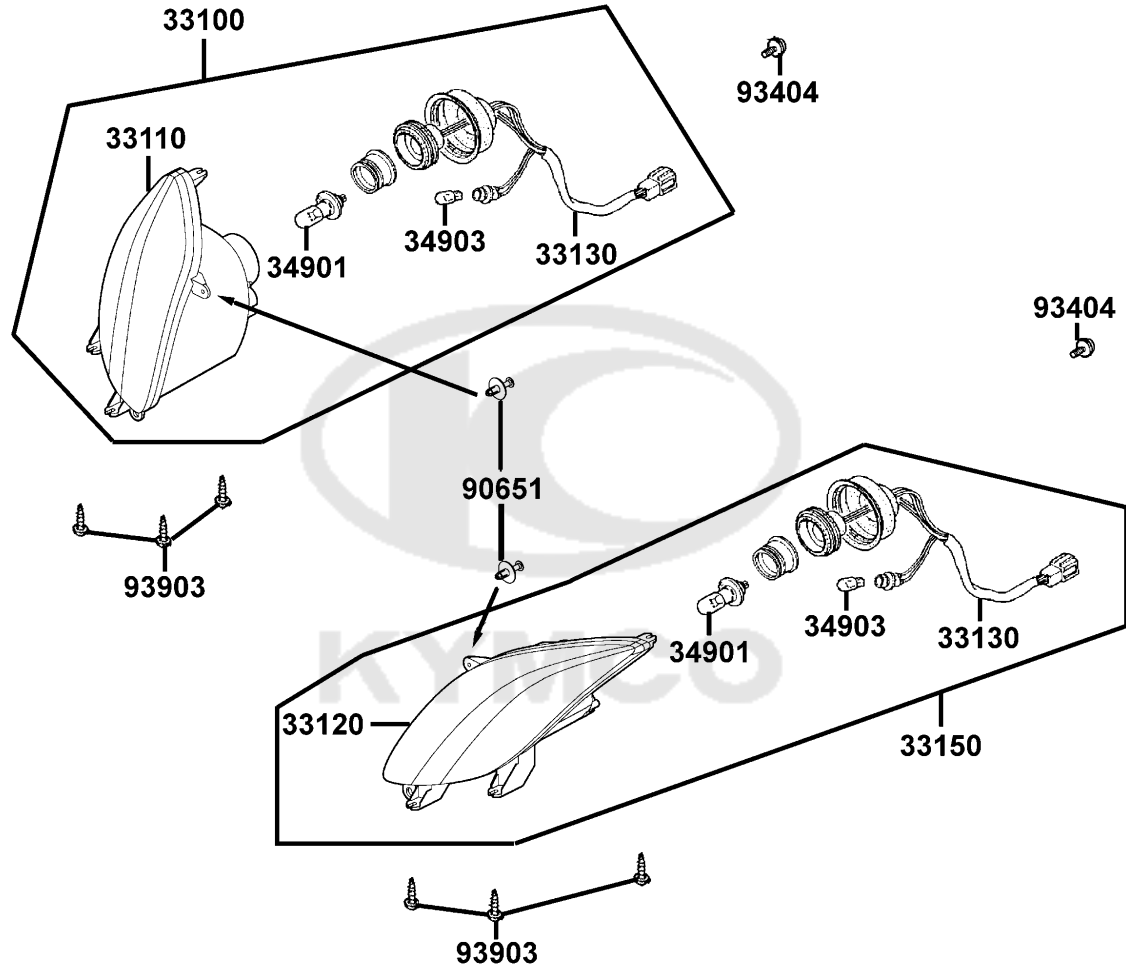
Sales mark	Ref no	Part no	Description	Reg description	Regd no	E09
------------	--------	---------	-------------	-----------------	---------	------------

W9535A		W9535-35000	CLIP	CLIP	1	
W9574		W9574-13000	NEEDLE CLIP PLATE	NEEDLE CLIP PLATE	1	
W9576		W9576-01000	STOP SCREW	STOP SCREW	1	



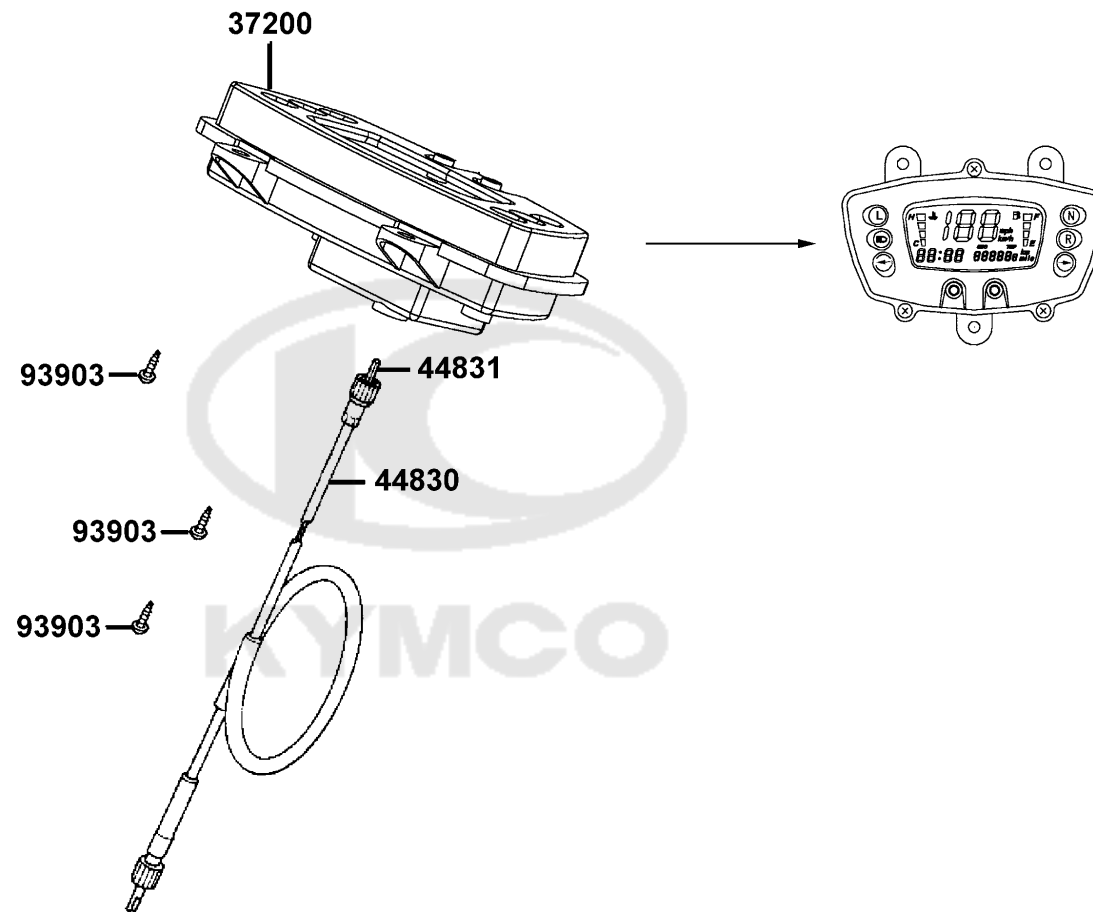
F01

Head Light



Sales mark	Ref no	Part no	Description	Reg description	Regd no	F01
	33100	33100-LCA5-E00	LIGHT ASSY R HEAD	LIGHT ASSY R HEAD	1	
	33110	33110-LCA5-E00	UNIT HEAD LIGHT R	UNIT HEAD LIGHT R	1	
	33120	33120-LCA5-E00	UNIT HEAD LIGHT L	UNIT HEAD LIGHT L	1	
	33130	33130-LCA5-E00	SOCKET COMP	SOCKET COMP	2	
	33150	33150-LCA5-E00	LIGHT ASSY L HEAD	LIGHT ASSY L HEAD	1	
	34901	34901-KFA6-900	BULB HEAD LIGHT (HSI 12V 35/35W)	BULB HEAD LIGHT (HSI 12V 35/35W)	2	
	34903	34903-KPCP-900	BULB POSITION LIGHT 12V5W **KCP-	BULB POSITION LIGHT 12V5W **KCP-9000	2	
	90651	90651-LCA5-E00	CLIP FENDER	CLIP FENDER	2	
	93404	93404-06016-06	BOLT WASHER 6*16	BOLT WASHER 6*16	2	
	93903	93903-35260	SCREW TAPPING 5*12	SCREW TAPPING 5*12	6	





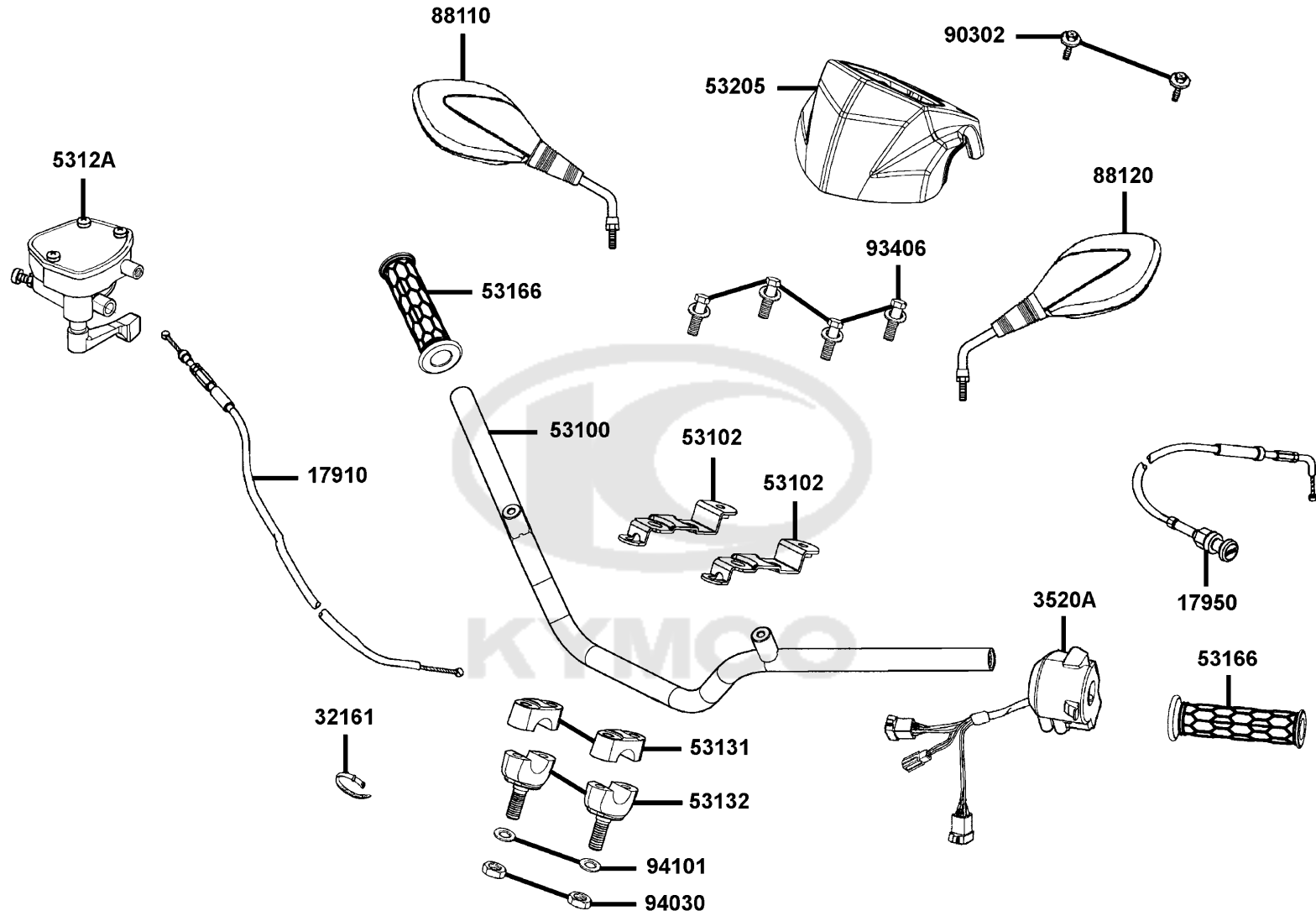
Sales mark	Ref no	Part no	Description	Reg description	Regd no	F02
------------	--------	---------	-------------	-----------------	---------	------------

37200	37200-LCD9-E0A	37200-LCD9-E0A	METER ASSY SPDMT	METER ASSY SPDMT	1	
44830	44830-LBA7-E00	44830-LBA7-E00	CABLE COMP SPOMT	CABLE COMP SPOMT	1	
44831	44831-LBA7-E00	44831-LBA7-E00	CABLE INNER	CABLE INNER	1	
93903	93903-35260	93903-35260	SCREW TAPPING 5*12	SCREW TAPPING 5*12	3	



F03

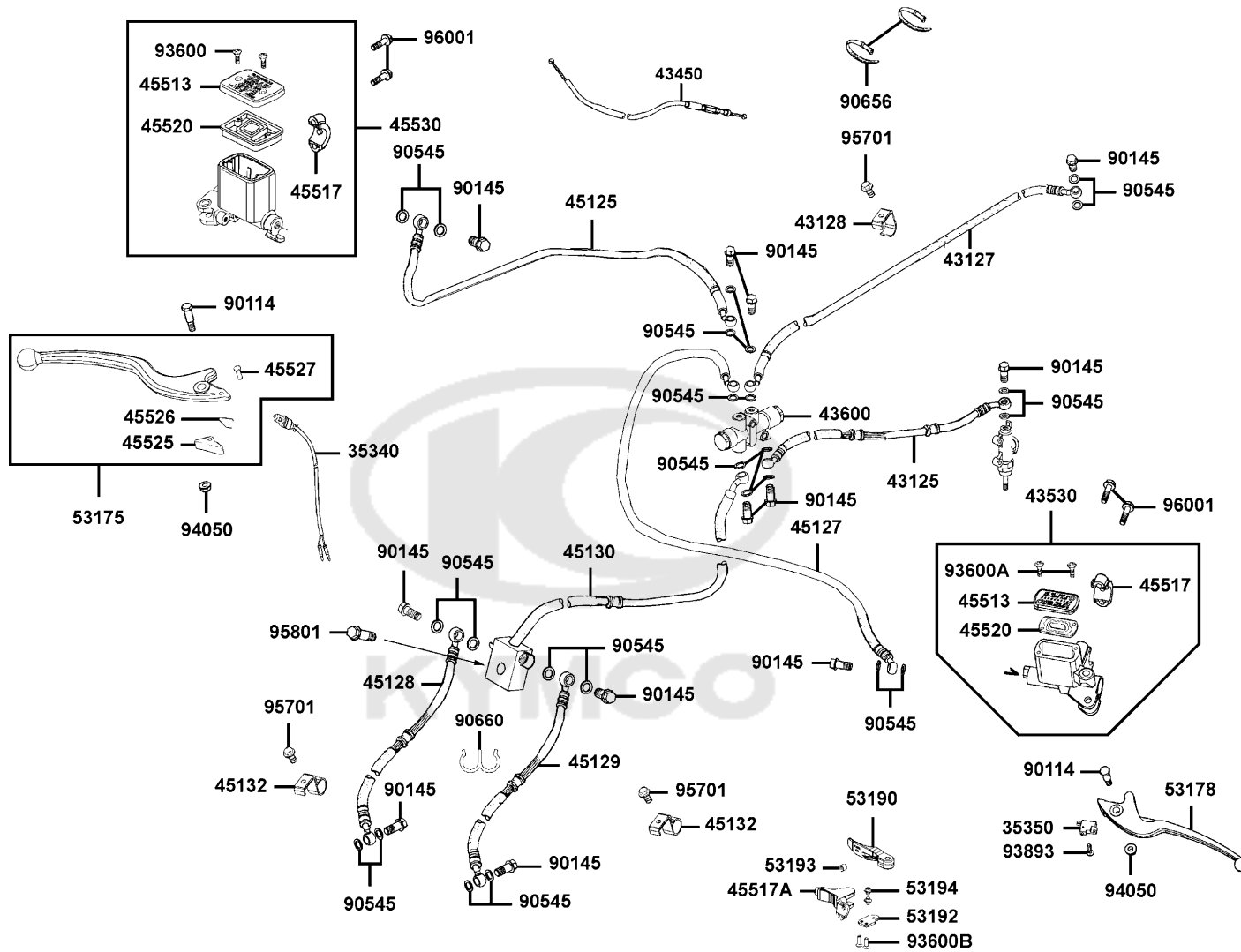
Handle Steering



Sales mark	Ref no	Part no	Description	Reg description	Regd no	F03
	17910	17910-LBA7-900	CABLE COMP THROT	CABLE COMP THROT	1	
	17950	17950-LCA5-E00	CABLE COMP CHOKE	CABLE COMP CHOKE	1	
	32161	32161-4D04-001	BAND BI WIRE	BAND BI WIRE	1	
	3520A	3520A-LCA5-E00	SW ASSY LH HANDLE COMP	SW ASSY LH HANDLE COMP	1	
#	3520A	3520A-LCA5-EV0	SW ASSY HANDLE COMP (A.H.C.)	SW ASSY HANDLE COMP (A.H.C.)	1	
**	53100	53100-LCA5-E00	HANDLE PIPE STRG	HANDLE PIPE STRG	1	
	53102	53102-LBA7-900	STAY HANDLE COVER	STAY HANDLE COVER	2	
	5312A	5312A-LBA7-900	LEVER ASSY THROT	LEVER ASSY THROT	1	
	53131	53131-4K39-001	HOLDER HANDLE PIPE	HOLDER HANDLE PIPE	2	
	53132	53132-LLB1-900	HOLDER UNDER HANDLE PIPE	HOLDER UNDER HANDLE PIPE	2	
	53166	53166-KEC5-001	GRIP L HANDLE	GRIP L HANDLE	2	
**	53205	53205-LCA5-E00	COVER HNDL	COVER HNDL	1	
# **	53205	53205-LCA5-EV0	COVER HANDLE	COVER HANDLE	1	
	88110	88110-LBA7-E00	MIRROR ASSY R BACK	MIRROR ASSY R BACK	1	
	88120	88120-LBA7-E00	MIRROR ASSY L BACK	MIRROR ASSY L BACK	1	
	90302	90302-GFY6-901	BOLT WASH 5*12 **(1) C.V.	BOLT WASH 5*12 **(1) C.V.	2	
	93406	93406-LLB1-900	BOLT-WASHER 8*35	BOLT-WASHER 8*35	4	
	94030	94030-10080	NUT HEX 10MM	NUT HEX 10MM	2	
	94101	94101-10800	WASHER PLAIN 10*22*1.6	WASHER PLAIN 10*22*1.6	2	

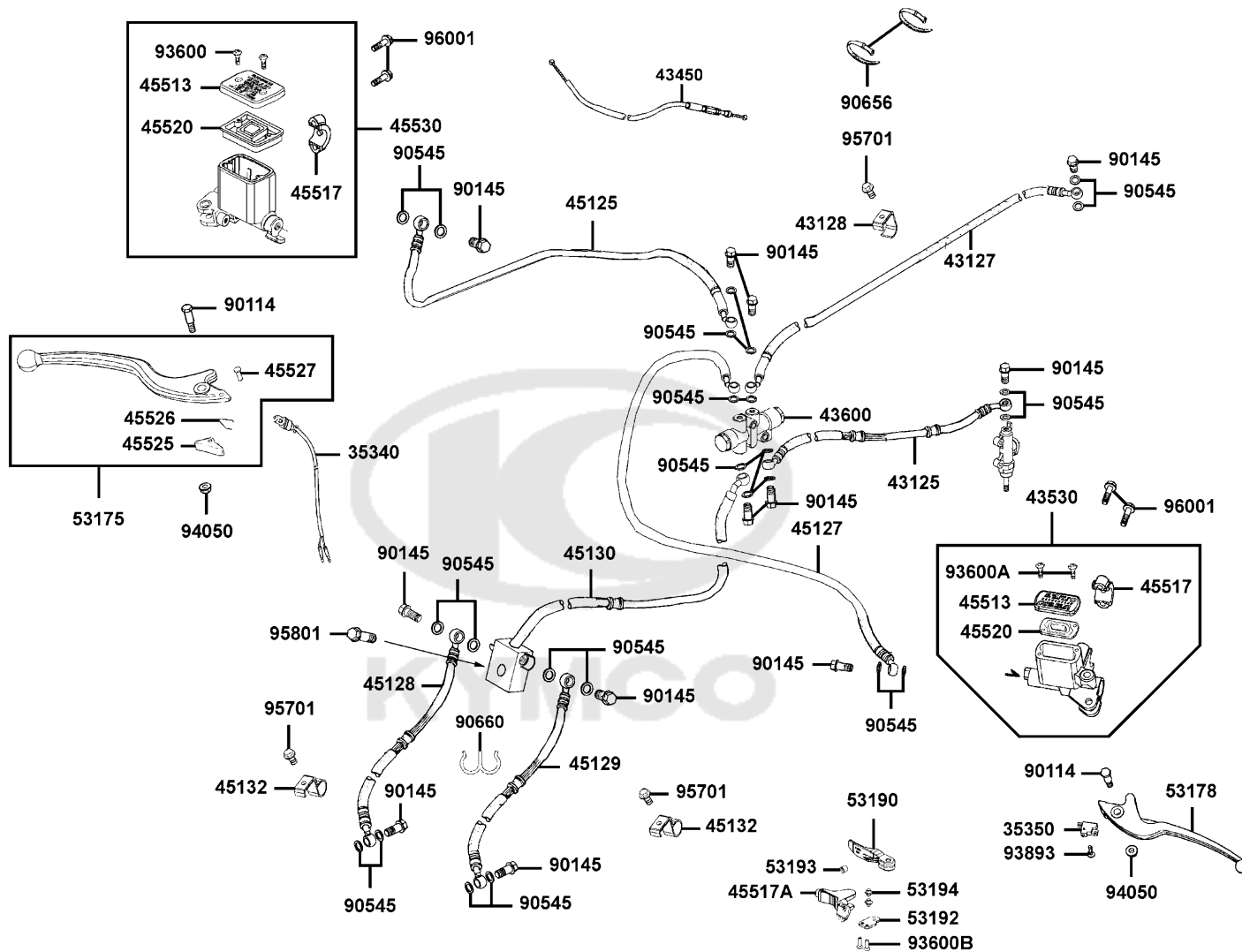
F04

Master Cylinder



Sales mark	Ref no	Part no	Description	Reg description	Regd no	F04
	35340	35340-LBA7-900	SW ASSY FR STOP	SW ASSY FR STOP	1	
	35340	35340-LDB5-900	SW ASSY FR STOP	SW ASSY FR STOP	1	
	35350	35350-KNBN-901	SW ASSY RR STOP	SW ASSY RR STOP	1	
	43125	43125-LCD9-E00	HOSE COMP RR BRK	HOSE COMP RR BRK	1	
	43127	43127-LDE9-E00	HOSE COMP RR BRK	HOSE COMP RR BRK	1	
#	43127	43127-LDE9-E01	HOSE COMP RR BRK	HOSE COMP RR BRK	1	
	43128	43128-LBA7-900	CLAMPER RR BRAKE HOSE	CLAMPER RR BRAKE HOSE	1	
#	43450	43450-LDE9-E00	CABLE PARKING BRAKE	CABLE PARKING BRAKE	1	
	43530	43530-KKC4-305	CYLINDER SET RR MASTER	CYLINDER SET RR MASTER	1	
	43600	43600-LDE9-900	PGV ASSY	PGV ASSY	1	
	45125	45125-LBA7-E00	HOSE COMP FR BRK	HOSE COMP FR BRK	1	
	45127	45127-LDE9-E00	HOSE ASSY RR BRK	HOSE ASSY RR BRK	1	
	45128	45128-LCA5-E00	HOSE ASSY FR(C/P R) BRK	HOSE ASSY FR(C/P R) BRK	1	
	45129	45129-LCA5-E00	HOSE ASSY FR(C/P L) BRK	HOSE ASSY FR(C/P L) BRK	1	
	45130	45130-LBA7-E00	HOSE ASSY C/P L FR BRK	HOSE ASSY C/P L FR BRK	1	
	45132	45132-LBA7-900	CLAMPER FR BRAKE HOSE	CLAMPER FR BRAKE HOSE	2	
	45513	45513-KKC4-900	CAP M/C	CAP M/C	2	
	45517	45517-KFAF-910	HOLDER M/C	HOLDER M/C	1	
	45517A	45517-LDE9-E00	HOLDER	HOLDER	1	
	45520	45520-KKC4-900	DIAPHRAGM	DIAPHRAGM	2	

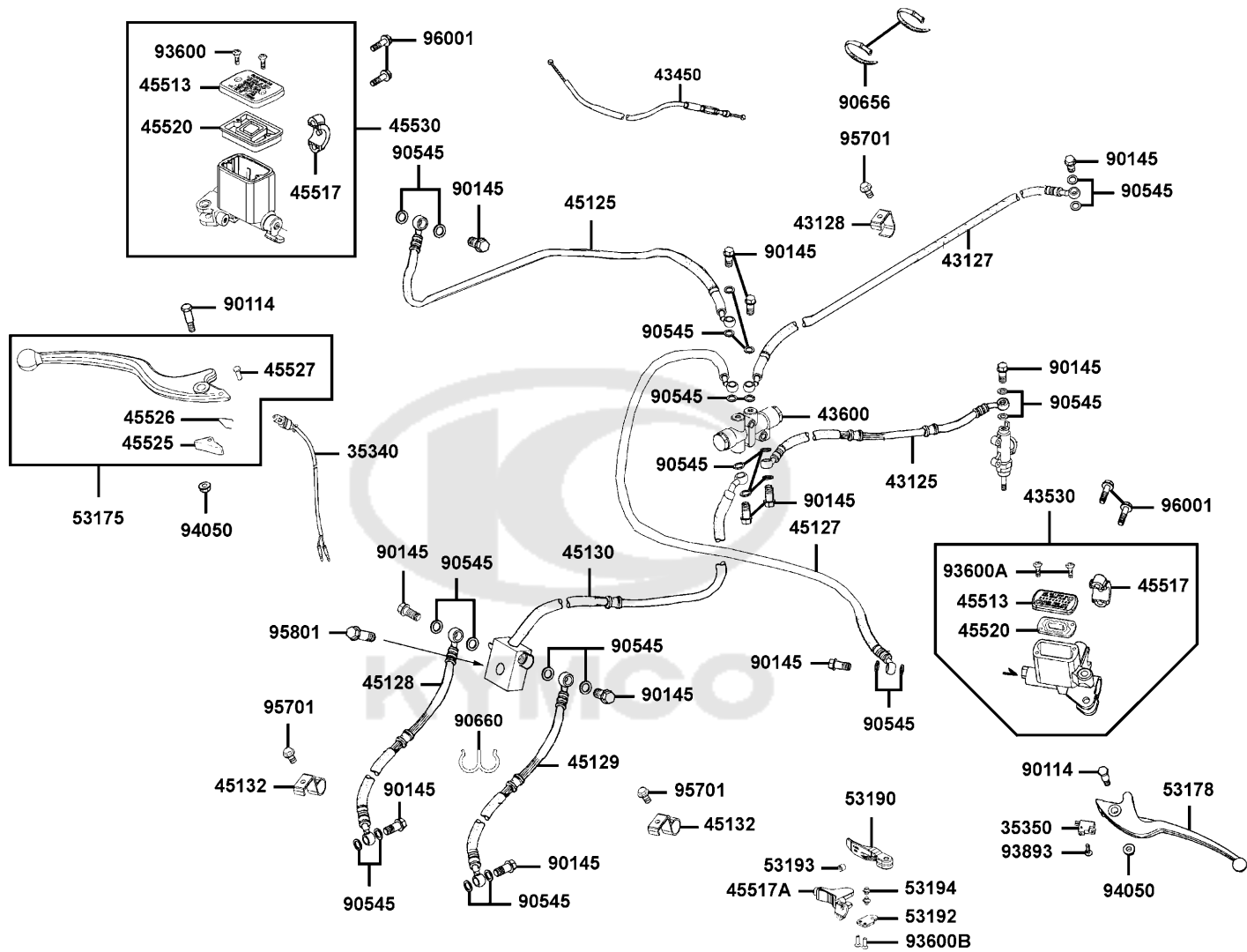
Master Cylinder



Sales mark	Ref no	Part no	Description	Reg description	Regd no	F04
	45525	45525-LBA7-900	STOPPER	STOPPER	1	
	45526	45526-LBA7-900	SPRING	SPRING	1	
	45527	45527-LBA7-900	PIN PARK	PIN PARK	1	
	45530	45530-LBA7-305	CYLINDER SET FR	CYLINDER SET FR	1	
#	53175	53175-LBA7-305	LEVER SET BRK	LEVER SET BRK	1	
**	53178	53178-KFC8-E10	LEVER L STRG HNDL	LEVER L STRG HNDL	1	
	53190	53190-LDE9-E00	LEVER	LEVER	1	
	53192	53192-LDE9-E00	BRACKET	BRACKET	1	
	53193	53193-LDE9-E00	STOPPER	STOPPER	1	
	53194	53194-LDE9-E00	PIVOT	PIVOT	2	
	90114	90114-1F66-007	BOLT HANDLE LEVER	BOLT HANDLE LEVER	2	
#	90145	90145-LEA3-E00	OIL BOLT 10*22	OIL BOLT 10*22	1	
	90545	90545-3L00-001	WASHER OIL BOLT	WASHER OIL BOLT	25	
	90656	90656-KCBC-900	BAND OIL HANDLE 8X146	BAND OIL HANDLE 8X146	2	
#	90660	90660-LDE9-E00	CLAMP TUBE	CLAMP TUBE	1	
	93600	93600-04012-1A	SCREW FLAT 4*12	SCREW FLAT 4*12	2	
	93600A	93600-04012-1G	SCREW FLAT 4X12	SCREW FLAT 4X12	2	
	93600B	93600-LDE9-E00	SCREW FLAT M6	SCREW FLAT M6	2	
	93893	93893-04012-18	SCREW WASHER 4*12	SCREW WASHER 4*12	1	
	94050	94050-06060	NUT FLANGE 6MM	NUT FLANGE 6MM	2	

F04

Master Cylinder



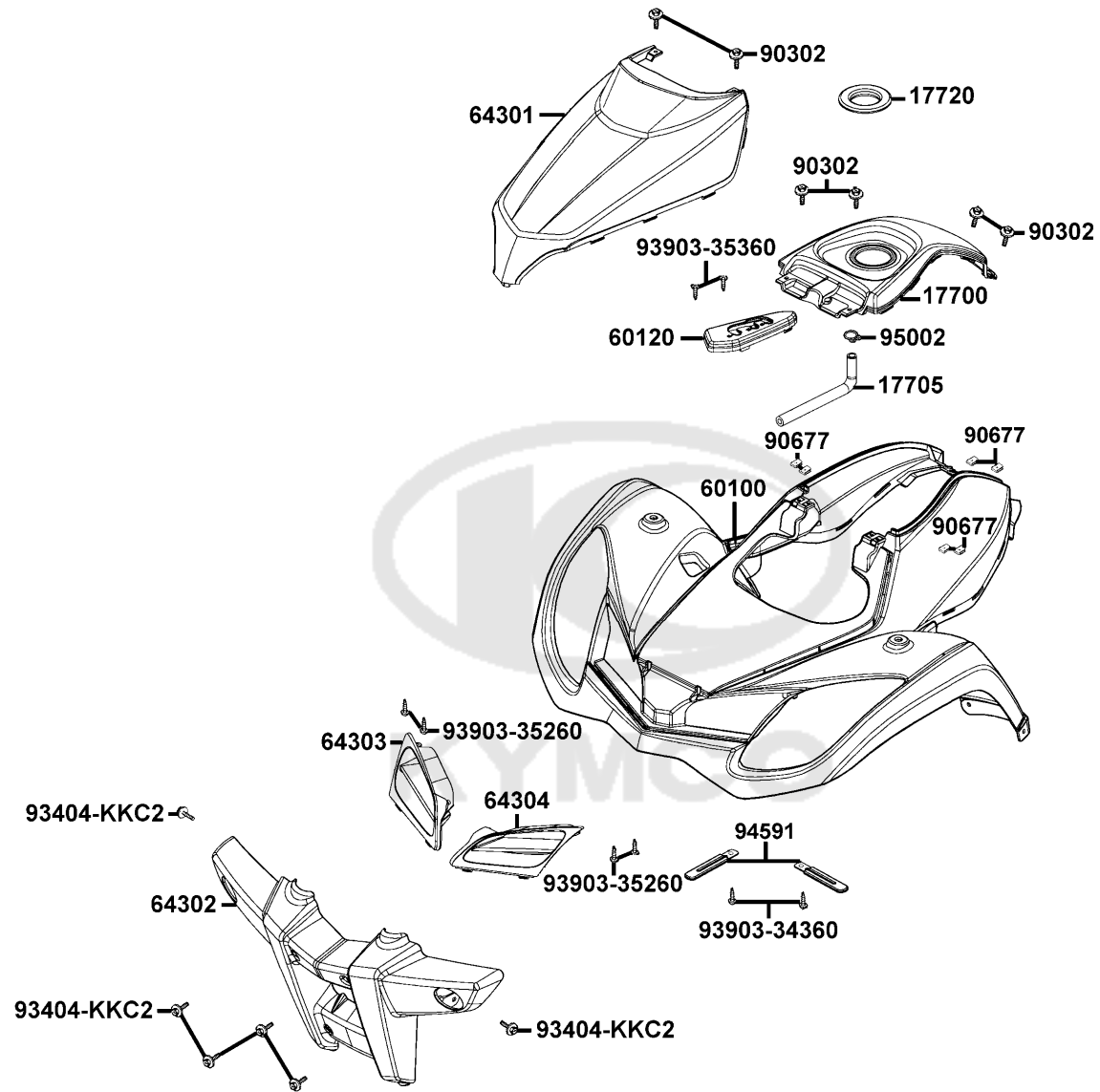
Sales mark	Ref no	Part no	Description	Reg description	Regd no	F04
------------	--------	---------	-------------	-----------------	---------	------------

	95701	95701-06012-06	BOLT FLANGE 6*12 **07 C.2005.07.01	BOLT FLANGE 6*12 **07 C.2005.07.01	3	
	95801	95801-08035-06	BOLT FLANGE 8*35	BOLT FLANGE 8*35	1	
#	96001	96001-06022-06	BOLT FLANGE SH 6*22 (G)	BOLT FLANGE SH 6*22 (G)	4	

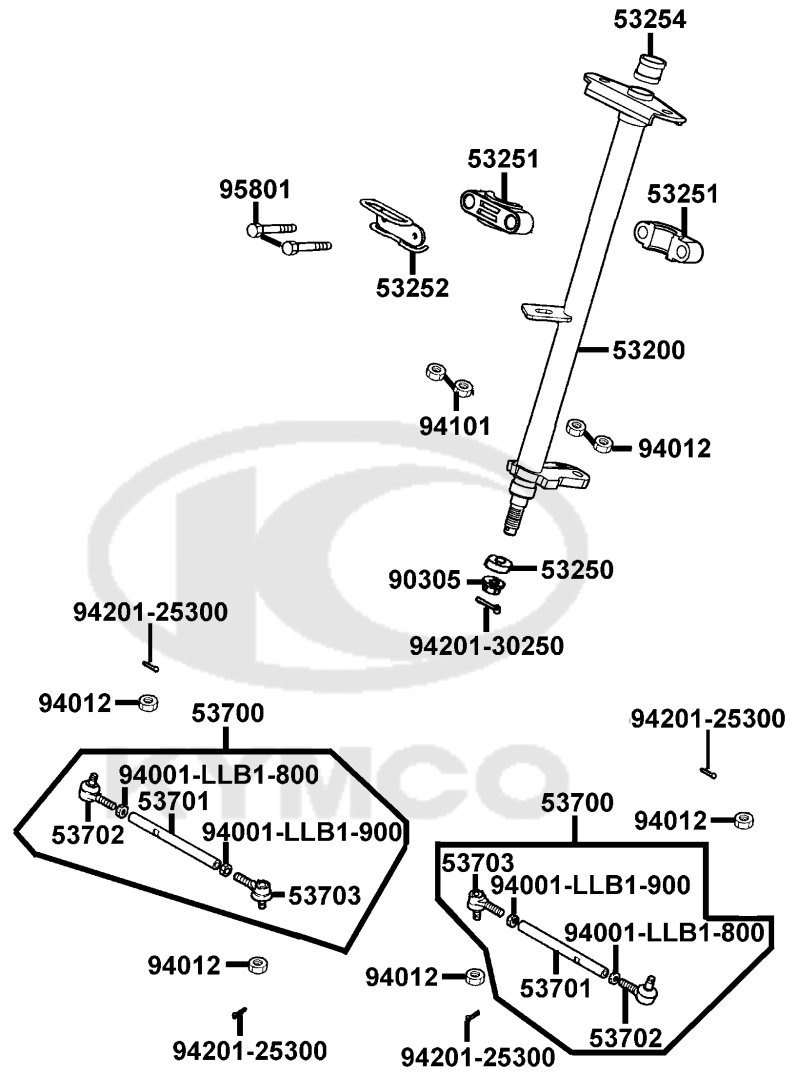


F05

Fender Front



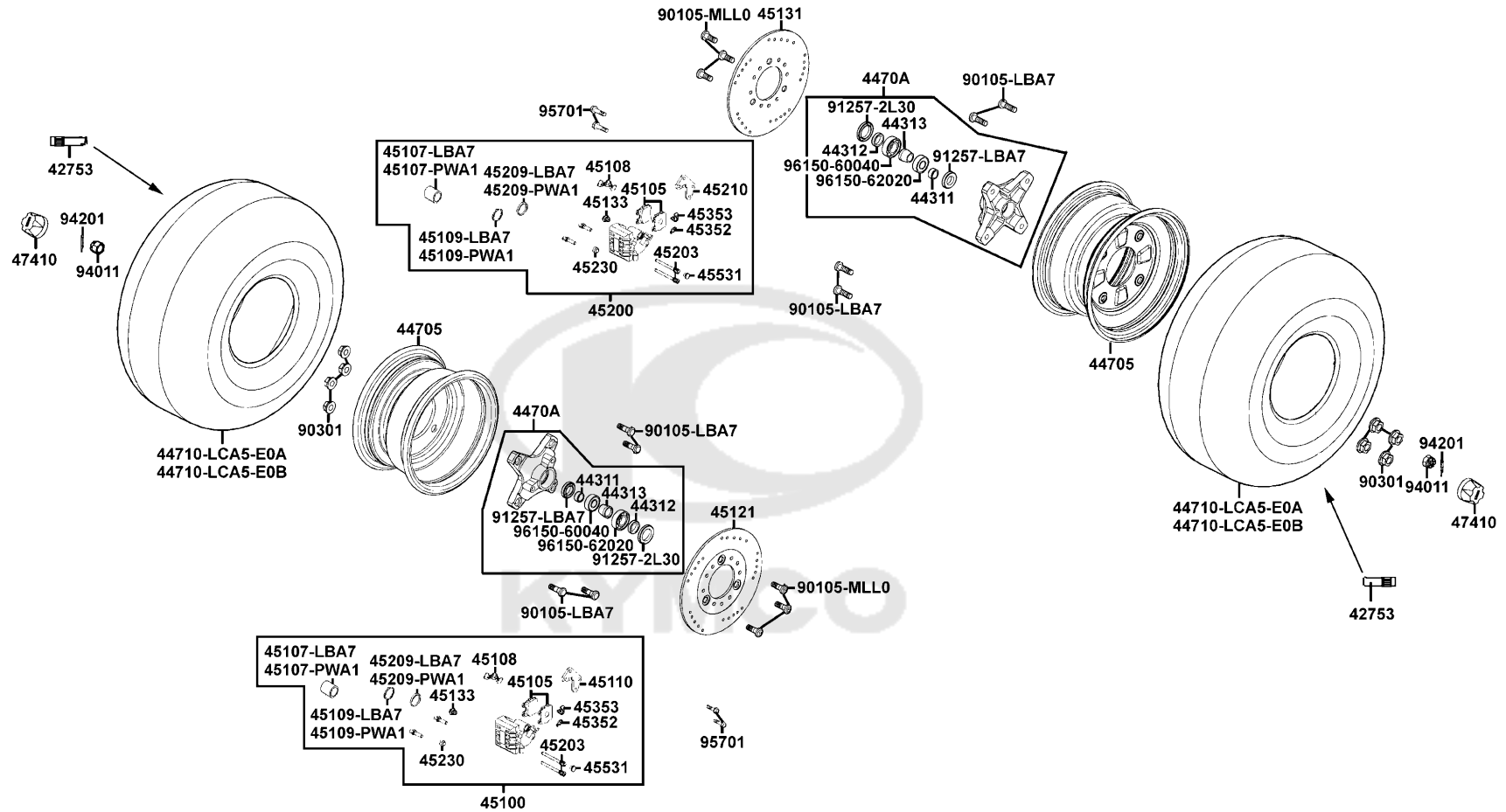
Sales mark	Ref no	Part no	Description	Reg description	Regd no	F05
**	17700	17700-LCA5-E00	COVER TANK	COVER TANK	1	
	17705	17705-LCA5-E00	TUBE ASSY FUEL DRAIN	TUBE ASSY FUEL DRAIN	1	
	17720	17720-LBA7-900	TRAY TANK COVER	TRAY TANK COVER	1	
**	60100	60100-LCA5-E00	FENDER FRONT	FENDER FRONT	1	
**	60120	60120-LCD9-E00	GUIDE COVER CHANGE HANDLE (MAT	GUIDE COVER CHANGE HANDLE (MAT	1	
**	64301	64301-LCA5-E00	COVER FRONT	COVER FRONT	1	
# **	64302	64302-LCA5-E01	BUMPER FRONT	BUMPER FRONT	1	
# **	64303	64303-LCA5-E01	GRILL R FENDER	GRILL R FENDER	1	
# **	64304	64304-LCA5-E01	GRILL L FENDER	GRILL L FENDER	1	
#	90302	90302-PWA1-900	BOLT-WASH 5*16	BOLT-WASH 5*16	6	
	90677	90677-GAR1-004	NUT CLIP 5MM	NUT CLIP 5MM	6	
	93404	93404-KKC2-900-06	BOLT-WASH 6X16	BOLT-WASH 6X16	6	
	93903-34360	93903-34360	SCREW TAPPING 4X12	SCREW TAPPING 4X12	2	
	93903-35260	93903-35260	SCREW TAPPING 5*12	SCREW TAPPING 5*12	4	
	93903-35360	93903-35360	SCREW TAPPING 5*16	SCREW TAPPING 5*16	2	
	94591	94591-27000	CLIP 2*70	CLIP 2*70	2	
	95002	95002-02100	CLIP B15 TUBE	CLIP B15 TUBE	1	



Sales mark	Ref no	Part no	Description	Reg description	Regd no	F06
	53200	53200-LBA7-E00	STEM COMP STEERING	STEM COMP STEERING	1	
	53250	53250-LBA7-900	COLLAR STEM BOTTOM	COLLAR STEM BOTTOM	1	
	53251	53251-LCA5-E00	HOLDER STEM STEERING	HOLDER STEM STEERING	2	
	53252	53252-LBA7-900	CLAMPER STEM HOLDER	CLAMPER STEM HOLDER	1	
	53254	53254-LBA7-900	SLEEVE STEM	SLEEVE STEM	1	
	53700	53700-LCA5-E00	ROD ASSY STEERING	ROD ASSY STEERING	2	
	53701	53701-LCA5-E00	ROD COMP STEERING	ROD COMP STEERING	2	
	53702	53702-LLB1-900	JOINT R BALL	JOINT R BALL	2	
	53703	53703-LLB1-900	JOINT L BALL	JOINT L BALL	2	
#	90305	90305-MAA1-004	U NUT FLANGE 14MM	U NUT FLANGE 14MM	1	
	94001-LLB1-800	94001-LLB1-800	NUT HEX 10MM	NUT HEX 10MM	2	
	94001-LLB1-900	94001-LLB1-900	NUT HEX 6 MM	NUT HEX 6 MM	2	
	94012	94012-LLB1-900	NUT CASTLE 10MM	NUT CASTLE 10MM	4	
	94101	94101-10800	WASHER PLAIN 10*22*1.6	WASHER PLAIN 10*22*1.6	2	
	94201-25300	94201-25300	PIN SPLIT 2.5*30	PIN SPLIT 2.5*30	4	
	94201-30250	94201-30250	PIN SPLIT 3.0*25	PIN SPLIT 3.0*25	1	
	95801	95801-08060-06	BOLT FLANGE 6*60	BOLT FLANGE 6*60	2	

F07

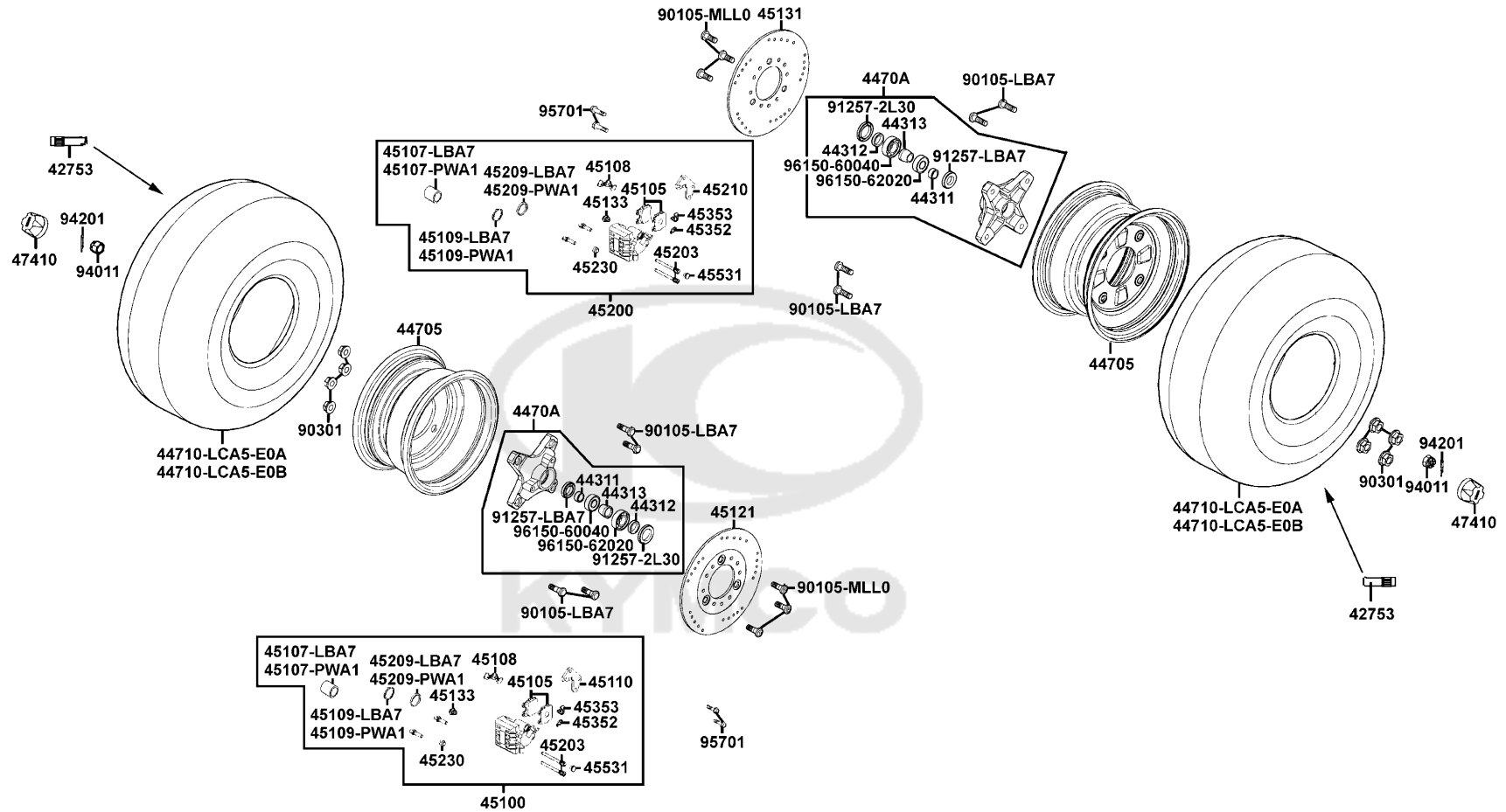
Front Wheel



Sales mark	Ref no	Part no	Description	Reg description	Regd no	F07
	42753	42753-KNBN-90B	VALAE RIM (TR412)	VALAE RIM (TR412)	2	
	44311	44311-LBA7-900	COLLAR FR WHEEL SIDE A	COLLAR FR WHEEL SIDE A	2	
	44312	44312-LBA7-900	COLLAR FR WHEEL SIDE B	COLLAR FR WHEEL SIDE B	2	
	44313	44313-LBA7-900	COLLAR FR WHEEL DIST	COLLAR FR WHEEL DIST	2	
**	44705	44705-LCA5-E00	RIM COMP FR WHEEL	RIM COMP FR WHEEL	2	
	4470A	4470A-LDE9-900	CONNECTOR ASSY FR	CONNECTOR ASSY FR	2	
	44710-LCA5-E0A	44710-LCA5-E0A	TIRE ASSY FR/KENDA AT22*7-10 4P TL	TIRE ASSY FR/KENDA AT22*7-10 4P TL	2	
	44710-LCA5-E0B	44710-LCA5-E0B	TIRE ASSY FR AT22X7-10 4PR /MAXXIS	TIRE ASSY FR AT22X7-10 4PR /MAXXIS	2	
**	45100	45100-LBA7-900	CALIPER ASSY FR R	CALIPER ASSY FR R	1	
	45105	45105-LBA7-305	PAD SET	PAD SET	2	
#	45107-LBA7	45107-KFA6-900	PISTON	PISTON	1	
	45107-PWA1	45107-PWA1-900	PISTON	PISTON	2	
	45108	45108-LBA7-900	SPRING PAD	SPRING PAD	2	
#	45109-LBA7	45109-KFA6-900	DUST SEAL	DUST SEAL	1	
#	45109-LBA7	45109-KKC4-900	DUST SEAL	DUST SEAL	1	
	45109-PWA1	45109-PWA1-900	DUST SEAL	DUST SEAL	2	
	45110	45110-LBA7-305	BRACKET R	BRACKET R	1	
#	45121	45121-PRB3-900	DISK FR BRK R	DISK FR BRK R	2	
#	45131	45131-PRB3-900	DISK FR BRK L	DISK FR BRK L	1	
	45133	45133-LBA7-900	BOOT A	BOOT A	2	

F07

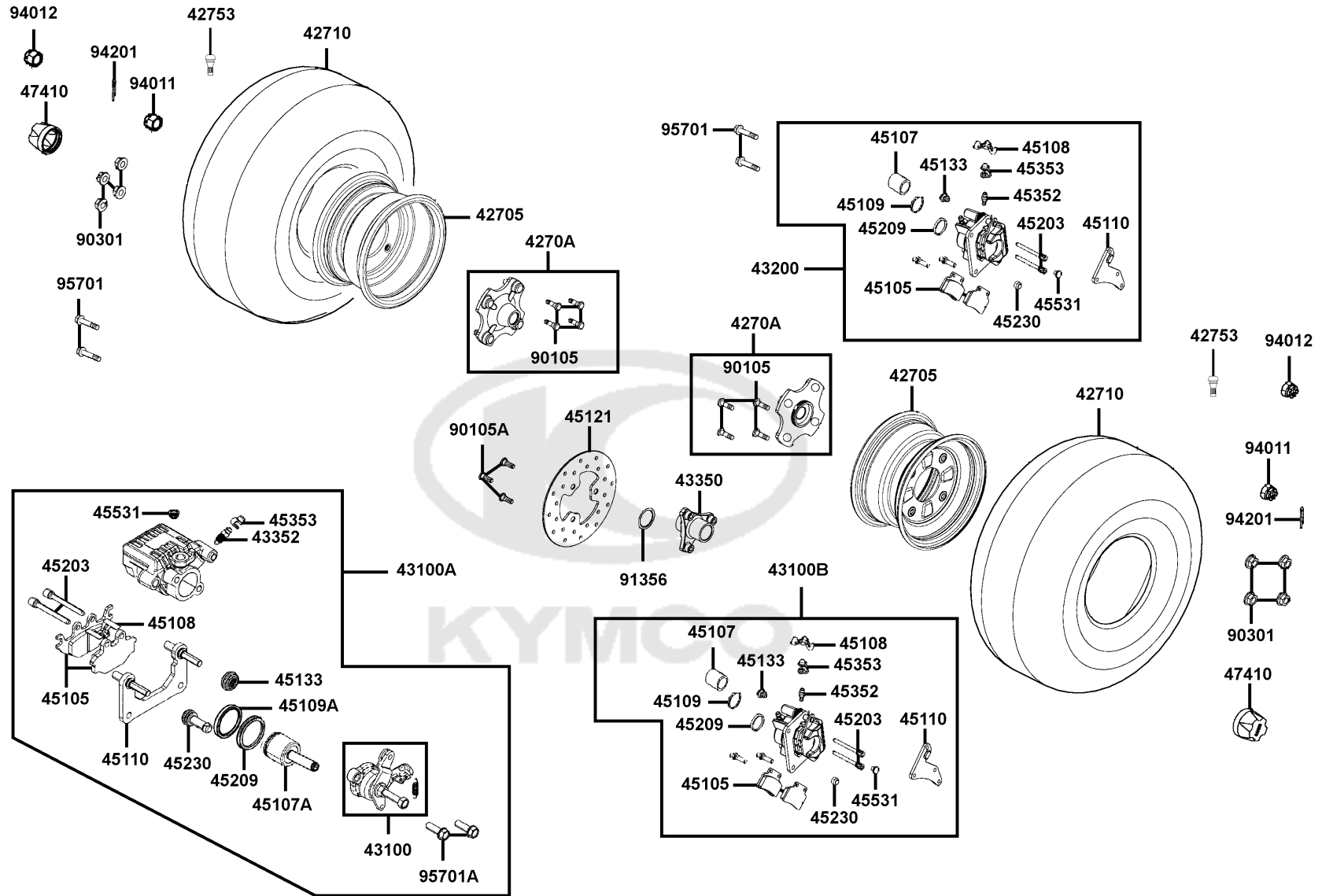
Front Wheel



Sales mark	Ref no	Part no	Description	Reg description	Regd no	F07
**	45200	45200-LBA7-900	CALIPER ASSY FR L	CALIPER ASSY FR L	1	
	45203	45203-LBA7-900	PIN HANGER	PIN HANGER	4	
#	45209-LBA7	45209-KFA6-900	SEAL PISTON	SEAL PISTON	1	
	45209-PWA1	45209-PWA1-900	SEAL PISTON	SEAL PISTON	2	
	45210	45210-LBA7-305	BRACKET L	BRACKET L	1	
	45230	45230-LBA7-900	BUSH PIN	BUSH PIN	2	
	45352	45352-LBA7-900	BLEEDER	BLEEDER	2	
	45353	45353-LBA7-900	CAP BLEEDER	CAP BLEEDER	2	
	45531	45531-LBA7-900	PLUG	PLUG	2	
	47410	47410-LCA5-E00	CAP WHEEL SHAFT	CAP WHEEL SHAFT	2	
	90105-LBA7	90105-LBA7-900	BOLT CONNECTOR	BOLT CONNECTOR	8	
	90105-MLL0	90105-MLL0-731	BOLT STEP HOLDER 8*24	BOLT STEP HOLDER 8*24	6	
	90301	90301-LBA7-900	NUT WHEEL 10*14	NUT WHEEL 10*14	8	
	91257-2L30	91257-2L30-006	OIL SEAL 28*42*7	OIL SEAL 28*42*7	2	
	91257-LBA7	91257-LBA7-900	OIL SEAL 20*35*7	OIL SEAL 20*35*7	2	
	94011	94011-LLB1-900	NUT FLANGE CASTLE 14MM	NUT FLANGE CASTLE 14MM	2	
	94201	94201-30300	PIN SPLIT 3*30	PIN SPLIT 3*30	2	
#	95701	95701-08020-06	BOLT FLANGE 8*20MM **07 C.2005.07.01	BOLT FLANGE 8*20MM **07 C.2005.07.01	1	
	96150-60040	96150-60040-10	BEARING BALL RADIAL 6004	BEARING BALL RADIAL 6004	2	
	96150-62020	96150-62020-10	BEARING BALL RADIAL 6202	BEARING BALL RADIAL 6202	2	

F08

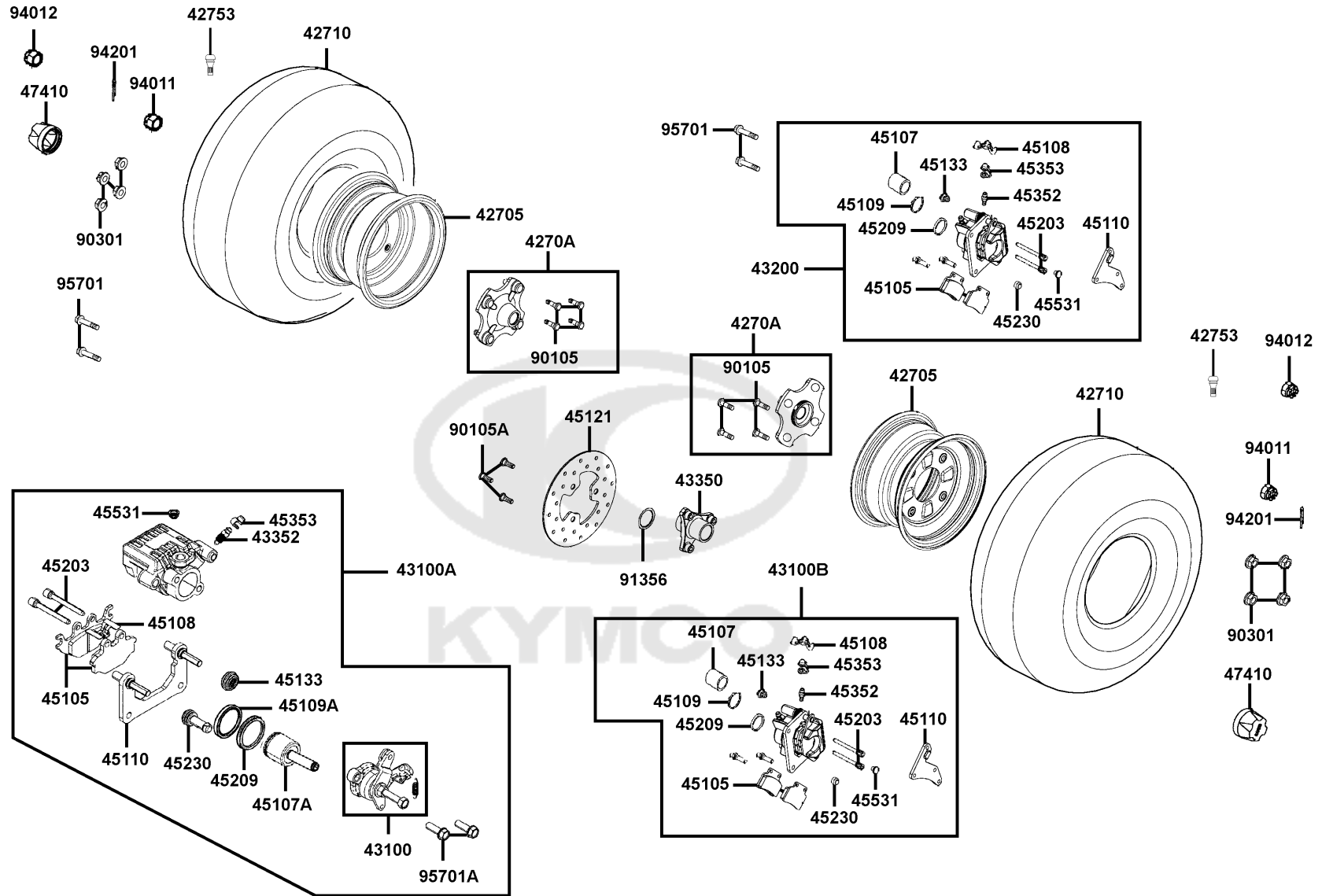
Rear Wheel



Sales mark	Ref no	Part no	Description	Reg description	Regd no	F08
**	42705	42705-LCA5-E00	RIM COMP RR WHEEL	RIM COMP RR WHEEL	2	
	4270A	4270A-LCA5-E00	CONNECTOR ASSY RR	CONNECTOR ASSY RR	2	
	42710	42710-LCA5-E0A	TIRE ASSY RR/KENDA AT22*10-10 4P	TIRE ASSY RR/KENDA AT22*10-10 4P TL(39N)	2	
	42710	42710-LCA5-E0B	TIRE ASSY RR AT22*10-10 4PR /MAXXIS	TIRE ASSY RR AT22*10-10 4PR /MAXXIS	2	
	42753	42753-KNBN-90B	VALAE RIM (TR412)	VALAE RIM (TR412)	2	
#	43100	43100-LDB5-305	LEVER ASSY ADJUSTABLE	LEVER ASSY ADJUSTABLE	1	
# **	43100A	43100-LDE9-E01	CALIPER ASSY RR & P/BRK	CALIPER ASSY RR & P/BRK	1	
**	43100B	43100-PWA1-900	CALIPER ASSY RR	CALIPER ASSY RR	1	
**	43200	43200-LDE9-E00	CALIPER ASSY RR	CALIPER ASSY RR	1	
	43350	43350-LDE9-E00	HUB BRAKE DISK	HUB BRAKE DISK	1	
	43352	43352-KKD6-E90	SCREW BLEEDER	SCREW BLEEDER	1	
#	45105	45105-PWA1-305	PAD SET	PAD SET	3	
#	45107	45107-KFA6-900	PISTON	PISTON	2	
#	45107A	45107-LDE9-305	PISTON SET	PISTON SET	1	
	45108	45108-LBA7-900	SPRING PAD	SPRING PAD	3	
#	45109	45109-KFA6-900	DUST SEAL	DUST SEAL	1	
#	45109A	45109-KKC4-900	DUST SEAL	DUST SEAL	1	
#	45110	45110-LDE9-305	BRACKET CALIPER	BRACKET CALIPER	3	
	45121	45121-LBD5-E00	DISK FR BRAKE	DISK FR BRAKE	1	
	45133	45133-LBA7-900	BOOT A	BOOT A	3	

F08

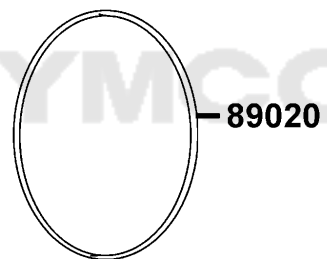
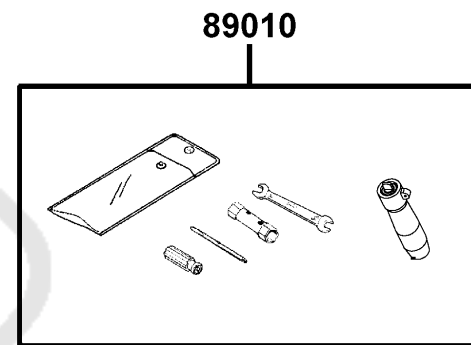
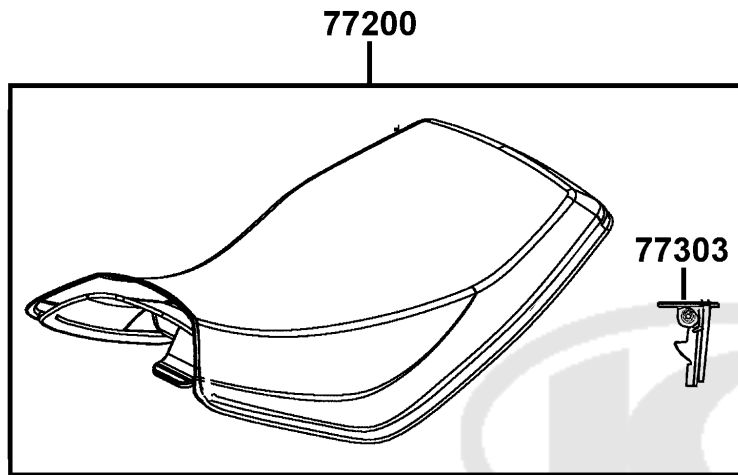
Rear Wheel



Sales mark	Ref no	Part no	Description	Reg description	Regd no	F08
	45203	45203-LBA7-900	PIN HANGER	PIN HANGER	6	
#	45209	45209-KFA6-900	SEAL PISTON	SEAL PISTON	3	
	45230	45230-LBA7-900	BUSH PIN	BUSH PIN	3	
	45352	45352-LBA7-900	BLEEDER	BLEEDER	2	
	45353	45353-LBA7-900	CAP BLEEDER	CAP BLEEDER	3	
	45531	45531-LBA7-900	PLUG	PLUG	3	
	47410	47410-LCA5-E00	CAP WHEEL SHAFT	CAP WHEEL SHAFT	2	
	90105	90105-LBA7-900	BOLT CONNECTOR	BOLT CONNECTOR	8	
	90105A	90105-MLL0-731	BOLT STEP HOLDER 8*24	BOLT STEP HOLDER 8*24	3	
	90301	90301-LBA7-900	NUT WHEEL 10*14	NUT WHEEL 10*14	8	
	91356	91356-4E25-004	O-RING 29.7X2.4	O-RING 29.7X2.4	1	
	94011	94011-LBA7-900	NUT FLANGE CASTLE 16MM	NUT FLANGE CASTLE 16MM	2	
#	94012	94012-LDB5-E00	NUT FLANGE CASTLE 18MM	NUT FLANGE CASTLE 18MM	2	
	94201	94201-30300	PIN SPLIT 3*30	PIN SPLIT 3*30	2	
#	95701	95701-08020-06	BOLT FLANGE 8*20MM **07 C.2005.07.01	BOLT FLANGE 8*20MM **07 C.2005.07.01	4	
#	95701A	95701-LBA2-E00	BOLT FLANGE	BOLT FLANGE	2	

F09

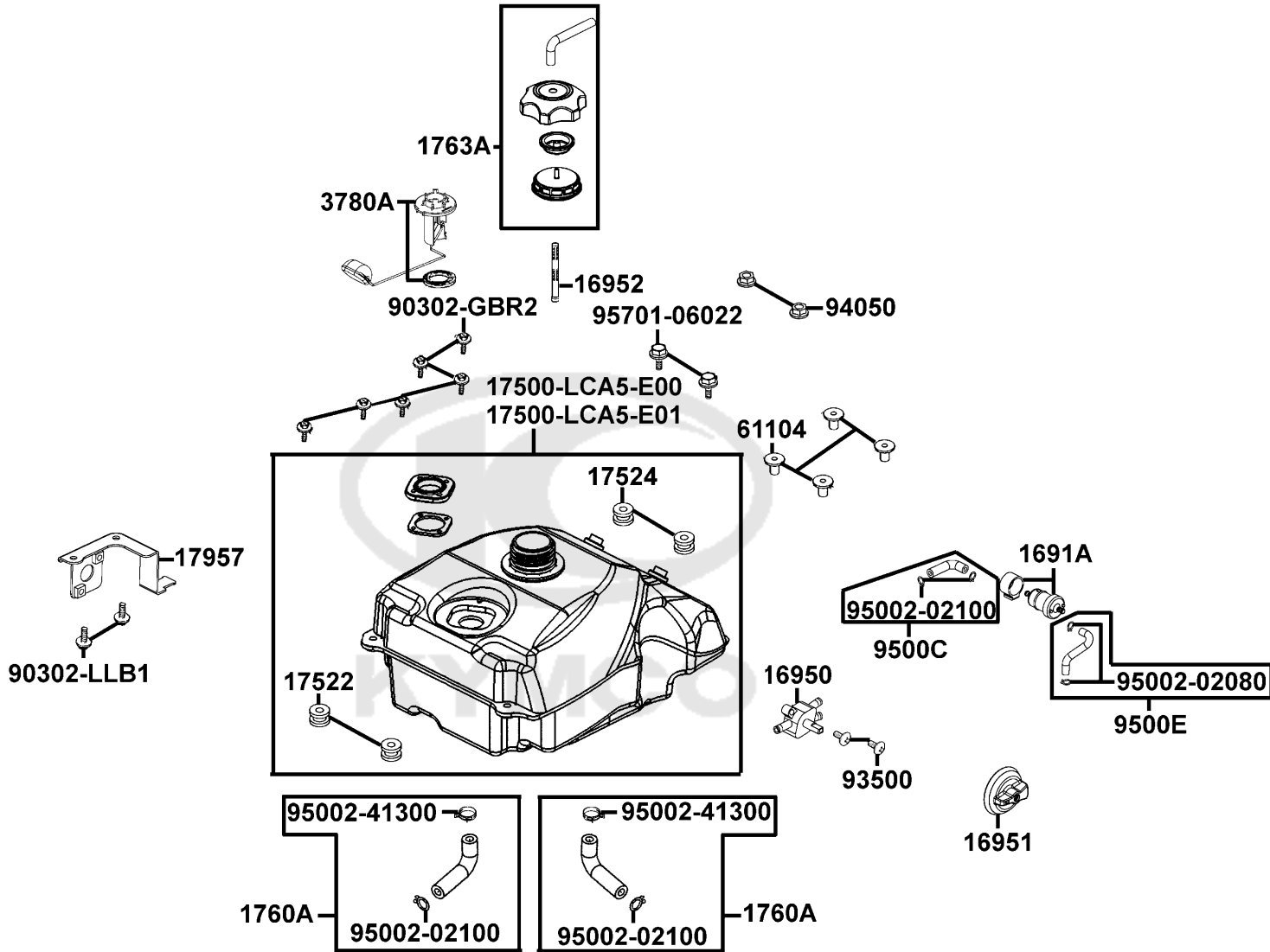
Seat



Sales mark	Ref no	Part no	Description	Reg description	Regd no	F09
------------	--------	---------	-------------	-----------------	---------	------------

**	77200	77200-LCA5-E00	SEAT ASSY (REACH)	SEAT ASSY (REACH)	1	
	77303	77303-LLB1-900	HOOK ASSY SEAT LOCK	HOOK ASSY SEAT LOCK	1	
	89010	89010-LBA7-900	TOOL SET	TOOL SET	1	
	89020	89020-KKC4-900	BAND TOOL SET	BAND TOOL SET	1	

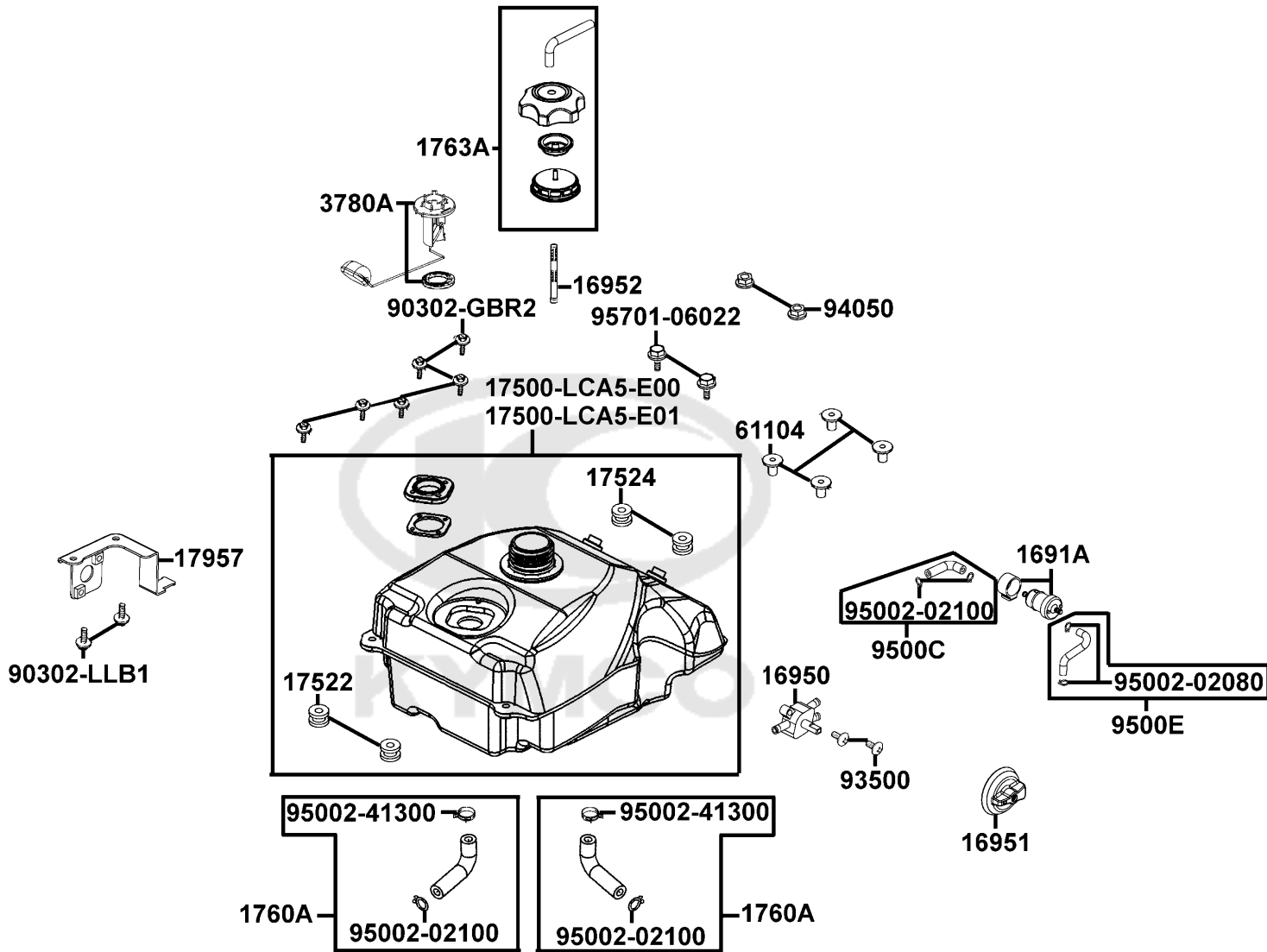




Sales mark	Ref no	Part no	Description	Reg description	Regd no	F10
	1691A	1691A-GFY6-90A	STRAINER ASSY FUEL	STRAINER ASSY FUEL	1	
#	16950	16950-LBA7-910	COCK FUEL	COCK FUEL	1	
	16951	16951-LBA7-900	COVER FUEL COCK	COVER FUEL COCK	1	
	16952	16952-LLB1-900	SCREEN FUEL STRAINER	SCREEN FUEL STRAINER	1	
	17500-LCA5-E00	17500-LCA5-E00	TANK COMP FUEL	TANK COMP FUEL	1	
	17500-LCA5-E01	17500-LCA5-E01	TANK COMP FUEL	TANK COMP FUEL	1	
	17522	17522-LLB1-900	RUBBER FUEL TANK	RUBBER FUEL TANK	2	
	17524	17524-LLB1-900	RR RUBBER FUEL TANK	RR RUBBER FUEL TANK	2	
	1760A	1760A-LBA7-900	TUBE ASSY FUEL TANK	TUBE ASSY FUEL TANK	2	
	1763A	1763A-LCA5-MY0	CAP ASSY FUEL FILLER	CAP ASSY FUEL FILLER	1	
	17957	17957-LBA7-900	STAY FUEL COCK & STRAINER	STAY FUEL COCK & STRAINER	1	
	3780A	3780A-LCA5-E01	FUEL UNIT ASSY	FUEL UNIT ASSY	1	
	61104	61104-3G57-001	COLLAR FR FENDER	COLLAR FR FENDER	4	
#	90302-LLB1	90302-LLB1-E00	BOLT-WASHER 5*12	BOLT-WASHER 5*12	1	
#	90302-GBR2	90302-PWA1-900	BOLT-WASH 5*16	BOLT-WASH 5*16	6	
	93500	93500-05016-1B	SCREW PAN 5*16	SCREW PAN 5*16	2	
	94050	94050-06080	NUT FLANGE 6MM	NUT FLANGE 6MM	2	
#	95002-02080	95002-02080	CLIP B8 TUBE	CLIP B8 TUBE	2	
	95002-02100	95002-02100	CLIP B15 TUBE	CLIP B15 TUBE	4	
	95002-41300	95002-41300-00	CLIP D13.0 TUBE	CLIP D13.0 TUBE	2	

F10

Fuel Tank



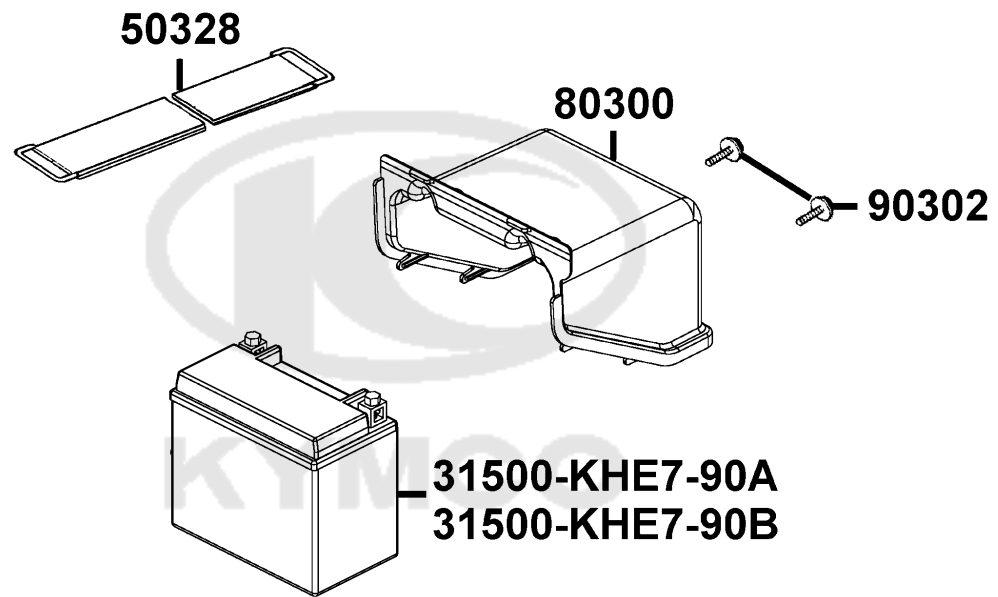
Sales mark	Ref no	Part no	Description	Reg description	Regd no	F10
------------	--------	---------	-------------	-----------------	---------	------------

9500C		9500C-LBA7-900	TUBE ASSY FUEL	TUBE ASSY FUEL	1	
9500E		9500E-LBA7-900	TUBE ASSY FUEL	TUBE ASSY FUEL	1	
95701		95701-06022-06	BOLT FLANGE 6*22	BOLT FLANGE 6*22	2	



F11

Battery



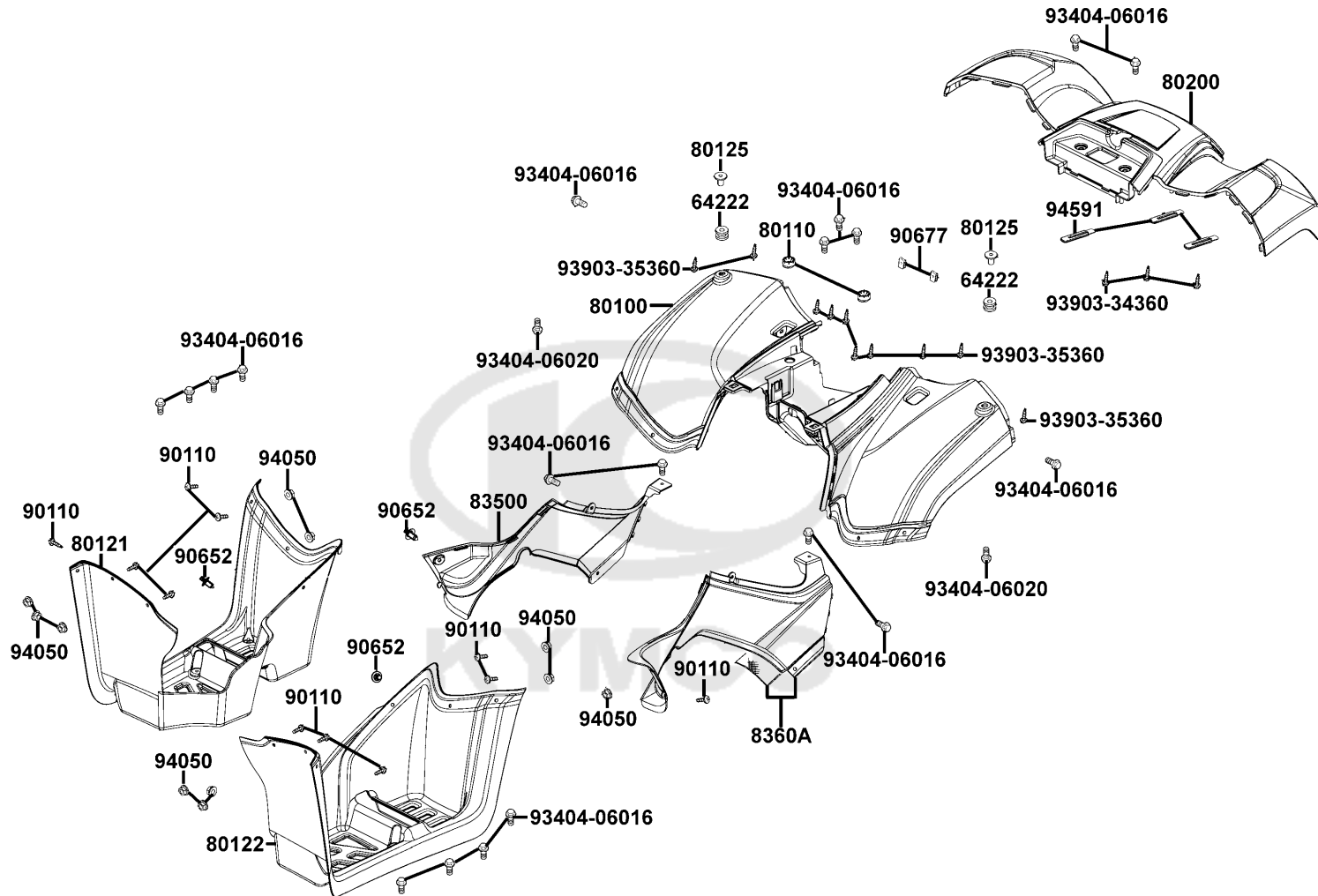
Sales mark	Ref no	Part no	Description	Reg description	Regd no	F11
------------	--------	---------	-------------	-----------------	---------	------------

#	31500-KHE7-90A	31500-KHE7-90A	BATTERY YTX12-BS	BATTERY YTX12-BS	1	
#	31500-KHE7-90B	31500-KHE7-90B	BATTERY GTX12-BS	BATTERY GTX12-BS	1	
	50328	50328-LCA5-E00	BAND BATTERY	BAND BATTERY	1	
**	80300	80300-LCA5-E00	COVER BATTERY	COVER BATTERY	1	
#	90302	90302-LLB1-E00	BOLT-WASHER 5*12	BOLT-WASHER 5*12	1	

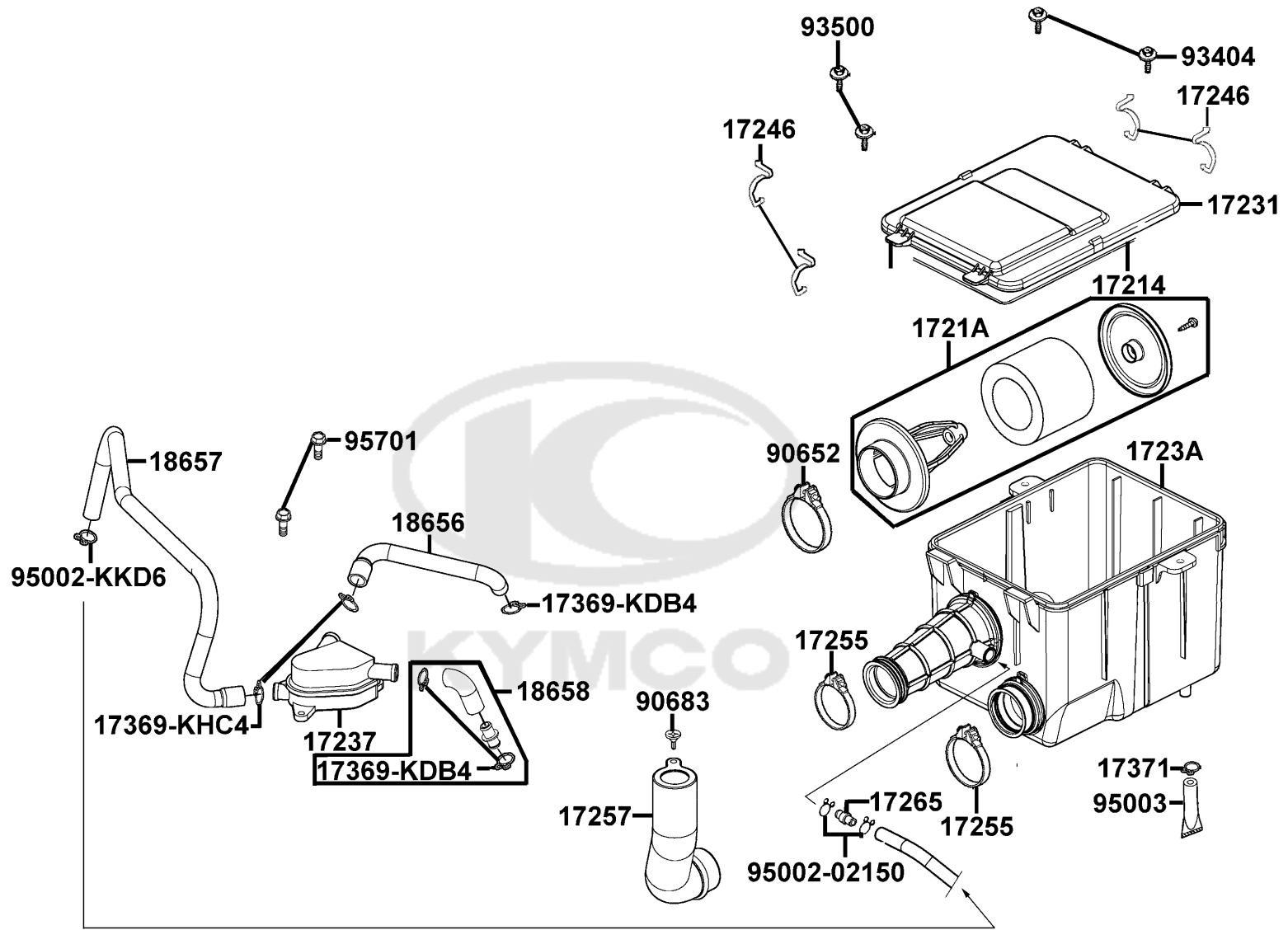


F12

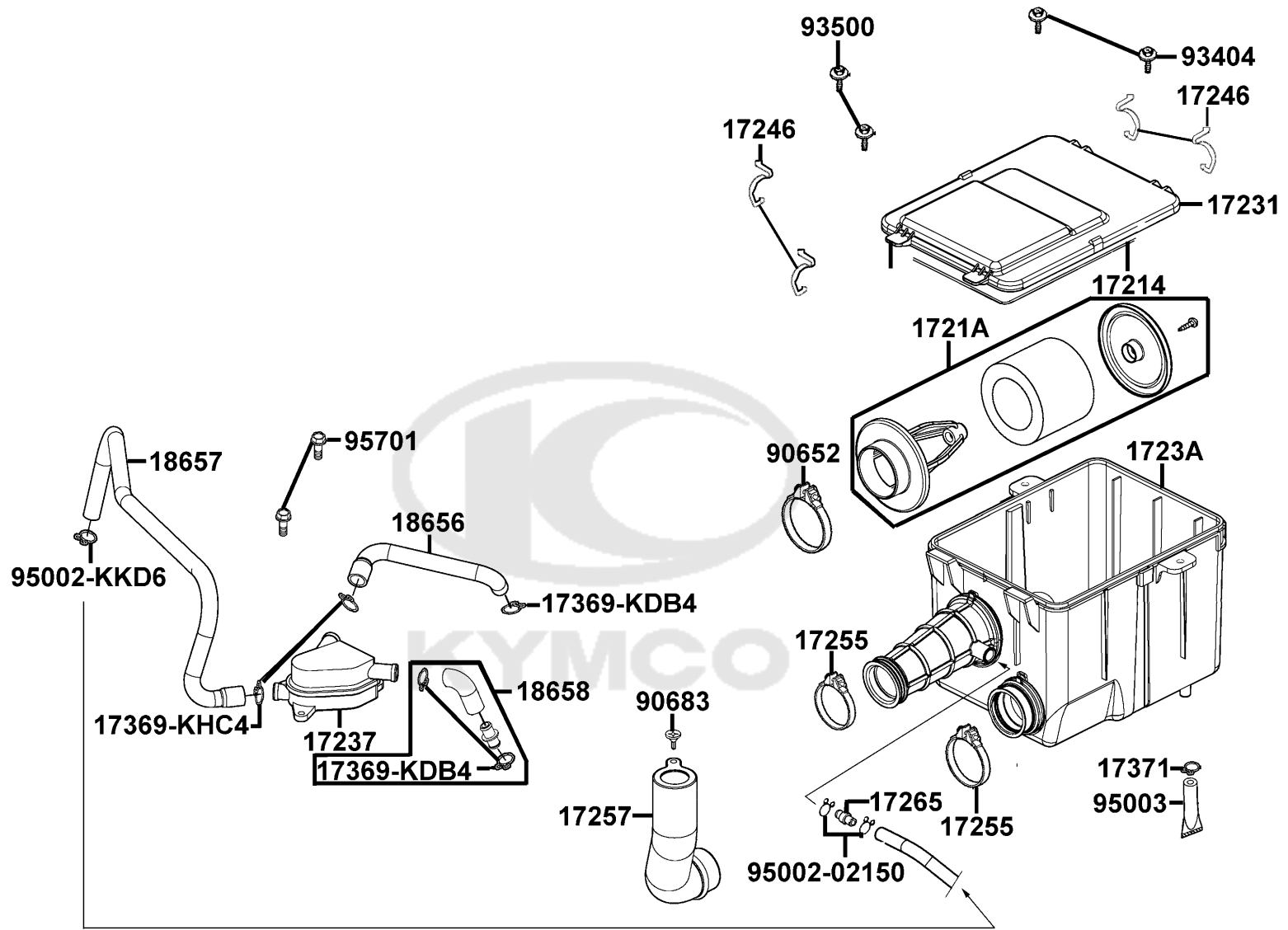
Fender Rear



Sales mark	Ref no	Part no	Description	Reg description	Regd no	F12
	64222	64222-LLJ3-E00	RUBBER WIND SCREEN	RUBBER WIND SCREEN	2	
**	80100	80100-LCA5-E00	FENDER REAR	FENDER REAR	1	
	80110	80110-LBA7-900	RUBBER REAR FENDER	RUBBER REAR FENDER	2	
# **	80121	80121-LCA5-E01	MUDGUARD R FLOOR	MUDGUARD R FLOOR	1	
# **	80122	80122-LCA5-E01	MUDGUARD L FLOOR	MUDGUARD L FLOOR	1	
	80125	80125-LBD4-900	COLLAR FLOOR	COLLAR FLOOR	2	
**	80200	80200-LCA5-E00	MOLDING RR FENDER	MOLDING RR FENDER	1	
# **	83500	83500-LCA5-E01	COVER.R SIDE	COVER.R SIDE	1	
# **	8360A	8360A-LCA5-E01	COVER ASSY.L SIDE	COVER ASSY.L SIDE	1	
	90110	90110-LLB1-800	SCREW SPECIAL 6*16	SCREW SPECIAL 6*16	11	
	90652	90652-LCA4-E00	CLIP MUDGUARD	CLIP MUDGUARD	3	
	90677	90677-GAR1-004	NUT CLIP 5MM	NUT CLIP 5MM	2	
	93404-06016	93404-06016-06	BOLT WASHER 6*16	BOLT WASHER 6*16	17	
	93404-06020	93404-06020-06	BOLT WASHER 6*20 (G)	BOLT WASHER 6*20 (G)	2	
	93903-34360	93903-34360	SCREW TAPPING 4X12	SCREW TAPPING 4X12	3	
	93903-35360	93903-35360	SCREW TAPPING 5*16	SCREW TAPPING 5*16	10	
	94050	94050-LDE9-E00	NUT LOCK	NUT LOCK	10	
	94591	94591-27000	CLIP 2*70	CLIP 2*70	3	



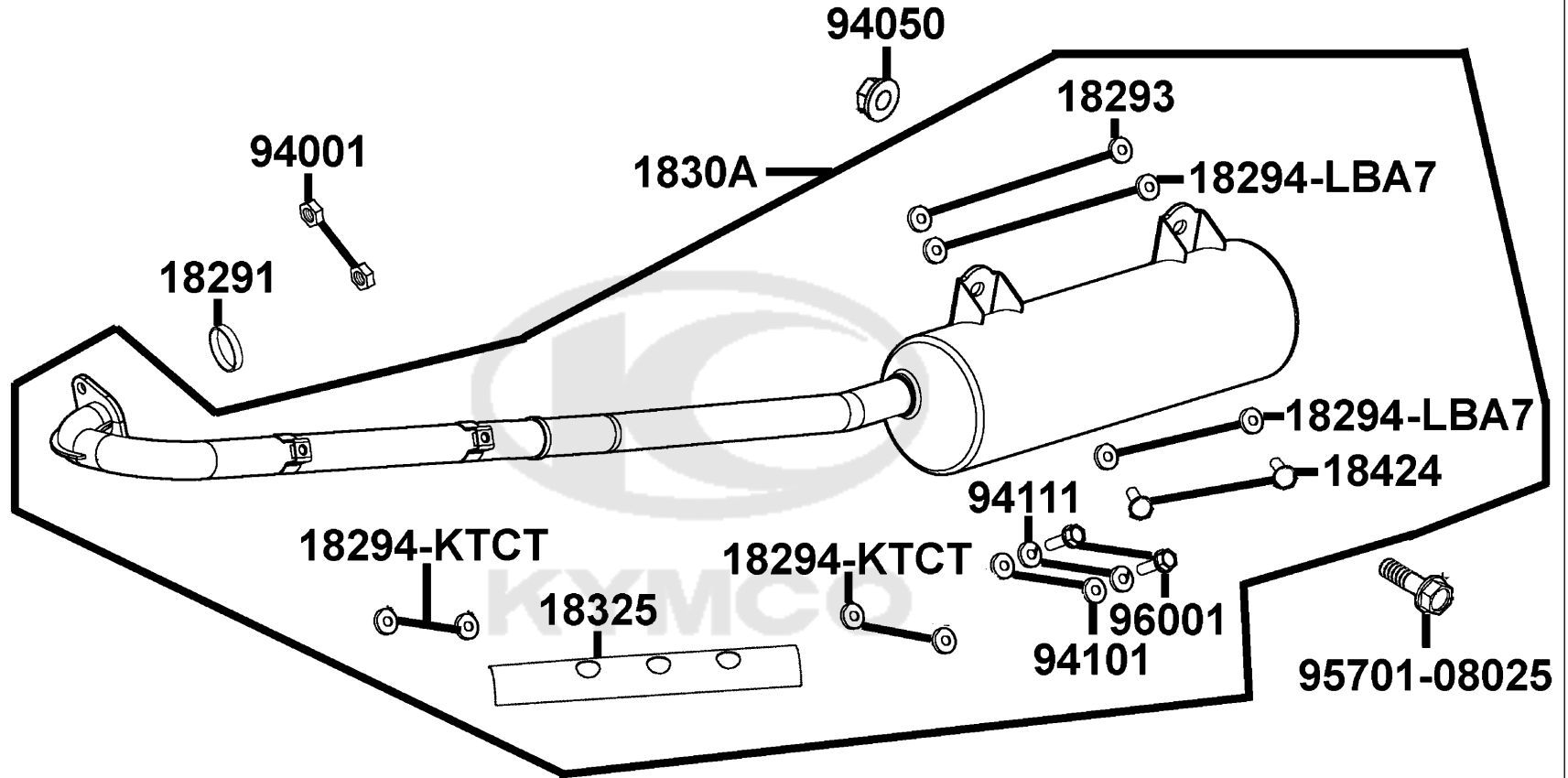
Sales mark	Ref no	Part no	Description	Reg description	Regd no	F13
17214		17214-LBA7-900	SEAL AIR/C COVER	SEAL AIR/C COVER	1	
1721A		1721A-LBA7-900	ELEMENT COMP AIR/C	ELEMENT COMP AIR/C	1	
17231		17231-LBA7-900	COVER AIR/C	COVER AIR/C	1	
17237		17237-KED9-900	OIL CATCH ASSY	OIL CATCH ASSY	1	
1723A		1723A-LDE9-E00	CASE ASSY AIR/C	CASE ASSY AIR/C	1	
17246		17246-LBA7-900	CLAMP AIR/C	CLAMP AIR/C	4	
17255		17255-KKAK-900	BAND A AIR/C CONNECTING TUBE	BAND A AIR/C CONNECTING TUBE	2	
17257		17257-LBA7-900	DUCT A AIR/C CASE	DUCT A AIR/C CASE	1	
17265		17265-LBA7-900	JOINT BLOW BY	JOINT BLOW BY	1	
17369-KDB4		17369-KDB4-671	CLIP BREATHER TUBE	CLIP BREATHER TUBE	3	
17369-KHC4		17369-KHC4-900	CLIP BREATHER TUBE	CLIP BREATHER TUBE	2	
17371		17371-1D74-671	CLIP BREATHER TUBE	CLIP BREATHER TUBE	1	
18656		18656-LBA7-900	TUBE A OIL CATCH	TUBE A OIL CATCH	1	
18657		18657-LBA7-900	TUBE B OIL CATCH	TUBE B OIL CATCH	1	
18658		18658-KED9-900	TUBE C OIL CATCH	TUBE C OIL CATCH	1	
90652		90652-LLJ3-E00	BAND CONNECTING TUBE	BAND CONNECTING TUBE	1	
90683		90683-GAR1-004	CLIP BODY COVER	CLIP BODY COVER	1	
#	93404	93404-06012-06	BOLT WASHER 6X12	BOLT WASHER 6X12	2	
#	93500	93500-04025-0F	SCREW PAN 4X25	SCREW PAN 4X25	1	
	95002-02150	95002-02150	CLIP B14.5 TUBE	CLIP B14.5 TUBE	2	



Sales mark	Ref no	Part no	Description	Reg description	Regd no	F13
------------	--------	---------	-------------	-----------------	---------	------------

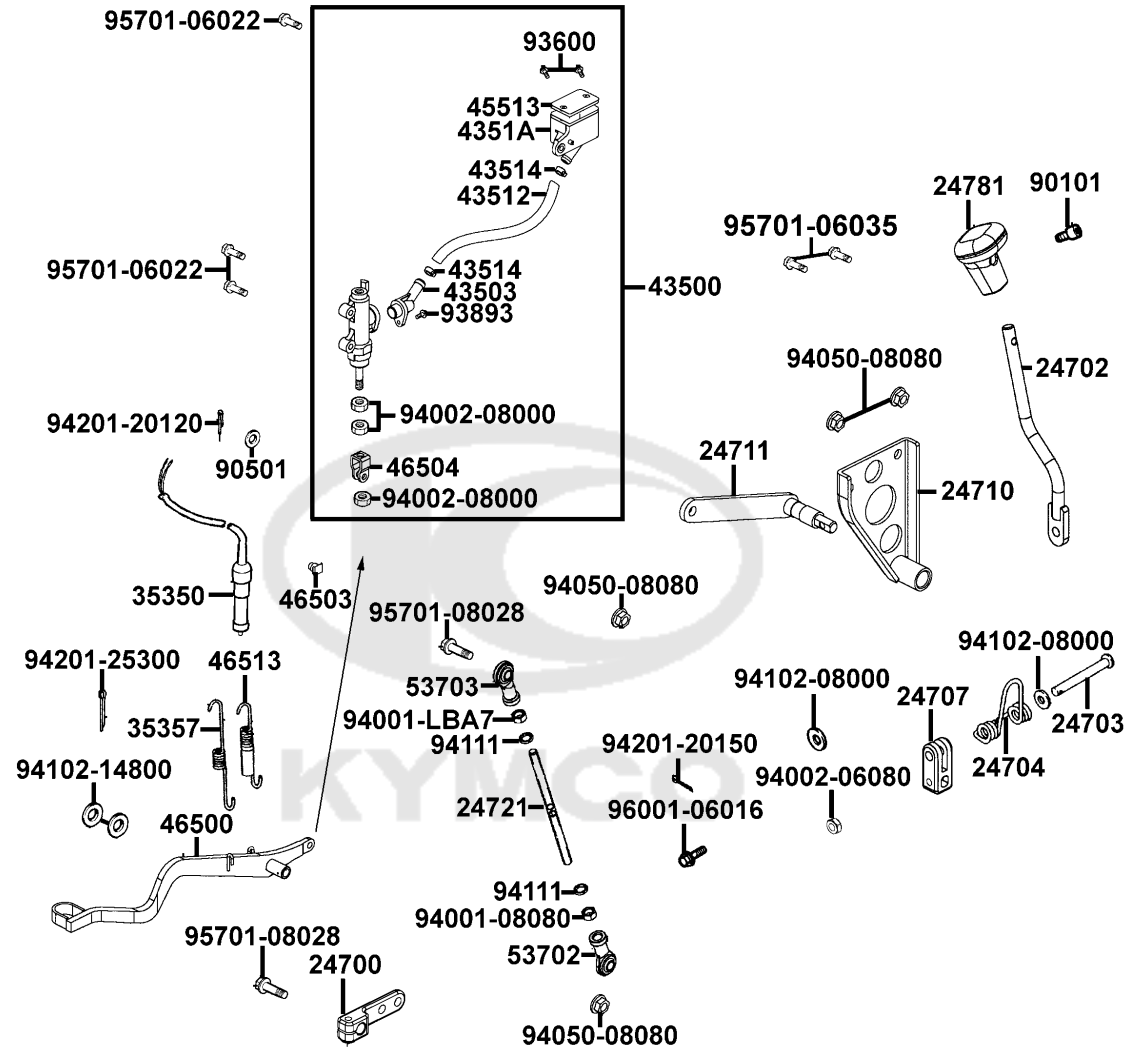
95002-KKD6		95002-KKD6-E05	CLAMP D18 TUBE	CLAMP D18 TUBE	1	
95003		95003-LBA7-900	TUBE DRAIN	TUBE DRAIN	1	
95701		95701-06012-06	BOLT FLANGE 6*12 **07 C.2005.07.01	BOLT FLANGE 6*12 **07 C.2005.07.01	2	





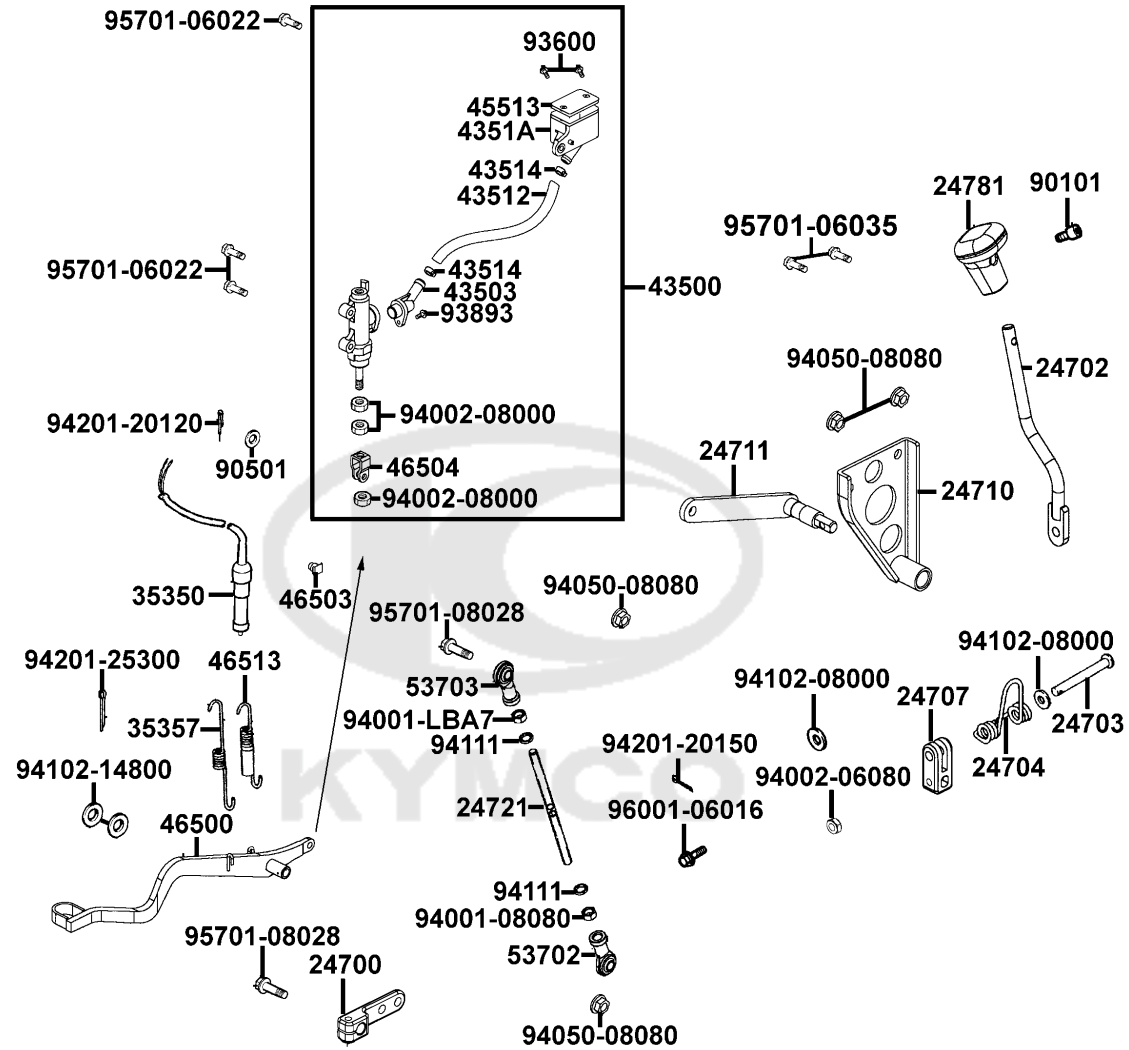
Sales mark	Ref no	Part no	Description	Reg description	Regd no	F14
	18291	18291-LBA7-900	GASKET EXH PIPE	GASKET EXH PIPE	1	
	18293	18293-LBA7-E00	RUBBER MUFFLER STAY	RUBBER MUFFLER STAY	2	
	18294-KTCT	18294-KTCT-900	PACKING PROTECTOR	PACKING PROTECTOR	4	
	18294-LBA7	18294-LBA7-E00	PACKING MUFFLER STAY	PACKING MUFFLER STAY	4	
	1830A	1830A-LDE9-E00	MUFFLER ASSY EXH (P208)	MUFFLER ASSY EXH (P208)	1	
	18325	18325-LLB1-900	PROTECTOR EXH PIPE	PROTECTOR EXH PIPE	1	
	18424	18424-LBA7-E00	COLLAR MUFF STAY	COLLAR MUFF STAY	2	
	94001	94001-08080-0S	NUT HEX 8MM	NUT HEX 8MM	2	
	94050	94050-08080	NUT FLANGE 8MM	NUT FLANGE 8MM	1	
	94101	94101-06200	WASHER PLAIN 6MM	WASHER PLAIN 6MM	2	
	94111	94111-06800	WASHER SPRING 6MM	WASHER SPRING 6MM	2	
#	95701	95701-08025-06	BOLT FLANGE 8*25	BOLT FLANGE 8*25	1	
#	96001	96001-06012-06	BOLT FLANGE SH 6*12	BOLT FLANGE SH 6*12	2	

Master Cylinder Rear



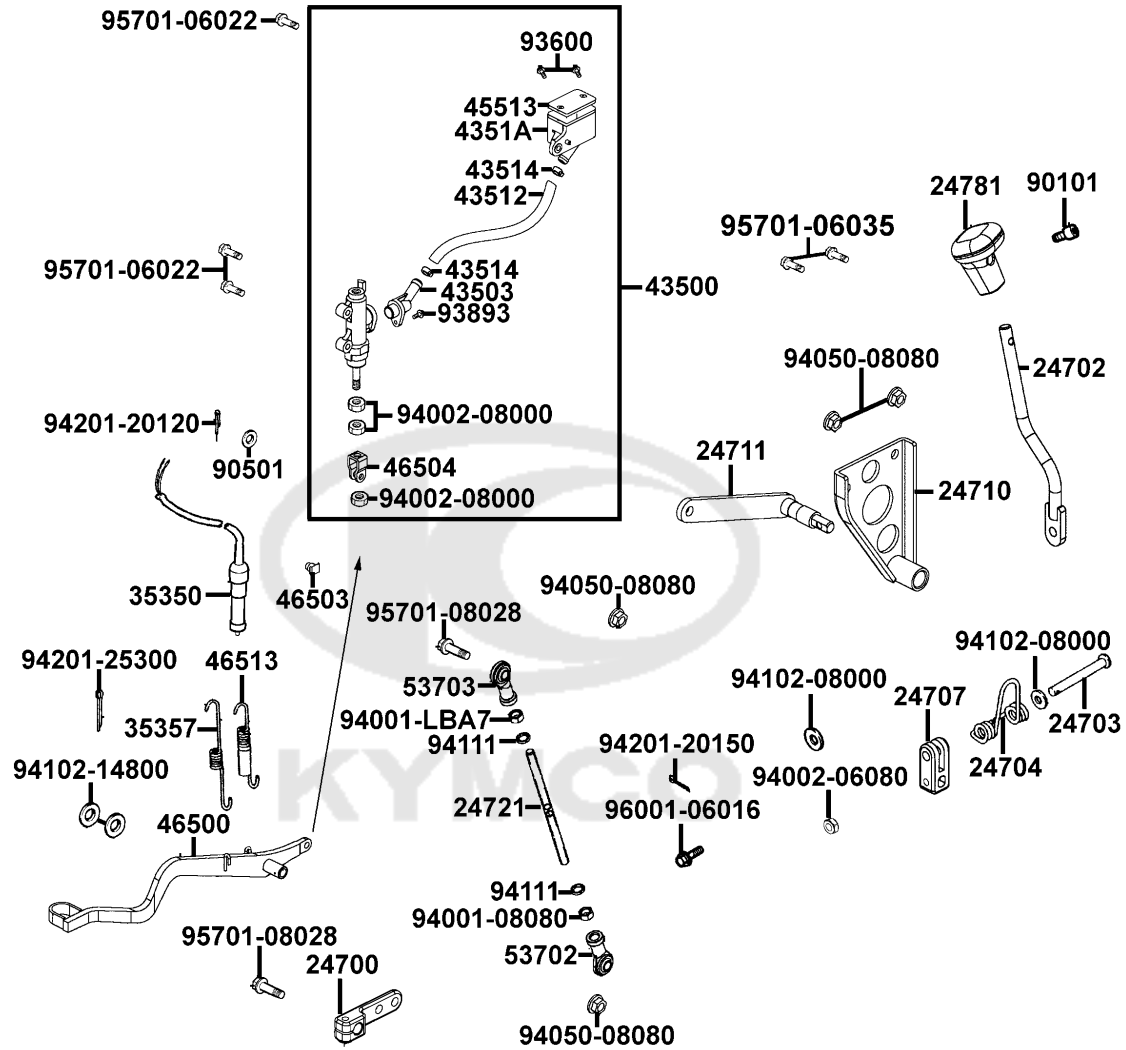
Sales mark	Ref no	Part no	Description	Reg description	Regd no	F15
24700		24700-LCD9-E00	GEAR CHANGE HNDL LINK	GEAR CHANGE HNDL LINK	1	
24702		24702-PWA1-900	BAR CHANGE HNDL	BAR CHANGE HNDL	1	
24703		24703-LLB1-900	PIN CHANGE HANDLE	PIN CHANGE HANDLE	1	
24704		24704-LBA7-900	SPRING CHANGE HANDLE	SPRING CHANGE HANDLE	1	
24707		24707-LBA7-900	BRKT CHANGE HANDLE	BRKT CHANGE HANDLE	1	
24710		24710-PWA1-900	STAY CHANGE HNDL ASSY	STAY CHANGE HNDL ASSY	1	
24711		24711-PWA1-900	SHAFT COMP CHANGE HNDL	SHAFT COMP CHANGE HNDL	1	
24721		24721-LCD9-E00	ROD CHANGE HNDL	ROD CHANGE HNDL	1	
24781		24781-LCA5-E00	COVER CHANGE HNDL	COVER CHANGE HNDL	1	
35350		35350-LBA7-900	REAR STOP SW	REAR STOP SW	1	
35357		35357-LBA7-900	SPG STOP SW	SPG STOP SW	1	
43500		43500-LBA7-E00	MASTER CYLINDER ASSY RR	MASTER CYLINDER ASSY RR	1	
43503		43503-KGC4-E01	CONNECTOR	CONNECTOR	1	
43512		43512-LBA7-M30	HOSE M/C	HOSE M/C	1	
43514		43514-4E45-77A	CLAMP M/C OIL HOSE	CLAMP M/C OIL HOSE	2	
4351A		4351A-KFW6-000	OIL CUP ASSY	OIL CUP ASSY	1	
45513		45513-HBA2-007	CAP M/C	CAP M/C	1	
46500		46500-LCD9-E00	PEDAL COMP RR BRAKE	PEDAL COMP RR BRAKE	1	
46503		46503-KCW3-001	PIN COMP BRK ROD	PIN COMP BRK ROD	1	
46504		46504-MBB2-007	JOINT BRK ROD	JOINT BRK ROD	1	

Master Cylinder Rear



Sales mark	Ref no	Part no	Description	Reg description	Regd no	F15
	46513	46513-KED9-900	SPG SET BRK PEDAL	SPG SET BRK PEDAL	1	
	53702	53702-LBA7-900	JOINT R BALL	JOINT R BALL	1	
	53703	53703-LBA7-900	JOINT L BALL	JOINT L BALL	1	
#	90101	90101-LCA5-E00	SOCKET BOLT 5X12	SOCKET BOLT 5X12	1	
	90501	90501-3L10-001	WASHER 7*12	WASHER 7*12	1	
	93600	93600-04040-1G	SCREW FLAT 4*40	SCREW FLAT 4*40	2	
	93893	93893-04012-18	SCREW WASHER 4*12	SCREW WASHER 4*12	1	
	94001-08080	94001-08080-0S	NUT HEX 8MM	NUT HEX 8MM	1	
	94001-LBA7	94001-LBA7-900	NUT HEX LH 8MM	NUT HEX LH 8MM	1	
#	94002-06080	94002-06060-0S	NUT HEX 6MM	NUT HEX 6MM	1	
#	94002-08000	94002-08080-0S	NUT HEX 8MM (C)	NUT HEX 8MM (C)	1	
	94050	94050-08080	NUT FLANGE 8MM	NUT FLANGE 8MM	4	
	94102-08000	94102-08000	WASHER PLAIN 8MM	WASHER PLAIN 8MM	2	
	94102-14800	94102-14800	WASHER PLAIN 14*26*2.3	WASHER PLAIN 14*26*2.3	2	
	94111	94111-08800	WASHER SPG 8MM	WASHER SPG 8MM	2	
	94201-20120	94201-20120	PIN SPLIT 2*12	PIN SPLIT 2*12	1	
	94201-20150	94201-20150	PIN SPLIT 2*15	PIN SPLIT 2*15	1	
	94201-25300	94201-25300	PIN SPLIT 2.5*30	PIN SPLIT 2.5*30	1	
	95701-06022	95701-06022-06	BOLT FLANGE 6*22	BOLT FLANGE 6*22	3	
	95701-06035	95701-06035-06	BOLT FLANGE 6*35	BOLT FLANGE 6*35	2	

Master Cylinder Rear

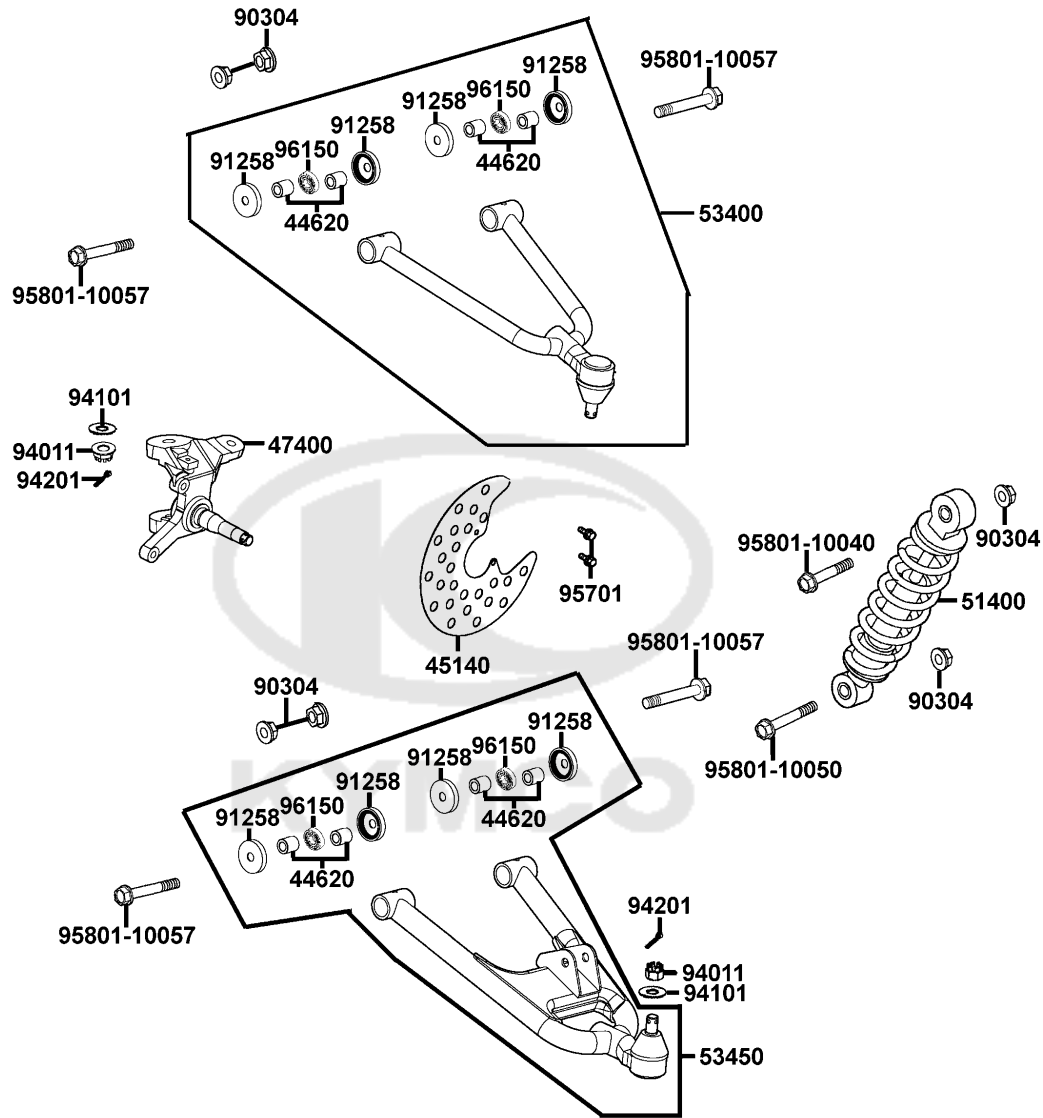


Sales mark	Ref no	Part no	Description	Reg description	Regd no	F15
------------	--------	---------	-------------	-----------------	---------	------------

	95701-08028	95701-08028-06	BOLT FLANGE 8*28	BOLT FLANGE 8*28	2	
#	96001	96001-06016-06	BOLT FLANGE SH 6X16	BOLT FLANGE SH 6*16	1	



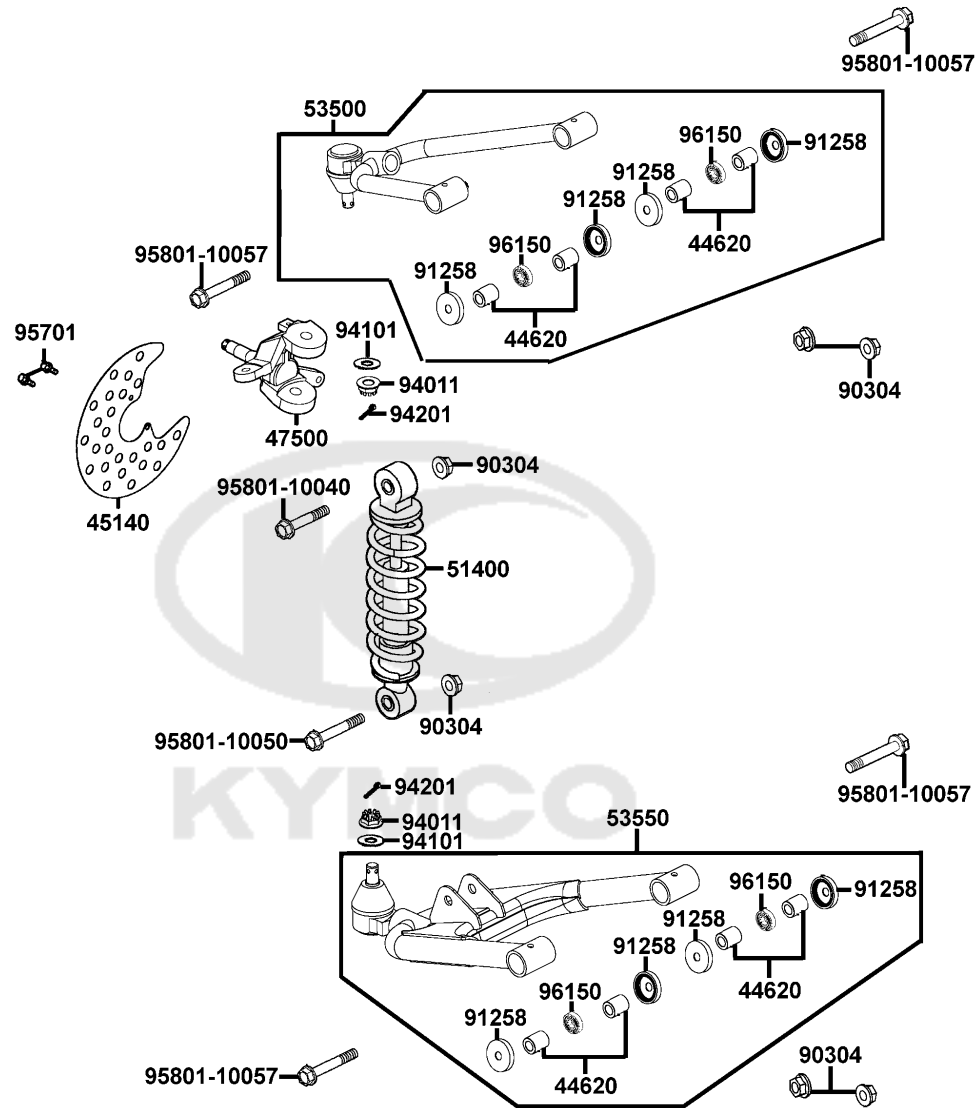
Cushion Right Arm Swing



Sales mark	Ref no	Part no	Description	Reg description	Regd no	F16
	44620	44620-PWA2-900	COLLAR SWING ARM	COLLAR SWING ARM	8	
	45140	45140-LCA5-E00	GUARD BRAKE DISK	GUARD BRAKE DISK	1	
	47400	47400-LCA5-E00	KNUCKLE ASSY R STEERING	KNUCKLE ASSY R STEERING	1	
**	51400	51400-PWA1-900	CUSHION ASSY FR	CUSHION ASSY FR	1	
**	53400	53400-PWA2-900	ARM ASSY R UP SWING	ARM ASSY R UP SWING	1	
**	53450	53450-LCD9-E00	ARM ASSY R LOW SWING	ARM ASSY R LOW SWING	1	
	90304	90304-GLW0-90A	NUT U FLANGE 10MM	NUT U FLANGE 10MM	6	
	91258	91258-LBA7-900	OIL SEAL 18*26*4	OIL SEAL 18*26*4	8	
	94011	94011-12080-0S	NUT CASTLE 12MM	NUT CASTLE 12MM	2	
	94101	94101-12800	WASHER PLAIN 12MM	WASHER PLAIN 12MM	2	
	94201	94201-30250	PIN SPLIT 3.0*25	PIN SPLIT 3.0*25	2	
	95701	95701-06010-06	BOLT FLANGE 6*10	BOLT FLANGE 6*10	2	
#	95801-10040	95801-10040-06	BOLT FLANGE 10X40	BOLT FLANGE 10*40	1	
	95801-10050	95801-10050-06	BOLT FLANGE 10*50	BOLT FLANGE 10*50	1	
	95801-10057	95801-10057-06	BOLT FLANGE 10*57	BOLT FLANGE 10*57	4	
	96150	96150-60000-10	BEARING BALL RADIAL 6000	BEARING BALL RADIAL 6000	4	

F17

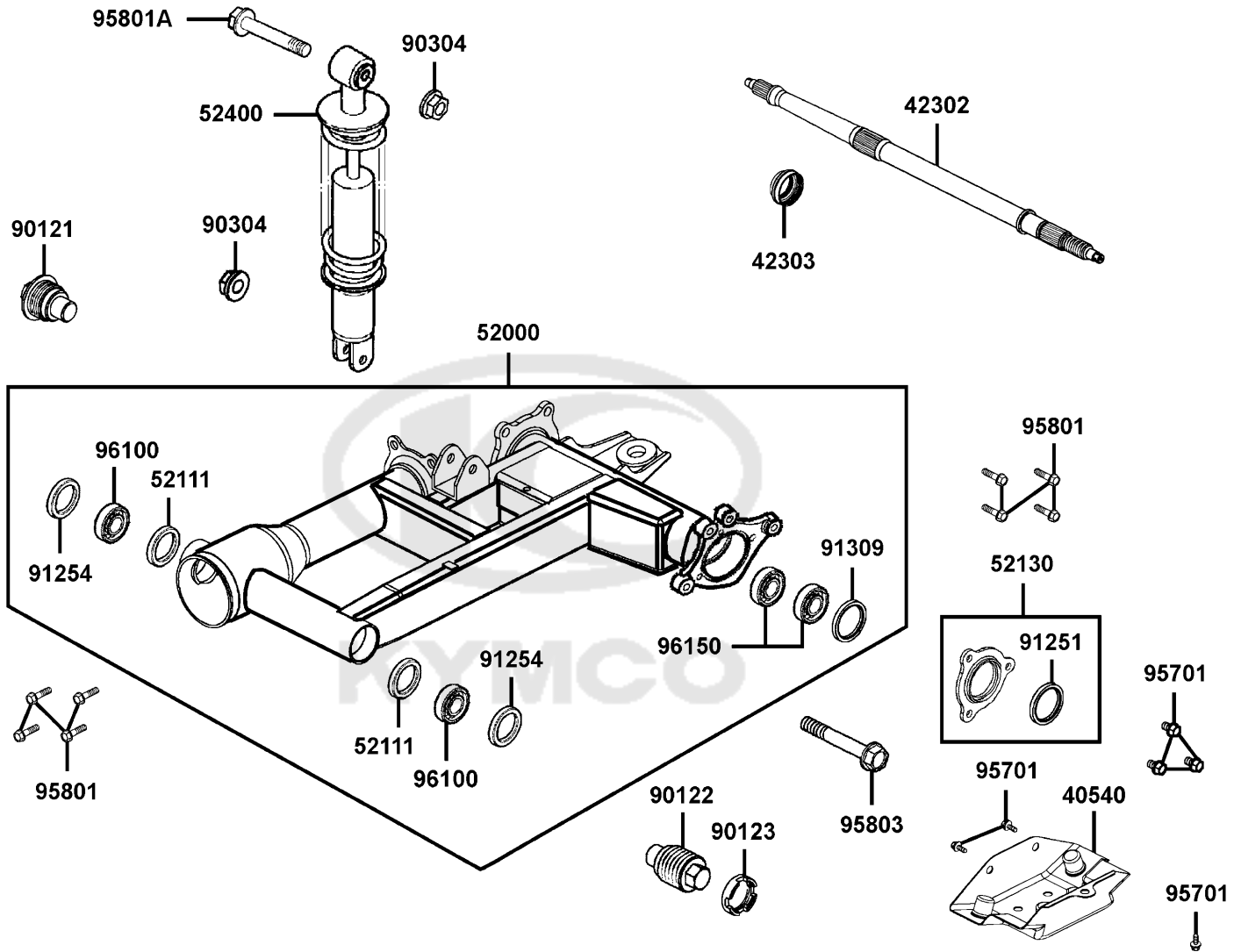
Cushion Left Arm Swing



Sales mark	Ref no	Part no	Description	Reg description	Regd no	F17
	44620	44620-PWA2-900	COLLAR SWING ARM	COLLAR SWING ARM	8	
	45140	45140-LCA5-E00	GUARD BRAKE DISK	GUARD BRAKE DISK	1	
	47500	47500-LCA5-E00	KNUCKLE ASSY L STEERING	KNUCKLE ASSY L STEERING	1	
**	51400	51400-PWA1-900	CUSHION ASSY FR	CUSHION ASSY FR	1	
**	53500	53500-PWA2-900	ARM ASSY LEFT UP SWING	ARM ASSY LEFT UP SWING	1	
**	53550	53550-LCD9-E00	ARM ASSY LEFT LOW SWING	ARM ASSY LEFT LOW SWING	1	
	90304	90304-GLW0-90A	NUT U FLANGE 10MM	NUT U FLANGE 10MM	6	
	91258	91258-LBA7-900	OIL SEAL 18*26*4	OIL SEAL 18*26*4	8	
	94011	94011-12080-0S	NUT CASTLE 12MM	NUT CASTLE 12MM	2	
	94101	94101-12800	WASHER PLAIN 12MM	WASHER PLAIN 12MM	2	
	94201	94201-30250	PIN SPLIT 3.0*25	PIN SPLIT 3.0*25	2	
	95701	95701-06010-06	BOLT FLANGE 6*10	BOLT FLANGE 6*10	2	
#	95801-10040	95801-10040-06	BOLT FLANGE 10X40	BOLT FLANGE 10*40	1	
	95801-10050	95801-10050-06	BOLT FLANGE 10*50	BOLT FLANGE 10*50	1	
	95801-10057	95801-10057-06	BOLT FLANGE 10*57	BOLT FLANGE 10*57	4	
	96150	96150-60000-10	BEARING BALL RADIAL 6000	BEARING BALL RADIAL 6000	4	

F18

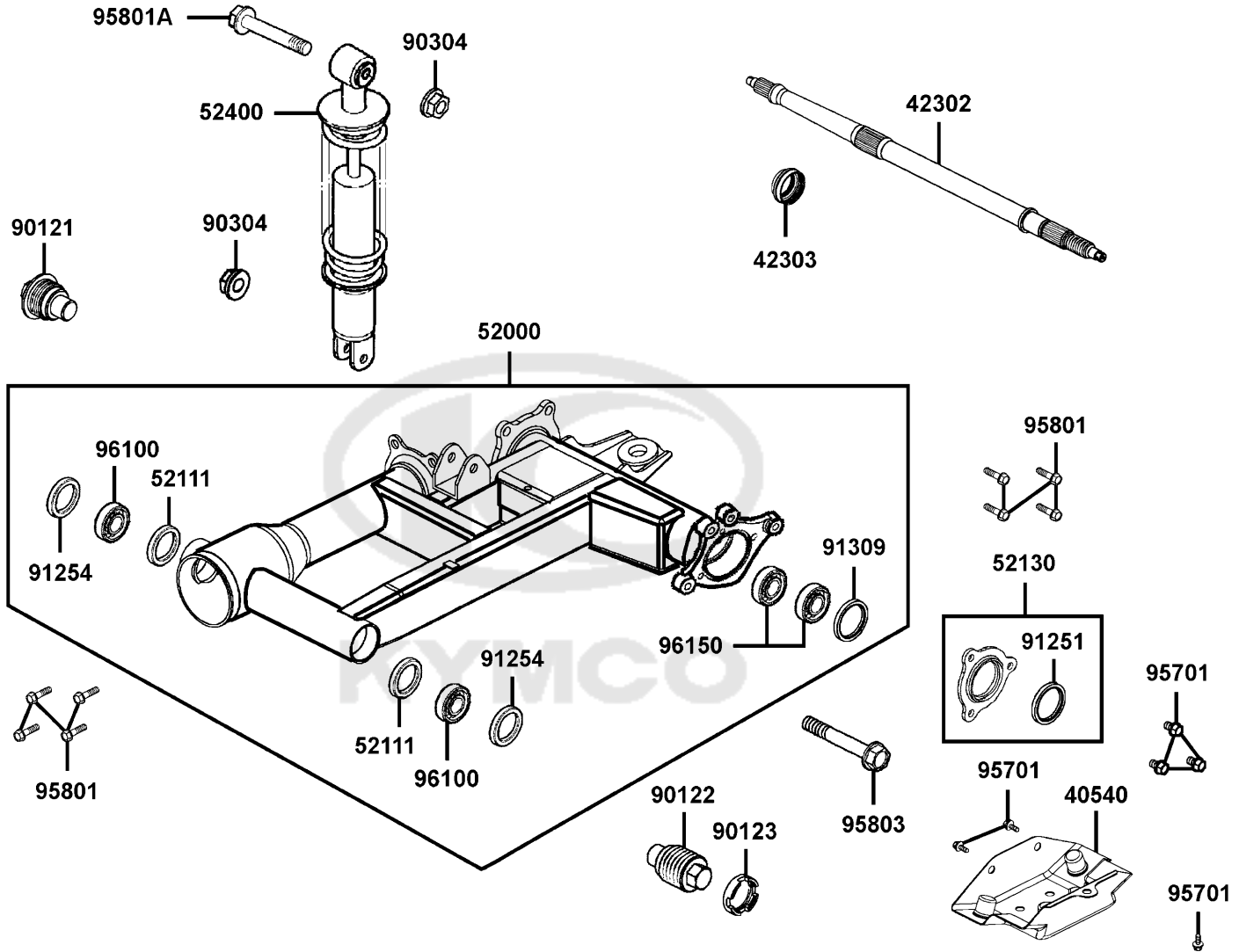
Rear Fork



Sales mark	Ref no	Part no	Description	Reg description	Regd no	F18
	40540	40540-LCD9-E00	PLATE ASSY SKID	PLATE ASSY SKID	1	
	42302	42302-LDE9-E01	AXLE RR WHEEL	AXLE RR WHEEL	1	
#	42302	42302-LDE9-E05	AXLE RR WHEEL	AXLE RR WHEEL	1	
	42303	42303-LDE9-E00	BOOT AXLE SHAFT	BOOT AXLE SHAFT	1	
#	52000	52000-LDE9-E00	FORK ASSY RR	FORK ASSY RR	2	
	52111	52111-LDE9-E00	HOLDER GREASE	HOLDER GREASE	2	
	52130	52130-PWA1-600	STOPPER ASSY RR	STOPPER ASSY RR	1	
**	52400	52400-PWA1-900	CUSHION ASSY RR	CUSHION ASSY RR	1	
	90121	90121-LCD9-E00	FORK PIVOT BOLT RH	FORK PIVOT BOLT RH	1	
	90122	90122-LCD9-E00	FORK PIVOT BOLT LH	FORK PIVOT BOLT LH	1	
	90123	90123-LCD9-E00	FORK PIVOT NUT LOCK	FORK PIVOT NUT LOCK	1	
	90304	90304-GLW0-90A	NUT U FLANGE 10MM	NUT U FLANGE 10MM	2	
	91251	91251-PWA1-600	OIL SEAL 38.2*47*6	OIL SEAL 38.2*47*6	1	
	91254	91254-LDE9-E00	DUST SEAL 26*40*5	DUST SEAL 26*40*5	2	
	91309	91309-LDE9-E00	O-RING 58.4*3	O-RING 58.4*3	1	
#	95701	95701-08012-06	BOLT FLANGE 8*12	BOLT FLANGE 8*12	6	
#	95801	95801-10025-06	BOLT FLANGE 10*25	BOLT FLANGE 10*25	1	
	95801A	95801-10057-06	BOLT FLANGE 10*57	BOLT FLANGE 10*57	1	
	95803	95803-LBA7-900	BOLT FLANGE 10*53	BOLT FLANGE 10*53	1	
	96100	96100-30203-10	BEARING BALL RADIAL	BEARING BALL RADIAL	2	

F18

Rear Fork



Sales mark	Ref no	Part no	Description	Reg description	Regd no	F18
------------	--------	---------	-------------	-----------------	---------	------------

96150

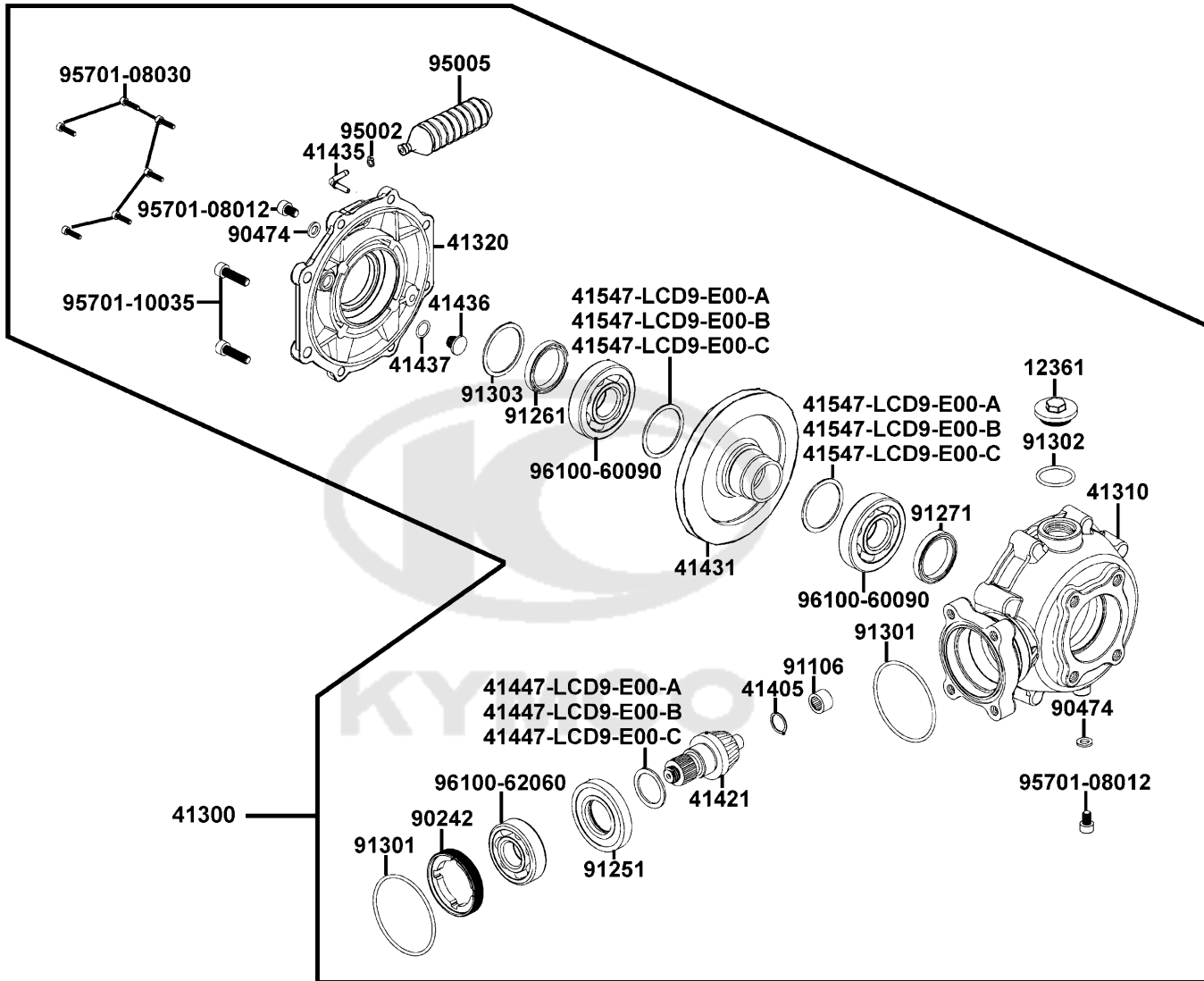
96150-60060-10

BEARING BALL RADIAL 6006

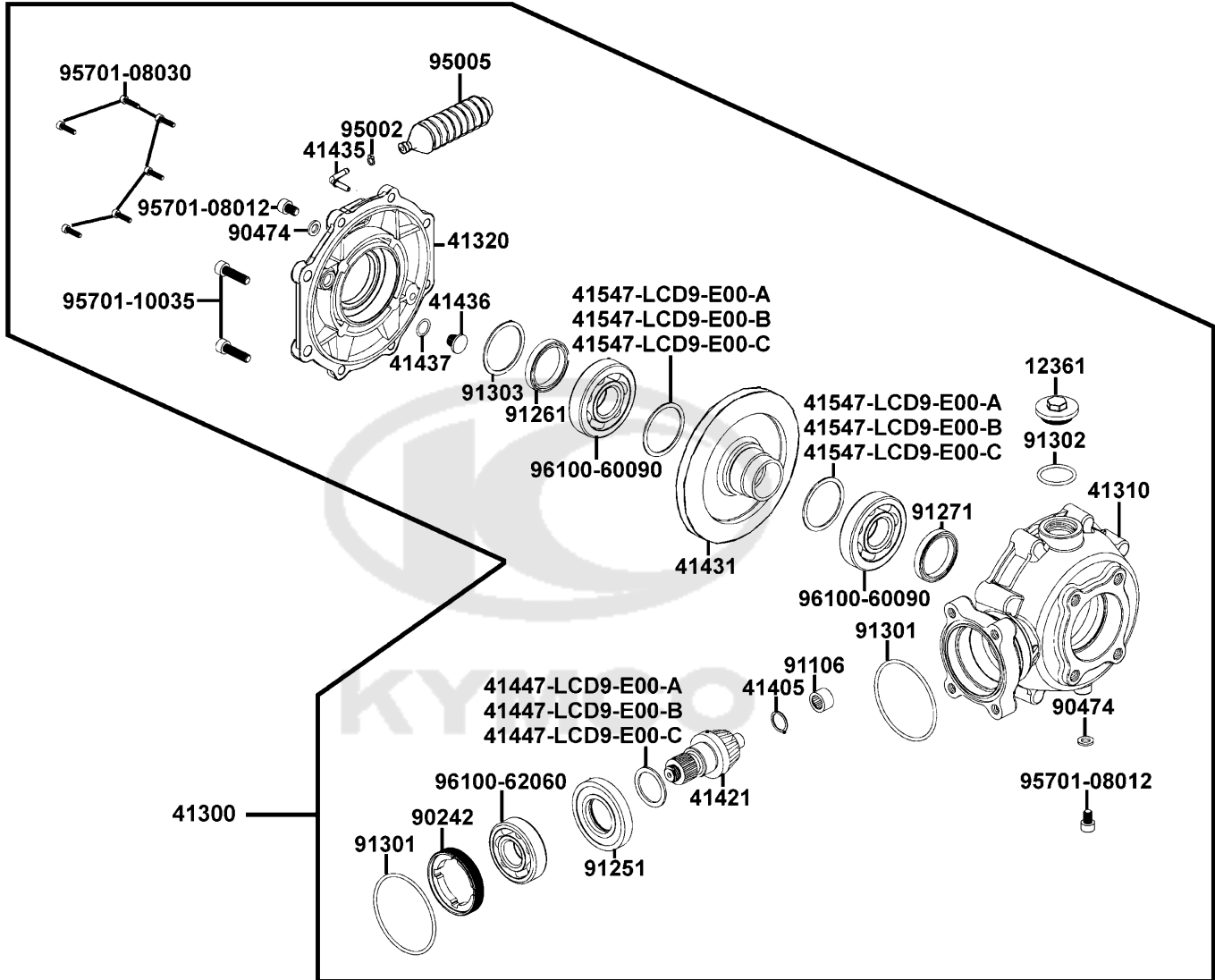
BEARING BALL RADIAL 6006

2





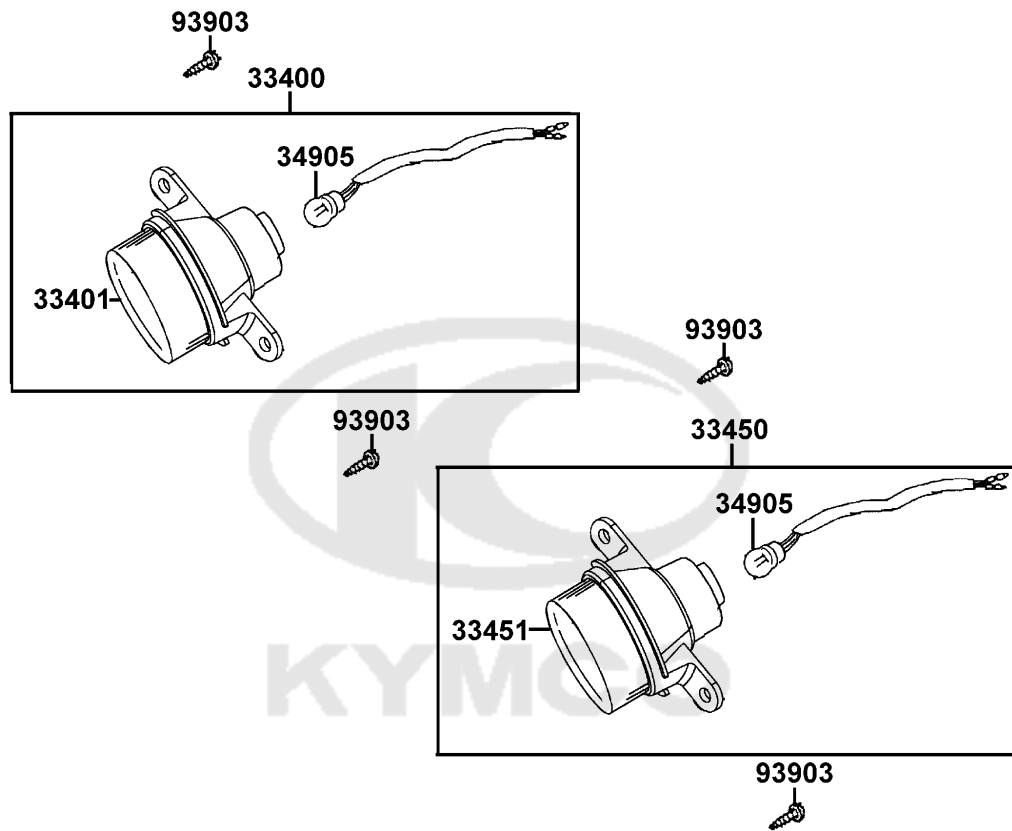
Sales mark	Ref no	Part no	Description	Reg description	Regd no	F19
	12361	12361-GFY6-901	HOLE CAP TAPPET ADJUSTING	HOLE CAP TAPPET ADJUSTING	1	
	41300	41300-LCD9-E01	GEAR ASSY RR FINAL	GEAR ASSY RR FINAL	1	
	41310	41310-LCD9-E00	L SIDE CASE RR FINAL	L SIDE CASE RR FINAL	1	
	41320	41320-LCD9-E00	R SIDE CASE RR FINAL	R SIDE CASE RR FINAL	1	
	41405	41405-LCD9-E00	RING STOPPER	RING STOPPER	1	
	41421	41421-LCD9-E00	GEAR PINION	GEAR PINION	1	
	41431	41431-LCD9-E00	GEAR RING	GEAR RING	1	
	41431	41431-LCD9-E01	GEAR RING	GEAR RING	1	
	41435	41435-LCD9-E00	JOINT BREATHER	JOINT BREATHER	1	
	41436	41436-LCD9-E00	PIN RING GEAR STOPPER	PIN RING GEAR STOPPER	1	
	41437	41437-LCD9-E00	SHIM STOPPER PIN	SHIM STOPPER PIN	1	
	41447-LCD9-E00-A	41447-LCD9-E00-A	SHIM PINION GEAR A (2.015~2.045)	SHIM PINION GEAR A (2.015~2.045)	1	
	41447-LCD9-E00-B	41447-LCD9-E00-B	SHIM PINION GEAR B	SHIM PINION GEAR B	1	
	41447-LCD9-E00-C	41447-LCD9-E00-C	SHIM PINION GEAR C	SHIM PINION GEAR C	1	
	41547-LCD9-E00-A	41547-LCD9-E00-A	SHIM RING GEAR A (1.515~1.545)	SHIM RING GEAR A (1.515~1.545)	2	
	41547-LCD9-E00-B	41547-LCD9-E00-B	SHIM RING GEAR B (1.485~1.515)	SHIM RING GEAR B (1.485~1.515)	2	
	41547-LCD9-E00-C	41547-LCD9-E00-C	SHIM RING GEAR C	SHIM RING GEAR C	2	
	90242	90242-LCD9-E00	NUT LOCK 65MM	NUT LOCK 65MM	1	
	90474	90474-3C33-001	WASHER 8MM	WASHER 8MM	2	
	91106	91106-LCD9-E00	BRG NEEDLE 14*20*12	BRG NEEDLE 14*20*12	1	



Sales mark	Ref no	Part no	Description	Reg description	Regd no	F19
	91251	91251-LCD9-E00	OIL SEAL 35*70*10	OIL SEAL 35*70*10	1	
	91261	91261-LCD9-E00	OIL SEAL 44*60*7	OIL SEAL 44*60*7	1	
	91271	91271-LCD9-E00	OIL SEAL 42*62*7	OIL SEAL 42*62*7	1	
	91301	91301-LCD9-E00	O-RING 74.4*3.1	O-RING 74.4*3.1	2	
	91302	91302-0A01-021	O-RING 30.8M/M	O-RING 30.8M/M	1	
	91303	91303-LCD9-E00	O-RING 31.7*3.5	O-RING 31.7*3.5	1	
	95002	95002-41050-00	CLIP D10.5 TUBE	CLIP D10.5 TUBE	1	
	95005	95005-LCD9-E00	BREATHER TUBE RR GEAR ASSY	BREATHER TUBE RR GEAR ASSY	1	
#	95701-08012	95701-08012-06	BOLT FLANGE 8*12	BOLT FLANGE 8*12	1	
#	95701-08030	95701-08030-06	BOLT FLANGE 8X30	BOLT FLANGE 8X30	1	
#	95701-10035	95701-10035-06	BOLT FLANGE 10X35	BOLT FLANGE 10X35	1	
	96100-60090	96100-60090-00	BRG RADIAL BALL 6009	BRG RADIAL BALL 6009	2	
	96100-62060	96100-62060-00	BRG RYAL BALL 6206	BRG RADIAL BALL 6206	1	

F20

Light Winker

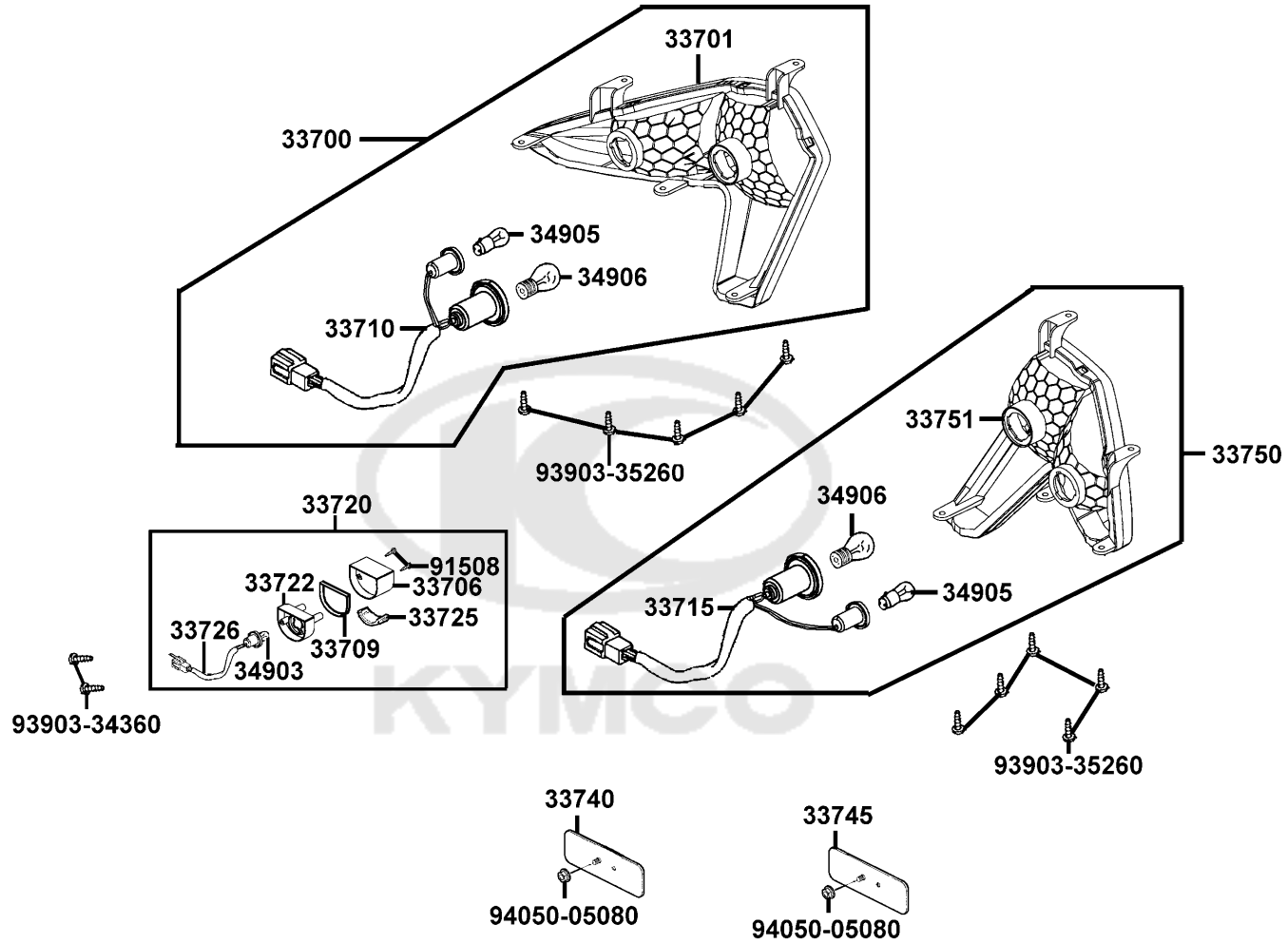


Sales mark	Ref no	Part no	Description	Reg description	Regd no	F20
	33400	33400-LCA5-E00	WINKER ASSY R FR	WINKER ASSY R FR	1	
	33401	33401-LCA5-E00	UNIT WINKER R FR	UNIT WINKER R FR	1	
	33450	33450-LCA5-E00	WINKER ASSY L FR	WINKER ASSY L FR	1	
	33451	33451-LCA5-E00	UNIT WINKER L FR	UNIT WINKER L FR	1	
	34905	34905-LBA7-E00	BULB WINKER 12V10W	BULB WINKER 12V10W	2	
	93903	93903-35260	SCREW TAPPING 5*12	SCREW TAPPING 5*12	4	



F21

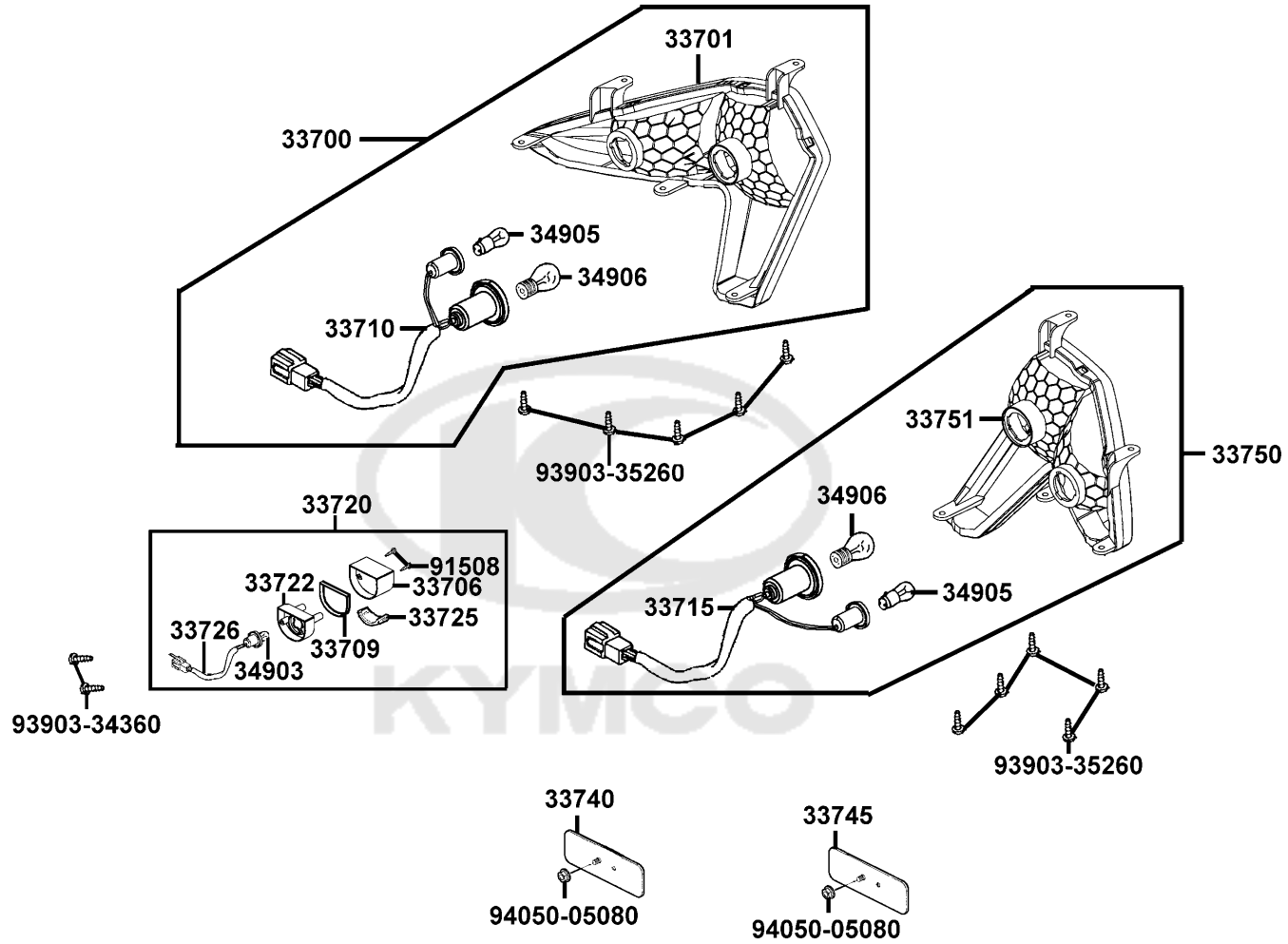
Light Tail



Sales mark	Ref no	Part no	Description	Reg description	Regd no	F21
33700		33700-LCA5-E00	LIGHT ASSY R RR COMB	LIGHT ASSY R RR COMB	1	
33701		33701-LCA5-E00	UNIT TAIL LIGHT R	UNIT TAIL LIGHT R	1	
33706		33706-GCN3-67A	COVER LICENSE	COVER LICENSE	1	
33709		33709-KBAB-003	PACKING LICENSE	PACKING LICENSE	1	
33710		33710-LCA5-E00	SOCKET COMP R RR COMB	SOCKET COMP R RR COMB	1	
33715		33715-LCA5-E00	SOCKET COMP L RR COMB	SOCKET COMP L RR COMB	1	
33720		33720-LCA5-E00	LIGHT ASSY LICENSE	LIGHT ASSY LICENSE	1	
33722		33722-KHB4-E00	BASE LICENSE	BASE LICENSE	1	
33725		33725-KHB4-E00	LENS LICENSE	LENS LICENSE	1	
33726		33726-LCA5-E00	SOCKET COMP	SOCKET COMP	1	
33740		33740-LCA5-E00	REFLECTOR ASSY R RR	REFLECTOR ASSY R RR	1	
33745		33745-LCA5-E00	REFLECTOR ASSY L RR	REFLECTOR ASSY L RR	1	
33750		33750-LCA5-E00	LIGHT ASSY L RR COMB	LIGHT ASSY L RR COMB	1	
33751		33751-LCA5-E00	UNIT TAIL LIGHT L	UNIT TAIL LIGHT L	1	
34903		34903-KPCP-900	BULB POSITION LIGHT 12V5W **KCP-	BULB POSITION LIGHT 12V5W **KCP-9000	1	
34905		34905-LCA5-E00	BULB WINKER (12V 10W)	BULB WINKER (12V 10W)	2	
34906		34906-KPCP-900	BULB TAIL & STOP	BULB TAIL & STOP	2	
91508		91508-KGV7-67A	SCREW TAPPING 4*14	SCREW TAPPING 4*14	2	
93903-34360		93903-34360	SCREW TAPPING 4X12	SCREW TAPPING 4X12	2	
93903-35260		93903-35260	SCREW TAPPING 5*12	SCREW TAPPING 5*12	10	

F21

Light Tail



Sales mark	Ref no	Part no	Description	Reg description	Regd no	F21
------------	--------	---------	-------------	-----------------	---------	------------

94050

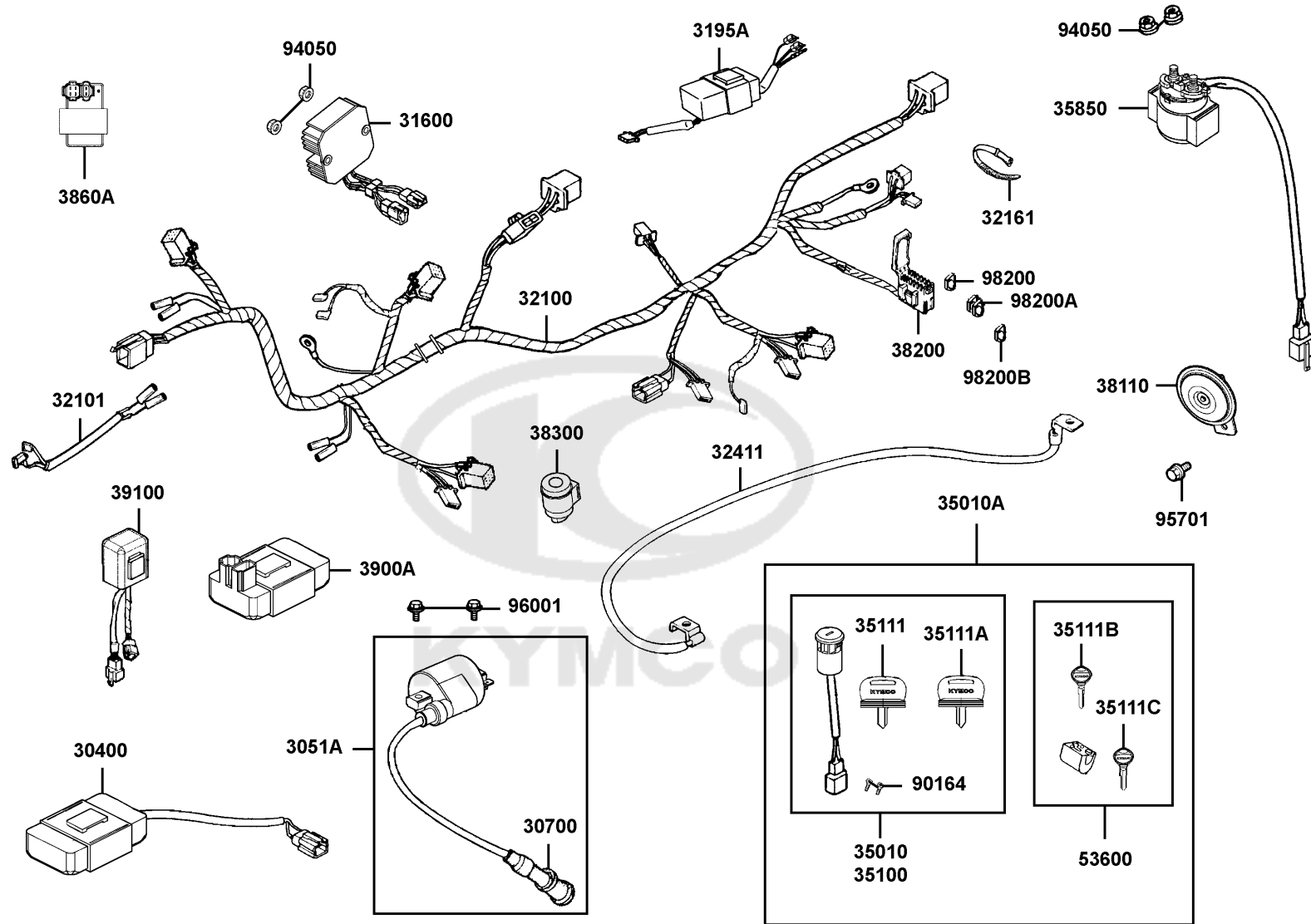
94050-05080

NUT FLANGE 5MM

NUT FLANGE 5MM

2

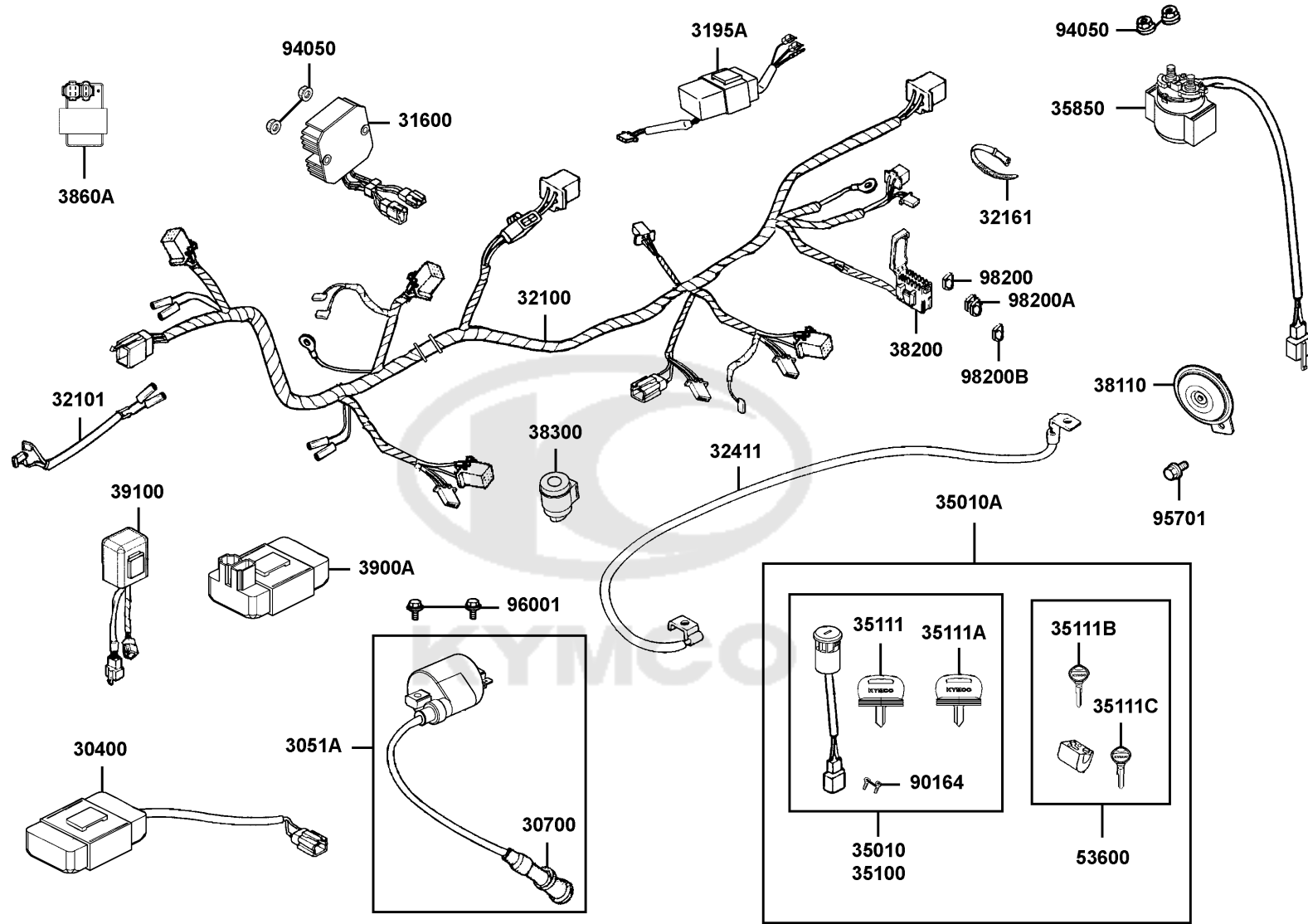




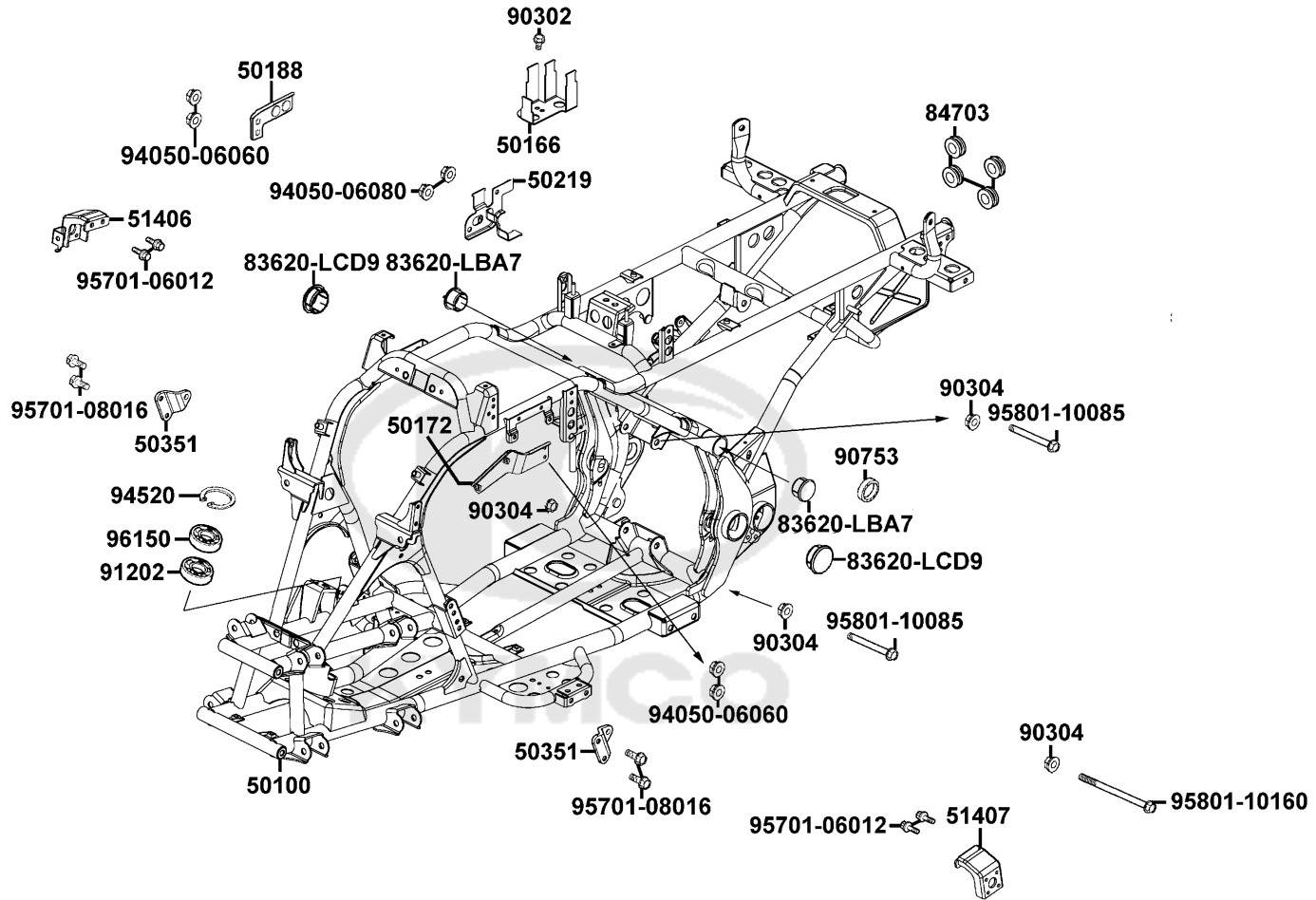
Sales mark	Ref no	Part no	Description	Reg description	Regd no	F22
	30400	30400-LDE9-E00	UNIT ASSY IGNITION	UNIT ASSY IGNITION	1	
	3051A	3051A-KHE7-900	COIL ASSY IGNITION	COIL ASSY IGNITION	1	
#	30700	30700-KHE7-900	CAP ASSY NOISE SUPPR	CAP ASSY NOISE SUPPR	1	
	31600	31600-LBA7-900	REG REC COMP	REG REC COMP	1	
	3195A	3195A-LBA7-E00	HAZARD CONTROL ASSY	HAZARD CONTROL ASSY	1	
	32100	32100-LCD9-E00	HARNESS WIRE	HARNESS WIRE	1	
#	32101	32101-LLB1-MX0	SUB CORD	SUB CORD	1	
	32161	32161-LBA7-900	BAND WIRE	BAND WIRE	1	
	32411	32411-LCA5-E00	CABLE BAT	CABLE BAT	1	
#	35010	35010-LCA5-90A	KEY SET (D206)	KEY SET (D206)	1	
	35010A	35010-LCA5-E0A	KEY SET	KEY SET	1	
#	35010A	35010-LCA5-EV0	KEY SET (A.H.C.)	KEY SET	1	
#	35100	35100-LCA5-326	SW ASSY COMB	SW ASSY COMB	1	
	35111	35111-LCA5-325-M1	KEY COMP(FOR SERVICE)	KEY COMP(FOR SERVICE)	1	
	35111A	35111-LCA5-326-M1	KEY COMP(FOR SERVICE)	KEY COMP(FOR SERVICE)	1	
	35111B	35111-LLB1-327-M1	KEY COMP (FOR SERVICE)	KEY COMP (FOR SERVICE)	1	
	35111C	35111-LLB1-328-M1	KEY COMP (FOR SERVICE)	KEY COMP (FOR SERVICE)	1	
	35850	35850-KHB4-90A	SET START MAG (D402)	SET START MAG (D402)	1	
	35850	35850-KHB4-90B	SET START MAG (D406)	SET START MAG (D406)	1	
	38110	38110-KHB4-E0A	HORN COMP (D405)	HORN COMP (D405)	1	

F22

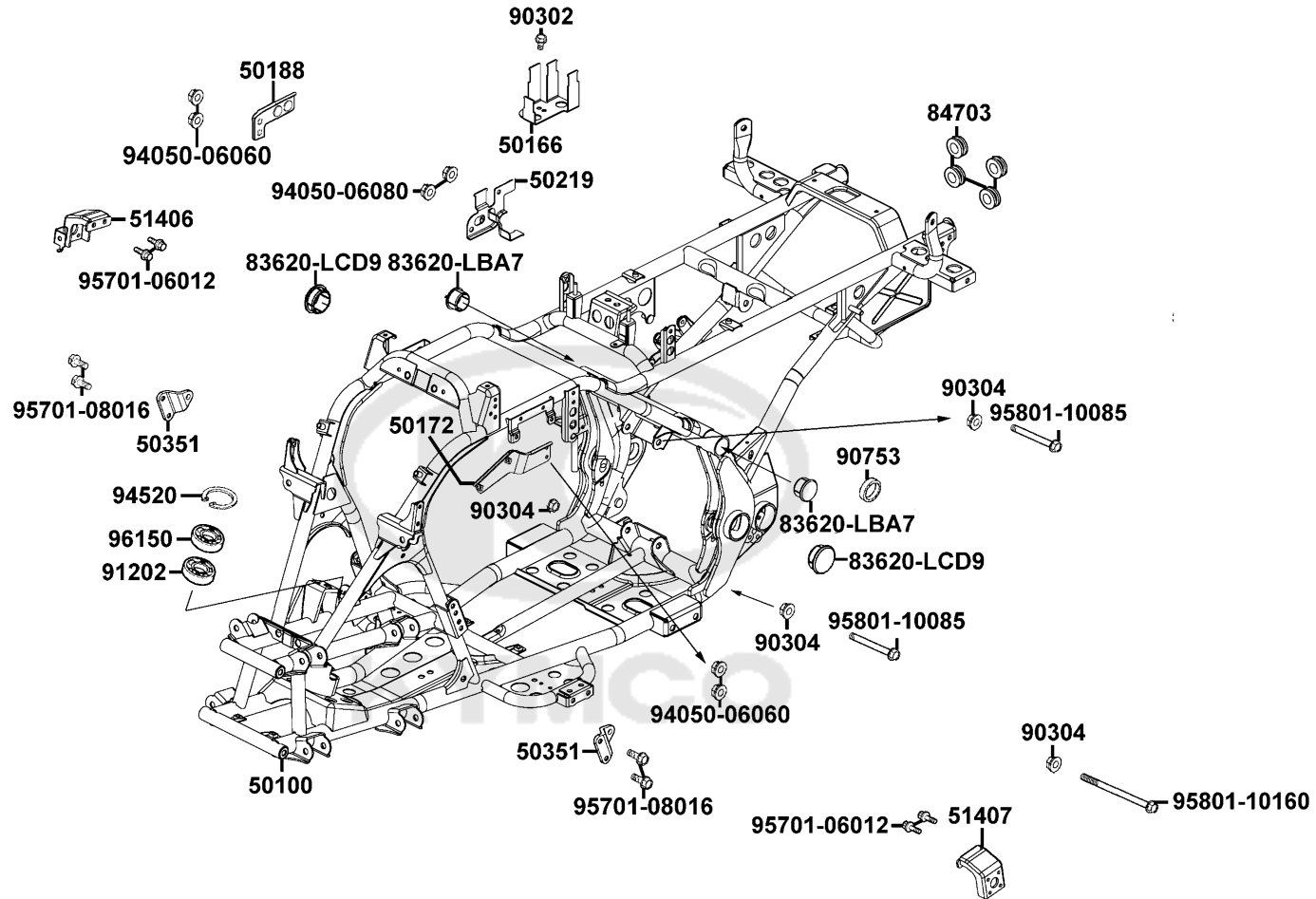
Harness Wire



Sales mark	Ref no	Part no	Description	Reg description	Regd no	F22
	38110	38110-KHB4-E0B	HORN COMP (D203)	HORN COMP (D203)	1	
	38110	38110-KHB4-E0C	HORN COMP	HORN COMP	1	
	38200	38200-KEBE-900	BOX COMP FUSE	BOX COMP FUSE	1	
	38300	38300-KECE-900	RELAY ASSY WINKER	RELAY ASSY WINKER	1	
	3860A	3860A-LCA5-E01	CONTROL ASSY LIGHTING	CONTROL ASSY LIGHTING	1	
#	3900A	3900A-LBA7-900-421	CONTROL ASSY GEAR CHANGE (D421)	CONTROL ASSY GEAR CHANGE (D421)	1	
#	3900A	3900A-LBA7-900-425	CONTROL ASSY GEAR CHANGE (D425)	CONTROL ASSY GEAR CHANGE (D425)	1	
	39100	39100-LBA7-E00	EMI FILTER FAN MOTOR	EMI FILTER FAN MOTOR	1	
	53600	53600-LLB1-325	LOCK SET STEERNG HANDLE	LOCK SET STEERNG HANDLE	1	
	90164	90164-0H28-900	SCREW FLAT U LOCK 6*12	SCREW FLAT U LOCK 6*12	2	
	94050	94050-06080	NUT FLANGE 6MM	NUT FLANGE 6MM	4	
#	95701	95701-08012-06	BOLT FLANGE 8*12	BOLT FLANGE 8*12	1	
#	96001	96001-06016-06	BOLT FLANGE SH 6X16	BOLT FLANGE SH 6*16	1	
	98200	98200-31000	BLADE FUSE 10A **(0) C.2005.03.01	BLADE FUSE 10A **(0) C.2005.03.01	1	
	98200A	98200-31500	FUSE A15	FUSE A15	1	
	98200B	98200-33000	BLADE FUSE 30A	BLADE FUSE 30A	2	



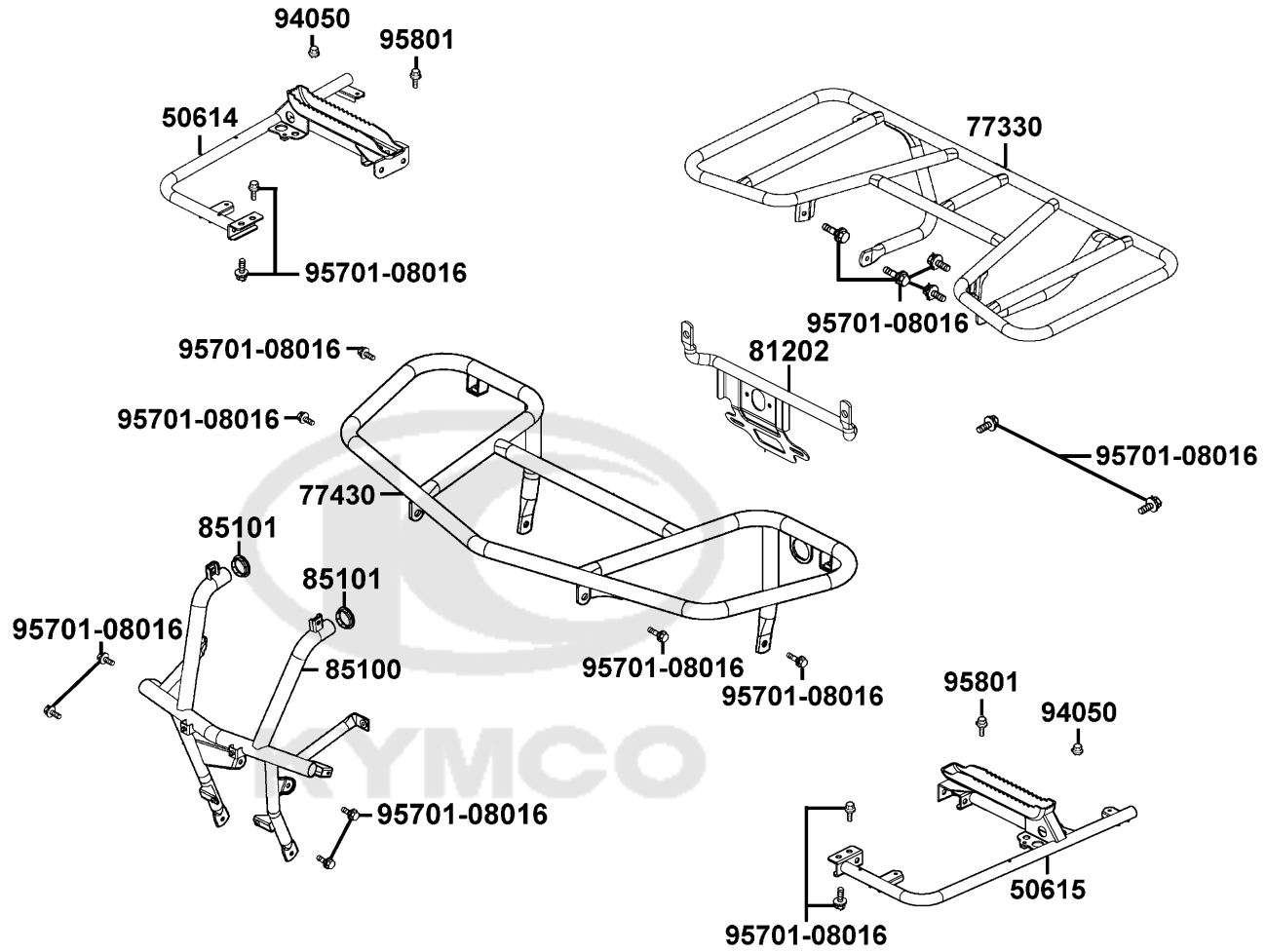
Sales mark	Ref no	Part no	Description	Reg description	Regd no	F23
	50100	50100-LCD9-E00	BODY COMP FRAME	BODY COMP FRAME	1	
	50166	50166-LBA7-900	STAY START MAG SW	STAY START MAG SW	1	
	50172	50172-LBA7-900	STAY CATCH TANK	STAY CATCH TANK	1	
	50188	50188-LCD9-E00	STAY STOP SW	STAY STOP SW	1	
	50219	50219-LCA5-E00	STAY WINKER RELAY	STAY WINKER RELAY	1	
	50351	50351-LBA7-900	BRKT ENG HANGER	BRKT ENG HANGER	2	
	51406	51406-LCA5-E00	RH STAY FR CARRIER	RH STAY FR CARRIER	1	
	51407	51407-LCA5-E00	STAY L FR FENDER	STAY L FR FENDER	1	
	83620-LBA7	83620-LBA7-900	CAP PIPE	CAP PIPE	2	
	83620-LCD9	83620-LCD9-E00	CAP PIPE	CAP PIPE	2	
	84703	84703-LLB1-900	RUBBER TAIL LIGHT	RUBBER TAIL LIGHT	4	
#	90302	90302-LLB1-E00	BOLT-WASHER 5*12	BOLT-WASHER 5*12	1	
	90304	90304-GLW0-90A	NUT U FLANGE 10MM	NUT U FLANGE 10MM	4	
	90753	90753-GDB4-68A	OIL SEAL 27*40*6	OIL SEAL 27*40*6	1	
	91202	91202-LLB1-900	OIL SEAL 22*35*7	OIL SEAL 22*35*7	1	
	94050-06060	94050-06060	NUT FLANGE 6MM	NUT FLANGE 6MM	4	
	94050-06080	94050-06080	NUT FLANGE 6MM	NUT FLANGE 6MM	2	
	94520	94520-40000	CIR CLIP IN 40	CIR CLIP IN 40	1	
	95701-06012	95701-06012-06	BOLT FLANGE 6*12 **07 C.2005.07.01	BOLT FLANGE 6*12 **07 C.2005.07.01	4	
#	95701-08016	95701-08016-06	BOLT FLANGE 8*16	BOLT FLANGE 8*16	4	



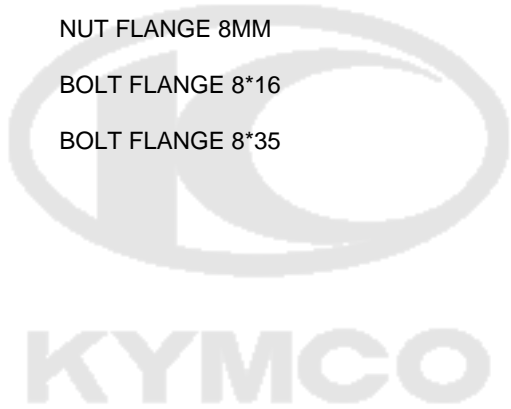
Sales mark	Ref no	Part no	Description	Reg description	Regd no	F23
------------	--------	---------	-------------	-----------------	---------	------------

95801-10085		95801-10085-06	BOLT FLANGE 10*85	BOLT FLANGE 10*85	2	
95801-10160		95801-10160-06	BOLT FLANGE 10*160	BOLT FLANGE 10*160	1	
96150		96150-62030-10	BEARING BALL RADIAL 6203	BEARING BALL RADIAL 6203	1	



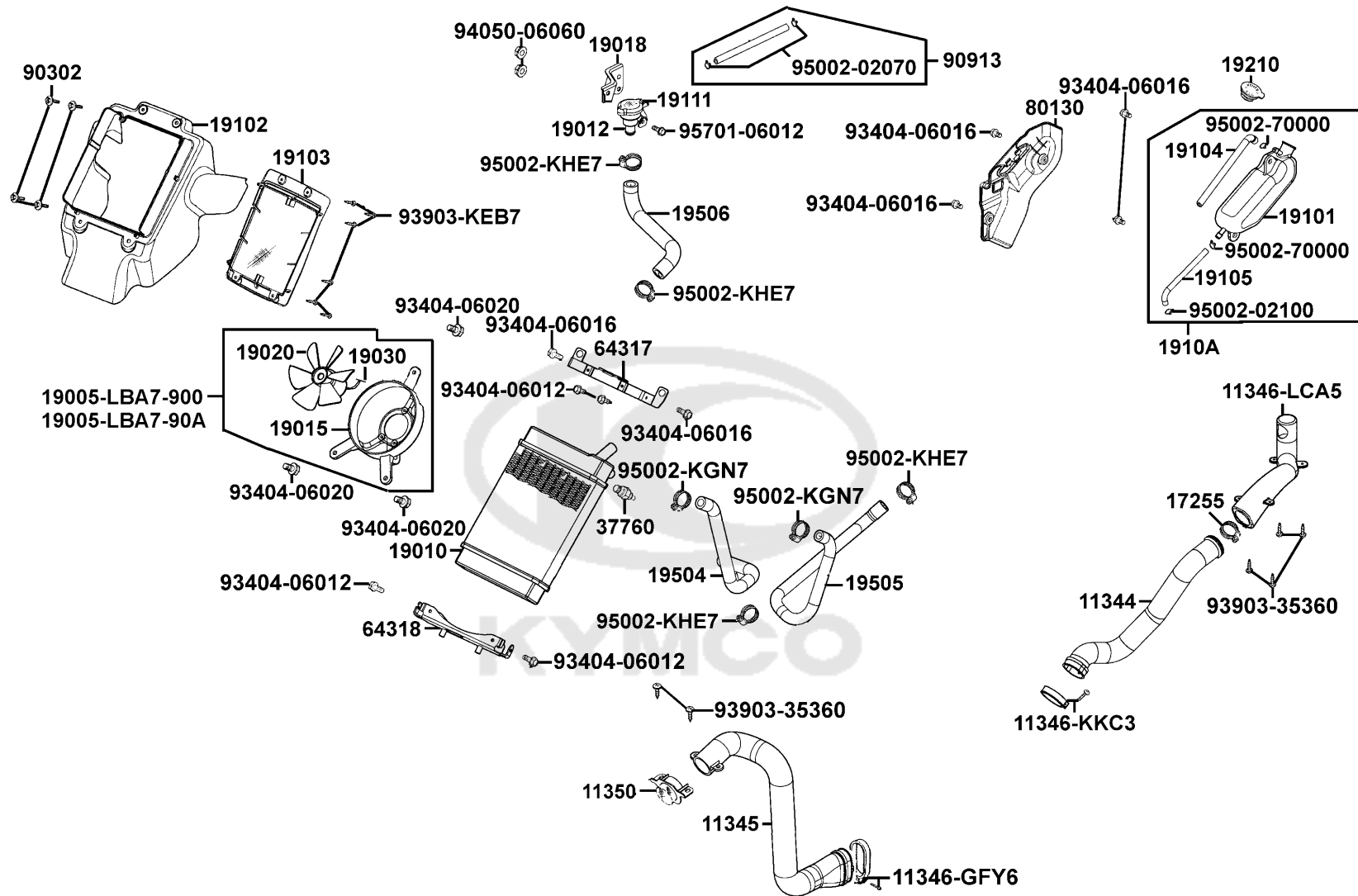


Sales mark	Ref no	Part no	Description	Reg description	Regd no	F24
	50614	50614-LCA5-E00	STAY R FLOOR PANEL	STAY R FLOOR PANEL	1	
	50615	50615-LCA5-E00	STAY L FLOOR PANEL	STAY L FLOOR PANEL	1	
**	77330	77330-LCA5-E00	REAR CARRIER LUGGAGE	REAR CARRIER LUGGAGE	1	
**	77430	77430-LCA5-E00	FRONT CARRIER LUGGAGE	FRONT CARRIER LUGGAGE	1	
	81202	81202-LCA5-E00	STAY NUMBER PLATE	STAY NUMBER PLATE	1	
**	85100	85100-LCA5-E00	PIPE COMP FR BUMPER	PIPE COMP FR BUMPER	1	
	85101	85101-LCA5-E00	CAP PIPE	CAP PIPE	2	
	94050	94050-08080	NUT FLANGE 8MM	NUT FLANGE 8MM	2	
#	95701	95701-08016-06	BOLT FLANGE 8*16	BOLT FLANGE 8*16	18	
	95801	95801-08035-06	BOLT FLANGE 8*35	BOLT FLANGE 8*35	2	



F25

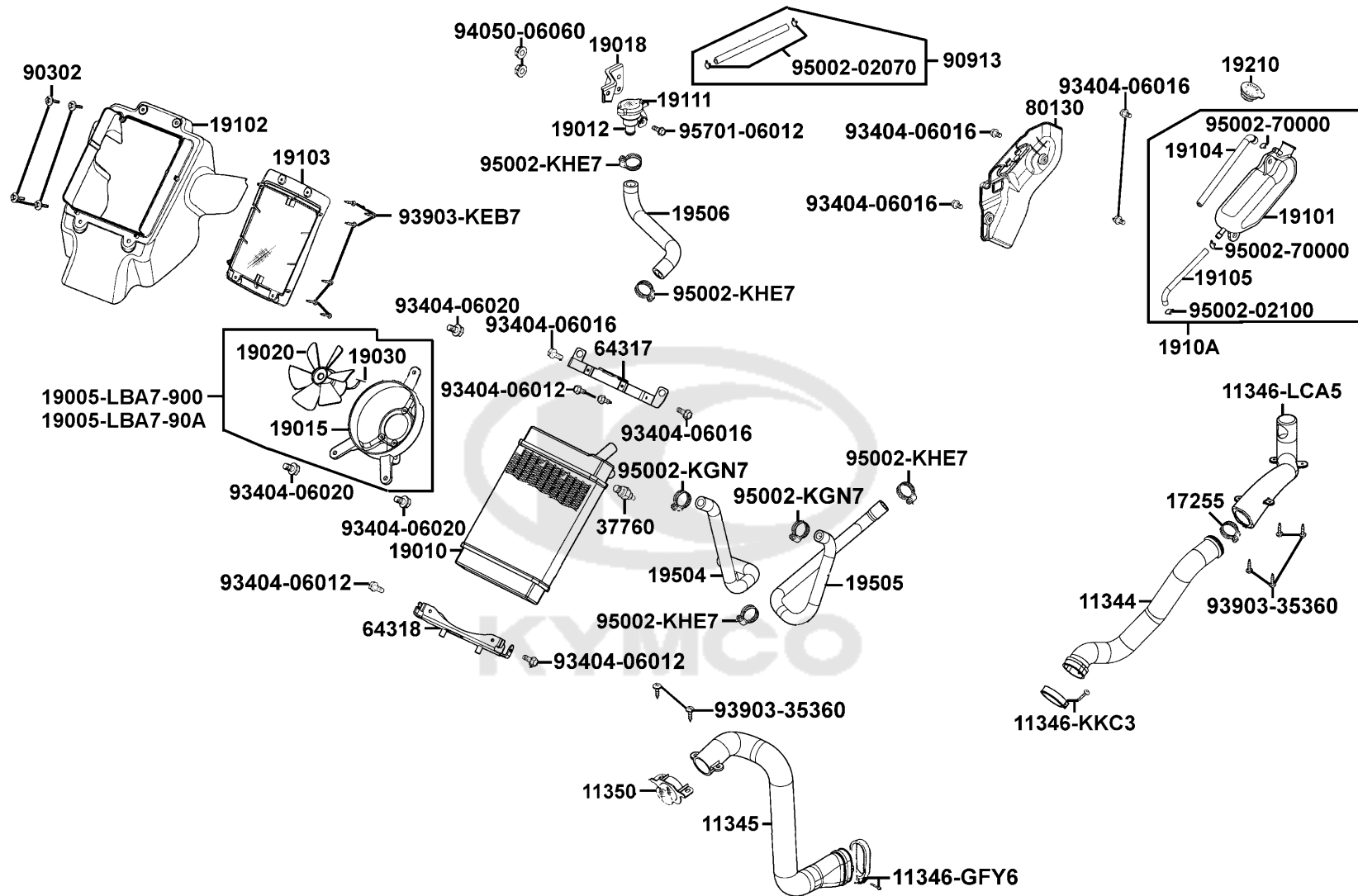
Radiator



Sales mark	Ref no	Part no	Description	Reg description	Regd no	F25
	11344	11344-LCA5-E00	DUCT B L COVER	DUCT B L COVER	1	
	11345	11345-LCA5-E00	DUCT A L COVER	DUCT A L COVER	1	
	11346-GFY6	11346-GFY6-901	BAND L COVER DUCT	BAND L COVER DUCT	1	
	11346-KKC3	11346-KKC3-900	BAND L COVER DUCT	BAND L COVER DUCT	1	
	11346-LCA5	11346-LCA5-E00	DUCT C L COVER	DUCT C L COVER	1	
	11350	11350-LCA5-E00	ELEMENT DUCT A L COVER	ELEMENT DUCT A L COVER	1	
	17255	17255-PWA1-900	BAND A CONNECTING	BAND A CONNECTING	1	
	19005-LBA7-900	19005-LBA7-900	SHROUD ASSY	SHROUD ASSY	1	
	19005-LBA7-90A	19005-LBA7-90A	SHROUD ASSY	SHROUD ASSY	1	
	19010	19010-LBA7-900	RADIATOR COMP	RADIATOR COMP	1	
	19012	19012-KHD8-900	UNIT RADIATOR	UNIT RADIATOR	1	
	19015	19015-KKC4-900	SHROUD COMP	SHROUD COMP	1	
	19018	19018-LBA7-900	STAY UNIT RADIATOR	STAY UNIT RADIATOR	1	
	19020	19020-KHD8-900	FAN COOLING	FAN COOLING	1	
	19030	19030-LBA7-900	MOTOR ASSY FAN	MOTOR ASSY FAN	1	
	19101	19101-LBA7-900	TANK RESERVE	TANK RESERVE	1	
# **	19102	19102-LCA5-E01	DUCT DOOLING AIR	DUCT DOOLING AIR	1	
	19103	19103-LBA7-900	GRID RADIATOR	GRID RADIATOR	1	
	19104	19104-LBA7-900	HOSE ASSY DRAIN	HOSE ASSY DRAIN	1	
	19105	19105-LCA5-E00	HOSE ASSY RESERVE TANK-PRESSURE	HOSE ASSY RESERVE TANK-PRESSURE	1	

F25

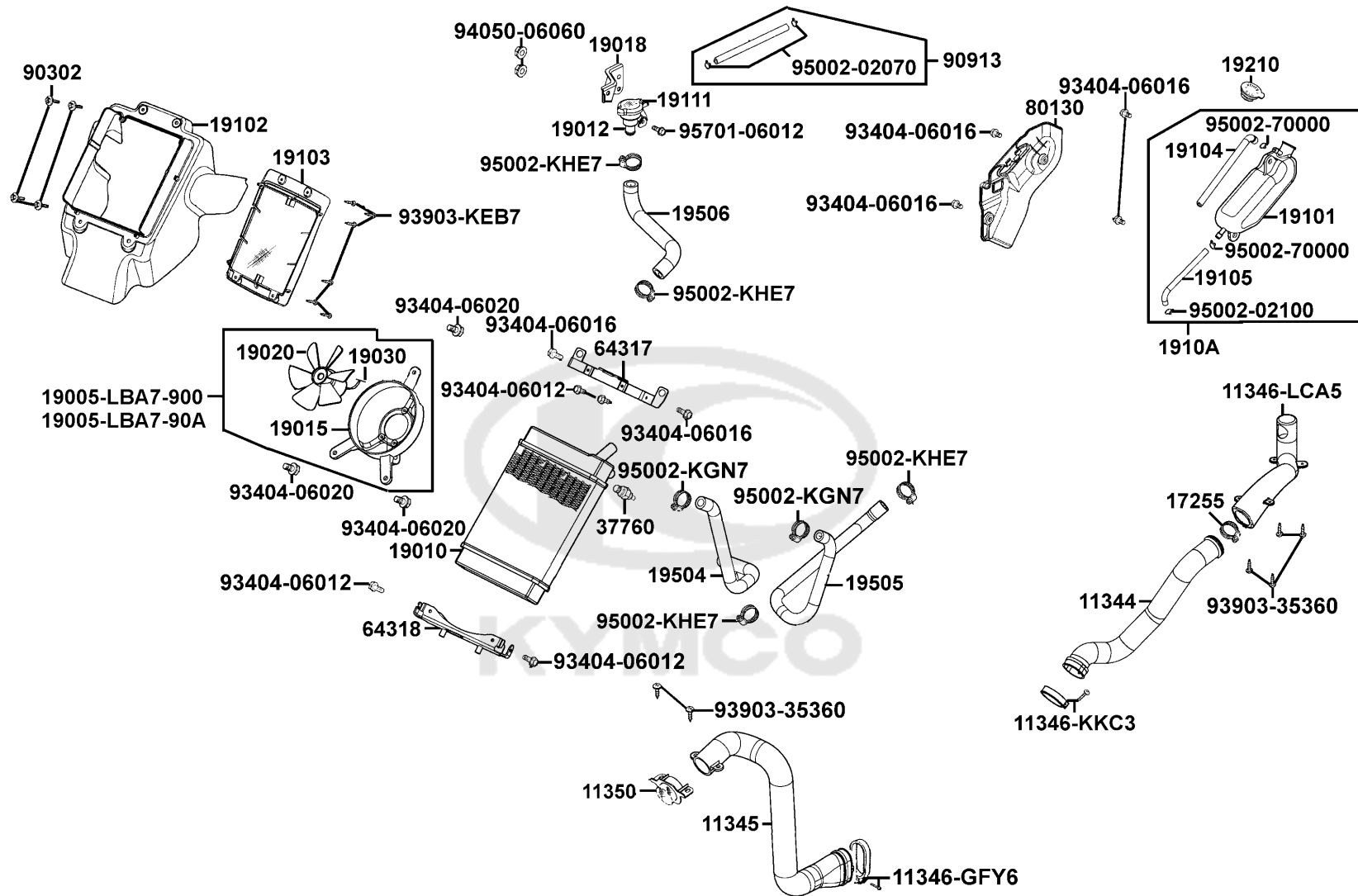
Radiator



Sales mark	Ref no	Part no	Description	Reg description	Regd no	F25
	1910A	1910A-LCA5-E00	TANK ASSY RESERVE	TANK ASSY RESERVE	1	
	19111	19111-GBE2-004	CAP COMP	CAP COMP	1	
	19210	19210-KKC4-900	CAP RESERVE TANK	CAP RESERVE TANK	1	
	19504	19504-LBA7-900	HOSE WATER D RADIATOR-ENG	HOSE WATER D RADIATOR-ENG	1	
	19505	19505-LBA7-900	HOSE WATER F ENG-RADIATOR	HOSE WATER F ENG-RADIATOR	1	
	19506	19506-LBA7-900	HOSE WATER G RADIATOR-PRESSURE	HOSE WATER G RADIATOR-PRESSURE	1	
	37760	37760-KHD8-900	SW ASSY THERMO	SW ASSY THERMO	1	
	64317	64317-LBA7-900	STAY RADIATOR UP	STAY RADIATOR UP	1	
	64318	64318-LBA7-900	STAY RADIATOR BOTTOM	STAY RADIATOR BOTTOM	1	
#	80130	80130-LBA7-910	PROTECTOR MASTER CYLINDER	PROTECTOR MASTER CYLINDER	1	
	90302	90302-GFY6-901	BOLT WASH 5*12 **(1) C.V.	BOLT WASH 5*12 **(1) C.V.	4	
	90913	90913-LBA7-900	TUBE ASSY WATER PUMP-PRESSURE	TUBE ASSY WATER PUMP-PRESSURE VALVE	1	
#	93404-06012	93404-06012-06	BOLT WASHER 6X12	BOLT WASHER 6X12	1	
	93404-06016	93404-06016-06	BOLT WASHER 6*16	BOLT WASHER 6*16	6	
	93404-06020	93404-06020-06	BOLT WASHER 6*20 (G)	BOLT WASHER 6*20 (G)	3	
	93903-35360	93903-35360	SCREW TAPPING 5*16	SCREW TAPPING 5*16	6	
	93903-KEB7	93903-KEB7-900-06	SCREW WASHER 4*12 (G)	SCREW WASHER 4*12 (G)	6	
	94050	94050-06060	NUT FLANGE 6MM	NUT FLANGE 6MM	2	
	95002-02070	95002-02070	CLIP B7 TUBE	CLIP B7 TUBE	2	
	95002-02100	95002-02100	CLIP B15 TUBE	CLIP B15 TUBE	1	

F25

Radiator



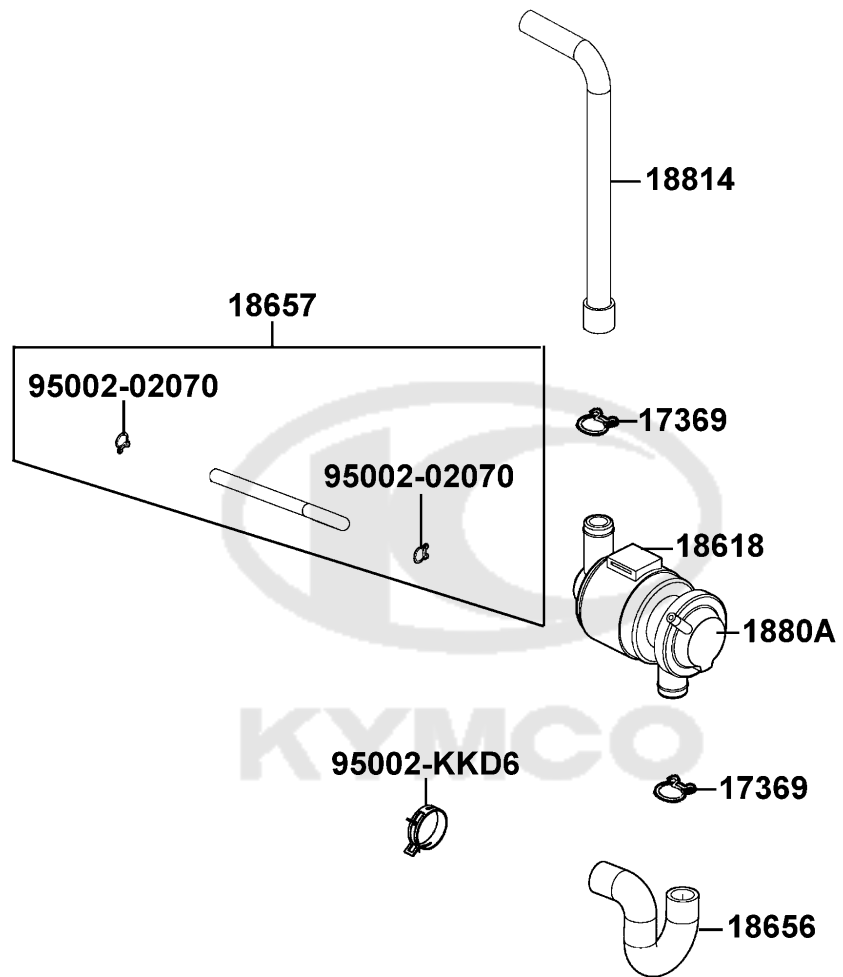
Sales mark	Ref no	Part no	Description	Reg description	Regd no	F25
------------	--------	---------	-------------	-----------------	---------	------------

95002-70000		95002-70000	CLIP C11 TUBE	CLIP C11 TUBE	2	
95002-KGN7		95002-KGN7-910	CLIP TUBE	CLIP TUBE	2	
95002-KHE7		95002-KHE7-900	CLIP WATER HOSE	CLIP WATER HOSE	4	
95701		95701-06012-06	BOLT FLANGE 6*12 **07 C.2005.07.01	BOLT FLANGE 6*12 **07 C.2005.07.01	1	



F26

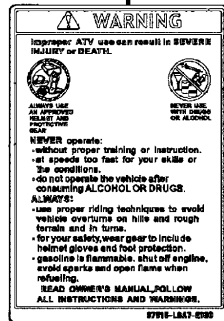
Air Injection Cut Valve



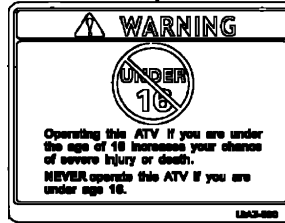
Sales mark	Ref no	Part no	Description	Reg description	Regd no	F26
	17369	17369-KDB4-671	CLIP BREATHER TUBE	CLIP BREATHER TUBE	2	
	18618	18618-LLF5-90A	RUBBER AICV MOUNT	RUBBER AICV MOUNT	1	
	18656	18656-LBA7-E00	DUCT AICV-REED VALVE	DUCT AICV-REED VALVE	1	
	18657	18657-LBA7-E00	TUBE ASSY VACUUM	TUBE ASSY VACUUM	1	
	1880A	1880A-LBA7-E0A	AI/C-AICV ASSY	AI/C-AICV ASSY	1	
	18814	18814-LBA7-E00	DUCT AIR-AICV	DUCT AIR-AICV	1	
	95002-02070	95002-02070	CLIP B7 TUBE	CLIP B7 TUBE	2	
	95002-KKD6	95002-KKD6-E05	CLAMP D18 TUBE	CLAMP D18 TUBE	1	



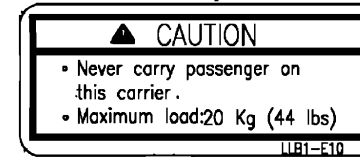
87515



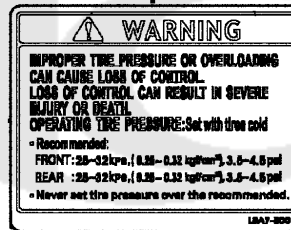
87517



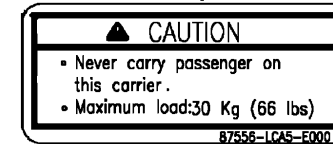
87556-LLB1



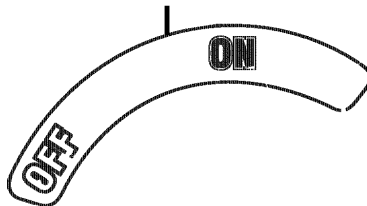
87505



87556-LCA5



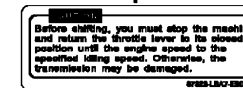
86182



87514



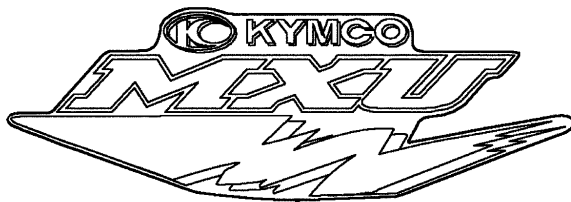
87322



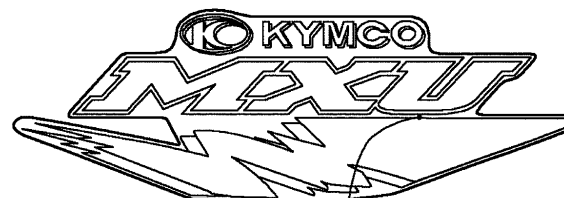
KYMCO

Sales mark	Ref no	Part no	Description	Reg description	Regd no	F27
**	86182	86182-LCA5-EVV	SW LABEL	SW LABEL	1	
**	87322	87322-LBA7-E00	CAUTION SHIFIT GEARS	CAUTION SHIFIT GEARS	1	
**	87505	87505-LBA7-E01	LABEL TIRE ON ROAD	LABEL TIRE ON ROAD	1	
**	87514	87514-LDE9-E00	CAUTION MAXIMUM CAPACITY	CAUTION MAXIMUM CAPACITY	1	
**	87515	87515-LBA7-E01	CAUTION LIST ON ROAD	CAUTION LIST ON ROAD	1	
**	87517	87517-LBA7-E00	CAUTION DRIVE AGE	CAUTION DRIVE AGE	1	
**	87556-LCA5	87556-LCA5-E00	CAUTION CARRIER MAX LOAD (30KG)	CAUTION CARRIER MAX LOAD (30KG)	1	
**	87556-LLB1	87556-LLB1-E01	CAUTION DRIVE AGE	CAUTION DRIVE AGE	1	





86533



86523



87532-LBE8



86102



87532-LCA5



86623



86633

Sales mark	Ref no	Part no	Description	Reg description	Regd no	F28
**	86102	86102-LCA5-900	STRIPE K-LOGO 30MM	STRIPE K-LOGO 30MM	1	
**	86523	86523-LCA5-E61	STRIPE R FR FENDER	STRIPE R FR FENDER	1	
**	86533	86533-LCA5-E61	STRIPE L FR FENDER	STRIPE L FR FENDER	1	
**	86623	86623-LDE9-E61	STRIPE R RR FENDER	STRIPE R RR FENDER	1	
**	86633	86633-LDE9-E61	STRIPE L RR FENDER	STRIPE L RR FENDER	1	
**	87532-LBE8	87532-LBE8-900	STRIPE KYMCO	STRIPE KYMCO	1	
**	87532-LCA5	87532-LCA5-900	STRIPE K-LOGO 60MM	STRIPE K-LOGO 60MM	1	



PART NO. INDEX

PART NO.	VERSION	PAGE	PART NO.	VERSION	PAGE	PART NO.	VERSION	PAGE
1000			11221-LBA7-900	1	E07			
			11330-LDE9-E00	8	E04	12000		
			11341-LBA7-900	7	E01			
1010-43FH-9900	0	E09	11344-LCA5-E00	1	F25	12100-LDE9-E00	5	E03
1012-382H-0140	0	E09	11345-LCA5-E00	2	F25	12191-KHE7-910	2	E03
1014-840-2000	0	E09	11346-GFY6-901	0	F25	12200-LDB2-E00	4	E02
1020-54D0-9900	0	E09	11346-KKC3-900	0	F25	12205-KHE8-301	5	E02
1031-KN4H-6511	0	E09	11346-LCA5-E00	3	F25	12209-GDB4-68B	0	E02
103J-061H-9901	0	E09	11347-LBA7-900	5	E05	1221A-LDB2-E00	3	E02
1051-KCSH-9200	0	E09	11348-LCA5-E00	6	E01	12251-KHE7-901	2	E02
105J-092H-9911	0	E09	11350-LCA5-E00	1	F25	12310-LDB2-E00	5	E02
106B-KPS0-0003	0	E09	11394-LBA7-900	5	E04	12361-GFY6-901	1	E04
1113-HB7H-6710	0	E09	11395-LBA7-900	2	E01	12361-GFY6-901	1	F19
120A-106H-9901	0	E09	11700-LCA5-E00	7	E01	12391-LDB2-E00	1	E02
1230-846-2000	0	E09	11700-LDE9-E00	0	E01	12431-LCD9-E00	1	E07
1300-KG8H-9010	0	E09	11701-LDE9-E00	1	E01			
1300-KG8H-Q010	0	E09	11702-LCA5-E00	1	E01	13000		
1305-491H-9901	0	E09	11703-LCA5-E00	4	E01			
1782-013H-9900	0	E09	11704-LCA5-E00	1	E01	1300A-LDE9-305	0	E03
1795-KG8H-9011-3	0	E09	11705-LCA5-E00	3	E01	13011-KHE7-900	0	E03
			11706-LCA5-E00	1	E01	13101-LDB2-E00	6	E03
11000			11707-LCA5-E00	1	E01	13111-LDB2-E00	2	E03
			11708-LCA5-E00	1	E01			
11100-LDE9-E00	2	E01	1171A-LCA5-E00	4	E01	14000		
11192-LBA7-900	5	E01						
11200-LCD9-E00	4	E01				14100-LDB2-E00	5	E02

PART NO. INDEX

PART NO.	VERSION	PAGE	PART NO.	VERSION	PAGE	PART NO.	VERSION	PAGE
14150-LDB2-E00	2	E02	15447-1K49-001	1	E03	1723A-LDE9-E00	1	F13
14401-LDE9-E00	2	E03	1565A-KKAK-900	0	E04	17246-LBA7-900	2	F13
14431-LDB2-E00	1	E02	15661-LBA7-900	1	E04	17255-KKAK-900	0	F13
14450-KEBE-900	1	E02	15711-KHE7-900	0	E06	17255-PWA1-900	0	F25
14452-LDB2-E00	1	E02				17257-LBA7-900	4	F13
14510-LDE9-E00	2	E03	16000			17265-LBA7-900	1	F13
14520-GFY6-90C	2	E03				17369-KDB4-671	1	F13
14523-KED9-920	1	E03	16075-KG8-9010-M1	0	E09	17369-KDB4-671	1	F26
14531-KHE7-900	1	E03	16075-PC3-7810-M1	0	E09	17369-KHC4-900	0	F13
14610-LDE9-E00	1	E03	16076-ND5-0040	0	E09	17371-1D74-671	0	F13
14711-LDF2-900	1	E02	1610K-LDE9-900	1	E09	17500-LCA5-E00	0	F10
14721-LDB2-E00	2	E02	16115-169-0040	0	E09	17500-LCA5-E01	1	F10
14751-KHE7-900	0	E02	16119-MZ2-6000-K2	0	E09	17522-LLB1-900	1	F10
14761-KHE7-900	0	E02	16162-KG8-9010-M1	0	E09	17524-LLB1-900	1	F10
14771-GDB4-680	0	E02	1691A-GFY6-90A	4	F10	1760A-LBA7-900	2	F10
14775-MFA6-001	0	E02	16950-LBA7-910	2	F10	1763A-LCA5-MY0	1	F10
14781-MFA6-001	0	E02	16951-LBA7-900	3	F10	17700-LCA5-E00	3	F05
			16952-LLB1-900	1	F10	17705-LCA5-E00	1	F05
15000			17000			17720-LBA7-900	1	F05
15100-LBA7-900	1	E06				17910-LBA7-900	4	F03
15133-KAM1-001	1	E06	1711A-LDE9-E00	1	E02	17950-LCA5-E00	2	F03
15141-LBA2-E00	1	E06	17214-LBA7-900	3	F13	17957-LBA7-900	1	F10
15421-1G07-001	1	E04	1721A-LBA7-900	3	F13	18000		
15426-GAE1-921	0	E04	17231-LBA7-900	5	F13			
15441-1K49-001	0	E03	17237-KED9-900	3	F13	18291-LBA7-900	2	F14

PART NO. INDEX

PART NO.	VERSION	PAGE	PART NO.	VERSION	PAGE	PART NO.	VERSION	PAGE
18293-LBA7-E00	1	F14	19015-KKC4-900	2	F25			
18294-KTCT-900	1	F14	19018-LBA7-900	1	F25	21000		
18294-LBA7-E00	0	F14	19020-KHD8-900	0	F25			
1830A-LDE9-E00	4	F14	19030-LBA7-900	2	F25	21200-LCD9-E00	9	E07
18325-LLB1-900	1	F14	19101-LBA7-900	4	F25	21202-LCD9-E00	5	E07
18424-LBA7-E00	1	F14	19102-LCA5-E00	5	F25	21203-LCD9-E00	6	E07
18601-MAJ1-791	1	E02	19102-LCA5-E01	1	F25	21395-LCD9-E00	2	E07
18612-GFY6-941	0	E02	19103-LBA7-900	1	F25	21396-LCD9-E00	6	E07
18618-LLF5-90A	2	F26	19104-LBA7-900	3	F25			
18645-GFY6-941	0	E02	19105-LCA5-E00	1	F25	22000		
18646-GFY6-941	0	E02	1910A-LCA5-E00	1	F25			
18647-LDB2-900	3	E02	19111-GBE2-004	1	F25	22101-LBA7-900	1	E05
18656-LBA7-900	3	F13	19210-KKC4-900	0	F25	22102-KHE7-900	3	E05
18656-LBA7-E00	2	F26	19215-KHE7-900	0	E04	22105-LBA7-900	2	E05
18657-LBA7-900	6	F13	19217-ZPA3-E00	2	E04	22110-KHE7-900	6	E05
18657-LBA7-E00	2	F26	19221-KHE7-900	3	E04	22112-KHE7-900	1	E05
18658-KED9-900	2	F13	19229-LBA7-900	2	E04	22121-LBA7-305	0	E05
1880A-LBA7-E0A	3	F26	19231-KKJ9-011	0	E04	22131-LBA7-900	1	E05
18814-LBA7-E00	2	F26	19300-KAE1-004	1	E02	22132-KHE7-305	3	E05
			19310-KHE7-900	2	E02	22300-LBA7-900	5	E05
19000			19315-LBA7-900	1	E02	22350-KHE7-900	1	E05
			19502-LBA7-900	3	E04	22361-LEA7-E00	1	E05
19005-LBA7-900	6	F25	19504-LBA7-900	2	F25	22401-LBA7-900	4	E05
19005-LBA7-90A	1	F25	19505-LBA7-900	2	F25	22530-LBA7-900	3	E05
19010-LBA7-900	2	F25	19506-LBA7-900	1	F25	22804-GBB2-001	0	E05
19012-KHD8-900	4	F25						

PART NO. INDEX

PART NO.	VERSION	PAGE	PART NO.	VERSION	PAGE	PART NO.	VERSION	PAGE
23000			23519-LCD9-E0A	6	E07			
			23520-LCD9-E00	1	E08	28000		
2301A-LBA7-900	8	E05	24000			28101-KHE7-900	0	E06
23100-KHE7-90B	3	E05				28102-LDE9-E00	1	E06
23200-KHE7-900	7	E05	24211-LCD9-E00	5	E08	28110-KHE7-900	4	E06
23211-LCD9-E00	6	E08	24221-LCD9-E00	3	E08	28110-LDB2-E00	4	E06
23220-LLJ3-E00	5	E05	24241-LCD9-E00	1	E08	28120-KHE7-E00	0	E06
23225-KHE7-900	0	E05	24242-LCD9-E00	3	E08	28120-LDB2-E00	0	E06
23226-GHC8-004	0	E05	24251-LCD9-E00	4	E08	28213-LCA5-E00	3	E05
23233-LBA7-900	2	E05	24305-PWA1-900	1	E08			
23237-KHE7-900	0	E05	2431A-LCD9-E00	4	E08	30000		
23238-KHE7-900	0	E05	2431A-LCD9-E01	1	E08			
23411-LCD9-E00	4	E08	24610-LCD9-E00	6	E08	30400-LDE9-E00	1	F22
23420-LCD9-E00	0	E08	24651-LCD9-E00	4	E08	3051A-KHE7-900	2	F22
23420-PWA1-E00	1	E08	24700-LCD9-E00	2	F15	30700-KHE7-900	2	F22
23431-LCD9-E00	5	E07	24701-LCD9-E00	4	E08			
23440-LCD9-E00	2	E08	24702-PWA1-900	2	F15	31000		
23440-PWA1-E00	1	E08	24703-LLB1-900	1	F15			
23450-LCD9-E00	3	E08	24704-LBA7-900	4	F15	31110-LDE9-E00	1	E06
23471-LCD9-E00	2	E08	24707-LBA7-900	6	F15	31120-LDE9-E00	1	E06
23471-LCD9-E01	0	E08	24710-PWA1-900	3	F15	31210-LBA7-900	2	E06
23481-LCD9-E00	2	E08	24711-PWA1-900	2	F15	31210-LBA7-90B	1	E06
23481-LCD9-E01	0	E08	24721-LCD9-E00	1	F15	31500-KHE7-90A	6	F11
23481-PWA1-E00	1	E08	24781-LCA5-E00	3	F15	31500-KHE7-90B	6	F11
23518-LCD9-E0A	7	E08				31600-LBA7-900	6	F22

PART NO. INDEX

PART NO.	VERSION	PAGE	PART NO.	VERSION	PAGE	PART NO.	VERSION	PAGE			
3195A-LBA7-E00	1	F22	33701-LCA5-E00	0	F21	35010-LCA5-E0A	2	F22			
32000			33706-GCN3-67A	0	F21	35010-LCA5-EV0	3	F22			
			33709-KBAB-003	0	F21	35100-LCA5-326	0	F22			
			33710-LCA5-E00	0	F21	35111-LCA5-325-M1	0	F22			
			33715-LCA5-E00	0	F21	35111-LCA5-326-M1	0	F22			
32100-LCD9-E00	3	F22	33720-LCA5-E00	2	F21	35111-LLB1-327-M1	0	F22			
32101-LLB1-MX0	2	F22	33722-KHB4-E00	0	F21	35111-LLB1-328-M1	0	F22			
32161-4D04-001	2	F03	33725-KHB4-E00	0	F21	3520A-LCA5-E00	3	F03			
32161-LBA7-900	0	F22	33726-LCA5-E00	0	F21	3520A-LCA5-EV0	0	F03			
32410-LBA7-900	2	E06	33740-LCA5-E00	1	F21	35340-LBA7-900	1	F04			
32410-LBA7-90B	0	E06	33745-LCA5-E00	1	F21	35340-LDB5-900	0	F04			
32411-LCA5-E00	2	F22	33750-LCA5-E00	5	F21	35350-KNBN-901	0	F04			
32412-LCA5-E00	2	E06	33751-LCA5-E00	0	F21	35350-LBA7-900	6	F15			
32976-1G07-001	1	E01	34000			35357-LBA7-900	1	F15			
33000				34901-KFA6-900	0	F01	35759-LCD9-E00	6	E01		
				34903-KPCP-900	0	F01	35850-KHB4-90A	5	F22		
				34903-KPCP-900	0	F21	35850-KHB4-90B	4	F22		
				34905-LBA7-E00	0	F20	37000				
				34905-LCA5-E00	0	F21		37200-LCD9-E0A	3	F02	
				34906-KPCP-900	0	F21		37720-KGB5-900	0	E02	
				35000				37750-PAC1-005	0	E02	
					33100-LCA5-E00	5		F01	37760-KHD8-900	1	F25
					33110-LCA5-E00	0		F01	3780A-LCA5-E01	1	F10
			33120-LCA5-E00		0	F01					
		33130-LCA5-E00	0		F01						
		33150-LCA5-E00	5		F01						
		33400-LCA5-E00	2		F20						
		33401-LCA5-E00	0		F20						
		33450-LCA5-E00	2		F20						
		33451-LCA5-E00	0		F20						
33700-LCA5-E00	5	F21	35010-LCA5-90A	2	F22						

PART NO. INDEX

PART NO.	VERSION	PAGE	PART NO.	VERSION	PAGE	PART NO.	VERSION	PAGE
			41310-LCD9-E00	4	F19	42753-KNBN-90B	1	F08
			41320-LCD9-E00	5	F19			
			41405-LCD9-E00	2	F19	43000		
			41421-LCD9-E00	4	F19			
38000			41431-LCD9-E00	2	F19	43100-LDB5-305	0	F08
38110-KHB4-E0A	2	F22	41431-LCD9-E01	2	F19	43100-LDE9-E01	5	F08
38110-KHB4-E0B	3	F22	41435-LCD9-E00	2	F19	43100-PWA1-900	5	F08
38110-KHB4-E0C	1	F22	41436-LCD9-E00	2	F19	43125-LCD9-E00	3	F04
38200-KEBE-900	0	F22	41437-LCD9-E00	2	F19	43127-LDE9-E00	4	F04
38300-KECE-900	3	F22	41447-LCD9-E00-A	2	F19	43127-LDE9-E01	2	F04
3860A-LCA5-E01	3	F22	41447-LCD9-E00-B	2	F19	43128-LBA7-900	1	F04
			41447-LCD9-E00-C	2	F19	43200-LDE9-E00	4	F08
39000			41547-LCD9-E00-A	2	F19	43350-LDE9-E00	2	F08
3900A-LBA7-900-421	2	F22	41547-LCD9-E00-B	2	F19	43352-KKD6-E90	1	F08
3900A-LBA7-900-425	2	F22	41547-LCD9-E00-C	2	F19	43450-LDE9-E00	5	F04
39100-LBA7-E00	1	F22	42000			43500-LBA7-E00	1	F15
			42302-LDE9-E01	4	F18	43503-KGC4-E01	2	F15
40000			42302-LDE9-E05	2	F18	43512-LBA7-M30	0	F15
40201-LCD9-E00	2	E07	42303-LDE9-E00	1	F18	43514-4E45-77A	0	F15
40210-LCD9-E00	3	E07	42705-LCA5-E00	4	F08	4351A-KFW6-000	0	F15
40215-LCD9-E00	1	E07	4270A-LCA5-E00	4	F08	43530-KKC4-305	1	F04
40540-LCD9-E00	3	F18	42710-LCA5-E0A	2	F08	43600-LDE9-900	1	F04
			42710-LCA5-E0B	1	F08	44000		
41000			42753-KNBN-90B	1	F07	44311-LBA7-900	1	F07
41300-LCD9-E01	4	F19						

PART NO. INDEX

PART NO.	VERSION	PAGE	PART NO.	VERSION	PAGE	PART NO.	VERSION	PAGE
44312-LBA7-900	1	F07	45109-PWA1-900	0	F07	45352-LBA7-900	0	F08
44313-LBA7-900	1	F07	45110-LBA7-305	0	F07	45353-LBA7-900	0	F07
44620-PWA2-900	1	F16	45110-LDE9-305	0	F08	45353-LBA7-900	0	F08
44620-PWA2-900	1	F17	45121-LBD5-E00	2	F08	45513-HBA2-007	0	F15
44705-LCA5-E00	3	F07	45121-PRB3-900	4	F07	45513-KKC4-900	0	F04
4470A-LDE9-900	2	F07	45125-LBA7-E00	4	F04	45517-KFAF-910	0	F04
44710-LCA5-E0A	2	F07	45127-LDE9-E00	6	F04	45517-LDE9-E00	0	F04
44710-LCA5-E0B	1	F07	45128-LCA5-E00	3	F04	45520-KKC4-900	0	F04
44830-LBA7-E00	5	F02	45129-LCA5-E00	3	F04	45525-LBA7-900	0	F04
44831-LBA7-E00	0	F02	45130-LBA7-E00	3	F04	45526-LBA7-900	0	F04
			45131-PRB3-900	4	F07	45527-LBA7-900	0	F04
45000			45132-LBA7-900	1	F04	45530-LBA7-305	0	F04
			45133-LBA7-900	0	F07	45531-LBA7-900	0	F07
45100-LBA7-900	5	F07	45133-LBA7-900	0	F08	45531-LBA7-900	0	F08
45105-LBA7-305	0	F07	45140-LCA5-E00	3	F16			
45105-PWA1-305	0	F08	45140-LCA5-E00	3	F17	46000		
45107-KFA6-900	0	F07	45200-LBA7-900	5	F07	46500-LCD9-E00	2	F15
45107-KFA6-900	0	F08	45203-LBA7-900	0	F07	46503-KCW3-001	0	F15
45107-LDE9-305	0	F08	45203-LBA7-900	0	F08	46504-MBB2-007	0	F15
45107-PWA1-900	0	F07	45209-KFA6-900	0	F07	46513-KED9-900	1	F15
45108-LBA7-900	0	F07	45209-KFA6-900	0	F08			
45108-LBA7-900	0	F08	45209-PWA1-900	0	F07	47000		
45109-KFA6-900	0	F07	45210-LBA7-305	0	F07			
45109-KFA6-900	0	F08	45230-LBA7-900	0	F07			
45109-KKC4-900	0	F07	45230-LBA7-900	0	F08	47400-LCA5-E00	2	F16
45109-KKC4-900	0	F08	45352-LBA7-900	0	F07	47410-LCA5-E00	2	F07

PART NO. INDEX

PART NO.	VERSION	PAGE	PART NO.	VERSION	PAGE	PART NO.	VERSION	PAGE
47410-LCA5-E00	2	F08	52111-LDE9-E00	2	F18	53450-LCD9-E00	1	F16
47500-LCA5-E00	2	F17	52130-PWA1-600	1	F18	53500-PWA2-900	3	F17
			52400-PWA1-900	4	F18	53550-LCD9-E00	1	F17
50000			53000			53600-LLB1-325	0	F22
50100-LCD9-E00	9	F23				53700-LCA5-E00	4	F06
50166-LBA7-900	3	F23	53100-LCA5-E00	3	F03	53701-LCA5-E00	1	F06
50172-LBA7-900	2	F23	53102-LBA7-900	1	F03	53702-LBA7-900	1	F15
50188-LCD9-E00	1	F23	5312A-LBA7-900	7	F03	53702-LLB1-900	8	F06
50219-LCA5-E00	3	F23	53131-4K39-001	0	F03	53703-LBA7-900	1	F15
50328-LCA5-E00	1	F11	53132-LLB1-900	6	F03	53703-LLB1-900	8	F06
50351-LBA7-900	1	F23	53166-KEC5-001	2	F03	60000		
50614-LCA5-E00	6	F24	53175-LBA7-305	0	F04			
50615-LCA5-E00	6	F24	53178-KFC8-E10	0	F04	60100-LCA5-E00	7	F05
			53190-LDE9-E00	0	F04	60120-LCD9-E00	5	F05
51000			53192-LDE9-E00	0	F04			
			53193-LDE9-E00	0	F04	61000		
51400-PWA1-900	4	F16	53194-LDE9-E00	0	F04			
51400-PWA1-900	4	F17	53200-LBA7-E00	5	F06	61104-3G57-001	0	F10
51406-LCA5-E00	4	F23	53205-LCA5-E00	3	F03			
51407-LCA5-E00	2	F23	53205-LCA5-EV0	1	F03	64000		
			53250-LBA7-900	2	F06			
52000			53251-LCA5-E00	1	F06	64222-LLJ3-E00	1	F12
			53252-LBA7-900	4	F06	64301-LCA5-E00	2	F05
52000-LDE9-E00	1	F18	53254-LBA7-900	3	F06	64302-LCA5-E00	4	F05
52101-LCD9-E00	3	E07	53400-PWA2-900	3	F16	64302-LCA5-E01	1	F05

PART NO. INDEX

PART NO.	VERSION	PAGE	PART NO.	VERSION	PAGE	PART NO.	VERSION	PAGE
64303-LCA5-E01	1	F05				86533-LCA5-E61	7	F28
64304-LCA5-E01	1	F05	81000			86623-LDE9-E61	2	F28
64317-LBA7-900	3	F25				86633-LDE9-E61	2	F28
64318-LBA7-900	3	F25	81202-LCA5-E00	3	F24	87000		
77000			83000			87322-LBA7-E00	3	F27
77200-LCA5-E00	1	F09	83500-LCA5-E01	1	F12	87505-LBA7-E01	3	F27
77303-LLB1-900	3	F09	8360A-LCA5-E01	1	F12	87514-LDE9-E00	1	F27
77330-LCA5-E00	7	F24	83620-LBA7-900	2	F23	87515-LBA7-E01	2	F27
77430-LCA5-E00	4	F24	83620-LCD9-E00	4	F23	87517-LBA7-E00	3	F27
80000			84000			87532-LBE8-900	3	F28
80100-LCA5-E00	8	F12	84703-LLB1-900	1	F23	87532-LCA5-900	2	F28
80110-LBA7-900	1	F12	85000			87556-LCA5-E00	2	F27
80121-LCA5-E01	1	F12				87556-LLB1-E01	3	F27
80122-LCA5-E01	1	F12				88000		
80125-LBD4-900	1	F12	85100-LCA5-E00	4	F24	88110-LBA7-E00	1	F03
80130-LBA7-910	1	F25	85101-LCA5-E00	2	F24	88120-LBA7-E00	1	F03
80200-LCA5-E00	4	F12	86000			89000		
80300-LCA5-E00	1	F11				89010-LBA7-900	6	F09
80300-LCA5-E00	2	F11				89020-KKC4-900	1	F09
			86102-LCA5-900	6	F28			
			86182-LCA5-EVV	3	F27			
			86523-LCA5-E61	7	F28			

PART NO. INDEX

PART NO.	VERSION	PAGE	PART NO.	VERSION	PAGE	PART NO.	VERSION	PAGE	
90000			90122-LCD9-E00	5	F18	90306-LCD9-E00	3	E08	
			90123-LCD9-E00	3	F18	90311-LCD9-E00	4	E08	
			90133-LLB1-900	1	E01	90312-LCD9-E00	4	E08	
	90001-GBHB-661	3	E03	90145-LEA3-E00	1	F04	90313-LCD9-E00	4	E08
	90001-GBHB-661	3	E06	90164-0H28-900	2	F22	90314-LCD9-E00	4	E08
	90001-GBHB-681	3	E01	90201-KHE7-900	1	E05	90315-LCD9-E00	4	E08
	90001-GBHB-711	3	E01	90201-KHR8-75A	1	E05	90316-LCD9-E00	4	E08
	90001-GFY6-901	5	E01	90201-KHR8-75A	1	E06	90317-LCD9-E00	4	E08
	90001-GFY6-901	5	E08	90202-1G87-001	2	E05	90318-LCD9-E00	4	E08
	90005-KED9-900	2	E03	90206-0A01-001	4	E02	90319-LCD9-E00	4	E08
	90012-3C33-001	1	E02	90242-LCD9-E00	1	F19	90320-LCD9-E00	4	E08
	90031-KEBE-900	0	E01	90301-LBA7-900	1	F07	90321-LCD9-E00	4	E08
	90031-KKA7-900	0	E01	90301-LBA7-900	1	F08	90322-LCD9-E00	4	E08
	90033-GFY6-900	1	E02	90302-GFY6-901	1	F03	90331-LCD9-E00	4	E07
	90071-MLB0-001	1	E06	90302-GFY6-901	1	F25	90332-LCD9-E00	4	E07
	90084-4H28-001	1	E04	90302-LLB1-E00	2	F10	90333-LCD9-E00	4	E07
	9008A-LBA7-900	2	E04	90302-LLB1-E00	2	F11	90334-LCD9-E00	4	E07
	9008A-LCA5-E00	1	E01	90302-LLB1-E00	2	F23	90335-LCD9-E00	4	E07
	90101-LCA5-E00	3	F15	90302-PWA1-900	3	F05	90336-LCD9-E00	4	E07
	90105-LBA7-900	2	F07	90302-PWA1-900	3	F10	90337-LCD9-E00	4	E07
90105-LBA7-900	2	F08	90304-4H38-001	2	E02	90338-LCD9-E00	4	E07	
90105-MLL0-731	1	F07	90304-GLW0-90A	1	F16	90339-LCD9-E00	4	E07	
90105-MLL0-731	1	F08	90304-GLW0-90A	1	F17	90340-LCD9-E00	4	E07	
90110-LLB1-800	2	F12	90304-GLW0-90A	1	F18	90341-LCD9-E00	4	E07	
90114-1F66-007	2	F04	90304-GLW0-90A	1	F23	90342-LCD9-E00	4	E07	
90121-LCD9-E00	6	F18	90305-MAA1-004	1	F06	90401-KKJ9-001	0	E06	

PART NO. INDEX

PART NO.	VERSION	PAGE	PART NO.	VERSION	PAGE	PART NO.	VERSION	PAGE
90401-KKJ9-001	0	E08	90545-3L00-001	2	F04	91005-LBA7-900	1	E01
90403-LCD9-E00	0	E08	90605-1F66-721	0	E05	91106-LBA7-900	1	E01
90404-PWA1-E00	1	E08	90605-KED9-900	2	E08	91106-LBA7-900	1	E08
90423-KKJ9-001	0	E04	90651-LCA5-E00	1	F01	91106-LBA7-90A	0	E01
90441-KDY4-901	0	E01	90652-LCA4-E00	6	F12	91106-LBA7-90A	0	E08
90441-LBA7-900	2	E01	90652-LCD9-E00	0	E07	91106-LCD9-E00	1	F19
90441-PWA1-E00	1	E08	90652-LLJ3-E00	0	F13	91201-9A51-004	0	E07
90447-KED9-900	2	E08	90653-LCD9-E00	2	E07	91201-KKJ9-004	0	E04
90451-LBA7-900	1	E08	90656-KCBC-900	0	F04	91202-KKC4-900	1	E01
90451-LCD9-E00	0	E08	90660-LDE9-E00	1	F04	91202-KKC4-90B	2	E01
90451-LDE9-E00	1	E08	90677-GAR1-004	2	F05	91202-LLB1-900	1	F23
90452-LBA7-900	1	E08	90677-GAR1-004	2	F12	91206-2F86-014	0	E07
90455-LBA7-900	1	E08	90683-GAR1-004	4	F13	91211-KHE7-900	0	E05
90455-LDE9-E00	2	E08	90750-LLB1-900	2	E01	91251-LCD9-E00	2	F19
90455-PWA1-E00	1	E08	90753-GDB4-68A	0	F23	91251-PWA1-600	2	F18
90458-LBA7-E00	1	E07	90913-LBA7-900	1	F25	91254-LDE9-E00	0	F18
90465-MDC4-001	0	E02				91256-LCD9-E00	2	E07
90474-3C33-001	1	E07	91000			91257-2L30-006	0	F07
90474-3C33-001	1	E08				91257-LBA7-900	1	F07
90474-3C33-001	1	F19	91001-KHV8-004	0	E01	91258-LBA7-900	1	F16
90478-7L00-001	0	E02	91001-KKJ9-006	0	E04	91258-LBA7-900	1	F17
90478-7L00-001	0	E04	91002-GFY6-90A	1	E07	91261-4E15-004	0	E01
90501-3L10-001	0	F15	91002-GFY6-90B	0	E07	91261-LCD9-E00	3	F19
90521-0H28-001	0	E08	91002-GGA7-70A	0	E05	91271-LCD9-E00	2	F19
9052A-GFY6-950	4	E01	91002-LDE9-E00	1	E07	91301-KHE7-900	0	E01
9052A-GFY6-950	4	E07	91004-KHE7-900	1	E05	91301-KHE7-900	0	E02

PART NO. INDEX

PART NO.	VERSION	PAGE	PART NO.	VERSION	PAGE	PART NO.	VERSION	PAGE
91301-LCD9-E00	1	F19				93893-04012-18	0	F15
91302-0A01-021	0	E04	93000			93903-34360	0	F05
91302-0A01-021	0	F19				93903-34360	0	F12
91302-KHE7-900	0	E04	93404-06012-06	1	F13	93903-34360	0	F21
91303-3G77-001	0	E04	93404-06012-06	1	F25	93903-35260	0	F01
91303-LCD9-E00	1	F19	93404-06016-06	1	F01	93903-35260	0	F02
91306-1E05-691	0	E03	93404-06016-06	1	F12	93903-35260	0	F05
91306-LBA7-900	3	E01	93404-06016-06	1	F25	93903-35260	0	F20
91307-0E35-001	1	E04	93404-06020-06	1	F12	93903-35260	0	F21
91308-LCA5-E00	1	E01	93404-06020-06	1	F25	93903-35360	0	F05
91309-4E25-004	0	E06	93404-KKC2-900-06	1	F05	93903-35360	0	F12
91309-LCD9-E00	2	E07	93406-LLB1-900	0	F03	93903-35360	0	F25
91309-LDE9-E00	1	F18	93500-03010-0F	0	E06	93903-KEB7-900-06	1	F25
91351-GAR1-001	0	E02	93500-04025-0F	0	F13			
91351-KHE7-900	0	E05	93500-05016-0F	0	E02	94000		
91356-4E25-004	0	F08	93500-05016-0F	0	E06			
91508-KGV7-67A	0	F21	93500-05016-1B	0	F10	94001-06080-0S	0	E02
91509-LBA7-E00	3	E07	93600-04012-1A	0	F04	94001-08080-0S	0	F14
91509-LLB1-900	4	E01	93600-04012-1G	0	F04	94001-08080-0S	0	F15
			93600-04040-1G	0	F15	94001-LBA7-900	1	F15
92000			93600-LDE9-E00	0	F04	94001-LLB1-800	2	F06
			93892-04008-16	0	E09	94001-LLB1-900	2	F06
92101-05032-0G	0	E06	93892-04010-18-3	0	E09	94002-06060-0S	0	F15
92101-06020-0G	0	E08	93892-04016-18-3	0	E09	94002-08080-0S	0	F15
92201-05025-0G	0	E01	93892-05012-06	0	E09	94011-12080-0S	0	F16
92712-06028-0B	2	E02	93893-04012-18	0	F04	94011-12080-0S	0	F17

PART NO. INDEX

PART NO.	VERSION	PAGE	PART NO.	VERSION	PAGE	PART NO.	VERSION	PAGE
94011-LBA7-900	1	F08	94111-06800	0	F14	94520-58000	0	E07
94011-LLB1-900	4	F07	94111-08800	0	F15	94540-12028	0	E08
94012-LDB5-E00	1	F08	94201-20120	0	F15	94540-LCD9-E00	3	E08
94012-LLB1-900	1	F06	94201-20150	0	F15	94591-27000	0	F05
94030-10080	0	F03	94201-25300	0	F06	94591-27000	0	F12
94031-LCD9-E00	2	E07	94201-25300	0	F15	94591-KFBF-900	2	E02
94050-05080	0	F21	94201-30250	0	F06	94591-LLB1-900	0	E01
94050-06060	1	F04	94201-30250	0	F16	94601-17000	0	E03
94050-06060	1	F23	94201-30250	0	F17	94601-33000	0	E05
94050-06060	1	F25	94201-30300	0	F07			
94050-06080	2	F10	94201-30300	0	F08	95000		
94050-06080	2	F22	94301-08140	4	E01			
94050-06080	2	F23	94301-08140	4	E04	95002-02070	2	F25
94050-08080	0	E02	94301-10160	0	E01	95002-02070	2	F26
94050-08080	0	F14	94301-10160	0	E02	95002-02080	0	E09
94050-08080	0	F15	94301-10160	0	E03	95002-02080	0	F10
94050-08080	0	F24	94301-10160	0	E04	95002-02100	0	F05
94050-LDE9-E00	1	F12	94301-10160	0	E07	95002-02100	0	F10
94101-06200	1	F14	94303-04065	0	E06	95002-02100	0	F25
94101-10800	0	F03	94510-10000	0	E06	95002-02150	0	E07
94101-10800	0	F06	94510-22000	0	E08	95002-02150	0	F13
94101-12800	0	F16	94510-25000	0	E08	95002-41050-00	0	F19
94101-12800	0	F17	94520-26000	0	E04	95002-41300-00	0	F10
94101-LCA5-E00	0	E01	94520-28000	0	E05	95002-70000	0	F25
94102-08000	5	F15	94520-40000	0	F23	95002-KGN7-910	1	F25
94102-14800	0	F15	94520-56000	0	E07	95002-KHE7-900	0	E04

PART NO. INDEX

PART NO.	VERSION	PAGE	PART NO.	VERSION	PAGE	PART NO.	VERSION	PAGE
95002-KHE7-900	0	F25	95701-08016-06	0	F24	96000		
95002-KKD6-E05	0	F13	95701-08020-06	1	F07			
95002-KKD6-E05	0	F26	95701-08020-06	1	F08			
95003-LBA7-900	1	F13	95701-08025-06	0	F14	96001-06010-00	0	E04
95005-LCD9-E00	2	F19	95701-08028-06	1	F15	96001-06010-06	0	E01
9500C-LBA7-900	2	F10	95701-08030-06	0	F19	96001-06012-06	0	E01
9500E-LBA7-900	2	F10	95701-08040-06	0	E07	96001-06012-06	0	E06
95701-06010-06	1	E02	95701-08045-06	1	E07	96001-06012-06	0	F14
95701-06010-06	1	F16	95701-10035-06	0	F19	96001-06016-06	0	E04
95701-06010-06	1	F17	95701-LBA2-E00	0	F08	96001-06016-06	0	F15
95701-06012-06	1	F04	95801-08035-06	1	F04	96001-06016-06	0	F22
95701-06012-06	1	F13	95801-08035-06	1	F24	96001-06018-06	0	E02
95701-06012-06	1	F23	95801-08060-06	0	F06	96001-06020-06	0	E07
95701-06012-06	1	F25	95801-10025-06	0	F18	96001-06022-06	1	E04
95701-06022-06	1	F10	95801-10040-06	0	F16	96001-06022-06	1	F04
95701-06022-06	1	F15	95801-10040-06	0	F17	96001-06025-06	0	E01
95701-06025-06	2	E02	95801-10050-06	1	F16	96001-06028-06	0	E04
95701-06035-06	1	F15	95801-10050-06	1	F17	96001-06028-06	0	E06
95701-06040-06	0	E02	95801-10057-06	2	F16	96001-06032-06	0	E01
95701-08012-06	0	E01	95801-10057-06	2	F17	96001-06045-06	0	E04
95701-08012-06	0	E07	95801-10057-06	2	F18	96001-06050-06	0	E01
95701-08012-06	0	F18	95801-10085-06	1	F23	96001-06110-06	1	E02
95701-08012-06	0	F19	95801-10160-06	0	F23	96001-06125-06	1	E04
95701-08012-06	0	F22	95803-LBA7-900	1	F18	96100-30203-10	0	F18
95701-08016-06	0	E07				96100-60000-00	0	E04
95701-08016-06	0	F23				96100-60090-00	2	E07

PART NO. INDEX

PART NO.	VERSION	PAGE	PART NO.	VERSION	PAGE	PART NO.	VERSION	PAGE
96100-60090-00	2	F19				W9574-13000	0	E09
96100-62050-00	2	E01	001000			W9576-01000	0	E09
96100-62060-00	2	F19						
96100-63030-00	0	E08	001-C4T2-04000-K	0	E09			
96100-63040-00	1	E01						
96150-60000-10	0	F16	D					
96150-60000-10	0	F17						
96150-60040-10	0	F07	D1141-A63-0100	0	E09			
96150-60060-10	0	F18	D1310-850-0100	0	E09			
96150-62020-10	0	F07	D1424-KAG-0100	0	E09			
96150-62030-10	0	F23						
96211-12000	0	E01	K					
96600-06012-10	0	E01						
96600-06012-10	0	E08	K785-076-0200	0	E09			
96600-08015-16	0	E06						
98000			N					
			N413-15A00	0	E09			
98069-5791R-00	0	E02	N427-BSD00	0	E09			
98200-31000	1	F22						
98200-31500	1	F22	W					
98200-33000	0	F22						
			W1711-300-9901	0	E09			
99000			W9353-30000	0	E09			
			W9525-25250	0	E09			
99101-393-0980	0	E09	W9535-35000	0	E09			