

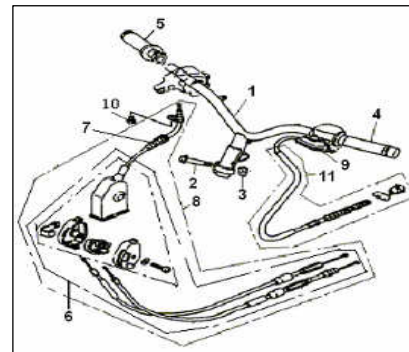
F-ACT 50 2009



**F01 STEERING**

NO. PART NO.	EN DESCRIPTION	QTY
1 40100BMBT001	HANDLE COMP.	1
2 B01591004565	BOLT 10X1.25X45MM	1
3 B04171012555	U NUT 10X1.25MM	1
4 40001J4AT000	L. GRIP	1
5 40212J4AT000	GRIP ASSY.	1
6 40330BM0T000	CABLEASSY.THROTTLE 2	1
7 40306BM0T000	CABLE THROTTLE 1	1
8 40300BM0T001	CABLE ASSY. THROTTLE	1
9 40008BM0T000	JACKET,RR. BRAKE CABLE	1
10 B02000501025	PAN HEAD SCREW 5X10MM	1
11 40270BMBT000	BRAKE CABLE ASSY.	1

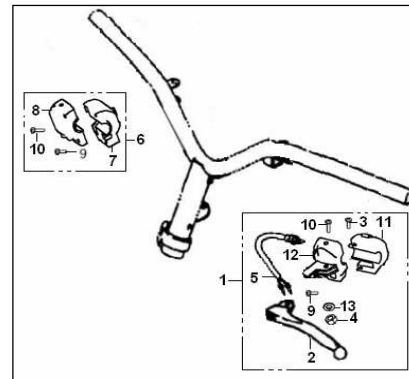
NOTES



**F02 LEVER/HANDLE SWITCH**

NO. PART NO.	EN DESCRIPTION	QTY
1 40500BM0T000	LEFT HANDLE SWITCH ASSY.	1
2 40002BM0T000	LEFT LEVER	1
3 40004BMA000	LEVER MOUNTING SCREW	1
4 B04000500065	NUT 5MM	1
5 91700BMA000	STOP SWITCH ASSY.	1
6 40600B910001	RIGHT HANDLE SWITCH ASSY.	1
7 40610B910000	RIGHT HANDLE SWITCH	1
8 40620BM0T000	R. SWITCH FIXING SEAT	1
9 B02000502025	PAN HEAD SCREW 5X20MM	2
10 B02000502525	PAN HEAD SCREW 5X25MM	2
11 40510BM0T000	LEFT HANDLE SWITCH	1
12 40520BM0T000	L. SWITCH FIXING SEAT	1
13 B07000000505	SPRING WASHER 5MM	1

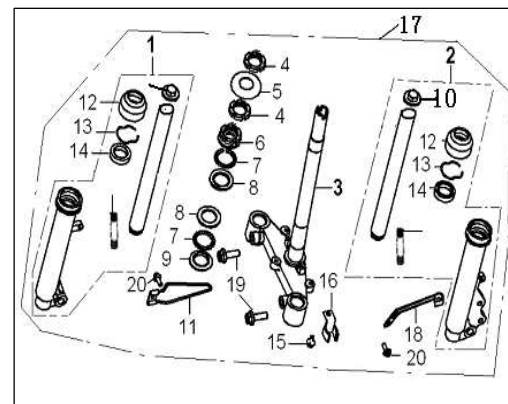
NOTES



**F03 FRONT FORK ASSY.**

NO.	PART NO.	EN DESCRIPTION	QTY
1	43300B92BA01	FR.R. FORK ASSY.BLACK	1
2	43200B92BA01	FR. L. FORK ASSY.BLACK	1
3	43100BMBT003	STEM, STEERING	1
4	43008BMBT000	NUT	2
5	43005BMBT001	BALL RACE COVER	1
6	43001BMBT002	BALL RACE, CONNECTING	1
7	B06010150000	STEEL BALLφ5	42
8	43003BMBT000	BALL RACE	2
9	43004BMBT000	BALL RACE	1
10	43204BMBT001	CAP BOLT	2
11	43150BMBT000	CLIP, SPEEDOMETER CABLE	1
12	43290K00P000	DUST SEAL	2
13	43207K00P000	CLIP	2
14	43260K00P000	OIL SEAL	2
15	B01090601265	BOLT 6X12MM	1
16	43035BMBT000	HOLDER, BRAKE HOSE 2	1
17	43000B92BA01	FRONT FORK ASSY.BLACK	1
18	43021BMBT003	HOLDER, BRAKE HOSE 1	1
19	B01591003065	BOLT 10X1.25X30MM	2
20	B01070601665	BOLT 6X16MM	2

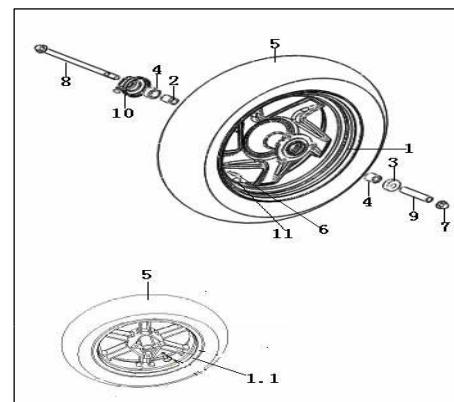
**NOTES**



**F04 FRONT WHEEL ASSY**

NO.	PART NO.	EN DESCRIPTION	QTY
1	44100BM0TBH0	FR. RIM COMP. 3.5X12" (BLACK BH)	1
1.1	44100B91BH2A	FR. RIM COMP. 3.5X12" (BLACK)	1
2	44600BM0T910	DISTANCE COLLAR COMP.	1
3	44300BM0T000	OIL SEAL 22X35X7	1
4	B12016020100	BALL BEARING 6201-2RS	2
5	B140507D12AB	TIRE 120/70-12(E MARK)	1
6	B1403Z201120	RIM VALVE Z2-01-1	1
7	B04171212563	U NUT 12X1.25MM	1
8	44004G4CT000	FR.WHEEL AXLE	1
9	44005BM0T000	COLLAR	1
10	44200BM0TBH0	SPEEDOMETER GEAR COMP. (BLACK BH)	1
11	B1404Z2011C0	CAP, VALVE	1

**NOTES**  
FERRO  
ALUMÍNIO



**F05 FRONT DISK BRAKE**

NO.	PART NO.	EN DESCRIPTION	QTY
1	45400BMBTB30	CYLINDER COMP.(BLACK)	1
2	45000J4FTRN0	DISC BRAKEASSY,FR.(U P BLACK, DOWN RED)	1
3	45011J1DT000	RESERVOIR DIAPHRAGM	1
4	45013J1DT000	WASHER, CYLINDER	1
5	45012BMBT000	RESERVOIR CAP	1
6	B02010401025	FLAT HEAD SCREW 4X10MM	2
7	45023J1DT000	MASTER CYLINDER BRACKET	1
8	B01070602365	BOLT 6X23MM	2
9	45300J3AT000	STOP SWITCH ASSY.	1
10	45037J00P000	UNION BOLT	2
11	45029J00P000	PLATE WASHER	4
12	45200BMBT000	FR. BRAKE HOSE	1
13	B04160600065	NUT 6MM	1
14	B07000000605	SPRING WASHER 6MM	1
15	45024J1CT000	BOLT M6	1
16	45057G0KP000	TENSION SPRING,LEVER	1
17	45022J3AT000	DISC BRAKE LEVER	1
18	45140J00P000	PISTON ASSY.	1
19	45021J00P000	BREED SCREW CAP	1
20	45017G0CP000	PAD SUPPORT	1
21	45110J4FT000	BRAKE PAD KIT	1
22	45033BMBT001	BRAKE DISC undee/flower type	1
23	45053G0CP000	GUIDE POLE	2
24	45500J4FTRN0	CALIPER ASSY. (RED)	1
25	45039J4FT001	BOLT 8X36MM	2
26	08001B030010	BOLT M8X20	3
	08011B910007	BOLT M10X1.25X22	3
27	B04171012563	U NUT 10X1.25MM	3

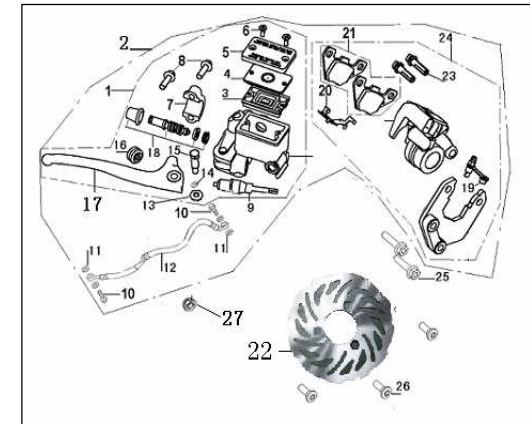
**NOTES**

JOGO

P/ JANTE ALUMÍNIO

P/ JANTE FERRO

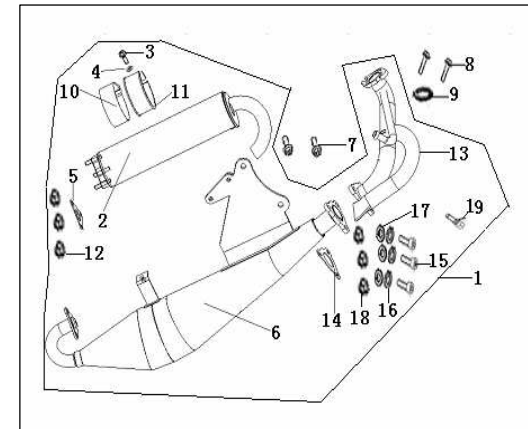
P/ JANTE FERRO



**F06 SPORTY MUFFLER**

NO.	PART NO.	EN DESCRIPTION	QTY
1	47100B9200DZ	MUFFLER ASSY.COMP	1
2	47300B920001	MUFFLER CANISTER ASSY.	1
3	B01090602064	BOLT 6X20MM	1
4	B07000000604	WASHER 6MM	1
5	47490BM0T005	CUSHION	1
6	47200BM0T005	MUFFLER CANISTER ASSY.	1
7	B01090802065	BOLT 8X20MM	2
8	B01090601665	BOLT 6X16MM	2
9	47800B0DT000	GASKET, EXHAUST PIPE	1
10	47833B2GT005	ADIABATIC RUBBER	1
11	48831B2GT005	MUFFLER HOOP	1
12	47006J0AP000	NUT 6MM	3
13	47500B92000D	EXHAUST PIPE COMP.	1
14	47490BMBT000	GASKET, FLANGE	1
15	B02050602565	SCREW M6X25	3
16	B07000000605	SPRING WASHER 6	3
17	B07030000605	WASHER 6	3
18	B04000600055	NUT 6MM	3
TUNING	47500B92000E	EXHAUST PIPE COMP.	1
	47490BMBT000	GASKET, FLANGE	1
	47800B00T000	GROMMET, EXHAUST PIPE	1

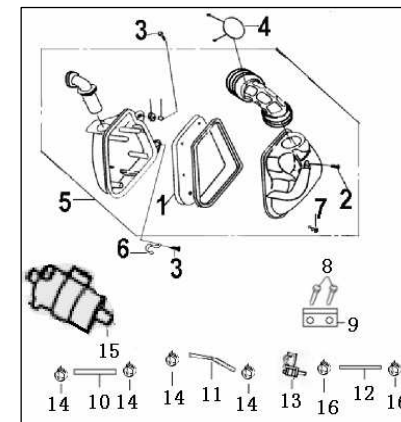
NOTES



**F07 AIR CLEANER**

NO.	PART NO.	EN DESCRIPTION	QTY
1	49200BMBT000	FILTER	1
2	B05074202005	TAPPING SCREW 4.2X20MM	5
3	B01090602065	BOLT 6X20MM	2
4	49016BM0T000	CLIP 42.5	1
5	49000BMBT000	AIR CLEANER ASSY.	1
6	49371B0DT000	GUIDE, BRAKE CABLE	1
7	B05074201205	TAPPING SCREW 4.2X1.2MM	4
8	B01090601265	SCREW 6x12MM	2
9	57051B2GT000	PLATE, ONE WAY VALVE	1
10	49853BMMT000	HOSE II 210MM	1
11	49852BMMT000	HOSE I 250MM	1
12	49851BMMT001	HOSE 260MM	1
13	49840B0ES000	ONE WAY VALVE II	1
14	49805BMBT000	SPRING □, LOCK φ17.5	4
15	49870B2GT000	AIR CLEANER, SMALL	1
16	49855B0ES000	SPRING □, LOCK φ16.5	2

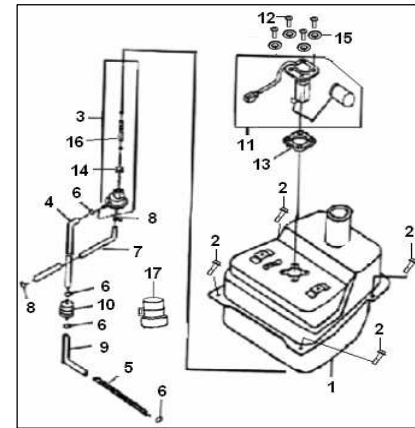
NOTES



**F08 FUEL TANK**

NO. PART NO.	EN DESCRIPTION	QTY
1 50100BMBT002	FUEL TANK COMP.	1
2 B01090601665	BOLT 6X16MM	4
3 50300BM0T000	FUEL COCK ASSY.	1
4 50301BM0T000	FUEL HOSE 1 , φ4.5Xφ8.5X80	1
5 50316BMBT000	SPRING(BLACK)	1
6 50307BM0T000	CLIPφ8	4
7 50302BM0T000	VACUUM HOSE,φ4Xφ8X360	1
8 50306BM0T000	CLIPφ7	2
9 50303BM0T000	FUEL HOSE 2,φ4.5Xφ8.5X250	1
10 50340J0ET000	FUEL FILTER ASSY.	1
11 50800BMBT000	SENDER UNIT	1
12 50801BM0T000	BOLT 5X16MM	4
13 50004BMBT000	SENDER UNIT GASKET	1
14 50312J0ET000	SEAL RING	1
15 B07020000505	WASHER 5MM	4
16 50352BM0T000	FUEL FILTER	1
17 50391J0ET000	GASKET	1

NOTES

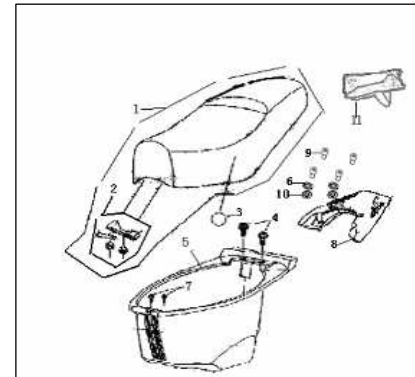


**F09 SEAT**

NO. PART NO.	EN DESCRIPTION	QTY
1 51100B92002N	SEAT ASSY.	1
2 51080BMBT001	SEAT HINGE	1
3 08032BM0T000	O-RING 84.4X3.1	1
4 08011H60X000	BOLT 6X14MM	2
5 51004BMBT001	LUGGAGE BOX	1
6 B07030000805	WASHER 8MM	2
7 08017J4AT000	BOLT W/WASHER 6X20MM	2
8 52011B33C900	RR.. CARRIER COMP (SILVER C9)	1
52011BMKTBA0	RR.. CARRIER COMP (BLACK BA)	1
52011B33WF00	RR.. CARRIER COMP (WHITE WF)	1
9 B02050804565	SCREW 8X45MM	4
10 08027J4AT000	WASHER	2

NOTES

VRM/CZ  
PRT  
LAR, AZ, BRA

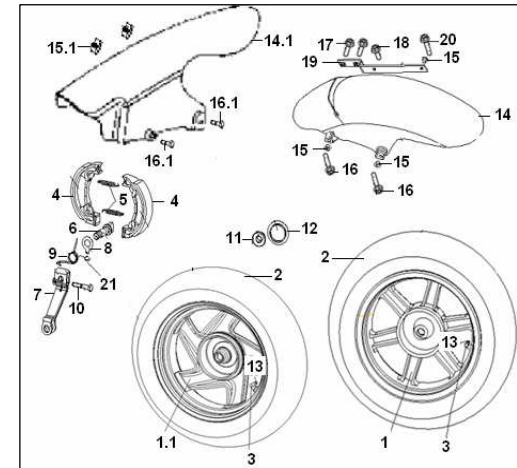


F-ACT 50 2009

**F10 REAR WHEEL**

NO.	PART NO.	EN DESCRIPTION	QTY
1	54100B91BH2A	RR .RIMCOMP.3.5X12" (BLACK BH)	1
	54100BM0TBH0	RR .RIMCOMP.3.5X12" (BLACK BH)	1
2	B140508D12BB	TIRE 130/70-12	1
3	B1403Z201120	RIM VALVE Z2-01-1	1
4	54200BMBT000	BRAKE SHOE KIT	2
5	54001BMBT000	SPRING(BLACK)	2
6	54003BM0T000	CAM SHAFT, 2	1
7	54007BM0T000	CAM SHAFT LEVER	1
8	54002BM0T000	INDICATOR PLATE	1
9	54008BMBT000	TENSION SPRING	1
10	08012BM0T000	HEx. BOLT 6x30MM (GOLD COLORED)	1
11	B04171615053	U NUT 16x1.5MM	1
12	54027BM0T000	CAP	1
13	B1404Z2011C0	CAP, VALVE	1
14	65701BMBT001	REAR FENDER	1
15	65803J0ET000	SPRING NUT M6	2
16	B01090602065	BOLT 6X20MM	2
21	B190101000A0	O RING 10x1.9MM	1

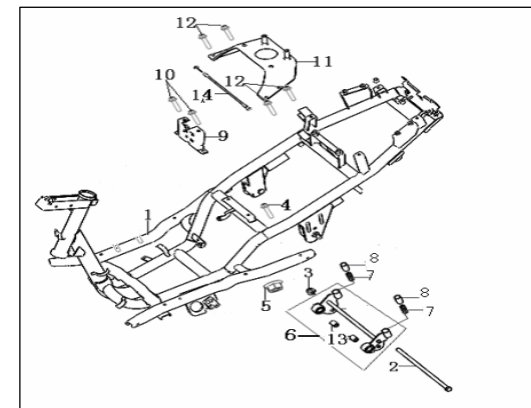
**NOTES**  
ALUMÍNIO  
FERRO



**F11 FRAME BODY**

NO.	PART NO.	EN DESCRIPTION	QTY
1	57100B920009	FRAME COMP.	1
2	58303BM0T001	E/G MOUNTING BOLT,M12X1.25X280	1
3	B04171212565	U NUT 12X1.25MM	1
4	58301BMBT000	E/G MOUNTING BOLT,	2
5	B04171012555	U NUT 10X1.25MM	2
6	58360BMBT000	E/G BRKT COMP.	1
7	58302B0DT000	DAMPER	2
8	58304BMBT000	SPRING	2
9	58800BM0T000	SEAT CATCH COMP.	1
10	B01090602565	BOLT 6X25MM	2
11	57080BMKT000	CARRIER BRACKET	1
12	B01090601265	BOLT 6X12MM	5
13	58350BMAT000	BUFFER, ENGINE BRACKET	2
14	58900BMBT000	SEAT CABLE	1

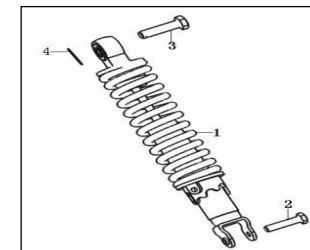
**NOTES**



**F12 REAR ABSORBER**

NO.	PART NO.	EN DESCRIPTION	QTY
1	63100BM0TBH0	RR. ABSORBER COMP. ( BLACK BH )	1
2	63015J0ET000	FLANGE BOLT , 8X31MM	1
3	B01141004063	BOLT.W/HOLE 10X1.25X40MM	1
4	63016B0DT000	SPLIT PIN	1

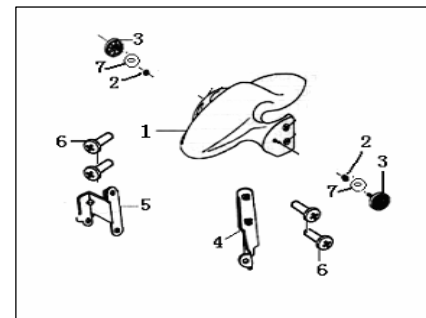
**NOTES**



**F13 FRONT FENDER**

NO.	PART NO.	EN DESCRIPTION	QTY
1	65101B92D500	FRONT FENDER, (D5)	1
	65101BMBTBA0	FRONT FENDER, (BLACK BA)	1
	65101B92WF00	FRONT FENDER, (WHITE WF)	1
	65101BMBTR80	FRONT FENDER, (RED R8)	1
2	B04000500063	NUT 5MM	2
3	86300BMMT000	FRONT REFLECTOR	2
4	65130BMBT000	FRONT FENDER BRACKET, 1	1
5	65140BMBT000	FRONT FENDER BRACKET, 2	1
6	65114BMBT000	SCREW W/WASHER M6X16	4
7	B07030000503	WASHER 5MM	2

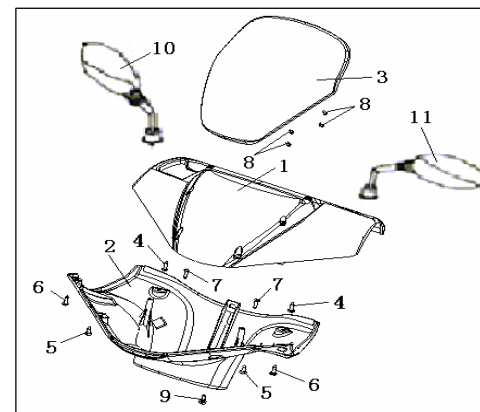
**NOTES**  
 LAR, AZ  
 PRT  
 BRA  
 VRM/CZ



**F14 HANDLE COVER**

NO.	PART NO.	EN DESCRIPTION	QTY
1	65201BMBTBA2	HANDLE COVER, (BLACK BA)	1
	65201B92BH02	HANDLE COVER, (BLACK BH)	1
	65201B92060Z	HANDLE COVER, (BLACK BA)	1
	65201B92061Z	HANDLE COVER, (BLACK BA)	1
2	65202BMBT000	HANDLE COVER,	1
3	65203BMBT000	METER VISION ASSY.	1
	65203B92WF00	METER VISION ASSY.WHITE WF	1
	65203B92001Z	METER VISION ASSY.WHITE WF	1
	65203B92002Z	METER VISION ASSY.WHITE WF	1
4	B05075001605	TAPPING SCREW 5X16MM	2
5	B05075001205	TAPPING SCREW 5X12MM	2
6	B05074001205	TAPPING SCREW 4X12MM	2
7	B05074001605	TAPPING SCREW 4X16MM	2
8	B05073001005	TAPPING SCREW 3X10MM	4
9	B13010501405	SCREW 5X14MM	1
10	40470BMBT000	REAR VIEW MIRROR ASSY., R	1
11	40460BMBT000	REAR VIEW MIRROR ASSY., L	1

**NOTES**  
 PRT, BRA, VRM/CZ  
 LAR, AZ  
 VRM/CZ  
 PRT, BRA  
  
 PRT, BRA, VRM/CZ  
 LAR, AZ  
 LAR, AZ C/ AUTOCOLANTES  
 AZ C/ AUTOCOLANTES

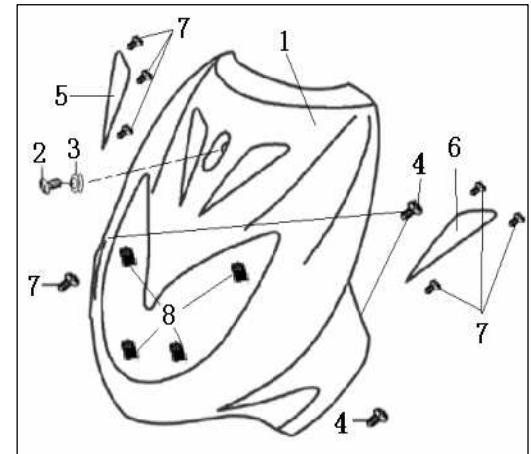




**F15 FRONT COVER**

NO.	PART NO.	EN DESCRIPTION	QTY
1	65301B92M90A	LEG SHIELD, (ORANGE M9)	1
	65301B92E60A	LEG SHIELD, (BLUE E6 )	1
	65301BMBTR8A	LEG SHIELD, (RED R8)	1
	65301B92WF0A	LEG SHIELD, (WHITE WF)	1
	65301B92BA0A	LEG SHIELD, (BLACK BA)	1
	65301B92154Z	LEG SHIELD, (ORANGE M9)	1
	65301B92155Z	LEG SHIELD, (BLUE E6 )	1
	65301B92156Z	LEG SHIELD, (RED R8)	1
	65301B92157Z	LEG SHIELD, (WHITE WF)	1
	65301B92158Z	LEG SHIELD, (BLACK BA)	1
2	65314BMBT000	SCREW	1
3	08027J4AT000	PLASTIC WASHER	1
4	B05074201605	TAPPING SCREW 4.2X16MM	4
5	65367BMBT000	COVER , R	1
6	65366BMBT000	COVER , L	1
7	B05074001205	TAPPING SCREW 4X12MM	6
8	65801BMBT000	SPRING NUT 4MM	4

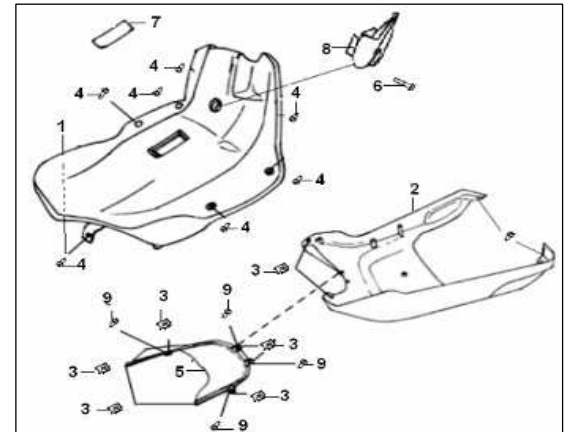
**NOTES**  
 LAR  
 AZ  
 VRM/CZ  
 BRA  
 PRT  
 LAR C/ AUTOCOLANTE  
 AZ C/ AUTOCOLANTE  
 VRM/CZ C/ AUTOCOLANTE  
 BRA C/ AUTOCOLANTE  
 PRT C/ AUTOCOLANTE



**F16 LEG SHIELD**

NO.	PART NO.	EN DESCRIPTION	QTY
1	65402BMBT000	LEG SHIELD, 2	1
2	65406BMBTBA0	UNDER COVER(BLACK BA)	1
	65406B92WF00	UNDER COVER(WHITE WF)	1
	65406B92076Z	UNDER COVER(BLACK BA)	1
	65406B92074Z	UNDER COVER(WHITE WF)	1
	65406B92075Z	UNDER COVER(WHITE WF)	1
3	65801BMBT000	SPRING NUT ST4	8
4	B05074801605	TAPPING SCREW 4.8X16MM	8
5	65407B920000	INNER FENDER	1
6	B01090603065	BOLT 6X30MM	1
7	65403BMBT000	INSPECT COVER	1
8	51011BMBT000	HOOK, HELMET	1
9	B05074201605	TAPPING SCREW 4.2X16MM	8

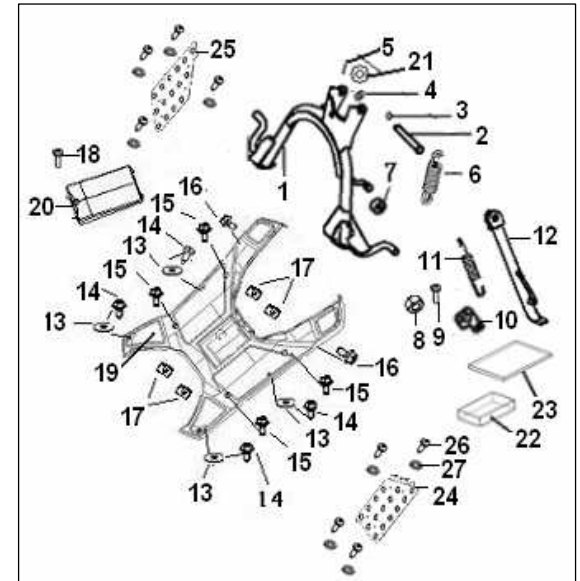
**NOTES**  
 PRT, BRA , VRM/CZ  
 LAR, AZ  
 PRT, BRA, VRM/CZ C/ AUTOCOLANTE  
 LAR C/ AUTOCOLANTE  
 AZ C/ AUTOCOLANTE



**F17 FOOTREST/STAND**

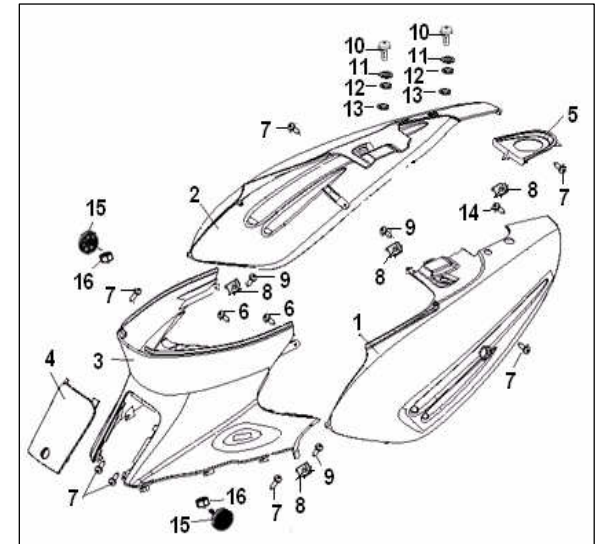
NO.	PART NO.	EN DESCRIPTION	QTY
1	58520B920001	MAIN STAND COMP.	1
2	58501B450050	PIN	1
3	B190101000A0	O-RING 10X1.8	1
4	58508B0DT000	PLATE WASHER	1
5	63016B0DT000	SPLIT PIN	1
6	58510BM0T000	MAIN STAND SPRING ASSY.	1
7	58507BM0T000	CUSHION, MAIN STAND	1
8	B04070800065	NUT 8MM	1
9	57005BMBT000	BOLT, SINGLE STAND	1
10	57006BM0T000	HOOK SPRING	1
11	57010BM0T000	SIDE STAND SPRING ASSY.	1
12	58700BM0T000	SIDE STAND COMP.	1
13	B07030000505	WASHER 5MM	4
14	B05074001605	TAPPING SCREW 4X16MM	6
15	08011H60X000	BOLT 6X14MM	4
16	B01090601265	BOLT 6X12MM	4
17	65802BMAT000	SPRING NUT 4.8MM	6
18	B05075001605	TAPPING SCREW 5X16MM	1
19	65401BMBT000	FLOOR, BLACK	1
20	65813BMBT000	BATTERY COVER	1
21	B07030001005	WASHER 10MM	1
22	65812BMBT000	BATTERY DAMPER II	1
23	65811BMBT000	BATTERY DAMPER I	1
24	65411BMBT000	FOOT PLATE , L	1
25	65412BMBT000	FOOT PLATE , R	1
26	B05004201305	SCREW 4.2X13MM	8
27	57031BMBT000	WASHER	8

**NOTES**



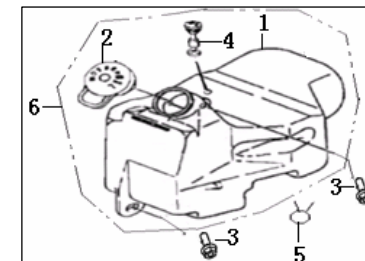
**F18 SIDE COVER**

NO.	PART NO.	EN DESCRIPTION	QTY	NOTES
1	65601B92M900	SIDECOVER,1 (ORANGE M9)	1	LAR
	65601B92E600	SIDECOVER,1 (BLUE E6)	1	AZ
	65601B92C900	SIDECOVER,1 (SILVER C9)	1	VRM/CZ
	65601B92WF00	SIDECOVER,1 (WHITE WF)	1	BRA
	65601BMBTBA0	SIDECOVER,1 (BLACK BA)	1	PRT
	65601B92188Z	SIDECOVER,1 (ORANGE M9)	1	LAR C/ AUTOCOLANTE
	65601B92189Z	SIDECOVER,1 (BLUE E6)	1	AZ C/ AUTOCOLANTE
	65601B92190Z	SIDECOVER,1 (SILVER C9)	1	VRM/CZ C/ AUTOCOLANTE
	65601B92191Z	SIDECOVER,1 (WHITE WF)	1	BRA C/ AUTOCOLANTE
	65601B92192Z	SIDECOVER,1 (BLACK BA)	1	PRT C/ AUTOCOLANTE
2	65602B92M900	SIDECOVER,2 (ORANGE M9)	1	LAR
	65602B92E600	SIDECOVER,2 (BLUE E6)	1	AZ
	65602B92C900	SIDECOVER,2 (SILVER C9)	1	VRM/CZ
	65602B92WF00	SIDECOVER,2 (WHITE WF)	1	BRA
	65602BMBTBA0	SIDECOVER,2 (BLACK BA )	1	PRT
	65602B92188Z	SIDECOVER,2 (ORANGE M9)	1	LAR C/ AUTOCOLANTE
	65602B92189Z	SIDECOVER,2 (BLUE E6)	1	AZ C/ AUTOCOLANTE
	65602B92190Z	SIDECOVER,2 (SILVER C9)	1	VRM/CZ C/ AUTOCOLANTE
	65602B92191Z	SIDECOVER,2 (WHITE WF)	1	BRA C/ AUTOCOLANTE
	65602B92192Z	SIDECOVER,2 (BLACK BA )	1	PRT C/ AUTOCOLANTE
3	65605B920002	SIDE COVER, 3	1	
4	65619BMBT000	SIDE COVER, 4	1	
5	65606B92M900	SIDE COVER,5 ( ORANGE M9)	1	LAR
	65606B92E600	SIDE COVER,5 ( BLUE E6)	1	AZ
	65606B92C900	SIDE COVER,5 ( SILVER C9)	1	VRM/CZ
	65606B92WF00	SIDE COVER,5 ( WHITE WF)	1	BRA
	65606BMBTBA0	SIDE COVER,5 ( BLACK BA )	1	PRT
6	B05074001205	TAPPING SCREW 4X12MM	2	
7	B05074801605	TAPPING SCREW 4.8X16MM	7	
8	65802BMBT000	SPRING NUT 4.8MM	4	
9	B05075001205	TAPPING SCREW 5X12MM	4	
10	B02000602025	SCREW 6X20MM	2	
11	08021BMBT000	WASHER	2	
12	65618J00P000	RUBBER WASHER	2	
13	65709BM0T000	BUSH, RR. FENDER	2	
14	B05074801305	TAPPING SCREW 4.8X13MM	1	



**F19 OIL TANK.**

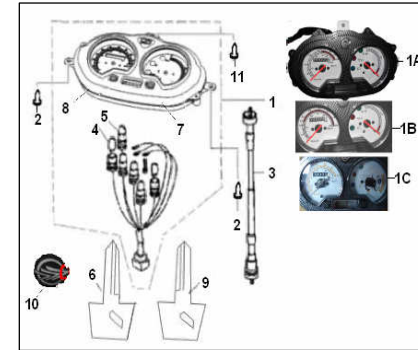
NO.	PART NO.	EN DESCRIPTION	QTY	NOTES
1	64001BMBT000	OIL TANK	1	
2	64090BMBT000	OIL TANK CAP	1	
3	B01090601665	BOLT 6X16MM	2	
4	64100BMBT000	OIL LEVER GAUGE ASSY.	1	
5	50307BM0T000	CLIP φ8	1	
6	64000BMBT000	OIL TANK ASSY.	1	



**F20.1 ANALOG SPEEDOMETER ASSY.**

NO.	PART NO.	EN DESCRIPTION	QTY
1A	70000BMMTW63	SPEEDOMETER COMP.	1
2	B05074001205	TAPPING SCREW 4X12MM	2
3	72900BMBT000	SPEEDOMETERCABLE COMP.	1
4	B24012920000	BULB 12V-3W	3
5	B24020221100	BULB 12V-2W	3
6	88900B92000X	KEY NUT (LEFT)	1
7	70003BMBT004	SPEEDOMETER COVER	1
8	76000BMBT001	DIGITAL WATCH	1
9	88900B92001X	KEY NUT(RIGHT)	1
10	05501J4HT000	STICK	1
11	B05074001205	TAPPING SCREW 4X12 MM	1

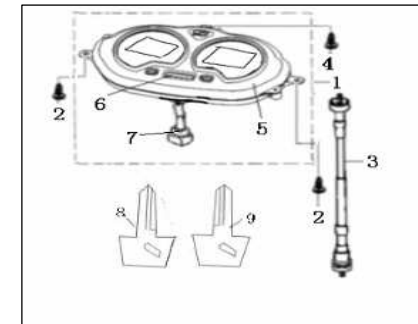
NOTES



**F20.2 DIGITAL SPEEDOMETER ASSY.**

NO.	PART NO.	EN DESCRIPTION	QTY
1	70000B920012	SPEEDOMETER COMP.	1
2	B05074001205	SCREW 4X12MM	2
3	72900BMBT000	SPEEDOMETER CABLE COMP.	1
4	B05074001005	SCREW 4X10	1
5	70003BMBT002	SPEEDOMETER COVER	1
6	76000BMBT000	DIGITAL WATCH	1
7	75000BMBT000	SPEEDOMETER WIRE ASSY	1
8	88900B92000X	KEY NUT (LEFT)	1
9	88900B92001X	KEY NUT(RIGHT)	1

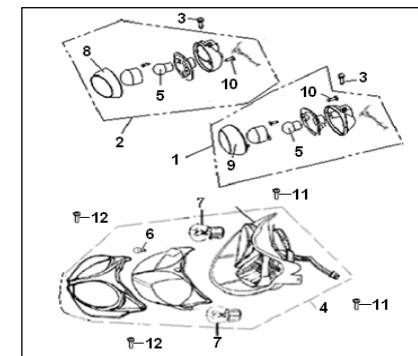
NOTES



**F21 FLASHER LIGHT/HEAD LIGHT.**

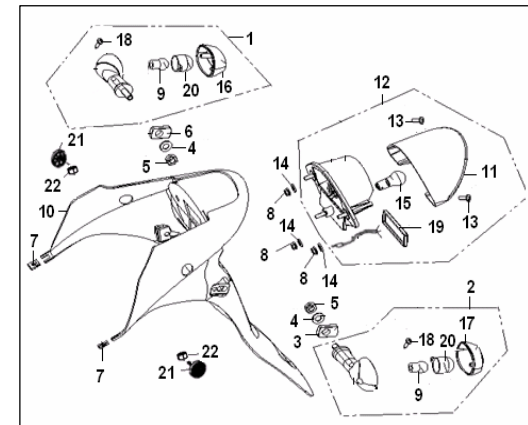
NO.	PART NO.	EN DESCRIPTION	QTY
1	81100B20T001	FLASHER LIGHT ASSY., F..L.	1
2	81300B20T001	FLASHER LIGHT ASSY., F..R.	1
3	08005AE0D000	SCREW W/WASHER 5X11.5MM	2
4	80000J4AT000	HEAD LIGHT ASSY.	1
5	B24012120000	BULB, 12V/10W	2
6	B24012920000	BULB 12V-3W	2
7	B24010520000	BULB ( 12V35/35W )	2
8	81302B20T000	LIGHT COVER, R.	1
9	81102B20T000	LIGHT COVER, L.	1
10	08011B20T000	SCREW 3X28MM	2
11	B05075016005	TAPPING SCREW 5X16MM	2
12	B05074816005	TAPPING SCREW 4.8X16MM	2

NOTES



**F22 TAIL LIGHT**

NO. PART NO.	EN DESCRIPTION	QTY	NOTES
1	81700B20T001	TURN LIGHT,R.R.	1
2	81500B20T001	TURN LIGHT,R.L.	1
3	81511BM0T000	FLASHER LIGHT CUSHION , L	1
4	B07030001005	WASHER 10MM	2
5	B04061012555	NUT 10X1.25MM	2
6	81708BM0T000	FLASHER LIGHT CUSHION , R	1
7	65802BM0T000	SPRING NUT 5MM	2
8	B04070600065	NUT 6MM	3
9	B24012120000	BULB, 12V/10W	2
10	08202BM0T000	LICENSE BRACKET	1
11	82008BM0T003	INDICATOR LENS	1
12	82000BM0T001	TAIL LIGHT ASSY.	1
13	08009BM0T000	SCREW 4X28MM	2
14	82011G00P000	RUBBER WASHER	3
15	B24013820000	BULB 12V 21/5W	1
16	81102B20T000	LIGHT COVER, L.	1
17	81302B20T000	LIGHT COVER, R.	1
18	08011B20T000	SCREW 3X28MM	2
19	86502BM0T000	RR . REFLECTOR	1
20	81030B030000	COVER TURN SIGNAL, ORANGE	2



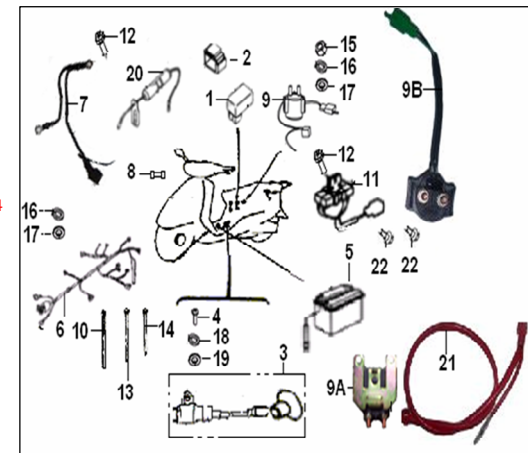
**F23 ELECTRICAL EQUIPMENT I**

NO. PART NO.	EN DESCRIPTION	QTY	NOTES
1	97701BM0T001	C.D.I. UNIT COMP.	1
2	96007BM0T000	CUSHION. C.D.I	1
3	96200B990000	IGNITION COIL ASSY	1
4	B02000502025	SCREW 5X20MM	1
5	96100BM0T000	BATTERY ASSY.	1
5	96100B030010	BATTERY ASSY.	1
6	92000BMBT00L	WIRE HARNESS ASSY.	1
	92000B920019	WIRE HARNESS ASSY.	1
7	96900BMBT000	WIRE HARNESS	1
8	96810BMBT000	FUSE 8A,250V	1
9A	94100J000002	STARTER RELAY COMP.	1
9B	94100K240000	STARTER RELAY COMP.	1
10	96001K00P000	BAND 8X250	3
11	96600BMBT000	RESISTOR COMP.	1
12	B01090601265	BOLT 6X12MM	2
13	96003K00P000	BAND 8X200	2
14	96002K00P000	BAND 8X150	1
15	B04000600055	NUT 6MM	1
16	B07000000605	SPRING WASHER 6MM	2
17	B07030000605	WASHER 6MM	2
18	B07000000505	SPRING WASHER 5MM	1
19	B07030000505	WASHER 5MM	1
20	96800BMBT000	FUSE COMP	1
21	92200B230002	ELECTRIC CABLE	1
22	B01090601065	BOLT M6x10	2

NOTES

YTX5L-BS  
YTX4L-BS

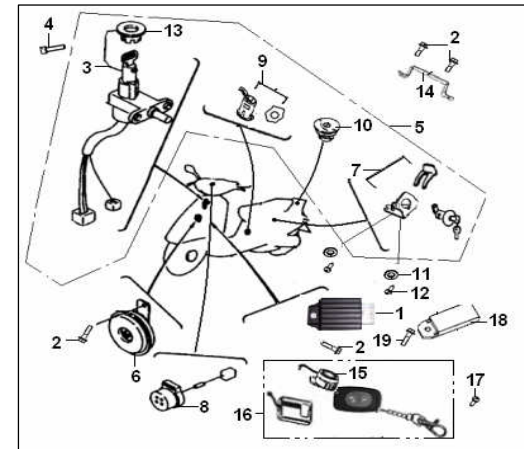
USADO C/ NOVO RELÉ APARTIR VIN 29B535624



**F24 ELECTRICAL EQUIPMENT**

NO. PART NO.	EN DESCRIPTION	QTY
1 98801J0ET000	REGULATOR COMP.	1
2 B01090601265	BOLT 6X12MM	4
3 88100BMBT00A	MAIN SWITCH ASSY.	1
4 08002BMBT000	BOLT M6X12	2
5 88000B92000K	LOCK ASSY.	1
6 95000BMDT000	HORN	1
7 88800BMBT000	LOCK ASSY., SEAT	1
8 96500BM0T00B	FLASH&AUDIO PILOT COMP.	1
9 88500BMBT000	LOCK, COVER	1
10 88400B920000	LOCK ASSY., FUEL TANK	1
11 B07030000505	WASHER 5MM	2
12 B05074001005	TAPPING SCREW 4X10MM	2
13 88101BMBT000	COVER MAIN SWITCH	1
14 95701JCCT000	BRKT ALARM SYSTEM	1
15 95730BMBT002	ALARM SYSTEM HORN	1
16 95700BMBT002	ALARM ASSY.	1
17 B05074801305	TAPPING SCREW 4.8X13MM	1

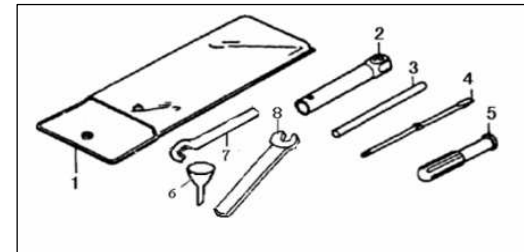
NOTES



**F25 TOOL KIT**

NO. PART NO.	EN DESCRIPTION	QTY
1 02110BM0T000	TOOL BAG	1
2 02102BM0T000	SPARK PLUG SOCKET	1
3 02101BM0T000	SPARK PLUG SOCKET HANDLE	1
4 02103BM0T000	SCREW DRIVER	1
5 02104BM0T000	HANDLE	1
6 02114BM0T000	FILTER, OIL TANK	1
7 02115BM0T000	RR. ABSORBER ADJUSTER	1
8 02117BMBT000	WRENCH 35	1

NOTES

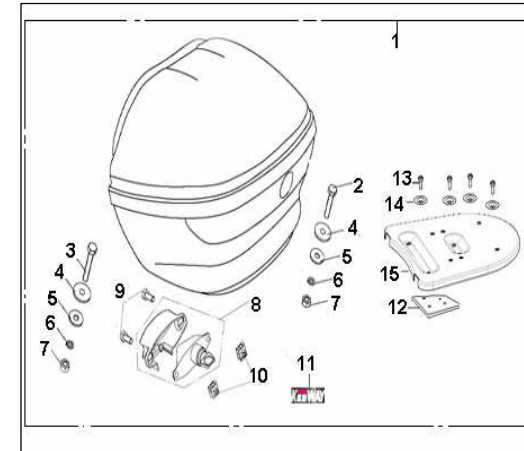


**F26 BACK BOX ASSY**

NO. PART NO.	EN DESCRIPTION	QTY
1 52200B92BA00	BACK BOX ASSY (BLACK BA)	1
52200B92WF00	BACK BOX ASSY (WHITE/BLACK WF/BA)	1
2 B01010603033	BOLT 6X30MM	2
3 B01010603533	BOLT M6X35	2
4 52221BMBT000	WASHER	4
5 B07020000603	WASHER 6MM	4
6 B07000000603	SPRING WASHER 6MM	4
7 B04000600043	NUT 6MM	4
8 88600BMBT000	BACK BOX LOCK	1
9 B01070601663	SCREW 6X16MM	2
10 52910BMBT000	NUT , CLIPPING 6MM	2
11 05591BMBT000	BACK BOX COVER	1
12 52222BMBT000	RUBBER MAT	1
13 B01010601623	BOLT 6X16MM	4
14 52221BMBT000	WASHER	4
15 52180BMBT000	STORAGE BOX , ASSY PLATE	1

NOTES

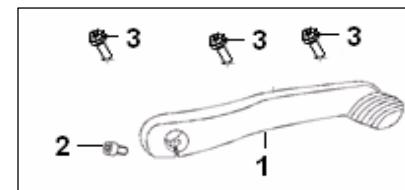
LAR, AZ, VRM/CZ, PRT  
BRA



**F27 ENGINE ATTACHMENT**

NO.	PART NO.	EN DESCRIPTION	QTY
1	08351BM0THU0	STARTING SHAFT	1
2	B02050602565	SCREW 6X25MM	1
3	B01070602564	BOLT 6X25MM	3

NOTES

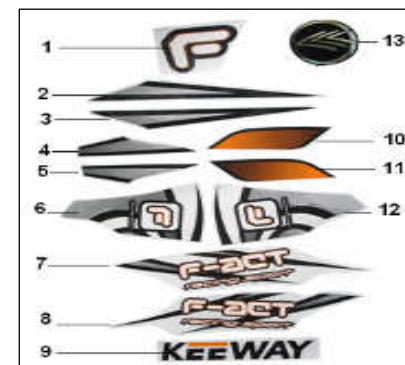


**F28.1 STICKER**

NO.	PART NO.	EN DESCRIPTION	QTY
1	05501B92M90X	STICKER HANDLE COVER	1
2	05523B92M90X	STICKER SIDE UP COVER LH	1
3	05524B92M90X	STICKER SIDE UP COVER RH	1
4	05525B92M90X	STICKER SIDE MIDDLE COVER LH	1
5	05526B92M90X	STICKER SIDE MIDDLECOVER RH	1
6	05527B92M90X	STICKER SIDE UNDER COVER LH	1
7	05511B92M90X	STICKER SIDE COVER LH	1
8	05512B92M90X	STICKER SIDE COVER RH	1
9	05541B92M90X	STICKER UNDER COVER	2
10	05548B92M90X	STICKER UNDER COVER LH	1
11	05549B92M90X	STICKER UNDER COVER RH	1
12	05528B92M90X	STICKER SIDE UNDER COVER RH	1
13	05525BMBT004	STICKER	1

NOTES

LAR

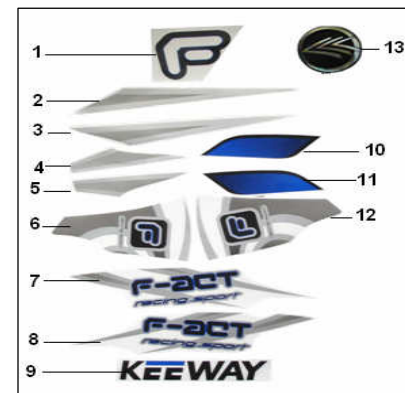


**F28.2 STICKER**

NO.	PART NO.	EN DESCRIPTION	QTY
1	05501B92E60X	STICKER HANDLE COVER	1
2	05523B92E60X	STICKER FRONT COVER LH UPER	1
3	05524B92E60X	STICKER FRONT COVER ,RH UPER	1
4	05525B92E60X	STICKER FRONT COVER ,LH MIDDLE	1
5	05526B92E60X	STICKER FRONT COVER ,RH MIDDLE	1
6	05527B92E60X	STICKER FRONT COVER LH LOWER	1
7	05511B92E60X	STICKER SIDE COVER LH	1
8	05512B92E60X	STICKER SIDE COVER RH	1
9	05541B92E60X	STICKER UNDER COVER	2
10	05548B92E60X	STICKER UNDER COVER LH	1
11	05549B92E60X	STICKER UNDER COVER RH	1
12	05528B92E60X	STICKER FRONT COVER,RH LOWER	1
13	05525BMBT004	STICKER	1

NOTES

AZ

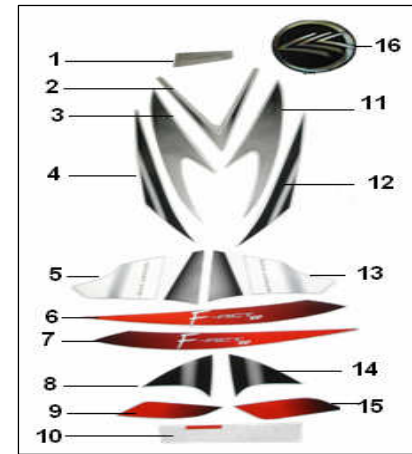


**F28.3 STICKER**

NO. PART NO.	EN DESCRIPTION	QTY
1 05501B92R80X	STICKER HANDLE COVER	1
2 05522B92R80X	STICKER FRONT COVER ,MIDDLE	1
3 05524B92R80X	STICKER FRONT COVER ,RH UPER	1
4 05526B92R80X	STICKER FRONT COVER ,RH MIDDLE	1
5 05528B92R80X	STICKER FRONT COVER,RH LOWER	1
6 05512B92R80X	STICKER SIDE COVER RH UPER	1
7 05511B92R80X	STICKER SIDE COVER LH UPER	1
8 05513B92000W	STICKER SIDE COVER LH LOWER	1
9 05543B92000W	STICKER UNDER COVER LH	1
10 05541B92R80X	STICKER UNDER COVER	2
11 05523B92R80X	STICKER FRONT COVER LH UPER	1
12 05525B92R80X	STICKER FRONT COVER LH MIDDLE	1
13 05527B92R80X	STICKER FRONT COVER LH LOWER	1
14 05514B92000W	STICKER SIDE COVER RH LOWER	1
15 05544B92000W	STICKER UNDER COVER RH	1
16 05525BMBT004	STICKER	1

NOTES

VRM/CZ

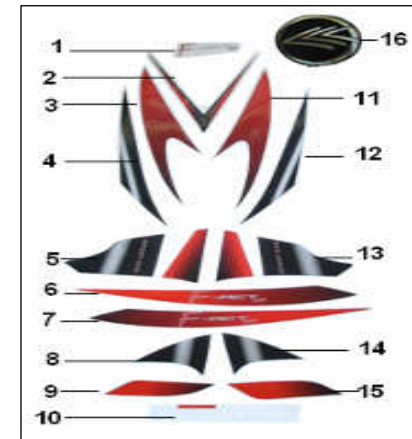


**F28.4 STICKER**

NO. PART NO.	EN DESCRIPTION	QTY
1 05501B92WF0X	STICKER HANDLE COVER	1
2 05522B92WF0X	STICKER FRONT COVER ,MIDDLE	1
3 05524B92WF0X	STICKER FRONT COVER ,RH UPER	1
4 05526B92R80X	STICKER FRONT COVER ,RH MIDDLE	1
5 05528B92WF0X	STICKER FRONT COVER,RH LOWER	1
6 05512B92WF0X	STICKER SIDE COVER RH UPER	1
7 05511B92WF0X	STICKER SIDE COVER LH UPER	1
8 05513B92000W	STICKER SIDE COVER LH LOWER	1
9 05543B92000W	STICKER UNDER COVER LH	1
10 05541B92R80X	STICKER UNDER COVER	2
11 05523B92WF0X	STICKER FRONT COVER LH UPER	1
12 05525B92R80X	STICKER FRONT COVER LH MIDDLE	1
13 05527B92WF0X	STICKER FRONT COVER LH LOWER	1
14 05514B92000W	STICKER SIDE COVER RH LOWER	1
15 05544B92000W	STICKER UNDER COVER RH	1
16 05525BMBT004	STICKER	1

NOTES

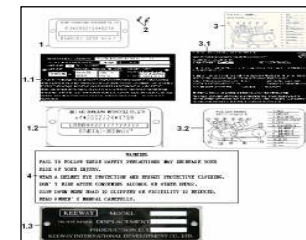
BRA, PRT



**F29 STICKER**

NO. PART NO.	EN DESCRIPTION	QTY
1 57001BMBT014	FRAME BODY NO. PLATE	1
2 B100432007P0	RIVET 3.2X7MM	2
3 57002BMBT014	ANTI-TAMPERING PLATE	1

NOTES







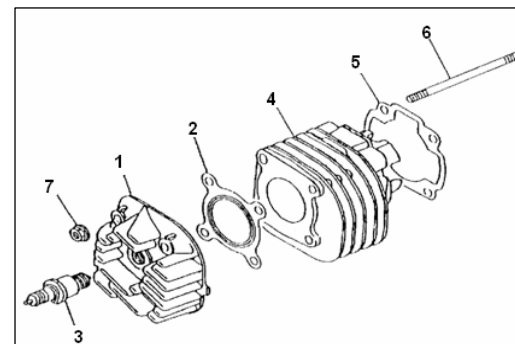
**Nota: Este motor foi concebido para 2009 e visa melhorar o rendimento dos veículos. Verique o número de quadro na tabela abaixo indicada:**

MARKET	Apartir do VIN.
EEC2	LBBB942B19B558259
EEC2	TSYTABMP29B549655

**E01 CYLINDER HEAD ASSY**

NO.	PART NO.	EN DESCRIPTION	QTY
1	30701B01F000	HEAD , CYLINDER	1
2	30507B01F000	GASKET,CYLINDER HEAD	1
3	201204.013000	SPARK PLUG	1
4	27101B01F00A	CYLINDER	1
5	204204.001000	GASKET,CYLINDER	1
6	26107B01F910	STUD BOLT	4
7	304290700062	NUT	4

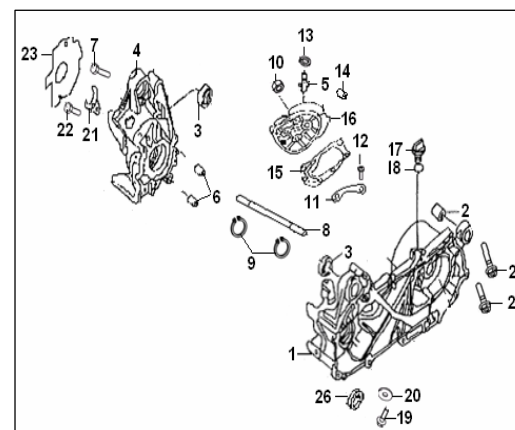
NOTES



**E02.CRANKCASE ASSY**

NO.	PART NO.	EN DESCRIPTION	QTY
1	206200.057000	CRANKCASE,LH	1
2	26108G02F000	BUSH,ENGINE MOUNTING	1
3	B12016600300	BEARING	2
4	26211B09F001	CRANKCASE,RH	1
5	26142G02F000	BRAKE SHOE	1
6	26123G02F000	DOWEL PIN	2
7	301310603565	PAN HEAD SCREW	6
8	26109B09F000	AXLE,engine mount	1
9	B08010001700	CIRCLIP	2
10	B04070812553	NUT	1
11	26214B09F000	BEARING HOLDER	1
12	B02000601262	PAN HEAD SCREW	2
13	14222J01F000	O-RING	1
14	26123G02F000	DOWEL PIN	2
15	214201.004000	MISSION CASE GASKET	1
16	18101B09F000	COVER, GEAR BOX	1
17	206407.004081	OIL PLUG	1
18	26102G02F000	O RING	1
19	301310801605	FLANGE BOLT	1
20	18105H03F000	PLATE WASHER	1
21	26214G02F910	OIL SEAL HOLDER	1
22	301310601263	PAN HEAD SCREW	1
23	206321.001000	GASKET	1
24	301310805565	SCREW M8X55	2
25	301310805065	SCREW M8X50	5
26	207234.001000	BUSH	1

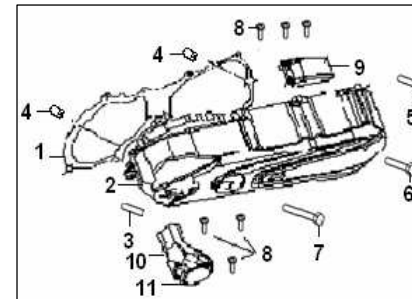
NOTES



### E03.SIDECOVER ASSY

NO.	PART NO.	EN DESCRIPTION	QTY
1	207208.017000	GASKET,L CRANKCASE	1
2	169021070013	L CRANKCASE COVER	1
3	26128G02F000	IDLE GEAR	1
4	26208J01F000	DOWEL PIN	2
5	301310602565	PAN HEAD SCREW M6X25	8
6	301310603565	PAN HEAD SCREW M6X35	1
7	301310606565	PAN HEAD SCREW M6X65	1
8	3052035014F5	SCREW ST3.5X14	6
9	14149B09F000	AIR DUCT-OUTLET	1
10	14148B09F000	AIR DUCT-INLET	1
11	14150B09F000	FILTER ASSY	1

NOTES

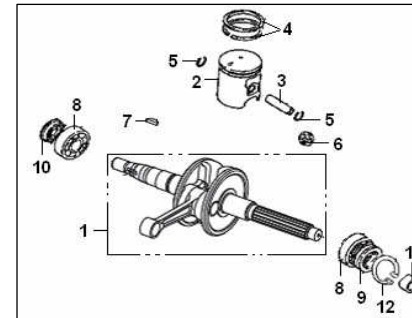


### E04.PISTON CRANKSHAFT CONNECTING ROD ASSY

NO.	PART NO.	EN DESCRIPTION	QTY
1	208100.022000	CRANKSHAFT , ASSY	1
2	15100B01F00B	PISTON ASSY	1
3	15105B16F000	PISTON PIN	1
4	15103B01F000	PISTON RING ASSY	1set
5	15111G02F000	CIRCLIP	2
6	15110B16F000	NEEDLE BEARING	1
7	15101B01F000	WOODRUFF KEY	1
8	B12016620453	BEATRING	2
9	15213G02F000	OIL SEAL	1
10	26215G02F000	OIL SEAL ASSY	1
11	15214G02F000	COLLAR	1
12	17308G02F000	CIRCLIP	1

NOTES

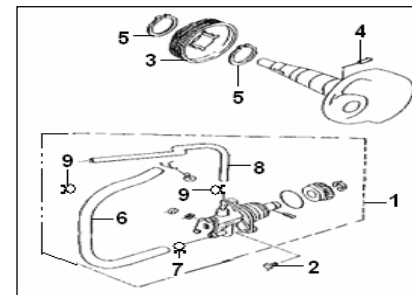
JOGO



### E05.OIL PUMP ASSY

NO.	PART NO.	EN DESCRIPTION	QTY
1	219101.008000	OIL PUMP ASSY	1
2	B02000501463	SCREW	2
3	15211G02F000	PUMP DRIVE GEAR	1
4	B090103014C0	PIN	1
5	15106G02F910	CIRCLIP	2
6	221405.100000	HOSE,OIL INLET	1
7	19213G02F00A	HOSE CLIP	2
8	221405.101000	HOSE,OIL OUTLET	1
9	19217G02F00A	HOSE CLIP	2

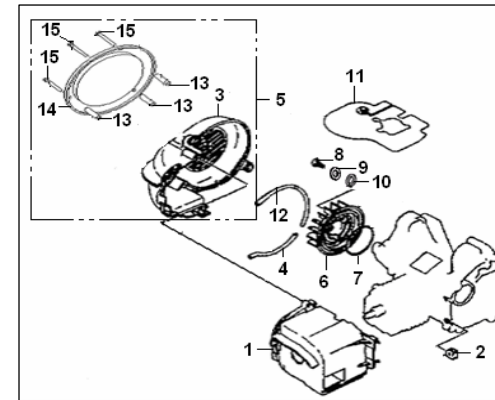
NOTES



**E06.AIR COOLING SYSTEM**

NO.	PART NO.	EN DESCRIPTION	QTY
1	20301B01F000	COWLING,cylinder	1
2	20303G02F000	GROMMET	2
3	20201B09F000	COELING,fan	1
4	20208G02F000	MOLD,cowling	1
5	222103.014000	COELING ASSY,fan	1
6	20401B01F000	FAN ASSY	1
7	20402G02F000	RUBBER RING	1
8	B02000601663	SCREW	3
9	B07000000600	SPRING WASHER	3
10	B07030000600	WASHER	3
11	20102G02F000	PLATE	1
12	20206G02F000	MOLD,cowling	1
13	20208B09F000	COLLOR	3
14	222304.101000	COVER	1
15	B02000403524	SCREW	3

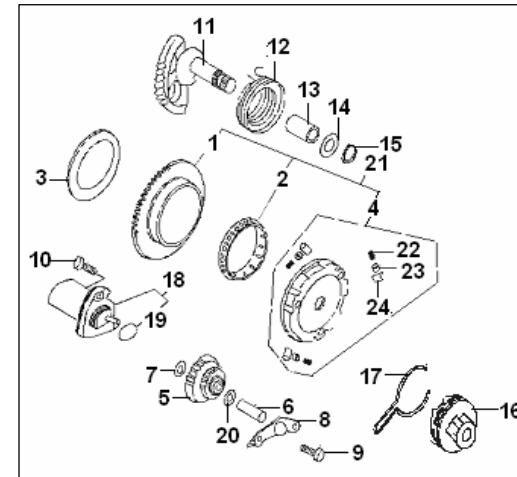
NOTES



**E07.KICK STARTER ASSY**

NO.	PART NO.	EN DESCRIPTION	QTY
1	34120G02F000	START GEAR ASSY	1
2	34121G02F000	NEEDLE BEARING	1
3	34123G02F000	THRUST WASHER	1
4	34110G02F00A	START HOLDER ASSY	1
5	34126G02F000	DRIVEN GEAR,STARTER	1
6	26128G02F000	IDLE GEAR SHAFT	1
7	34122G02F000	PLATE WASHER	1
8	34125G02F000	IDLE GEAR HOLDER	1
9	B02000601063	SCREW	2
10	302040602065	SCREW	2
11	216100.003000	SHAFT, kick starter	1
12	17407G02F000	SPRING	1
13	216217.004000	BUSH	1
14	307991005552	WASHER ,kick starter	1
15	308090150003	CIRCLIP	1
16	17415G02F000	KICK PINION ASSY	1
17	17418G02F930	CLIP	1
18	218100.017472	STARTING MOTOR ASSY	1
19	B190102120B0	O-RING	1
20	34130G02F000	PLATE WASHER	1
21	217100.100000	START CLUTCH ASSY	1
22	34404G02F00A	SPRING	3
23	34405G02F00A	CAP	3
24	34402G02F00A	ROLLER	3

NOTES



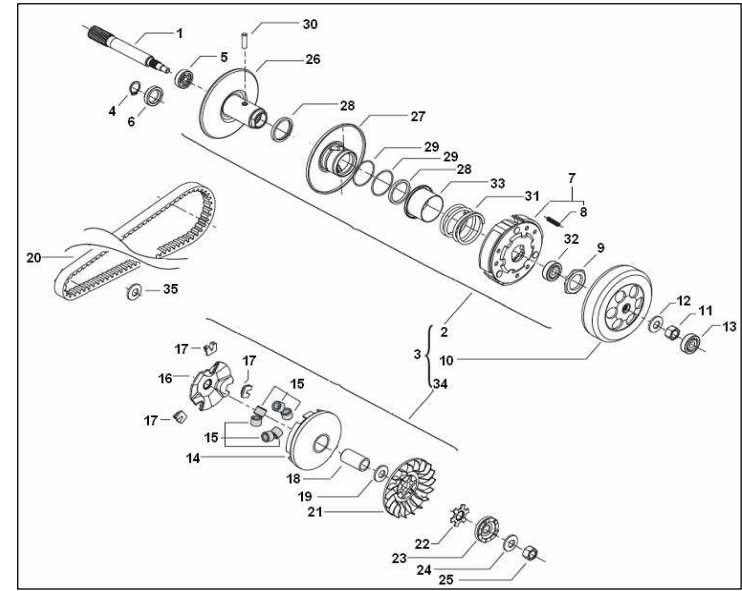
**E08.CLUTCH ASSY**

NO.	PART NO.	EN DESCRIPTION	QTY
1	24201B09F000	PRIMARY DRIVE SHAFT	1
	229041070000	PRIMARY DRIVE SHAFT	1
2	24200B01F000	DRIVEN PULLY and CLUTCH ASSY	1
3	213100.010000	SHIFT ASSY	1
4	B08010001700	CIRCLIP	1
5	B12016620300	ROLING BEARING 6203	1
6	24203B09F000	OIL SEAL	1
7	24301B01F000	CLUTCH ASSY,shoe	3
8	24302B01F000	SPRING	3
9	24303G02F000	NUT	1
10	24700G02F000	HOUSING	1
11	24305G02F940	NUT	1
12	24243G02F000	RING φ6.7X3	1
	200492080000	RING φ5.5X1.5	2
13	24209G02F000	BEARING 638Z	1
14	24101B09F000	FACE,movable drive	1
15	213119.003000	ROLLER	6
16	24103G02F000	PLATE,movable drive	1
17	24104G02F000	DAMPER	3
18	24105G02F000	COLLER	1
19	24106B01F000	WASHER	1
20	24107B01F000	V BELT , DRIVE	1
21	24108B09F000	FACE , FIXED DRIVE	1
22	24109G02F000	PLATE , WOODRUFF KEY	1
23	213203.001161	STARTING DISC	1
24	15112G02F010	WASHER , SPRING	1
25	B04031212553	NUT	1
26	24204G02F000	FACE , FIXED DRIVEN	1
27	24205G02F000	FACE , MOVABLE DRIVEN	1
28	24206G02F000	OIL SEAL	1
29	24207G02F000	O-RING	2
30	24208G02F000	PIN , GUIDE	2
31	24308B01F000	SPRING	1
32	24245G02F000	ROLLER BEARING	1
33	24309G02F930	SEAT , SPRING	1
34	24100B09F000	DRIVE ASSY	1
35	200011070043	WASHER	1

**NOTES**

ATÉ AO MOTOR N.QJ1E40QMB-4\*93007020  
 APARTIR DO MOTOR N.QJ1E40QMB-4\*93007020

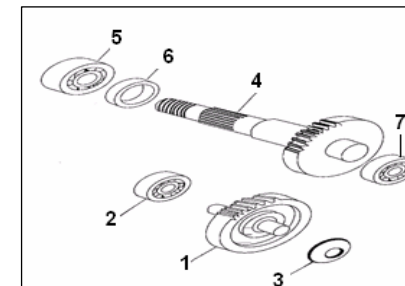
ATÉ AO MOTOR N.QJ1E40QMB-4\*93007020  
 APARTIR DO MOTOR N.QJ1E40QMB-4\*93007020



**E09 TRANSMISSION SYSTEM ASSY**

NO.	PART NO.	EN DESCRIPTION	QTY
1	17800B09F000	SHAFT , IDLE	1
2	B12016620000	BEARING 6200	1
3	17732J01F000	WASHER , thrust	1
4	17300B09F000	SHAFT , REAR BOX	1
5	B12016600400	NEEDLE BEARING	1
6	17317B09F000	OIL SEAL	1
7	B12016620200	NEEDLE BEARING	1

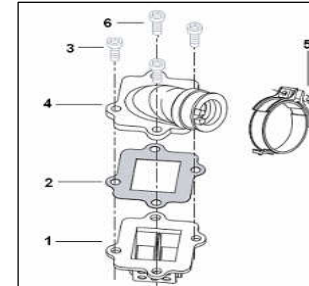
**NOTES**



### E10. REED VALVE ASSY

NO.	PART NO.	EN DESCRIPTION	QTY
1	32300G02F000	REED VALVE ASSY	1
2	202306.002000	VALVE SEAT GASKET	1
3	302040602065	SCREW (chromeplate)	3
4	32200G02F000	PIPE, intake	1
5	202104.006472	CLIP	1
6	206412.001472	SCREW	1

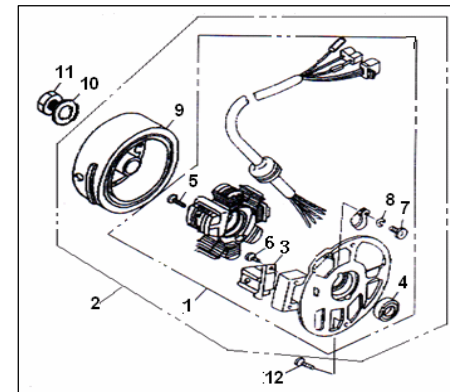
NOTES



### E11. MAGNETO ASSY

NO.	PART NO.	EN DESCRIPTION	QTY
1	223102.104000	COIL ASSY 17°	1
2	223100.101000	MAGNETO ASSY 17°	1
3	34330G02F000	PULSE TRIGGER	1
4	34350G02F000	OIL SEAT	1
5	B02000502522	SCREW	2
6	B02000501262	SCREW	2
7	B02000400622	SCREW	1
8	B07000000400	SPRING WASHER	1
9	223101.022000	FLY WHEEL ASSY 17°	1
10	B07030001200	WASHER	1
11	15228H03F000	NUT	1
12	B01070601664	SCREW M6X16	2

NOTES



### E12. CARBURETOR ASSY

NO.	PART NO.	EN DESCRIPTION	QTY
1	32510B01F000	NEEDLE, jet (22,5#)	1
2	32511B01F000	VALVE, PISTON	1
3	224202.112000	JET, main, 62.5#	1
4	32612B01F000	ENRICH VALVE	1
5	32619B01F000	PIN, float	1
6	32620B01F000	FLOAT	1
7	32701B01F000	GASKET	1
8	339001070050	CARBURETOR ASSY (MIKUNI)	1
8	339001070060	CARBURETOR ASSY (MIKUNI)	1
9	32800B09F000	HEATING ASSY	1
10	32801B09F000	L WASHER	1
11	224203.100000	JET, idle	1
12	32508B01F000	CLIPMM, V shape	1
13	330031070000	OIL PIPE ASSY MIKUNI	1
14	32617B01F000	VALVE NEEDLE	1

NOTES

C/ VÁLVULA ENRIQUECIMENTO  
S/ VÁLVULA ENRIQUECIMENTO

