

PARTS CATALOGUE



SCOOTERS

KN10CA(PT)

AGILITY RS 50 PURE NAKED



Release Date : 2021/03/15
Print Date : 2022/07/13

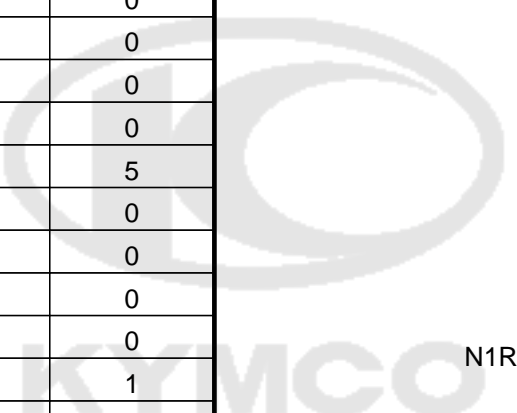
ABOUT THIS PARTS LIST

- This parts list is compiled all service parts for model KN10CA(PT).
- Any difference between color chart and motorcycle will be revised according to motorcycle.
- The Mark:
 1. Marking "***" must add color code in the end before ordering parts.
 2. Marking "#" are parts with modification, Please find the details from e-Parts system.
- When modification or additions to this parts list are made a revised edition at an appropriate time.



CONTENTS

| | |
|-----------------------------------|----|
| ● ABOUT THIS PARTS LIST | 1 |
| ● COLOR CHART OF KN10CA(PT) | 3 |
| ● CONTENTS-ENGINE GROUP | 6 |
| ● CONTENTS-FRAME GROUP | 7 |
| ● ENGINE PARTS LIST | 10 |
| ● FRAME PARTS LIST | 36 |
| ● PART NO. INDEX | 86 |

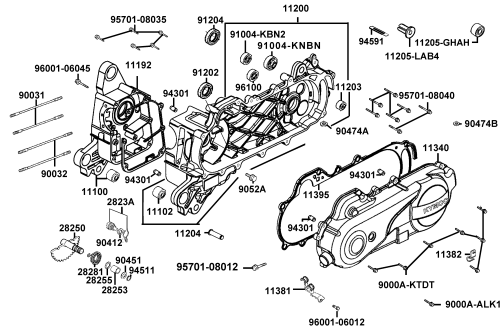
| NO | MODEL | | | COLOR CHART OF KN10CA(PT) | | | |
|------------------------|---------------------|----------------|---------|---|--------------|--|--|
| | PHOTO NO | | | NO. 1 | NO. 2 | | |
| | BASIC COLOR | | | Mat Black | Mat Metallic | | |
| | CODE | | | Mat Black | Mat Metallic | | |
| | PARTS NAME | PARTS NO. | VERSION | CH294FA | NH503FA | | |
| 1 | WHEEL CAST RR | 42601-LGB5-E10 | 0 | 41A | Q5A | | |
| 2 | WHEEL COMP FR CAST | 44601-LGB5-E10 | 0 | | | | |
| 3 | COVER UNDER | 50613-LGB5-E10 | 2 | 41R | Q5R | | |
| 4 | FENDER FR | 61100-LGB5-E10 | 1 | 66P | HLP | | |
| 5 | COVERT FRONT | 64301-LGB5-E10 | 1 | | | | |
| 6 | COVER R BODY (Plain | 83500-LGB5-E10 | 0 | | | | |
| 7 | COVER L BODY (Plain | 83600-LGB5-E10 | 0 | | | | |
| 8 | COVERBATTERY | 50326-LGB5-E10 | 0 | | | | |
| 9 | GRIP COMP THROT | 53140-LFB6-800 | 0 |  | | | |
| 10 | GRIP COMP L HANDLE | 53150-LEA6-900 | 0 | | | | |
| 11 | GRILL FRONT | 64303-LGB5-E10 | 0 | | | | |
| 12 | PLUG FLOOR | 64316-LCB9-C10 | 5 | | | | |
| 13 | FENDER RR TIRE | 80100-LDC8-E10 | 0 | | | | |
| 14 | FENDER REAR | 80105-LGB5-E10 | 0 | | | | |
| 15 | FENDER ASSY RR | 8010A-LGB5-E10 | 0 | | | | |
| 16 | COVER CENTER | 80151-LGB5-E10 | 0 | | | | |
| 17 | LID LEG SHIELD | 81132-LCB9-C10 | 1 | | | | |
| 18 | HOOK LUGGAGE | 81132-LDC8-E10 | 1 | | | | |
| 19 | CAP LEG SHIELD | 81132-LHM9-E60 | 0 | | | | |
| 20 | BOX LUGGAGE | 81250-LGB5-E10 | 1 | | | | |
| 21 | LID CARB MAINT | 81251-LCB9-C10 | 0 | | | | |
| 22 | COVER R BOX | 81255-LGB6-E10 | 0 | | | | |
| 23 | COVER L BOX | 81256-LGB6-E10 | 0 | | | | |
| 24 | GRILL R SIDE | 83510-LGB5-E10 | 1 | | | | |
| 25 | COVER L SIDE | 83610-LGB5-E10 | 0 | | | | |
| DATE OF STARTING-SALES | | | | | | | |
| DATE OF END-SALES | | | | | | | |

| NO | MODEL | | | COLOR CHART OF KN10CA(PT) | | | |
|------------------------|---------------------|----------------|---------|---------------------------|--------------|--|--|
| | PHOTO NO | | | NO. 1 | NO. 2 | | |
| | BASIC COLOR | | | Mat Black | Mat Metallic | | |
| | CODE | | | Mat Black | Mat Metallic | | |
| | PARTS NAME | PARTS NO. | VERSION | CH294FA | NH503FA | | |
| 26 | COVER L SIDE | 11340-LBD6-C00 | 2 | NEA | | | |
| 27 | CALIPER ASSY L FR | 45200-LGB5-E10 | 0 | | | | |
| 28 | CARRIER REAR | 81200-LGB5-E10 | 0 | | | | |
| 29 | MIRROR ASSY R BACK | 88110-LEB5-C11 | 2 | NEP | | | |
| 30 | MIRROR ASSY L BACK | 88120-LEB5-C11 | 2 | | | | |
| 31 | CUSHION ASSY RR | 52400-LDC8-E10 | 2 | | | | |
| 32 | FORK ASSY FR R | 51400-LGB5-E10 | 0 | NES | | | |
| 33 | undefined | 51420-LDC8-E10 | 0 | | | | |
| 34 | FORK ASSY FR L | 51500-LGB5-E10 | 0 | | | | |
| 35 | BOTTOM CASE L | 51520-LDC8-E10 | 0 | NGA | | | |
| 36 | SEAT ASSY | 77200-LGB6-E10 | 0 | | | | |
| 37 | EMB K-LOGO | 86102-ALG1-E00 | 2 | | | | |
| 38 | STRIPE MARK KYMCO | 87160-AAC7-E60 | 0 | T01 | | | |
| 39 | LABEL TIRE | 87505-LDC8-E10 | 3 | | | | |
| 40 | CAUTION SIDE STAND | 87541-GAR1-C01 | 1 | | | | |
| 41 | LABEL OIL CAP | 87541-KGBG-E01 | 1 | T01 | | | |
| 42 | MARK MAINT CAUTION | 87542-GAR1-C01 | 2 | | | | |
| 43 | MARK DRIVE CAUTION | 87560-GFY6-E11 | 3 | | | | |
| 44 | STRIPE R BODY COVER | 86221-AFC5-E60 | 1 | T01 | T02 | | |
| 45 | STRIPE L BODY COVER | 86231-AFC5-E60 | 1 | | | | |
| 46 | STRIPE R BODY COVER | 86241-AFC5-E60 | 1 | | | | |
| 47 | STRIPE L BODY COVER | 86251-AFC5-E60 | 1 | | | | |
| 48 | STRIPE C R BODY | 86261-AFC5-E60 | 1 | | | | |
| 49 | STRIPE L BODY COVER | 86271-AFC5-E60 | 1 | | | | |
| 50 | STRIPE R LEG SHIELD | 86732-AFC5-E60 | 1 | | | | |
| DATE OF STARTING-SALES | | | | | | | |
| DATE OF END-SALES | | | | | | | |

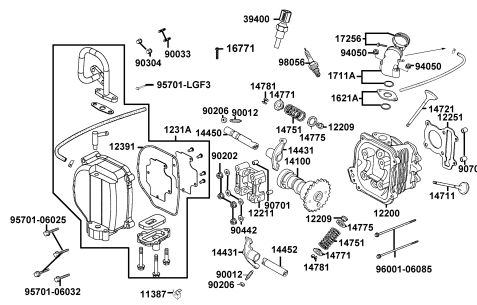
| NO | MODEL | | | COLOR CHART OF KN10CA(PT) | | | |
|------------------------|---------------------|----------------|---------|---------------------------|--------------|--|--|
| | PHOTO NO | | | NO. 1 | NO. 2 | | |
| | BASIC COLOR | | | Mat Black | Mat Metallic | | |
| | CODE | | | Mat Black | Mat Metallic | | |
| | PARTS NAME | PARTS NO. | VERSION | CH294FA | NH503FA | | |
| 51 | STRIPE L LEG SHIELD | 86733-AFC5-E60 | 1 | T01 | T02 | | |
| | | | | | | | |
| | | | | | | | |
| | | | | | | | |
| | | | | | | | |
| | | | | | | | |
| | | | | | | | |
| | | | | | | | |
| | | | | | | | |
| | | | | | | | |
| | | | | | | | |
| | | | | | | | |
| | | | | | | | |
| | | | | | | | |
| | | | | | | | |
| | | | | | | | |
| | | | | | | | |
| | | | | | | | |
| | | | | | | | |
| | | | | | | | |
| | | | | | | | |
| DATE OF STARTING-SALES | | | | | | | |
| DATE OF END-SALES | | | | | | | |

CONTENTS - ENGINE GROUP

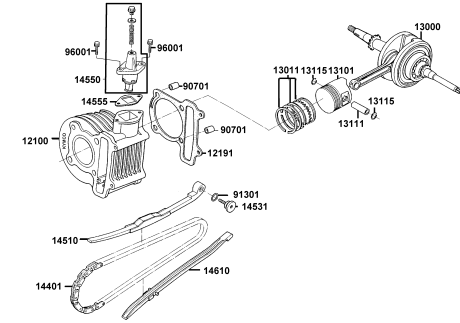
E01 Crank Case



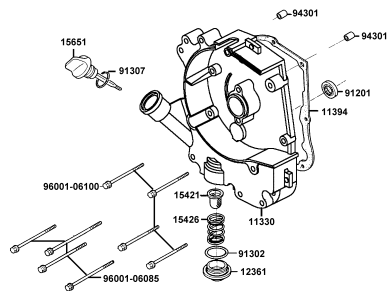
E02 Cylinder Head



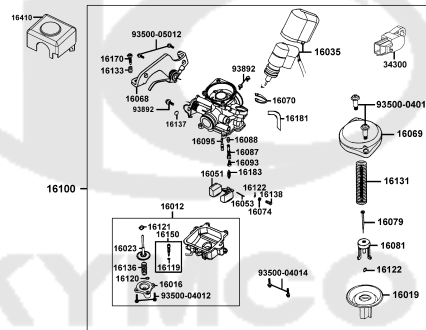
E03 Cylinder Piston Crankshaft



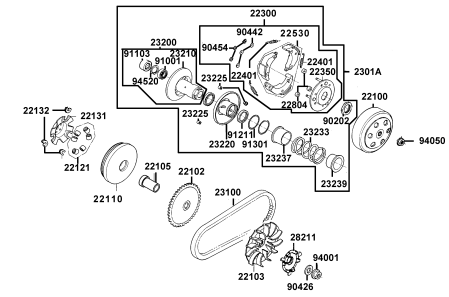
E04 Right Crankcase Cover



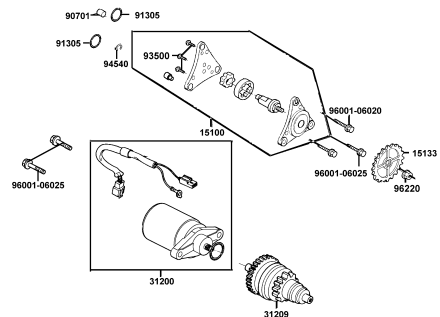
E05 Carburetor



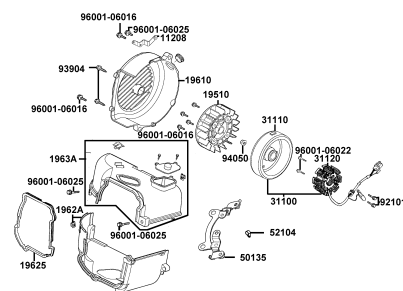
E06 Driven Pulley



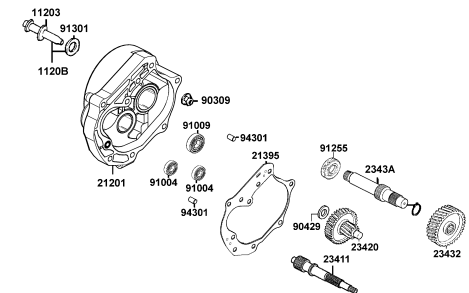
E07 Starting Motor Oil Pump



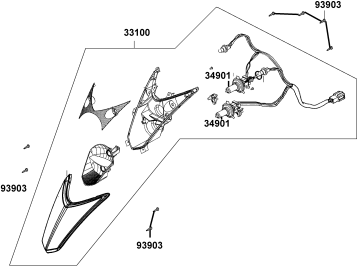
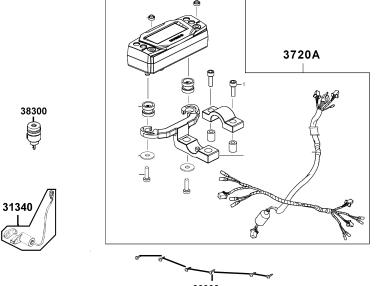
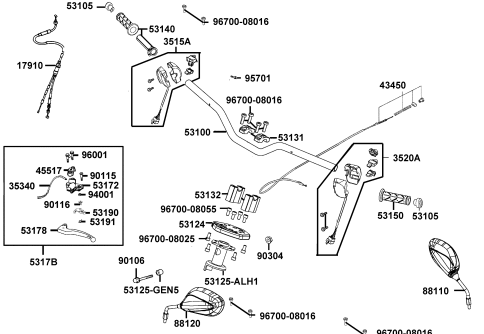
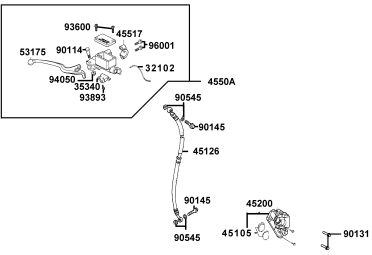
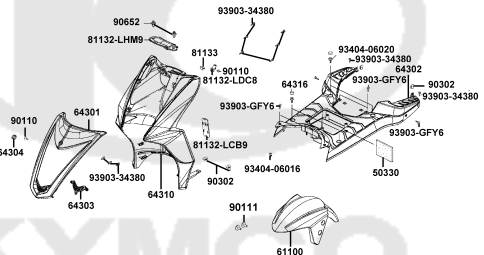
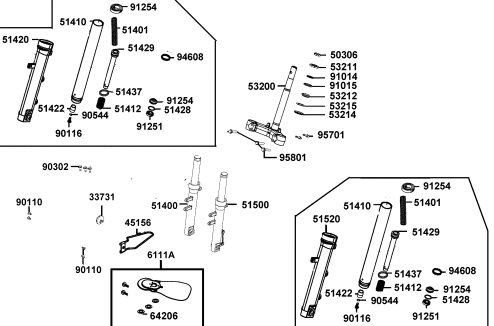
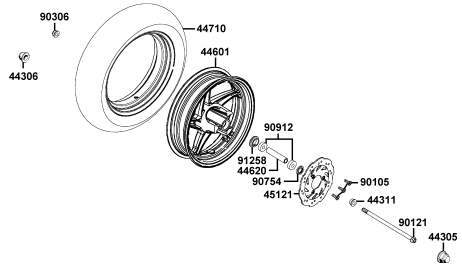
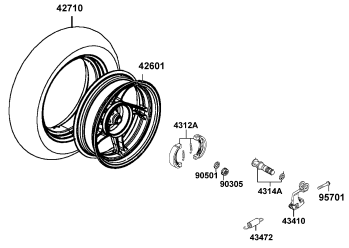
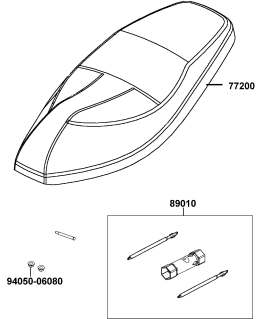
E08 Fan Cover Generator



E09 Transmission

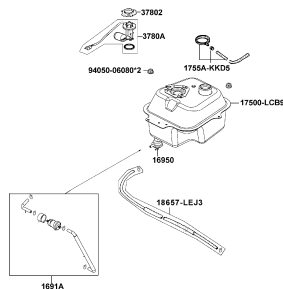


CONTENTS - FRAME GROUP

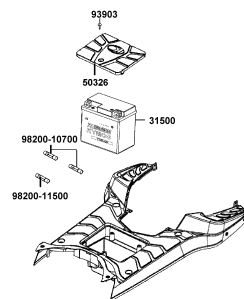
| | | |
|---|--|---|
| <p>F01 Head Light</p> | <p>F02 Speedometer</p> | <p>F03 Handle Steering Handle Cover</p> |
|  |  |  |
| <p>F04 Brake Master Cylinder</p> | <p>F05 Front Cover</p> | <p>F06 Stem Steering Front Cushion</p> |
|  |  |  |
| <p>F07 Front Wheel</p> | <p>F08 Rear Wheel</p> | <p>F09 Seat</p> |
|  |  |  |

CONTENTS - FRAME GROUP

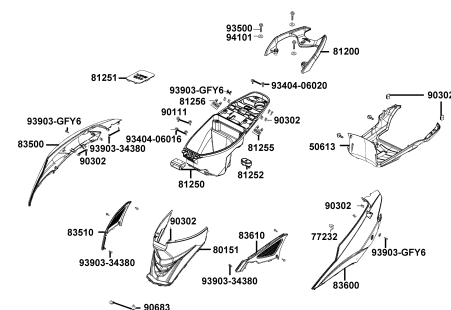
F10 Fuel Tank



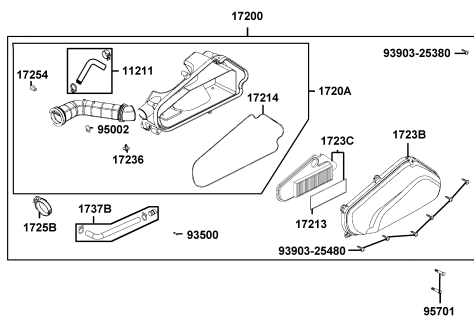
F11 Battery



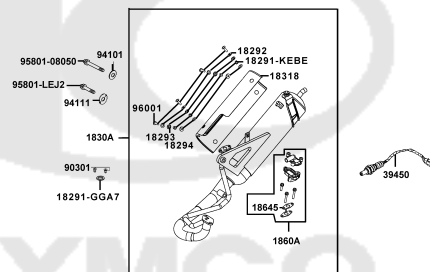
F12 Cover Body Cover Center



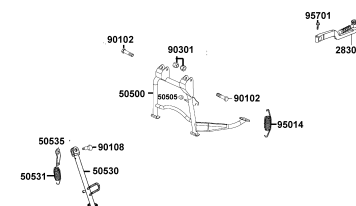
F13 Air Cleaner



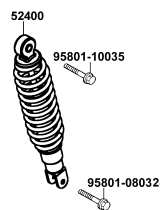
F14 Exhaust Muffler



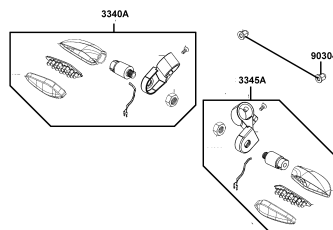
F15 Stand Kick Starter Arm



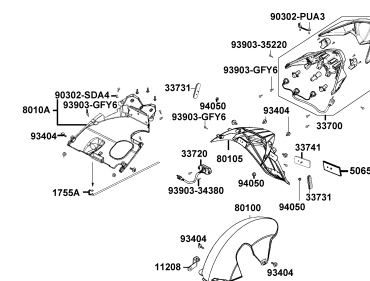
F16 Rear Cushion



F17 Front Winker



F18 Tail Light

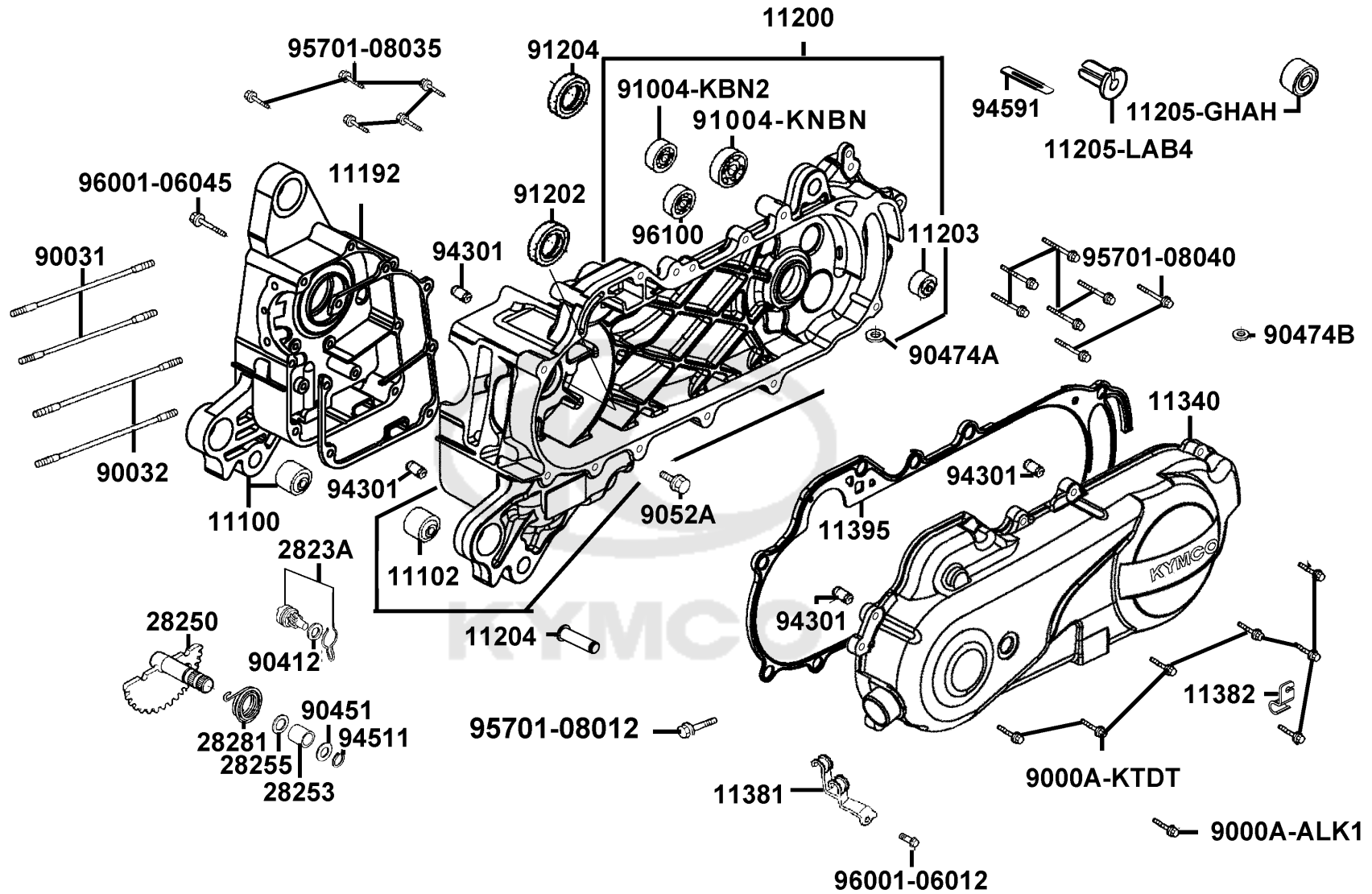


CONTENTS - FRAME GROUP

| F19 Wire Harness | F20 Frame Body | F21 Emblem Stripe |
|------------------|----------------|-------------------|
| | | |
| | | |
| | | |
| | | |

E01

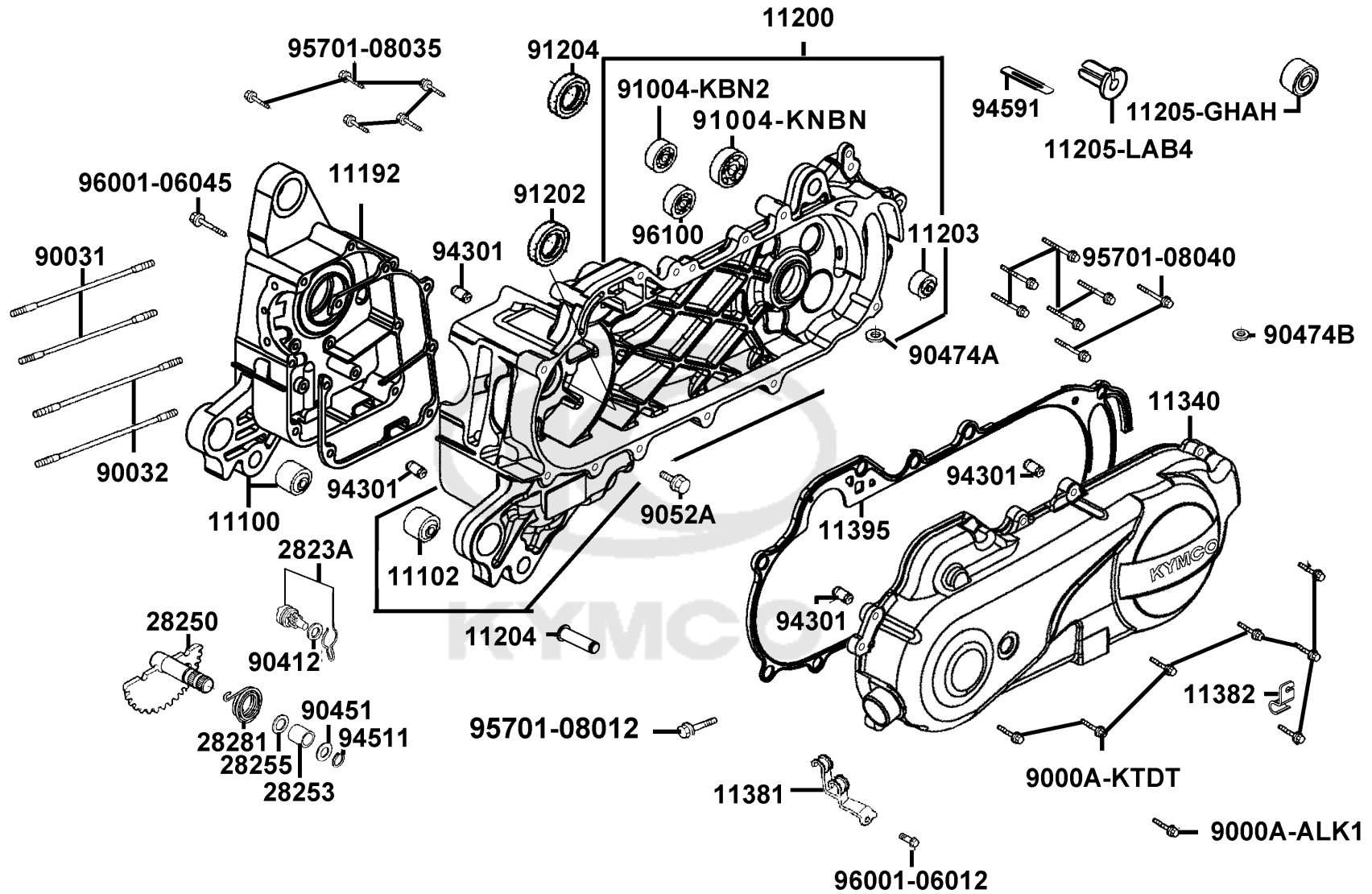
Crank Case



| Sales mark | Ref no | Part no | Description | Reg description | Regd no | E01 |
|------------|------------|----------------|--------------------------------|--------------------------------|---------|-----|
| | 11100 | 11100-KGBG-C00 | CRANK CASE COMP.,R | CRANK CASE COMP RIGHT | 1 | |
| | 11102 | 11102-1G87-C00 | RUB BUSH ENG HANGER | RUB BUSH ENG HANGER | 1 | |
| | 11192 | 11192-KGBG-E90 | GASKET,CRANK CASE@A | GASKET CRANK CASE@A | 1 | |
| | 11200 | 11200-LBD6-C00 | CRANK CASE COMP LEFT | CRANK CASE COMP LEFT | 1 | |
| | 11203 | 11203-GGC7-W10 | UNDER RUBBER BUSH REAR CUSHION | UNDER RUBBER BUSH REAR CUSHION | 1 | |
| | 11204 | 11204-KNBN-C00 | PIN SPG HOOK | PIN SPG HOOK | 1 | |
| | 11205-GHAH | 11205-GHAH-C00 | BUSH 8*12*8 | BUSH 8*12*8 | 2 | |
| | 11205-LAB4 | 11205-LAB4-C00 | BUSH M STAND | BUSH M STAND | 2 | |
| ** | 11340 | 11340-LBD6-C00 | COVER COMP L CRANK CASE | COVER COMP L CRANK CASE | 1 | |
| | 11381 | 11381-KHC4-C00 | CLAMPER THROTTLE CABLE | CLAMPER THROTTLE CABLE | 1 | |
| | 11382 | 11382-LBD6-C00 | CLAMPER BRAKE CABLE | CLAMPER BRAKE CABLE | 1 | |
| | 11395 | 11395-LBD6-C00 | GASKET L COVER | GASKET L COVER | 1 | |
| | 2823A | 2823A-LBD6-C00 | GEAR ASSY KICK DRIVEN | GEAR ASSY KICK DRIVEN | 1 | |
| | 28250 | 28250-GBN2-C00 | SPINDLE COMP KICK STARTER | SPINDLE COMP KICK STARTER | 1 | |
| | 28253 | 28253-GBN2-C00 | BUSH KICK SPINDLE | BUSH KICK SPDL | 1 | |
| | 28255 | 28255-GFS6-C00 | COLLAR KICK BOSS | COLLAR KICK BOSS | 1 | |
| | 28281 | 28281-GBN2-C00 | SPRING KICK RETURN | SPRING KICK RETURN | 1 | |
| | 9000A-ALK1 | 9000A-ALK1-E15 | BOLT ASSY SPECIAL | BOLT ASSY SPECIAL | 1 | |
| | 9000A-KTDT | 9000A-KTDT-C02 | BOLT ASSY SPECIAL 6*27 | BOLT ASSY SPECIAL 6*29.5(G) | 7 | |
| | 90031 | 90031-KGBG-C01 | BOLT A STUD 7*168 | BOLT A STUD 7*168 | 1 | |

E01

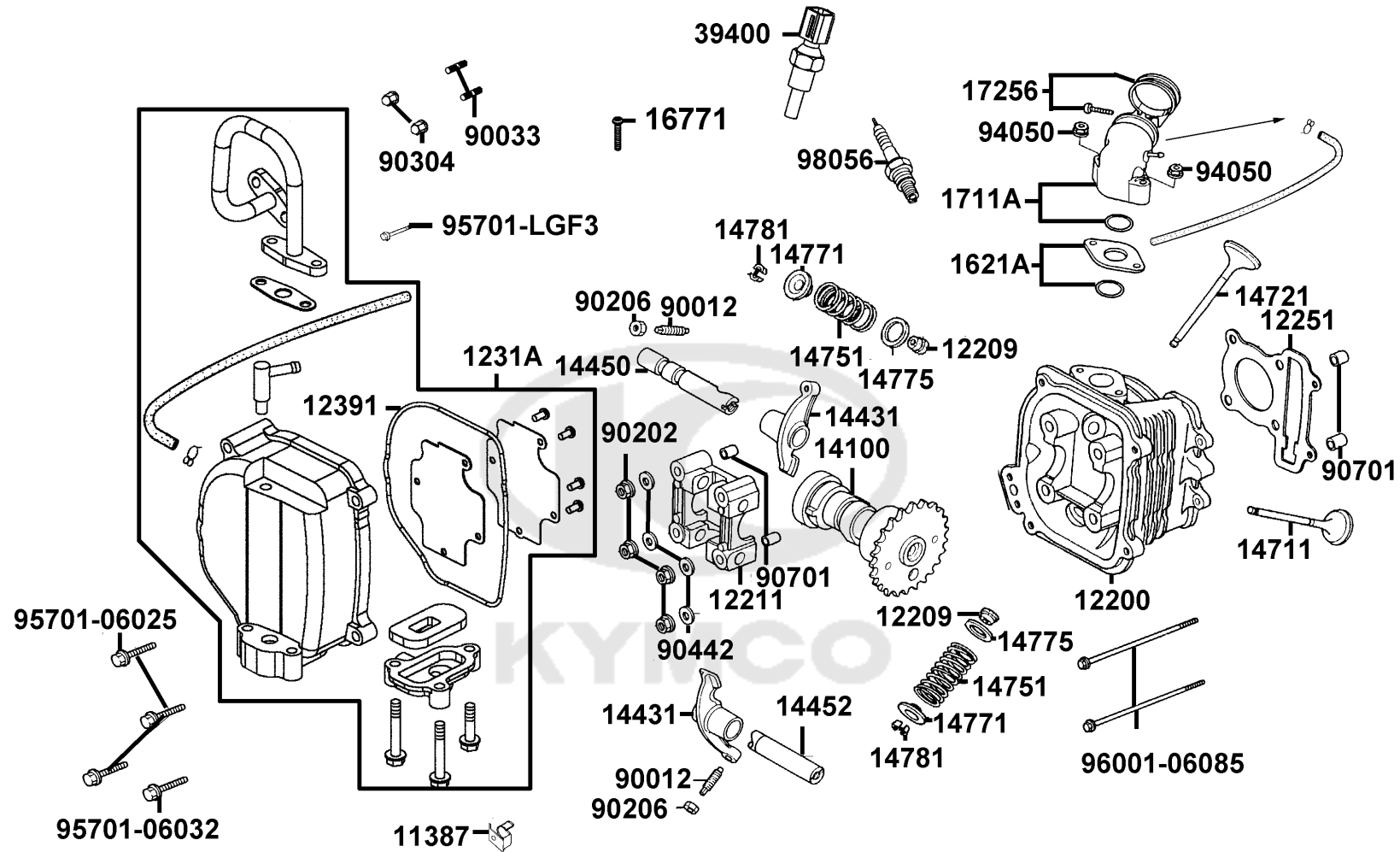
Crank Case



| Sales mark | Ref no | Part no | Description | Reg description | Regd no | E01 |
|------------|-------------|-----------------|----------------------------|----------------------------|---------|-----|
| | 90032 | 90032-KGBG-C01 | BOLT A STUD 7*176 | BOLT A STUD 7*176 | 1 | |
| | 90412 | 90412-3K29-C00 | WASHER THRUST 10M/M | WASHER THRUST 10M/M | 1 | |
| | 90451 | 90451-GBN2-C00 | WASHER KICK SPINDLE | WASHER KICK SPINDLE | 1 | |
| | 90474A | 90474-1G47-C00 | WASHER 10.5MM | WASHER 10.5MM | 1 | |
| | 90474B | 90474-3C33-C00 | WASHER 8MM (T*2) | WASHER 8MM (T*2) | 1 | |
| | 9052A | 9052A-PUA3-B50 | BOLT ASSY DRAIN PLUG 12*15 | BOLT ASSY DRAIN PLUG 12*15 | 1 | |
| | 91004-KBN2 | 91004-KBN2-C00 | BRG BALL RADIAL 6201 | BRG BALL RADIAL 6201 | 1 | |
| | 91004-KNBN | 91004-KNBN-C00 | BRG BALL RADIAL 6203 SPC | BRG BALL RADIAL 6203 SPC | 1 | |
| # | 91202 | 91202-GFY6-90C | OIL SEAL 19.8*30*5 | OIL SEAL 19.8*30*5 | 1 | |
| | 91204 | 91204-KNBN-C00 | OIL SEAL 17*30*6 | OIL SEAL 17*30*6 | 1 | |
| | 94301 | 94301-08140 | DOWEL PIN 8*14 | DOWEL PIN 8*14 | 4 | |
| | 94511 | 94511-14000 | CIR CLIP EX 14 | CIR CLIP EX 14 | 1 | |
| | 94591 | 94591-LDC8-E10 | CLIP BIND | CLIP BIND | 1 | |
| | 95701-08012 | 95701-08012-08G | BOLT FLANGE 8X12(C) | BOLT FLANGE 8X12(C) | 1 | |
| | 95701-08035 | 95701-08035-08G | BOLT FLANGE 8*35 (C) | BOLT FLANGE 8*35 | 5 | |
| | 95701-08040 | 95701-08040-08G | BOLT FLANGE 8*40 | BOLT FLANGE 8*40 | 1 | |
| | 96001-06012 | 96001-06012-02 | BOLT FLANGE SH 6*12 | BOLT FLANGE SH 6*12 | 1 | |
| | 96001-06045 | 96001-06045-08G | BOLT FLANGE SH 6x45 (C) | BOLT FLANGE SH 6*45 (C) | 1 | |
| | 96100 | 96100-62033-00 | BEARING BALL RADIAL 6203 | BEARING BALL RADIAL 6203 | 1 | |

E02

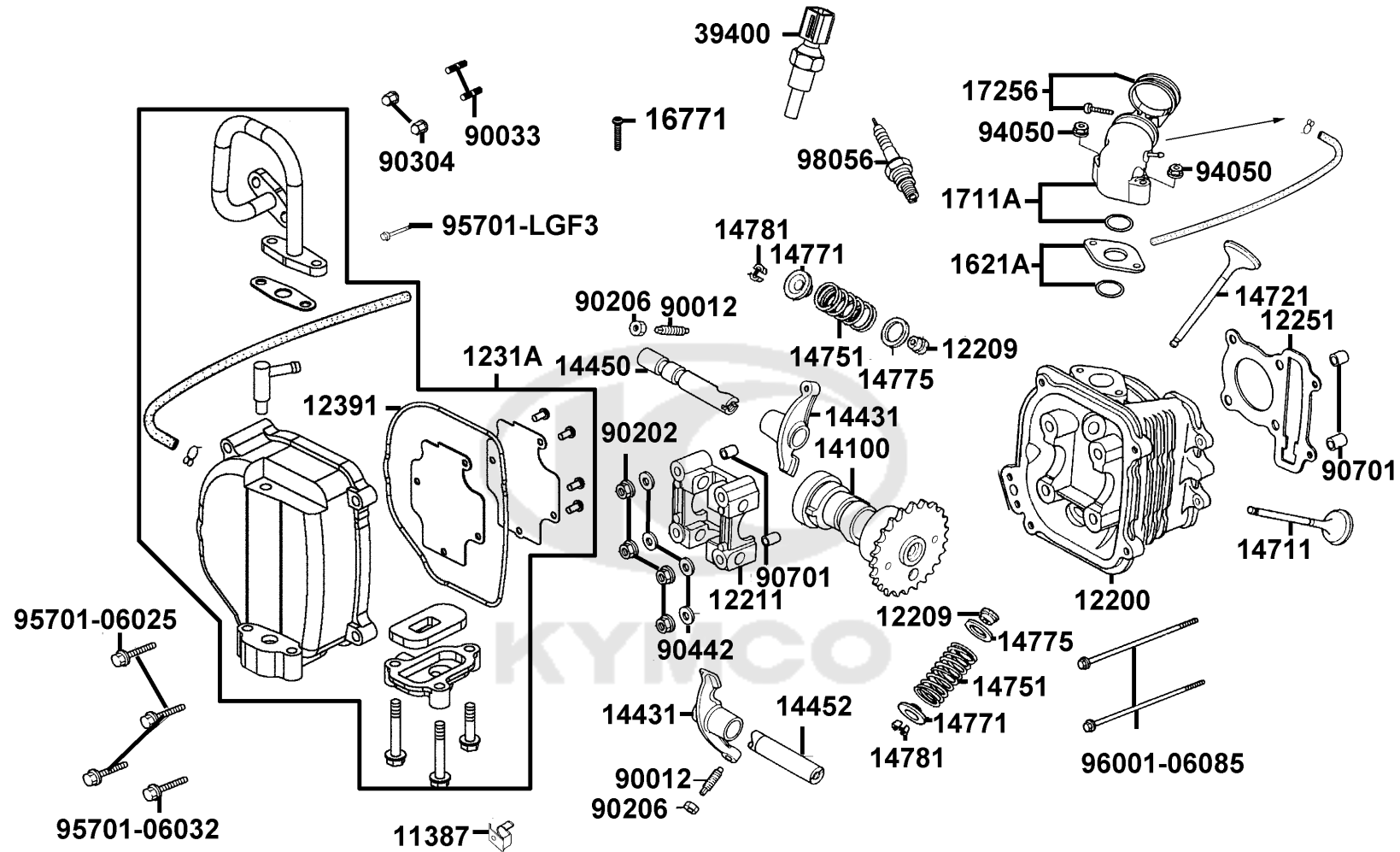
Cylinder Head



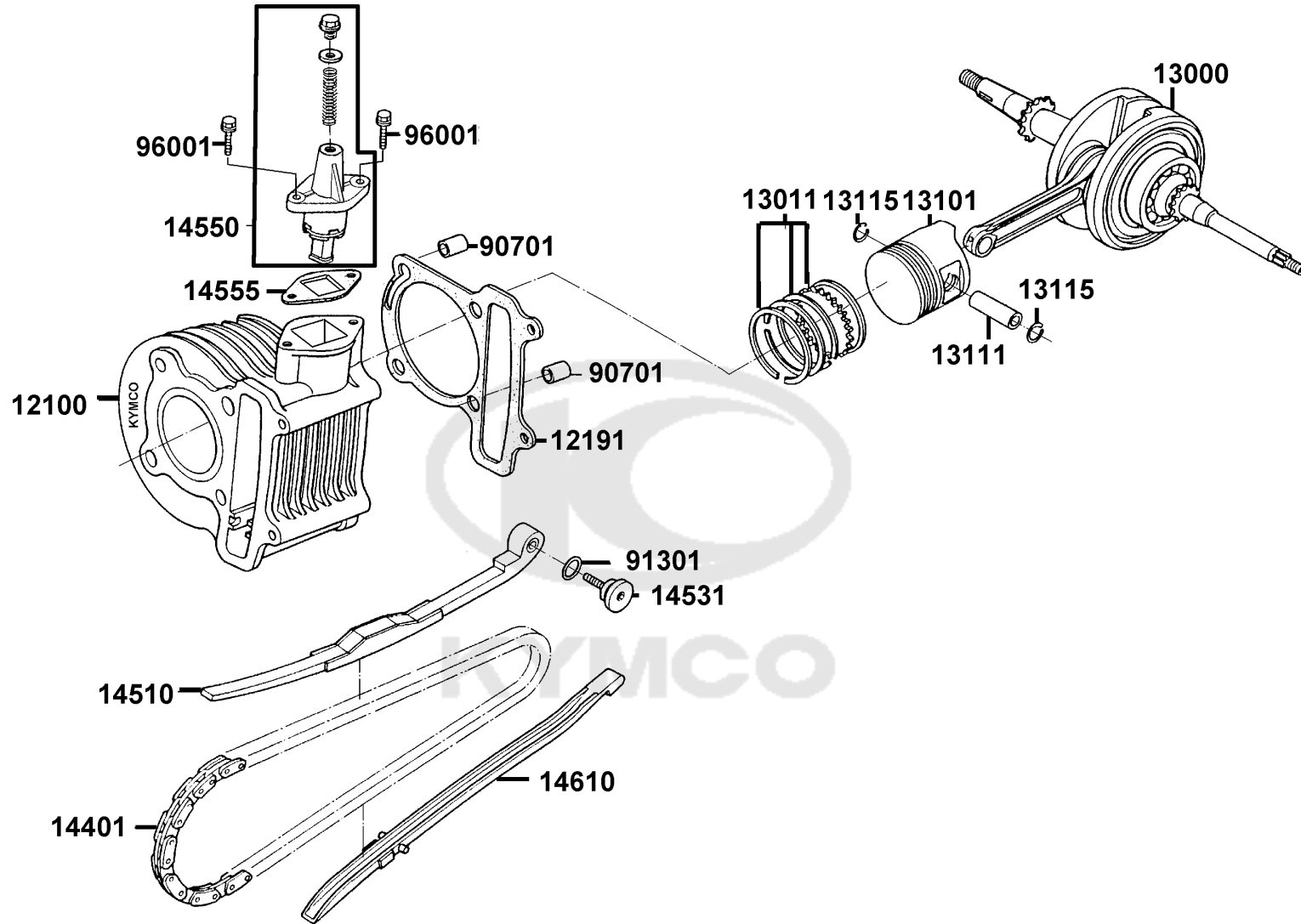
| Sales mark | Ref no | Part no | Description | Reg description | Regd no | E02 |
|------------|--------|----------------|--------------------------|--------------------------|---------|-----|
| | 11387 | 11387-KGBG-C00 | CLAMPER BREATHER TUBE | CLAMPER BREATHER TUBE | 1 | |
| | 12200 | 12200-KGBG-C00 | HEAD COMP CYLN | HEAD COMP CYLN | 1 | |
| | 12209 | 12209-GDB4-C00 | SEAL VALVE STEM | SEAL VALVE STEM | 1 | |
| | 12211 | 12211-KGBG-C00 | HOLDER,CAM SHAFT | HOLDER CAM SHAFT | 1 | |
| | 12251 | 12251-KGBG-C00 | GASKET CYLINDER HEAD | GASKET CYLINDER HEAD | 1 | |
| | 1231A | 1231A-KHC5-C00 | COVER ASSY HEAD | COVER ASSY HEAD | 1 | |
| | 12391 | 12391-KEE1-C00 | GASKET HEAD COVER | GASKET HEAD COVER | 1 | |
| # | 14100 | 14100-ADB2-C0A | SHAFT COMP CAM | SHAFT COMP.. CAM | 1 | |
| | 14431 | 14431-KGBG-W10 | ARM VALVE ROCKER | ARM VALVE ROCKER | 2 | |
| | 14450 | 14450-KGBG-W10 | SHAFT COMP IN ROCKER ARM | SHAFT COMP IN ROCKER ARM | 1 | |
| | 14452 | 14452-KGBG-W10 | SHAFT EXH ROCKER ARM | SHAFT EXH ROCKER ARM | 1 | |
| | 14711 | 14711-KGBG-C00 | VALVE INLET | VALVE INLET | 1 | |
| | 14721 | 14721-KGBG-C00 | VALVE EXHAUST | VALVE EXHAUST | 1 | |
| | 14751 | 14751-KGBG-C00 | SPRING VALVE OUTER | SPRING VALVE OUTER | 1 | |
| | 14771 | 14771-GDB4-C00 | RETAINER VALVE SPRING | RETAINER VALVE SPRING | 1 | |
| | 14775 | 14775-MFA6-C00 | SEAT VALVE SPG OUTER | SEAT VALVE SPG OUTER | 1 | |
| | 14781 | 14781-MFA6-C00 | COTTER VALVE | COTTER VALVE | 1 | |
| | 1621A | 1621A-KGBG-C00 | INSULATOR CARB ASSY | INSULATOR CARB ASSY | 1 | |
| | 16771 | 16771-LGL3-900 | BOLT ASSY SPECIAL | BOLT ASSY SPECIAL | 1 | |
| | 1711A | 1711A-AFC5-E60 | PIPE ASSY INLET | PIPE ASSY INLET | 1 | |

E02

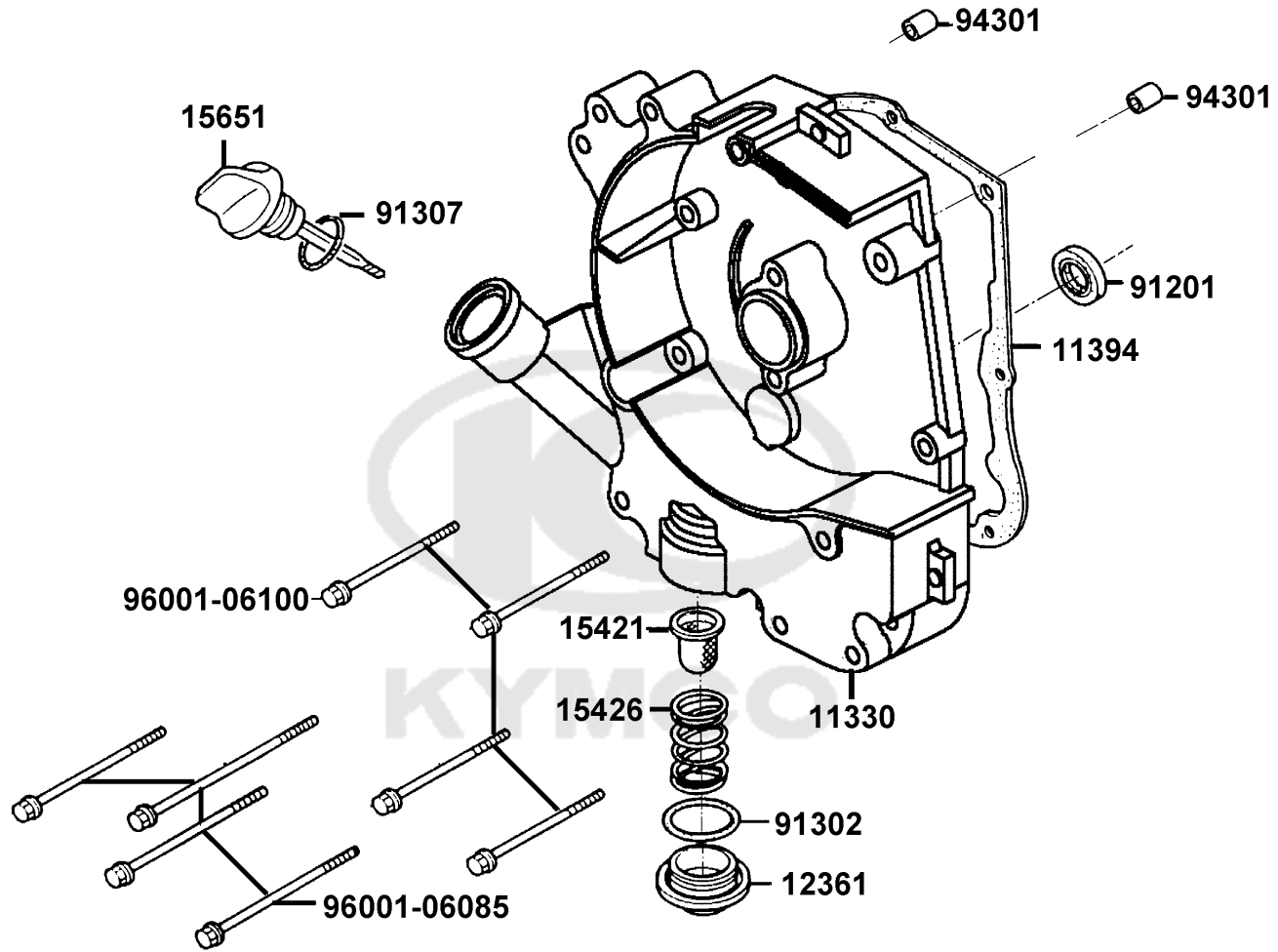
Cylinder Head



| Sales mark | Ref no | Part no | Description | Reg description | Regd no | E02 |
|-------------|--------|-----------------|-------------------------------|-------------------------------|---------|------------|
| 17256 | | 17256-ALK1-E15 | BAND INSULATOR | BAND INSULATOR | 1 | |
| 39400 | | 39400-ACH5-E10 | SENSOR.HEAD TEMPERATURE | "SENSOR,HEAD TEMPERATURE" | 1 | |
| 90012 | | 90012-3C33-C00 | SCREW TAPPET ADJUSTING | SCREW TAPPET ADJUSTING | 1 | |
| 90033 | | 90033-GFY6-C11 | BOLT STUD 6*16 | BOLT STUD 6*16 | 1 | |
| 90202 | | 90202-GFF6-C00 | NUT FLANGE 7MM | NUT FLANGE 7MM | 2 | |
| 90206 | | 90206-0A01-C00 | NUT TAPPET ADJG | NUT TAPPET ADJG | 1 | |
| 90304 | | 90304-4H38-C00 | NUT HEX CAP 6MM | NUT HEX CAP 6MM | 1 | |
| 90442 | | 90442-GFF6-C01 | WASHER SEALING 7MM 7.2*14*2.5 | WASHER SEALING 7MM 7.2*14*2.5 | 1 | |
| 90701 | | 90701-GFF6-C00 | PIN DOWEL SPECIAL 8*14 | PIN DOWEL SPECIAL 8*14 | 1 | |
| 94050 | | 94050-06080-G | NUT FLANGE 6MM | NUT FLANGE 6MM | 1 | |
| 95701-06025 | | 95701-06025-08G | BOLT FLANGE 6*25 | BOLT FLANGE 6*25 | 3 | |
| 95701-06032 | | 95701-06032-08G | BOLT FLANGE 6*32 | BOLT FLANGE 6*32 | 1 | |
| 95701-LGF3 | | 95701-LGF3-E90 | BOLT TORQUE 6X50 | BOLT FLANGE 6*50 | 1 | |
| 96001-06085 | | 96001-06085-08G | BOLT FLANGE 6*85 | BOLT FLANGE SH 6*85(C) | 1 | |
| 98056 | | 98056-5671R-00 | SPARK PLUG (CR6HSA) | SPARK PLUG CR6HSA | 1 | |



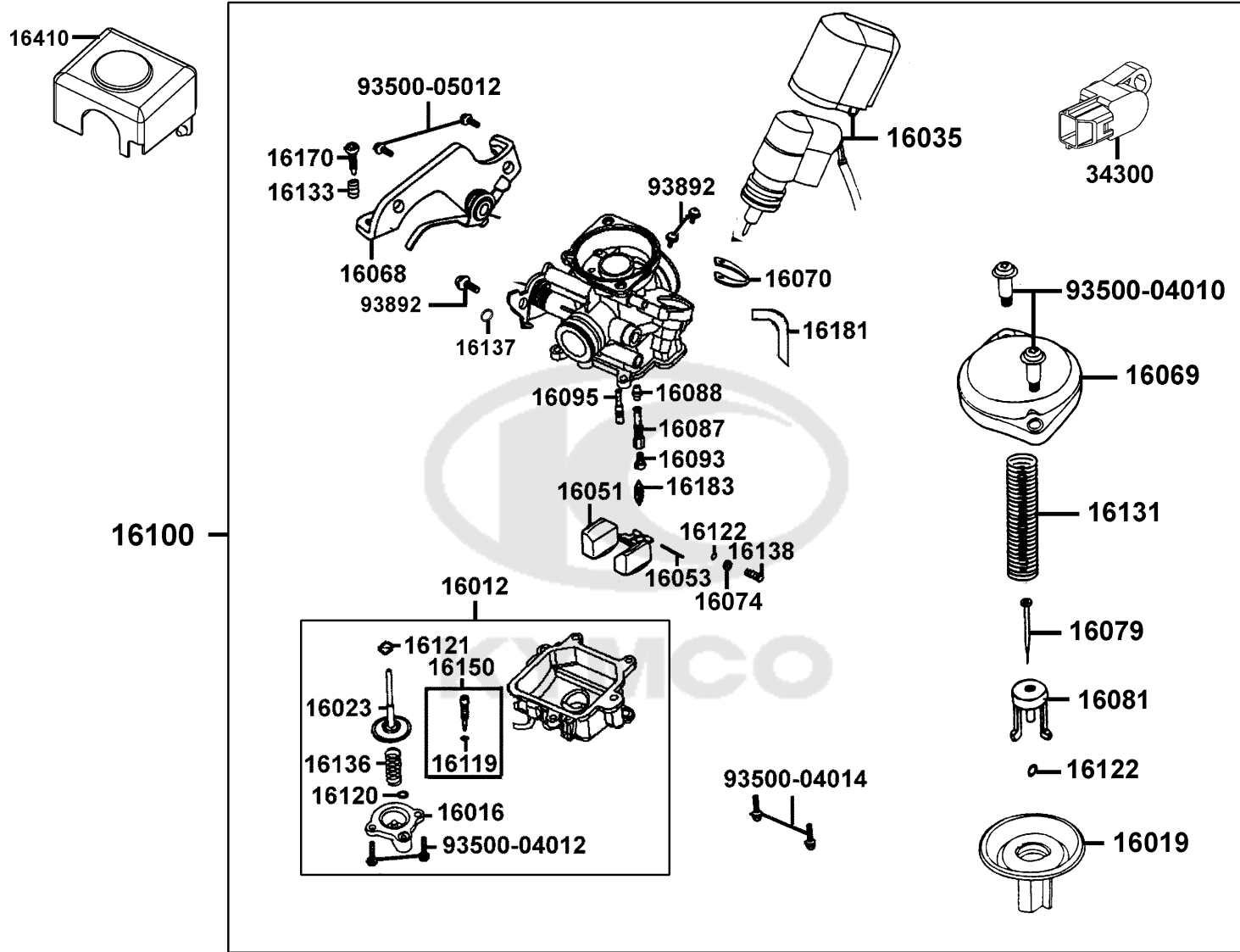
| Sales mark | Ref no | Part no | Description | Reg description | Regd no | E03 |
|------------|--------|-----------------|---------------------------|---------------------------|---------|------------|
| 12100 | | 12100-KGBG-C01 | CYLINDER COMP | CYLINDER COMP | 1 | |
| 12191 | | 12191-KGBG-E90 | GASKET CYLINDER @A | GASKET CYLINDER @A | 1 | |
| 13000 | | 13000-LDC5-C00 | CRANK SHAFT COMP | CRANK SHAFT COMP | 1 | |
| 13011 | | 13011-LBC9-900 | RING SET PISTON | RING PISTON ASSY | 1 | |
| 13101 | | 13101-LBC9-900 | PISTON | PISTON | 1 | |
| 13111 | | 13111-KGBG-C00 | PIN,PISTON | PIN PISTON | 1 | |
| 13115 | | 13115-0A01-C00 | PISTON PIN CLIP | PISTON CLIP PIN | 1 | |
| 14401 | | 14401-KGBG-C00 | CHAIN CAM | CHAIN CAM | 1 | |
| 14510 | | 14510-KGBG-C00 | TENSIONER CAM CHAIN | TENSIONER CAM CHAIN | 1 | |
| 14531 | | 14531-GLR0-W11 | PIVOT CAM CHAIN TENSIONER | PIVOT CAM CHAIN TENSIONER | 1 | |
| 14550 | | 14550-LDC8-C10 | ADJUSTER CAM CHAIN | ADJUSTER CAM CHAIN | 1 | |
| 14555 | | 14555-KKJ9-E90 | GASKET CAM SHAIN ADJUSTER | GASKET CAM SHAIN ADJUSTER | 1 | |
| 14610 | | 14610-KGBG-C00 | GUIDE COMP CAM CHAIN | GUIDE COMP CAM CHAIN | 1 | |
| 90701 | | 90701-GFF6-C00 | PIN DOWEL SPECIAL 8*14 | PIN DOWEL SPECIAL 8*14 | 1 | |
| 91301 | | 91301-GLR0-W10 | O-RING 15.2*1.5 | O-RING 15.2*1.5 | 1 | |
| 96001 | | 96001-06018-08G | BOLT FLANGE SH 6*18 (C) | BOLT FLANGE SH 6*18 (C) | 2 | |



| Sales mark | Ref no | Part no | Description | Reg description | Regd no | E04 |
|------------|-------------|-----------------|---------------------------|---------------------------|---------|------------|
| | 11330 | 11330-LBD6-C00 | COVER COMP R CRANK CASE | COVER COMP R CRANK CASE | 1 | |
| | 11394 | 11394-KGBG-E90 | GASKET R COVER@A | GASKET.R COVER | 1 | |
| | 12361 | 12361-GFY6-C00 | HOLE CAP TAPPET ADJUSTING | HOLE CAP TAPPET ADJUSTING | 1 | |
| | 15421 | 15421-1G07-C00 | SCREEN OIL FILTER | SCREEN OIL FILTER | 1 | |
| | 15426 | 15426-GAE1-C00 | SPG OIL FILTER SCREEN | SPG OIL FILTER SCREEN | 1 | |
| | 15651 | 15651-LDC8-C10 | GAUGE OIL LEVEL | GAUGE OIL LEVEL | 1 | |
| | 91201 | 91201-KGBG-C00 | OIL SEAL 16.4*30*5 | OIL SEAL 16.4*30*5 | 1 | |
| | 91302 | 91302-0A01-C00 | O-RING 30.8MM | O-RING 30.8MM | 1 | |
| | 91307 | 91307-0E35-W10 | O-RING 18*3 | O-RING 18*3 | 1 | |
| | 94301 | 94301-08140 | DOWEL PIN 8*14 | DOWEL PIN 8*14 | 2 | |
| | 96001-06085 | 96001-06085-08G | BOLT FLANGE 6*85 | BOLT FLANGE SH 6*85(C) | 1 | |
| | 96001-06100 | 96001-06100-08G | BOLT FLANGE SH 6x100 (C) | BOLT FLANGE SH 6x100 (C) | 4 | |

E05

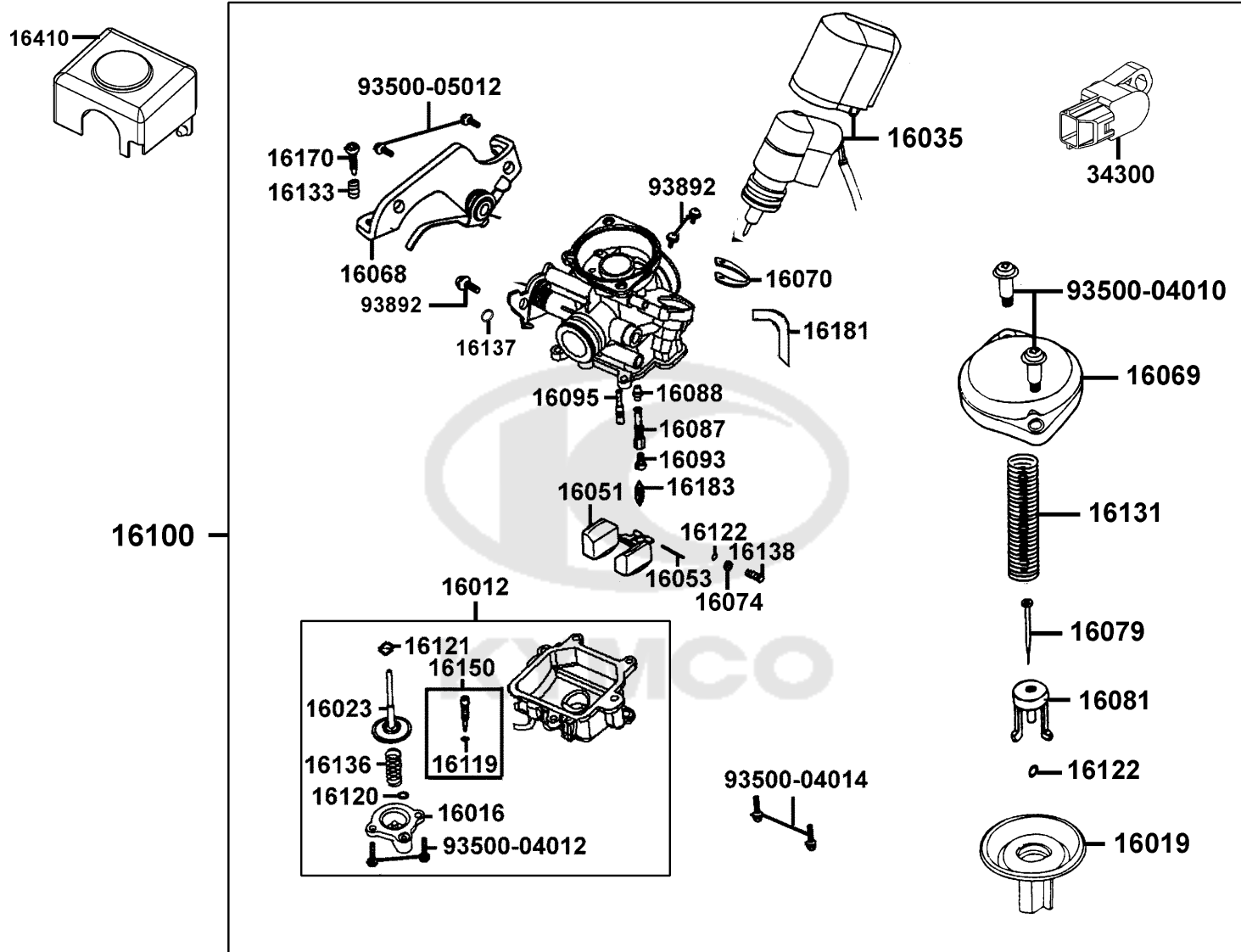
Carburetor



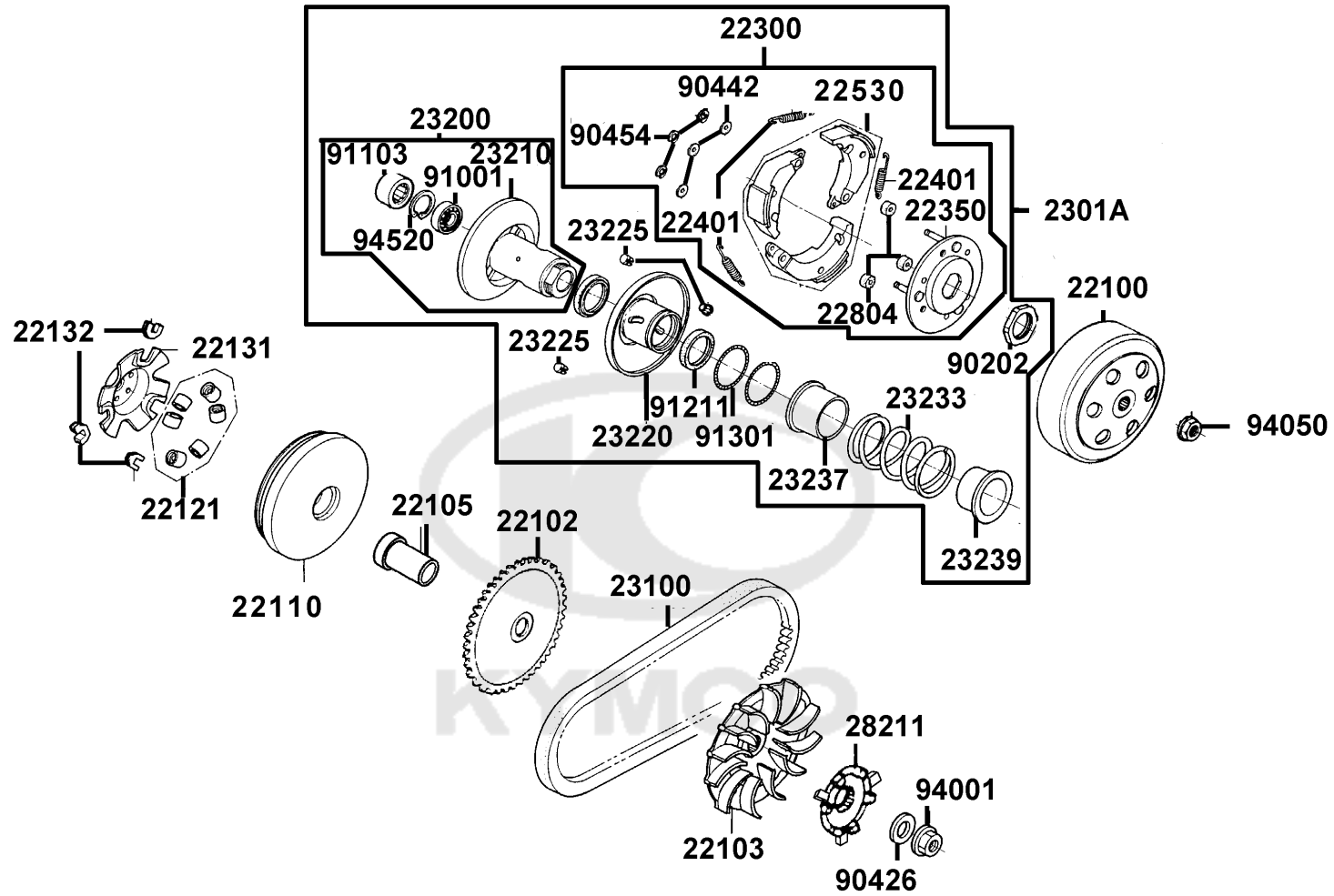
| Sales mark | Ref no | Part no | Description | Reg description | Regd no | E05 |
|------------|--------|----------------|------------------------------|------------------------------|---------|------------|
| 16012 | | 16012-ACH5-E11 | CHAMBER ASSY FLOAT | CHAMBER ASSY FLOAT | 1 | |
| 16016 | | 16016-KGC5-900 | COVER ACCP | COVER ACCP | 1 | |
| 16019 | | 16019-KGC5-C00 | VALVE ASSY PISTON | VALVE ASSY PISTON | 1 | |
| 16023 | | 16023-KGC5-900 | DIAPHRAGM ASSY ACCP | DIAPHRAGM ASSY ACCP | 1 | |
| 16035 | | 16035-AAE9-BA2 | UNIT BY-ST | UNIT BY-ST | 1 | |
| 16051 | | 16051-KGC5-90A | BODY FLOAT | BODY FLOAT | 1 | |
| 16053 | | 16053-KEC3-900 | PIN FLOAT | PIN FLOAT | 1 | |
| 16068 | | 16068-KGC5-C00 | PLATE WIRE FIXED COMPL | PLATE WIRE FIXED COMPL | 1 | |
| 16069 | | 16069-KGC5-C00 | COVER PISTON VALVE DIAPHRAGM | COVER PISTON VALVE DIAPHRAGM | 1 | |
| 16070 | | 16070-KEC3-900 | STOPPER BY-ST | STOPPER BY-ST | 1 | |
| 16074 | | 16074-KEC3-C00 | WASHER IDLE ADJUST SCRW | WASHER IDLE ADJUST SCRW | 1 | |
| 16079 | | 16079-ACH5-E11 | NEEDLE ASSY, JET | NEEDLE ASSY JET | 1 | |
| 16081 | | 16081-KGC5-900 | STOPPER JET NEEDLE SPG | STOPPER JET NEEDLE SPG | 1 | |
| 16087 | | 16087-AAE9-BA2 | TUBE MAIN EMULSION | TUBE MAIN EMULSION | 1 | |
| 16088 | | 16088-KEC5-900 | JET NEEDLE | JET NEEDLE | 1 | |
| 16093 | | 16093-5084-000 | JET MAIN | JET MAIN | 1 | |
| 16095 | | 16095-ACH5-E11 | JET SLOW | JET SLOW | 1 | |
| 16100 | | 16100-ACH5-E11 | CARBURETOR ASSY | CARBURETOR ASSY | 1 | |
| 16119 | | 16119-KEC3-900 | O-RING | O-RING | 1 | |
| 16120 | | 16120-KEC3-C00 | O-RING ACCP | O-RING ACCP | 1 | |

E05

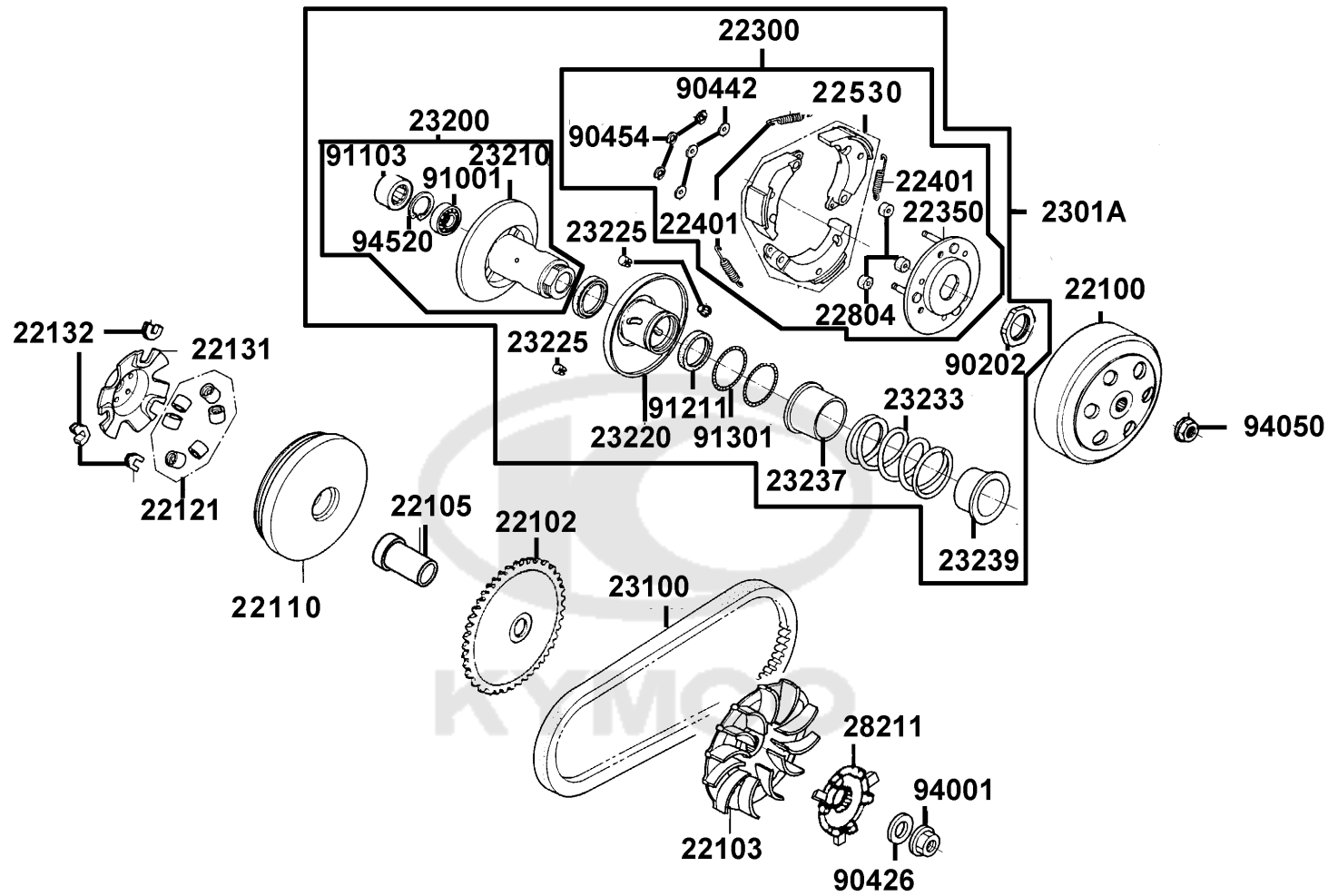
Carburetor



| Sales mark | Ref no | Part no | Description | Reg description | Regd no | E05 |
|-------------|--------|----------------|------------------------------|------------------------------|---------|------------|
| 16121 | | 16121-KEC3-900 | BELLOWS ACCP ROD | BELLOWS ACCP ROD | 1 | |
| 16122 | | 16122-KEC3-C00 | O-RING IDLE SCREW | O-RING IDLE SCREW | 1 | |
| 16131 | | 16131-ACH5-E11 | SPRING VACUUM PISTON | SPRING VACUUM PISTON | 1 | |
| 16133 | | 16133-KGC5-900 | SPRING THROTTLE ADJUST SCREW | SPRING THROTTLE ADJUST SCREW | 1 | |
| 16136 | | 16136-KGC5-900 | SPRING ACCP DIAPHRAGM | SPRING ACCP DIAPHRAGM | 1 | |
| 16137 | | 16137-KGC5-C00 | VALVE ASSY PISTON | VALVE ASSY PISTON | 1 | |
| 16138 | | 16138-KGC5-900 | SPRING IDLE ADJUST SCREW | SPRING IDLE ADJUST SCREW | 1 | |
| 16138 | | 16138-KGC5-C00 | SPRING IDLE ADJUST SCREW | SPRING IDLE ADJUST SCREW | 1 | |
| 16150 | | 16150-KEC3-C00 | SCREW COMP DRAIN | SCREW COMP DRAIN | 1 | |
| 16170 | | 16170-KGC5-C00 | SCREW THROTTLE ADJUST | SCREW THROTTLE ADJUST | 1 | |
| 16181 | | 16181-KEC3-C00 | TUBE AIR VENT | TUBE AIR VENT | 1 | |
| 16183 | | 16183-KEC3-C00 | VALVE COMPL.FLOAT | VALVE COMPL.FLOAT | 1 | |
| 16410 | | 16410-KGBG-E00 | RUBBER COVER CARB ASSY | RUBBER COVER CARB ASSY | 1 | |
| 34300 | | 34300-KKE3-900 | THROTTLE POSITION SENSOR | THROTTLE POSITION SENSOR | 1 | |
| 93500-04010 | | 93500-04010-1A | SCREW 4*10 | SCREW PAN 4*10(B) | 1 | |
| 93500-04012 | | 93500-04012-1A | SCREW 4*12 | SCREW PAN 4*12(B) | 1 | |
| 93500-04014 | | 93500-04014-1A | SCREW PAN 4*14(B) | SCREW PAN 4*14(B) | 1 | |
| 93500-05012 | | 93500-05012-1A | SCREW 5*12 | SCREW PAN 5*12(B) | 1 | |
| 93892 | | 93892-04008-18 | SCREW WASHER 4*8 | SCREW WASHER 4*8 | 1 | |

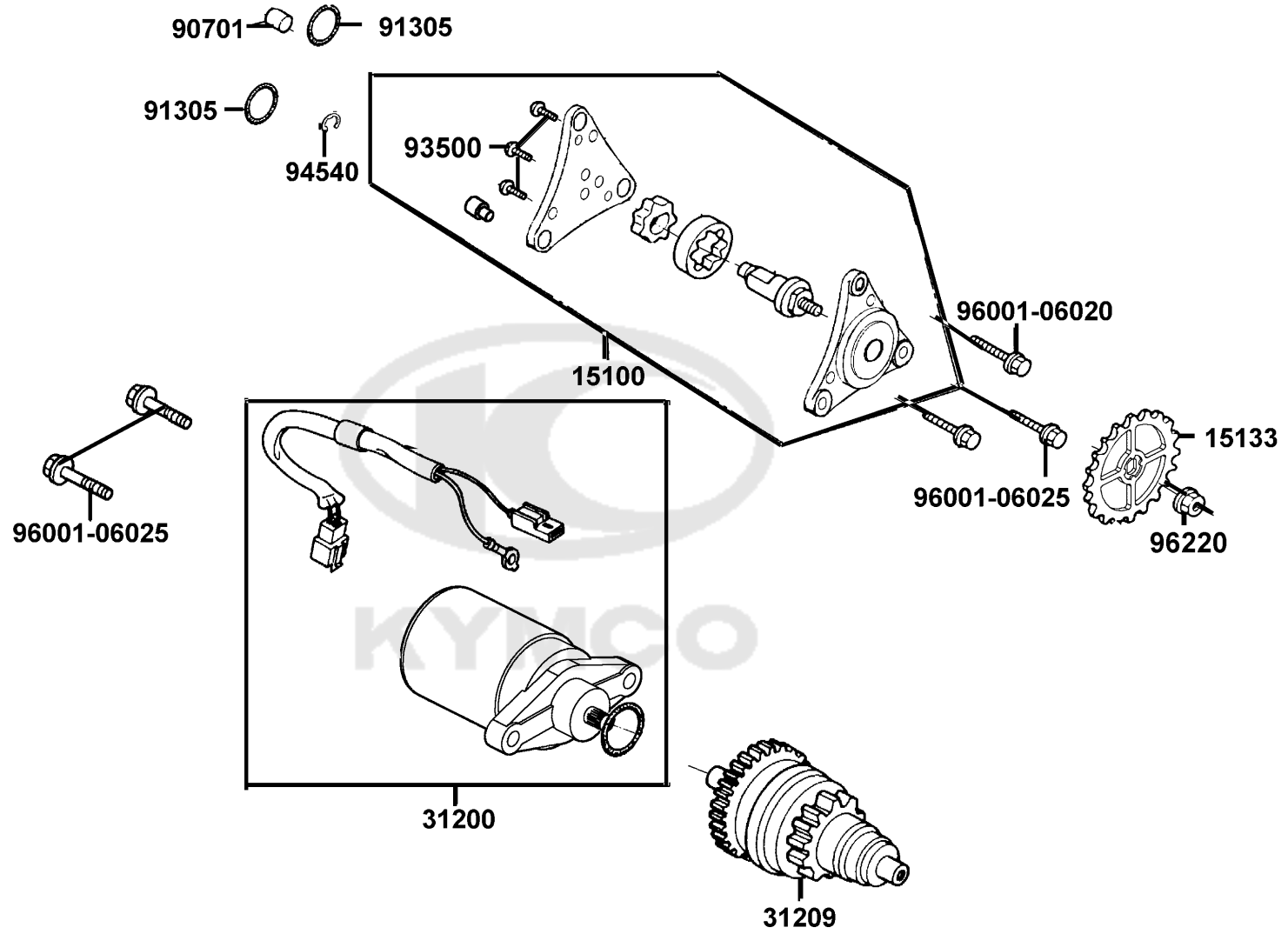


| Sales mark | Ref no | Part no | Description | Reg description | Regd no | E06 |
|------------|--------|----------------|-------------------------------|-------------------------------|---------|-----|
| | 22100 | 22100-LDC8-E10 | CLUTCH OUTER | CLUTCH OUTER | 1 | |
| | 22102 | 22102-LDC8-E10 | FACE DRIVE | FACE DRIVE | 1 | |
| | 22103 | 22103-KEB7-C00 | FAN CVT COOLING | FACE CVT COOLING | 1 | |
| | 22105 | 22105-KGBG-C00 | BOSS DRIVE FACE | BOSS DRIVE FACE | 1 | |
| | 22110 | 22110-LDC8-E10 | FACE COMP MOVABLE DRIVE | FACE COMP MOVABLE DRIVE | 1 | |
| | 22121 | 22121-LBD6-315 | ROLLER SET WEIGHT (1SET:6PCS) | ROLLER SET WEIGHT (1SET:6PCS) | 1 | |
| | 22131 | 22131-GHAH-C00 | PLATE RAMP | PLATE RAMP | 1 | |
| | 22132 | 22132-GLW0-315 | PIECE SLIDE | PIECE SLIDE | 1 | |
| | 22300 | 22300-GGAG-C00 | PLATE ASSY DRIVE | PLATE ASSY DRIVE | 1 | |
| | 22350 | 22350-GKAK-C00 | PLATE COMP DRIVE | PLATE COMP DRIVE | 1 | |
| | 22401 | 22401-GJAJ-920 | SPRING CLUTCH | SPRING CLUTCH | 3 | |
| | 22530 | 22530-GKAK-C00 | WEIGHT CLUTCH | WEIGHT CLUTCH | 1 | |
| | 22804 | 22804-1H48-C00 | RUBBER CLUTCH DUMPER | RUBBER CLUTCH DUMPER | 1 | |
| | 2301A | 2301A-LEA3-C00 | PULLEY ASSY DRIVEN | PULLEY SUB ASSY | 1 | |
| | 23100 | 23100-KEB7-C00 | BELT DRIVE | BELT DRIVE | 1 | |
| | 23200 | 23200-GAR1-C00 | FACE ASSY DRIVEN | FACE ASSY DRIVEN | 1 | |
| | 23210 | 23210-GAR1-C00 | FACE COMP DRIVEN | FACE COMP DRIVEN H1 | 1 | |
| | 23220 | 23220-KEE1-C00 | FACE COMP MOVABLE | FACE COMP MOVABLE | 1 | |
| | 23225 | 23225-GAR1-C00 | PIN GUIDE | PIN GUIDE | 1 | |
| | 23233 | 23233-LEA3-C00 | SPG DRIVEN FACE | SPG DRIVEN FACE | 1 | |

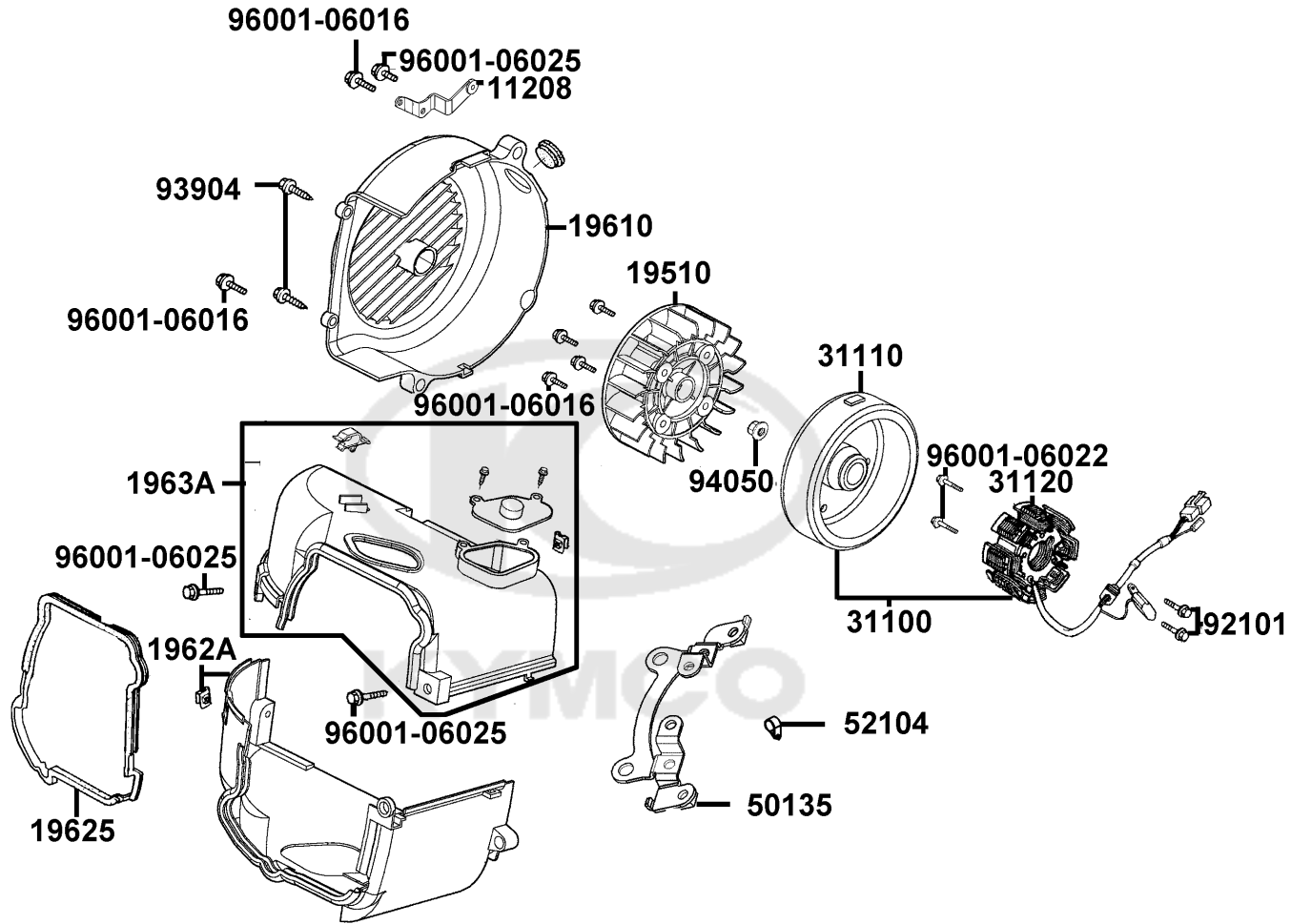


| Sales mark | Ref no | Part no | Description | Reg description | Regd no | E06 |
|------------|--------|-----------------|------------------------|------------------------|---------|-----|
| 23237 | | 23237-GAR1-C00 | COLLAR SEAL | COLLAR SEAL | 1 | |
| 23239 | | 23239-LEA3-C00 | GUIDE SPG | COLLAR SPG | 1 | |
| 28211 | | 28211-KEB7-W10 | RATCHET KICK STARTER | RATCHET KICK STARTER | 1 | |
| 90202 | | 90202-1G87-C00 | NUT SPECIAL 28MM | NUT SPECIAL 28MM | 1 | |
| 90426 | | 90426-KNBN-C01 | WASHER SPECIAL 12MM | WASHER SPECIAL 12MM | 1 | |
| 90442 | | 90442-0D44-C00 | WASHER THRUST 6M/M | WASHER THRUST 6M/M | 1 | |
| 90454 | | 90454-GBB2-C00 | CIR CLIP 6MM | CIR CLIP 6MM | 1 | |
| 91001 | | 91001-GGA7-C00 | BRG RADIAL BALL 6901U | BRG RADIAL BALL 6901U | 1 | |
| 91103 | | 91103-GAR1-C00 | BRG NEEDLE 17*25*18 WS | BRG NEEDLE 17*25*18 WS | 1 | |
| 91211 | | 91211-GHK8-C00 | OIL SEAL 34*39*3 | OIL SEAL 34*39*3 | 1 | |
| 91301 | | 91301-KEA5-C00 | O 36*1.5 | O-RING 36*1.5 | 1 | |
| 94001 | | 94001-12280-0SG | NUT HEX 12MM(C) | NUT HEX 12MM(C) | 1 | |
| 94050 | | 94050-10080-G | NUT FLANGE 10MM (C) | NUT FLANGE 10MM (C) | 1 | |
| 94520 | | 94520-24000 | CIR CLIP IN 24 | CIR CLIP IN 24 | 1 | |

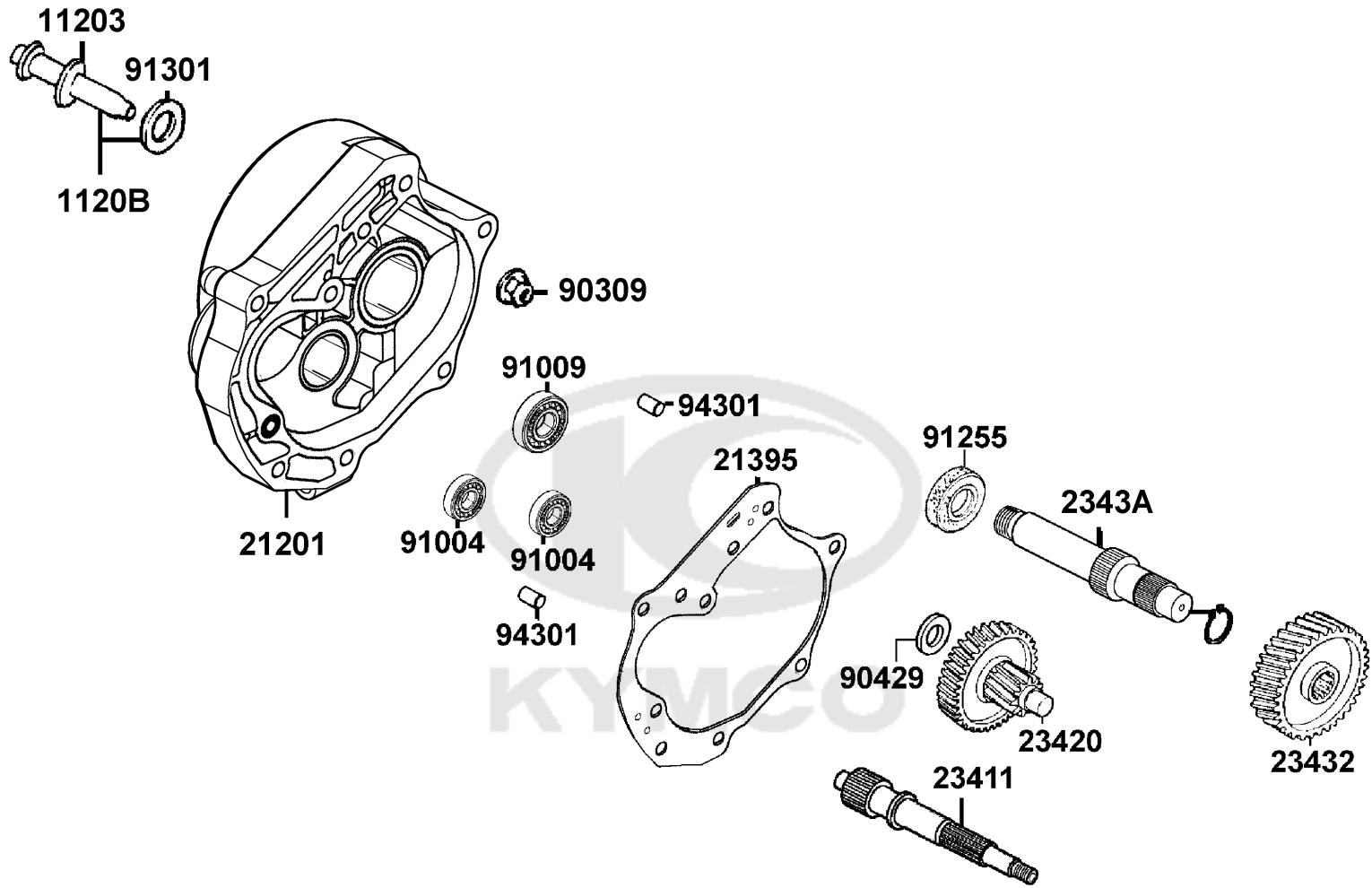
Starting Motor Oil Pump



| Sales mark | Ref no | Part no | Description | Reg description | Regd no | E07 |
|------------|-------------|-----------------|-------------------------|----------------------------|---------|------------|
| | 15100 | 15100-LDC5-C00 | PUMP ASSY OIL | PUMP ASSY OIL | 1 | |
| | 15133 | 15133-LDC5-C00 | GEAR OIL PUMP DRIVEN | "GEAR, OIL PUMP DRIVEN" | 1 | |
| | 31200 | 31200-LEJ2-E10 | MOTOR ASSY START | MOTOR ASSY START | 1 | |
| | 31209 | 31209-KEE1-C01 | PINION ASSY STARTER | PINION ASSY STARTER | 1 | |
| | 90701 | 90701-HDC4-C00 | DOWEL PIN 8*12 | DOWEL PIN 8*12 | 1 | |
| | 91305 | 91305-0H28-C00 | O-RING 9*1.6 | O-RING 9*1.6 | 1 | |
| | 93500 | 93500-04010-1A | SCREW 4*10 | SCREW PAN 4*10(B) | 1 | |
| | 94540 | 94540-06018 | E RING 6 | E RING 6 | 1 | |
| | 96001-06020 | 96001-06020-08G | BOLT FLANGED SMALL | BOLT FLANGED SMALL | 2 | |
| | 96001-06025 | 96001-06025-08G | BOLT FLANGE SH 6*25 (C) | BOLT FLANGE SH 6*25 (Cr3+) | 3 | |
| | 96220 | 96220-LDC5-C00 | ROLLER 2*14.8 | ROLLER 2*14.8 | 1 | |



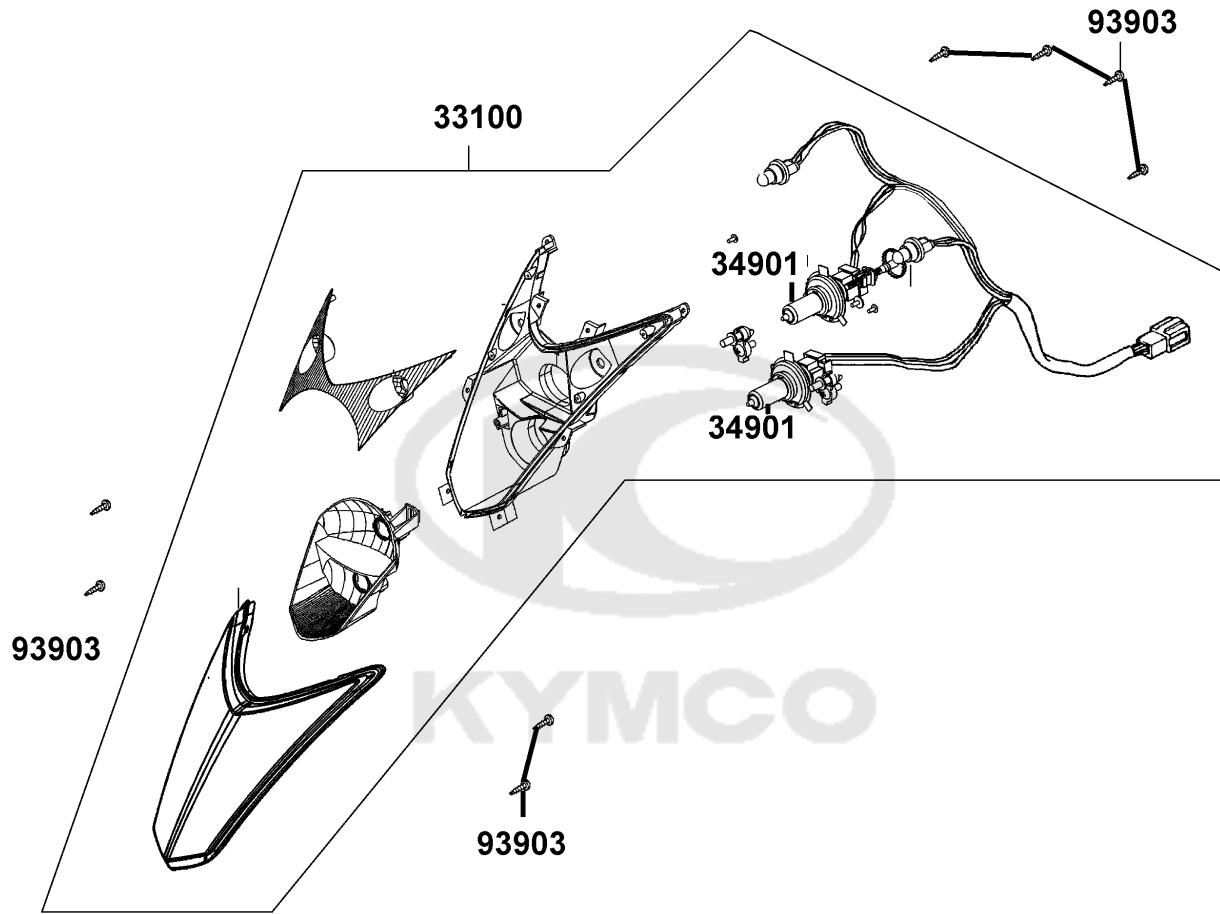
| Sales mark | Ref no | Part no | Description | Reg description | Regd no | E08 |
|-------------|--------|-----------------|-------------------------|----------------------------|---------|------------|
| 11208 | | 11208-LBD6-C00 | STAY RR TIRE FENDER | STAY RR TIRE FENDER | 1 | |
| 19510 | | 19510-LDC5-C00 | FAN COMP COOLING | FAN COMP COOLING | 1 | |
| 19610 | | 19610-LFC2-E10 | COVER COMP FAN | COVER COMP FAN | 1 | |
| 19625 | | 19625-KEE1-C00 | SEAL SHROUND | SEAL SHROUND | 1 | |
| 1962A | | 1962A-KEE1-C00 | SHROCD ASSY A | SHROCD ASSY A | 1 | |
| 1963A | | 1963A-ACH5-E10 | SHROUD ASSY B | SHROUD ASSY B | 1 | |
| 31100 | | 31100-ACH5-E10 | AC GEN ASSY | AC GEN ASSY | 1 | |
| 31110 | | 31110-LEJ2-M30 | FLYWHEEL COMP | FLYWHEEL COMP | 1 | |
| 31120 | | 31120-ACH5-E10 | STATOR COMP | STATOR COMP | 1 | |
| 50135 | | 50135-ACH5-E10 | STAY AICV SET | STAY AICV SET | 1 | |
| 52104 | | 52104-LGE5-E01 | STAY A. RR SENSOR | STAY A. RR SENSOR | 1 | |
| 92101 | | 92101-05012-0HG | BOLT HEX 5*12 | BOLT HEX 5*12 | 2 | |
| 93904 | | 93904-35380-G | SCREW TAPPING 5*16(K) | SCREW TAPPING 5*16(K) | 2 | |
| 94050 | | 94050-10080-G | NUT FLANGE 10MM (C) | NUT FLANGE 10MM (C) | 1 | |
| 96001-06016 | | 96001-06016-08G | BOLT FLANGE SH 6x16 (C) | BOLT FLANGE SH 6*16 (CR3+) | 6 | |
| 96001-06022 | | 96001-06022-08G | BOLT FLANGE 6*22 | BOLT FLANGE 6*22 | 2 | |
| 96001-06025 | | 96001-06025-08G | BOLT FLANGE SH 6*25 (C) | BOLT FLANGE SH 6*25 (Cr3+) | 2 | |



| Sales mark | Ref no | Part no | Description | Reg description | Regd no | E09 |
|------------|--------|----------------|-------------------------|-------------------------|---------|------------|
| 11203 | | 11203-KAM1-C00 | PIN BRAKE SHOE ANCHOR | PIN BRAKE SHOE ANCHOR | 1 | |
| 1120B | | 1120B-KGN7-C00 | PIN ASSY ANCHOR | PIN ASSY ANCHOR | 1 | |
| 21201 | | 21201-KFA1-900 | MISSION CASE BODY | MISSION CASE BODY | 1 | |
| 21395 | | 21395-KNBN-E90 | GASKET MISSION CASE | GASKET MISSION CASE | 1 | |
| 23411 | | 23411-ALC8-E60 | SHAFT DRIVE | SHAFT DRIVE | 1 | |
| 23420 | | 23420-ALC8-E60 | SHAFT COMP COUNTER | SHAFT COMP COUNTER | 1 | |
| 23432 | | 23432-ALC8-E60 | GEAR FINAL | GEAR FINAL | 1 | |
| 2343A | | 2343A-KNBN-C00 | SHAFT FINAL | SHAFT FINAL | 1 | |
| 90309 | | 90309-PUA3-B50 | NUT FLANGE 8MM | NUT FLANGE 8MM | 1 | |
| 90429 | | 90429-KNBN-C00 | WASHER SIDE 12MM | WASHER SIDE 12MM | 1 | |
| 91004 | | 91004-KBN2-C00 | BRG BALL RADIAL 6201 | BRG BALL RADIAL 6201 | 1 | |
| 91009 | | 91009-GLE0-004 | BRG BALL RADIAL 6004 UU | BRG BALL RADIAL 6004 UU | 1 | |
| 91255 | | 91255-LDC8-E10 | OIL SEAL 27*42*7(C?) | OIL SEAL 27*42*7(C?) | 1 | |
| 91301 | | 91301-0C53-W10 | O RING 7.5*1.5 | O RING 7.5*1.5 | 1 | |
| 94301 | | 94301-10200 | DOWEL PIN 10*20 | DOWEL PIN 10*20 | 2 | |

F01

Head Light



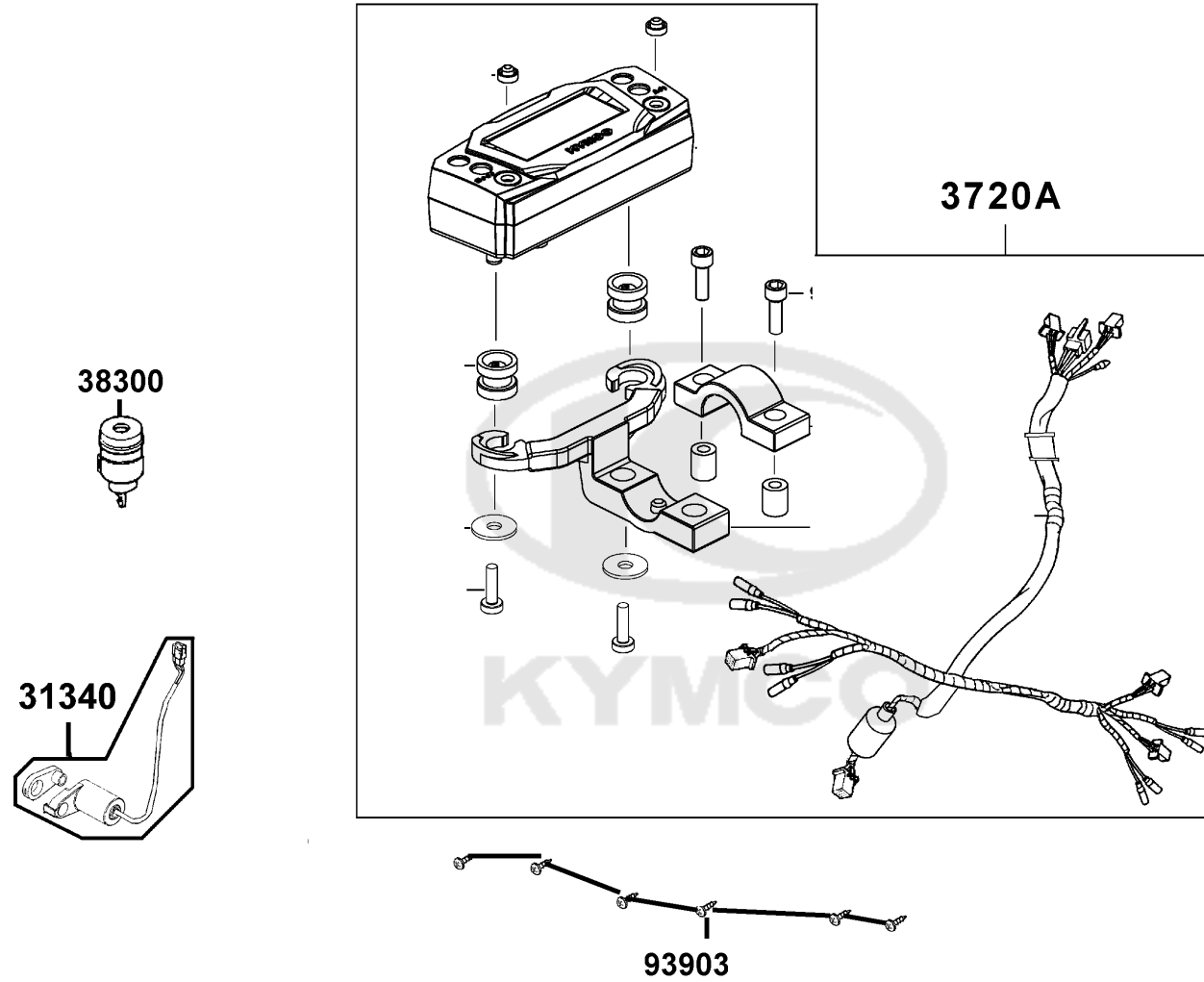
| Sales mark | Ref no | Part no | Description | Reg description | Regd no | F01 |
|------------|--------|---------|-------------|-----------------|---------|------------|
|------------|--------|---------|-------------|-----------------|---------|------------|

| | | | | | | |
|-------|--|----------------|--------------------|--------------------|---|--|
| 33100 | | 33100-LHM9-E65 | LIGHT ASSY HEAD | LIGHT ASSY HEAD | 1 | |
| 34901 | | 34901-LDC8-E10 | BULB HEAD LIGHT | BULB HEAD LIGHT | 1 | |
| 93903 | | 93903-35220-G | SCREW TAPPING 5*12 | SCREW TAPPING 5*12 | 1 | |



F02

Speedometer



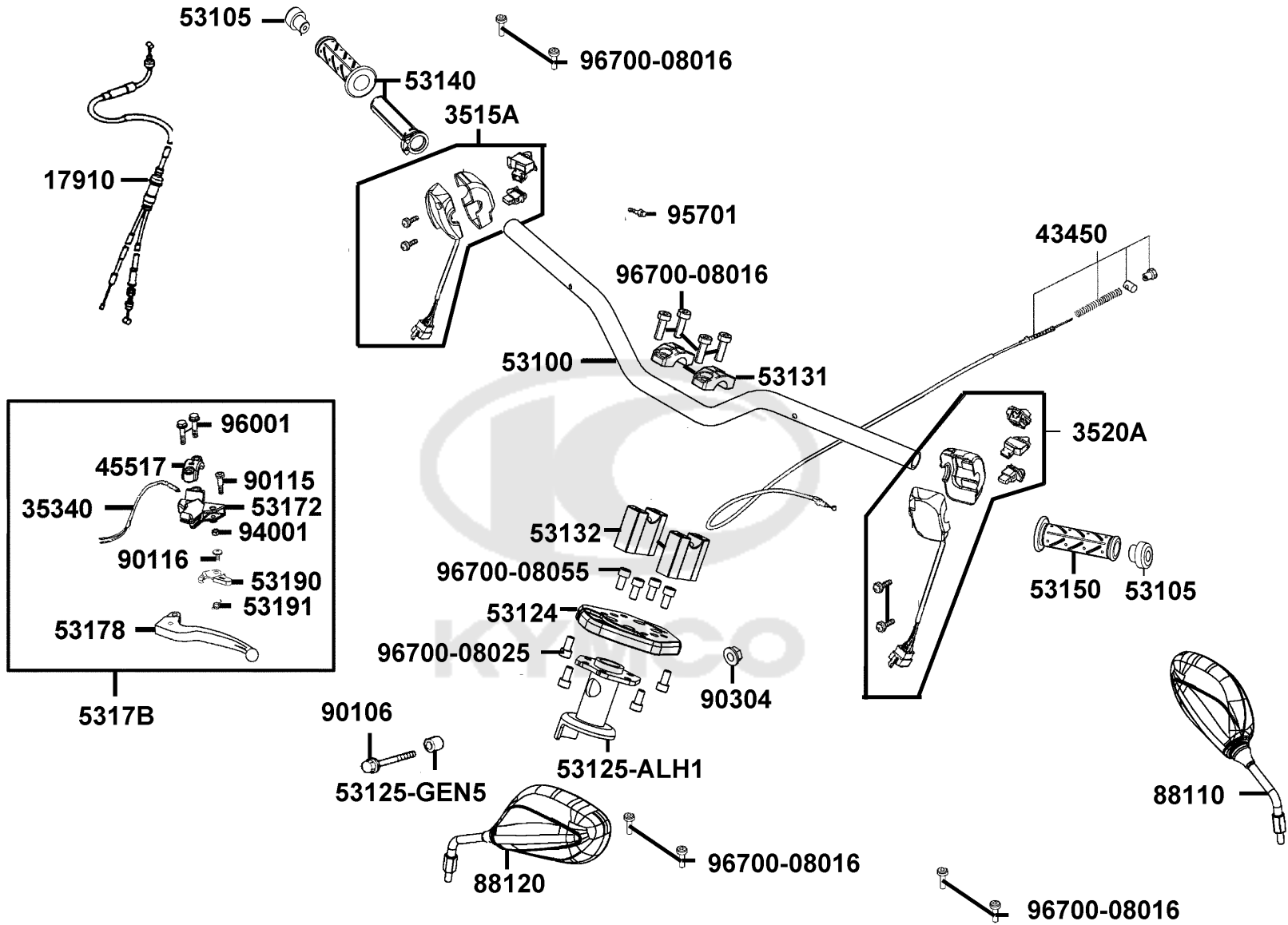
| Sales mark | Ref no | Part no | Description | Reg description | Regd no | F02 |
|------------|--------|---------|-------------|-----------------|---------|------------|
|------------|--------|---------|-------------|-----------------|---------|------------|

| | | | | | | |
|-------|--|----------------|--------------------|----------------------|---|--|
| 31340 | | 31340-ALH1-E60 | SENSOR ASSY SPEED | "SENSOR ASSY.,SPEED" | 1 | |
| 3720A | | 3720A-AFC5-E65 | METER ASSY SPEED | METER ASSY SPEED | 1 | |
| 38300 | | 38300-ALH1-E60 | RELAY ASSY WINKERF | RELAY ASSY WINKERF | 1 | |
| 93903 | | 93903-34380-G | SCREW TAPPING 4x12 | SCREW TAPPING 4x12 | 1 | |



F03

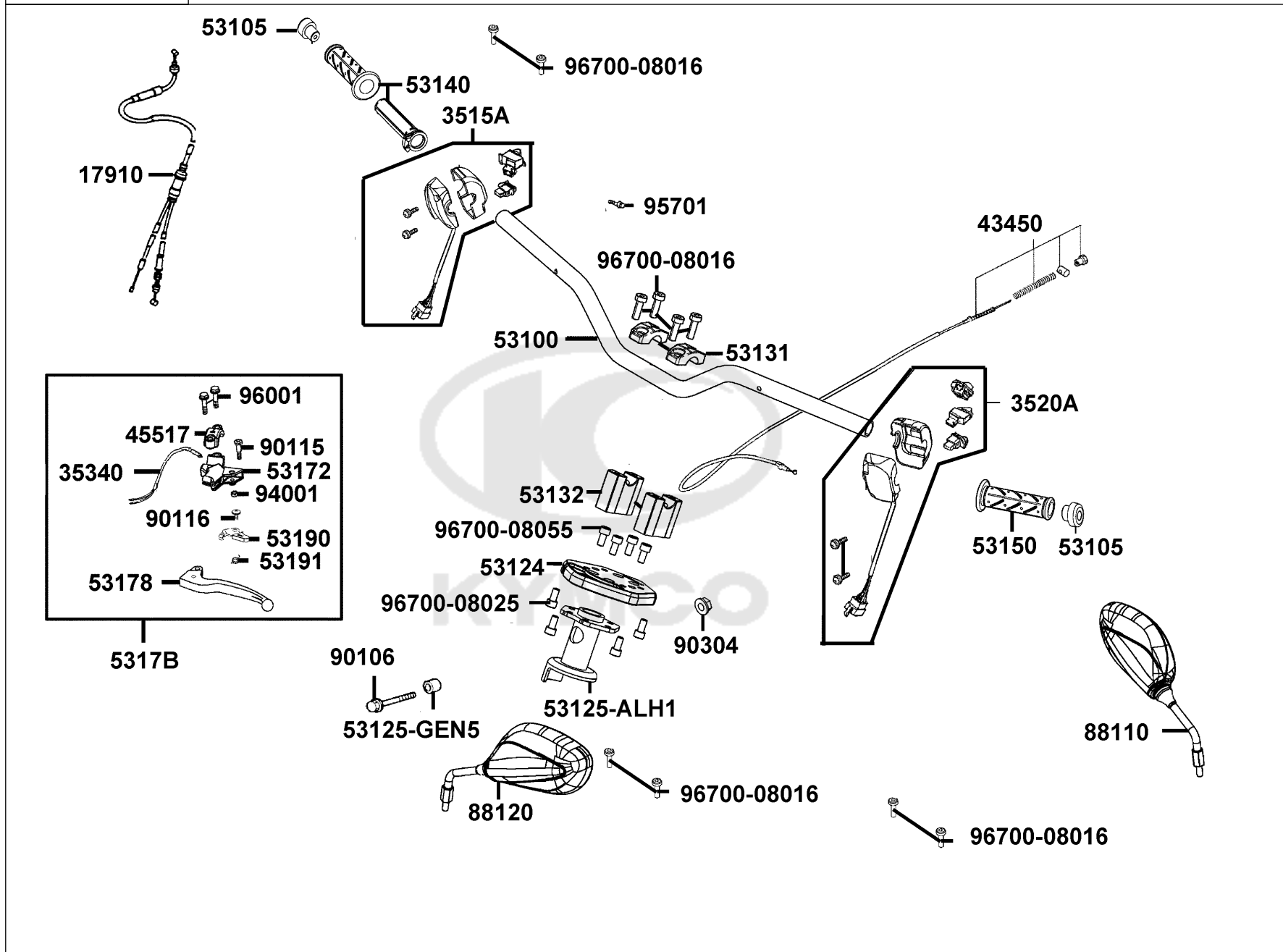
Handle Steering Handle Cover



| Sales mark | Ref no | Part no | Description | Reg description | Regd no | F03 |
|------------|------------|----------------|--------------------------|--------------------------|---------|-----|
| | 17910 | 17910-AAF1-E60 | CABLE COMP THROTTLE | CABLE COMP THROTTLE | 1 | |
| | 3515A | 3515A-LHM9-EV0 | SW ASSY RH HANDLE COMP | SW ASSY RH HANDLE COMP | 1 | |
| | 3520A | 3520A-LHM9-E60 | SW ASSY LH HANDLE COMP | SW ASSY LH HANDLE COMP | 1 | |
| | 35340 | 35340-LHM9-E60 | "SW ASS'Y.,FR STOP" | "SW ASS'Y.,FR STOP" | 1 | |
| | 43450 | 43450-AAF1-E60 | CABLE COMP RR BRK | CABLE COMP RR BRK | 1 | |
| | 45517 | 45517-GFY6-C00 | HOLDER MASTER CYLINDER | HOLDER MASTER CYLINDER | 1 | |
| | 53100 | 53100-ALH1-E61 | HANDLE STRG COMP | HANDLE PIPE | 1 | |
| | 53105 | 53105-KNBN-C00 | END STRG HANDLE | END STRG HANDLE | 1 | |
| | 53124 | 53124-ALH1-E60 | HANDLE BOTTOM | HANDLE BOTTOM | 1 | |
| | 53125-ALH1 | 53125-ALH1-E60 | COLLAR HANDLE SET | STAY L HANDLE UP COVER | 1 | |
| | 53125-GEN5 | 53125-GEN5-C00 | COLLAR HANDLE SET | COLLAR HANDLE SET | 1 | |
| | 53131 | 53131-ALH1-E60 | HOLDER UPPER HANDLE PIPE | HOLDER UPPER HNDLE PIPE | 1 | |
| | 53132 | 53132-ALH1-E60 | HOLDER UNDER HANDLE PIPE | HOLDER UNDER HANDLE PIPE | 1 | |
| ** | 53140 | 53140-LFB6-800 | GRIP COMP THROT | GRIP COMP THROT | 1 | |
| ** | 53150 | 53150-LEA6-900 | GRIP COMP L HANDLE | GRIP L HANDLE | 1 | |
| | 53172 | 53172-LHM9-E60 | BRKT HNDL L | BRKT HNDL L | 1 | |
| | 53178 | 53178-LGB5-E60 | LEVER L STRG HNDL | LEVER L STRG HNDL | 1 | |
| | 5317B | 5317B-LHM9-E61 | BRKT. ASSY. HNDL L. | BRKT. ASSY. HNDL L. | 1 | |
| | 53190 | 53190-GFY6-C00 | LEVER COMP P/BRK | LEVER COMP P/BRK | 1 | |
| | 53191 | 53191-GFY6-C00 | SPG PKB LEVER | SPG PKB LEVER | 1 | |

F03

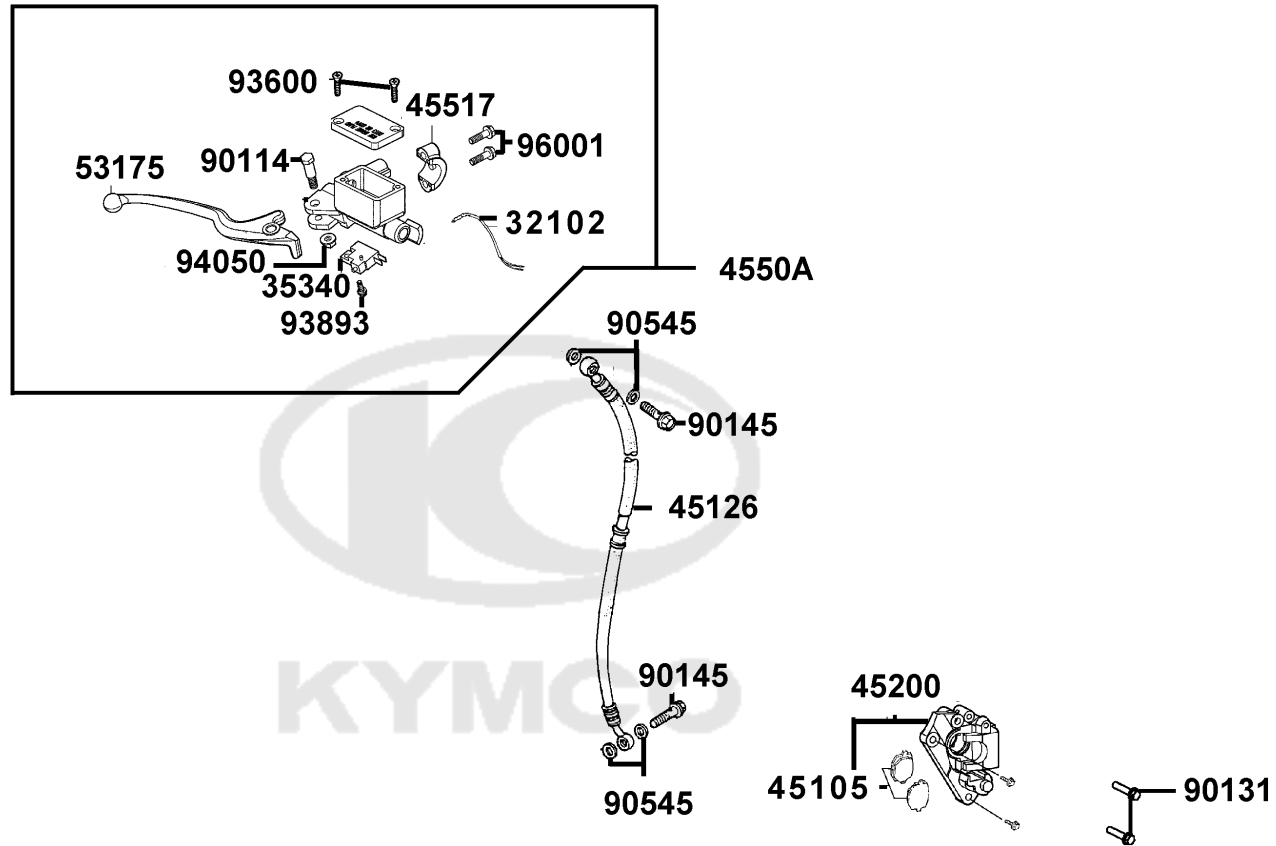
Handle Steering Handle Cover



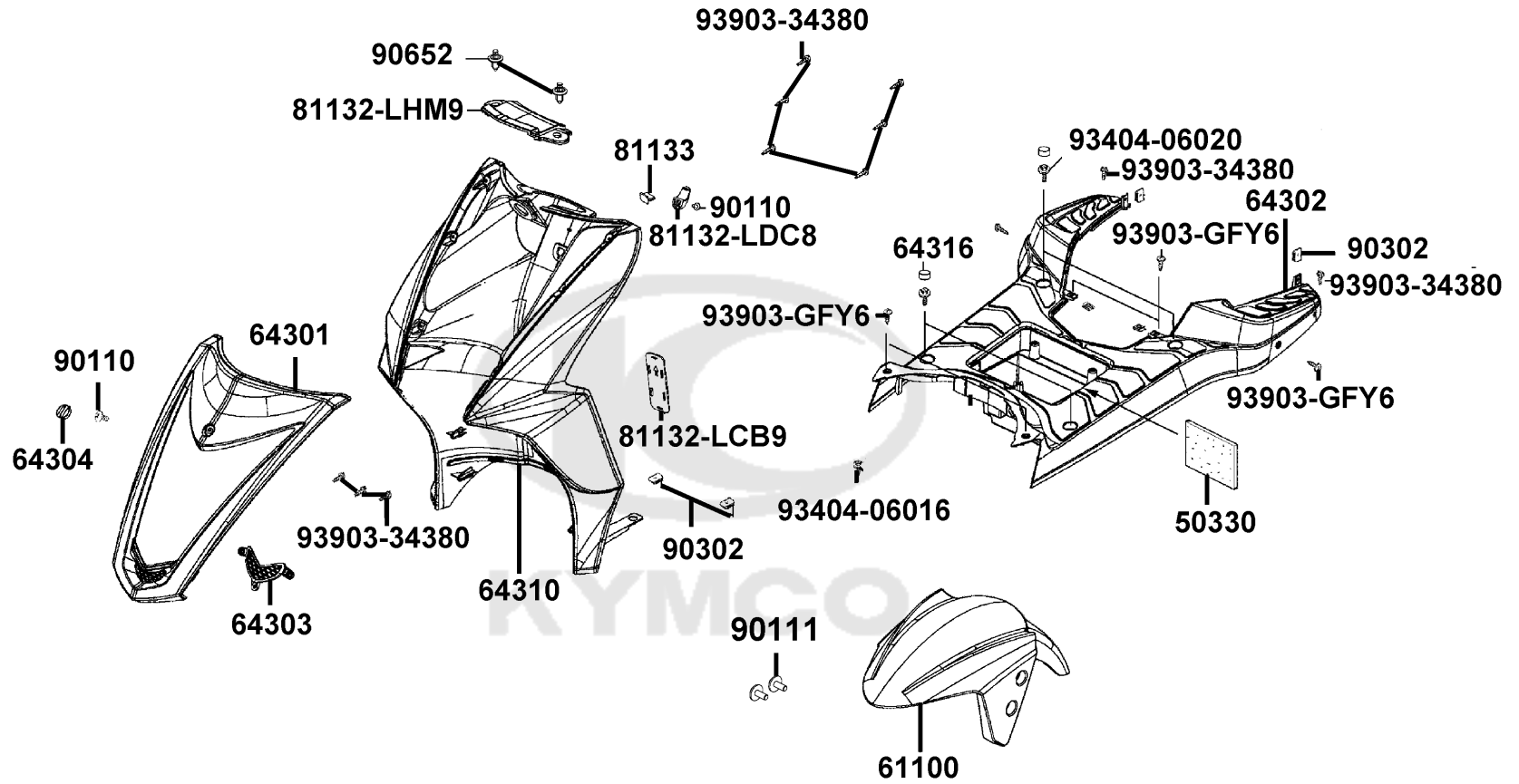
| Sales mark | Ref no | Part no | Description | Reg description | Regd no | F03 |
|------------|-------------|-----------------|-------------------------|-------------------------|---------|------------|
| ** | 88110 | 88110-LEB5-C11 | MIRROR ASSY R BACK | MIRROR ASSY R BACK | 1 | |
| ** | 88120 | 88120-LEB5-C11 | MIRROR ASSY L BACK | MIRROR ASSY L BACK | 1 | |
| | 90106 | 90106-PUA3-B50 | BOLT FLANGE 10*50 | BOLT FLANGE 10*50 | 1 | |
| | 90115 | 90115-GLE0-C00 | BOLT HNDL LEVER PIVOT | BOLT HNDL LEVER PIVOT | 1 | |
| | 90116 | 90116-GGS7-C00 | SCREW P/BRK LEVER PIVOT | SCREW P/BRK LEVER PIVOT | 1 | |
| | 90304 | 90304-GHE8-C01 | NUT U 10MM (C) | NUT U 10MM(C) | 1 | |
| | 94001 | 94001-05080-0S | NUT HEX 5MM | NUT HEX 5MM | 1 | |
| | 95701 | 95701-06012-08G | BOLT FLANGE 6*12 | BOLT FLANGE 6*12 | 1 | |
| | 96001 | 96001-06025-02 | BOLT FLANGE SH 6*25 | BOLT FLANGE SH 6*25 | 1 | |
| | 96700-08016 | 96700-08016-02 | SOCKET BOLT 8*16(G) | BOLT FLANGE SH 8*16(CR) | 8 | |
| | 96700-08025 | 96700-08025-02 | SOCKET BOLT 8*25 | BOLT FLANGE SH 8*25(CR) | 4 | |
| | 96700-08055 | 96700-08055-02 | SOCKET BOLT 8*55(G) | SOCKET BOLT 8*55(G) | 1 | |

F04

Brake Master Cylinder



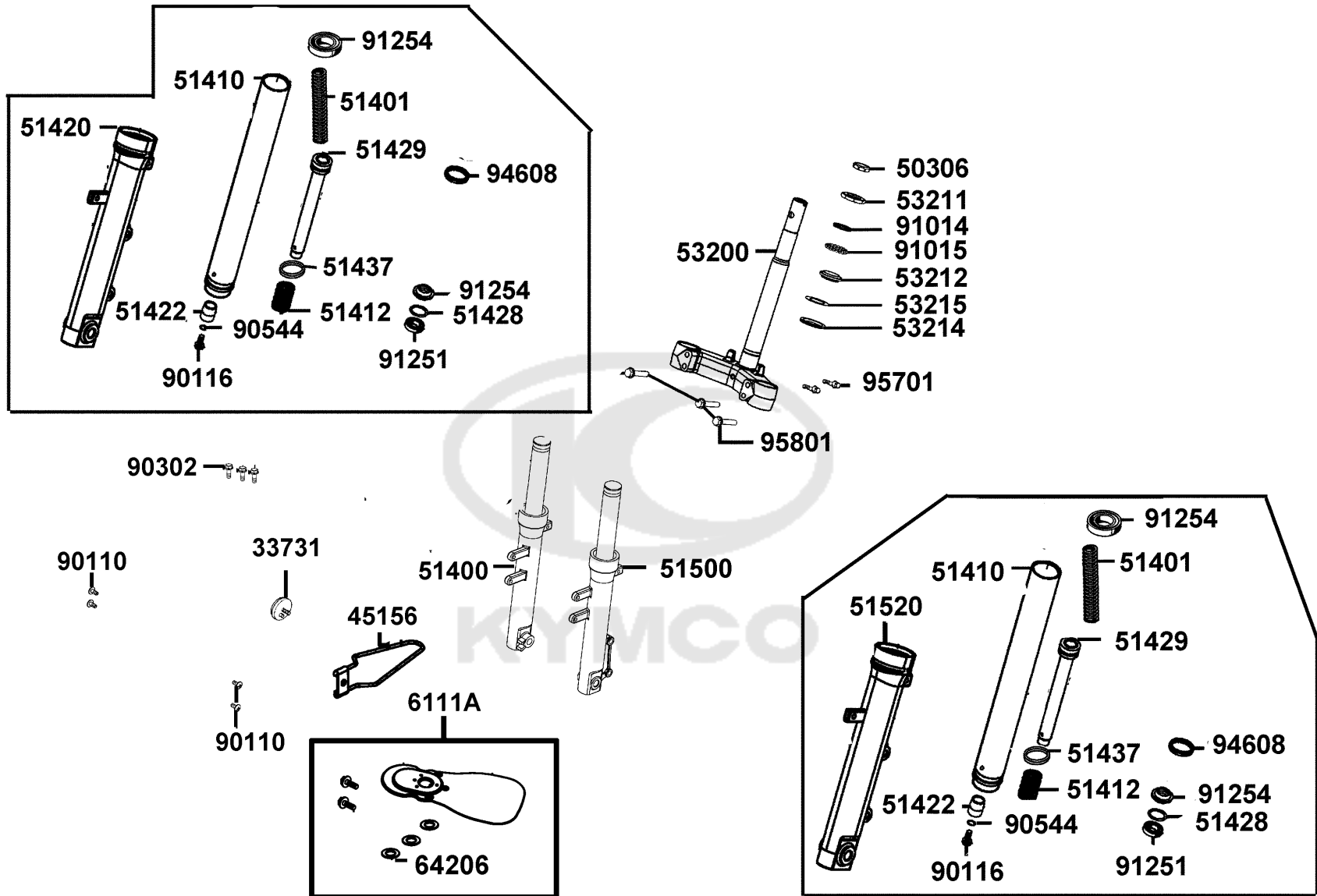
| Sales mark | Ref no | Part no | Description | Reg description | Regd no | F04 |
|------------|--------|----------------|------------------------|------------------------|---------|-----|
| | 32102 | 32102-LHM9-E60 | SUB CORD LH FR STOP SW | SUB CORD LH FR STOP SW | 1 | |
| | 35340 | 35340-KNBN-C00 | SW ASSY FR STOP | SW ASSY FR STOP | 1 | |
| | 45105 | 45105-LDC8-305 | PAD COMP A+B | PAD COMP A+B | 1 | |
| | 45126 | 45126-ALH1-E60 | HOSE ASSY FR BRK | HOSE ASSY FR BRK | 1 | |
| ** | 45200 | 45200-LGB5-E10 | CALIPER ASSY L FR | CALIPER ASSY L FR | 1 | |
| | 4550A | 4550A-LHM9-E61 | SUB HARNESS SET FR M/C | SUB HARNESS SET FR M/C | 1 | |
| | 45517 | 45517-KFAF-910 | HOLDER M/C | HOLDER M/C | 1 | |
| | 53175 | 53175-LDC8-E60 | LEVER R STRG HNDL | LEVER R STRG HNDL | 1 | |
| | 90114 | 90114-1F66-C00 | BOLT HANDLE LEVER | BOLT HANDLE LEVER | 1 | |
| | 90131 | 90131-GLW0-C02 | BOLT FLANGE 8*35 | BOLT FLANGE 8*35 | 1 | |
| | 90145 | 90145-9A61-C00 | OIL BOLT 10*22 | OIL BOLT 10*22 | 1 | |
| | 90545 | 90545-3L00-C00 | WASHER OIL BOLT | WASHER OIL BOLT | 1 | |
| | 93600 | 93600-04012-1G | SCREW FLAT 4X12 | SCREW FLAT 4X12 | 1 | |
| | 93893 | 93893-04012-08 | SCREW WASHER 4*12 (C) | SCREW WASHER 4*12 (C) | 1 | |
| | 94050 | 94050-06070 | NUT FLANGE 6MM(K) | NUT FLANGE 6MM(K) | 1 | |
| | 96001 | 96001-06025-00 | BOLT FLANGE SH 6*25 | BOLT FLANGE SH 6*25 | 1 | |



| Sales mark | Ref no | Part no | Description | Reg description | Regd no | F05 |
|------------|-------------|-----------------|-----------------------|------------------------|---------|-----|
| | 50330 | 50330-KEBE-C00 | SEAL BATTERY FRONT | SEAL BATTERY FRONT | 1 | |
| ** | 61100 | 61100-LGB5-E10 | FENDER FR | FENDER FR | 1 | |
| ** | 64301 | 64301-LGB5-E10 | COVER FR | COVER FR | 1 | |
| ** | 64303 | 64303-LGB5-E10 | GRILL FRONT | GRILL FRONT | 1 | |
| ** | 64316 | 64316-LCB9-C10 | PLUG FLOOR | PLUG FLOOR | 1 | |
| ** | 81132-LCB9 | 81132-LCB9-C10 | LID LEG SHIELD | LID LEG SHIELD | 1 | |
| ** | 81132-LDC8 | 81132-LDC8-E10 | HOOK LUGGAGE | HOOK LUGGAGE | 1 | |
| ** | 81132-LHM9 | 81132-LHM9-E60 | CAP LEG SHIELD | CAP LEG SHIELD | 1 | |
| | 81133 | 81133-KNBN-C00 | STOPPER LUGGAGE | STOPPER LUGGAGE | 1 | |
| | 90110 | 90110-GLW0-C00 | SCREW SPECIFIED 6*14 | SCREW SPECIAL 6*14(CR) | 1 | |
| | 90111 | 90111-06016-07G | BOLT FLANGE 6*16 (K) | BOLT FLANGE 6*16 (K) | 1 | |
| | 90302 | 90302-SDA4-C01 | "NUT,SPPING 4MM" | "NUT,SPPING 4MM" | 1 | |
| | 90652 | 90652-LFB5-C00 | "CLIP,MUDGUARD" | "CLIP,MUDGUARD" | 1 | |
| | 93404-06016 | 93404-06016-07 | BOTL WASHER 6*16 | BOTL WASHER 6*16 | 1 | |
| | 93404-06020 | 93404-06020-07G | BOLT-WASH 6x20 | BOLT-WASH 6x20 | 1 | |
| | 93903-34380 | 93903-34380-G | SCREW TAPPING 4x12 | SCREW TAPPING 4x12 | 1 | |
| | 93903-GFY6 | 93903-GFY6-C01 | SCREW TAPPING 4*14(K) | "SCREW,TAPPING4*14" | 1 | |

F06

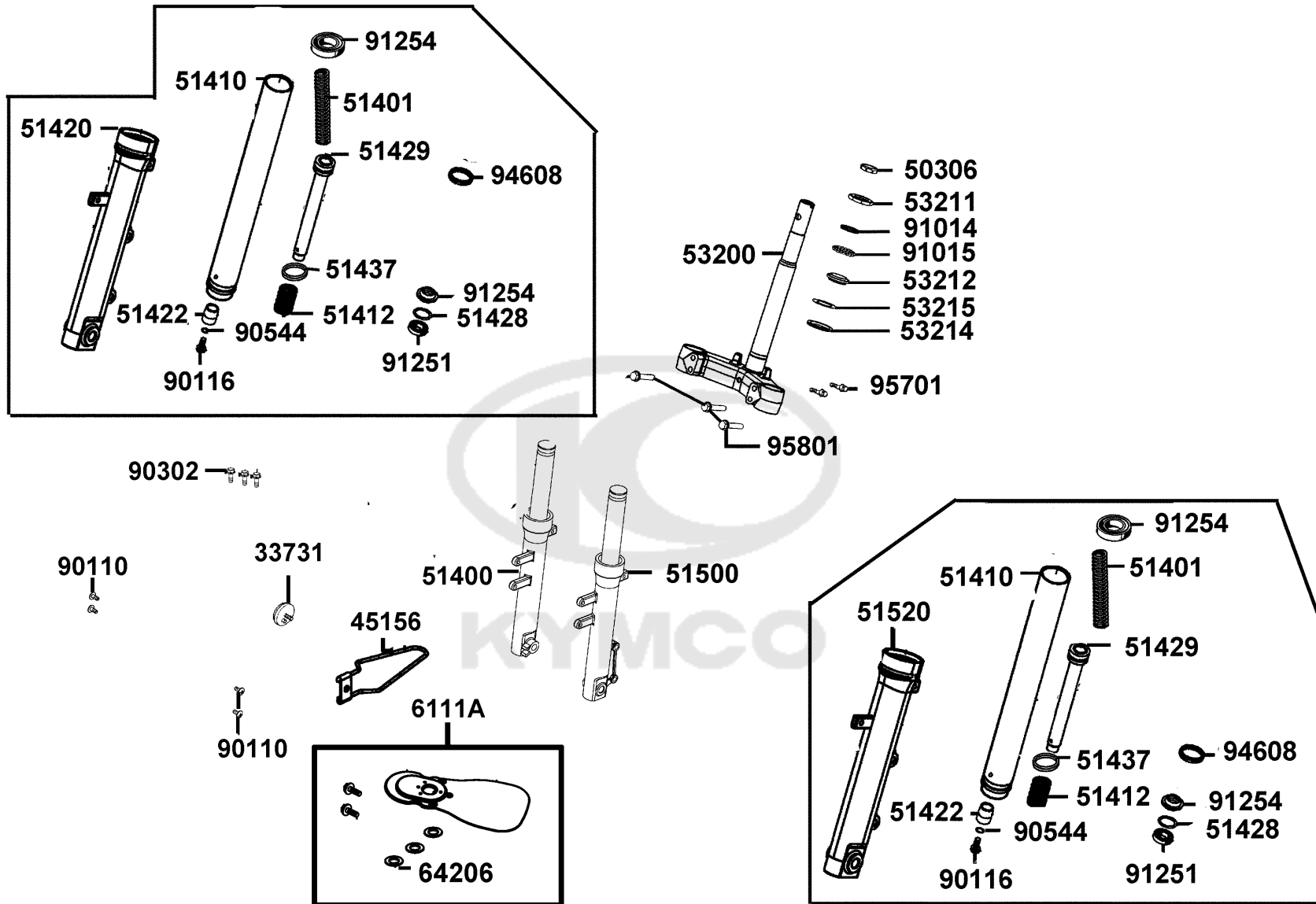
Stem Steering Front Cushion



| Sales mark | Ref no | Part no | Description | Reg description | Regd no | F06 |
|------------|--------|----------------|---------------------------|-------------------------------|---------|-----|
| # | 33731 | 33731-KGB5-EZ0 | REFLEX REFLECTOR SIDE | REFLEX REFLECTOR SIDE | 1 | |
| | 45156 | 45156-LCB9-B20 | CLAMPER FR SPDMT CABLE | CLAMPER FR SPDMT CABLE | 2 | |
| | 50306 | 50306-1F96-C00 | NUT STRG STEM LOCK | NUT STRG STEM LOCK | 1 | |
| ** | 51400 | 51400-LGB5-E10 | FORK ASSY FR R | FORK ASSY FR R | 1 | |
| | 51401 | 51401-LDC8-E10 | SPRING | SPRING | 1 | |
| | 51410 | 51410-LDC8-E10 | FORK PIPE COMP | FORK PIPE COMP | 1 | |
| | 51412 | 51412-LDC8-E10 | REBOUND SPRING | REBOUND SPRING | 1 | |
| ** | 51420 | 51420-LDC8-E10 | BOTTOM CASE R | BOTTOM CASE R | 1 | |
| | 51422 | 51422-LDC8-E10 | OIL LOCK PIECE | OIL LOCK PIECE | 1 | |
| | 51428 | 51428-LDC8-E10 | OIL SEAL STOPPER RING | OIL SEAL STOPPER RING | 1 | |
| | 51429 | 51429-LGB5-E10 | PIPE SEAT | PIPE SEAT | 1 | |
| | 51437 | 51437-LDC8-E10 | PIPE SEAT | PISTON RING | 1 | |
| ** | 51500 | 51500-LGB5-E10 | FORK ASSY FR L | FORK ASSY FR L | 1 | |
| ** | 51520 | 51520-LDC8-E10 | BOTTOM CASE R | BOTTOM CASE R | 1 | |
| | 53200 | 53200-ALH1-E60 | STEM COMP STRG | STEM ASSY STRG. | 1 | |
| | 53211 | 53211-GFY6-C00 | RACE STRG. CONE TOP | RACE STRG. CONE TOP | 1 | |
| | 53212 | 53212-2L50-C00 | RACE STRG. BOTTOM CONE | RACE STRG. BOTTOM CONE | 1 | |
| | 53214 | 53214-2L50-C00 | DUST SEAL STRG HEAD | DUST SEAL STRG. HEAD BOT | 1 | |
| | 53215 | 53215-2L50-C00 | WASHER STRG HDL DUST-SEAL | "WASHER,STRG. HEAD DUST SEAL" | 1 | |
| | 6111A | 6111A-LDC8-E90 | FENDERMFR. INNER ASSY | FENDERMFR. INNER ASSY | 1 | |

F06

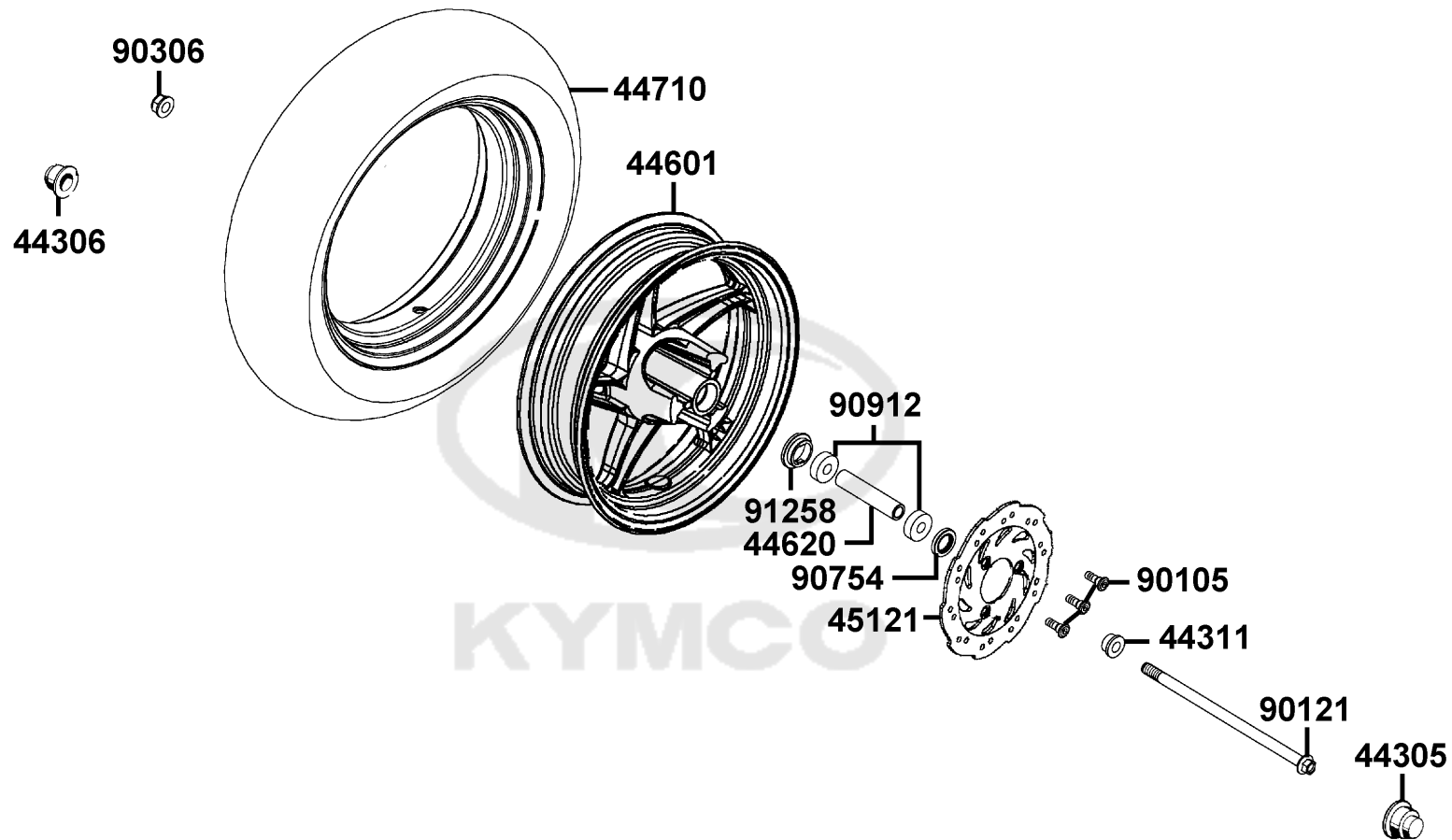
Stem Steering Front Cushion



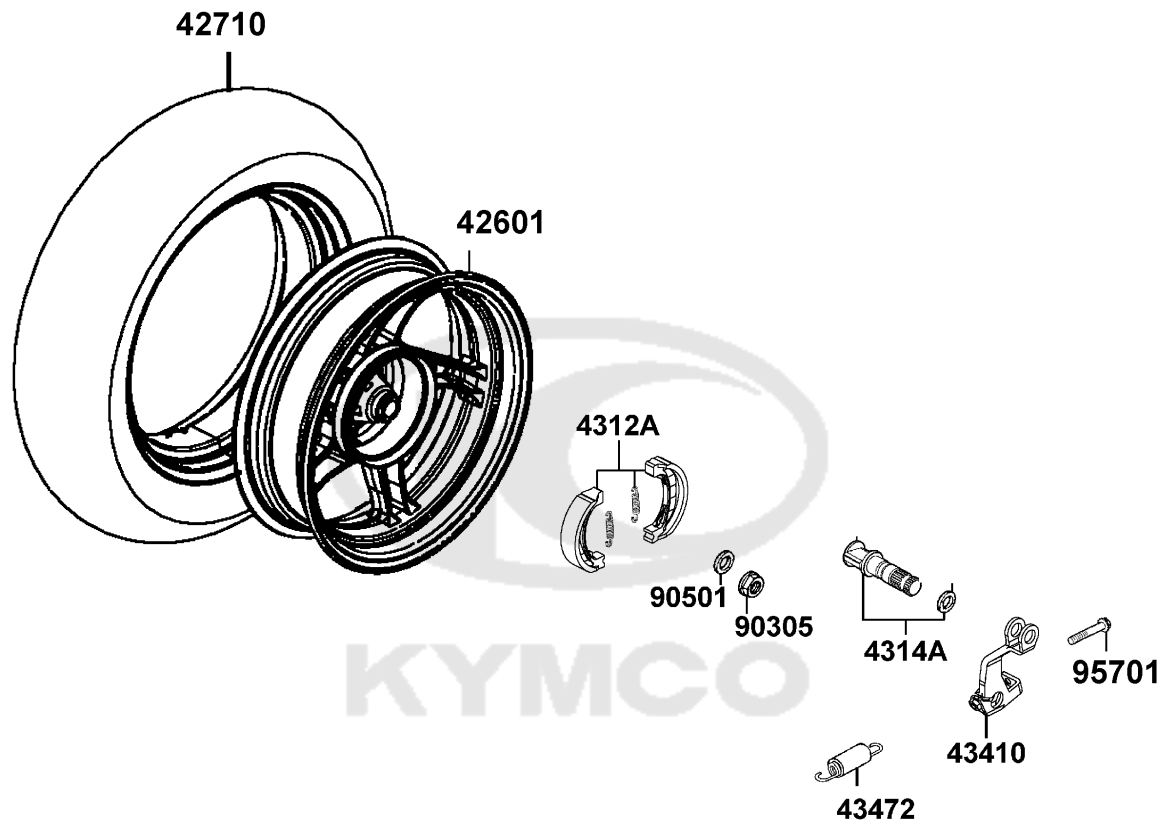
| Sales mark | Ref no | Part no | Description | Reg description | Regd no | F06 |
|------------|--------|-----------------|--------------------|-------------------|---------|-----|
| 64206 | | 64206-MLJ0-C00 | NUT SPEED 4MM | NUT SPEED 4MM | 3 | |
| 90110 | | 90110-KEB7-C01 | SCREW SPECIAL 6*14 | SCREW FLAT U LOCK | 1 | |
| 90116 | | 90116-LDC8-E10 | BOLT | BOLT | 1 | |
| 90302 | | 90302-PUA3-B51 | BOLT-WASH 5*12 | BOLT-WASH 5*12 | 3 | |
| 90544 | | 90544-LDC8-E10 | PACKING (CU)B | PACKING | 1 | |
| 91014 | | 91014-LLJ3-C00 | CAGE STRG TOPP | CAGE STRG TOPP | 1 | |
| 91015 | | 91015-LLJ3-C00 | CAGE STRG BOT | CAGE STRG BOT | 1 | |
| 91251 | | 91251-LDC8-E10 | OIL SEAL | OIL SEAL | 1 | |
| 91254 | | 91254-LDC8-E10 | DUST SEAL | DUST SEAL | 1 | |
| 94608 | | 94608-LDC8-E10 | O-RING B | O-RING | 1 | |
| 95701 | | 95701-06012-08 | BOLT FLANGE 6*12 | BOLT FLANGE 6*12 | 2 | |
| 95801 | | 95801-08040-08G | BOLT FLANGE 8*40 | BOLT FLANGE 8*40 | 4 | |

F07

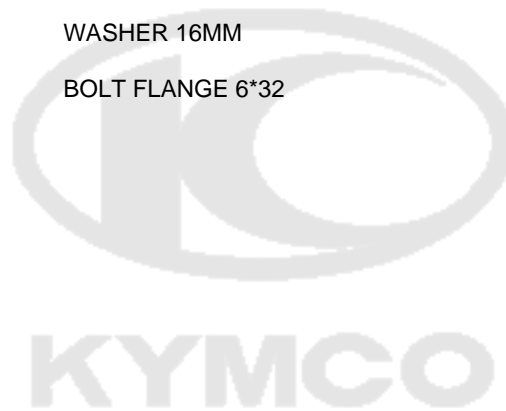
Front Wheel



| Sales mark | Ref no | Part no | Description | Reg description | Regd no | F07 |
|------------|--------|----------------|----------------------------|----------------------------|---------|-----|
| | 44305 | 44305-KGE2-E00 | AXLE PROTECTOR L | AXLE PROTECTOR L | 1 | |
| | 44306 | 44306-KGE2-E00 | AXLE PROTECTOR R | AXLE PROTECTOR R | 1 | |
| | 44311 | 44311-GLW0-W10 | COLLAR FR WHEEL SIDE | COLLAR FR WHEEL SIDE | 1 | |
| ** | 44601 | 44601-LGB5-E10 | WHEEL CAST FR ORANGE | WHEEL CAST FR ORANGE | 1 | |
| | 44620 | 44620-KEB7-C00 | COLLAR FR DIST | COLLAR FR DIST | 1 | |
| | 44710 | 44710-LDC8-E11 | TIRE ASSYFR | TIRE ASSY FR | 1 | |
| | 45121 | 45121-LGB5-E80 | DISK FR BRAKE | DISK FR BRAKE | 1 | |
| | 90105 | 90105-KCR3-C02 | BOLT FR DISK 8*24 | BOLT FR DISK 8*24 | 3 | |
| | 90121 | 90121-KBE2-C01 | BOLT RR FORK PIVOT M12*255 | BOLT RR FORK PIVOT M12*255 | 1 | |
| | 90306 | 90306-KLF0-C02 | NUT FLANGE 12MM(B) | NUT FLANGE 12MM(B) | 1 | |
| | 90754 | 90754-GHC8-C00 | DUST SEAL 20*32*5 | DUST SEAL 20*32*5 | 1 | |
| | 90912 | 90912-GHC8-C00 | BEARING 6201 (U) | BEARING 6201 (U) | 1 | |
| | 91258 | 91258-KAM1-C00 | SEAL SPDMT GEAR BOX | SEAL SPDMT GEAR BOX | 1 | |

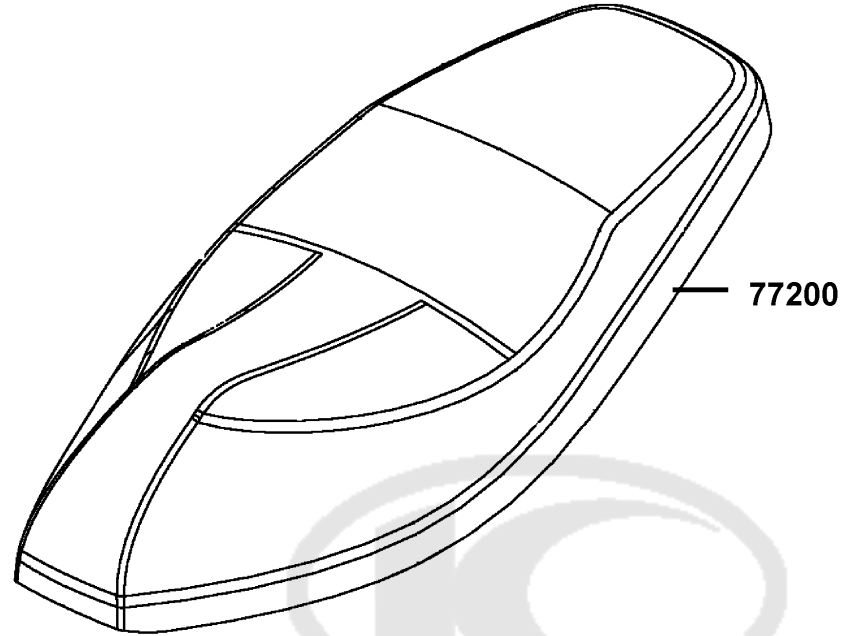


| Sales mark | Ref no | Part no | Description | Reg description | Regd no | F08 |
|------------|--------|-----------------|----------------------|----------------------|---------|------------|
| ** | 42601 | 42601-LGB5-E10 | WHEEL CAST RR ORANGE | WHEEL CAST RR ORANGE | 1 | |
| | 42710 | 42710-LDC8-E11 | TIRE ASSY RR | TIRE ASSY RR | 1 | |
| | 4312A | 4312A-KXCX-C00 | SHOE ASSY RR BRAKE | SHOE ASSY RR BRAKE | 1 | |
| | 4314A | 4314A-KKD6-E00 | CAM ASSY RR BRAKE | CAM ASSY RR BRAKE | 1 | |
| | 43410 | 43410-KFA1-C00 | ARM RR BRK | ARM REAR BRAKE | 1 | |
| | 43472 | 43472-KHG8-C00 | SPG RR BRK ARM | SPG RR BRK ARM | 1 | |
| | 90305 | 90305-PUA3-B51 | NUT U 16MM(C) | NUT U 16MM(C) | 1 | |
| | 90501 | 90501-KNBN-C01 | WASHER 16MM | WASHER 16MM | 1 | |
| | 95701 | 95701-06032-08G | BOLT FLANGE 6*32 | BOLT FLANGE 6*32 | 1 | |



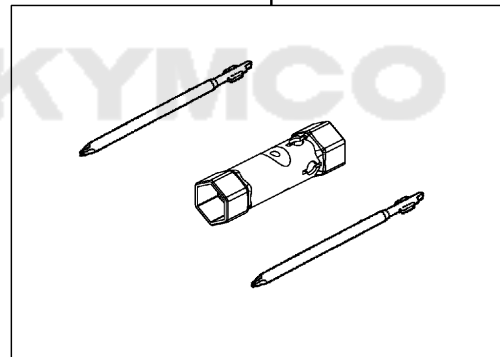
F09

Seat



77200

89010

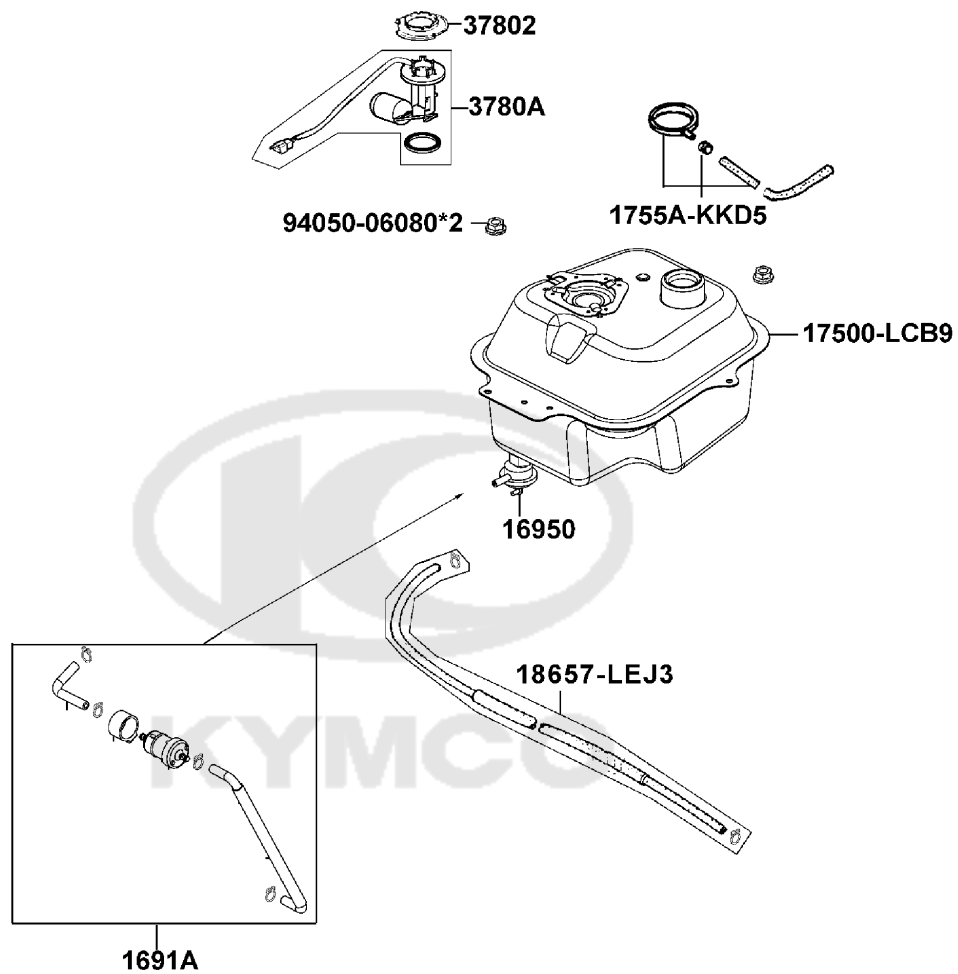


94050-06080

| Sales mark | Ref no | Part no | Description | Reg description | Regd no | F09 |
|------------|--------|---------|-------------|-----------------|---------|------------|
|------------|--------|---------|-------------|-----------------|---------|------------|

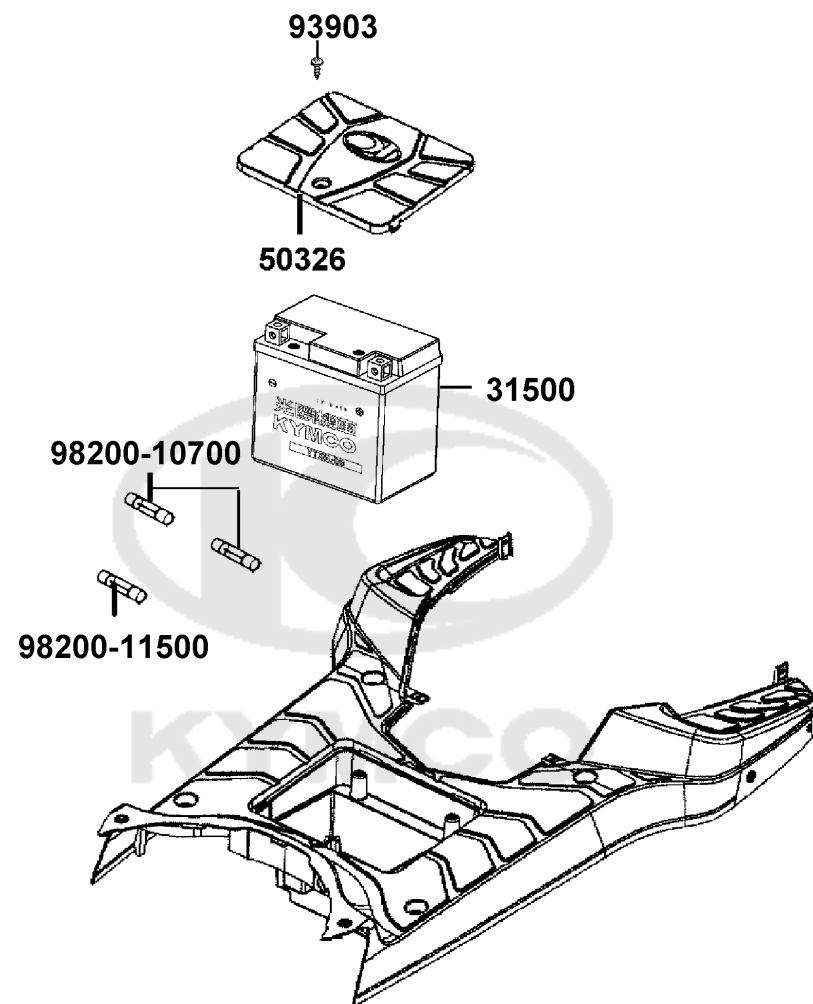
| | | | | | | |
|----|-------------|----------------|----------------|----------------|---|--|
| ** | 77200 | 77200-LGB6-E10 | SEAT ASSY | SEAT ASSY | 1 | |
| | 89010 | 89010-KGBG-C00 | TOOL SET | TOOL SET | 1 | |
| | 94050-06080 | 94050-06080-G | NUT FLANGE 6MM | NUT FLANGE 6MM | 1 | |





| Sales mark | Ref no | Part no | Description | Reg description | Regd no | F10 |
|------------|-------------|----------------|-------------------------------|-------------------------------|---------|------------|
| | 1691A | 1691A-ACH5-E60 | TUBE COMP FUEL.,STRAINER-CARB | TUBE COMP FUEL.,STRAINER-CARB | 1 | |
| | 16950 | 16950-KKJ9-C00 | AUTO COCK ASSY FUEL | AUTO COCK ASSY FUEL | 1 | |
| | 17500-LCB9 | 17500-LCB9-C10 | TANK COMP THROT | TANK COMP THROT | 1 | |
| | 1755A-KKD5 | 1755A-KKD5-C10 | TRAY ASSY FUEL CAP | TRAY ASSY FUEL CAP | 1 | |
| | 18657-LEJ3 | 18657-LEJ3-E10 | TUBE AICV-INLET PIPE | TUBE AICV-INLET PIPE | 1 | |
| | 37802 | 37802-GGA7-C00 | RET FUEL UNIT | RET FUEL UNIT | 1 | |
| | 3780A | 3780A-ALH1-E60 | FUEL UNIT ASSY | FUEL UNIT. ASSY. | 1 | |
| | 94050-06080 | 94050-06080-G | NUT FLANGE 6MM | NUT FLANGE 6MM | 1 | |

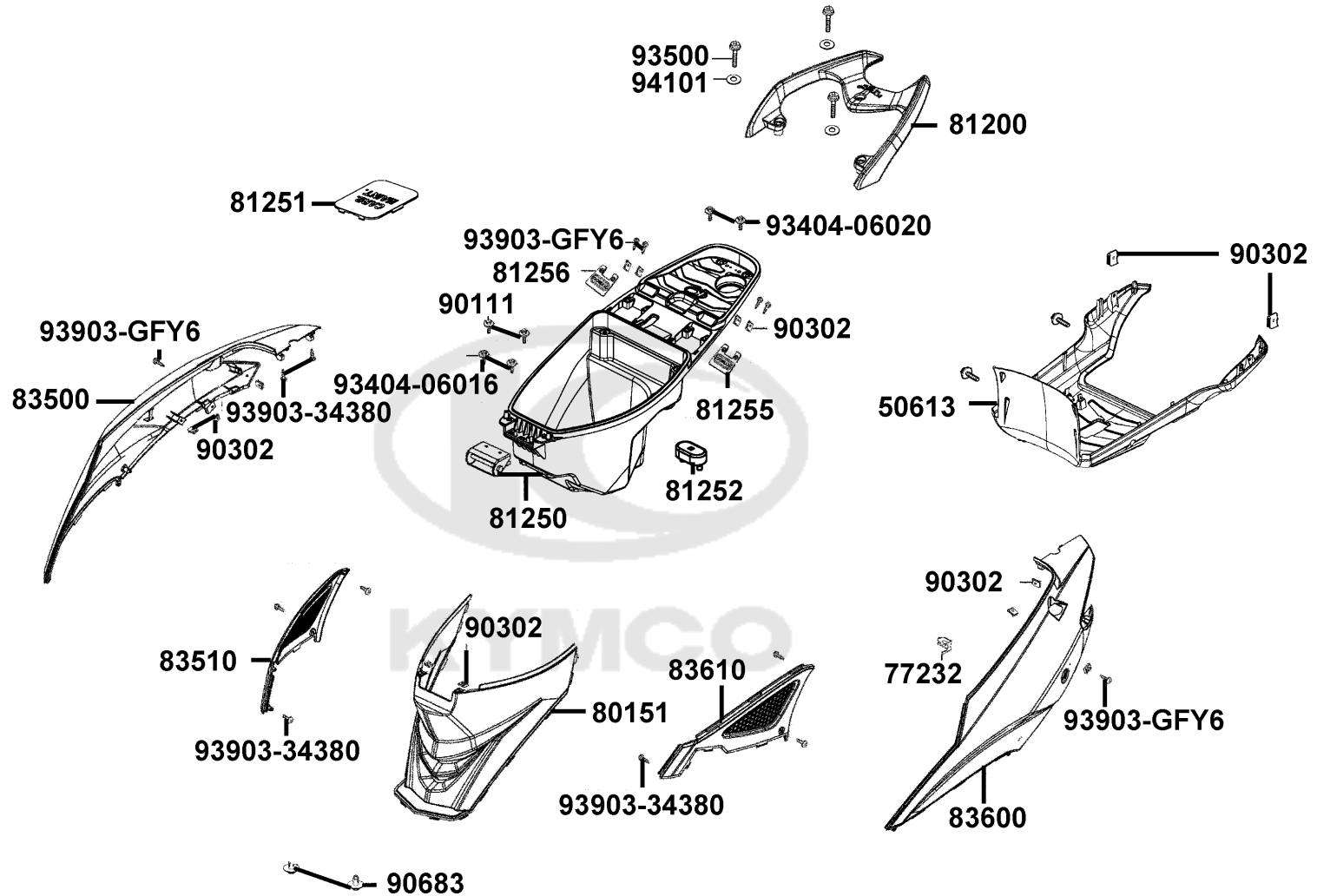




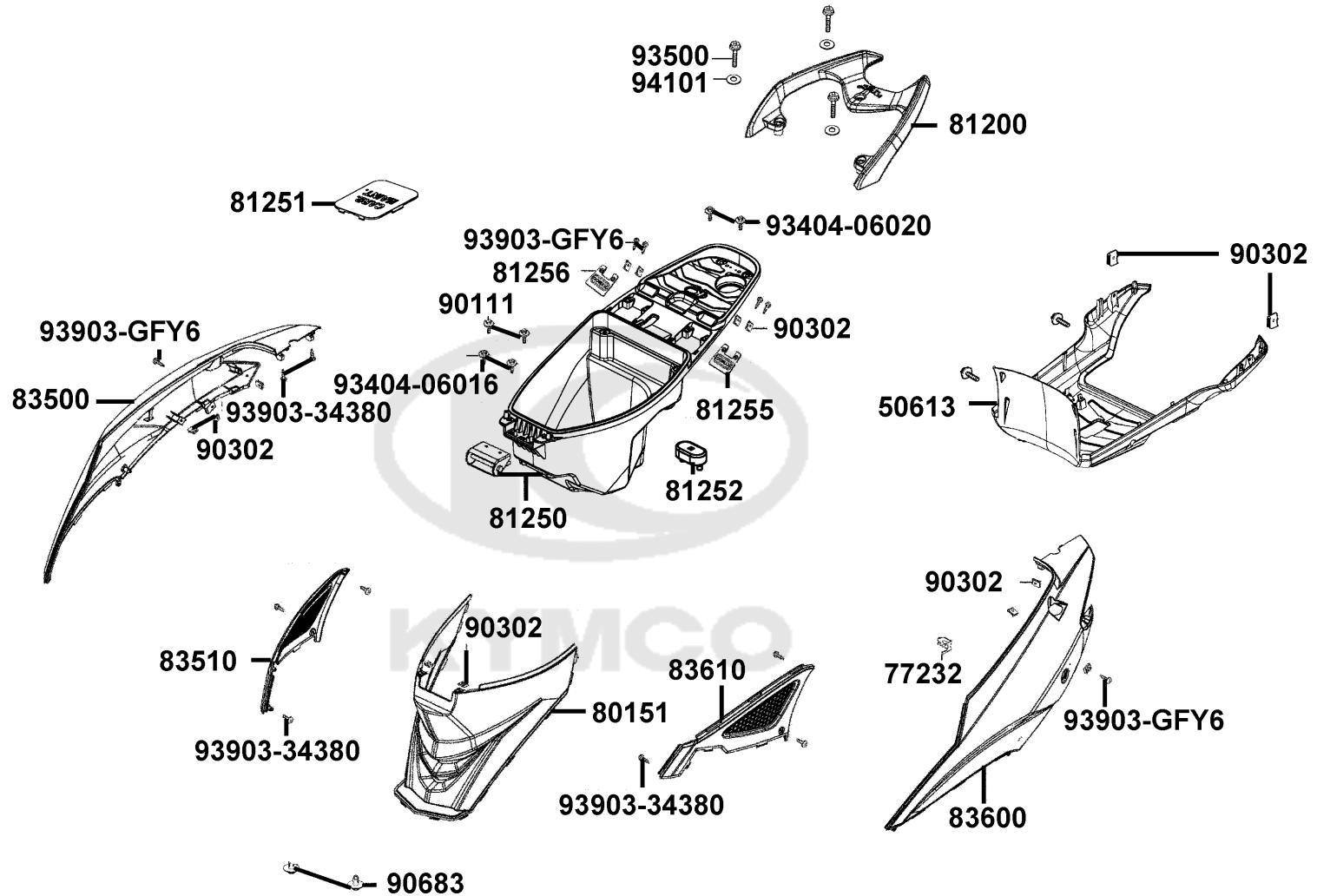
| Sales mark | Ref no | Part no | Description | Reg description | Regd no | F11 |
|------------|--------|---------|-------------|-----------------|---------|------------|
|------------|--------|---------|-------------|-----------------|---------|------------|

| | | | | | | |
|----|-------------|----------------|------------------------|--------------------|---|--|
| | 31500 | 31500-ALC8-E60 | BATTERY YTX7A-BS | BATTERY | 1 | |
| ** | 50326 | 50326-LGB5-E10 | COVER BATTERY | COVER BATTERY | 1 | |
| | 93903 | 93903-35380-G | SCREW TAPPING 5*16 (K) | SCREW TAPPING 5*16 | 1 | |
| | 98200-10700 | 98200-10700 | FUSE A7 | FUSE A7 | 1 | |
| | 98200-11500 | 98200-11500 | FUSE A15 | FUSE A15 | 1 | |





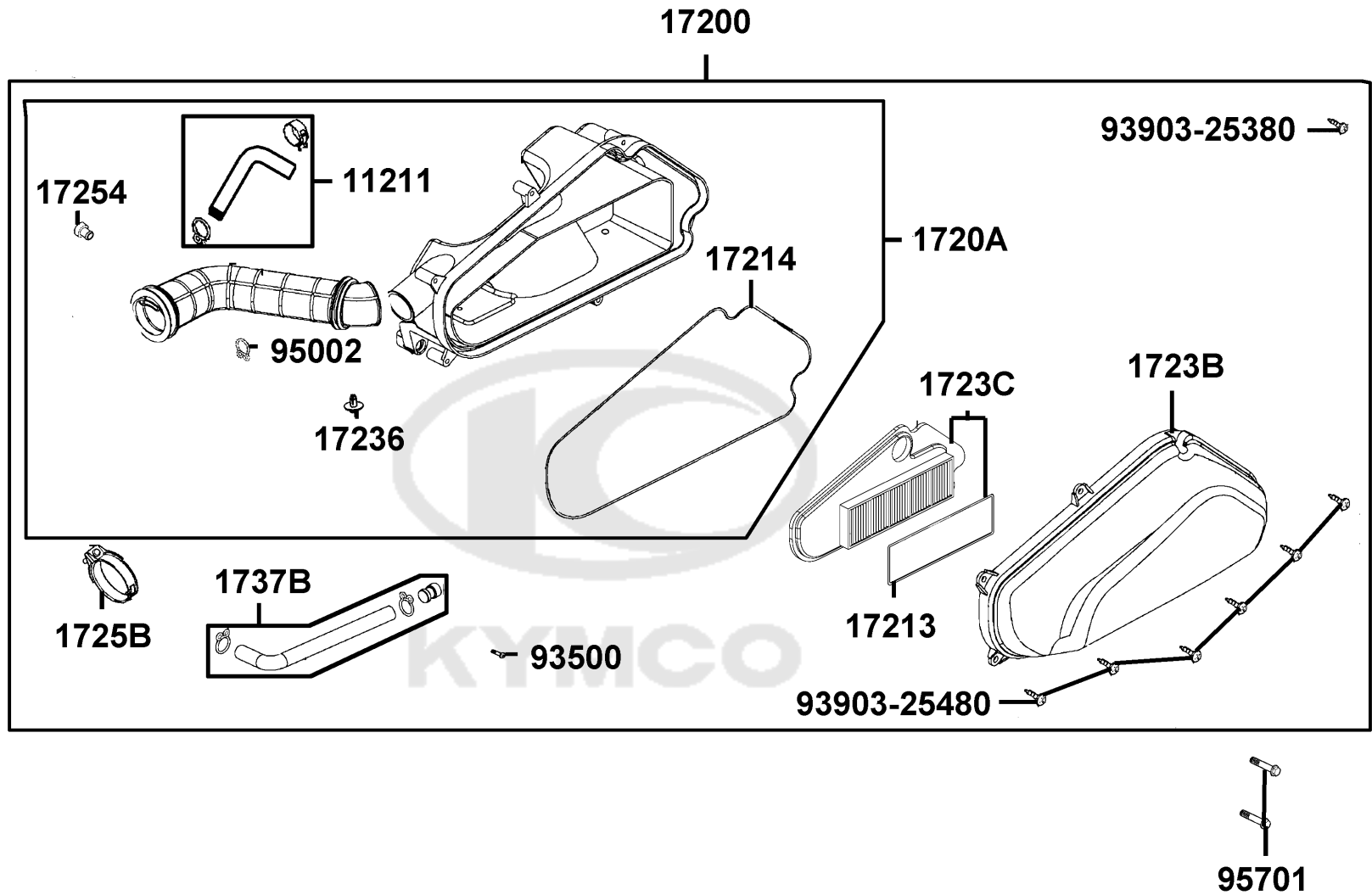
| Sales mark | Ref no | Part no | Description | Reg description | Regd no | F12 |
|------------|-------------|-----------------|---------------------|---------------------|---------|-----|
| ** | 50613 | 50613-LGB5-E10 | COVER UNDER ORANGE | COVER UNDER ORANGE | 1 | |
| | 77232 | 77232-KCAC-C00 | SET SPG SEAT LOCK | SET SPG SEAT LOCK | 1 | |
| ** | 80151 | 80151-LGB5-E10 | COVER CENTER | COVER CENTER | 1 | |
| ** | 81200 | 81200-LGB5-E10 | CARRIER REAR | CARRIER REAR | 1 | |
| ** | 81250 | 81250-LGB5-E10 | BOX LUGGAGE | BOX LUGGAGE | 1 | |
| ** | 81251 | 81251-LCB9-C10 | LID CARB MAINT | LID CARB MAINT | 1 | |
| | 81252 | 81252-LGB5-E10 | BOX LUGGAGE RUBBER | BOX LUGGAGE RUBBER | 1 | |
| ** | 81255 | 81255-LGB6-E10 | COVER R BOX LUGGAGE | COVER R BOX LUGGAGE | 1 | |
| ** | 81256 | 81256-LGB6-E10 | COVER L BOX LUGGAGE | COVER L BOX LUGGAGE | 1 | |
| ** | 83500 | 83500-LGB5-E10 | COVER R BODY | COVER R BODY | 1 | |
| ** | 83510 | 83510-LGB5-E10 | GRILL R SIDE | GRILL R SIDE | 1 | |
| ** | 83600 | 83600-LGB5-E10 | COVER L BODY | COVER L BODY | 1 | |
| ** | 83610 | 83610-LGB5-E10 | COVER L SIDE | COVER L SIDE | 1 | |
| | 90111 | 90111-1G87-C01 | BOLT FLANGE 6MM | BOLT FLANGE 6MM | 1 | |
| | 90302 | 90302-SDA4-C01 | "NUT,SPPING 4MM" | "NUT,SPPING 4MM" | 1 | |
| | 90683 | 90683-GAR1-C00 | CLIP BODY COVER | CLIP BODY COVER | 2 | |
| | 93404-06016 | 93404-06016-07 | BOTL WASHER 6*16 | BOTL WASHER 6*16 | 1 | |
| | 93404-06020 | 93404-06020-07G | BOLT-WASH 6x20 | BOLT-WASH 6x20 | 1 | |
| | 93500 | 93500-LGB5-E10 | BOLT SPECIAL 8*35 | BOLT SPECIAL 8*35 | 1 | |
| | 93903-34380 | 93903-34380-G | SCREW TAPPING 4x12 | SCREW TAPPING 4x12 | 1 | |



| Sales mark | Ref no | Part no | Description | Reg description | Regd no | F12 |
|------------|--------|---------|-------------|-----------------|---------|------------|
|------------|--------|---------|-------------|-----------------|---------|------------|

| | | | | | | |
|--|------------|----------------|-----------------------|---------------------|---|--|
| | 93903-GFY6 | 93903-GFY6-C01 | SCREW TAPPING 4*14(K) | "SCREW,TAPPING4*14" | 1 | |
| | 94101 | 94101-LGB5-E10 | WASHER | WASHER | 1 | |

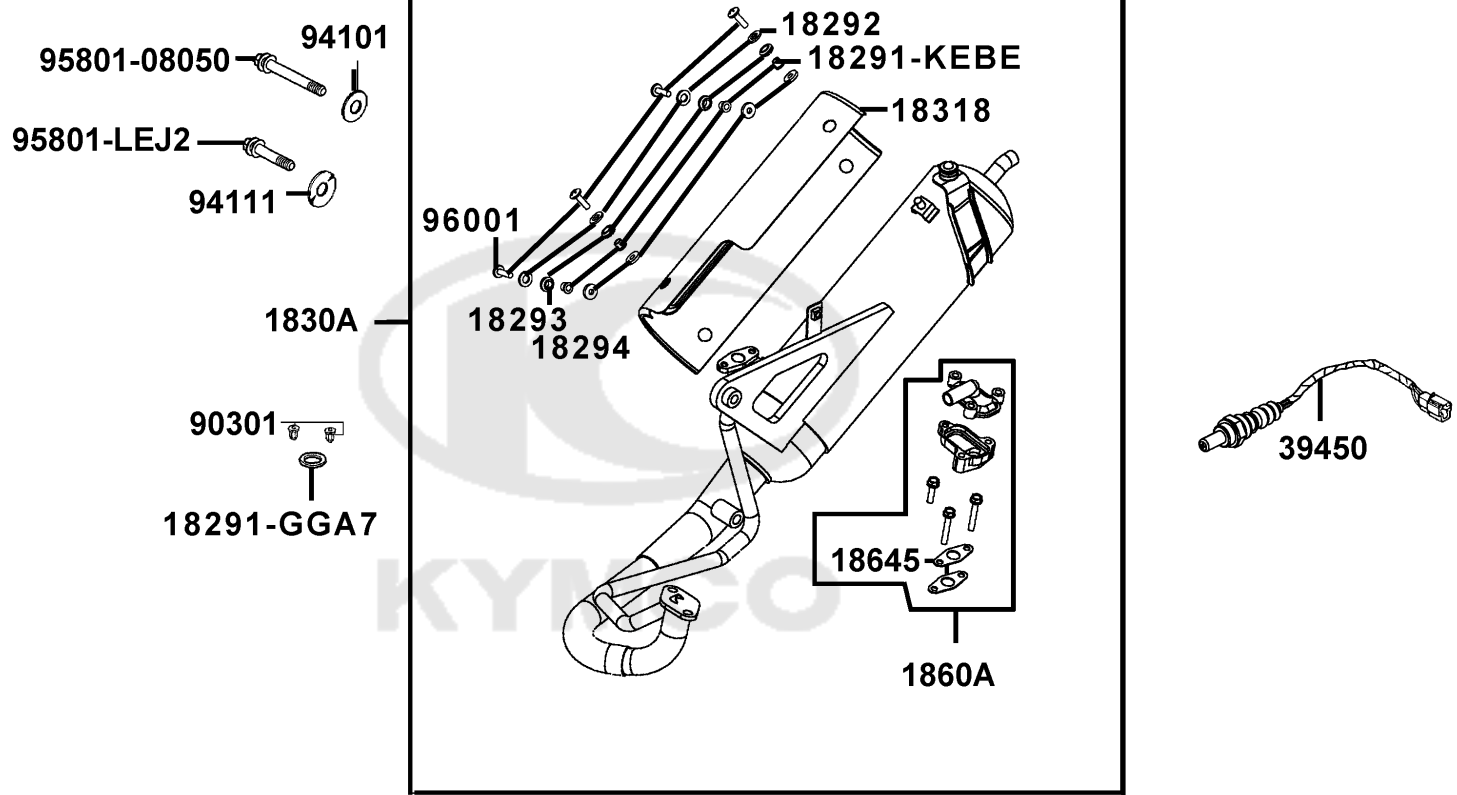




| Sales mark | Ref no | Part no | Description | Reg description | Regd no | F13 |
|-------------|--------|-----------------|---------------------------|---------------------------|---------|-----|
| 11211 | | 11211-LBD6-E00 | TUBE BREATHER | TUBE BREATHER | 1 | |
| 17200 | | 17200-LDC8-E11 | AIR/C ASSY. | AIR/C ASSY | 1 | |
| 1720A | | 1720A-LDC8-E11 | CASE ASSY AIR/C | CASE ASSY AIR/C | 1 | |
| 17213 | | 17213-LBD6-E00 | SEAL AIR/C CASE | SEAL AIR/C CASE | 1 | |
| 17214 | | 17214-LBA6-E00 | SEAL AIR/C CASE | SEAL AIR/C CASE | 1 | |
| 17236 | | 17236-KFBF-C00 | PLATE | PLATE | 1 | |
| 1723B | | 1723B-LBD6-E00 | COVER ASSY AIR/C | COVER ASSY AIR/C | 1 | |
| 1723C | | 1723C-LBD6-E00 | ELEMENT ASSY AIR/C | ELEMENT ASSY AIR/C | 1 | |
| 17254 | | 17254-KACA-P00 | PLUG AIR/C CONN TUBE | PLUG AIR/C CONN TUBE | 1 | |
| 1725B | | 1725B-KGBG-900 | BAND ASSY AIR/C CONN TUBE | BAND ASSY AIR/C CONN TUBE | 1 | |
| 1737B | | 1737B-KHC4-C00 | V TUBE ASSY | V TUBE ASSY | 1 | |
| 93500 | | 93500-04025-0A | SCREW PAN 4*25 | SCREW PAN 4*25 (B) | 1 | |
| 93903-25380 | | 93903-25380 | SCREW TAPP 5*16 | SCREW TAPP 5*16 | 1 | |
| 93903-25480 | | 93903-25480 | SCREW TAPPING 5*20 (K) | SCREW TAPPING 5*20 (K) | 1 | |
| 95002 | | 95002-02120 | CLIP B12 TUBE | CLIP B12 TUBE | 1 | |
| 95701 | | 95701-06040-08G | BOLT FLANGE 6*40 | BOLT FLANGE 6X40(CG) | 1 | |

F14

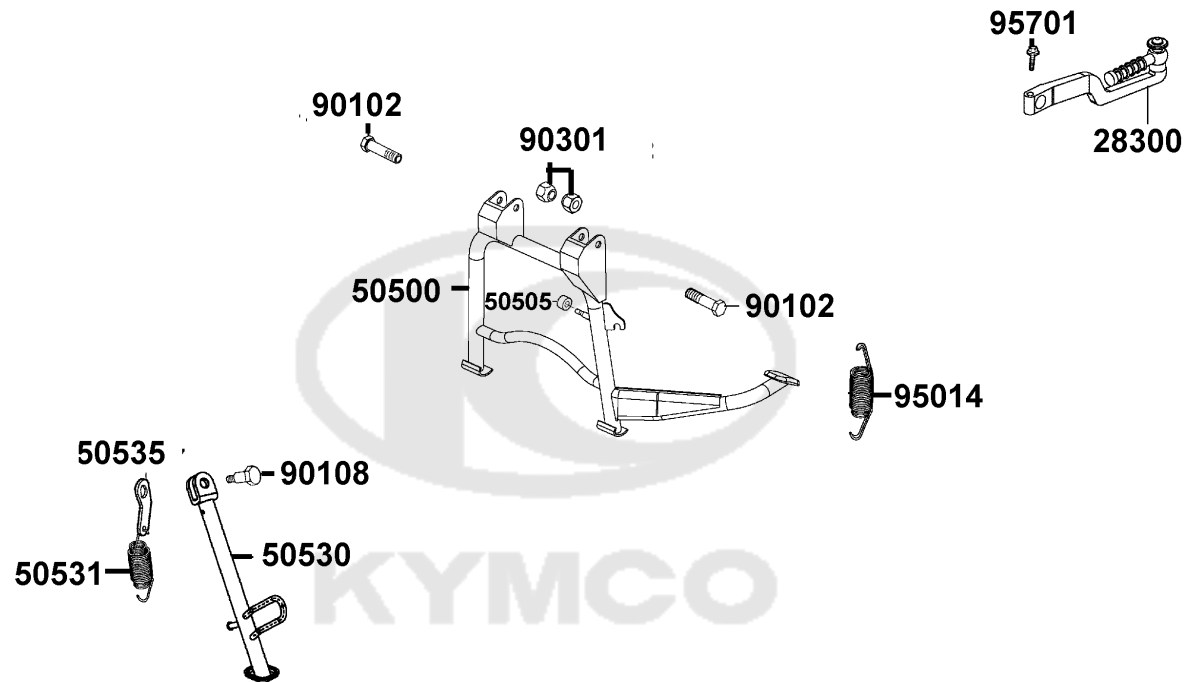
Exhaust Muffler



| Sales mark | Ref no | Part no | Description | Reg description | Regd no | F14 |
|------------|-------------|-----------------|----------------------|----------------------|---------|------------|
| | 18291-GGA7 | 18291-GGA7-C01 | GASKET EXH PIPE | GASKET EXH PIPE | 1 | |
| | 18291-KEBE | 18291-KEBE-C00 | COLLAR | COLLAR | 1 | |
| | 18292 | 18292-KEBE-C00 | PACKING PROTECTOR | PACKING PROTECTOR | 1 | |
| | 18293 | 18293-KEBE-C00 | RUBBER PKG PROTR | RUBBER PRK PROTR | 1 | |
| | 18294 | 18294-PUA3-B50 | PACKING PTOTECTOR | PACKING PROTECTOR | 1 | |
| | 1830A | 1830A-LDC8-E65 | MUFFLER ASSY EXH | MUFFLER ASSY EXH | 1 | |
| | 18318 | 18318-LDF7-E10 | PROTECTOR MUFFLER | PROTECTOR MUFFLER | 1 | |
| | 1860A | 1860A-KFB5-C00 | REED VALVE ASSY | REED VALVE ASSY | 1 | |
| | 18645 | 18645-KGB5-C00 | GASKET A | GASKET A | 2 | |
| | 39450 | 39450-ACH5-E10 | O2 SENSOR | O2 SENSOR | 1 | |
| | 90301 | 90301-KGBG-C01 | NUT CAP 6MM | NUT CAP 6MM | 1 | |
| | 94101 | 94101-08700-G | WASHER PLAIN 8MM (K) | WASHER PLAIN 8MM (K) | 1 | |
| | 94111 | 94111-08800-G | WASHER SPG 8MM | WASHER SPG 8MM (C) | 1 | |
| | 95801-08050 | 95801-08050-07G | BOLT FLANGE 8*50(G) | BOLT FLANGE 8*50(G) | 1 | |
| | 95801-LEJ2 | 95801-LEJ2-E11 | BOLT TORX M8*75 | BOLT TORX M8*75 | 1 | |
| | 96001 | 96001-06012-02 | BOLT FLANGE SH 6*12 | BOLT FLANGE SH 6*12 | 1 | |

F15

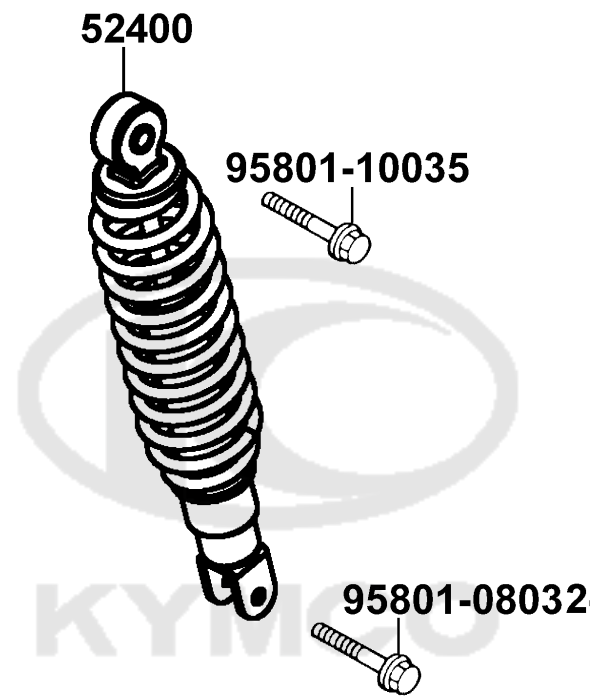
Stand Kick Starter Arm



| Sales mark | Ref no | Part no | Description | Reg description | Regd no | F15 |
|------------|--------|-----------------|------------------------|------------------------|---------|------------|
| | 28300 | 28300-LHB3-E10 | ARM ASSY KICK STARTER | ARM ASSY KICK STARTER | 1 | |
| | 50500 | 50500-ADA9-M30 | STAND COMP MAIN | STAND COMP MAIN | 1 | |
| | 50505 | 50505-LDC8-E10 | STOPPER RUBBER | STOPPER RUBBER | 1 | |
| | 50530 | 50530-LGB5-E10 | SIDE STAND COMP | SIDE STAND COMP | 1 | |
| | 50531 | 50531-KEB7-C00 | PLATE SPRING STOPPER | PLATE SPRING STOPPER | 1 | |
| | 50535 | 50535-KEB7-W10 | SPRING COMP SIDE STAND | SPRING COMP SIDE STAND | 1 | |
| | 90102 | 90102-GLE0-C00 | BOLT HINGE PIVOT | BOLT HINGE PIVOT | 1 | |
| | 90108 | 90108-KEB7-E01 | SCREW SIDE STAND PIVOT | SCREW SIDE STAND PIVOT | 1 | |
| | 90301 | 90301-4C73-C01 | NUT U 6MM(C) | NUT U 6MM(C) | 1 | |
| | 95014 | 95014-71202 | SPG B MAIN STAND | SPG B MAIN STAND | 1 | |
| | 95701 | 95701-06022-07G | BOLT FLANGE 6*22 (K) | BOLT FLANGE 6*22 (K) | 1 | |

F16

Rear Cushion



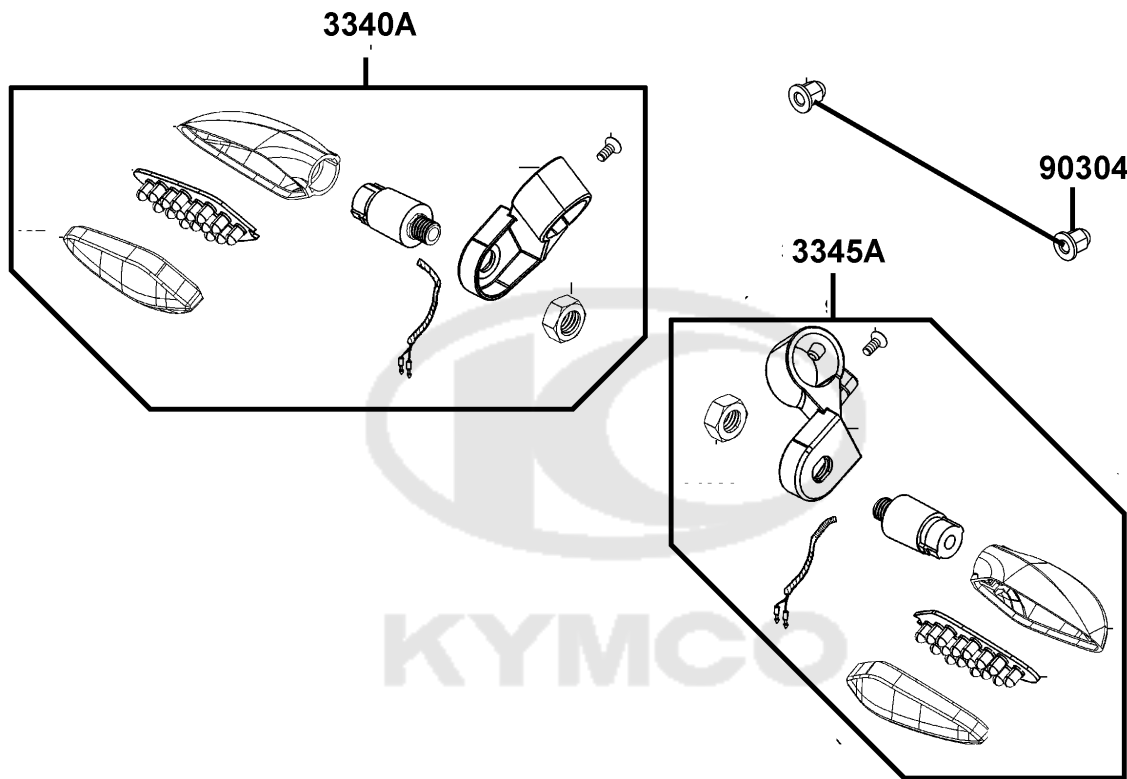
| Sales mark | Ref no | Part no | Description | Reg description | Regd no | F16 |
|------------|--------|---------|-------------|-----------------|---------|------------|
|------------|--------|---------|-------------|-----------------|---------|------------|

| | | | | | | |
|----|-------------|-----------------|-----------------------------|-----------------------------|---|--|
| ** | 52400 | 52400-LDC8-E10 | CUSHION ASSY RR (MAT BLACK) | CUSHION ASSY RR (MAT BLACK) | 1 | |
| | 95801-08032 | 95801-08032-08G | BOLT FLANGE 8*32(C) | BOLT FLANGE 8X32 | 1 | |
| | 95801-10035 | 95801-10035-08G | BOLT FLANGE 10X35 | BOLT FLANGE 10X35 | 1 | |



F17

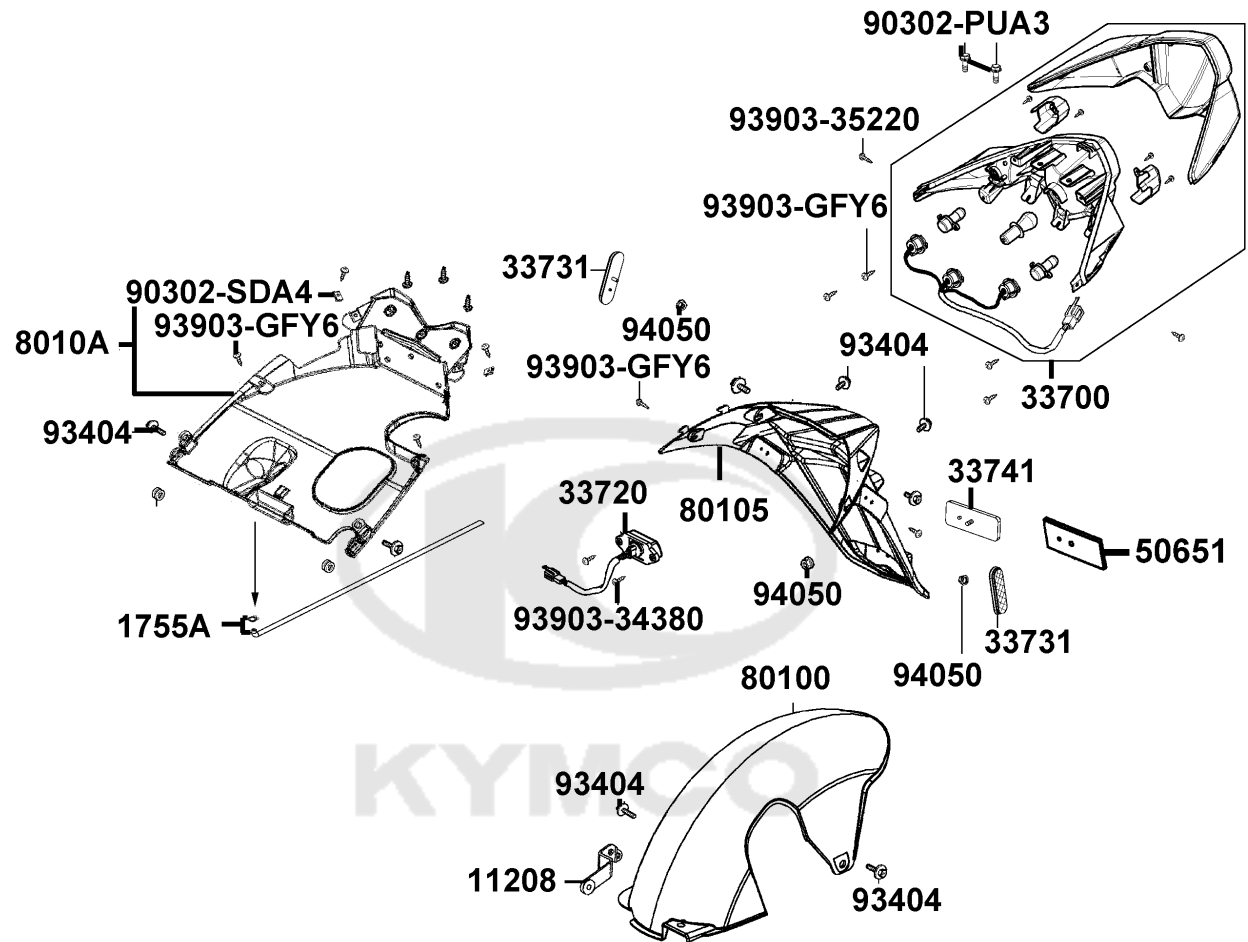
Front Winker



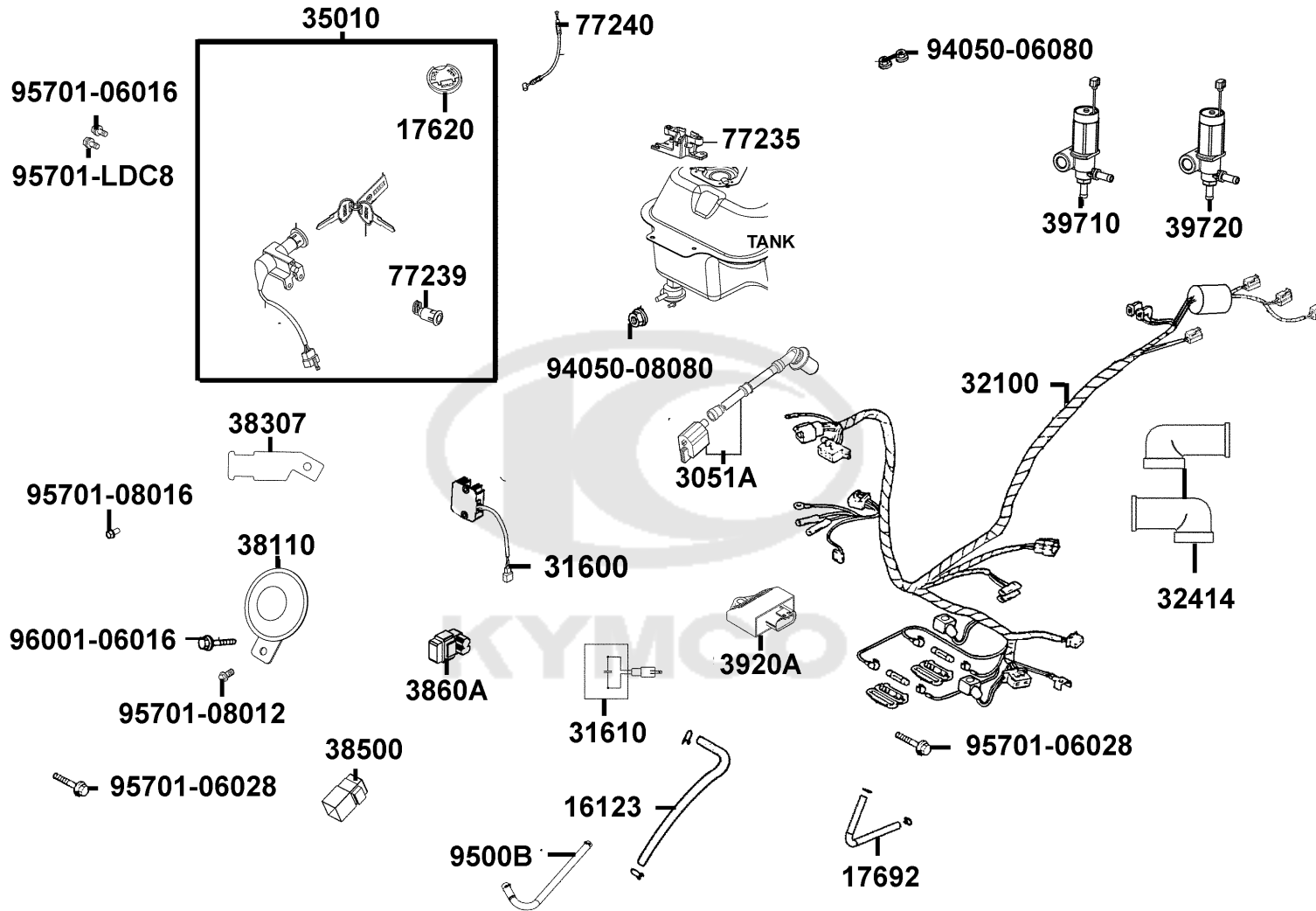
| Sales mark | Ref no | Part no | Description | Reg description | Regd no | F17 |
|------------|--------|---------|-------------|-----------------|---------|------------|
|------------|--------|---------|-------------|-----------------|---------|------------|

| | | | | | | |
|-------|----------------|----------------|------------------|---------------------------|---|--|
| 3340A | 3340A-ALH1-E60 | 3340A-ALH1-E60 | WINKER ASSY R FR | "WINKER SET(LED),,R/L,FR" | 1 | |
| 3345A | 3345A-ALH1-E60 | 3345A-ALH1-E60 | WINKER ASSY L FR | "WINKER SET(LED),,R/L,FR" | 1 | |
| 90304 | 90304-4H38-C00 | 90304-4H38-C00 | NUT HEX CAP 6MM | NUT HEX CAP 6MM | 1 | |

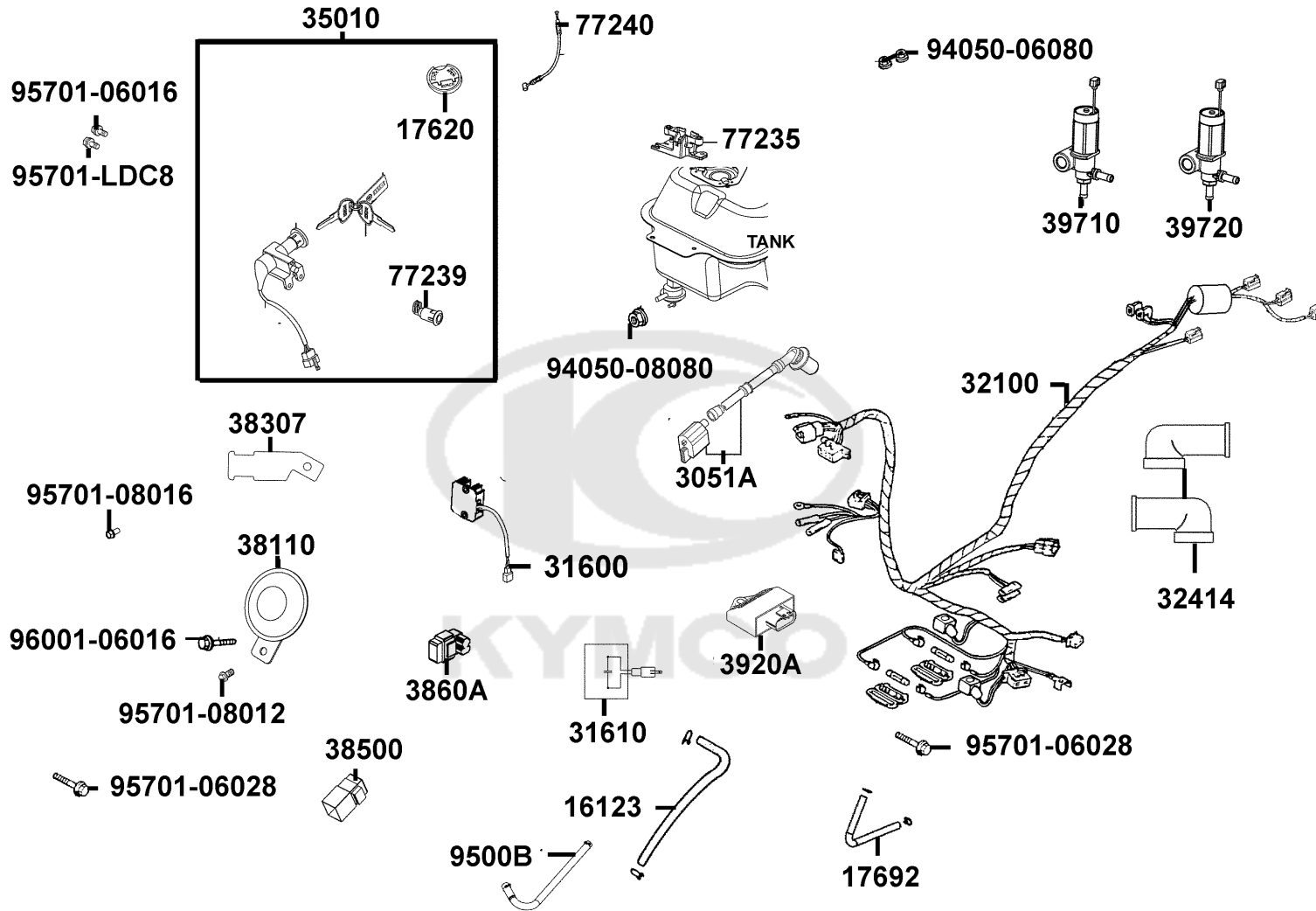




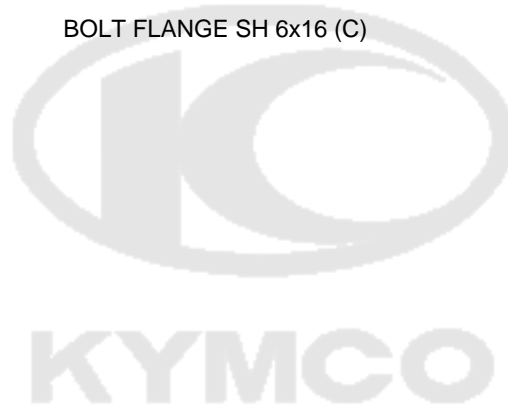
| Sales mark | Ref no | Part no | Description | Reg description | Regd no | F18 |
|------------|-------------|-----------------|------------------------|------------------------|---------|-----|
| | 11208 | 11208-LBD6-C00 | STAY RR TIRE FENDER | STAY RR TIRE FENDER | 1 | |
| | 1755A | 1755A-LDC8-E10 | TUBE ASSY FUEL DRAIN | TUBE ASSY FUEL DRAIN | 1 | |
| | 33700 | 33700-LHM9-E60 | LIGHT ASSY RR COMB | LIGHT ASSY RR COMB | 1 | |
| | 33720 | 33720-LGB5-E10 | LIGHT ASSY LICENSE | LIGHT ASSY LICENSE | 1 | |
| # | 33731 | 33731-KGB5-EZ0 | REFLEX REFLECTOR SIDE | REFLEX REFLECTOR SIDE | 1 | |
| | 33741 | 33741-KEBE-C00 | REFLEX REFLECTOR | REFLEX REFLECTOR | 1 | |
| | 50651 | 50651-LFC4-E10 | STAY RR FENDER BALANCE | STAY RR FENDER BALANCE | 1 | |
| ** | 80100 | 80100-LDC8-E10 | FENDER RR TIRE | FENDER RR TIRE | 1 | |
| ** | 80105 | 80105-LGB5-E10 | FENDER REAR | FENDER REAR | 1 | |
| ** | 8010A | 8010A-LGB5-E10 | FENDER ASSY RR | FENDER ASSY RR | 1 | |
| | 90302-PUA3 | 90302-PUA3-B51 | BOLT-WASH 5*12 | BOLT-WASH 5*12 | 1 | |
| | 90302-SDA4 | 90302-SDA4-C01 | "NUT,SPPING 4MM" | "NUT,SPPING 4MM" | 1 | |
| | 93404 | 93404-06012-07G | BOLT WASHER 6*12 (K) | BOLT WASHER 6*12 (K) | 1 | |
| | 93903-34380 | 93903-34380-G | SCREW TAPPING 4x12 | SCREW TAPPING 4x12 | 1 | |
| | 93903-35220 | 93903-35220-G | SCREW TAPPING 5*12 | SCREW TAPPING 5*12 | 1 | |
| | 93903-GFY6 | 93903-GFY6-C01 | SCREW TAPPING 4*14(K) | "SCREW,TAPPING4*14" | 1 | |
| | 94050 | 94050-05080-G | NUT FLANGE 5MM | NUT FLANGE 5MM | 1 | |



| Sales mark | Ref no | Part no | Description | Reg description | Regd no | F19 |
|------------|-------------|----------------|-----------------------------|-------------------------------|---------|------------|
| | 16123 | 16123-ACH5-E10 | TUBE COMP | TUBE COMP | 1 | |
| | 17620 | 17620-LDF7-E10 | CAP COMP FUEL FILLER | CAP COMP FUEL FILLER | 1 | |
| | 17692 | 17692-LEB5-C00 | TUBE FCV | TUBE FCV | 2 | |
| | 3051A | 3051A-ACH5-E10 | COIL ASSY IGN | COIL ASSY IGN | 1 | |
| | 31600 | 31600-LCD3-C01 | REG REC COMP (DC) | REG REC COMP(DC) | 1 | |
| | 31610 | 31610-ACH5-E10 | FILTER CAPACTOP | FILTER CAPACTOP | 1 | |
| | 32100 | 32100-AFC5-E65 | HARNESS WIRE | HARNESS WIRE | 1 | |
| | 32414 | 32414-ACH5-E10 | COVER | COVER | 2 | |
| | 35010 | 35010-LGB6-E90 | KEY SET | KEY SET | 1 | |
| | 38110 | 38110-LHM9-E10 | HORN COMP | HORN COMP | 1 | |
| | 38307 | 38307-LHM9-E60 | "STAY,WINKER RELAY" | "STAY,WINKER RELAY" | 1 | |
| | 38500 | 38500-KKDK-C00 | RELAY ASSY START | SET START MAG | 1 | |
| | 3860A | 3860A-LGB5-E12 | CONTROL ASSY LIGHTING | CONTROL ASSY LIGHTING | 1 | |
| | 3920A | 3920A-ACH5-E10 | ECU | "MODULE ASSY.,ECU(ECS)" | 1 | |
| | 39710 | 39710-ACH5-E10 | VALVE CRTL..A/F RATIO(IDLE) | "VALVE CRTL.,A/F RATIO(IDLE)" | 1 | |
| | 39720 | 39720-ACH5-E10 | VALVE CRTL..A/F RATIO(MAIN) | "VALVE CRTL.,A/F RATIO(MAIN)" | 1 | |
| | 77235 | 77235-LGB5-E10 | SEAT CATCH COMP | SEAT CATCH COMP | 1 | |
| | 77239 | 77239-GFY6-C00 | KEY SEAT LOCK | KEY SEAT LOCK | 1 | |
| | 77240 | 77240-LGB5-E10 | CABLE COMP SEAT LOCK | CABLE COMP SEAT LOCK | 1 | |
| | 94050-06080 | 94050-06080-G | NUT FLANGE 6MM | NUT FLANGE 6MM | 1 | |

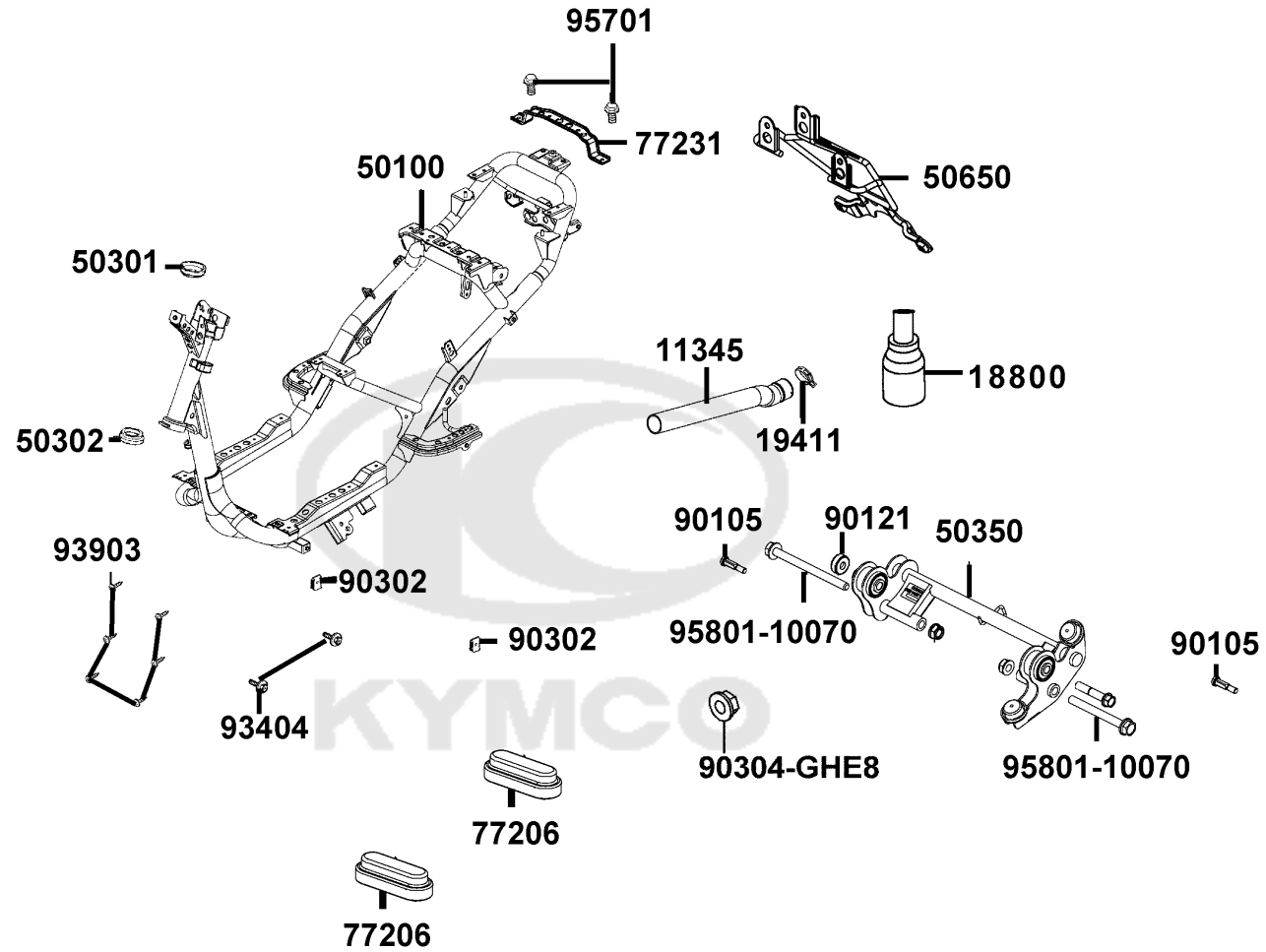


| Sales mark | Ref no | Part no | Description | Reg description | Regd no | F19 |
|------------|-------------|-----------------|------------------------------|------------------------------|---------|------------|
| | 94050-08080 | 94050-08080-G | NUT FLANGE 8MM | FLANGE NUT 8MM(C) | 1 | |
| | 9500B | 9500B-LKL5-E30 | "TUBE ASSY.,AUTOCOCK VACUUM" | "TUBE ASSY.,AUTOCOCK VACUUM" | 1 | |
| | 95701-06016 | 95701-06016-08G | BOLT FLANGE 6*16 (C) | BOLT FLANGE 6*16 (C) | 1 | |
| | 95701-06028 | 95701-06028-07G | BOLT FLANGE 6*28 (K) | BOLT FLANGE 6X28(KG) | 2 | |
| | 95701-08012 | 95701-08012-08G | BOLT FLANGE 8X12(C) | BOLT FLANGE 8X12(C) | 1 | |
| | 95701-08016 | 95701-08016-07G | BOLT FLANGE 8*16 (K) | BOLT FLANGE 8*16 (K) | 1 | |
| | 95701-LDC8 | 95701-LDC8-E11 | BOLT TORQUE 6x16 | BOLT TORQUE 6x16 | 1 | |
| | 96001-06016 | 96001-06016-08G | BOLT FLANGE SH 6x16 (C) | BOLT FLANGE SH 6*16 (CR3+) | 1 | |



F20

Frame Body



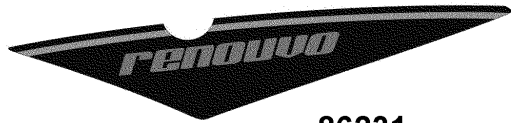
| Sales mark | Ref no | Part no | Description | Reg description | Regd no | F20 |
|-------------|--------|-----------------|-----------------------|-----------------------|---------|------------|
| 11345 | | 11345-LHB3-E10 | "DUCT, L COVER" | "DUCT, L COVER" | 1 | |
| 18800 | | 18800-ACH5-E10 | AIR FILTER | AIR FILTER SV | 1 | |
| 19411 | | 19411-KNBN-C10 | CLIP HOSE | CLIP HOSE | 1 | |
| 50100 | | 50100-AFC5-E65 | BODY COMP FRAME | BODY COMP FRAME | 1 | |
| 50301 | | 50301-KGN7-C00 | RACE UPPER STRG BALL | RACE UP STRG BALL | 1 | |
| 50302 | | 50302-2H68-C00 | RACE (STRG BOT) BALL | RACE (STRG BOT) BALL | 1 | |
| 50350 | | 50350-LDC8-E10 | HANGER ASSY ENG | HANGER ASSY ENG | 1 | |
| 50650 | | 50650-LGB5-E10 | STAY RR FENDER | STAY RR FENDER | 1 | |
| 77206 | | 77206-KEB7-900 | RUBBER SEAT CUSH | RUBBER SEAT CUSH | 2 | |
| 77231 | | 77231-LGB5-E10 | STAY BACK SEAT | STAY BACK SEAT | 1 | |
| 90105 | | 90105-LDC8-E11 | SQUARE BOLT M10*50(K) | SQUARE BOLT M10*50(K) | 2 | |
| 90121 | | 90121-GFY6-C00 | COLLAR DISTANCE | COLLAR DISTANCE | 1 | |
| 90302 | | 90302-SDA4-C01 | "NUT,SPPING 4MM" | "NUT,SPPING 4MM" | 1 | |
| 90304-GHE8 | | 90304-GHE8-C01 | NUT U 10MM (C) | NUT U 10MM(C) | 1 | |
| 93404 | | 93404-06016-07 | BOTL WASHER 6*16 | BOTL WASHER 6*16 | 1 | |
| 93903 | | 93903-34380-G | SCREW TAPPING 4x12 | SCREW TAPPING 4x12 | 1 | |
| 95701 | | 95701-06012-08G | BOLT FLANGE 6*12 | BOLT FLANGE 6*12 | 1 | |
| 95801-10070 | | 95801-10070-08G | BOLT FLANGE 10*70 (C) | BOLT FLANGE 8*50(G) | 2 | |

F21

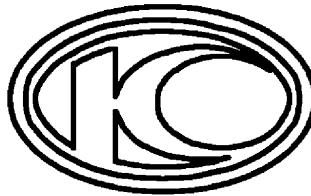
Emblem Stripe



86221



86231



86102



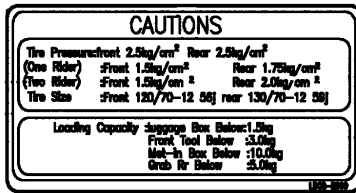
87160



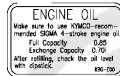
86241



86251



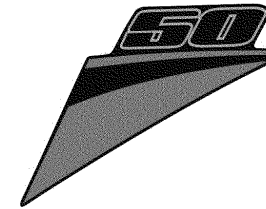
87505



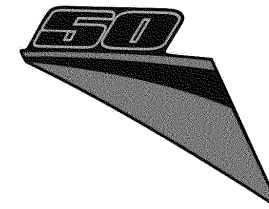
87541-KGBG



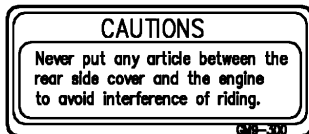
87546



86732



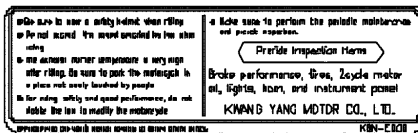
86733



87542



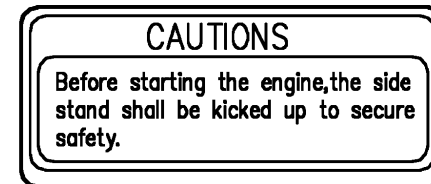
86261



87560



86271



87541-GAR1

| Sales mark | Ref no | Part no | Description | Reg description | Regd no | F21 |
|------------|------------|----------------|-----------------------|-----------------------|---------|------------|
| ** | 86102 | 86102-ALG1-E00 | EMB K-LOGO | EMB K-LOGO | 1 | |
| ** | 86221 | 86221-AFC5-E60 | STRIPE R BODY COVER | STRIPE R BODY COVER | 1 | |
| ** | 86231 | 86231-AFC5-E60 | STRIPE L BODY COVER | STRIPE L BODY COVER | 1 | |
| ** | 86241 | 86241-AFC5-E60 | STRIPE R BODY COVER | STRIPE R BODY COVER | 1 | |
| ** | 86251 | 86251-AFC5-E60 | STRIPE L BODY COVER | STRIPE L BODY COVER | 1 | |
| ** | 86261 | 86261-AFC5-E60 | STRIPE C R BODY COVER | STRIPE C R BODY COVER | 1 | |
| ** | 86271 | 86271-AFC5-E60 | STRIPE L BODY COVER | STRIPE L BODY COVER | 1 | |
| ** | 86732 | 86732-AFC5-E60 | STRIPE R LEG SHIELD | STRIPE R LEG SHIELD | 1 | |
| ** | 86733 | 86733-AFC5-E60 | STRIPE L LEG SHIELD | STRIPE L LEG SHIELD | 1 | |
| ** | 87160 | 87160-AAC7-E60 | STRIPE KYMCO MARK | STRIPE KYMCO MARK | 1 | |
| ** | 87505 | 87505-LDC8-E10 | LABEL TIRE | LABEL TIRE | 1 | |
| ** | 87541-GAR1 | 87541-GAR1-C01 | CAUTION SIDE STAND | CAUTION SIDE STAND | 1 | |
| ** | 87541-KGBG | 87541-KGBG-E01 | LABEL OIL CAP | LABEL OIL CAP | 1 | |
| ** | 87542 | 87542-GAR1-C01 | MARK MAINT CAUTION R | MARK MAINT CAUTION R | 1 | |
| ** | 87560 | 87560-GFY6-E11 | MARK DRIVE CAUTION | MARK DRIVE CAUTION | 1 | |

PART NO. INDEX

| PART NO. | VERSION | PAGE | PART NO. | VERSION | PAGE | PART NO. | VERSION | PAGE |
|----------------|---------|------|----------------|---------|------|----------------|---------|------|
| 11000 | | | 12000 | | | 14450-KGBG-W10 | 1 | E02 |
| 11100-KGBG-C00 | 8 | E01 | 12100-KGBG-C01 | 3 | E03 | 14452-KGBG-W10 | 1 | E02 |
| 11102-1G87-C00 | 3 | E01 | 12191-KGBG-E90 | 1 | E03 | 14510-KGBG-C00 | 1 | E03 |
| 11192-KGBG-E90 | 1 | E01 | 12200-KGBG-C00 | 1 | E02 | 14531-GLR0-W11 | 1 | E03 |
| 11200-LBD6-C00 | 1 | E01 | 12209-GDB4-C00 | 2 | E02 | 14550-LDC8-C10 | 1 | E03 |
| 11203-GGC7-W10 | 2 | E01 | 12211-KGBG-C00 | 1 | E02 | 14555-KKJ9-E90 | 1 | E03 |
| 11203-KAM1-C00 | 0 | E09 | 12251-KGBG-C00 | 1 | E02 | 14610-KGBG-C00 | 1 | E03 |
| 11204-KNBN-C00 | 1 | E01 | 1231A-KHC5-C00 | 1 | E02 | 14711-KGBG-C00 | 0 | E02 |
| 11205-GHAH-C00 | 1 | E01 | 12361-GFY6-C00 | 5 | E04 | 14721-KGBG-C00 | 0 | E02 |
| 11205-LAB4-C00 | 1 | E01 | 12391-KEE1-C00 | 0 | E02 | 14751-KGBG-C00 | 0 | E02 |
| 11208-LBD6-C00 | 1 | E08 | | | | 14771-GDB4-C00 | 2 | E02 |
| 11208-LBD6-C00 | 1 | F18 | 13000 | | | 14775-MFA6-C00 | 5 | E02 |
| 1120B-KGN7-C00 | 1 | E09 | | | | 14781-MFA6-C00 | 4 | E02 |
| 11211-LBD6-E00 | 2 | F13 | 13000-LDC5-C00 | 6 | E03 | 15000 | | |
| 11330-LBD6-C00 | 1 | E04 | 13011-LBC9-900 | 1 | E03 | 15100-LDC5-C00 | 3 | E07 |
| 11340-LBD6-C00 | 0 | E01 | 13101-LBC9-900 | 2 | E03 | 15133-LDC5-C00 | 2 | E07 |
| 11340-LBD6-C00 | 2 | E01 | 13111-KGBG-C00 | 1 | E03 | 15421-1G07-C00 | 1 | E04 |
| 11345-LHB3-E10 | 0 | F20 | 13115-0A01-C00 | 2 | E03 | 15426-GAE1-C00 | 1 | E04 |
| 11381-KHC4-C00 | 1 | E01 | | | | 15651-LDC8-C10 | 1 | E04 |
| 11382-LBD6-C00 | 1 | E01 | 14000 | | | | | |
| 11387-KGBG-C00 | 1 | E02 | | | | 16000 | | |
| 11394-KGBG-E90 | 1 | E04 | 14100-ADB2-C0A | 0 | E02 | | | |
| 11395-LBD6-C00 | 1 | E01 | 14401-KGBG-C00 | 1 | E03 | 16012-ACH5-E11 | 0 | E05 |
| | | | 14431-KGBG-W10 | 1 | E02 | 16016-KGC5-900 | 1 | E05 |

PART NO. INDEX

| PART NO. | VERSION | PAGE | PART NO. | VERSION | PAGE | PART NO. | VERSION | PAGE |
|----------------|---------|------|----------------|---------|------|----------------|---------|------|
| 16019-KGC5-C00 | 0 | E05 | 16138-KGC5-C00 | 0 | E05 | 1755A-KKD5-C10 | 1 | F10 |
| 16023-KGC5-900 | 1 | E05 | 16150-KEC3-C00 | 0 | E05 | 1755A-LDC8-E10 | 1 | F18 |
| 16035-AAE9-BA2 | 0 | E05 | 16170-KGC5-C00 | 2 | E05 | 17620-LDF7-E10 | 0 | F19 |
| 16051-KGC5-90A | 4 | E05 | 16181-KEC3-C00 | 1 | E05 | 17692-LEB5-C00 | 0 | F19 |
| 16053-KEC3-900 | 0 | E05 | 16183-KEC3-C00 | 0 | E05 | 17910-AAF1-E60 | 0 | F03 |
| 16068-KGC5-C00 | 6 | E05 | 1621A-KGBG-C00 | 2 | E02 | | | |
| 16069-KGC5-C00 | 4 | E05 | 16410-KGBG-E00 | 1 | E05 | 18000 | | |
| 16070-KEC3-900 | 0 | E05 | 16771-LGL3-900 | 1 | E02 | | | |
| 16074-KEC3-C00 | 3 | E05 | 1691A-ACH5-E60 | 1 | F10 | 18291-GGA7-C01 | 1 | F14 |
| 16079-ACH5-E11 | 0 | E05 | 16950-KKJ9-C00 | 4 | F10 | 18291-KEBE-C00 | 1 | F14 |
| 16081-KGC5-900 | 1 | E05 | | | | 18292-KEBE-C00 | 0 | F14 |
| 16087-AAE9-BA2 | 0 | E05 | 17000 | | | 18293-KEBE-C00 | 1 | F14 |
| 16088-KEC5-900 | 0 | E05 | | | | 18294-PUA3-B50 | 1 | F14 |
| 16093-5084-000 | 0 | E05 | 1711A-AFC5-E60 | 1 | E02 | 1830A-LDC8-E65 | 1 | F14 |
| 16095-ACH5-E11 | 0 | E05 | 17200-LDC8-E11 | 1 | F13 | 18318-LDF7-E10 | 0 | F14 |
| 16100-ACH5-E11 | 0 | E05 | 1720A-LDC8-E11 | 0 | F13 | 1860A-KFB5-C00 | 0 | F14 |
| 16119-KEC3-900 | 1 | E05 | 17213-LBD6-E00 | 1 | F13 | 18645-KGB5-C00 | 0 | F14 |
| 16120-KEC3-C00 | 0 | E05 | 17214-LBA6-E00 | 0 | F13 | 18657-LEJ3-E10 | 1 | F10 |
| 16121-KEC3-900 | 0 | E05 | 17236-KFBF-C00 | 0 | F13 | 18800-ACH5-E10 | 0 | F20 |
| 16122-KEC3-C00 | 0 | E05 | 1723B-LBD6-E00 | 1 | F13 | | | |
| 16123-ACH5-E10 | 0 | F19 | 1723C-LBD6-E00 | 0 | F13 | 19000 | | |
| 16131-ACH5-E11 | 0 | E05 | 17254-KACA-P00 | 1 | F13 | | | |
| 16133-KGC5-900 | 1 | E05 | 17256-ALK1-E15 | 1 | E02 | 19411-KNBN-C10 | 2 | F20 |
| 16136-KGC5-900 | 1 | E05 | 1725B-KGBG-900 | 0 | F13 | 19510-LDC5-C00 | 1 | E08 |
| 16137-KGC5-C00 | 0 | E05 | 1737B-KHC4-C00 | 0 | F13 | 19610-LFC2-E10 | 2 | E08 |
| 16138-KGC5-900 | 0 | E05 | 17500-LCB9-C10 | 3 | F10 | 19625-KEE1-C00 | 1 | E08 |

PART NO. INDEX

| PART NO. | VERSION | PAGE | PART NO. | VERSION | PAGE | PART NO. | VERSION | PAGE |
|----------------|---------|------|----------------|---------|------|----------------|---------|------|
| 1962A-KEE1-C00 | 1 | E08 | | | | | | |
| 1963A-ACH5-E10 | 1 | E08 | 23000 | | | 30000 | | |
| 21000 | | | 2301A-LEA3-C00 | 1 | E06 | 3051A-ACH5-E10 | 0 | F19 |
| | | | 23100-KEB7-C00 | 1 | E06 | | | |
| 21201-KFA1-900 | 1 | E09 | 23200-GAR1-C00 | 1 | E06 | 31000 | | |
| 21395-KNBN-E90 | 1 | E09 | 23210-GAR1-C00 | 1 | E06 | | | |
| | | | 23220-KEE1-C00 | 1 | E06 | 31100-ACH5-E10 | 0 | E08 |
| 22000 | | | 23225-GAR1-C00 | 1 | E06 | 31110-LEJ2-M30 | 0 | E08 |
| | | | 23233-LEA3-C00 | 1 | E06 | 31120-ACH5-E10 | 0 | E08 |
| 22100-LDC8-E10 | 1 | E06 | 23237-GAR1-C00 | 1 | E06 | 31200-LEJ2-E10 | 1 | E07 |
| 22102-LDC8-E10 | 1 | E06 | 23239-LEA3-C00 | 1 | E06 | 31209-KEE1-C01 | 2 | E07 |
| 22103-KEB7-C00 | 1 | E06 | 23411-ALC8-E60 | 1 | E09 | 31340-ALH1-E60 | 0 | F02 |
| 22105-KGBG-C00 | 1 | E06 | 23420-ALC8-E60 | 3 | E09 | 31500-ALC8-E60 | 5 | F11 |
| 22110-LDC8-E10 | 2 | E06 | 23432-ALC8-E60 | 2 | E09 | 31600-LCD3-C01 | 3 | F19 |
| 22121-LBD6-315 | 0 | E06 | 2343A-KNBN-C00 | 1 | E09 | 31610-ACH5-E10 | 0 | F19 |
| 22131-GHAH-C00 | 1 | E06 | | | | | | |
| 22132-GLW0-315 | 0 | E06 | 28000 | | | 32000 | | |
| 22300-GGAG-C00 | 1 | E06 | | | | | | |
| 22350-GKAK-C00 | 1 | E06 | 28211-KEB7-W10 | 1 | E06 | 32100-AFC5-E65 | 1 | F19 |
| 22401-GJAJ-920 | 0 | E06 | 2823A-LBD6-C00 | 2 | E01 | 32102-LHM9-E60 | 0 | F04 |
| 22530-GKAK-C00 | 1 | E06 | 28250-GBN2-C00 | 0 | E01 | 32414-ACH5-E10 | 0 | F19 |
| 22804-1H48-C00 | 1 | E06 | 28253-GBN2-C00 | 5 | E01 | | | |
| | | | 28255-GFS6-C00 | 5 | E01 | 33000 | | |
| | | | 28281-GBN2-C00 | 1 | E01 | | | |
| | | | 28300-LHB3-E10 | 3 | F15 | 33100-LHM9-E65 | 1 | F01 |

PART NO. INDEX

| PART NO. | VERSION | PAGE | PART NO. | VERSION | PAGE | PART NO. | VERSION | PAGE |
|----------------|---------|------|----------------|---------|------|----------------|---------|------|
| 3340A-ALH1-E60 | 0 | F17 | | | | 43410-KFA1-C00 | 8 | F08 |
| 3345A-ALH1-E60 | 0 | F17 | 38000 | | | 43450-AAF1-E60 | 4 | F03 |
| 33700-LHM9-E60 | 0 | F18 | | | | 43472-KHG8-C00 | 1 | F08 |
| 33720-LGB5-E10 | 1 | F18 | 38110-LHM9-E10 | 2 | F19 | | | |
| 33731-KGB5-EZ0 | 0 | F06 | 38300-ALH1-E60 | 0 | F02 | 44000 | | |
| 33731-KGB5-EZ0 | 0 | F18 | 38307-LHM9-E60 | 0 | F19 | | | |
| 33741-KEBE-C00 | 0 | F18 | 38500-KKDK-C00 | 5 | F19 | 44305-KGE2-E00 | 9 | F07 |
| | | | 3860A-LGB5-E12 | 0 | F19 | 44306-KGE2-E00 | 9 | F07 |
| 34000 | | | 39000 | | | 44311-GLW0-W10 | 1 | F07 |
| 34300-KKE3-900 | 3 | E05 | | | | 44601-LGB5-E10 | 0 | F07 |
| 34901-LDC8-E10 | 1 | F01 | 3920A-ACH5-E10 | 0 | F19 | 44620-KEB7-C00 | 0 | F07 |
| | | | 39400-ACH5-E10 | 0 | E02 | 44710-LDC8-E11 | 2 | F07 |
| 35000 | | | 39450-ACH5-E10 | 0 | F14 | | | |
| | | | 39710-ACH5-E10 | 0 | F19 | 45000 | | |
| 35010-LGB6-E90 | 1 | F19 | 39720-ACH5-E10 | 0 | F19 | 45105-LDC8-305 | 1 | F04 |
| 3515A-LHM9-EV0 | 0 | F03 | | | | 45121-LGB5-E80 | 2 | F07 |
| 3520A-LHM9-E60 | 3 | F03 | 42000 | | | 45126-ALH1-E60 | 2 | F04 |
| 35340-KNBN-C00 | 1 | F04 | | | | 45156-LCB9-B20 | 0 | F06 |
| 35340-LHM9-E60 | 2 | F03 | 42601-LGB5-E10 | 0 | F08 | 45200-LGB5-E10 | 0 | F04 |
| | | | 42710-LDC8-E11 | 3 | F08 | 4550A-LHM9-E61 | 0 | F04 |
| 37000 | | | 43000 | | | 45517-GFY6-C00 | 1 | F03 |
| 3720A-AFC5-E65 | 1 | F02 | | | | 45517-KFAF-910 | 1 | F04 |
| 37802-GGA7-C00 | 1 | F10 | 4312A-KXCX-C00 | 8 | F08 | | | |
| 3780A-ALH1-E60 | 0 | F10 | 4314A-KKD6-E00 | 2 | F08 | | | |

PART NO. INDEX

| PART NO. | VERSION | PAGE | PART NO. | VERSION | PAGE | PART NO. | VERSION | PAGE |
|----------------|---------|------|----------------|---------|------|----------------|---------|------|
| 50000 | | | 51412-LDC8-E10 | 0 | F06 | 53150-LEA6-900 | 6 | F03 |
| | | | 51420-LDC8-E10 | 0 | F06 | 53172-LHM9-E60 | 1 | F03 |
| | | | 51422-LDC8-E10 | 0 | F06 | 53175-LDC8-E60 | 0 | F04 |
| 50100-AFC5-E65 | 1 | F20 | 51428-LDC8-E10 | 0 | F06 | 53178-LGB5-E60 | 0 | F03 |
| 50135-ACH5-E10 | 0 | E08 | 51429-LGB5-E10 | 0 | F06 | 5317B-LHM9-E61 | 0 | F03 |
| 50301-KGN7-C00 | 2 | F20 | 51437-LDC8-E10 | 0 | F06 | 53190-GFY6-C00 | 0 | F03 |
| 50302-2H68-C00 | 2 | F20 | 51500-LGB5-E10 | 0 | F06 | 53191-GFY6-C00 | 2 | F03 |
| 50306-1F96-C00 | 1 | F06 | 51520-LDC8-E10 | 0 | F06 | 53200-ALH1-E60 | 6 | F06 |
| 50326-LGB5-E10 | 0 | F11 | 52000 | | | 53211-GFY6-C00 | 1 | F06 |
| 50330-KEBE-C00 | 1 | F05 | | | | 53212-2L50-C00 | 1 | F06 |
| 50350-LDC8-E10 | 3 | F20 | 52104-LGE5-E01 | 0 | E08 | 53214-2L50-C00 | 5 | F06 |
| 50500-ADA9-M30 | 0 | F15 | 52400-LDC8-E10 | 2 | F16 | 53215-2L50-C00 | 1 | F06 |
| 50505-LDC8-E10 | 2 | F15 | 53000 | | | 61000 | | |
| 50530-LGB5-E10 | 1 | F15 | | | | | | |
| 50531-KEB7-C00 | 1 | F15 | 53100-ALH1-E61 | 0 | F03 | 61100-LGB5-E10 | 1 | F05 |
| 50535-KEB7-W10 | 3 | F15 | 53105-KNBN-C00 | 2 | F03 | 6111A-LDC8-E90 | 0 | F06 |
| 50613-LGB5-E10 | 1 | F12 | 53124-ALH1-E60 | 1 | F03 | 64000 | | |
| 50613-LGB5-E10 | 2 | F12 | 53125-ALH1-E60 | 1 | F03 | | | |
| 50650-LGB5-E10 | 1 | F20 | 53125-GEN5-C00 | 1 | F03 | 64206-MLJ0-C00 | 1 | F06 |
| 50651-LFC4-E10 | 1 | F18 | 53131-ALH1-E60 | 0 | F03 | 64301-LGB5-E10 | 1 | F05 |
| 51000 | | | 53132-ALH1-E60 | 1 | F03 | 64302-LGB5-E10 | 3 | F05 |
| 51400-LGB5-E10 | 0 | F06 | 53140-LFB6-800 | 0 | F03 | 64303-LGB5-E10 | 0 | F05 |
| 51401-LDC8-E10 | 0 | F06 | 53140-LFB6-800 | 6 | F03 | 64310-LGB5-E10 | 1 | F05 |
| 51410-LDC8-E10 | 0 | F06 | 53150-LEA6-900 | 0 | F03 | 64316-LCB9-C10 | 5 | F05 |

PART NO. INDEX

| PART NO. | VERSION | PAGE | PART NO. | VERSION | PAGE | PART NO. | VERSION | PAGE |
|----------------|---------|------|----------------|---------|------|----------------|---------|------|
| 77000 | | | 81251-LCB9-C10 | 0 | F12 | | | |
| 77200-LGB6-E10 | 0 | F09 | 81252-LGB5-E10 | 1 | F12 | 87000 | | |
| 77206-KEB7-900 | 0 | F20 | 81255-LGB6-E10 | 0 | F12 | 87160-AAC7-E60 | 0 | F21 |
| 77231-LGB5-E10 | 0 | F20 | 81256-LGB6-E10 | 0 | F12 | 87505-LDC8-E10 | 2 | F21 |
| 77232-KCAC-C00 | 2 | F12 | 83000 | | | 87505-LDC8-E10 | 3 | F21 |
| 77235-LGB5-E10 | 6 | F19 | 83500-LGB5-E10 | 0 | F12 | 87541-GAR1-C01 | 1 | F21 |
| 77239-GFY6-C00 | 0 | F19 | 83510-LGB5-E10 | 0 | F12 | 87541-KGBG-E01 | 0 | F21 |
| 77240-LGB5-E10 | 1 | F19 | 83510-LGB5-E10 | 1 | F12 | 87541-KGBG-E01 | 1 | F21 |
| 80000 | | | 83600-LGB5-E10 | 0 | F12 | 87542-GAR1-C01 | 2 | F21 |
| 80100-LDC8-E10 | 0 | F18 | 83610-LGB5-E10 | 0 | F12 | 87546-AGE3-E00 | 0 | F21 |
| 80105-LGB5-E10 | 0 | F18 | 86000 | | | 87560-GFY6-E11 | 3 | F21 |
| 8010A-LGB5-E10 | 0 | F18 | 86102-ALG1-E00 | 2 | F21 | 88000 | | |
| 80151-LGB5-E10 | 0 | F12 | 86221-AFC5-E60 | 1 | F21 | 88110-LEB5-C11 | 2 | F03 |
| 81000 | | | 86231-AFC5-E60 | 1 | F21 | 88120-LEB5-C11 | 2 | F03 |
| 81132-LCB9-C10 | 1 | F05 | 86241-AFC5-E60 | 1 | F21 | 89000 | | |
| 81132-LDC8-E10 | 1 | F05 | 86251-AFC5-E60 | 1 | F21 | 89010-KGBG-C00 | 1 | F09 |
| 81132-LHM9-E60 | 0 | F05 | 86261-AFC5-E60 | 1 | F21 | 90000 | | |
| 81133-KNBN-C00 | 1 | F05 | 86271-AFC5-E60 | 1 | F21 | 9000A-ALK1-E15 | 0 | E01 |
| 81200-LGB5-E10 | 0 | F12 | 86732-AFC5-E60 | 1 | F21 | 9000A-KTDT-C02 | 1 | E01 |
| 81250-LGB5-E10 | 1 | F12 | 86733-AFC5-E60 | 1 | F21 | | | |

PART NO. INDEX

| PART NO. | VERSION | PAGE | PART NO. | VERSION | PAGE | PART NO. | VERSION | PAGE |
|-----------------|---------|------|----------------|---------|------|----------------|---------|------|
| 90012-3C33-C00 | 1 | E02 | 90302-PUA3-B51 | 1 | F06 | 90652-LFB5-C00 | 1 | F05 |
| 90031-KGBG-C01 | 1 | E01 | 90302-PUA3-B51 | 1 | F18 | 90683-GAR1-C00 | 4 | F12 |
| 90032-KGBG-C01 | 1 | E01 | 90302-SDA4-C01 | 0 | F05 | 90701-GFF6-C00 | 1 | E02 |
| 90033-GFY6-C11 | 1 | E02 | 90302-SDA4-C01 | 0 | F12 | 90701-GFF6-C00 | 1 | E03 |
| 90102-GLE0-C00 | 1 | F15 | 90302-SDA4-C01 | 0 | F18 | 90701-HDC4-C00 | 1 | E07 |
| 90105-KCR3-C02 | 1 | F07 | 90302-SDA4-C01 | 0 | F20 | 90754-GHC8-C00 | 1 | F07 |
| 90105-LDC8-E11 | 0 | F20 | 90304-4H38-C00 | 1 | E02 | 90912-GHC8-C00 | 1 | F07 |
| 90106-PUA3-B50 | 0 | F03 | 90304-4H38-C00 | 1 | F17 | | | |
| 90108-KEB7-E01 | 1 | F15 | 90304-GHE8-C01 | 0 | F03 | 91000 | | |
| 90110-GLW0-C00 | 0 | F05 | 90304-GHE8-C01 | 0 | F20 | | | |
| 90110-KEB7-C01 | 1 | F06 | 90305-PUA3-B51 | 1 | F08 | 91001-GGA7-C00 | 1 | E06 |
| 90111-06016-07G | 0 | F05 | 90306-KLF0-C02 | 0 | F07 | 91004-KBN2-C00 | 1 | E01 |
| 90111-1G87-C01 | 1 | F12 | 90309-PUA3-B50 | 0 | E09 | 91004-KBN2-C00 | 1 | E09 |
| 90114-1F66-C00 | 2 | F04 | 90412-3K29-C00 | 5 | E01 | 91004-KNBN-C00 | 1 | E01 |
| 90115-GLE0-C00 | 6 | F03 | 90426-KNBN-C01 | 1 | E06 | 91009-GLE0-004 | 1 | E09 |
| 90116-GGS7-C00 | 2 | F03 | 90429-KNBN-C00 | 1 | E09 | 91014-LLJ3-C00 | 1 | F06 |
| 90116-LDC8-E10 | 0 | F06 | 90442-0D44-C00 | 1 | E06 | 91015-LLJ3-C00 | 1 | F06 |
| 90121-GFY6-C00 | 1 | F20 | 90442-GFF6-C01 | 1 | E02 | 91103-GAR1-C00 | 1 | E06 |
| 90121-KBE2-C01 | 1 | F07 | 90451-GBN2-C00 | 10 | E01 | 91201-KGBG-C00 | 1 | E04 |
| 90131-GLW0-C02 | 1 | F04 | 90454-GBB2-C00 | 1 | E06 | 91202-GFY6-90C | 1 | E01 |
| 90145-9A61-C00 | 1 | F04 | 90474-1G47-C00 | 1 | E01 | 91204-KNBN-C00 | 1 | E01 |
| 90202-1G87-C00 | 1 | E06 | 90474-3C33-C00 | 1 | E01 | 91211-GHK8-C00 | 1 | E06 |
| 90202-GFF6-C00 | 1 | E02 | 90501-KNBN-C01 | 1 | F08 | 91251-LDC8-E10 | 0 | F06 |
| 90206-0A01-C00 | 2 | E02 | 9052A-PUA3-B50 | 1 | E01 | 91254-LDC8-E10 | 0 | F06 |
| 90301-4C73-C01 | 0 | F15 | 90544-LDC8-E10 | 0 | F06 | 91255-LDC8-E10 | 5 | E09 |
| 90301-KGBG-C01 | 0 | F14 | 90545-3L00-C00 | 2 | F04 | 91258-KAM1-C00 | 1 | F07 |

PART NO. INDEX

| PART NO. | VERSION | PAGE | PART NO. | VERSION | PAGE | PART NO. | VERSION | PAGE |
|-----------------|---------|------|-----------------|---------|------|-----------------|---------|------|
| 91301-0C53-W10 | 0 | E09 | 93600-04012-1G | 1 | F04 | 94050-06080-G | 1 | F10 |
| 91301-GLR0-W10 | 1 | E03 | 93892-04008-18 | 0 | E05 | 94050-06080-G | 1 | F19 |
| 91301-KEA5-C00 | 1 | E06 | 93893-04012-08 | 0 | F04 | 94050-08080-G | 1 | F19 |
| 91302-0A01-C00 | 10 | E04 | 93903-25380 | 0 | F13 | 94050-10080-G | 1 | E06 |
| 91305-0H28-C00 | 1 | E07 | 93903-25480 | 1 | F13 | 94050-10080-G | 1 | E08 |
| 91307-0E35-W10 | 1 | E04 | 93903-34380-G | 0 | F02 | 94101-08700-G | 0 | F14 |
| | | | 93903-34380-G | 0 | F05 | 94101-LGB5-E10 | 0 | F12 |
| 92000 | | | 93903-34380-G | 0 | F12 | 94111-08800-G | 0 | F14 |
| | | | 93903-34380-G | 0 | F18 | 94301-08140 | 4 | E01 |
| 92101-05012-0HG | 1 | E08 | 93903-34380-G | 0 | F20 | 94301-08140 | 4 | E04 |
| | | | 93903-35220-G | 1 | F01 | 94301-10200 | 4 | E09 |
| 93000 | | | 93903-35220-G | 1 | F18 | 94511-14000 | 10 | E01 |
| | | | 93903-35380-G | 1 | F11 | 94520-24000 | 1 | E06 |
| 93404-06012-07G | 0 | F18 | 93903-GFY6-C01 | 1 | F05 | 94540-06018 | 2 | E07 |
| 93404-06016-07 | 1 | F05 | 93903-GFY6-C01 | 1 | F12 | 94591-LDC8-E10 | 1 | E01 |
| 93404-06016-07 | 1 | F12 | 93903-GFY6-C01 | 1 | F18 | 94608-LDC8-E10 | 0 | F06 |
| 93404-06016-07 | 1 | F20 | 93904-35380-G | 0 | E08 | | | |
| 93404-06020-07G | 1 | F05 | | | | 95000 | | |
| 93404-06020-07G | 1 | F12 | 94000 | | | | | |
| 93500-04010-1A | 0 | E05 | | | | 95002-02120 | 1 | F13 |
| 93500-04010-1A | 0 | E07 | 94001-05080-0S | 0 | F03 | 9500B-LKL5-E30 | 0 | F19 |
| 93500-04012-1A | 0 | E05 | 94001-12280-0SG | 1 | E06 | 95014-71202 | 1 | F15 |
| 93500-04014-1A | 0 | E05 | 94050-05080-G | 1 | F18 | 95701-06012-08 | 3 | F06 |
| 93500-04025-0A | 0 | F13 | 94050-06070 | 0 | F04 | 95701-06012-08G | 1 | F03 |
| 93500-05012-1A | 0 | E05 | 94050-06080-G | 1 | E02 | 95701-06012-08G | 1 | F20 |
| 93500-LGB5-E10 | 0 | F12 | 94050-06080-G | 1 | F09 | 95701-06016-08G | 1 | F19 |

PART NO. INDEX

| PART NO. | VERSION | PAGE | PART NO. | VERSION | PAGE | PART NO. | VERSION | PAGE |
|-----------------|---------|------|-----------------|---------|------|----------|---------|------|
| 95701-06022-07G | 1 | F15 | 96001-06018-08G | 1 | E03 | | | |
| 95701-06025-08G | 1 | E02 | 96001-06020-08G | 1 | E07 | | | |
| 95701-06028-07G | 1 | F19 | 96001-06022-08G | 1 | E08 | | | |
| 95701-06032-08G | 1 | E02 | 96001-06025-00 | 0 | F04 | | | |
| 95701-06032-08G | 1 | F08 | 96001-06025-02 | 4 | F03 | | | |
| 95701-06040-08G | 1 | F13 | 96001-06025-08G | 1 | E07 | | | |
| 95701-08012-08G | 1 | E01 | 96001-06025-08G | 1 | E08 | | | |
| 95701-08012-08G | 1 | F19 | 96001-06045-08G | 1 | E01 | | | |
| 95701-08016-07G | 1 | F19 | 96001-06085-08G | 1 | E02 | | | |
| 95701-08035-08G | 1 | E01 | 96001-06085-08G | 1 | E04 | | | |
| 95701-08040-08G | 1 | E01 | 96001-06100-08G | 1 | E04 | | | |
| 95701-LDC8-E11 | 0 | F19 | 96100-62033-00 | 1 | E01 | | | |
| 95701-LGF3-E90 | 0 | E02 | 96220-LDC5-C00 | 1 | E07 | | | |
| 95801-08032-08G | 1 | F16 | 96700-08016-02 | 0 | F03 | | | |
| 95801-08040-08G | 1 | F06 | 96700-08025-02 | 0 | F03 | | | |
| 95801-08050-07G | 1 | F14 | 96700-08055-02 | 0 | F03 | | | |
| 95801-10035-08G | 0 | F16 | | | | | | |
| 95801-10070-08G | 1 | F20 | 98000 | | | | | |
| 95801-LEJ2-E11 | 0 | F14 | | | | | | |
| 96000 | | | 98056-5671R-00 | 1 | E02 | | | |
| | | | 98200-10700 | 2 | F11 | | | |
| | | | 98200-11500 | 2 | F11 | | | |
| 96001-06012-02 | 3 | E01 | | | | | | |
| 96001-06012-02 | 3 | F14 | | | | | | |
| 96001-06016-08G | 1 | E08 | | | | | | |
| 96001-06016-08G | 1 | F19 | | | | | | |